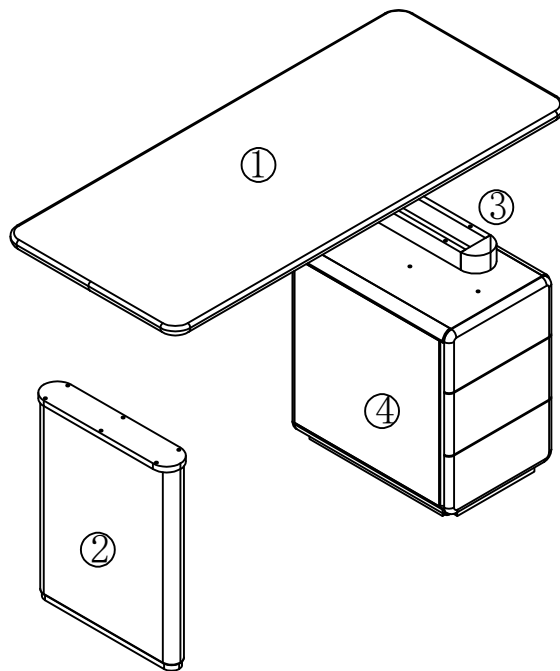
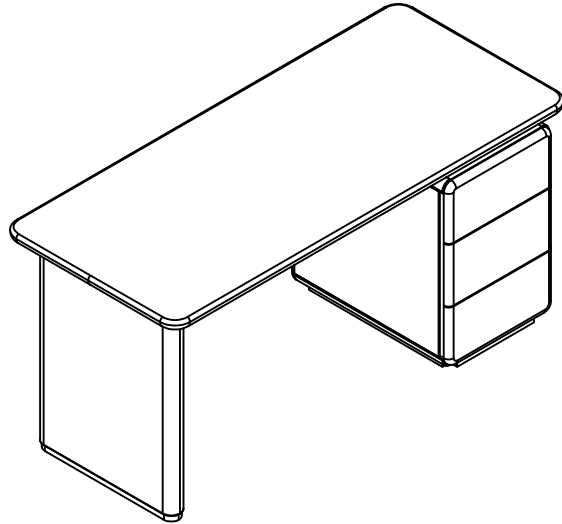


组装说明书

Assembly Instructions

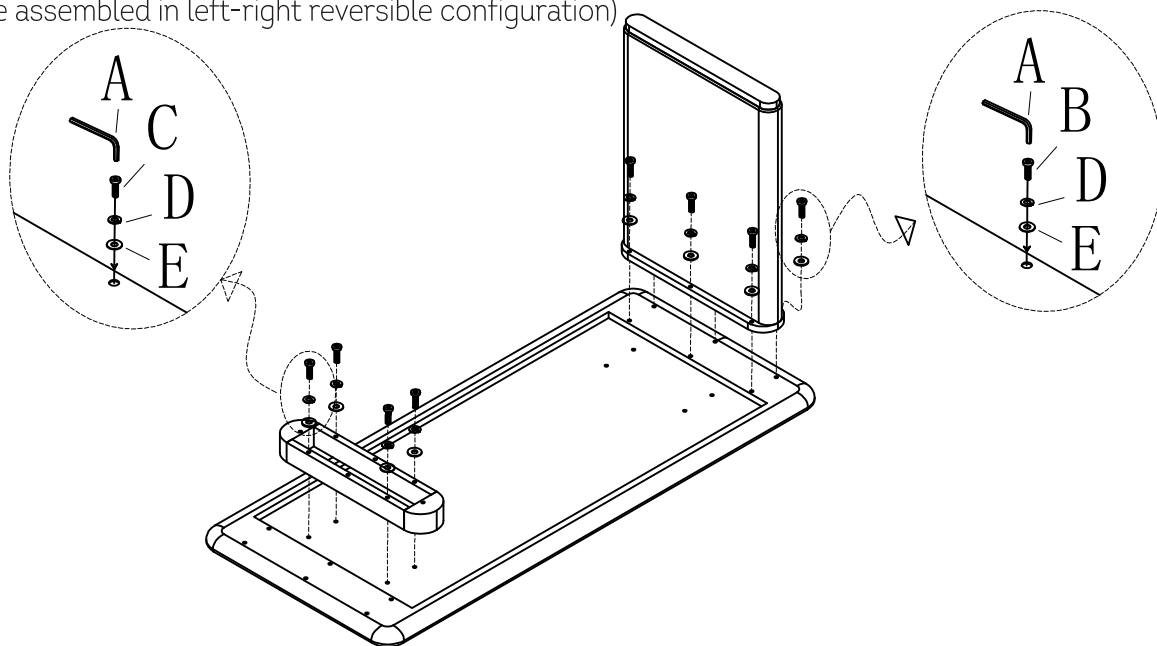
产品编号: Y00X43



 Hexagon Wrench	 Hexagon Socket Head Cap Screw	 Hexagon Socket Head Cap Screw	 Spring Washer	 Flat Washer
A、内六角扳手 4#=1	B、内六角螺杆 M6×30=10	C、内六角螺杆 M6×50=4	D、弹垫 Ø6*12=14	E、平垫 Ø6*14=14

桌面和侧片腿和框架组装。（注：产品可左右组装）

Assemble the tabletop, side panel legs and frame. (Note: The product can be assembled in left-right reversible configuration)



将小柜上抽屉取出，与框架组装。 组装好后产品正放，安装抽屉

Take out the drawer from the small cabinet, and assemble it with the frame. After assembly, place the product upright and install the drawer.

