

LINSY 林氏家居

五金表/Hardware list

部件表/Parts List

安装示意图/Assembly Instruction

产品名称 Model NO.

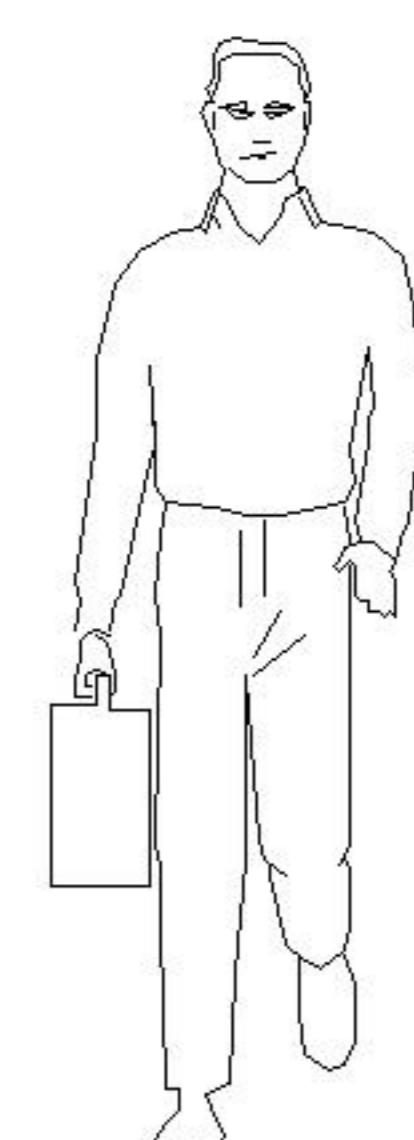
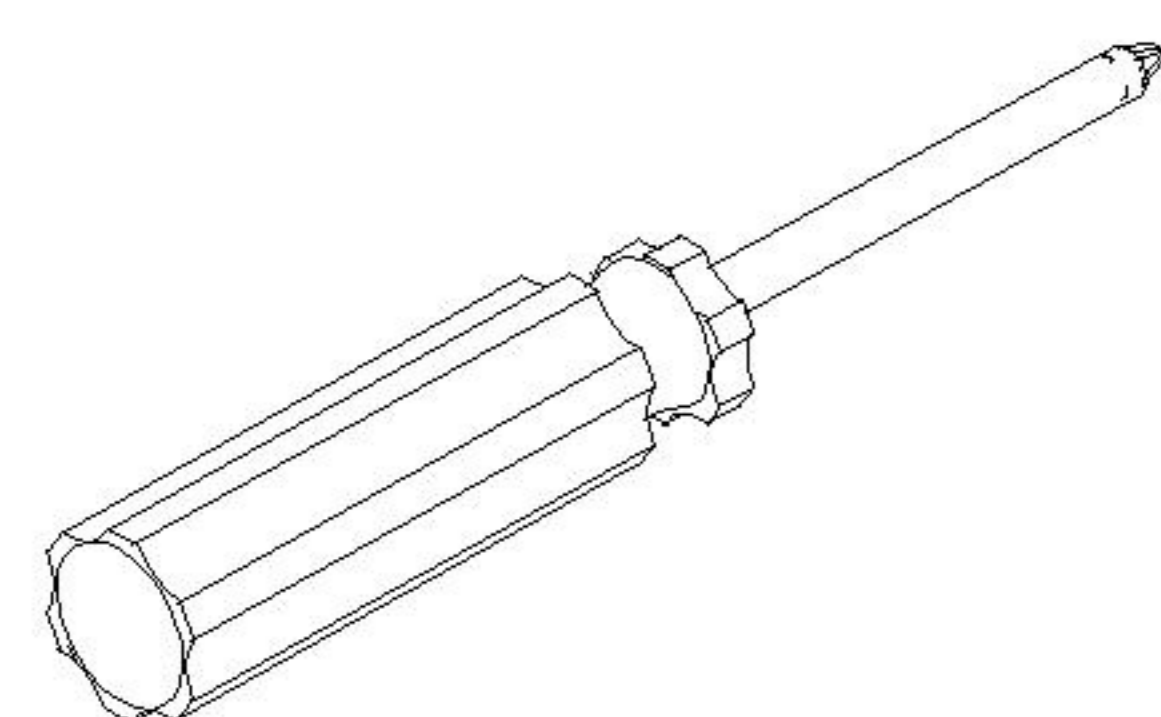
UN1N-A(1.0m)

产品规格 Specification

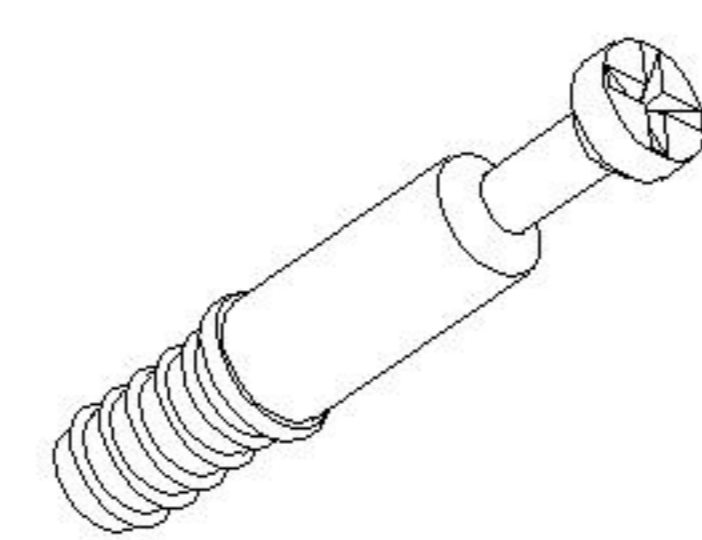
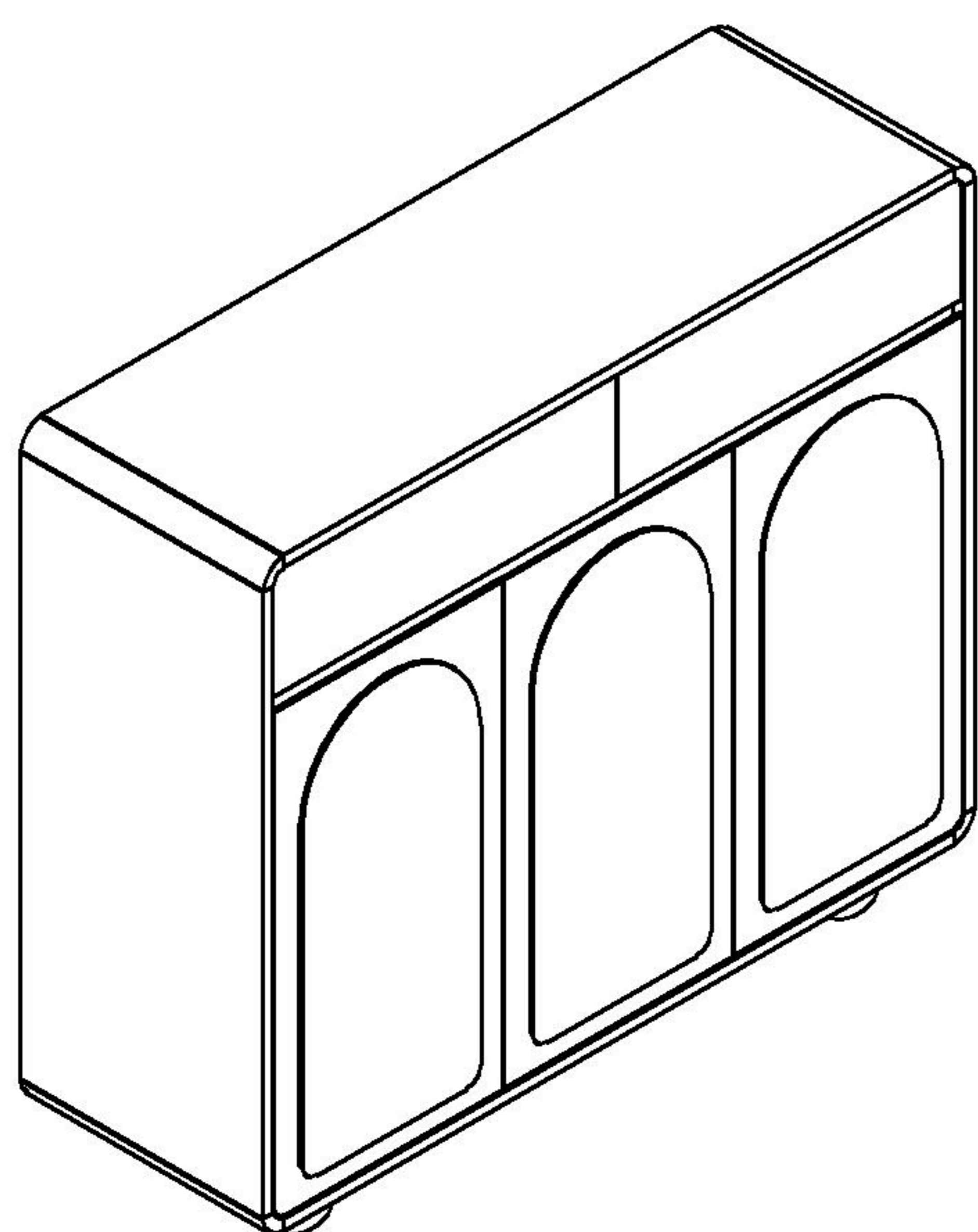
1001*343*895mm

安装工具 Tool

安装人数 Installer

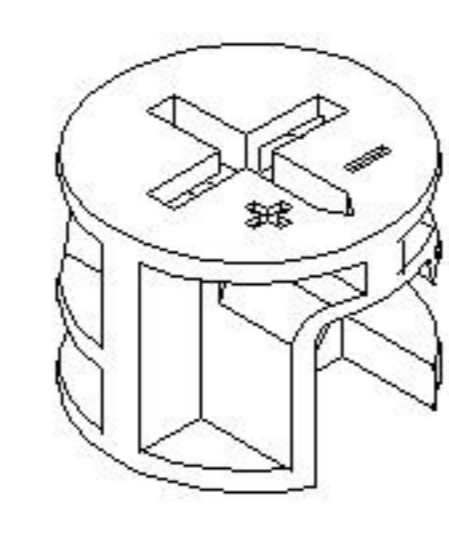


注：为保证设计效果，部分尺寸为定制尺寸，不影响使用。



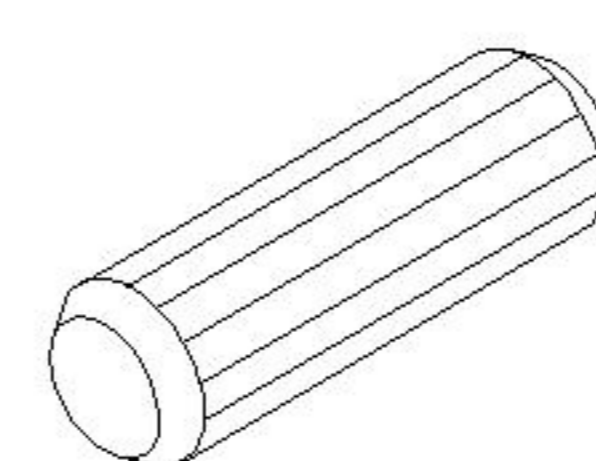
(A)*38

二合一螺杆
2-in-1-screw



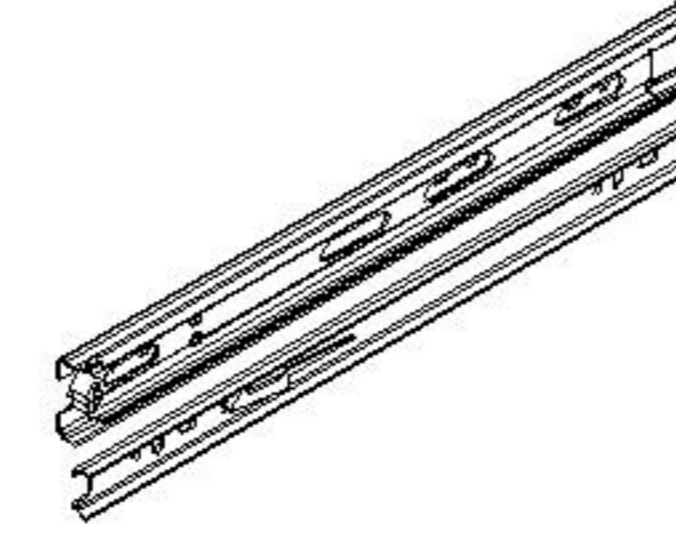
(B)*38

大三合一锁饼
3-in-1 large lock



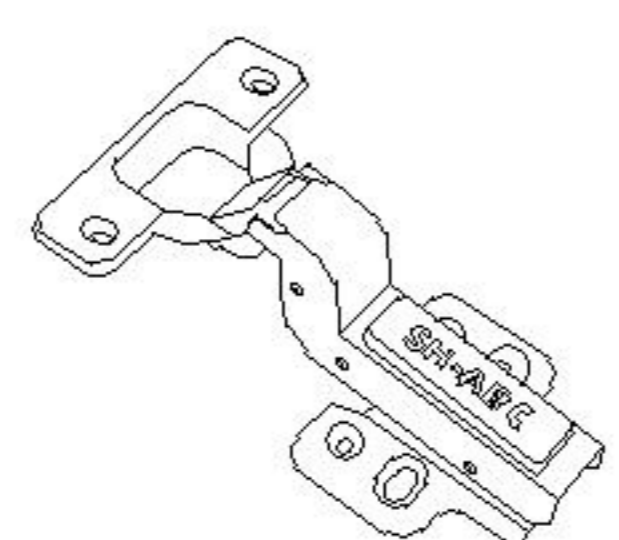
(C)*19

木榫Ø8x30mm
Wood tenon



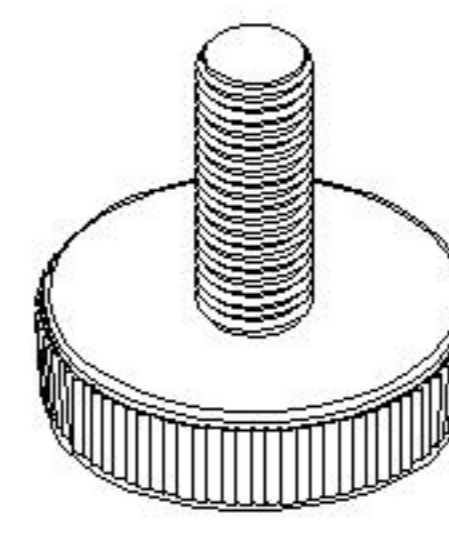
(D)*2

三节滚珠导轨10"
Three-section rail



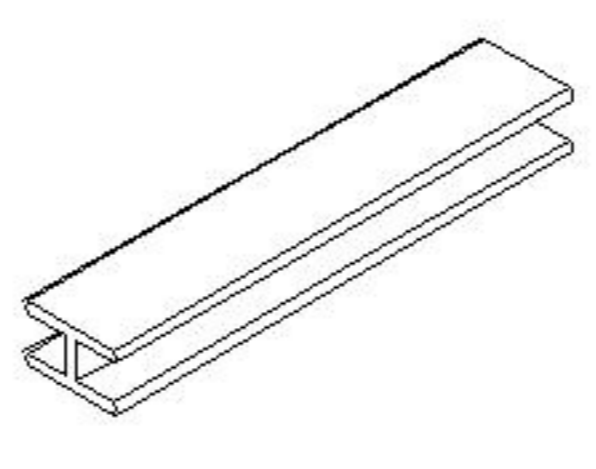
(E)*6

缓冲门较大弯-杯径Ø35
Great bend hinge



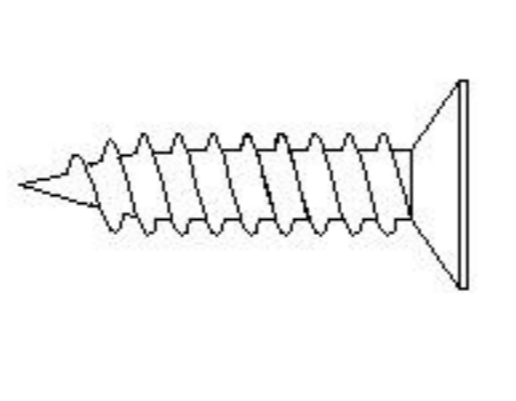
(F)*1

调节五金脚
Adjustable hardware foot



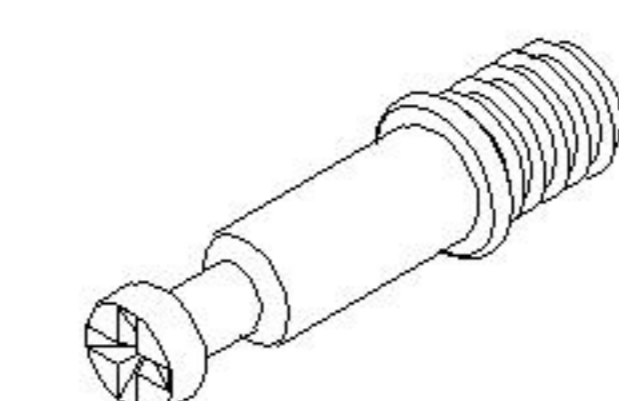
(G)*2 L=790

夹板条
Splint strip



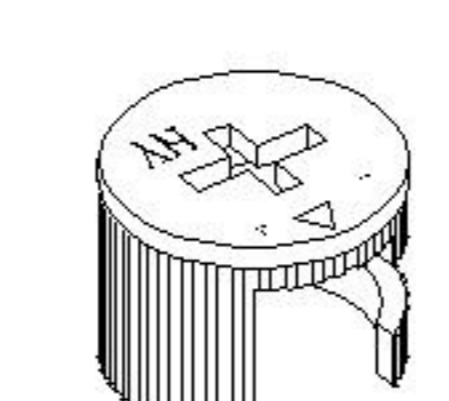
(H)*25

白攻螺丝M3.5*12mm
Tapping screw



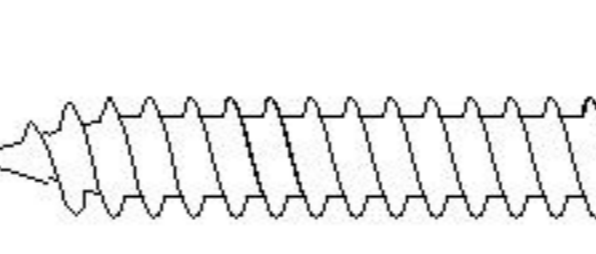
(I)*8

小二合一杆
2-in-1 small rod



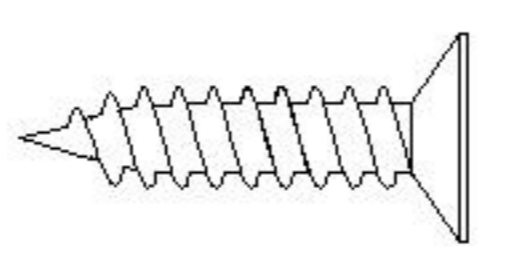
(J)*8

小三合一锁饼
3-in-1 small lock



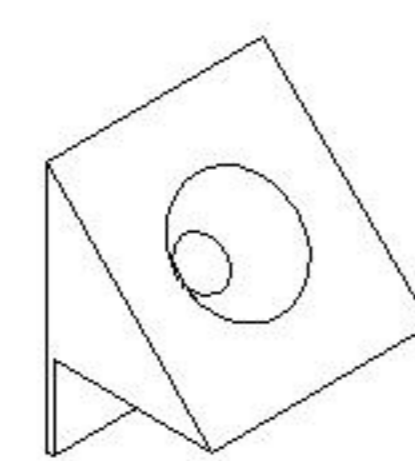
(K)*8

白攻螺丝M4*10mm
Tapping screw



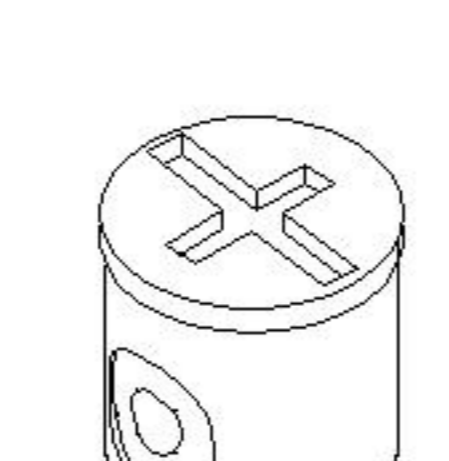
(L)*8

白攻螺丝M3.5*16mm
Tapping screw



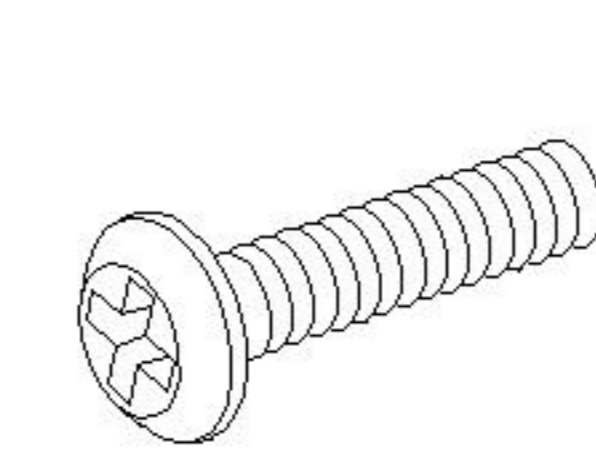
(M)*8

背板扣
White buckle



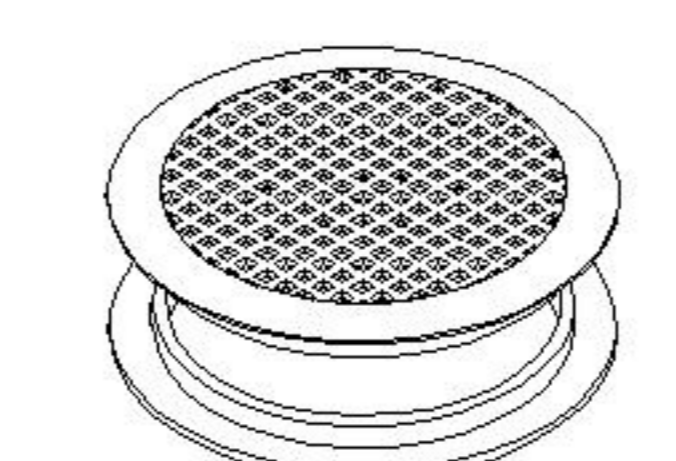
(N)*8

塑料螺母
Plastic Nut



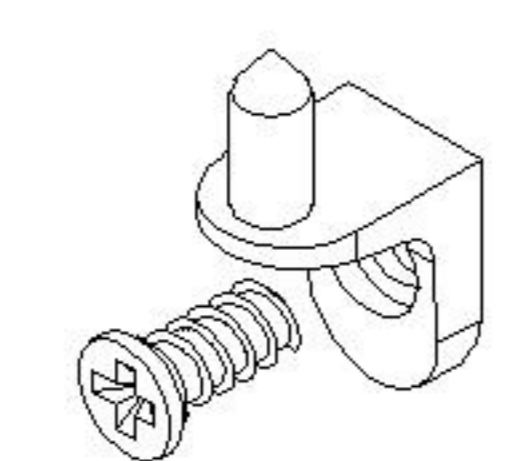
(O)*5

斜边十字螺杆M8*35mm
Bevel cross screw



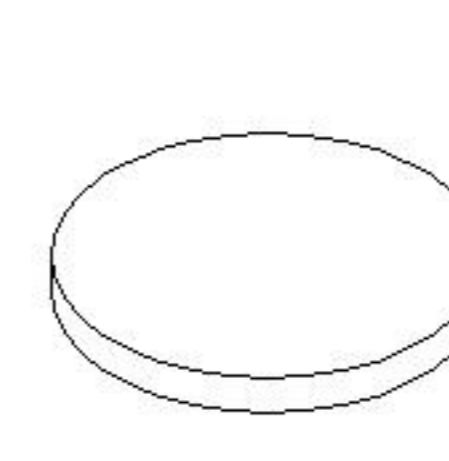
(P)*4

透气孔盖-白色
Breathable cover



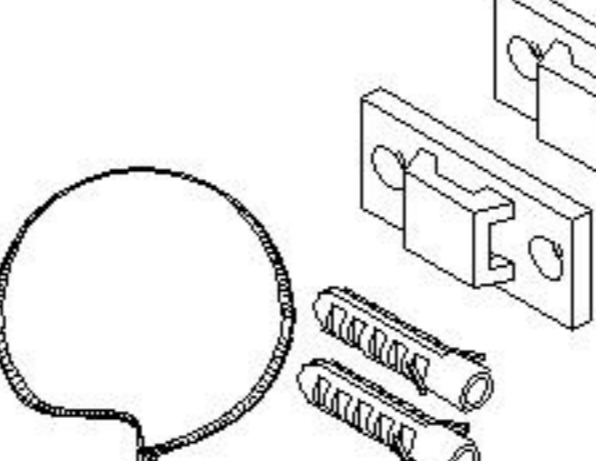
(Q)*24

层板托5mm
shelf support



(R)*4

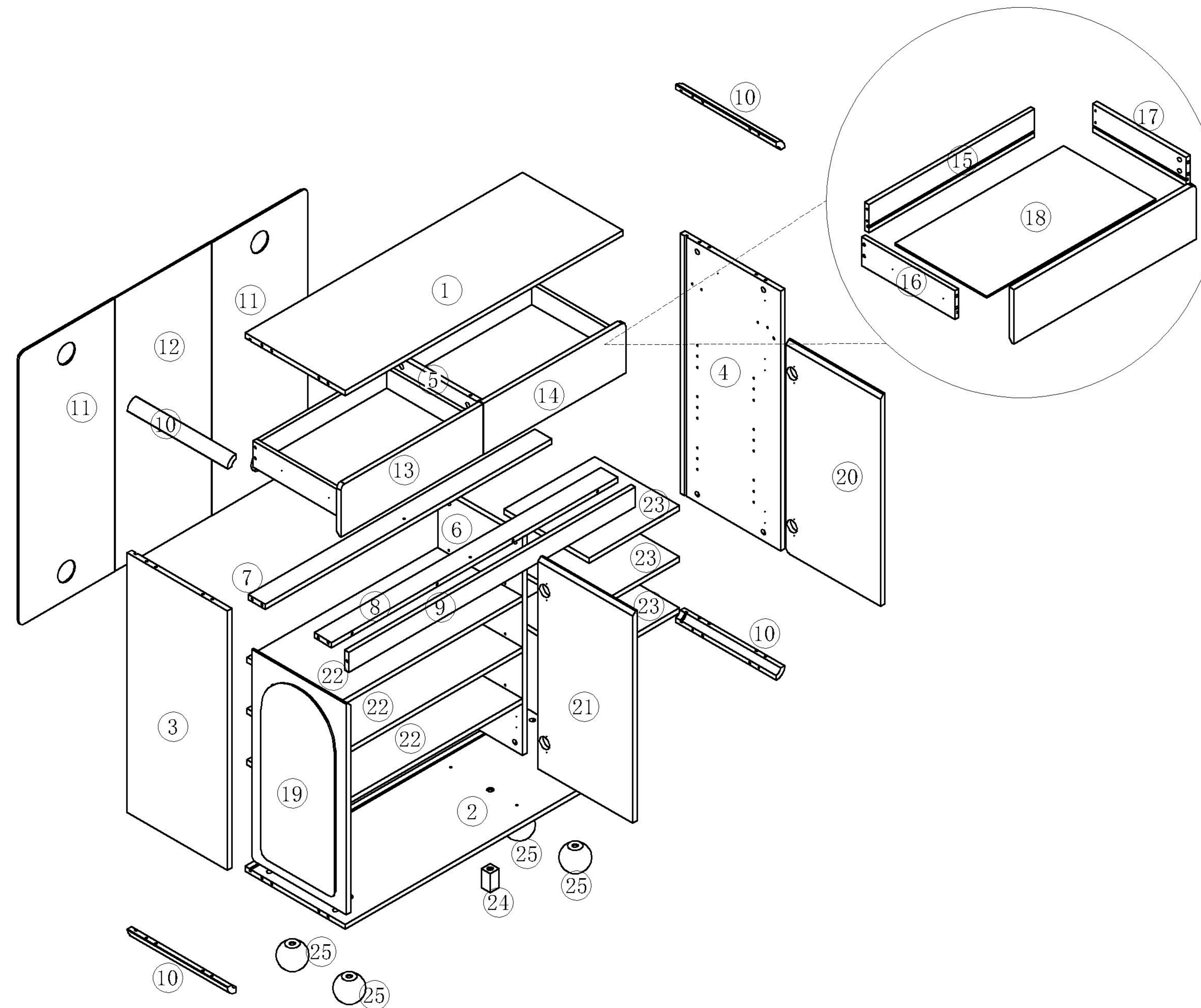
灰色毛毡垫 Ø25*3
Foot pad



(S)*2

家具防倒器-白色
Anti-fall device

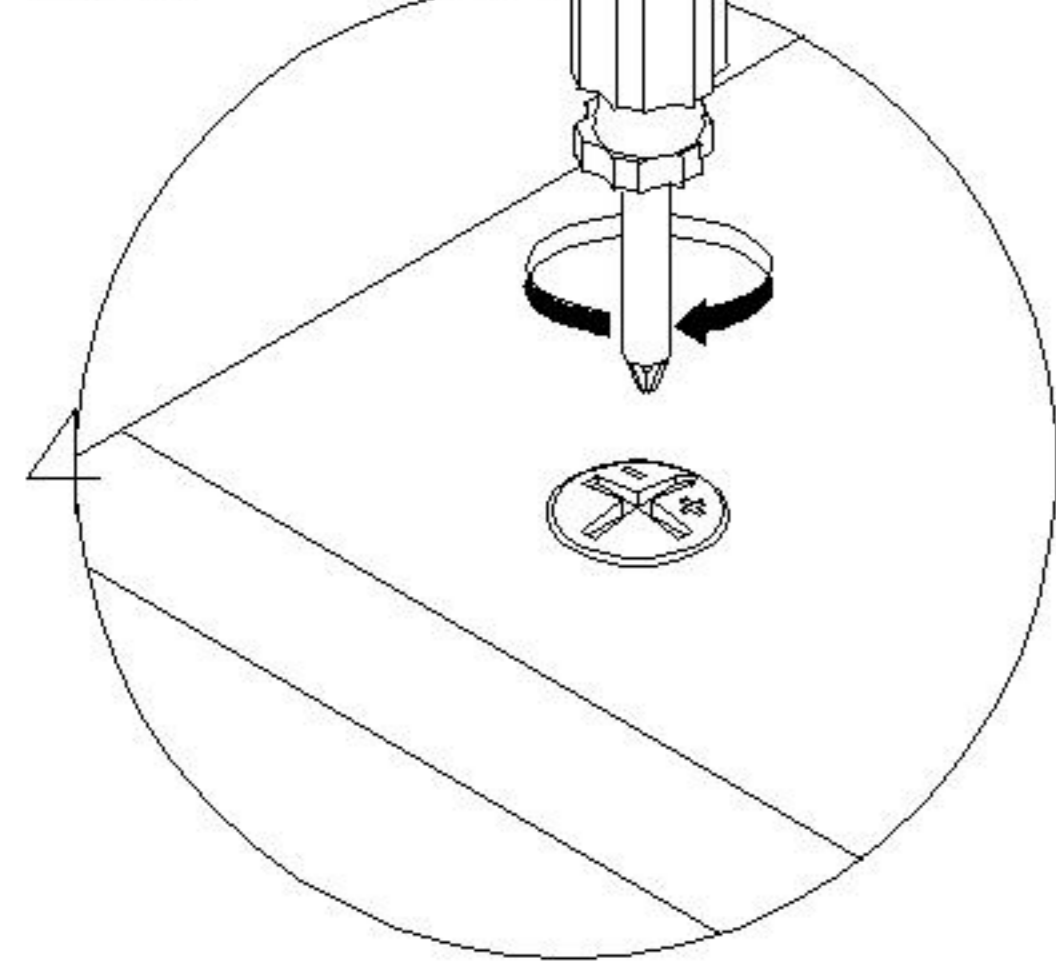
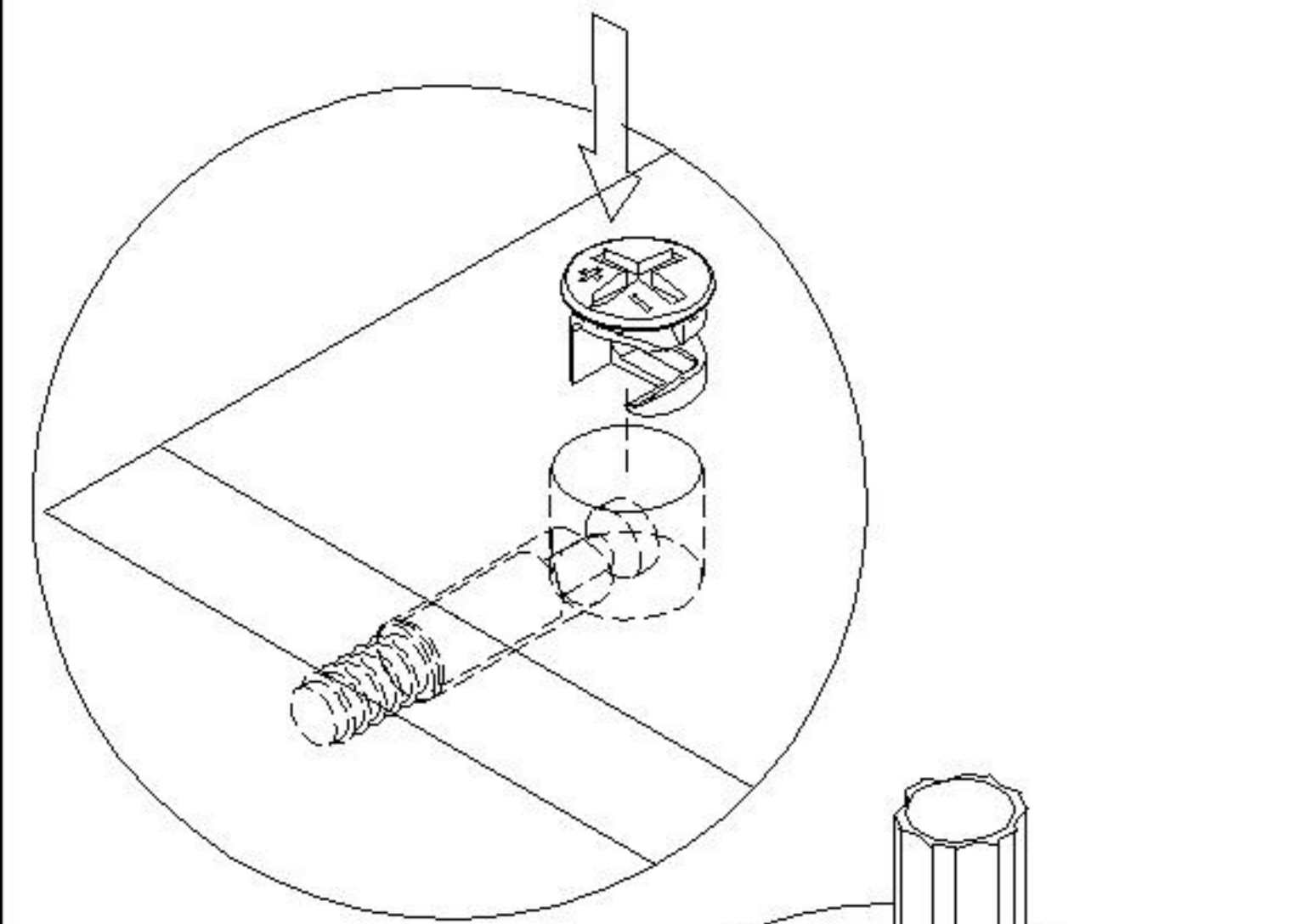
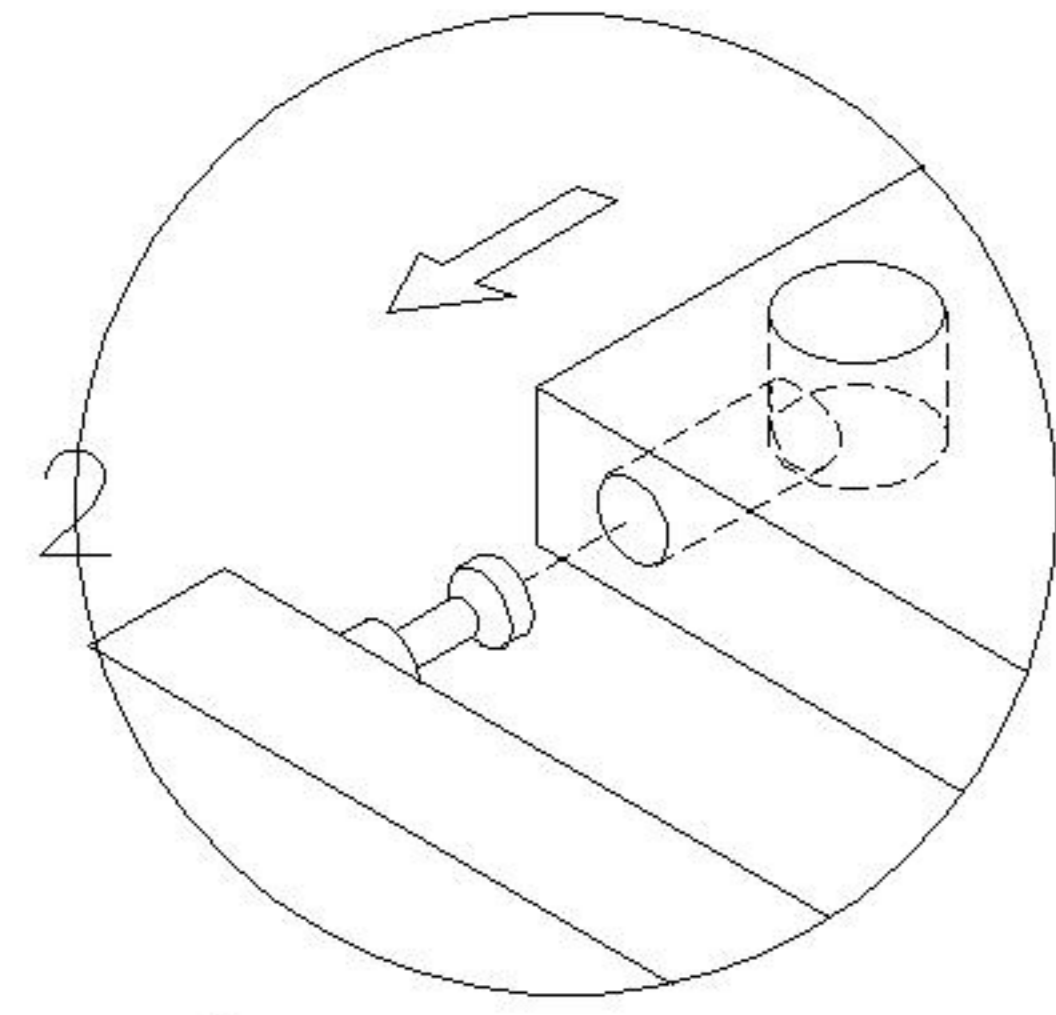
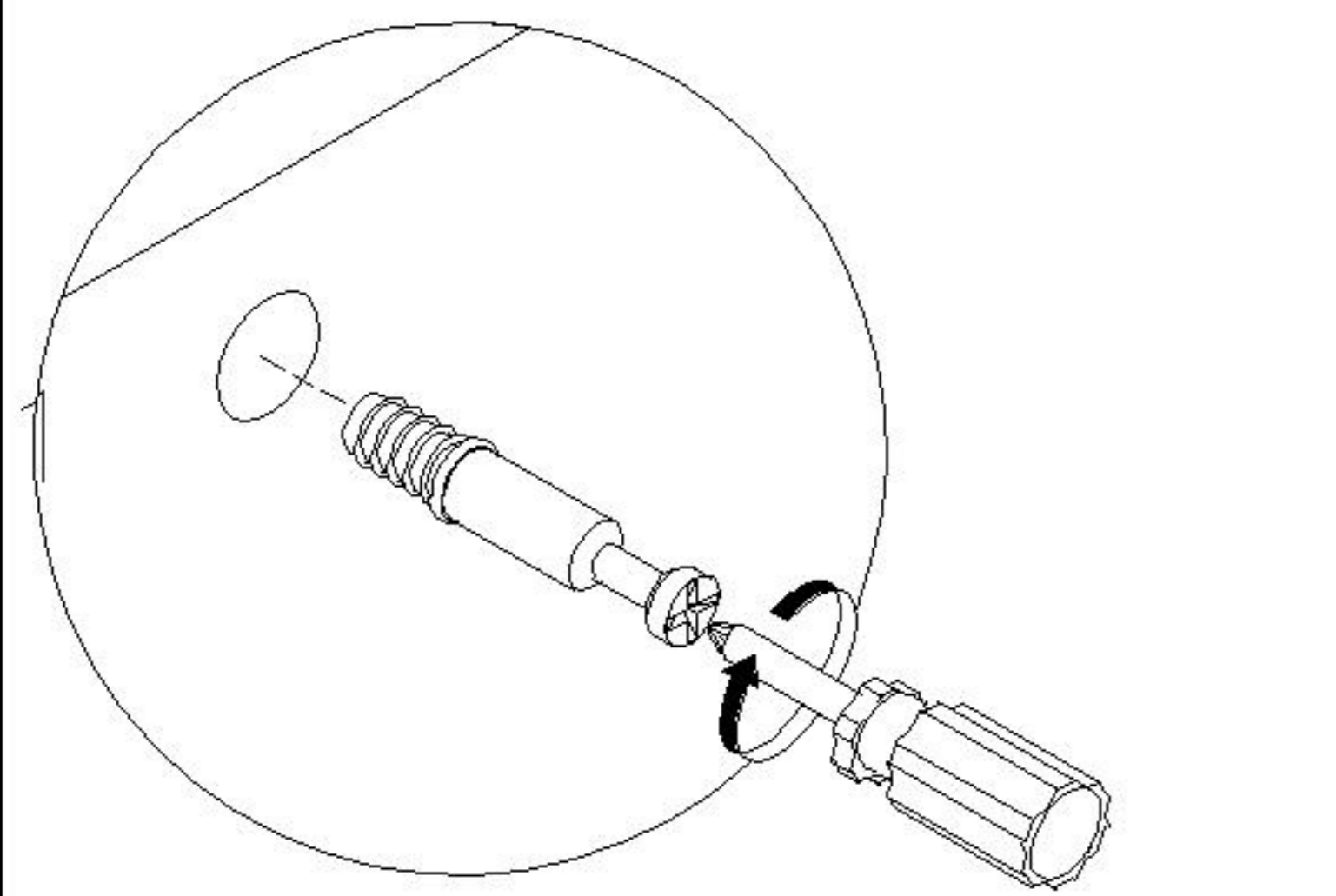
编号NO.	名称Name	规格 (mm) Specification	数量QTY	材质Material
①	面板Top panel	941*340*15	1	纤维板 Fiberboard
②	底板Bottom board	941*340*15	1	纤维板 Fiberboard
③	左侧板Side board(L)	762*340*15	1	纤维板 Fiberboard
④	右侧板Side board(R)	762*340*15	1	纤维板 Fiberboard
⑤	上中侧板Upper middle side board	301*137*15	1	纤维板 Fiberboard
⑥	下中侧板Middle-down side panel	640*286*15	1	纤维板 Fiberboard
⑦	拉条1Brace 1	971*58*15	1	纤维板 Fiberboard
⑧	拉条2Brace 2	971*58*15	1	纤维板 Fiberboard
⑨	装饰条Decorative strip	971*58*15	1	纤维板 Fiberboard
⑩	连接木Linked wood	340*50*50	4	橡胶木 Rubber wood
⑪	边背板Side back board	802*326*5	2	纤维板 Fiberboard
⑫	背板Back board	802*326*5	1	纤维板 Fiberboard
⑬	左抽屉面板Drawer's panel(L)	482*158*15	1	纤维板 Fiberboard
⑭	右抽屉面板Drawer's panel(R)	482*158*15	1	纤维板 Fiberboard
⑮	抽屉后板Drawer's Back board	428*78*12	2	刨花板 Particle board
⑯	抽屉左侧板Drawer's side board(L)	295*78*12	2	刨花板 Particle board
⑰	抽屉右侧板Drawer's side board(R)	295*78*12	2	刨花板 Particle board
⑱	抽屉底板Drawer's Bottom board	438*291*5	2	纤维板 Fiberboard
⑲	左门板Door board(L)	610*321*20	1	纤维板 Fiberboard
⑳	右门板Door board(R)	610*321*20	1	纤维板 Fiberboard
㉑	左中门板 Middle door(L)	610*321*20	1	纤维板 Fiberboard
㉒	活动层板Movable shelf	647*300*15	3	纤维板 Fiberboard
㉓	活动层板2 Movable shelf 2	307*300*15	3	纤维板 Fiberboard
㉔	中脚Middle foot	55*30*30	1	橡胶木 Rubber wood
㉕	脚Foot	70*80*80	4	橡胶木 Rubber wood



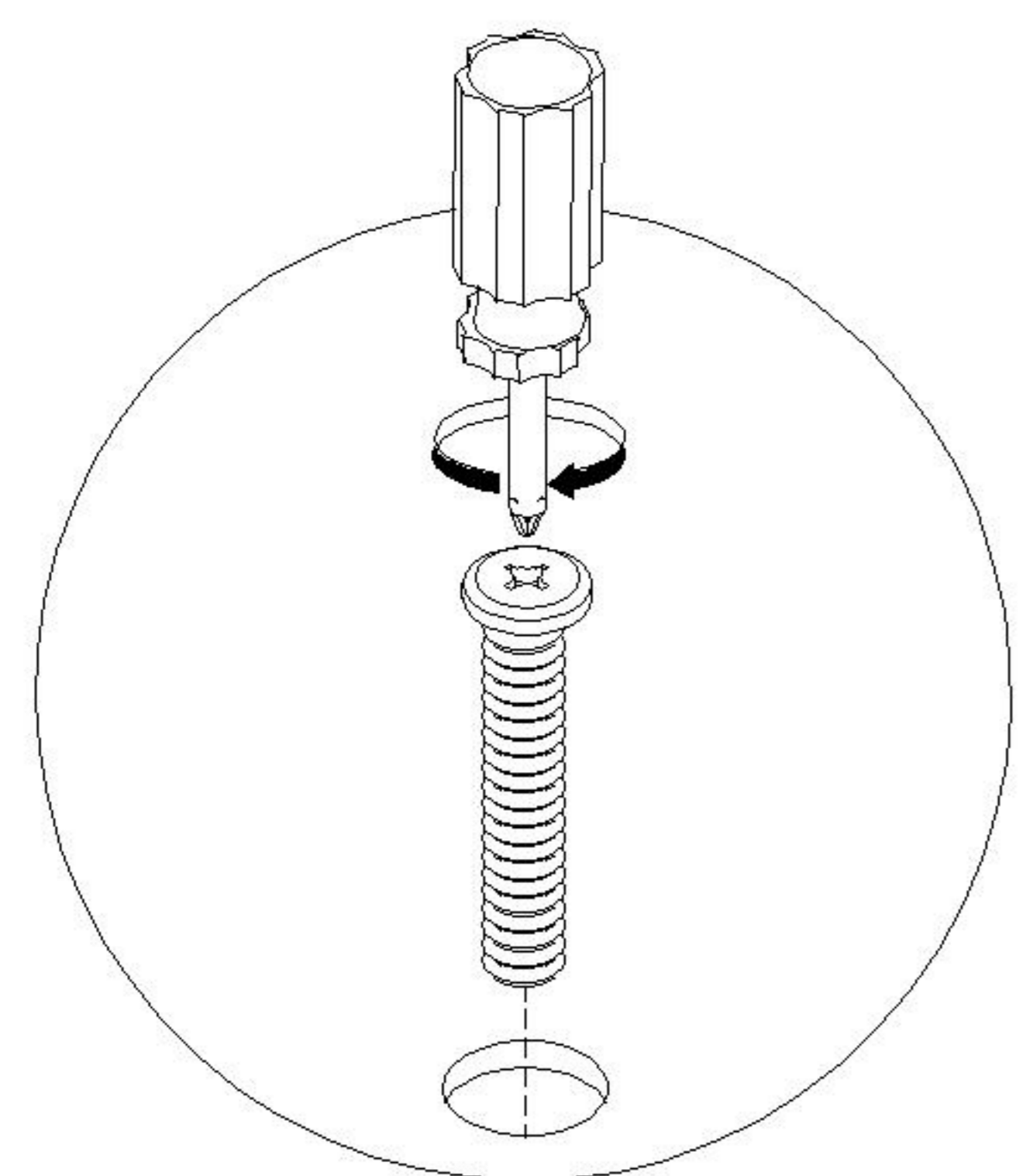
编号NO.	名称Name
①	面板Top panel
②	底板Bottom board
③	左侧板Side board(L)
④	右侧板Side board(R)
⑤	上中侧板Upper middle side board
⑥	下中侧板Middle-down side panel
⑦	拉条1Brace 1
⑧	拉条2Brace 2
⑨	装饰条Decorative strip
⑩	连接木Linked wood
⑪	边背板Side back board
⑫	背板Back board
⑬	左抽屉面板Drawer's panel(L)
⑭	右抽屉面板Drawer's panel(R)
⑮	抽屉后板Drawer's Back board
⑯	抽屉左侧板Drawer's side board(L)
⑰	抽屉右侧板Drawer's side board(R)
⑱	抽屉底板Drawer's Bottom board
⑲	左门板Door board(L)
⑳	右门板Door board(R)
㉑	左中门板 Middle door(L)
㉒	活动层板Movable shelf
㉓	活动层板2 Movable shelf 2
㉔	中脚Middle foot
㉕	脚Foot

UN1N-A (1.0m)

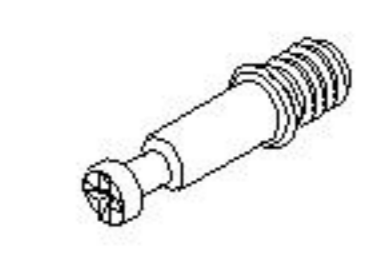
安装方法/
Installation method



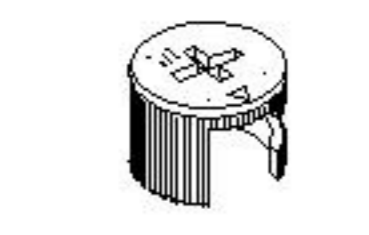
小二合一
small two-in-one



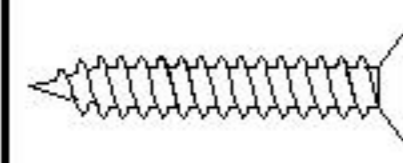
斜边十字螺杆
bevel cross screw



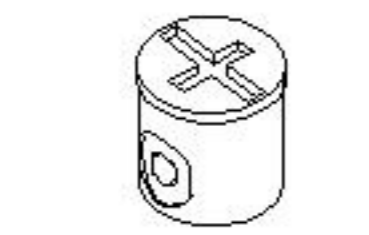
(I) *8



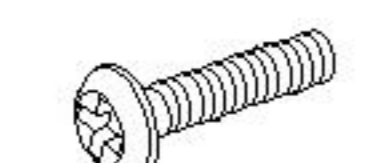
(J) *8



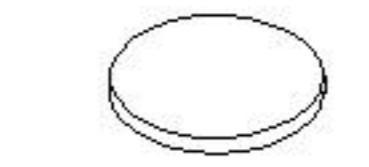
(K) *8



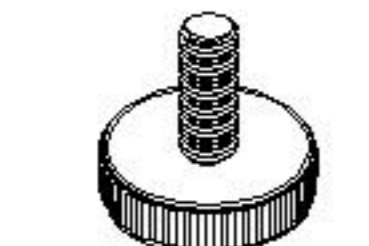
(N) *8



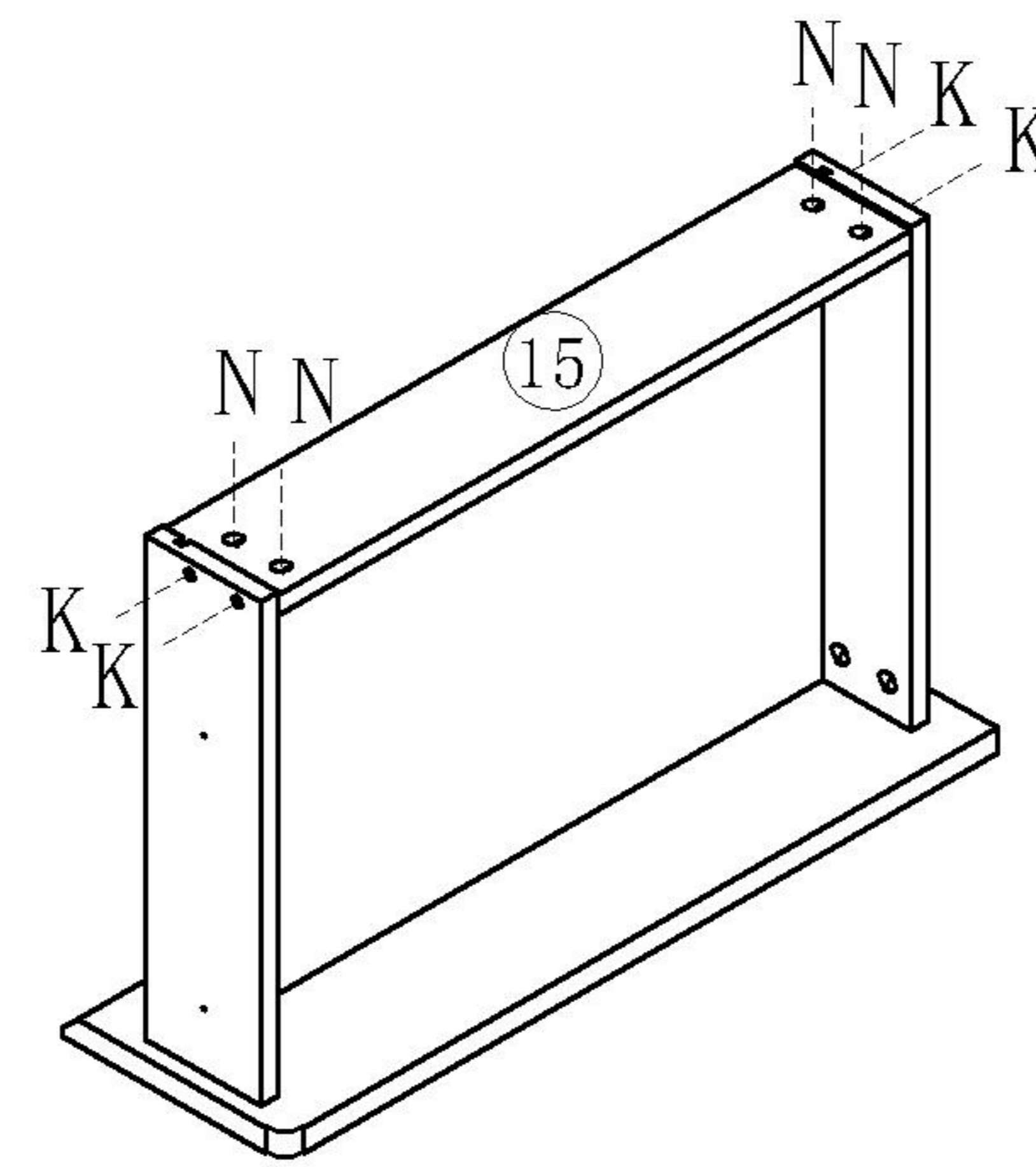
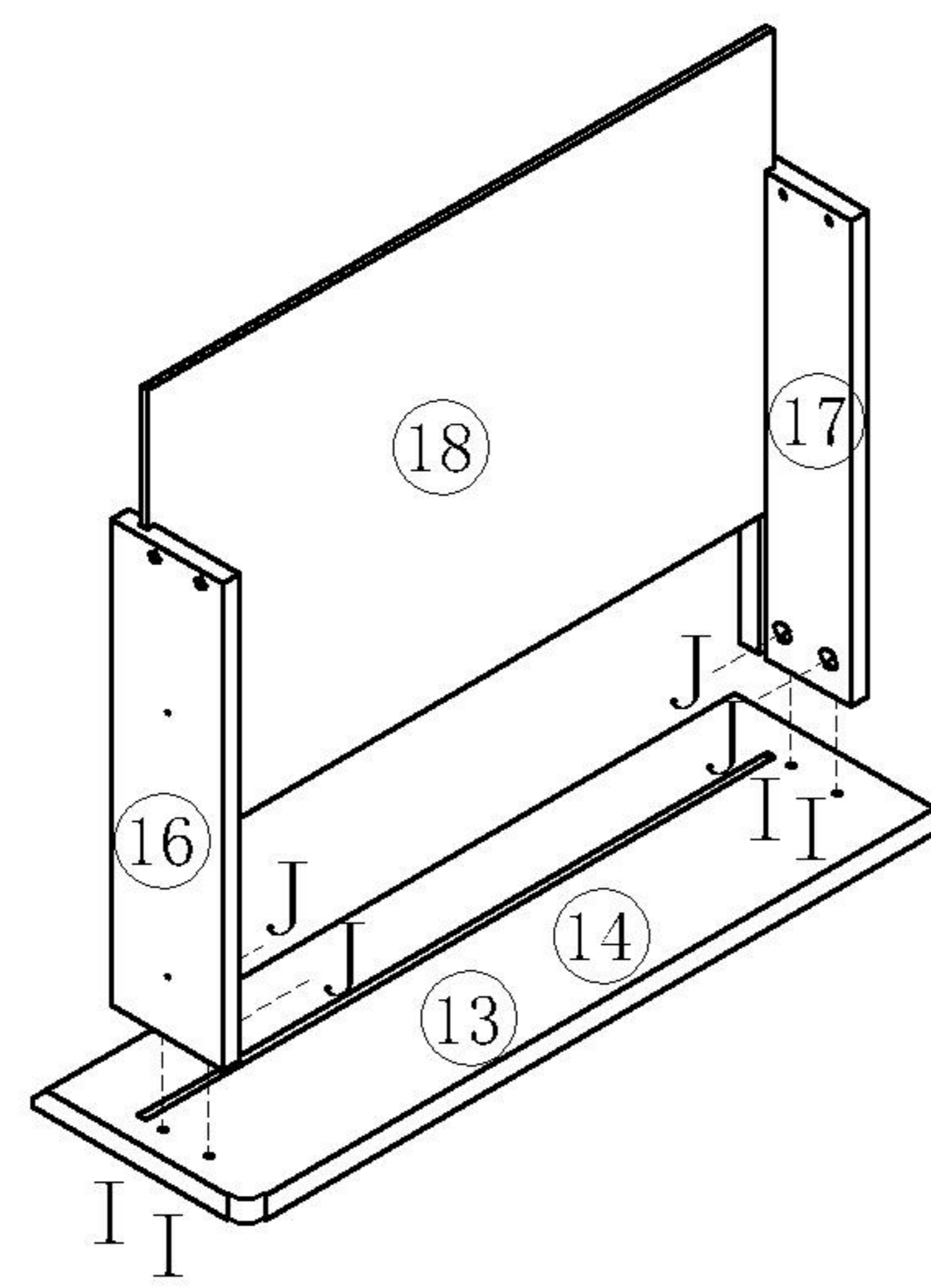
(O) *5



(R) *4

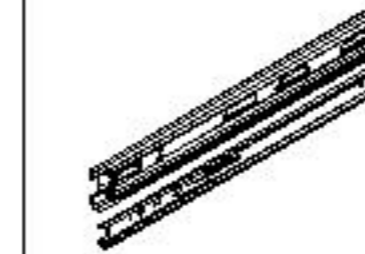


(F) *1

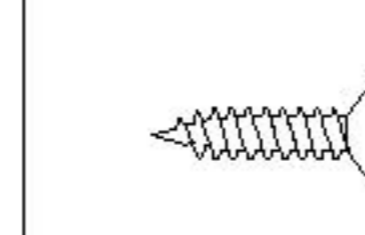


X2

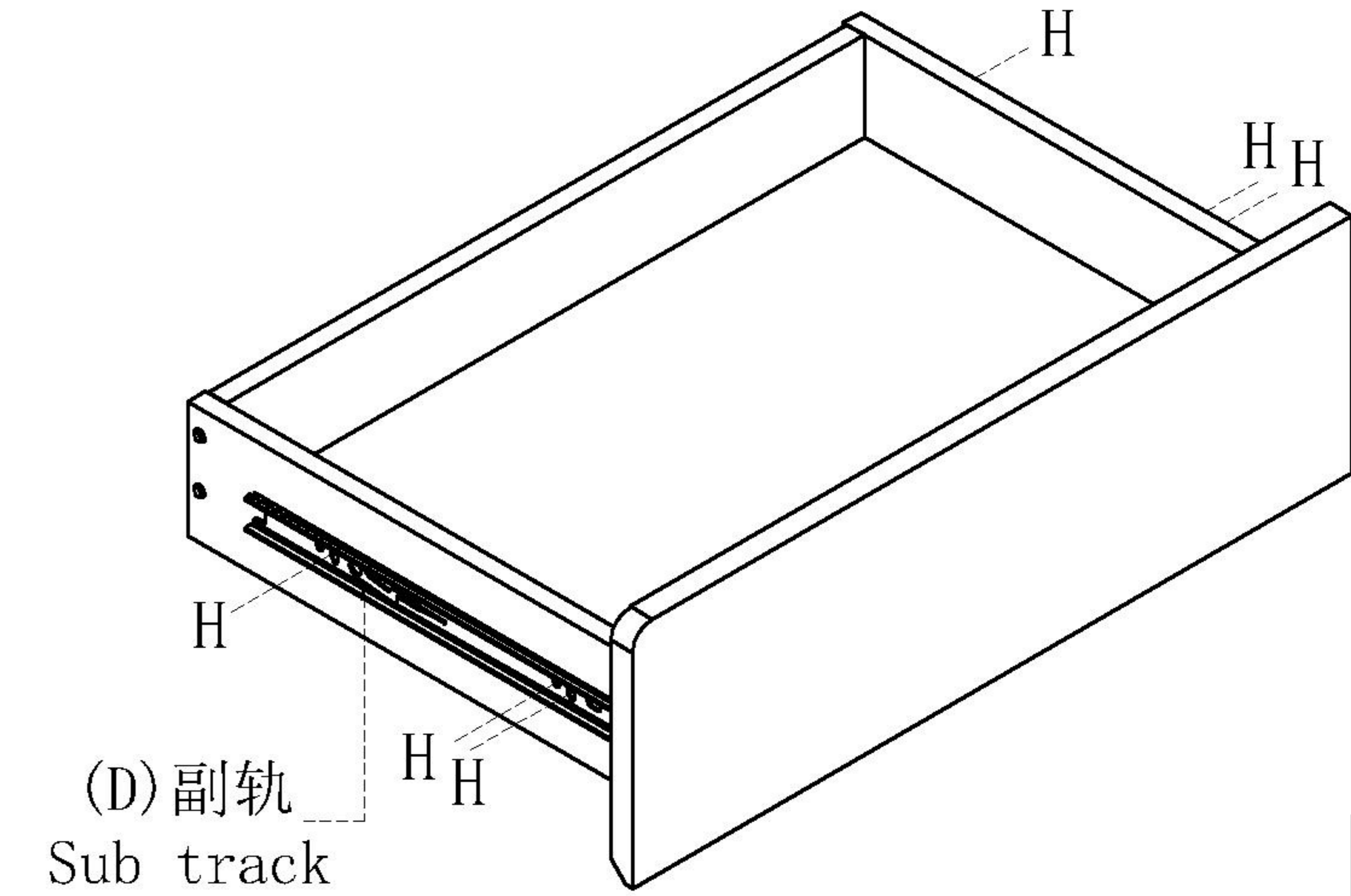
1



(D) *2



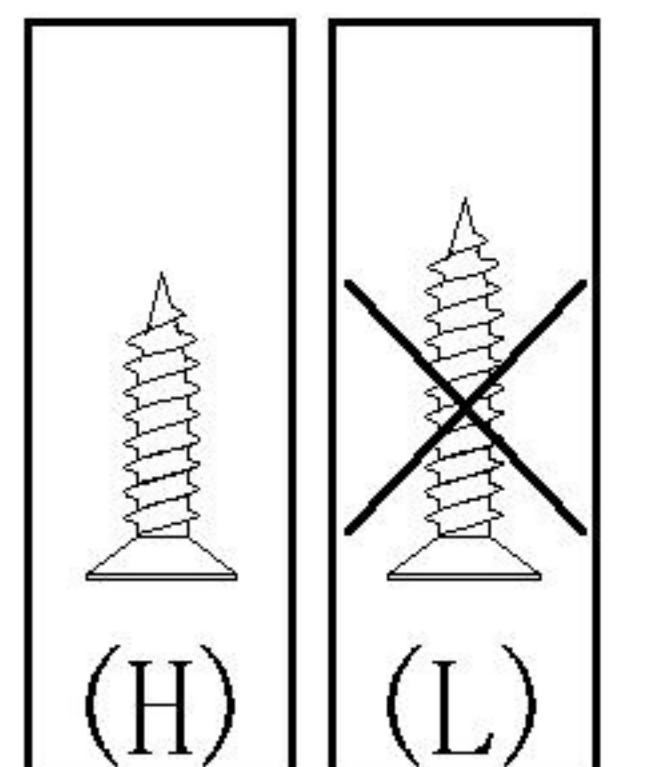
(H) *12



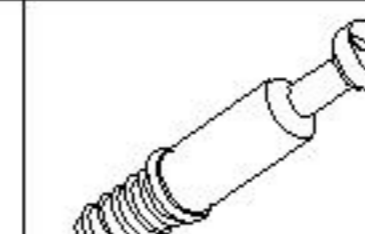
(D) 副轨
Sub track

X2

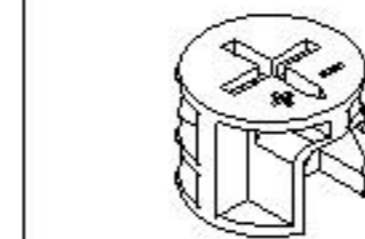
2



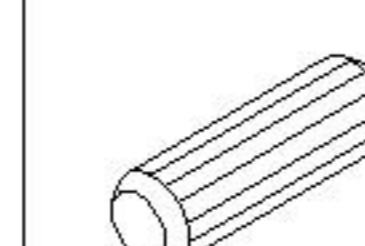
3



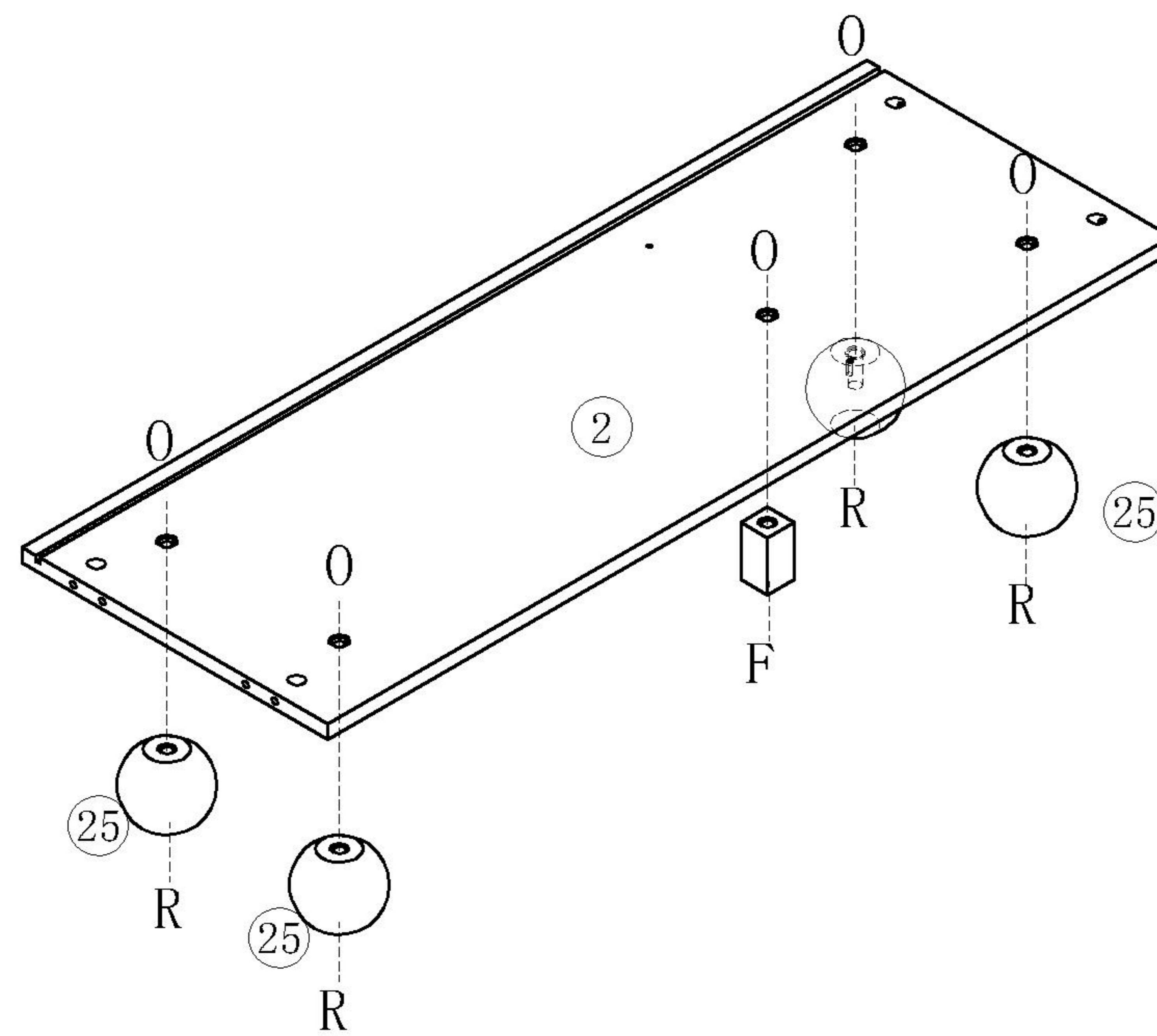
(A) *8



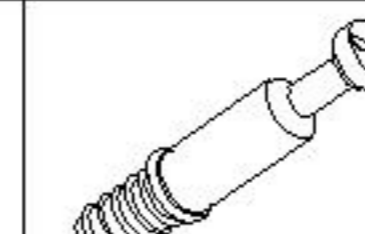
(B) *8



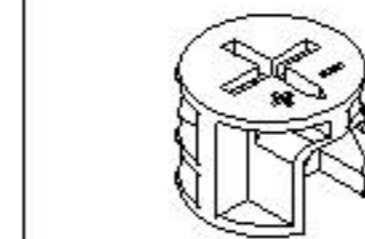
(C) *8



3



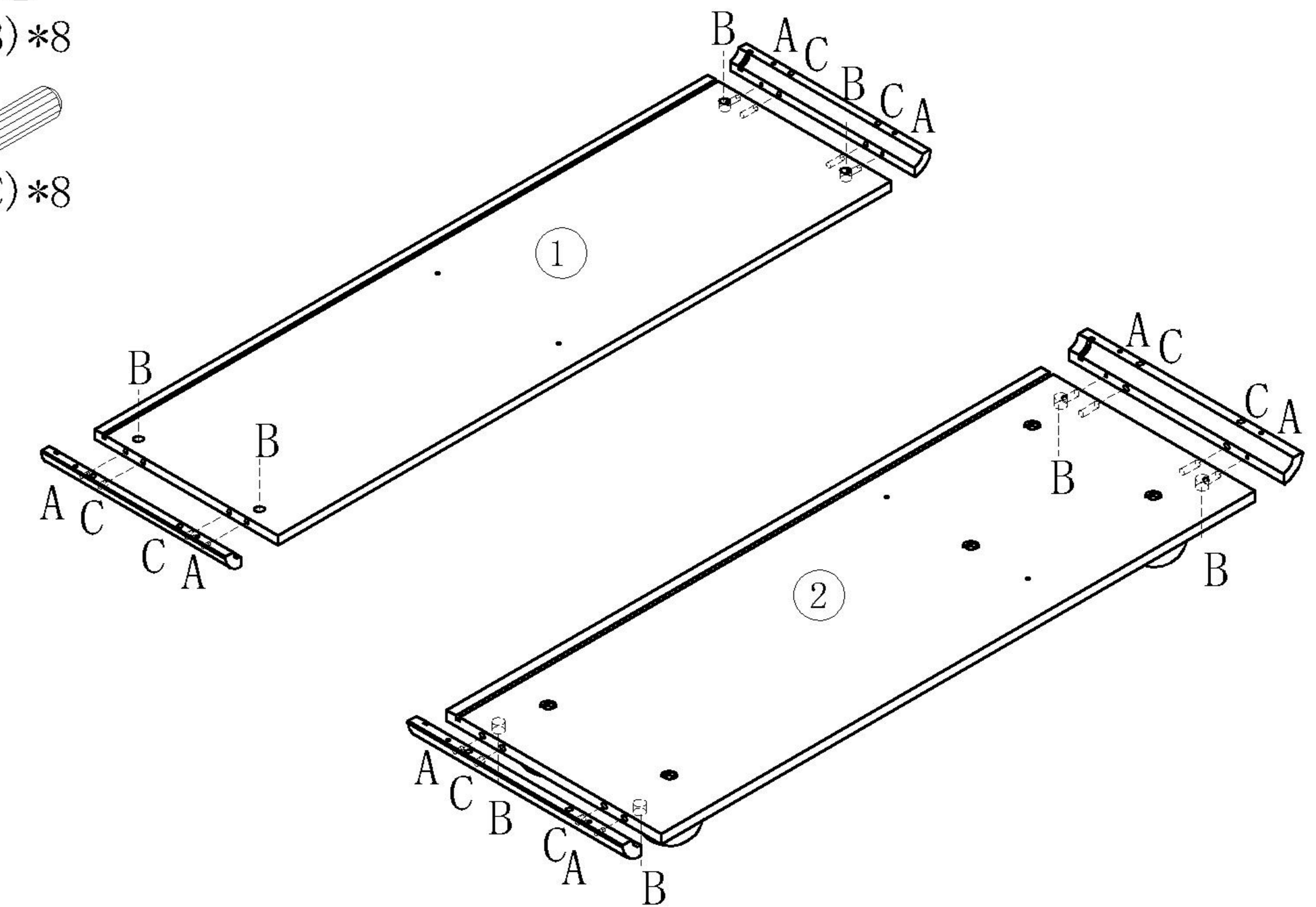
(A) *8



(B) *8



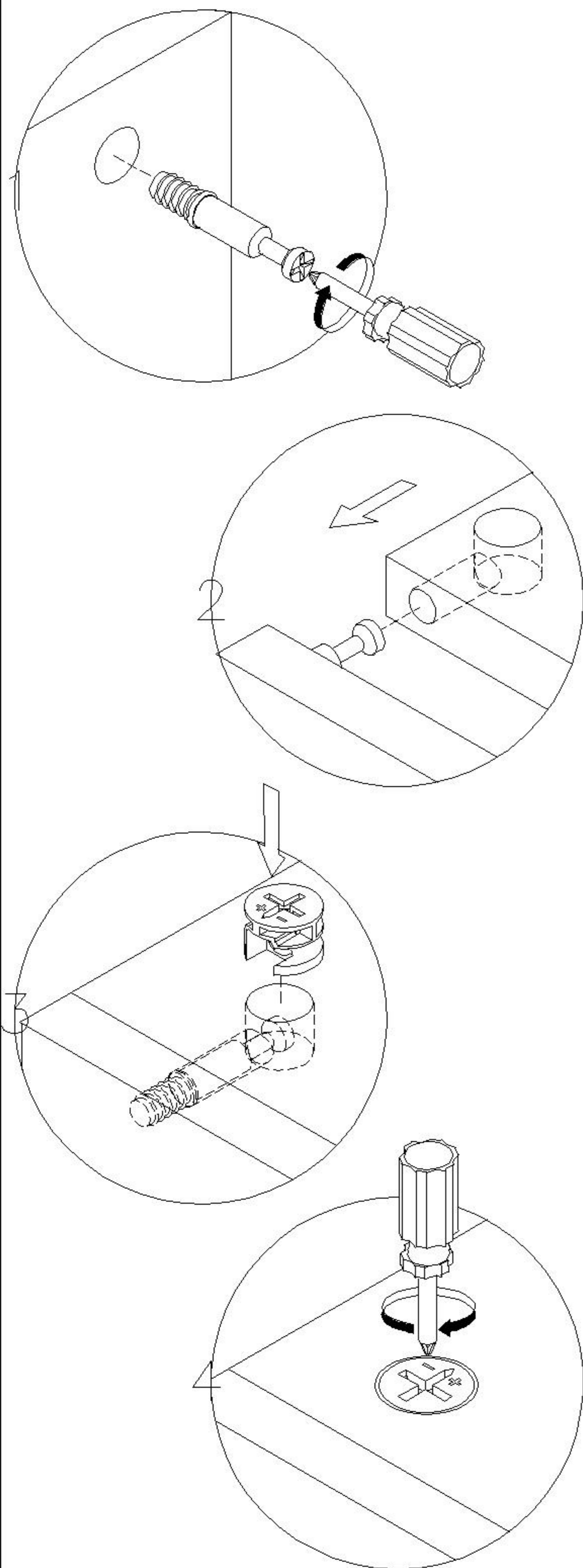
(C) *8



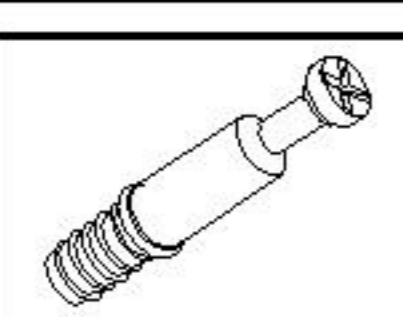
4

UN1N-A (1.0m)

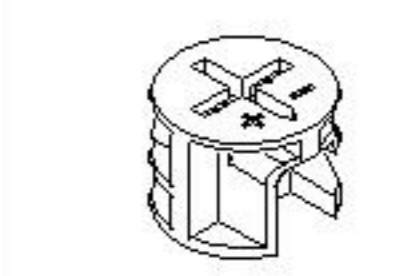
安装方法/
Installation method



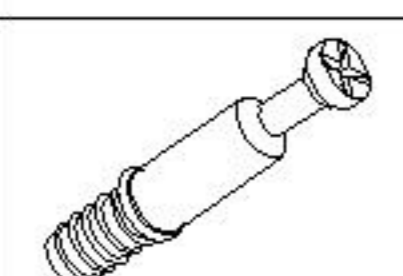
大二合一
two-in-one



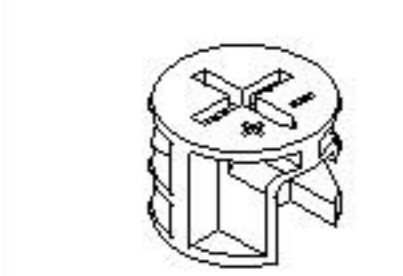
(A)*6



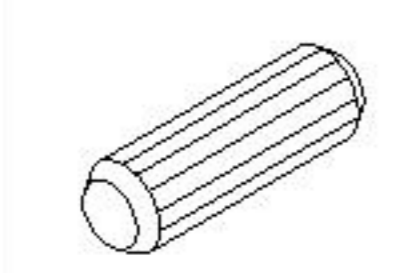
(B)*6



(A)*8



(B)*8

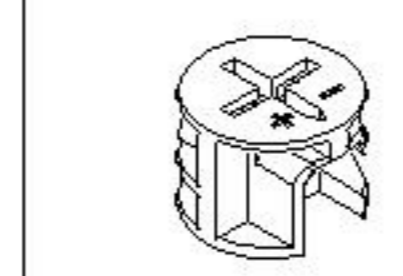


(C)*2

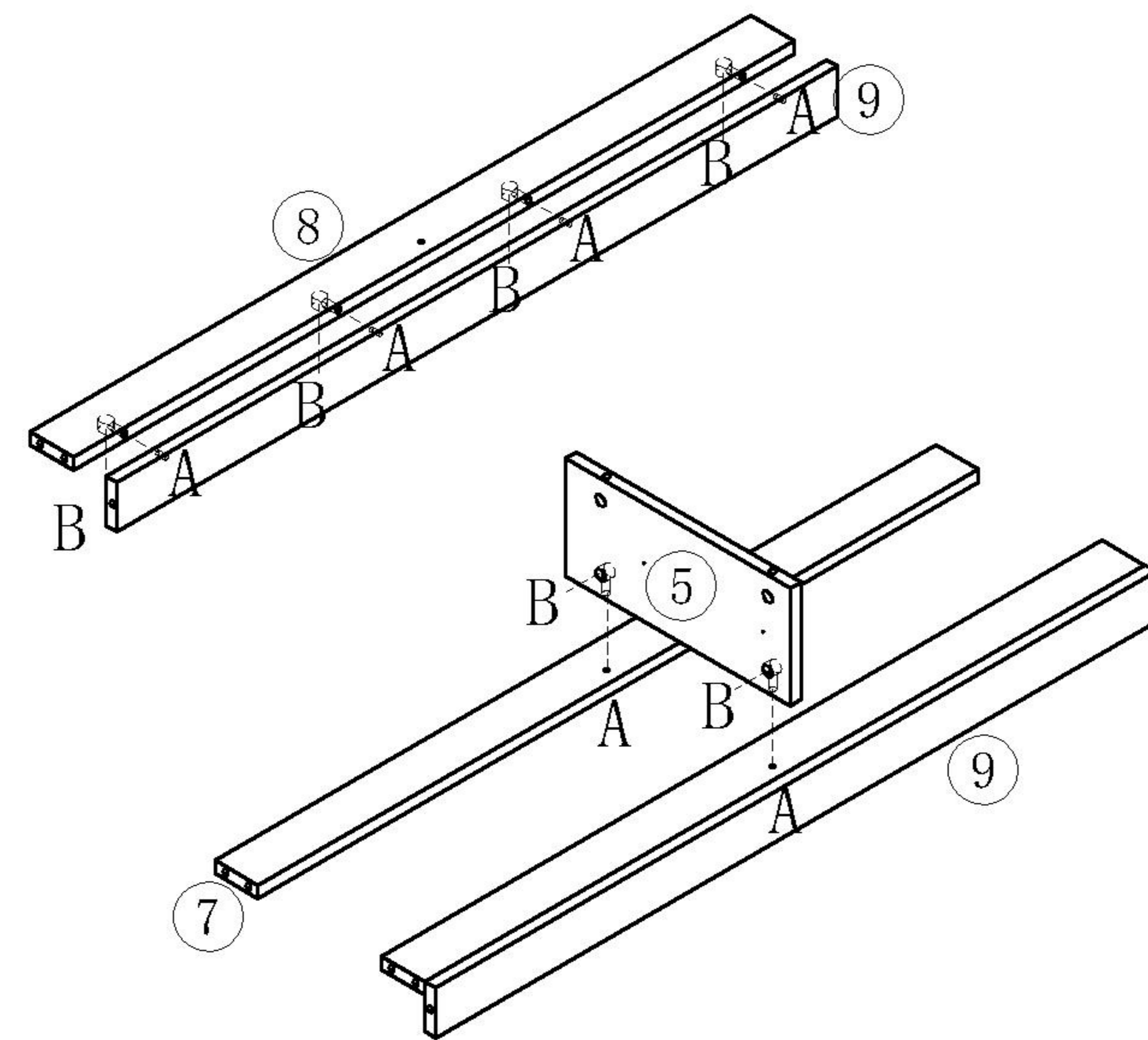
5



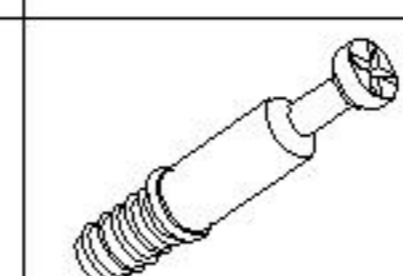
(A)*2



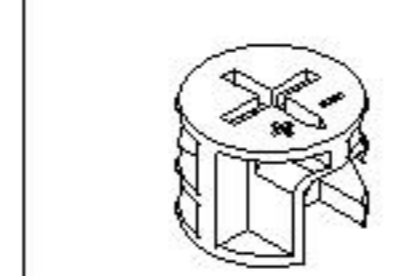
(B)*2



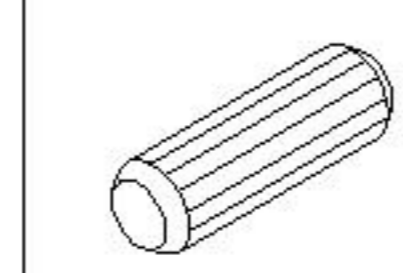
7



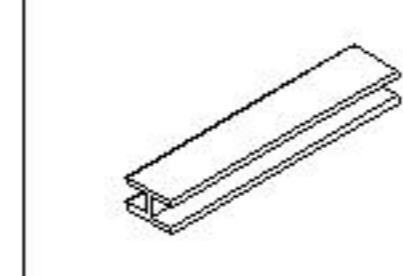
(A)*6



(B)*6



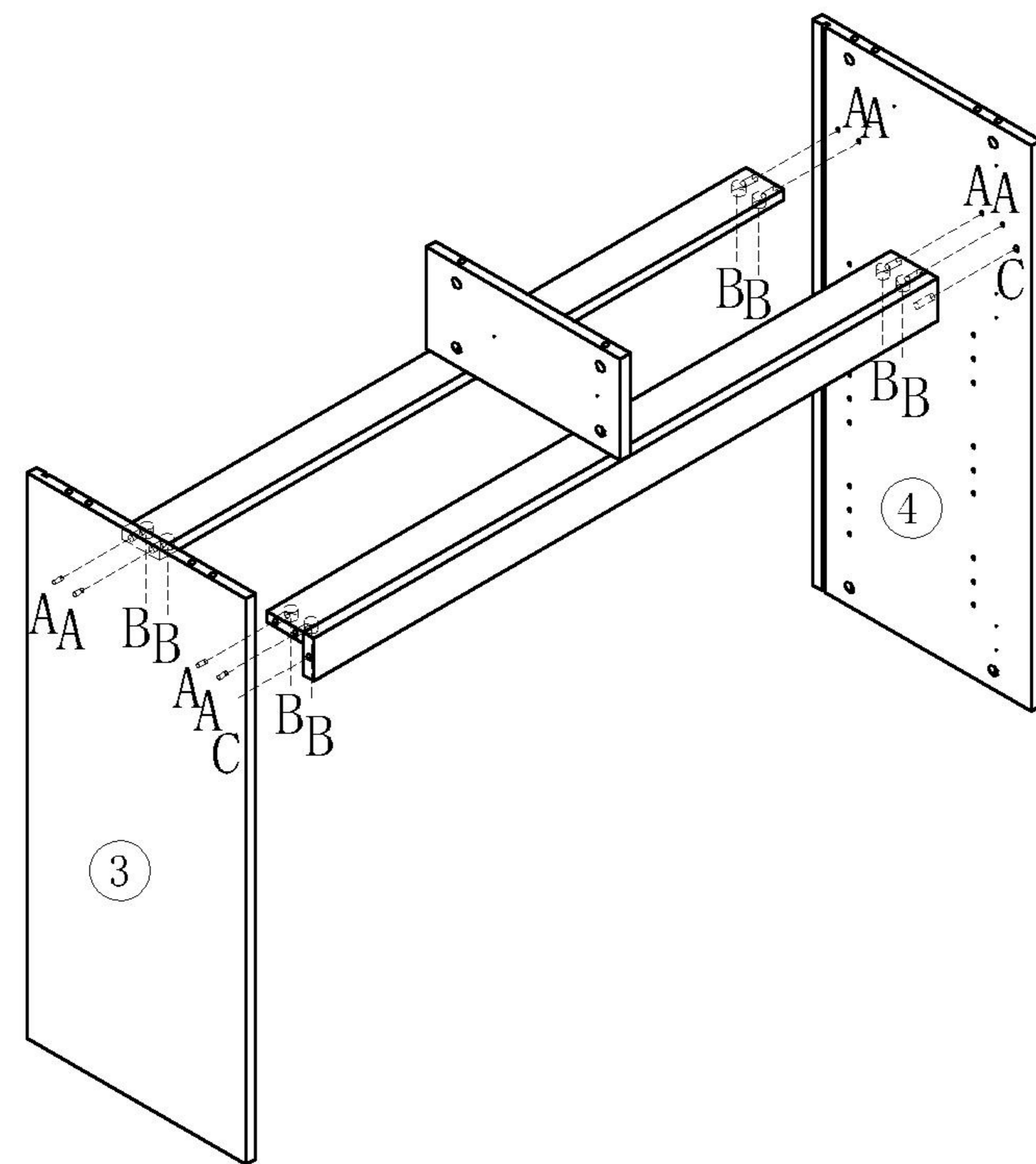
(C)*4



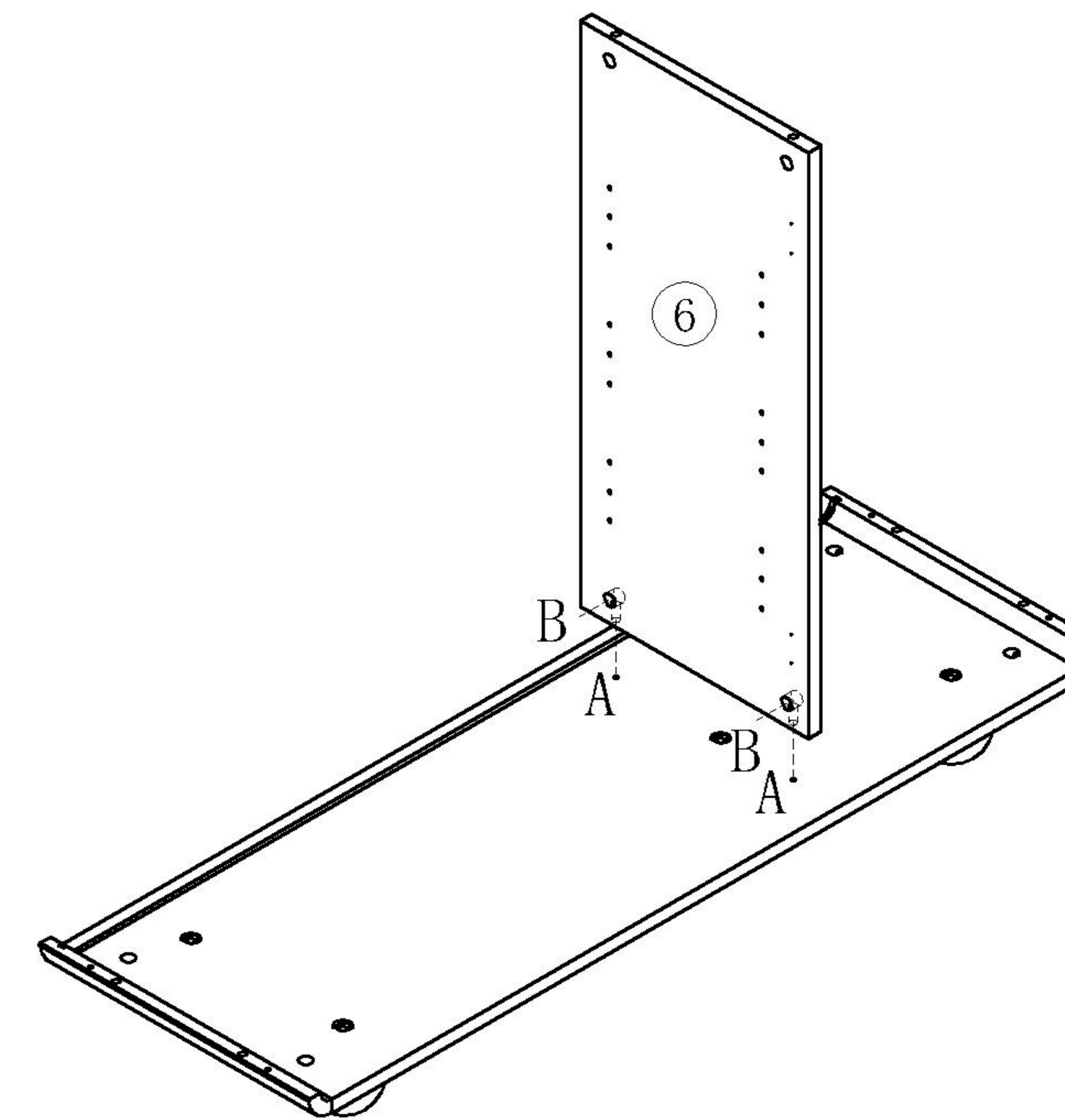
(G)*2



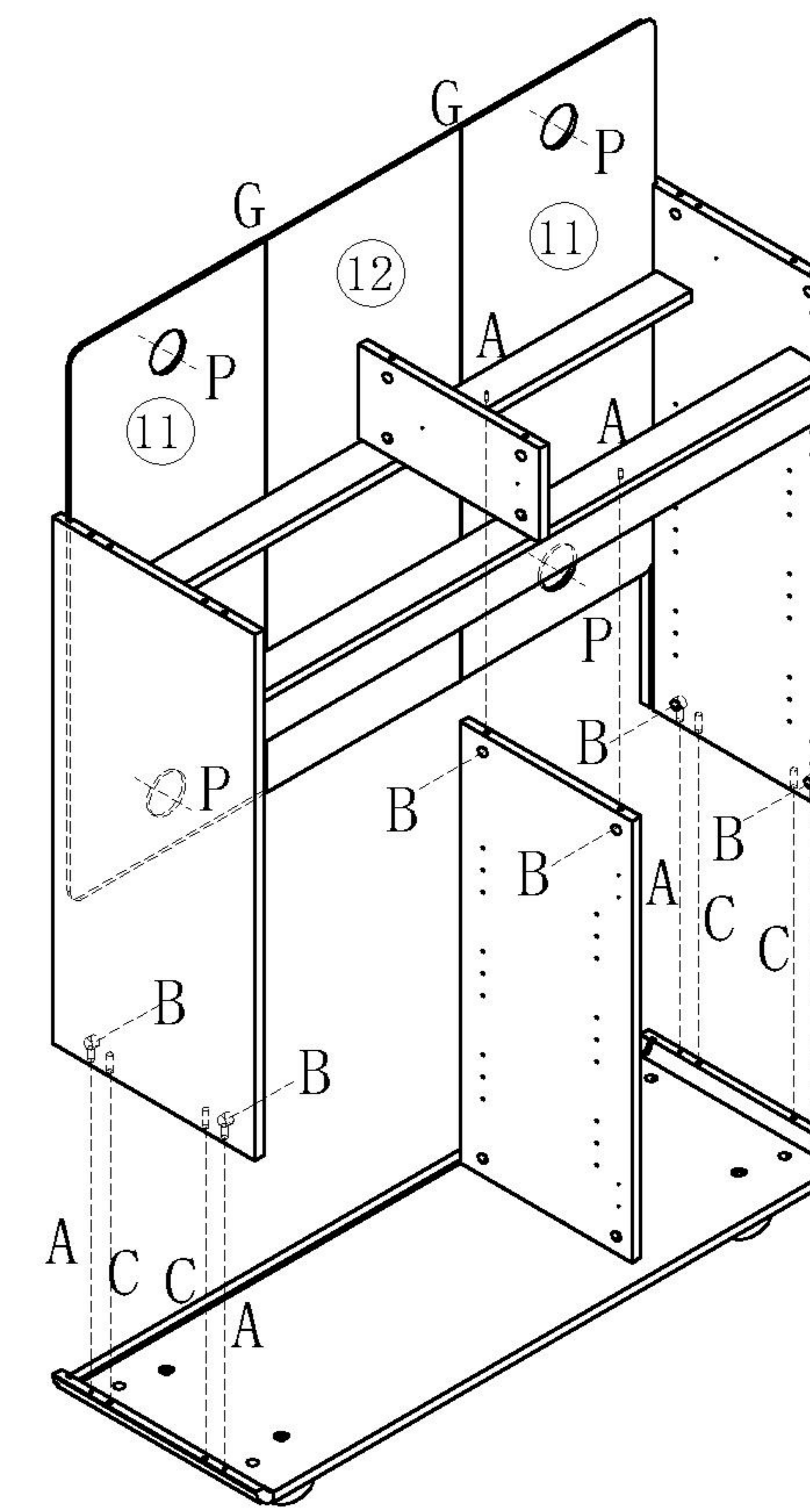
(P)*4



6



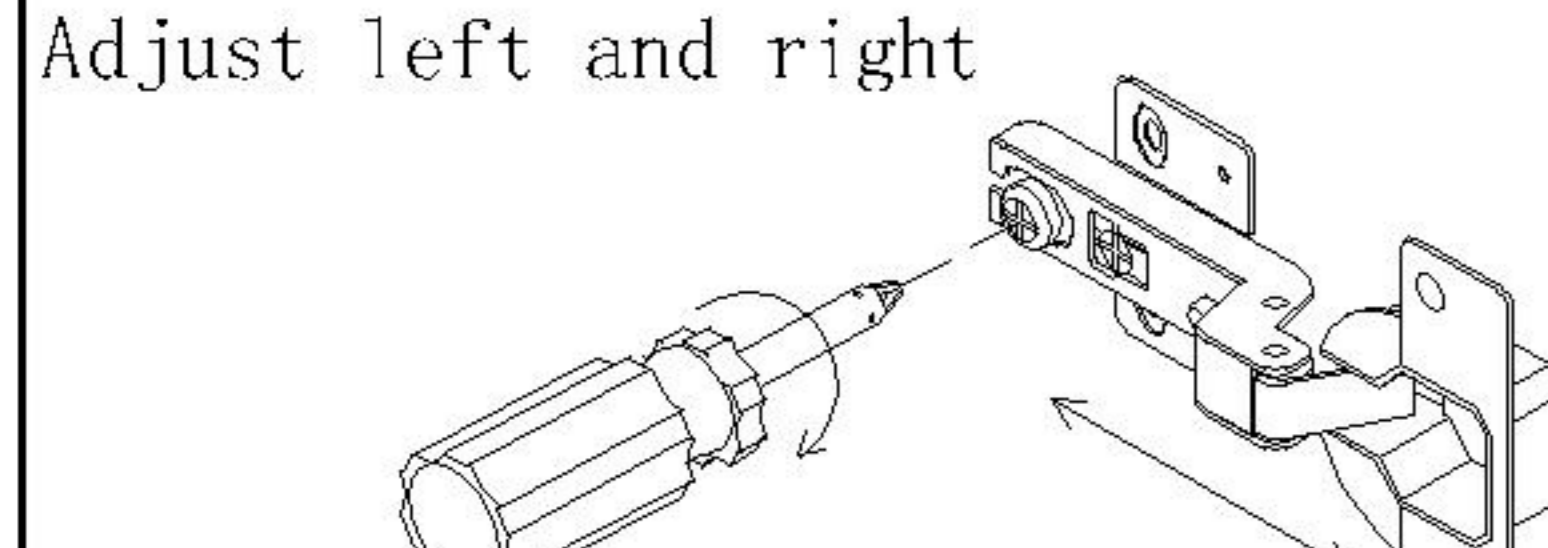
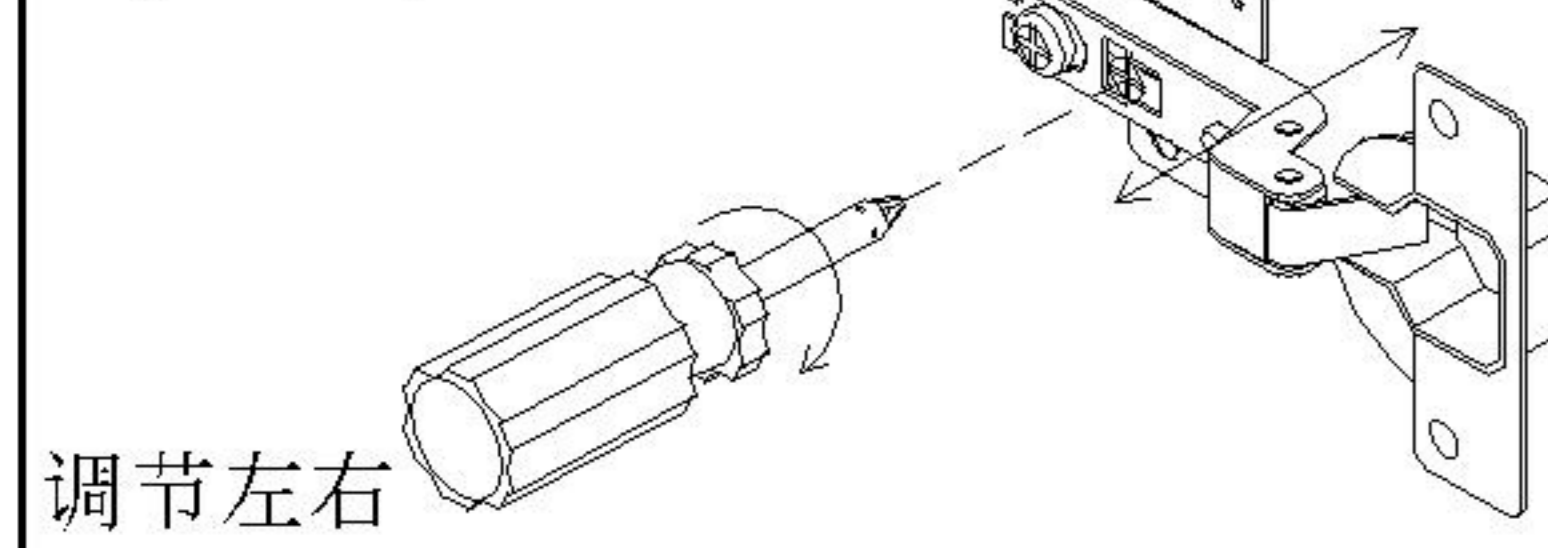
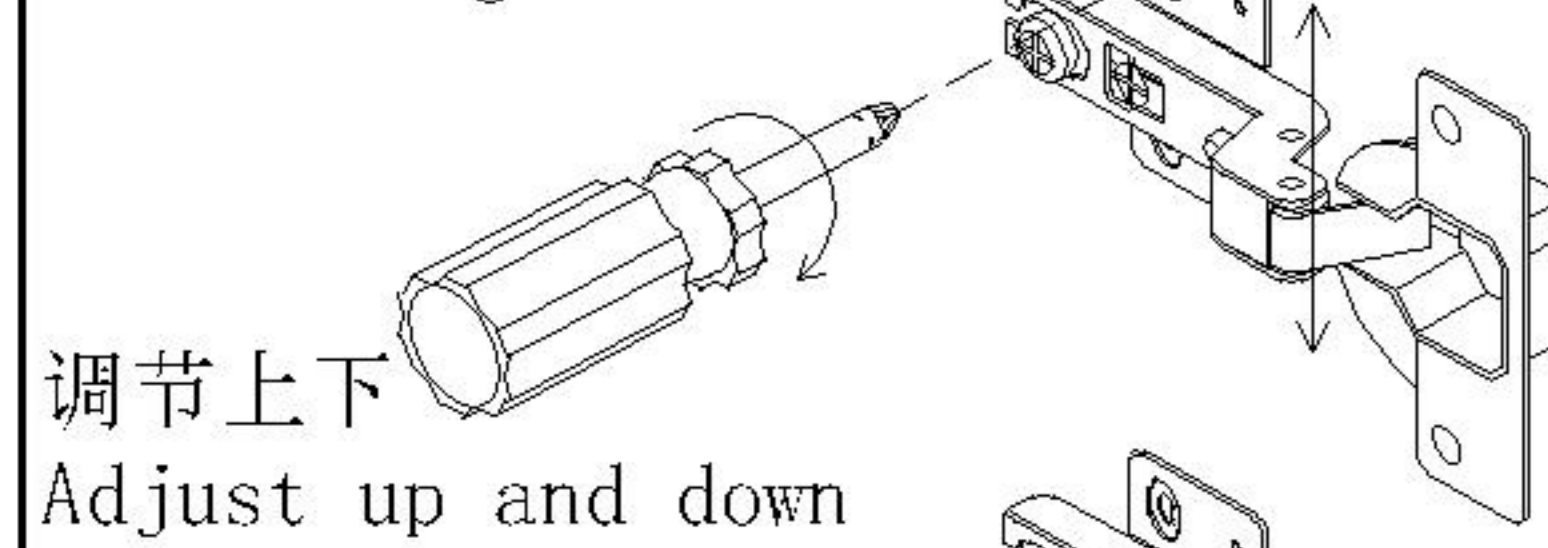
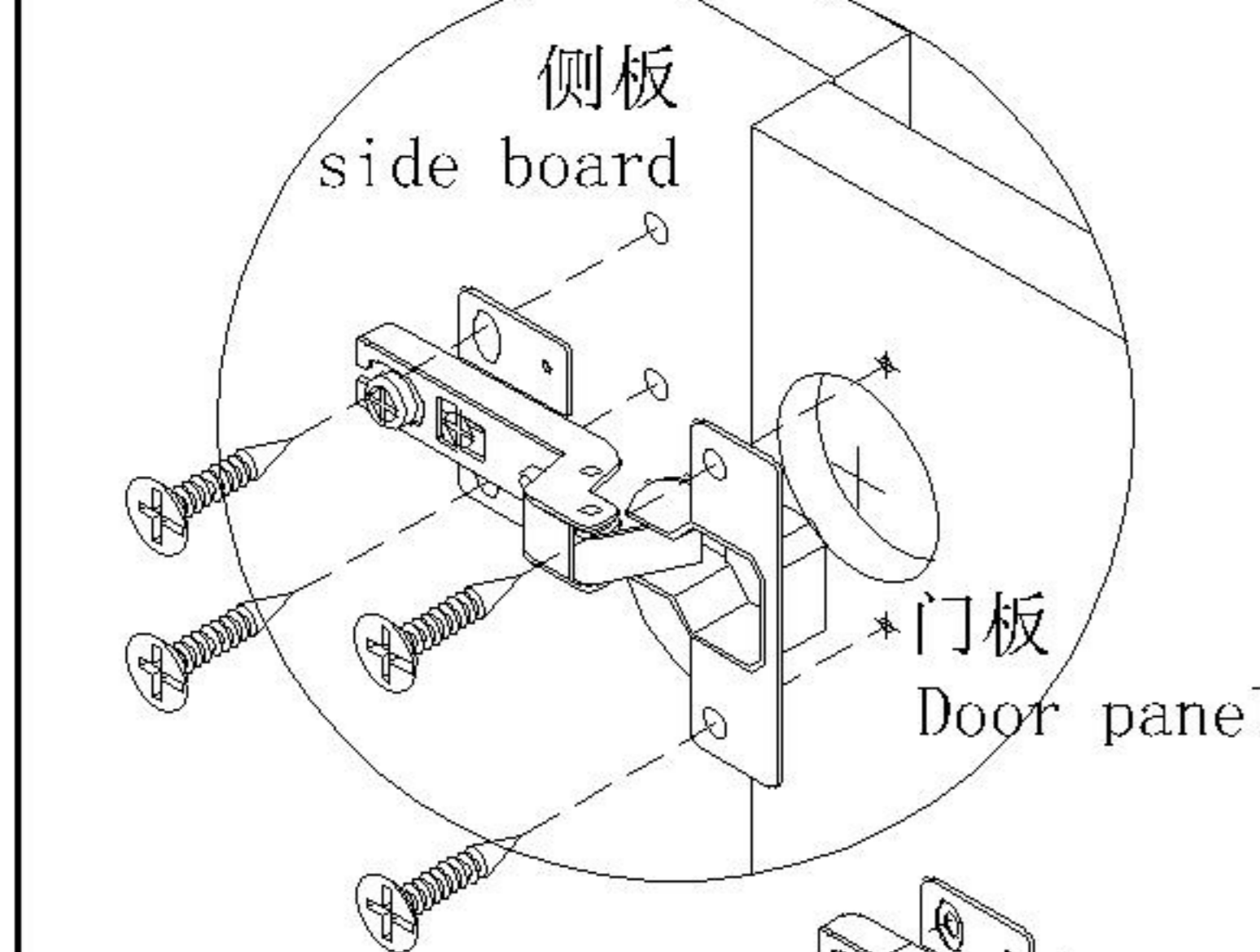
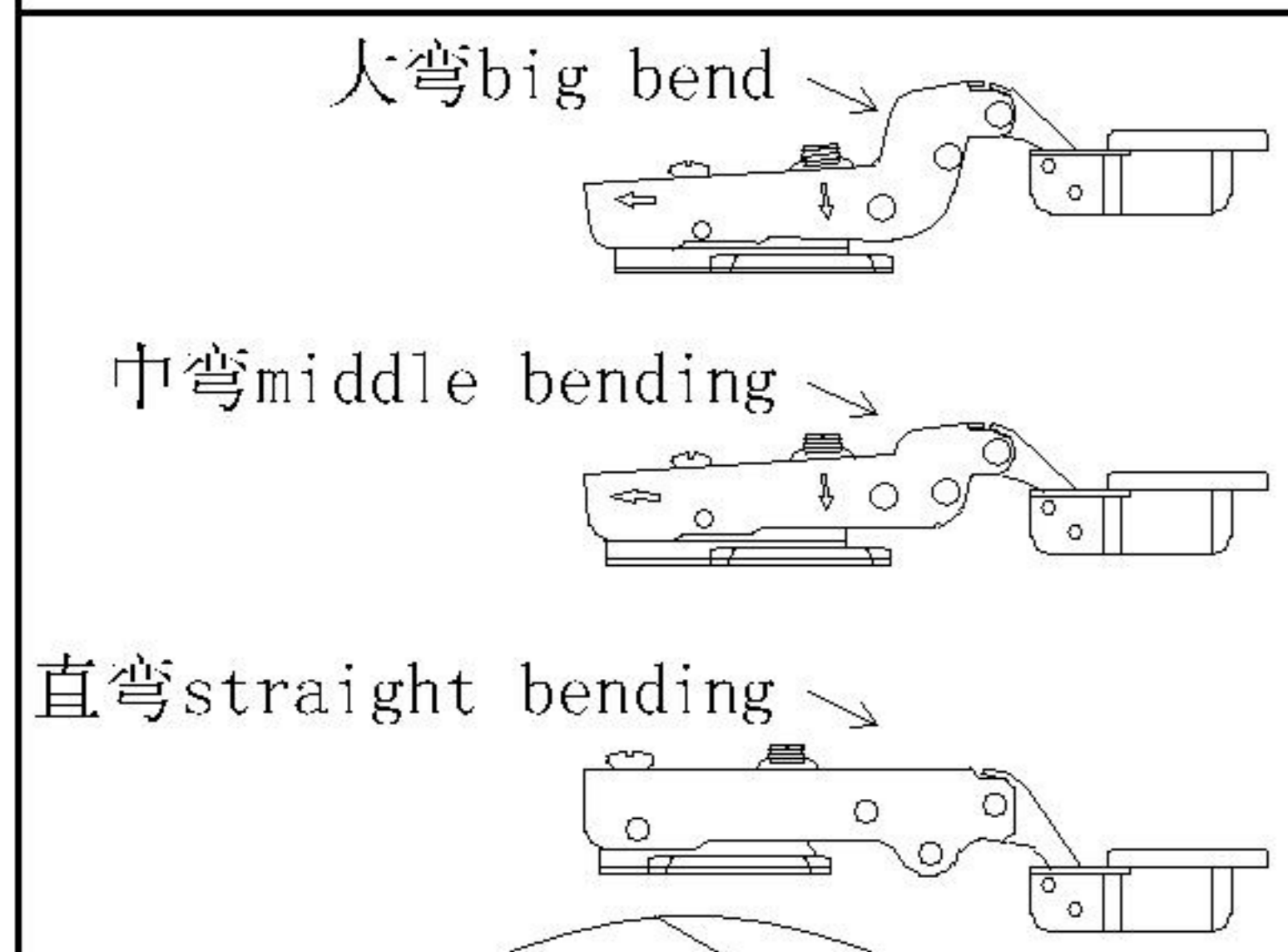
8



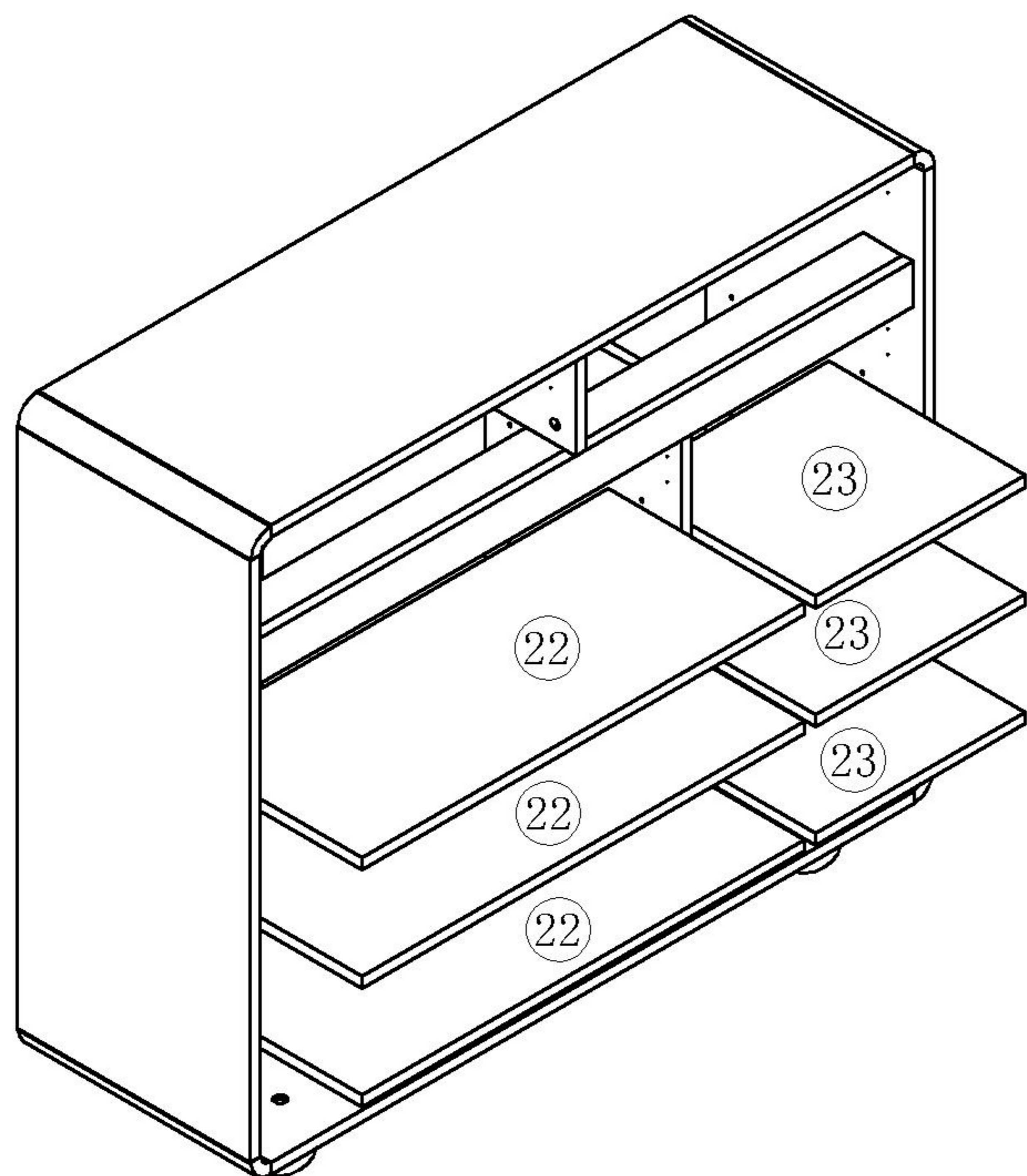
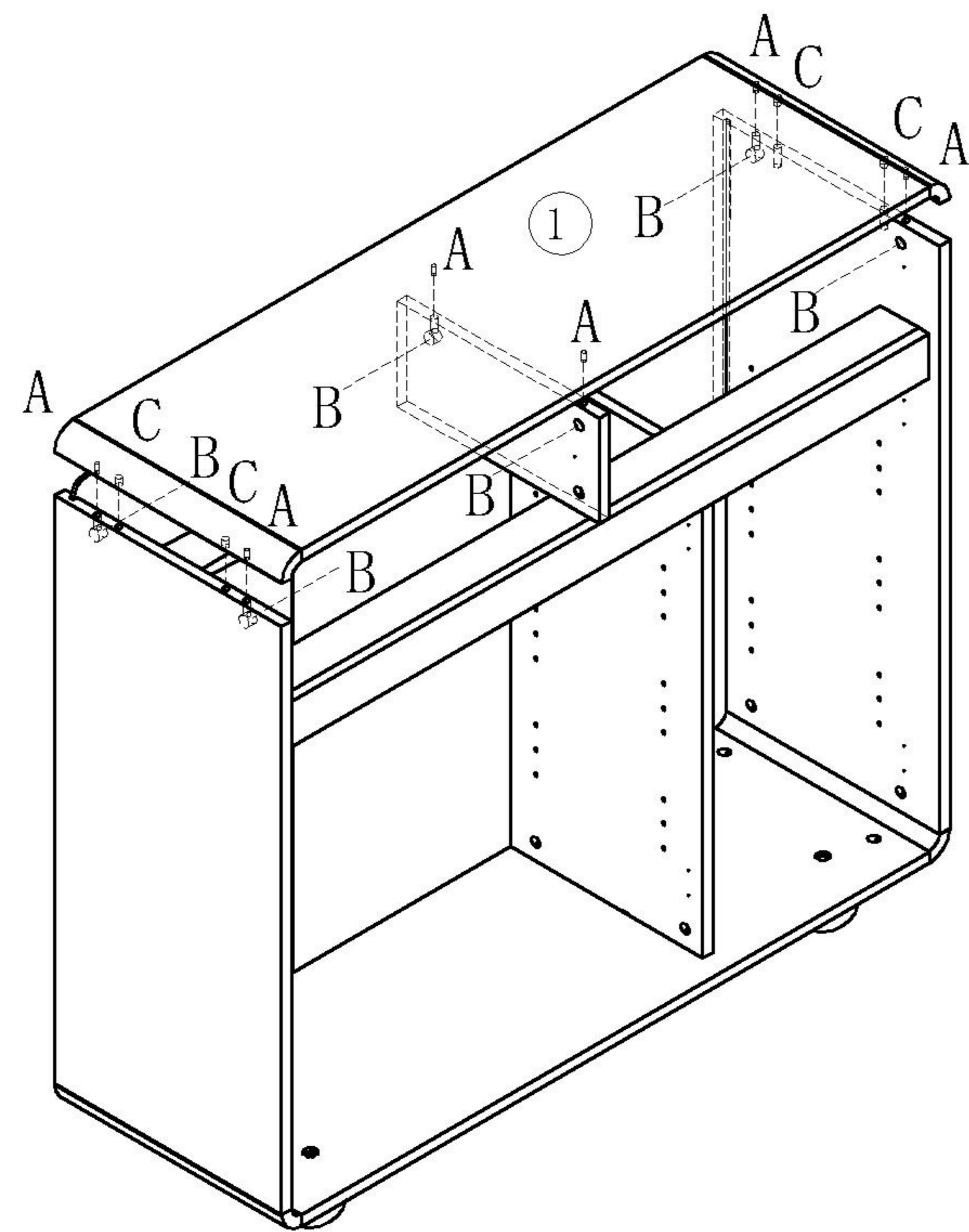
UN1N-A (1.0m)

安装方法/
Installation method

- (A)*6
- (B)*6
- (C)*4

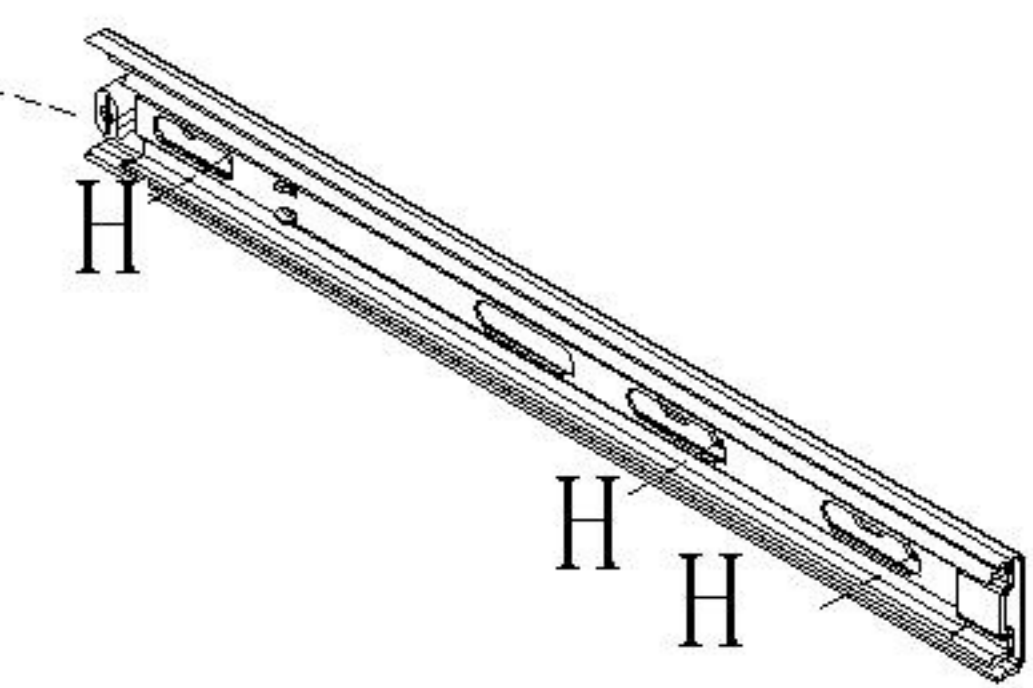
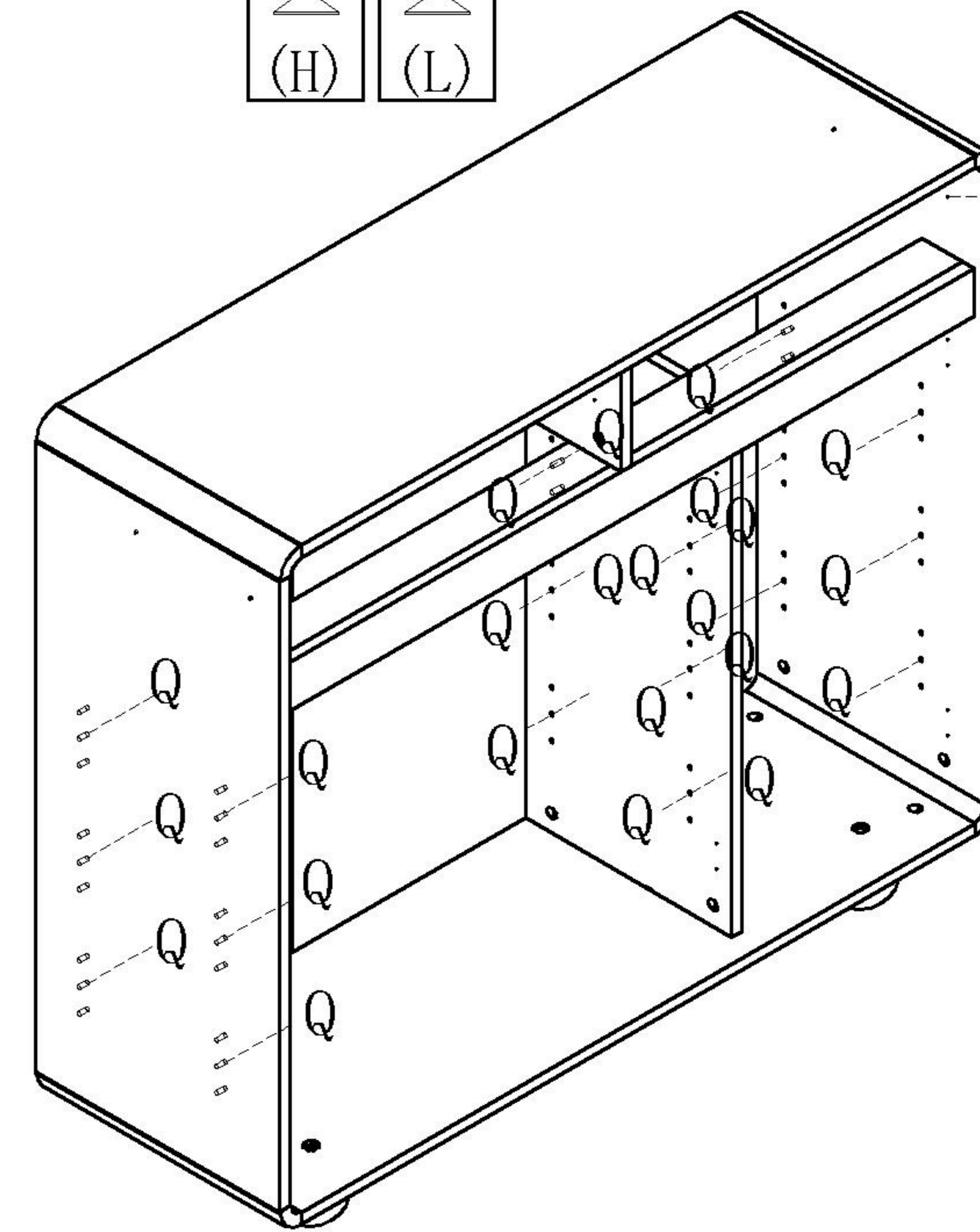
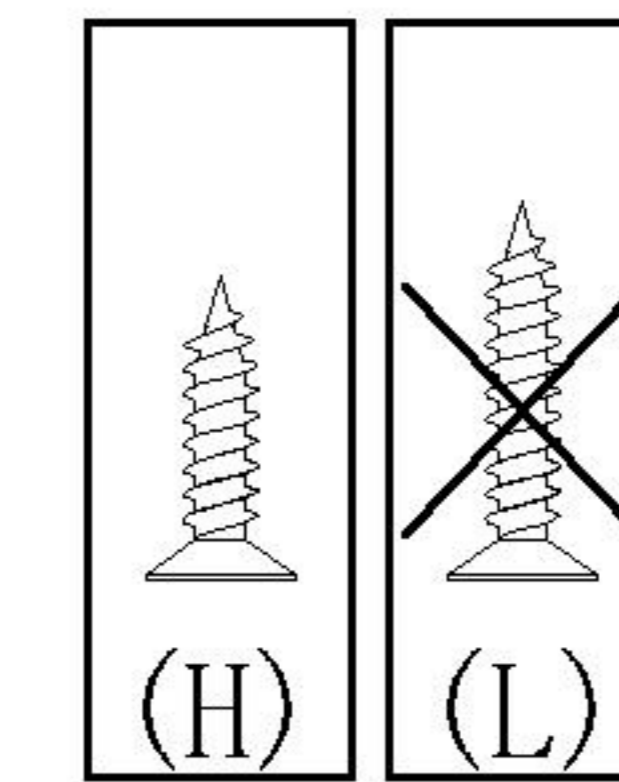


调节前后
Before and after adjustment
门铰
Hinge



9

- (D)*2
- (H)*12
- (Q)*24

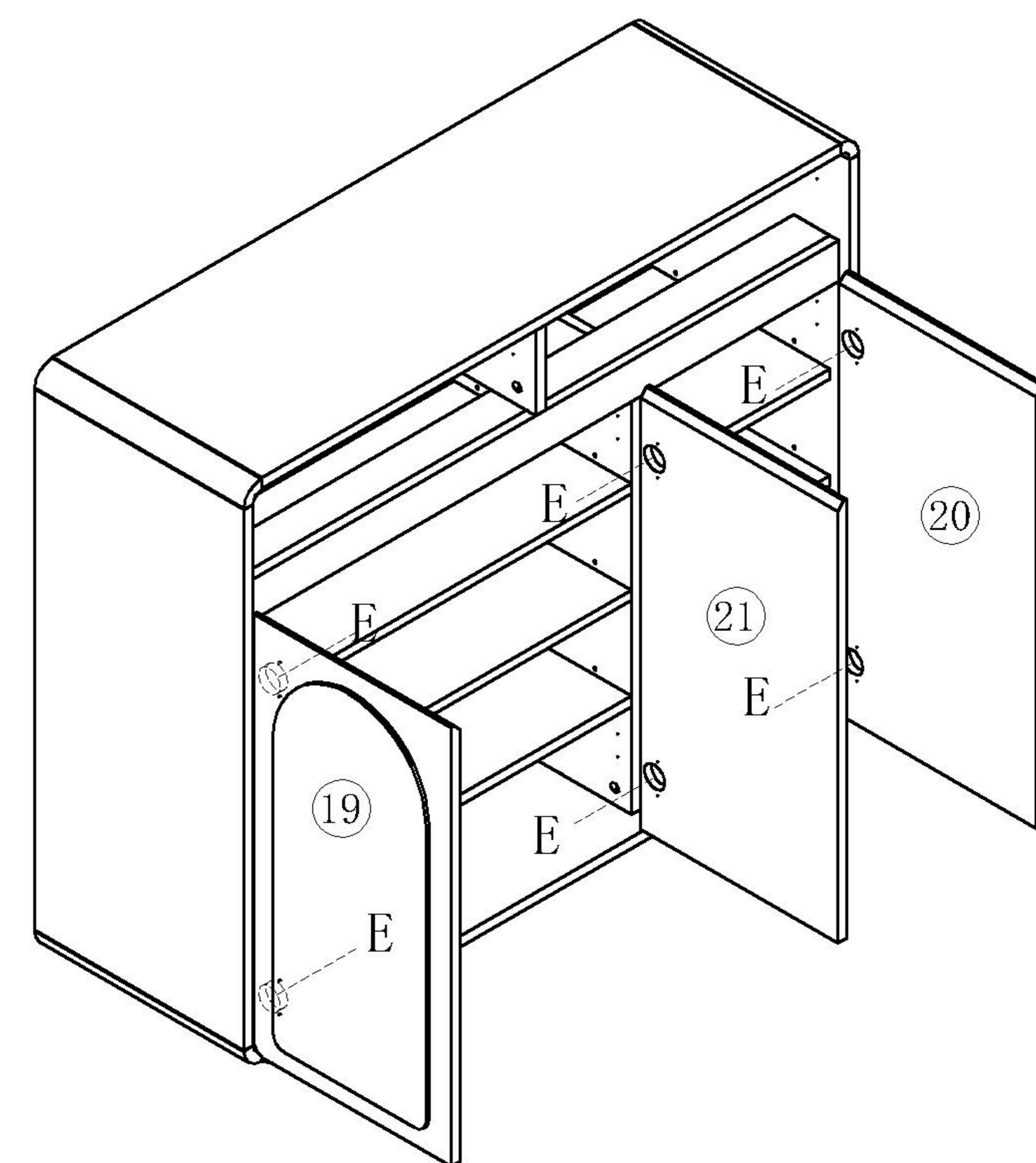


(D) 主轨
Main track

10

11

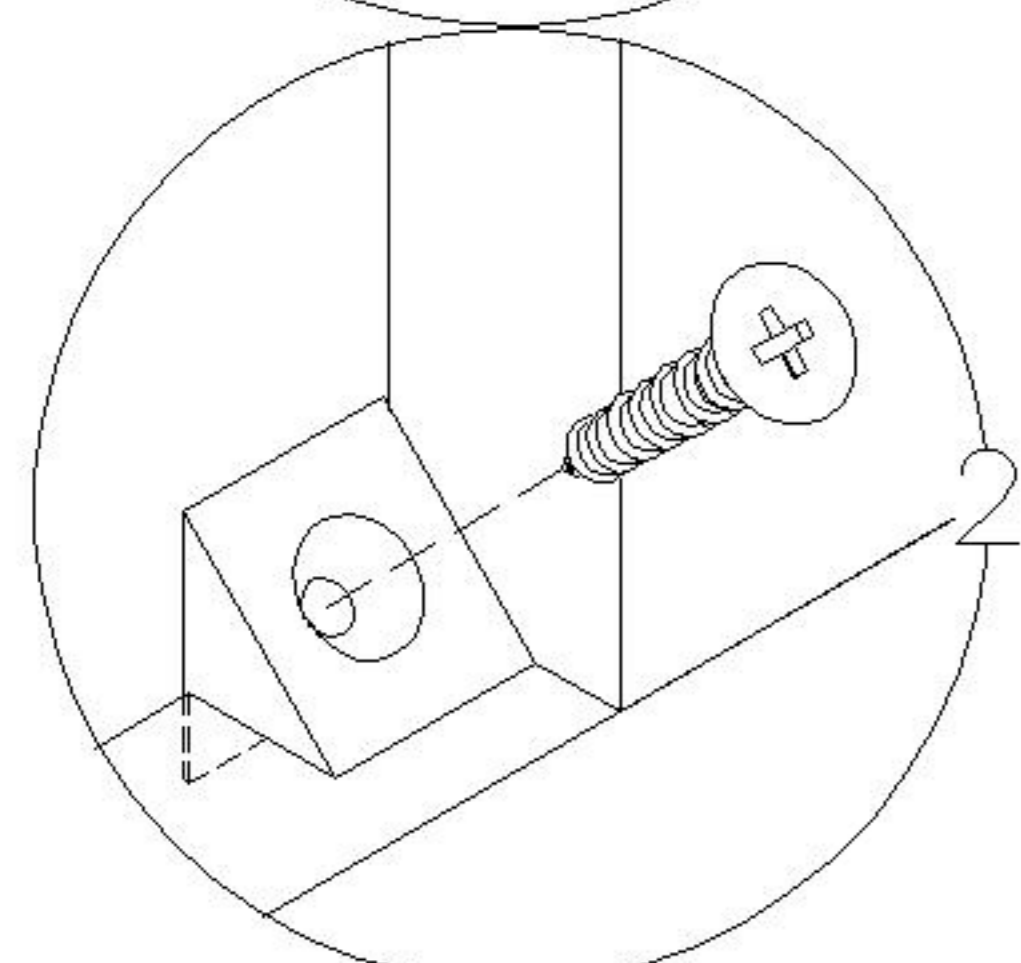
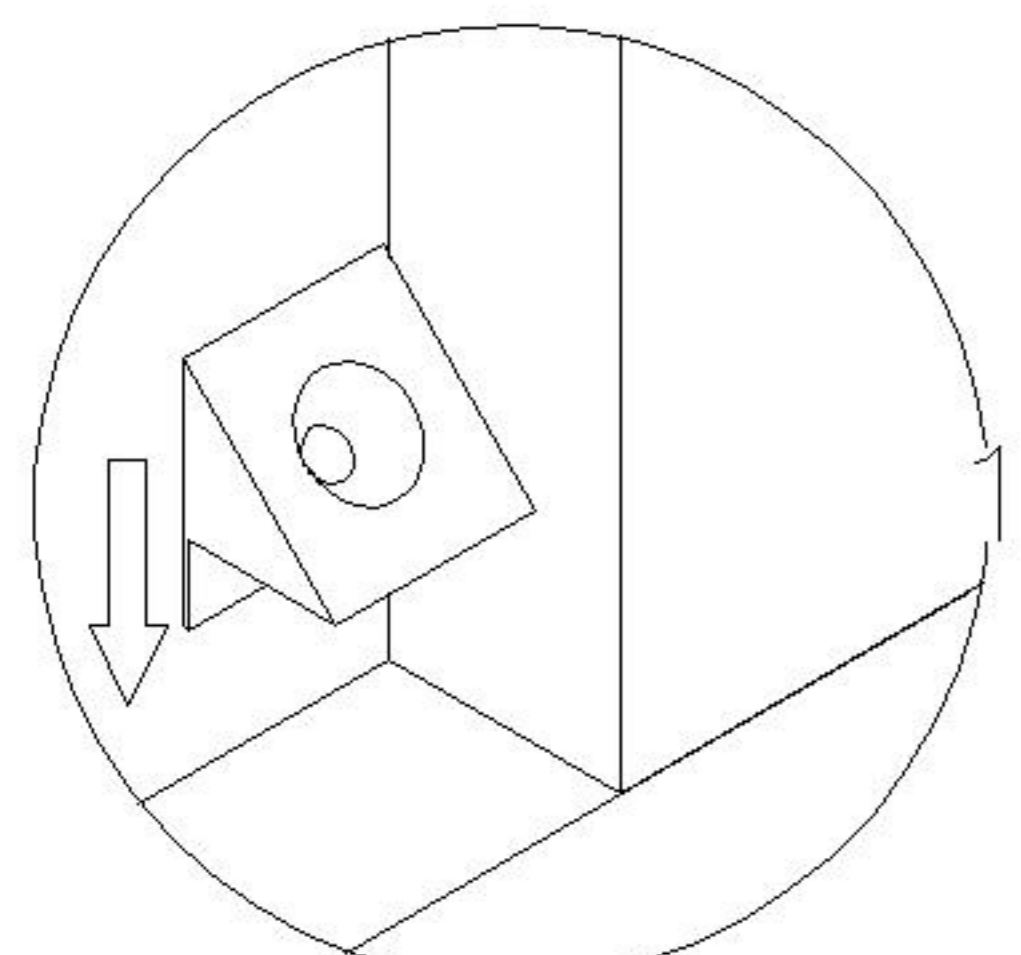
- (E)*6



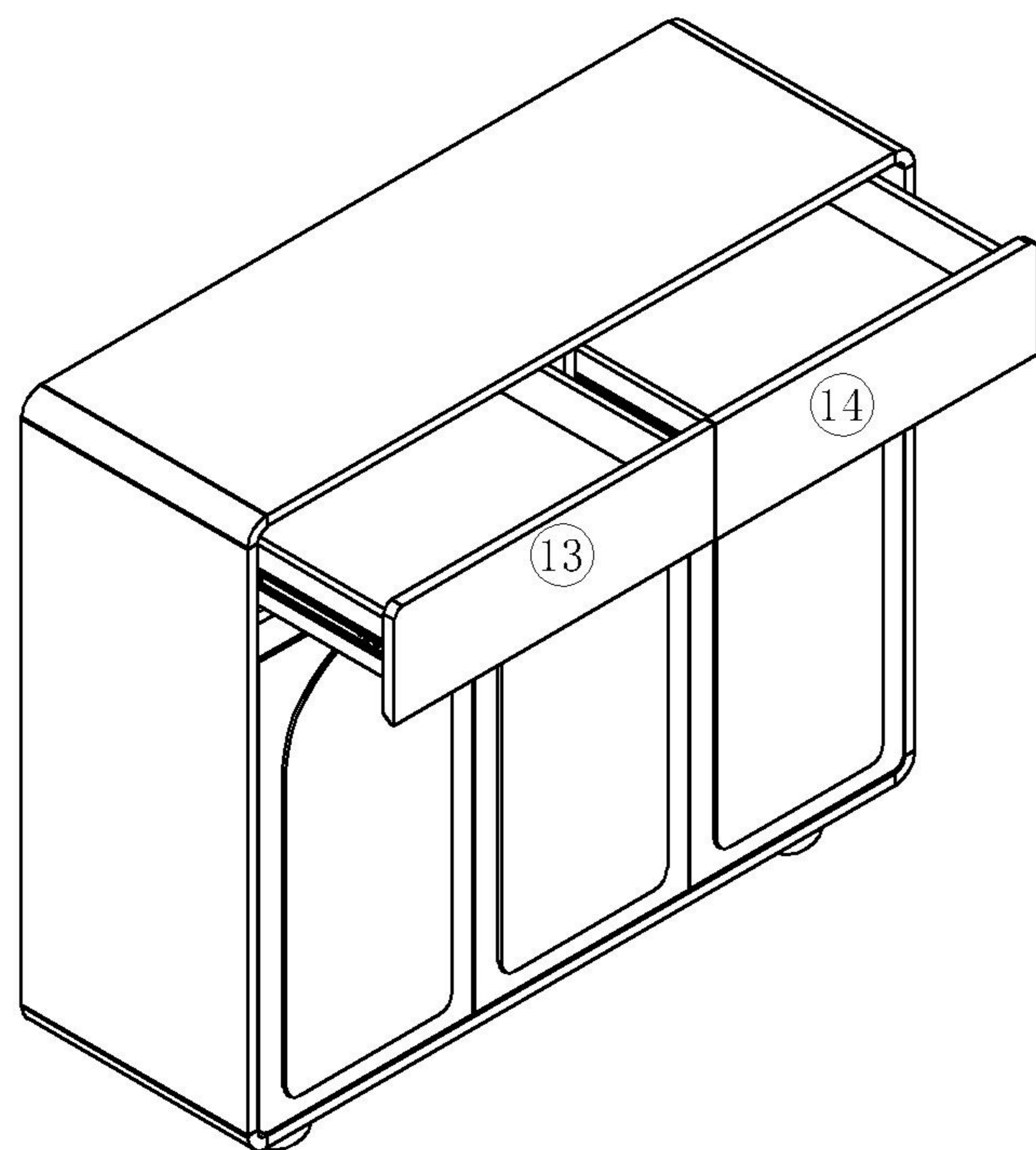
12

UN1N-A (1.0m)

安装方法/
Installation method



背板扣
Back Plate Buckle

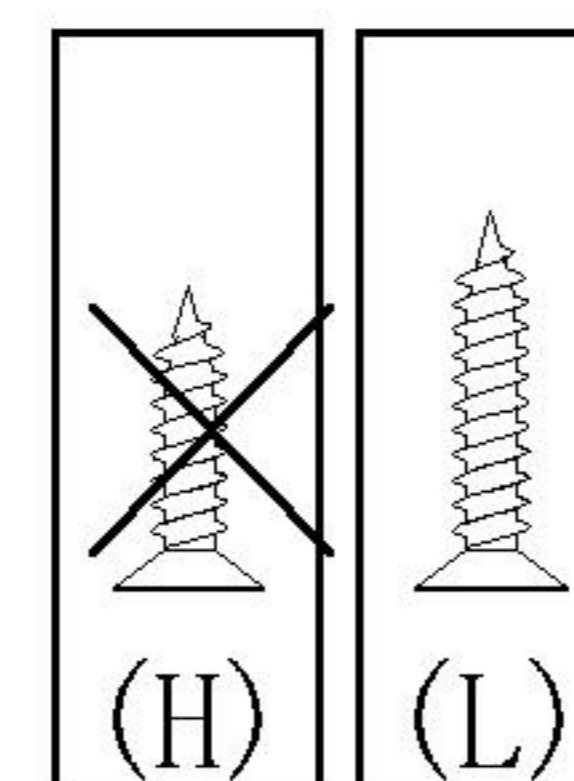


13

- (S)*2
- (L)*8
- (M)*8

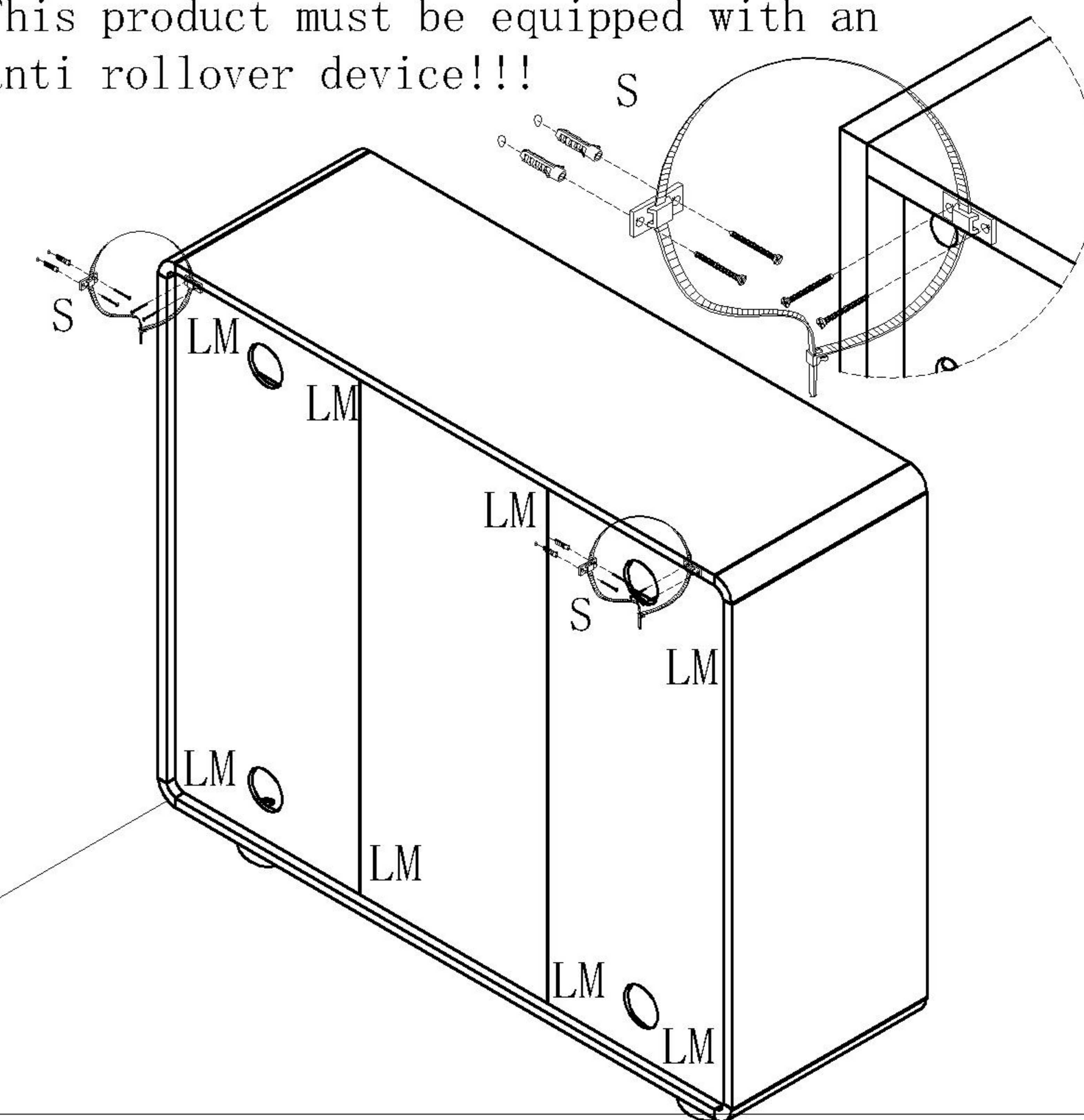
实体墙

Solid wall

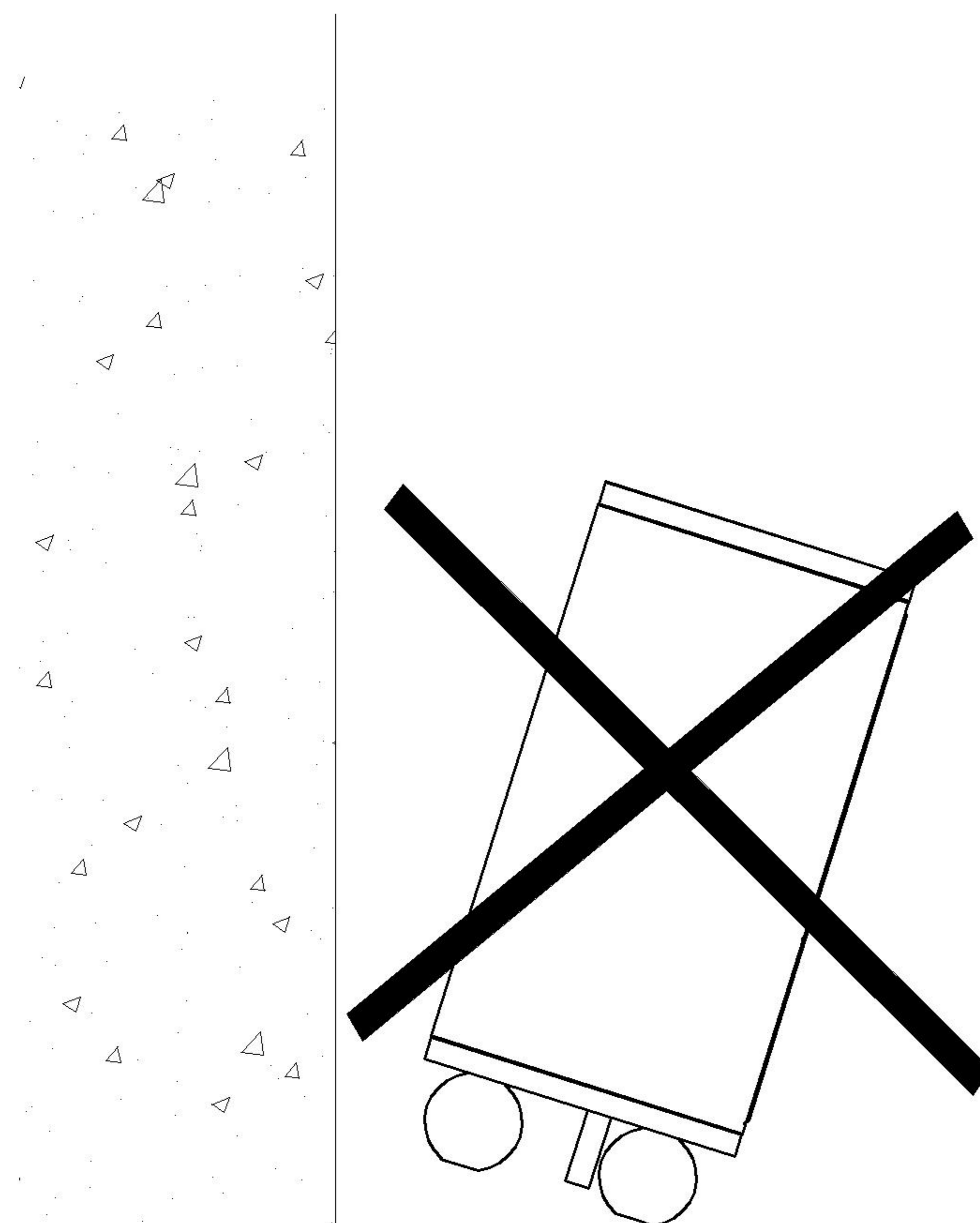


注意：
该产品必须安装防倒器!!!
Attention:
This product must be equipped with an
anti rollover device!!!

14



15



16

LINSY 林氏家居

五金表/Hardware list

部件表/Parts List

安装示意图/Assembly Instruction

产品名称 Model NO.

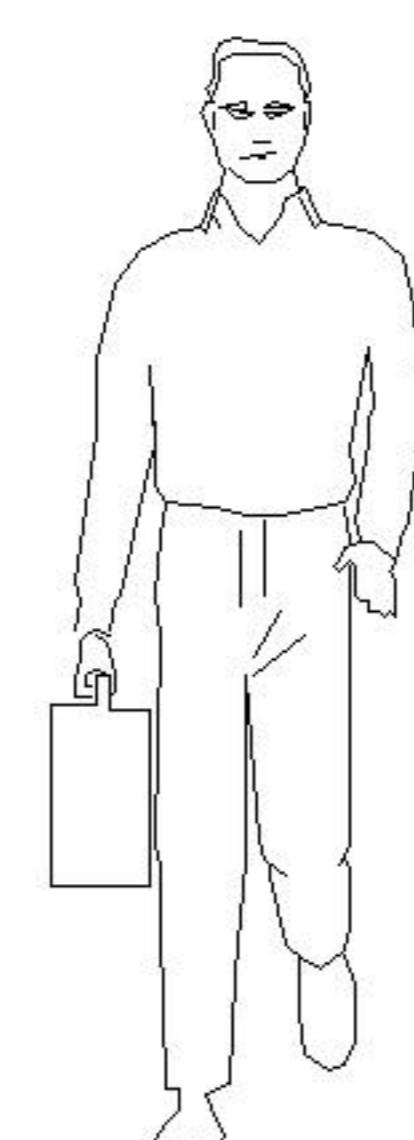
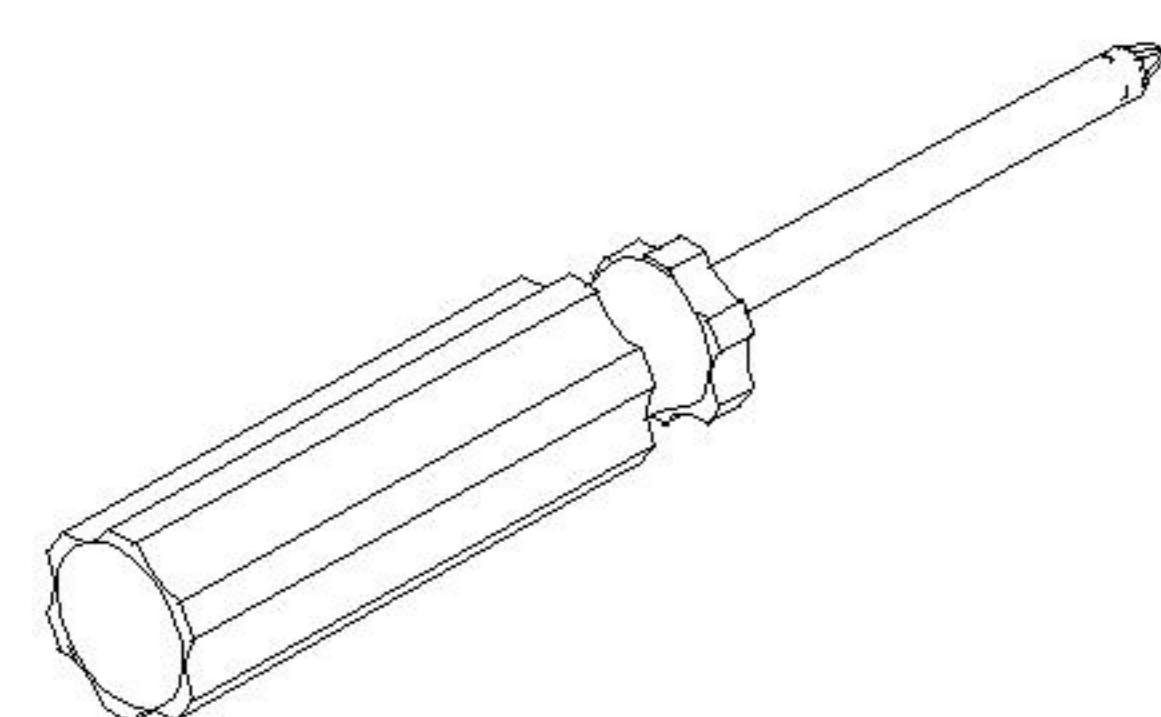
UN1N-A(1.2m)

产品规格 Specification

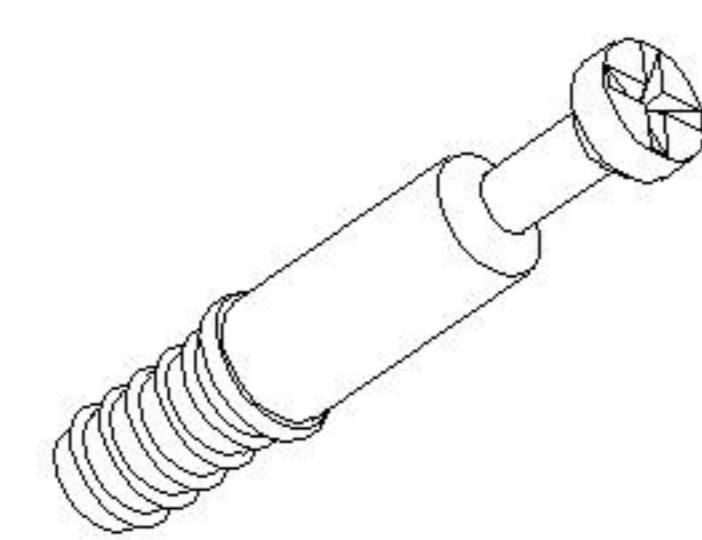
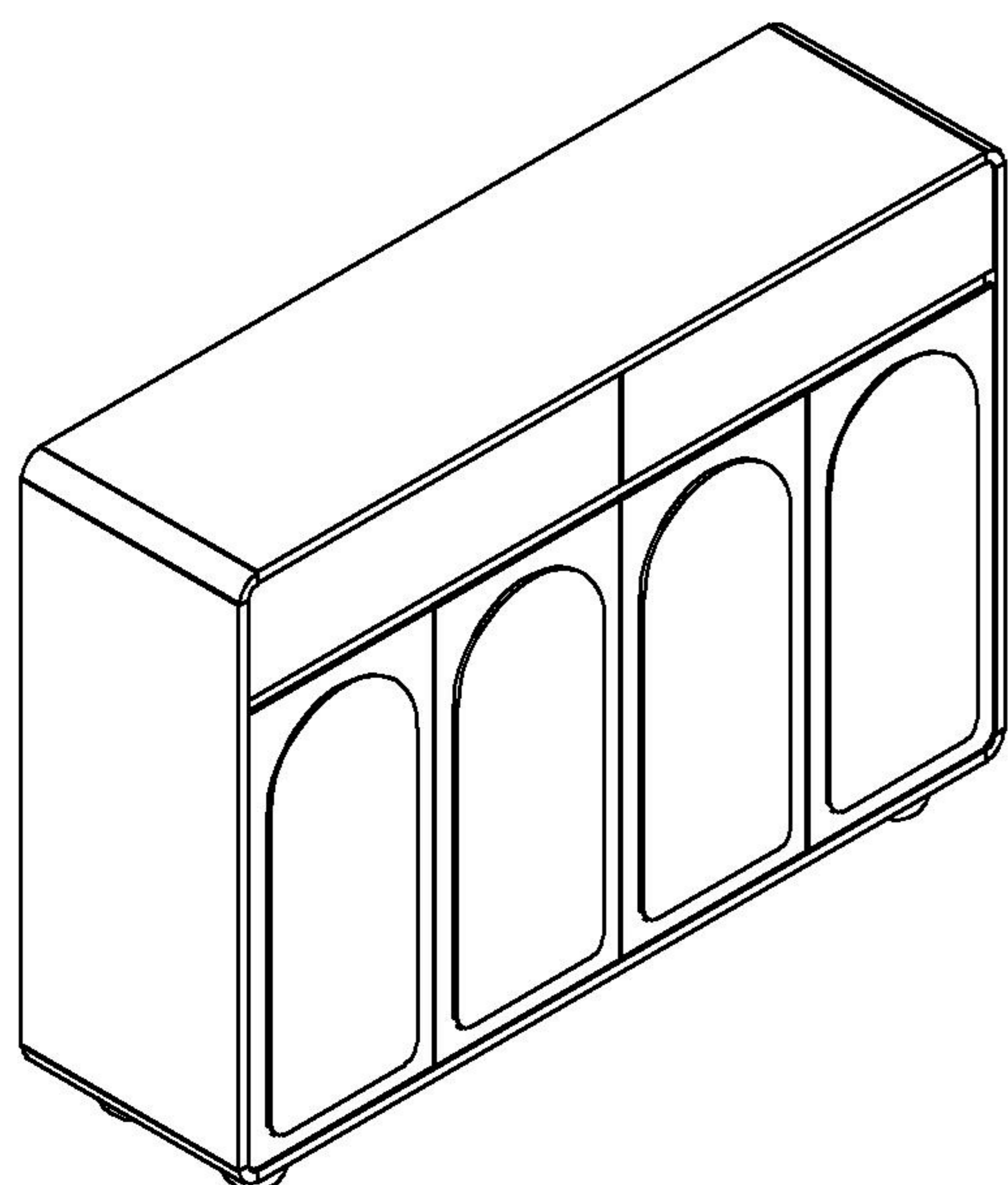
1193*343*895mm

安装工具 Tool

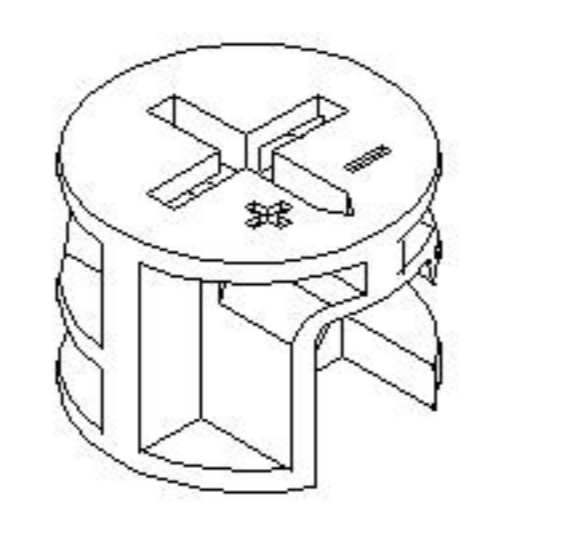
安装人数 Installer



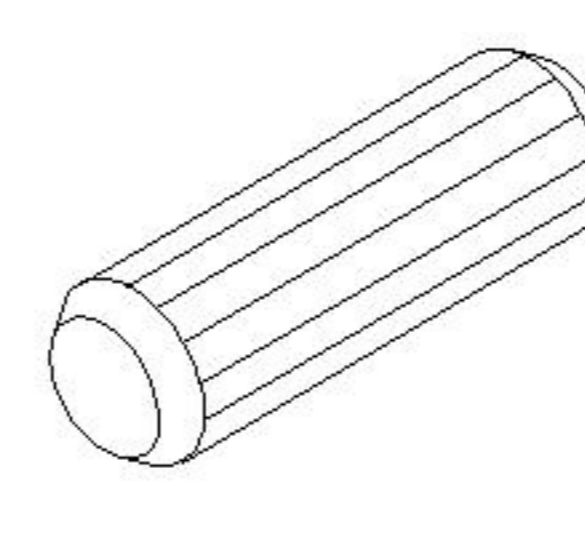
注：为保证设计效果，部分尺寸为定制尺寸，不影响使用。



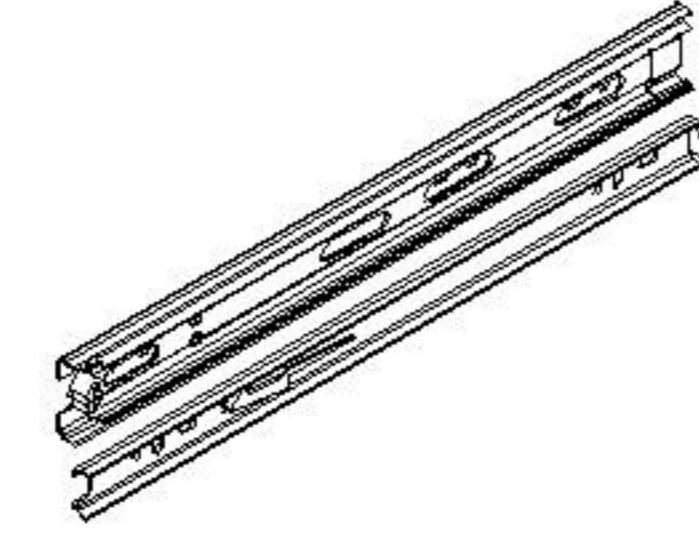
(A)*38
二合一螺杆
2-in-1-screw



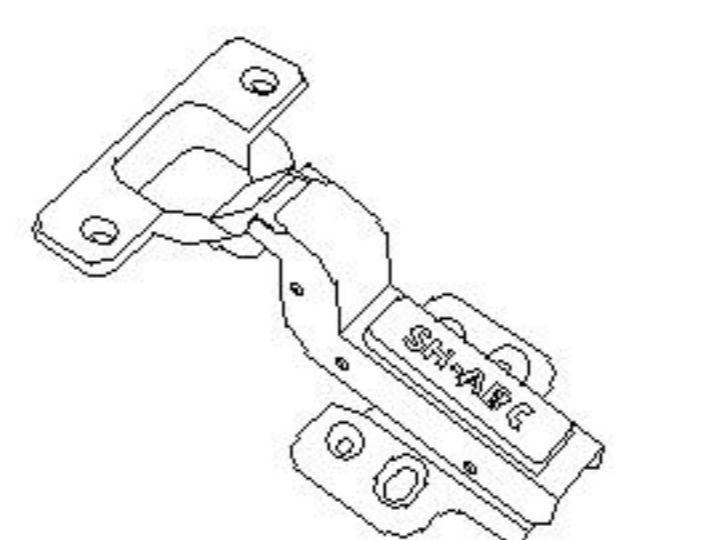
(B)*38
大三合一锁饼
3-in-1 large lock



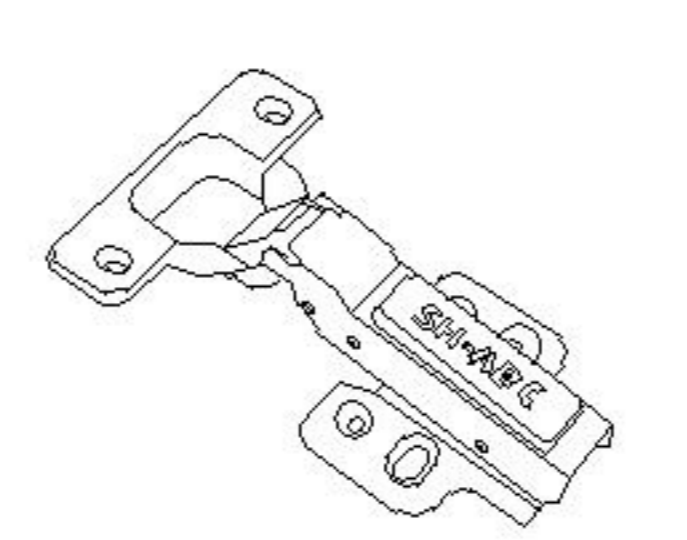
(C)*19
木榫Ø8x30mm
Wood tenon



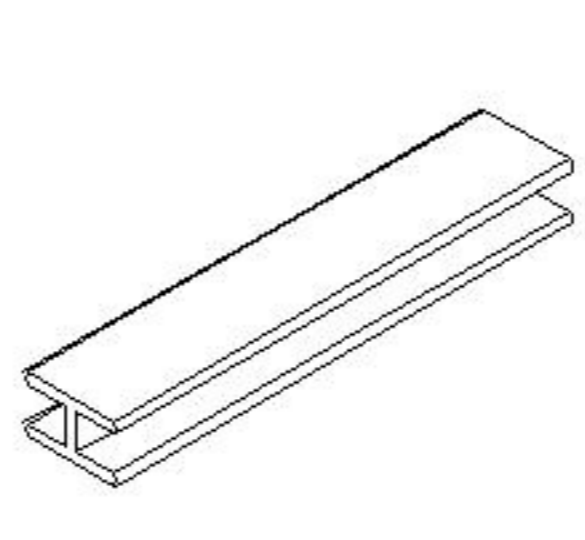
(D)*2
三节滚珠导轨10"
Three-section rail



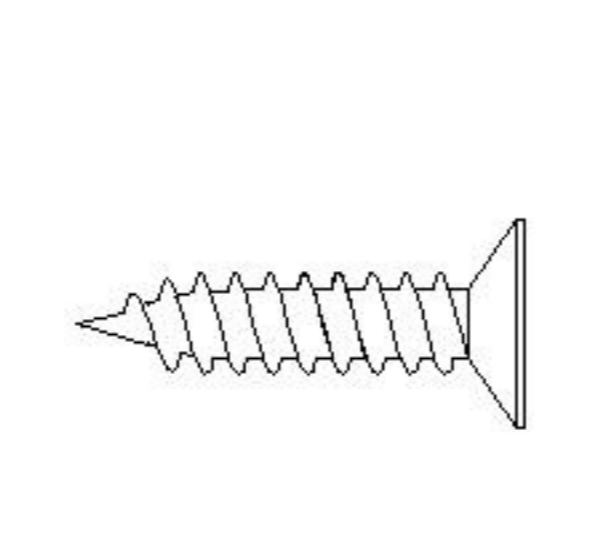
(E)*4
缓冲门铰大弯-杯径Ø35
Great bend hinge



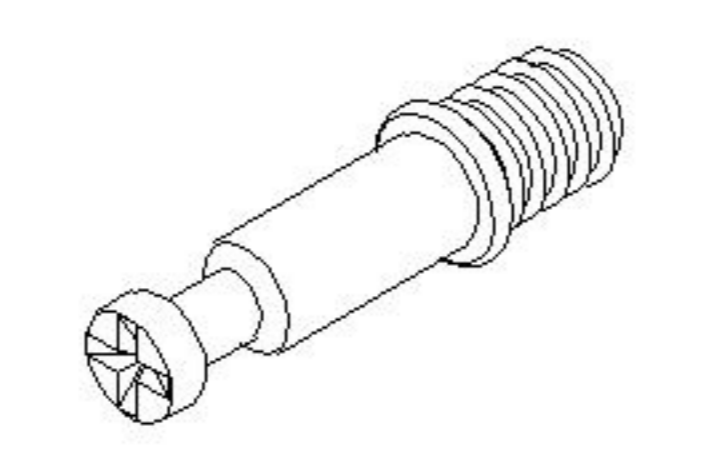
(F)*4
缓冲门铰中弯-杯径Ø35
Middle bend hinge



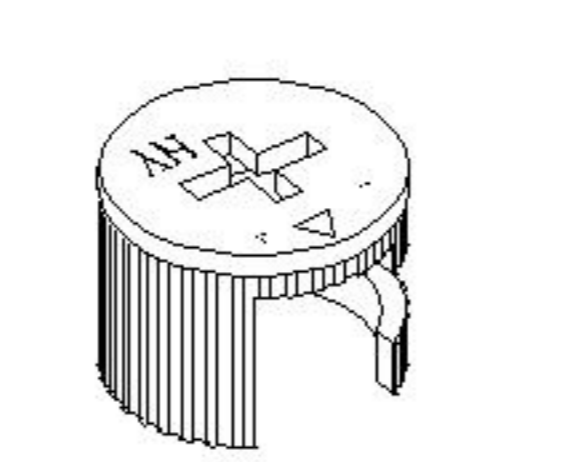
(G)*3 L=790
夹板条
Splint strip



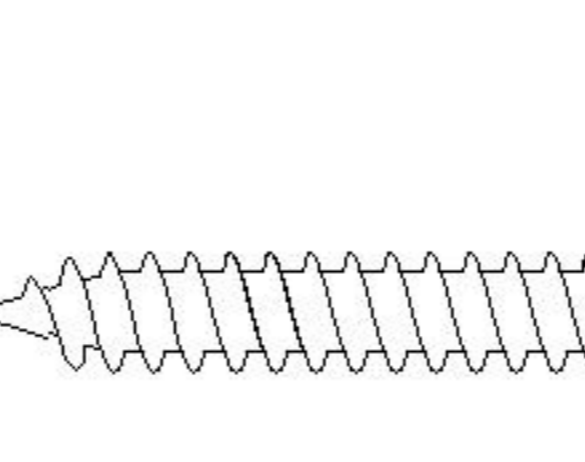
(H)*25
白攻螺丝M3.5*12mm
Tapping screw



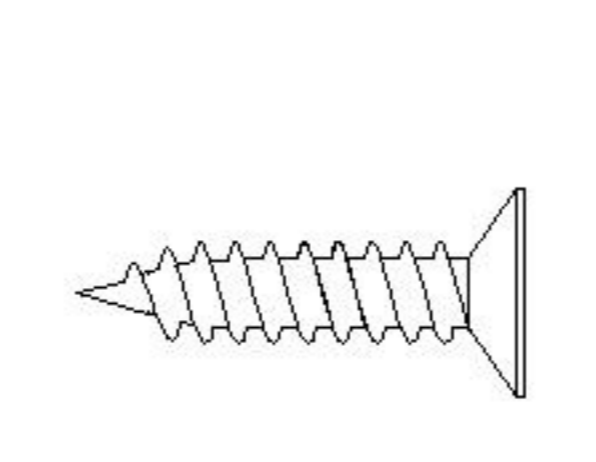
(I)*8
小二合一杆
2-in-1 small rod



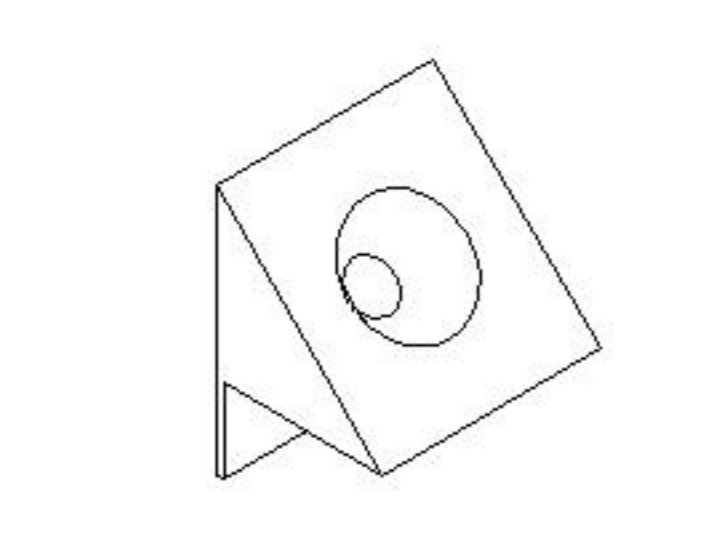
(J)*8
小三合一锁饼
3-in-1 small lock



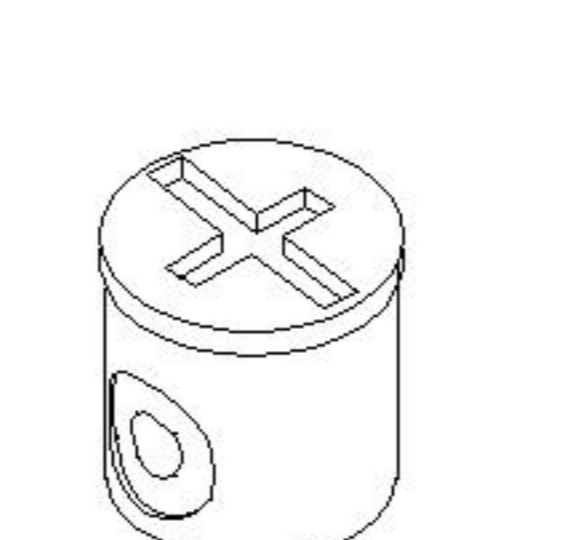
(K)*8
白攻螺丝M4*10mm
Tapping screw



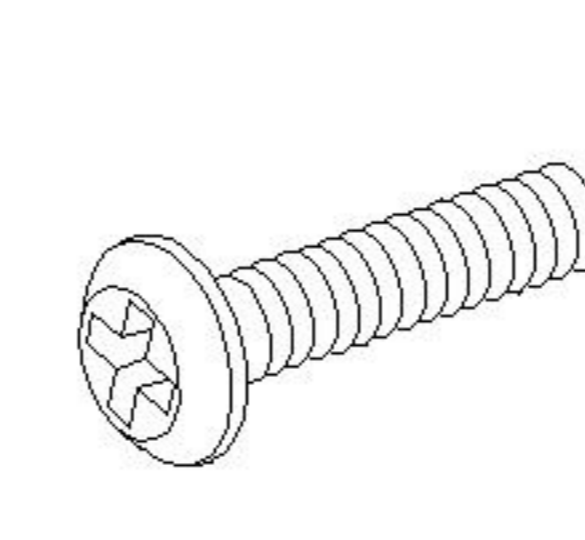
(L)*11
白攻螺丝M3.5*16mm
Tapping screw



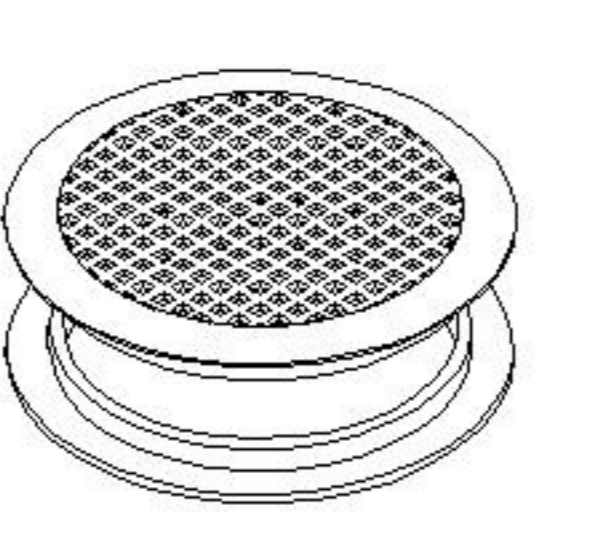
(M)*11
背板扣
White buckle



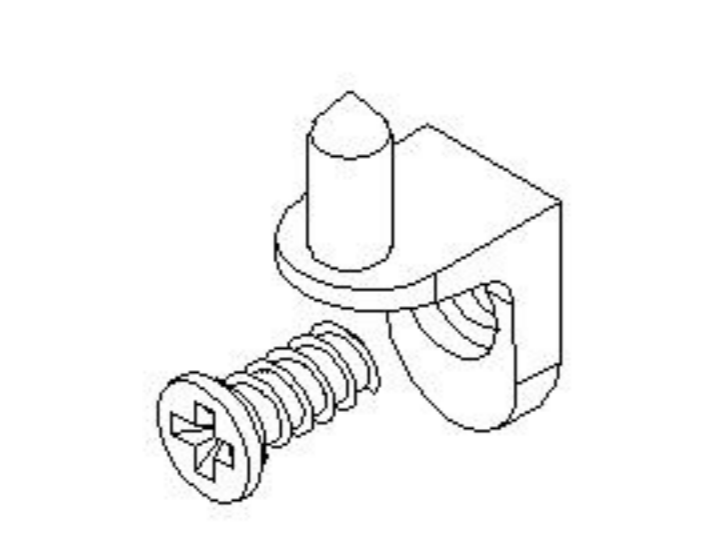
(N)*8
塑料螺母
Plastic Nut



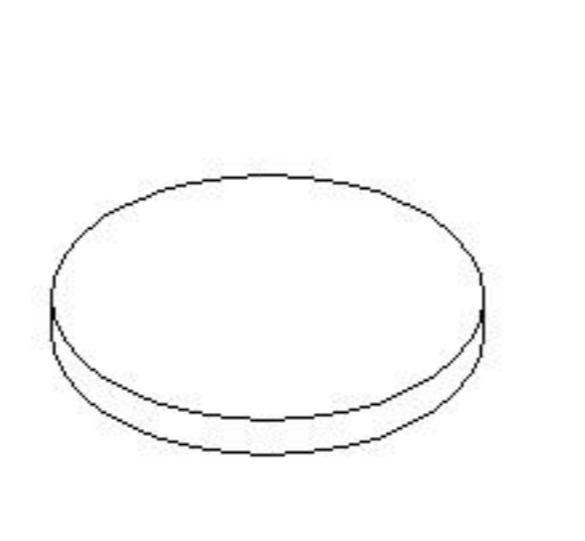
(O)*5
斜边十字螺杆M8*35mm
Bevel cross screw



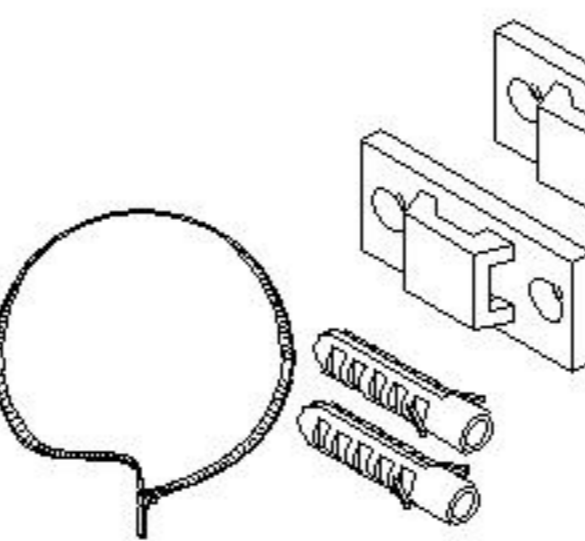
(P)*4
透气孔盖-白色
Breathable cover



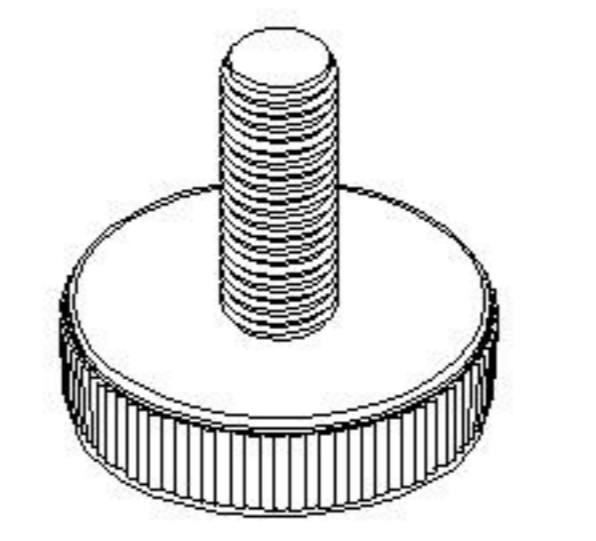
(Q)*24
层板托5mm
shelf support



(R)*4
灰色毛毡垫 Ø25*3
Foot pad

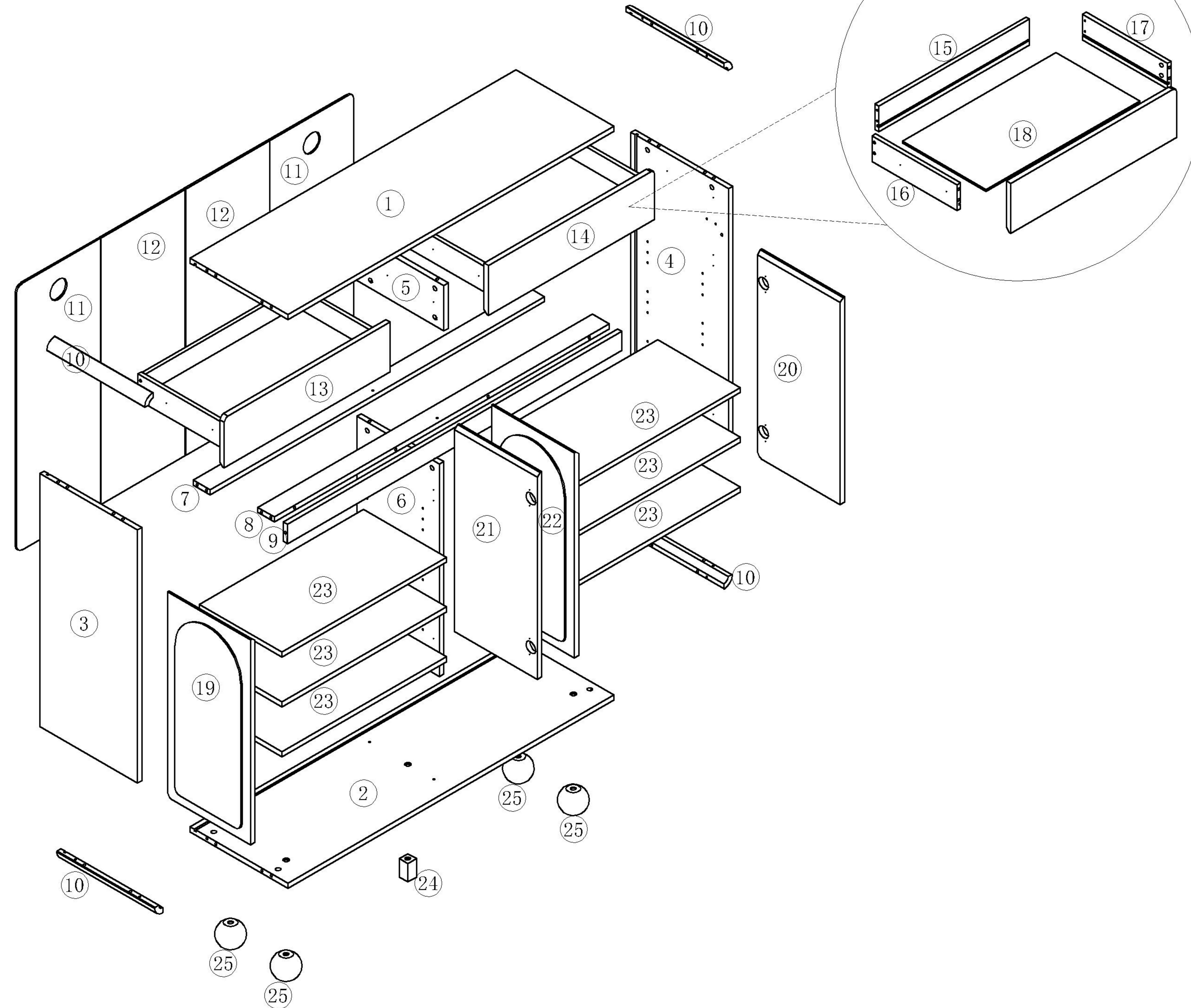


(S)*2
家具防倒器-白色
Anti-fall device



(T)*1
调节五金脚
Adjustable hardware foot

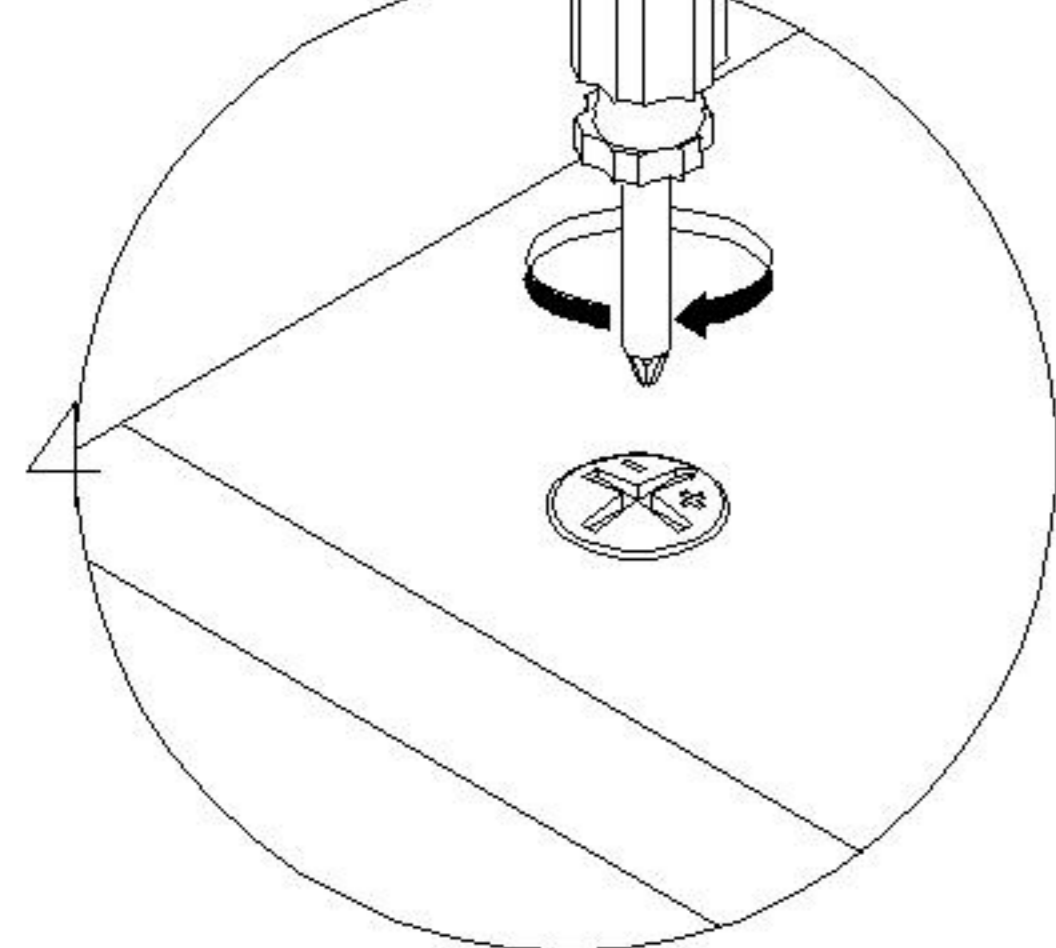
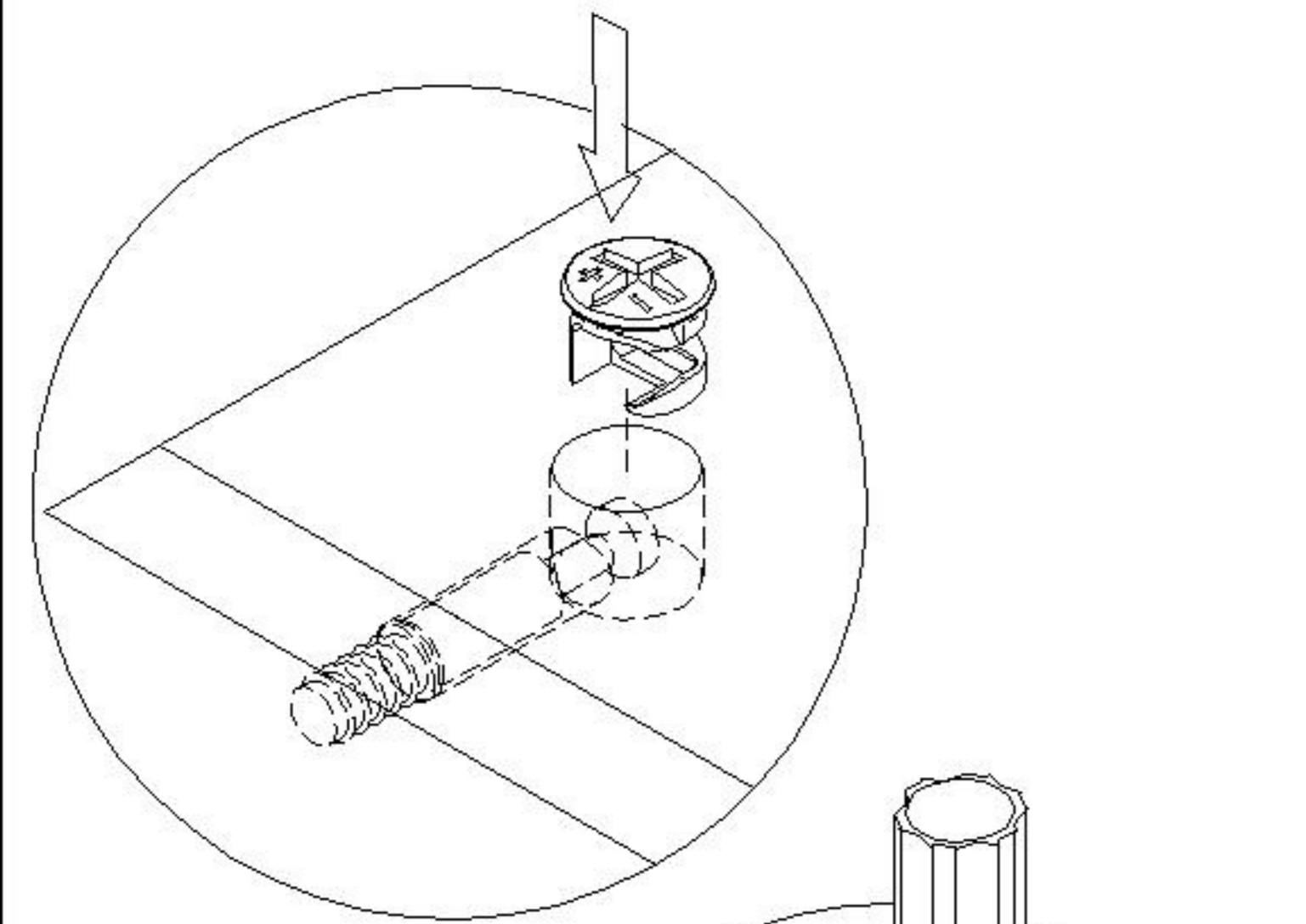
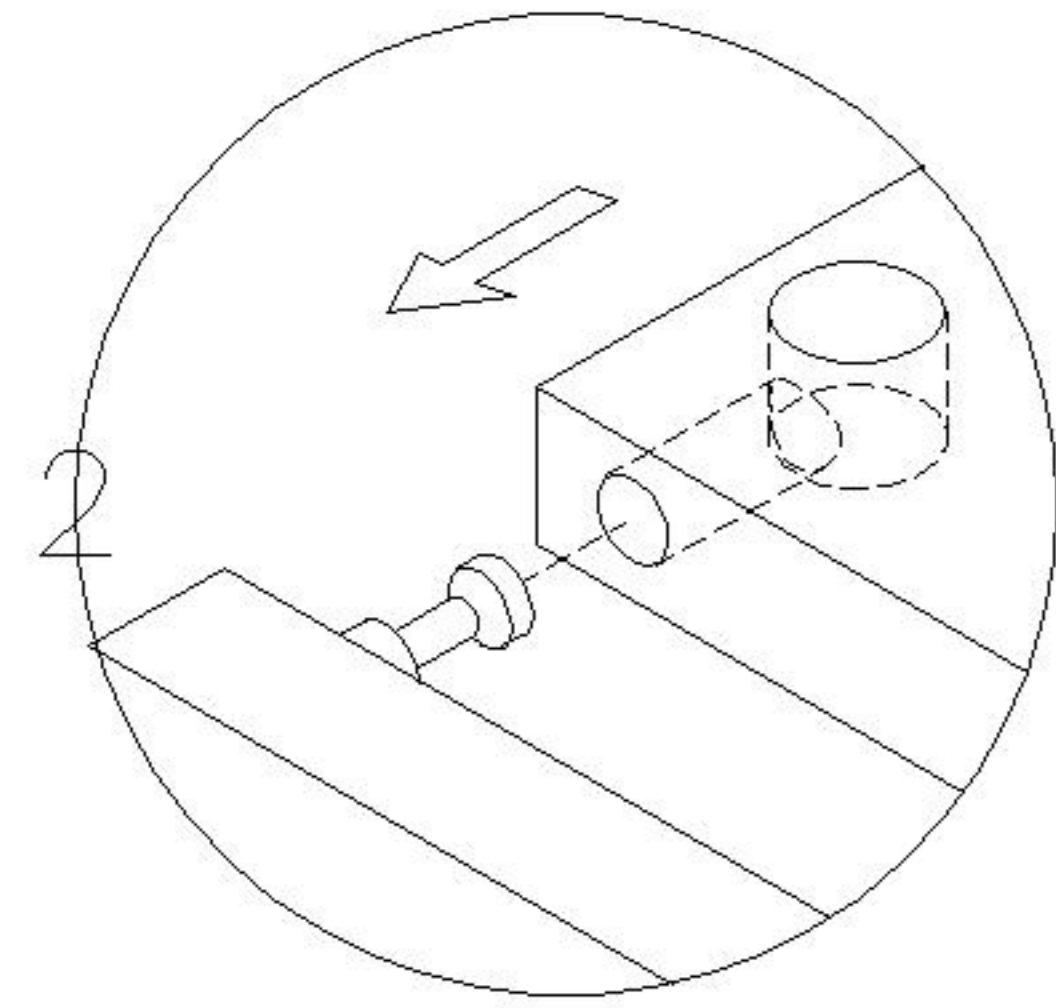
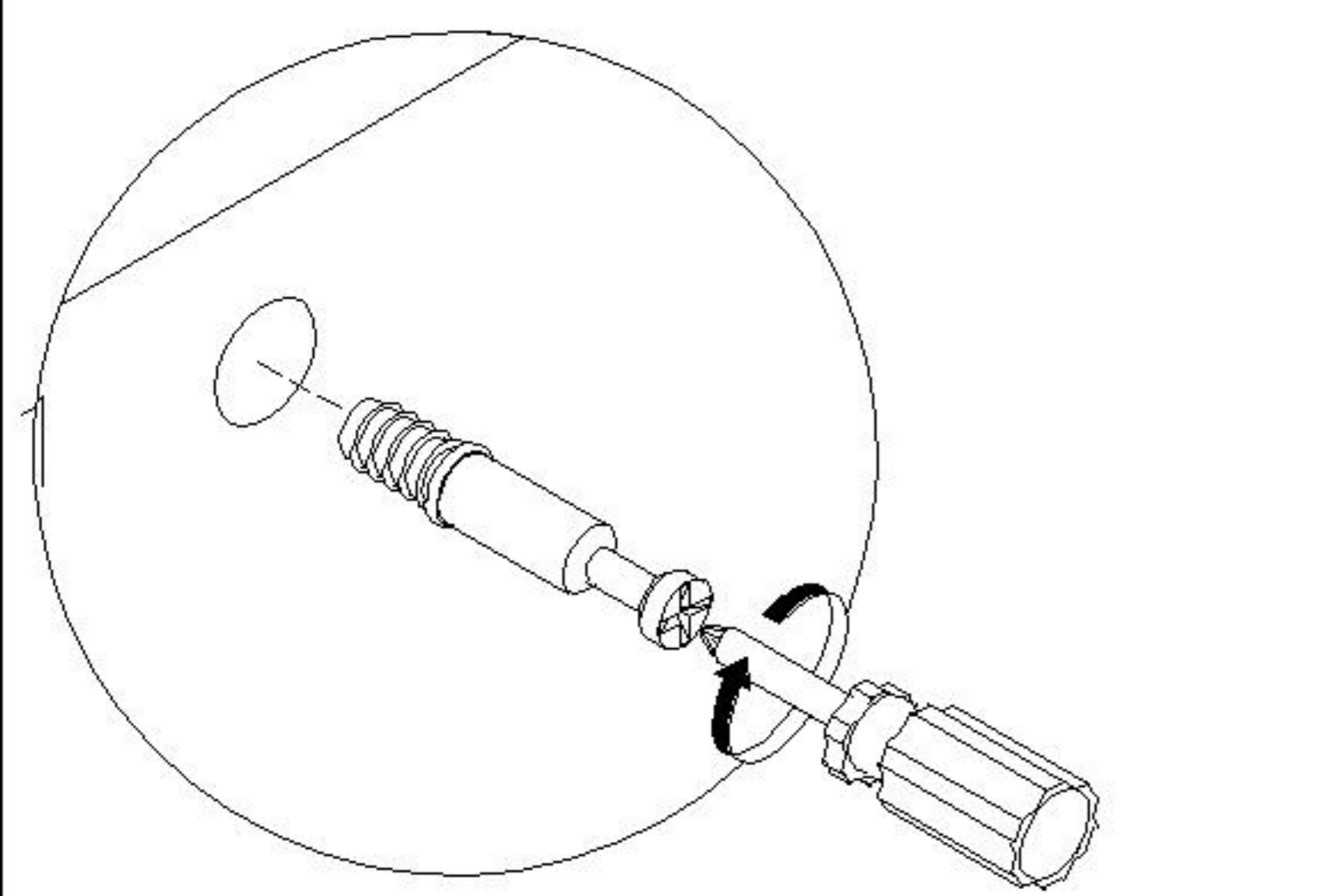
编号NO.	名称Name	规格 (mm) Specification	数量QTY	材质Material
①	面板Top panel	1133*340*15	1	纤维板 Fiberboard
②	底板Bottom board	1133*340*15	1	纤维板 Fiberboard
③	左侧板Side board(L)	762*340*15	1	纤维板 Fiberboard
④	右侧板Side board(R)	762*340*15	1	纤维板 Fiberboard
⑤	上中侧板Upper middle side board	301*137*15	1	纤维板 Fiberboard
⑥	下中侧板Middle-down side panel	640*286*15	1	纤维板 Fiberboard
⑦	拉条1Brace 1	1163*58*15	1	纤维板 Fiberboard
⑧	拉条2Brace 2	1163*58*15	1	纤维板 Fiberboard
⑨	装饰条Decorative strip	1163*58*15	1	纤维板 Fiberboard
⑩	连接木Linked wood	340*30*30	4	橡胶木 Rubber wood
⑪	边背板Side back board	802*292*5	2	纤维板 Fiberboard
⑫	背板Back board	802*292*5	2	纤维板 Fiberboard
⑬	左抽屉面板Drawer's panel(L)	578*158*15	1	纤维板 Fiberboard
⑭	右抽屉面板Drawer's panel(R)	578*158*15	1	纤维板 Fiberboard
⑮	抽屉后板Drawer's Back board	524*78*12	2	刨花板 Particle board
⑯	抽屉左侧板Drawer's side board(L)	295*78*12	2	刨花板 Particle board
⑰	抽屉右侧板Drawer's side board(R)	295*78*12	2	刨花板 Particle board
⑱	抽屉底板Drawer's Bottom board	534*291*5	2	纤维板 Fiberboard
⑲	左门板Door board(L)	610*288*20	1	纤维板 Fiberboard
⑳	右门板Door board(R)	610*288*20	1	纤维板 Fiberboard
㉑	左中门板 Middle door(L)	610*288*20	1	纤维板 Fiberboard
㉒	右中门板 Middle door(R)	610*288*20	1	纤维板 Fiberboard
㉓	活动层板Movable shelf	573*300*15	6	纤维板 Fiberboard
㉔	中脚Middle foot	55*30*30	1	橡胶木 Rubber wood
㉕	脚Foot	70*80*80	4	橡胶木 Rubber wood



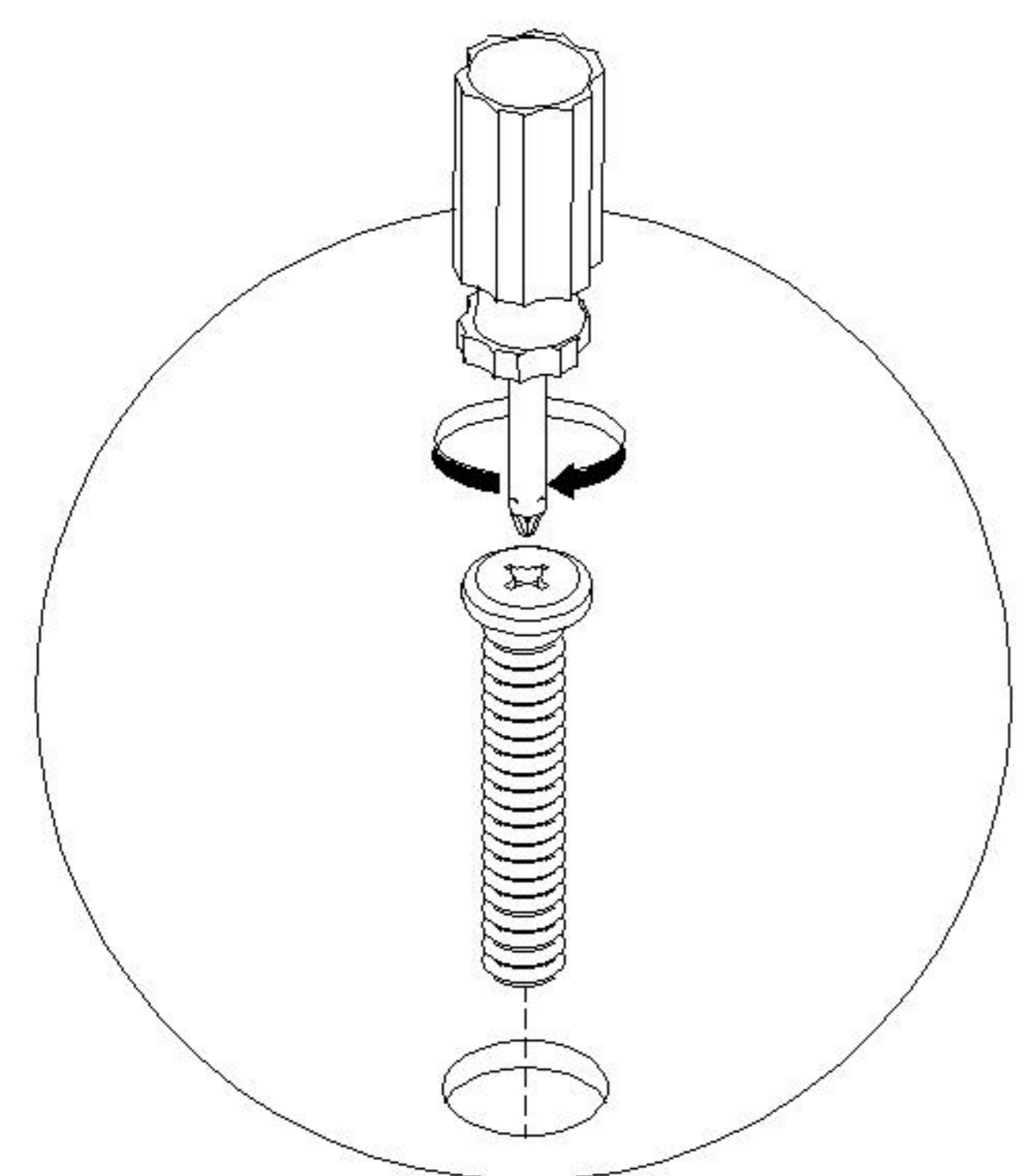
编号NO.	名称Name
①	面板Top panel
②	底板Bottom board
③	左侧板Side board(L)
④	右侧板Side board(R)
⑤	上中侧板Upper middle side board
⑥	下中侧板Middle-down side panel
⑦	拉条1Brace 1
⑧	拉条2Brace 2
⑨	装饰条Decorative strip
⑩	连接木Linked wood
⑪	边背板Side back board
⑫	背板Back board
⑬	左抽屉面板Drawer's panel(L)
⑭	右抽屉面板Drawer's panel(R)
⑮	抽屉后板Drawer's Back board
⑯	抽屉左侧板Drawer's side board(L)
⑰	抽屉右侧板Drawer's side board(R)
⑱	抽屉底板Drawer's Bottom board
⑲	左门板Door board(L)
⑳	右门板Door board(R)
㉑	左中门板 Middle door(L)
㉒	右中门板 Middle door(R)
㉓	活动层板Movable shelf
㉔	中脚Middle foot
㉕	脚Foot

UN1N-A (1.2m)

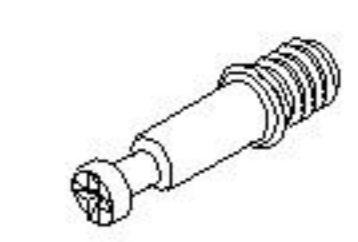
安装方法/
Installation method



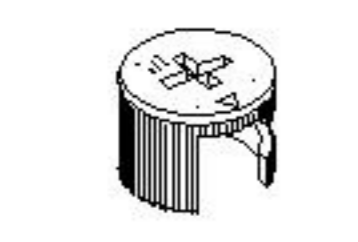
小二合一
small two-in-one



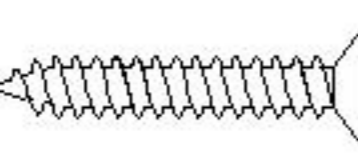
斜边十字螺杆
bevel cross screw



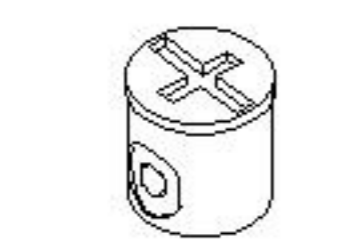
(I)*8



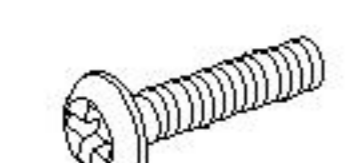
(J)*8



(K)*8



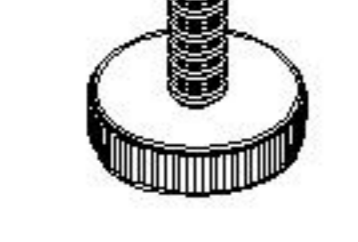
(N)*8



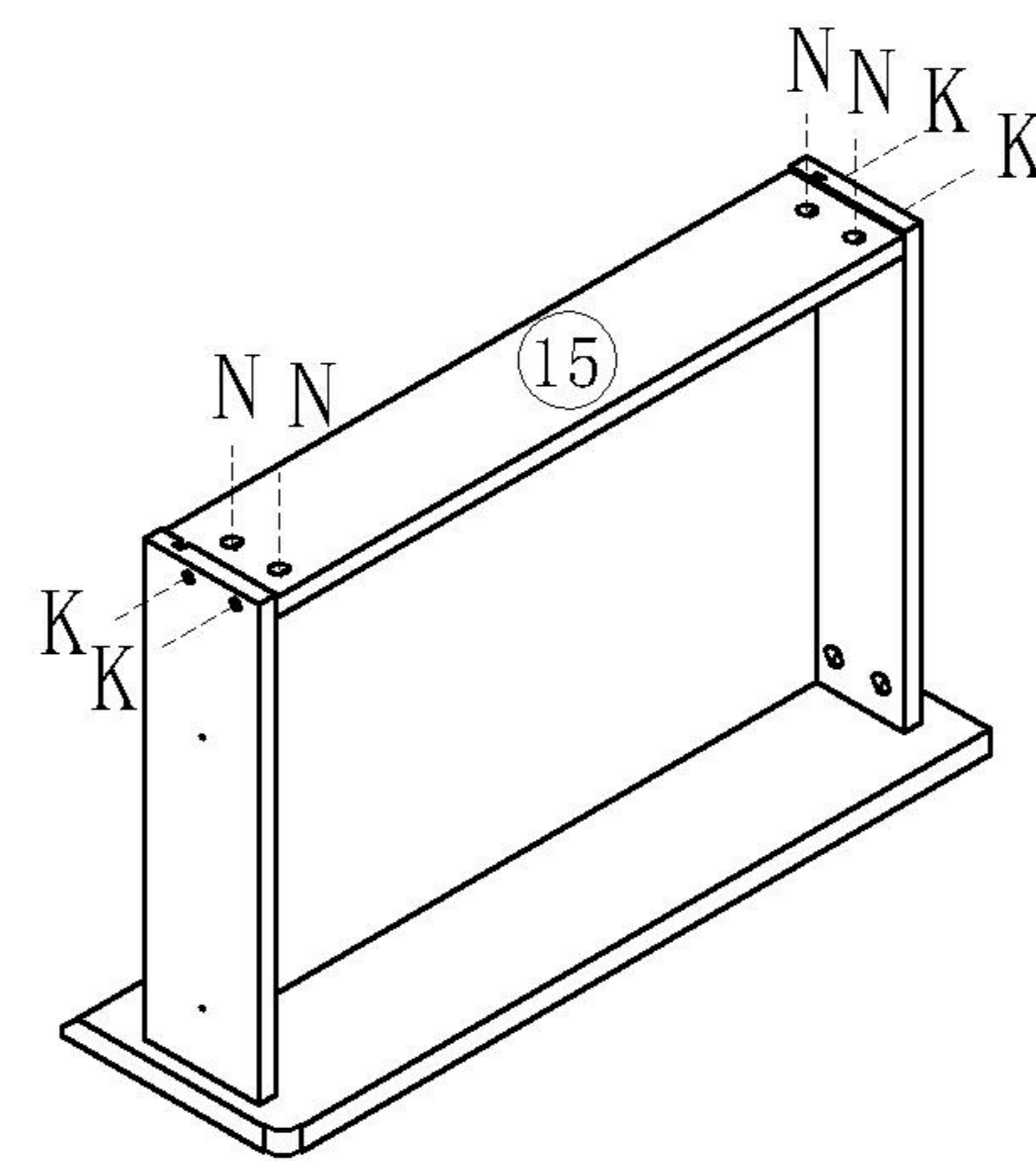
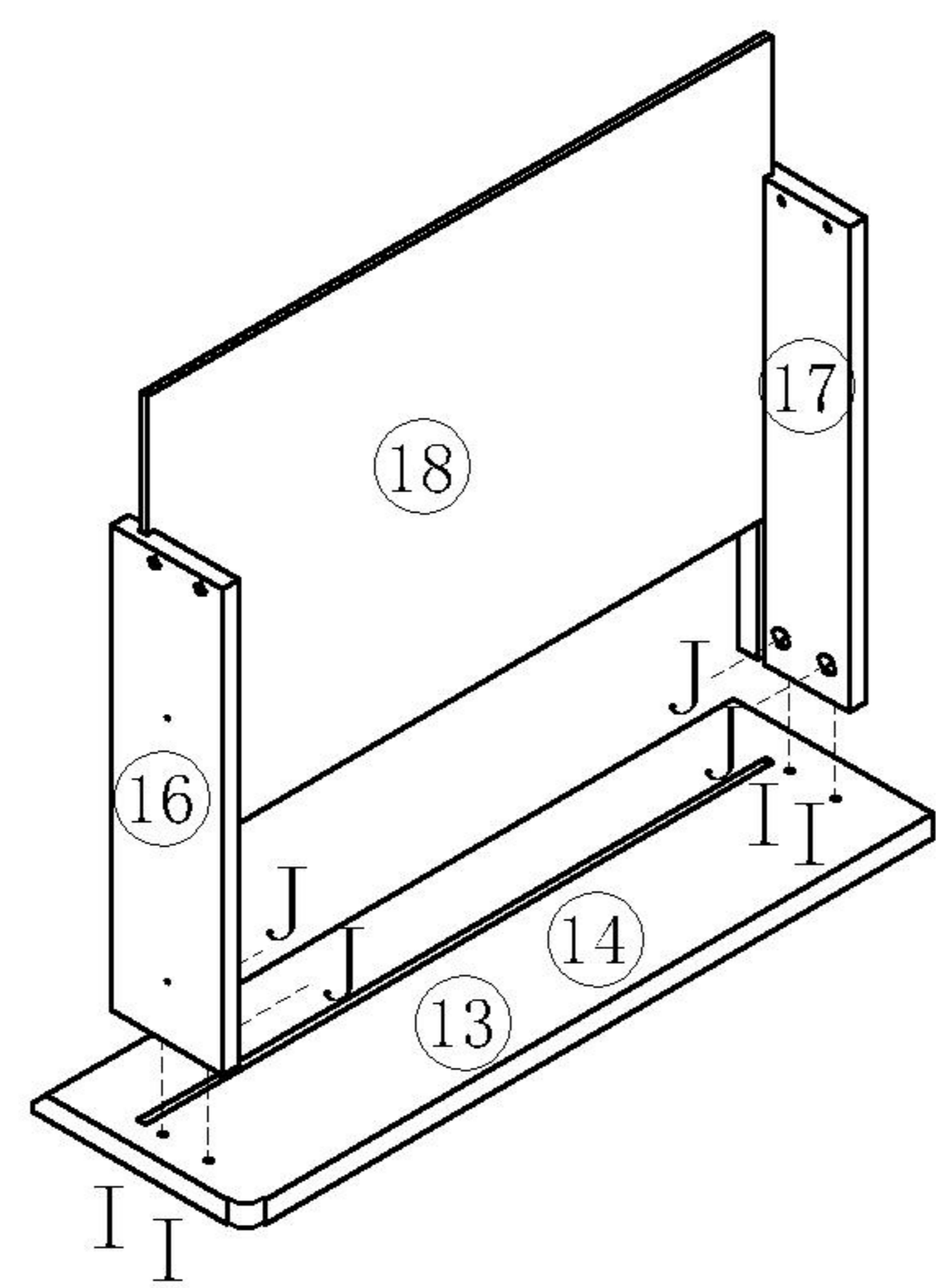
(O)*5



(R)*4

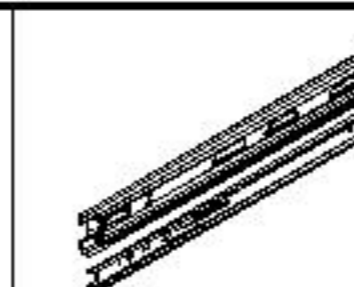


(T)*1

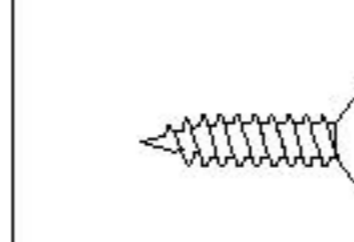


X2

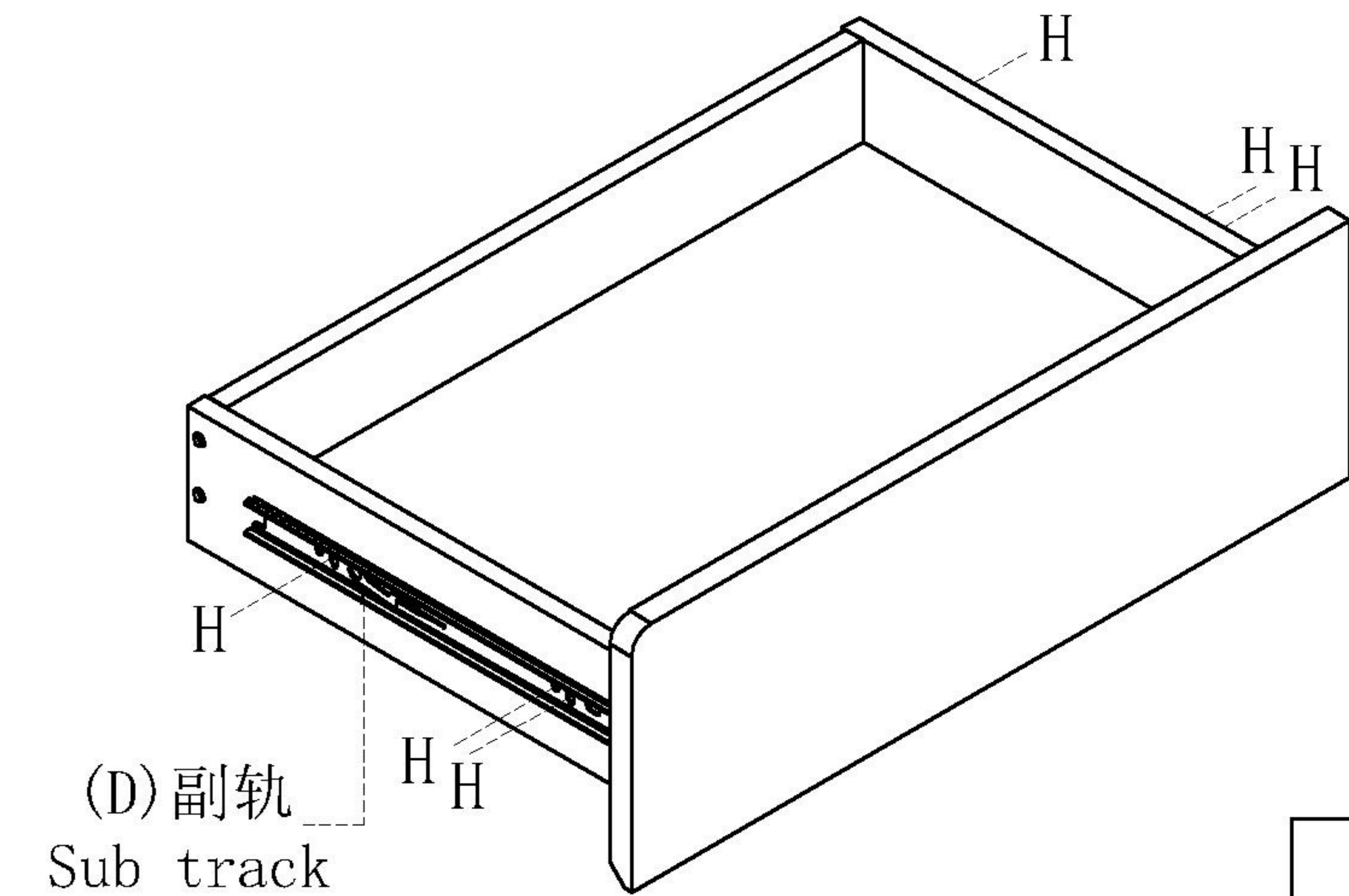
1



(D)*2

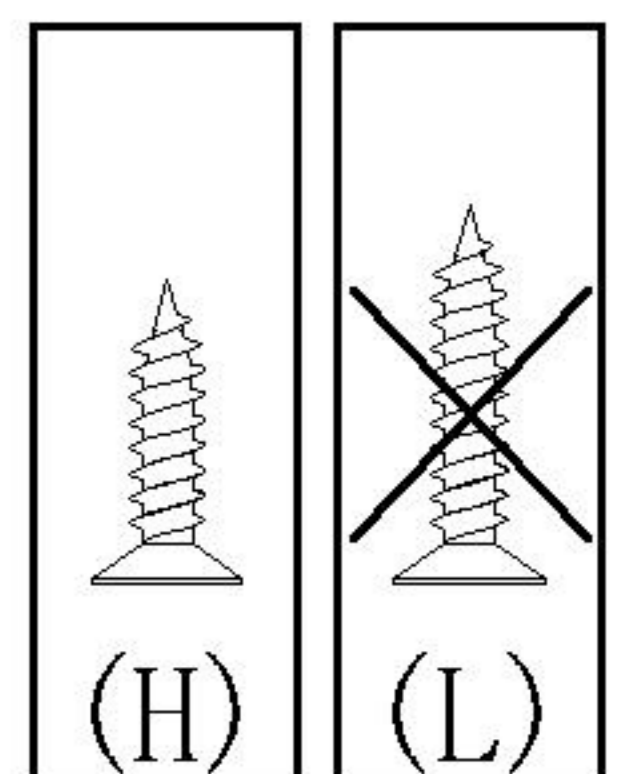


(H)*12



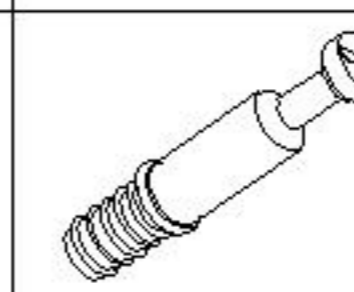
(D) 副轨
Sub track

X2



2

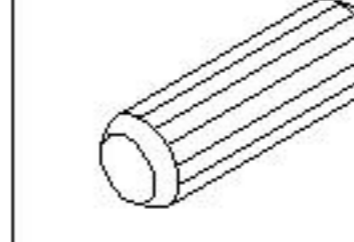
3



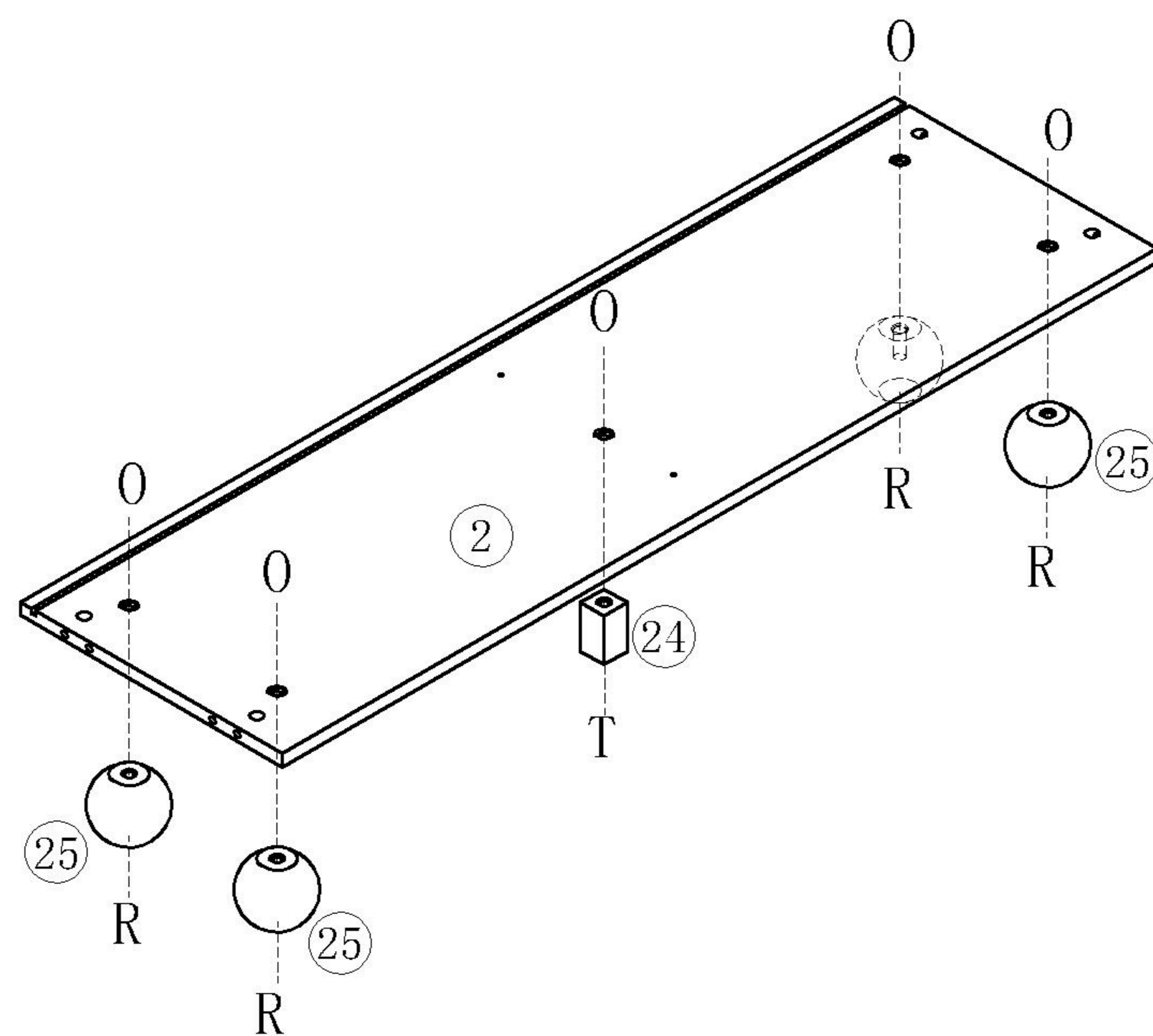
(A)*8



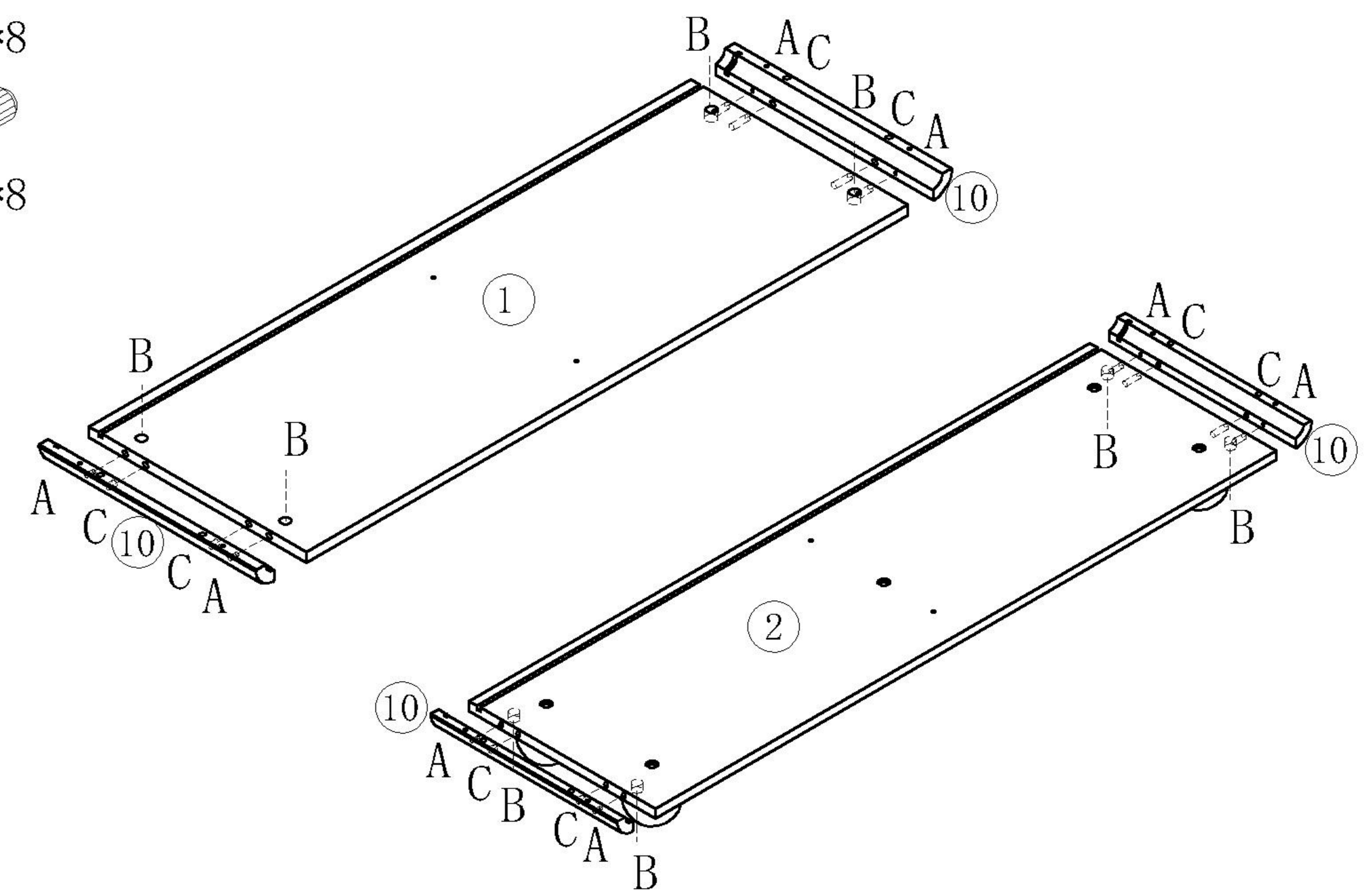
(B)*8



(C)*8

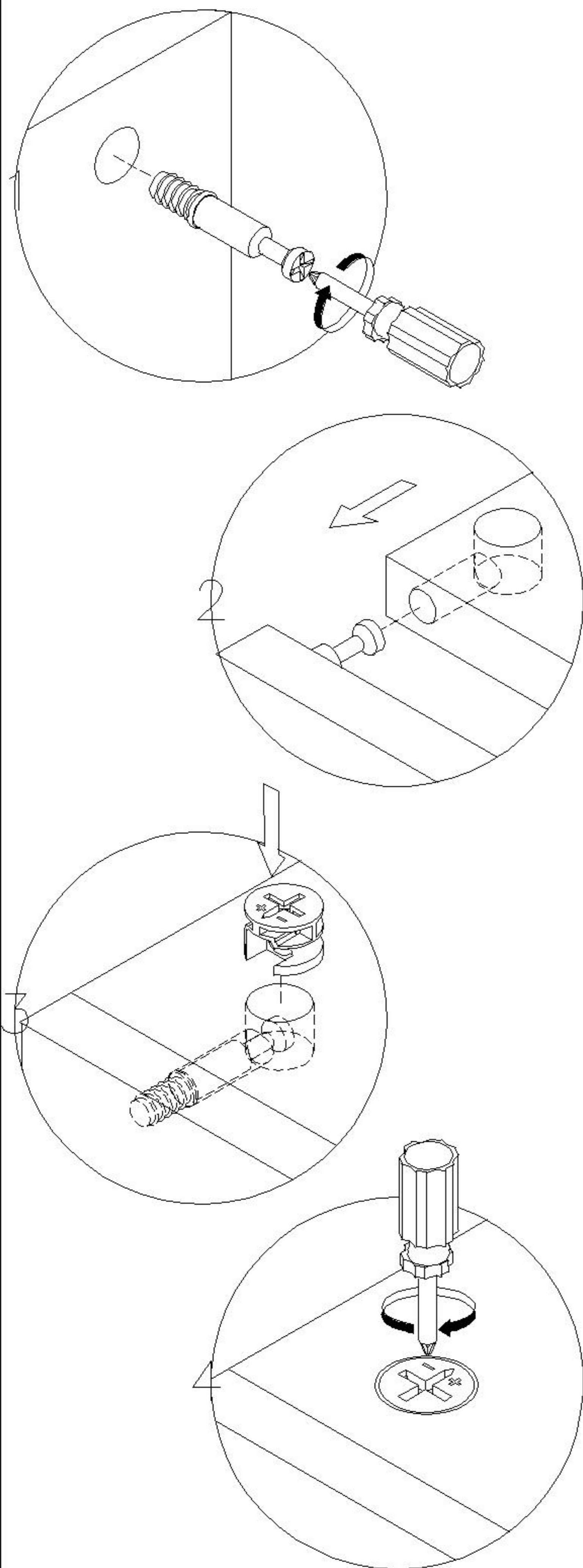


4

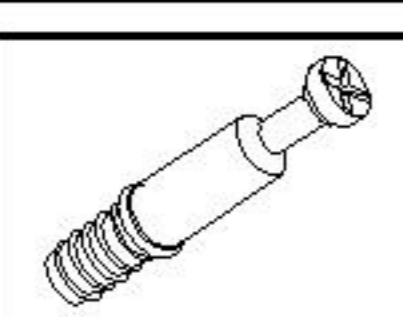


UN1N-A (1.2m)

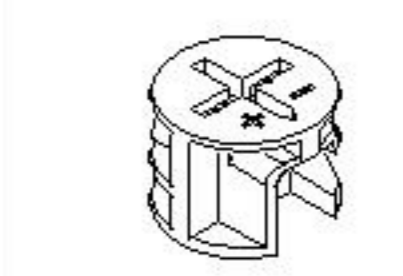
安装方法/
Installation method



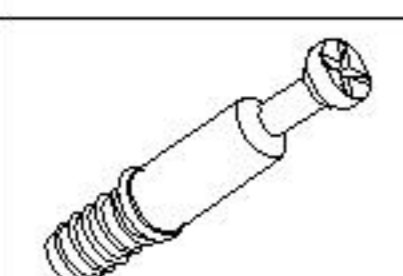
大二合一
two-in-one



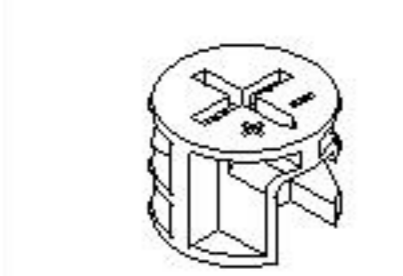
(A)*6



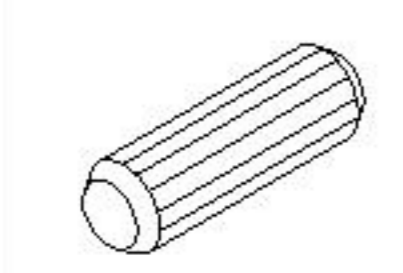
(B)*6



(A)*8

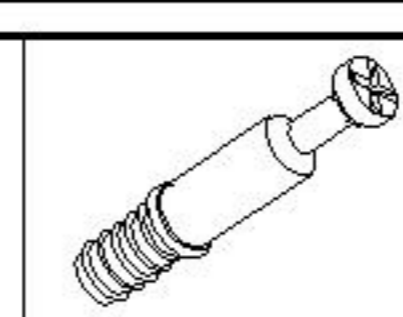


(B)*8

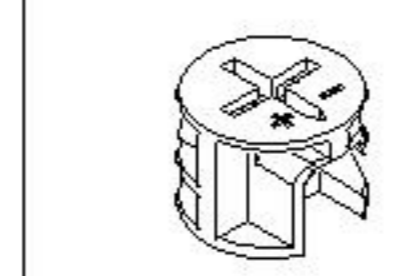


(C)*2

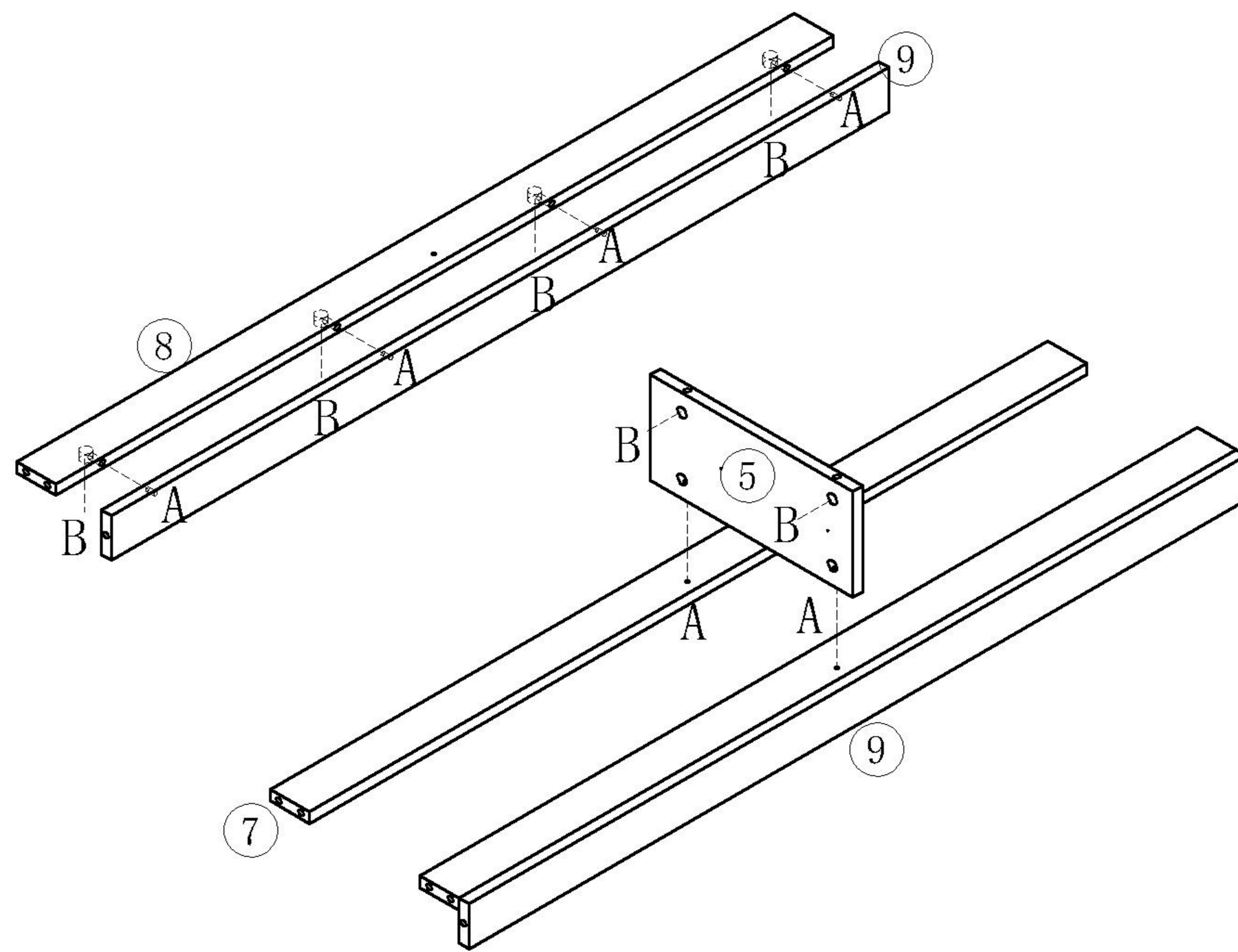
5



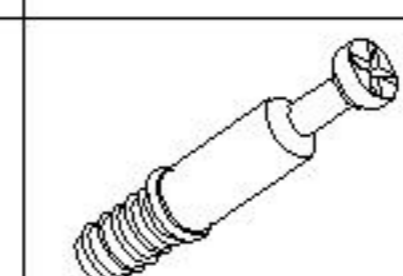
(A)*2



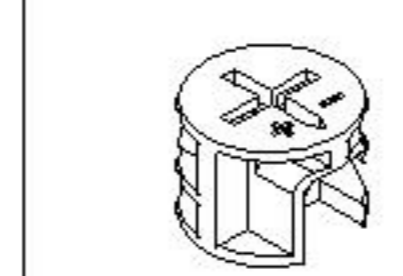
(B)*2



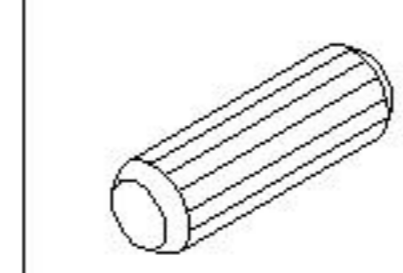
7



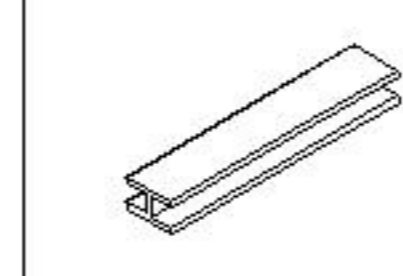
(A)*6



(B)*6



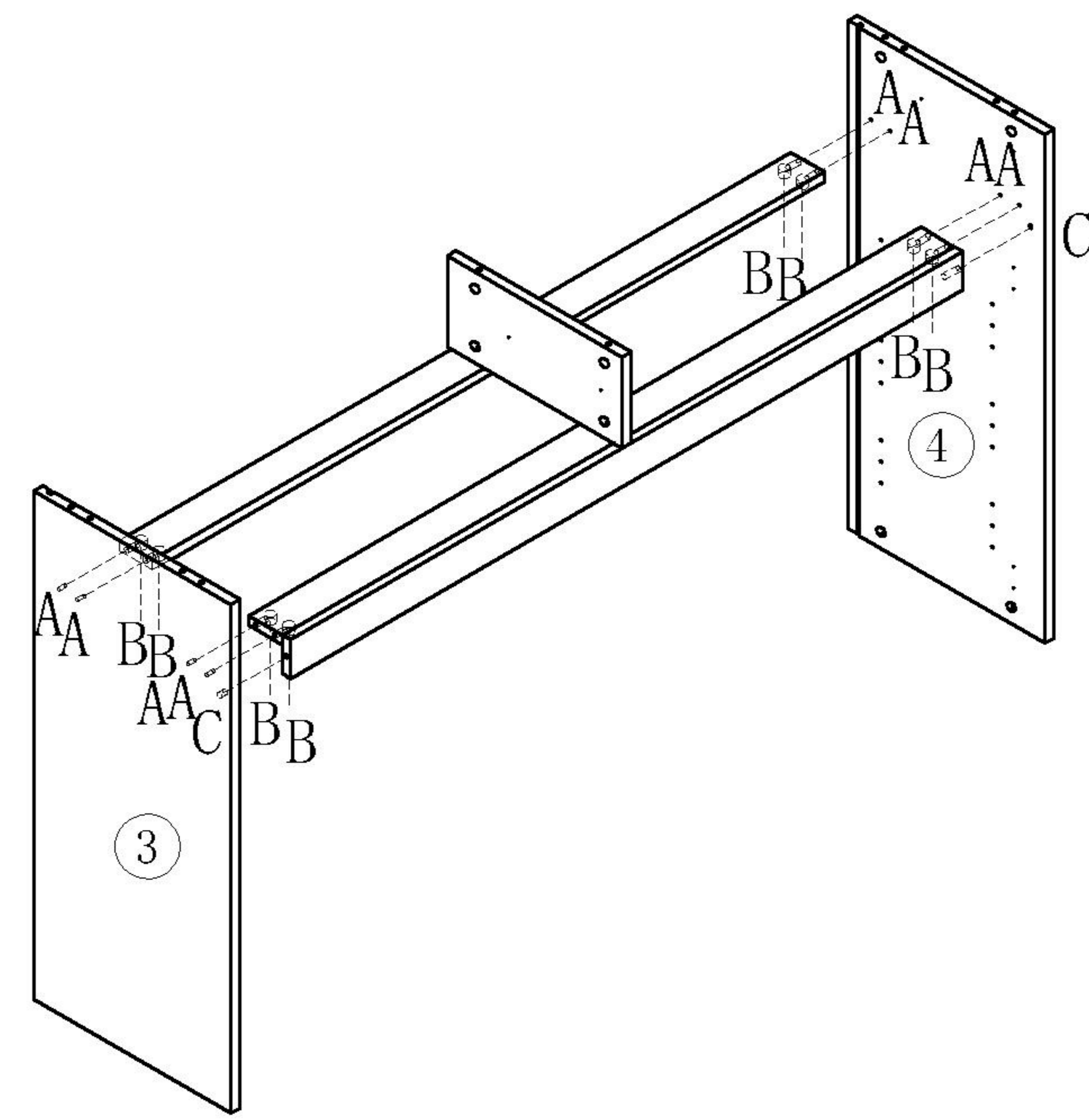
(C)*4



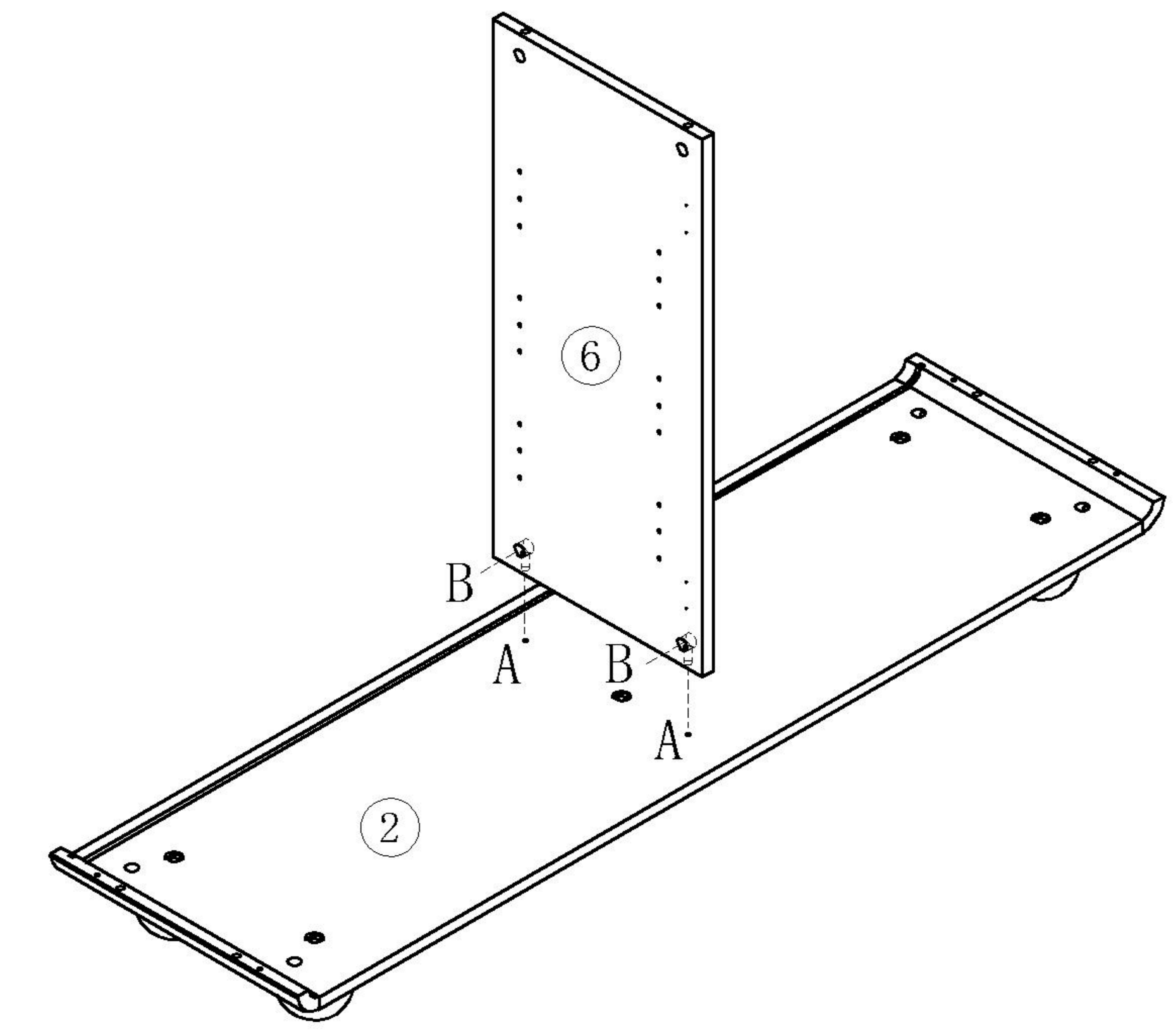
(G)*3



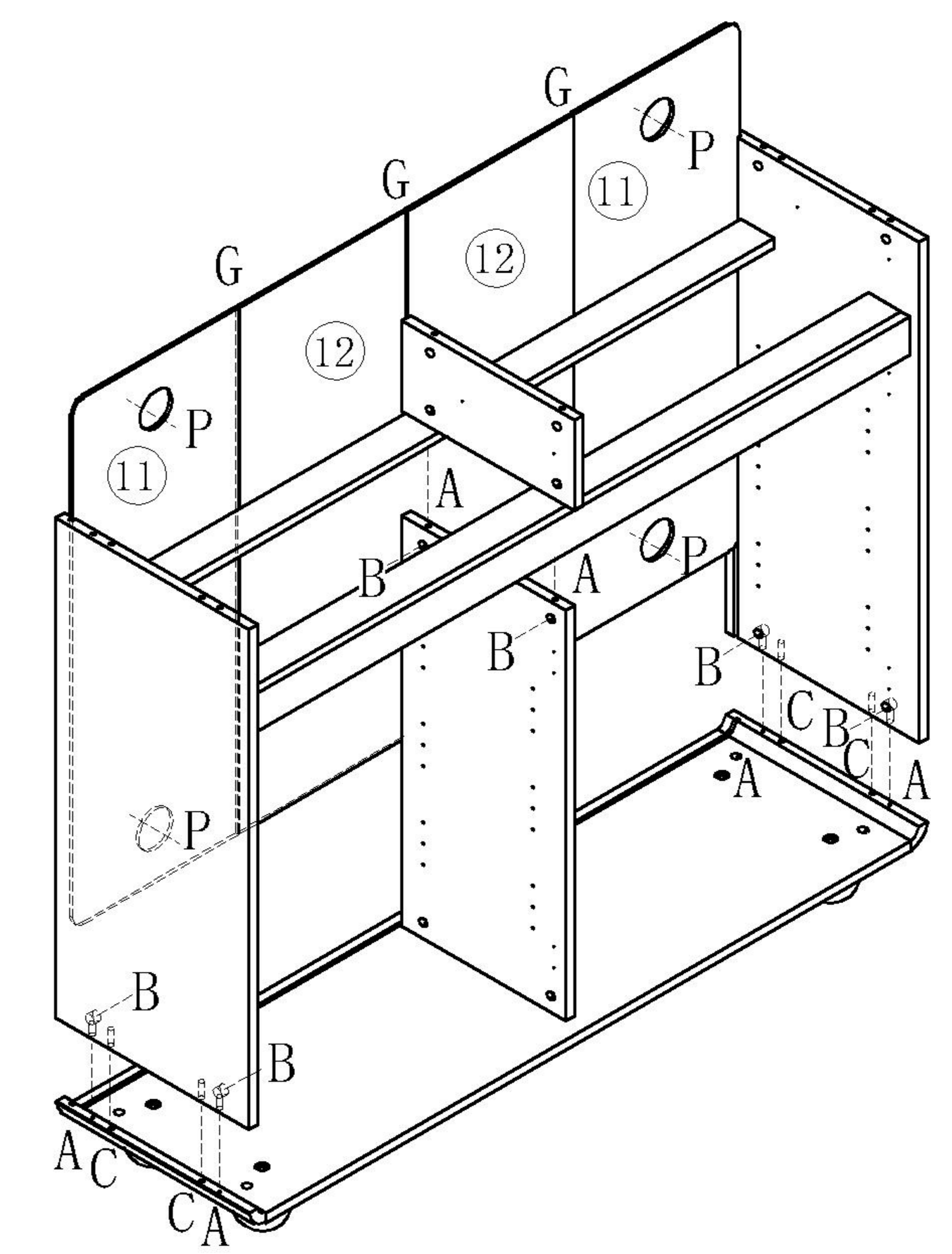
(P)*4



6



8



UN1N-A(1.2m)

安装方法/
Installation method

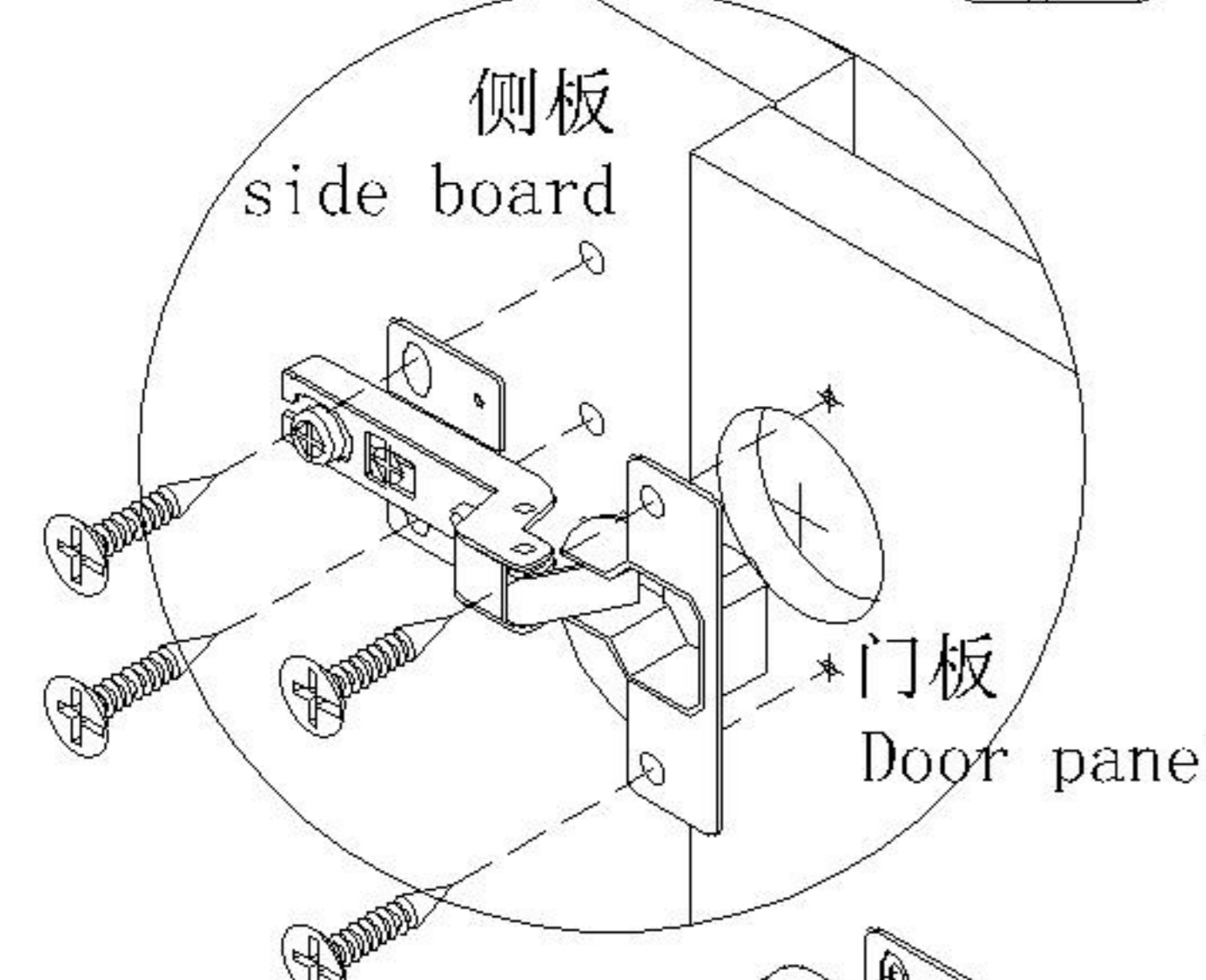
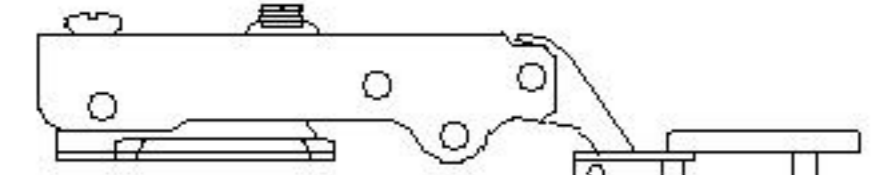
大弯big bend



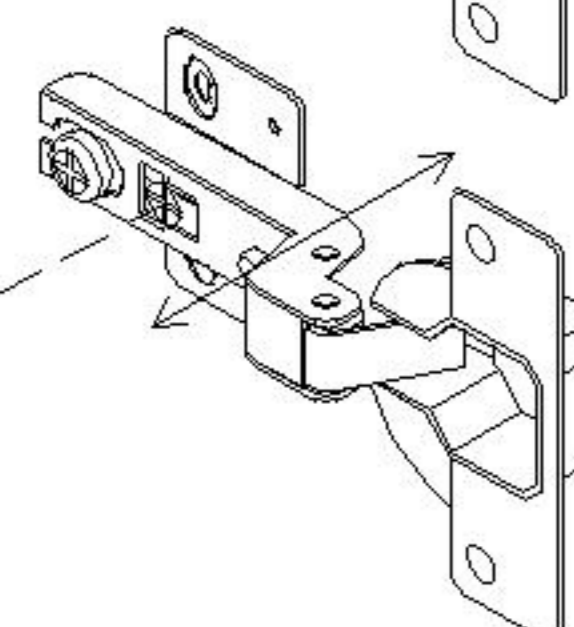
中弯middle bending



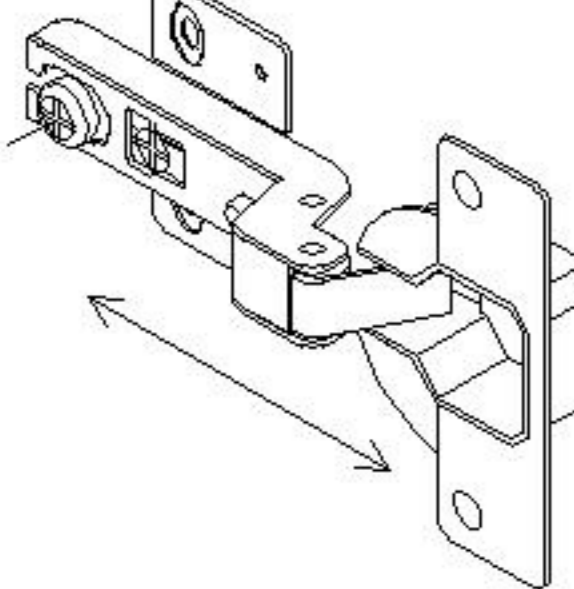
直弯straight bending



调节上下
Adjust up and down

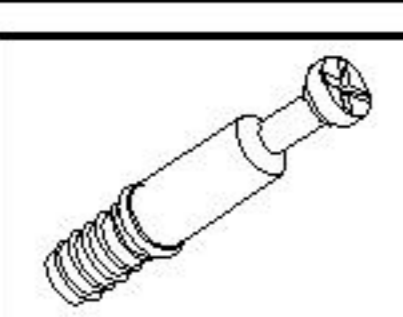


调节左右
Adjust left and right

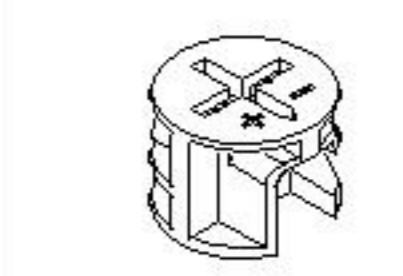


调节前后
Before and after adjustment

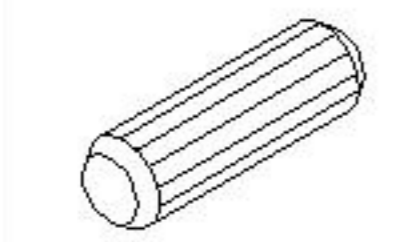
门铰
Hinge



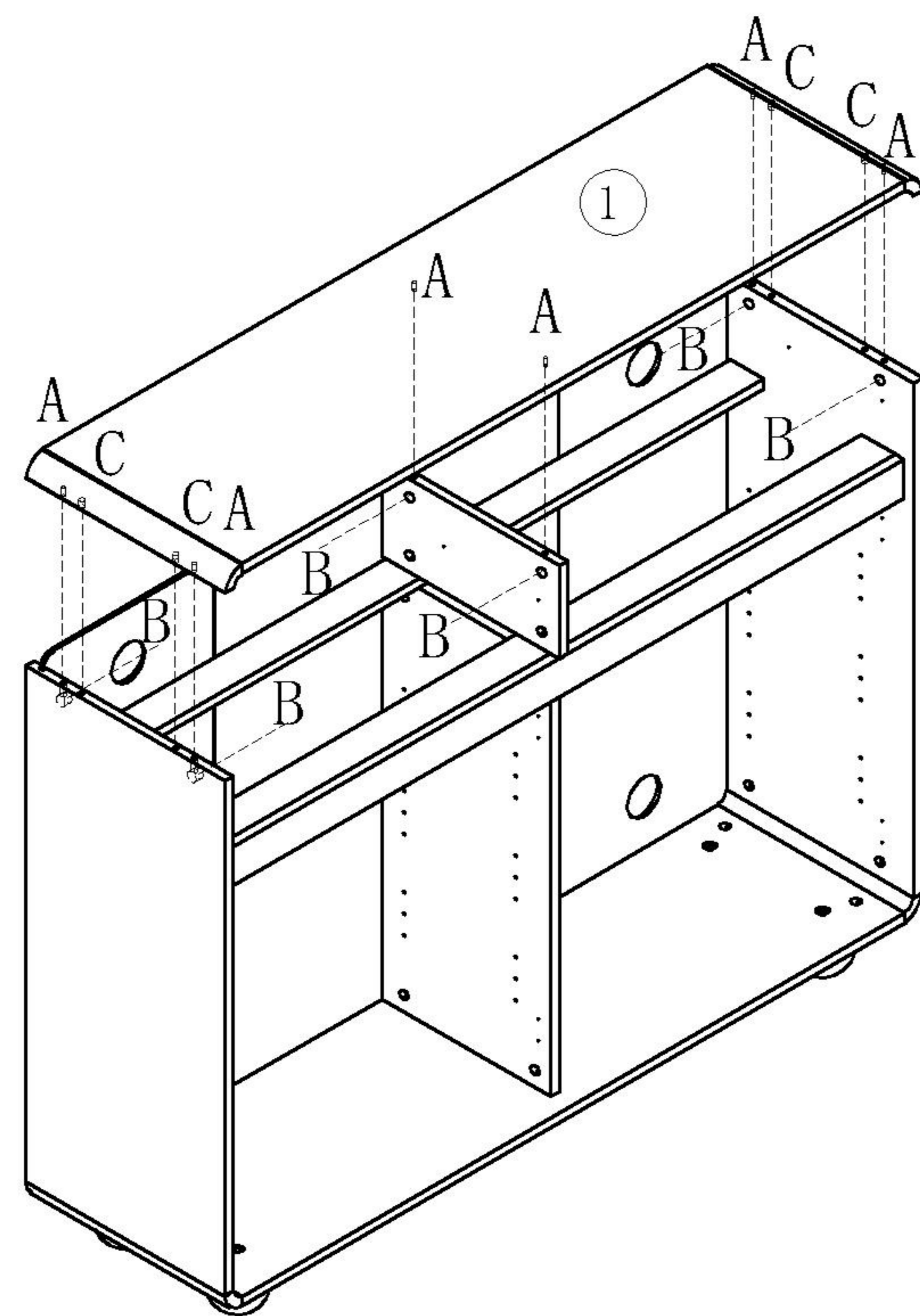
(A)*6



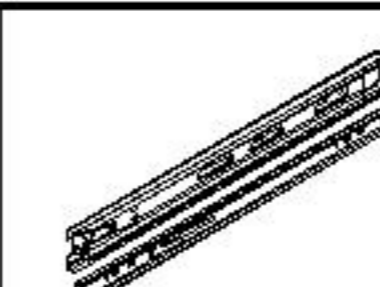
(B)*6



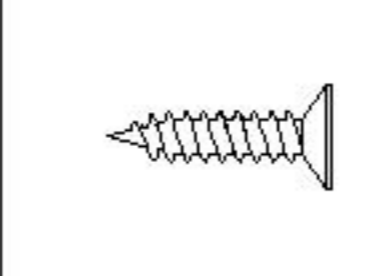
(C)*4



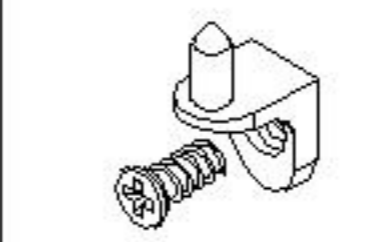
9



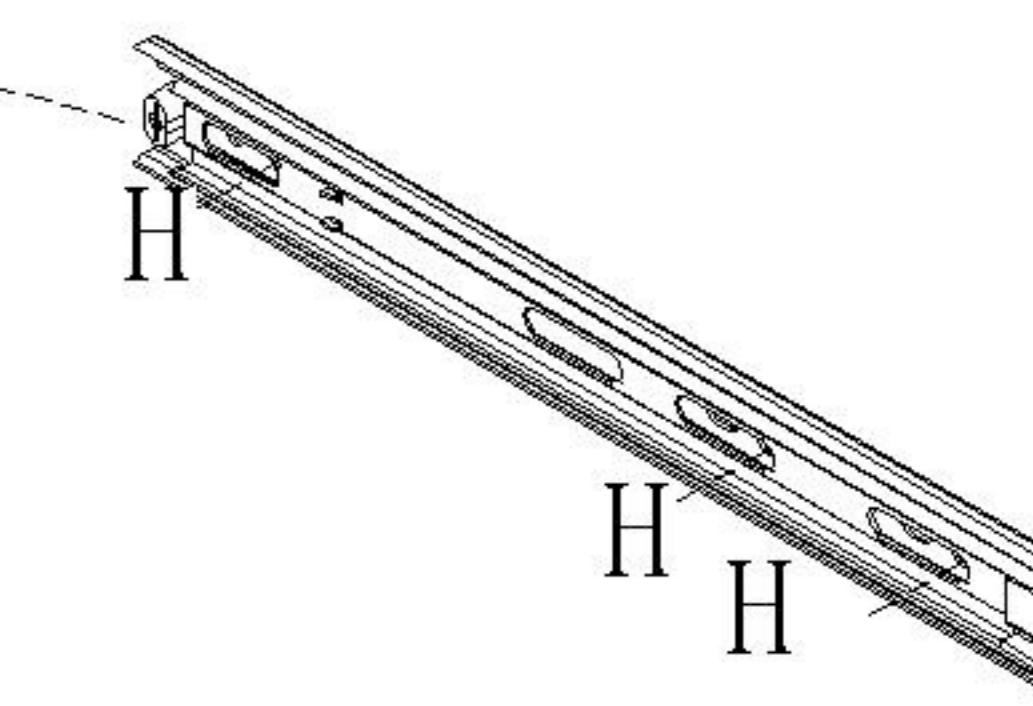
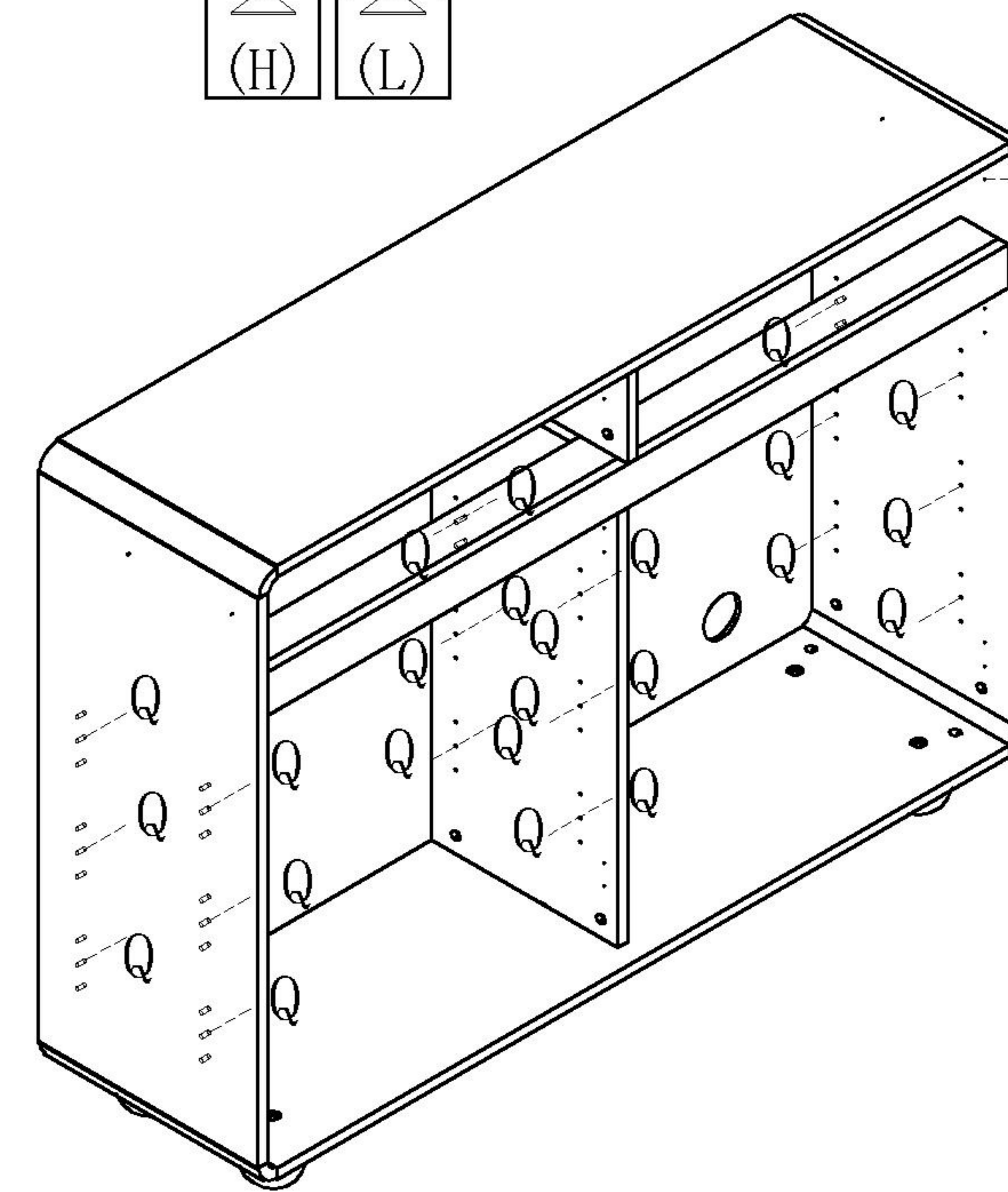
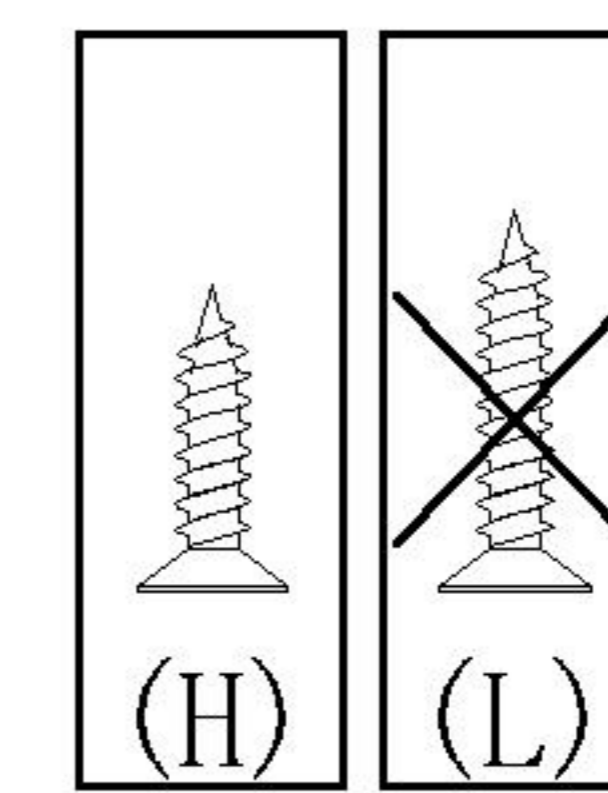
(D)*2



(H)*12

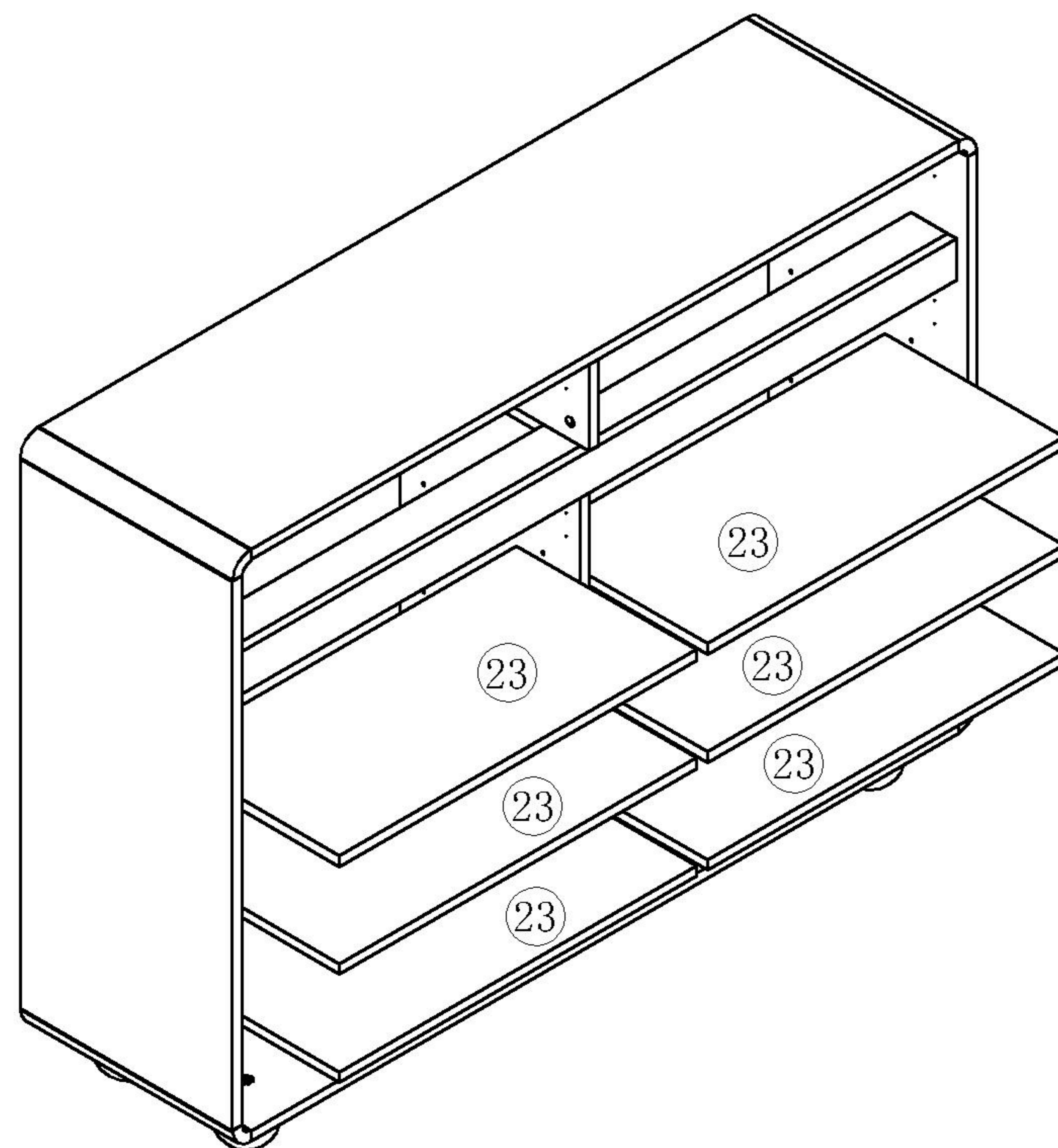


(Q)*24

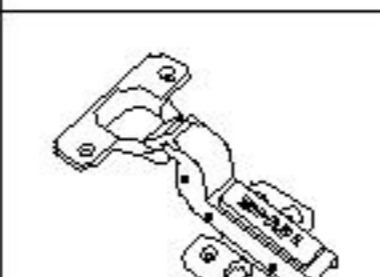


(D)主轨
Main track

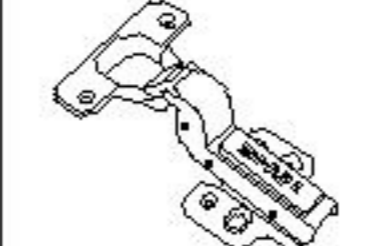
10



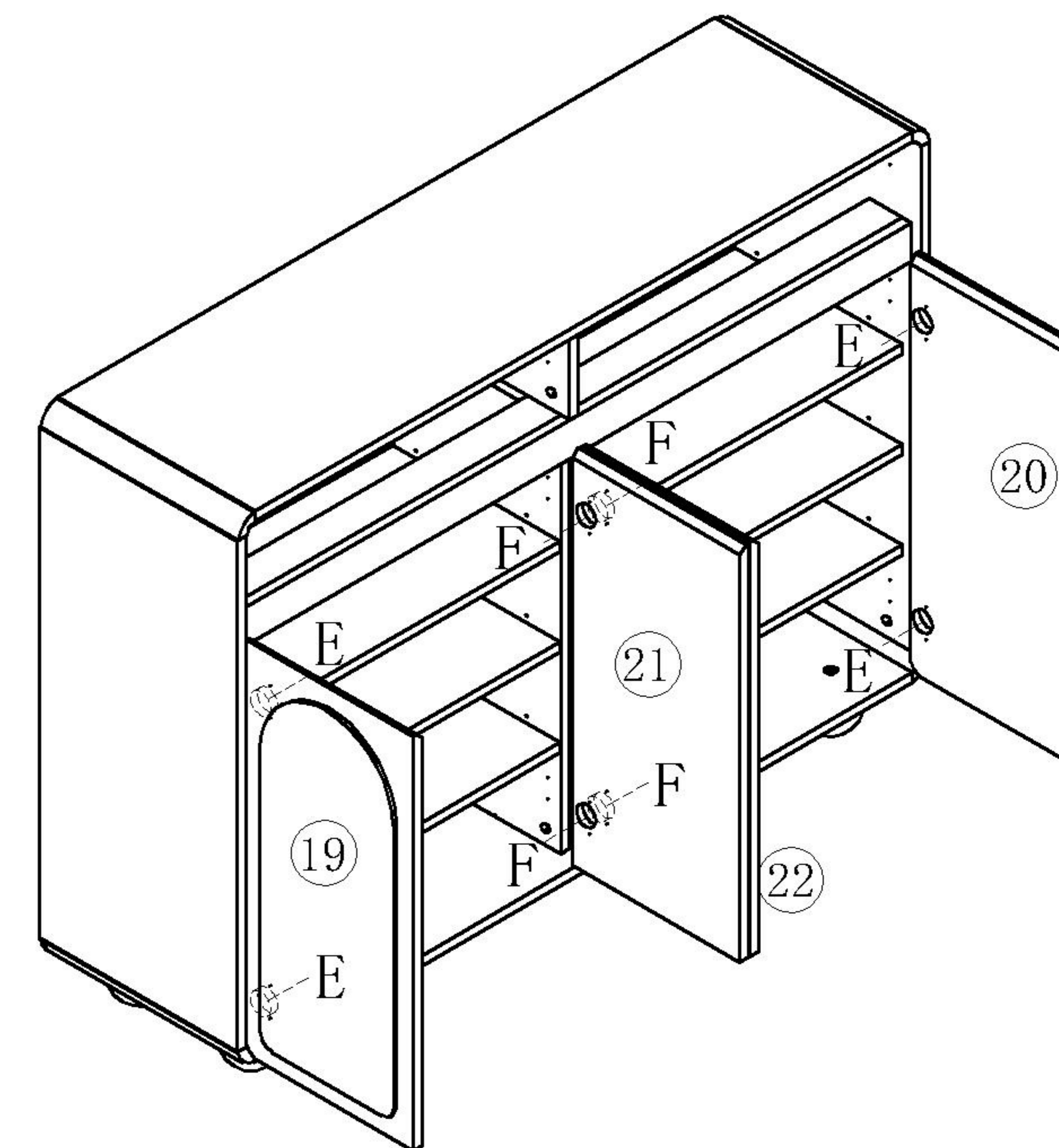
11



(E)*4



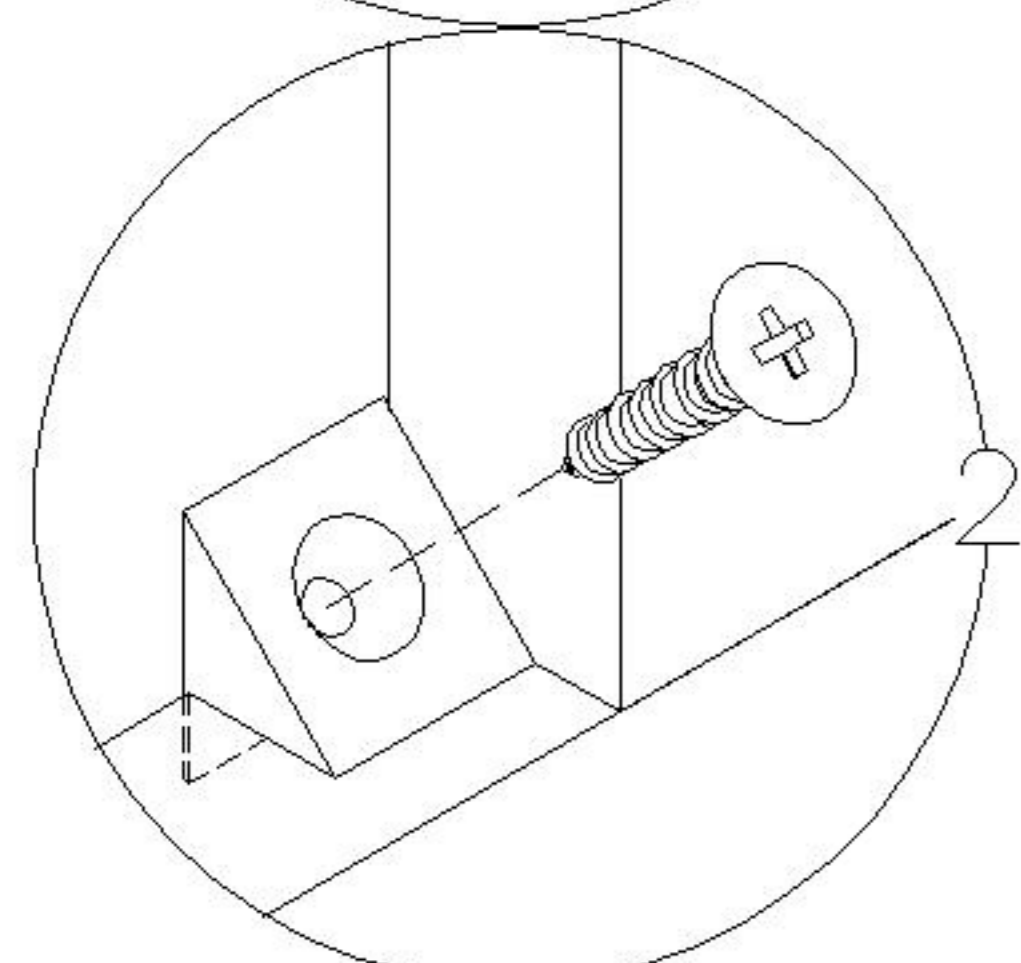
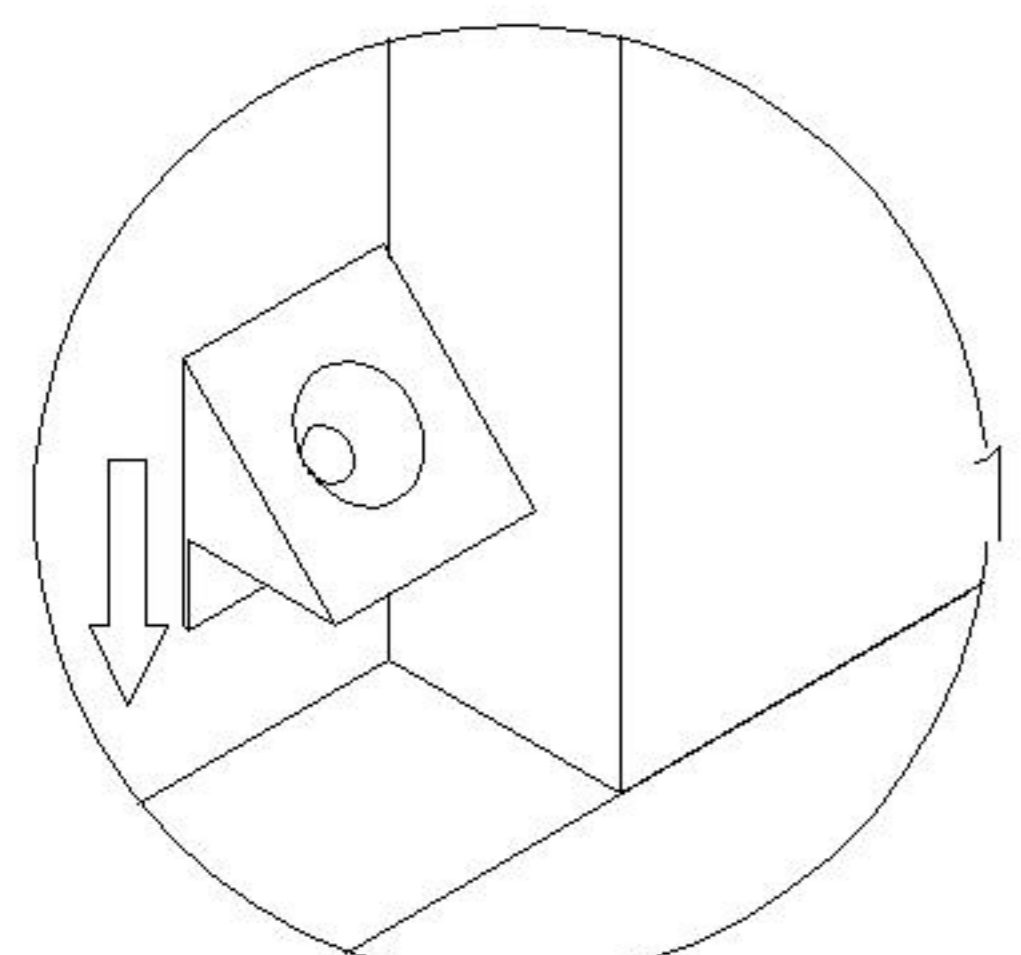
(F)*4



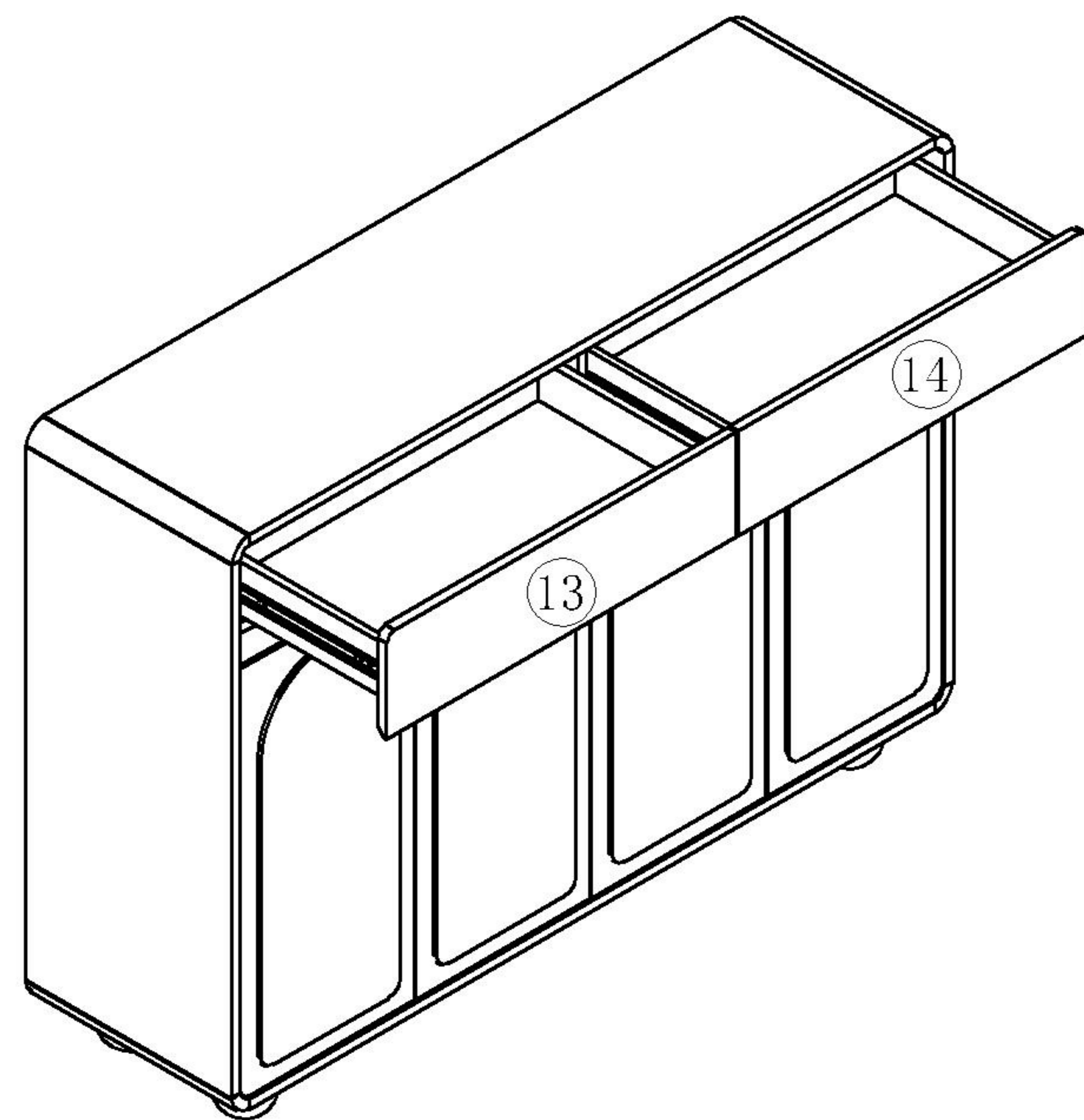
12

UN1N-A(1.2m)

安装方法/
Installation method



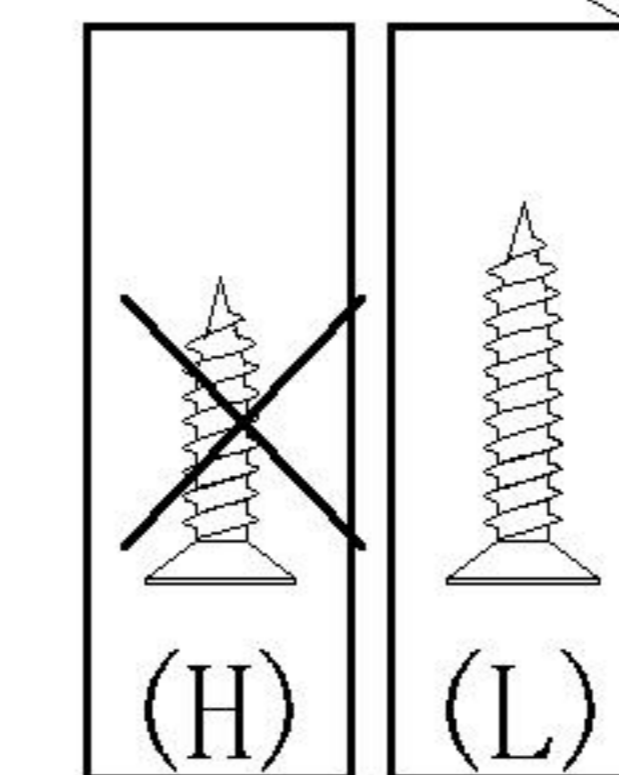
背板扣
Back Plate Buckle



13

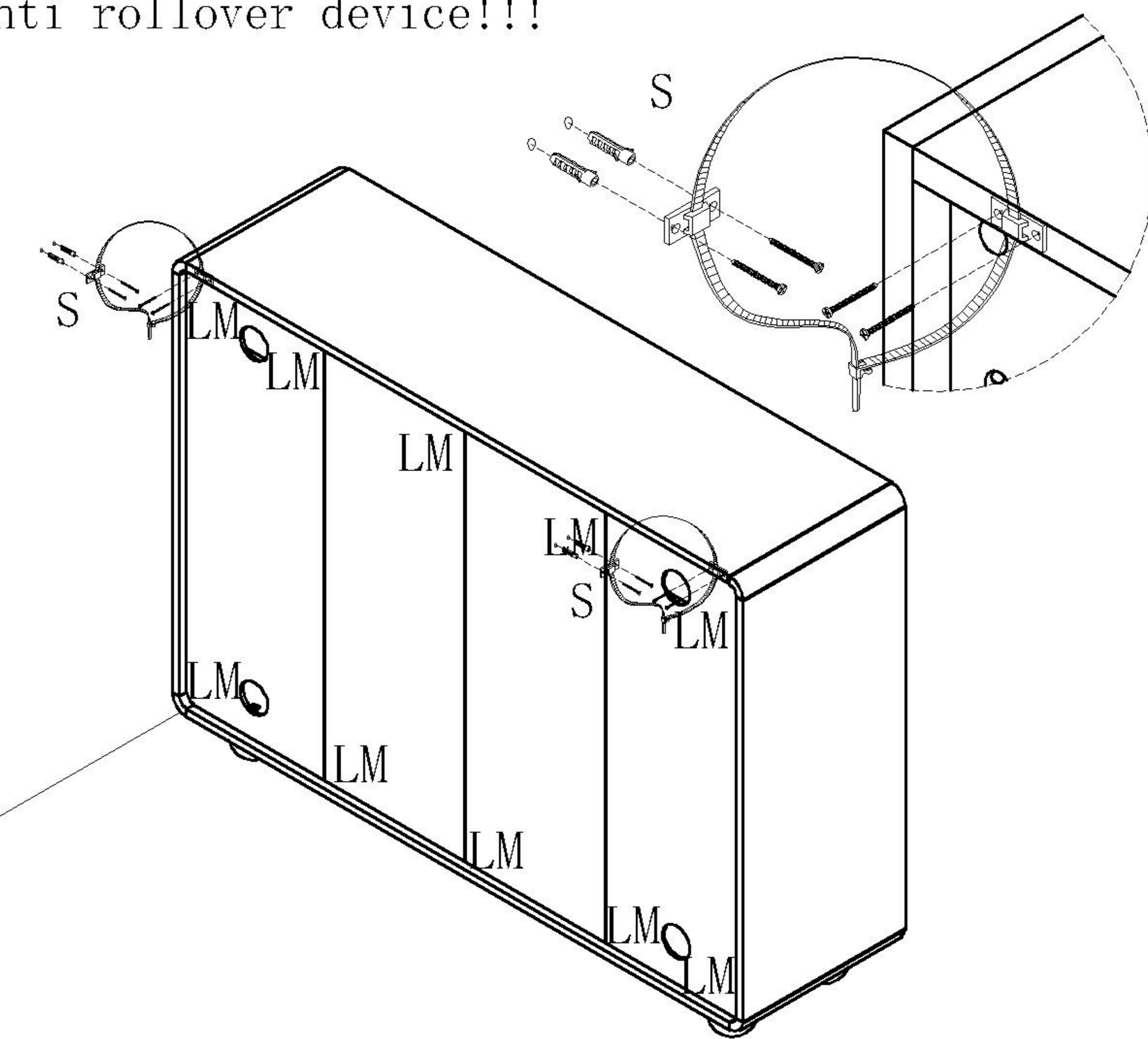
- (S)*2
- (L)*10
- (M)*10

实体墙
Solid wall

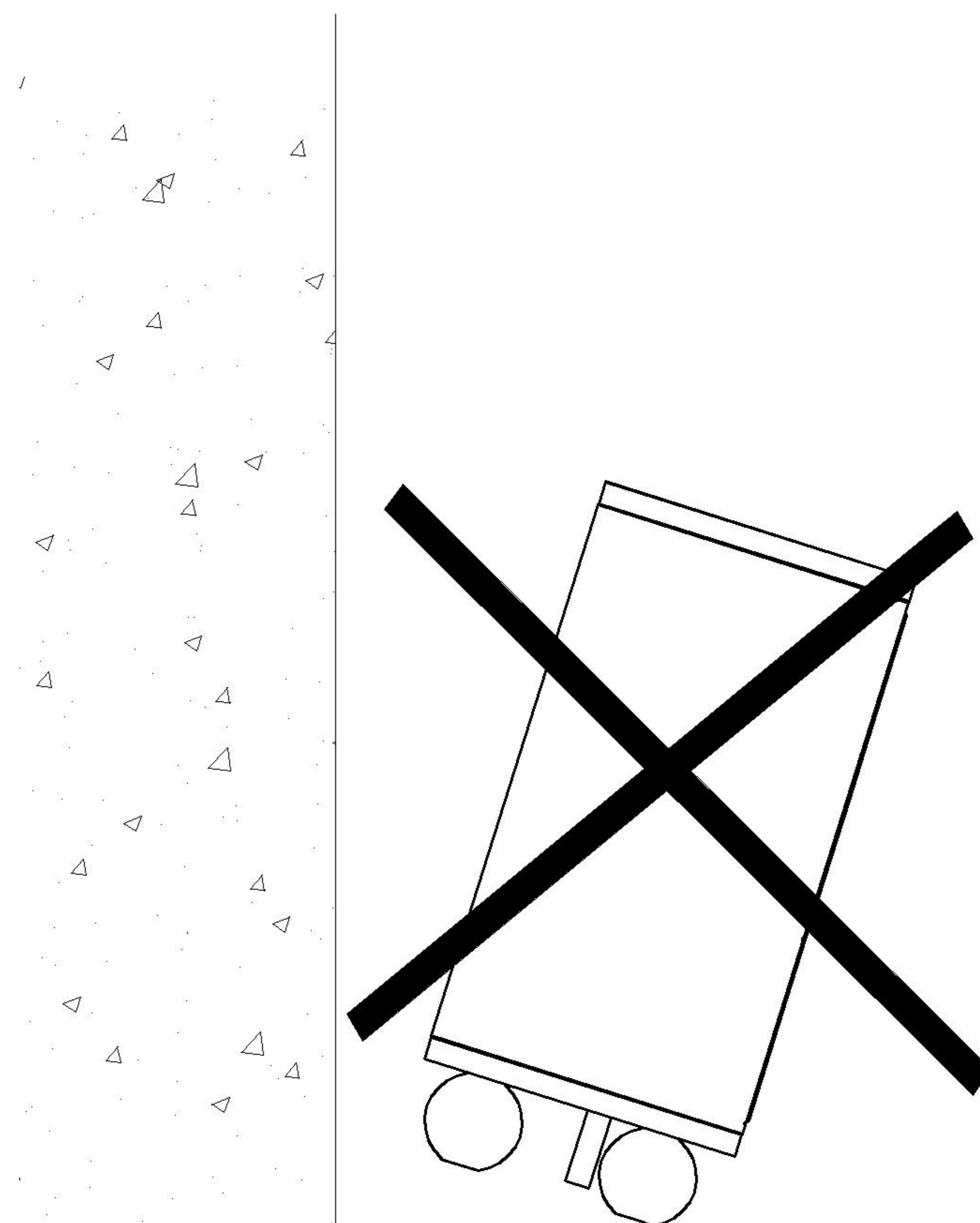


注意：
该产品必须安装防倒器!!!
Attention:
This product must be equipped with an
anti rollover device!!!

14



15



16