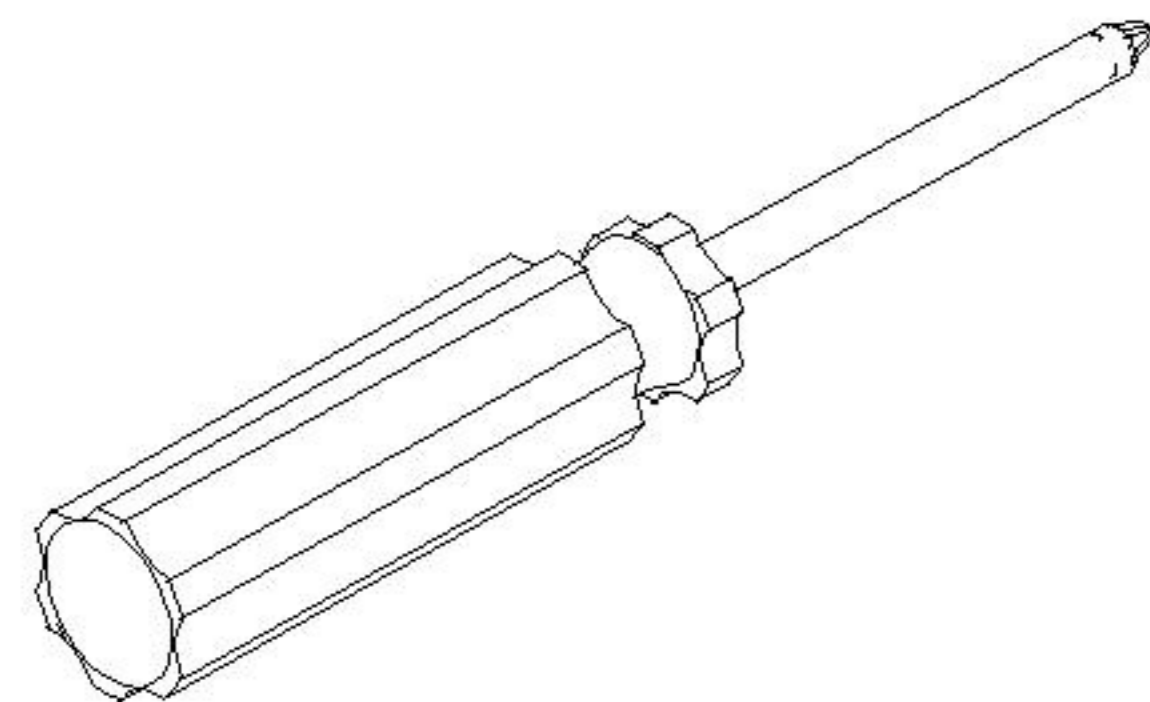
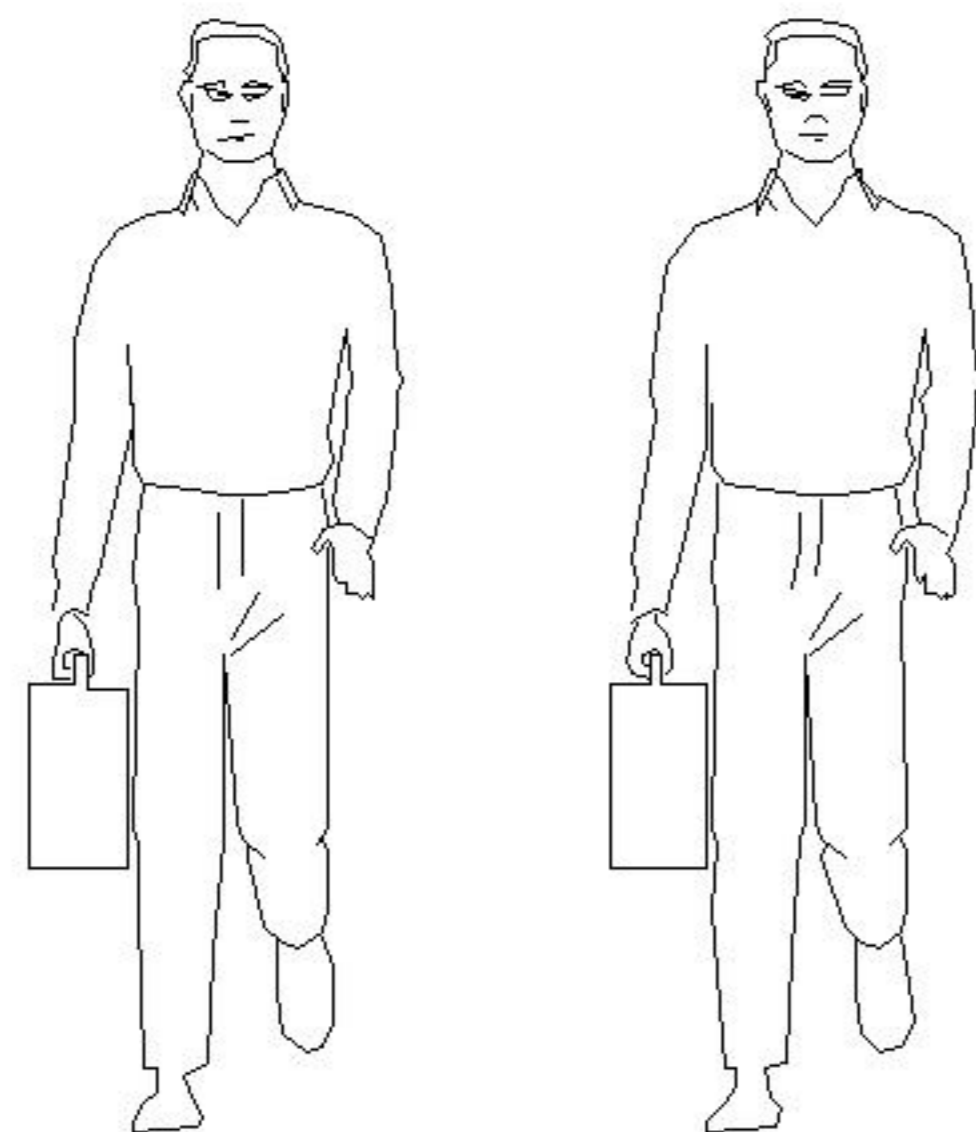


LINSY 林氏家居

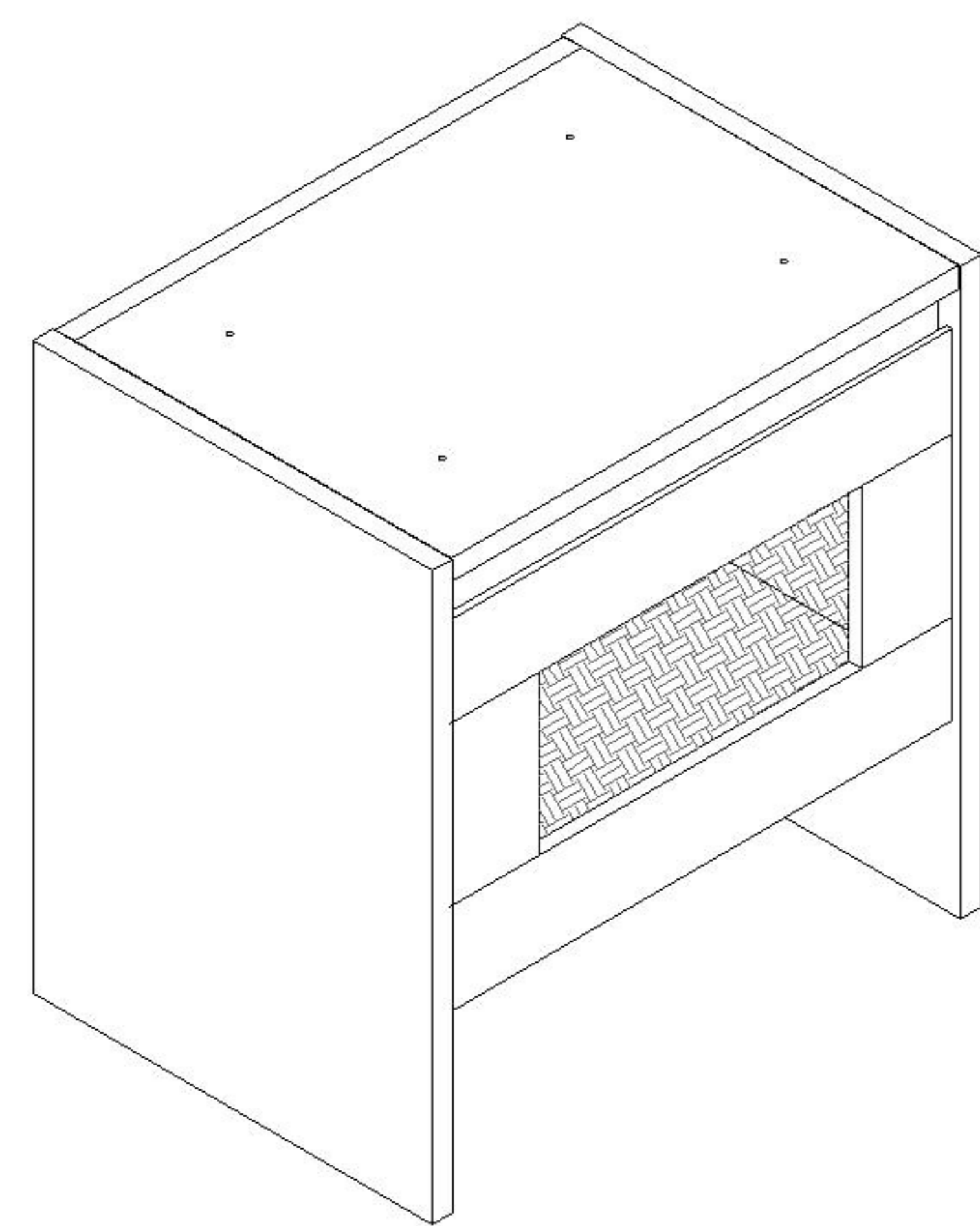
五金表/Hardware list

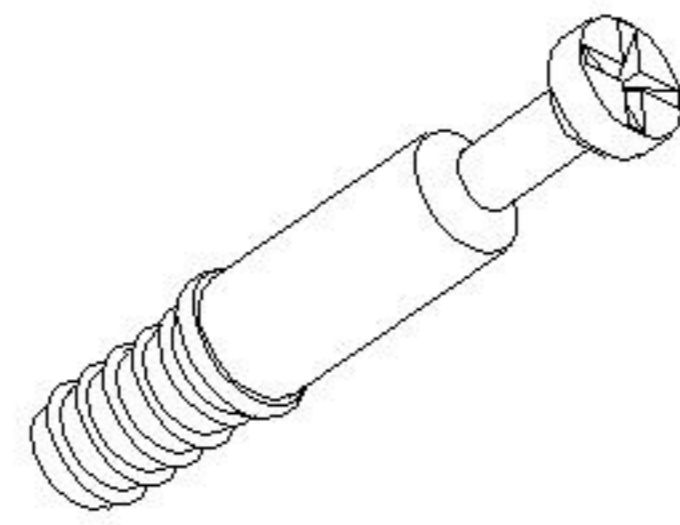
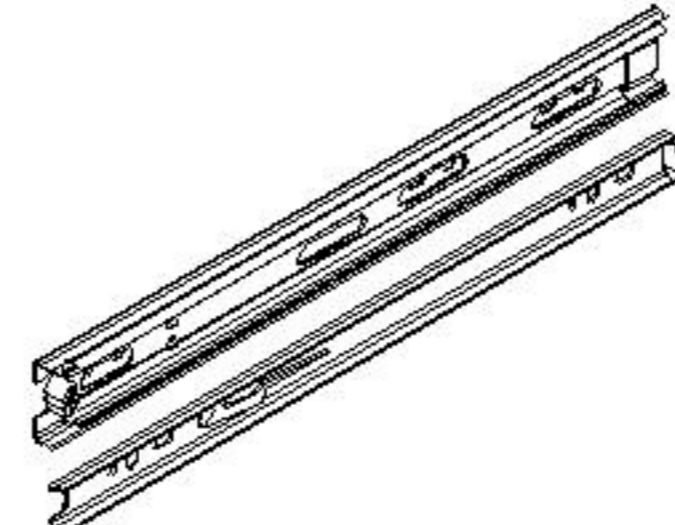
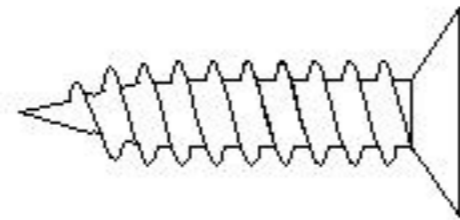
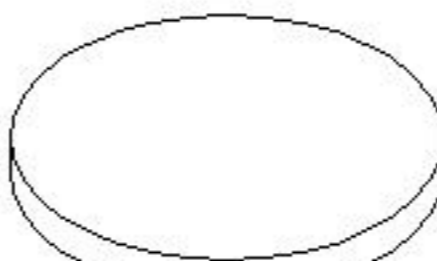
部件表/Parts List

安装示意图/Assembly Instruction

产品名称 Model NO.	换鞋凳主体
产品型号 Product Model	RC1N-A
尺寸规格 Specification	(412*300*428)mm
安装工具 Tool	安装人数 Installer
	

注：为保证设计效果，部分尺寸为定制尺寸，不影响使用。
 Note: In order to ensure the design effect, some sizes are customized sizes and do not affect the use.

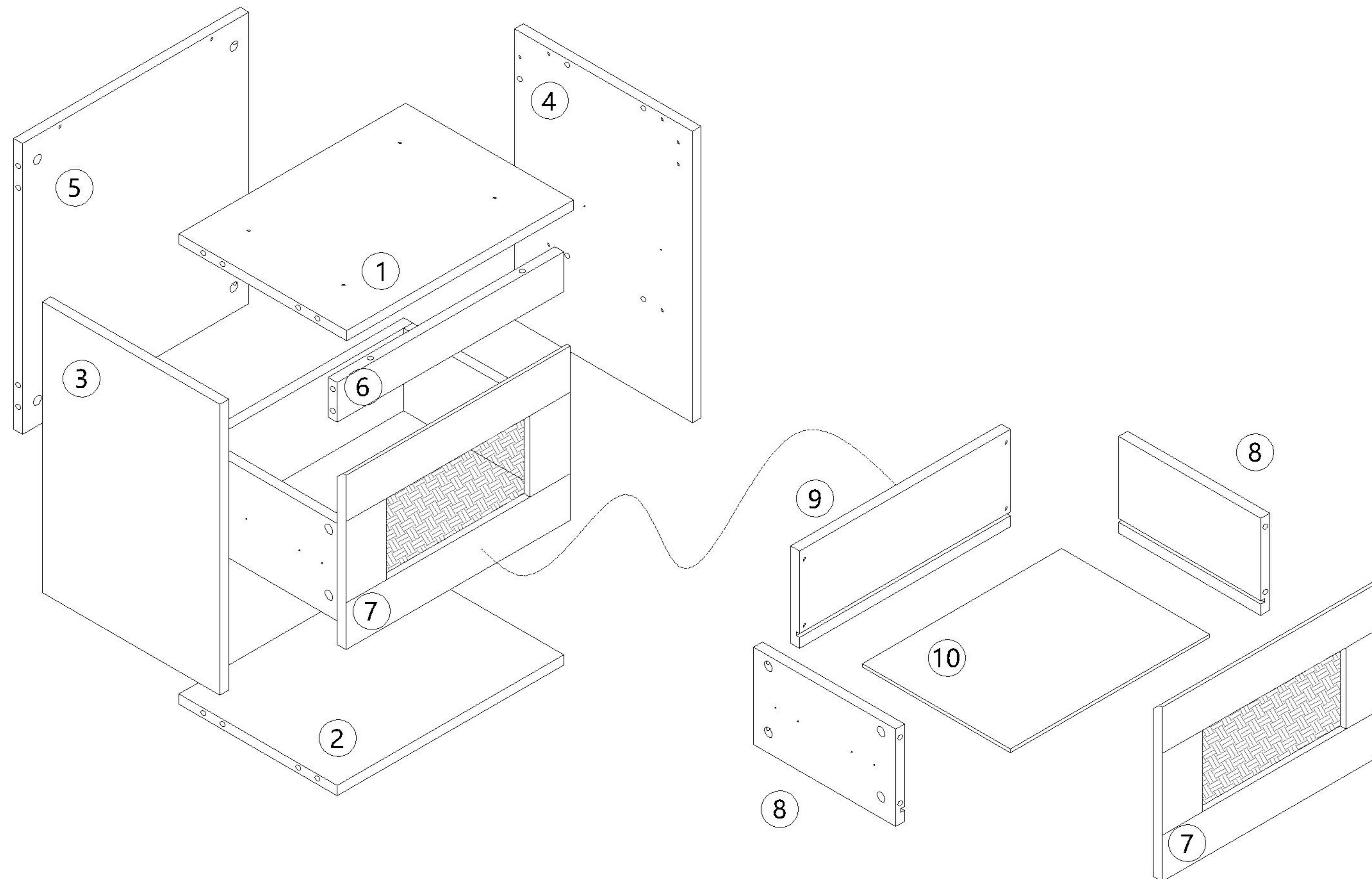
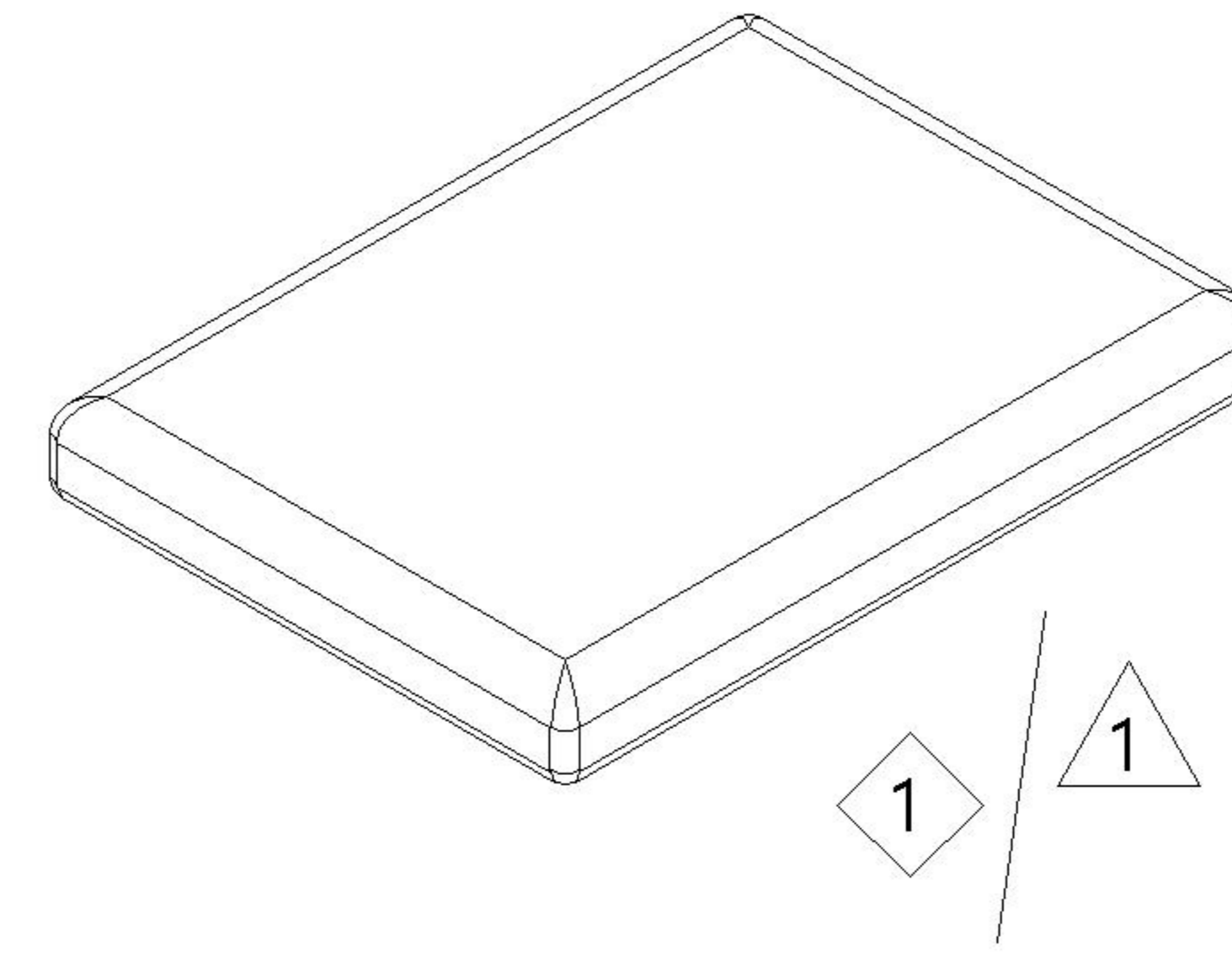


 (A)*32 二合一螺杆 2-in-1-screw	 (B)*32 大三合一锁饼 3-in-1 large lock	 (C)*13 木榫Ø8x30mm Wood tenon	 (D)*1 三节滚珠导轨8" Three-section rail
 (E)*8 白攻螺丝M3.5*12mm Tapping screw	 (F)*4 白攻螺丝M1*25mm Tapping screw	 (G)*5 灰色毛毡垫 Foot pad	

编号NO.	名称Name	规格(mm) Specification	数量QTY	材质Material
RC1N-A 换鞋凳主体 RC1N-A Shoe Changing Stool Body				
①	面板Top panel	382*283*15	1	刨花板 Particle board
②	底板Bottom board	382*267*15	1	刨花板 Particle board
③	左侧板Side board(L)	425*300*15	1	刨花板 Particle board
④	右侧板Side board(R)	425*300*15	1	刨花板 Particle board
⑤	背板Back board	425*382*15	1	刨花板 Particle board
⑥	拉条Brace	382*58*15	1	刨花板 Particle board
⑦	抽屉面板组立Drawer panels assembly	378*255*15	1	刨花板+藤材 Particle board+Rattan
⑧	抽屉侧板Drawer's sideboard	240*142*15	2	刨花板 Particle board
⑨	抽屉后板Drawer's Back board	356*142*15	1	刨花板 Particle board
⑩	抽屉底板Drawer's Bottom board	336*250*5	1	纤维板Fiberboard
RC1N-A 换鞋凳座包 RC1N-A Shoe changing stool bag				
◇1	座包Seat	430*320*50	1	布料+海绵+纤维板 Fabric + sponge + fiberboard
RC1N-A1 换鞋凳座包 RC1N-A1 Shoe changing stool bag				
△1	座包Seat	430*320*50	1	布料+海绵+纤维板 Fabric + sponge + fiberboard

提示：根据购买需求，选择◇1或者△1来进行安装
 Tip: Choose◇1 or△1 for installation according to your purchasing needs

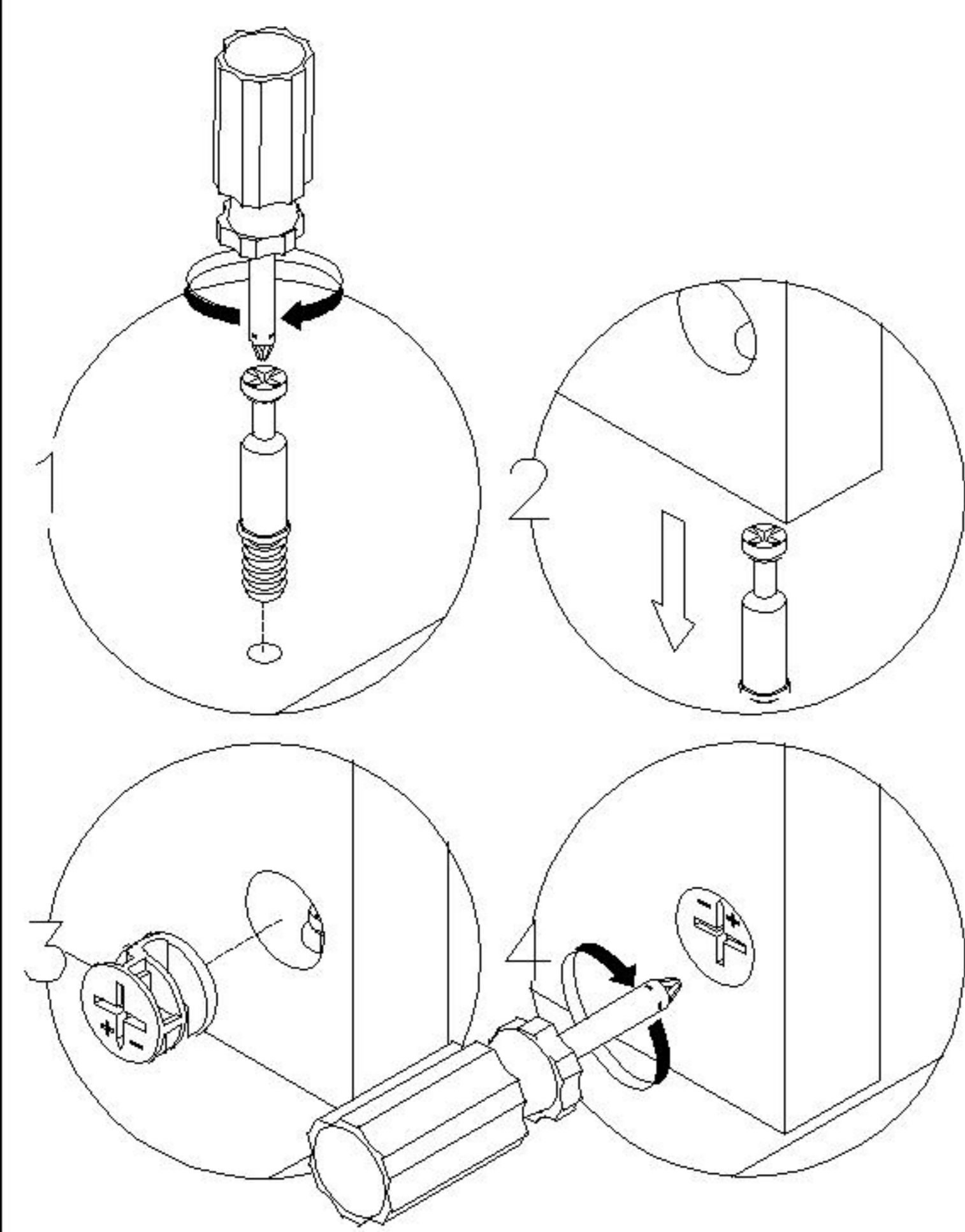
提示：根据购买需求，选择  或者  来进行安装
 Tip: Choose  or  for installation according to your purchasing needs



编号NO.	名称Name
RC1N-A 换鞋凳主体	
	面板Top panel
	底板Bottom board
	左侧板Side board(L)
	右侧板Side board(R)
	背板Back board
	拉条Brace
	抽屉面板组立Drawer panels assembly
	抽屉侧板Drawer's sideboard
	抽屉后板Drawer's Back board
	抽屉底板Drawer's Bottom board
RC1N-A 换鞋凳座包	
	座包Seat
RC1N-A1 换鞋凳座包	
	座包Seat

RC1N-A 换鞋凳主体

安装方法/
Installation method



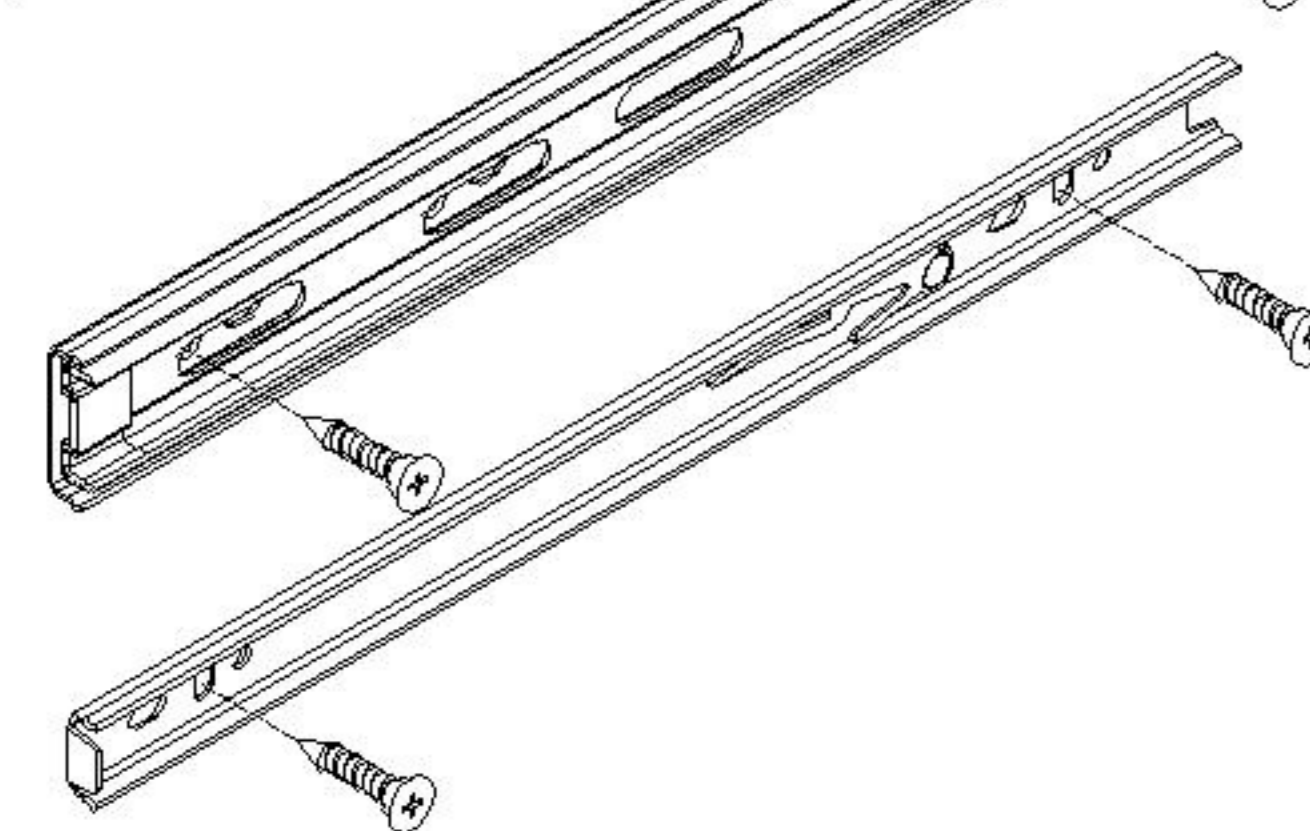
二合一 two-in-one

阀门开关(下压为开)
Valve switch (press down to open)

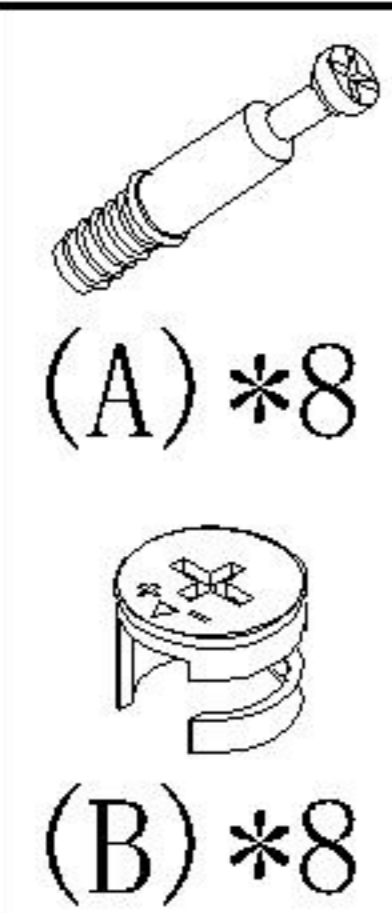
前 Forward 后 Back



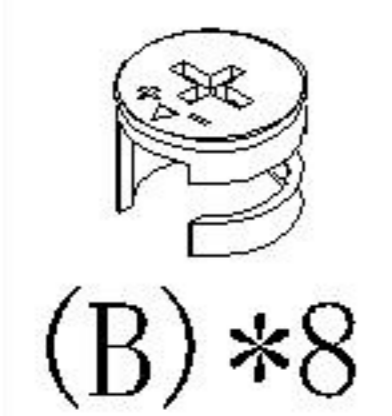
主轨 Main track



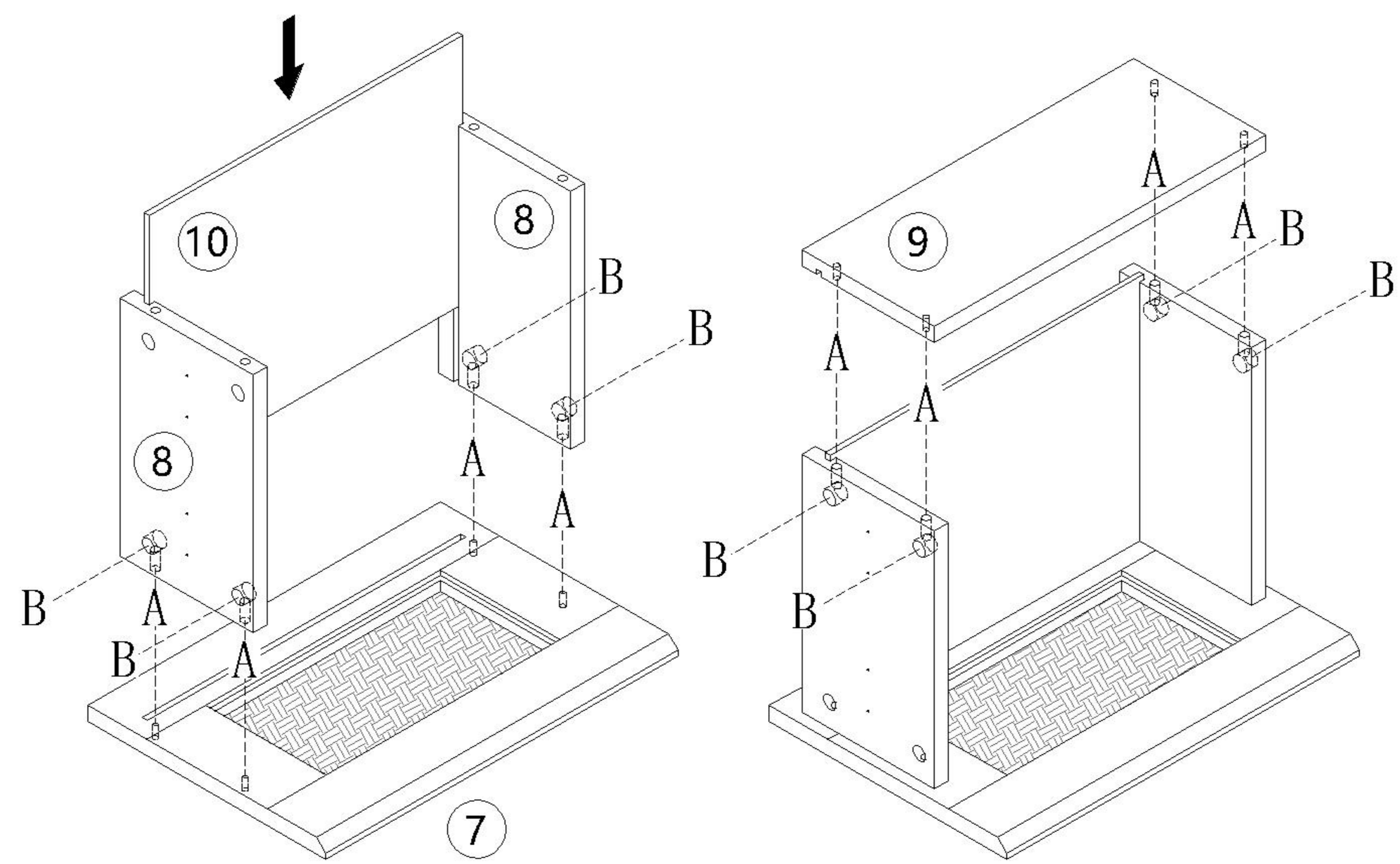
三节滚珠导轨-8"



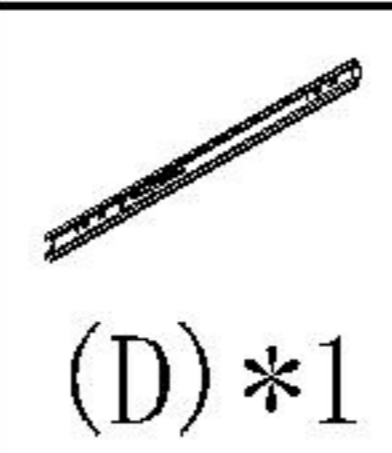
(A)*8



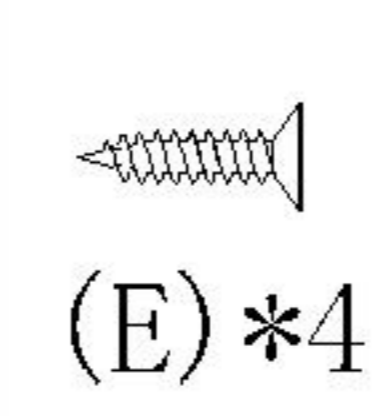
(B)*8



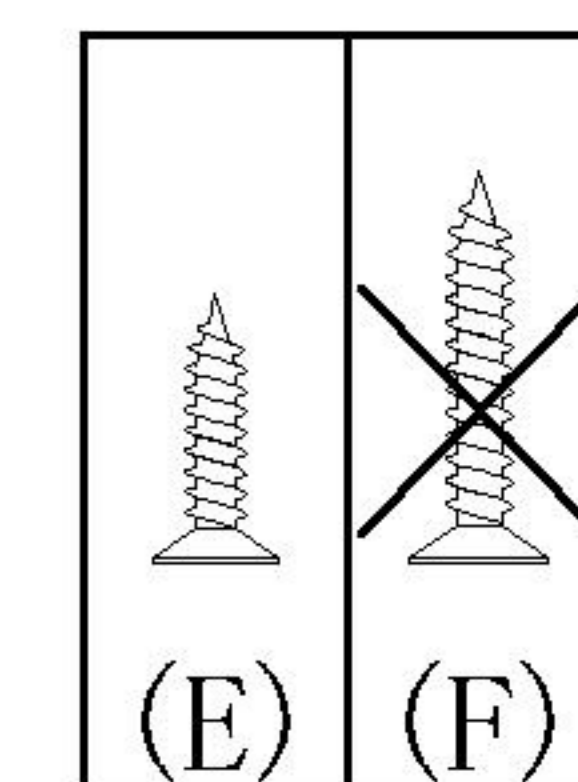
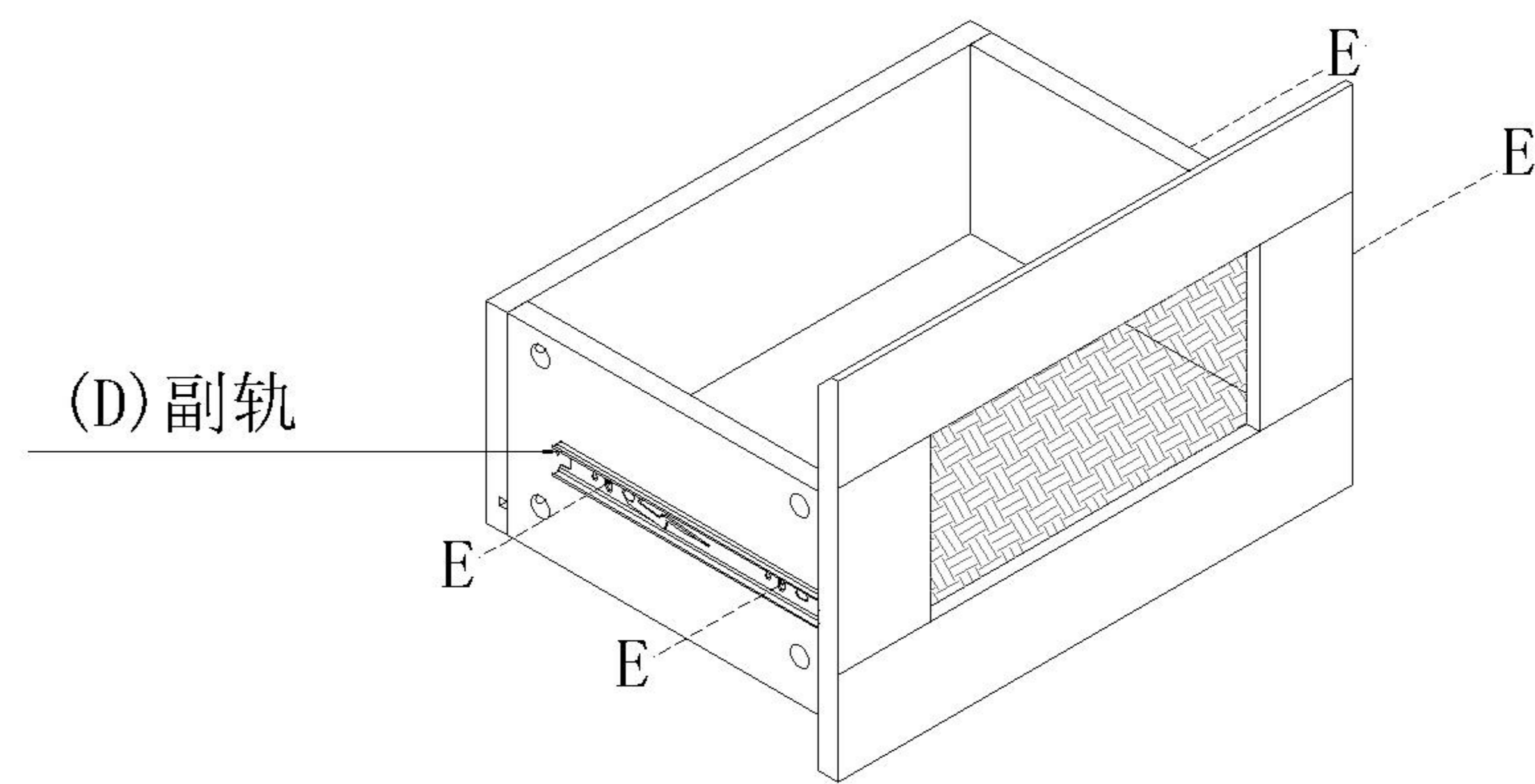
1



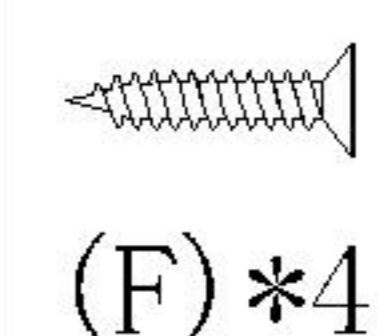
(D)*1



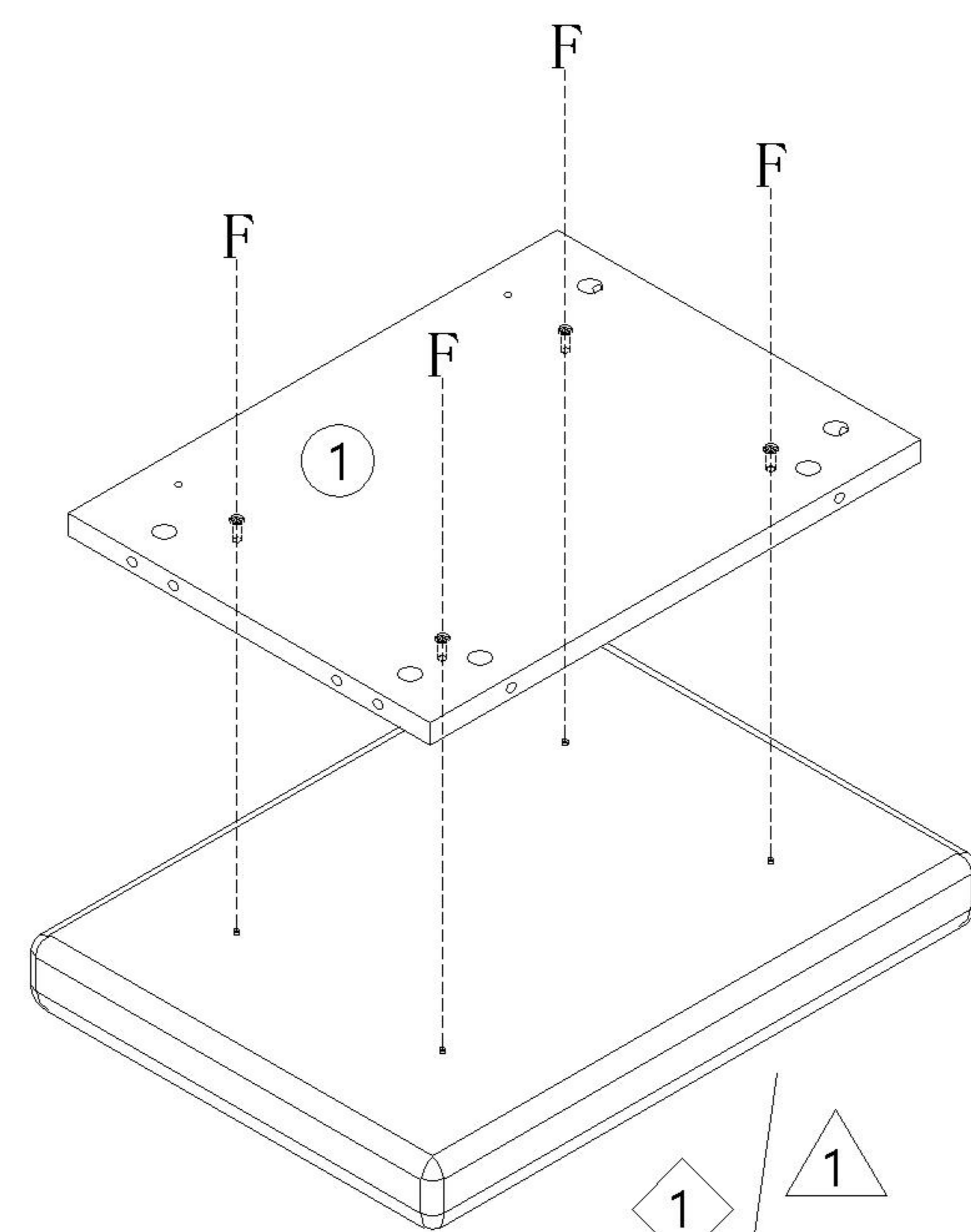
(E)*4



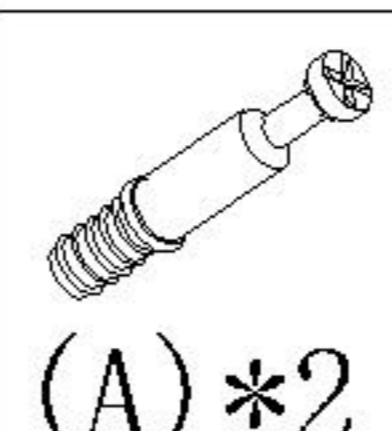
2



(F)*4



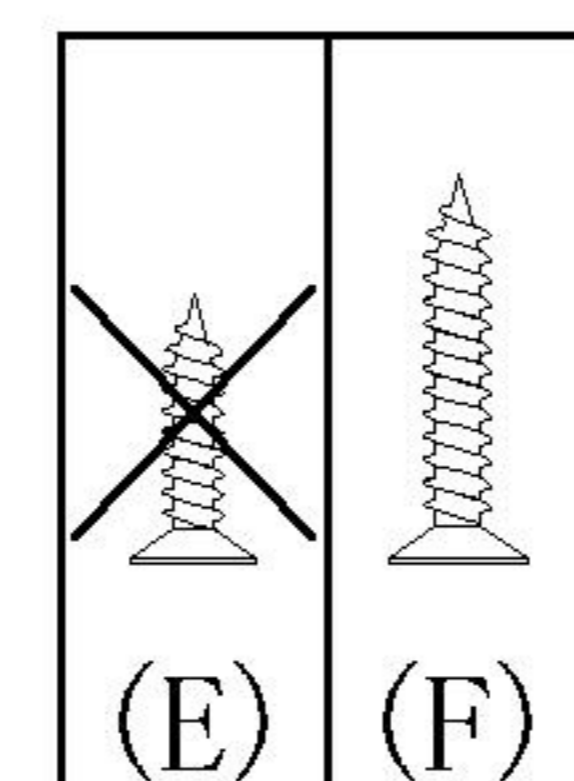
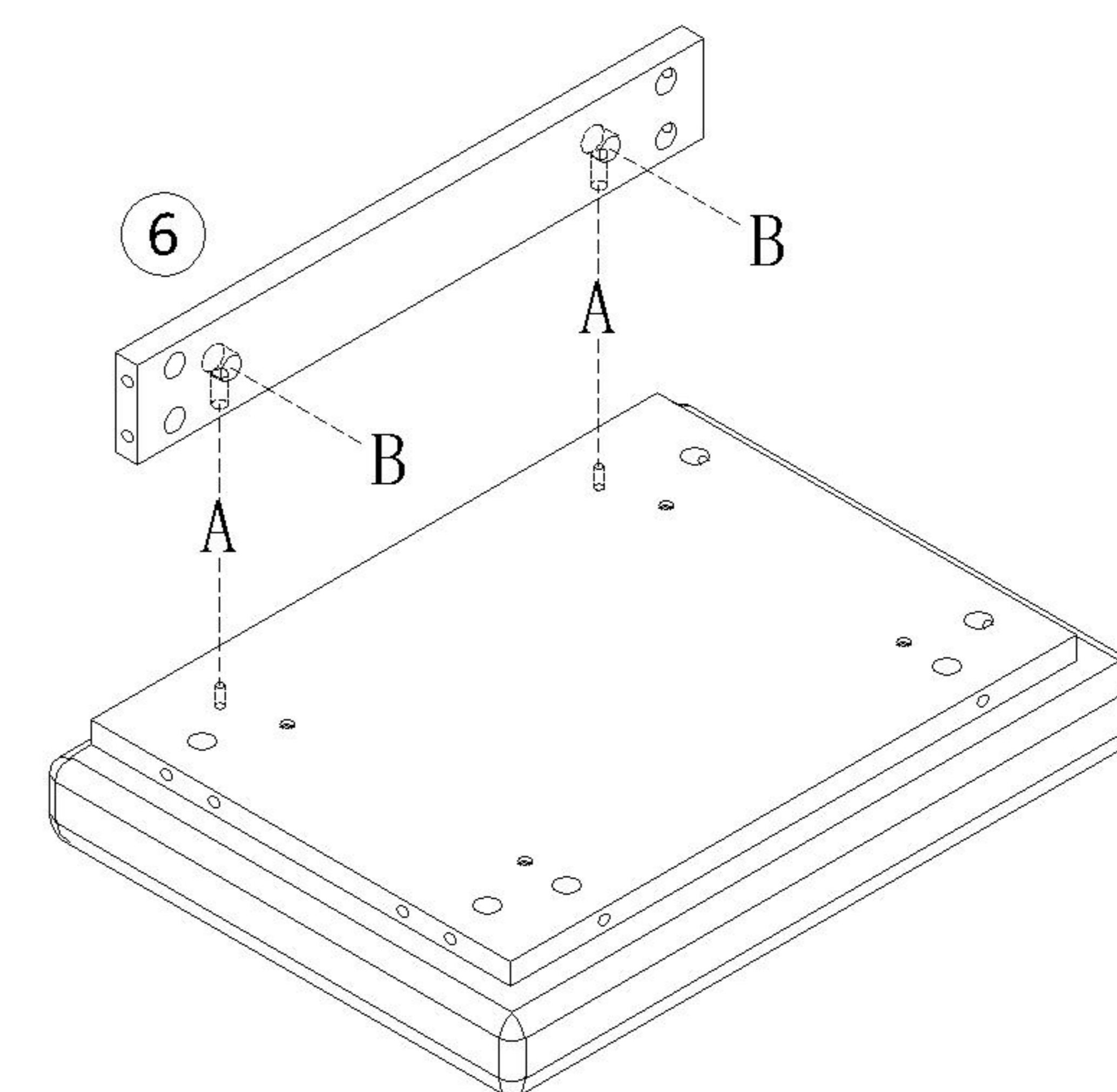
3



(A)*2



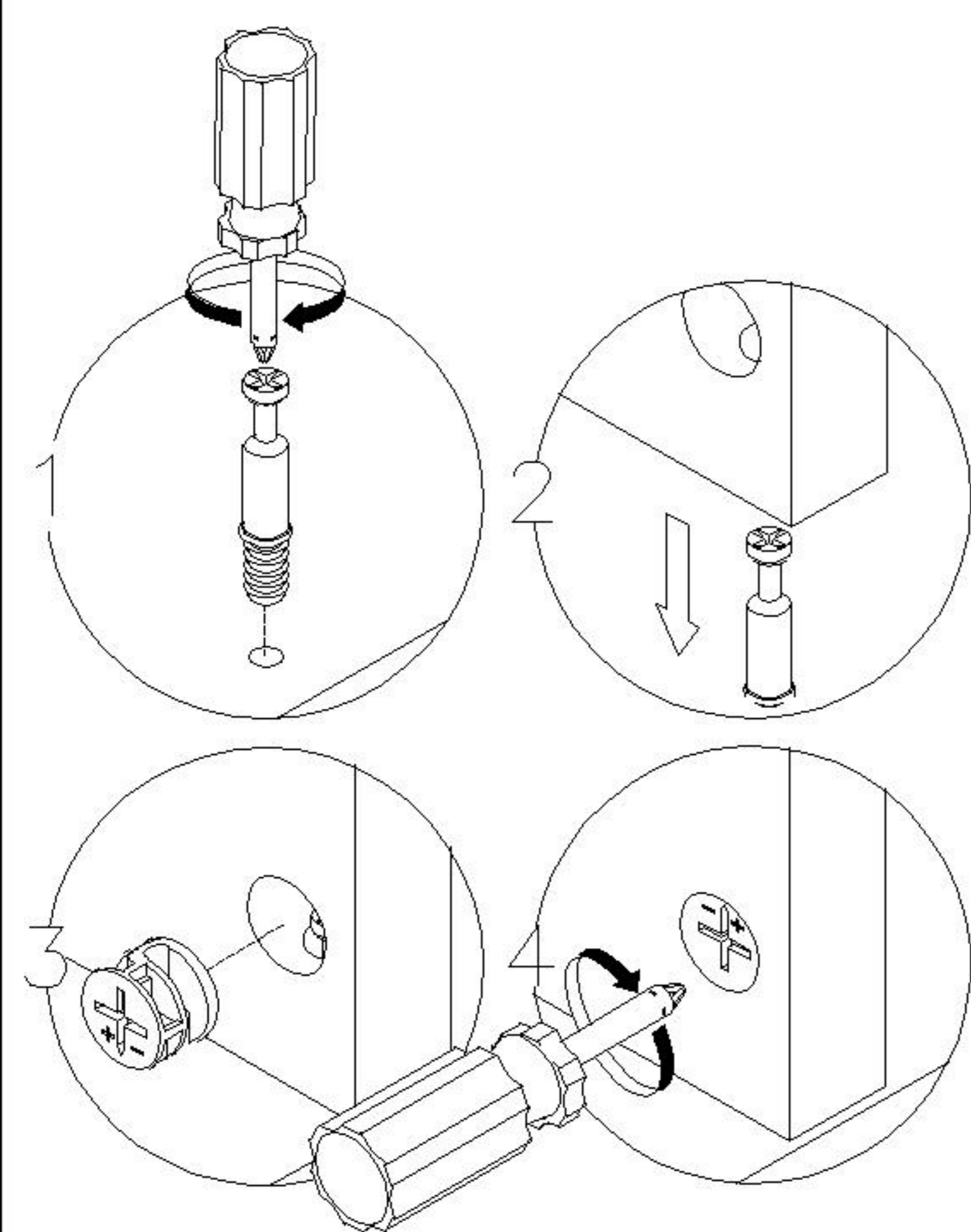
(B)*2



4

RC1N-A 换鞋凳主体

安装方法/
Installation method



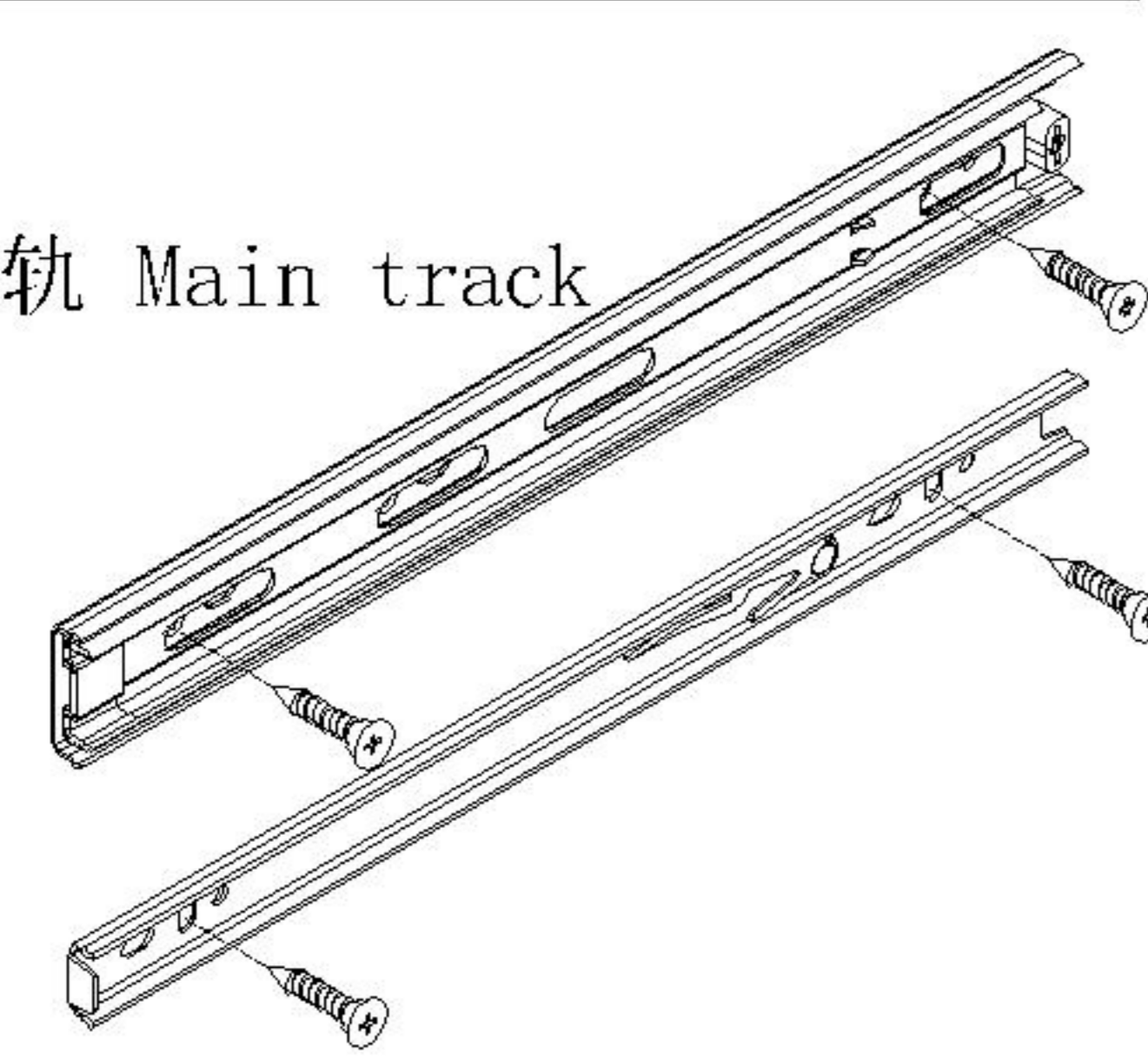
二合一 two-in-one

阀门开关(下压为开)
Valve switch (press down to open)

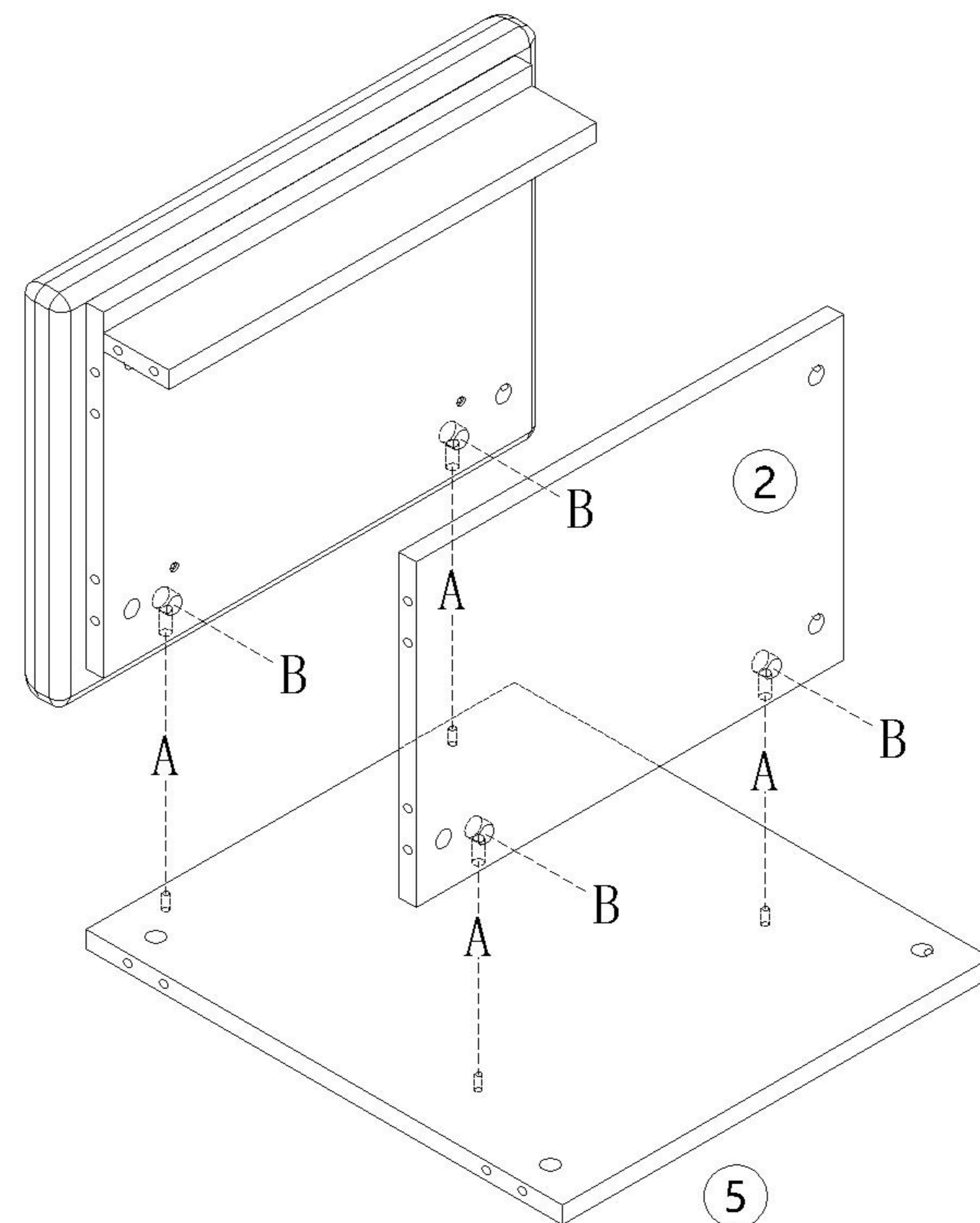
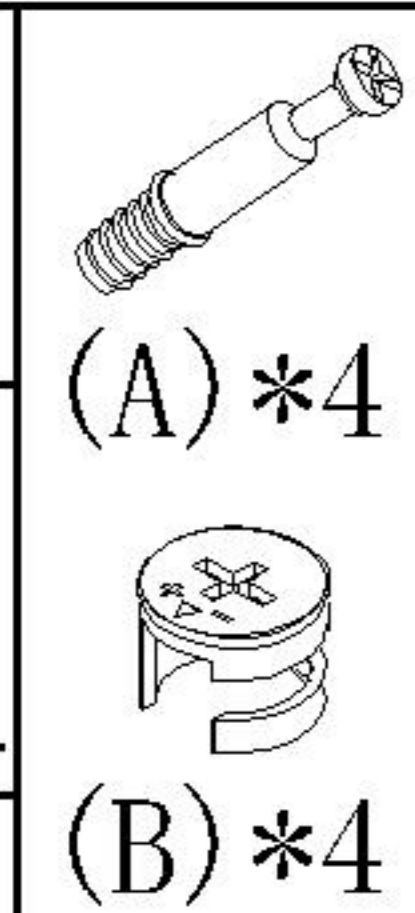
前 Forward 后 Back



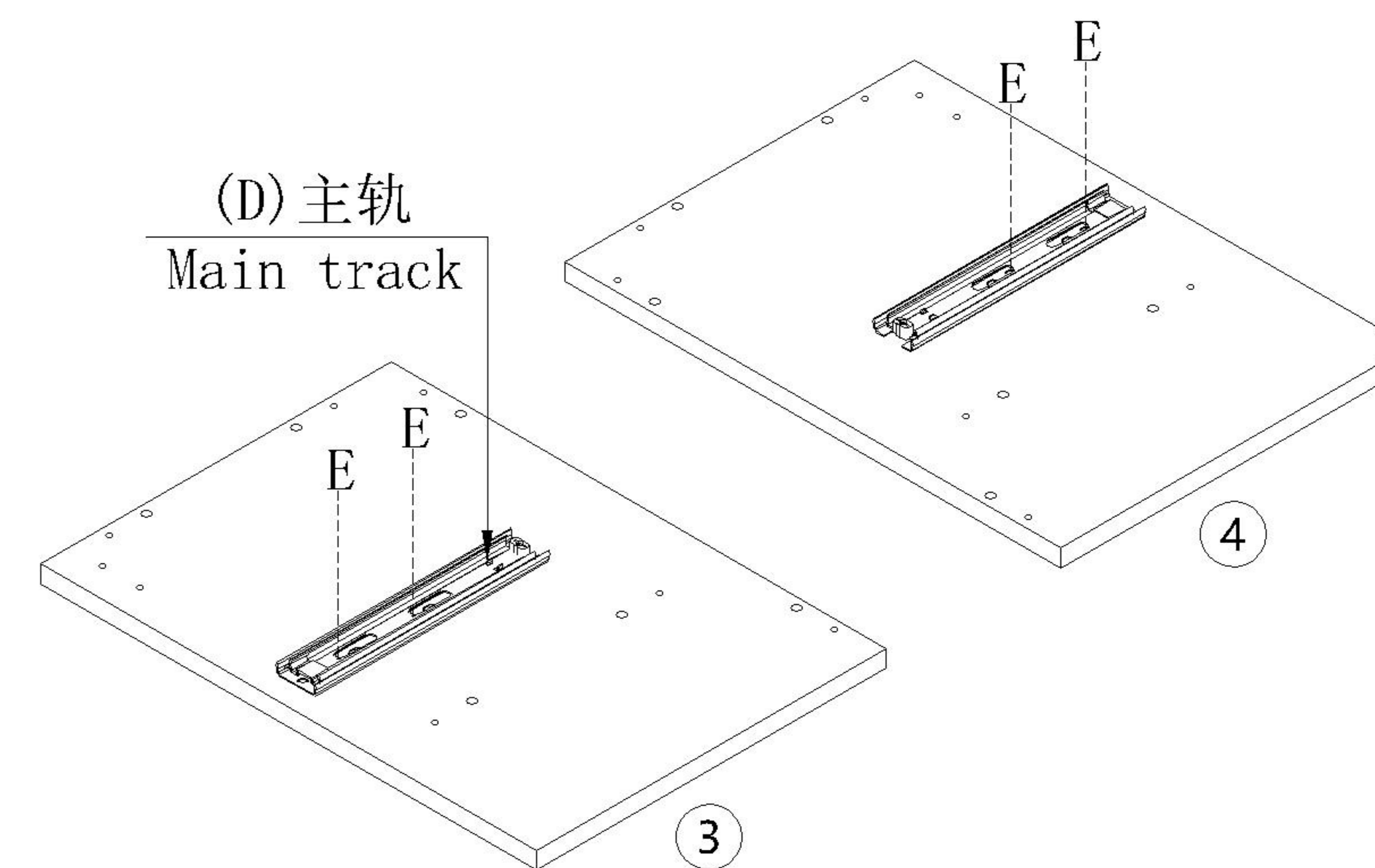
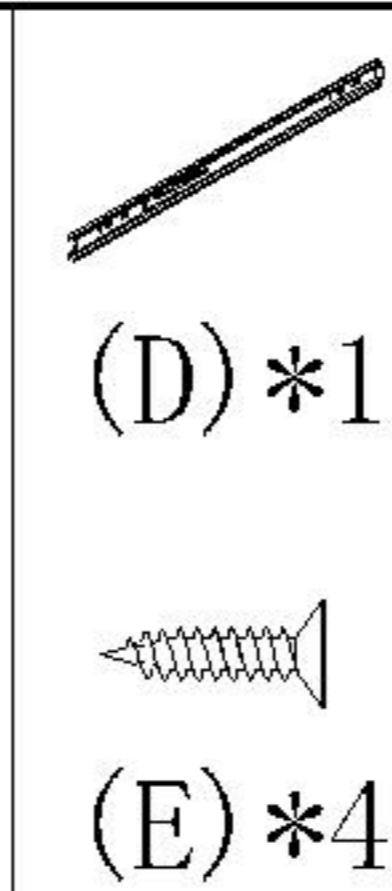
主轨 Main track



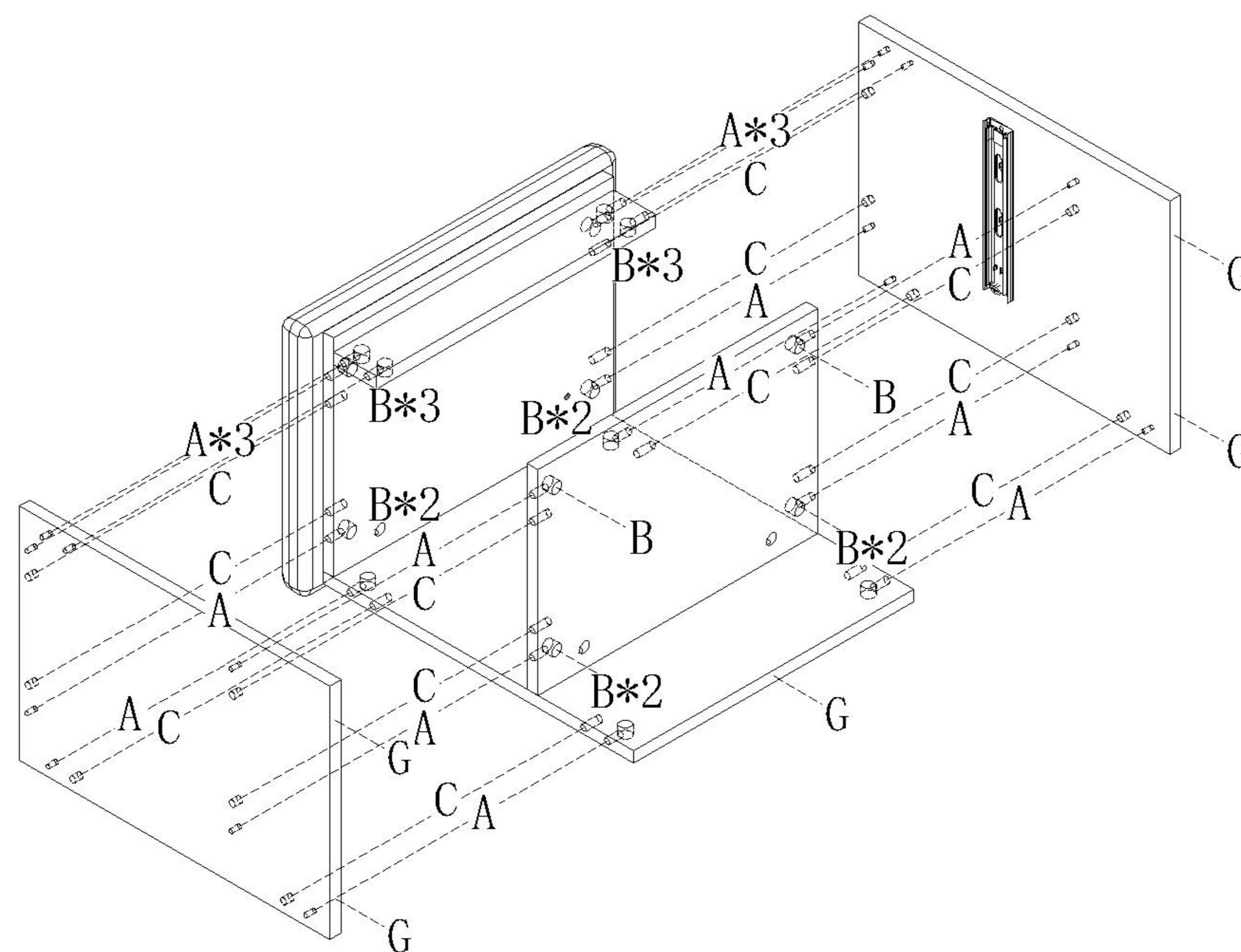
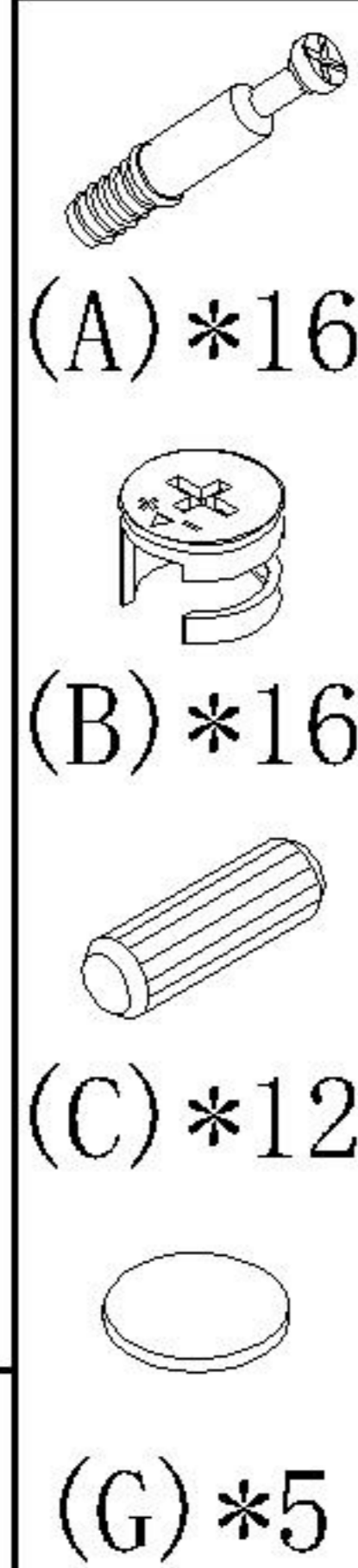
三节滚珠导轨-8"



5

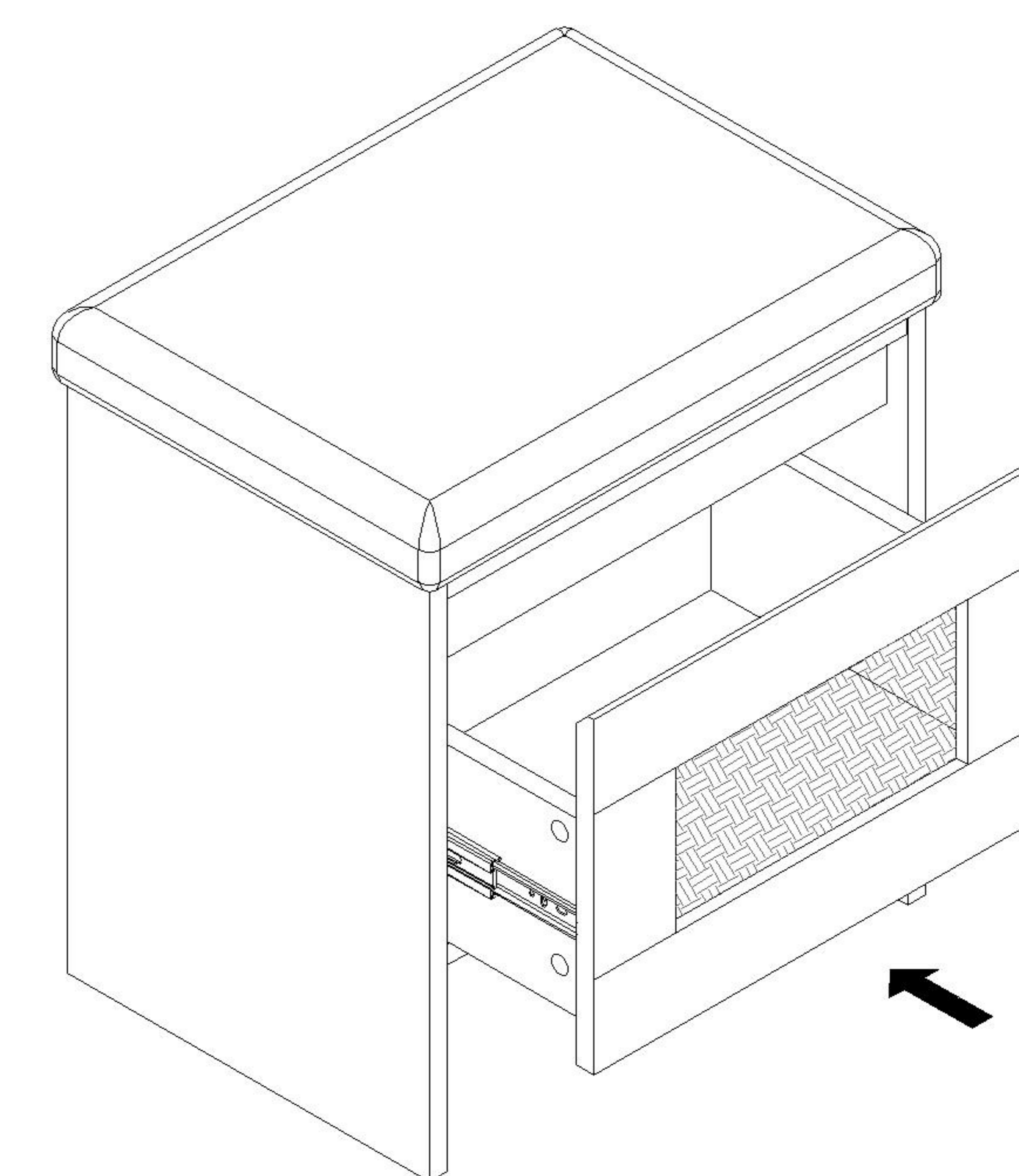


6

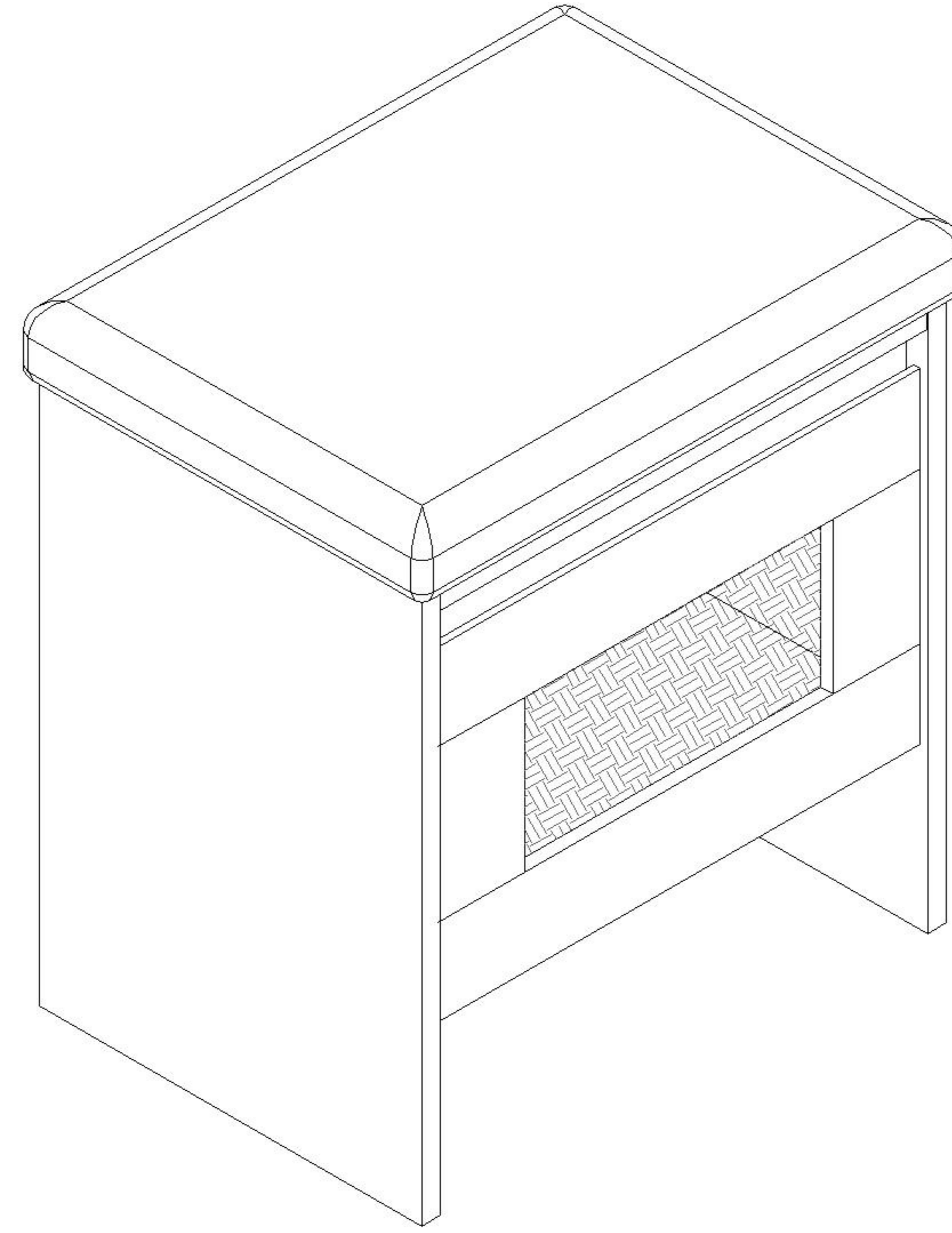


7

8



安装方法/
Installation method



RC1N-A 换鞋凳
 RC1N-A Shoe Changing Stool
 产品规格Specification: 430*320*478mm
 该组合所包含的半成品如下:
 The semi-finished products included in the portfolio are as follows:
 RC1N-A 换鞋凳主体
 RC1N-A Shoe Changing Stool Body
 RC1N-A 换鞋凳座包
 RC1N-A Shoe changing stool bag



RC1N-A1 换鞋凳
 RC1N-A1 Shoe Changing Stool
 产品规格Specification: 430*320*478mm
 该组合所包含的半成品如下:
 The semi-finished products included in the portfolio are as follows:
 RC1N-A 换鞋凳主体
 RC1N-A Shoe Changing Stool Body
 RC1N-A1 换鞋凳座包
 RC1N-A1 Shoe changing stool bag