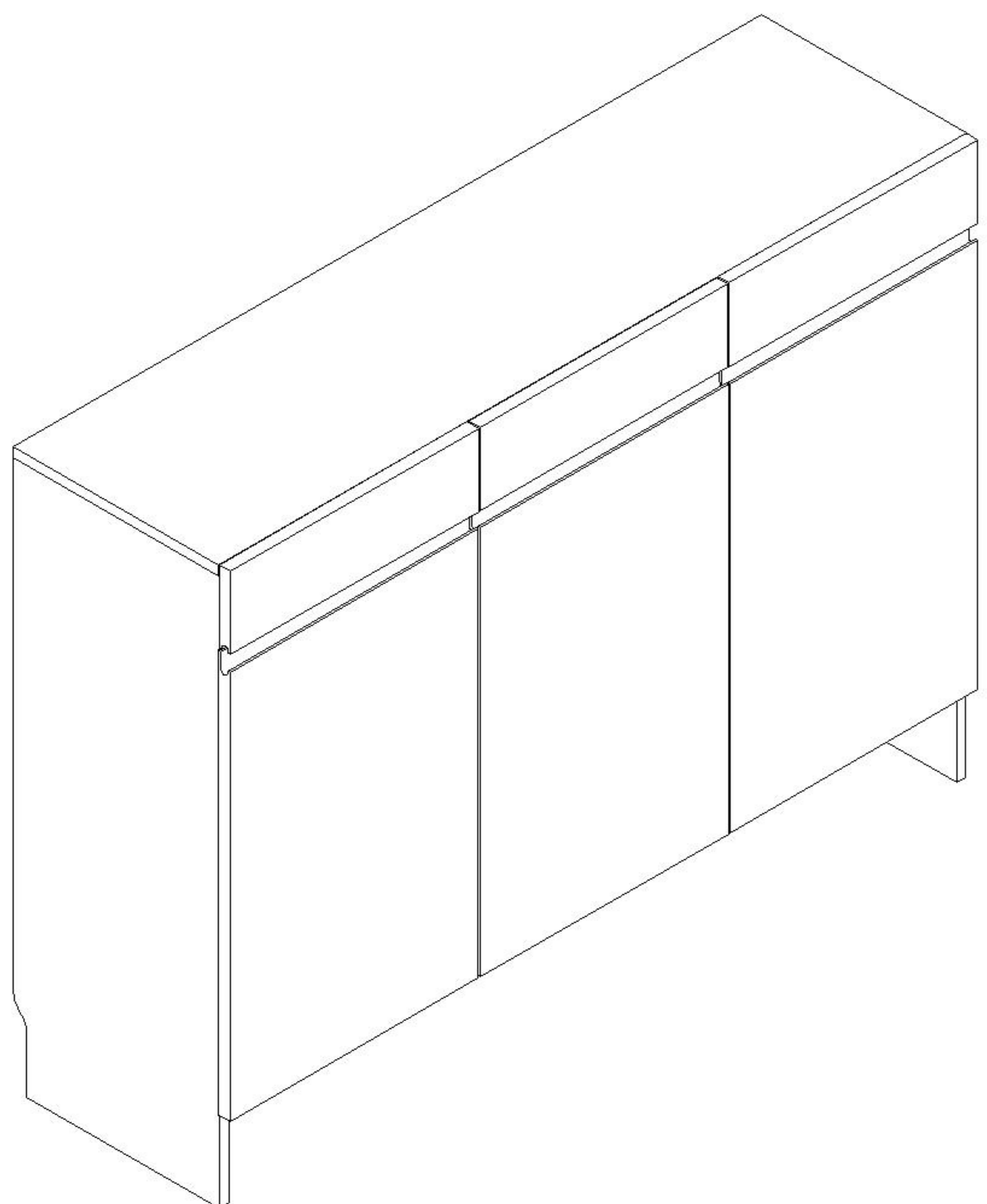
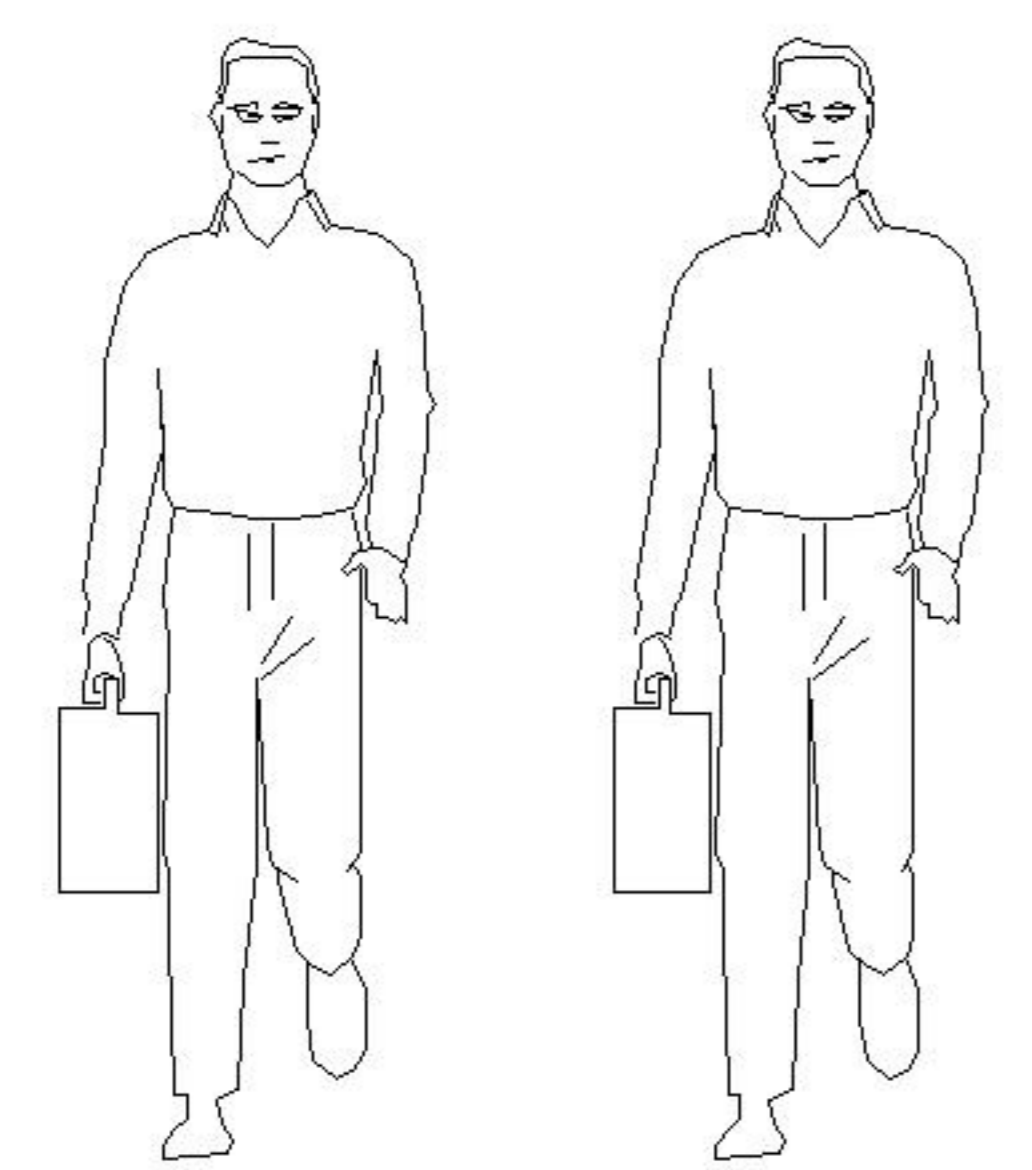


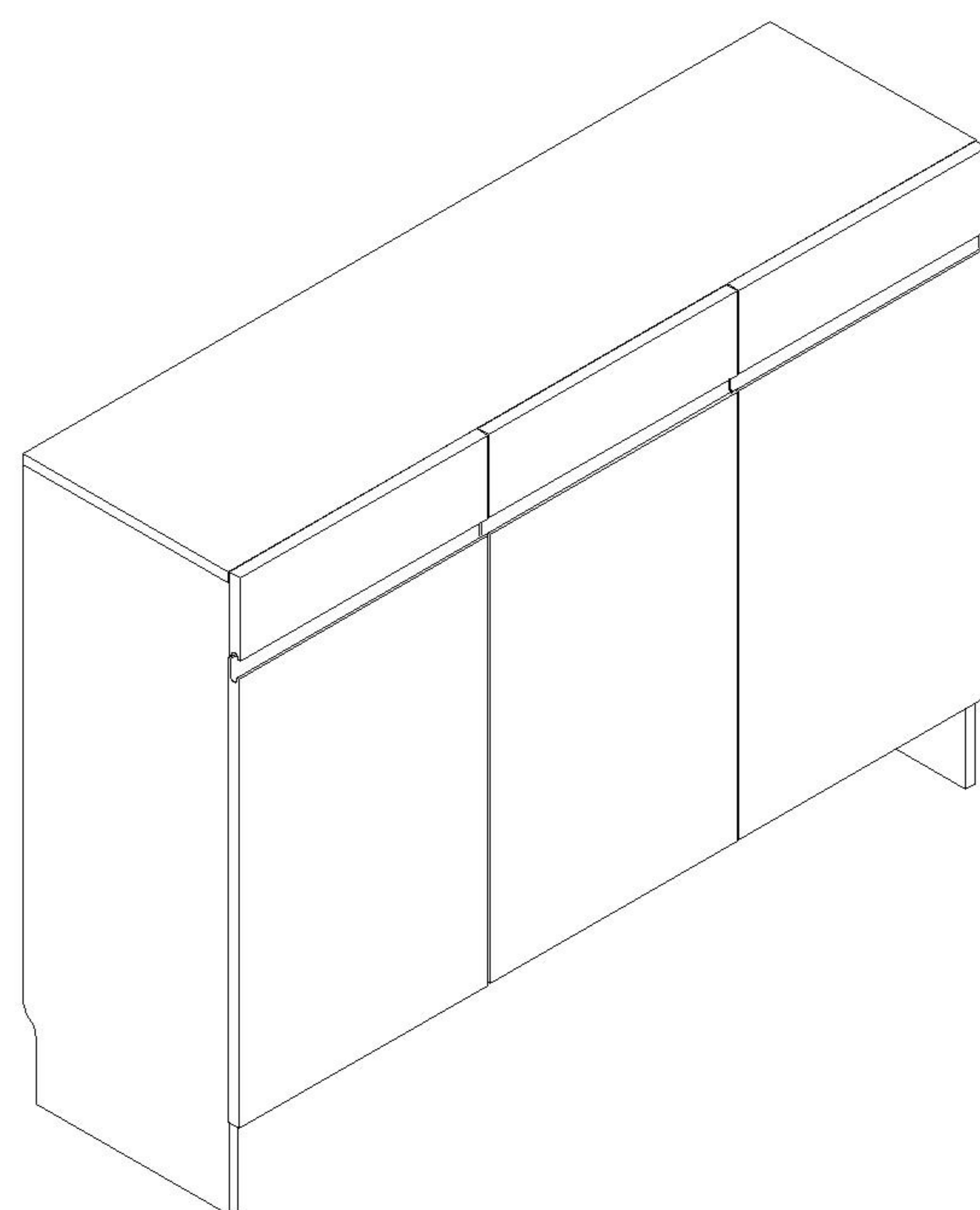
安装示意图/Assembly Instruction		五金表/Hardware list				部件表/Parts List					
产品名称 Model NO.	TV2N-A	(A)*15 背板扣 Back Panel Buckle	(B)*36 二合一螺杆 2-in-1-screw	(C)*36 大三合一锁饼 3-in-1 large lock	(D)*13 小三合一锁饼 3-in-1 small lock	编号NO.	名称Name	规格 Specification	数量QTY	材质Material	
产品规格 Specification	1200*348*897MM	(E)*13 小二合一杆 2-in-1 small rod	(F)*6 直弯缓冲门铰 Straight bend hinge	(G)*4 自攻螺丝M4*25 Self-tapping screw	(H)*13 塑料螺母 Plastic Nut	1	面板Top panel	1200*330*15	1	三胺板 Melamine	
安装工具 Tool	安装人数Installer	(I)*13 自攻螺丝M4*40 Self-tapping screw	(J)*38 自攻螺丝M3.5*12 Self-tapping screw	(K)*15 自攻螺丝M3.5*16 Self-tapping screw	(L)*17 木榫-φ8*30 Wood tenon	2	右侧板Side board (R)	879*330*15	1	三胺板 Melamine	
		(M)*3 三节滚珠导轨10" Three-section rail	(N)*8 灰色毛毡垫 Foot pad	(O)*2 棕色夹板条 Brown splint strip	(P)*16 层板托5mm shelf support	3	左侧板Side board (L)	879*330*15	1	三胺板 Melamine	
		(Q)*2 家具防倒器白色 Anti-fall device	(R)*3 透气孔盖 Breathable cover				4	中侧板Middle side board	603*309*15	1	三胺板 Melamine
							5	底板Bottom board	1168*330*15	1	三胺板 Melamine
							6	层板Shelf	1168*309*15	1	三胺板 Melamine
							7	左中侧板Middle side board (L)	309*116*15	1	三胺板 Melamine
							8	右中侧板Middle side board (R)	309*116*15	1	三胺板 Melamine
							9	导轨垫条Rail cushion strip	290*116*18	2	三胺板 Melamine
							10	活动层板Movable shelf	767*296*15	3	三胺板 Melamine
							11	短活动层板short shelf	384*296*15	1	三胺板 Melamine
							12	背板Back board	744*392*5	3	三胺板 Melamine
					13	后脚条back foot strip	1168*130*15	1	三胺板 Melamine		
					14	抽屉左侧板Drawer's side board (L)	295*78*12	3	三胺板 Melamine		
					15	抽屉右侧板Drawer's side board (R)	295*78*12	3	三胺板 Melamine		
					16	抽屉后板Drawer's Back board	317*78*12	3	三胺板 Melamine		
					17	抽屉底板Drawer's Bottom board	327*291*5	3	三胺板 Melamine		
					18	中脚条Middle foot strip	171*130*15	1	三胺板 Melamine		
					19	左门板Door board (L)	626*398*18	1	三胺板 Melamine		
					20	右门板Door board (R)	626*398*18	2	三胺板 Melamine		
					21	抽屉面板 Drawer's top panel	398*136*18	3	三胺板 Melamine		

TV2N-A

安装方法

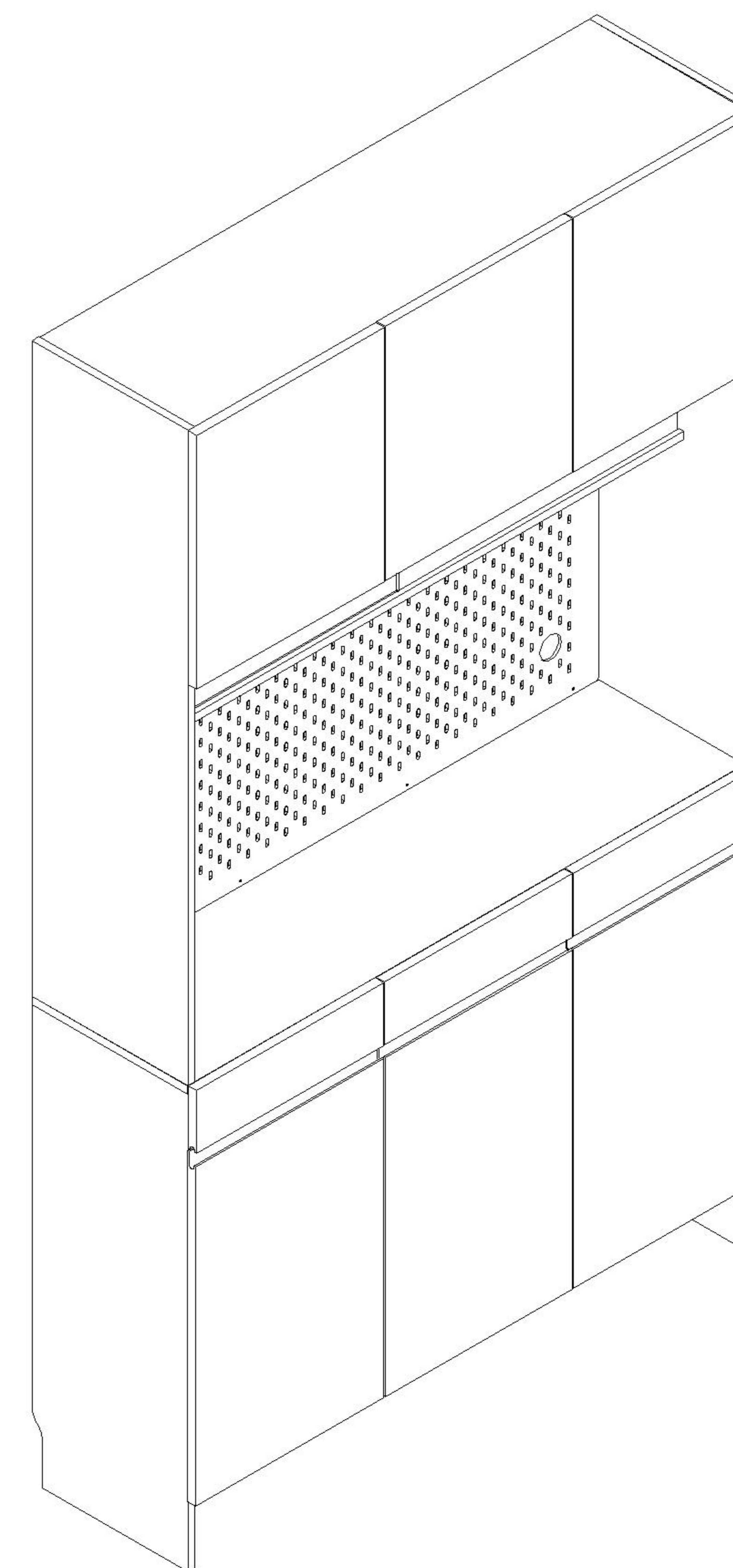
Installation method

TV2N-A 三门鞋柜
TV3N-A three door shoe cabinet



尺寸: 1200*348*897mm

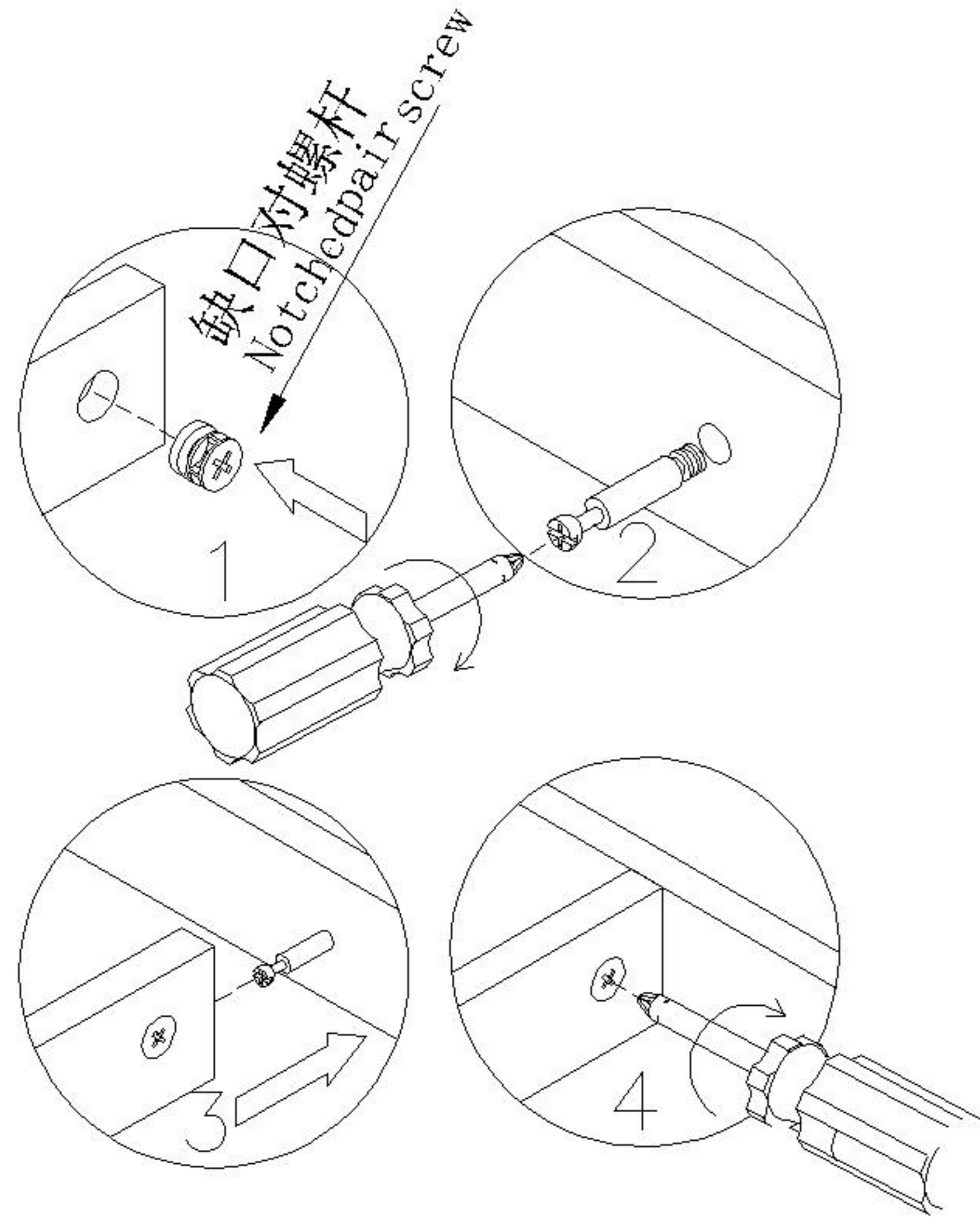
TV3N-A 三门高柜鞋柜
TV3N-A three door high cabinet shoe cabinet



尺寸: 1200*348*2100mm

TV2N-A

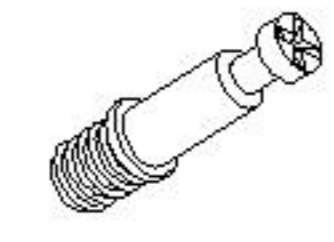
安装方法/
Installation method



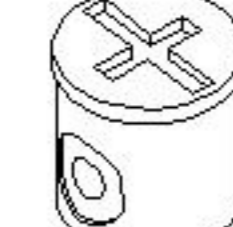
二合一/2 in 1



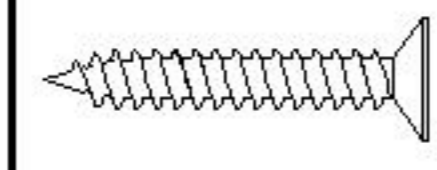
(D)*12



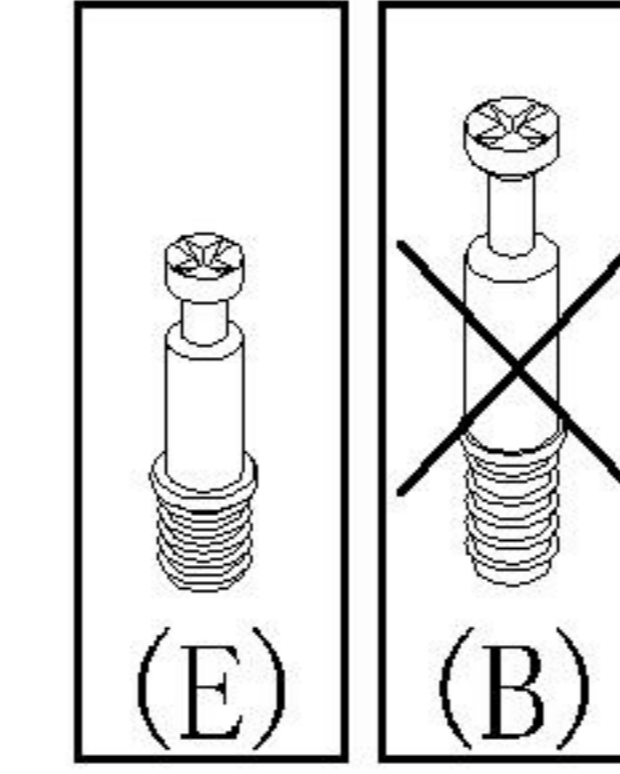
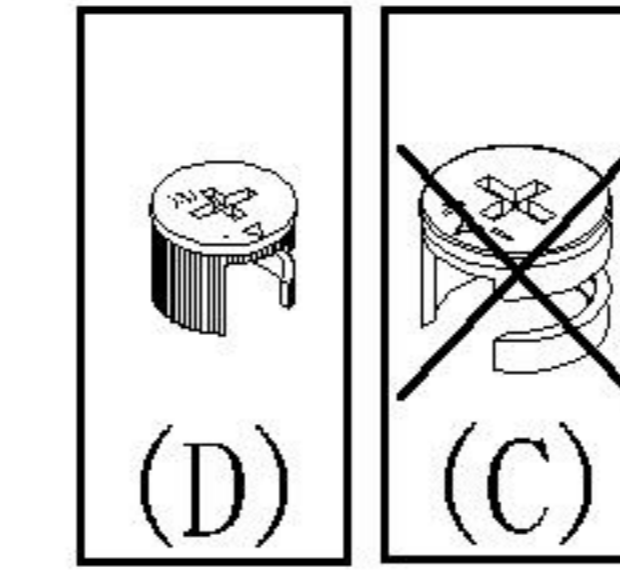
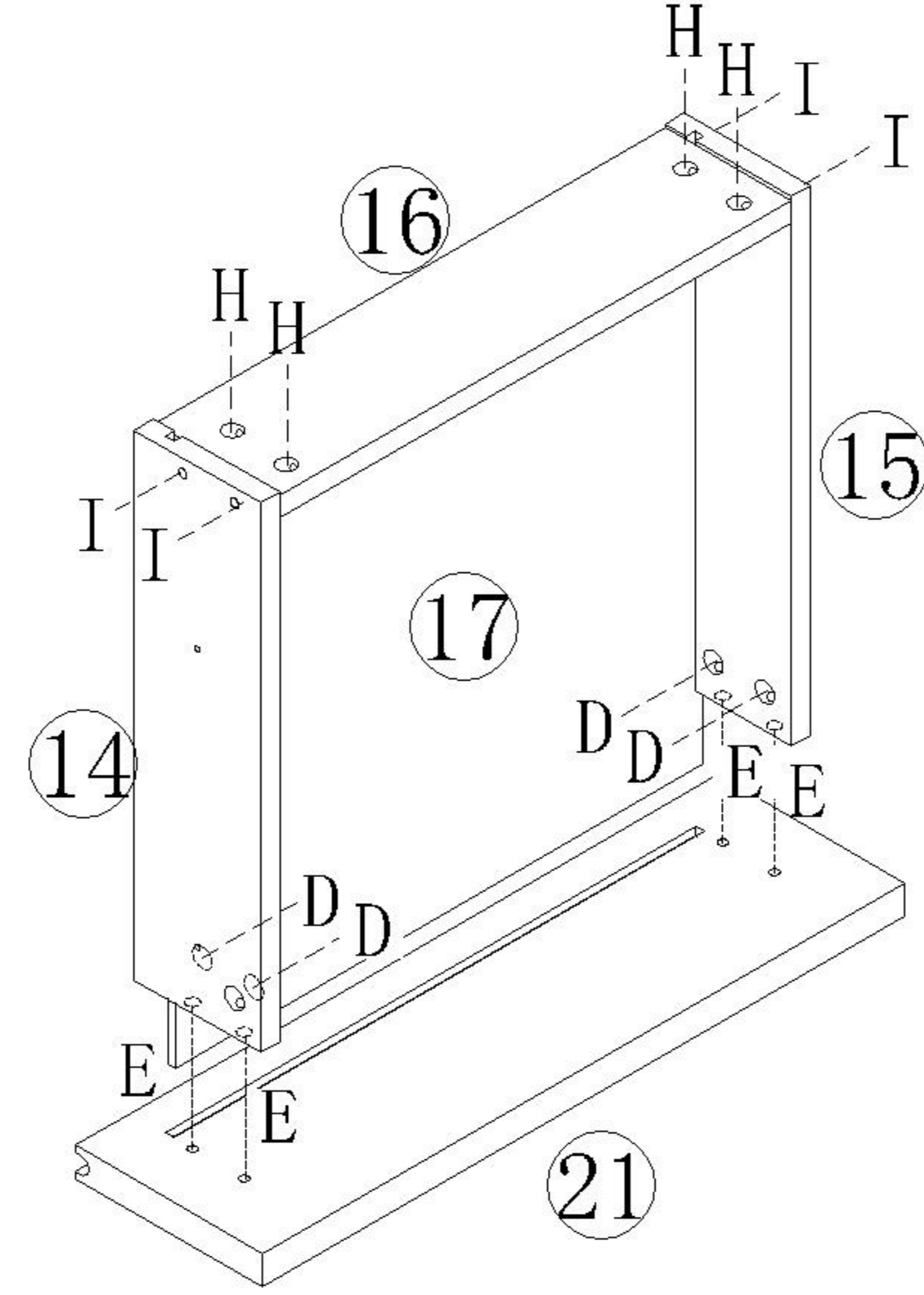
(E)*12



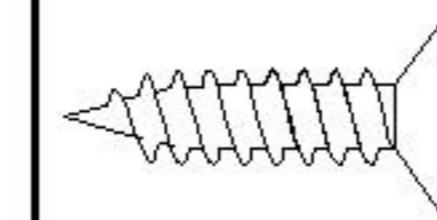
(H)*12



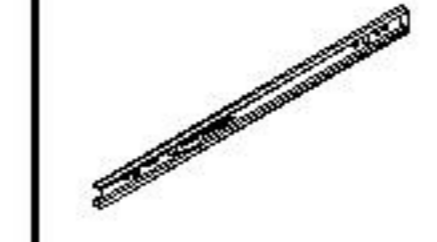
(I)*12



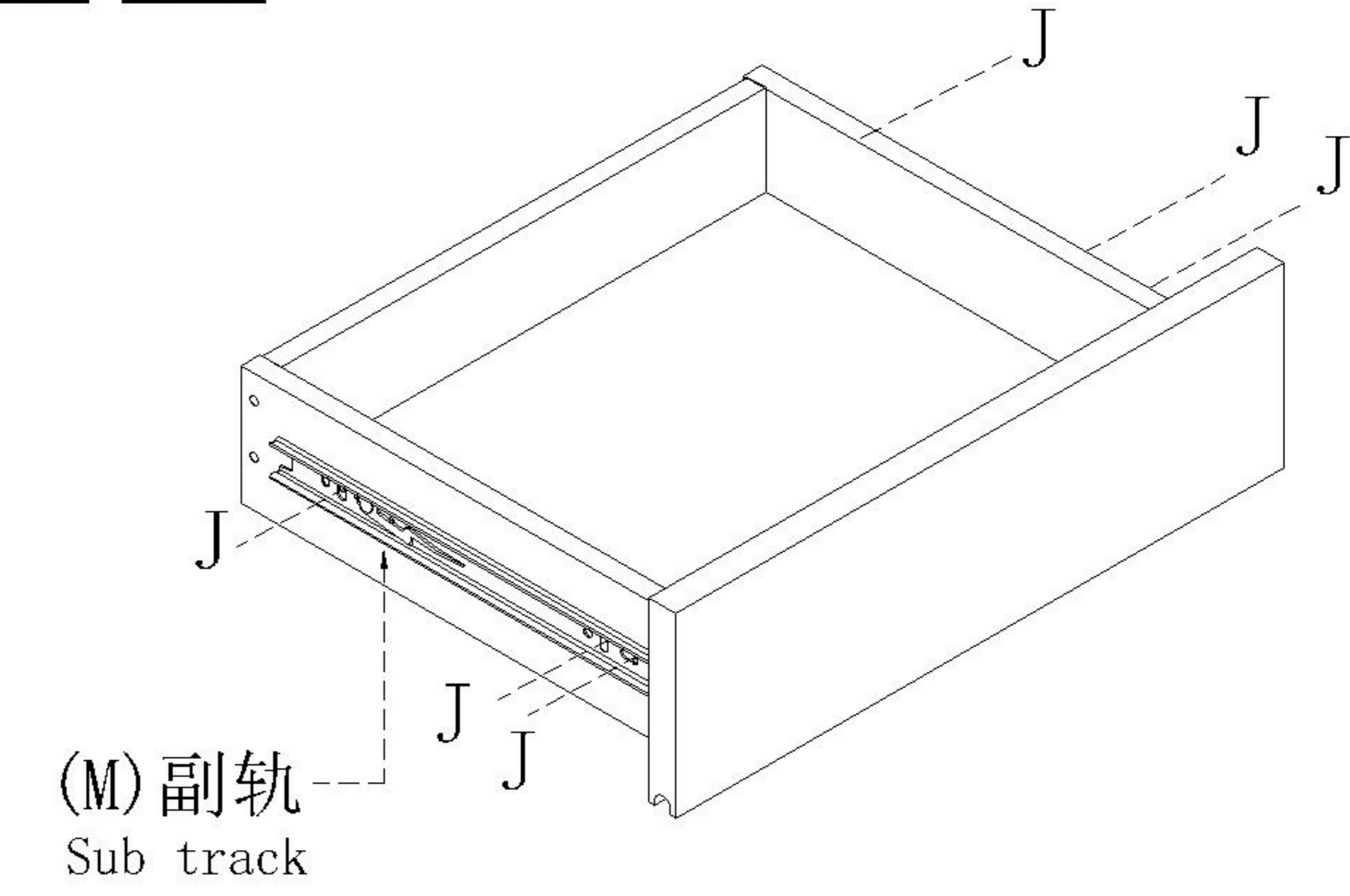
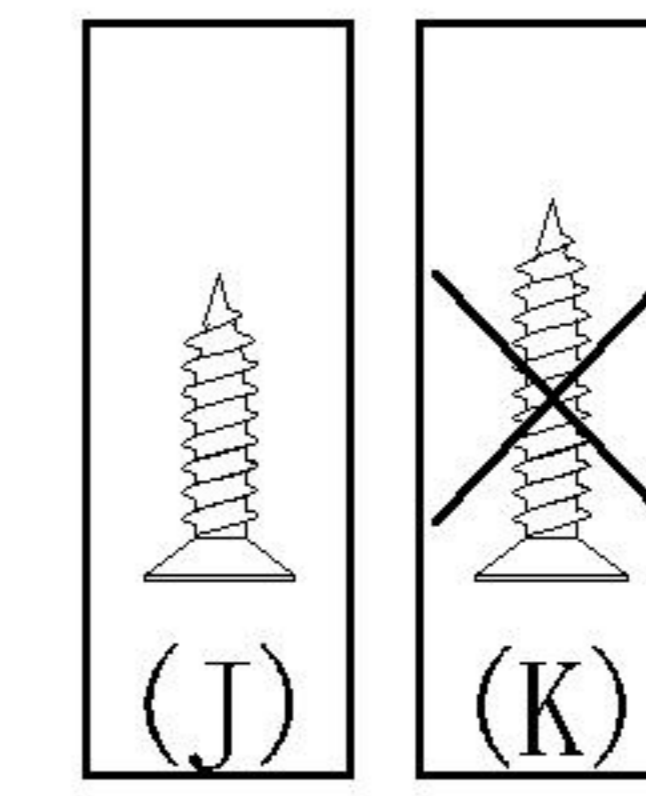
1



(J)*18



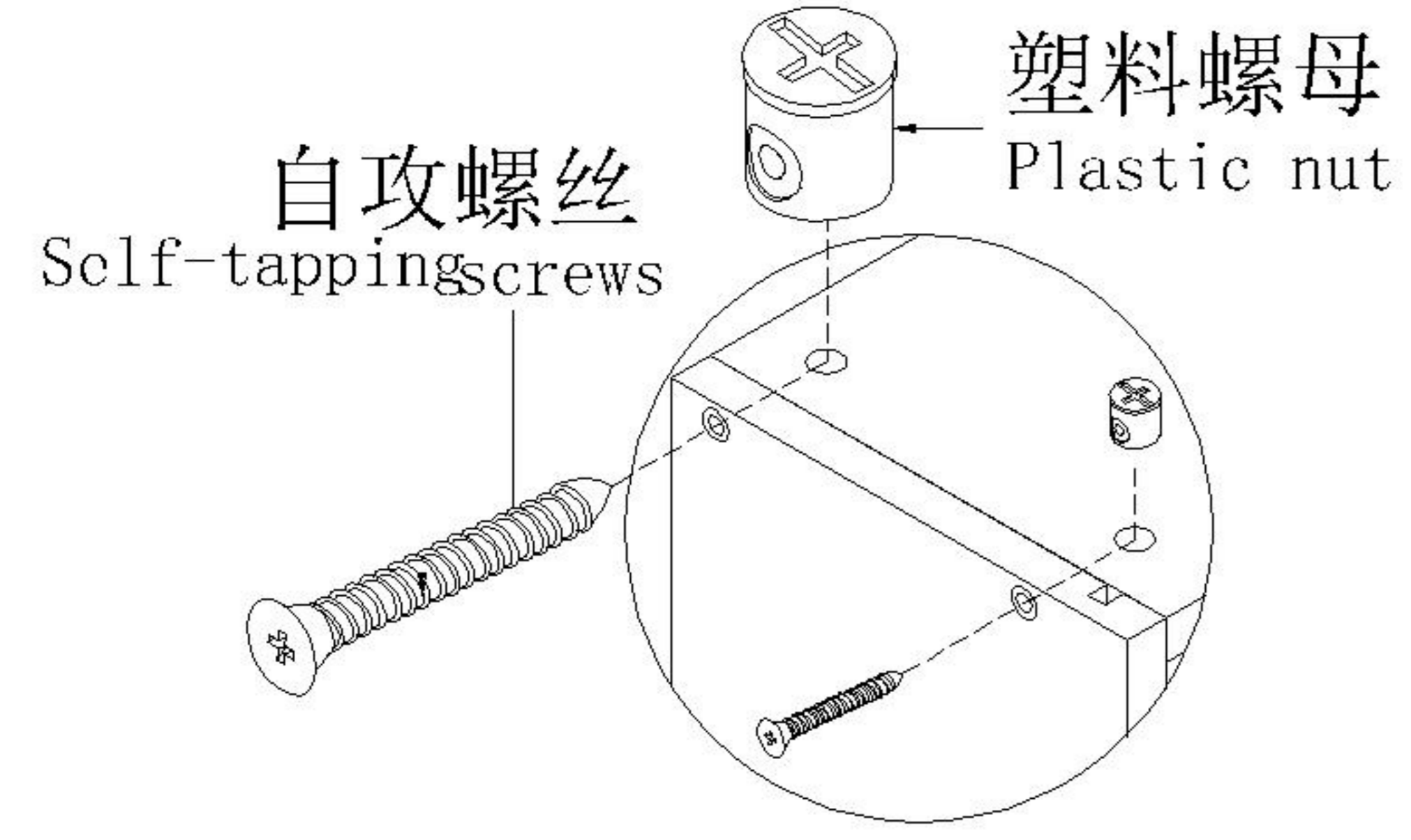
(M)*3



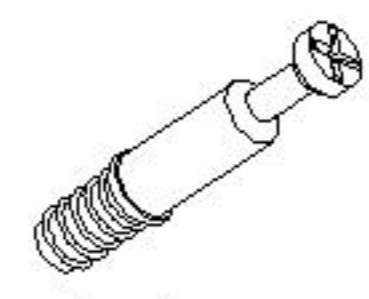
2

X3

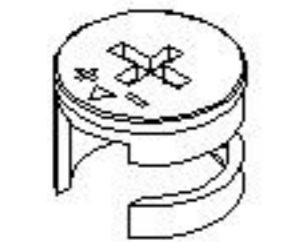
X3



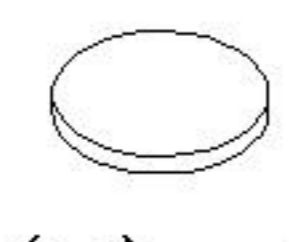
塑料螺母 Plastic nut



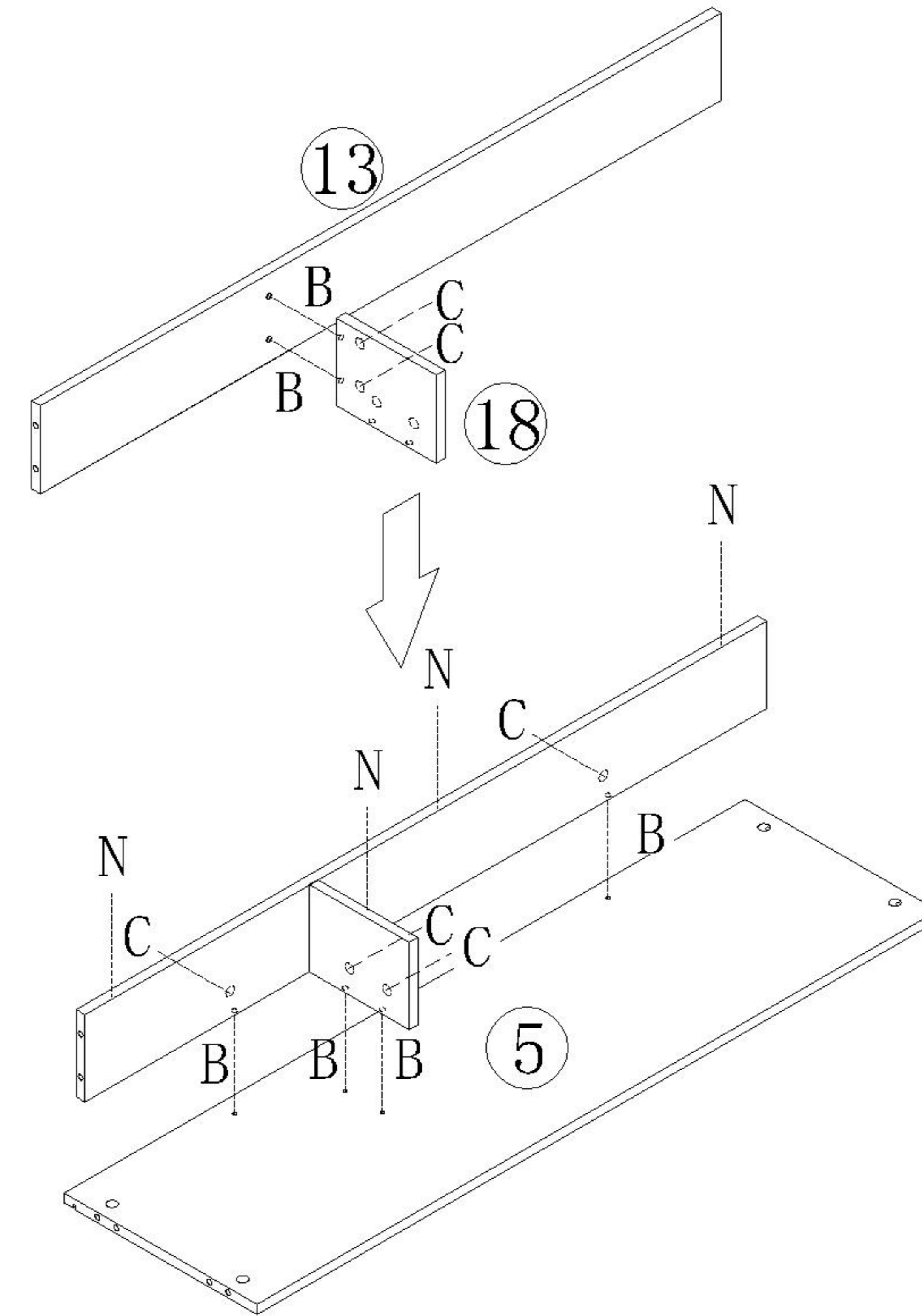
(B)*6



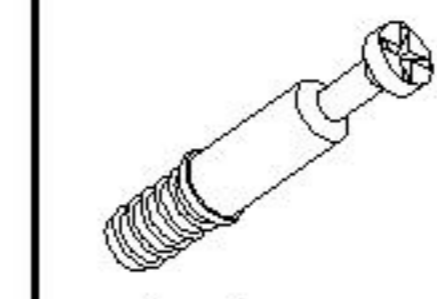
(C)*6



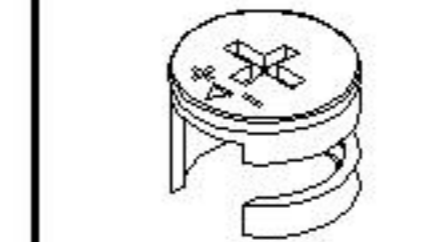
(N)*4



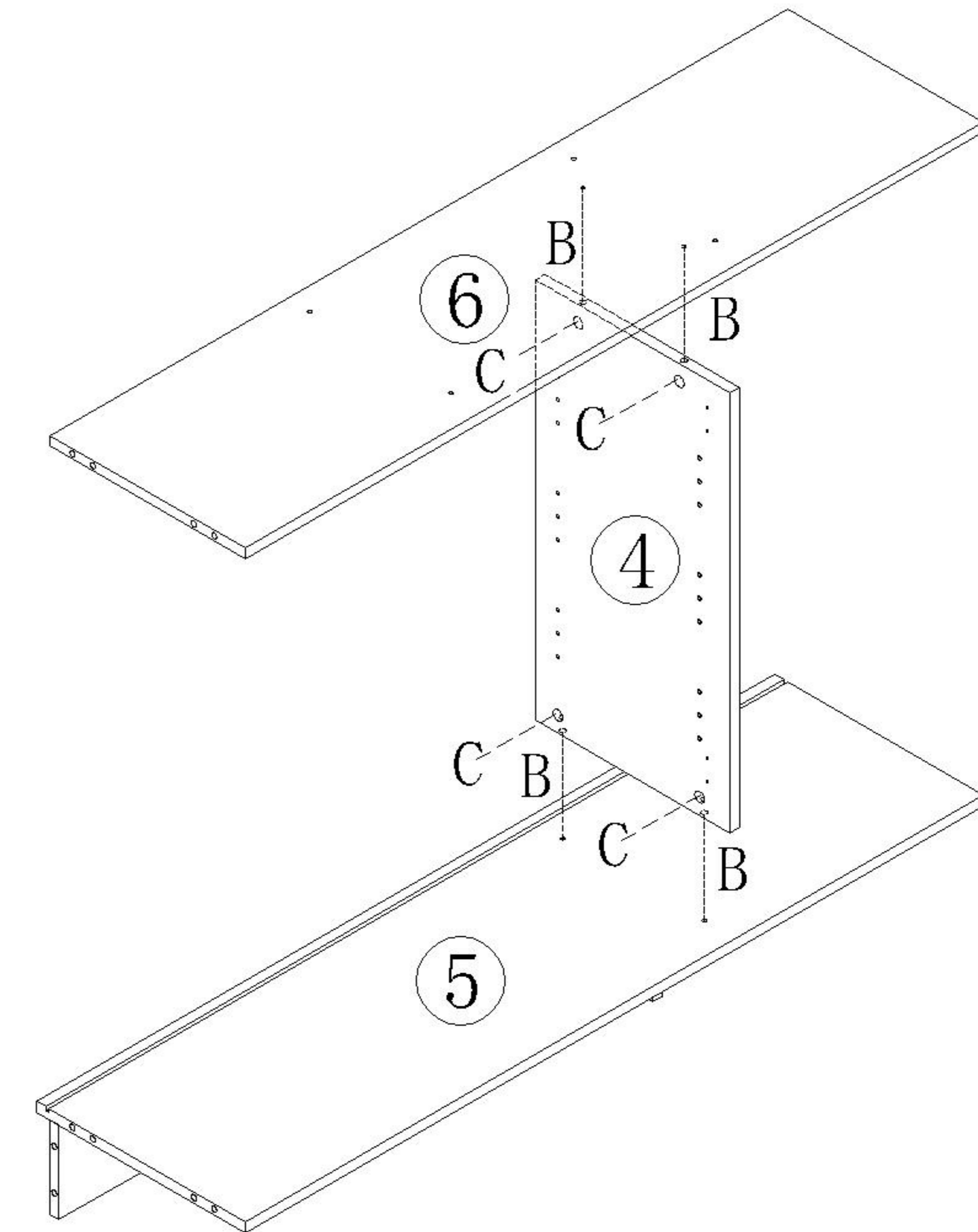
3



(B)*4

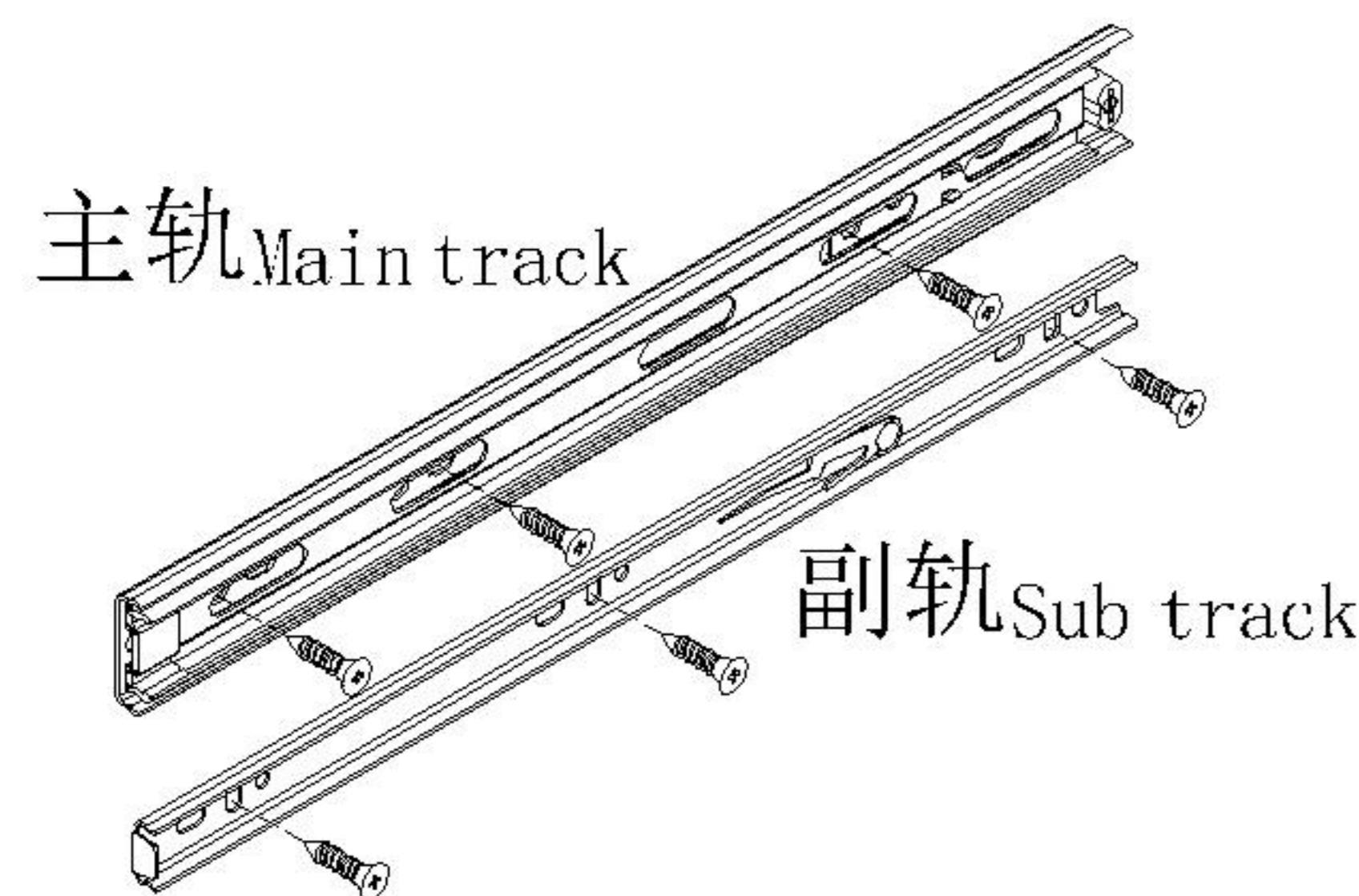
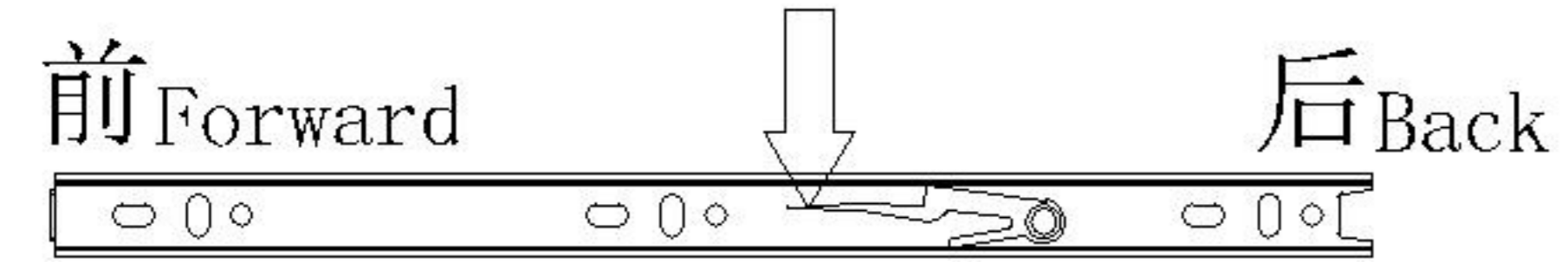


(C)*4



4

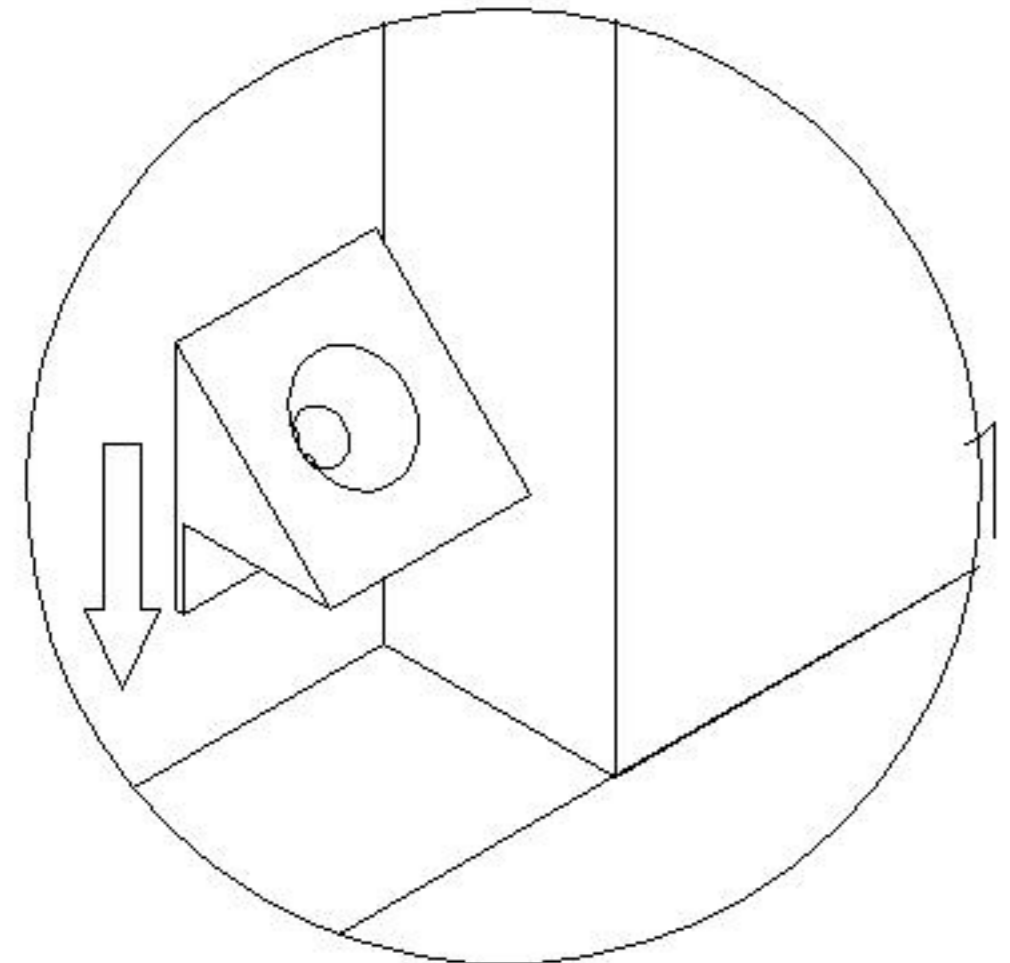
阀门开关(下压为开)
Valve switch (press down to open)



三节滚珠导轨-10"
Three Section Ball Guide-10"

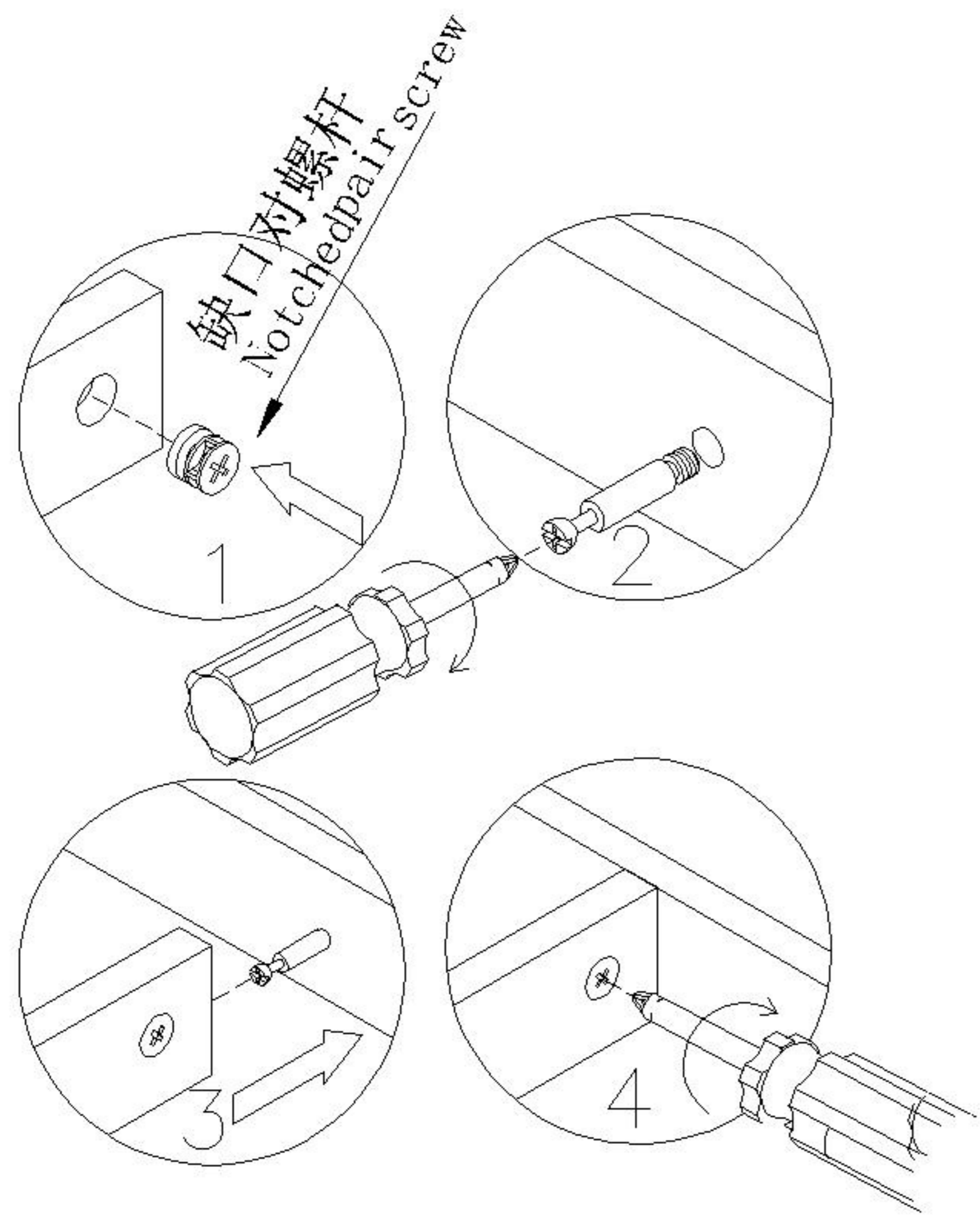
TV2N-A

安装方法/
Installation method



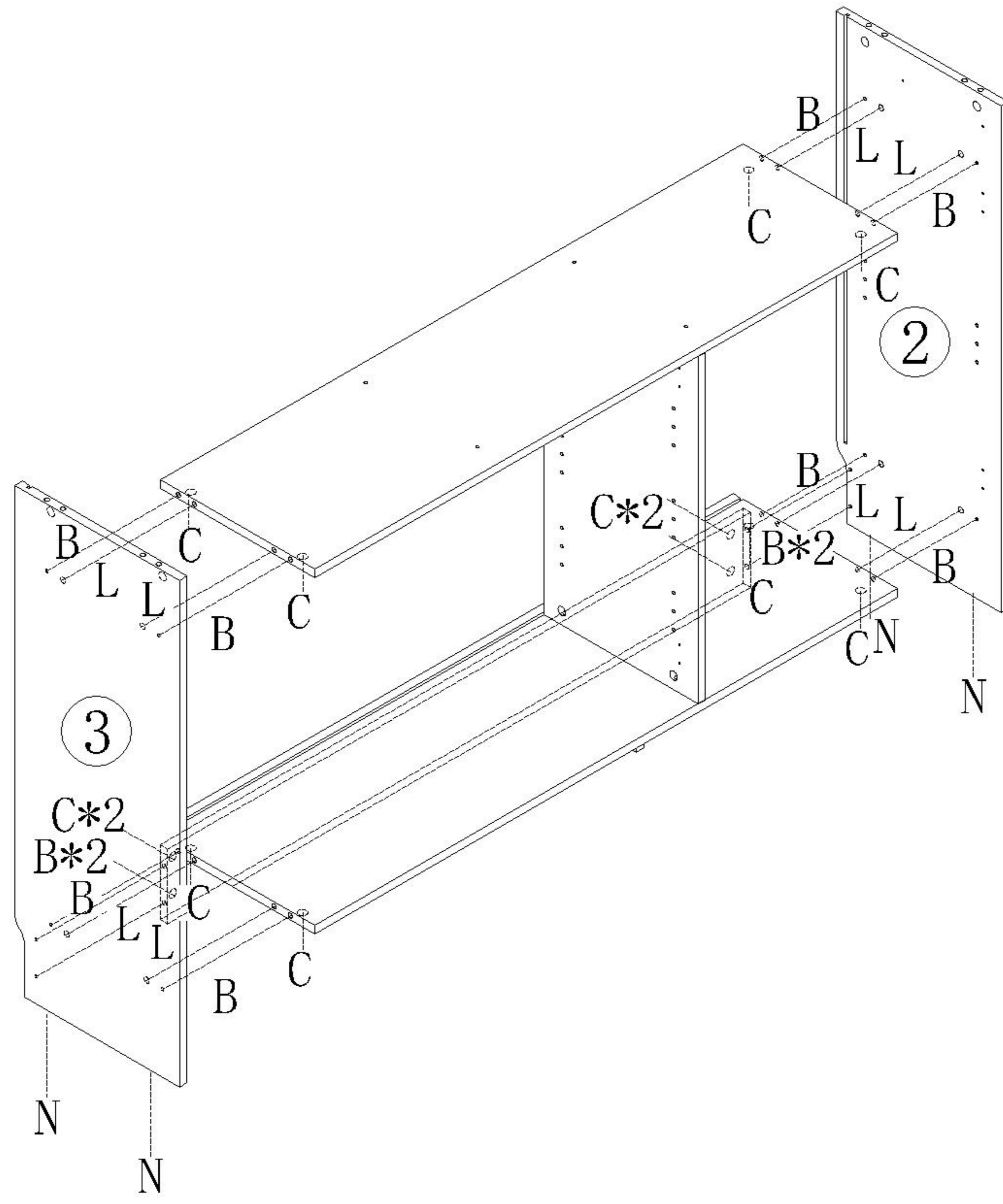
背板扣

Back Plate Buckle-White

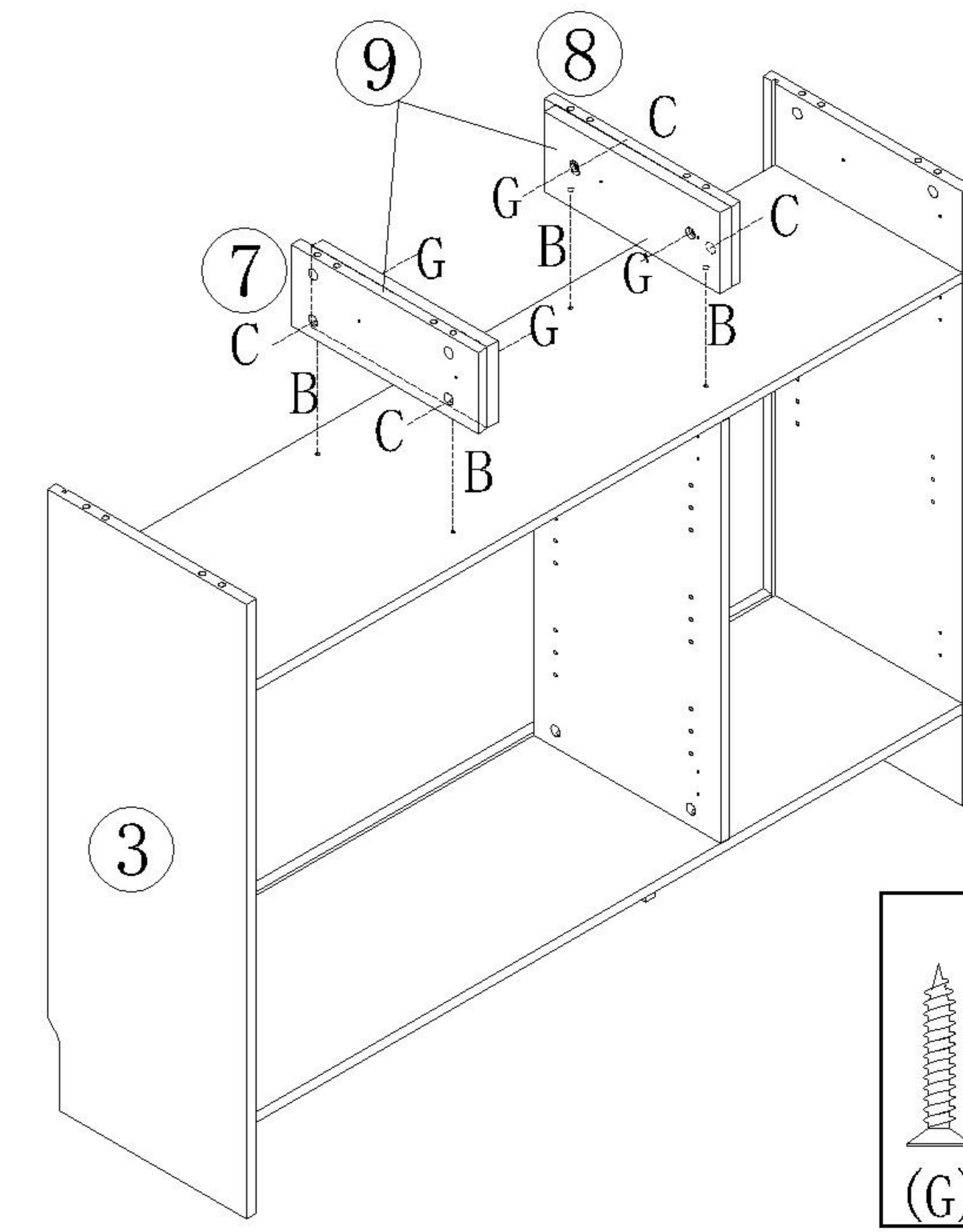


二合一/2 in 1

- (B)*12
- (C)*12
- (L)*8
- (N)*4

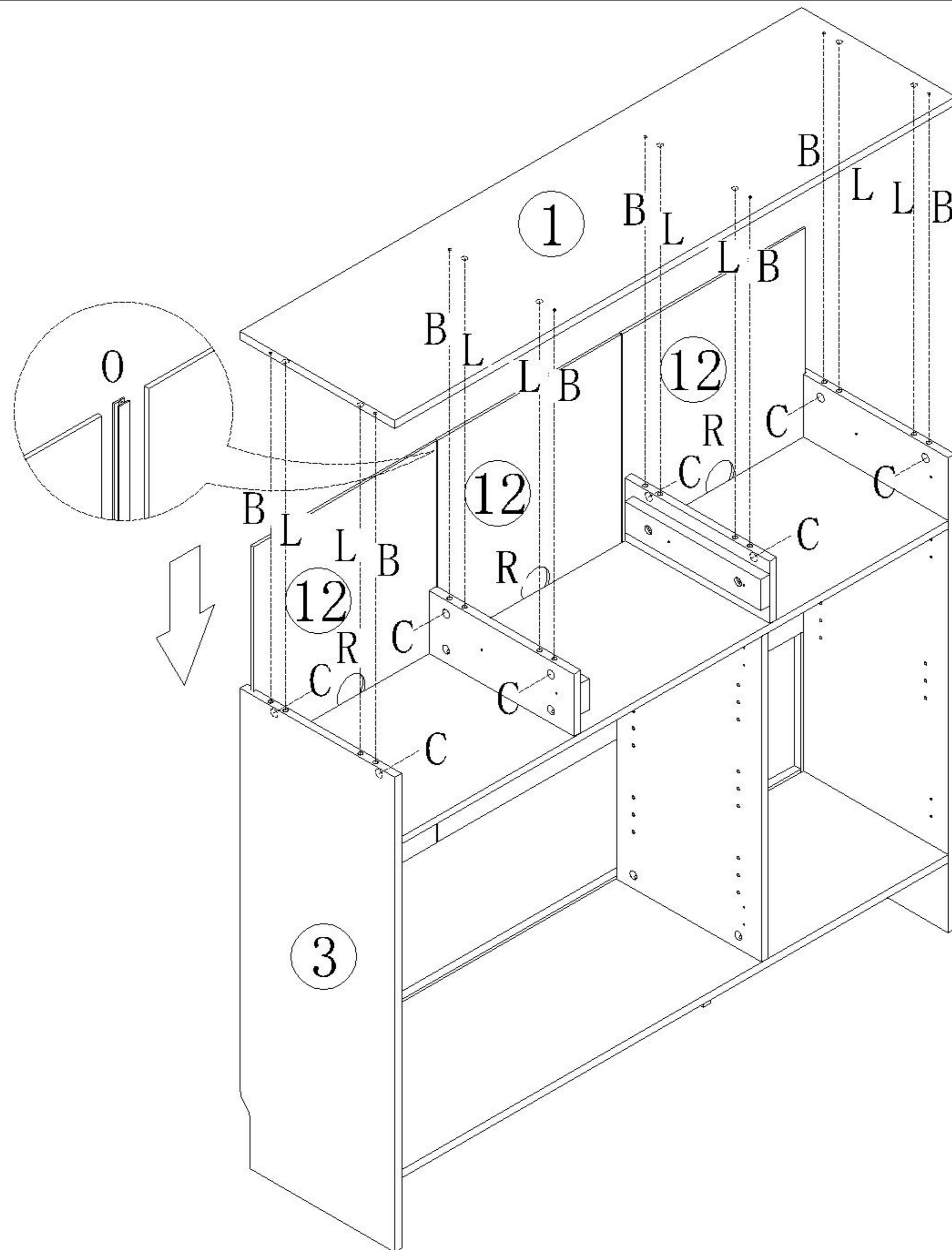


- 5
- (B)*4
 - (C)*4
 - (G)*4

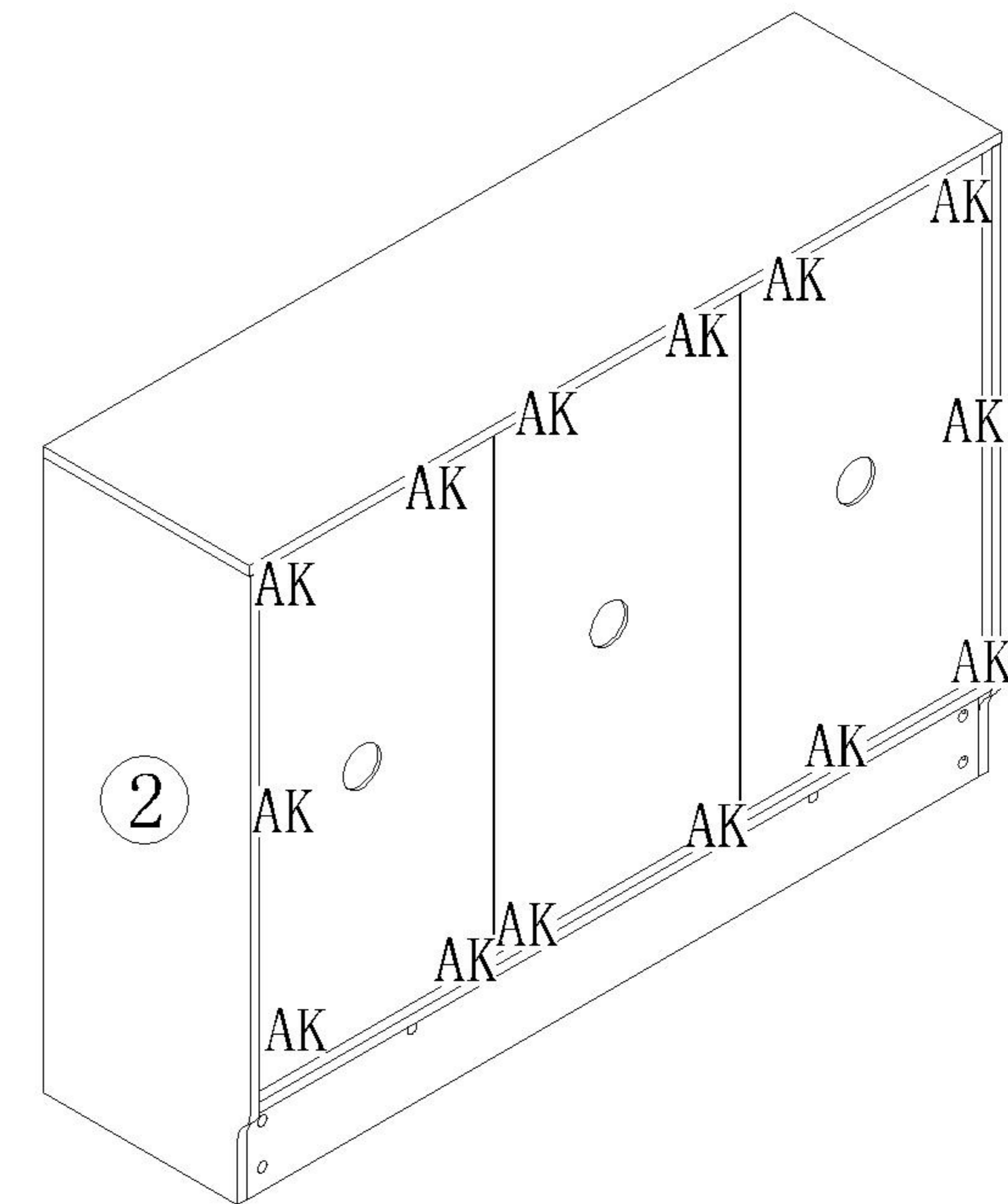


6

- (B)*8
- (C)*8
- (L)*8
- (R)*3
- (O)*2



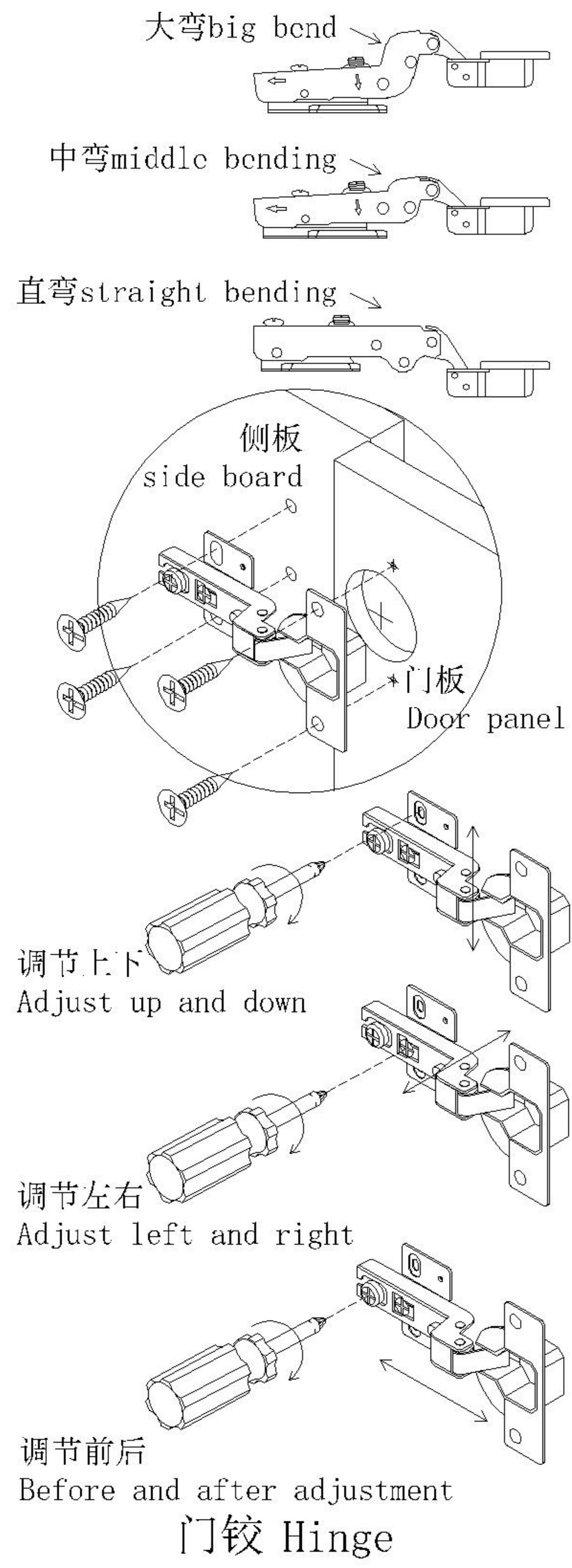
- 7
- (A)*14
 - (K)*14



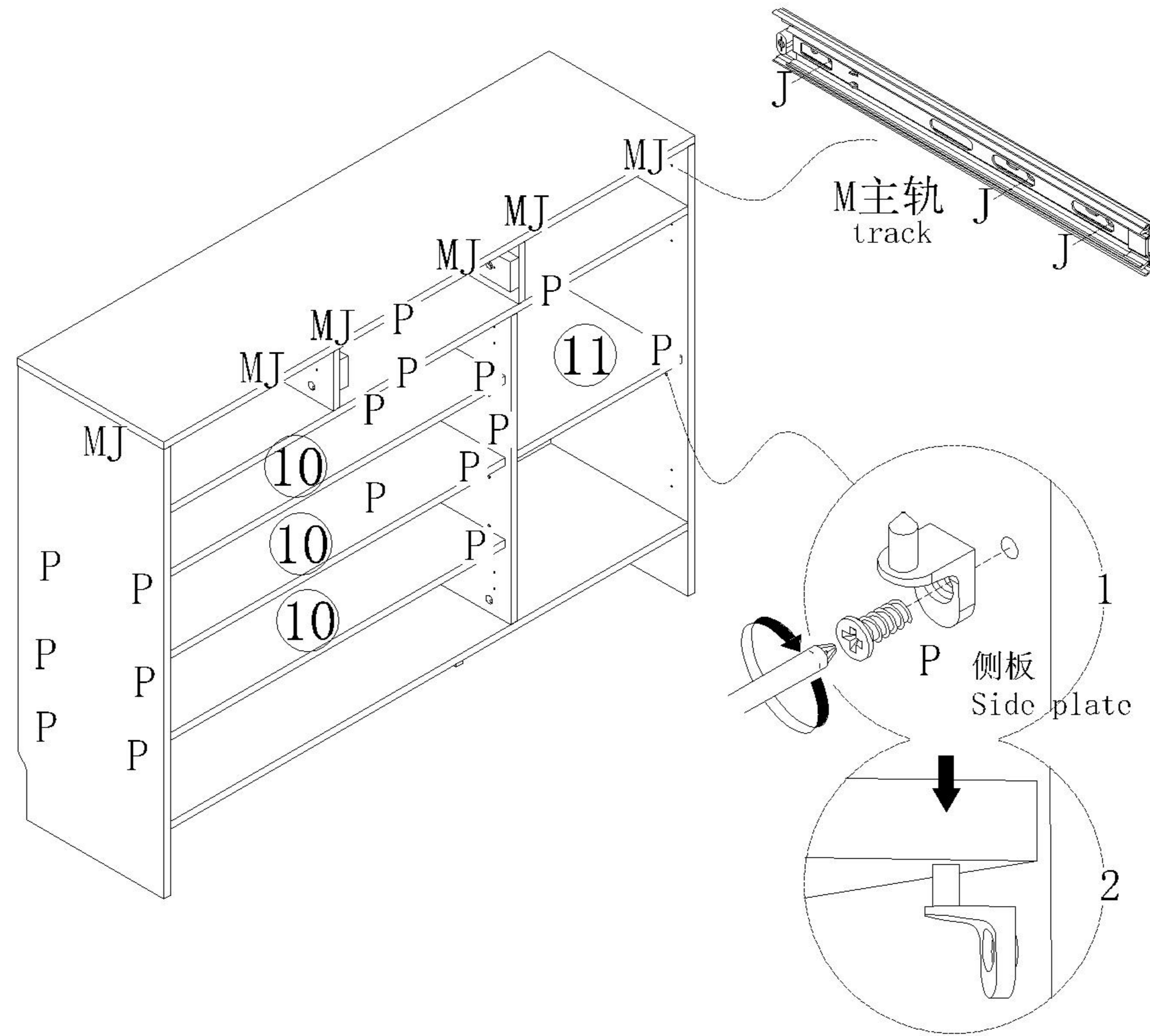
8

TV2N-A

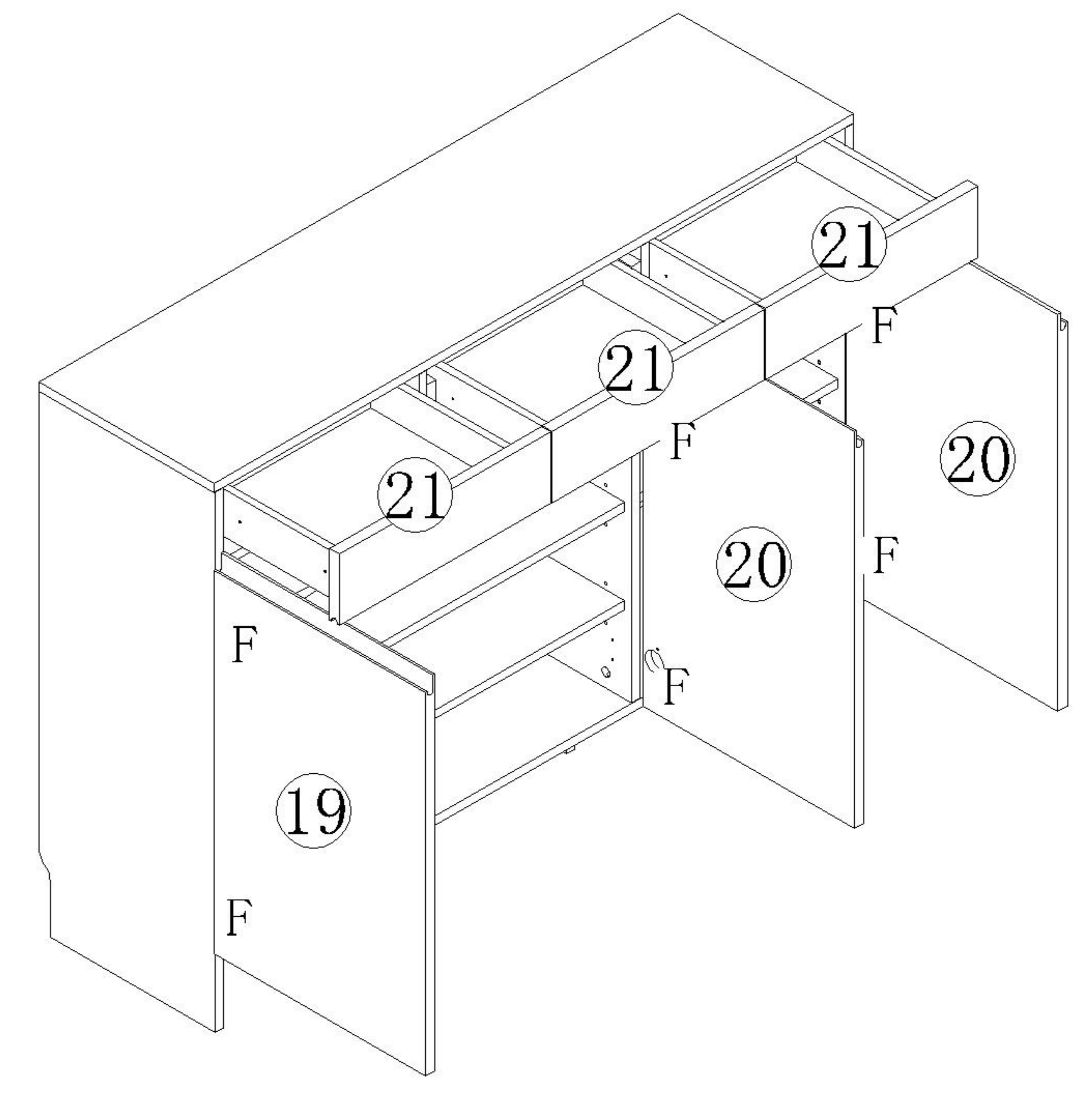
安装方法/ Installation method



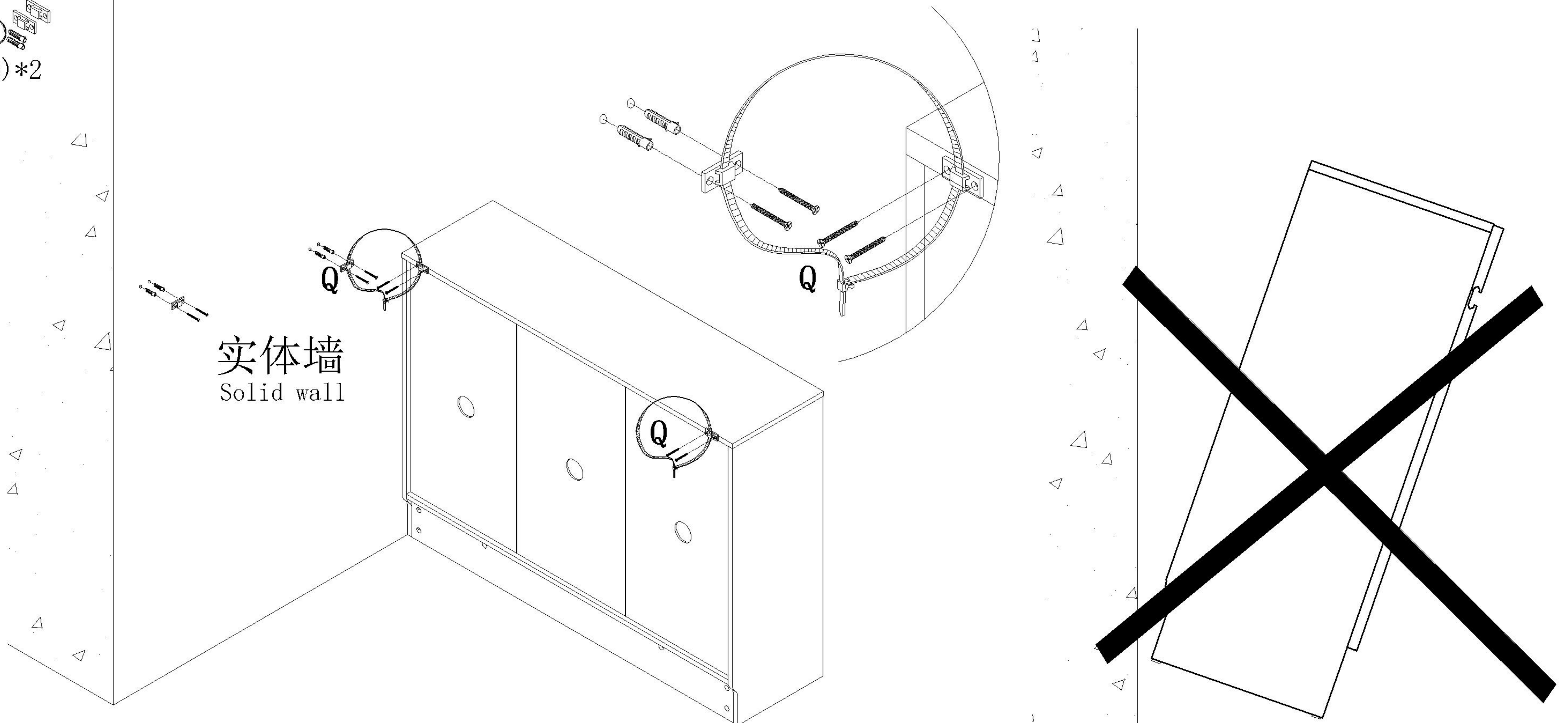
- (P)*16
- (J)*18
- (M)*3



- (F)*4



- (Q)*2



10

11