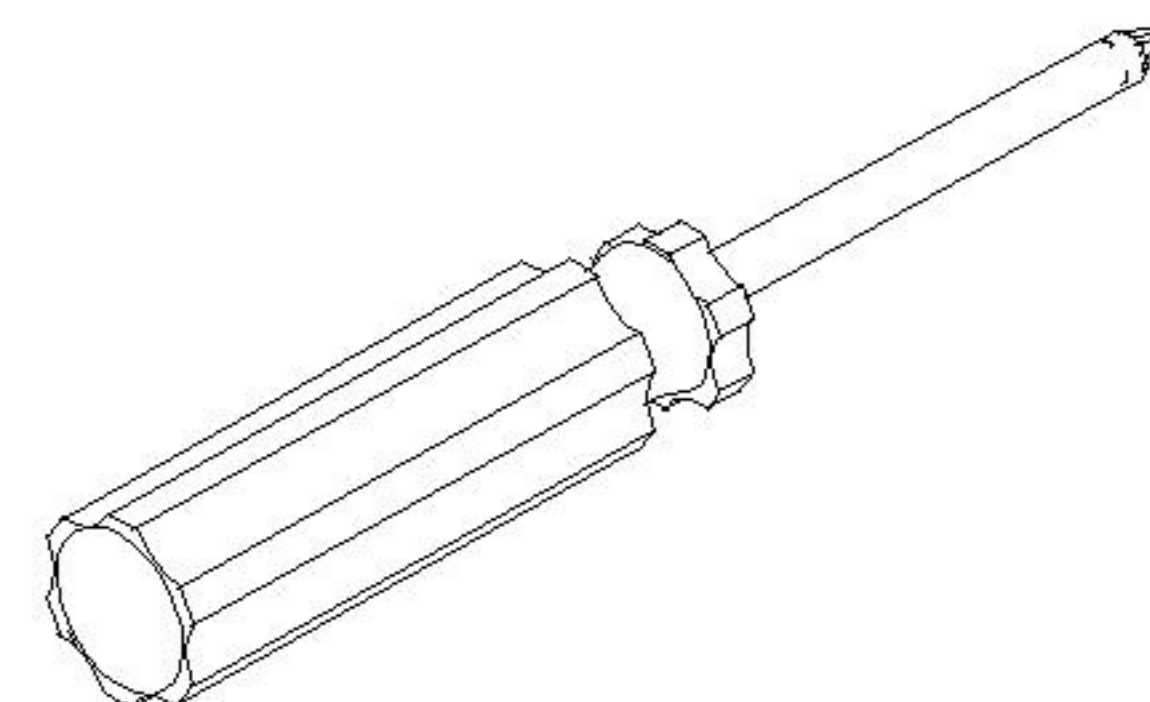
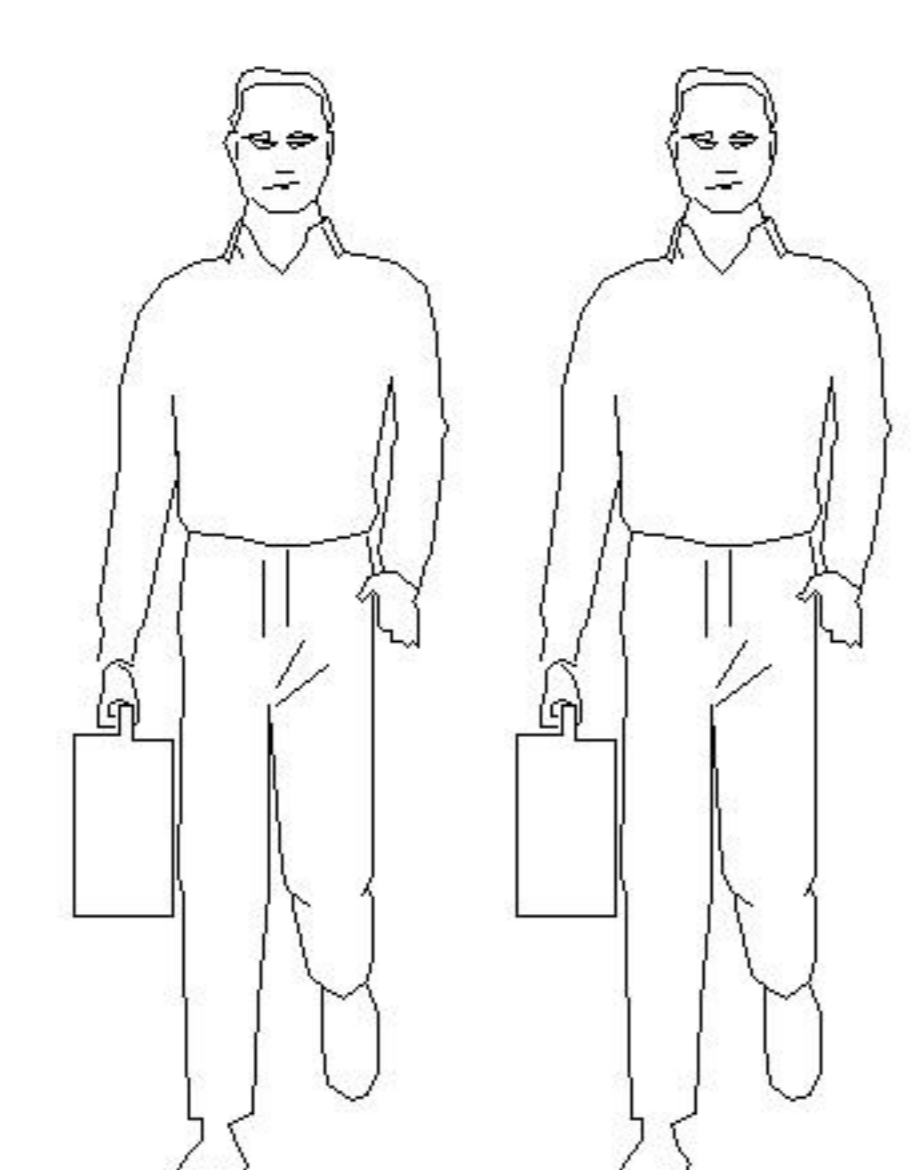


LINSY 林氏家居

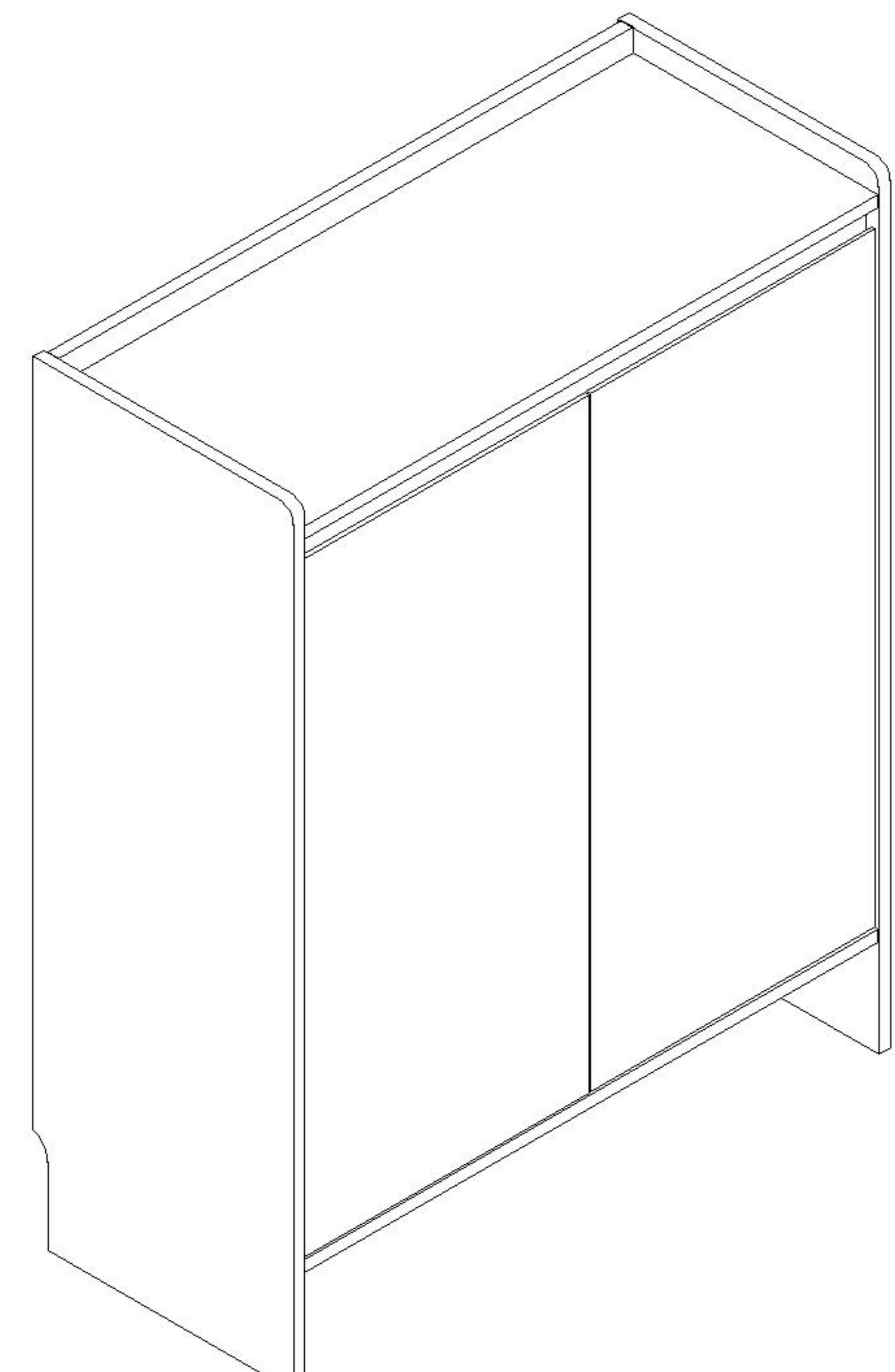
五金表/Hardware list

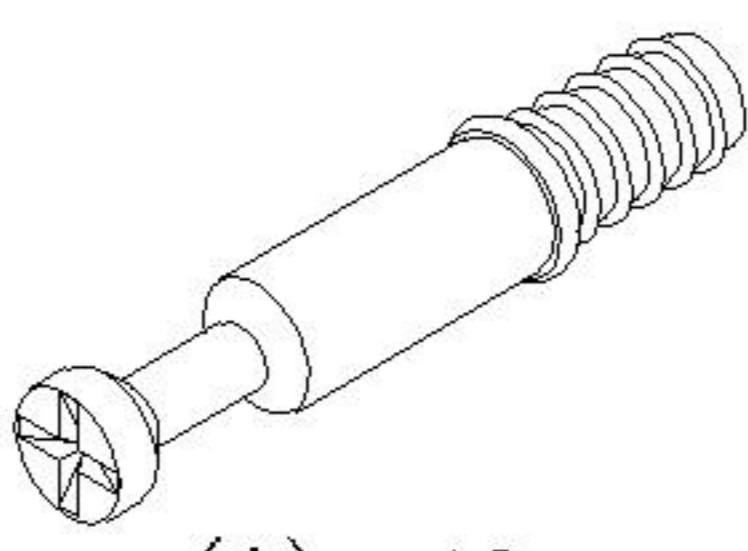
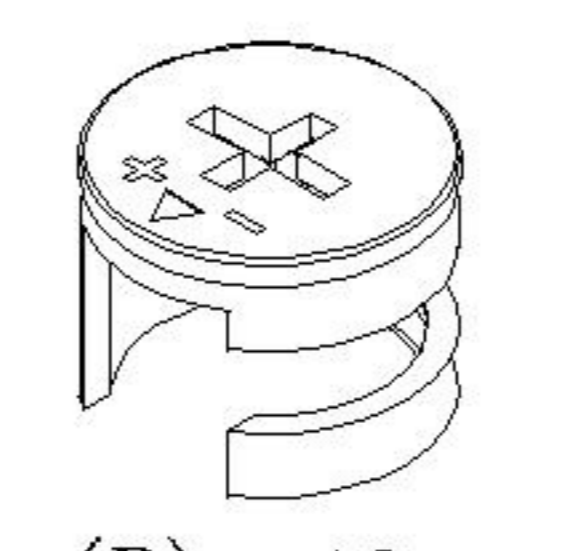
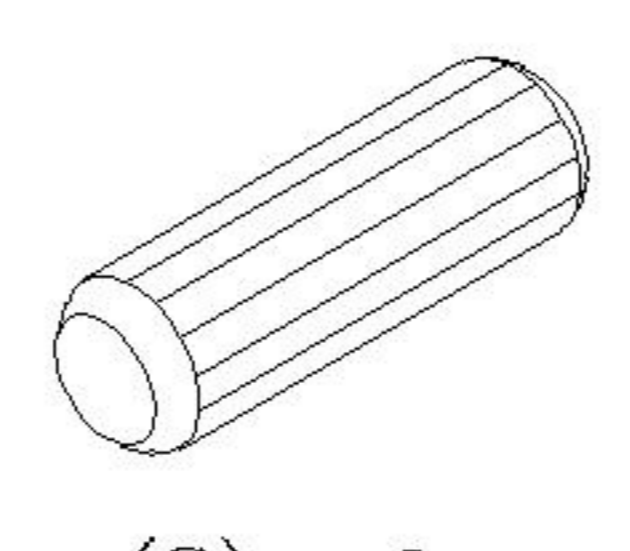
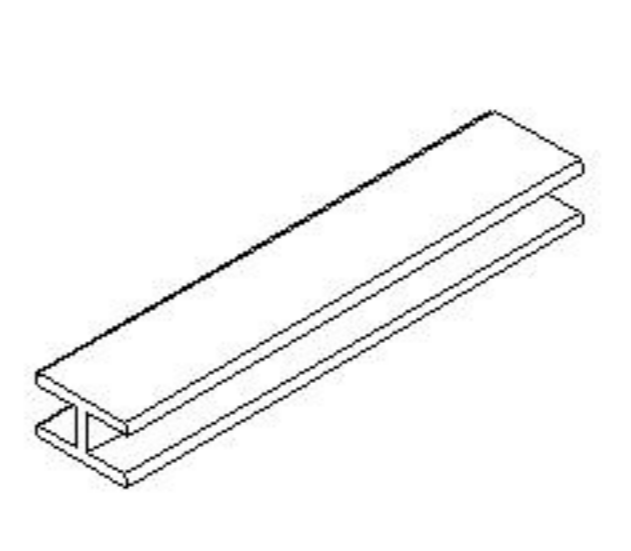
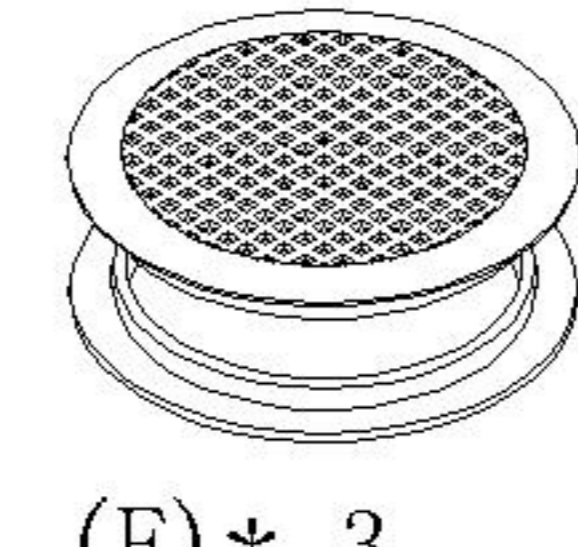
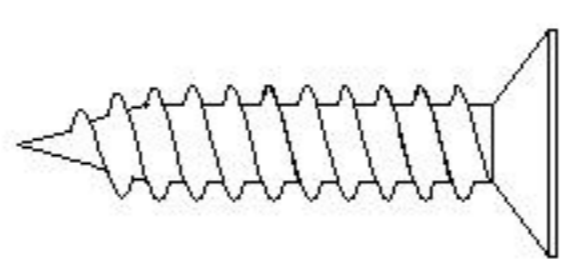
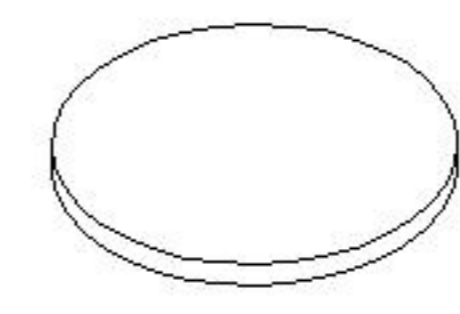
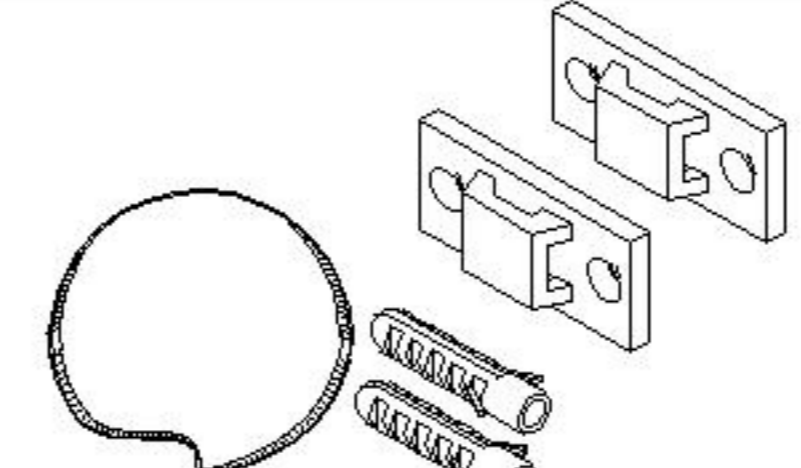
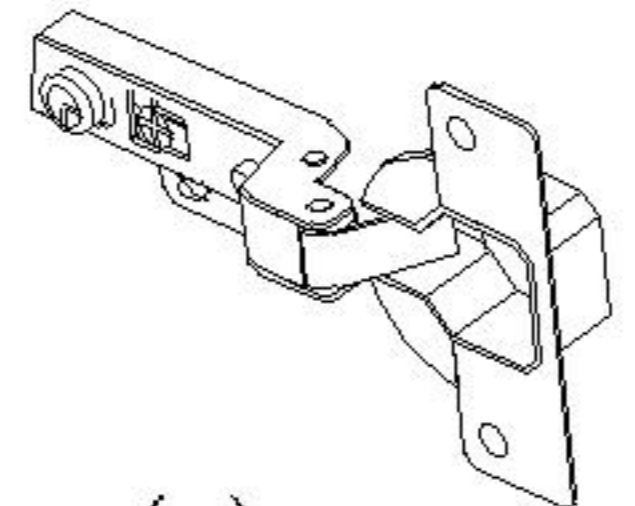
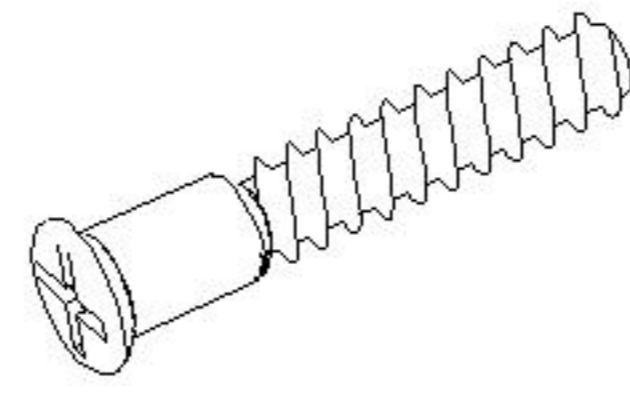
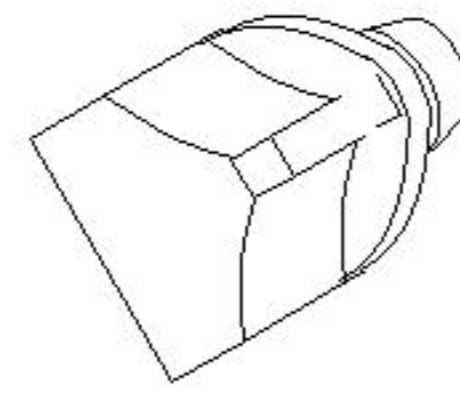
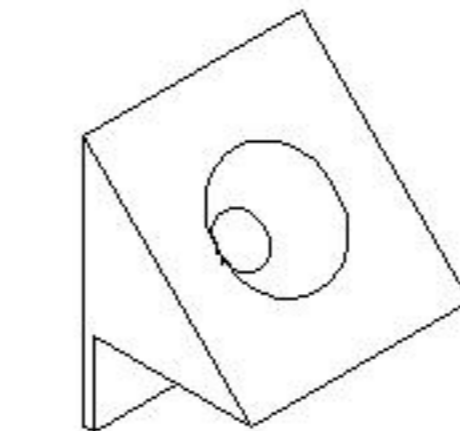
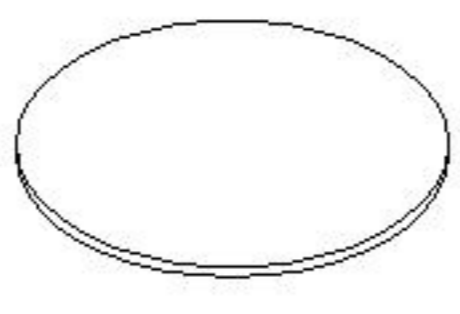
部件表/Parts List

安装示意图/Assembly Instruction

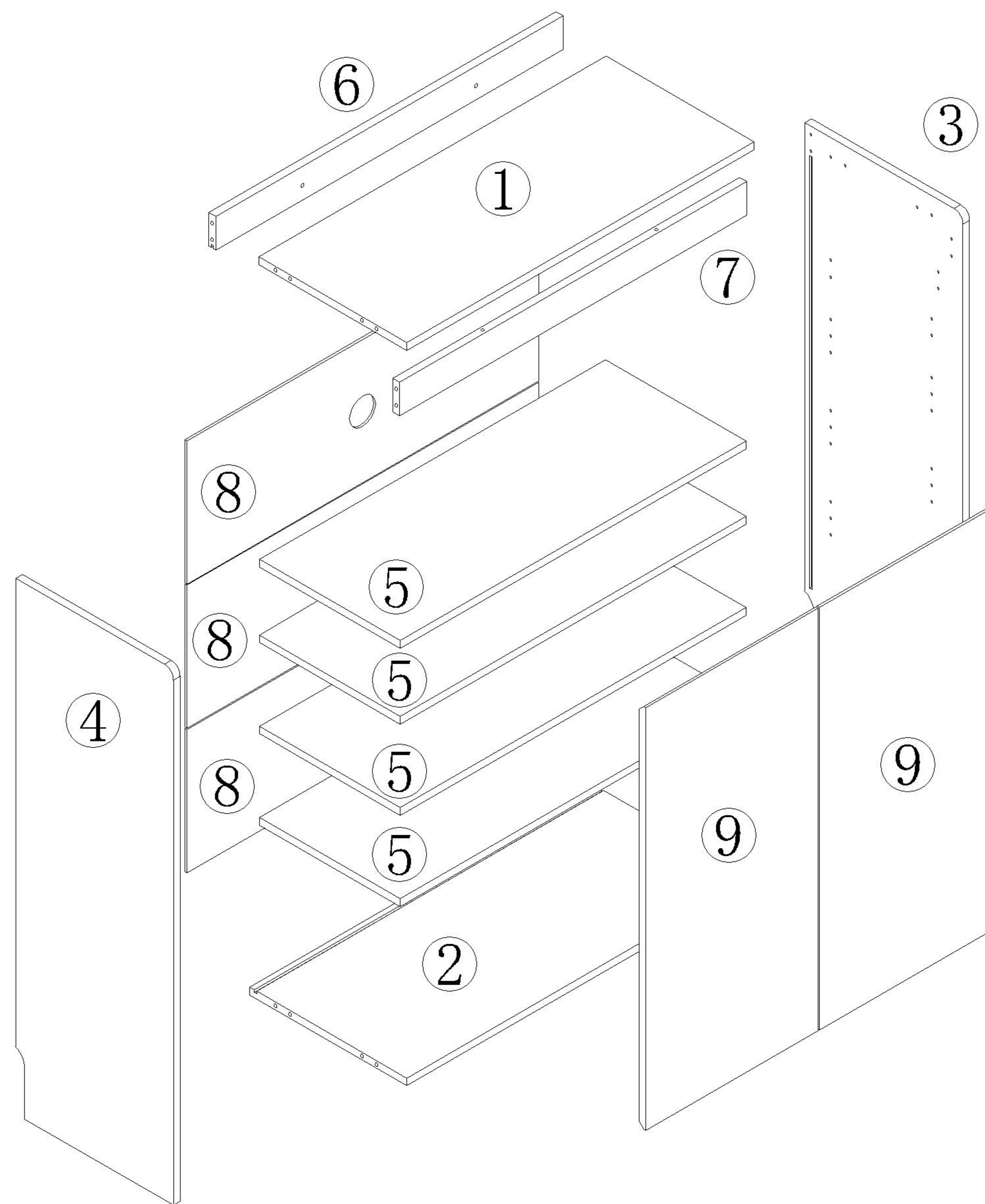
产品名称 Model NO.	OV2N-D 0.8米鞋柜
产品规格 Specification	800*350*1031mm
安装工具 Tool	安装人数 Installer
	

注：为保证设计效果，部分尺寸为定制尺寸，不影响使用。



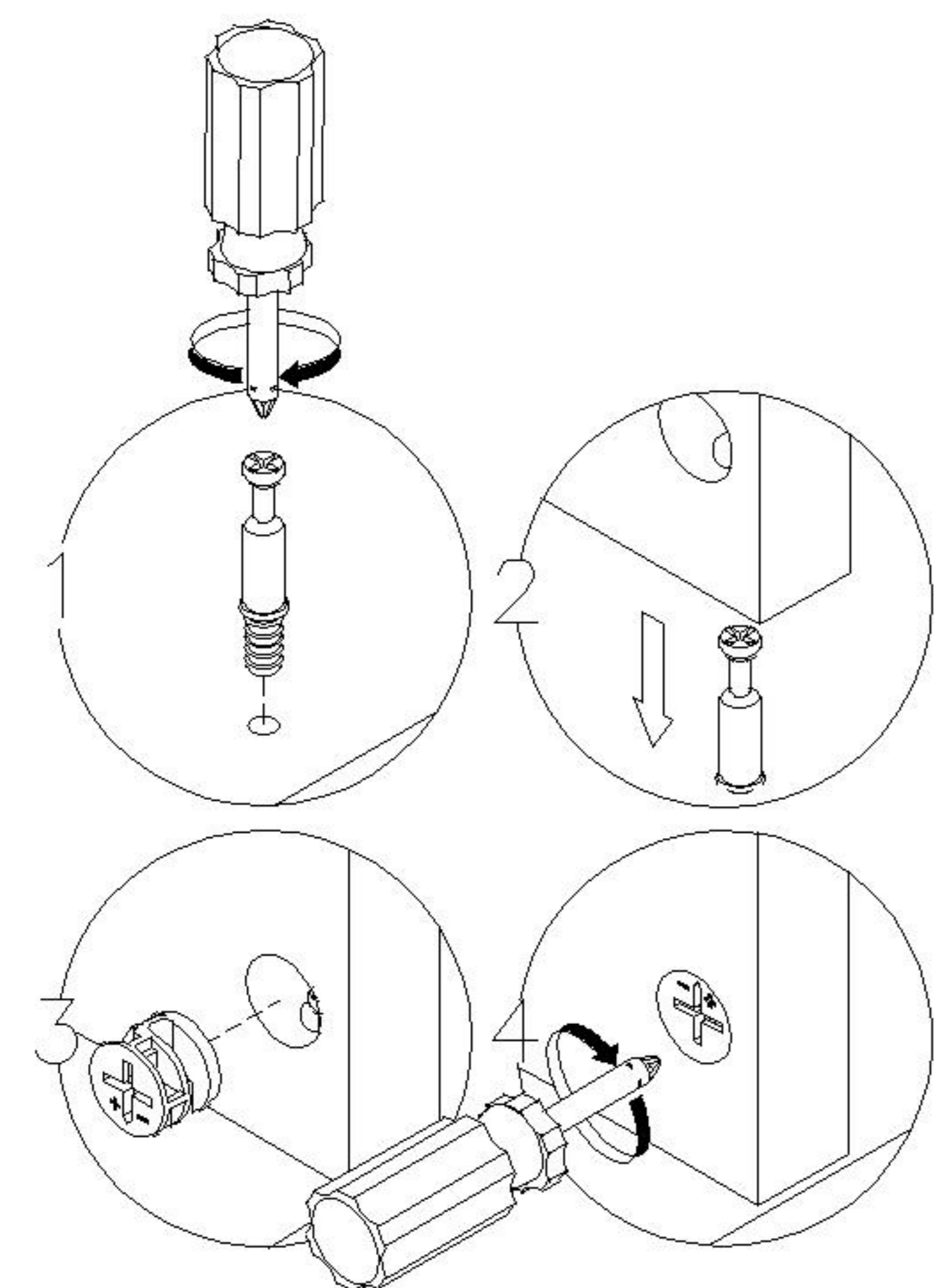
 (A)* 19 二合一螺杆 2-in-1-screw	 (B)* 19 大三合一锁饼 Three-in-one large lock	 (C)* 8 木榫Ø8x30mm wood tenon	 (D)* 2 夹板条-L=769 splint strip
 (E)* 3 透气孔盖 Vent cover	 (F)* 13 自攻螺丝M3.5x16mm Self-tapping screw	 (G)* 4 脚垫-灰色 Footrest - Grey	 (H)* 2 家具防倒器-白色 Anti-fall device white
 (I)* 4 缓冲门较大弯-杯径Ø35 Hinge-big bends-diameter 35	 (J)* 2 过山丝-M7x38mm Self-tapping screw galvanized	 (K)* 16 三角层板托 Triangular shelf support	 (L)* 13 背板扣 Back Plate Buckle-White
 (M)* 19 PVC孔贴 PVC hole sticker			

编号NO.	名称Name	规格 (mm) Specification	数量QTY	材质Material
①	面板Top panel	770*329*15	1	刨花板 Particle board
②	底板Bottom board	770*349*15	1	刨花板 Particle board
③	右侧板Side board(R)	1028*350*15	1	刨花板 Particle board
④	左侧板Side board(L)	1028*350*15	1	刨花板 Particle board
⑤	大层板Big shelf	767*312*15	4	刨花板 Particle board
⑥	后拉条Back brace	770*65*15	1	刨花板 Particle board
⑦	前拉条Front brace	770*65*15	1	刨花板 Particle board
⑧	背板Back board	780*275*5	3	纤维板 Fiberboard
⑨	门板Door board	811*382*15	2	刨花板 Particle board



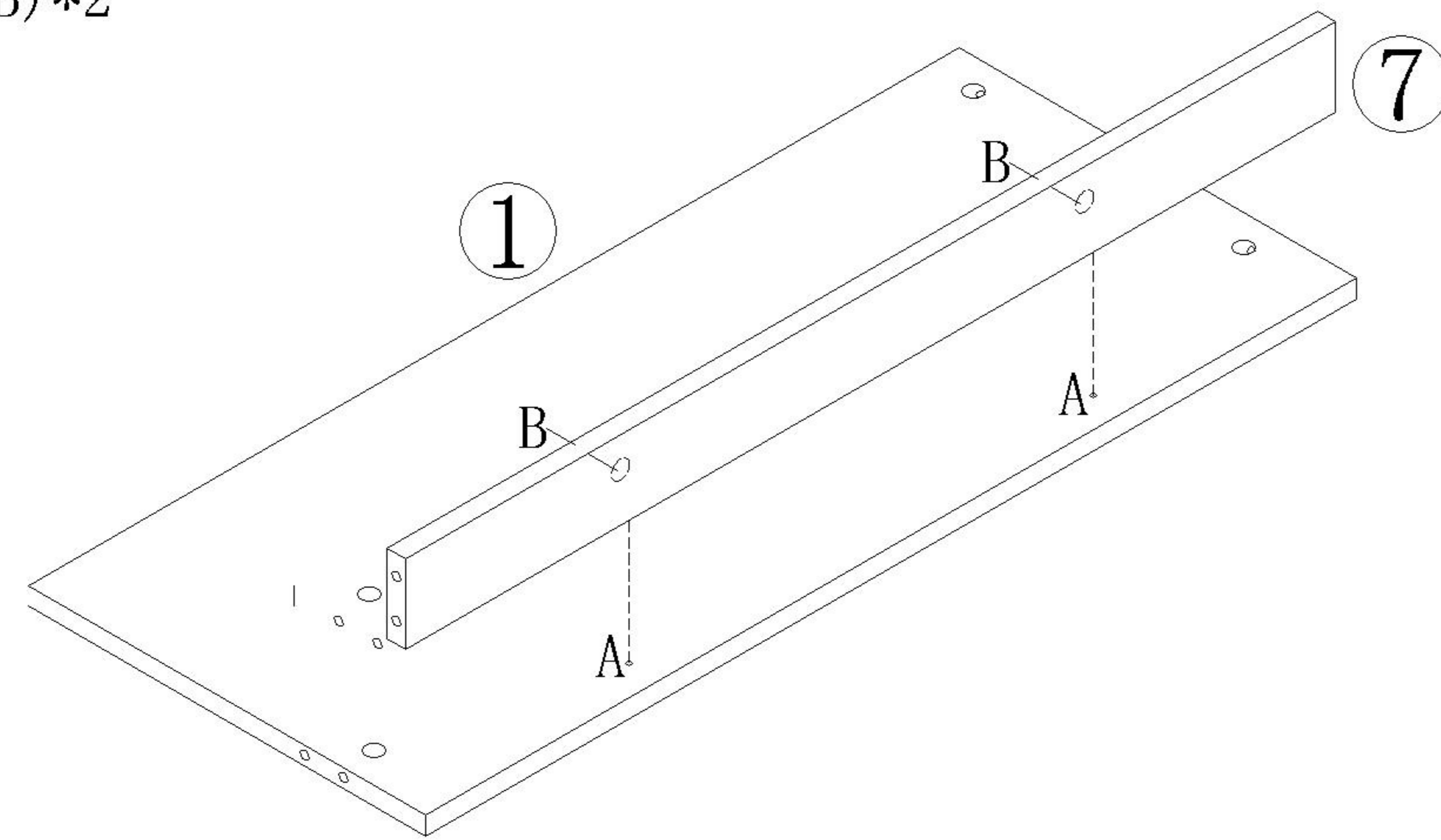
编号NO.	名称Name
①	面板Top panel
②	底板Bottom board
③	右侧板Side board(R)
④	左侧板Side board(L)
⑤	大层板Big shelf
⑥	后拉条Back brace
⑦	前拉条Front brace
⑧	背板Back board
⑨	门板Door board

安装方法
Installation method

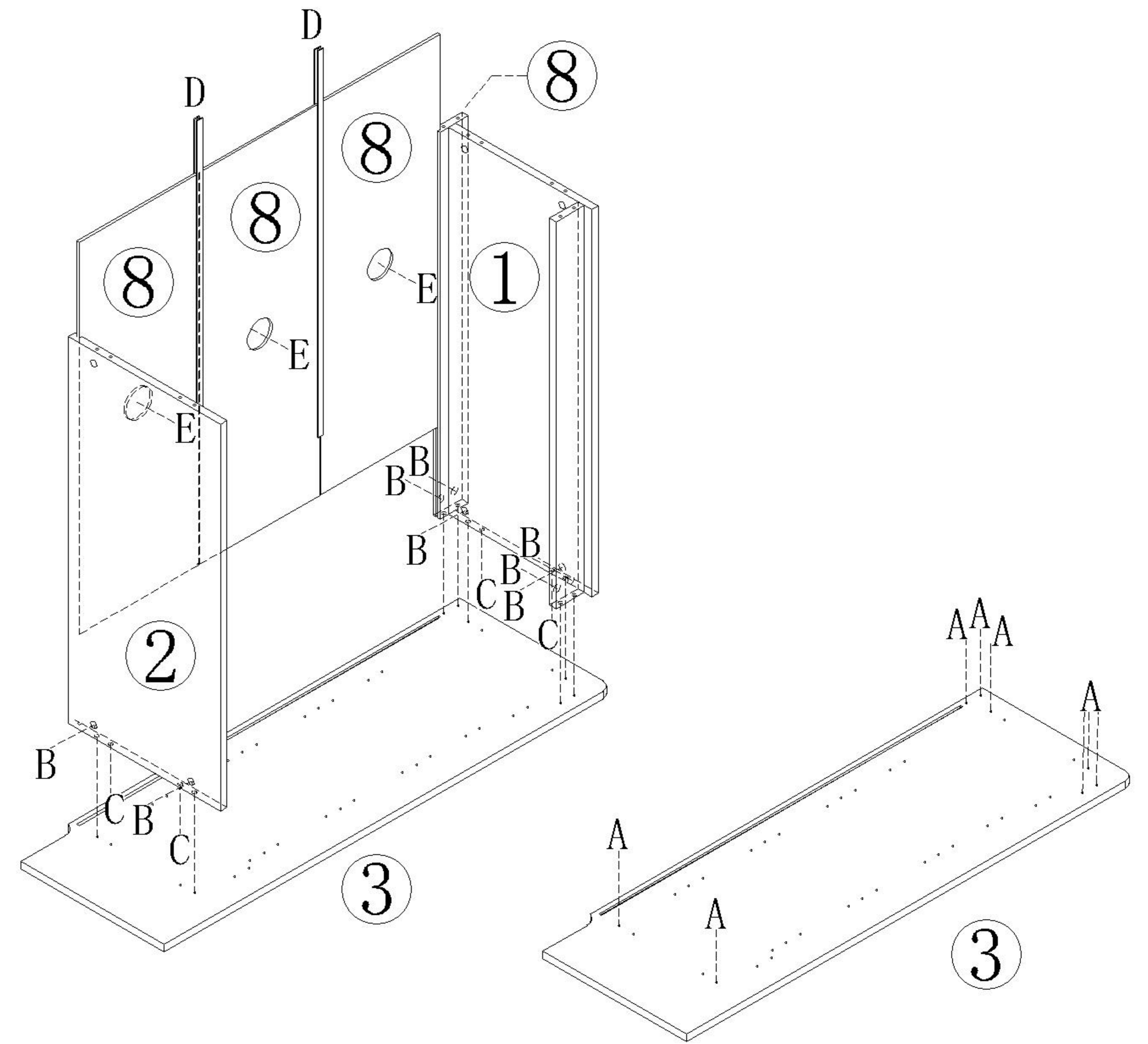


二合一
two-in-one

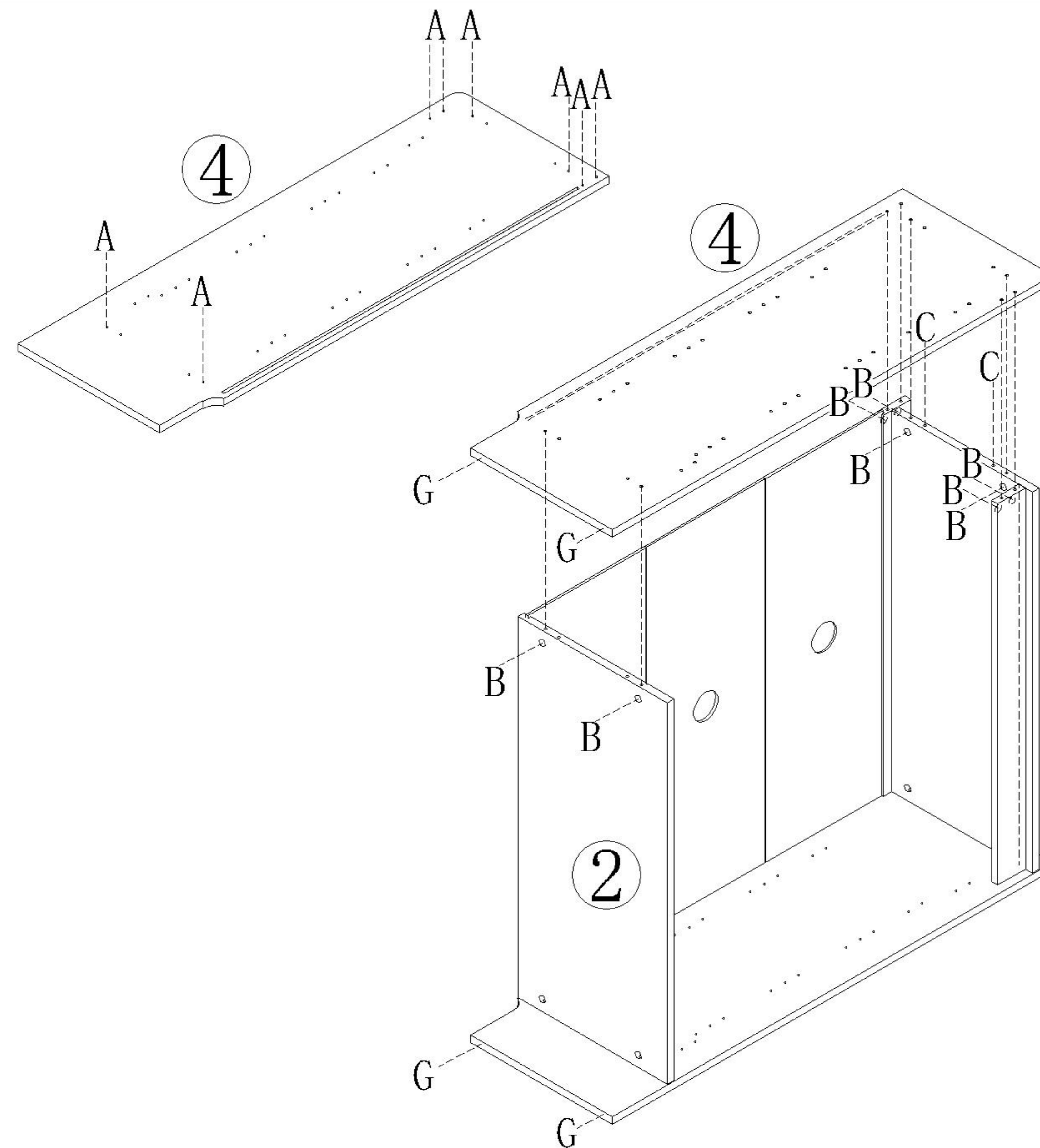
- (A)*2
- (B)*2



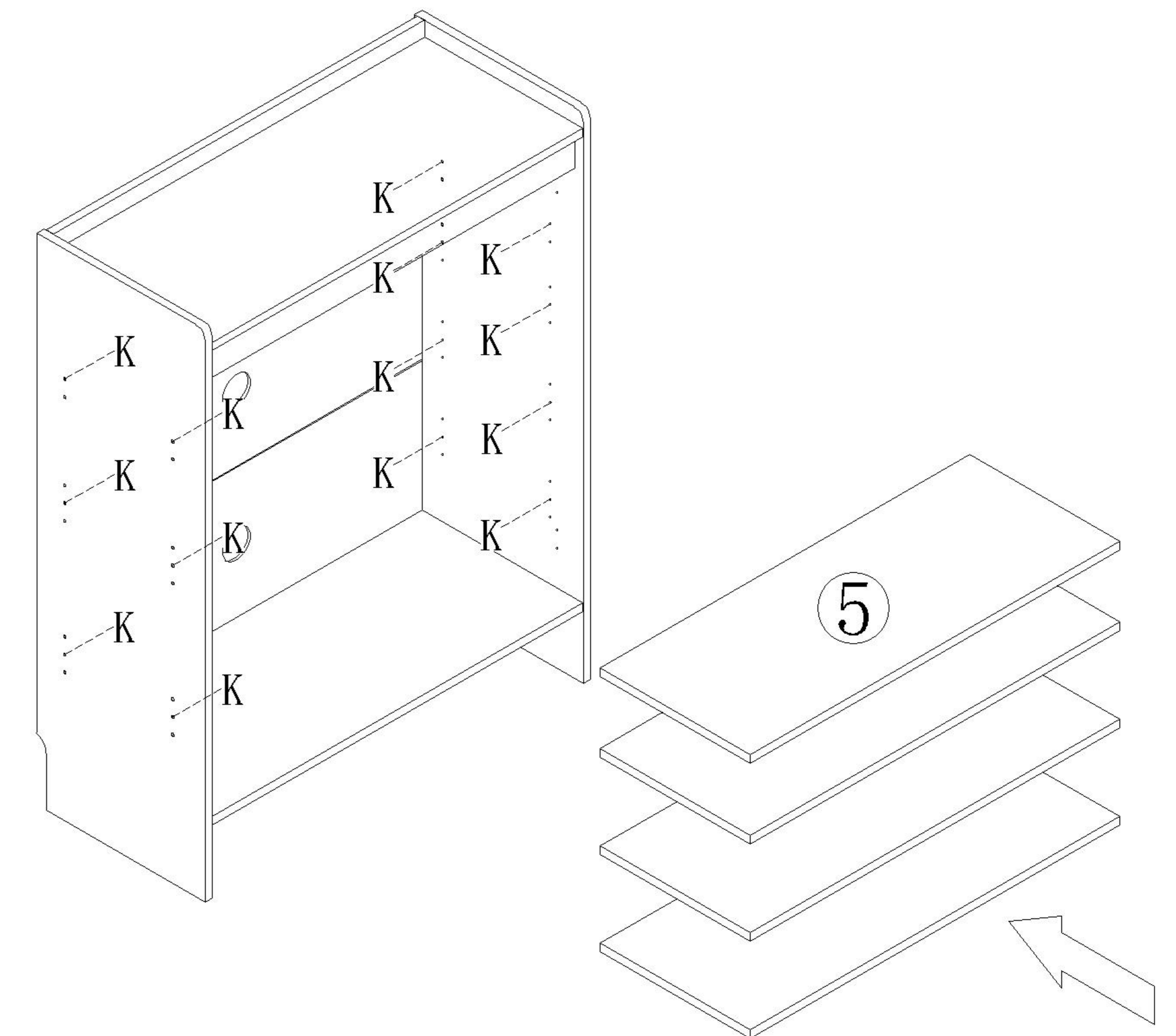
- (A)*8
- (B)*8
- (C)*4
- (E)*3
- (D)*2



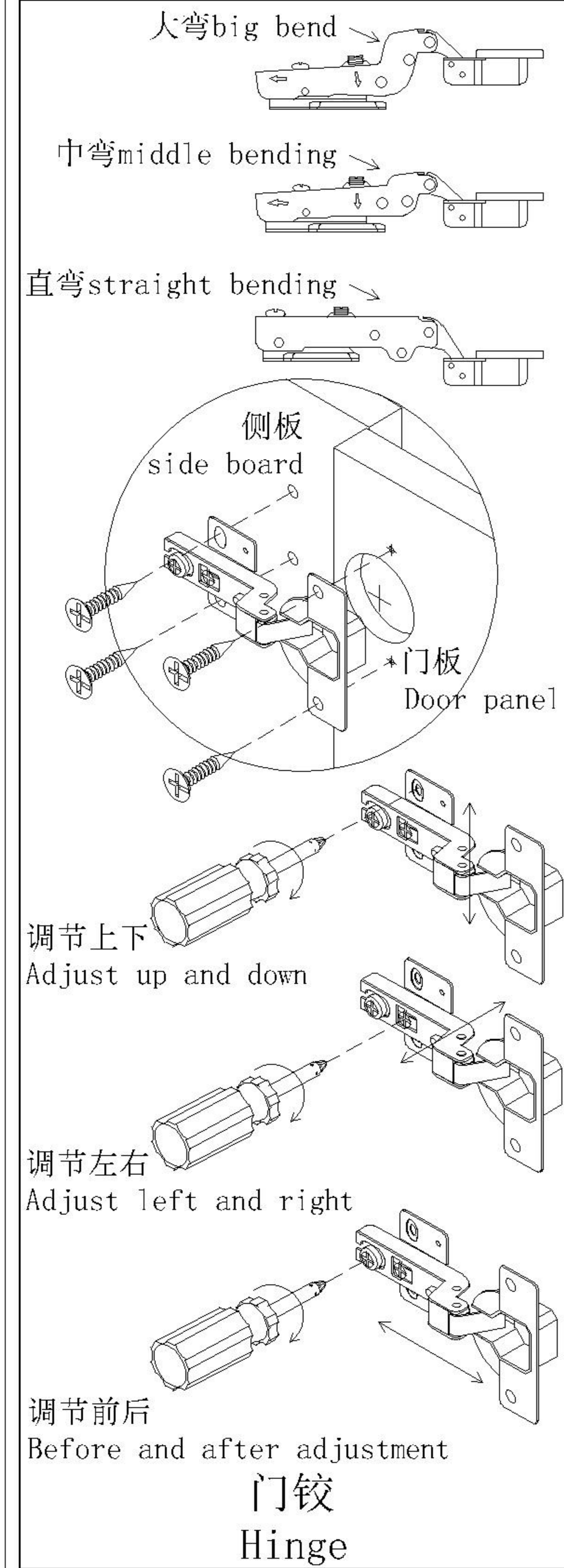
- (A)*8
- (B)*8
- (C)*4
- (G)*4



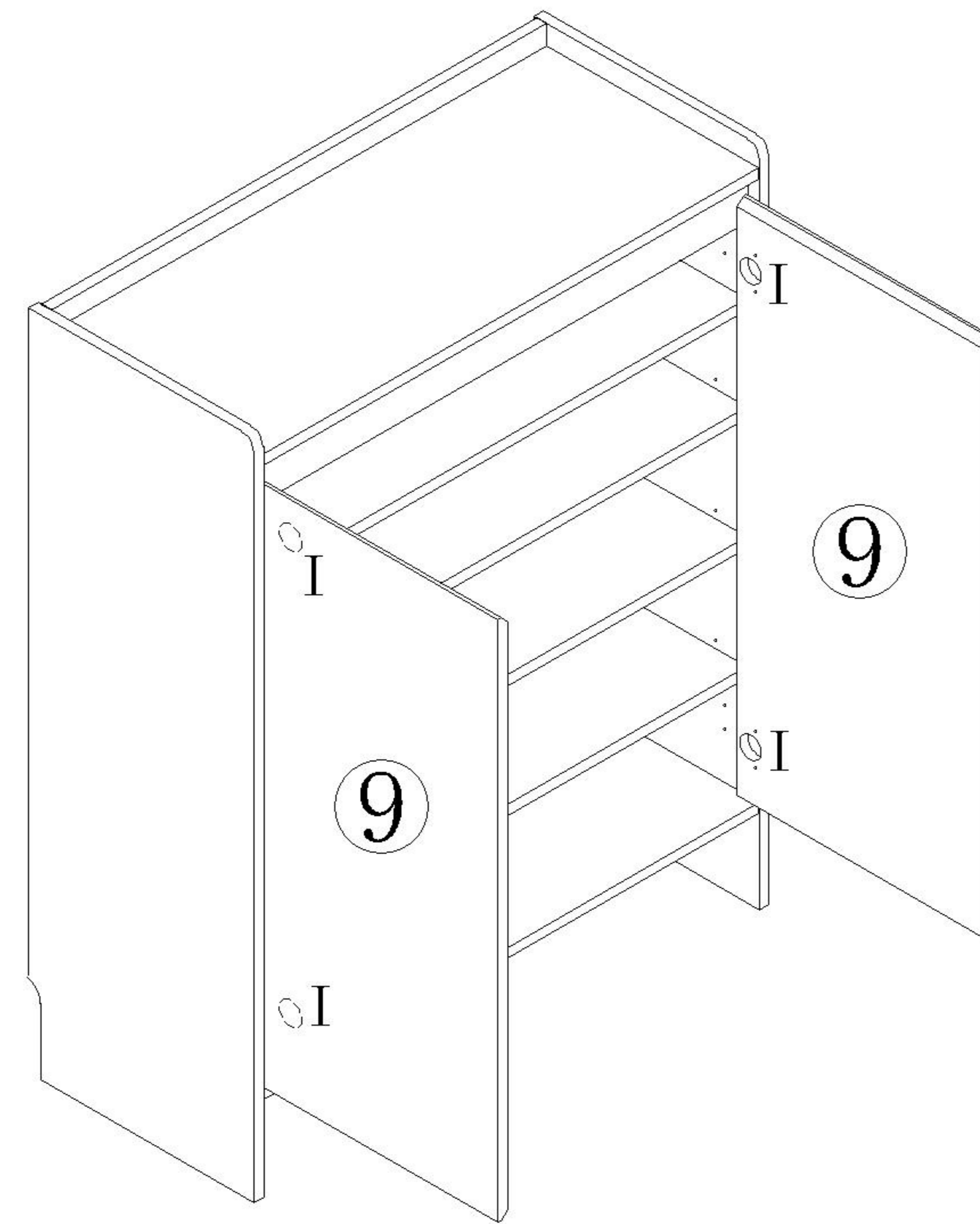
- (K)*16



安装方法 Installation method

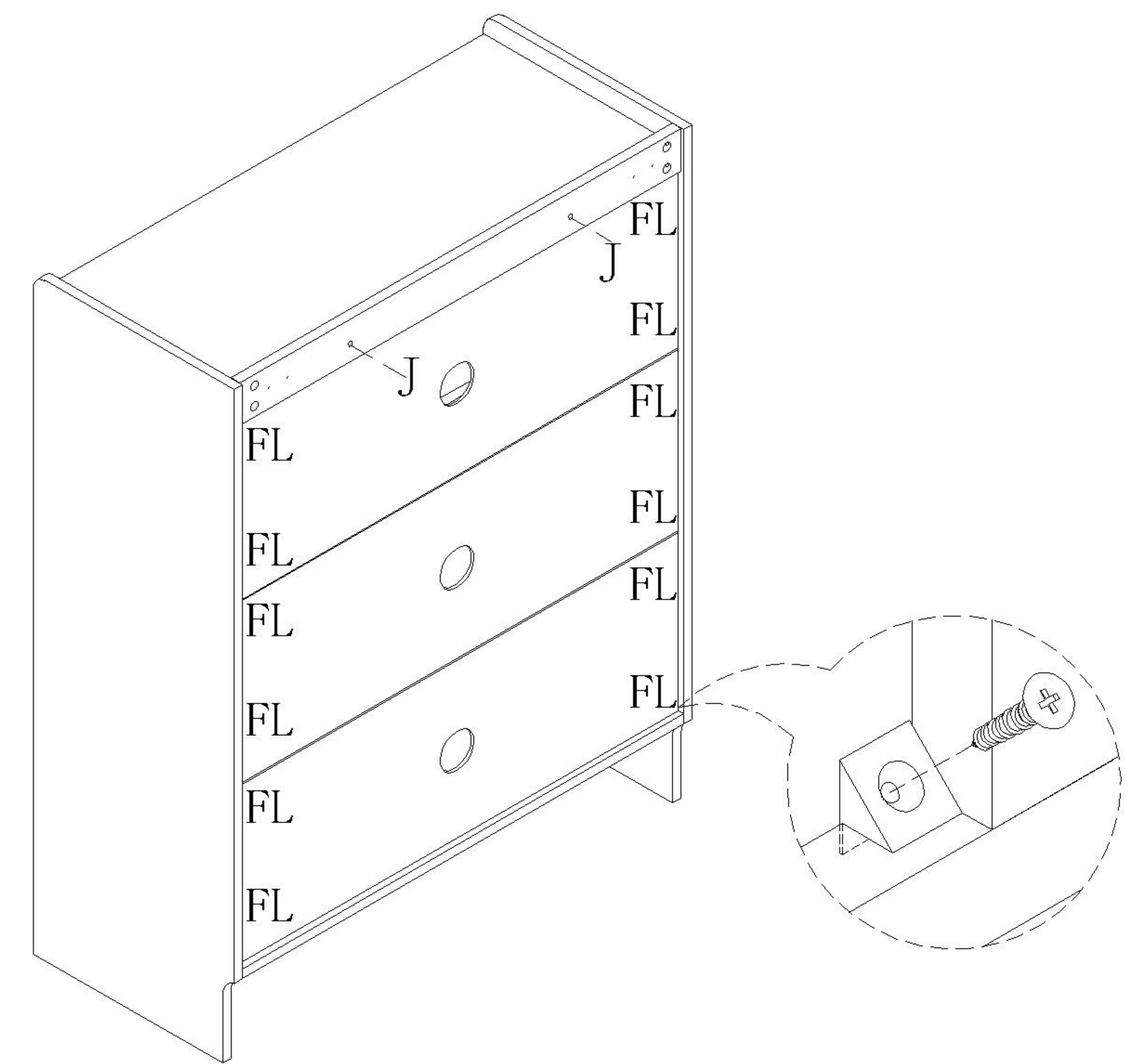


(I)*4



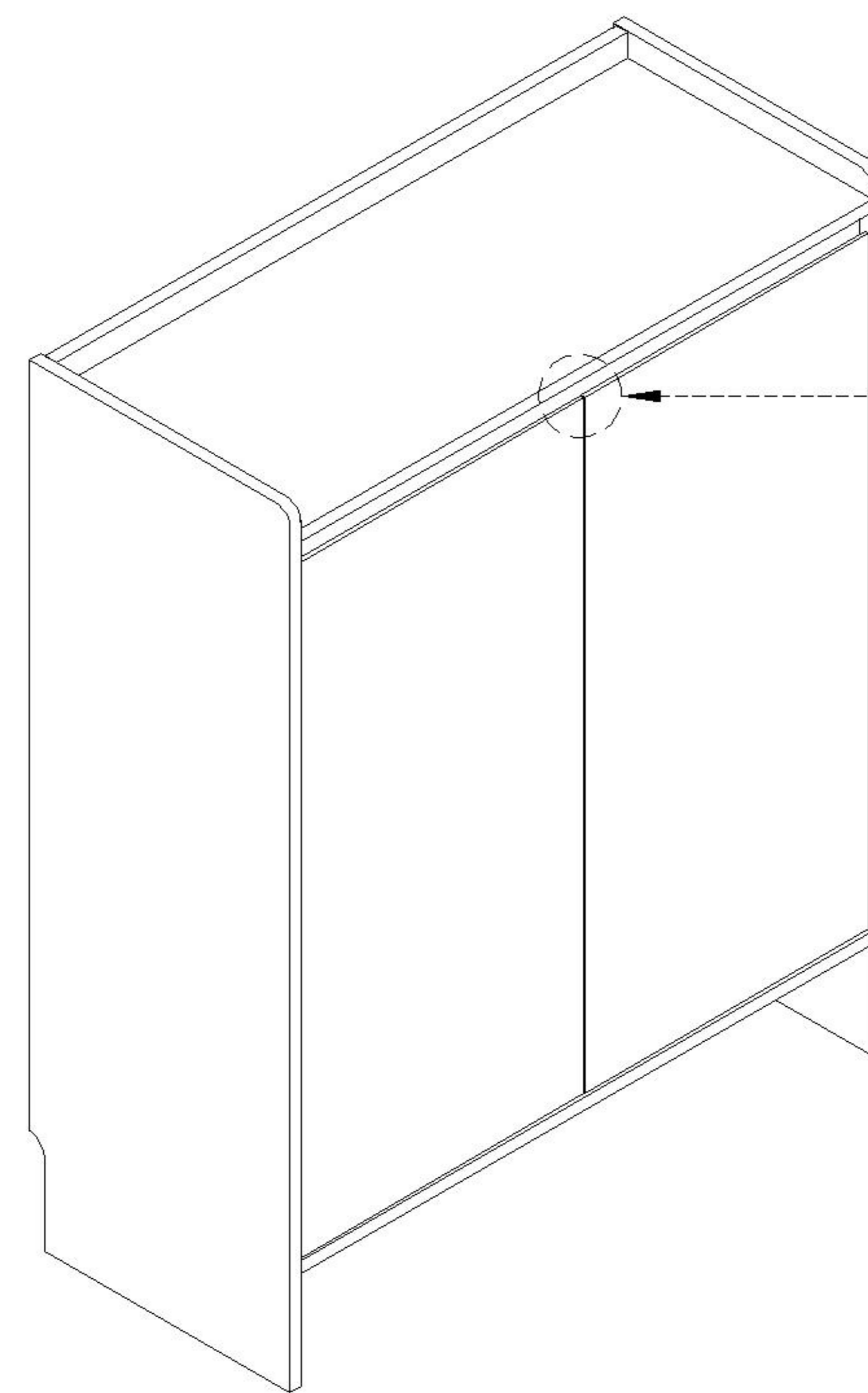
5

- (J)*2
- (F)*12
- (L)*12



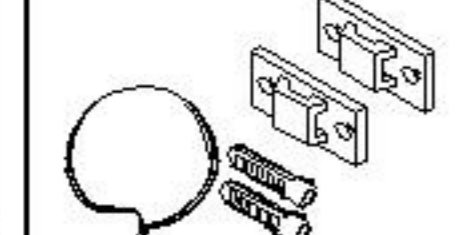
6

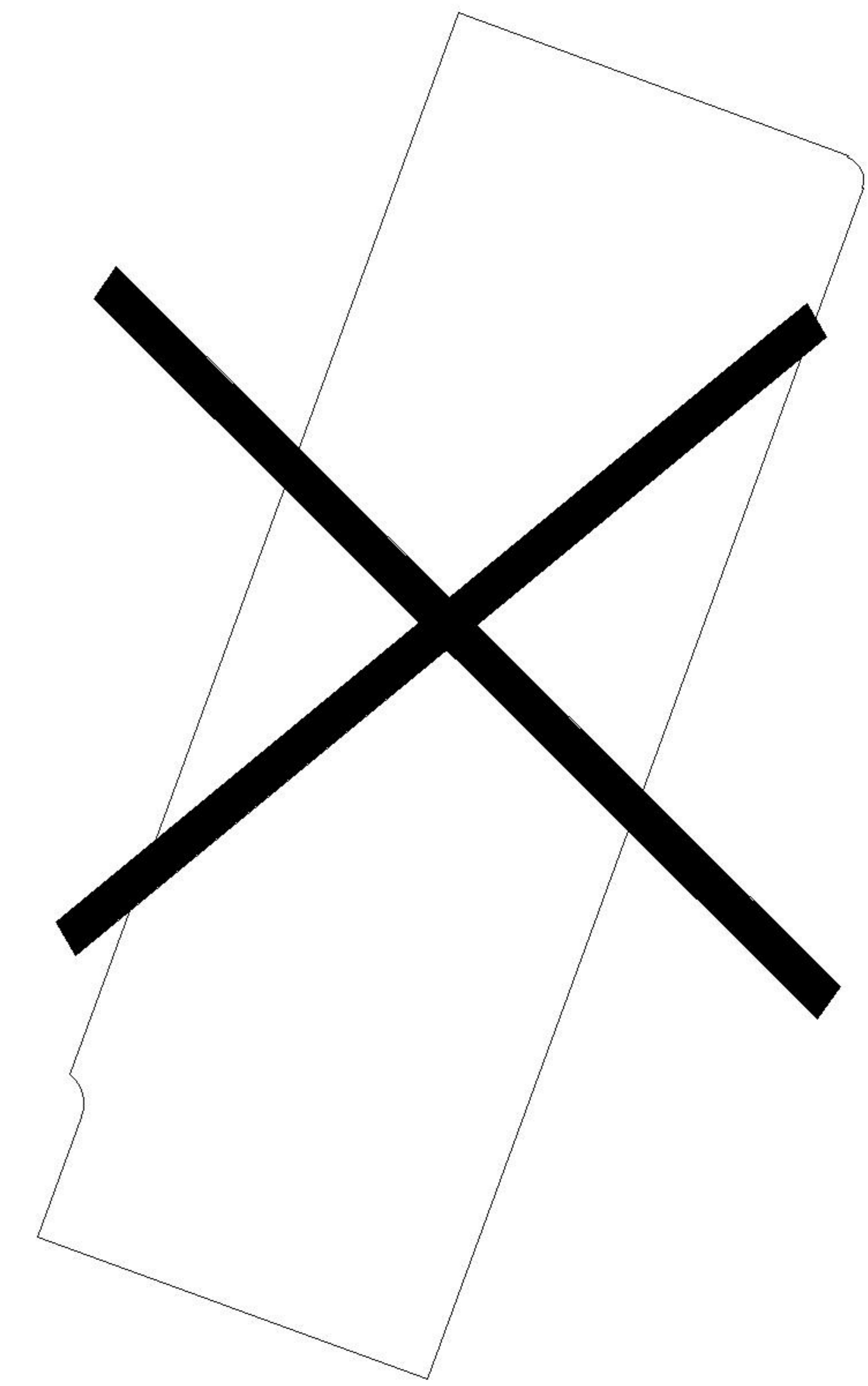
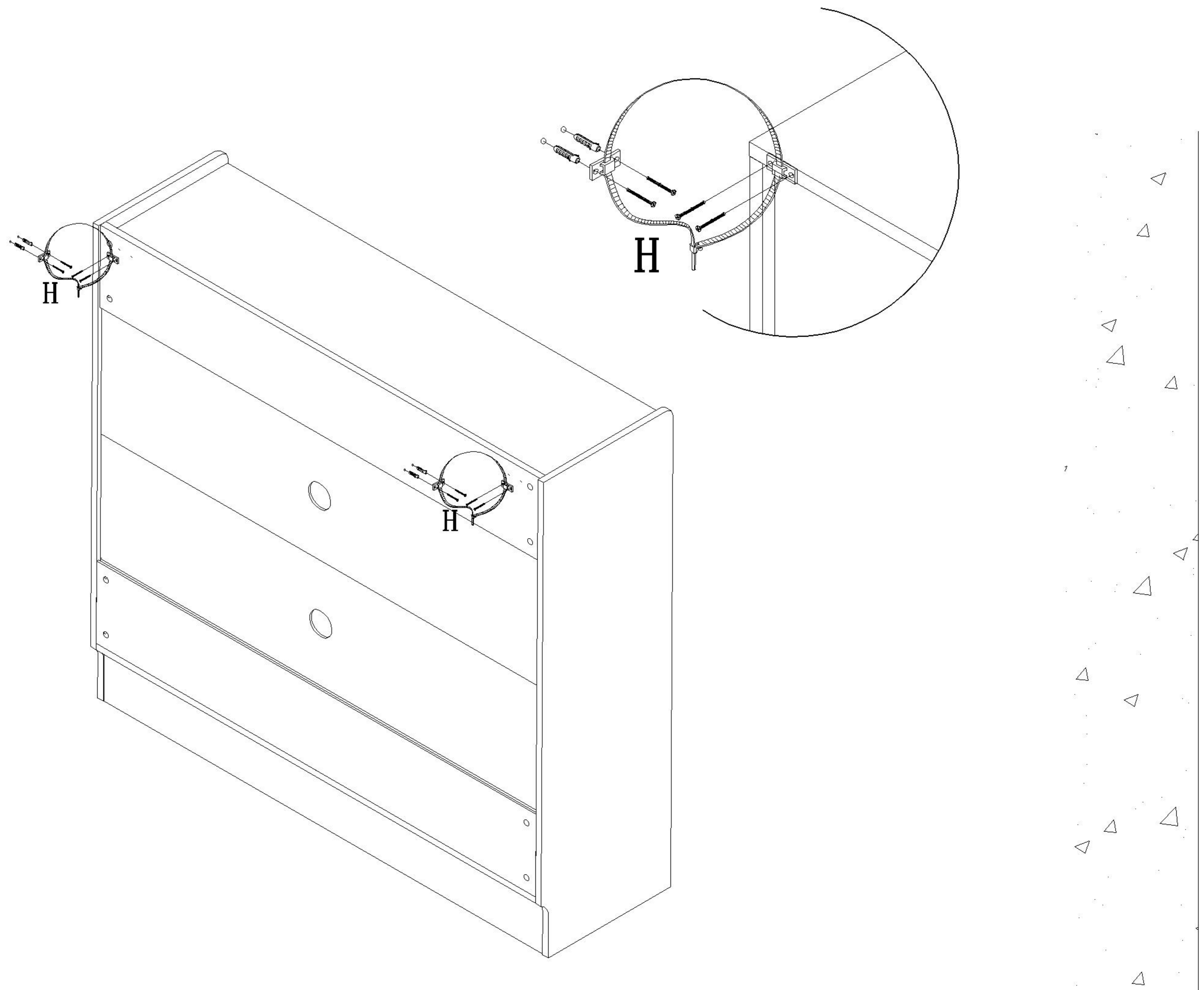
7

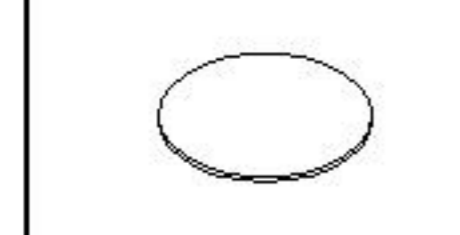


此处缝隙设计为开
启、门板使用
小心夹伤
The gap here is designed
to be open
Use of opening and door
panels
Be careful of pinch
injuries

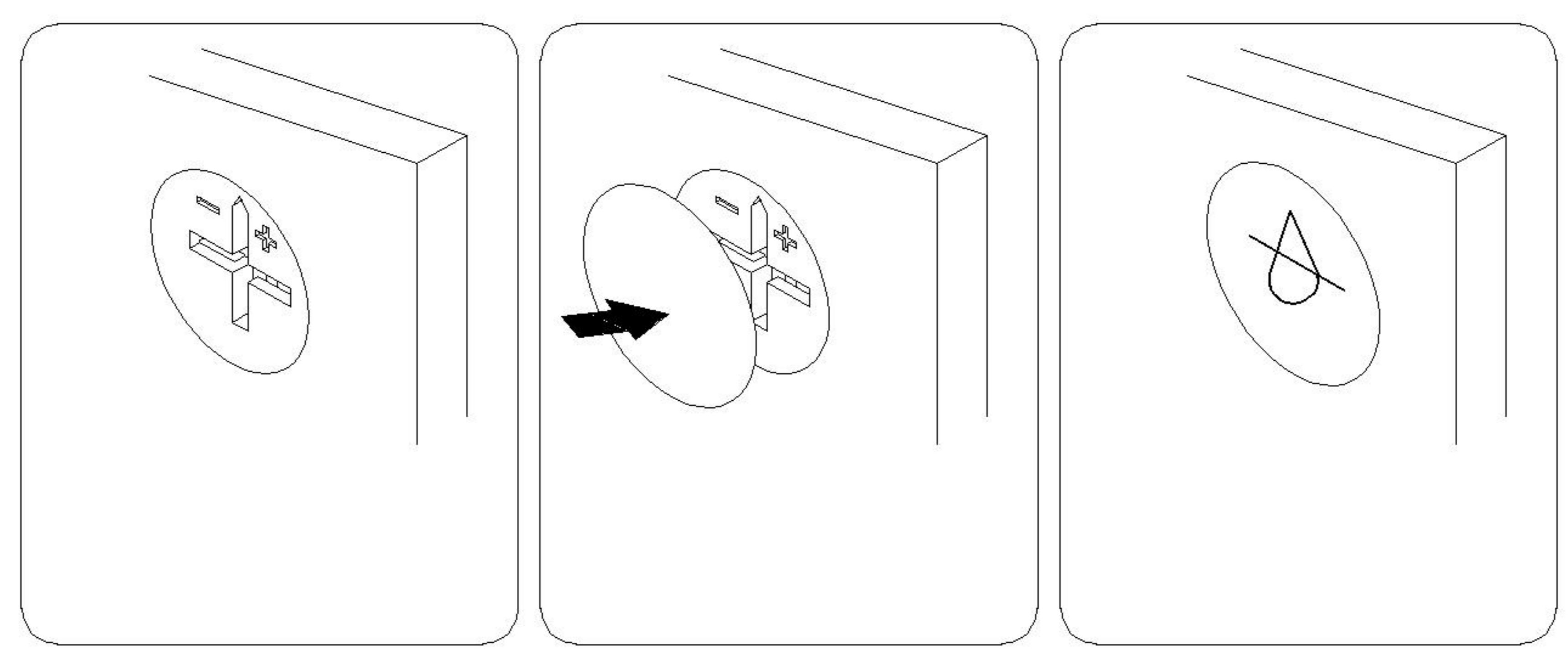
安装方法 Installation method

 (H)*2



 (M)*19

孔位贴使用小贴士
 产品安装完成后请贴上孔贴，多出的孔贴请保管好
Tips for using hole stickers:
 After the product installation is completed, please attach the hole stickers. Please keep any extra hole stickers safe

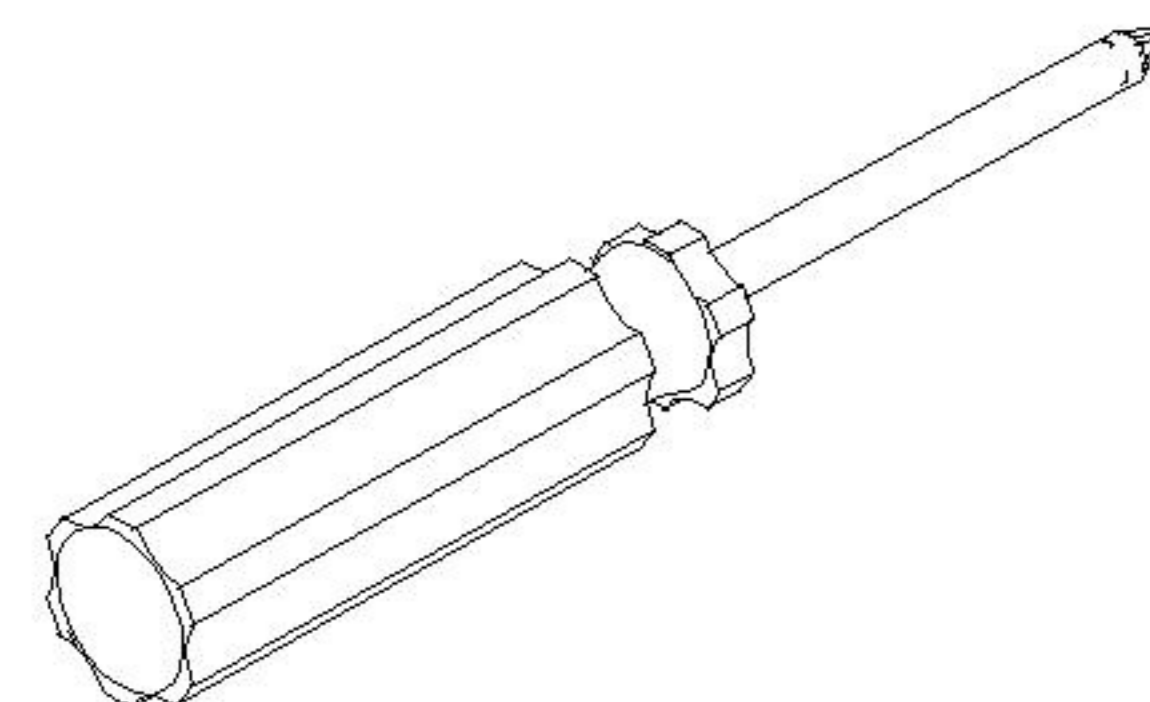
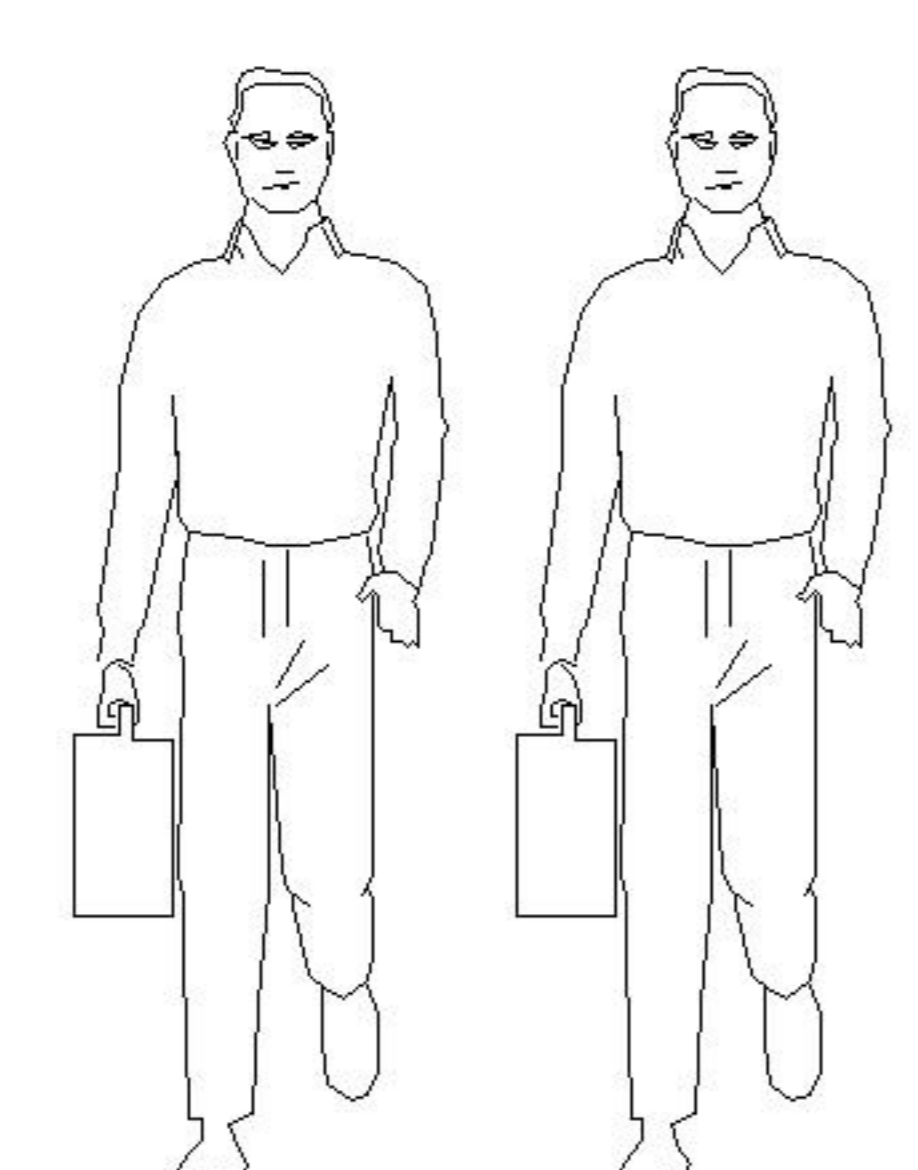


LINSY 林氏家居

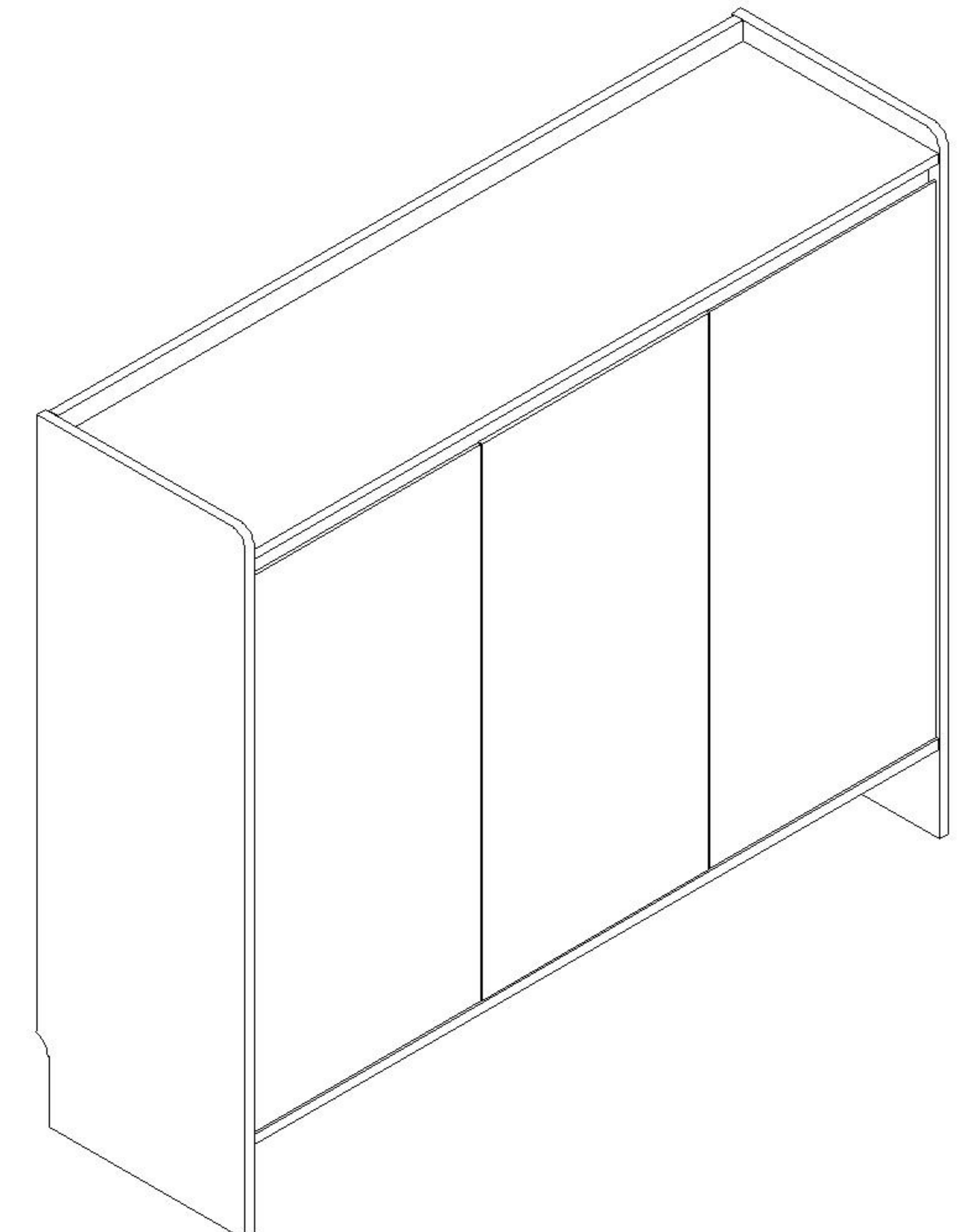
五金表/Hardware list

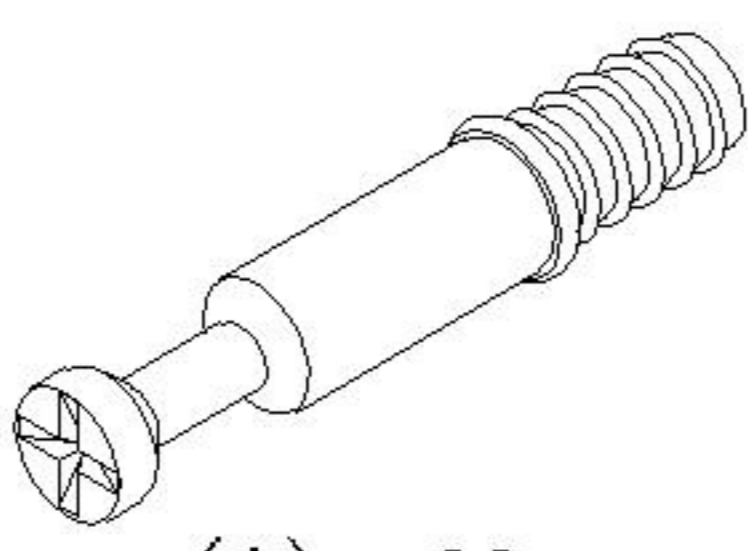
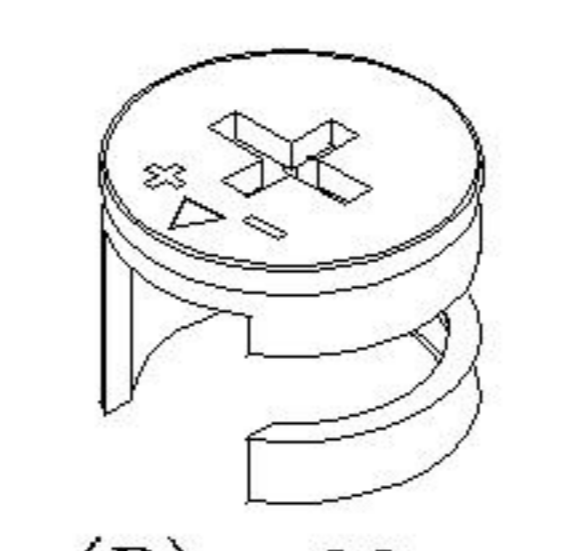
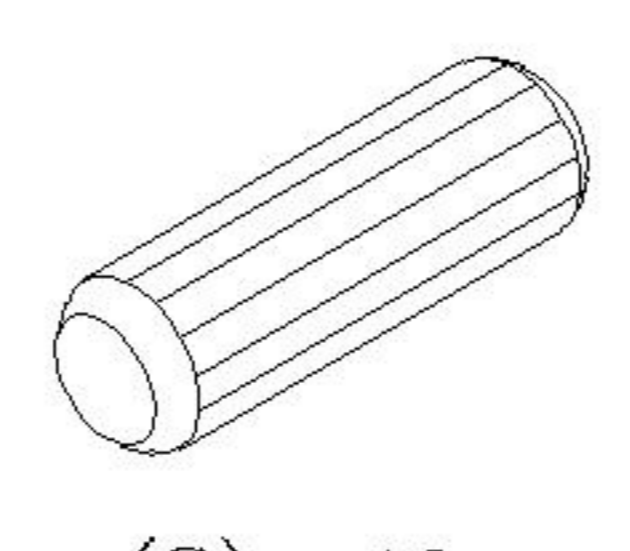
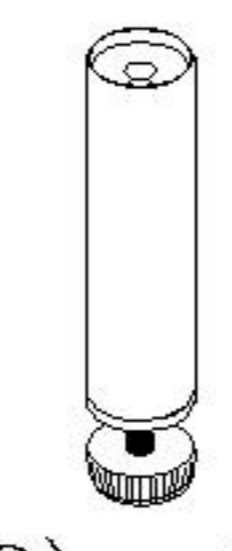
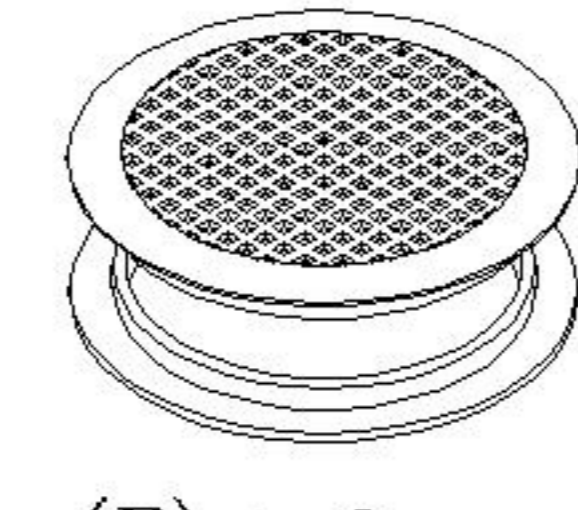
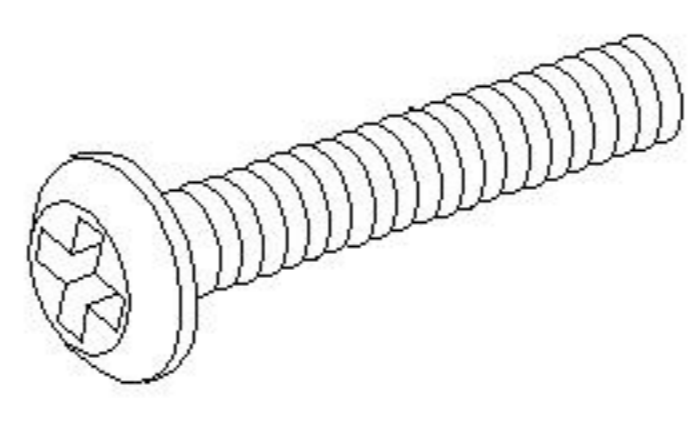
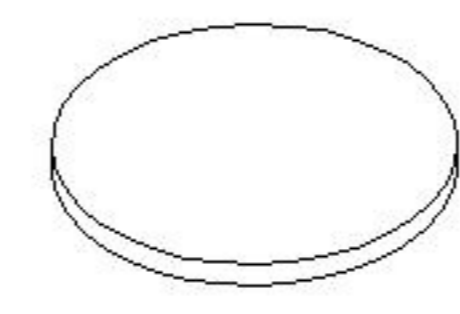
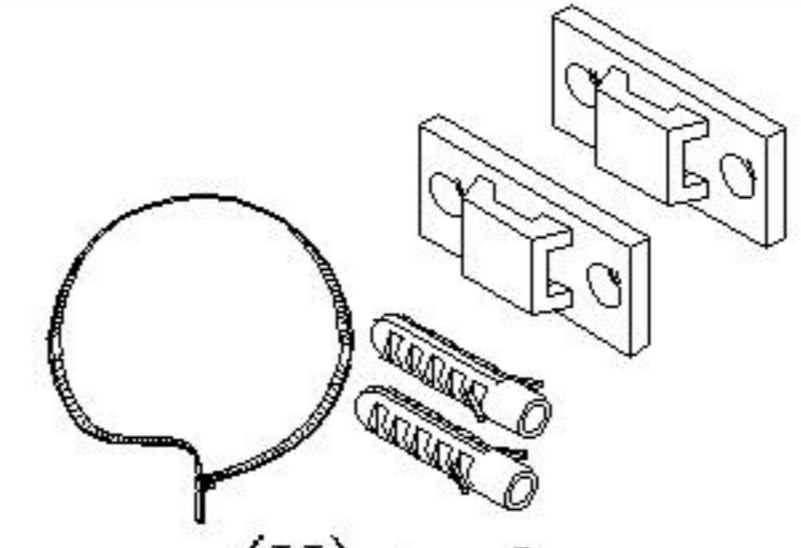
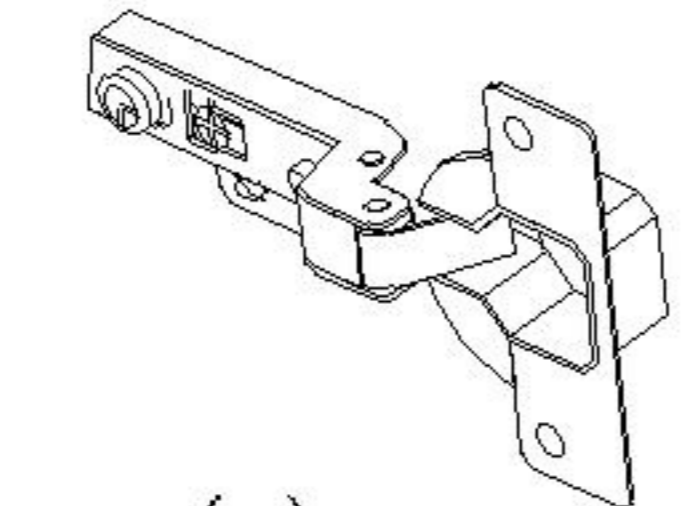
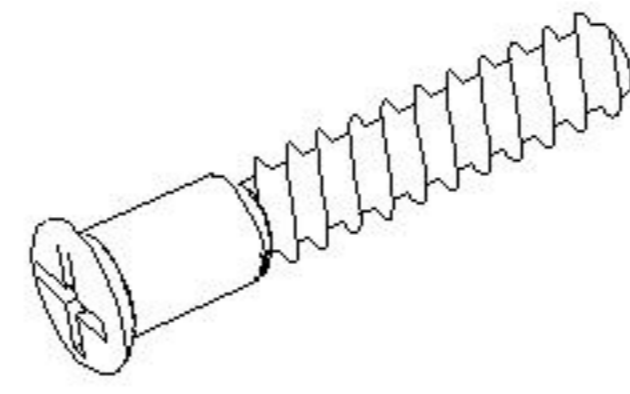
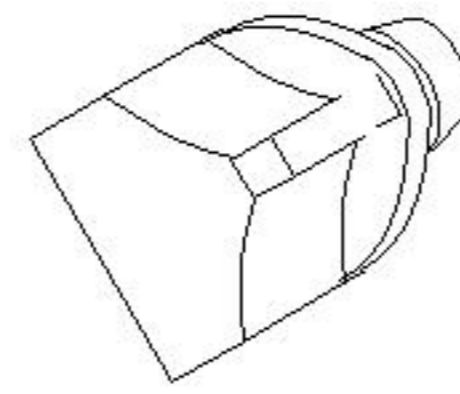
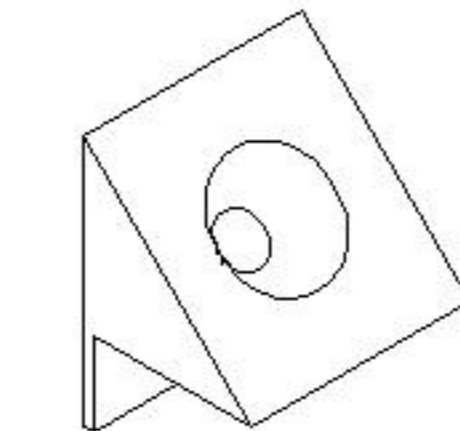
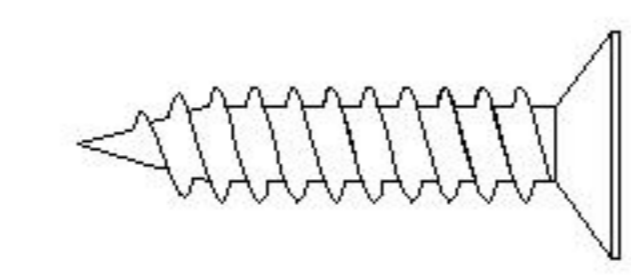
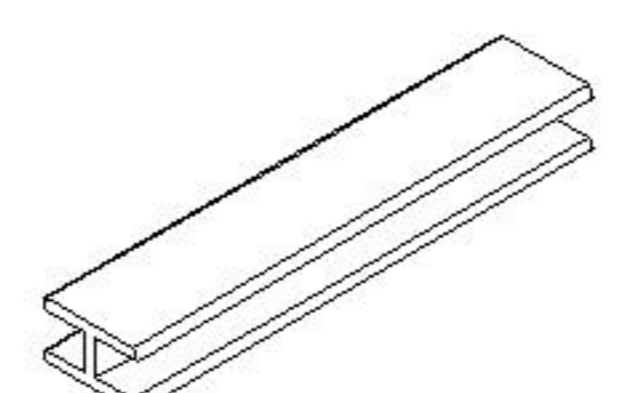
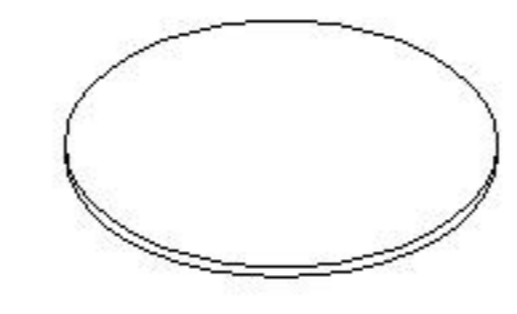
部件表/Parts List

安装示意图/Assembly Instruction

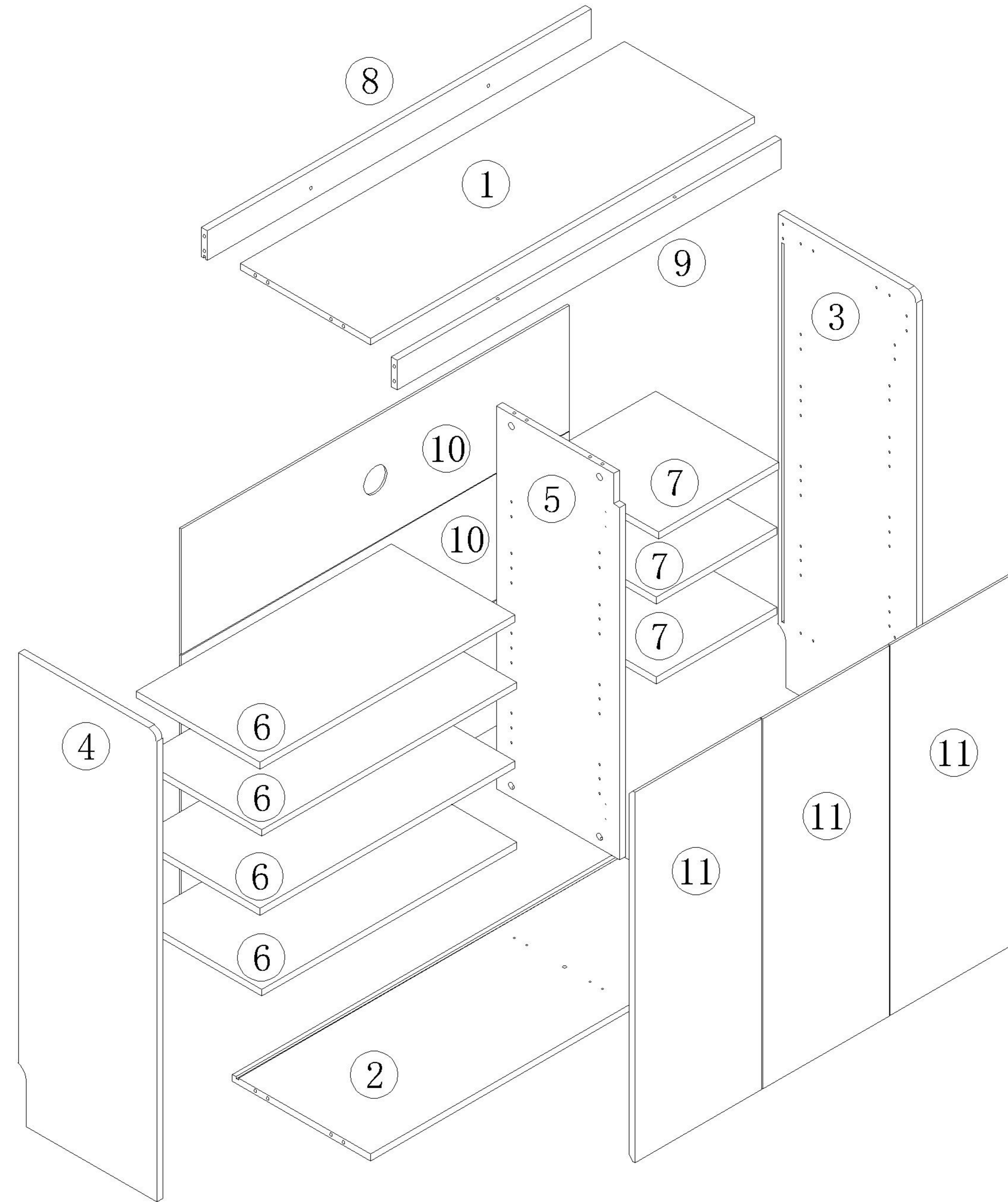
产品名称 Model NO.	OV3N-D 1米鞋柜
产品规格 Specification	1001*350*1031mm
安装工具 Tool	安装人数 Installer
	

注：为保证设计效果，部分尺寸为定制尺寸，不影响使用。



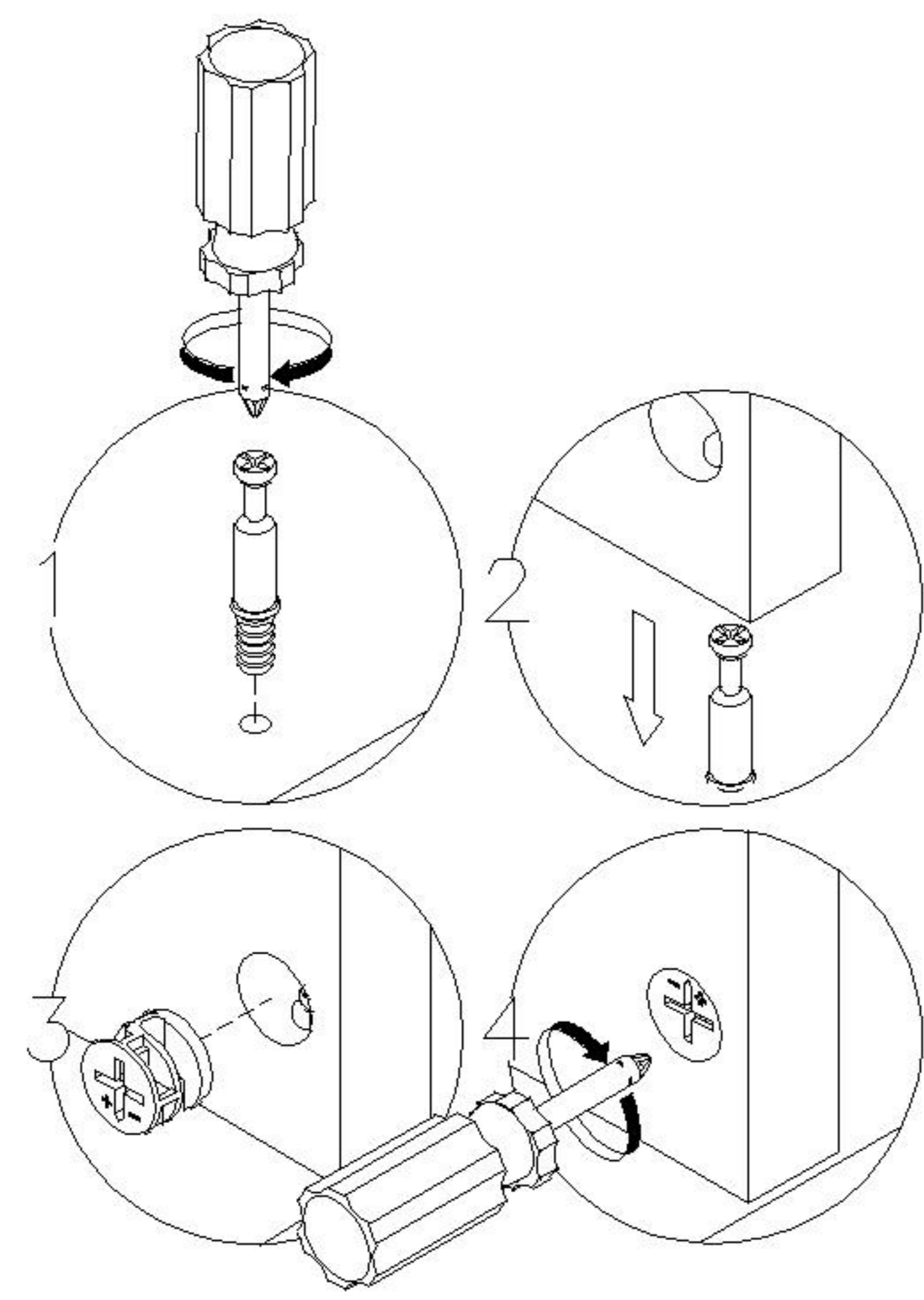
 (A)* 23 二合一螺杆 2-in-1-screw	 (B)* 23 大三合一锁饼 Three-in-one large lock	 (C)* 13 木榫08x30mm wood tenon	 (D)* 1 铁中脚 Iron foot
 (E)* 3 透气孔盖 Vent cover	 (F)* 1 斜边十字螺杆-M8x30 bevel cross screw	 (G)* 4 脚垫-灰色 Footrest - Grey	 (H)* 2 家具防倒器-白色 Anti-fall device white
 (I)* 6 缓冲门较大弯-杯径035 Hinge-big bends-diameter 35	 (J)* 2 过山丝-M7x38mm Self-tapping screw galvanized	 (K)* 28 三角层板托 Triangular shelf support	 (L)* 13 背板扣 Back Plate Buckle-White
 (M)* 13 自攻螺丝M3.5x16mm Self-tapping screw	 (N)* 2 夹板条-L=970 splint strip	 (O)* 23 PVC孔贴 PVC hole sticker	

编号NO.	名称Name	规格 (mm) Specification	数量QTY	材质Material
①	面板Top panel	971*329*15	1	刨花板 Particle board
②	底板Bottom board	971*349*15	1	刨花板 Particle board
③	右侧板Side board(R)	1028*350*15	1	刨花板 Particle board
④	左侧板Side board(L)	1028*350*15	1	刨花板 Particle board
⑤	中侧板Middle side board	838*312*15	1	刨花板 Particle board
⑥	大层板Big shelf	645*312*15	4	刨花板 Particle board
⑦	小层板Small shelf	305*312*15	3	刨花板 Particle board
⑧	后拉条Back brace	971*65*15	1	刨花板 Particle board
⑨	前拉条Front brace	971*65*15	1	刨花板 Particle board
⑩	背板Back board	981*275*5	3	纤维板 Fiberboard
⑪	门板Door board	811*321*15	3	刨花板 Particle board



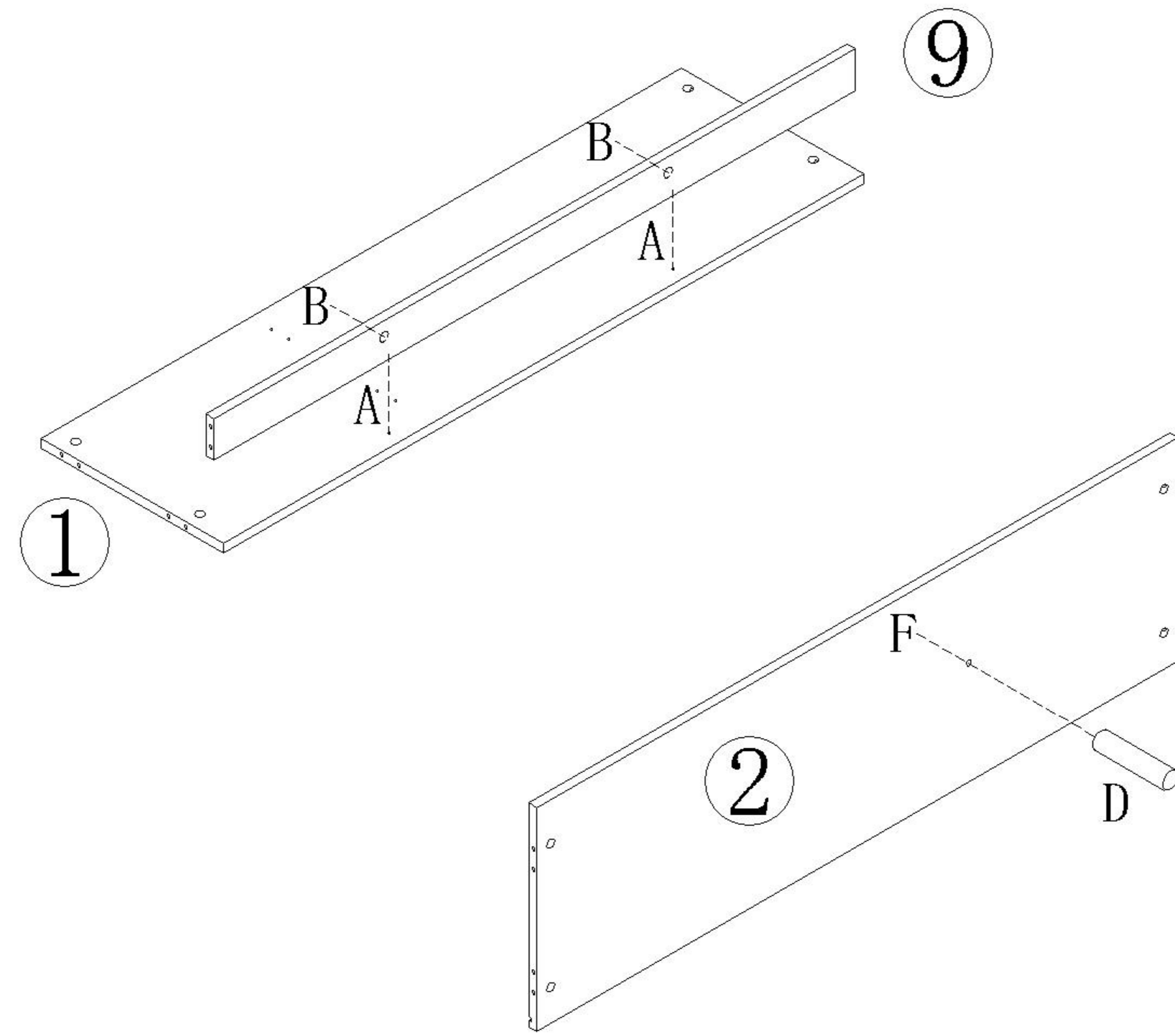
编号NO.	名称Name
①	面板Top panel
②	底板Bottom board
③	右侧板Side board(R)
④	左侧板Side board(L)
⑤	中侧板Middle side board
⑥	大层板Big shelf
⑦	小层板Small shelf
⑧	后拉条Back brace
⑨	前拉条Front brace
⑩	背板Back board
⑪	门板Door board

安装方法
Installation method

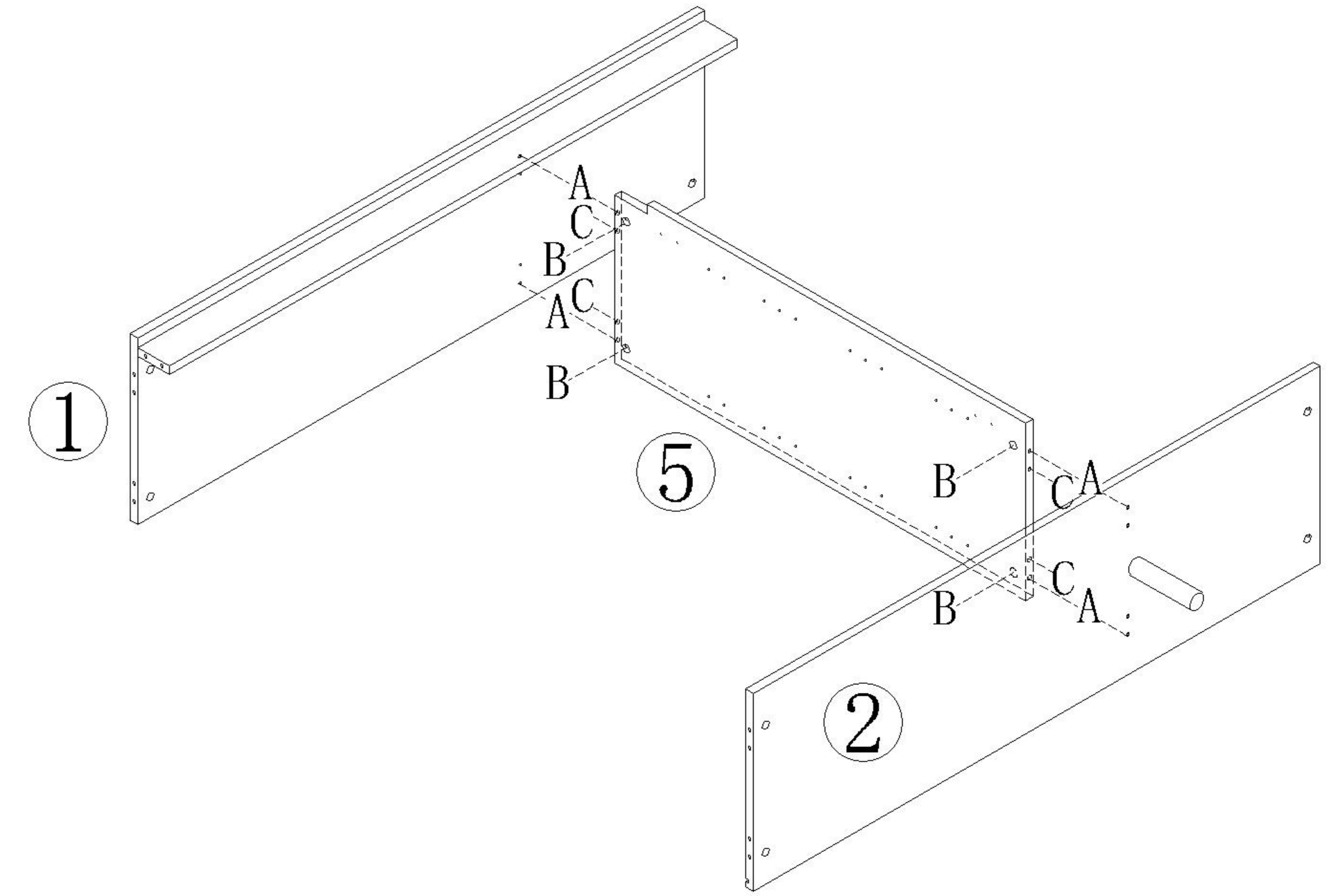


二合一
two-in-one

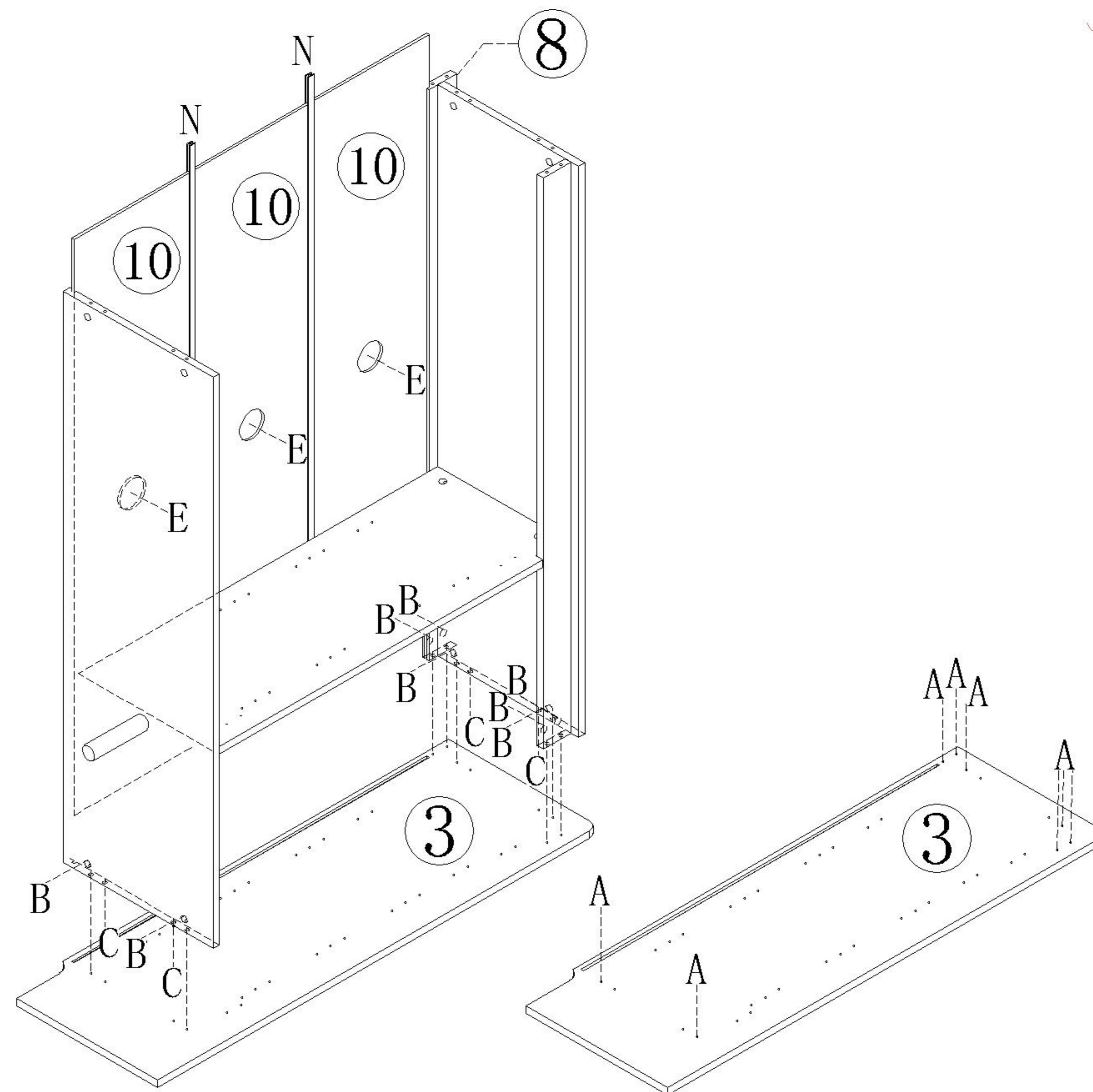
- (A)*2
- (B)*2
- (D)*1
- (F)*1



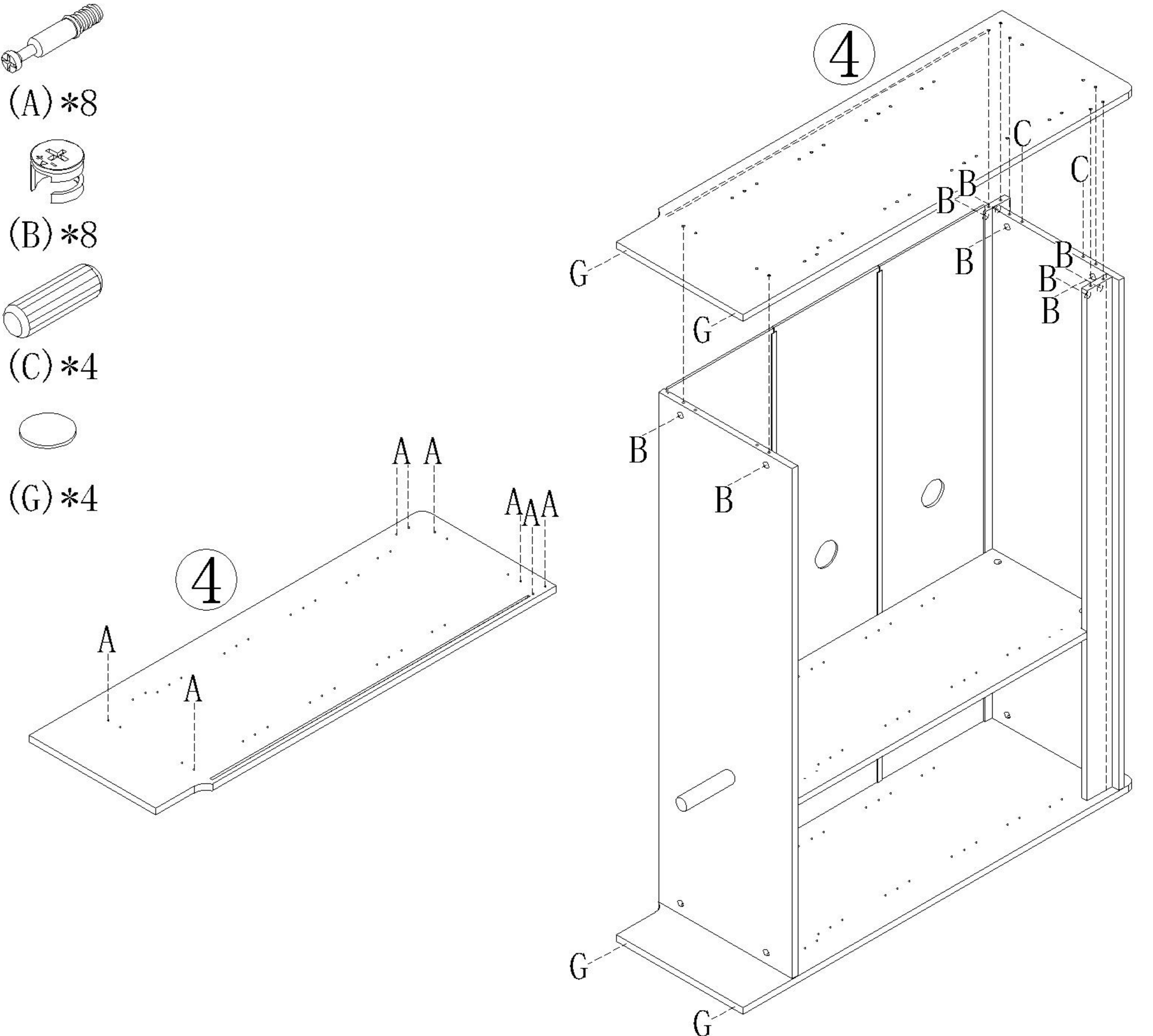
- (A)*4
- (B)*4
- (C)*4



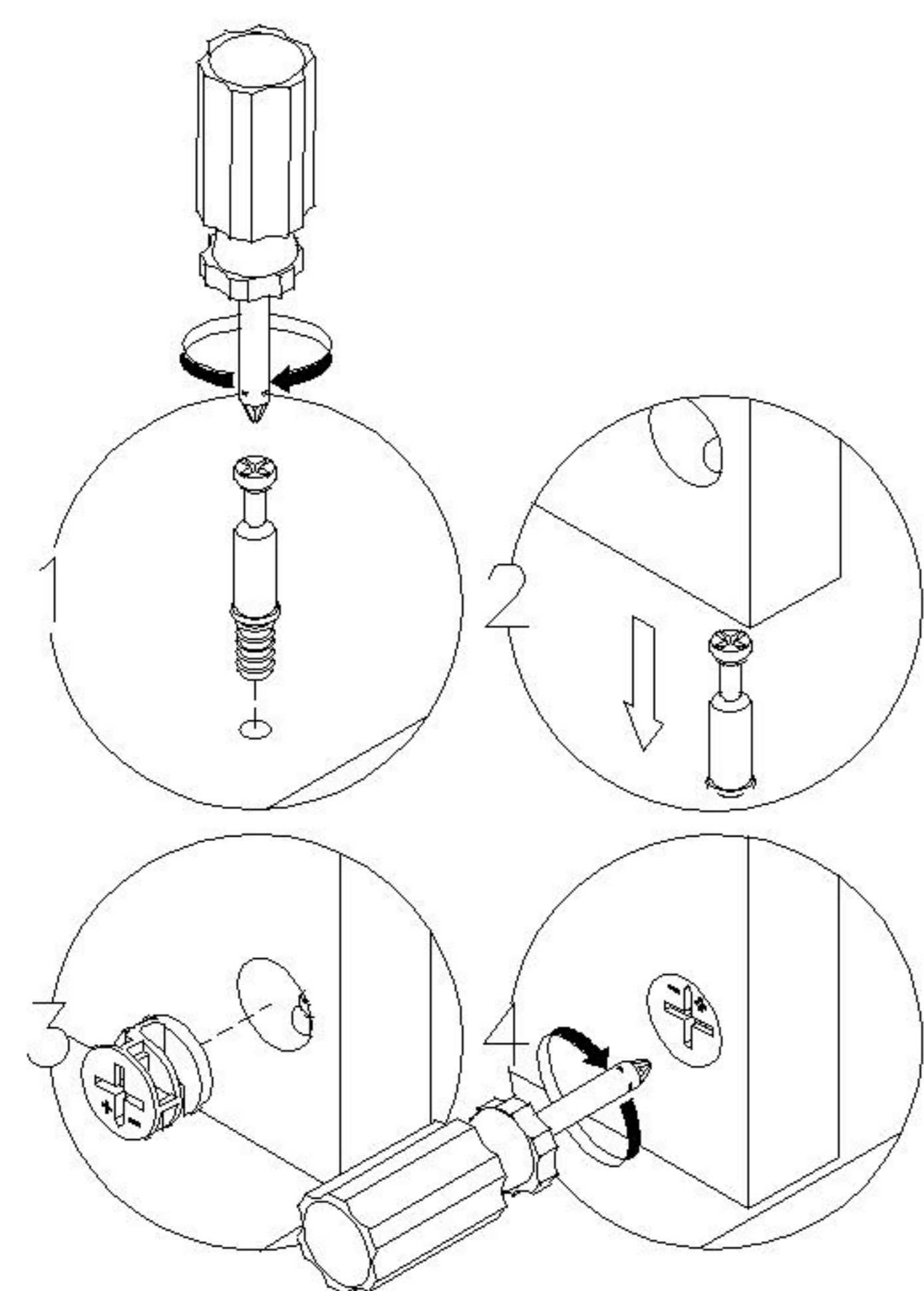
- (A)*8
- (B)*8
- (C)*4
- (E)*3
- (N)*2



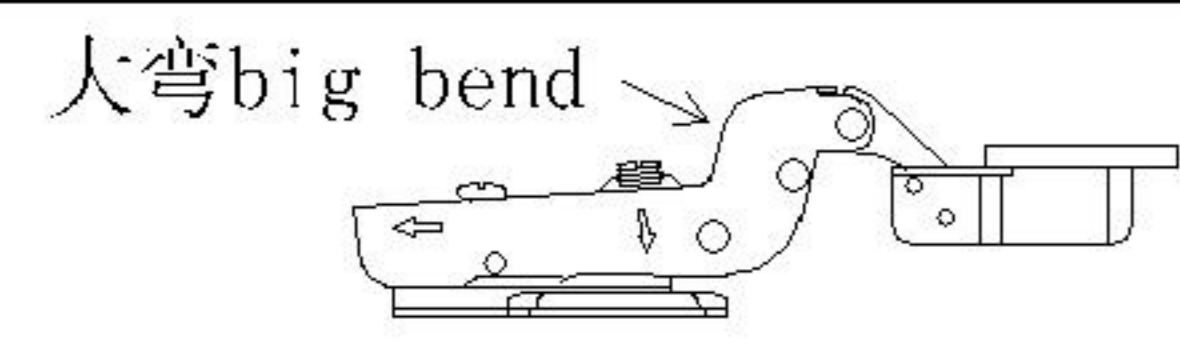
- (A)*8
- (B)*8
- (C)*4
- (G)*4



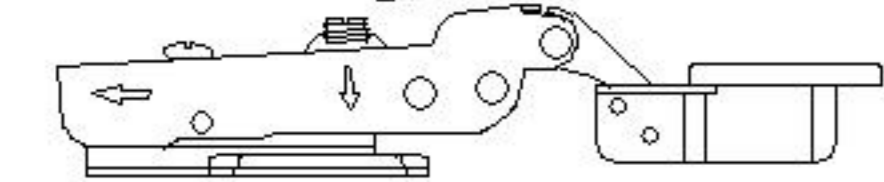
安装方法
Installation method



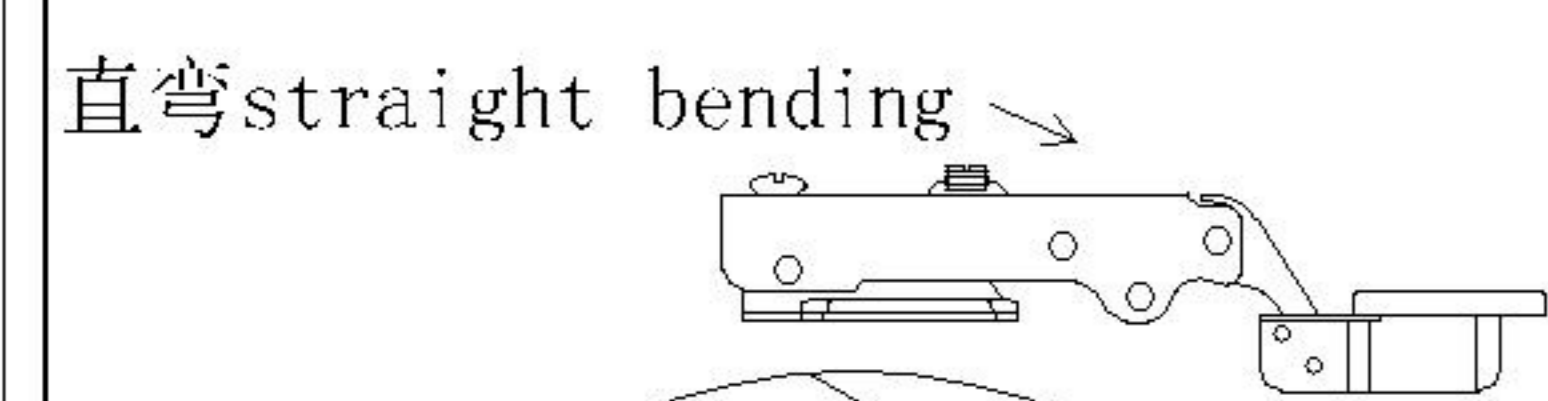
二合一
two-in-one



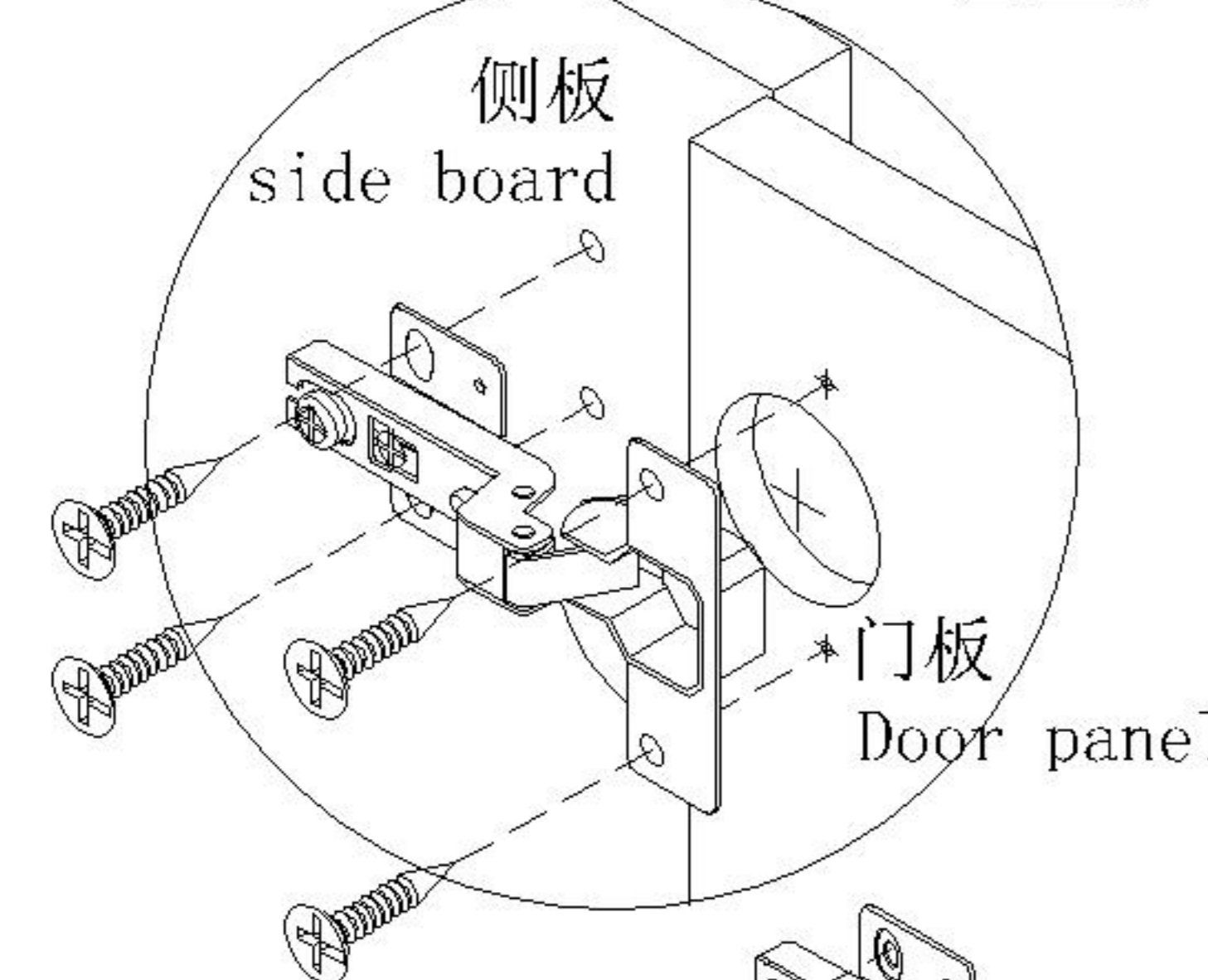
大弯big bend



中弯middle bending



直弯straight bending



侧板
side board

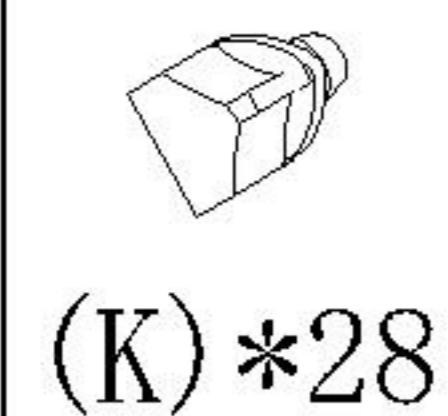
门板
Door panel

调节上下
Adjust up and down

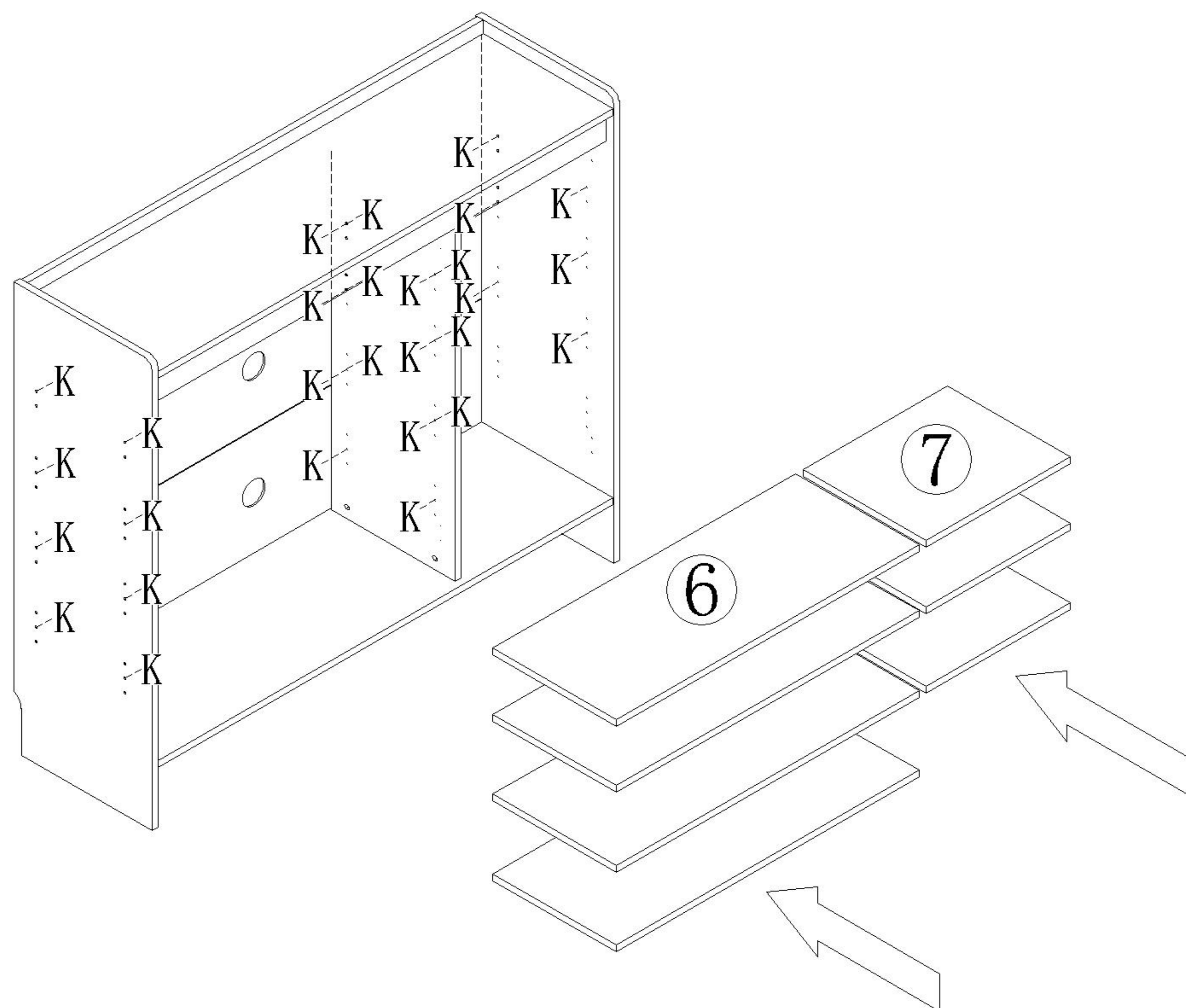
调节左右
Adjust left and right

调节前后
Before and after adjustment

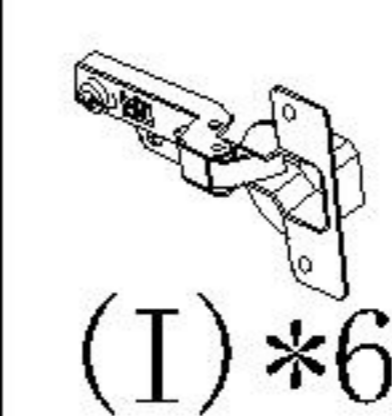
门铰
Hinge



(K)*28

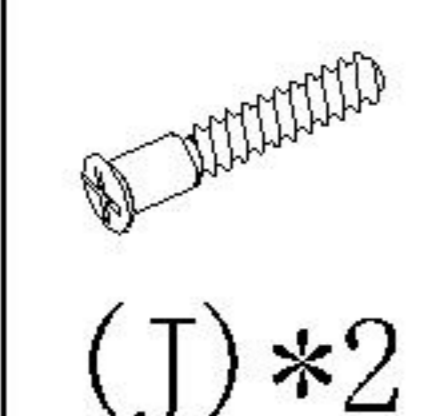
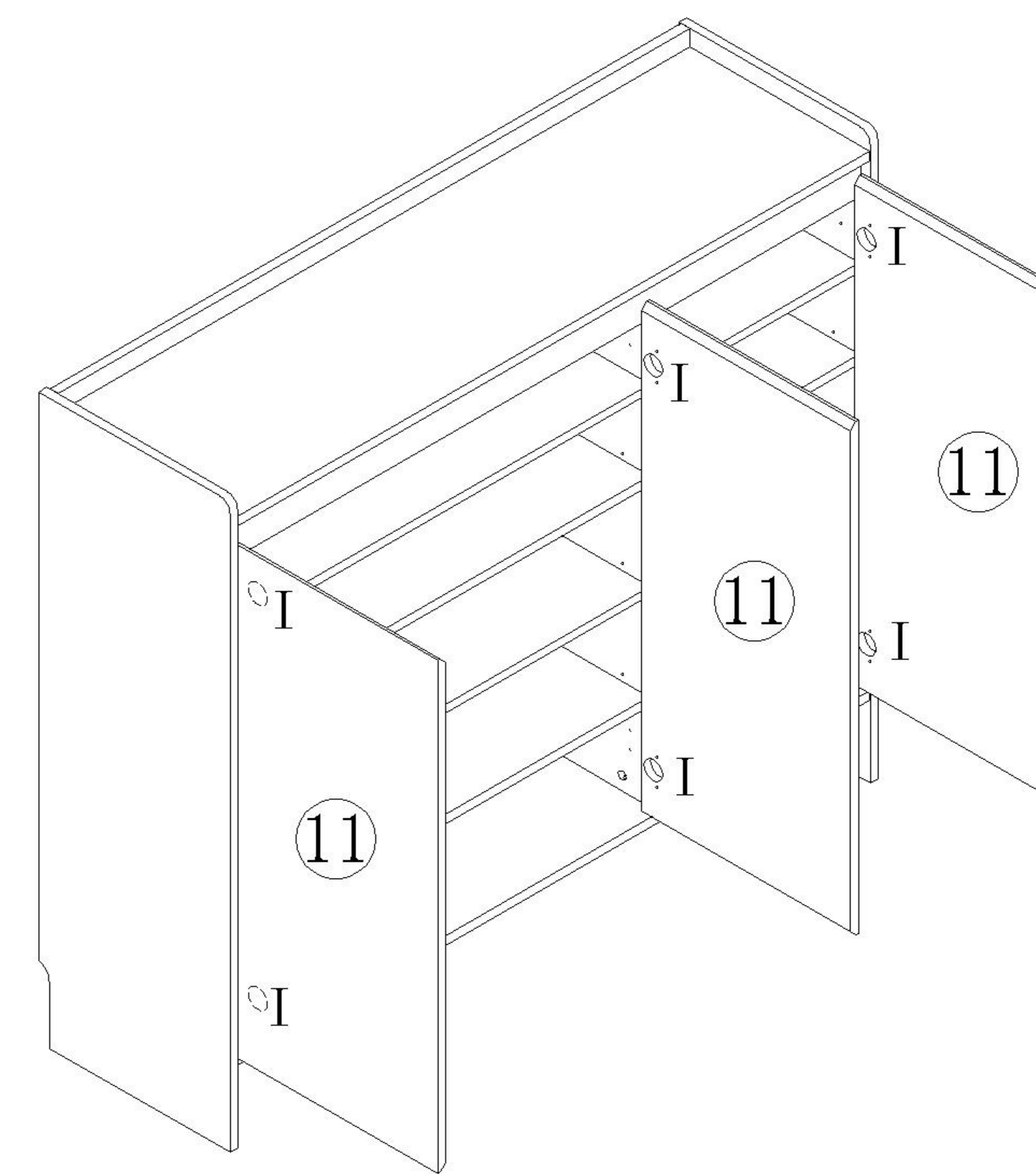


5

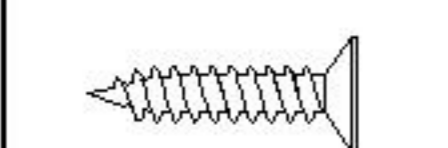


(I)*6

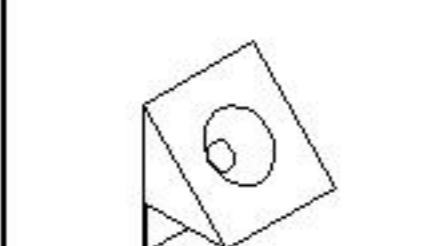
6



(J)*2

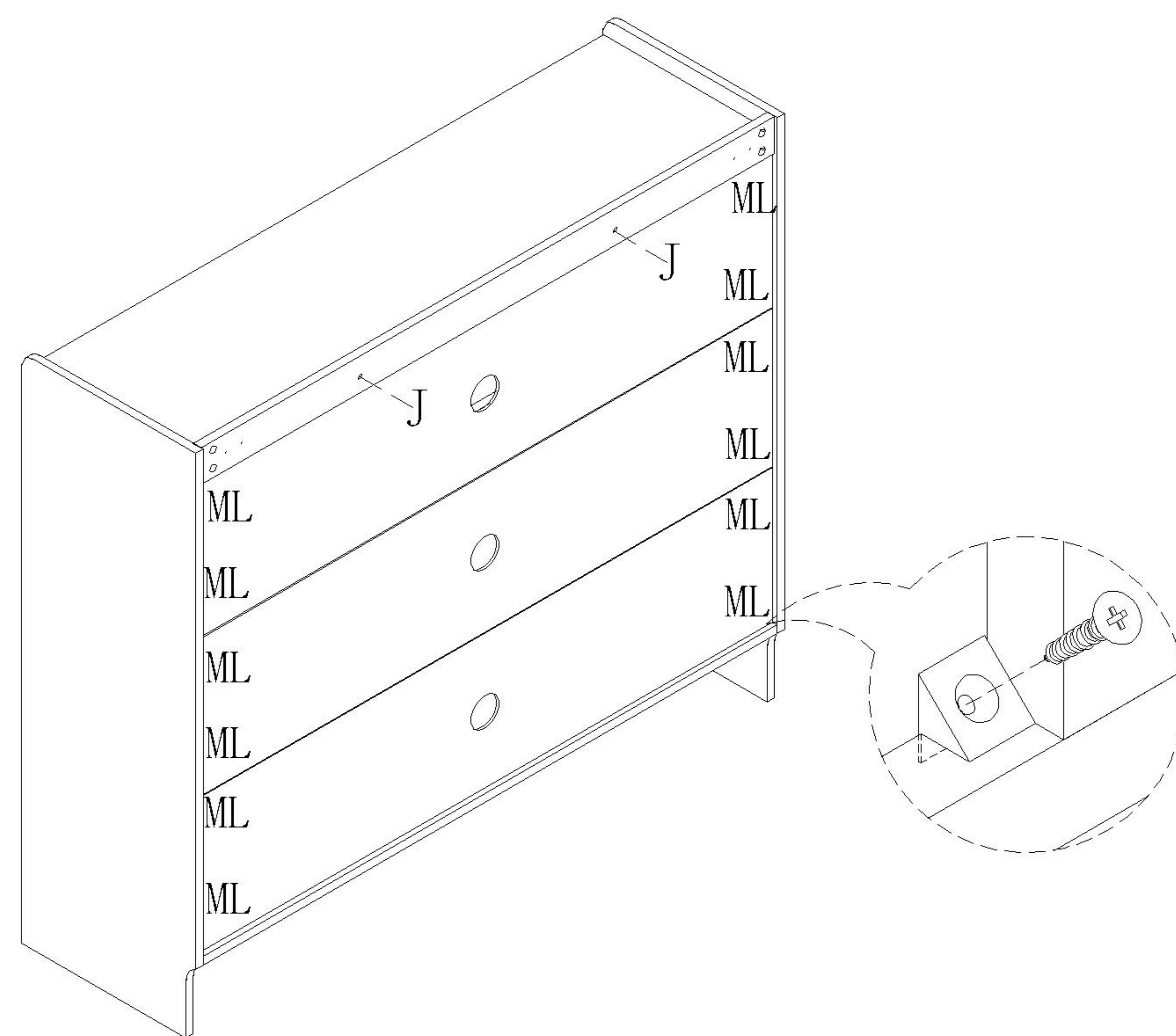


(M)*12

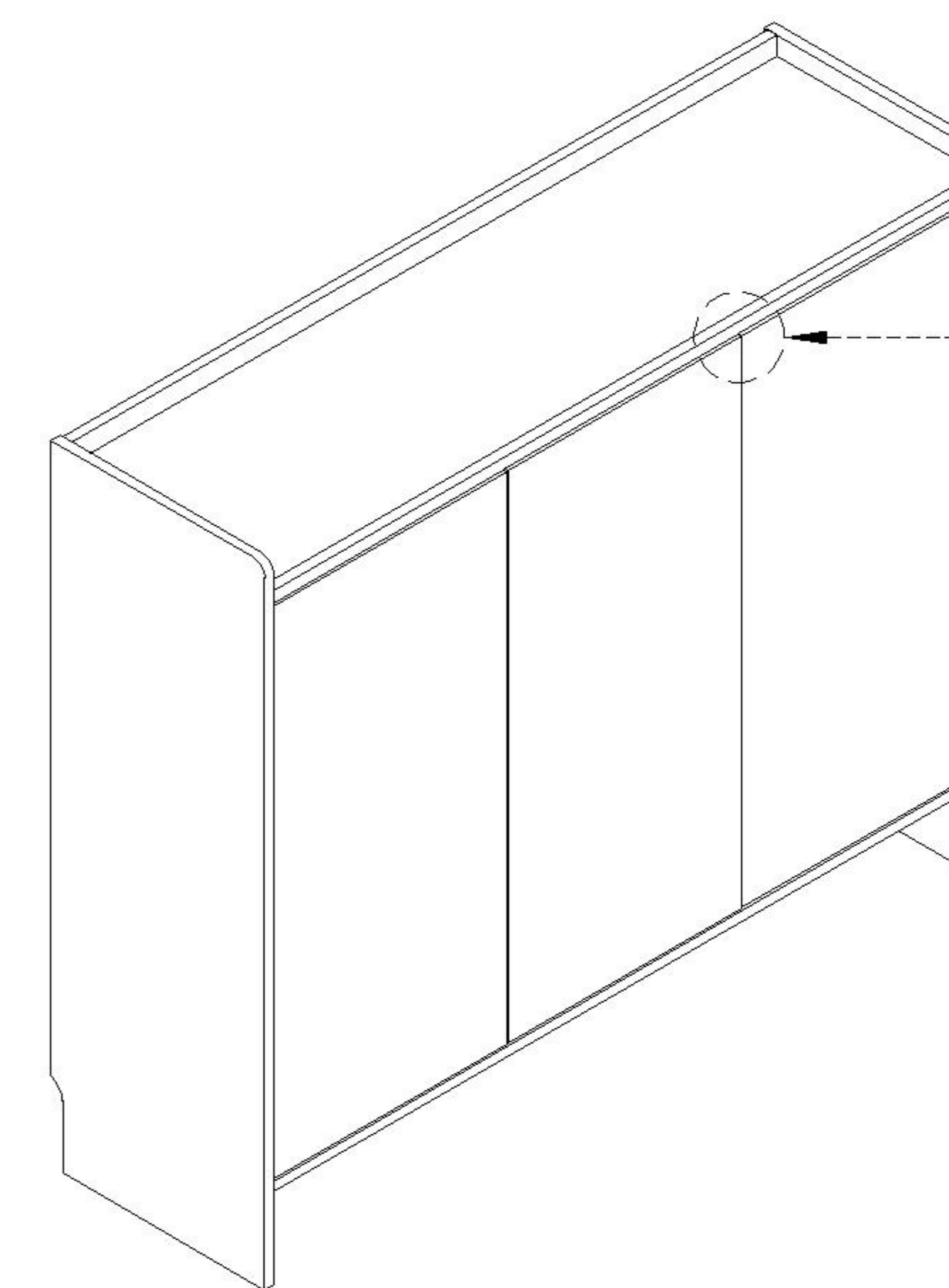


(L)*12

7



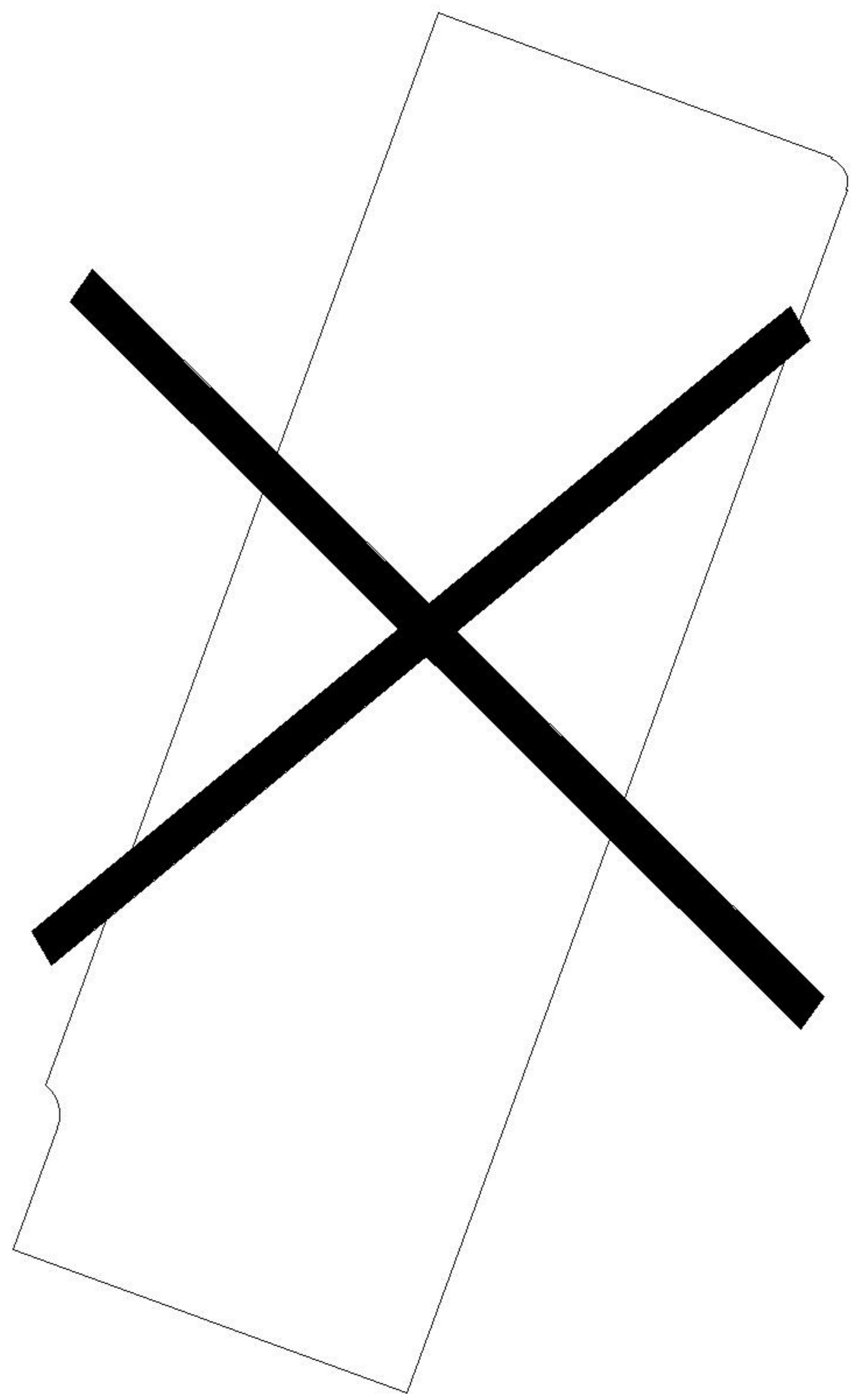
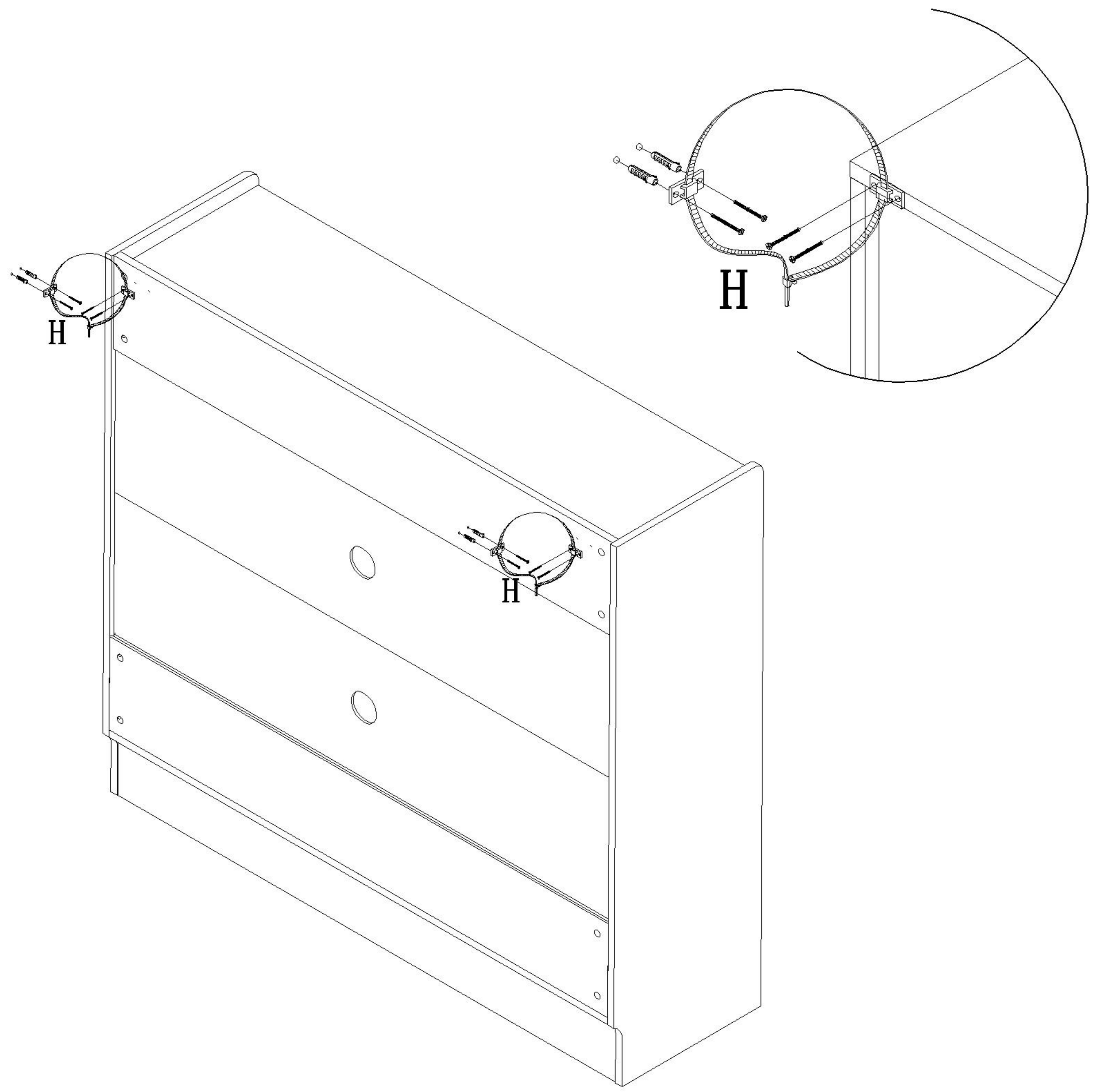
8



此处缝隙设计为开
启、门板使用
小心夹伤
The gap here is designed
to be open
Use of opening and door
panels
Be careful of pinch
injuries

安装方法
Installation method

(H)*2



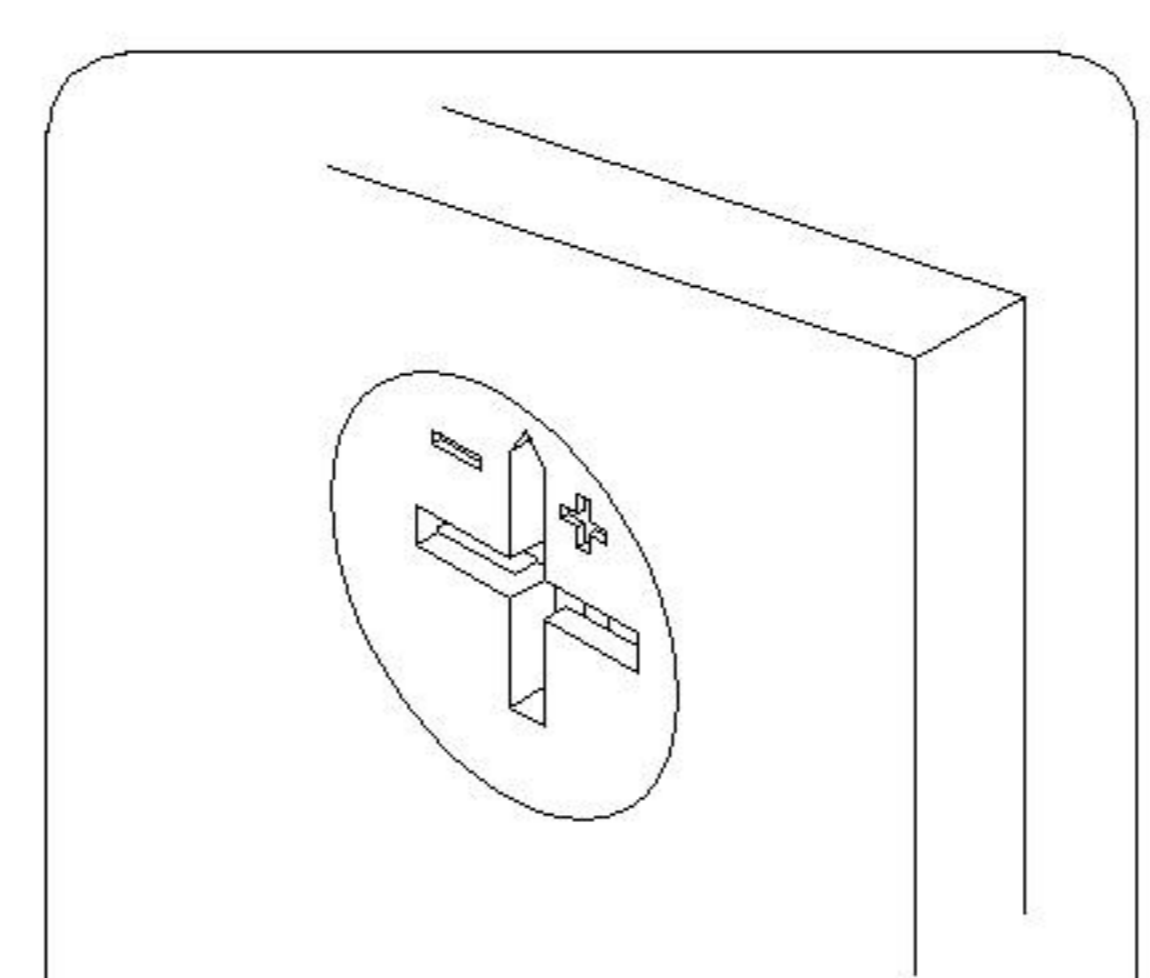
(O)*23

孔位贴使用小贴士

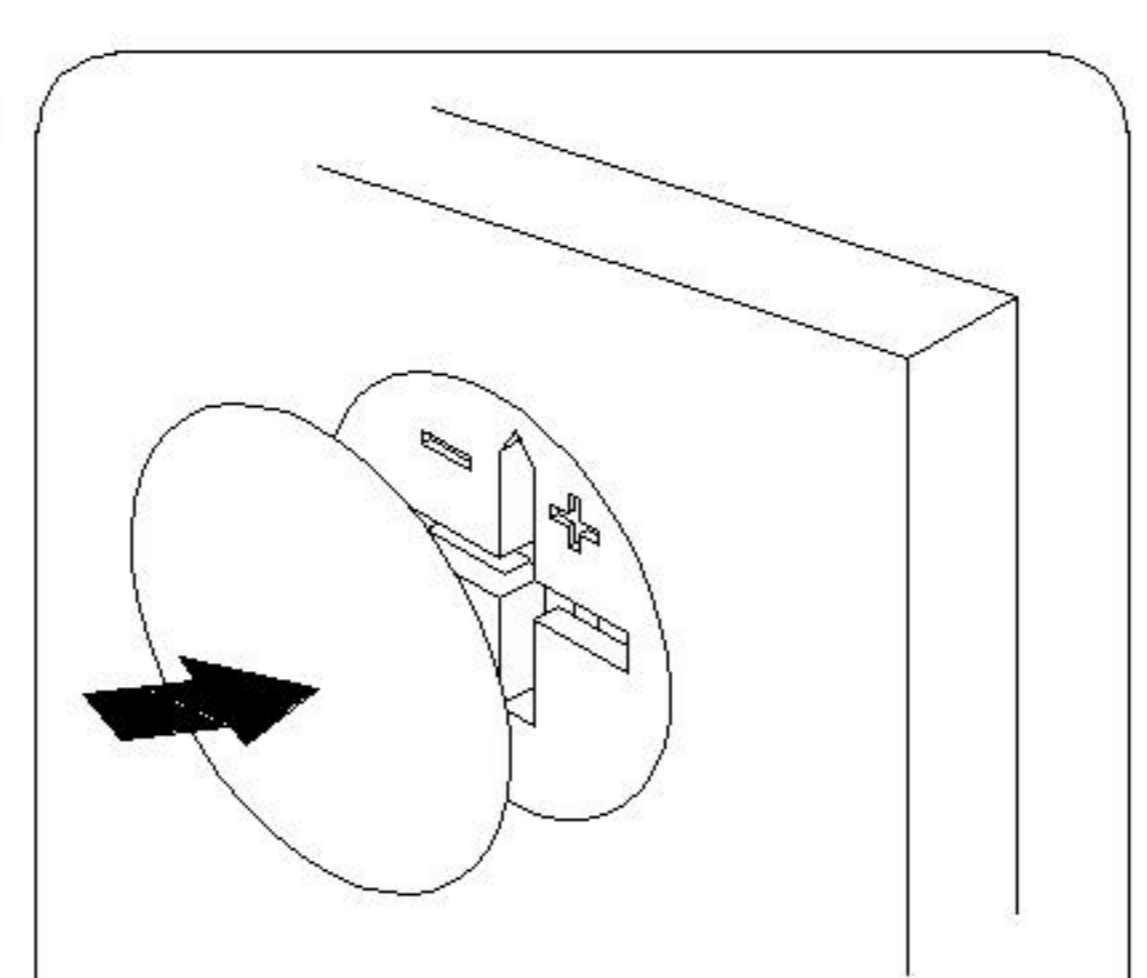
产品安装完成后请贴上孔贴，多出的孔贴请保管好

Tips for using hole stickers:

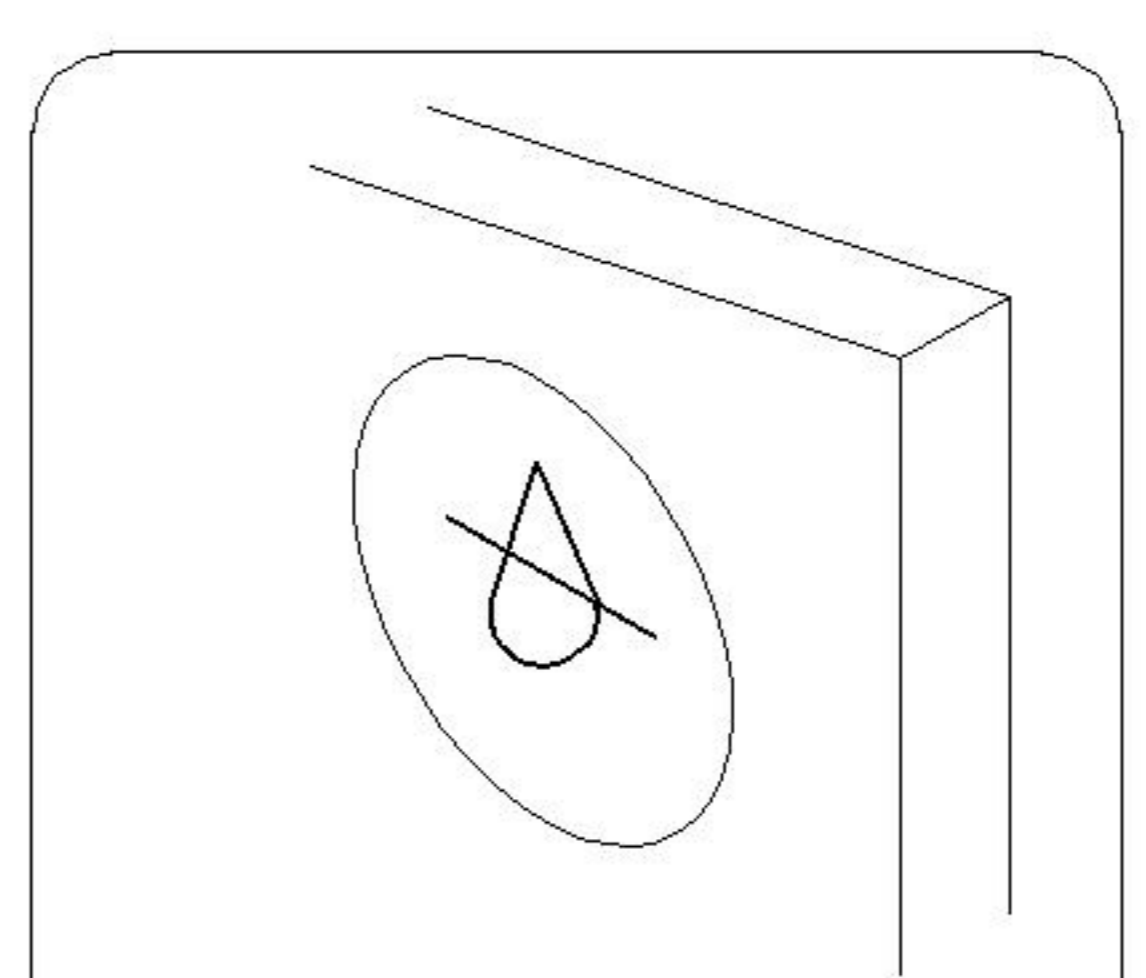
After the product installation is completed, please attach the hole stickers. Please keep any extra hole stickers safe



1、擦干净孔位
1, Clean the hole position thoroughly



2、贴上孔贴
2, Attach hole stickers



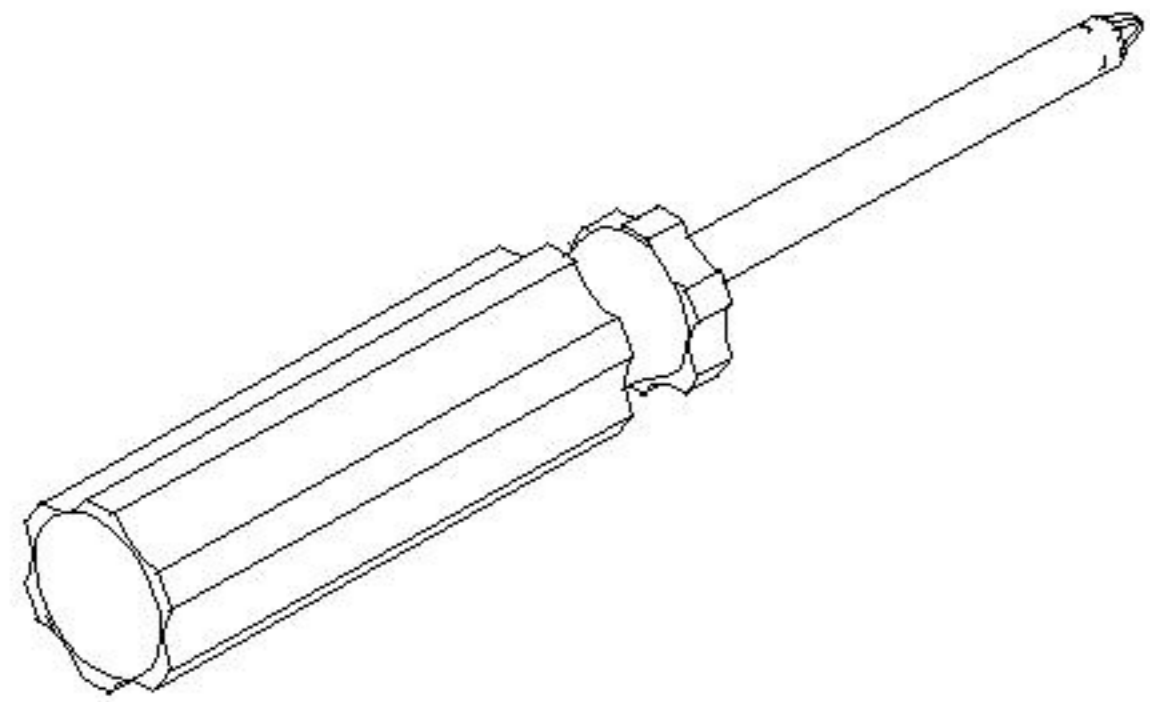
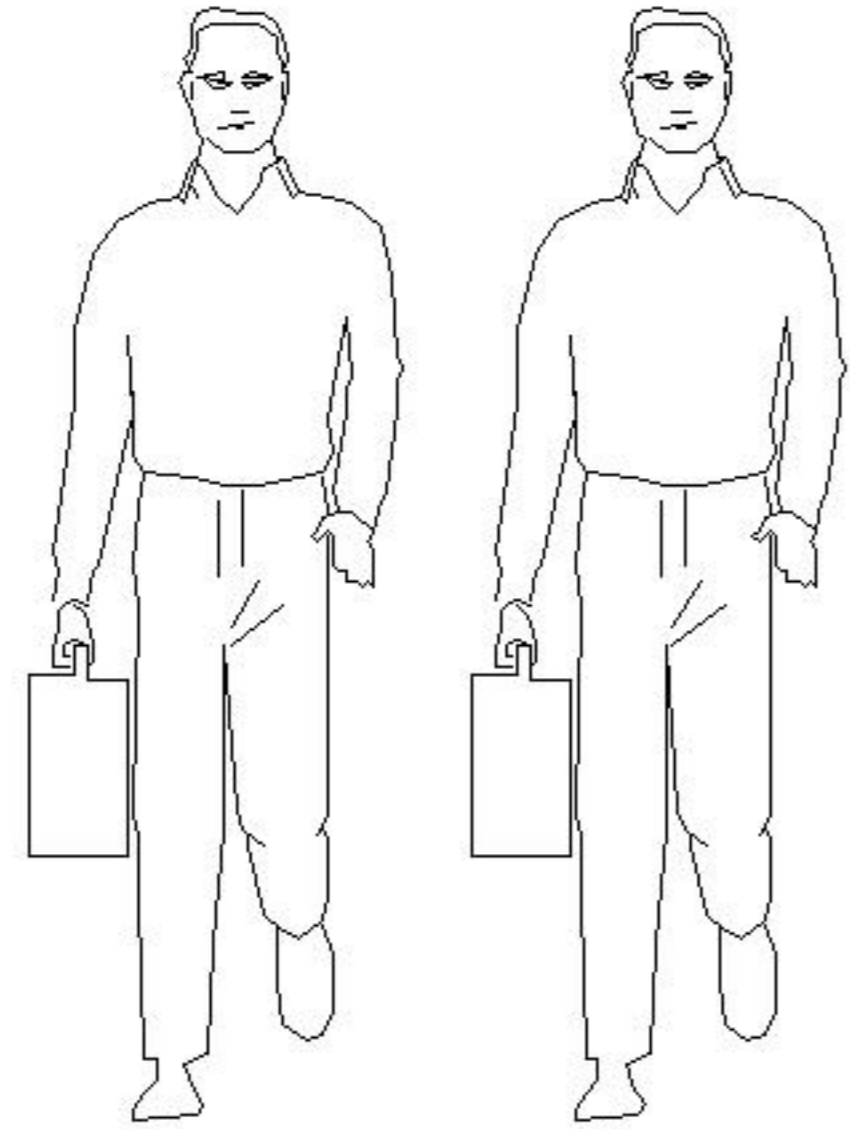
3、24小时内勿碰水
3, Do not touch water within 24 hours

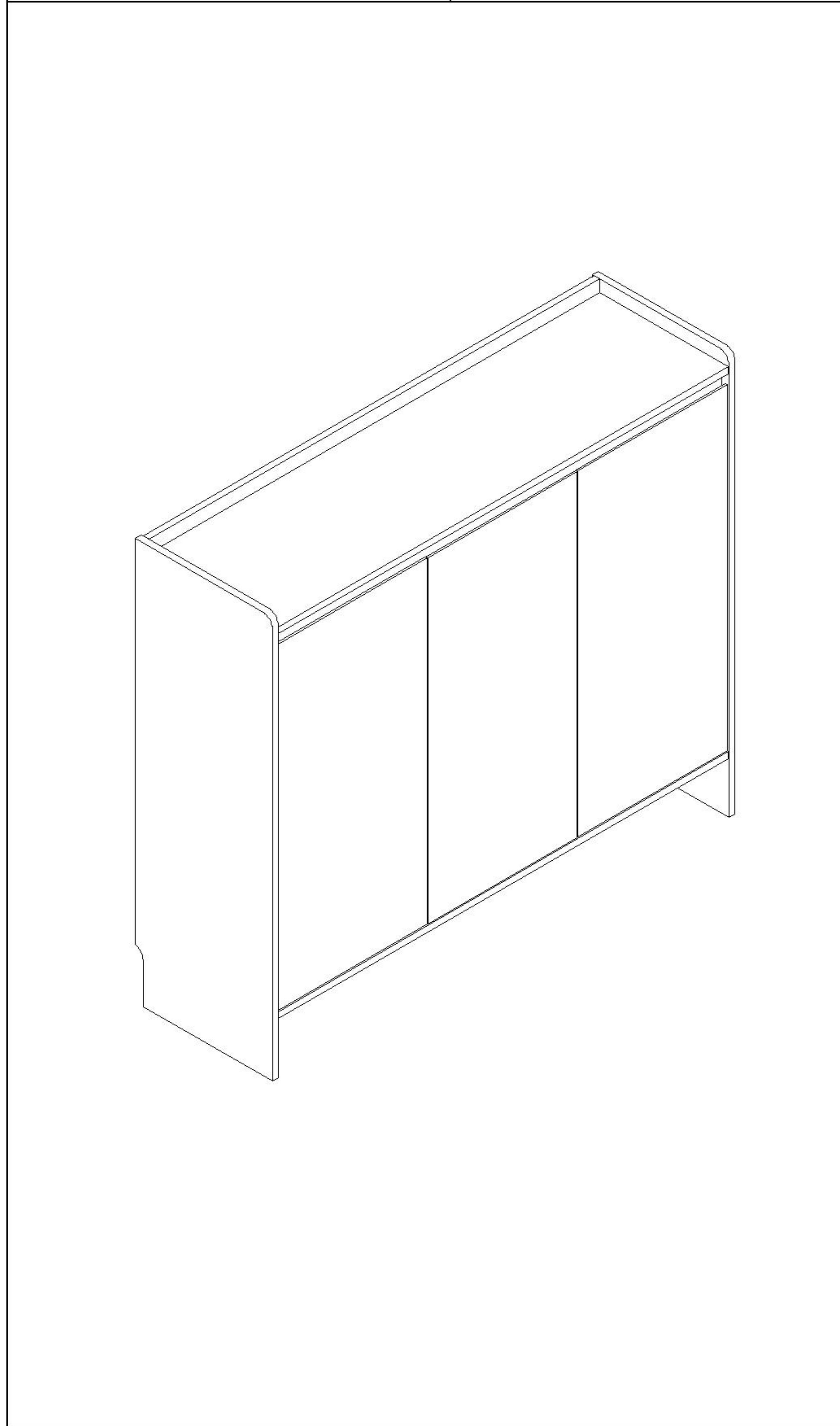
LINSY 林氏家居

五金表/Hardware list

部件表/Parts List

安装示意图/Assembly Instruction

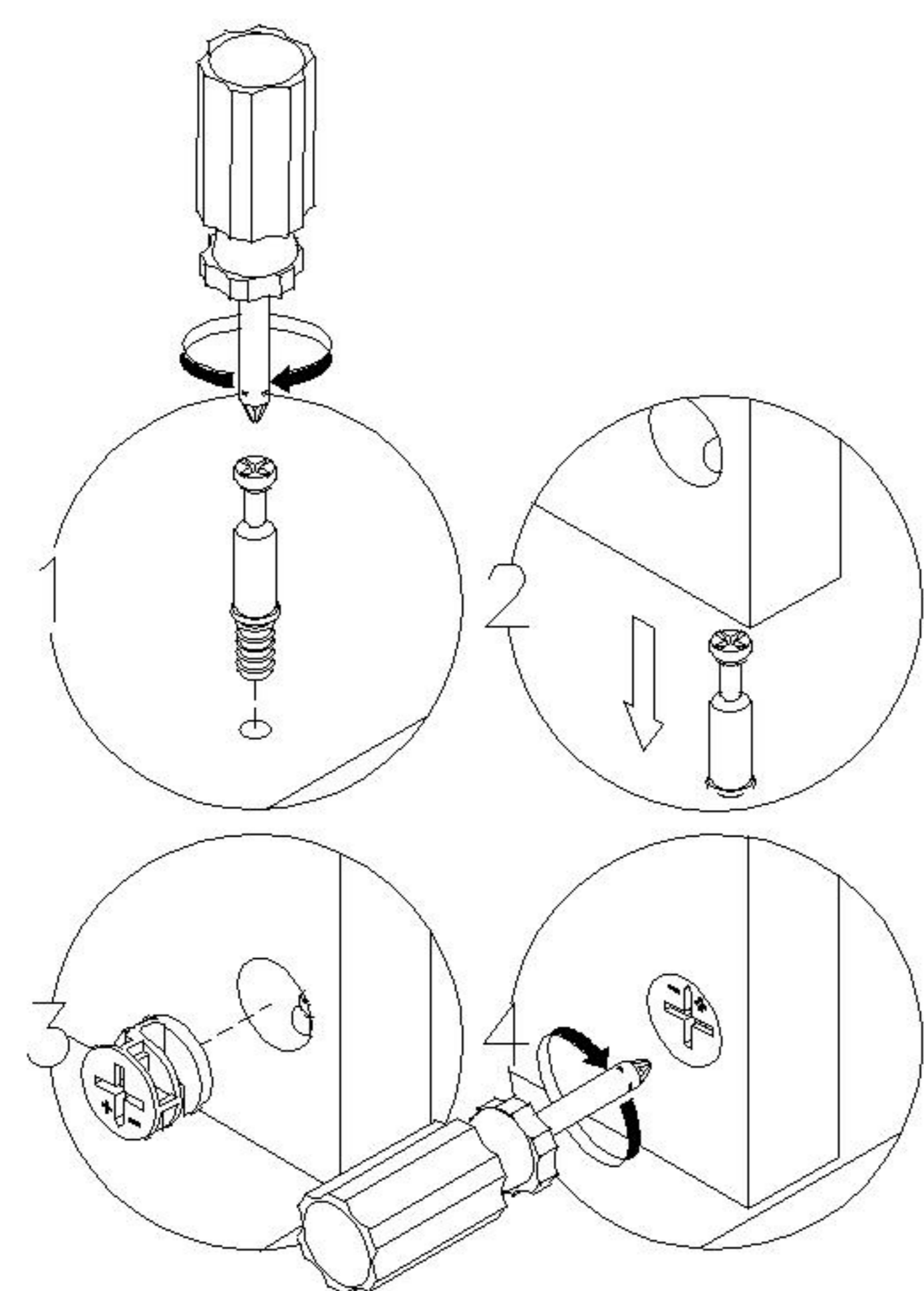
产品名称 Model NO.	OV4N-D 鞋柜1.2m
产品规格 Specification	1184*350*1031mm
安装工具 Tool	安装人数 Installer
	



 (A)* 38 二合一螺杆 2-in-1-screw	 (B)* 38 大三合一锁饼 Three-in-one large lock	 (C)* 13 木榫08x30mm wood tenon	 (D)* 1 铁中脚 Iron foot
 (E)* 2 透气孔盖 Vent cover	 (F)* 1 斜边十字螺杆-M8x30 bevel cross screw	 (G)* 6 脚垫-灰色 Footrest - Grey	 (H)* 2 家具防倒器-白色 Anti-fall device white
 (I)* 6 缓冲门铰大弯-杯径035 Hinge-big bends-diameter 35	 (J)*1 夹板条-L=1153 splint strip	 (K)* 28 三角层板托 Triangular shelf support	 (L)* 13 背板扣 Back Plate Buckle-White
 (M)* 13 自攻螺丝M3.5x16mm Self-tapping screw	 (N)*38 PVC孔贴 PVC hole sticker		

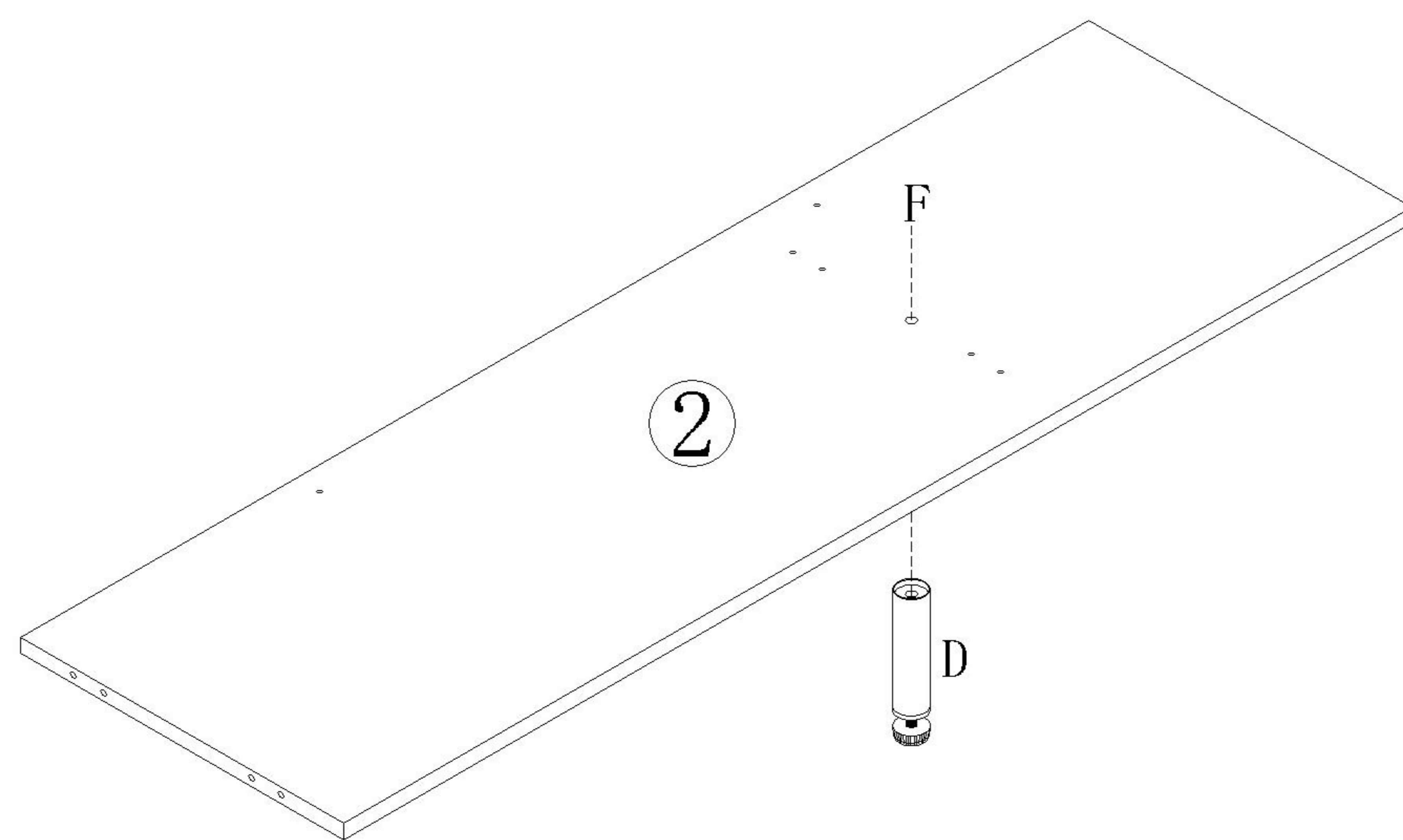
编号NO.	名称Name	规格 (mm) Specification	数量QTY	材质Material
1	面板Top panel	1154*329*15	1	刨花板 Particle board
2	底板Bottom board	1154*349*15	1	刨花板 Particle board
3	右侧板Side board(R)	1028*350*15	1	刨花板 Particle board
4	左侧板Side board(L)	1028*350*15	1	刨花板 Particle board
5	中侧板Middle side board	838*312*15	1	刨花板 Particle board
6	大层板Big shelf	767*312*15	4	刨花板 Particle board
7	小层板Small shelf	366*312*15	3	刨花板 Particle board
8	后拉条Back brace	1154*192*15	1	刨花板 Particle board
9	前拉条Front brace	1154*65*15	1	刨花板 Particle board
10	背板Back board	1164*253*5	2	纤维板 Fiberboard
11	门板Door board	811*382*15	3	刨花板 Particle board
12	下拉条Bottom brace	1154*130*15	1	刨花板 Particle board
13	拉条2Brace2	1154*192*15	1	刨花板 Particle board

安装方法
Installation method

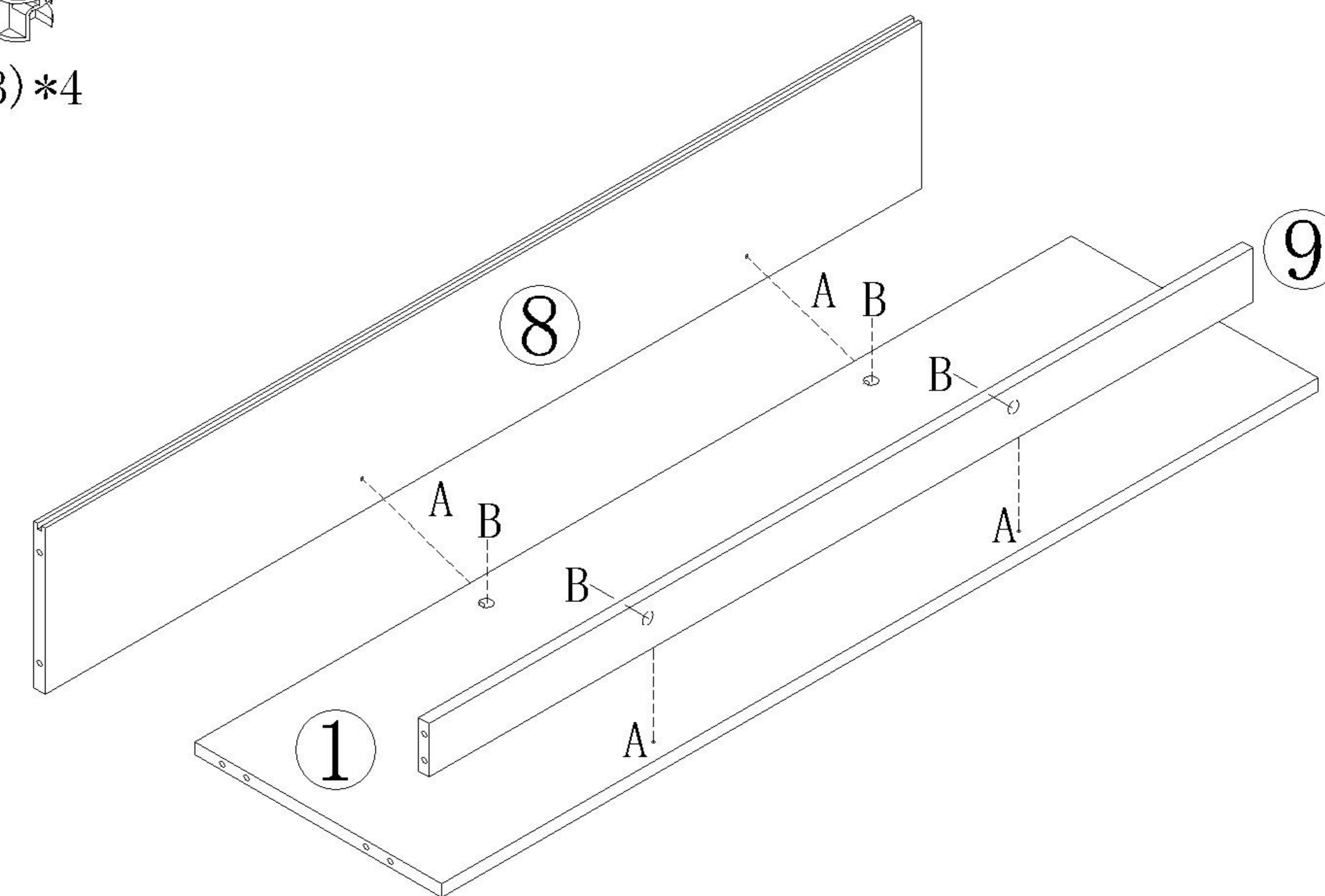


二合一
two-in-one

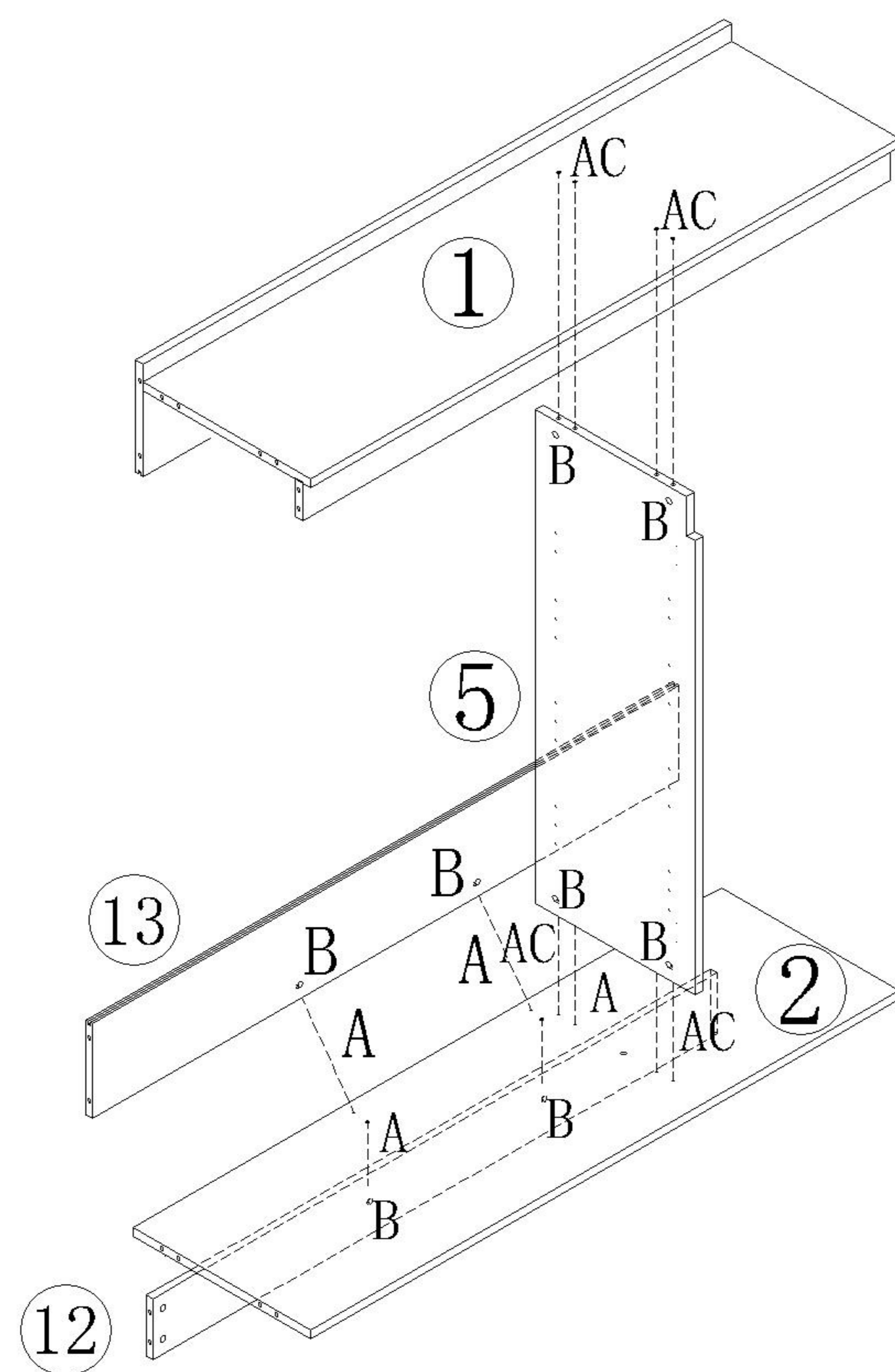
- (D)*1
- (F)*1



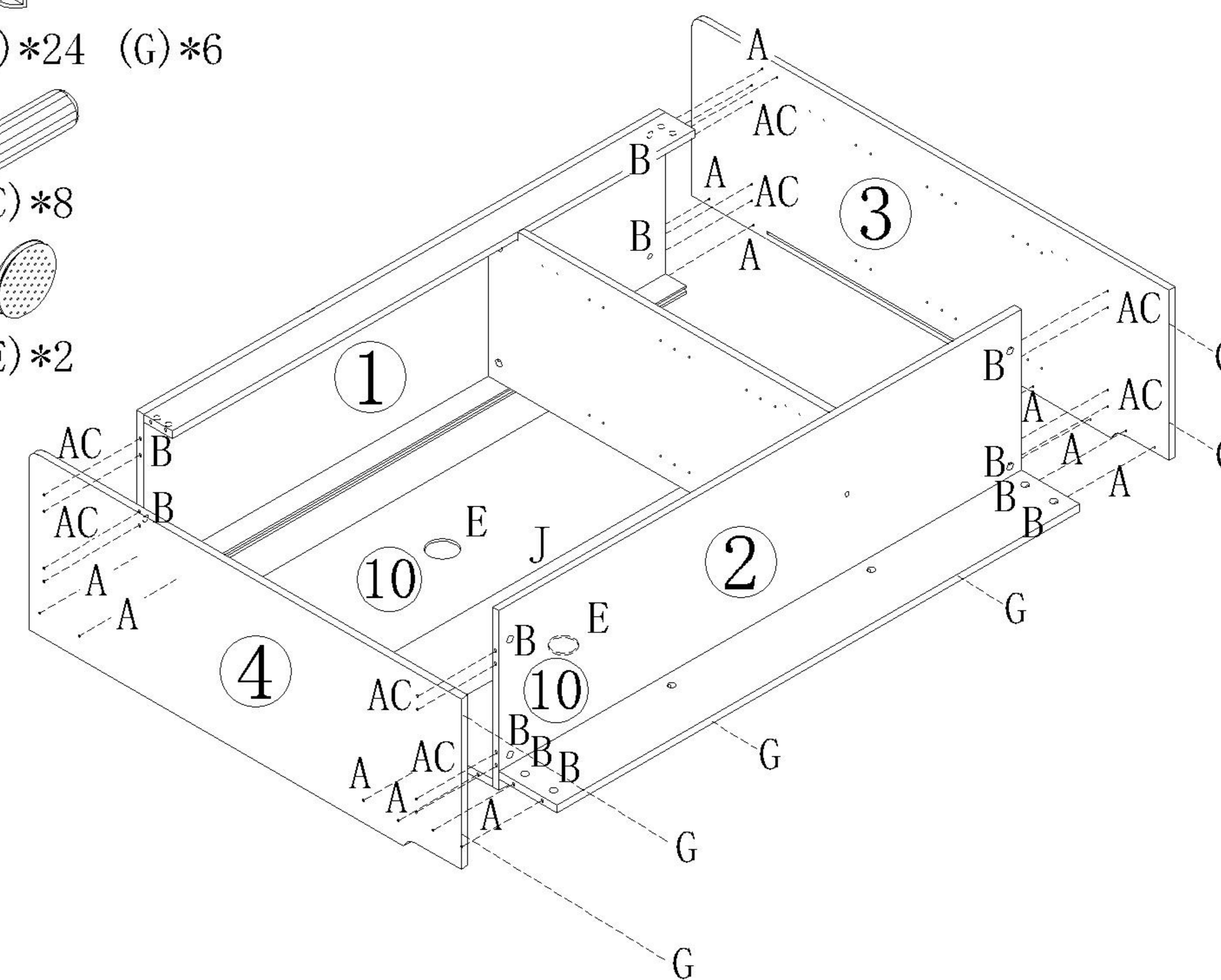
- (A)*4
- (B)*4



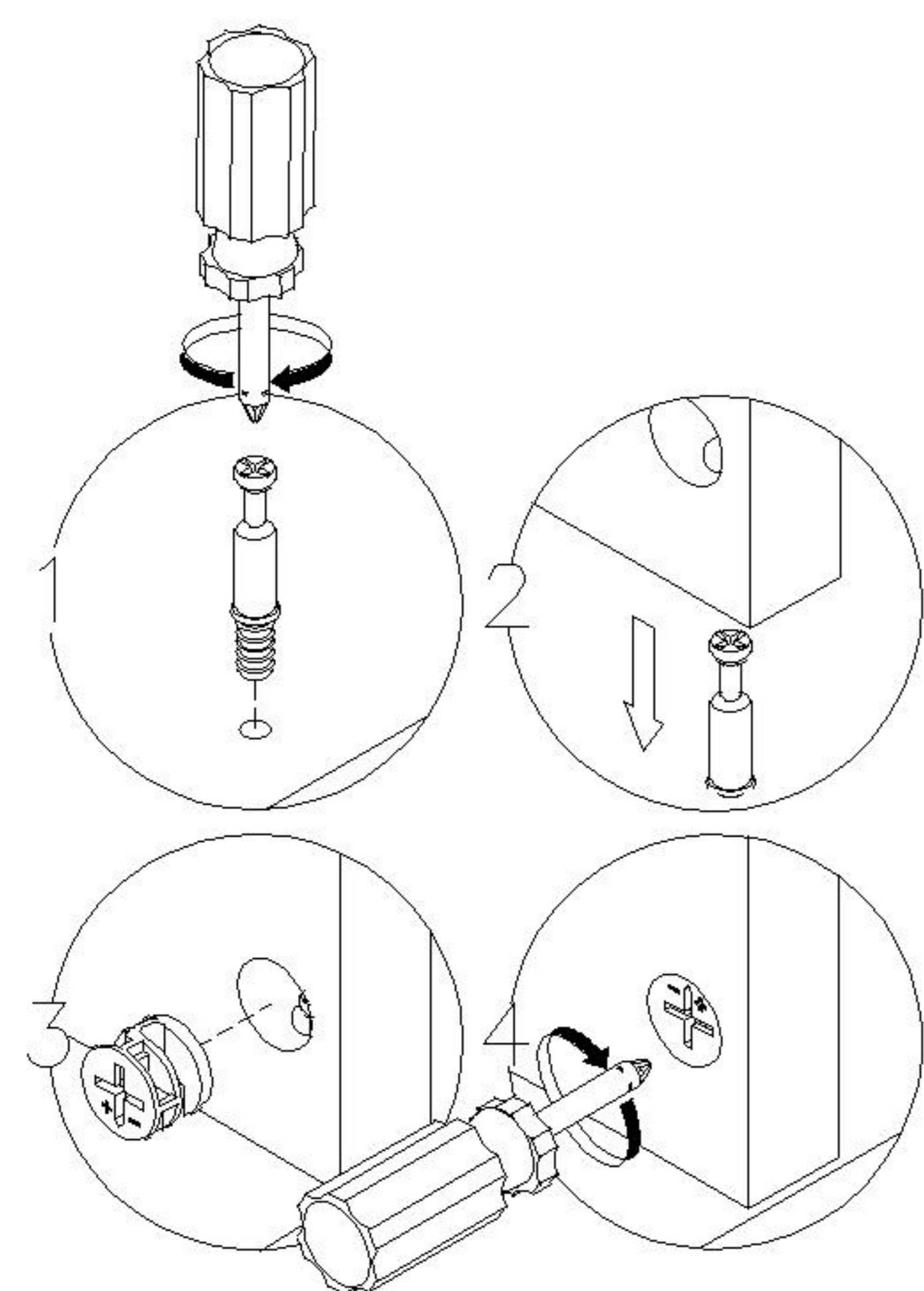
- (A)*8
- (B)*8
- (C)*4



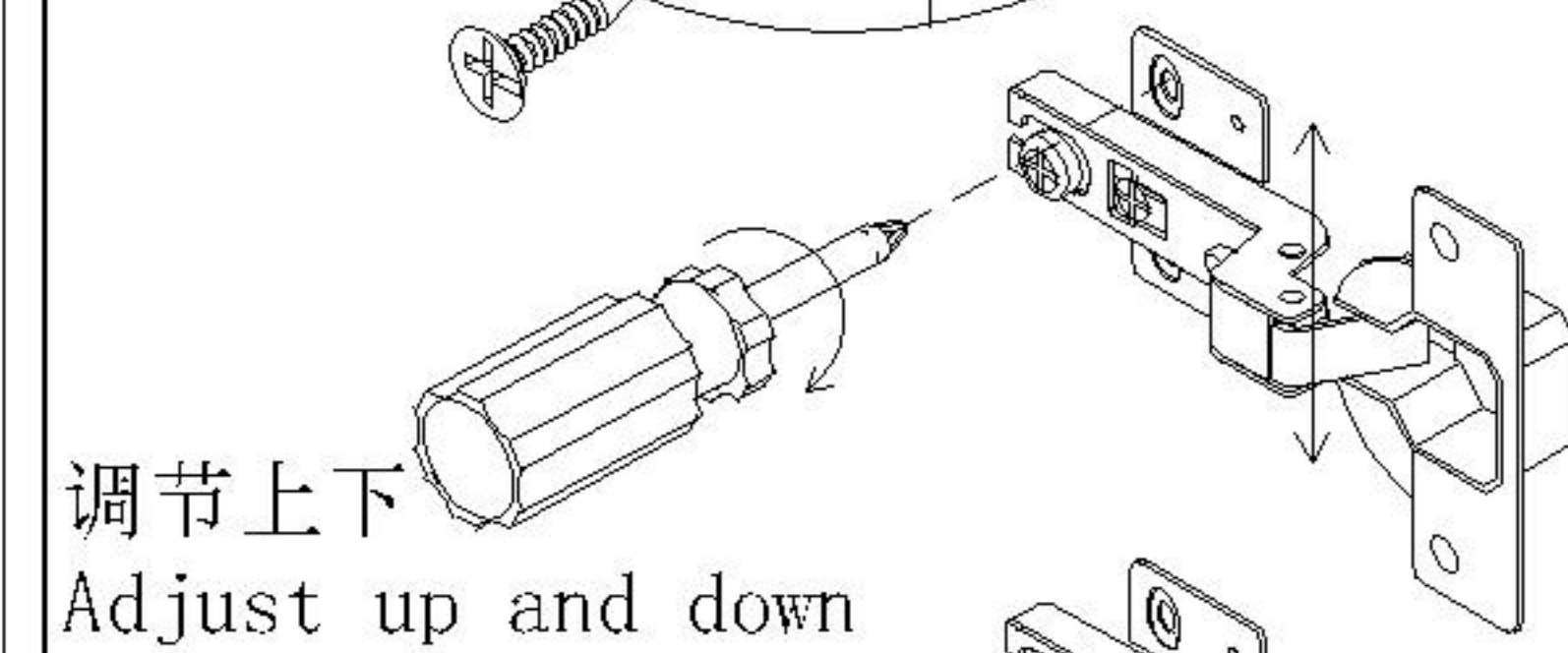
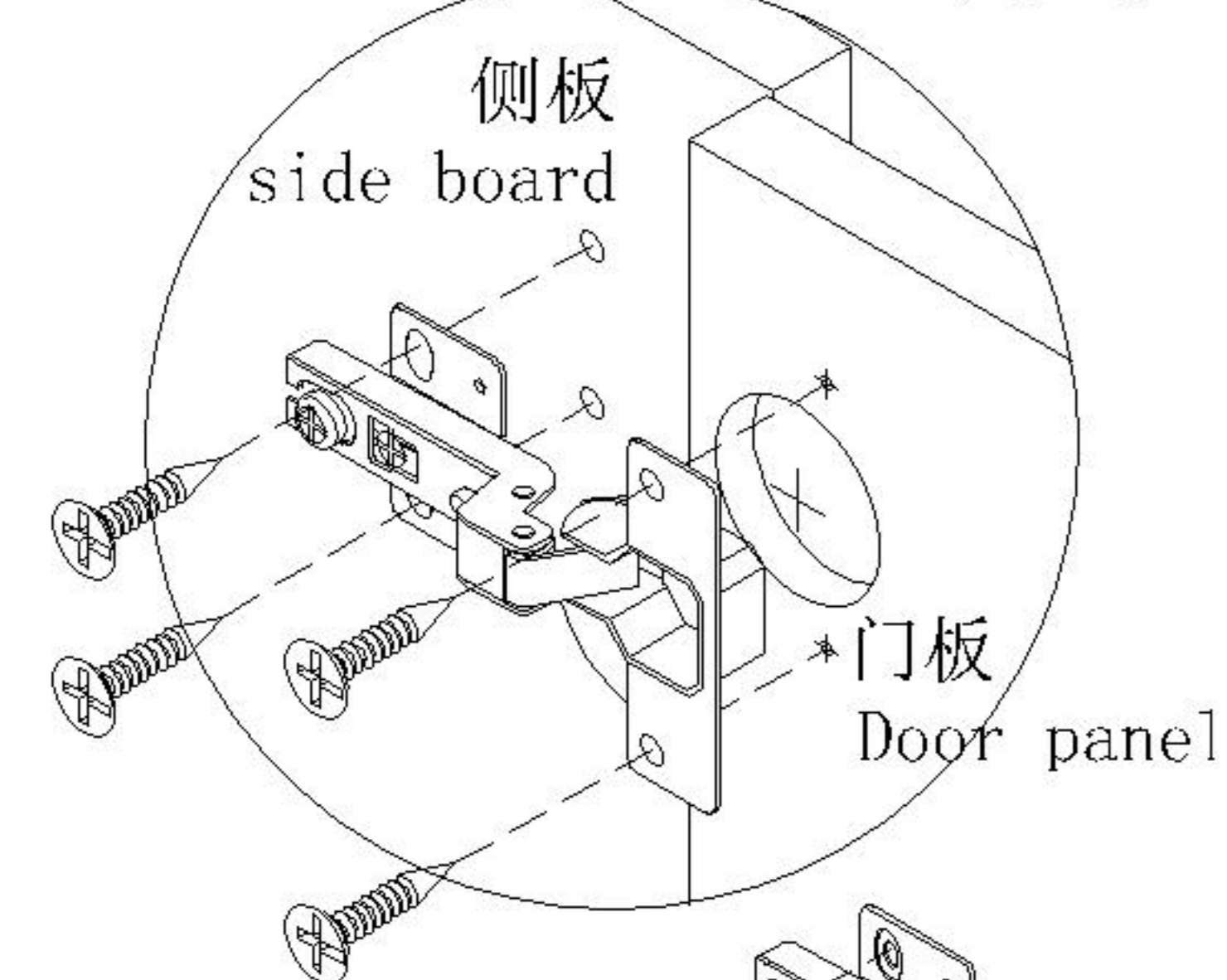
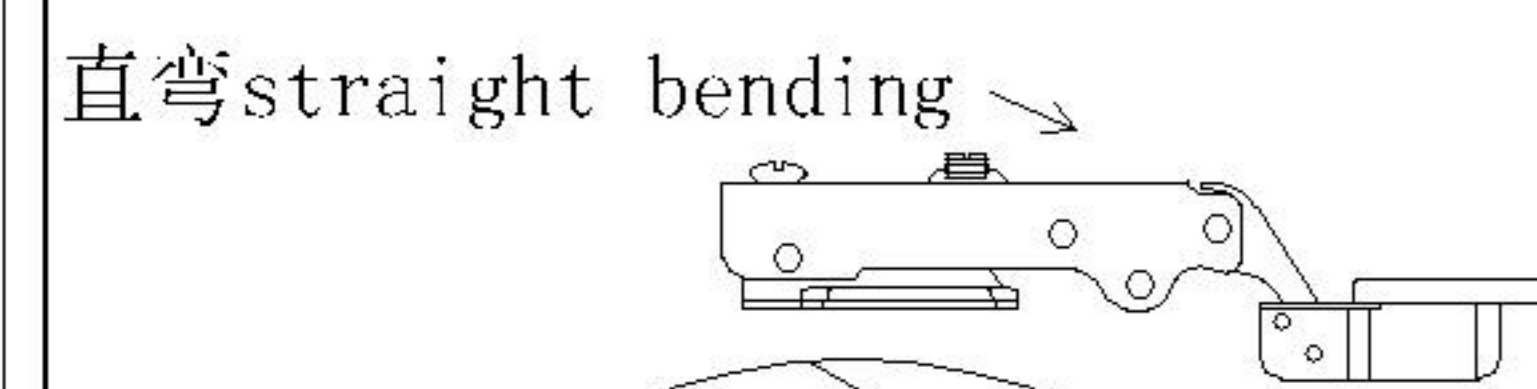
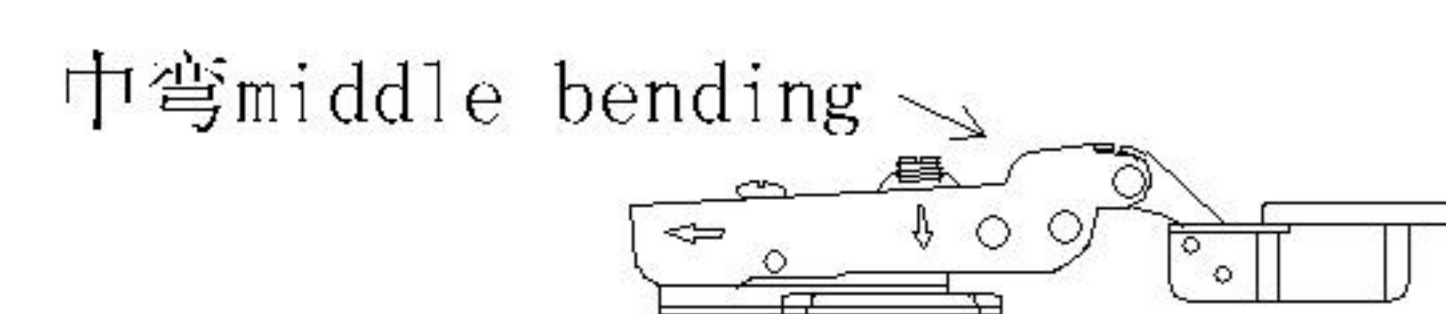
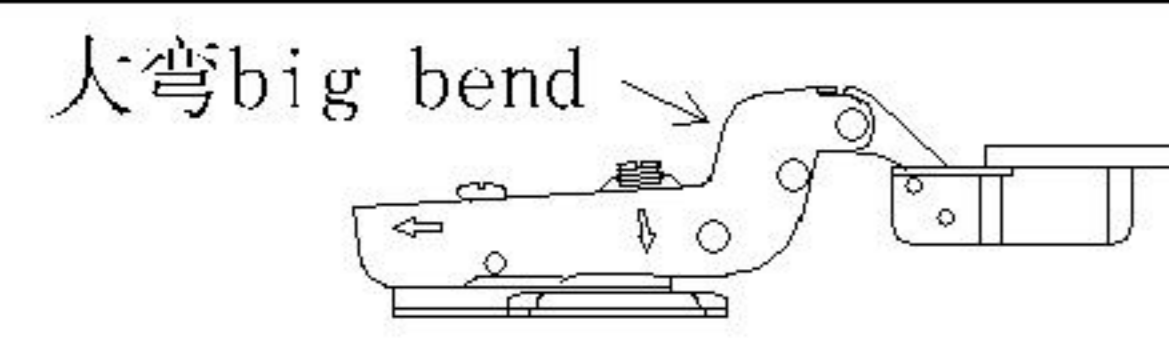
- (A)*24
- (B)*24
- (C)*8
- (E)*2
- (J)*1
- (G)*6



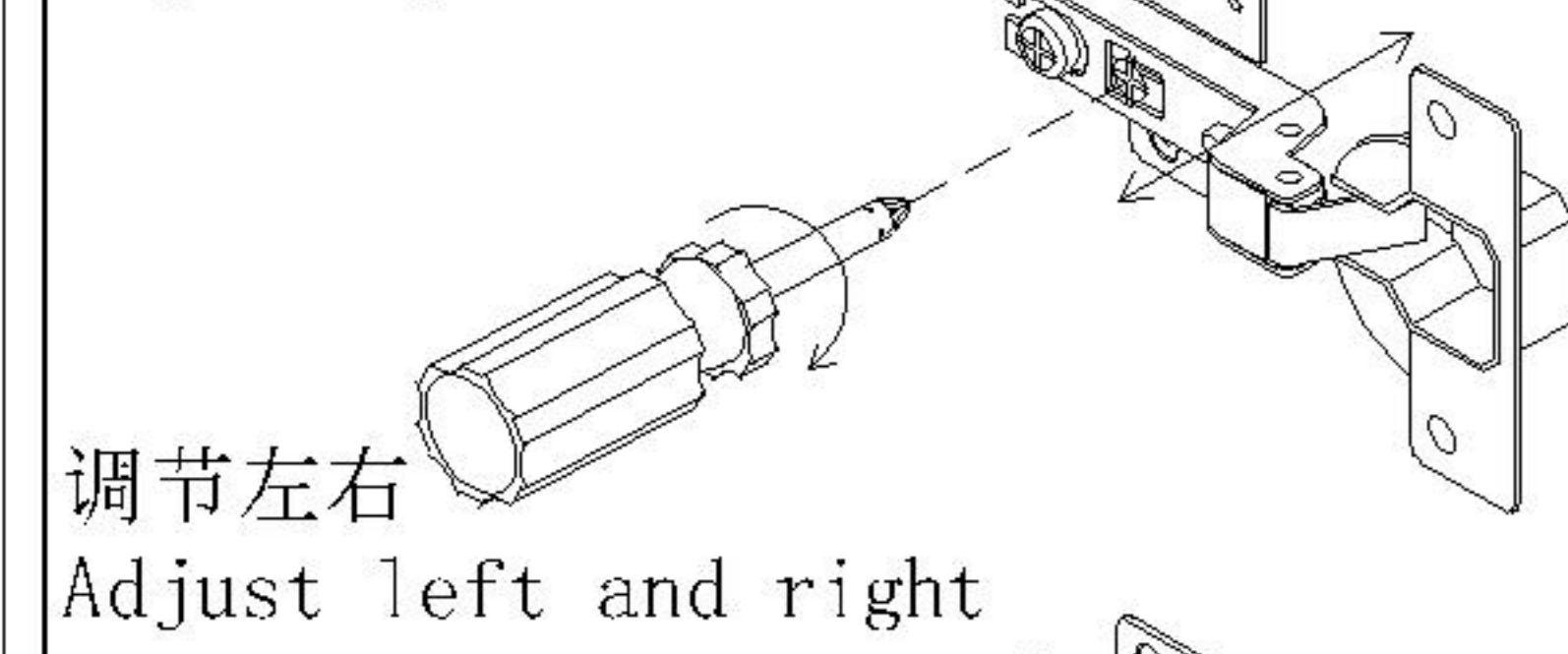
安装方法
Installation method



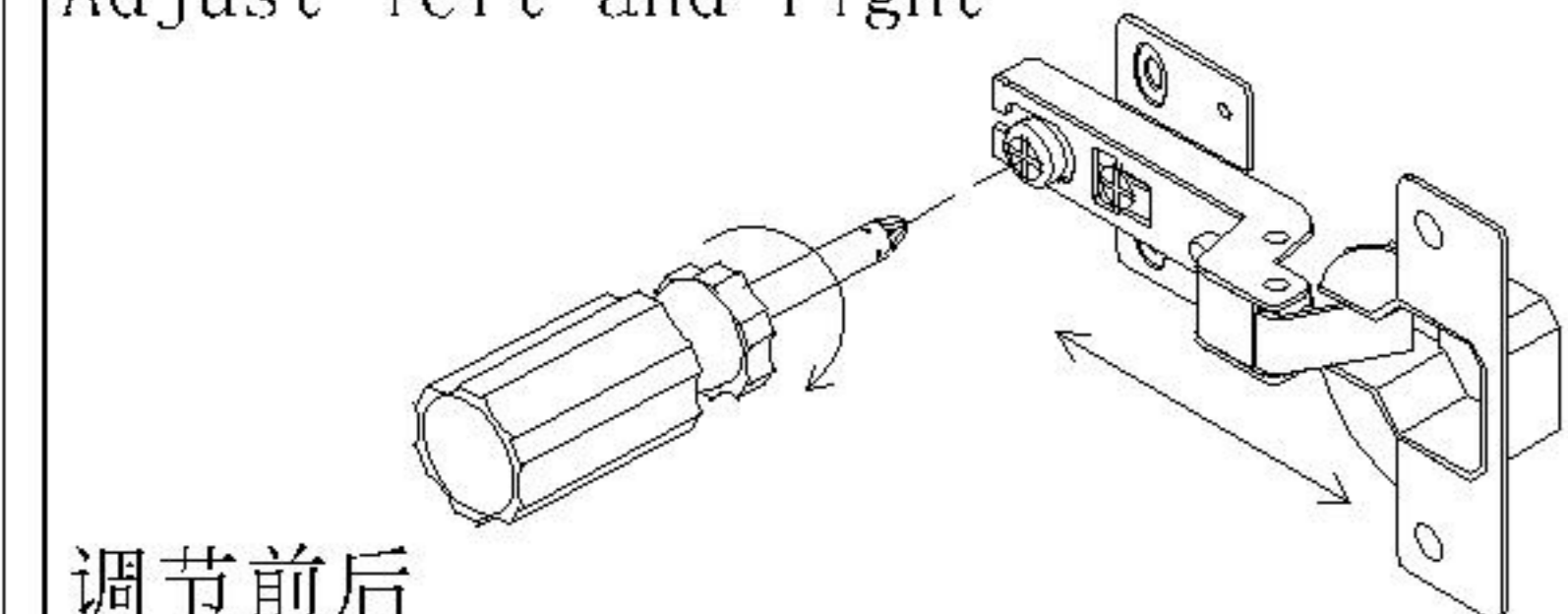
二合一
two-in-one



调节上下
Adjust up and down

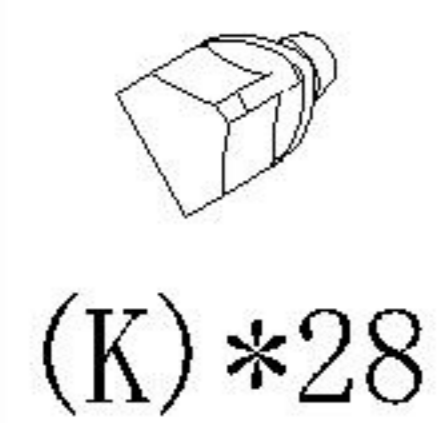


调节左右
Adjust left and right

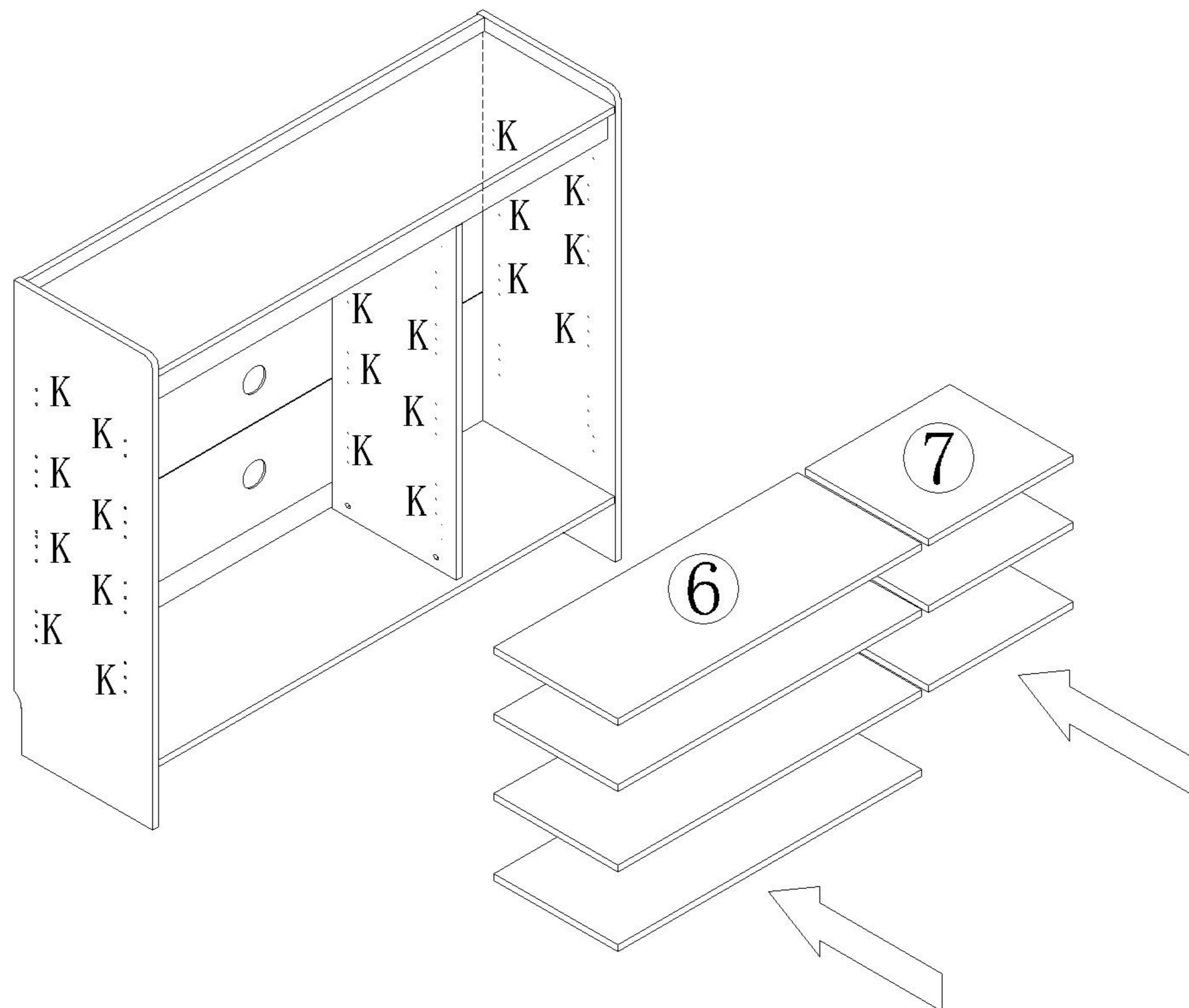


调节前后
Before and after adjustment

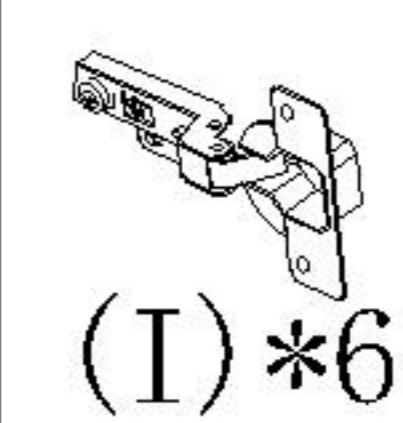
门铰
Hinge



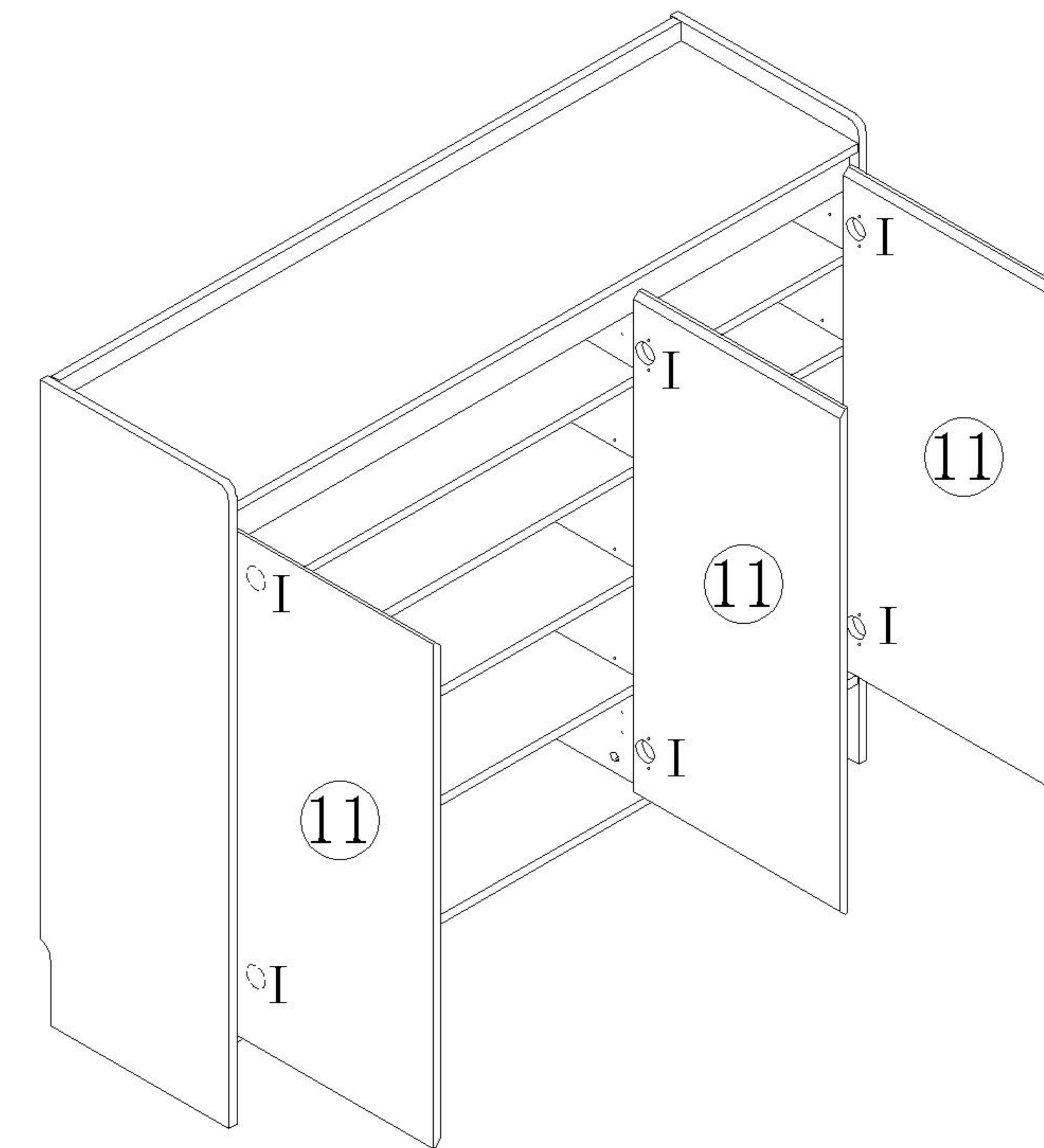
(K)*28



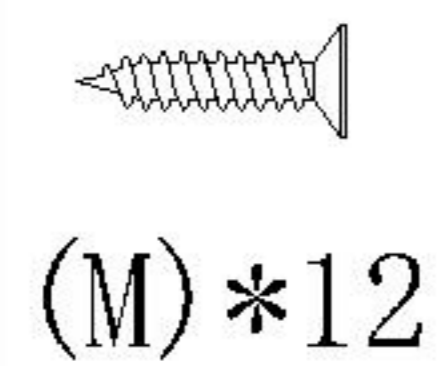
5



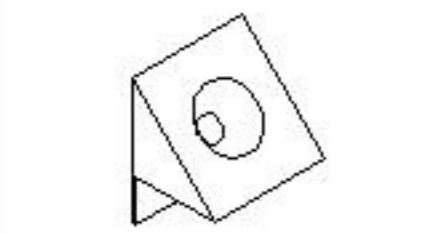
(I)*6



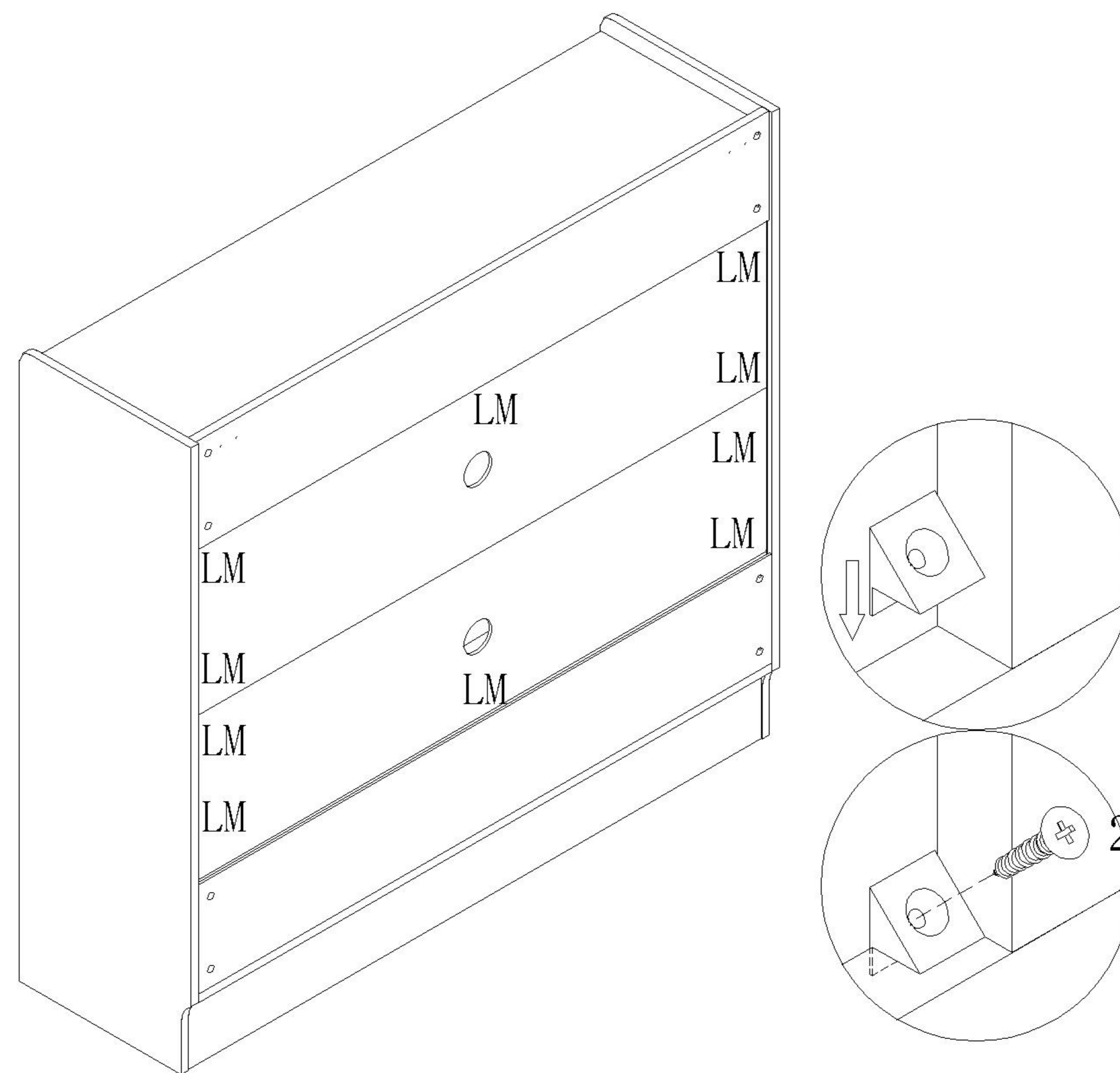
6



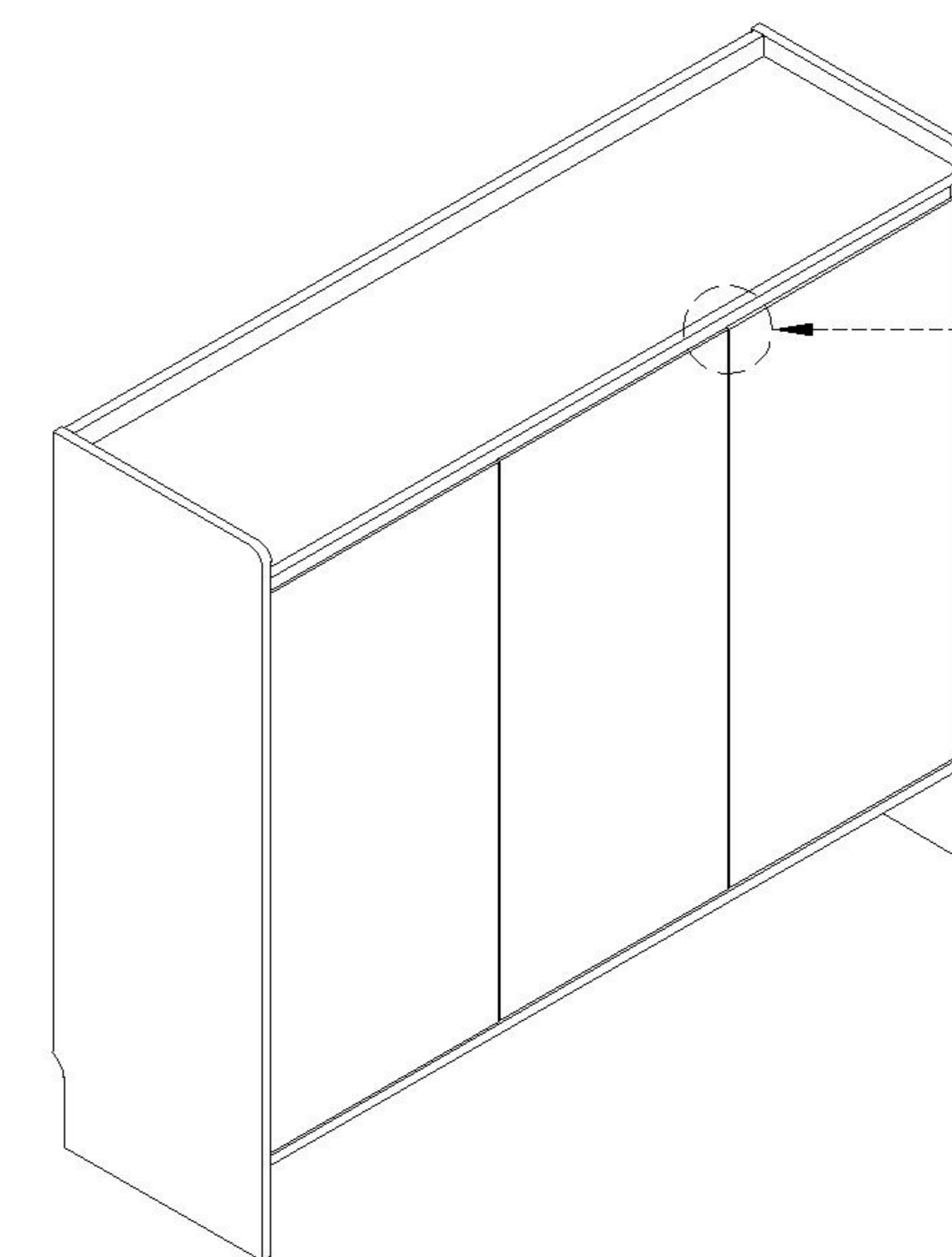
(M)*12



(L)*12



7

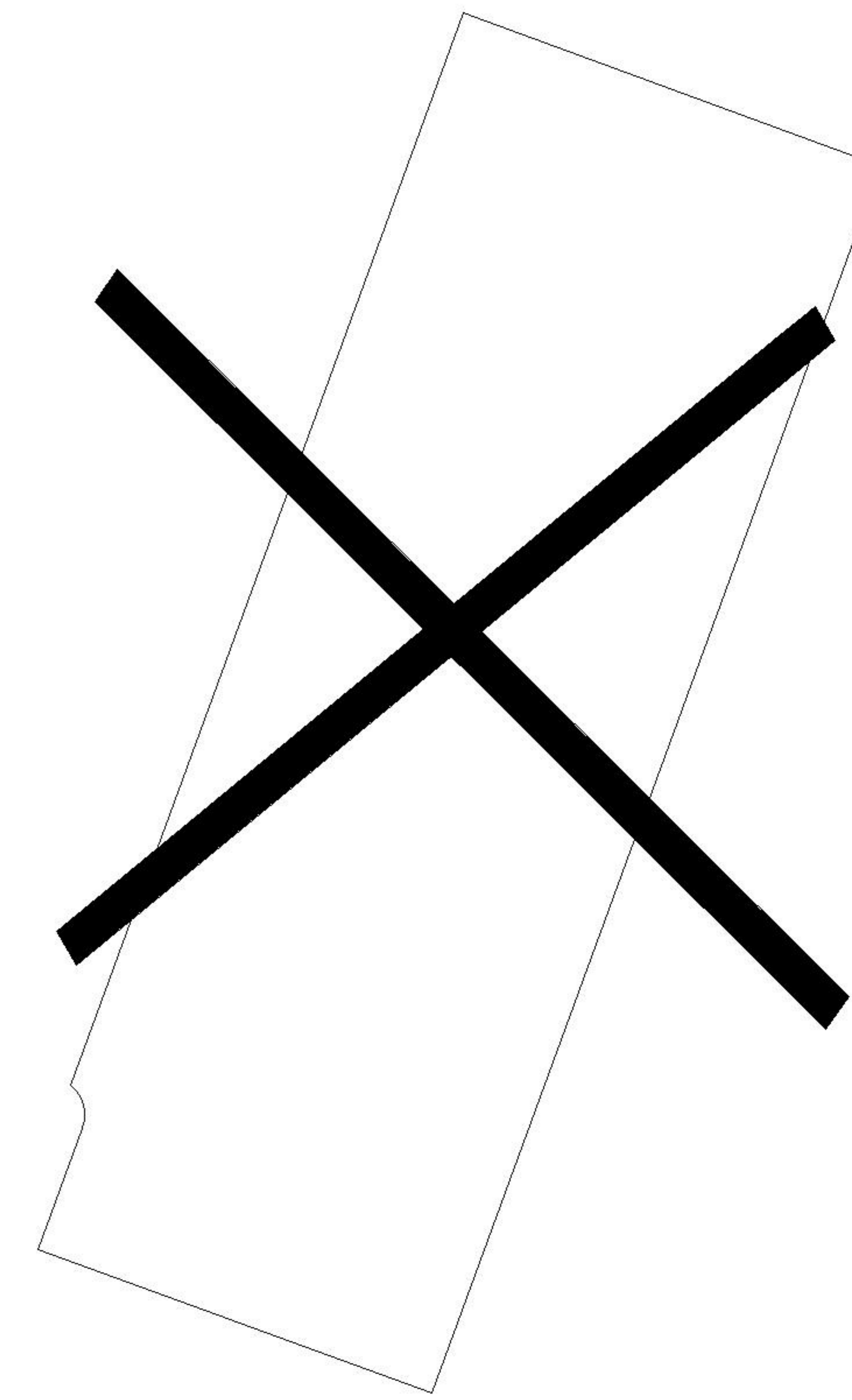
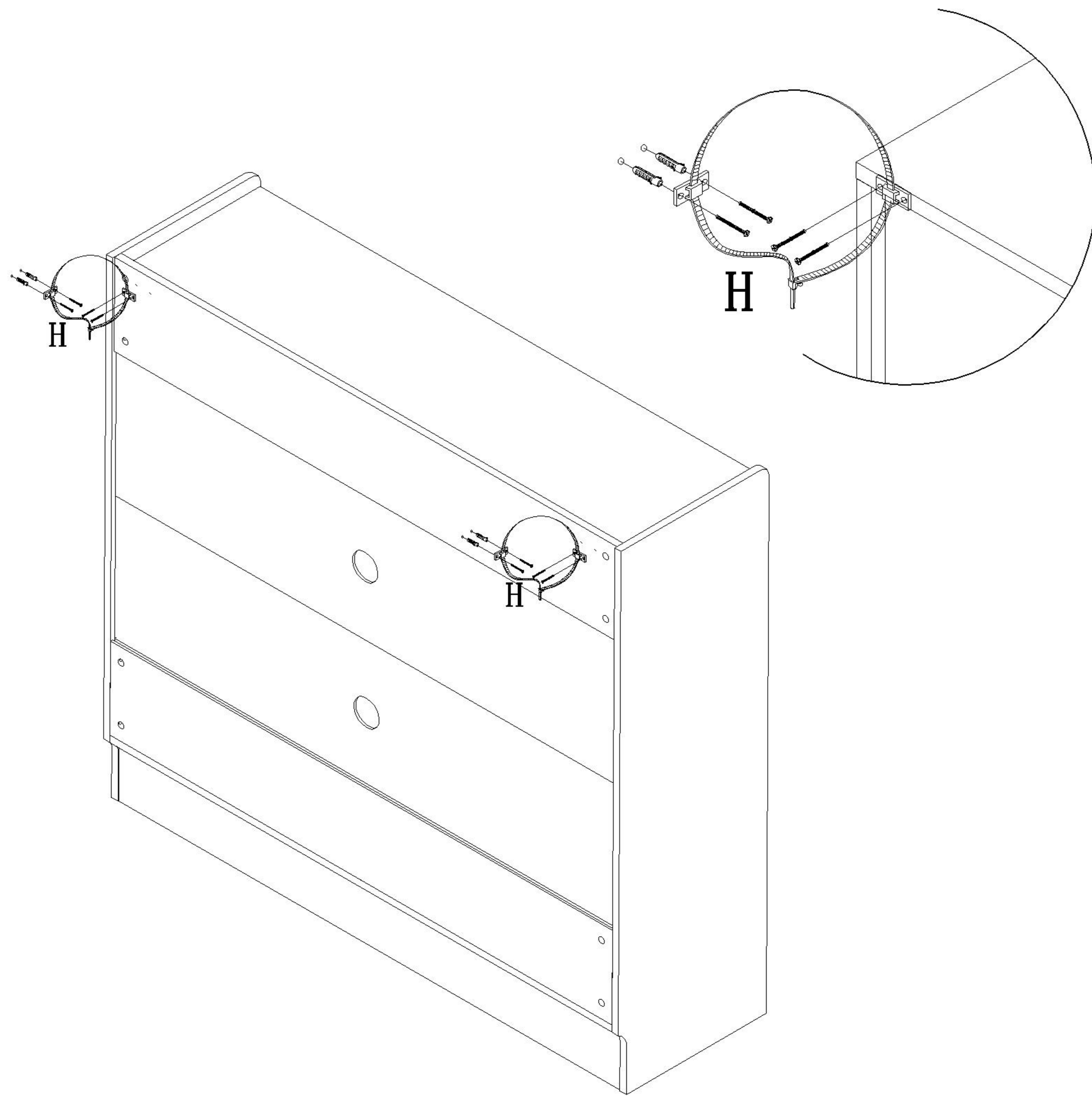


此处缝隙设计为开
启、门板使用
小心夹伤
The gap here is designed
to be open
Use of opening and door
panels
Be careful of pinch
injuries

8

安装方法
Installation method

(H)*2



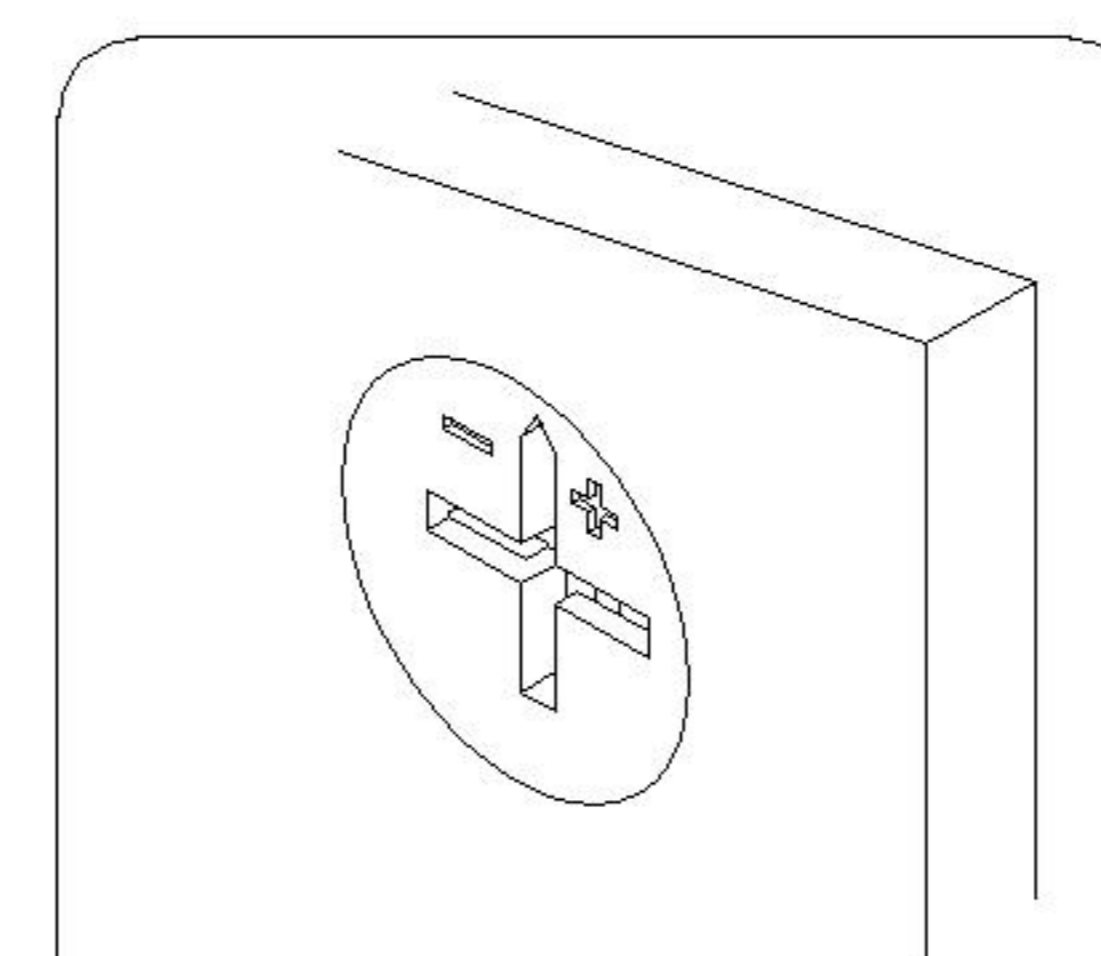
(N)*38

孔位贴使用小贴士

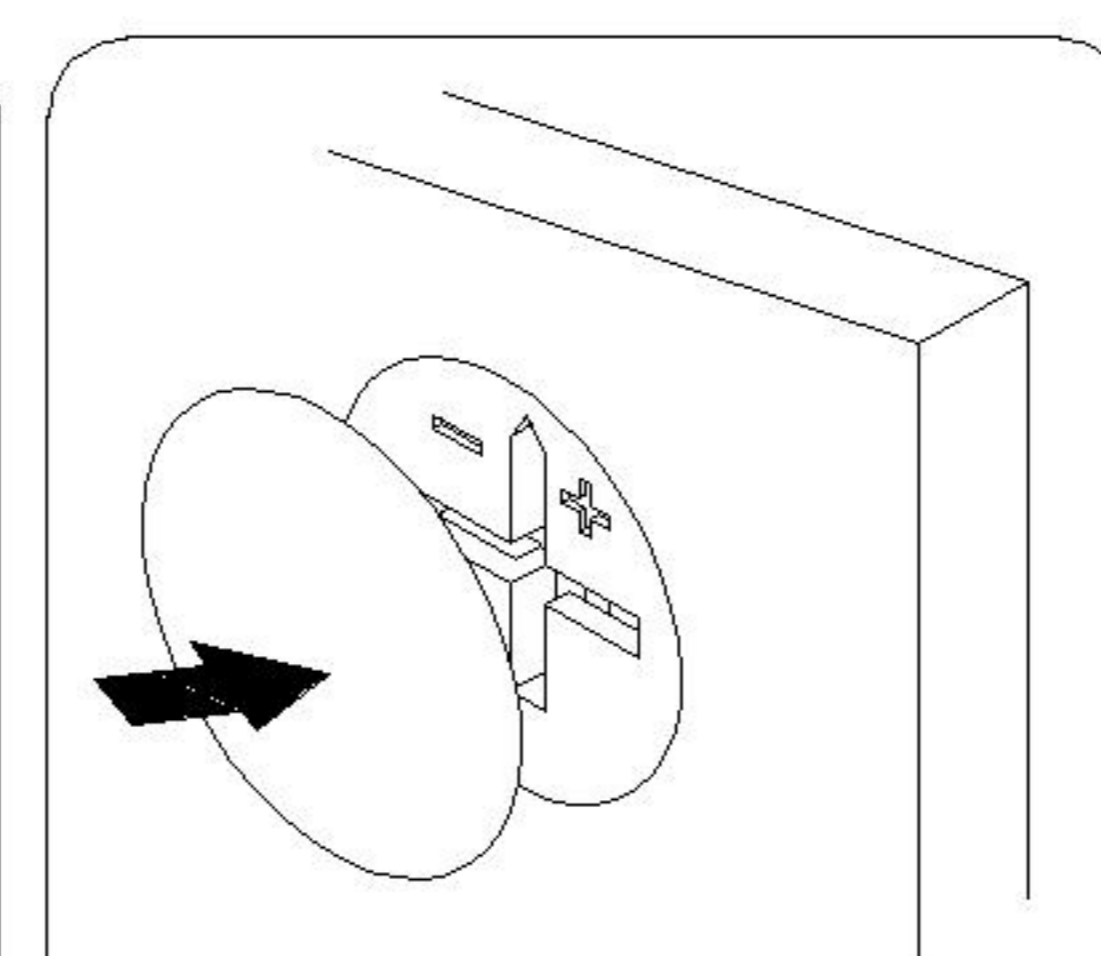
产品安装完成后请贴上孔贴，多出的孔贴请保管好

Tips for using hole stickers:

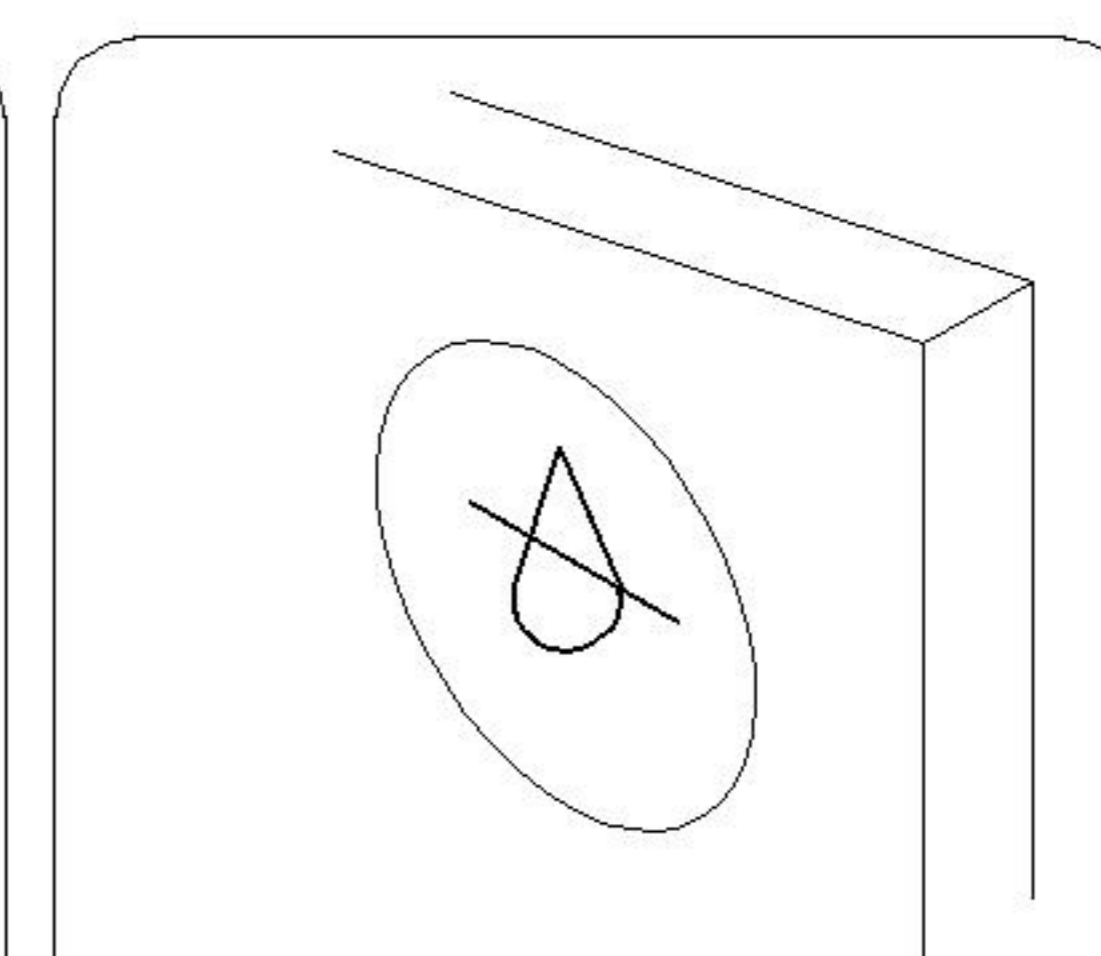
After the product installation is completed, please attach the hole stickers. Please keep any extra hole stickers safe



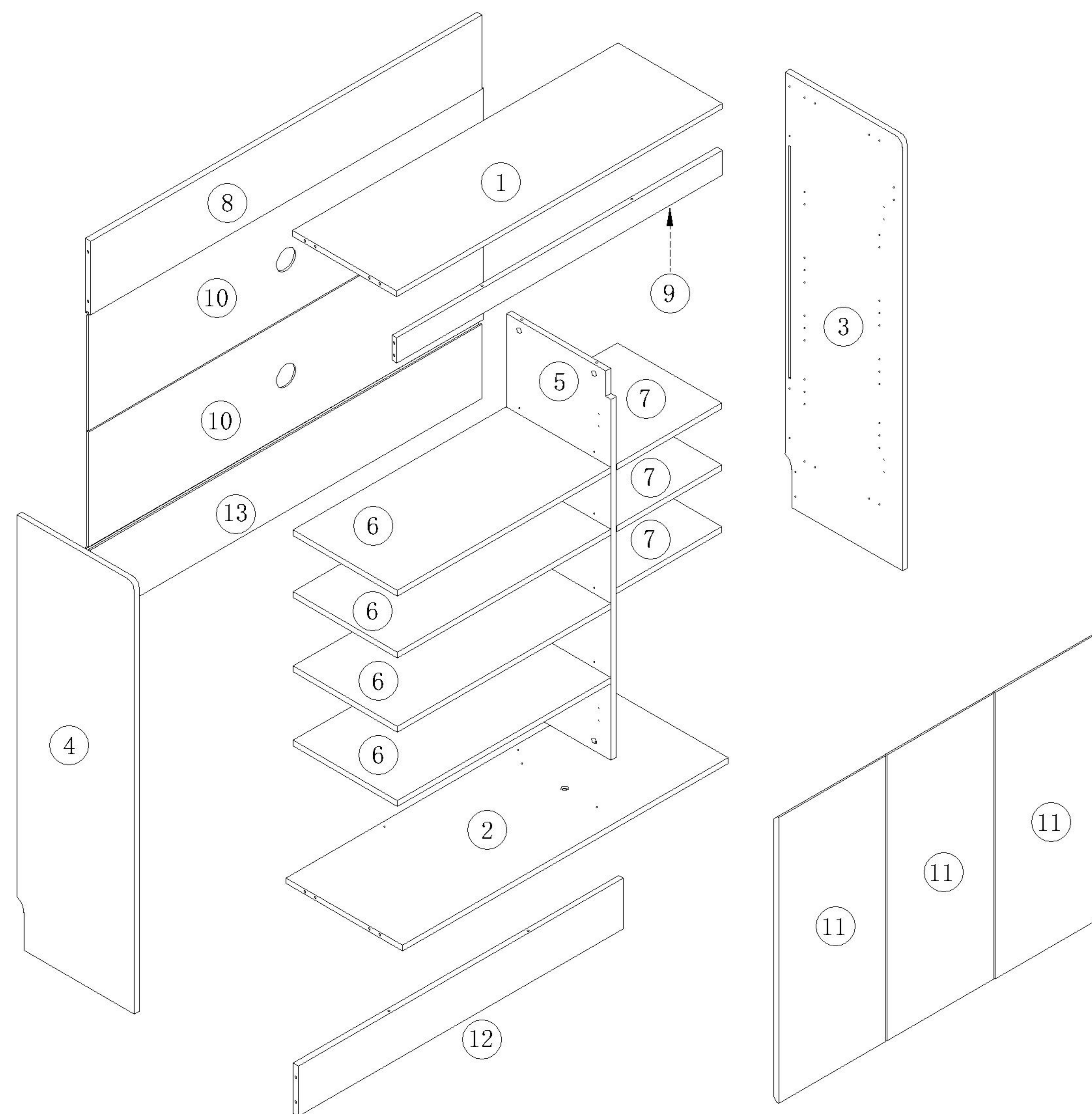
1、擦干净孔位
1、Clean the hole position thoroughly



2、贴上孔贴
2、Attach hole stickers



3、24小时内勿碰水
3、Do not touch water within 24 hours



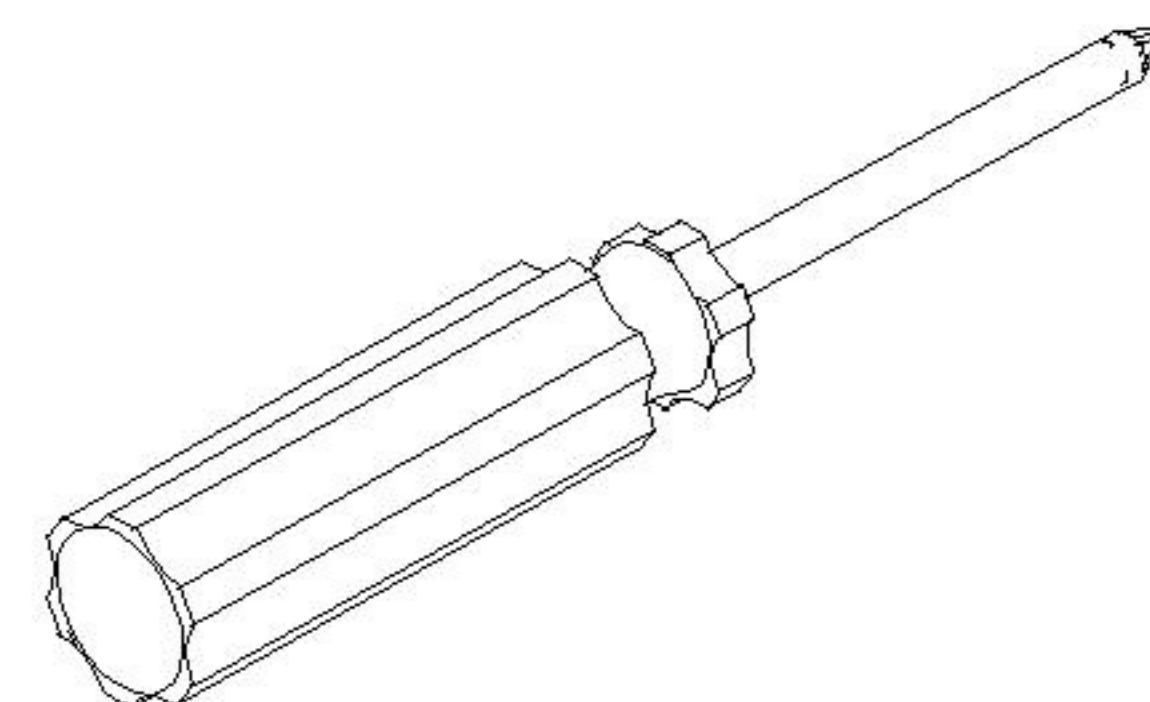
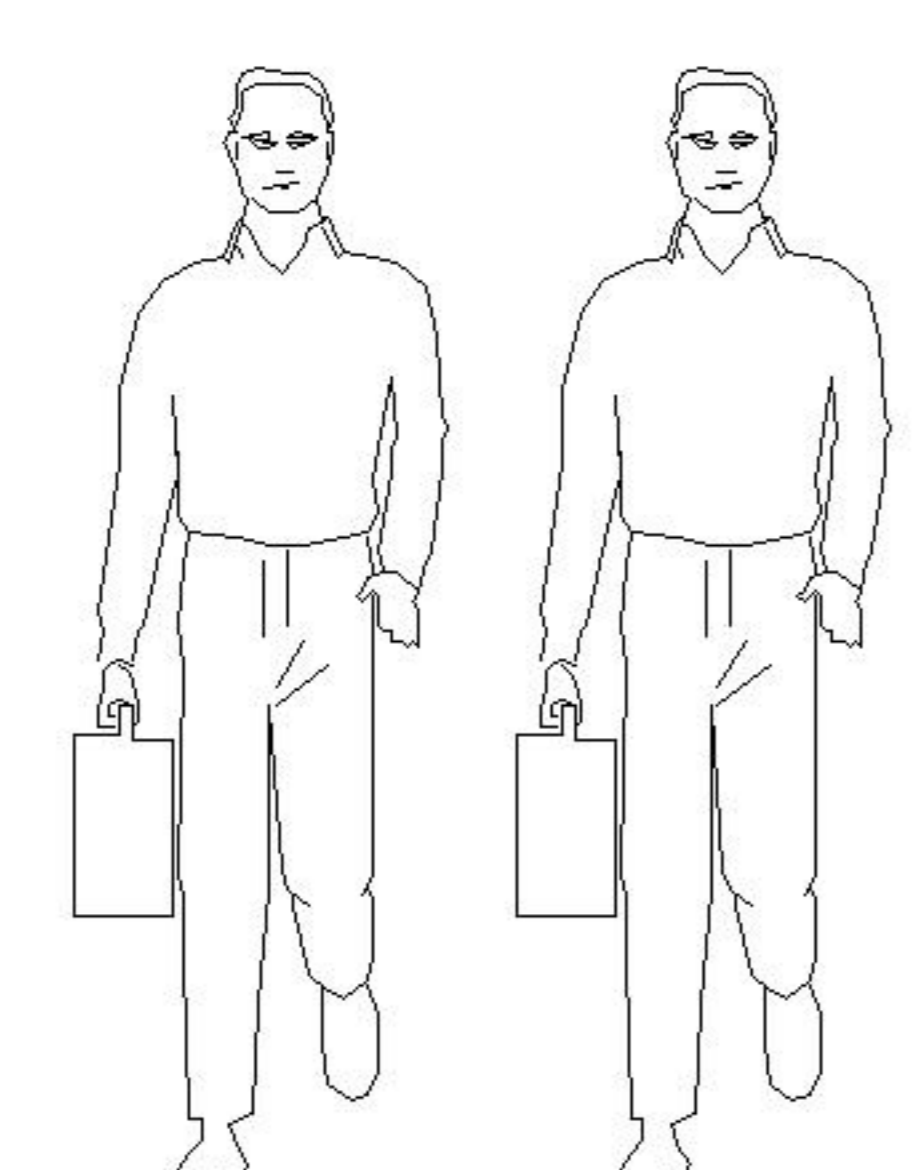
编号NO.	名称Name
①	面板Top panel
②	底板Bottom board
③	右侧板Side board(R)
④	左侧板Side board(L)
⑤	中侧板Middle side board
⑥	大层板Big shelf
⑦	小层板Small shelf
⑧	后拉条Back brace
⑨	前拉条Front brace
⑩	背板Back board
⑪	门板Door board
⑫	下拉条Bottom brace
⑬	拉条2Brace2

LINSY 林氏家居

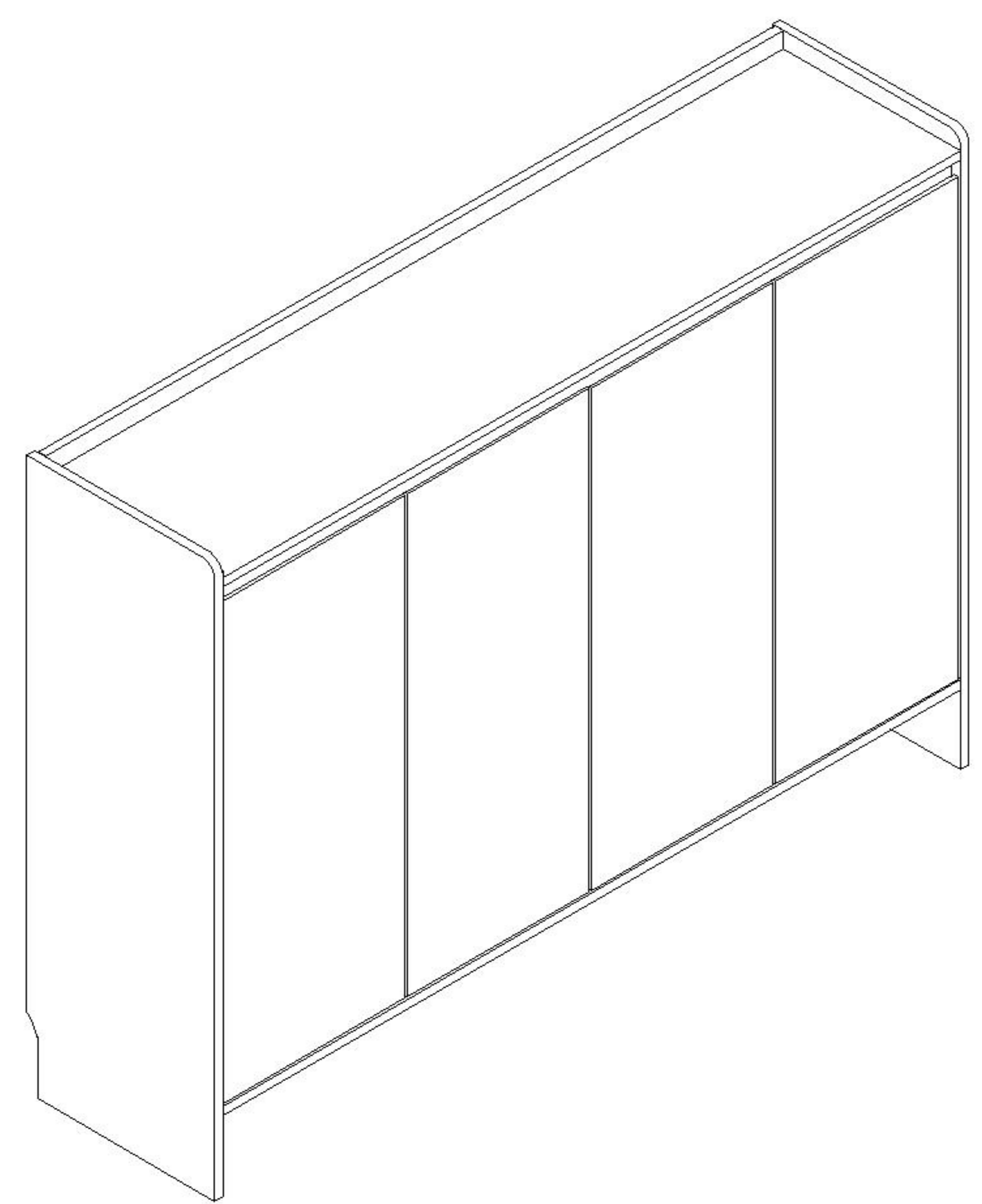
五金表/Hardware list

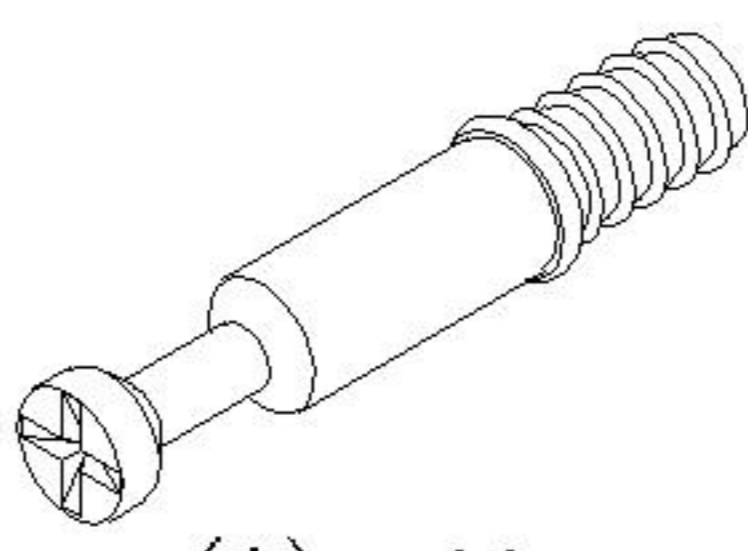
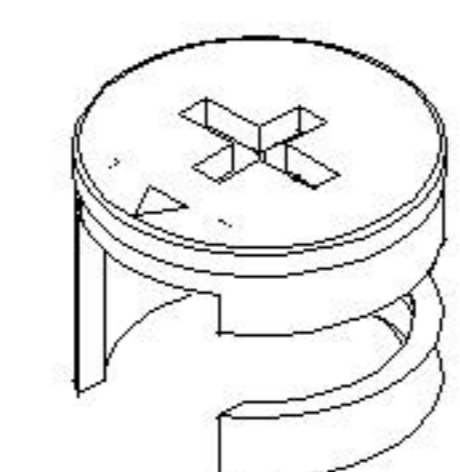
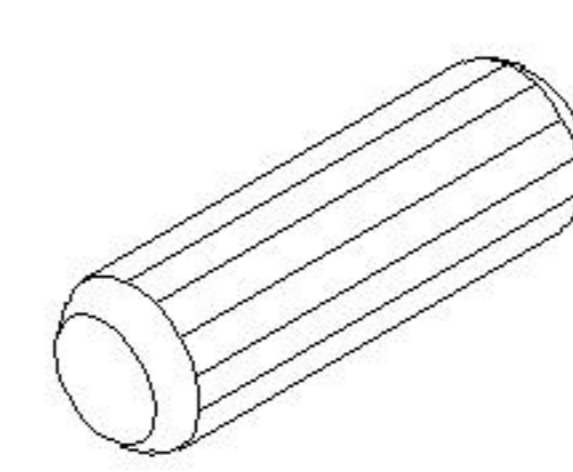
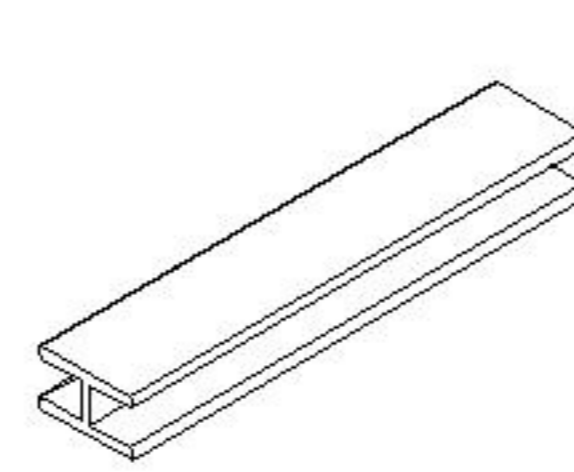
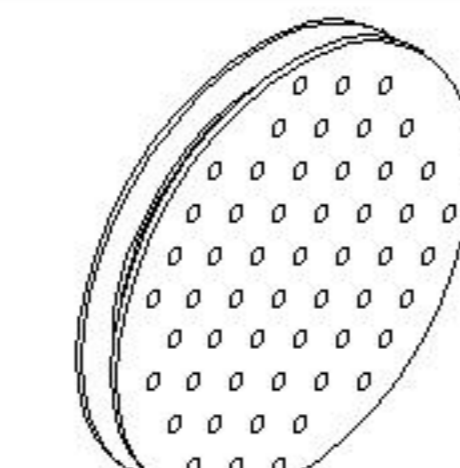

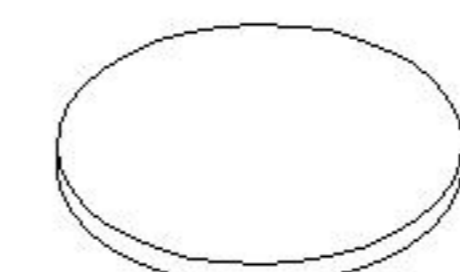
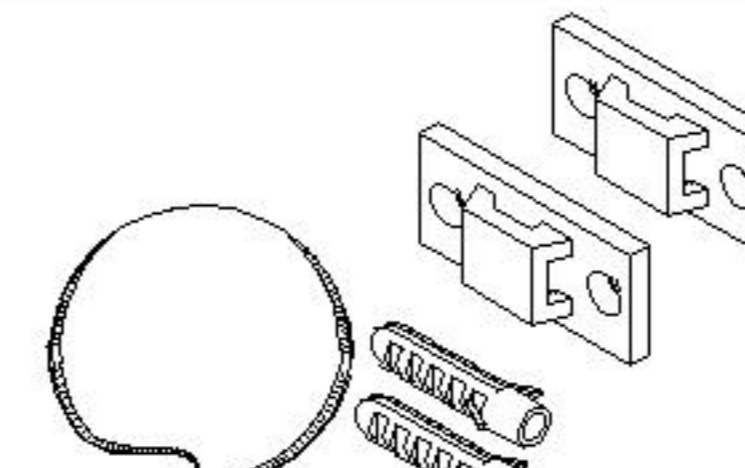
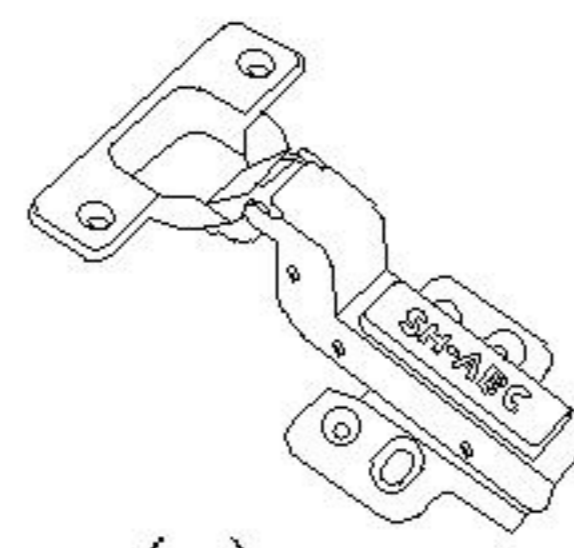
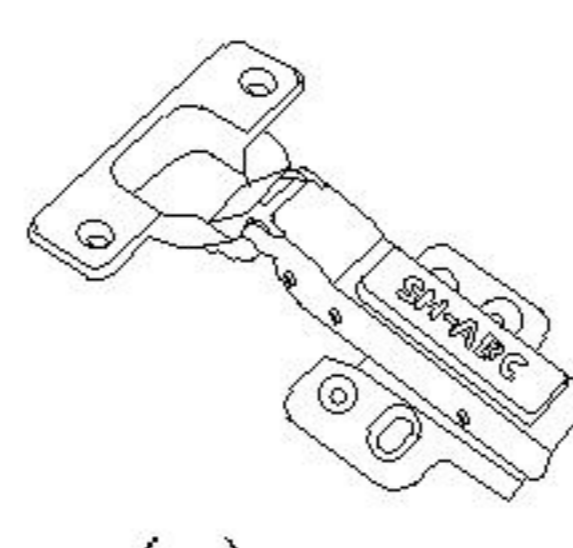
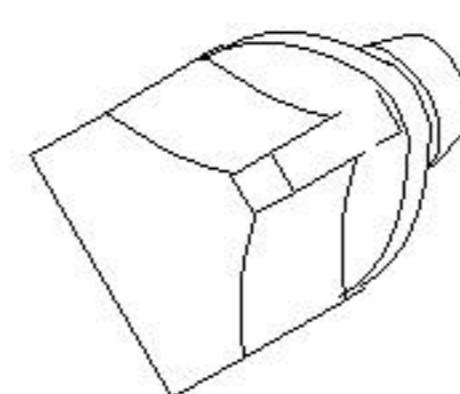
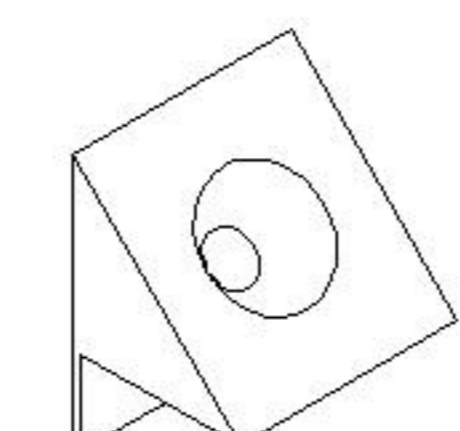
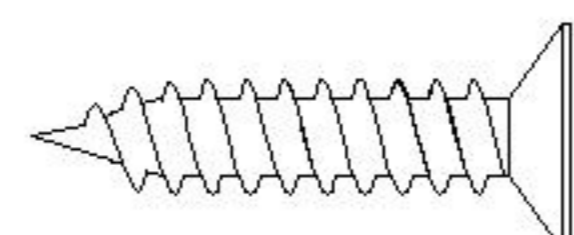
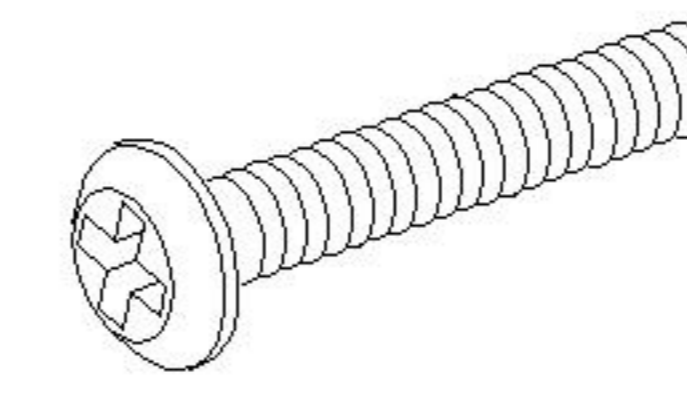

部件表/Parts List

安装示意图/Assembly Instruction

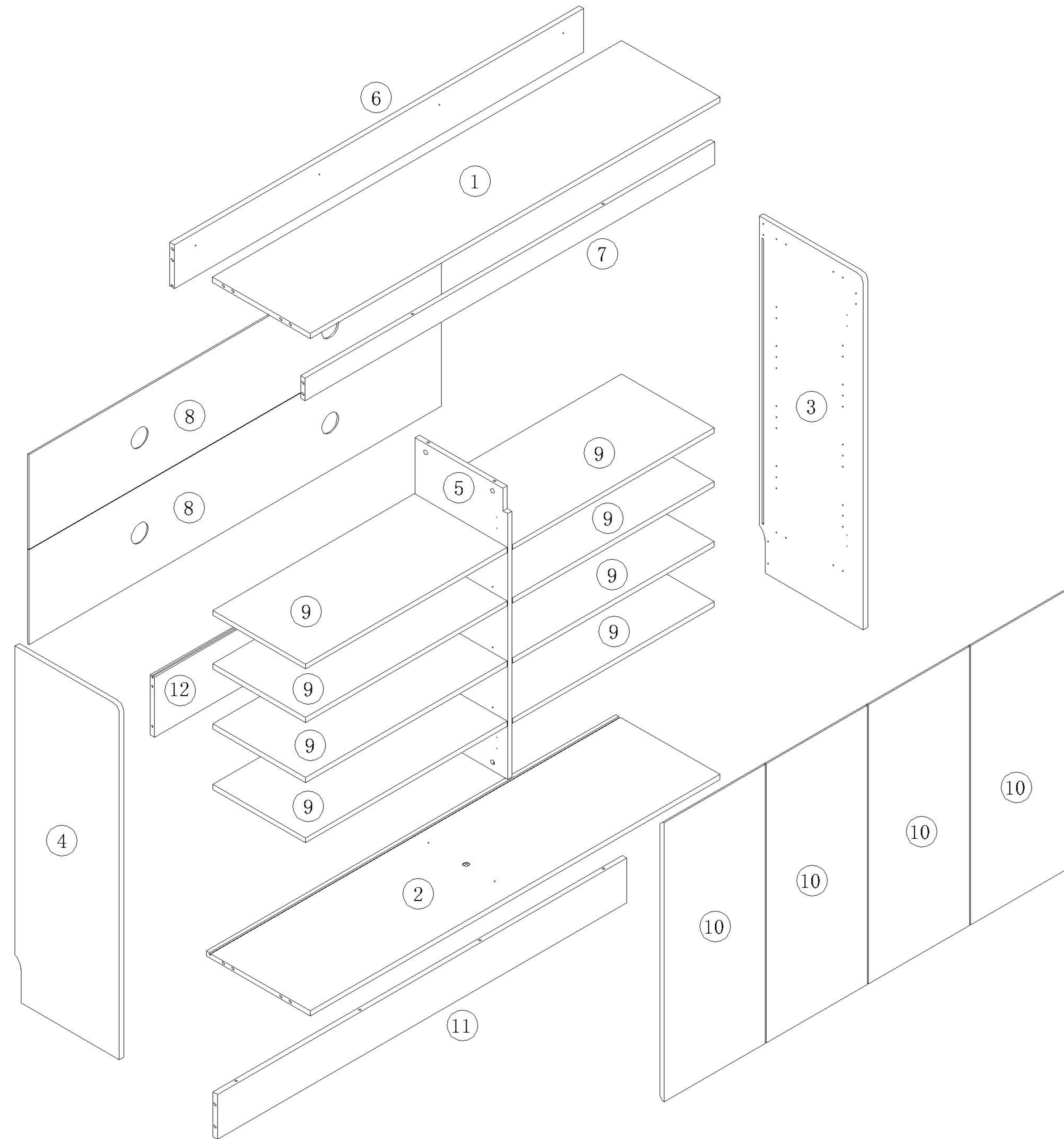
产品名称 Model NO.	OV4N-D 1.4m
产品规格 Specification	1405*350*1031mm
安装工具 Tool	安装人数 Installer
	

注：为保证设计效果，部分尺寸为定制尺寸，不影响使用。



 (A)* 44 二合一螺杆 2-in-1-screw	 (B)* 44 大三合一锁饼 Three-in-one large lock	 (C)* 8 木榫08x30mm wood tenon	 (D)* 1 夹板条-L=1374 splint strip
 (E)* 4 透气孔盖 Vent cover	 (F)* 1 铁中脚 Iron foot	 (G)* 7 脚垫-灰色 Footrest - Grey	 (H)* 2 家具防倒器-白色 Anti-fall device white
 (I)* 4 缓冲门铰大弯-杯径035 Hinge-big bends-diameter 35	 (J)* 4 缓冲门铰中弯-杯径035 Hinge-middle bending 35	 (K)* 32 三角层板托 Triangular shelf support	 (L)* 13 背板扣 Back Plate Buckle-White
 (M)* 13 自攻螺丝M3.5x16mm Self-tapping screw	 (N)* 1 斜边十字螺杆-M8x30 bevel cross screw	 (O)* 44 PVC孔贴 PVC hole sticker	

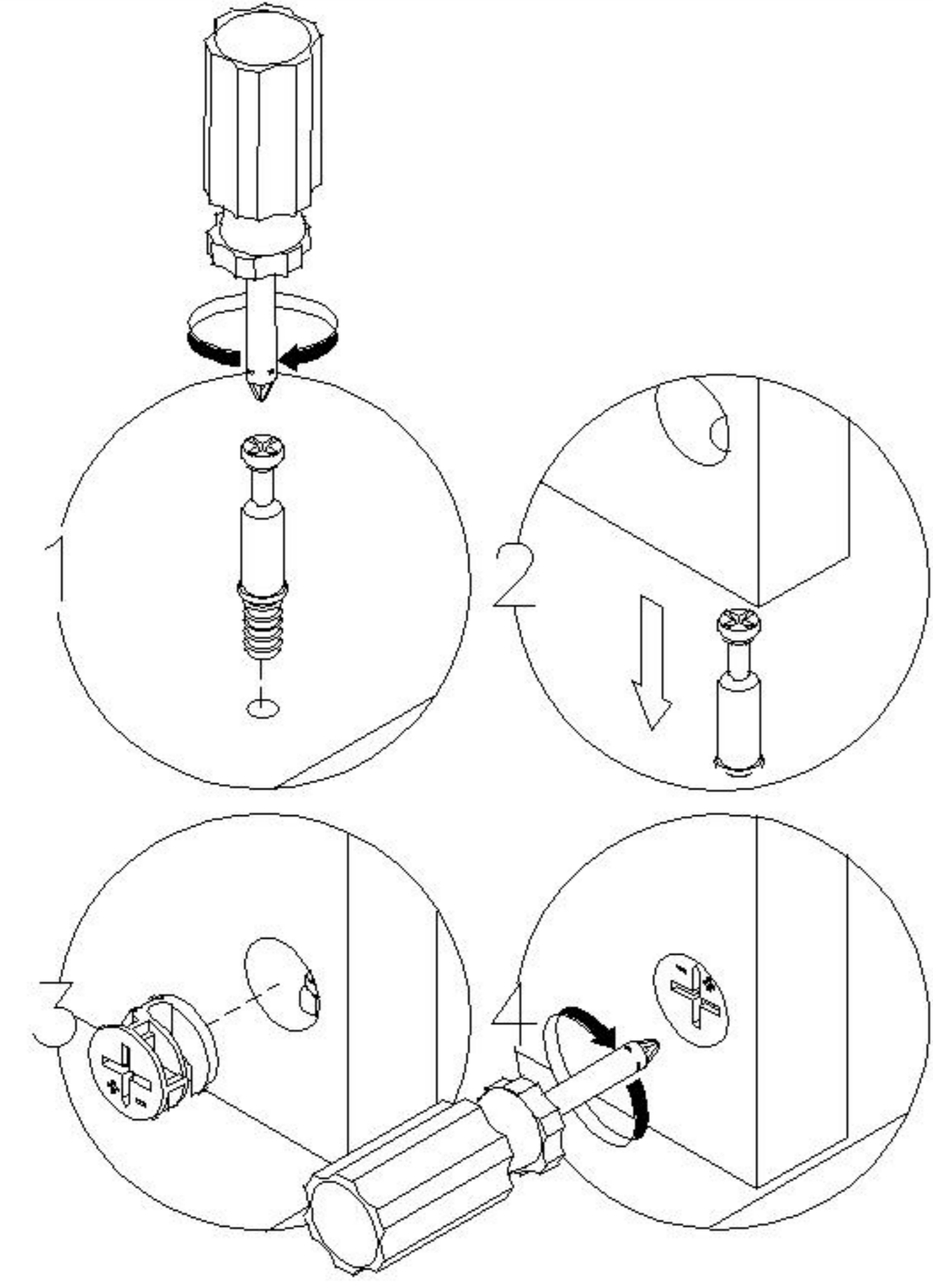
编号NO.	名称Name	规格 (mm) Specification	数量QTY	材质Material
①	面板Top panel	1375*329*15	1	刨花板 Particle board
②	底板Bottom board	1375*349*15	1	刨花板 Particle board
③	右侧板Side board (R)	1028*350*15	1	刨花板 Particle board
④	左侧板Side board (L)	1028*350*15	1	刨花板 Particle board
⑤	中隔板Middle clapboard	838*312*15	1	刨花板 Particle board
⑥	后拉条Back brace	1375*192*15	1	刨花板 Particle board
⑦	前拉条Front brace	1375*65*15	1	刨花板 Particle board
⑧	背板Back board	1385*253*5	2	纤维板 Fiberboard
⑨	活动层板Movable shelf	678*312*15	8	刨花板 Particle board
⑩	门板Door board	811*340*15	4	刨花板 Particle board
⑪	下拉条Bottom brace	1375*130*15	1	刨花板 Particle board
⑫	拉条2Brace 2	1375*192*15	1	刨花板 Particle board



编号NO.	名称Name
①	面板Top panel
②	底板Bottom board
③	右侧板Side board(R)
④	左侧板Side board(L)
⑤	中隔板Middle clapboard
⑥	后拉条Back brace
⑦	前拉条Front brace
⑧	背板Back board
⑨	活动层板Movable shelf
⑩	门板Door board
⑪	下拉条Bottom brace
⑫	拉条2Brace 2

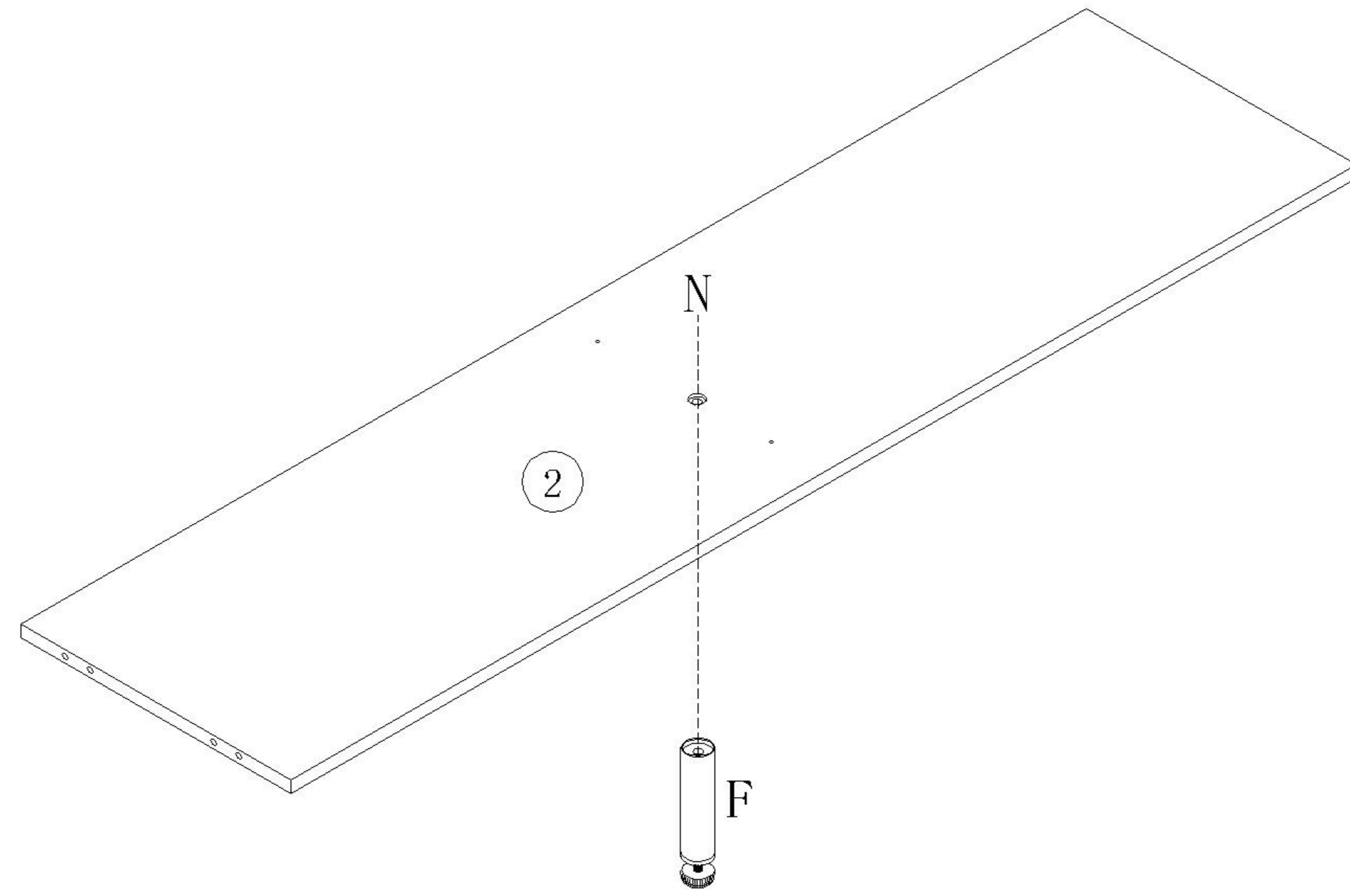
OV4N-D 1.4m

安装方法 Installation method

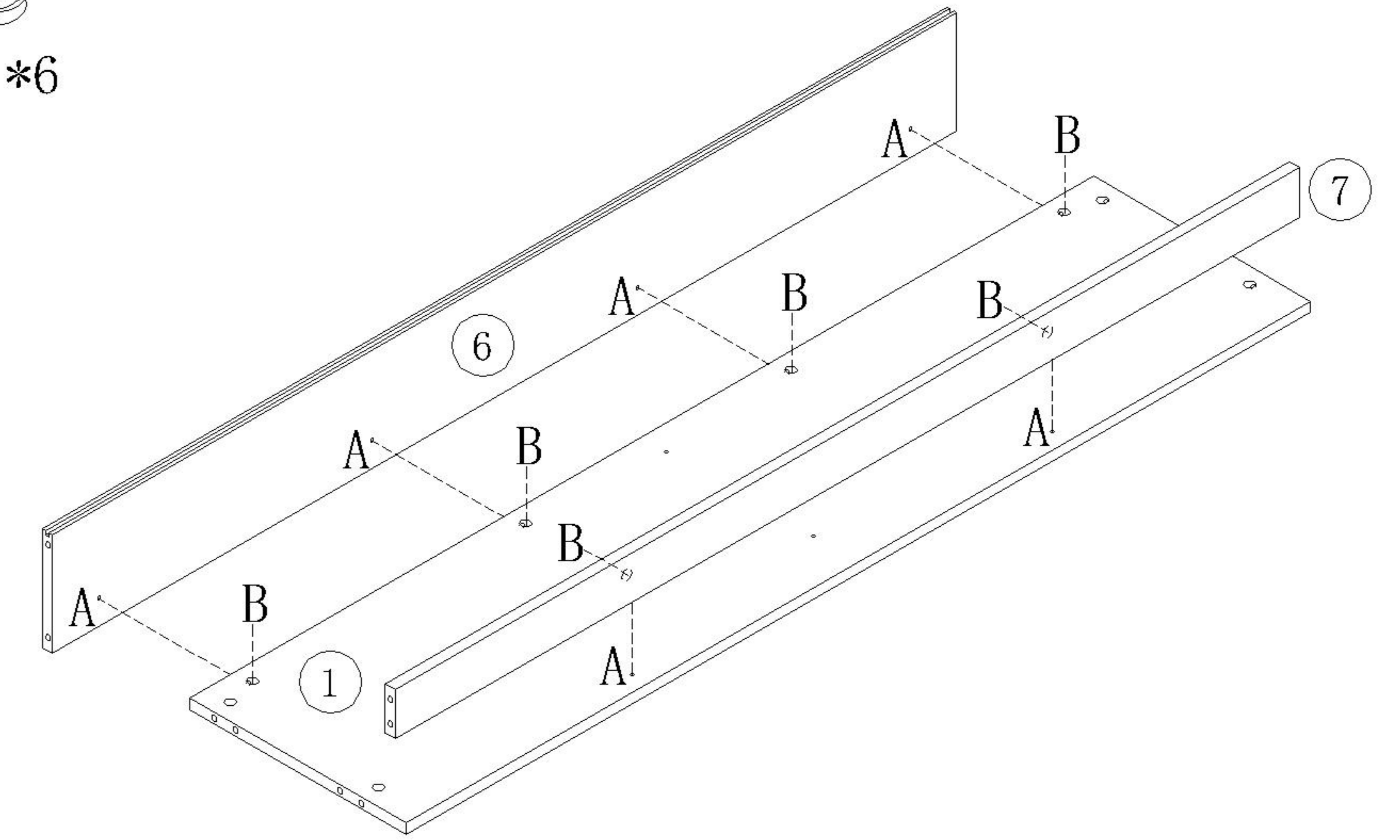


二合一
two-in-one

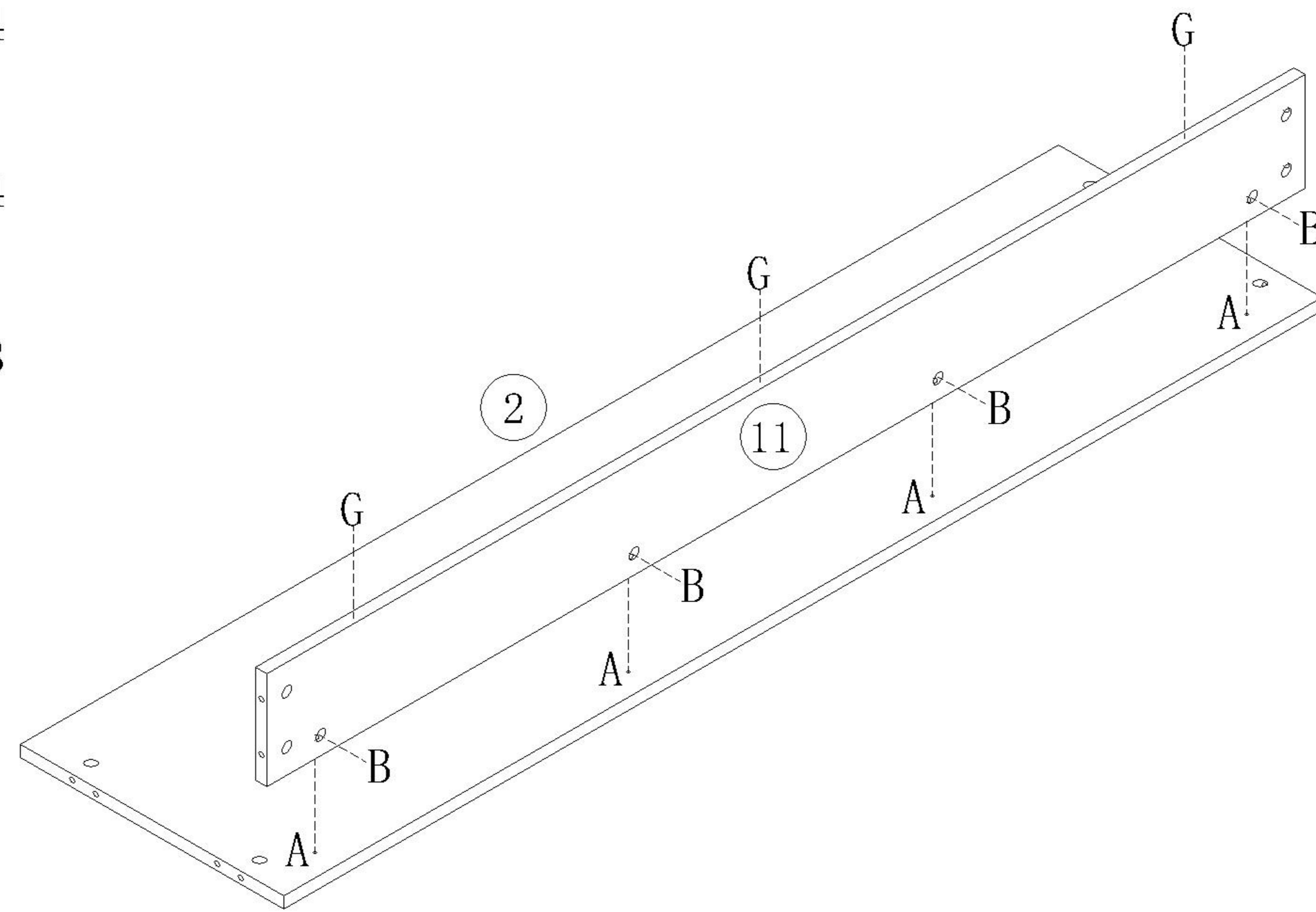
- (F)*1
- (N)*1



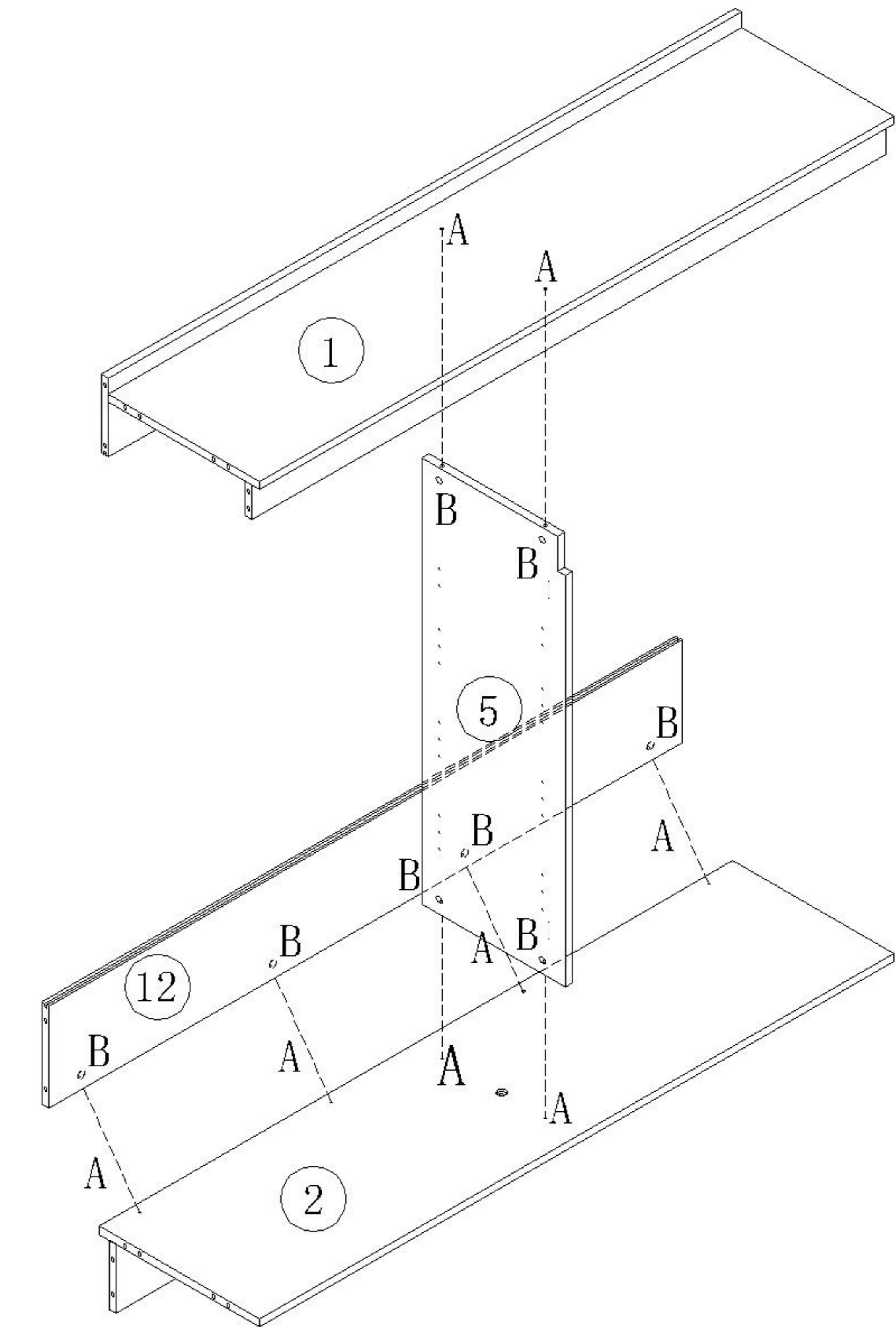
- (A)*6
- (B)*6



- (A)*4
- (B)*4
- (G)*3

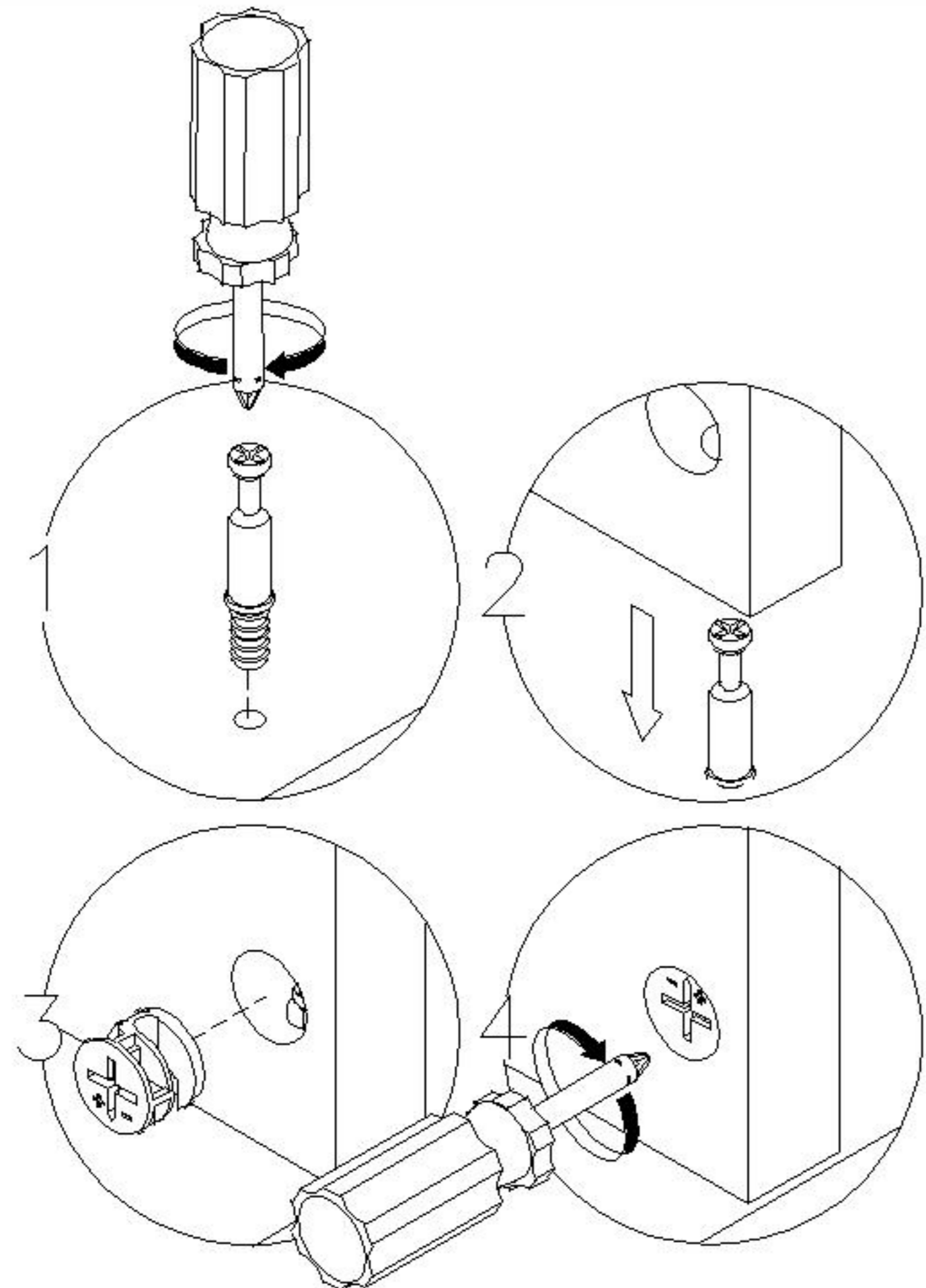


- (A)*8
- (B)*8



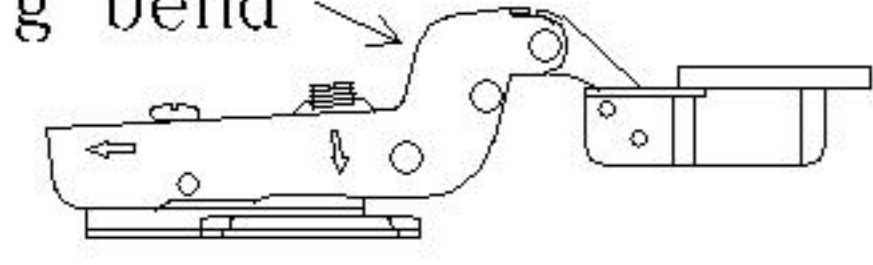
OV4N-D 1.4m

安装方法 Installation method

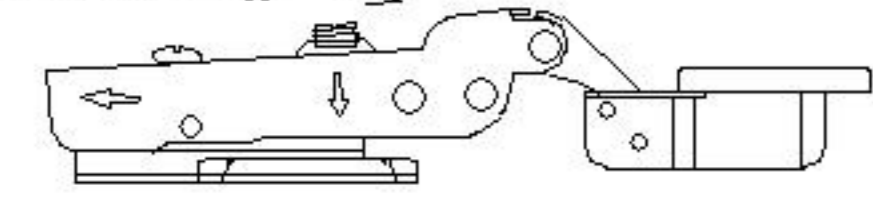


二合一
two-in-one

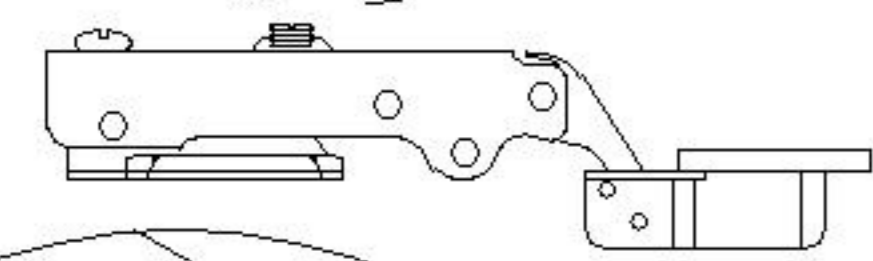
大弯big bend



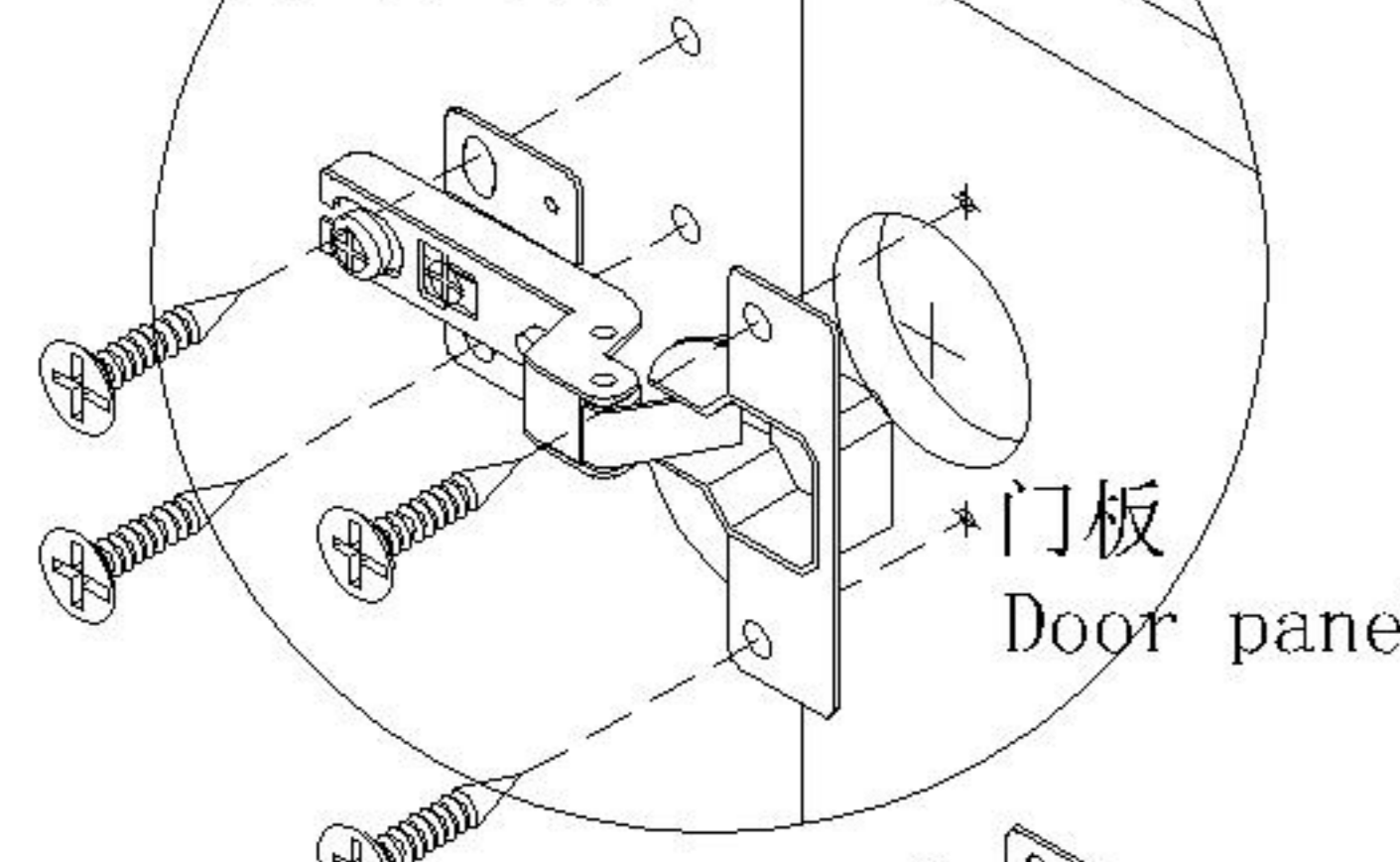
中弯middle bending



直弯straight bending



侧板
side board



门板
Door panel

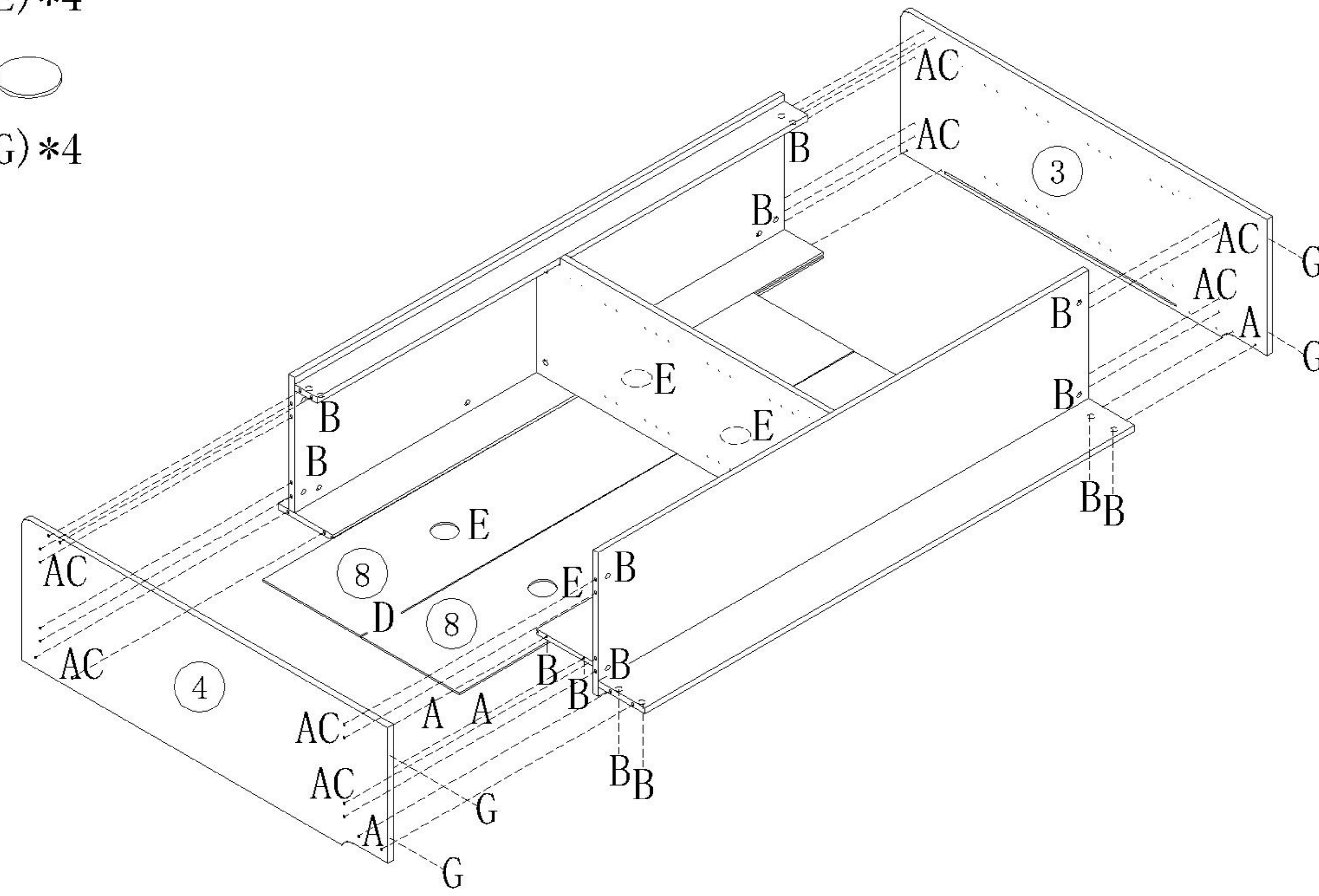
调节上下
Adjust up and down

调节左右
Adjust left and right

调节前后
Before and after adjustment

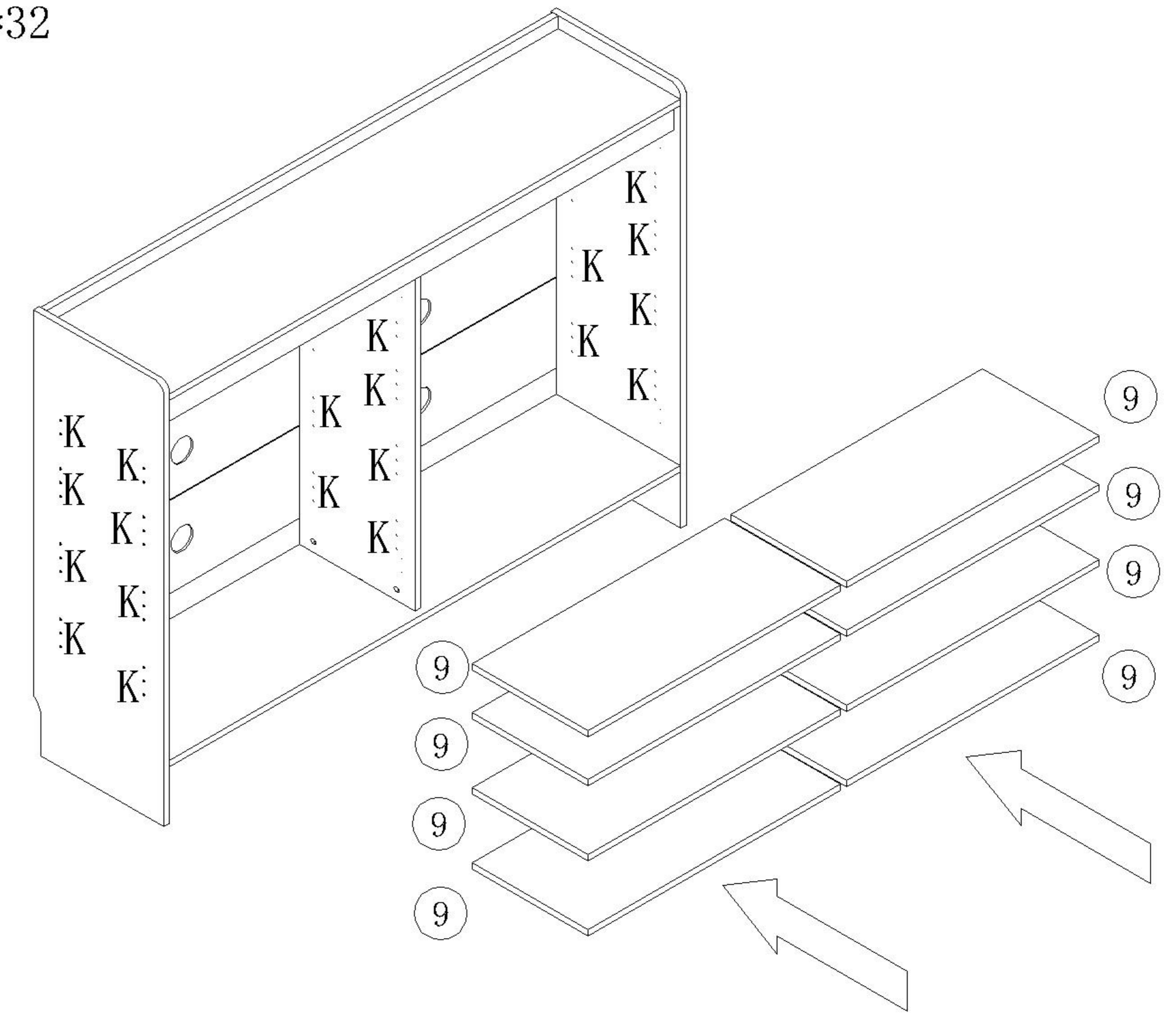
门铰
Hinge

- (A)*24 (E)*4
- (B)*24 (G)*4
- (D)*1
- (C)*8



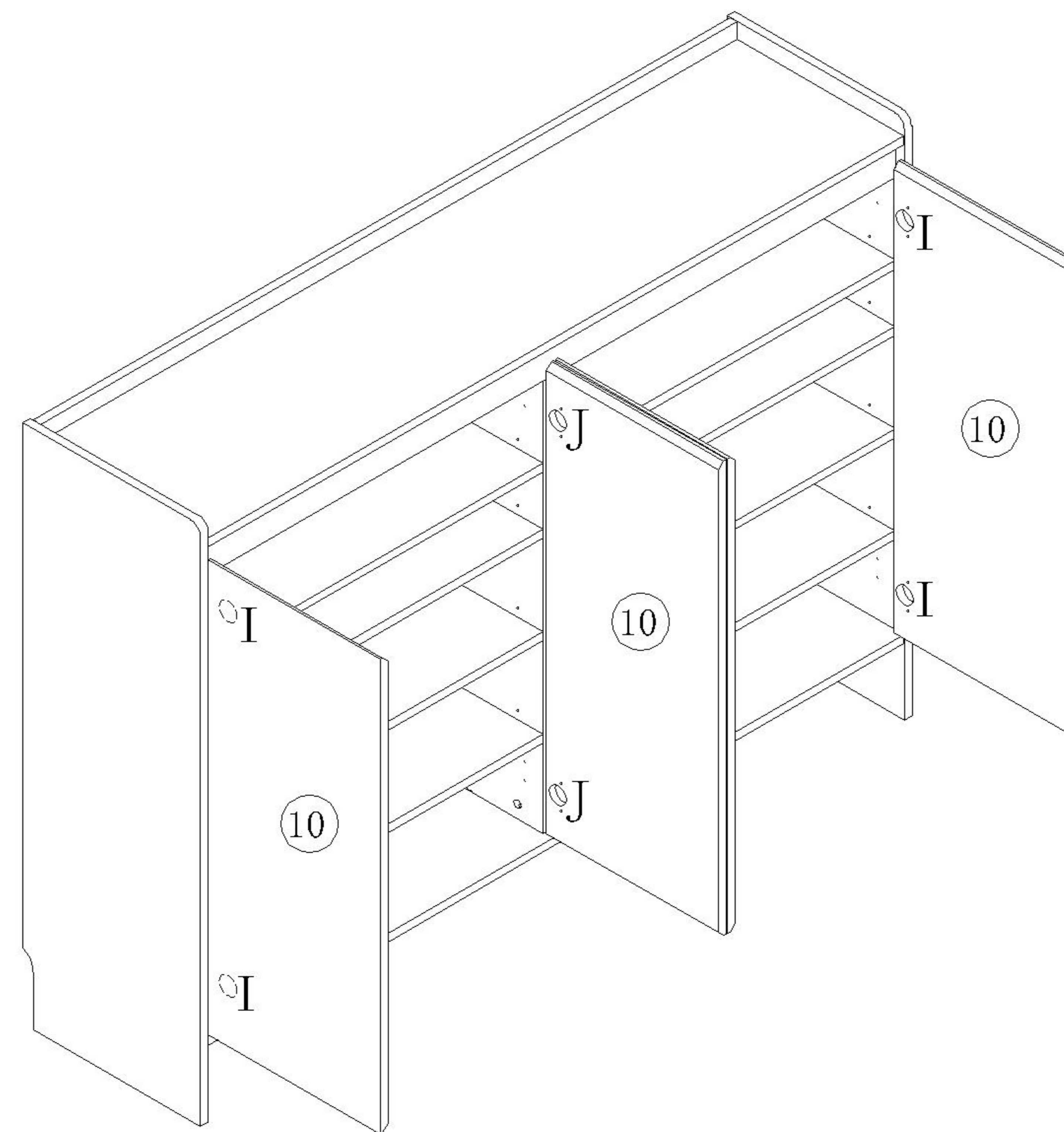
5

(K)*32



6

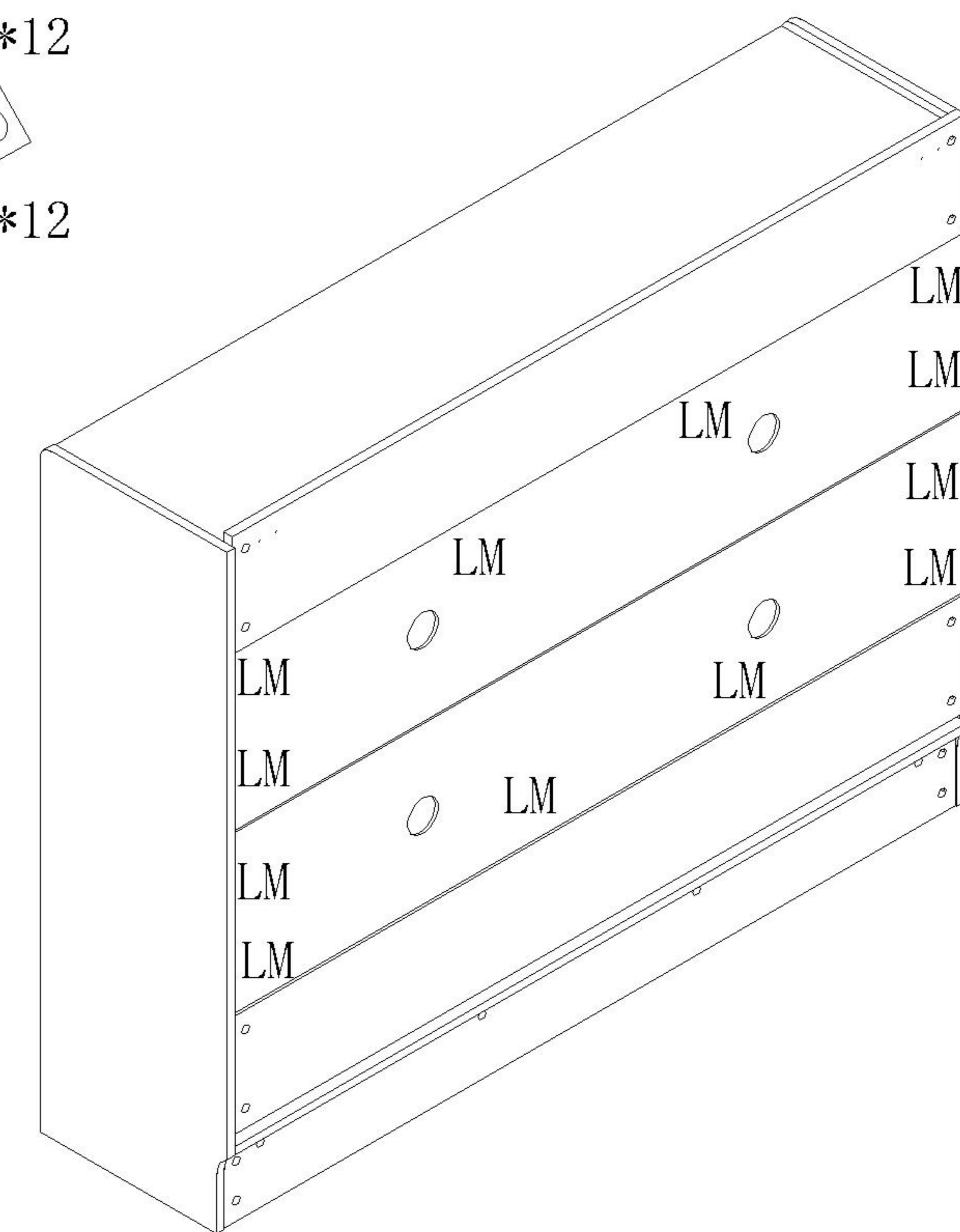
- (I)*4
- (J)*4



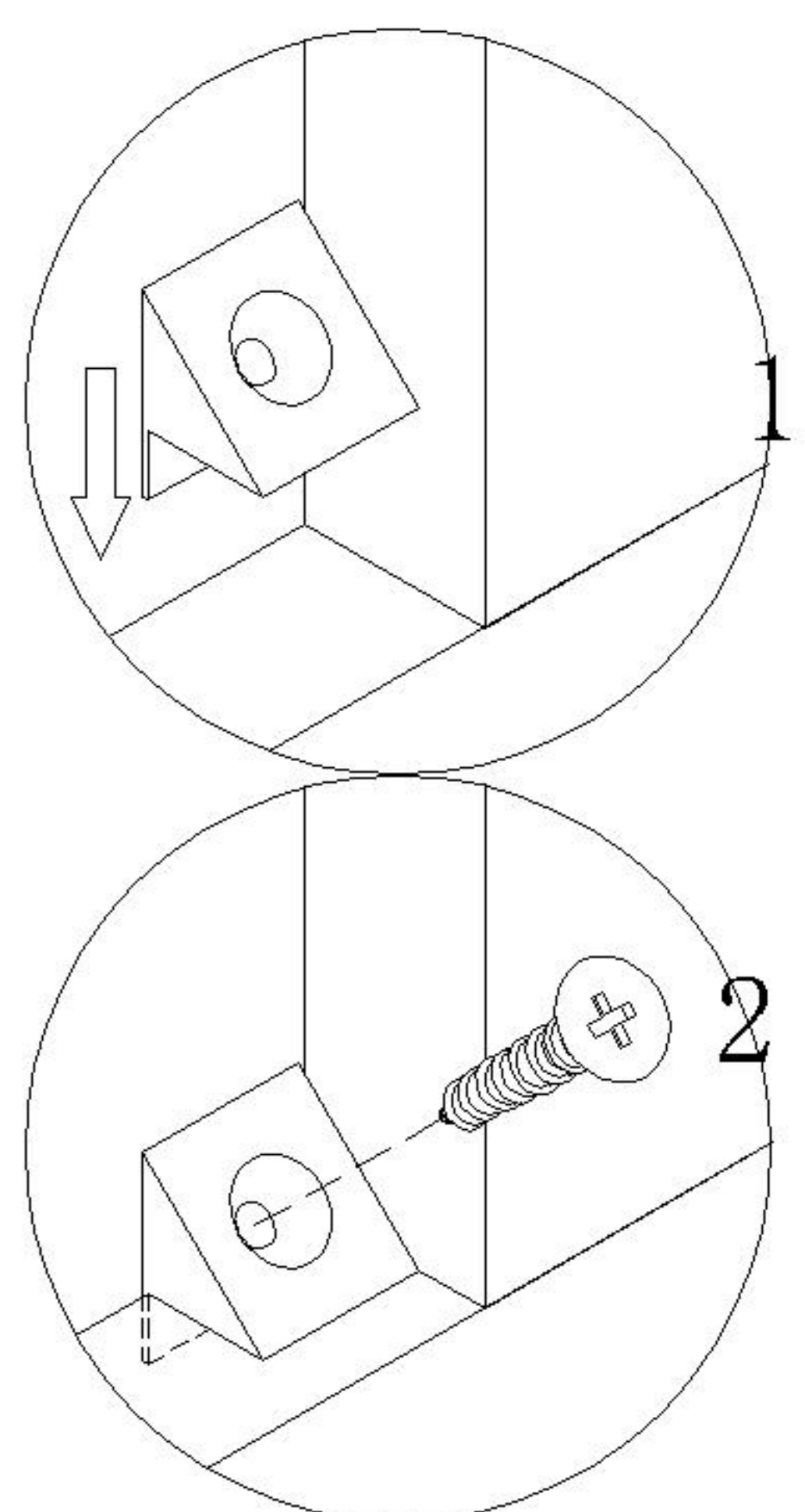
7

(M)*12

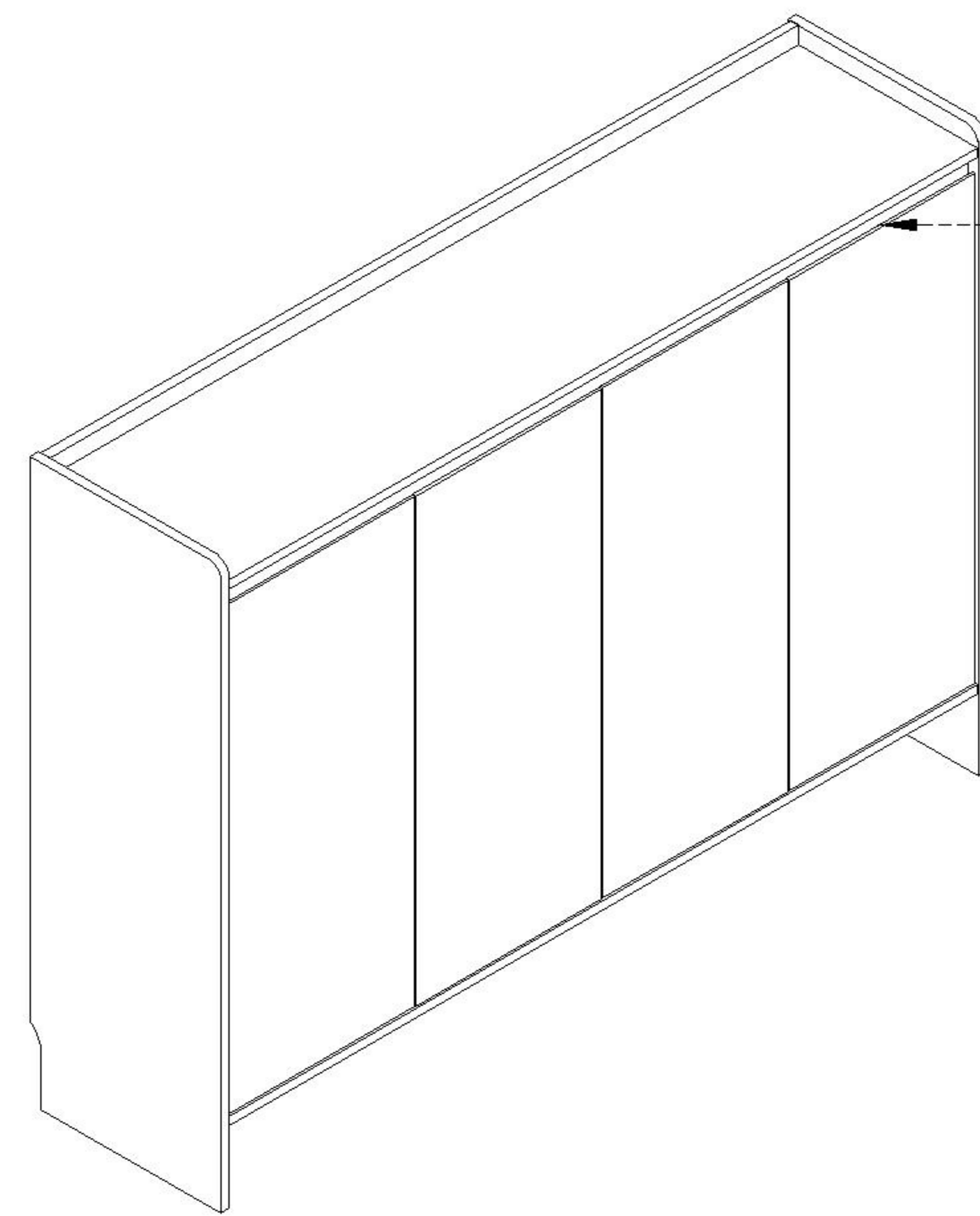
(L)*12



8

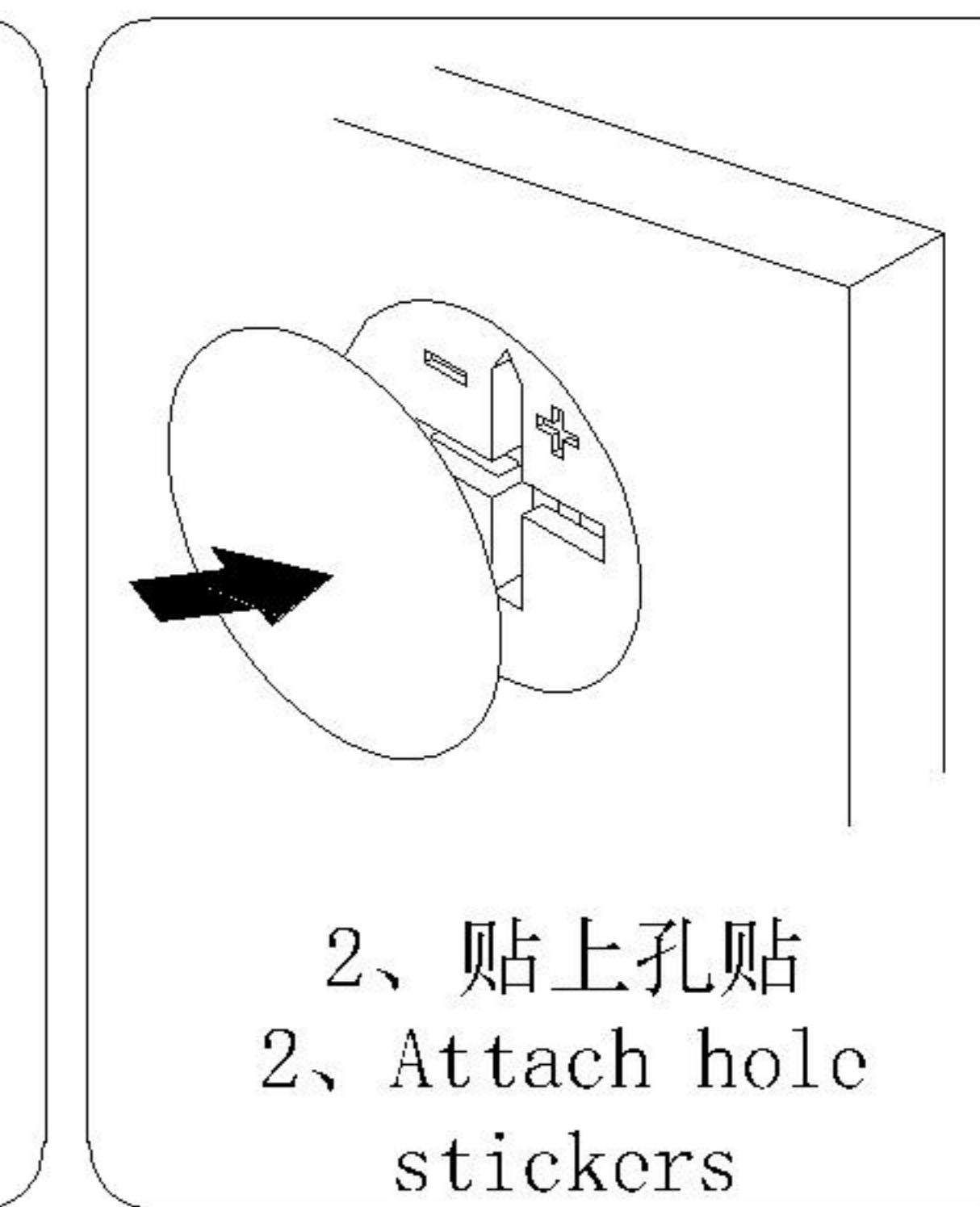
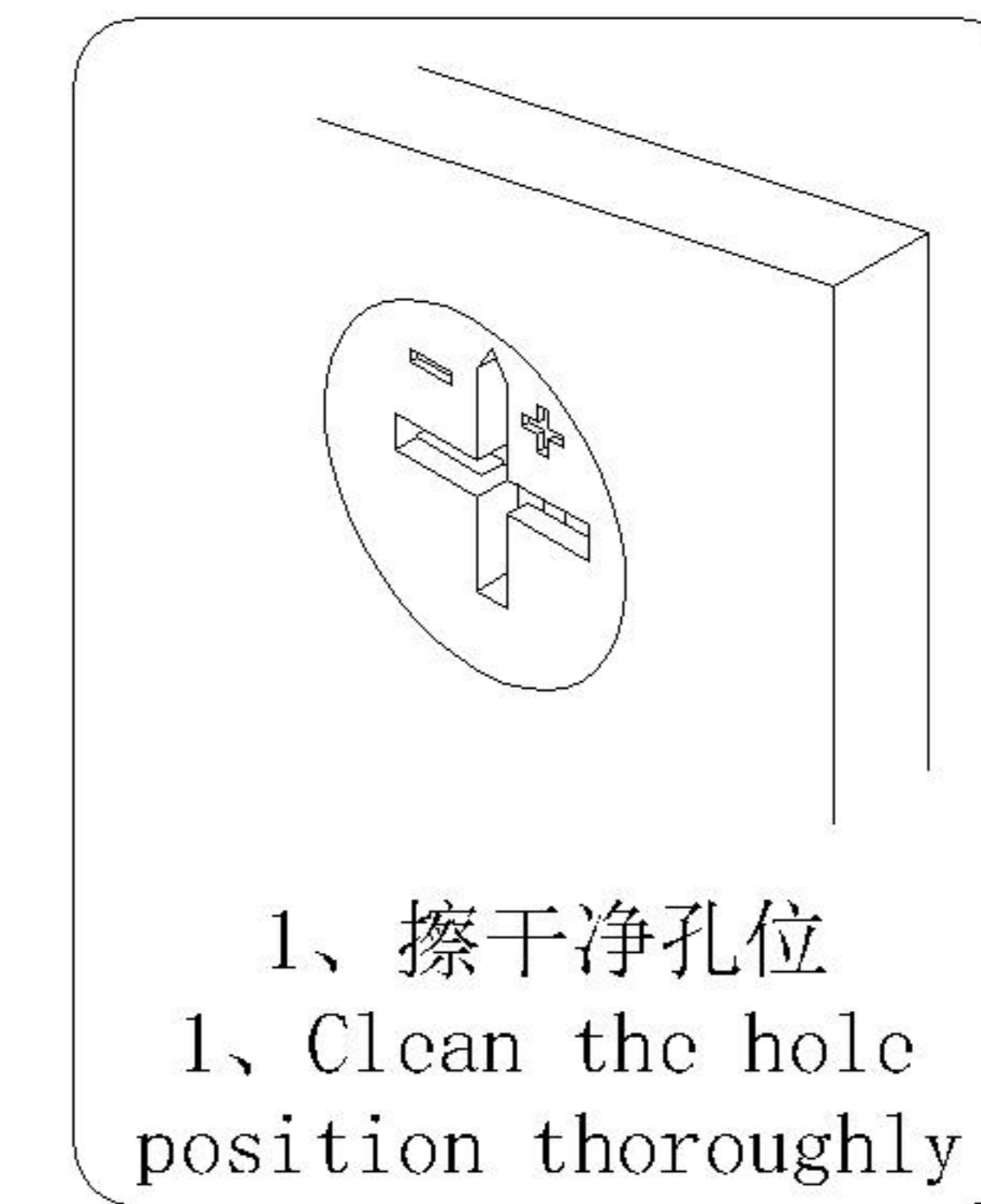


安装方法 Installation method



此处缝隙设计为开
启、门板使用
小心夹伤
The gap here is designed
to be open
Use of opening and door
panels
Be careful of pinch
injuries

孔位贴使用小贴士
产品安装完成后请贴上孔贴，多出的孔贴请保管好
Tips for using hole stickers:
After the product installation is completed, please attach
the hole stickers. Please keep any extra hole stickers safe



(H)*2

