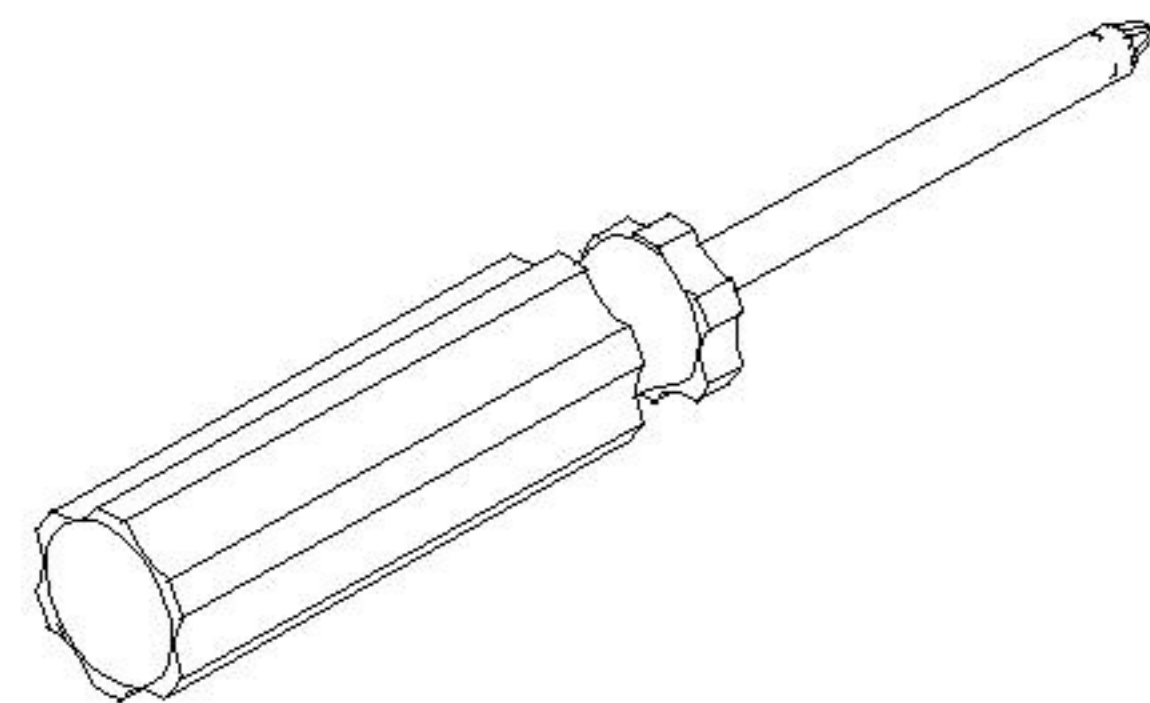
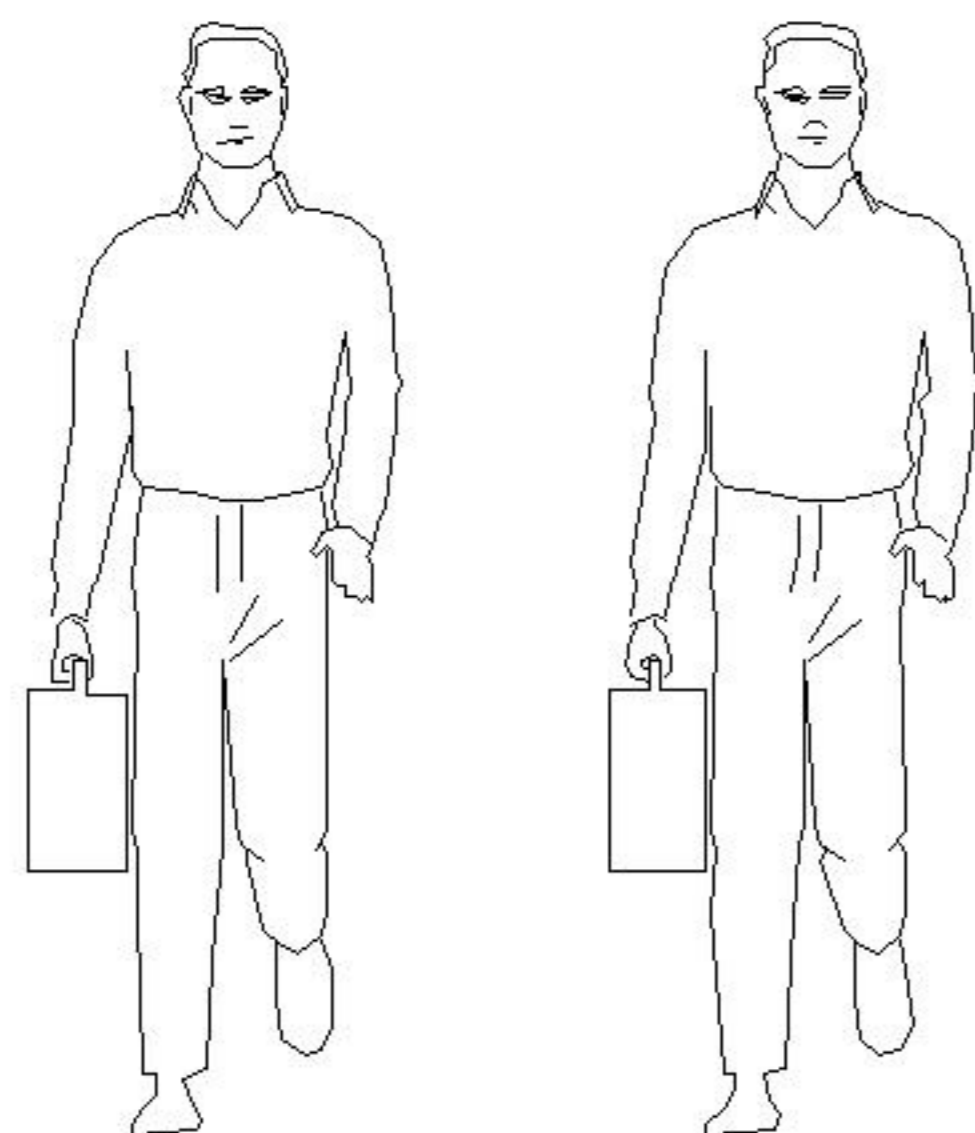
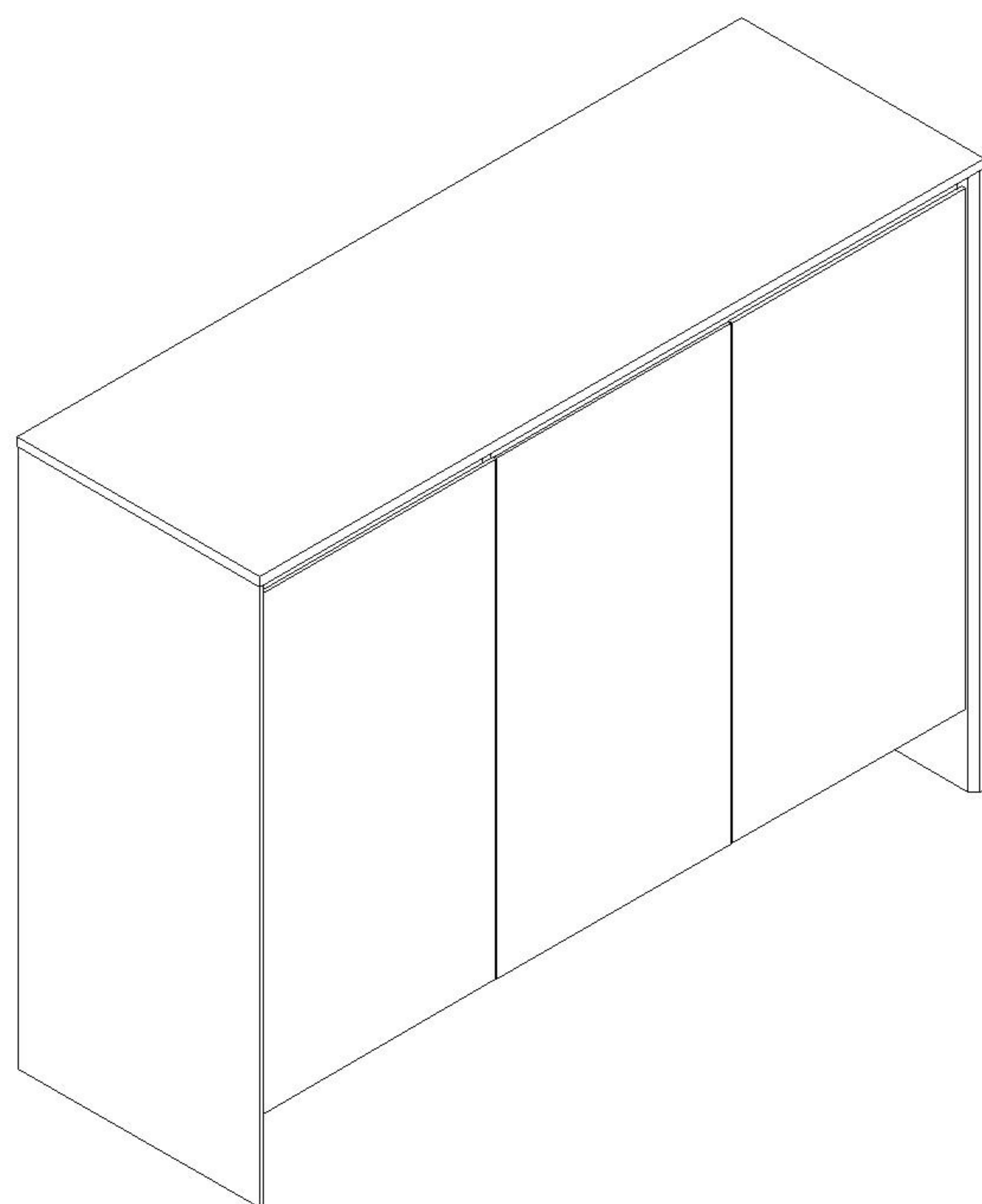
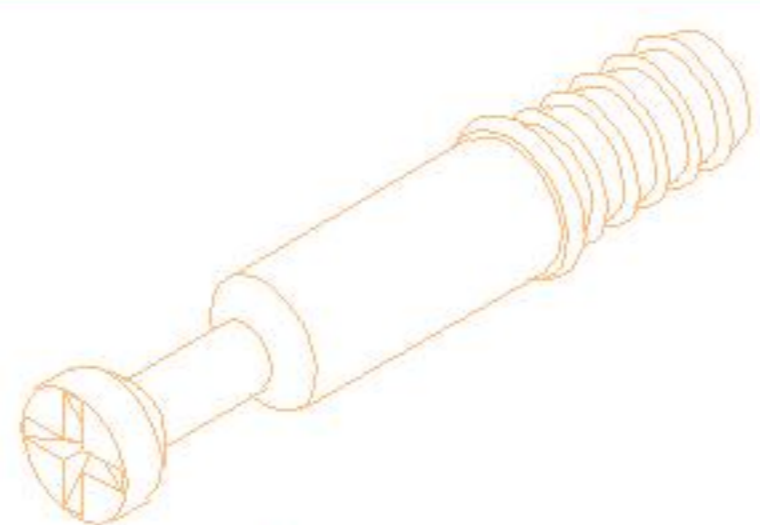
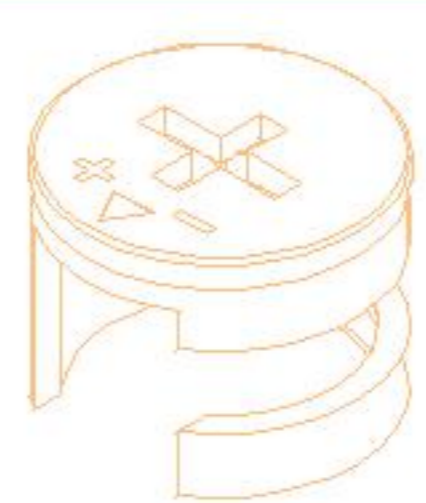
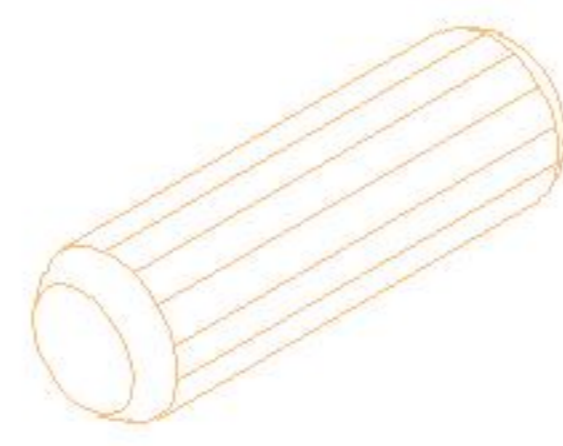

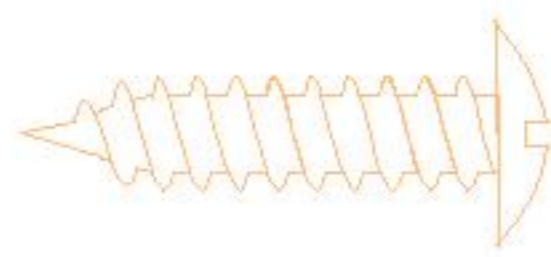

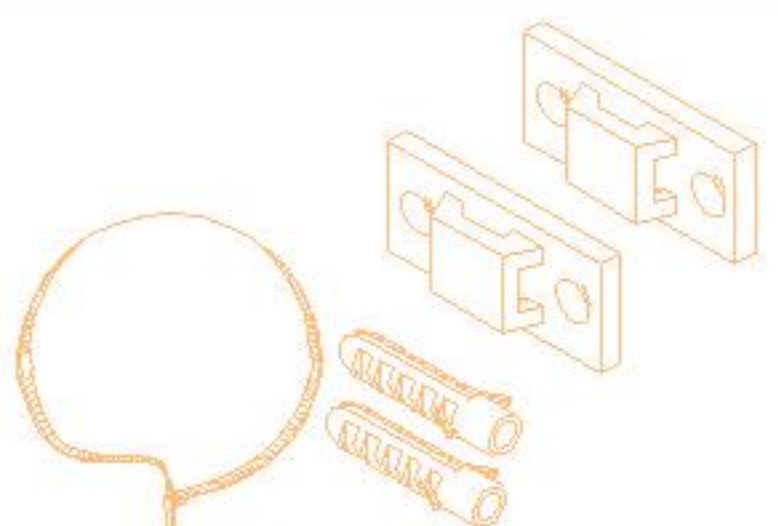
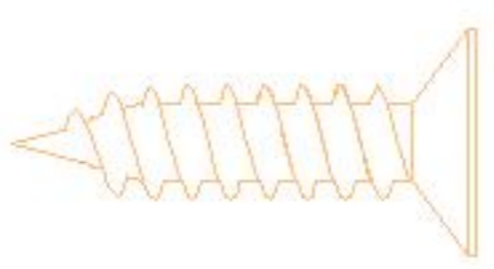
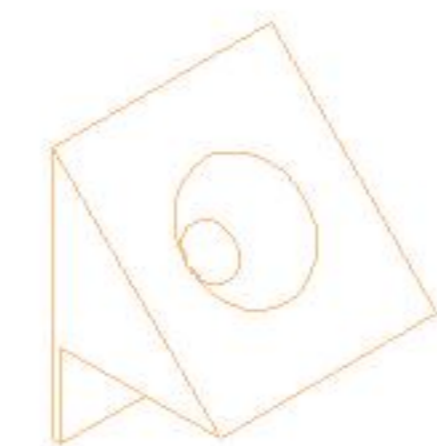
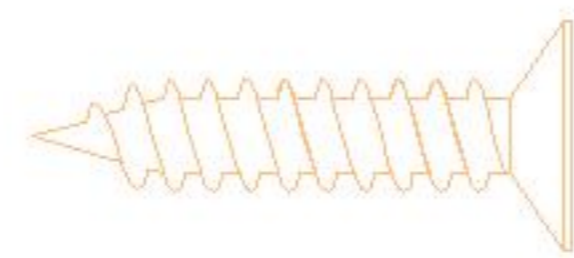
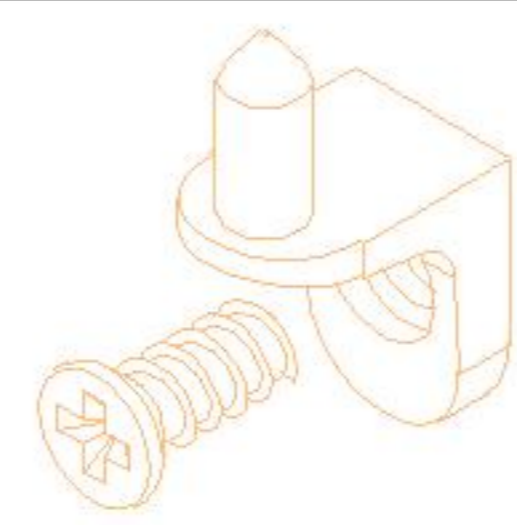
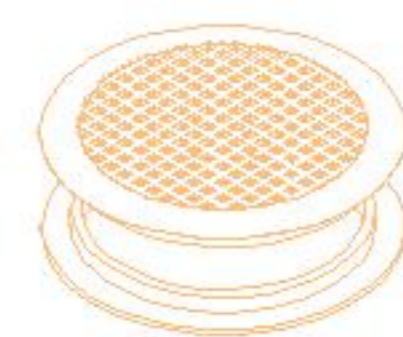
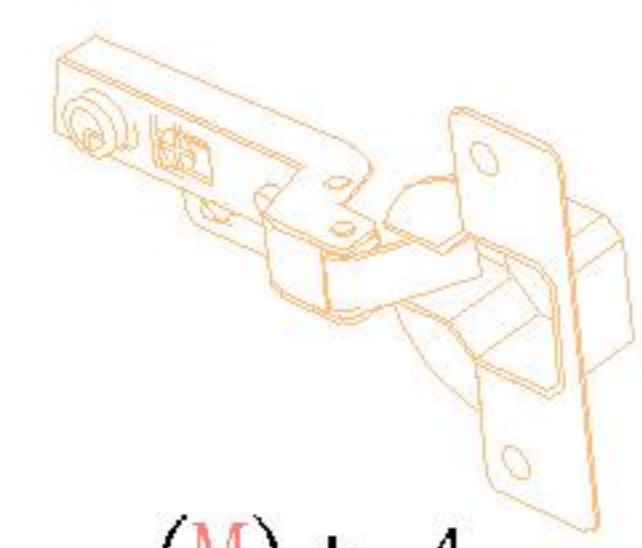
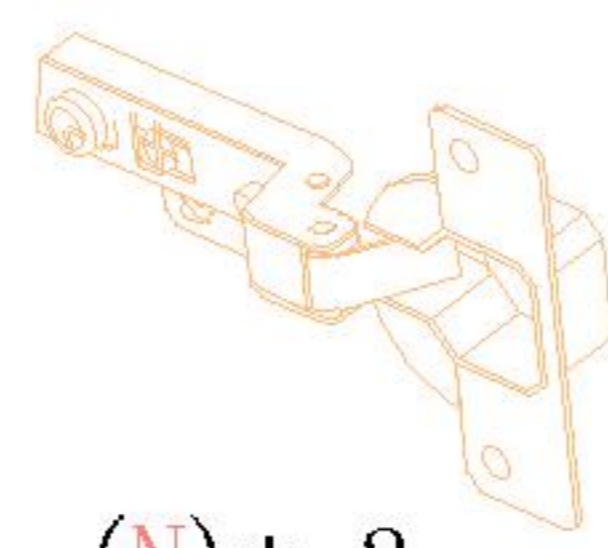




安装示意图/Assembly Instruction

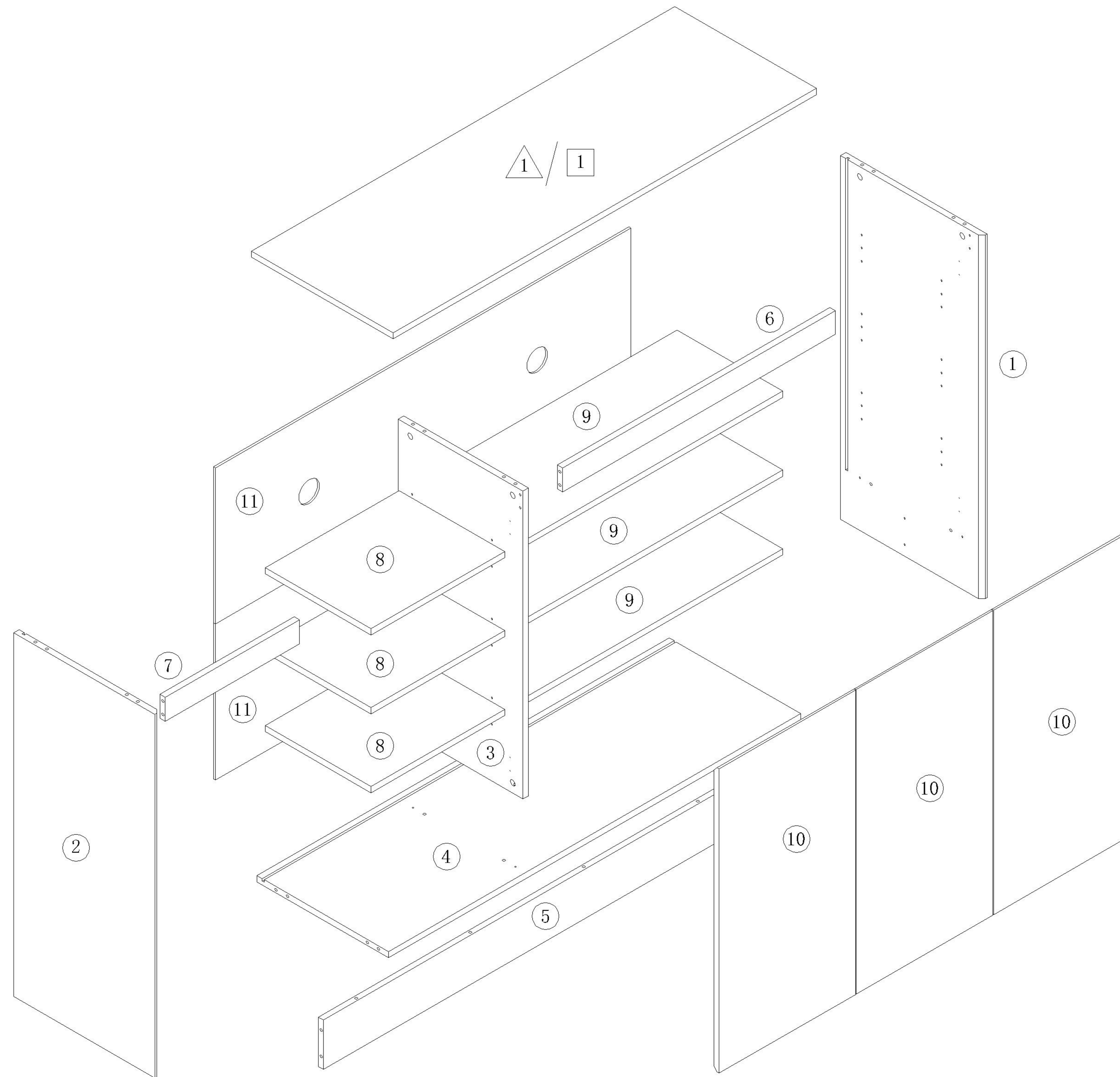
产品名称 Model NO.	UT1N-A/C
产品规格 Specification	1190*398*903 mm
安装工具 Tool	安装人数 Installer
	



 (A)* 25 二合一螺杆 2-in-1-screw	 (B)* 29 大三合一锁饼 Three-in-one large lock	 (C)* 13 木榫08x30mm wood tenon	 (D)* 2 角码14x21x1.5 corner code
 (E)* 4 自攻大扁M4*16mm Self tapping flat screw	 (F)* 8 脚垫-灰色 Footrest - Grey	 (G)* 2 家具防倒器-白色 Anti-fall device white	 (H)* 4 自攻螺丝M3.5x12mm Self-tapping screw
 (I)* 11 背板扣 Back Plate Buckle-White	 (J)* 11 自攻螺丝M3.5x16mm Self-tapping screw	 (K)* 24 层板托 shelf support	 (L)* 4 透气孔盖 Vent cover
 (M)* 4 缓冲门铰大弯-杯径035 Hinge-big bends-diameter 35	 (N)* 2 缓冲门铰中弯-杯径035 Hinge middle bending diameter 35	 (O)* 2 双头三合一螺杆64 double head three in one screw	 (P)* 1 鞋架五金 Shoe rack hardware

编号NO.	名称Name	规格 (mm) Specification	数量QTY	材质Material
UT3N-A鞋柜1.2米柜体 UT3N-A Shoe cabinet 1.2m cabinet				
①	右侧板Side board(R)	885*397*15	1	刨花板Particle board
②	左侧板Side board(L)	885*397*15	1	刨花板Particle board
③	中侧板Middle side board	750*350*15	1	刨花板Particle board
④	底板Bottom board	1158*370*15	1	刨花板Particle board
⑤	前脚条Front foot strip	1158*120*15	1	刨花板Particle board
⑥	长拉条Long brace	766*58*15	1	刨花板Particle board
⑦	拉条Brace	377*58*15	1	刨花板Particle board
⑧	左活动层板Movable shelf(L)	376*297*15	3	刨花板Particle board
⑨	右活动层板Movable shelf(R)	765*297*15	3	刨花板Particle board
⑩	门板Door board	741*383.5*15	3	刨花板Particle board
⑪	背板Back board	1168*380*5	2	纤维板Fiberboard
UT3N-A鞋柜1.2米面板 UT3N-A Shoe cabinet 1.2m panel				
△1	面板Top panel	1190*398*15	1	刨花板Particle board
UT3N-C鞋柜1.2米面板 UT3N-C Shoe cabinet 1.2m panel				
□1	面板Top panel	1190*398*15	1	刨花板Particle board

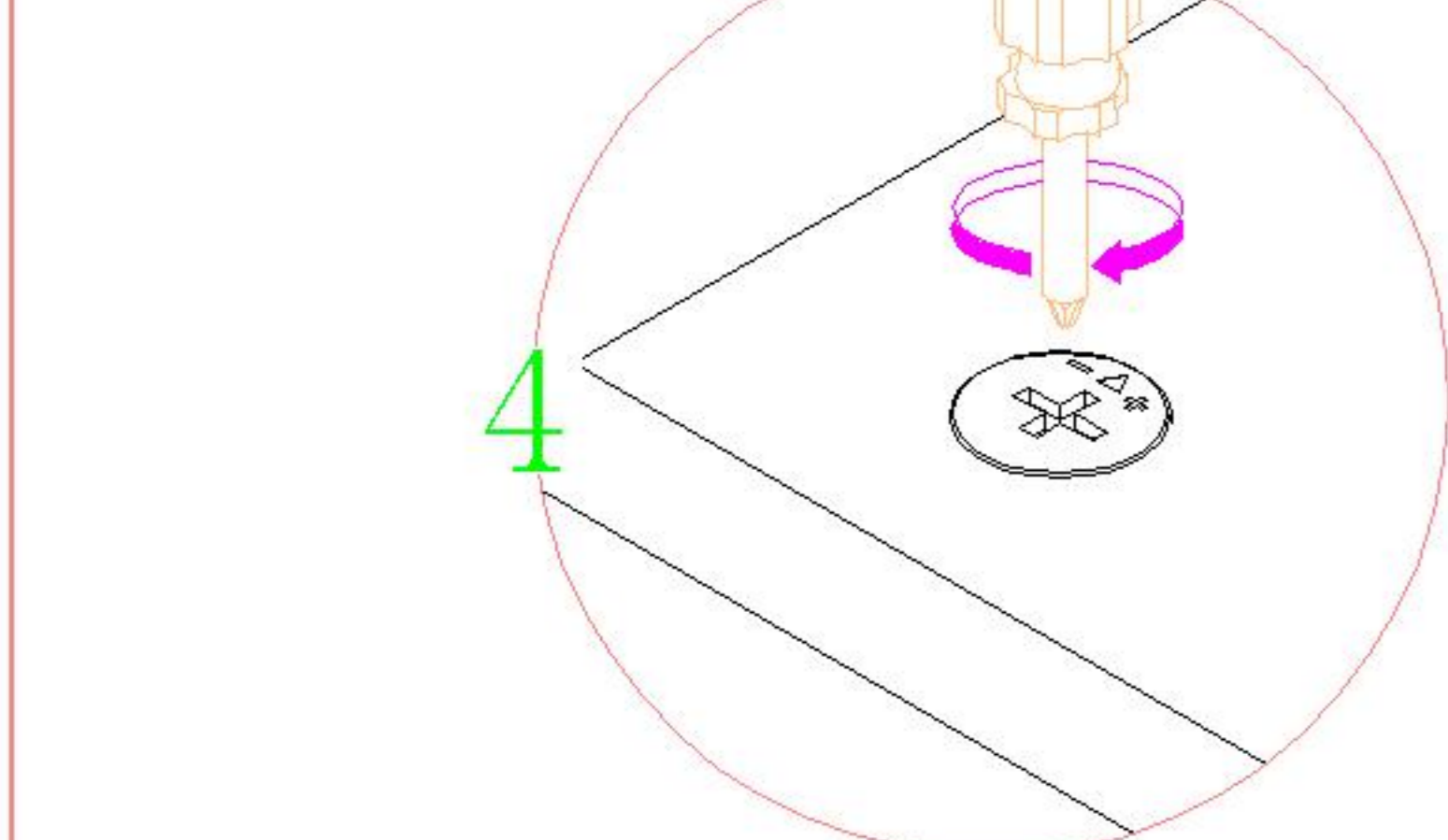
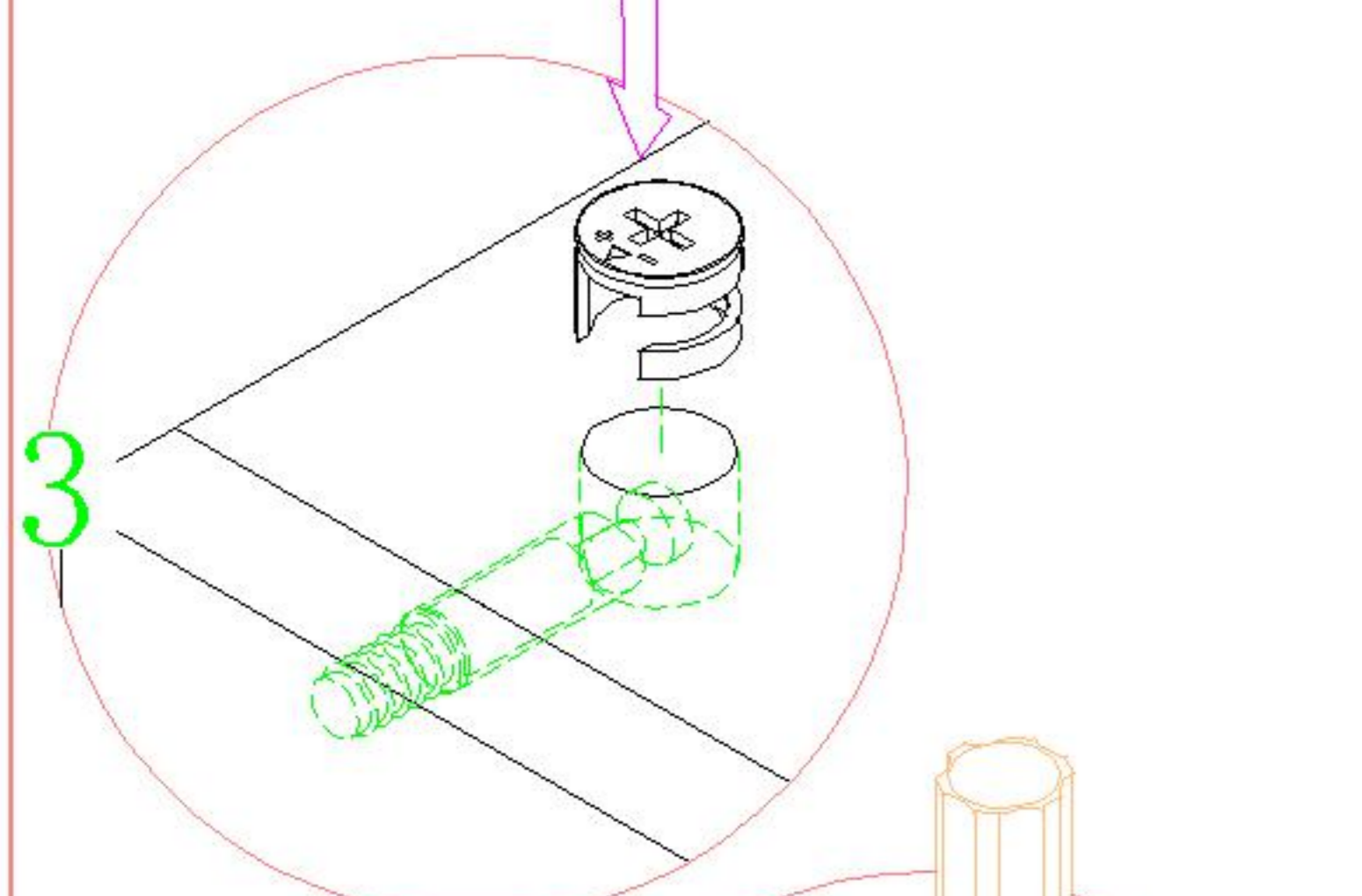
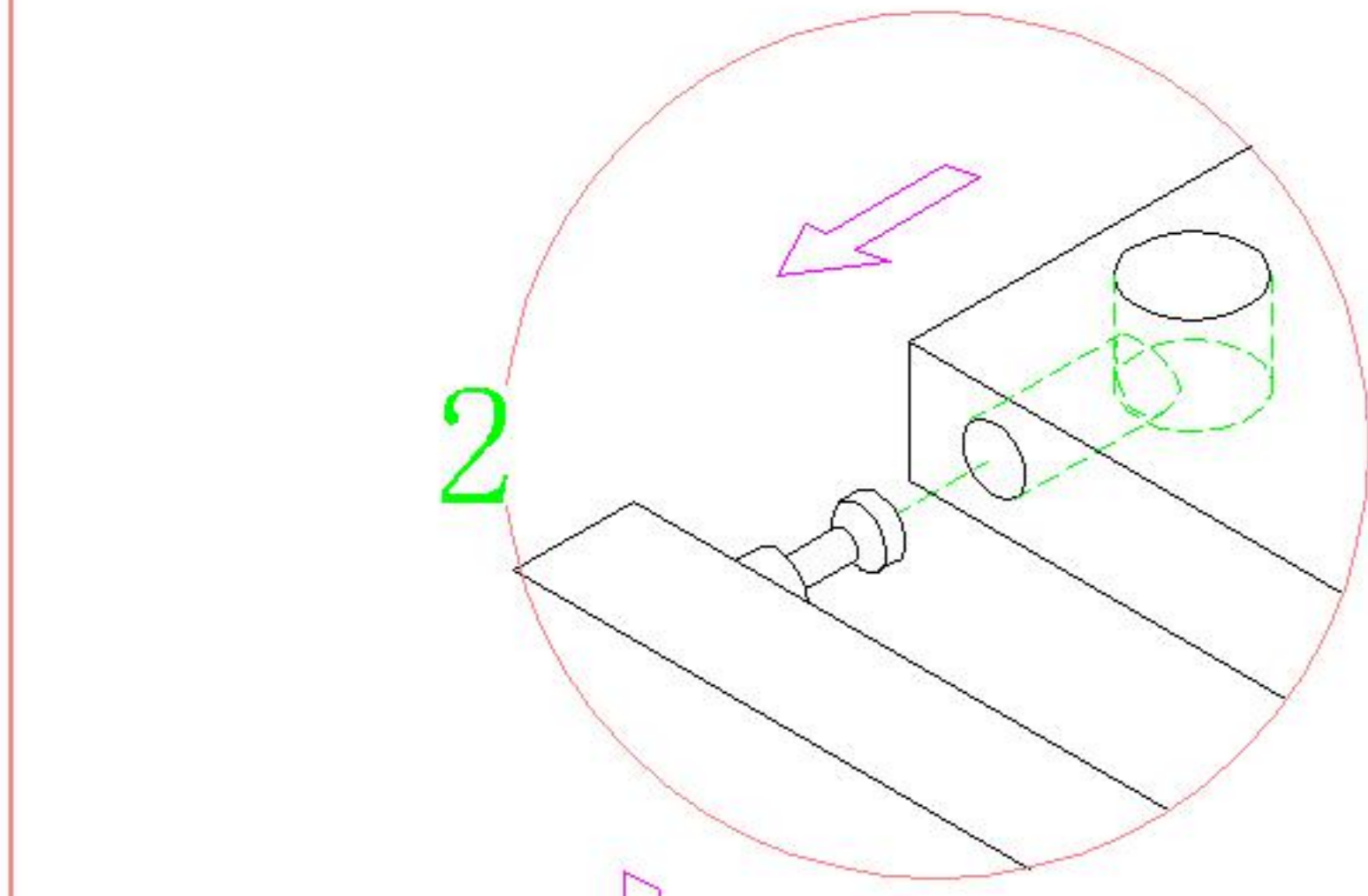
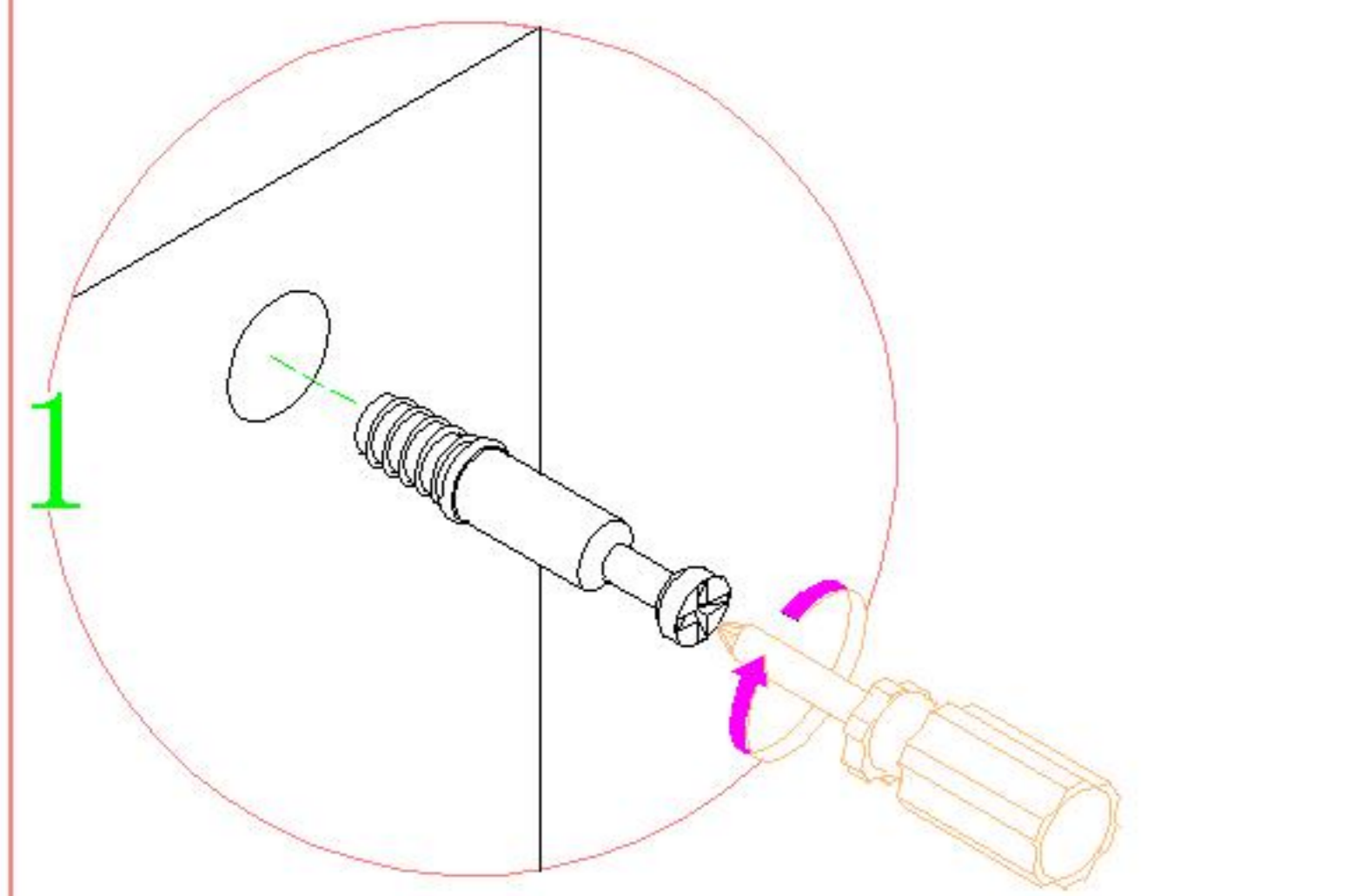
注：该柜体可搭配两款面板，可根据购买的产品型号进行安装
 Note: The cabinet can be equipped with two panels, which can be installed according to the product model purchased



编号NO.	名称Name
UT3N-A鞋柜1.2米柜体	
①	右侧板Side board(R)
②	左侧板Side board(L)
③	中侧板Middle side board
④	底板Bottom board
⑤	前脚条Front foot strip
⑥	长拉条Long brace
⑦	拉条Brace
⑧	左活动层板Movable shelf(L)
⑨	右活动层板Movable shelf(R)
⑩	门板Door board
⑪	背板Back board
UT3N-A鞋柜1.2米面板	
△1	面板Top panel
UT3N-C鞋柜1.2米面板	
□1	面板Top panel

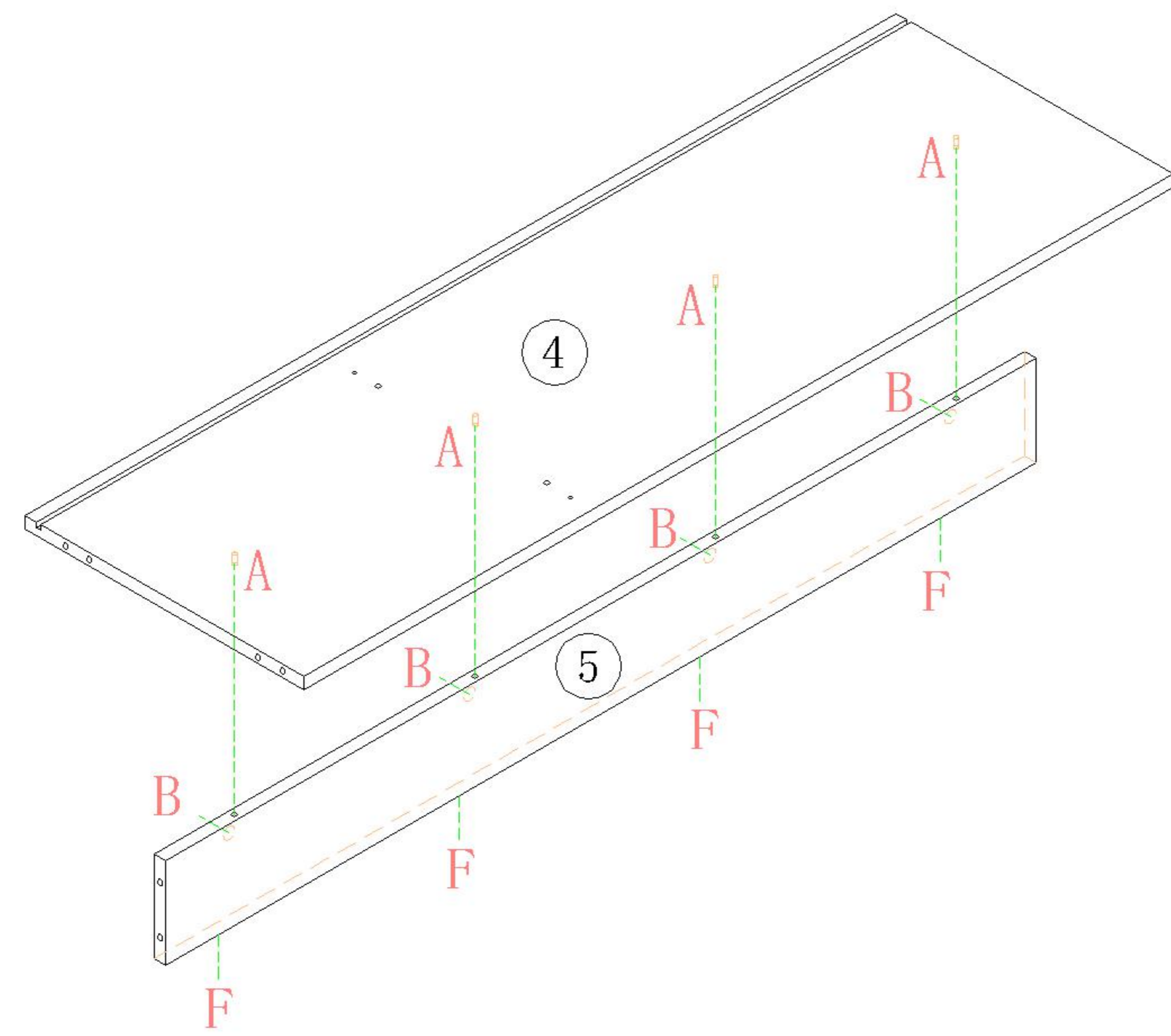
UT1N-A/C

安装方法/
Installation method



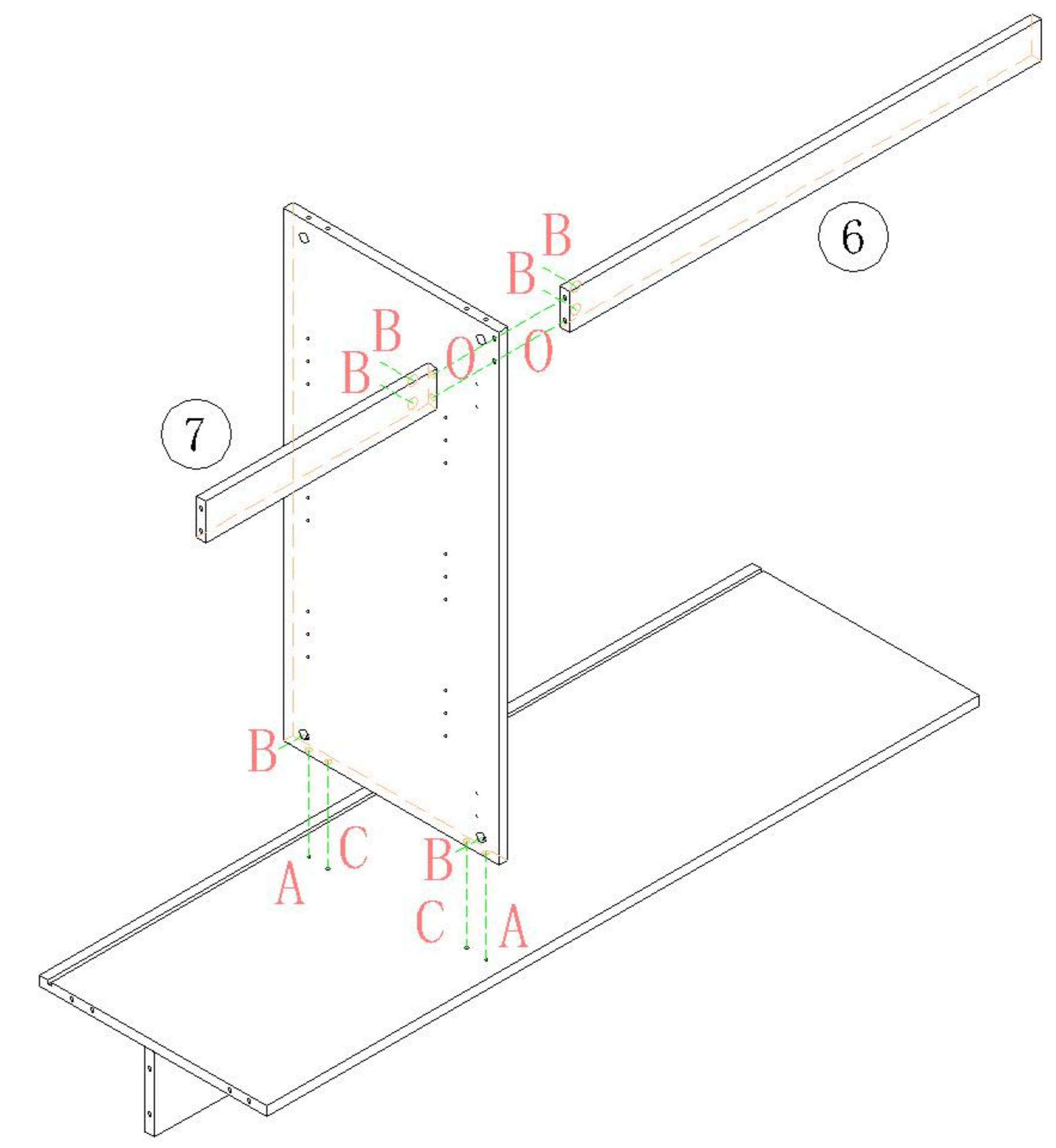
大二合一
two-in-one

- (A)*4
- (B)*4
- (F)*4



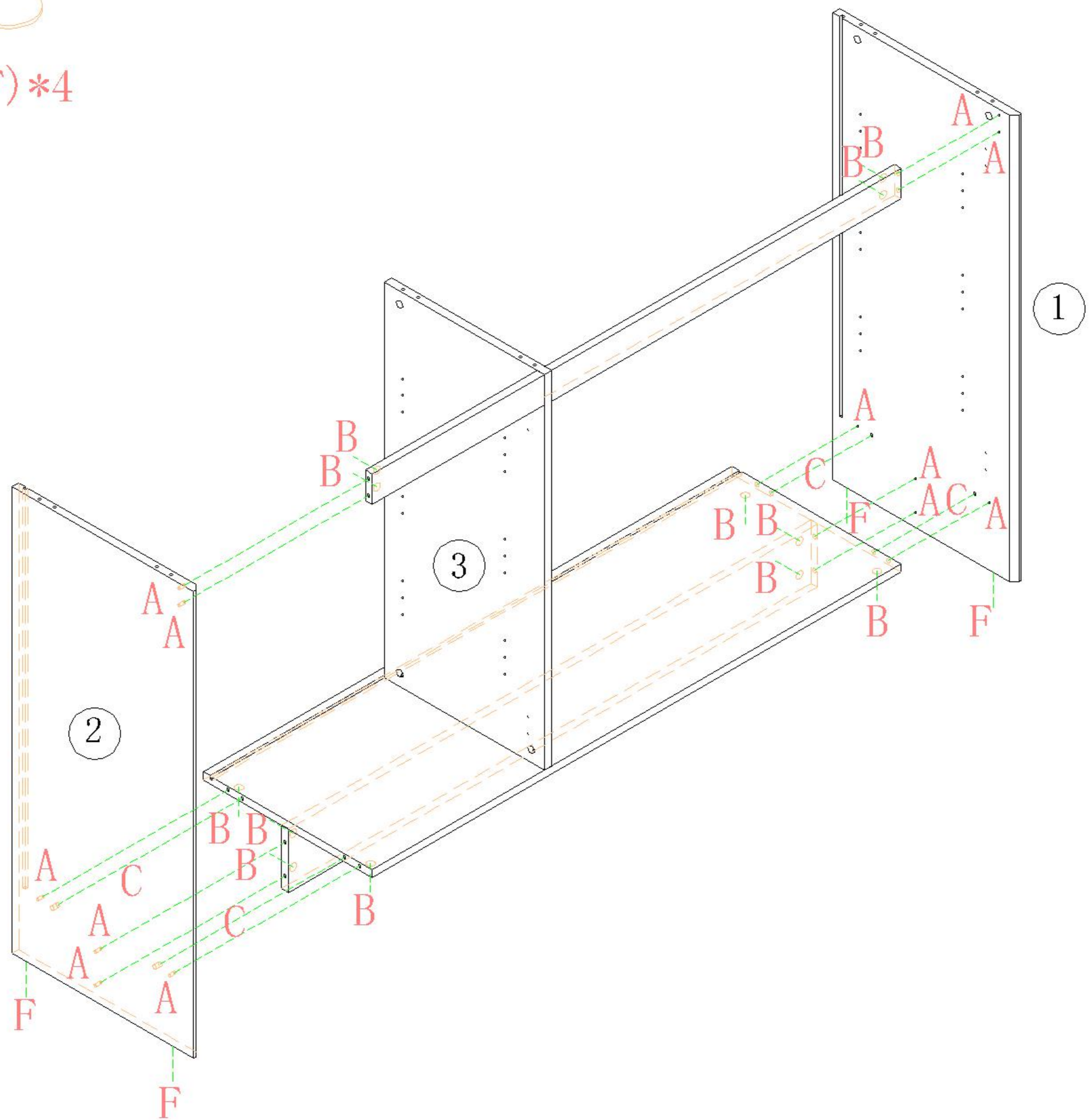
1

- (A)*2
- (B)*6
- (C)*2
- (O)*2



2

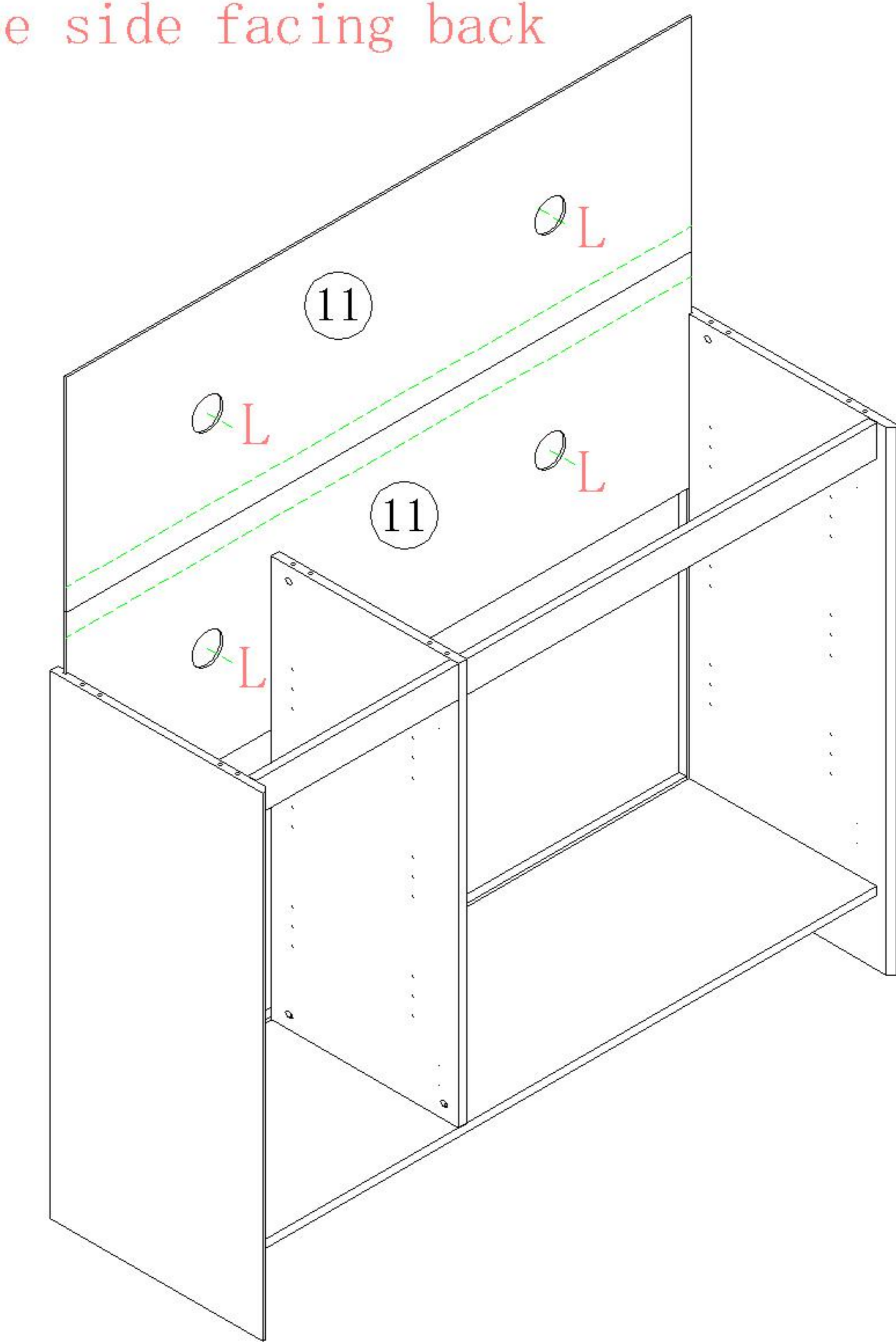
- (A)*12
- (F)*4
- (B)*12
- (C)*4



3

- (L)*4

注：背板有胶带面朝后安装
Note: The backplane is mounted with
tape side facing back



4

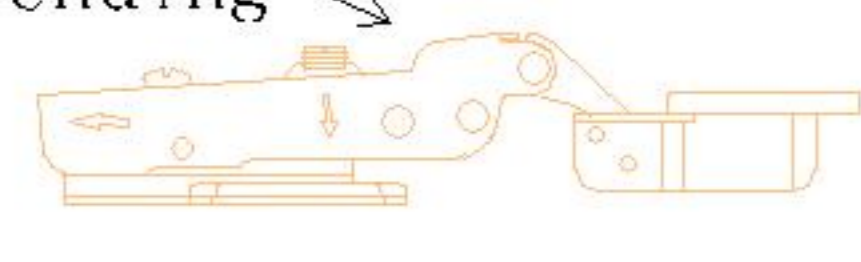
UT1N-A/C

安装方法/
Installation method

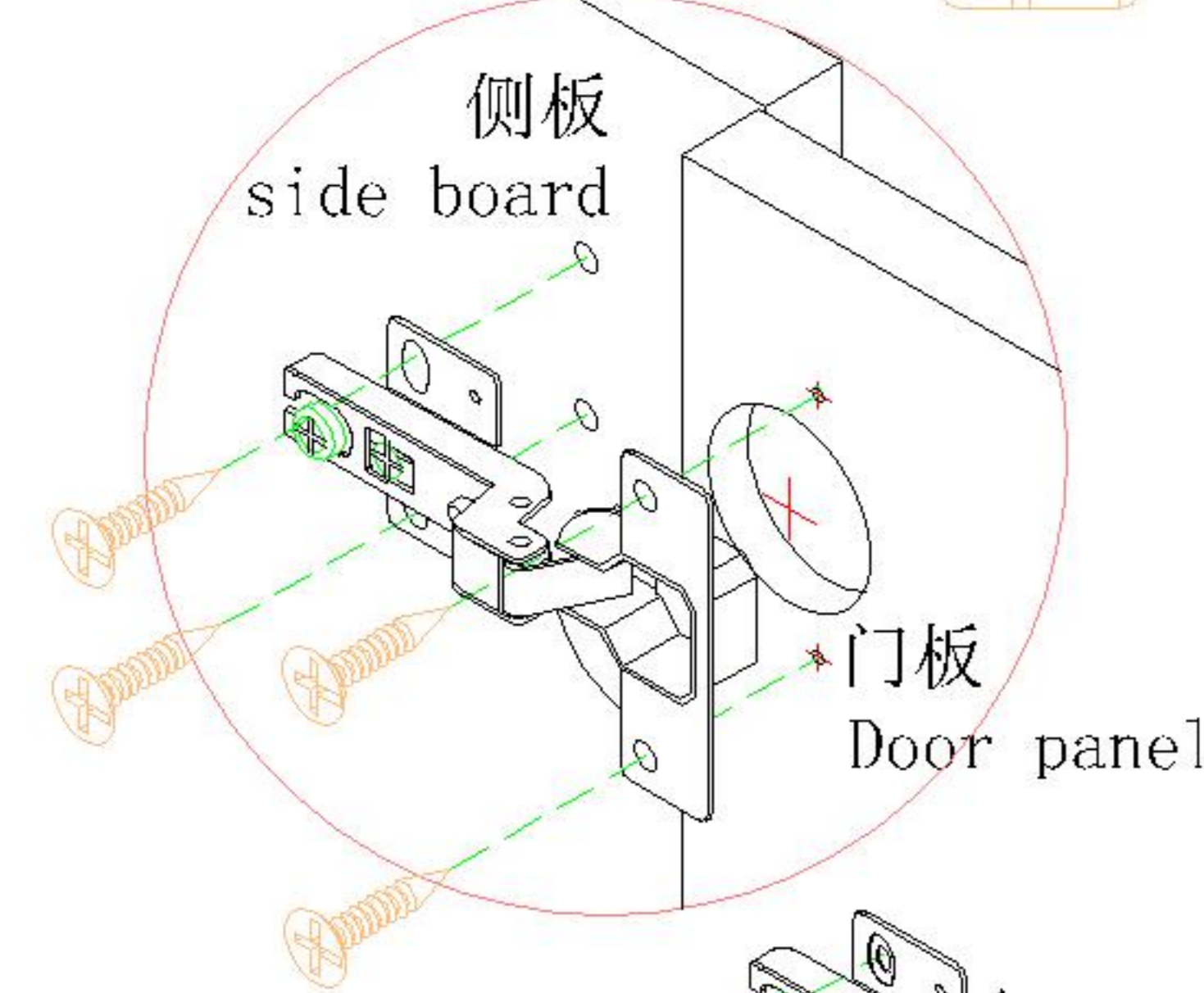
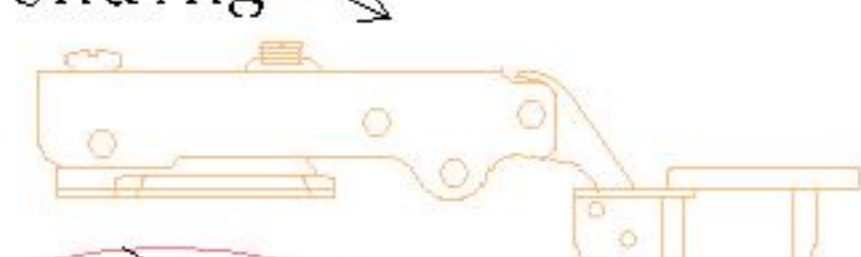
大弯big bend



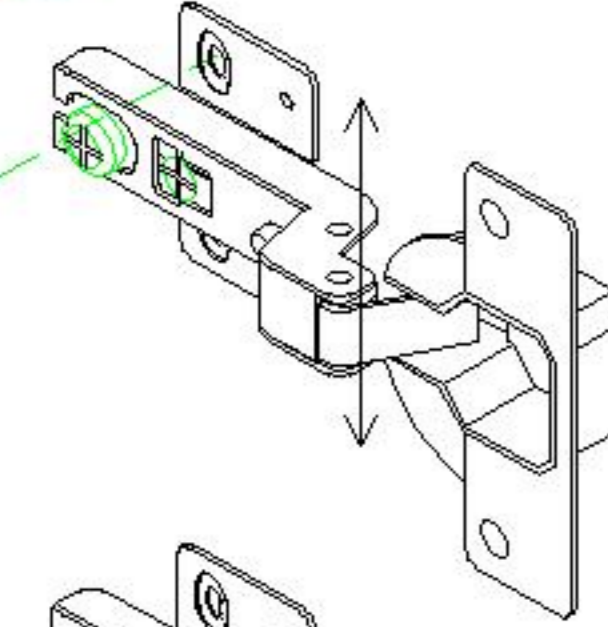
中弯middle bending



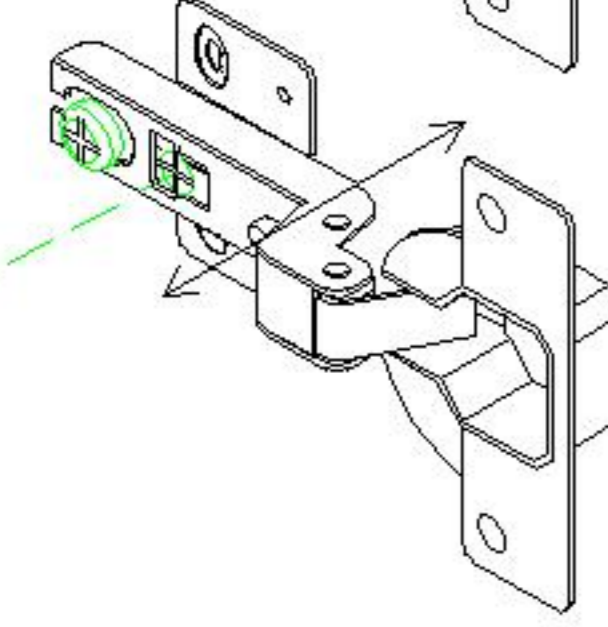
直弯straight bending



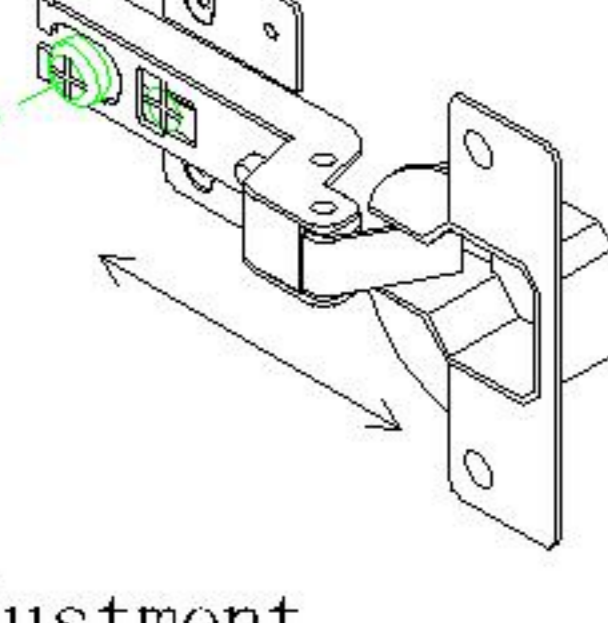
调节上下
Adjust up and down



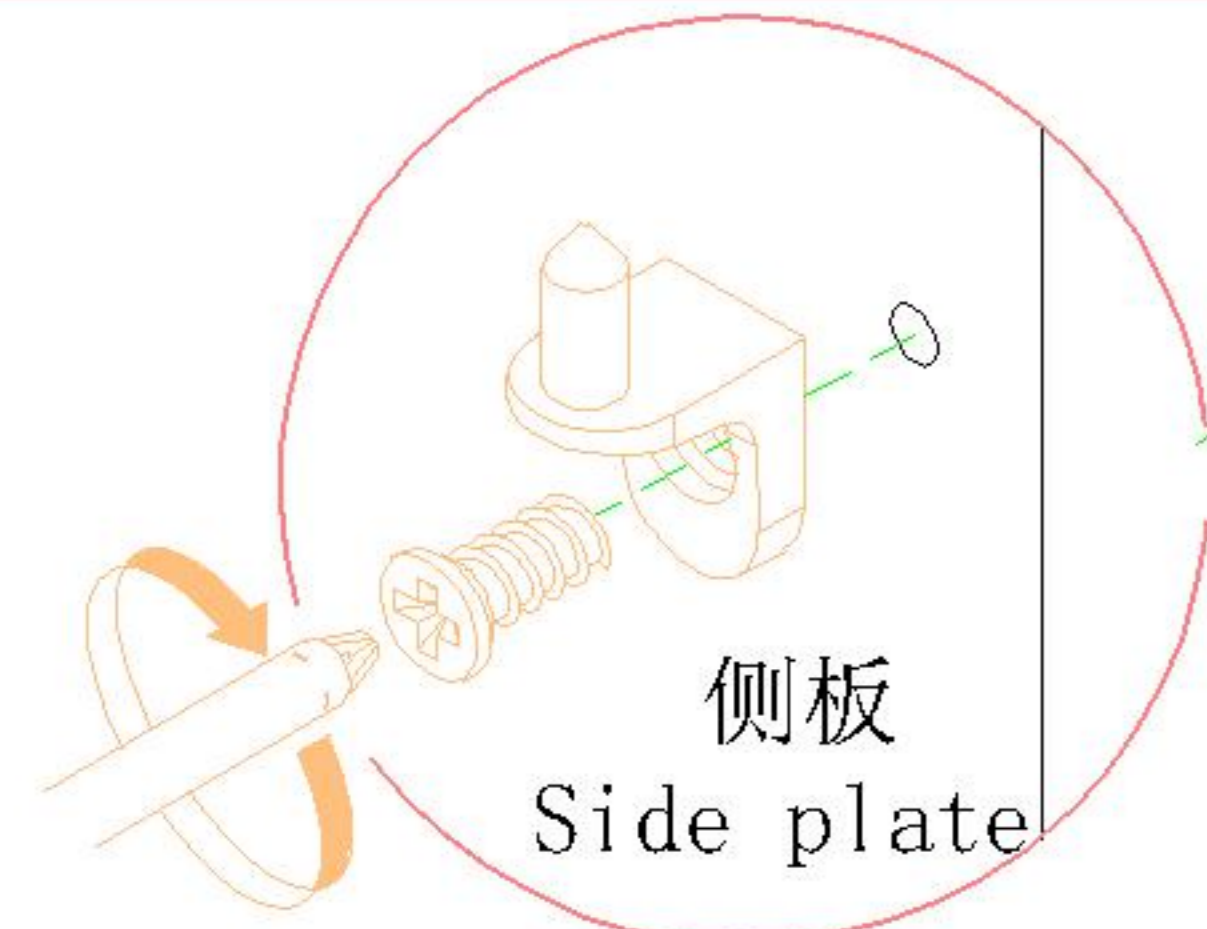
调节左右
Adjust left and right



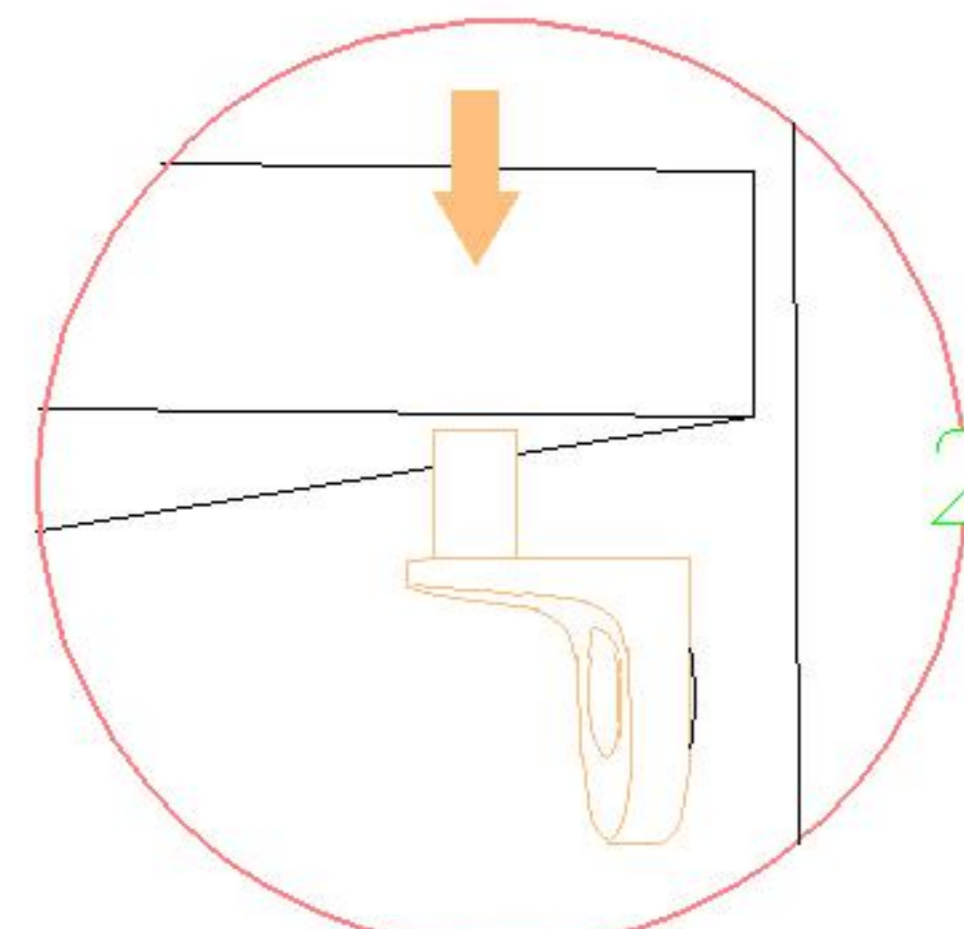
调节前后
Before and after adjustment



门铰
Hinge

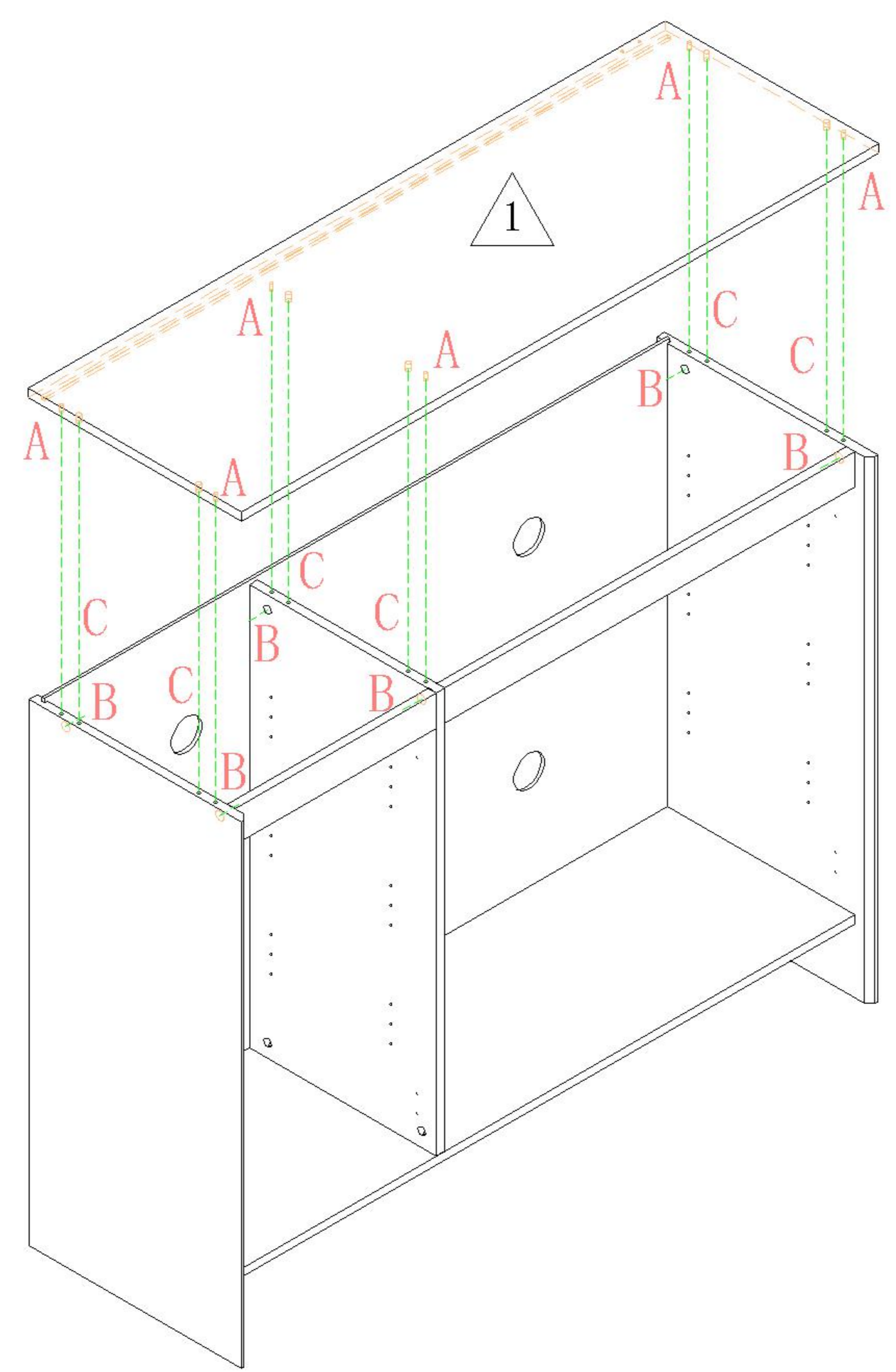


侧板
Side plate



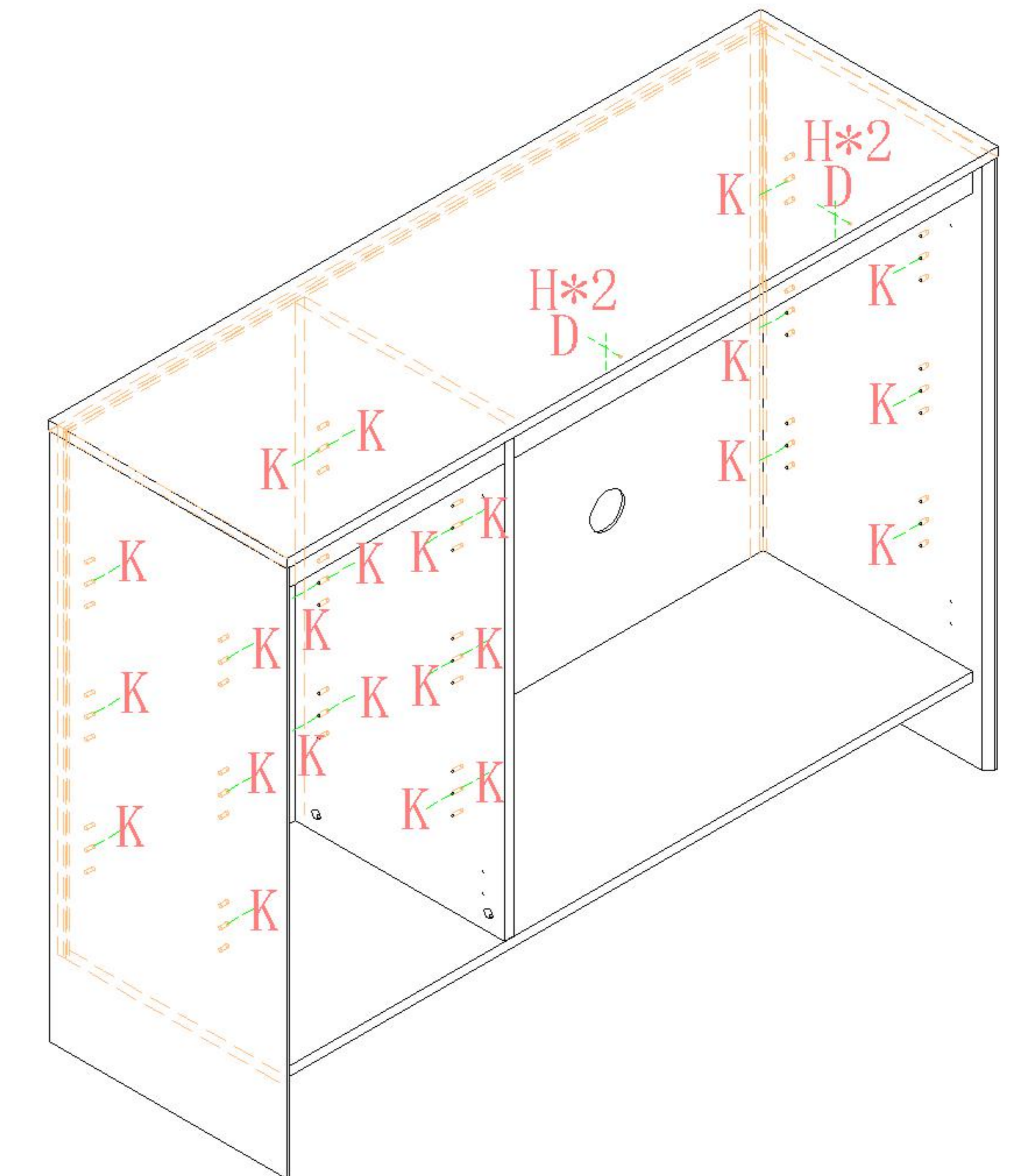
层板托5mm
shelf support

- (A)*6
- (B)*6
- (C)*6

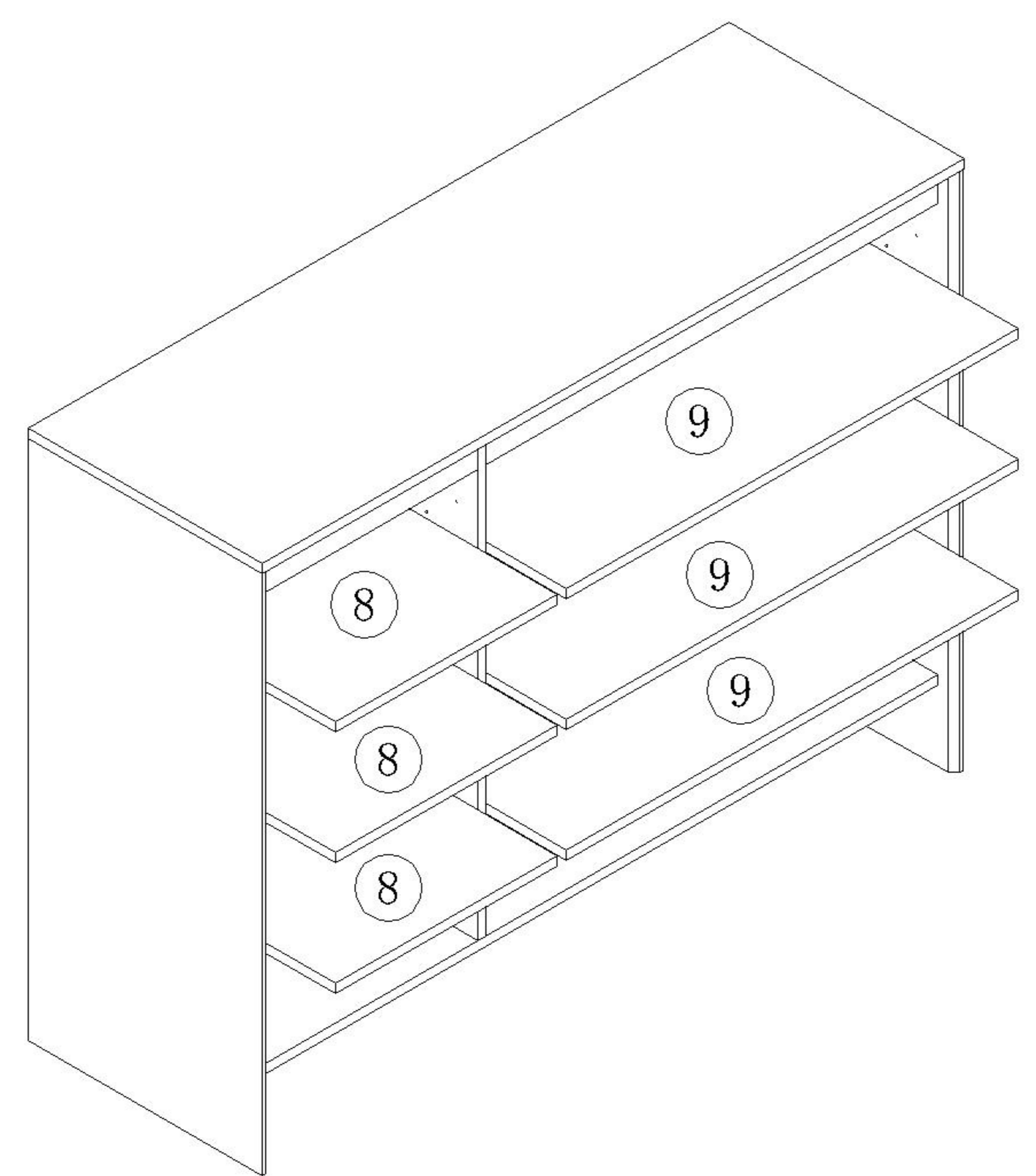


5

- (D)*2
- (H)*4
- (K)*24

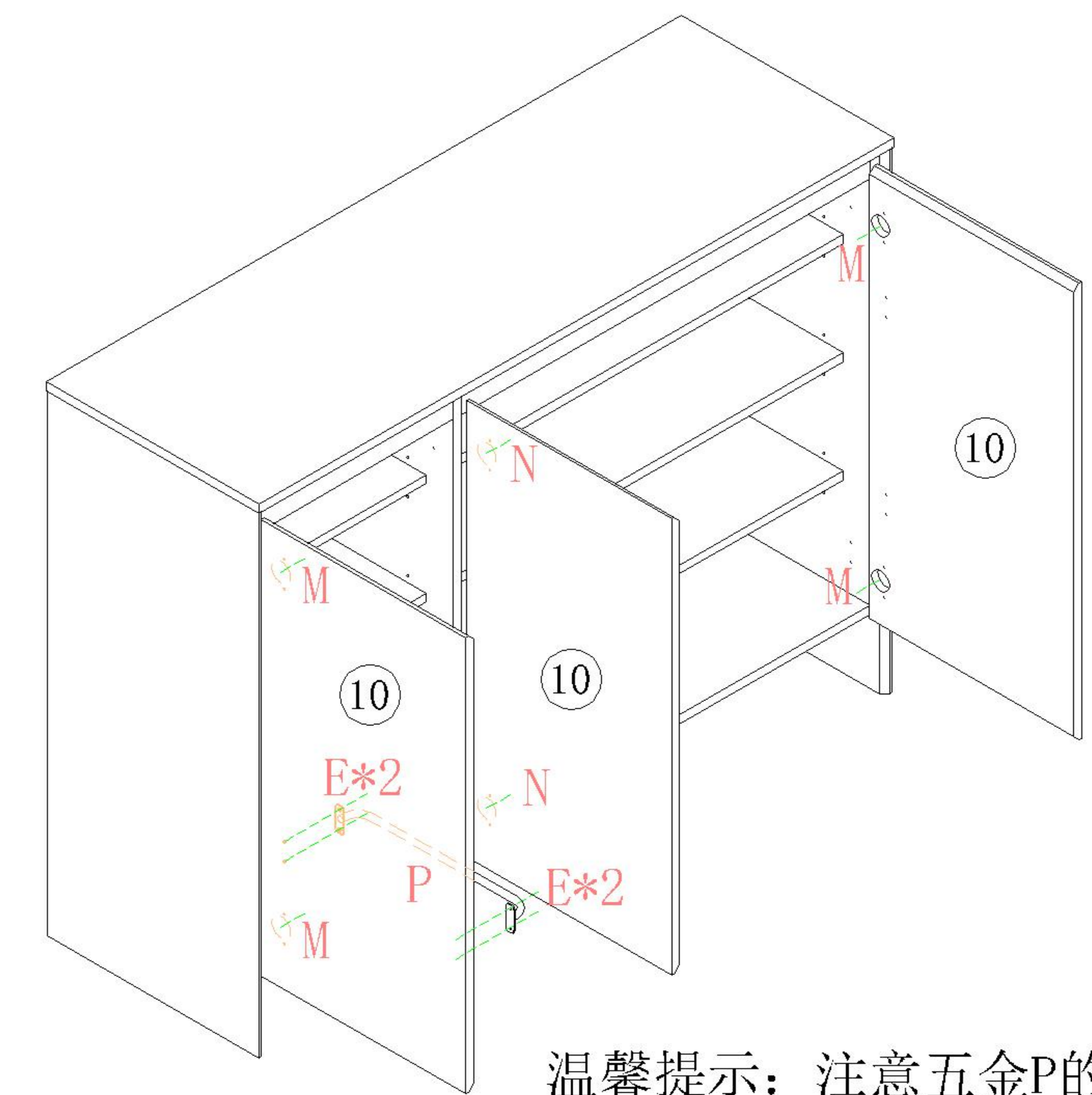


6



7

- (E)*4
- (M)*4
- (N)*2
- (P)*1

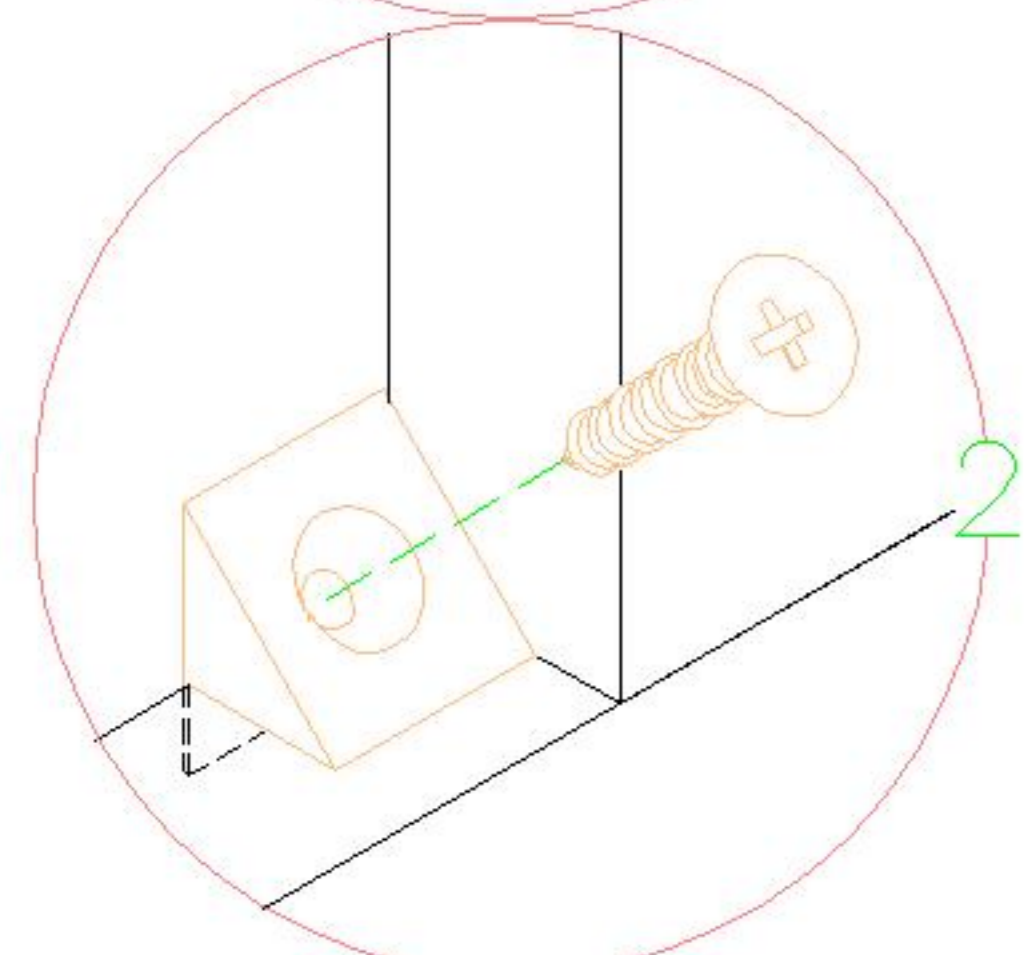
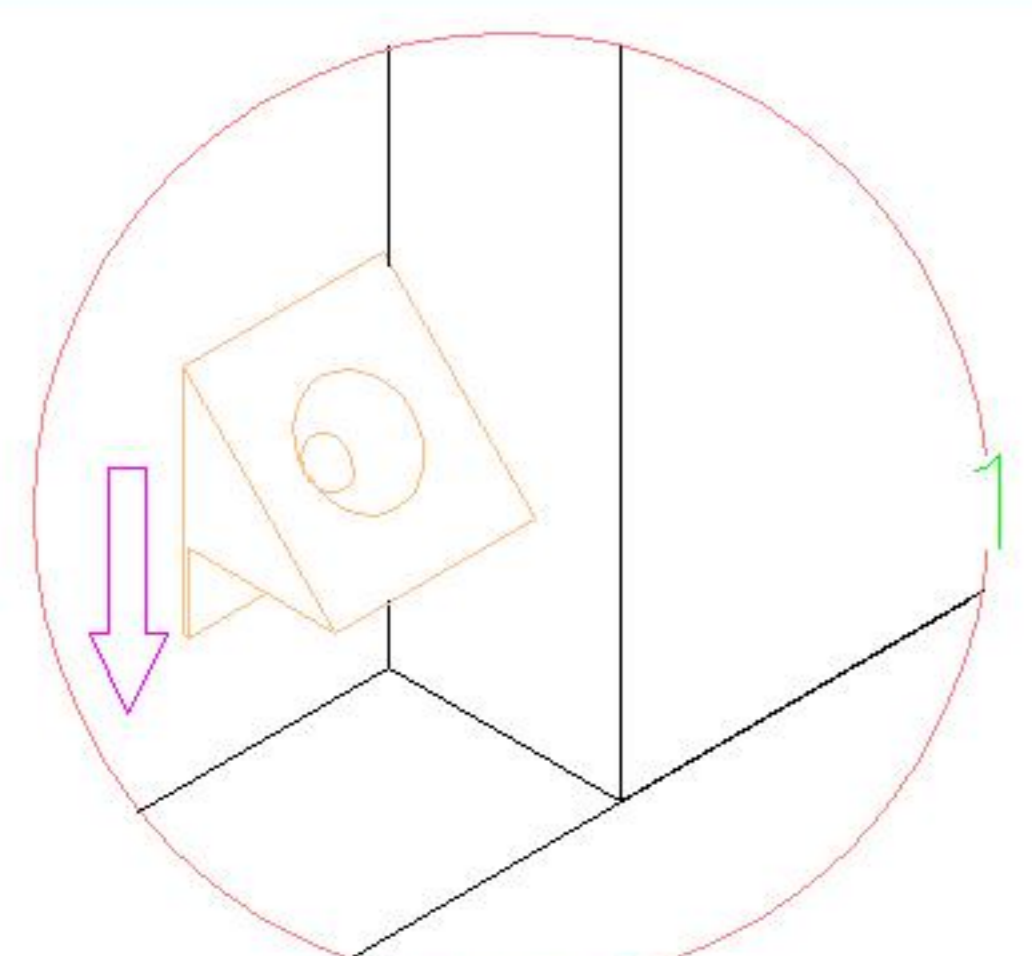


8

温馨提示：注意五金P的安装位置
Tips: Pay attention to the installation position of hardware P

UT1N-A/C

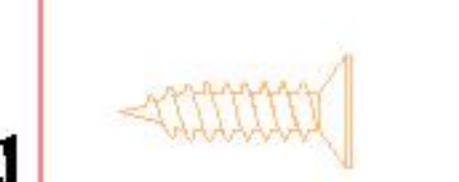
安装方法/
Installation method



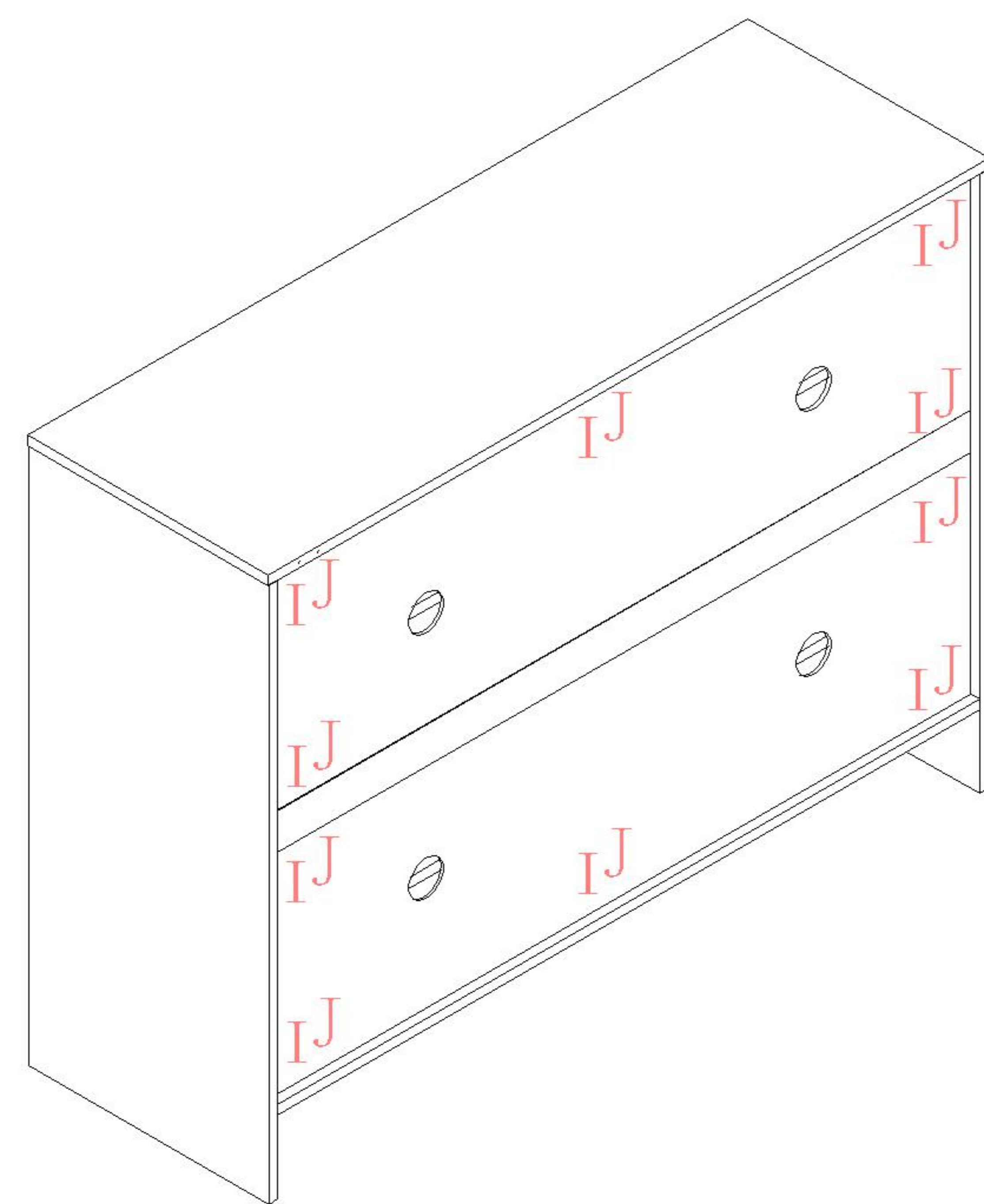
背板扣
Back Plate Buckle



(I)*10

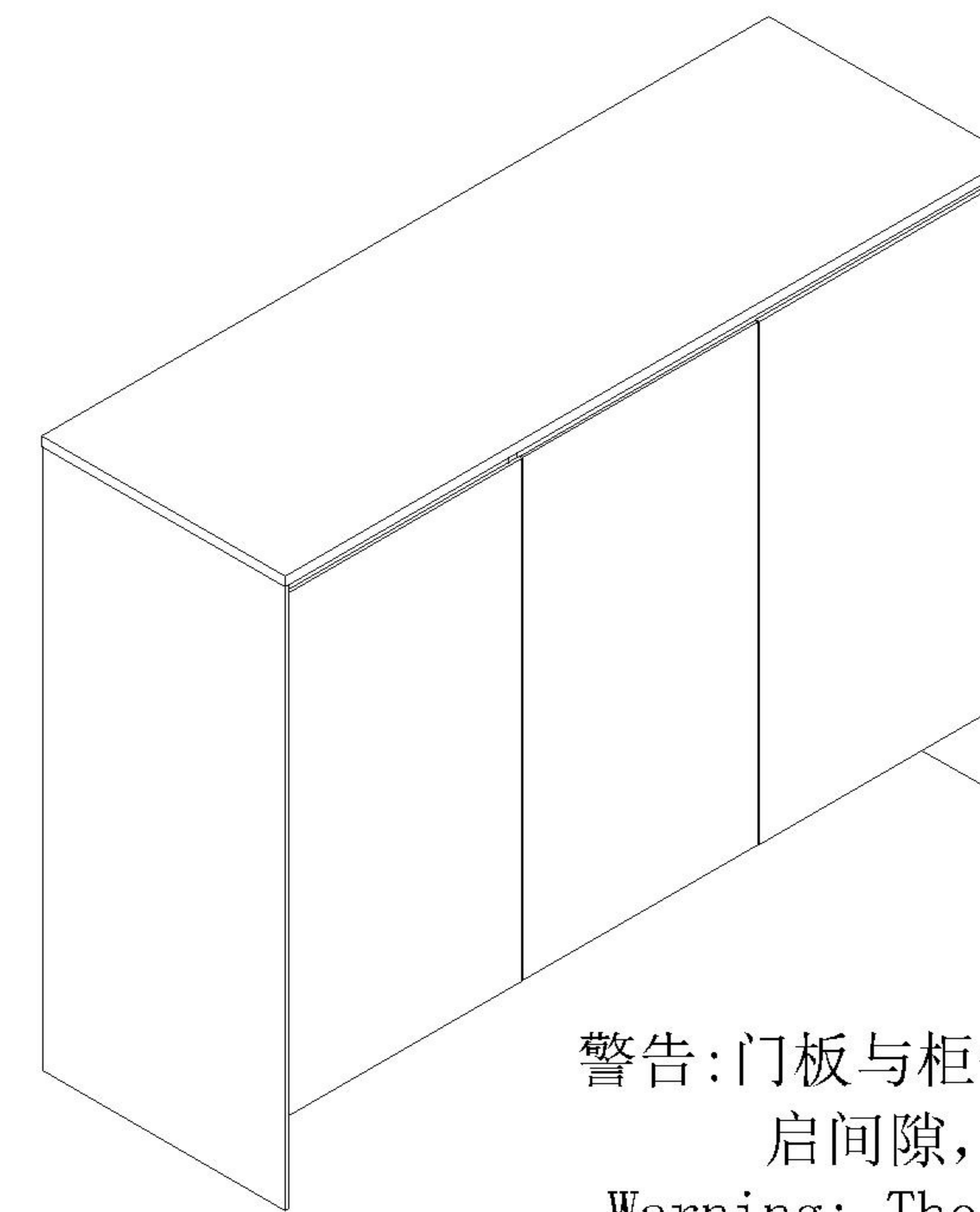


(J)*10



9

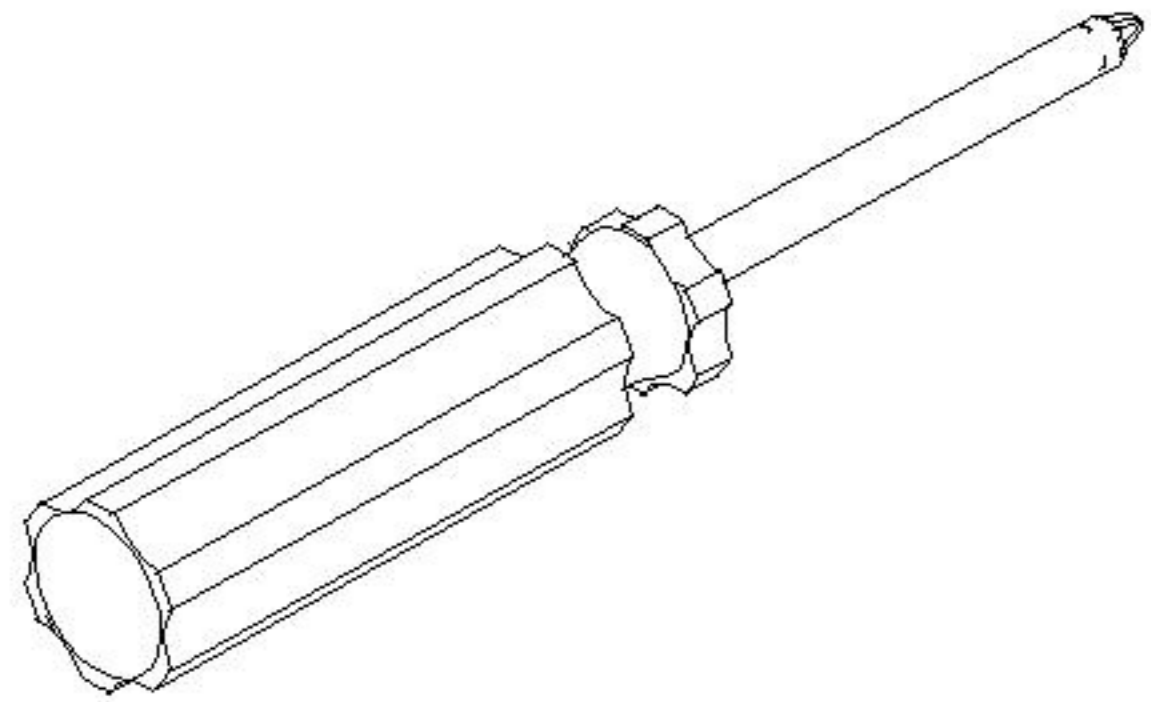
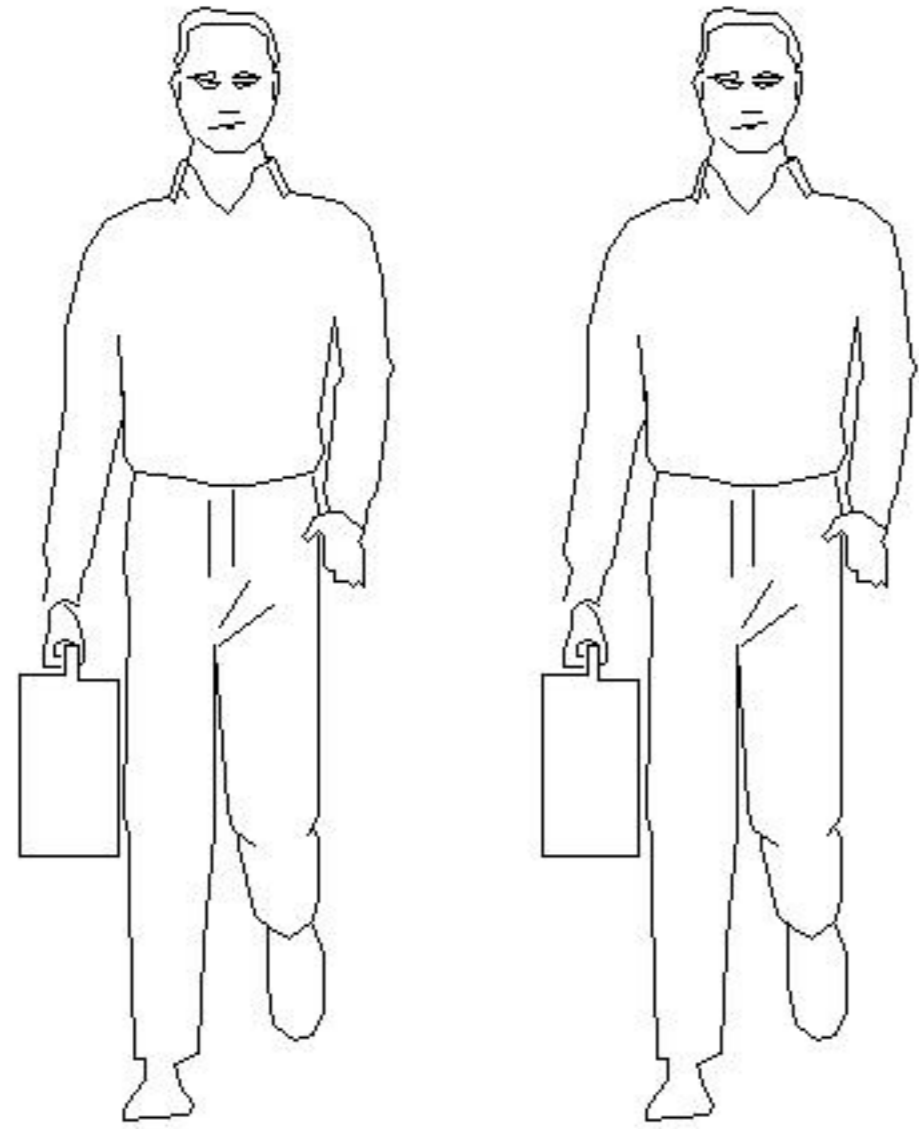
10

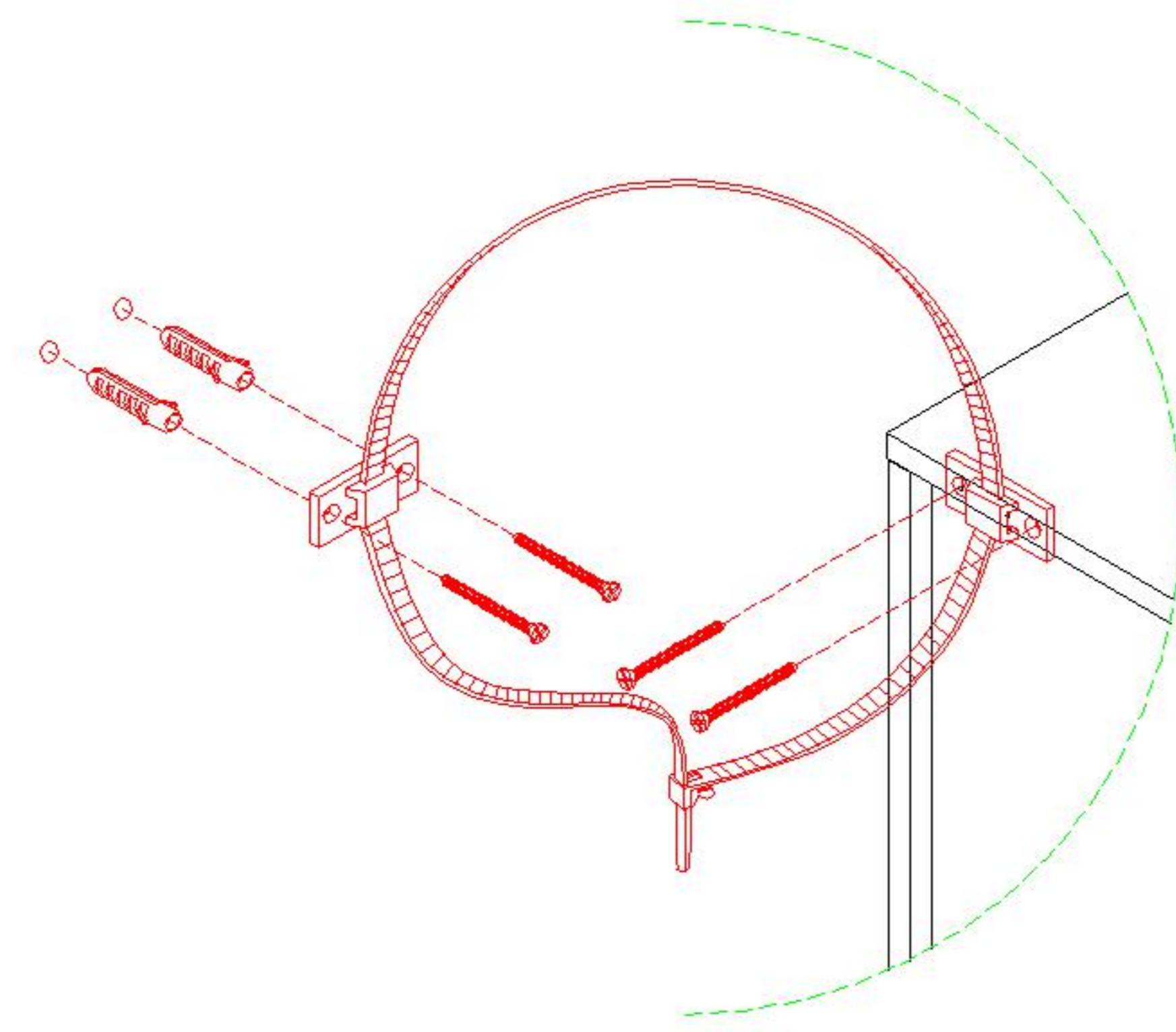
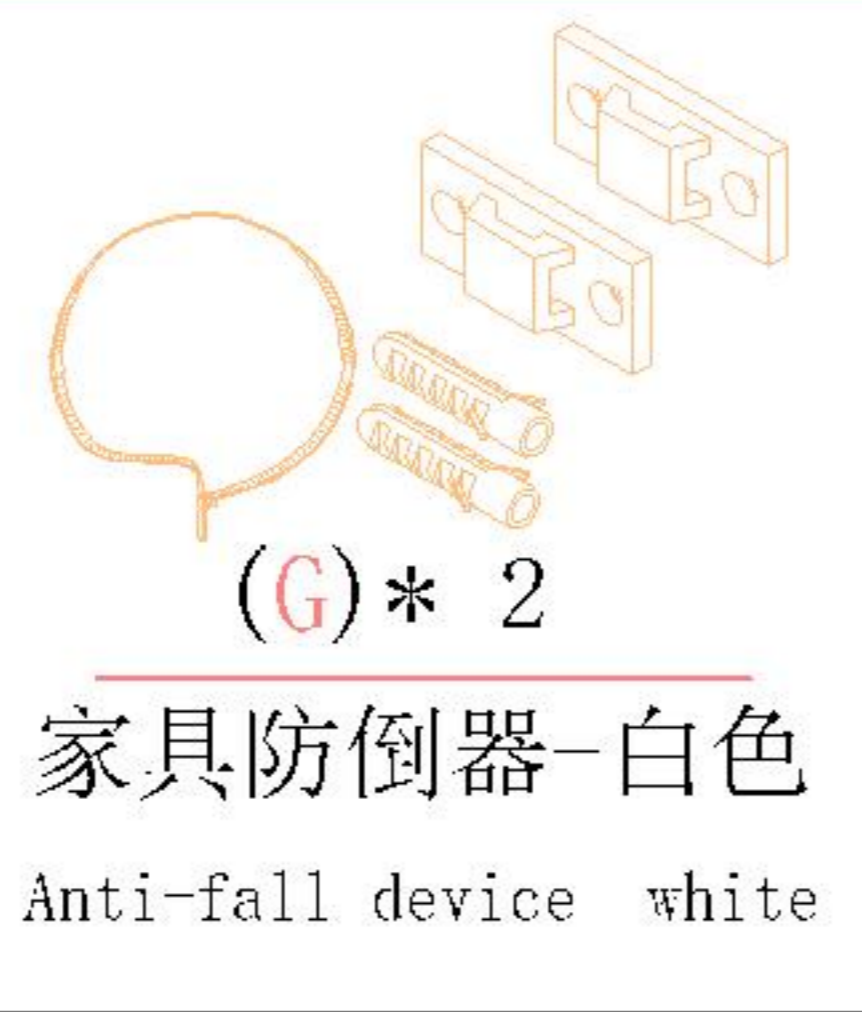


警告:门板与柜体有设计所需的开
启间隙,小心夹伤

Warning: The door panel and
the cabinet have the opening
gap required by the design,
beware of clamping

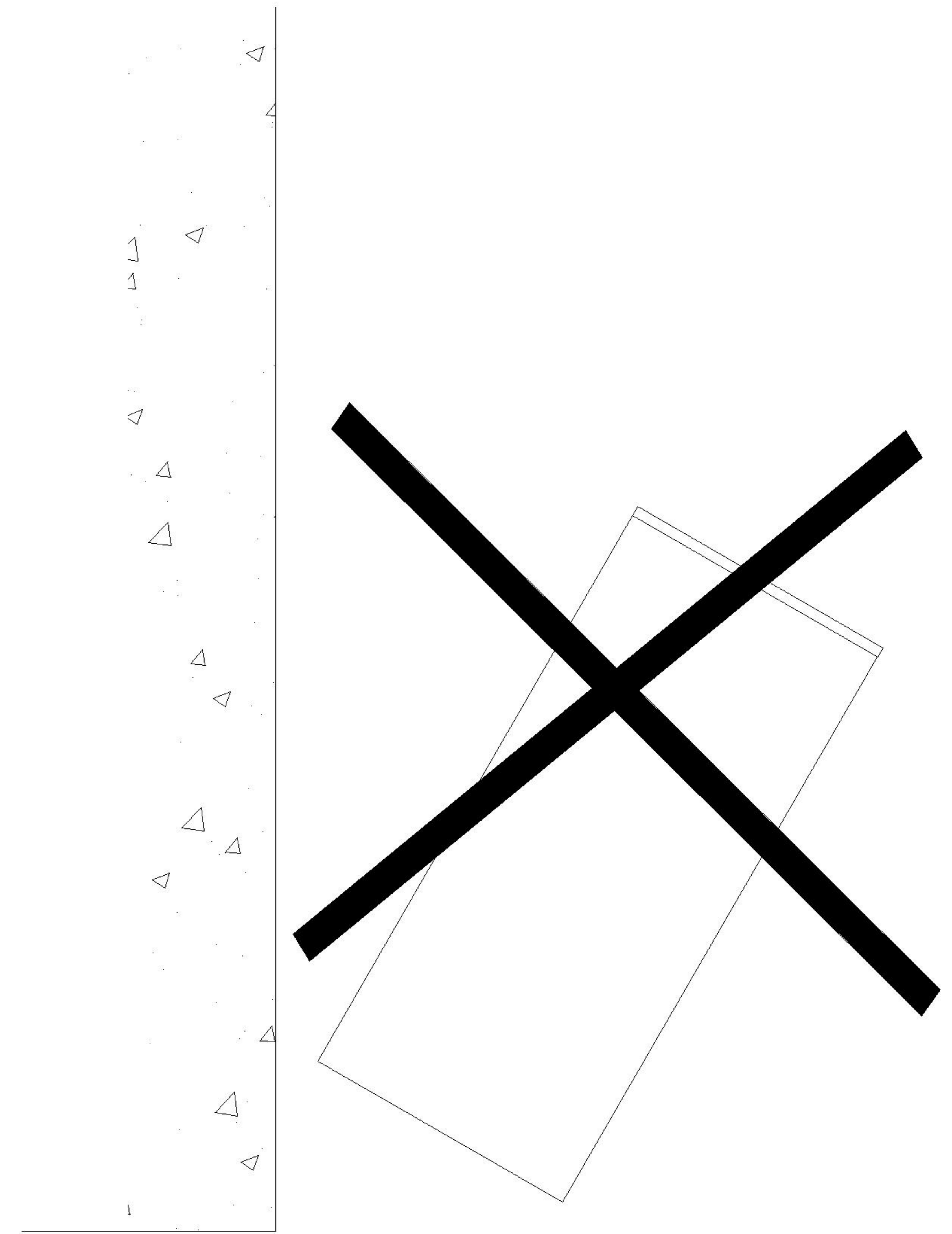
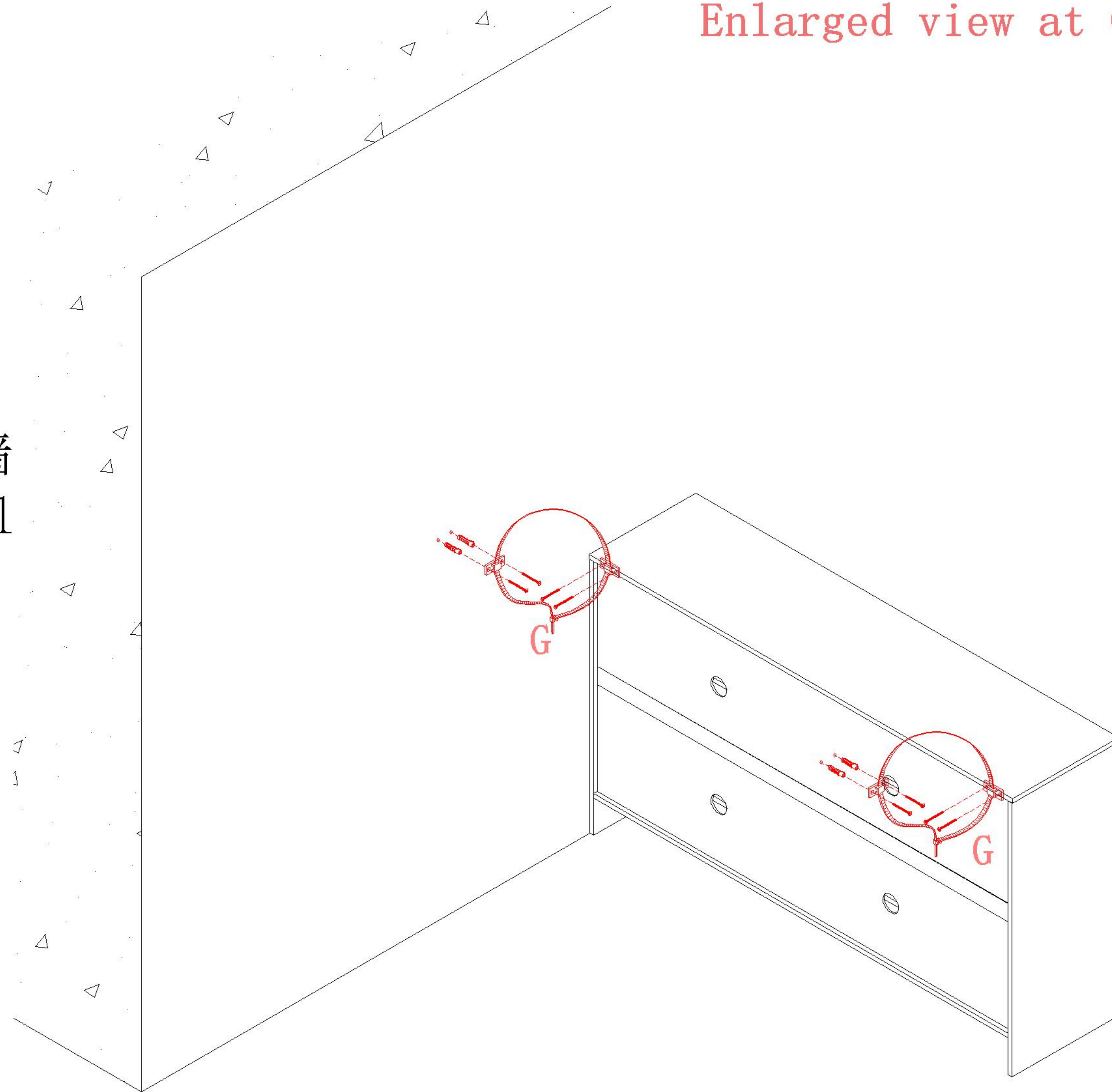
安装示意图/Assembly Instruction

产品名称 Model NO.	UT1N-A/C
产品规格 Specification	-
安装工具 Tool	安装人数 Installer
	

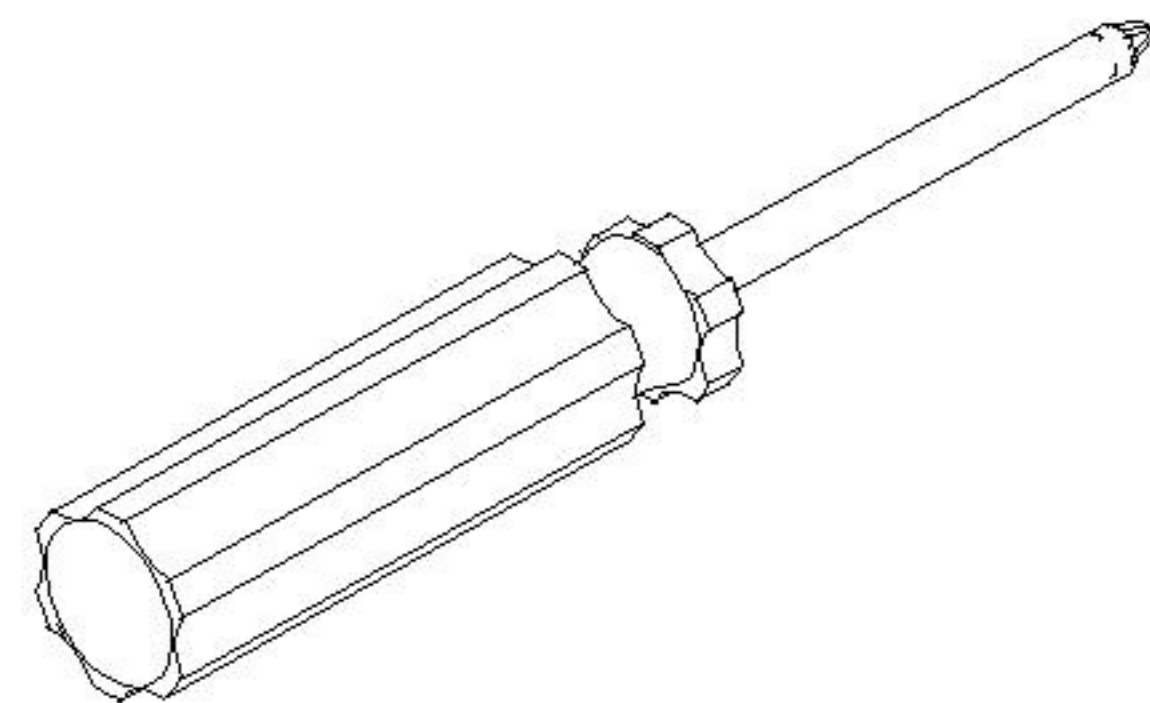
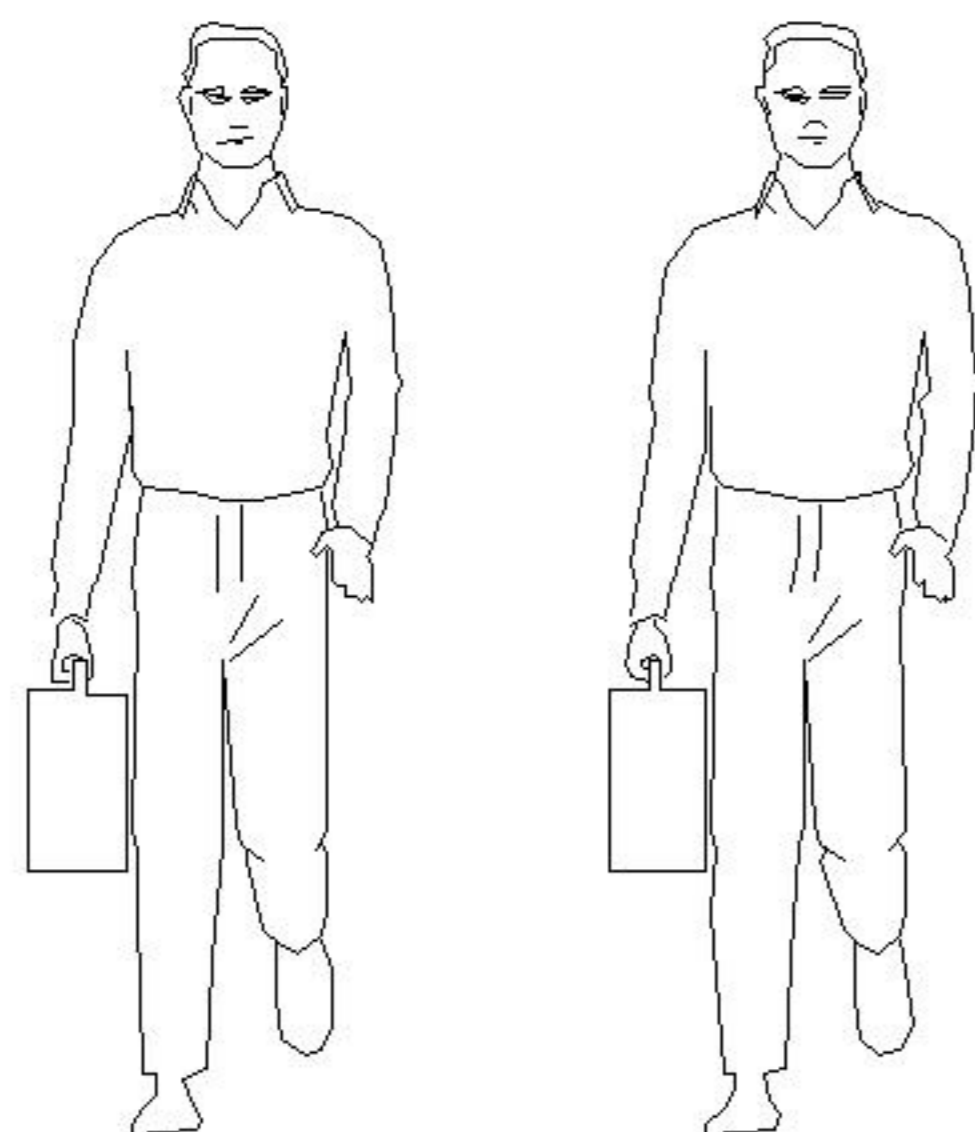


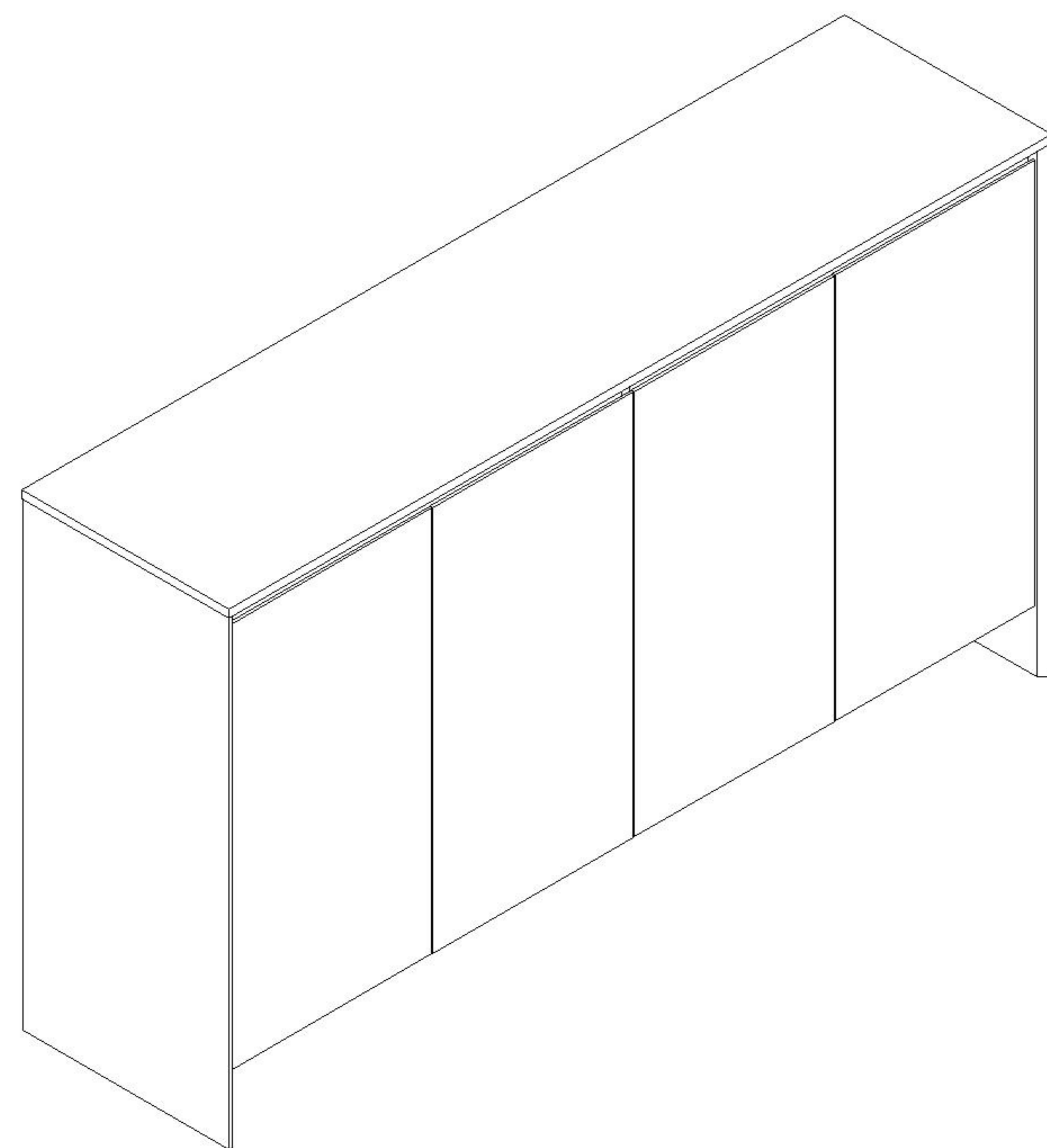
G处放大图
Enlarged view at G

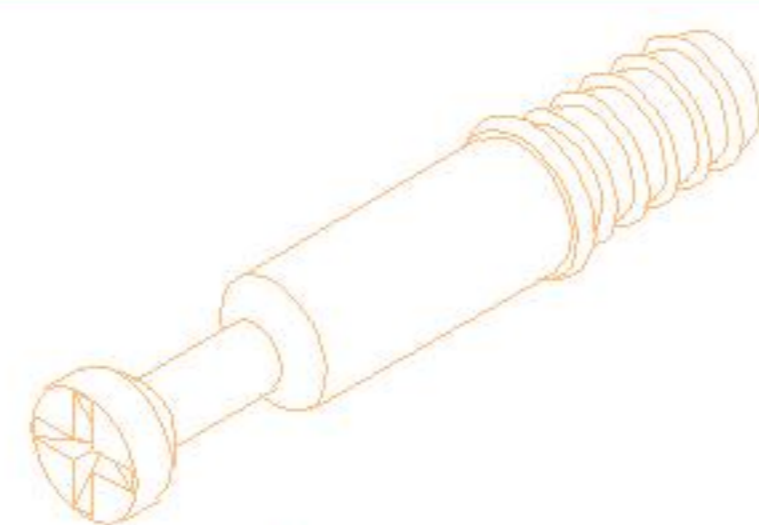

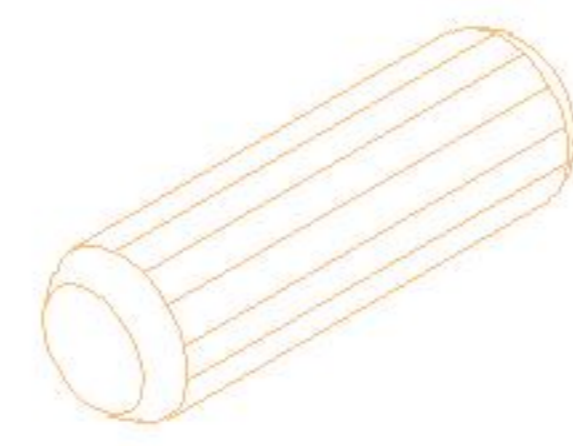

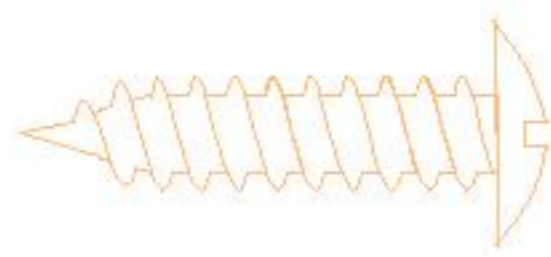

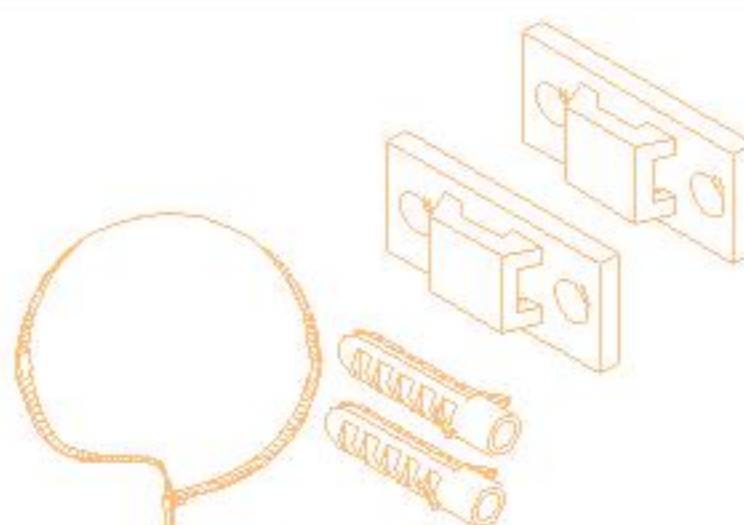
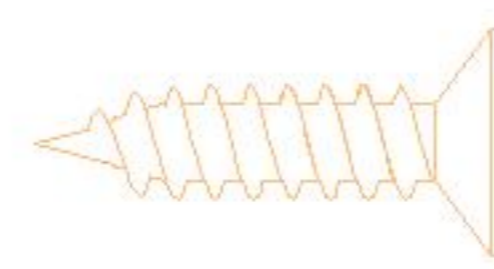
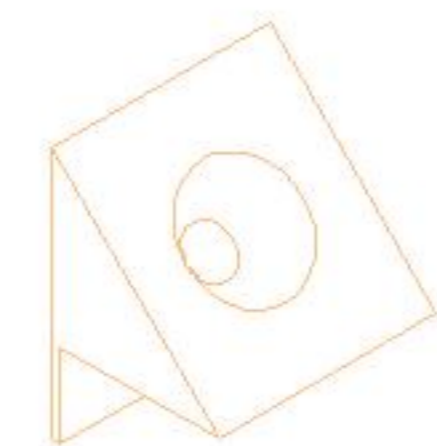
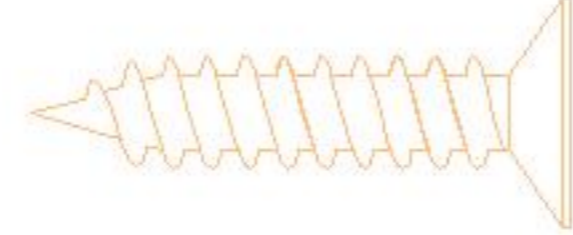
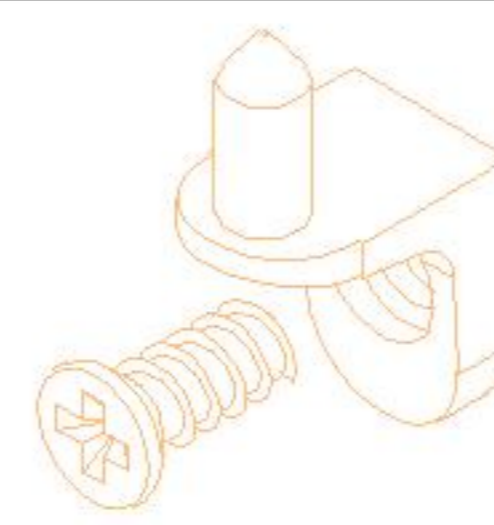
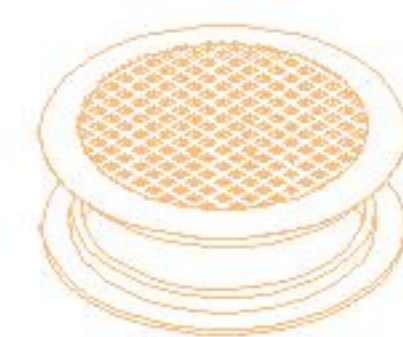
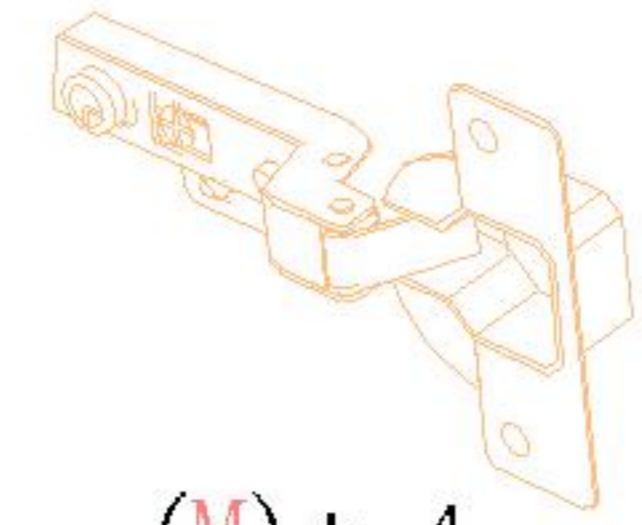
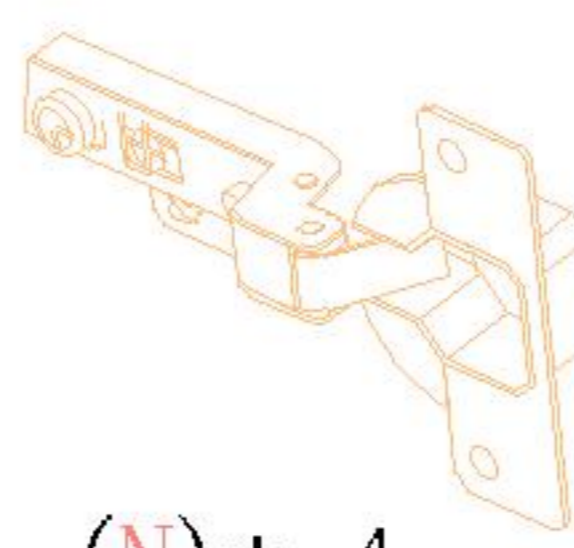

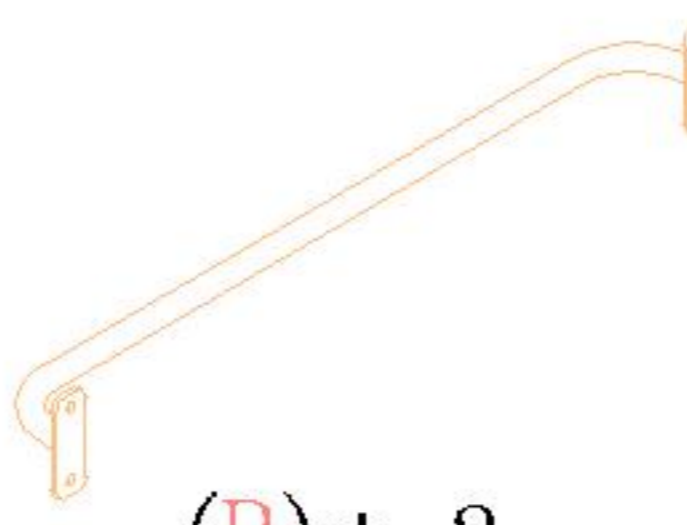
实体墙
Solid wall



安装示意图/Assembly Instruction

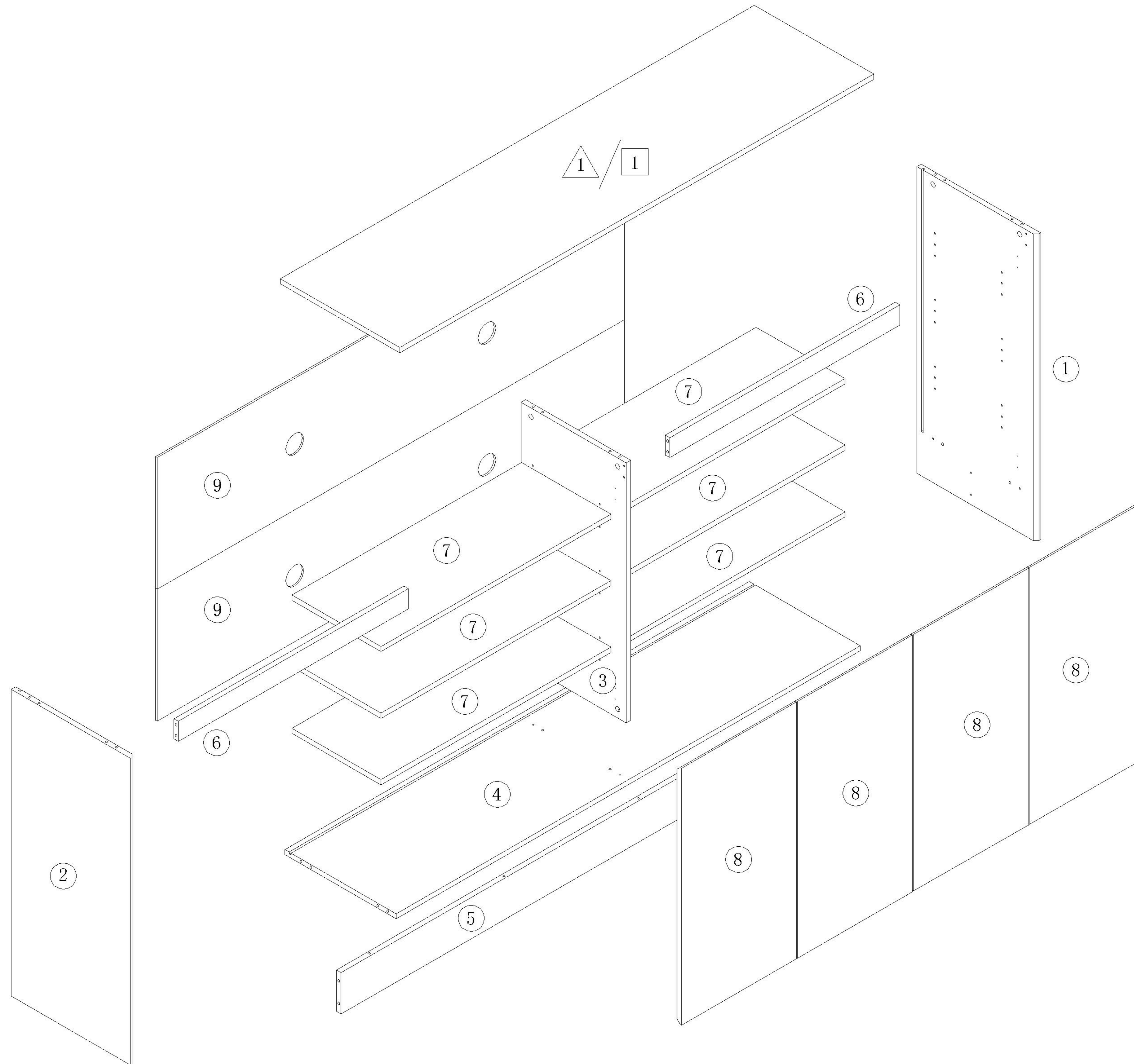
产品名称 Model NO.	UT2N-A/C
产品规格 Specification	1579*398*903 mm
安装工具 Tool	安装人数 Installer
	



 (A)* 25 二合一螺杆 2-in-1-screw	 (B)* 29 大三合一锁饼 Three-in-one large lock	 (C)* 13 木榫08x30mm wood tenon	 (D)* 4 角码14x21x1.5 corner code
 (E)* 8 自攻大扁M4*16mm Self tapping flat screw	 (F)* 8 脚垫-灰色 Footrest - Grey	 (G)* 2 家具防倒器-白色 Anti-fall device white	 (H)* 8 自攻螺丝M3.5x12mm Self-tapping screw
 (I)* 13 背板扣 Back Plate Buckle-White	 (J)* 13 自攻螺丝M3.5x16mm Self-tapping screw	 (K)* 21 层板托 shelf support	 (L)* 4 透气孔盖 Vent cover
 (M)* 4 缓冲门铰大弯-杯径035 Hinge-big bends-diameter 35	 (N)* 4 缓冲门铰中弯-杯径035 Hinge middle bending diameter 35	 (O)* 2 双头三合一螺杆64 double head three in one screw	 (P)* 2 鞋架五金 Shoe rack hardware

编号NO.	名称Name	规格 (mm) Specification	数量QTY	材质Material
UT2N-A鞋柜1.6米柜体 UT2N-A Shoe cabinet 1.6m cabinet				
①	右侧板Side board(R)	885*397*15	1	刨花板Particle board
②	左侧板Side board(L)	885*397*15	1	刨花板Particle board
③	中侧板Middle side board	750*350*15	1	刨花板Particle board
④	底板Bottom board	1547*370*15	1	刨花板Particle board
⑤	前脚条Front foot strip	1547*120*15	1	刨花板Particle board
⑥	长拉条Long brace	766*58*15	2	刨花板Particle board
⑦	右活动层板Movable shelf(R)	765*297*15	6	刨花板Particle board
⑧	门板Door board	741*383.5*15	4	刨花板Particle board
⑨	背板Back board	1557*380*5	2	纤维板Fiberboard
UT2N-A鞋柜1.6米面板 UT2N-A Shoe cabinet 1.6m panel				
△1	面板Top panel	1579*398*15	1	刨花板Particle board
UT2N-C鞋柜1.6米面板 UT2N-C Shoe cabinet 1.6m panel				
1	面板Top panel	1579*398*15	1	刨花板Particle board

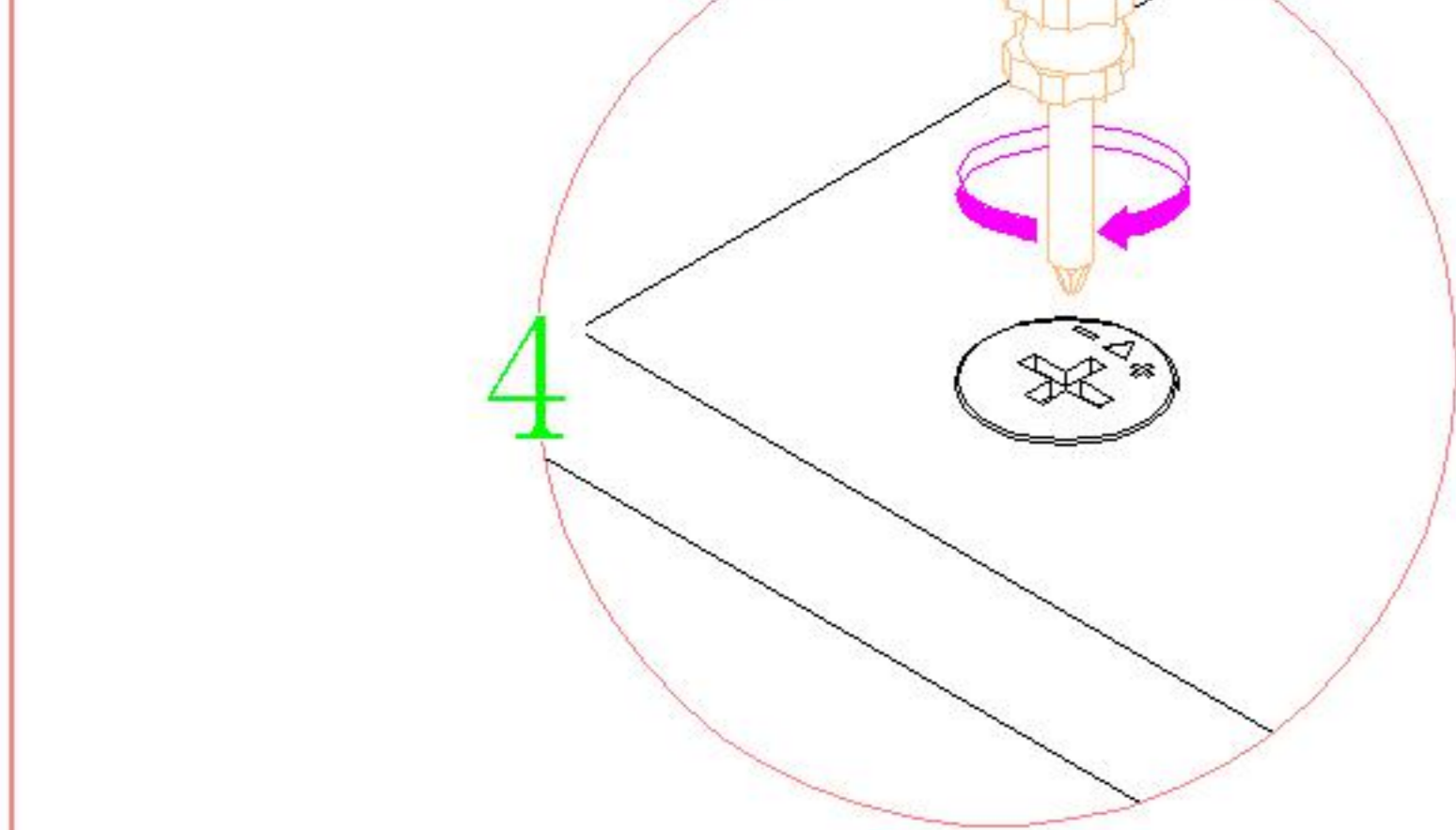
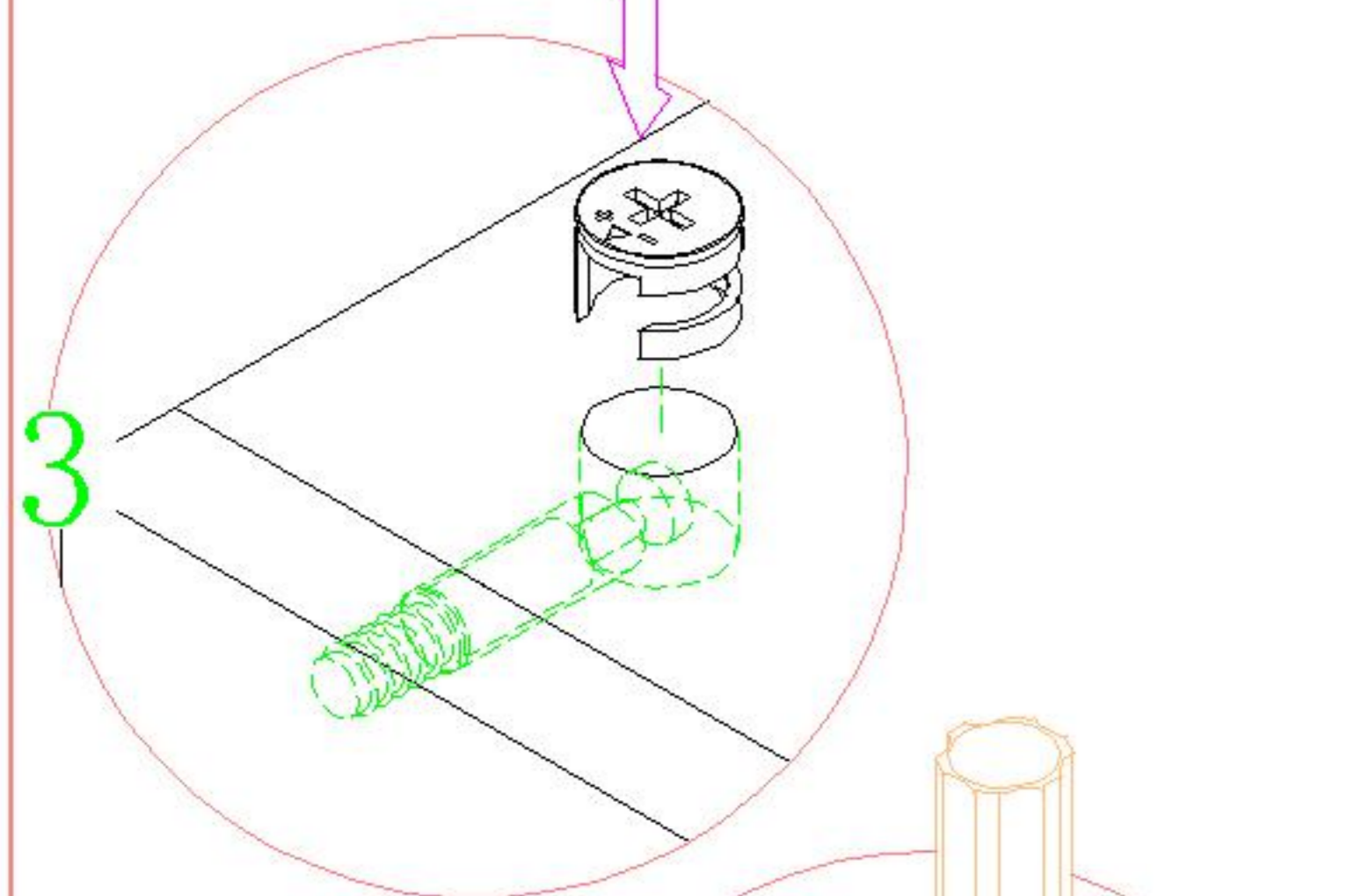
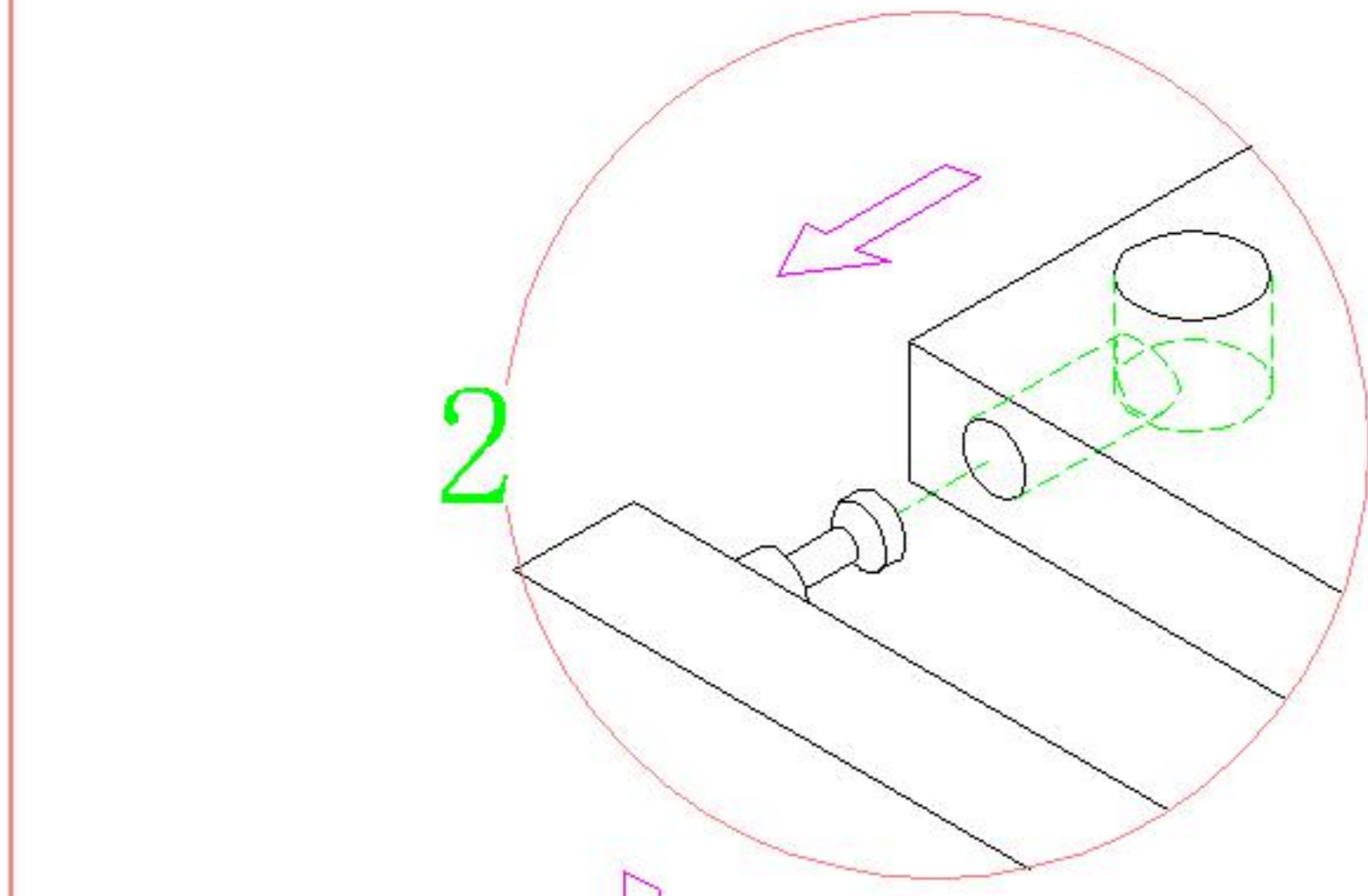
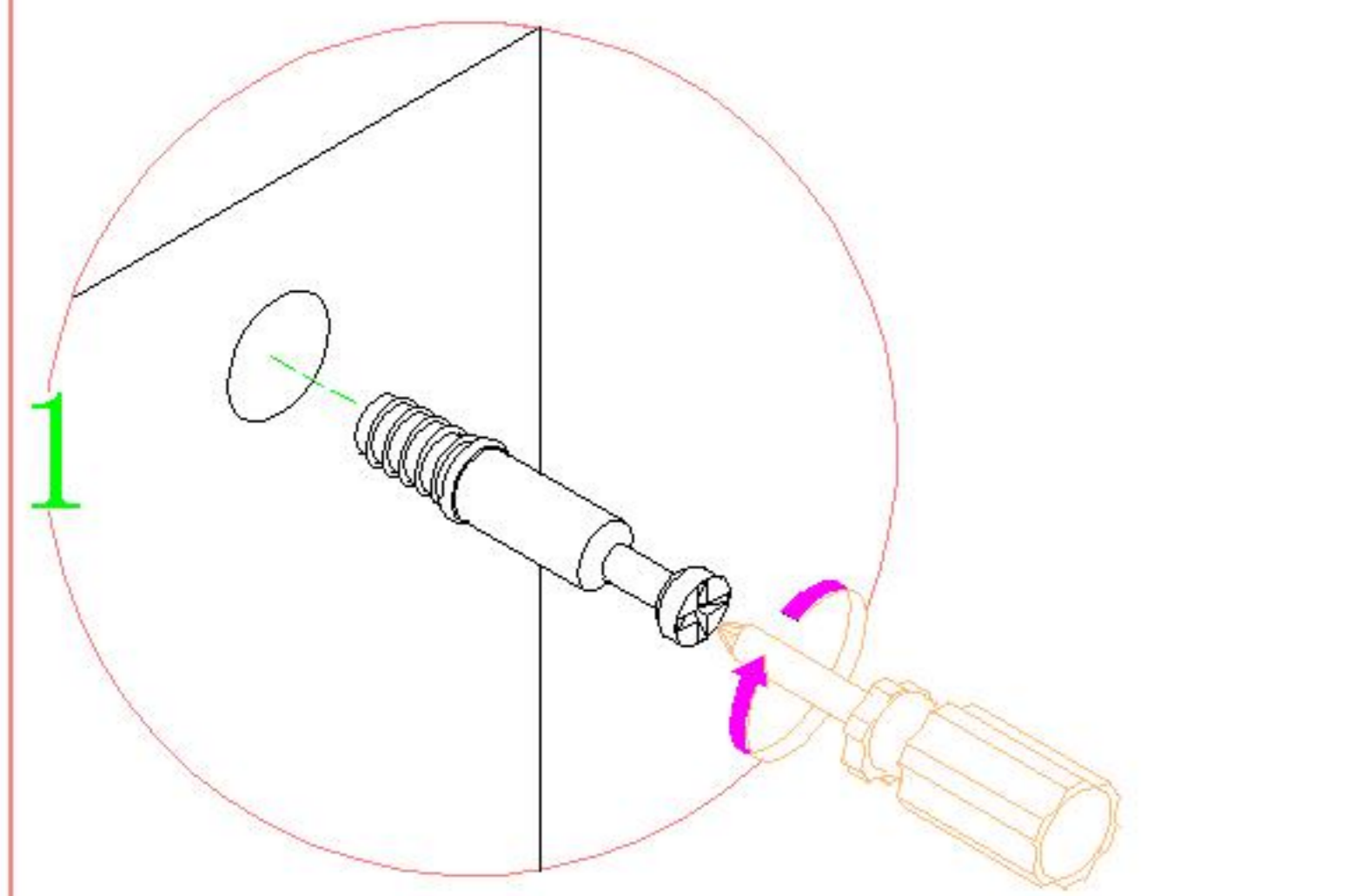
注：该柜体可搭配两款面板，可根据购买的产品型号进行安装
 Note: The cabinet can be equipped with two panels, which can be installed according to the product model purchased



编号NO.	名称Name
UT2N-A鞋柜1.6米柜体	
①	右侧板Side board(R)
②	左侧板Side board(L)
③	中侧板Middle side board
④	底板Bottom board
⑤	前脚条Front foot strip
⑥	长拉条Long brace
⑦	右活动层板Movable shelf(R)
⑧	门板Door board
⑨	背板Back board
UT2N-A鞋柜1.6米面板	
△1	面板Top panel
UT2N-C鞋柜1.6米面板	
□1	面板Top panel

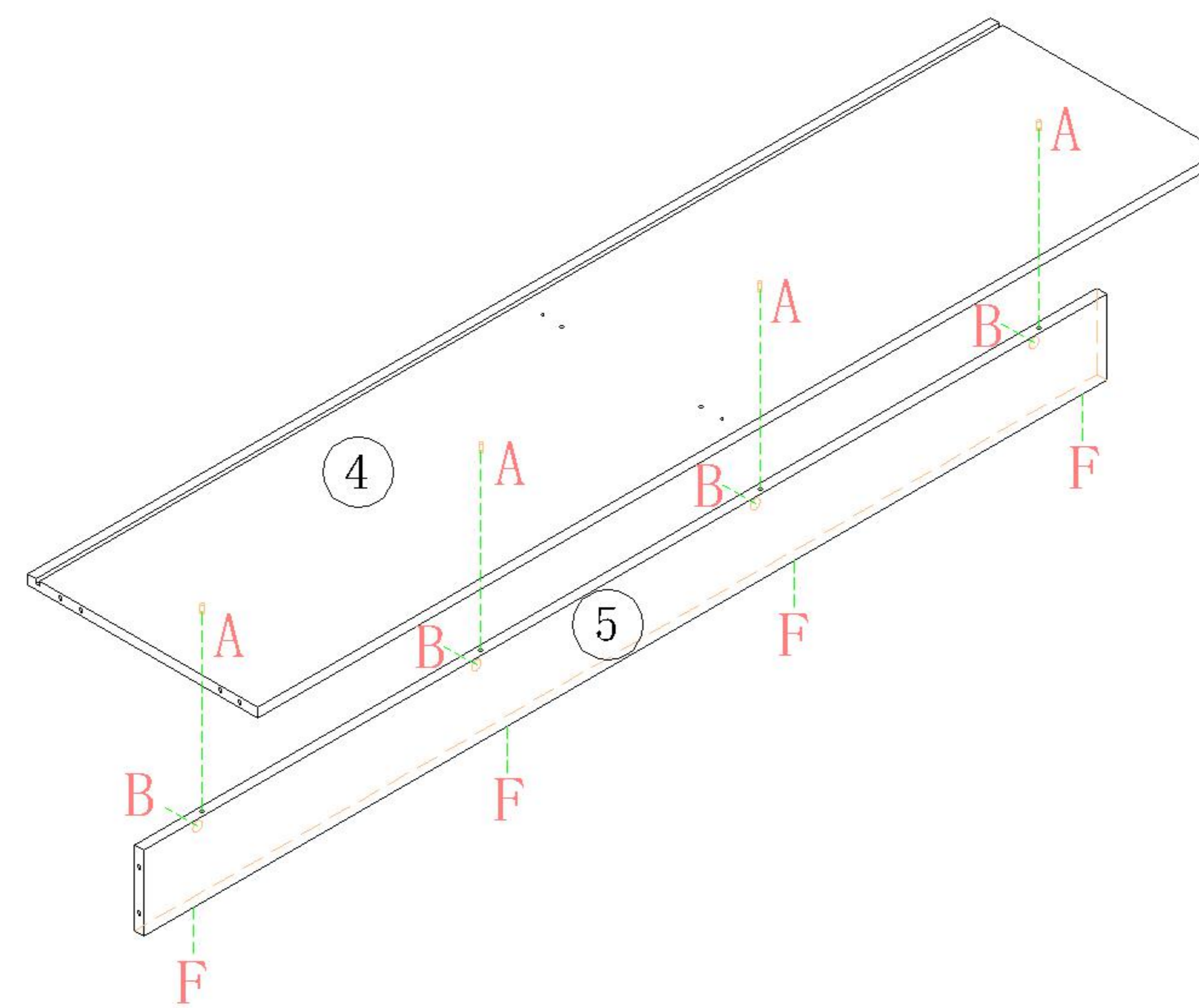
UT2N-A/C

安装方法/
Installation method



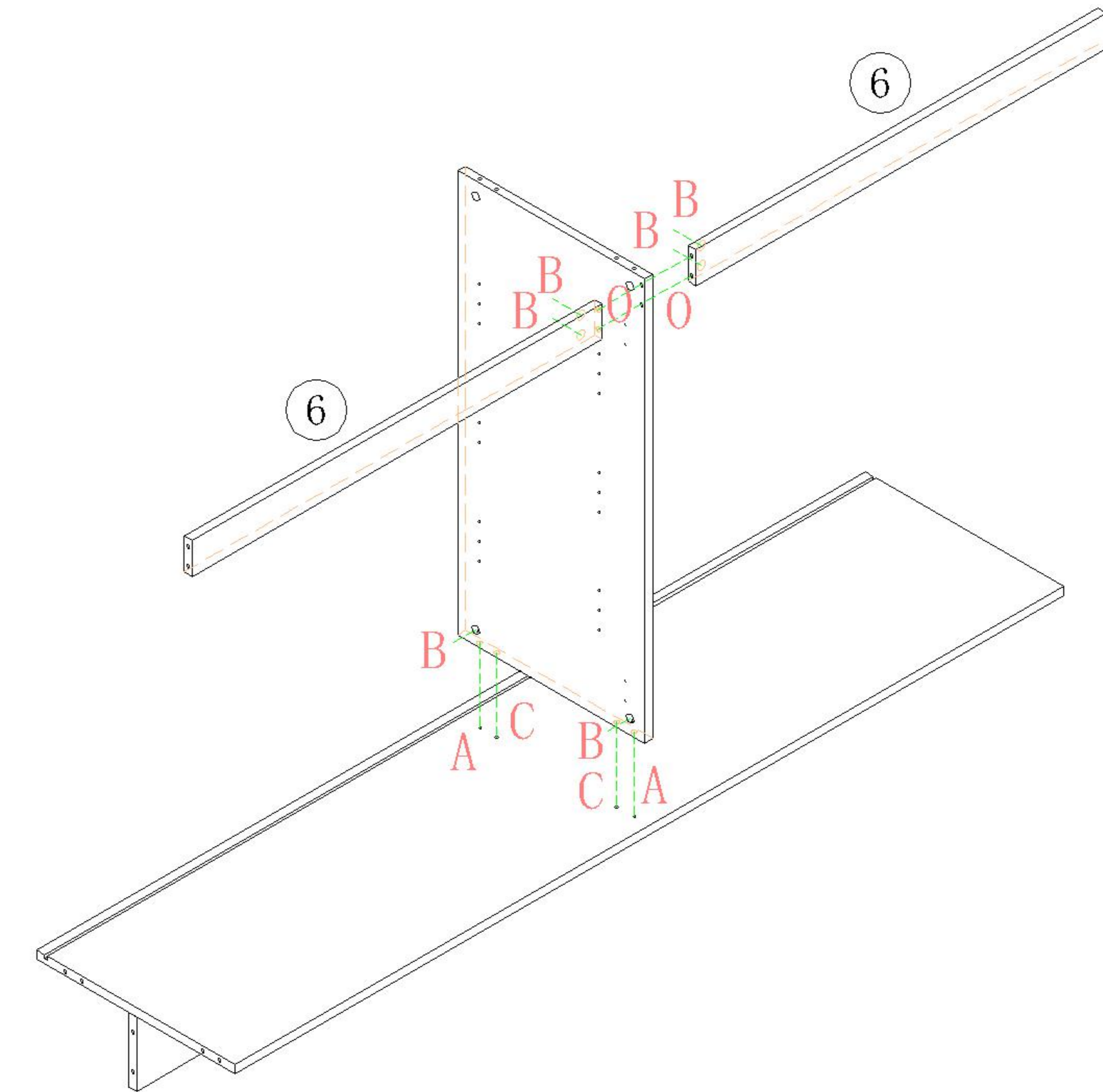
大二合一
two-in-one

- (A)*4
- (B)*4
- (F)*4



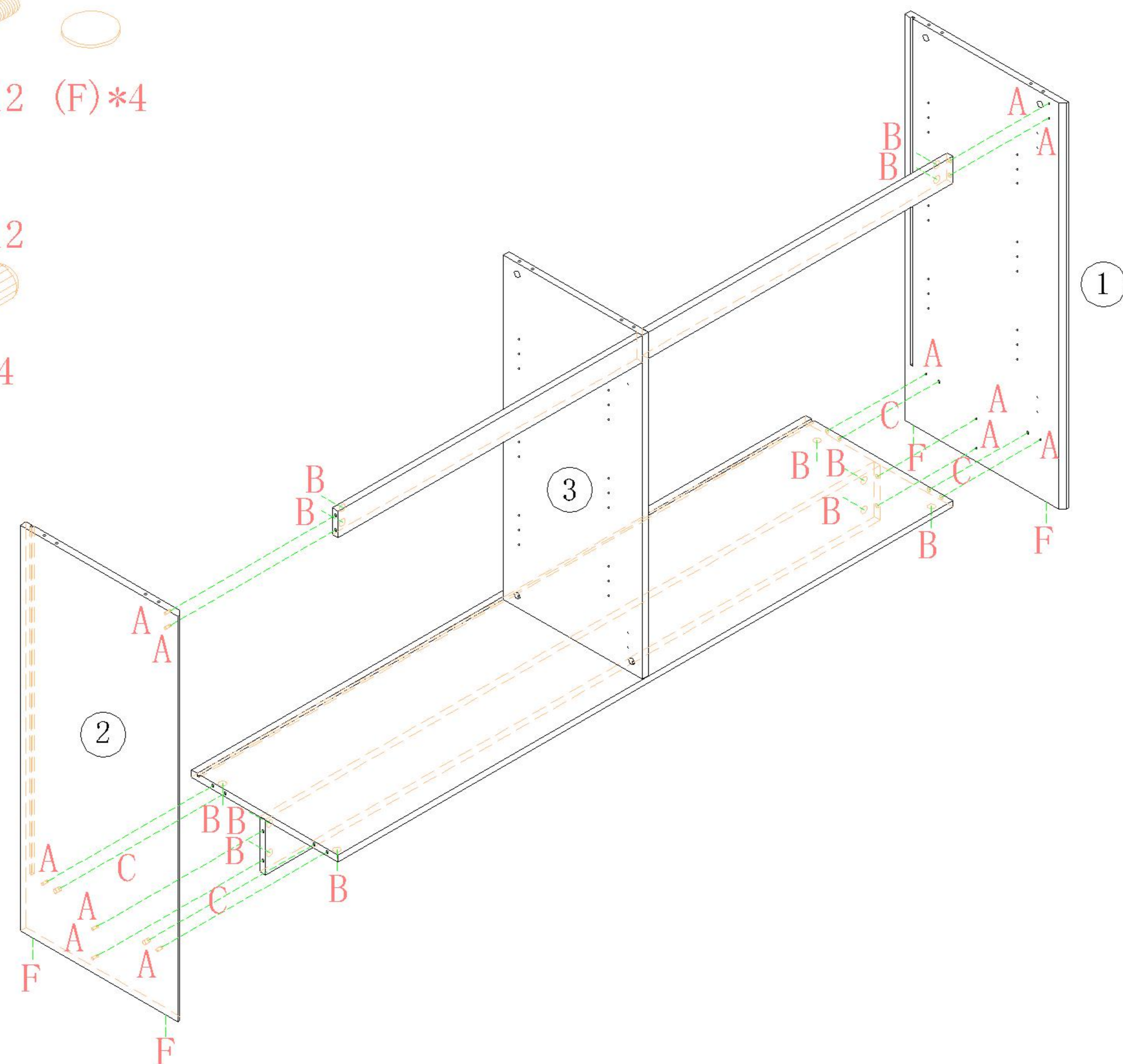
1

- (A)*2
- (B)*6
- (C)*2
- (O)*2



2

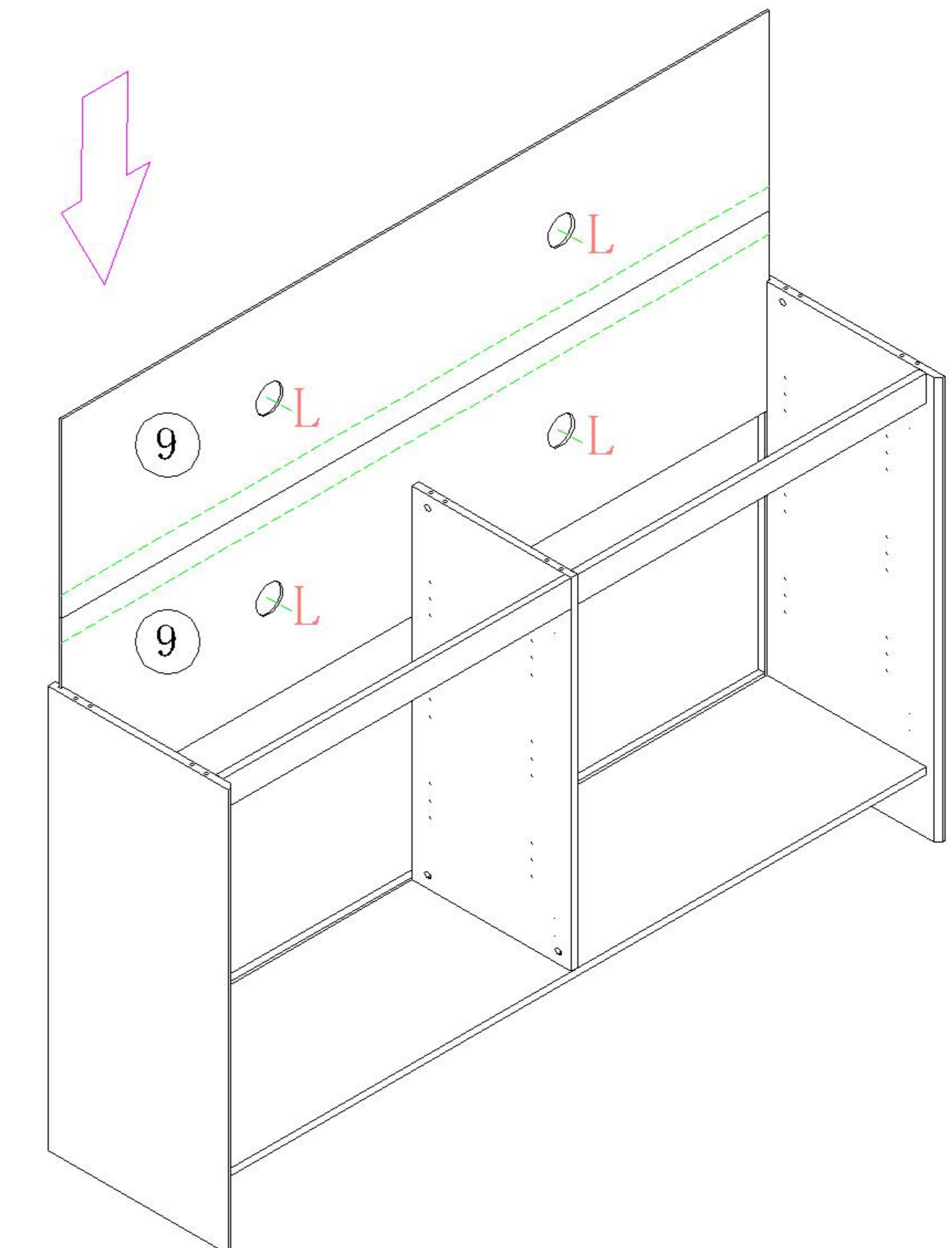
- (A)*12
- (F)*4
- (B)*12
- (C)*4



3

- (L)*4

注：背板有胶带面朝后安装
Note: The backplane is mounted with
tape side facing back

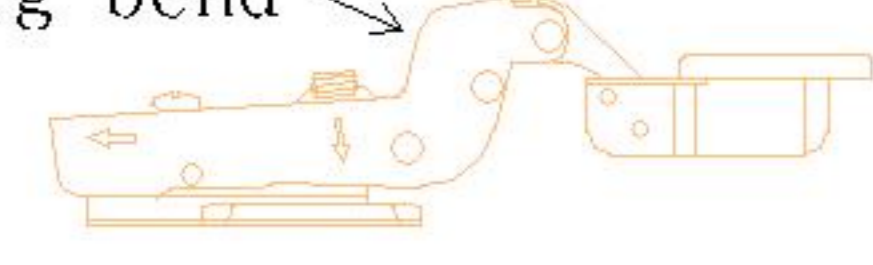


4

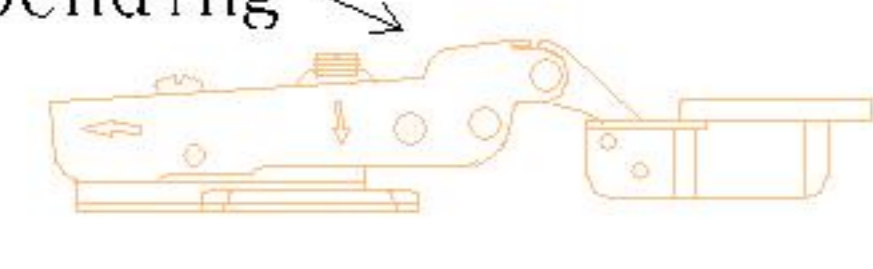
UT2N-A/C

安装方法/ Installation method

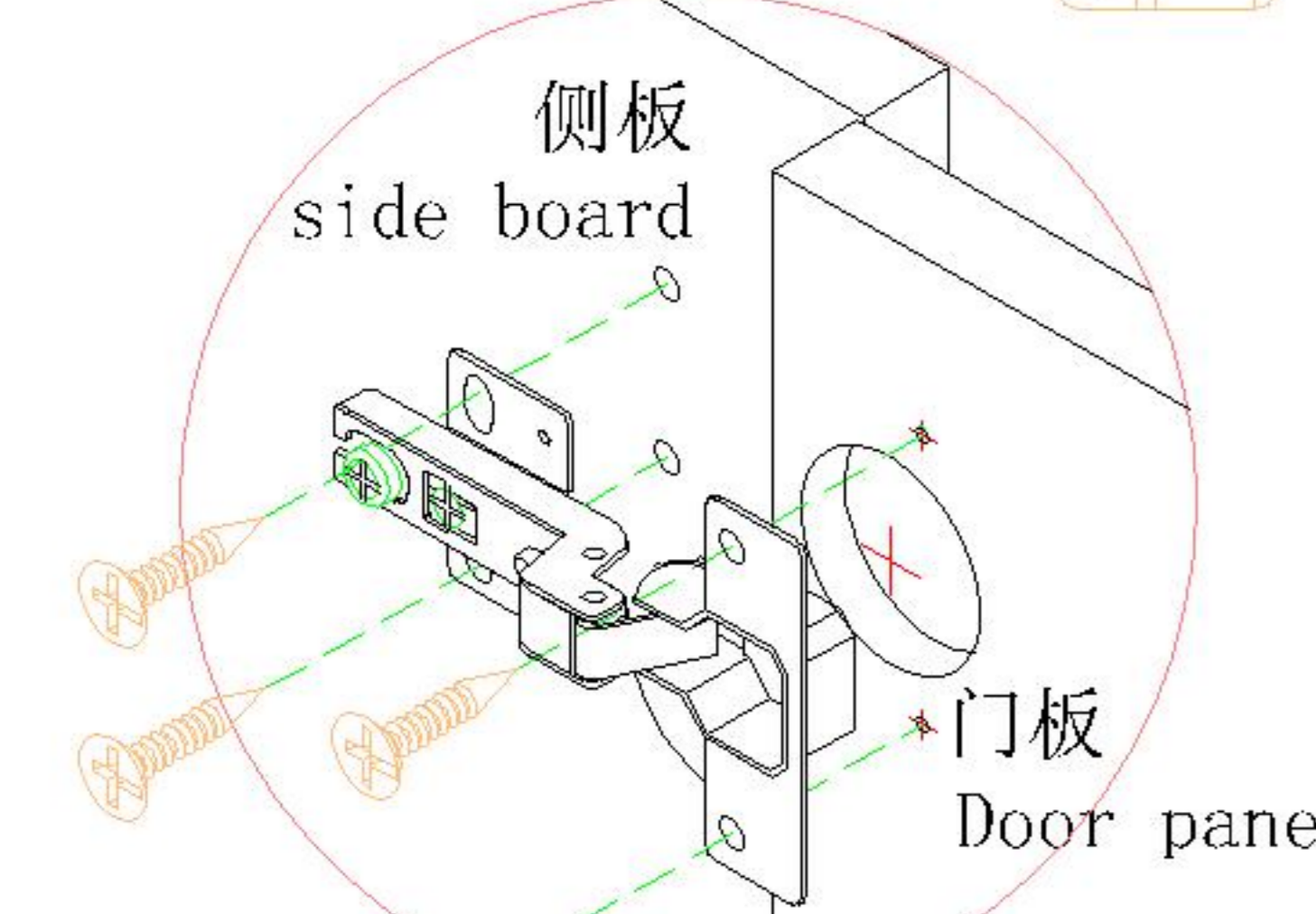
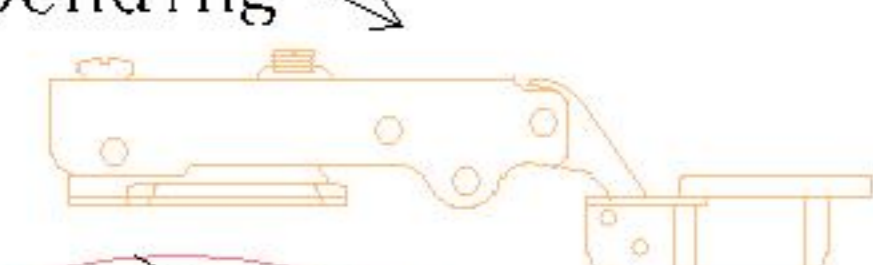
大弯big bend



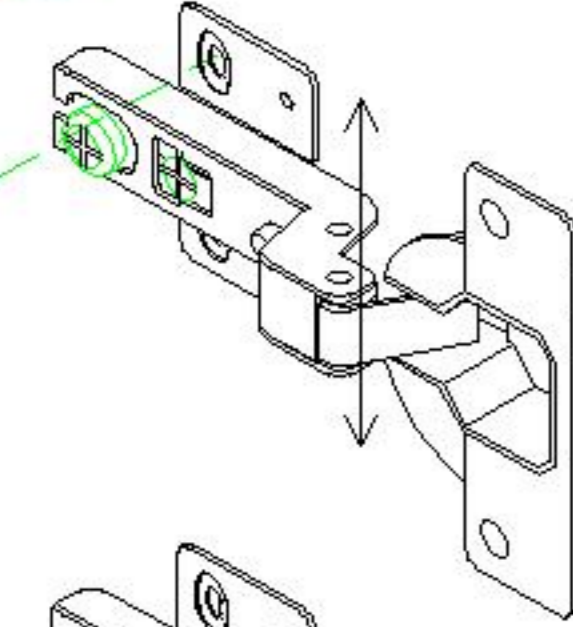
中弯middle bending



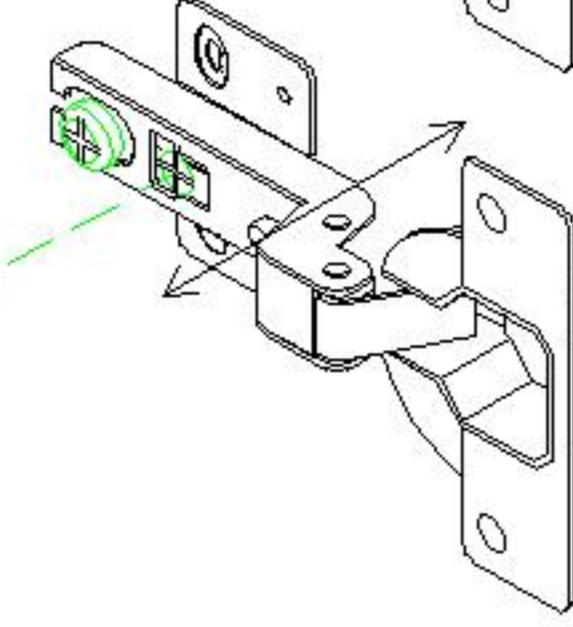
直弯straight bending



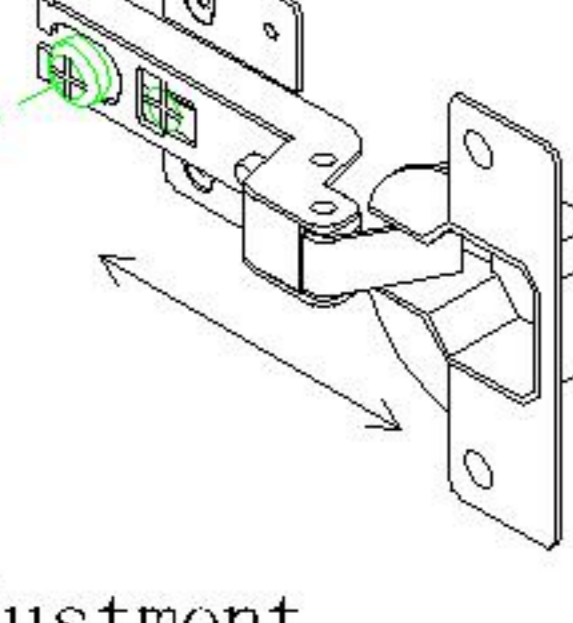
调节上下
Adjust up and down



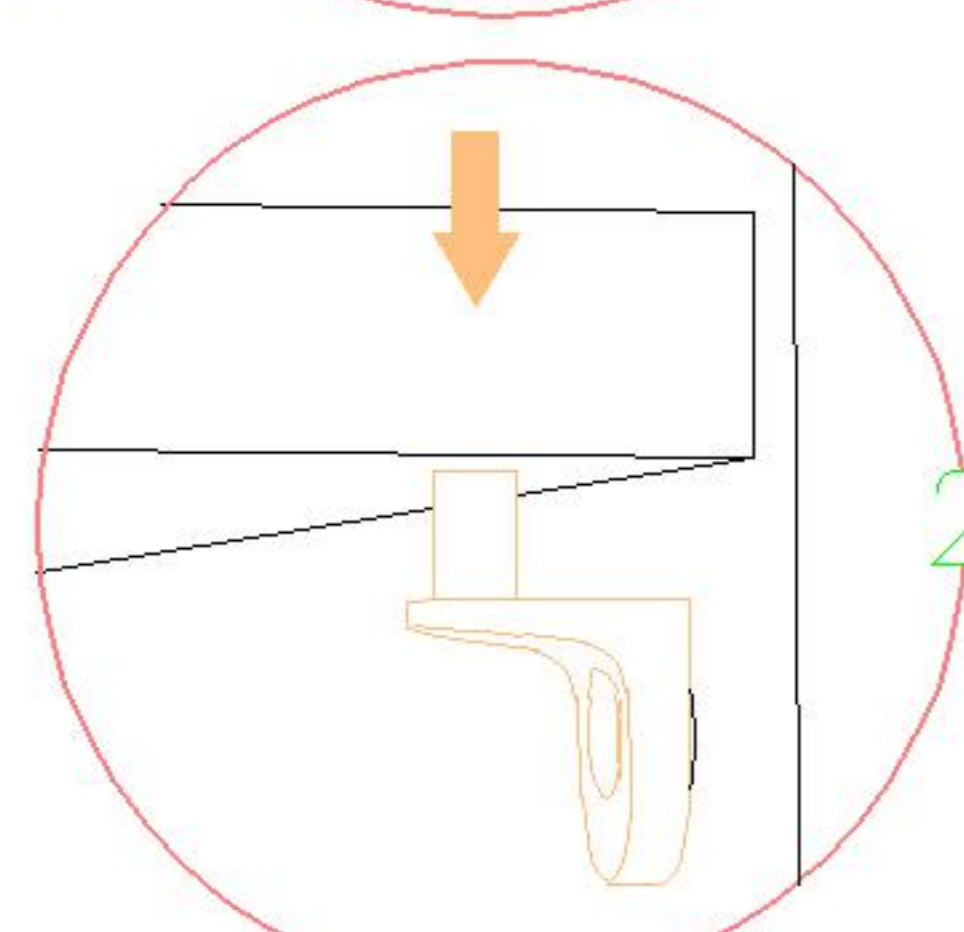
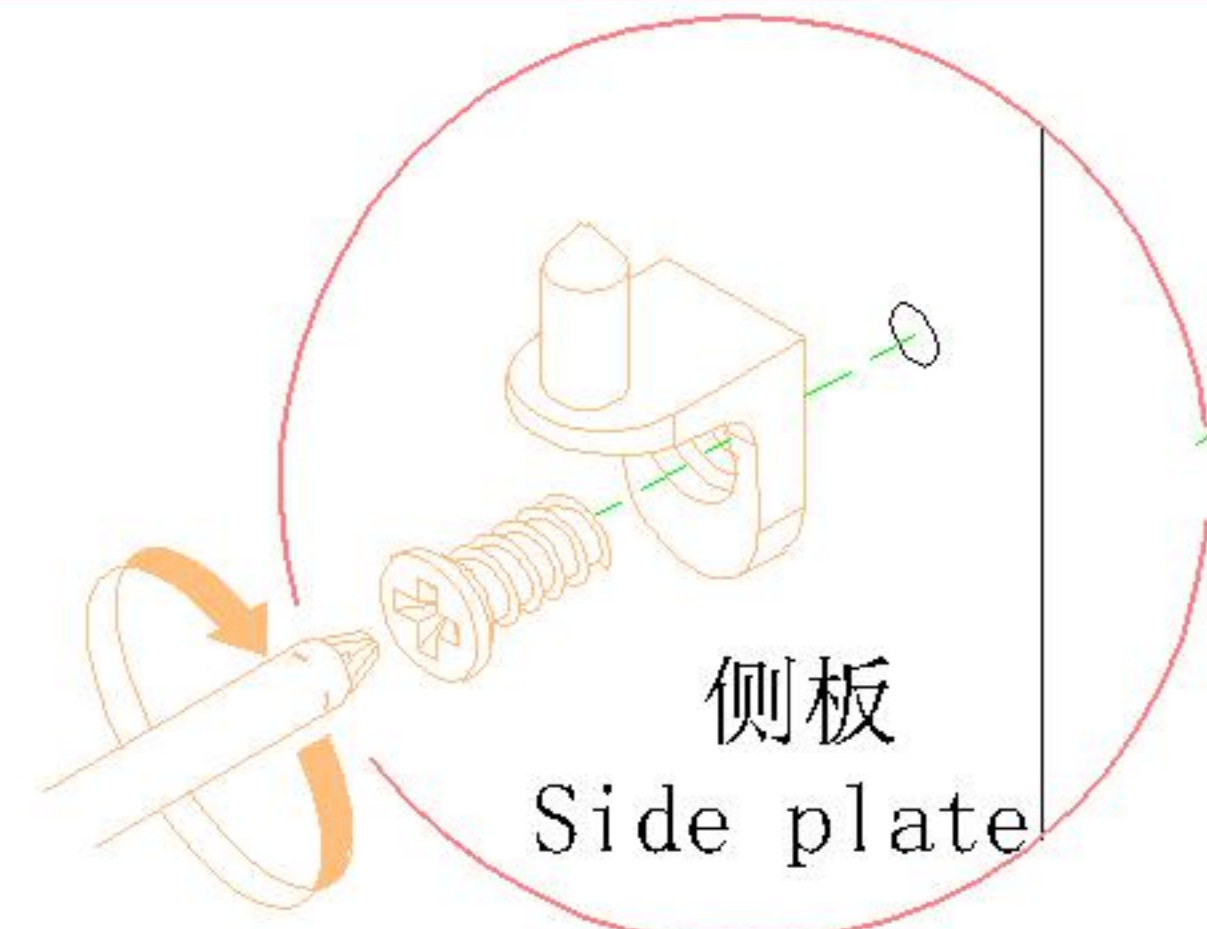
调节左右
Adjust left and right



调节前后
Before and after adjustment

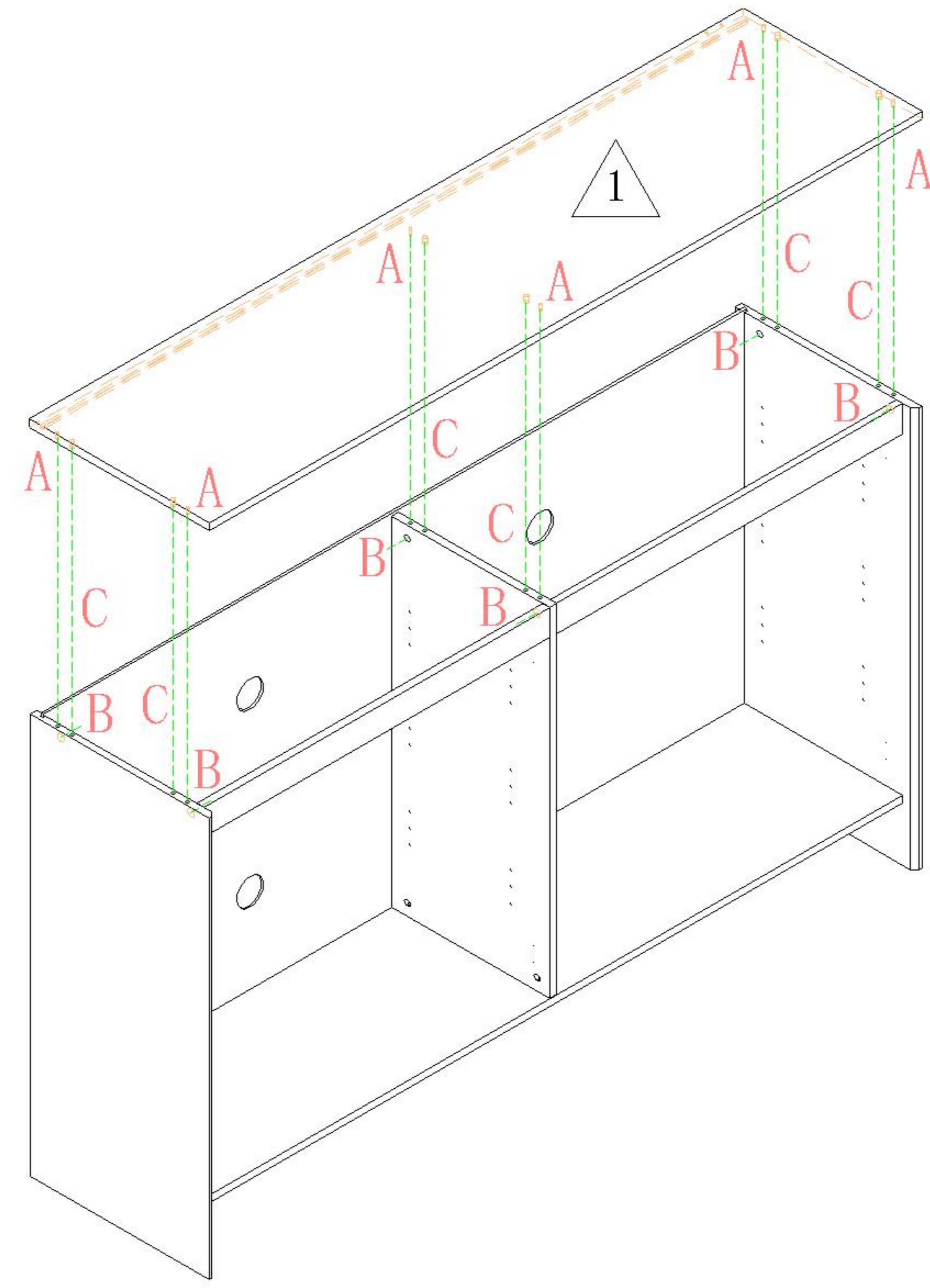


门铰 Hinge



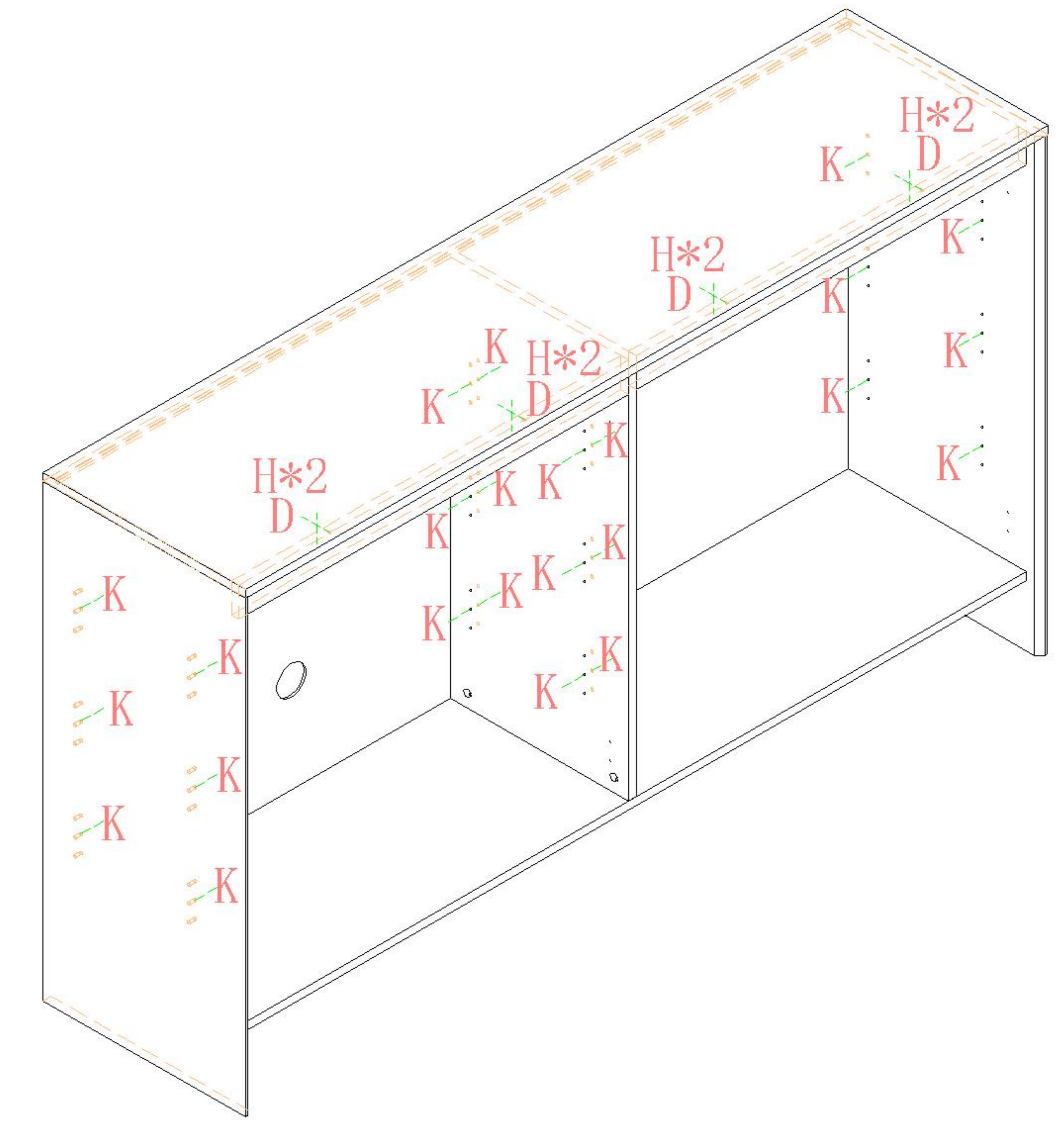
层板托5mm
shelf support

- (A)*6
- (B)*6
- (C)*6



5

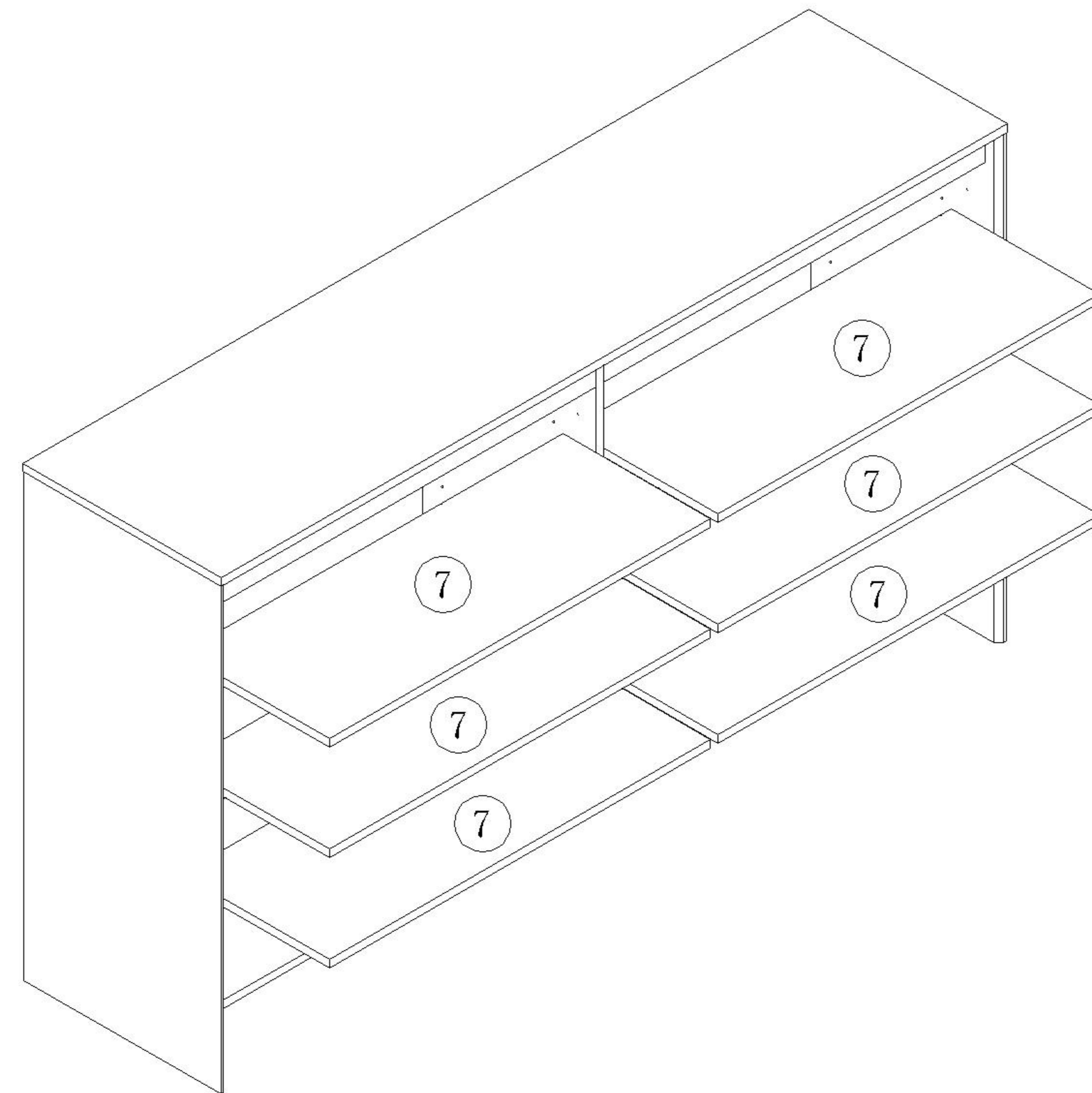
- (D)*4
- (H)*8
- (K)*24



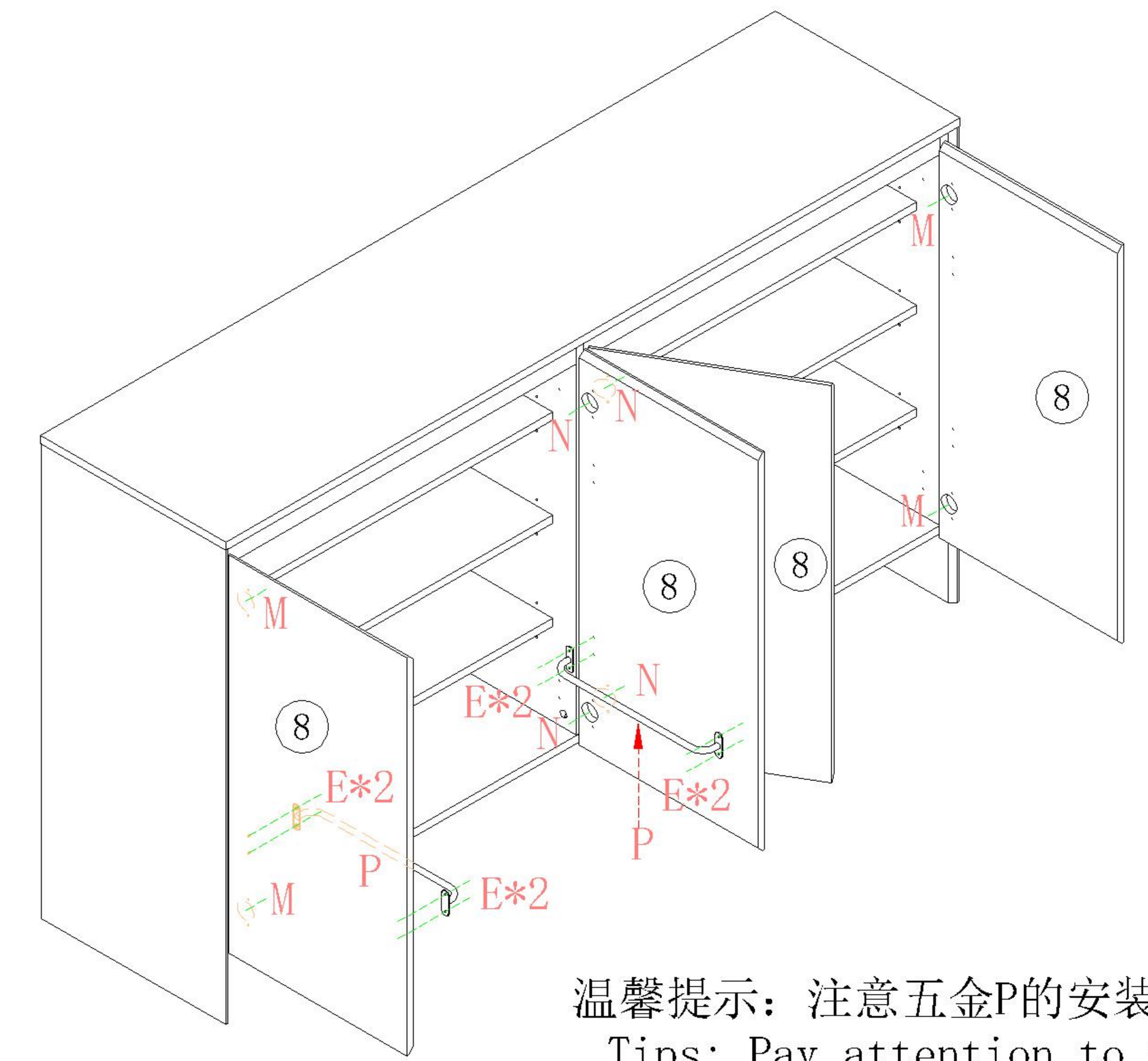
6

7

- (E)*8
- (M)*4
- (N)*4
- (P)*2



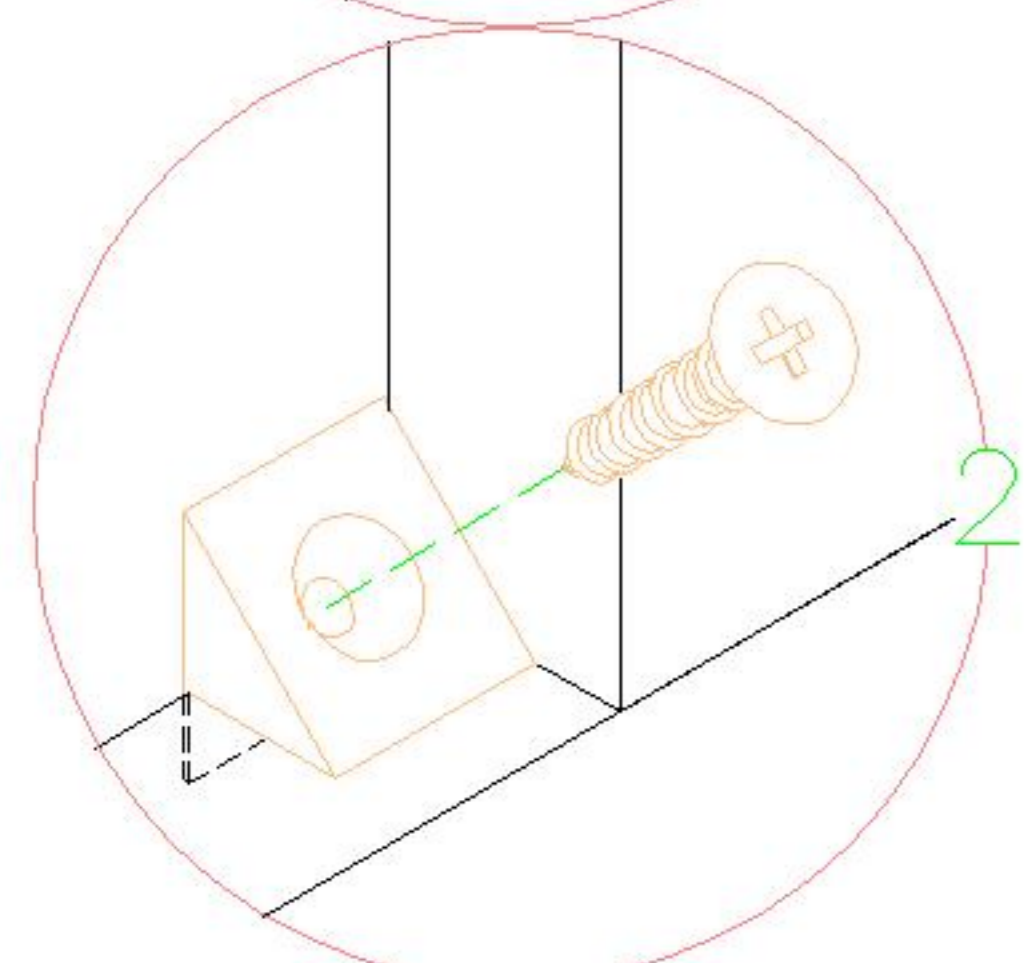
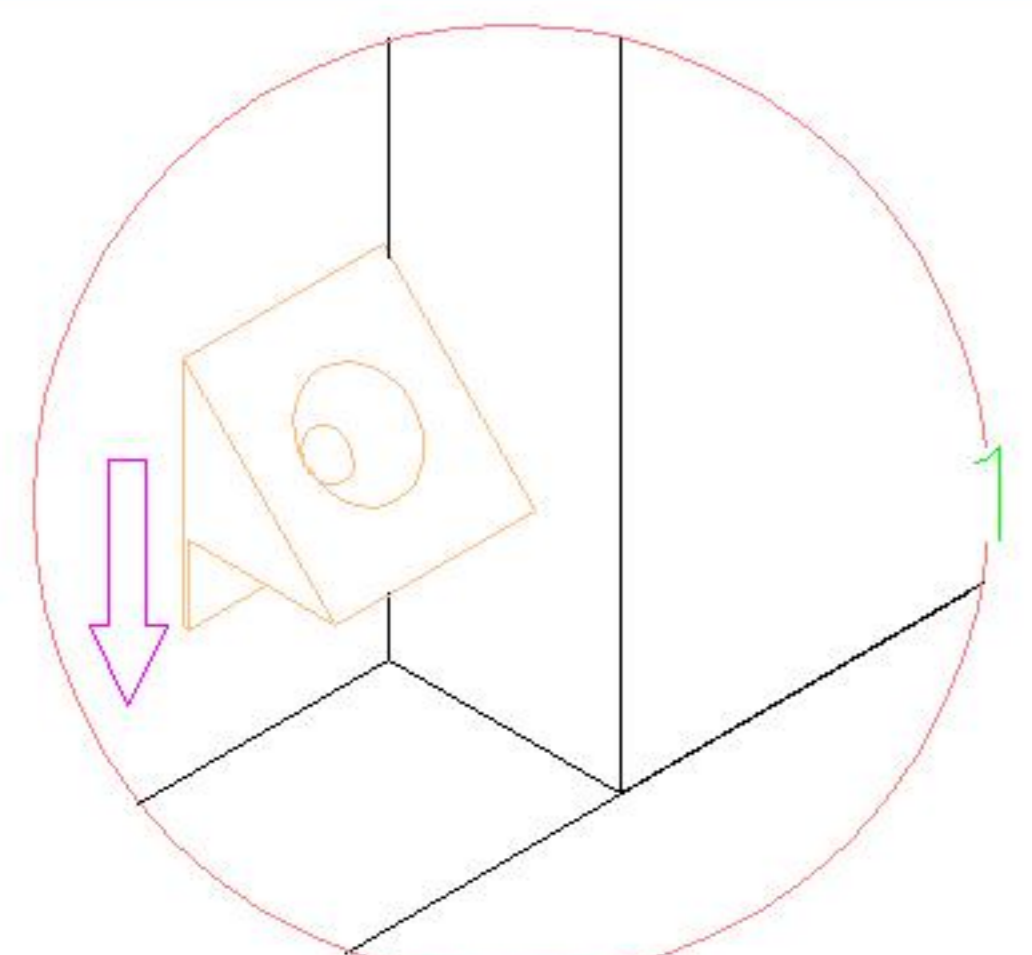
8



温馨提示：注意五金P的安装位置
Tips: Pay attention to the installation position of hardware P

UT2N-A/C

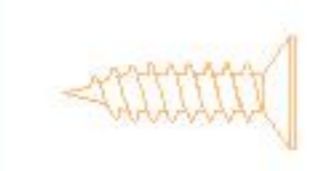
安装方法/
Installation method



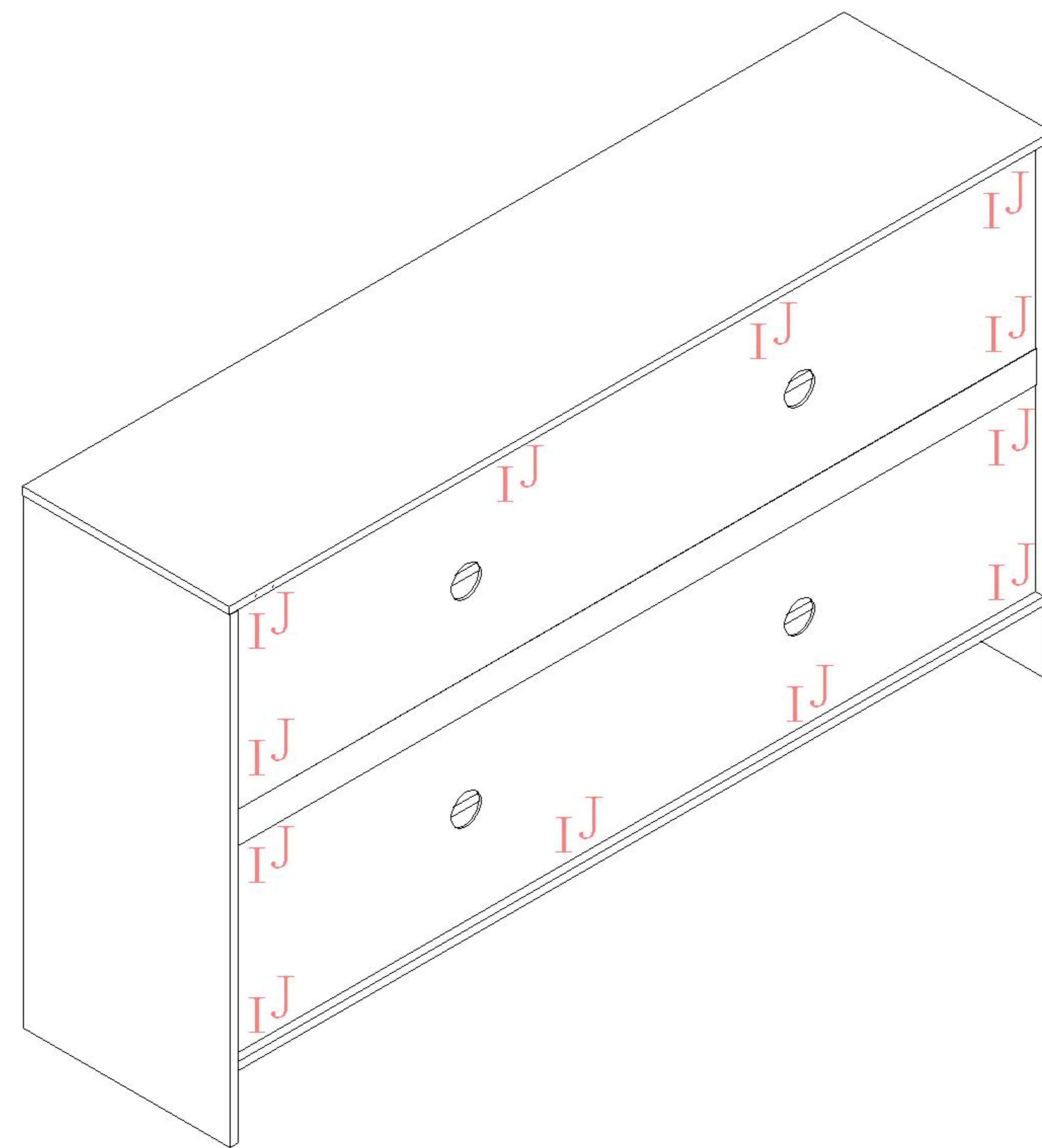
背板扣
Back Plate Buckle



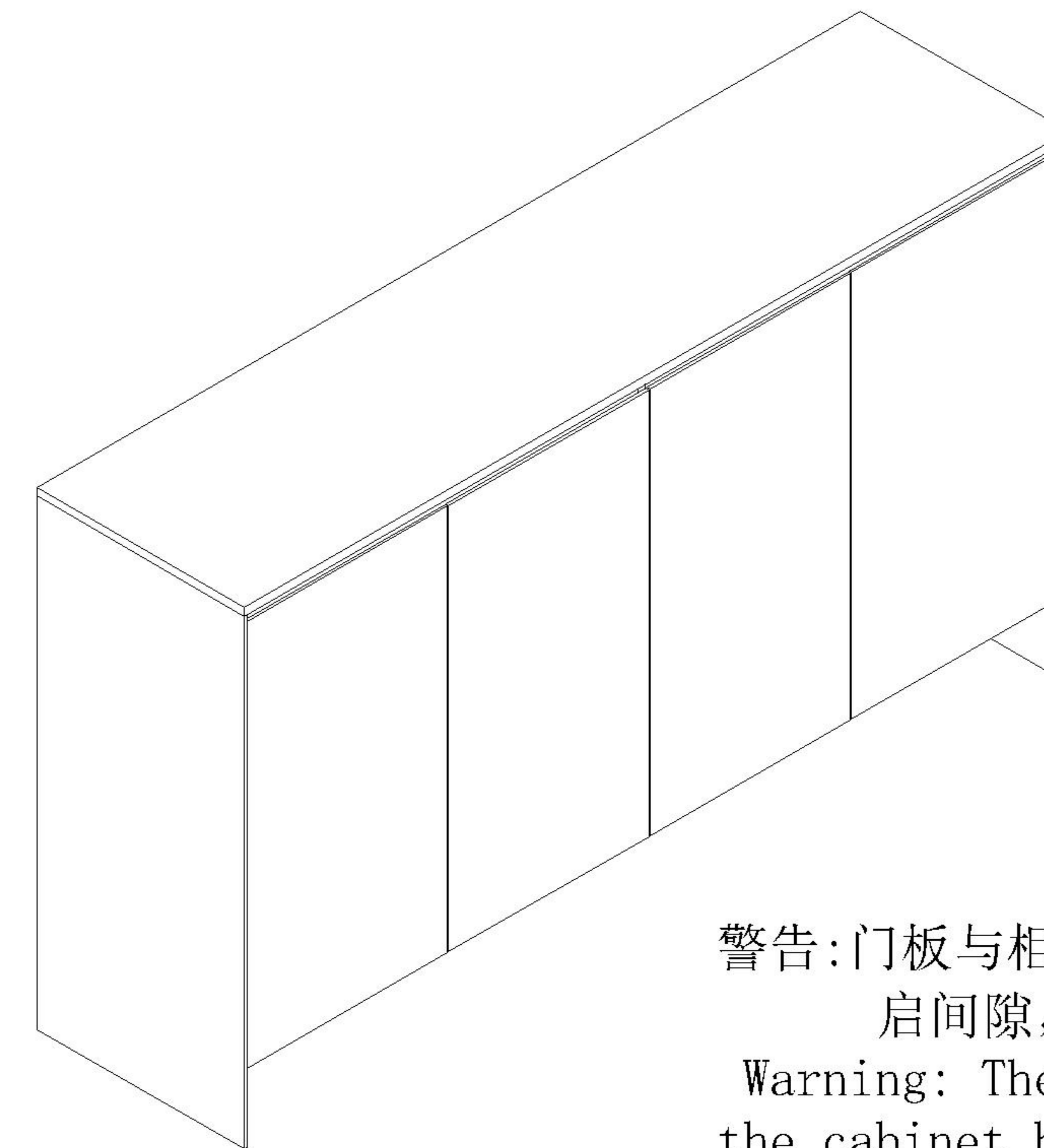
(I)*12



(J)*12



9

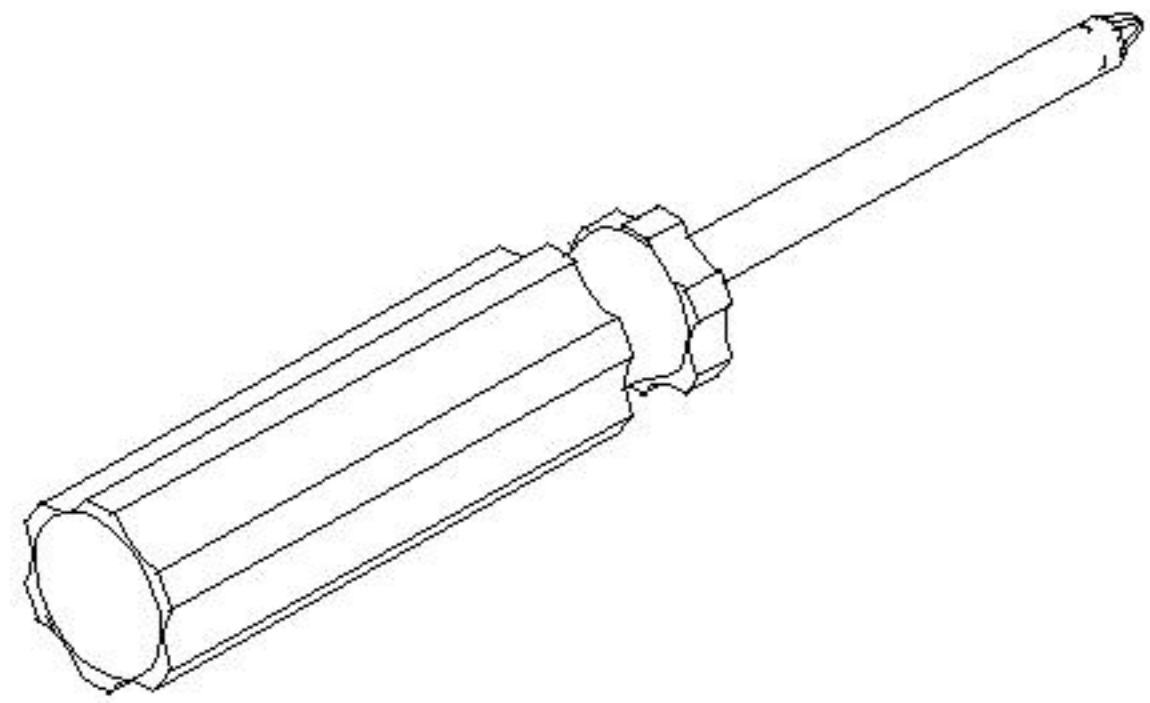
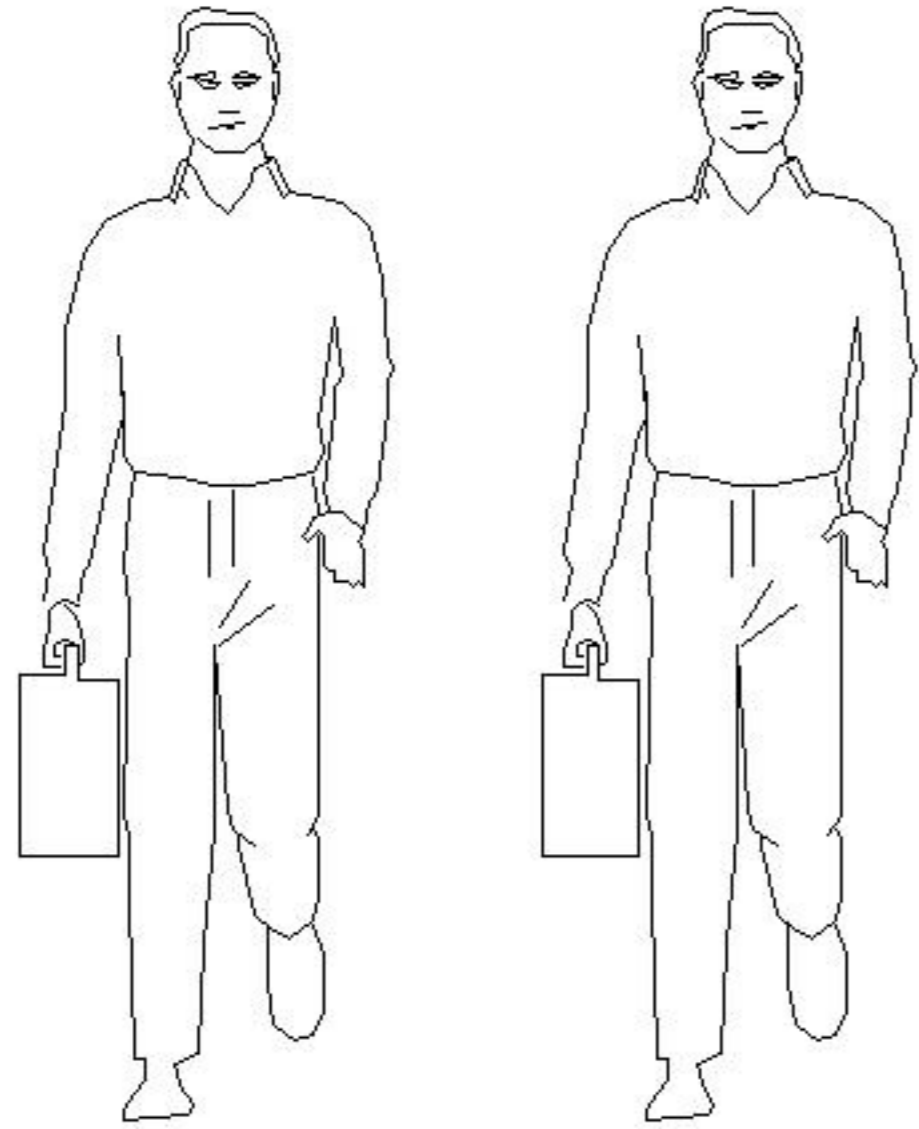


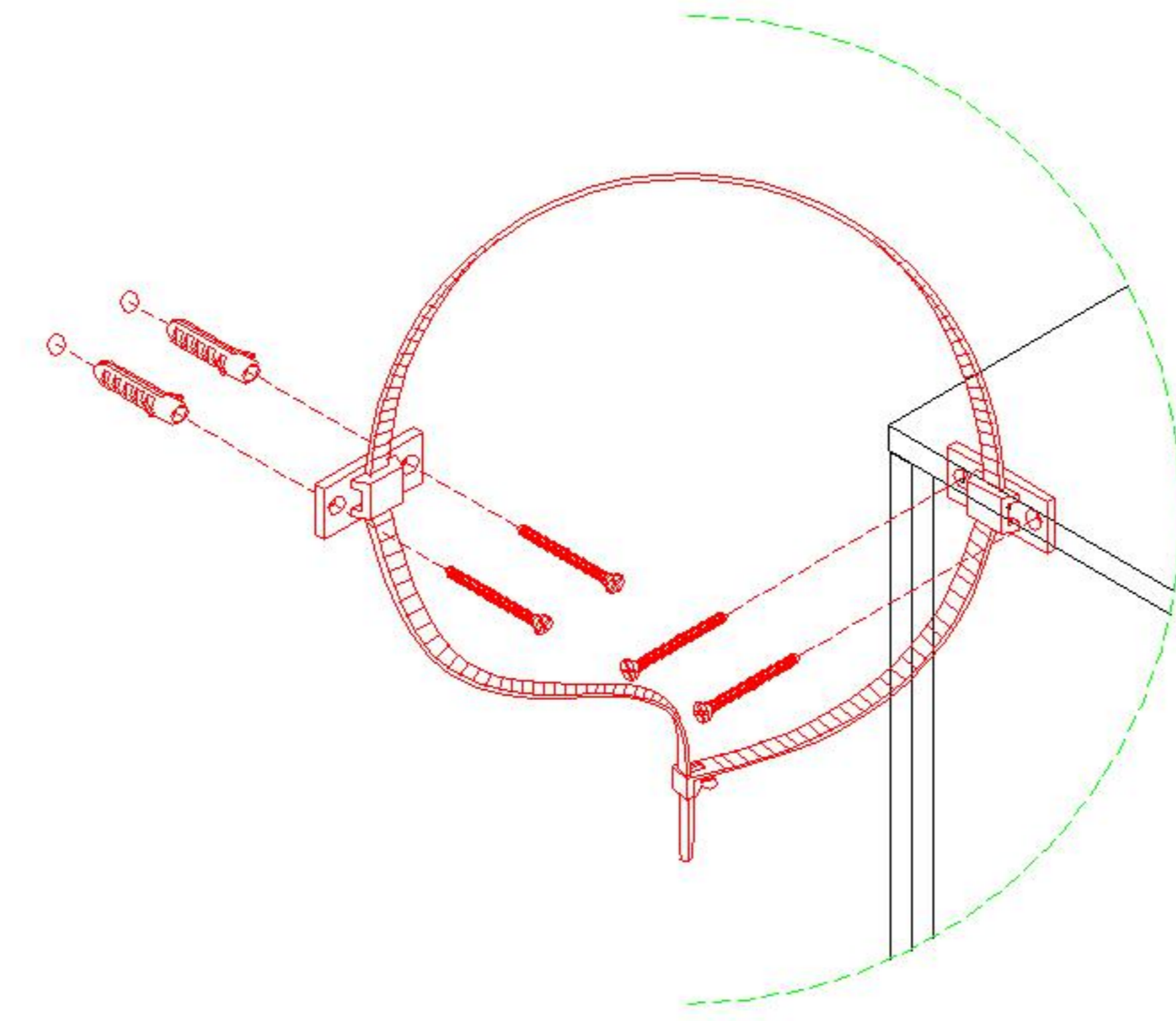
10

警告:门板与柜体有设计所需的开启间隙,小心夹伤

Warning: The door panel and the cabinet have the opening gap required by the design, beware of clamping

安装示意图/Assembly Instruction

产品名称 Model NO.	UT2N-A/C
产品规格 Specification	-
安装工具 Tool	安装人数 Installer
	



G处放大图
Enlarged view at G

实体墙
Solid wall

