

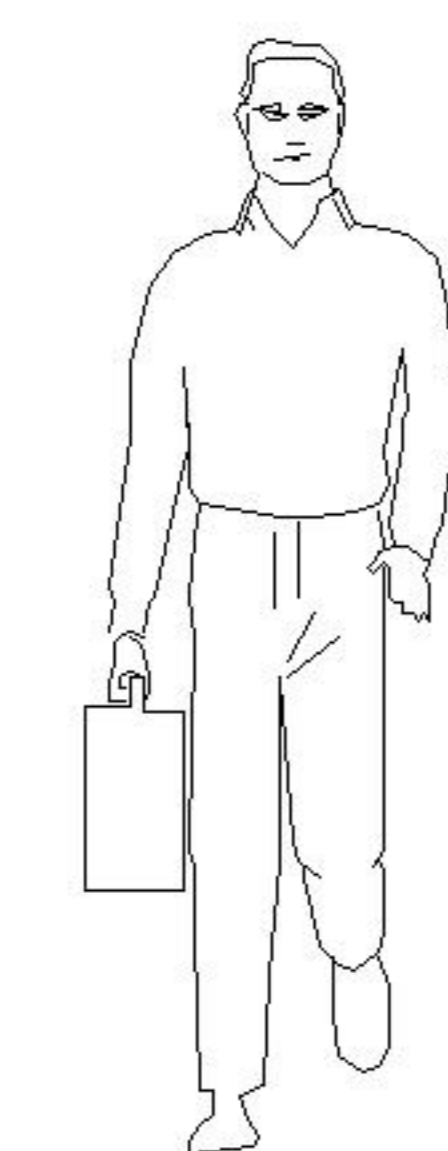
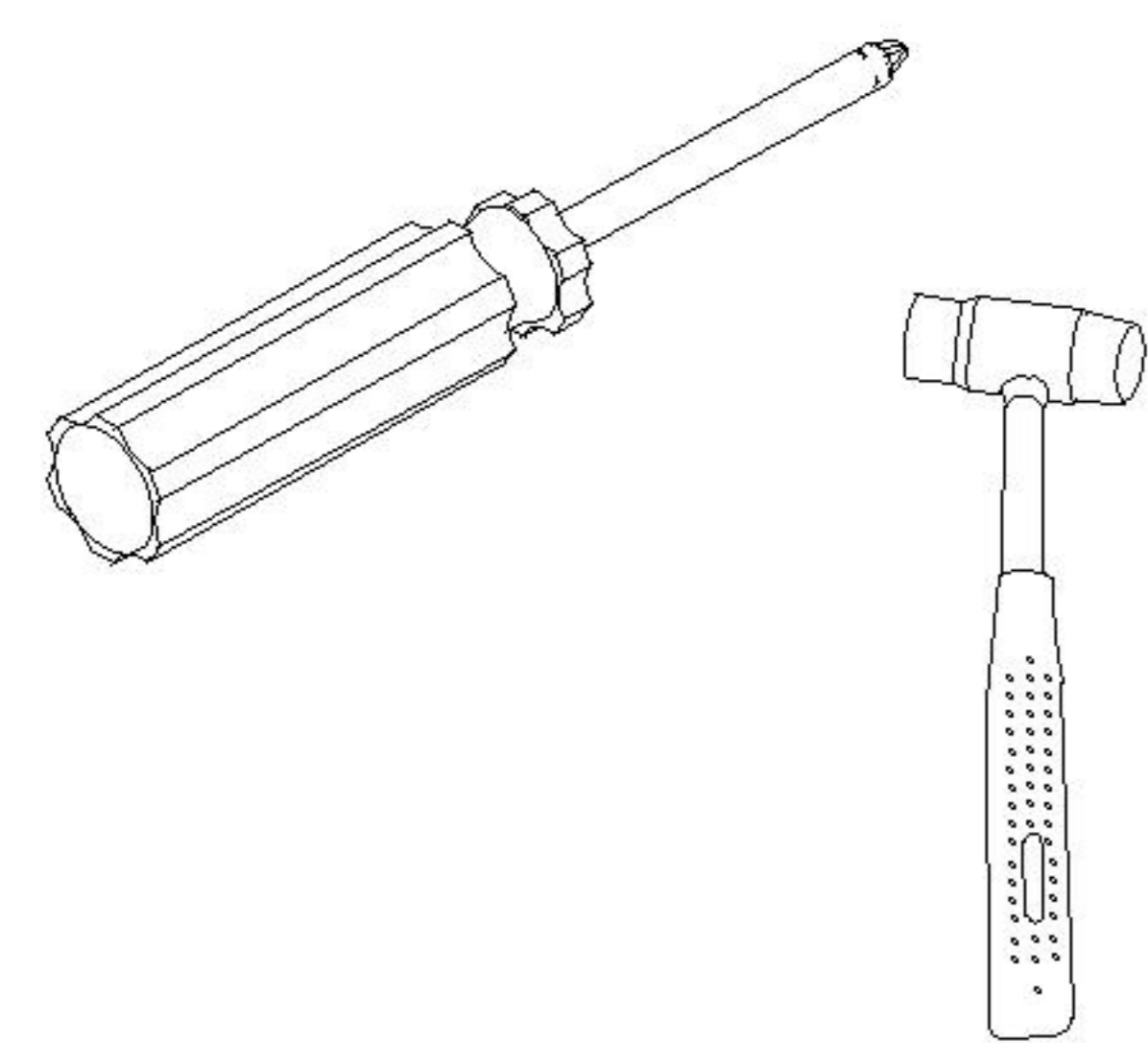
# LINSY 林氏家居

## 五金表/Hardware list

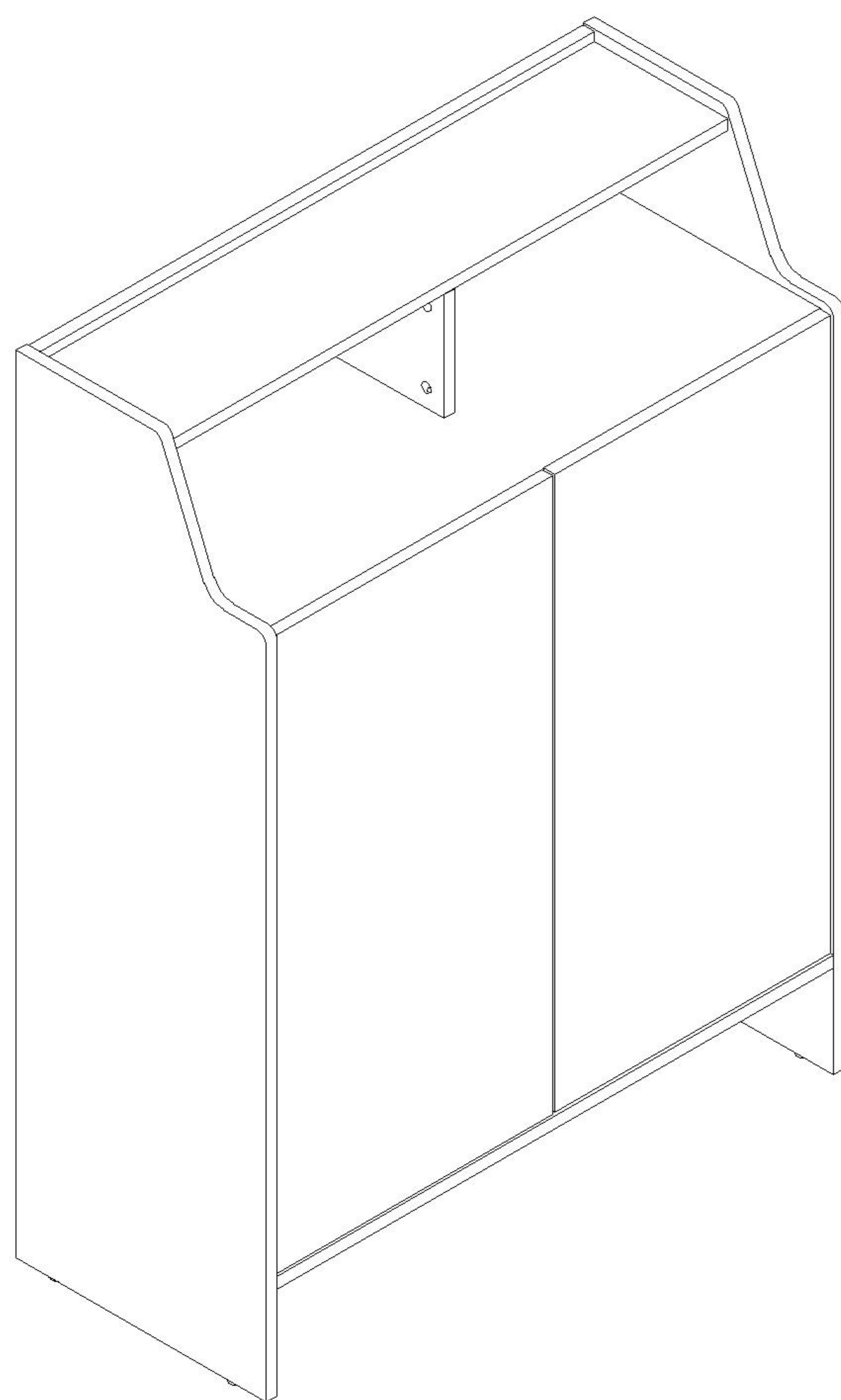
## 部件表/Parts List

### 安装示意图/Assembly Instruction

产品名称 Model NO.	鞋柜0.8米
产品型号 Product Model	RG1N-A
尺寸规格 Specification	(809*350*1103)mm
安装工具 Tool	安装人数 Installer



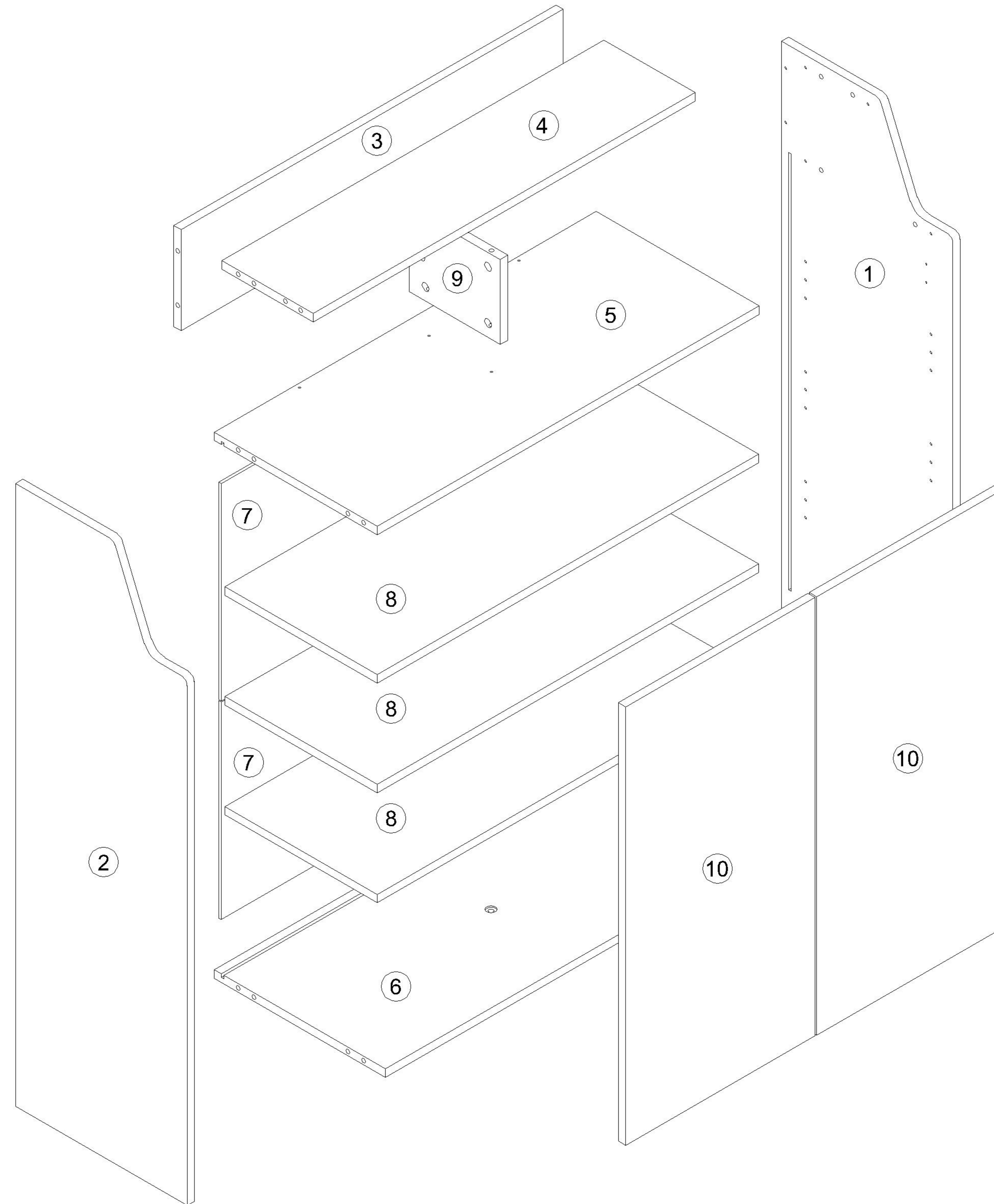
注：为保证设计效果，部分尺寸为定制尺寸，不影响使用。



 (A)* 1 线条 Backplane slot	 (B)* 1 脚-(直径30*126mm) Hardware feet	 (C)* 1 斜边十字螺杆-M8x30 bevel cross screw	 (D)* 12 层板托 shelf support
 (E)* 4 缓冲门较大弯-Ø35 Hinge-big bends	 (F)* 24 二合一螺杆 2-in-1-screw	 (G)* 24 大三合一锁饼 Three-in-one large lock	 (H)* 13 木榫Ø8x30mm wood tenon
 (I)* 2 家具防倒器-白色 Anti-fall device white	 (J)* 4 灰色毛毡脚垫 Footrest - Grey	 (K)* 2 透气孔盖-白色 Vent cover - white	 (L)* 8 自攻螺丝M3.5x14mm Self-tapping screw
 (M)* 8 背板扣 Back Plate Buckle-White	 (N)* 24 PVC孔贴 PVC hole sticker		

编号NO.	名称Name	规格 (mm) Specification	数量 QTY	材质Material
①	右侧板 Side board(R)	1100*350*15	1	刨花板Particle board
②	左侧板 Side board(L)	1100*350*15	1	刨花板Particle board
③	后拉条 Back brace	779*178*15	1	刨花板Particle board
④	顶板 Top board	779*186*15	1	刨花板Particle board
⑤	面板 Top panel	779*333*15	1	刨花板Particle board
⑥	底板 Bottom board	779*350*15	1	刨花板Particle board
⑦	背板 Back board	789*384*5	2	纤维板Fiberboard
⑧	活动层板 Movable shelf	778*310*15	3	刨花板Particle board
⑨	中隔板 Middle clapboard	150*186*15	1	刨花板Particle board
⑩	门板 Door board	774*386*15	2	刨花板Particle board

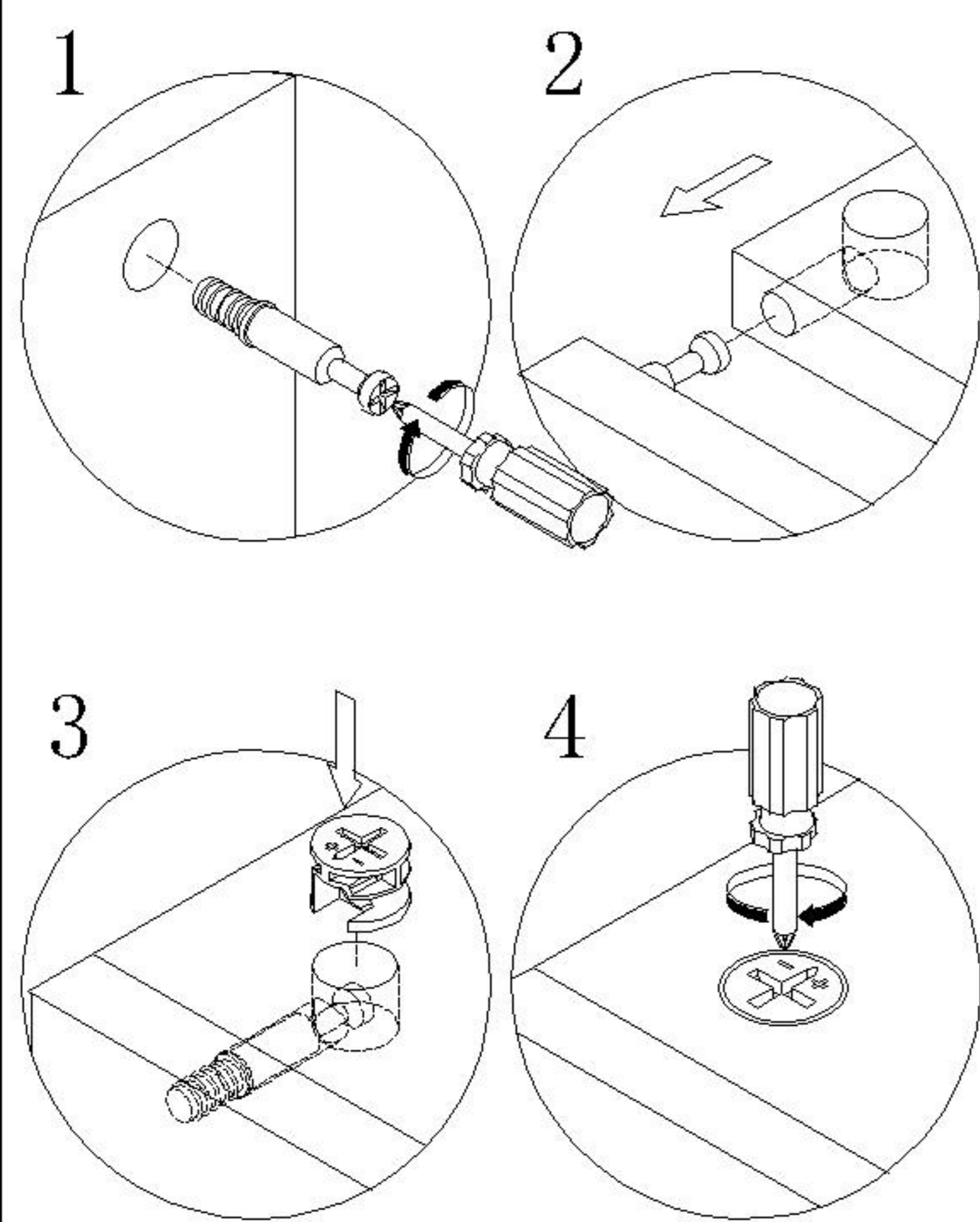
- ▶ 使用本产品请靠墙放置。
- ▶ Please place this product against the wall.
- ▶ 注意：防倒器一定要按图安装！
- ▶ Be careful: The anti fall device must be installed!
- ▶ 注：门都是设计所需设计缝，小心夹伤！
- ▶ Note: The doors are designed with necessary seams. Be careful not to pinch!



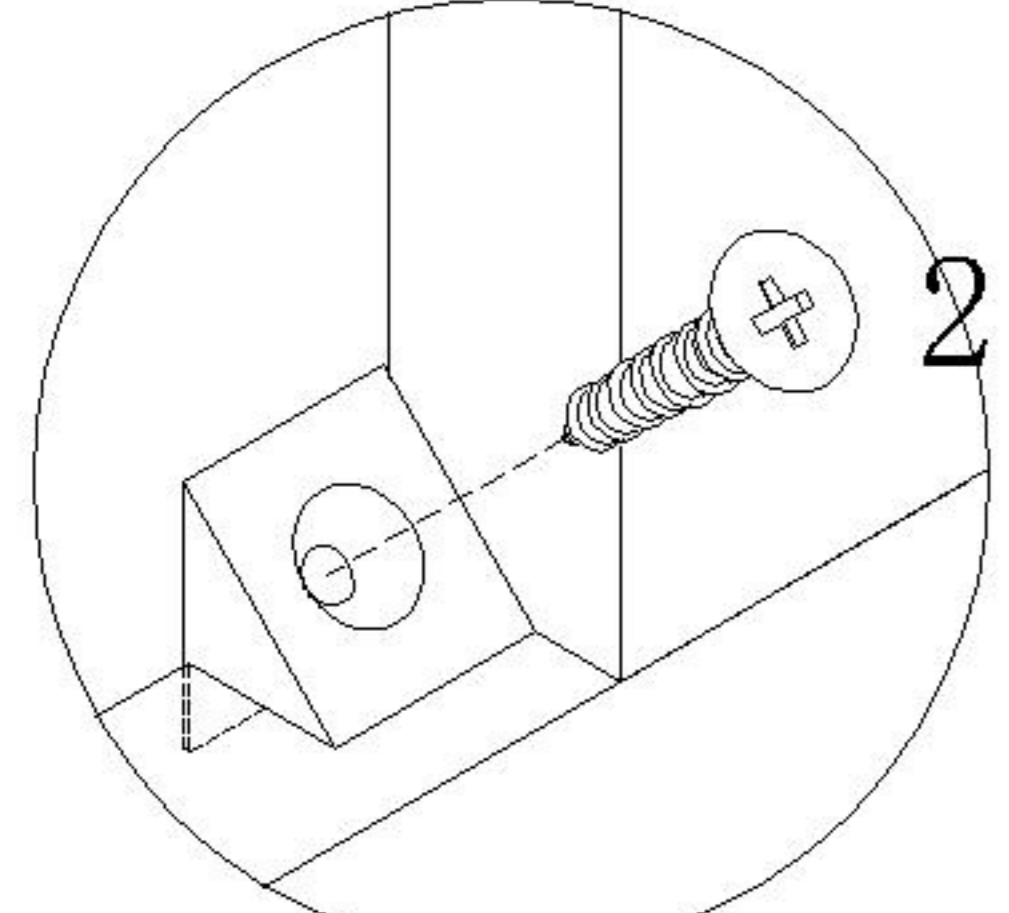
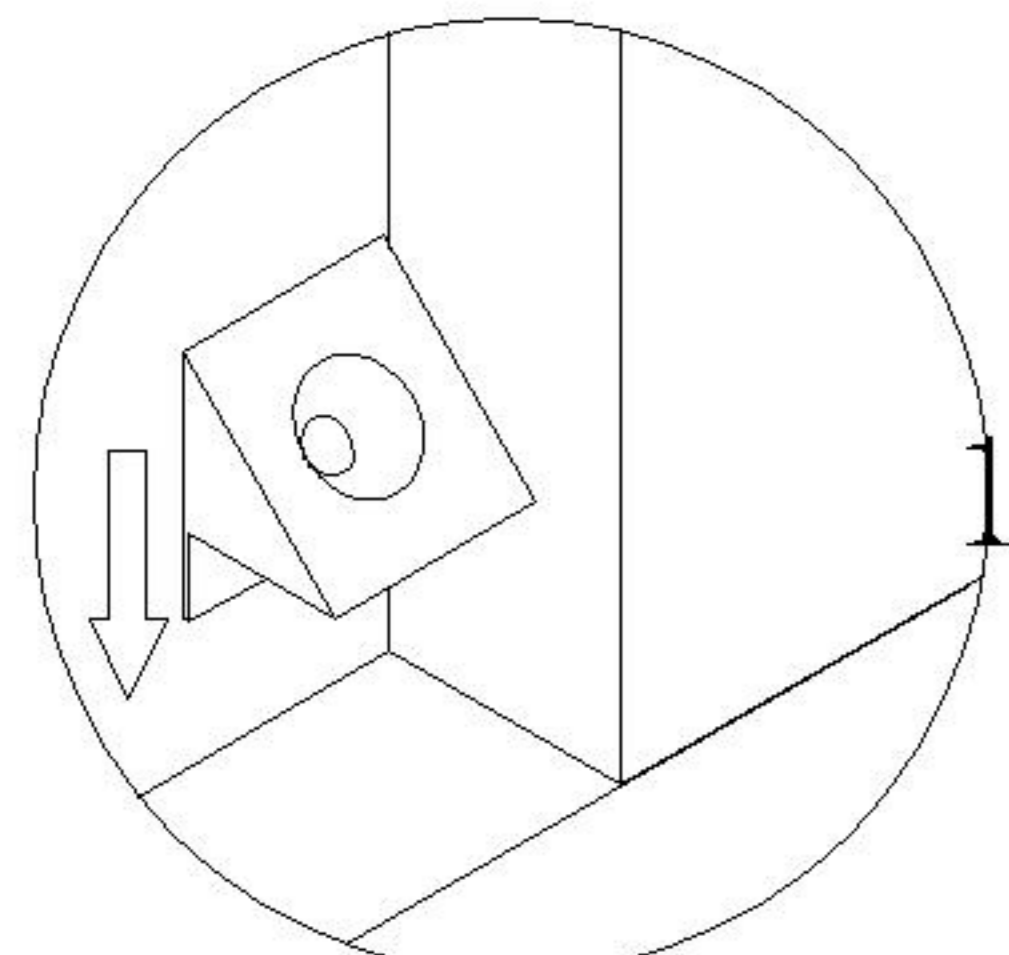
编号NO.	名称Name
①	右侧板 Side board(R)
②	左侧板 Side board(L)
③	后拉条 Back brace
④	顶板 Top board
⑤	面板 Top panel
⑥	底板 Bottom board
⑦	背板 Back board
⑧	活动层板 Movable shelf
⑨	中隔板 Middle claspboard
⑩	门板 Door board

RG1N-A 鞋柜0.8米

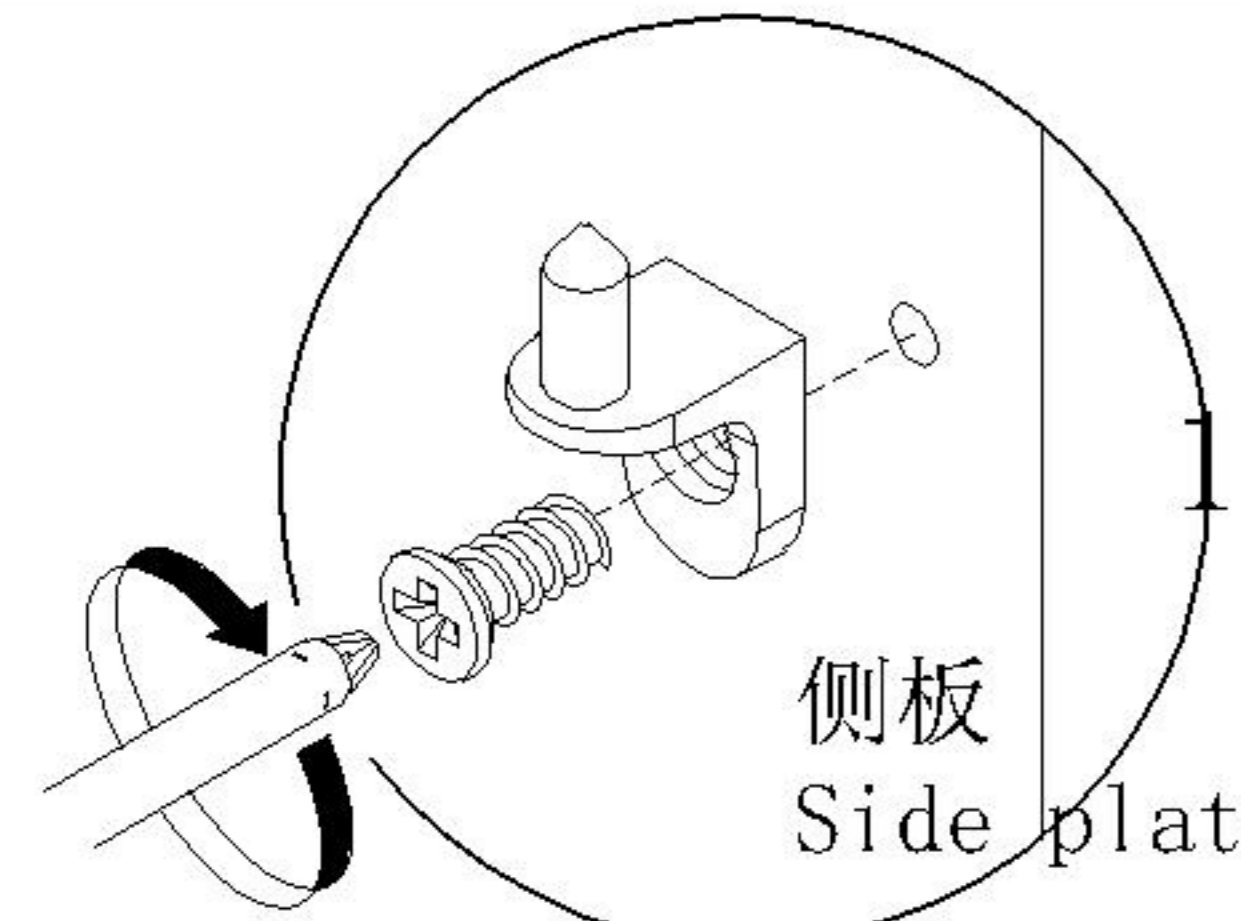
安装方法/  
Installation method



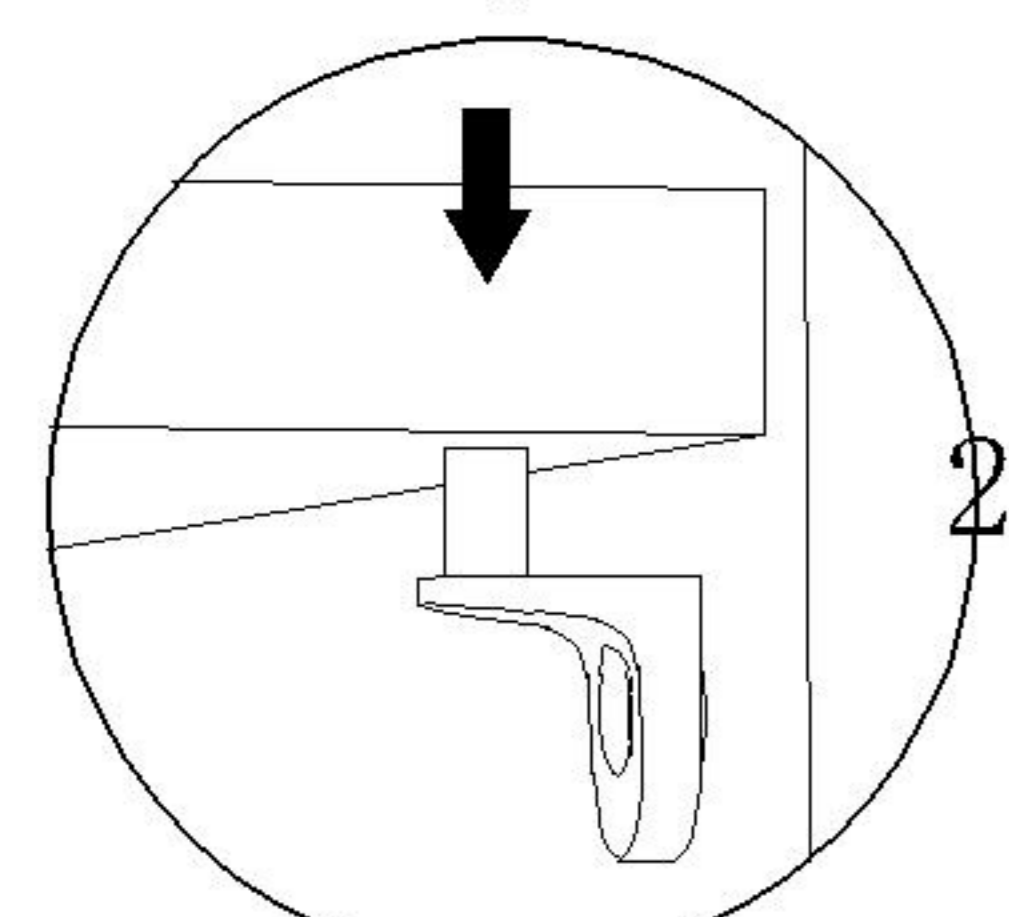
大二合一  
two-in-one



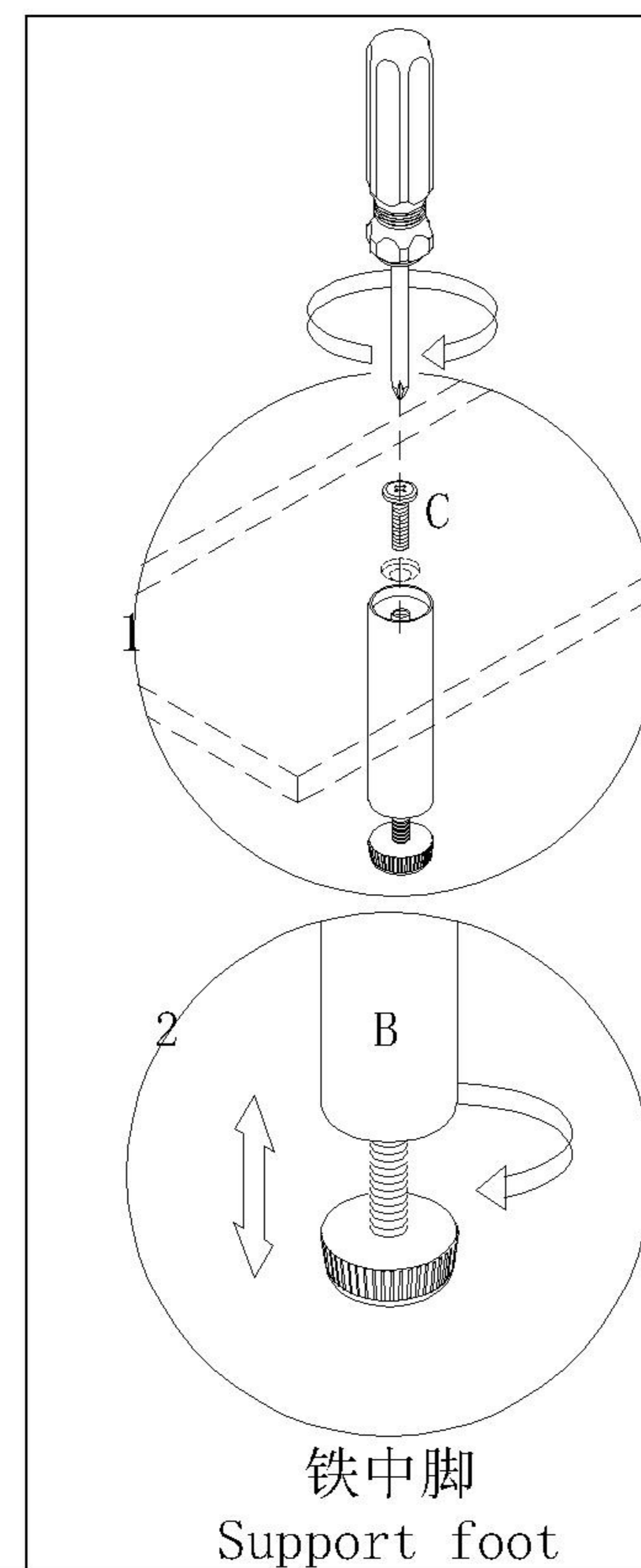
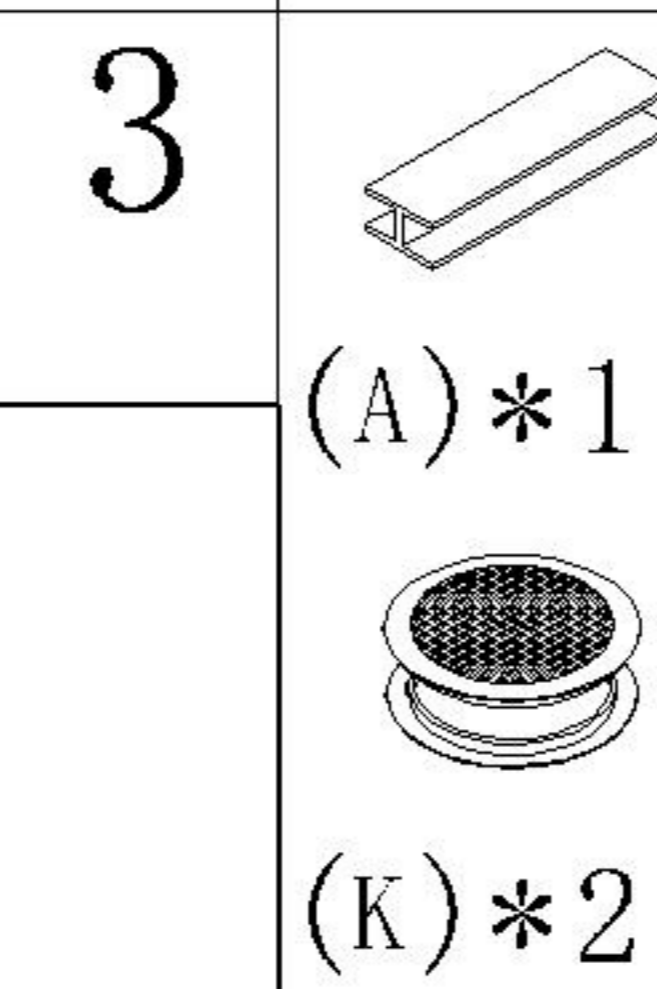
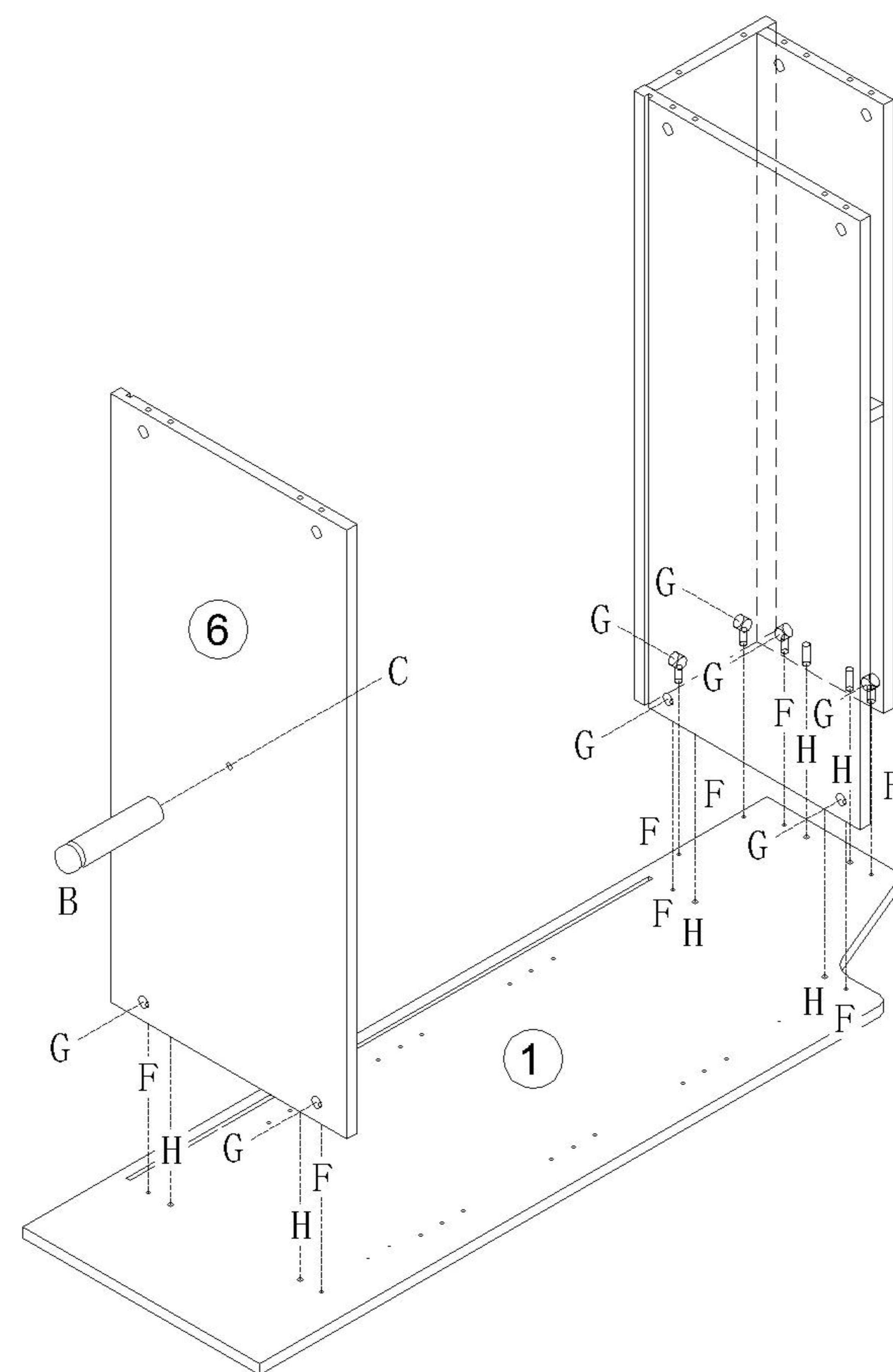
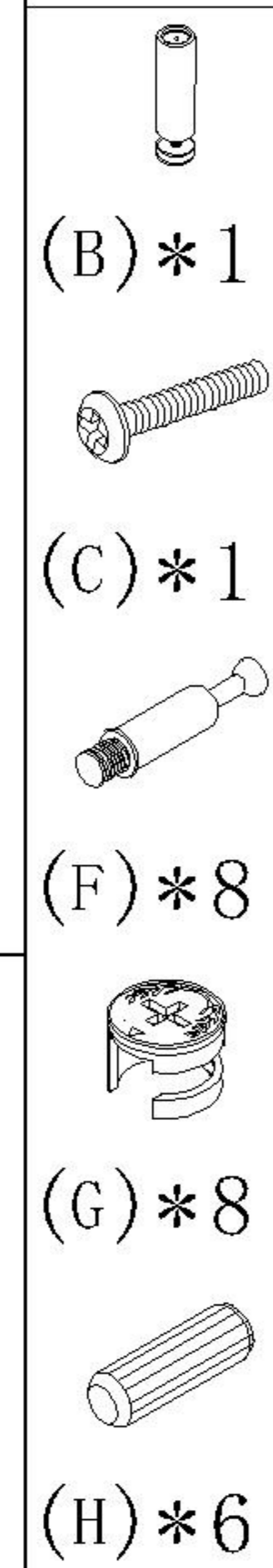
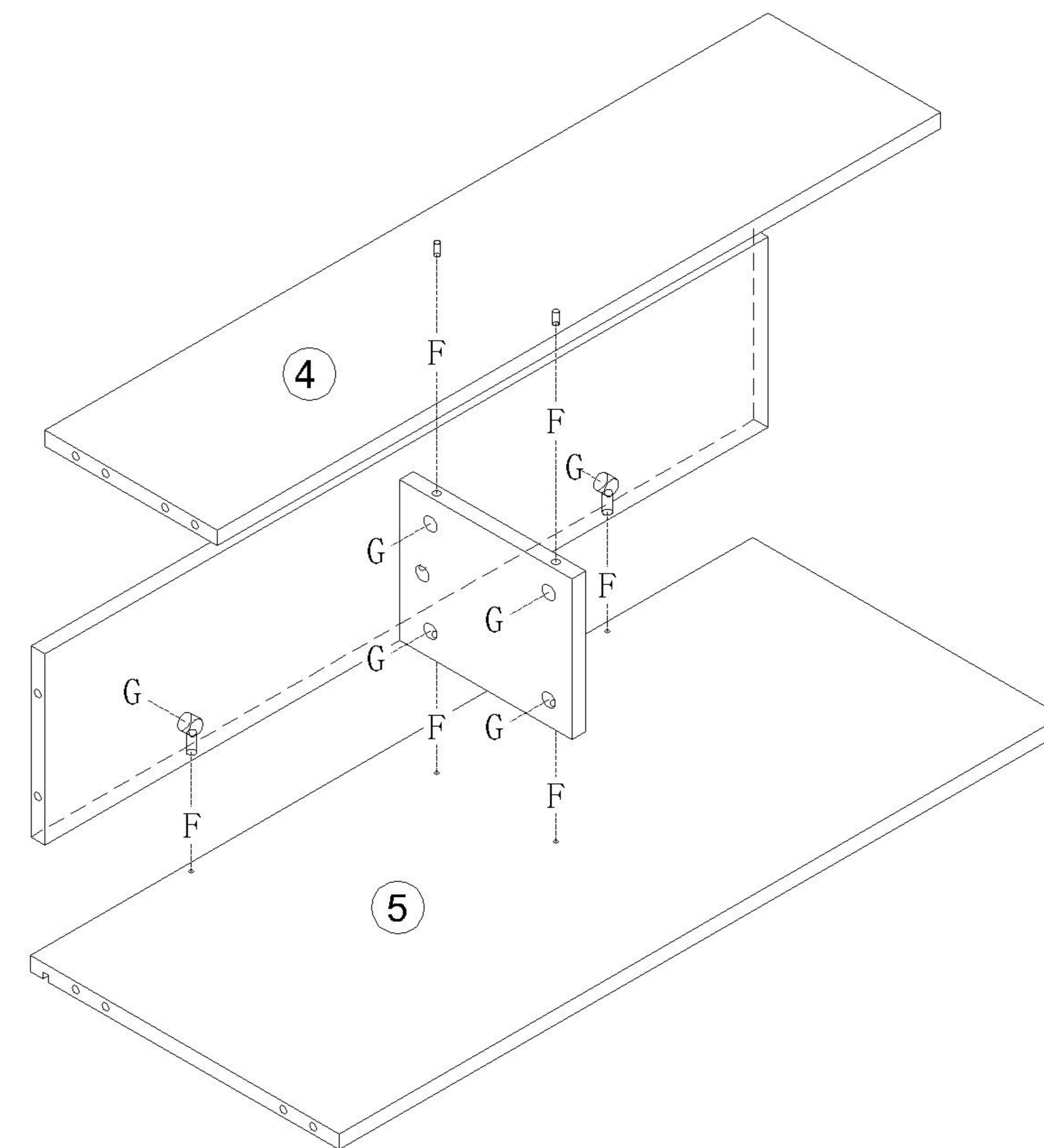
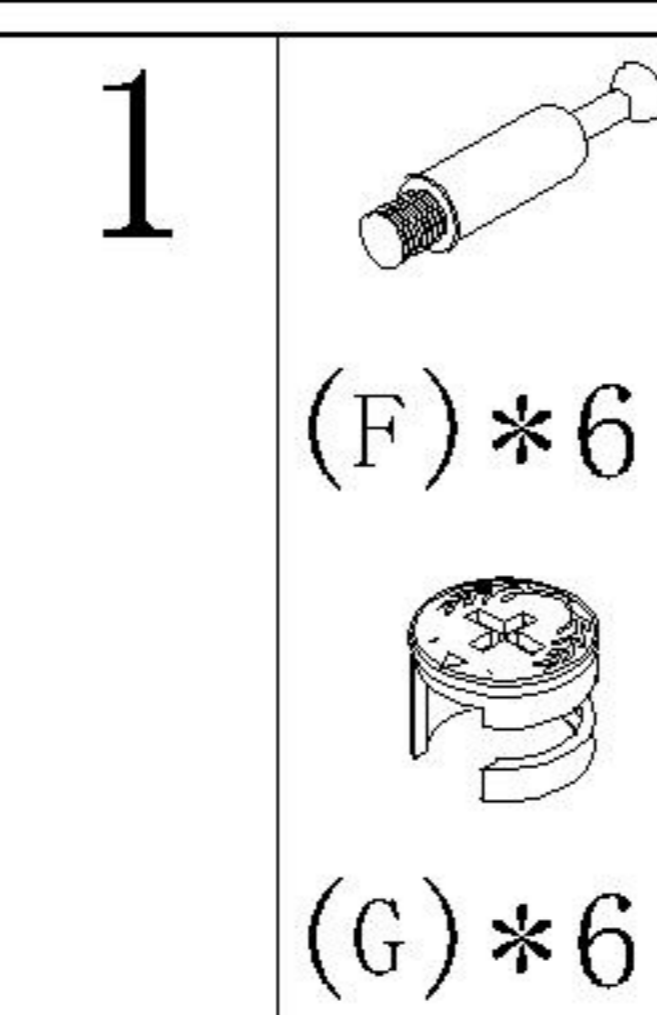
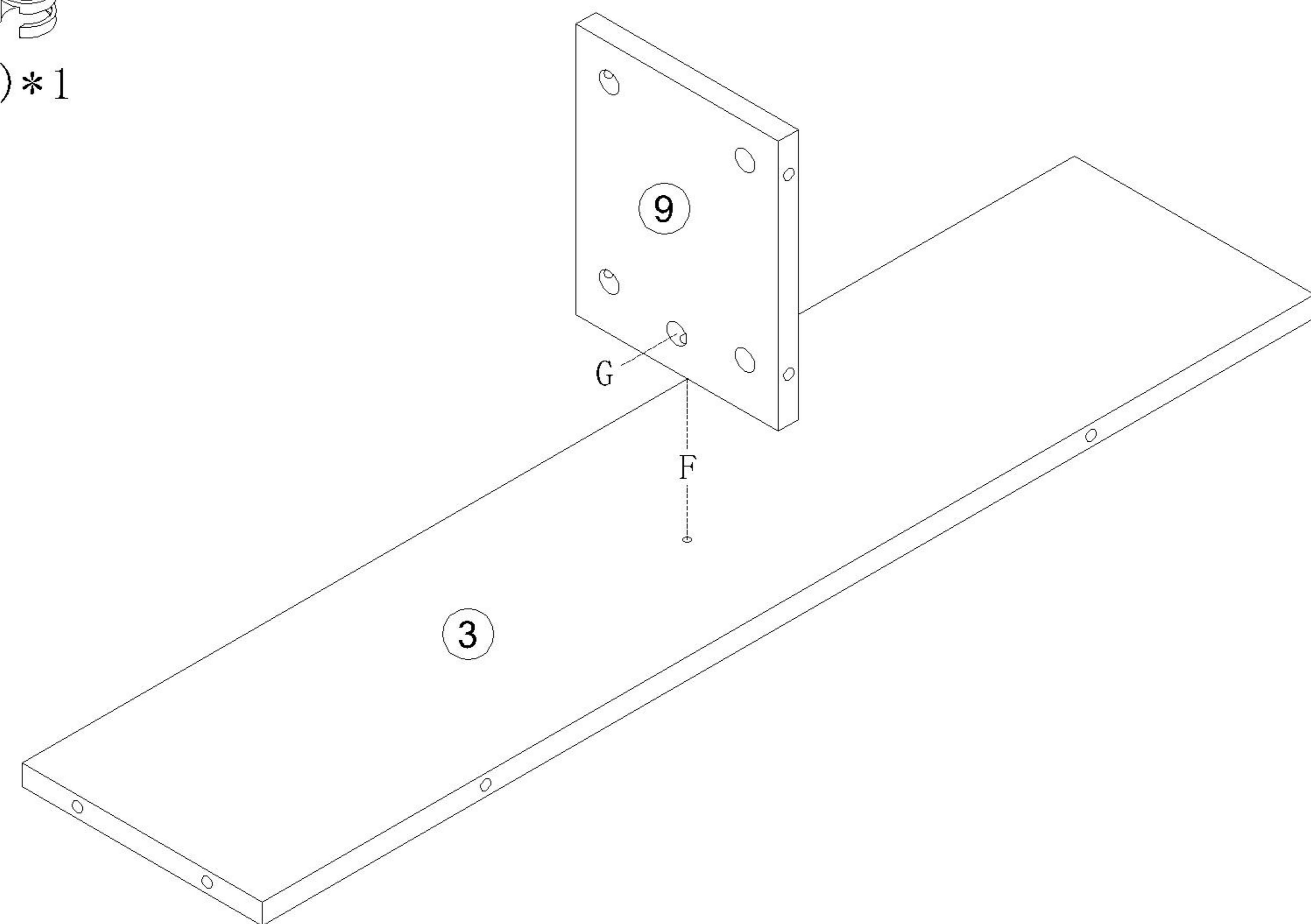
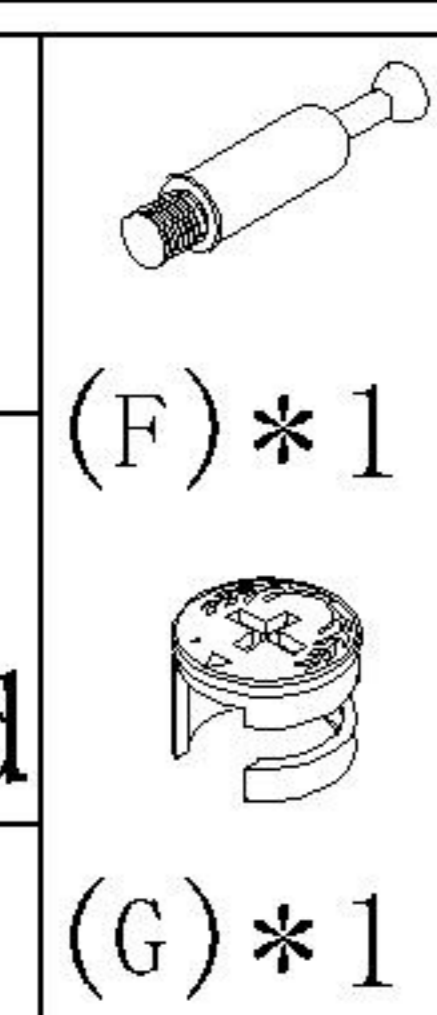
背板扣  
Back Plate Buckle-White



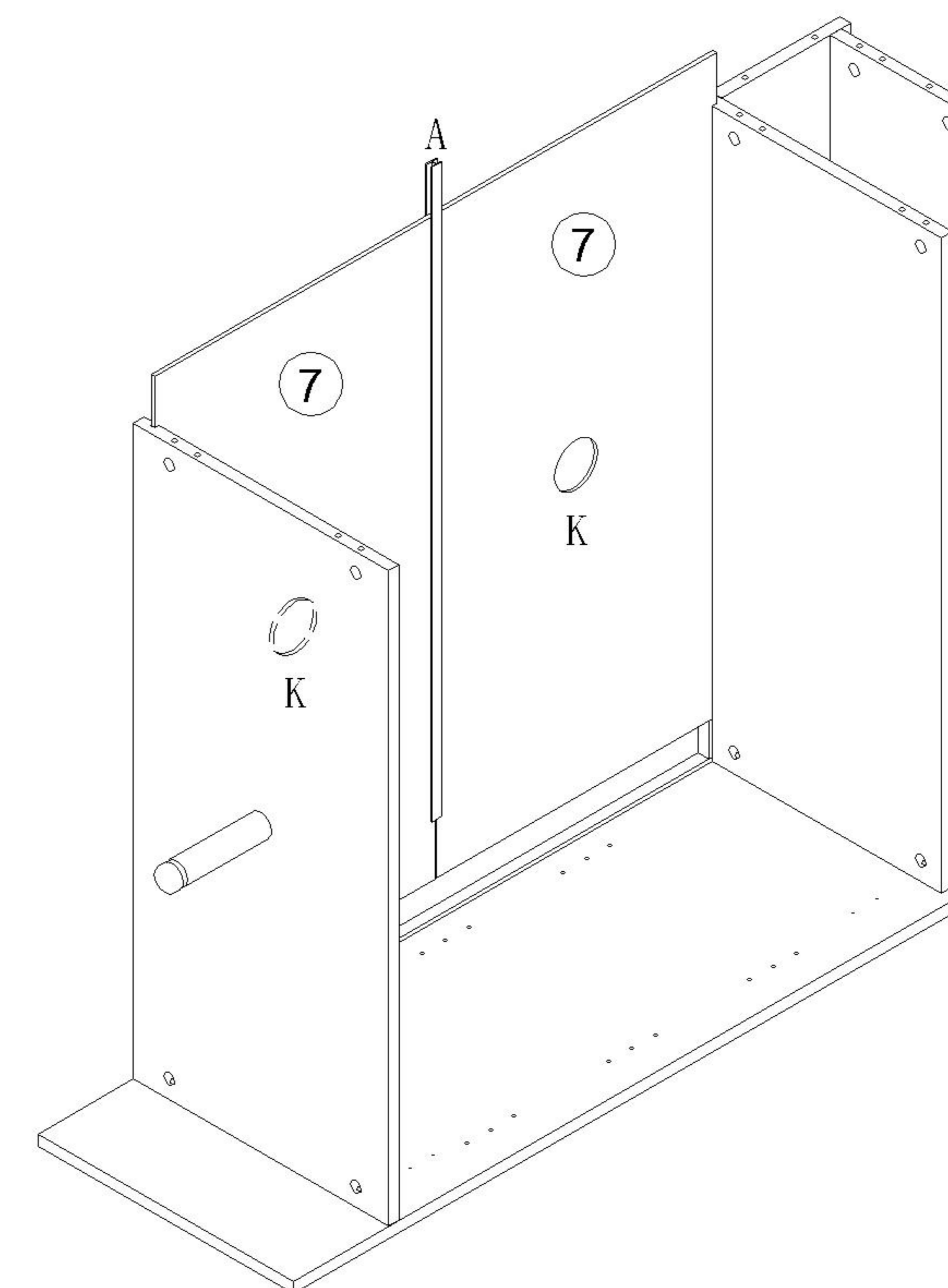
侧板  
Side plate



层板托5mm  
shelf support



铁中脚  
Support foot

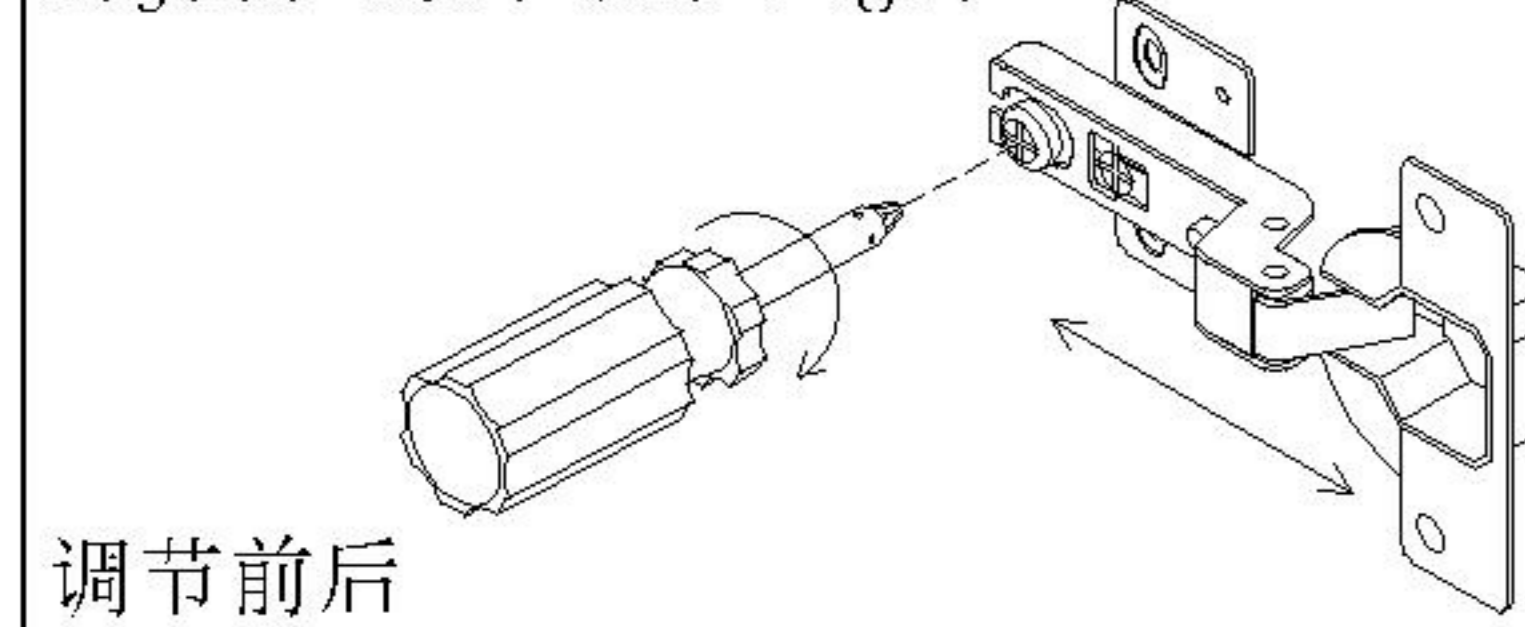
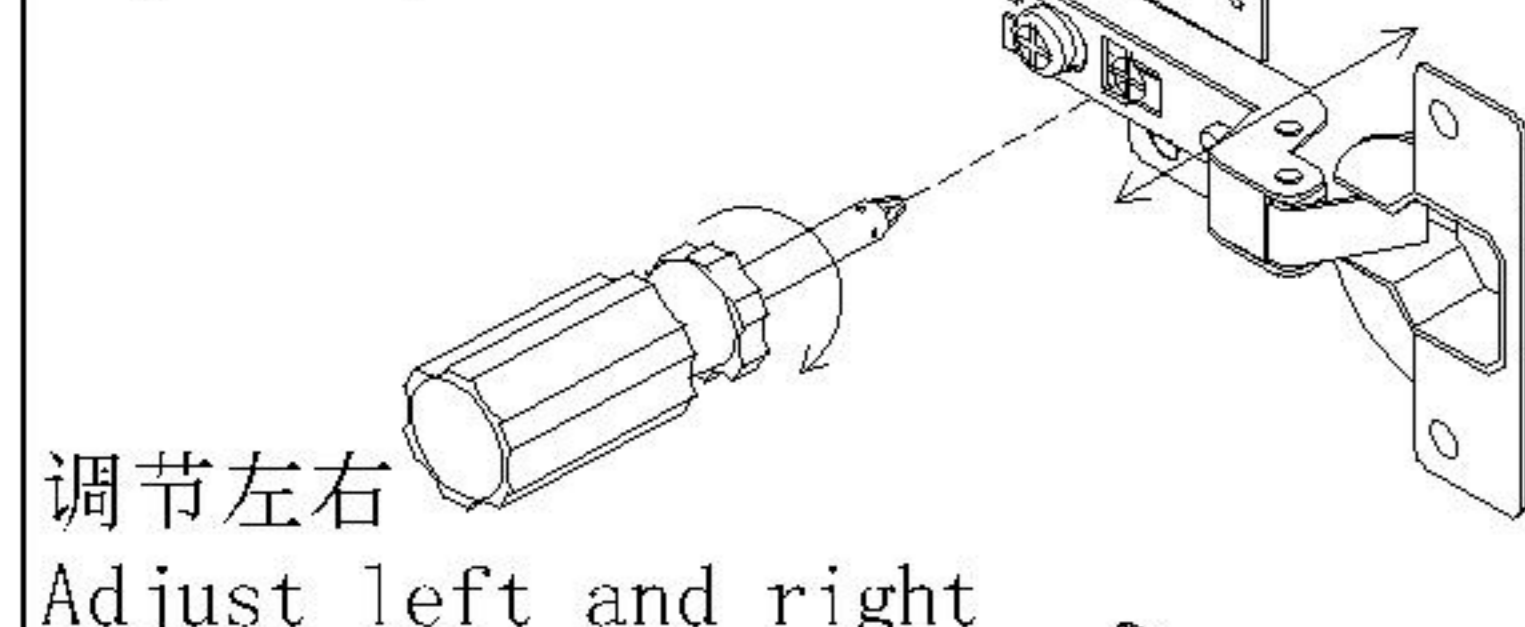
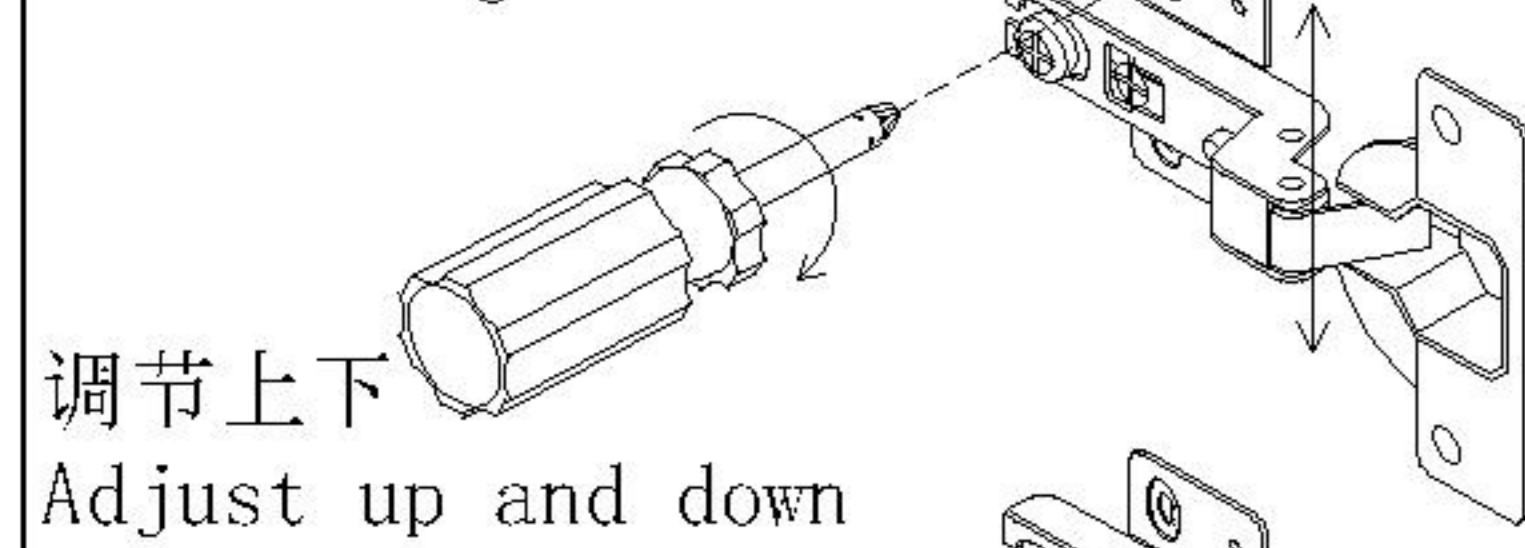
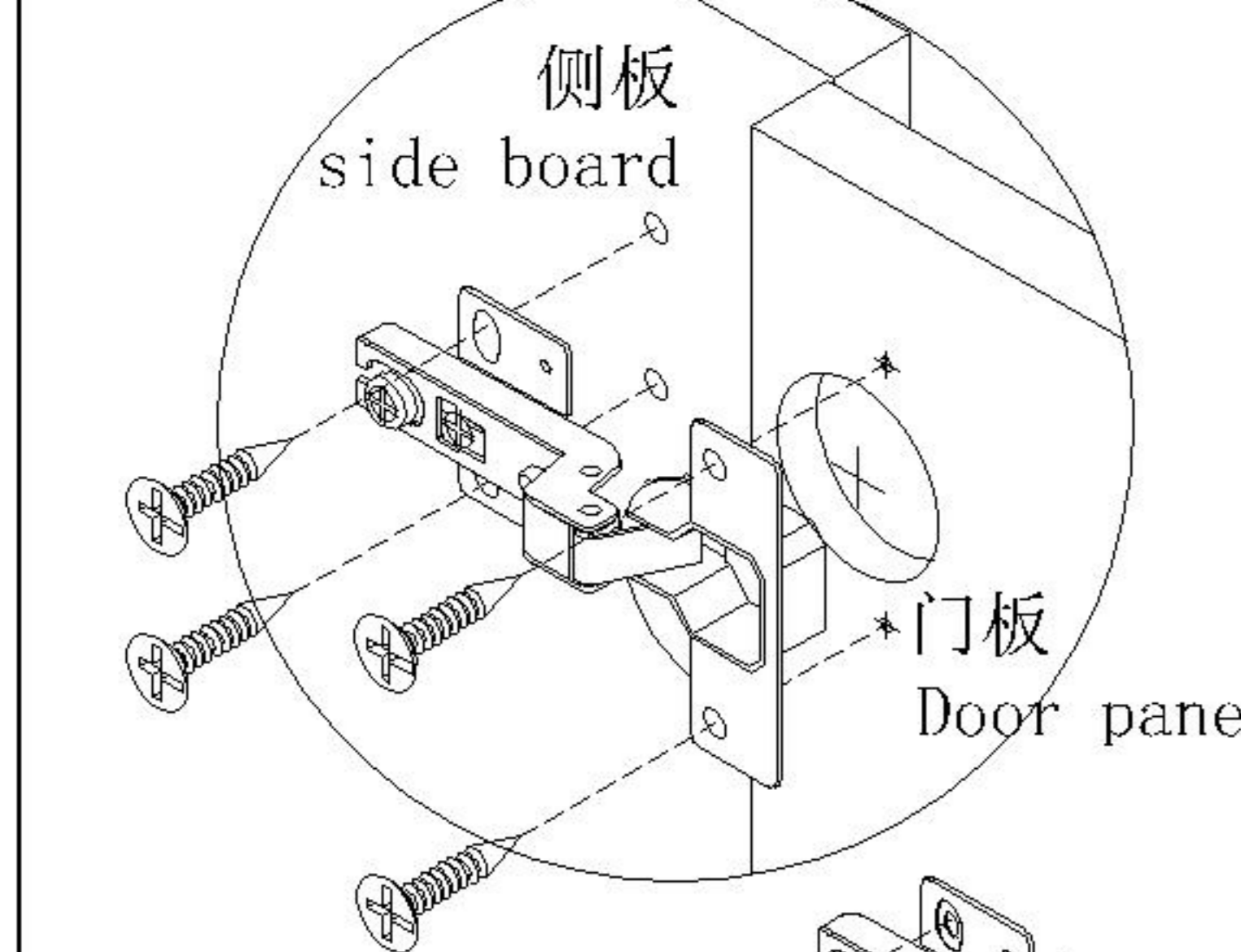
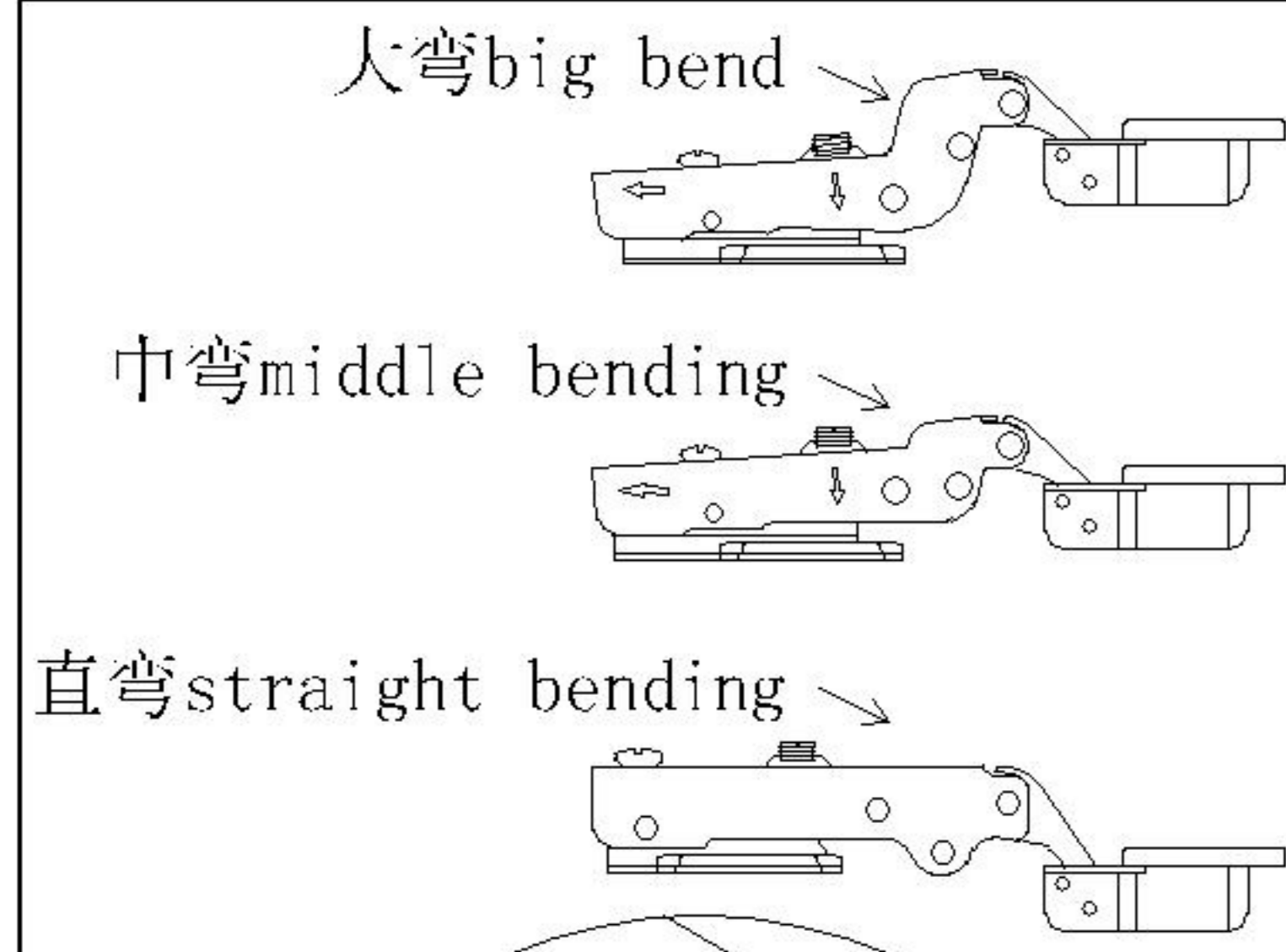


2

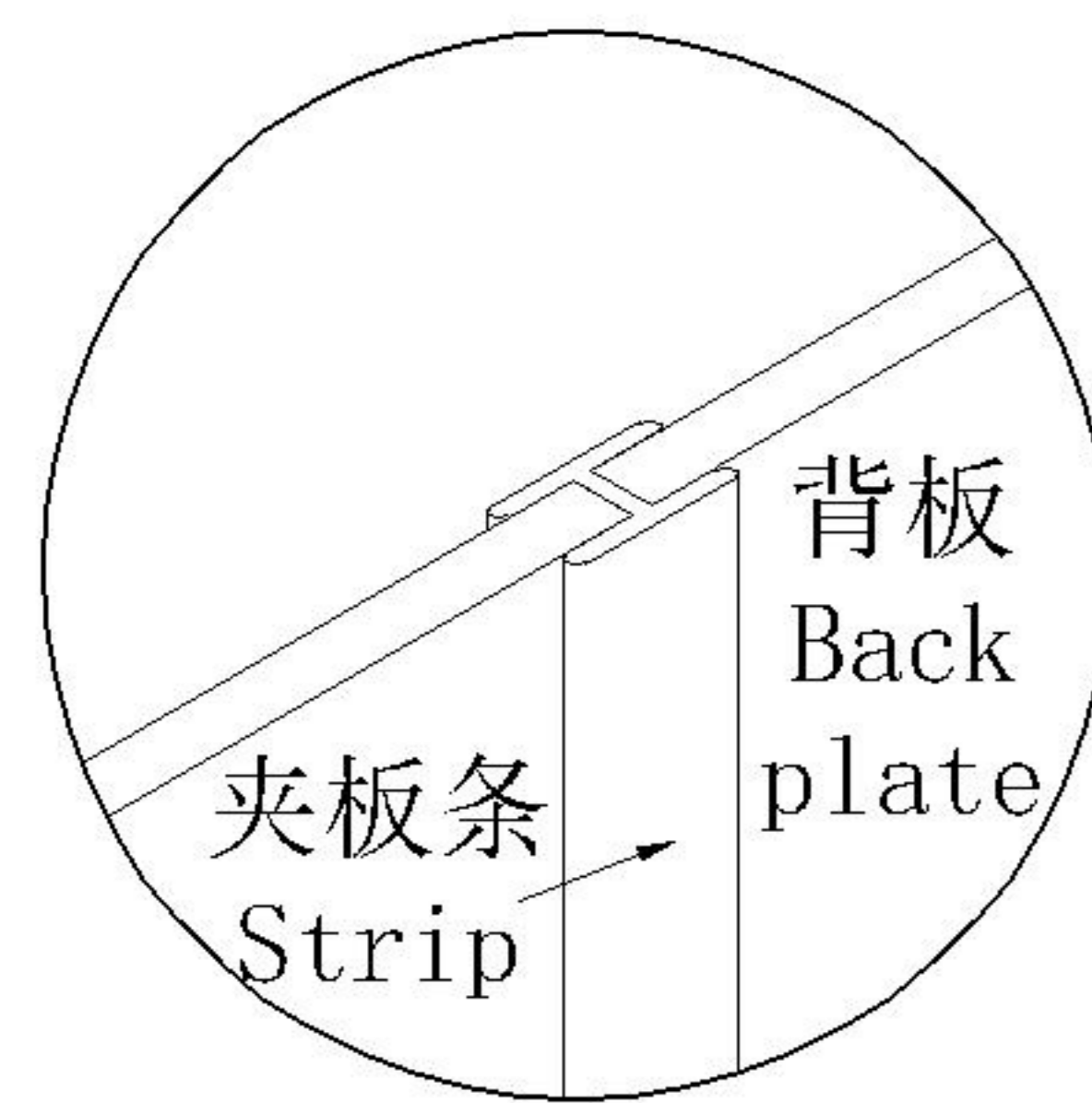
4

RG1N-A 鞋柜0.8米

安装方法/  
Installation method

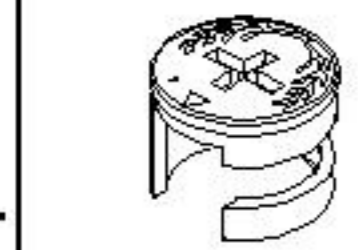


门铰  
Hinge

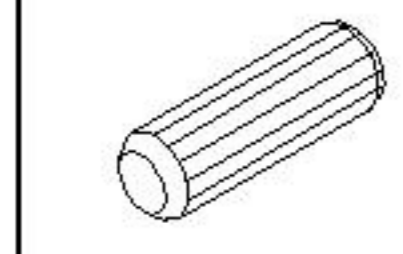


夹板条  
Strip

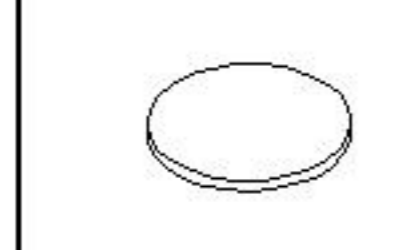
(F)\*8



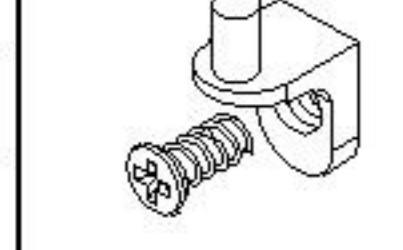
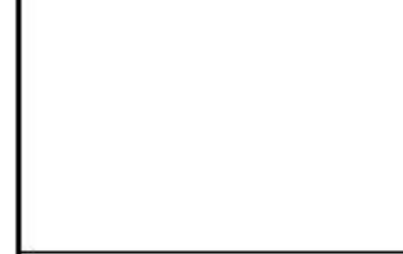
(G)\*8



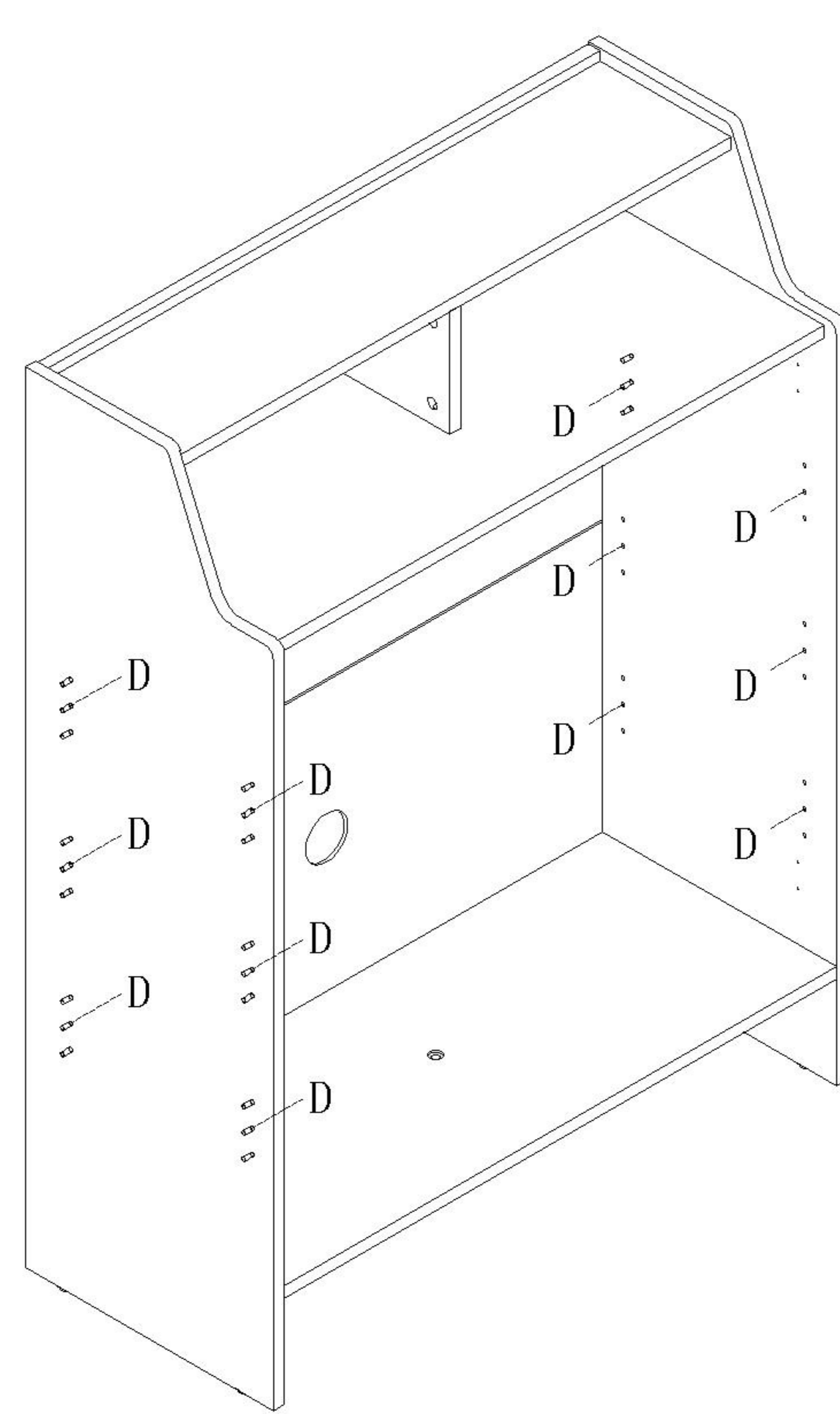
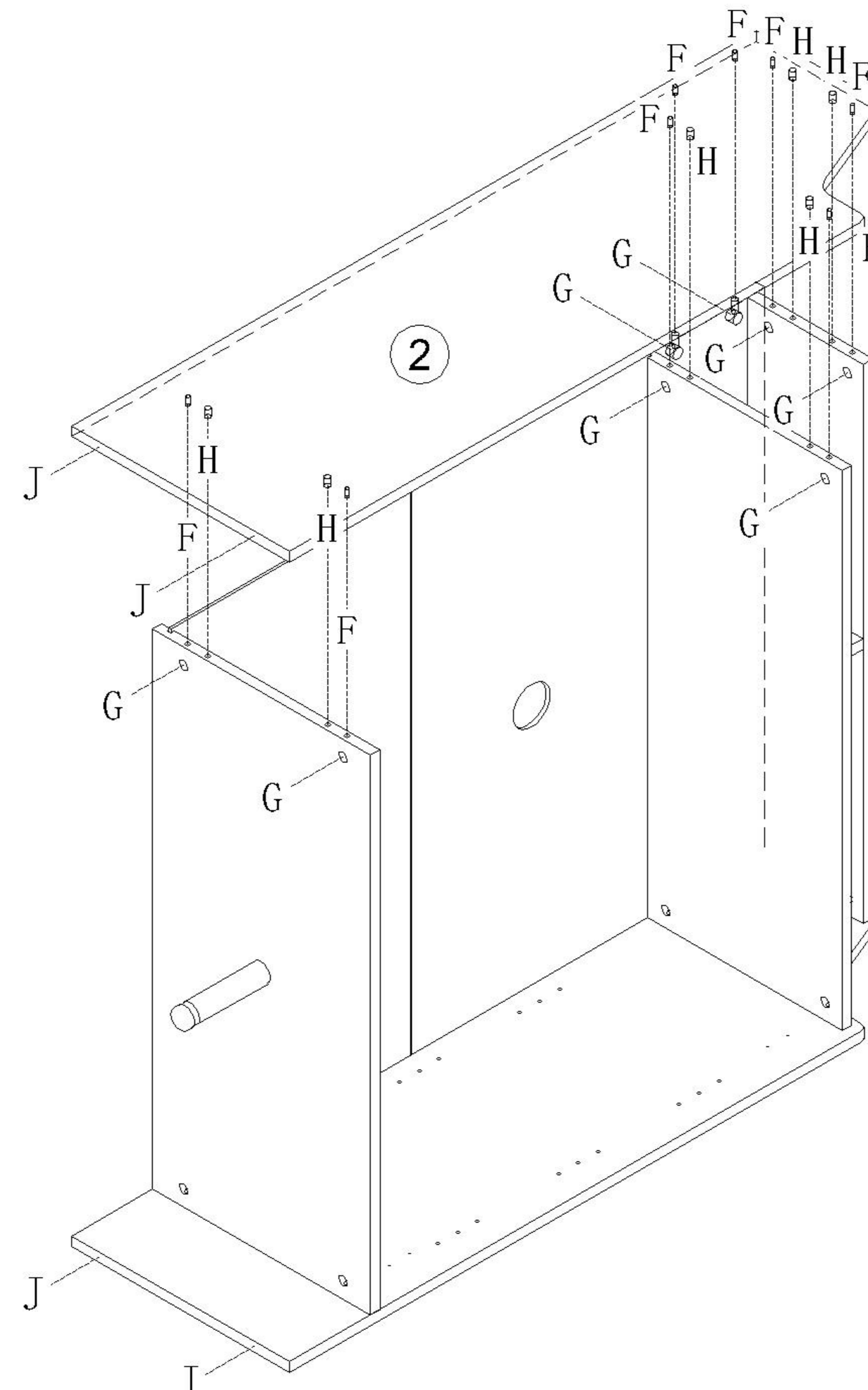
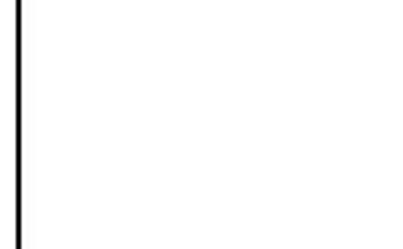
(H)\*6



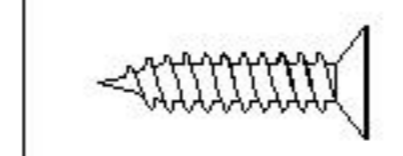
(J)\*4



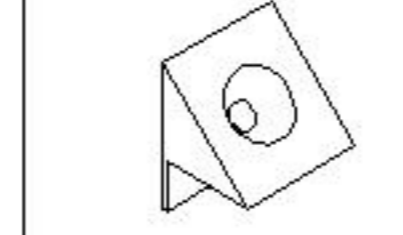
(D)\*12



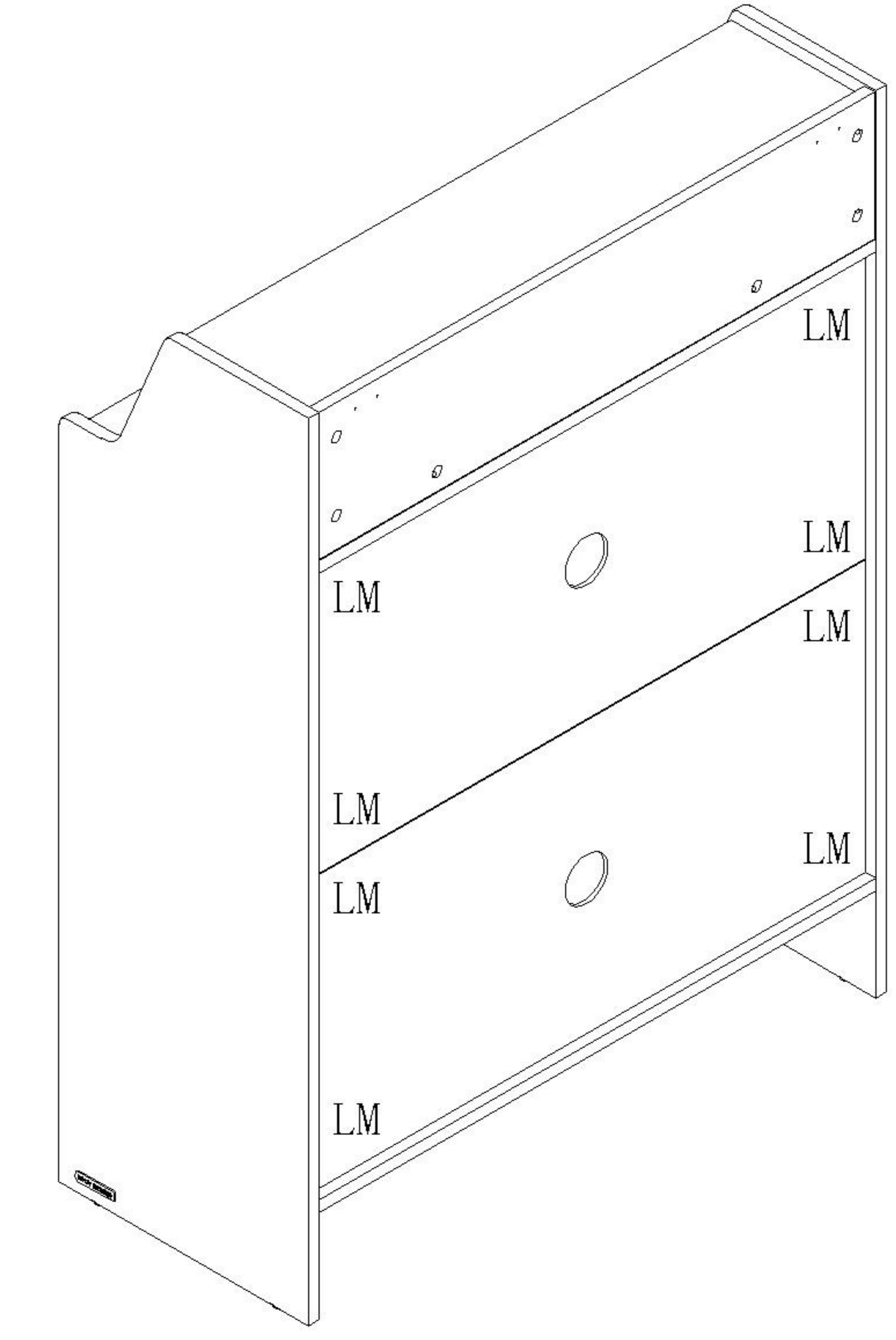
5



(L)\*8

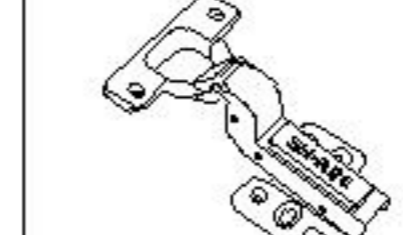


(M)\*8

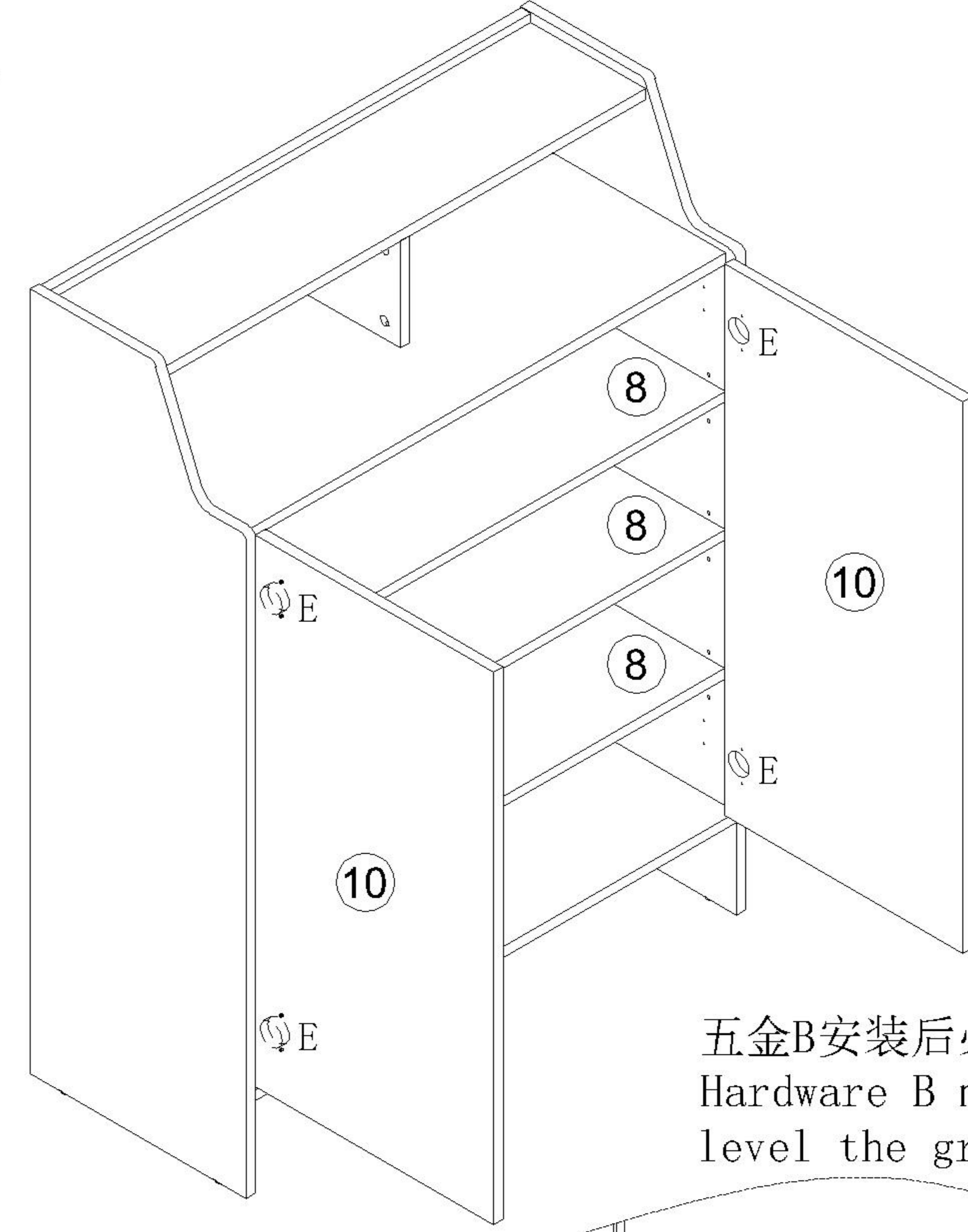


6

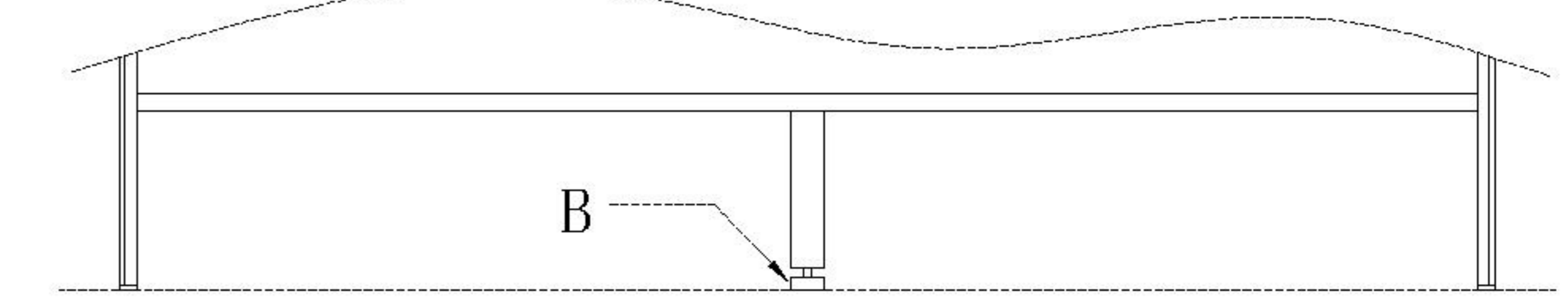
7



(E)\*4



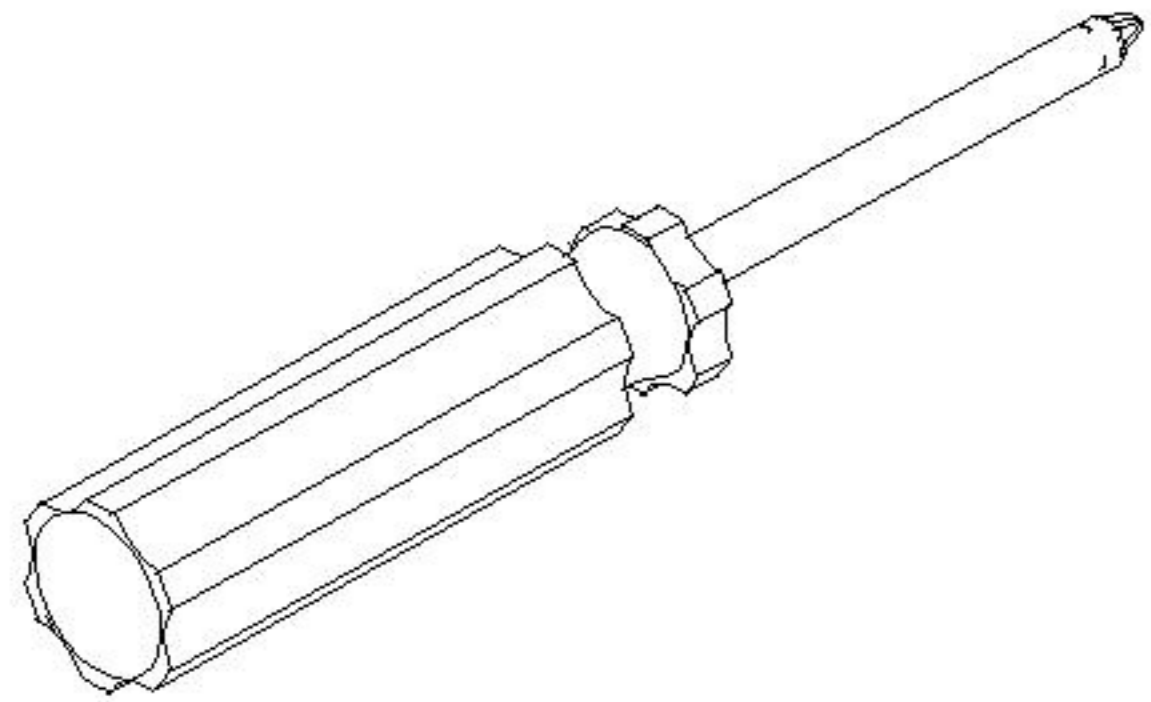
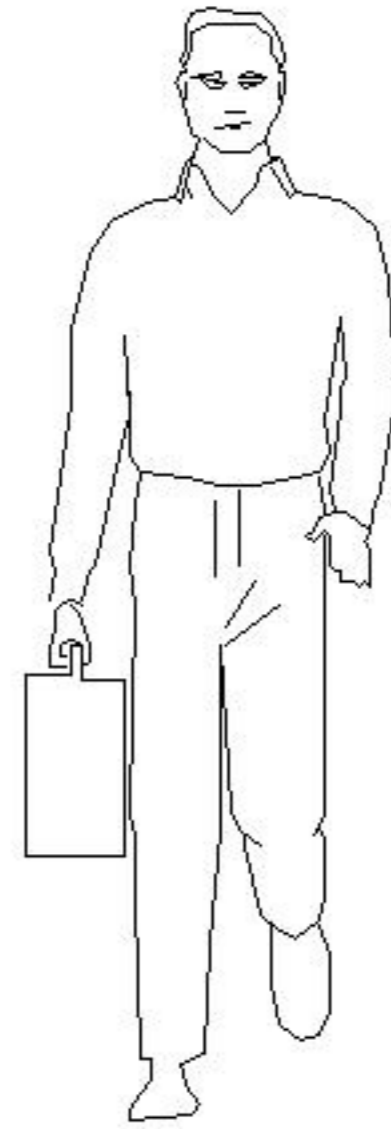
五金B安装后必须调节齐平地面  
Hardware B must be adjusted to level the ground after installation



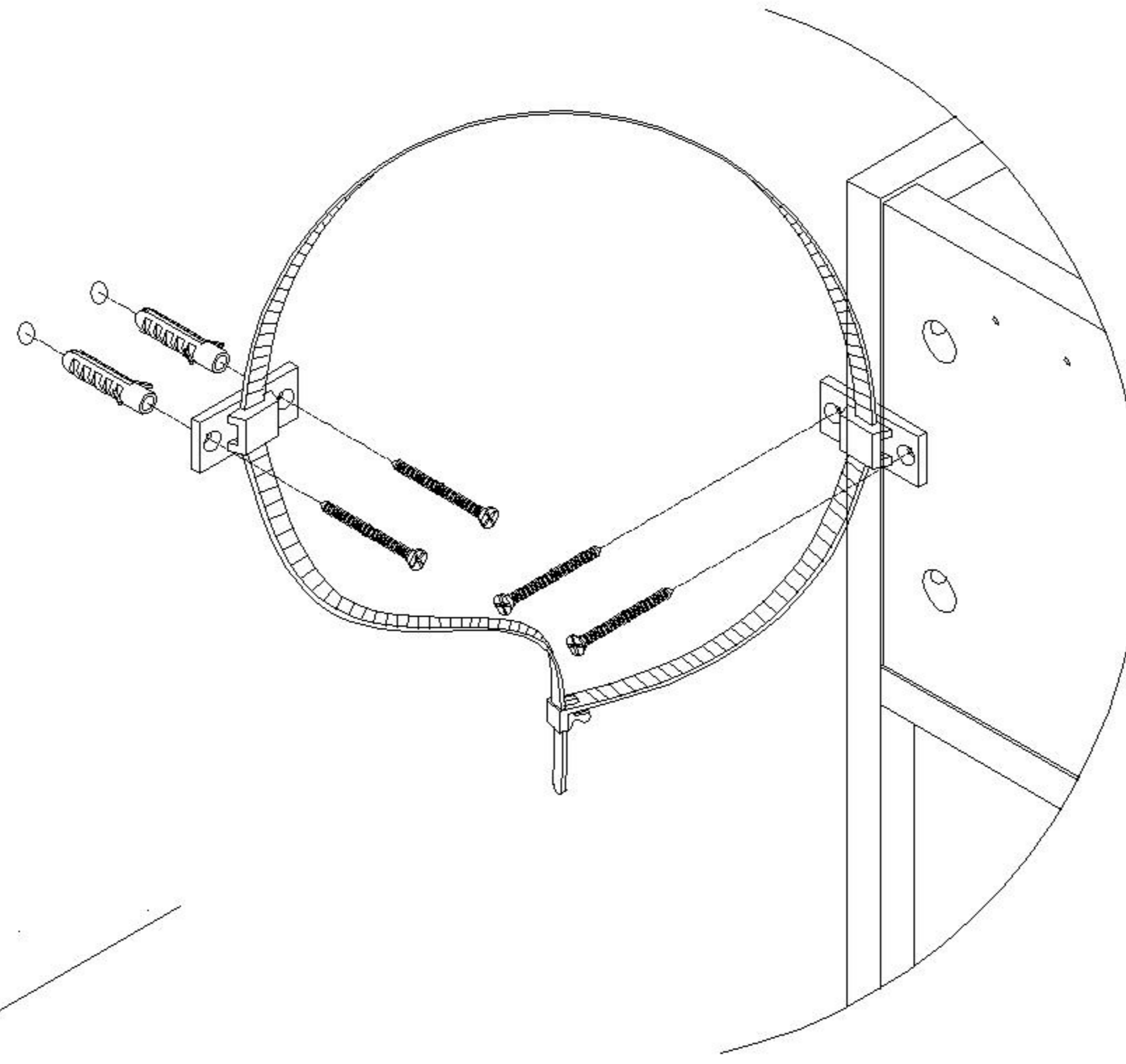
8

# LINSY 林氏家居

## 安装示意图/Assembly Instruction

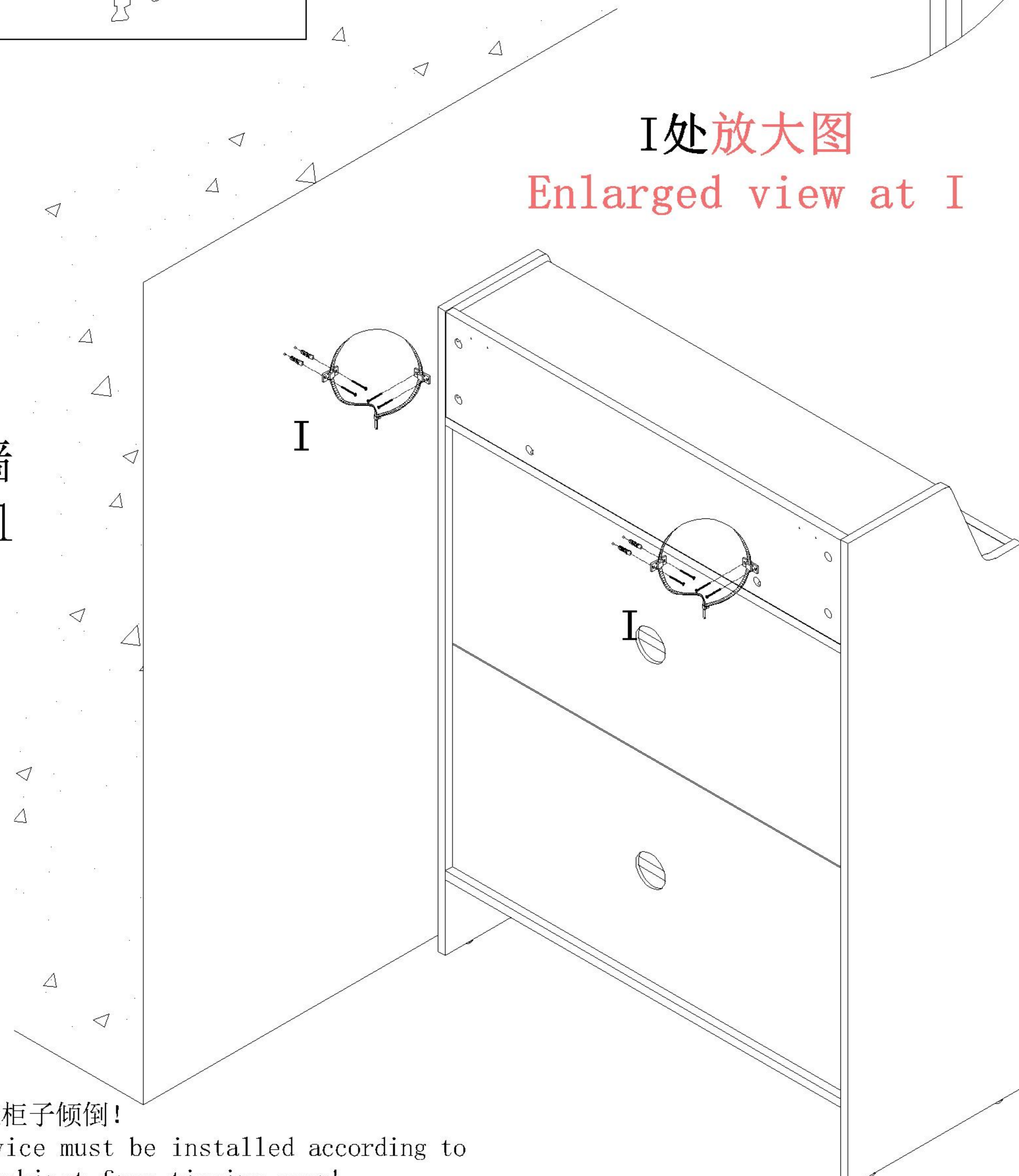
产品名称 Model NO.	Anti-fall device
产品规格 Specification	-
安装工具 Tool	安装人数 Installer
	

  
(I)\* 2  
家具防倒器-白色  
Anti-fall device  
white



I处放大图  
Enlarged view at I

实体墙  
Solid wall

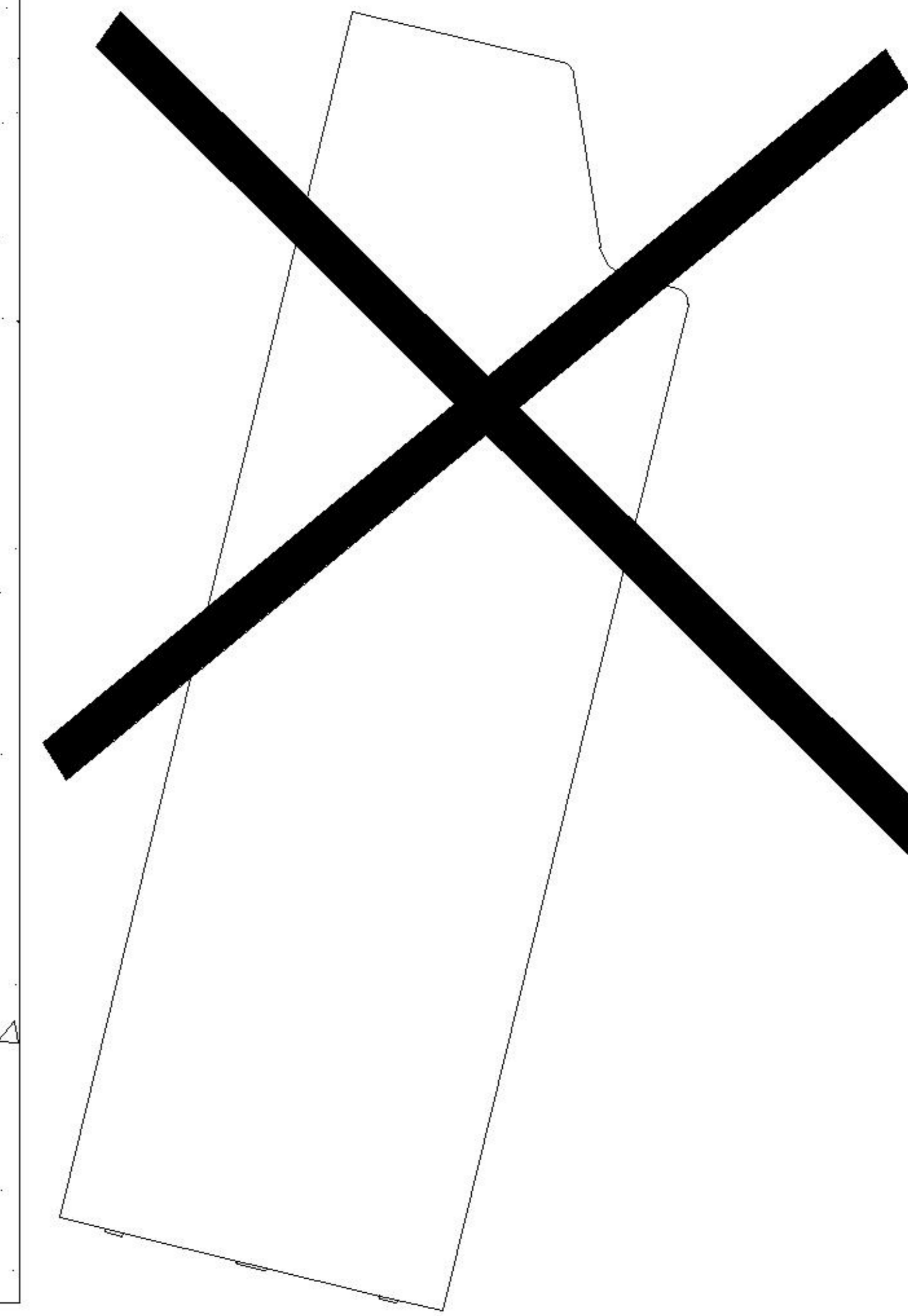
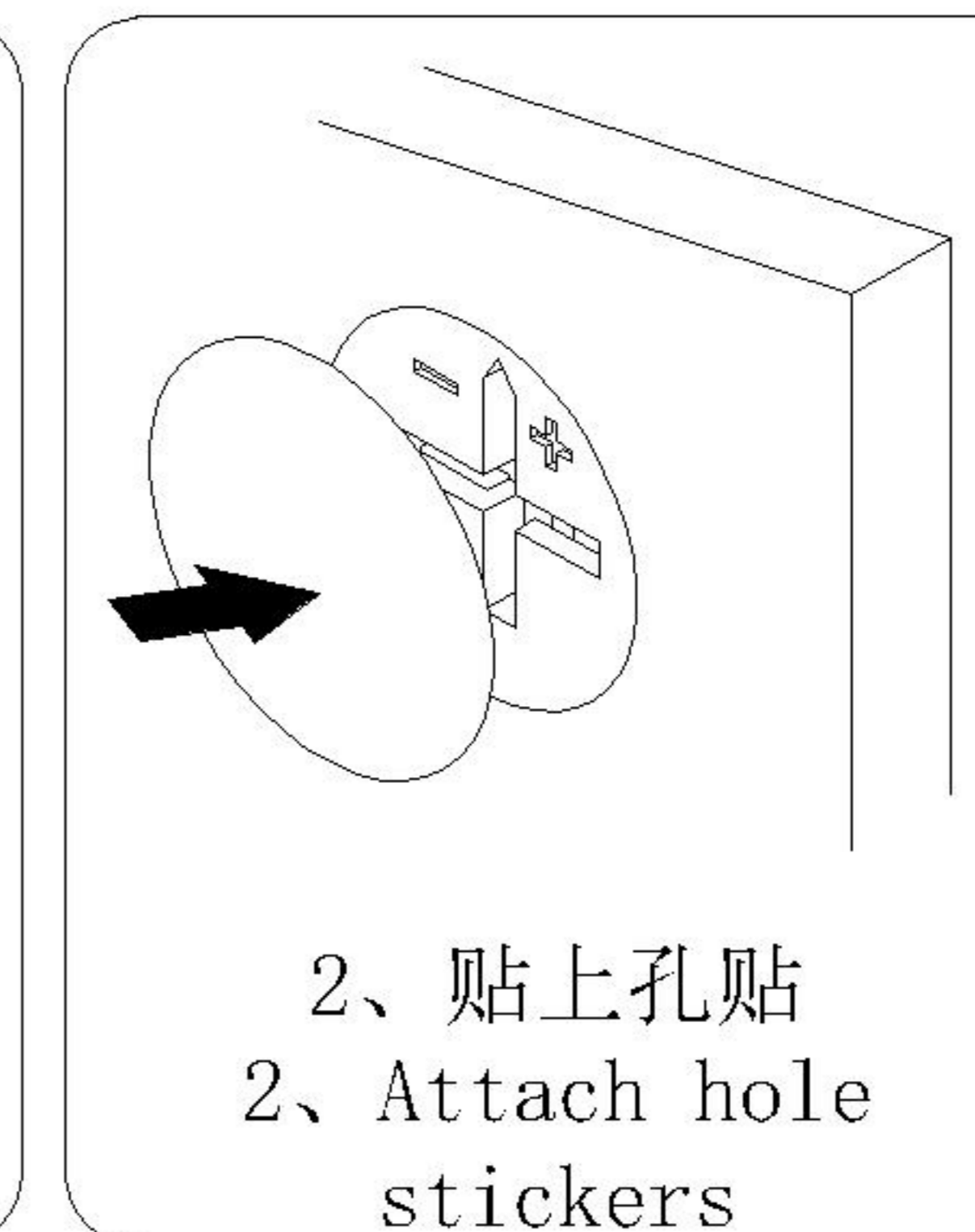


注意：  
防倒器一定要按图安装，为防止柜子倾倒！  
be careful:The anti fall device must be installed according to the diagram to prevent the cabinet from tipping over!

(N)\*24

孔位贴使用小贴士  
产品安装完成后请贴上孔贴，多出的孔贴请保管好

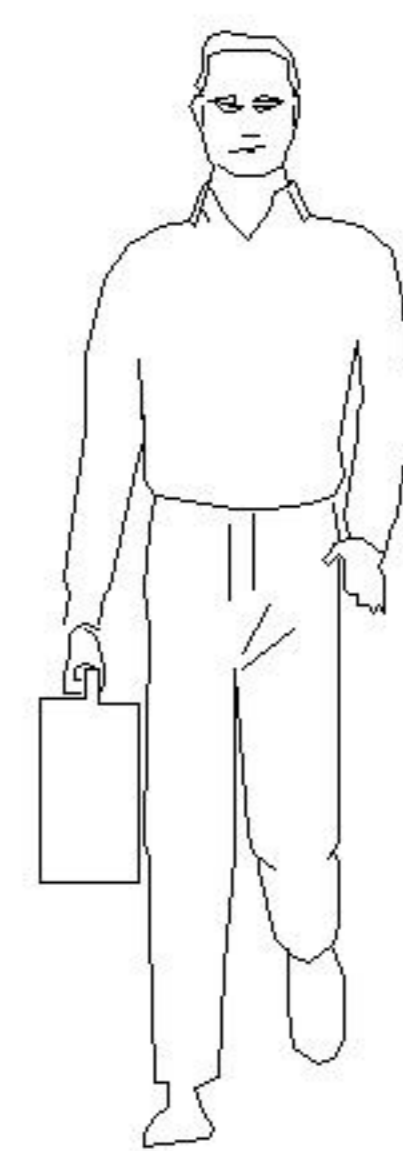
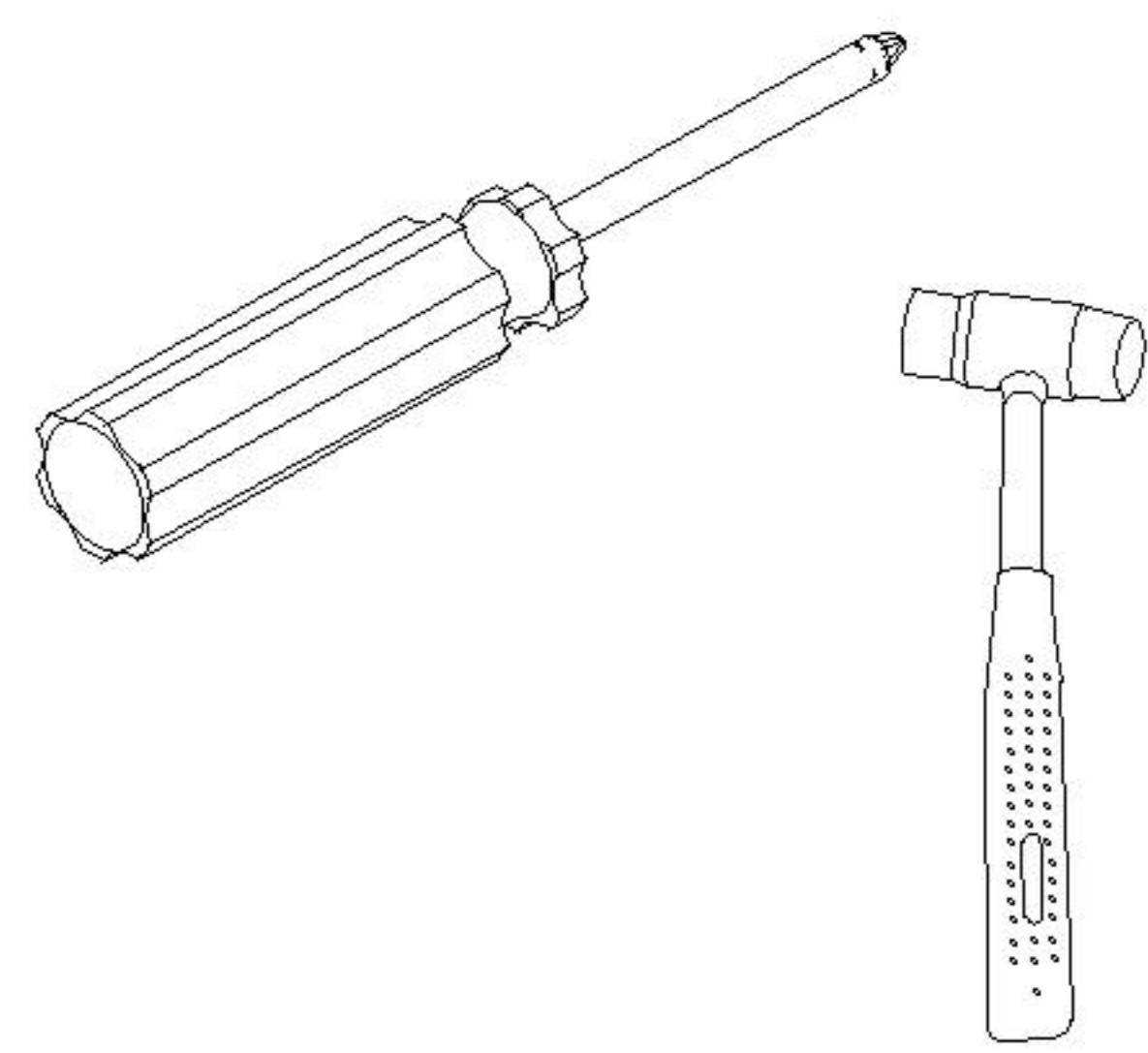
Tips for using hole stickers:  
After the product installation is completed, please attach the hole stickers. Please keep any extra hole stickers safe



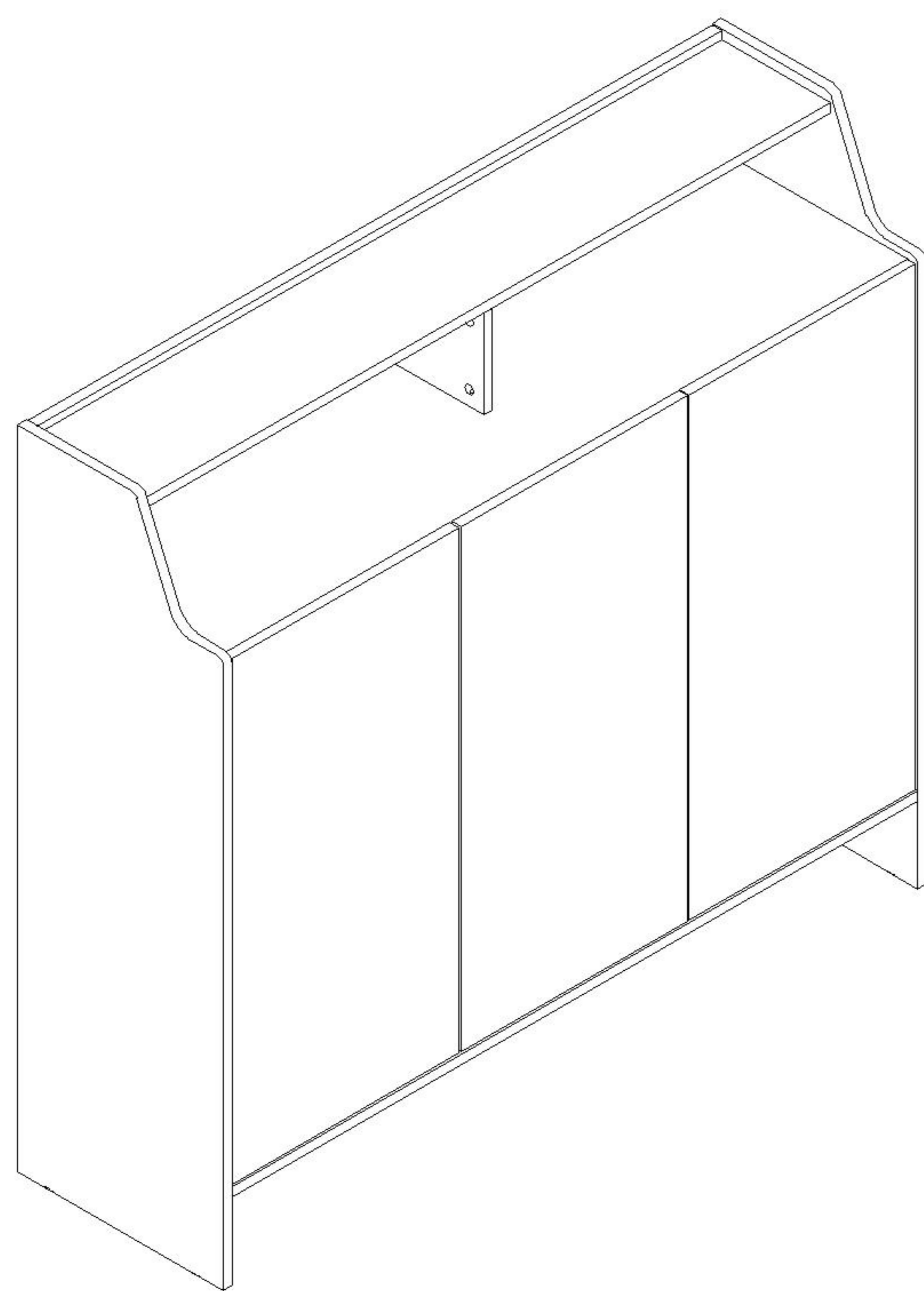
# LINSY 林氏家居

## 安装示意图/Assembly Instruction

产品名称 Model NO.	鞋柜1.2米
产品型号 Product Model	RG1N-A
尺寸规格 Specification	(1197*350*1103)mm
安装工具 Tool	安装人数 Installer



注：为保证设计效果，部分尺寸为定制尺寸，不影响使用。



## 五金表/Hardware list

(A)* 1 线条 Backplane slot	(B)* 1 脚-(直径30*126mm)	(C)* 1 斜边十字螺杆-M8x30	(D)* 24 层板托 shelf support
(E)* 6 缓冲门较大弯-Ø35 Hinge-big bends	(F)* 28 二合一·螺杆 2-in-1-screw	(G)* 28 大三合一锁饼 Three-in-one large lock	(H)* 17 木榫Ø8x30mm wood tenon
(I)* 2 家具防倒器-白色 Anti-fall device white	(J)* 4 灰色毛毡脚垫 Footrest - Grey	(K)* 4 透气孔盖-白色 Vent cover - white	(L)* 13 自攻螺丝M3.5x14mm Self-tapping screw
(M)* 13 背板扣 Back Plate Buckle-White	(N)*28 PVC孔贴 PVC hole sticker		

## 部件表/Parts List

编号NO.	名称Name	规格 (mm) Specification	数量 QTY	材质Material
①	右侧板 Side board(R)	1100*350*15	1	刨花板Particle board
②	左侧板 Side board(L)	1100*350*15	1	刨花板Particle board
③	后拉条 Back brace	1167*178*15	1	刨花板Particle board
④	顶板 Top board	1167*186*15	1	刨花板Particle board
⑤	面板 Top panel	1167*333*15	1	刨花板Particle board
⑥	底板 Bottom board	1167*350*15	1	刨花板Particle board
⑦	背板 Back board	1177*384*5	2	纤维板Fiberboard
⑧	活动层板 Movable shelf	778*310*15	3	刨花板Particle board
⑨	中隔板 Middle clapboard	150*186*15	1	刨花板Particle board
⑩	门板 Door board	774*386*15	3	刨花板Particle board
⑪	小活动层板 Small Movable shelf	372*310*15	3	刨花板Particle board
⑫	下中隔板 Lower middle clapboard	760*310*15	1	刨花板Particle board

►使用本产品请靠墙放置。

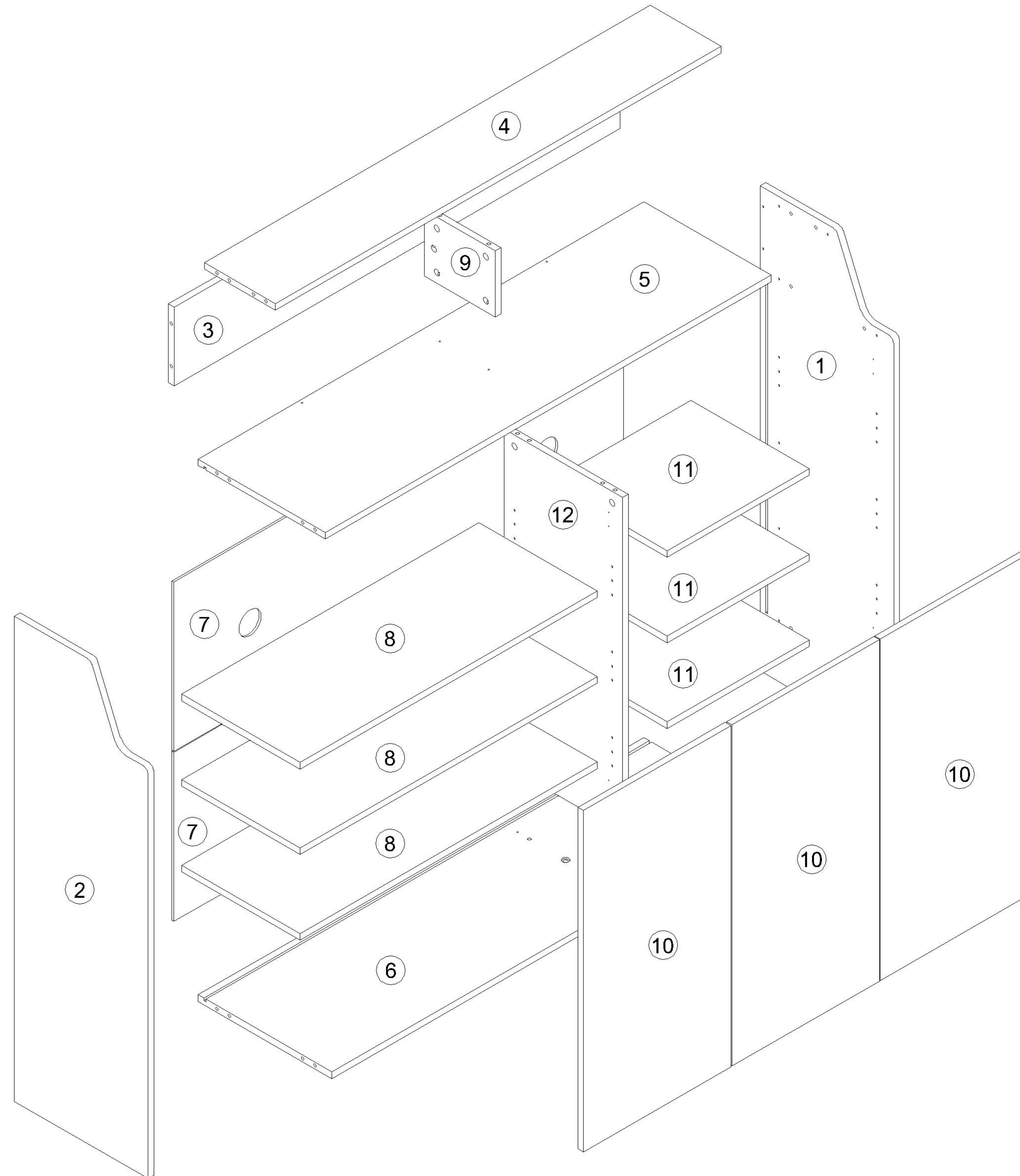
►Please place this product against the wall.

►注意：防倒器一定要按图安装！

►Be careful:The anti fall device must be installed!

►注：门都是设计所需设计缝，小心夹伤！

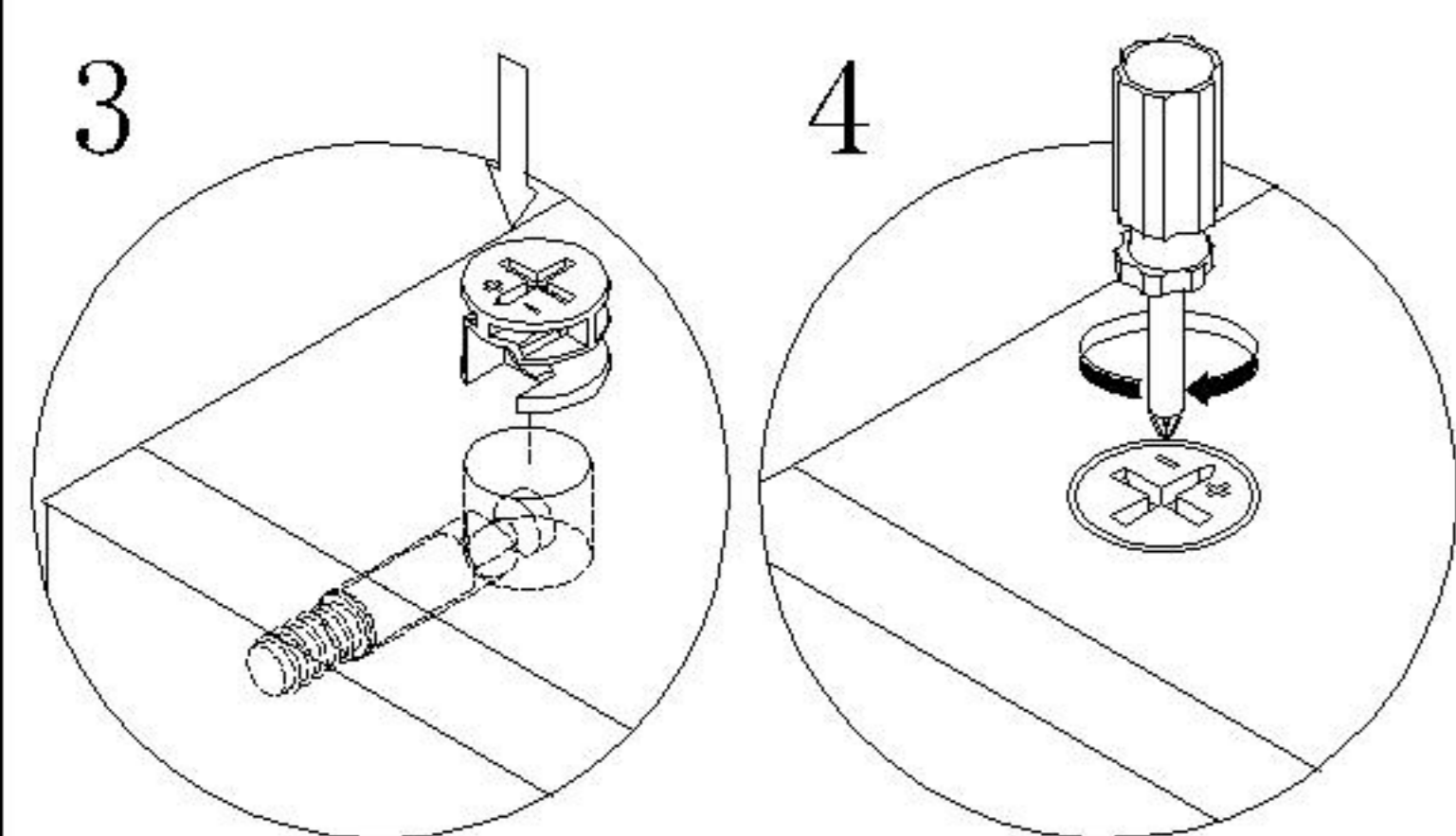
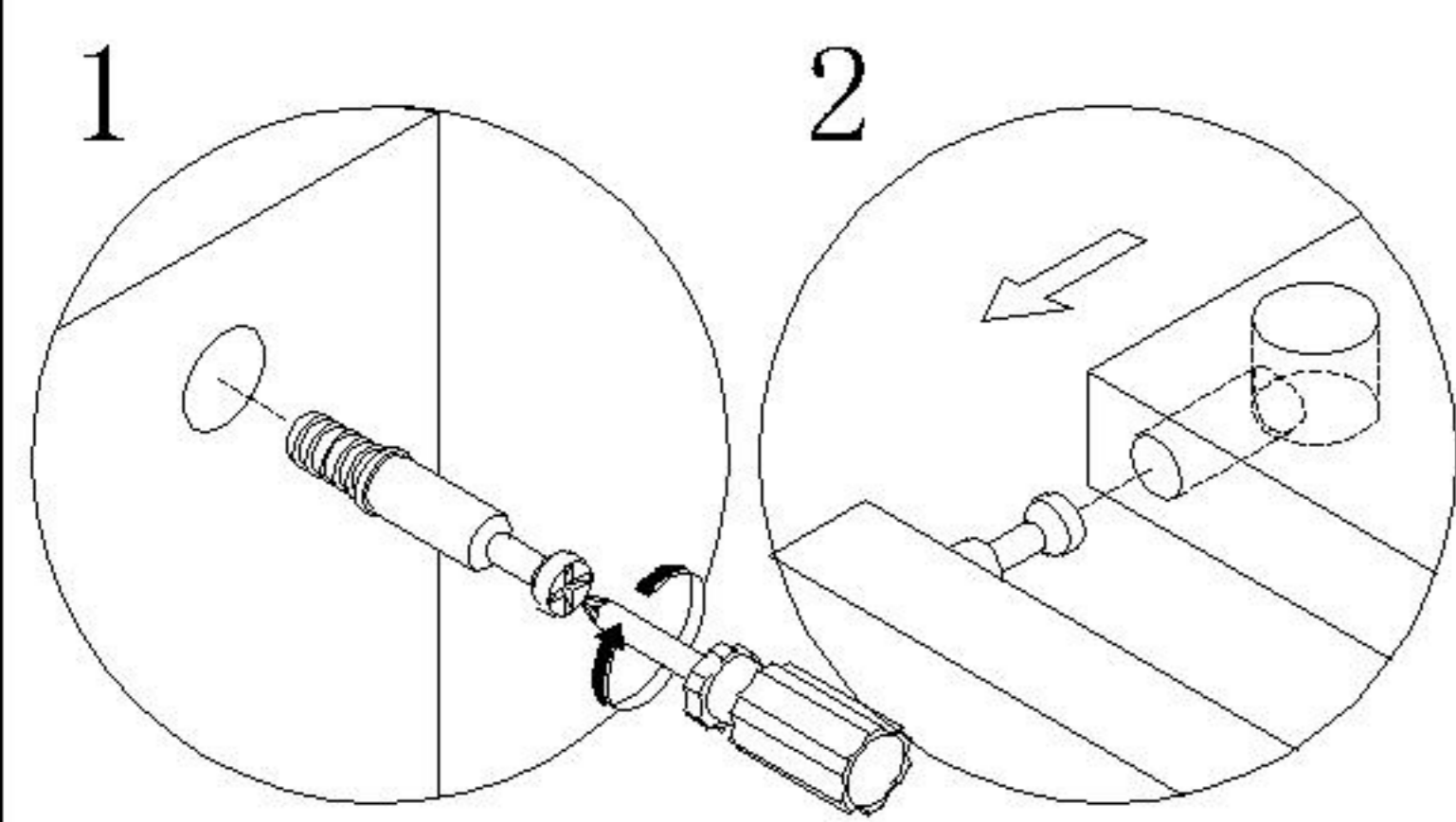
Note: The doors are designed with necessary seams. Be careful not to pinch!



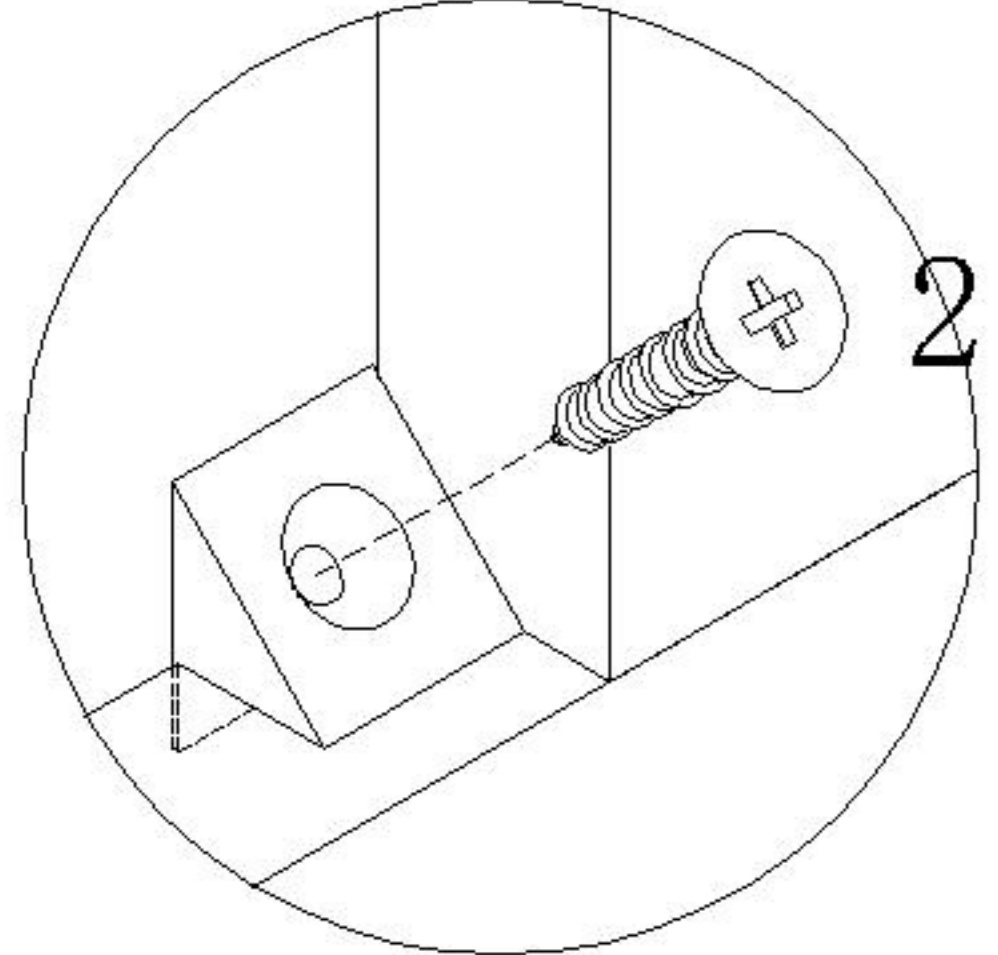
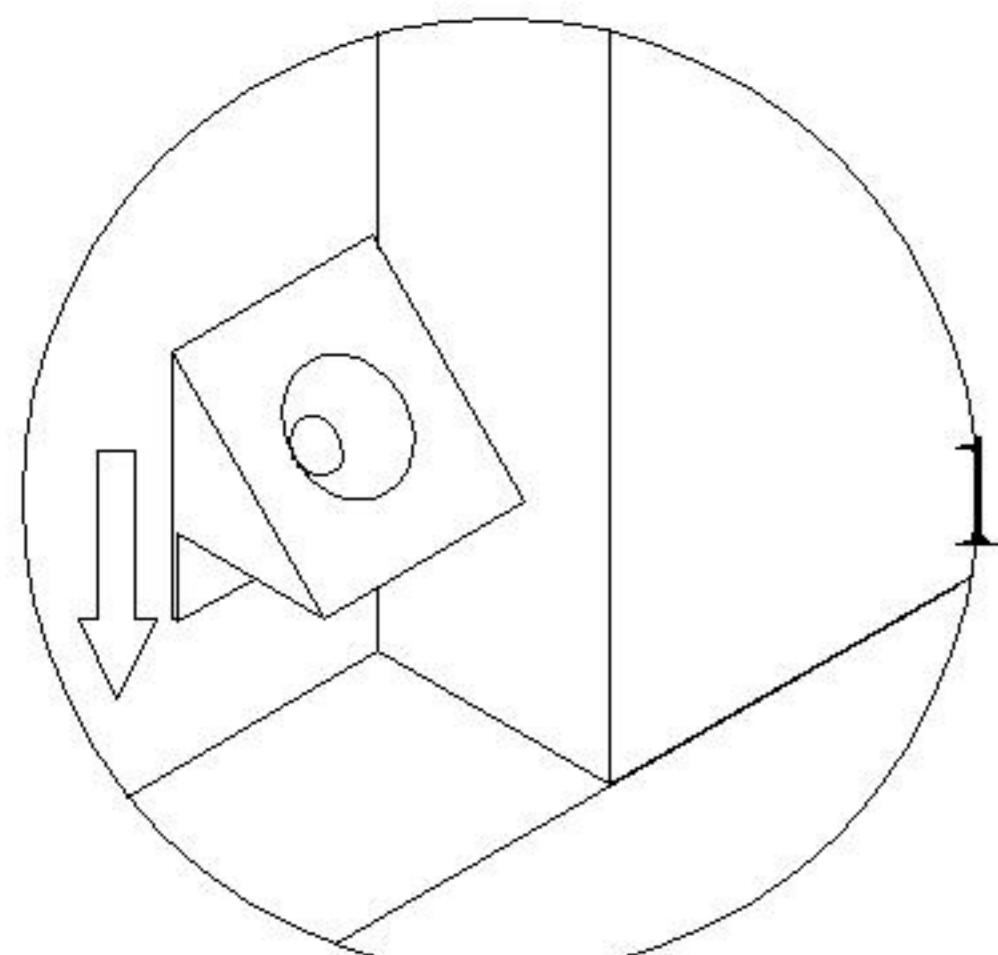
编号NO.	名称Name
①	右侧板 Side board(R)
②	左侧板 Side board(L)
③	后拉条 Back brace
④	顶板 Top board
⑤	面板 Top panel
⑥	底板 Bottom board
⑦	背板 Back board
⑧	活动层板 Movable shelf
⑨	中隔板 Middle clapboard
⑩	门板 Door board
⑪	小活动层板 Small Movable shelf
⑫	下中隔板 Lower middle clapboard

RG1N-A 鞋柜1.2米

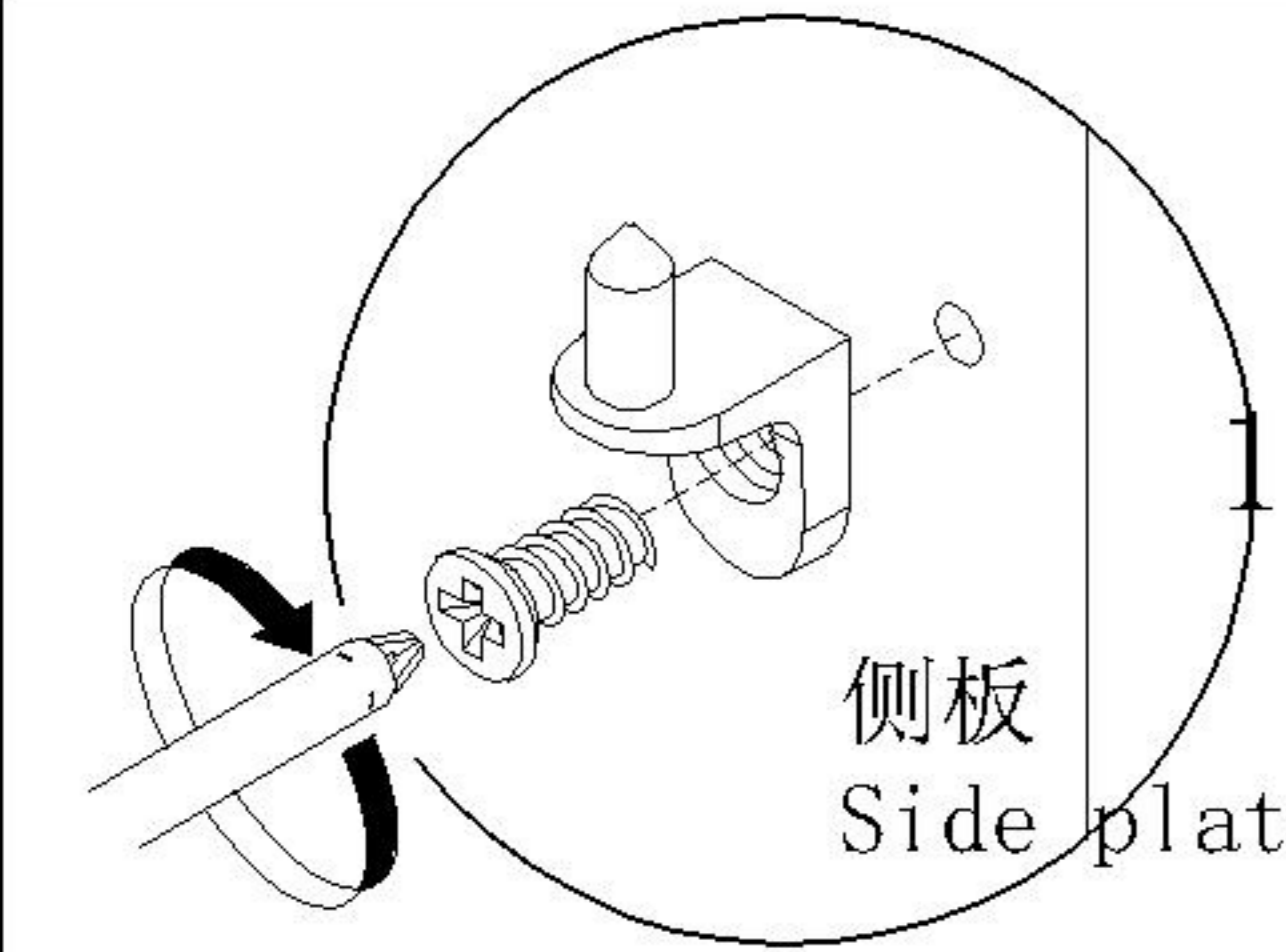
安装方法/  
Installation method



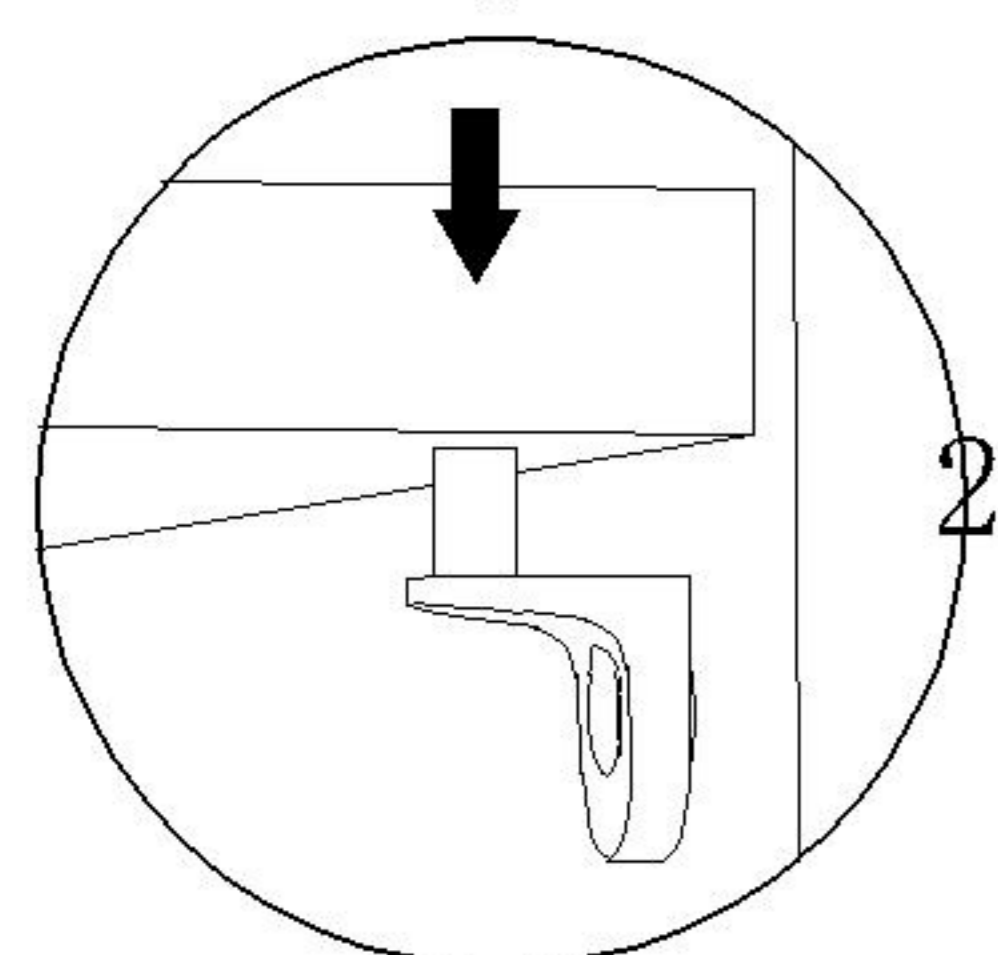
大二合一  
two-in-one



背板扣  
Back Plate Buckle-White



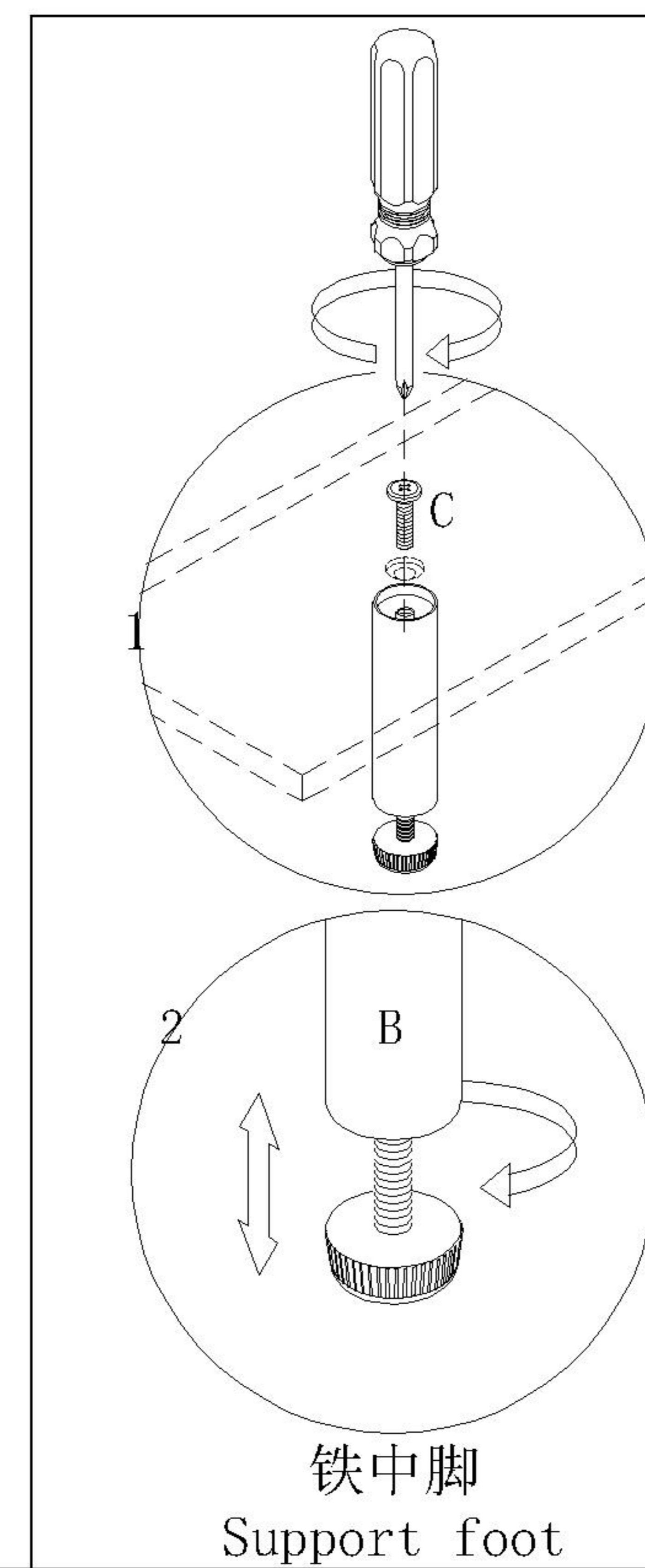
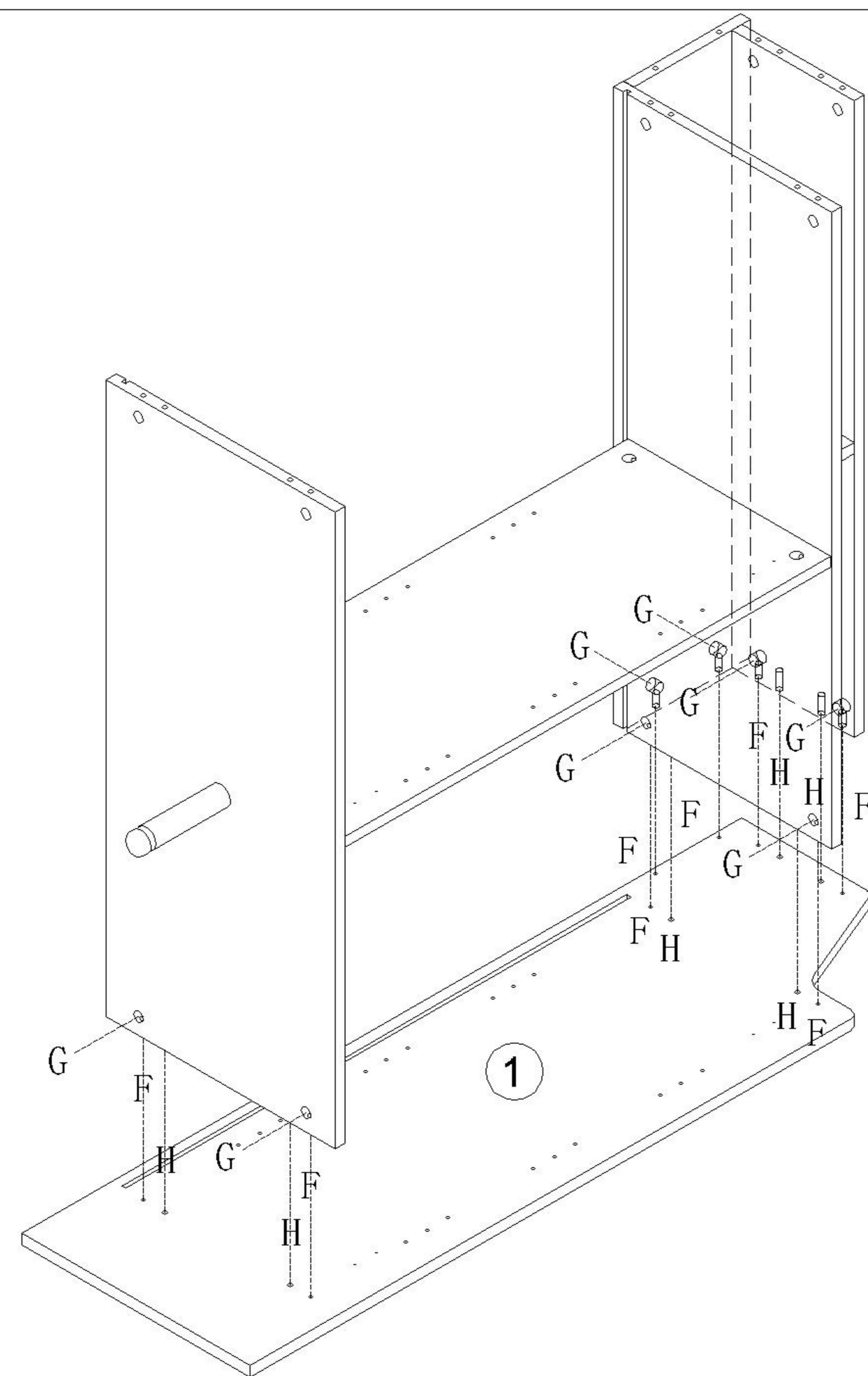
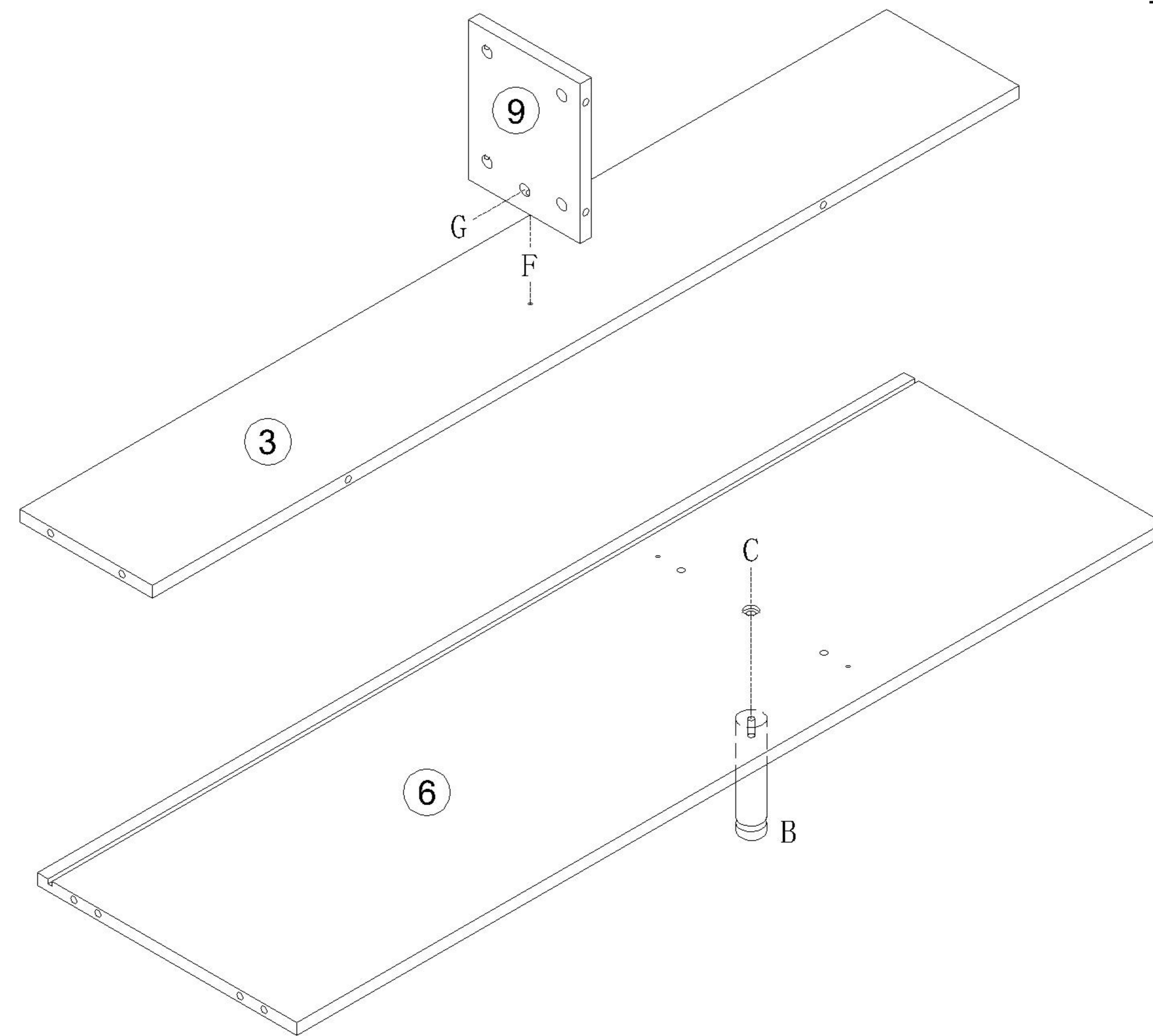
侧板  
Side plate



层板托5mm  
shelf support

- (B)\*1
- (C)\*1
- (F)\*1
- (G)\*1

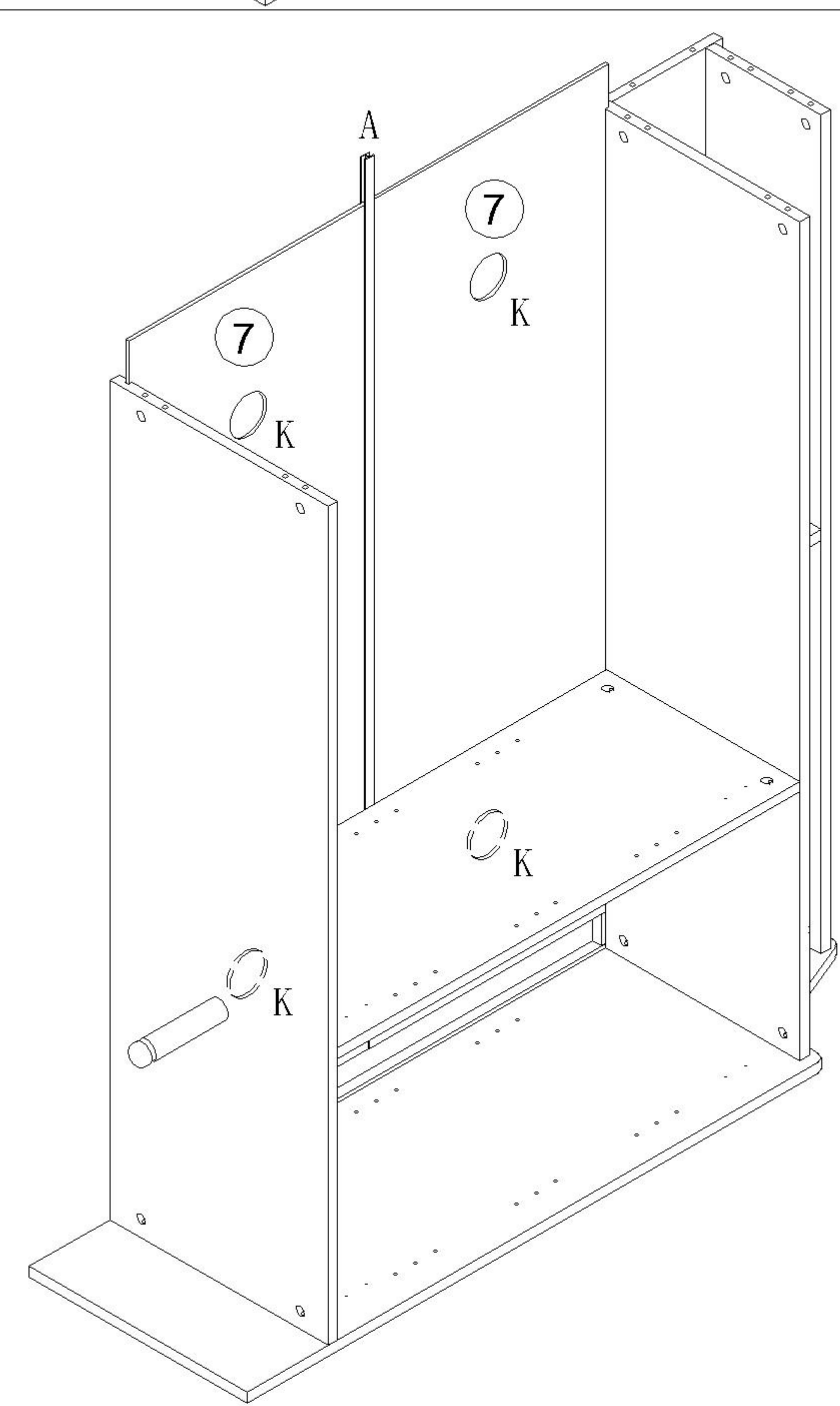
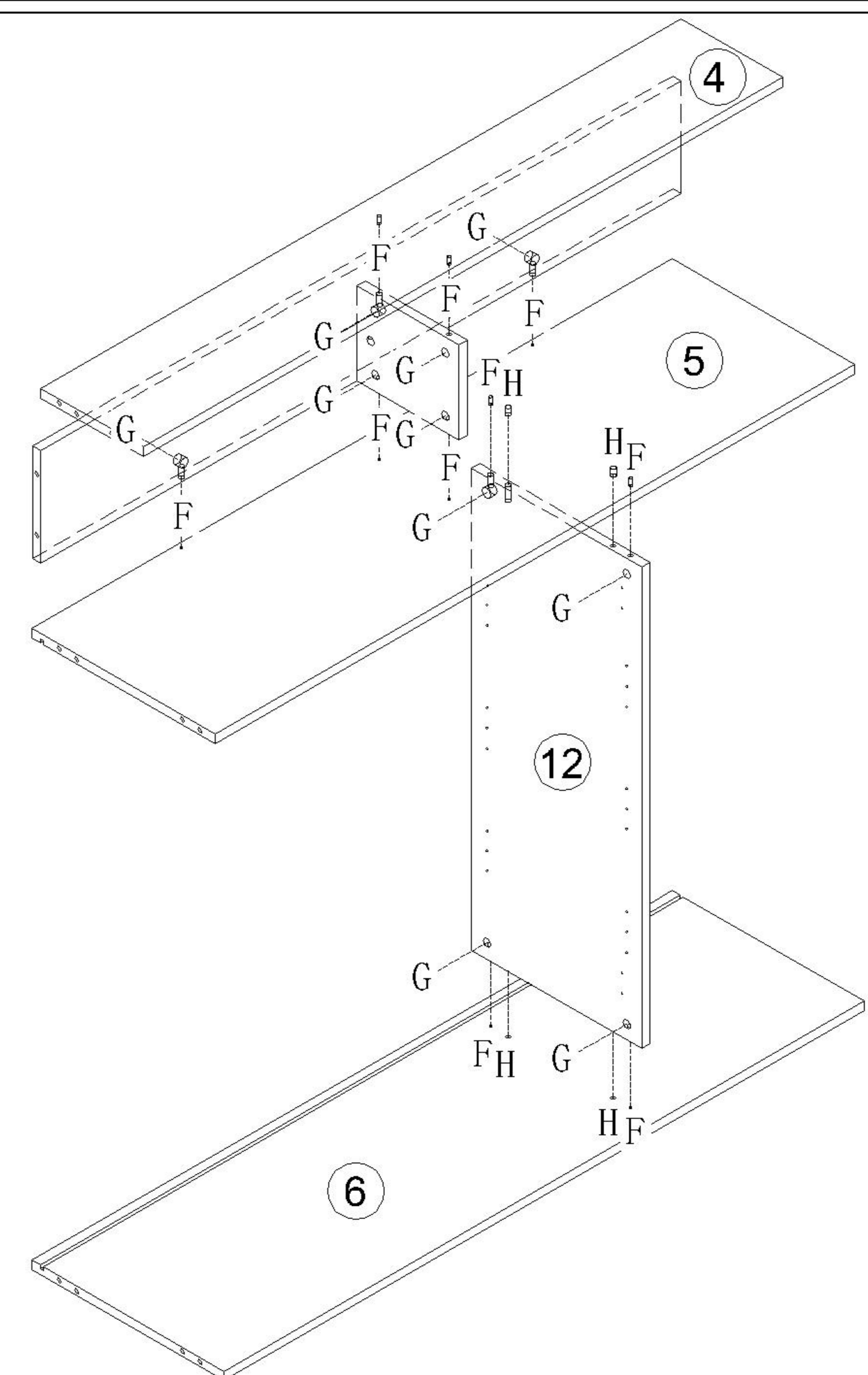
- (F)\*8
- (G)\*8
- (H)\*6



铁中脚  
Support foot

- 1
- (F)\*10
  - (G)\*10
  - (H)\*4

- 3
- (A)\*1
  - (K)\*4

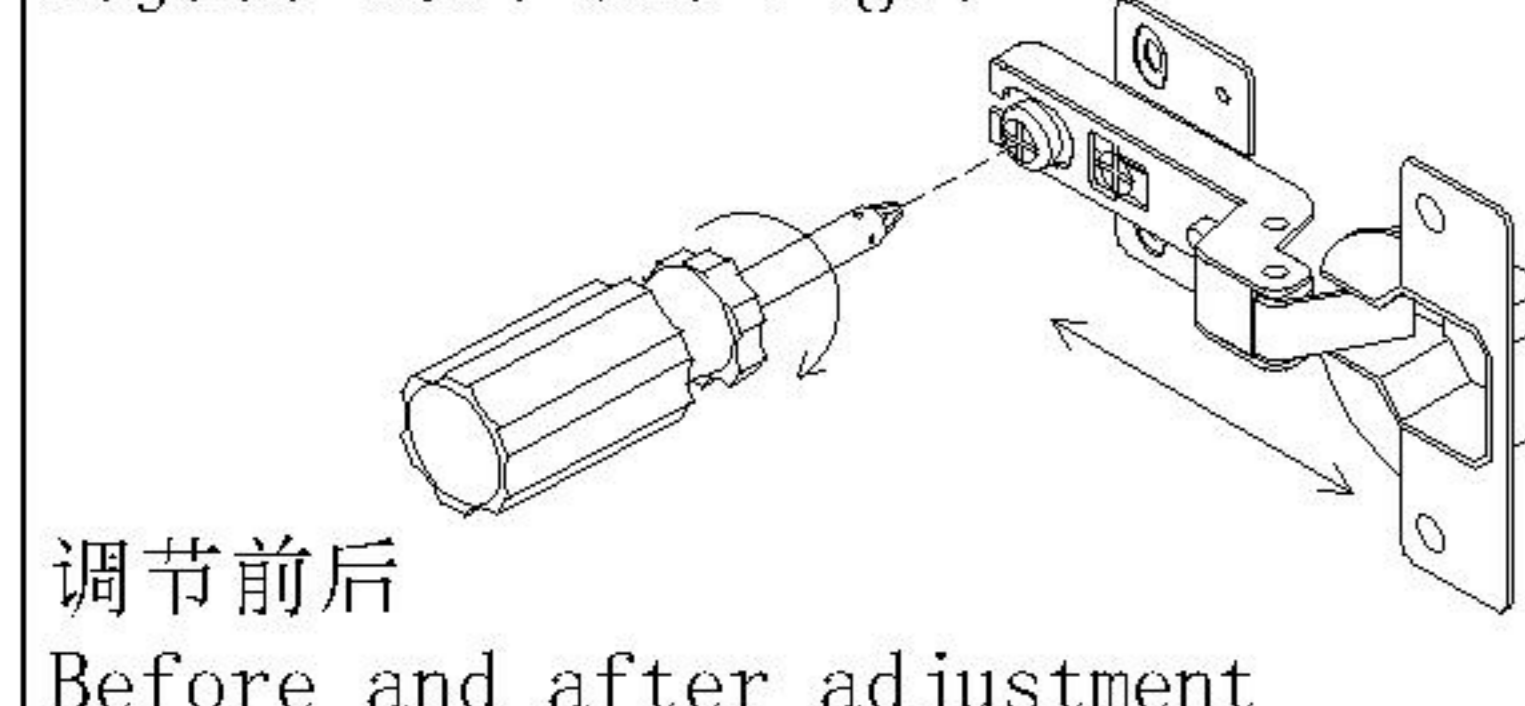
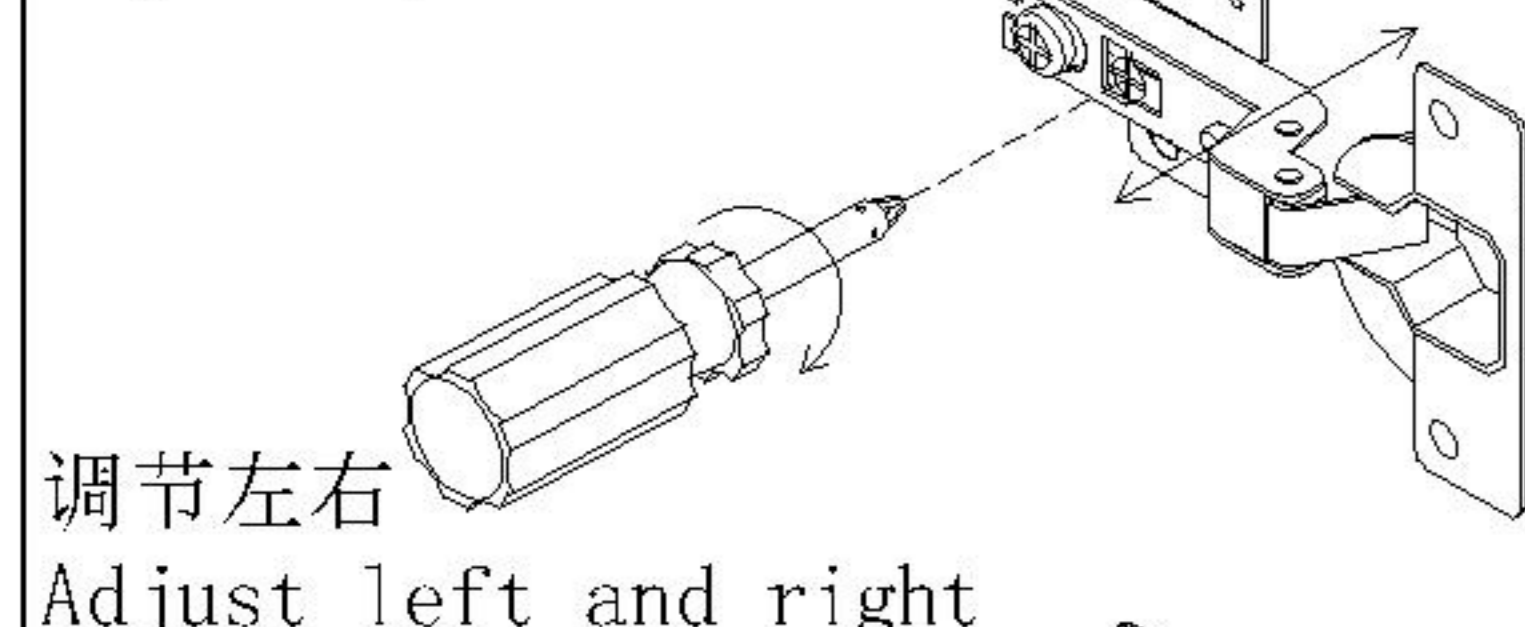
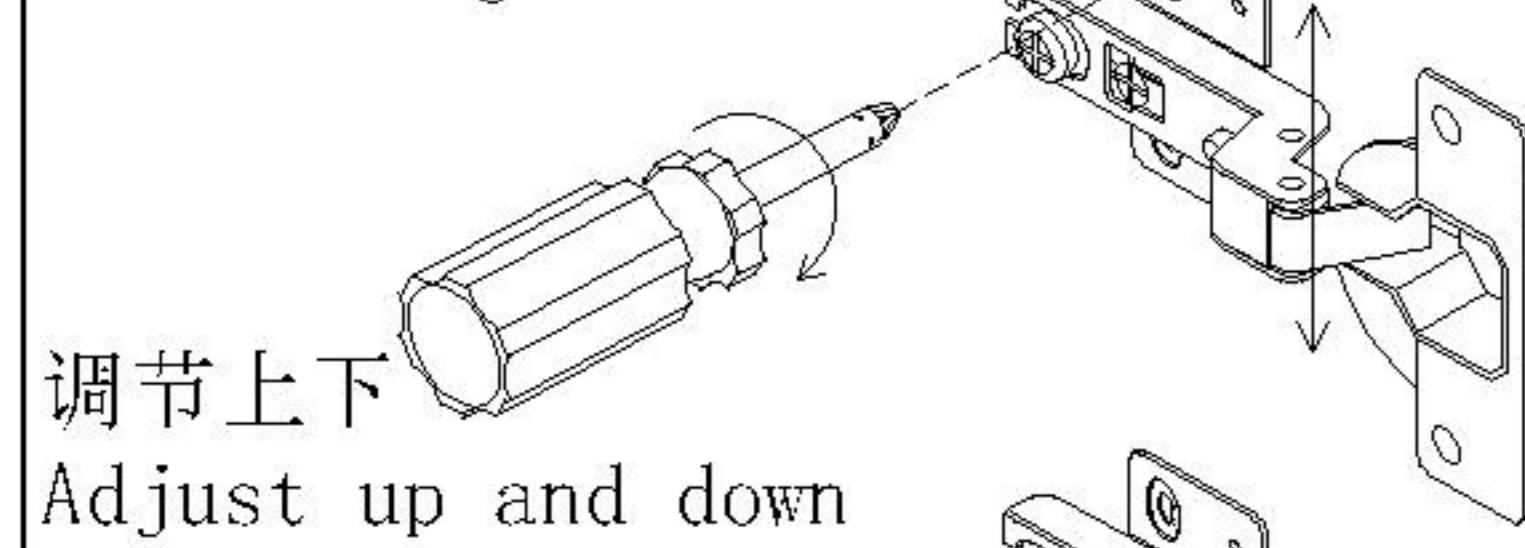
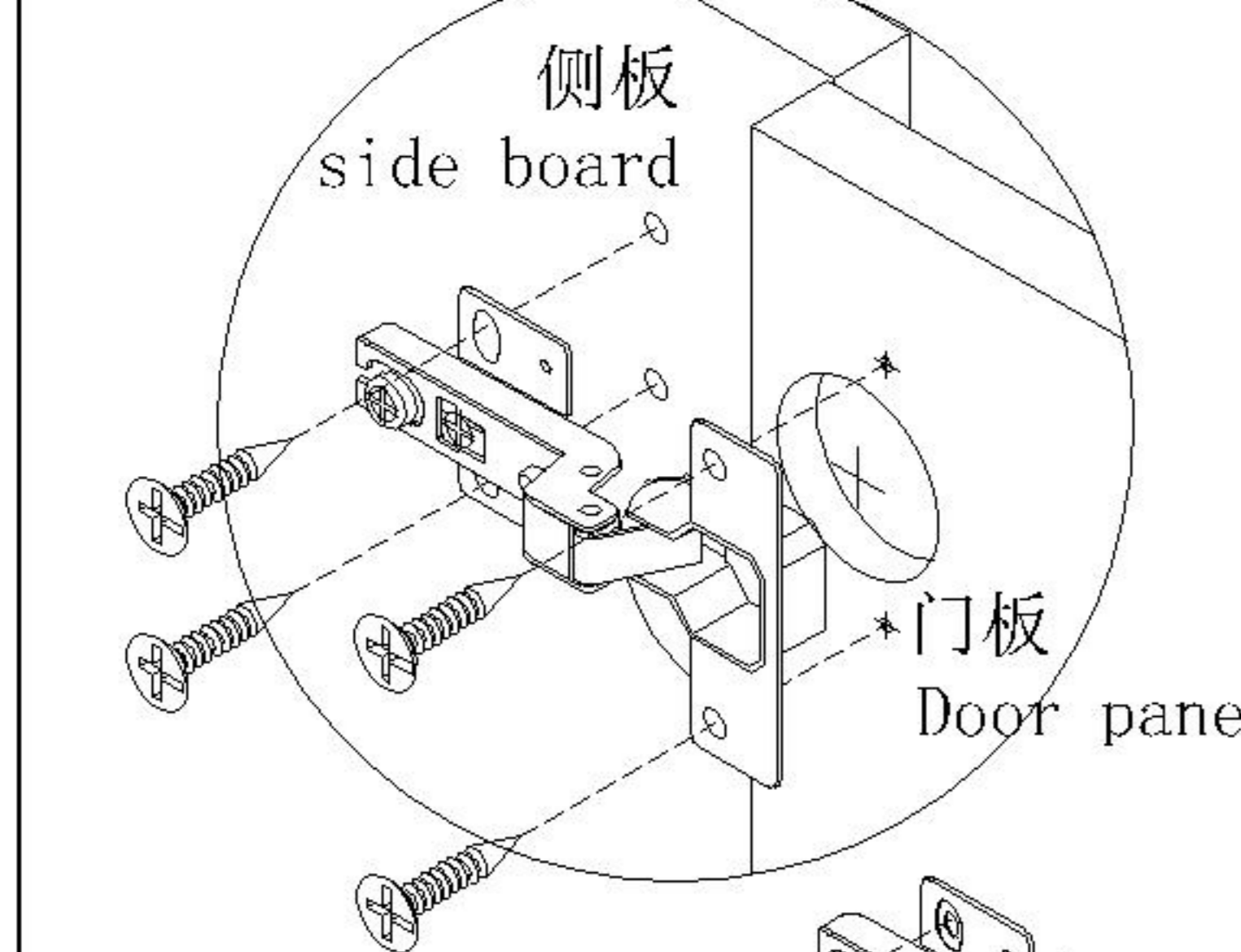
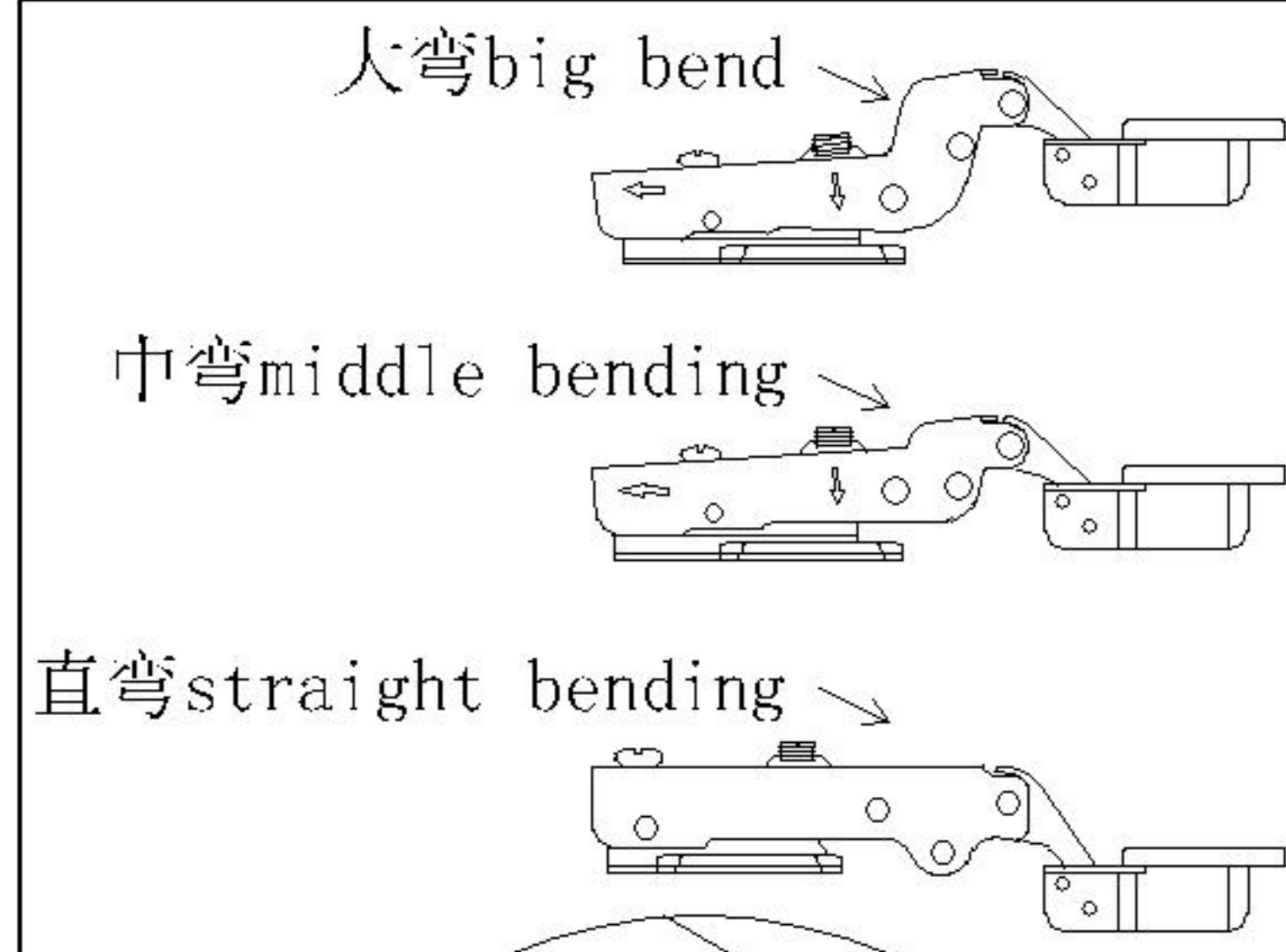


2

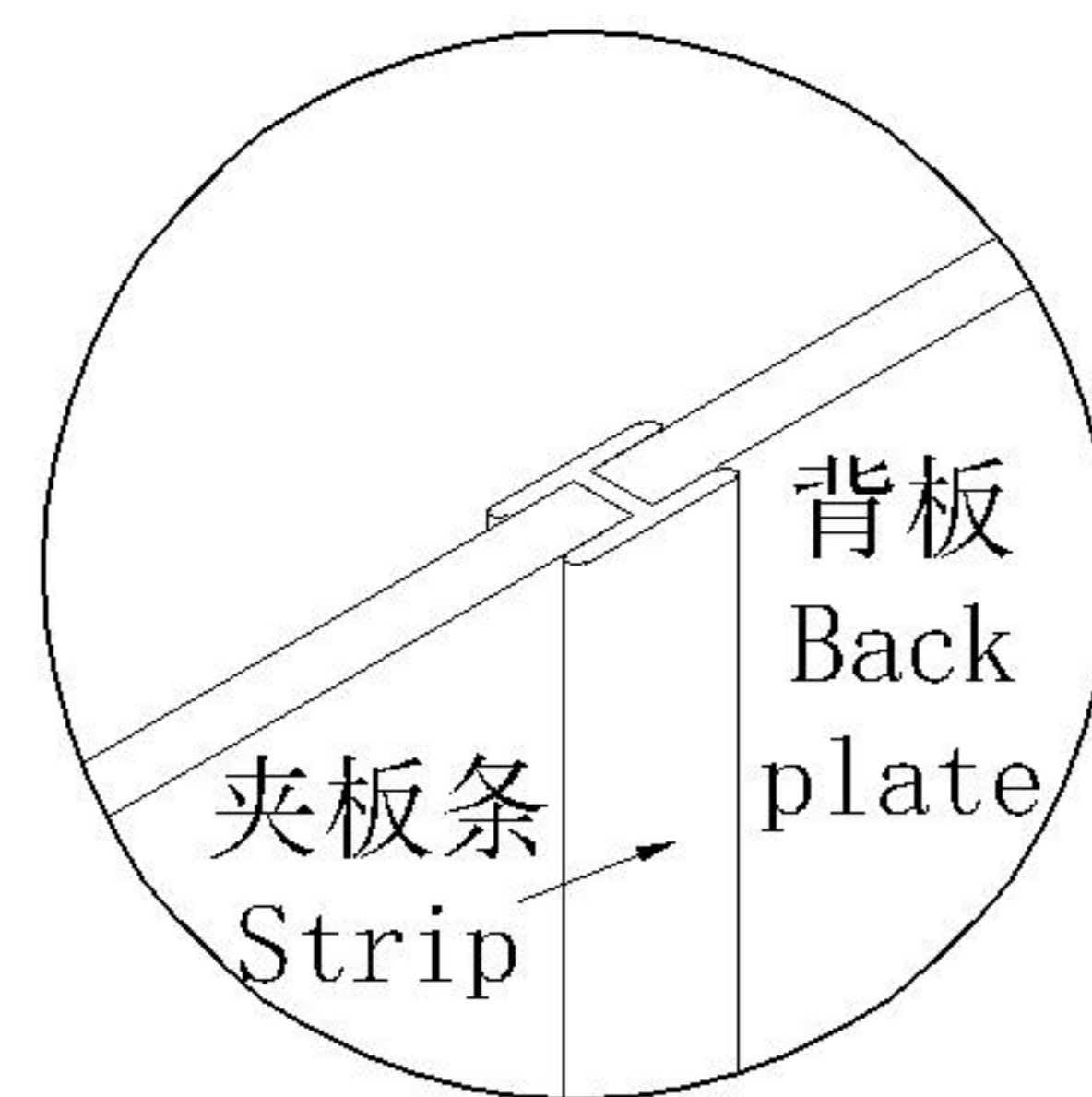
4

RG1N-A 鞋柜1.2米

安装方法/  
Installation method



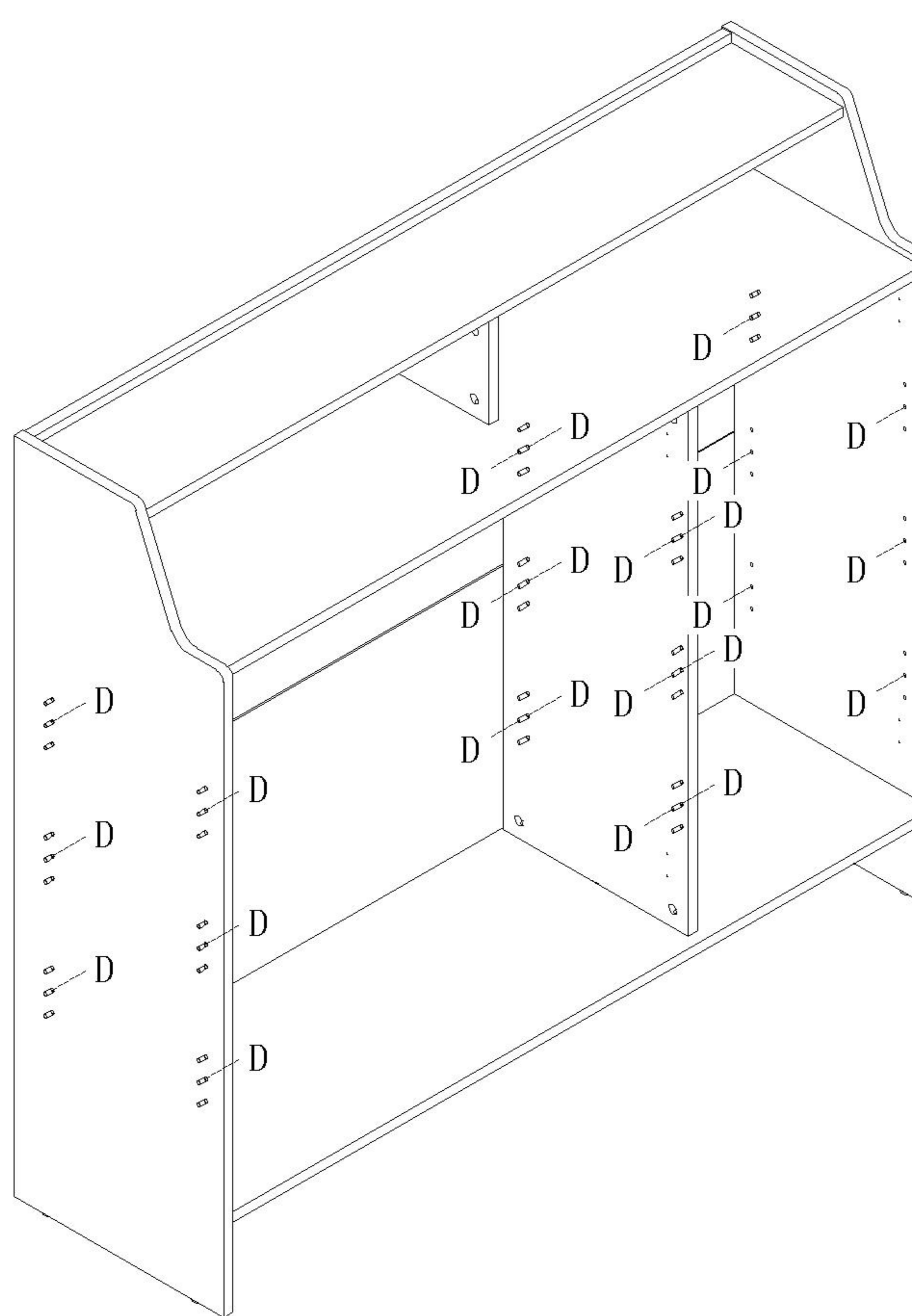
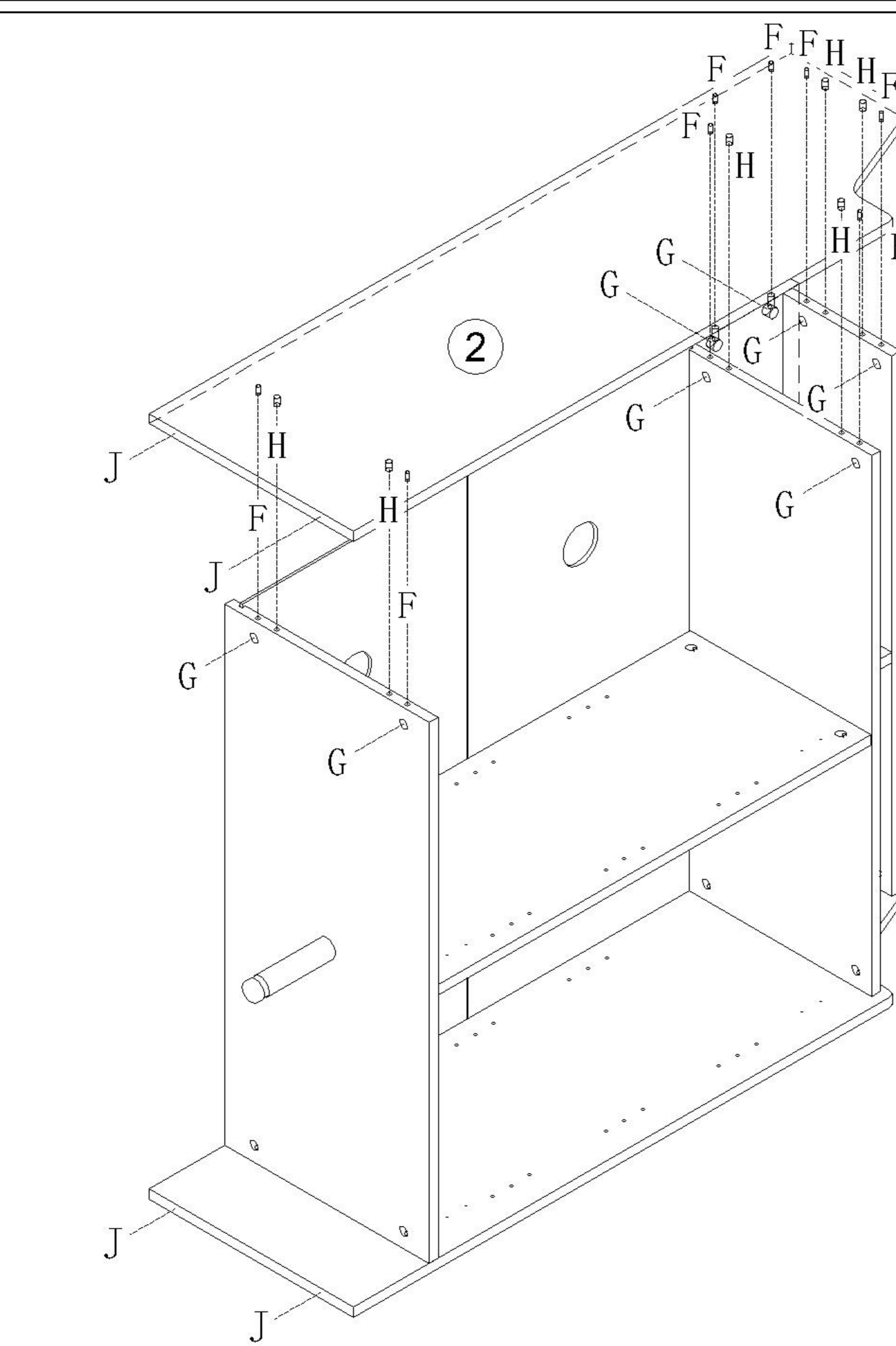
门铰  
Hinge



夹板条  
Strip

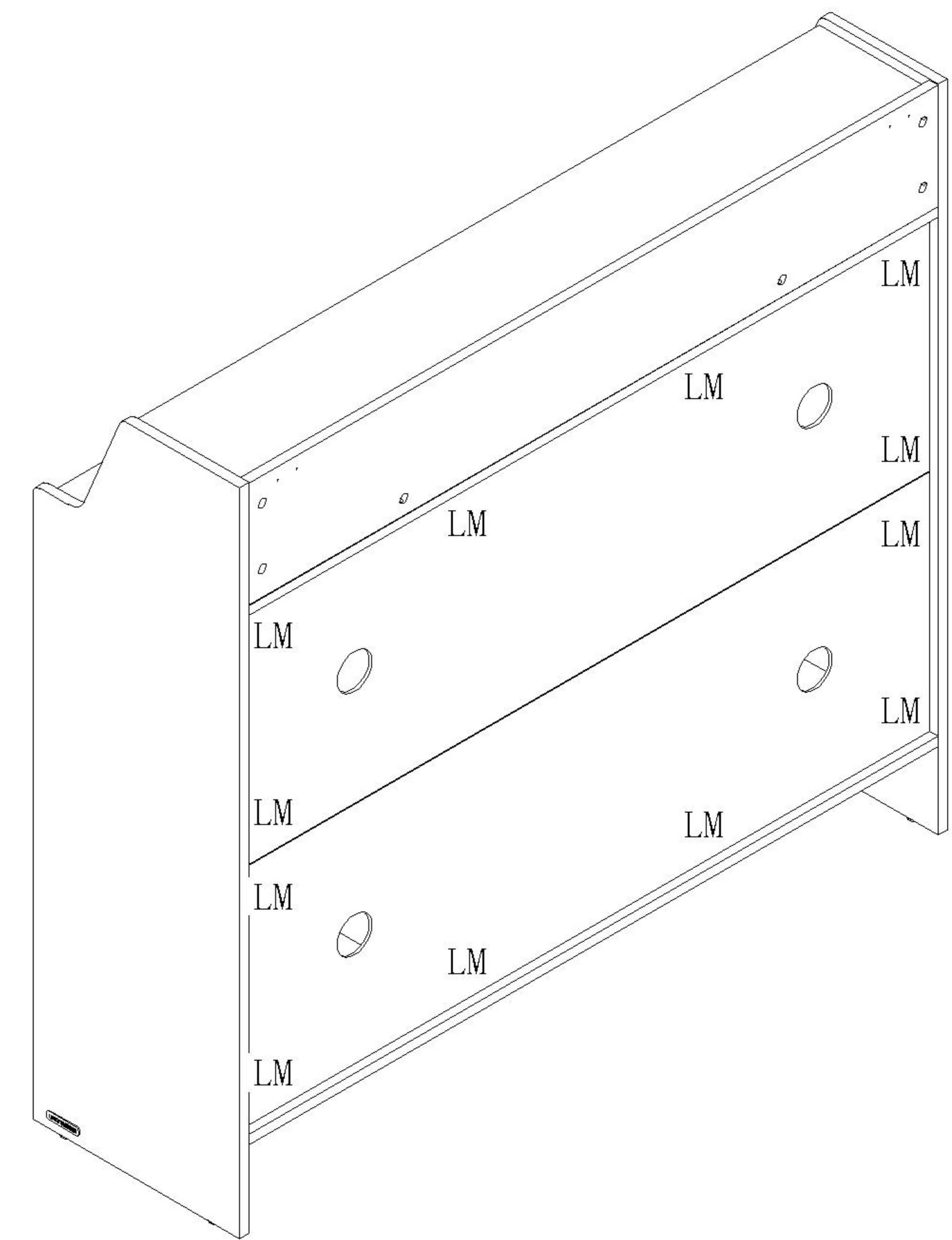
- (F)\*8
- (G)\*8
- (H)\*6
- (J)\*4

- (D)\*24



5

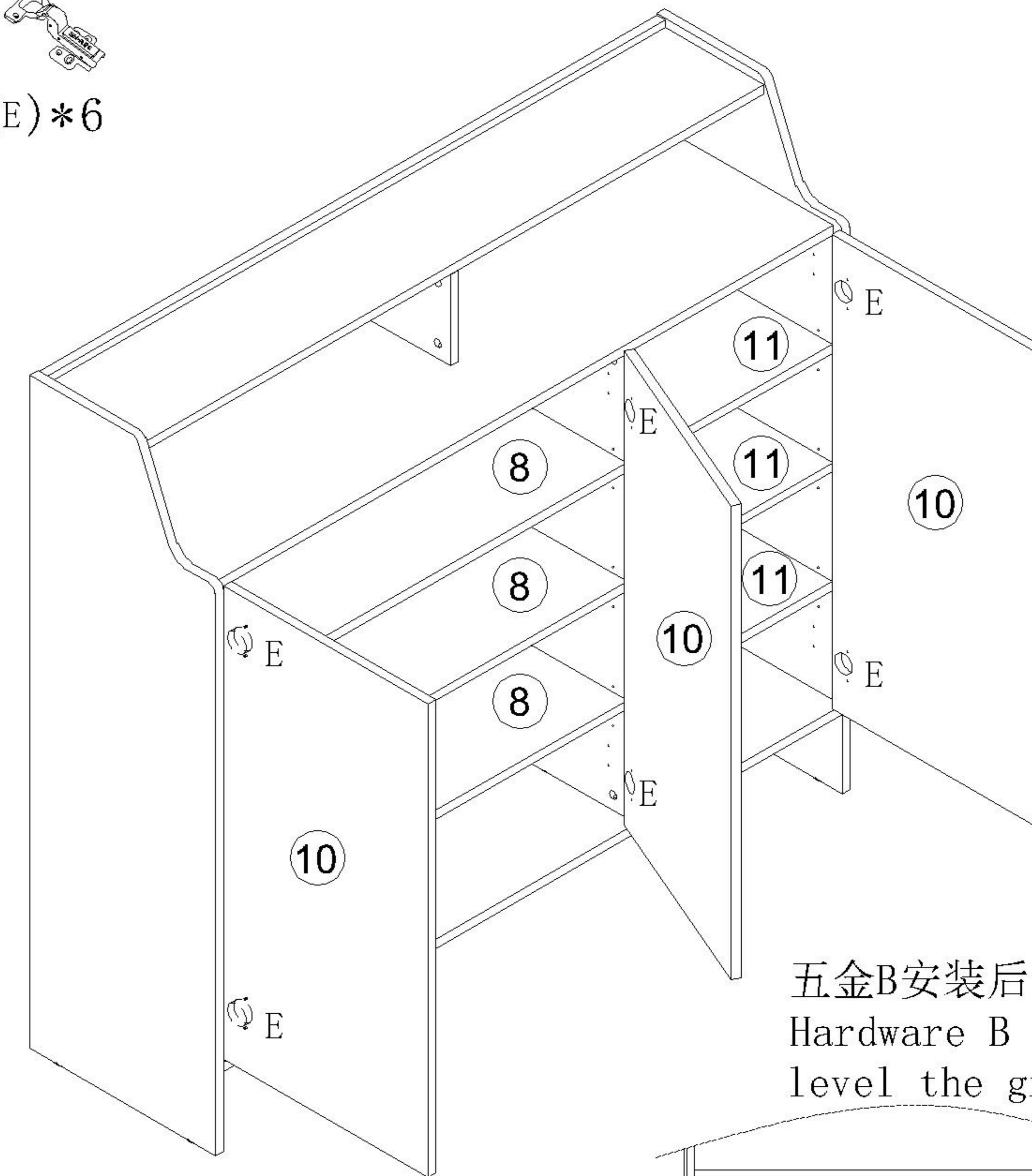
- (L)\*12
- (M)\*12



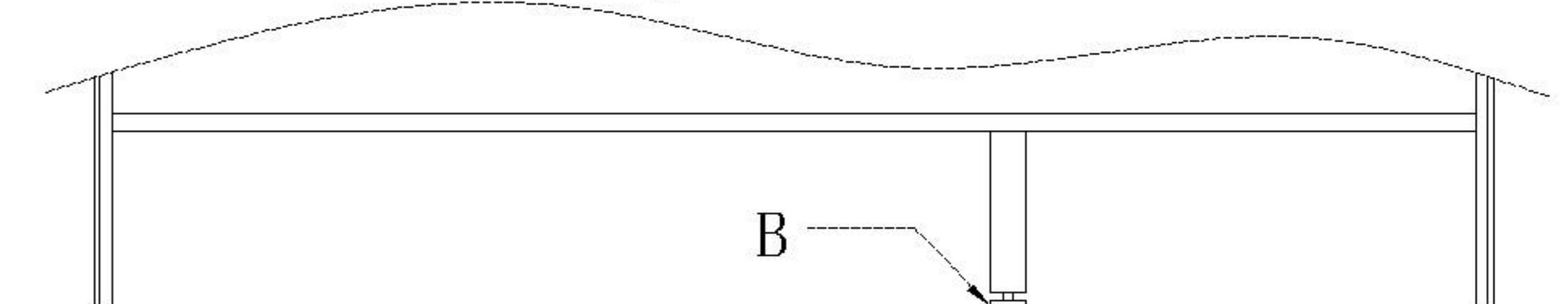
6

7

- (E)\*6



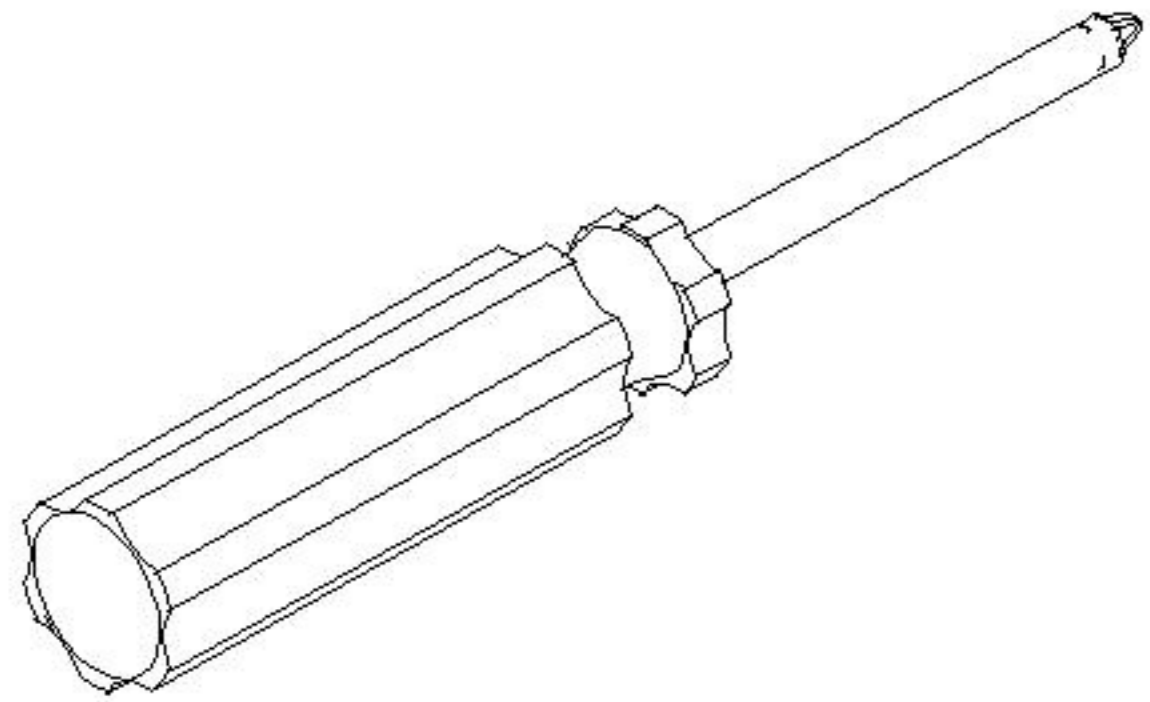
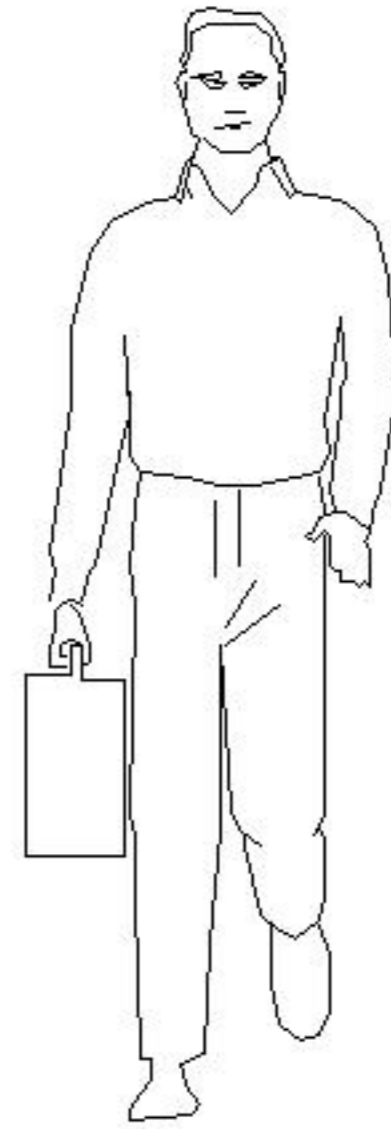
五金B安装后必须调节齐平地面  
Hardware B must be adjusted to level the ground after installation

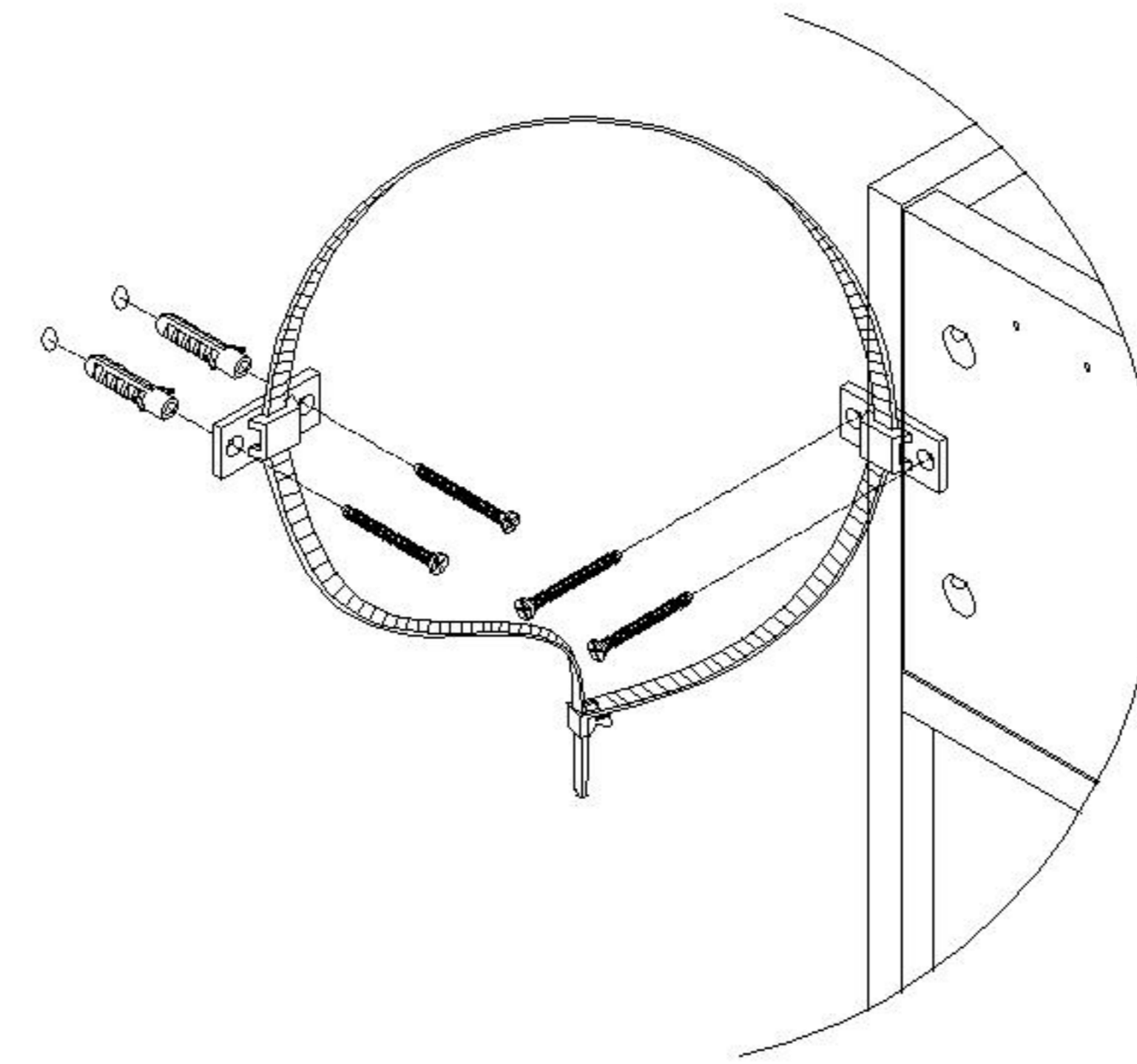
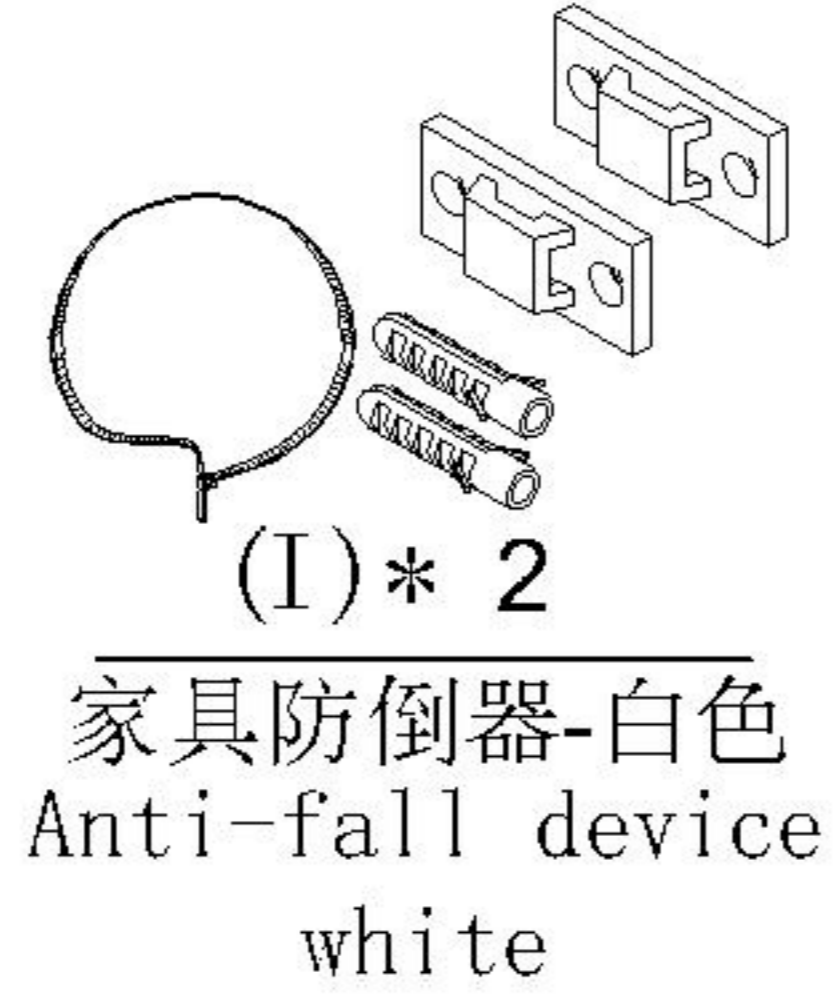


8

# LINSY 林氏家居

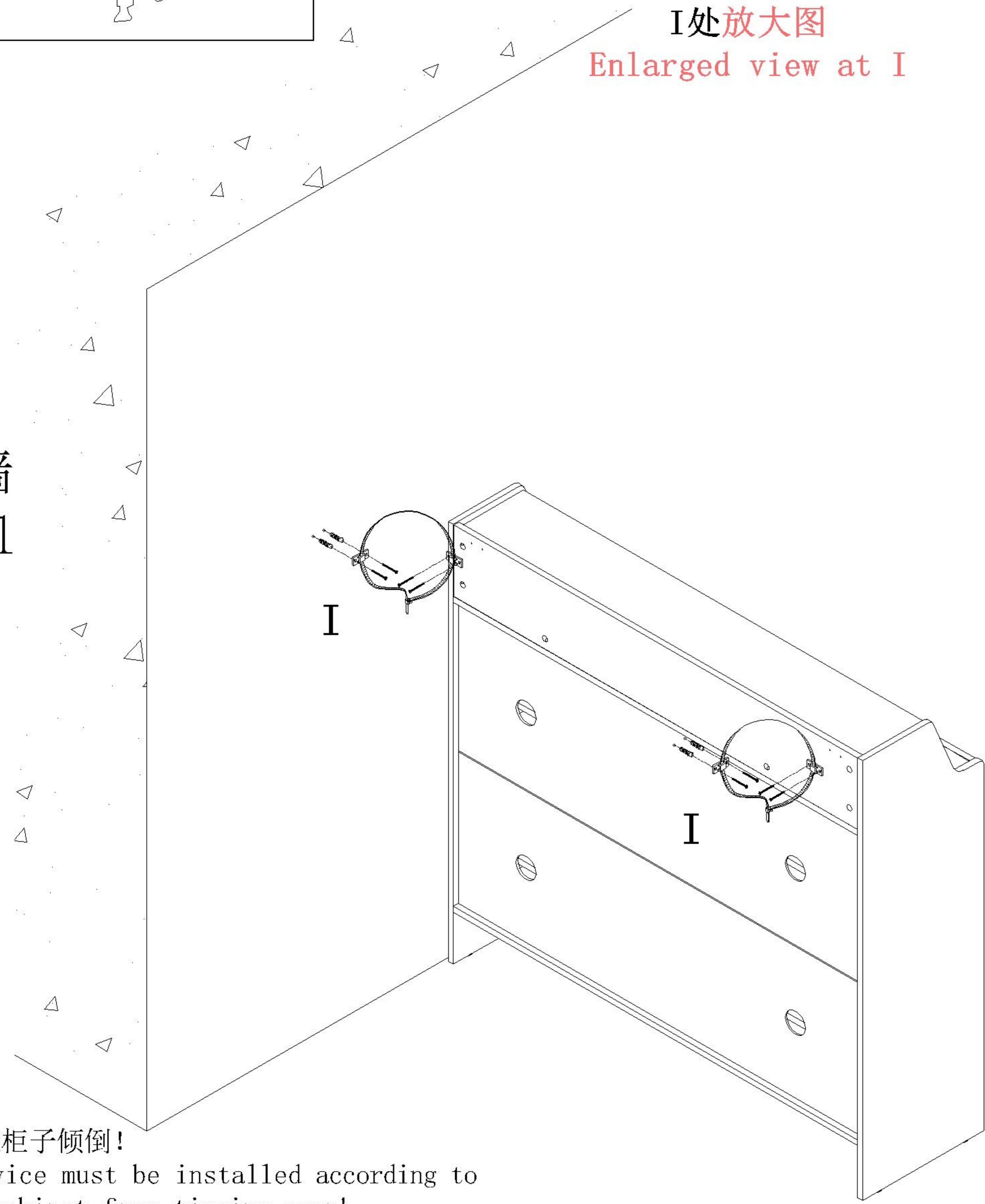
## 安装示意图/Assembly Instruction

产品名称 Model NO.	Anti-fall device
产品规格 Specification	-
安装工具 Tool	安装人数 Installer
	



I处放大图  
Enlarged view at I

实体墙  
Solid wall



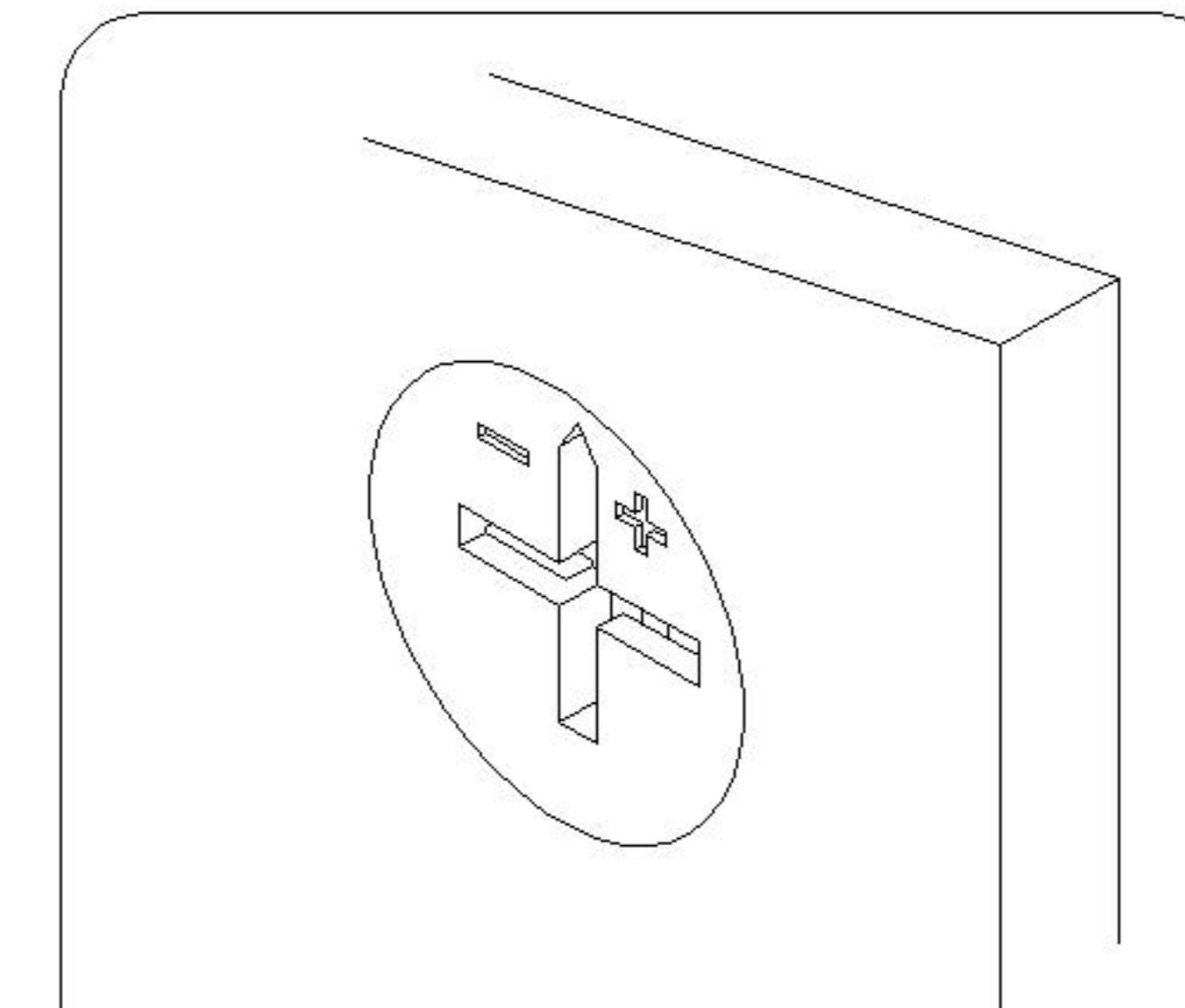
(N)\*28

### 孔位贴使用小贴士

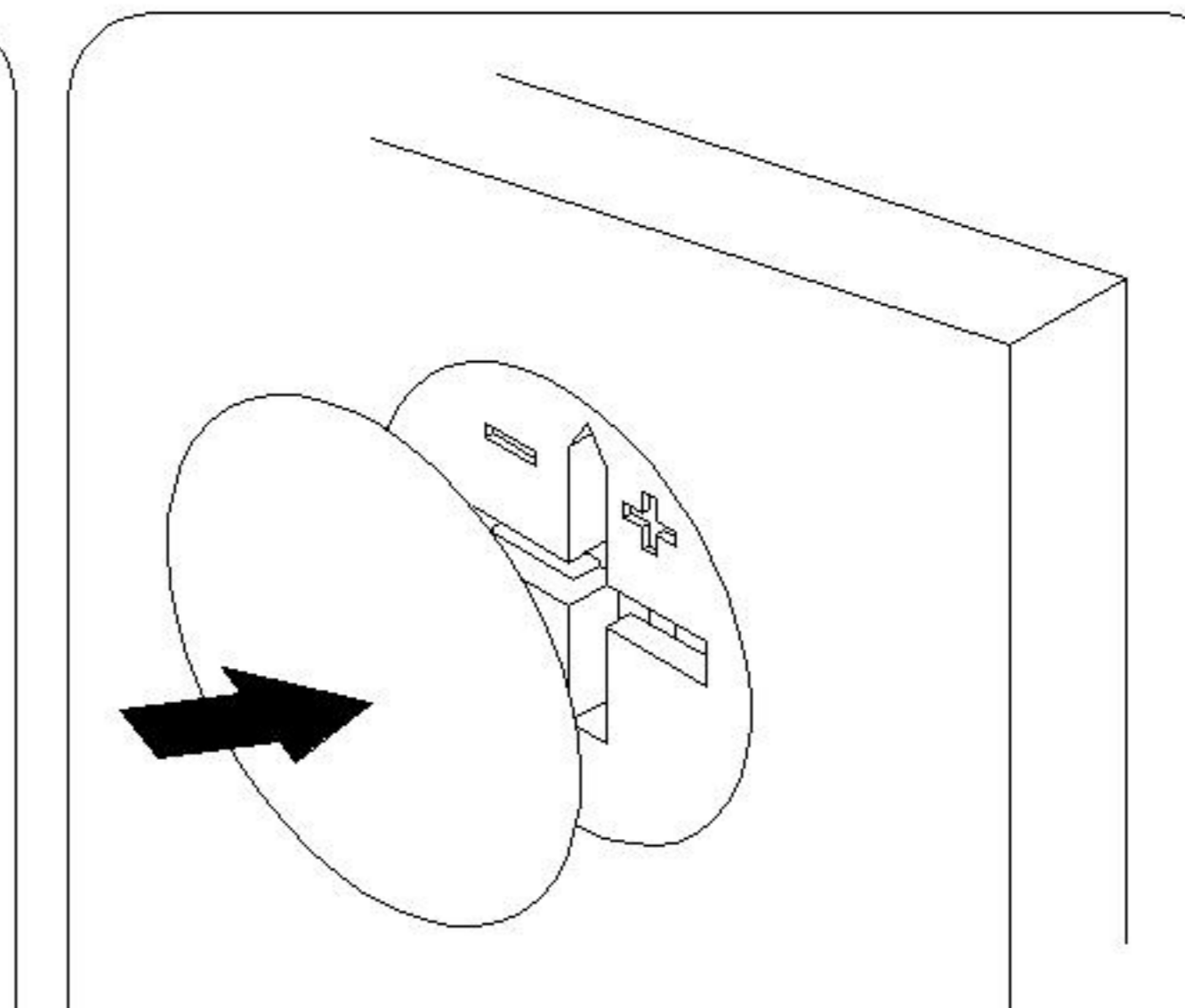
产品安装完成后请贴上孔贴，多出的孔贴请保管好

#### Tips for using hole stickers:

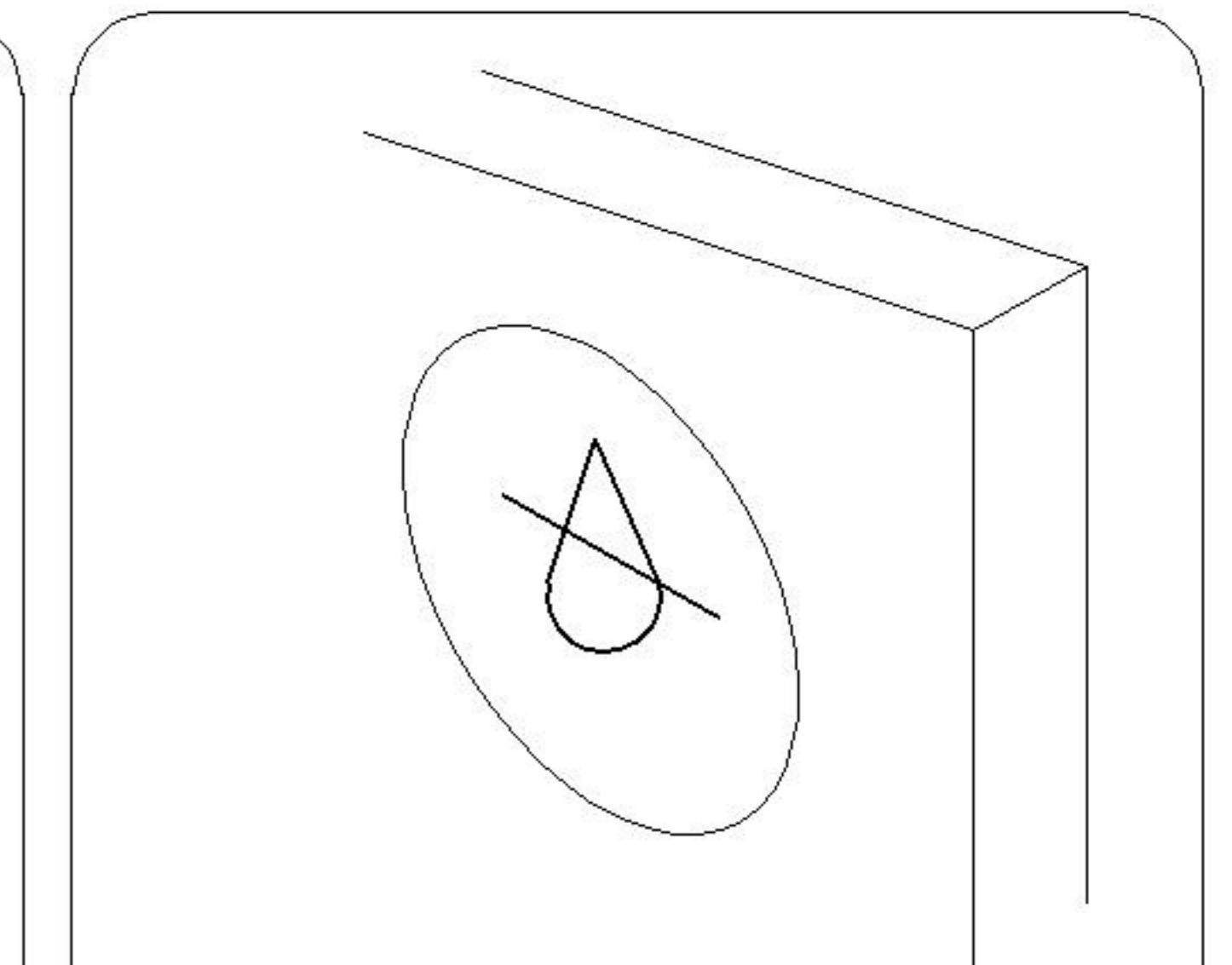
After the product installation is completed, please attach the hole stickers. Please keep any extra hole stickers safe



1、擦干净孔位  
1、Clean the hole position thoroughly



2、贴上孔贴  
2、Attach hole stickers



3、24小时内勿碰水  
3、Do not touch water within 24 hours

注意：  
防倒器一定要按图安装，为防止柜子倾倒！  
be careful:The anti fall device must be installed according to the diagram to prevent the cabinet from tipping over!

