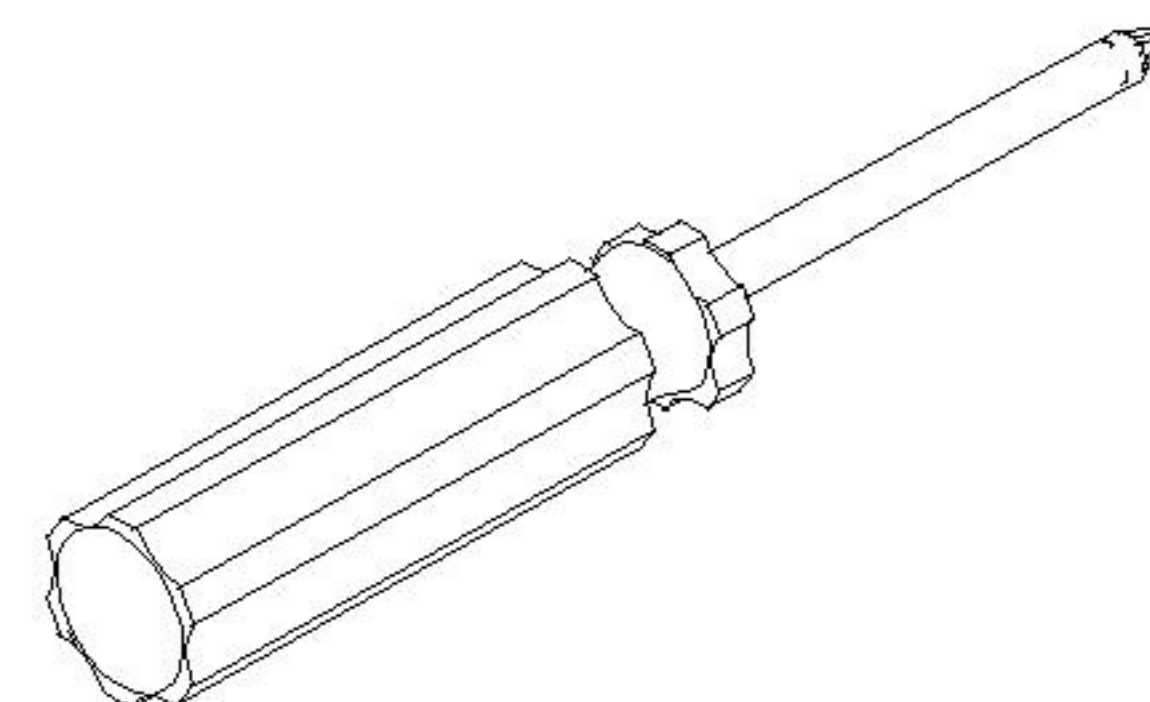
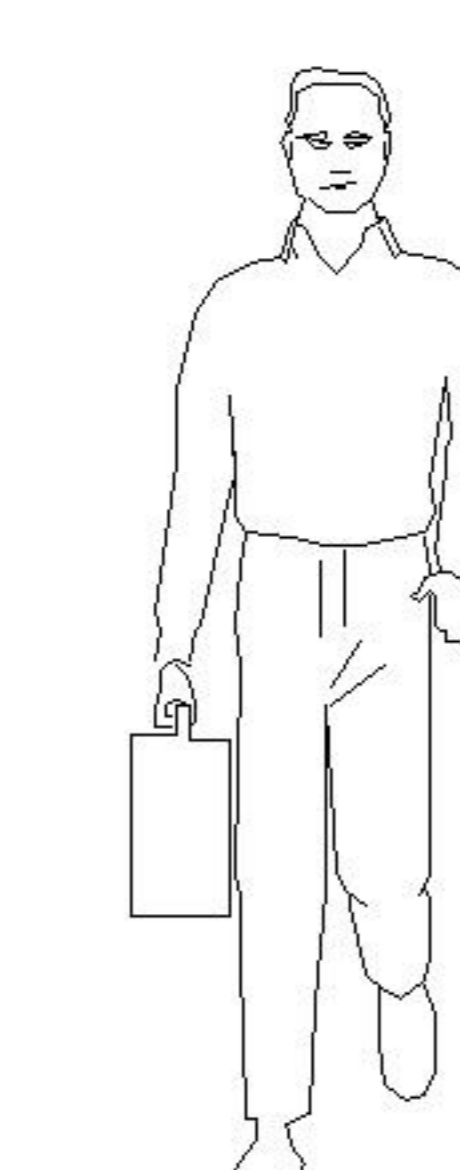


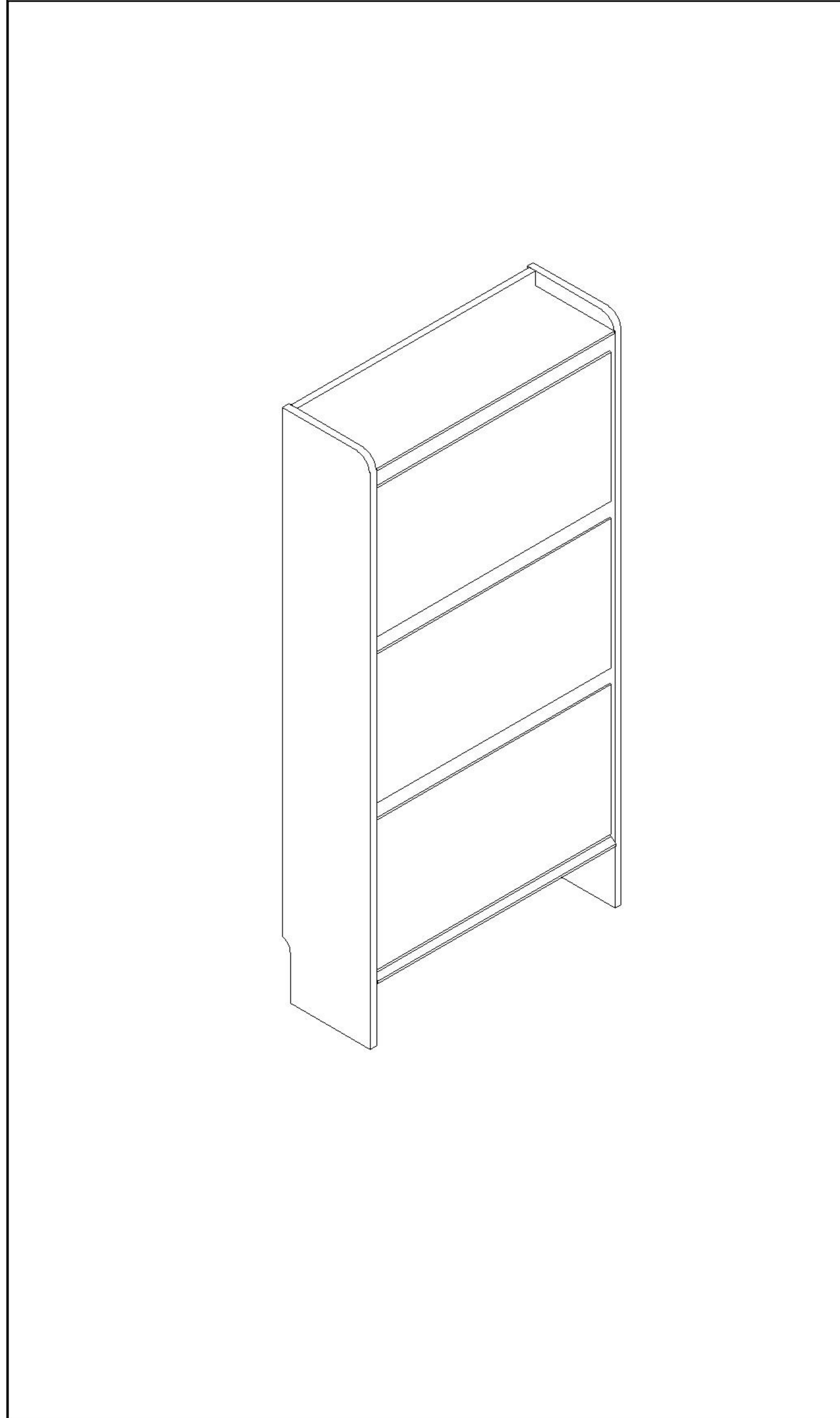
LINSY 林氏家居

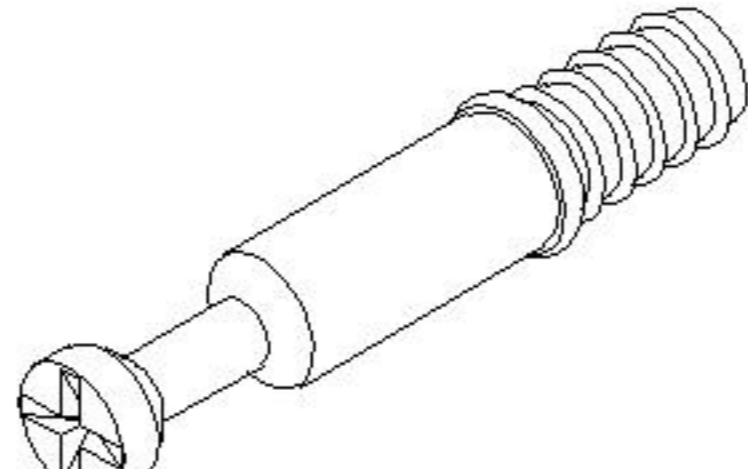
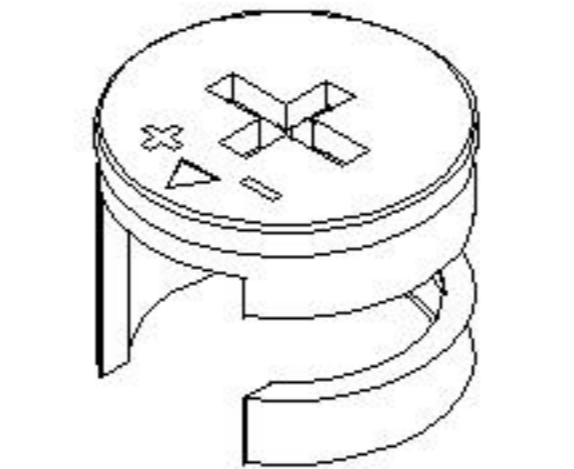
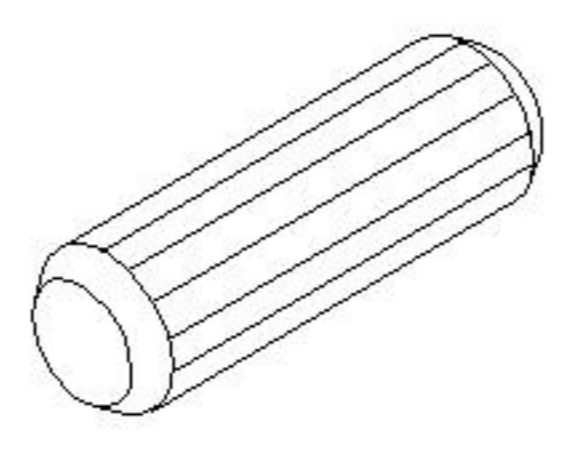
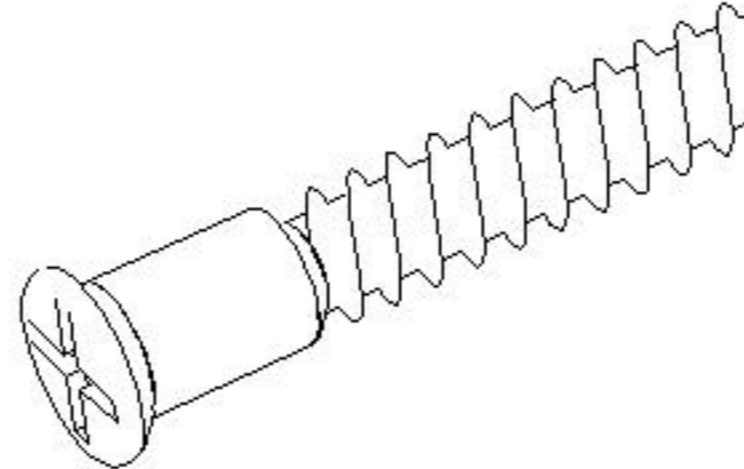
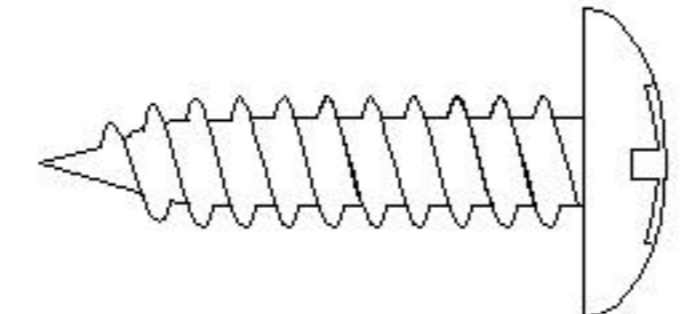
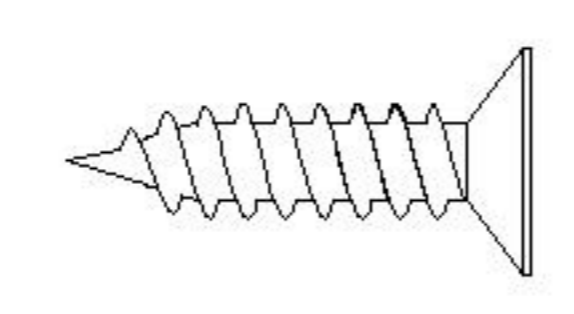
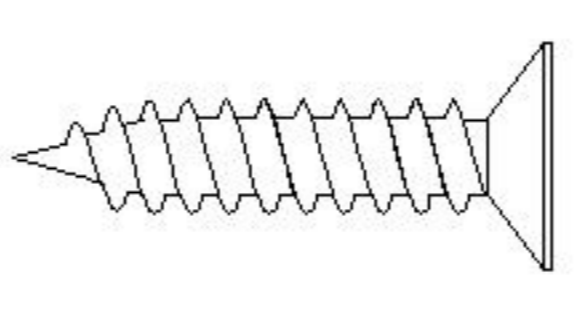
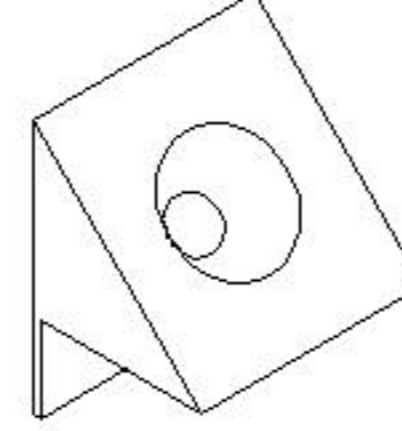
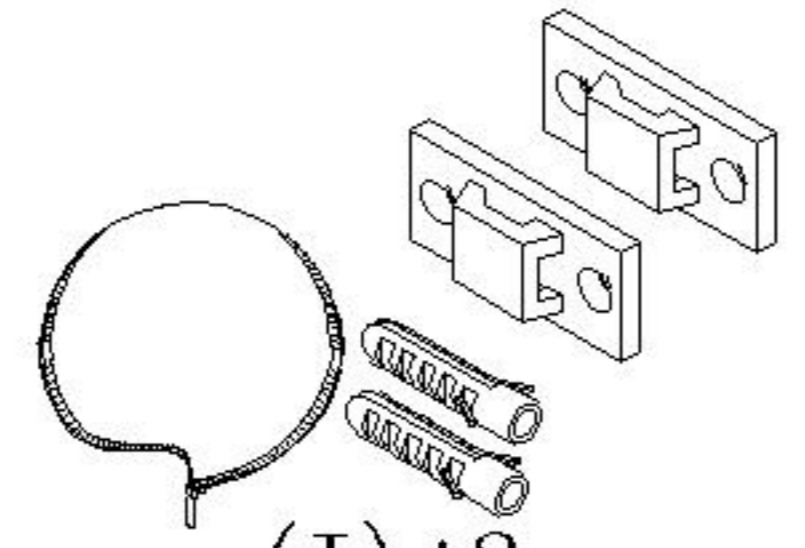
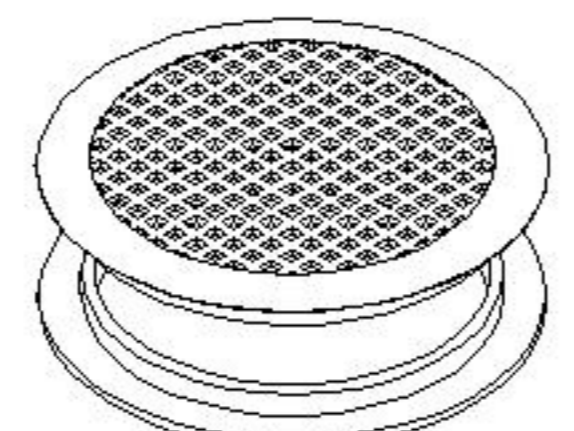
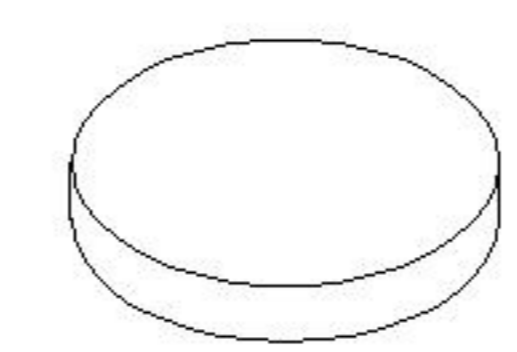
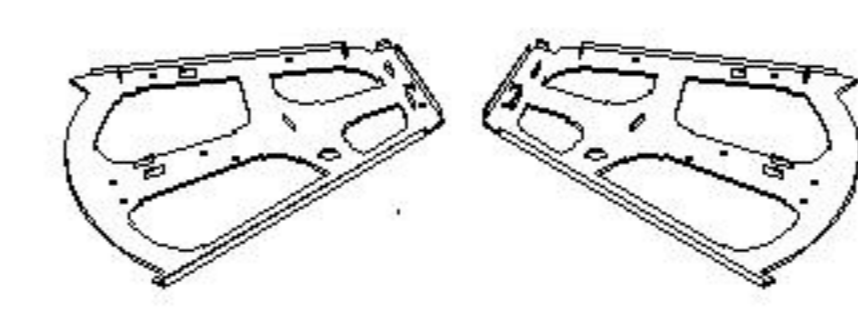
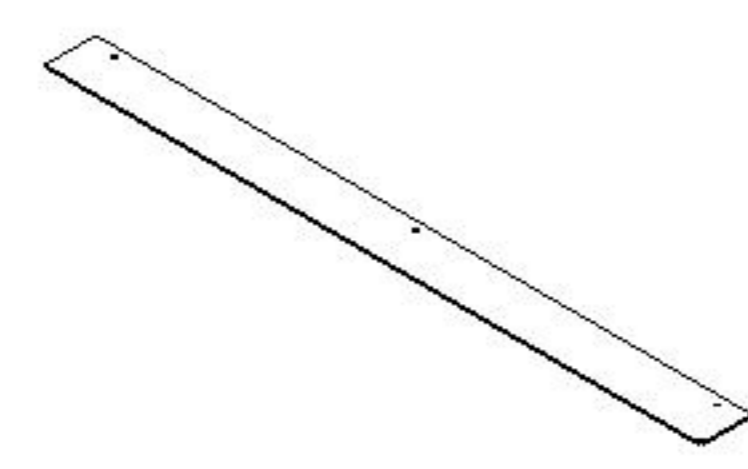
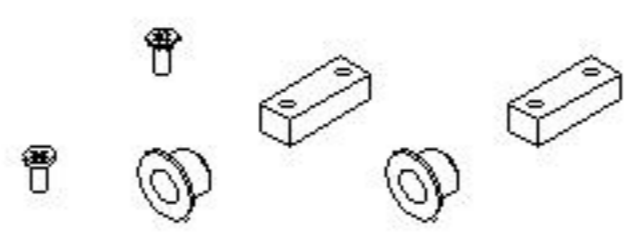
五金表/Hardware list

部件表/Parts List

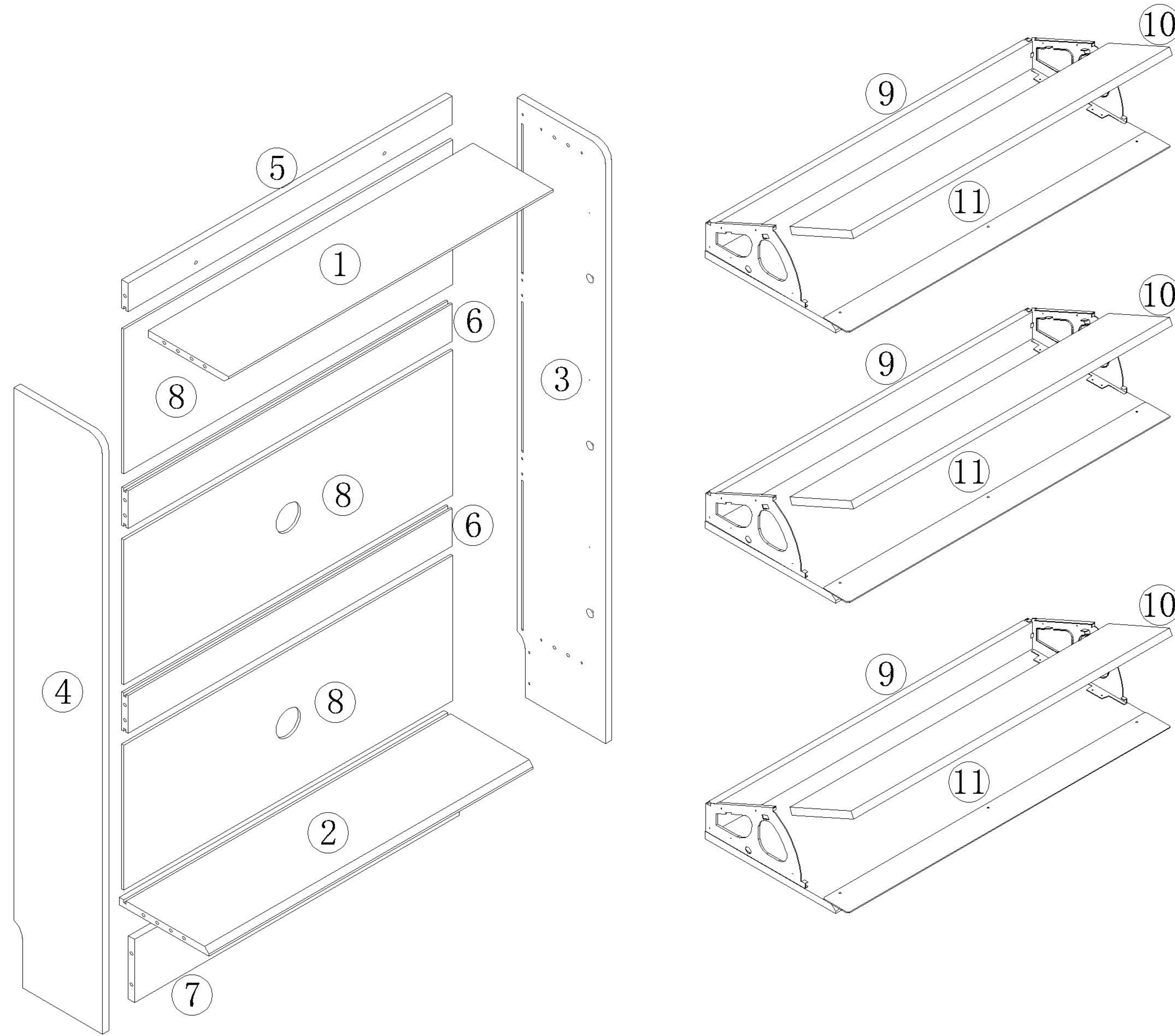
安装示意图/Assembly Instruction

| | |
|---|---|
| 产品名称 Model NO. | NZ1N-A 0.6M |
| 产品规格 Specification | 600*210*1227MM |
| 安装工具 Tool | 安装人数 Installer |
|  |  |



| | | | |
|--|--|--|--|
|  (A)*25 二合一螺杆 2-in-1-screw |  (B)*25 大三合一锁饼 3-in-1 large lock |  (C)*8 木榫-(Ø8*30mm) Wood tenon |  (D)*2 过山丝-(M7*38mm)镀锌 Confirmat screw |
|  (E)*9 大扁头自攻螺丝M4*16 Flat head tapping screw |  (F)*51 自攻螺丝M3.5*12 Tapping screw |  (G)*6 自攻螺丝M3.5*16 Tapping screw |  (H)*6 背板扣 White buckle |
|  (I)*2 家具防倒器白色 Anti-fall device |  (J)*3 白色透气孔盖 Breathable cover |  (K)*6 脚垫-灰色毛毡 Foot pad |  (L)*3 双层鞋架-支架 Shoe rack - bracket |
|  (M)*3 铁片 Iron sheet |  (N)*3 双层鞋架配件-银色 Fittings of rack | | |

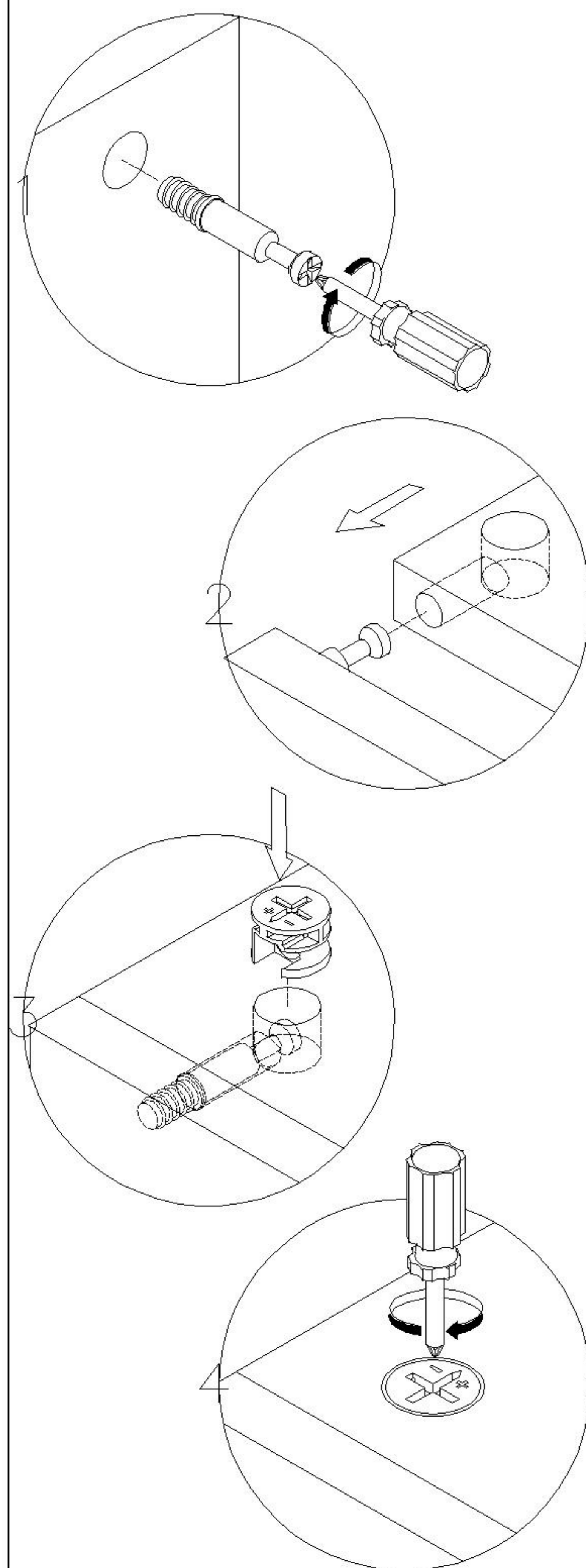
| 编号NO. | 名称Name | 规格 (MM) Specification | 数量QTY | 材质Material |
|-------|---------------------|--------------------------|-------|------------|
| 1 | 面板 Top panel | 570*190*15 | 1 | 人造板 WBP |
| 2 | 底板 Bottom board | 570*210*15 | 1 | 人造板 WBP |
| 3 | 右侧板 Side board(R) | 1224*210*15 | 1 | 人造板 WBP |
| 4 | 左侧板 Side board(L) | 1224*210*15 | 1 | 人造板 WBP |
| 5 | 上拉条 Top brace | 570*58*15 | 1 | 人造板 WBP |
| 6 | 后拉条 Back brace | 570*78*15 | 2 | 人造板 WBP |
| 7 | 后脚条 Back foot strip | 570*130*15 | 1 | 人造板 WBP |
| 8 | 背板 Back board | 580*298*5 | 3 | 人造板 WBP |
| 9 | 小层板 Small shelf | 562*55*12 | 3 | 人造板 WBP |
| 10 | 大层板 Big shelf | 562*160*12 | 3 | 人造板 WBP |
| 11 | 门板 Door board | 566*309*15 | 3 | 人造板 WBP |



| 编号NO. | 名称Name |
|-------|---------------------|
| ① | 面板 Top panel |
| ② | 底板 Bottom board |
| ③ | 右侧板 Side board(R) |
| ④ | 左侧板 Side board(L) |
| ⑤ | 上拉条 Top brace |
| ⑥ | 后拉条 Back brace |
| ⑦ | 后脚条 Back foot strip |
| ⑧ | 背板 Back board |
| ⑨ | 小层板 Small shelf |
| ⑩ | 大层板 Big shelf |
| ⑪ | 门板 Door board |

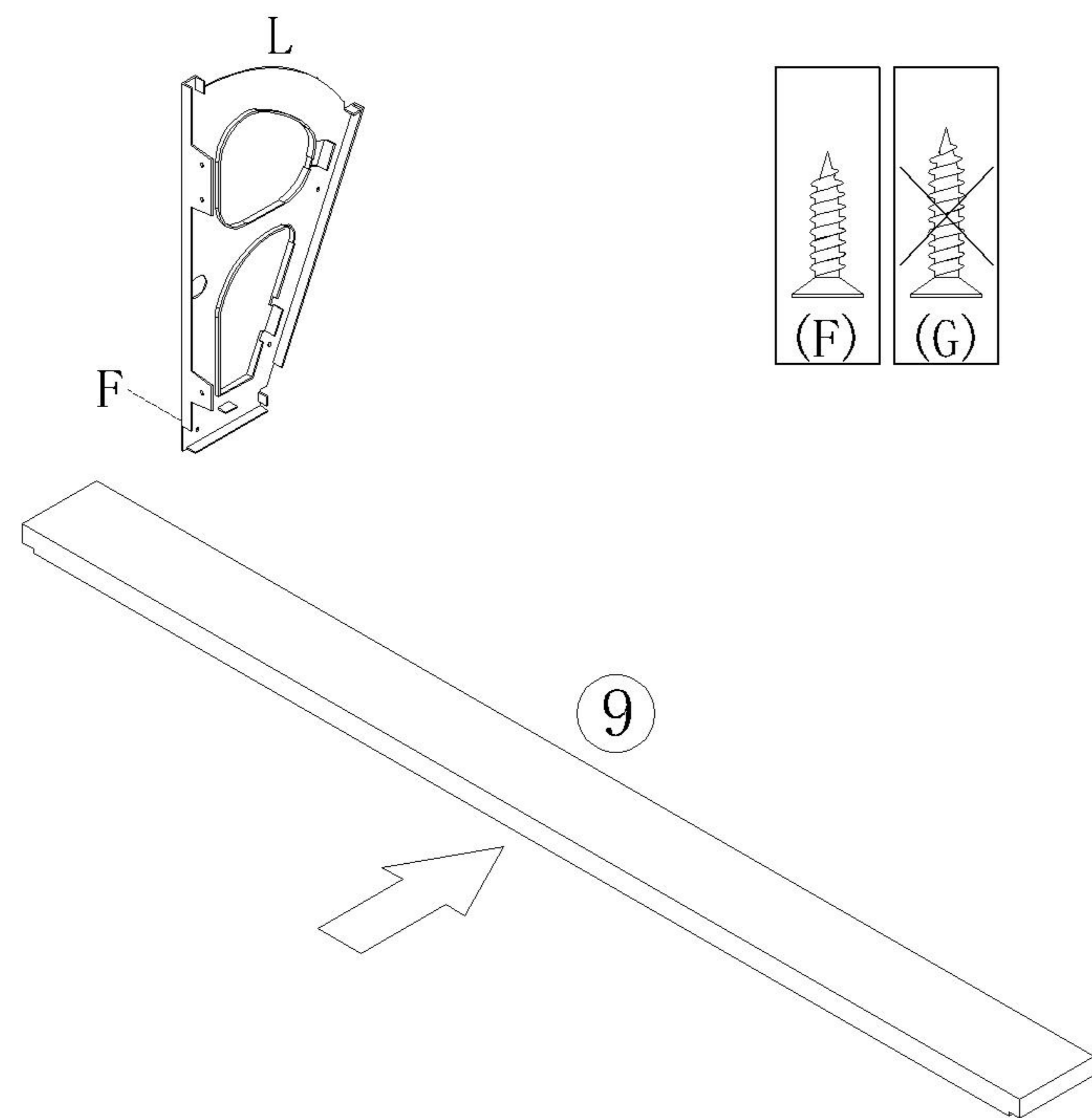
NZ1N-A 0.6M

安装方法
Installation method



大二合一
two-in-one

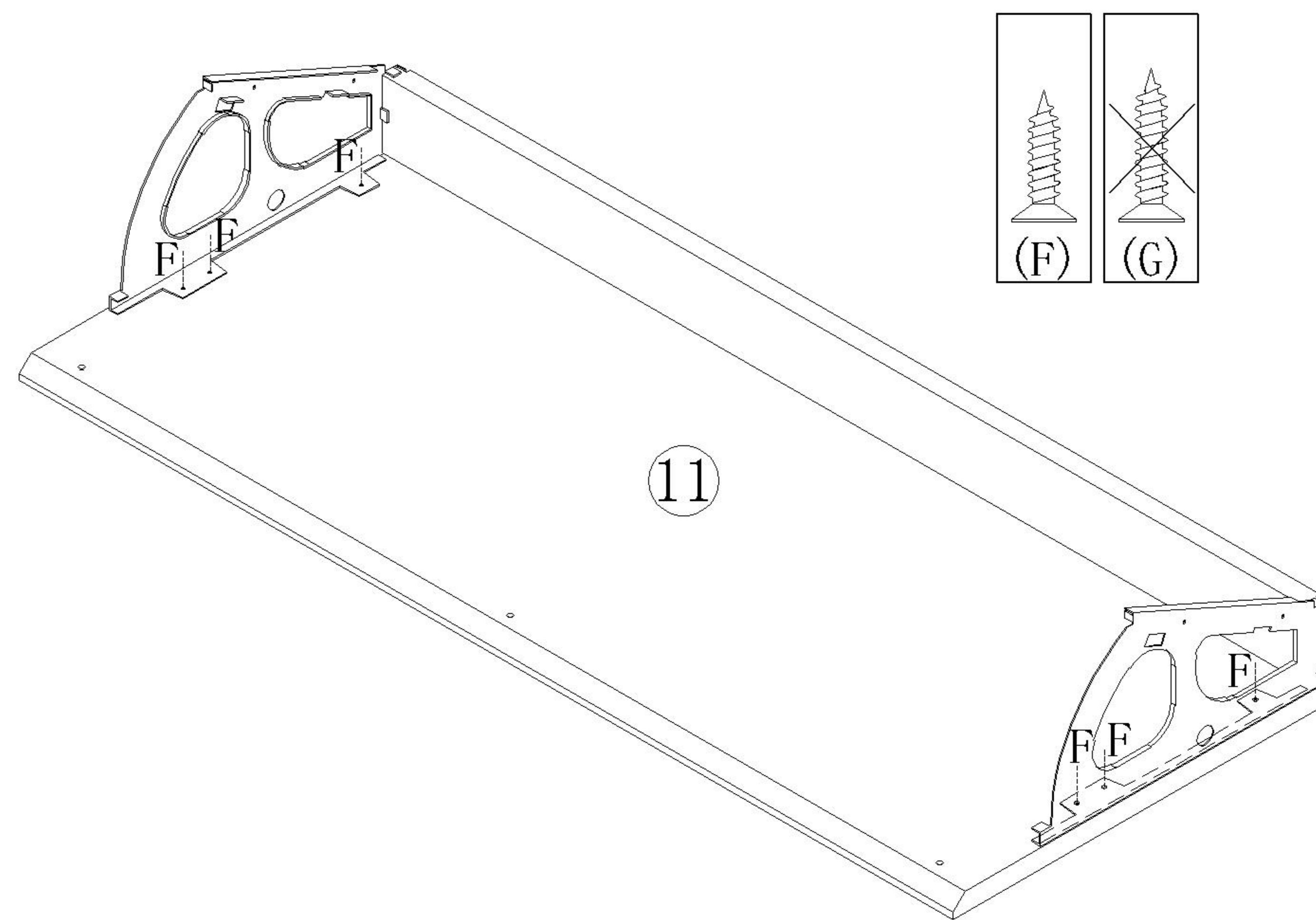
- (F)*6
- (L)*3



X3

1

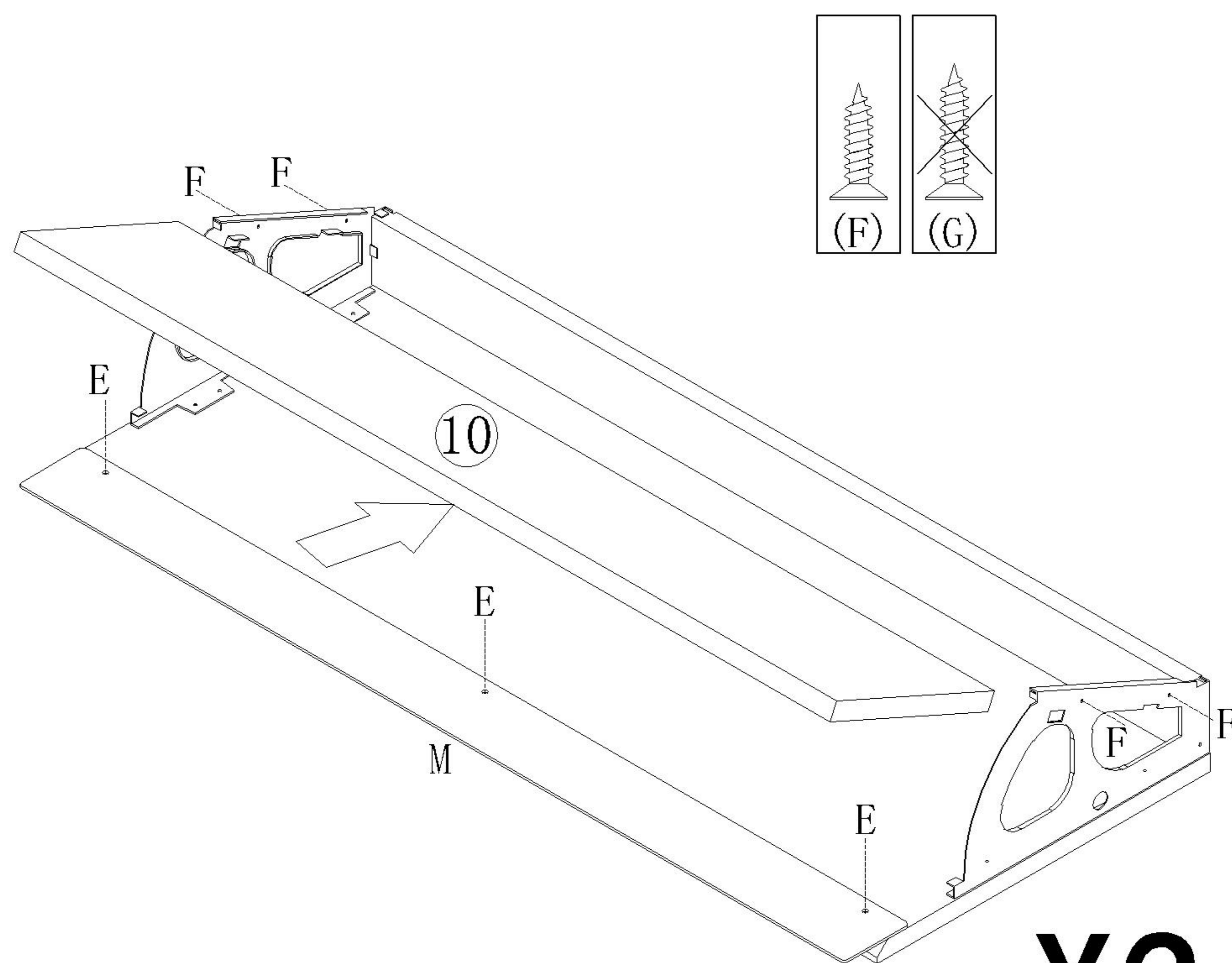
- (F)*18



X3

2

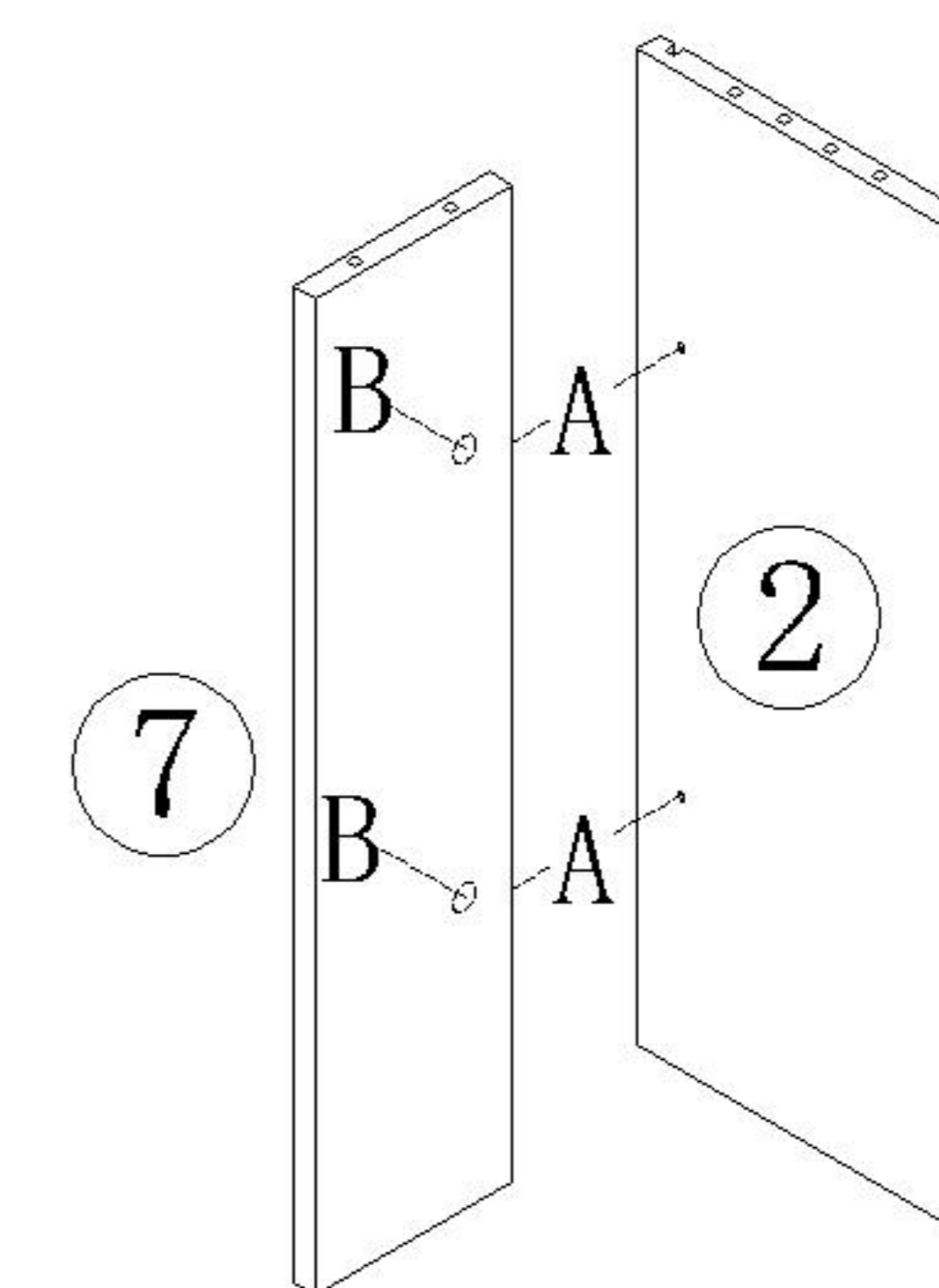
- (F)*12
- (E)*9
- (M)*3



X3

3

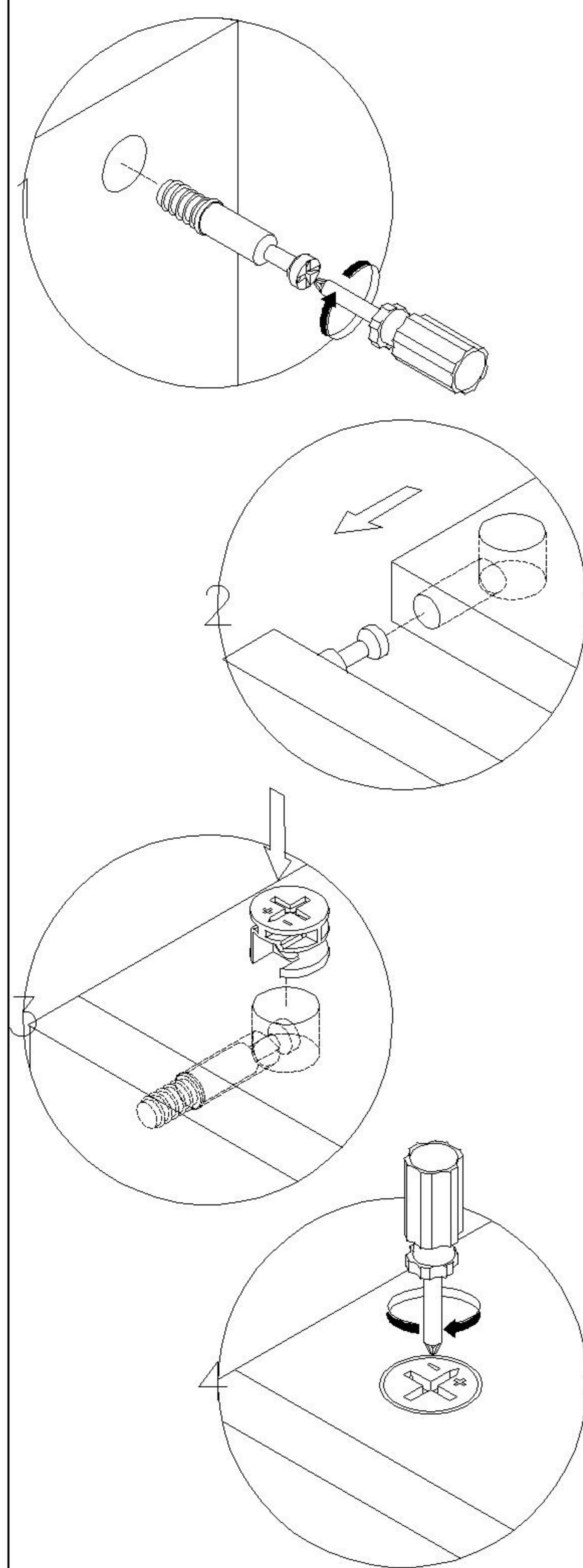
- (A)*2
- (B)*2



4

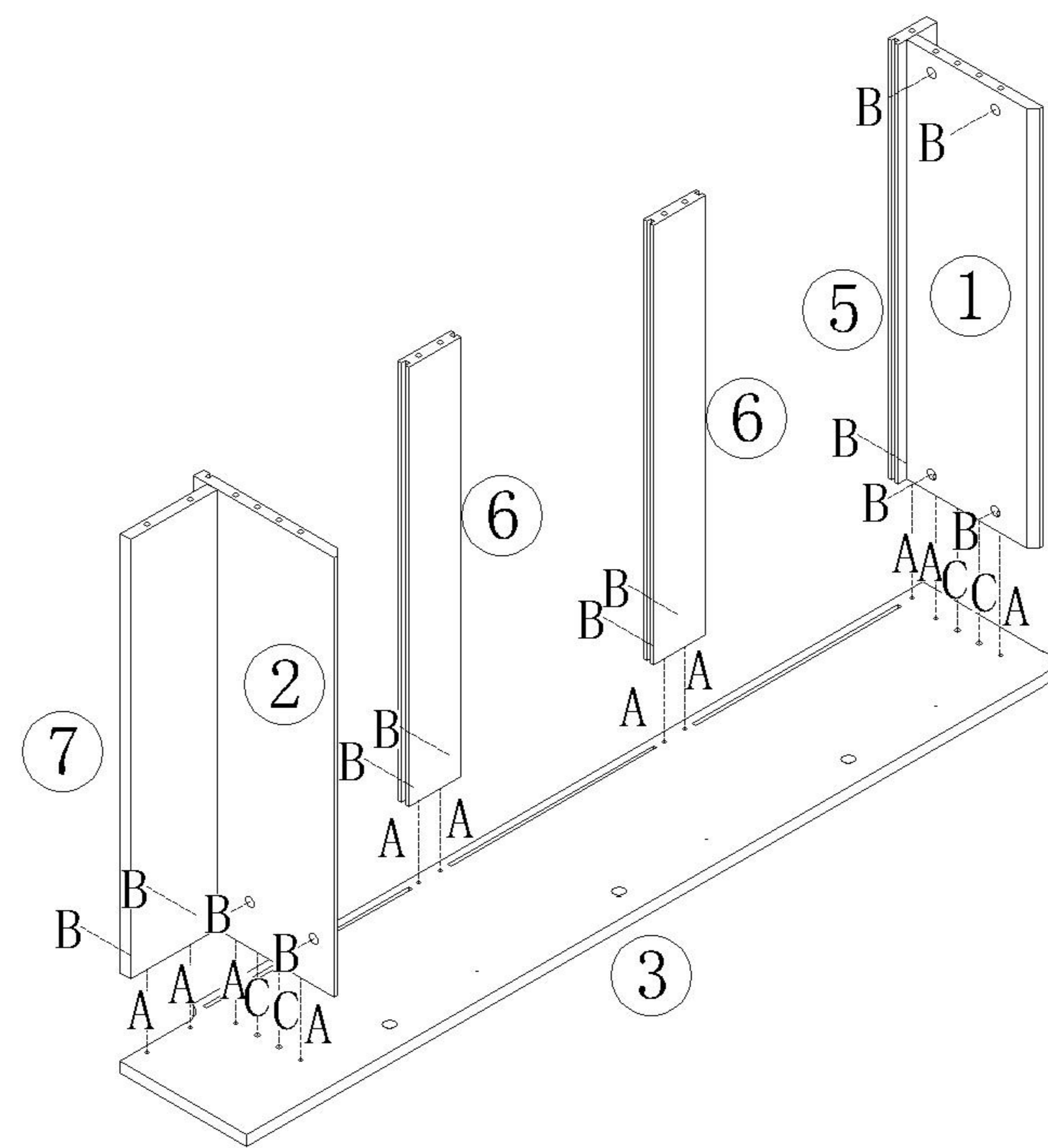
NZ1N-A 0.6M

安装方法
Installation method

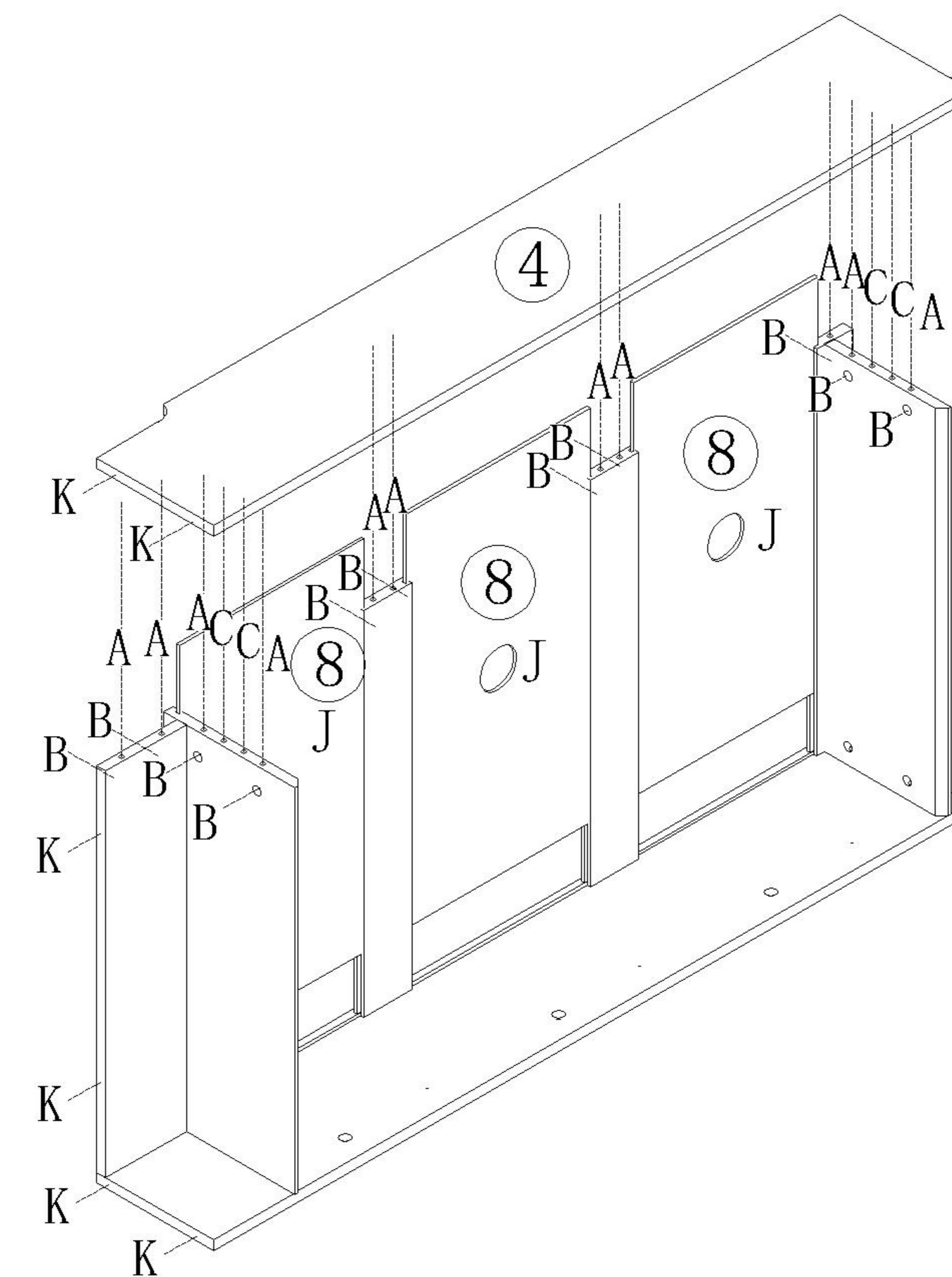


大二合一
two-in-one

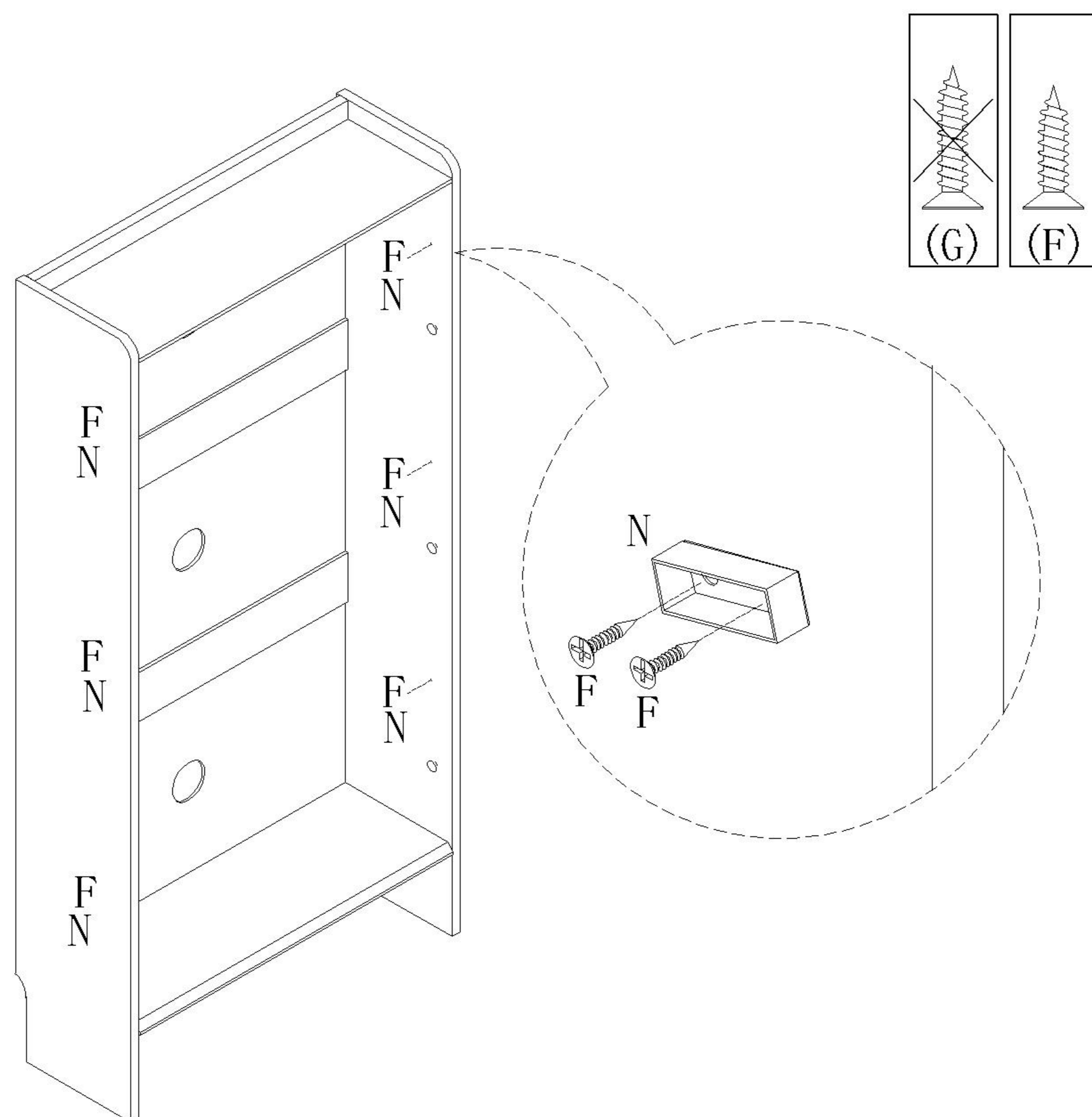
- (A)*11
- (B)*11
- (C)*4



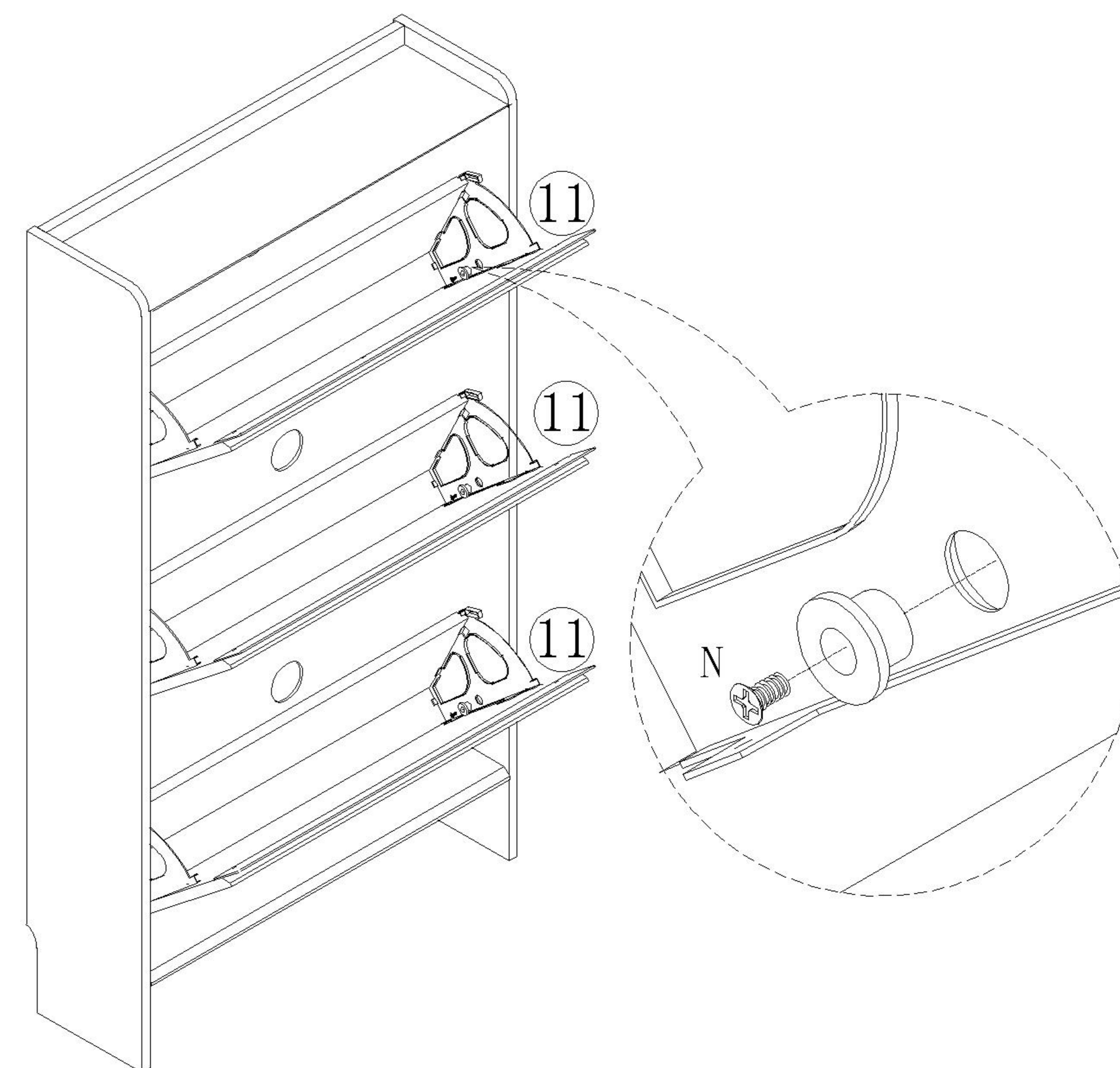
- (A)*11
- (B)*11
- (C)*4
- (J)*3
- (K)*6



- (F)*12
- (N)*3

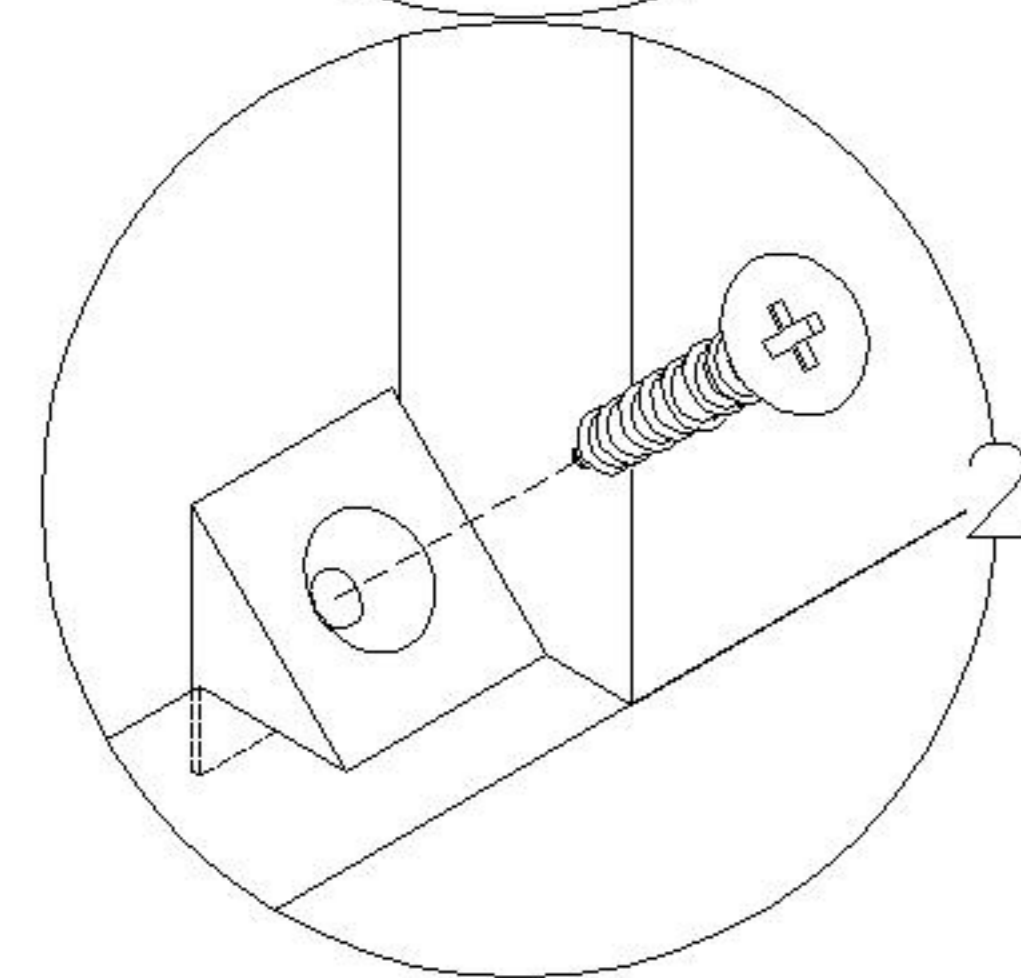
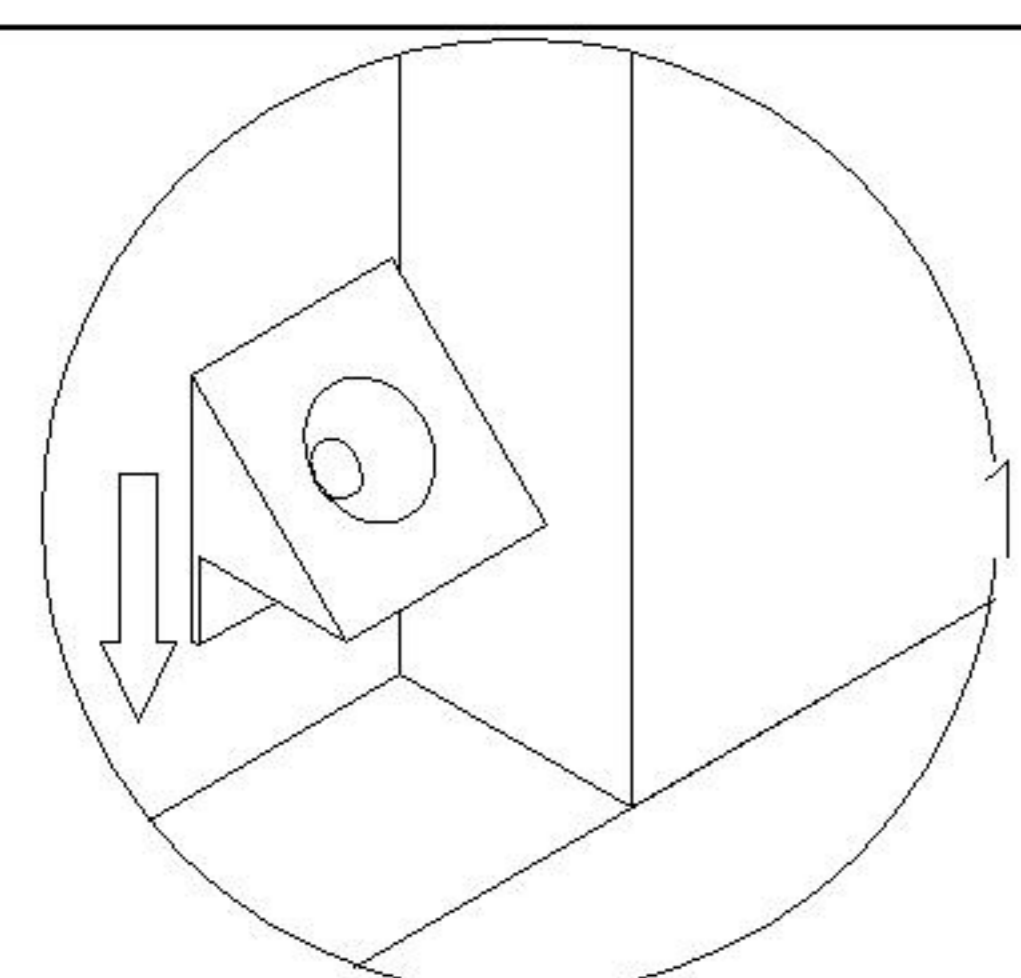


- (N)*3

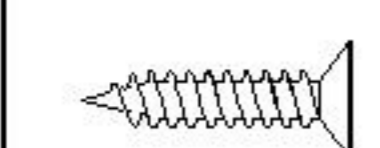


NZ1N-A 0.6M

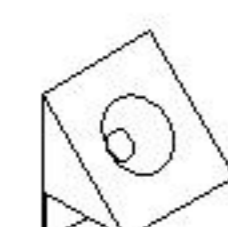
安装方法
Installation method



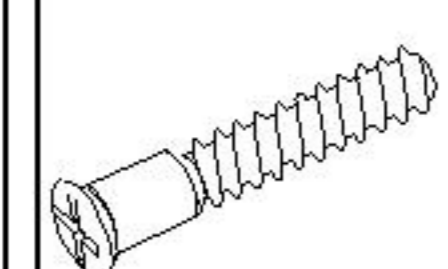
背板扣
Back Plate Buckle



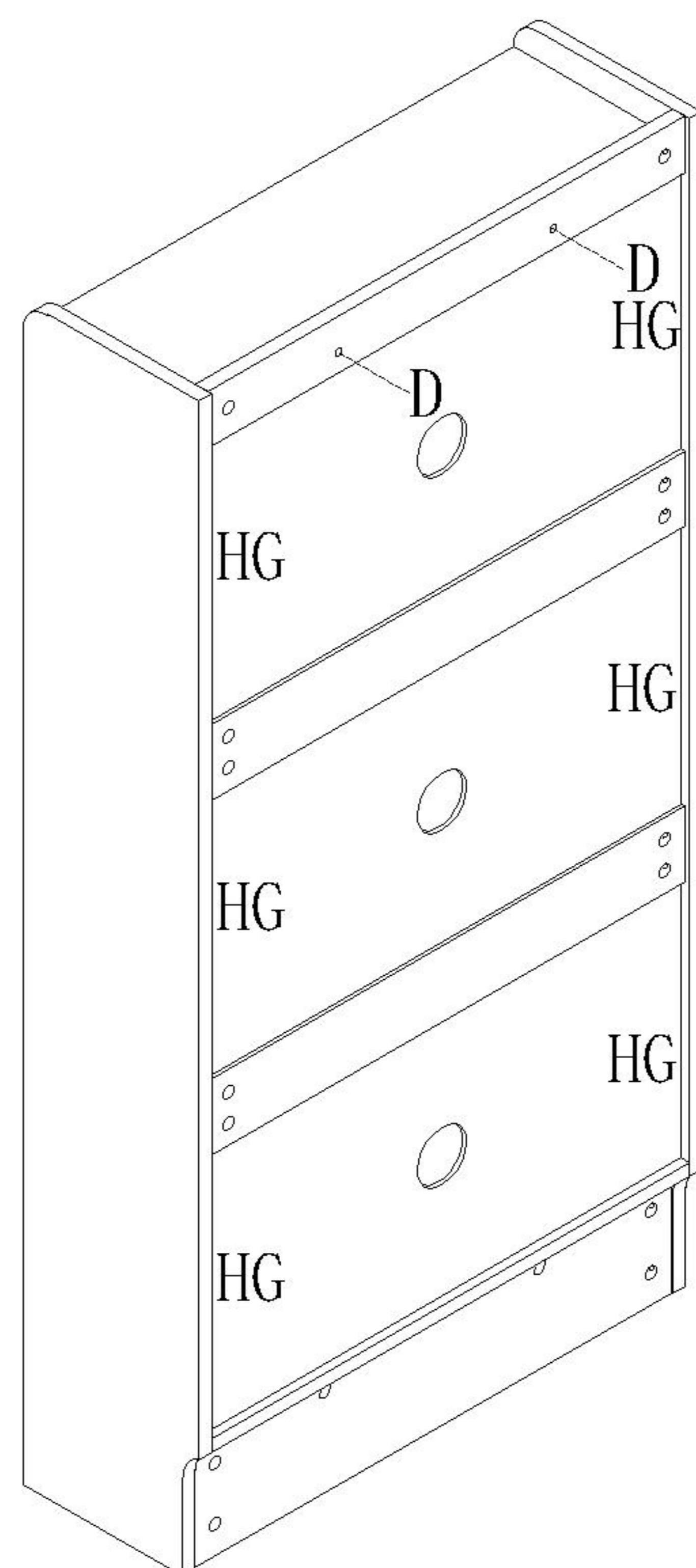
(G)*6



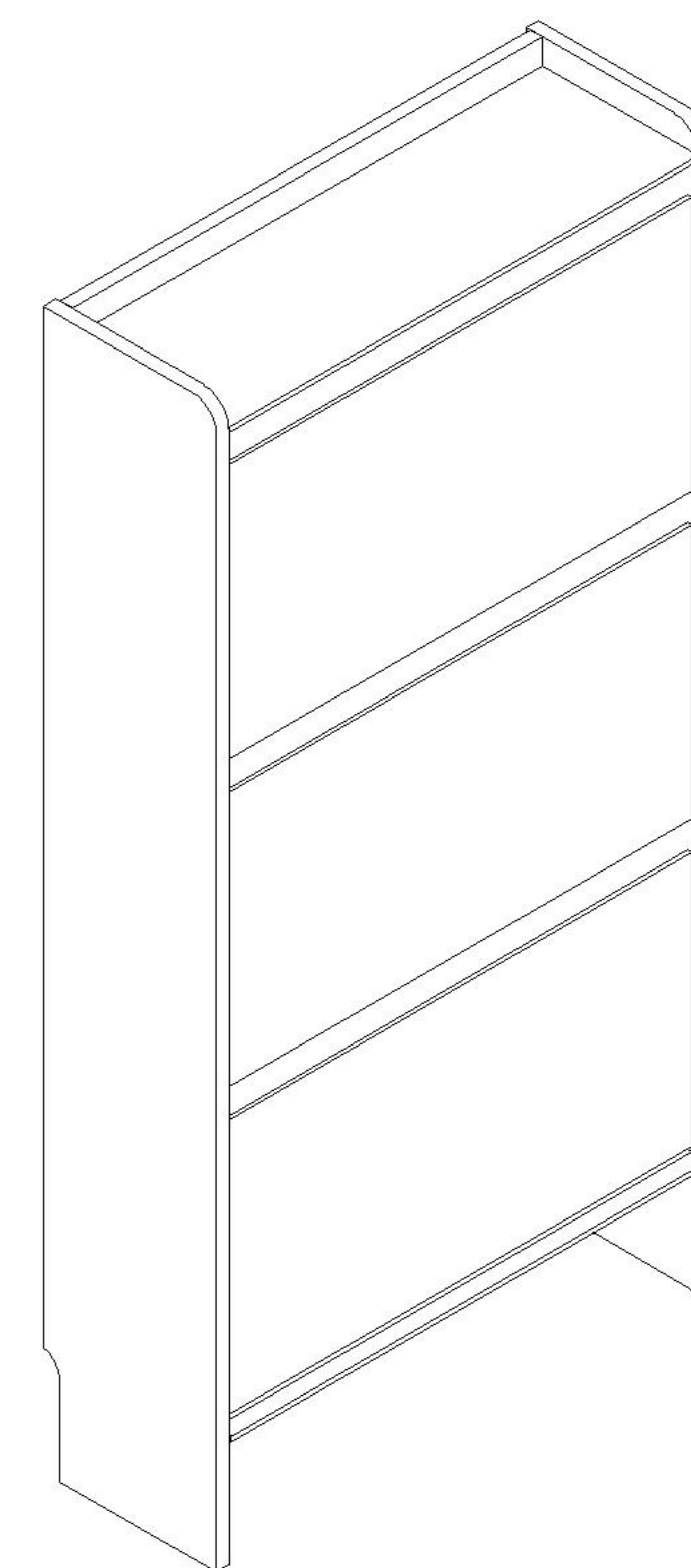
(H)*6



(D)*2

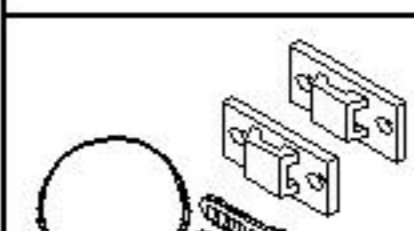


9

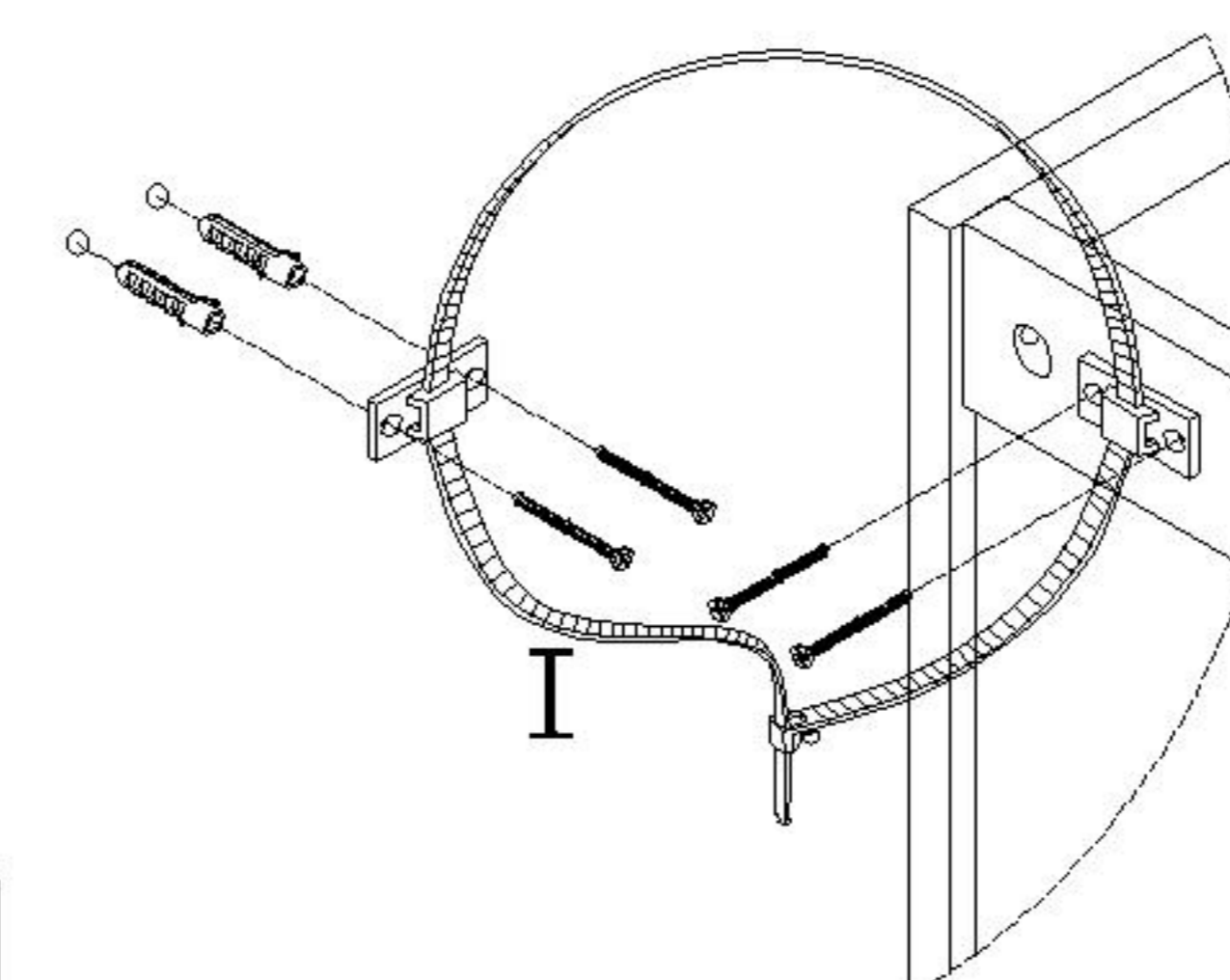
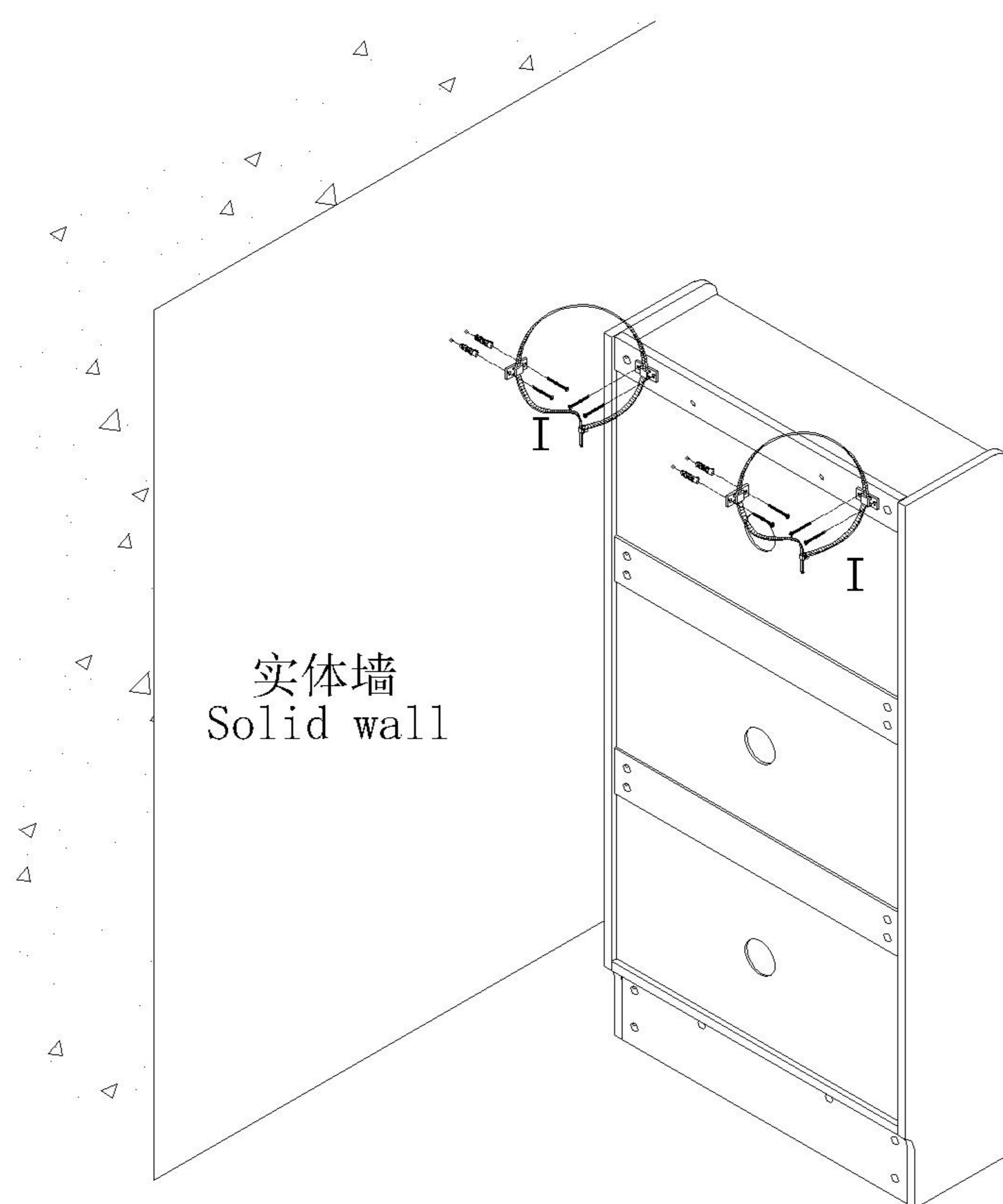


10

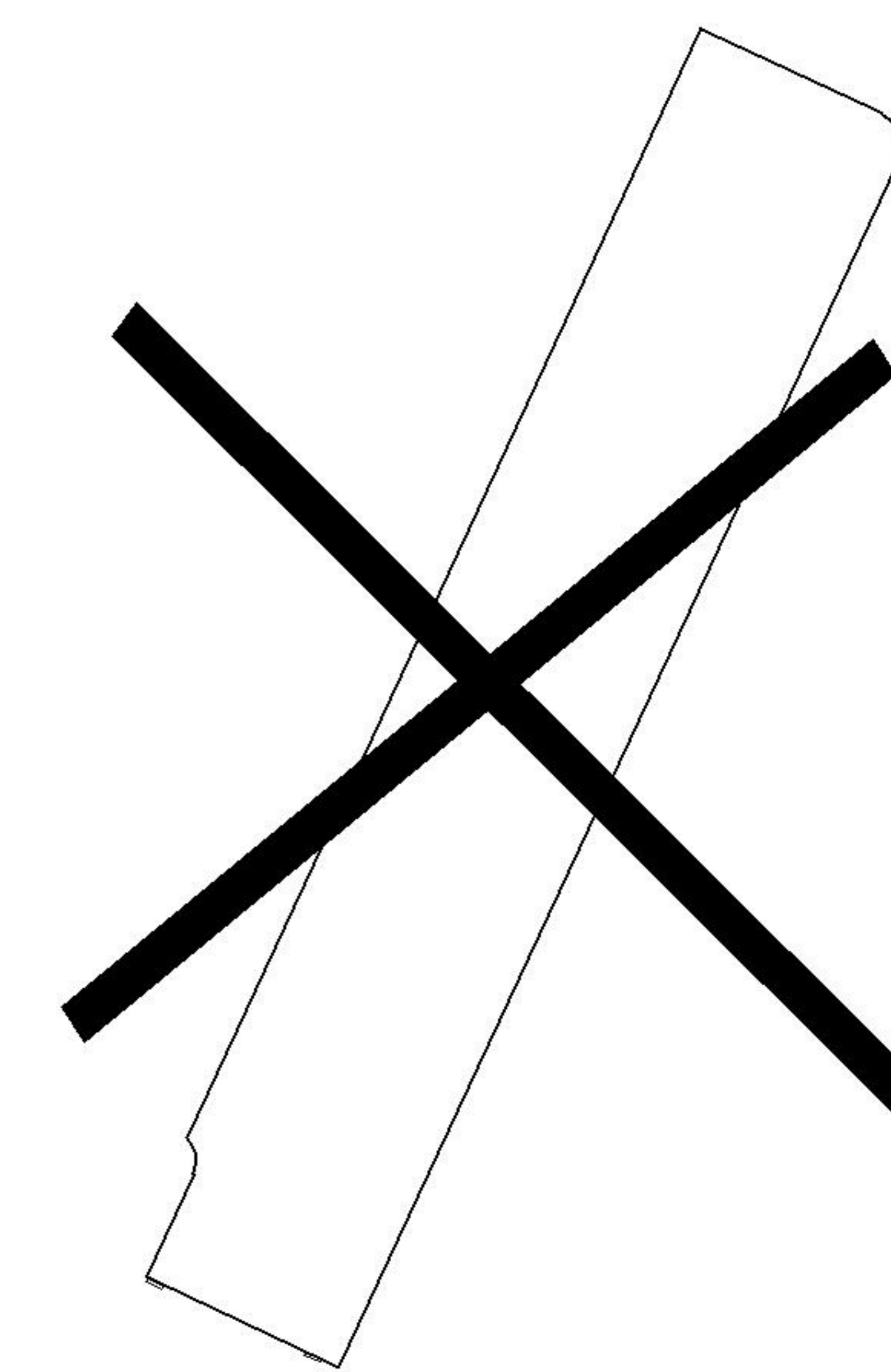
►注：门板与柜体的间隙为设计开启门板使用，小心夹伤！
Note: the gap between the door panel and the cabinet is designed to open the door. Be careful not to pinch!



(I)*2



I处放大图
Enlarged drawing



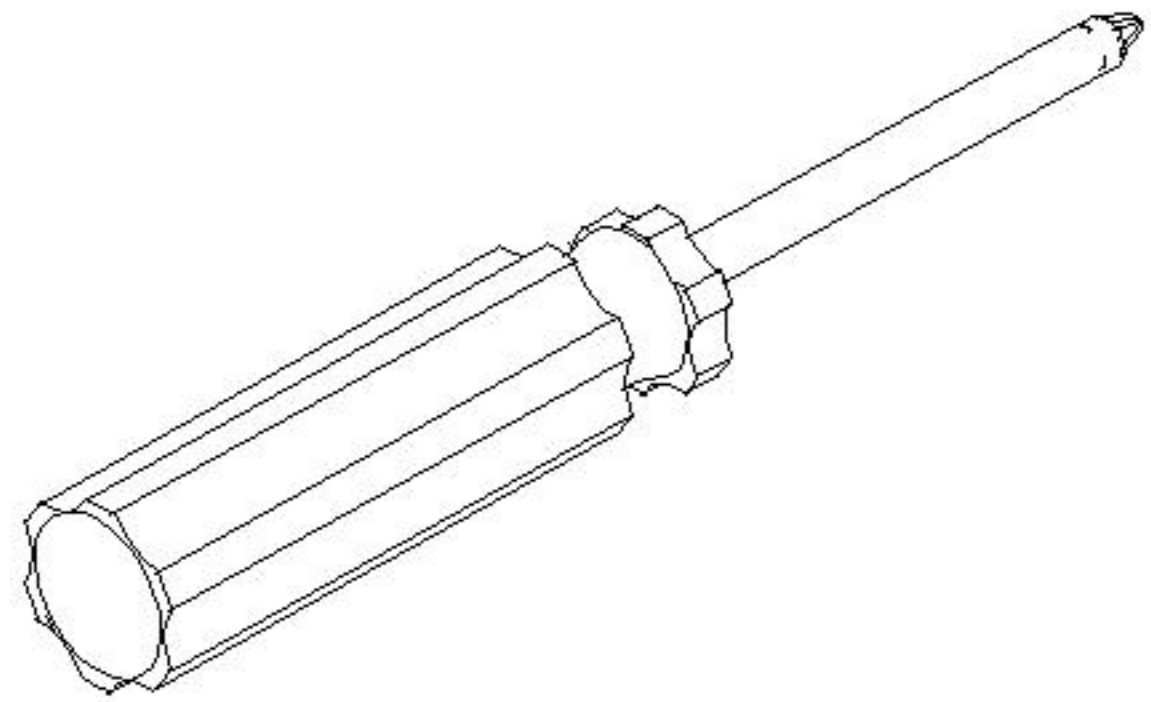
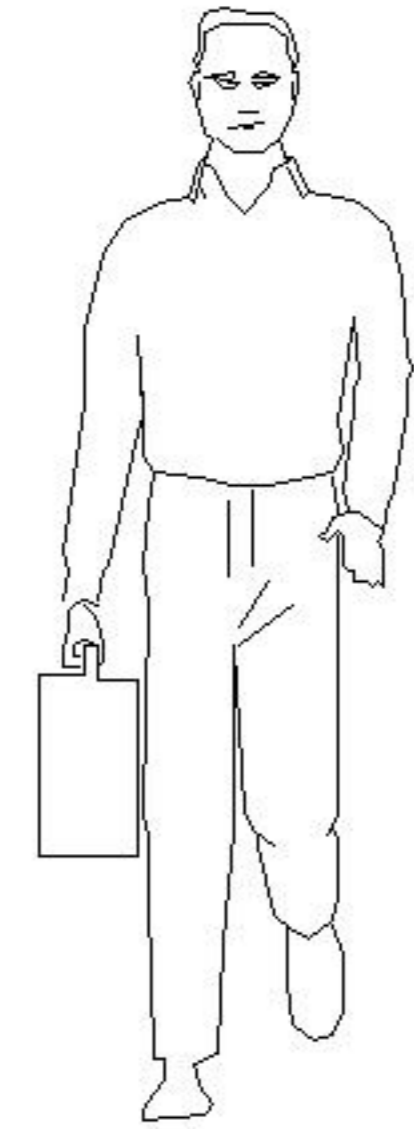
11

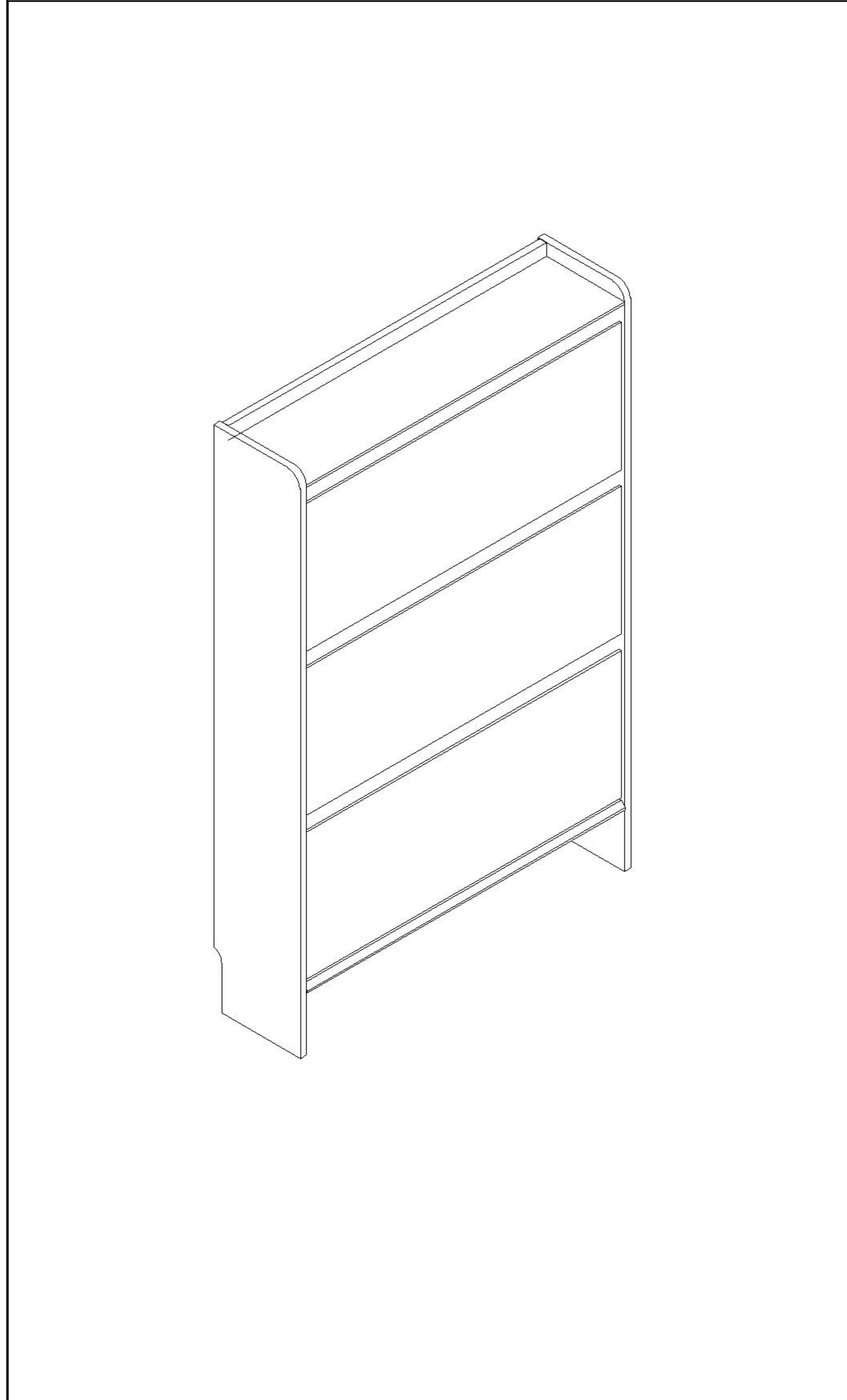
LINSY 林氏家居

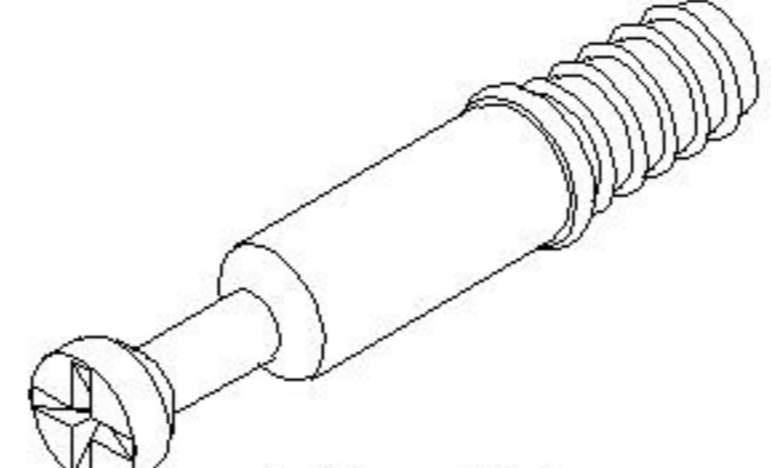
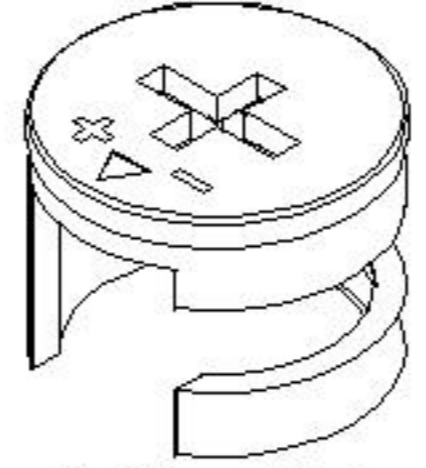
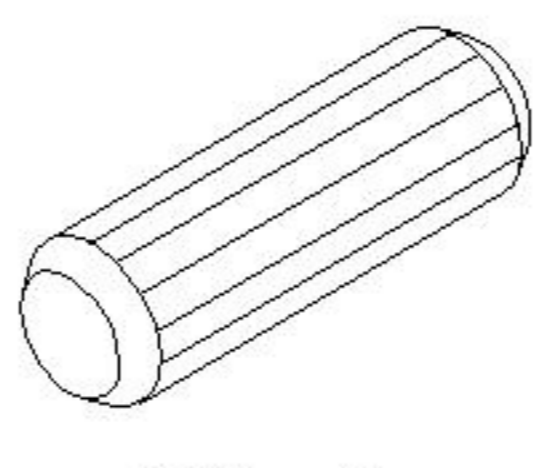
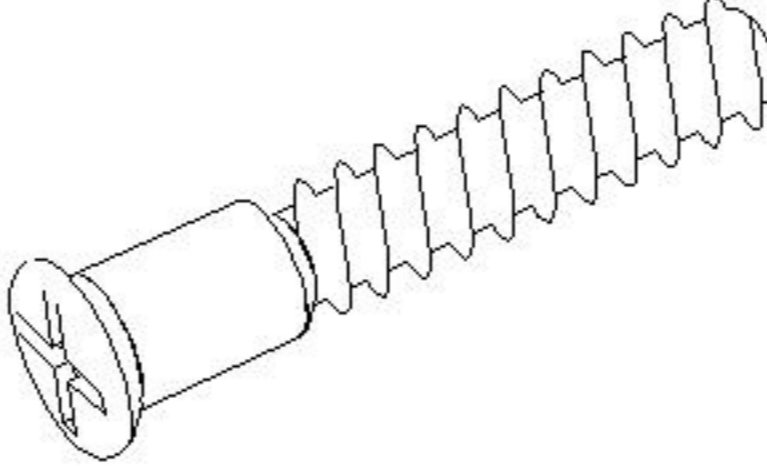
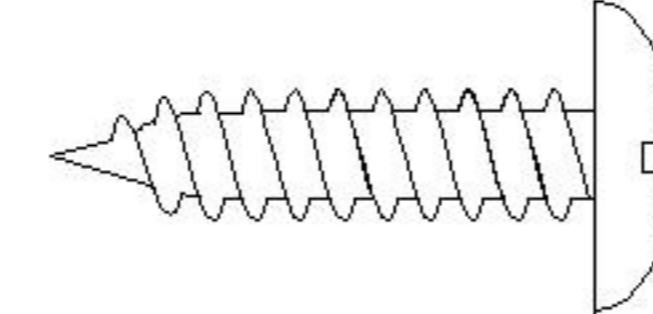
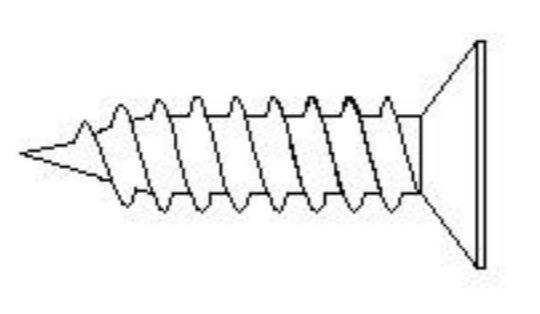
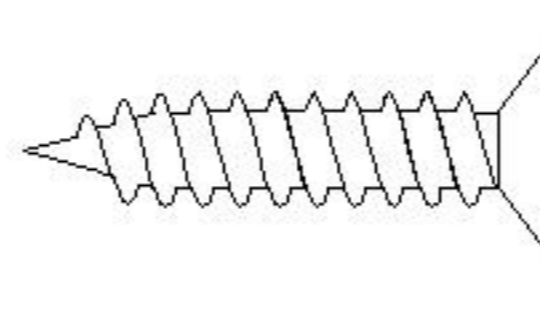
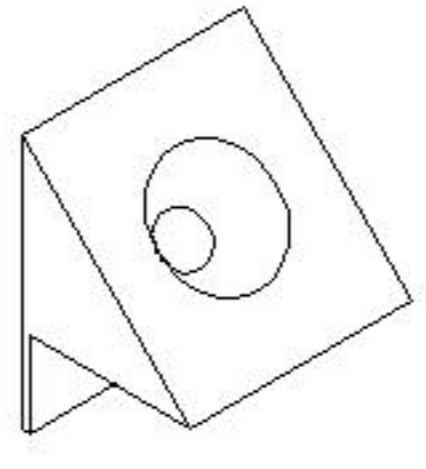
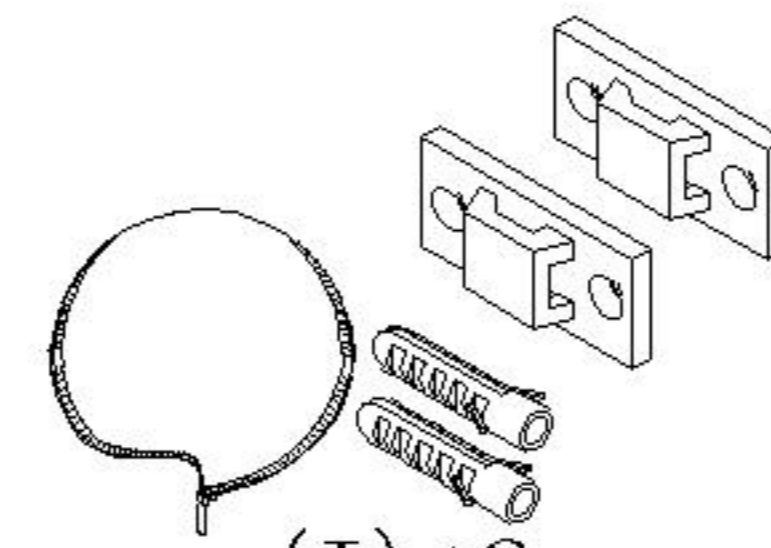
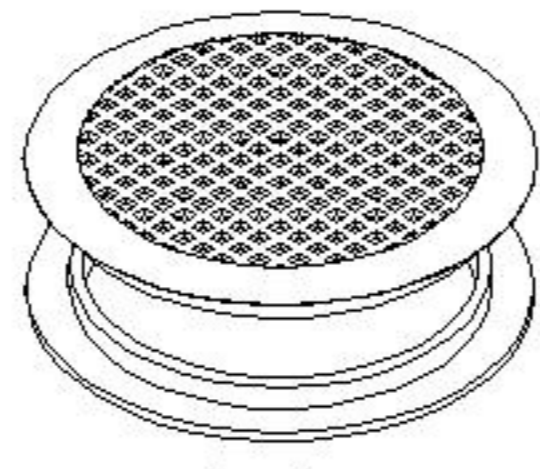
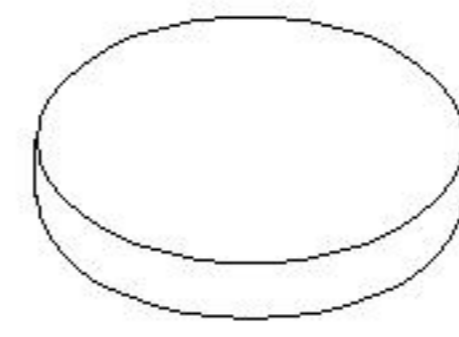
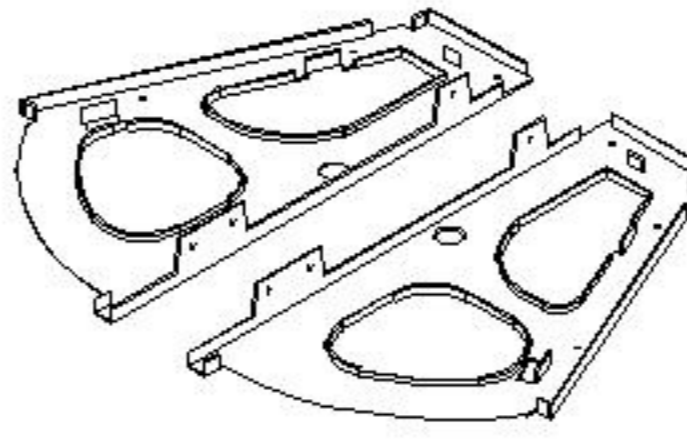
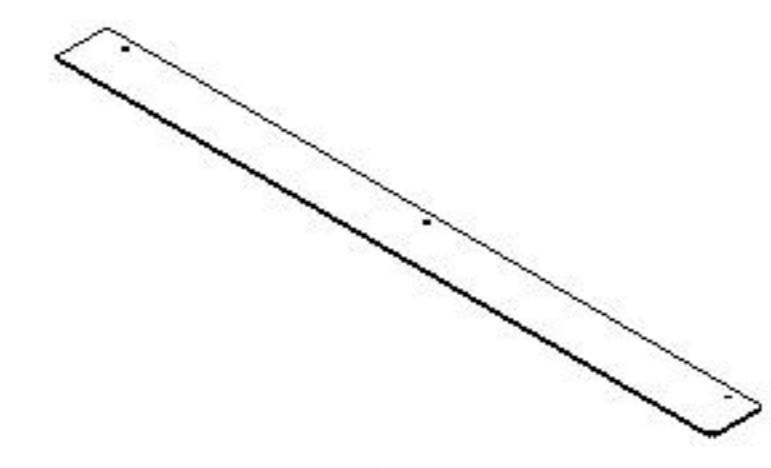
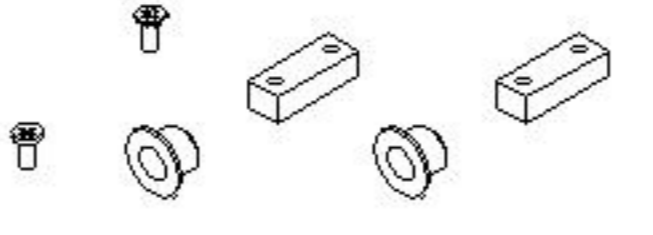
五金表/Hardware list

部件表/Parts List

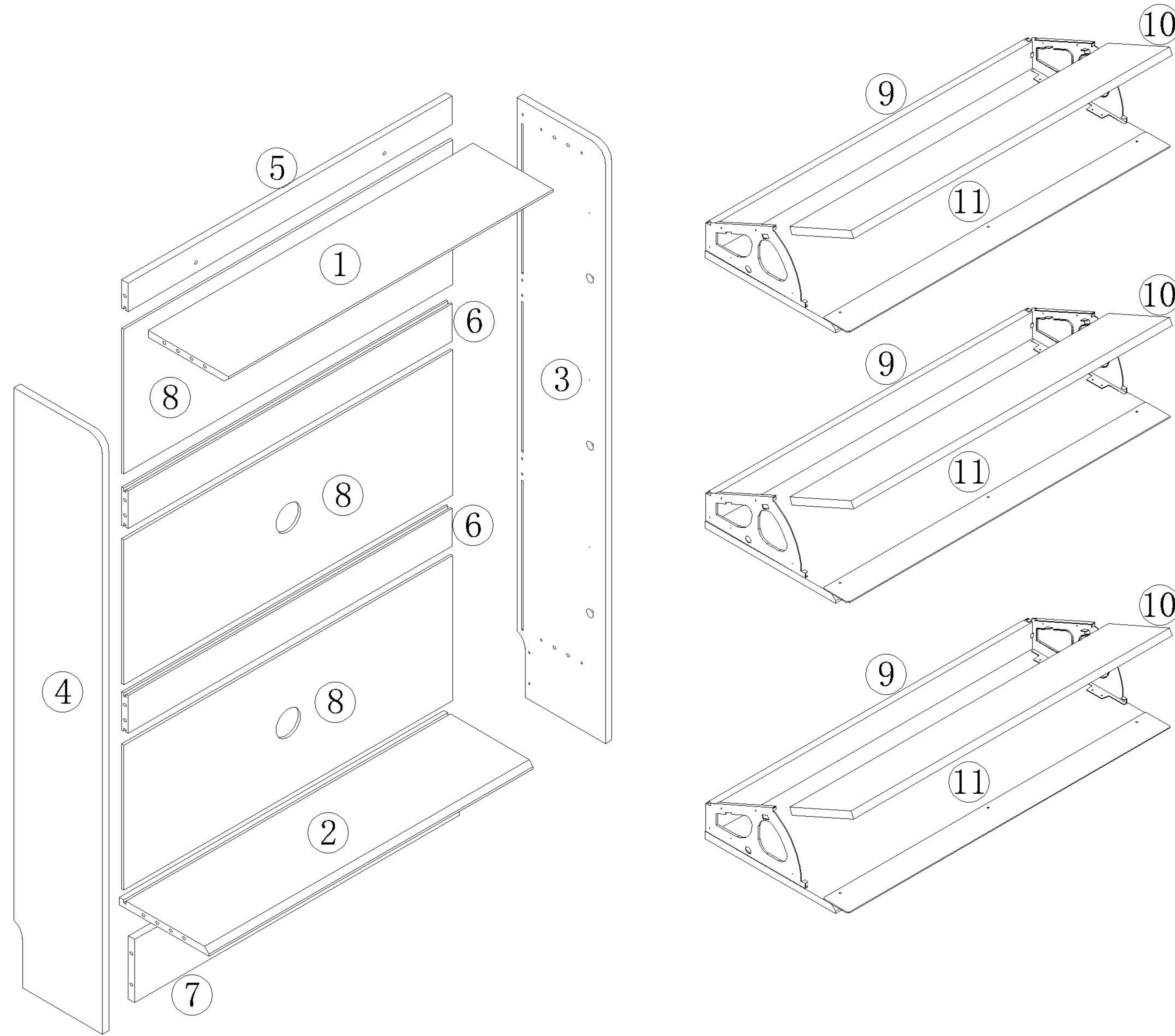
安装示意图/Assembly Instruction

| | |
|---|---|
| 产品名称 Model NO. | NZ1N-A 0.8M |
| 产品规格 Specification | 800*210*1227MM |
| 安装工具 Tool | 安装人数 Installer |
|  |  |



| | | | |
|--|--|--|--|
|  (A)*25 二合一螺杆 2-in-1-screw |  (B)*25 大三合一锁饼 3-in-1 large lock |  (C)*8 木榫-(Ø8*30mm) Wood tenon |  (D)*2 过山丝-(M7*38mm)镀锌 Confirmat screw |
|  (E)*9 大扁头自攻螺丝M4*16 Flat head tapping screw |  (F)*51 自攻螺丝M3.5*12 Tapping screw |  (G)*6 自攻螺丝M3.5*16 Tapping screw |  (H)*6 背板扣 White buckle |
|  (I)*2 家具防倒器白色 Anti-fall device |  (J)*3 白色透气孔盖 Breathable cover |  (K)*6 脚垫-灰色毛毡 Foot pad |  (L)*3 单层鞋架五金架 Flip hardware rack |
|  (M)*3 铁片 Iron sheet |  (N)*3 双层鞋架配件-银色 Fittings of rack | | |

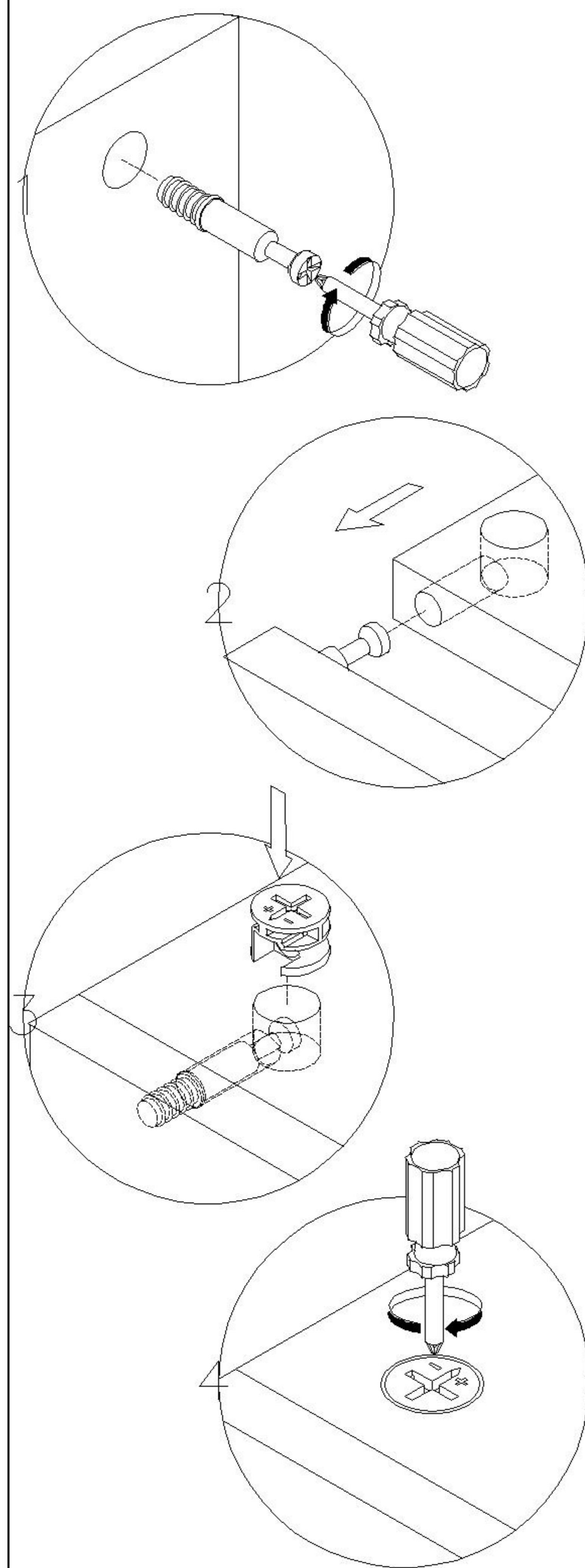
| 编号NO. | 名称Name | 规格 (MM) Specification | 数量QTY | 材质Material |
|-------|---------------------|--------------------------|-------|------------|
| 1 | 面板 Top panel | 770*190*15 | 1 | 人造板 WBP |
| 2 | 底板 Bottom board | 770*210*15 | 1 | 人造板 WBP |
| 3 | 右侧板 Side board(R) | 1224*210*15 | 1 | 人造板 WBP |
| 4 | 左侧板 Side board(L) | 1224*210*15 | 1 | 人造板 WBP |
| 5 | 上拉条 Top brace | 770*58*15 | 1 | 人造板 WBP |
| 6 | 后拉条 Back brace | 770*78*15 | 2 | 人造板 WBP |
| 7 | 后脚条 Back foot strip | 770*130*15 | 1 | 人造板 WBP |
| 8 | 背板 Back board | 780*298*5 | 3 | 人造板 WBP |
| 9 | 小层板 Small shelf | 762*55*12 | 3 | 人造板 WBP |
| 10 | 大层板 Big shelf | 762*160*12 | 3 | 人造板 WBP |
| 11 | 门板 Door board | 766*309*15 | 3 | 人造板 WBP |



| 编号NO. | 名称Name |
|-------|---------------------|
| ① | 面板 Top panel |
| ② | 底板 Bottom board |
| ③ | 右侧板 Side board(R) |
| ④ | 左侧板 Side board(L) |
| ⑤ | 上拉条 Top brace |
| ⑥ | 后拉条 Back brace |
| ⑦ | 后脚条 Back foot strip |
| ⑧ | 背板 Back board |
| ⑨ | 小层板 Small shelf |
| ⑩ | 大层板 Big shelf |
| ⑪ | 门板 Door board |

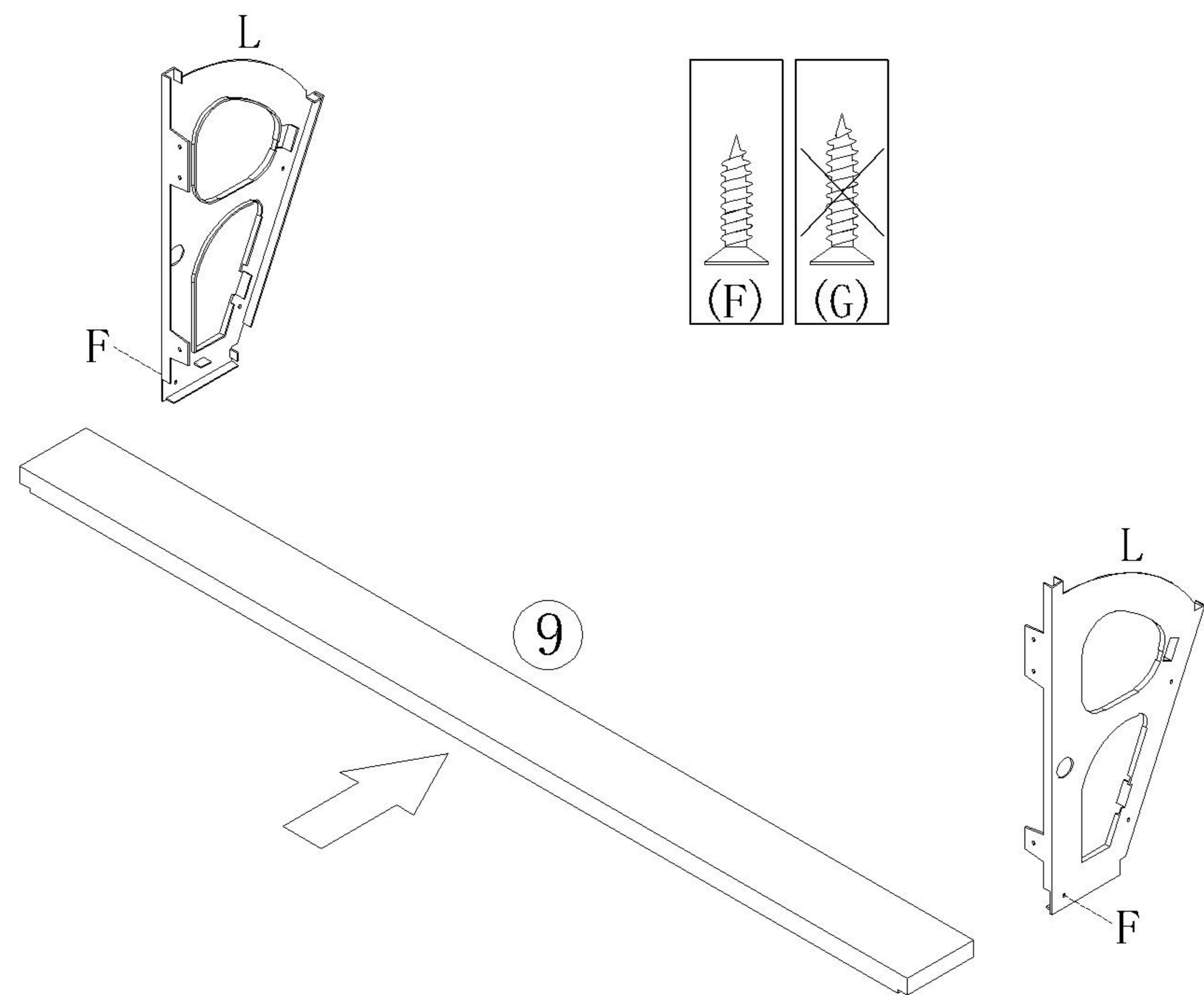
NZ1N-A 0.8M

安装方法
Installation method



大二合一
two-in-one

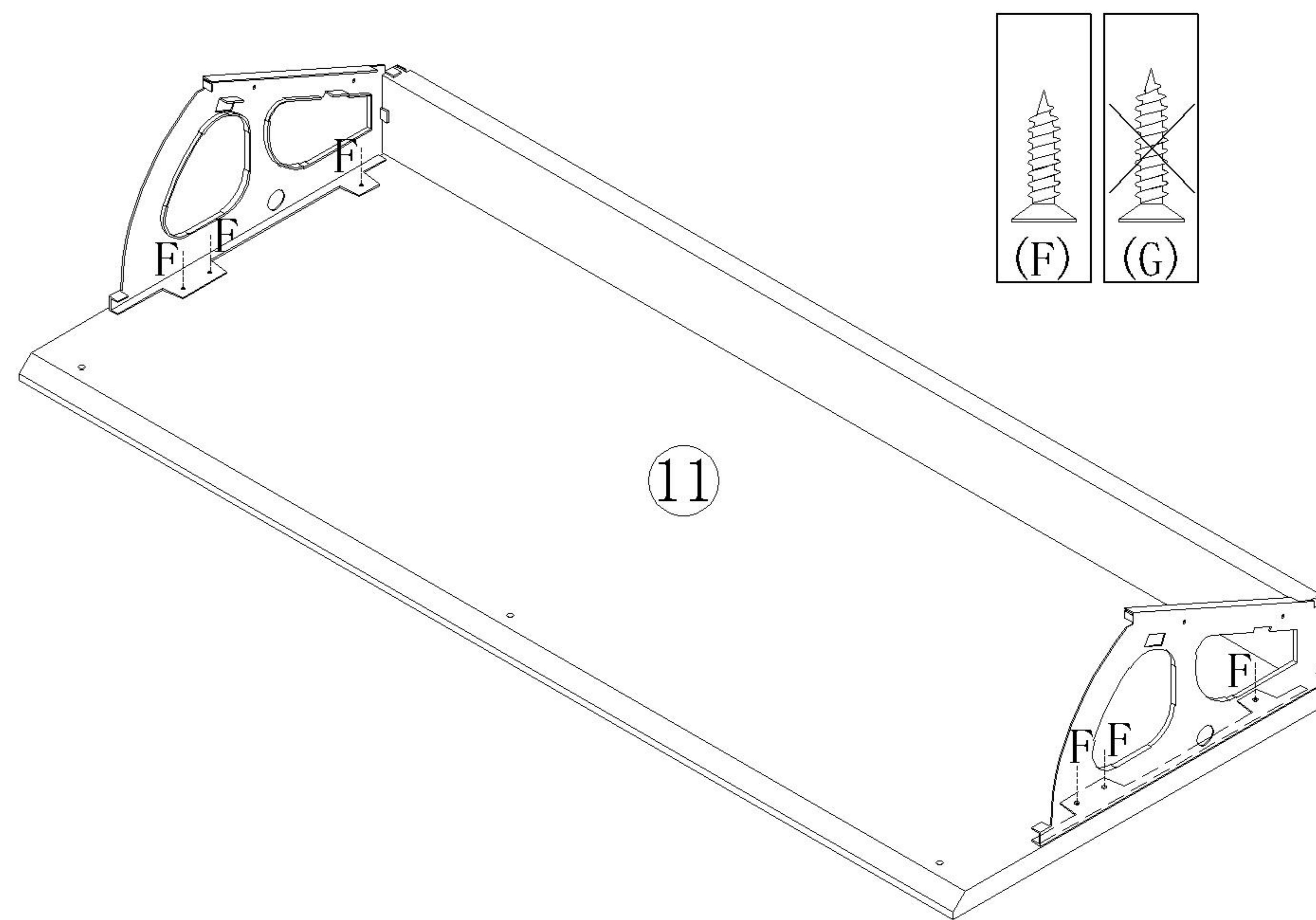
- (F)*6
- (L)*3



X3

1

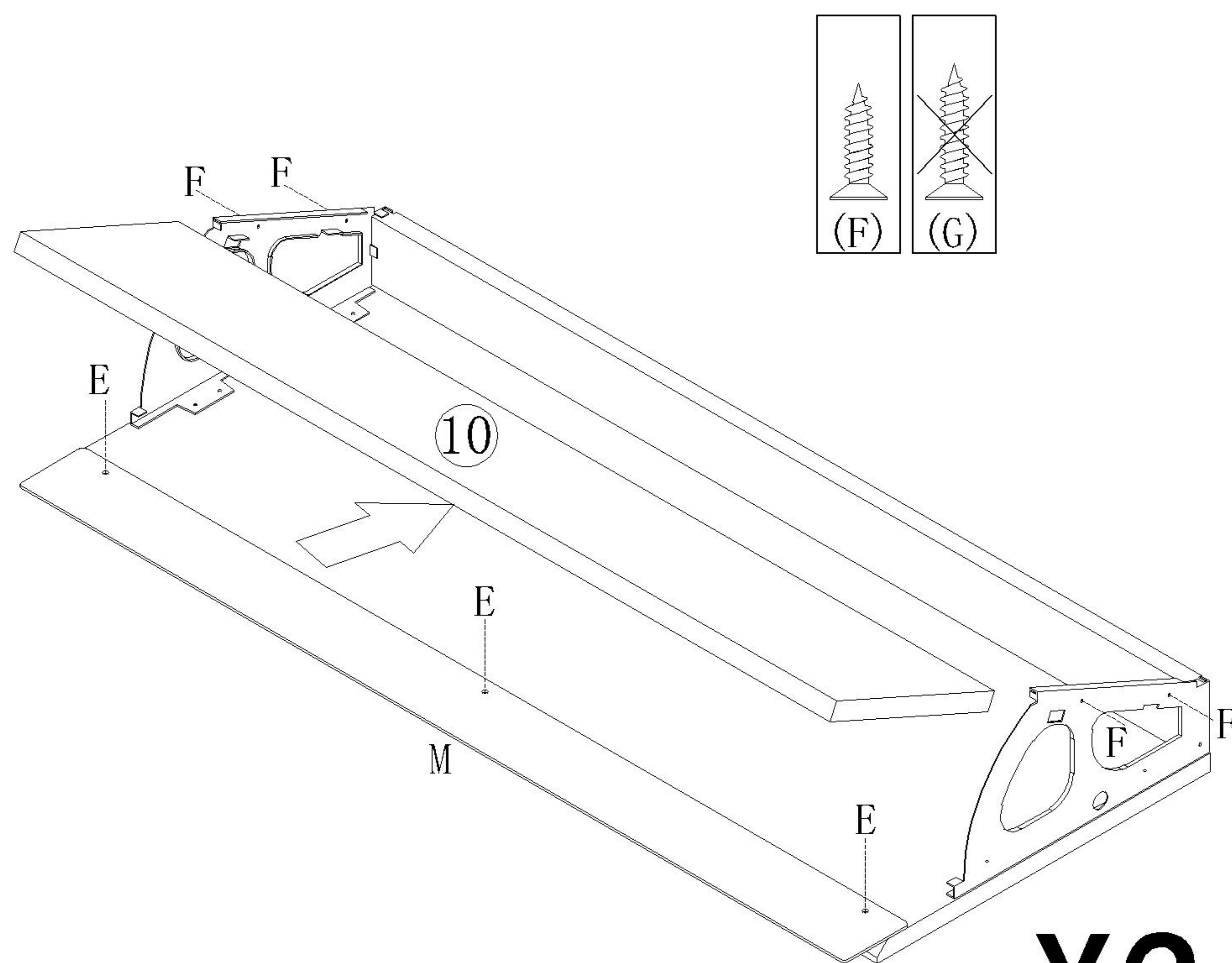
- (F)*18



X3

2

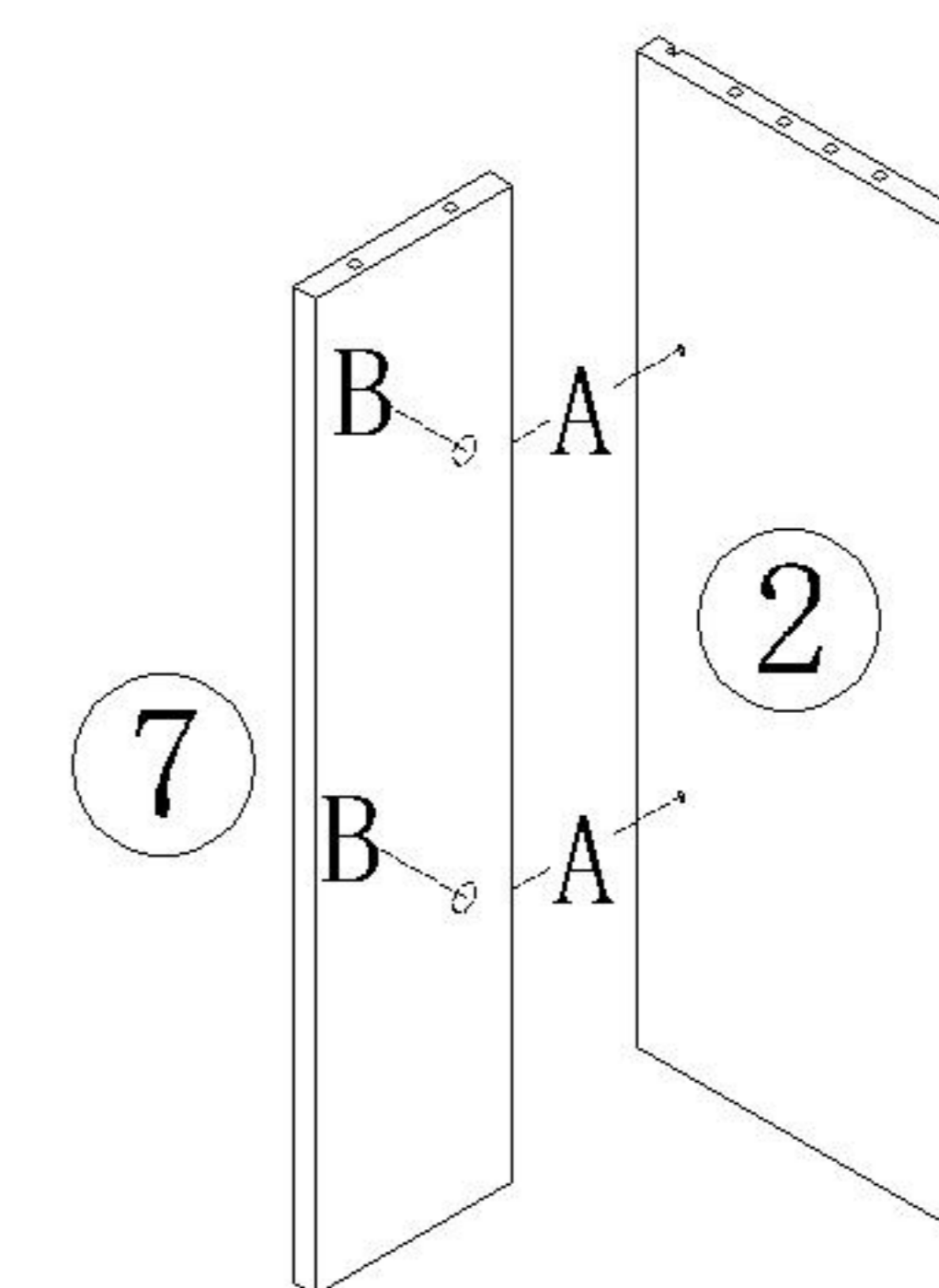
- (F)*12
- (E)*9
- (M)*3



X3

3

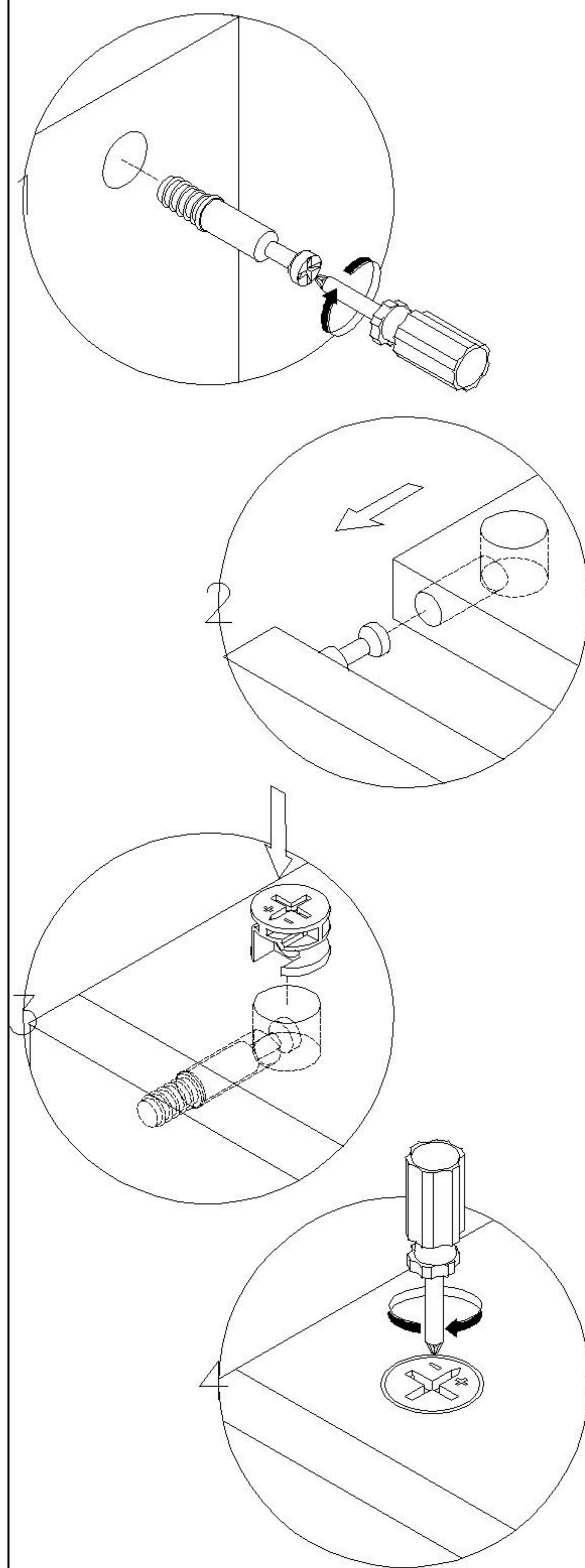
- (A)*2
- (B)*2



4

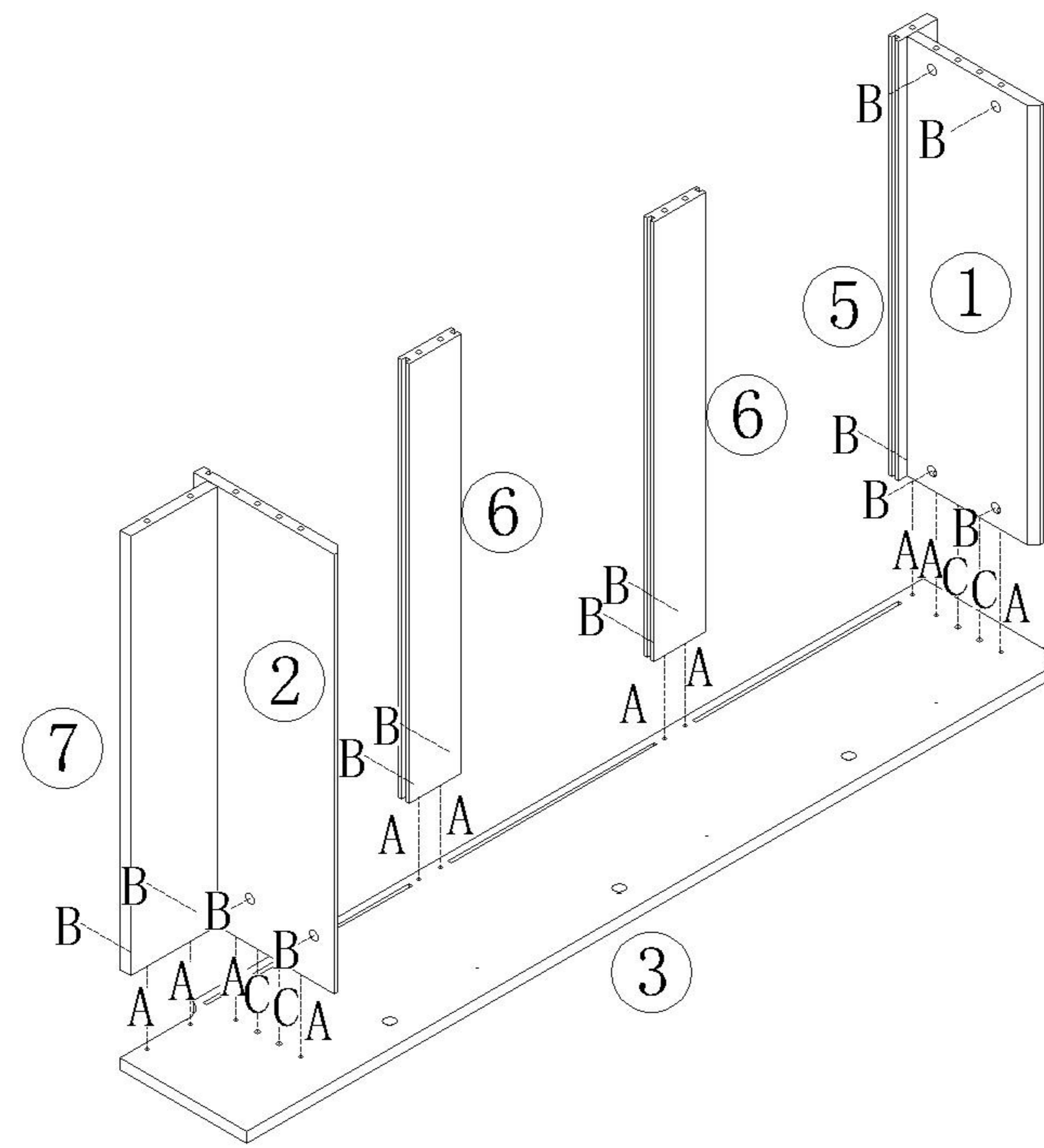
NZ1N-A 0.8M

安装方法
Installation method

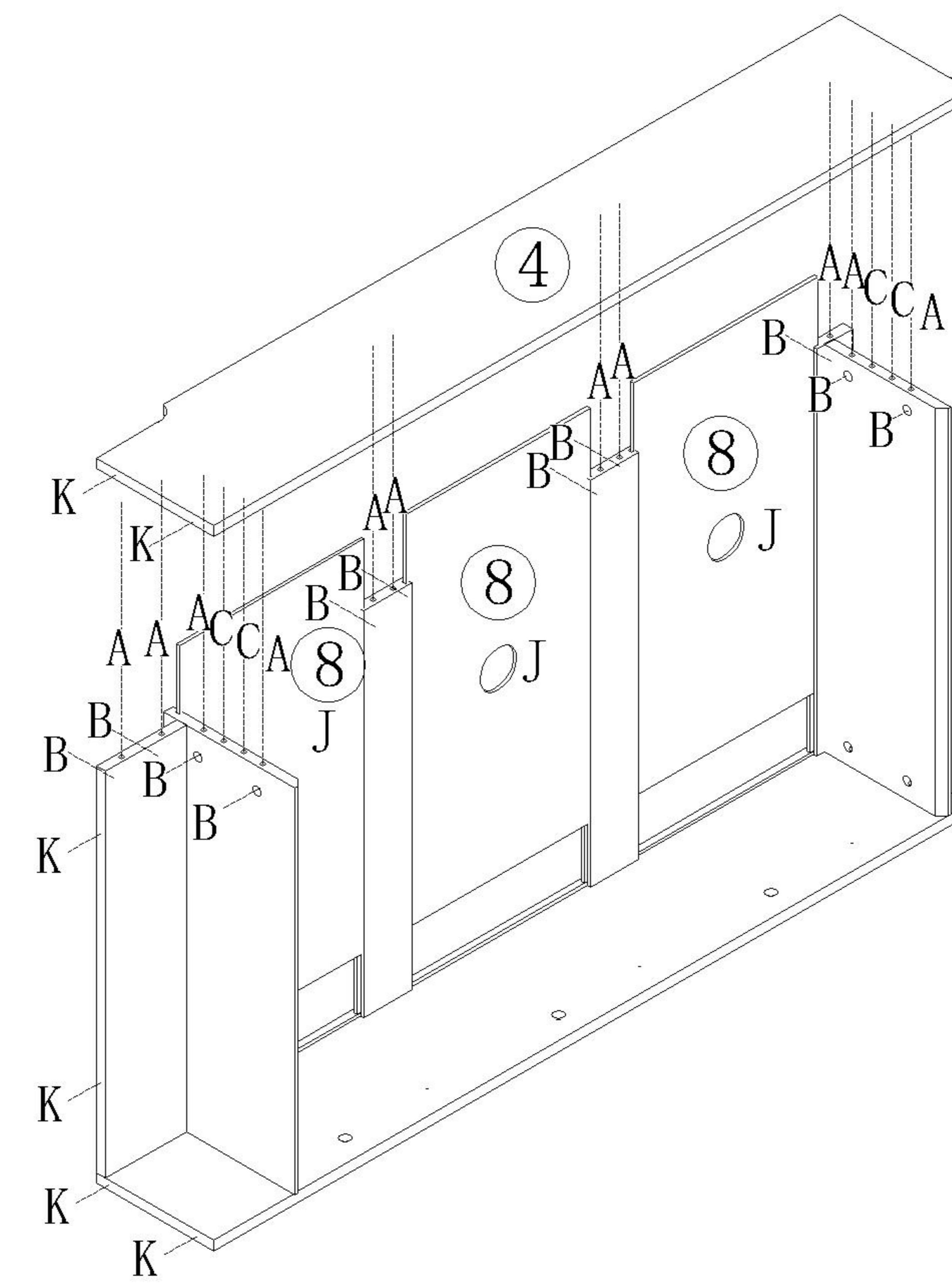


大二合一
two-in-one

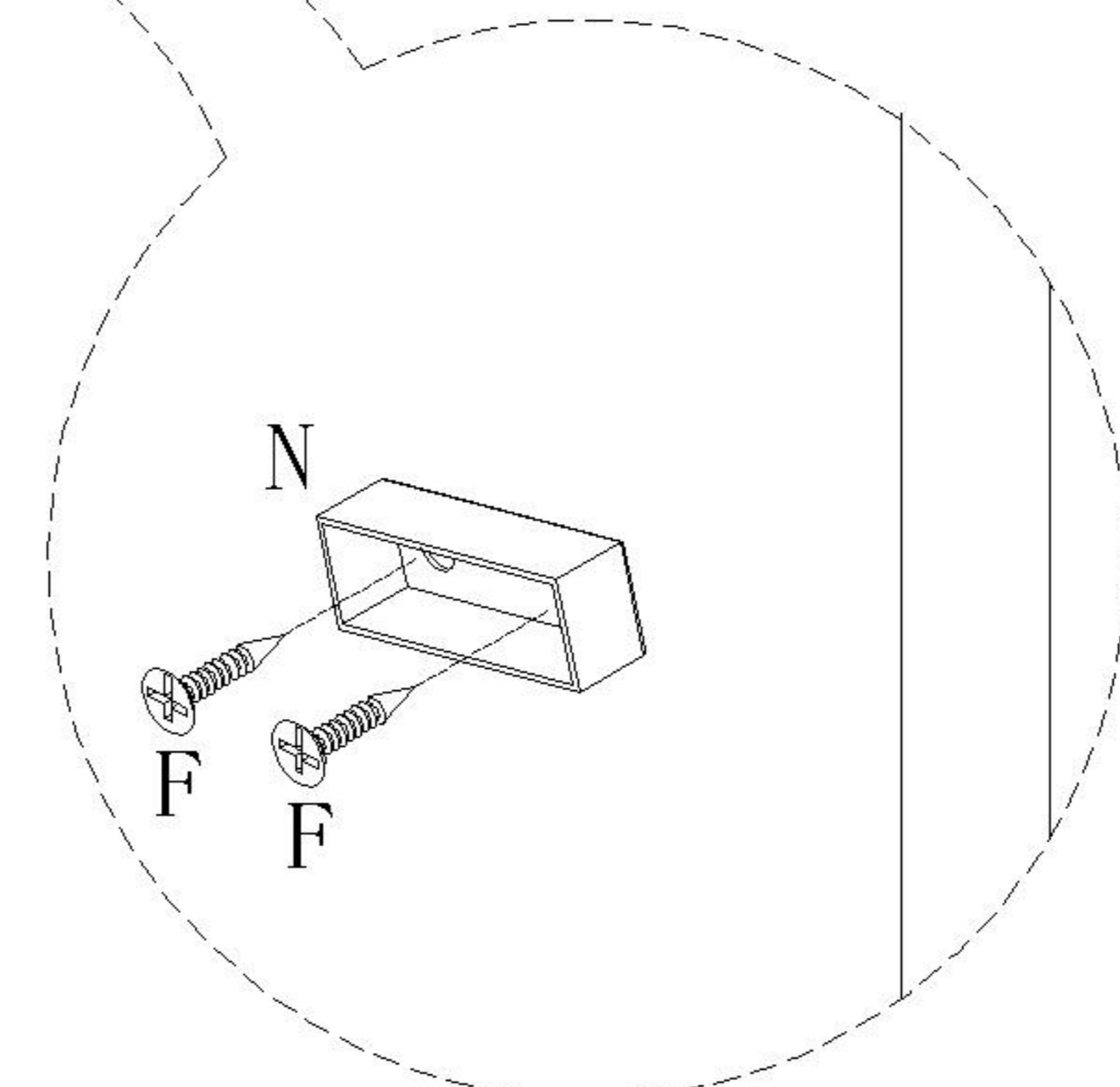
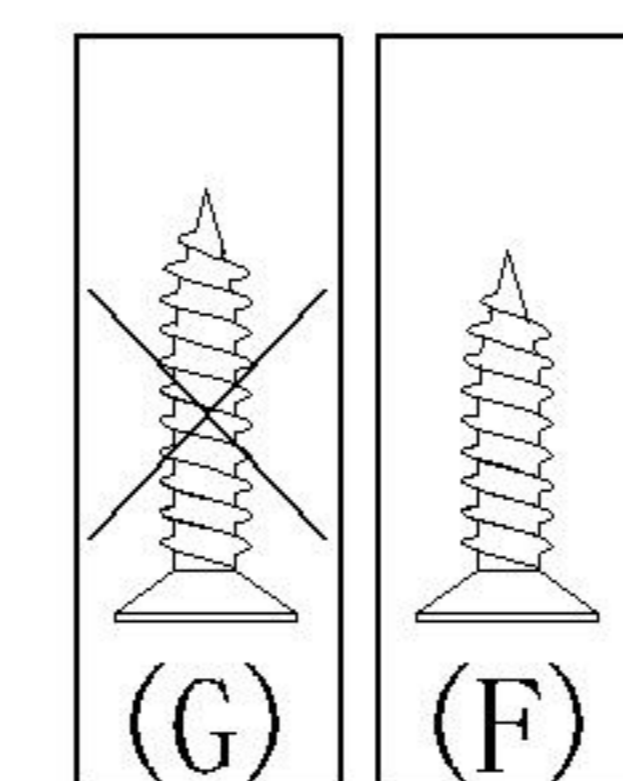
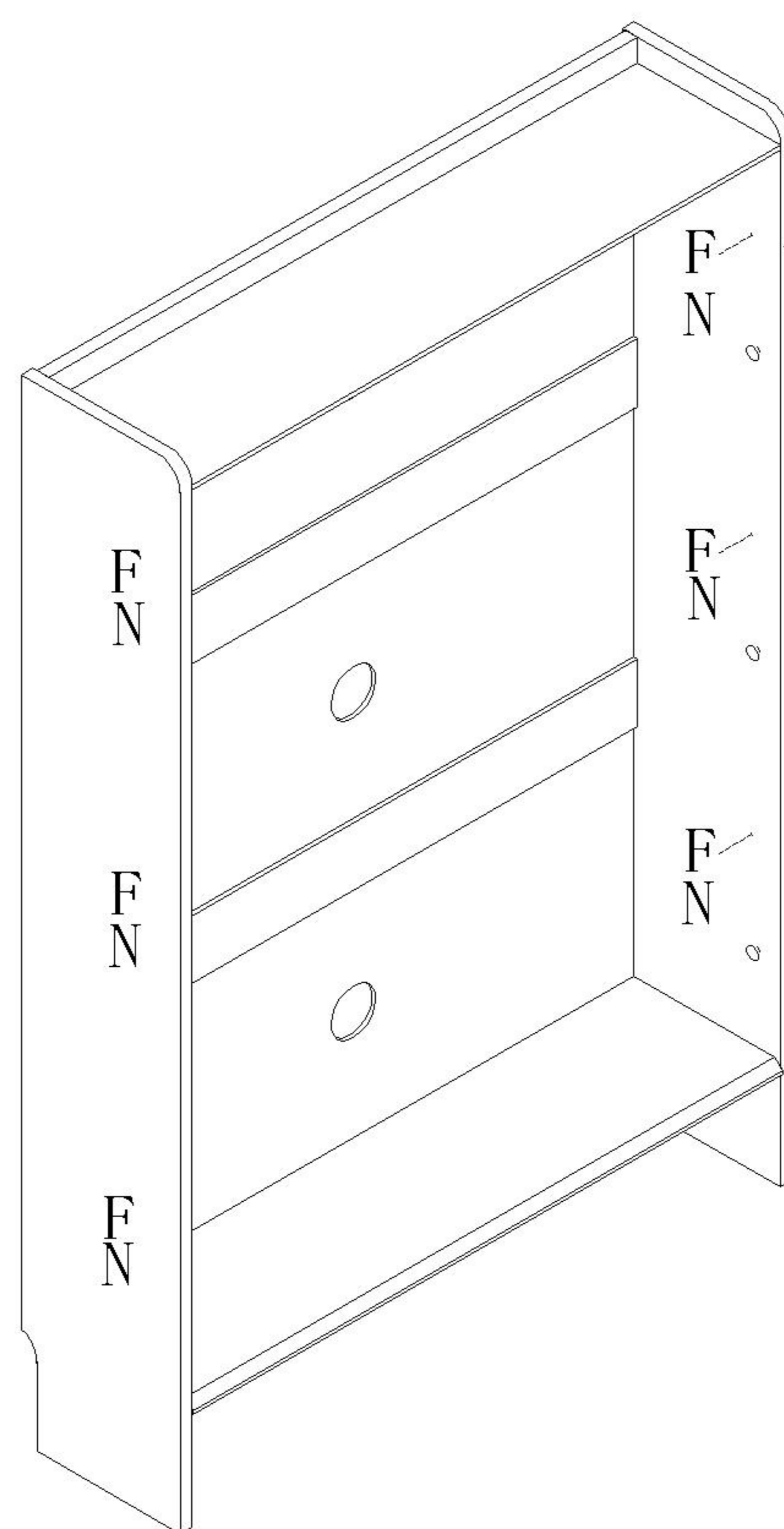
- (A)*11
- (B)*11
- (C)*4



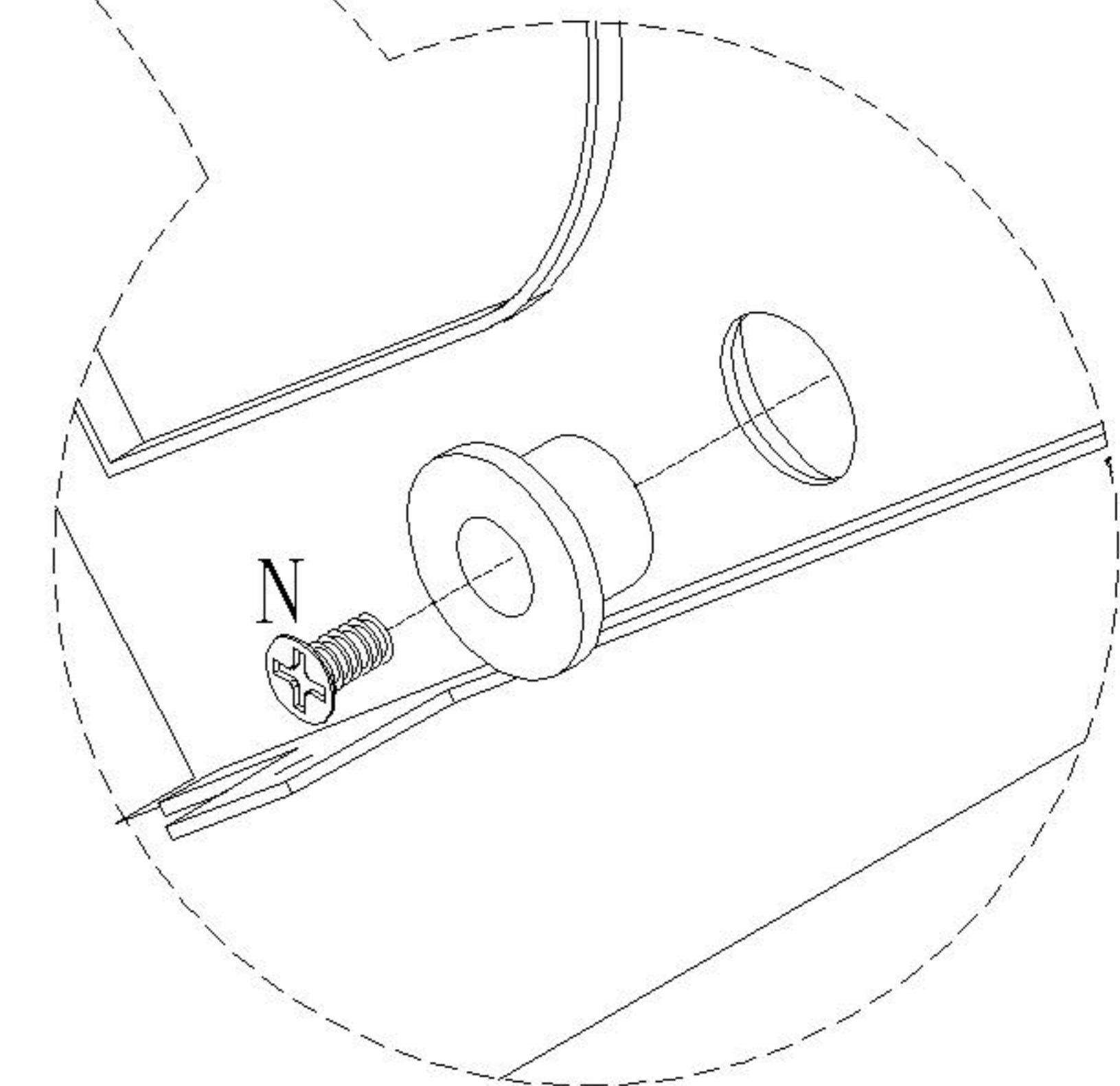
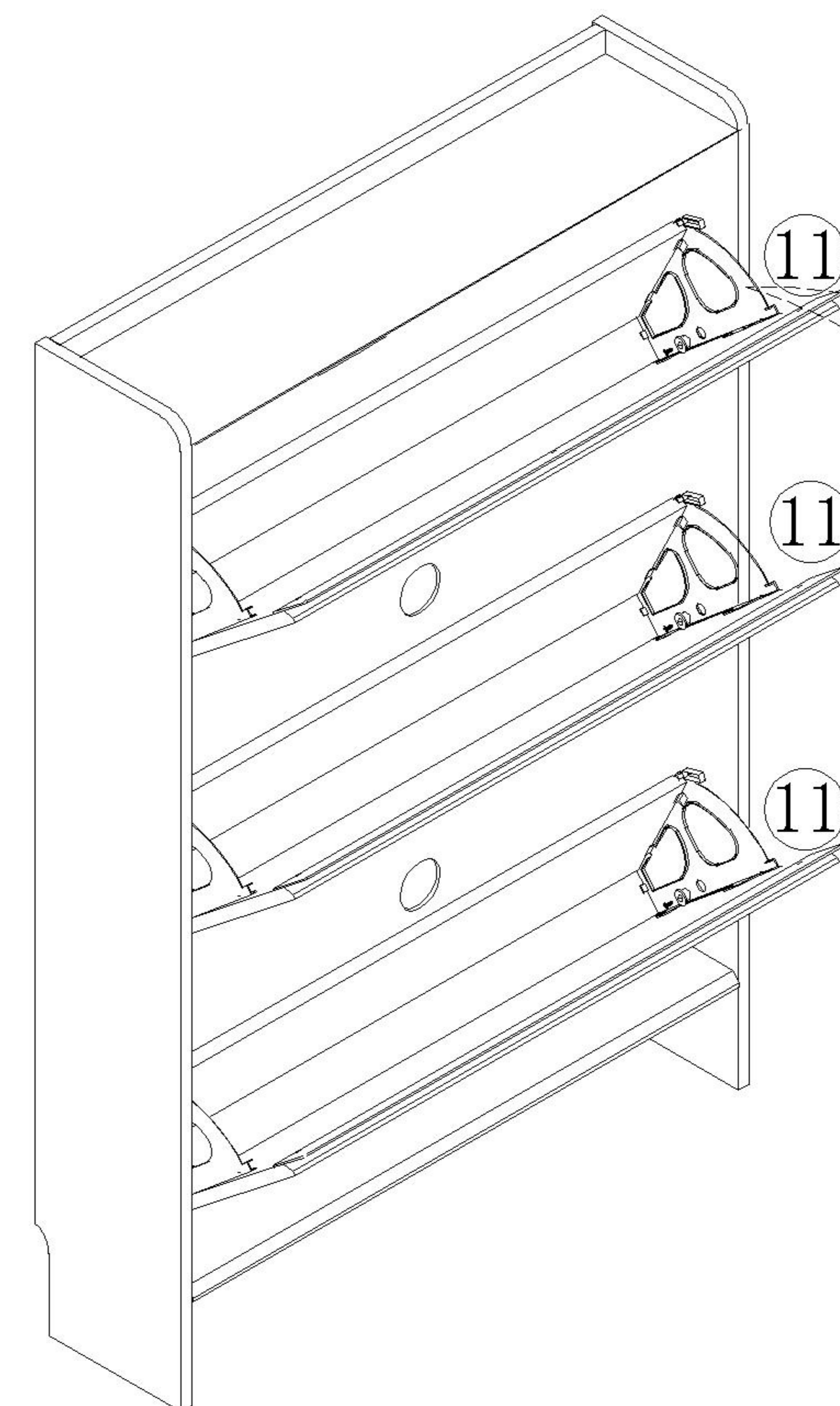
- (A)*11
- (B)*11
- (C)*4
- (J)*3
- (K)*6



- (F)*12
- (N)*3

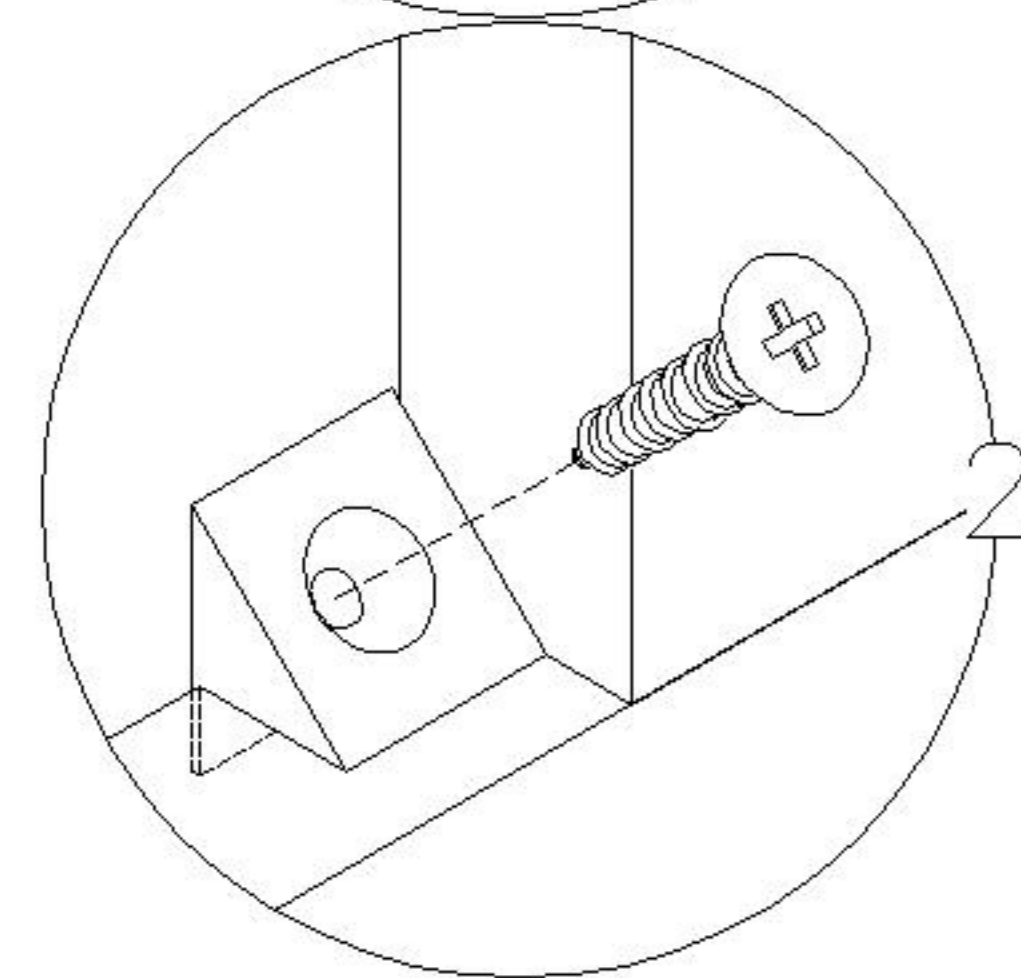
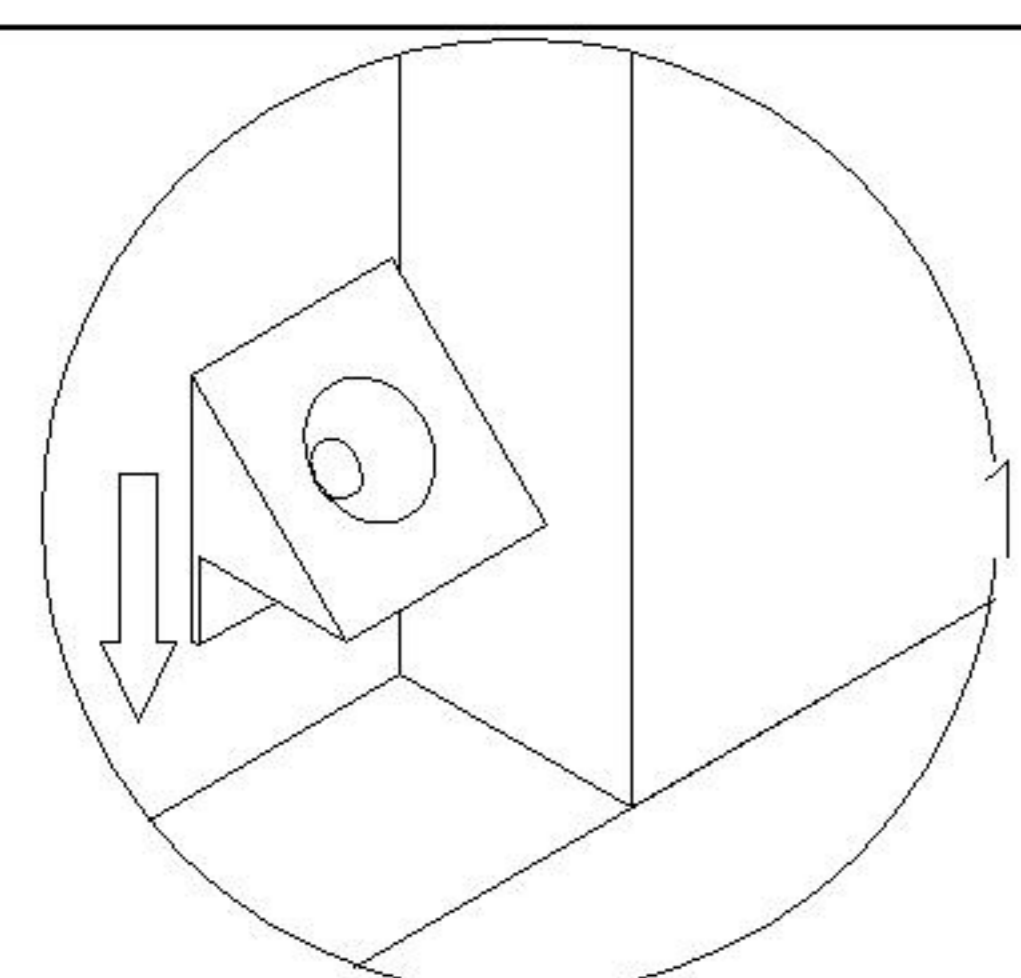


- (N)*3

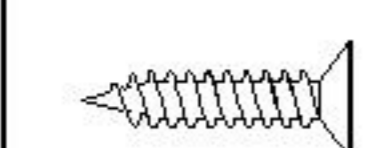


NZ1N-A 0.8M

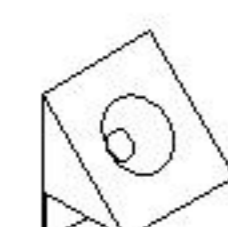
安装方法
Installation method



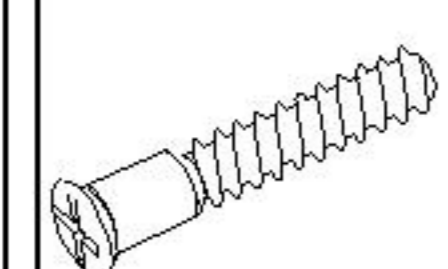
背板扣
Back Plate Buckle



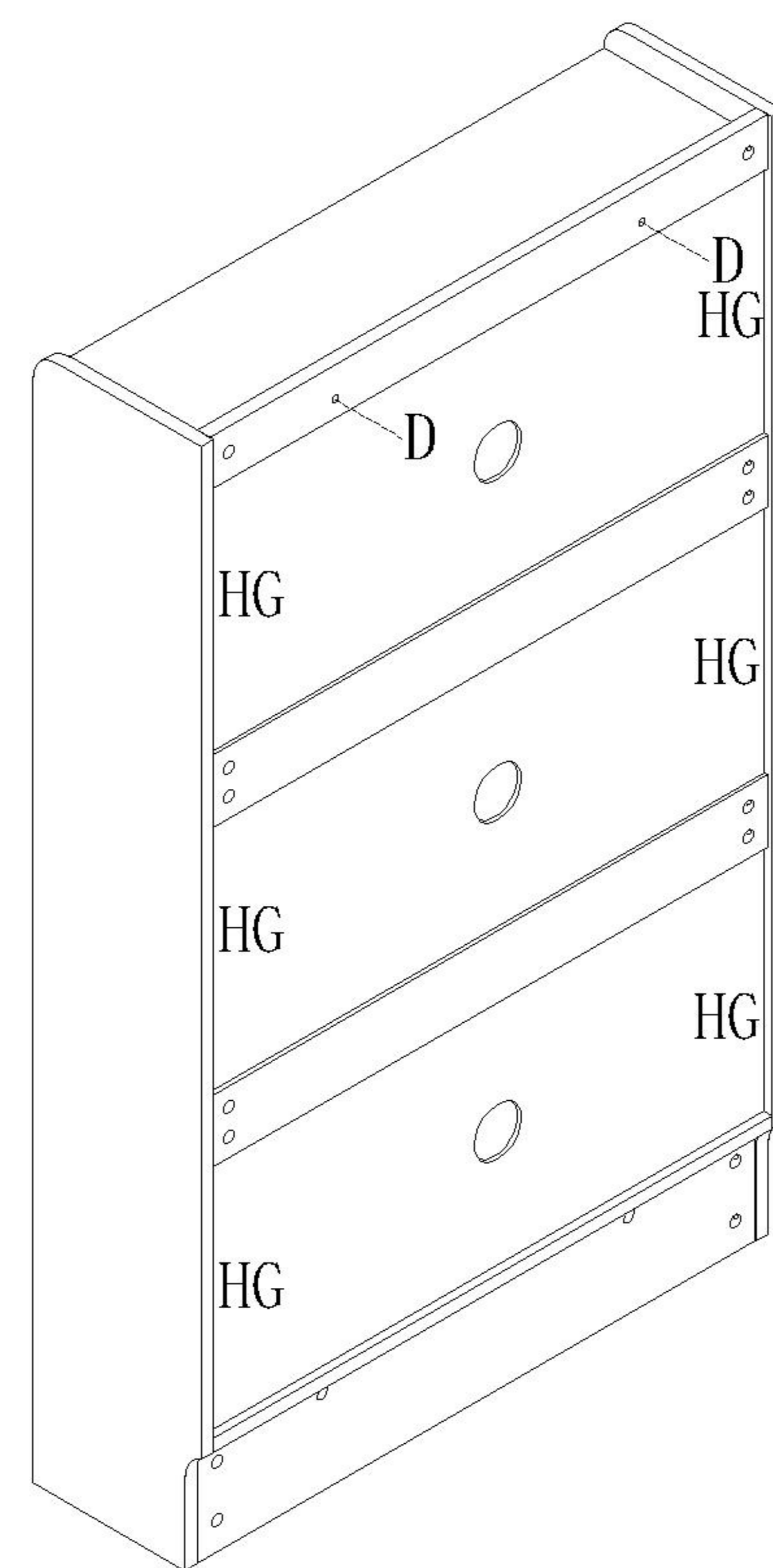
(G)*6



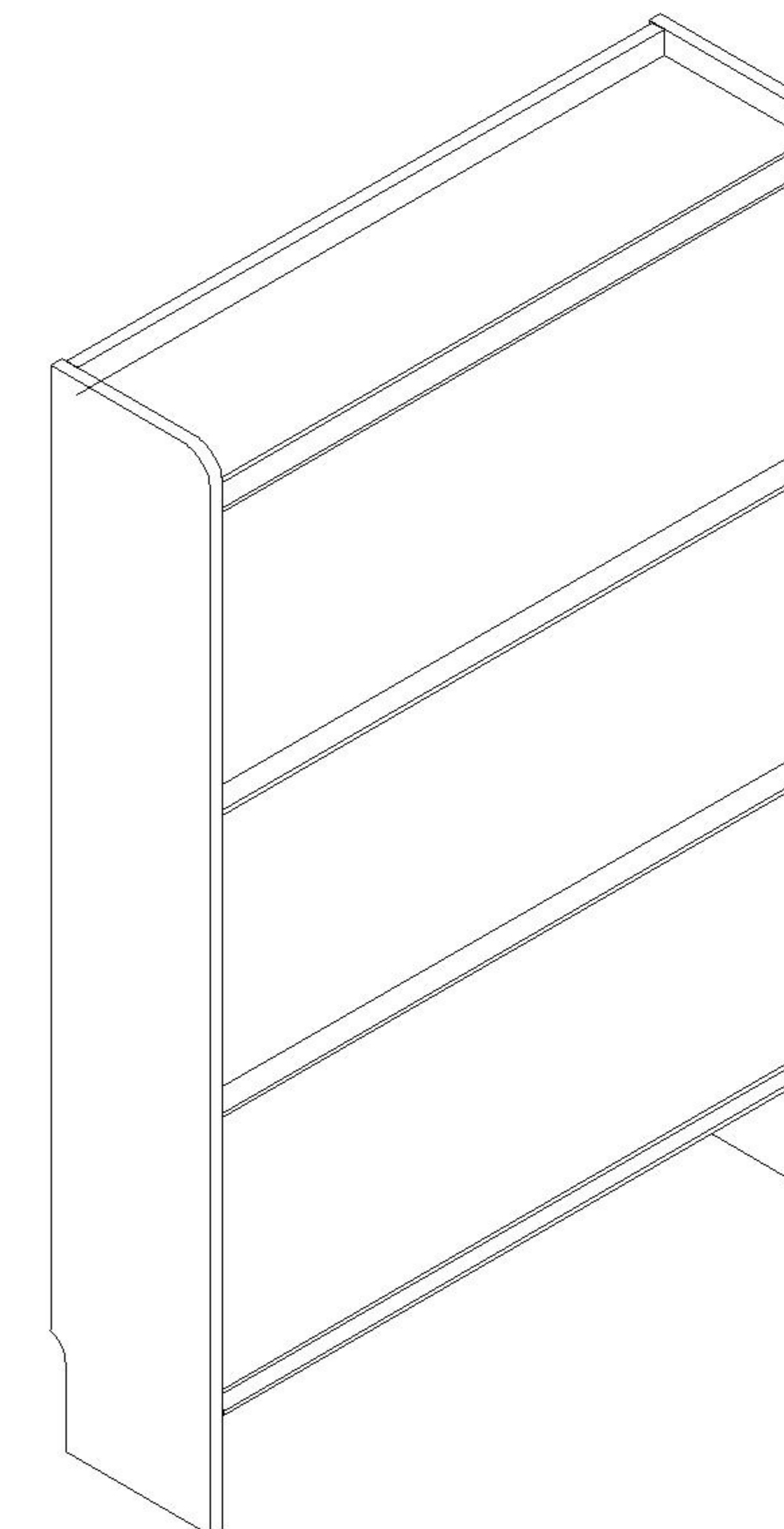
(H)*6



(D)*2

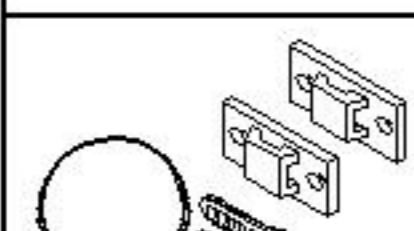


9

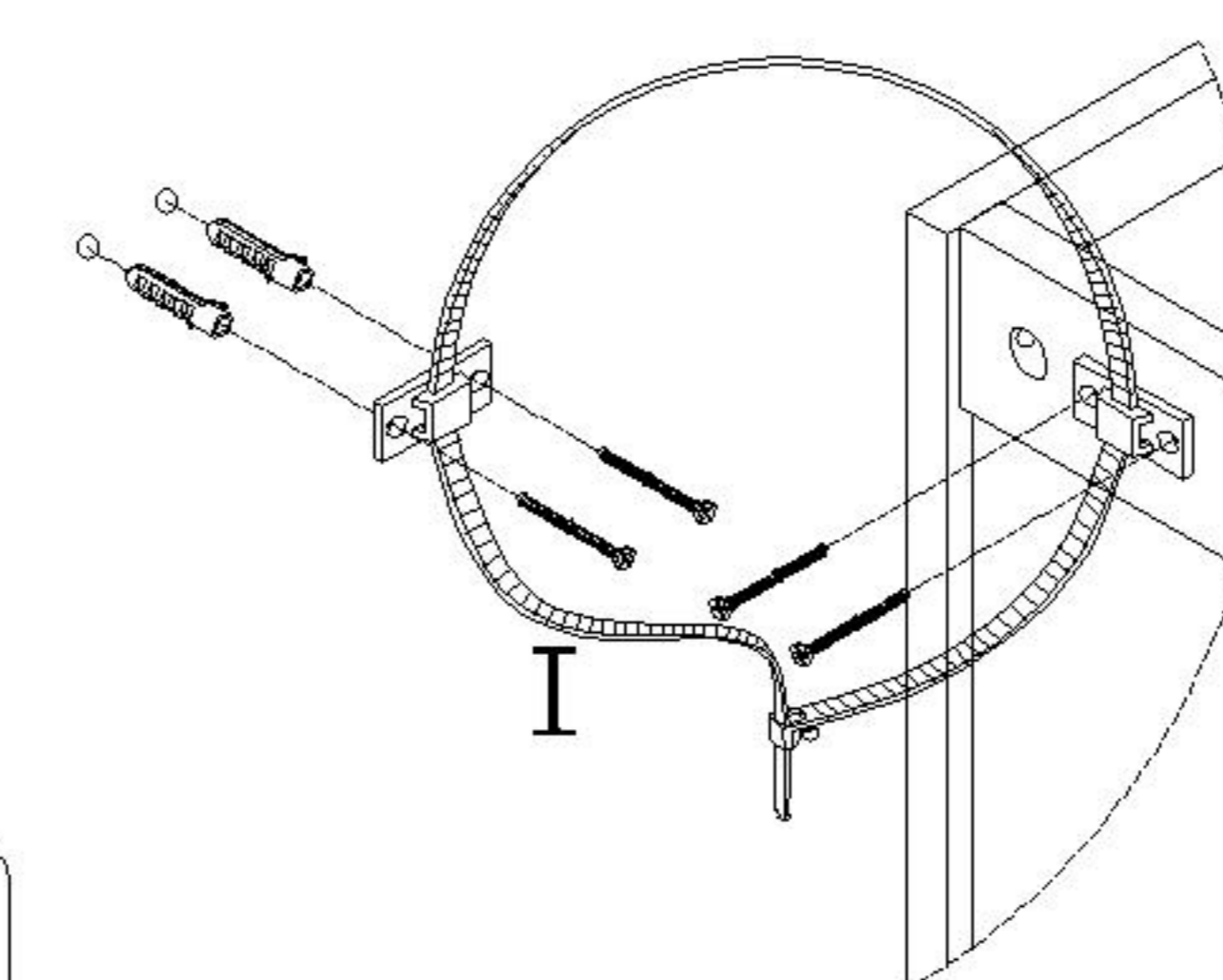
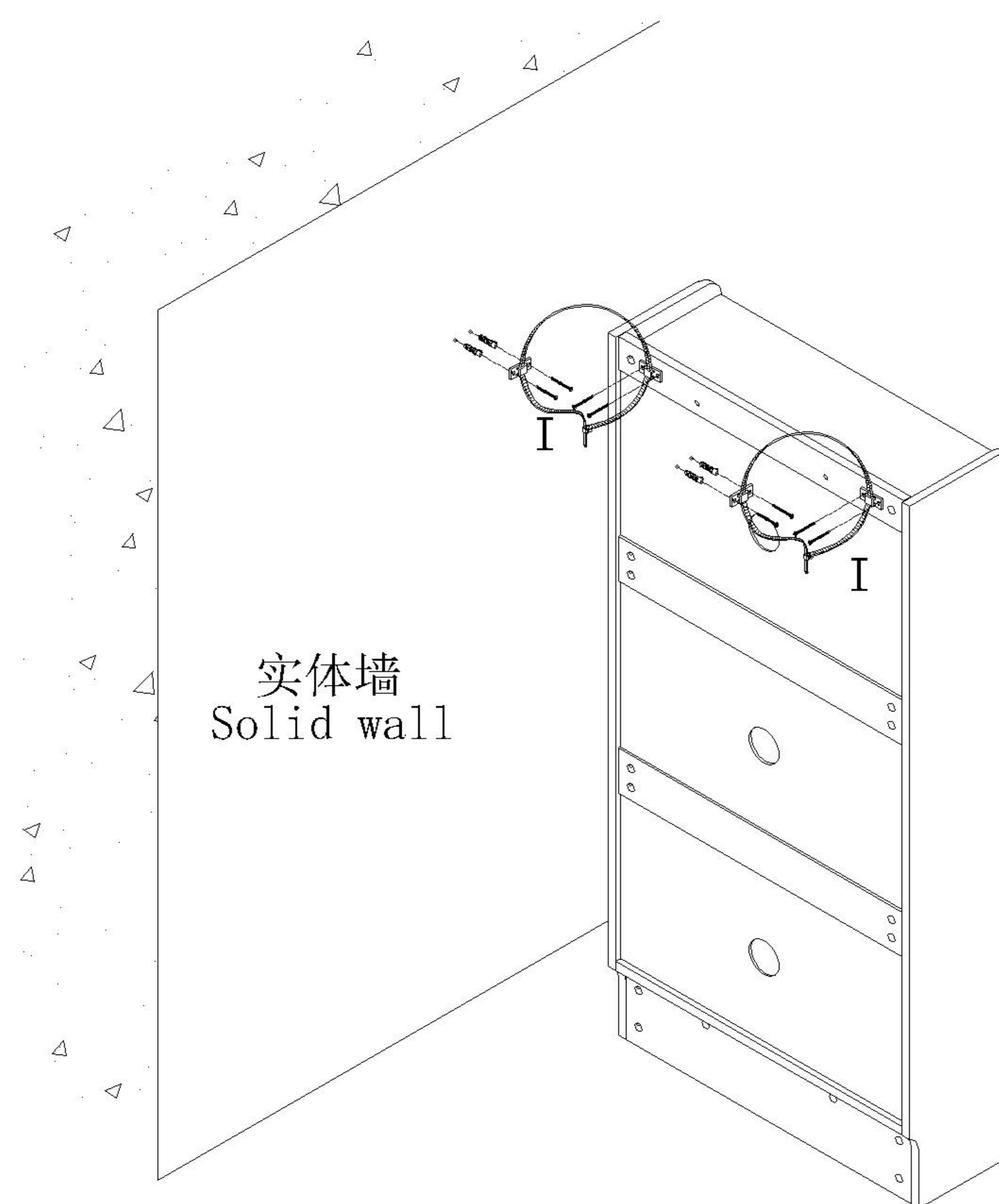


10

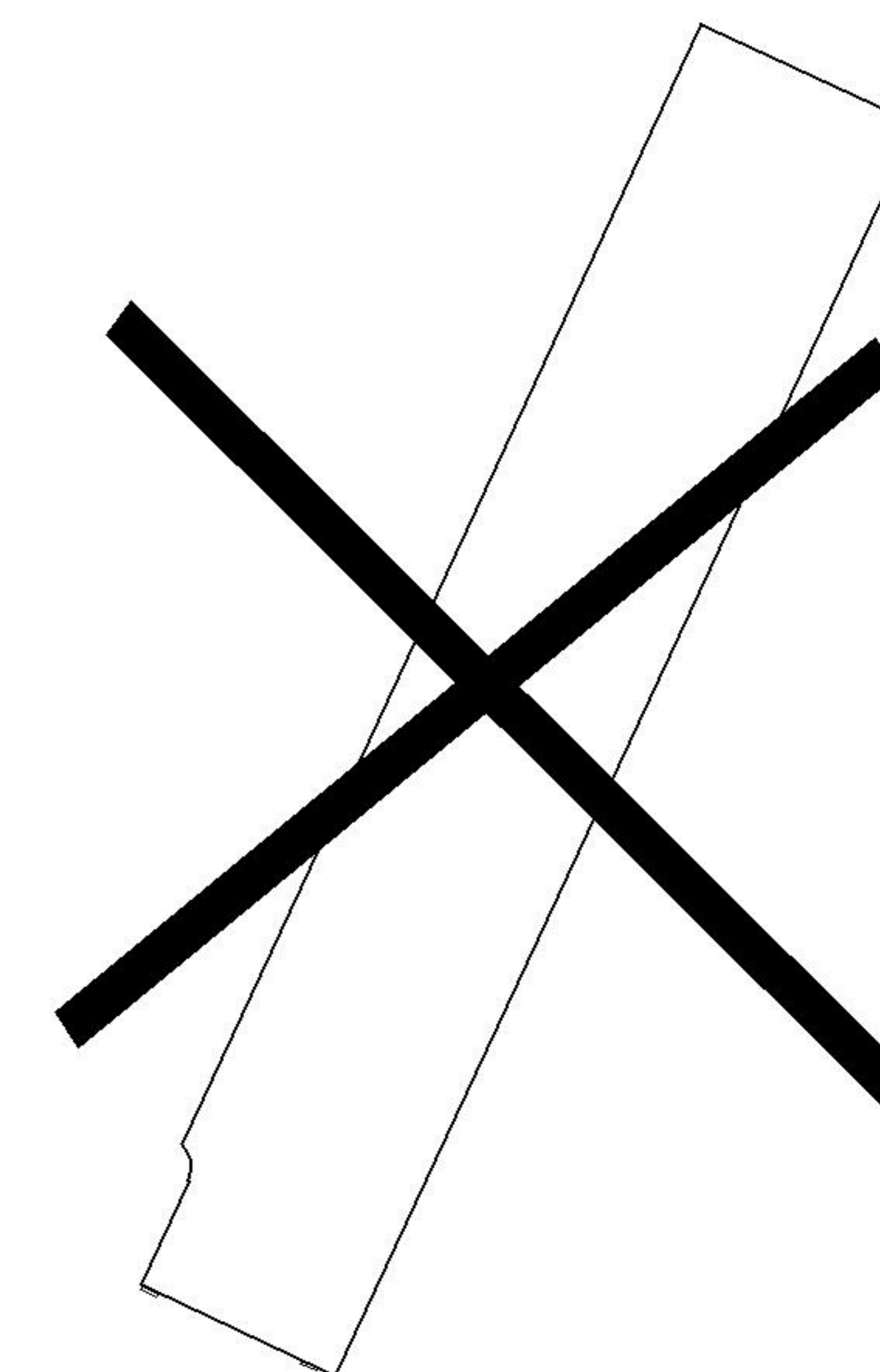
►注：门板与柜体的间隙为设计开启门板使用，小心夹伤！
Note: the gap between the door panel and the cabinet is designed to open the door. Be careful not to pinch!



(I)*2



I处放大图
Enlarged drawing



11