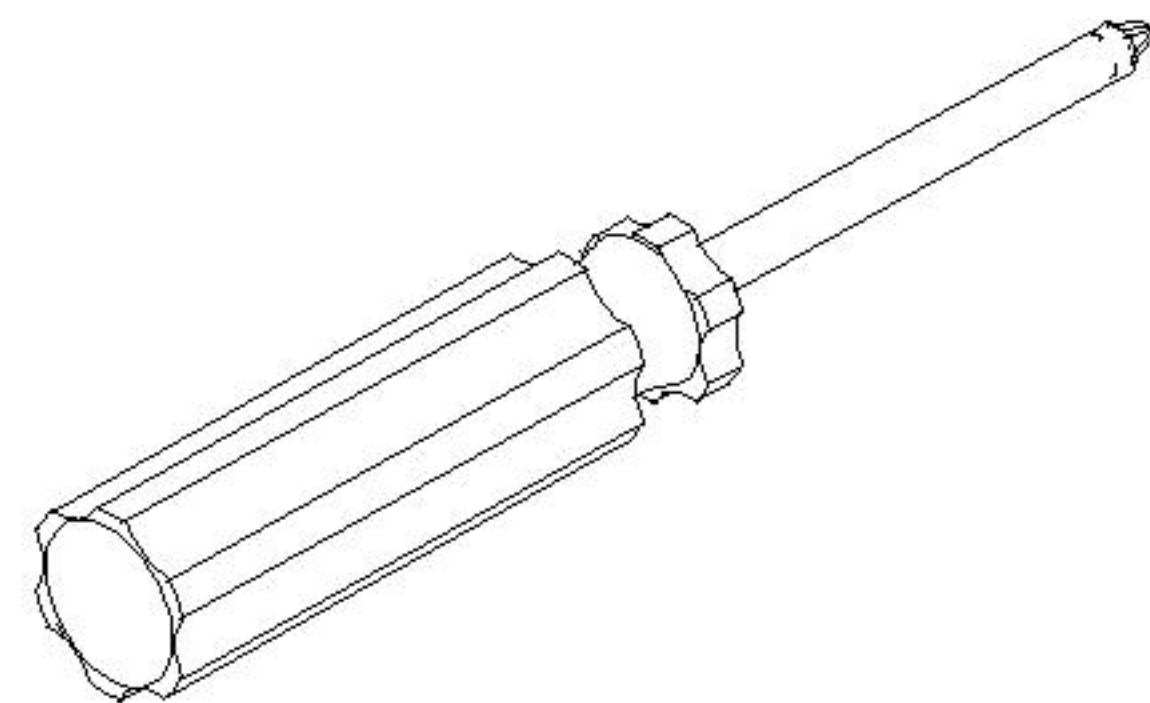
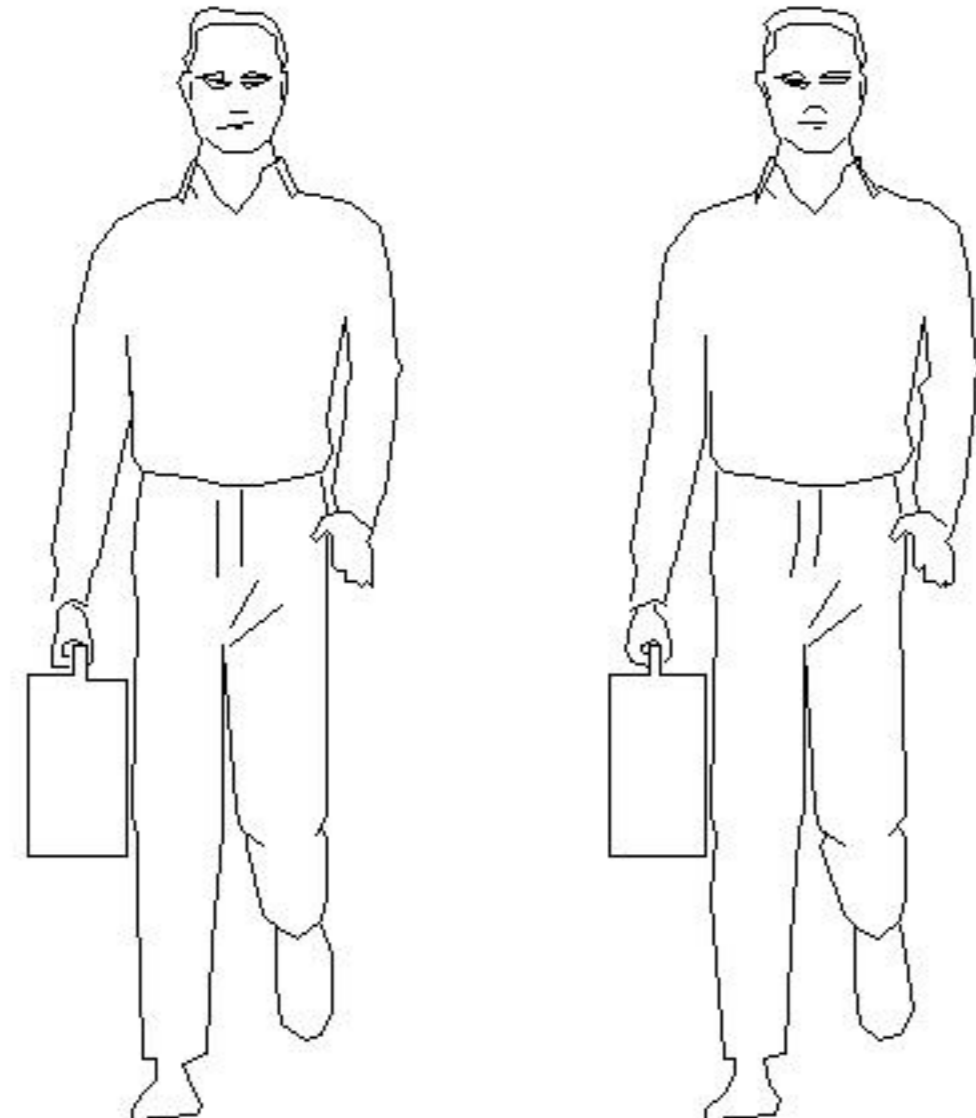


LINSY 林氏家居

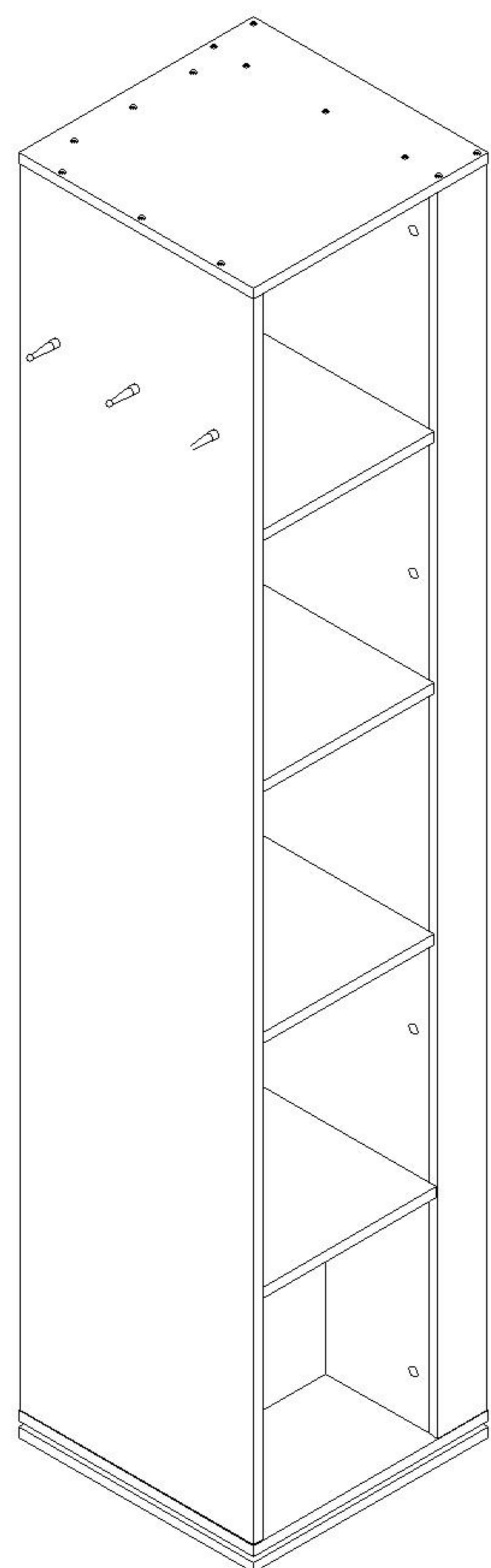
五金表/Hardware list

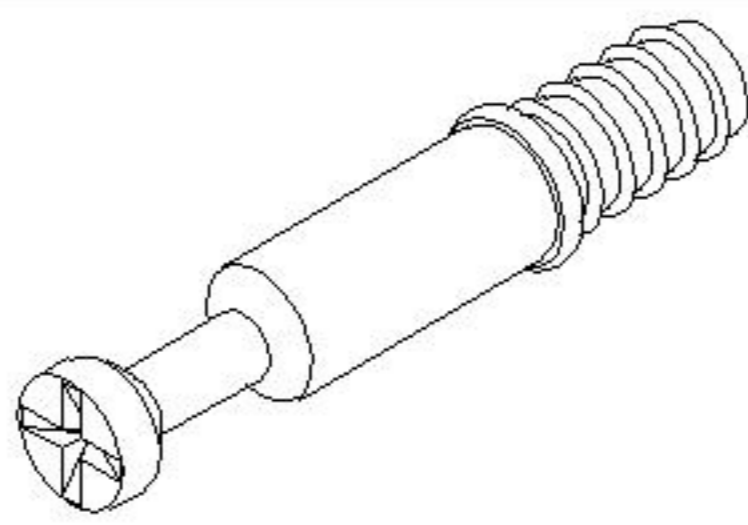
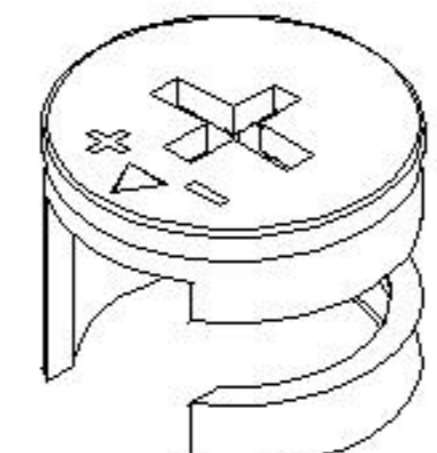
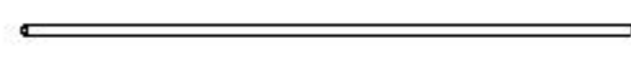
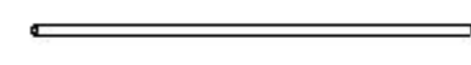
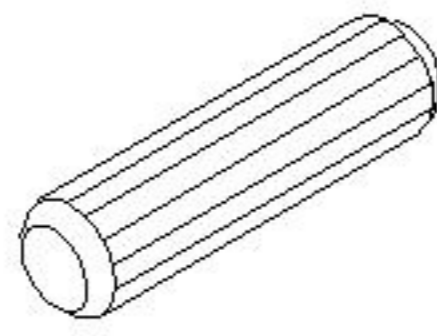
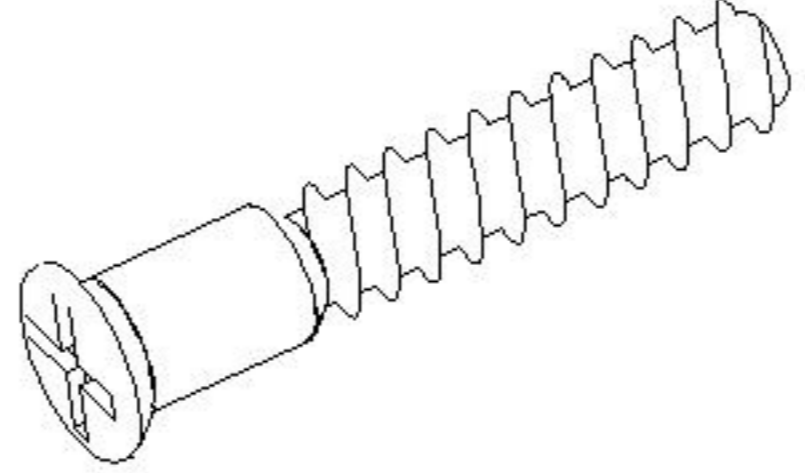
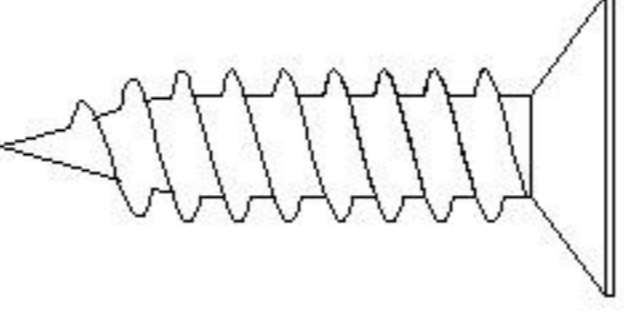
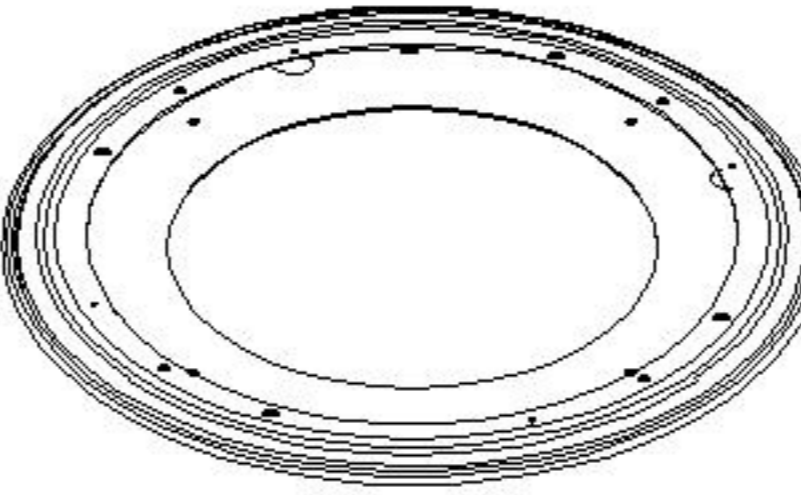
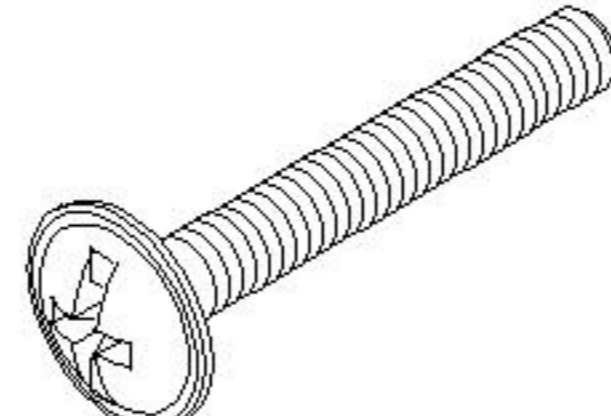
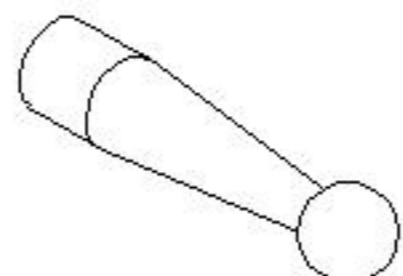
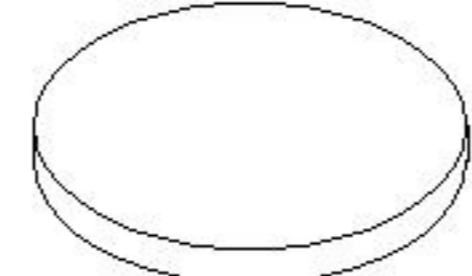
部件表/Parts List

安装示意图/Assembly Instruction

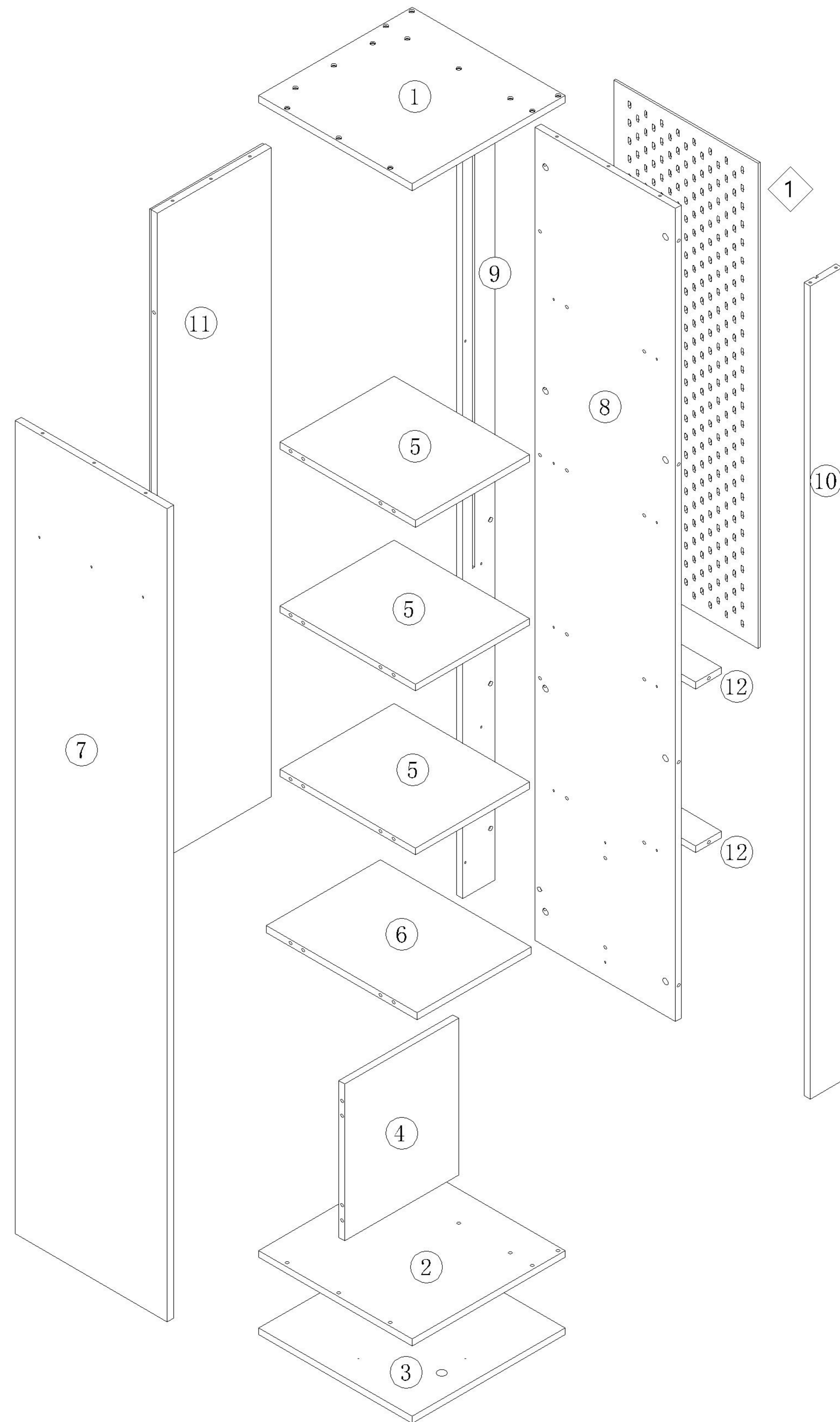
产品名称 Model NO.	QA11-A 落地镜柜
产品规格 Specification	429*380*1803mm
安装工具 Tool	安装人数 Installer
	

注：为保证设计效果，部分尺寸为定制尺寸，不影响使用。



 (A)*36 二合一螺杆 2-in-1-screw	 (B)*36 大三合一锁饼 3-in-1 large lock	 (C)*3 圆管(φ10*358mm) Round tubes	 (D)*1 圆管(φ10*293mm) Round tubes
 (E)*27 木榫-φ8*30 Wood tenon	 (F)*23 过山丝-(M7*38mm)镀锌 Confirmat screw	 (G)*8 自攻螺丝M4*12 Self-tapping screw	 (H)*1 转盘 Turntable
 (I)*3 拉手螺丝-M4*22mm Pulling screw	 (J)*3 挂钩 Hooking	 (K)*8 灰色毛毡垫 Foot pad	

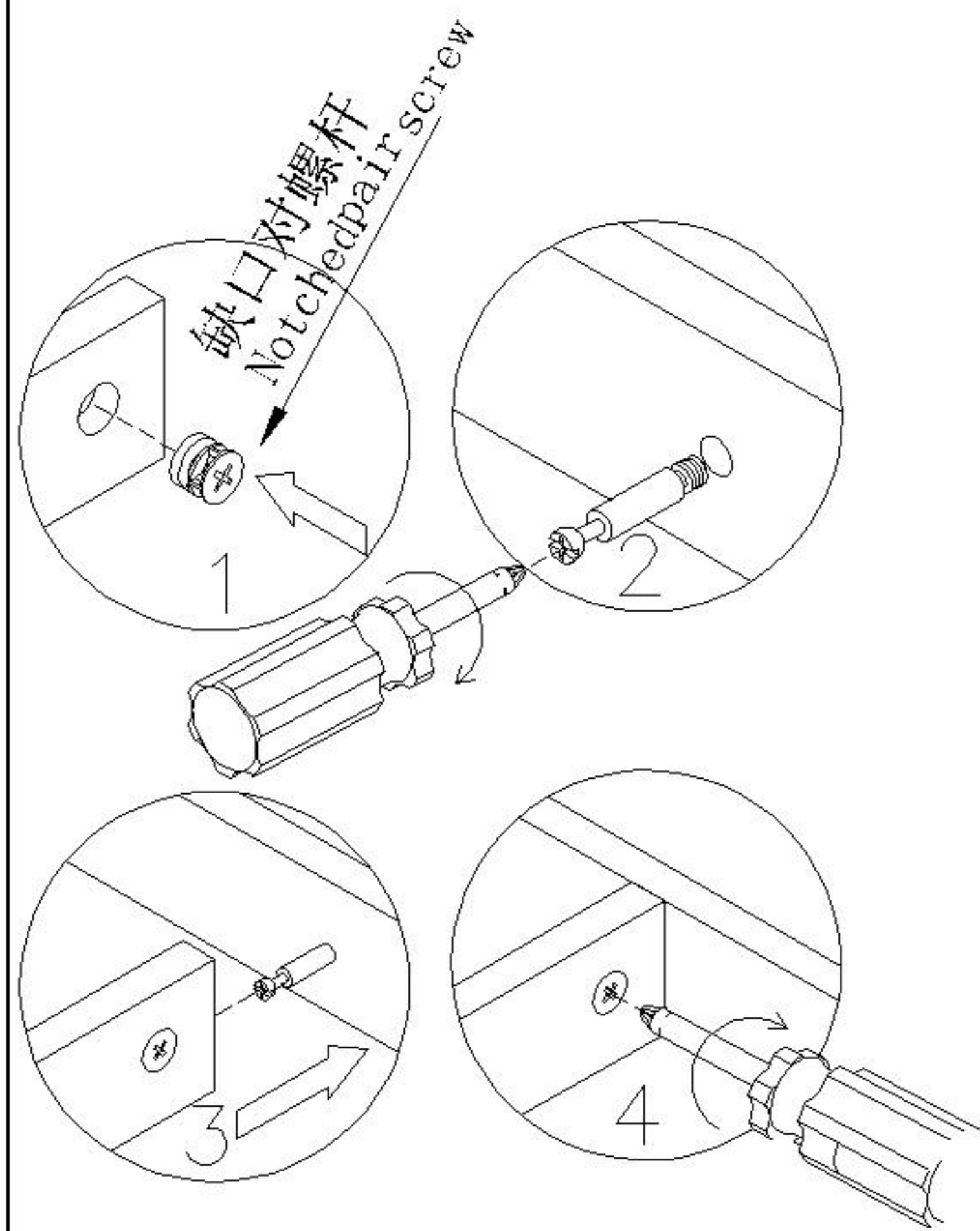
编号NO.	名称Name	规格 (mm) Specification	数量QTY	材质Material
落地镜柜主体 Floor-to-ceiling mirror cabinet body				
①	顶板Top board	380*380*15	1	刨花板 Particle board
②	底板1Bottom panel 1	380*380*15	1	刨花板 Particle board
③	底板2Bottom panel 2	380*380*15	1	刨花板 Particle board
④	下中侧板 Middle-down side panel	283*337*15	1	刨花板 Particle board
⑤	层板Shelf	283*337*15	3	刨花板 Particle board
⑥	下层板Lower shelf	283*374*15	1	刨花板 Particle board
⑦	左侧板Side board(L)	1747*378*15	1	刨花板 Particle board
⑧	右侧板Side board(R)	1747*348*15	1	刨花板 Particle board
⑨	后档板Rear baffle	1747*80*15	1	刨花板 Particle board
⑩	前档板Front baffle	1747*80*15	1	刨花板 Particle board
⑪	背板Back board	1395*283*20	1	刨花板+玻璃 Particle board+Glass
⑫	小层板Small shelf	348*64*15	2	刨花板 Particle board
落地镜柜洞洞板 Floor-to-ceiling mirror cabinet holes				
◇1	饰板Plaque	1042*358*4.8	1	纤维板 Fiberboard



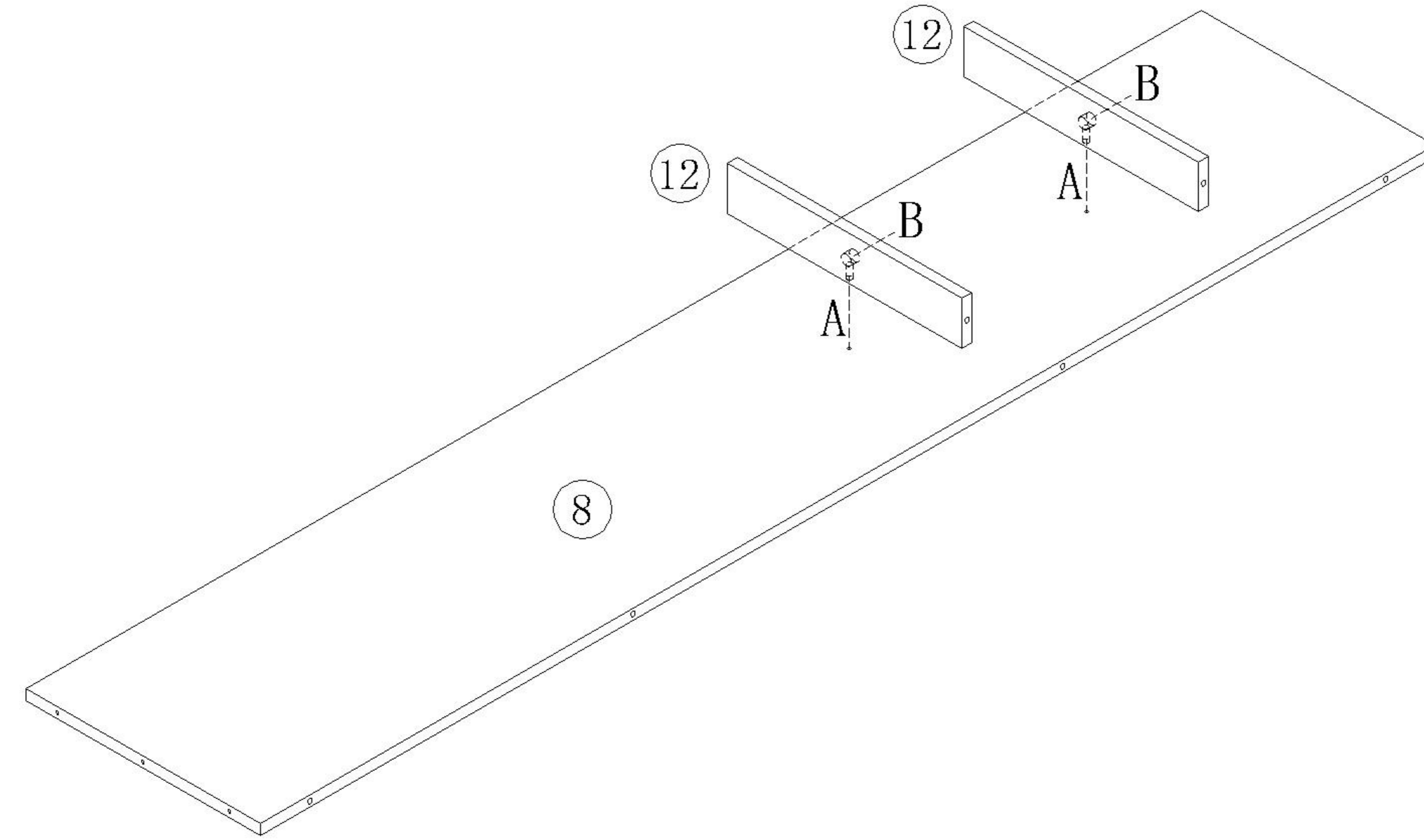
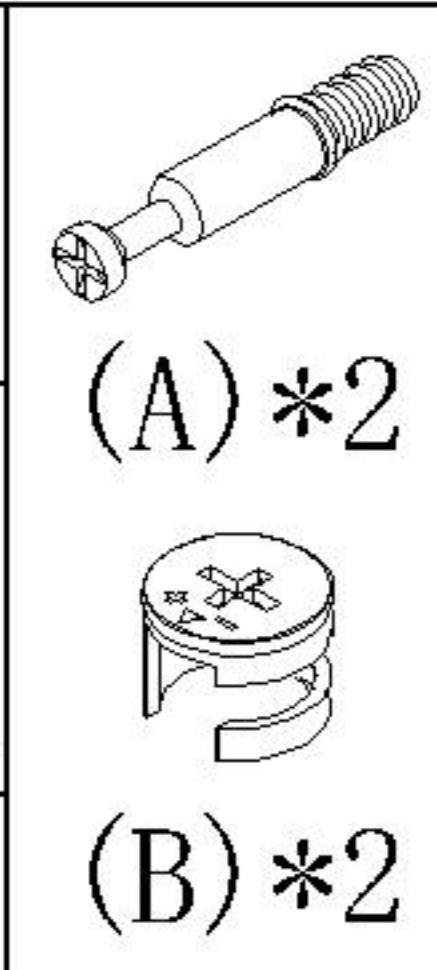
编号NO.	名称Name
落地镜柜主体 Floor-to-ceiling mirror cabinet body	
①	顶板Top board
②	底板1Bottom panel 1
③	底板2Bottom panel 2
④	下中侧板 Middle-down side panel
⑤	层板Shelf
⑥	下层板Lower shelf
⑦	左侧板Side board(L)
⑧	右侧板Side board(R)
⑨	后档板Rear baffle
⑩	前档板Front baffle
⑪	背板Back board
⑫	小层板Small shelf
落地镜柜洞洞板 Floor-to-ceiling mirror cabinet holes	
◇1	饰板Plaque

QA1I-A 落地镜柜

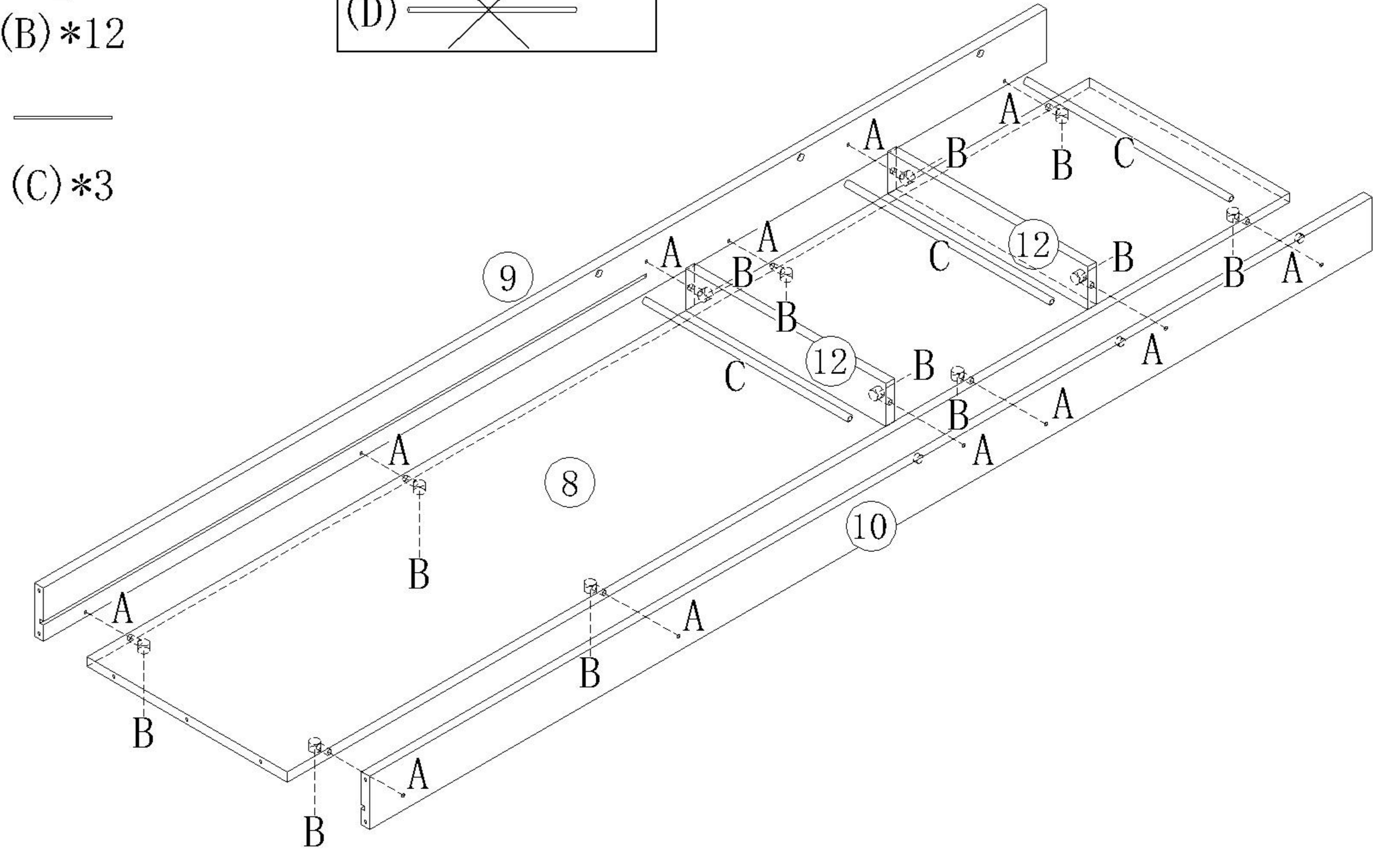
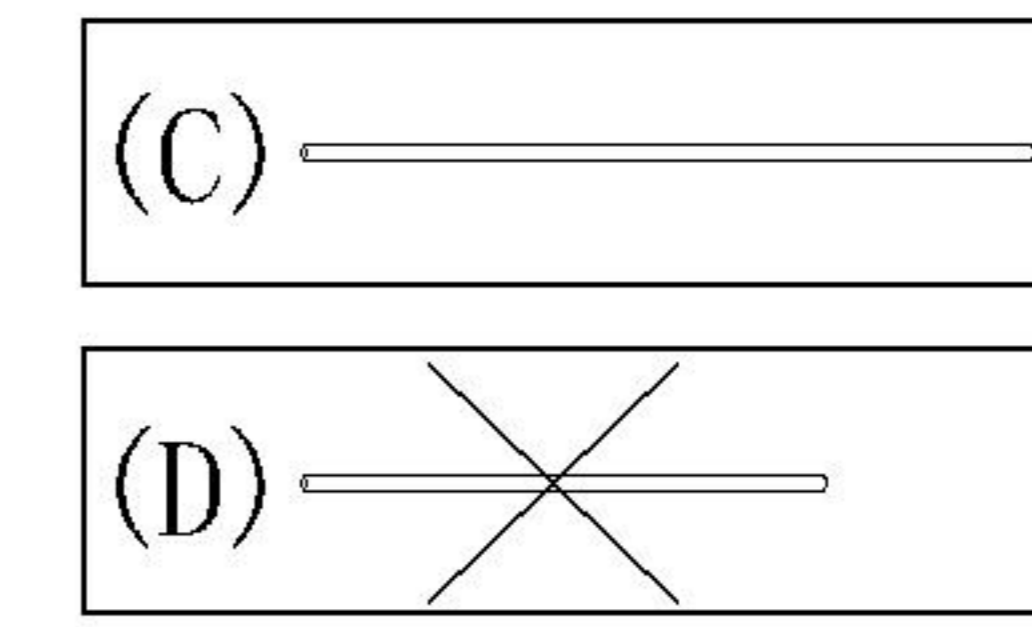
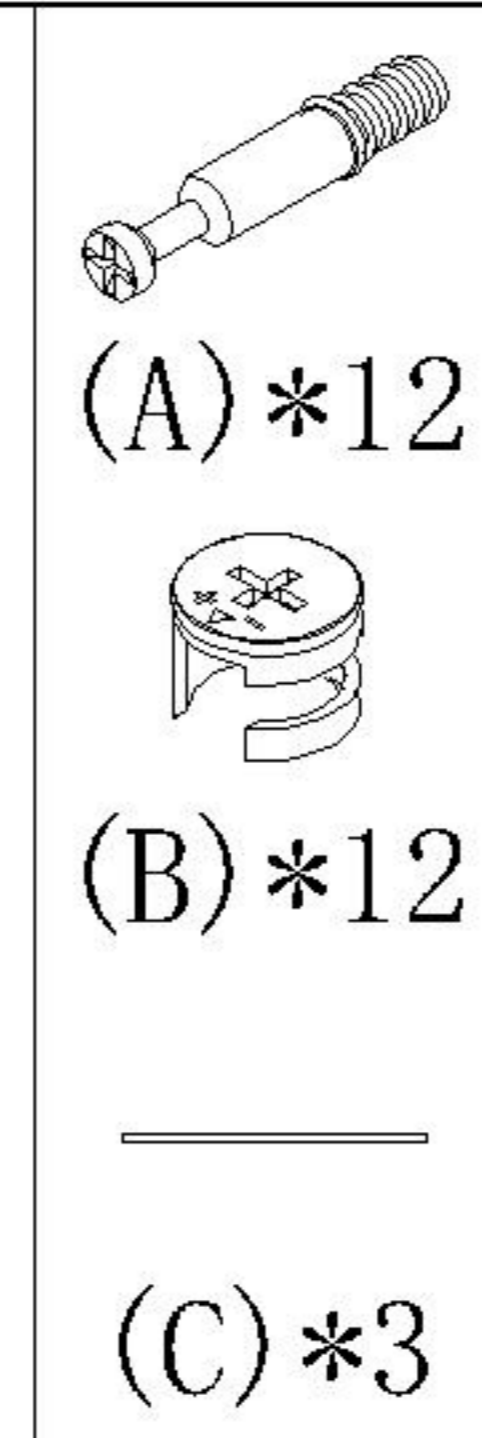
安装方法/
Installation method



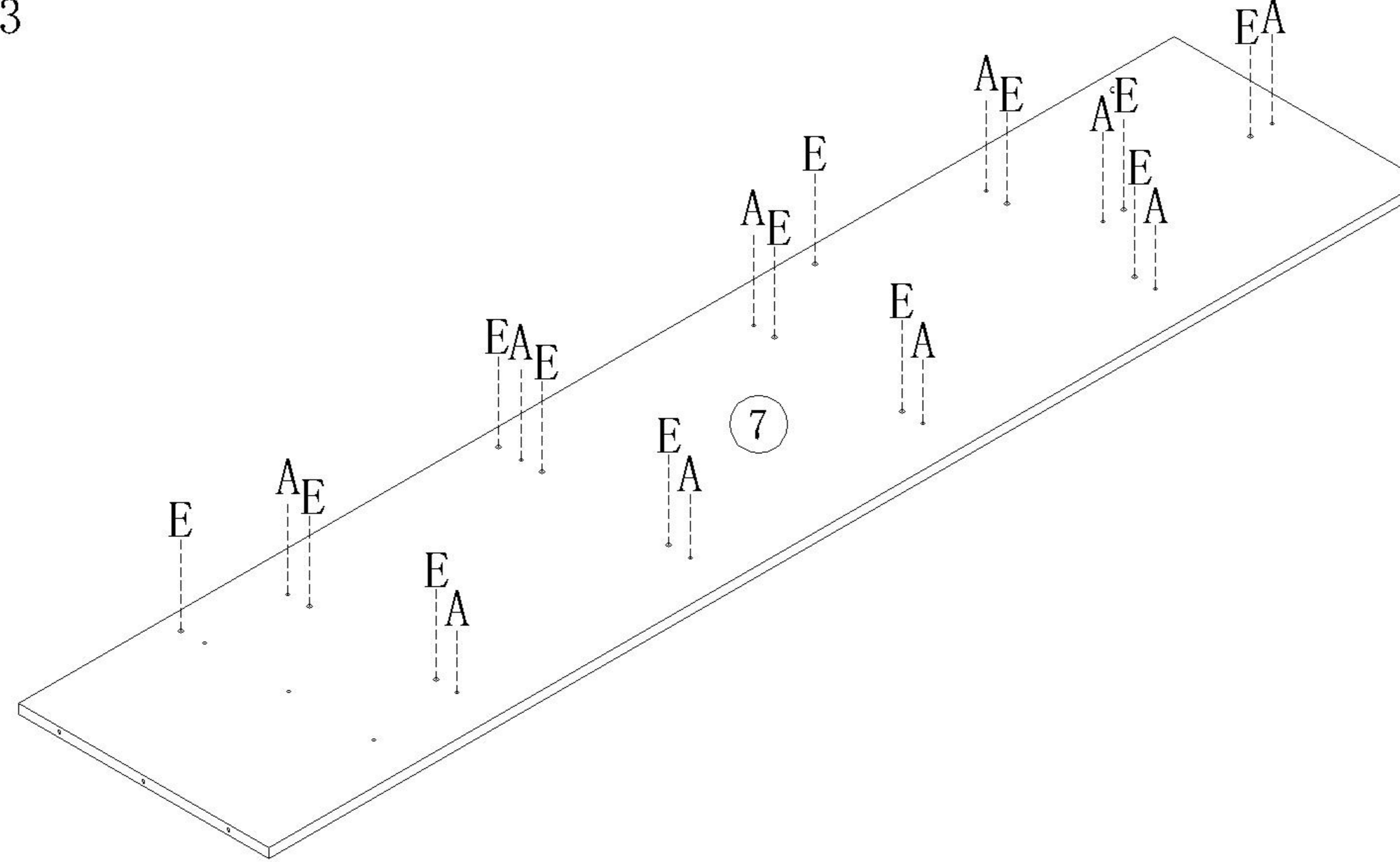
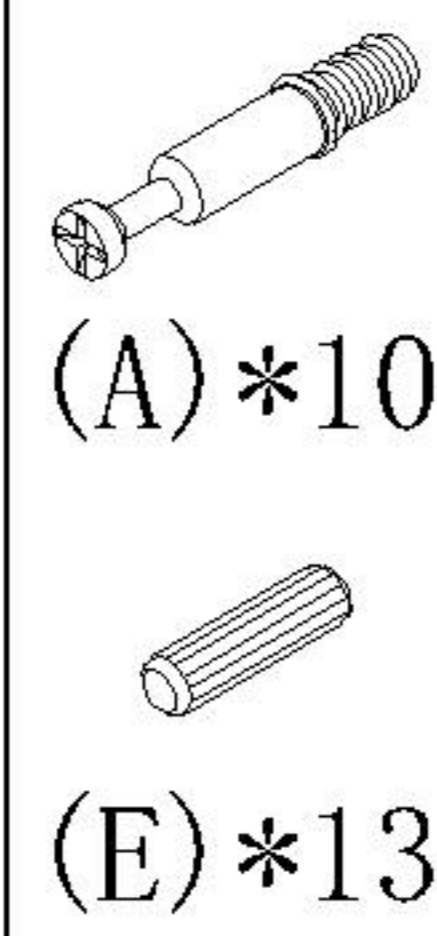
二合一/2 in 1



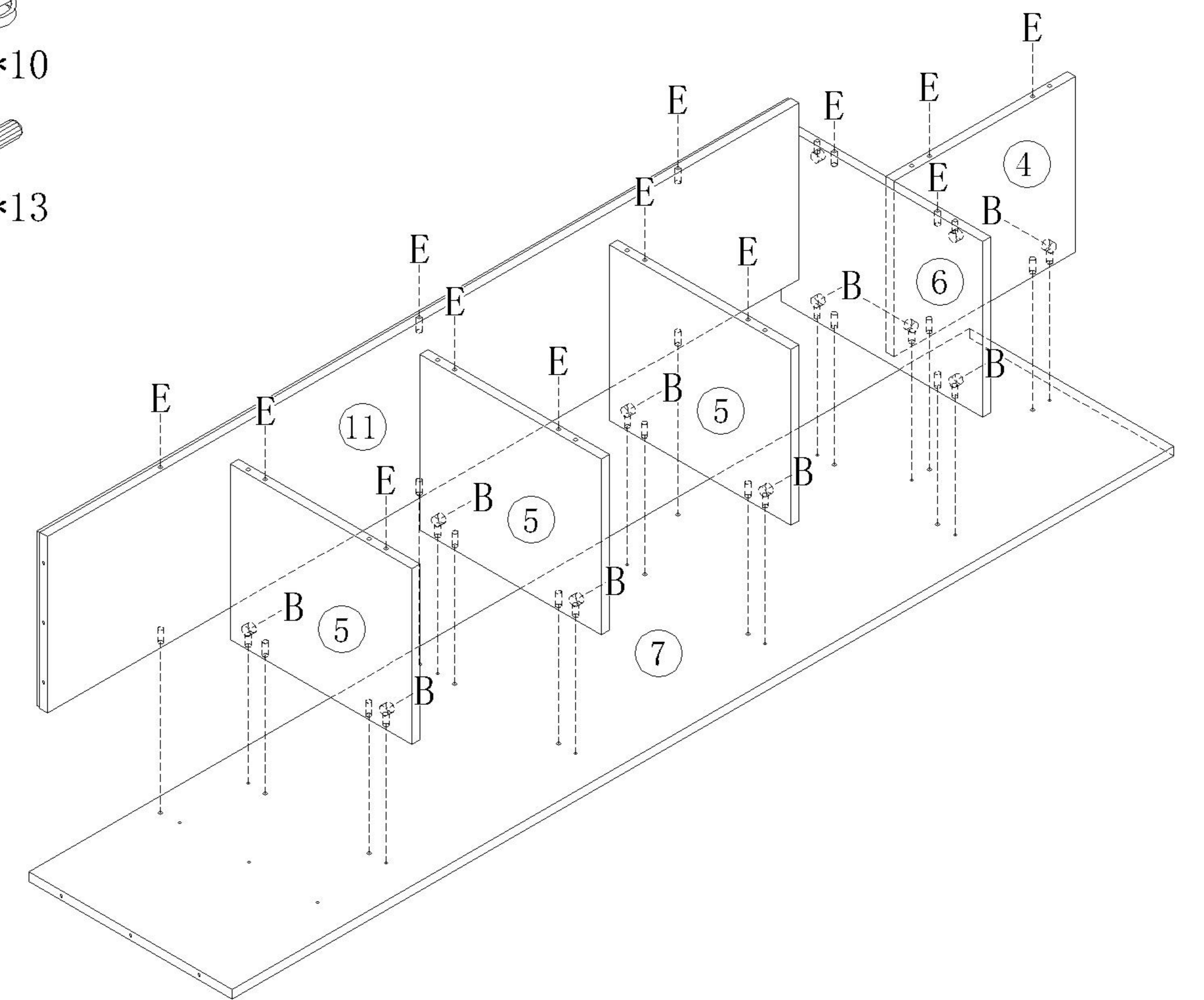
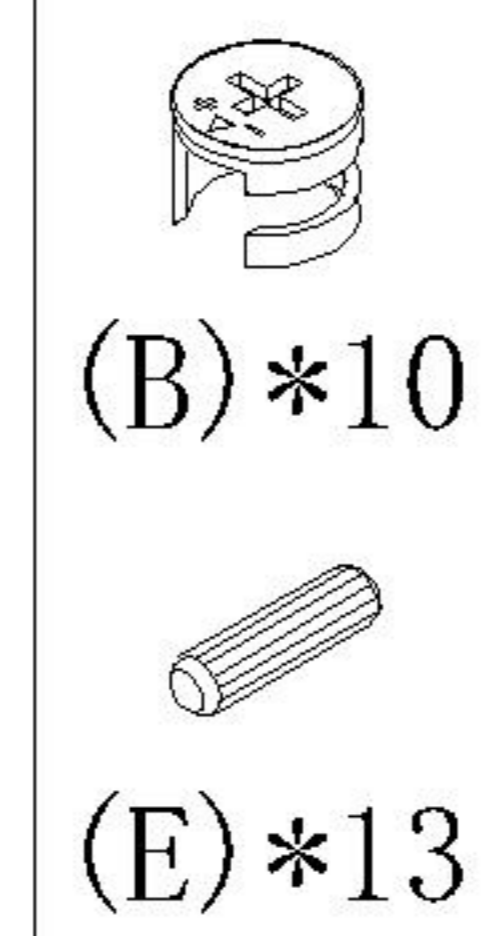
1



2



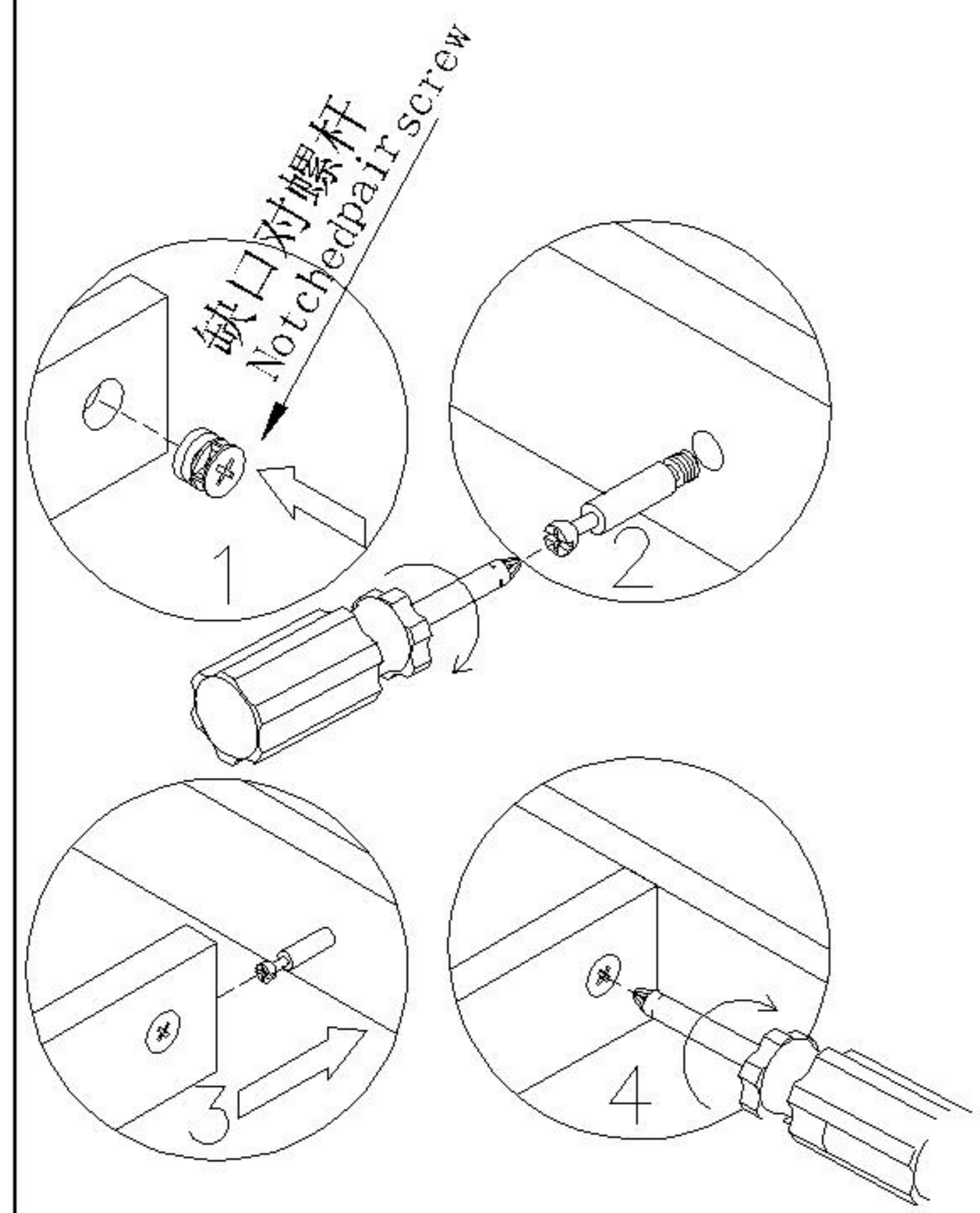
3



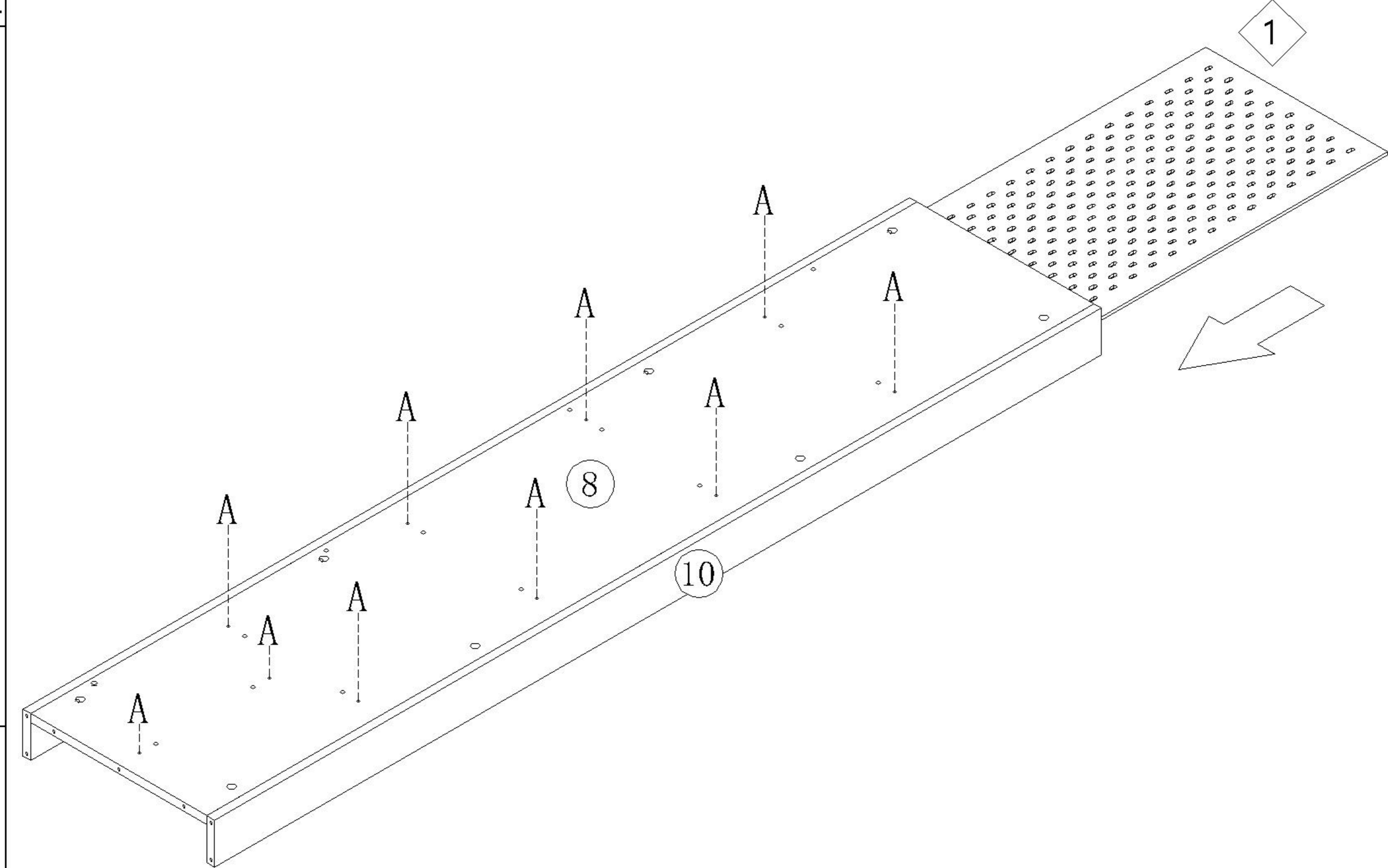
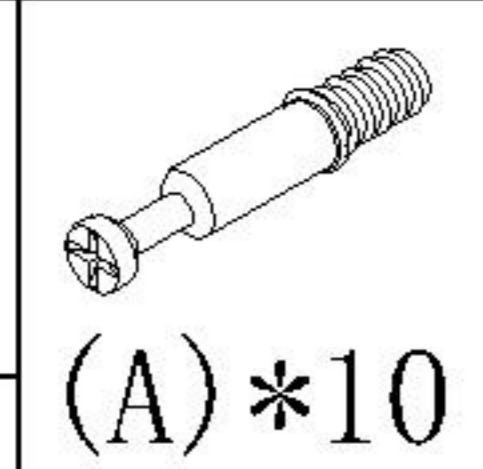
4

QA1I-A 落地镜柜

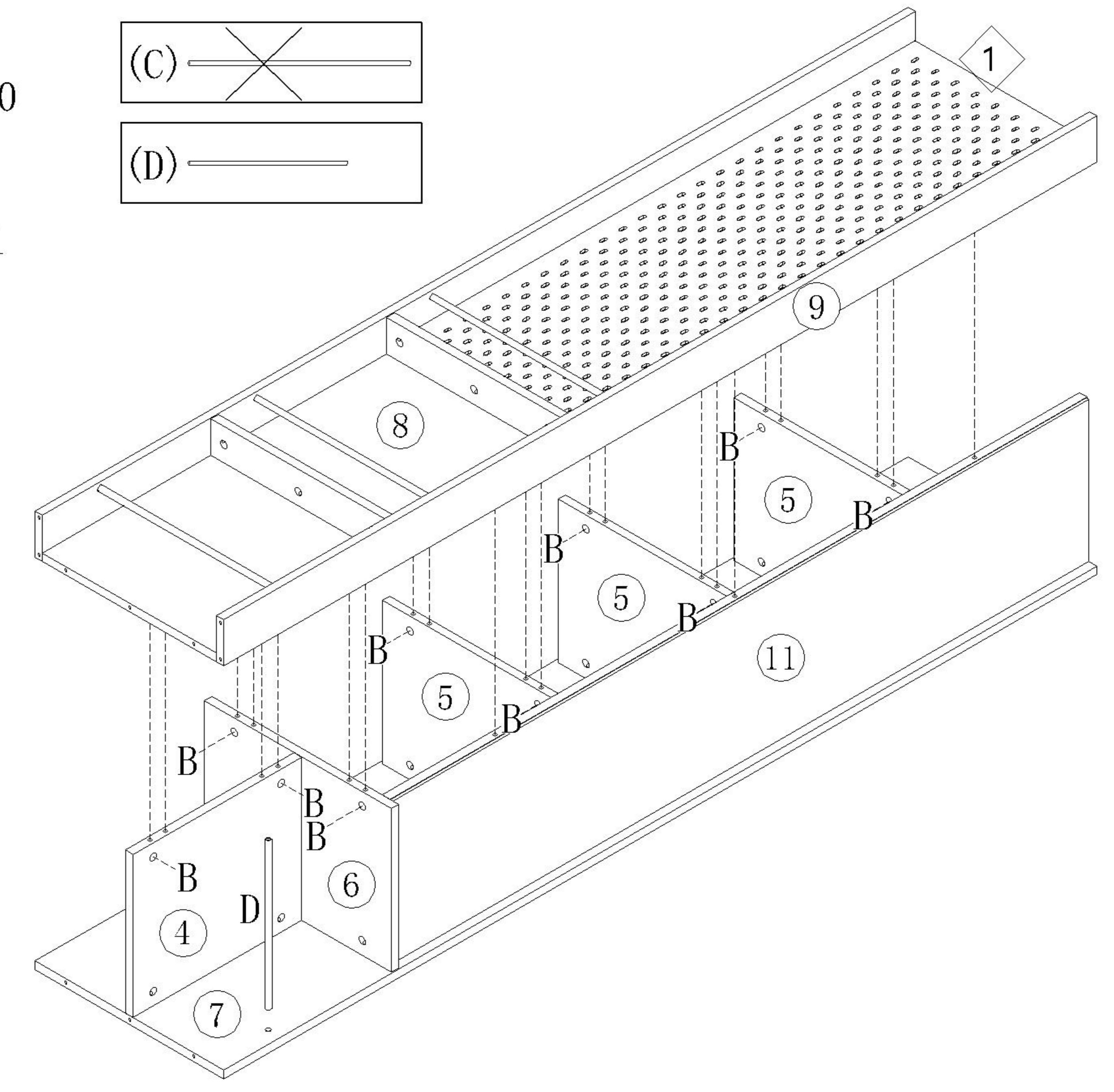
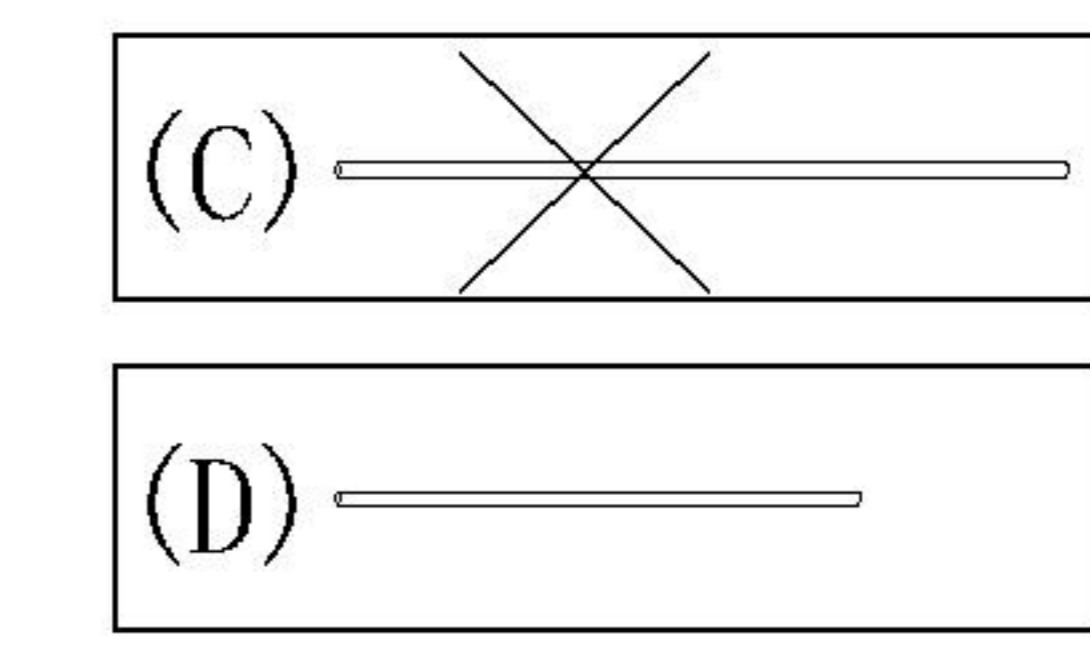
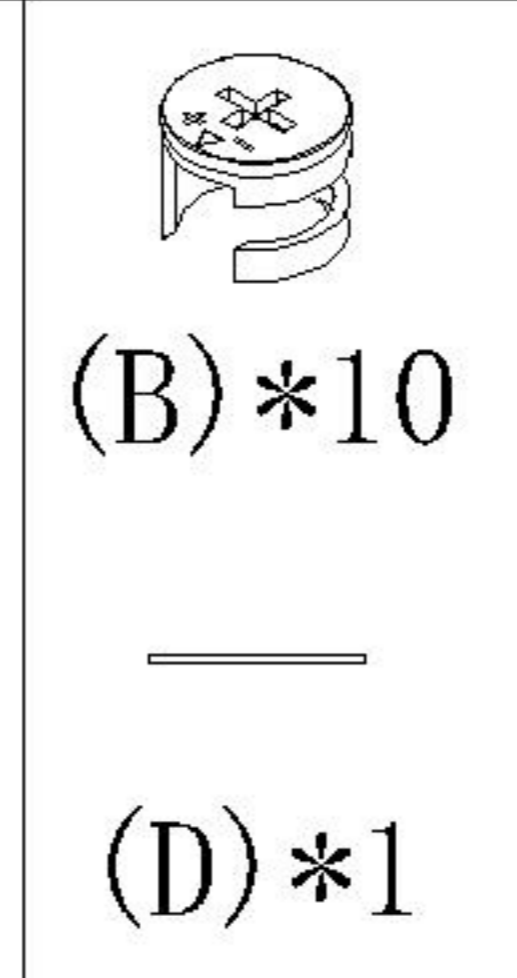
安装方法/
Installation method



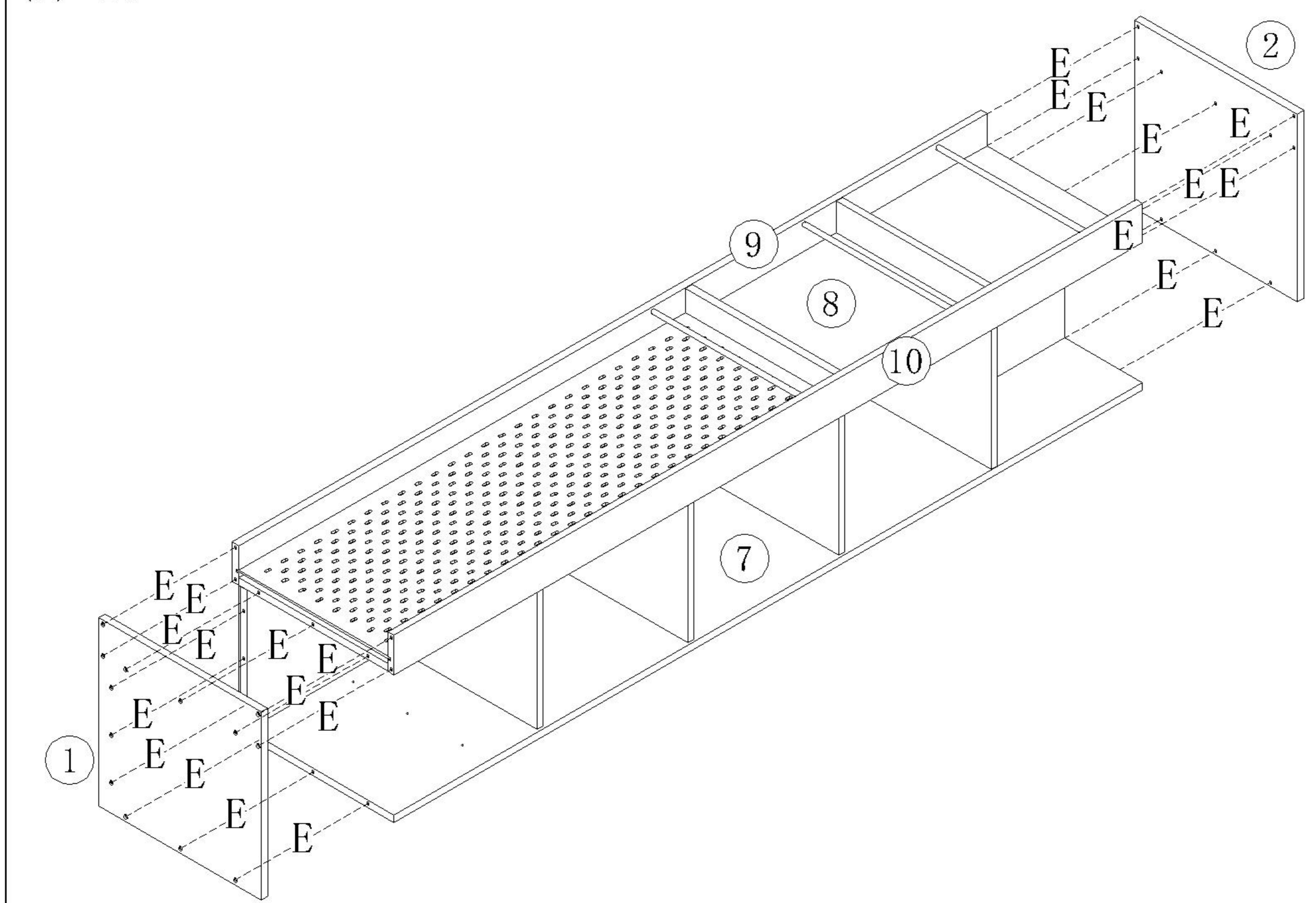
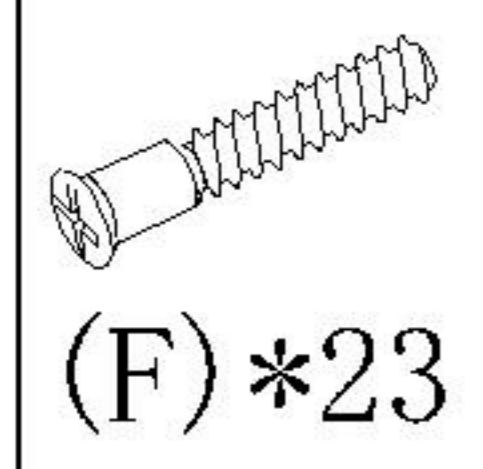
二合一/2 in 1



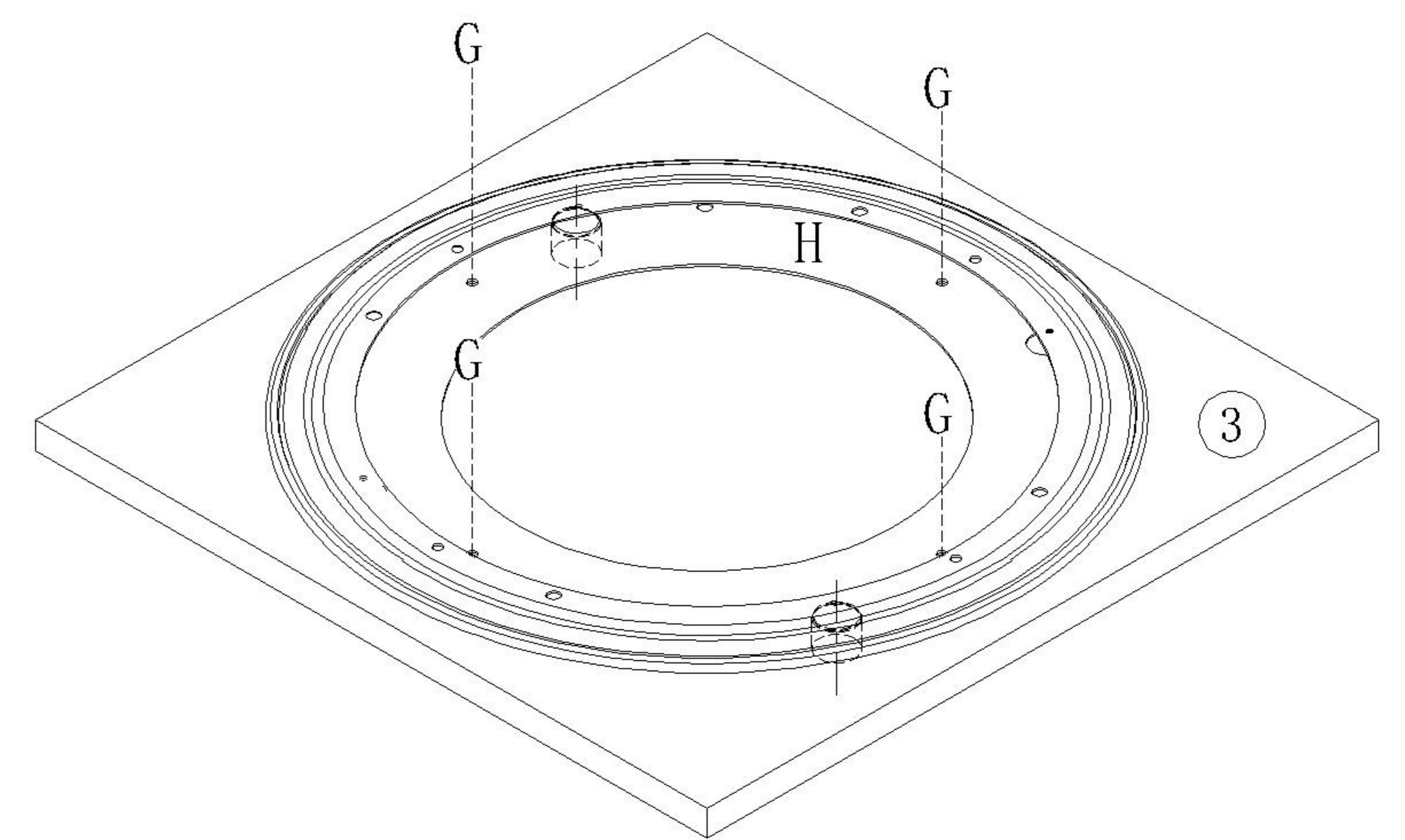
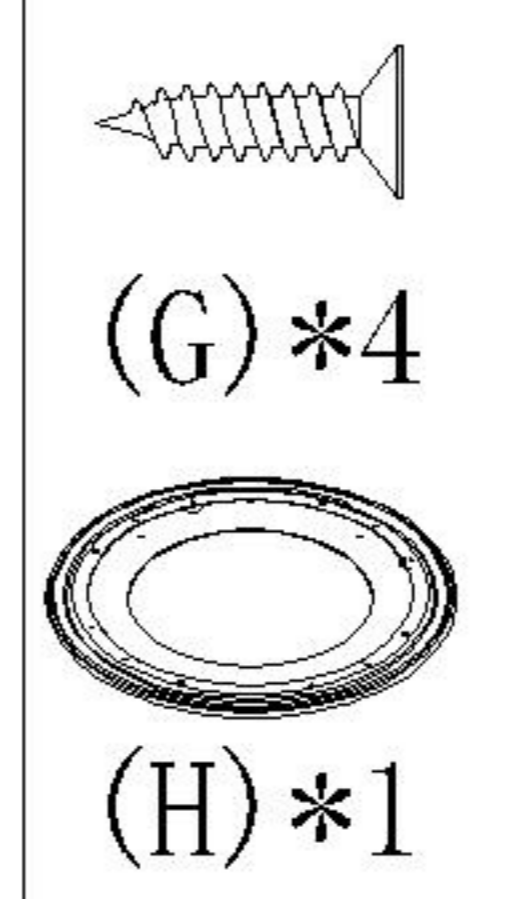
5



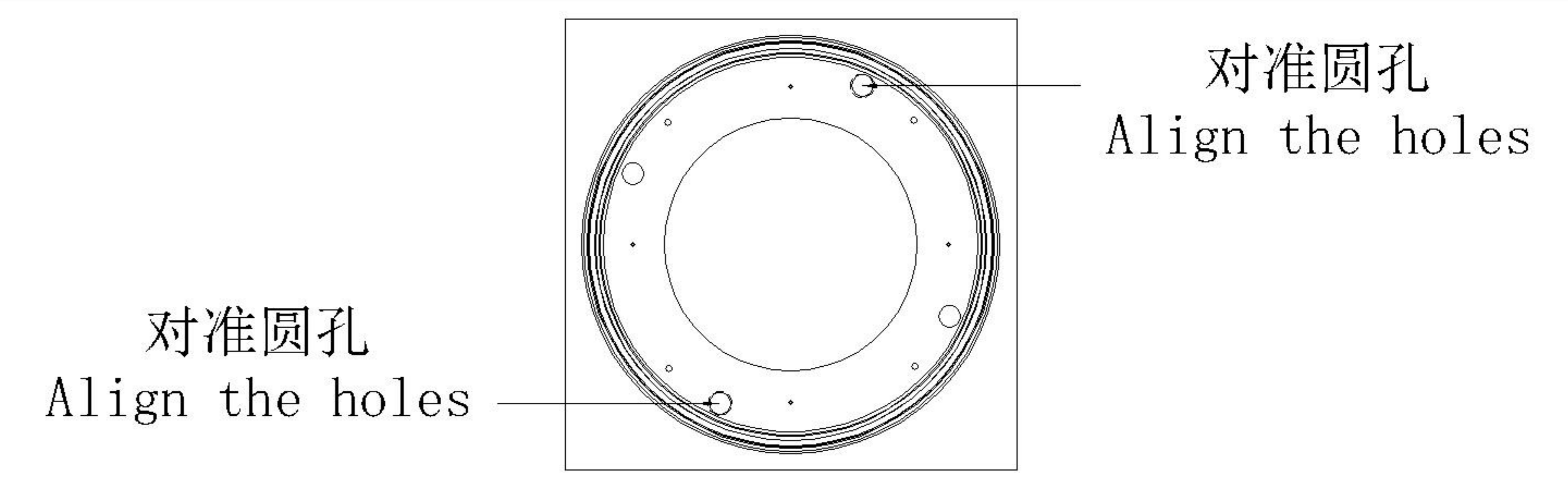
6



7



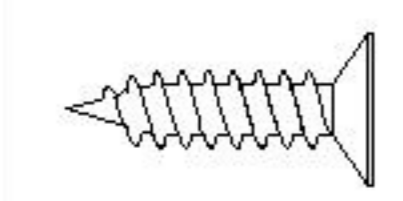

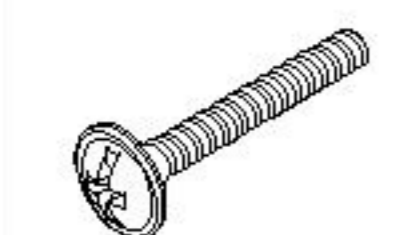
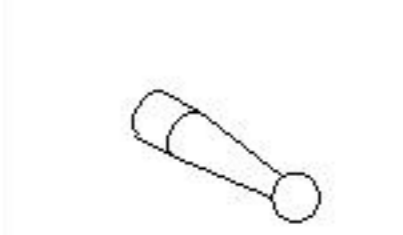
8

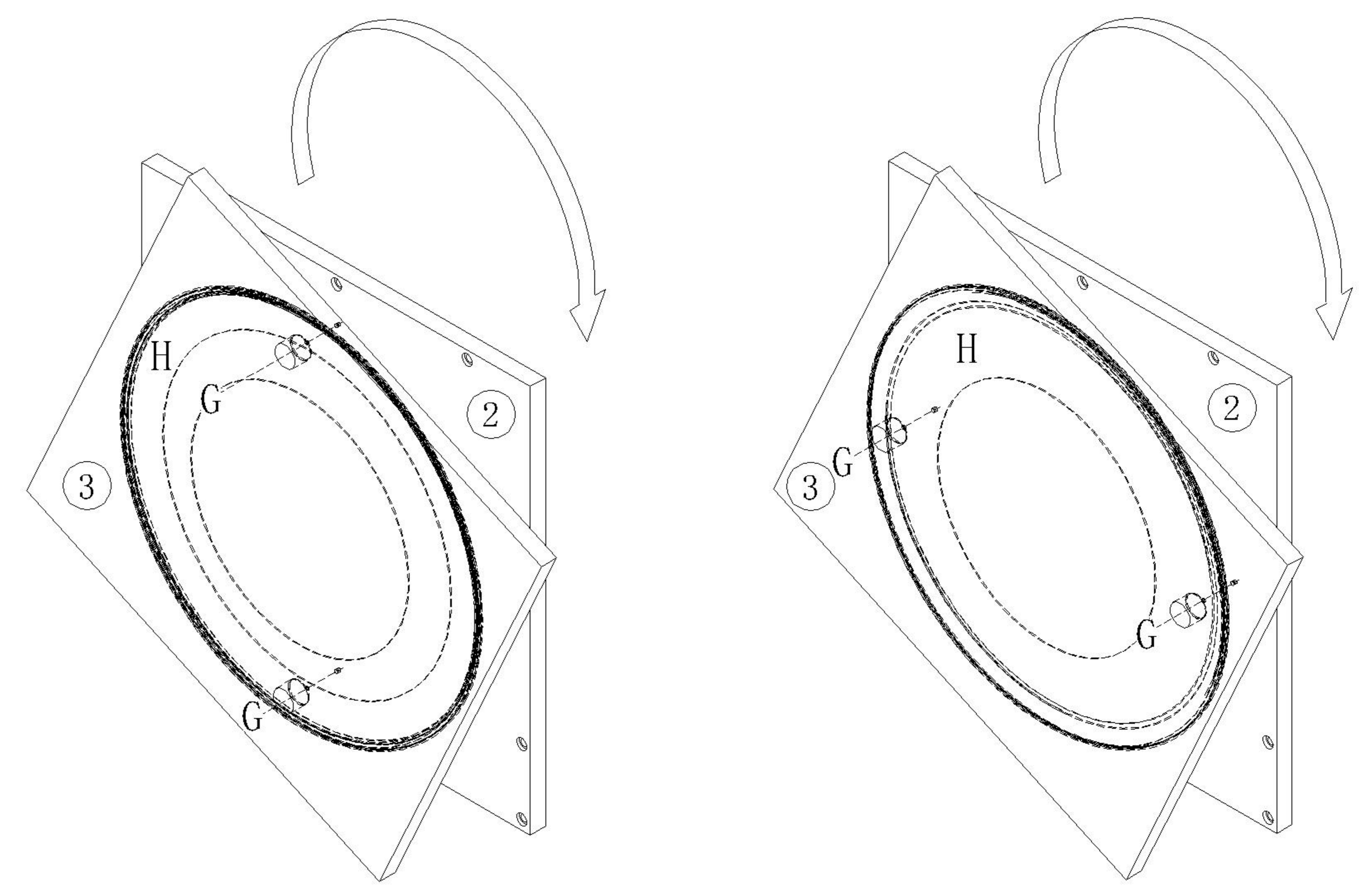
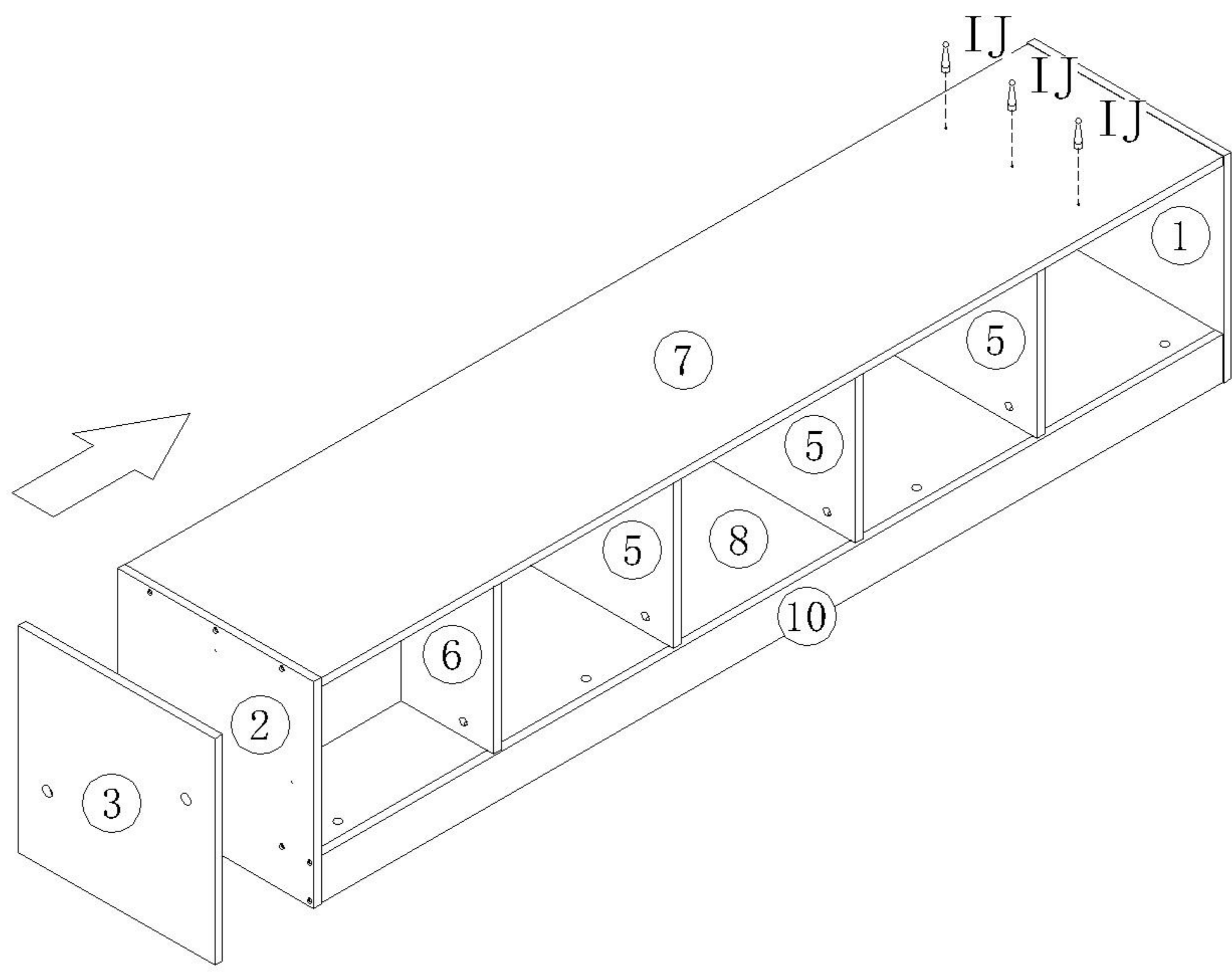


注意：安装转盘时底板圆通孔对准转盘大圆孔
Note: When installing the turntable, align the round hole of the bottom plate with the large round hole of the turntable

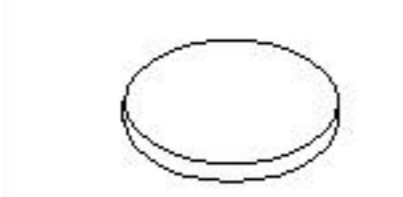
QA1I-A 落地镜柜

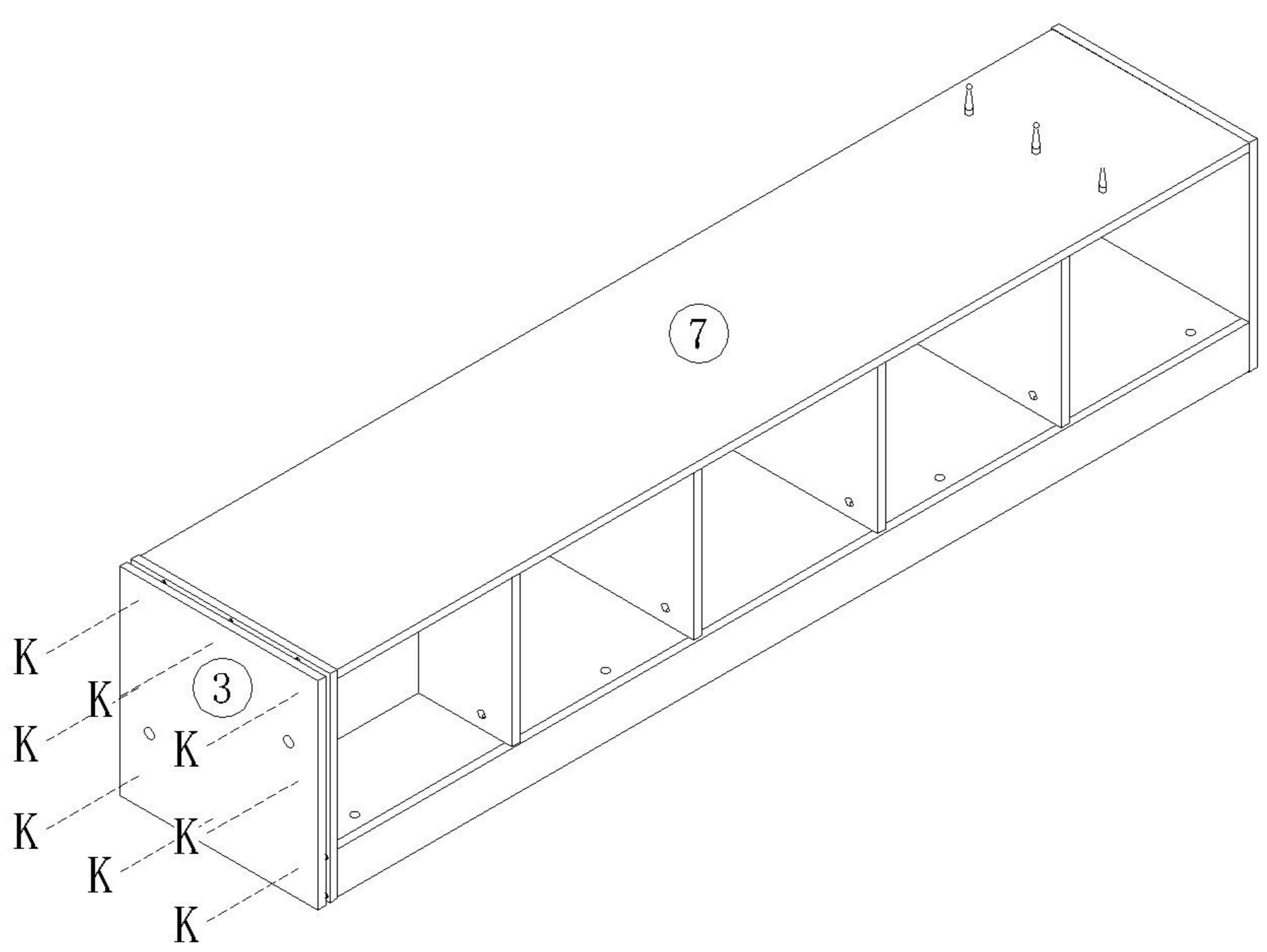
安装方法/
Installation method

-  (G)*4
-  (H)*1
-  (I)*3
-  (J)*3

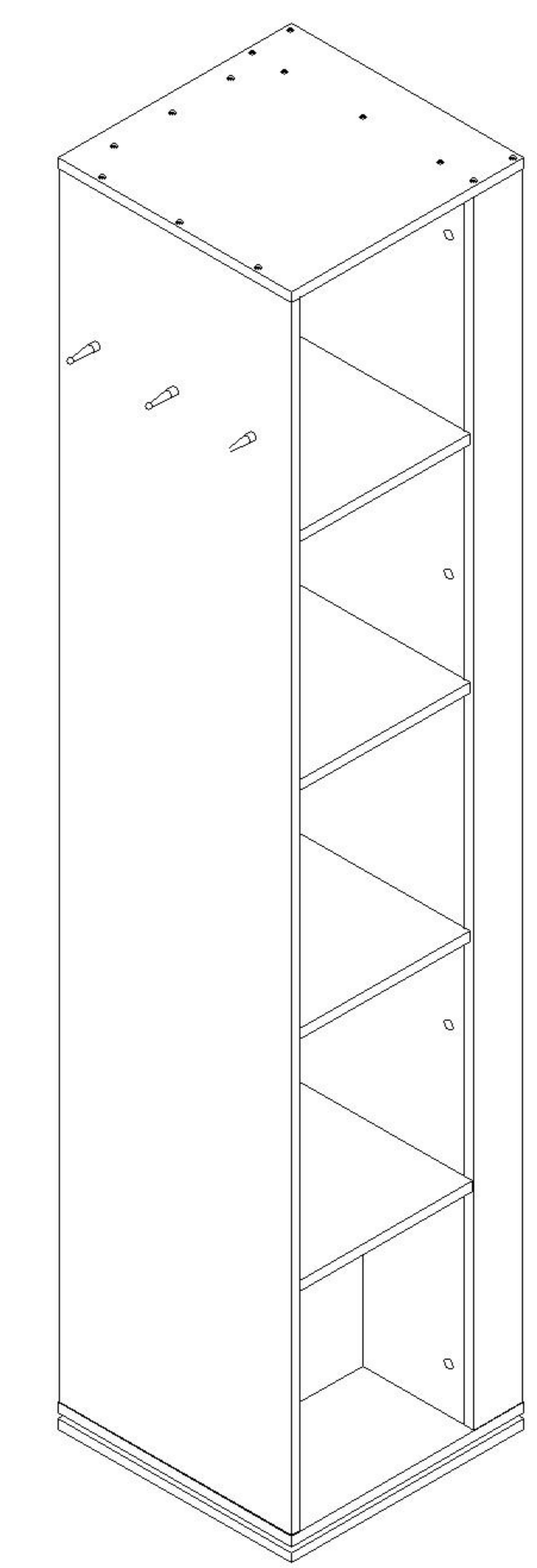


注意：通过底板2的大圆孔将转盘安装到底板1上，可旋转底板2调整好位置安装转盘
 Note: The turntable is installed on the base plate 1 through the large round hole of the bottom plate 2, and the turntable can be adjusted to adjust the position of the base plate 2 to install the turntable

-  (K)*8



10



11