

# LINSY 林氏家居

## 五金表/Hardware list

## 部件表/Parts List

安装示意图/Assembly Instruction

产品名称 Model NO.

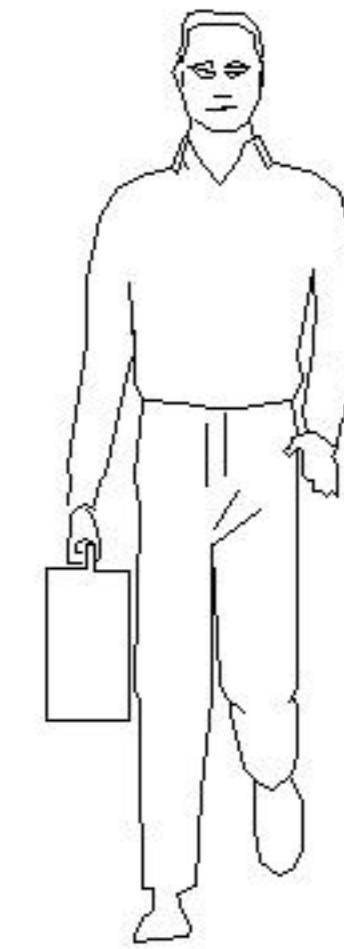
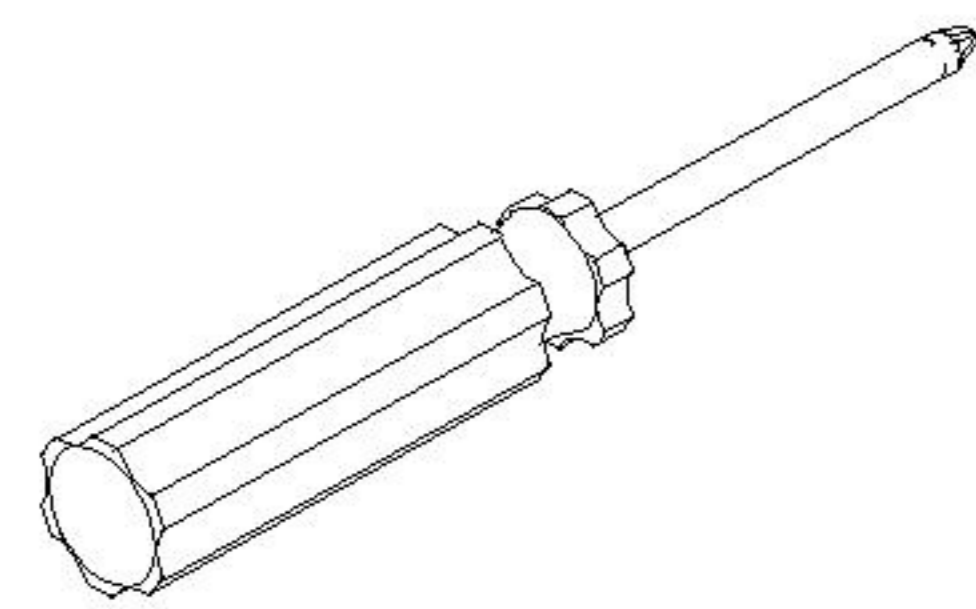
UY3M-A

产品规格 Specification

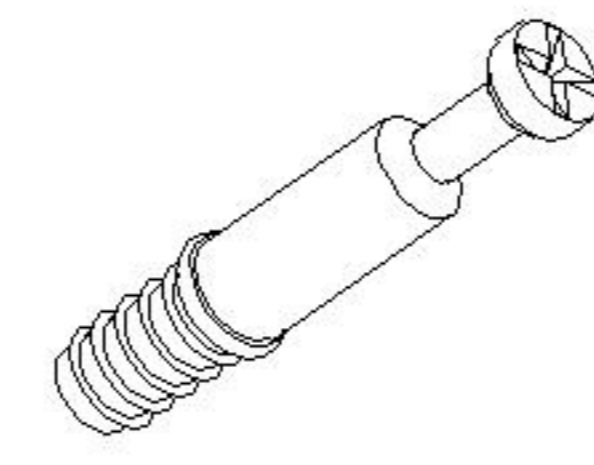
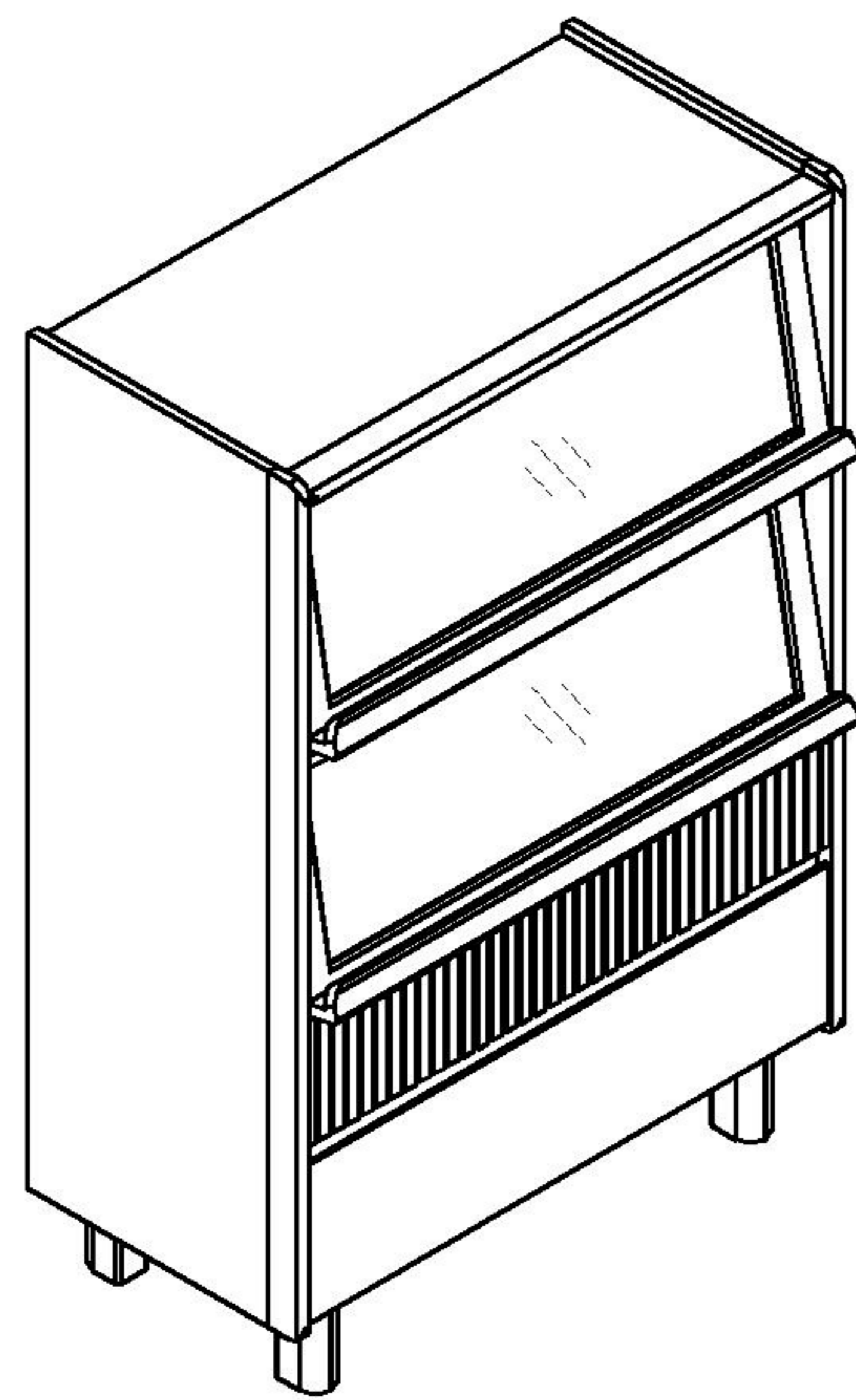
796\*431\*1198mm

安装工具 Tool

安装人数 Installer

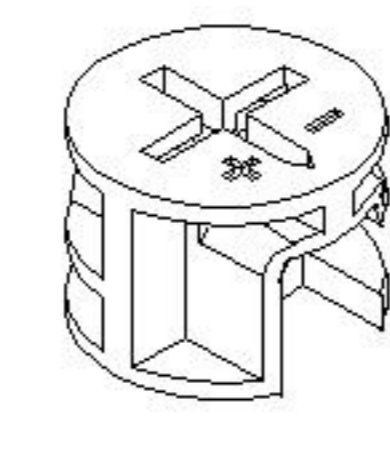


注：为保证设计效果，部分尺寸为定制尺寸，不影响使用。



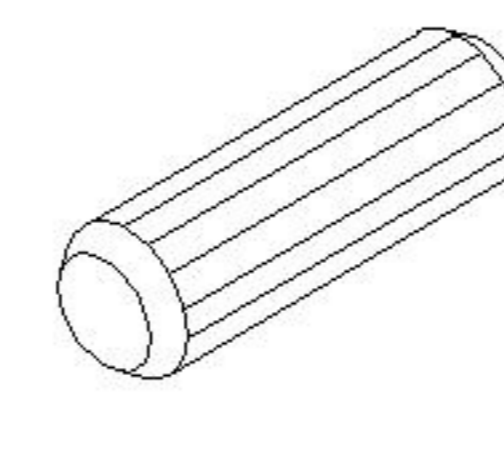
(A)\*72

二合一螺杆  
2-in-1-screw



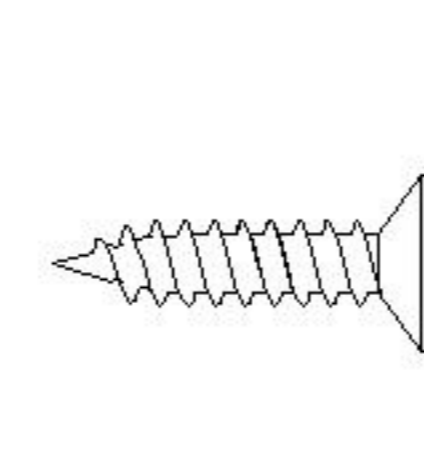
(B)\*72

大三合一锁饼  
3-in-1 large lock



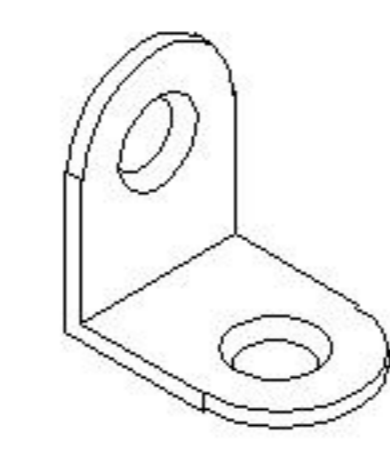
(C)\*17

木榫Ø8x30mm  
Wood tenon



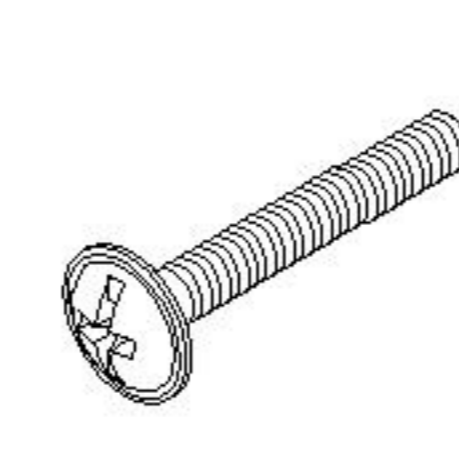
(D)\*42

白玫瑰螺丝M3.5\*14mm  
Tapping screw



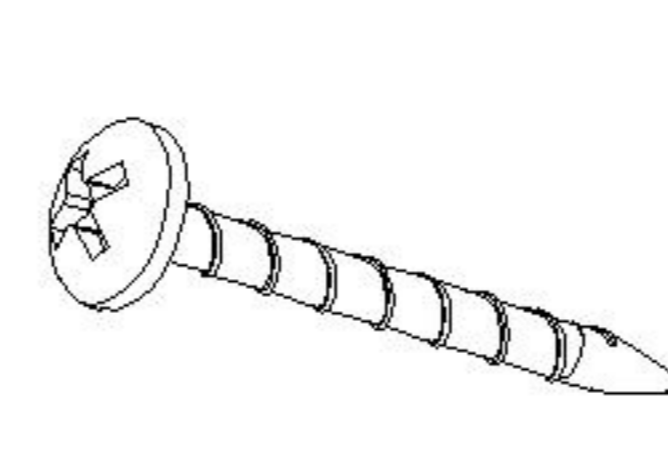
(E)\*4

小角码-(14\*21\*1.5mm)  
Small bracket



(F)\*6

拉手螺丝-M4x25mm  
Pulling screw



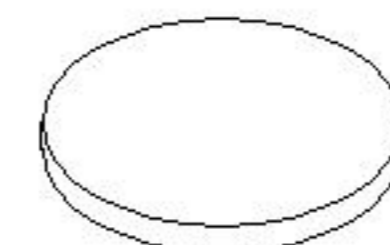
(G)\*8

大扁白玫M4\*25mm  
Flat head tapping screw



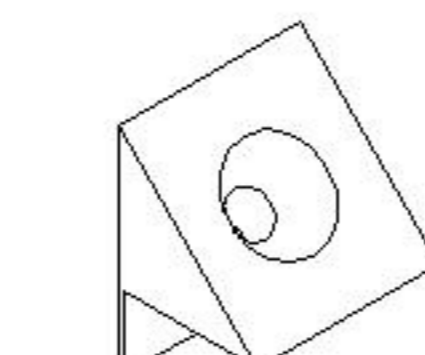
(H)\*4

锤母M8\*15彩锌  
Hammer nut



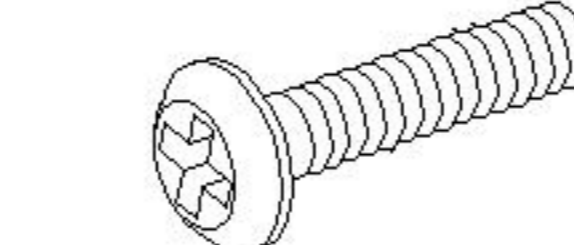
(I)\*4

灰色毛毡垫  
Foot pad



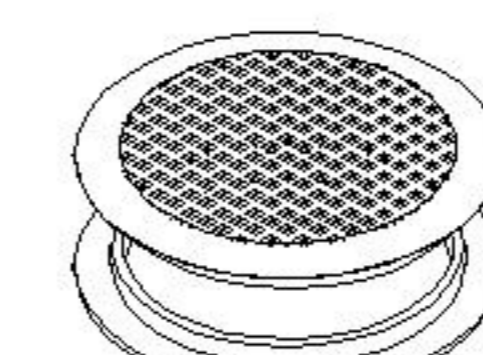
(J)\*8

背板扣  
White buckle



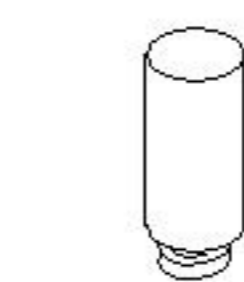
(K)\*4

斜边十字螺杆M8\*70mm  
Bevel cross screw



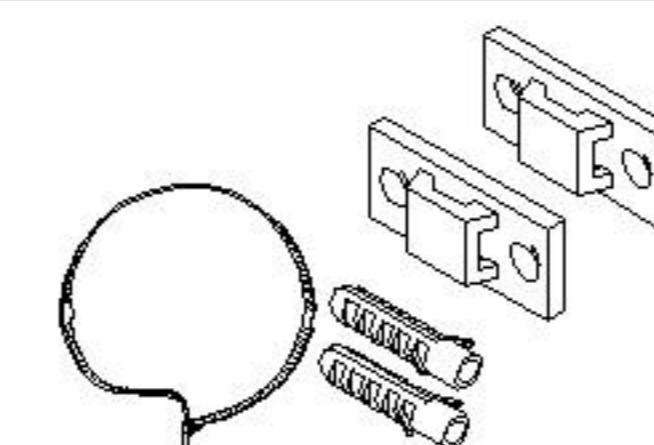
(L)\*2

透气孔盖-白色  
Breathable cover



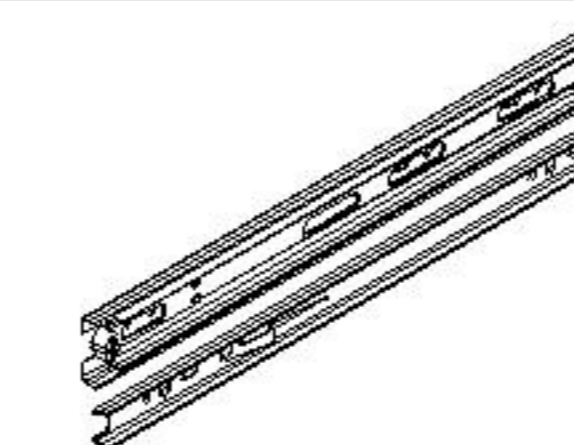
(M)\* 8

活动层板托  
Movable shelf support



(N)\*1

家具防倒器-白色  
Anti-fall device



(O)\*2

三节滚珠导轨10"  
Three-section rail



(P)\*72

PVC孔贴  
PVC hole sticker

编号NO.

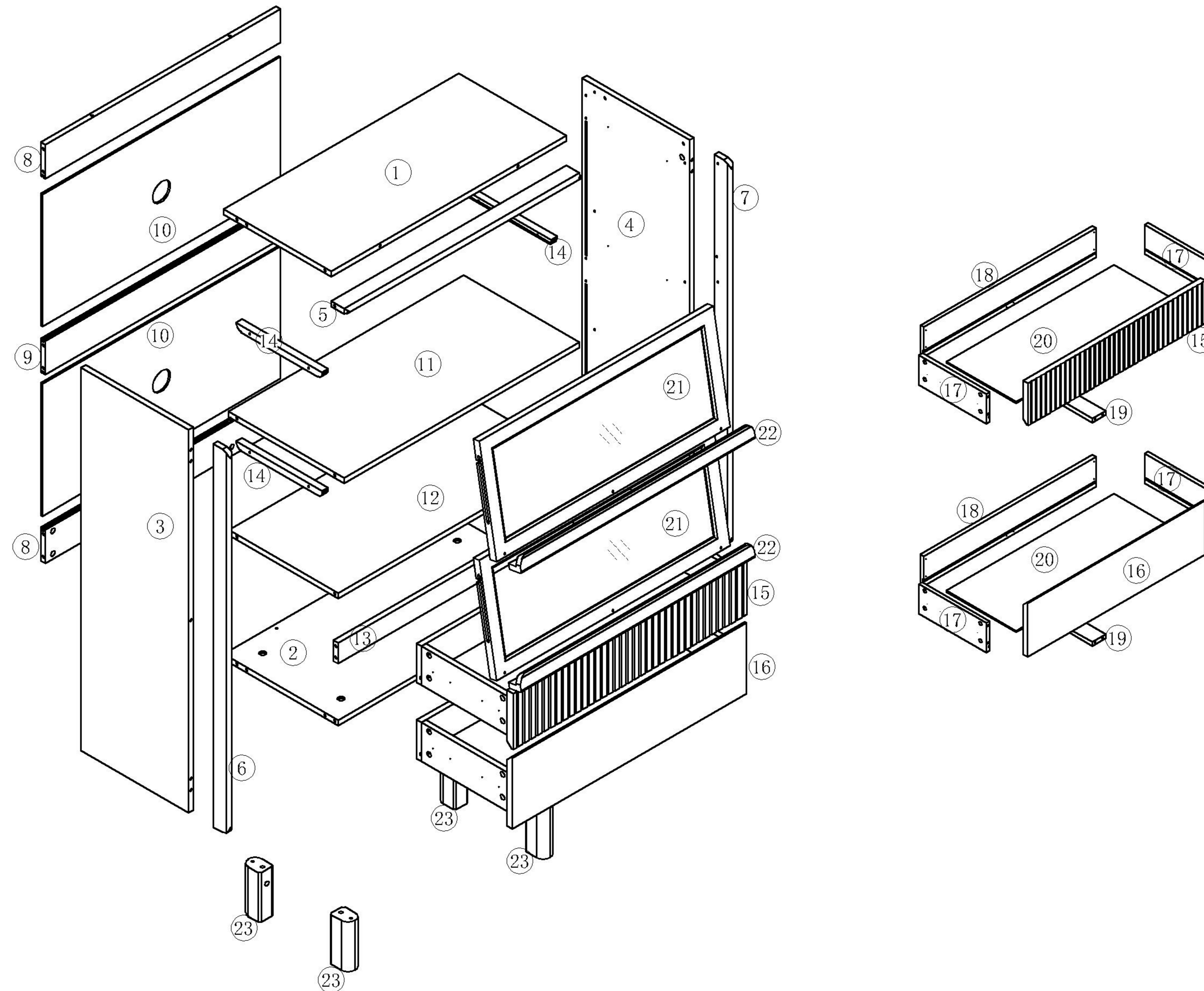
名称Name

规格 (mm)  
Specification

数量QTY

材质Material

①	面板Top panel	766*350*15	1	刨花板 Particle board
②	底板Bottom board	766*372*15	1	刨花板 Particle board
③	左侧板Side board(L)	1080*350*15	1	刨花板 Particle board
④	右侧板Side board(R)	1080*350*15	1	刨花板 Particle board
⑤	面板加条 Panel pillar	766*50*15	1	橡胶木 Rubber wood
⑥	左侧柱Side column(L)	1080*50*15	1	橡胶木 Rubber wood
⑦	右侧柱Side column(R)	1080*50*15	1	橡胶木 Rubber wood
⑧	边背拉条Side back brace	766*95*15	2	刨花板 Particle board
⑨	背拉条Back brace	766*95*15	1	刨花板 Particle board
⑩	背板Back board	776*373*5	2	纤维板 Fiberboard
⑪	上层板Upper shelf	766*376*15	1	刨花板 Particle board
⑫	下层板Lower shelf	766*356*15	1	刨花板 Particle board
⑬	拉条Brace	766*58*15	1	刨花板 Particle board
⑭	左右垫条 Shelf	280*20*20	4	橡胶木 Rubber wood
⑮	上抽屉面板Upper drawer's panel	762*158*20	1	橡胶木 Rubber wood
⑯	下抽屉面板Bottom drawer's panel	762*200*18	1	刨花板 Particle board
⑰	抽屉侧板Drawer's sideboard	290*110*15	4	刨花板 Particle board
⑱	抽屉后板Drawer's Back board	740*110*15	2	刨花板 Particle board
⑲	抽屉底托条Drawer's bottom bracket	290*58*15	2	刨花板 Particle board
⑳	抽屉底板Drawer's Bottom board	720*300*5	2	纤维板 Fiberboard
㉑	门板Door board	762*317*20	2	橡胶木+玻璃 Rubber wood+glass
㉒	拉手Handle	762*40*40	2	橡胶木 Rubber wood
㉓	脚Foot	140*60*45	4	橡胶木 Rubber wood

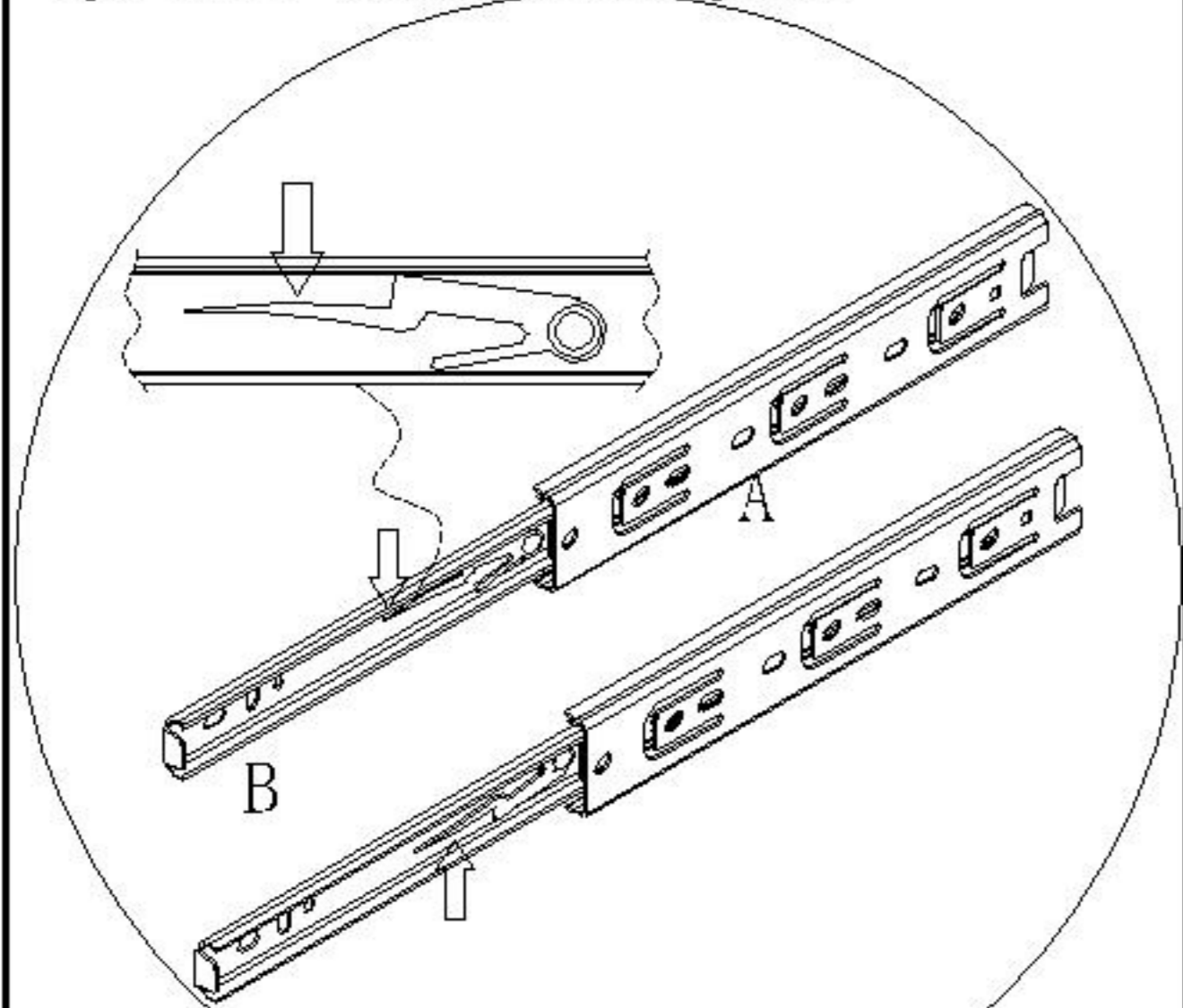


编号NO.	名称Name
①	面板Top panel
②	底板Bottom board
③	左侧板Side board(L)
④	右侧板Side board(R)
⑤	面板加条 Panel pillar
⑥	左侧柱L side pillar
⑦	右侧柱Side column(R)
⑧	边背拉条Side back brace
⑨	背拉条Back brace
⑩	背板Back board
⑪	上层板Upper shelf
⑫	下层板Lower shelf
⑬	拉条Brace
⑭	左右垫条 Shelf
⑮	上抽屉面板Upper drawer's panel
⑯	下抽屉面板Bottom drawer's panel
⑰	抽屉侧板Drawer's sideboard
⑱	抽屉后板Drawer's Back board
⑲	抽屉底托条Drawer's bottom bracket
⑳	抽屉底板Drawer's Bottom board
㉑	门板Door board
㉒	拉手Handle
㉓	脚Foot

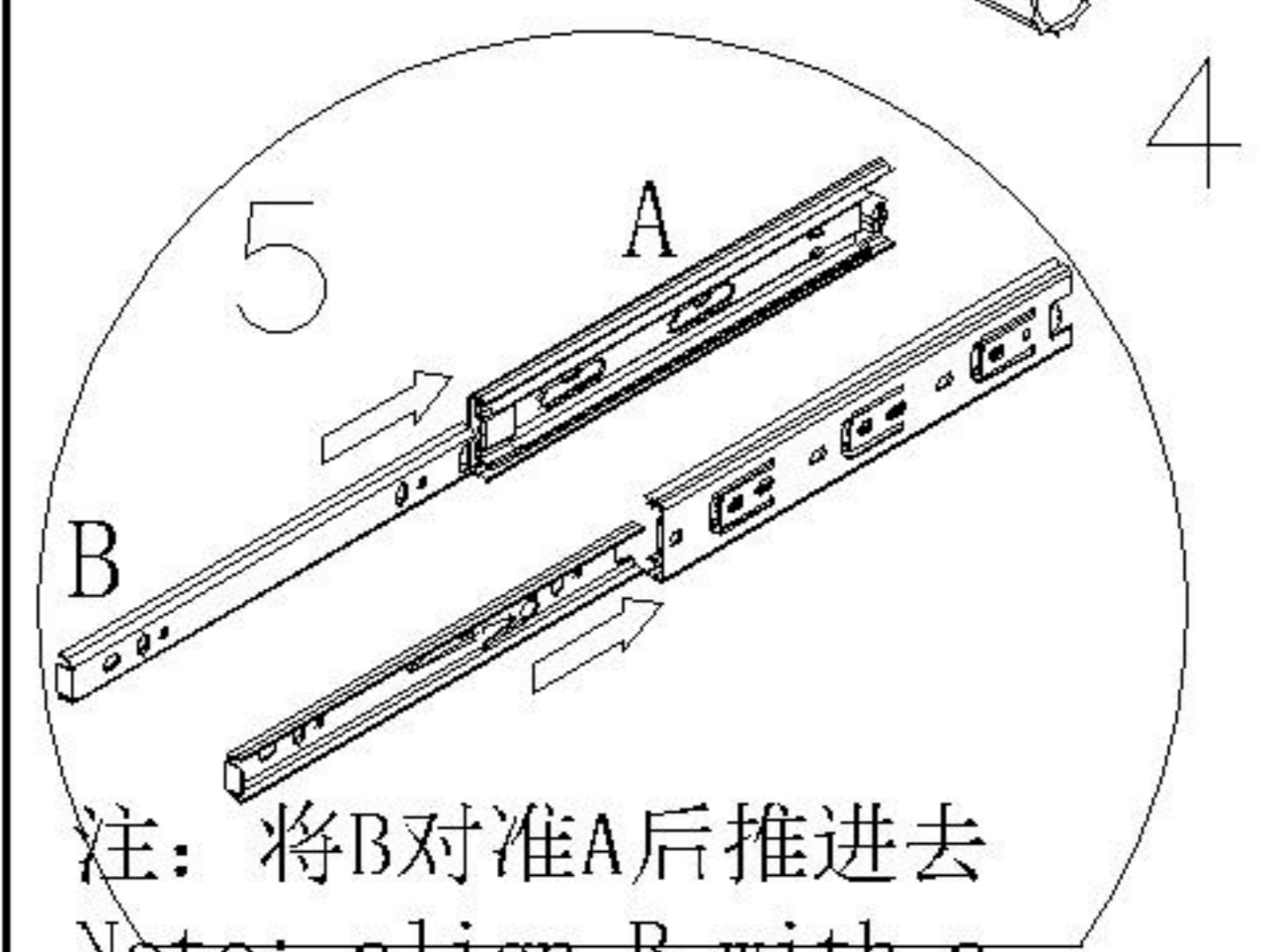
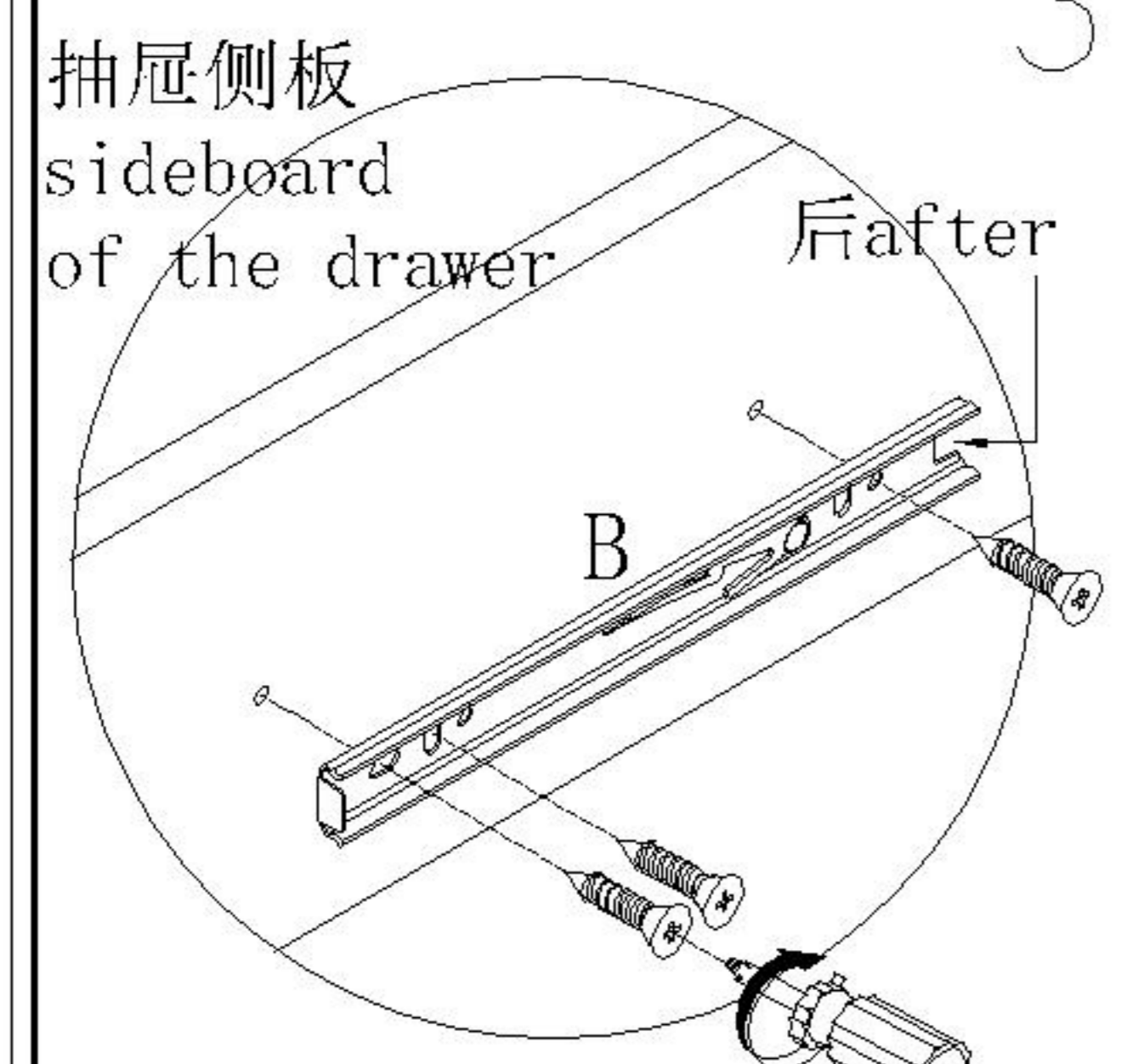
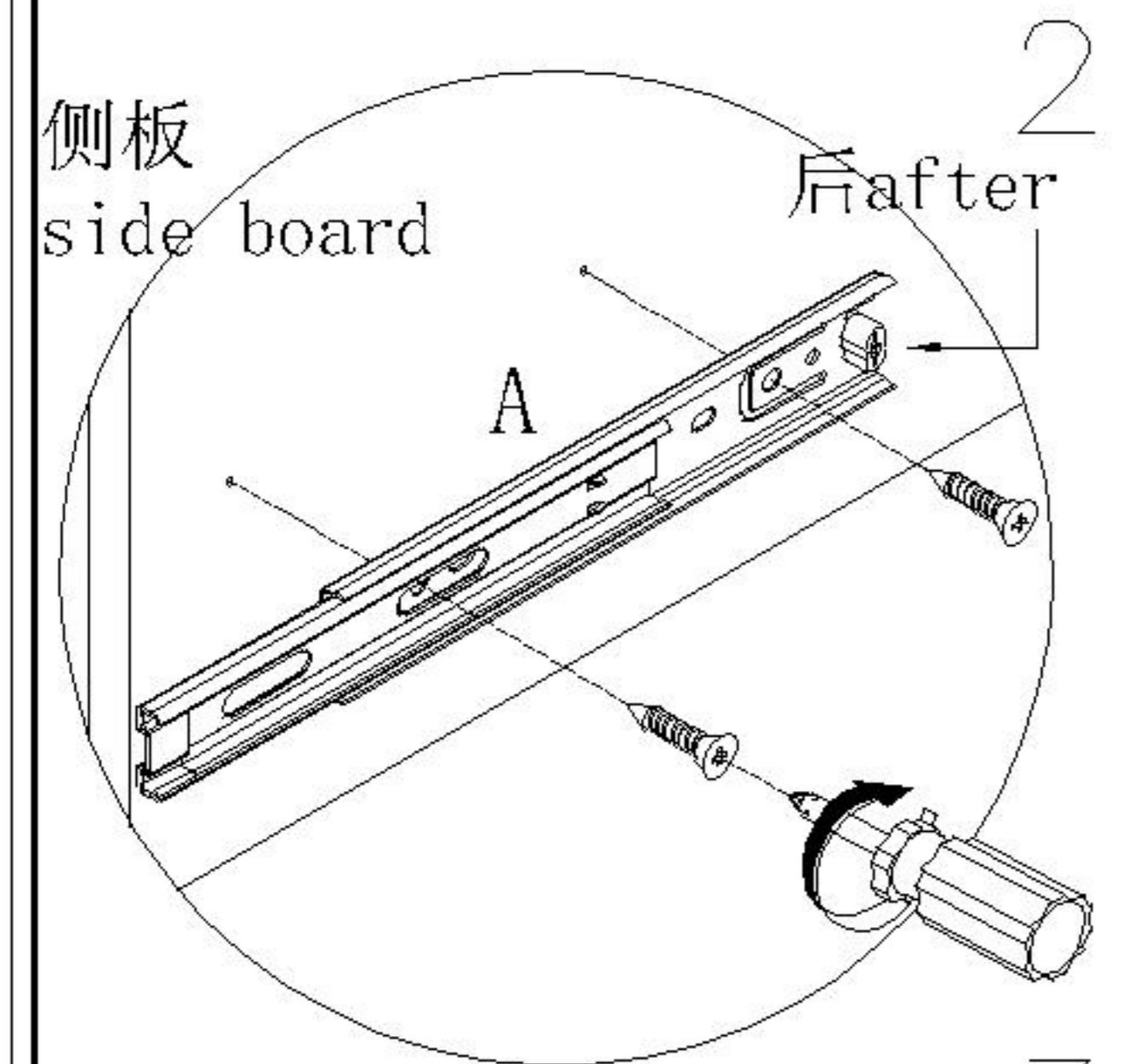
UY3M-A

安装方法/  
Installation method

阀门开关(下压为开)  
Valve switch  
(press down to open)

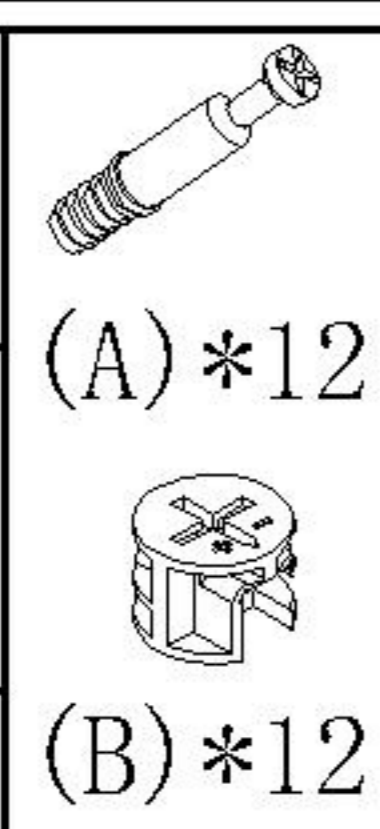


注: 先将A与B拆下来  
Note: remove a and B first

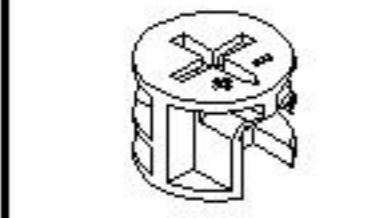


注: 将B对准A后推进去  
Note: align B with a  
and push it in

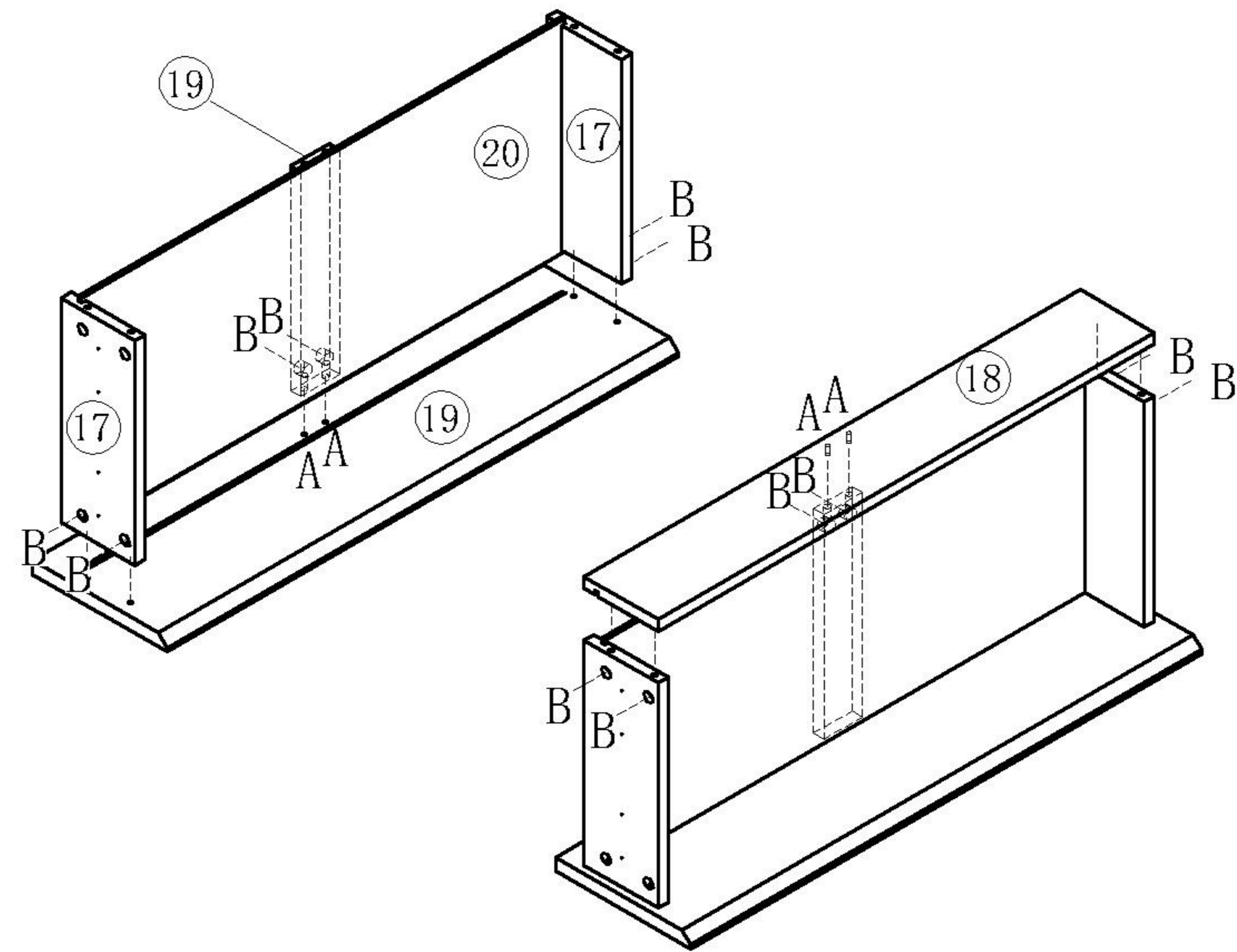
三节滚珠导轨  
three-section ball rail



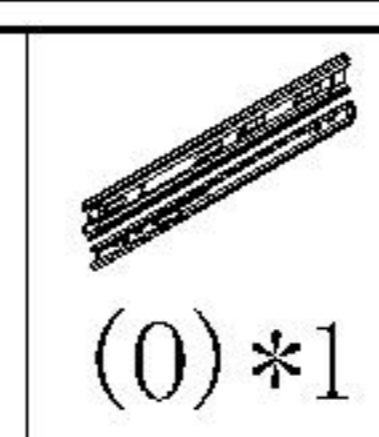
(A)\*12



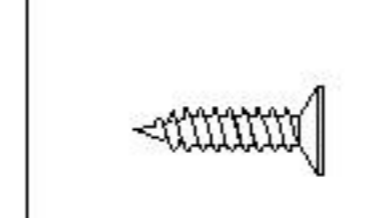
(B)\*12



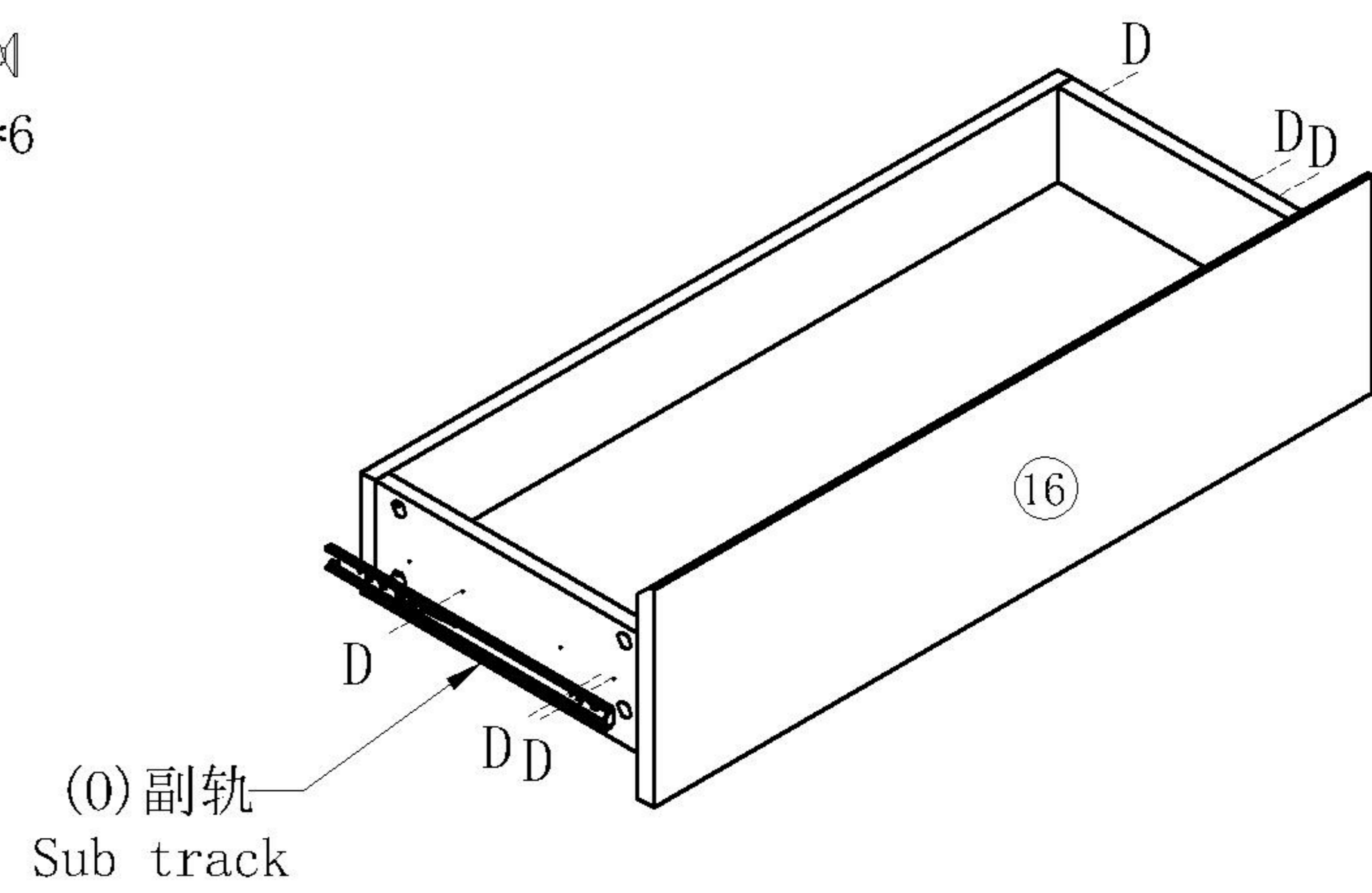
1



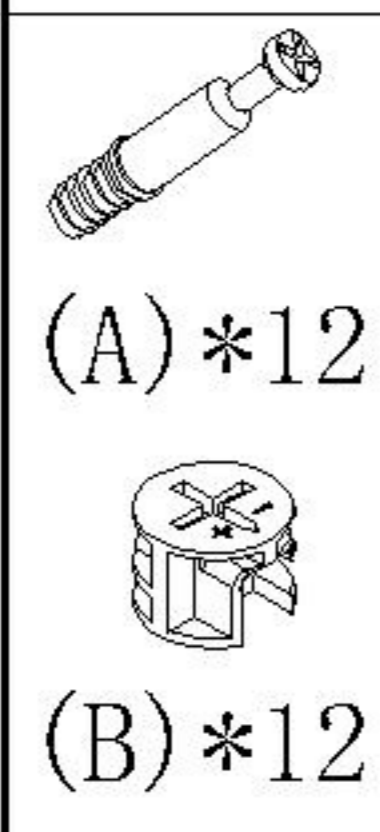
(O)\*1



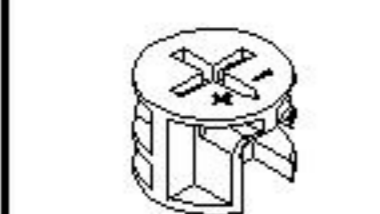
(D)\*6



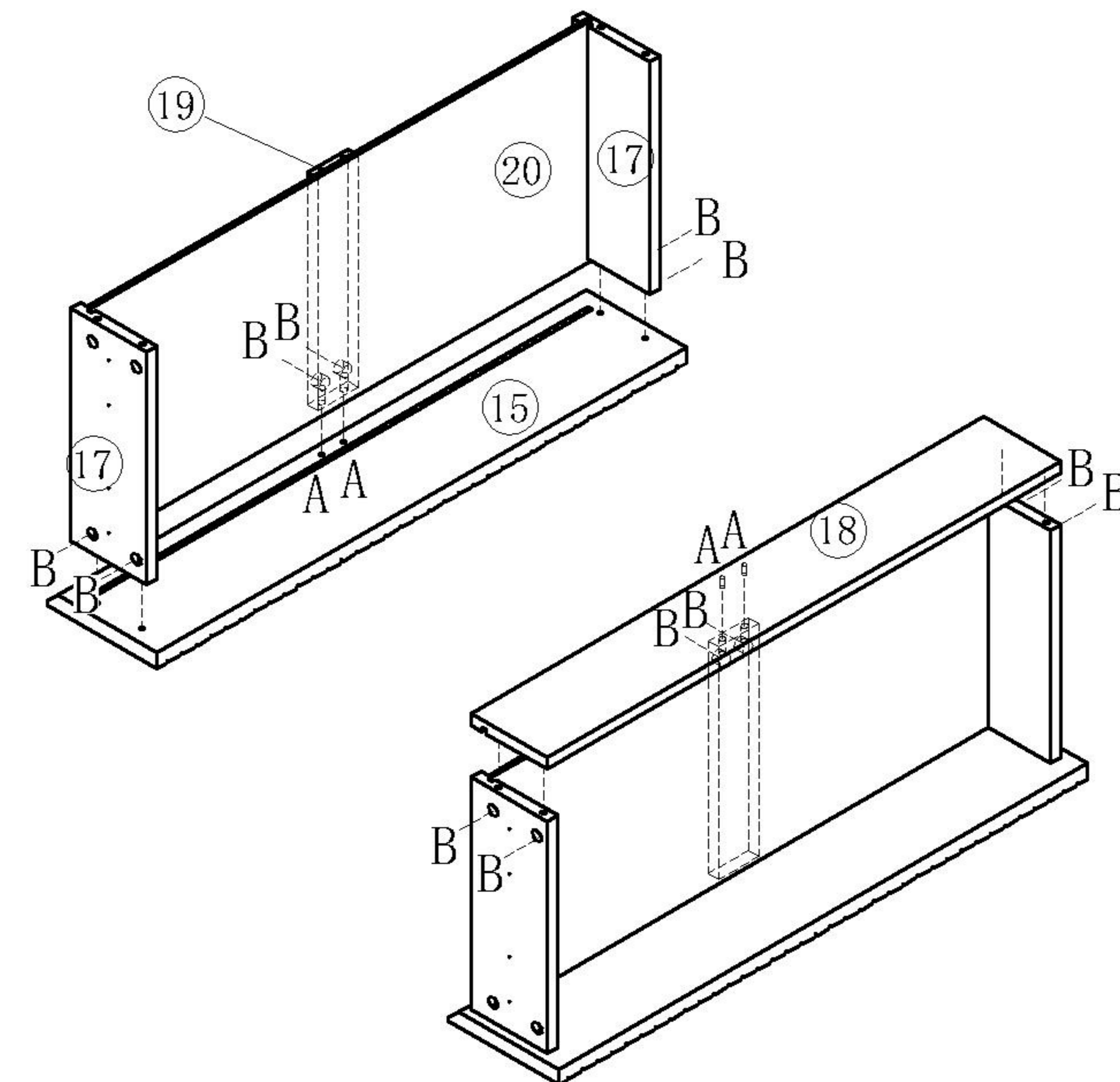
2



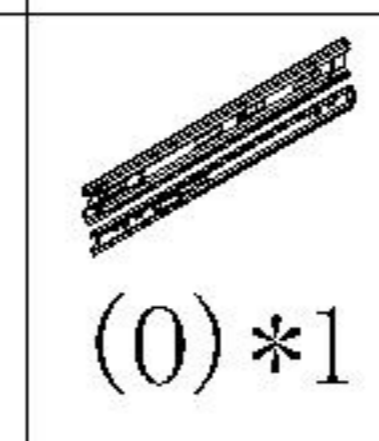
(A)\*12



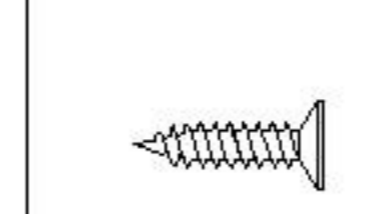
(B)\*12



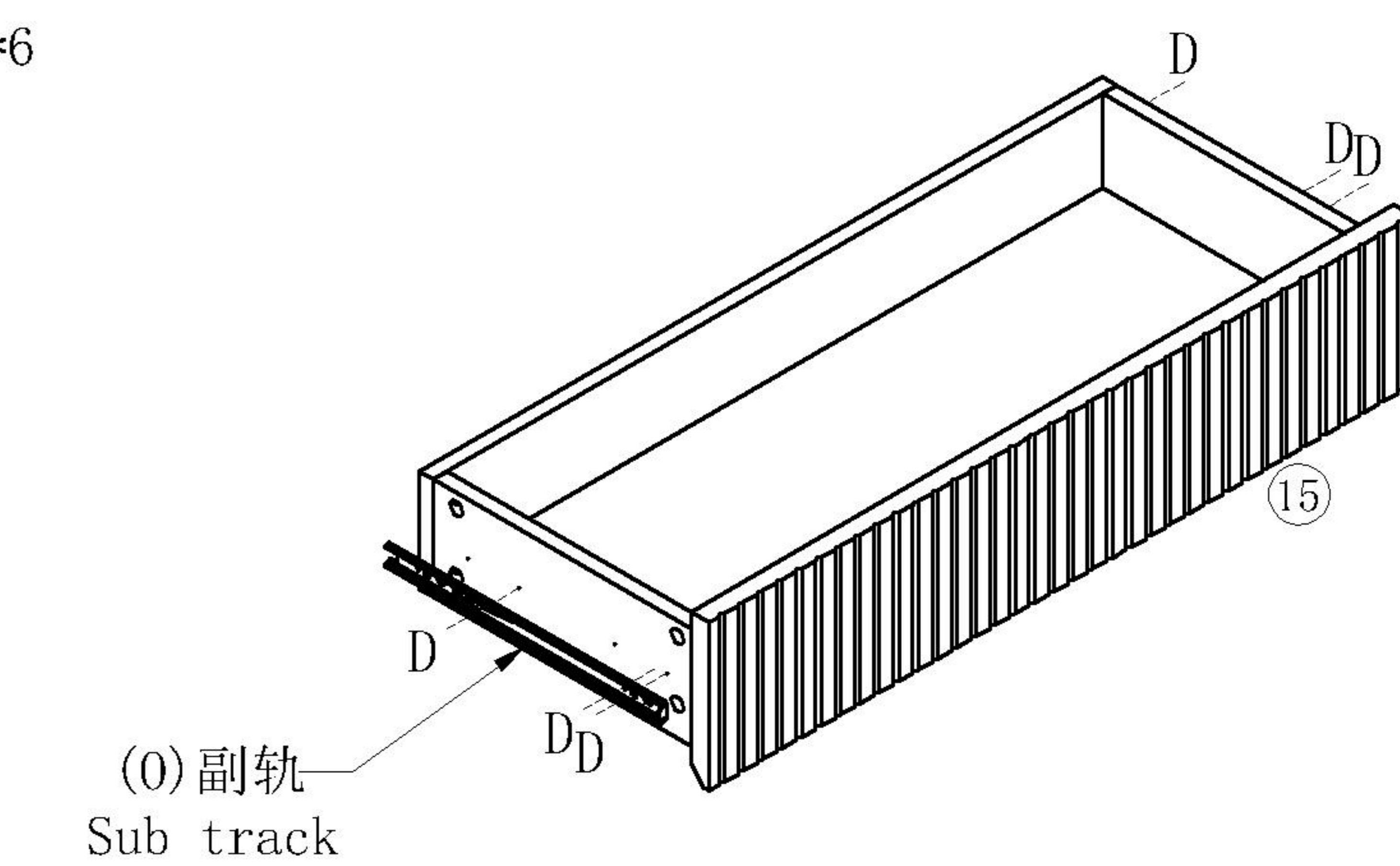
3



(O)\*1



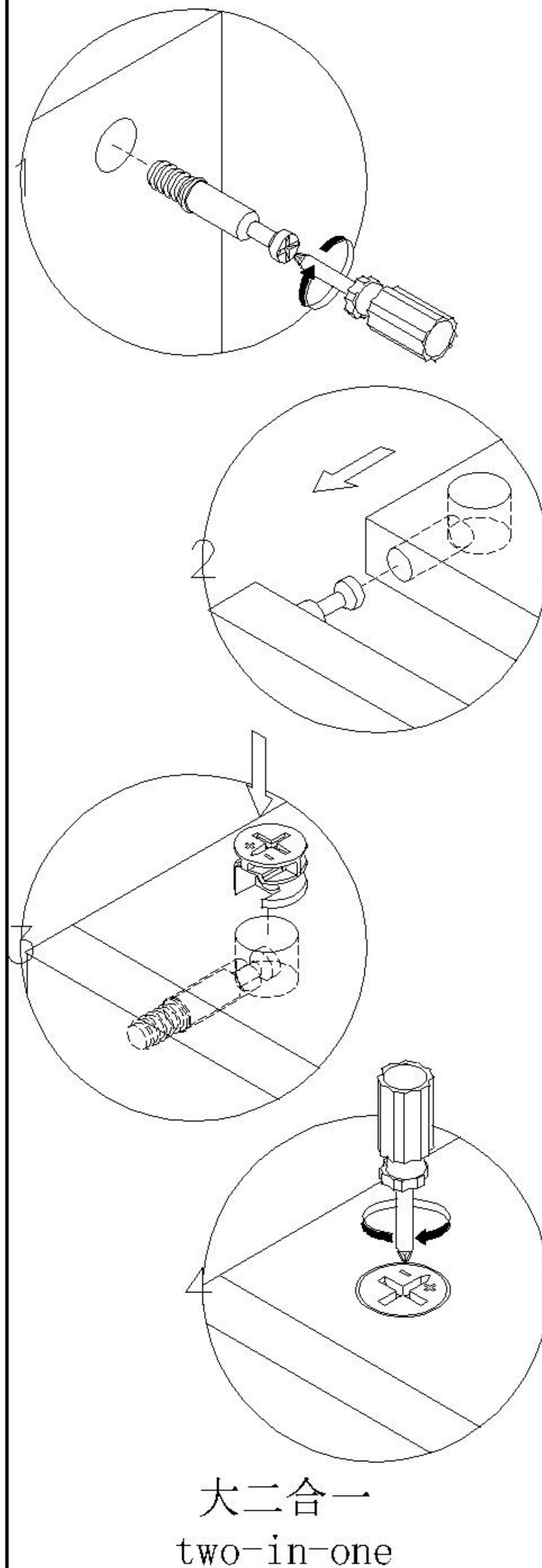
(D)\*6



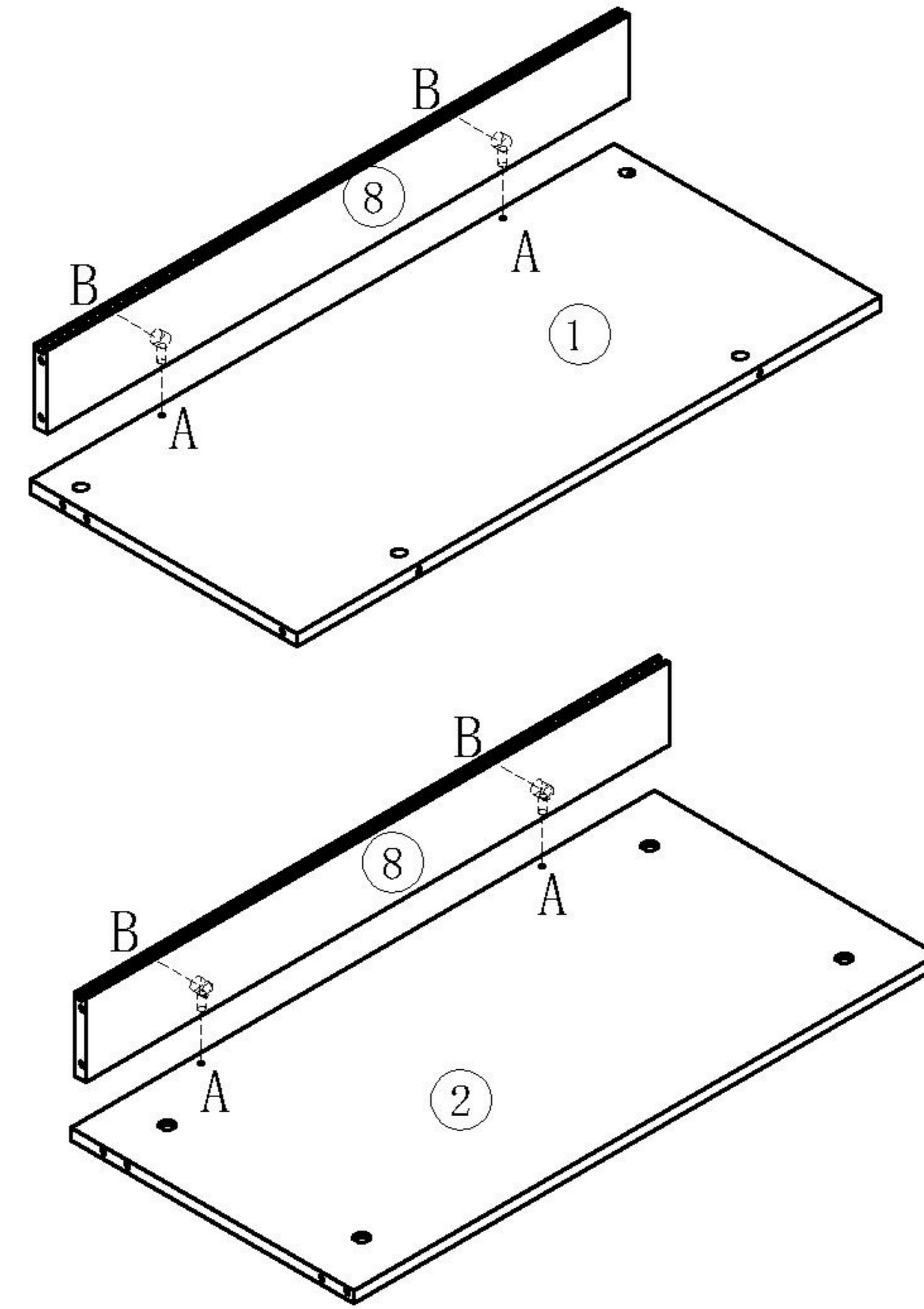
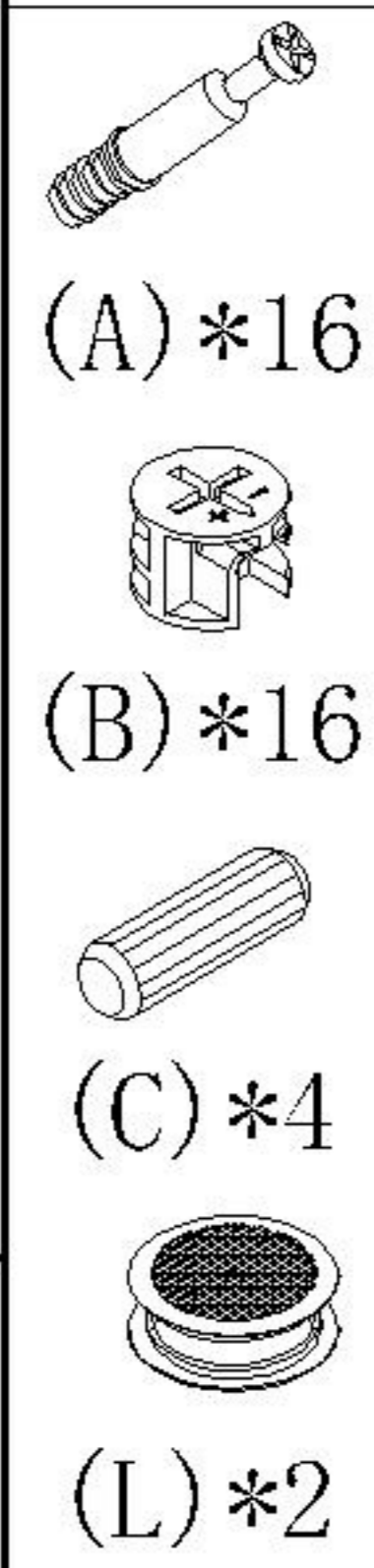
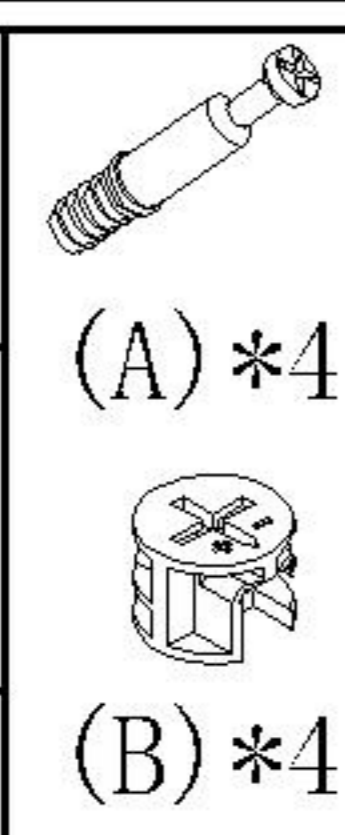
4

UY3M-A

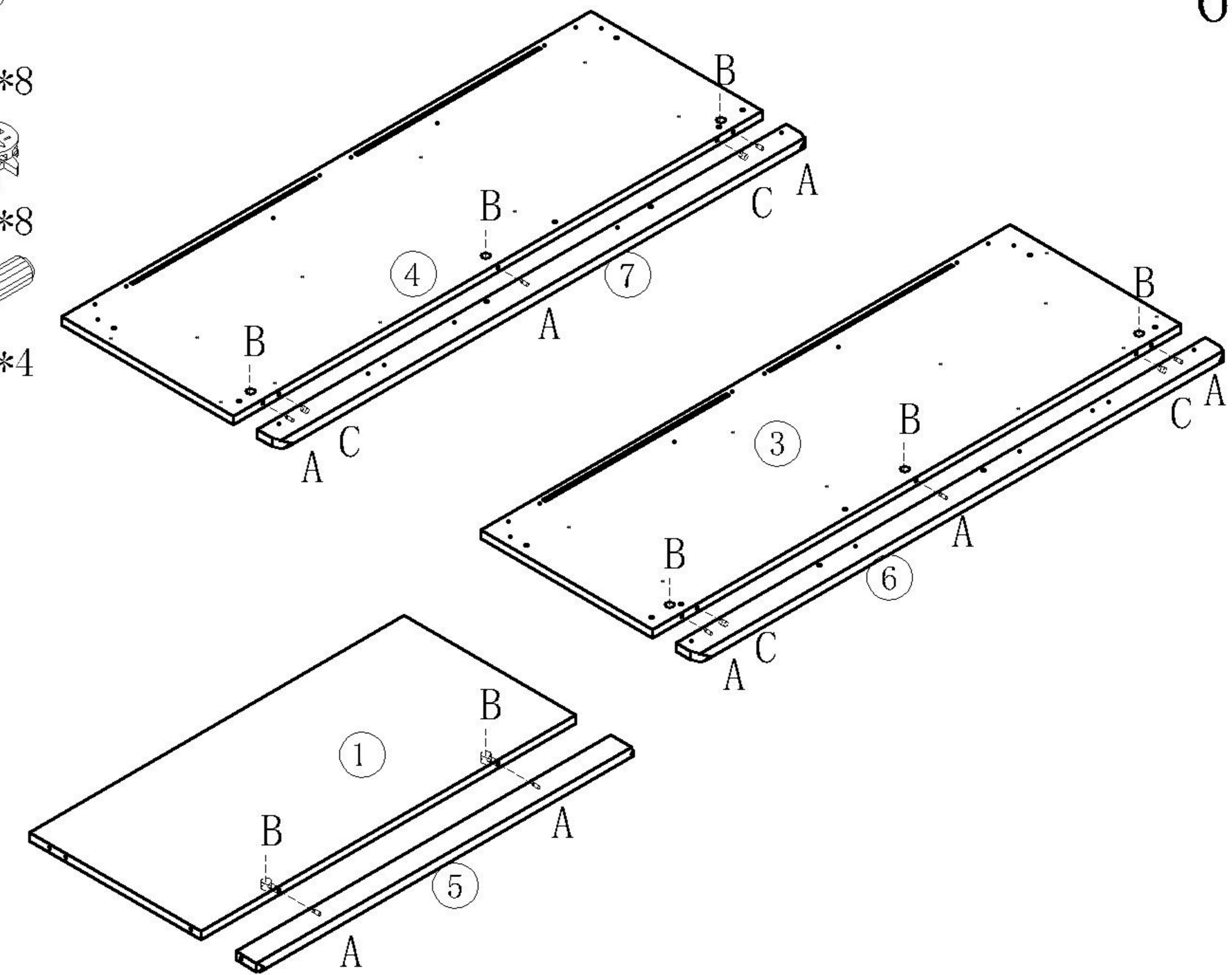
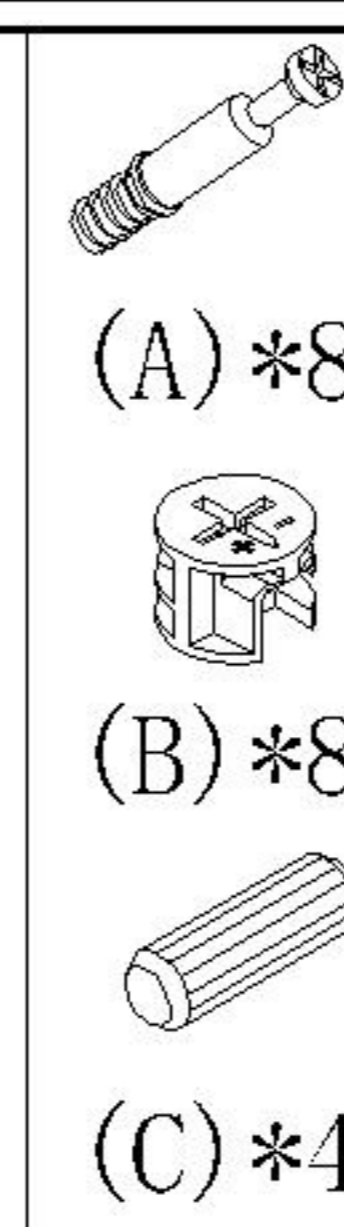
安装方法/  
Installation method



大二合一  
two-in-one

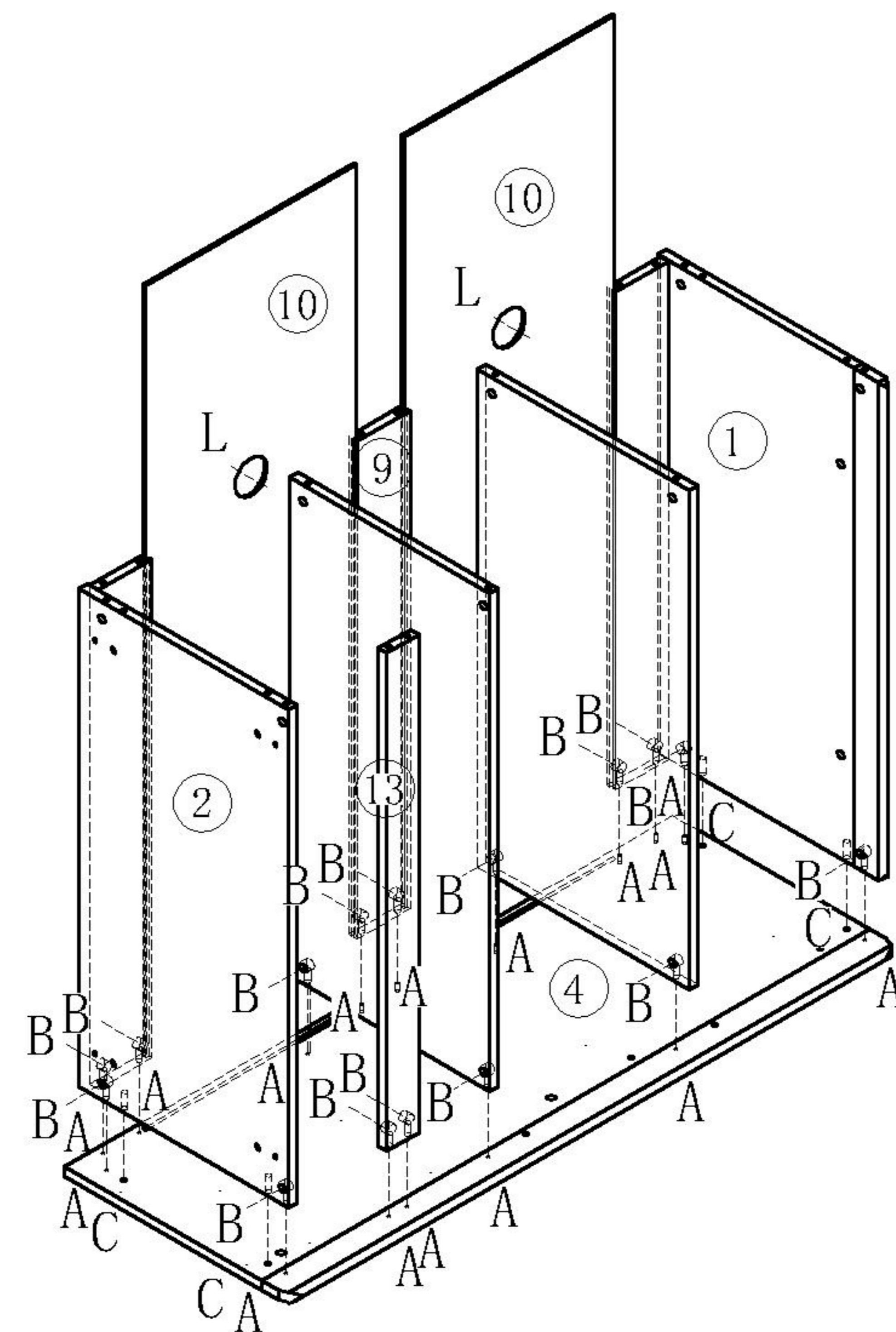
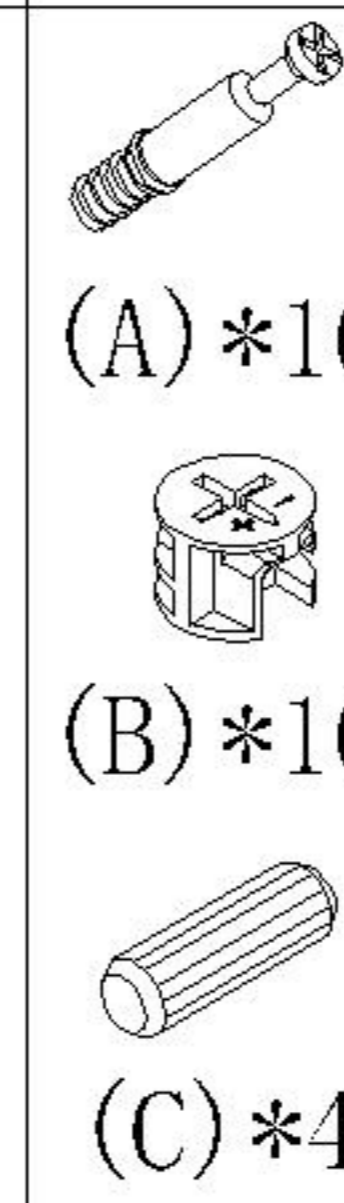


5

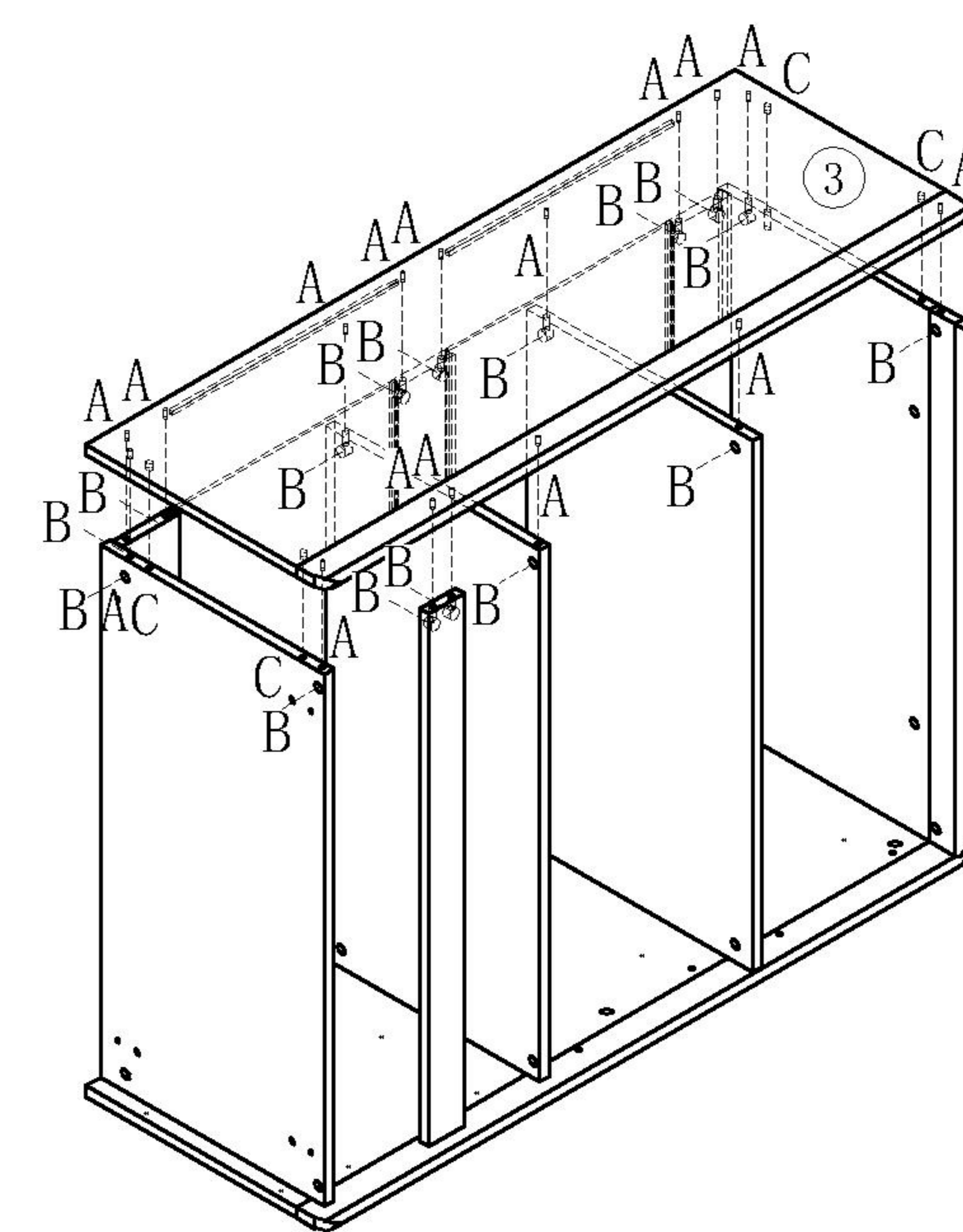


6

7

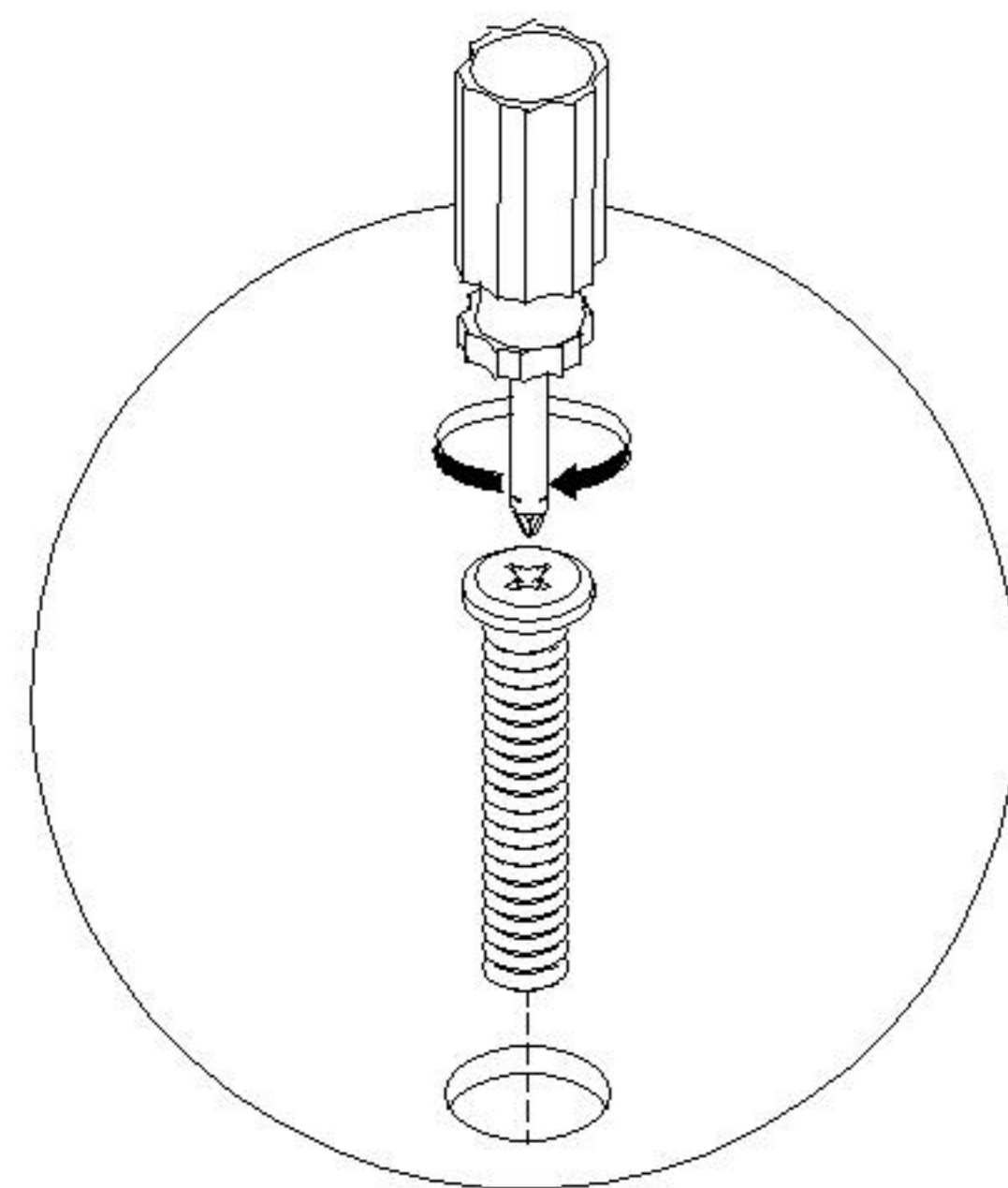


8

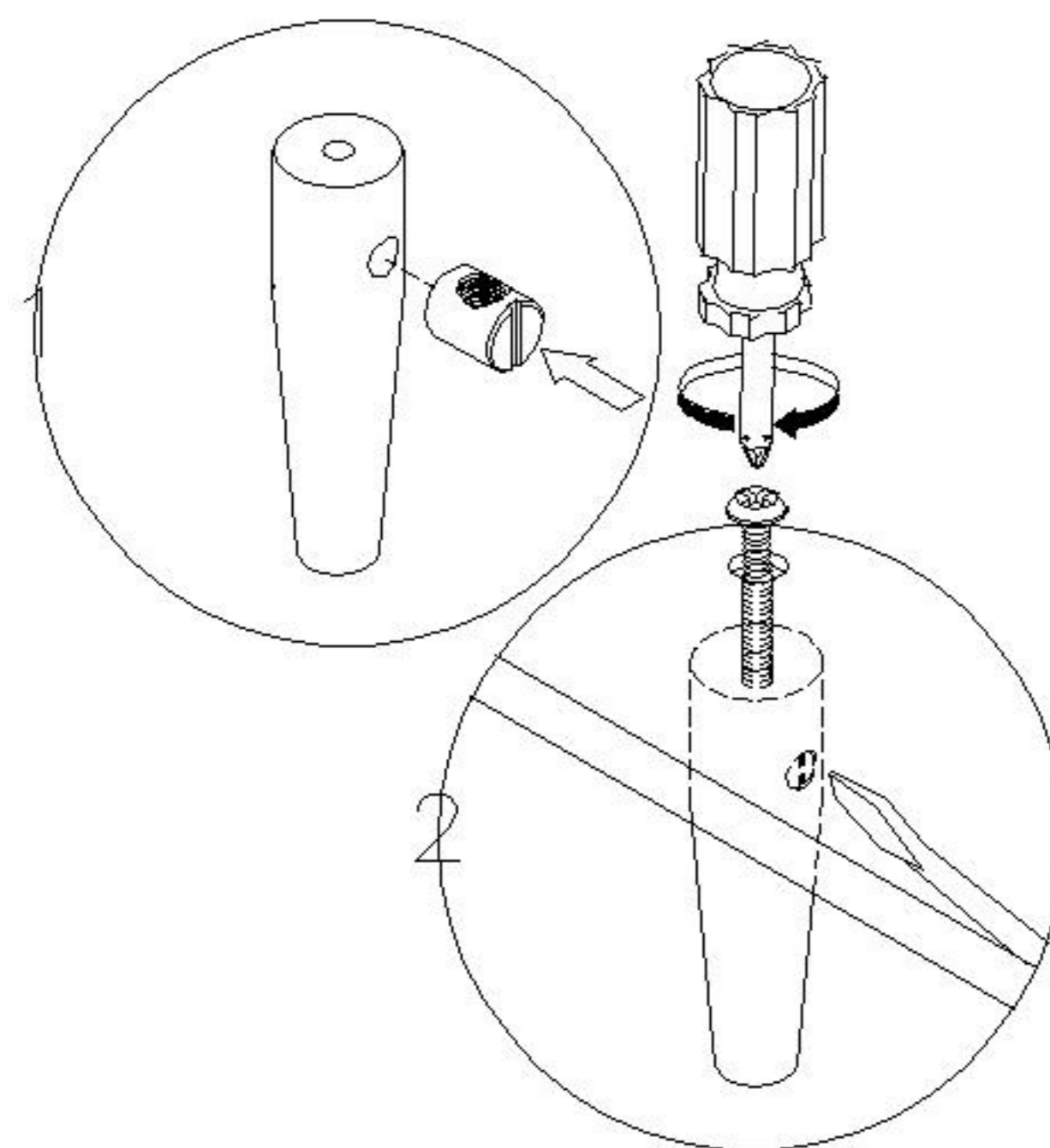


UY3M-A



安装方法/  
Installation method

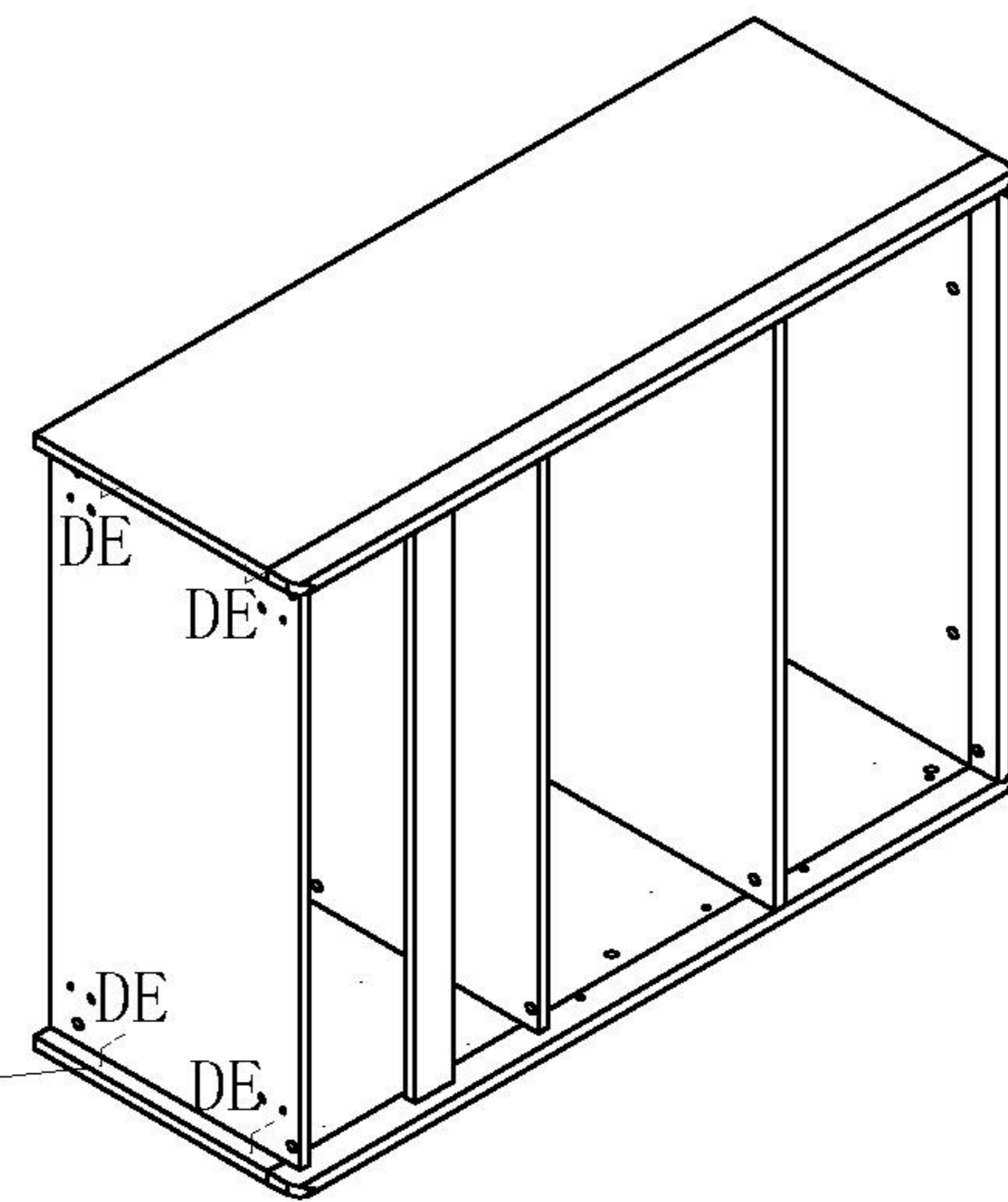
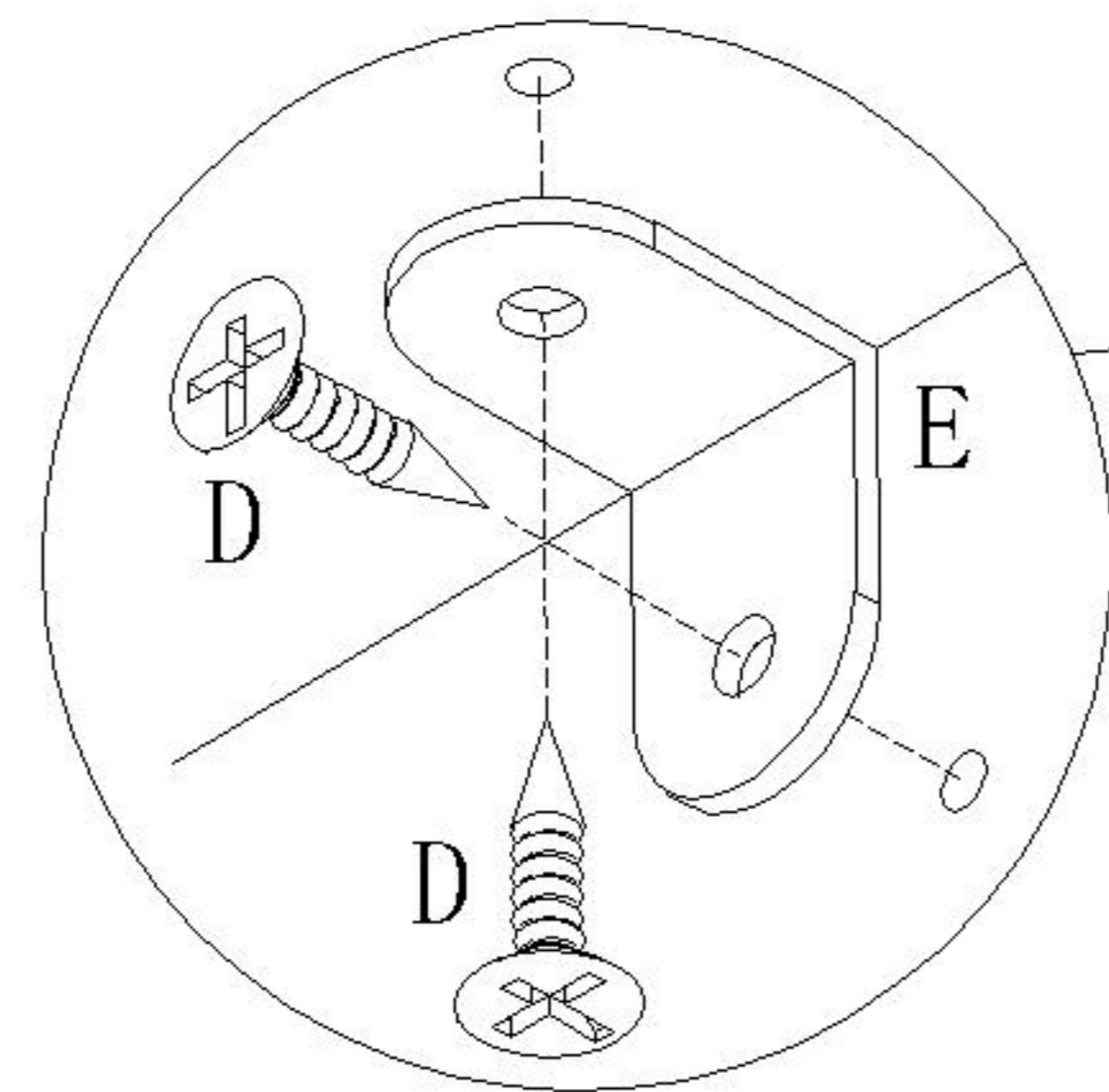


斜边十字螺杆  
bevel cross screw

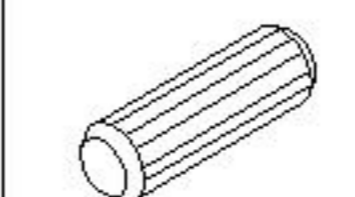

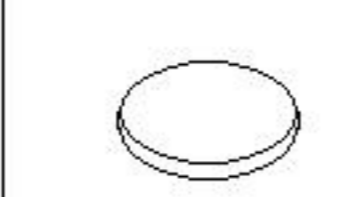
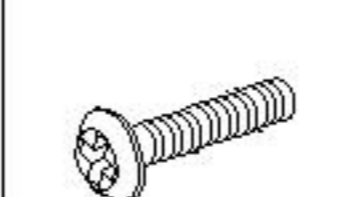


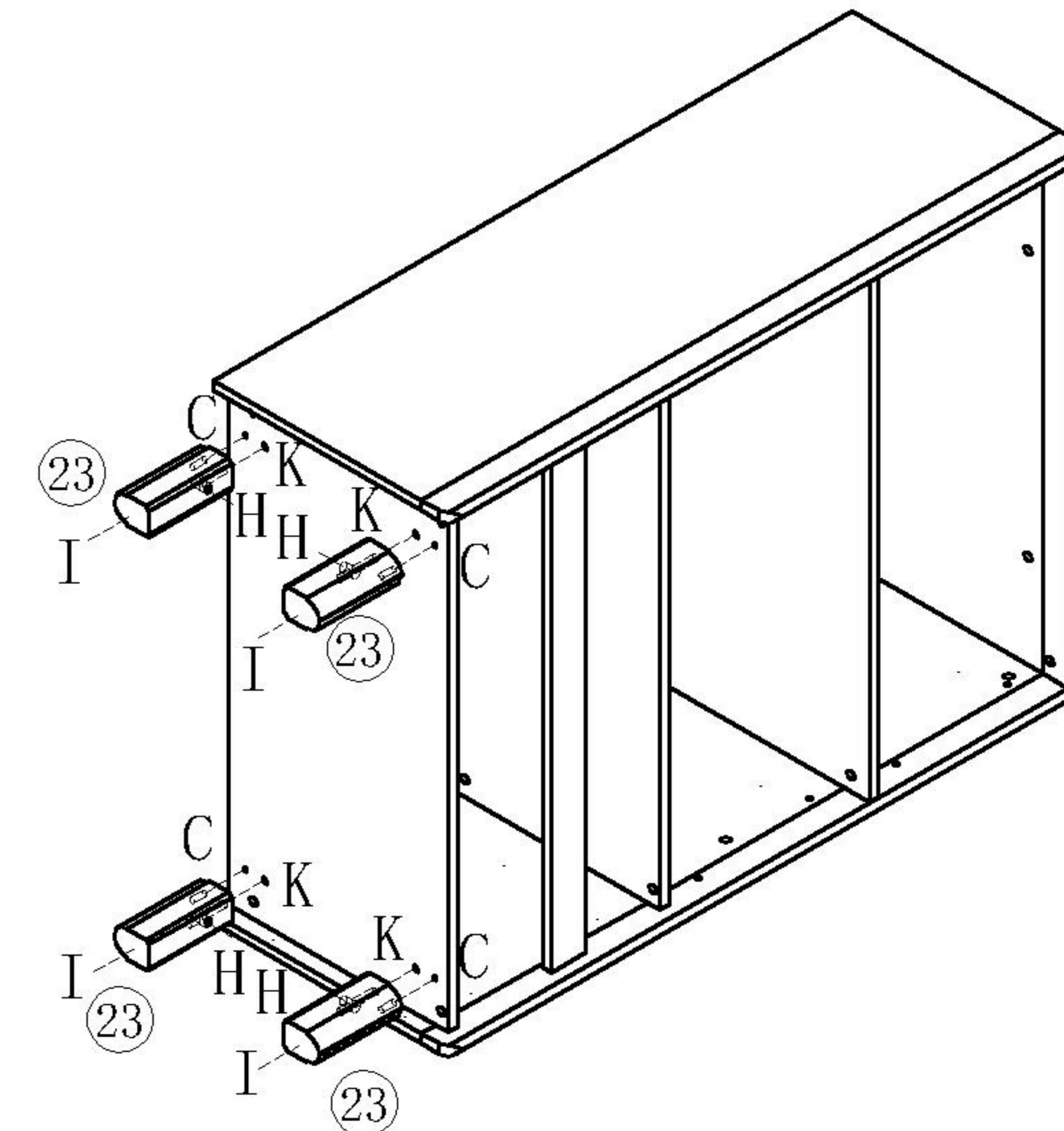
锤母  
Hammer nut

-  (D)\*8
-  (E)\*4

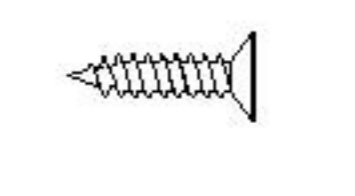
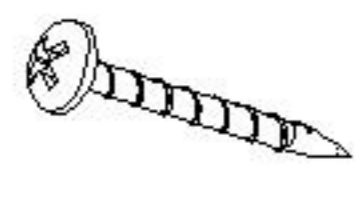



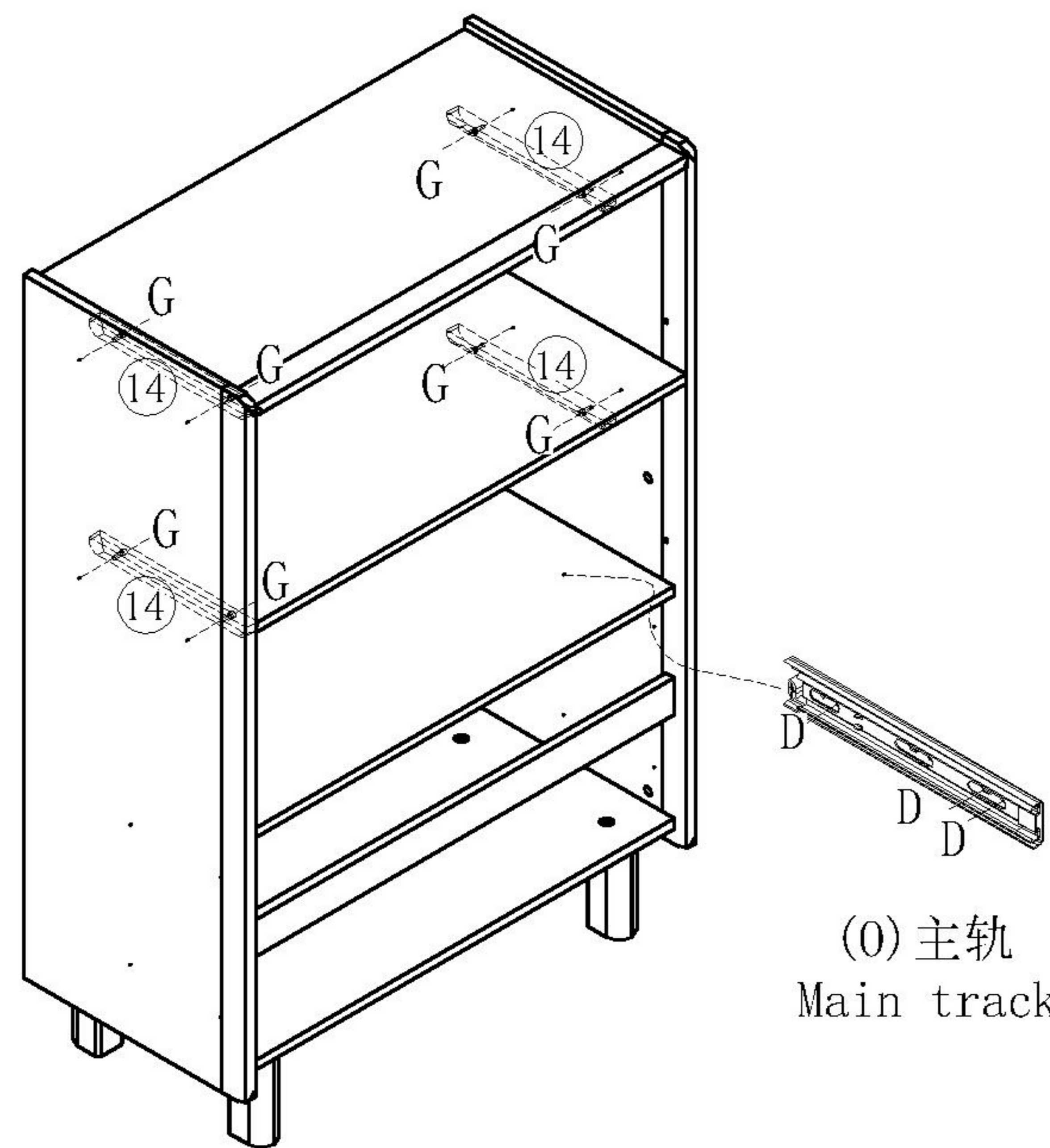
9

-  (C)\*4
-  (H)\*4
-  (I)\*4
-  (K)\*4



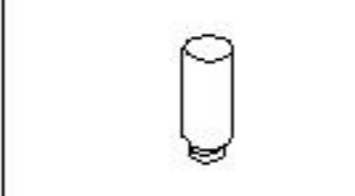
10

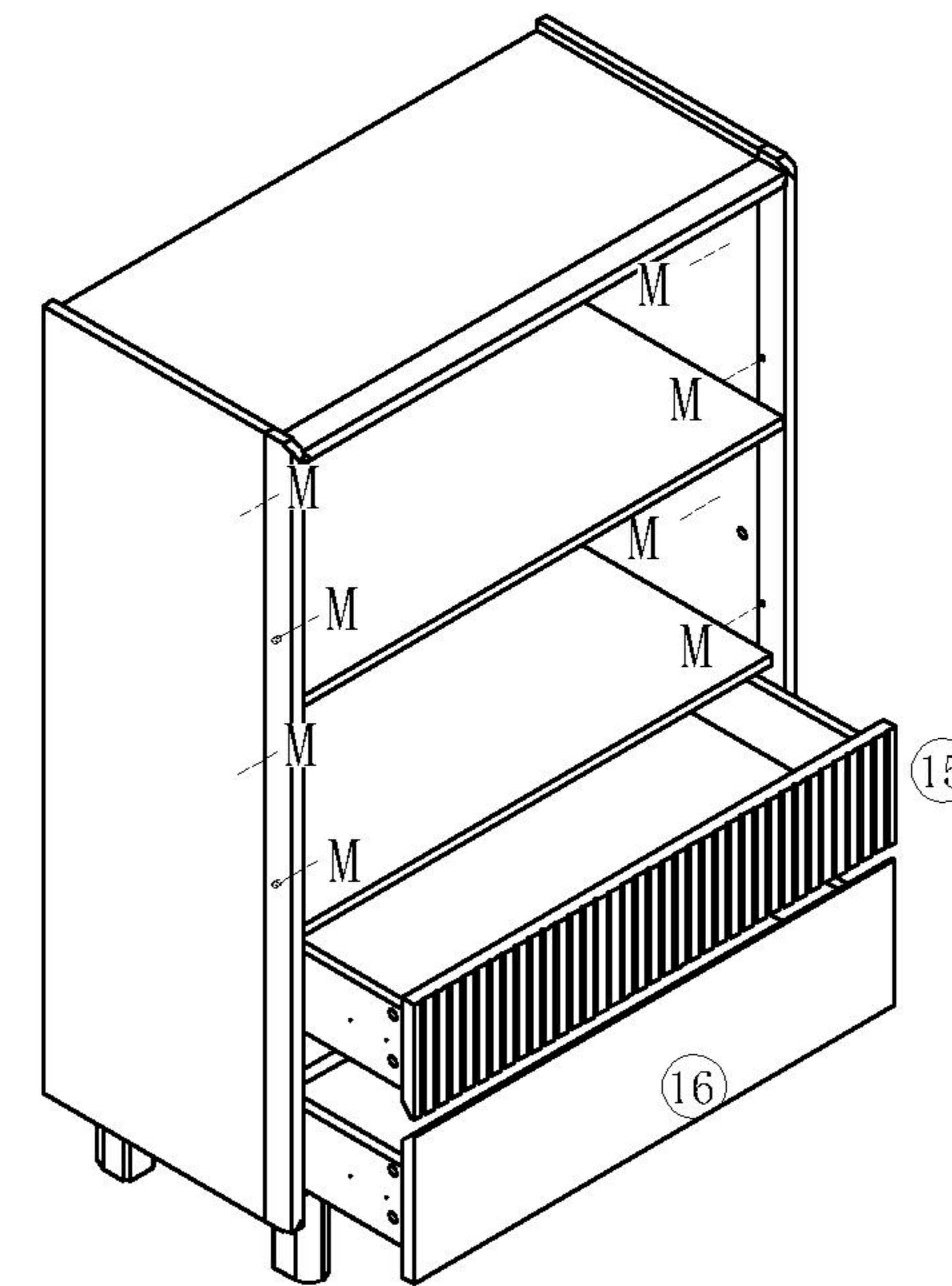
-  (D)\*12
-  (G)\*8
-  (O)\*2



(O) 主轨  
Main track

11

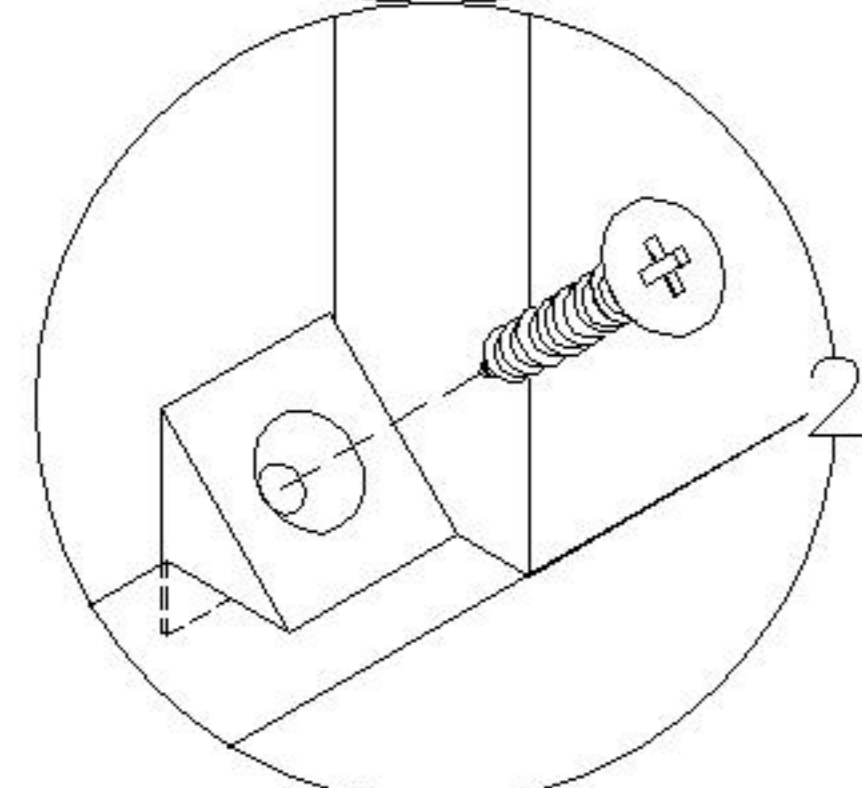
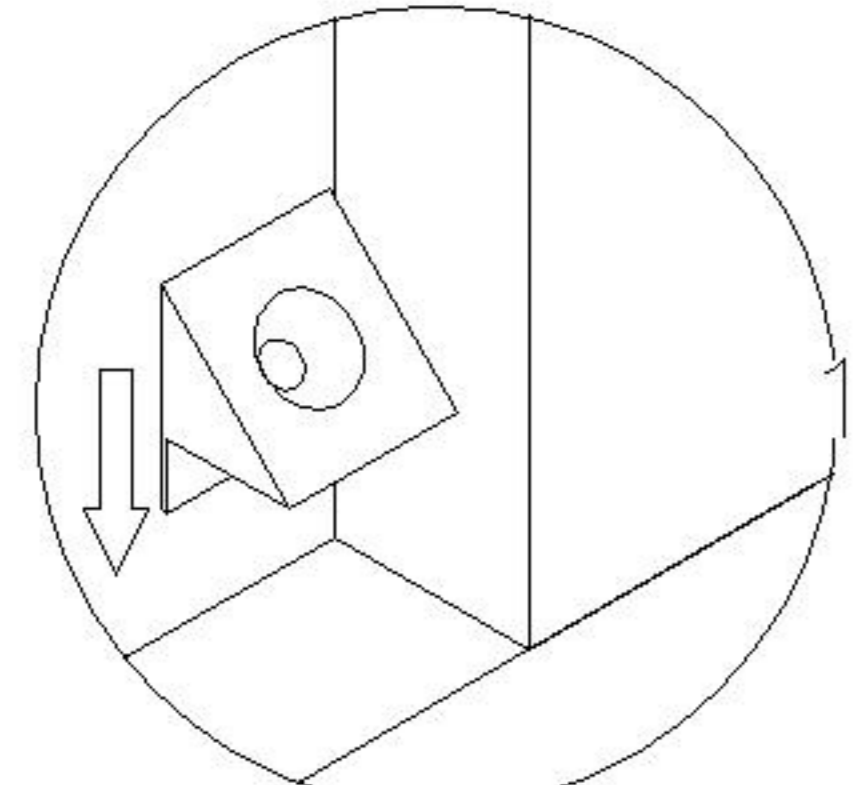
-  (M)\*8




12

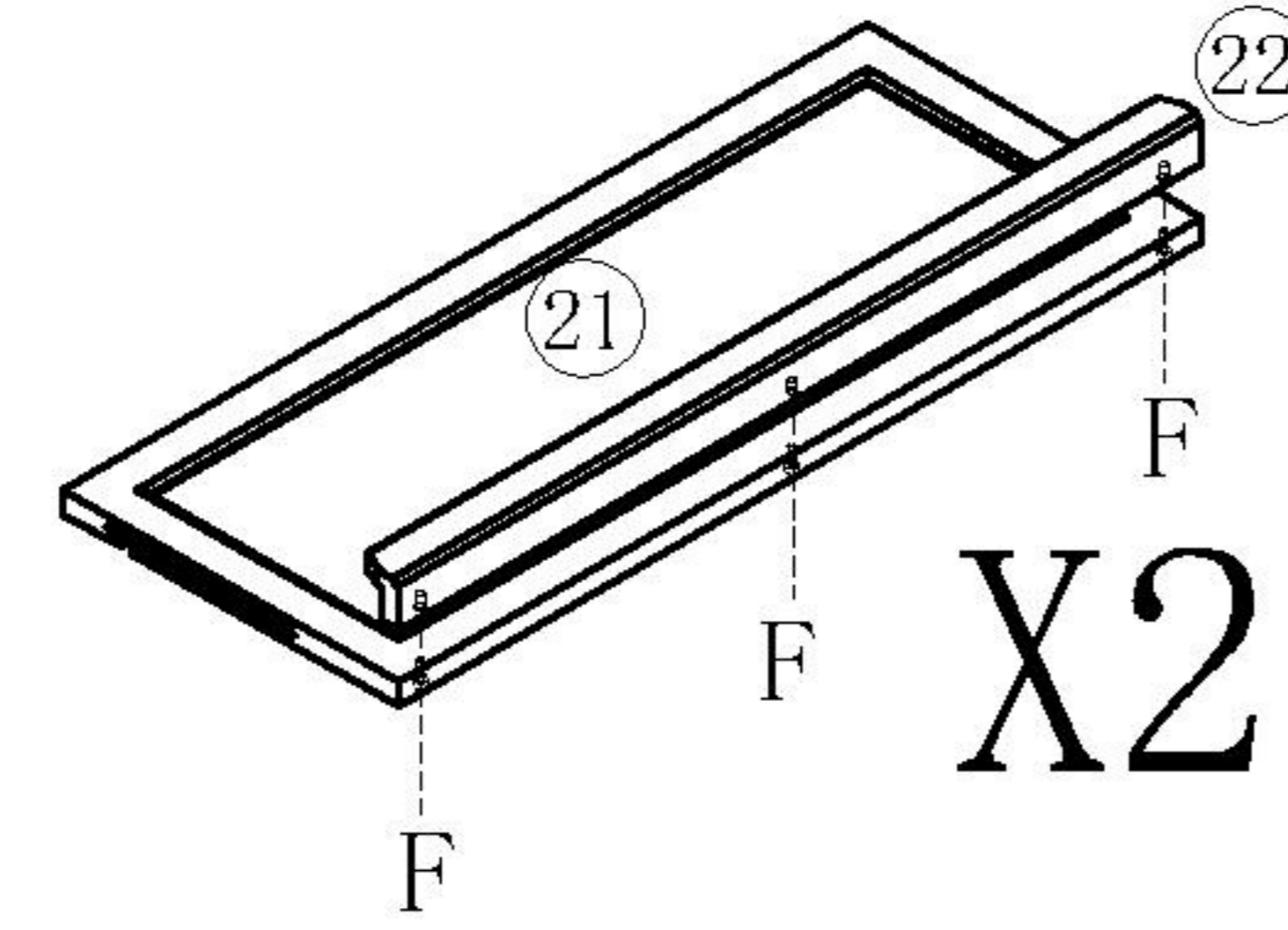
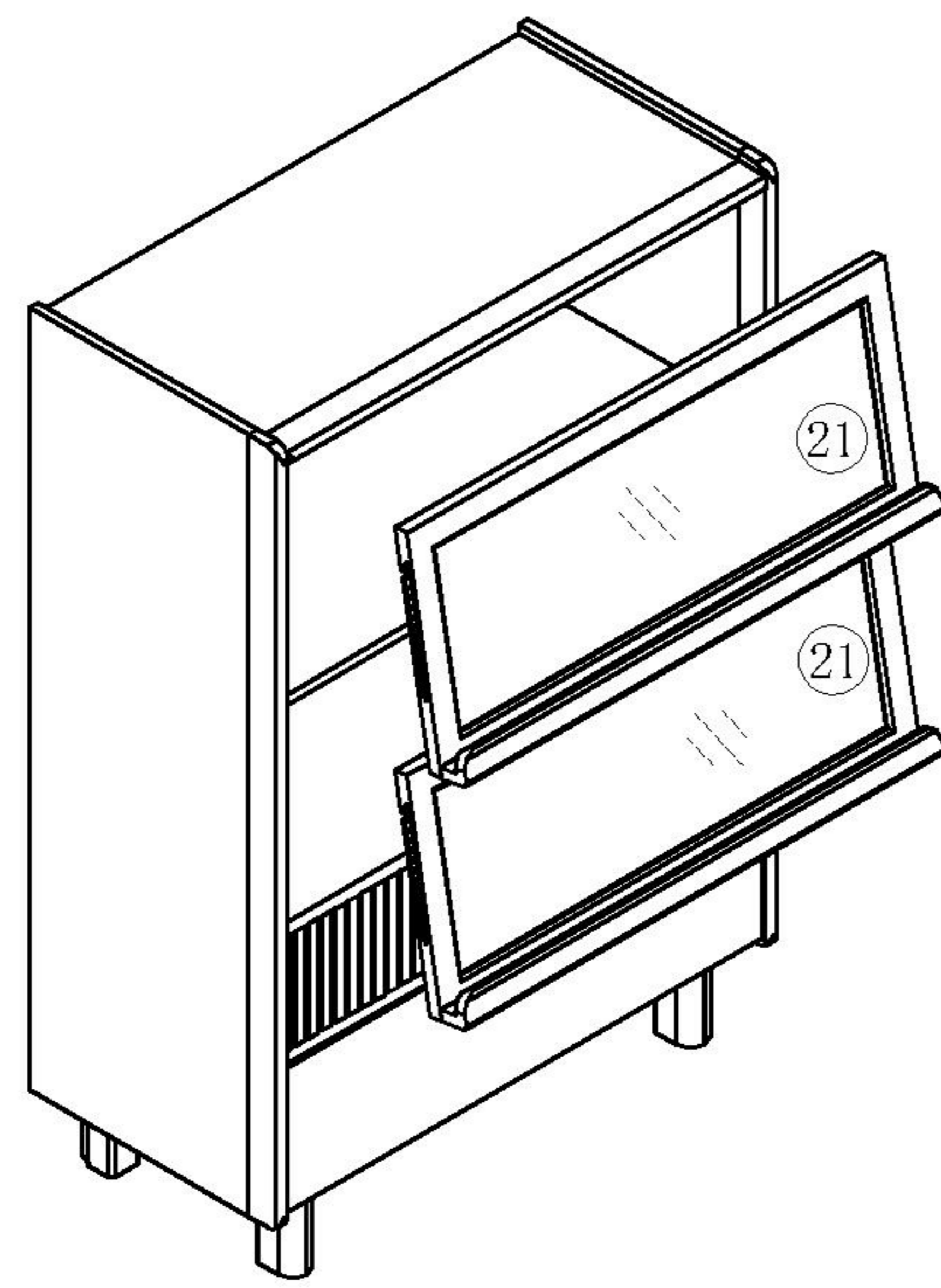
UY3M-A

安装方法/  
Installation method

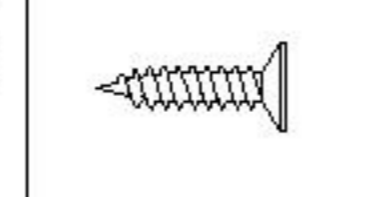
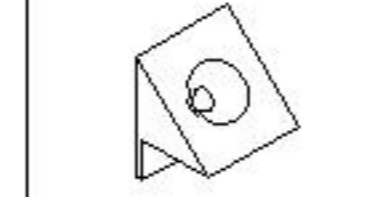
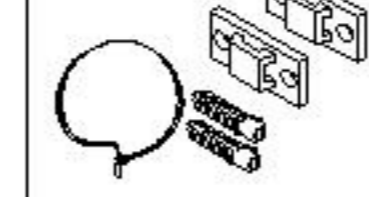


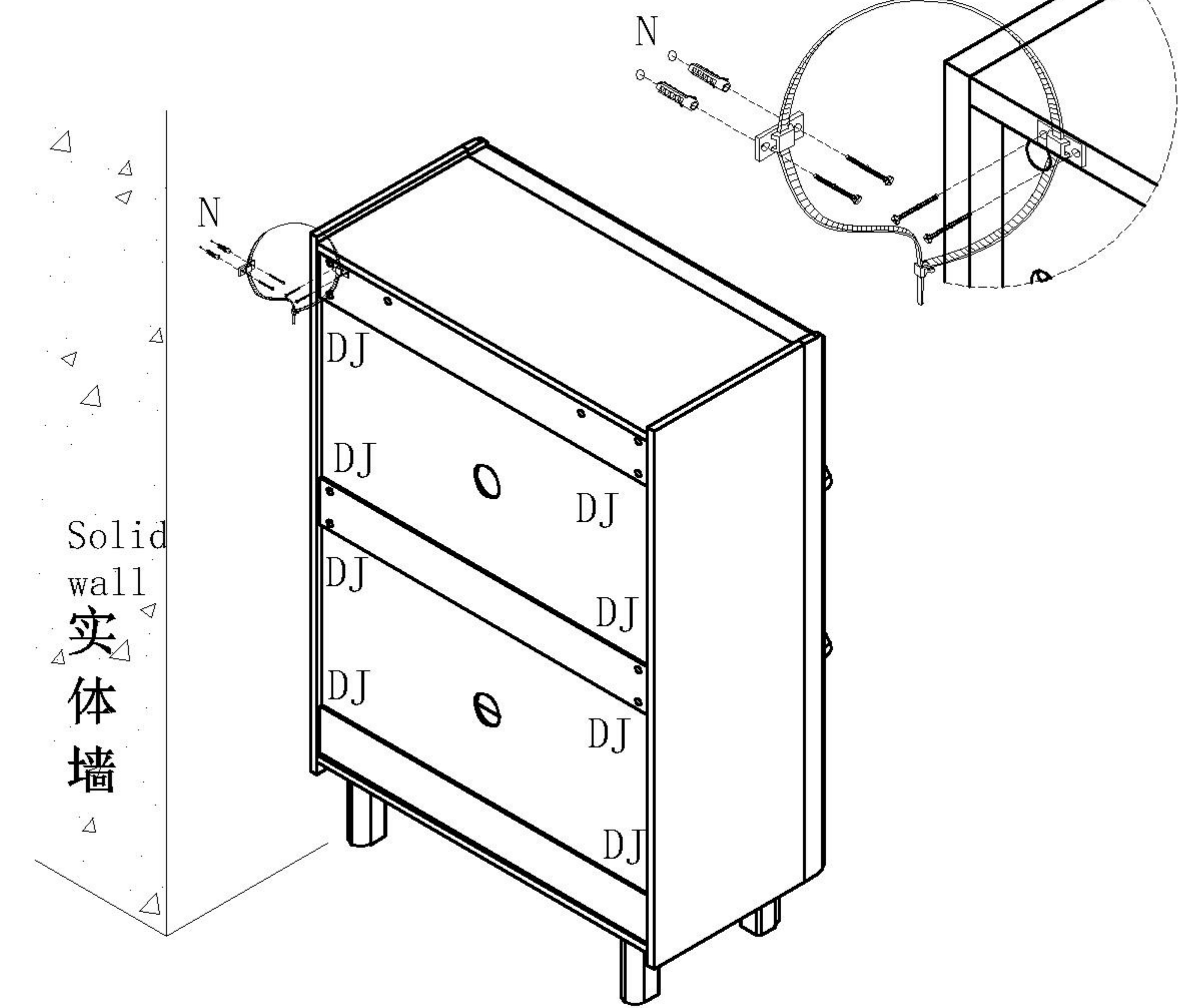
背板扣  
Back Plate Buckle

 (F)\*6



13

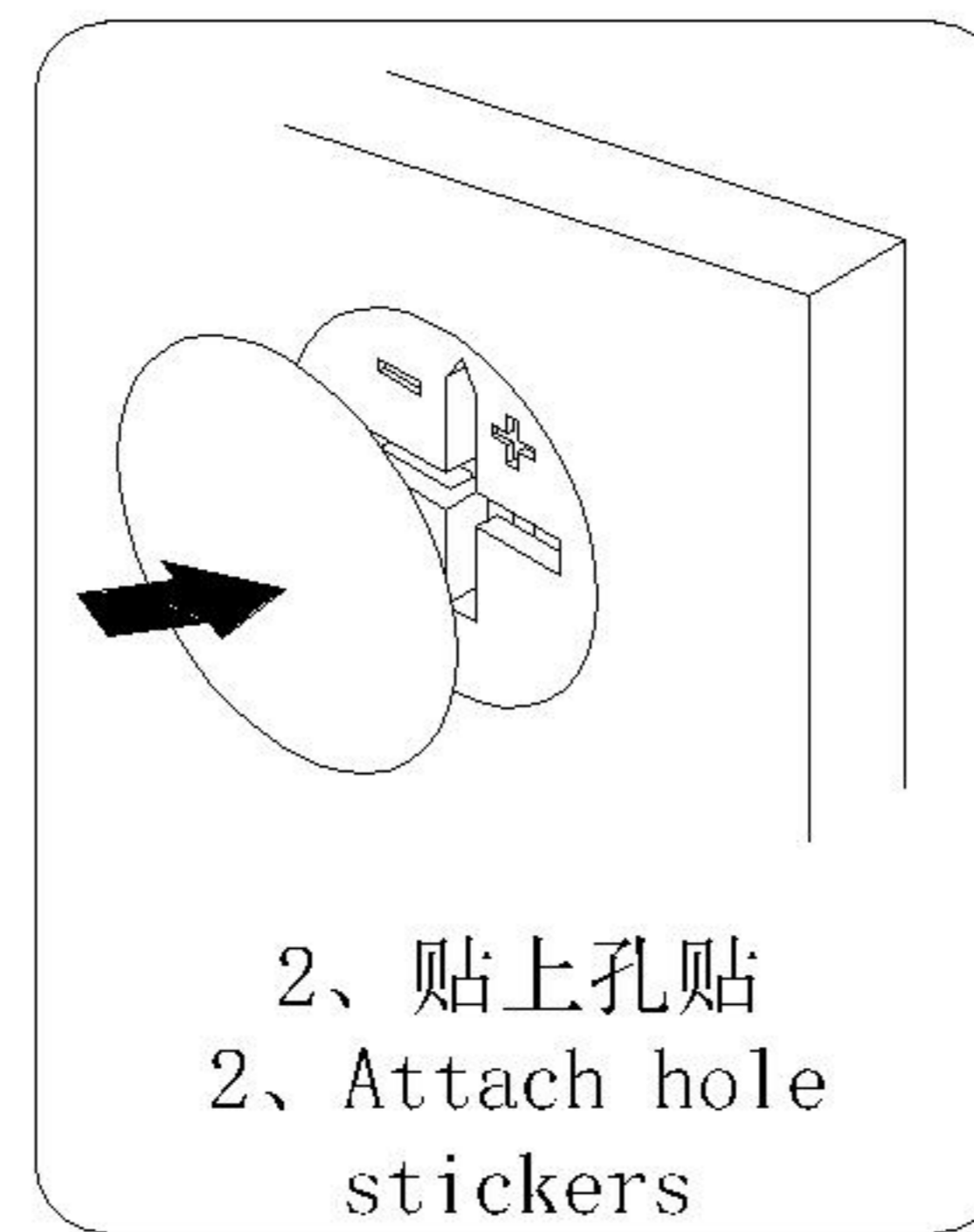
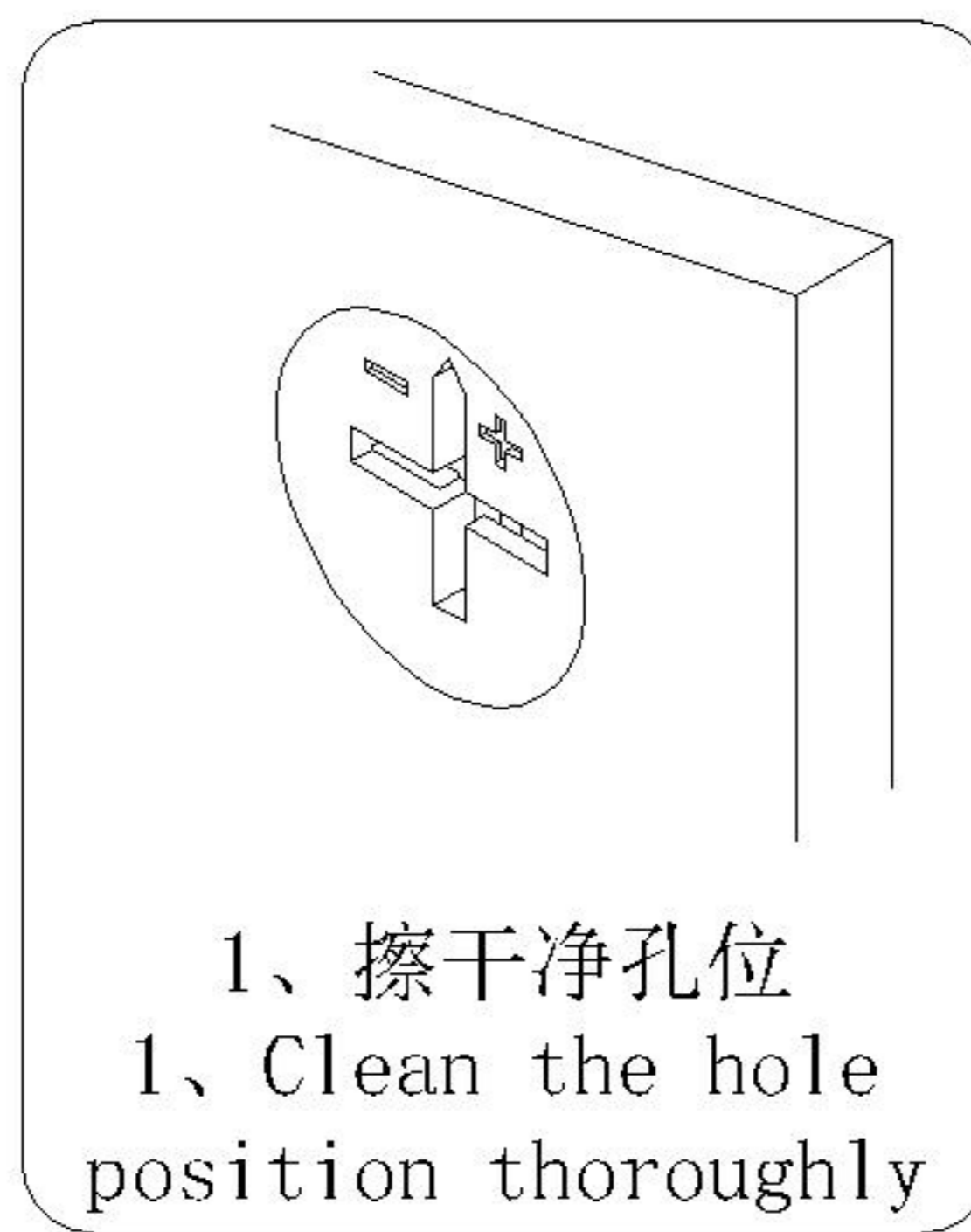
 (D)\*8  
 (J)\*8  
 (N)\*1



14

15

**孔位贴使用小贴士**  
产品安装完成后请贴上孔贴，多出的孔贴请保管好  
**Tips for using hole stickers:**  
After the product installation is completed, please attach the hole stickers. Please keep any extra hole stickers safe



16

