

LINSY 林氏家居

五金表/Hardware list

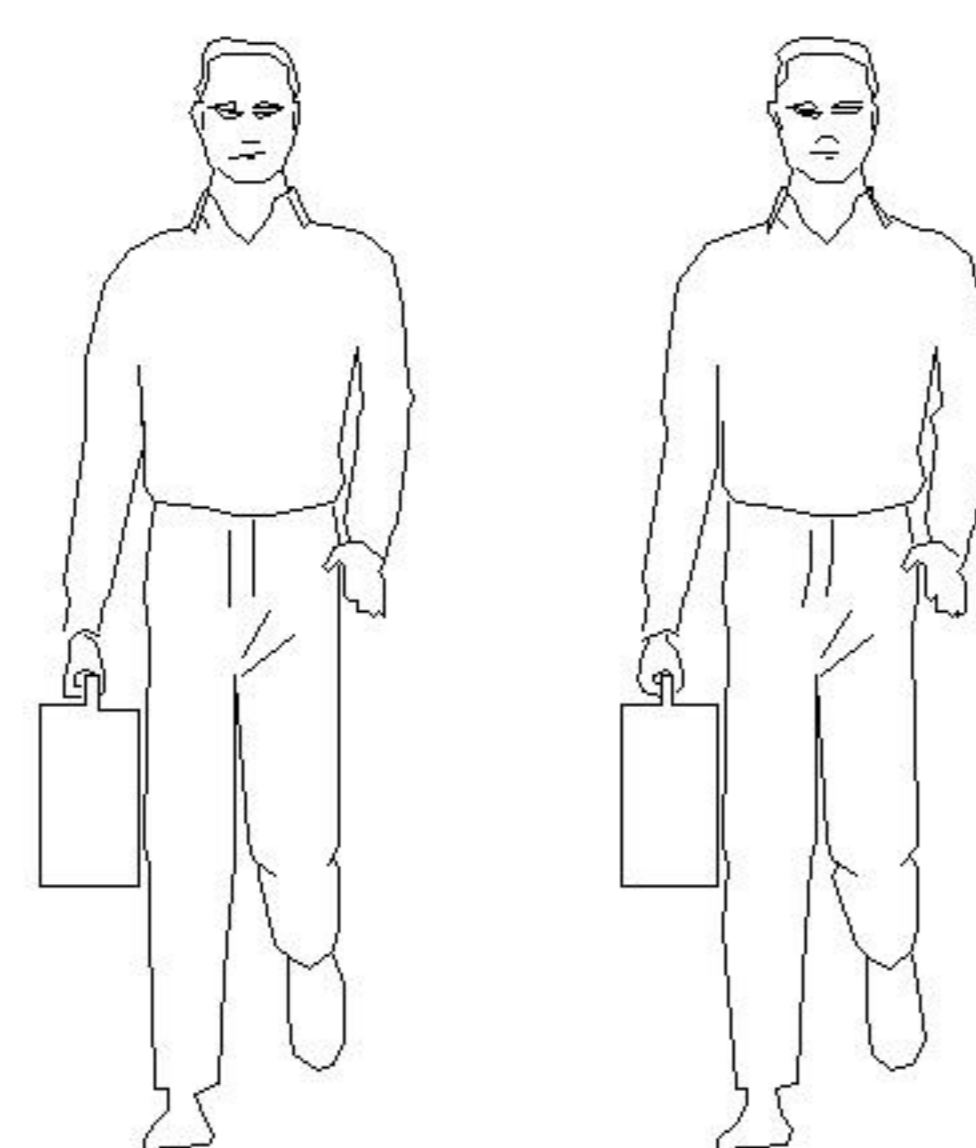
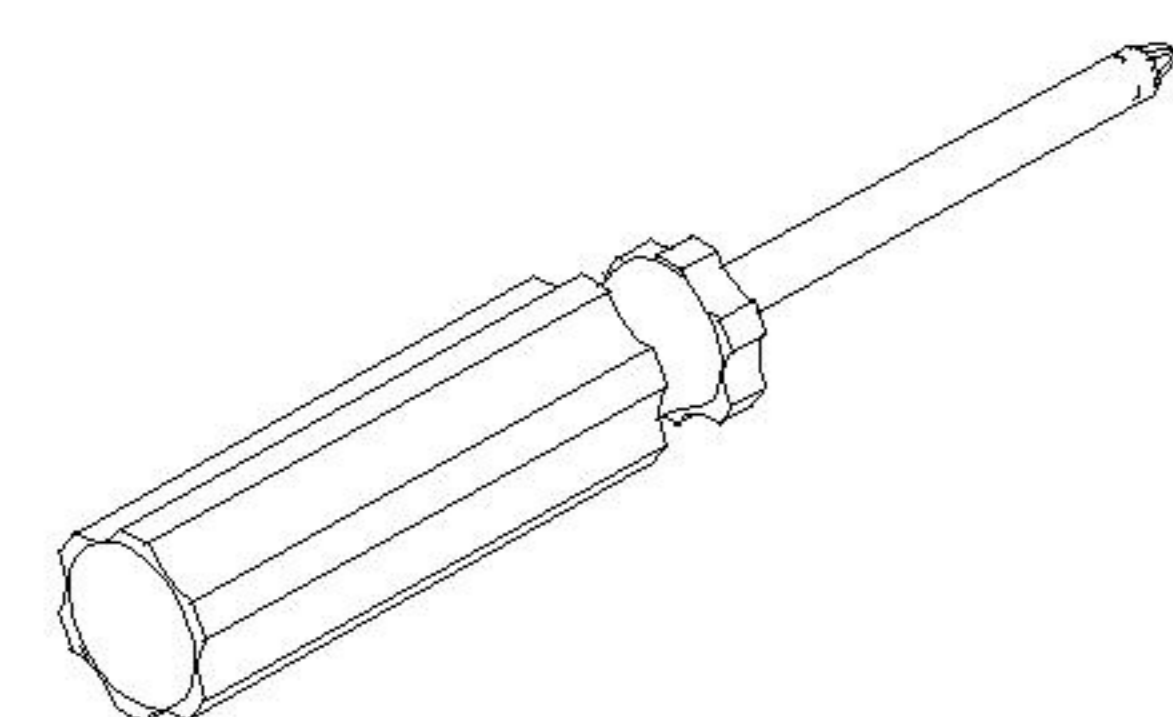
部件表/Parts List

安装示意图/Assembly Instruction

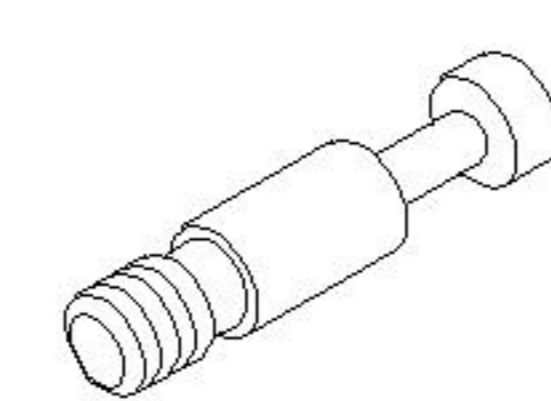
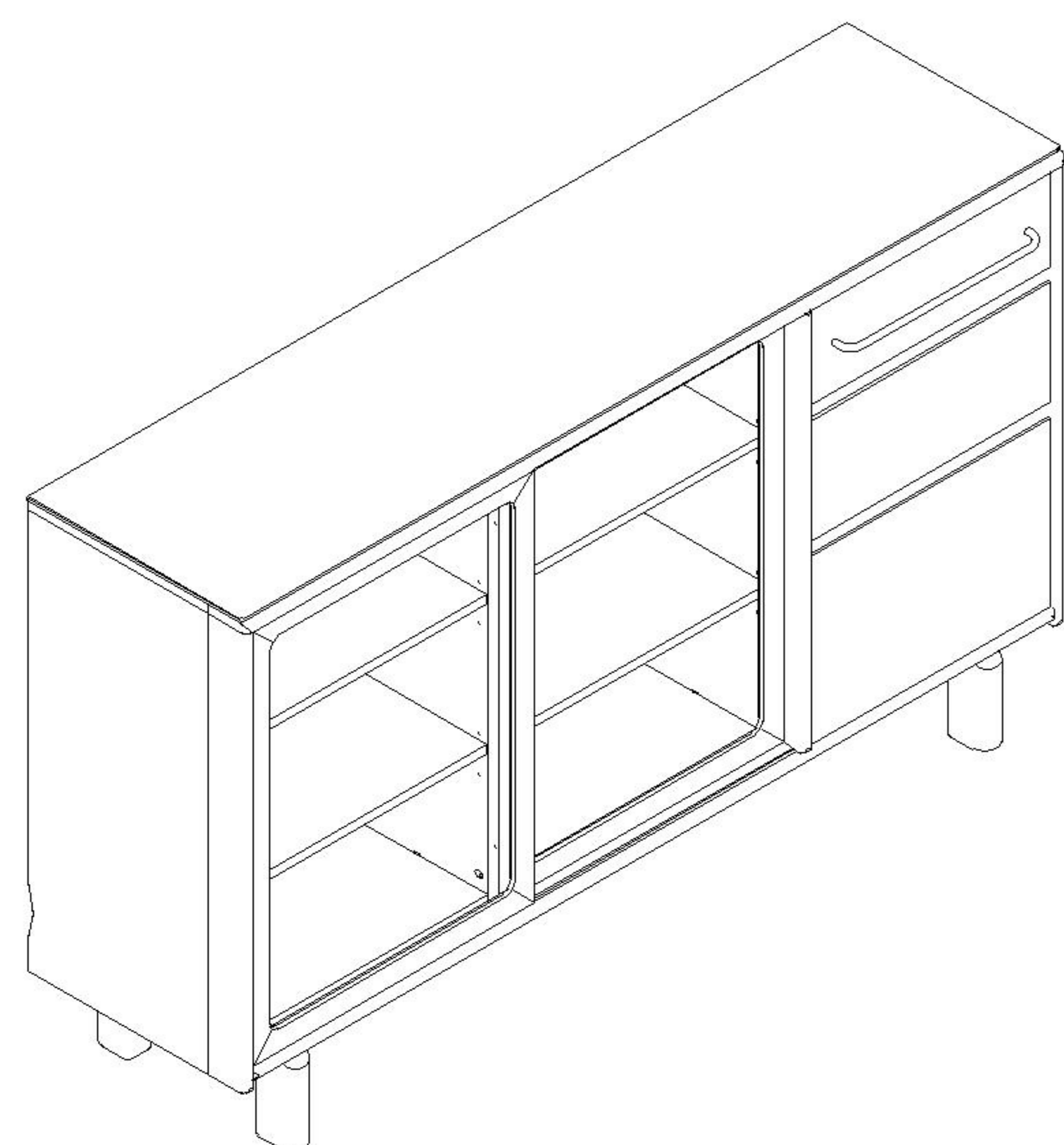
产品名称 Model NO. UB10T-C 1.8m矮餐边柜

产品规格 Specification 1800*425*902mm

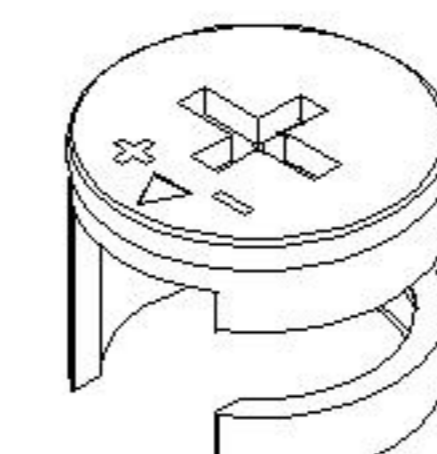
安装工具 Tool 安装人数 Installer



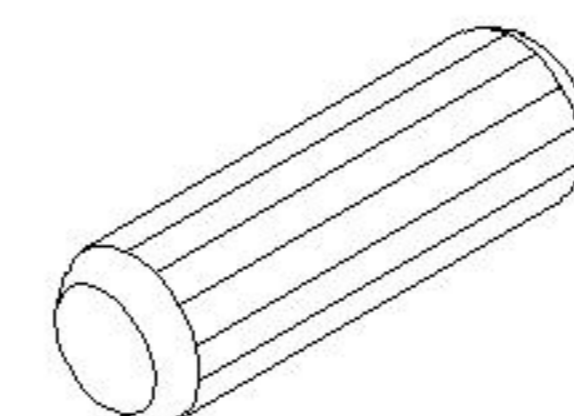
注：为保证设计效果，部分尺寸为定制尺寸，不影响使用。



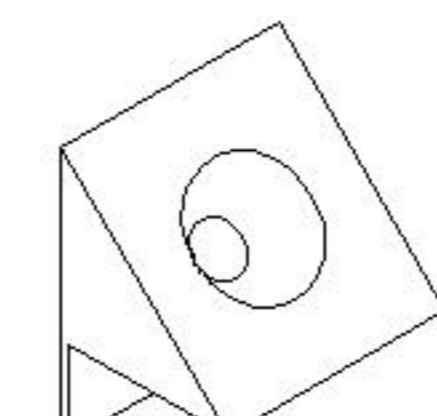
(A)* 71
二合一螺杆
2-in-1-screw



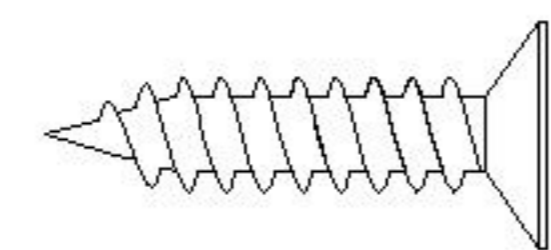
(B)* 71
大三合一锁饼
Three-in-one large lock



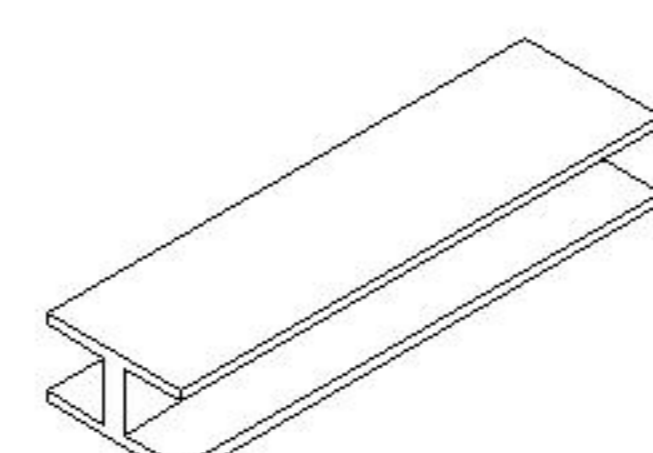
(C)* 23
木榫Ø8x30mm
wood tenon



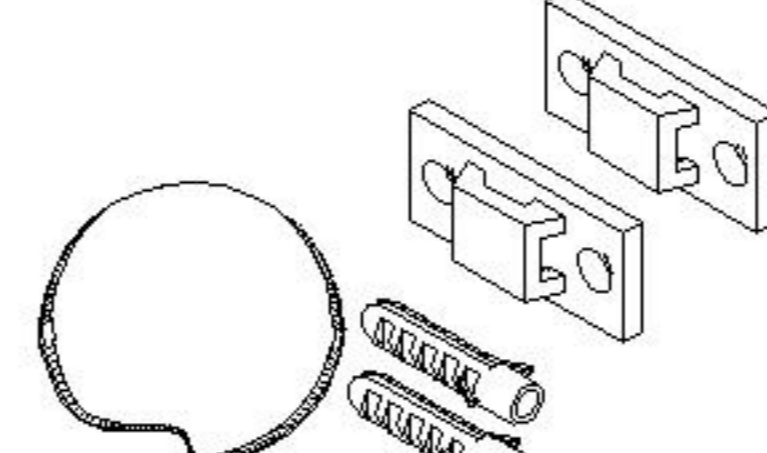
(D)* 13
背板扣
Back Plate Buckle-White



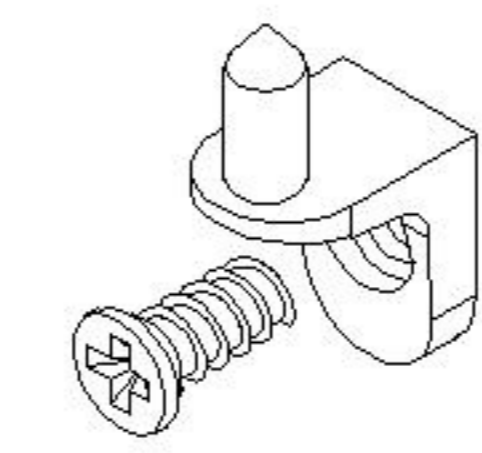
(E)* 59
自攻螺丝M3.5x14mm
Self-tapping screw



(F)* 1
夹板条L=1764mm
Splint strip



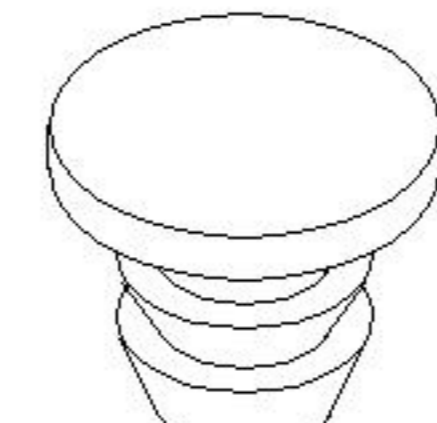
(G)* 1
家具防倒器-白色
Anti-fall device white



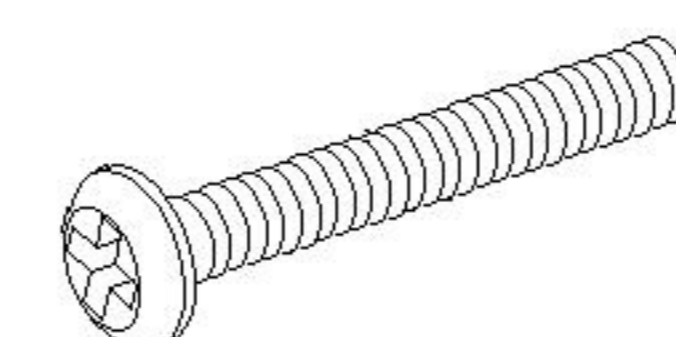
(H)* 16
层板托
shelf support



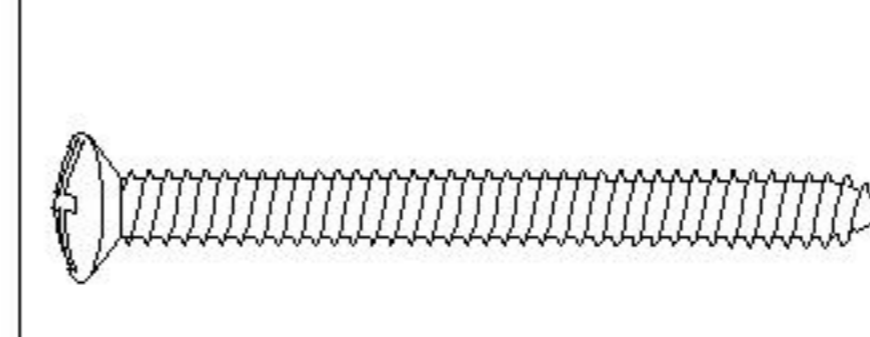
(I)* 4
小角码14x21x1.5
Small corner code



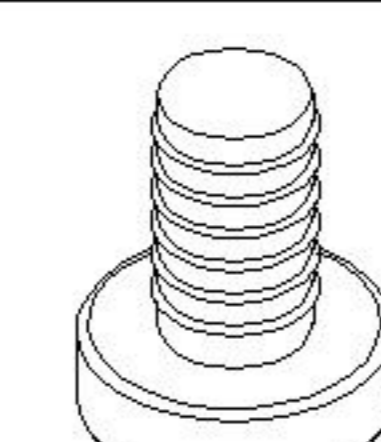
(J)* 8
防撞孔塞
Anti-collision plug



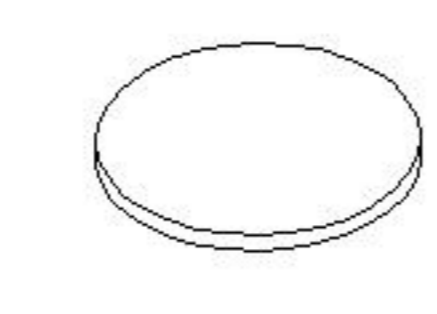
(K)* 4
斜边十字螺杆-M6x45
bevel cross screw



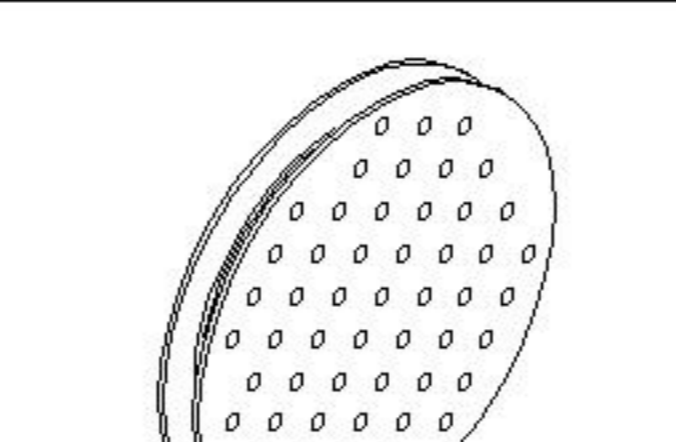
(L)* 4
自攻大扁M4*40mm
Self tapping flat screw



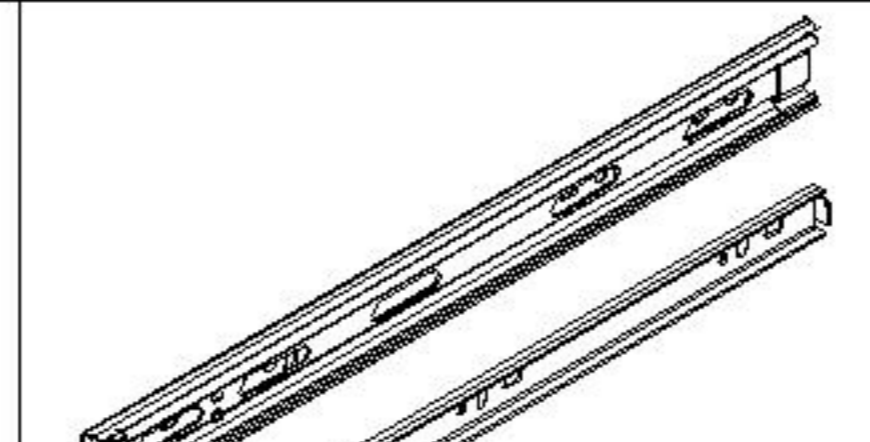
(M)* 4
透明防滑PVC胶塞
Rubber stopper



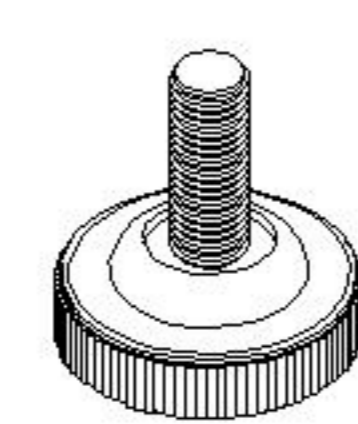
(N)* 8
透明圆形防滑垫
Transparent circular anti slip pad



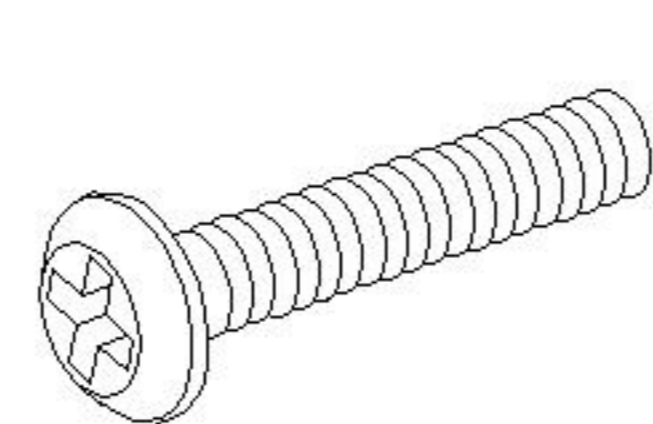
(O)* 2
透气孔盖-白色
Vent cover - white



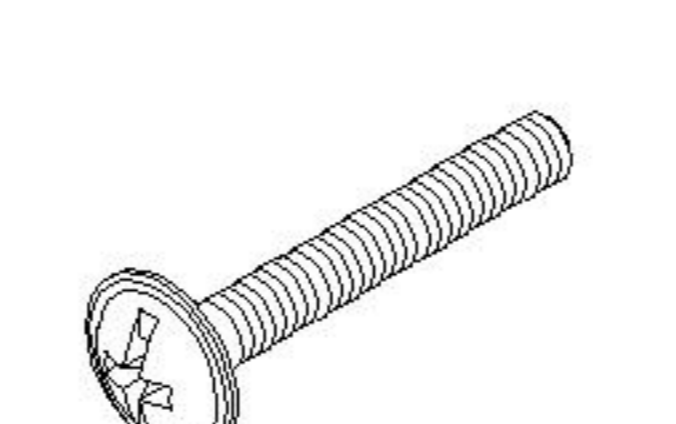
(P)* 3
三节滚珠导轨-10"
three-section ball rail



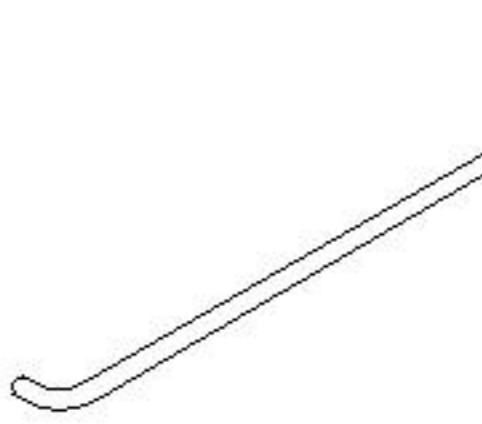
(Q)* 2
调节五金脚-M8x30
Adjusting foot



(R)* 2
斜边十字螺杆-M8x30
bevel cross screw



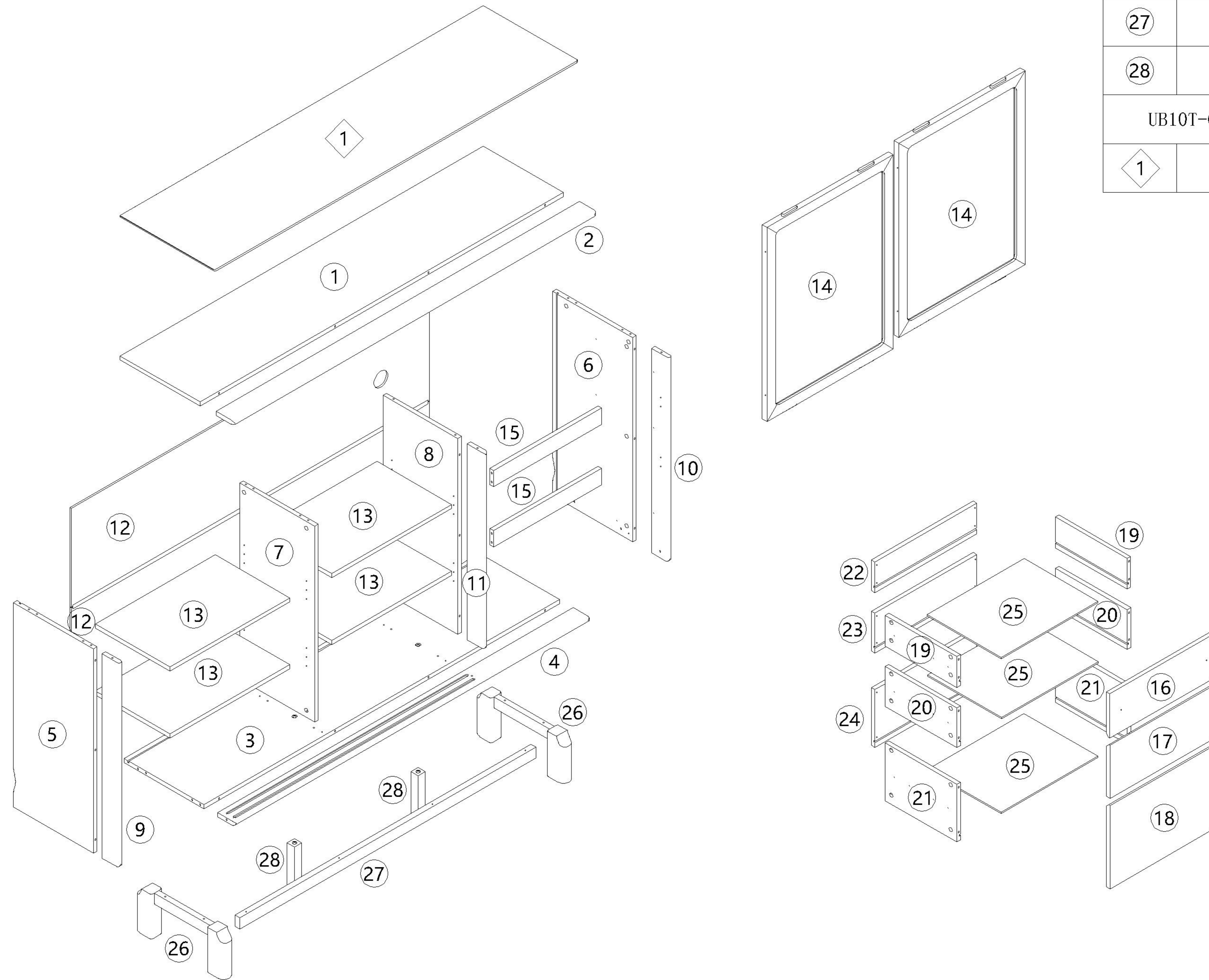
(S)* 2
拉手螺丝-M4x20mm
pulling screw



(T)* 1
不锈钢拉手
Stainless steel handle

| 编号NO. | 名称Name | 规格 (mm) Specification | 数量QTY | 材质Material |
|---|---------------------------|-----------------------|-------|-----------------|
| 25 | 抽屉底板Drawer's Bottom board | 496*300*5 | 3 | 纤维板 Fiberboard |
| 26 | 侧架Side frame | 370*160*45 | 2 | 橡胶木 Rubber wood |
| 27 | 前立水Front apron | 1520*40*20 | 1 | 橡胶木 Rubber wood |
| 28 | 中脚Middle foot | 150*30*30 | 2 | 橡胶木 Rubber wood |
| UB10T-C 1.8m矮餐边柜面板: UB10T-C 1.8m short dining cabinet panel | | | | |
| 1 | 上面板Top panel | 1800*390*6 | 1 | 石材 Stone |

| 编号NO. | 名称Name | 规格 (mm) Specification | 数量QTY | 材质Material |
|--|--------------------------------|-----------------------|-------|--------------------------|
| UB10T-C 1.8m矮餐边柜柜体: UB10T-C 1.8m short dining cabinet body | | | | |
| 1 | 面板Top panel | 1798*330*15 | 1 | 刨花板 Particle Board |
| 2 | 面板加条Add strips to the panel | 1798*70*15 | 1 | 橡胶木 Rubber wood |
| 3 | 底板Bottom board | 1766*330*15 | 1 | 刨花板 Particle Board |
| 4 | 底板加条Bottom plate with strips | 1766*70*15 | 1 | 橡胶木 Rubber wood |
| 5 | 左侧板Side board(L) | 730*330*15 | 1 | 刨花板 Particle Board |
| 6 | 右侧板Side board(R) | 730*330*15 | 1 | 刨花板 Particle Board |
| 7 | 左中侧板Middle side board(L) | 700*308*15 | 1 | 刨花板 Particle Board |
| 8 | 右中侧板Middle side board(R) | 700*308*15 | 1 | 刨花板 Particle Board |
| 9 | 左立柱Stand column(L) | 730*70*15 | 1 | 橡胶木 Rubber wood |
| 10 | 右立柱Stand column(R) | 730*70*15 | 1 | 橡胶木 Rubber wood |
| 11 | 中立柱center pillar | 700*70*15 | 1 | 橡胶木 Rubber wood |
| 12 | 背板Back board | 1776*354*5 | 2 | 纤维板 Fiberboard |
| 13 | 活动层板Movable shelf | 596*308*15 | 4 | 刨花板 Particle Board |
| 14 | 趟门板Door plank | 707*620*20 | 2 | 橡胶木+玻璃 Rubber wood+Glass |
| 15 | 右拉条Brace (R) | 542*58*15 | 2 | 刨花板 Particle Board |
| 16 | 上抽屉面板Upper drawer's panel | 538*158*15 | 1 | 刨花板 Particle Board |
| 17 | 中抽屉面板Drawer's middle board | 538*190*15 | 1 | 刨花板 Particle Board |
| 18 | 下抽屉面板Bottom drawer's panel | 538*298*15 | 1 | 刨花板 Particle Board |
| 19 | 上抽屉侧板Upper Drawer's sideboard | 290*110*15 | 2 | 刨花板 Particle Board |
| 20 | 中抽屉侧板Middle drawer side panel | 290*142*15 | 2 | 刨花板 Particle Board |
| 21 | 下抽屉侧板Lower Drawer's sideboard | 290*206*15 | 2 | 刨花板 Particle Board |
| 22 | 上抽屉后板Upper drawer's back board | 516*110*15 | 1 | 刨花板 Particle Board |
| 23 | 中抽屉后板Side drawer middle panel | 516*142*15 | 1 | 刨花板 Particle Board |
| 24 | 下抽屉后板Down drawer's back board | 516*206*15 | 1 | 刨花板 Particle Board |



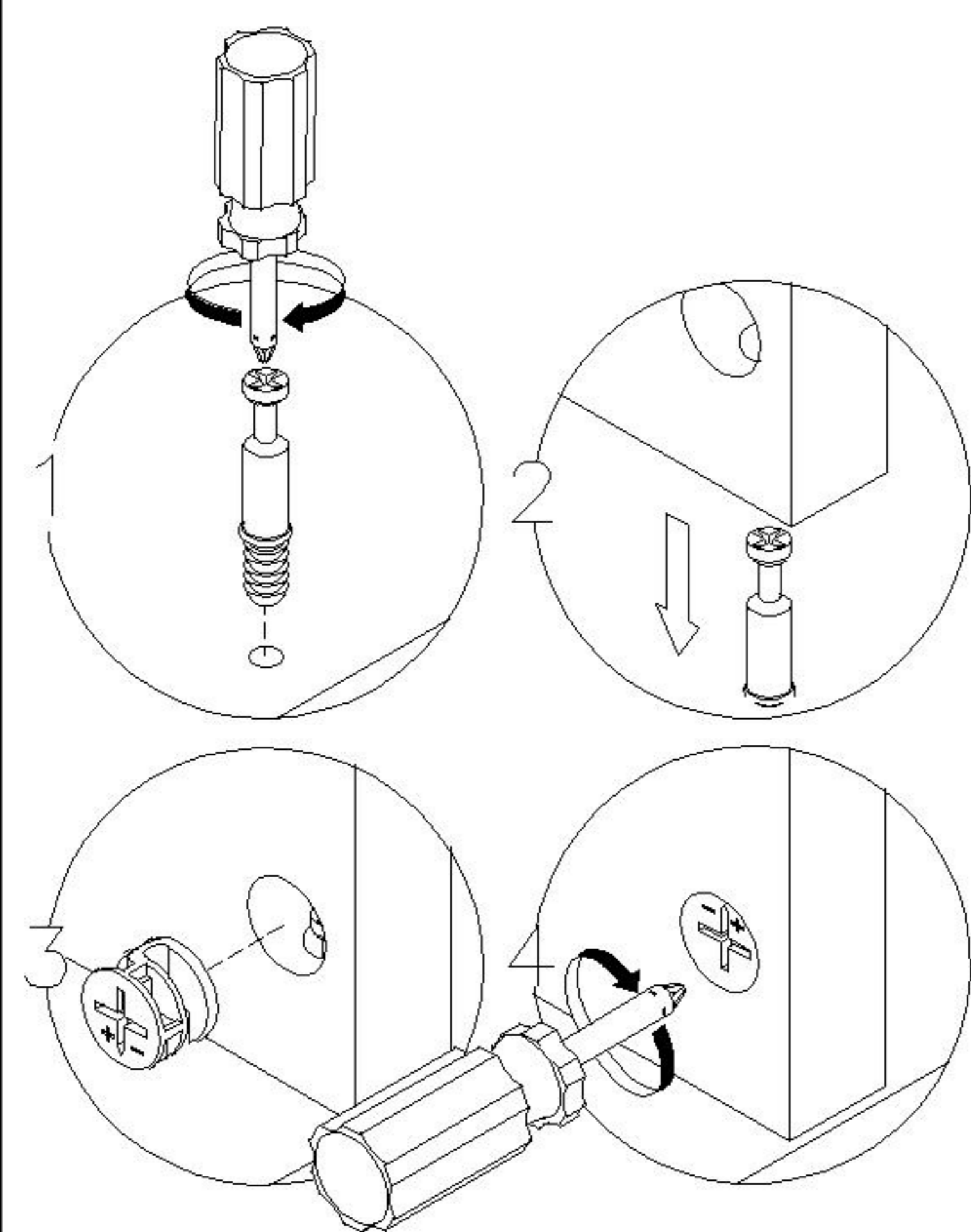
| 编号NO. | 名称Name | 编号NO. | 名称Name |
|--------------------|---------------------------|--------------------|--------------------------------|
| ②⑤ | 抽屉底板Drawer's Bottom board | UB10T-C 1.8m矮餐边柜柜体 | |
| ②⑥ | 侧架Side frame | ① | 面板Top panel |
| ②⑦ | 前立水Front apron | ② | 面板加条Add strips to the panel |
| ②⑧ | 中脚Middle foot | ③ | 底板Bottom board |
| UB10T-C 1.8m矮餐边柜面板 | | ④ | 底板加条Bottom plate with strips |
| ◇1 | 上面板Top panel | ⑤ | 左侧板Side board(L) |
| | | ⑥ | 右侧板Side board(R) |
| | | ⑦ | 左中侧板Middle side board(L) |
| | | ⑧ | 右中侧板Middle side board(R) |
| | | ⑨ | 左立柱Stand column(L) |
| | | ⑩ | 右立柱Stand column(R) |
| | | ⑪ | 中立柱center pillar |
| | | ⑫ | 背板Back board |
| | | ⑬ | 活动层板Movable shelf |
| | | ⑭ | 趟门板Door plank |
| | | ⑮ | 右拉条Brace (R) |
| | | ⑯ | 上抽屉面板Upper drawer's panel |
| | | ⑰ | 中抽屉面板Drawer's middle board |
| | | ⑱ | 下抽屉面板Bottom drawer's panel |
| | | ⑲ | 上抽屉侧板Upper Drawer's sideboard |
| | | ⑳ | 中抽屉侧板Middle drawer side panel |
| | | ㉑ | 下抽屉侧板Lower Drawer's sideboard |
| | | ㉒ | 上抽屉后板Upper drawer's back board |
| | | ㉓ | 中抽屉后板Side drawer middle panel |
| | | ㉔ | 下抽屉后板Down drawer's back board |

UB10T-C 1.8m

矮餐边柜

安装方法/

Installation method



二合一 two-in-one

阀门开关(下压为开)

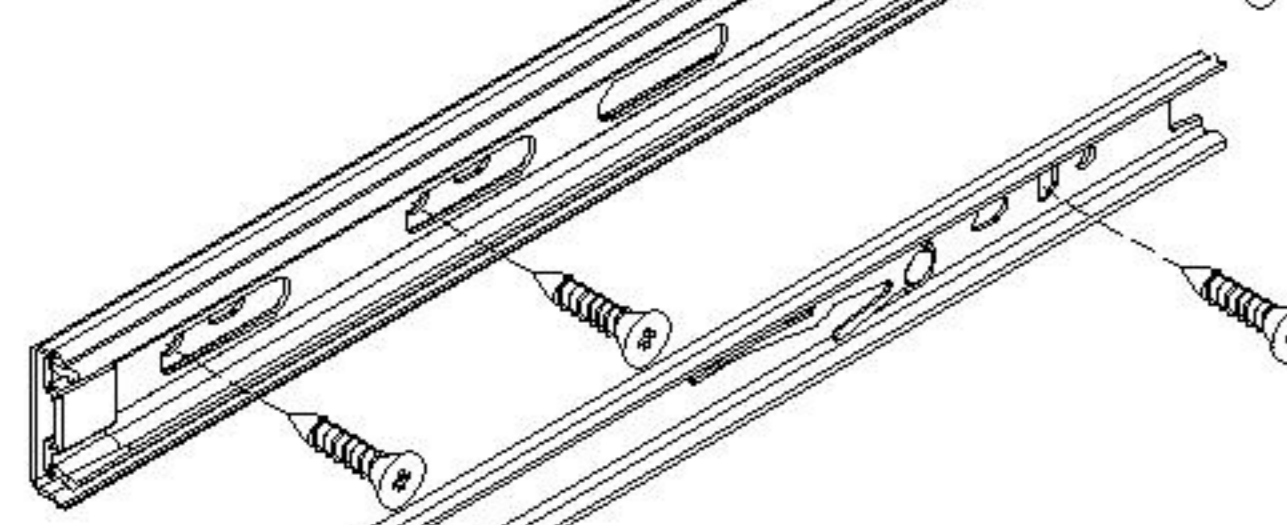
Valve switch (press down to open)

前 Forward

后 Back

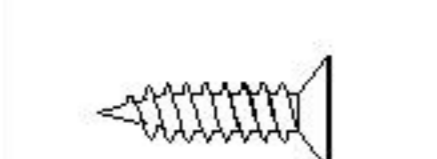


主轨 Main track



副轨 Sub track

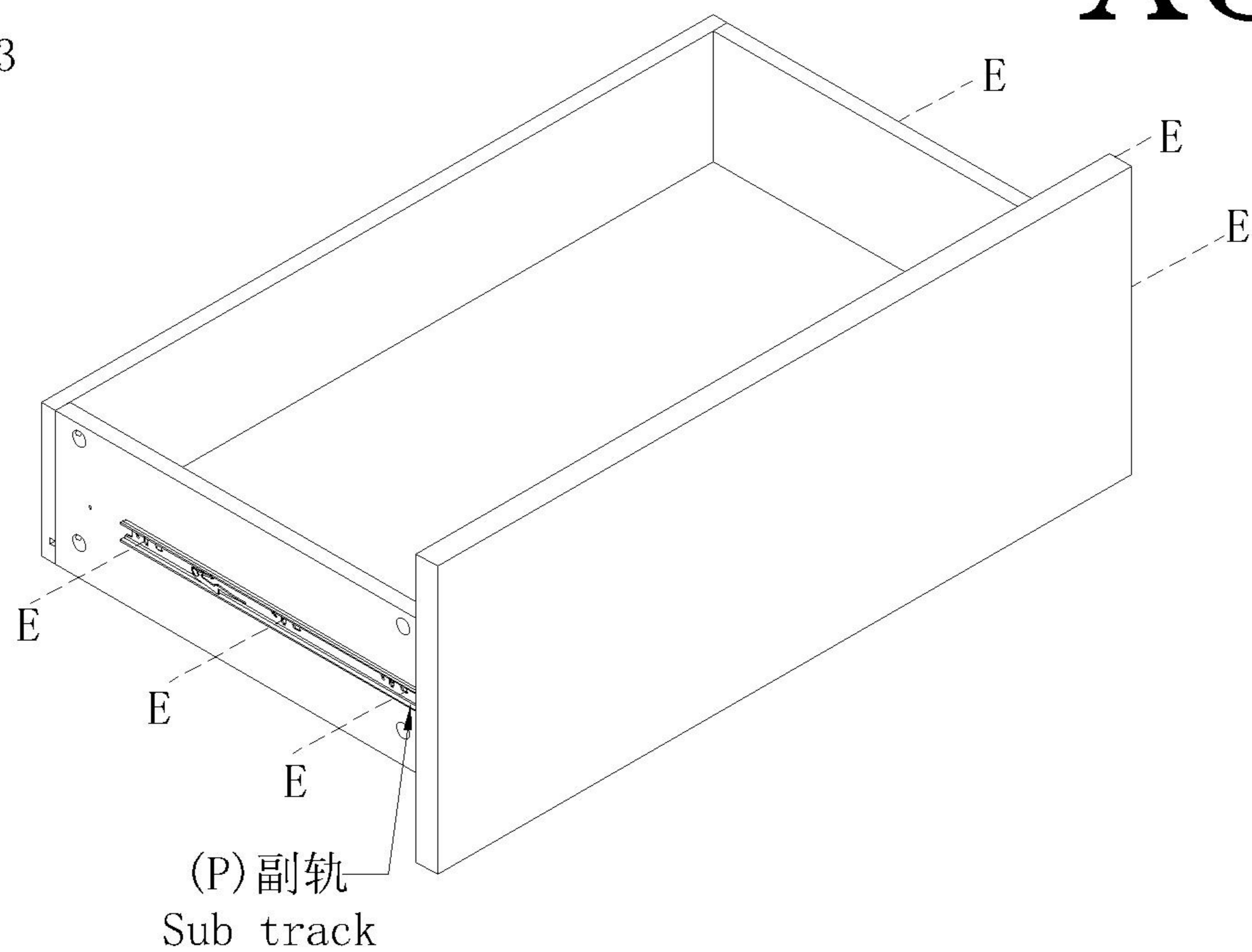
三节滚珠导轨
Three-section rail



(E)*18

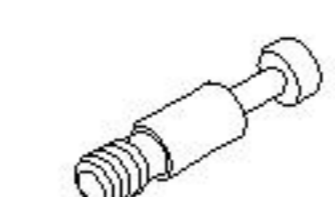


(P)*3



X3

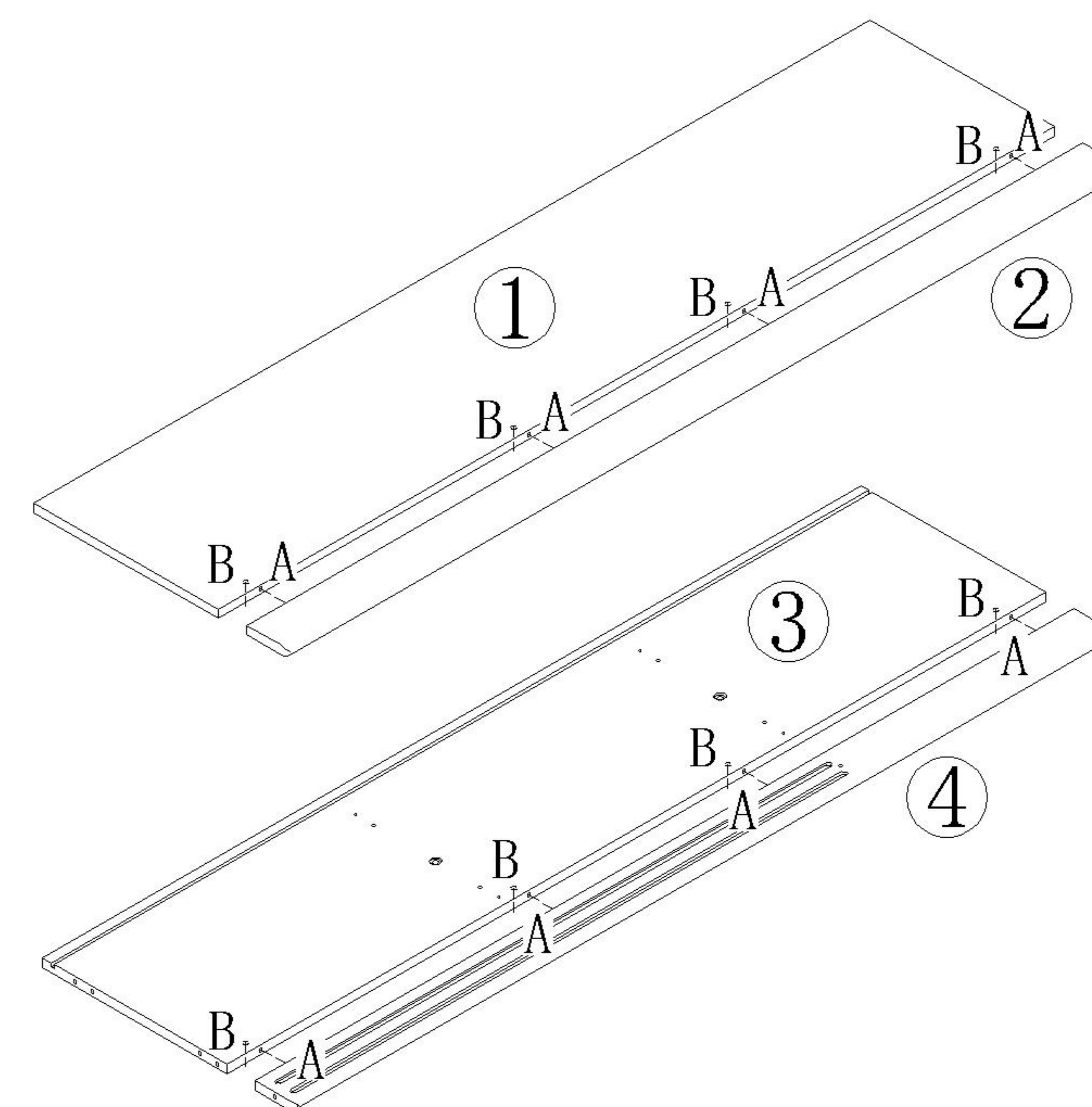
3



(A)*8



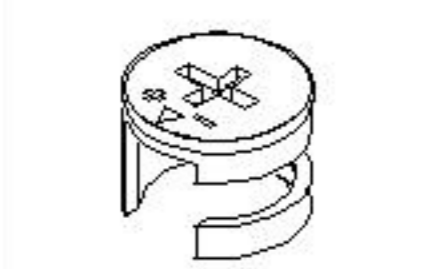
(B)*8



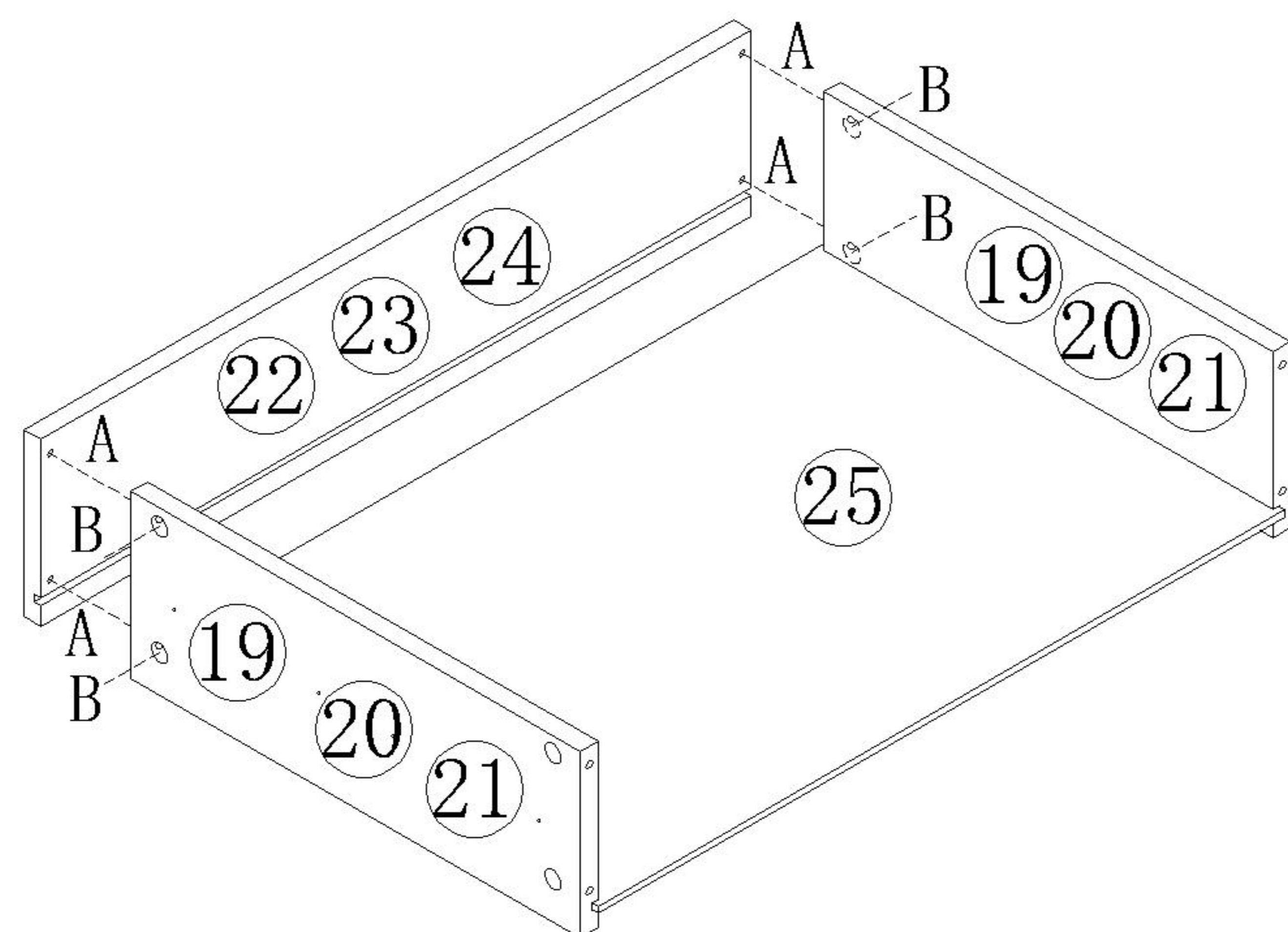
X3

4

(A)*12



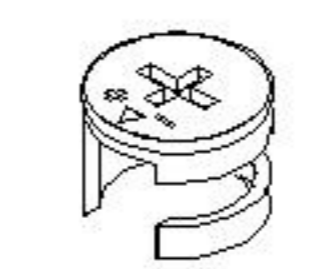
(B)*12



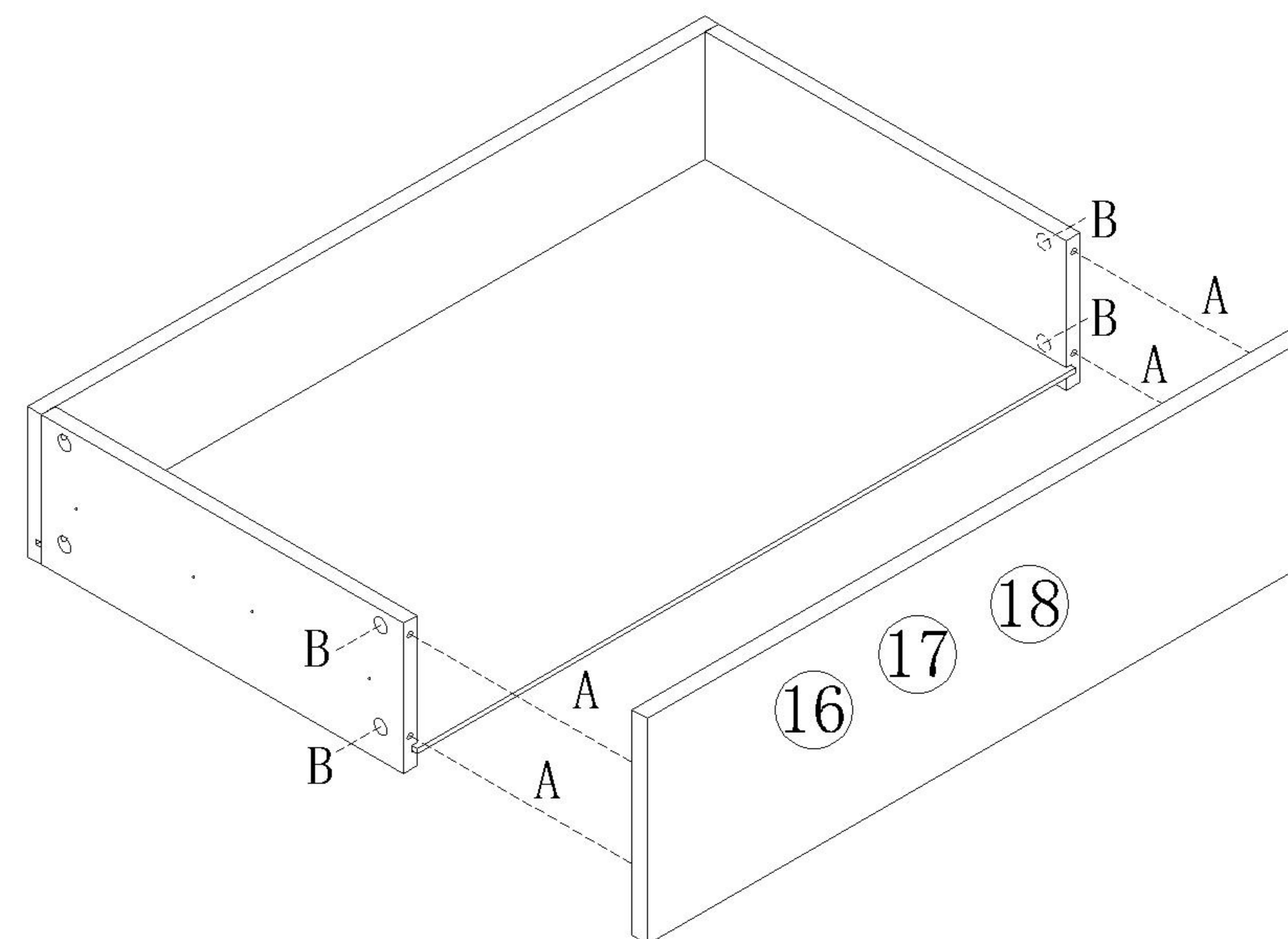
X3

1

(A)*12



(B)*12

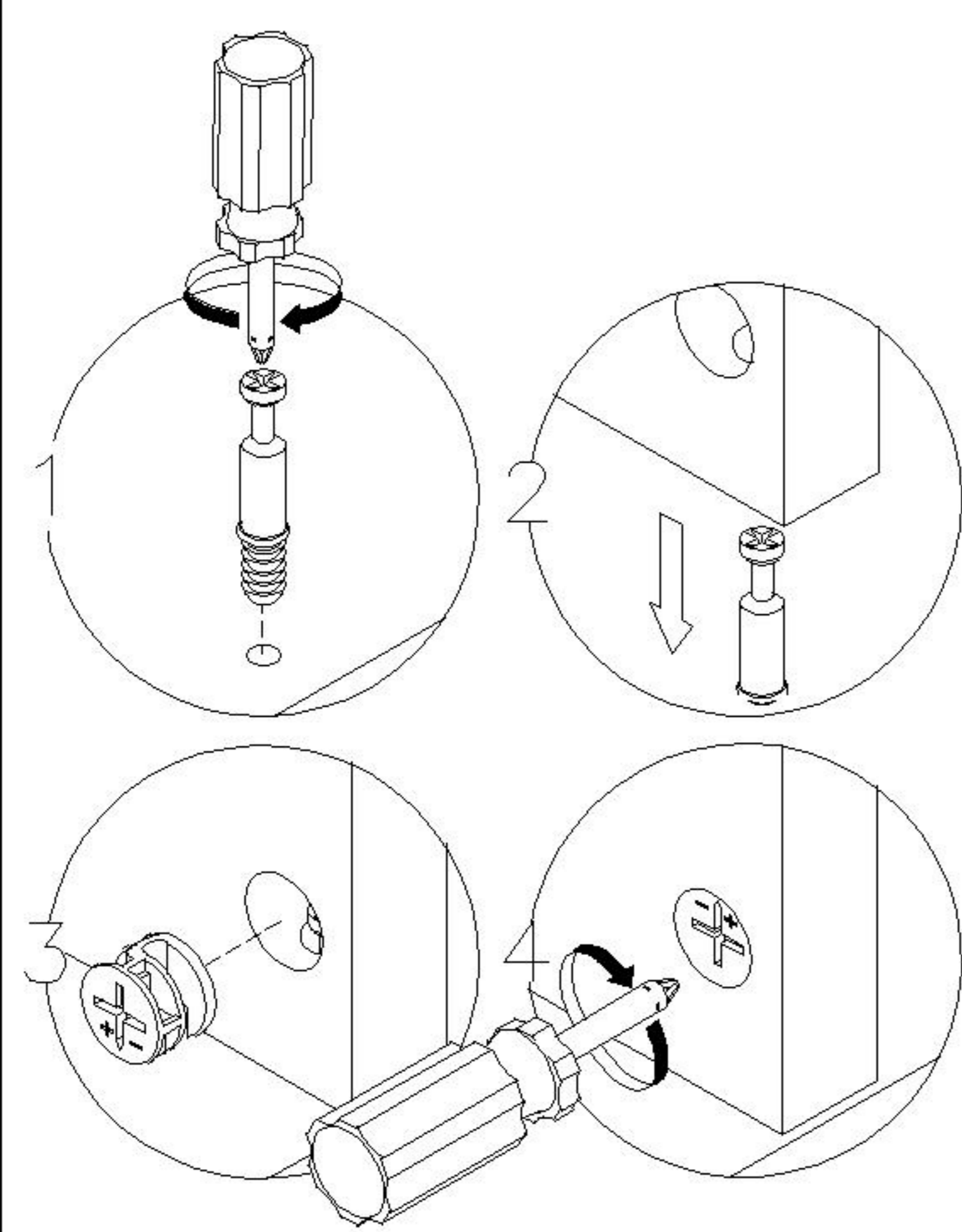


2

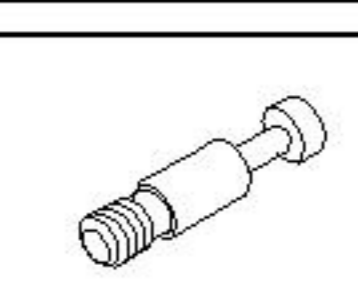
UB10T-C 1.8m

矮餐边柜

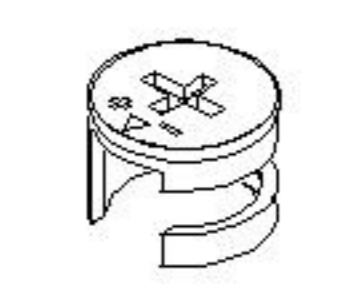
安装方法/
Installation method



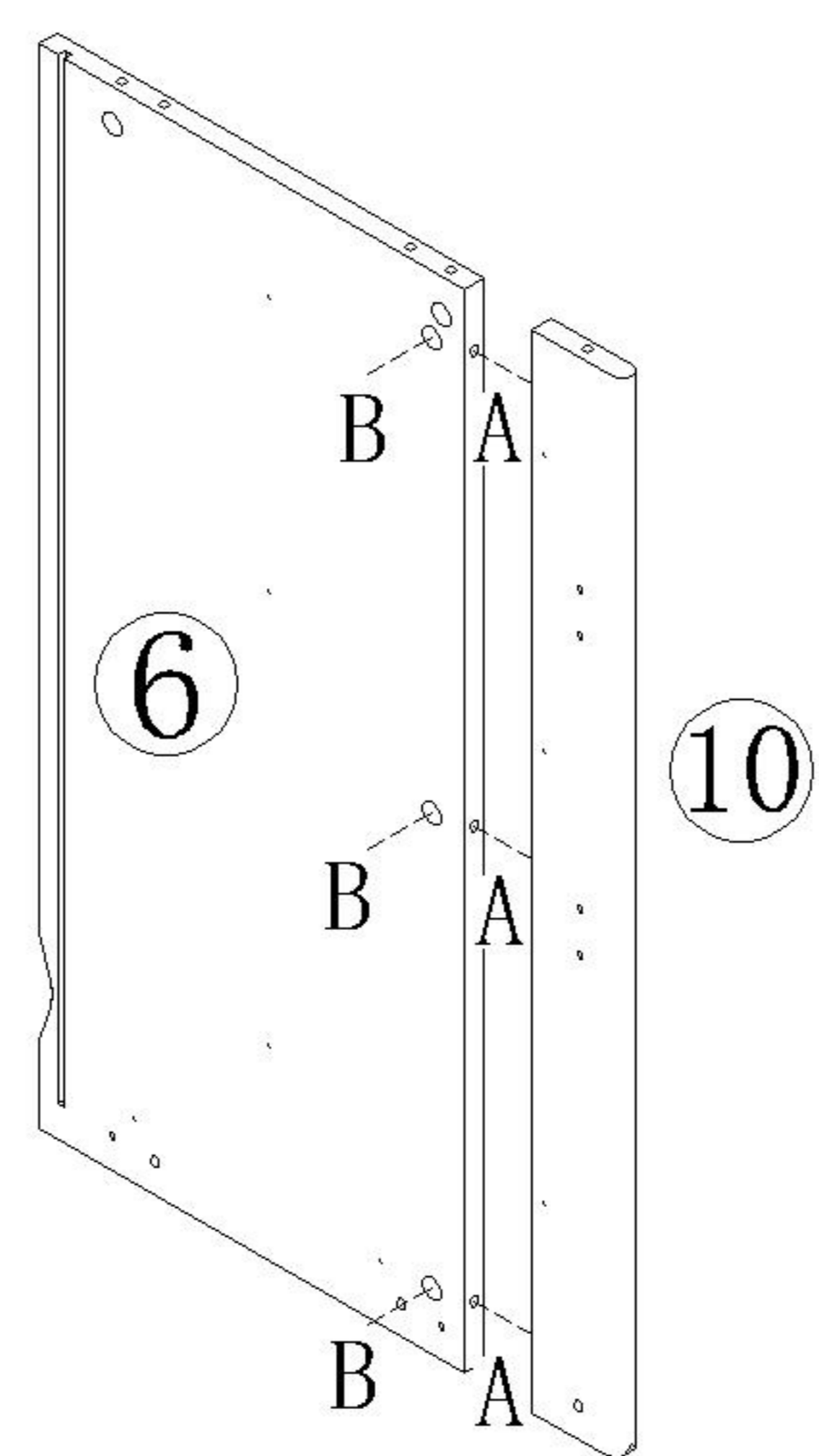
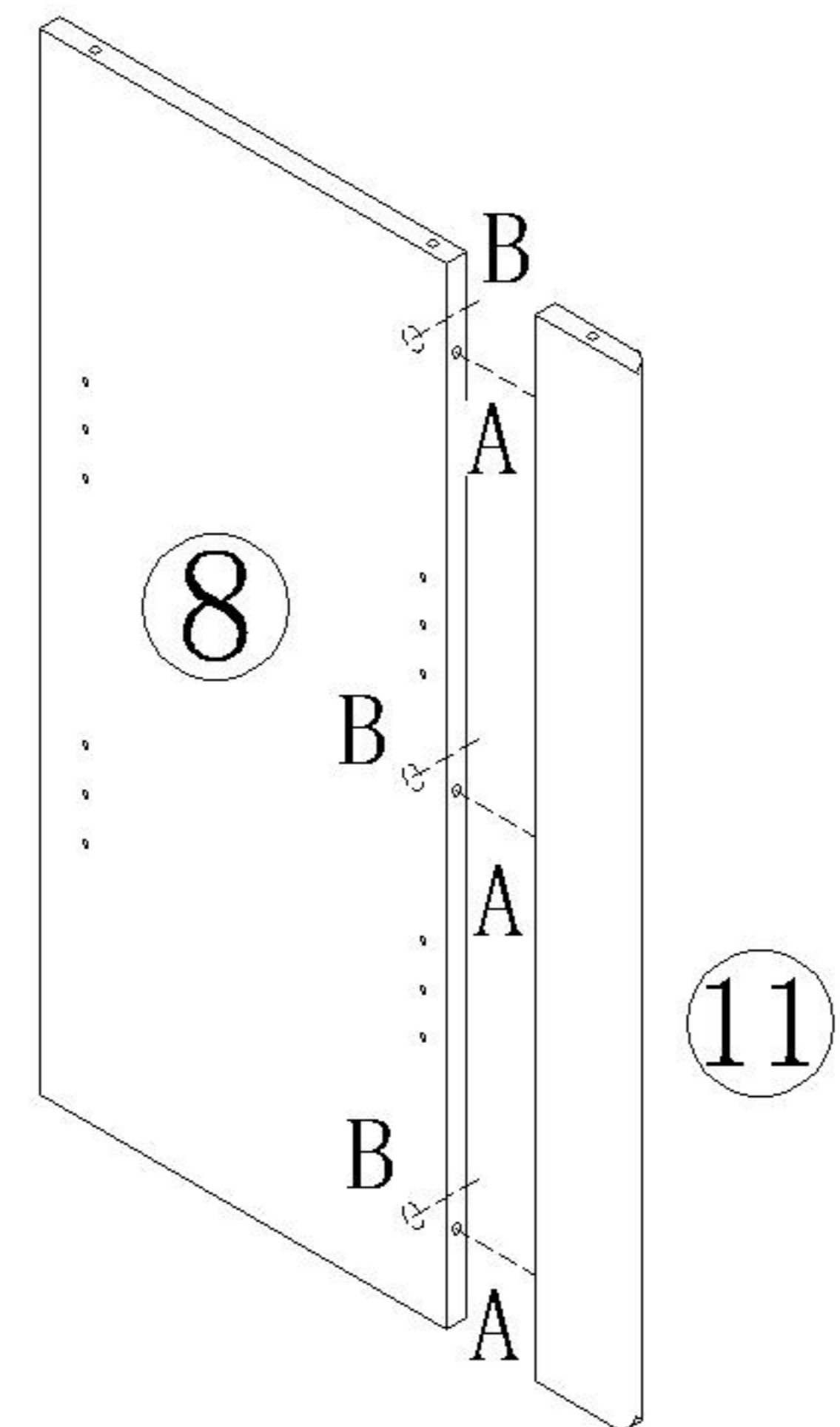
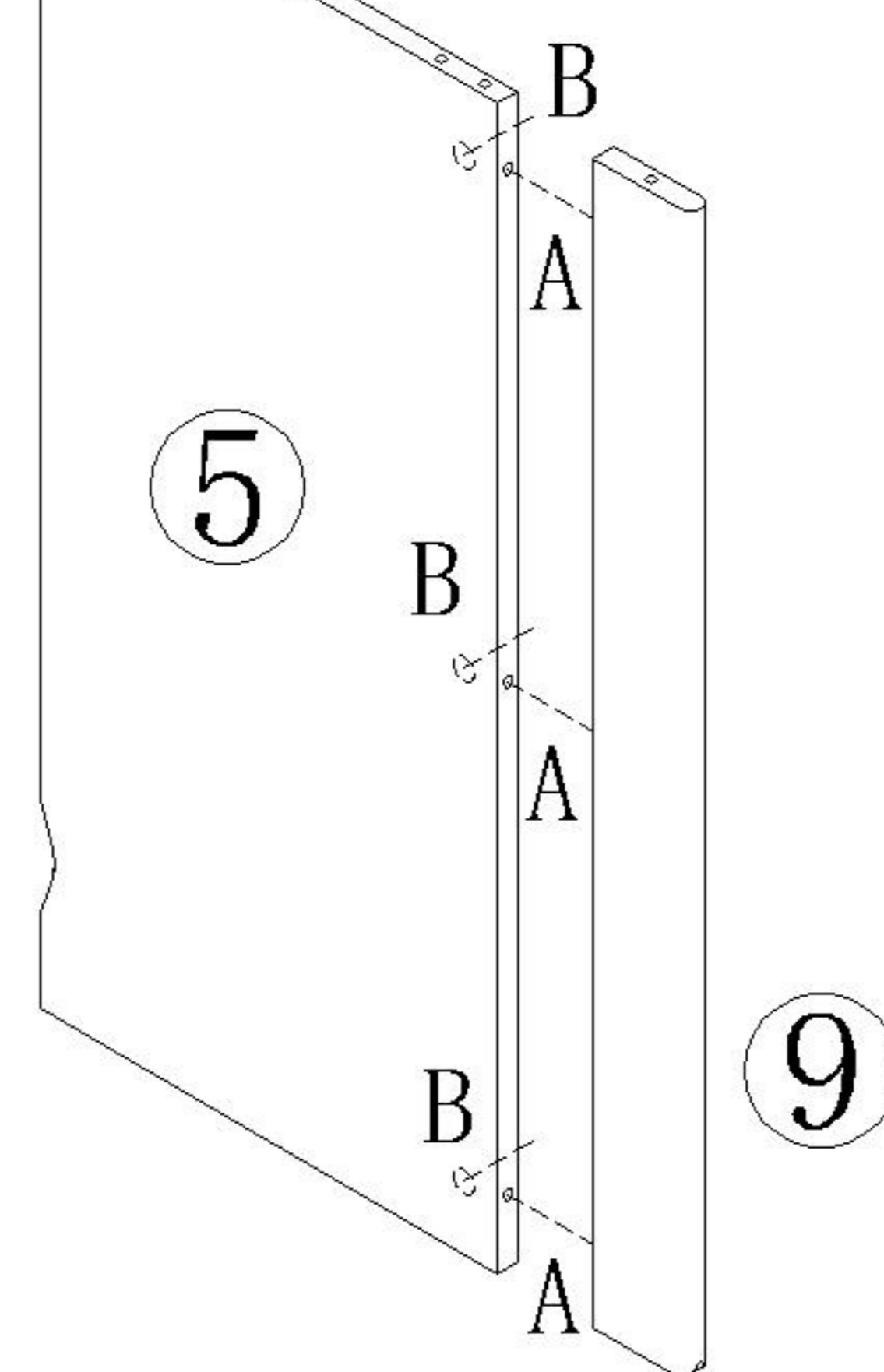
二合一 two-in-one



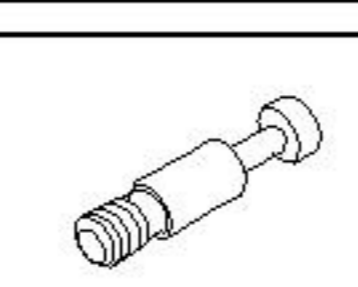
(A)*9



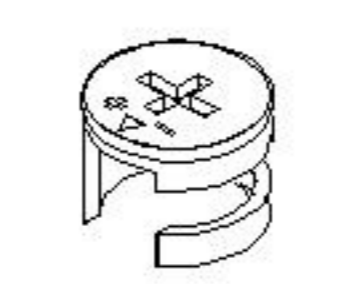
(B)*9



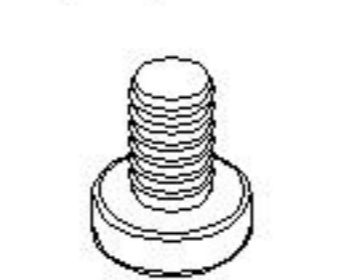
5



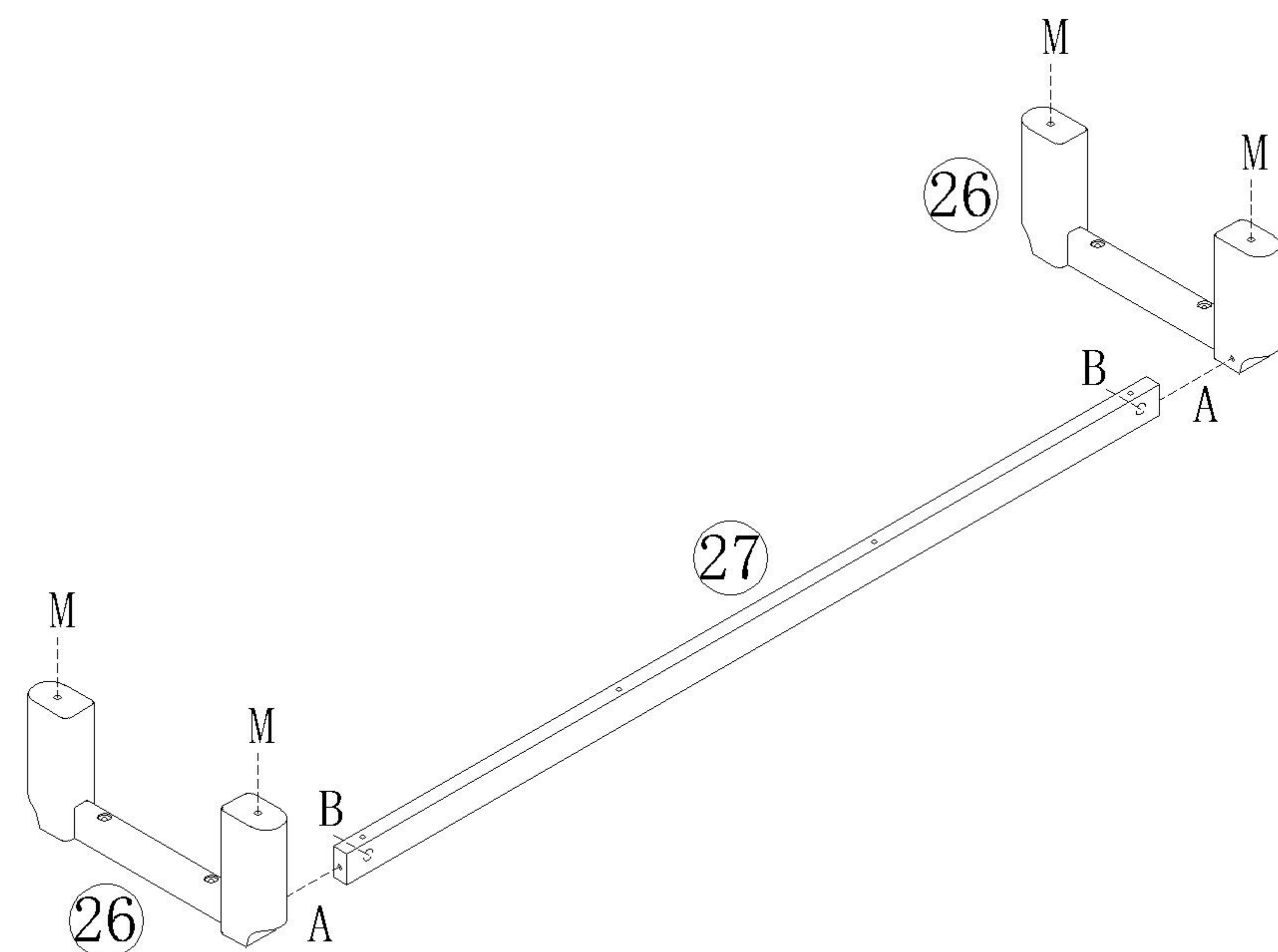
(A)*2



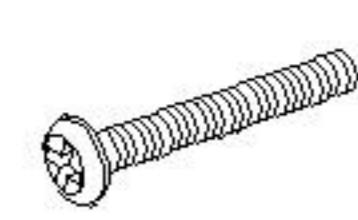
(B)*2



(M)*4



6



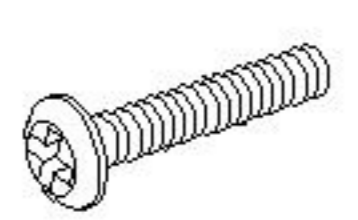
(K)*4



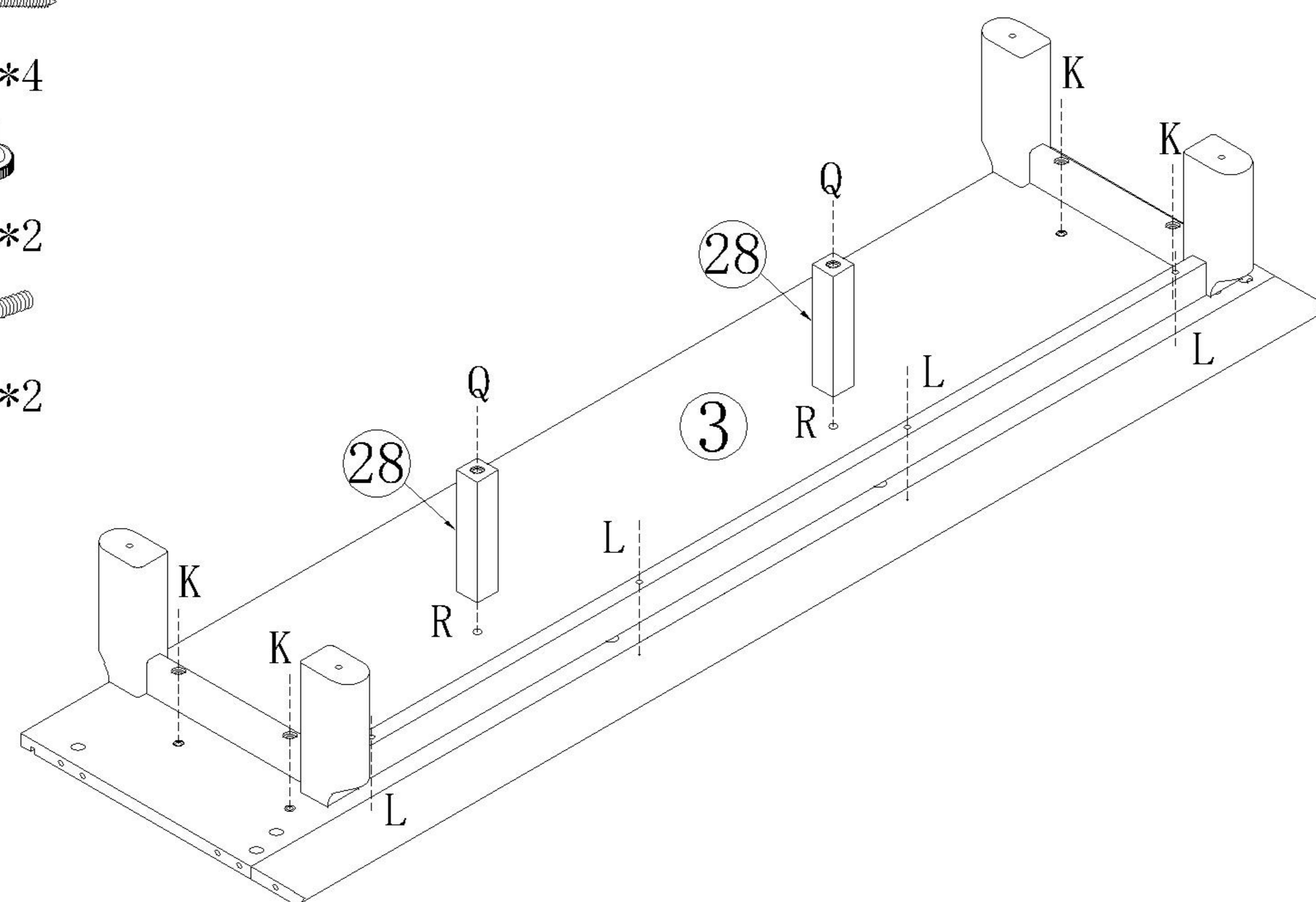
(L)*4



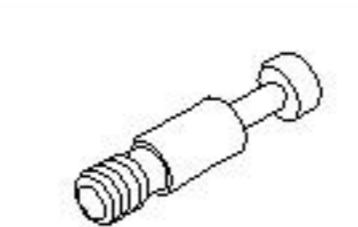
(Q)*2



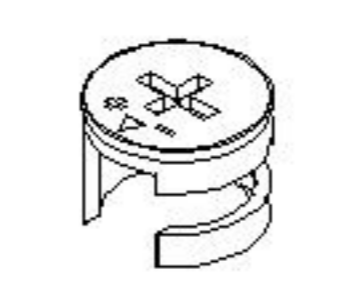
(R)*2



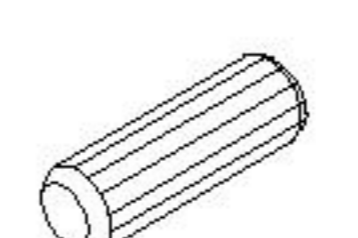
7



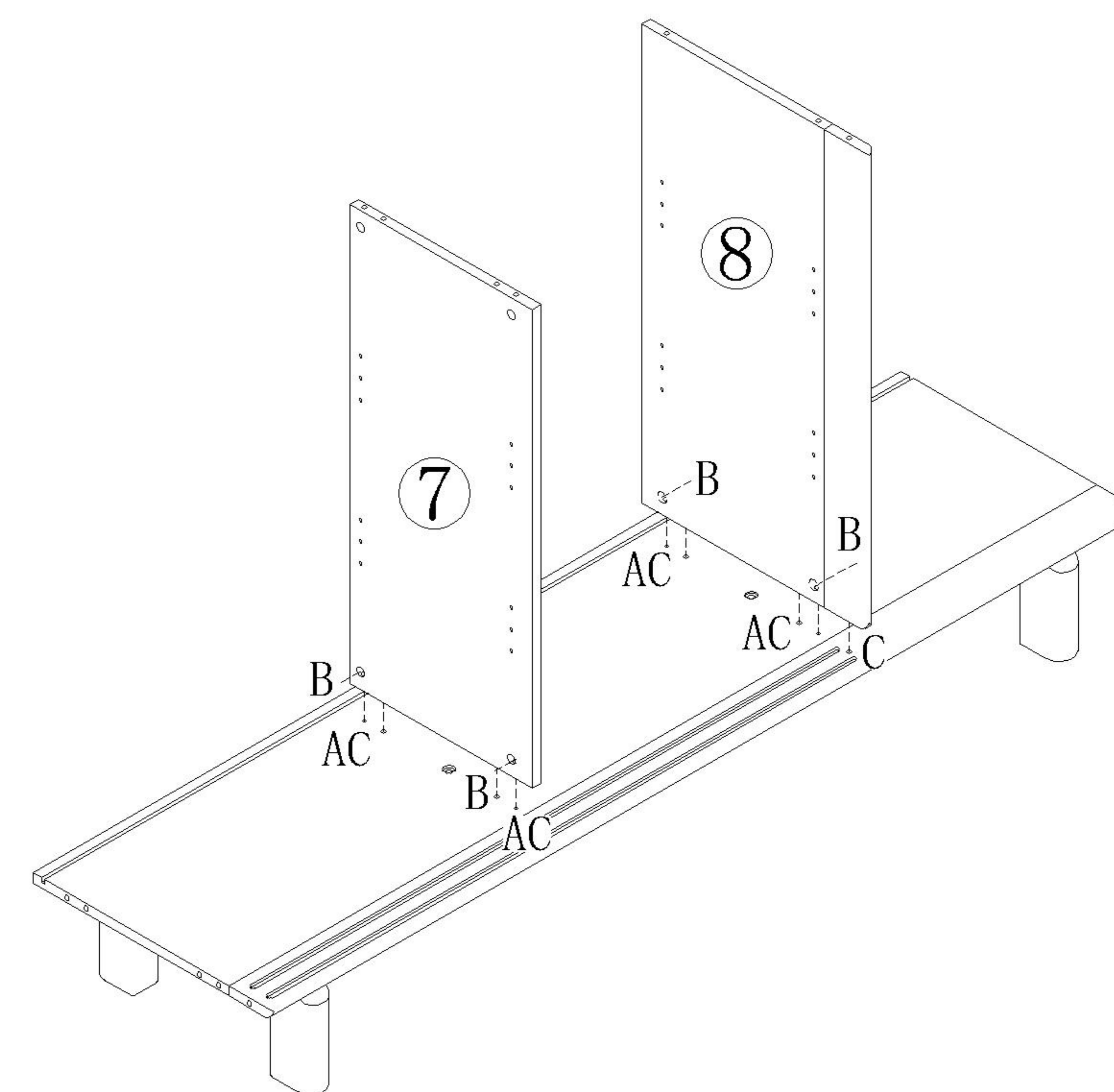
(A)*4



(B)*4



(C)*5

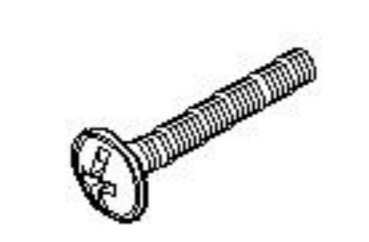


8

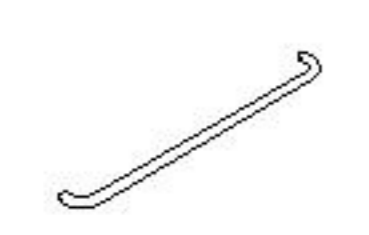
UB10T-C 1.8m

矮餐边柜

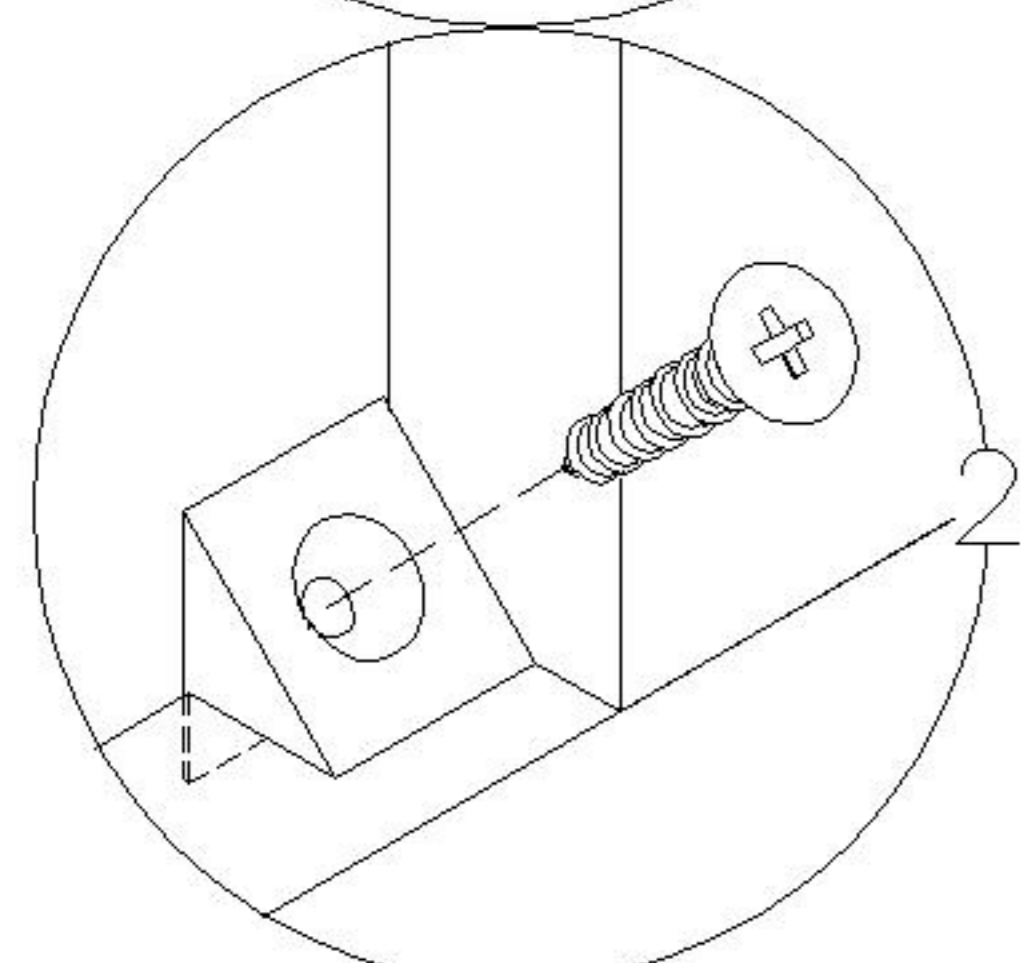
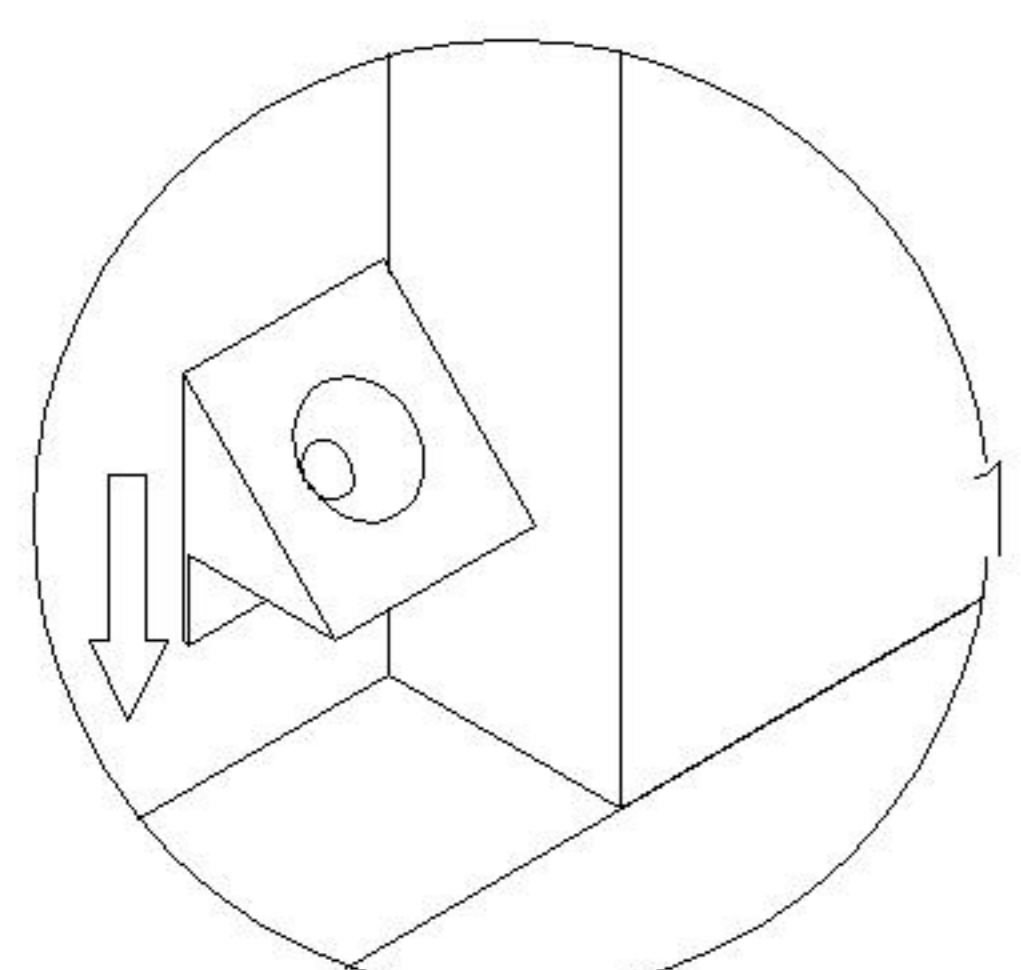
安装方法/
Installation method



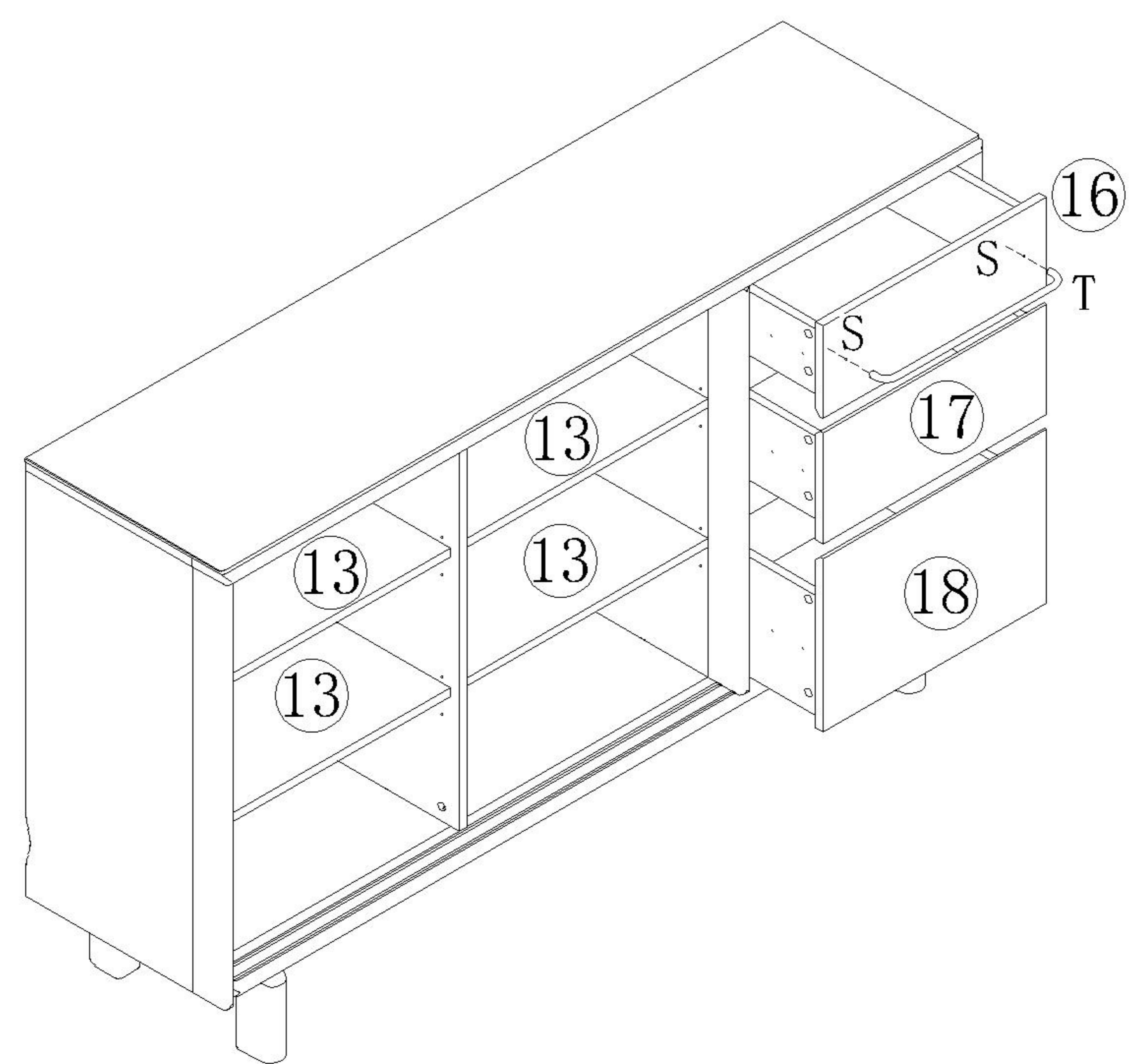
(S)*2



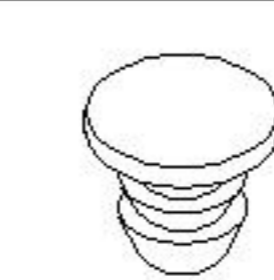
(T)*1



背板扣
Back Plate Buckle



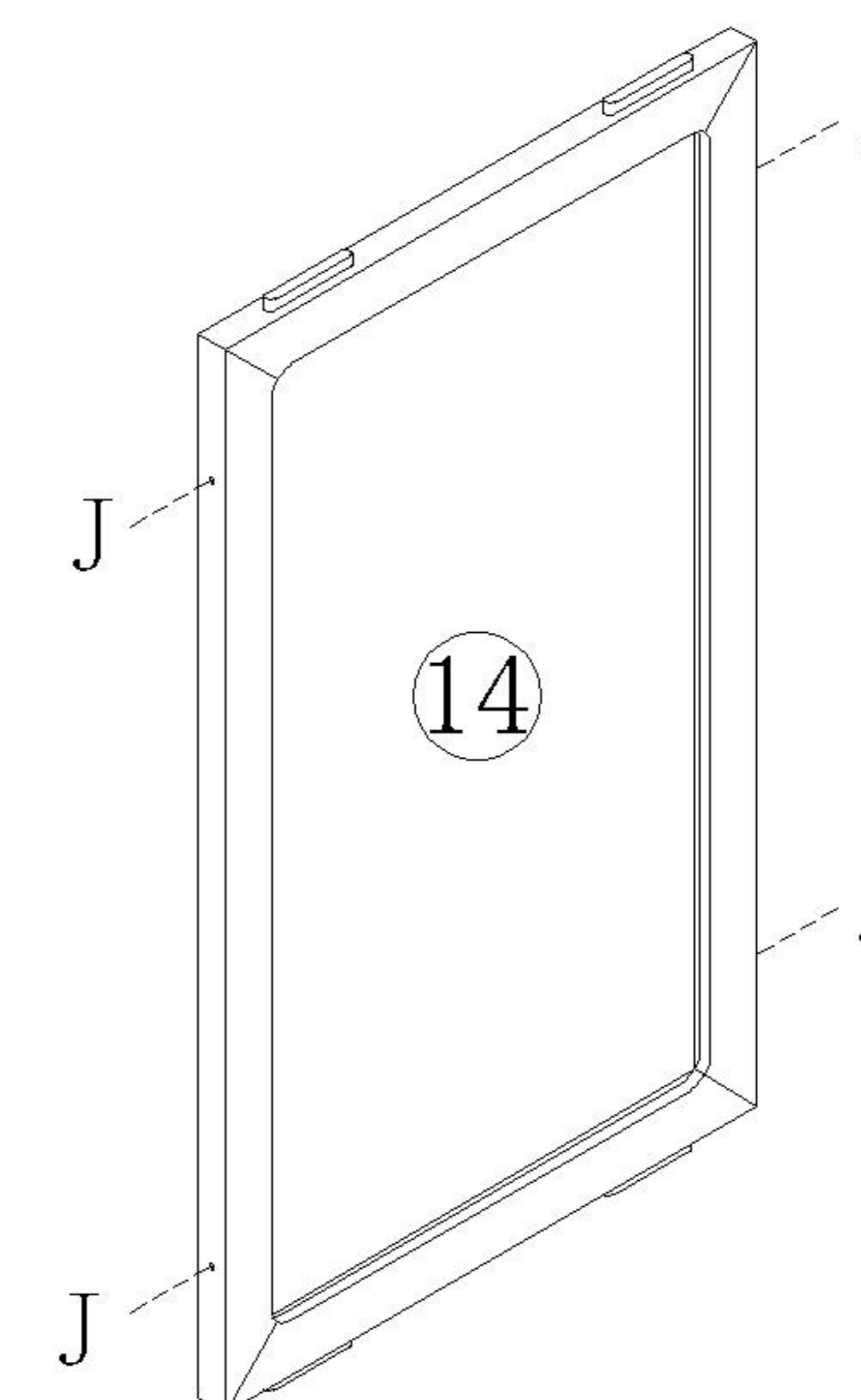
13



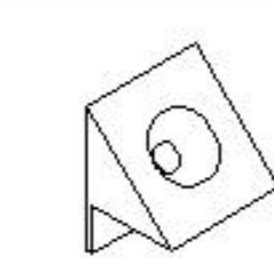
(J)*8

14

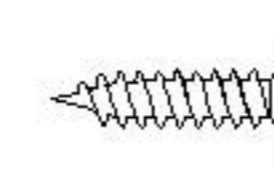
X2



15

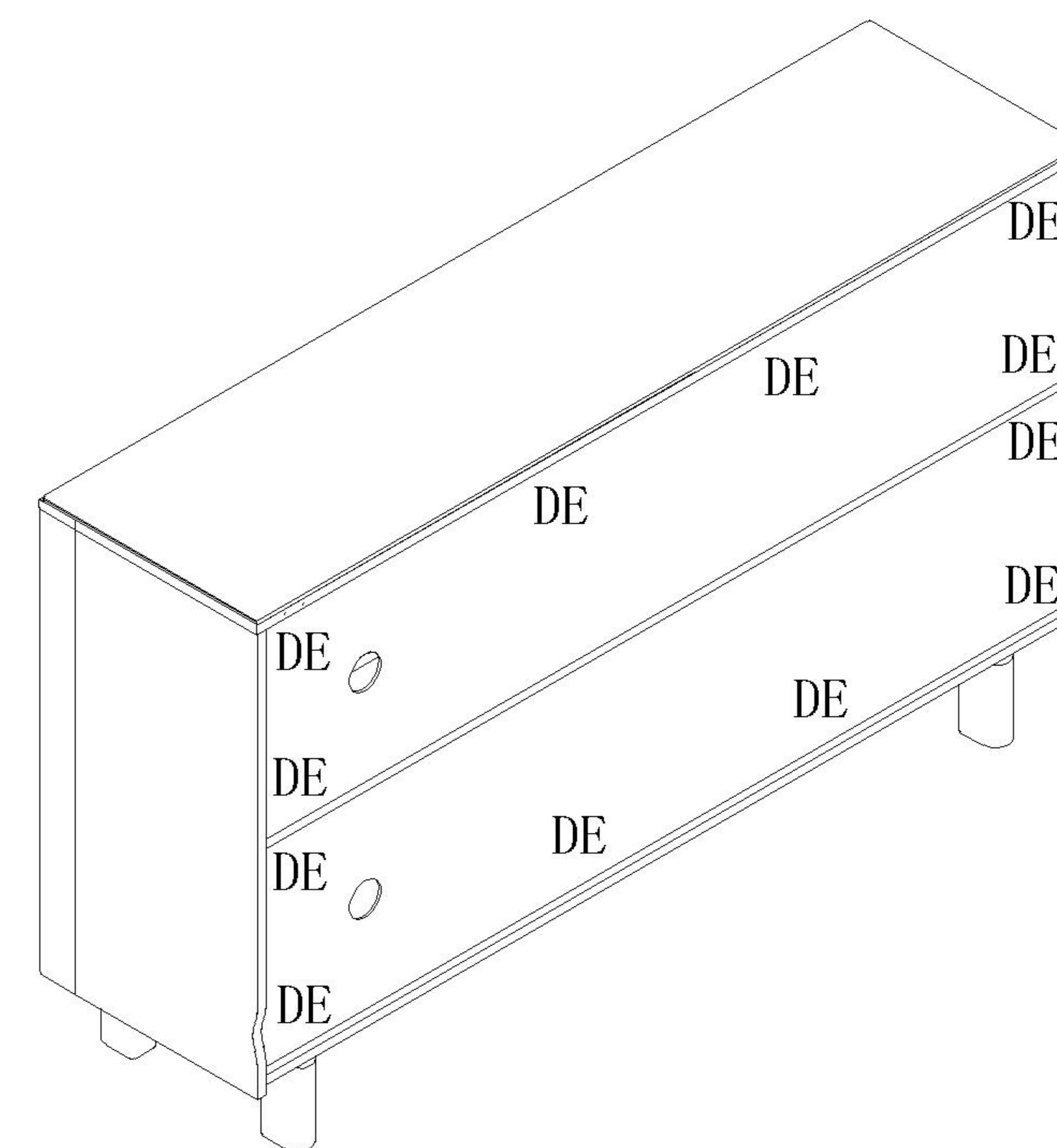
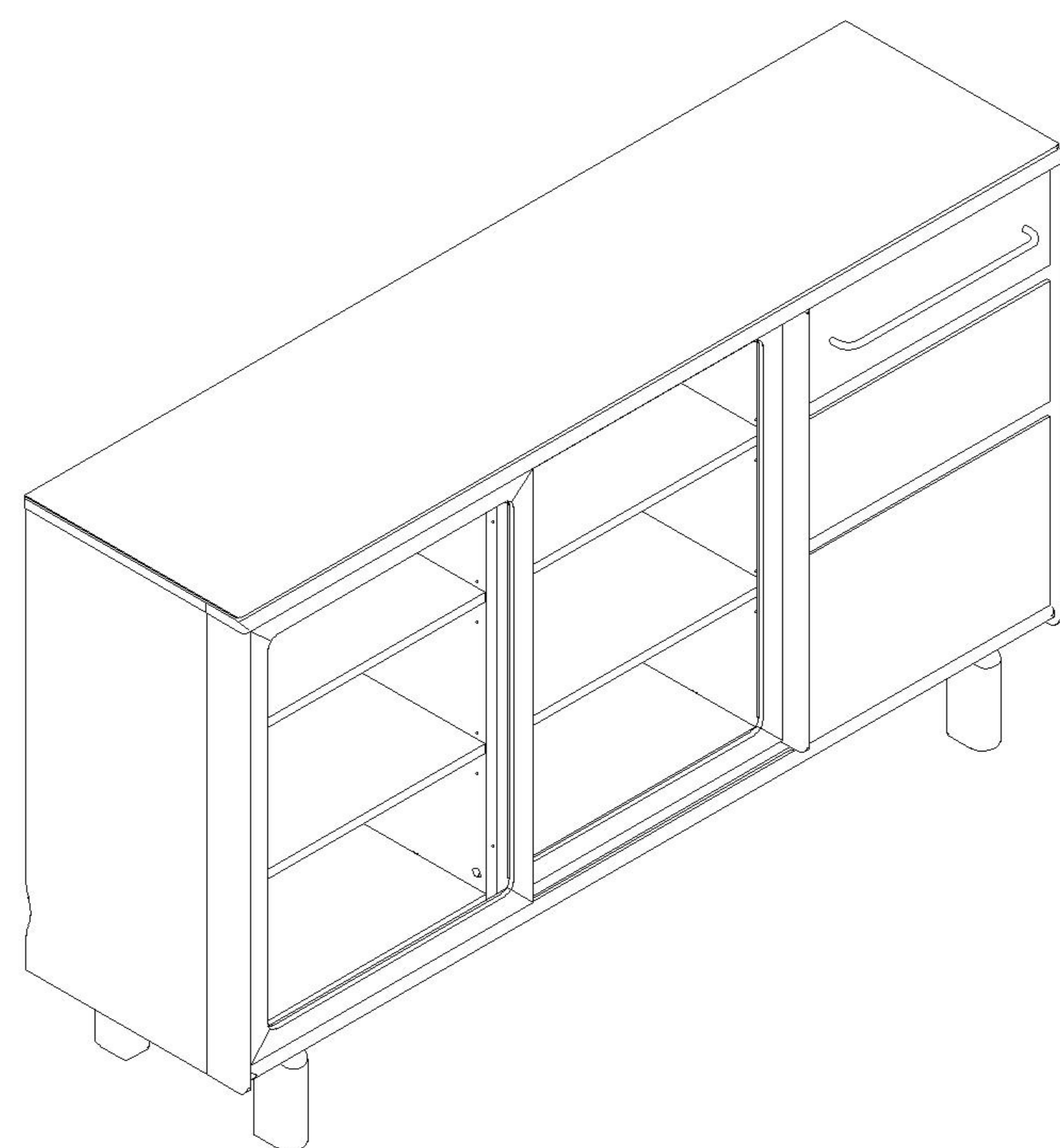


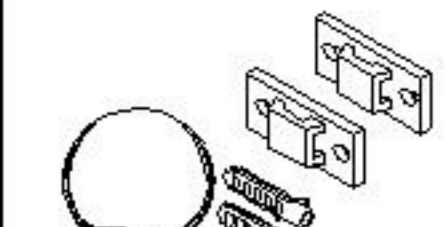
(D)*12



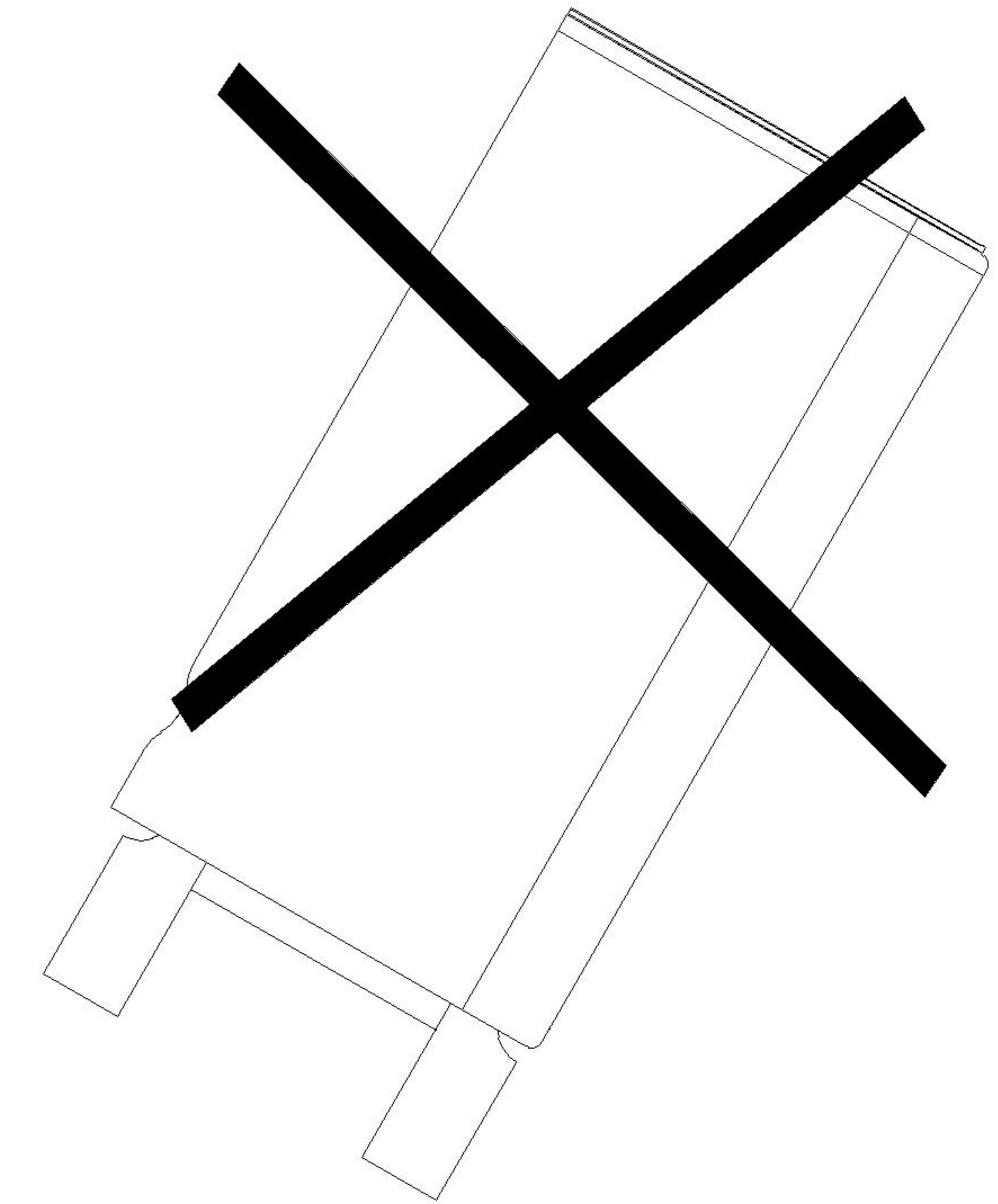
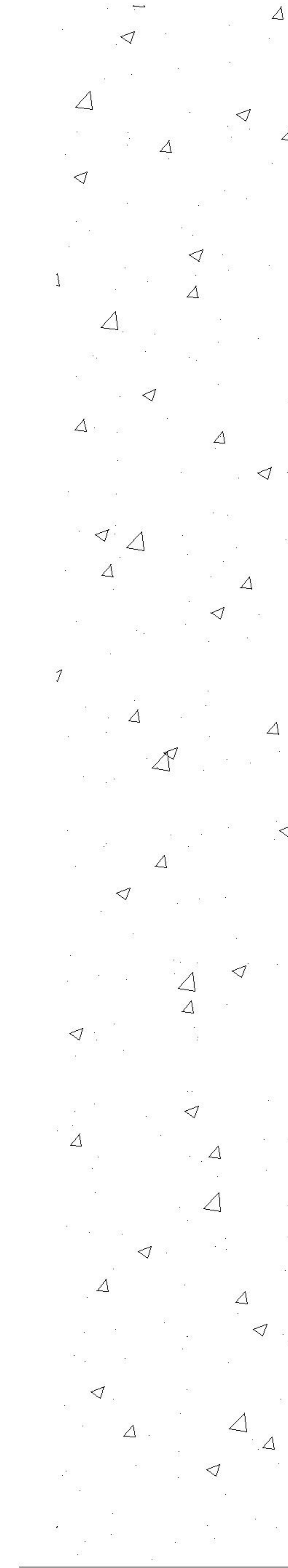
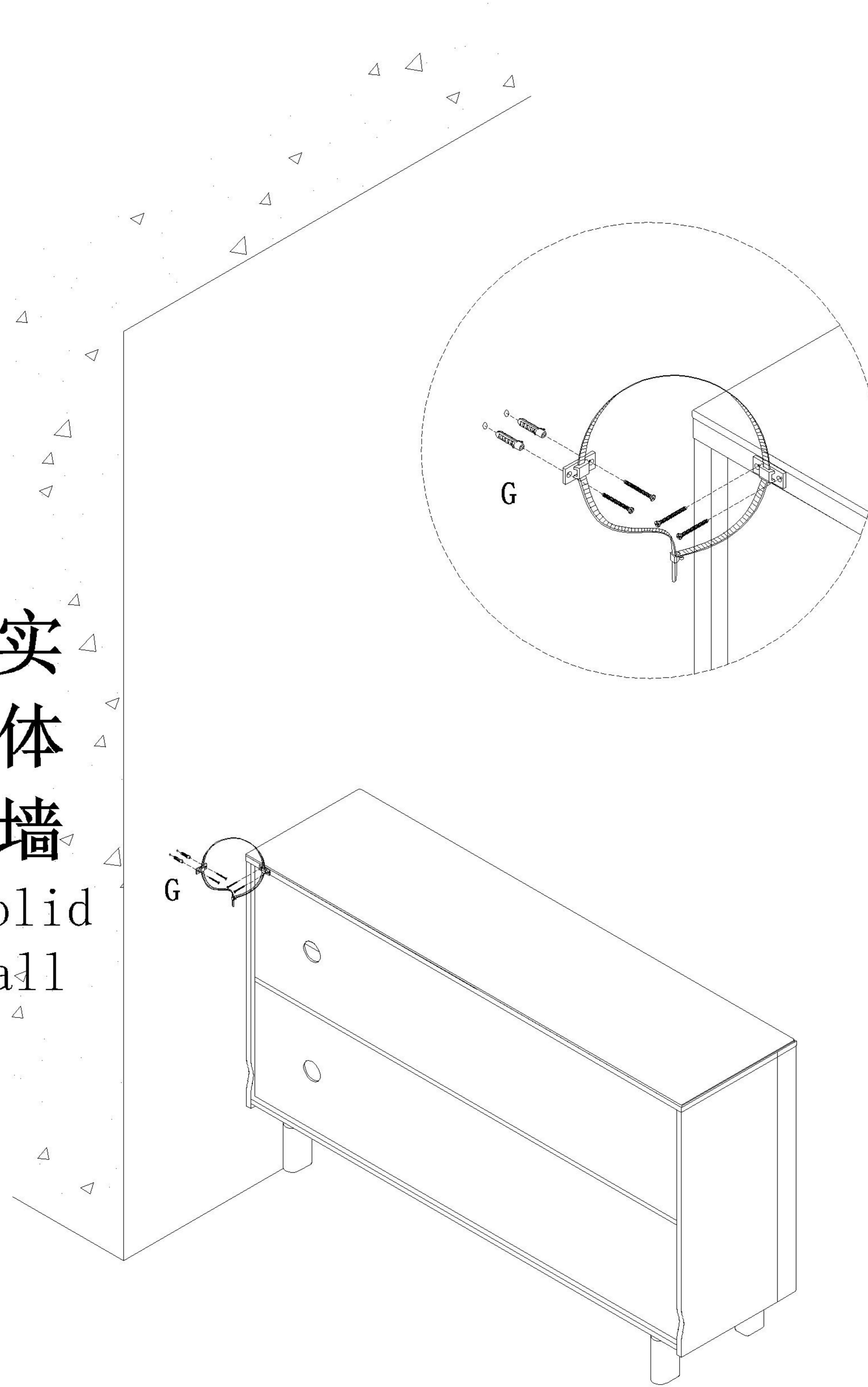
(E)*12

16




(G)*1

实体墙
Solid wall



LINSY 林氏家居

五金表/Hardware list

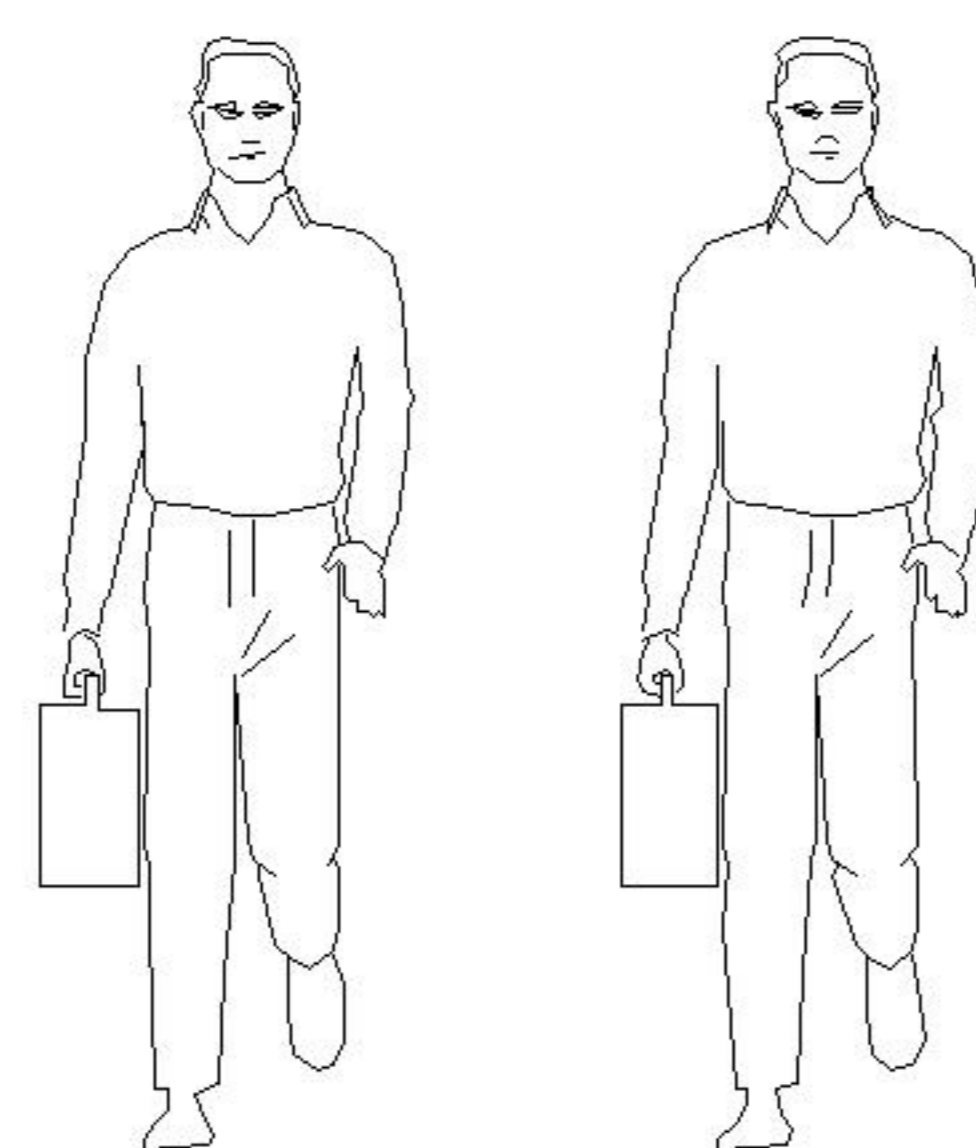
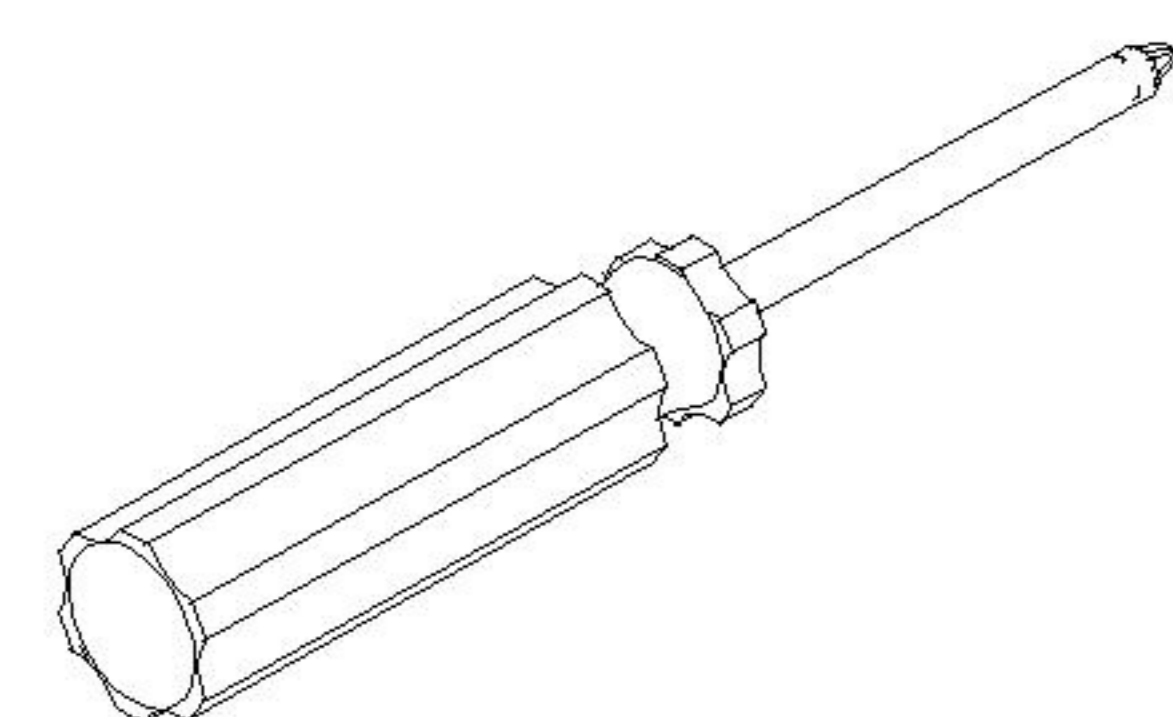
部件表/Parts List

安装示意图/Assembly Instruction

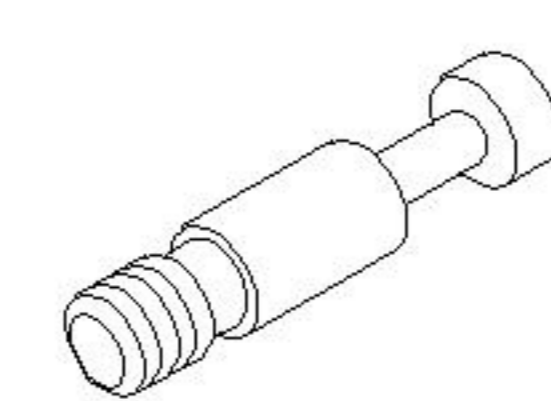
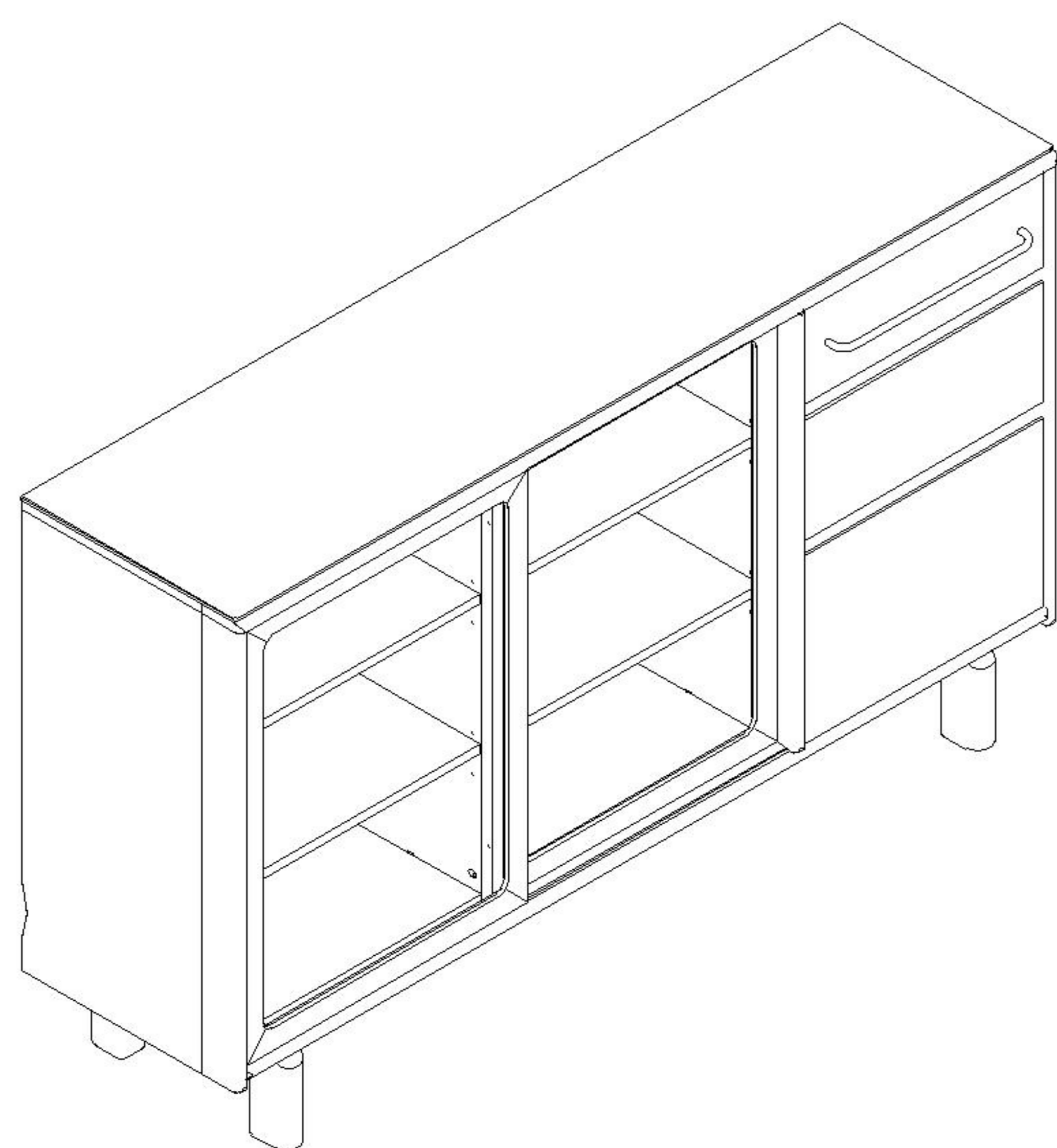
产品名称 Model NO. UB10T-C 1.5m矮餐边柜

产品规格 Specification 1500*425*902mm

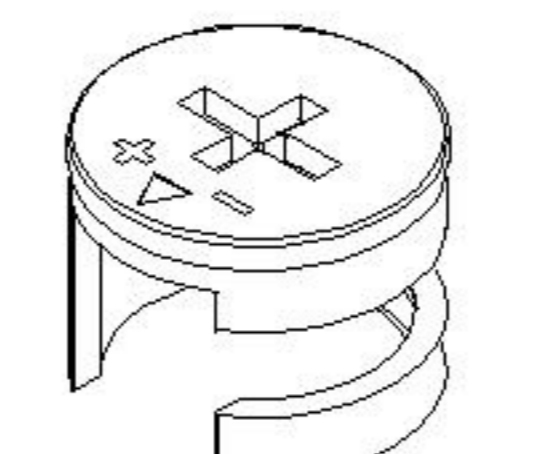
安装工具 Tool 安装人数 Installer



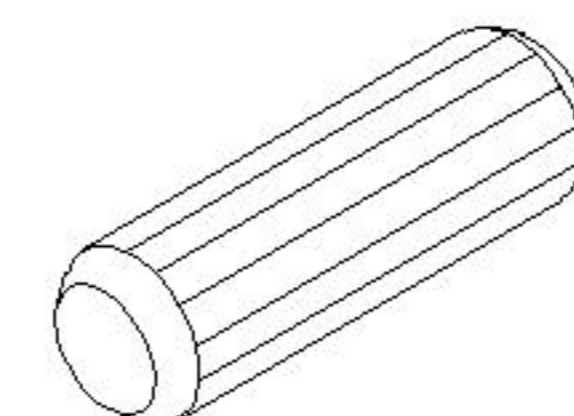
注：为保证设计效果，部分尺寸为定制尺寸，不影响使用。



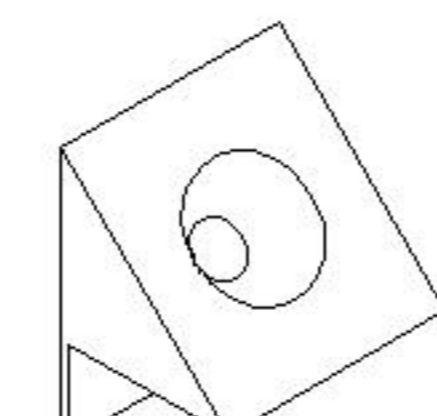
(A)* 71
二合一螺杆
2-in-1-screw



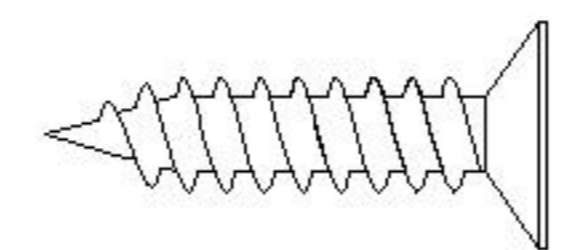
(B)* 71
大三合一锁饼
Three-in-one large lock



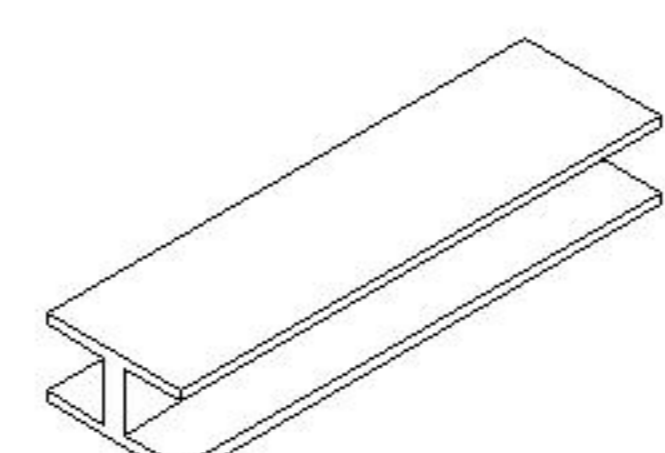
(C)* 23
木榫Ø8x30mm
wood tenon



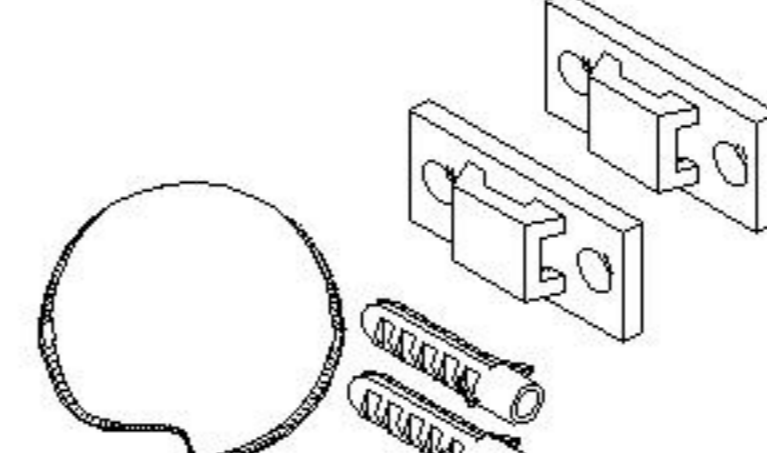
(D)* 13
背板扣
Back Plate Buckle-White



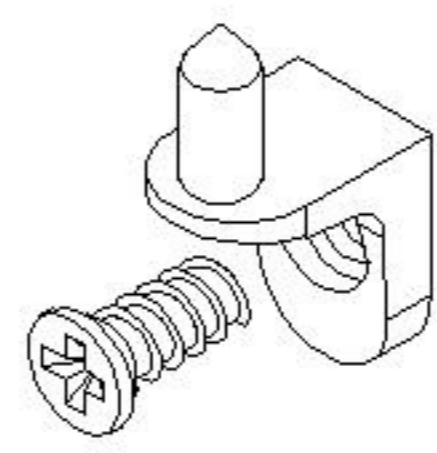
(E)* 59
自攻螺丝M3.5x14mm
Self-tapping screw



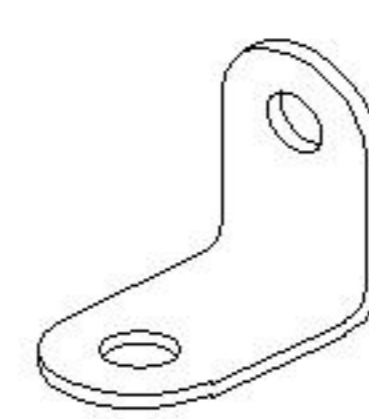
(F)* 1
夹板条L=1464mm
Splint strip



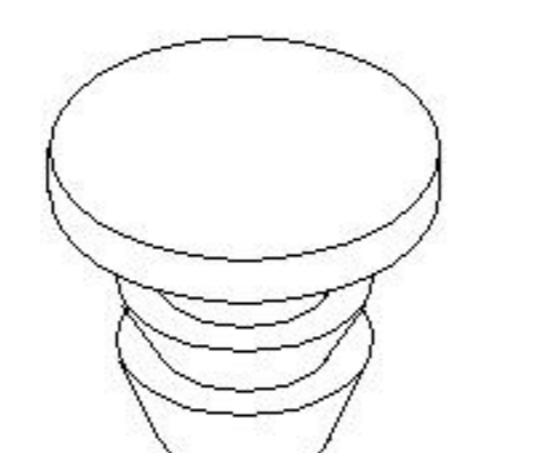
(G)* 1
家具防倒器-白色
Anti-fall device white



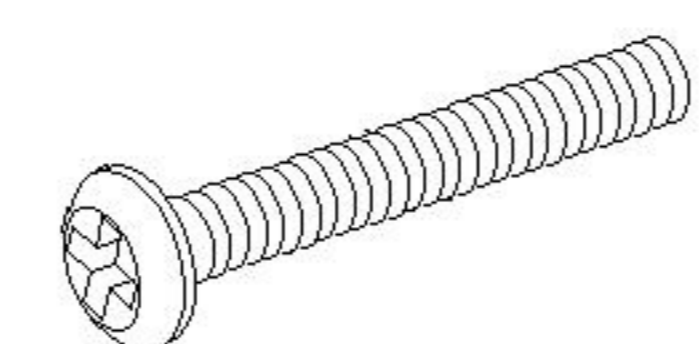
(H)* 16
层板托
shelf support



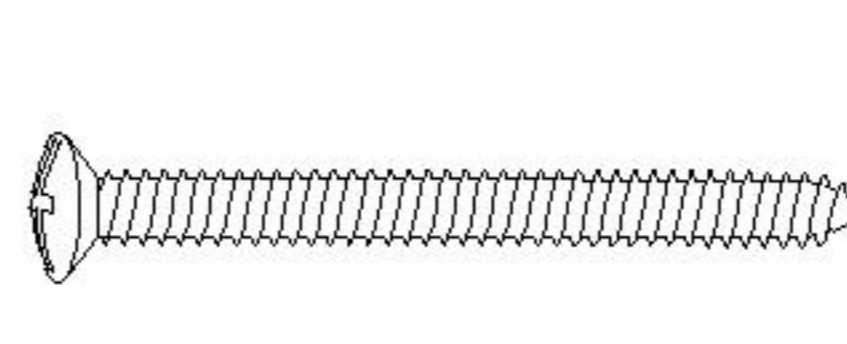
(I)* 4
小角码14x21x1.5
Small corner code



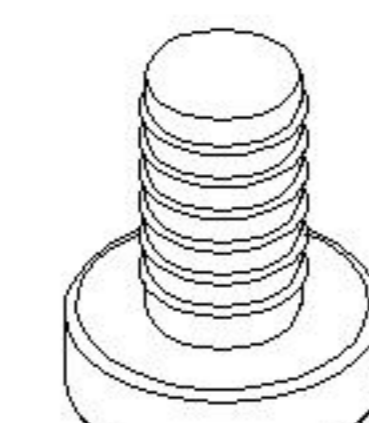
(J)* 8
防撞孔塞
Anti-collision plug



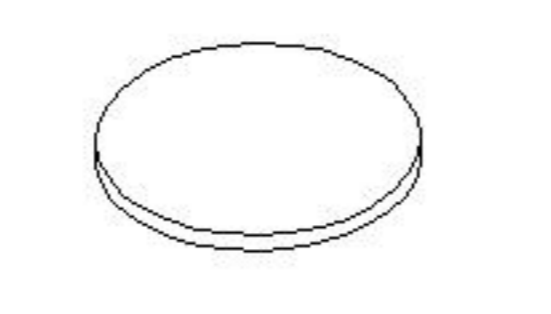
(K)* 4
斜边十字螺杆-M6x45
bevel cross screw



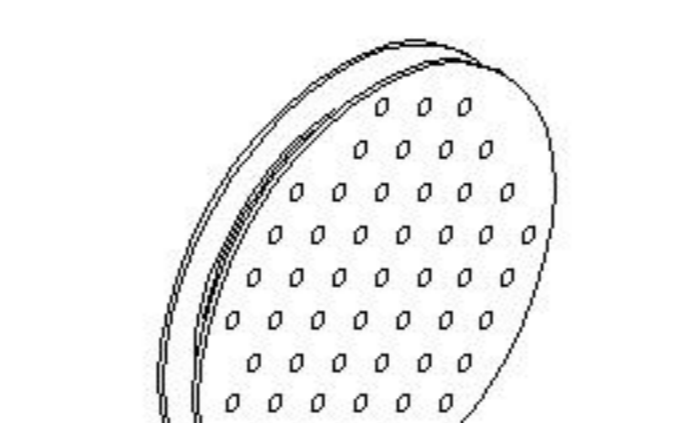
(L)* 4
自攻大扁M4*40mm
Self tapping flat screw



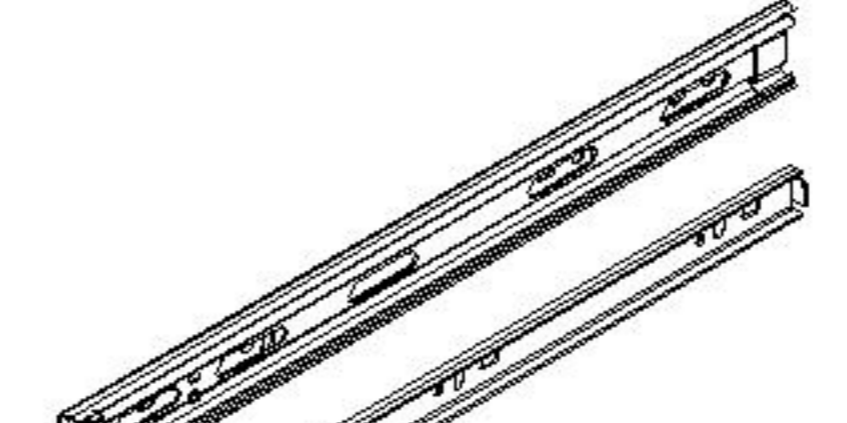
(M)* 4
透明防滑PVC胶塞
Rubber stopper



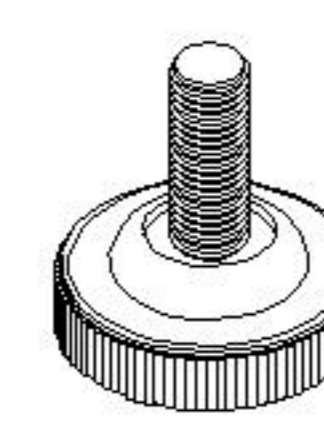
(N)* 8
透明圆形防滑垫
Transparent circular anti slip pad



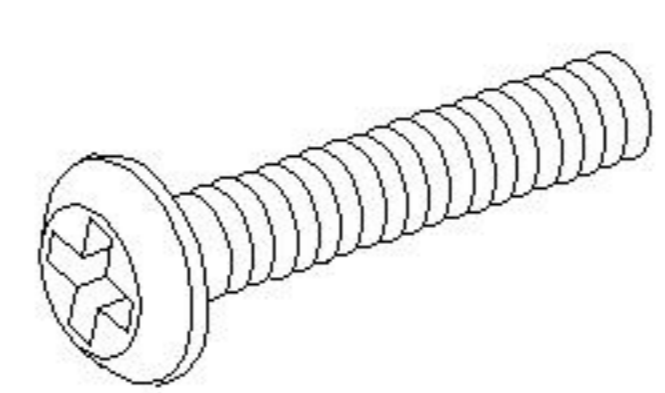
(O)* 2
透气孔盖-白色
Vent cover - white



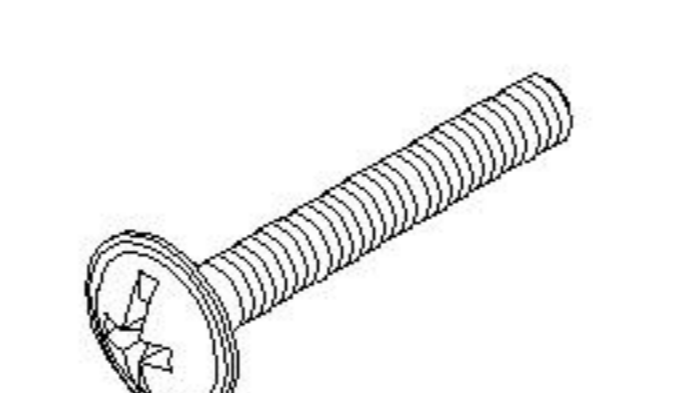
(P)* 3
三节滚珠导轨-10"
three-section ball rail



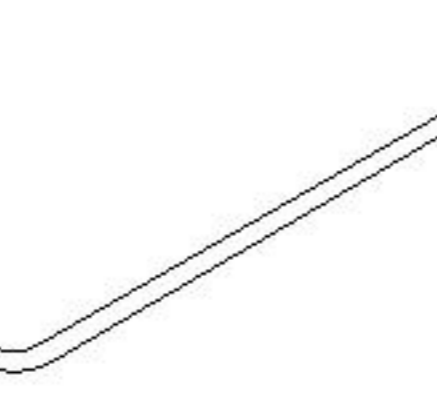
(Q)* 2
调节五金脚-M8x30
Adjusting foot



(R)* 2
斜边十字螺杆-M8x30
bevel cross screw



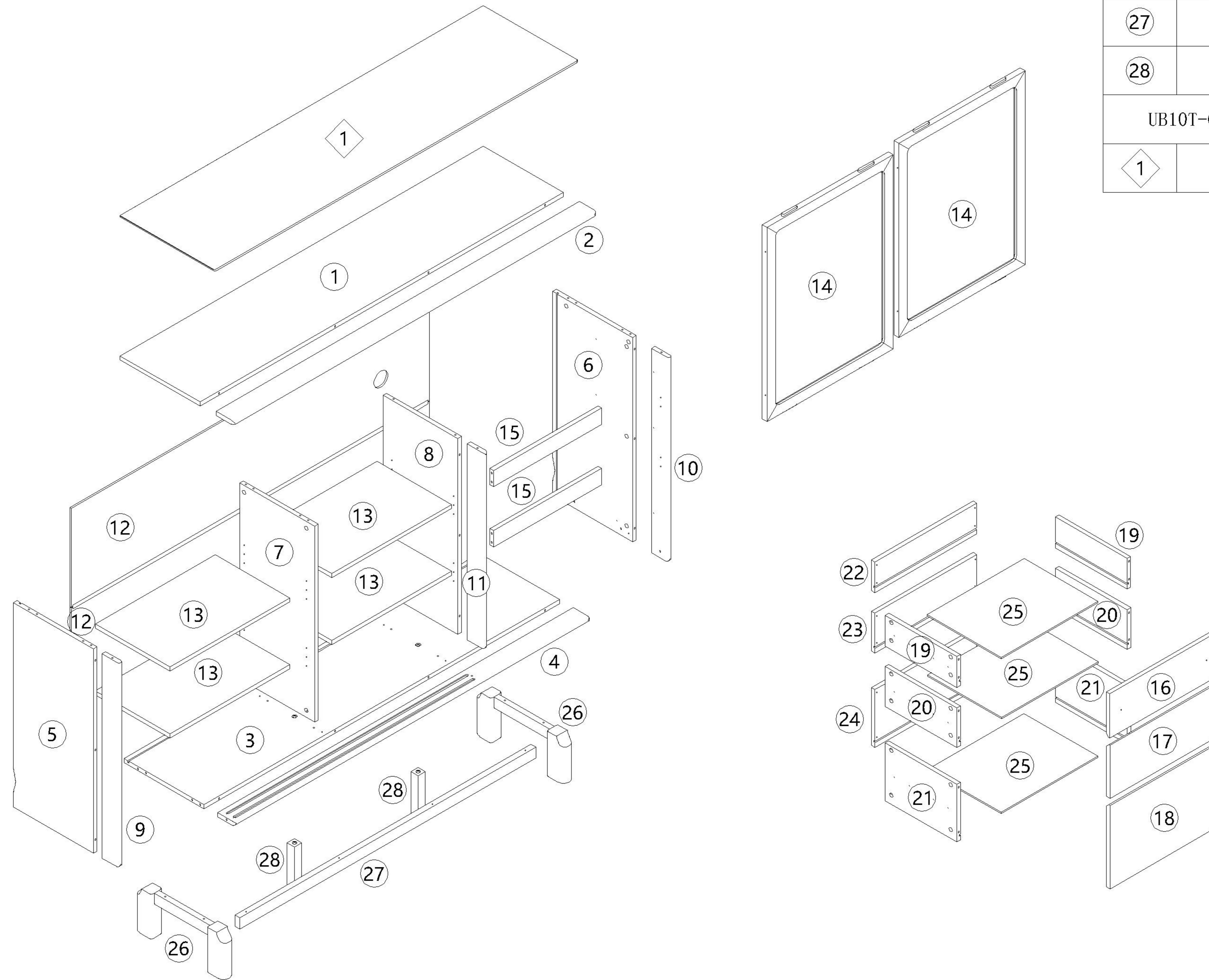
(S)* 2
拉手螺丝-M4x20mm
pulling screw



(T)* 1
不锈钢拉手
Stainless steel handle

| 编号NO. | 名称Name | 规格 (mm) Specification | 数量QTY | 材质Material |
|---|---------------------------|-----------------------|-------|-----------------|
| 25 | 抽屉底板Drawer's Bottom board | 400*300*5 | 3 | 纤维板 Fiberboard |
| 26 | 侧架Side frame | 370*160*45 | 2 | 橡胶木 Rubber wood |
| 27 | 前立水Front apron | 1220*40*20 | 1 | 橡胶木 Rubber wood |
| 28 | 中脚Middle foot | 150*30*30 | 2 | 橡胶木 Rubber wood |
| UB10T-C 1.5m矮餐边柜面板: UB10T-C 1.5m short dining cabinet panel | | | | |
| 1 | 上面板Top panel | 1500*390*6 | 1 | 石材 Stone |

| 编号NO. | 名称Name | 规格 (mm) Specification | 数量QTY | 材质Material |
|--|--------------------------------|-----------------------|-------|--------------------------|
| UB10T-C 1.5m矮餐边柜柜体: UB10T-C 1.5m short dining cabinet body | | | | |
| 1 | 面板Top panel | 1498*330*15 | 1 | 刨花板 Particle Board |
| 2 | 面板加条Add strips to the panel | 1498*70*15 | 1 | 橡胶木 Rubber wood |
| 3 | 底板Bottom board | 1466*330*15 | 1 | 刨花板 Particle Board |
| 4 | 底板加条Bottom plate with strips | 1466*70*15 | 1 | 橡胶木 Rubber wood |
| 5 | 左侧板Side board(L) | 730*330*15 | 1 | 刨花板 Particle Board |
| 6 | 右侧板Side board(R) | 730*330*15 | 1 | 刨花板 Particle Board |
| 7 | 左中侧板Middle side board(L) | 700*308*15 | 1 | 刨花板 Particle Board |
| 8 | 右中侧板Middle side board(R) | 700*308*15 | 1 | 刨花板 Particle Board |
| 9 | 左立柱Stand column(L) | 730*70*15 | 1 | 橡胶木 Rubber wood |
| 10 | 右立柱Stand column(R) | 730*70*15 | 1 | 橡胶木 Rubber wood |
| 11 | 中立柱center pillar | 700*70*15 | 1 | 橡胶木 Rubber wood |
| 12 | 背板Back board | 1476*354*5 | 2 | 纤维板 Fiberboard |
| 13 | 活动层板Movable shelf | 494*308*15 | 4 | 刨花板 Particle Board |
| 14 | 趟门板Door plank | 707*520*20 | 2 | 橡胶木+玻璃 Rubber wood+Glass |
| 15 | 右拉条Brace (R) | 446*58*15 | 2 | 刨花板 Particle Board |
| 16 | 上抽屉面板Upper drawer's panel | 442*158*15 | 1 | 刨花板 Particle Board |
| 17 | 中抽屉面板Drawer's middle board | 442*190*15 | 1 | 刨花板 Particle Board |
| 18 | 下抽屉面板Bottom drawer's panel | 442*298*15 | 1 | 刨花板 Particle Board |
| 19 | 上抽屉侧板Upper Drawer's sideboard | 290*110*15 | 2 | 刨花板 Particle Board |
| 20 | 中抽屉侧板Middle drawer side panel | 290*142*15 | 2 | 刨花板 Particle Board |
| 21 | 下抽屉侧板Lower Drawer's sideboard | 290*206*15 | 2 | 刨花板 Particle Board |
| 22 | 上抽屉后板Upper drawer's back board | 420*110*15 | 1 | 刨花板 Particle Board |
| 23 | 中抽屉后板Side drawer middle panel | 420*142*15 | 1 | 刨花板 Particle Board |
| 24 | 下抽屉后板Down drawer's back board | 420*206*15 | 1 | 刨花板 Particle Board |



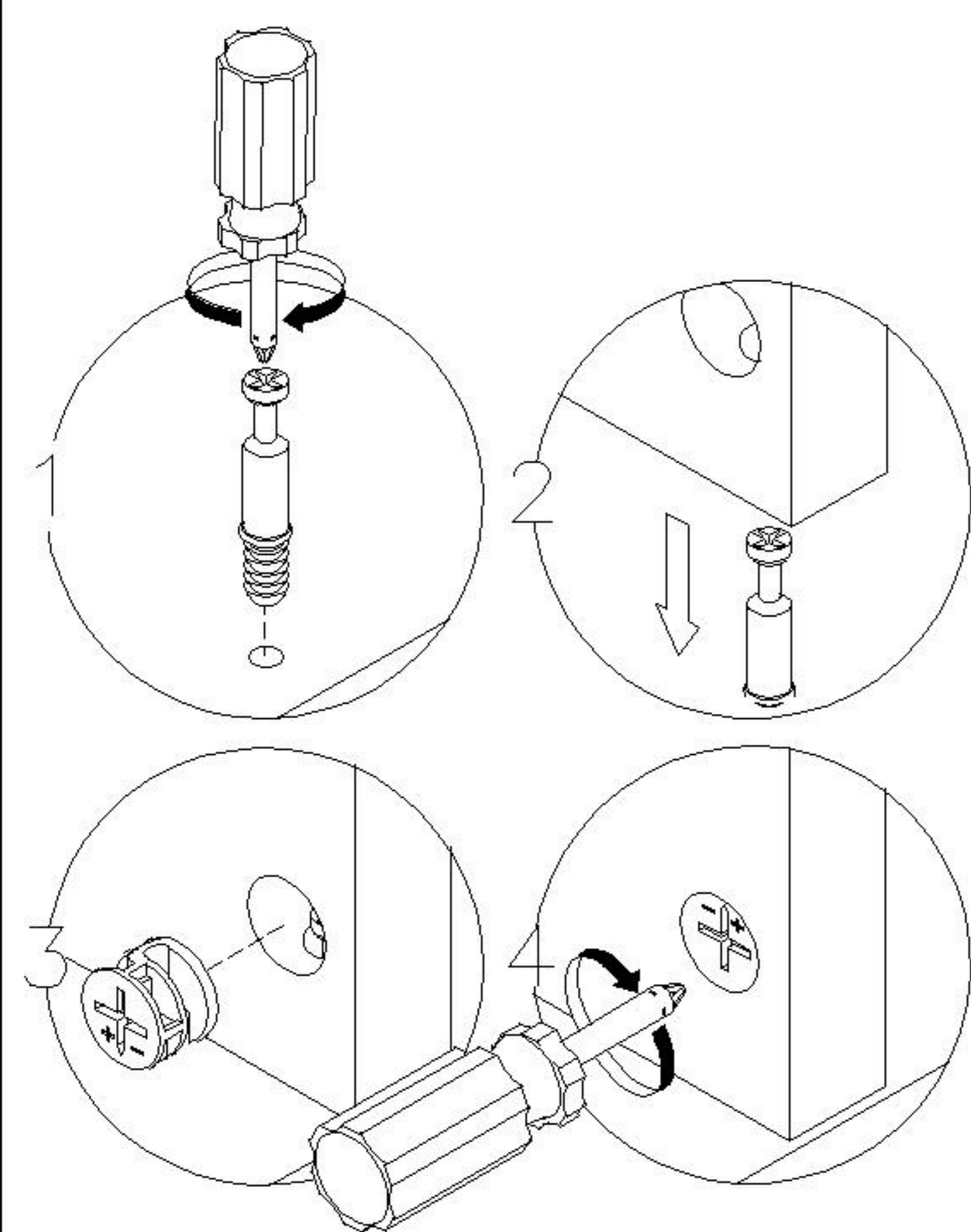
| 编号NO. | 名称Name | 编号NO. | 名称Name |
|--------------------|---------------------------|--------------------|--------------------------------|
| ②⑤ | 抽屉底板Drawer's Bottom board | UB10T-C 1.5m矮餐边柜柜体 | |
| ②⑥ | 侧架Side frame | ① | 面板Top panel |
| ②⑦ | 前立水Front apron | ② | 面板加条Add strips to the panel |
| ②⑧ | 中脚Middle foot | ③ | 底板Bottom board |
| UB10T-C 1.5m矮餐边柜面板 | | ④ | 底板加条Bottom plate with strips |
| ◇1 | 上面板Top panel | ⑤ | 左侧板Side board(L) |
| | | ⑥ | 右侧板Side board(R) |
| | | ⑦ | 左中侧板Middle side board(L) |
| | | ⑧ | 右中侧板Middle side board(R) |
| | | ⑨ | 左立柱Stand column(L) |
| | | ⑩ | 右立柱Stand column(R) |
| | | ⑪ | 中立柱center pillar |
| | | ⑫ | 背板Back board |
| | | ⑬ | 活动层板Movable shelf |
| | | ⑭ | 趟门板Door plank |
| | | ⑮ | 右拉条Brace (R) |
| | | ⑯ | 上抽屉面板Upper drawer's panel |
| | | ⑰ | 中抽屉面板Drawer's middle board |
| | | ⑱ | 下抽屉面板Bottom drawer's panel |
| | | ⑲ | 上抽屉侧板Upper Drawer's sideboard |
| | | ⑳ | 中抽屉侧板Middle drawer side panel |
| | | ㉑ | 下抽屉侧板Lower Drawer's sideboard |
| | | ㉒ | 上抽屉后板Upper drawer's back board |
| | | ㉓ | 中抽屉后板Side drawer middle panel |
| | | ㉔ | 下抽屉后板Down drawer's back board |

UB10T-C 1.5m

矮餐边柜

安装方法/

Installation method

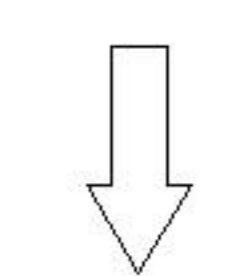


二合一 two-in-one

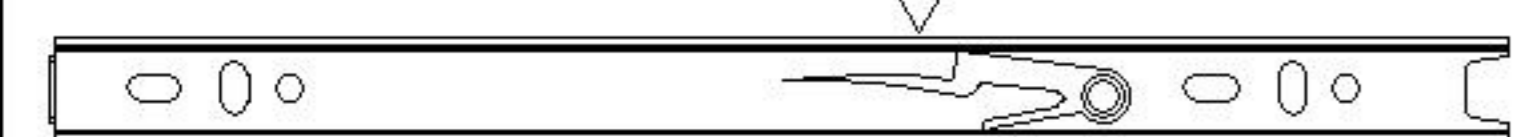
阀门开关(下压为开)

Valve switch (press down to open)

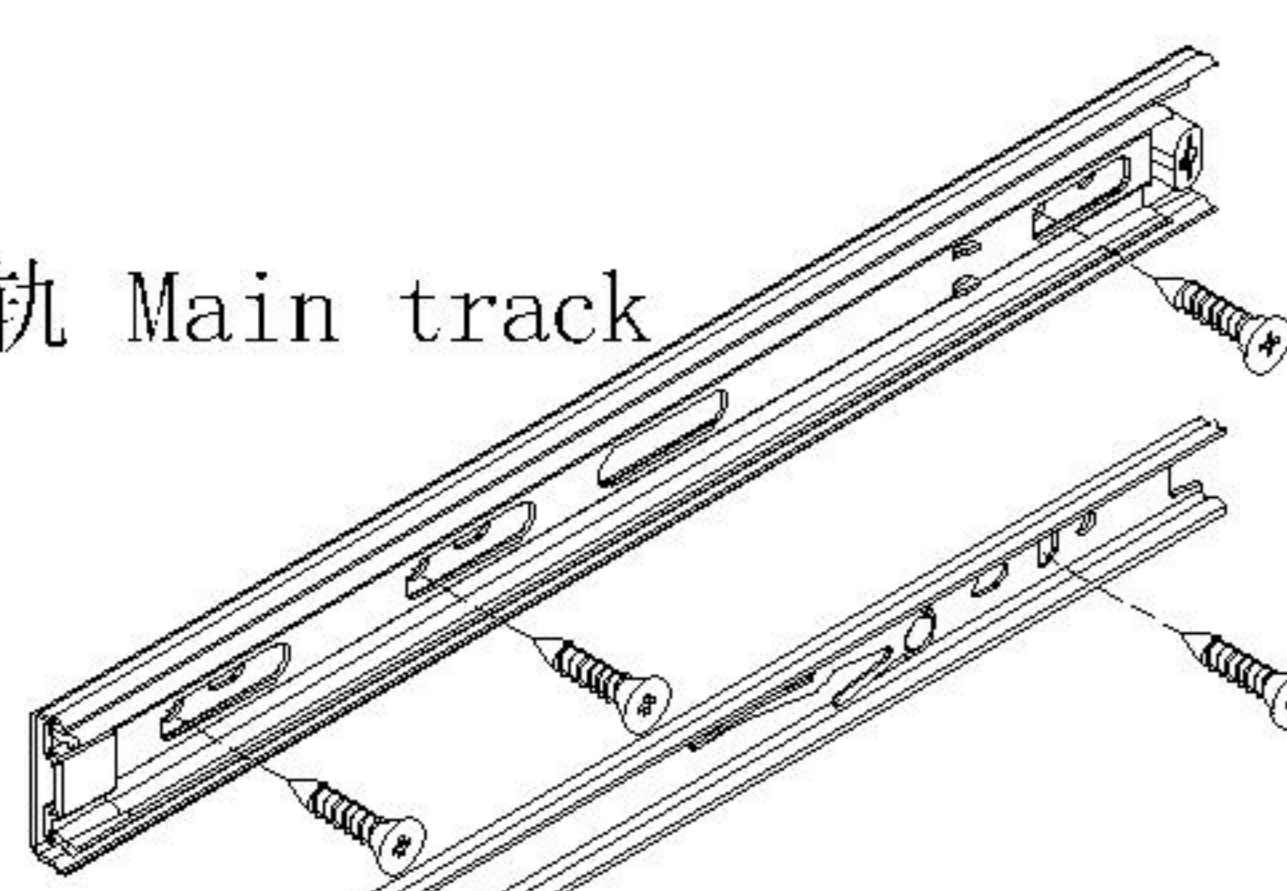
前 Forward



后 Back

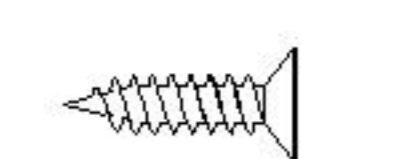


主轨 Main track

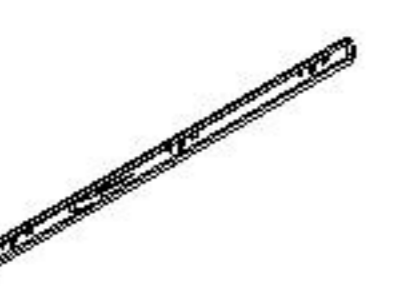


副轨 Sub track

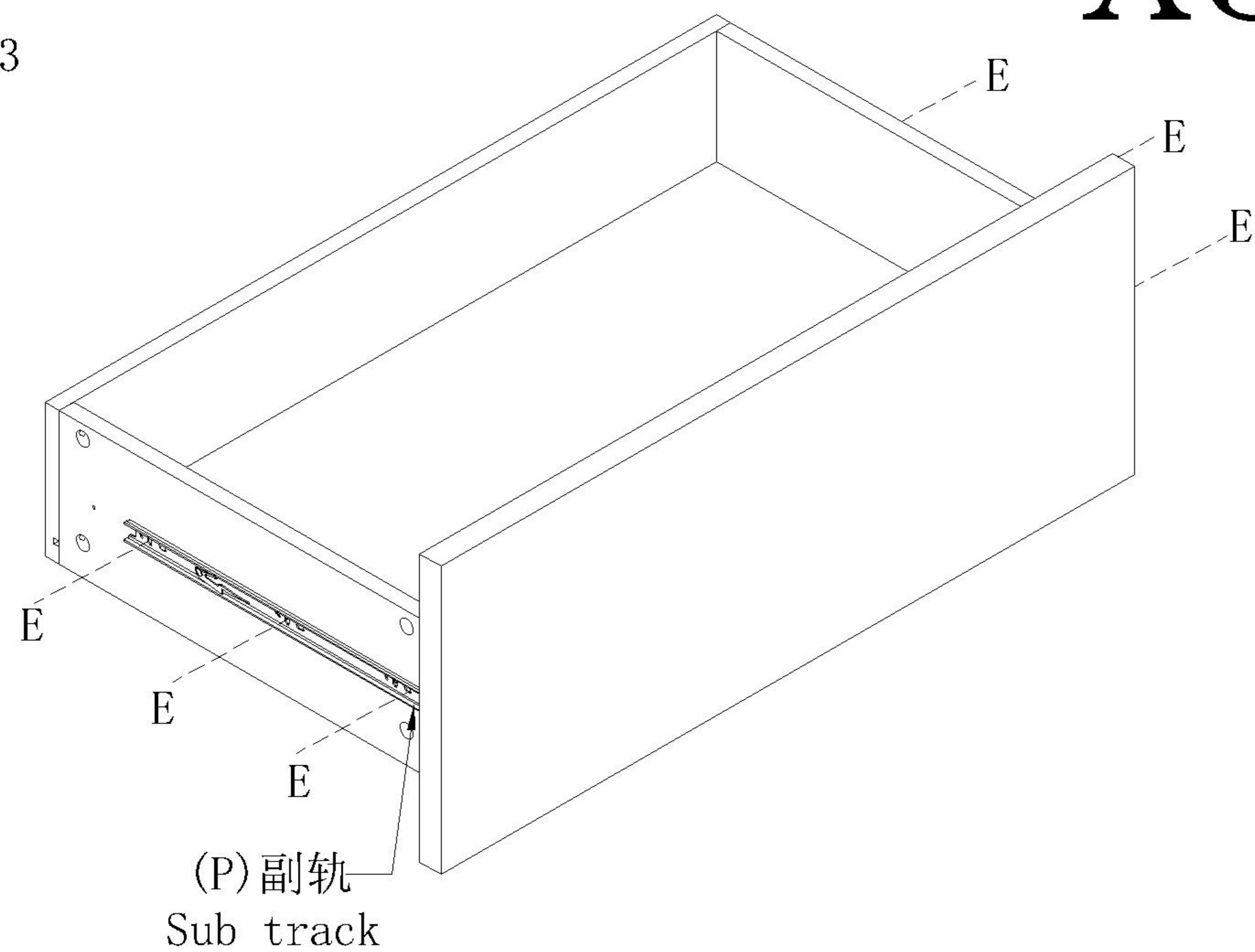
三节滚珠导轨
Three-section rail



(E)*18



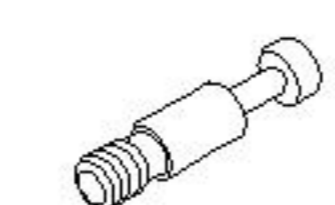
(P)*3



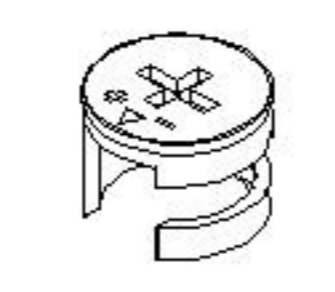
(P) 副轨
Sub track

X3

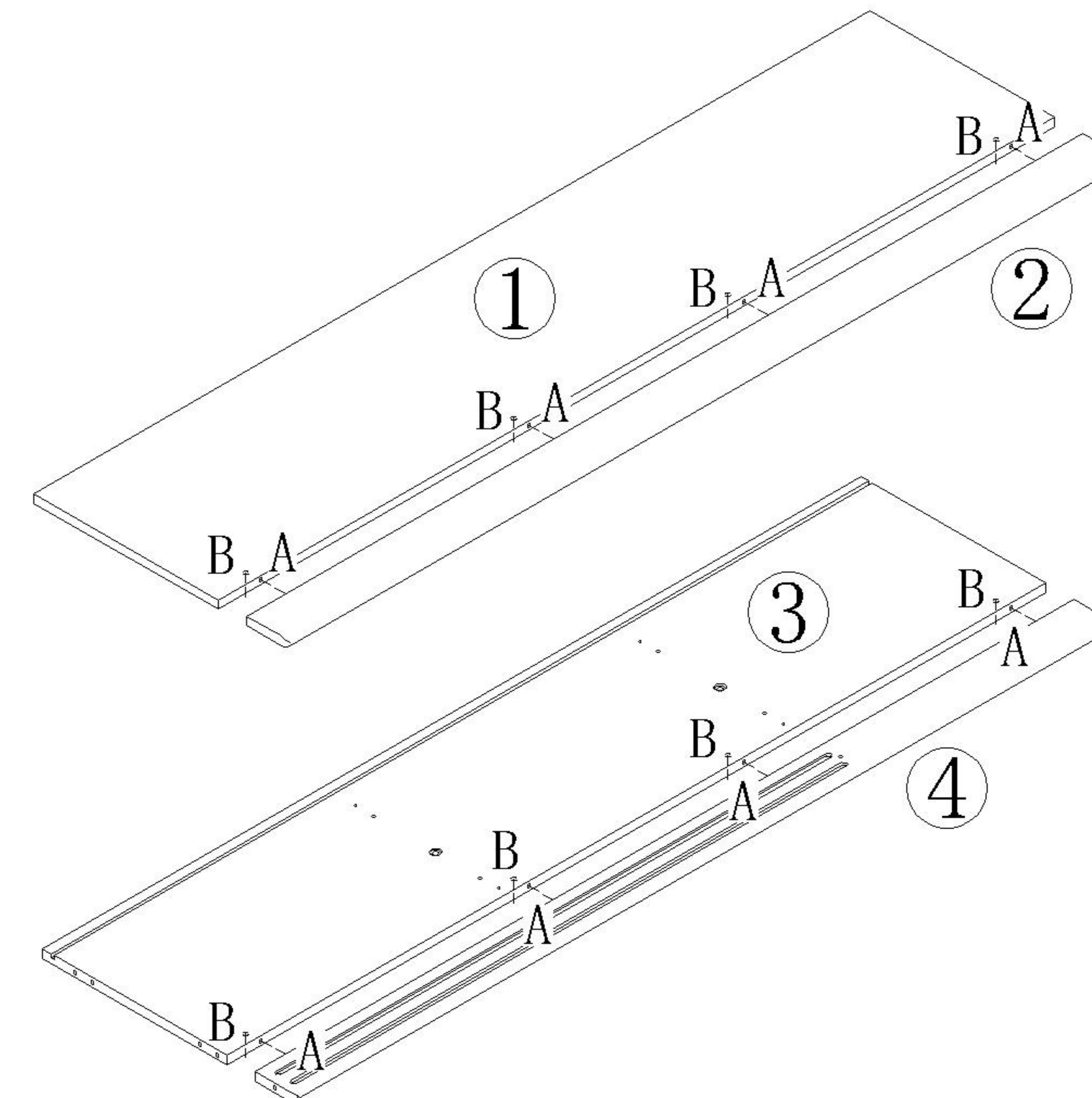
3



(A)*8

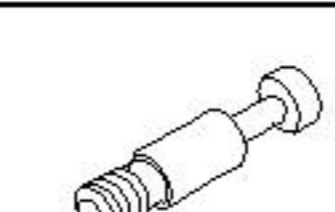


(B)*8

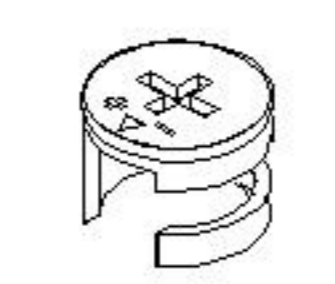


X3

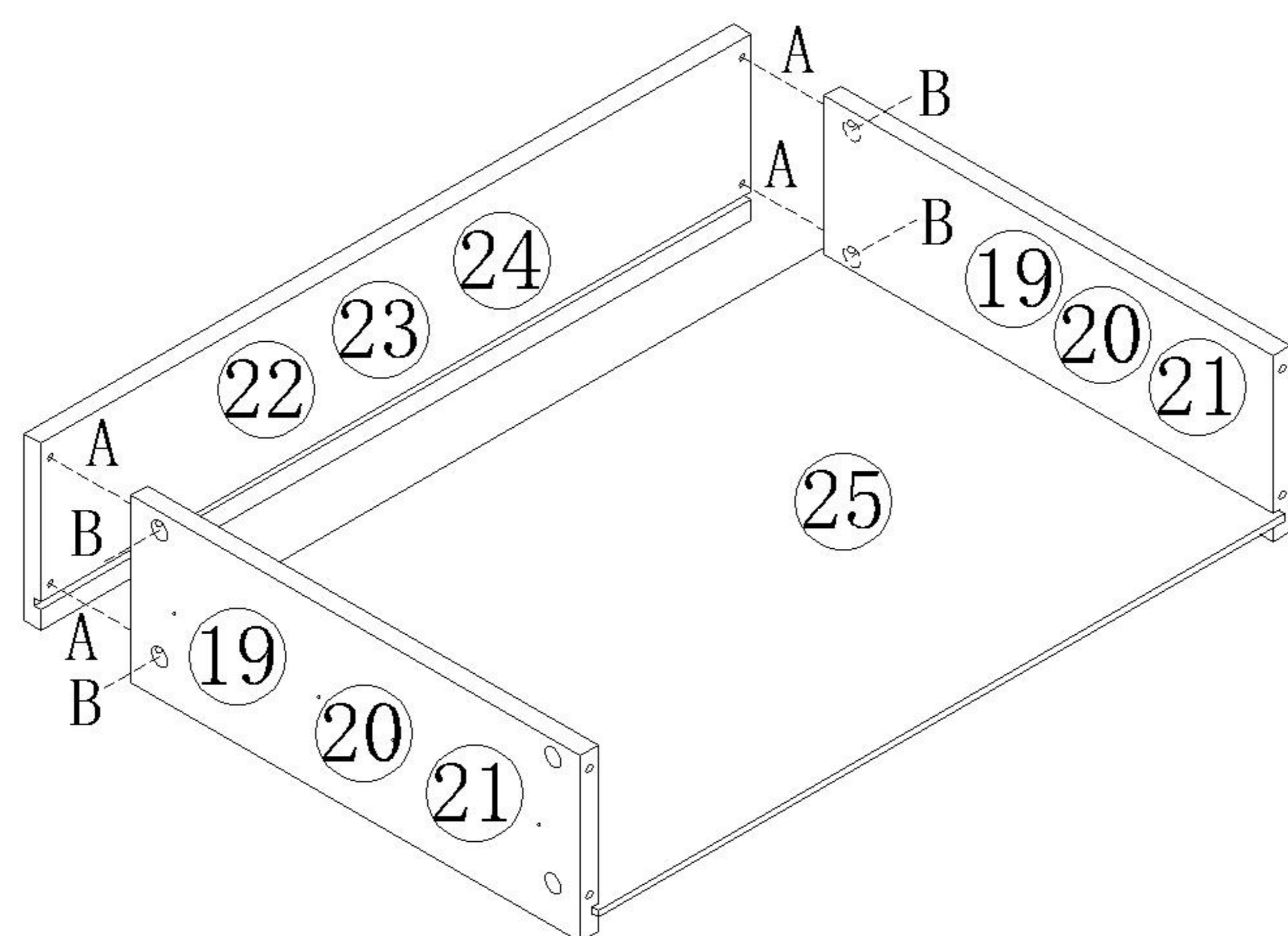
1



(A)*12

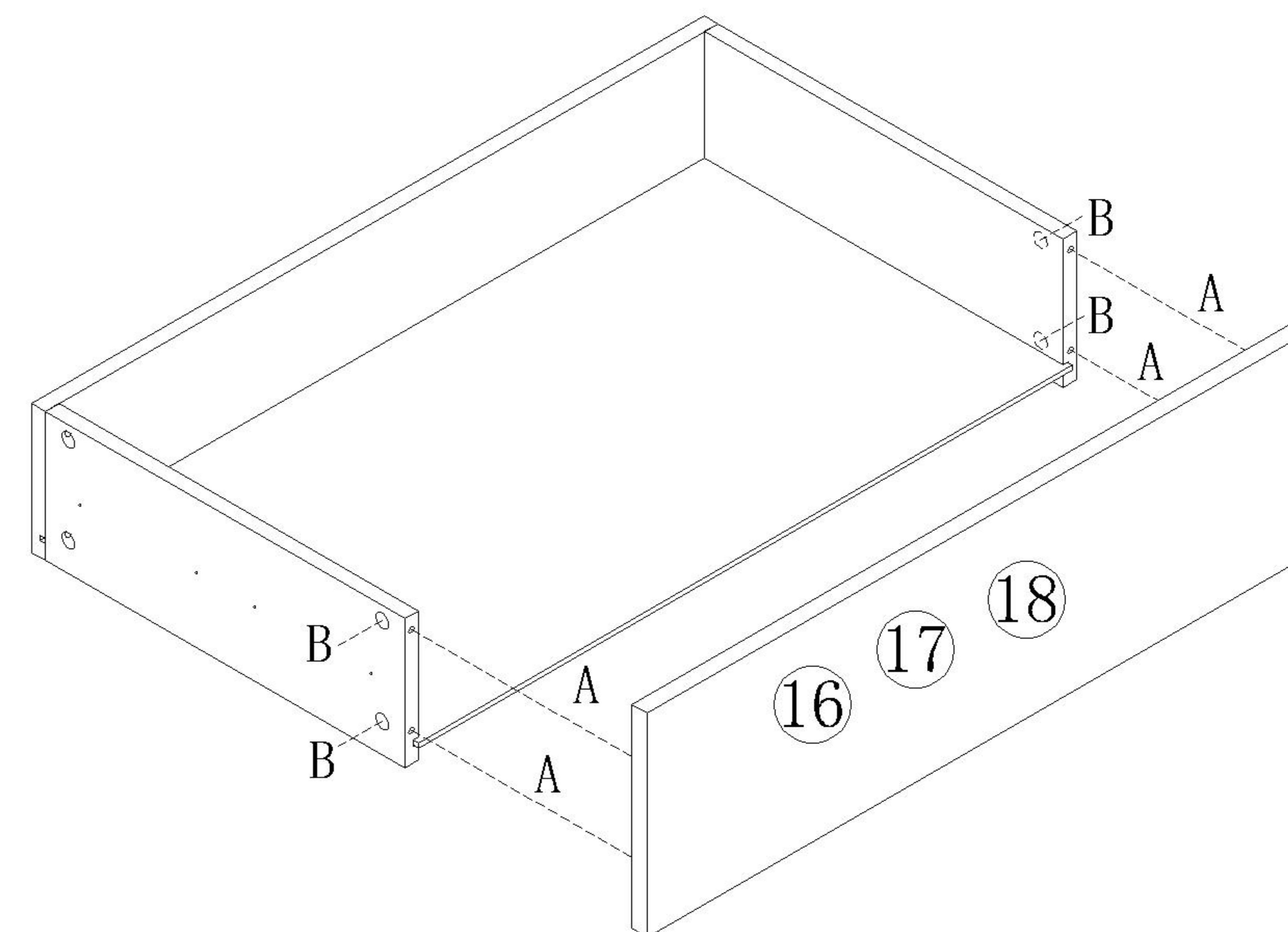


(B)*12



X3

2

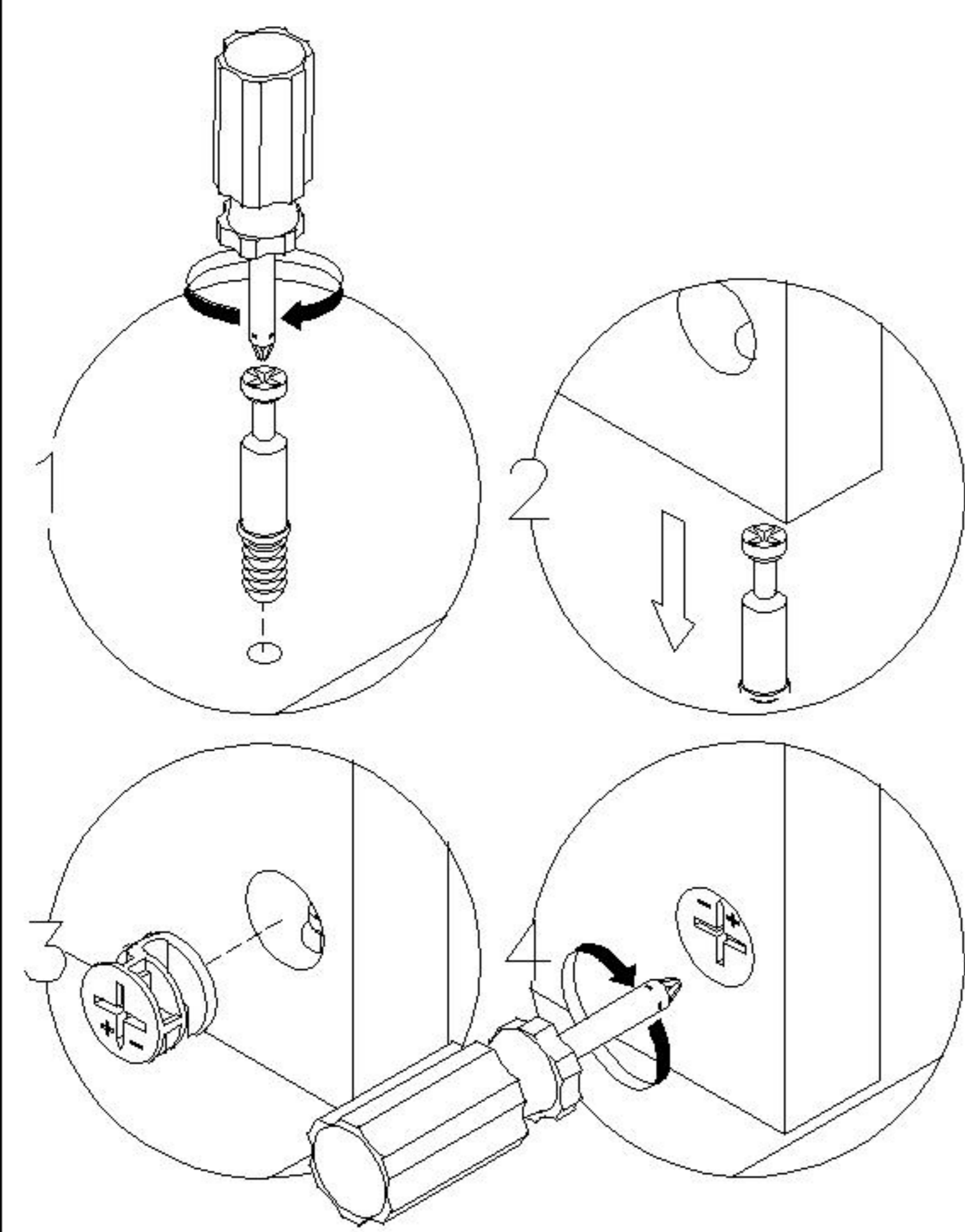


4

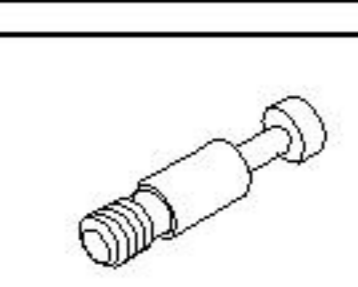
UB10T-C 1.5m

矮餐边柜

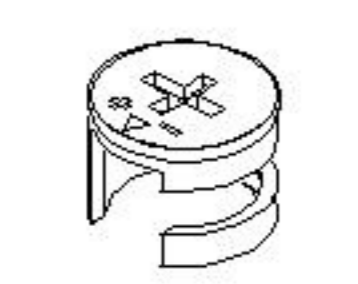
安装方法/
Installation method



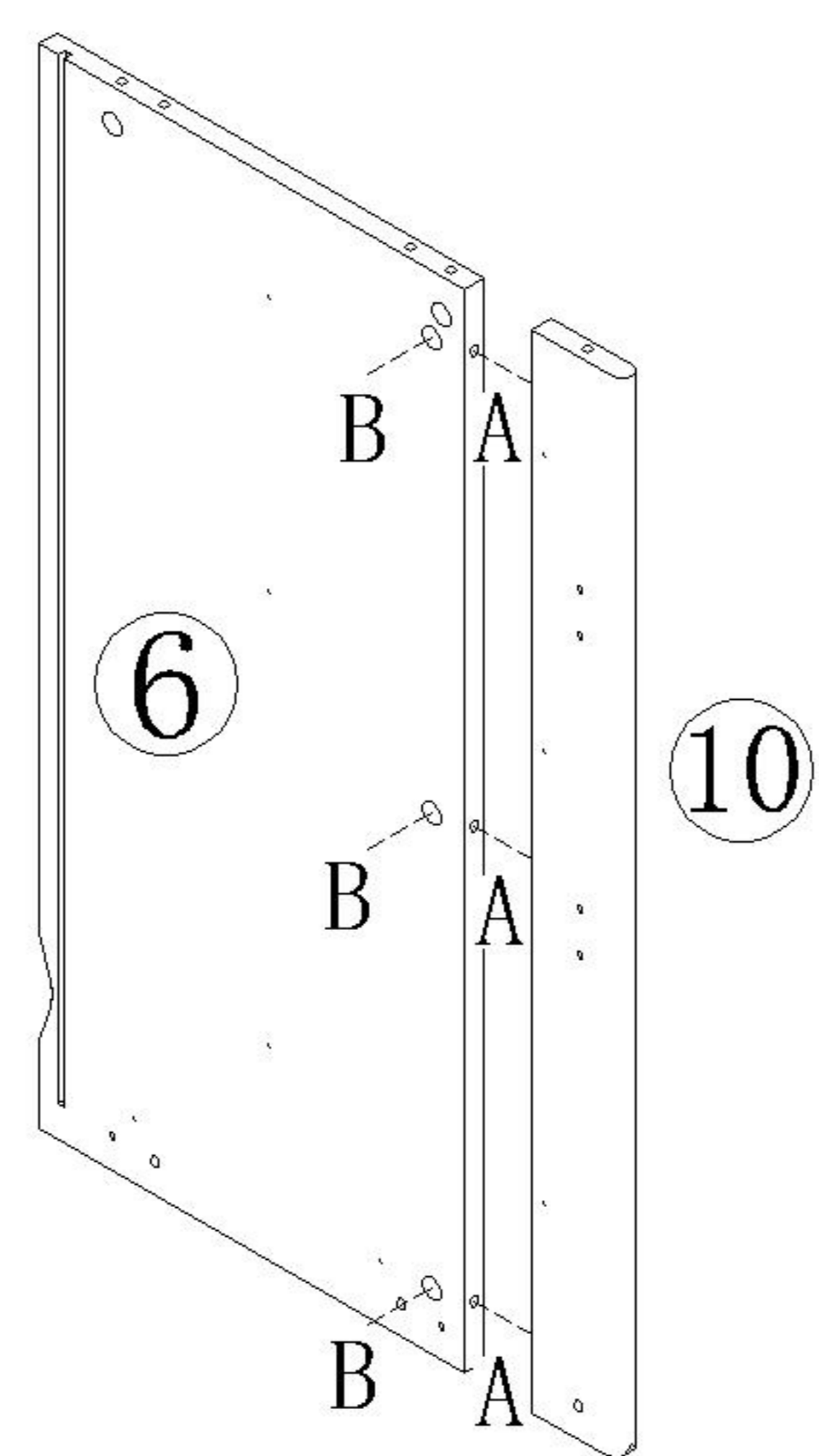
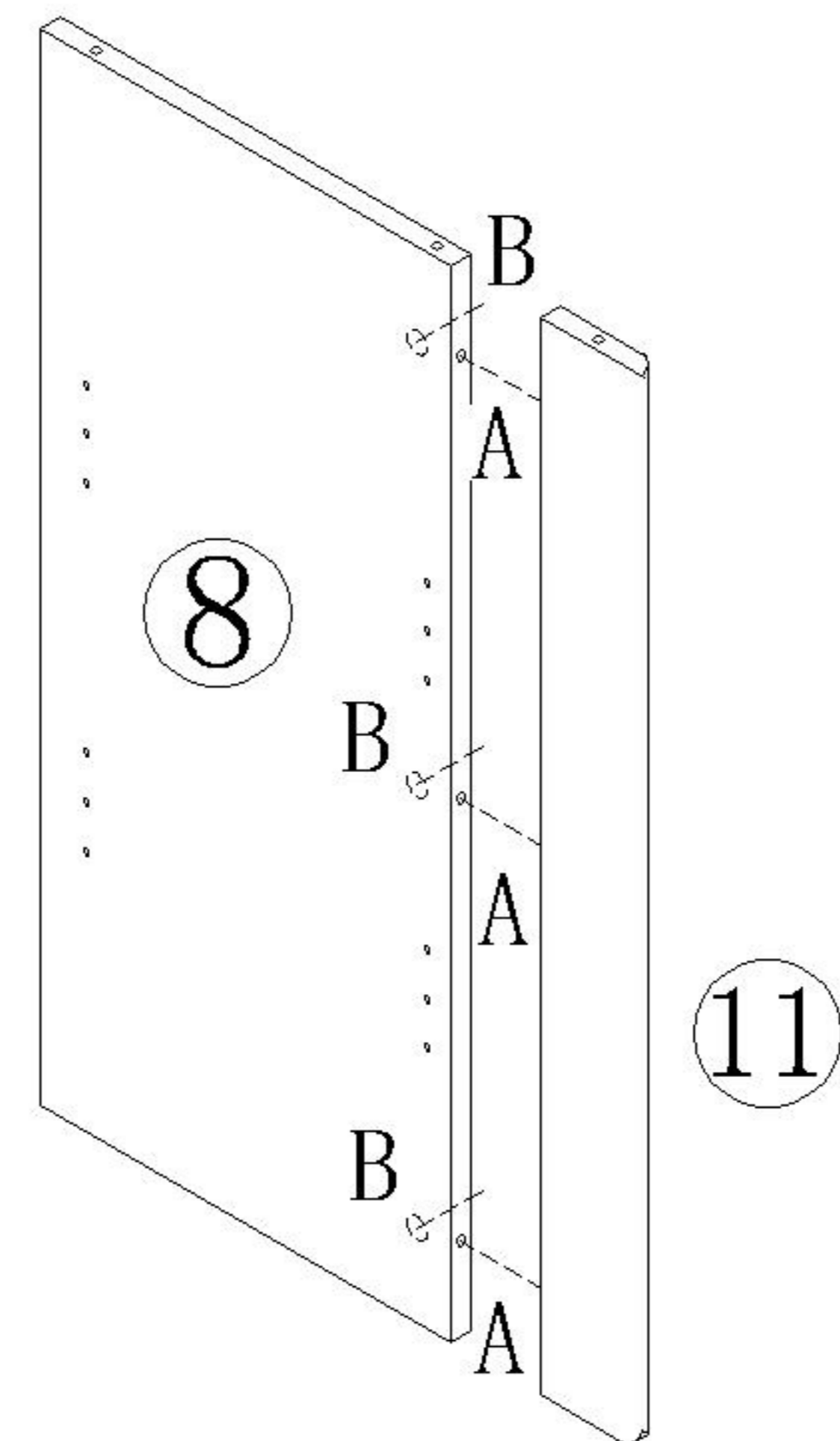
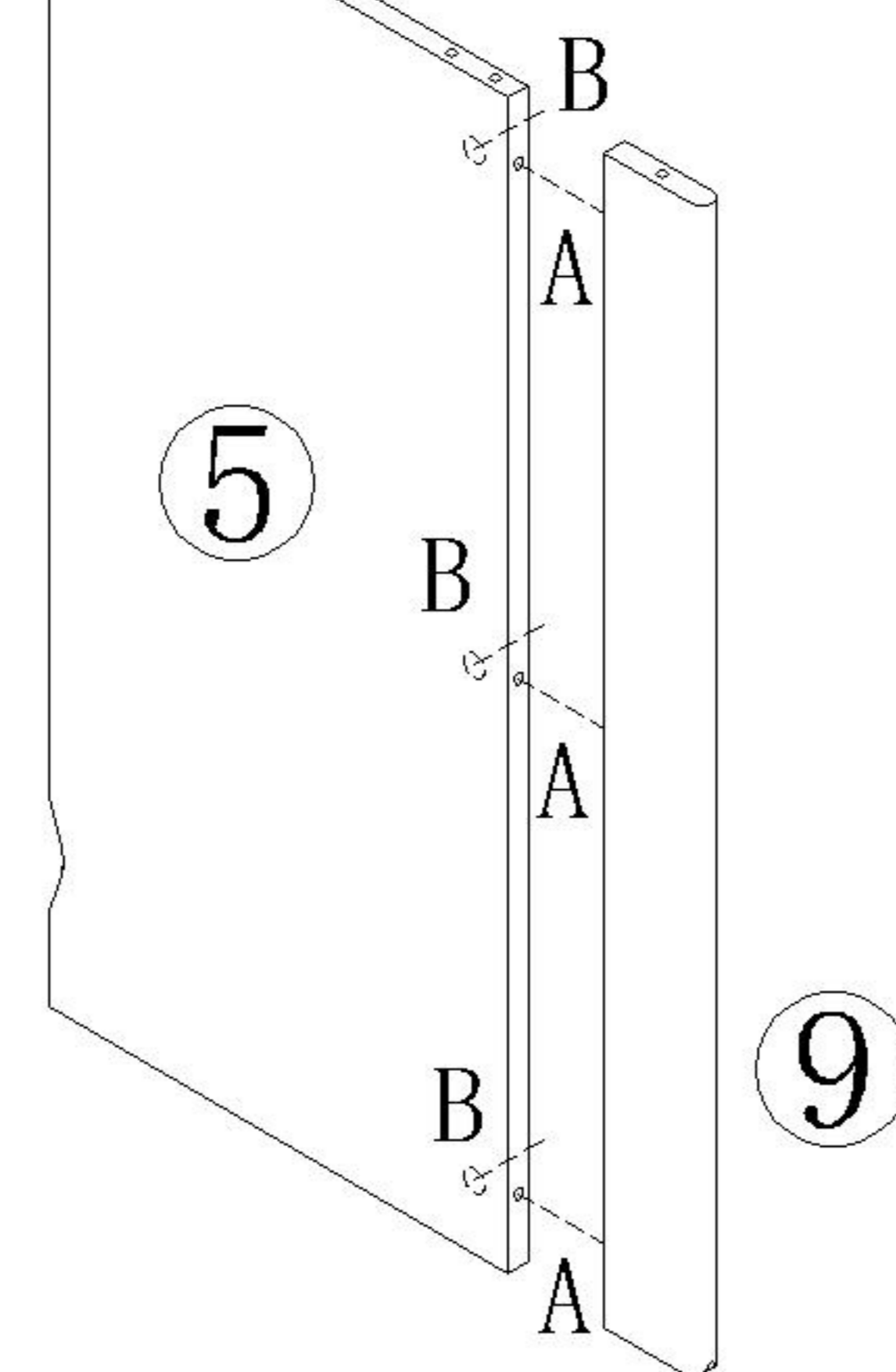
二合一 two-in-one



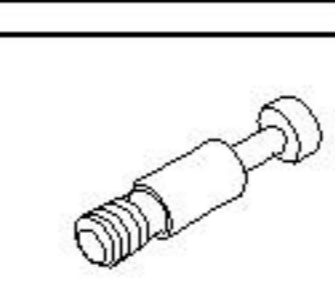
(A)*9



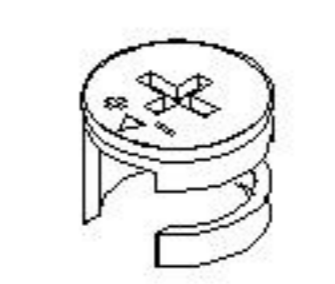
(B)*9



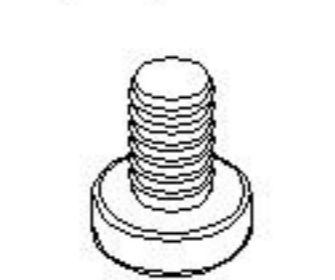
5



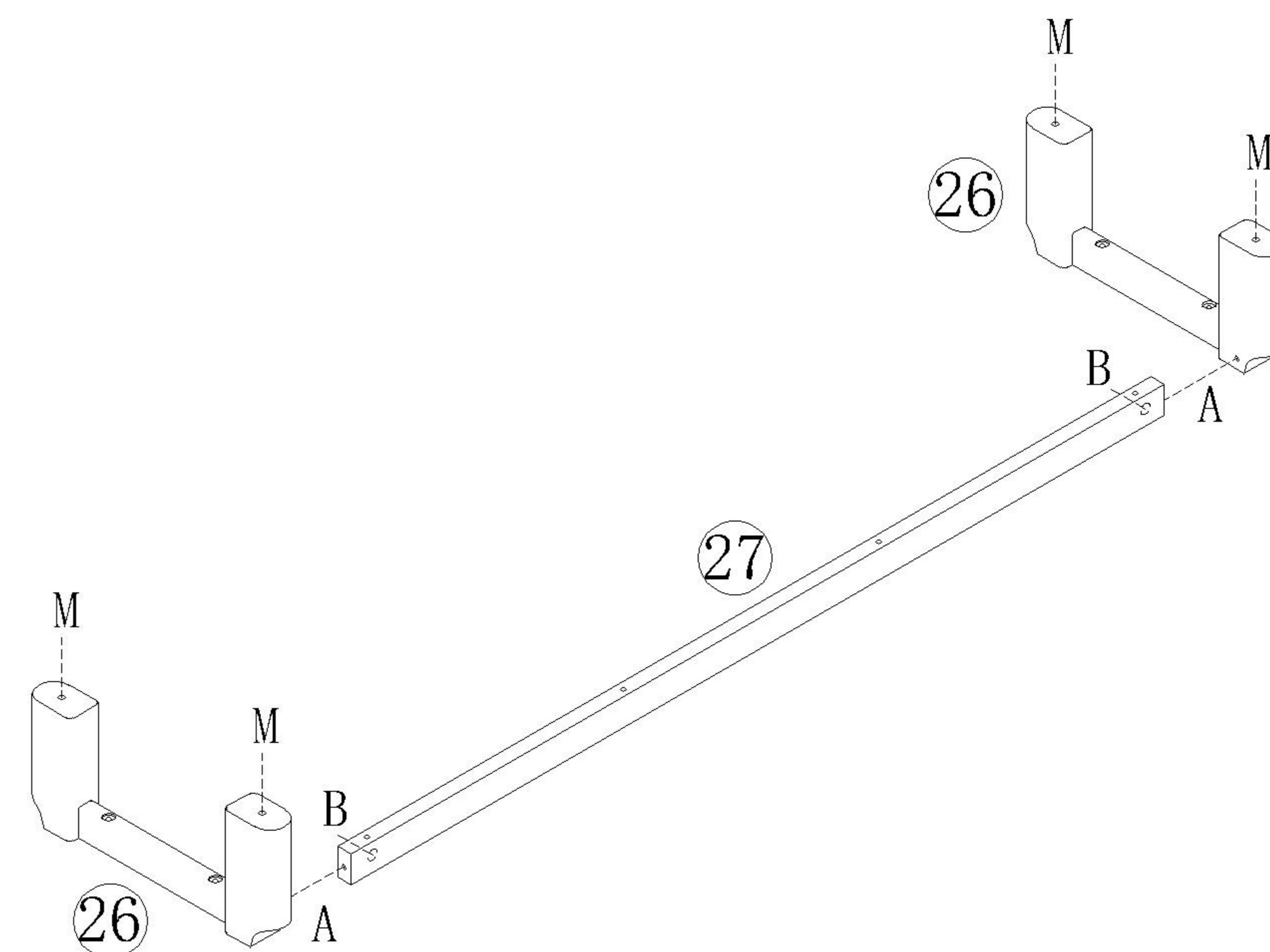
(A)*2



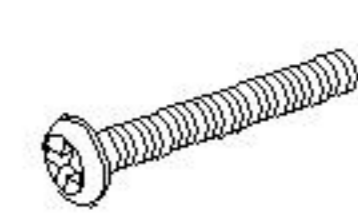
(B)*2



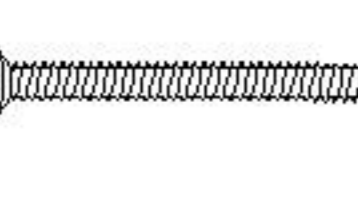
(M)*4



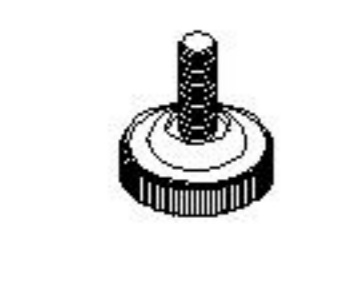
6



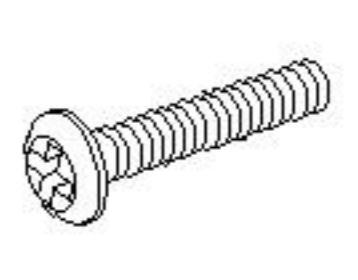
(K)*4



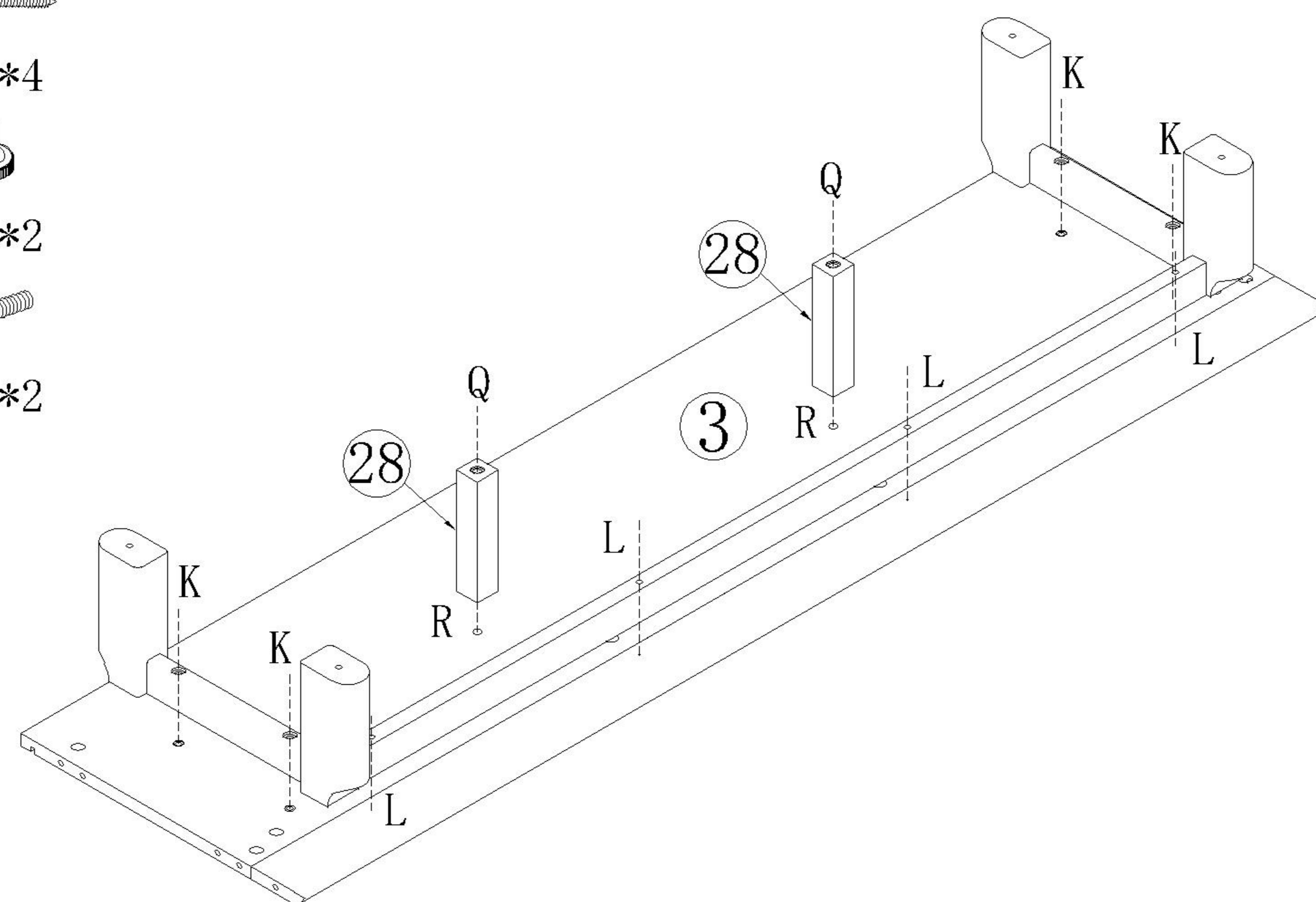
(L)*4



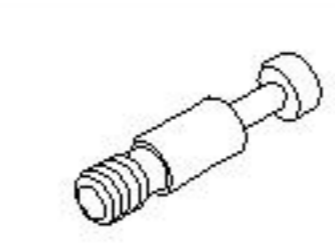
(Q)*2



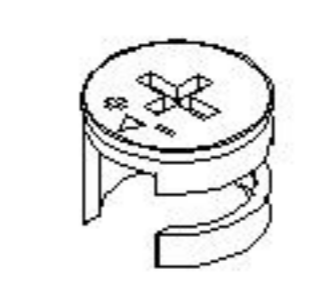
(R)*2



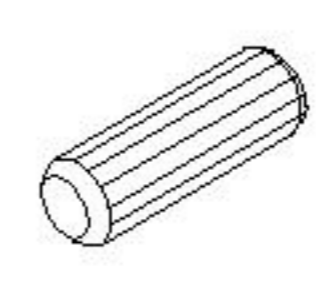
7



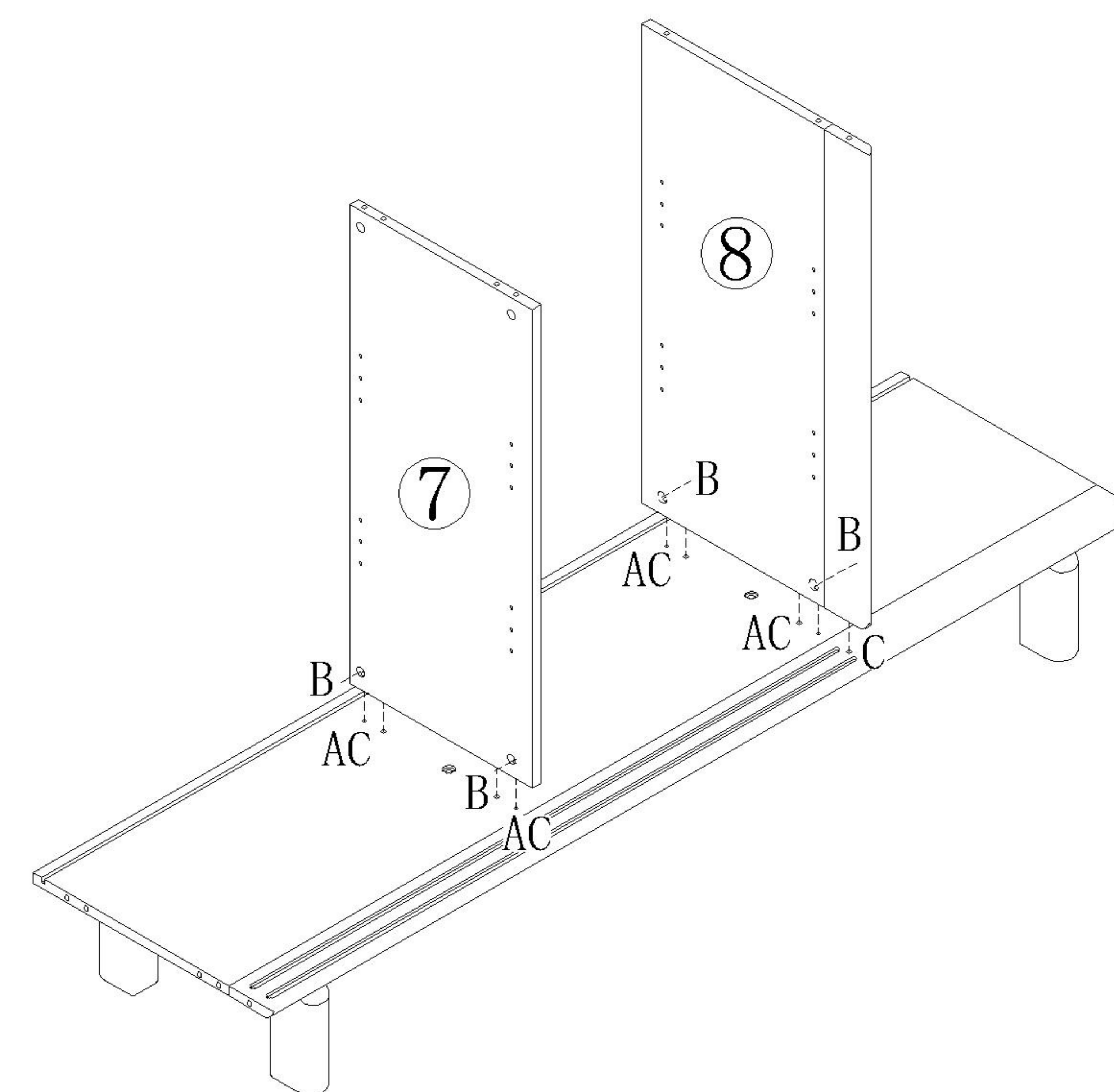
(A)*4



(B)*4



(C)*5

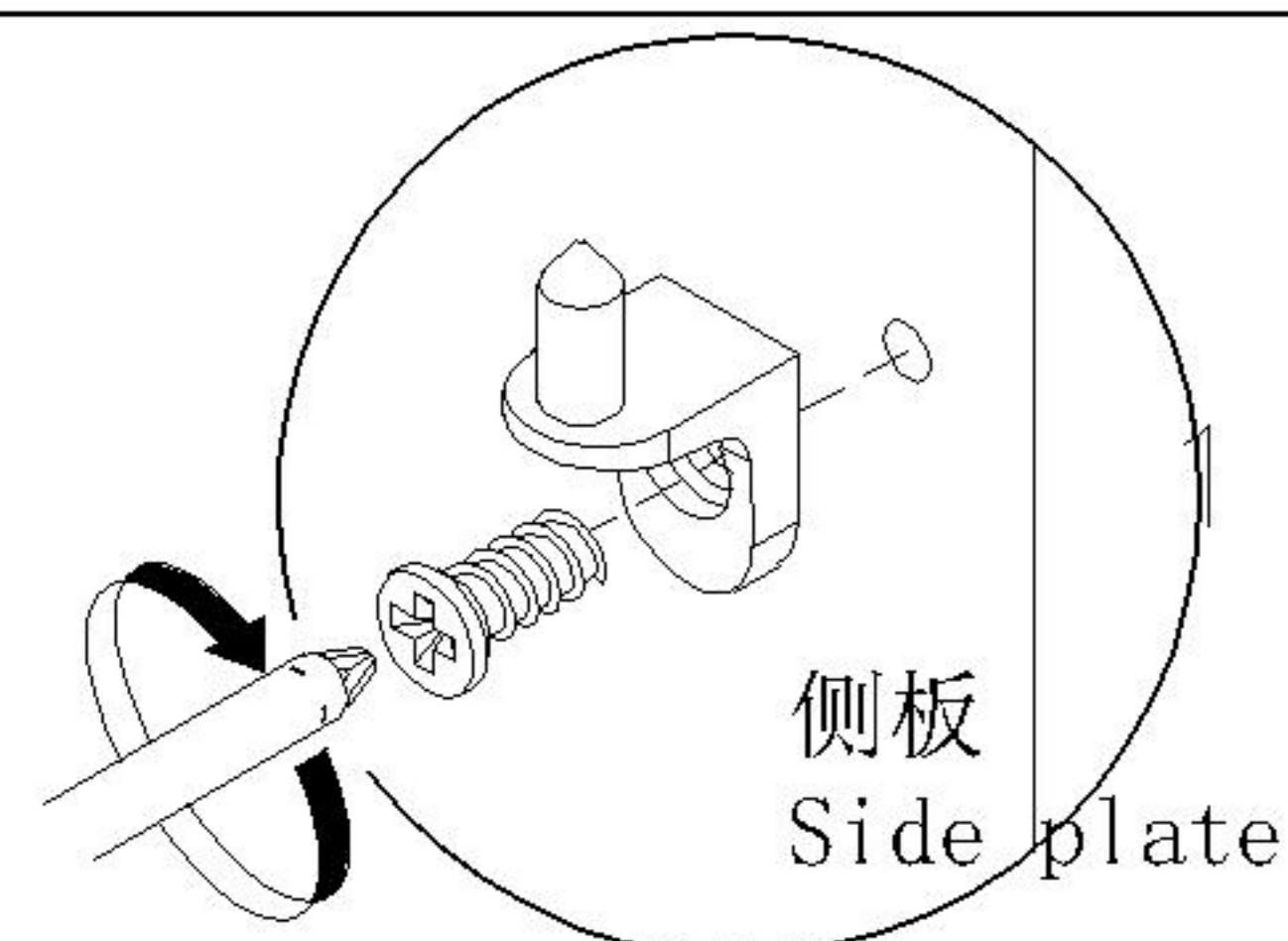


8

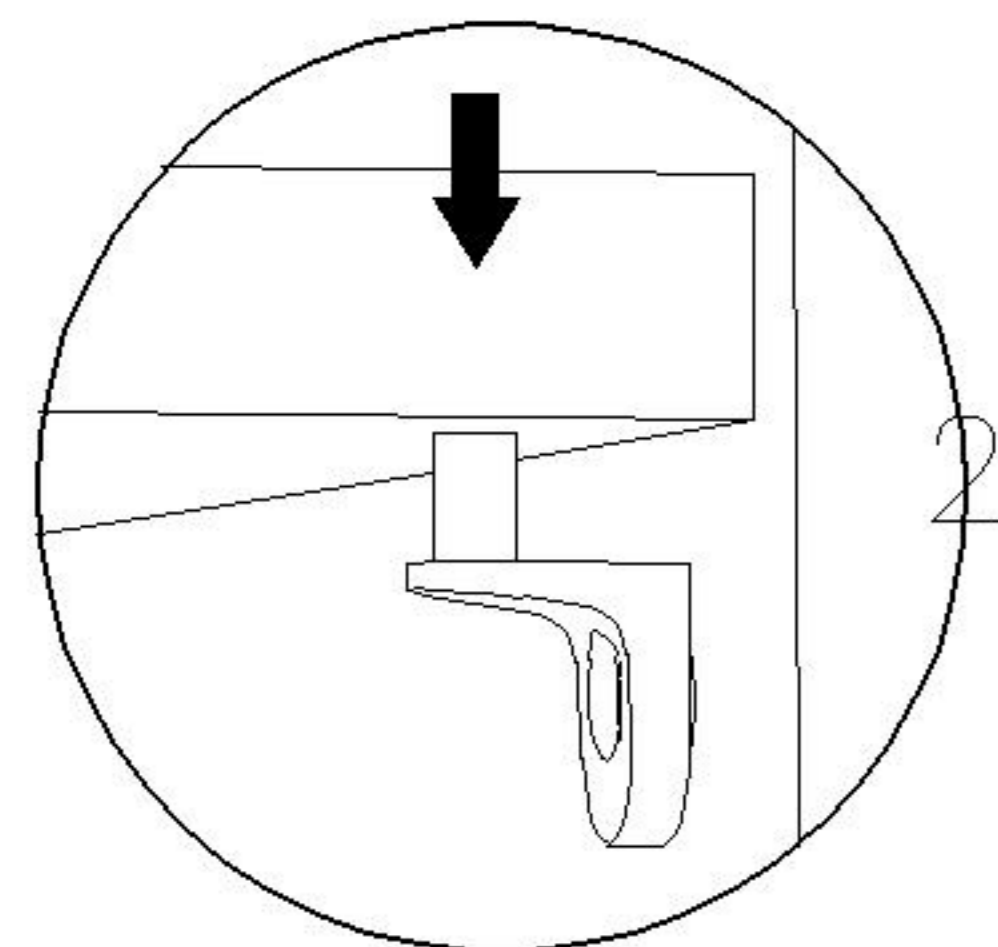
UB10T-C 1.5m

矮餐边柜

安装方法/
Installation method

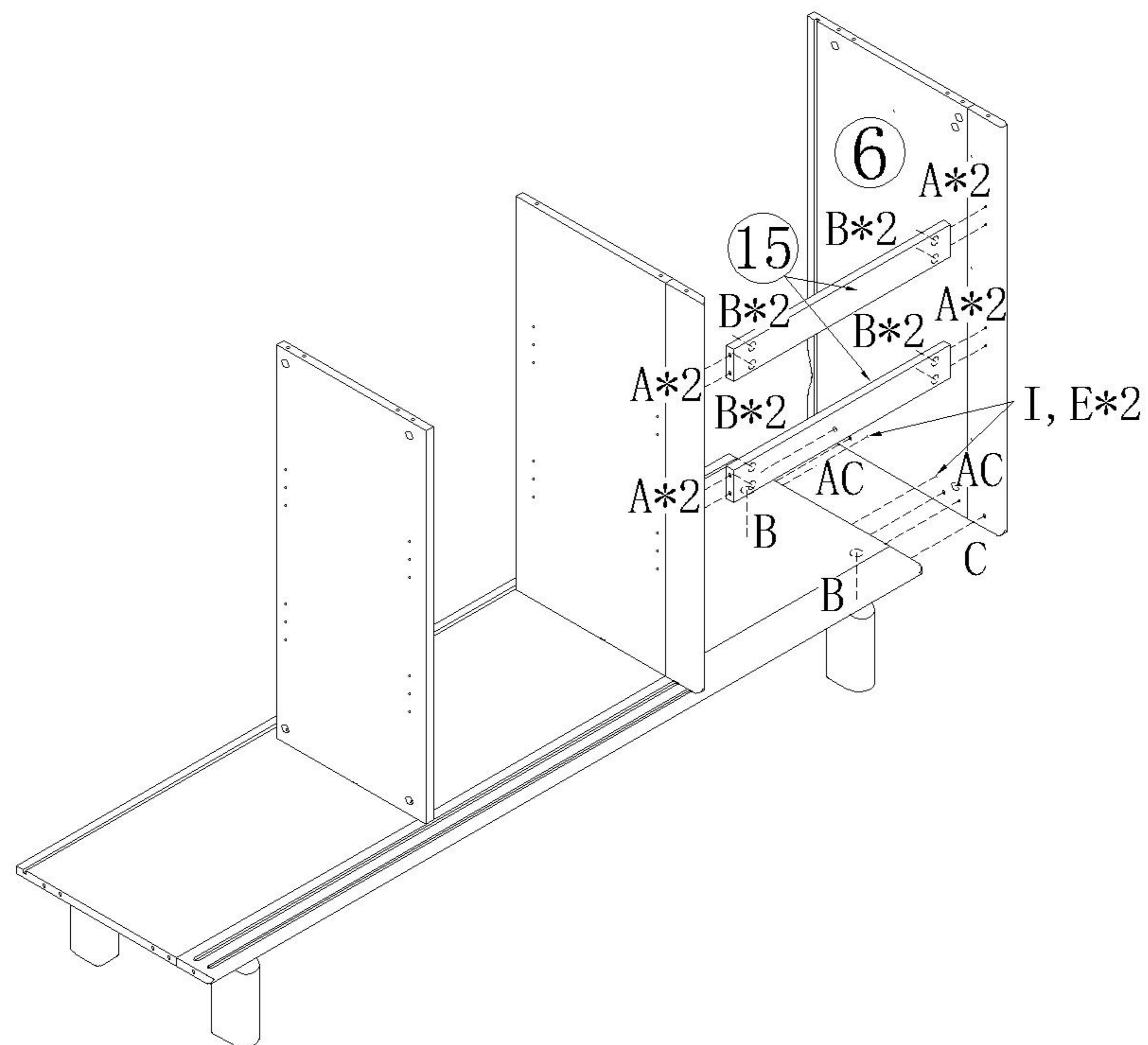


侧板
Side plate



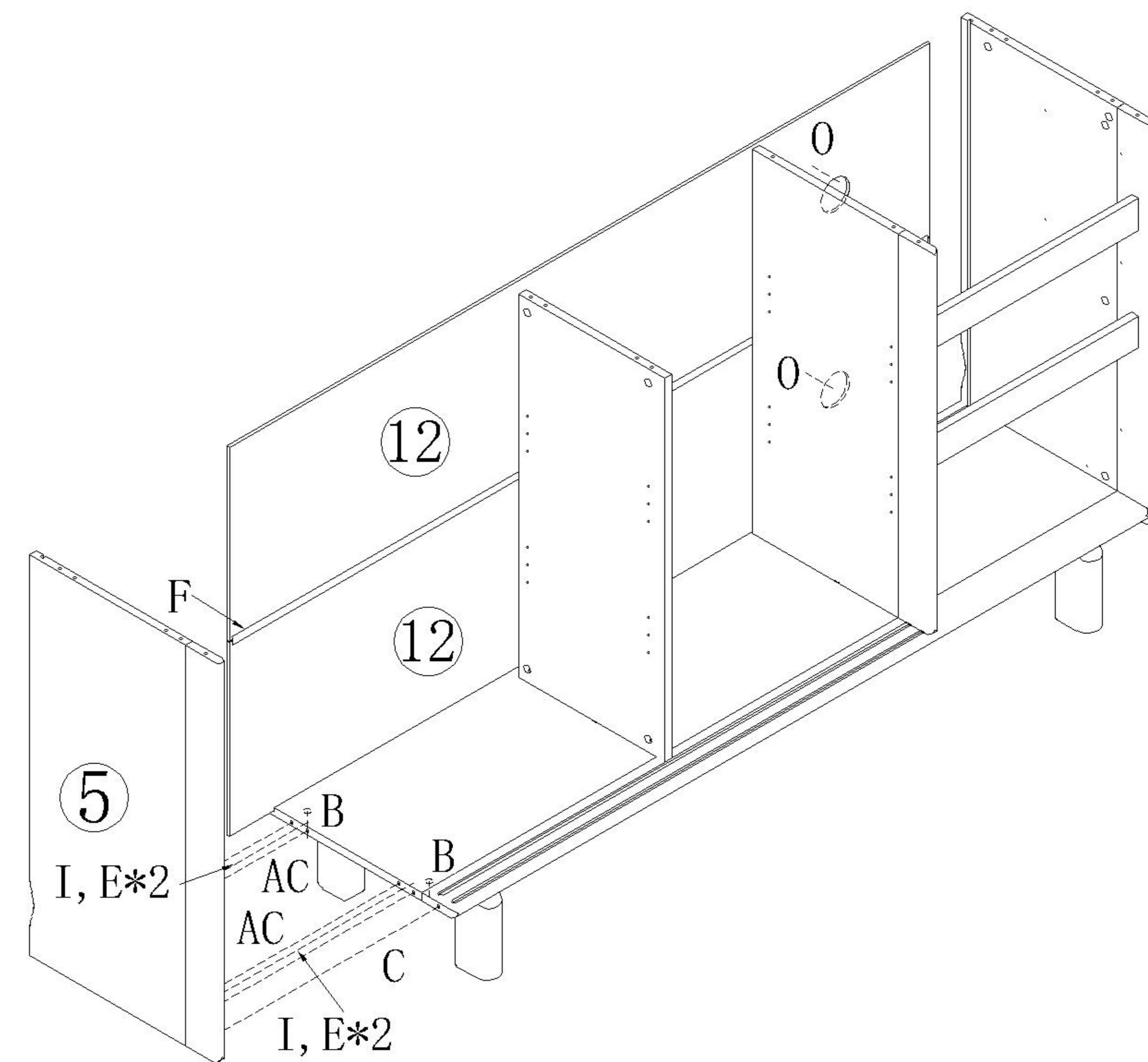
层板托5mm
shelf support

- (A)*10
- (B)*10
- (C)*3
- (E)*4
- (I)*2



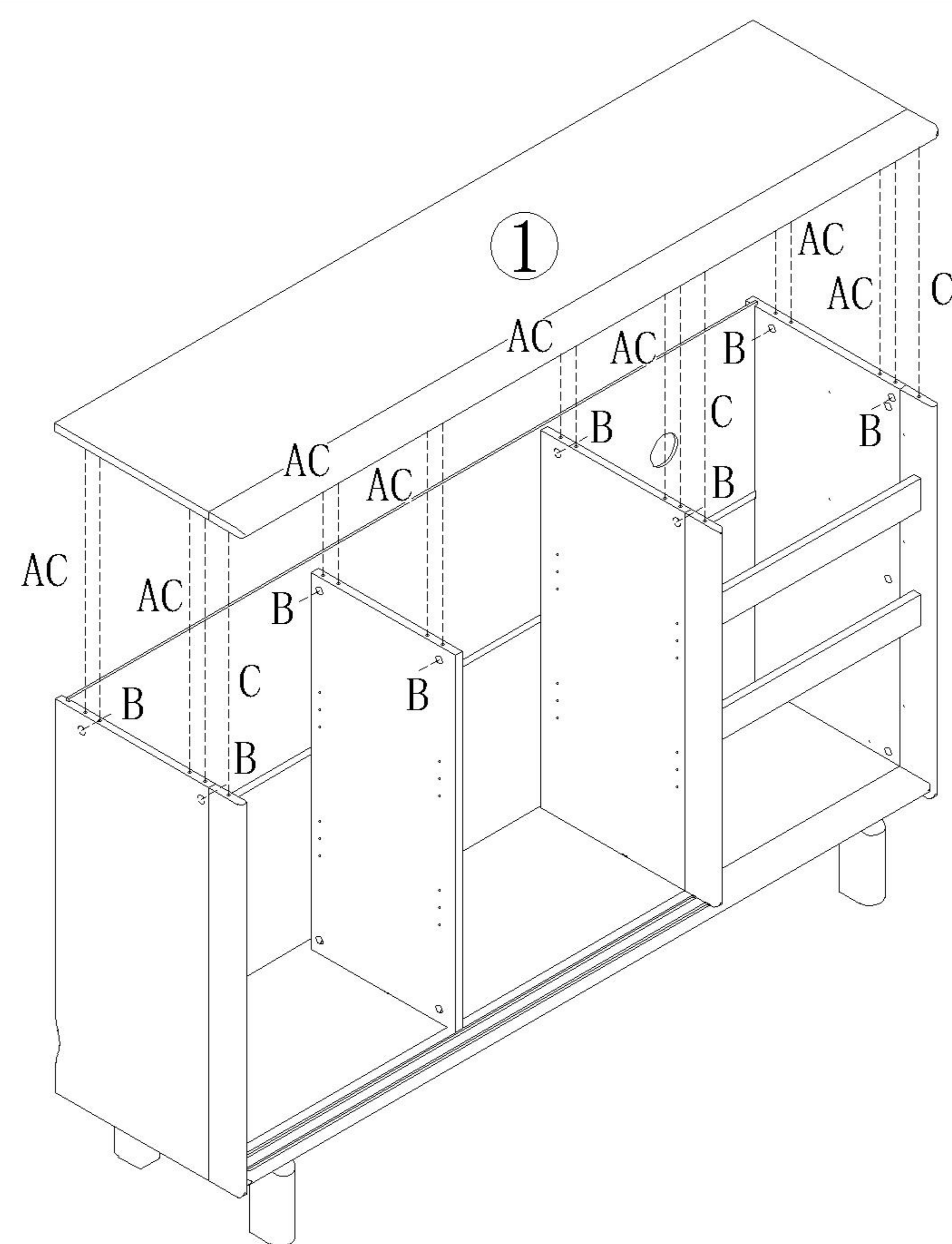
9

- (A)*2
- (B)*2
- (C)*3
- (E)*4
- (F)*1
- (I)*2
- (O)*2



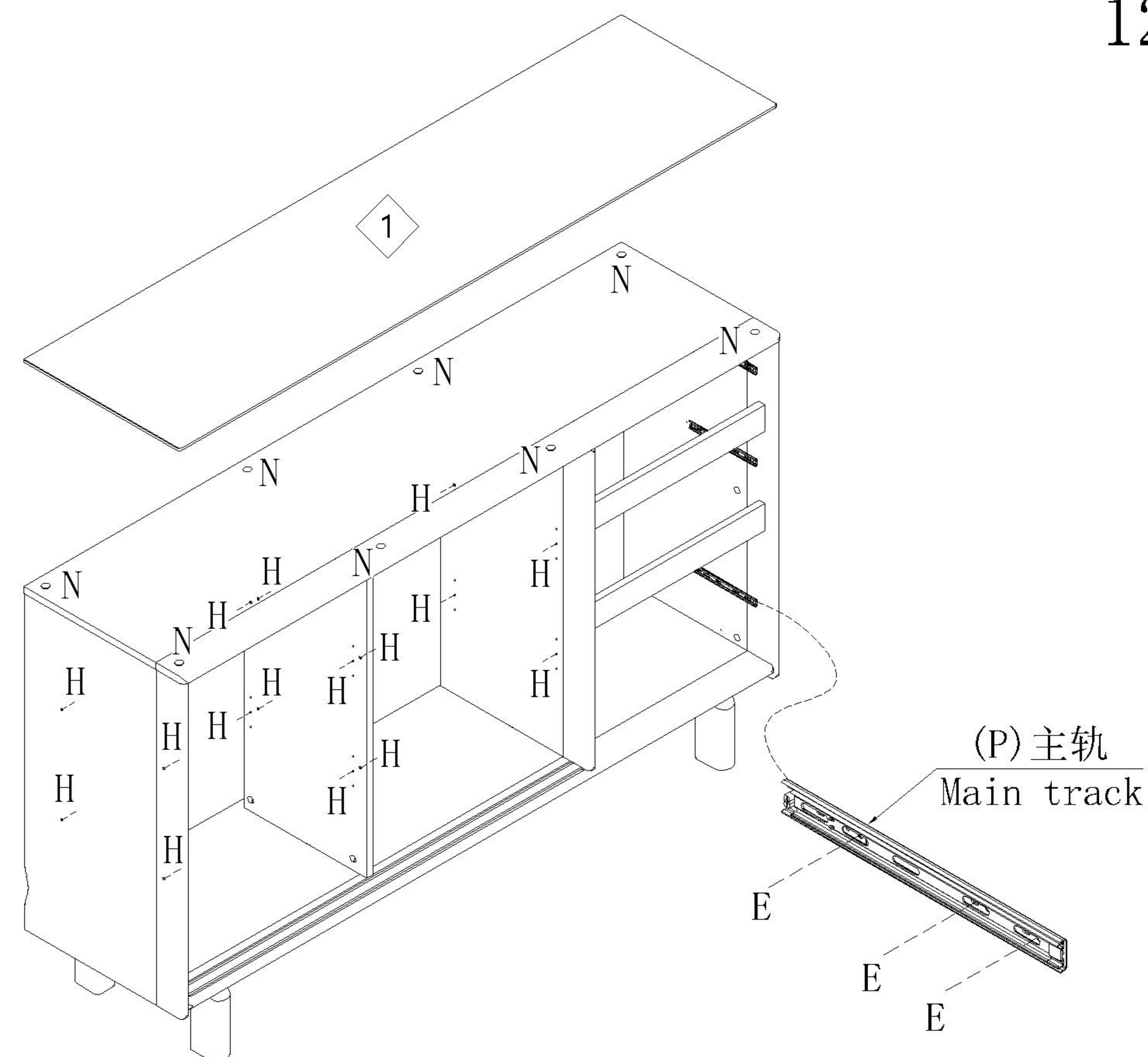
10

- (A)*8
- (B)*8
- (C)*11



11

- (E)*18
- (H)*16
- (N)*8
- (P)*3



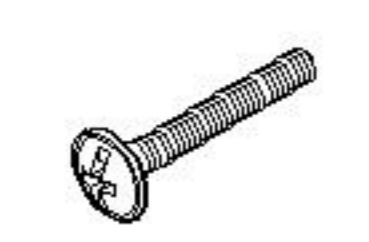
12

(P) 主轨
Main track

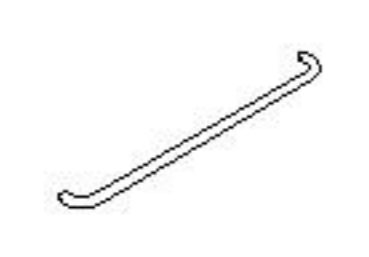
UB10T-C 1.5m

矮餐边柜

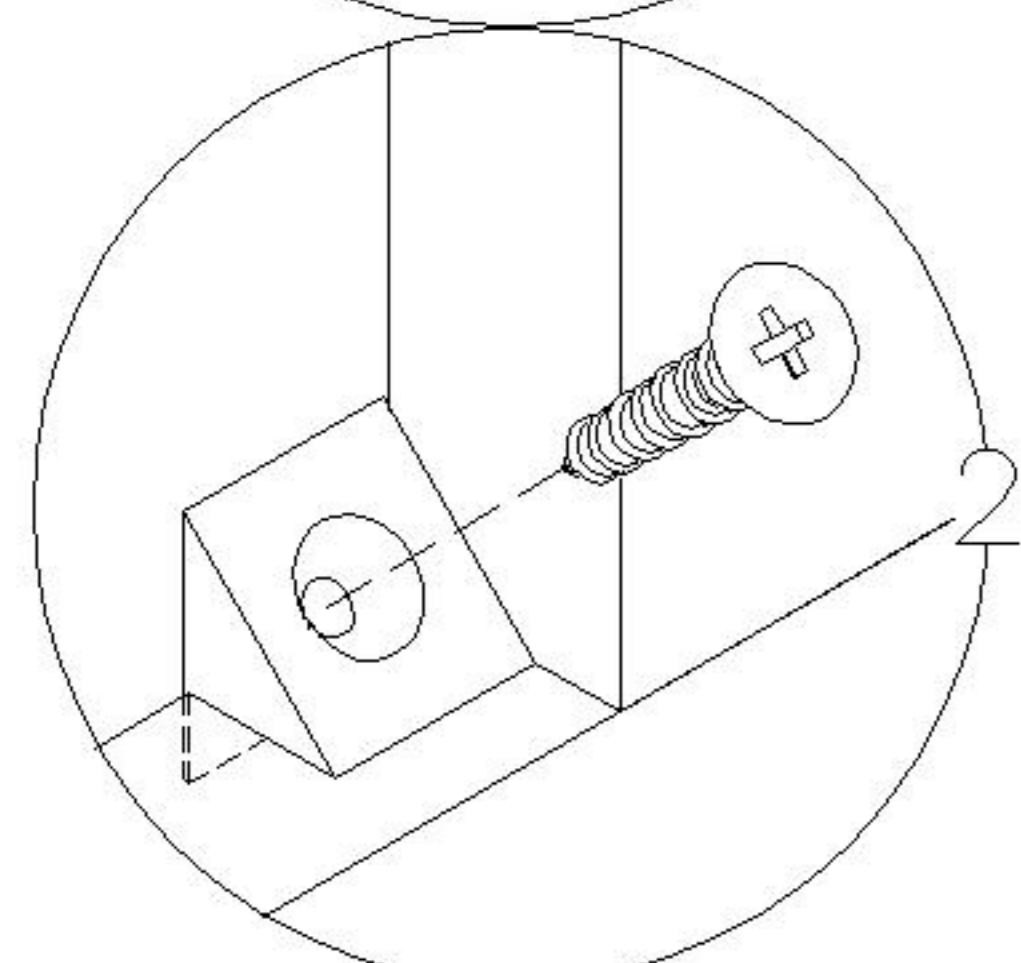
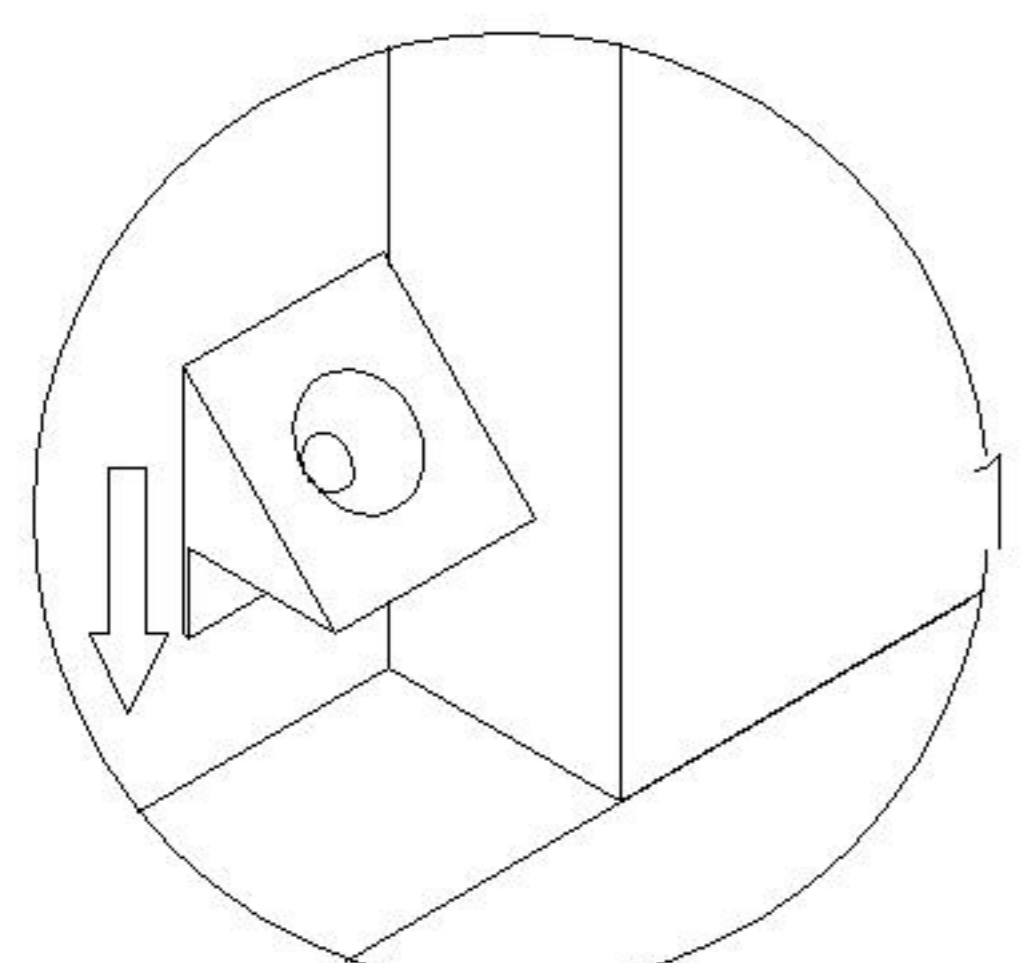
安装方法/
Installation method



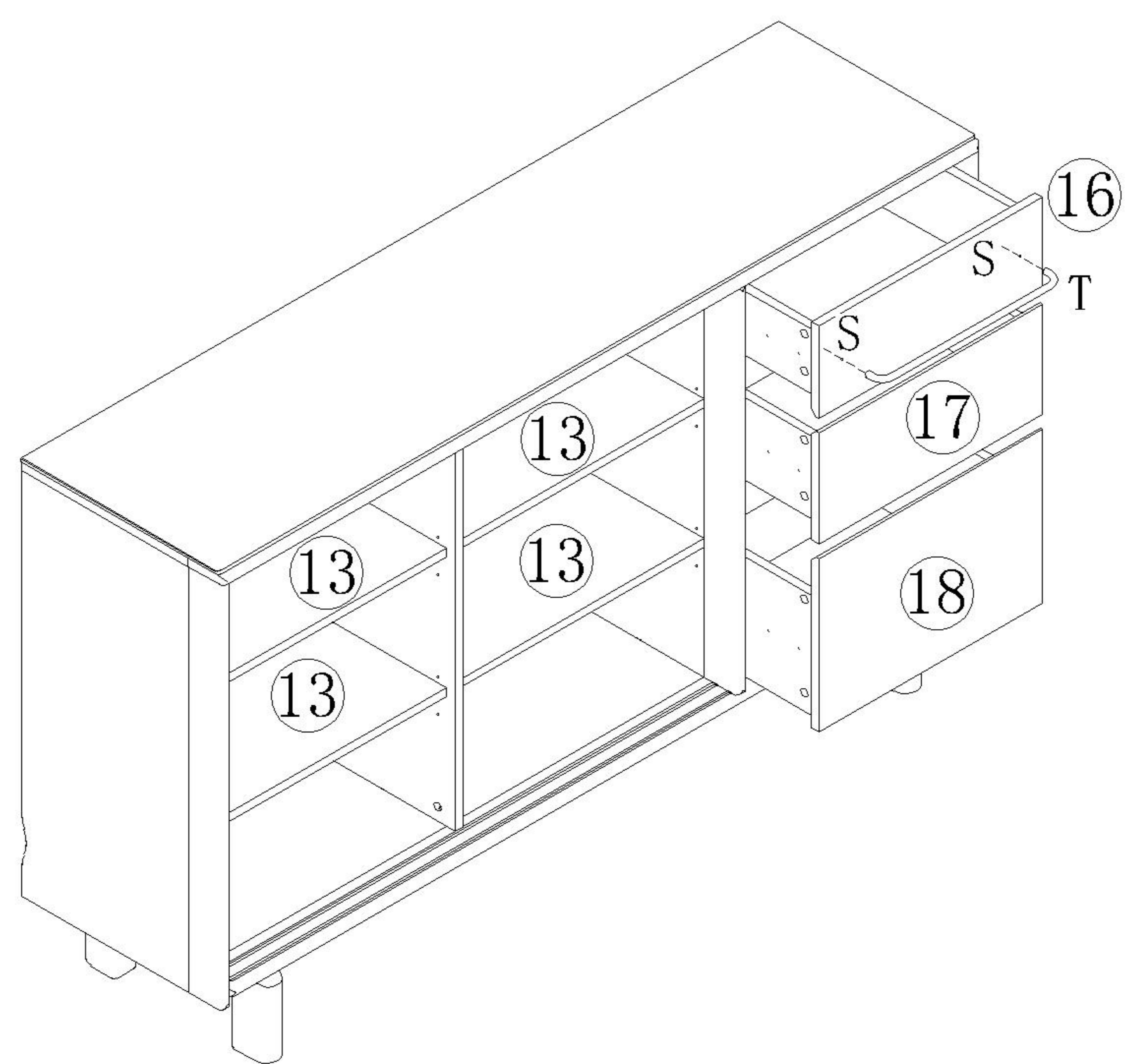
(S)*2



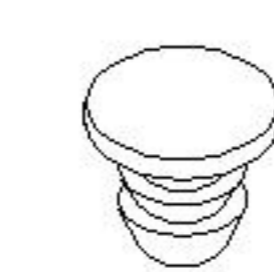
(T)*1



背板扣
Back Plate Buckle



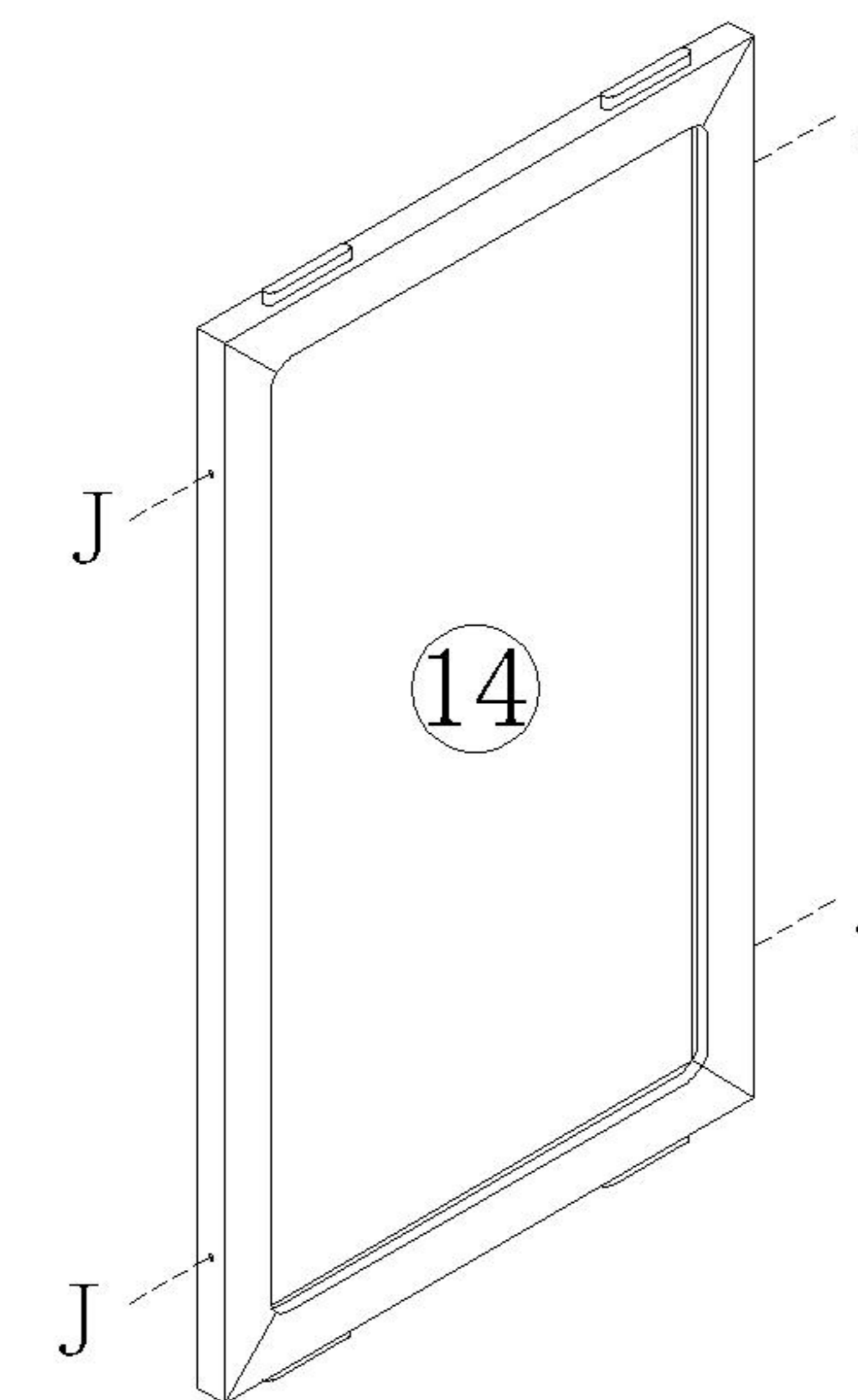
13



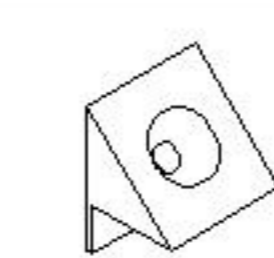
(J)*8

14

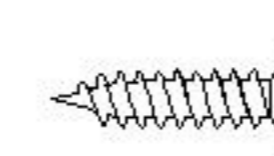
X2



15

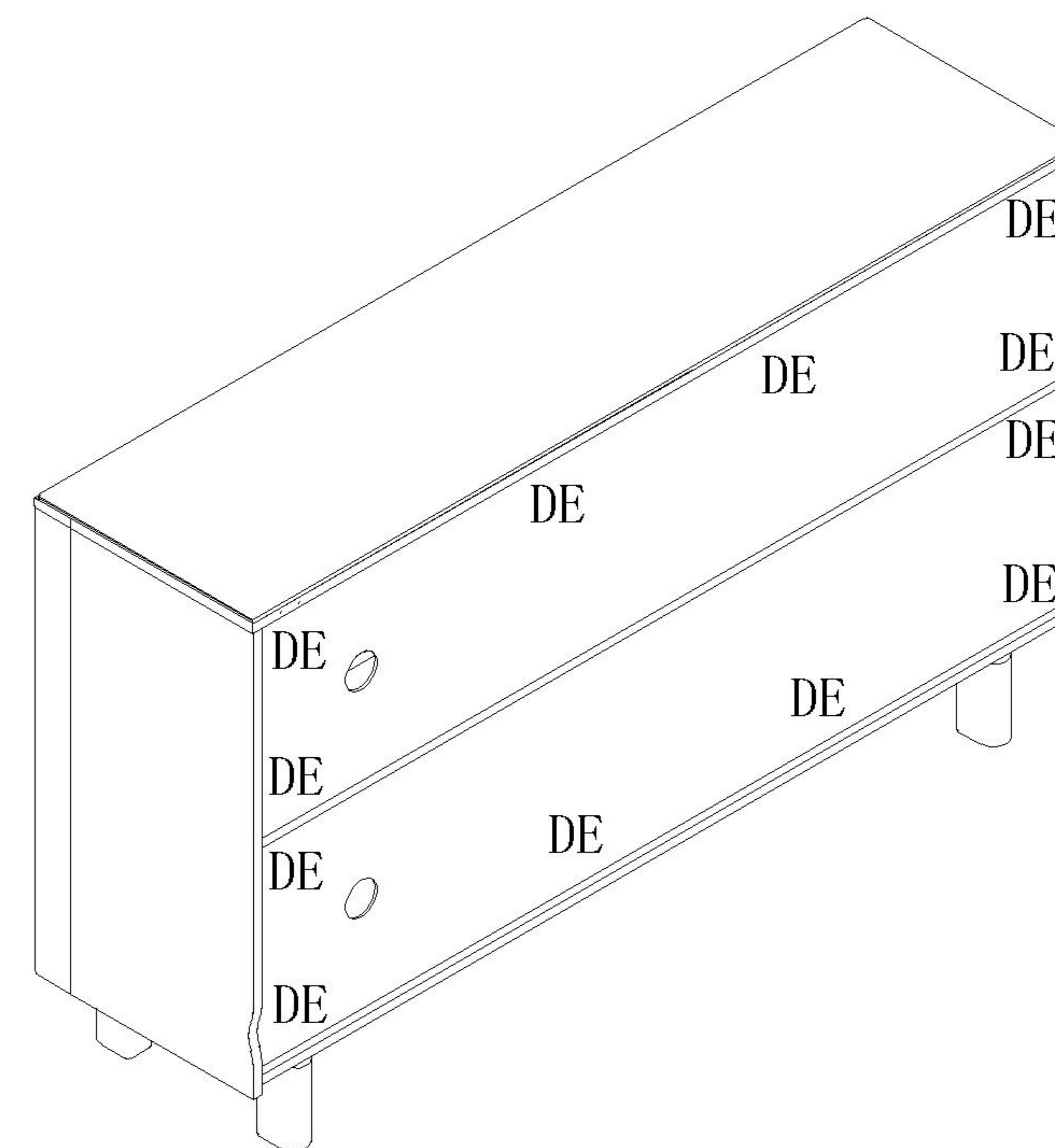
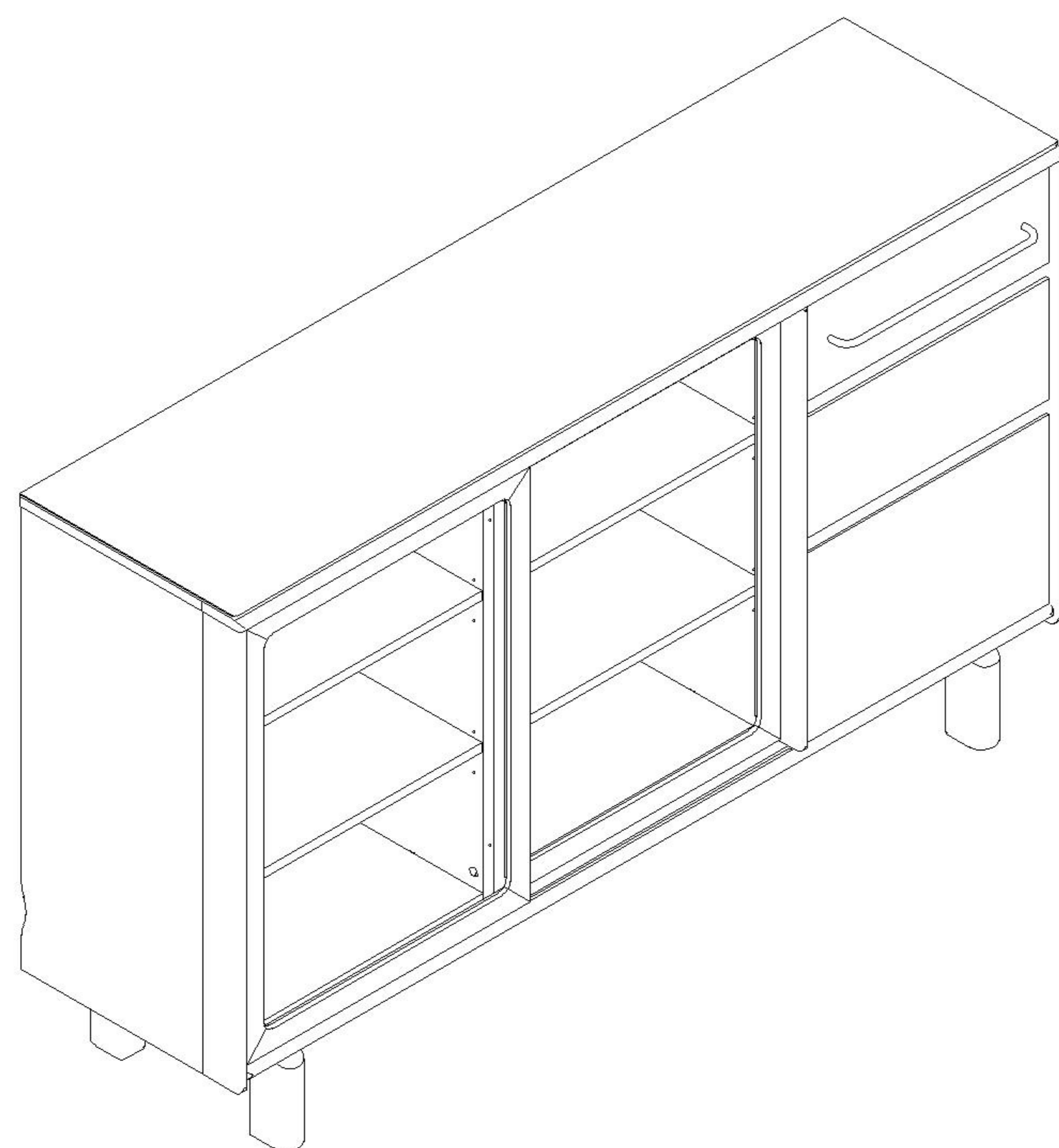


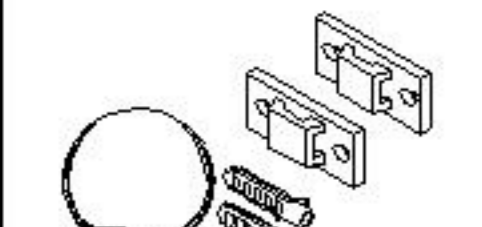
(D)*12



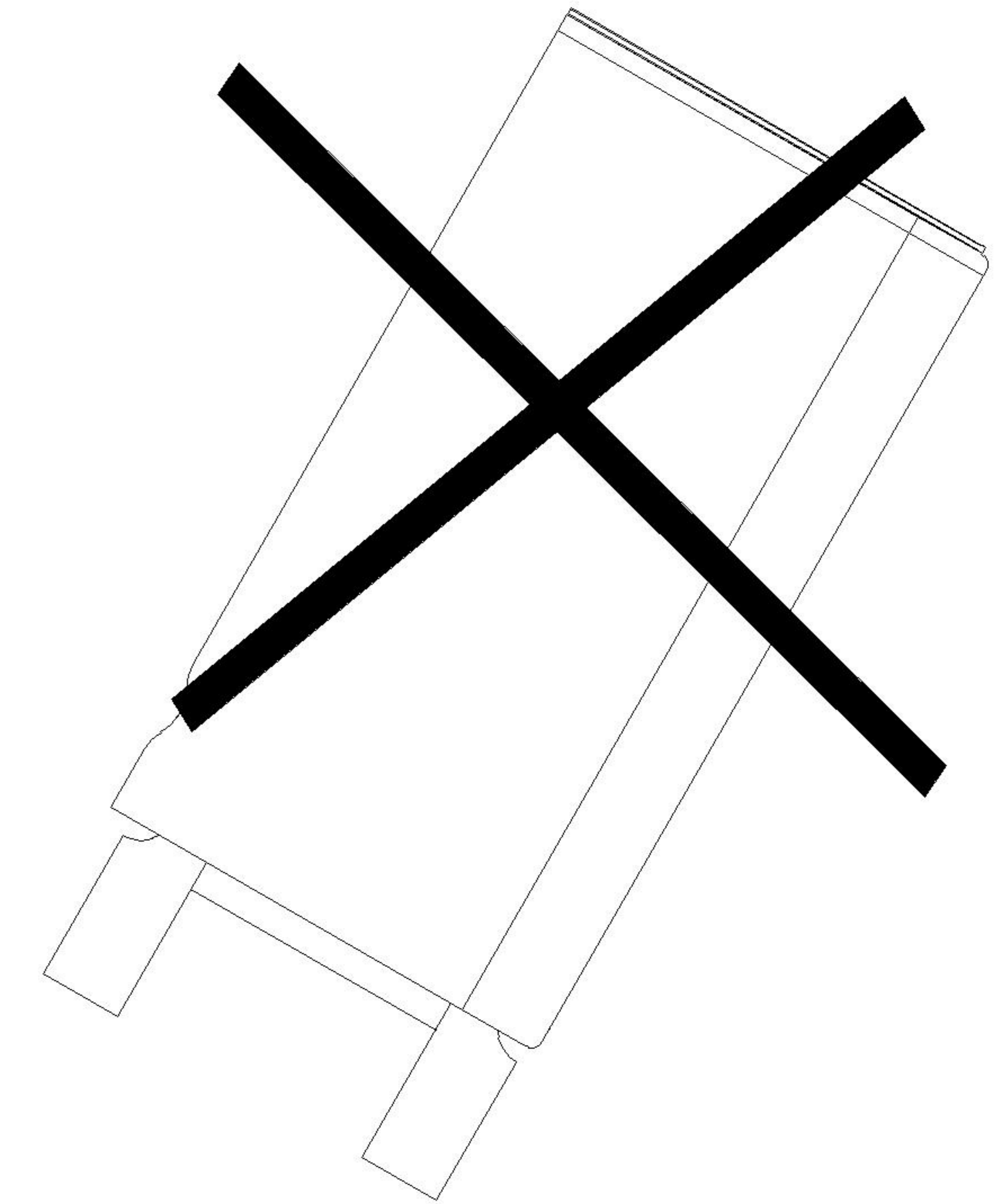
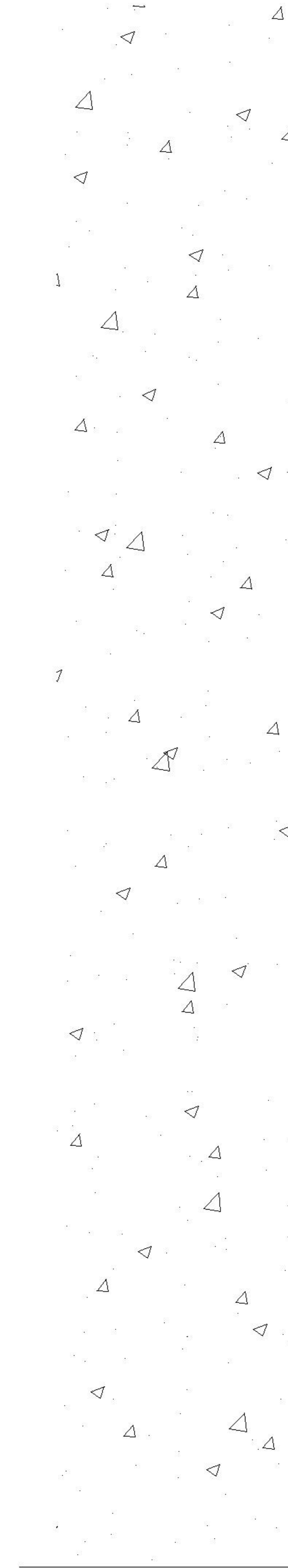
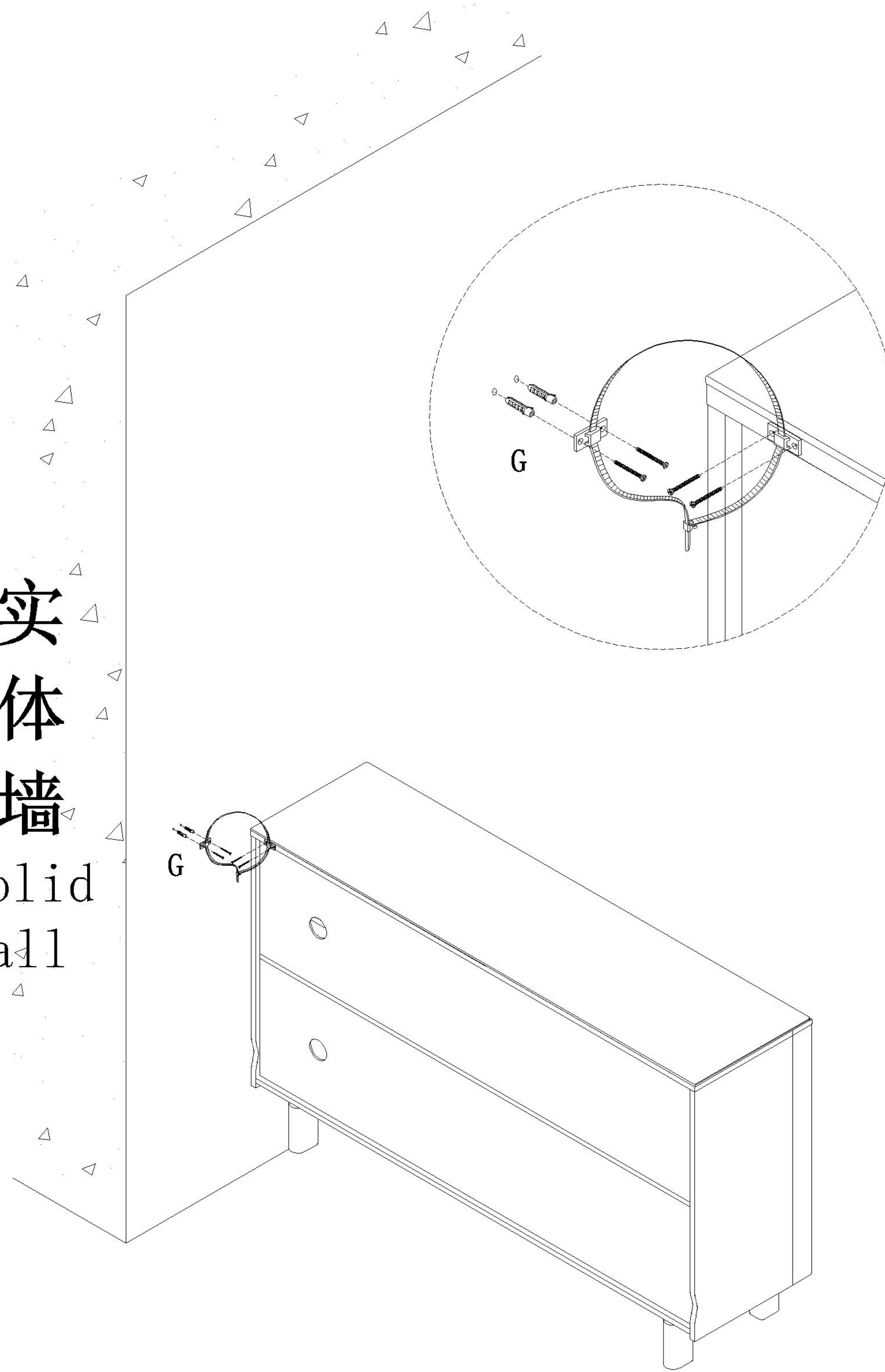
(E)*12

16




(G)*1

实体墙
Solid wall



LINSY 林氏家居

五金表/Hardware list

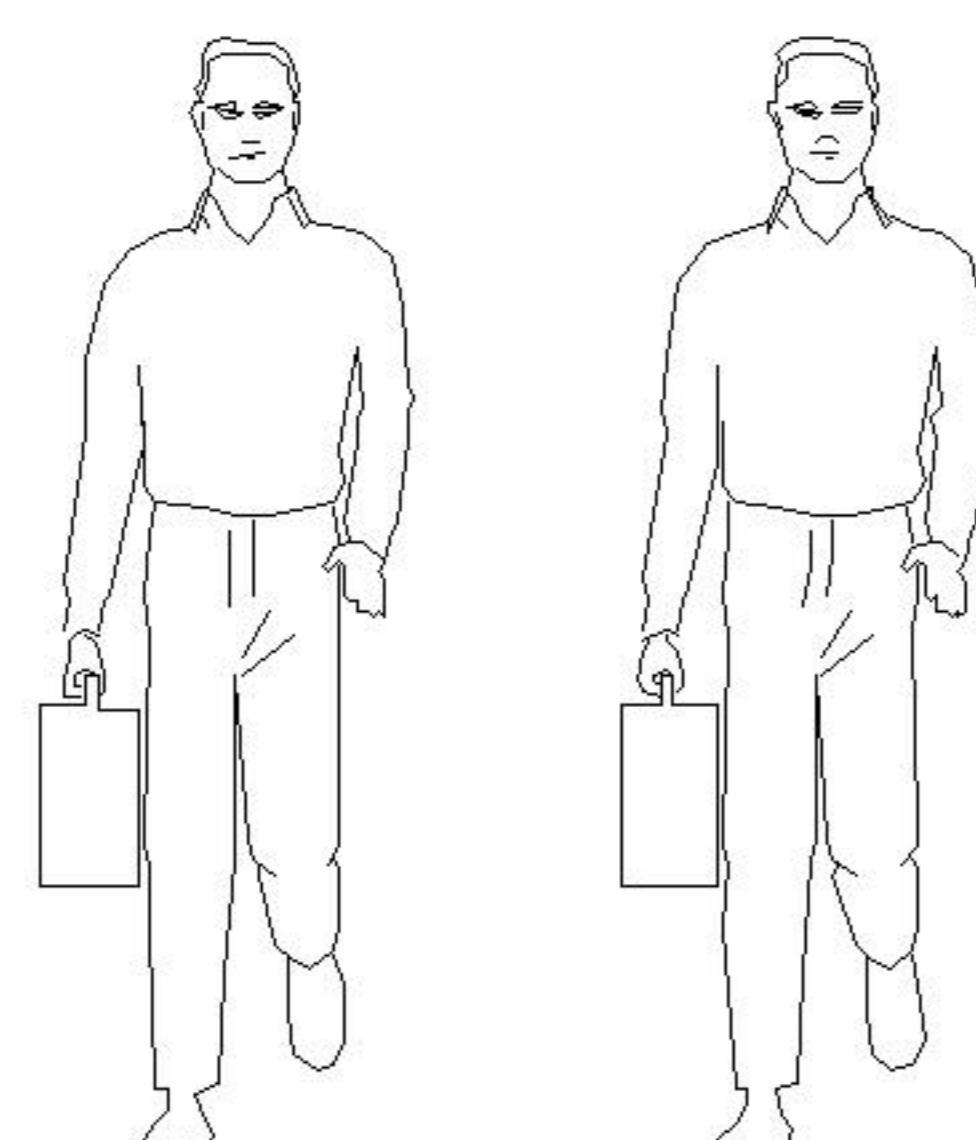
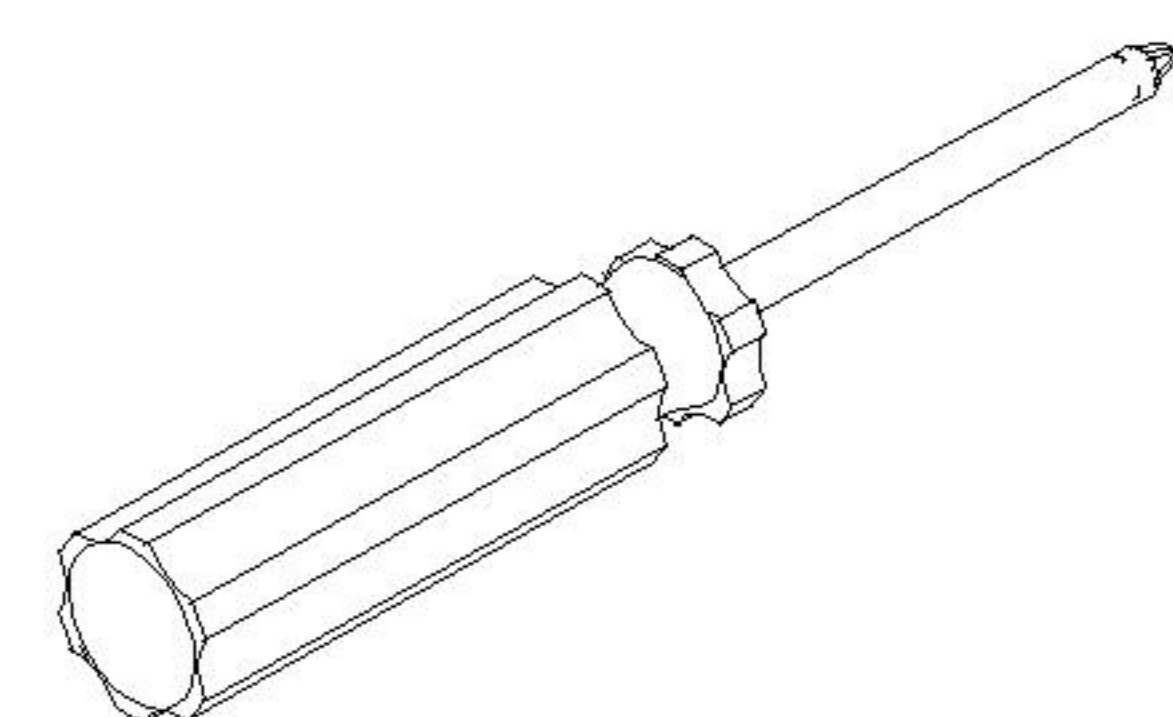
部件表/Parts List

安装示意图/Assembly Instruction

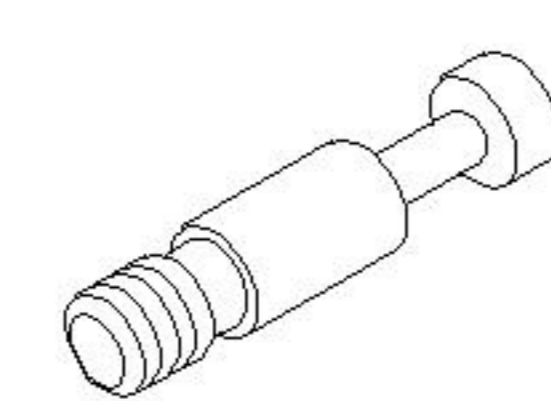
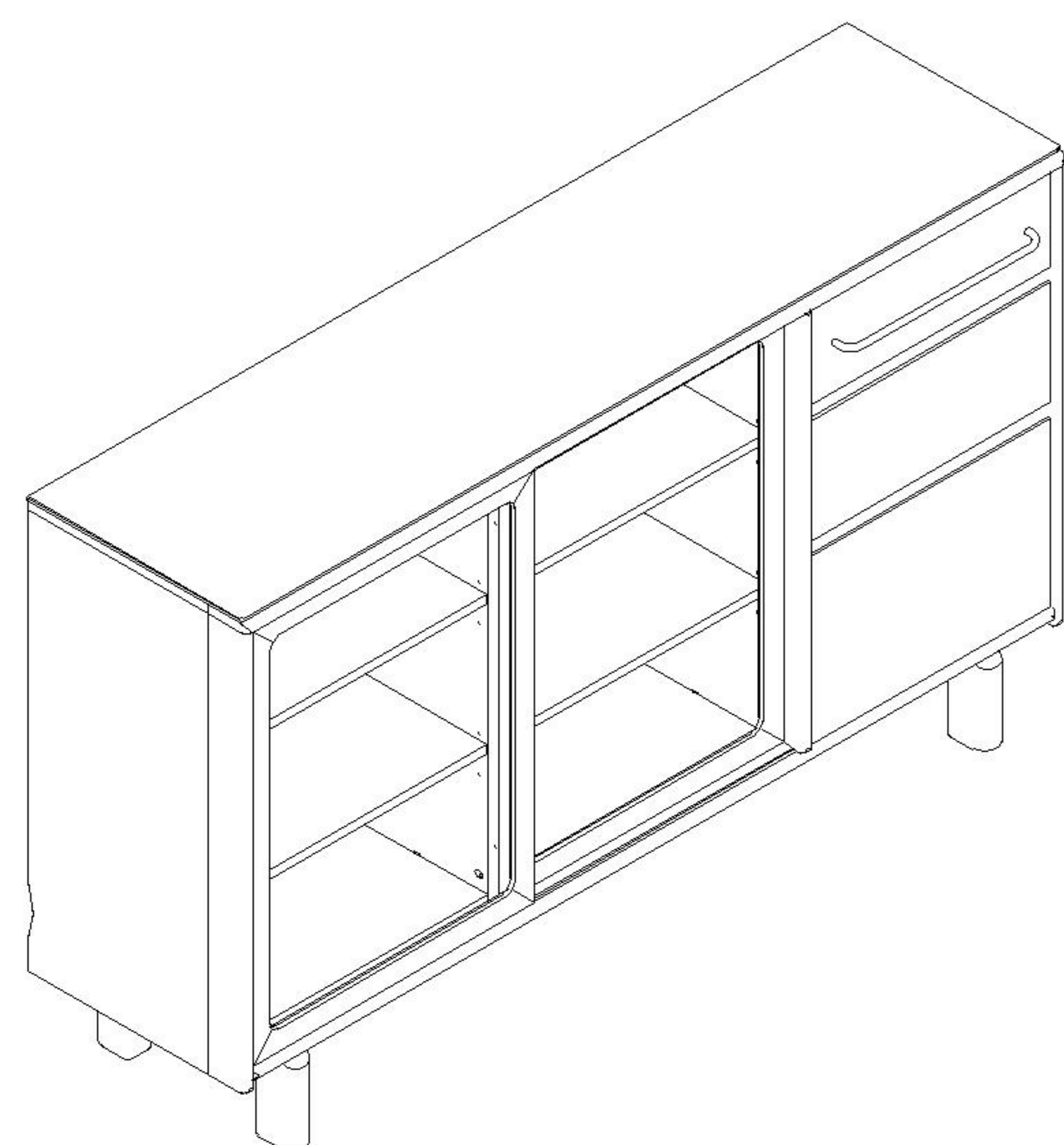
产品名称 Model NO. UB10T-C 1.2m矮餐边柜

产品规格 Specification 1200*425*902mm

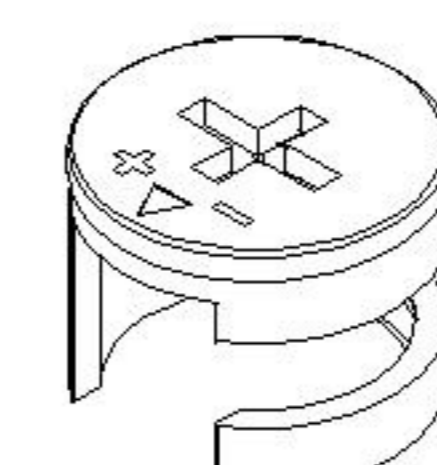
安装工具 Tool 安装人数 Installer



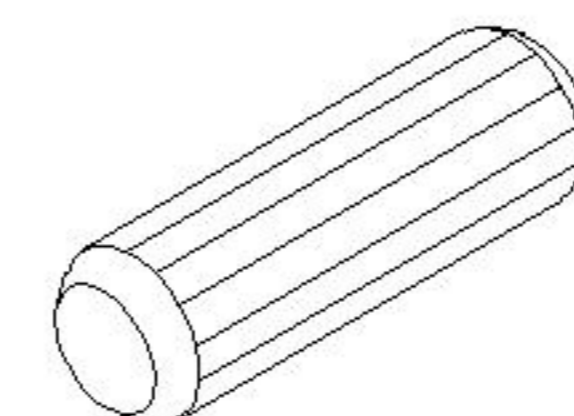
注：为保证设计效果，部分尺寸为定制尺寸，不影响使用。



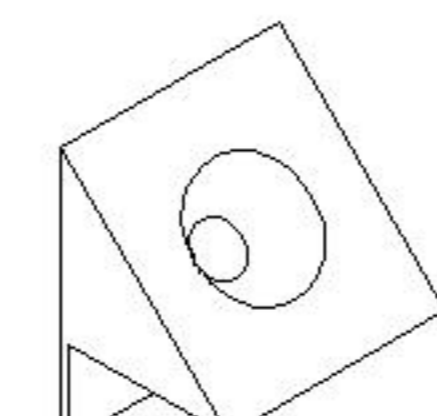
(A)* 71
二合一螺杆
2-in-1-screw



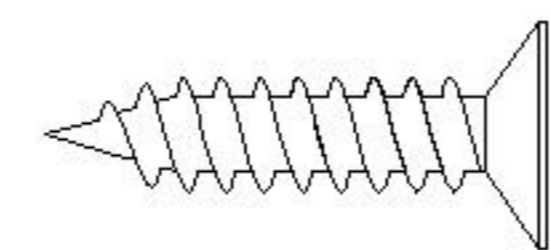
(B)* 71
大三合一锁饼
Three-in-one large lock



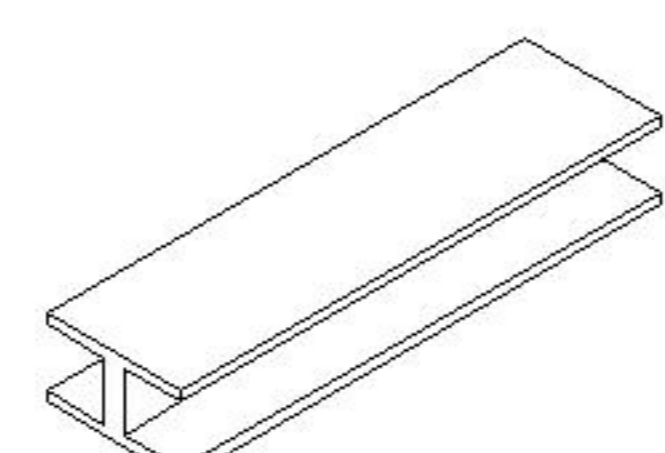
(C)* 23
木榫Ø8x30mm
wood tenon



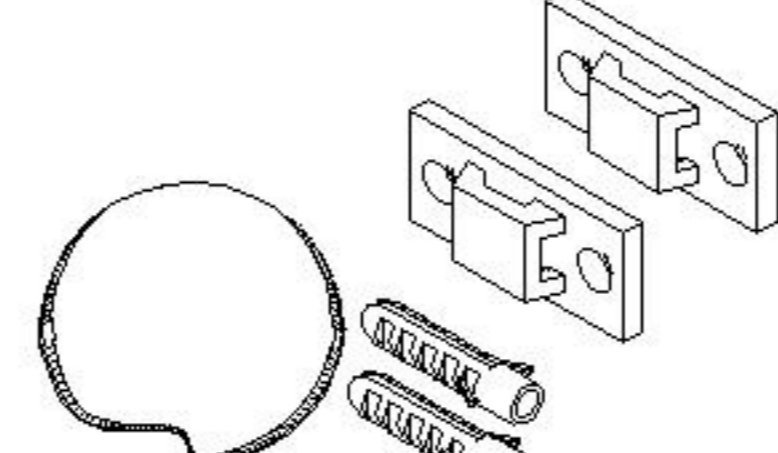
(D)* 13
背板扣
Back Plate Buckle-White



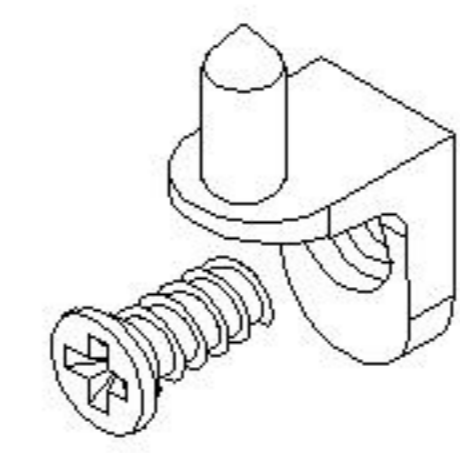
(E)* 59
自攻螺丝M3.5x14mm
Self-tapping screw



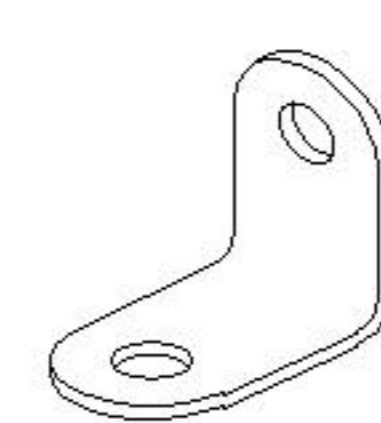
(F)* 1
夹板条L=1164mm
Splint strip



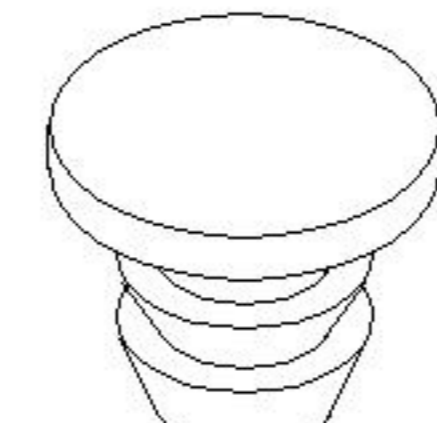
(G)* 1
家具防倒器-白色
Anti-fall device white



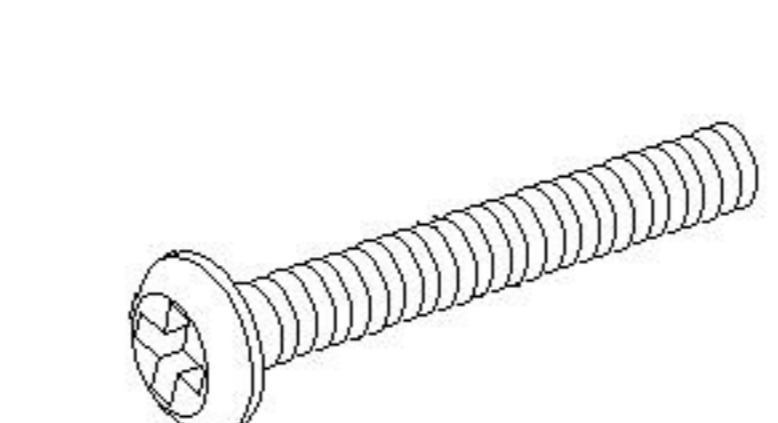
(H)* 16
层板托
shelf support



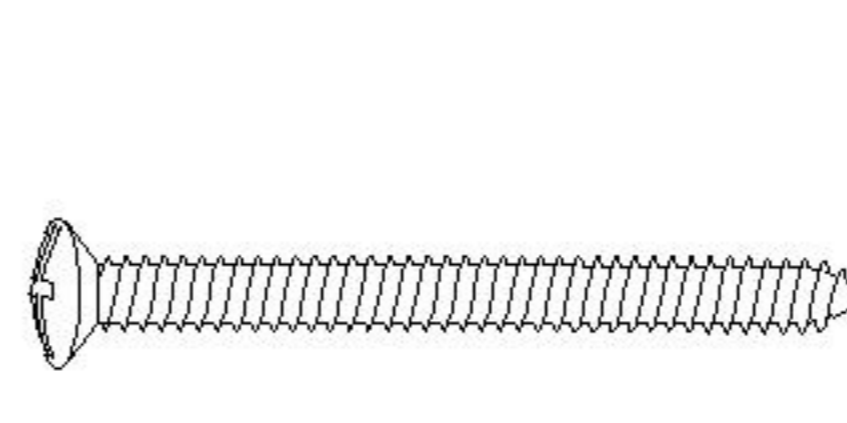
(I)* 4
小角码14x21x1.5
Small corner code



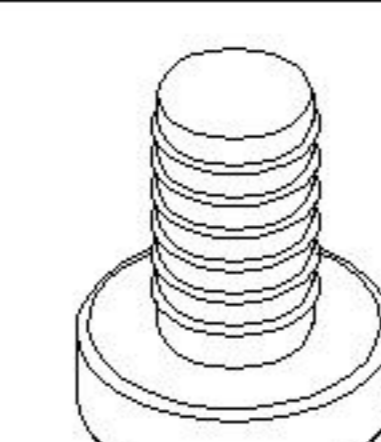
(J)* 8
防撞孔塞
Anti-collision plug



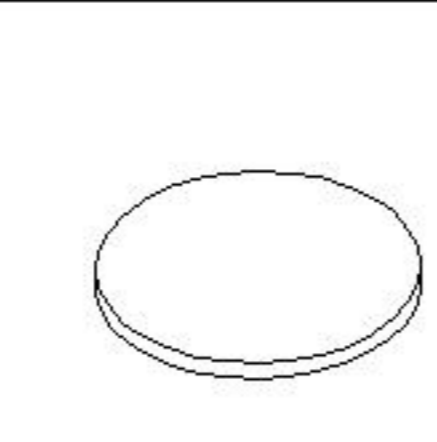
(K)* 4
斜边十字螺杆-M6x45
bevel cross screw



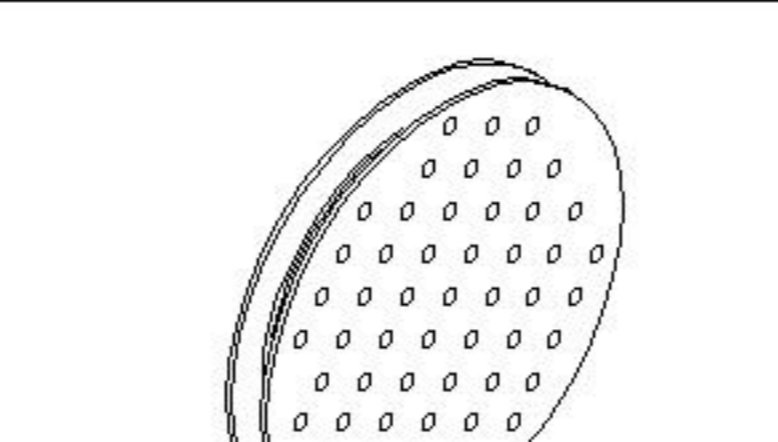
(L)* 4
自攻大扁M4*40mm
Self tapping flat screw



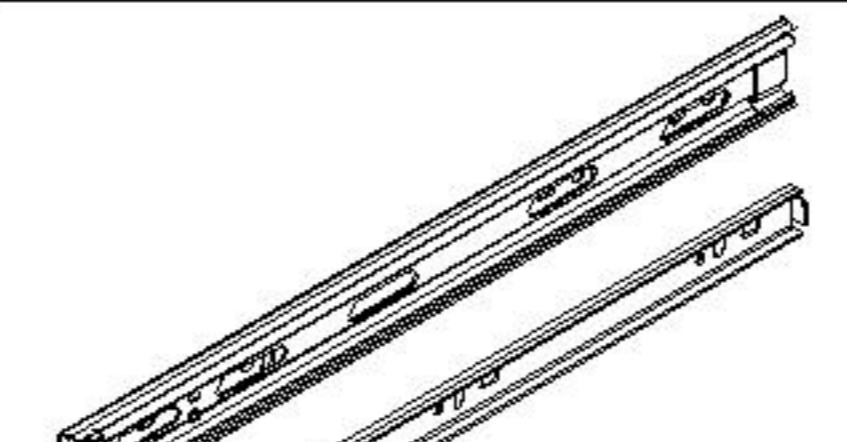
(M)* 4
透明防滑PVC胶塞
Rubber stopper



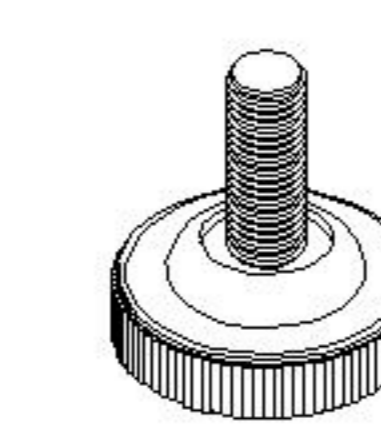
(N)* 8
透明圆形防滑垫
Transparent circular anti slip pad



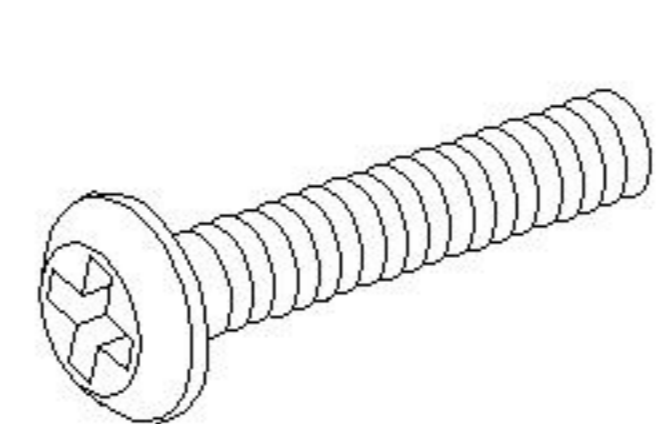
(O)* 2
透气孔盖-白色
Vent cover - white



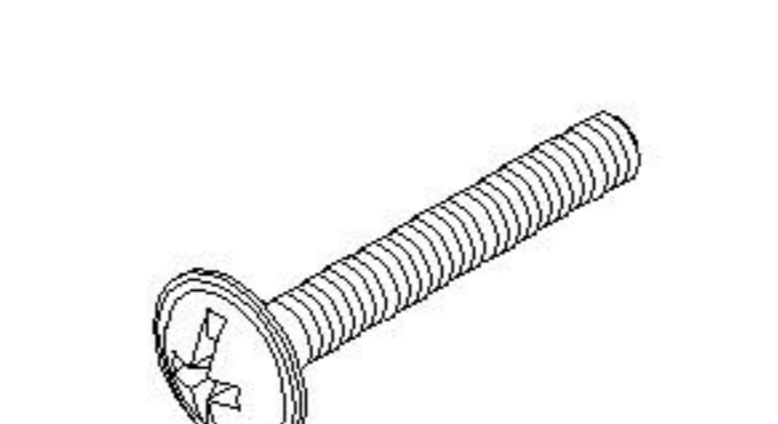
(P)* 3
三节滚珠导轨-10"
three-section ball rail



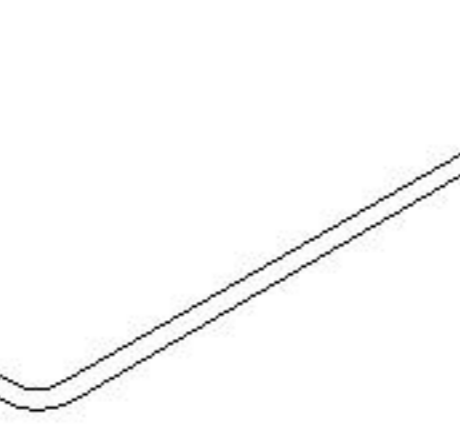
(Q)* 2
调节五金脚-M8x30
Adjusting foot



(R)* 2
斜边十字螺杆-M8x30
bevel cross screw



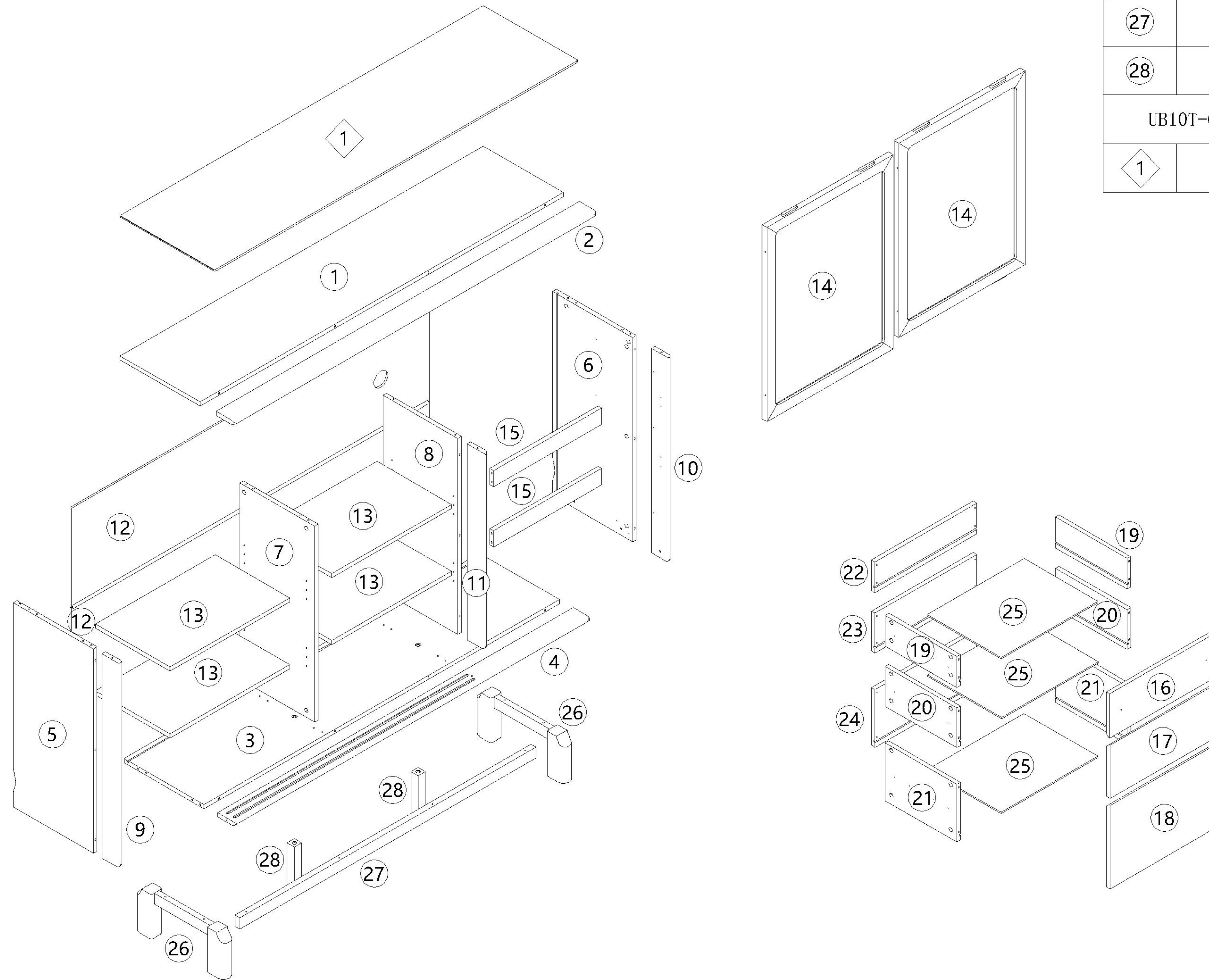
(S)* 2
拉手螺丝-M4x20mm
pulling screw



(T)* 1
不锈钢拉手
Stainless steel handle

| 编号NO. | 名称Name | 规格 (mm) Specification | 数量QTY | 材质Material |
|---|---------------------------|-----------------------|-------|-----------------|
| 25 | 抽屉底板Drawer's Bottom board | 336*300*5 | 3 | 纤维板 Fiberboard |
| 26 | 侧架Side frame | 370*160*45 | 2 | 橡胶木 Rubber wood |
| 27 | 前立水Front apron | 920*40*20 | 1 | 橡胶木 Rubber wood |
| 28 | 中脚Middle foot | 150*30*30 | 2 | 橡胶木 Rubber wood |
| UB10T-C 1.2m矮餐边柜面板: UB10T-C 1.2m short dining cabinet panel | | | | |
| 1 | 上面板Top panel | 1200*390*6 | 1 | 石材 Stone |

| 编号NO. | 名称Name | 规格 (mm) Specification | 数量QTY | 材质Material |
|---|--------------------------------|-----------------------|-------|--------------------------|
| UB10T-C 1.2m矮餐边柜柜体:UB10T-C 1.2m short dining cabinet body | | | | |
| 1 | 面板Top panel | 1198*330*15 | 1 | 刨花板 Particle Board |
| 2 | 面板加条Add strips to the panel | 1198*70*15 | 1 | 橡胶木 Rubber wood |
| 3 | 底板Bottom board | 1166*330*15 | 1 | 刨花板 Particle Board |
| 4 | 底板加条Bottom plate with strips | 1166*70*15 | 1 | 橡胶木 Rubber wood |
| 5 | 左侧板Side board(L) | 730*330*15 | 1 | 刨花板 Particle Board |
| 6 | 右侧板Side board(R) | 730*330*15 | 1 | 刨花板 Particle Board |
| 7 | 左中侧板Middle side board(L) | 700*308*15 | 1 | 刨花板 Particle Board |
| 8 | 右中侧板Middle side board(R) | 700*308*15 | 1 | 刨花板 Particle Board |
| 9 | 左立柱Stand column(L) | 730*70*15 | 1 | 橡胶木 Rubber wood |
| 10 | 右立柱Stand column(R) | 730*70*15 | 1 | 橡胶木 Rubber wood |
| 11 | 中立柱center pillar | 700*70*15 | 1 | 橡胶木 Rubber wood |
| 12 | 背板Back board | 1176*354*5 | 2 | 纤维板 Fiberboard |
| 13 | 活动层板Movable shelf | 376*308*15 | 4 | 刨花板 Particle Board |
| 14 | 趟门板Door plank | 707*400*20 | 2 | 橡胶木+玻璃 Rubber wood+Glass |
| 15 | 右拉条Brace (R) | 382*58*15 | 2 | 刨花板 Particle Board |
| 16 | 上抽屉面板Upper drawer's panel | 378*158*15 | 1 | 刨花板 Particle Board |
| 17 | 中抽屉面板Drawer's middle board | 378*190*15 | 1 | 刨花板 Particle Board |
| 18 | 下抽屉面板Bottom drawer's panel | 378*298*15 | 1 | 刨花板 Particle Board |
| 19 | 上抽屉侧板Upper Drawer's sideboard | 290*110*15 | 2 | 刨花板 Particle Board |
| 20 | 中抽屉侧板Middle drawer side panel | 290*142*15 | 2 | 刨花板 Particle Board |
| 21 | 下抽屉侧板Lower Drawer's sideboard | 290*206*15 | 2 | 刨花板 Particle Board |
| 22 | 上抽屉后板Upper drawer's back board | 356*110*15 | 1 | 刨花板 Particle Board |
| 23 | 中抽屉后板Side drawer middle panel | 356*142*15 | 1 | 刨花板 Particle Board |
| 24 | 下抽屉后板Down drawer's back board | 356*206*15 | 1 | 刨花板 Particle Board |



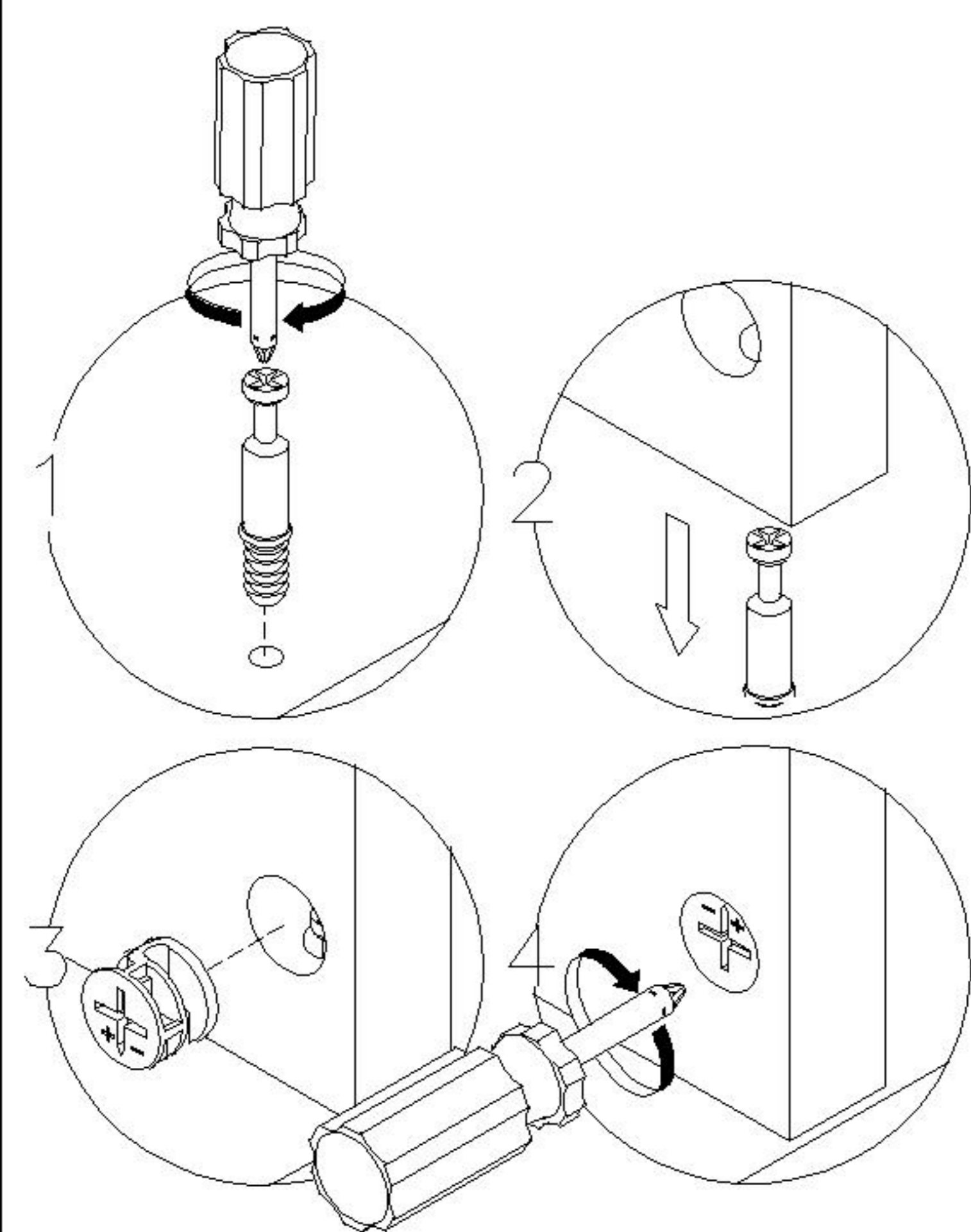
| 编号NO. | 名称Name | 编号NO. | 名称Name |
|--------------------|---------------------------|--------------------|--------------------------------|
| ②⑤ | 抽屉底板Drawer's Bottom board | UB10T-C 1.2m矮餐边柜柜体 | |
| ②⑥ | 侧架Side frame | ① | 面板Top panel |
| ②⑦ | 前立水Front apron | ② | 面板加条Add strips to the panel |
| ②⑧ | 中脚Middle foot | ③ | 底板Bottom board |
| UB10T-C 1.2m矮餐边柜面板 | | ④ | 底板加条Bottom plate with strips |
| ◇1 | 上面板Top panel | ⑤ | 左侧板Side board(L) |
| | | ⑥ | 右侧板Side board(R) |
| | | ⑦ | 左中侧板Middle side board(L) |
| | | ⑧ | 右中侧板Middle side board(R) |
| | | ⑨ | 左立柱Stand column(L) |
| | | ⑩ | 右立柱Stand column(R) |
| | | ⑪ | 中立柱center pillar |
| | | ⑫ | 背板Back board |
| | | ⑬ | 活动层板Movable shelf |
| | | ⑭ | 趟门板Door plank |
| | | ⑮ | 右拉条Brace (R) |
| | | ⑯ | 上抽屉面板Upper drawer's panel |
| | | ⑰ | 中抽屉面板Drawer's middle board |
| | | ⑱ | 下抽屉面板Bottom drawer's panel |
| | | ⑲ | 上抽屉侧板Upper Drawer's sideboard |
| | | ⑳ | 中抽屉侧板Middle drawer side panel |
| | | ㉑ | 下抽屉侧板Lower Drawer's sideboard |
| | | ㉒ | 上抽屉后板Upper drawer's back board |
| | | ㉓ | 中抽屉后板Side drawer middle panel |
| | | ㉔ | 下抽屉后板Down drawer's back board |

UB10T-C 1.2m

矮餐边柜

安装方法/

Installation method



二合一 two-in-one

阀门开关(下压为开)

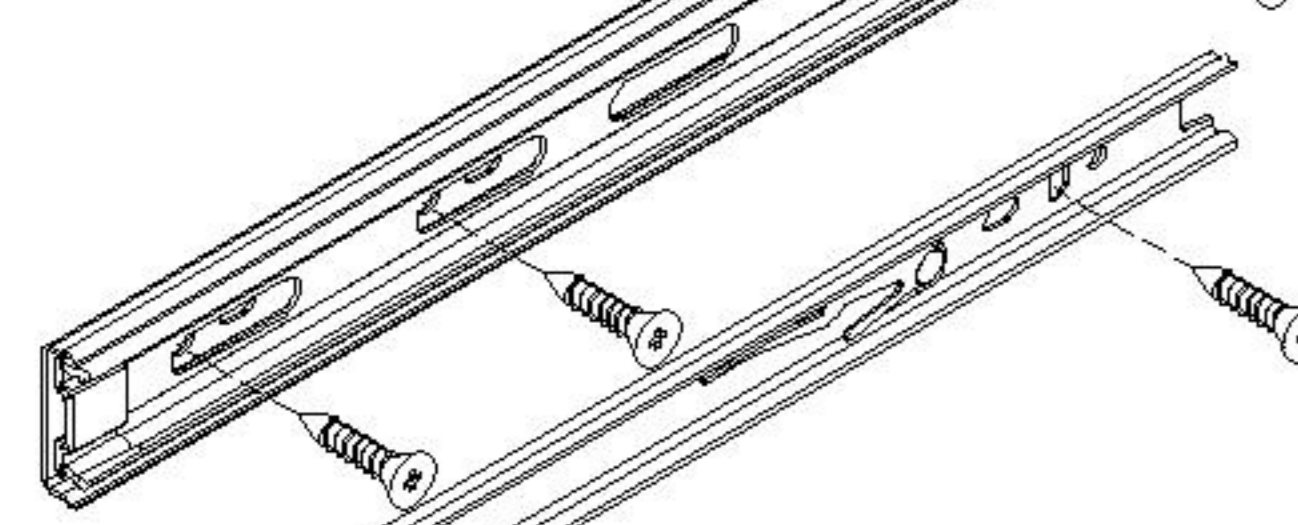
Valve switch (press down to open)

前 Forward

后 Back

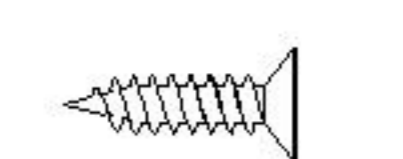


主轨 Main track



副轨 Sub track

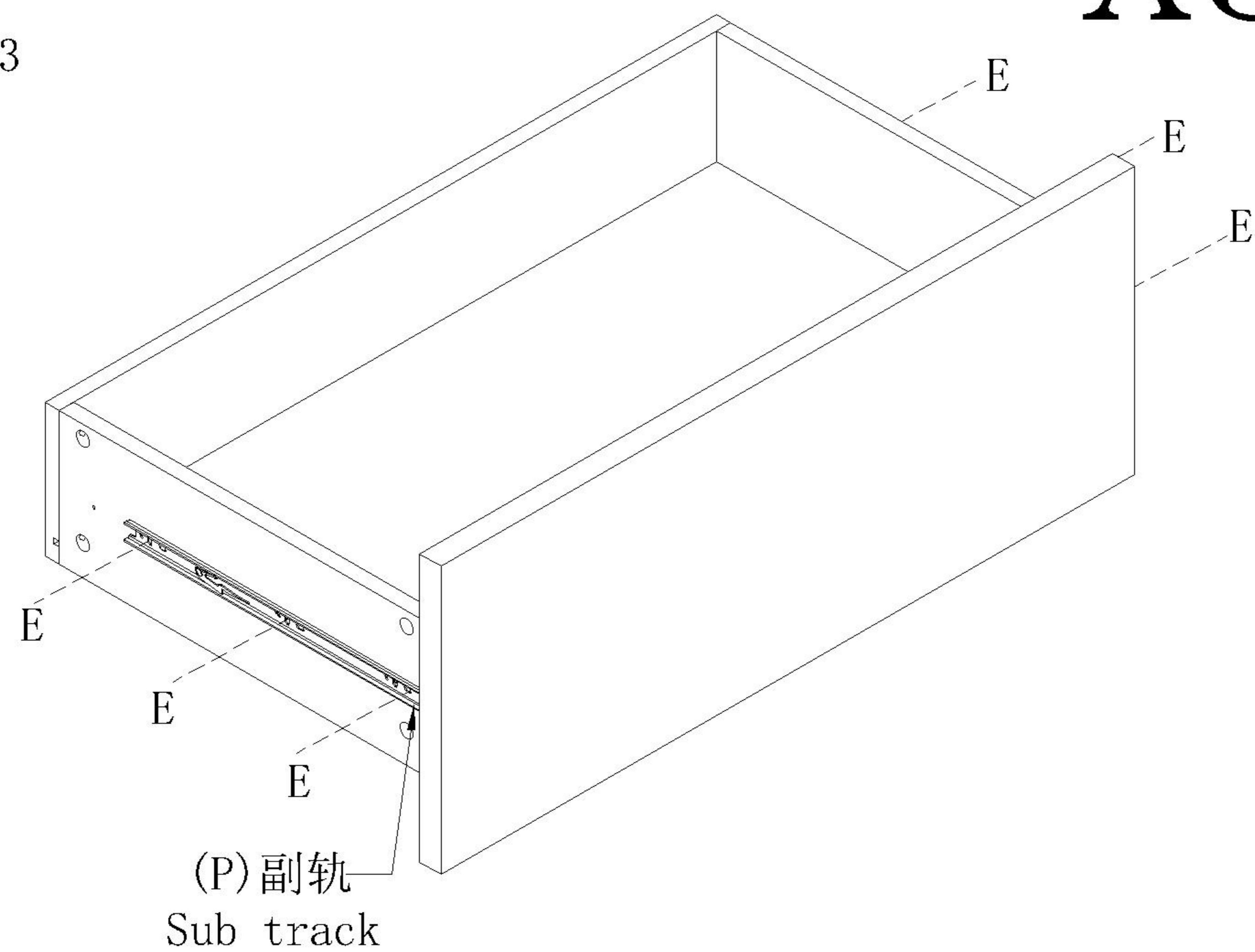
三节滚珠导轨
Three-section rail



(E)*18



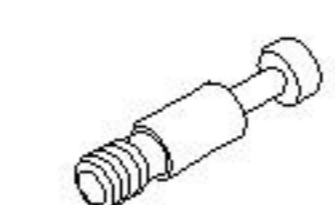
(P)*3



(P) 副轨
Sub track

X3

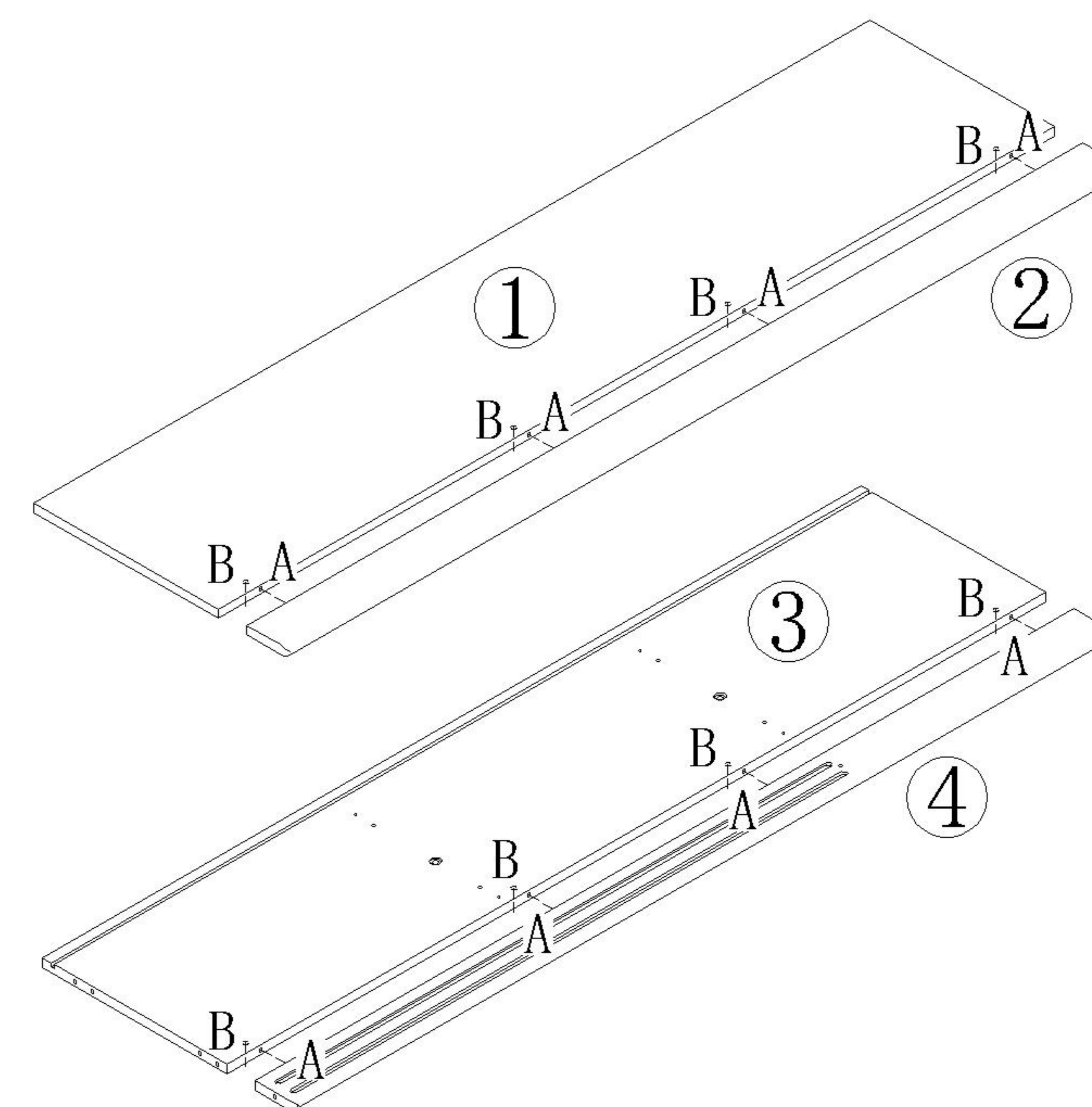
3



(A)*8

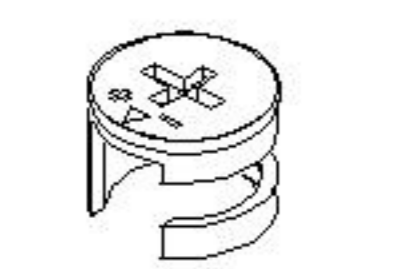


(B)*8

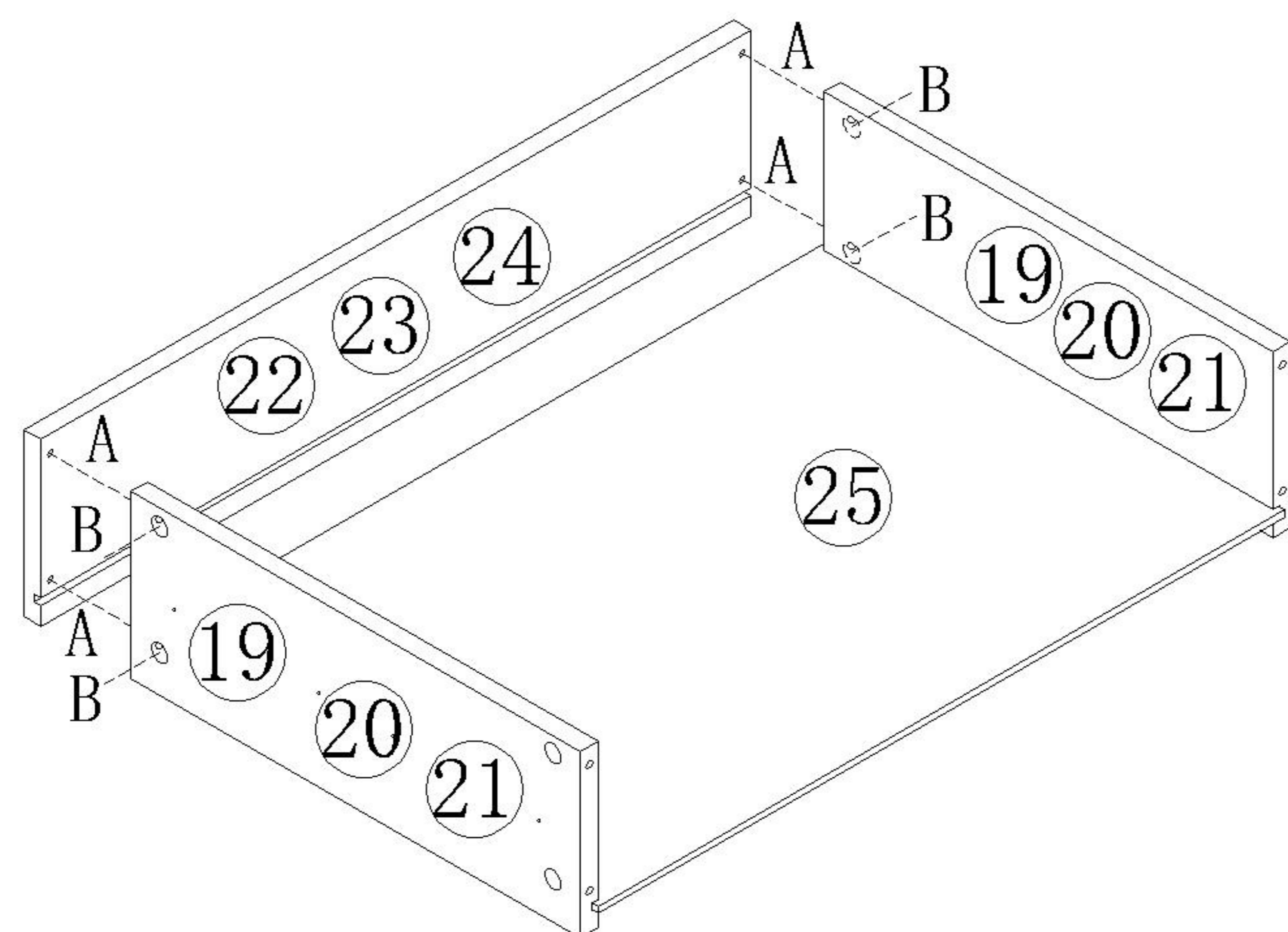


4

(A)*12

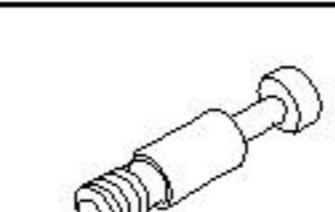


(B)*12

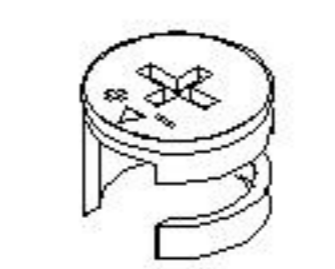


X3

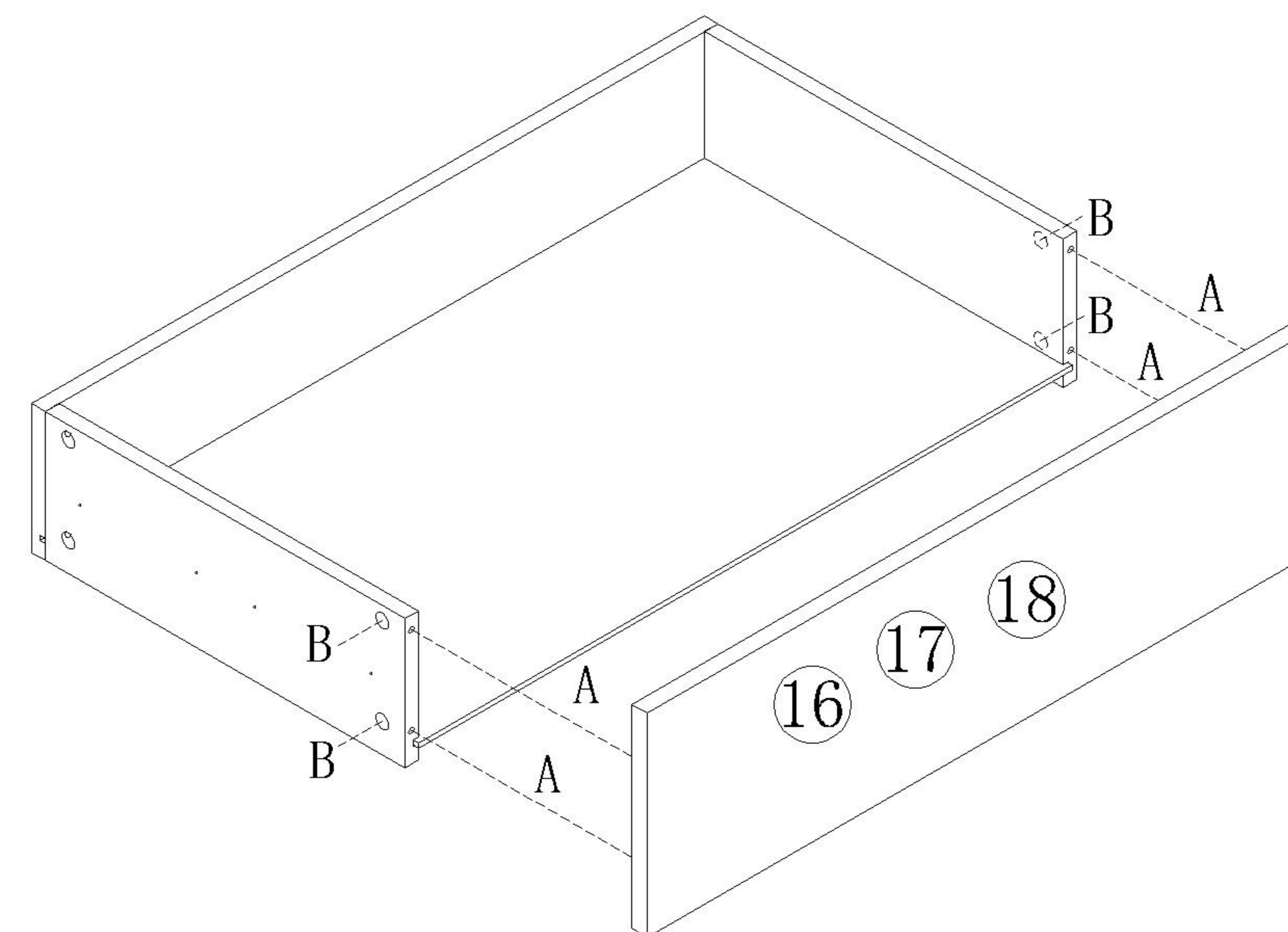
1



(A)*12



(B)*12



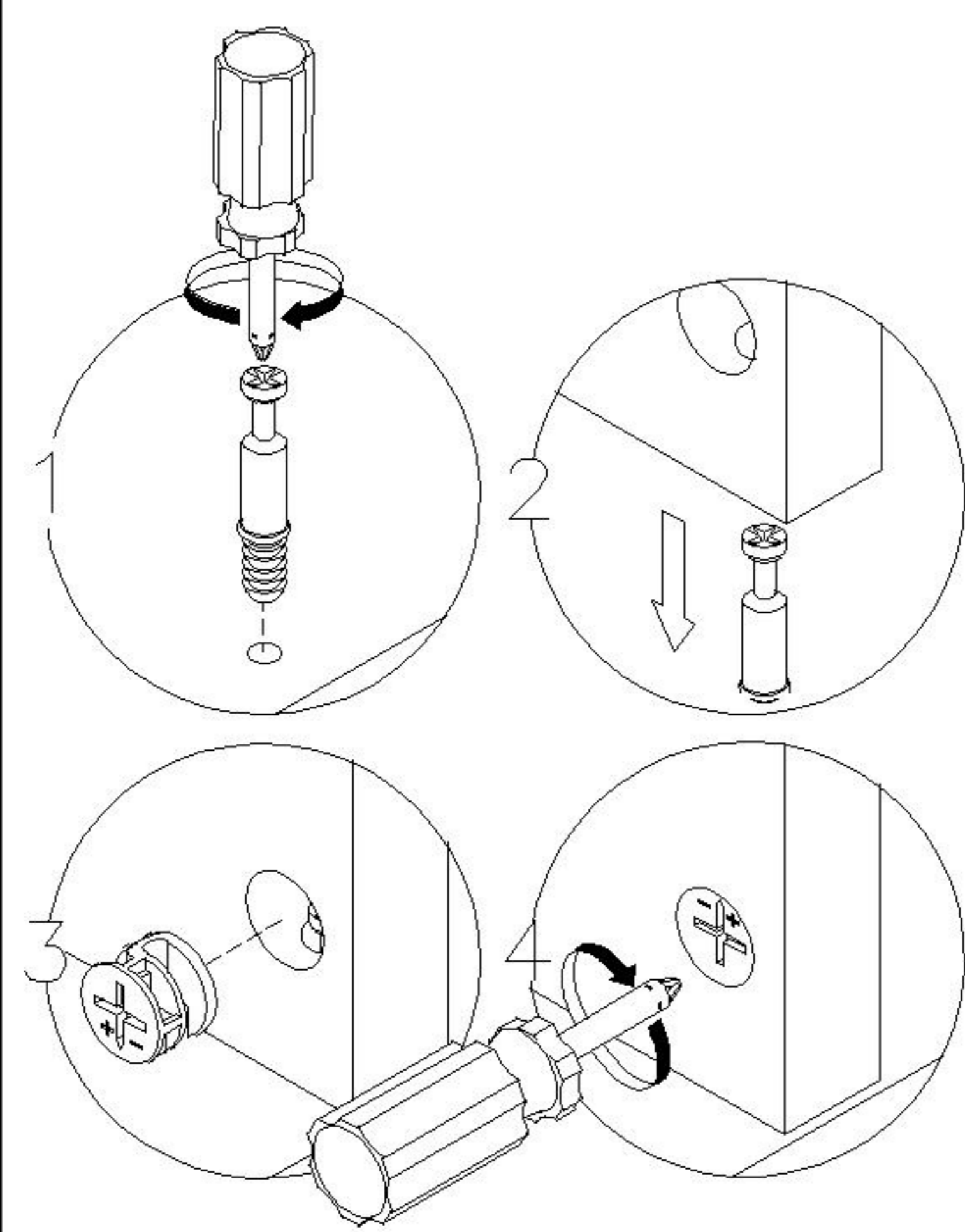
X3

2

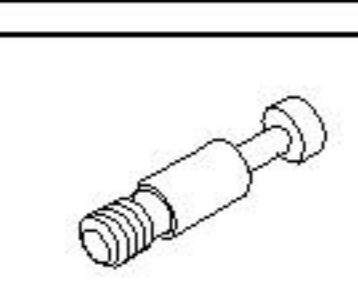
UB10T-C 1.2m

矮餐边柜

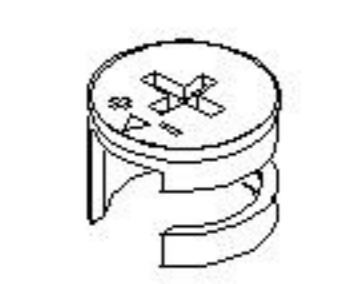
安装方法/
Installation method



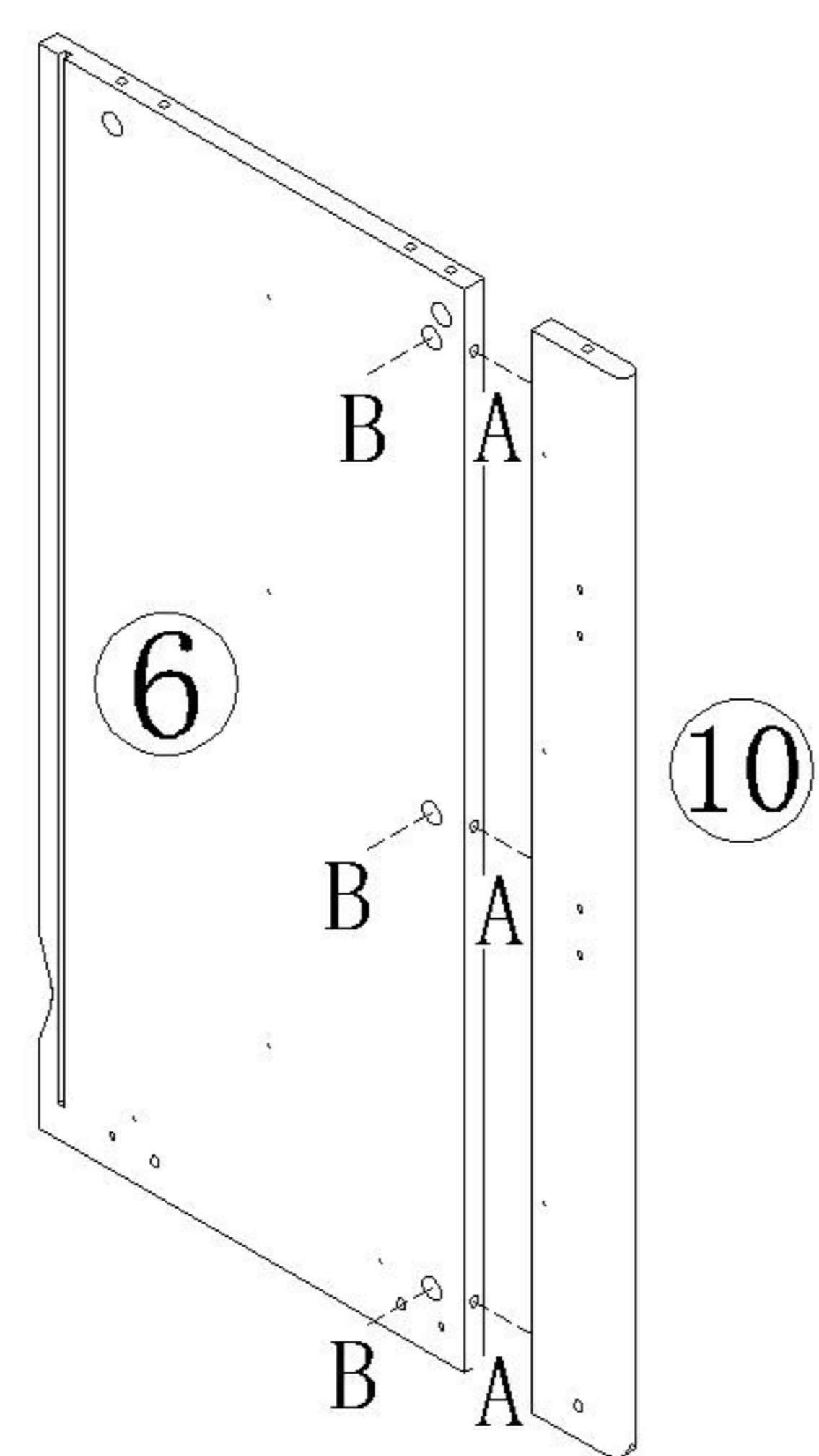
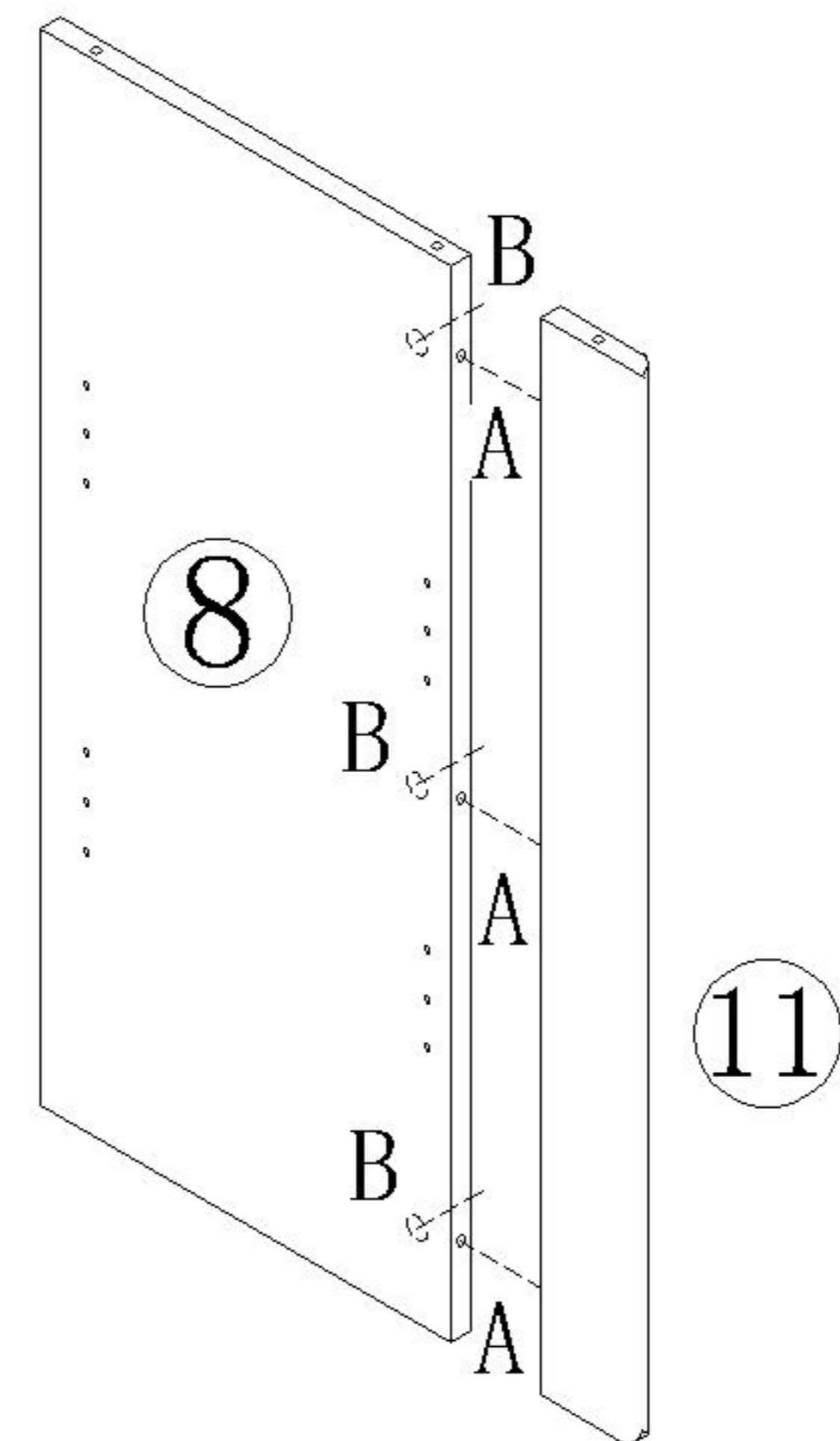
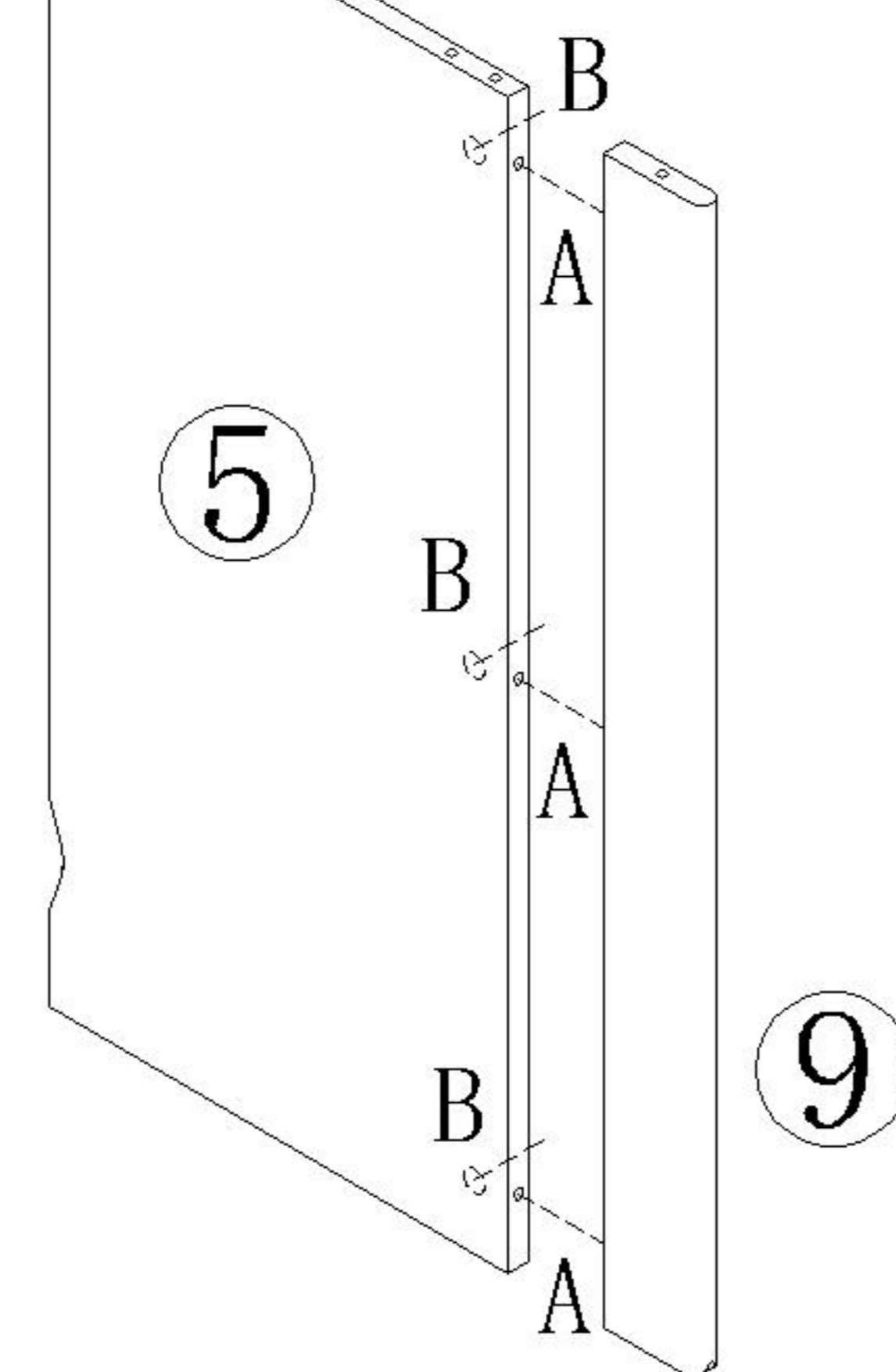
二合一 two-in-one



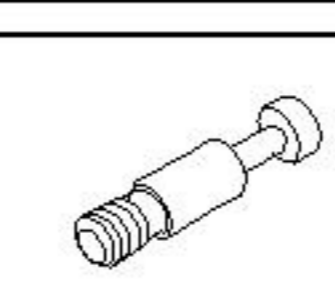
(A)*9



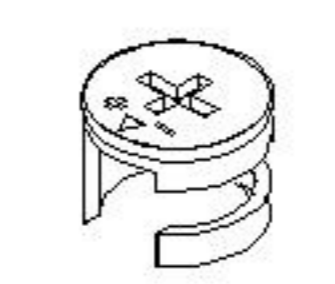
(B)*9



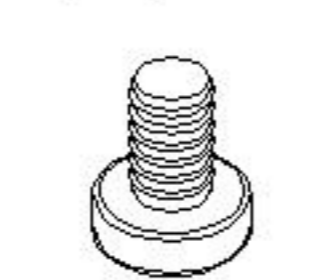
5



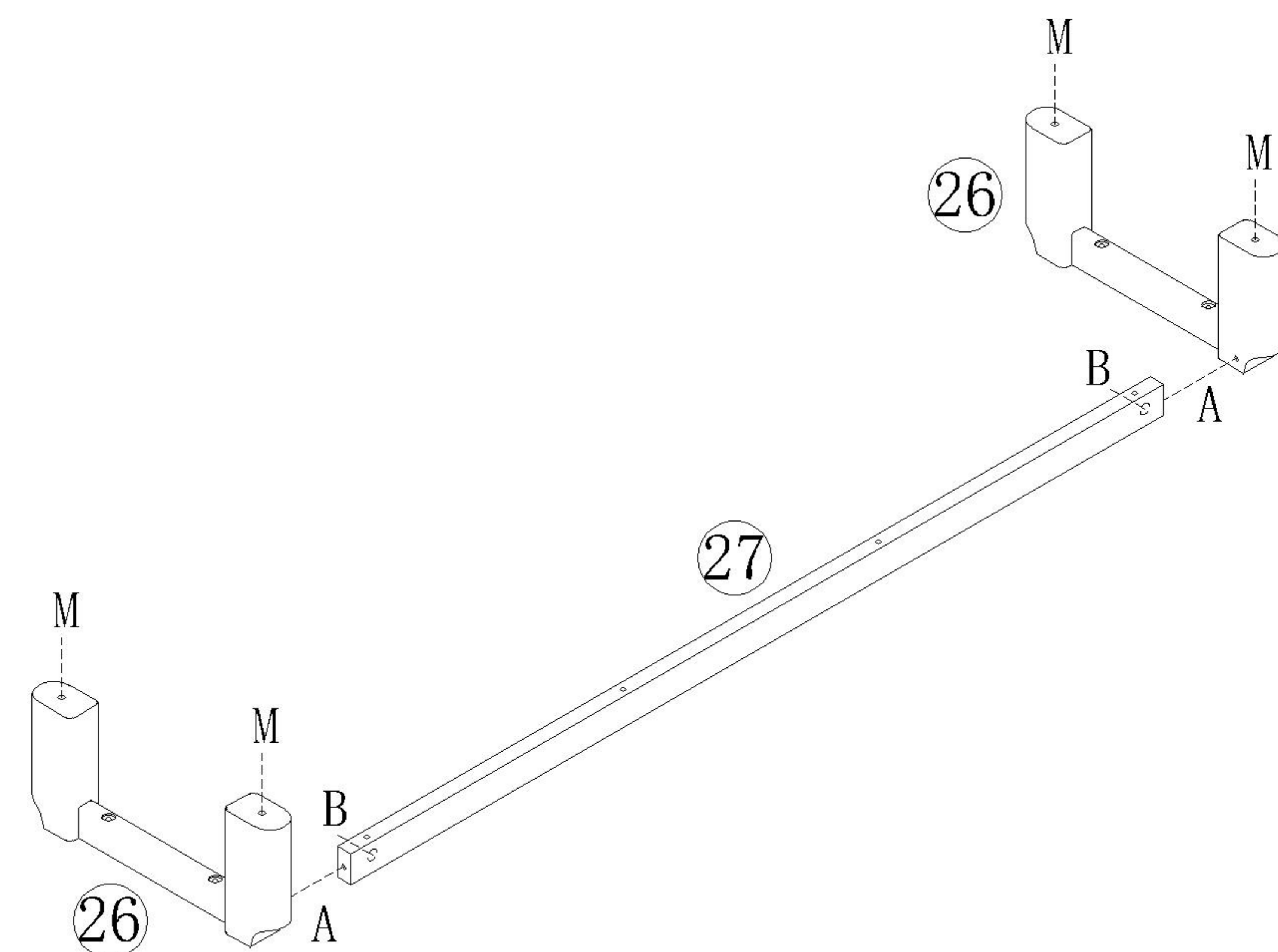
(A)*2



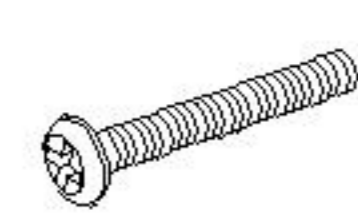
(B)*2



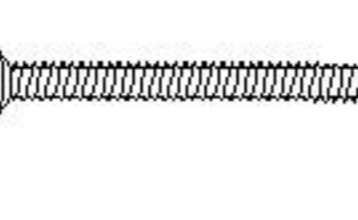
(M)*4



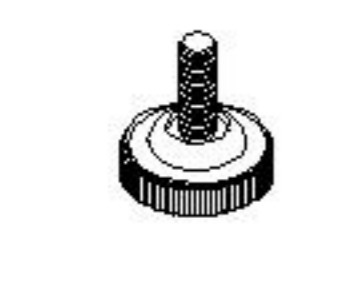
6



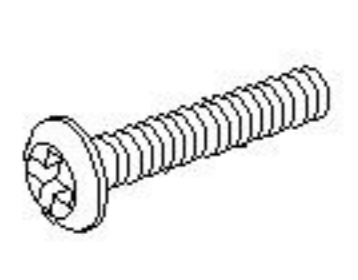
(K)*4



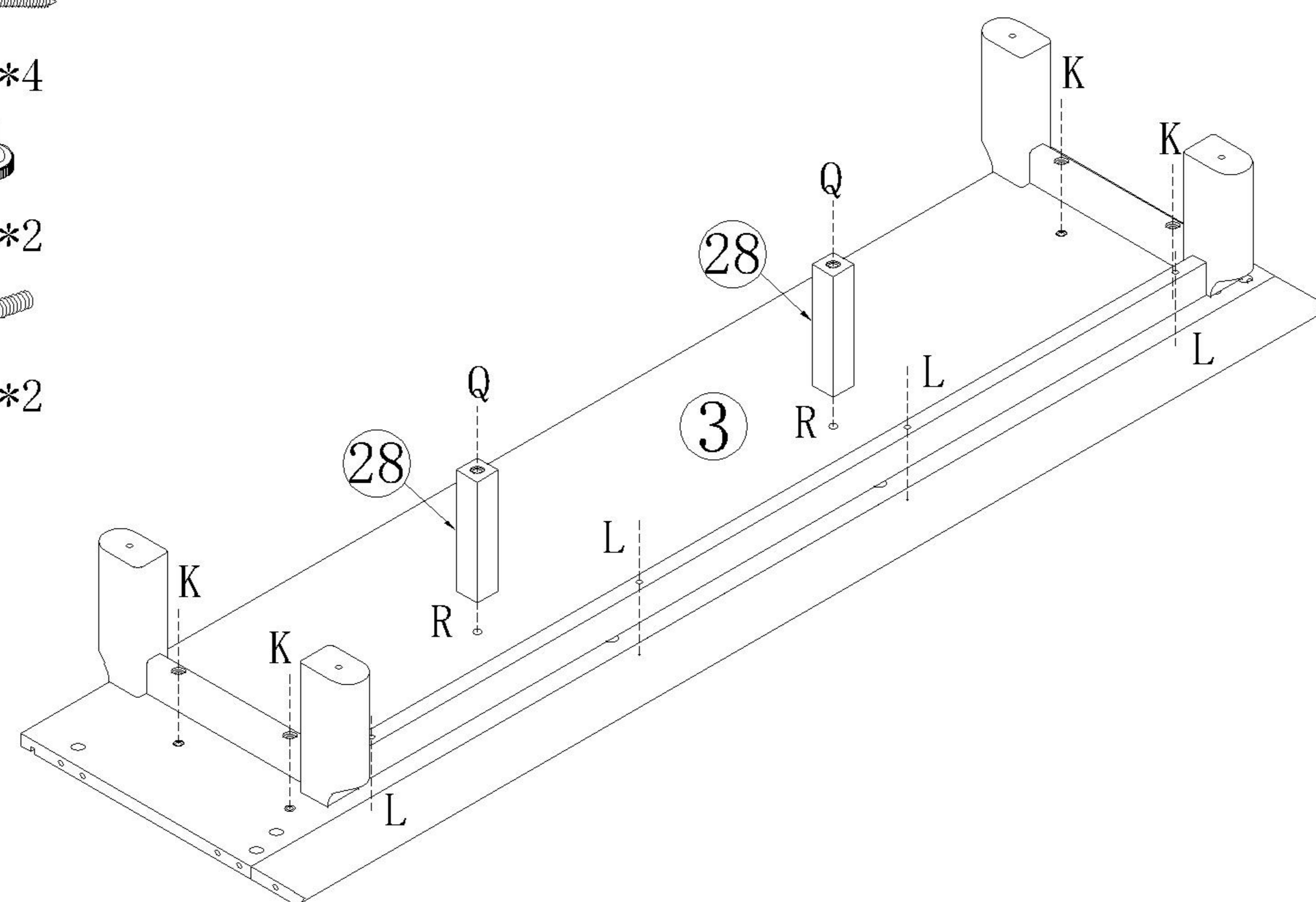
(L)*4



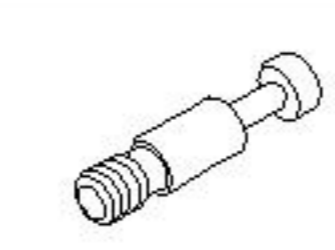
(Q)*2



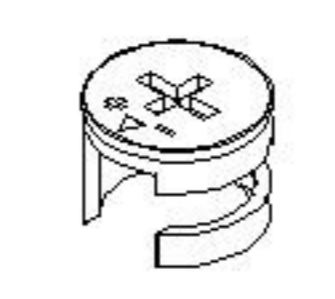
(R)*2



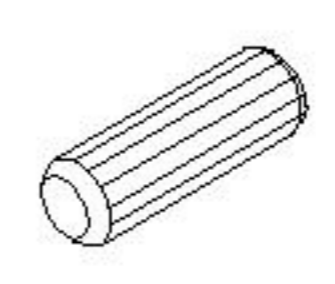
7



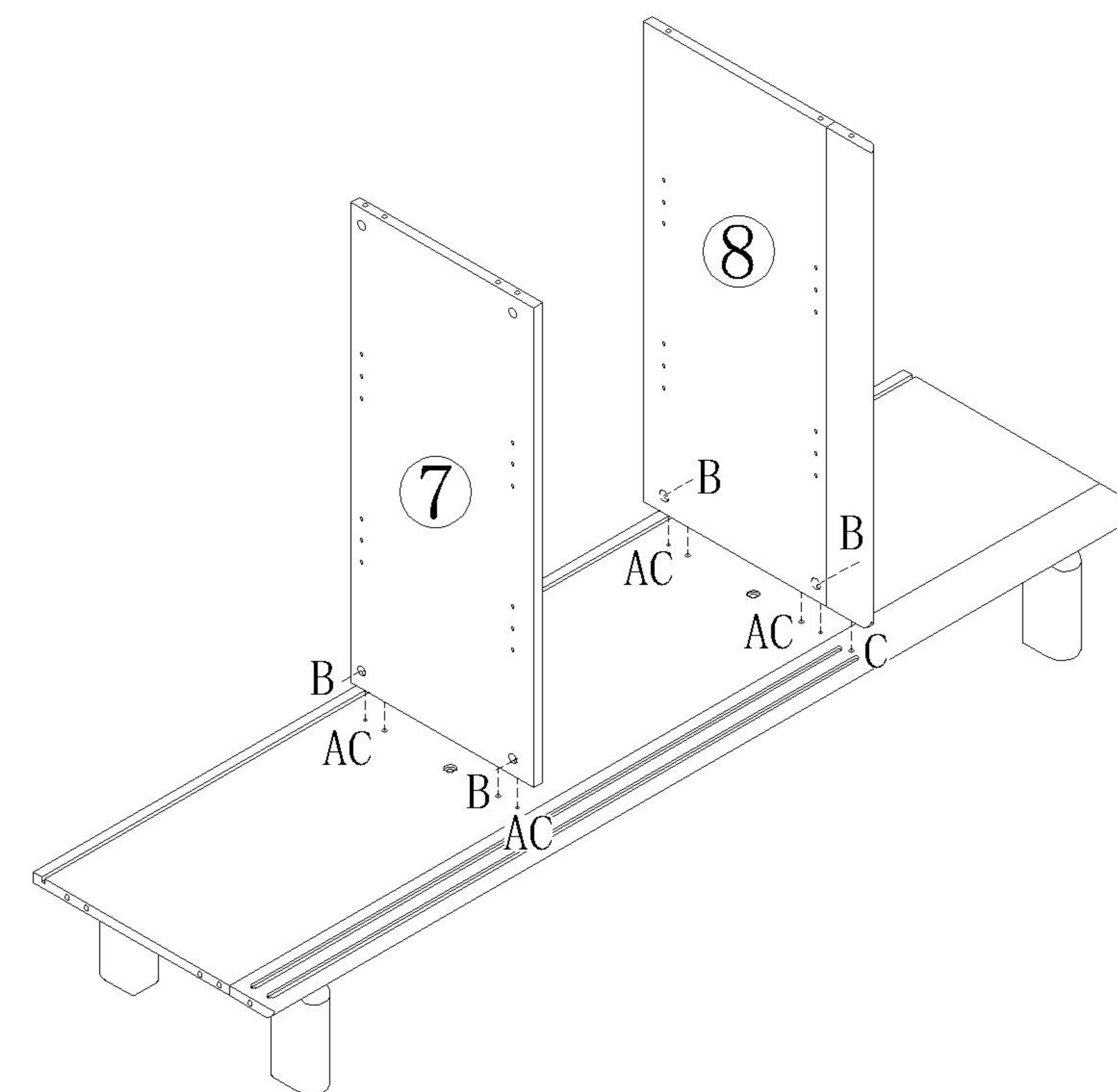
(A)*4



(B)*4



(C)*5

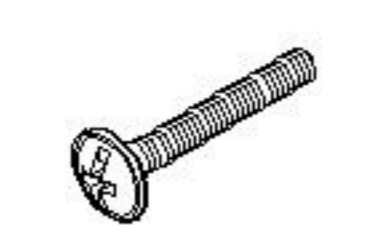


8

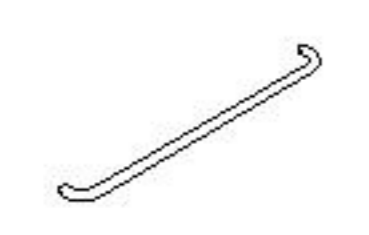
UB10T-C 1.2m

矮餐边柜

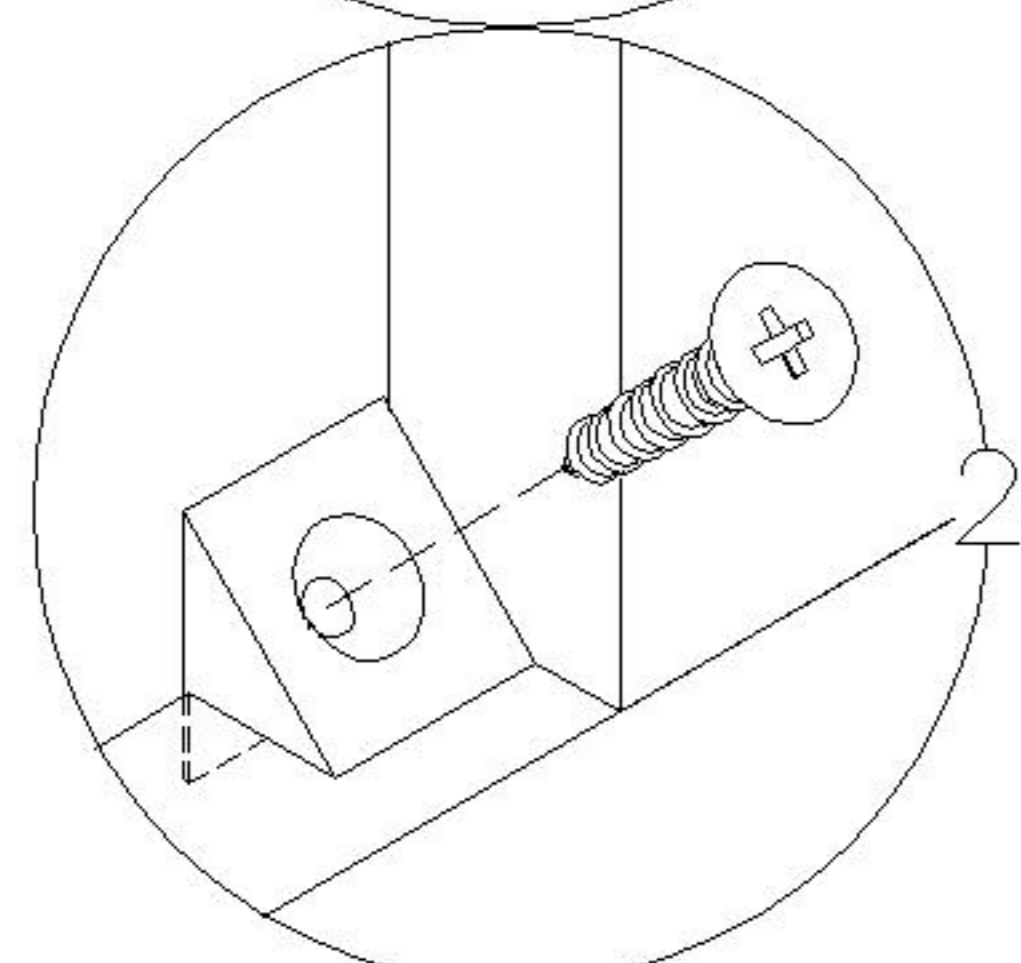
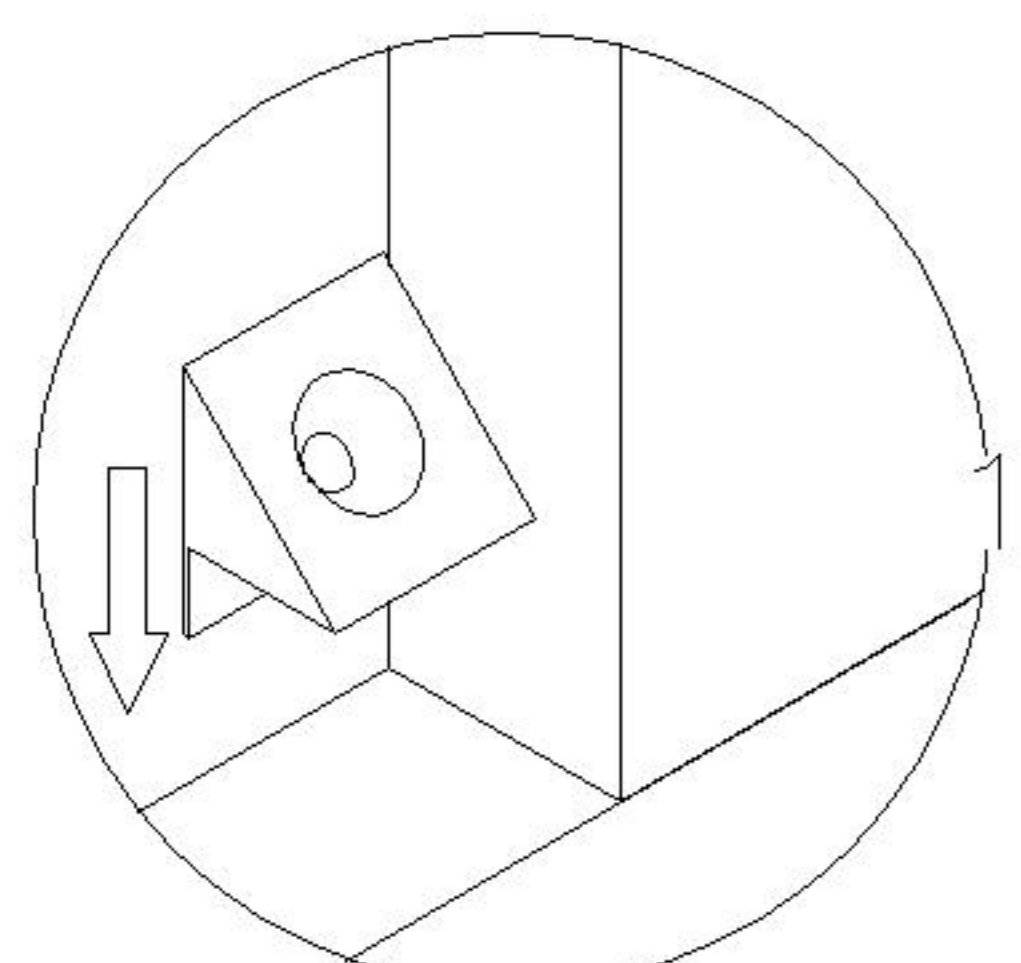
安装方法/
Installation method



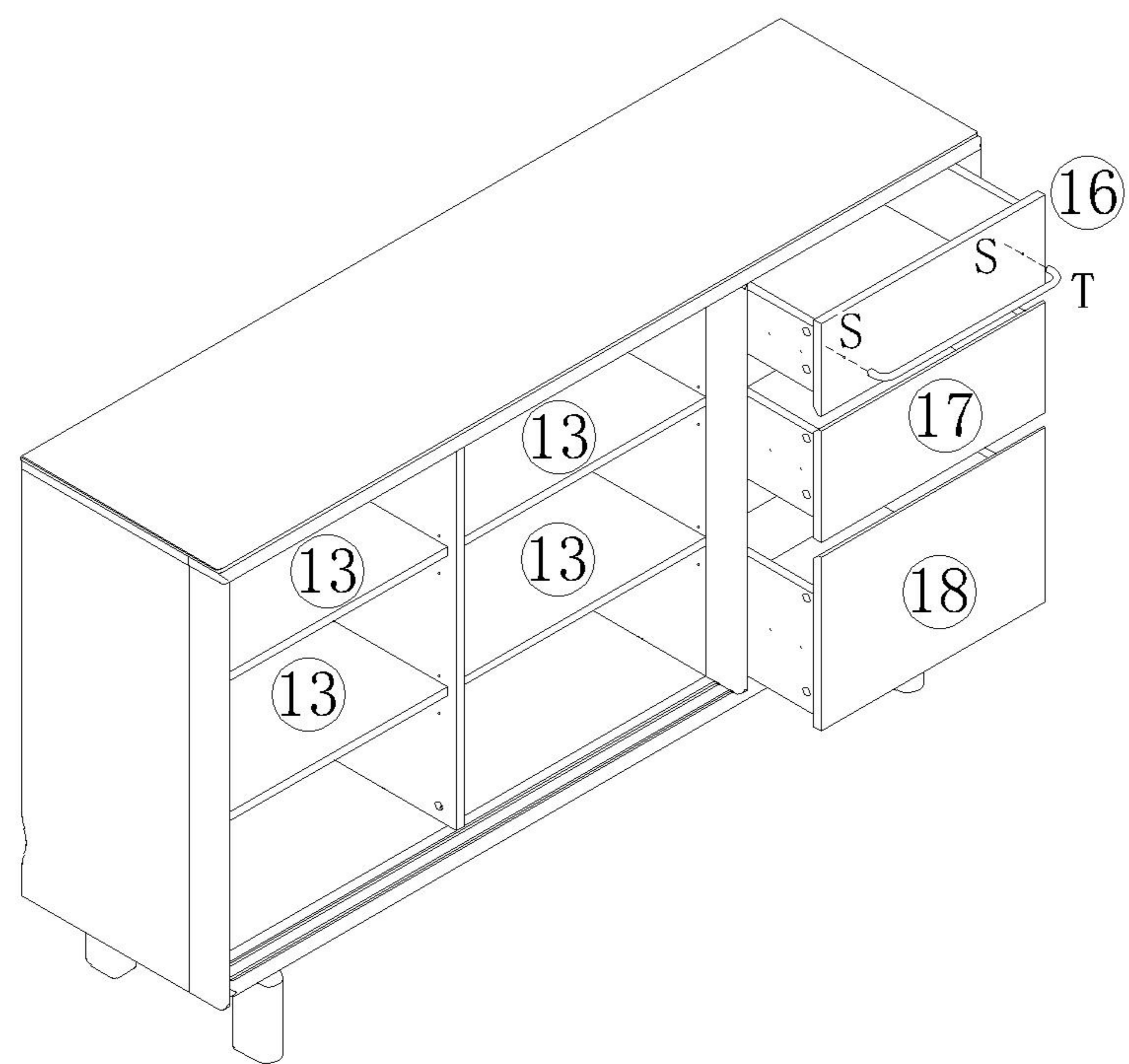
(S)*2



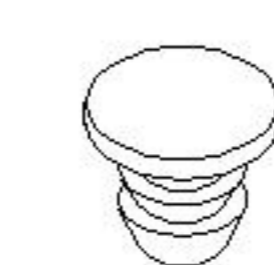
(T)*1



背板扣
Back Plate Buckle



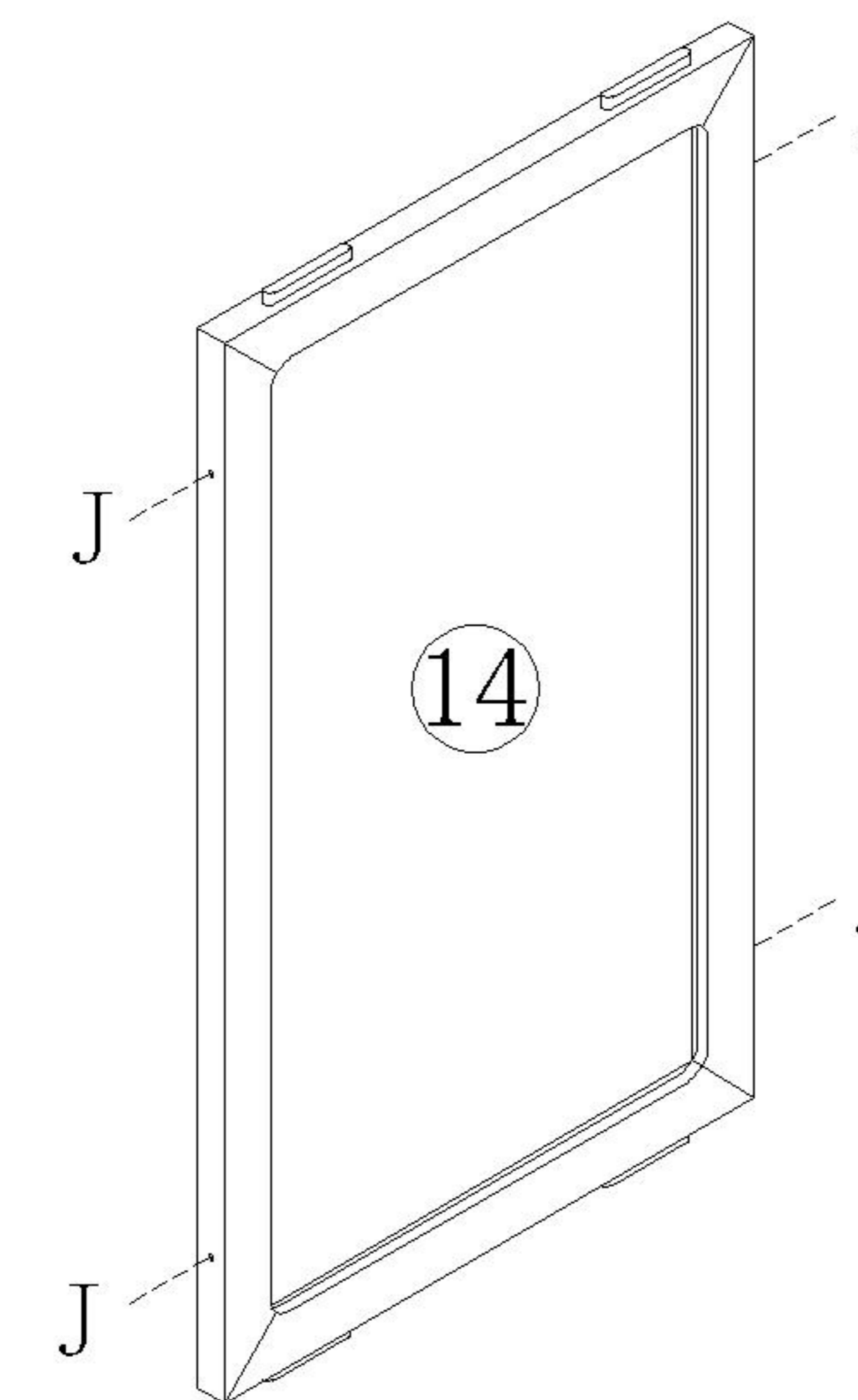
13



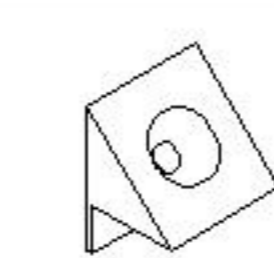
(J)*8

14

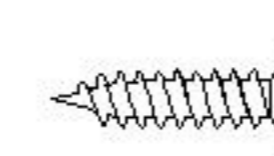
X2



15

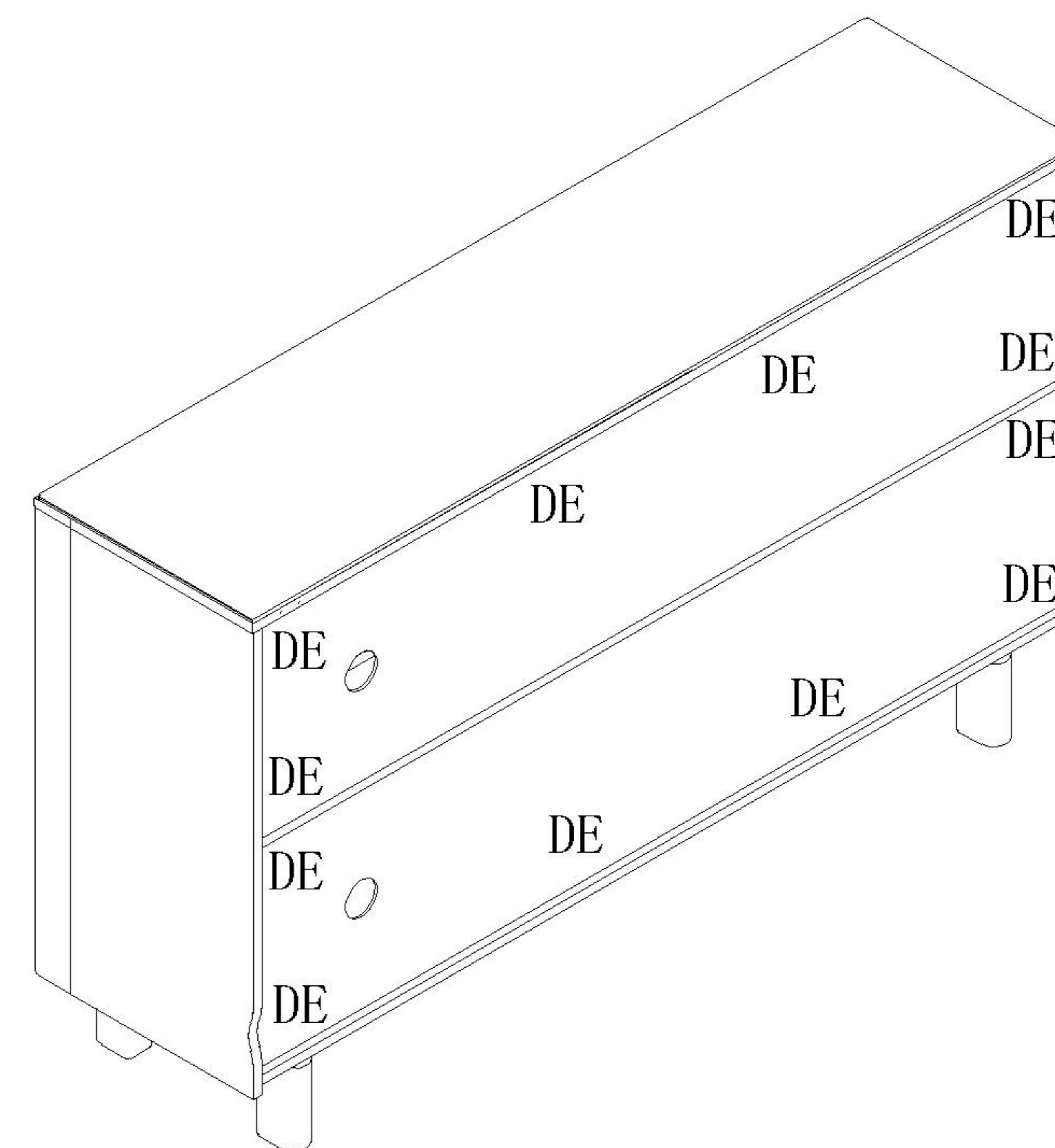
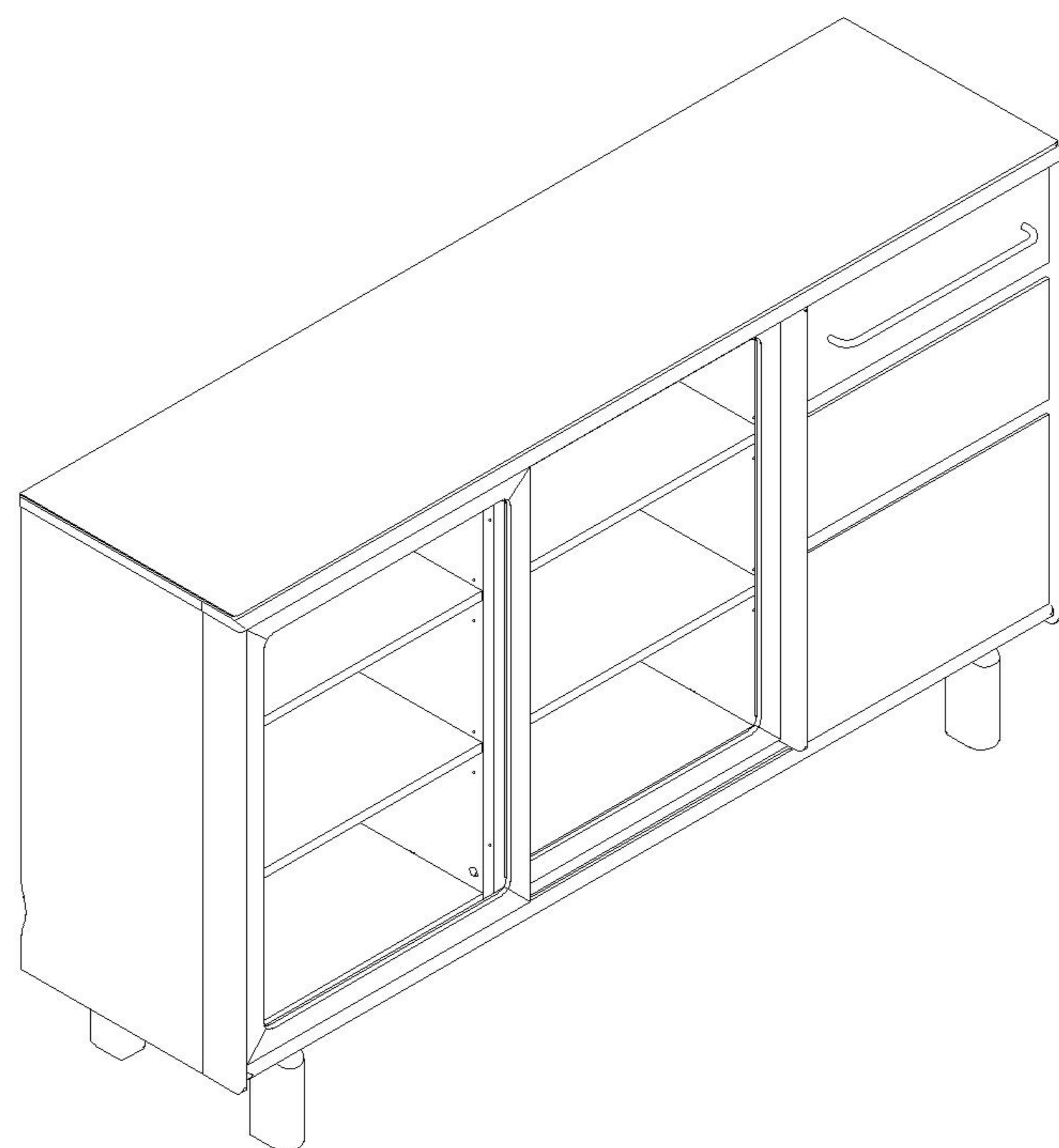


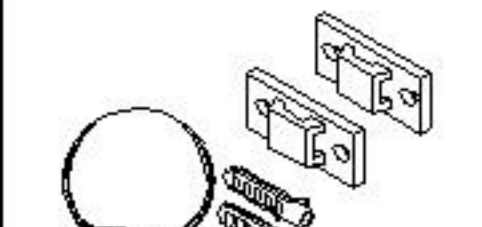
(D)*12



(E)*12

16




(G)*1

实体墙
Solid wall

