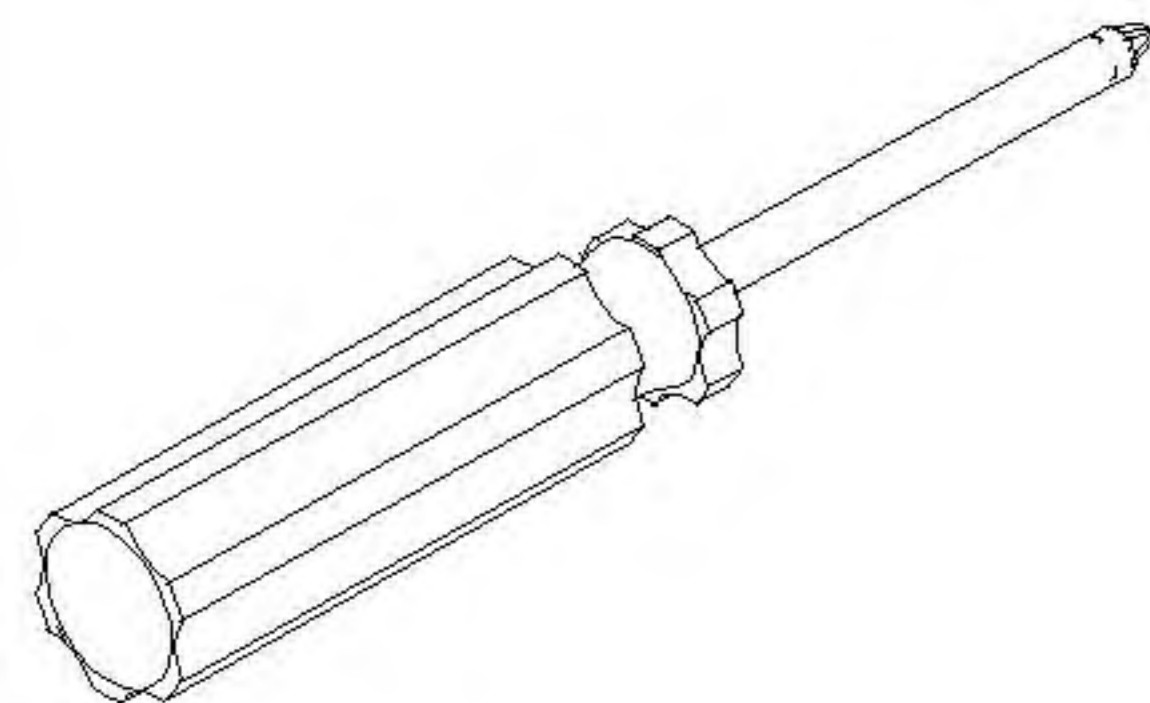
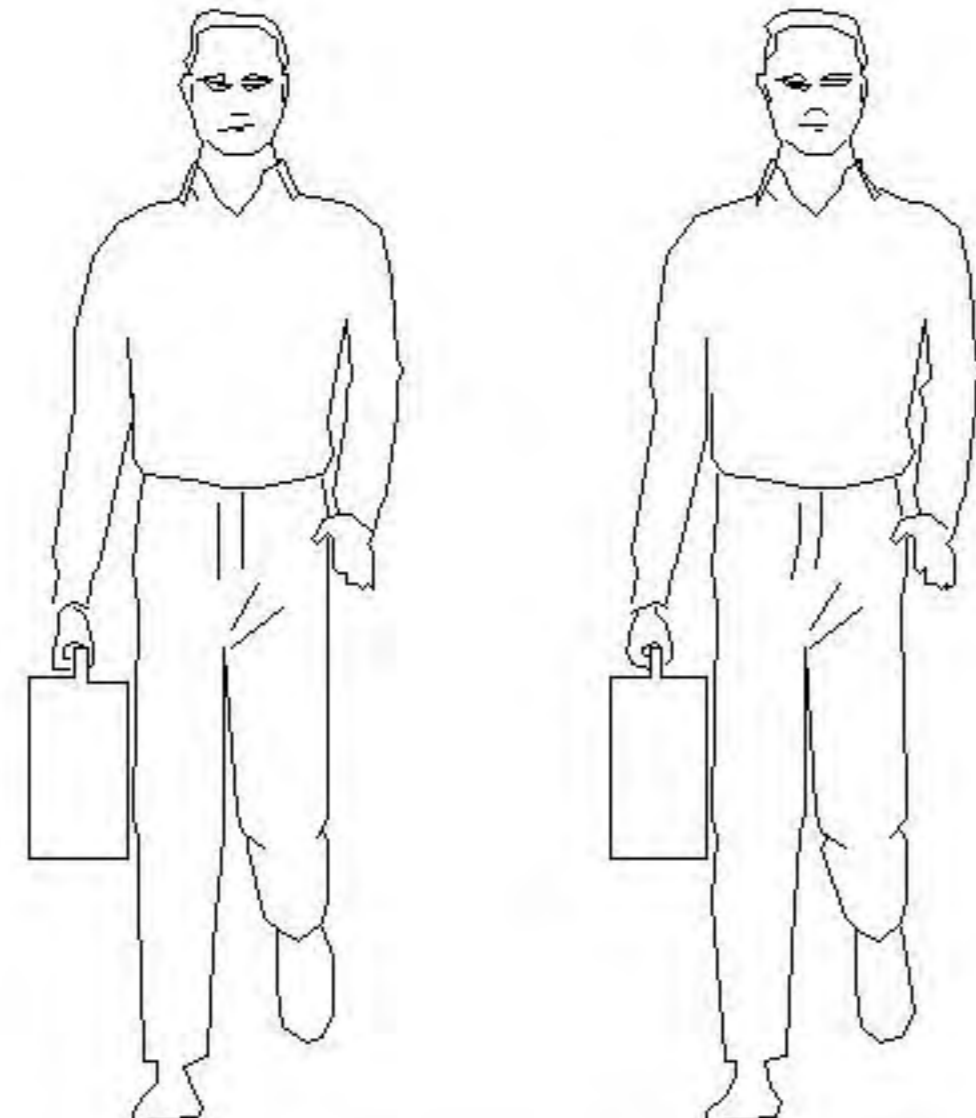


# LINSY 林氏家居

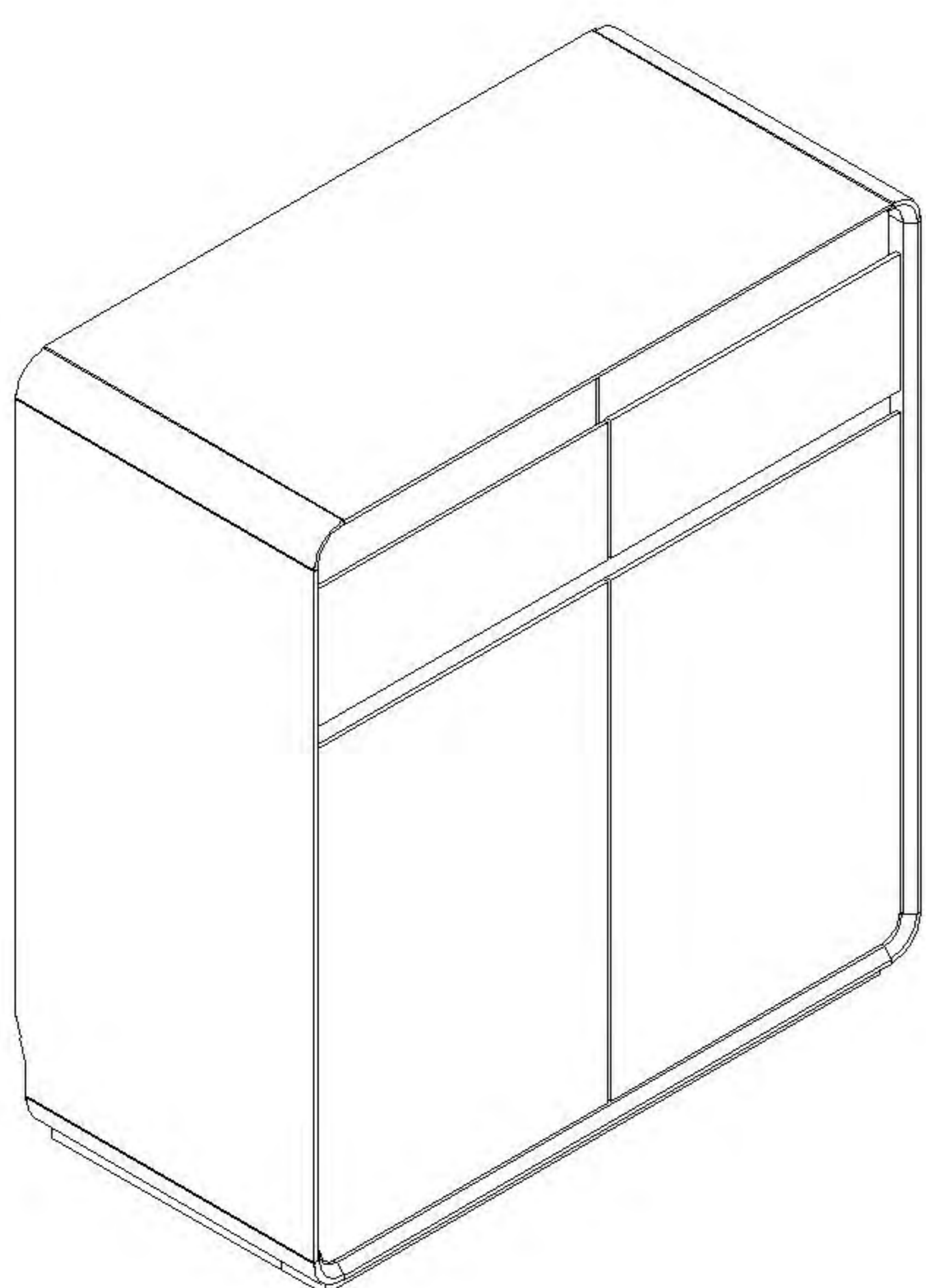
## 五金表/Hardware list

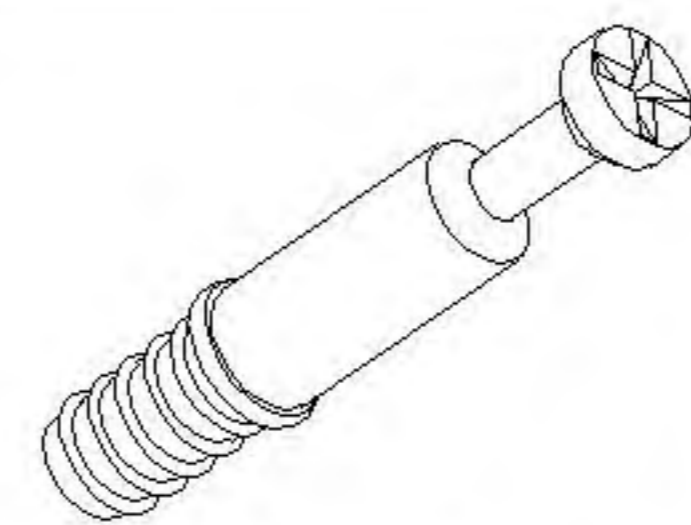
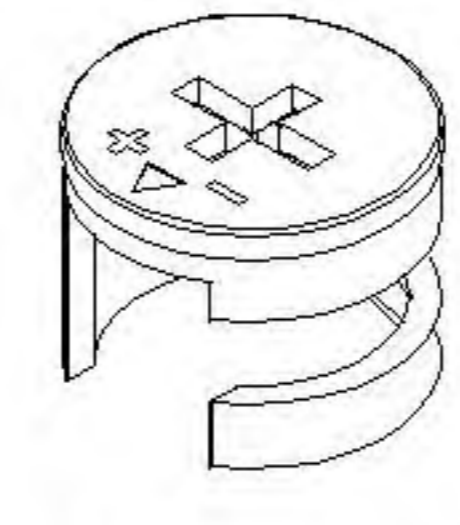
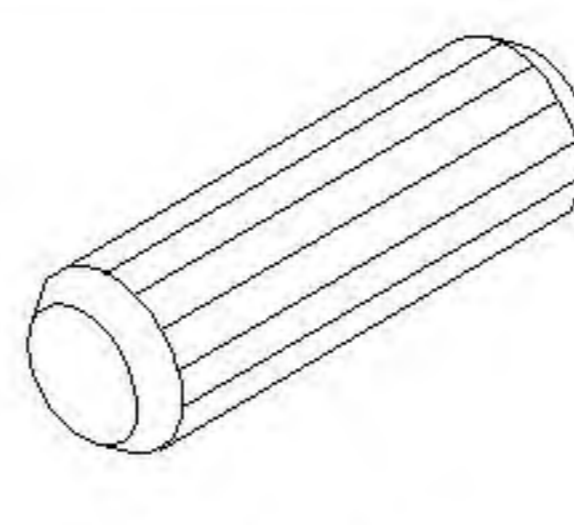
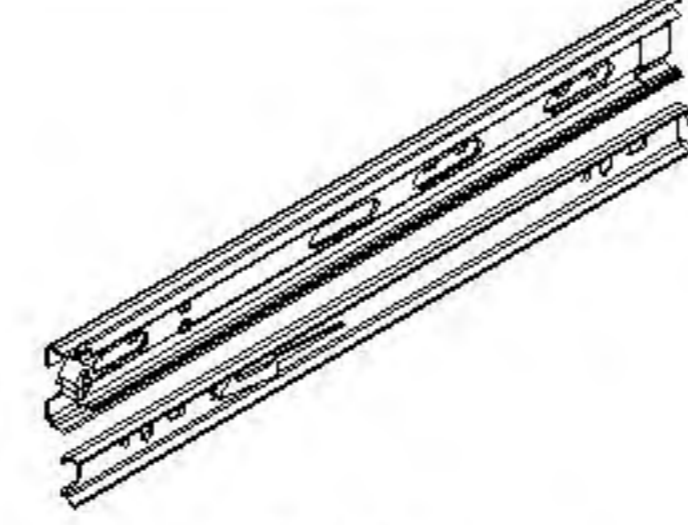
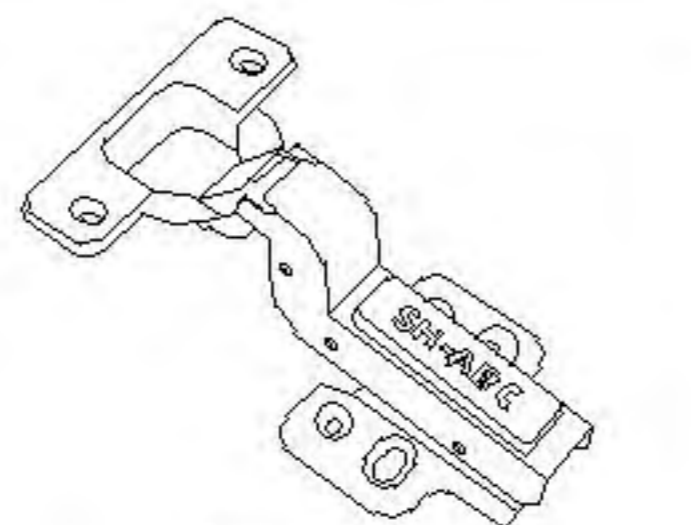

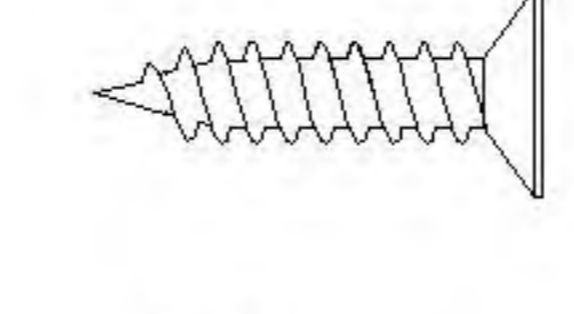
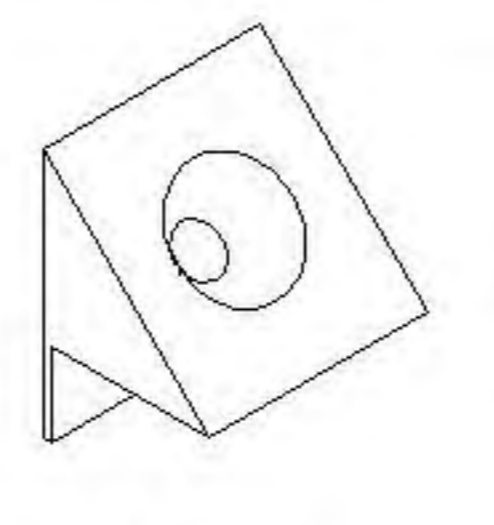
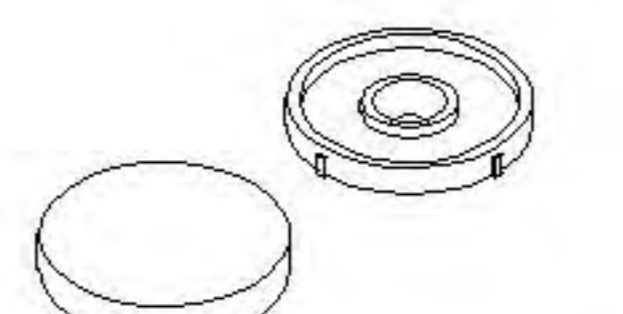
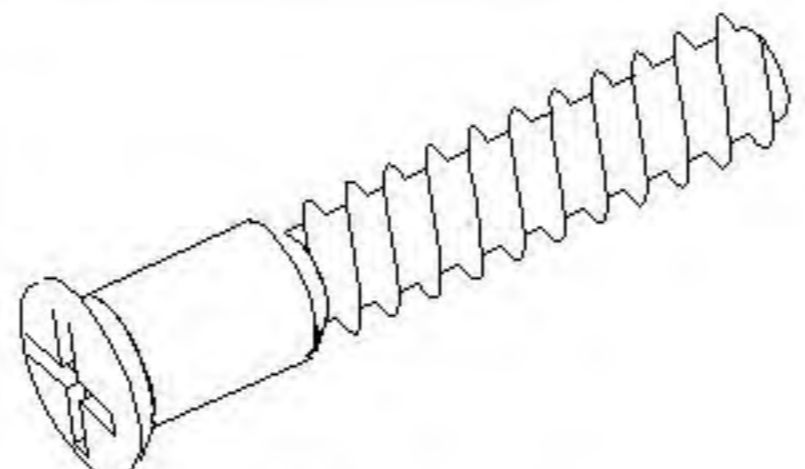
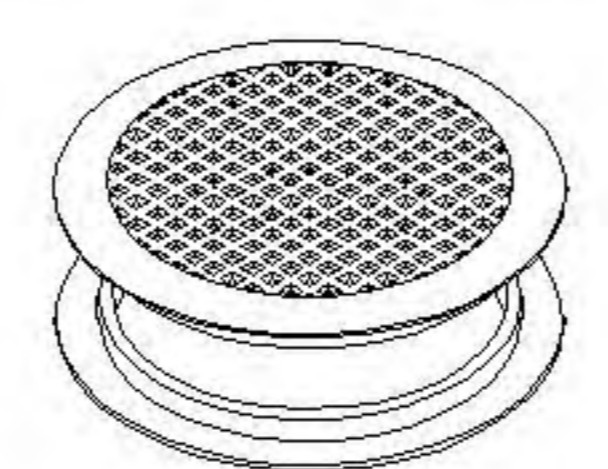
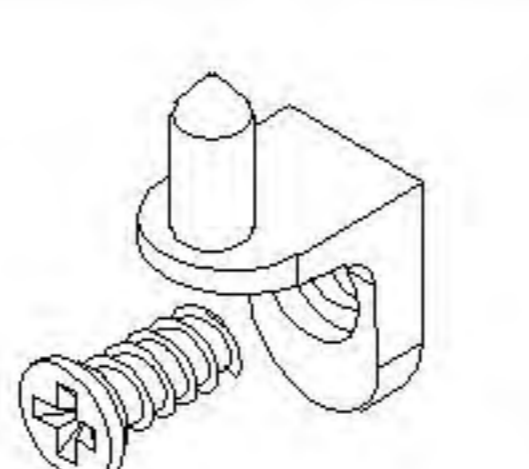
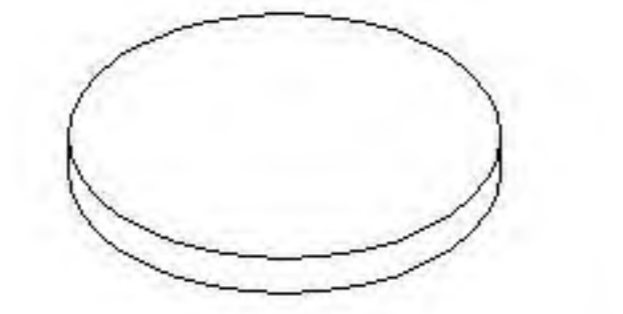
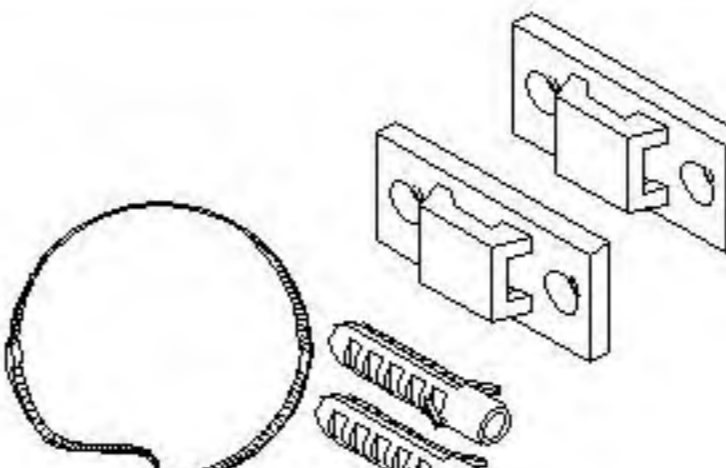
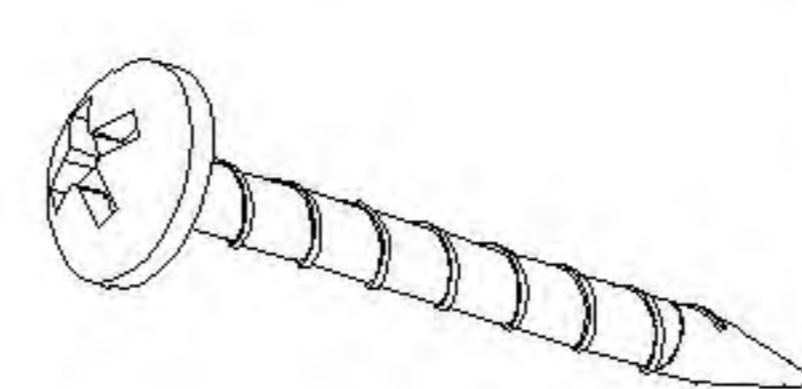
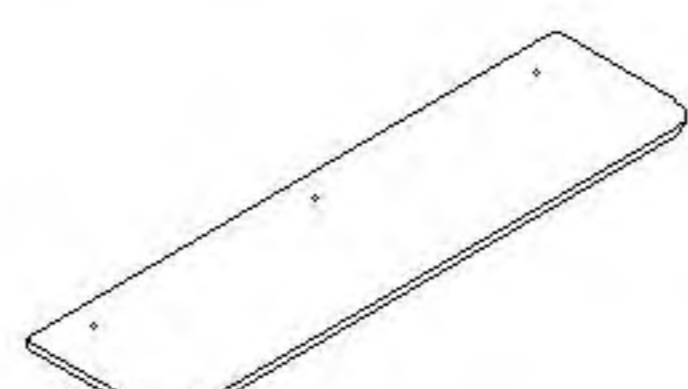
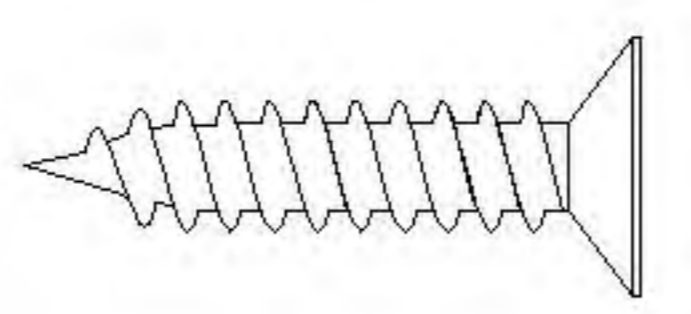
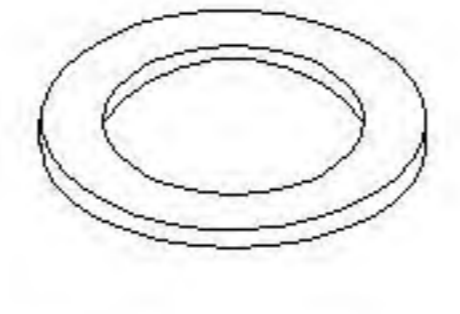
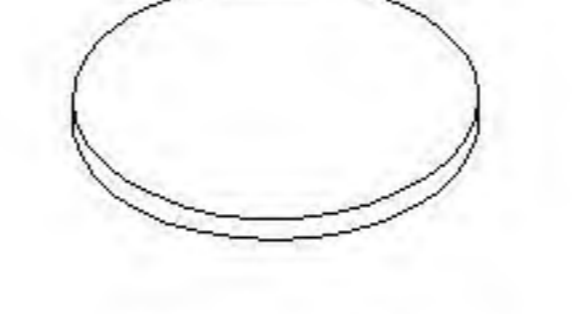
## 部件表/Parts List

### 安装示意图/Assembly Instruction

产品名称 Model NO.	RU5T-A(0.8m)
产品规格 Specification	808*398*903mm
安装工具 Tool	安装人数 Installer
	

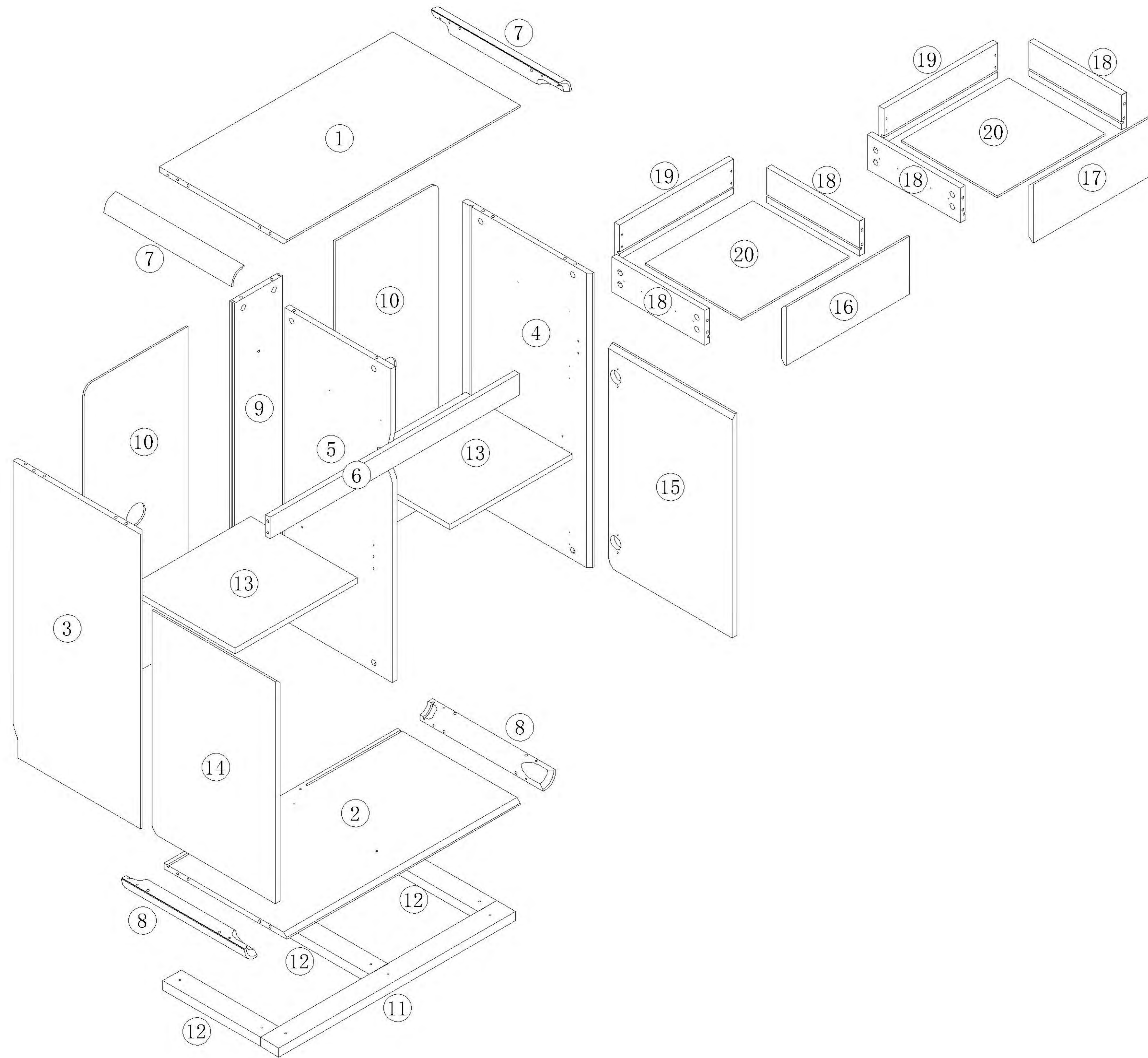
注：为保证设计效果，部分尺寸为定制尺寸，不影响使用。



 (A)*47 二合一螺杆 2-in-1-screw	 (B)*47 大三合一锁饼 3-in-1 large lock	 (C)*17 木榫Ø8x30mm Wood tenon	 (D)*2 三节滚珠导轨10" Three-section rail
 (E)*4 缓冲门铰大弯-杯径Ø35 Great bend hinge	 (F)*4 小角码-(14*21*1.5mm) Small bracket	 (G)*44 白攻螺丝M3.5*14mm Tapping screw	 (H)*11 背板扣 White buckle
 (I)*6 镜钉-(直径13*5mm) Mirror nail	 (J)*2 过山丝-(M7*38mm)镀锌 Confirmat screw	 (K)*2 透气孔盖-白色 Breathable cover	 (L)*8 层板托5mm shelf support
 (M)*9 灰色毛毡垫 Ø25*3 Foot pad	 (N)*1 家具防倒器-白色 Anti-fall device	 (O)*9 大扁白攻M4*30mm Flat head tapping screw	 (P)*2 抽面玻璃(385*104*5) Drawn glass
 (Q)*6 白攻螺丝M4*20mm Tapping screw	 (R)*6 透明塑料垫片 Transparent plastic gasket	 (S)*17 PVC孔贴 PVC hole sticker	

注：抽屉面板与柜体的间隙为设计开启抽屉使用，小心夹伤！  
Note: the gap between the drawer panel and the cabinet is designed to open the drawer. Be careful not to pinch!

编号NO.	名称Name	规格 (mm) Specification	数量QTY	材质Material
①	面板Top panel	728*398*15	1	刨花板 Particle board
②	底板Bottom board	728*383*15	1	刨花板 Particle board
③	左侧板Side board(L)	795*398*15	1	刨花板 Particle board
④	右侧板Side board(R)	795*398*15	1	刨花板 Particle board
⑤	中侧板Middle side board	845*336*15	1	刨花板 Particle board
⑥	拉条Brace	778*58*15	1	刨花板 Particle board
⑦	连接木1 Linked wood1	398*40*40	2	橡胶木 Rubber wood
⑧	连接木2 Linked wood2	383*40*40	2	橡胶木 Rubber wood
⑨	背拉条Back brace	845*150*15	1	刨花板 Particle board
⑩	背板Back board	855*324*5	2	纤维板 Fiberboard
⑪	底拉条Bottom brace	738*58*25	1	刨花板 Particle board
⑫	侧脚条Side foot strip	305*58*25	3	刨花板 Particle board
⑬	活动层板Movable shelf	381*332*15	2	刨花板 Particle board
⑭	左门板Door board(L)	600*385*15	1	刨花板 Particle board
⑮	右门板Door board(R)	600*385*15	1	刨花板 Particle board
⑯	左抽屉面板Drawer's panel(L)	385*158*15	1	刨花板 Particle board
⑰	右抽屉面板Drawer's panel(R)	385*158*15	1	刨花板 Particle board
⑱	抽屉侧板Drawer's sideboard	290*94*15	4	刨花板 Particle board
⑲	抽屉后板Drawer's Back board	356*94*15	2	刨花板 Particle board
⑳	抽屉底板Drawer's Bottom board	336*300*5	2	纤维板 Fiberboard

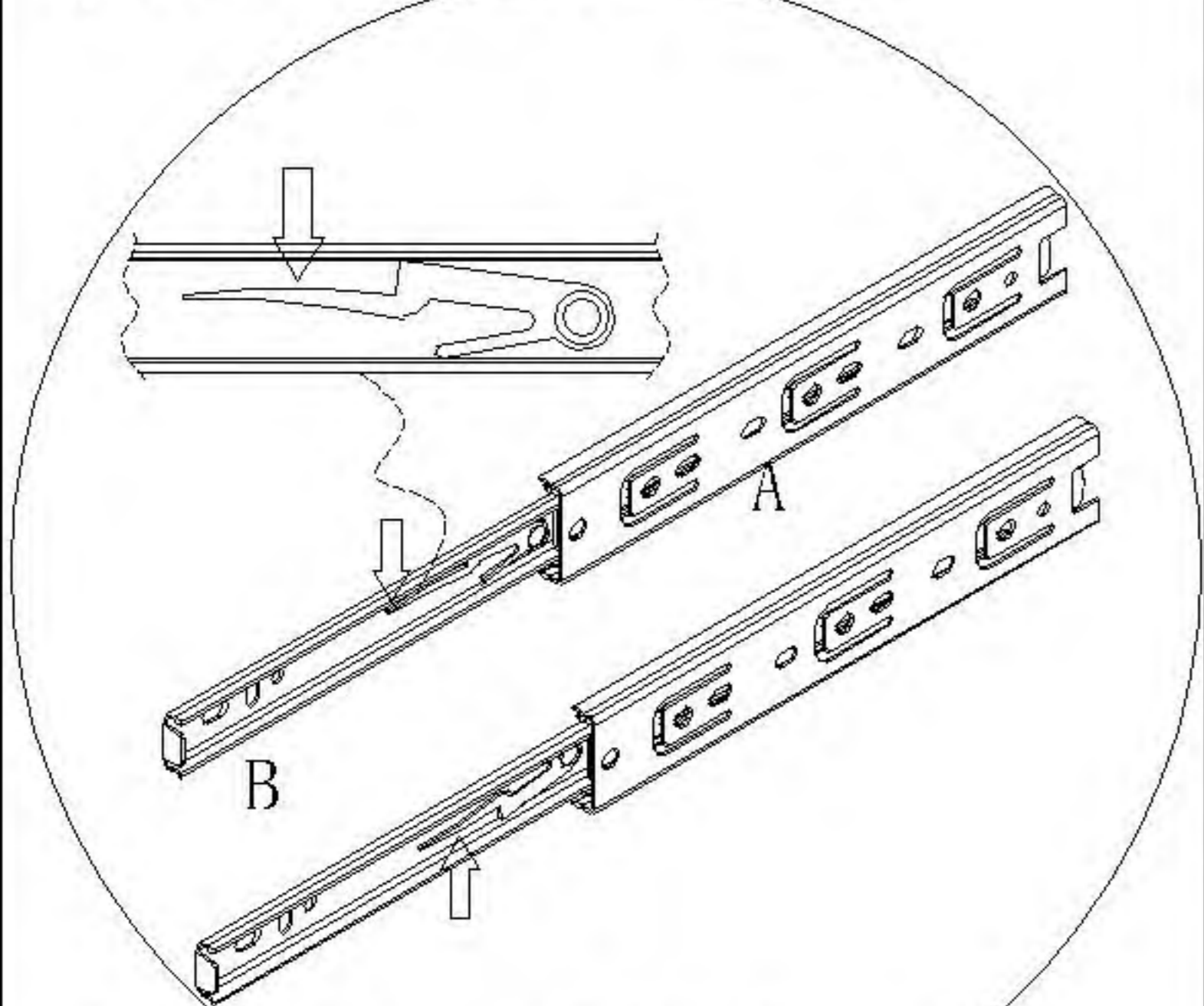


编号NO.	名称Name
①	面板Top panel
②	底板Bottom board
③	左侧板Side board(L)
④	右侧板Side board(R)
⑤	中侧板Middle side board
⑥	拉条Brace
⑦	连接木1 Linked wood1
⑧	连接木2 Linked wood2
⑨	背拉条Back brace
⑩	背板Back board
⑪	底拉条Bottom brace
⑫	侧脚条Side foot strip
⑬	活动层板Movable shelf
⑭	左门板Door board(L)
⑮	右门板Door board(R)
⑯	左抽屉面板Drawer's panel(L)
⑰	右抽屉面板Drawer's panel(R)
⑱	抽屉侧板Drawer's sideboard
⑲	抽屉后板Drawer's Back board
⑳	抽屉底板Drawer's Bottom board

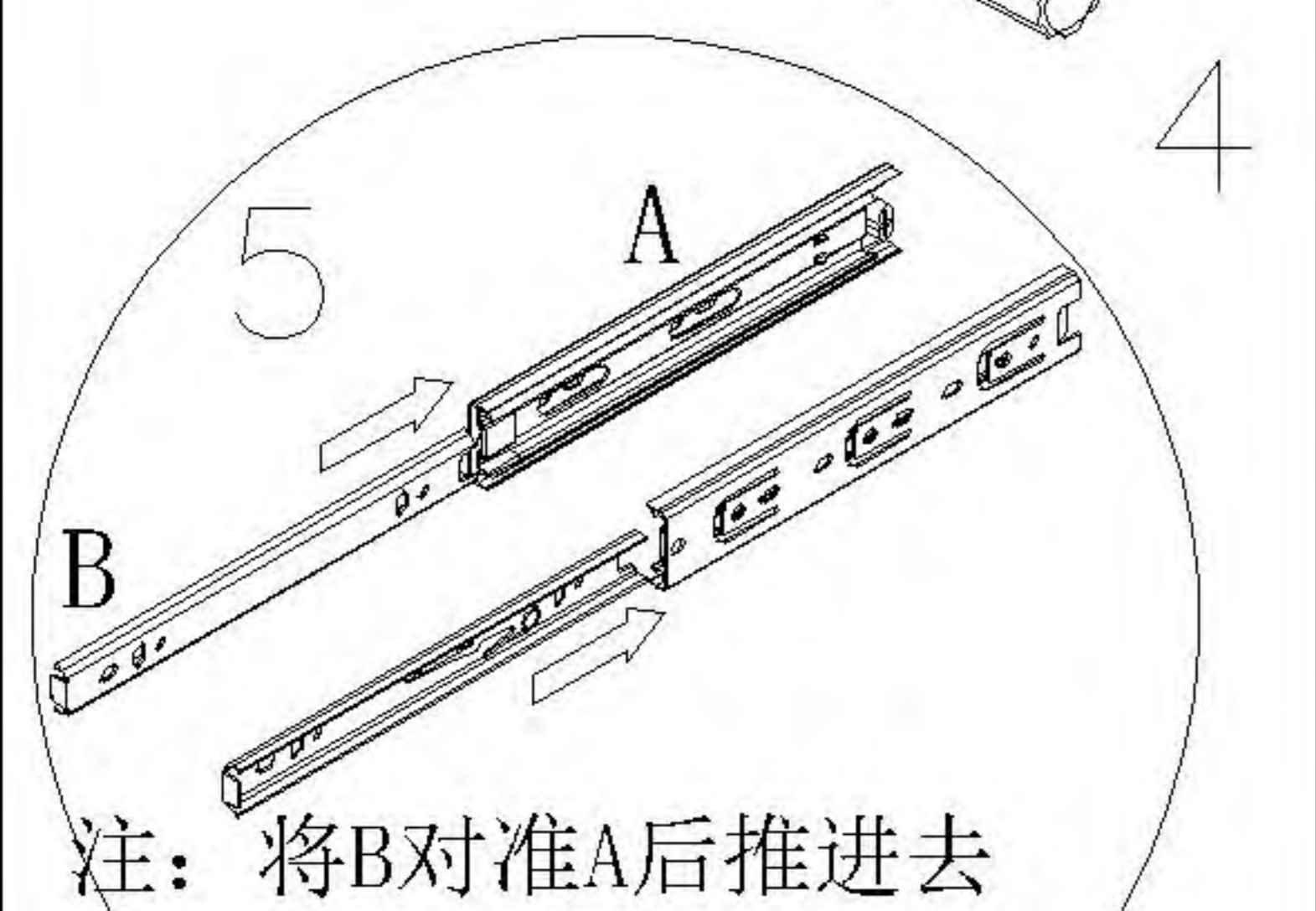
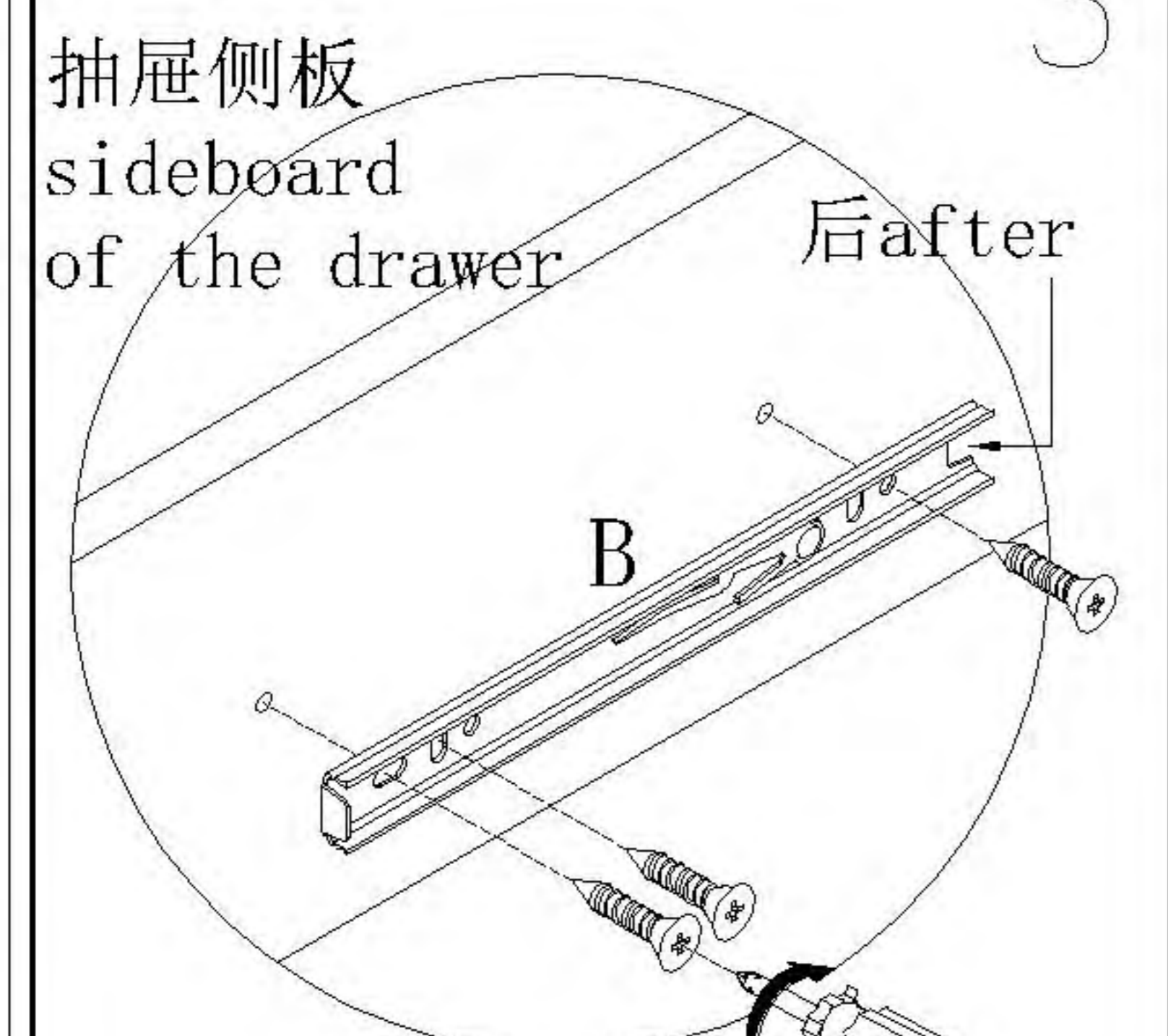
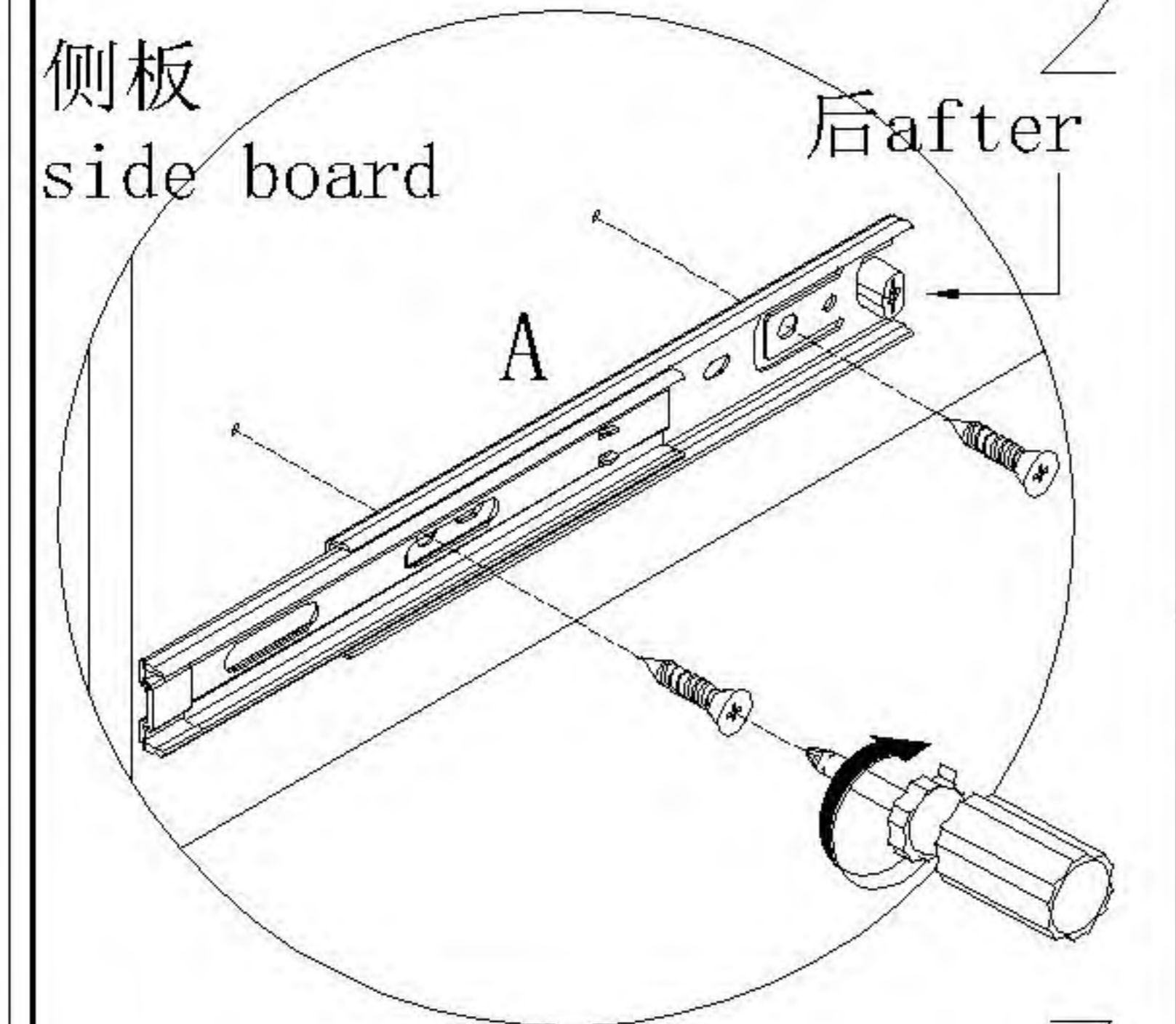
RU5T-A (0.8m)

安装方法/  
Installation method

阀门开关(下压为开)  
Valve switch  
(press down to open)

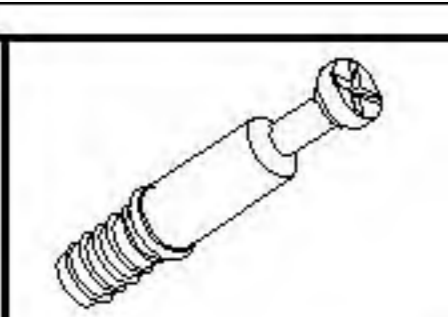


注: 先将A与B拆下来  
Note: remove a and B first

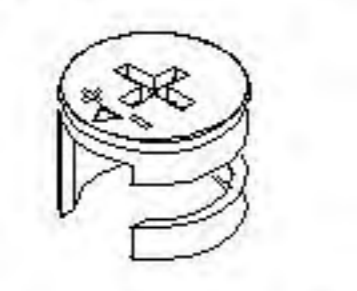


注: 将B对准A后推进去  
Note: align B with a  
and push it in

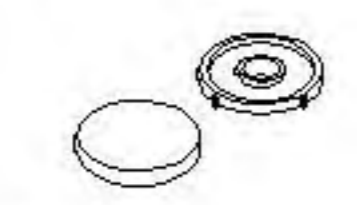
三节滚珠导轨  
three-section ball rail



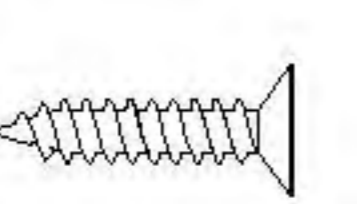
(A)\*16



(B)\*16



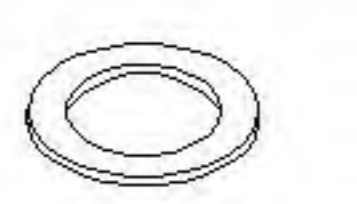
(I)\*6



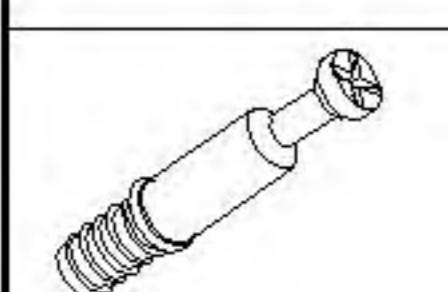
(Q)\*6



(P)\*2



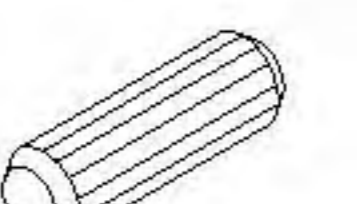
(R)\*6



(A)\*4



(B)\*4



(C)\*4



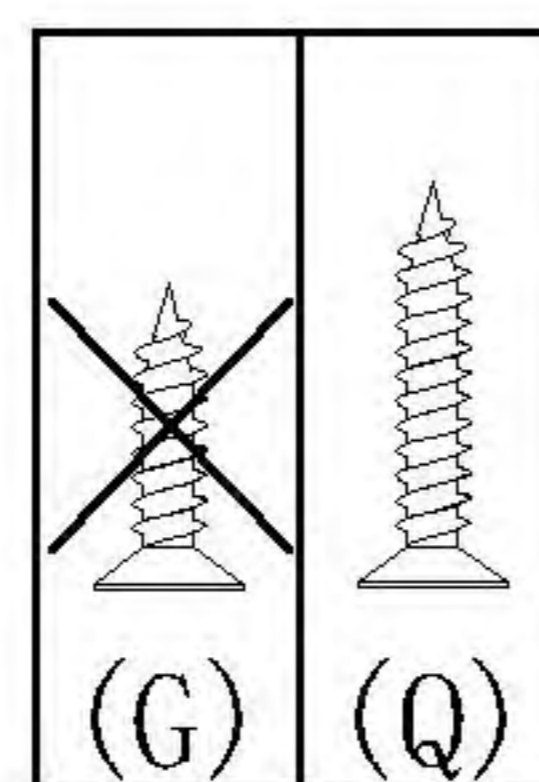
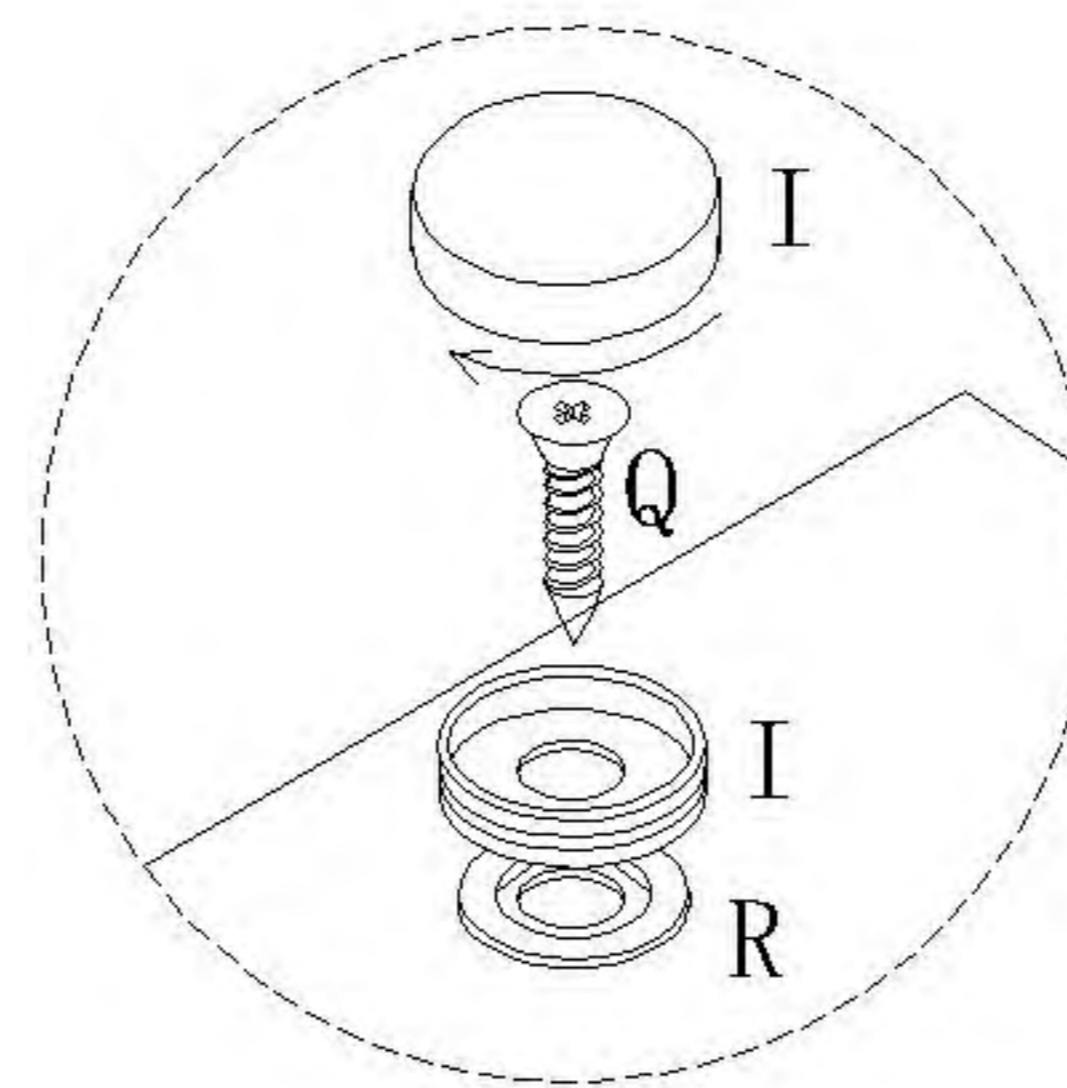
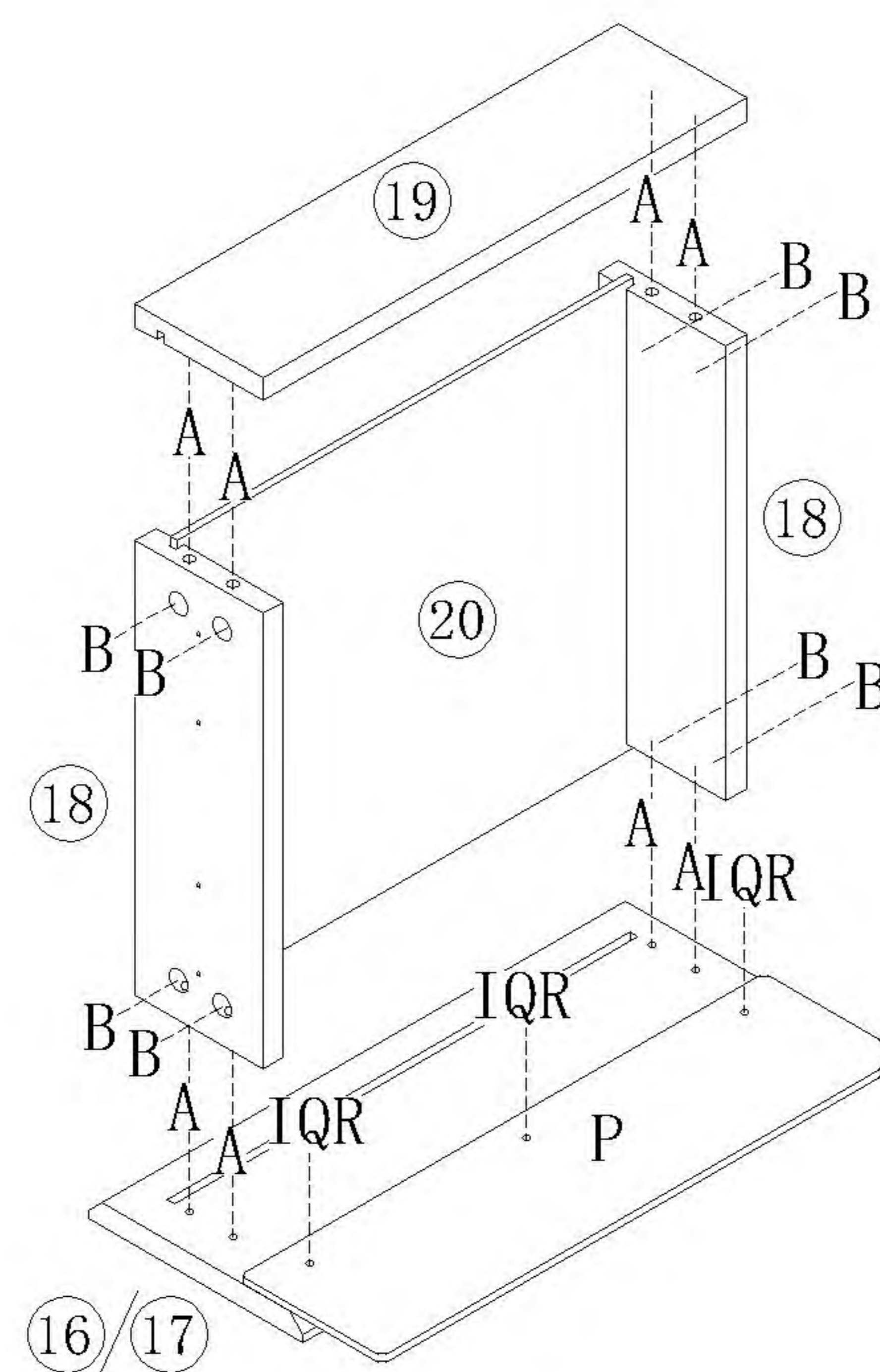
(A)\*4



(B)\*4

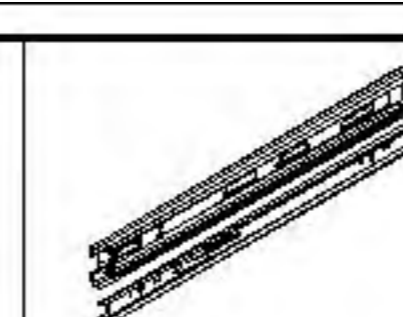


(C)\*4

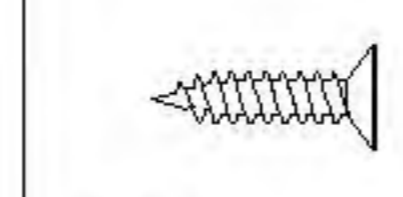


X2

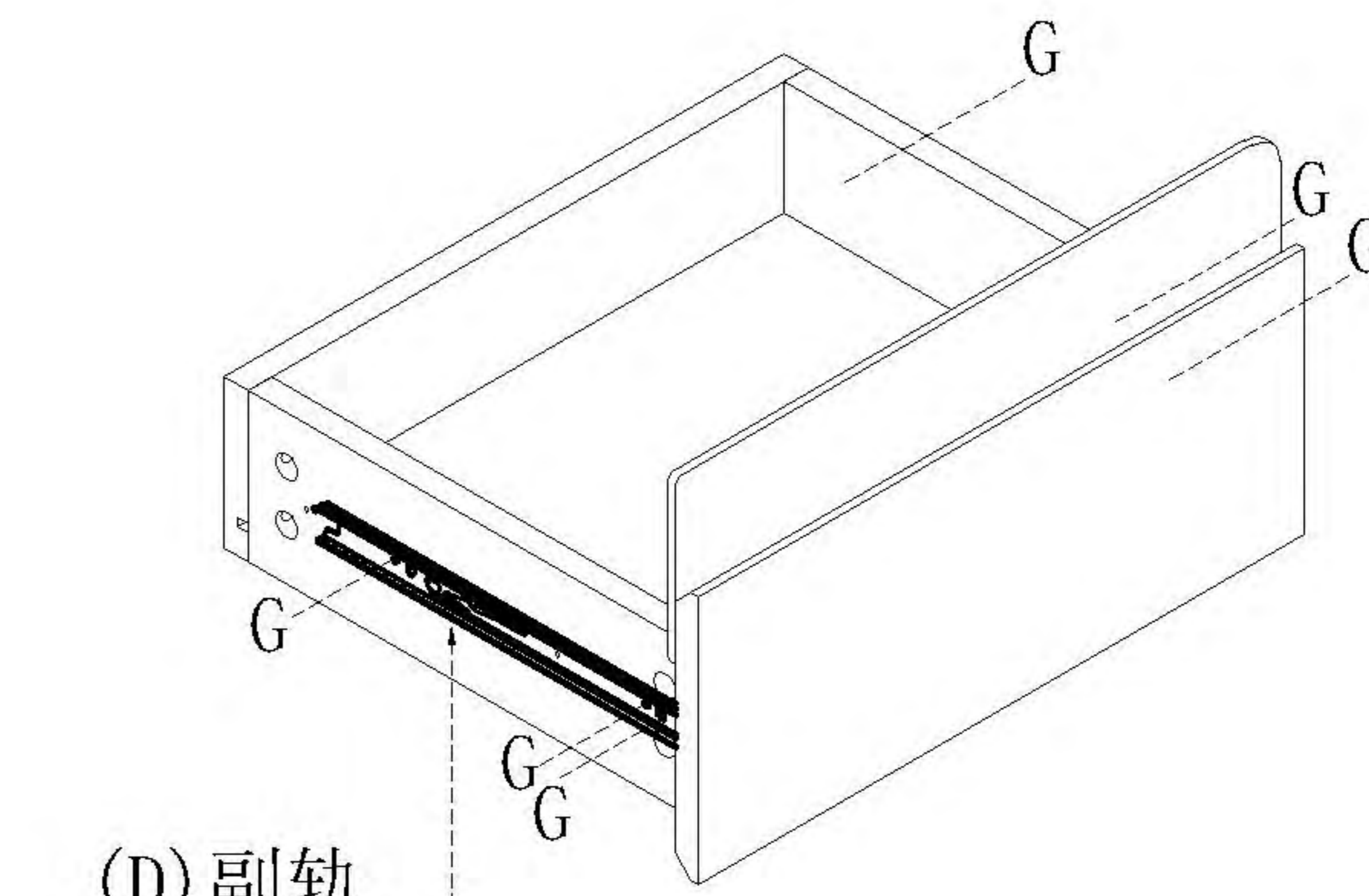
1



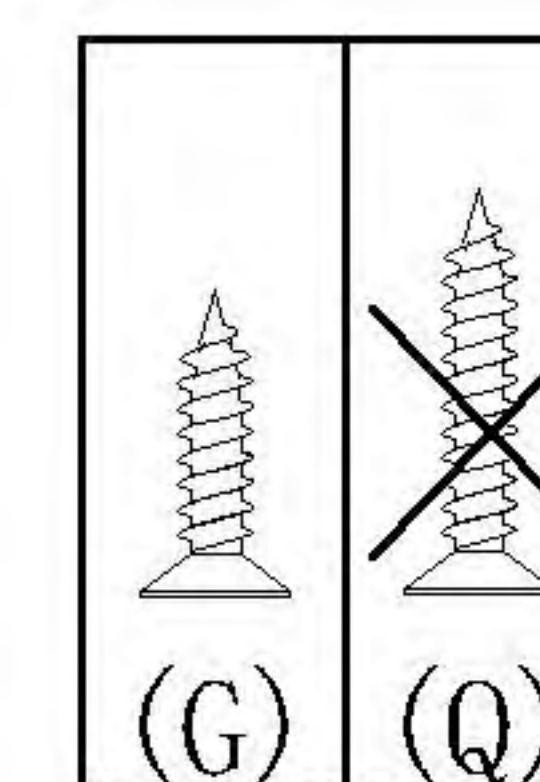
(D)\*2



(G)\*12



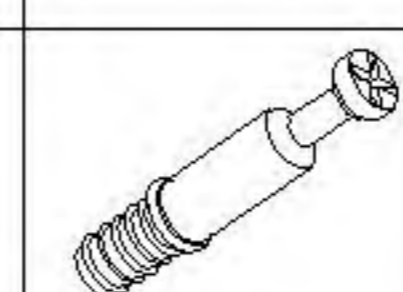
(D) 副轨  
Sub track



X2

2

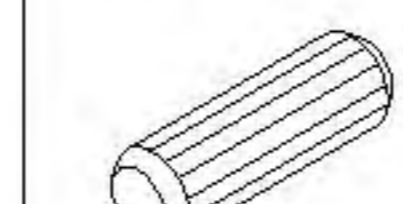
3



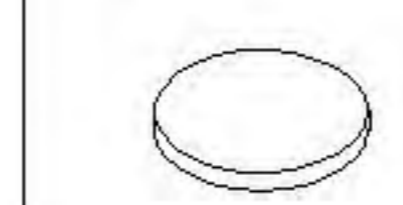
(A)\*4



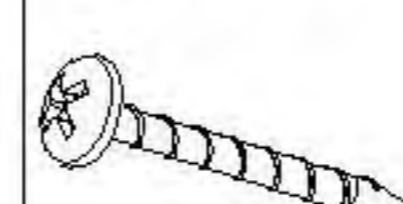
(B)\*4



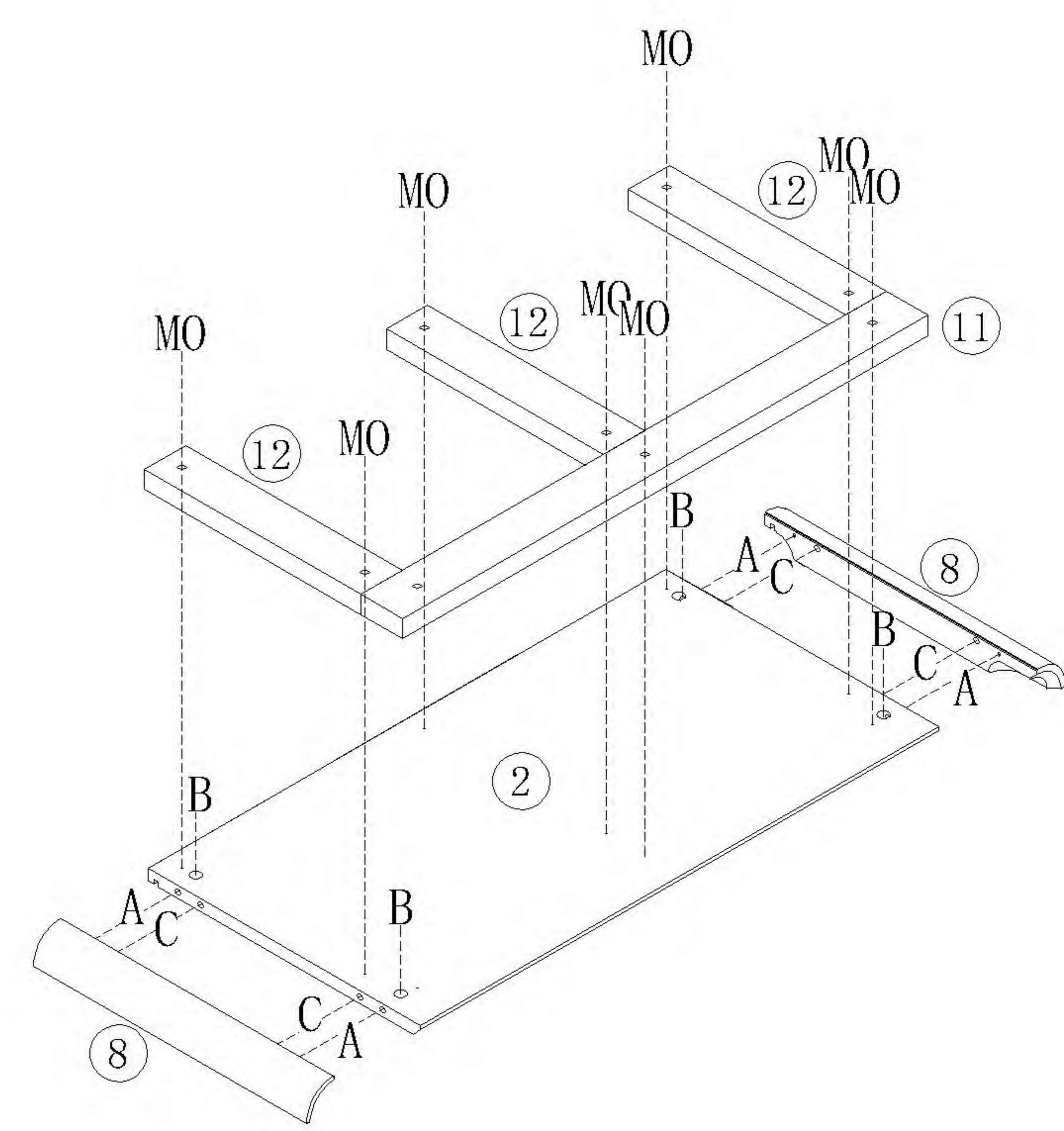
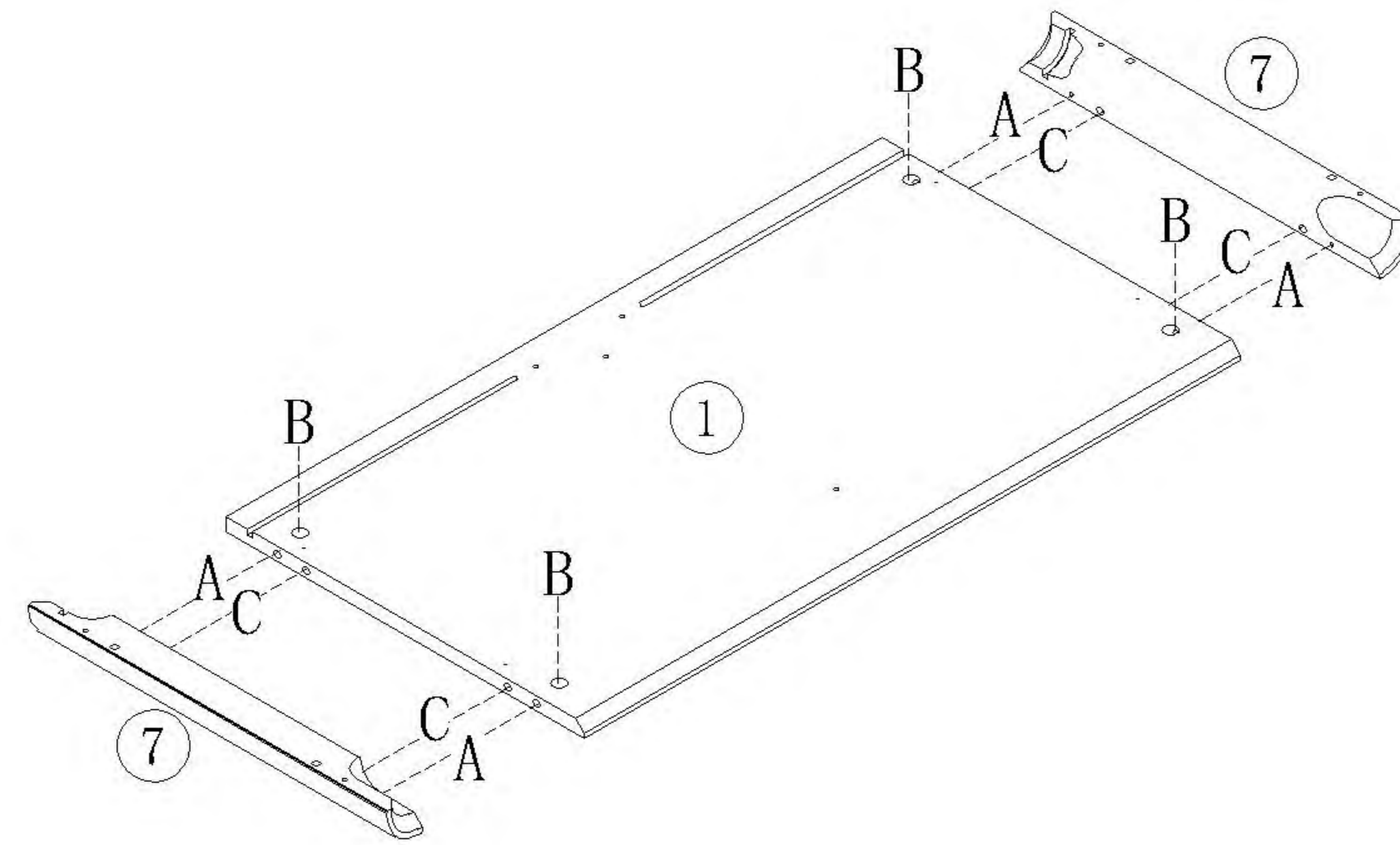
(C)\*4



(M)\*9

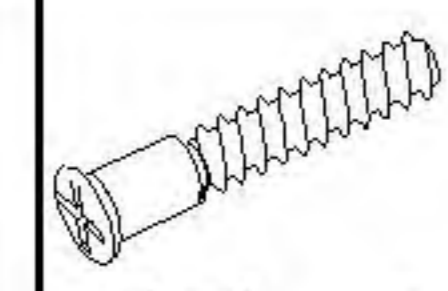


(O)\*9



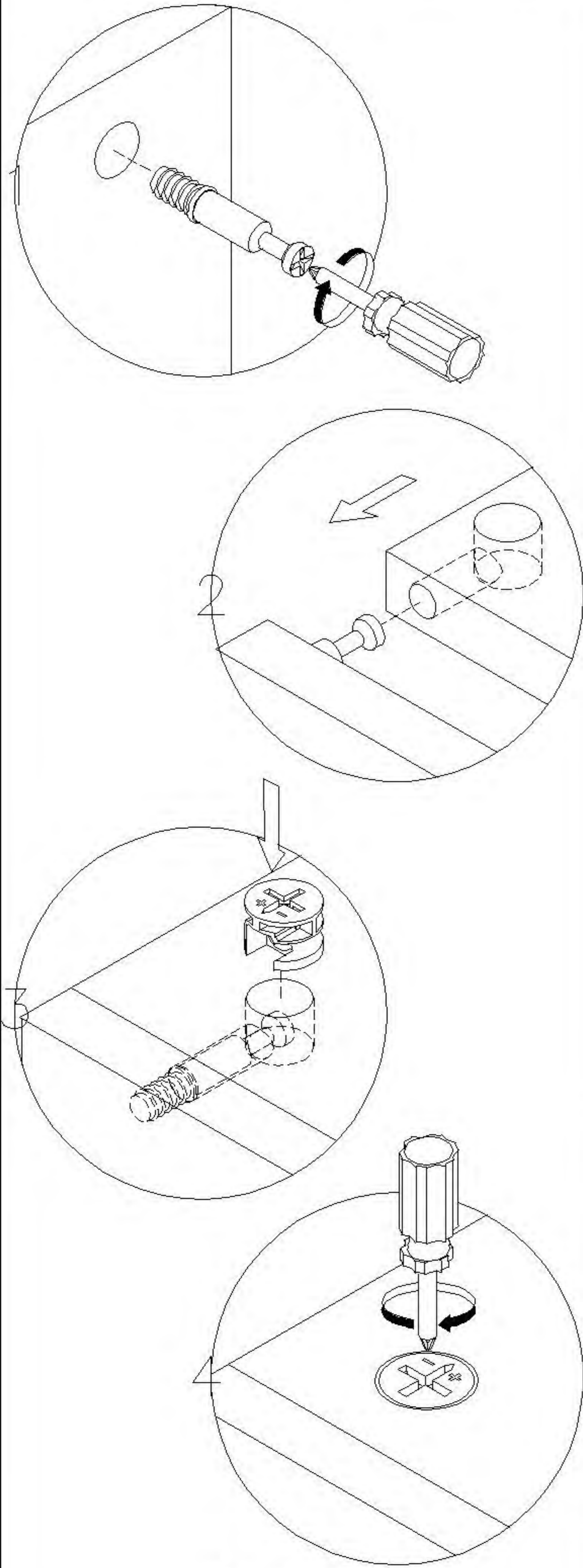
4

RU5T-A (0.8m)

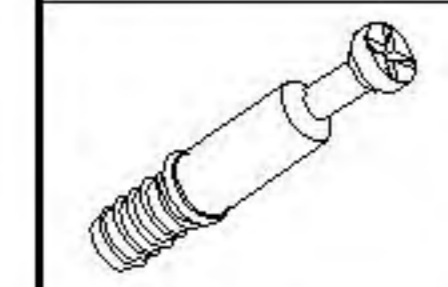


(J)\*2

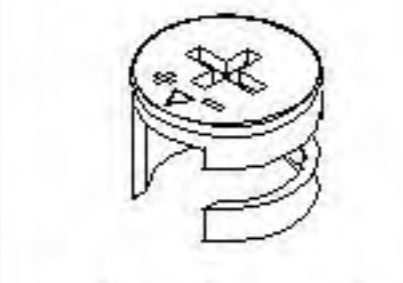
安装方法/  
Installation method



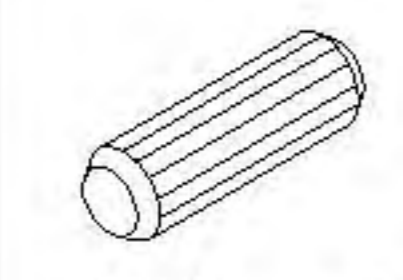
大二合一  
two-in-one



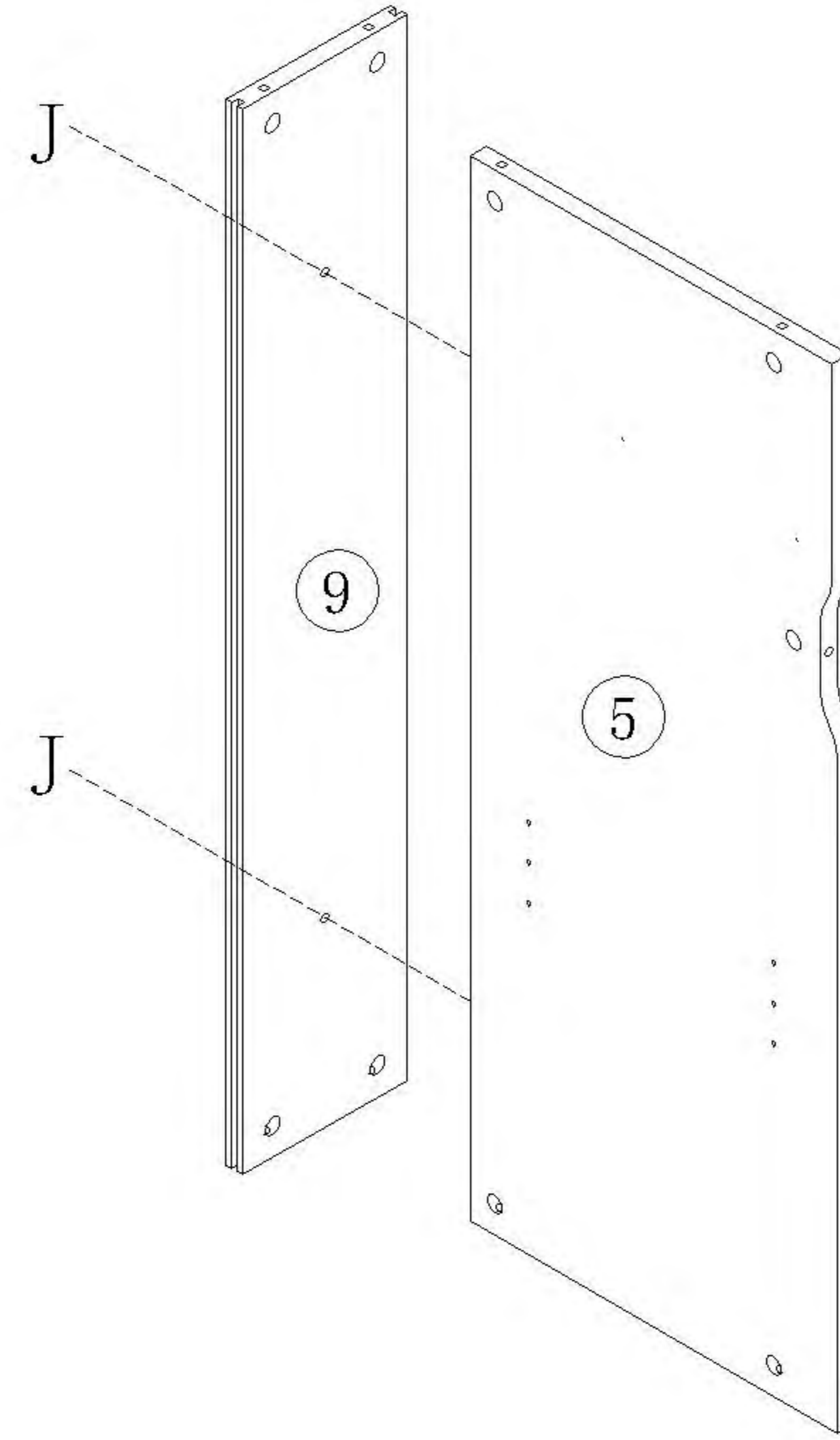
(A)\*8



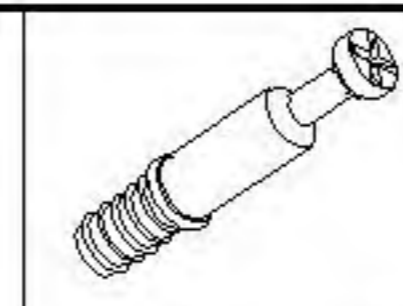
(B)\*8



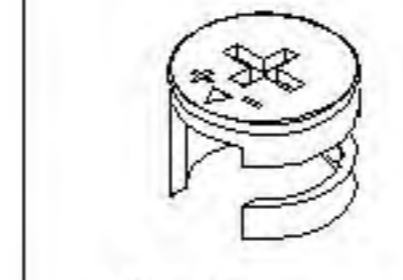
(C)\*4



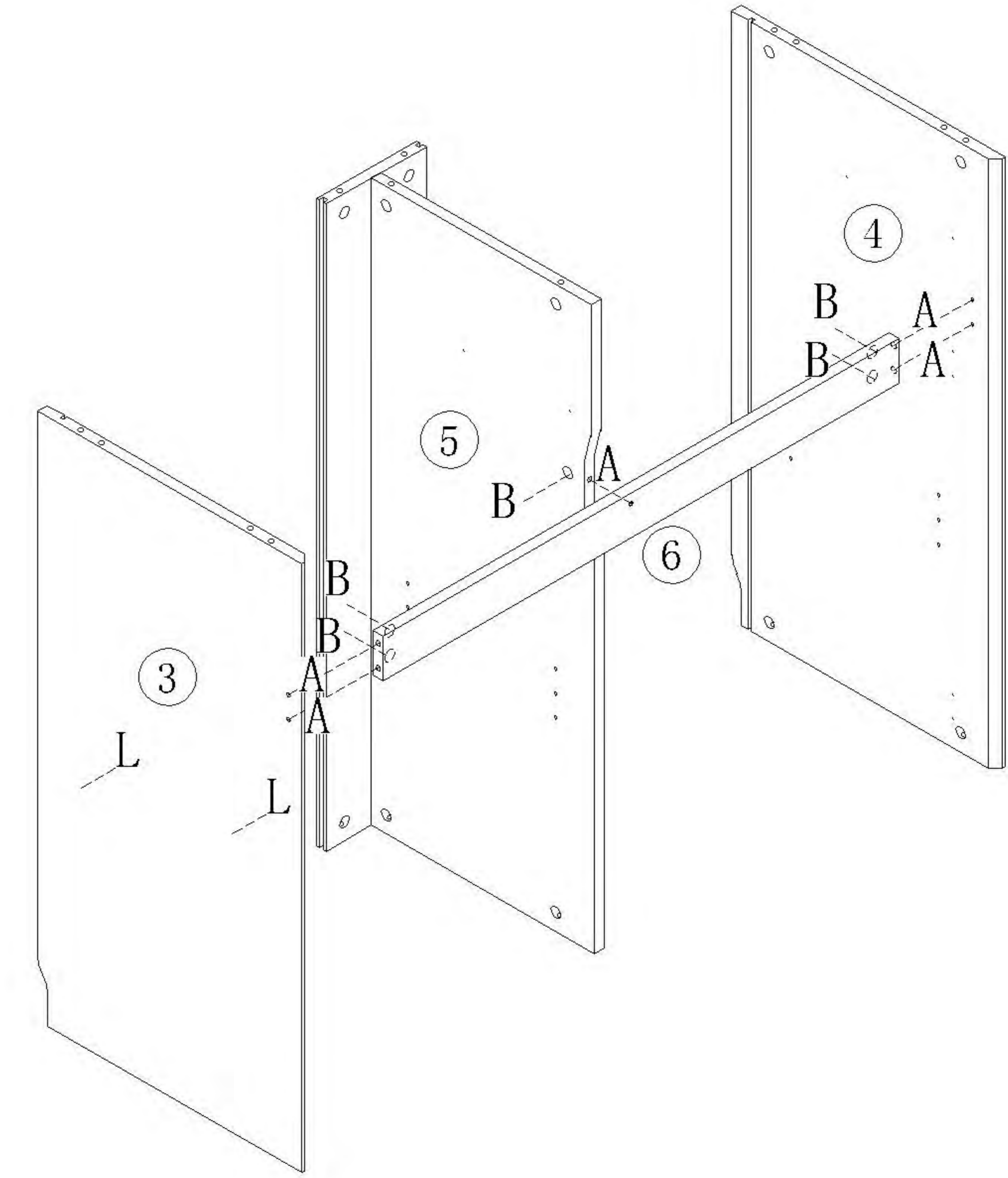
5



(A)\*5

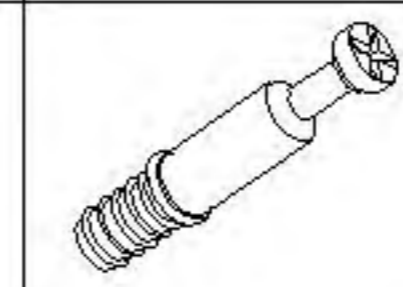


(B)\*5

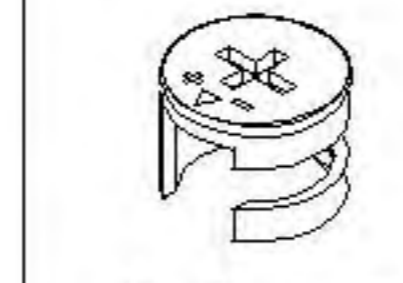


6

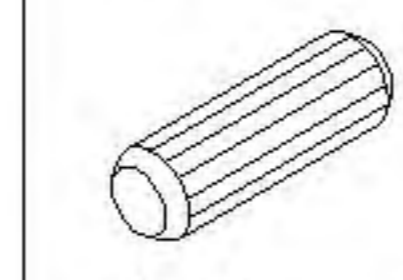
7



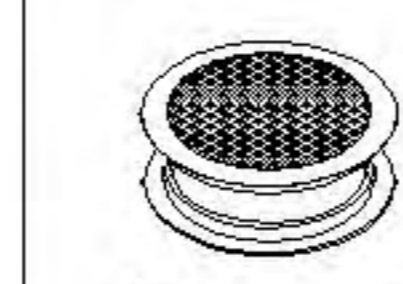
(A)\*8



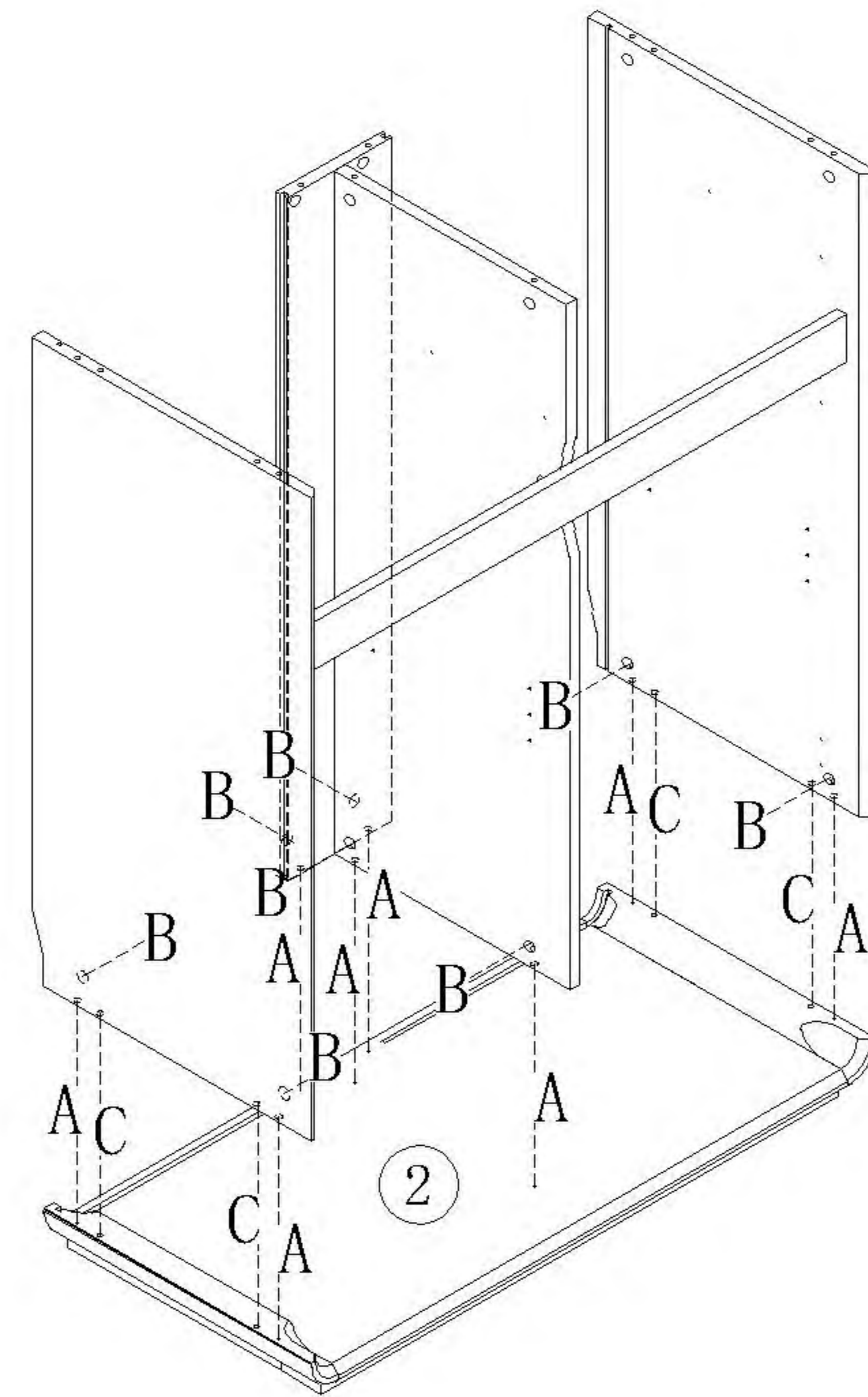
(B)\*8



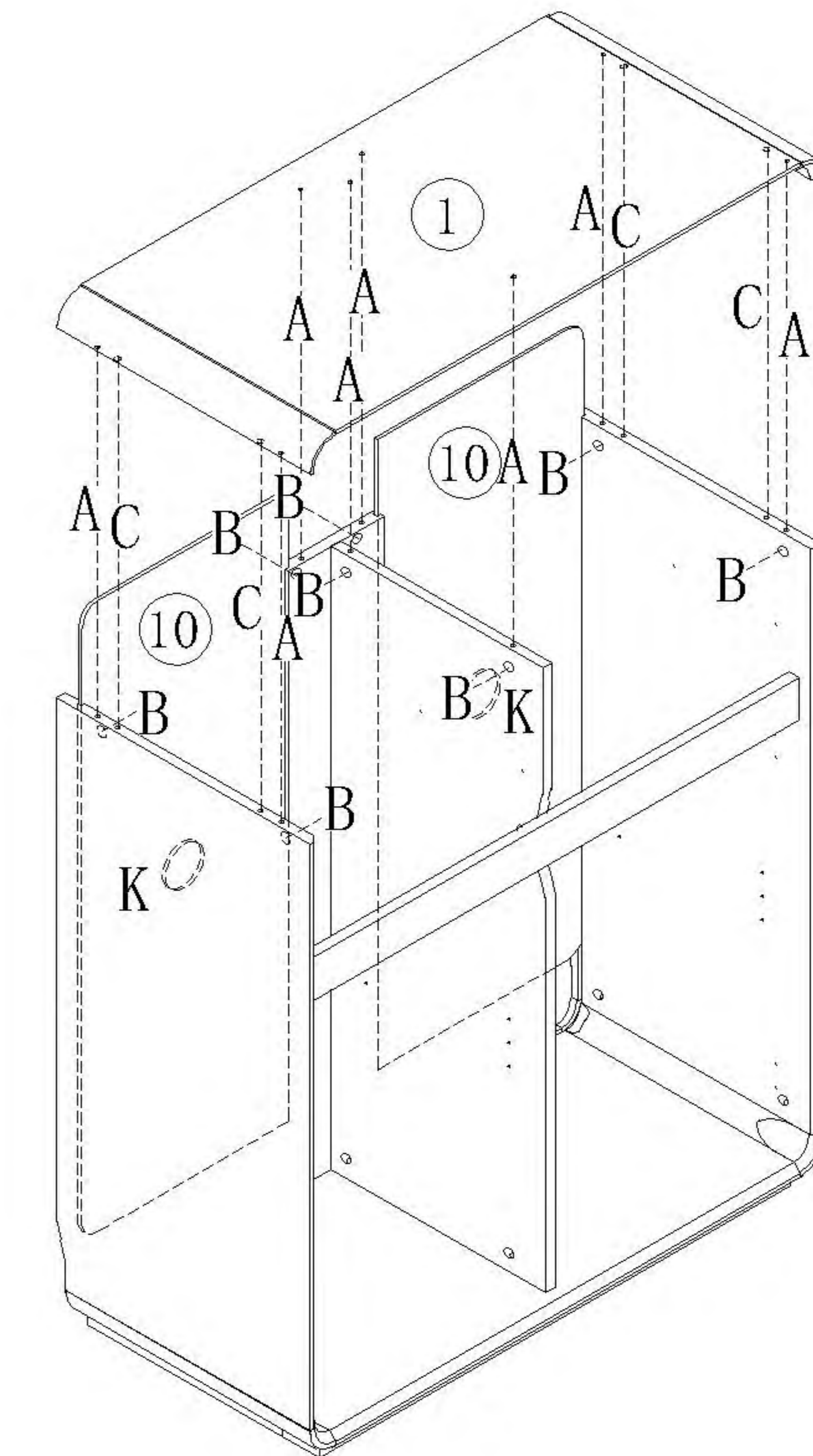
(C)\*4



(K)\*2



8



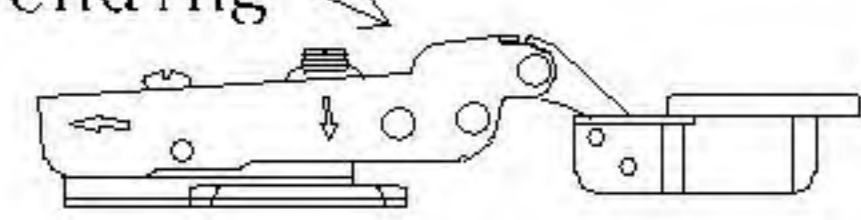
RU5T-A (0.8m)

安装方法/  
Installation method

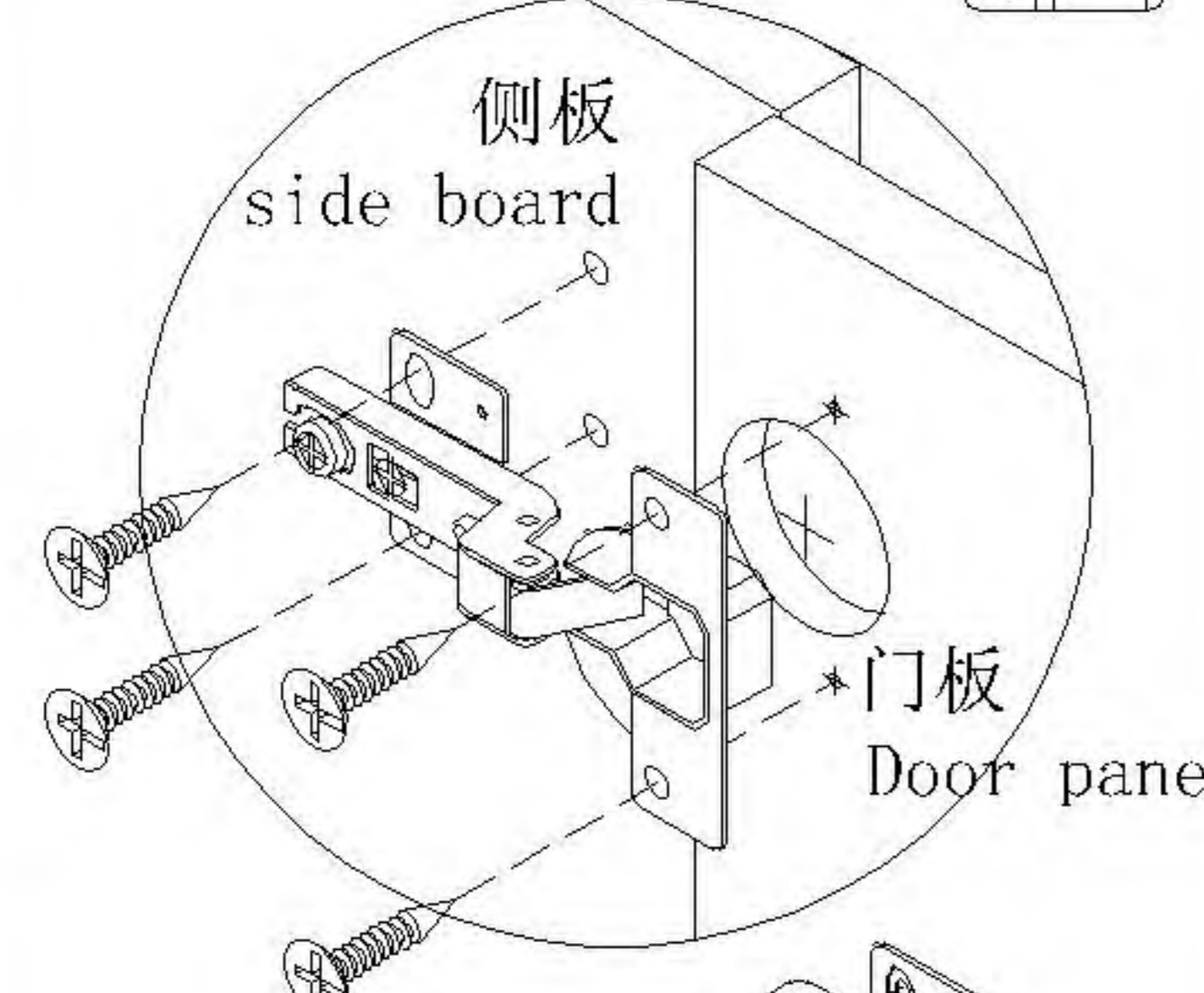
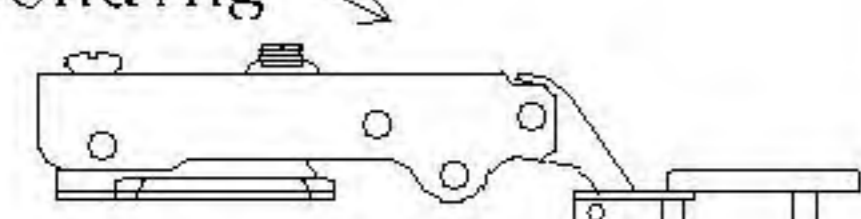
大弯big bend



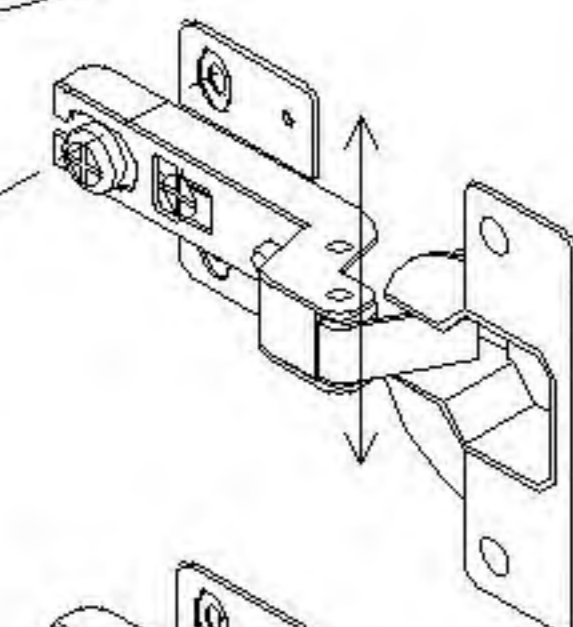
中弯middle bending



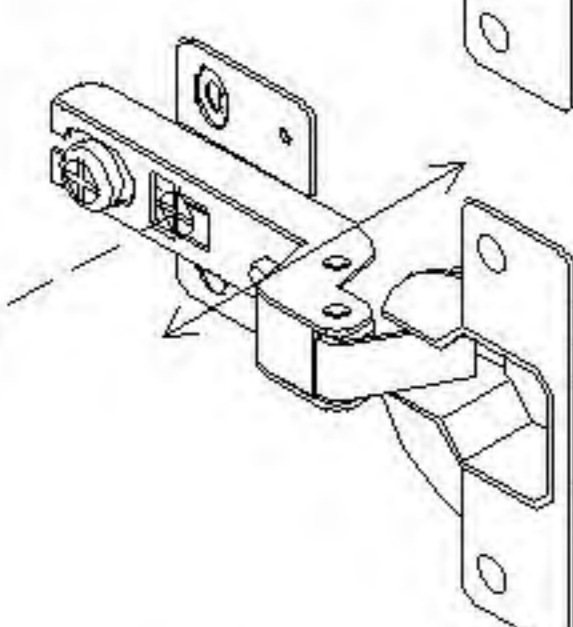
直弯straight bending



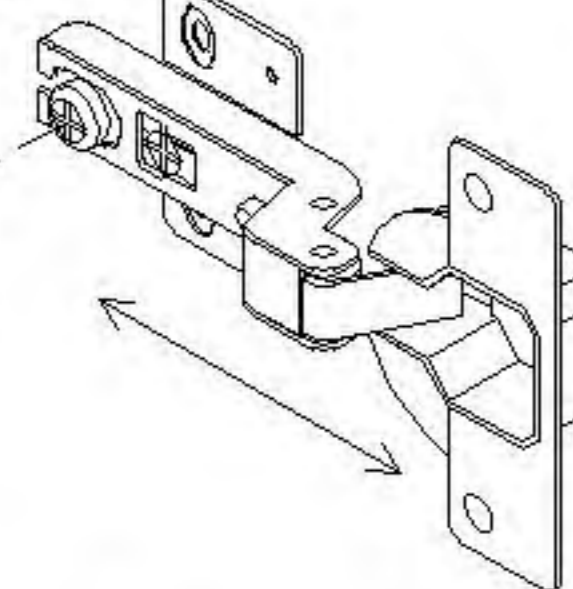
调节上下  
Adjust up and down



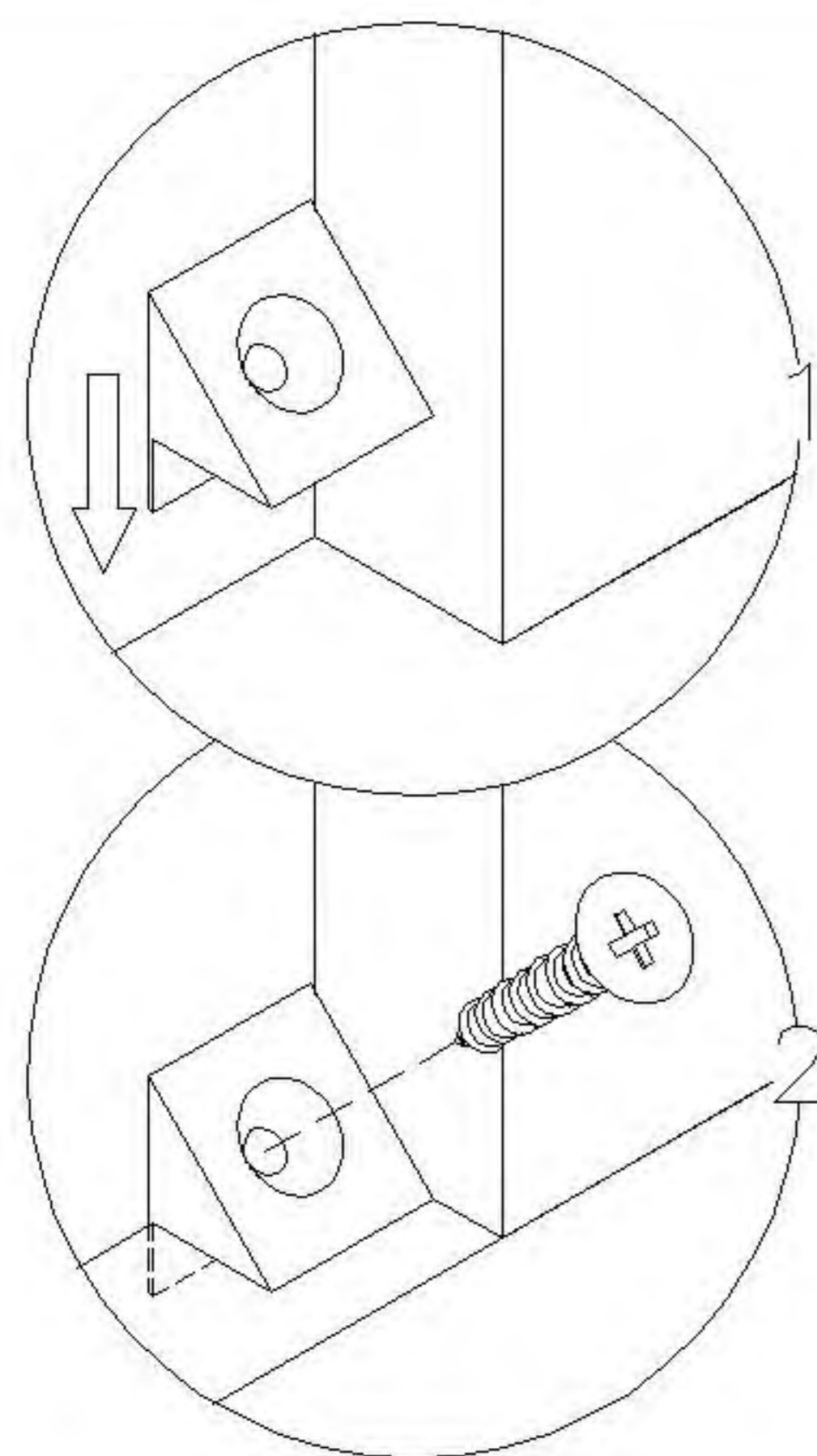
调节左右  
Adjust left and right



调节前后  
Before and after adjustment

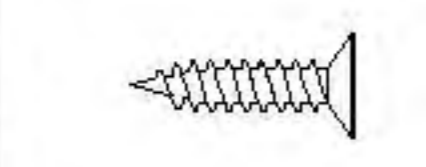


门铰  
Hinge



背板扣  
Back Plate Buckle

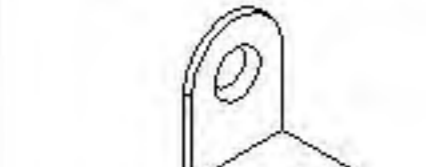
(D)\*2



(G)\*20



(L)\*8

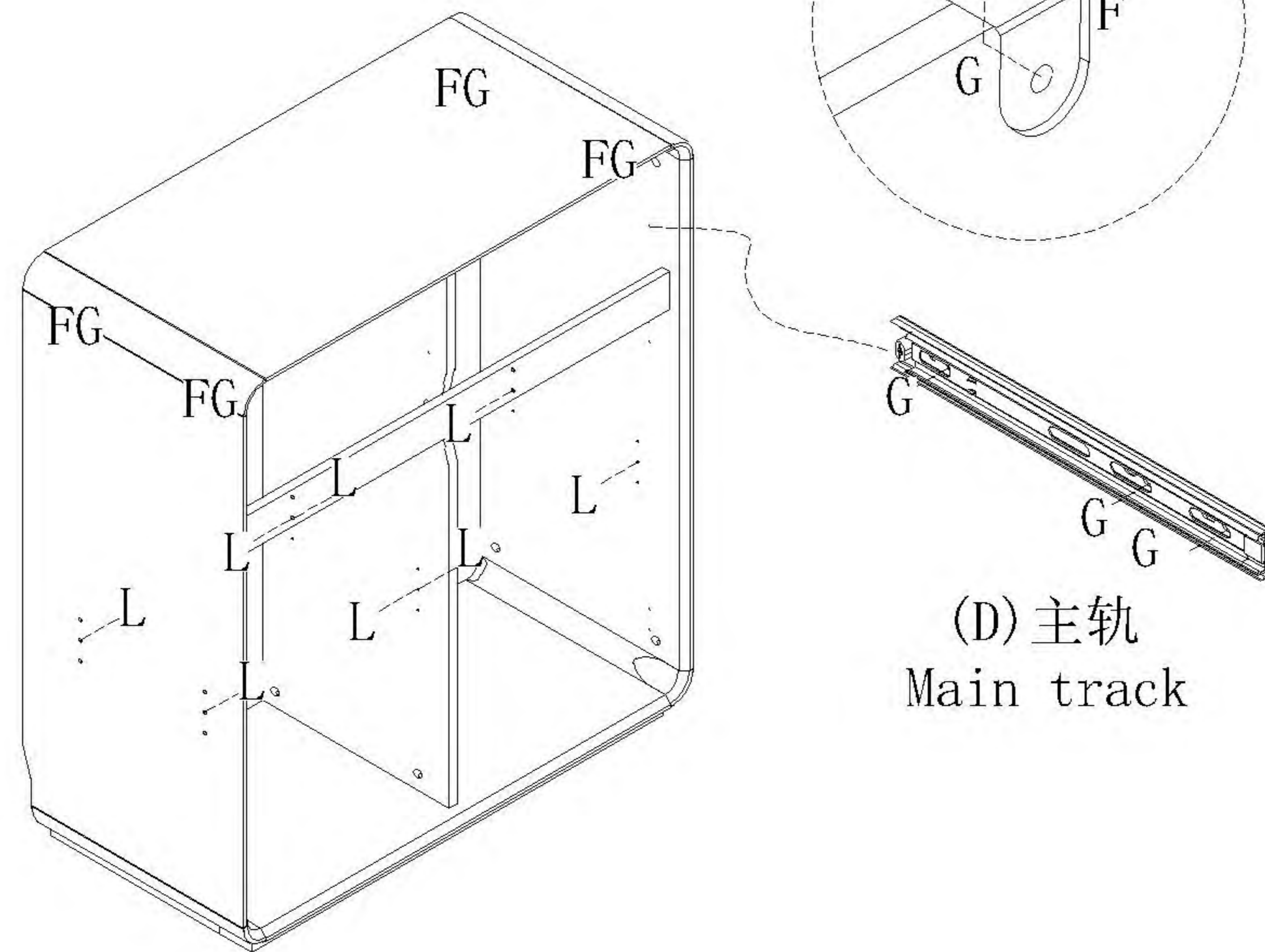


(F)\*4

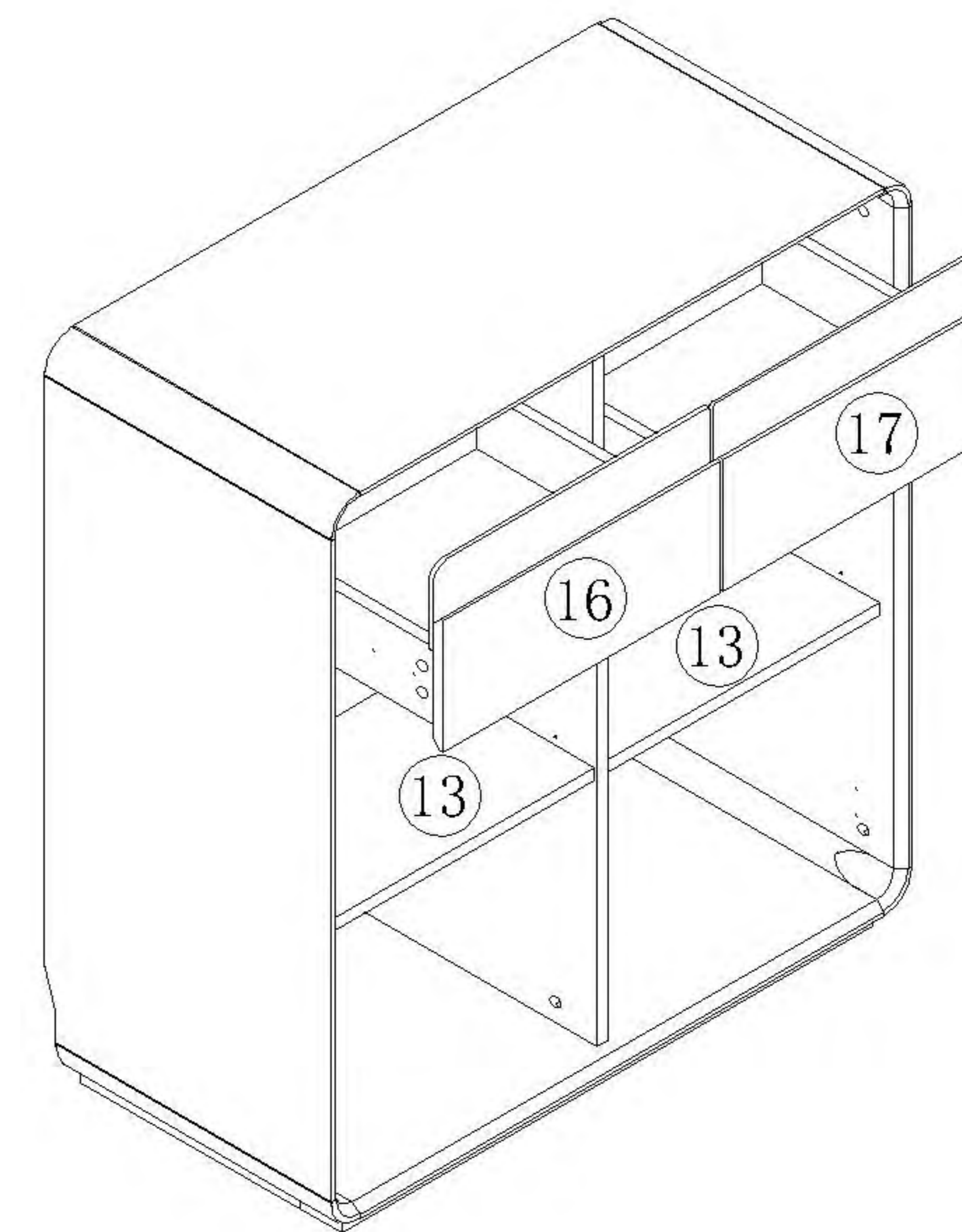


(E)\*4

9



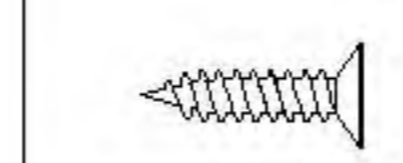
10



11

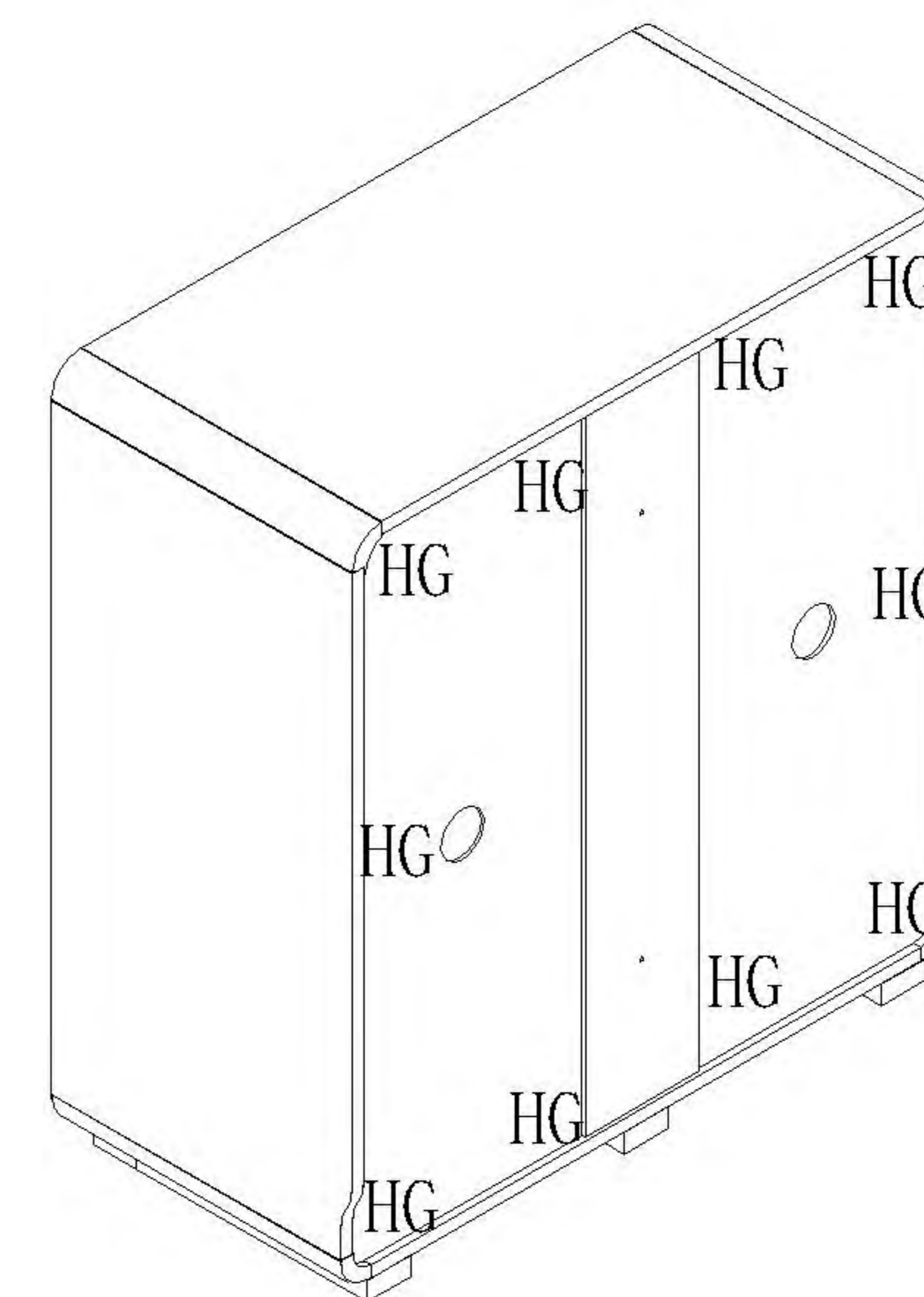
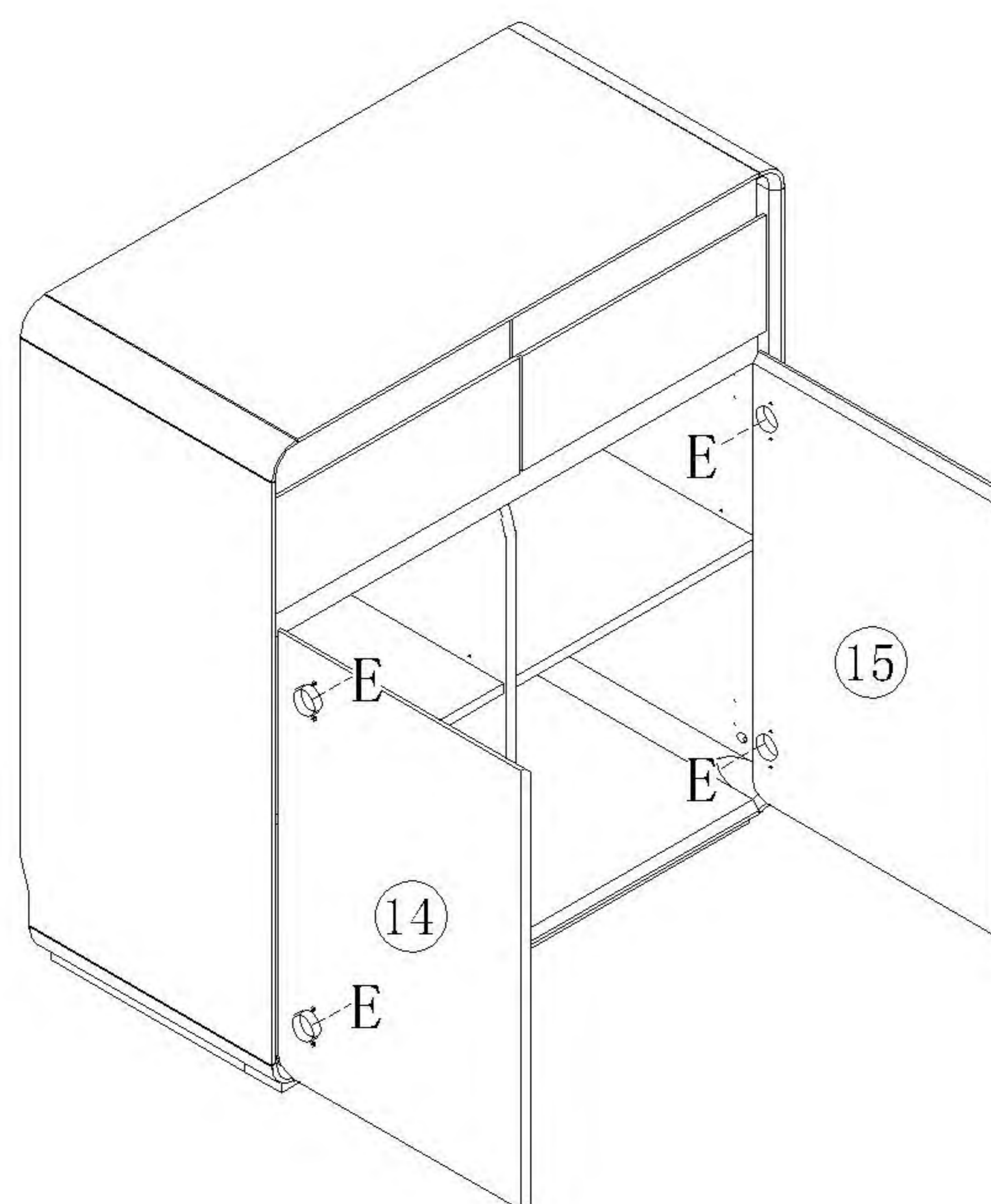


(H)\*10



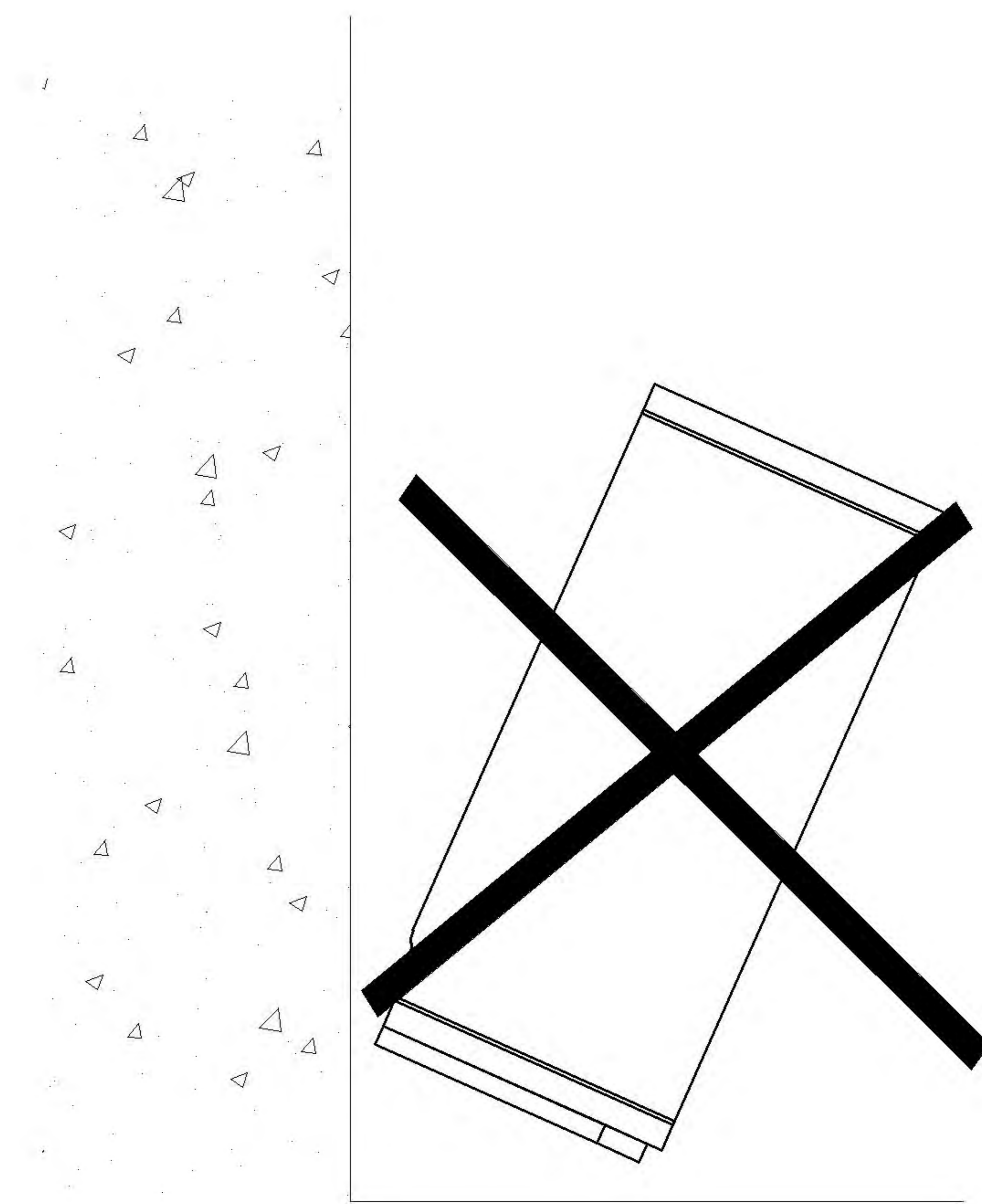
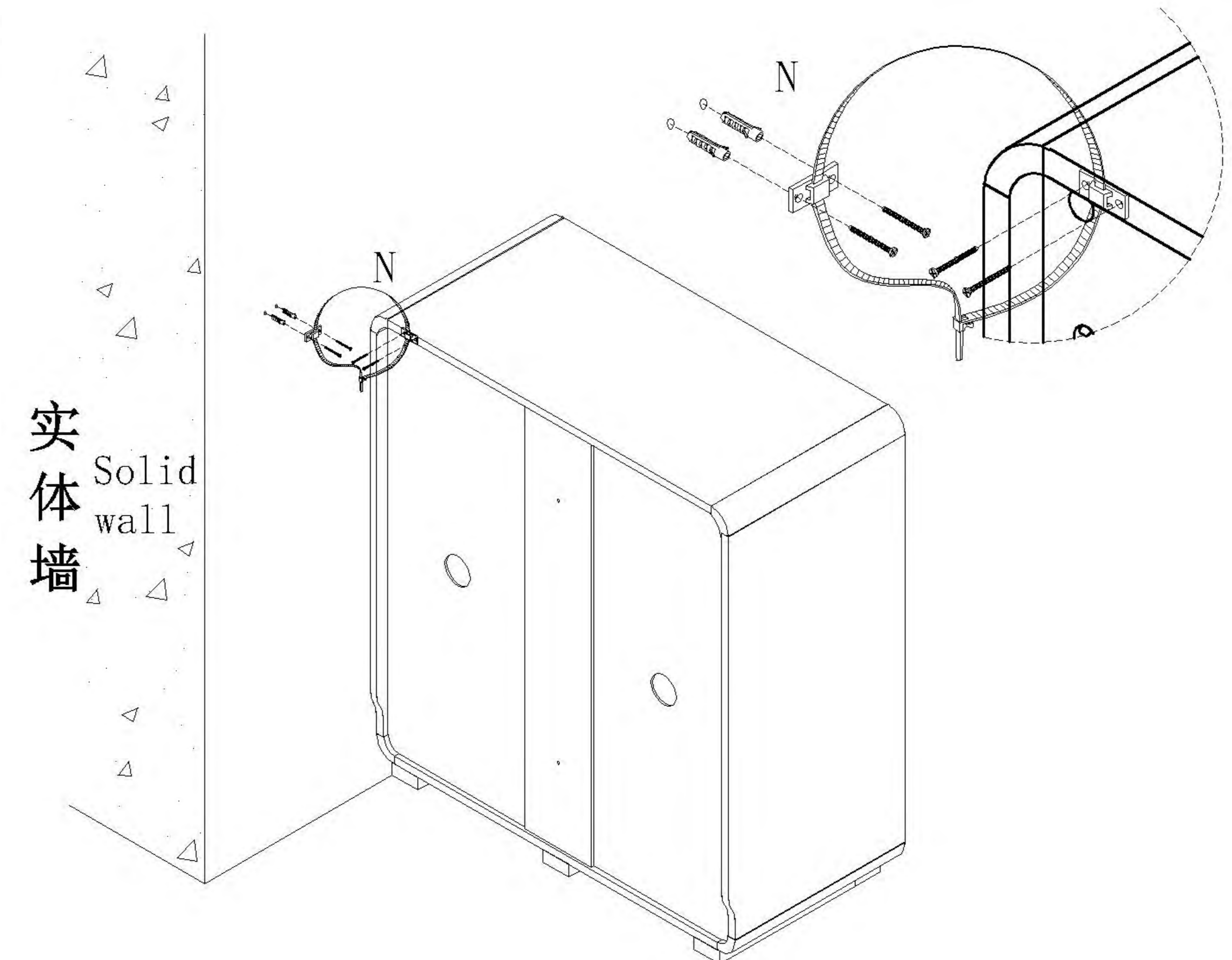
(G)\*10

12



安装方法/  
Installation method

(N)\*1

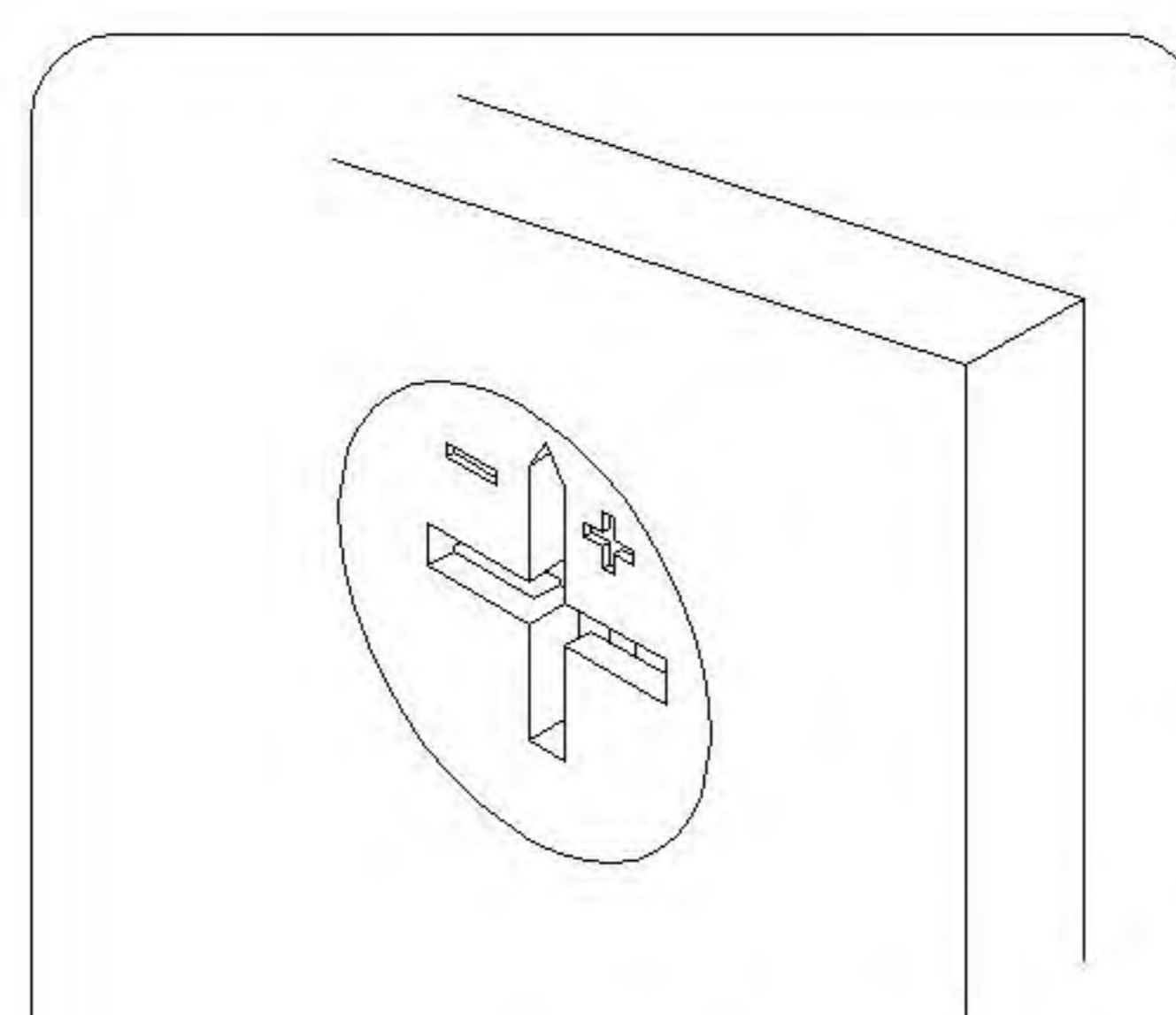


孔位贴使用小贴士

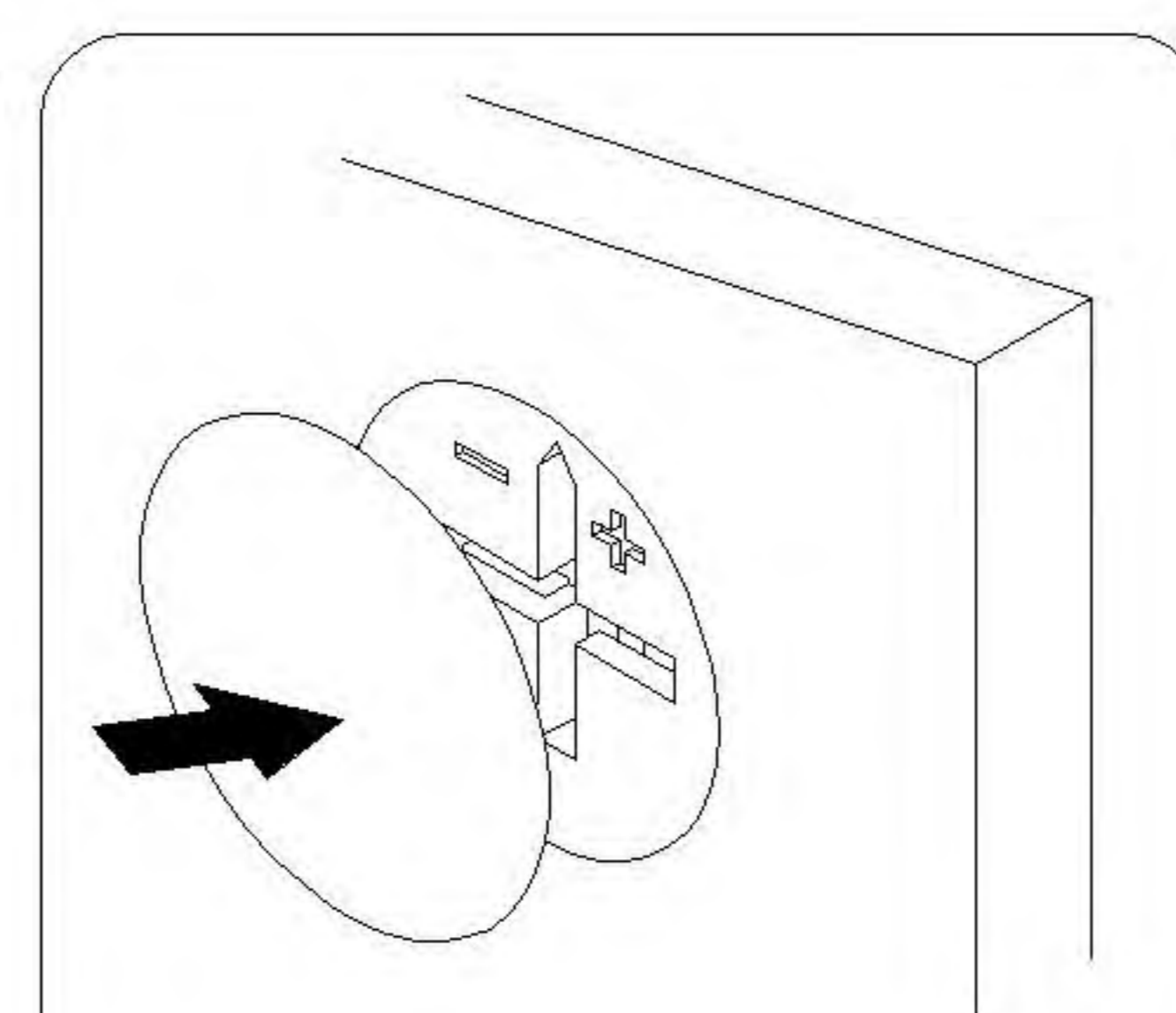
产品安装完成后请贴上孔贴，多出的孔贴请保管好

Tips for using hole stickers:

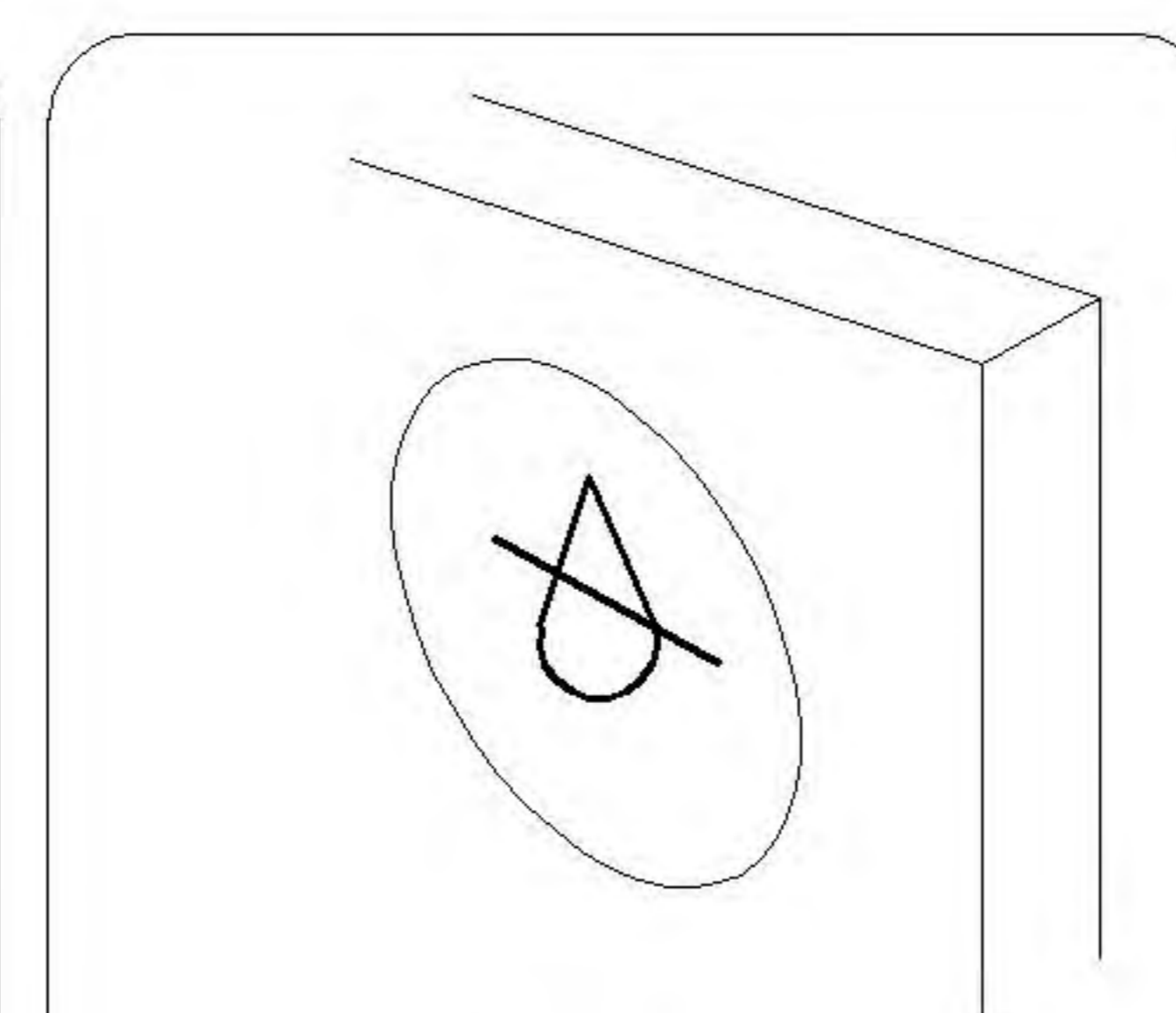
After the product installation is completed, please attach the hole stickers. Please keep any extra hole stickers safe



1、擦干净孔位  
1、Clean the hole position thoroughly



2、贴上孔贴  
2、Attach hole stickers



3、24小时内勿碰水  
3、Do not touch water within 24 hours

# LINSY 林氏家居

## 五金表/Hardware list

## 部件表/Parts List

### 安装示意图/Assembly Instruction

产品名称 Model NO.

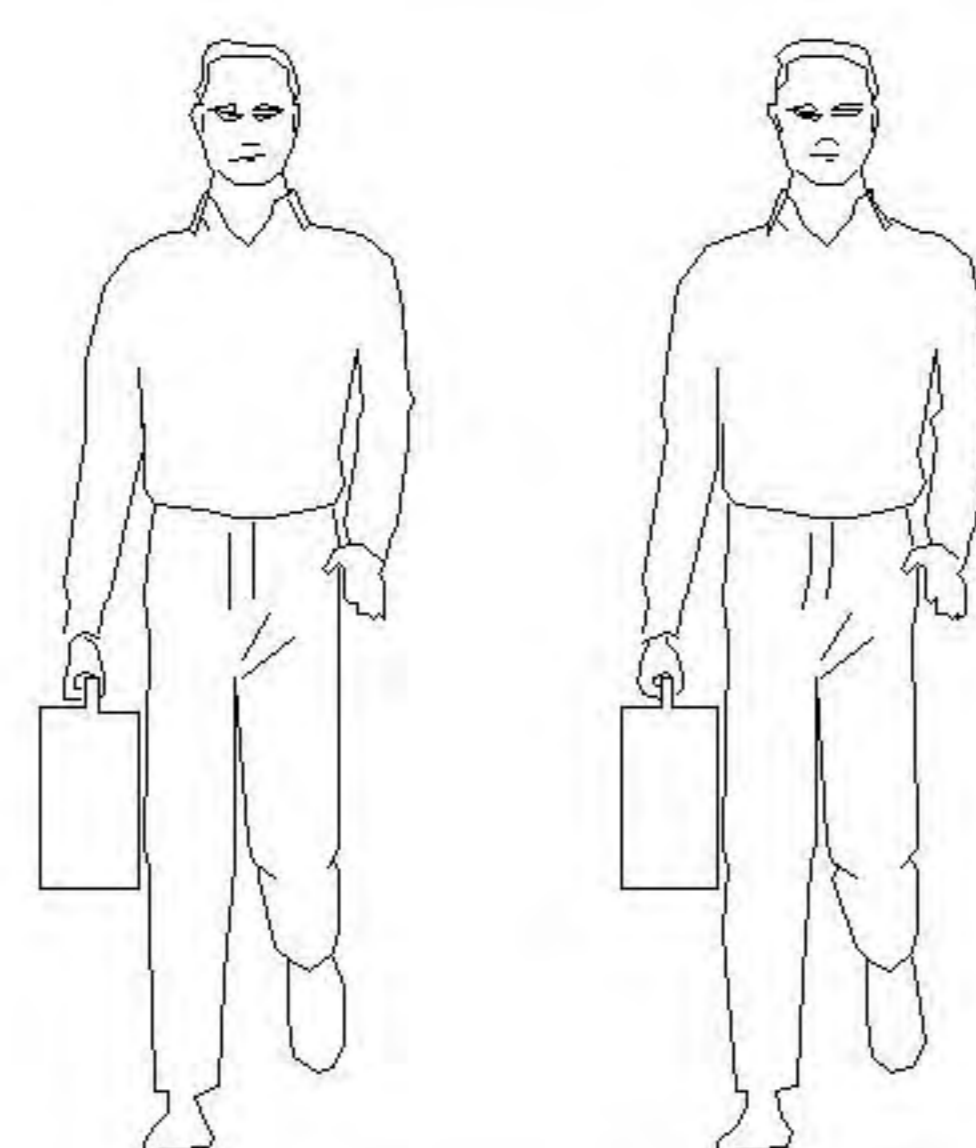
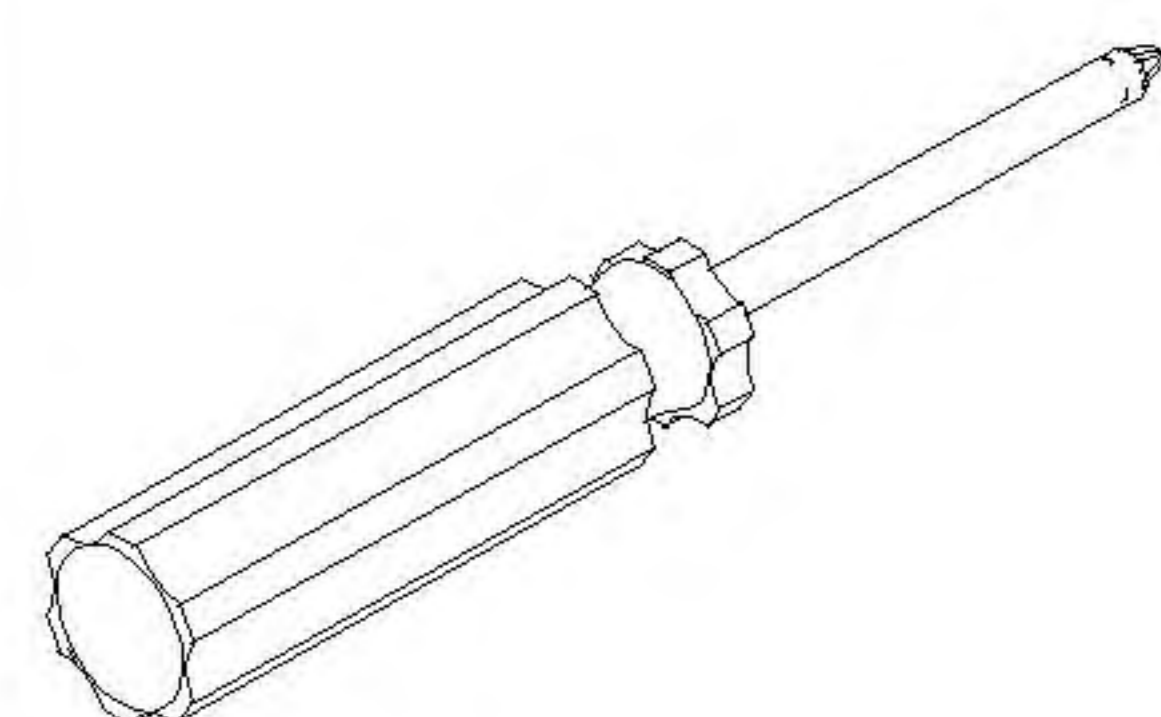
RU5T-A(1.2m)

产品规格 Specification

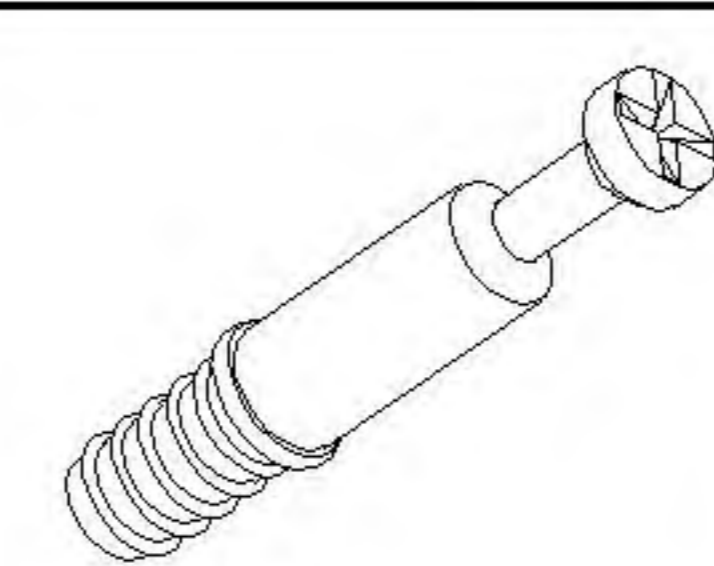
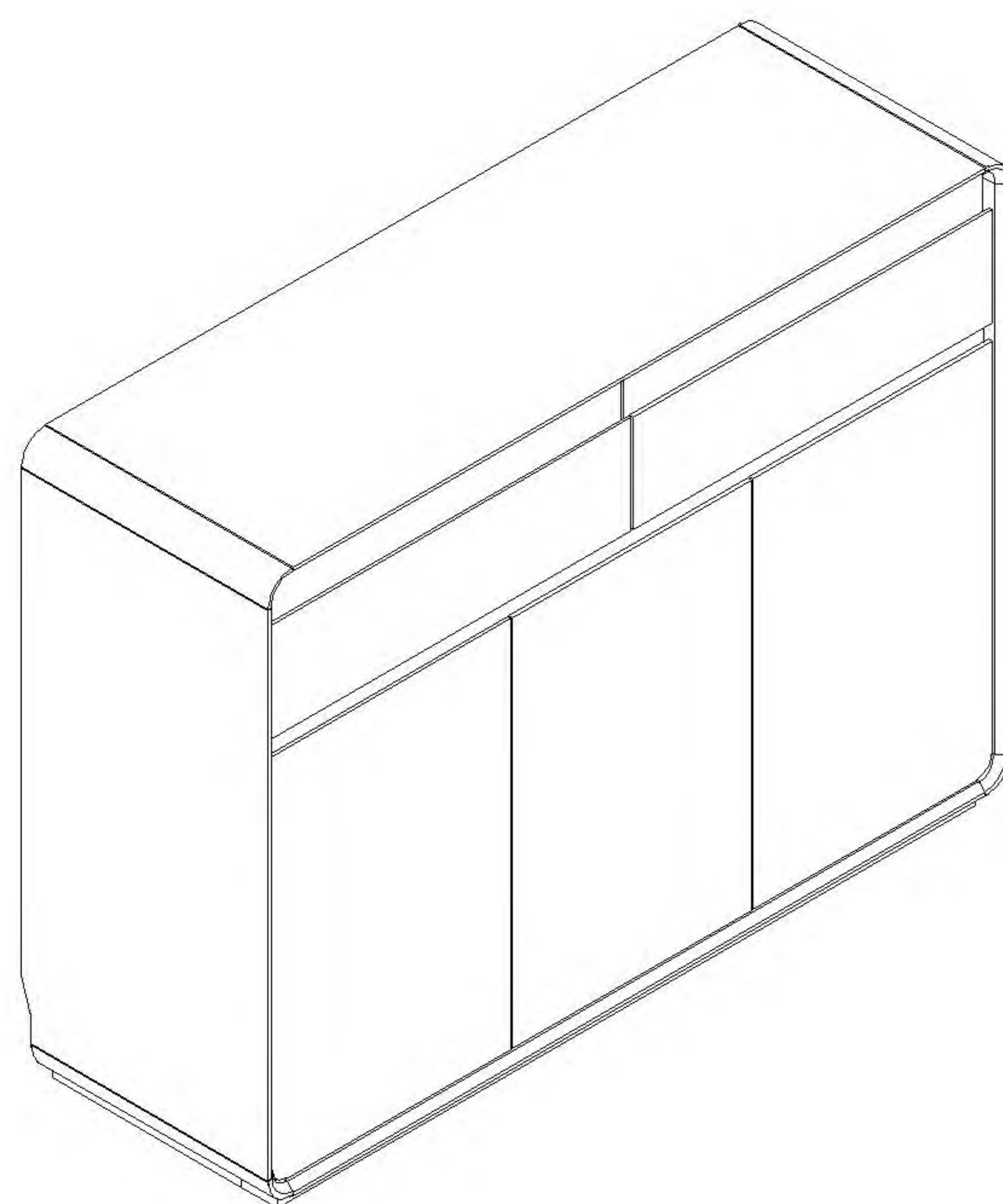
1193\*398\*903mm

安装工具 Tool

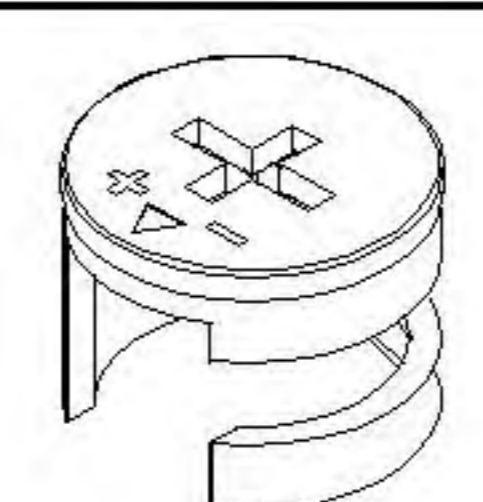
安装人数 Installer



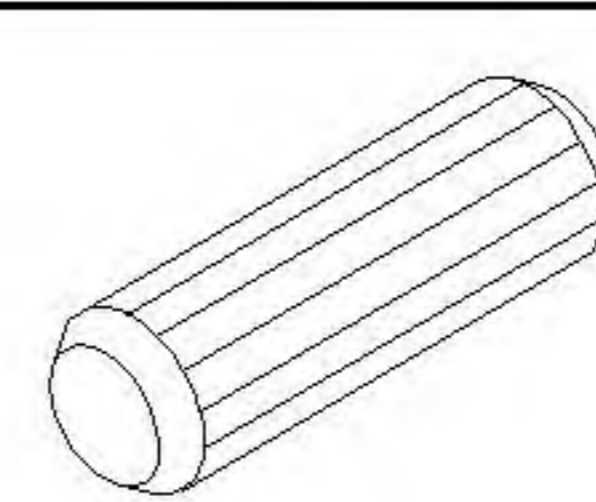
注：为保证设计效果，部分尺寸为定制尺寸，不影响使用。



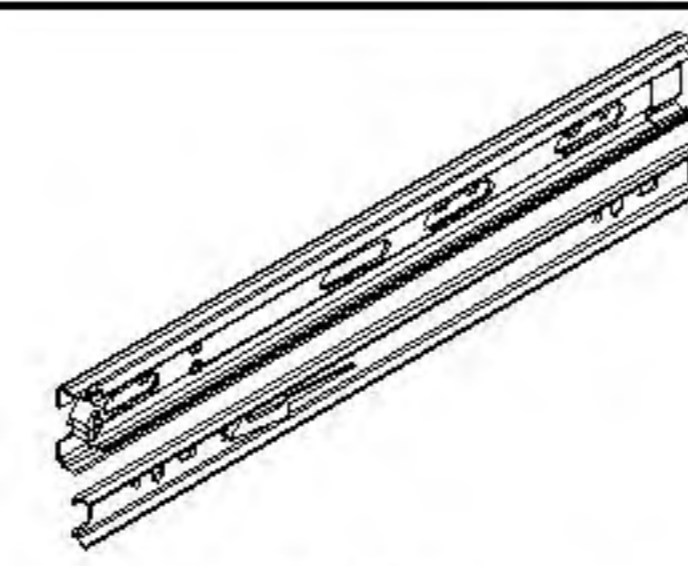
(A)\*60  
二合一螺杆  
2-in-1-screw



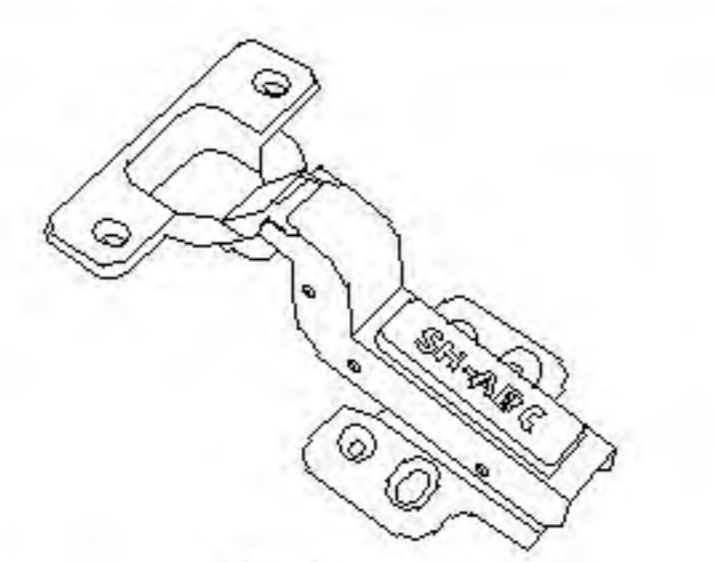
(B)\*60  
大三合一锁饼  
3-in-1 large lock



(C)\*17  
木榫Ø8x30mm  
Wood tenon



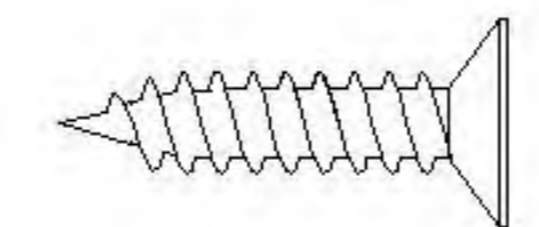
(D)\*2  
三节滚珠导轨10"  
Three-section rail



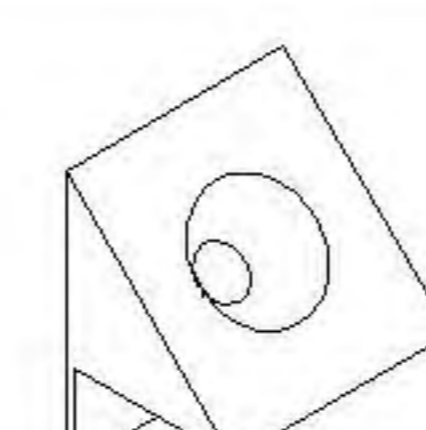
(E)\*4  
缓冲门铰大弯-杯径Ø35  
Great bend hinge



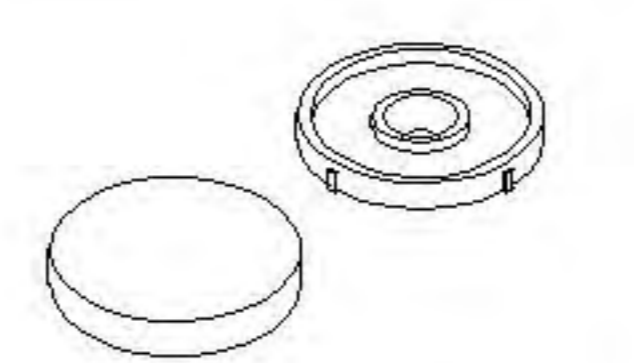
(F)\*4  
小角码-(14\*21\*1.5mm)  
Small bracket



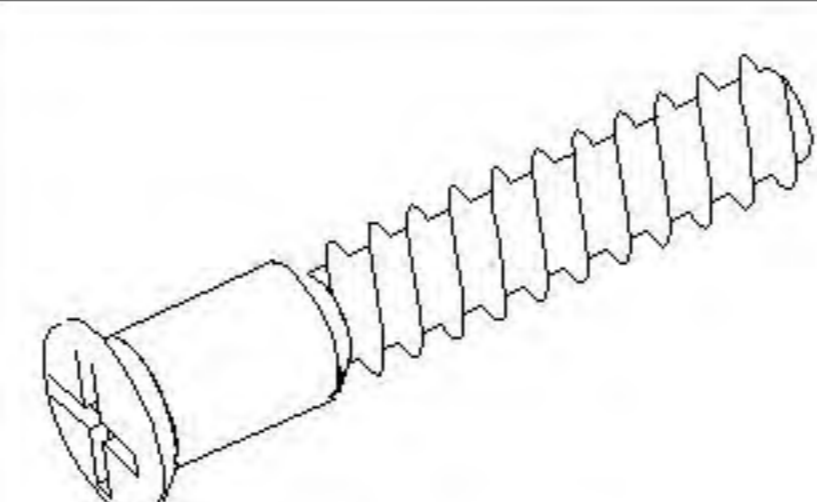
(G)\*48  
白攻螺丝M3.5\*14mm  
Tapping screw



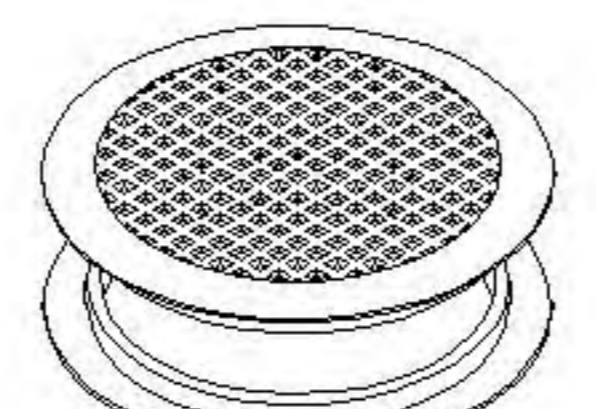
(H)\*15  
背板扣  
White buckle



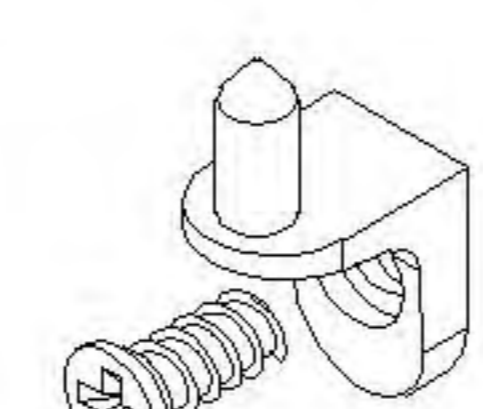
(I)\*6  
镜钉-(直径13\*5mm)  
Mirror nail



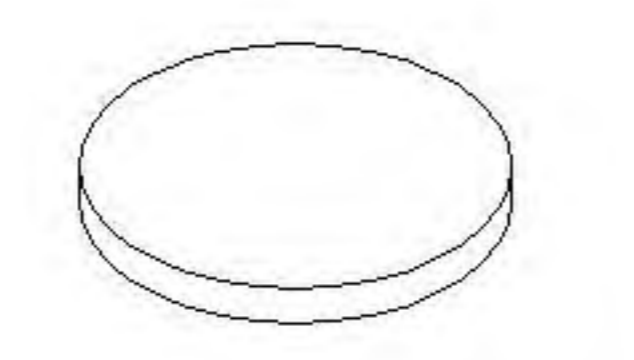
(J)\*8  
过山丝-(M7\*38mm)镀锌  
Confirmat screw



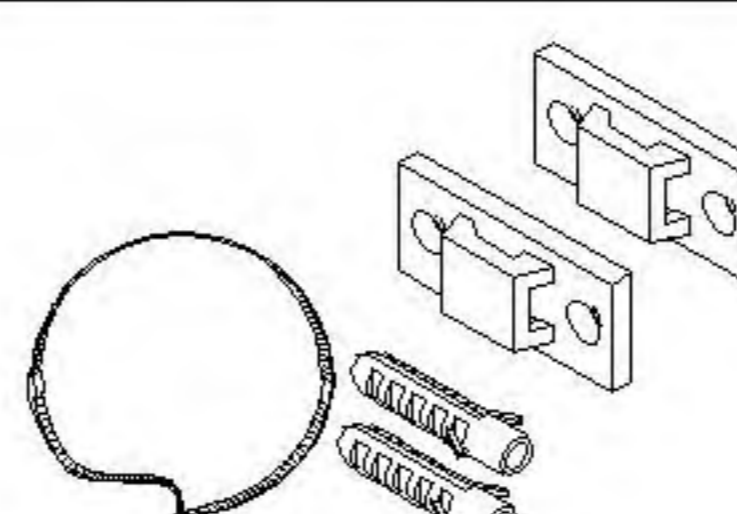
(K)\*3  
透气孔盖-白色  
Breathable cover



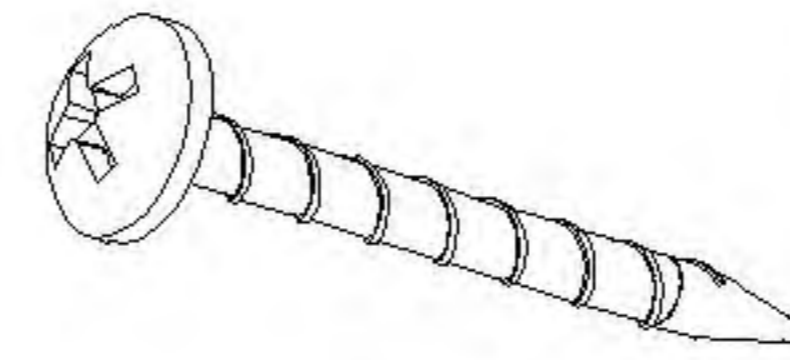
(L)\*12  
层板托5mm  
shelf support



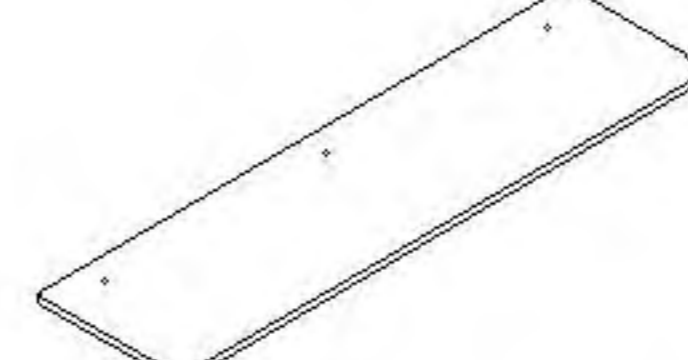
(M)\*12  
灰色毛毡垫 Ø25\*3  
Foot pad



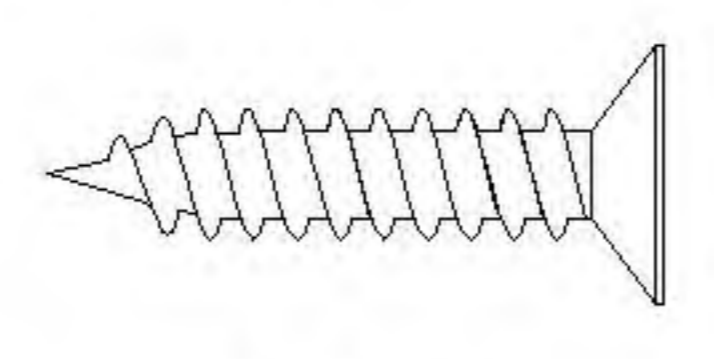
(N)\*1  
家具防倒器-白色  
Anti-fall device



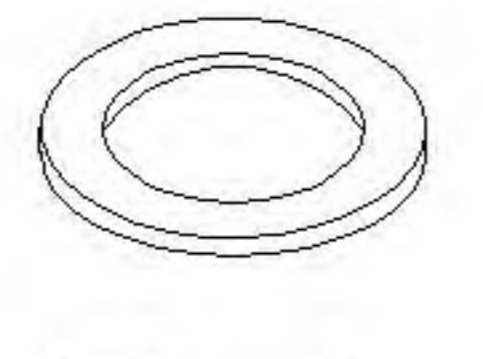
(O)\*13  
大扁白攻M4\*30mm  
Flat head tapping screw



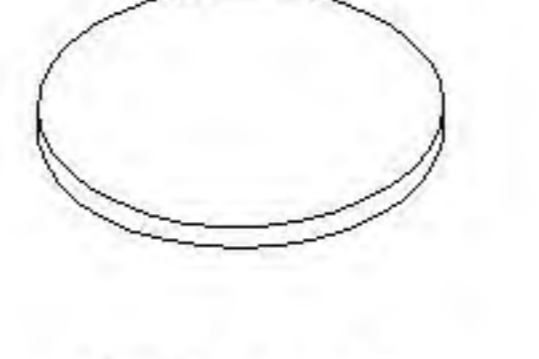
(P)\*2  
抽面玻璃(578\*104\*5)  
Drawn glass



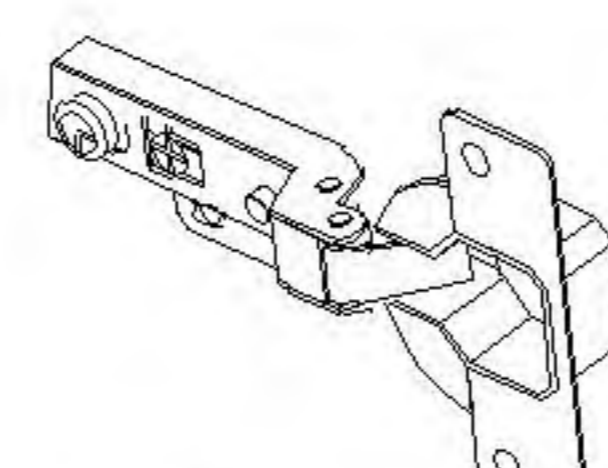
(Q)\*6  
白攻螺丝M4\*20mm  
Tapping screw



(R)\*6  
透明塑料垫片  
Transparent plastic gasket



(S)\*60  
PVC孔贴  
PVC hole sticker

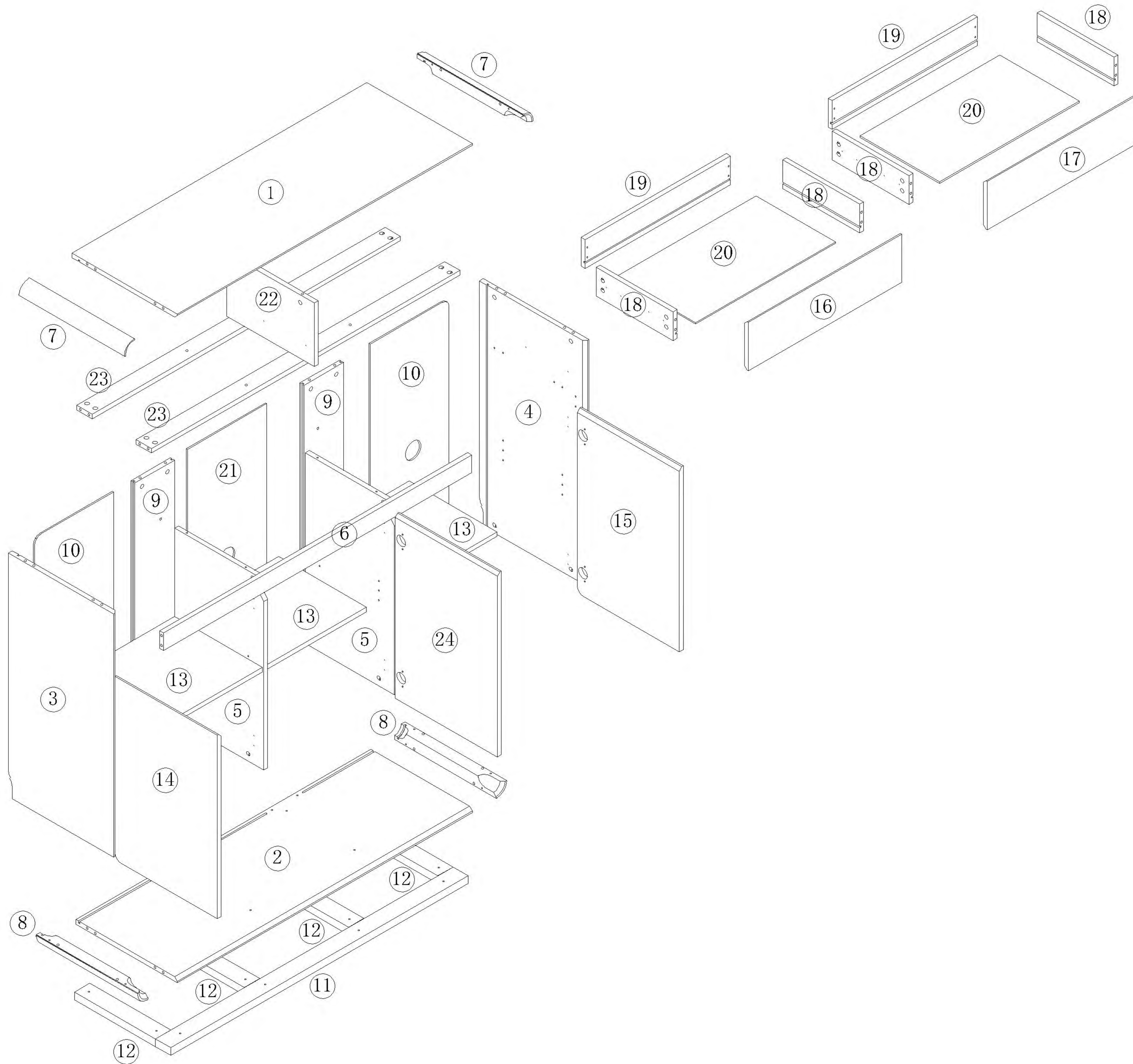


(T)\*2  
缓冲门铰中弯-杯径Ø35  
Middle bend hinge

注：抽屉面板与柜体的间隙为设计开启抽屉使用，小心夹伤！

Note: the gap between the drawer panel and the cabinet is designed to open the drawer. Be careful not to pinch!

编号NO.	名称Name	规格 (mm) Specification	数量QTY	材质Material
①	面板Top panel	1113*398*15	1	刨花板 Particle board
②	底板Bottom board	1113*383*15	1	刨花板 Particle board
③	左侧板Side board(L)	795*398*15	1	刨花板 Particle board
④	右侧板Side board(R)	795*398*15	1	刨花板 Particle board
⑤	中侧板Middle side board	622*336*15	2	刨花板 Particle board
⑥	拉条Brace	1163*58*15	1	刨花板 Particle board
⑦	连接木1 Linked wood1	398*40*40	2	橡胶木 Rubber wood
⑧	连接木2 Linked wood2	383*40*40	2	橡胶木 Rubber wood
⑨	背拉条Back brace	845*150*15	2	刨花板 Particle board
⑩	背板Back board	855*298*5	2	纤维板 Fiberboard
⑪	底拉条Bottom brace	1123*58*25	1	刨花板 Particle board
⑫	侧脚条Side foot strip	305*58*25	4	刨花板 Particle board
⑬	活动层板Movable shelf	377*332*15	3	刨花板 Particle board
⑭	左门板Door board(L)	600*385*15	1	刨花板 Particle board
⑮	右门板Door board(R)	600*385*15	1	刨花板 Particle board
⑯	左抽屉面板Drawer's panel(L)	578*158*15	1	刨花板 Particle board
⑰	右抽屉面板Drawer's panel(R)	578*158*15	1	刨花板 Particle board
⑱	抽屉侧板Drawer's sideboard	290*94*15	4	刨花板 Particle board
⑲	抽屉后板Drawer's Back board	548*94*15	2	刨花板 Particle board
⑳	抽屉底板Drawer's Bottom board	528*300*5	2	纤维板 Fiberboard
㉑	中背板Middle back board	855*298*5	1	纤维板 Fiberboard
㉒	上中侧板Upper middle side board	208*331*15	1	刨花板 Particle board
㉓	中拉条Brace	1163*58*15	2	刨花板 Particle board
㉔	中门板Middle door board	600*385*15	1	刨花板 Particle board

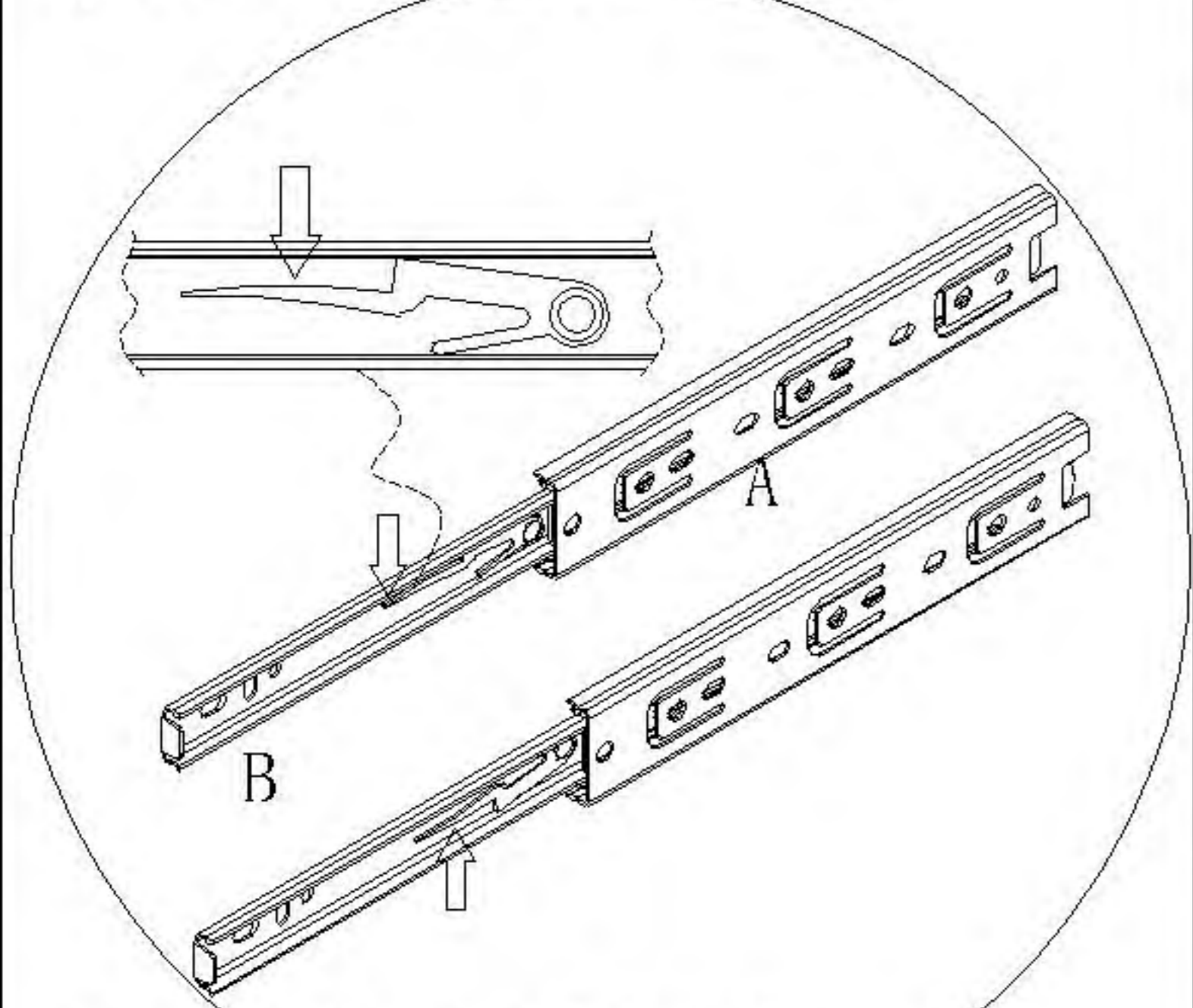


编号NO.	名称Name
①	面板Top panel
②	底板Bottom board
③	左侧板Side board(L)
④	右侧板Side board(R)
⑤	中侧板Middle side board
⑥	拉条Brace
⑦	连接木1 Linked wood1
⑧	连接木2 Linked wood2
⑨	背拉条Back brace
⑩	背板Back board
⑪	底拉条Bottom brace
⑫	侧脚条Side foot strip
⑬	活动层板Movable shelf
⑭	左门板Door board(L)
⑮	右门板Door board(R)
⑯	左抽屉面板Drawer's panel(L)
⑰	右抽屉面板Drawer's panel(R)
⑱	抽屉侧板Drawer's sideboard
⑲	抽屉后板Drawer's Back board
⑳	抽屉底板Drawer's Bottom board
㉑	中背板Middle back board
㉒	上中侧板Upper middle side board
㉓	中拉条Brace
㉔	中门板Middle door board

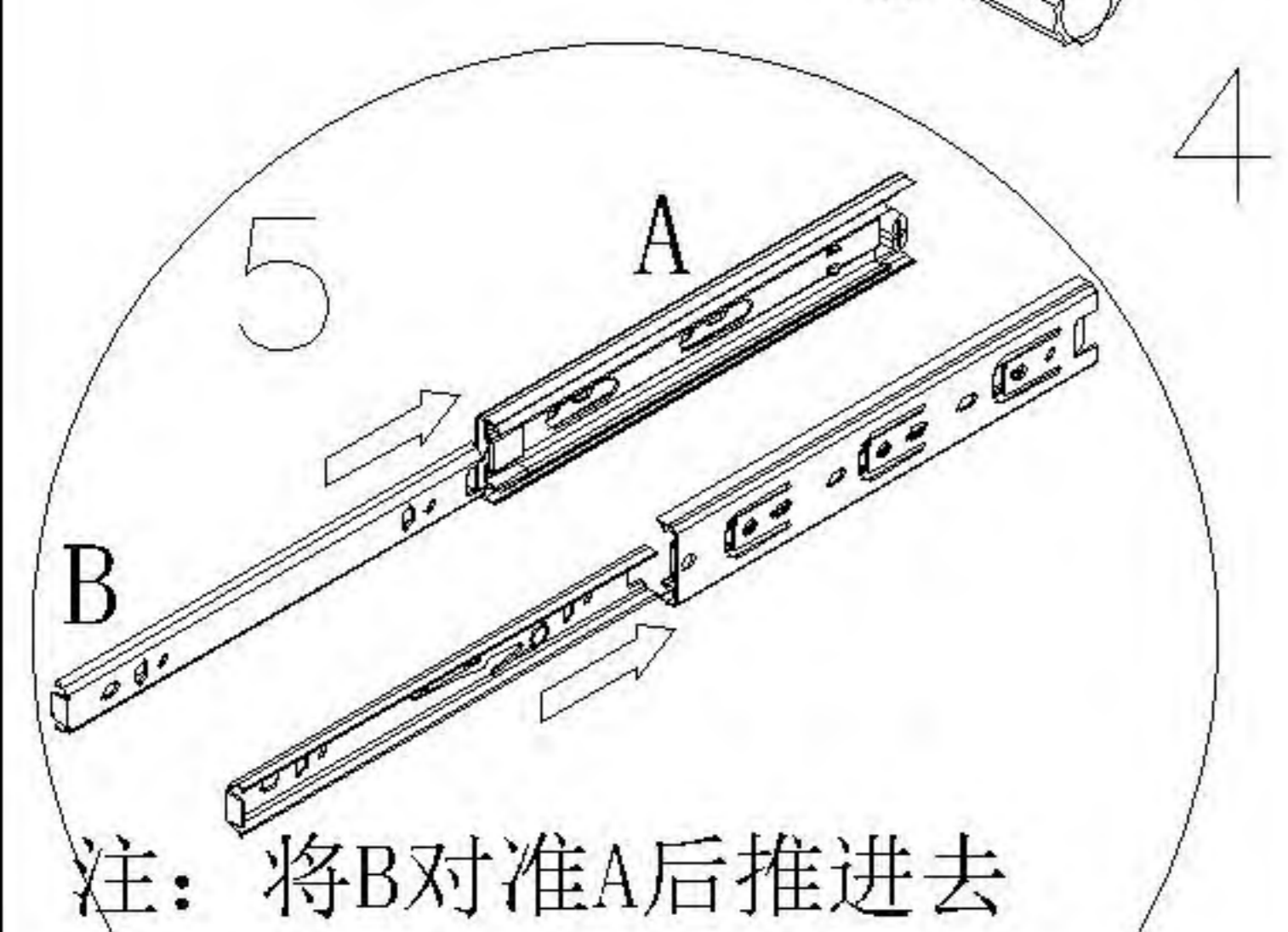
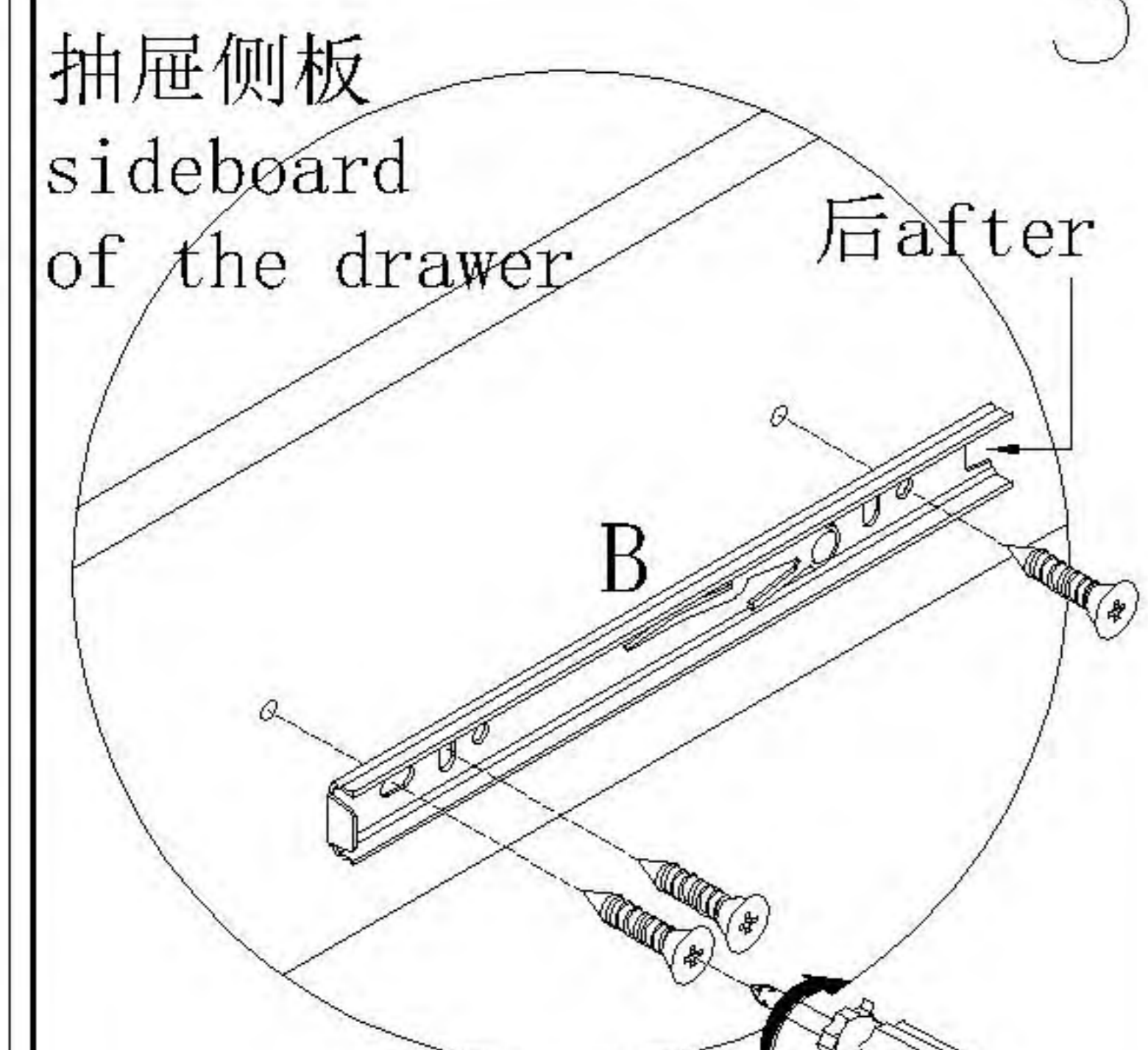
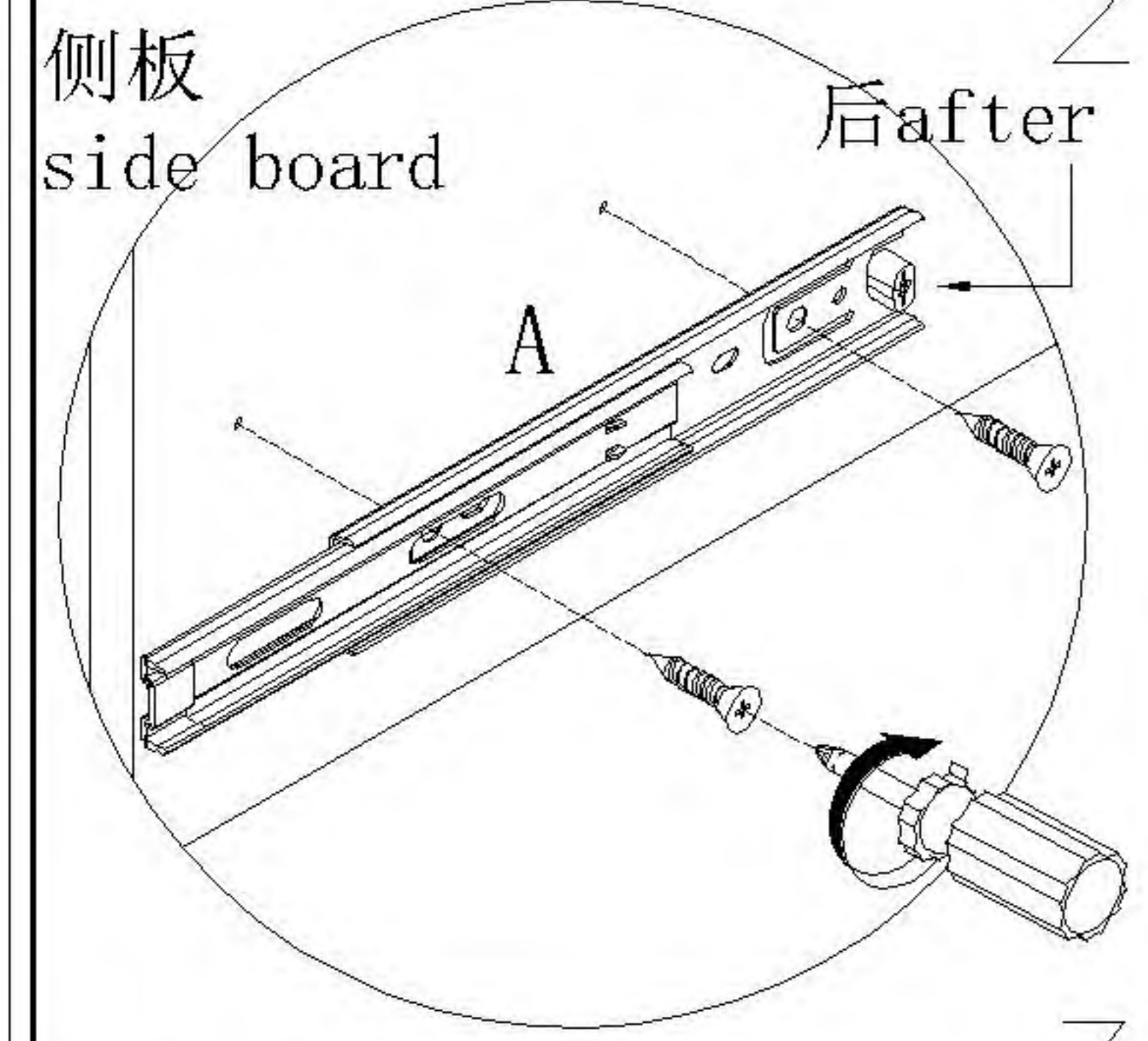
RU5T-A (1.2m)

安装方法/  
Installation method

阀门开关(下压为开)  
Valve switch  
(press down to open)

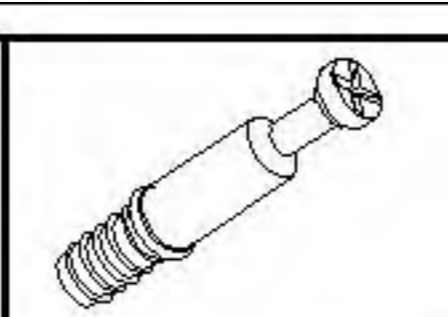


注: 先将A与B拆下来  
Note: remove a and B first

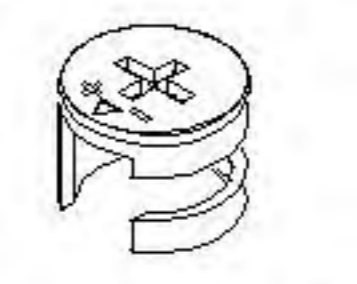


注: 将B对准A后推进去  
Note: align B with a  
and push it in

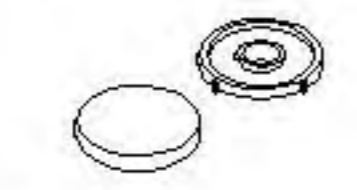
三节滚珠导轨  
three-section ball rail



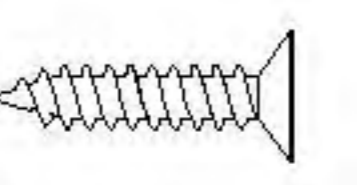
(A)\*16



(B)\*16



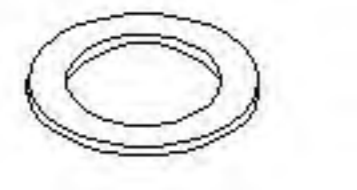
(I)\*6



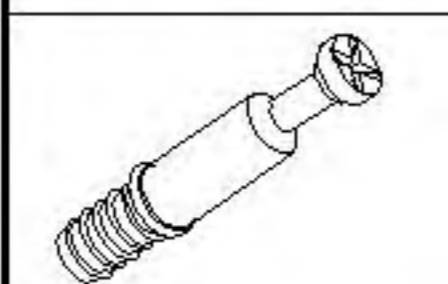
(Q)\*6



(P)\*2



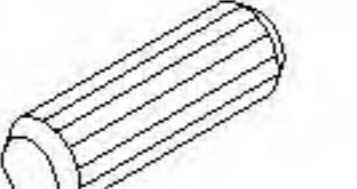
(R)\*6



(A)\*4

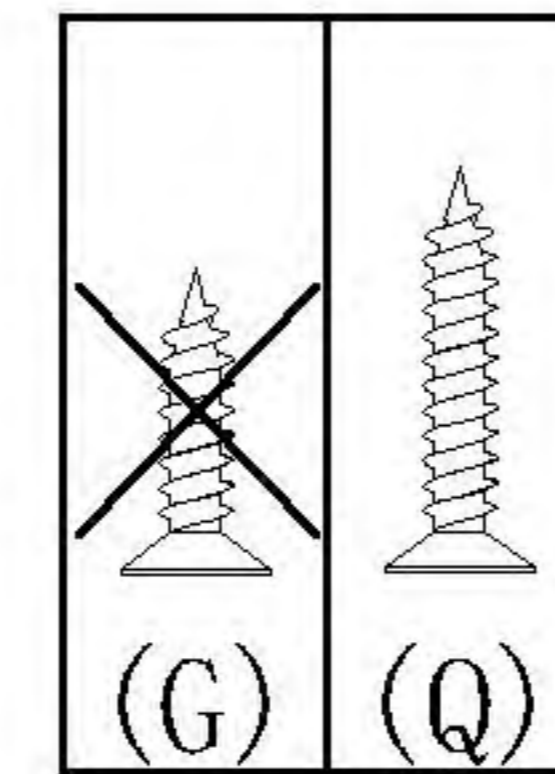
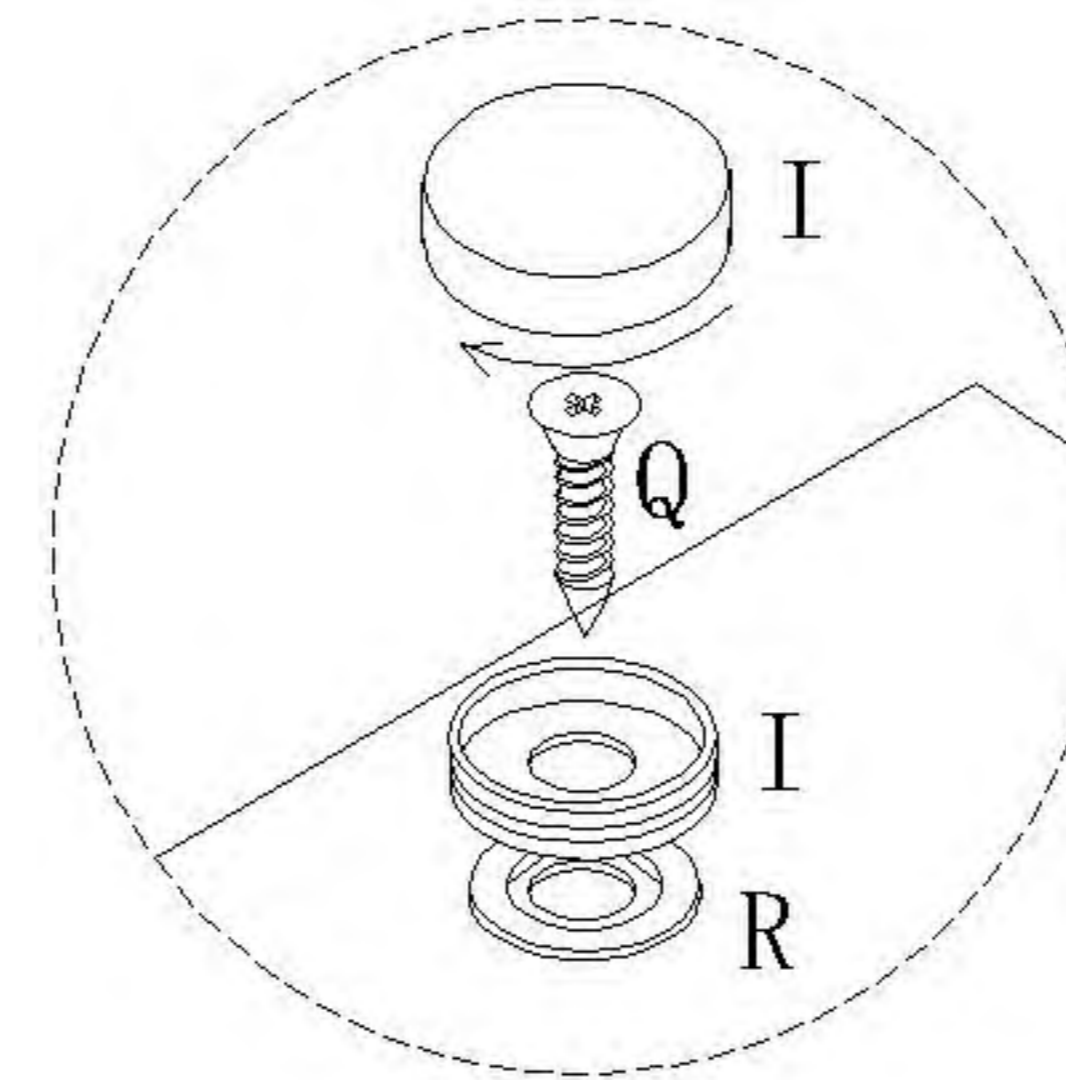
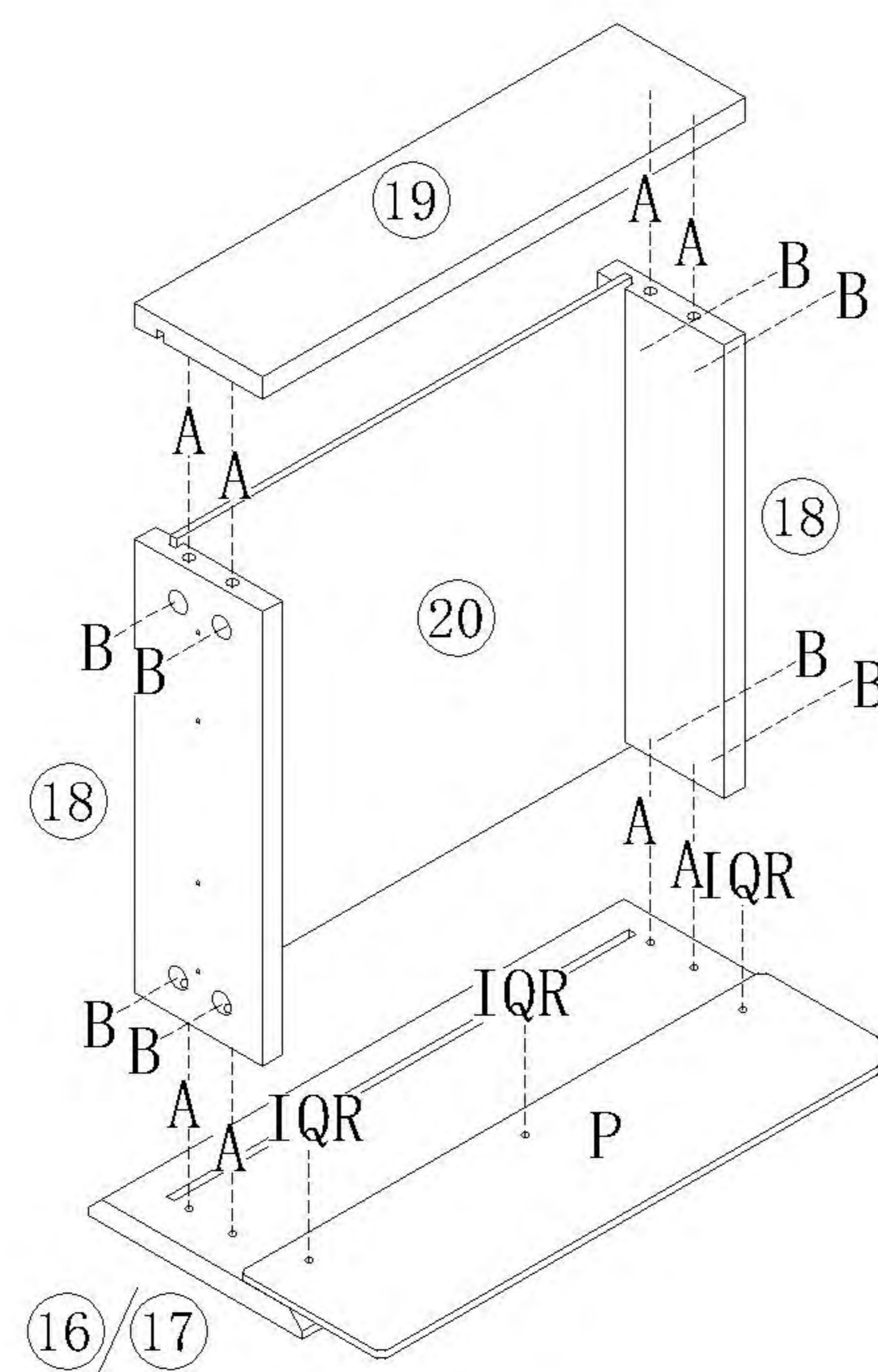


(B)\*4



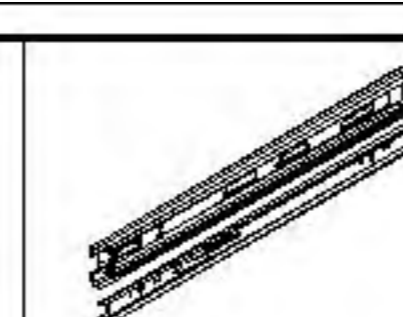
(C)\*4

4

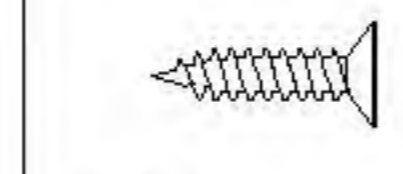


X2

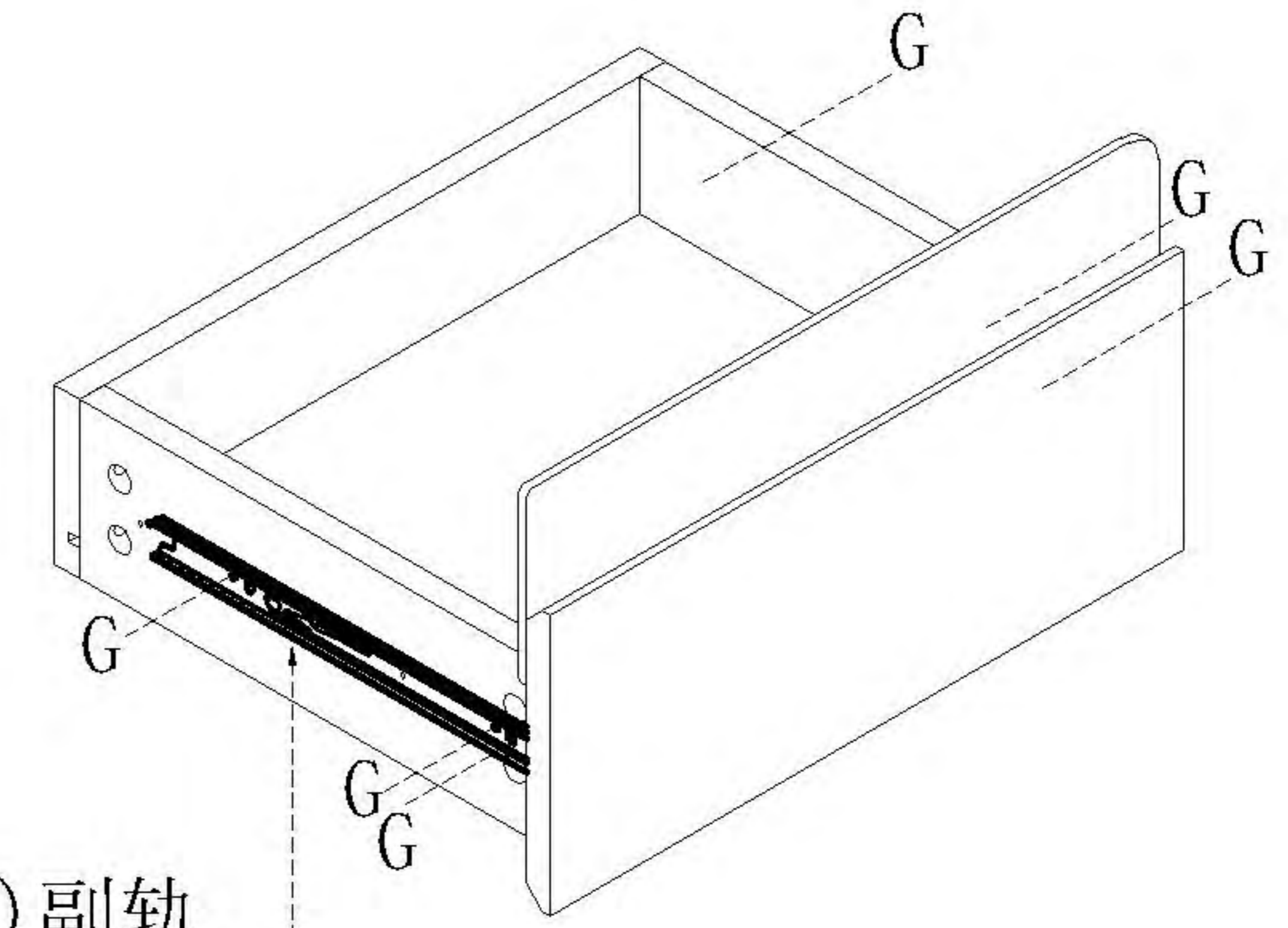
1



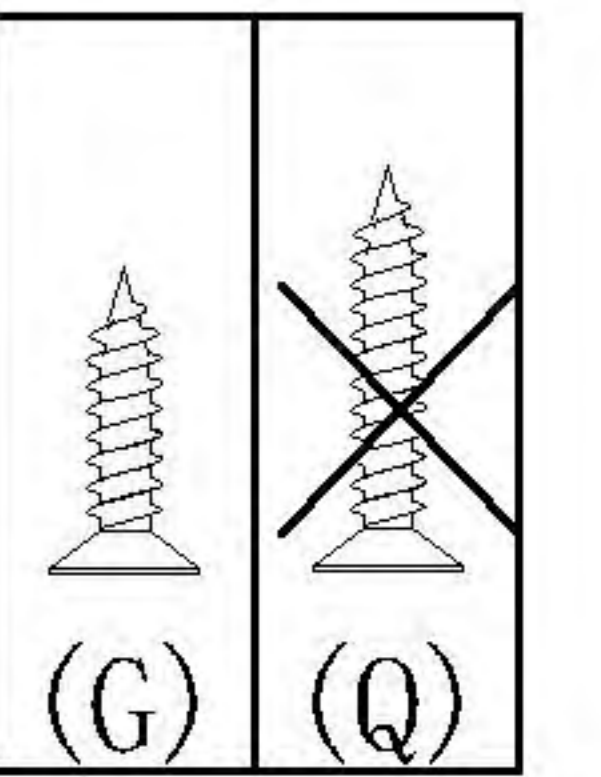
(D)\*2



(G)\*12



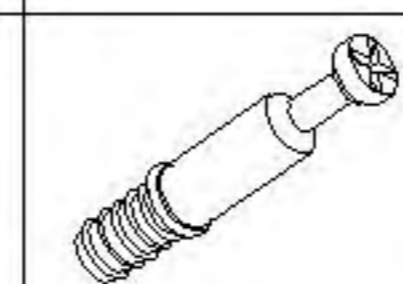
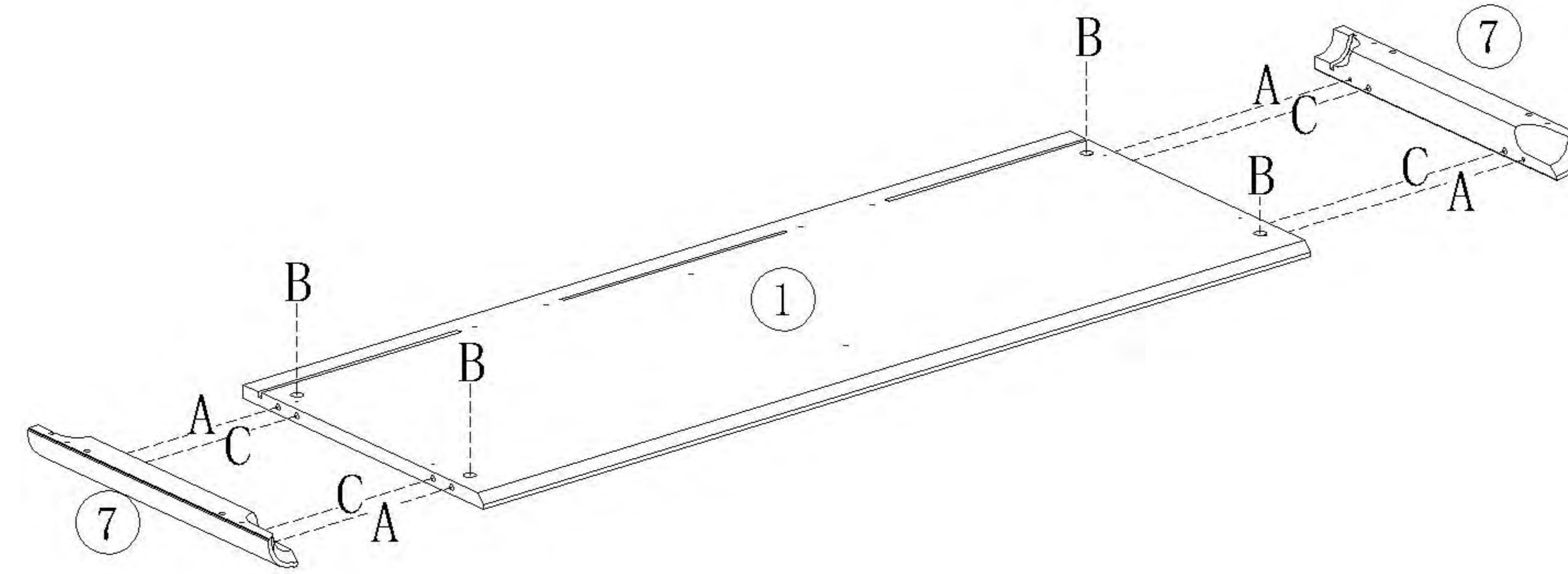
(D) 副轨  
Sub track



X2

2

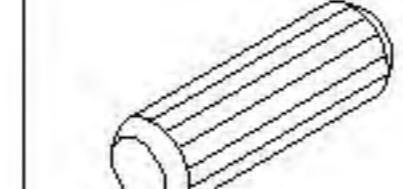
3



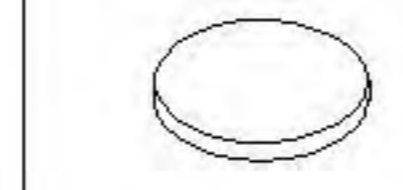
(A)\*4



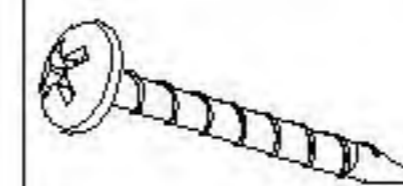
(B)\*4



(C)\*4

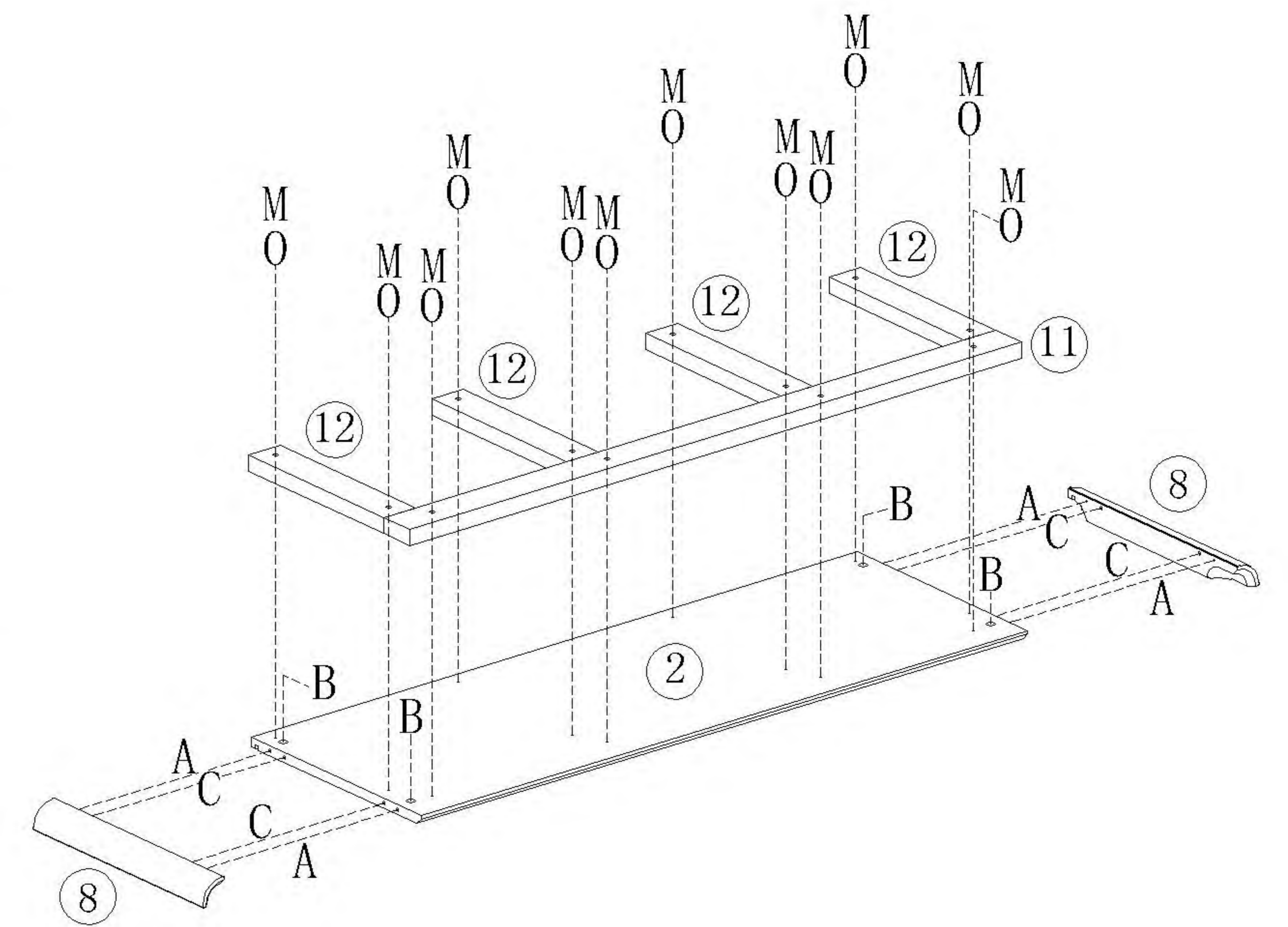


(M)\*12



(O)\*12

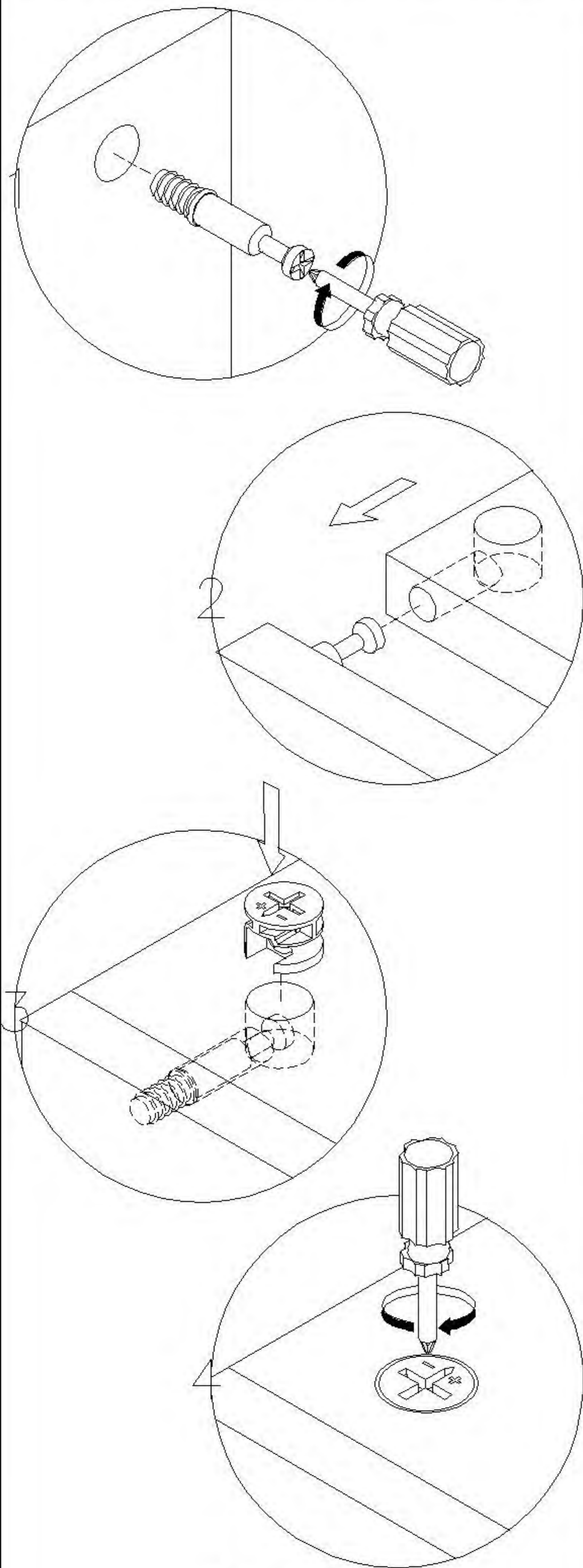
4



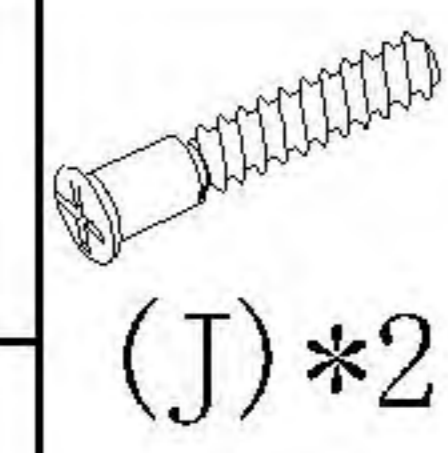
4

RU5T-A (1.2m)

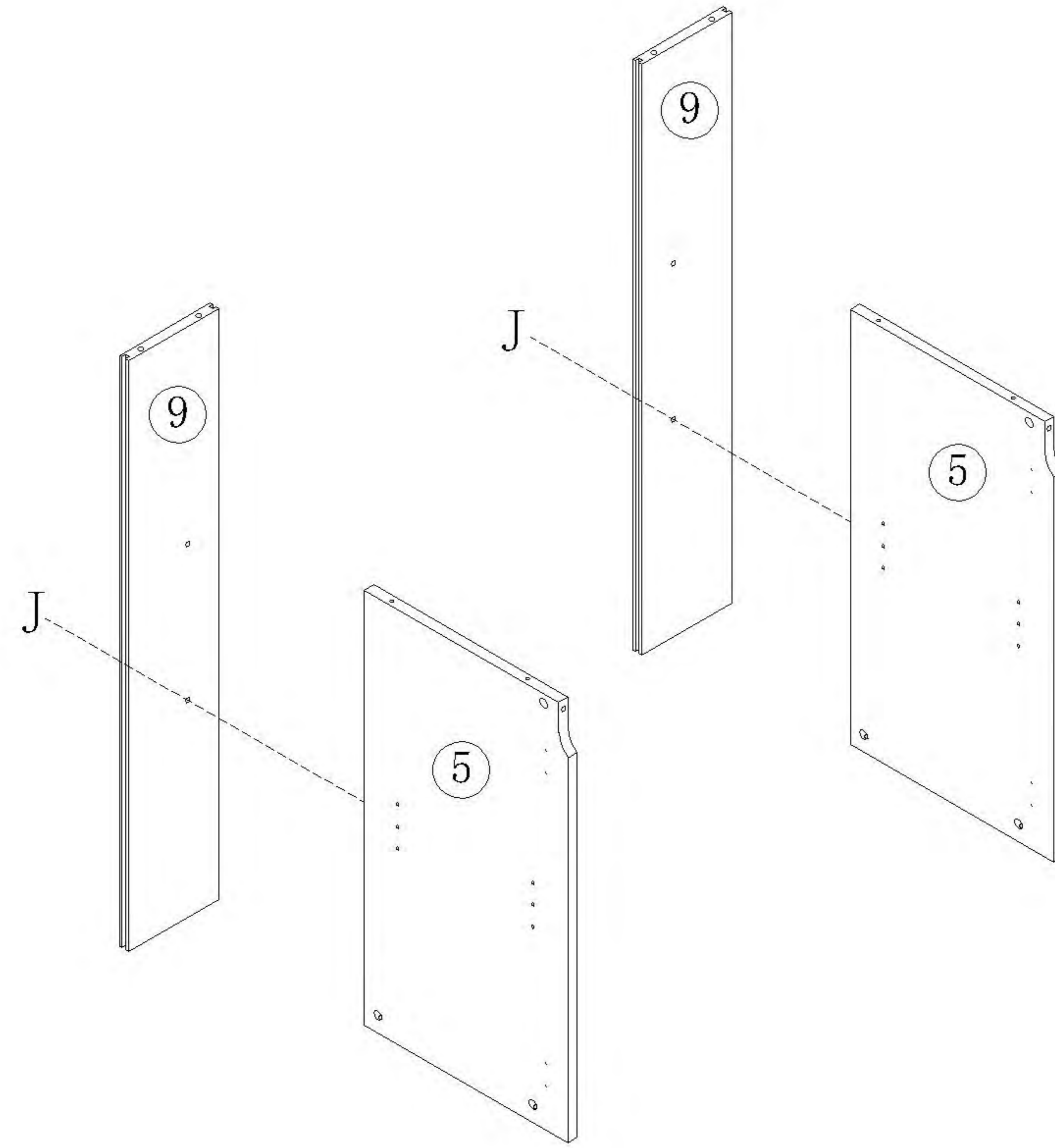
安装方法/  
Installation method



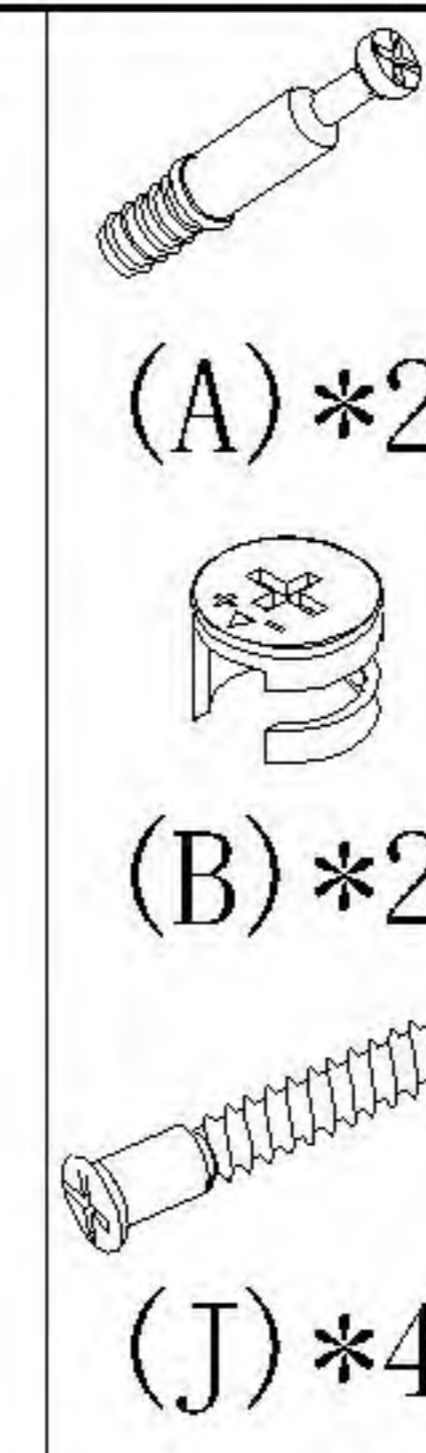
大二合一  
two-in-one



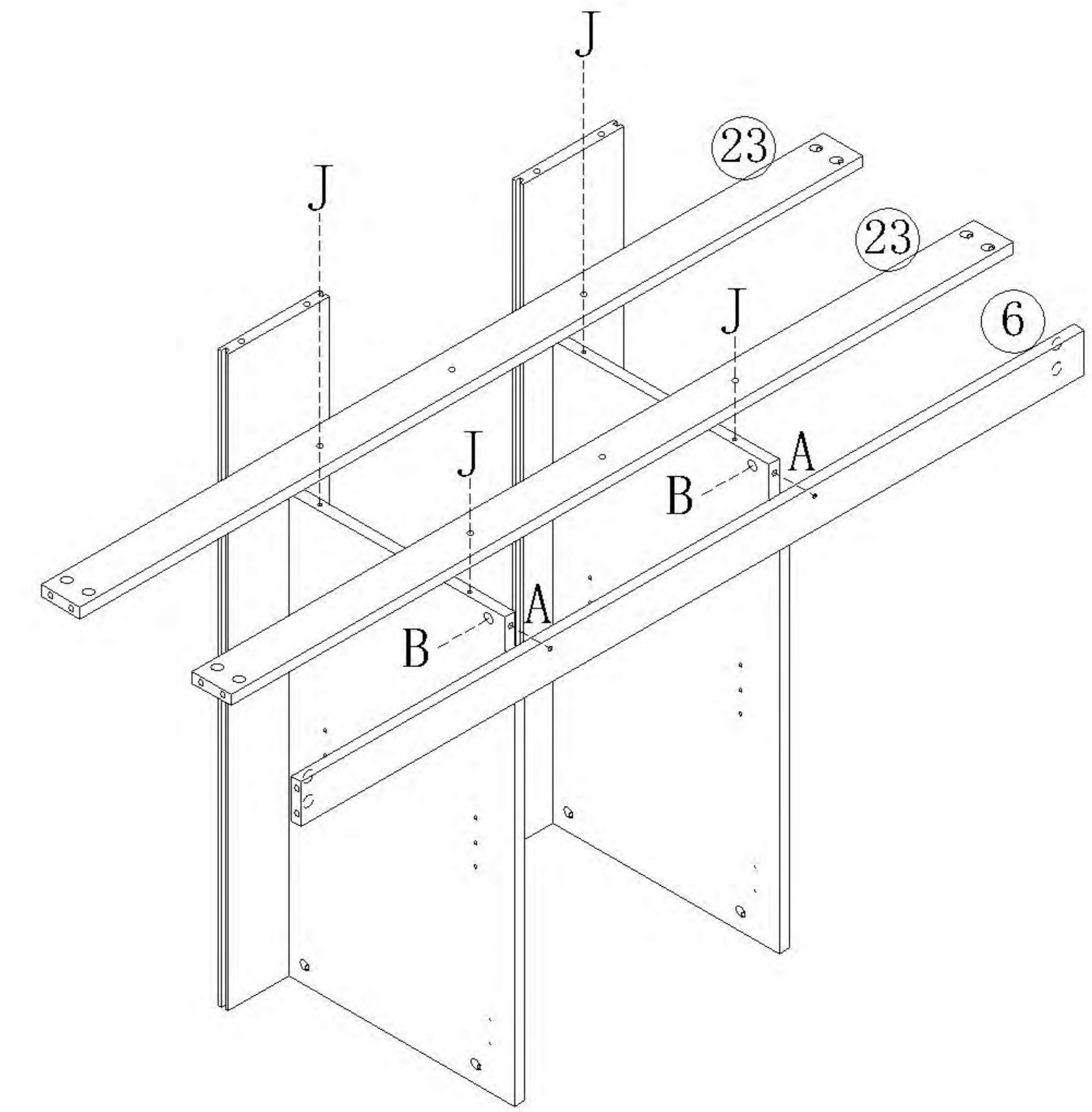
(J)\*2



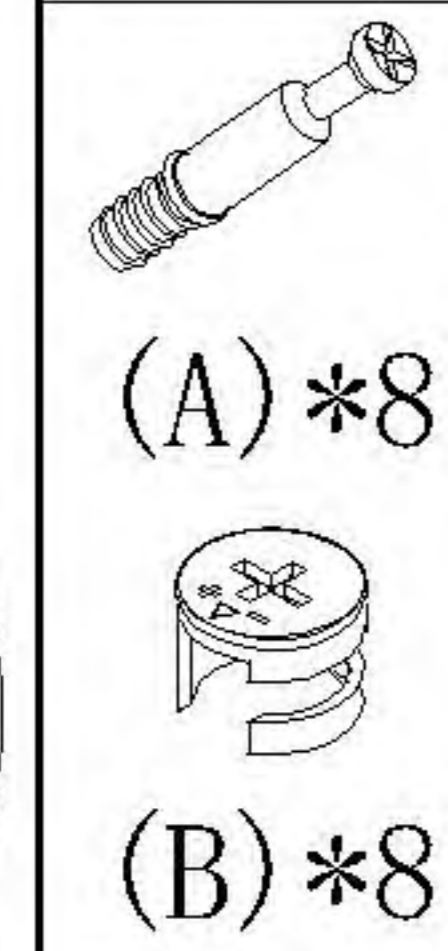
5



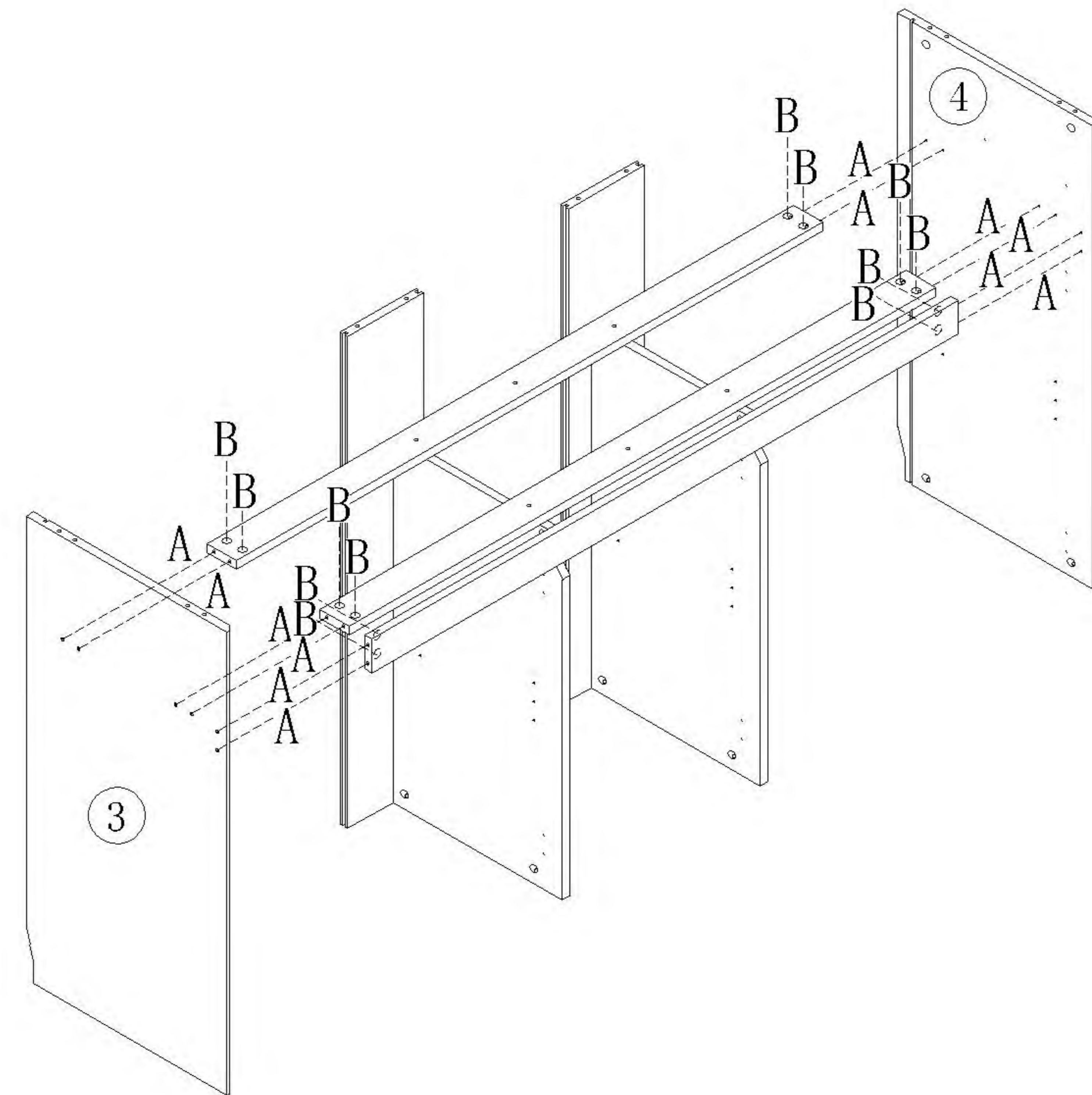
(A)\*2  
(B)\*2  
(J)\*4



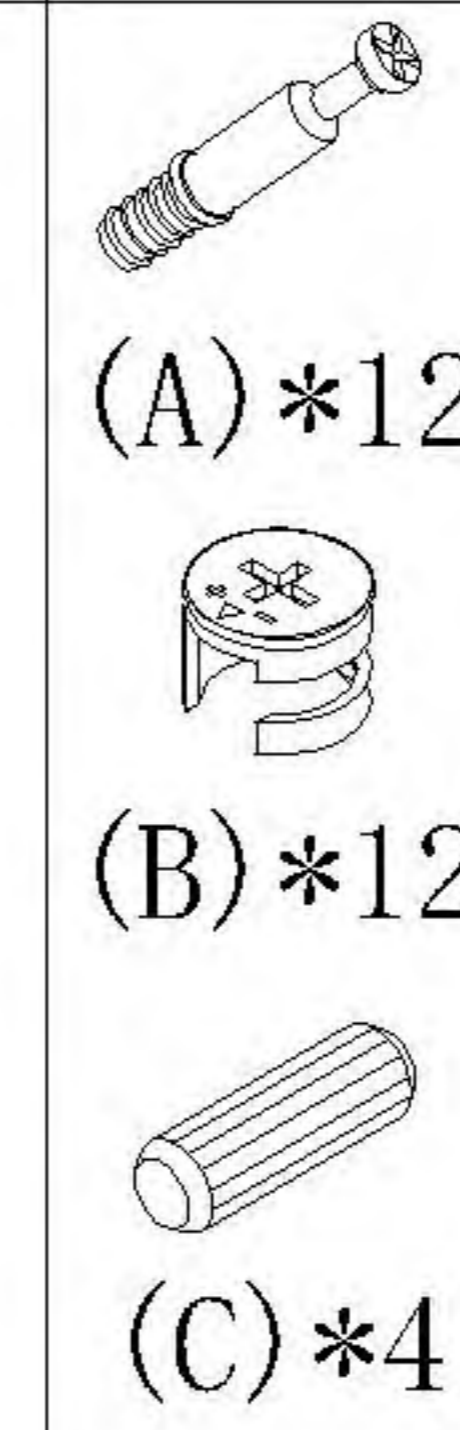
6



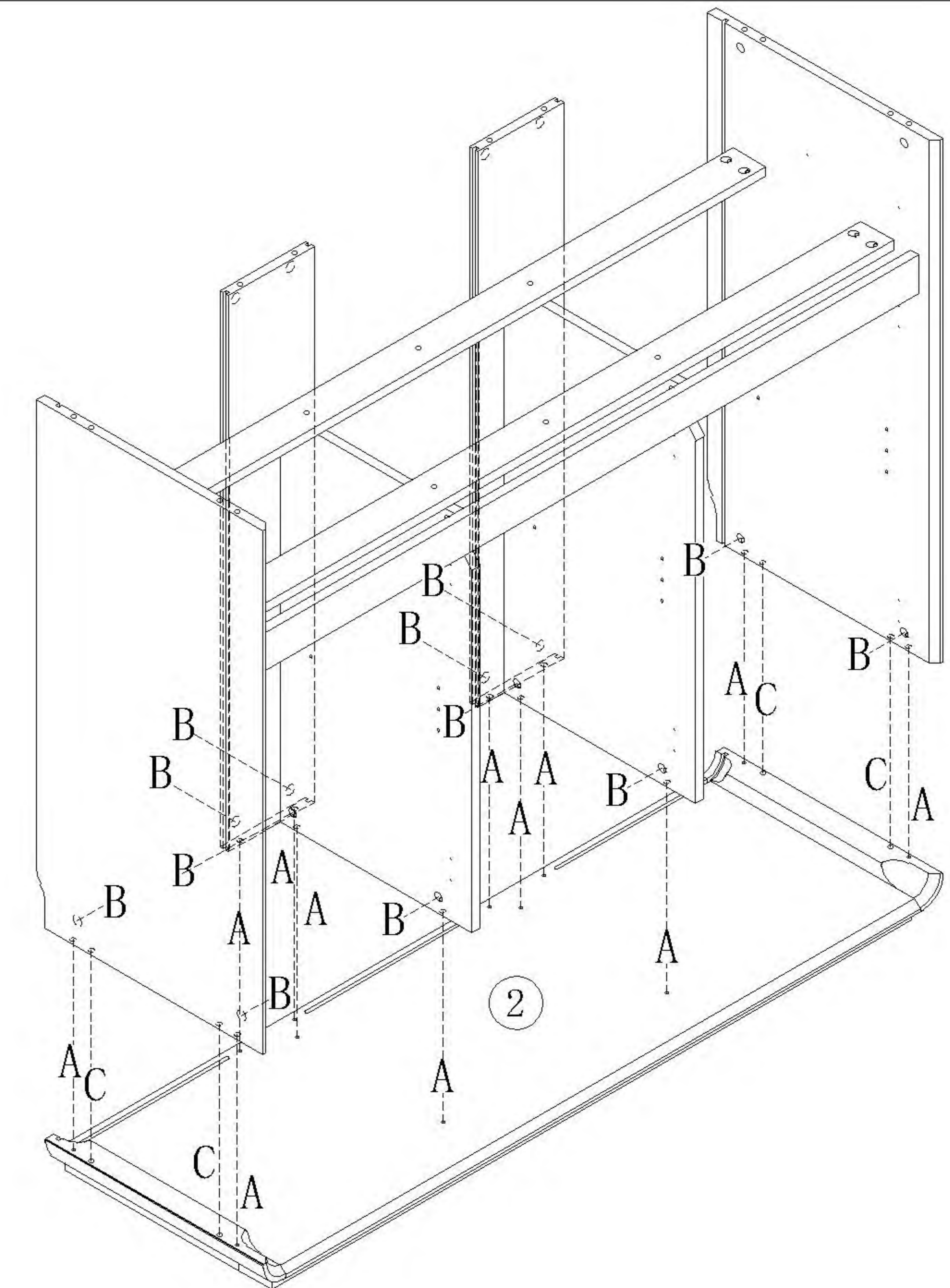
(A)\*8  
(B)\*8



7



(A)\*12  
(B)\*12  
(C)\*4



8

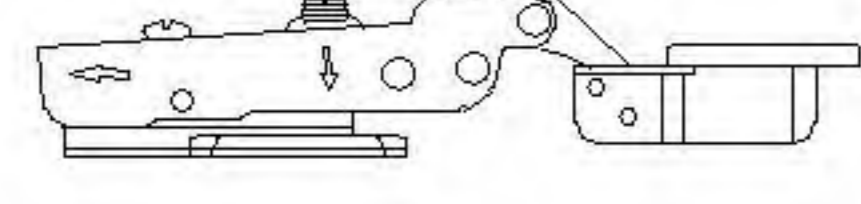
RU5T-A (1.2m)

安装方法/  
Installation method

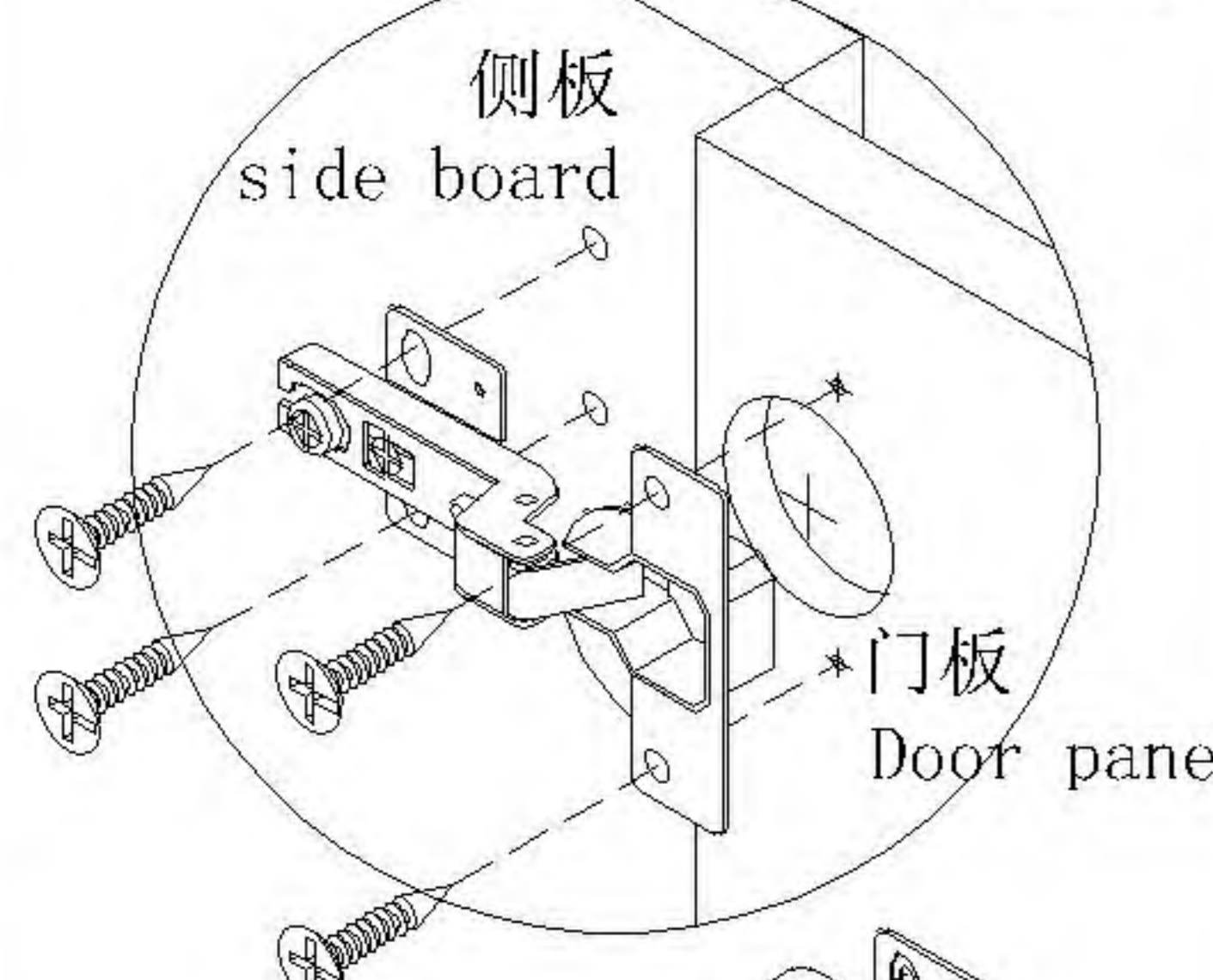
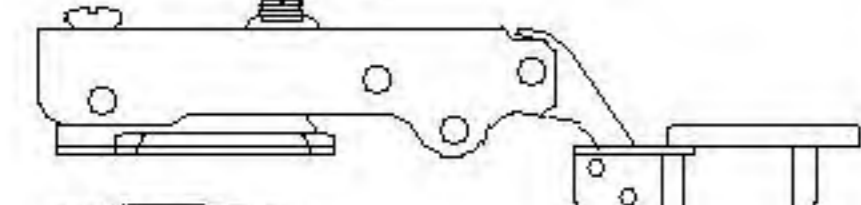
大弯big bend



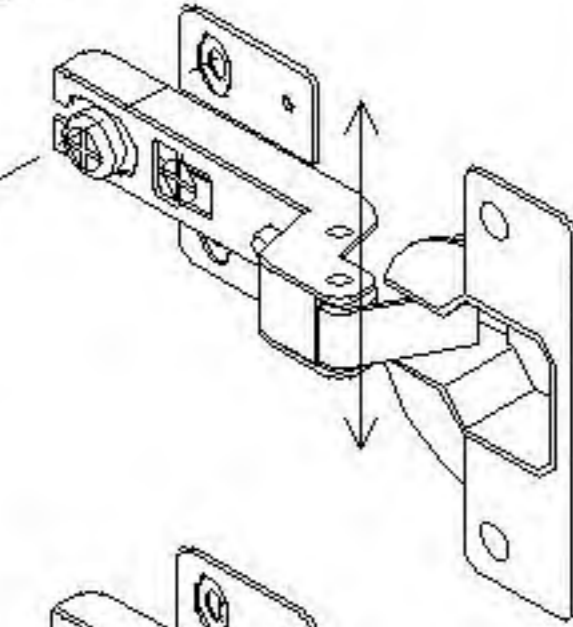
中弯middle bending



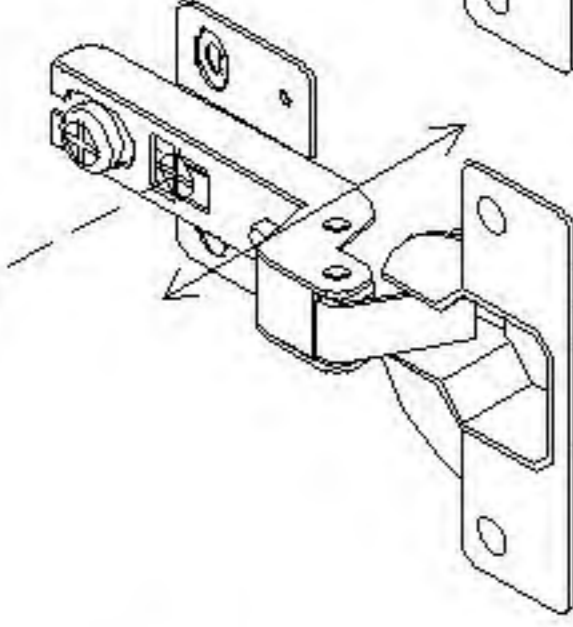
直弯straight bending



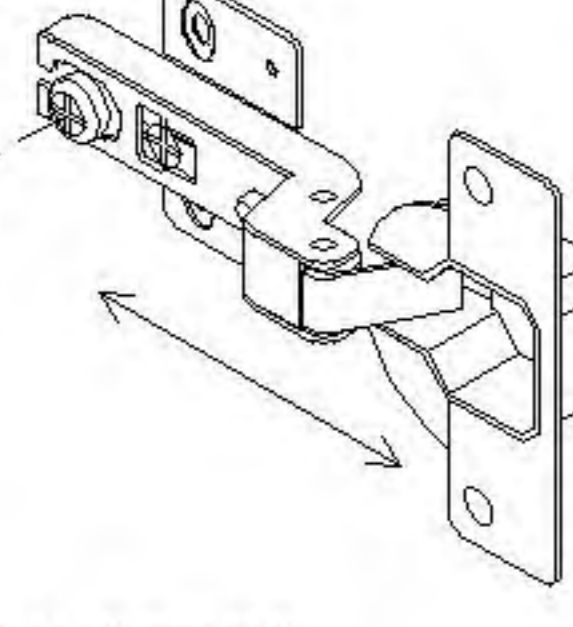
调节上下  
Adjust up and down



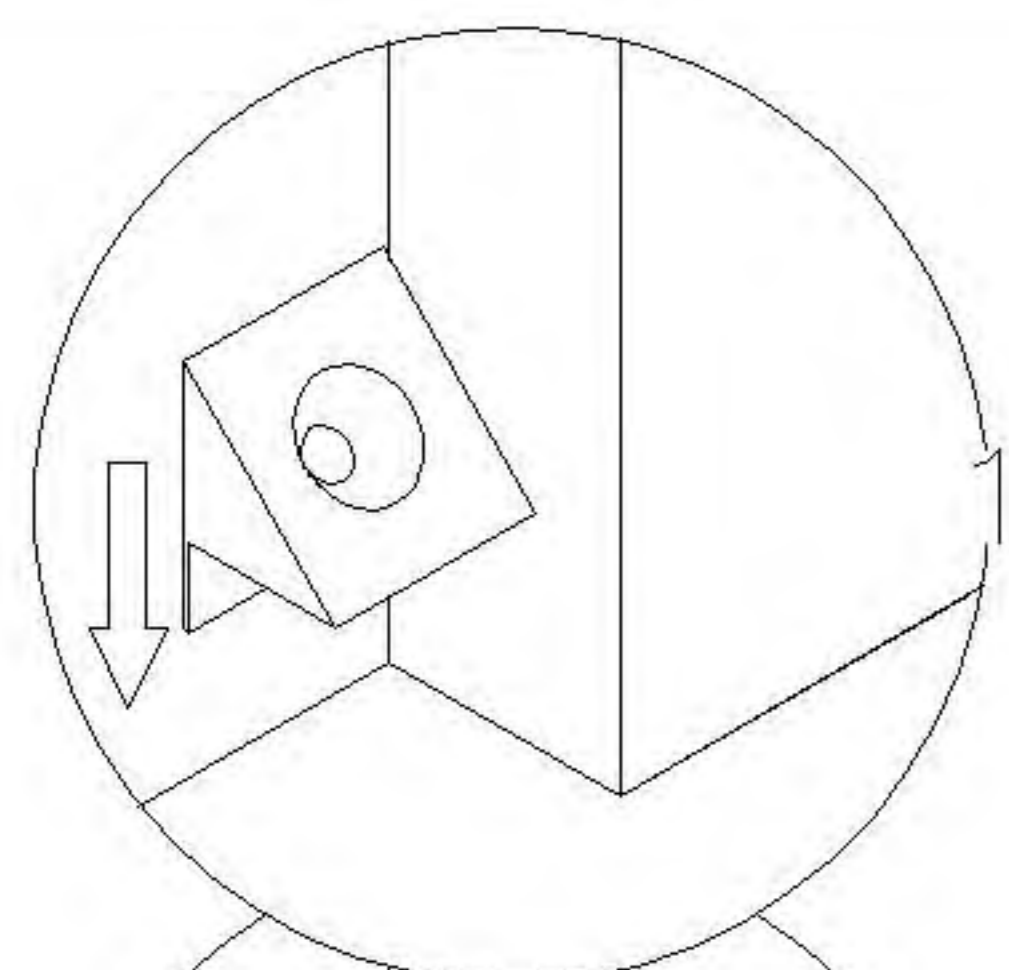
调节左右  
Adjust left and right



调节前后  
Before and after adjustment

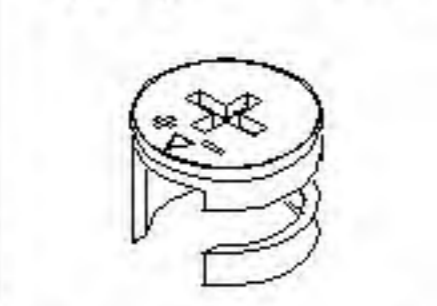


门铰  
Hinge

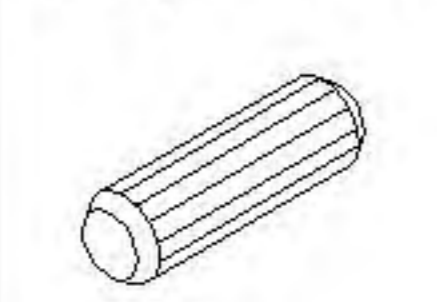


背板扣  
Back Plate Buckle

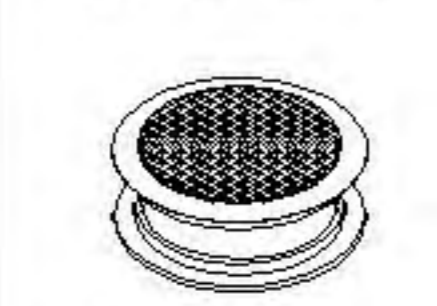
(A)\*10



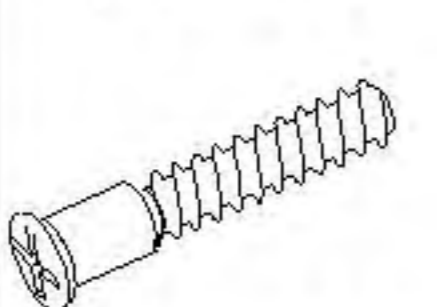
(B)\*10



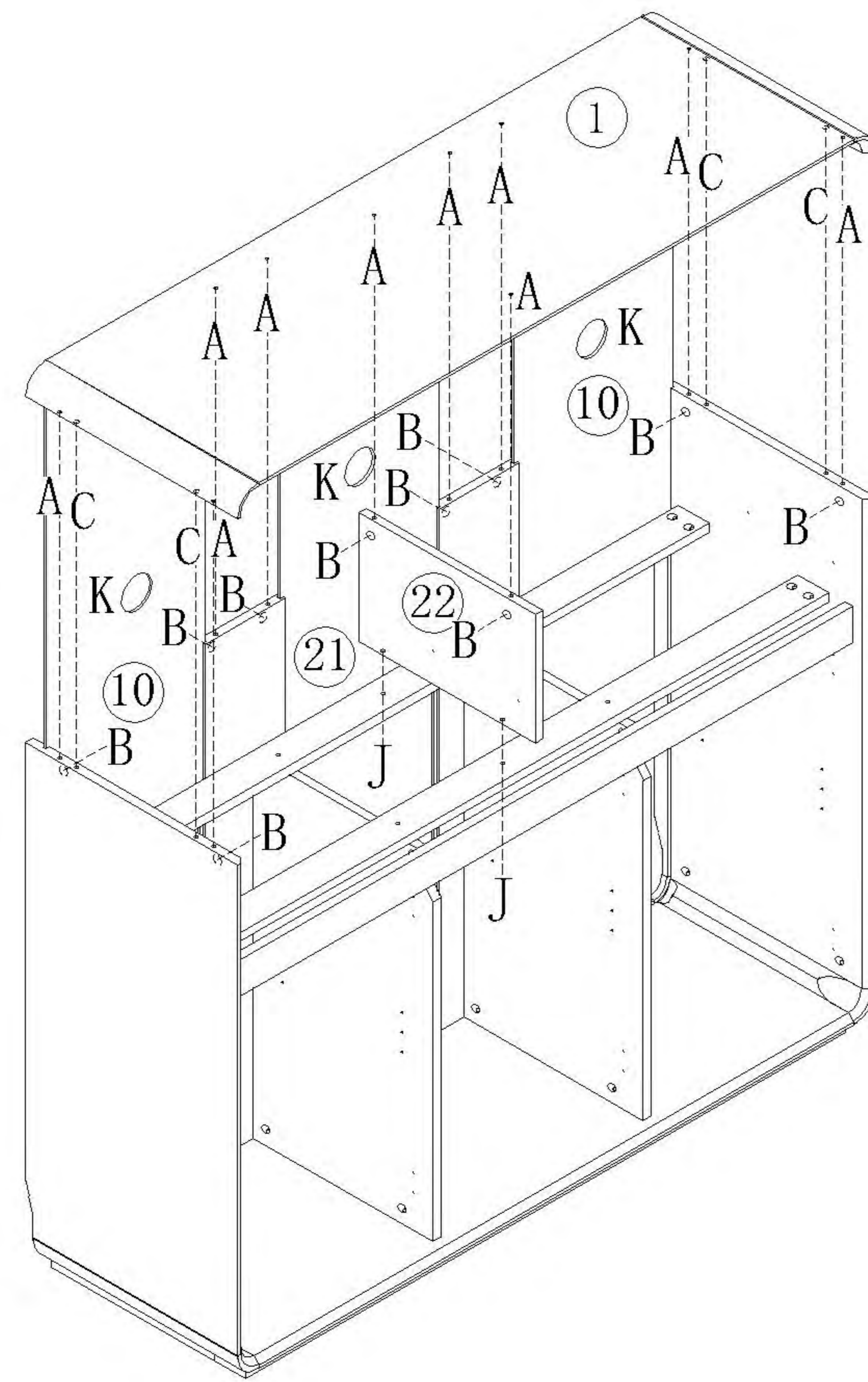
(C)\*4



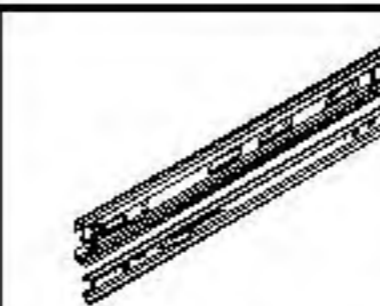
(K)\*3



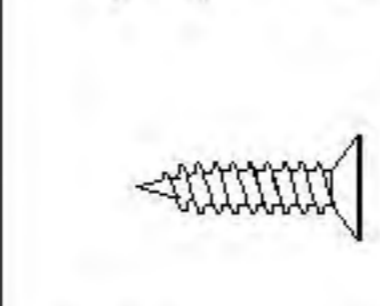
(J)\*2



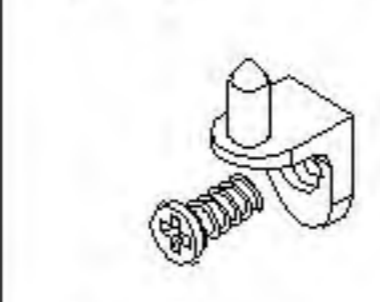
9



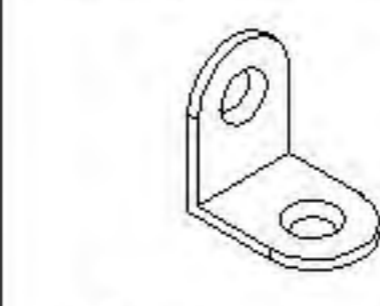
(D)\*2



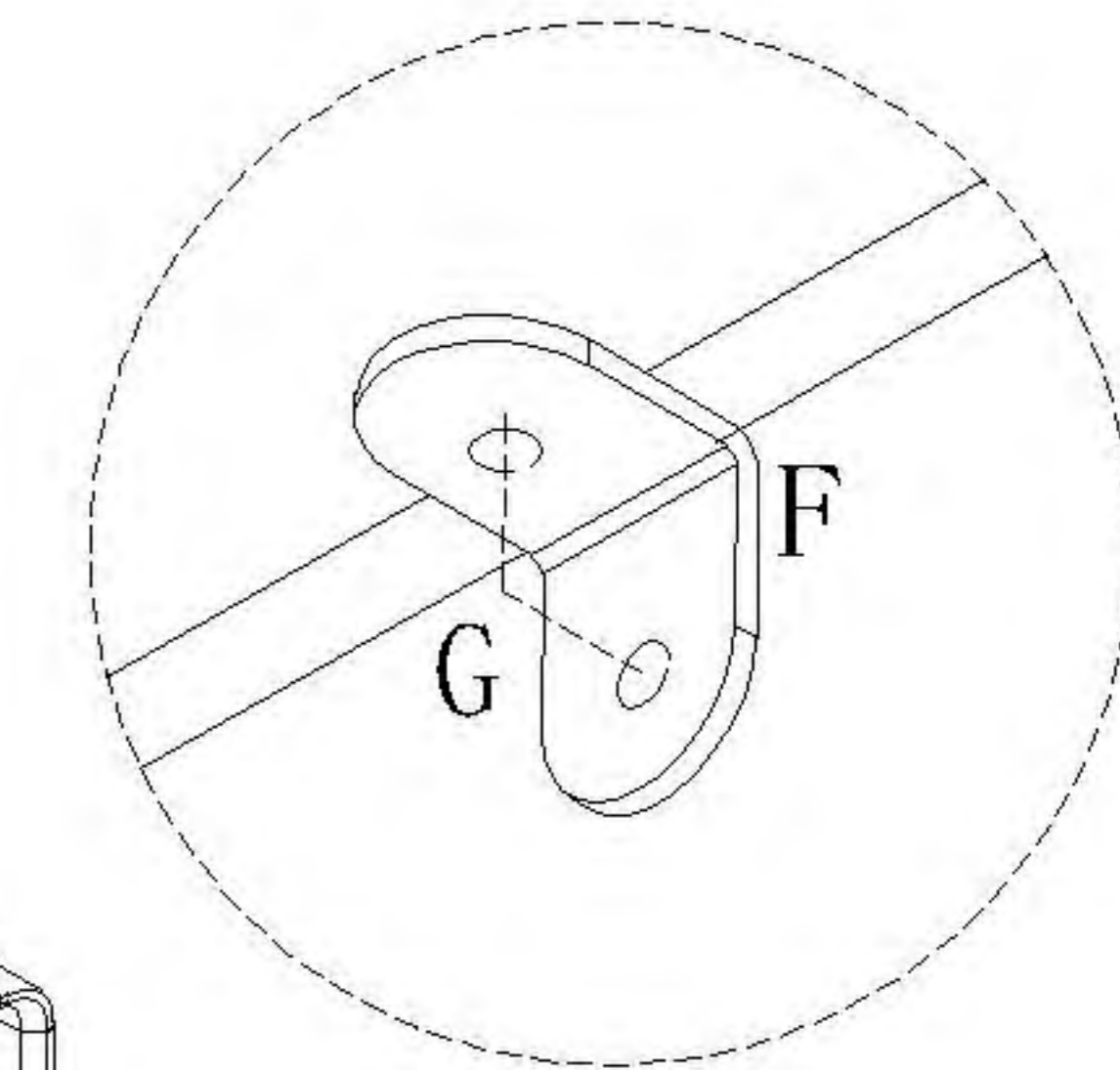
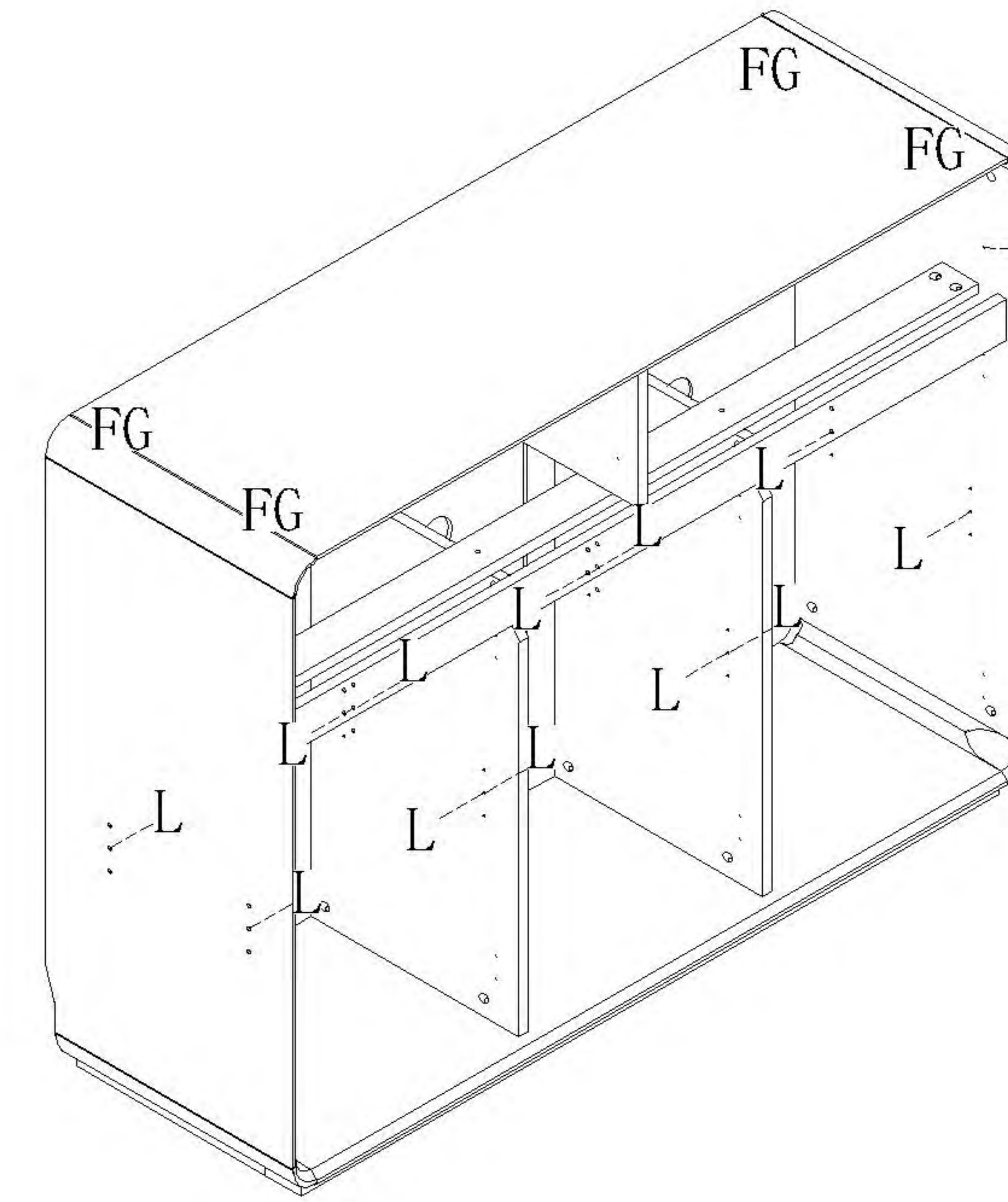
(G)\*20



(L)\*12

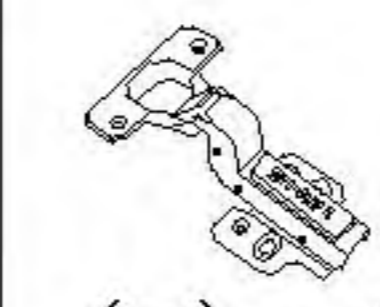


(F)\*4

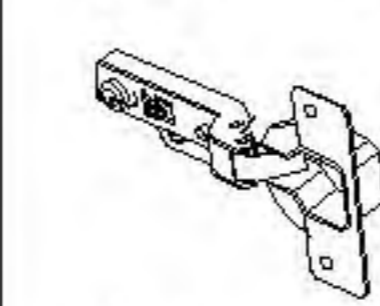


(D) 主轨  
Main track

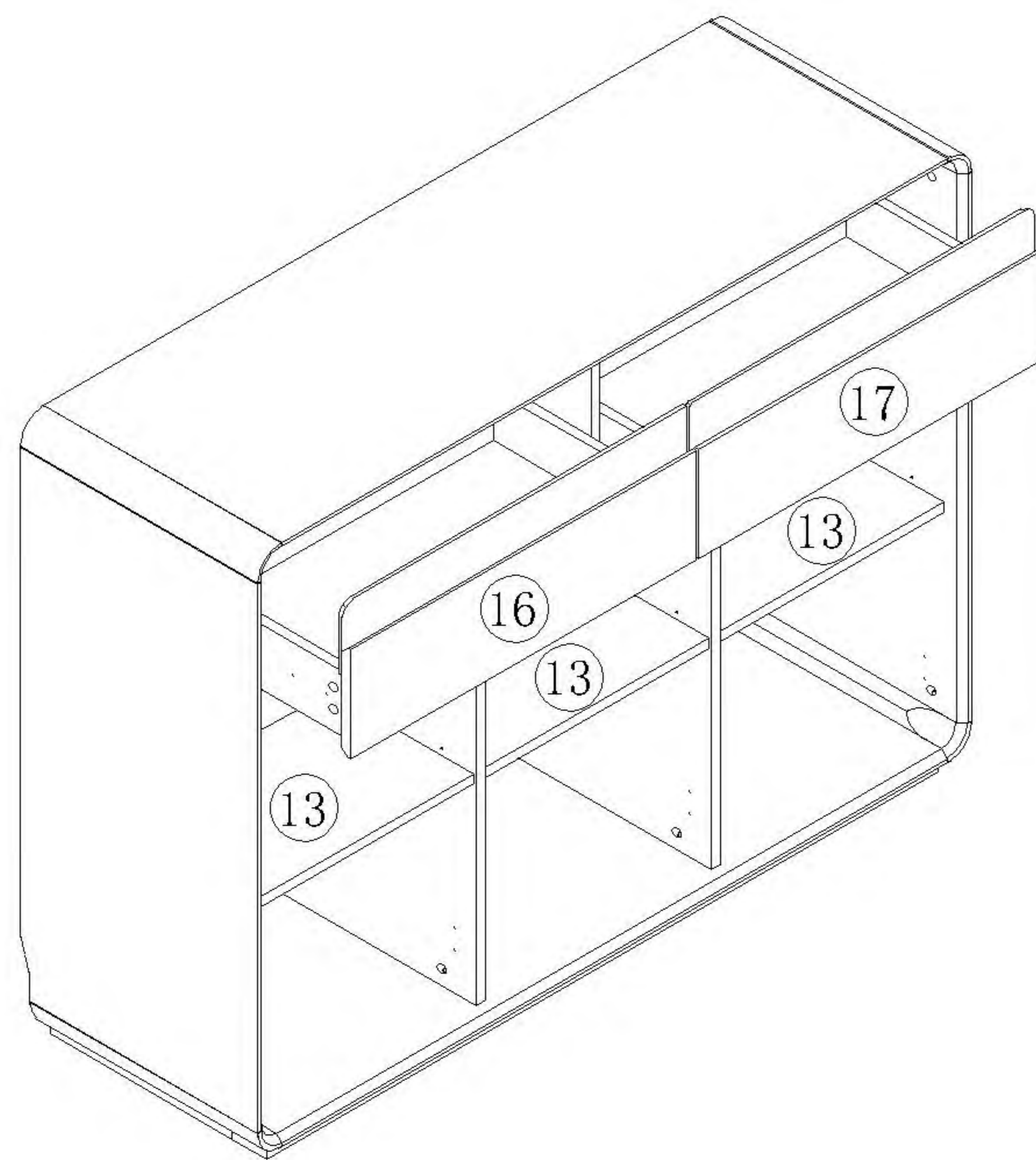
11



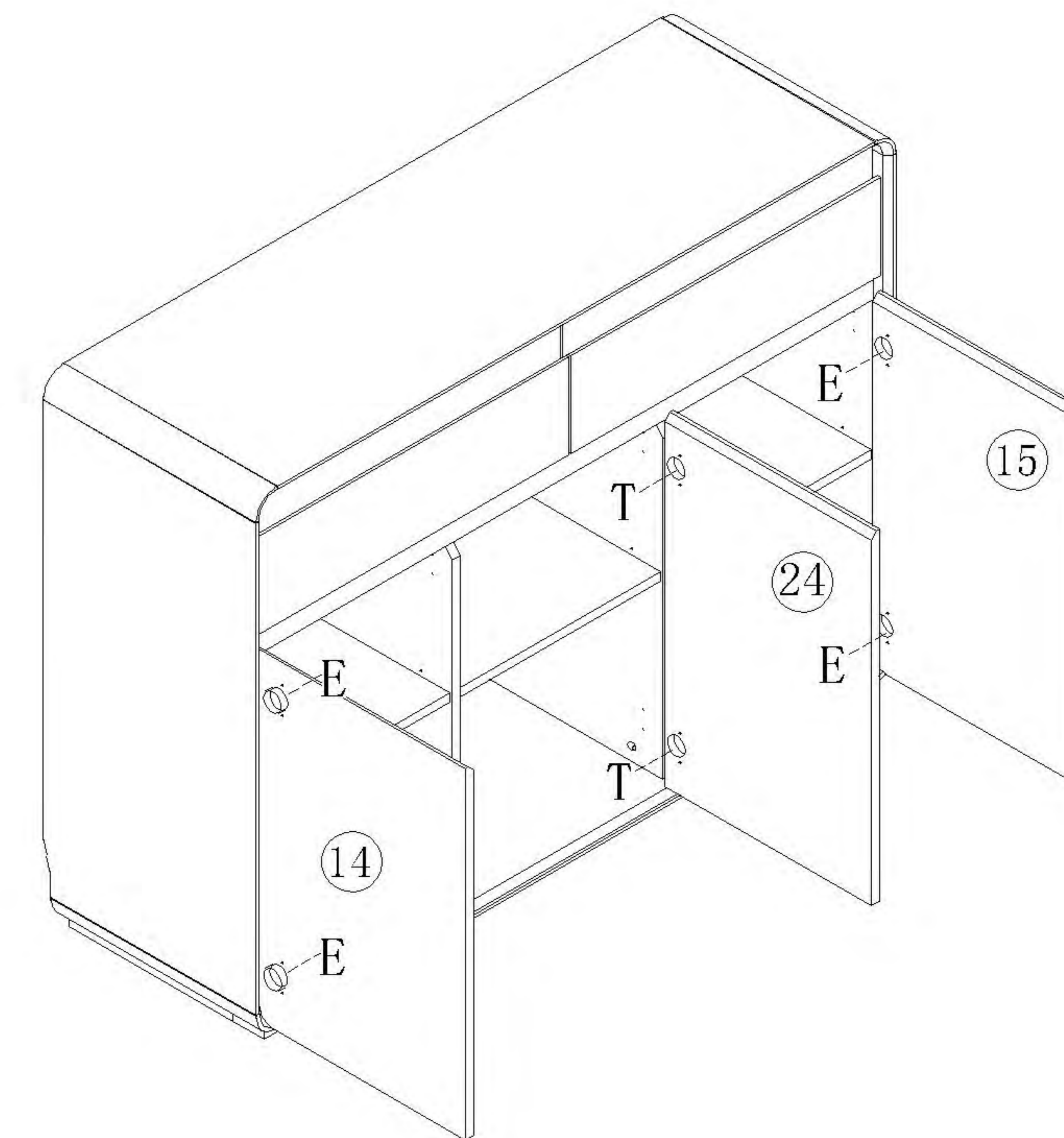
(E)\*4



(T)\*2

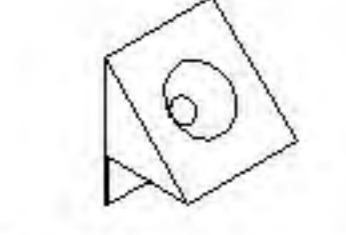
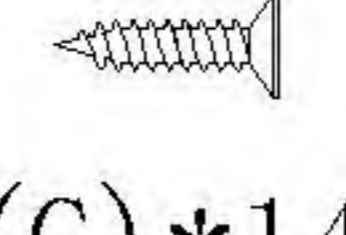


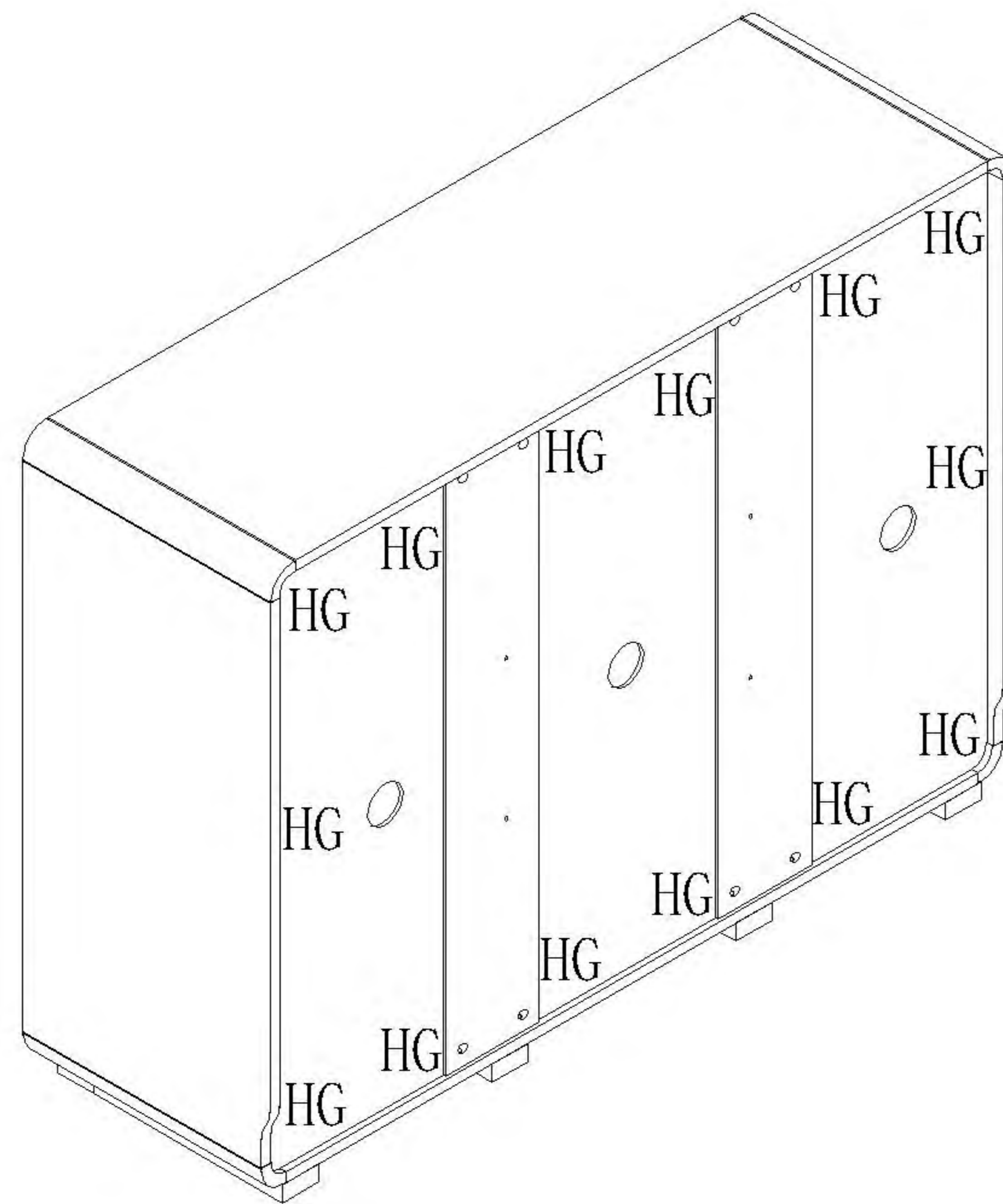
12



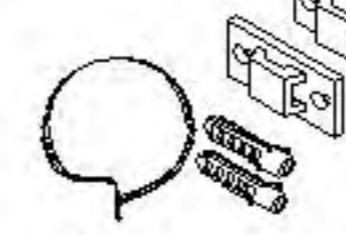
RU5T-A (1.2m)

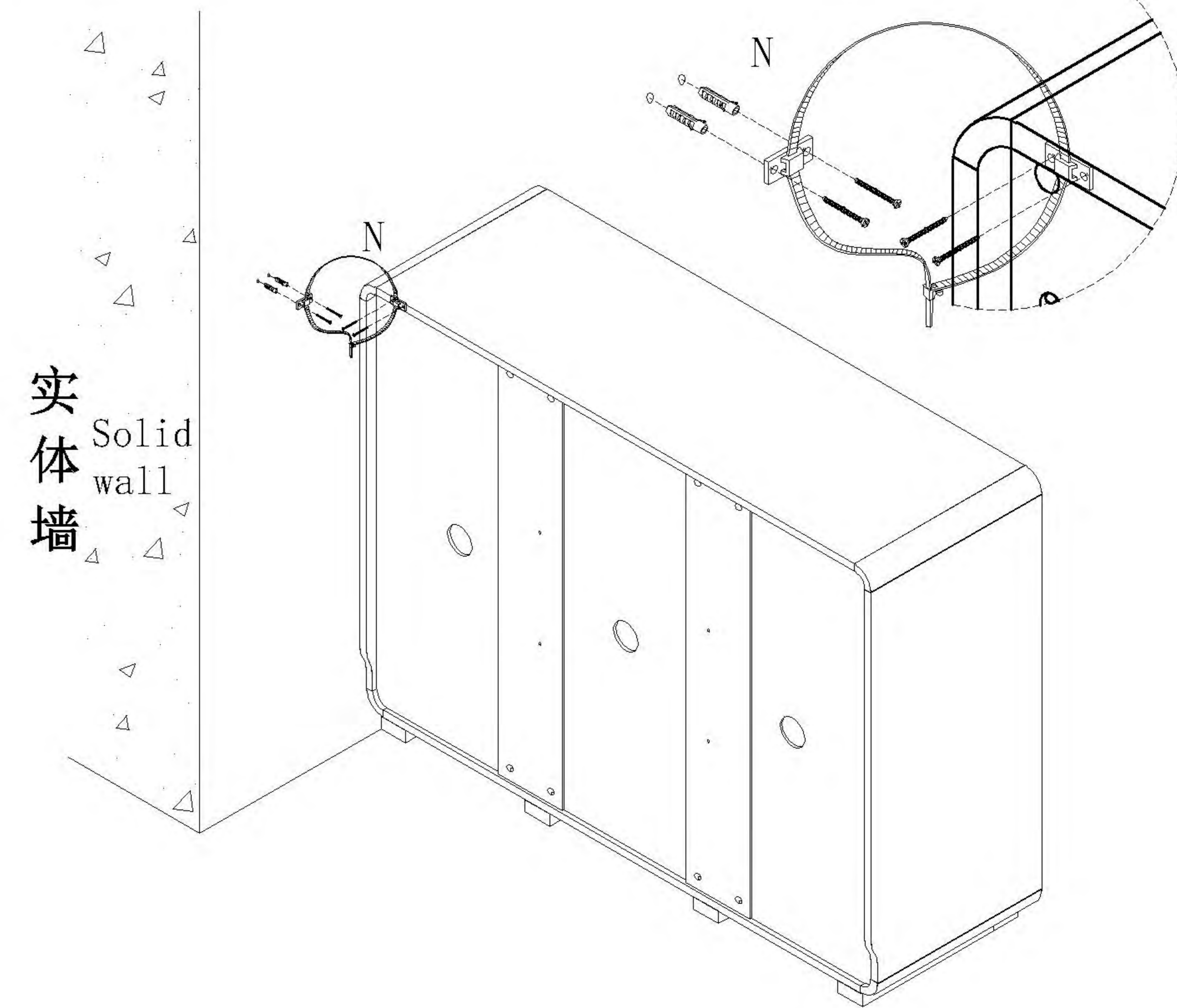
安装方法/  
Installation method

-  (H)\*14
-  (G)\*14



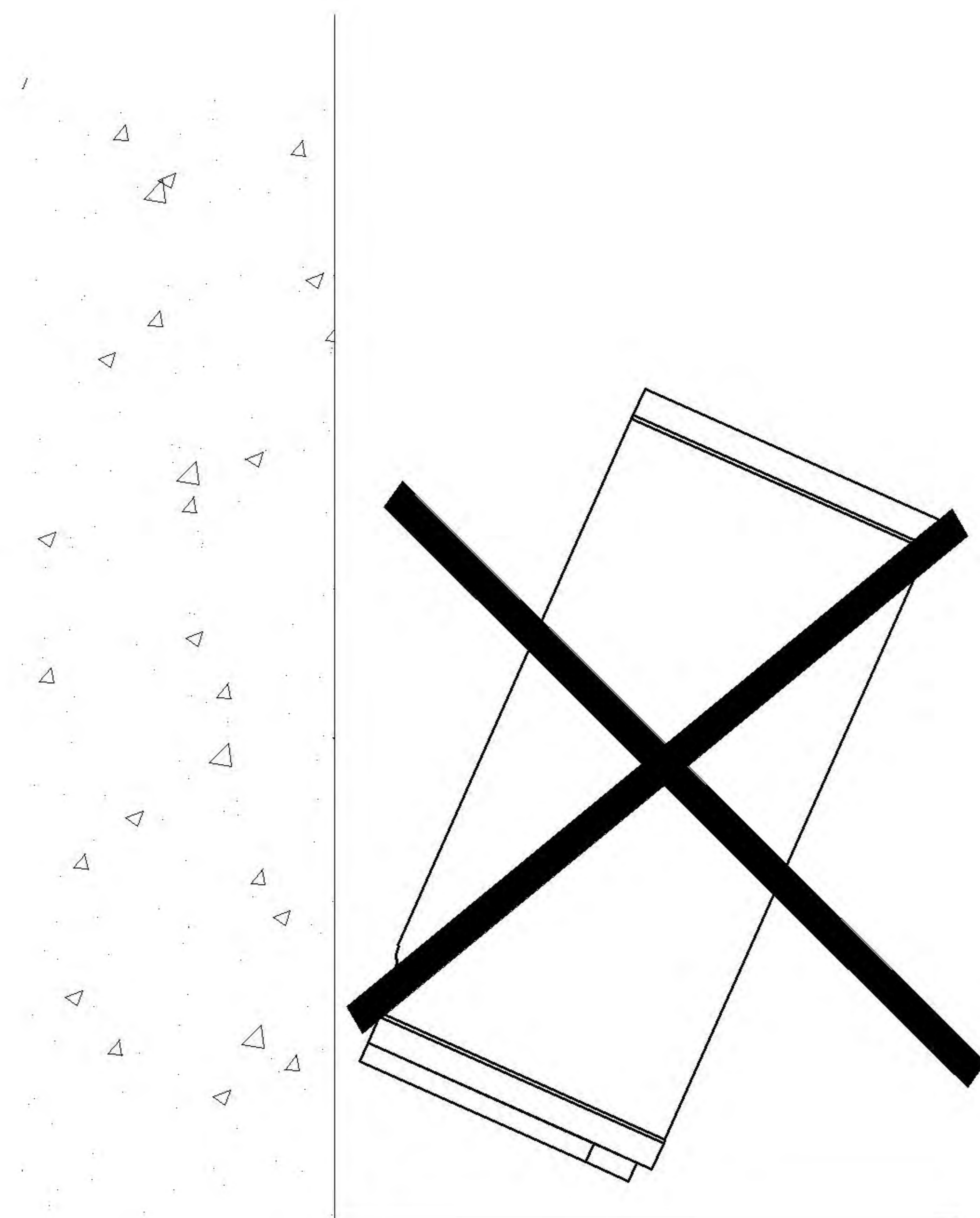
13

-  (N)\*1



14

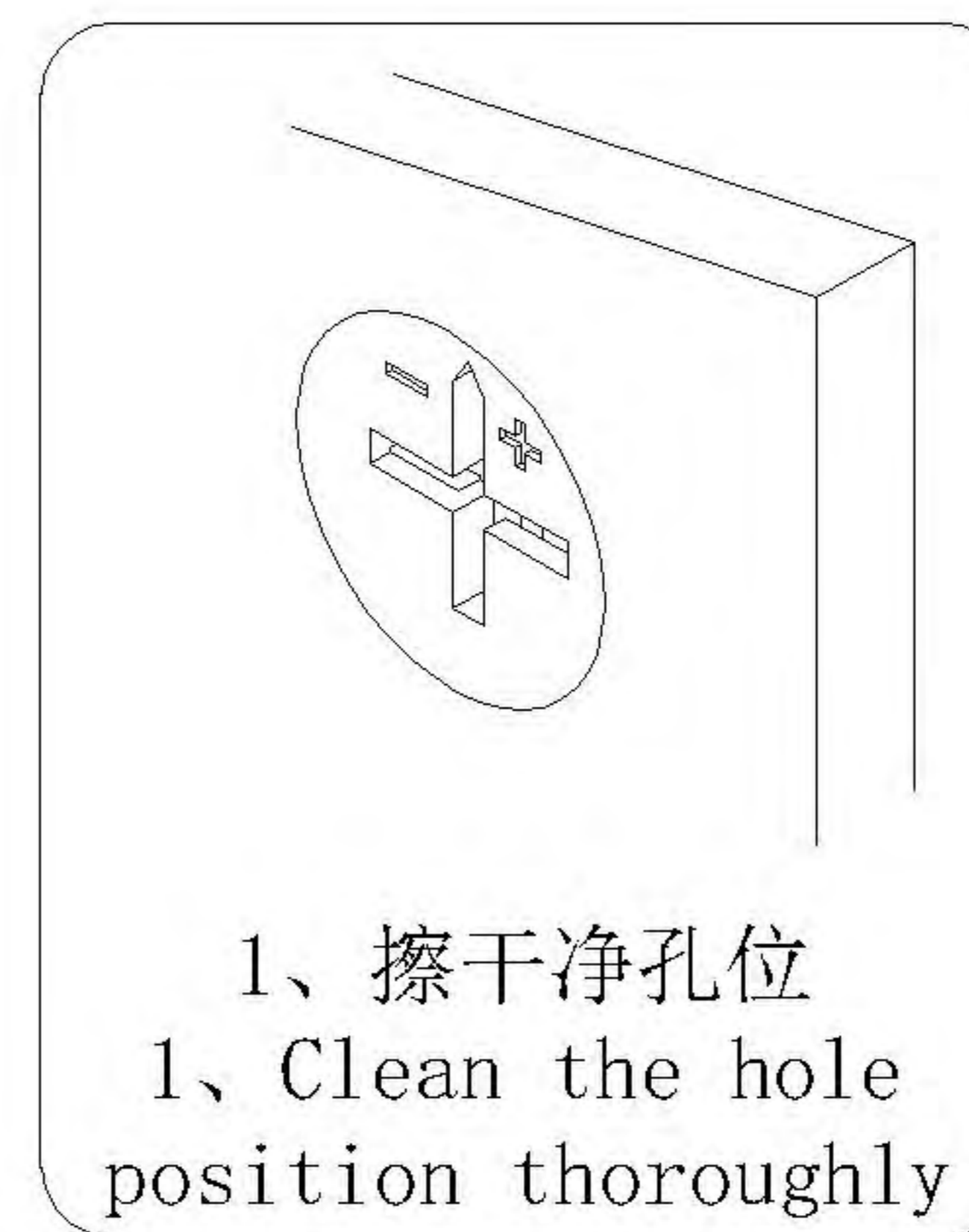
15



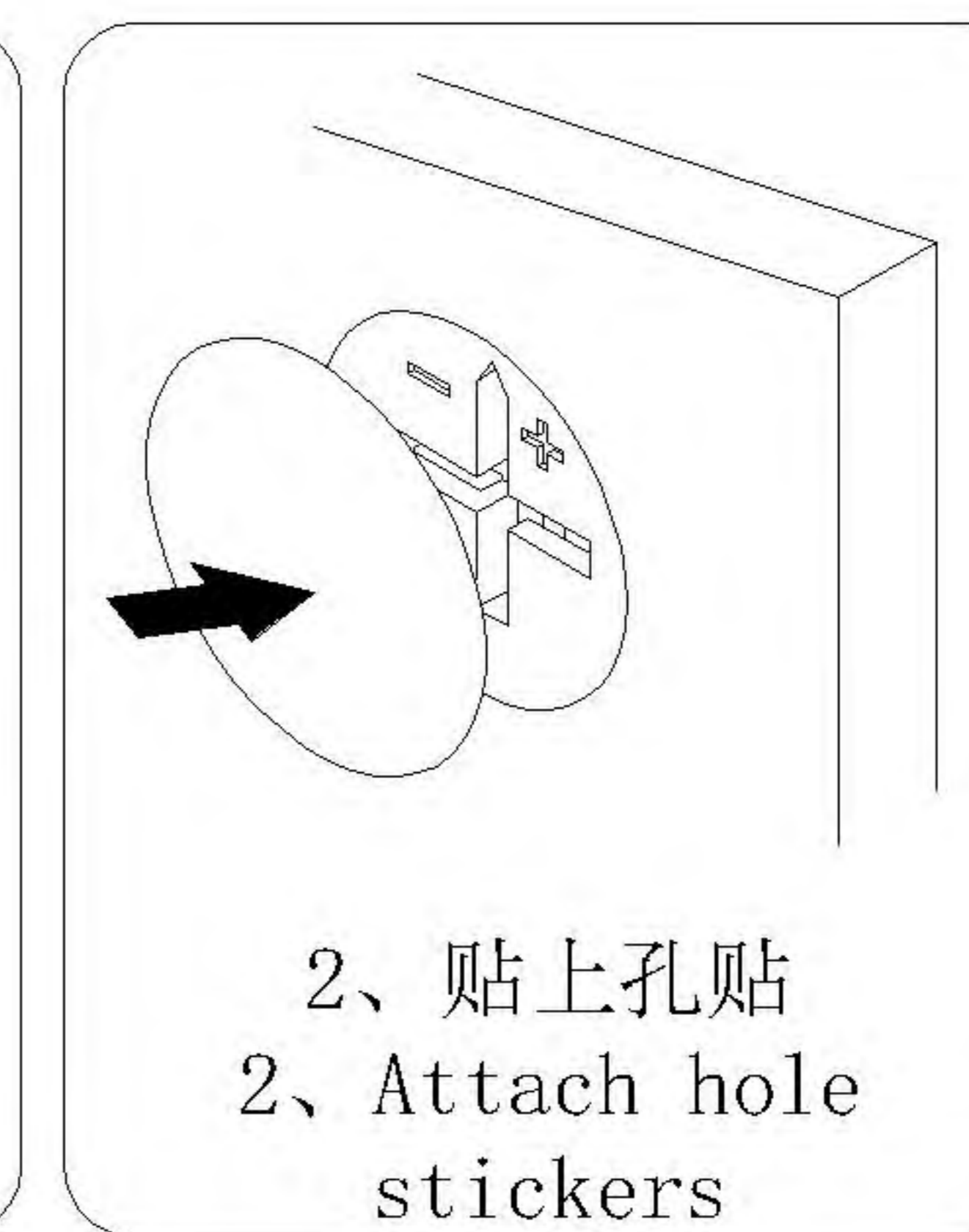
16

**孔位贴使用小贴士**  
产品安装完成后请贴上孔贴，多出的孔贴请保管好

**Tips for using hole stickers:**  
After the product installation is completed, please attach the hole stickers. Please keep any extra hole stickers safe



1、擦干净孔位  
1、Clean the hole position thoroughly



2、贴上孔贴  
2、Attach hole stickers



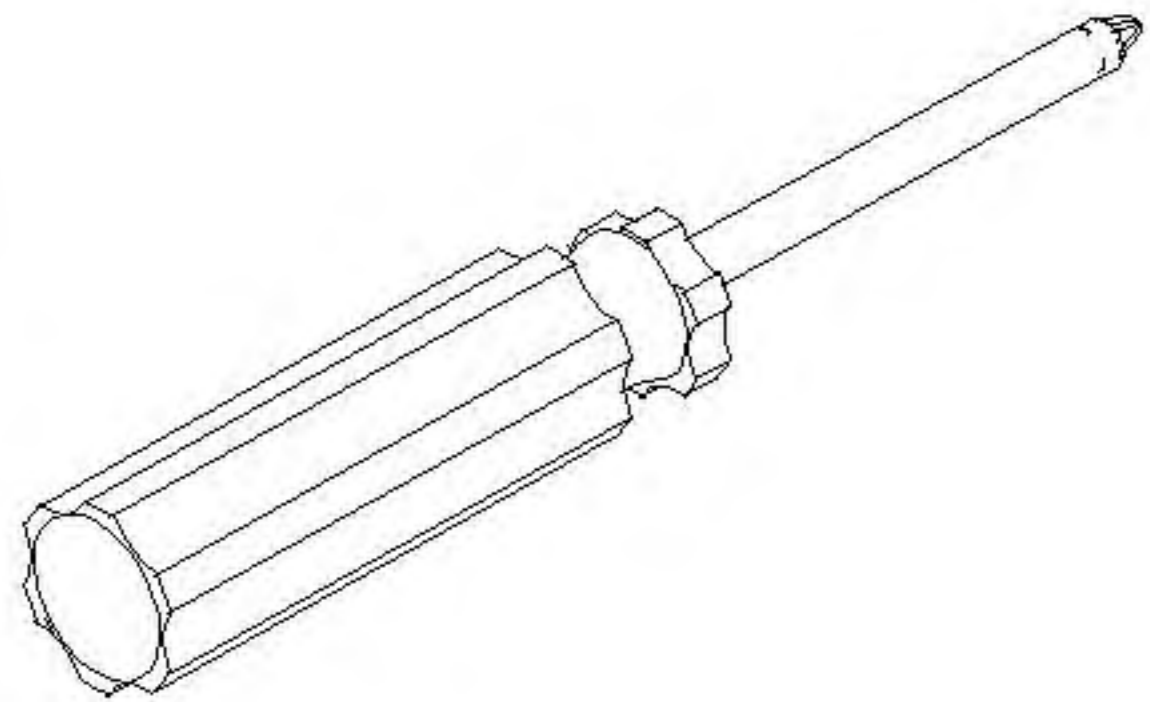
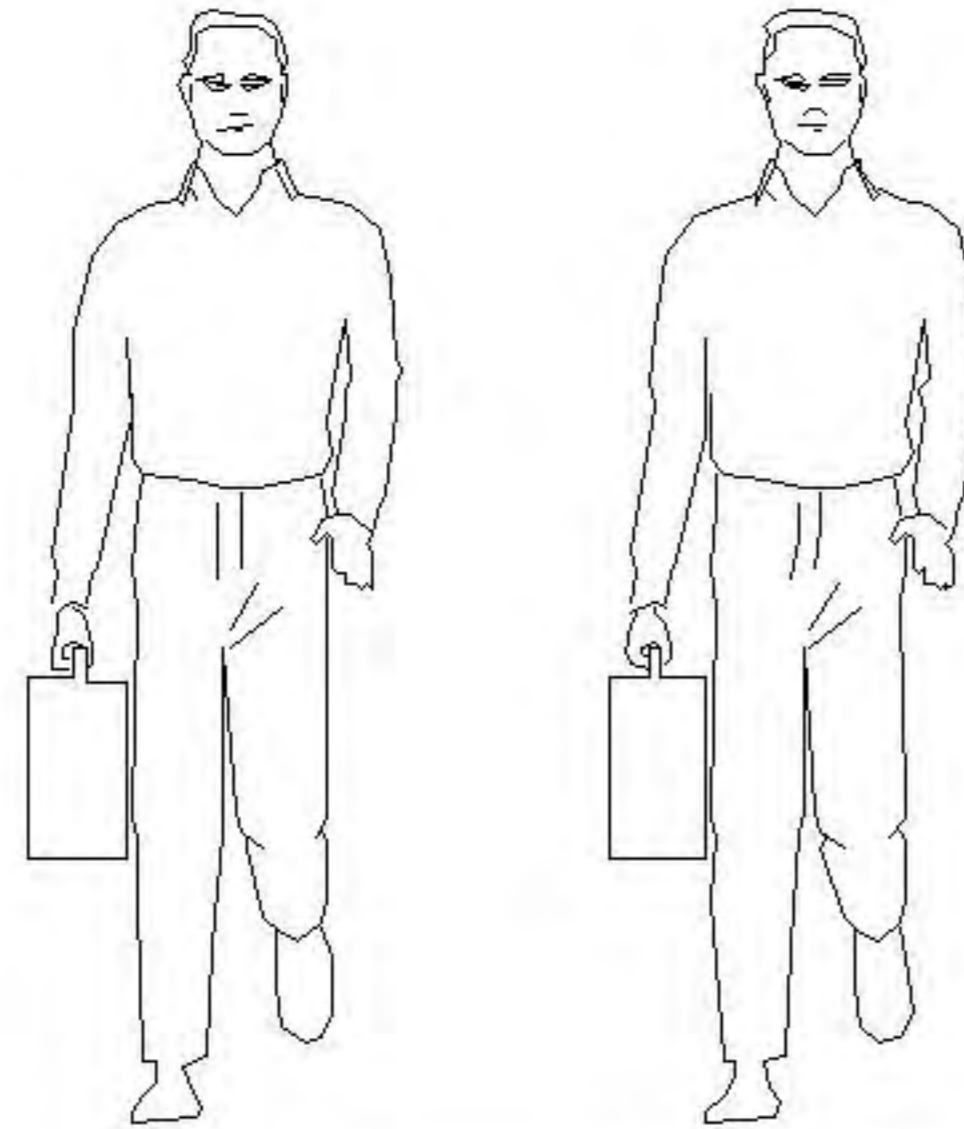
3、24小时内勿碰水  
3、Do not touch water within 24 hours

# LINSY 林氏家居

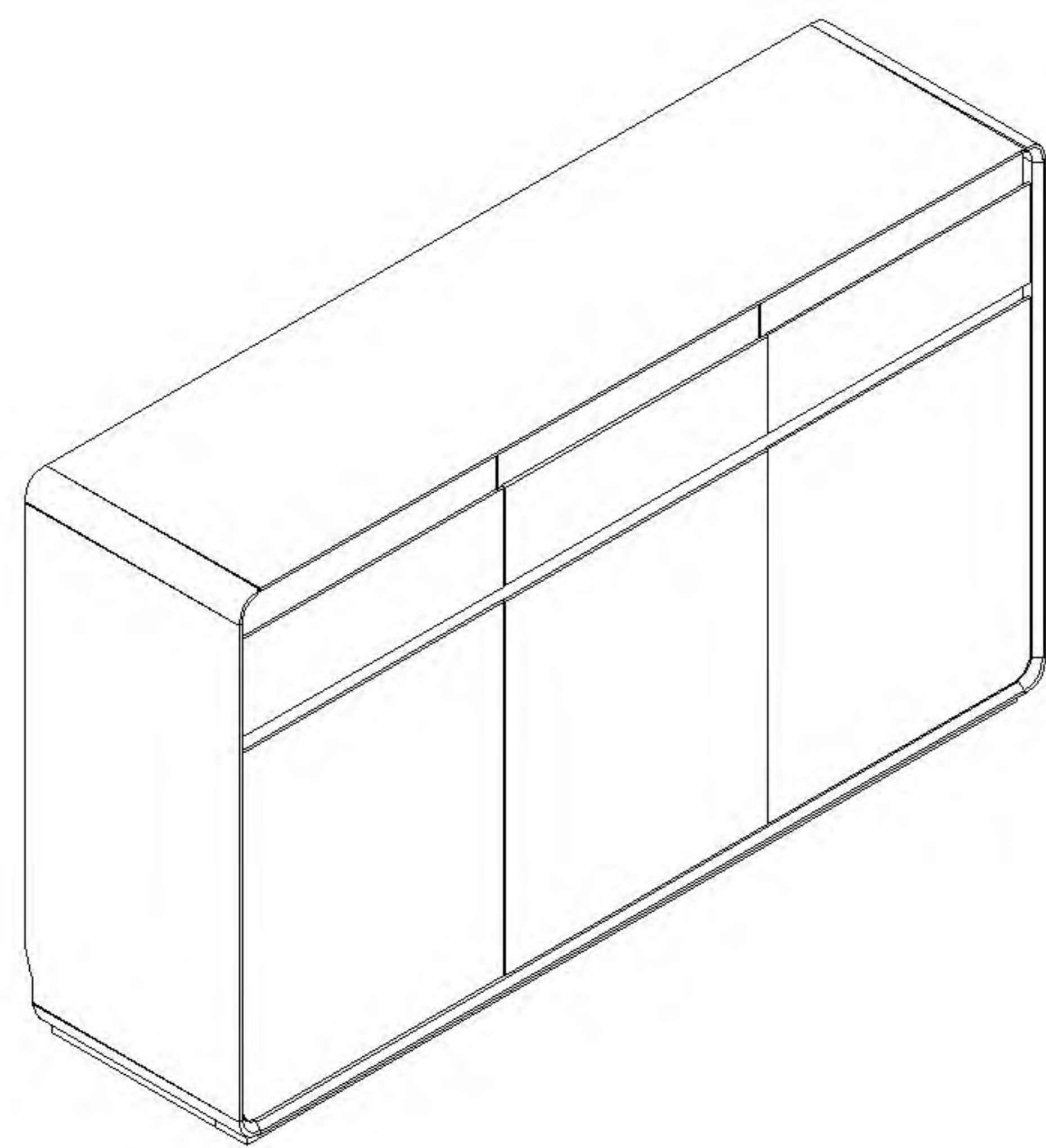
## 五金表/Hardware list

## 部件表/Parts List

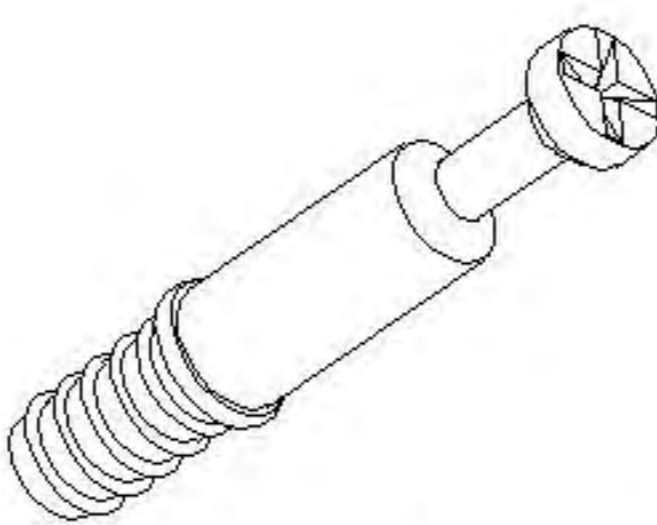
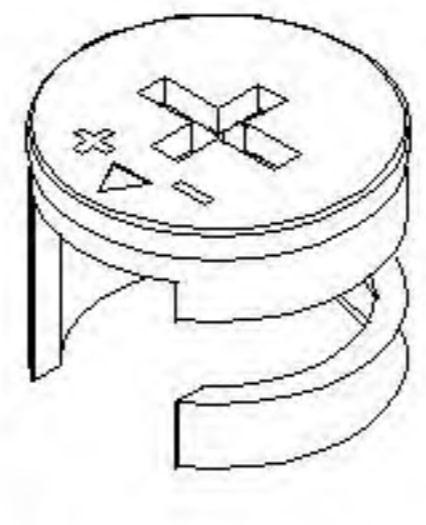
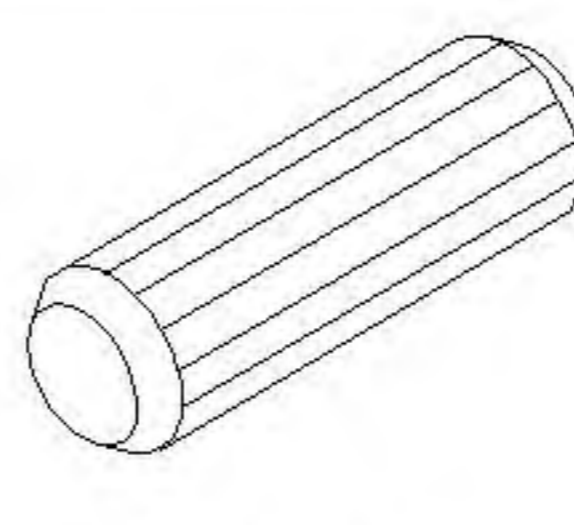
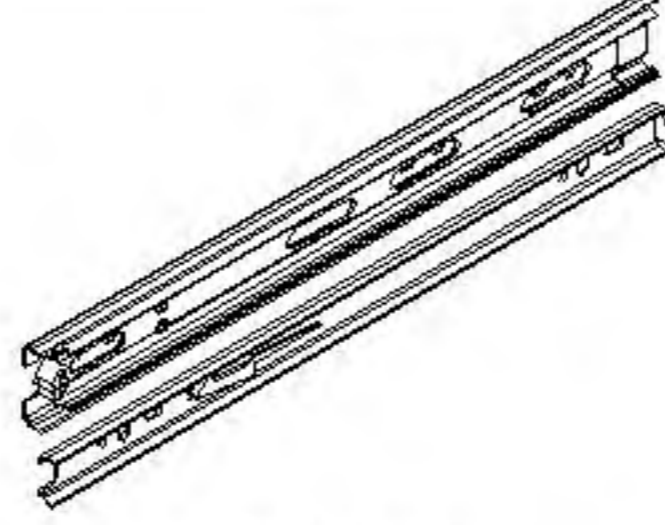
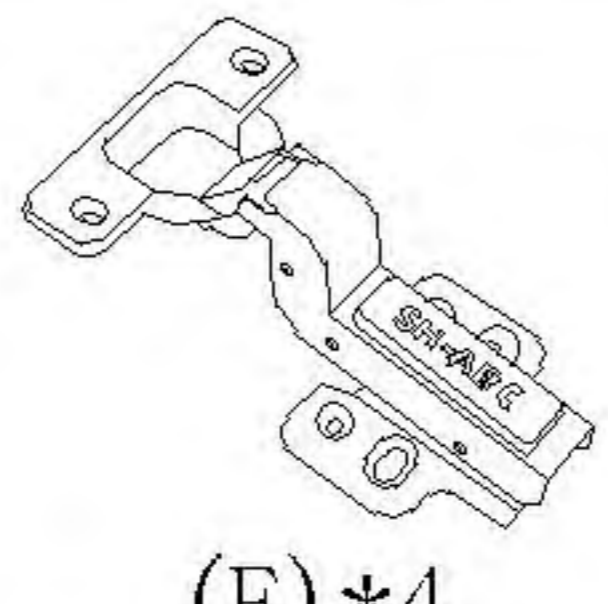

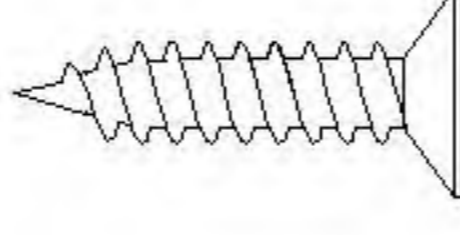
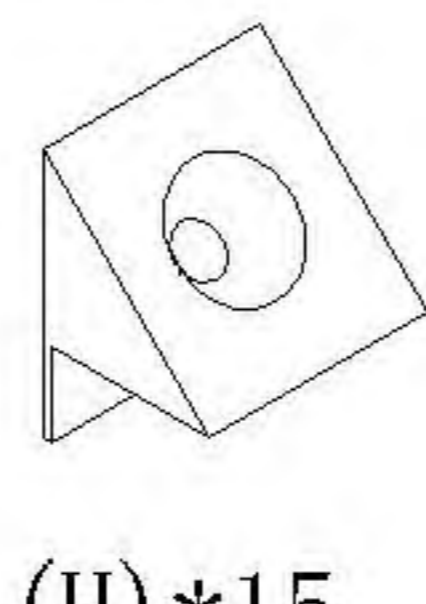
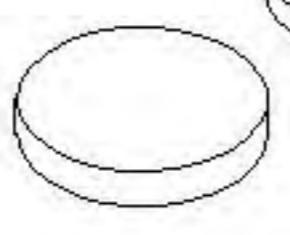
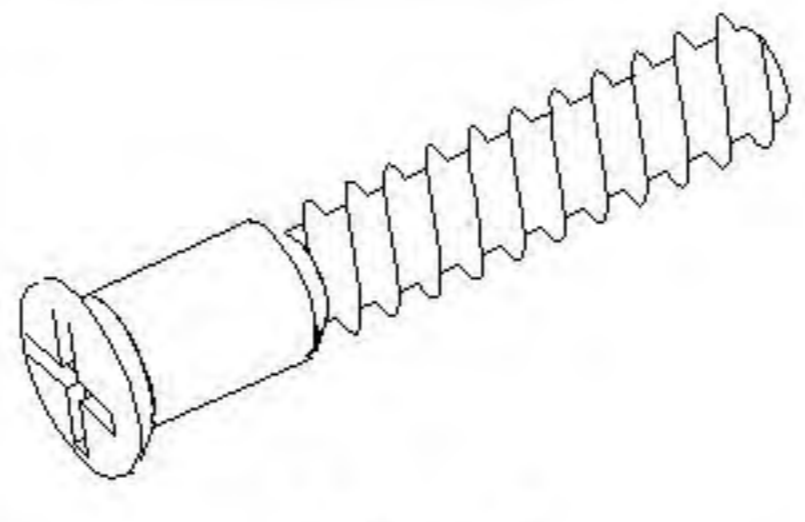
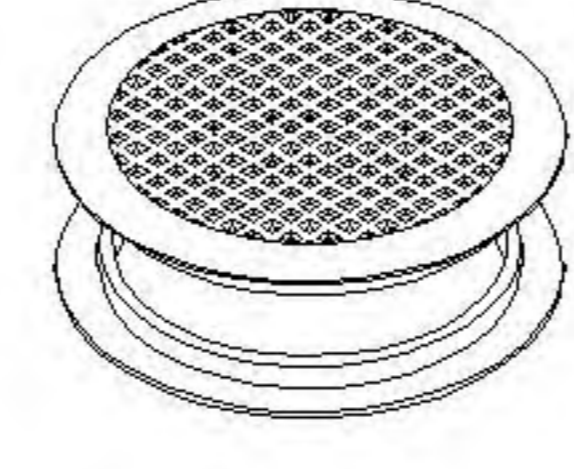
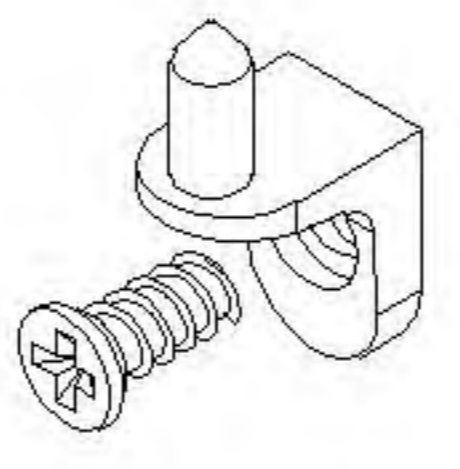
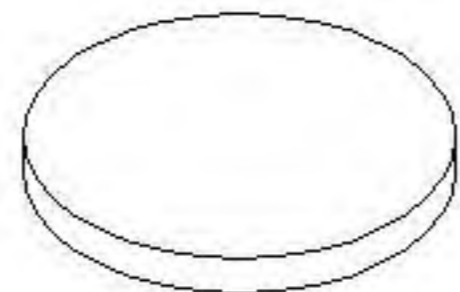
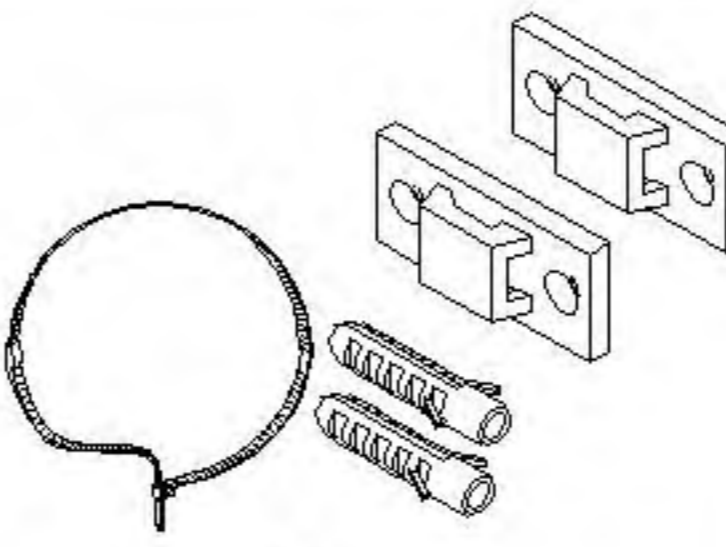
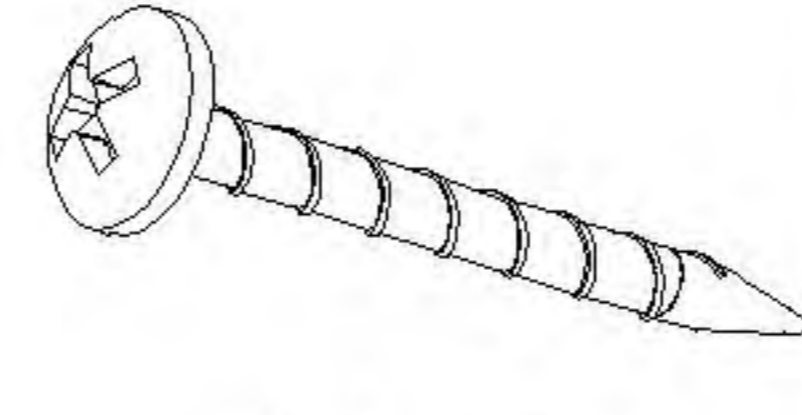
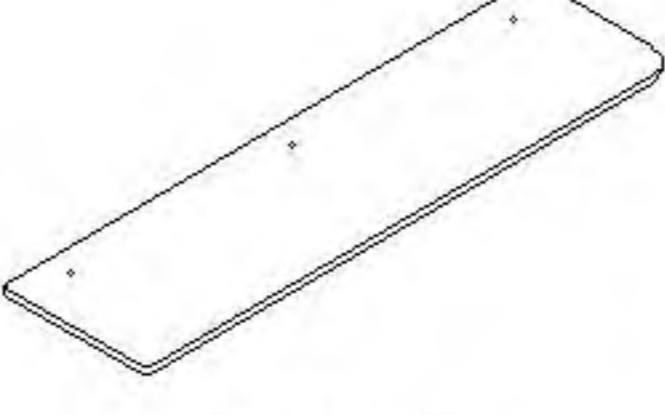
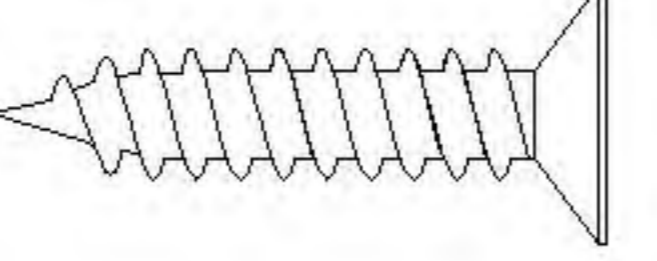
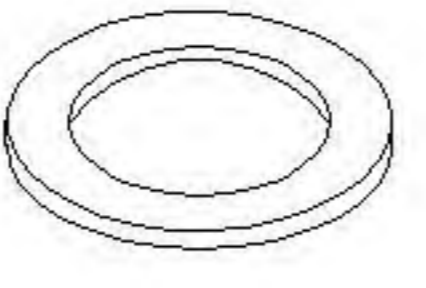
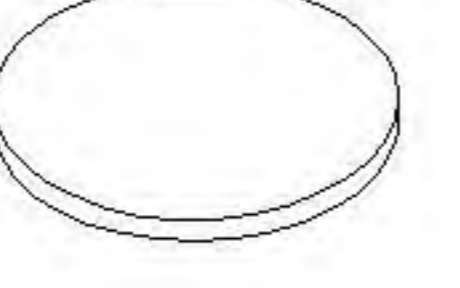
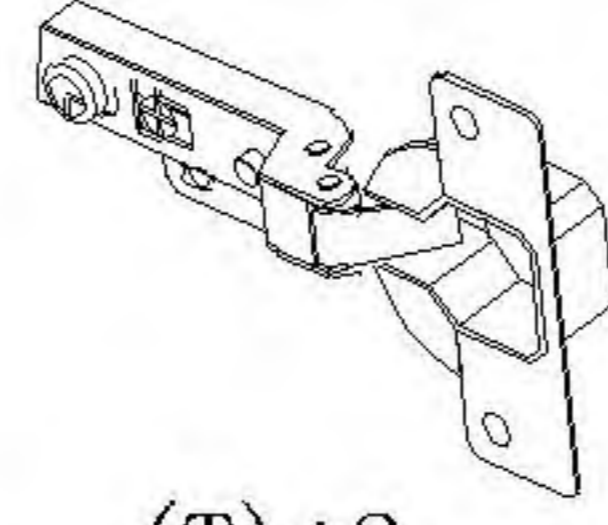
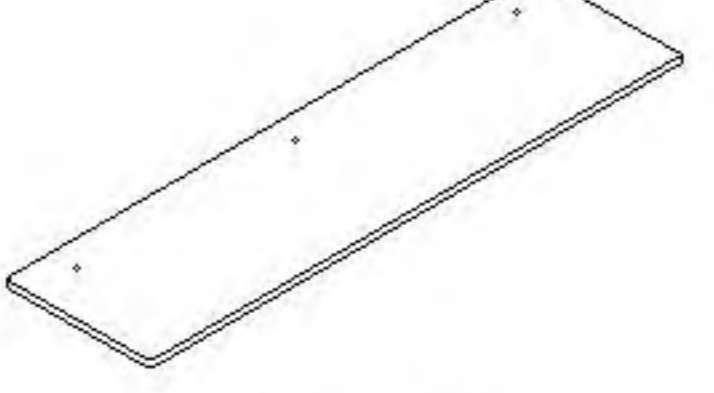
### 安装示意图/Assembly Instruction

产品名称 Model NO.	RU5T-A(1.5m)
产品规格 Specification	1494*398*903mm
安装工具 Tool	安装人数 Installer
	

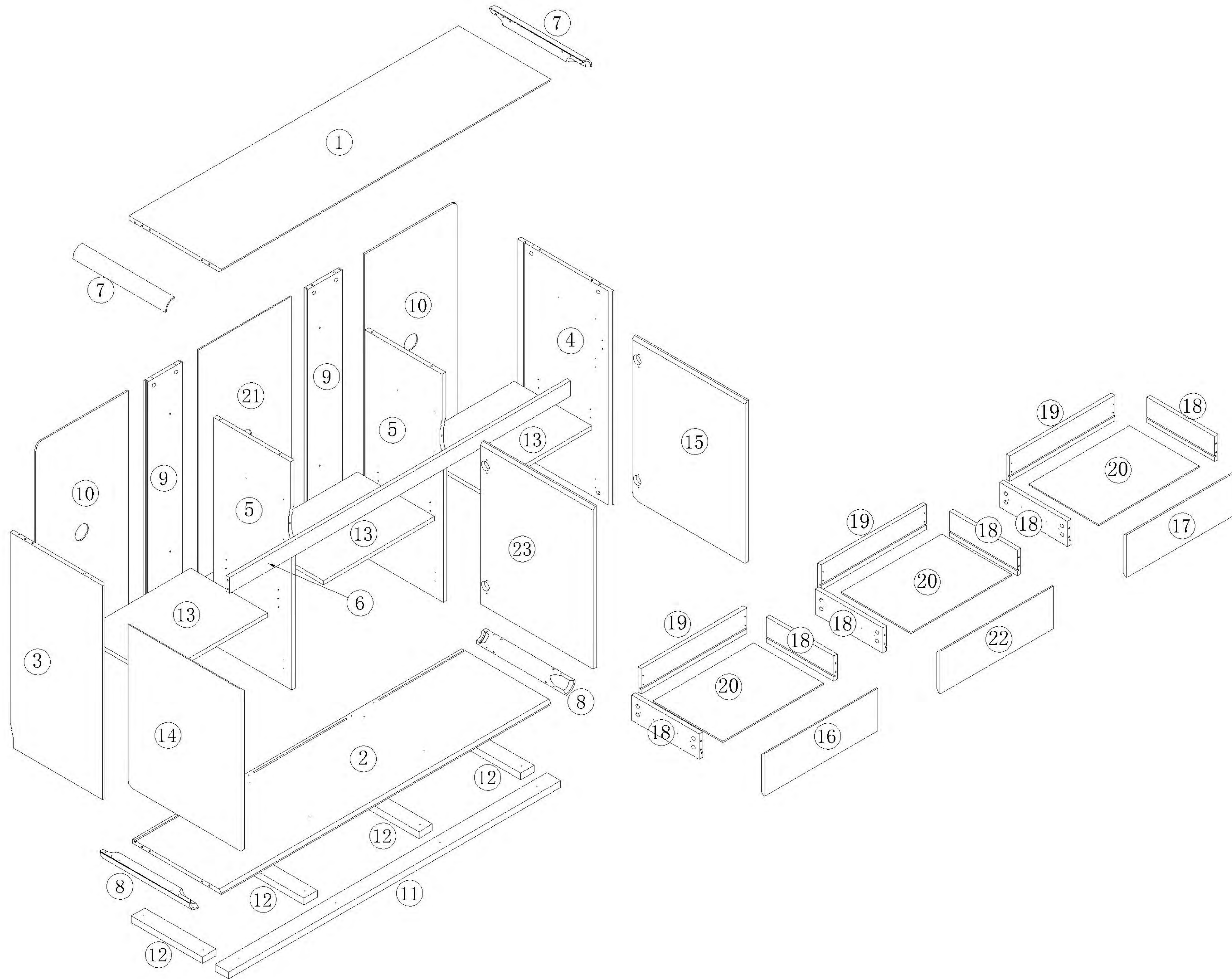
注：为保证设计效果，部分尺寸为定制尺寸，不影响使用。



注：抽屉面板与柜体的间隙为设计开启抽屉使用，小心夹伤！  
Note: the gap between the drawer panel and the cabinet is designed to open the drawer. Be careful not to pinch!

 (A)*65 二合一螺杆 2-in-1-screw	 (B)*65 大三合一锁饼 3-in-1 large lock	 (C)*17 木榫Ø8x30mm Wood tenon	 (D)*3 三节滚珠导轨10" Three-section rail
 (E)*4 缓冲门铰大弯-杯径Ø35 Great bend hinge	 (F)*4 小角码-(14*21*1.5mm) Small bracket	 (G)*61 白攻螺丝M3.5*14mm Tapping screw	 (H)*15 背板扣 White buckle
 (I)*9 镜钉-(直径13*5mm) Mirror nail	 (J)*4 过山丝-(M7*38mm)镀锌 Confirmat screw	 (K)*3 透气孔盖-白色 Breathable cover	 (L)*12 层板托5mm shelf support
 (M)*12 灰色毛毡垫 Ø25*3 Foot pad	 (N)*1 家具防倒器-白色 Anti-fall device	 (O)*13 大扁白攻M4*30mm Flat head tapping screw	 (P)*2 抽面玻璃-01(485*104*5) Drawn glass-01
 (Q)*9 白攻螺丝M4*20mm Tapping screw	 (R)*9 透明塑料垫片 Transparent plastic gasket	 (S)*65 PVC孔贴 PVC hole sticker	 (T)*2 缓冲门铰中弯-杯径Ø35 Middle bend hinge
 (U)*1 抽面玻璃(485*104*5) Drawn glass			

编号NO.	名称Name	规格 (mm) Specification	数量QTY	材质Material
①	面板Top panel	1414*398*15	1	刨花板 Particle board
②	底板Bottom board	1414*383*15	1	刨花板 Particle board
③	左侧板Side board(L)	795*398*15	1	刨花板 Particle board
④	右侧板Side board(R)	795*398*15	1	刨花板 Particle board
⑤	中侧板Middle side board	845*336*15	2	刨花板 Particle board
⑥	拉条Brace	1464*58*15	1	刨花板 Particle board
⑦	连接木1 Linked wood1	398*40*40	2	橡胶木 Rubber wood
⑧	连接木2 Linked wood2	383*40*40	2	橡胶木 Rubber wood
⑨	背拉条Back brace	845*150*15	2	刨花板 Particle board
⑩	背板Back board	855*398*5	2	纤维板 Fiberboard
⑪	底拉条Bottom brace	1424*58*25	1	刨花板 Particle board
⑫	侧脚条Side foot strip	305*58*25	4	刨花板 Particle board
⑬	活动层板Movable shelf	477*332*15	3	刨花板 Particle board
⑭	左门板Door board(L)	600*485*15	1	刨花板 Particle board
⑮	右门板Door board(R)	600*485*15	1	刨花板 Particle board
⑯	左抽屉面板Drawer's panel(L)	485*158*15	1	刨花板 Particle board
⑰	右抽屉面板Drawer's panel(R)	485*158*15	1	刨花板 Particle board
⑱	抽屉侧板Drawer's sideboard	290*94*15	6	刨花板 Particle board
⑲	抽屉后板Drawer's Back board	452*94*15	3	刨花板 Particle board
⑳	抽屉底板Drawer's Bottom board	432*300*5	3	纤维板 Fiberboard
㉑	中背板Middle back board	855*398*5	1	纤维板 Fiberboard
㉒	中抽屉面板Drawer's middle board	485*158*15	1	刨花板 Particle board
㉓	中门板Middle door board	600*485*15	1	刨花板 Particle board

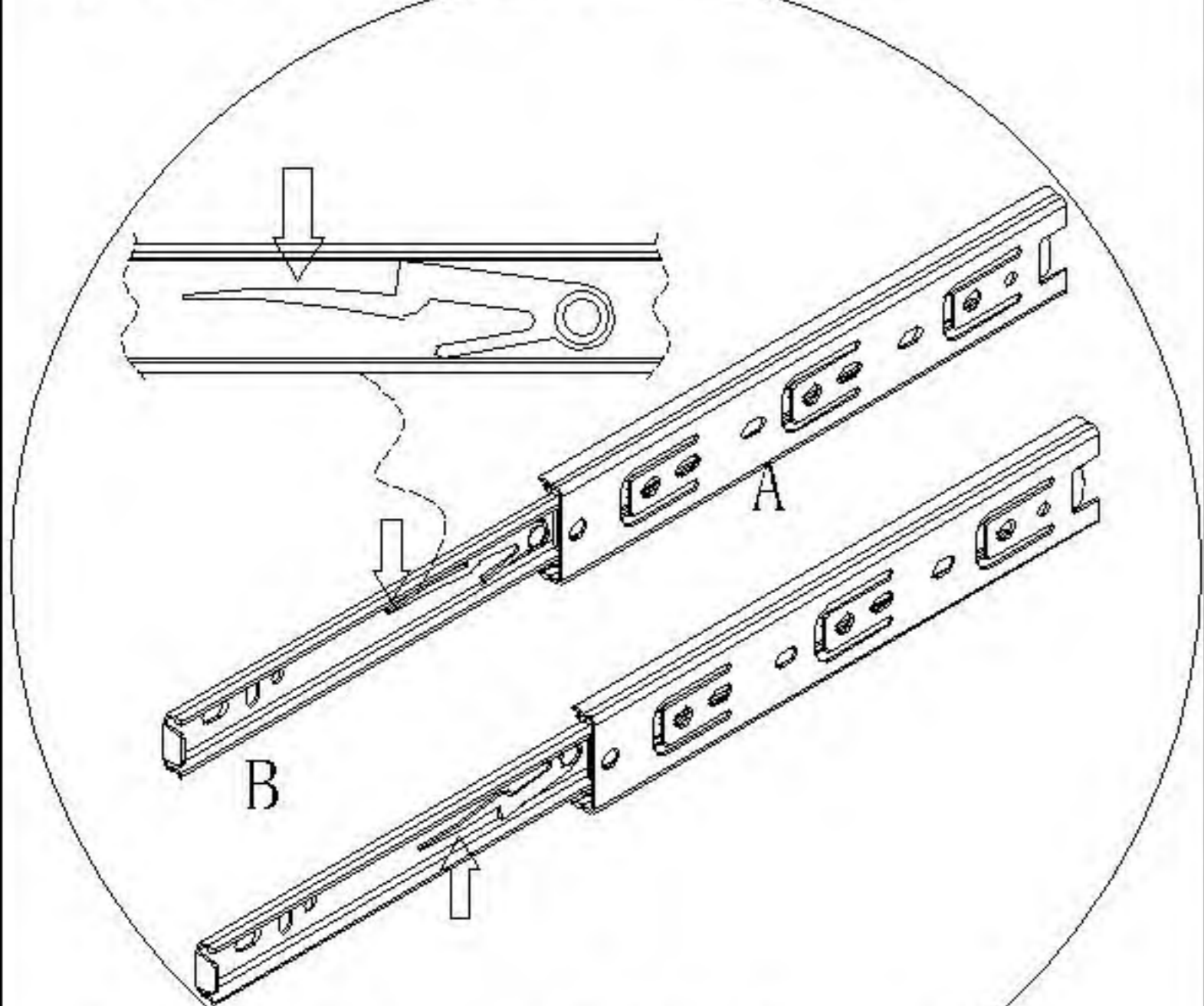


编号NO.	名称Name
①	面板Top panel
②	底板Bottom board
③	左侧板Side board(L)
④	右侧板Side board(R)
⑤	中侧板Middle side board
⑥	拉条Brace
⑦	连接木1 Linked wood1
⑧	连接木2 Linked wood2
⑨	背拉条Back brace
⑩	背板Back board
⑪	底拉条Bottom brace
⑫	侧脚条Side foot strip
⑬	活动层板Movable shelf
⑭	左门板Door board(L)
⑮	右门板Door board(R)
⑯	左抽屉面板Drawer's panel(L)
⑰	右抽屉面板Drawer's panel(R)
⑱	抽屉侧板Drawer's sideboard
⑲	抽屉后板Drawer's Back board
⑳	抽屉底板Drawer's Bottom board
㉑	中背板Middle back board
㉒	中抽屉面板Drawer's middle board
㉓	中门板Middle door board

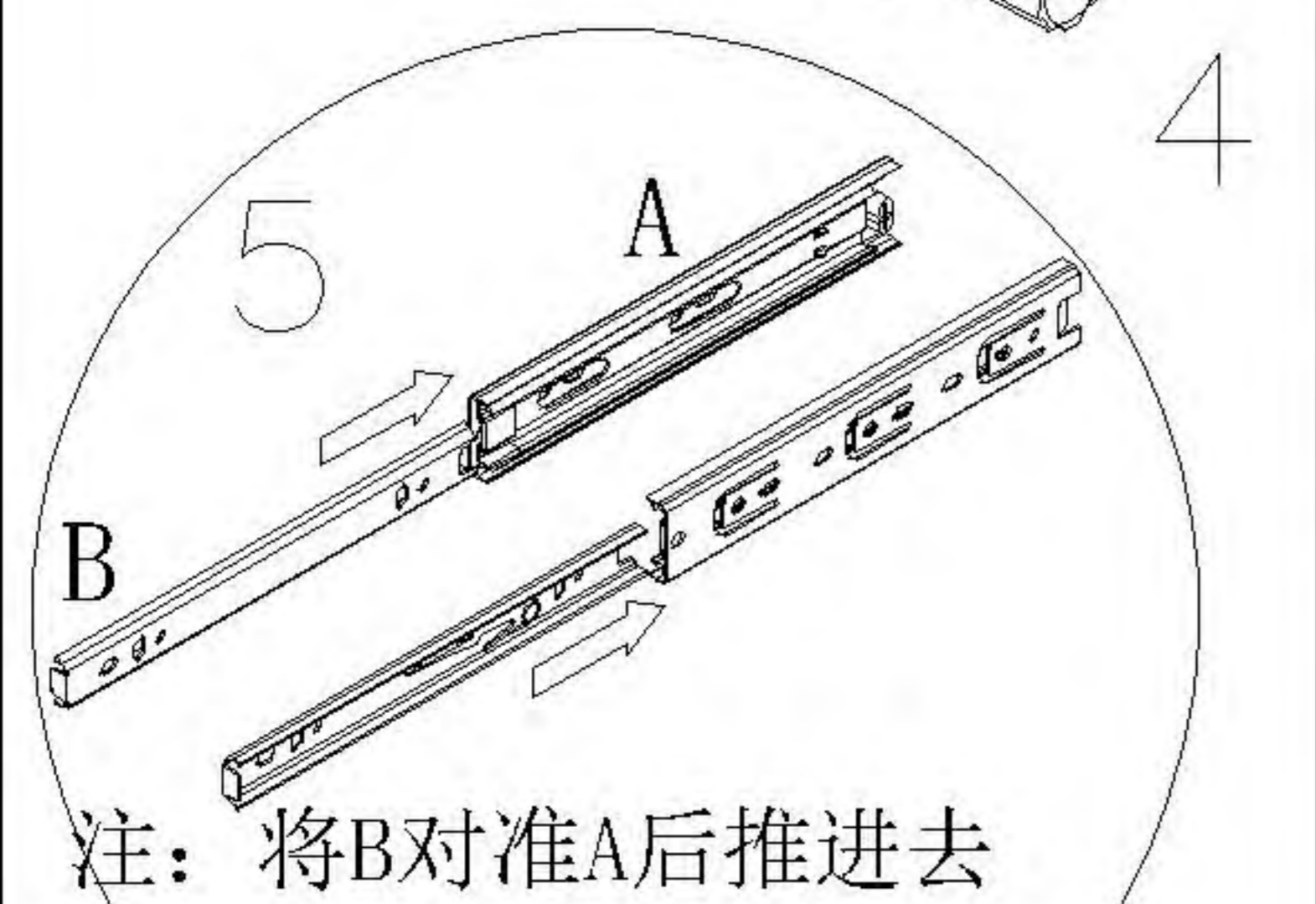
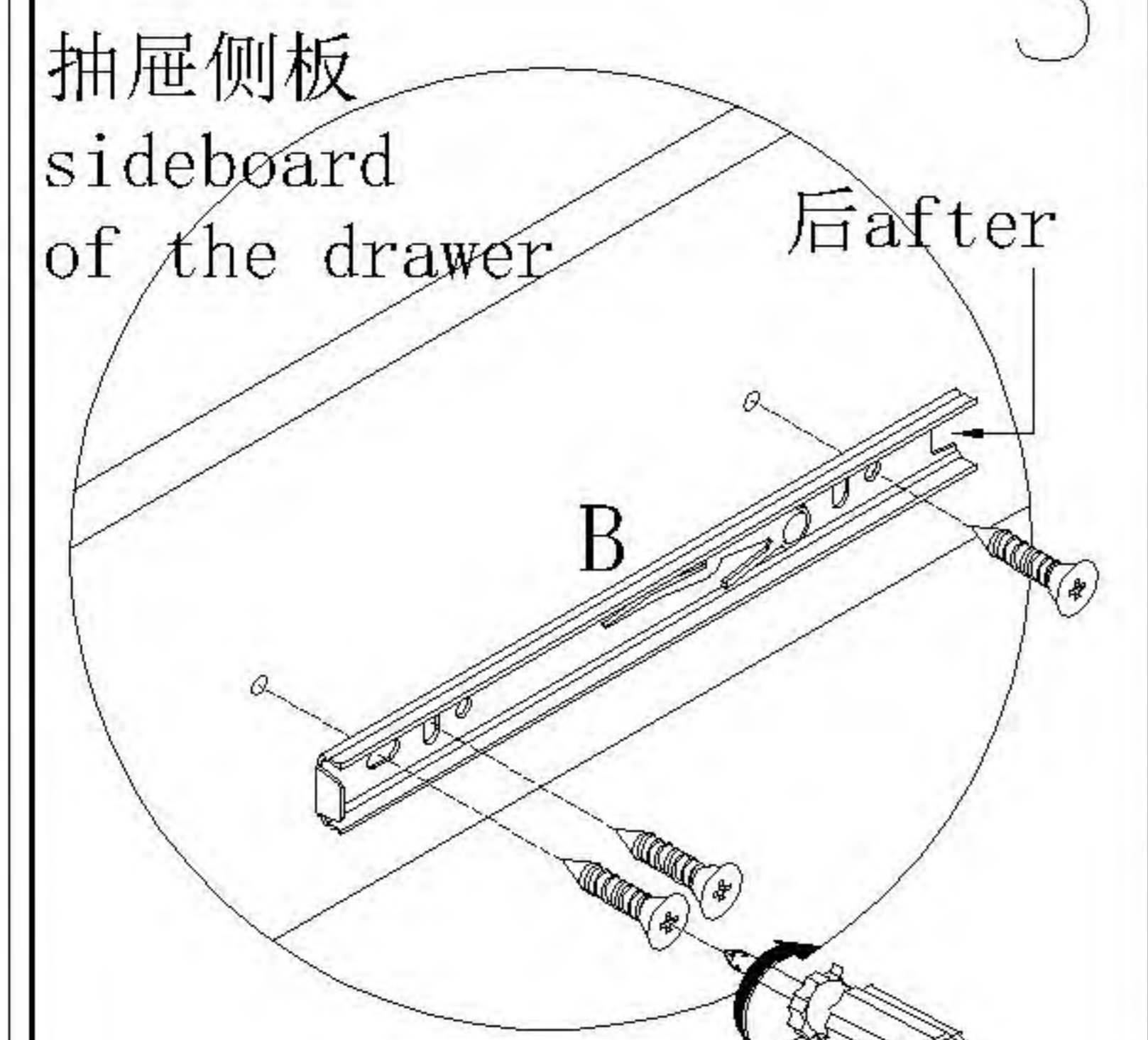
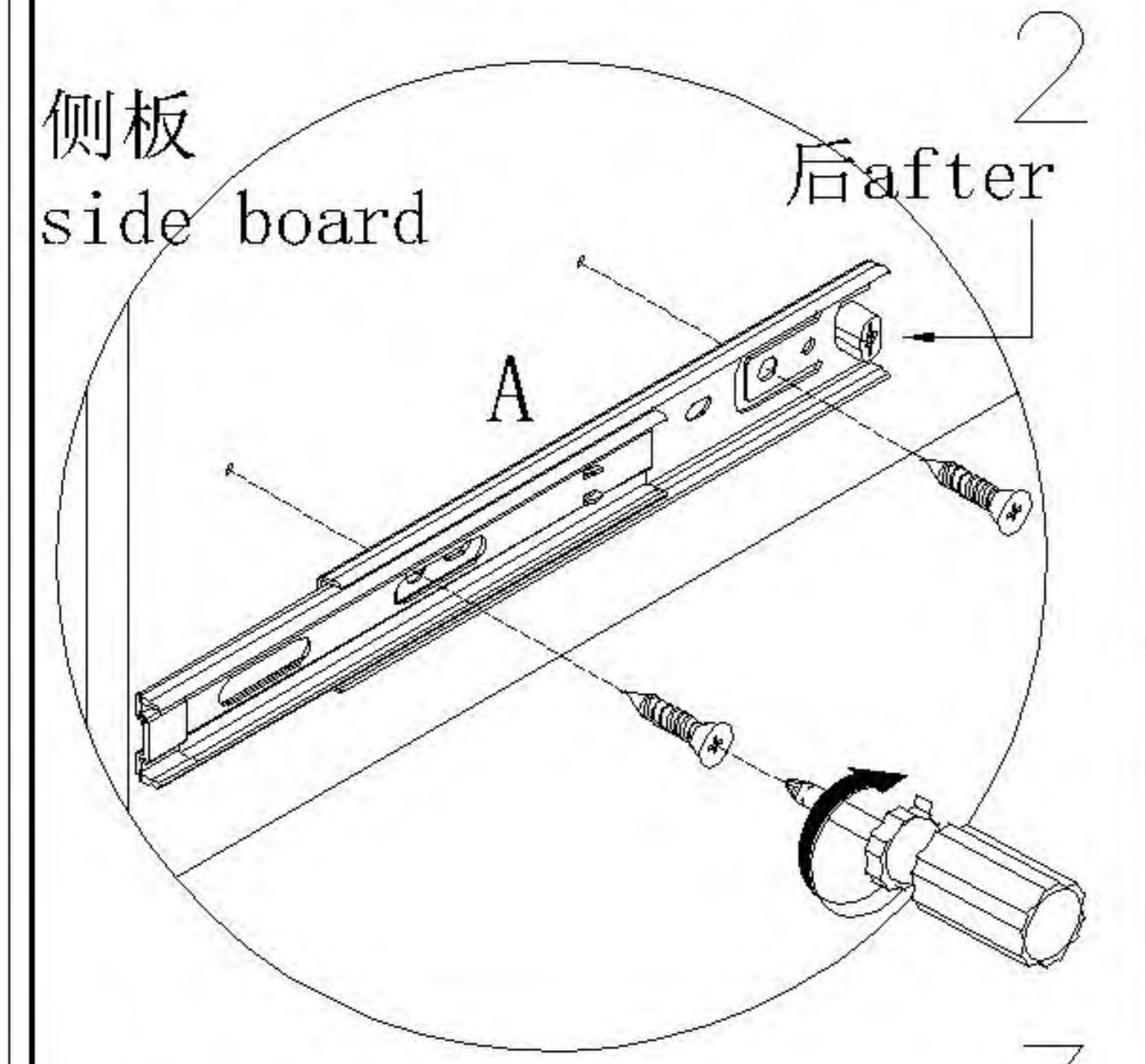
RU5T-A (1.5m)

安装方法/  
Installation method

阀门开关(下压为开)  
Valve switch  
(press down to open)

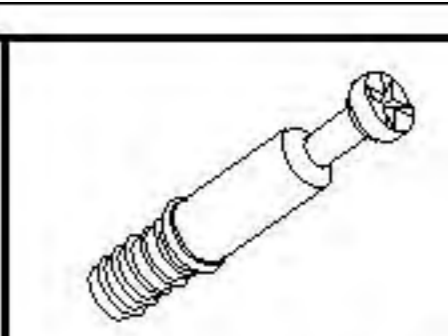


注: 先将A与B拆下来  
Note: remove a and B first

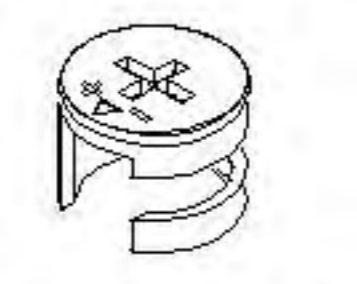


注: 将B对准A后推进去  
Note: align B with a  
and push it in

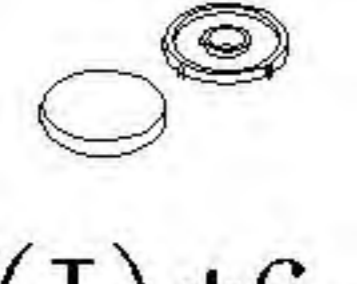
三节滚珠导轨  
three-section ball rail



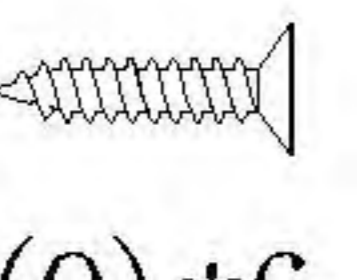
(A)\*16



(B)\*16



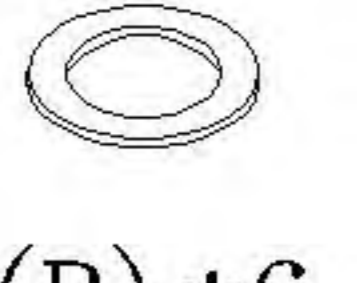
(I)\*6



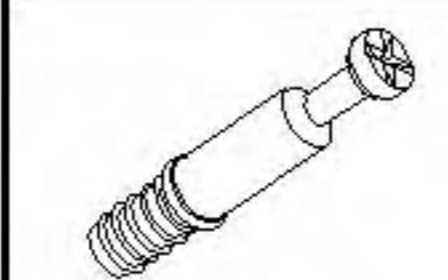
(Q)\*6



(P)\*2



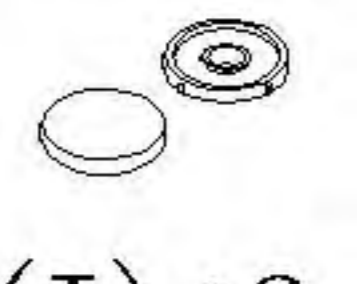
(R)\*6



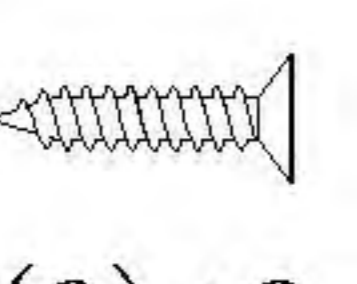
(A)\*8



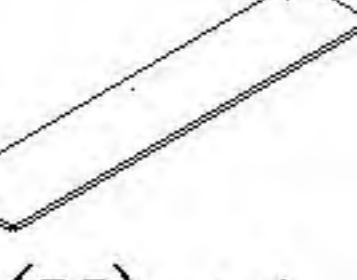
(B)\*8



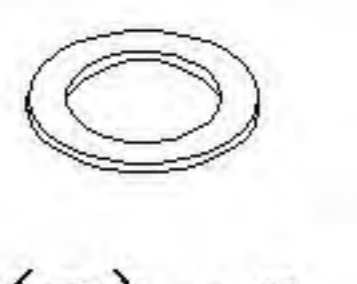
(I)\*3



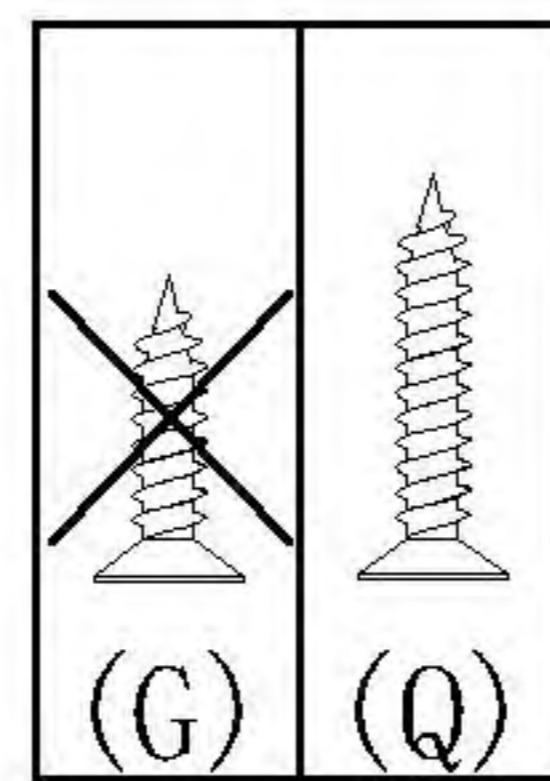
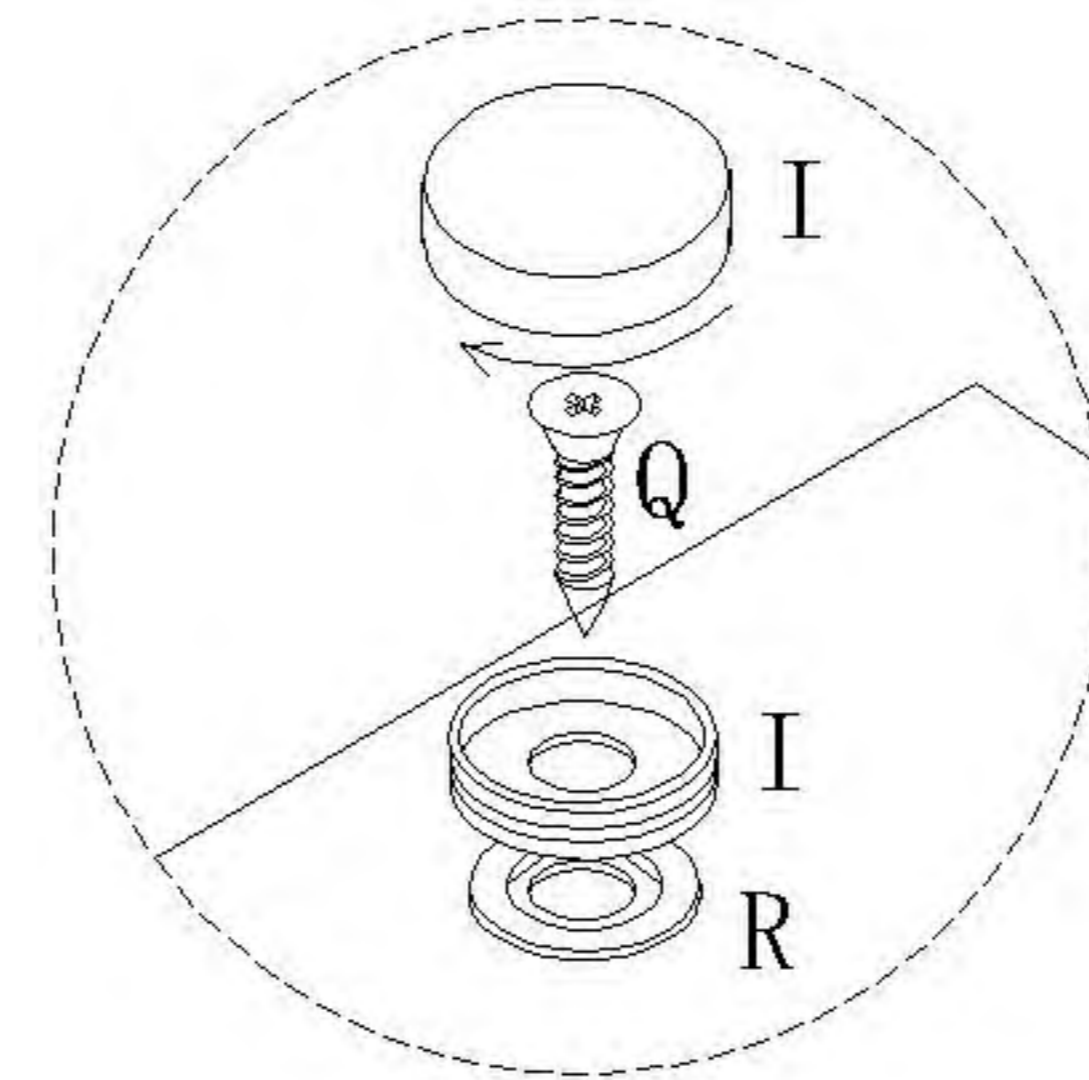
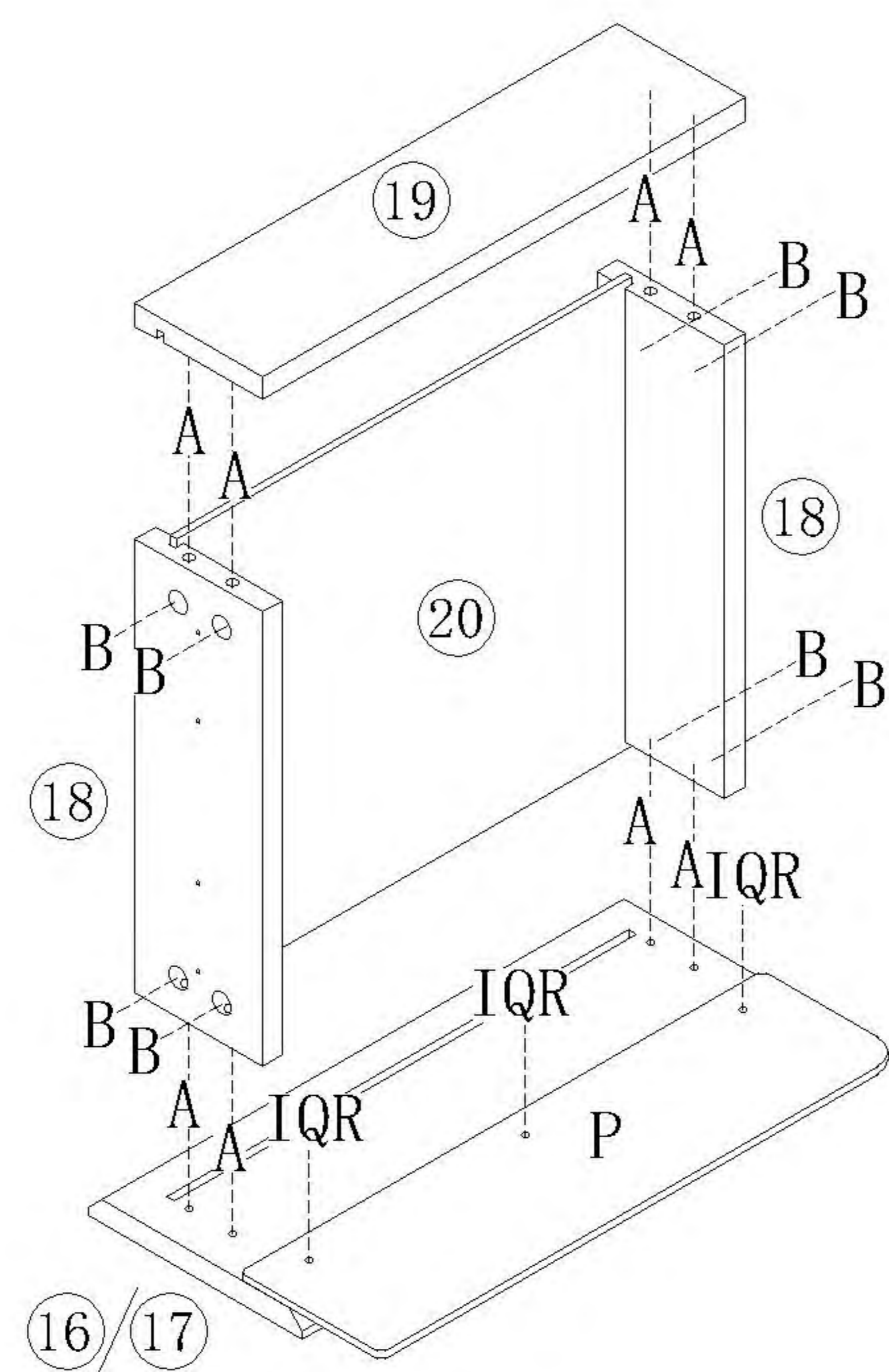
(Q)\*3



(U)\*1

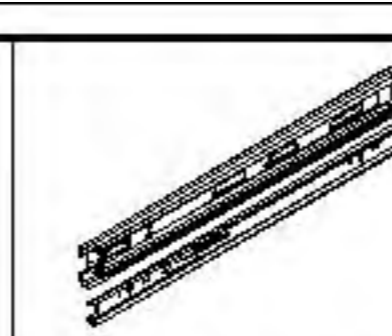


(R)\*3

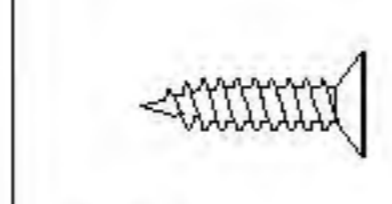


X2

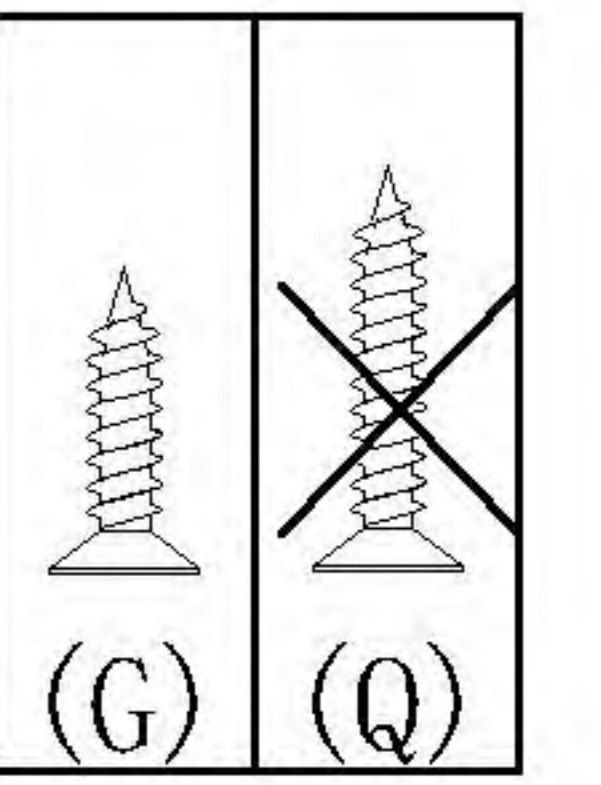
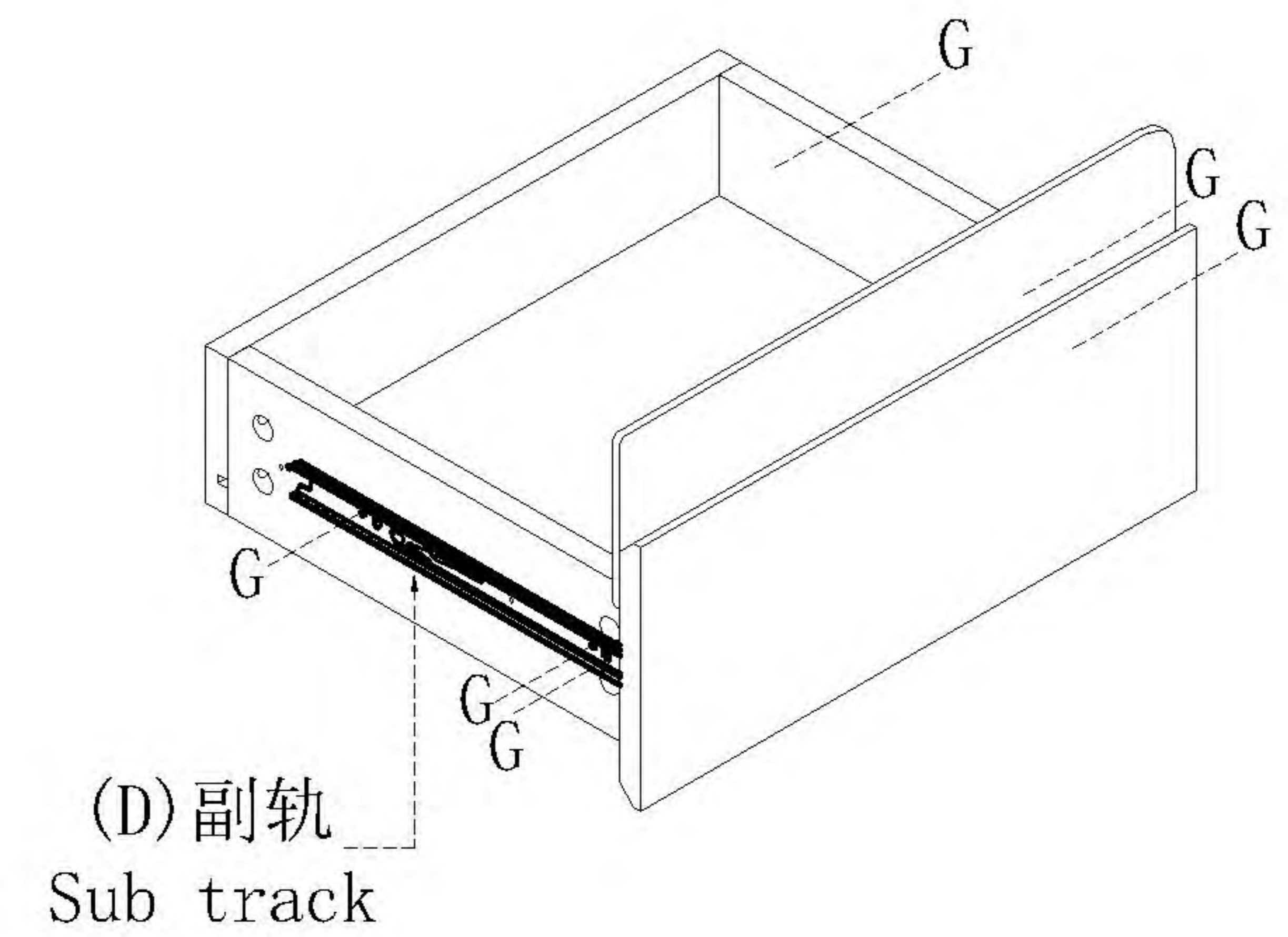
1



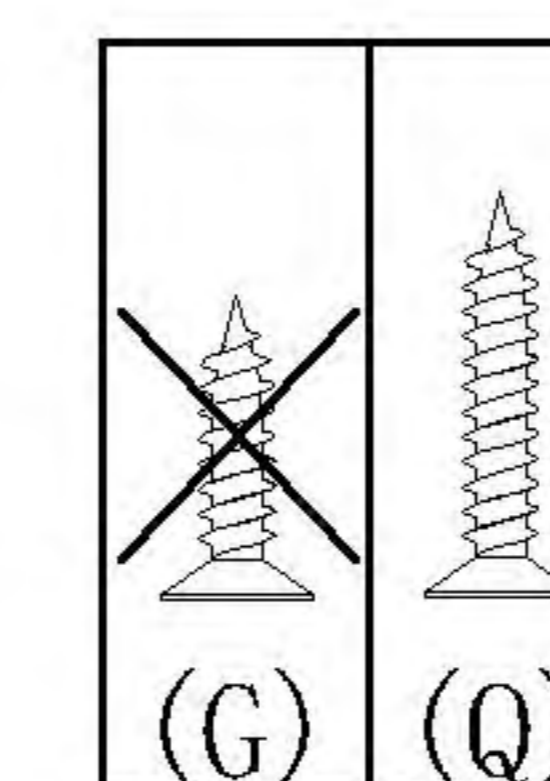
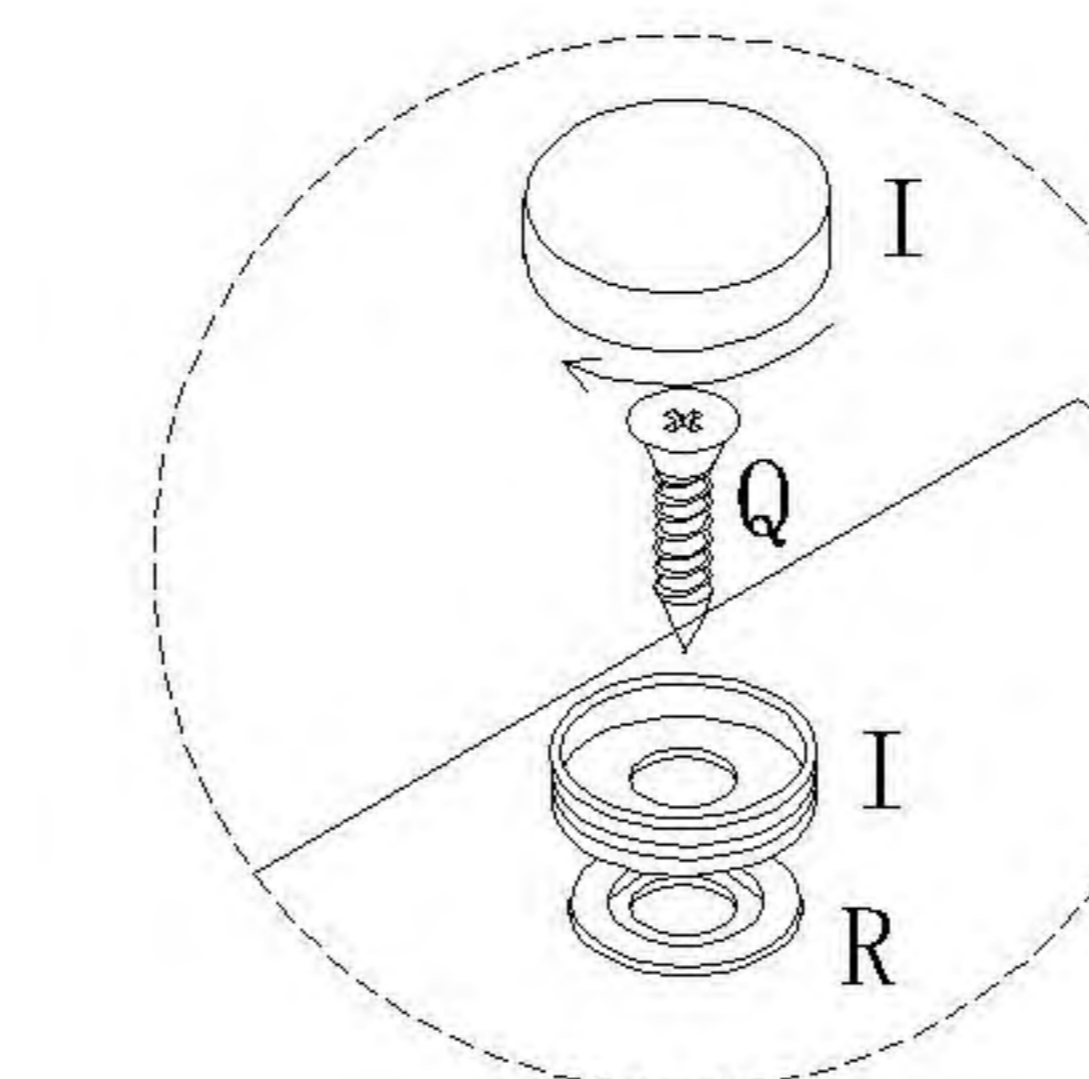
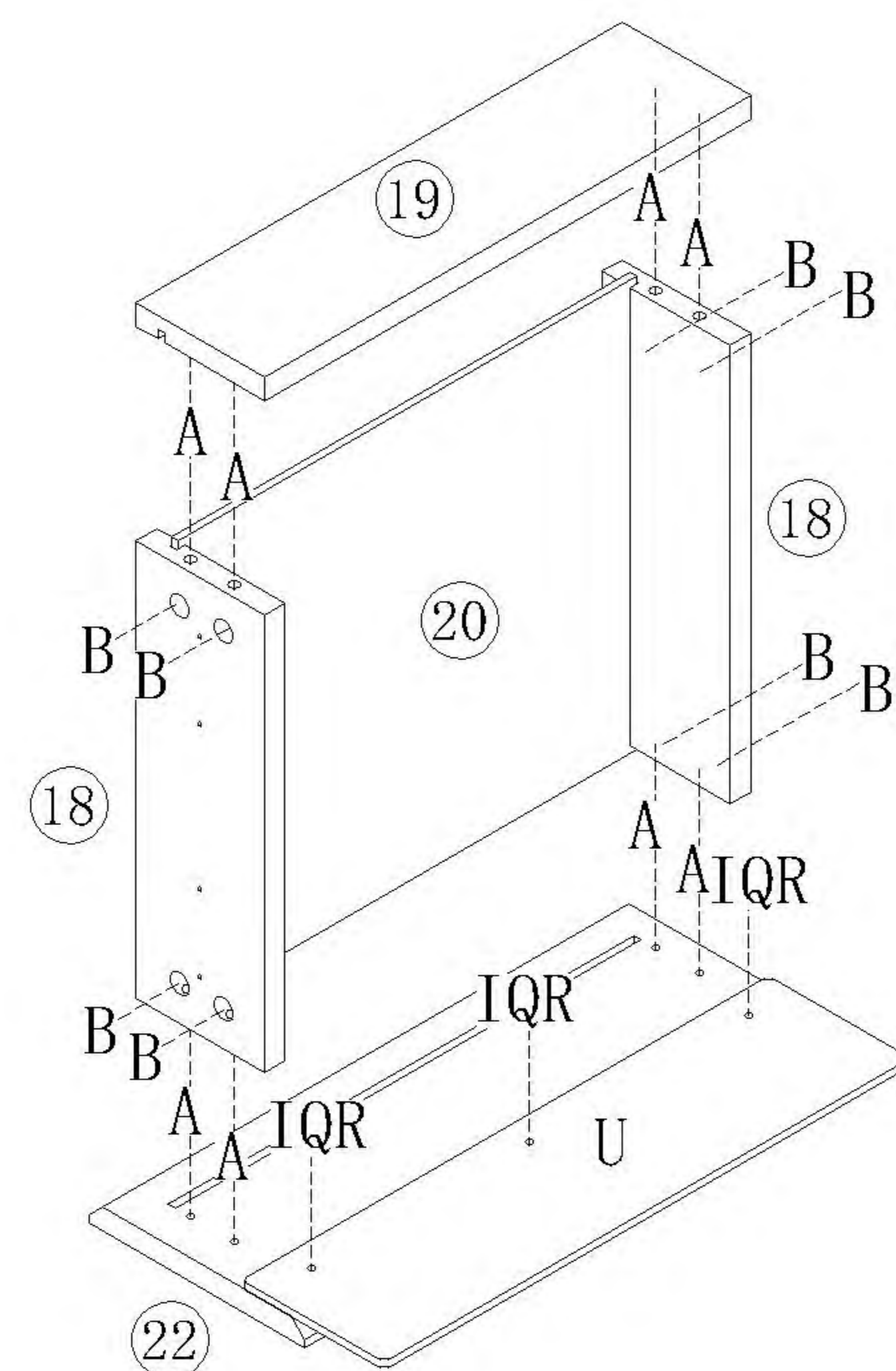
(D)\*2



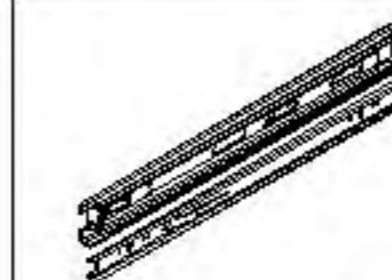
(G)\*12



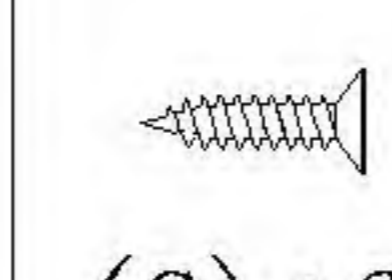
2



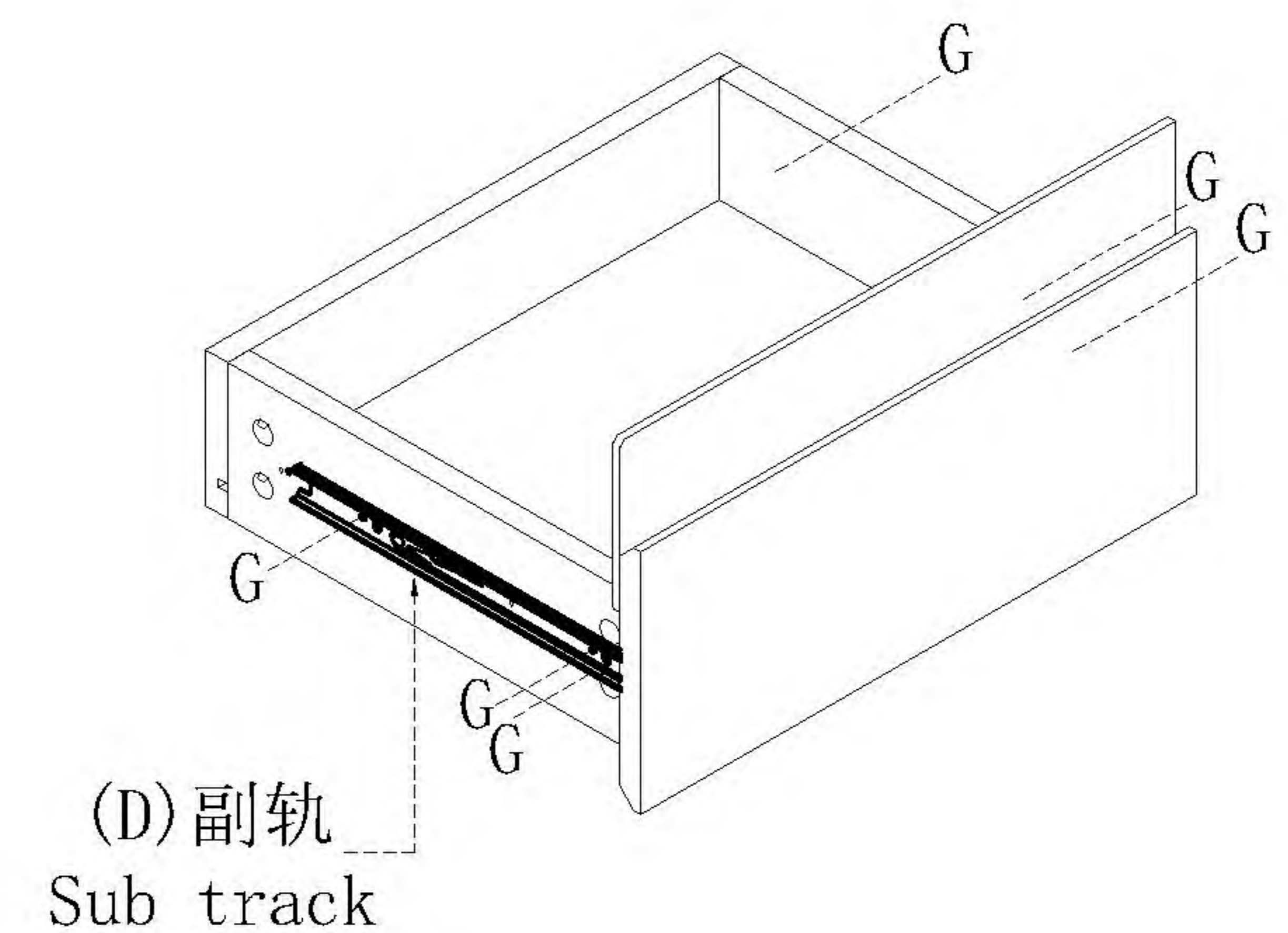
3



(D)\*1



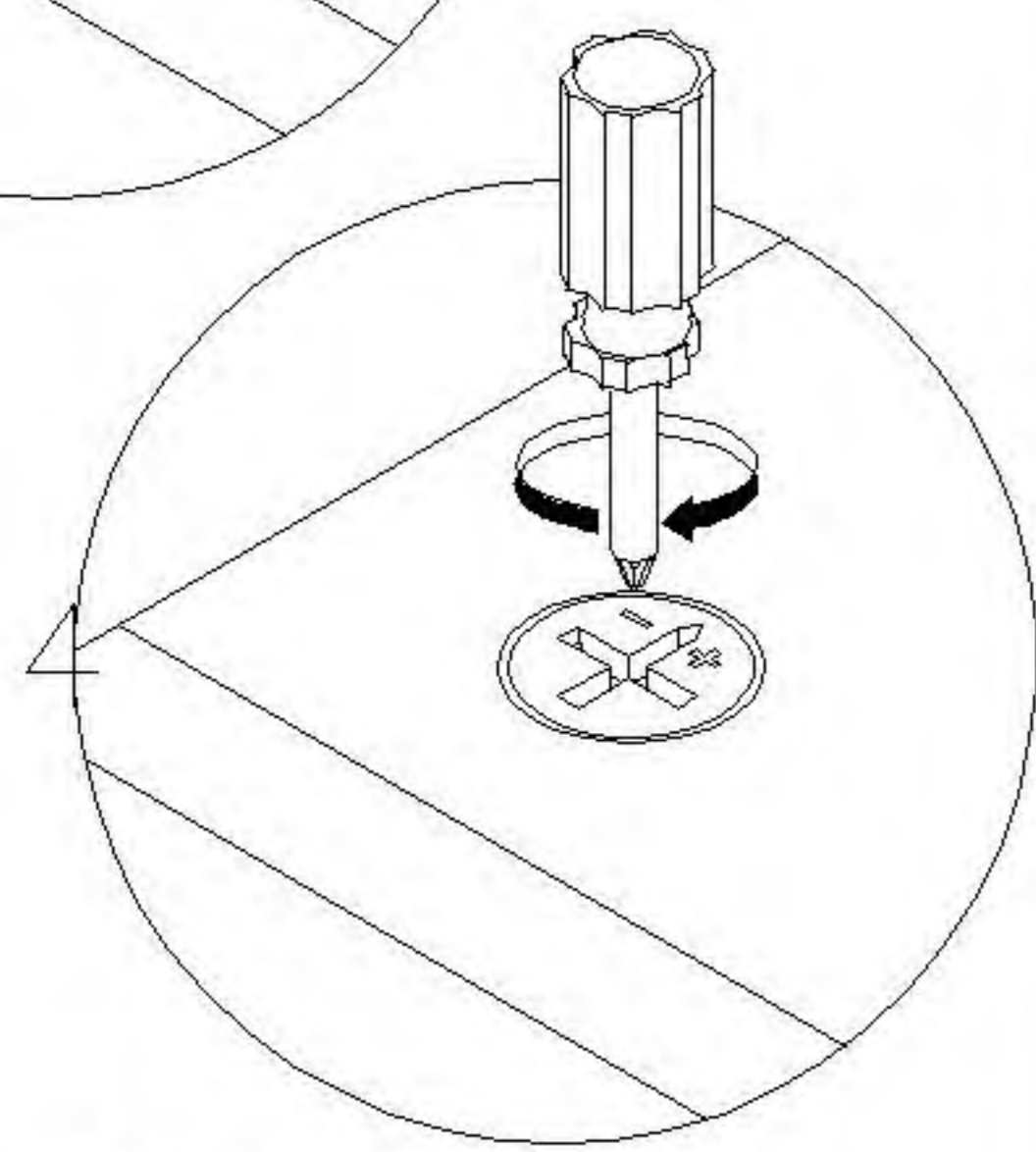
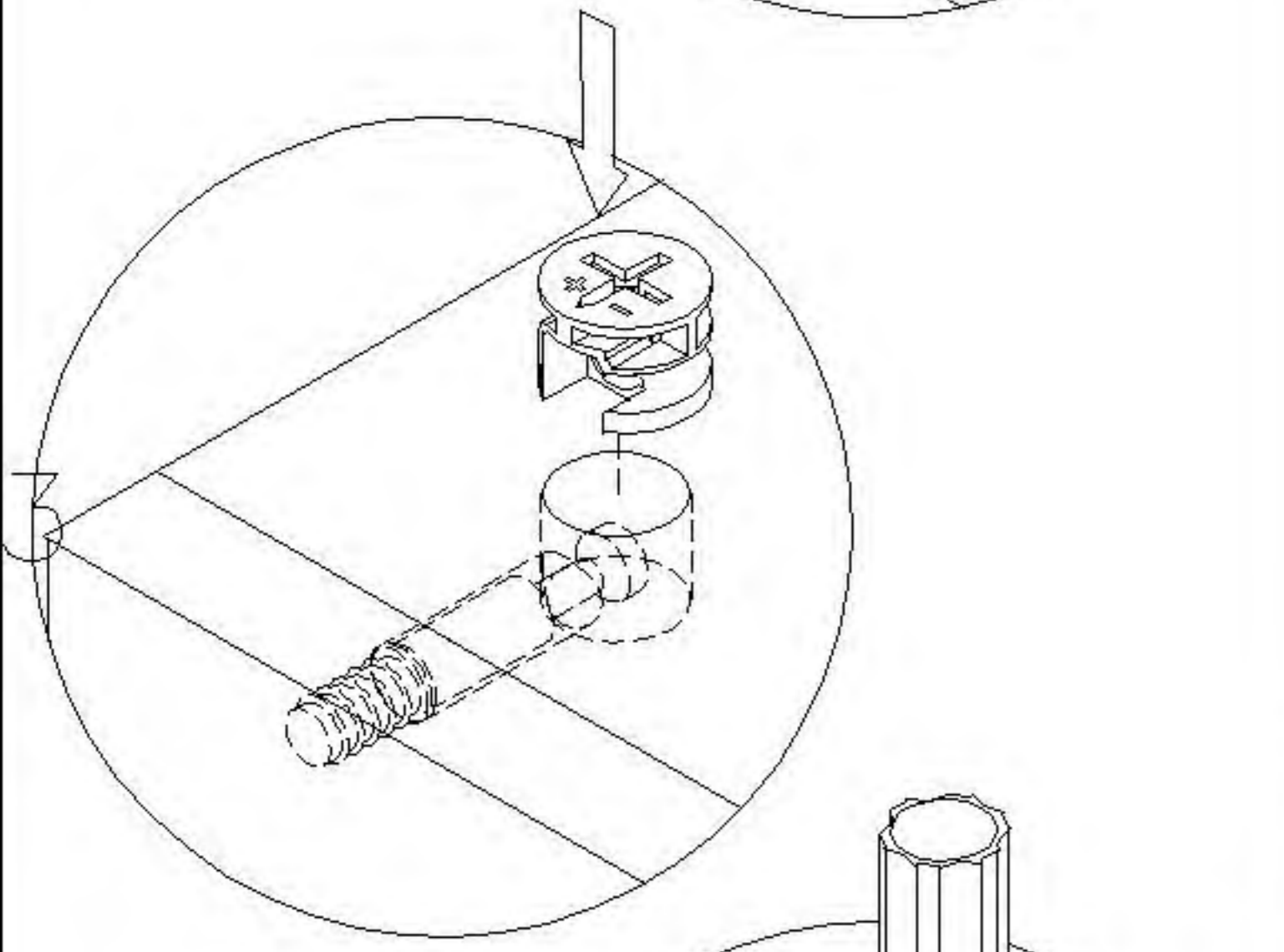
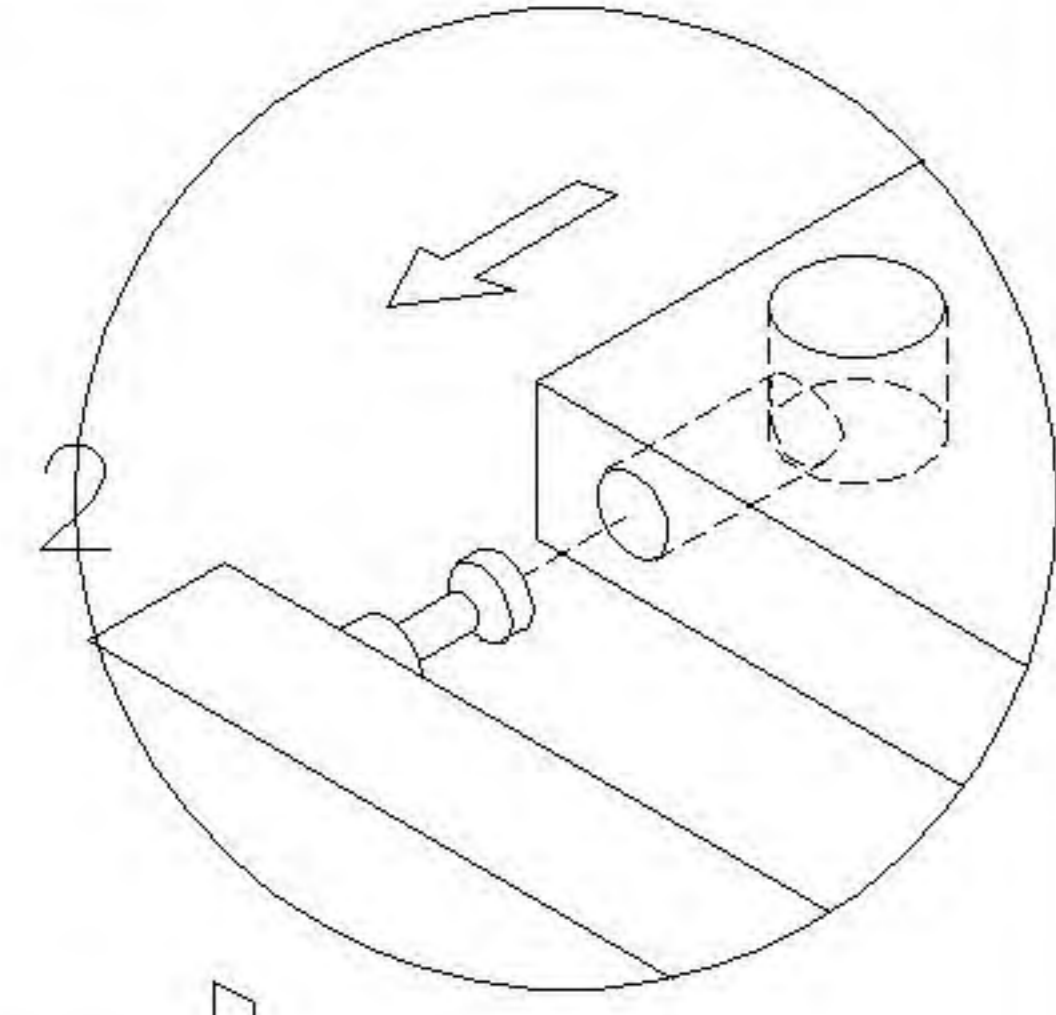
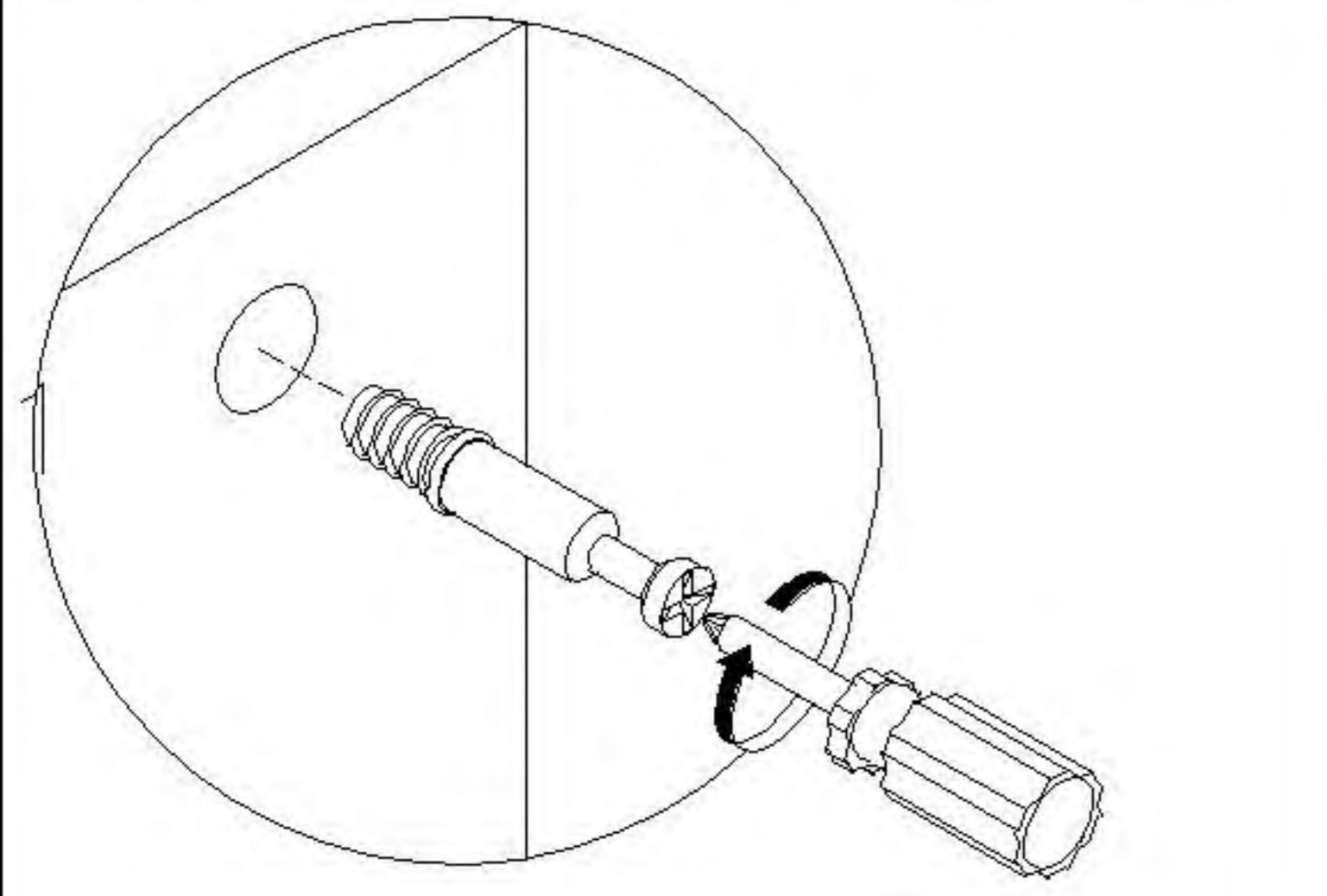
(G)\*6



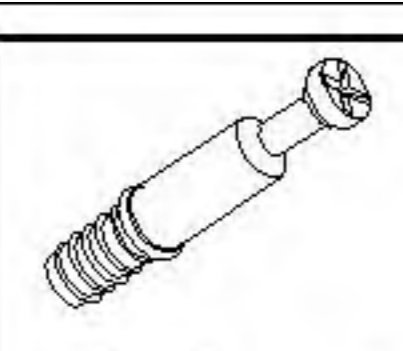
4

RU5T-A (1.5m)

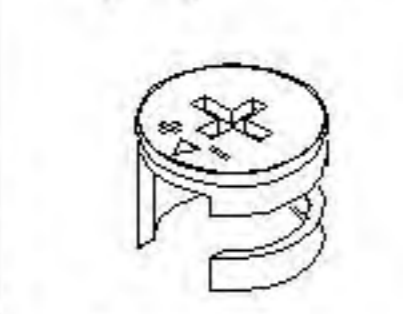
安装方法/  
Installation method



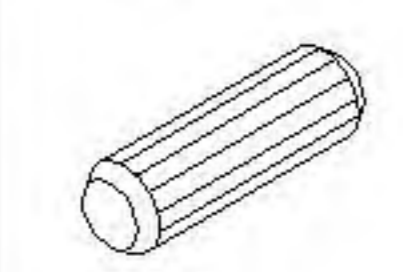
大二合一  
two-in-one



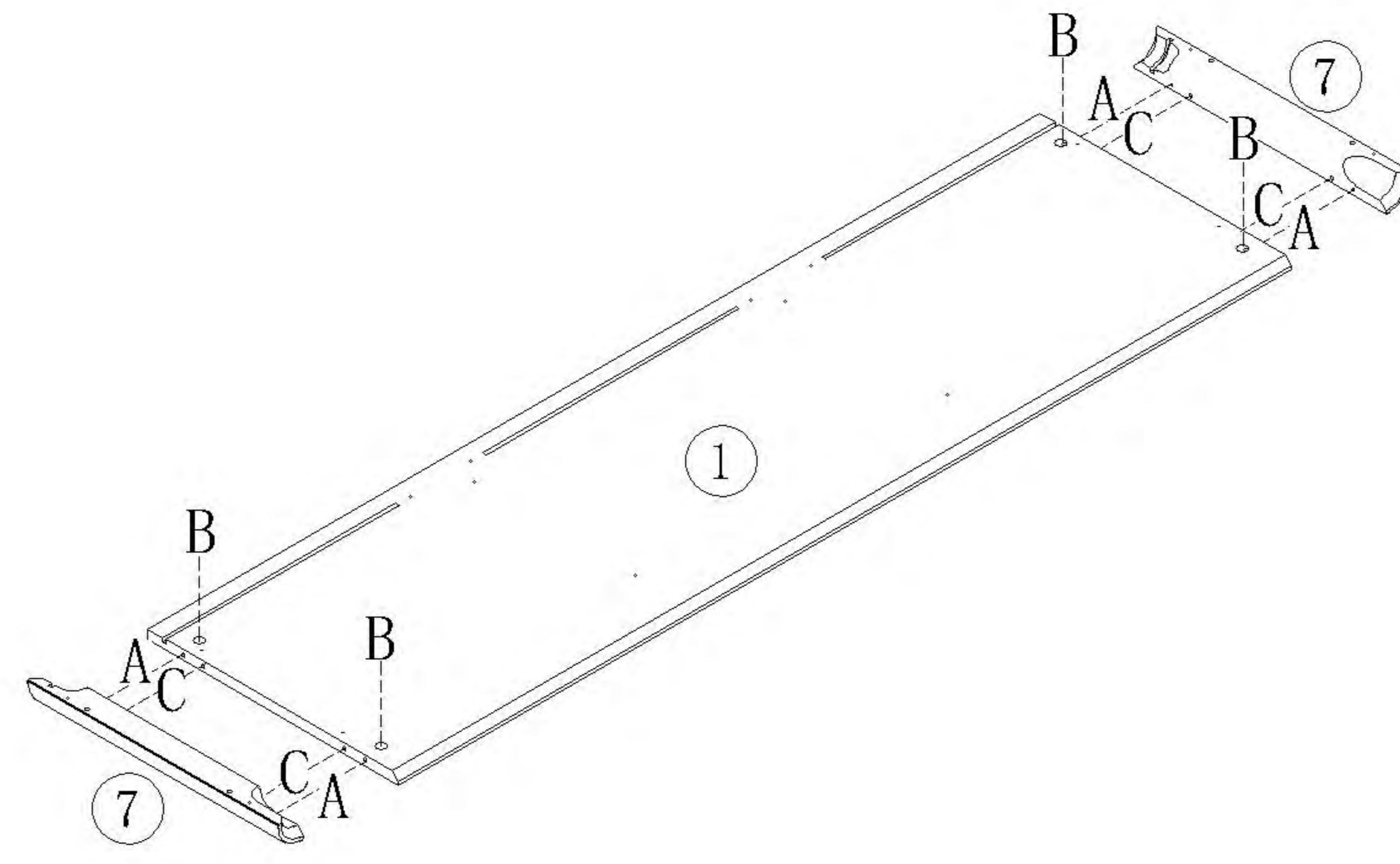
(A)\*4



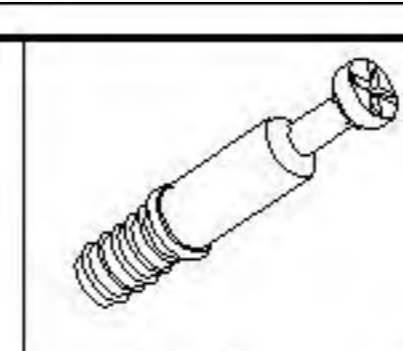
(B)\*4



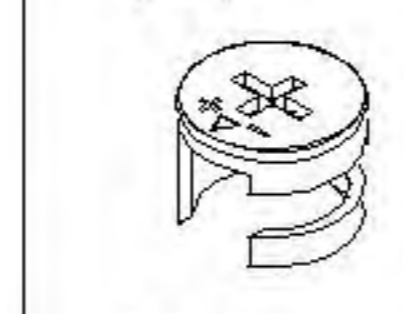
(C)\*4



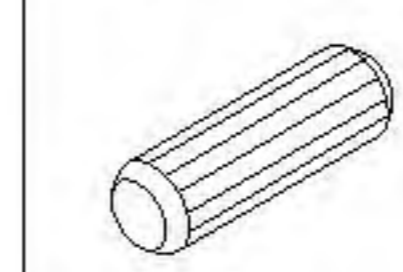
5



(A)\*4



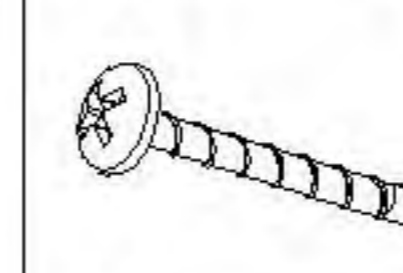
(B)\*4



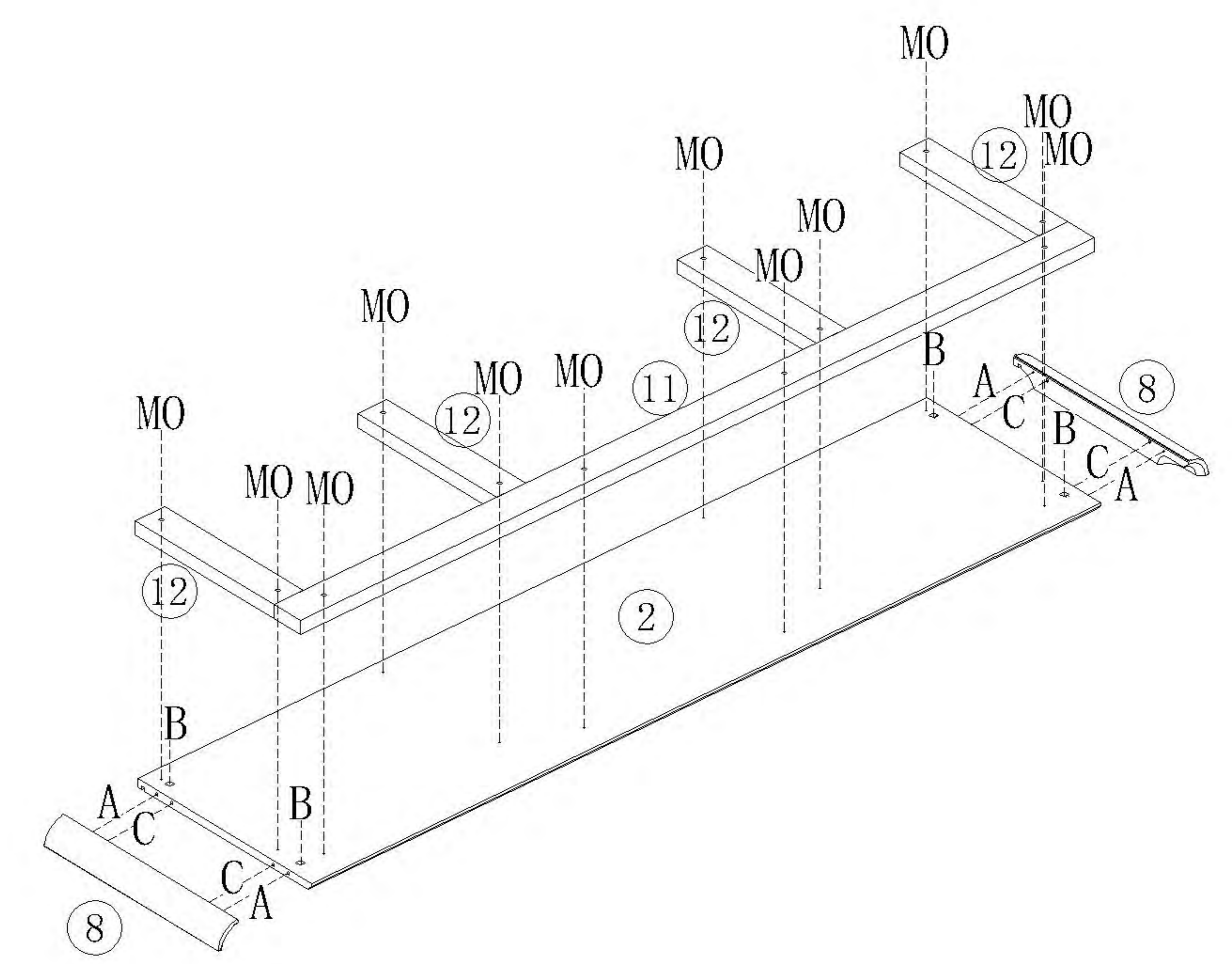
(C)\*4



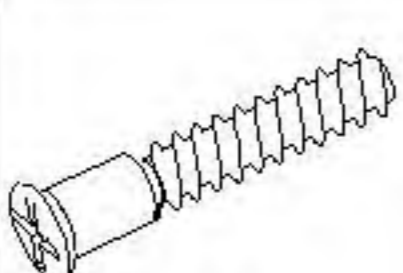
(M)\*12



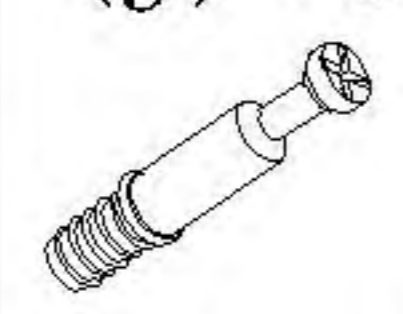
(O)\*12



6



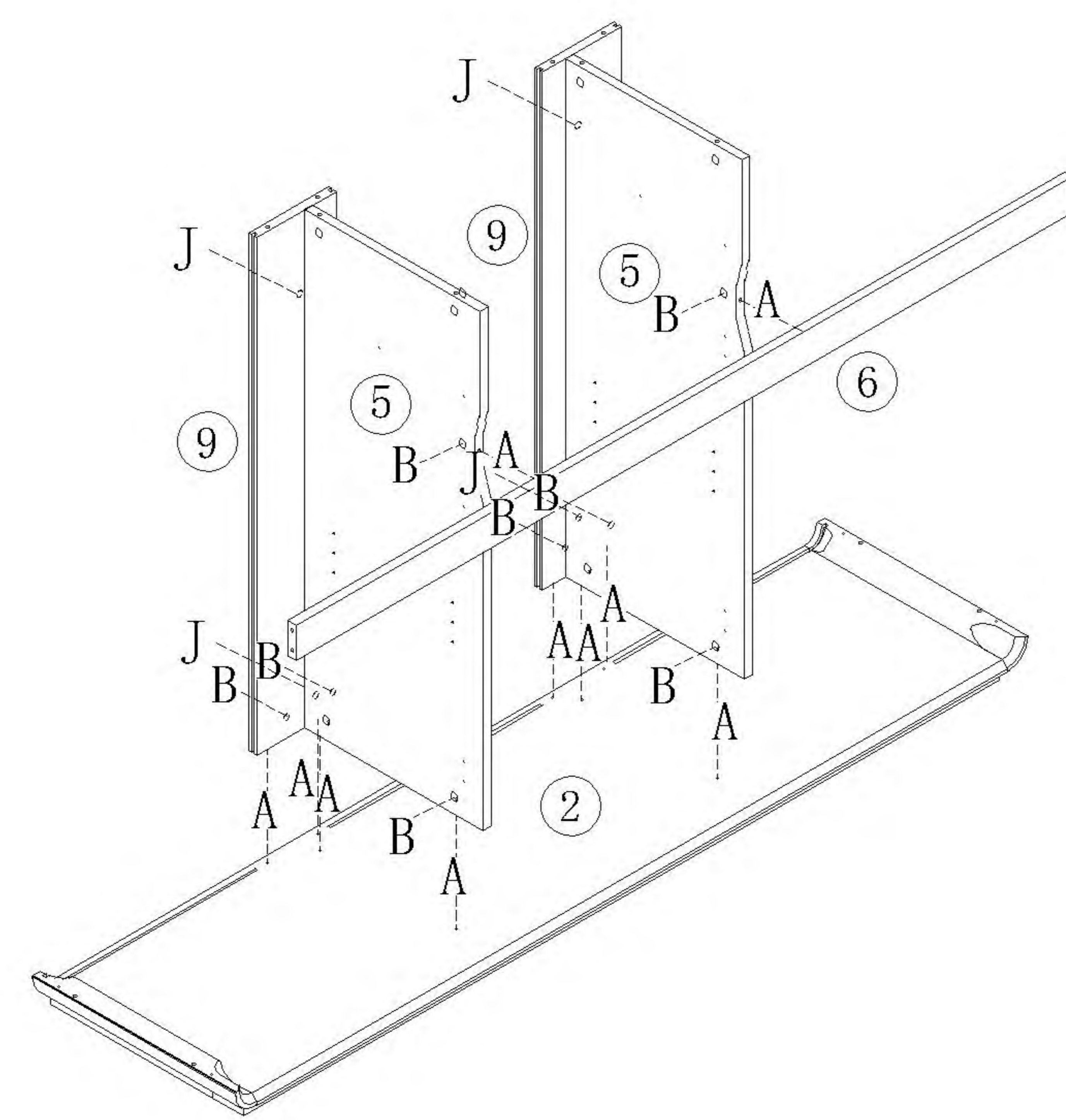
(J)\*4



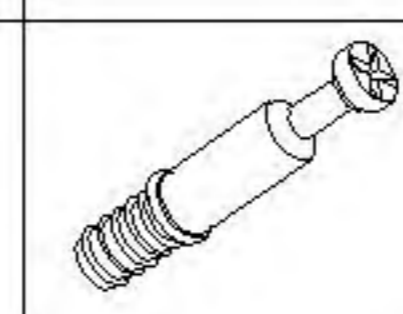
(A)\*10



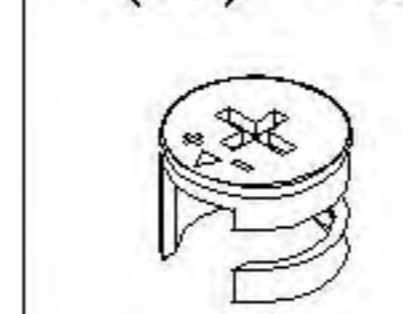
(B)\*10



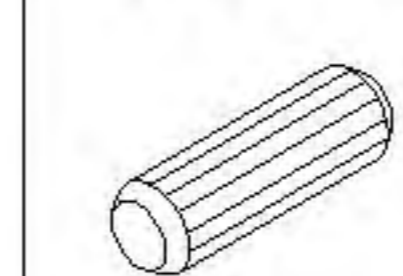
7



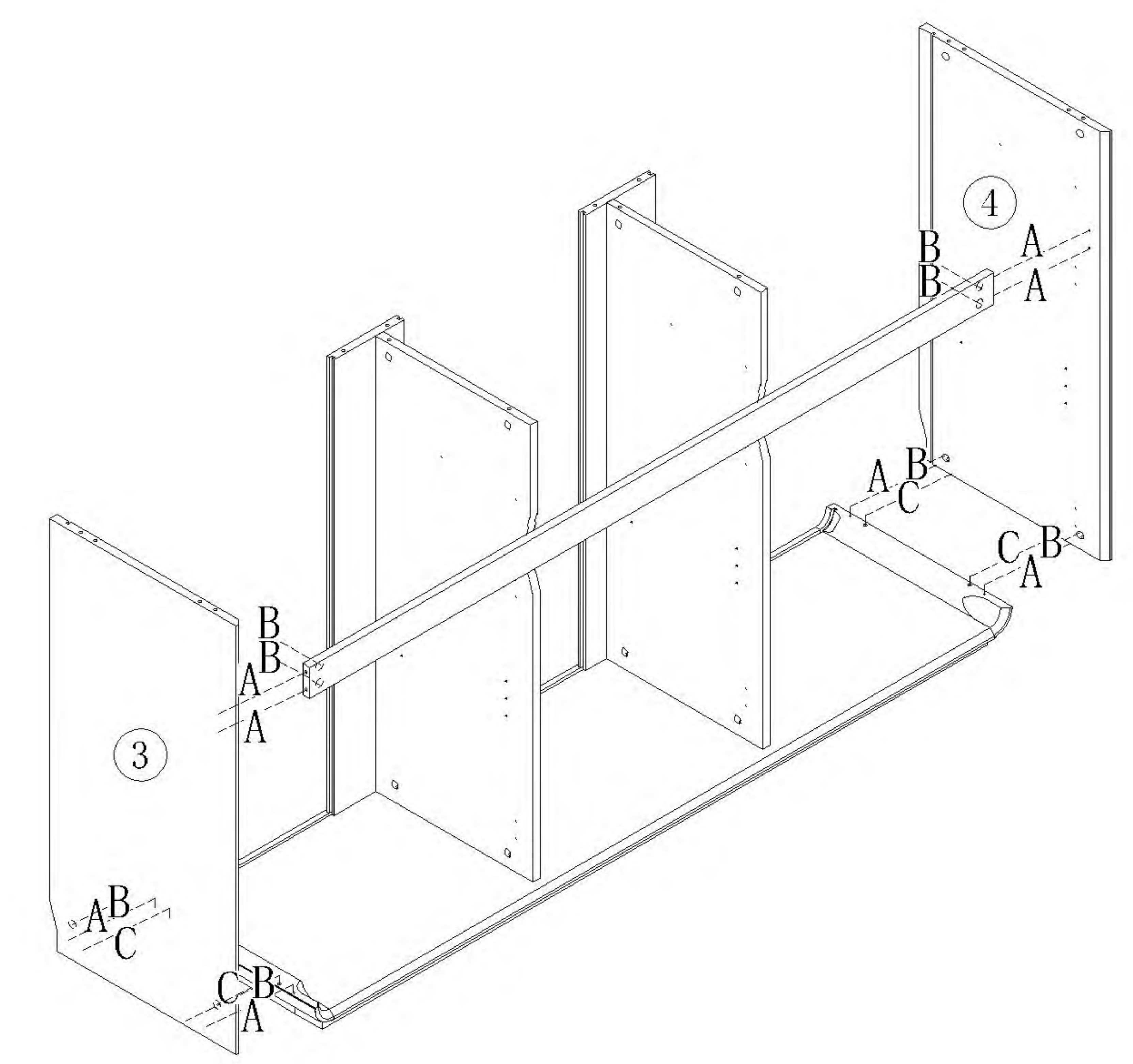
(A)\*8



(B)\*8



(C)\*4



8

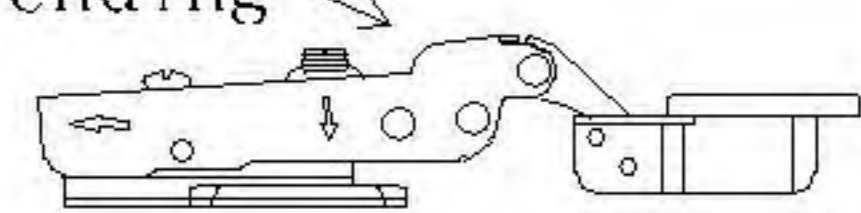
RU5T-A (1.5m)

安装方法/  
Installation method

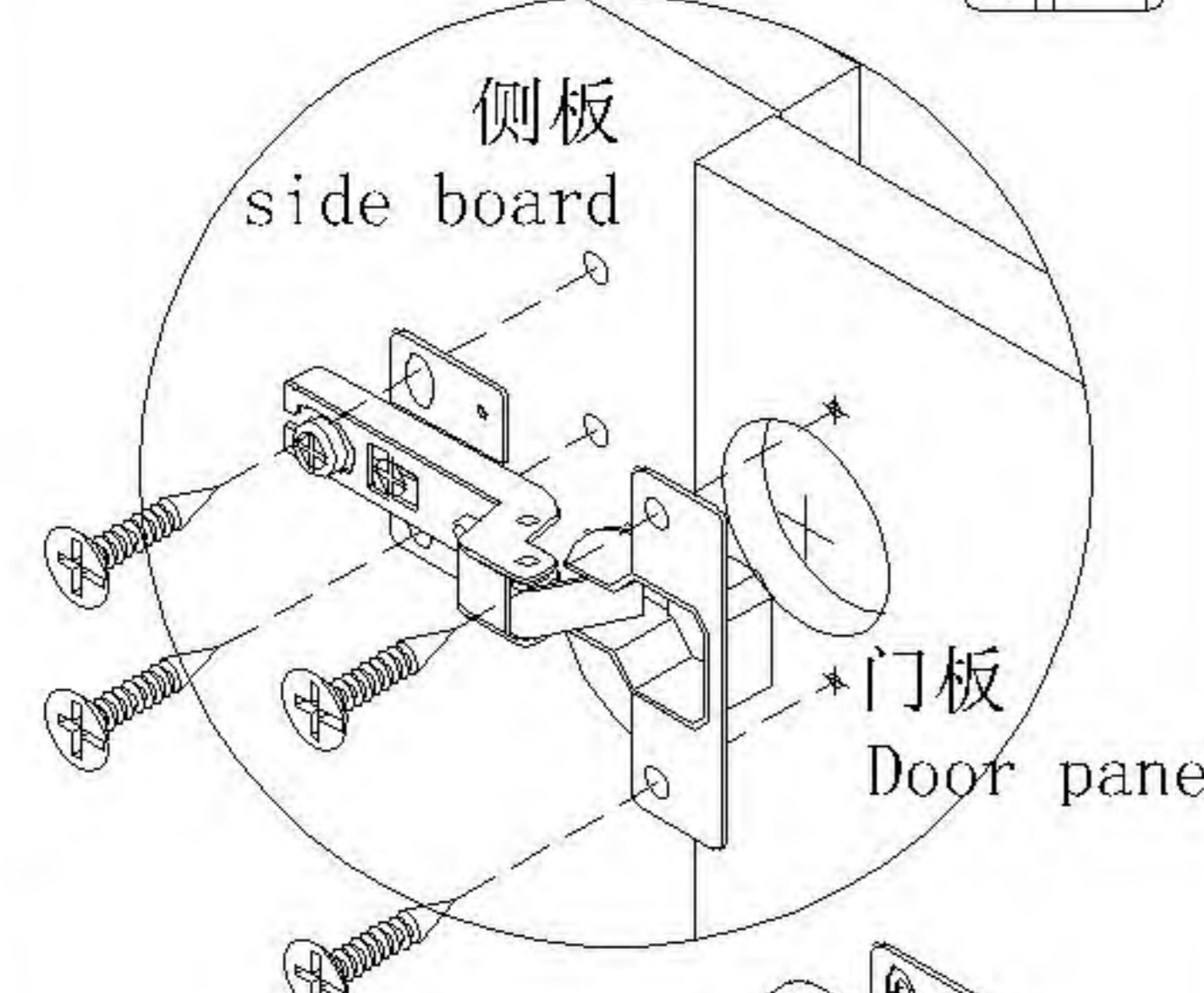
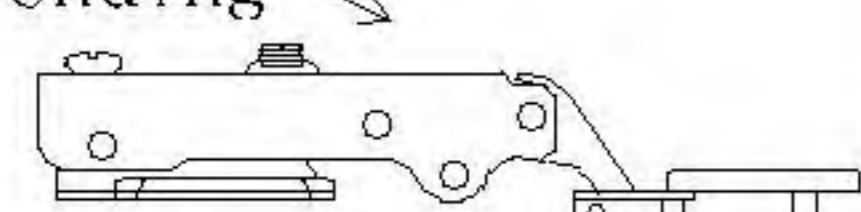
大弯big bend



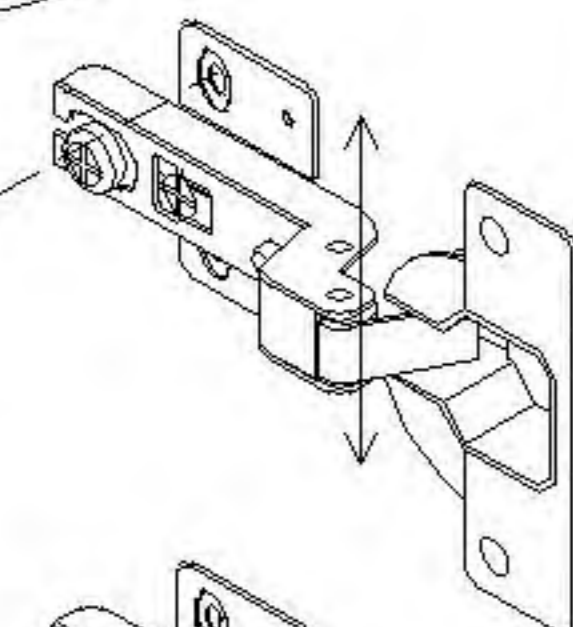
中弯middle bending



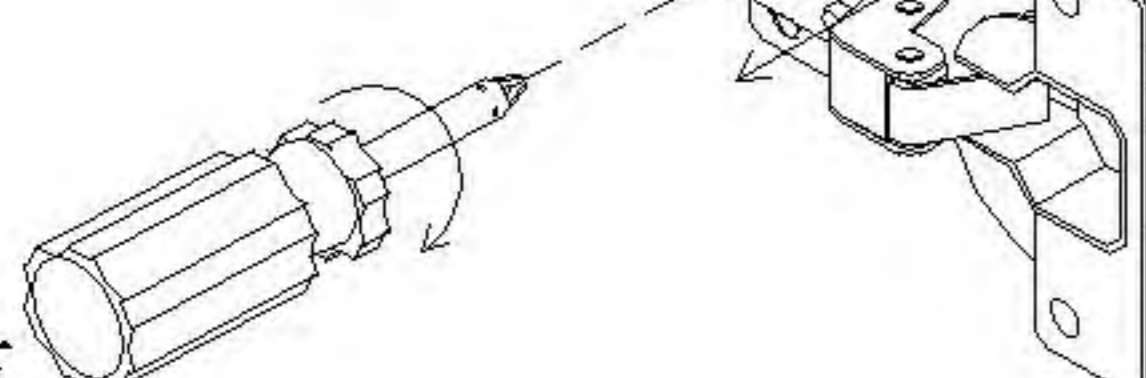
直弯straight bending



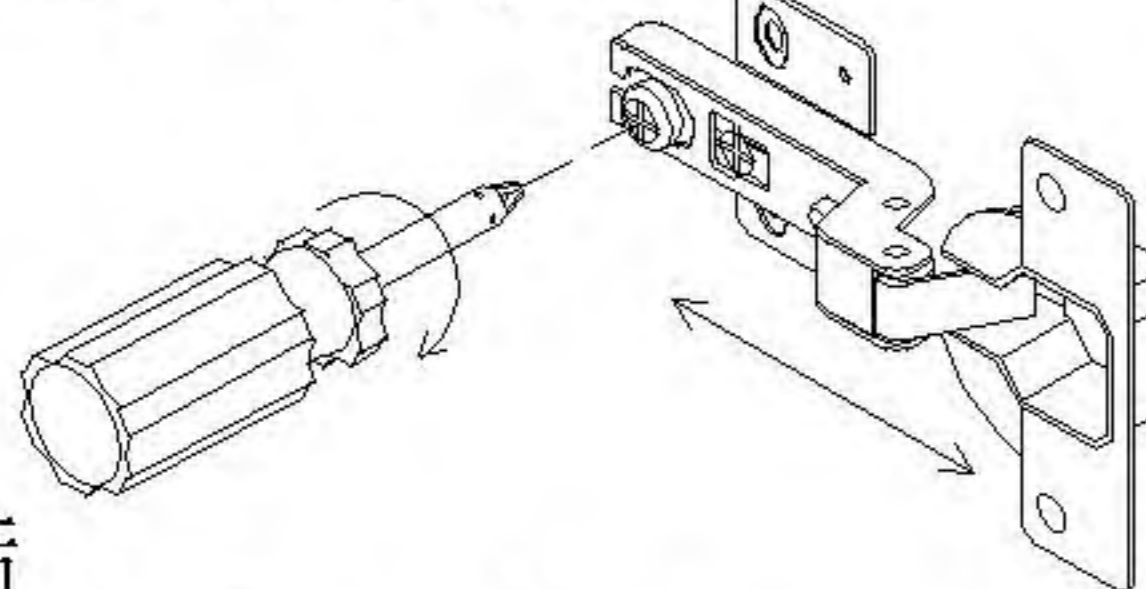
调节上下  
Adjust up and down



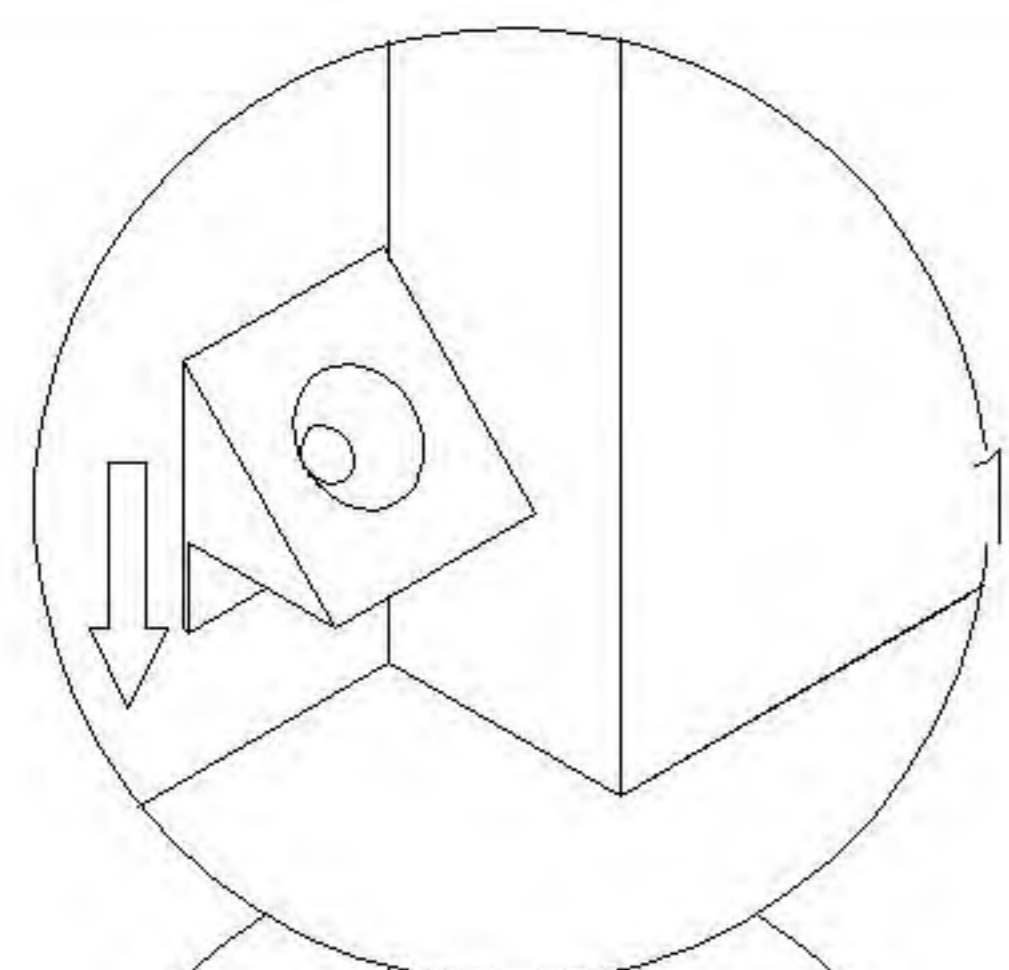
调节左右  
Adjust left and right



调节前后  
Before and after adjustment

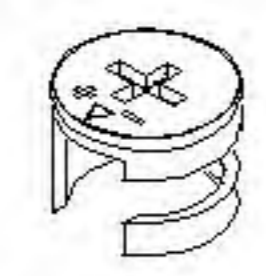


门铰  
Hinge

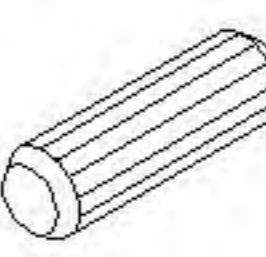


背板扣  
Back Plate Buckle

(A)\*12



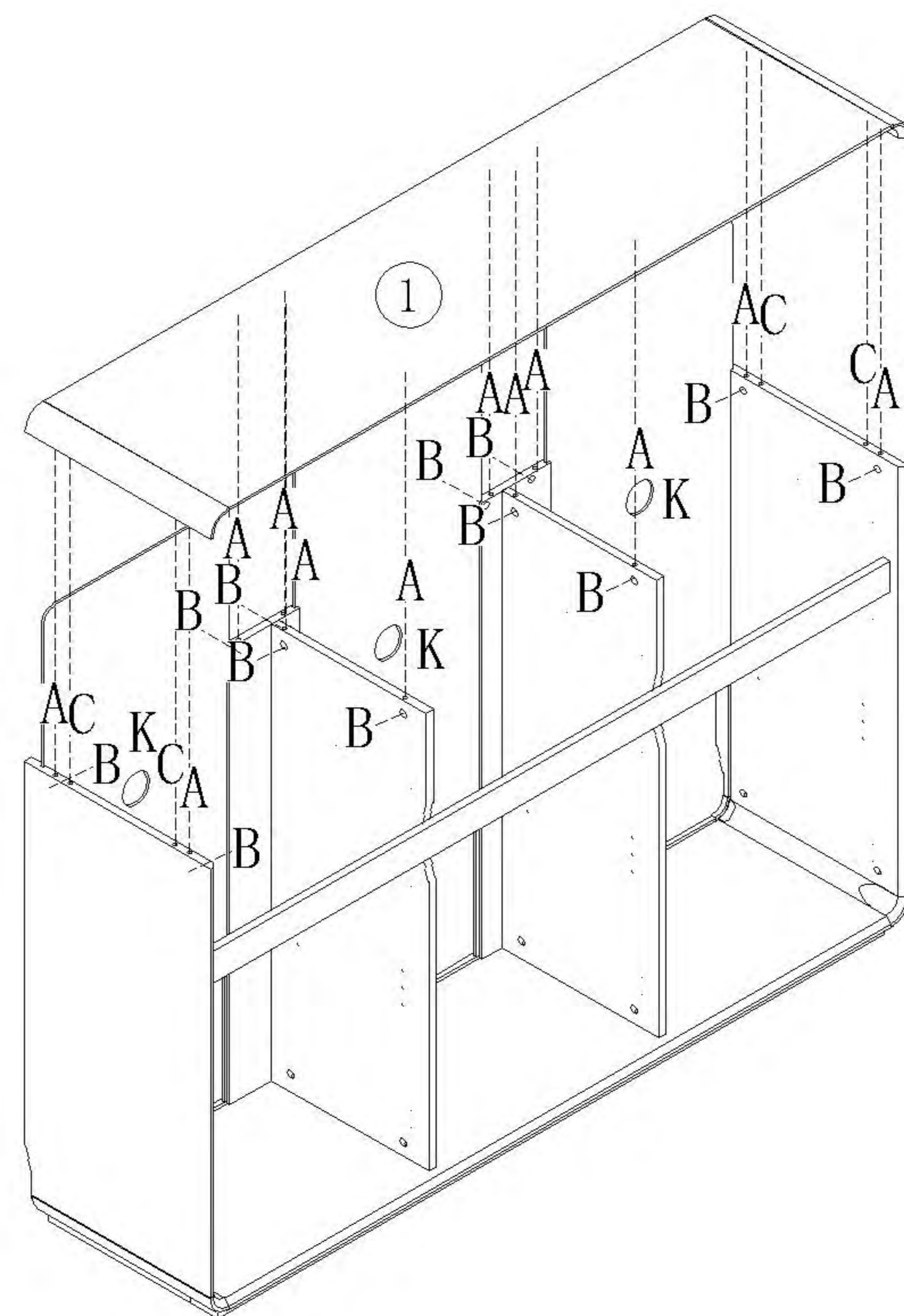
(B)\*12



(C)\*4

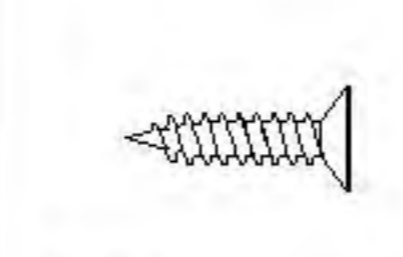


(K)\*3

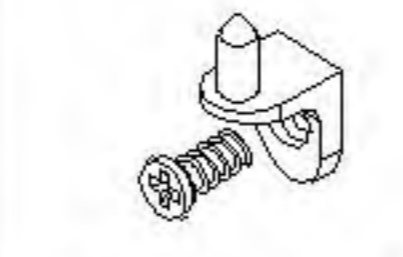


9

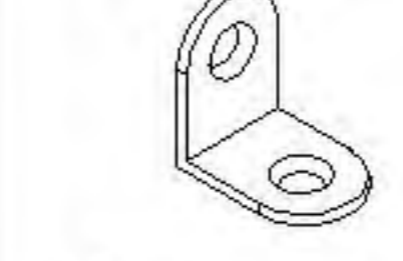
(D)\*3



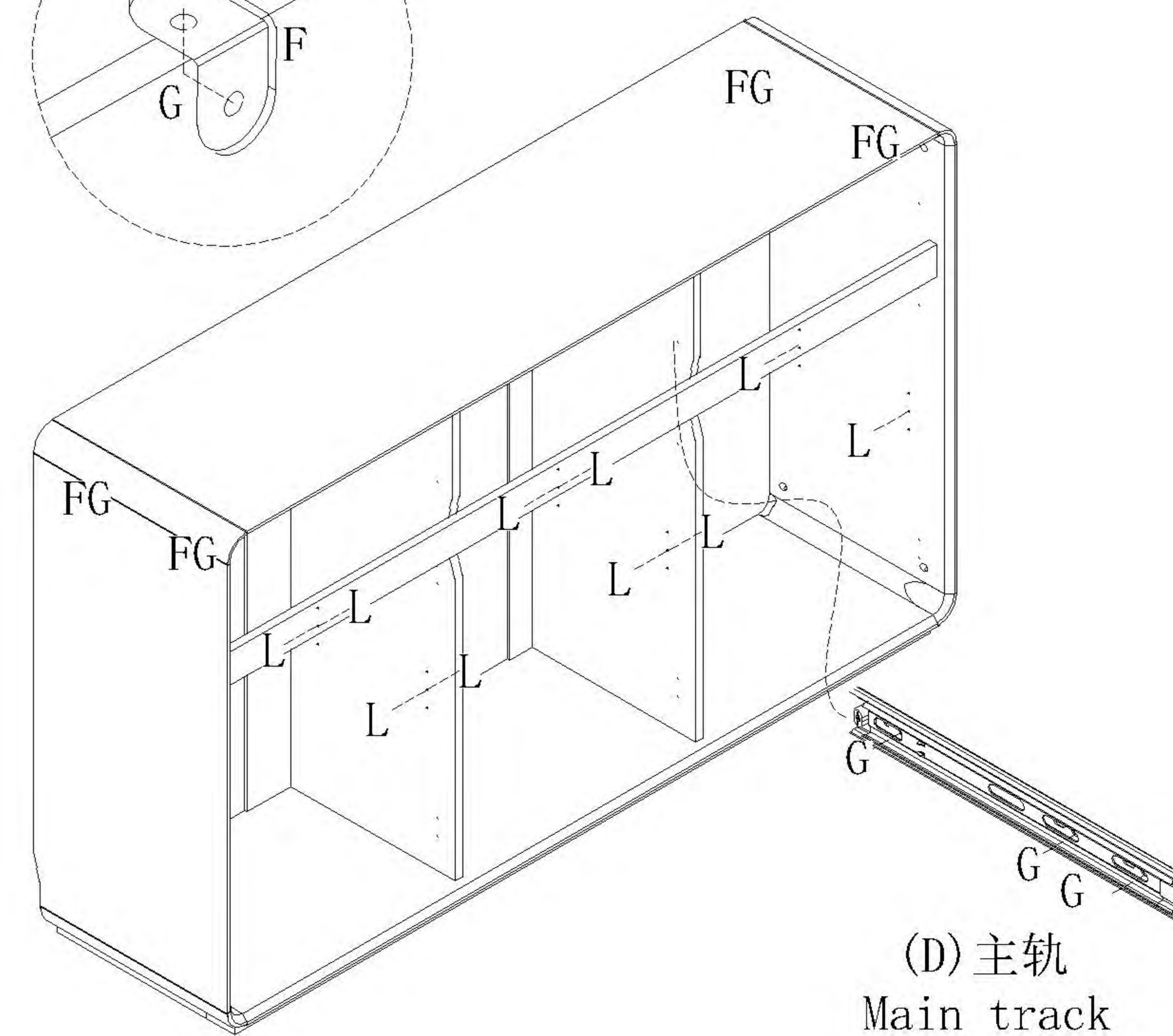
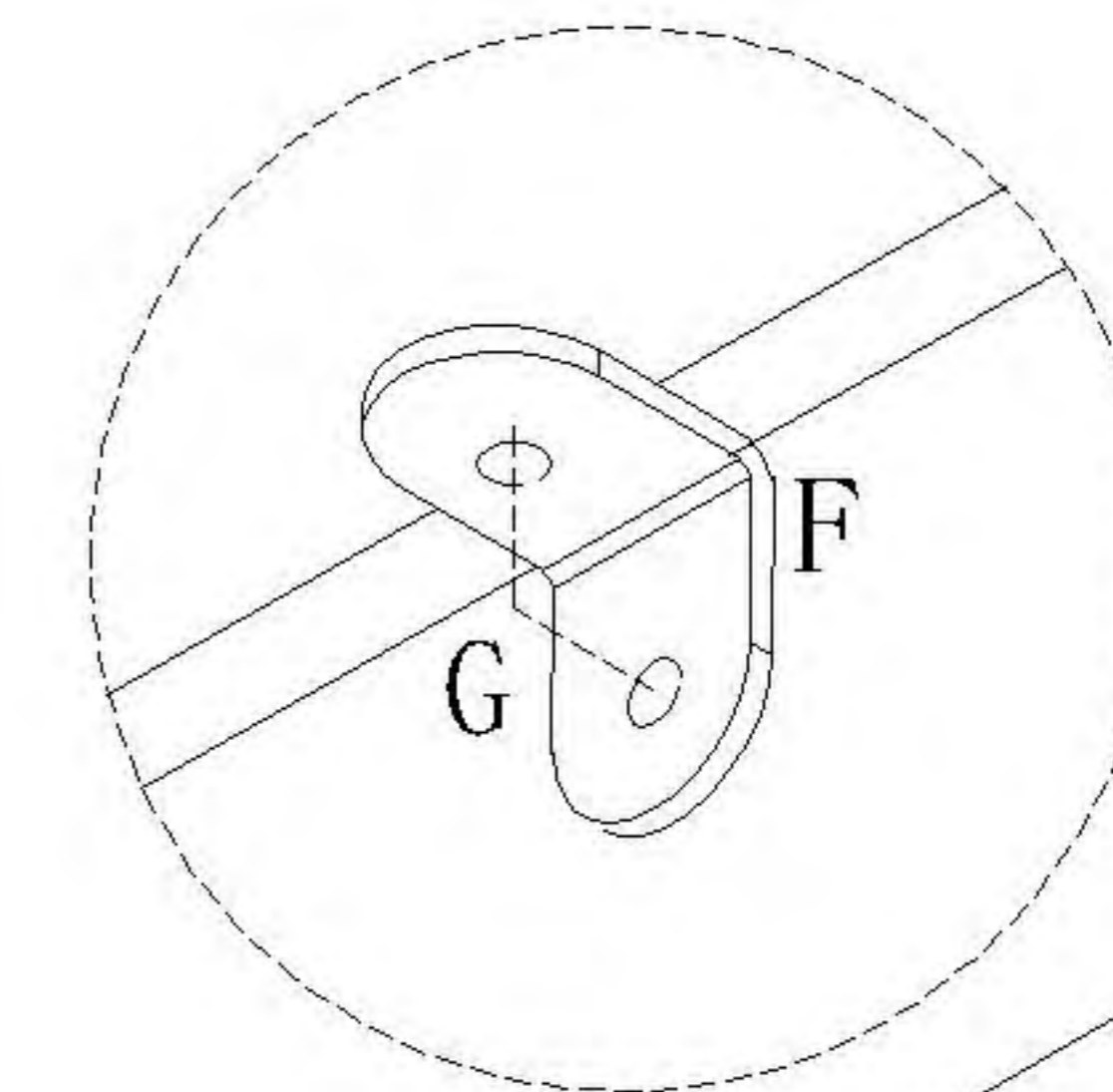
(G)\*26



(L)\*12



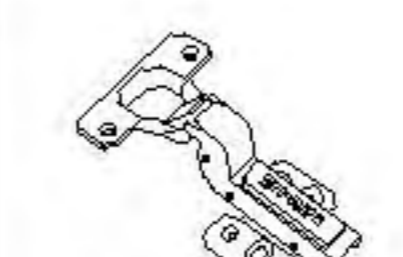
(F)\*4



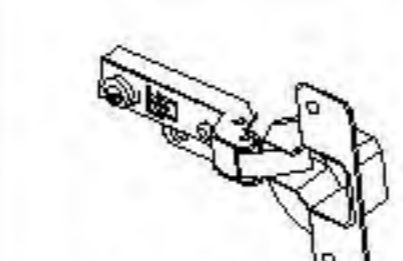
(D) 主轨  
Main track

10

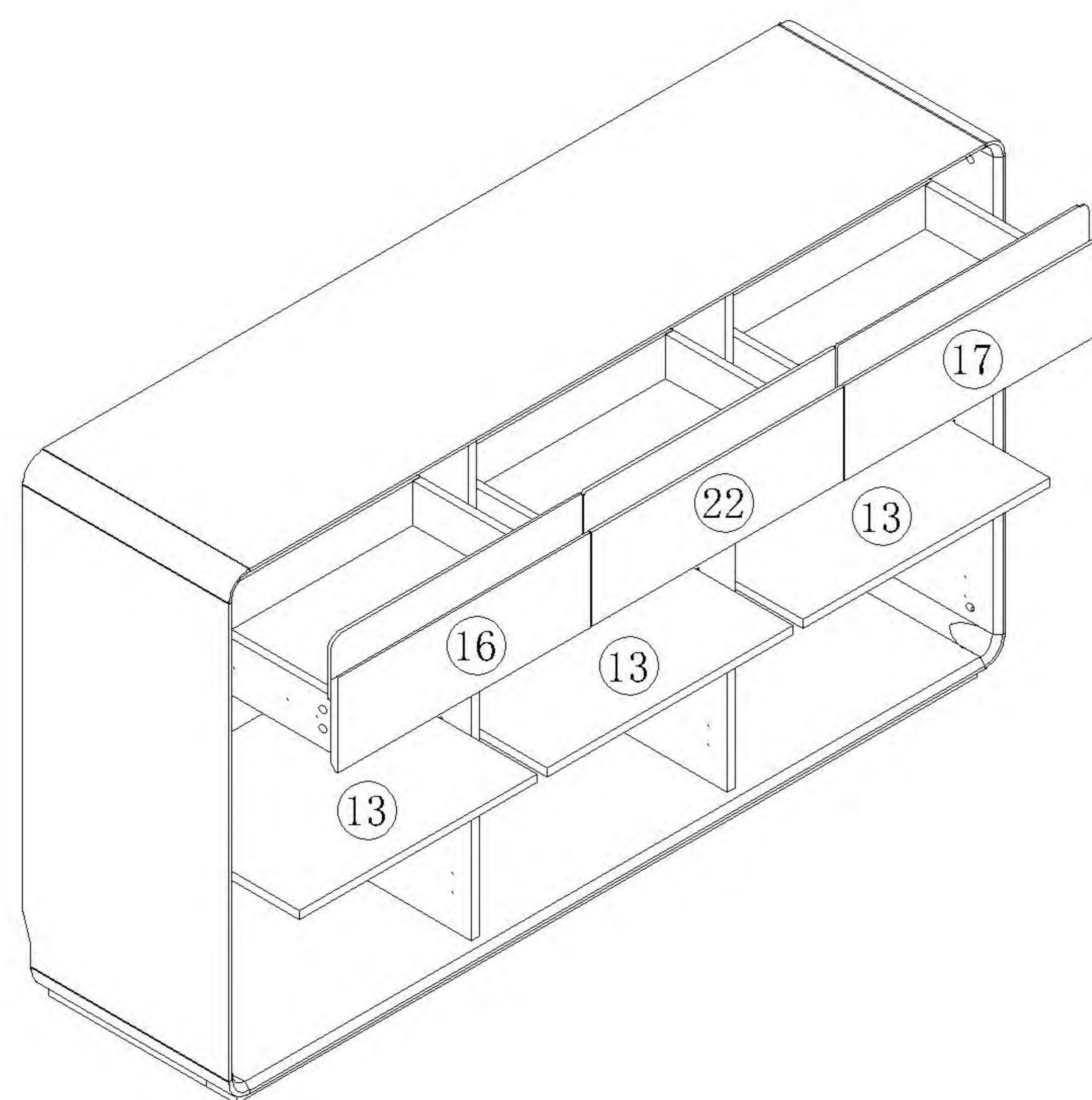
11



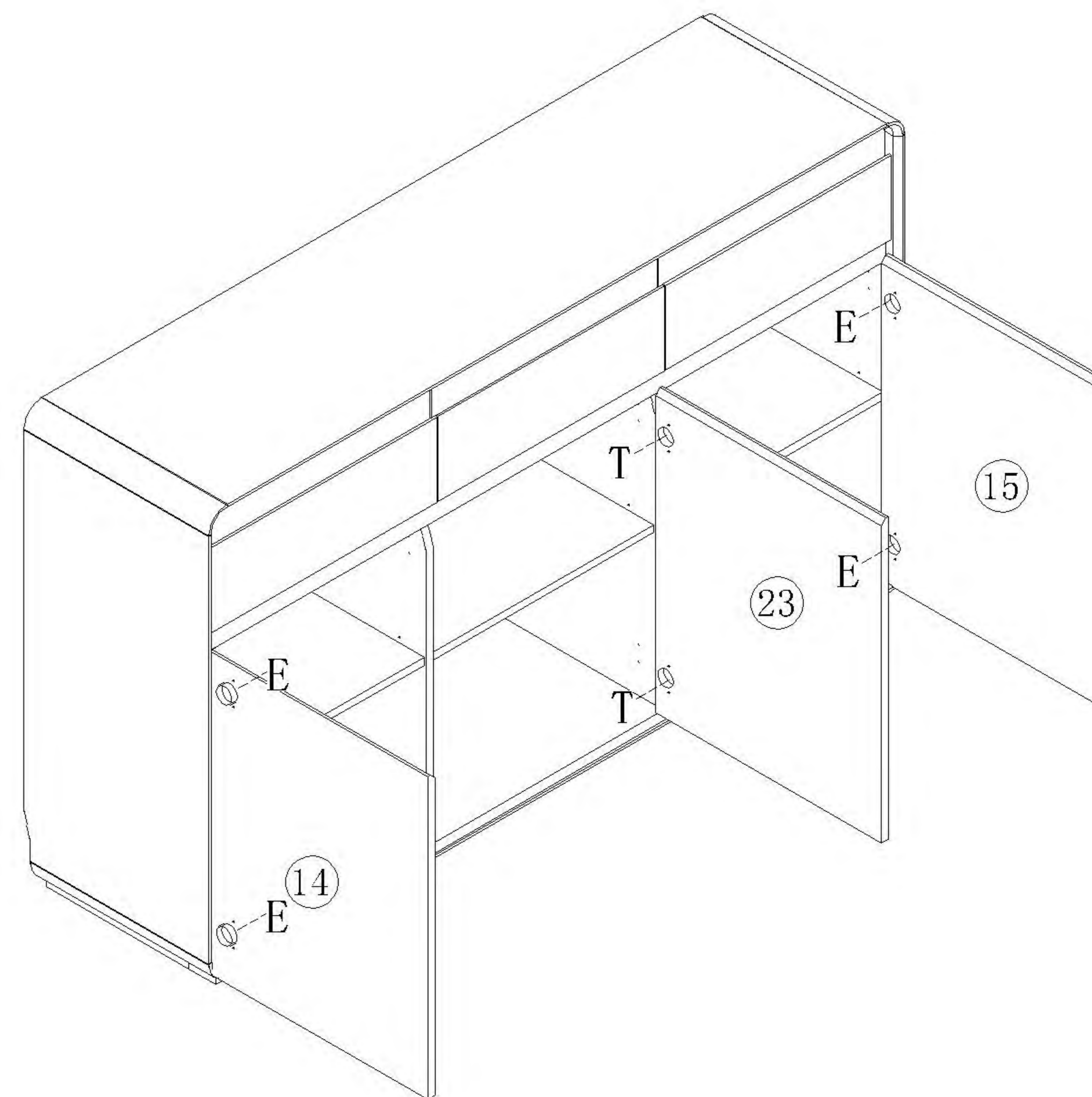
(E)\*4



(T)\*2

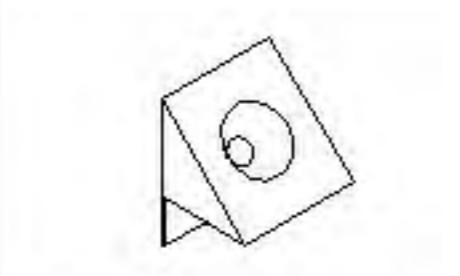


12

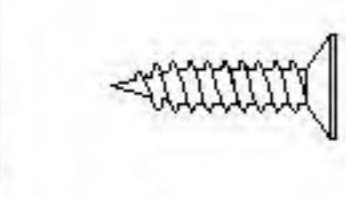


RU5T-A (1.5m)

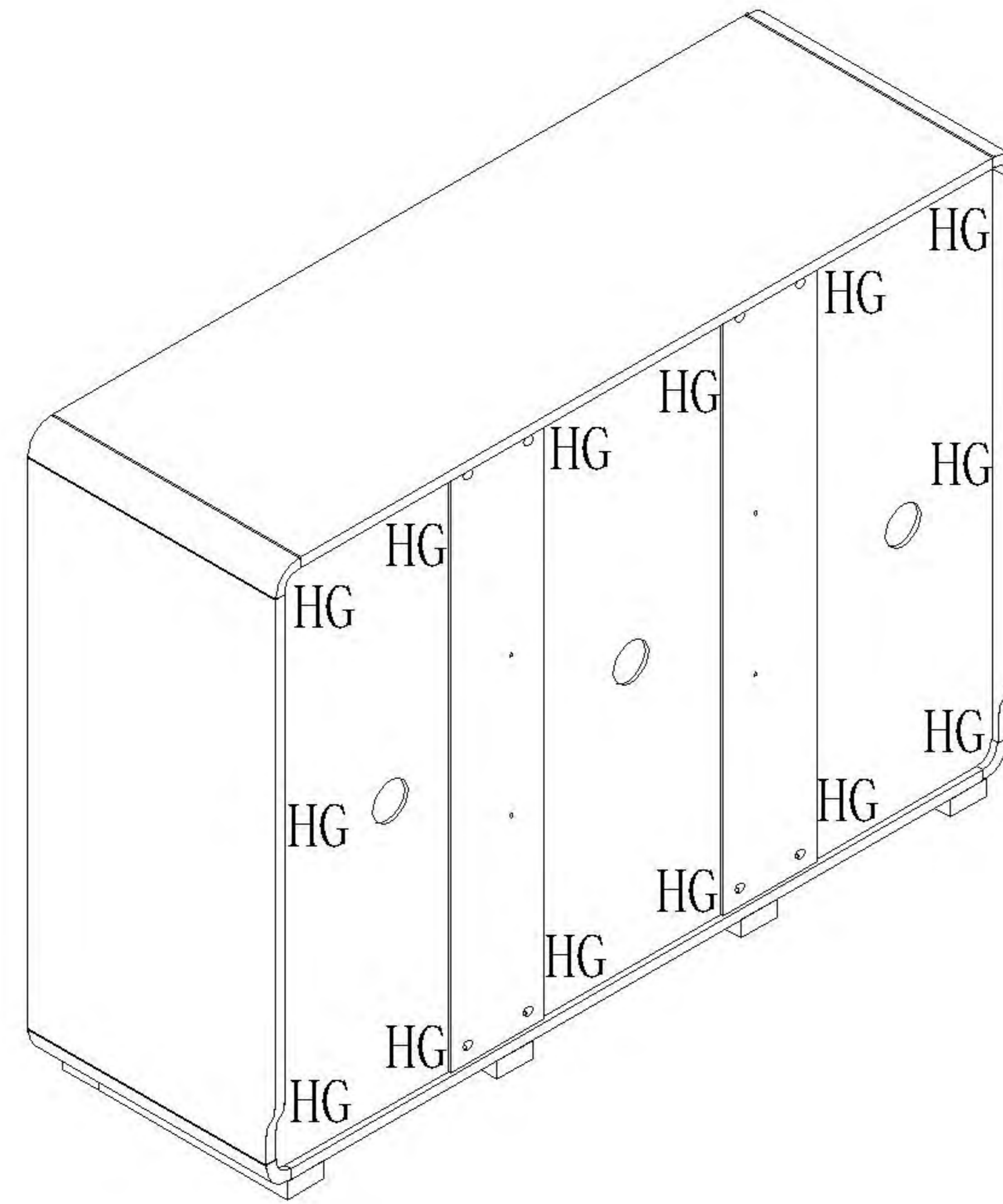
安装方法/  
Installation method



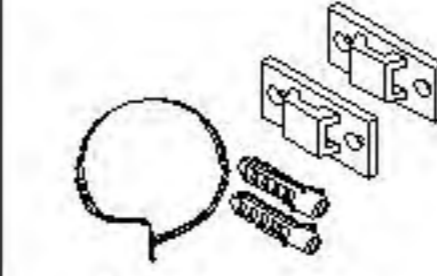
(H)\*14



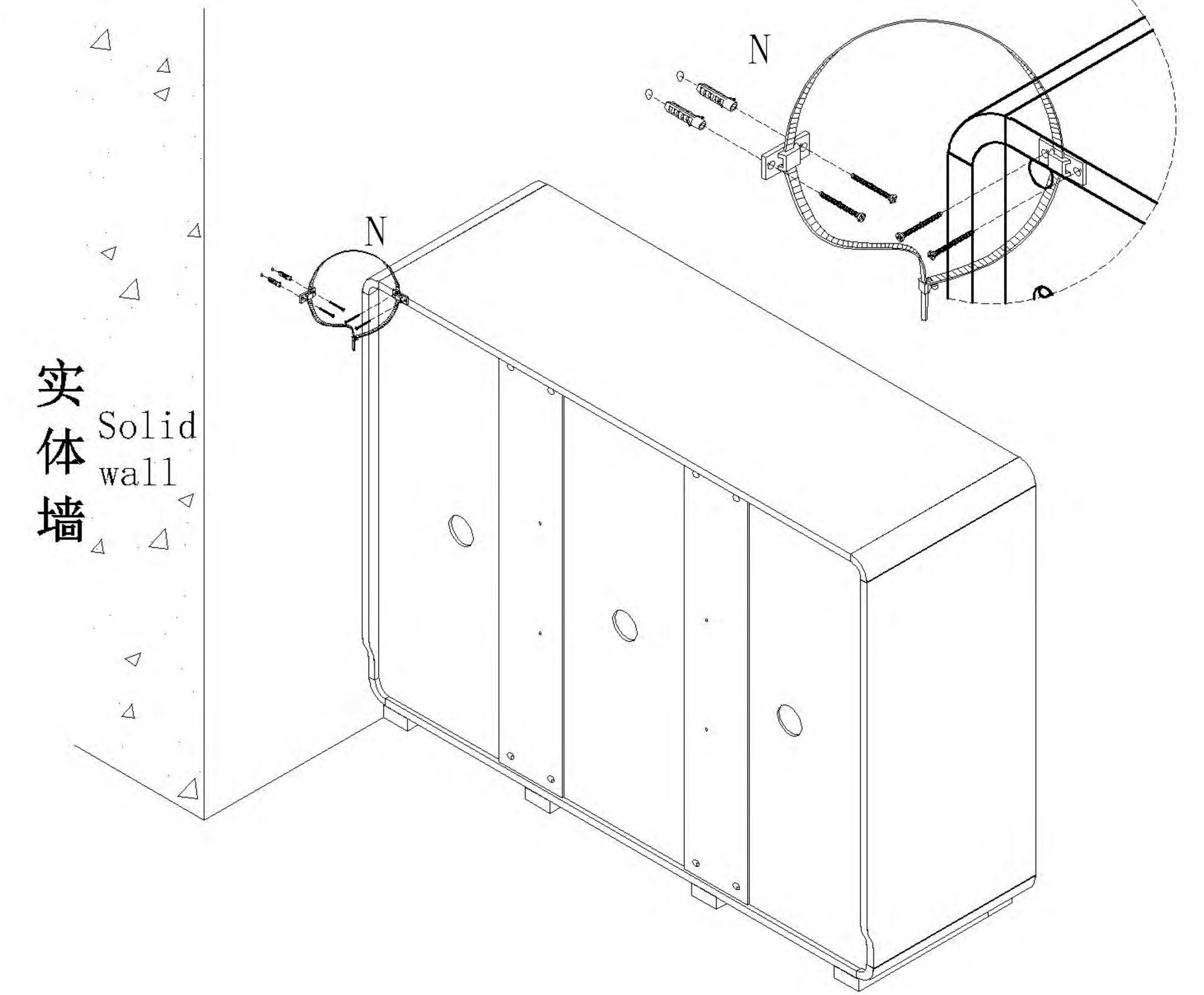
(G)\*14



13

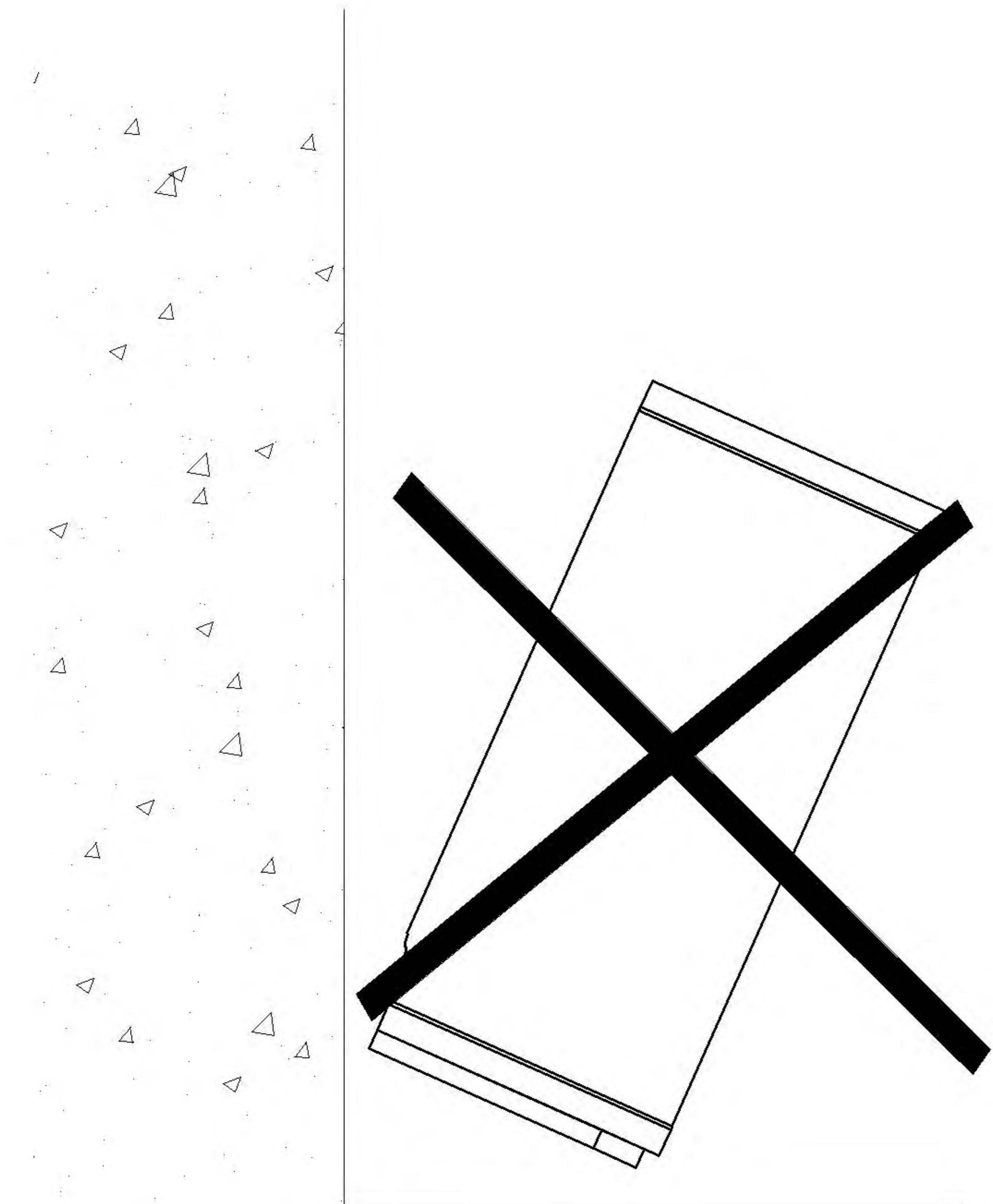


(N)\*1



14

15



16

孔位贴使用小贴士

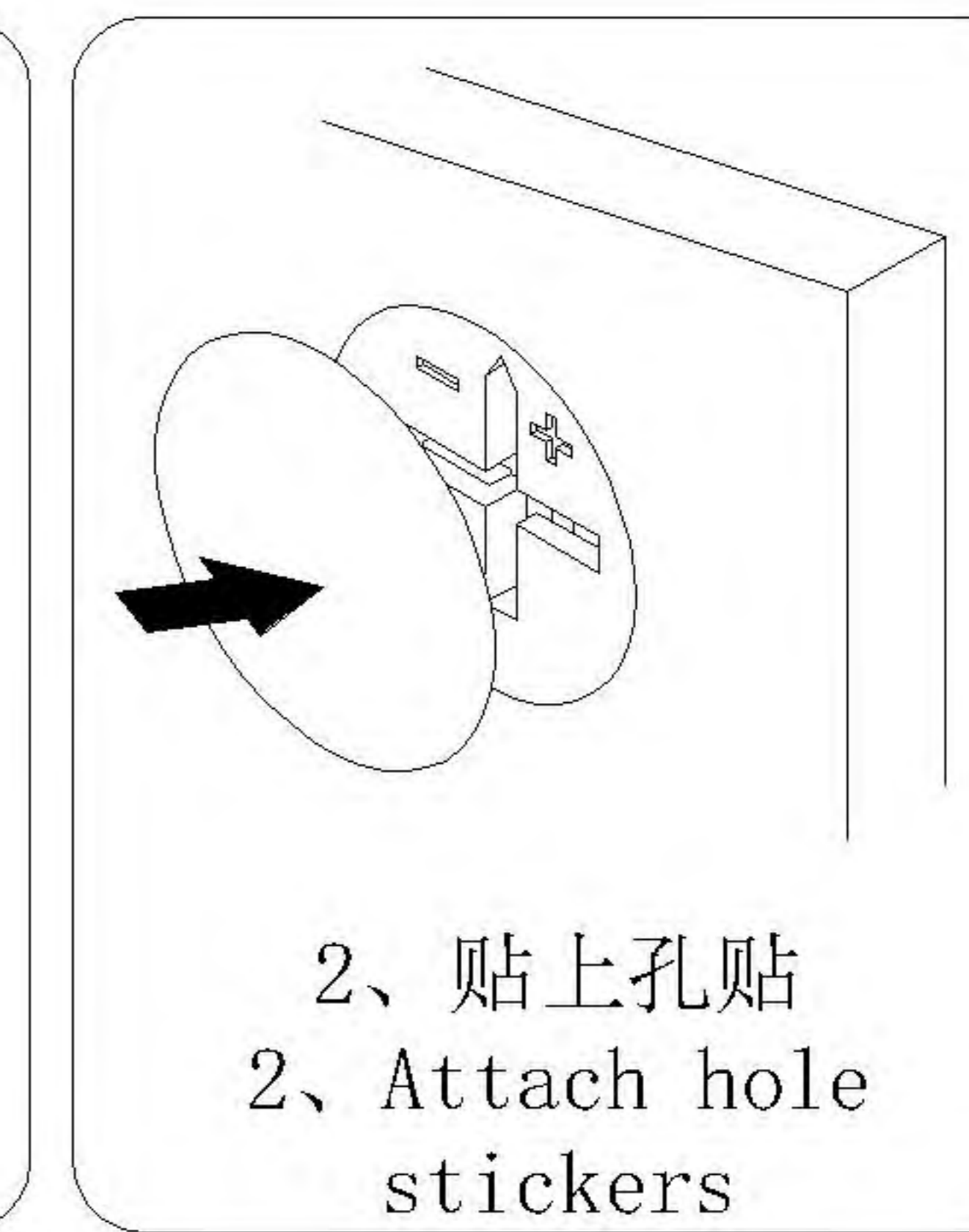
产品安装完成后请贴上孔贴，多出的孔贴请保管好

Tips for using hole stickers:

After the product installation is completed, please attach the hole stickers. Please keep any extra hole stickers safe



1、擦干净孔位  
1、Clean the hole position thoroughly



2、贴上孔贴  
2、Attach hole stickers



3、24小时内勿碰水  
3、Do not touch water within 24 hours

# LINSY 林氏家居

## 五金表/Hardware list

## 部件表/Parts List

### 安装示意图/Assembly Instruction

产品名称 Model NO.

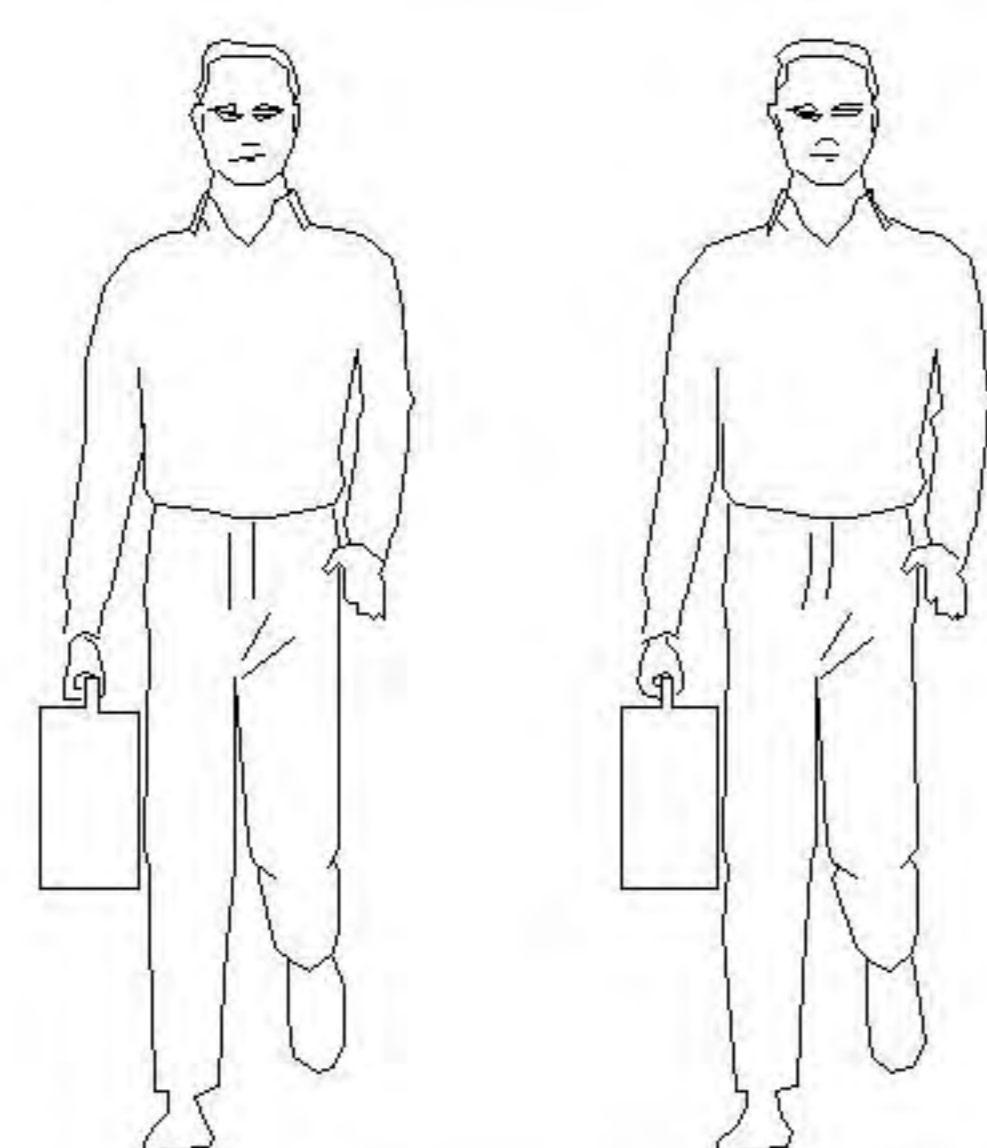
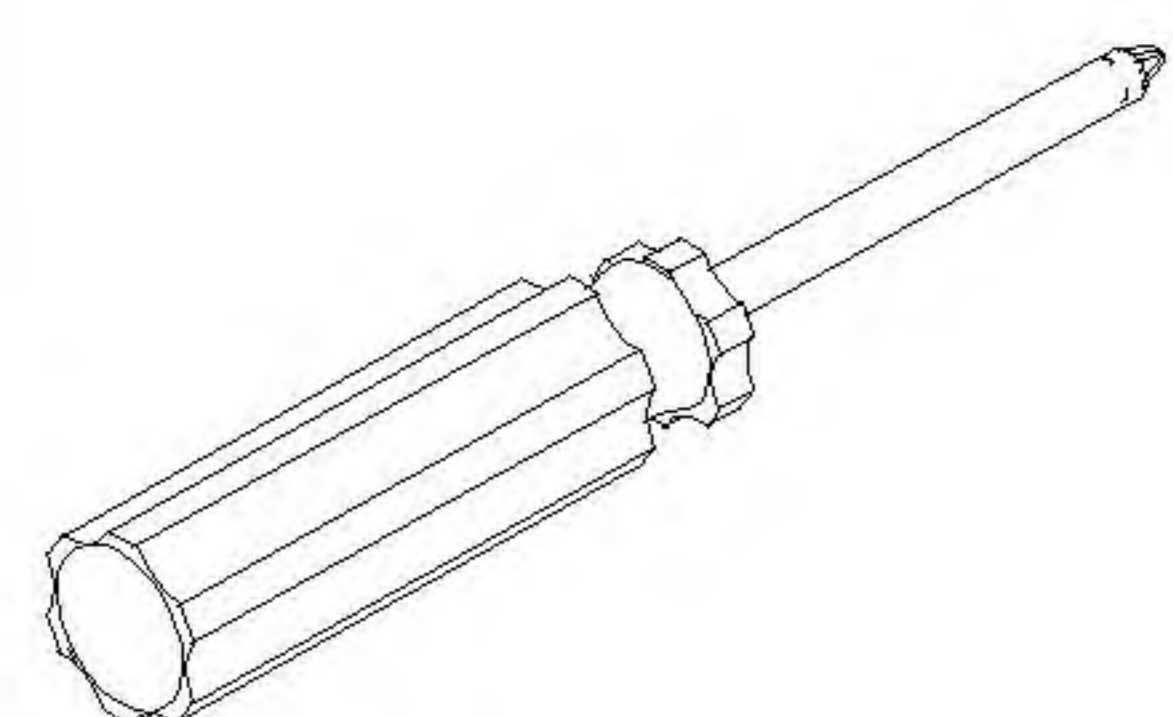
RU5T-A(1.8m)

产品规格 Specification

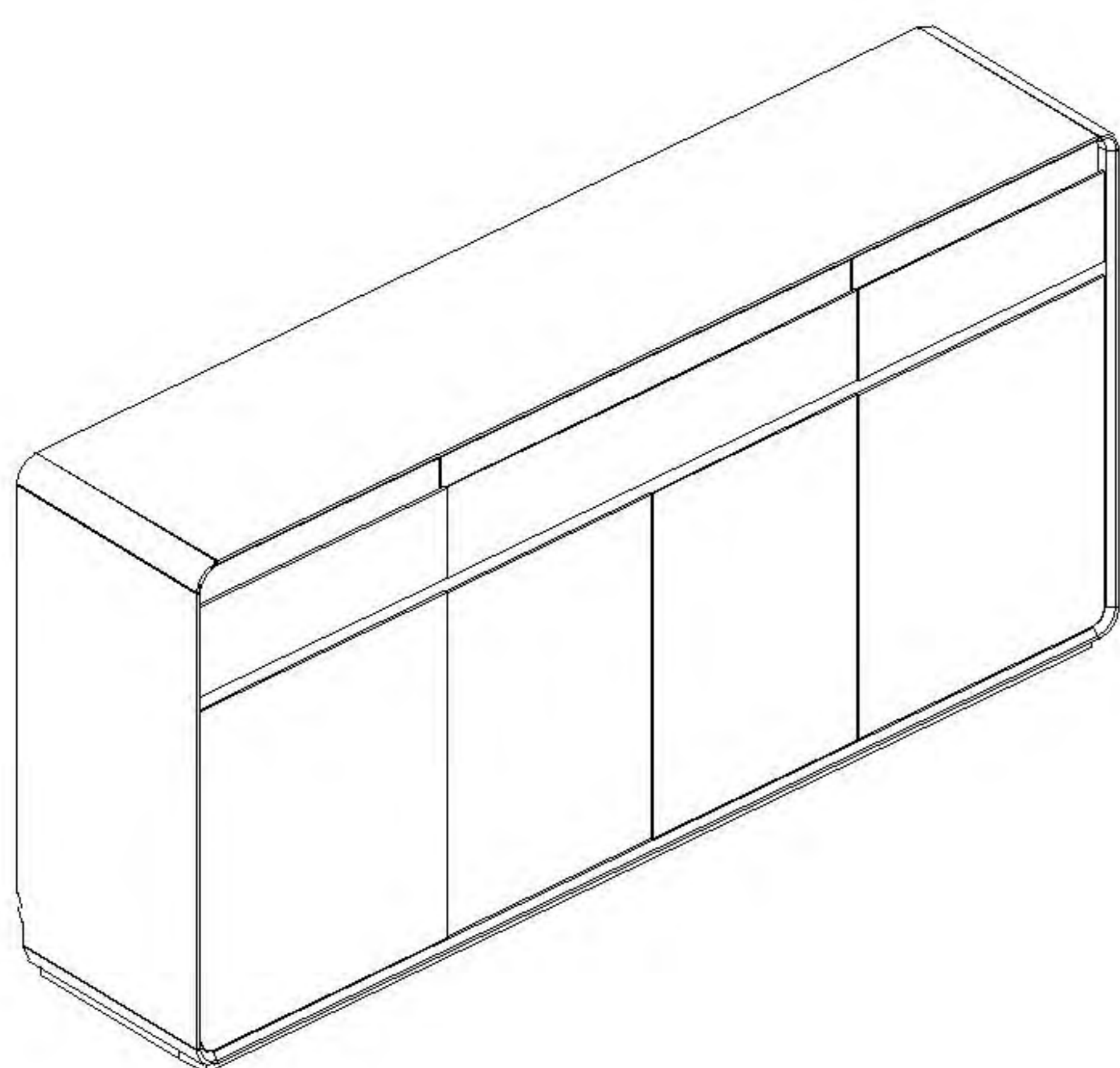
1814\*398\*903mm

安装工具 Tool

安装人数 Installer

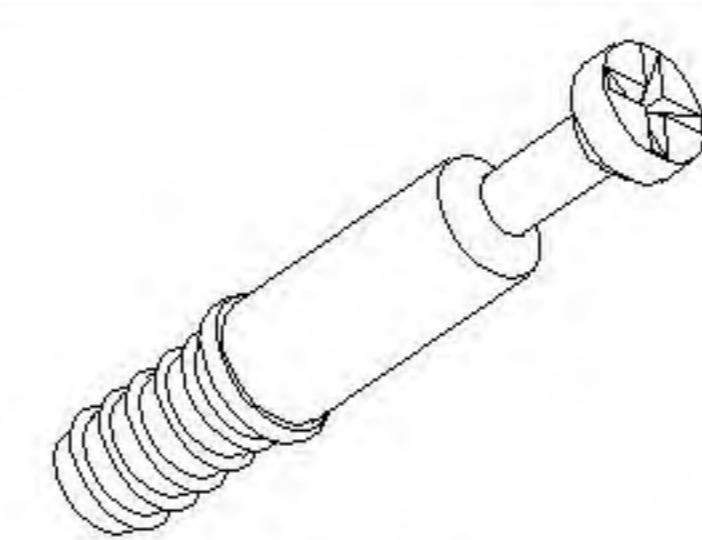


注：为保证设计效果，部分尺寸为定制尺寸，不影响使用。



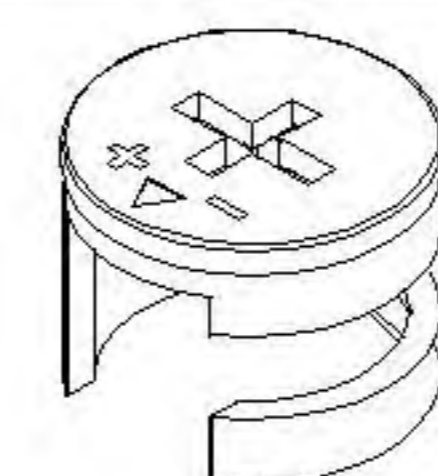
注：抽屉面板与柜体的间隙为设计开启抽屉使用，小心夹伤！

Note: the gap between the drawer panel and the cabinet is designed to open the drawer. Be careful not to pinch!



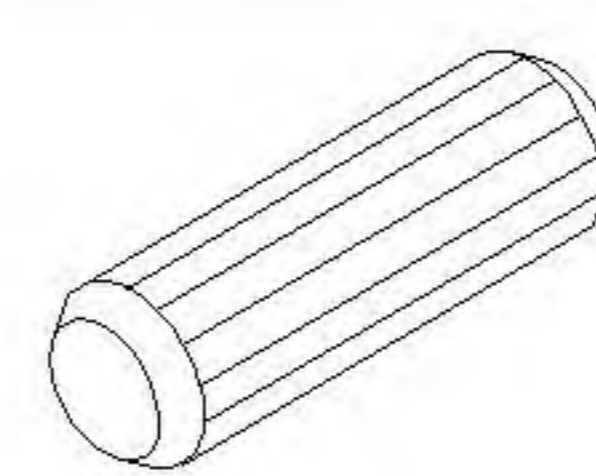
(A)\*78

二合一螺杆  
2-in-1-screw



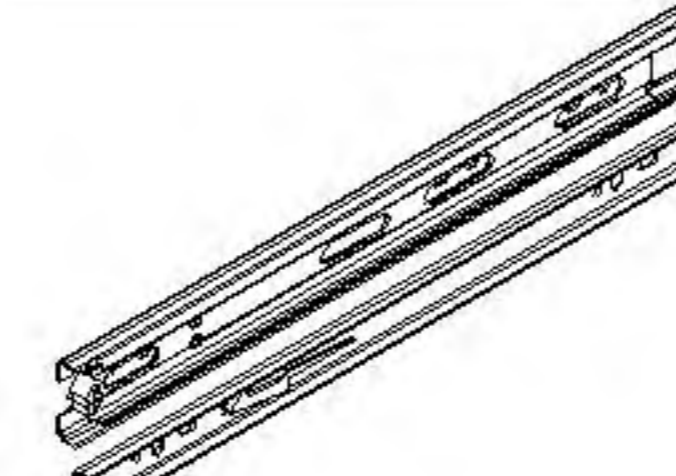
(B)\*78

大三合一锁饼  
3-in-1 large lock



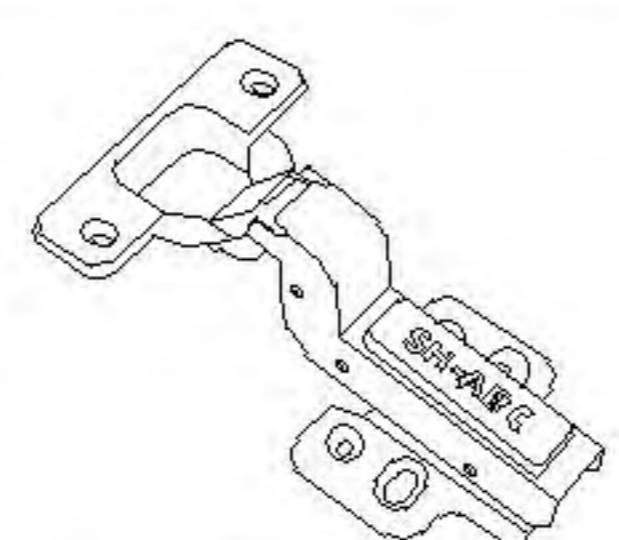
(C)\*17

木榫Ø8x30mm  
Wood tenon



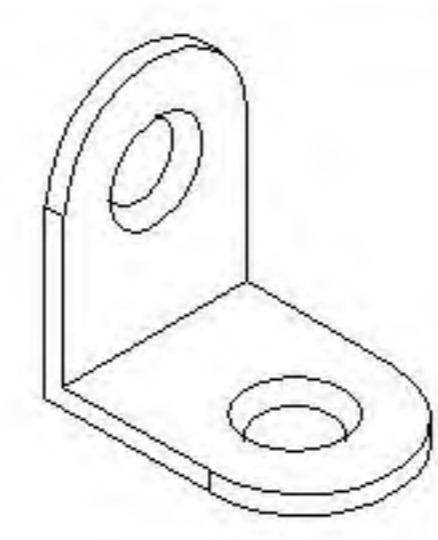
(D)\*3

三节滚珠导轨10"  
Three-section rail



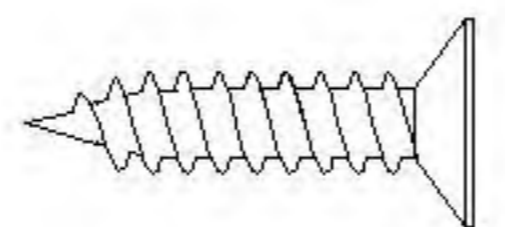
(E)\*4

缓冲门铰大弯-杯径Ø35  
Great bend hinge



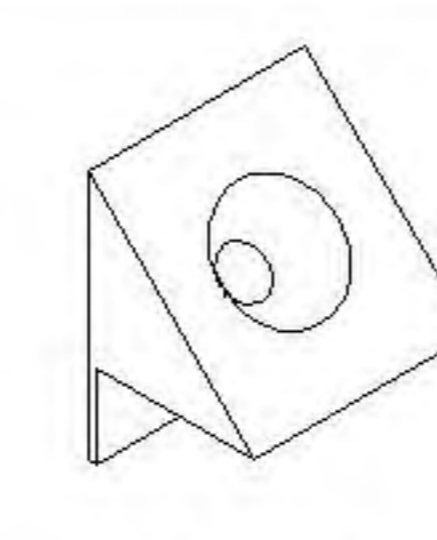
(F)\*4

小角码-(14\*21\*1.5mm)  
Small bracket



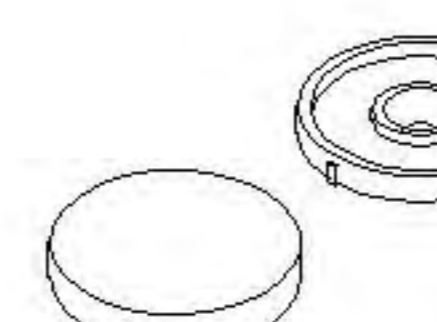
(G)\*65

白攻螺丝M3.5\*14mm  
Tapping screw



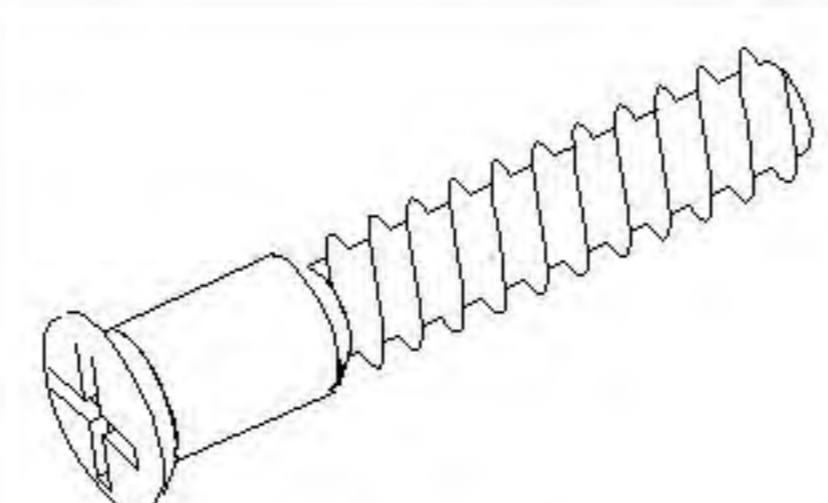
(H)\*19

背板扣  
White buckle



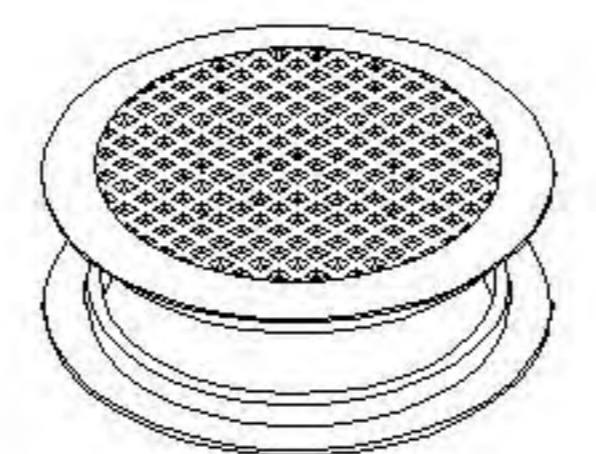
(I)\*9

镜钉-(直径13\*5mm)  
Mirror nail



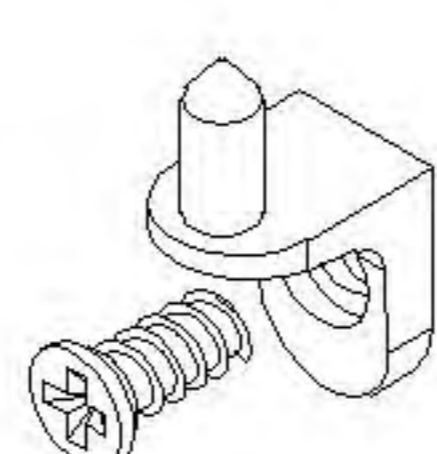
(J)\*4

过山丝-(M7\*38mm)镀锌  
Confirmat screw



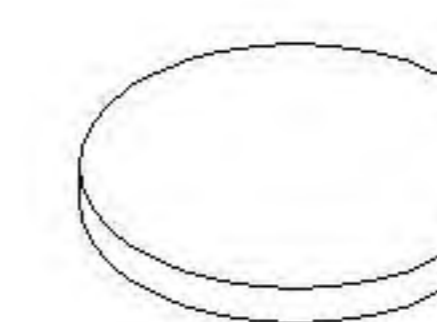
(K)\*4

透气孔盖-白色  
Breathable cover



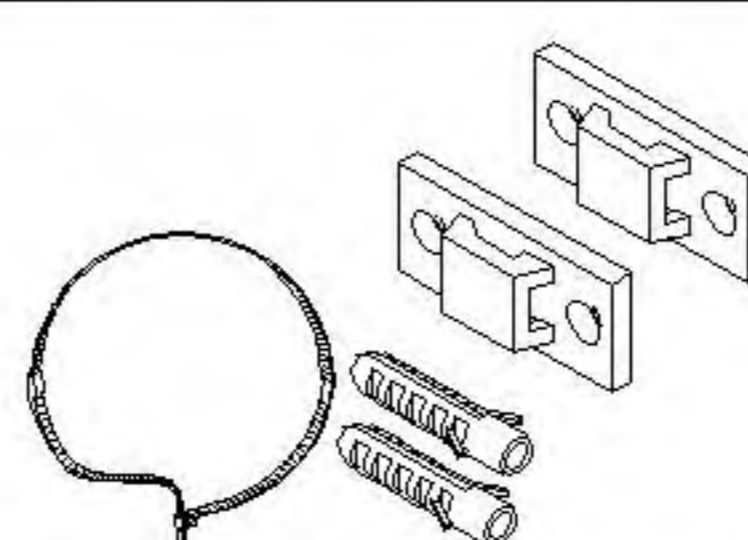
(L)\*12

层板托5mm  
shelf support



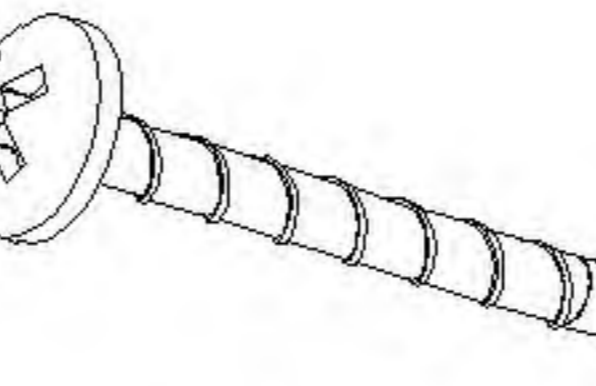
(M)\*12

灰色毛毡垫 Ø25\*3  
Foot pad



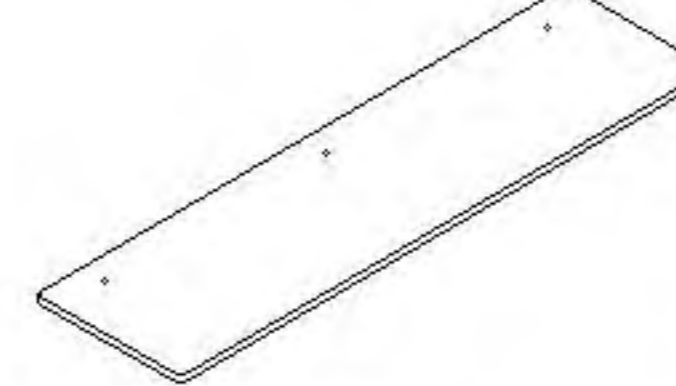
(N)\*1

家具防倒器-白色  
Anti-fall device



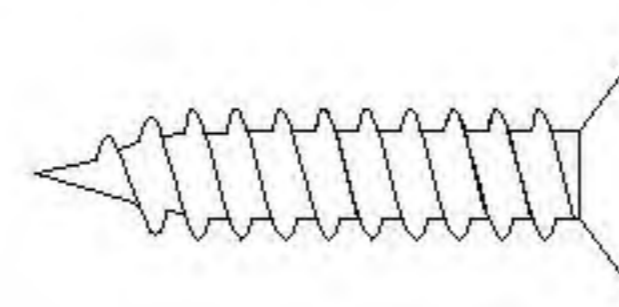
(O)\*13

大扁白攻M1\*30mm  
Flat head tapping screw



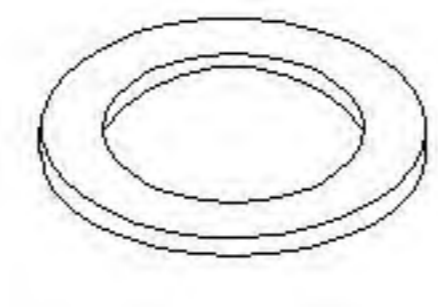
(P)\*2

抽面玻璃-01(385\*104\*5)  
Drawn glass-01



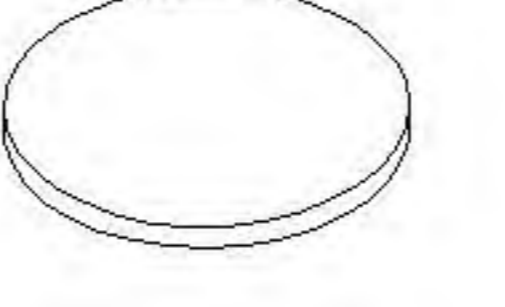
(Q)\*9

白攻螺丝M1\*20mm  
Tapping screw



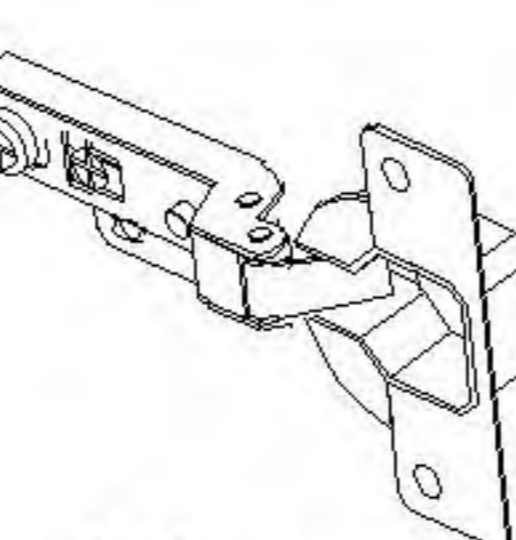
(R)\*9

透明塑料垫片  
Transparent plastic gasket



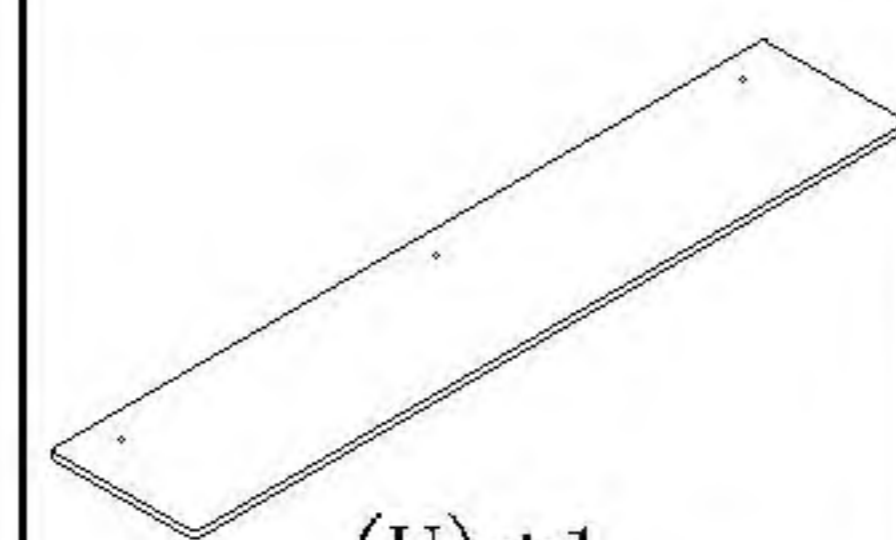
(S)\*78

PVC孔贴  
PVC hole sticker



(T)\*4

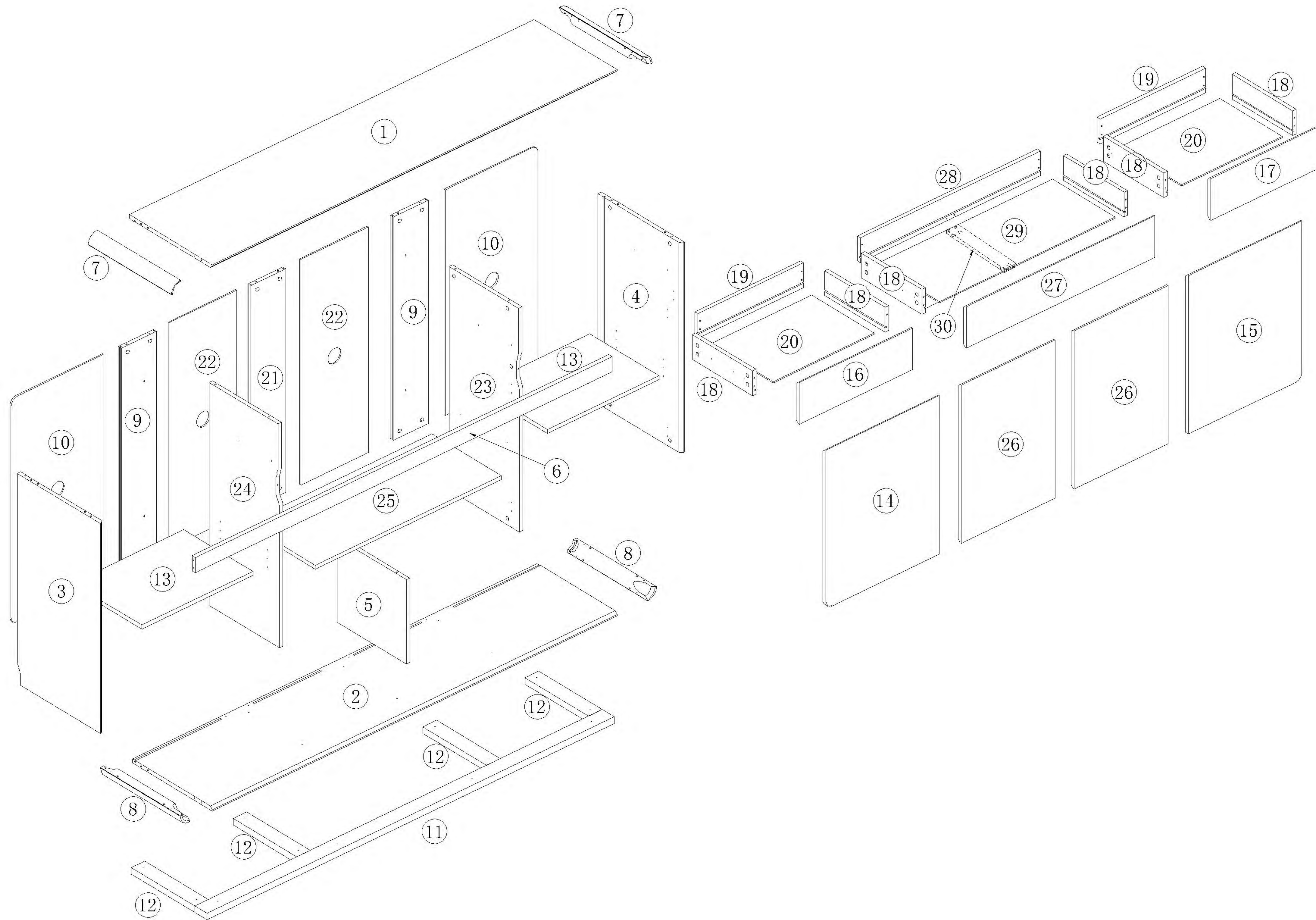
缓冲门铰中弯-杯径Ø35  
Middle bend hinge



(U)\*1

抽面玻璃(803\*104\*5)  
Drawn glass

编号NO.	名称Name	规格 (mm) Specification	数量QTY	材质Material
①	面板Top panel	1734*398*15	1	刨花板 Particle board
②	底板Bottom board	1734*383*15	1	刨花板 Particle board
③	左侧板Side board(L)	795*398*15	1	刨花板 Particle board
④	右侧板Side board(R)	795*398*15	1	刨花板 Particle board
⑤	中侧板Middle side board	319*332*15	1	刨花板 Particle board
⑥	拉条Brace	1784*58*15	1	刨花板 Particle board
⑦	连接木1 Linked wood1	398*40*40	2	橡胶木 Rubber wood
⑧	连接木2 Linked wood2	383*40*40	2	橡胶木 Rubber wood
⑨	背拉条Back brace	845*150*15	2	刨花板 Particle board
⑩	背板Back board	855*398*5	2	纤维板 Fiberboard
⑪	底拉条Bottom brace	1744*58*25	1	刨花板 Particle board
⑫	侧脚条Side foot strip	305*58*25	4	刨花板 Particle board
⑬	活动层板Movable shelf	477*332*15	2	刨花板 Particle board
⑭	左门板Door board(L)	600*485*15	1	刨花板 Particle board
⑮	右门板Door board(R)	600*485*15	1	刨花板 Particle board
⑯	左抽屉面板Drawer's panel(L)	485*158*15	1	刨花板 Particle board
⑰	右抽屉面板Drawer's panel(R)	485*158*15	1	刨花板 Particle board
⑱	抽屉侧板Drawer's sideboard	290*94*15	6	刨花板 Particle board
⑲	抽屉后板Drawer's Back board	452*94*15	2	刨花板 Particle board
⑳	抽屉底板Drawer's Bottom board	432*300*5	2	纤维板 Fiberboard
㉑	后拉条Back brace	845*150*15	1	刨花板 Particle board
㉒	中背板Middle back board	855*289*5	2	纤维板 Fiberboard
㉓	右中侧板Middle side board(R)	845*336*15	1	刨花板 Particle board
㉔	左中侧板Middle side board(L)	845*336*15	1	刨花板 Particle board
㉕	中层板Middle shelf	797*332*15	1	刨花板 Particle board
㉖	中门板Middle door board	600*402*15	2	刨花板 Particle board
㉗	中抽屉面板Drawer's middle board	806*158*15	1	刨花板 Particle board
㉘	中抽屉后板Drawer's Back board	772*94*15	1	刨花板 Particle board
㉙	中抽屉底板Drawer's Bottom board	752*300*5	1	纤维板 Fiberboard
㉚	抽屉底托条 Drawer's bottom bracket	290*58*15	1	刨花板 Particle board

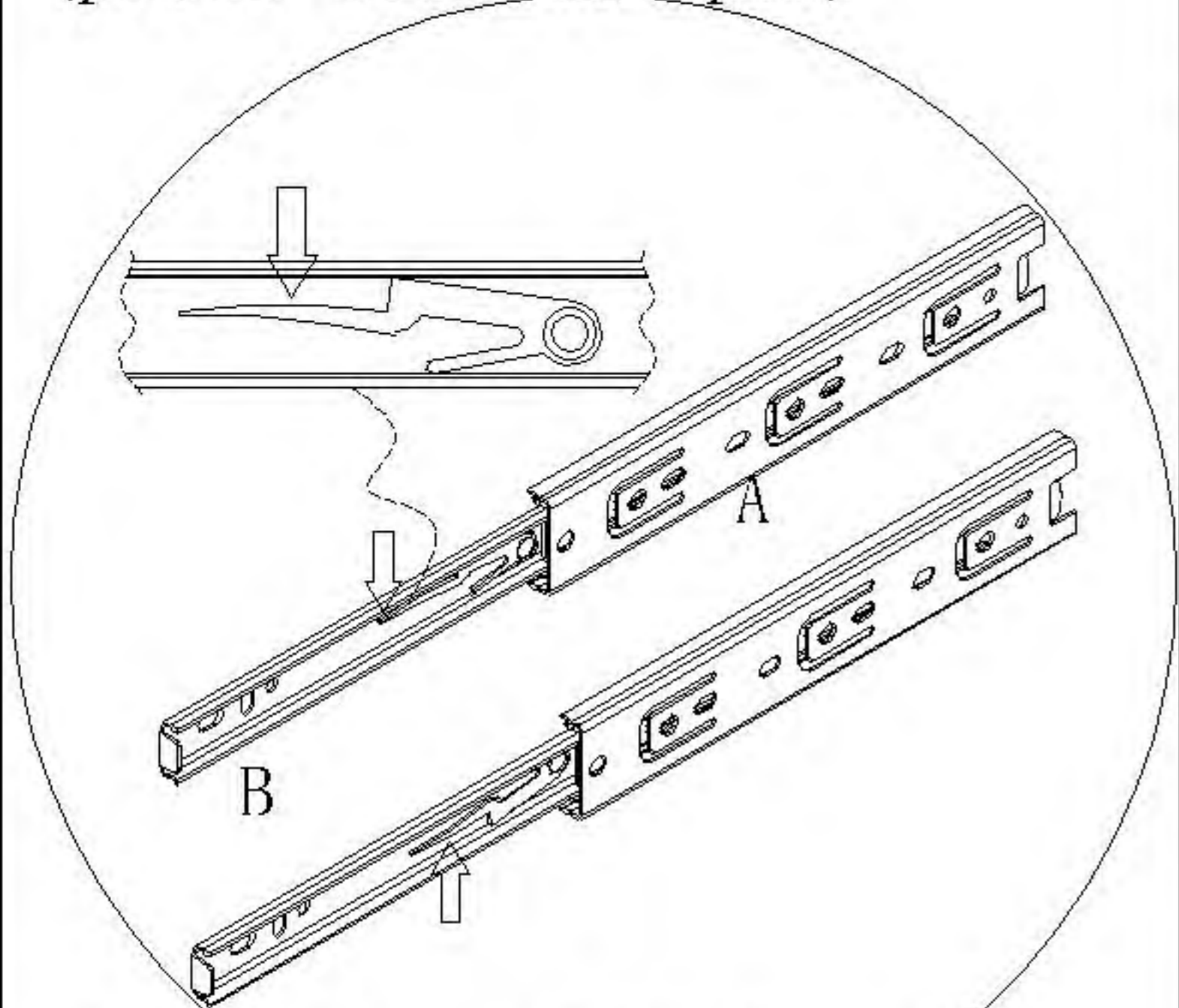


编号NO.	名称Name
①	面板Top panel
②	底板Bottom board
③	左侧板Side board(L)
④	右侧板Side board(R)
⑤	中侧板Middle side board
⑥	拉条Brace
⑦	连接木1 Linked wood1
⑧	连接木2 Linked wood2
⑨	背拉条Back brace
⑩	背板Back board
⑪	底拉条Bottom brace
⑫	侧脚条Side foot strip
⑬	活动层板Movable shelf
⑭	左门板Door board(L)
⑮	右门板Door board(R)
⑯	左抽屉面板Drawer's panel(L)
⑰	右抽屉面板Drawer's panel(R)
⑱	抽屉侧板Drawer's sideboard
⑲	抽屉后板Drawer's Back board
⑳	抽屉底板Drawer's Bottom board
㉑	后拉条Back brace
㉒	中背板Middle back board
㉓	右中侧板Middle side board(R)
㉔	左中侧板Middle side board(L)
㉕	中层板Middle shelf
㉖	中门板Middle door board
㉗	中抽屉面板Drawer's middle board
㉘	中抽屉后板Drawer's Back board
㉙	中抽屉底板Drawer's Bottom board
⑳	抽屉底托条 Drawer's bottom bracket

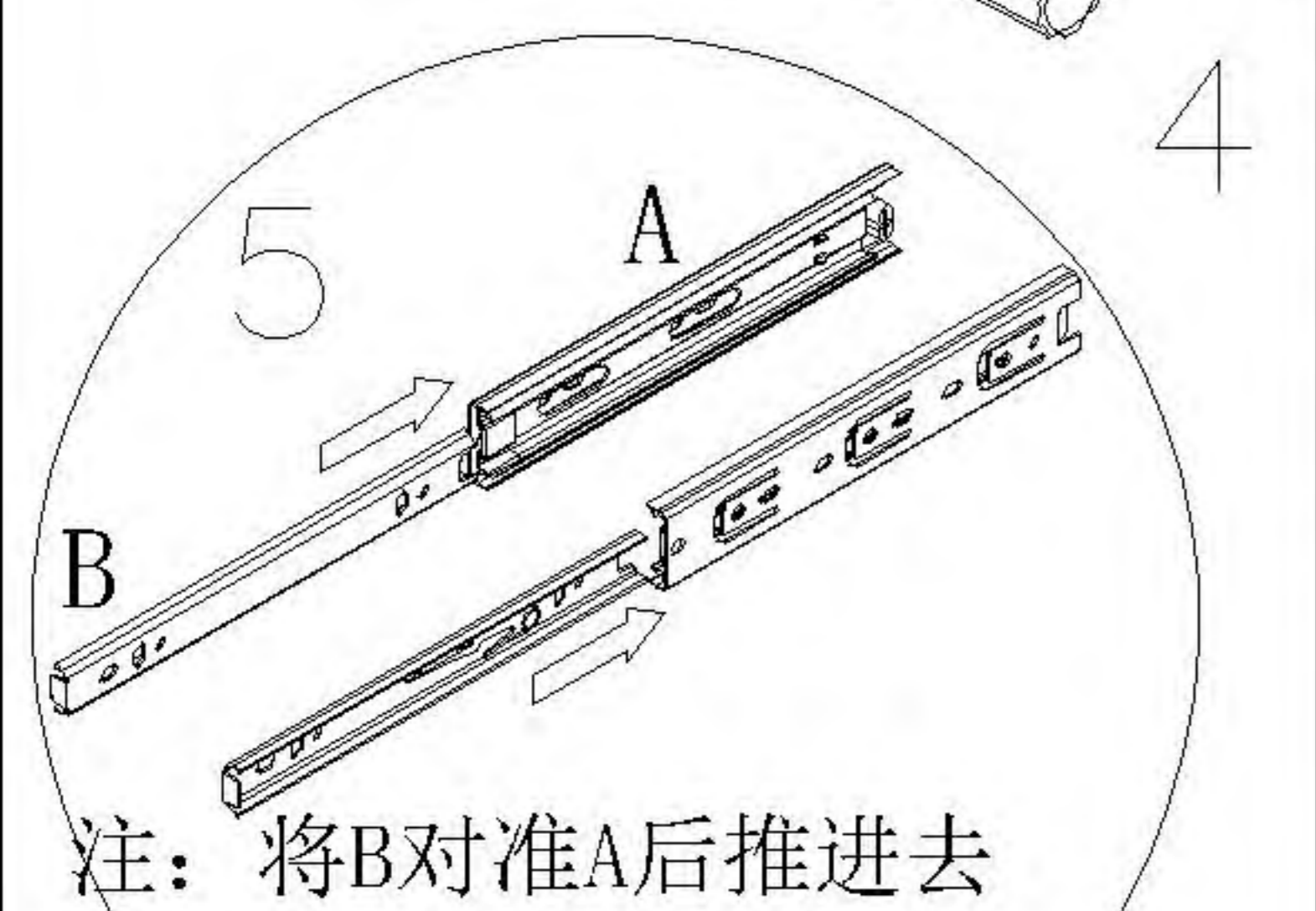
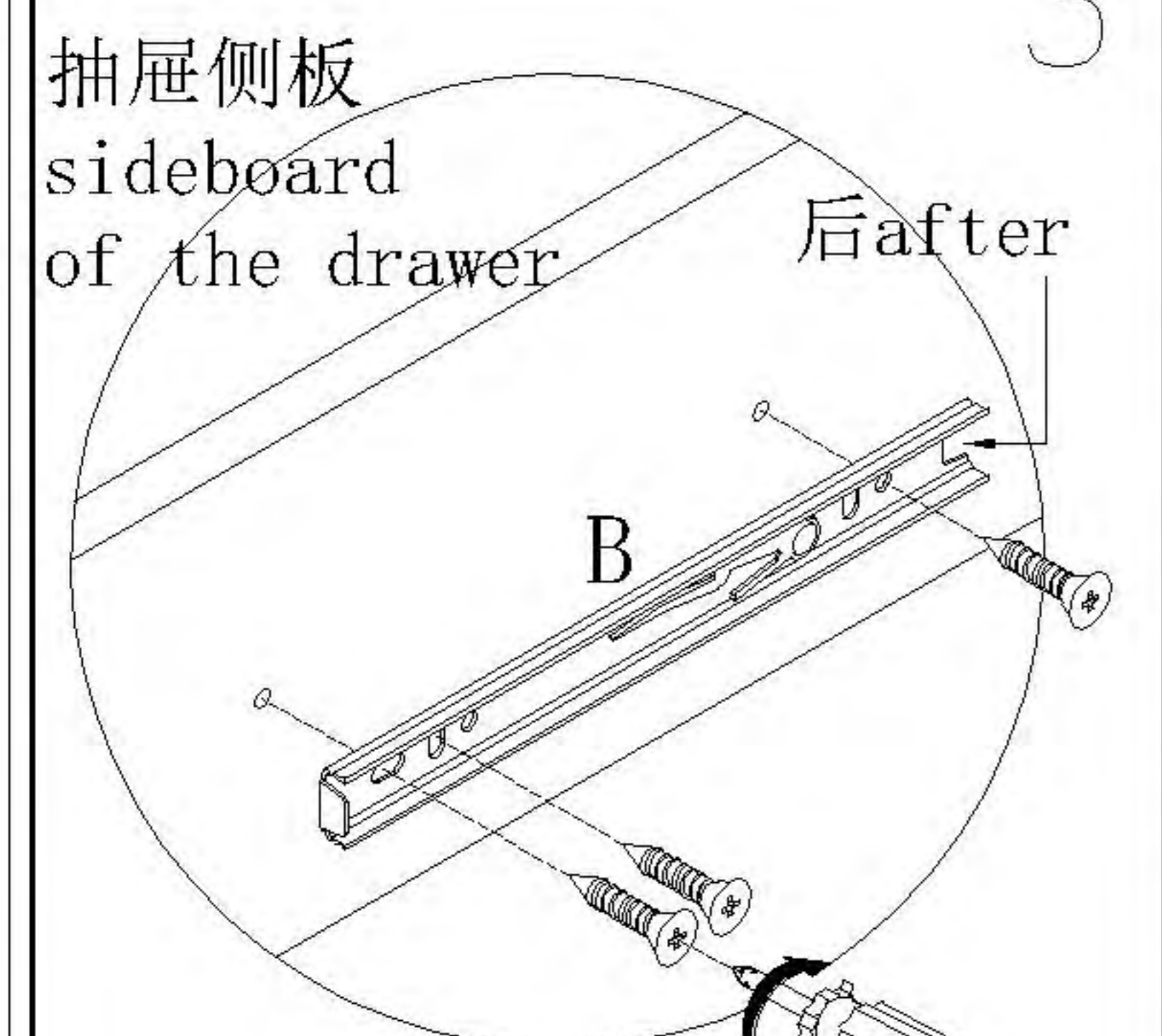
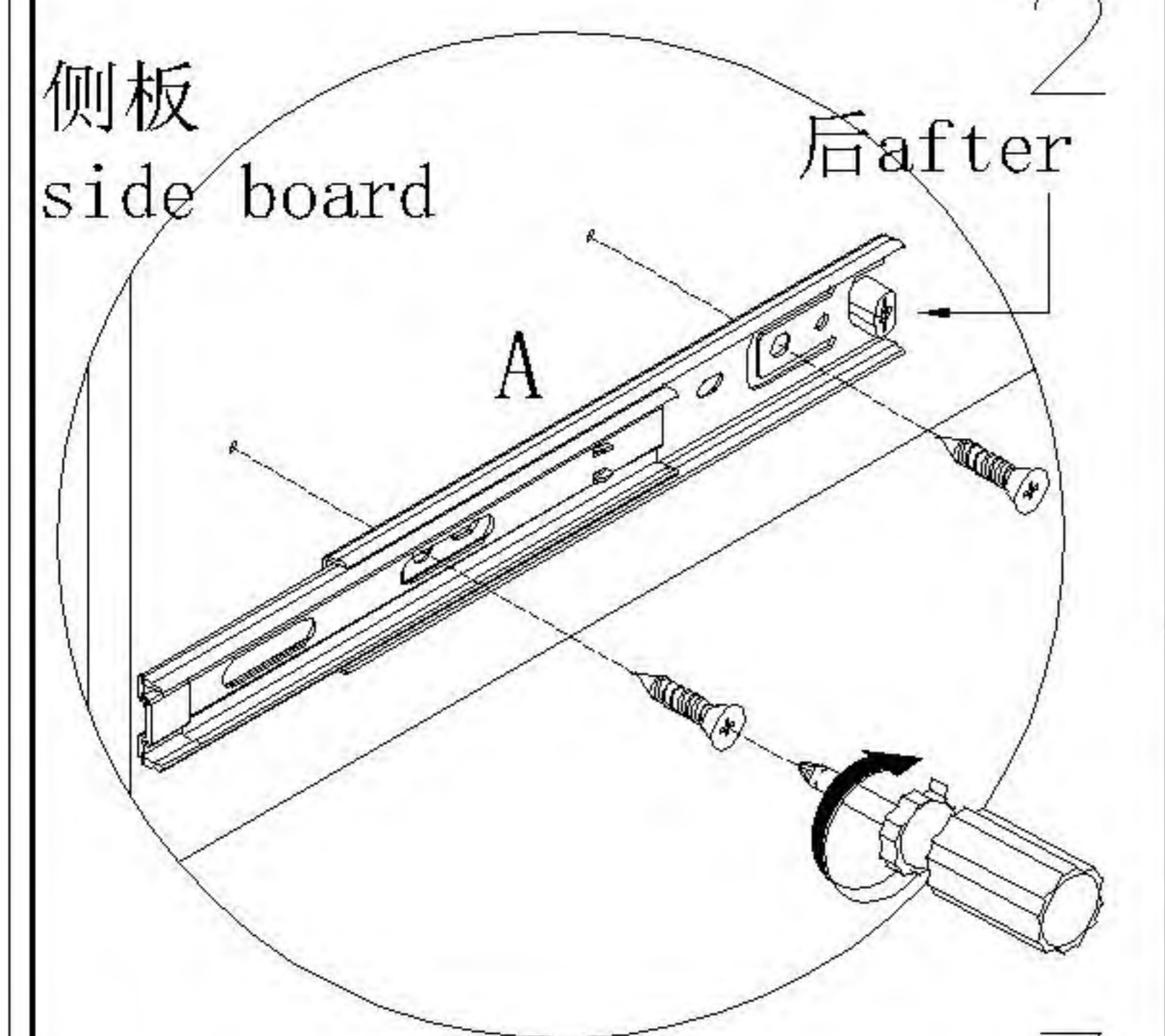
RU5T-A (1.8m)

安装方法/  
Installation method

阀门开关(下压为开)  
Valve switch  
(press down to open)

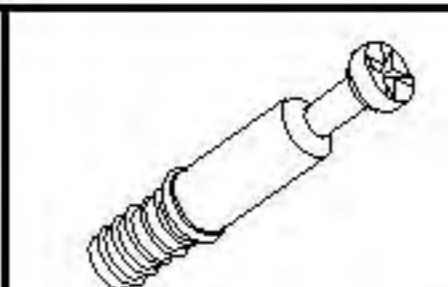


注: 先将A与B拆下来  
Note: remove a and B first

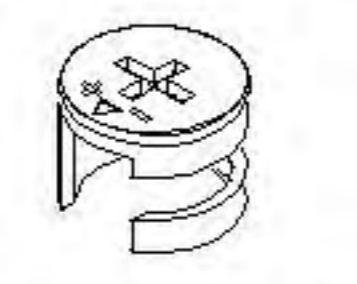


注: 将B对准A后推进去  
Note: align B with a and push it in

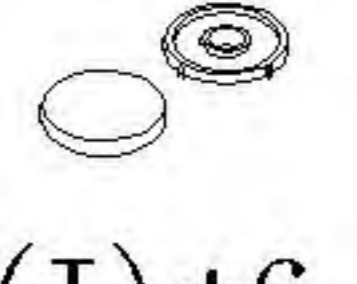
三节滚珠导轨  
three-section ball rail



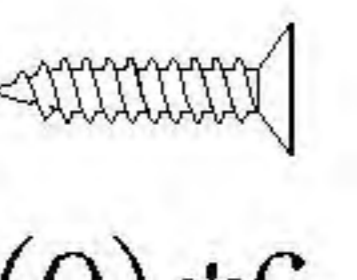
(A)\*16



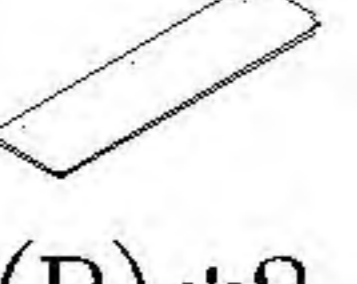
(B)\*16



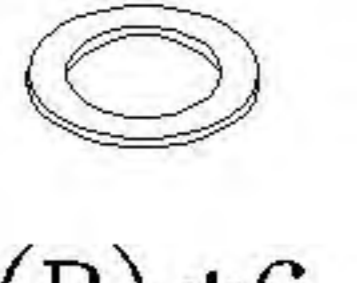
(I)\*6



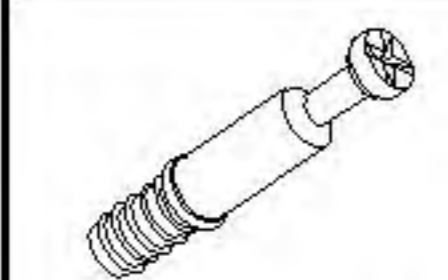
(Q)\*6



(P)\*2



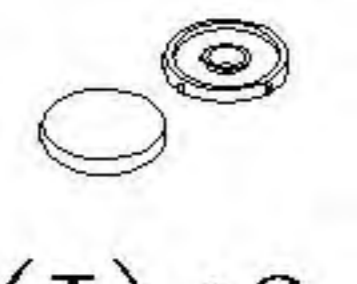
(R)\*6



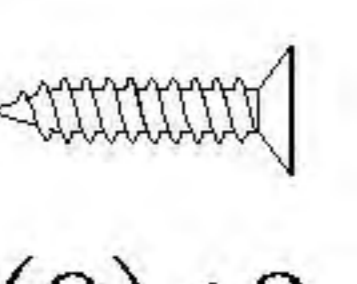
(A)\*12



(B)\*12



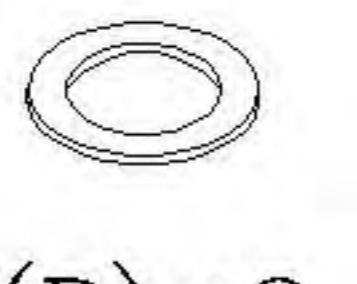
(I)\*3



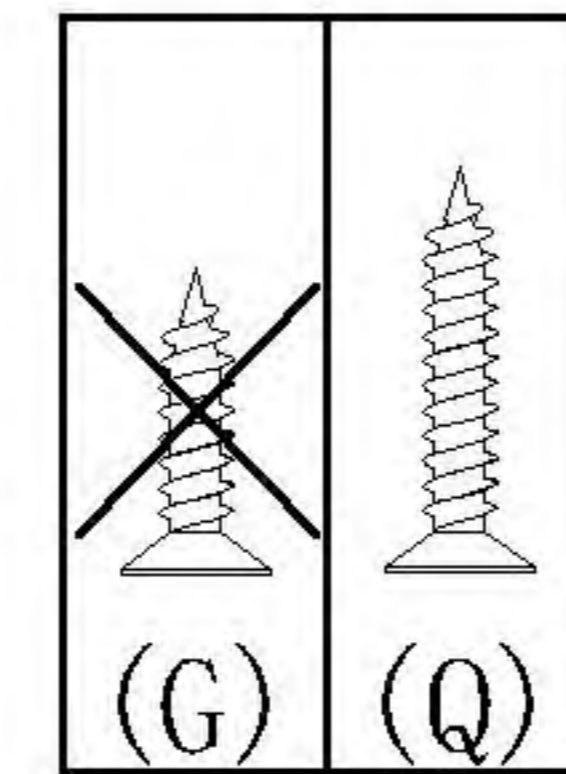
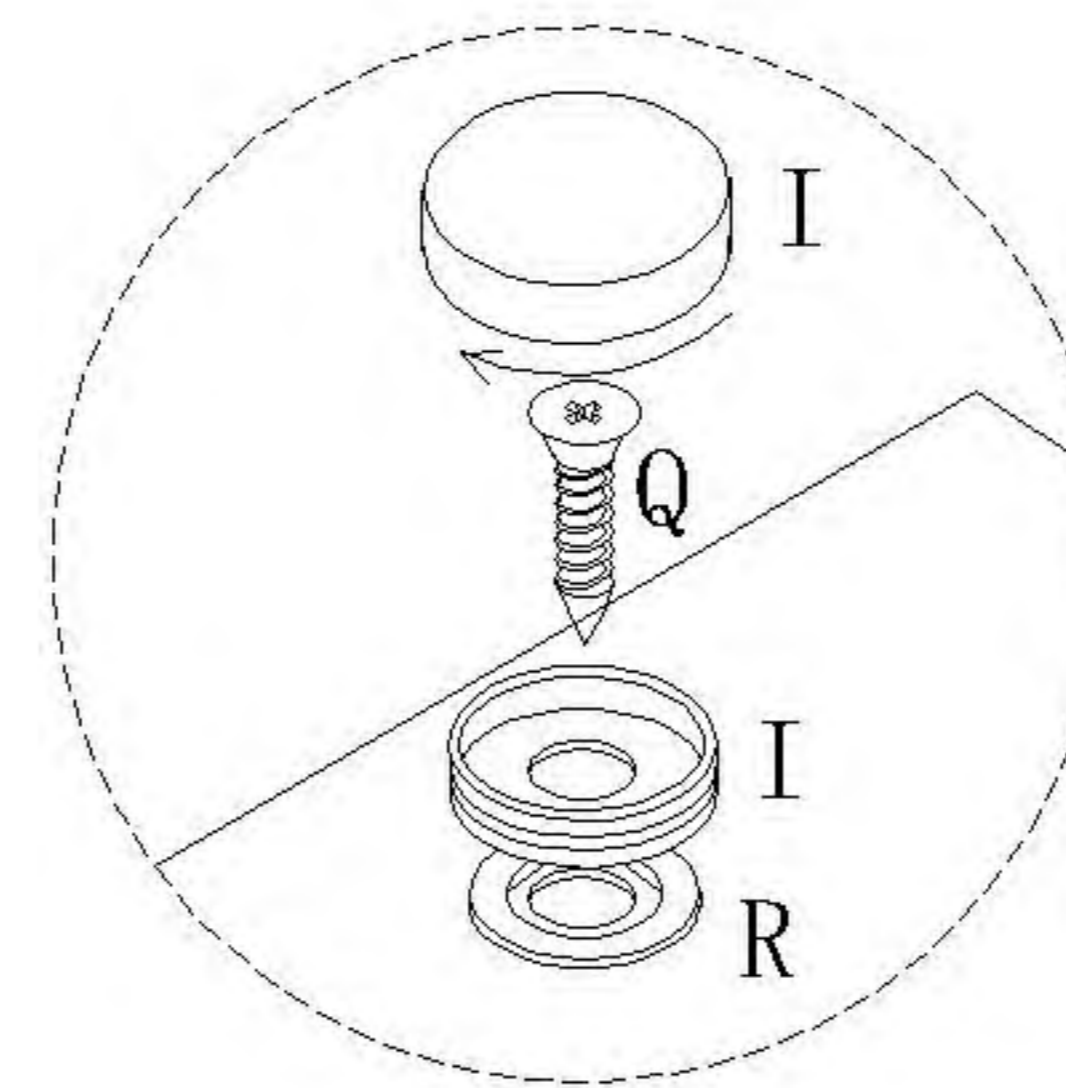
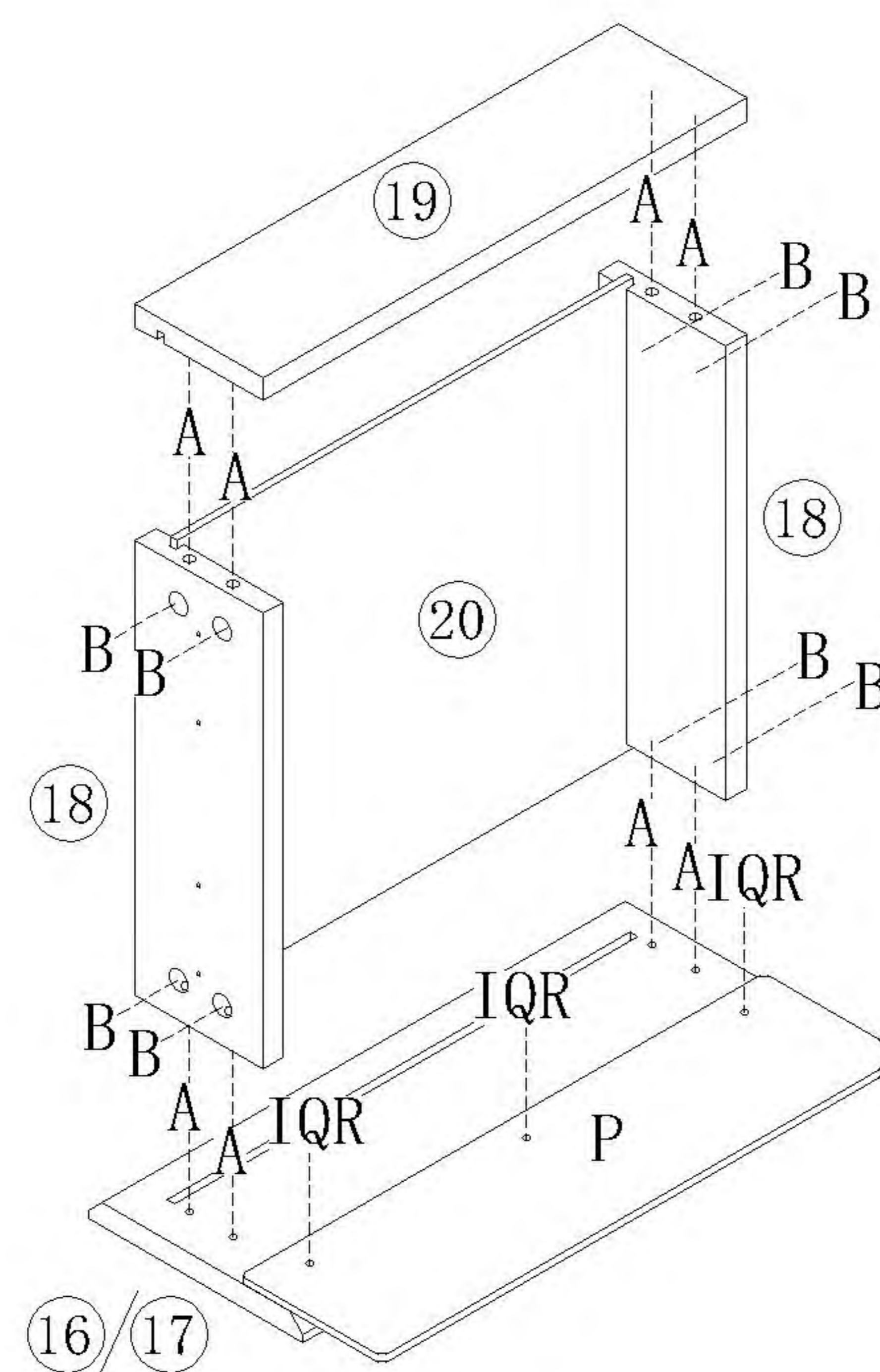
(Q)\*3



(T)\*1

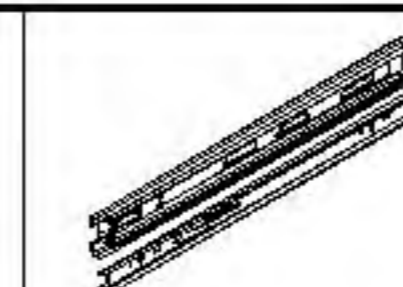


(R)\*3

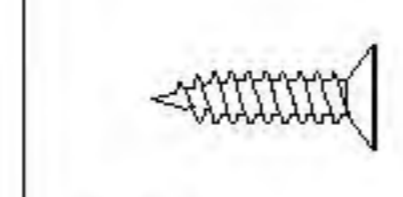


X2

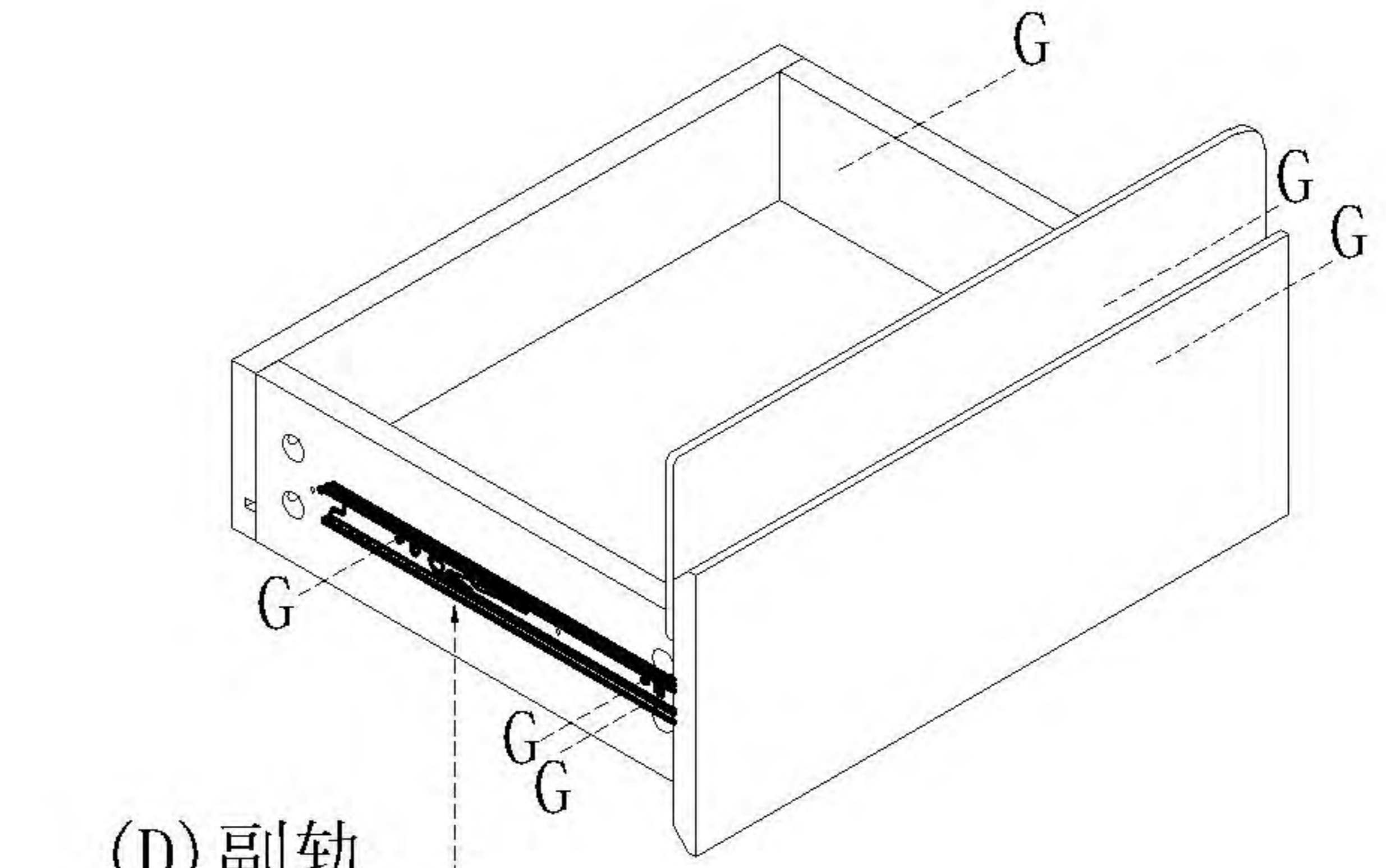
1



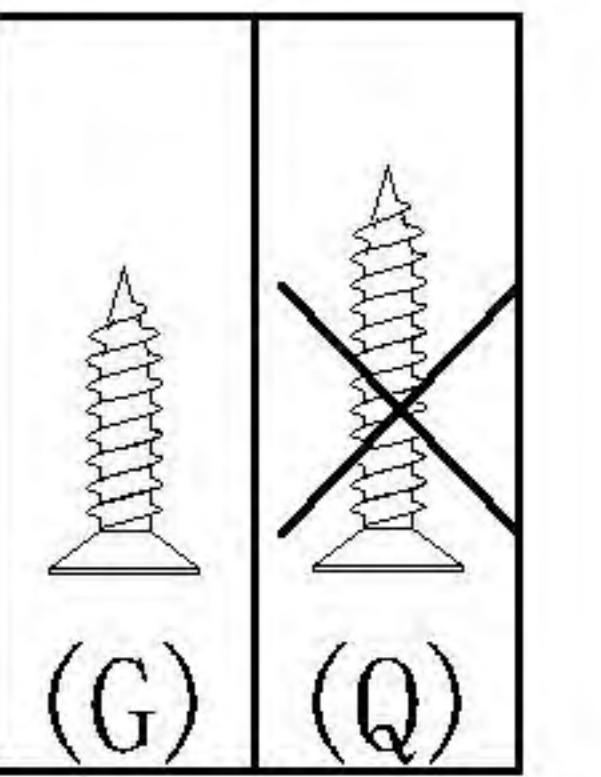
(D)\*2



(G)\*12

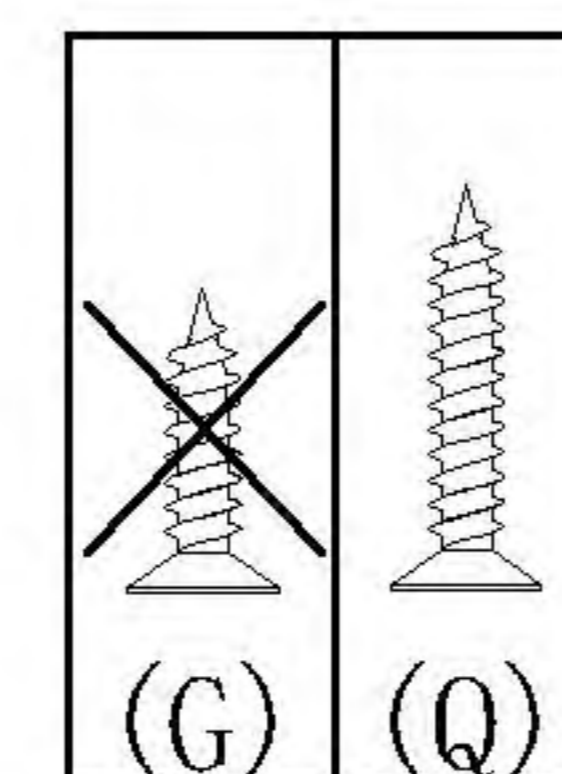
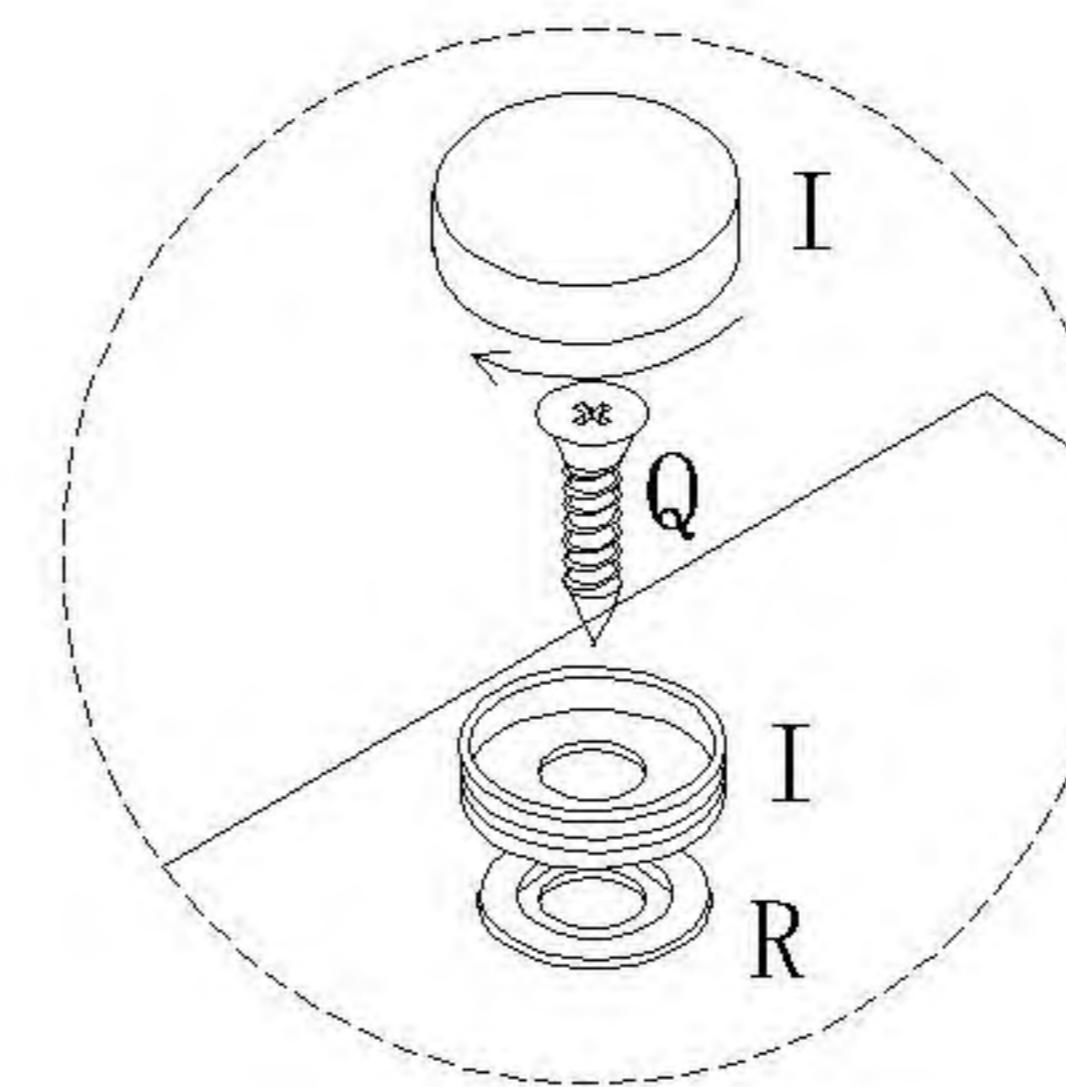
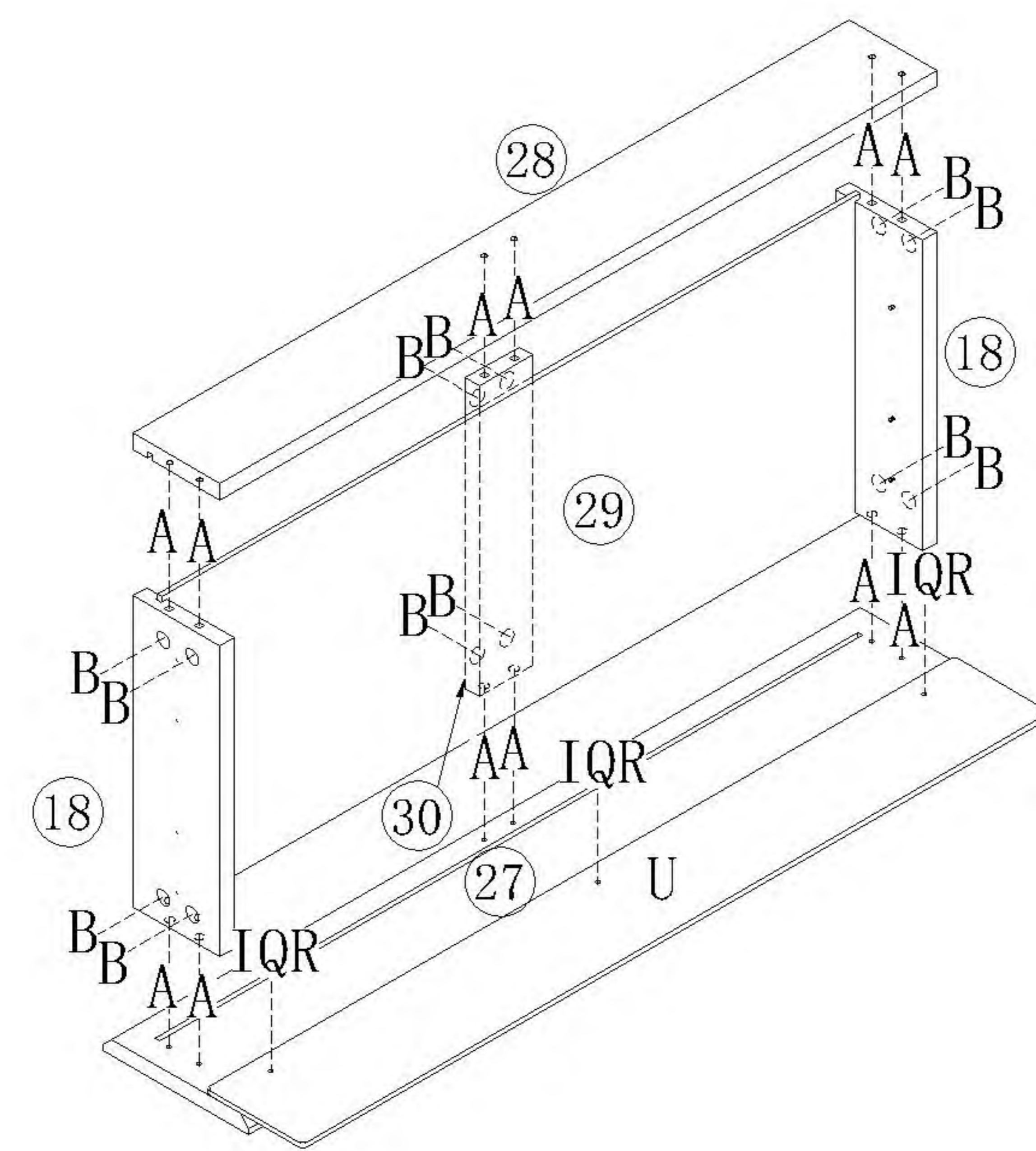


(D) 副轨  
Sub track

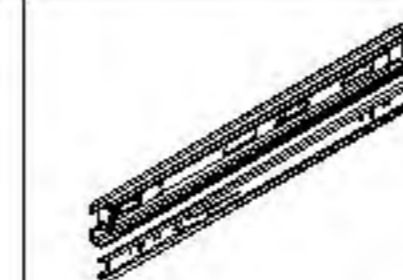


X2

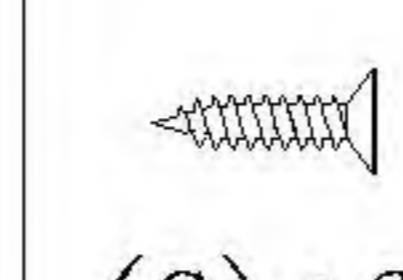
2



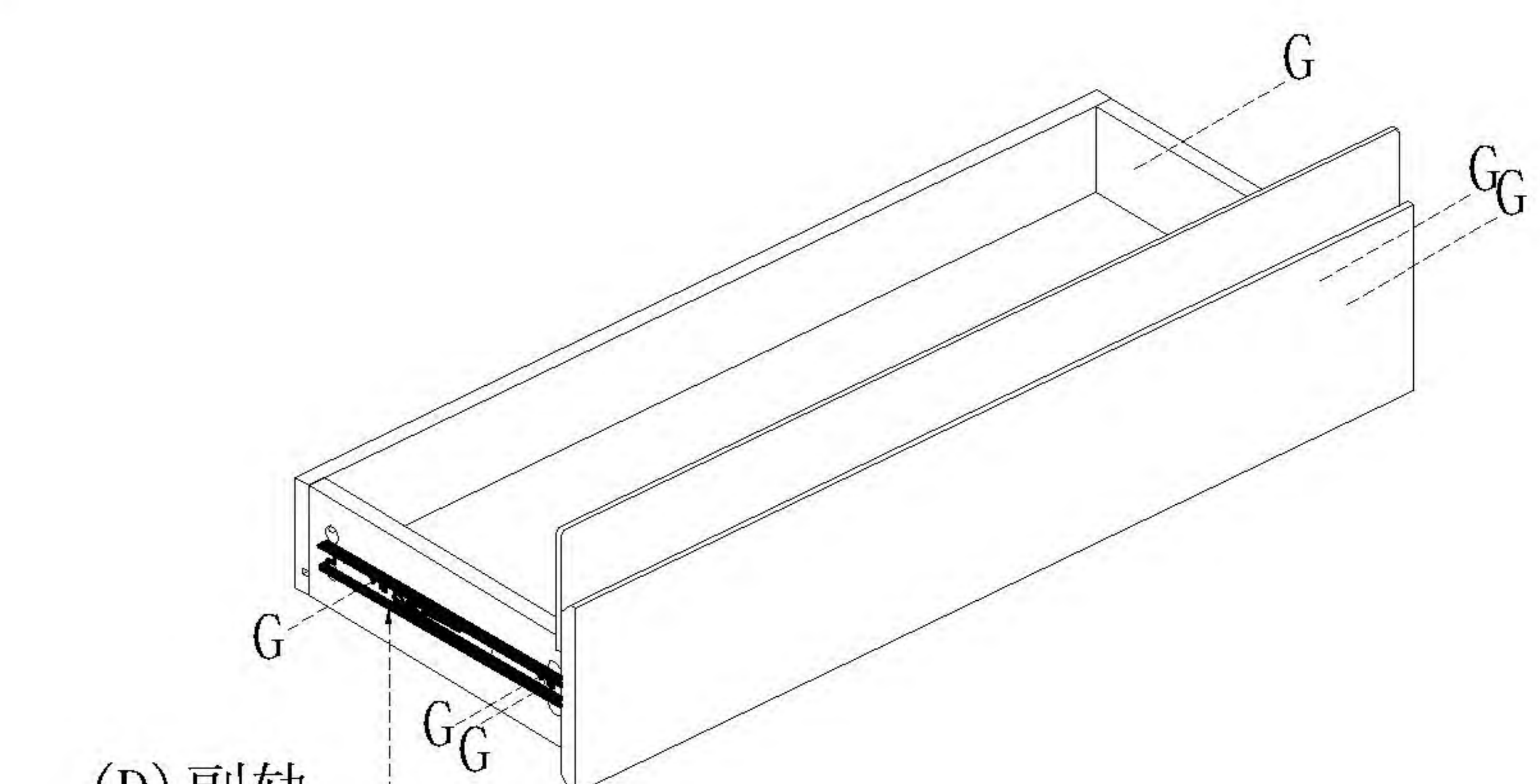
3



(D)\*1



(G)\*6

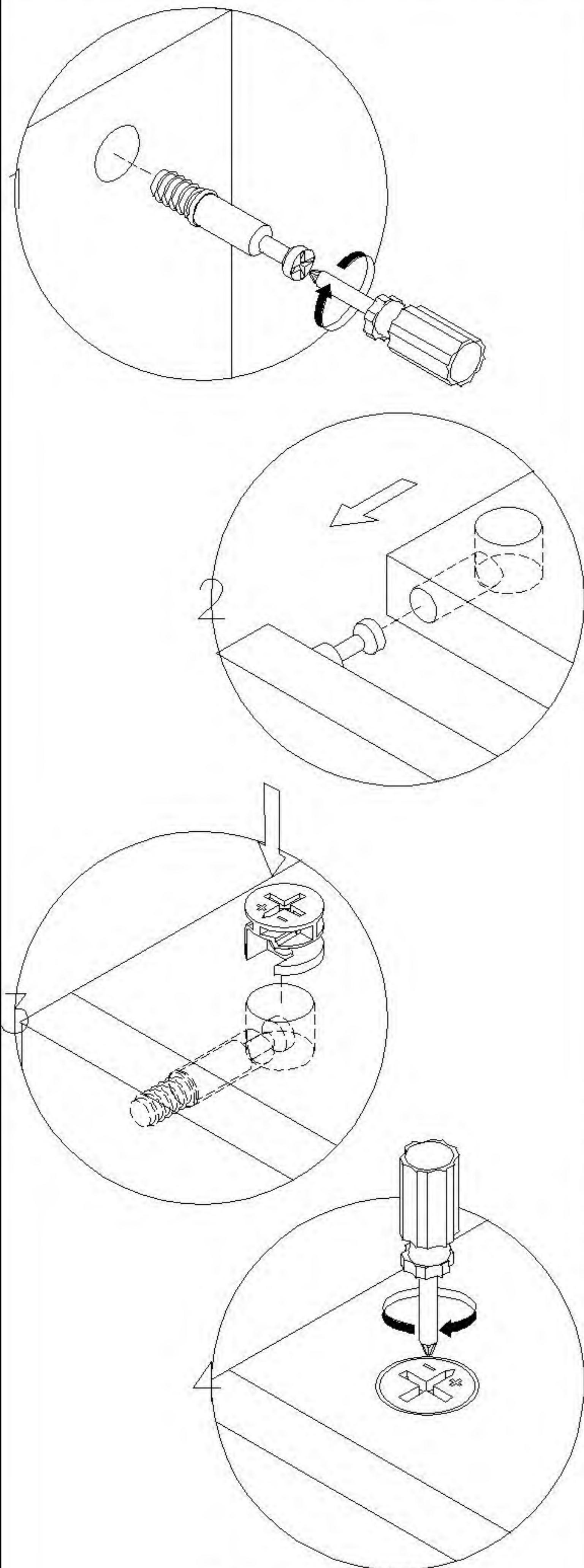


(D) 副轨  
Sub track

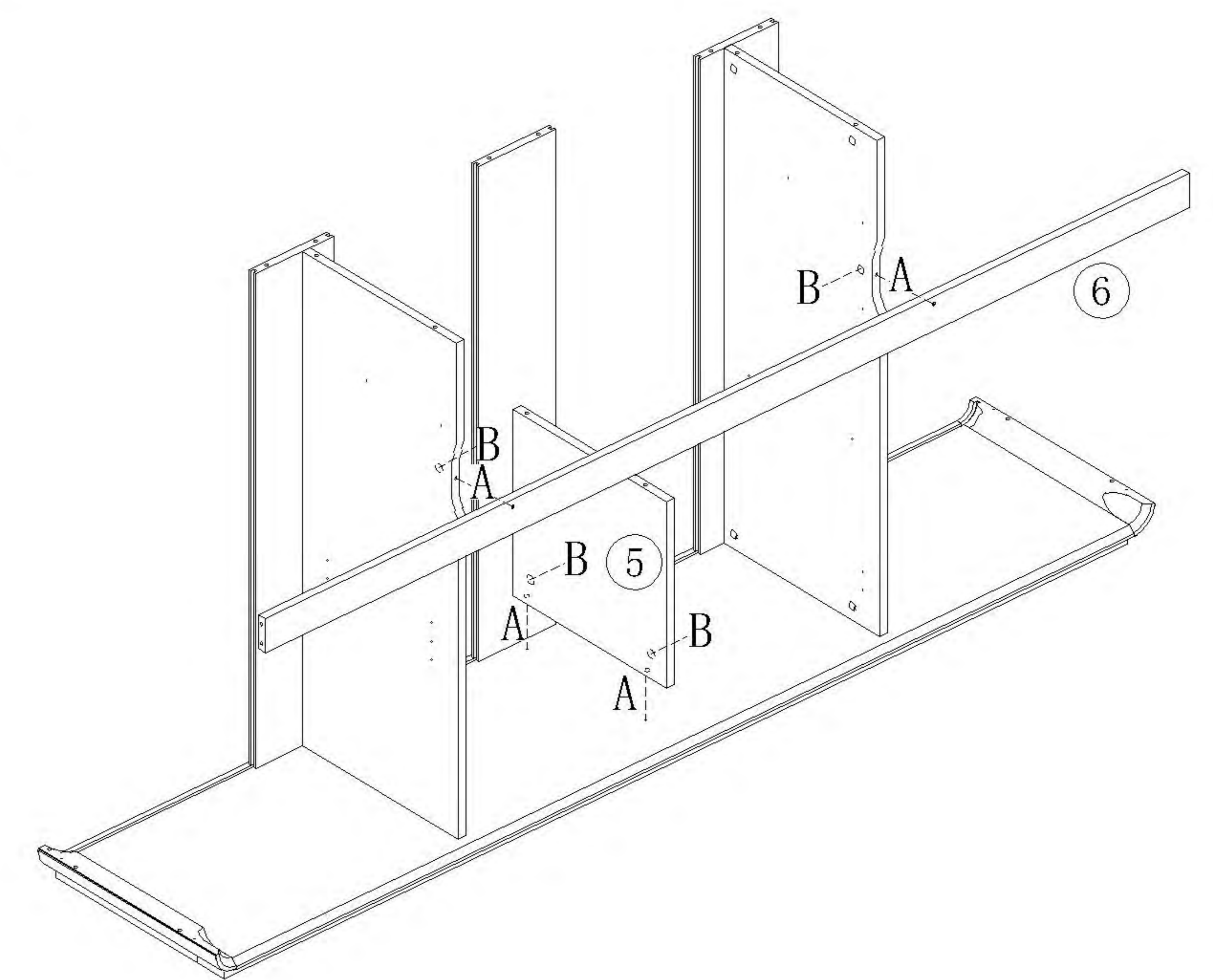
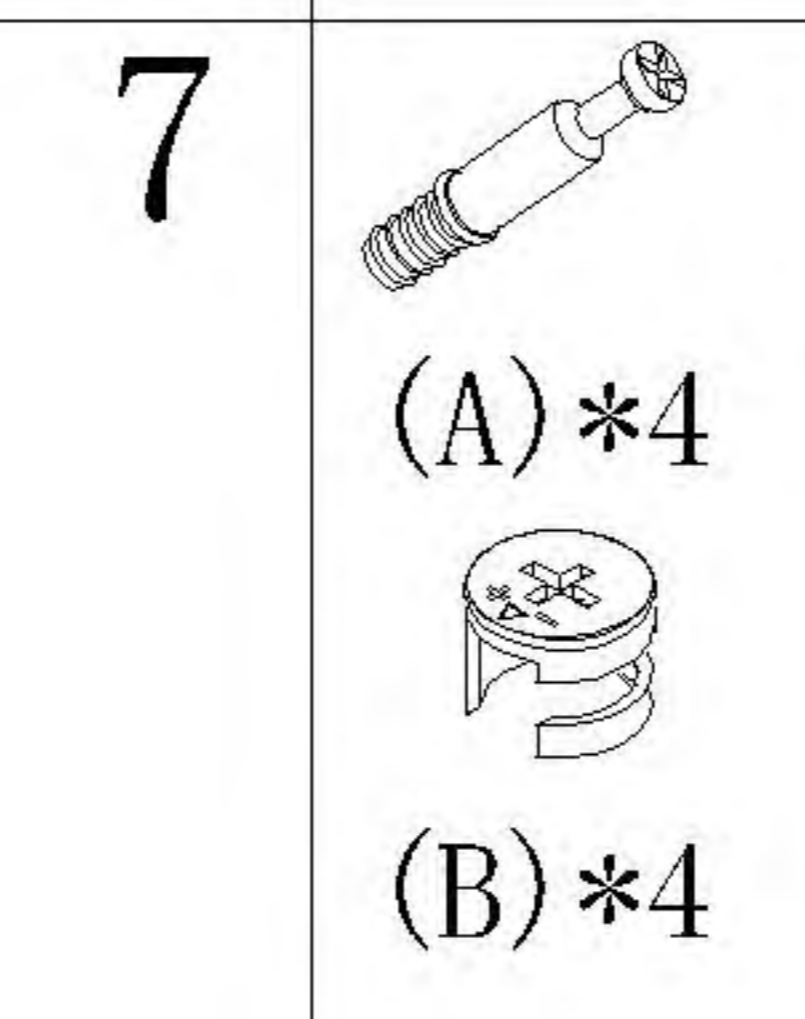
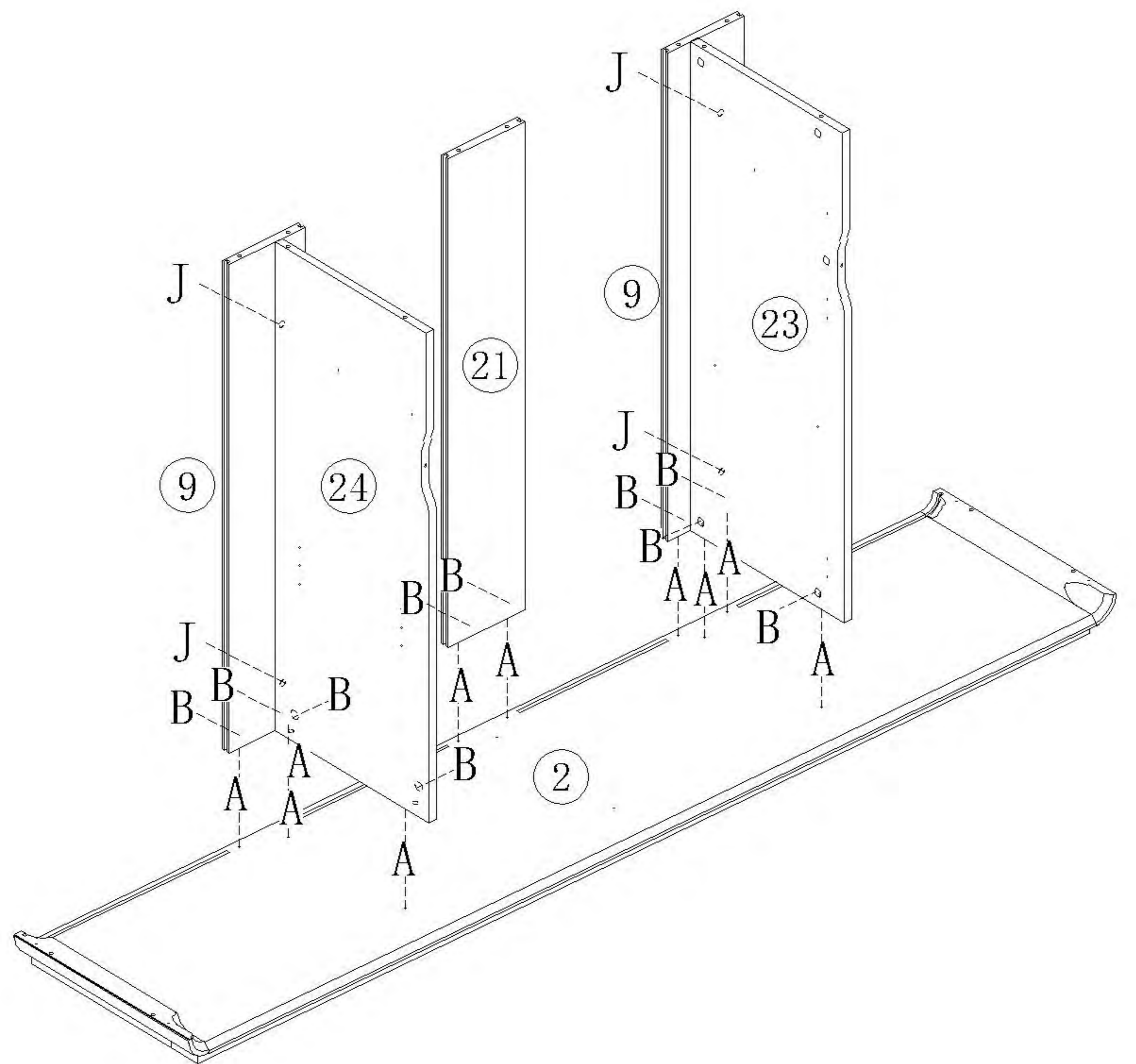
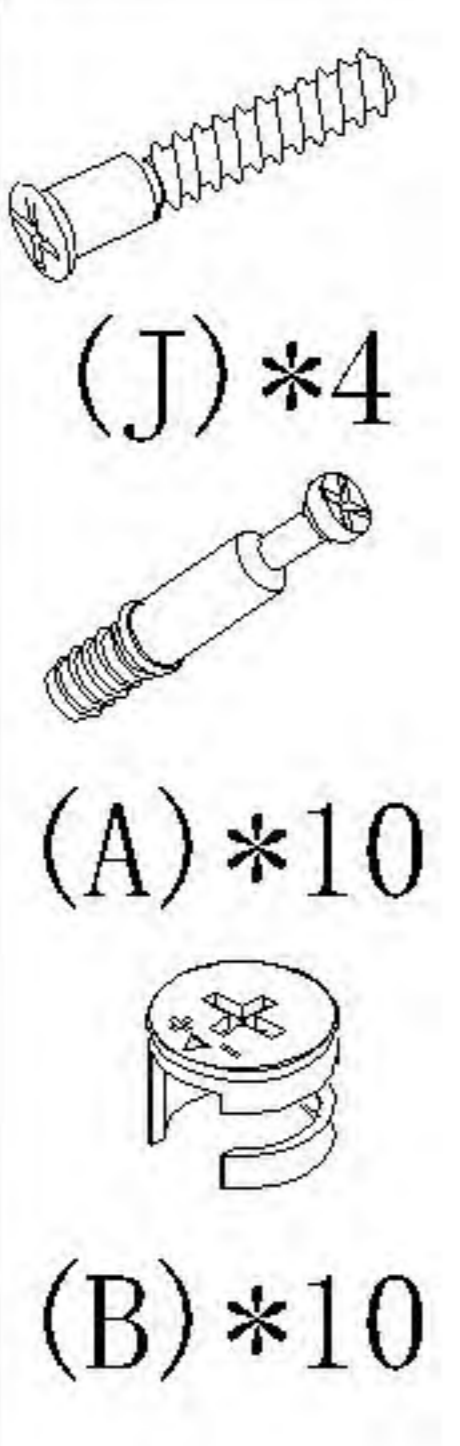
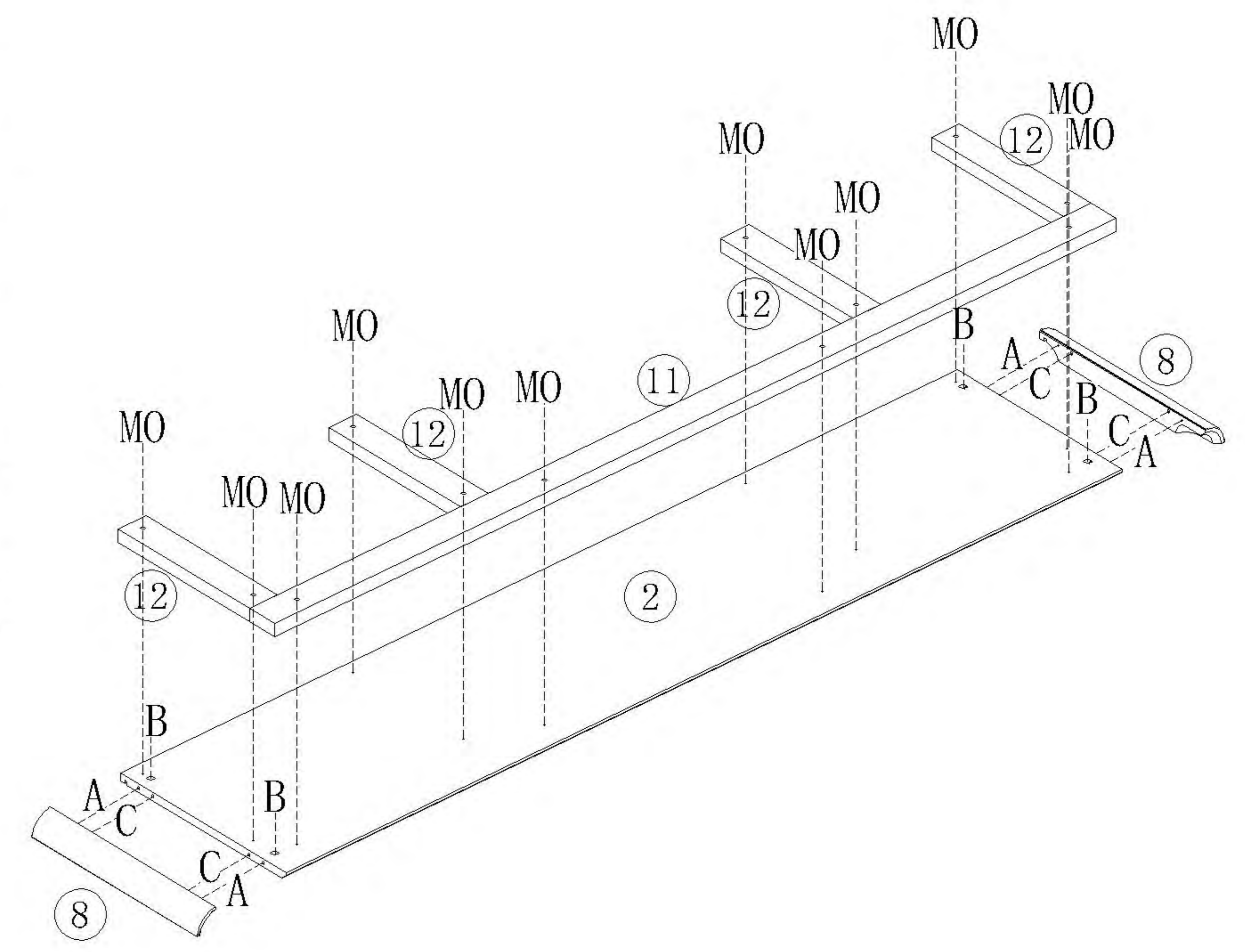
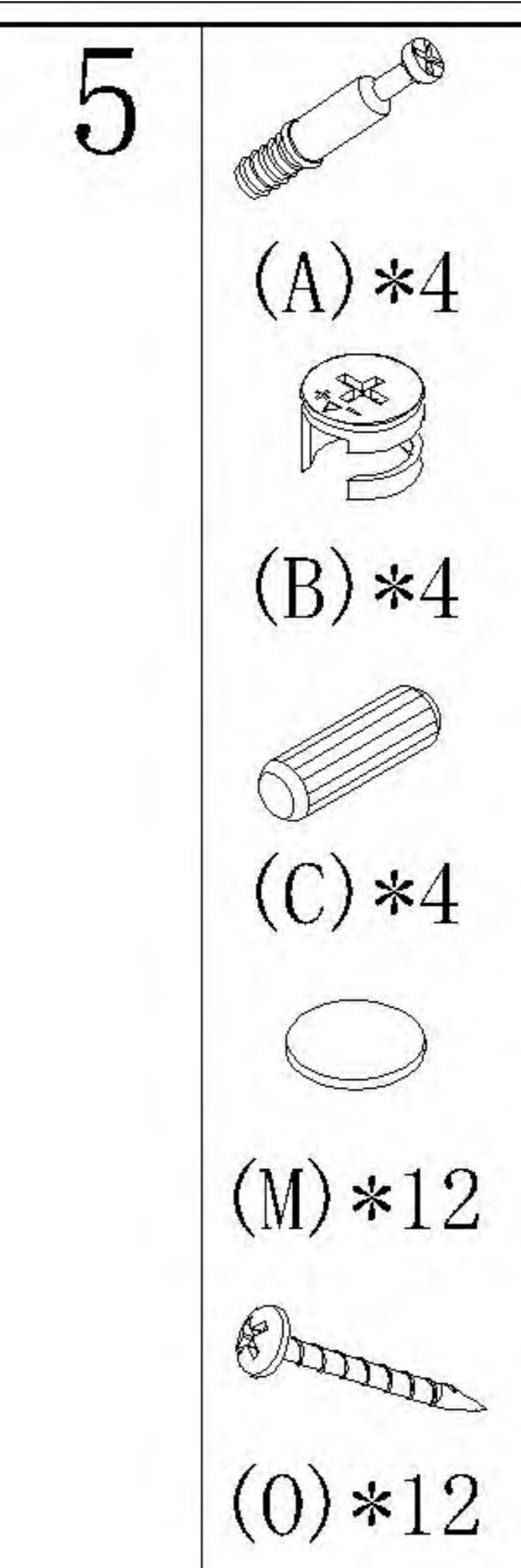
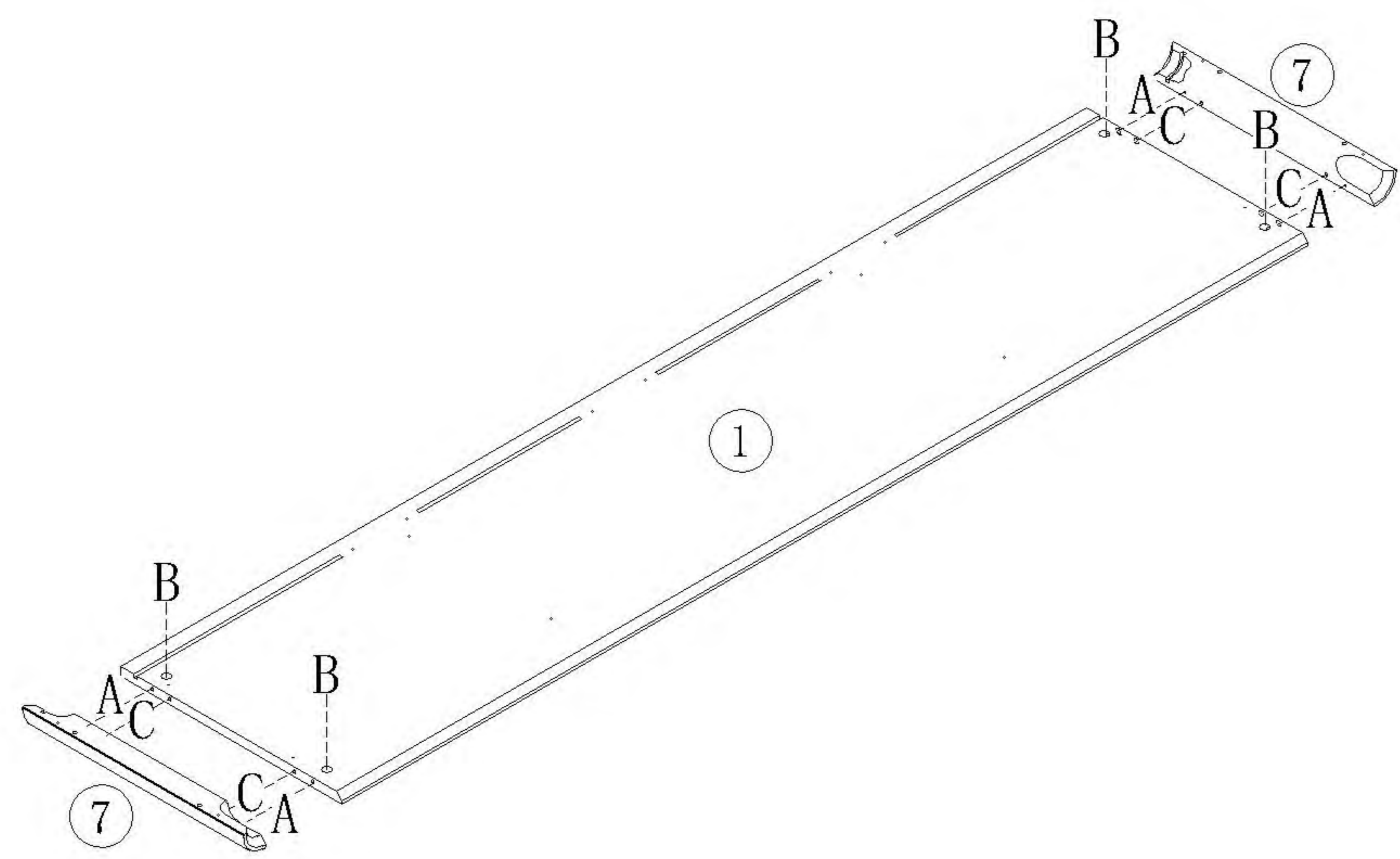
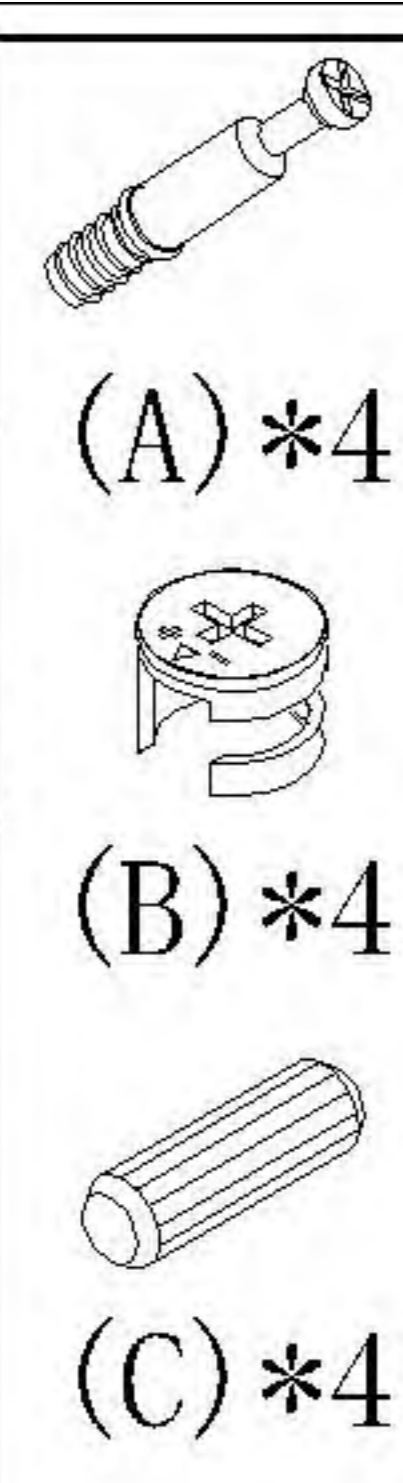
4

RU5T-A (1.8m)

安装方法/  
Installation method



大二合一  
two-in-one



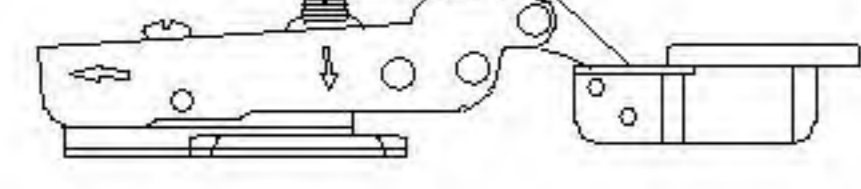
RU5T-A (1.8m)

安装方法/  
Installation method

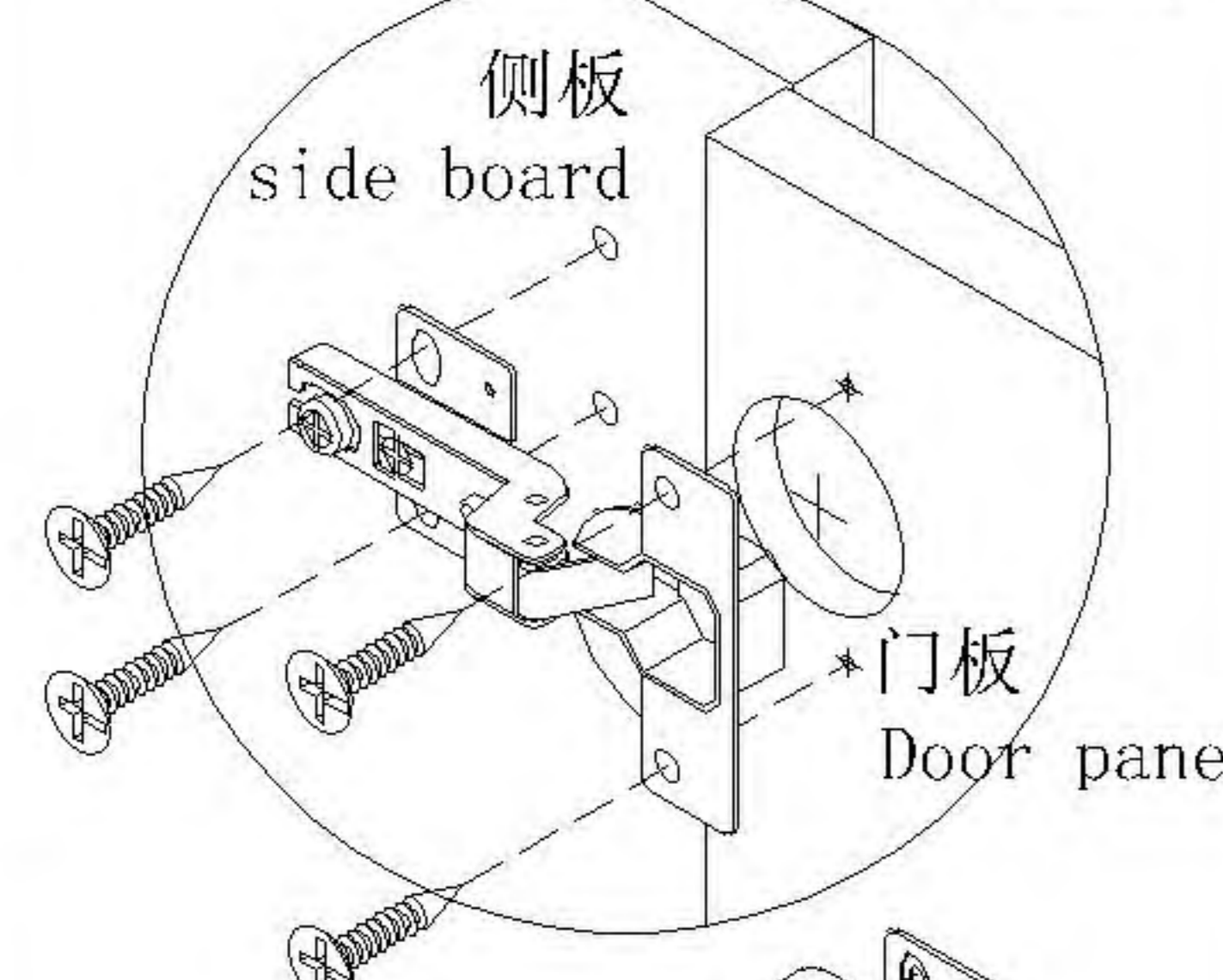
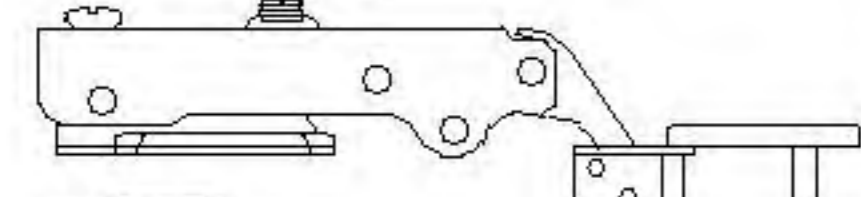
大弯big bend



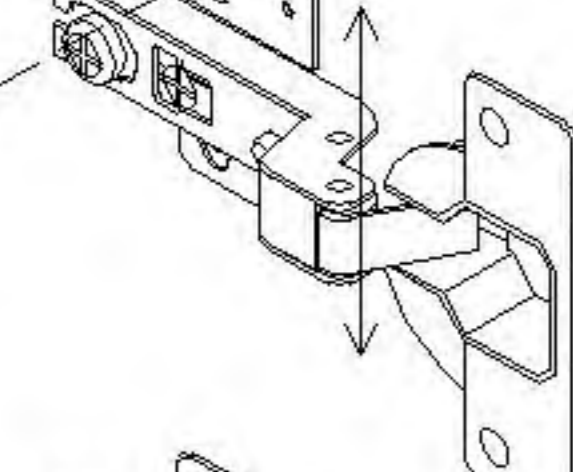
中弯middle bending



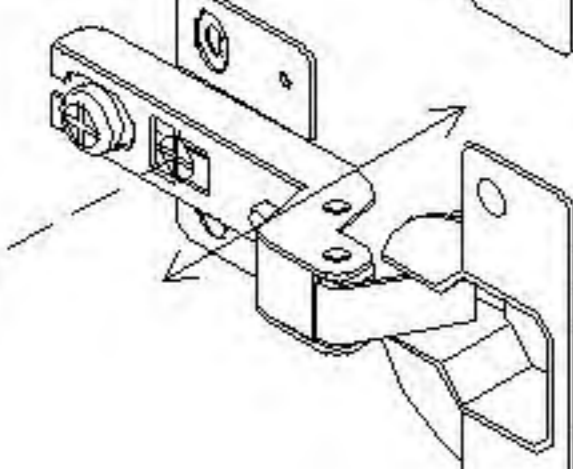
直弯straight bending



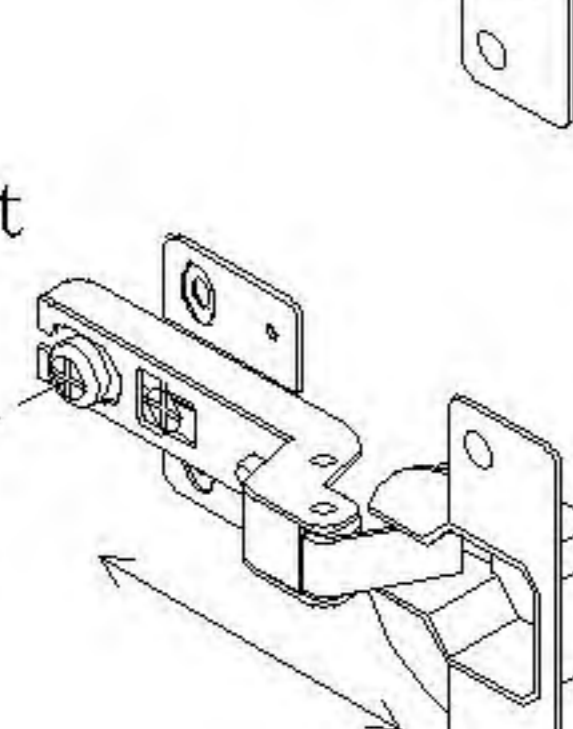
调节上下  
Adjust up and down



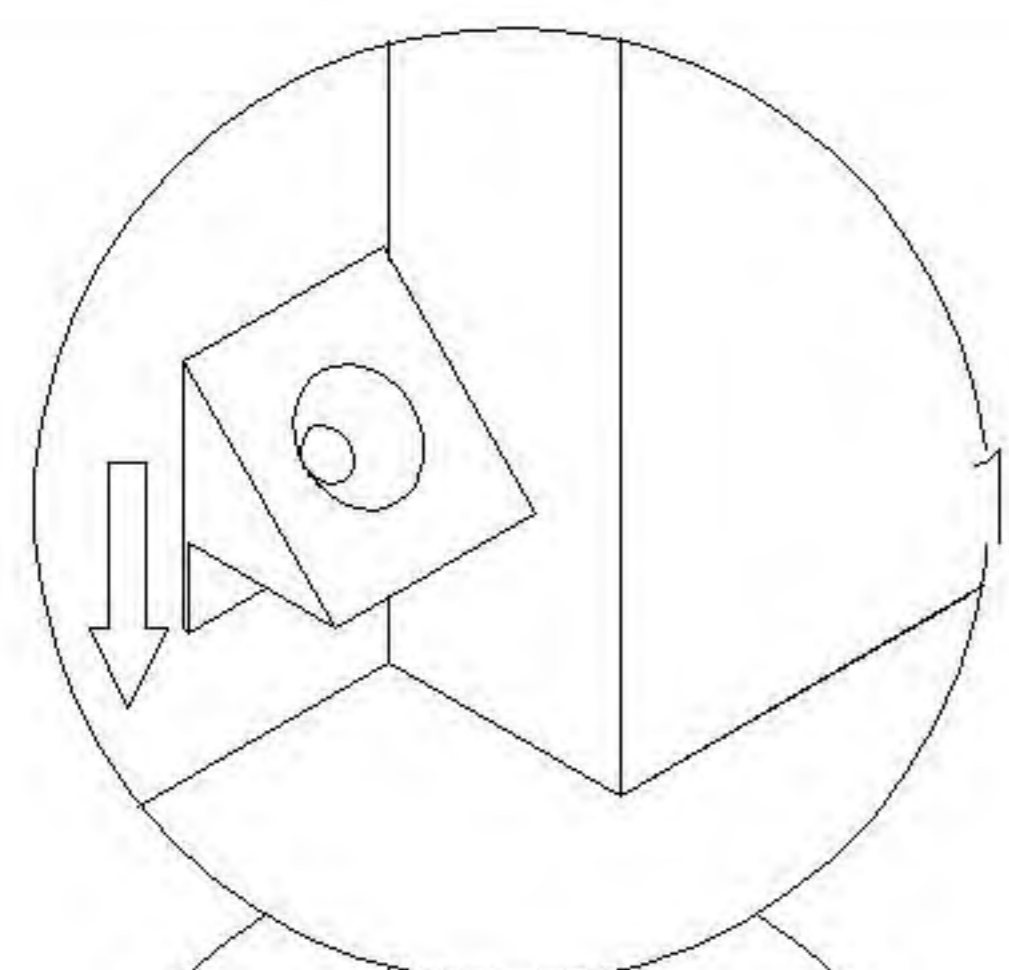
调节左右  
Adjust left and right



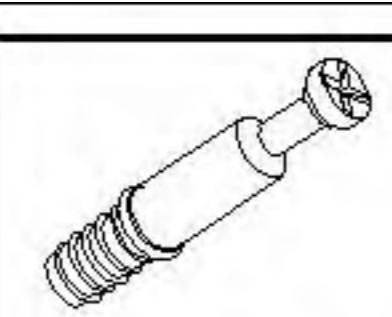
调节前后  
Before and after adjustment



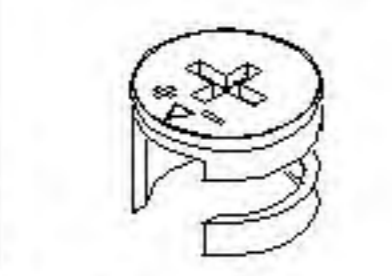
门铰  
Hinge



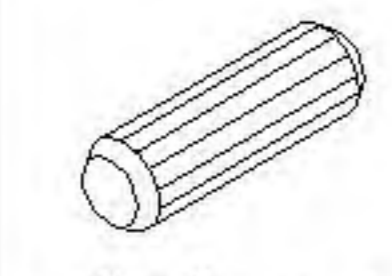
背板扣  
Back Plate Buckle



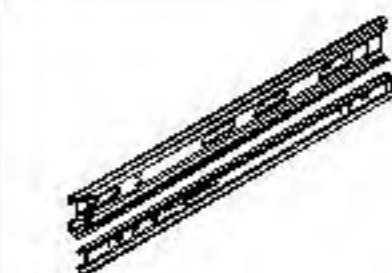
(A)\*8



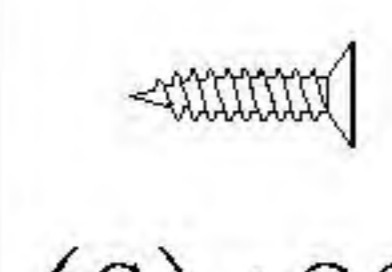
(B)\*8



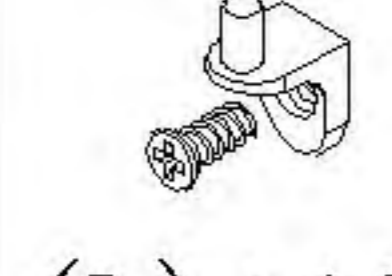
(C)\*4



(D)\*3



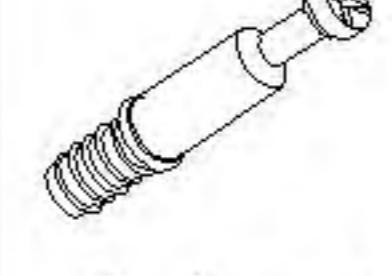
(G)\*26



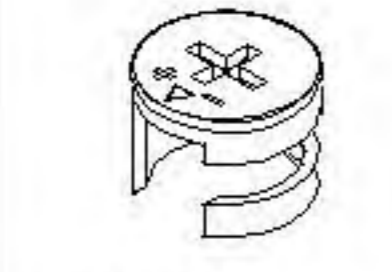
(L)\*12



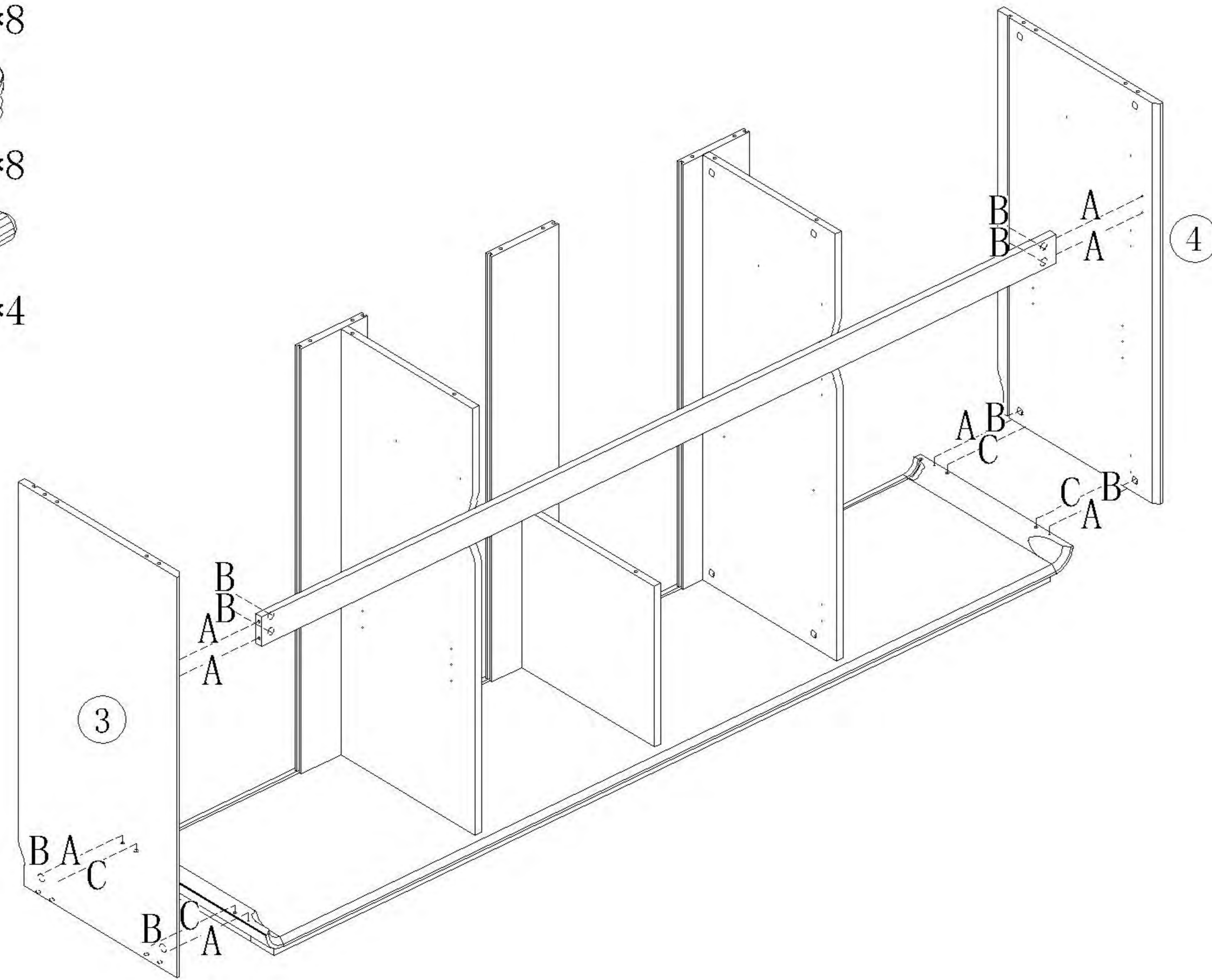
(F)\*4



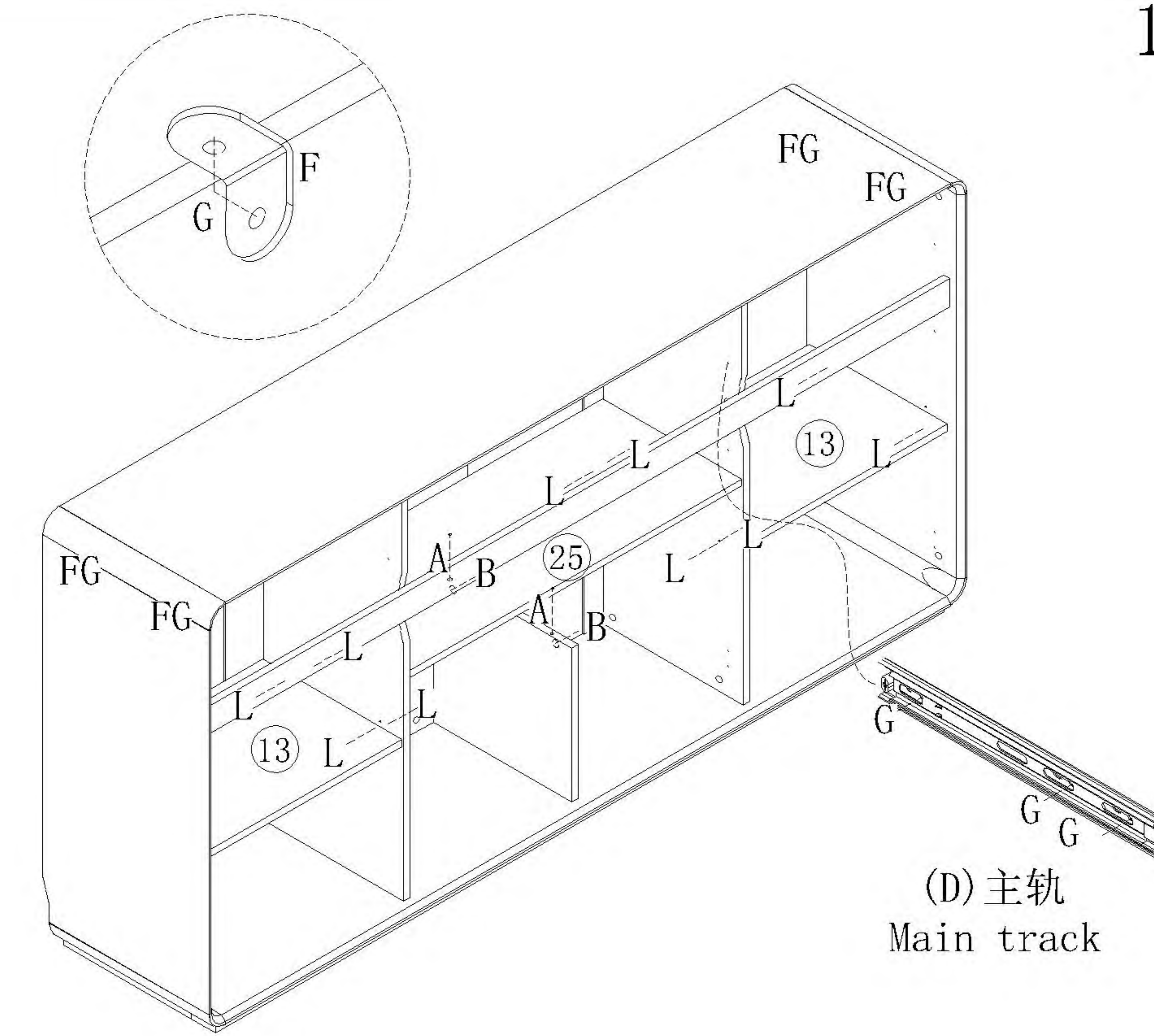
(A)\*2



(B)\*2



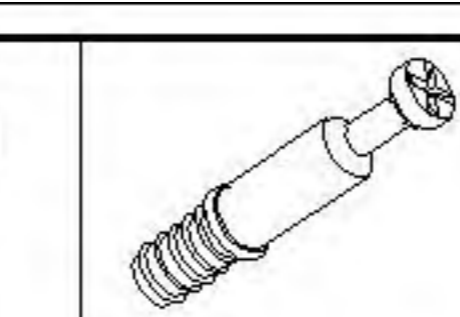
④



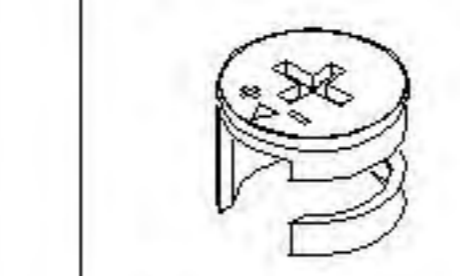
(D) 主轨  
Main track

11

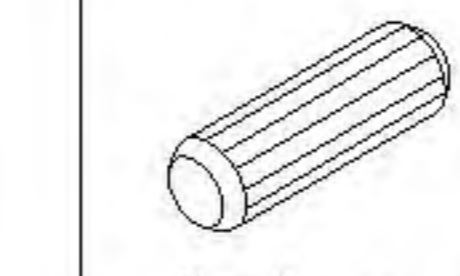
9



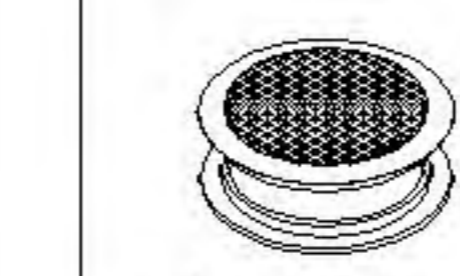
(A)\*14



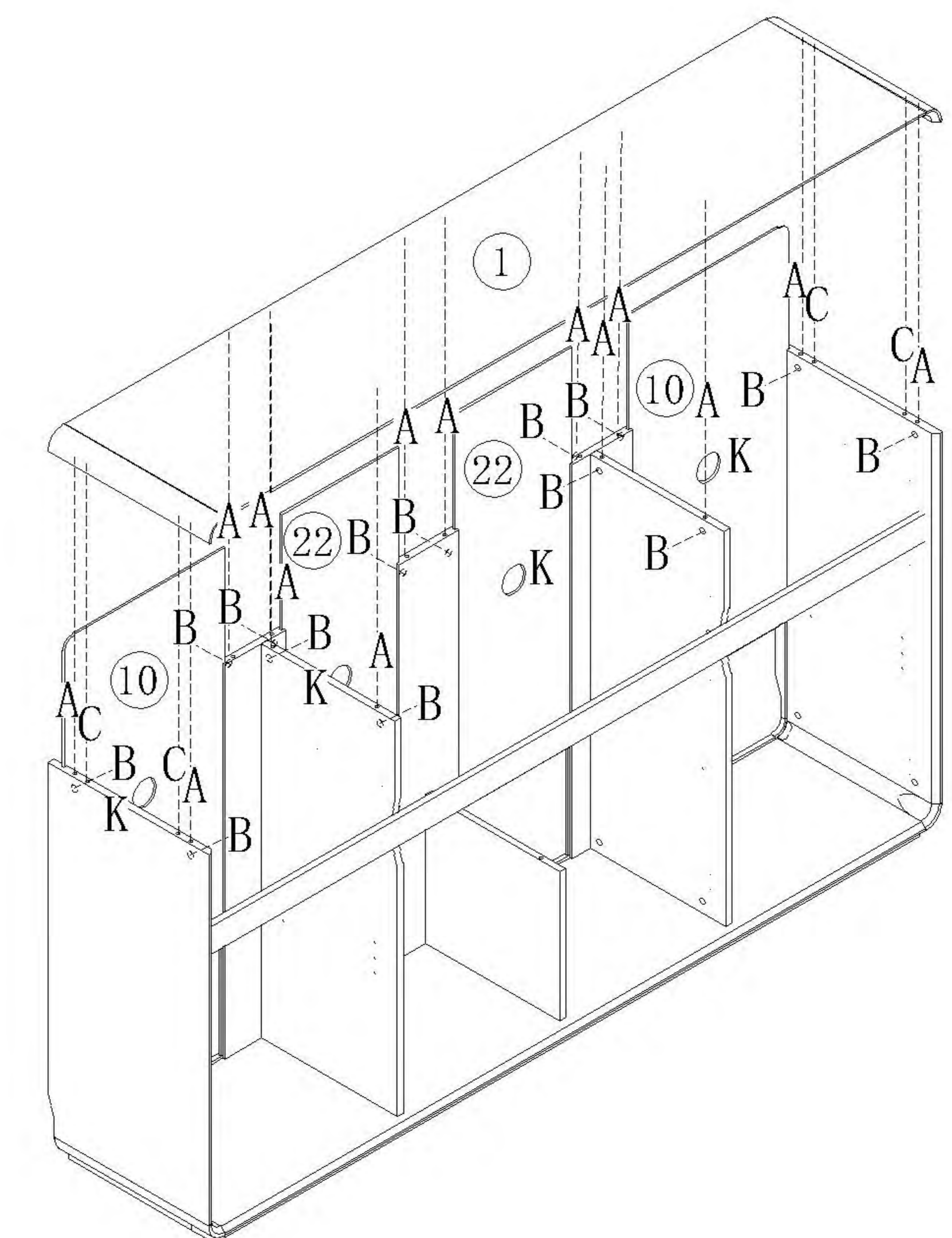
(B)\*14



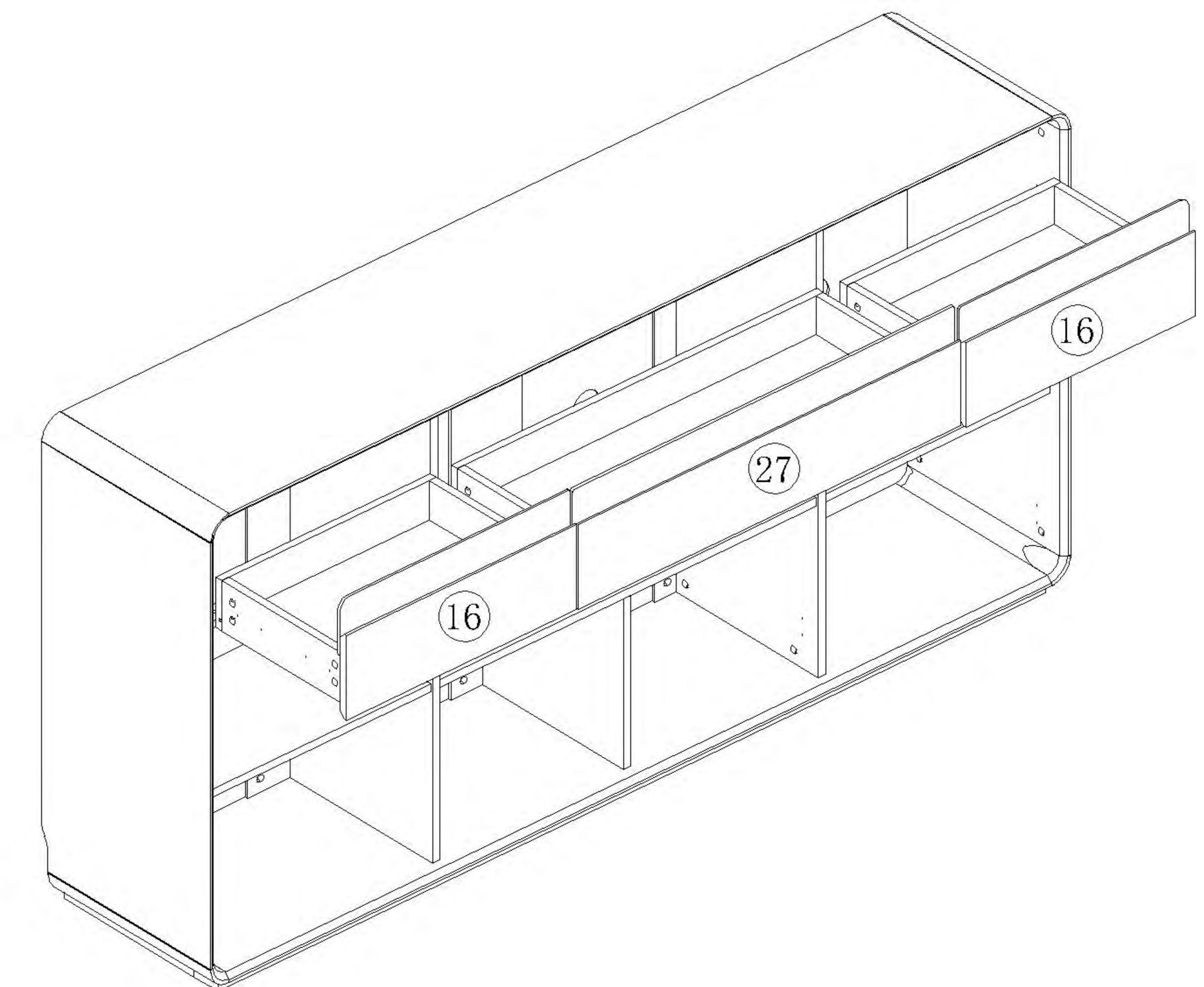
(C)\*4



(K)\*4



10

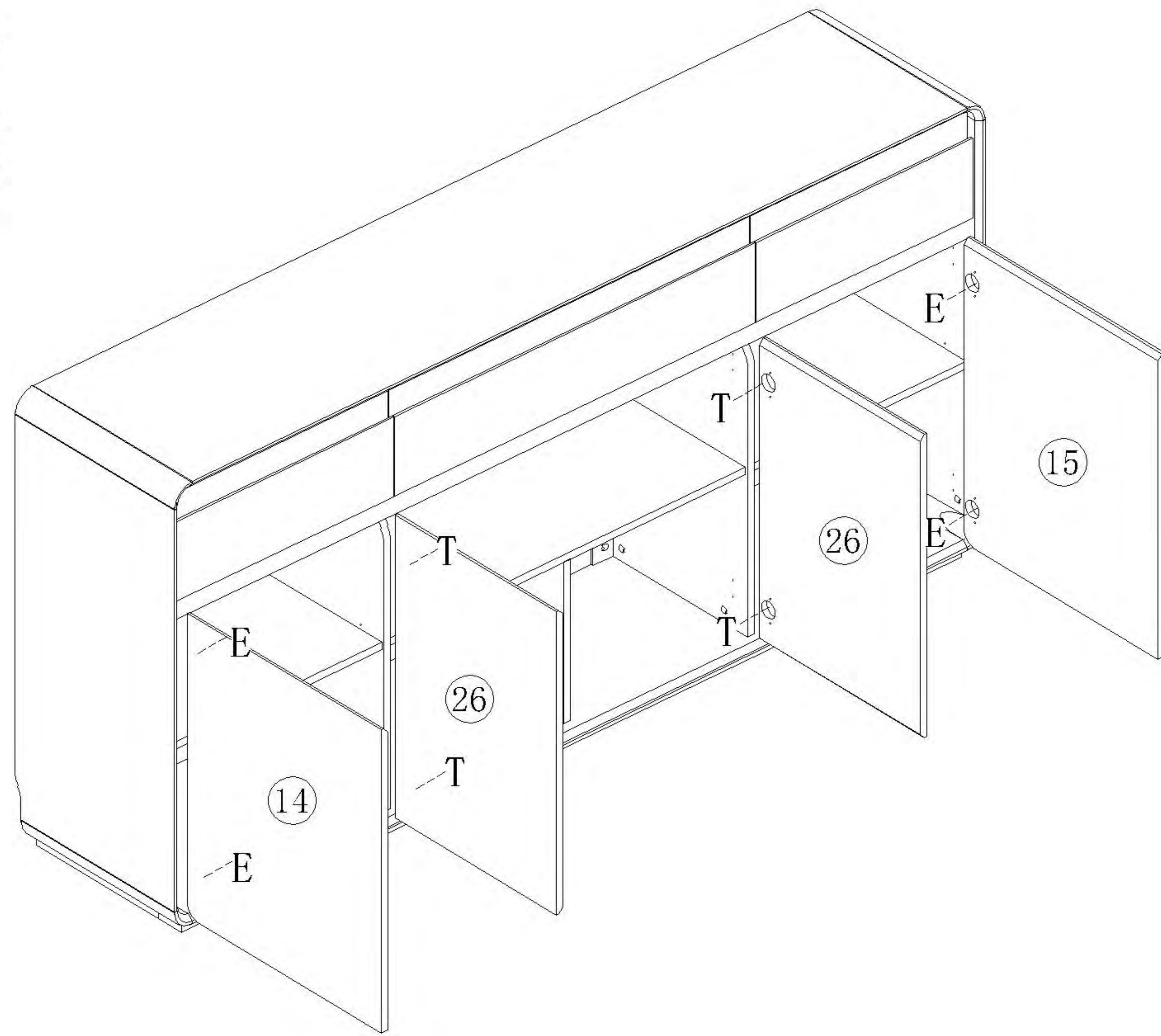


12

RU5T-A (1.8m)

安装方法/  
Installation method

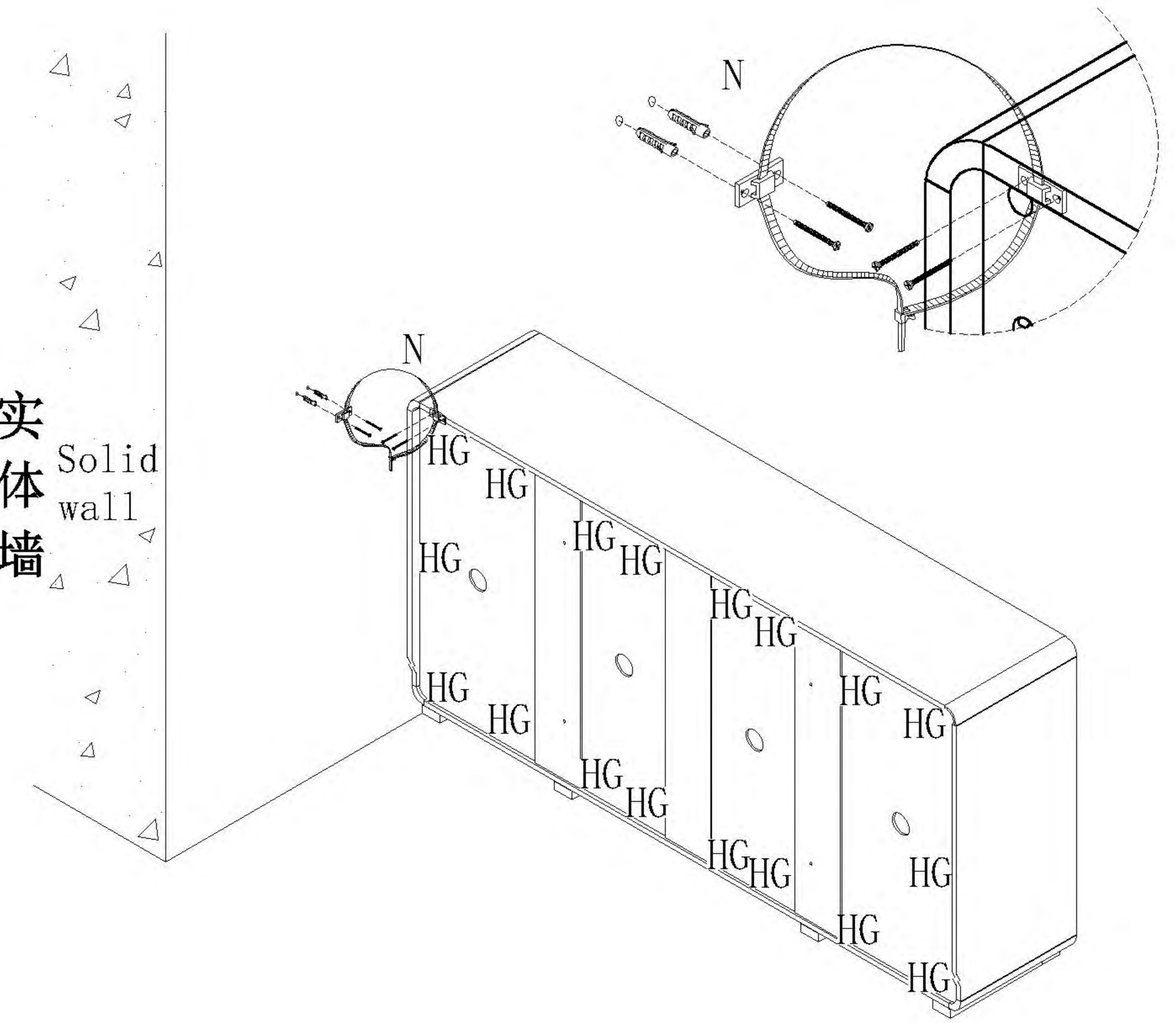
- (E)\*4
- (T)\*4



13

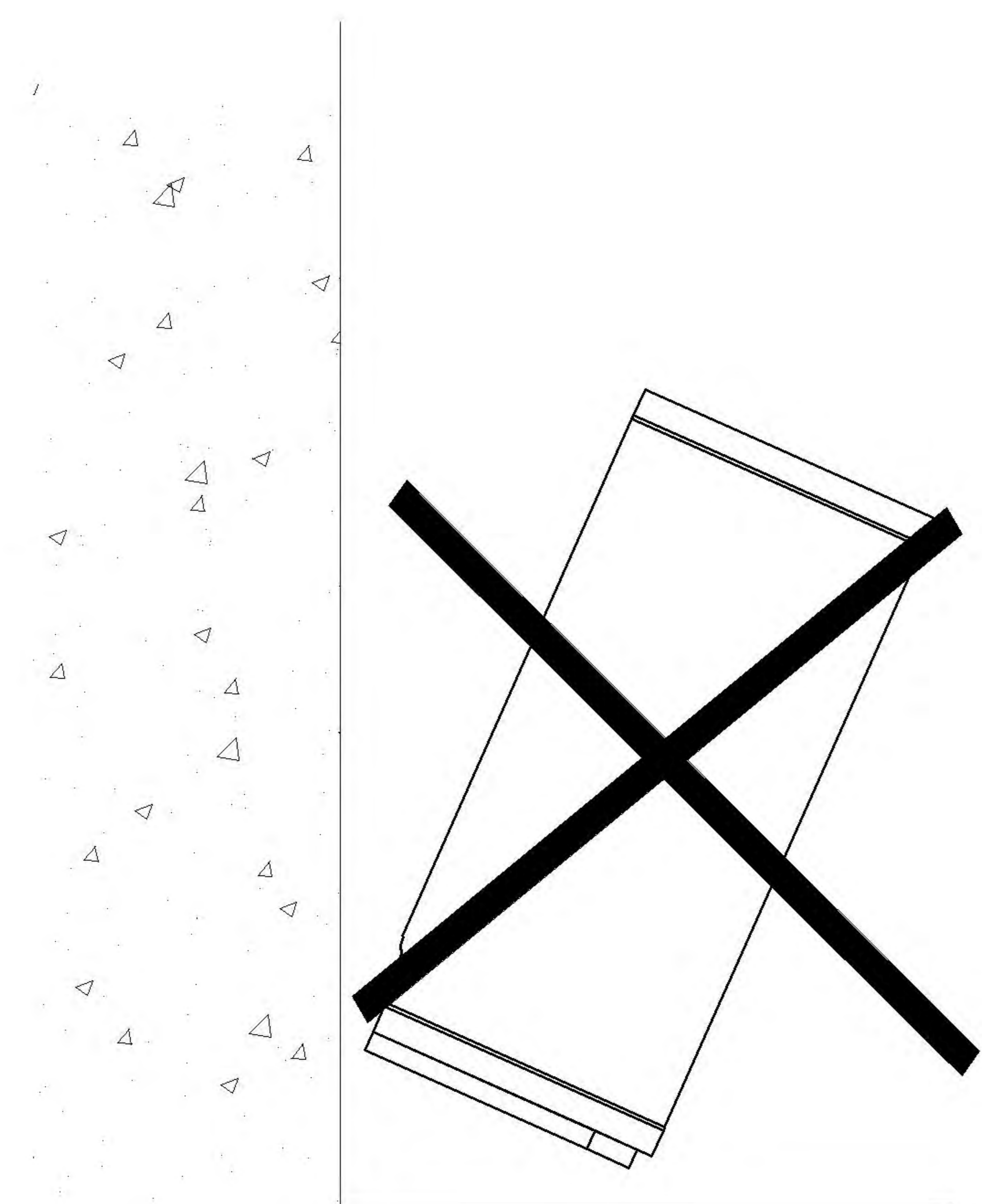
- (N)\*1
- (H)\*18
- (G)\*18

实体墙  
Solid wall



14

15



16

**孔位贴使用小贴士**  
产品安装完成后请贴上孔贴，多出的孔贴请保管好  
**Tips for using hole stickers:**  
After the product installation is completed, please attach the hole stickers. Please keep any extra hole stickers safe

