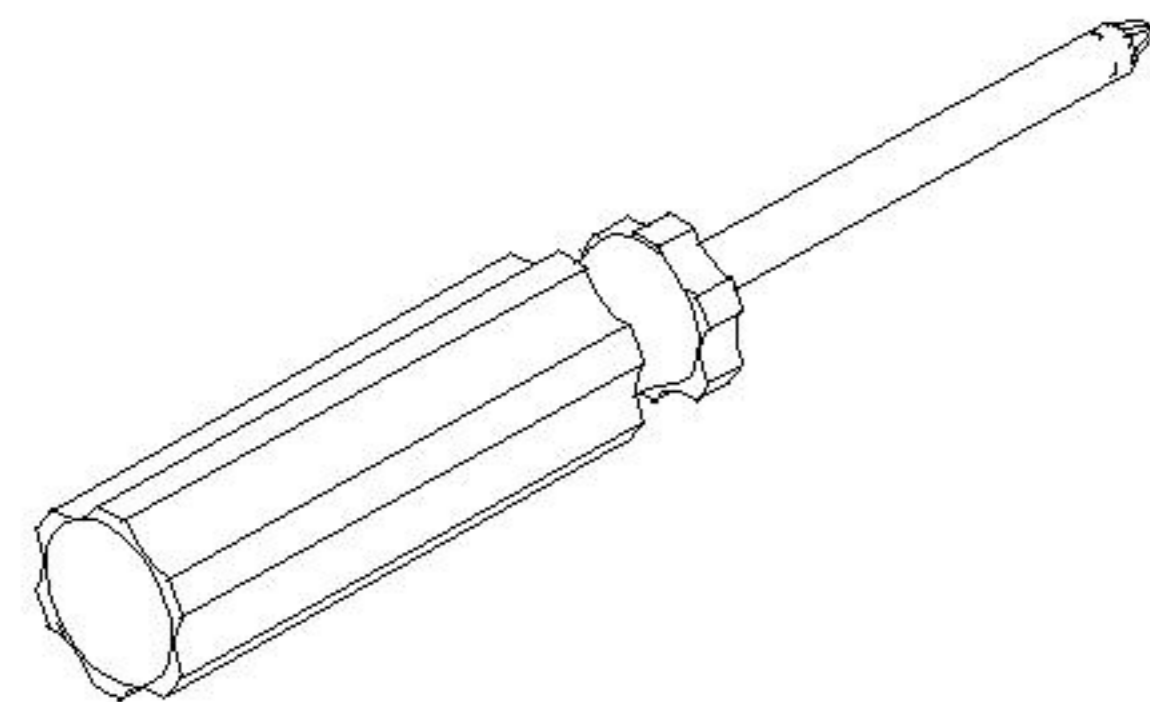
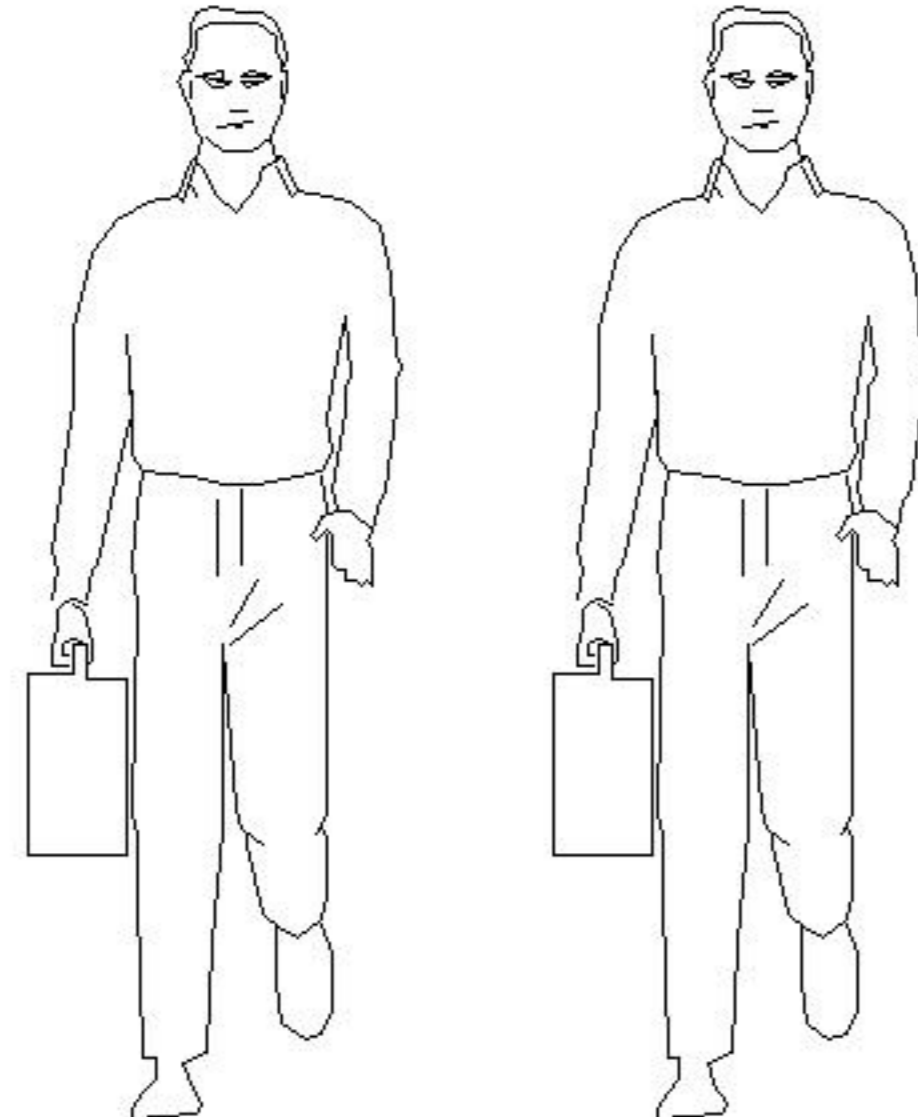


LINSY 林氏家居

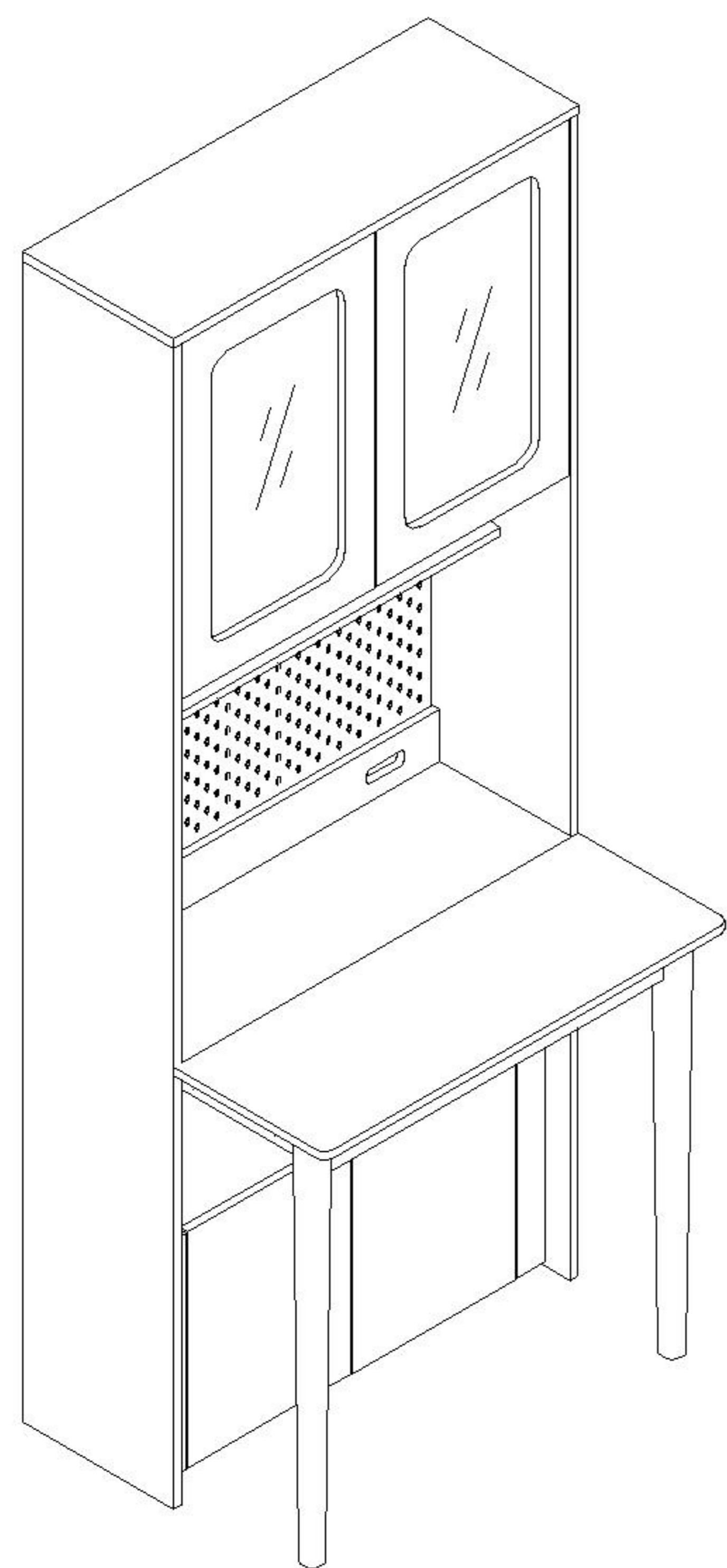
五金表/Hardware list

部件表/Parts List

安装示意图/Assembly Instruction

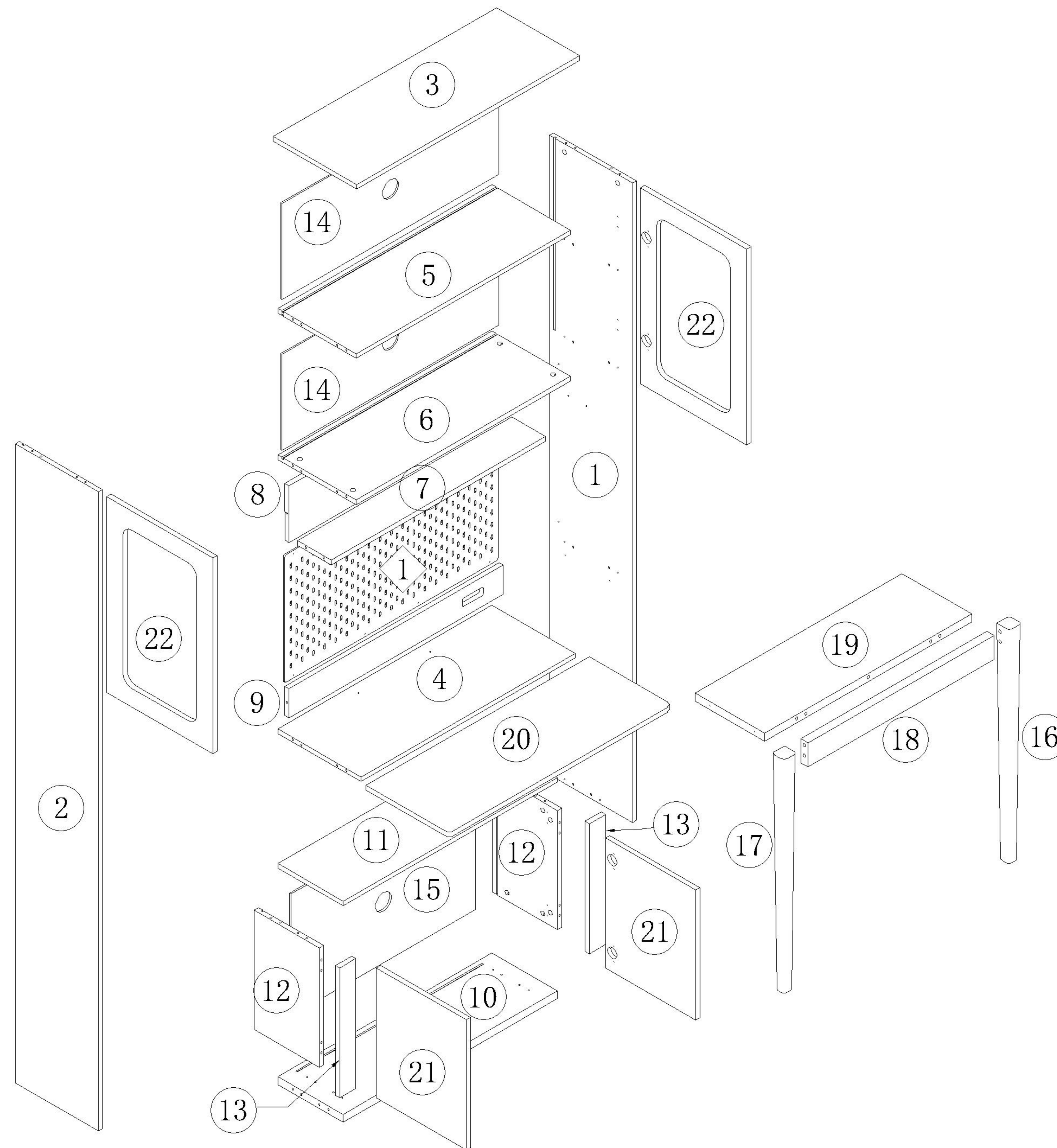
产品名称 Model NO.	QA1V-A 折叠书桌
产品规格 Specification	800*598*2003mm
安装工具 Tool	安装人数 Installer
	

注：为保证设计效果，部分尺寸为定制尺寸，不影响使用。



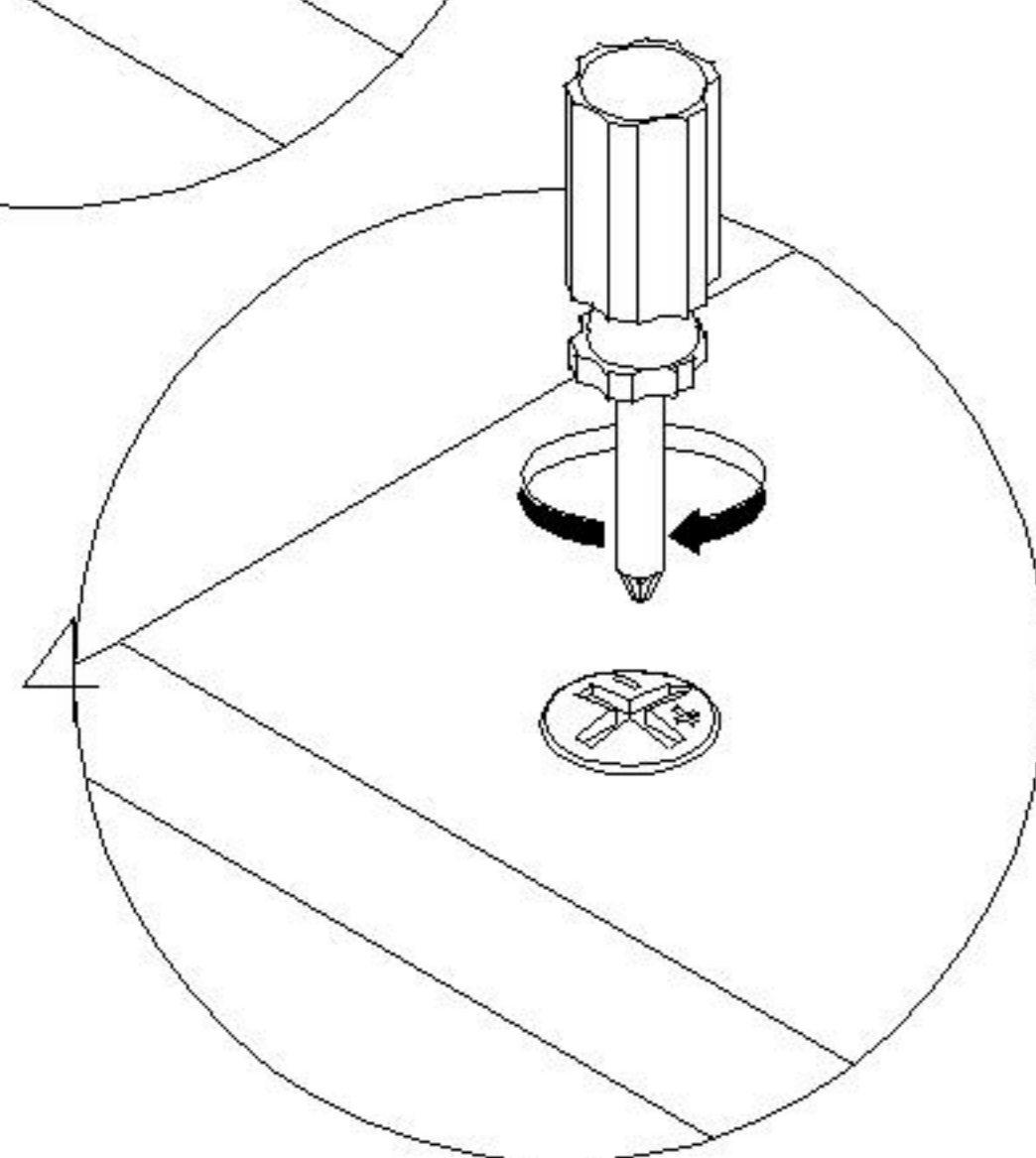
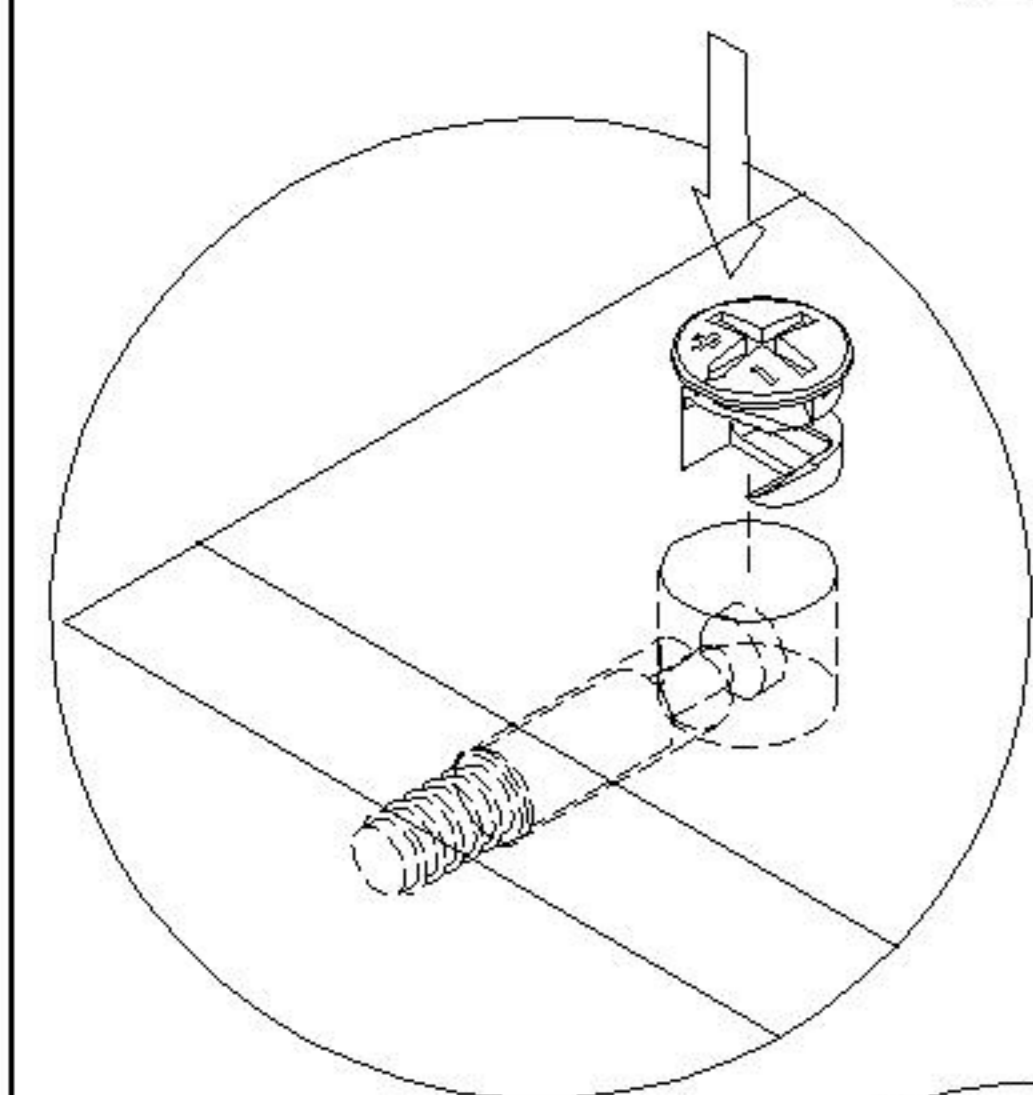
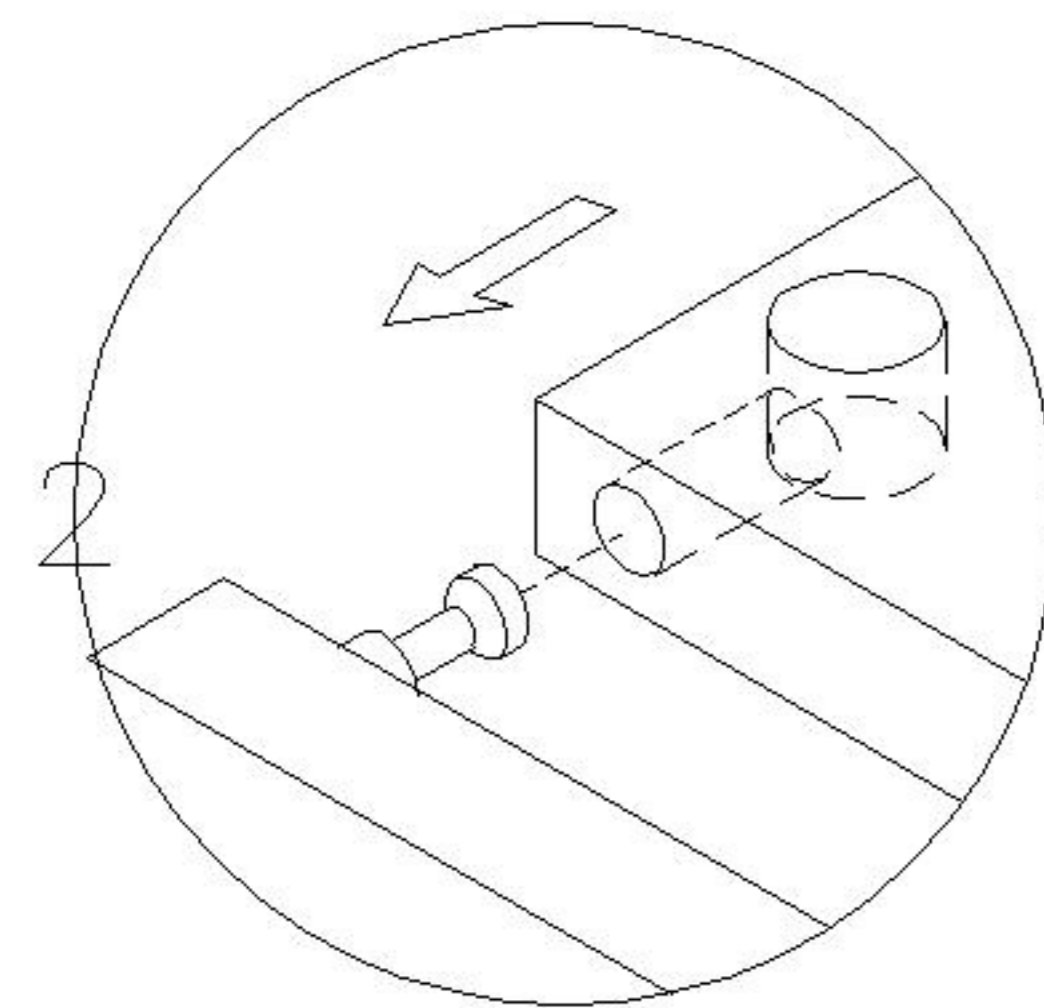
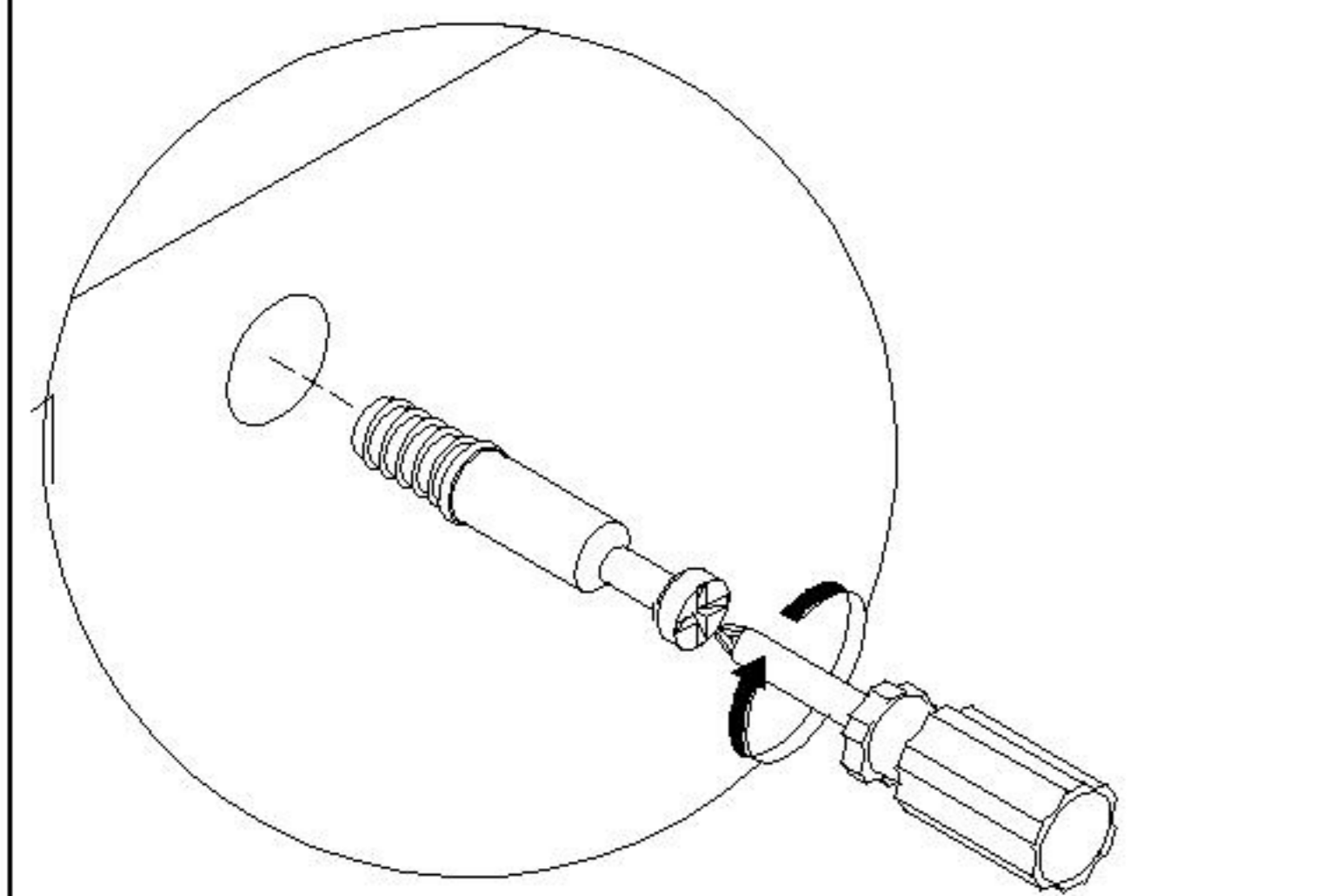
 (A)*53 二合一螺杆 2-in-1-screw	 (B)*53 大三合一锁饼 3-in-1 large lock	 (C)*38 木榫- $\phi 8*30$ Wood tenon	 (D)*34 自攻螺丝M3.5*12 Self-tapping screw
 (E)*1 三节滚珠导轨10" Three-section rail	 (F)*1 插座 socket	 (G)*3 透气孔盖 Breathable cover	 (H)*1 开口扳手-14mm Open Wrench
 (I)*5 五合一孔盖 5-in-1 cover	 (J)*5 外六角螺母-M8 Hexagon Nut-(M8)	 (K)*5 五合一月牙-M8 5-in-1 screw	 (L)*5 全牙螺杆-(M8*70mm) Full thread screw
 (M)*2 家具防倒器白色 Anti-fall device	 (N)*8 灰色毛毡垫 Foot pad	 (O)*13 背板扣 Back Panel Buckle	 (P)*13 自攻螺丝M3.5*16 Self-tapping screw
 (Q)*3 合页 Semicircular hinge	 (R)*4 木榫- $\phi 10*40$ Wood tenon	 (S)*8 铰链-大弯缓冲门铰 Great bend hinge	 (T)*8 大扁头自攻螺丝M4*16 Flat head tapping screw

编号NO.	名称Name	规格 (mm) Specification	数量QTY	材质Material
QA1V-A 折叠书桌主体 QA1V-A Folding Desk Body				
①	右侧板Side board(R)	1985*298*15	1	刨花板 Particle board
②	左侧板Side board(L)	1985*298*15	1	刨花板 Particle board
③	顶板Top board	800*298*15	1	刨花板 Particle board
④	面板Top panel	768*298*15	1	刨花板 Particle board
⑤	上层板Upper shelf	768*281*15	1	刨花板 Particle board
⑥	上中层板Upper-middle shelf	768*281*15	1	刨花板 Particle board
⑦	层板Shelf	768*120*15	1	刨花板 Particle board
⑧	中背板Middle back board	768*176*15	1	刨花板 Particle board
⑨	背拉条Back brace	768*90*15	1	刨花板 Particle board
⑩	底板Bottom board	768*234*25	1	刨花板 Particle board
⑪	下层板Lower shelf	768*234*15	1	刨花板 Particle board
⑫	内侧板Inner side panel	370*234*15	2	刨花板 Particle board
⑬	侧挡条Side gear strip	404*58*15	2	刨花板 Particle board
⑭	上背板Upper back board	778*298*5	2	纤维板 Fiberboard
⑮	下背板Lower back board	663*380*5	1	纤维板 Fiberboard
⑯	右木脚foot (R)	733*45*45	1	桦木 Birch
⑰	左木脚foot (L)	733*45*45	1	桦木 Birch
⑱	前挡板Front baffle	667*75*25	1	刨花板 Particle board
⑲	托板Bracket	742*250*25	1	刨花板 Particle board
⑳	翻板Flap	800*298*15	1	刨花板 Particle board
㉑	下门板Under door board	404*323*15	2	刨花板 Particle board
㉒	上门板Upper door board	608*381*15	2	刨花板+塑料 Particle board+Plastic
QA1V-A 折叠书桌洞洞板 QA1V-A folding desk perforated panel				
◇1	装饰板Decorating plate	766*396*4.8	1	纤维板 Fiberboard



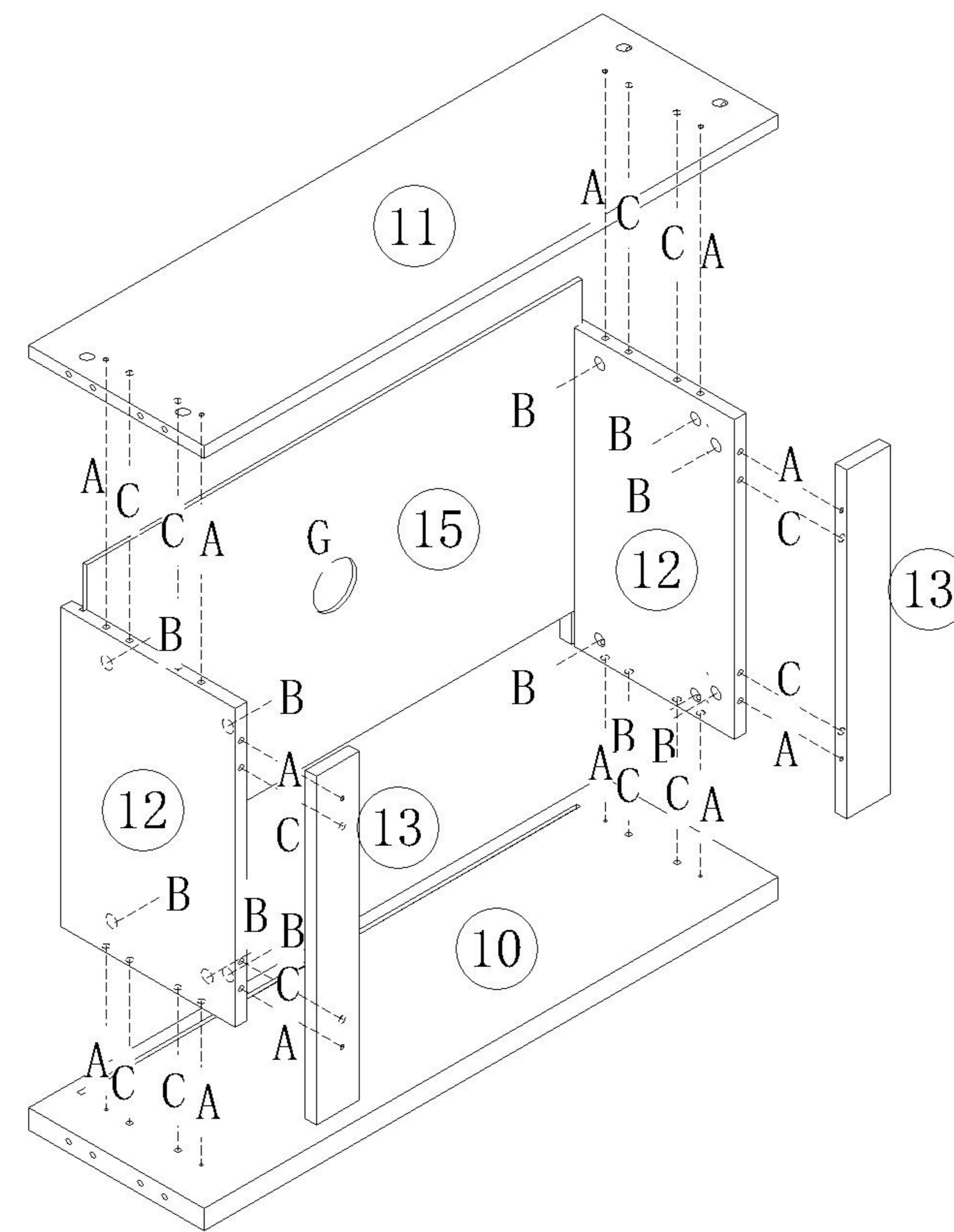
编号NO.	名称Name
QA1V-A 折叠书桌主体	
①	右侧板Side board(R)
②	左侧板Side board(L)
③	顶板Top board
④	面板Top panel
⑤	上层板Upper shelf
⑥	上中层板Upper-middle shelf
⑦	层板Shelf
⑧	中背板Middle back board
⑨	背拉条Back brace
⑩	底板Bottom board
⑪	下层板Lower shelf
⑫	内侧板Inner side panel
⑬	侧挡条Side gear strip
⑭	上背板Upper back board
⑮	下背板Lower back board
⑯	右木脚foot (R)
⑰	左木脚foot (L)
⑱	前档板Front baffle
⑲	托板Bracket
⑳	翻板Flap
㉑	下门板Under door board
㉒	上门板Upper door board
QA1V-A 折叠书桌洞洞板	
◇1	装饰板Decorating plate

安装方法
Installation method

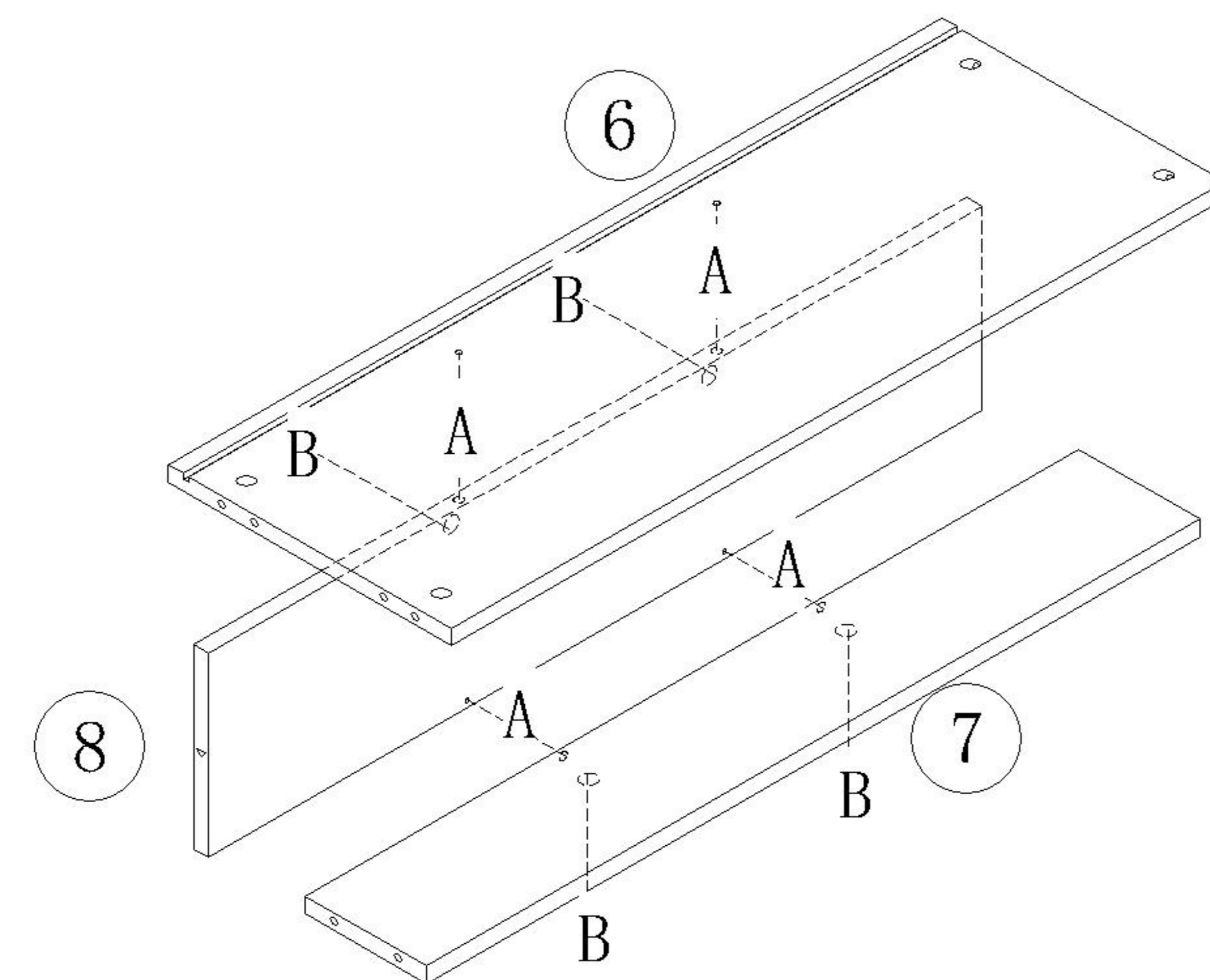


二合一
small two-in-one

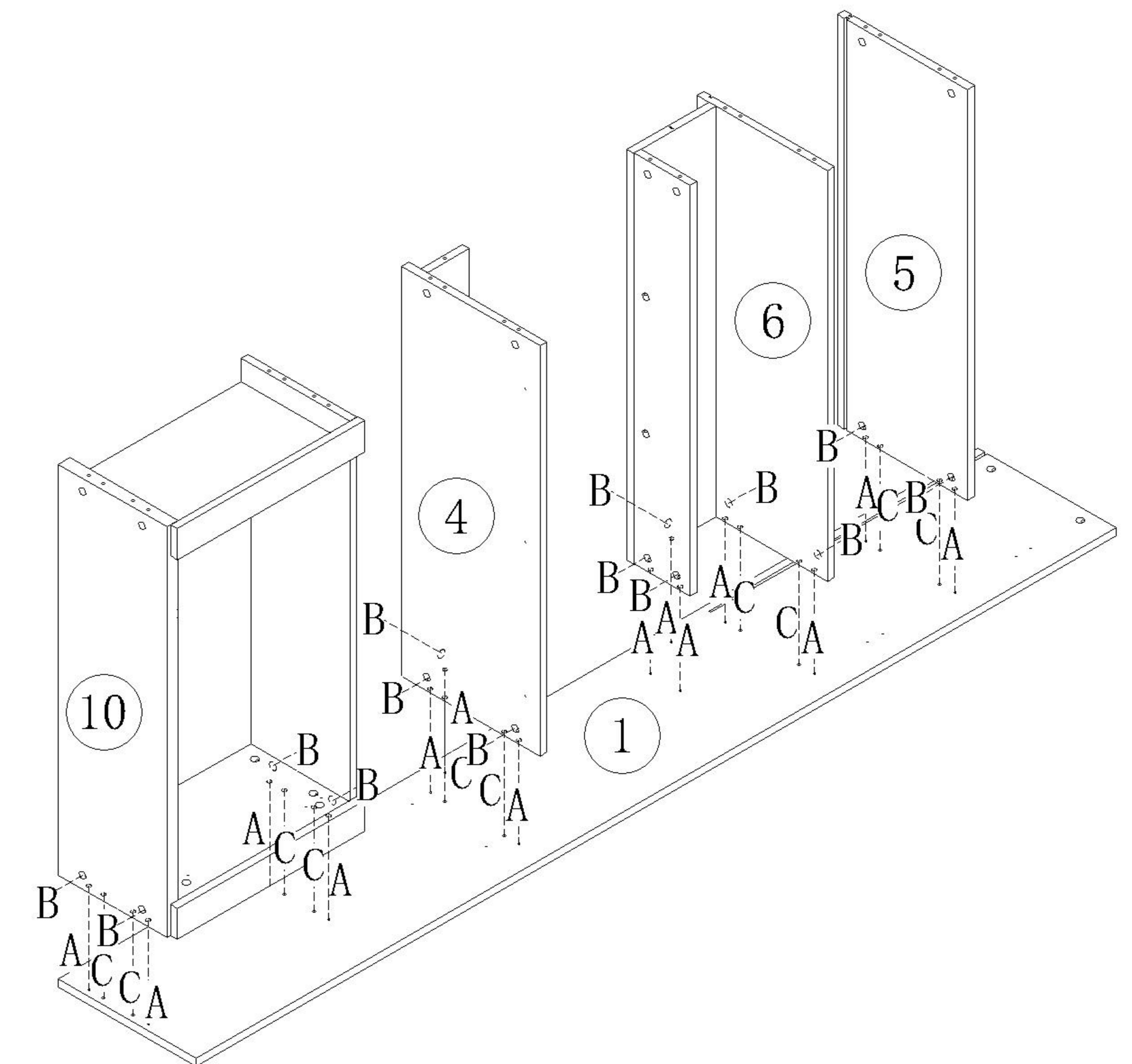
- (A)*12
- (B)*12
- (C)*12
- (G)*1



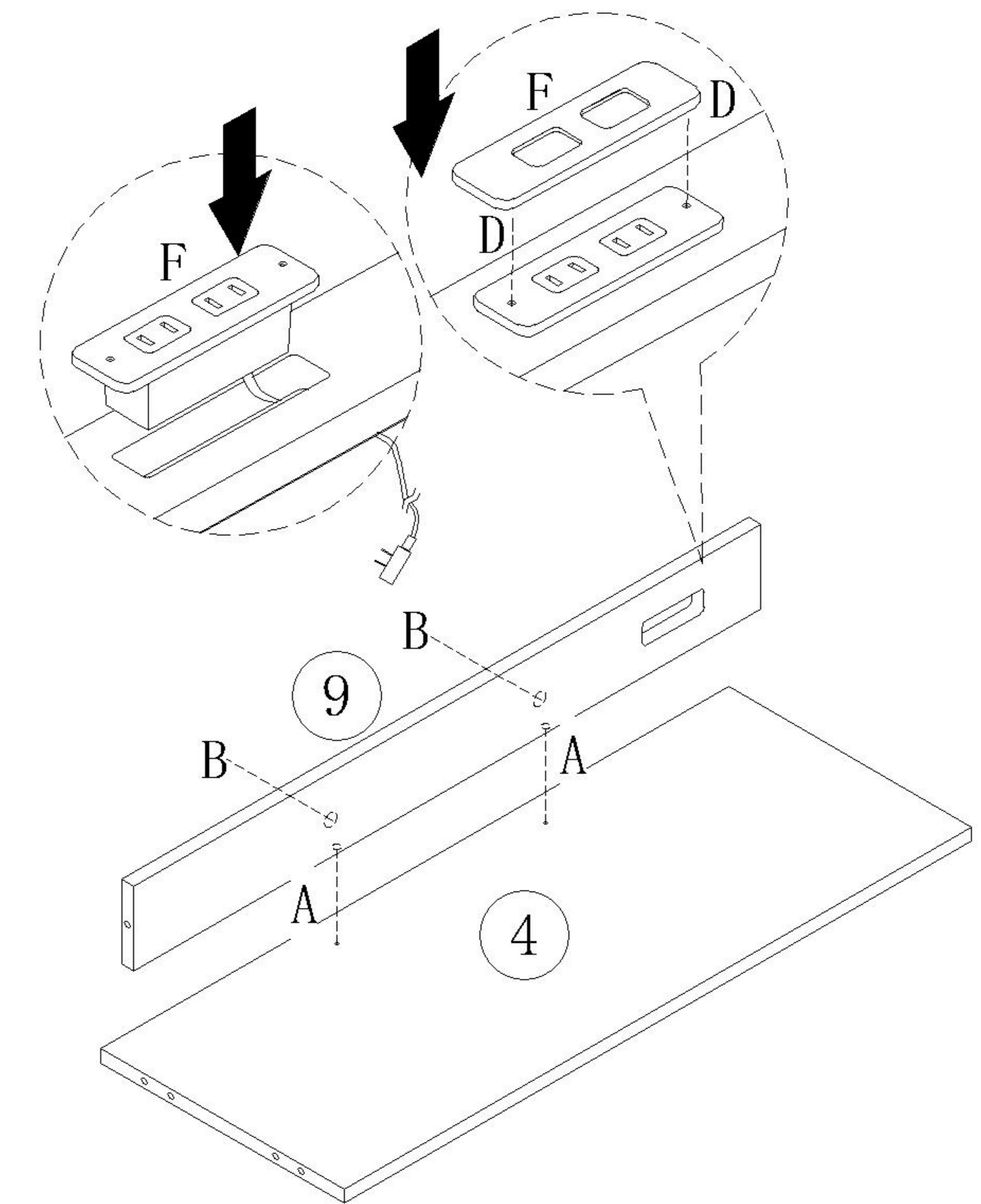
- (A)*4
- (B)*4



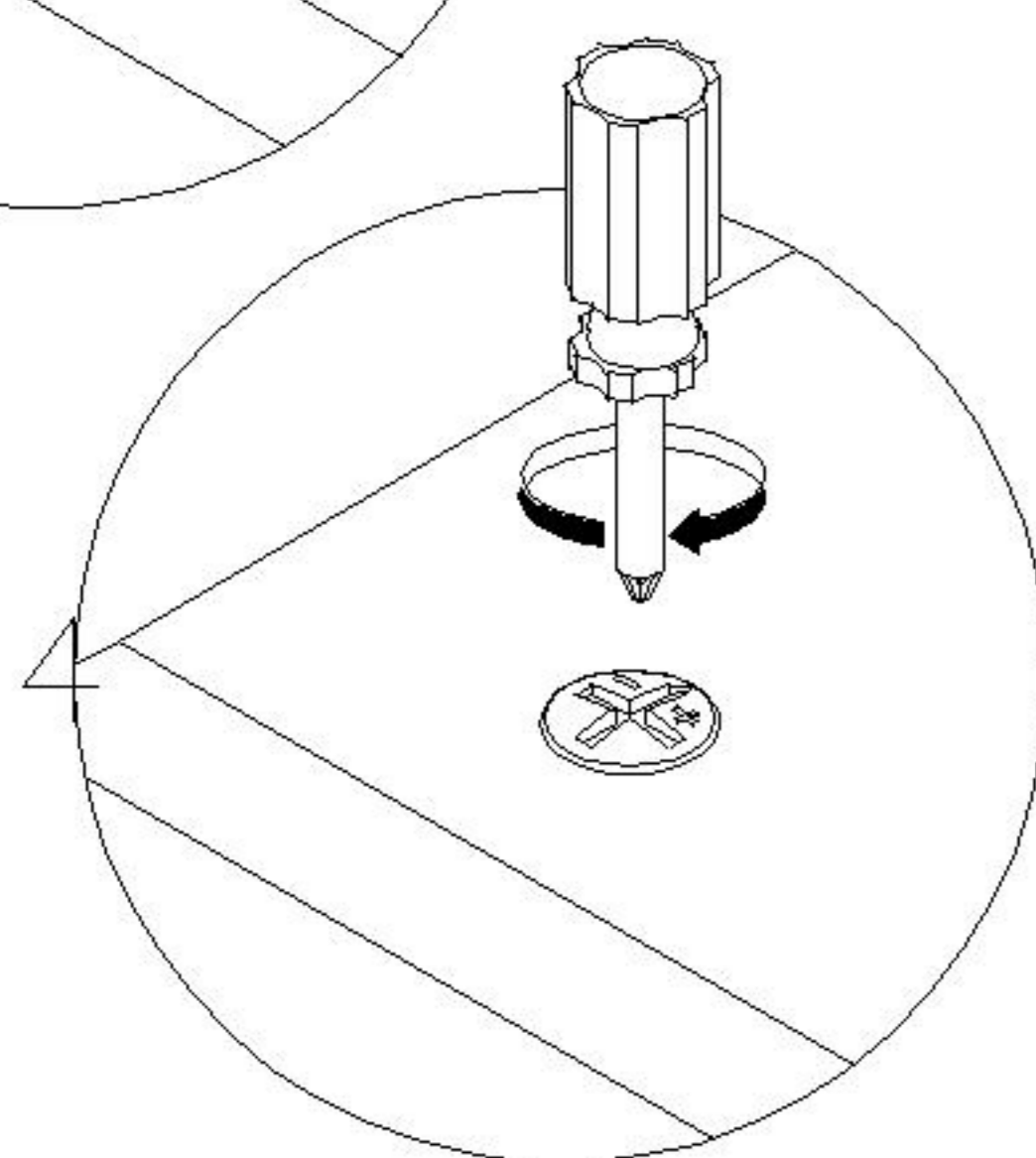
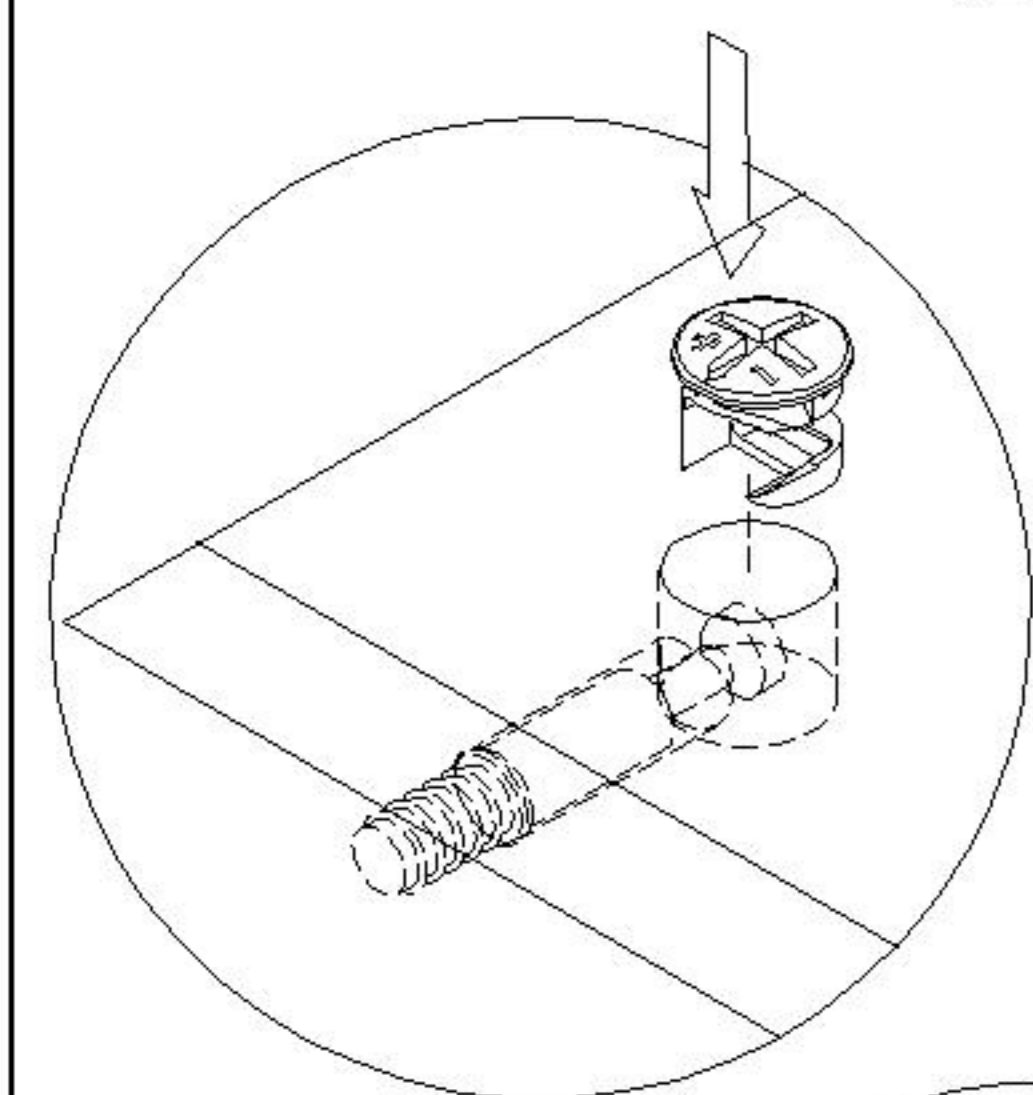
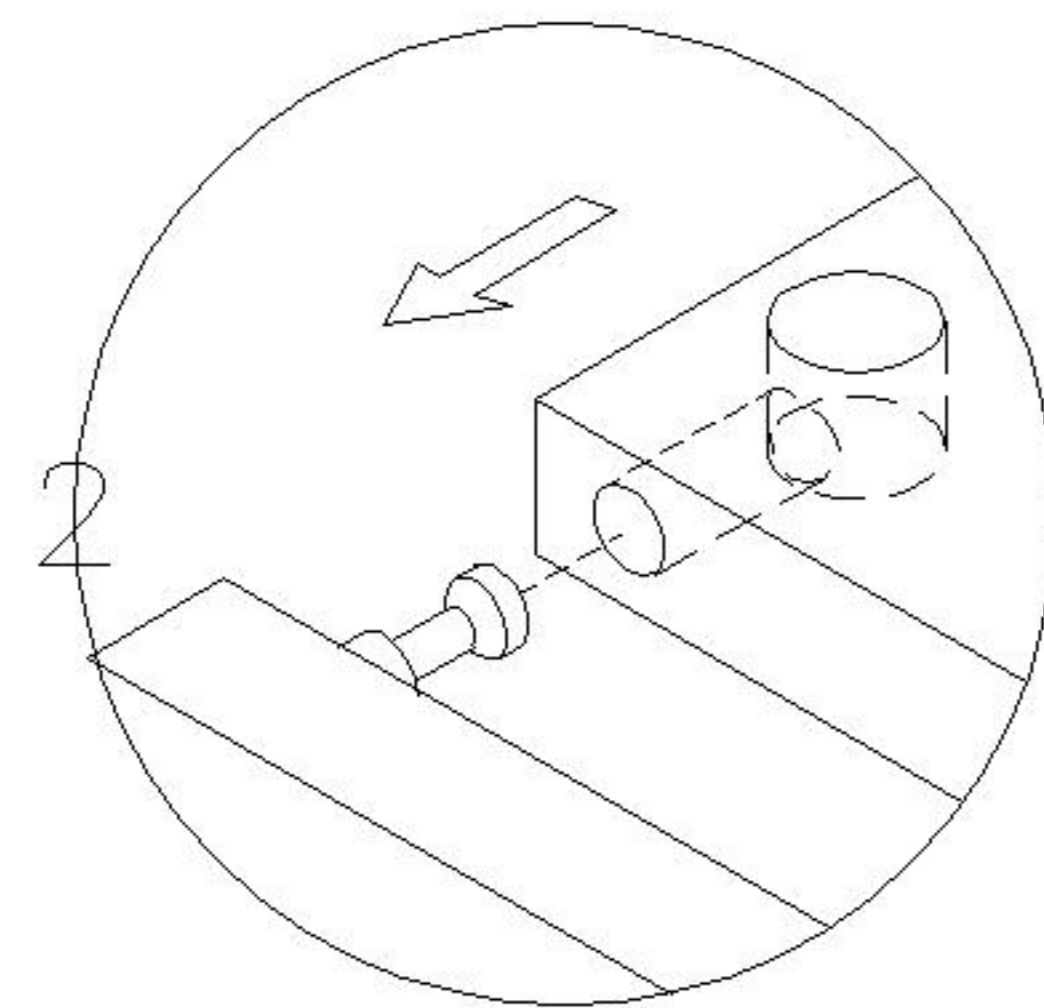
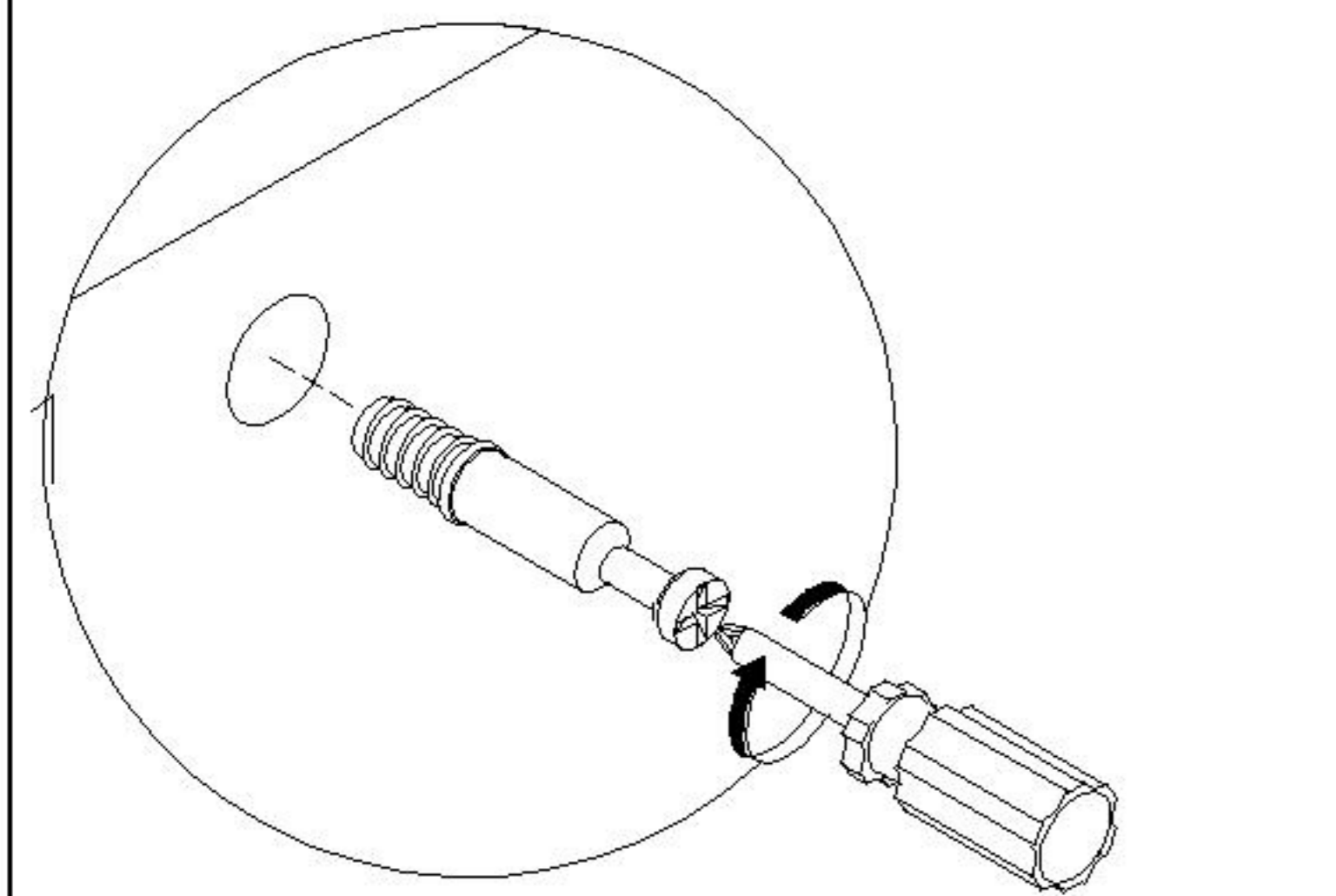
- (A)*14
- (B)*14
- (C)*10



- (A)*2
- (B)*2
- (F)*1
- (D)*2

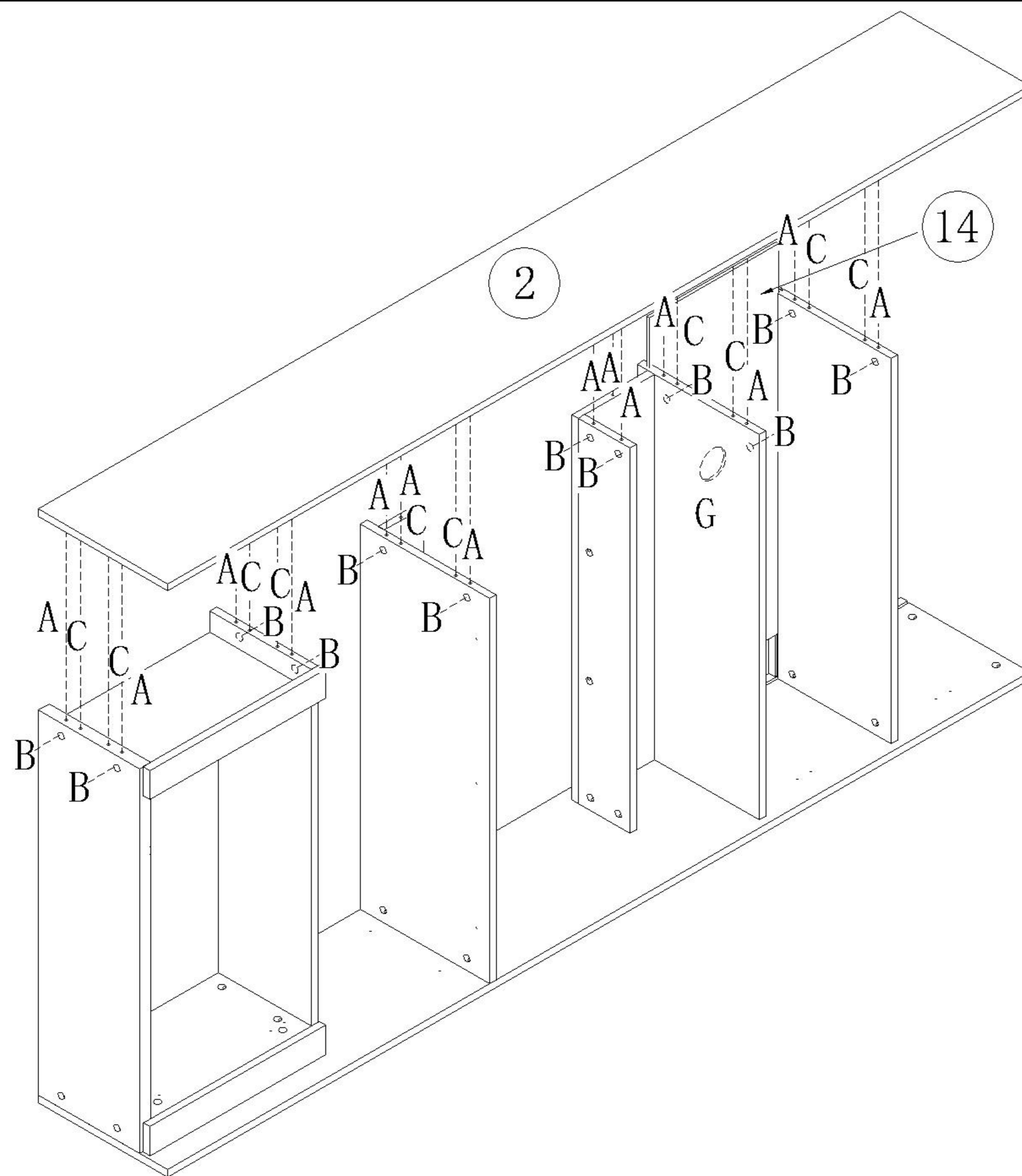


安装方法
Installation method

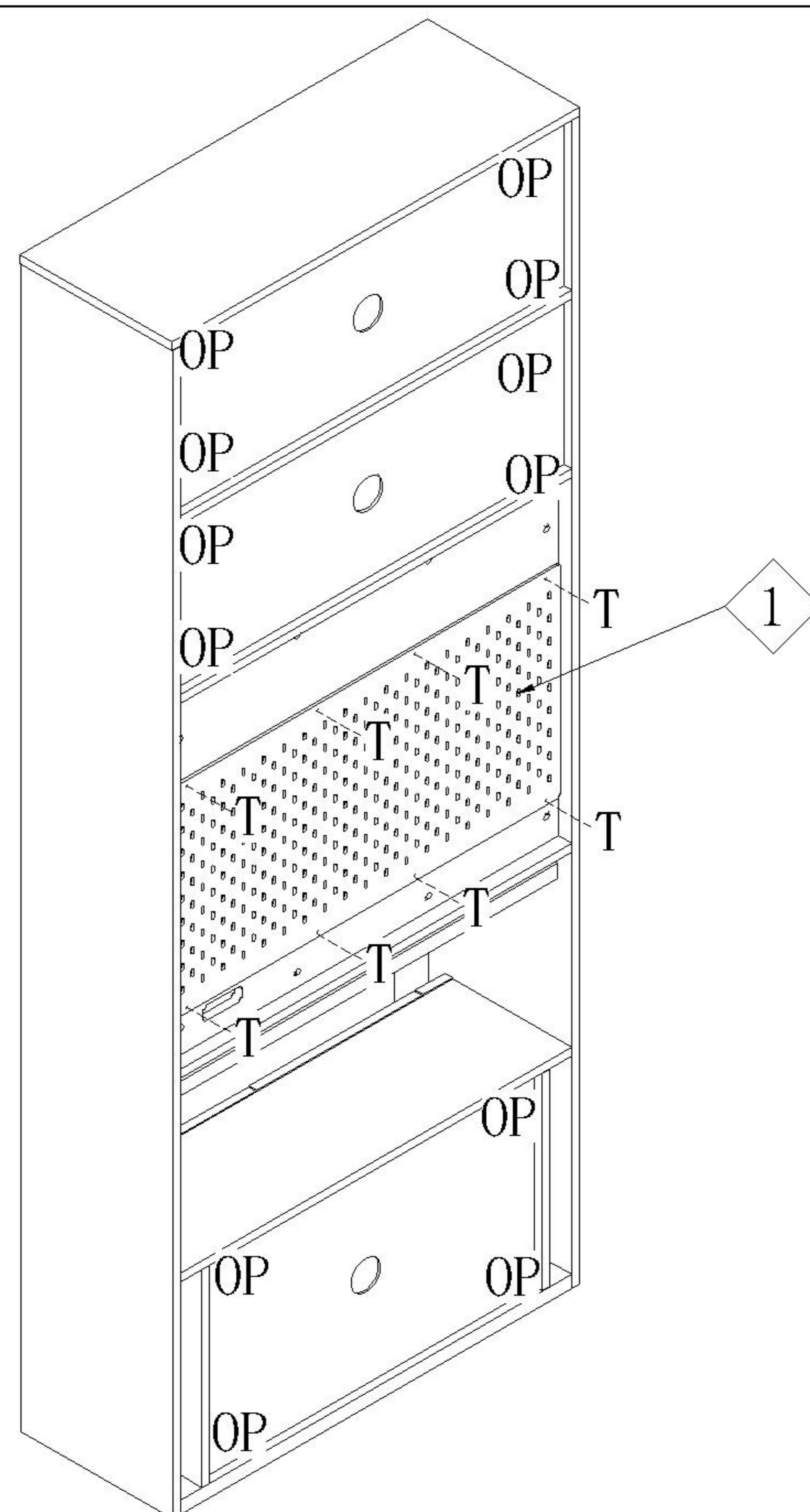


二合一
small two-in-one

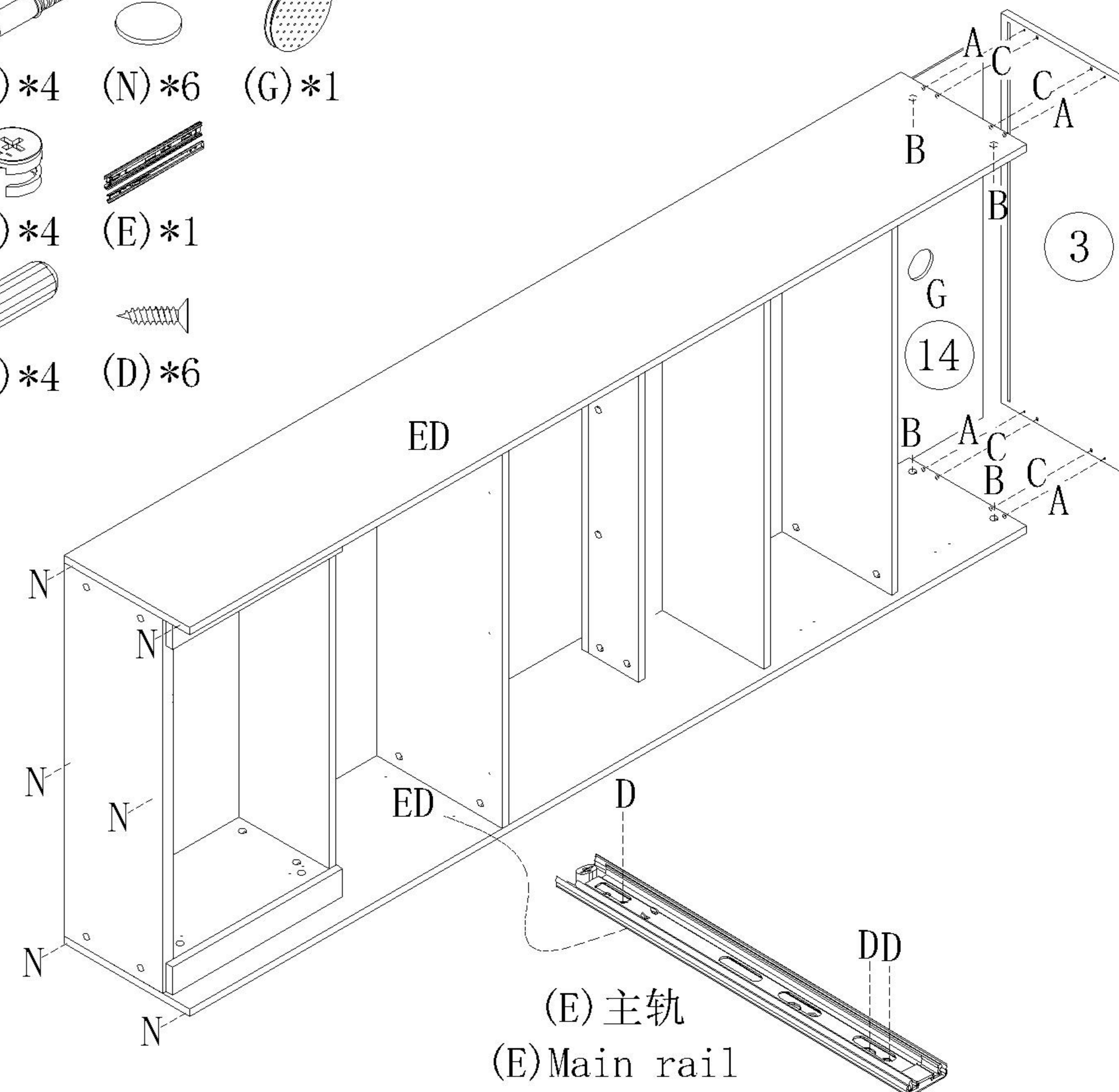
- (A)*14
- (B)*14
- (C)*10
- (G)*1



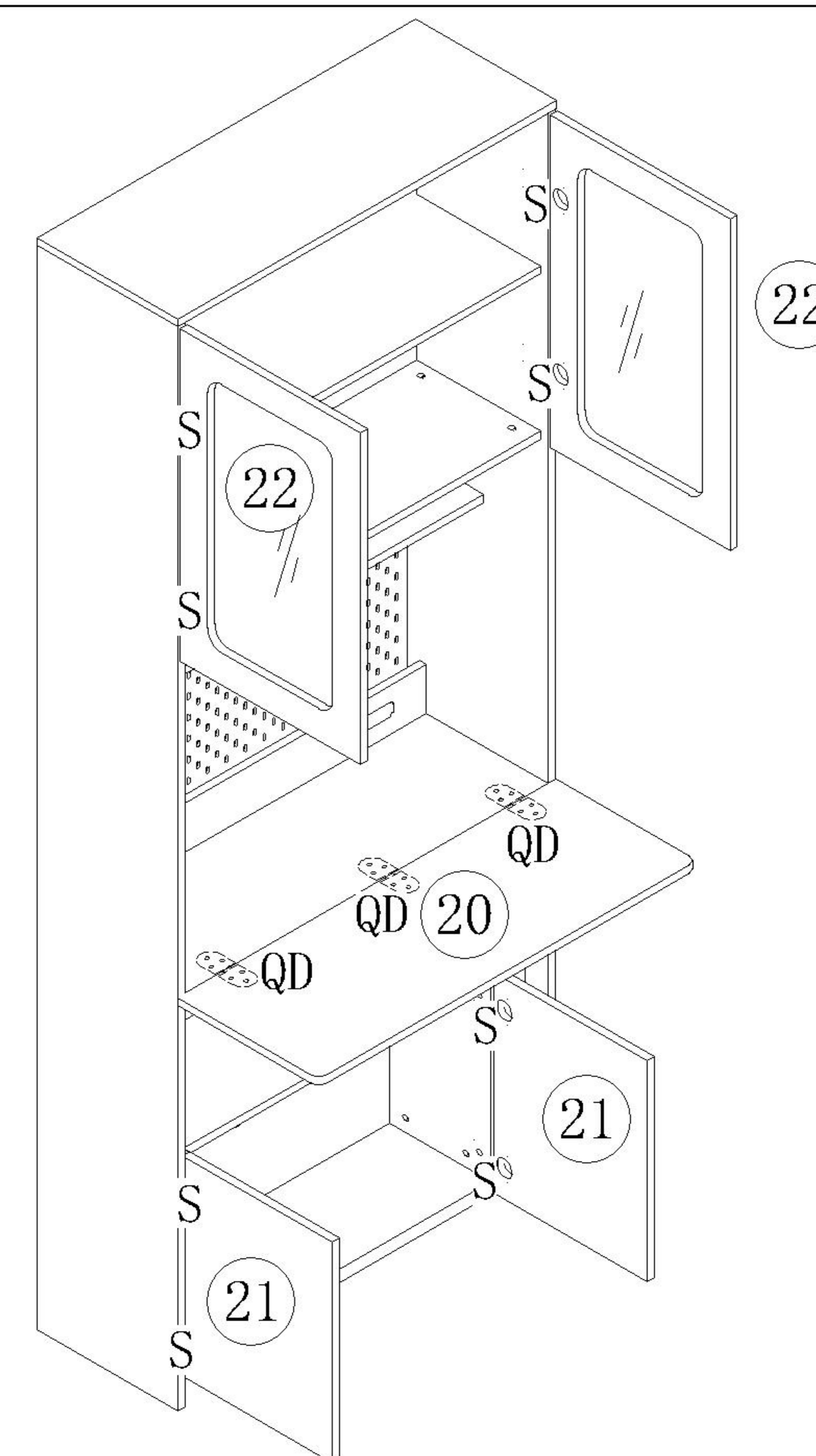
- (O)*12
- (P)*12
- (T)*8



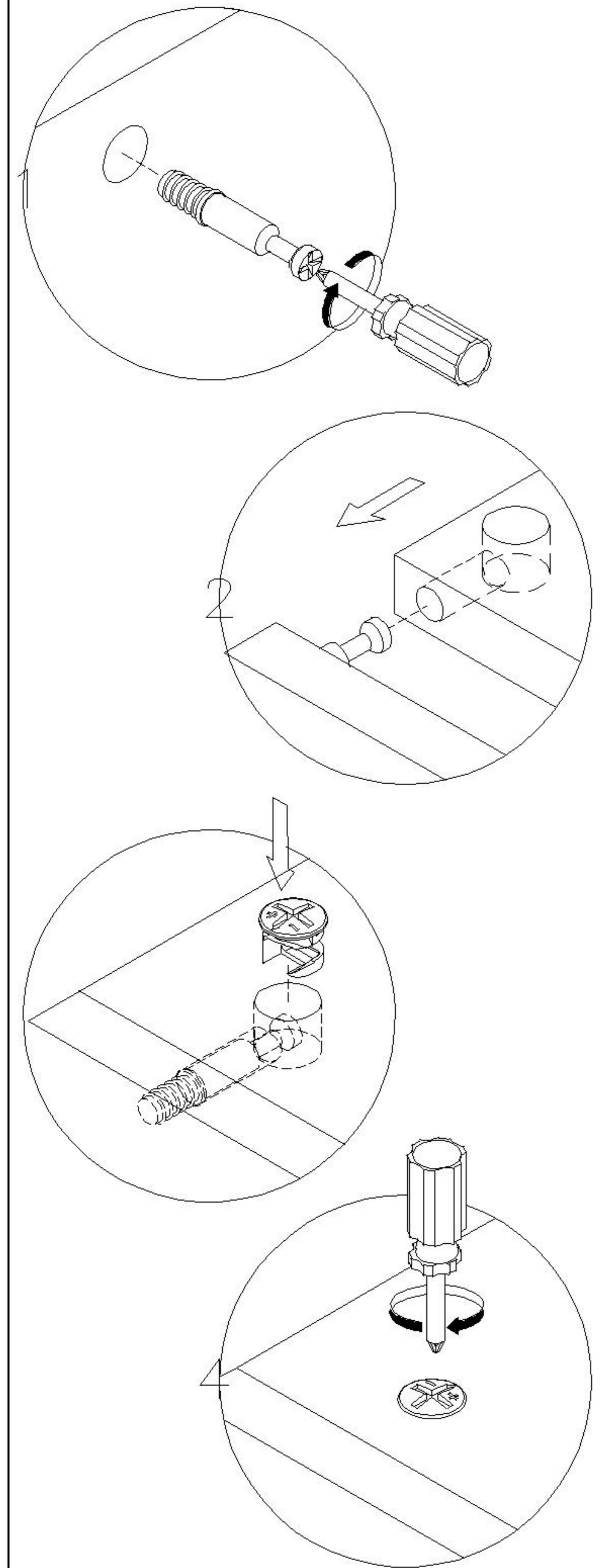
- (A)*4 (N)*6 (G)*1
- (B)*4 (E)*1
- (C)*4 (D)*6



- (Q)*3
- (D)*18
- (S)*8



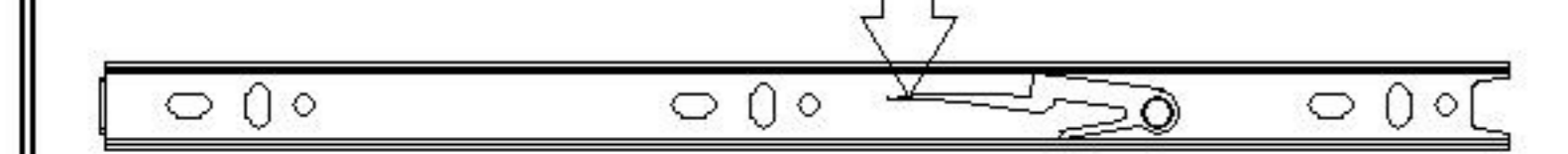
安装方法
Installation method



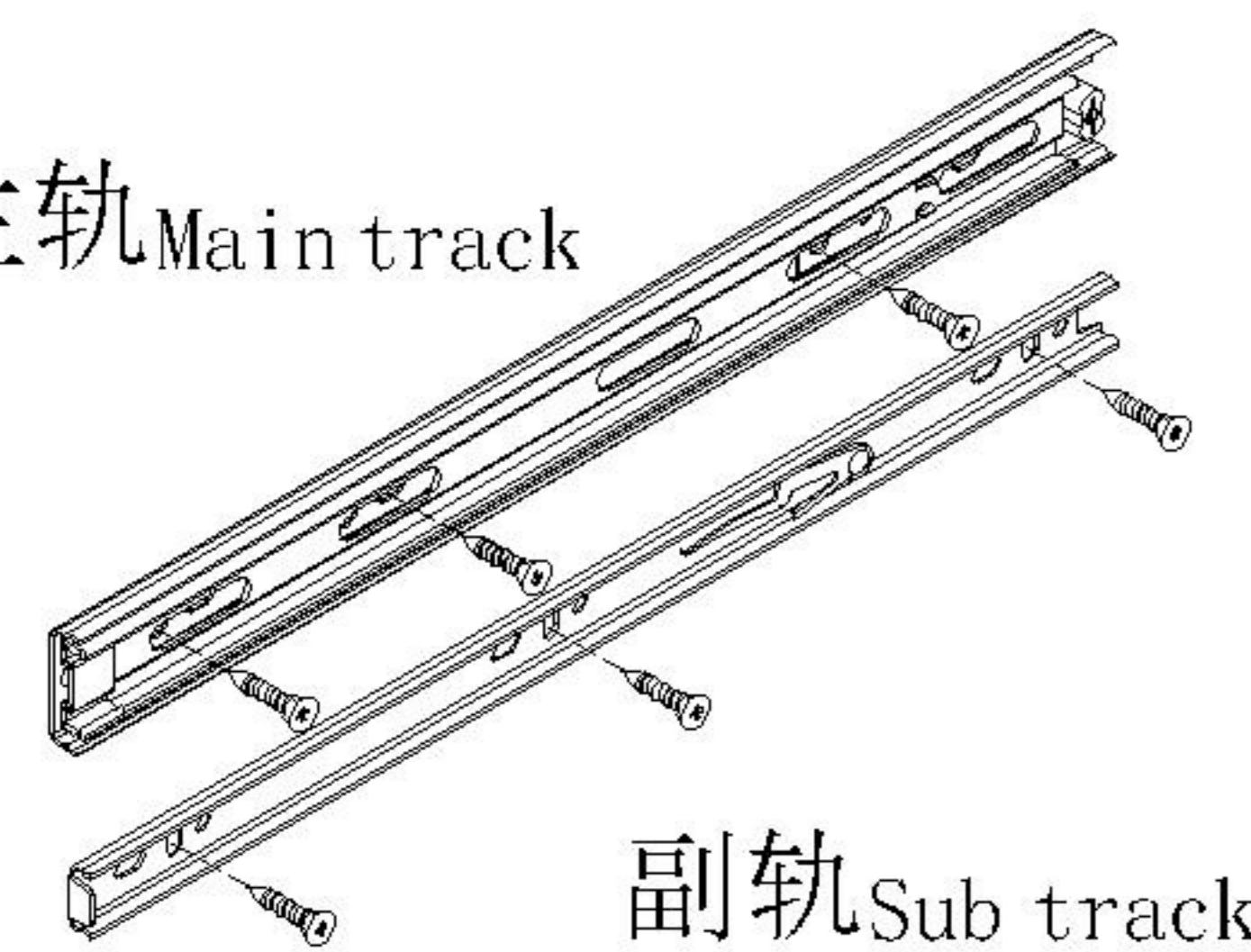
二合一
small two-in-one

阀门开关(下压为开)
Valve switch (press down)

前 Forward 后 Back



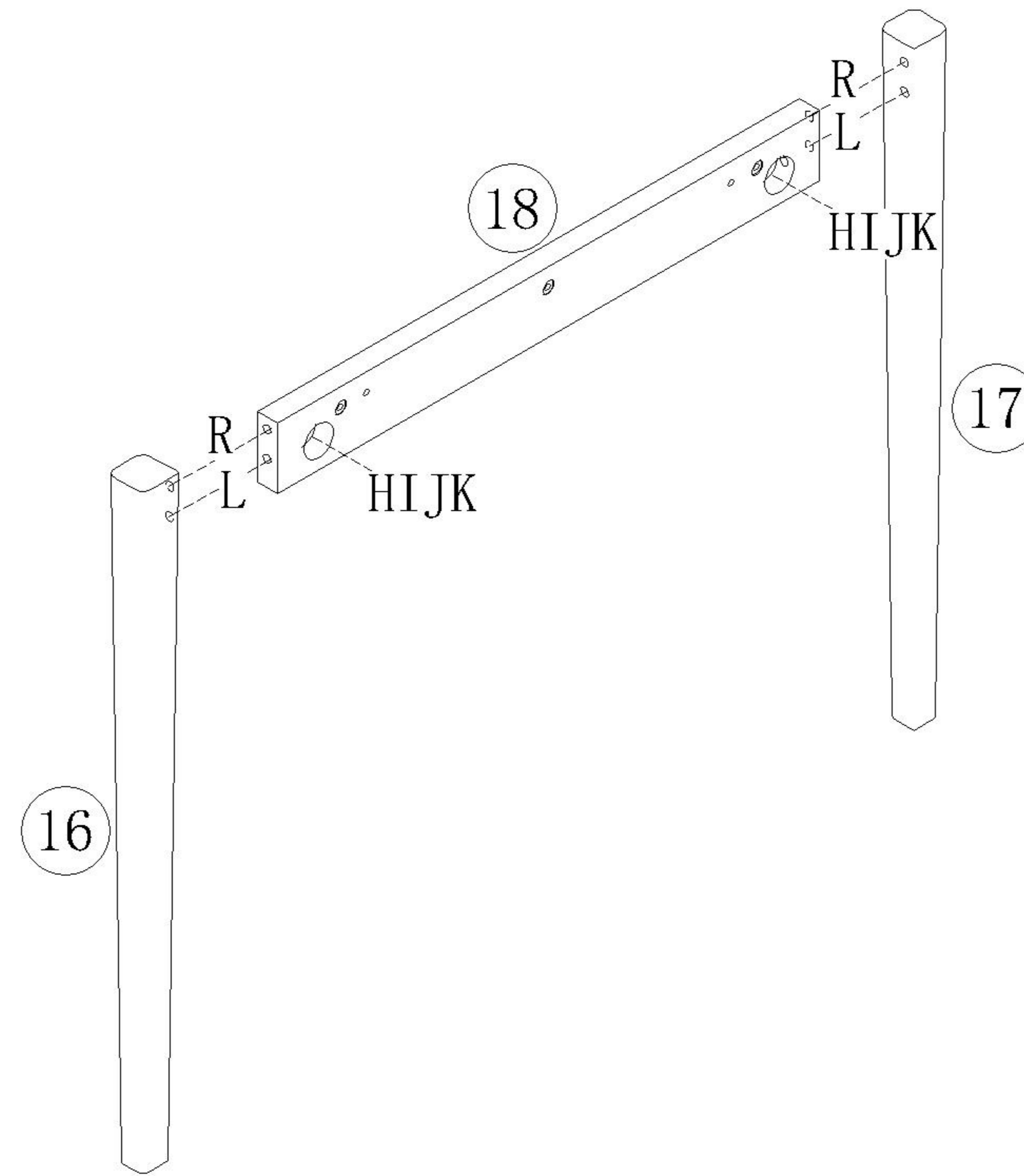
主轨 Main track



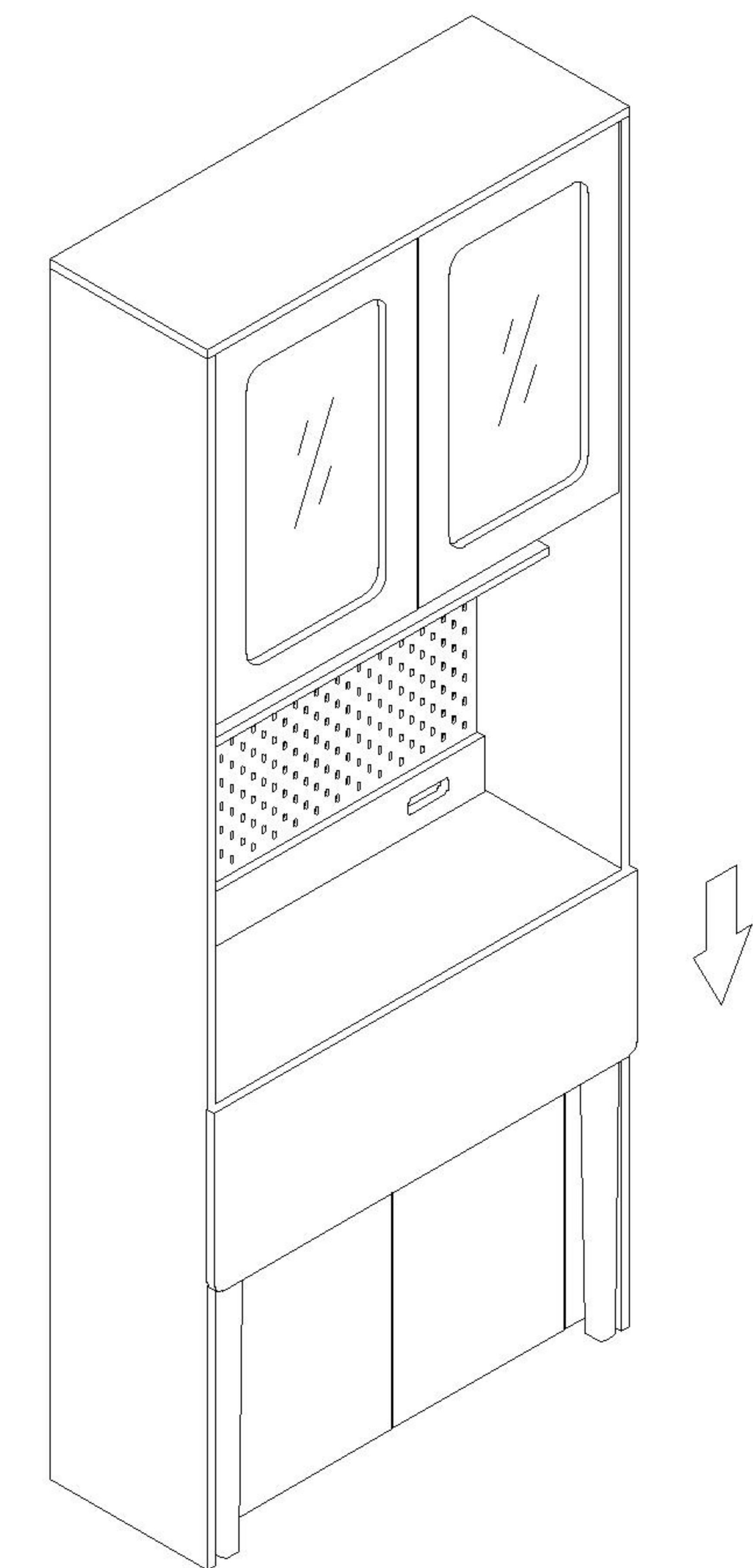
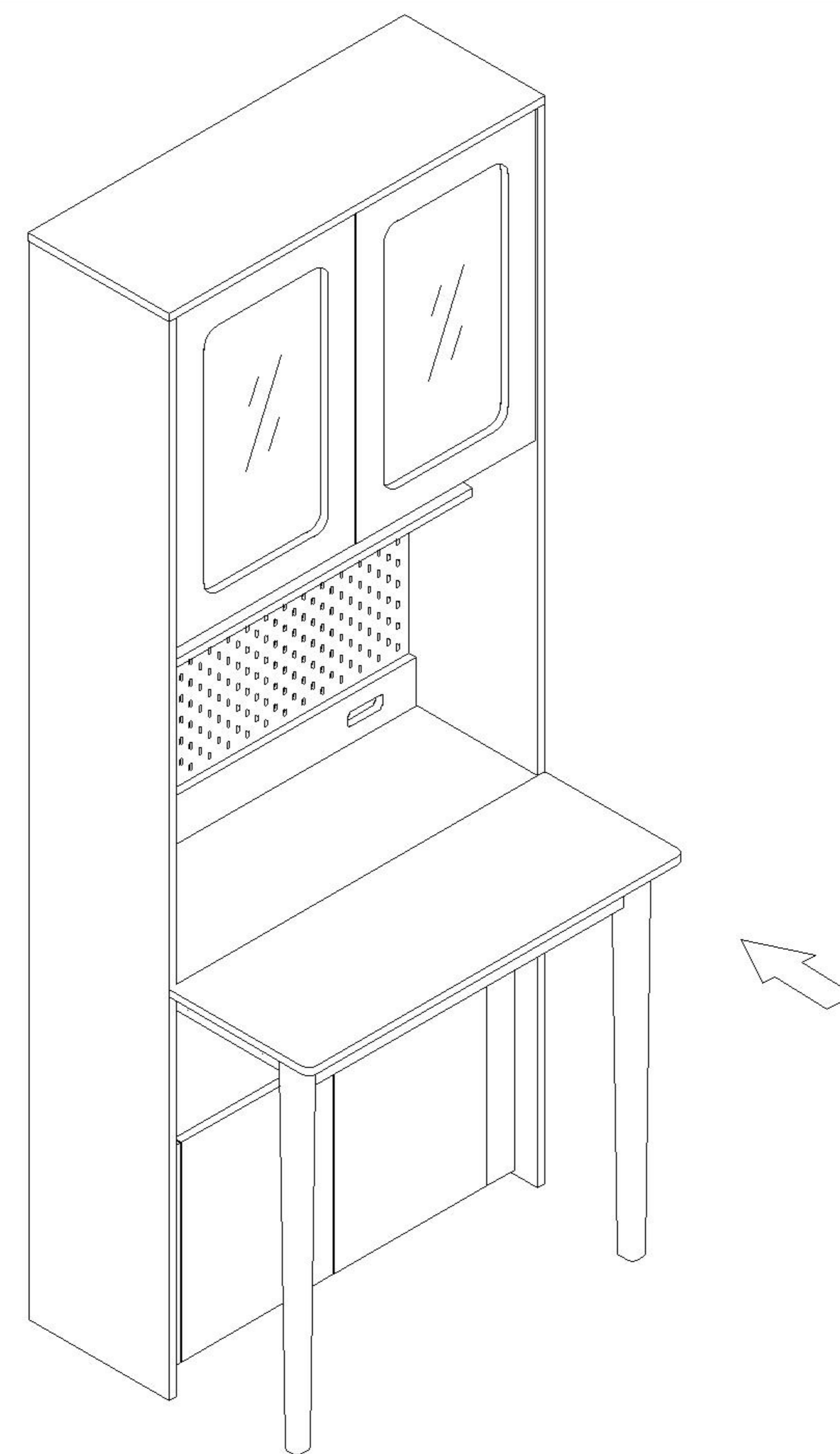
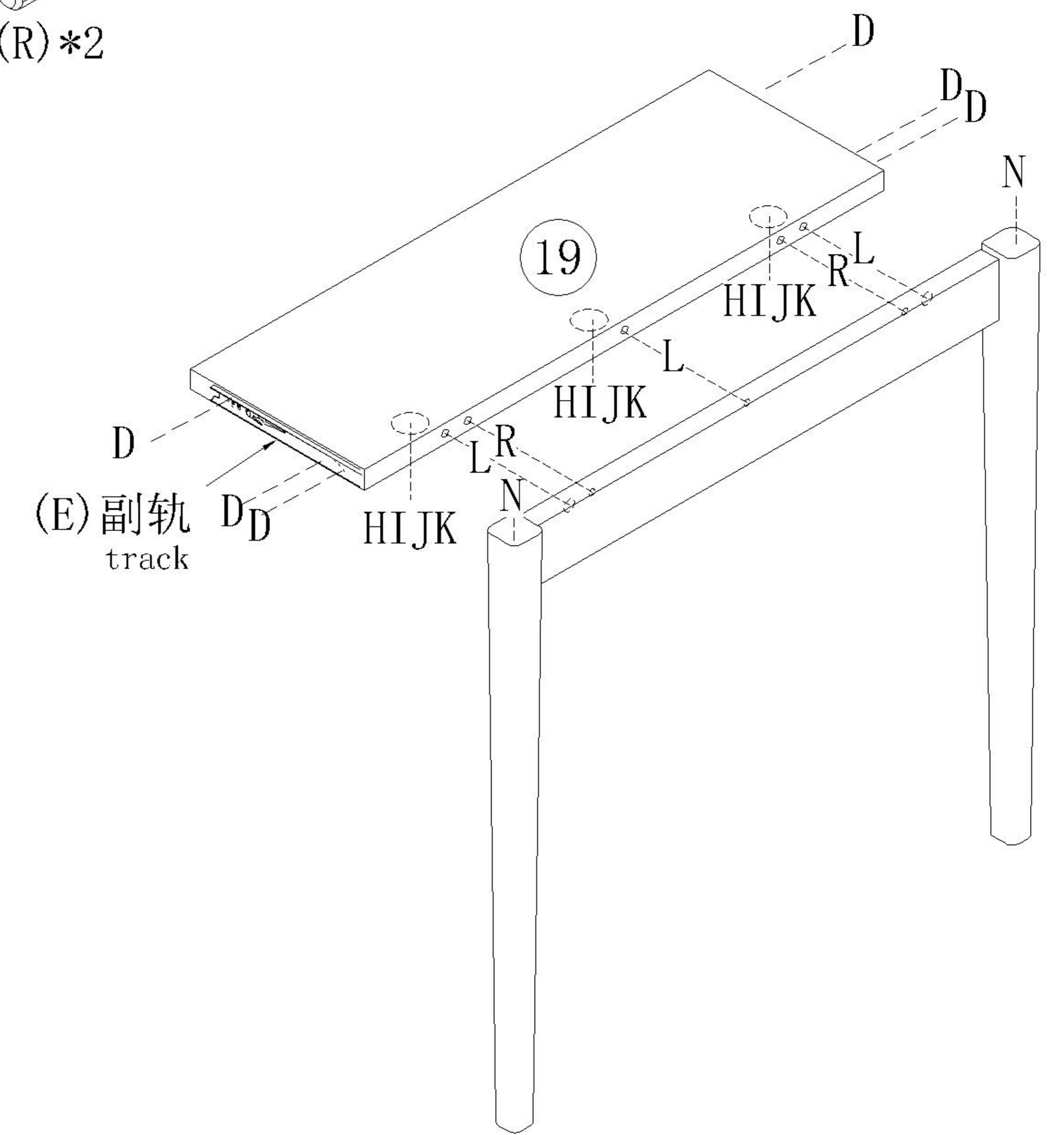
副轨 Sub track

三节滚珠导轨-10"

- (H)*1
- (I)*2
- (J)*2
- (K)*2
- (L)*2
- (R)*2



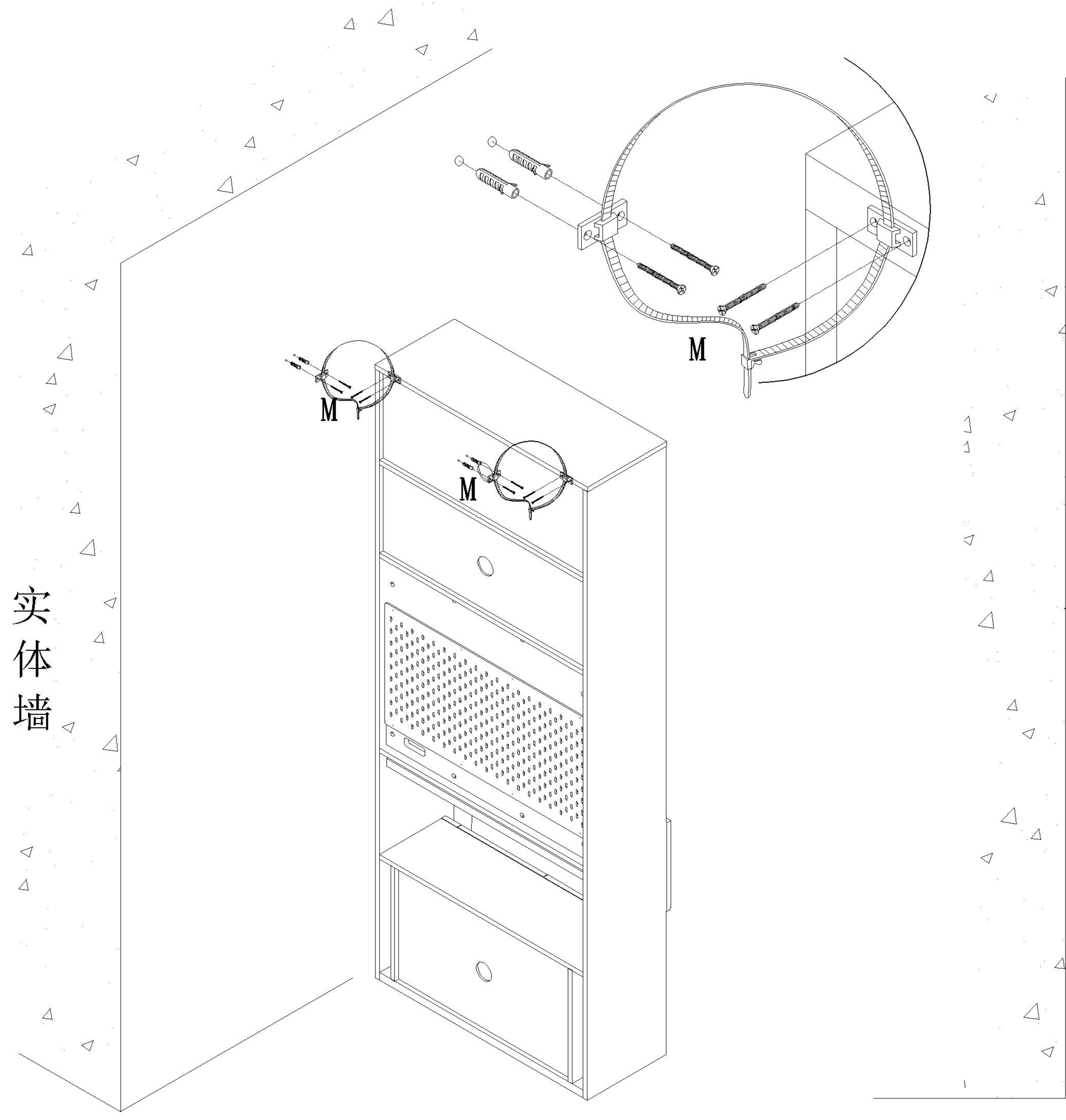
- (N)*2
- (R)*2
- (D)*6
- (E)*1
- (H)*1
- (I)*3
- (J)*3
- (K)*3
- (L)*3



QA1V-A 折叠书桌

(M)*2

安装方法/
Installation method



实体墙

