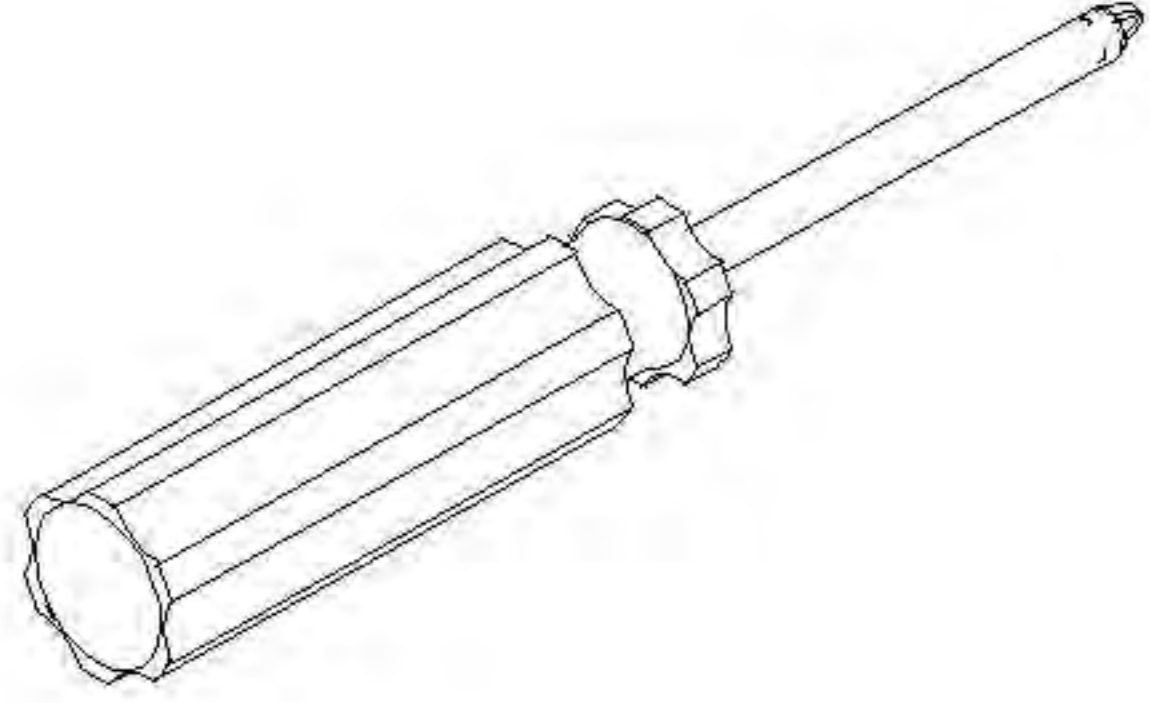
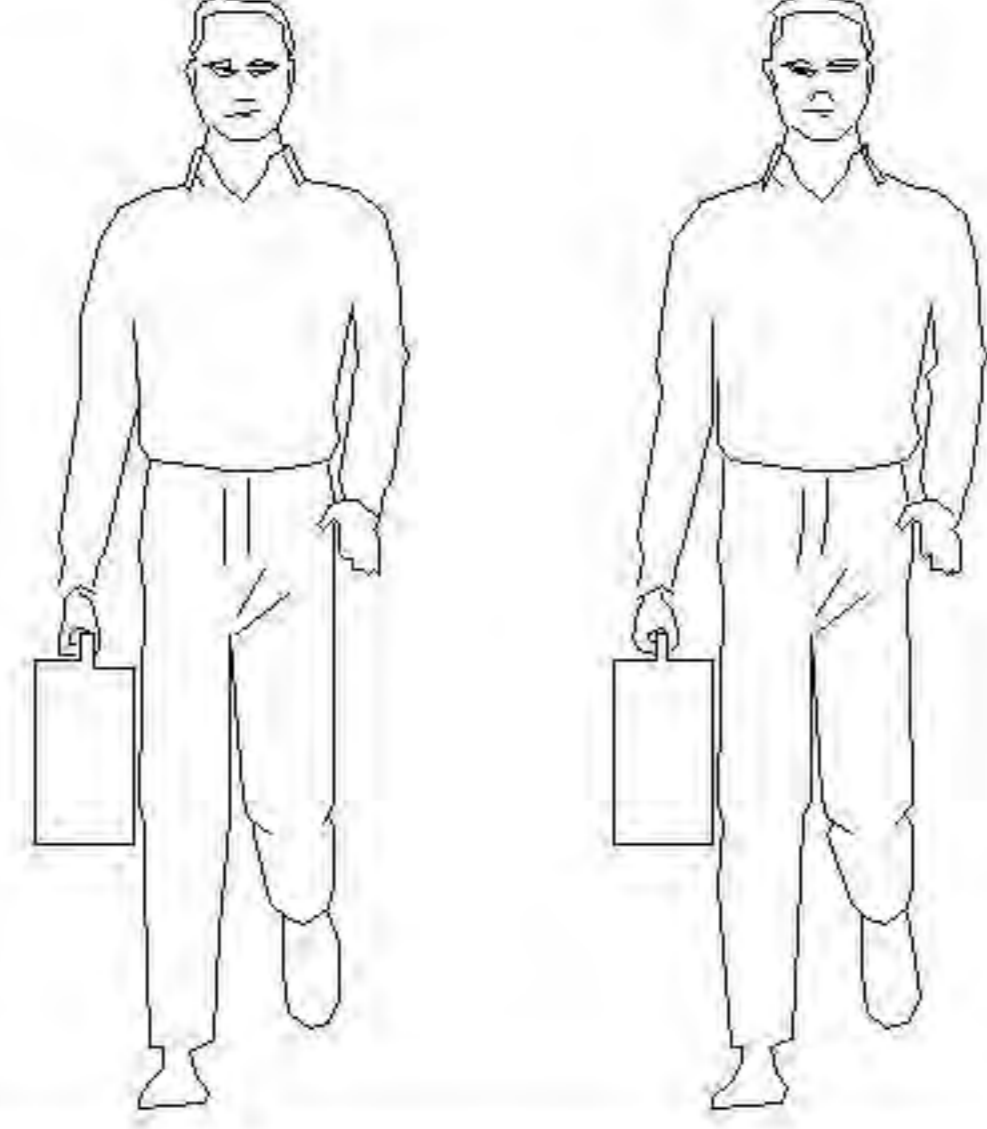
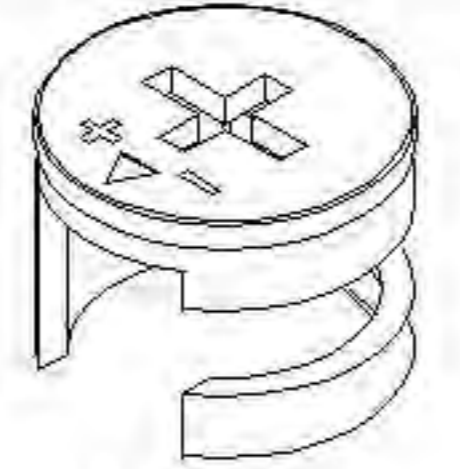
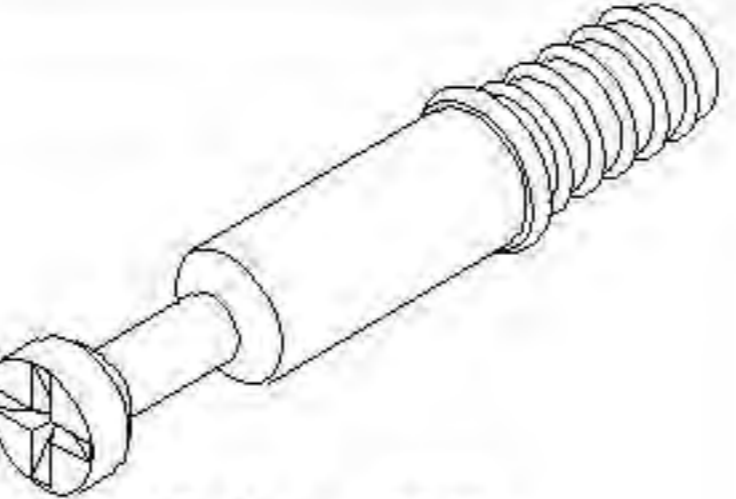
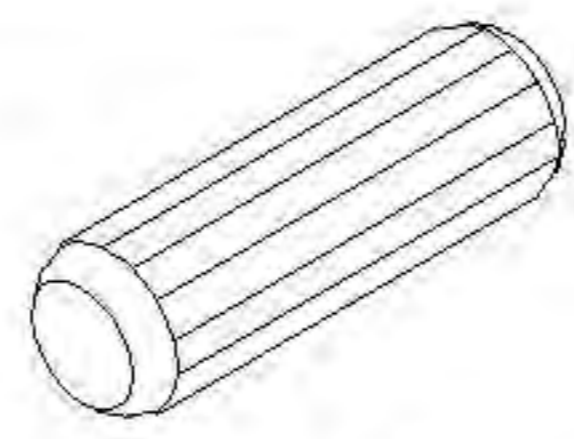
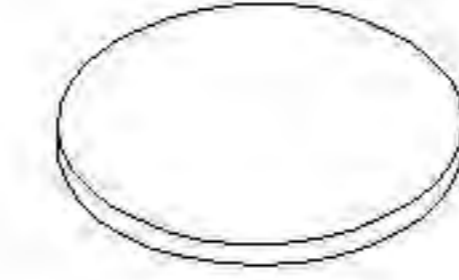

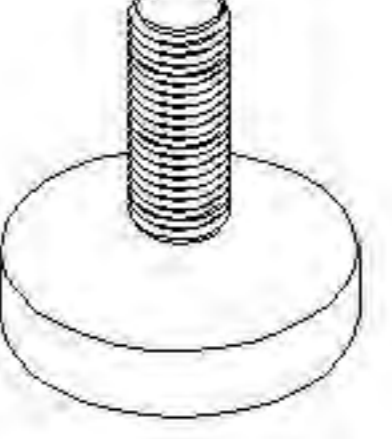
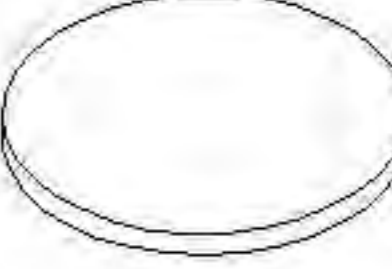
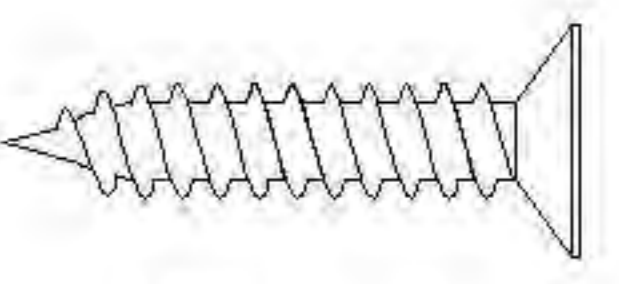
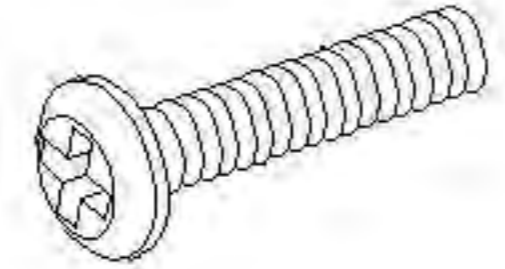
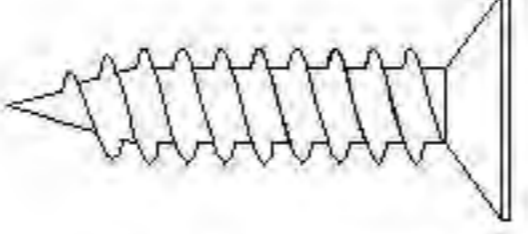
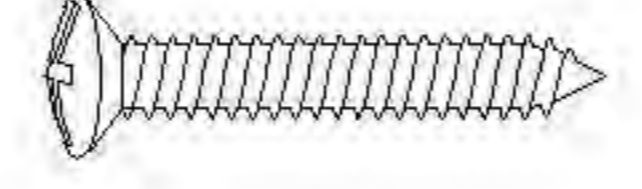
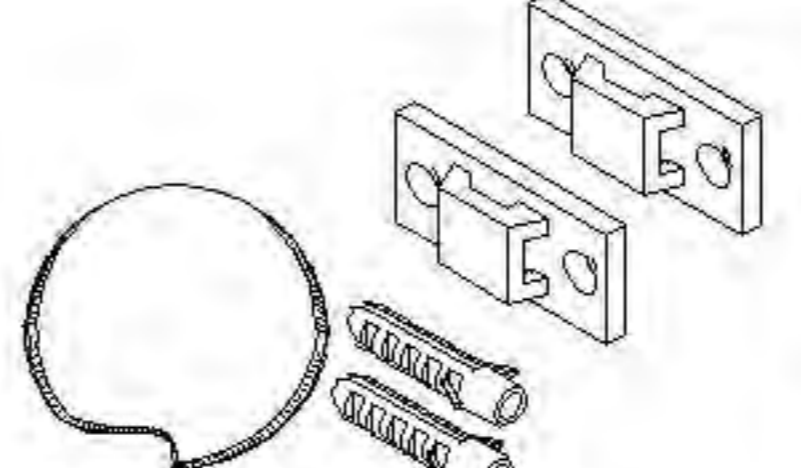
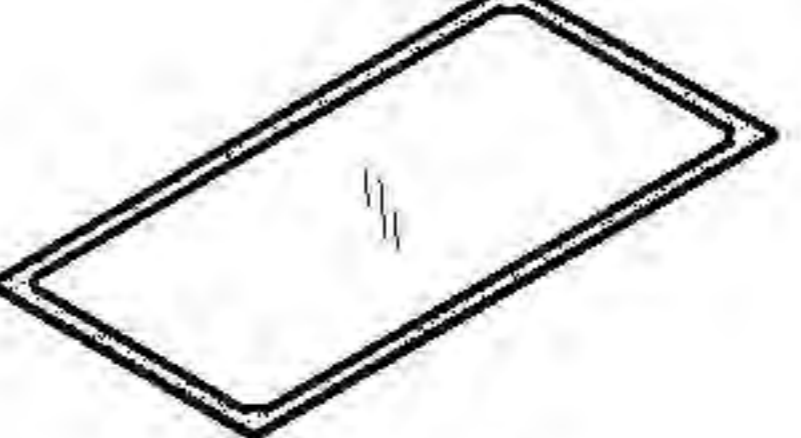
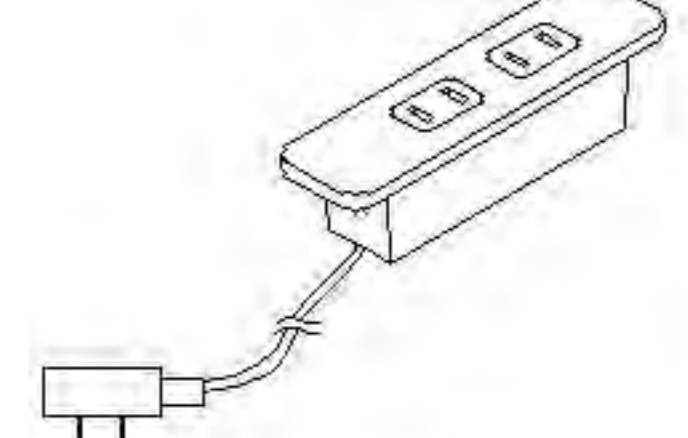
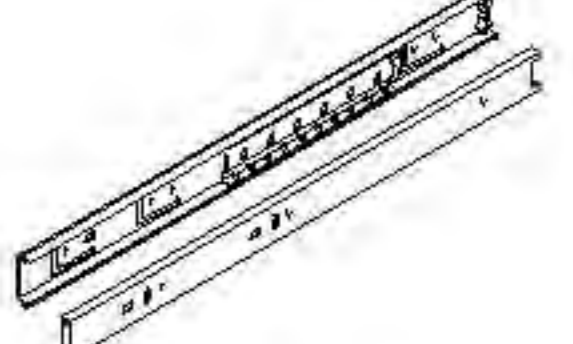
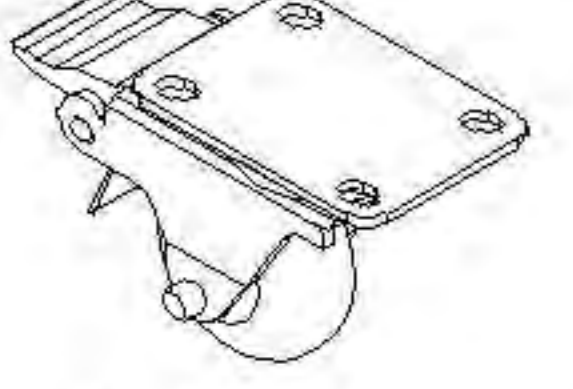


### 安装示意图/Assembly Instruction

产品名称 Model NO.	0.5m一体妆台
产品型号 Product Model	UD4C-A
尺寸规格 Specification	(514*450*820)mm
安装工具 Tool	安装人数 Installer
	

注：为保证设计效果，部分尺寸为定制尺寸，不影响使用。



 (A)* 80 大三合一锁饼 Three-in-one large lock	 (B)* 80 二合一螺杆 2-in-1-screw	 (C)* 21 木榫Ø8x30mm wood tenon	 (D)* 4 圆胶垫 Round rubber pad	 (E)* 10 角码 Corner code	 (F)* 4 调节五金脚-20*25mm Adjusting foot	 (G)* 4 灰色毛毡脚垫 Footrest - Grey	 (H)* 4 自攻螺丝M4x20mm Self-tapping screw
 (I)* 4 斜边十字螺杆-M6x20 bevel cross screw	 (J)* 61 自攻螺丝M3.5x14mm Self-tapping screw	 (K)* 17 自攻大扁M4*16mm Self tapping flat screw	 (L)* 1 家具防倒器-白色 Anti-fall device white	 (M)* 1 面板玻璃-476*291*5mm Panel glass	 (N)* 1 插座 socket	 (O)* 3 三节滚珠导轨-10" three-section ball rail	 (P)* 4 双制脚轮 wheel

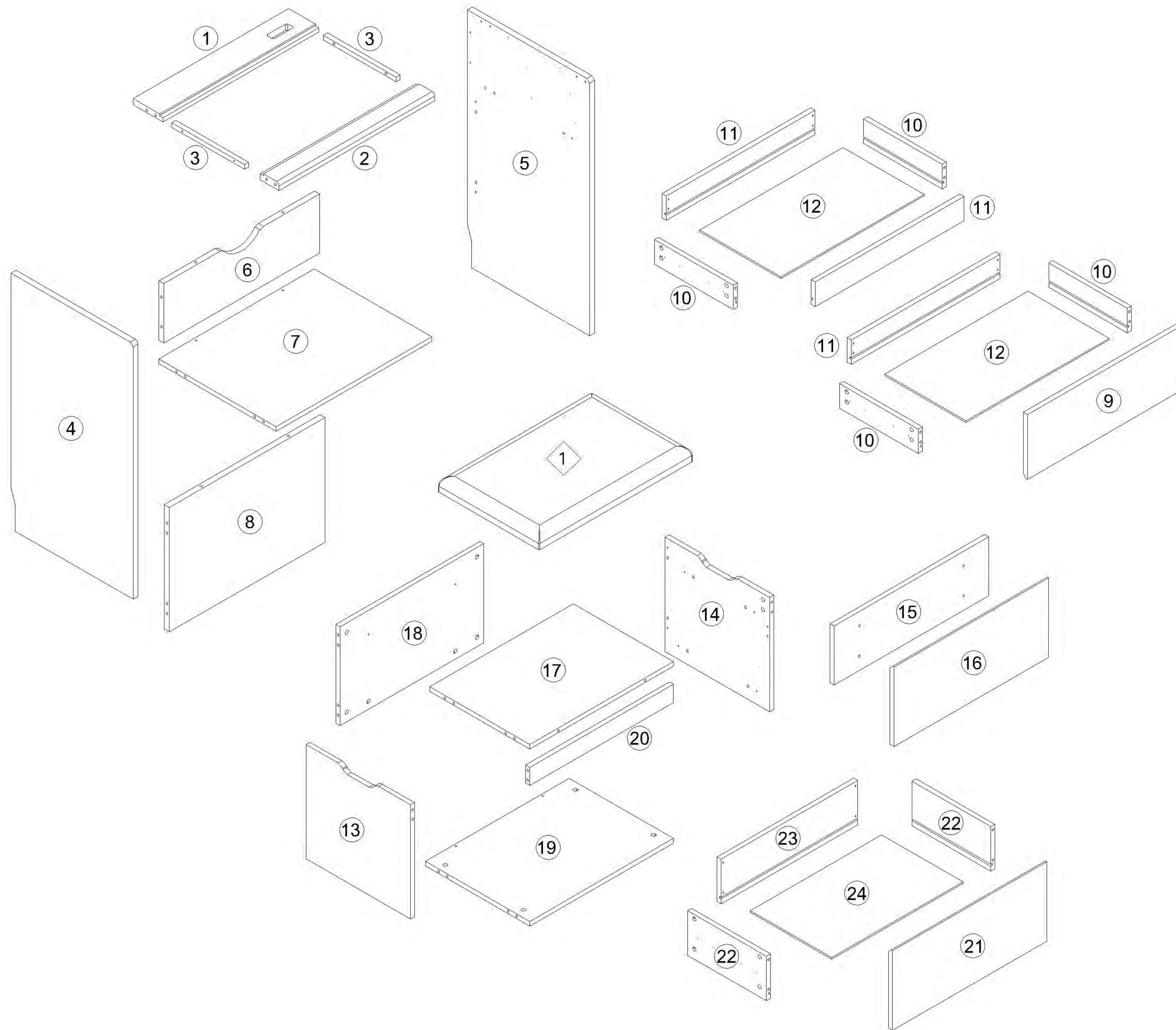
► 注意：防倒器一定要按图安装！

Be careful: The anti fall device must be installed!

► 注：抽面与柜体的间隙, 为设计开启抽面使用, 小心夹伤!

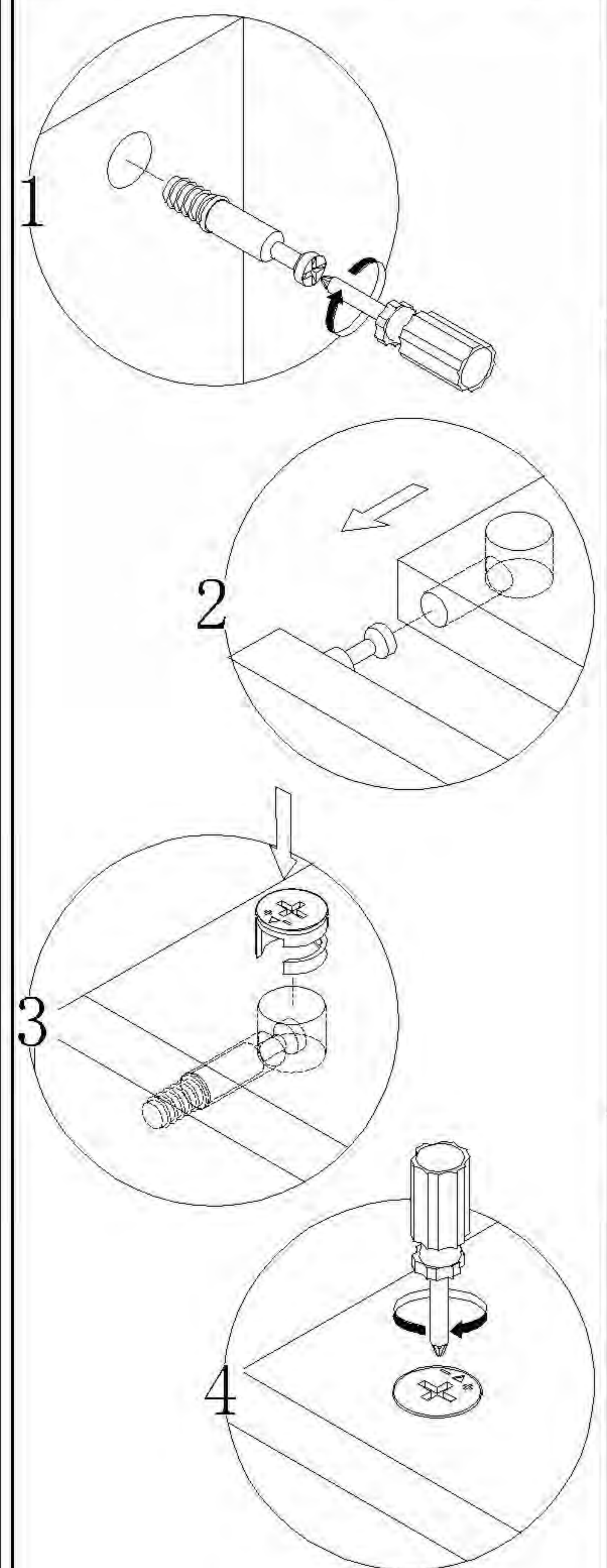
Note: The gap between the drawer panel and the cabinet is designed for opening the drawer panel. Be careful of pinch injuries!

UD4C-A (0.5m一体妆台)	部件表/Parts List					部件表/Parts List				
安装方法/ Installation method	编号NO.	名称Name	规格 (mm) Specification	数量QTY	材质Material	编号NO.	名称Name	规格 (mm) Specification	数量QTY	材质Material
		UD4C-A 0.5m一体妆台 主体: Dressing Table Body					UD4C-A 0.5m一体妆台 座包: Dressing Table Seat			
	①	面板1 Top panel 1	478*110*20	1	橡胶木 Rubber wood	①	座包 Seat	470*373*50	1	布料+纤维板+海绵 Cloth+Fiberboard+Sponge
	②	面板2 Top panel 2	478*70*25	1	橡胶木 Rubber wood					
	③	垫条1 Cushion strip 1	268*15*15	2	橡胶木 Rubber wood					
	④	左下侧板 Lower side board(L)	817*450*18	1	纤维板 Fiberboard					
	⑤	右下侧板 Lower side board(R)	817*450*18	1	纤维板 Fiberboard					
	⑥	上背板 Upper back board	478*189*18	1	纤维板 Fiberboard					
	⑦	上层板 Upper shelf	478*433*15	1	刨花板 Particle board					
	⑧	下背板 Lower back board	478*398*18	1	纤维板 Fiberboard					
	⑨	下抽屉面板 Bottom drawer's panel	474*207*15	1	刨花板 Particle board					
	⑩	抽屉侧板 Drawer side board	290*78*15	4	刨花板 Particle board					
	⑪	抽屉后板 Drawer Back panel	452*78*15	3	刨花板 Particle board					
	⑫	抽屉底板 Drawer Bottom panel	432*300*5	2	纤维板 Fiberboard					
	⑬	附柜左侧板 Sideboard of attached cabinet(L)	385*365*15	1	刨花板 Particle board					
	⑭	附柜右侧板 Sideboard of attached cabinet(R)	385*365*15	1	刨花板 Particle board					
	⑮	靠背 Backrest	474*188*15	1	刨花板 Particle board					
	⑯	饰板 Decorating plate	474*254*15	1	刨花板 Particle board					
	⑰	附柜层板 Shelf of attached cabinet	434*369*15	1	刨花板 Particle board					
	⑱	附柜背板 Attached back board	434*316*15	1	刨花板 Particle board					
	⑲	附柜底板 Attached bottom board	434*384*15	1	刨花板 Particle board					
	⑳	拉条 Brace	434*58*15	1	刨花板 Particle board					
	㉑	附柜抽屉面板 Cabinet drawer's panel	474*254*15	1	刨花板 Particle board					
	㉒	附柜抽屉侧板 Cabinet drawer's sideboard	290*142*15	2	刨花板 Particle board					
	㉓	附柜抽屉后板 Cabinet drawer's back board	408*142*15	1	刨花板 Particle board					
	㉔	附柜抽屉底板 Cabinet drawer's base board	388*300*5	1	纤维板 Fiberboard					



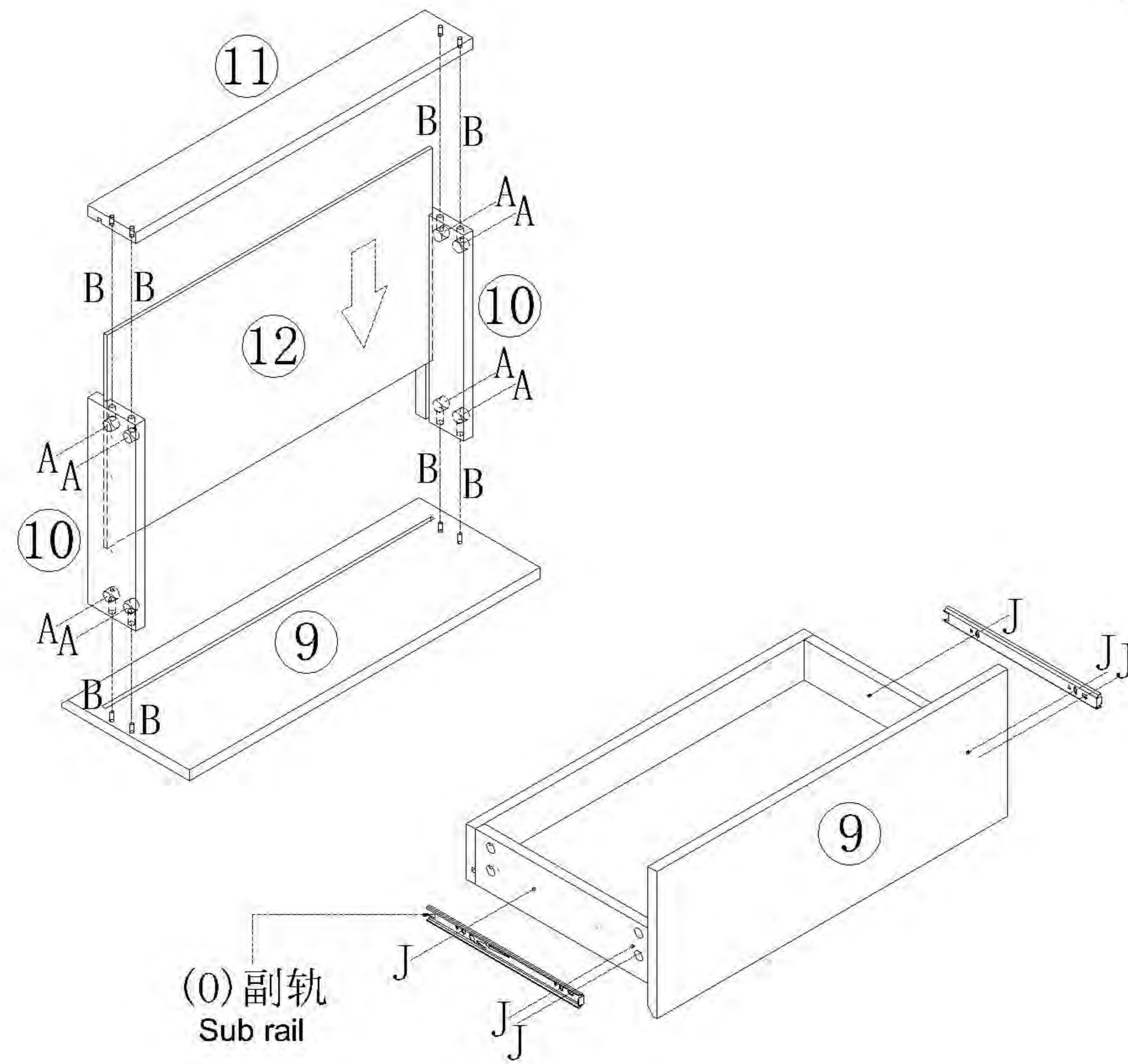
UD4C-A (0.5m一体妆台)

安装方法/  
Installation method



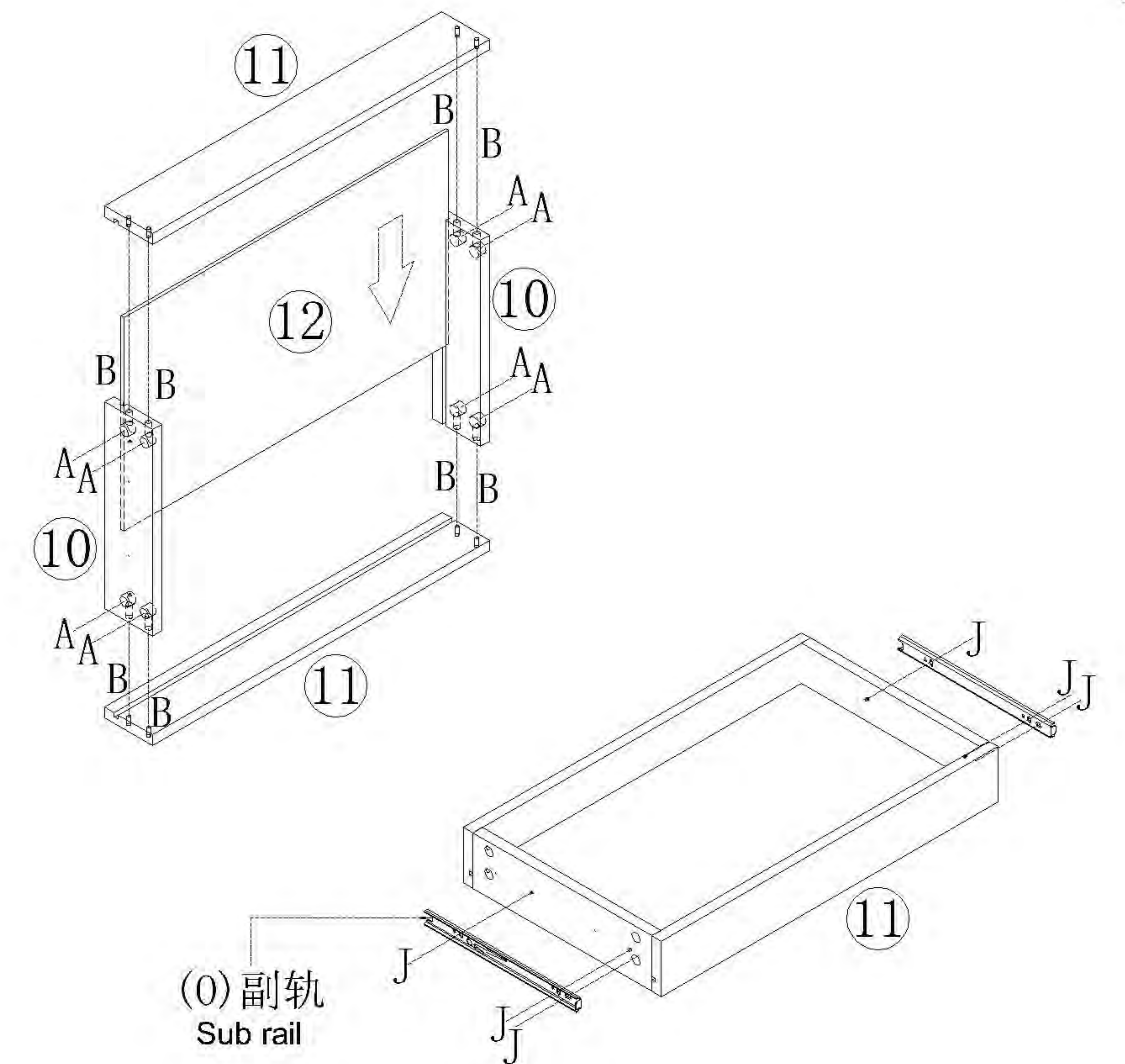
大二合一  
two-in-one

- (A)\*8
- (B)\*8
- (J)\*6
- (O)\*1



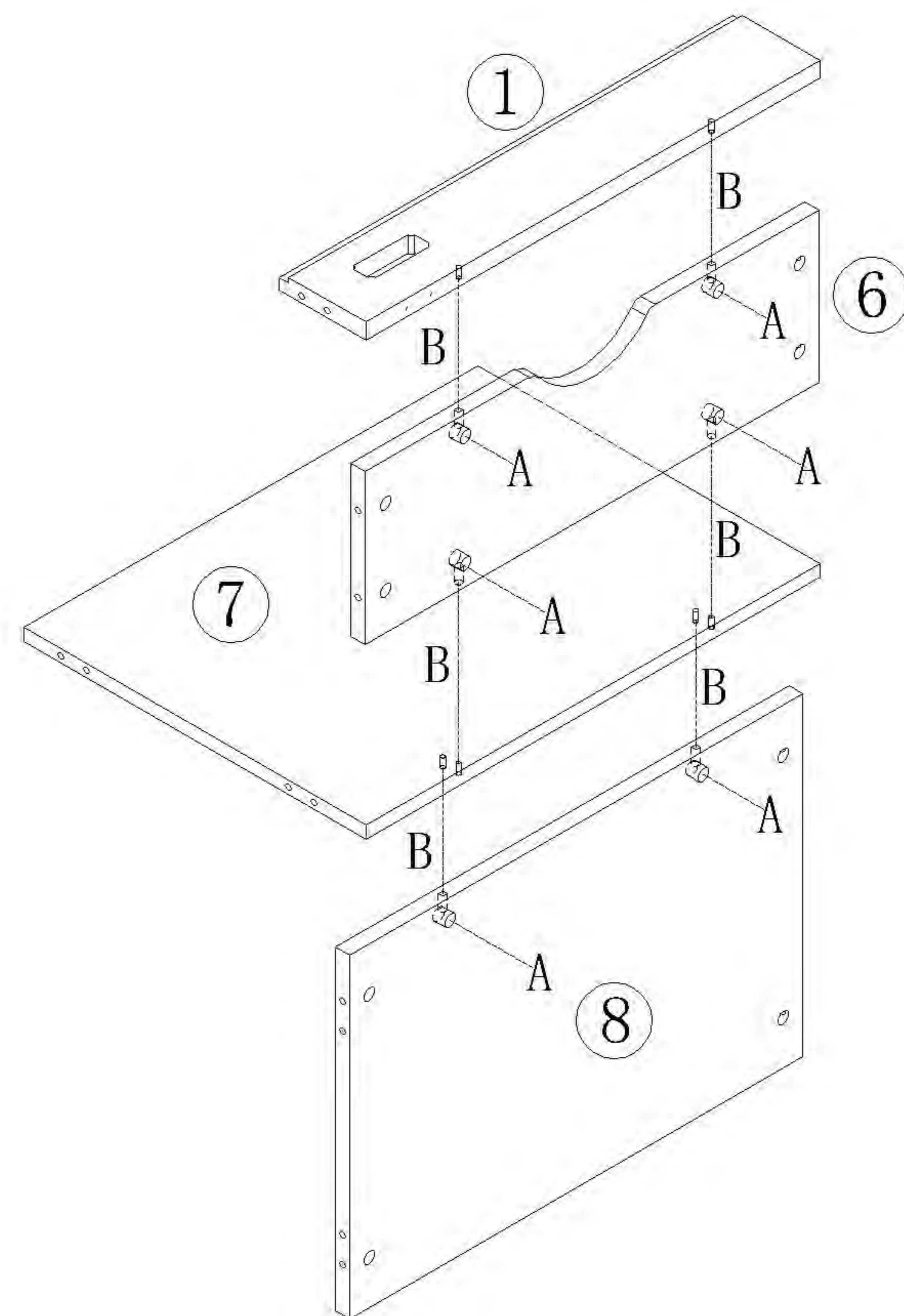
1

- (A)\*8
- (B)\*8
- (J)\*6
- (O)\*1



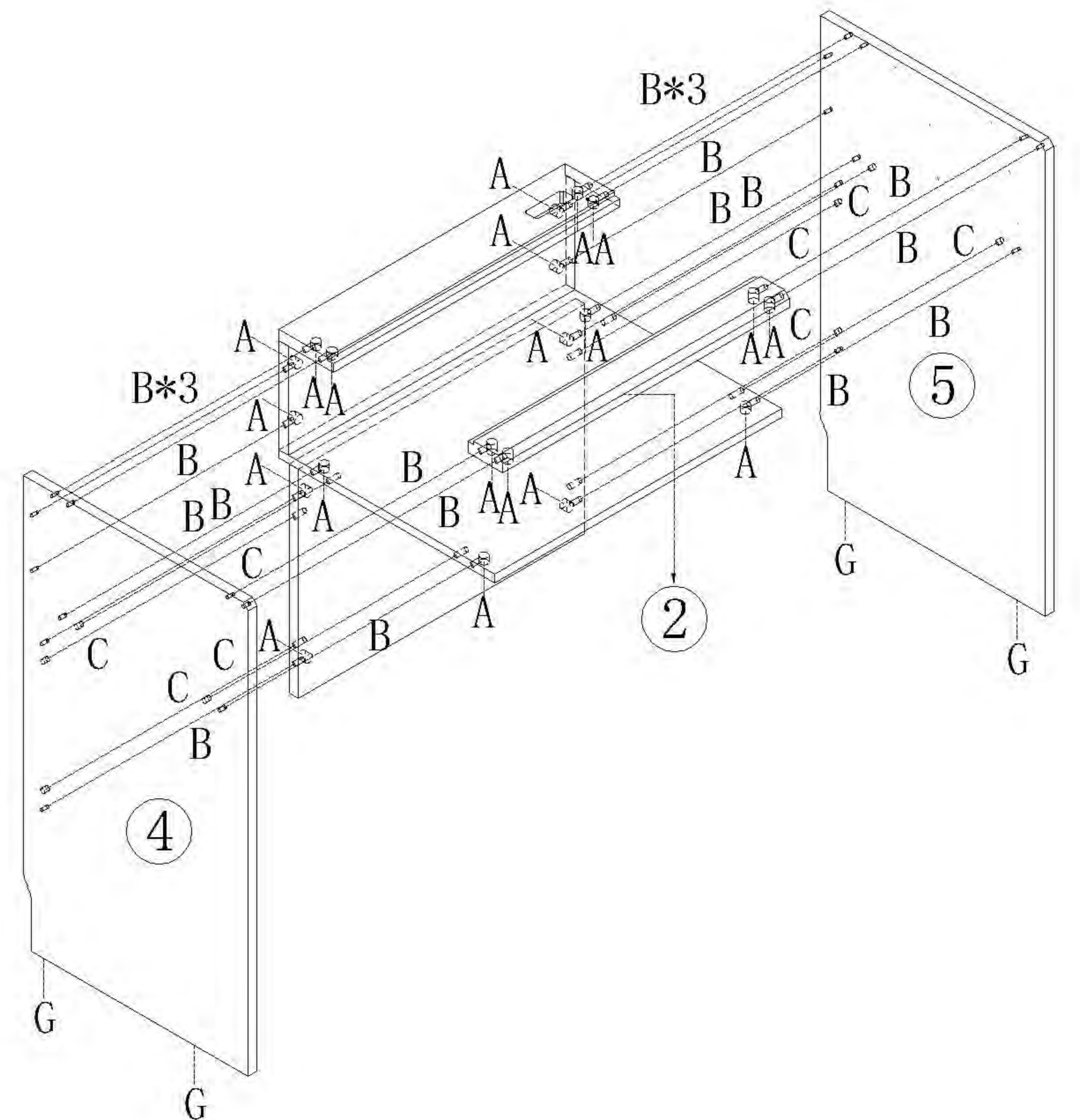
2

- (A)\*6
- (B)\*6



3

- (A)\*20
- (B)\*20
- (C)\*8
- (G)\*4

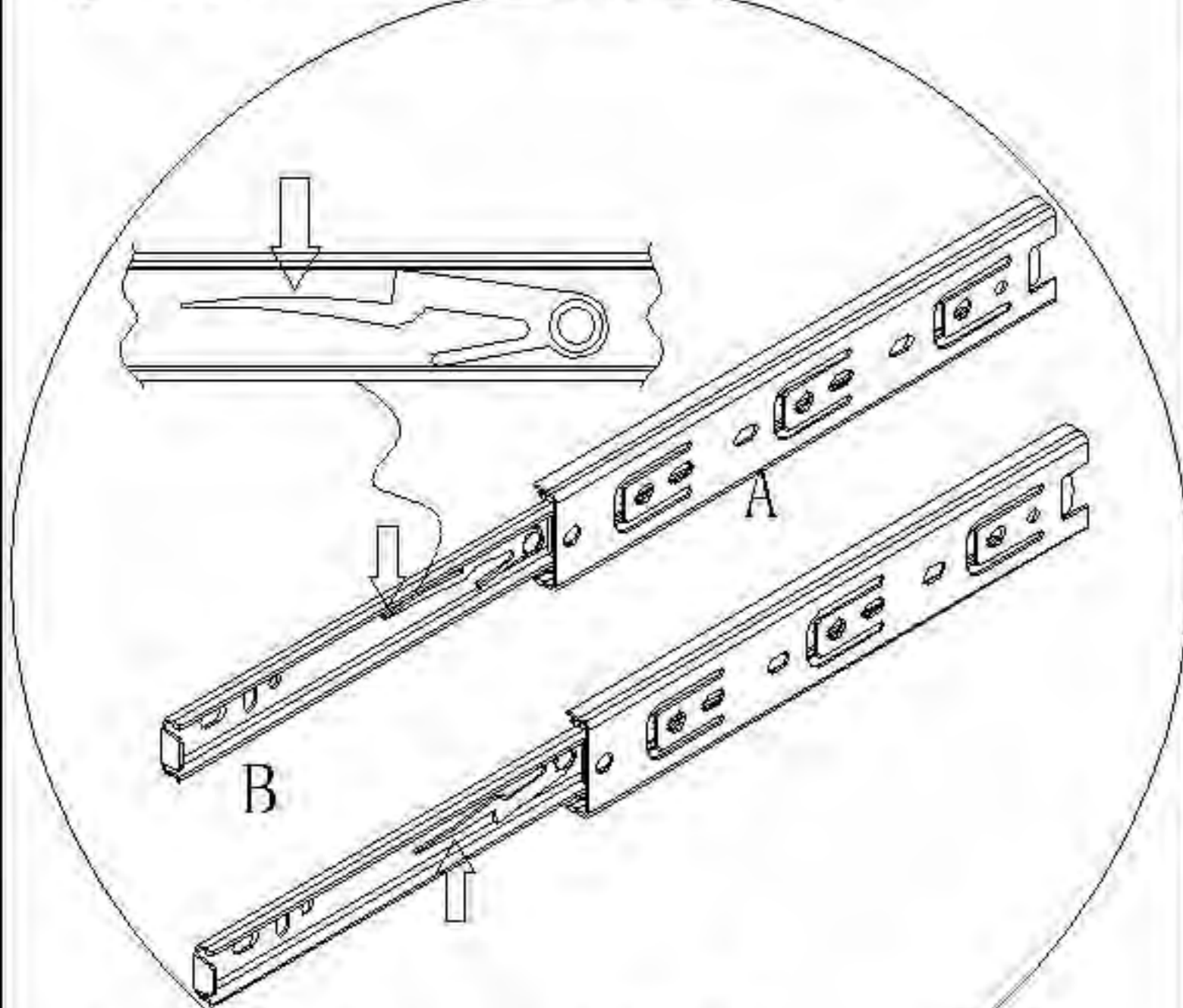


4

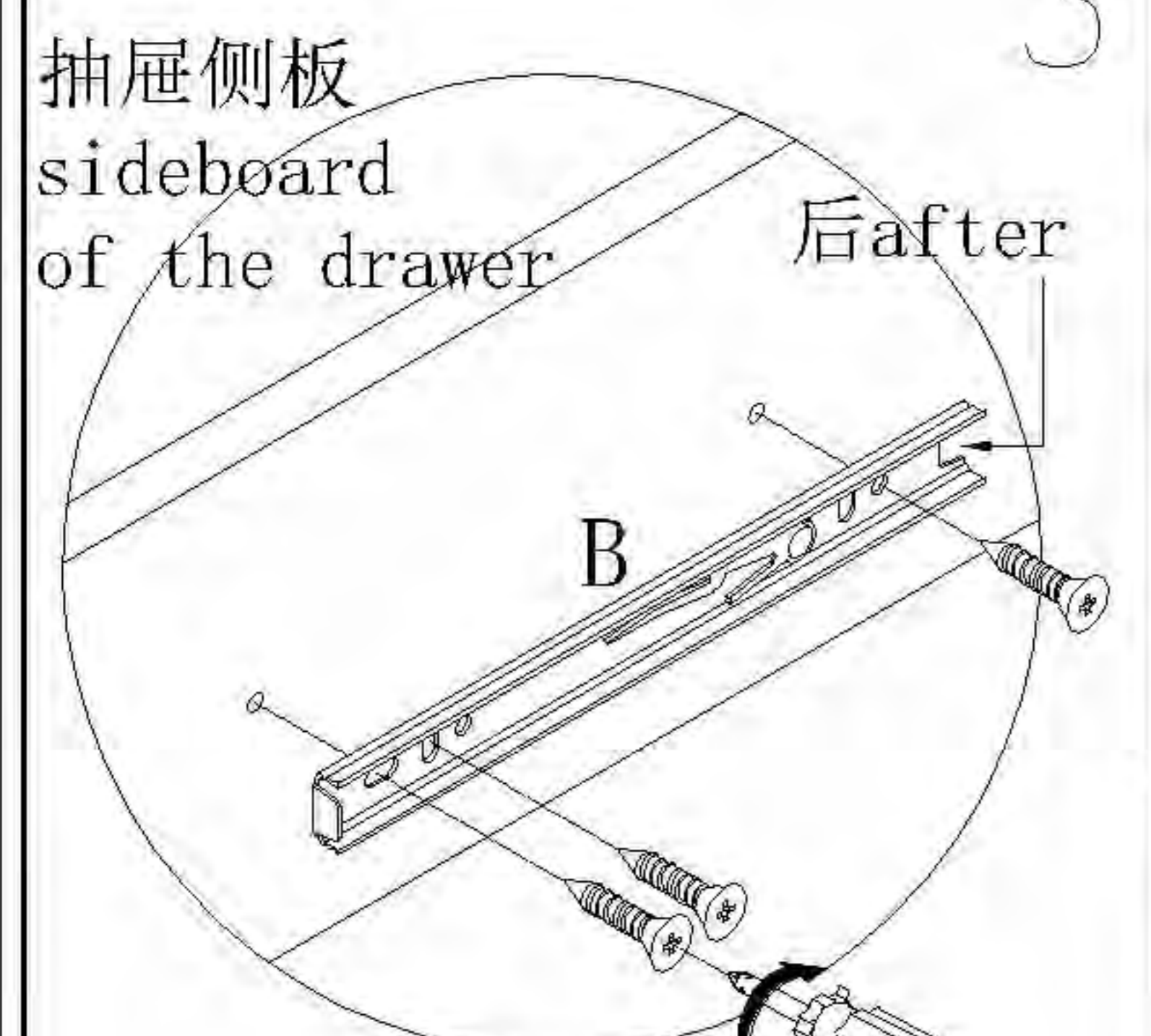
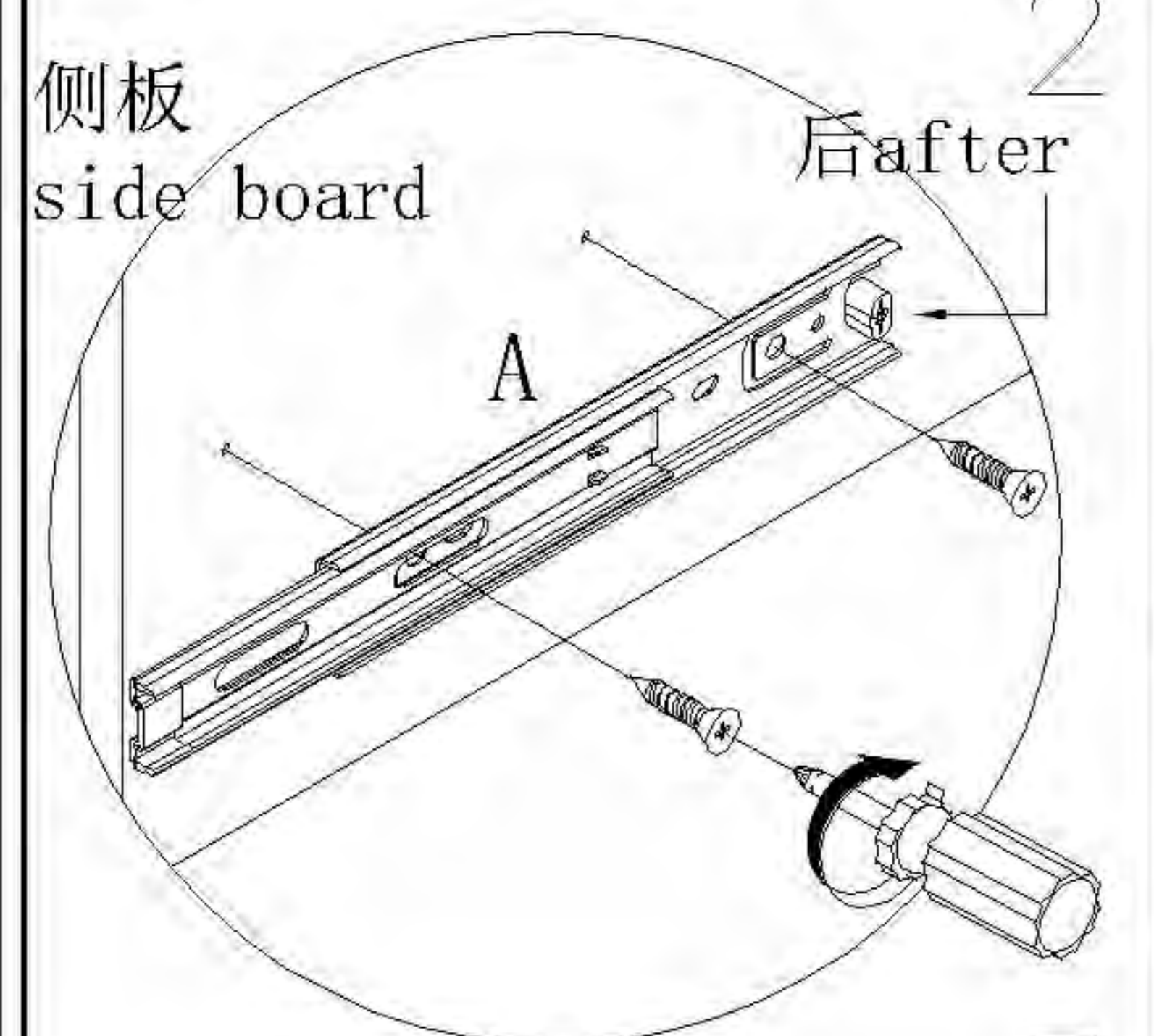
UD4C-A (0.5m一体妆台)

安装方法/  
Installation method

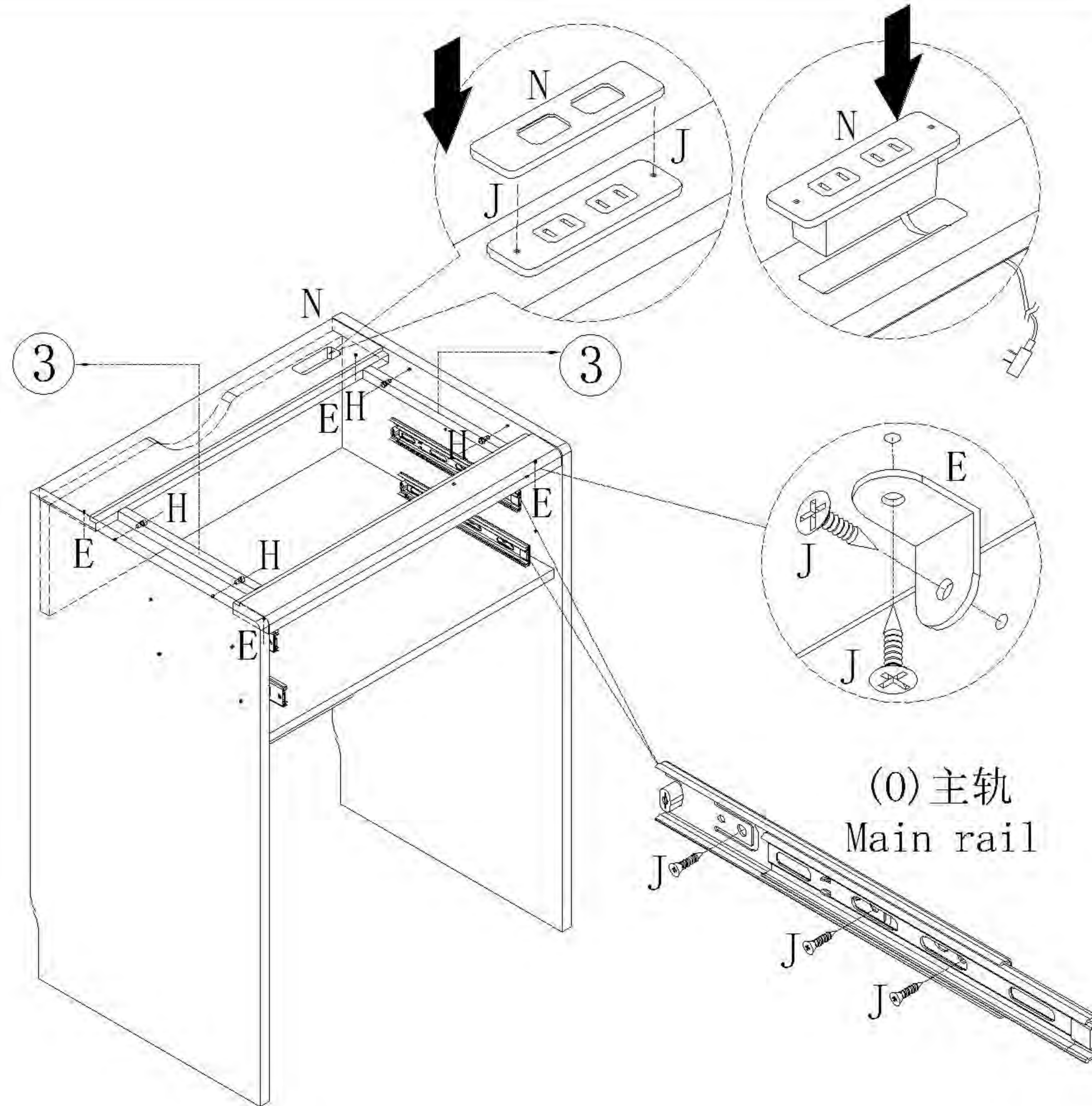
阀门开关(下压为开)  
Valve switch  
(press down to open)



注: 先将A与B拆下来  
Note: remove a and B first

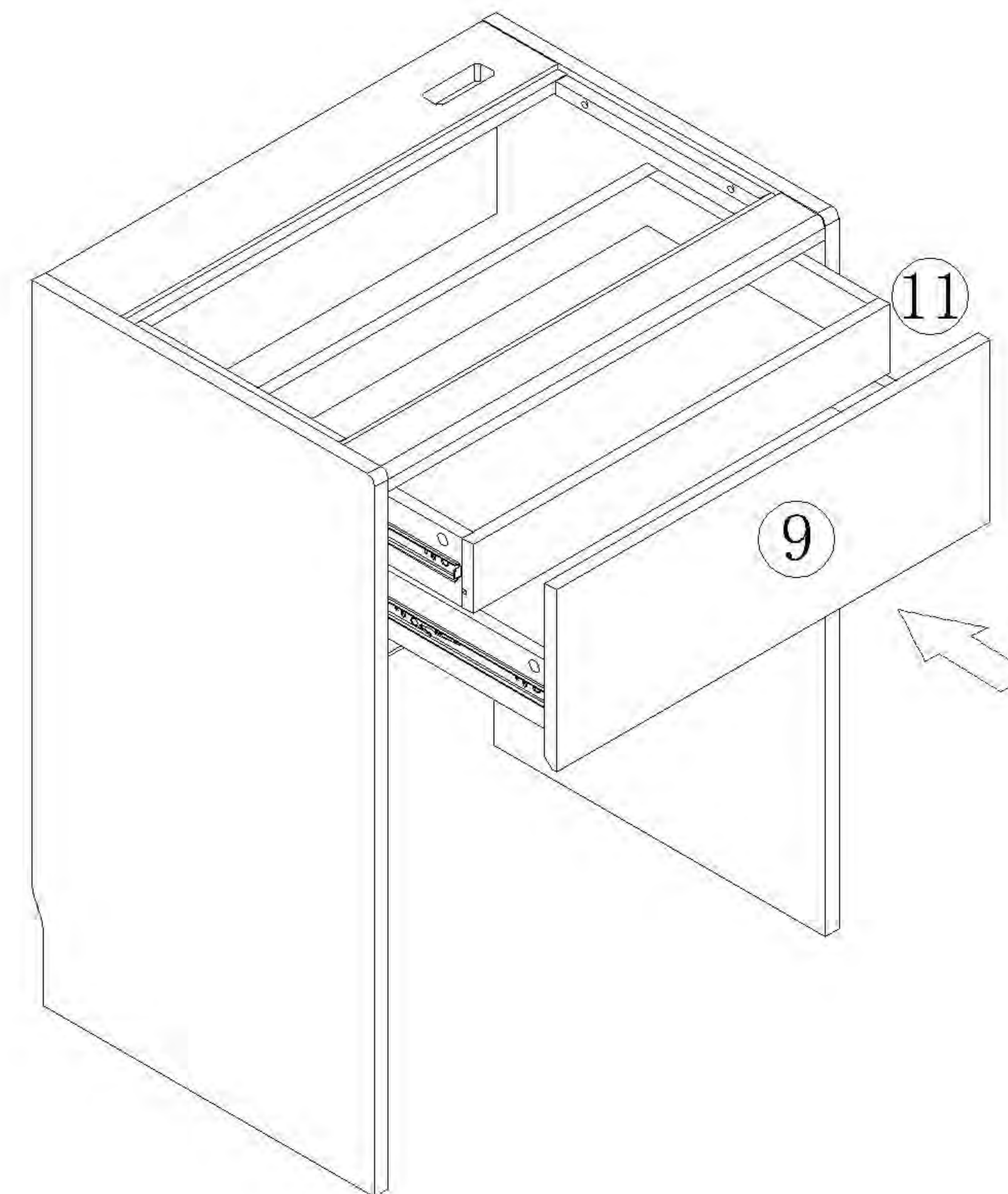


- (E)\*4
- (H)\*4
- (J)\*22
- (N)\*1
- (O)\*2

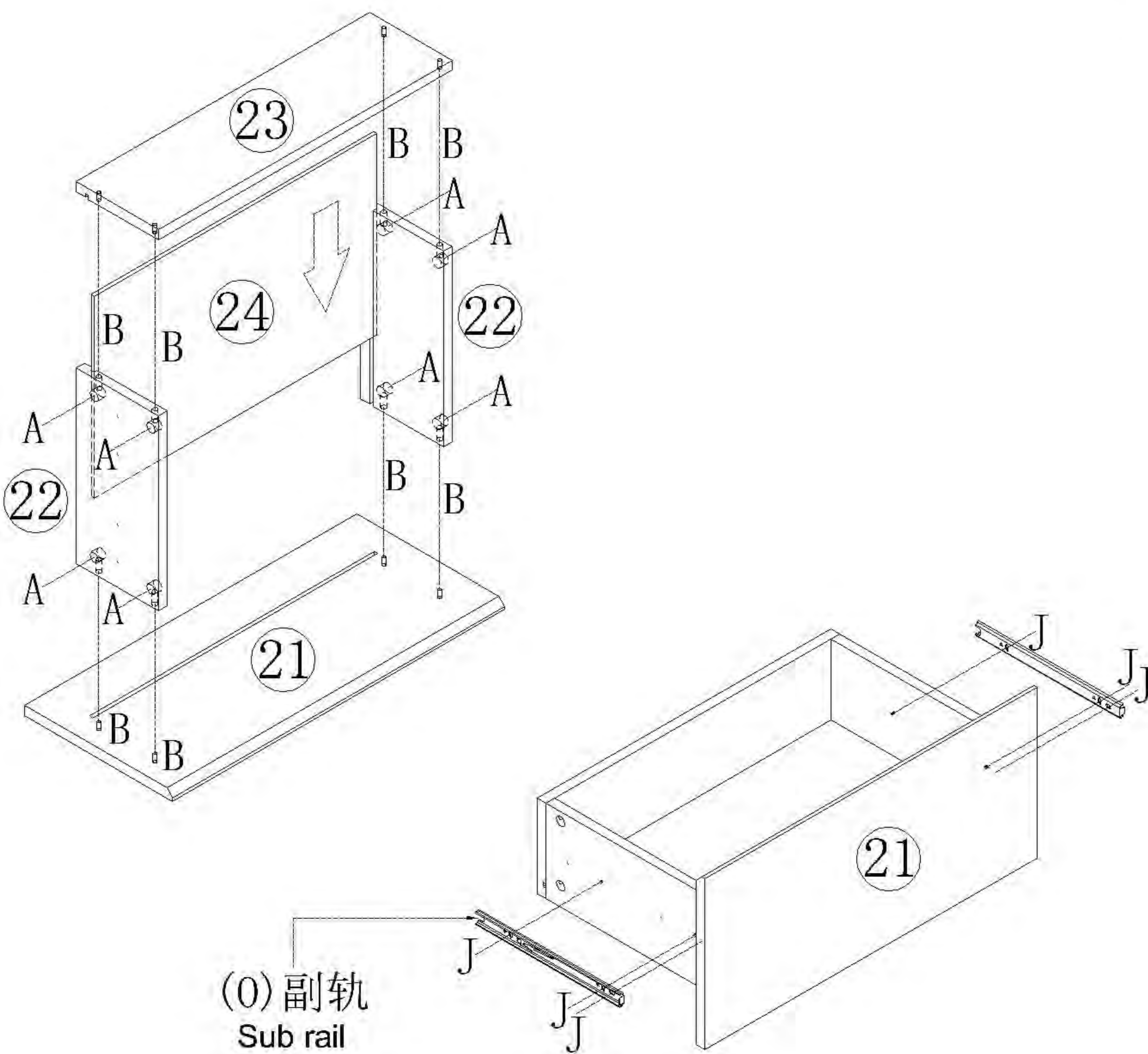


5

6



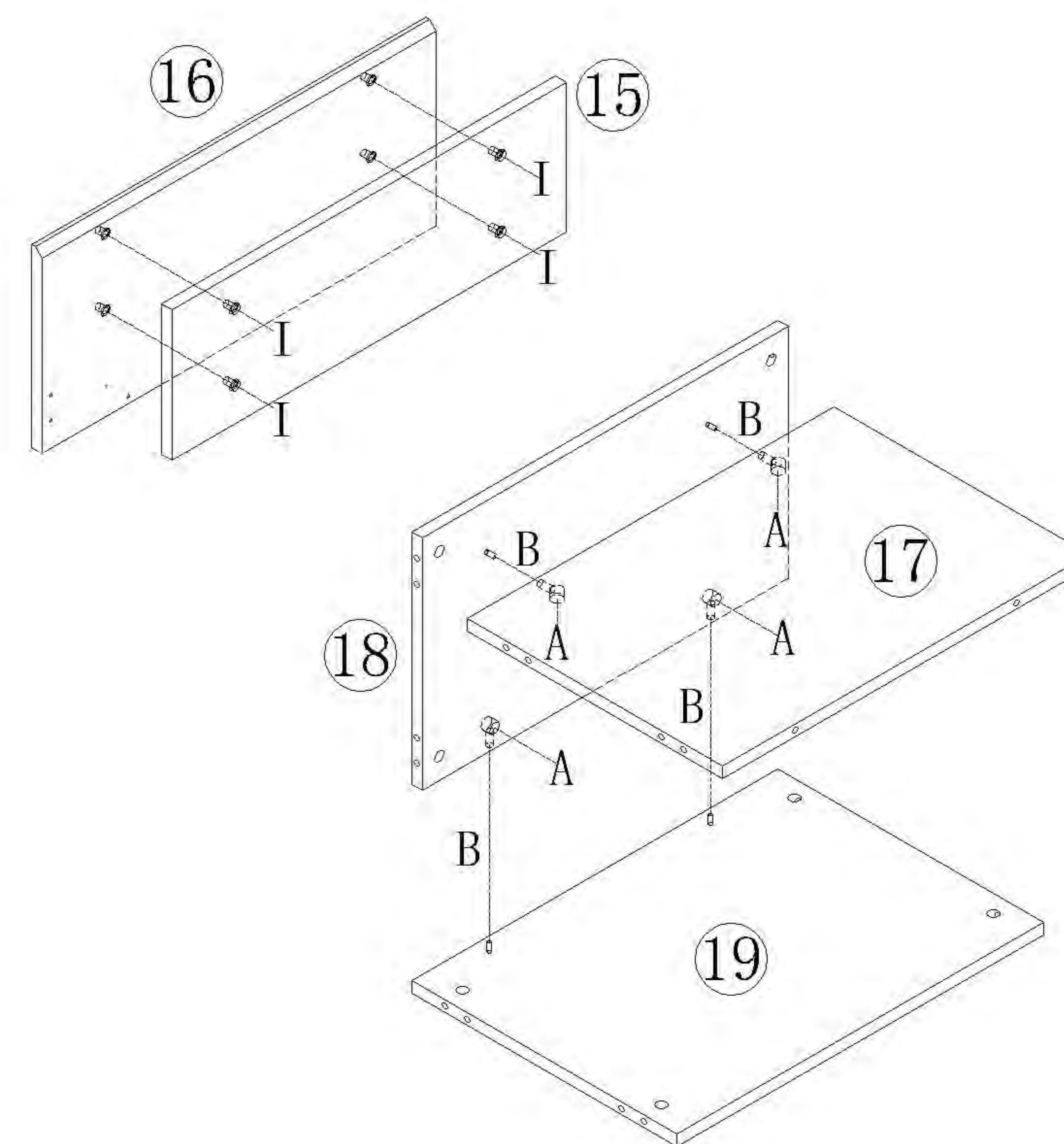
- (A)\*8
- (B)\*8
- (J)\*6
- (O)\*1



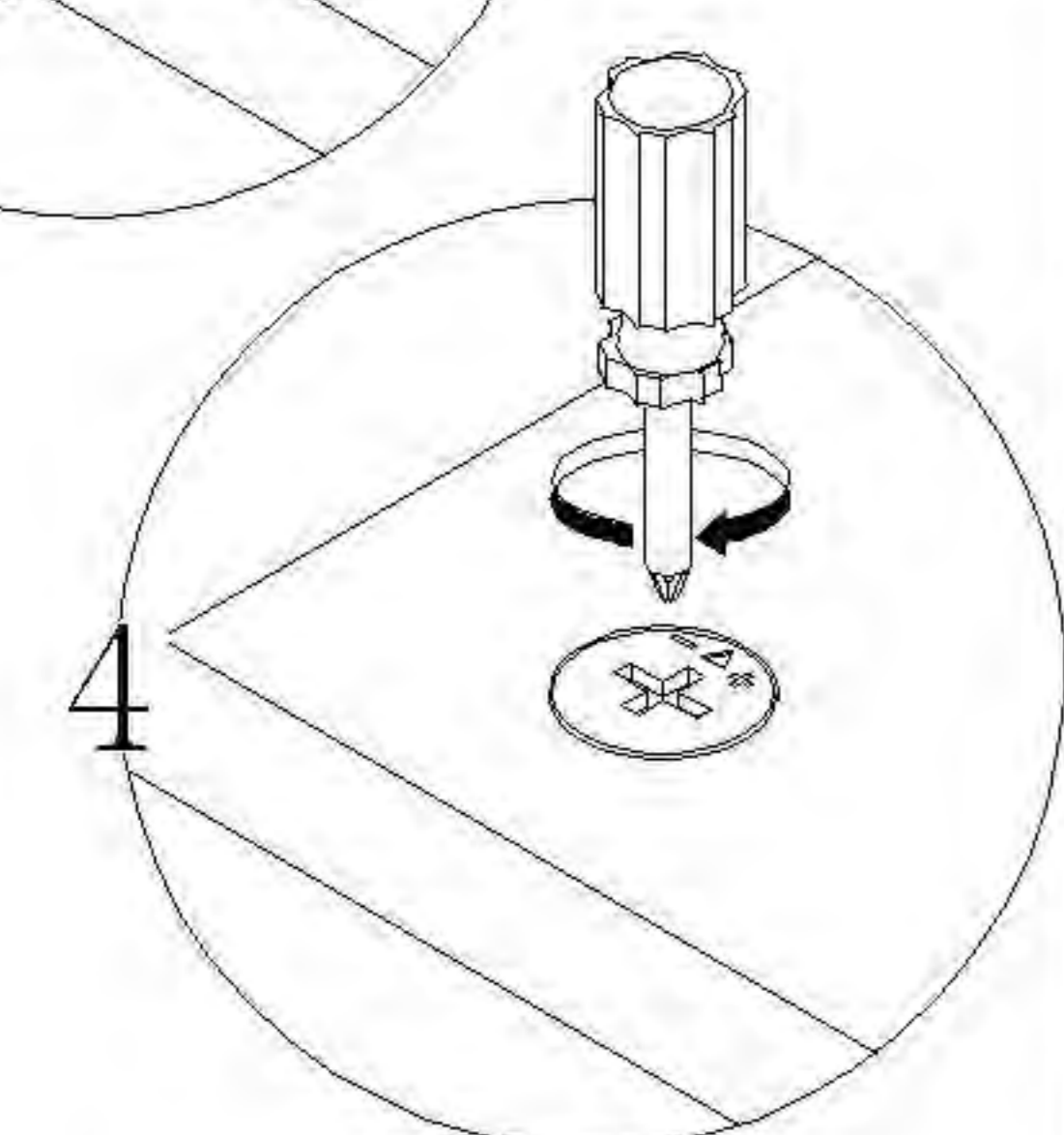
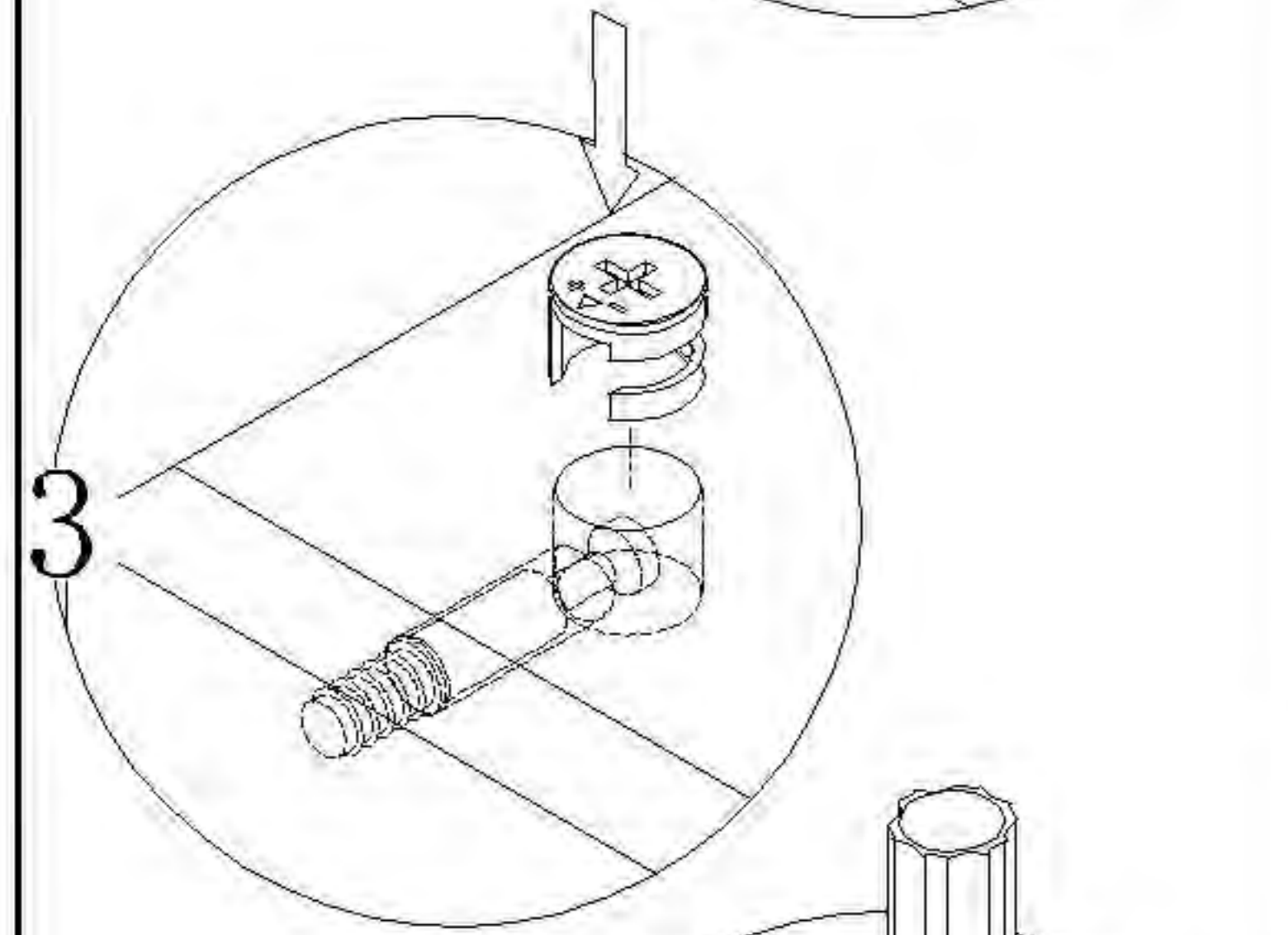
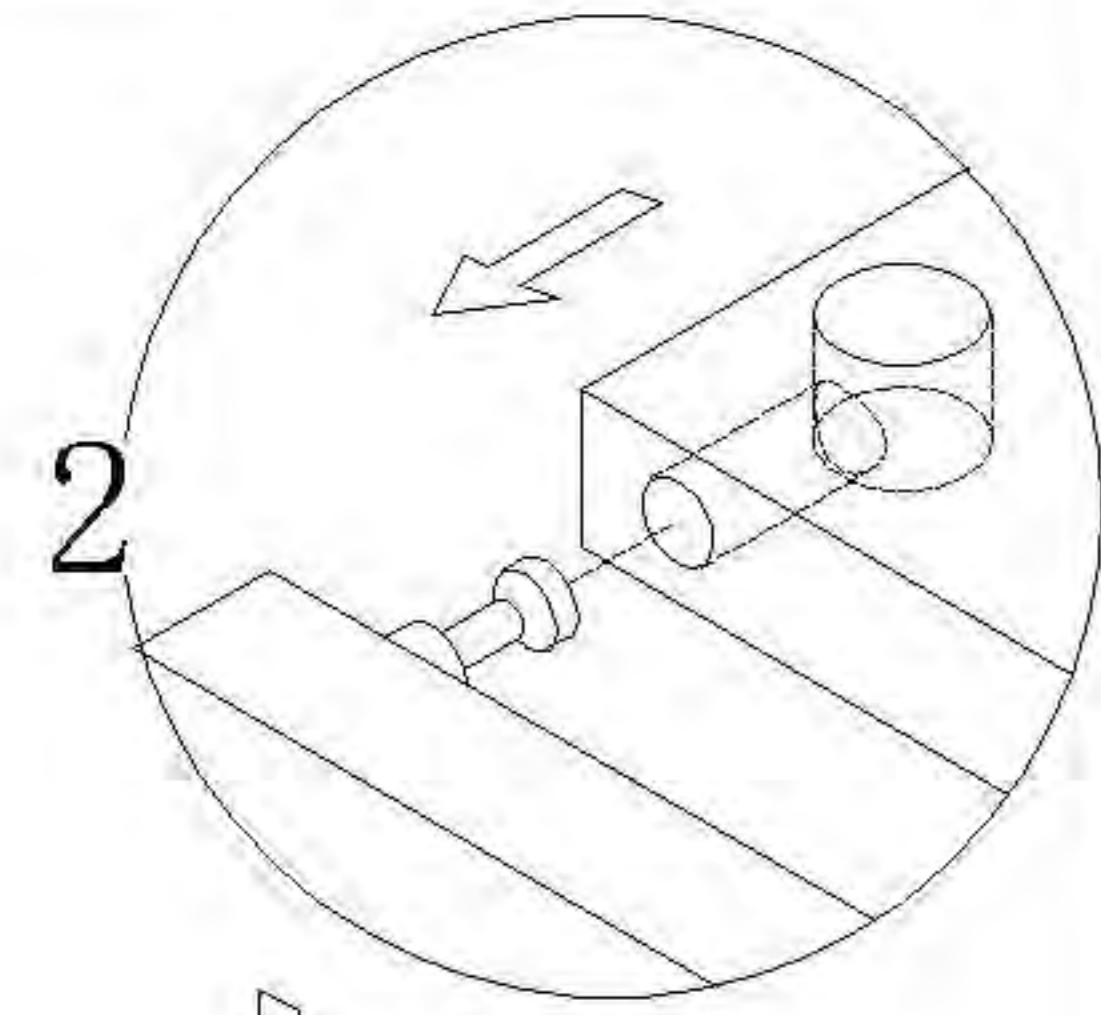
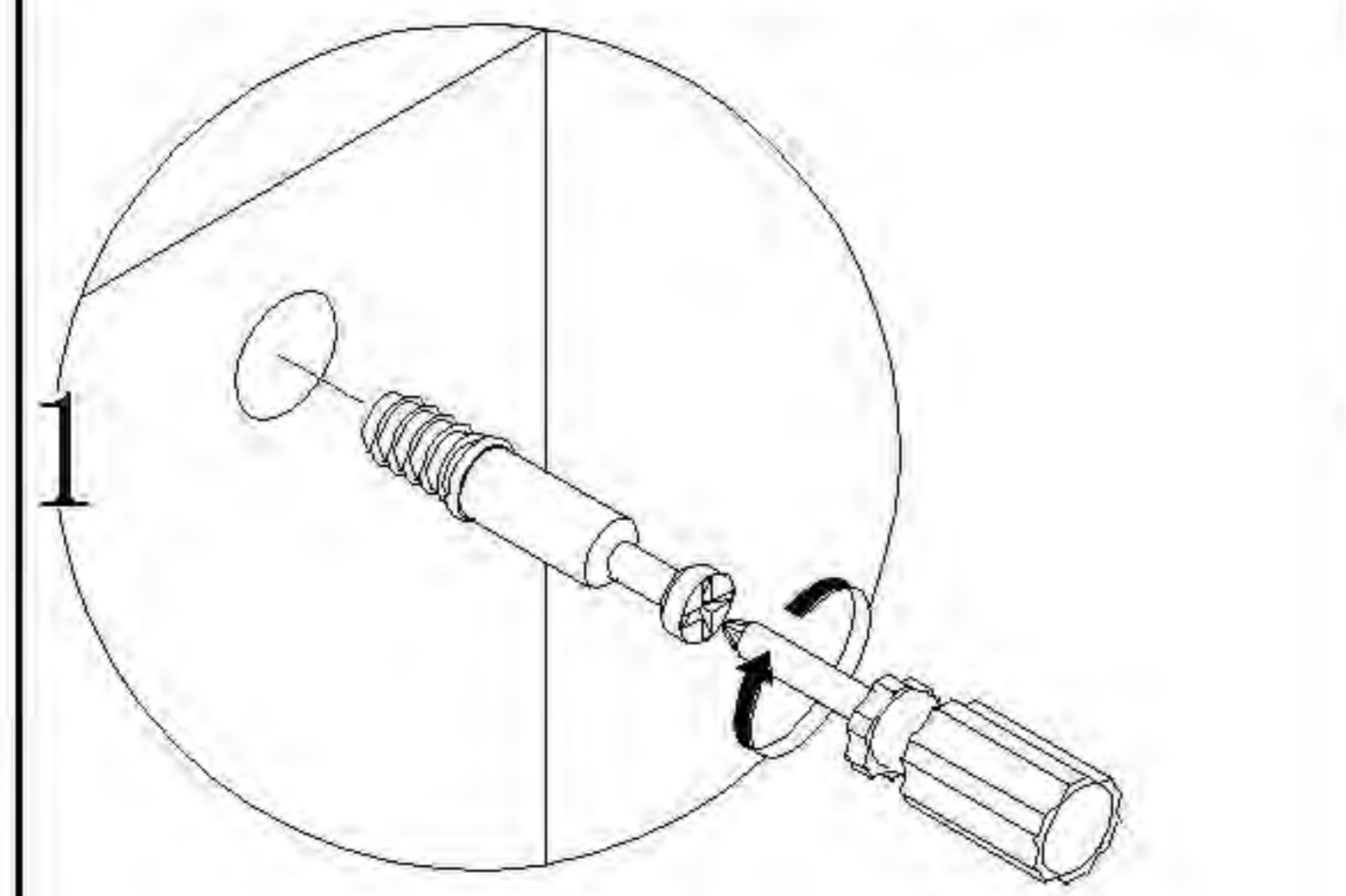
7

8

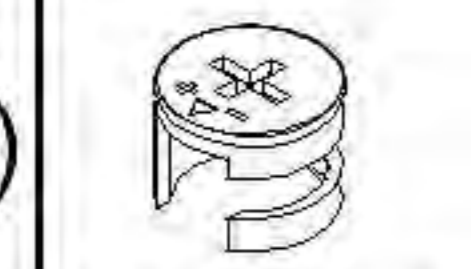
- (A)\*4
- (B)\*4
- (I)\*4



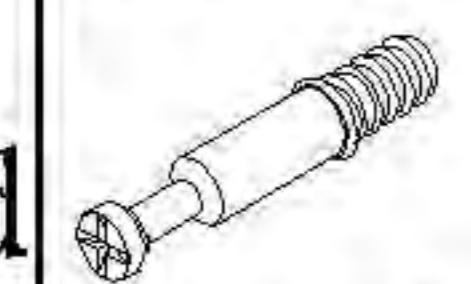
安装方法/  
Installation method



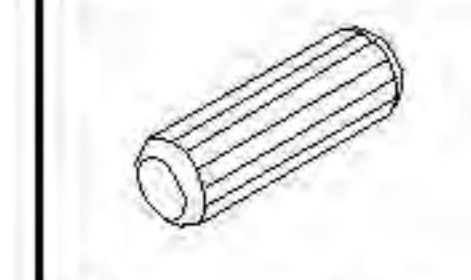
大二合一  
two-in-one



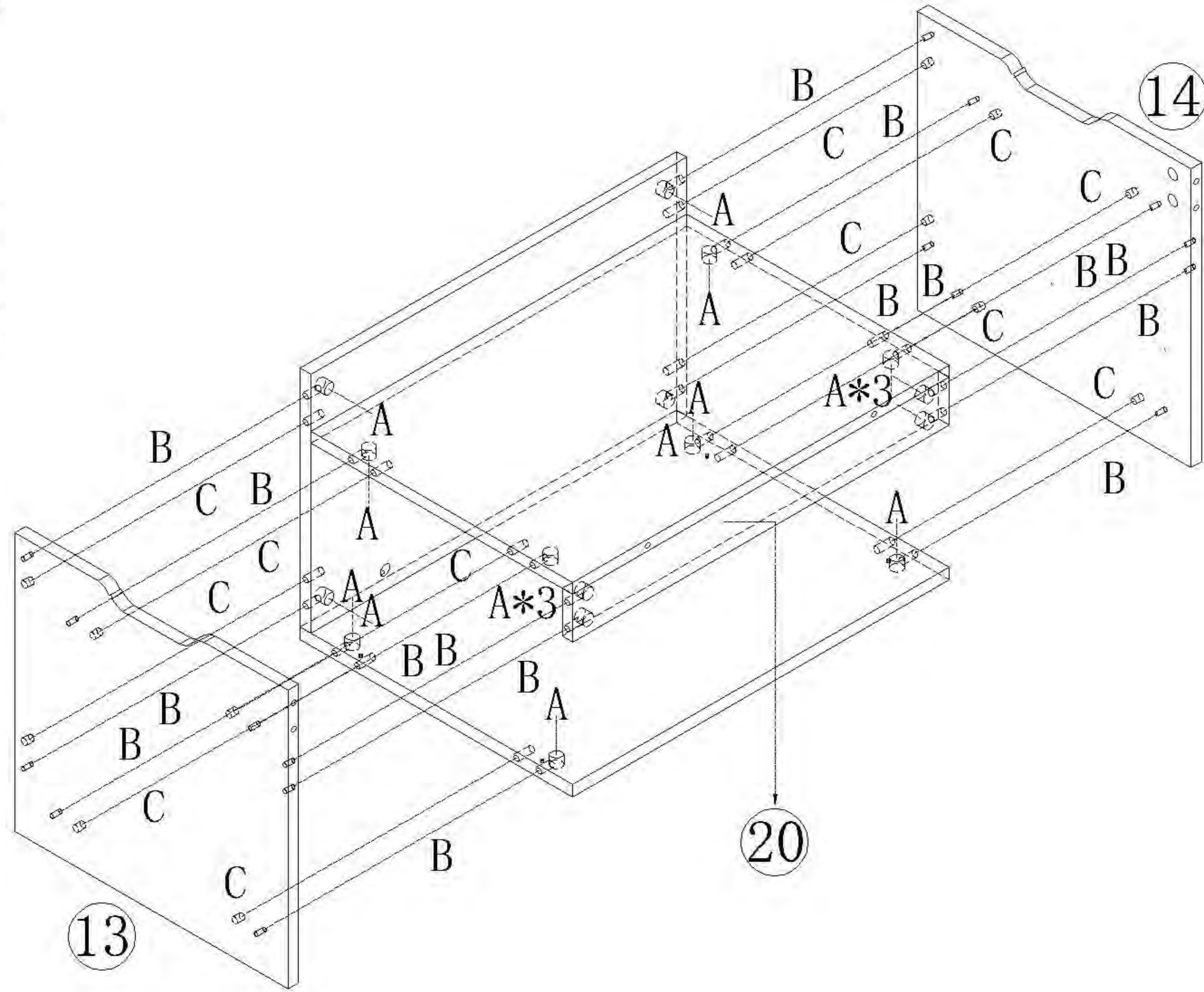
(A)\*16



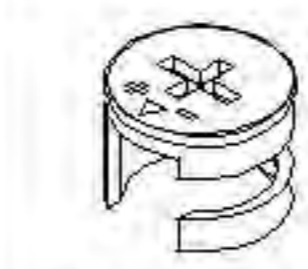
(B)\*16



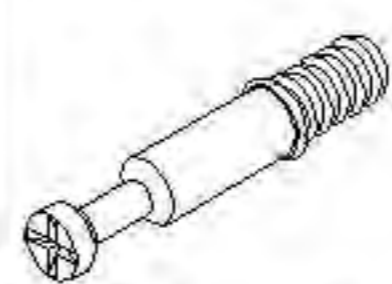
(C)\*12



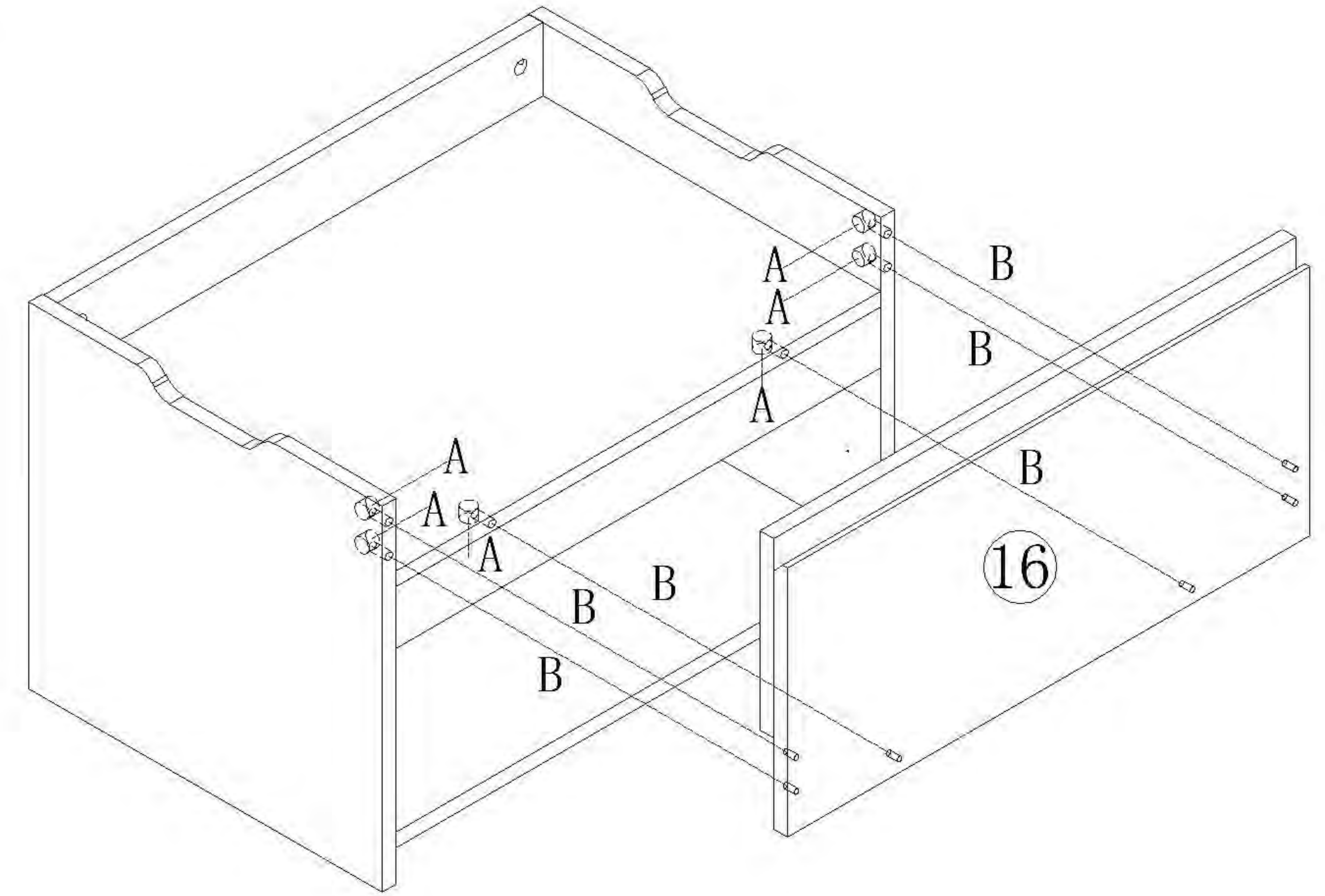
9



(A)\*6



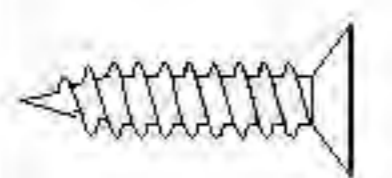
(B)\*6



10



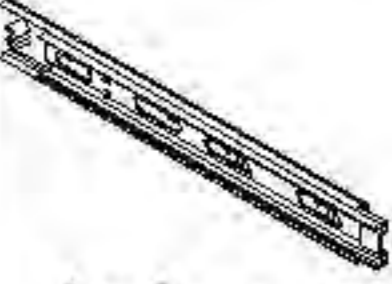
(E)\*6



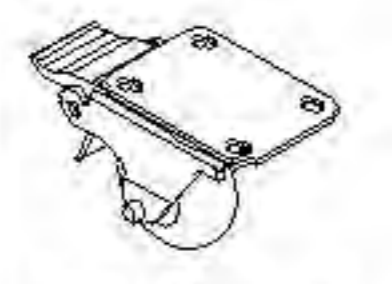
(J)\*18



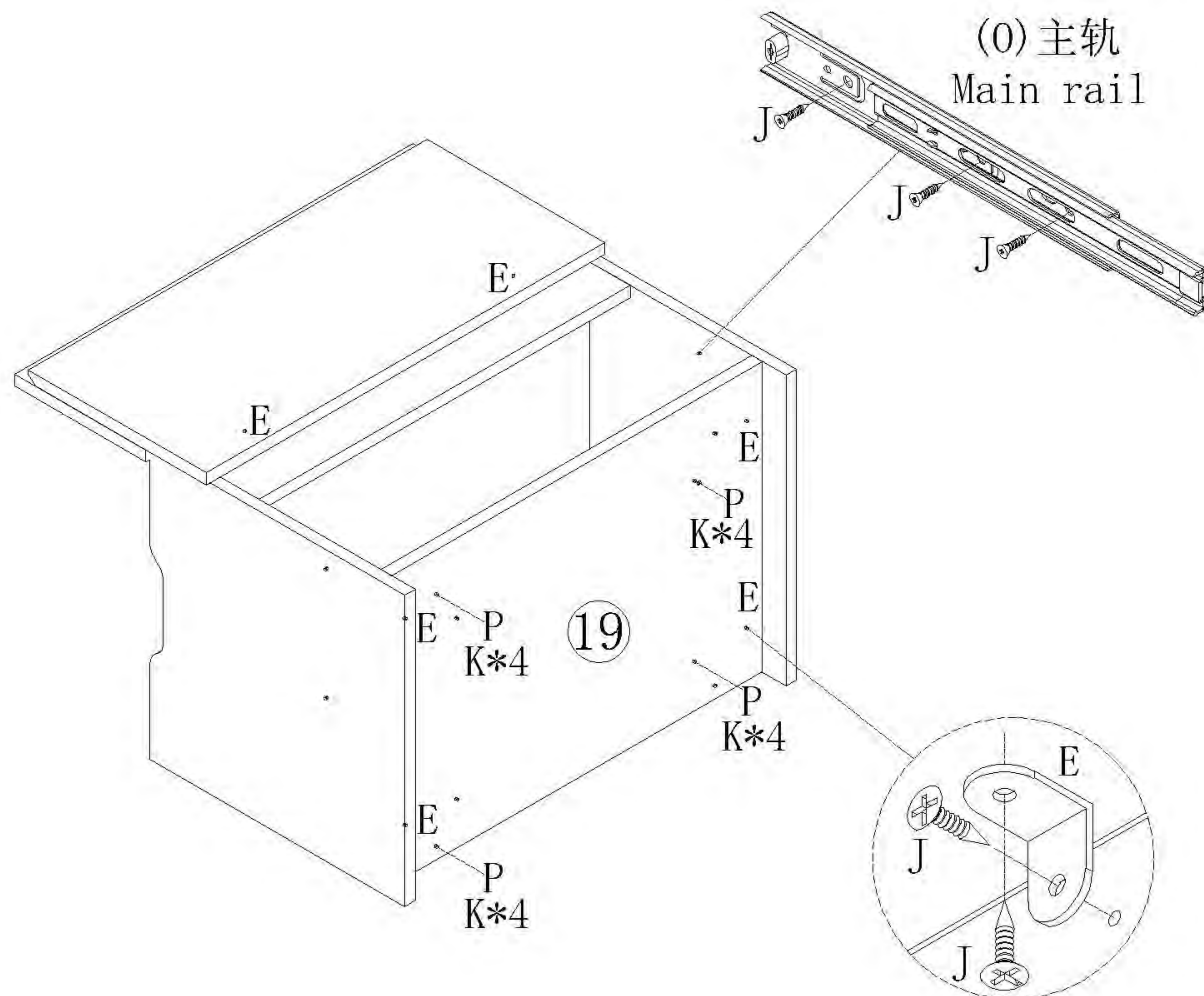
(K)\*16



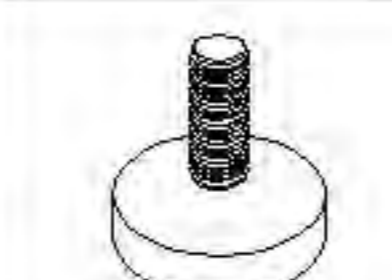
(O)\*1



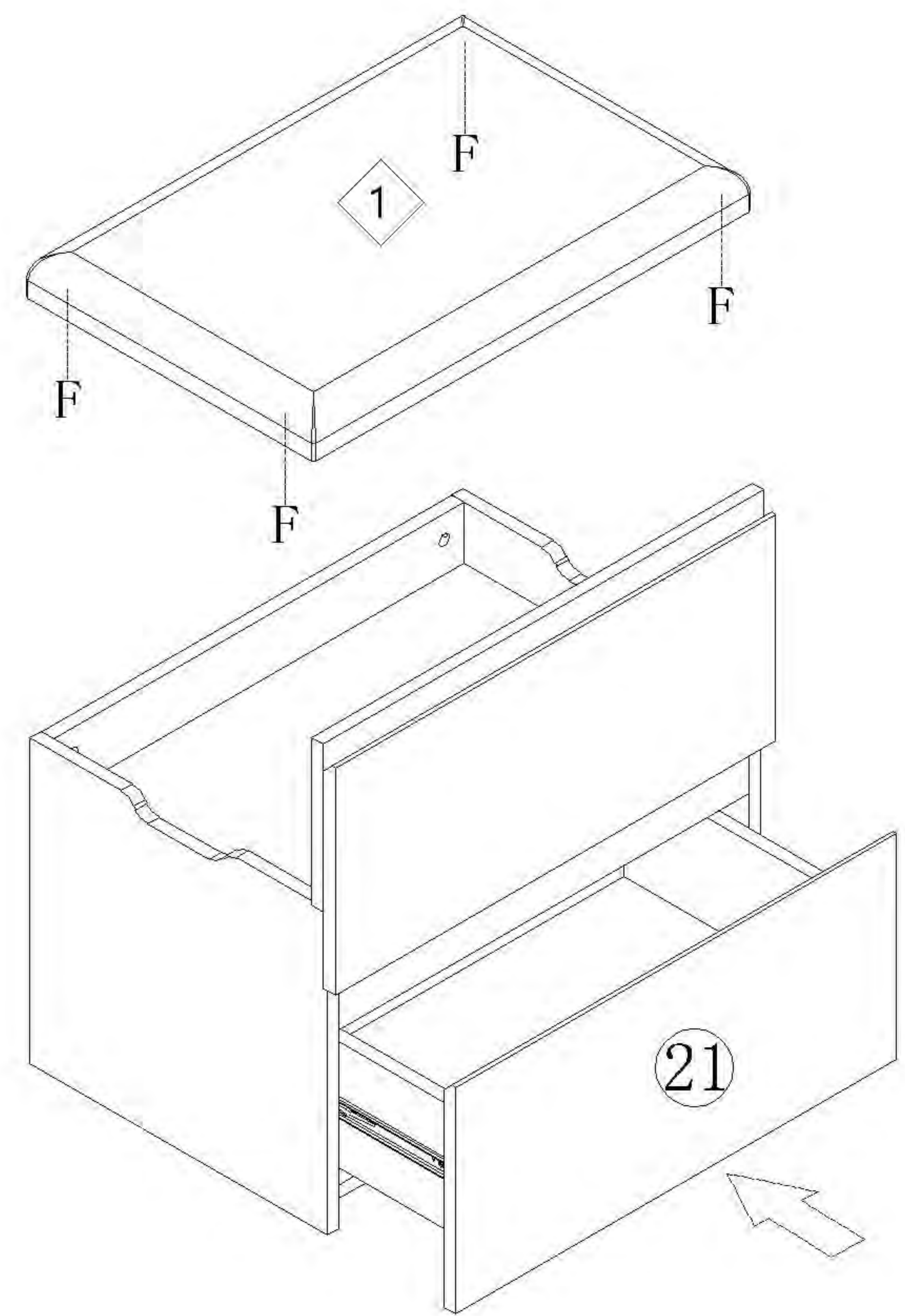
(P)\*4



11



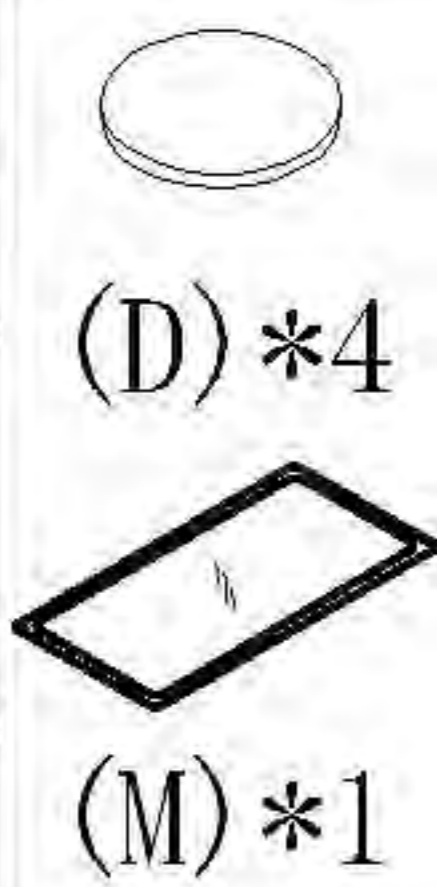
(F)\*4



12

UD4C-A (0.5m一体妆台)

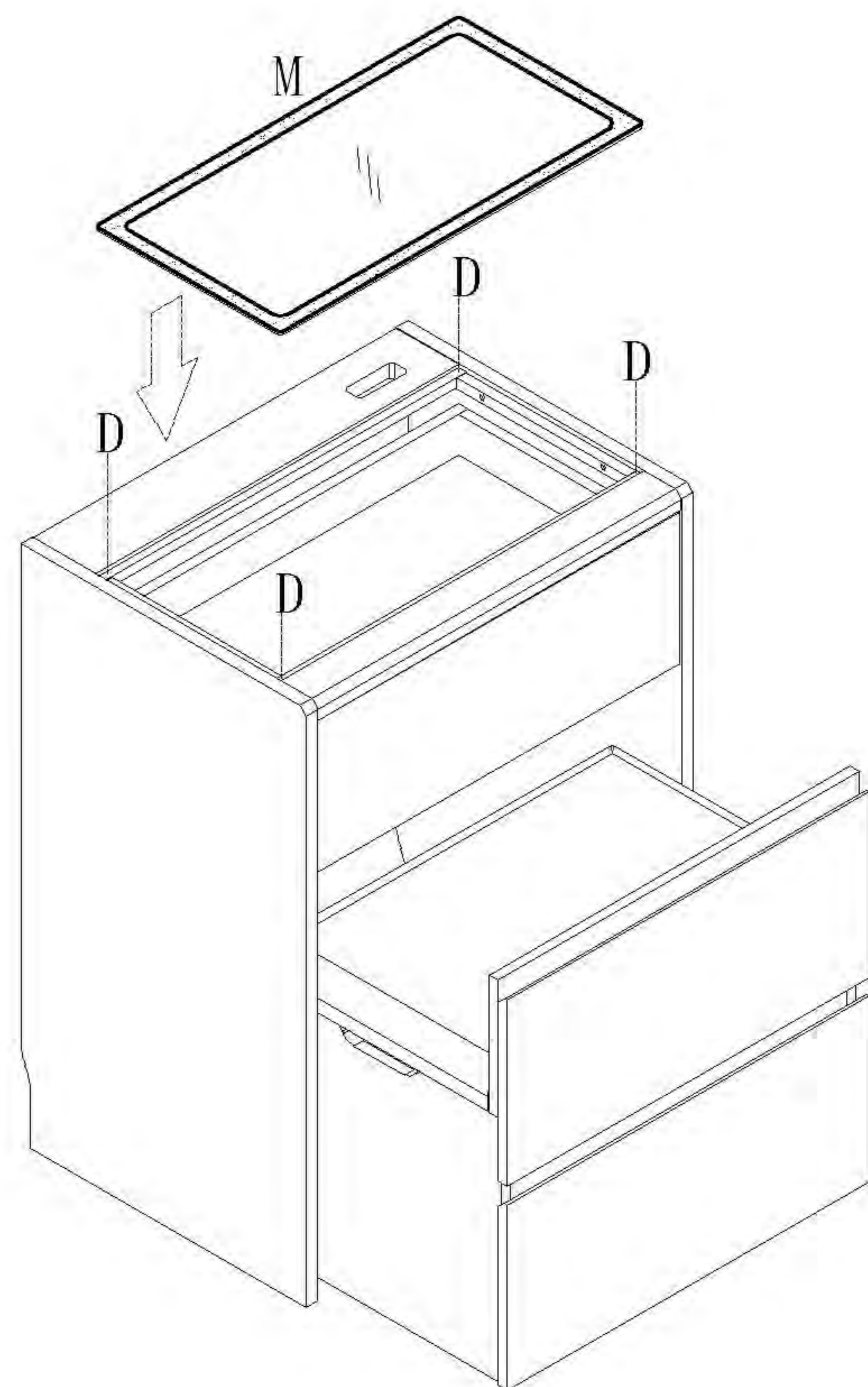
安装方法/  
Installation method



(D)\*4

(M)\*1

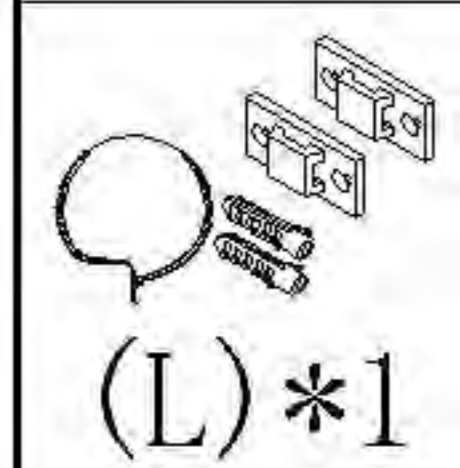
13



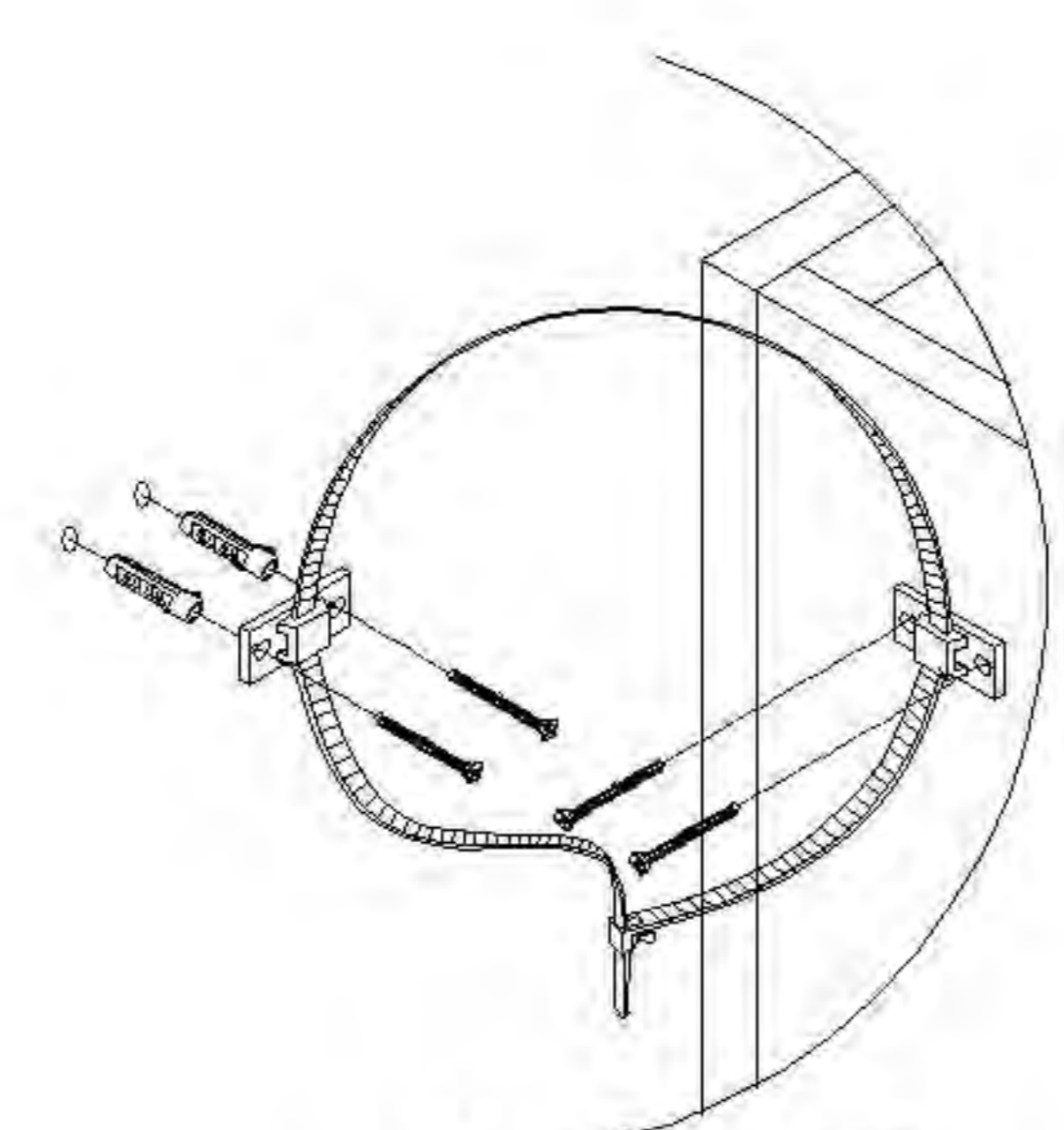
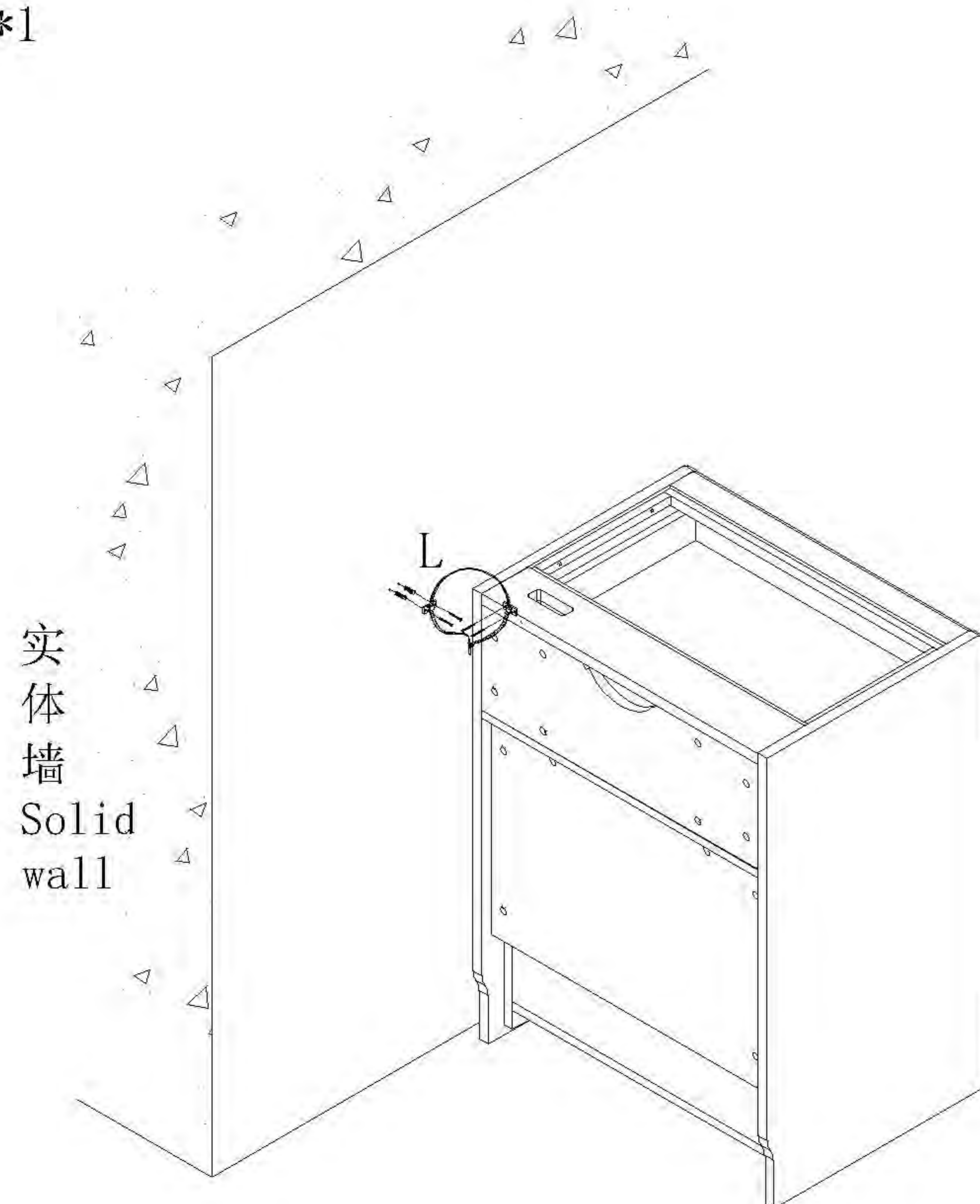
14



15

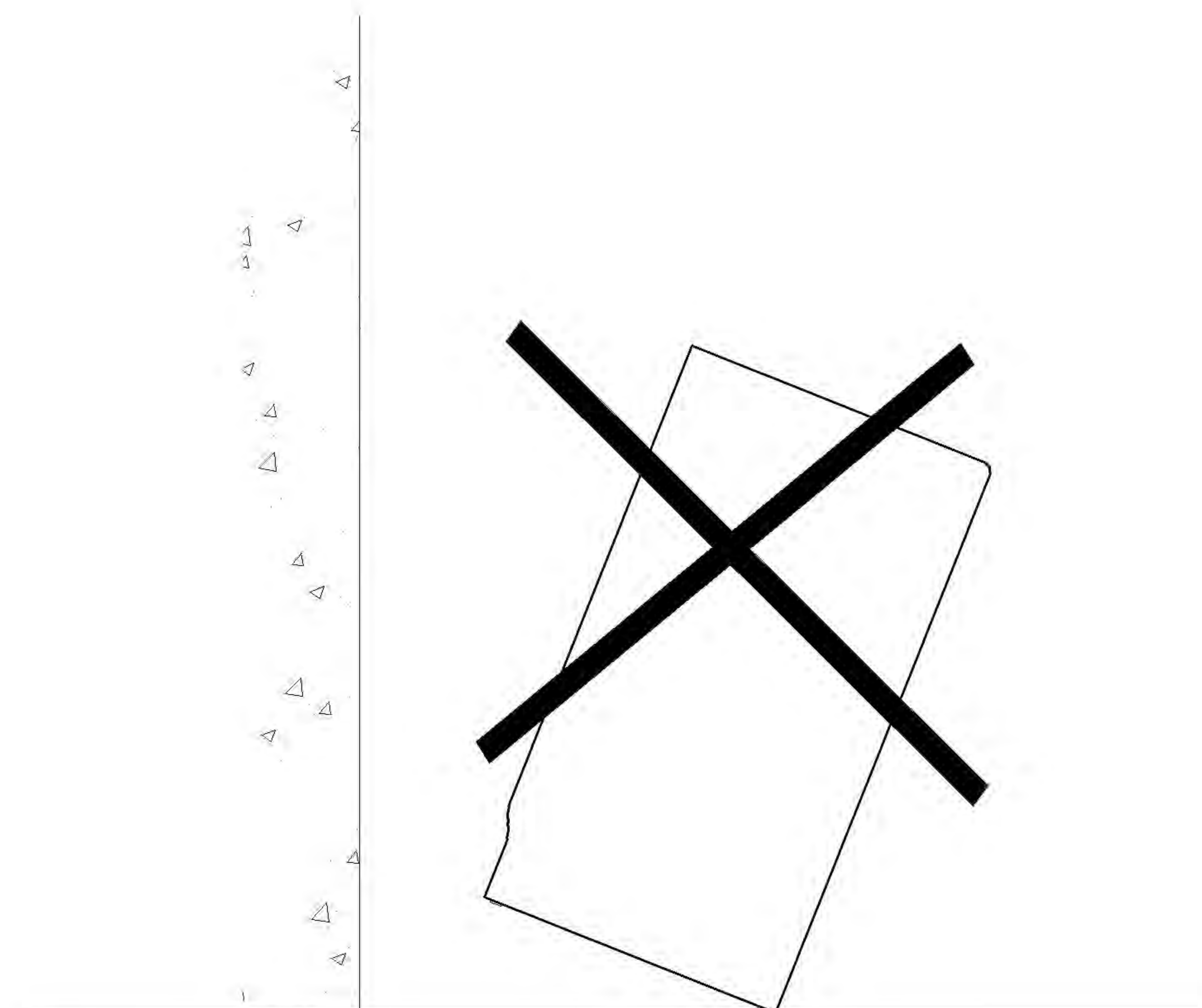


(L)\*1



L处放大图  
Enlarged drawing

16

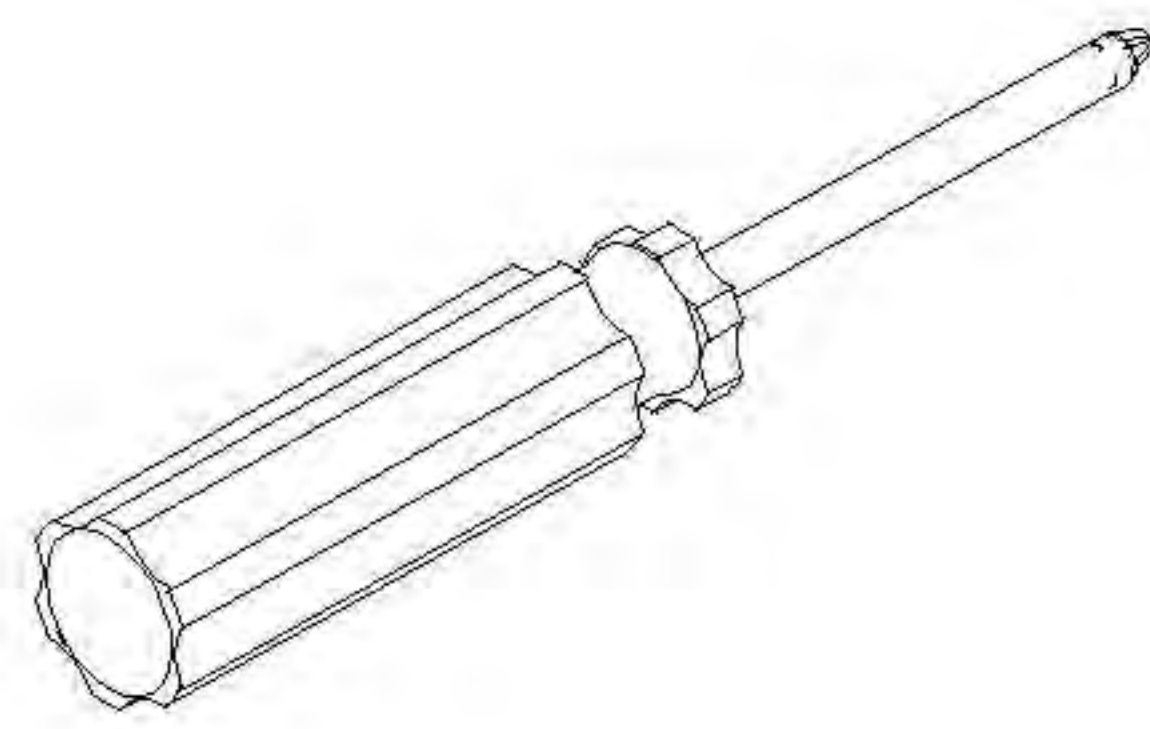
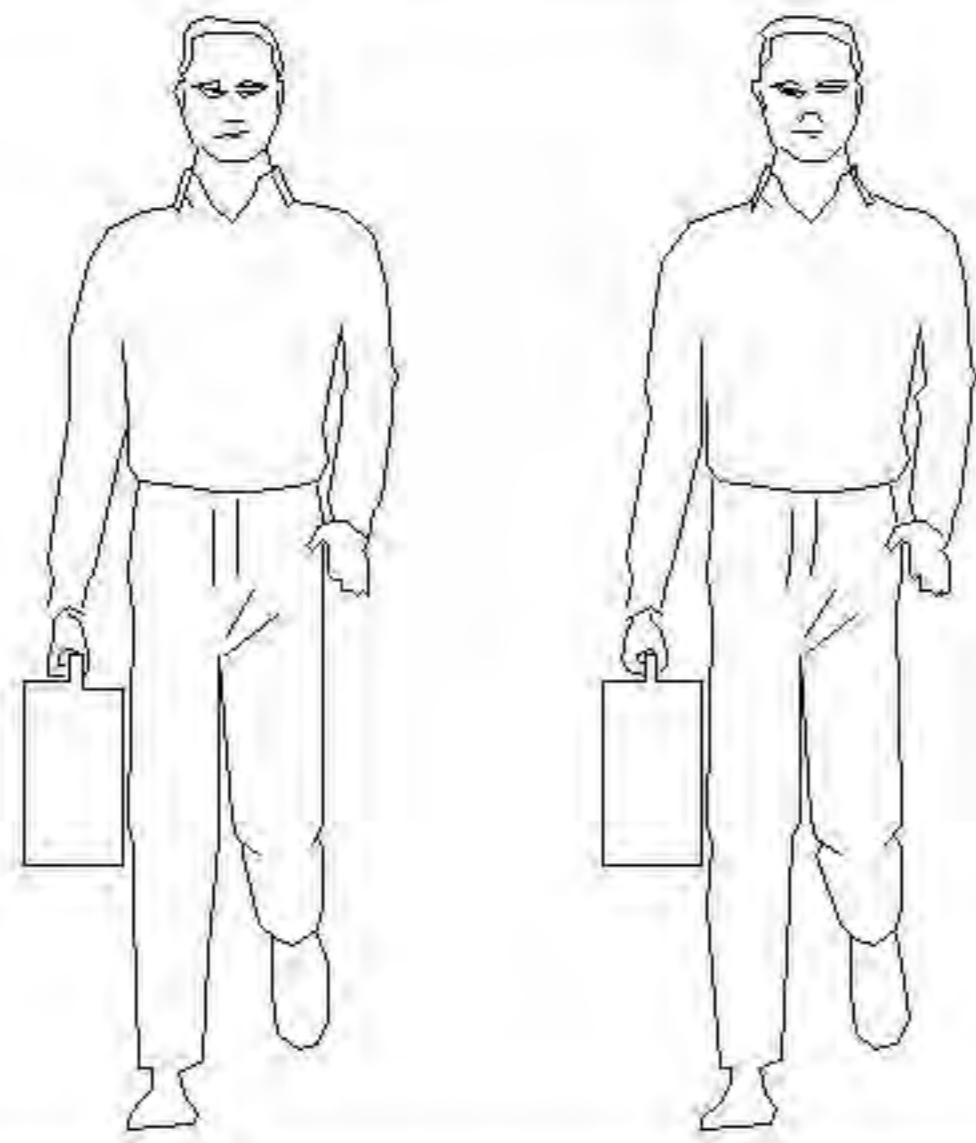


# LINSY 林氏家居

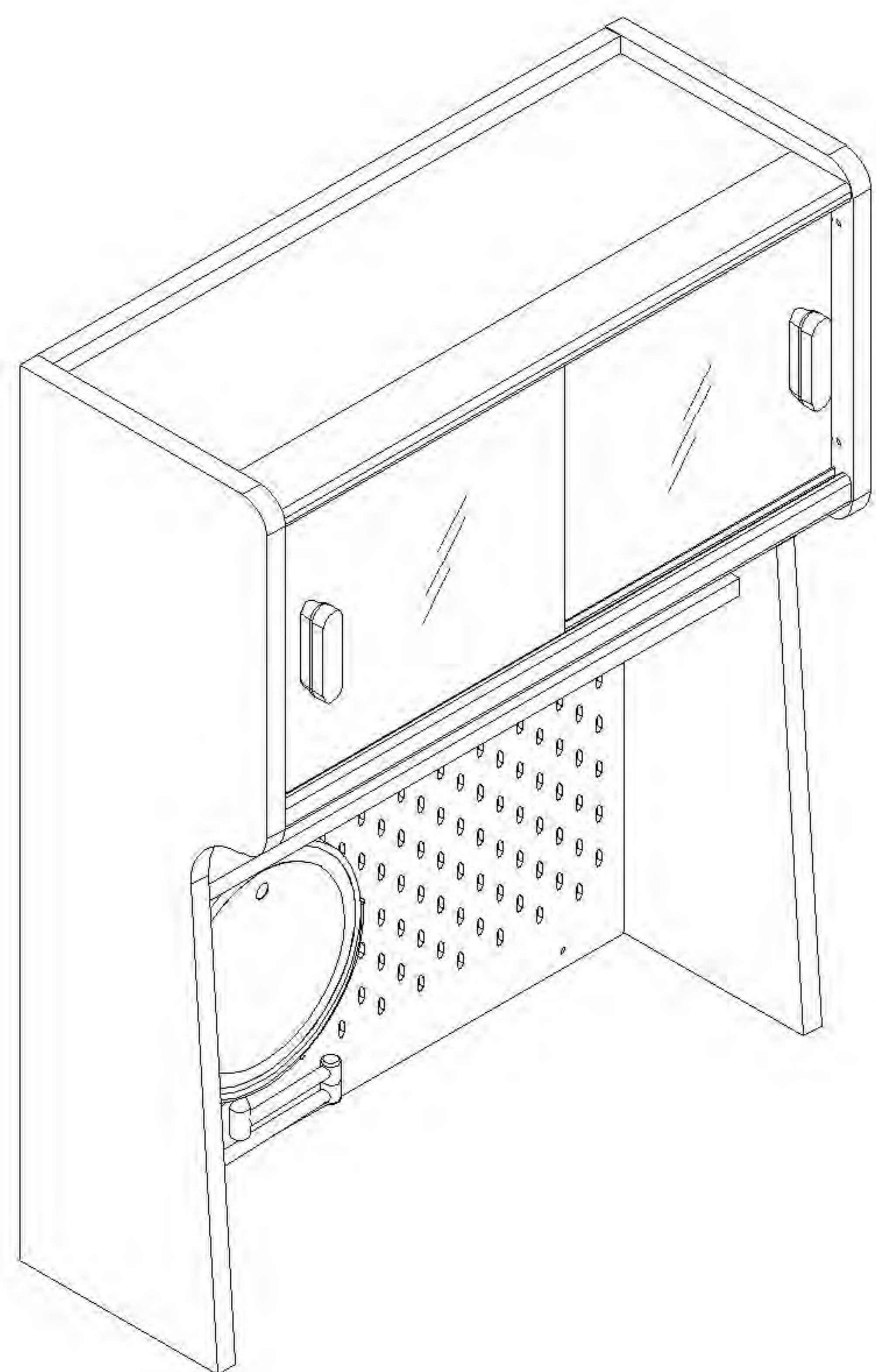
## 五金表/Hardware list

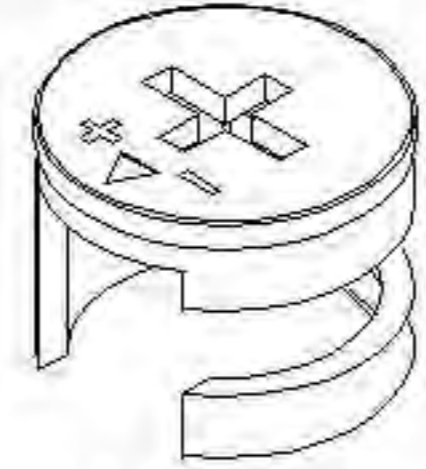
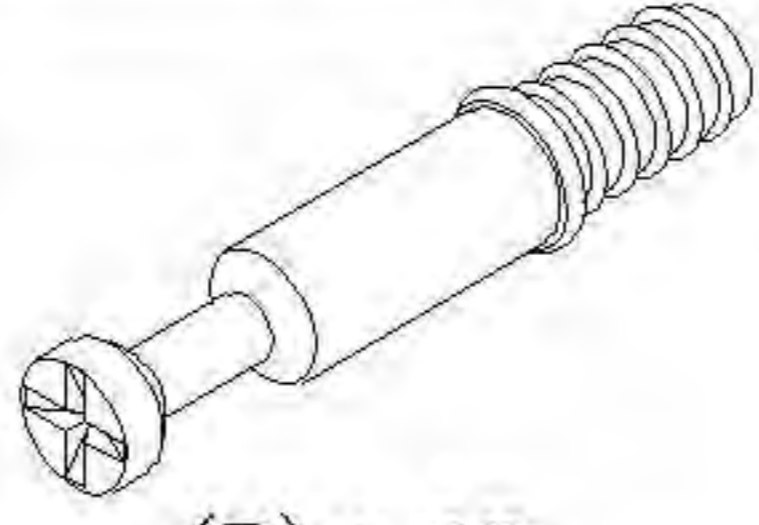
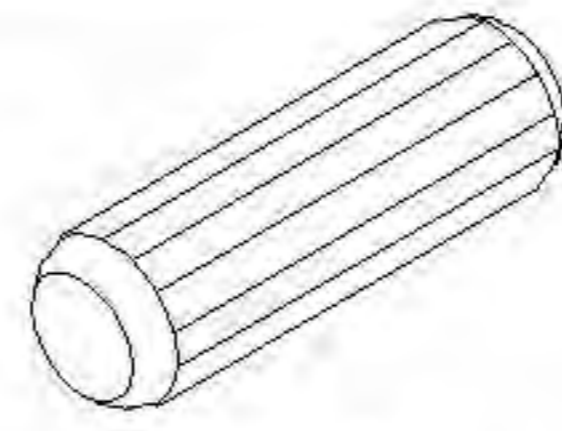
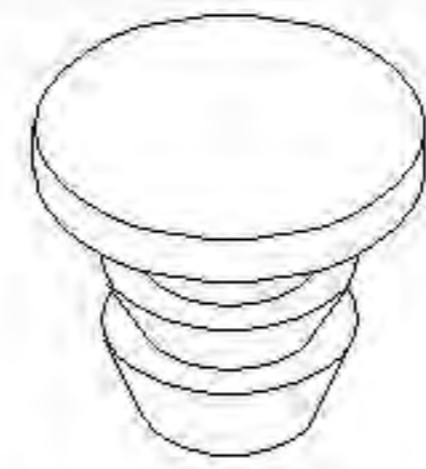
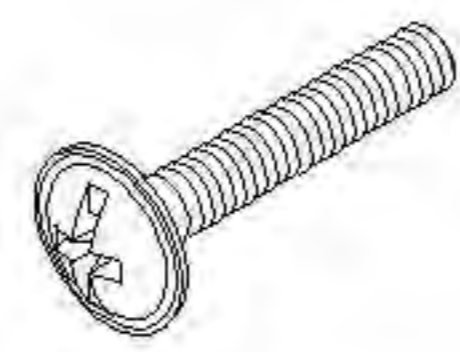
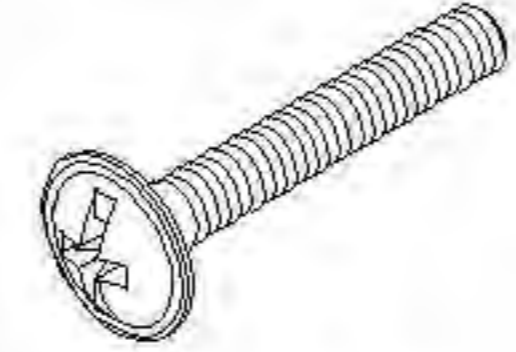
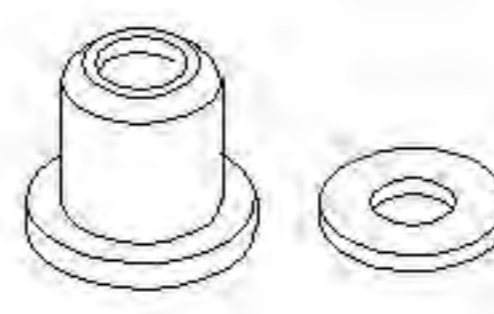
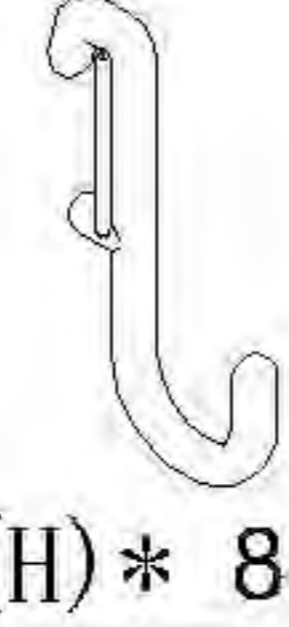
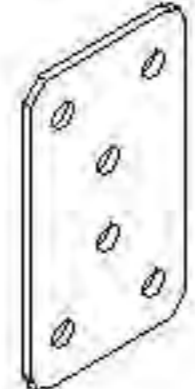
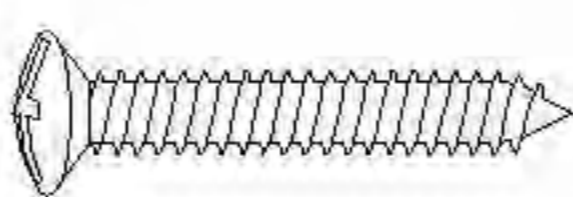
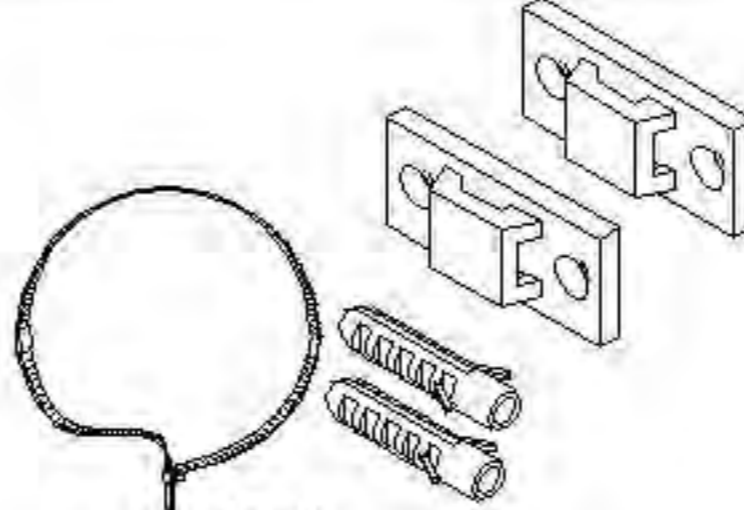
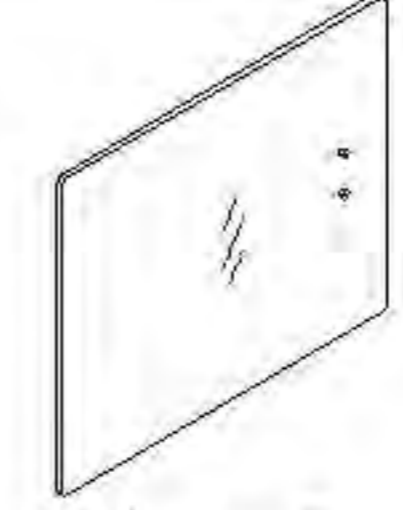
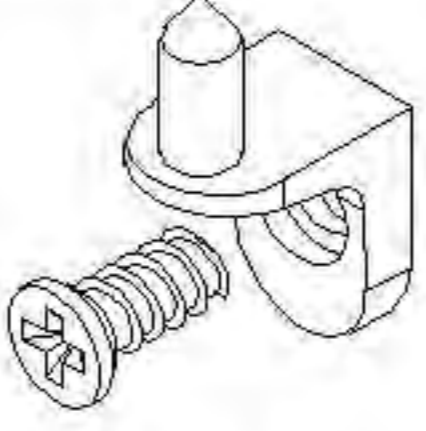
## 部件表/Parts List

### 安装示意图/Assembly Instruction

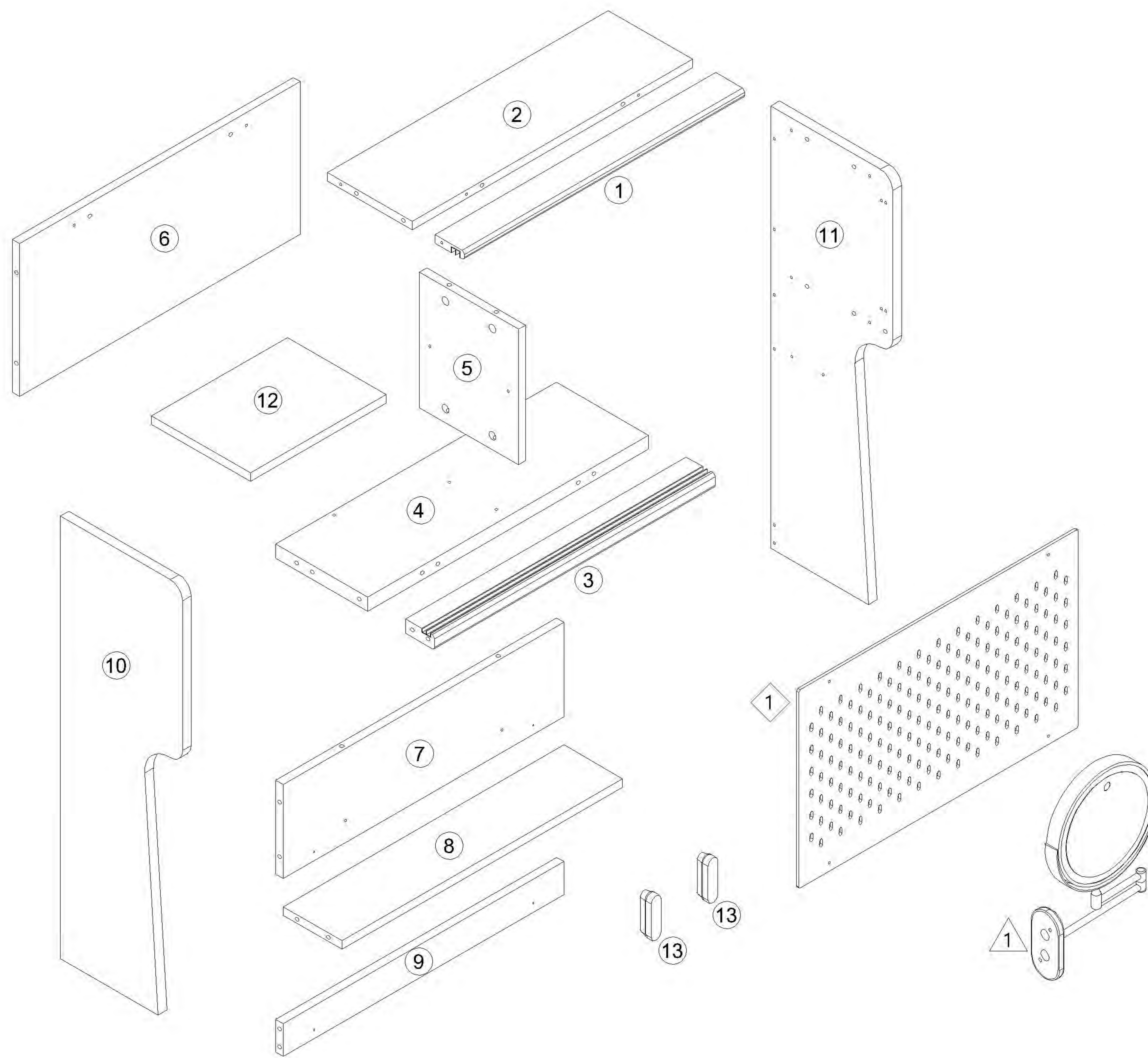
产品名称 Model NO.	0.5m一体妆台 上柜
产品型号 Product Model	UD4C-A
尺寸规格 Specification	(514*262*783)mm
安装工具 Tool	安装人数 Installer
	

注：为保证设计效果，部分尺寸为定制尺寸，不影响使用。



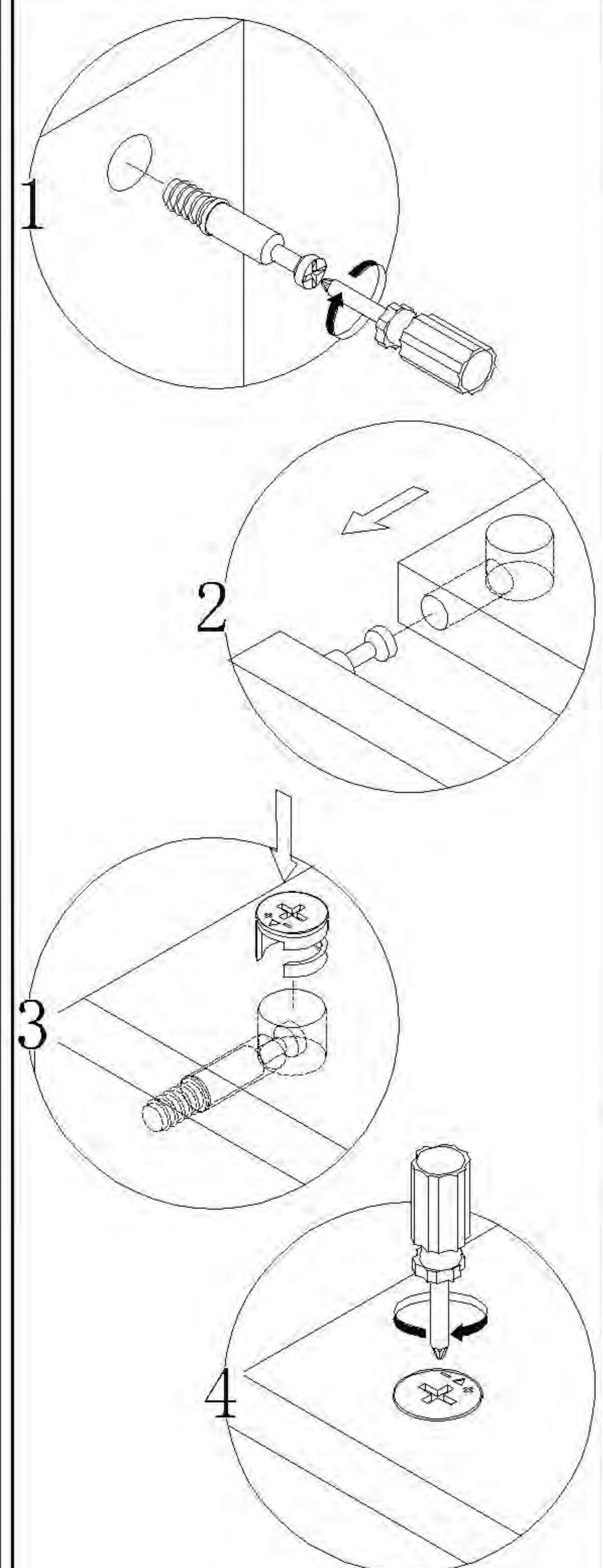
 (A)* 42 大三合一锁饼 Three-in-one large lock	 (B)* 42 二合一螺杆 2-in-1-screw	 (C)* 17 木榫Ø8x30mm wood tenon	 (D)* 8 防撞孔塞 Anti-collision plug
 (E)* 2 拉手螺丝-M4x12mm pulling screw	 (F)* 4 拉手螺丝-M4x18mm pulling screw	 (G)* 4 白色硅胶垫片 Silicone pad	 (H)* 8 挂钩 a hook
 (I)* 2 铁床条 Hardware piece	 (J)* 13 自攻大扁M4*16mm Self tapping flat screw	 (K)* 1 家具防倒器-白色 Anti-fall device white	 (L)* 2 趟门玻璃-245*250*5mm Sliding door glass
 (M)* 4 层板托5mm shelf support			

编号NO.	名称Name	规格 (mm) Specification	数量QTY	材质Material
UD4C-A 0.5m一体妆台 上柜: Dressing Table Upper Cabinet				
①	顶拉条 Top brace	478*60*15	1	纤维板 Fiberboard
②	顶板 Top board	478*173*15	1	刨花板 Particle board
③	中拉条 Brace	478*60*25	1	纤维板 Fiberboard
④	中层板 Middle shelf	478*188*25	1	刨花板 Particle board
⑤	上隔板 Upper clapboard	202*240*15	1	刨花板 Particle board
⑥	上背板 Upper back board	478*270*15	1	刨花板 Particle board
⑦	中背板 Middle back board	478*167*15	1	刨花板 Particle board
⑧	层板 shelf	478*120*15	1	刨花板 Particle board
⑨	下拉条 Bottom brace	478*58*15	1	刨花板 Particle board
⑩	左侧板 Side board(L)	783*250*18	1	纤维板 Fiberboard
⑪	右侧板 Side board(R)	783*250*18	1	纤维板 Fiberboard
⑫	活动层板movable shelf	230*202*15	1	刨花板 Particle board
⑬	门拉手 Handle	80*25*20	2	桦木 Birch
UD4C-A 0.5m一体妆台 洞洞板: Dressing Table Pegboard				
◇1	装饰板 Decorating plate	476*351*4.8	1	纤维板 Fiberboard
UD4C-A 一体妆台 妆镜: Dressing Table Mirror				
△1	妆镜 Dressing Mirror	250*315*26	1	玻璃+铁 Glass+Iron



编号NO.	名称Name
UD4C-A 0.5m一体妆台 上柜	
①	顶拉条 Top brace
②	顶板 Top board
③	中拉条 Brace
④	中层板 Middle shelf
⑤	上隔板 Upper claspboard
⑥	上背板 Upper back board
⑦	中背板 Middle back board
⑧	层板 shelf
⑨	下拉条 Bottom brace
⑩	左侧板 Side board(L)
⑪	右侧板 Side board(R)
⑫	活动层板movable shelf
⑬	门拉手 Handle
UD4C-A 0.5m一体妆台 洞洞板	
◇1	装饰板 Decorating plate
UD4C-A 一体妆台 妆镜	
△1	妆镜 Dressing Mirror

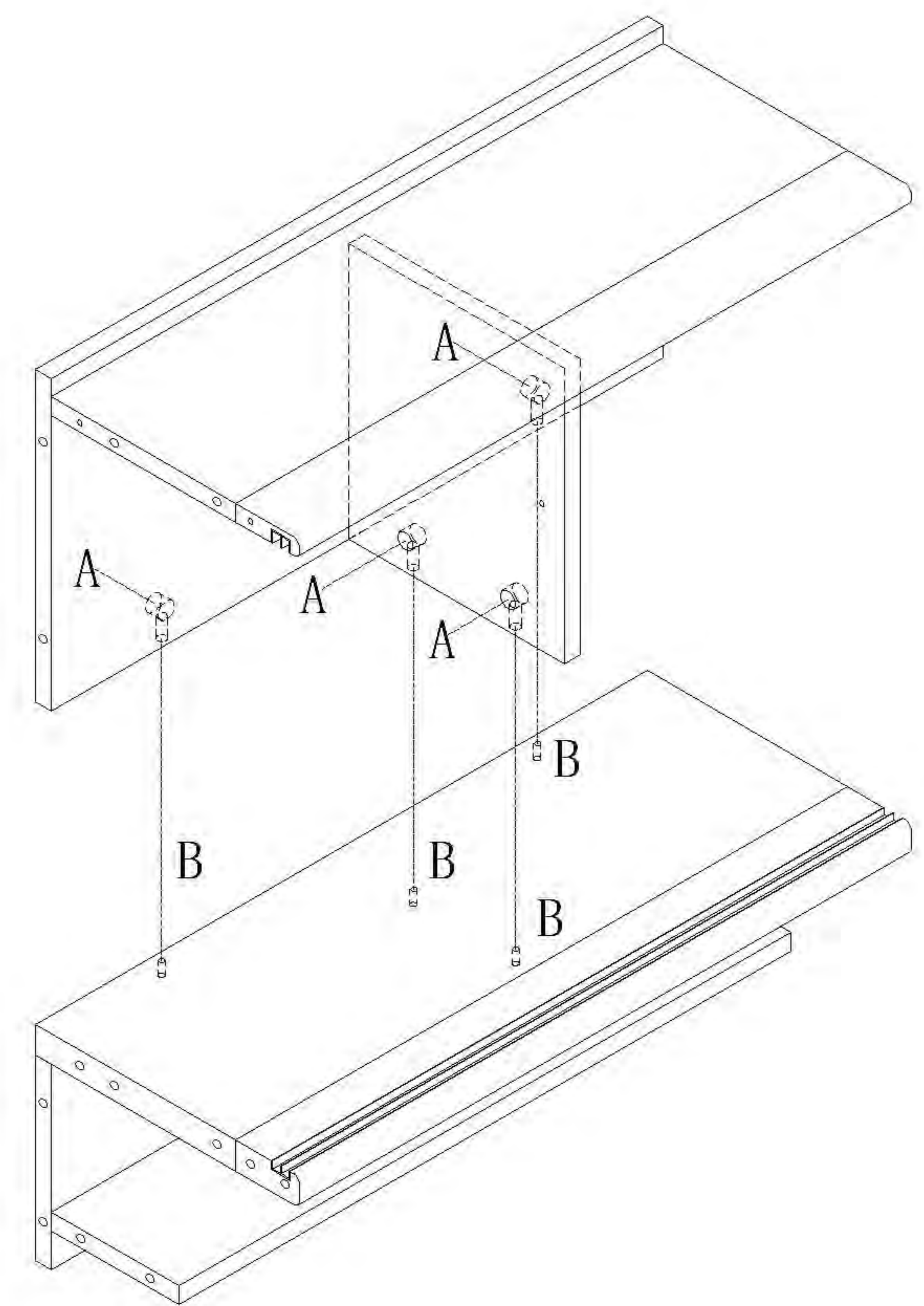
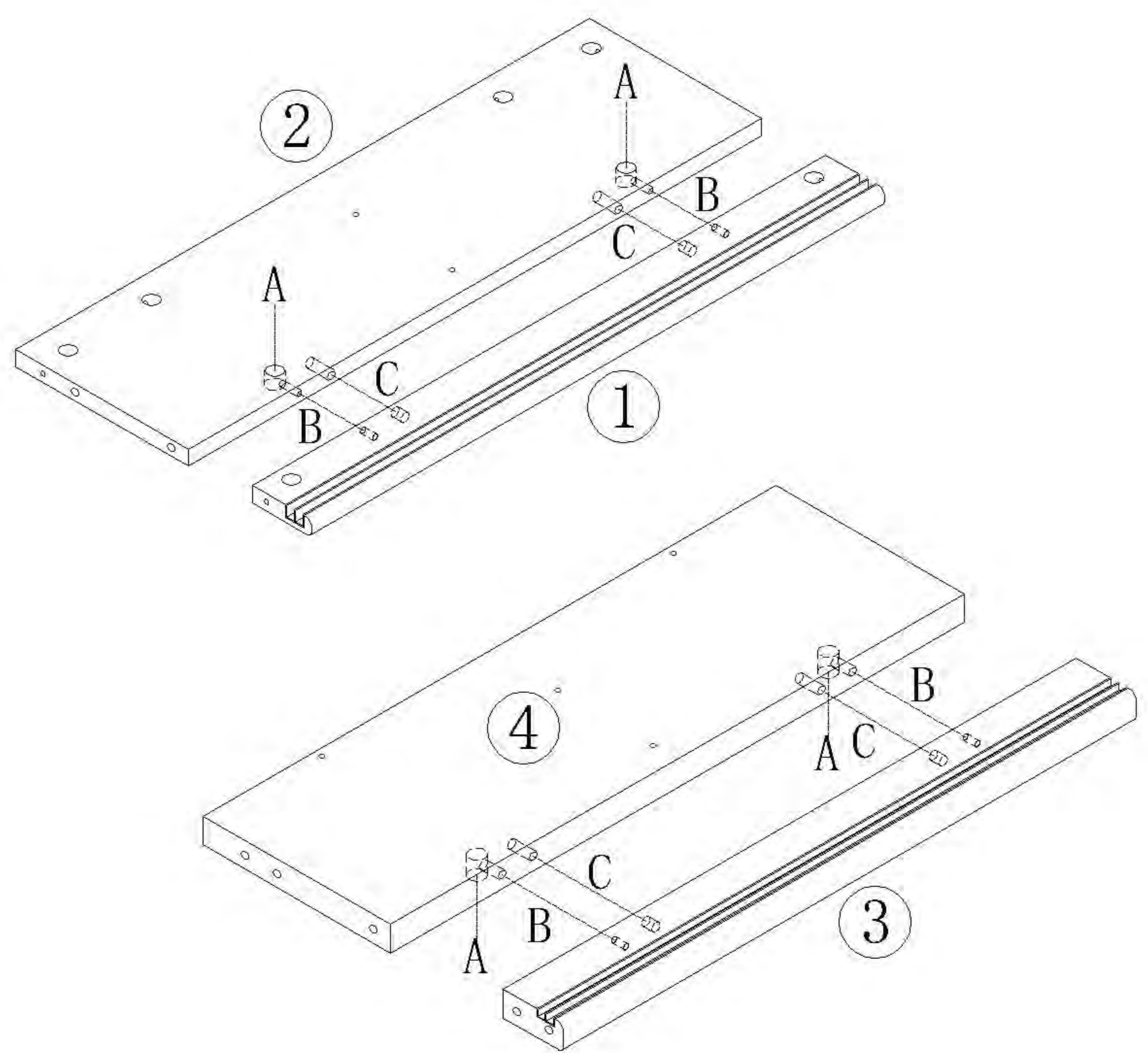
安装方法/  
Installation method



大二合一  
two-in-one

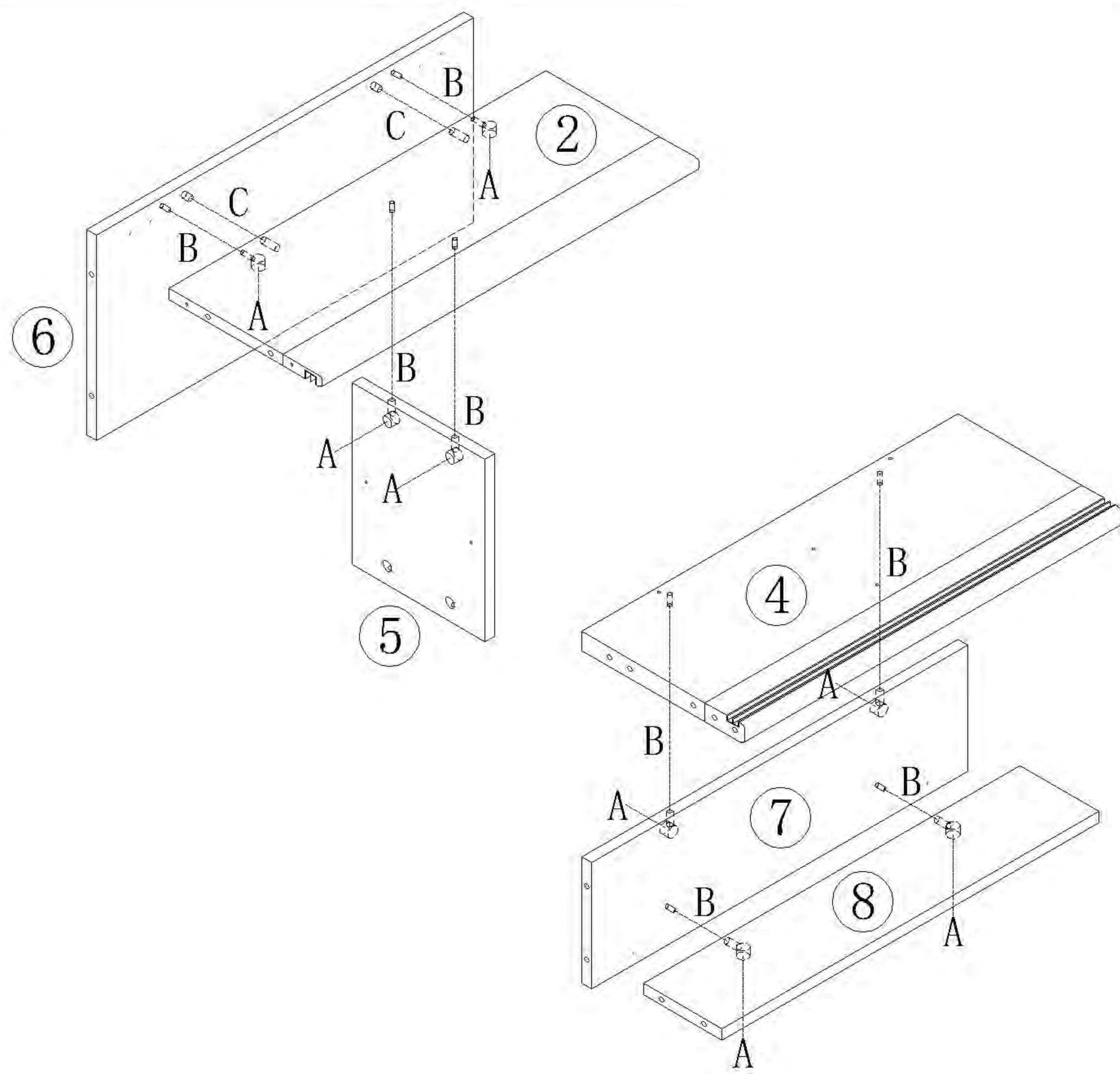
- (A)\*4
- (B)\*4
- (C)\*4

- (A)\*4
- (B)\*4



1

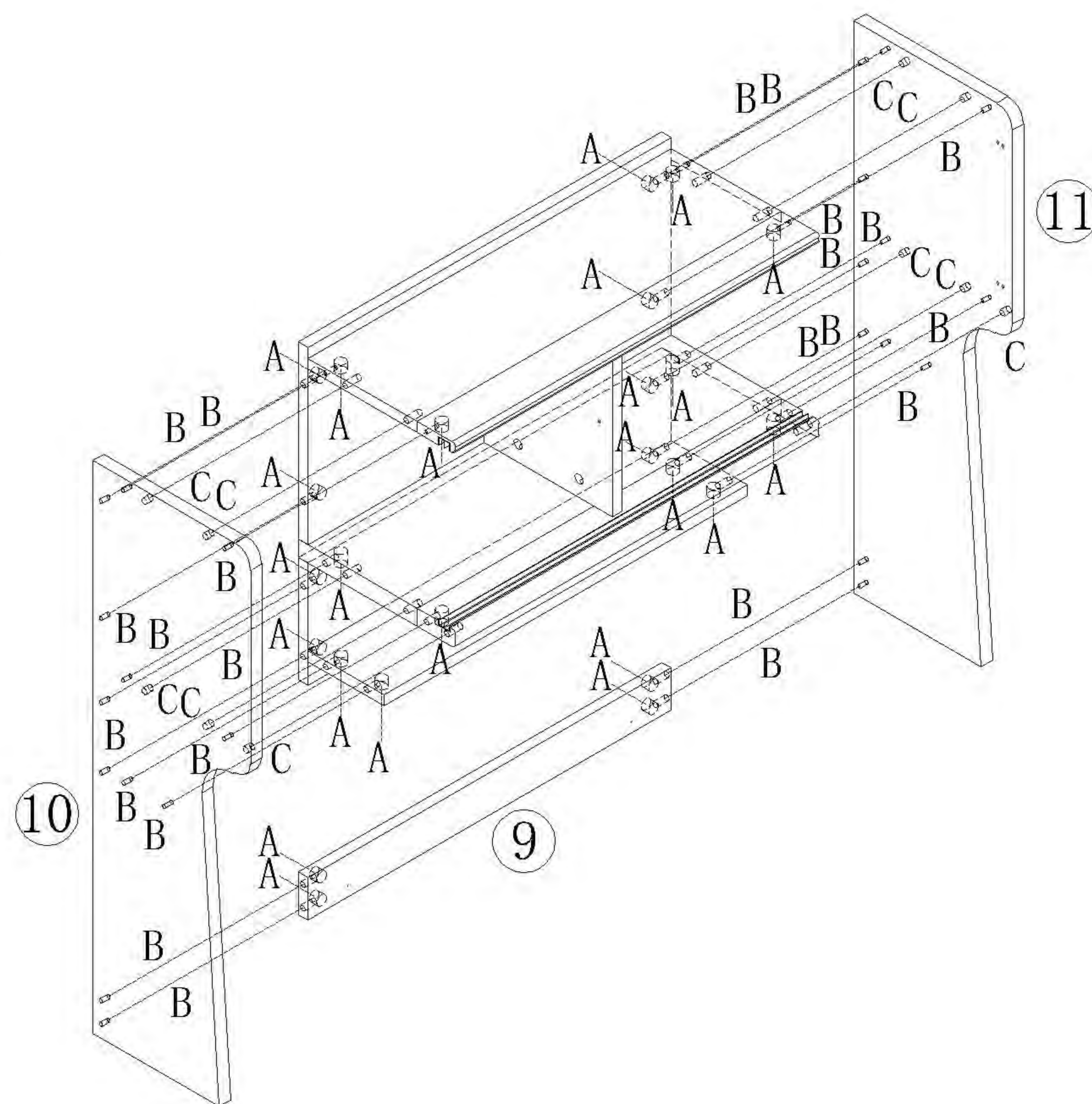
- (A)\*8
- (B)\*8
- (C)\*2



2

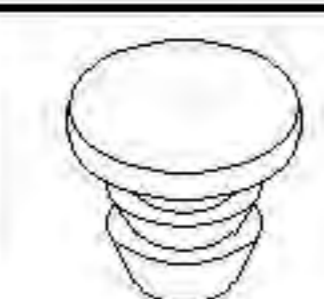
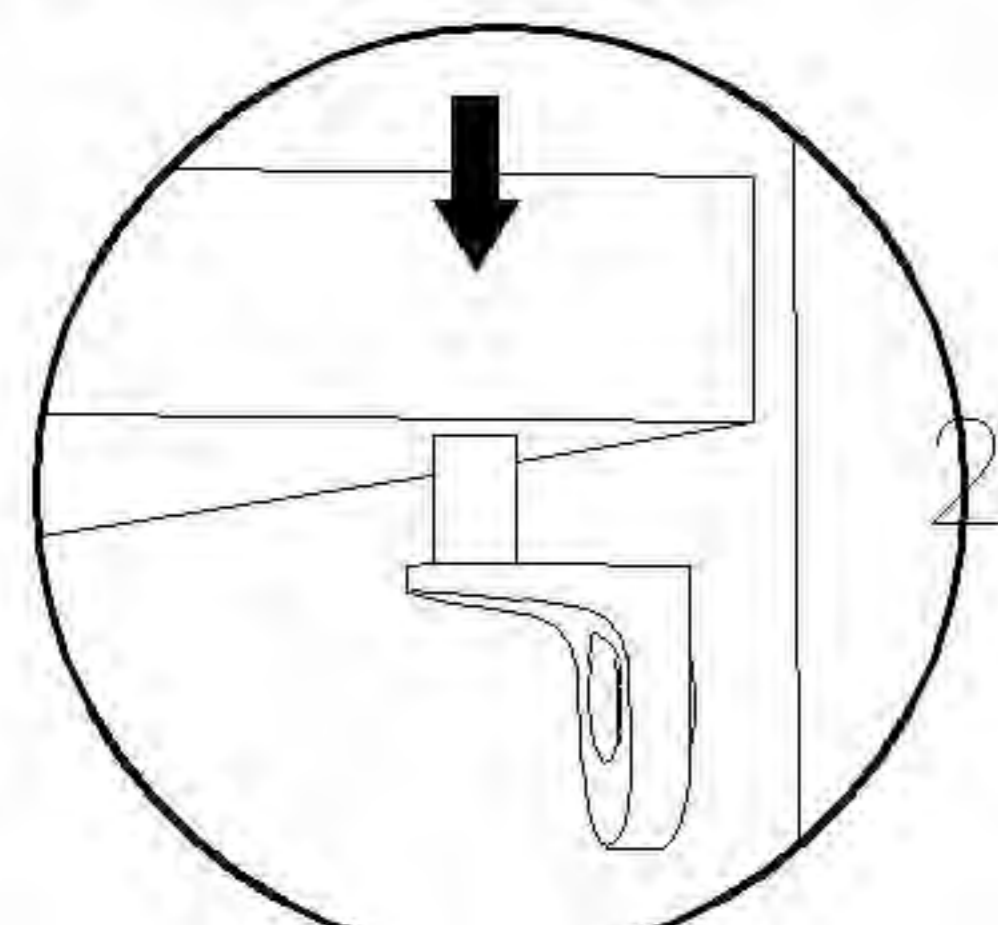
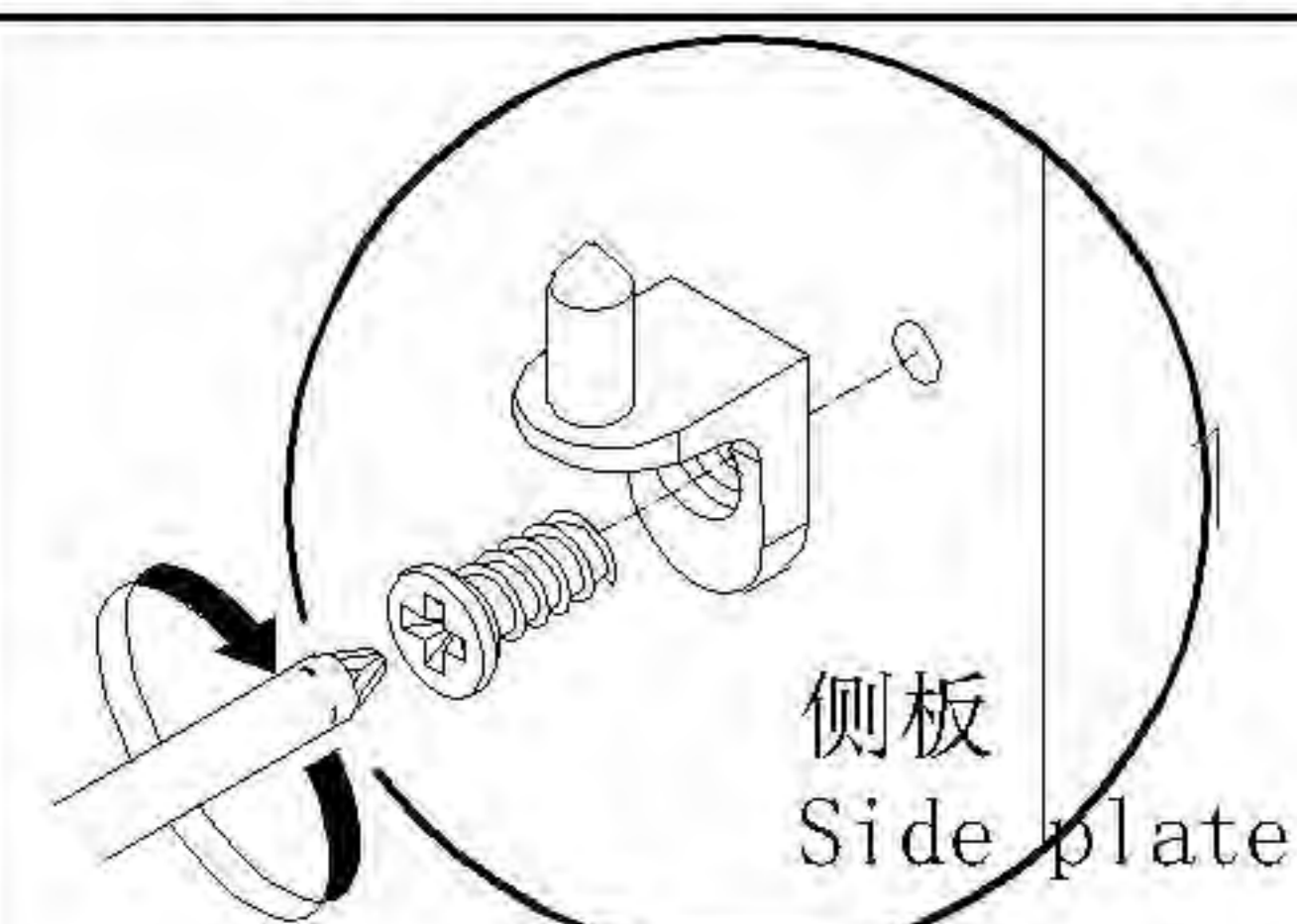
3

- (A)\*24
- (B)\*24
- (C)\*10

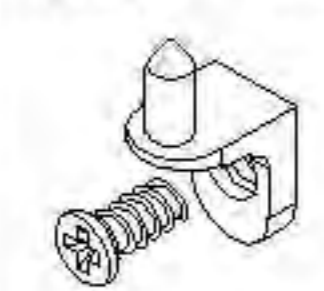


4

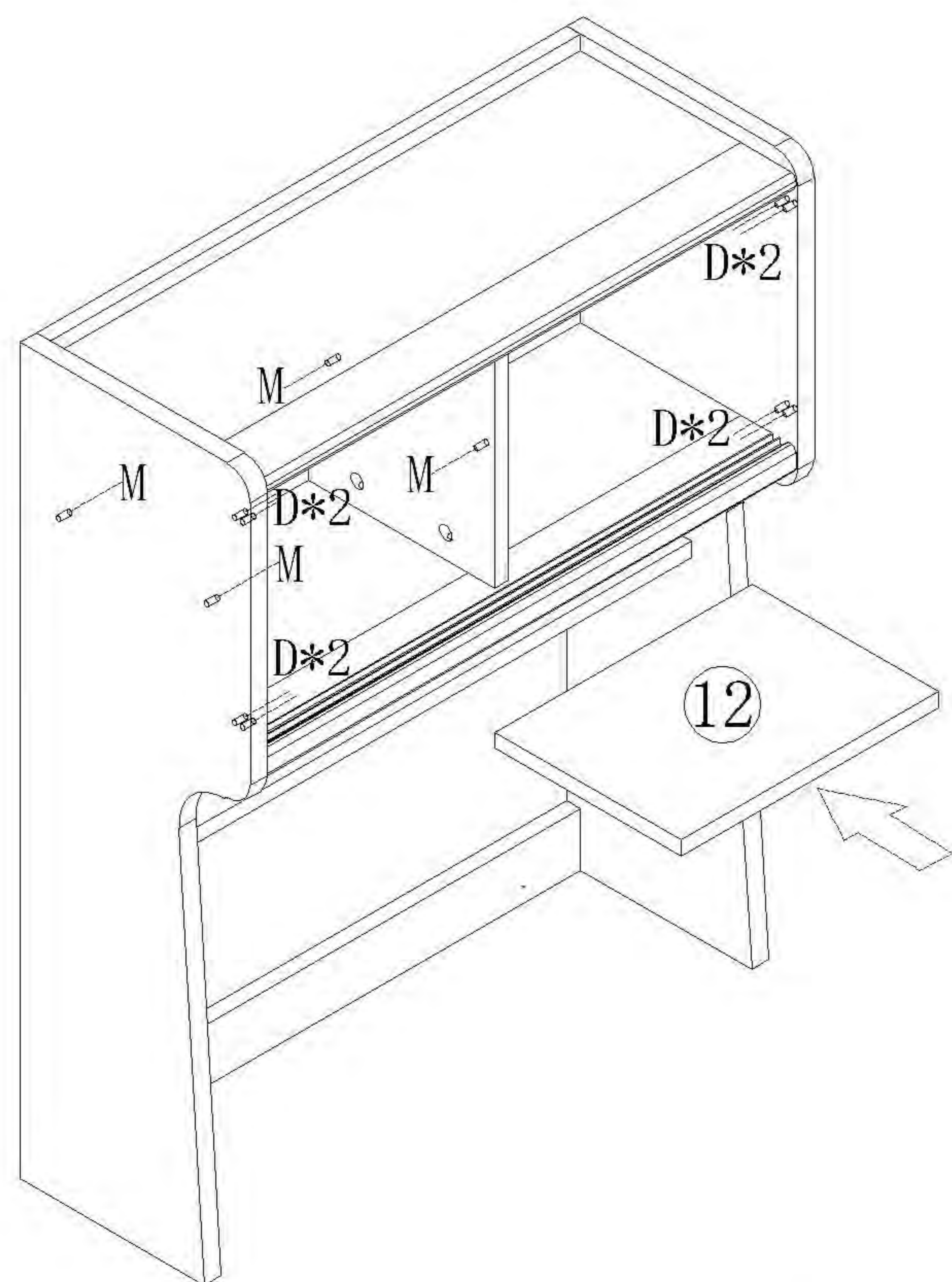
安装方法/  
Installation method



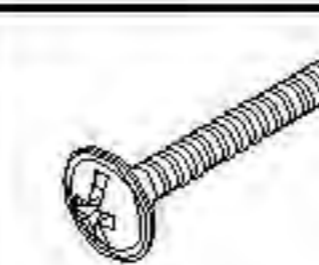
(D)\*8



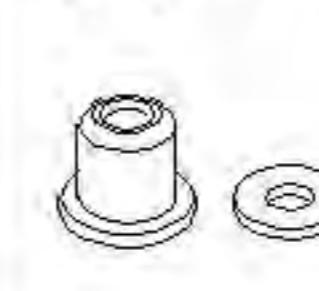
(M)\*4



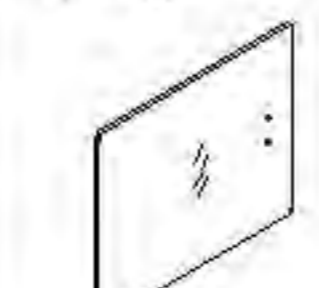
5



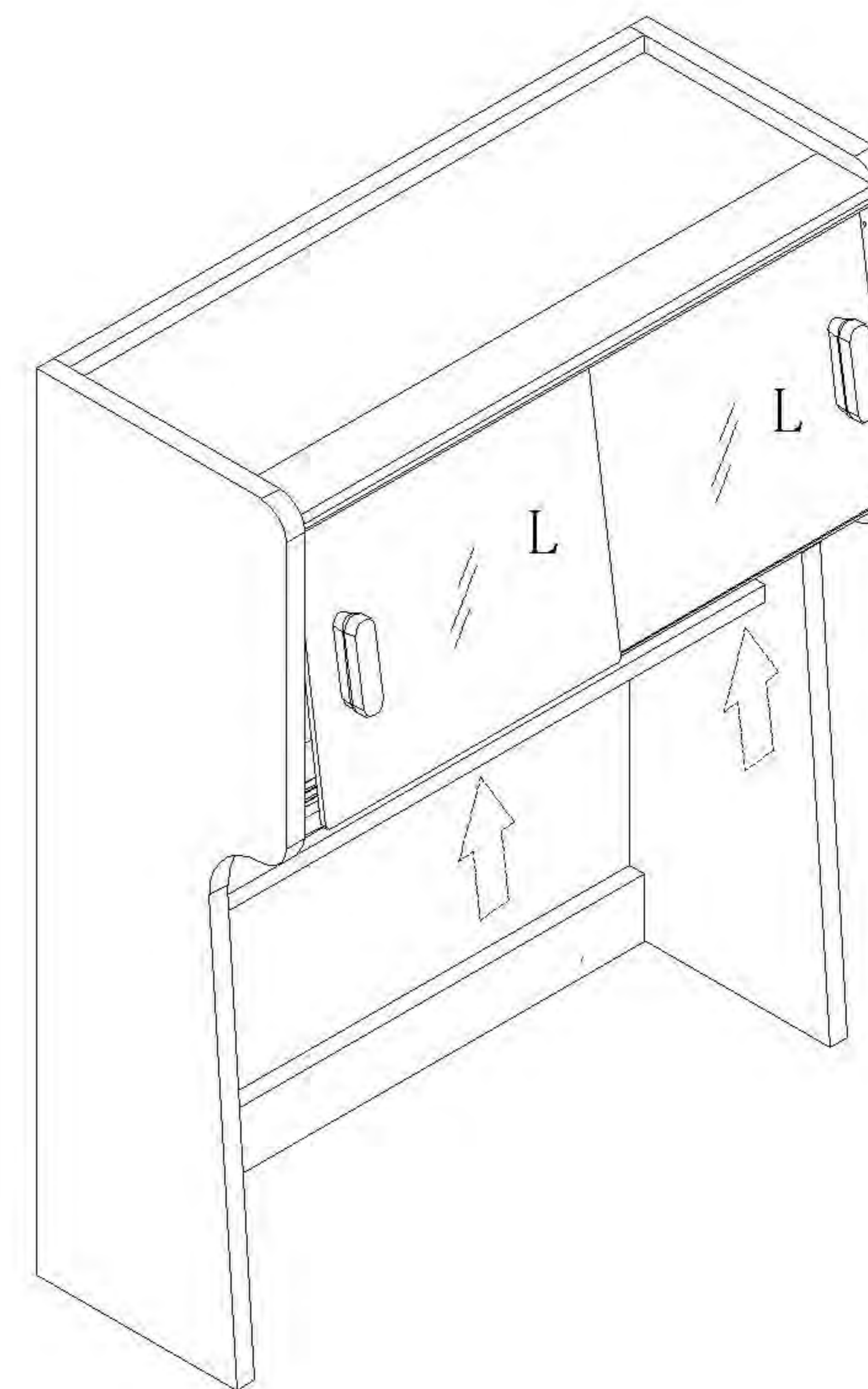
(F)\*4



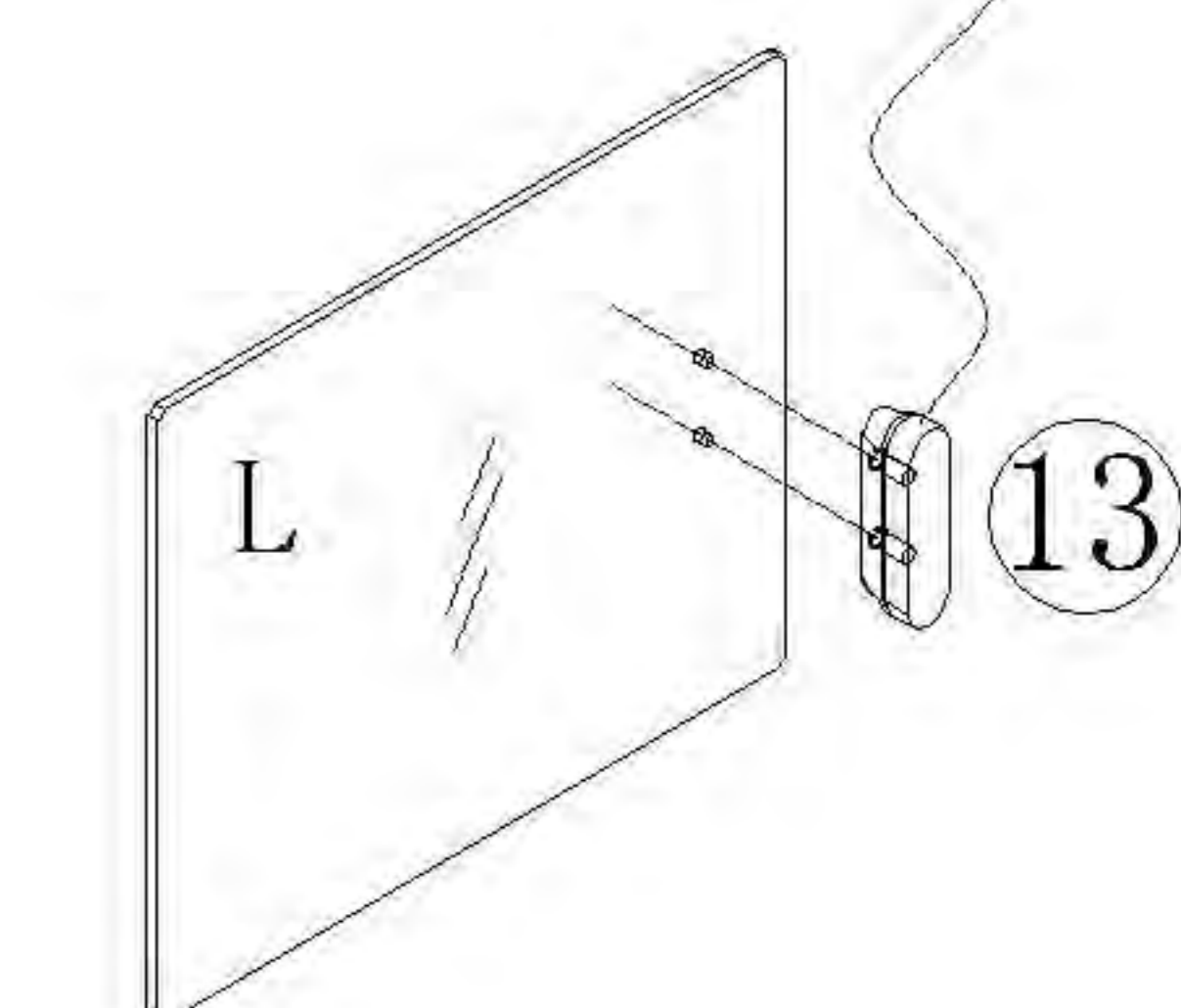
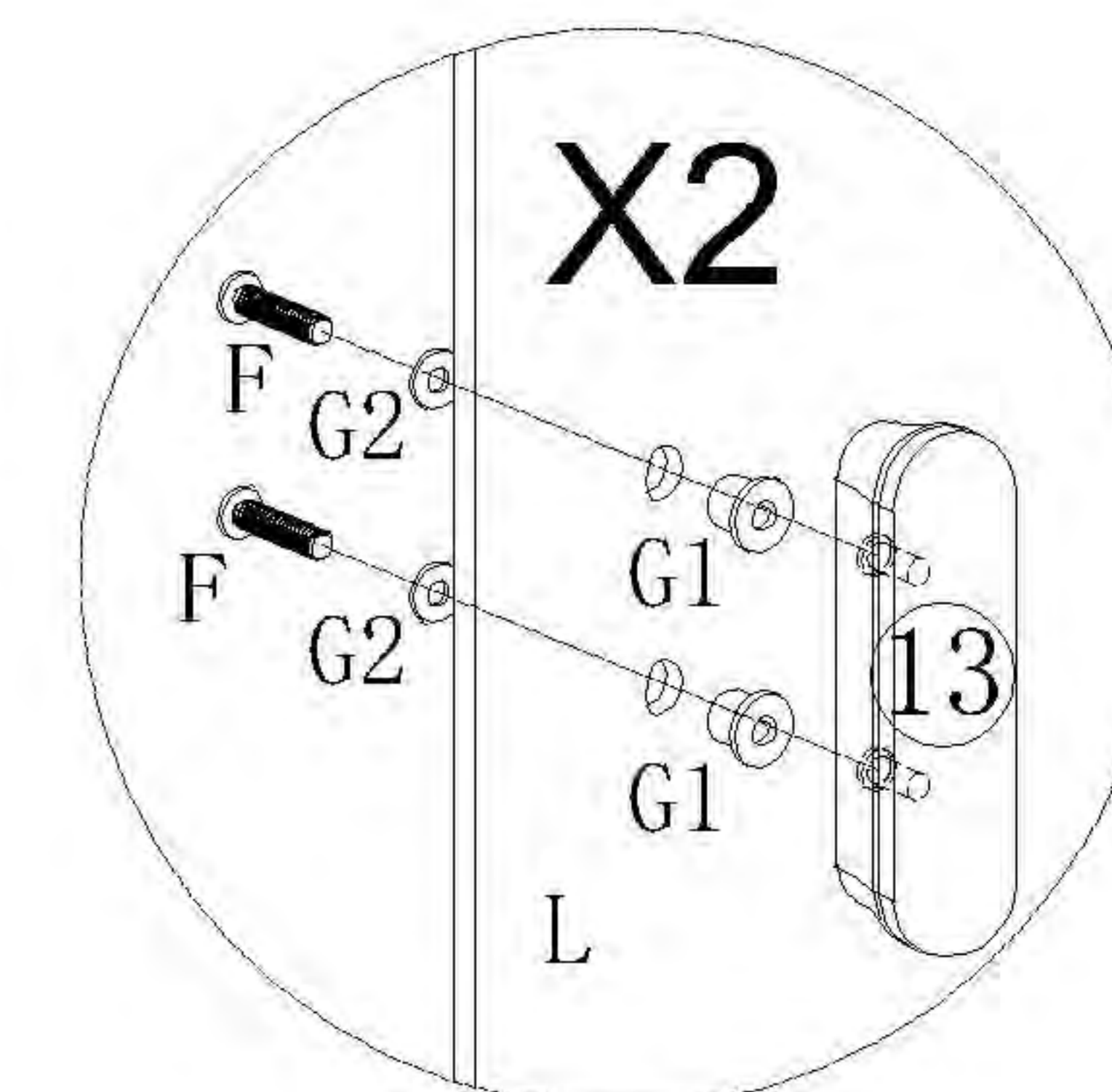
(G)\*4



(L)\*2

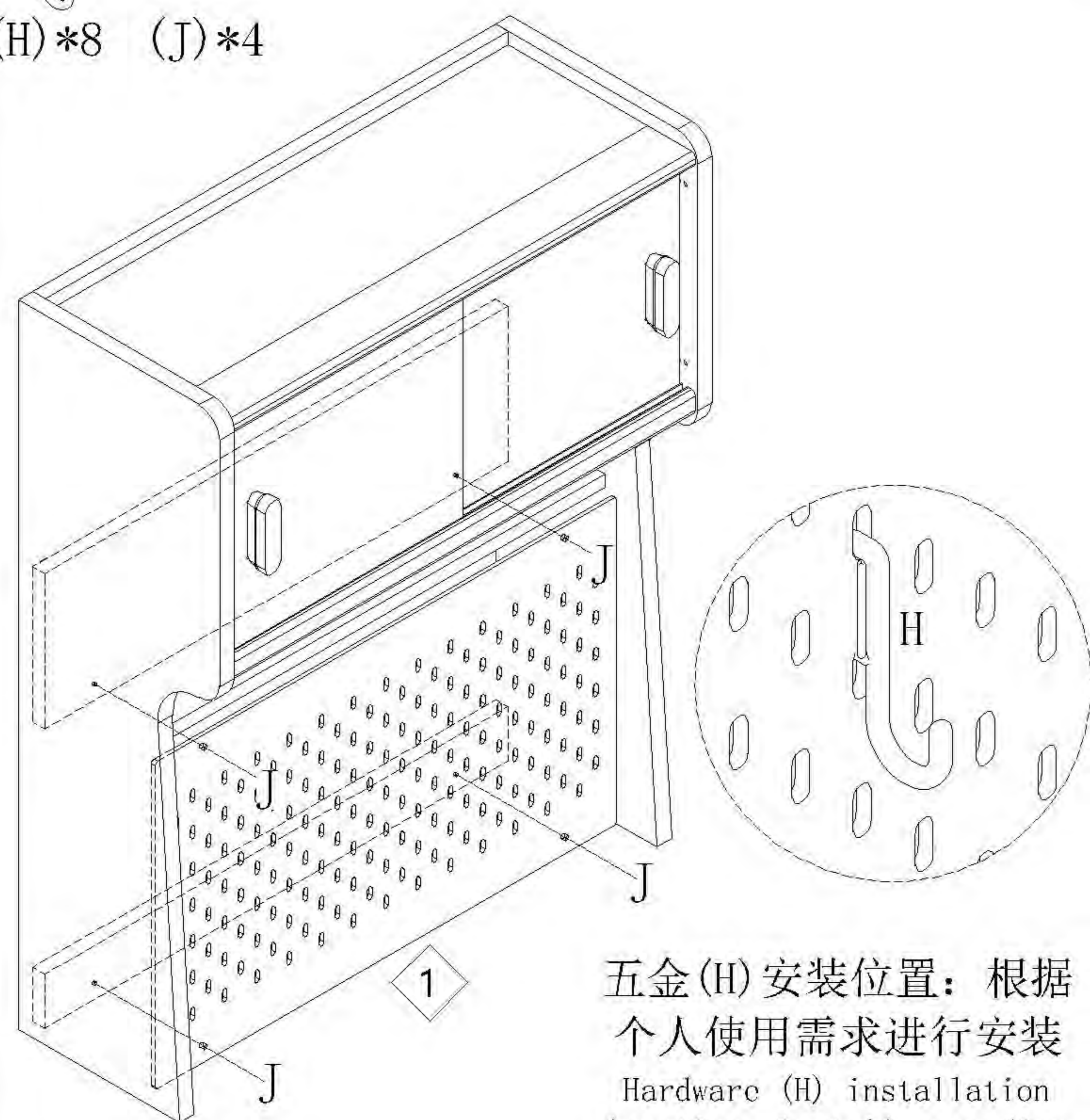


6



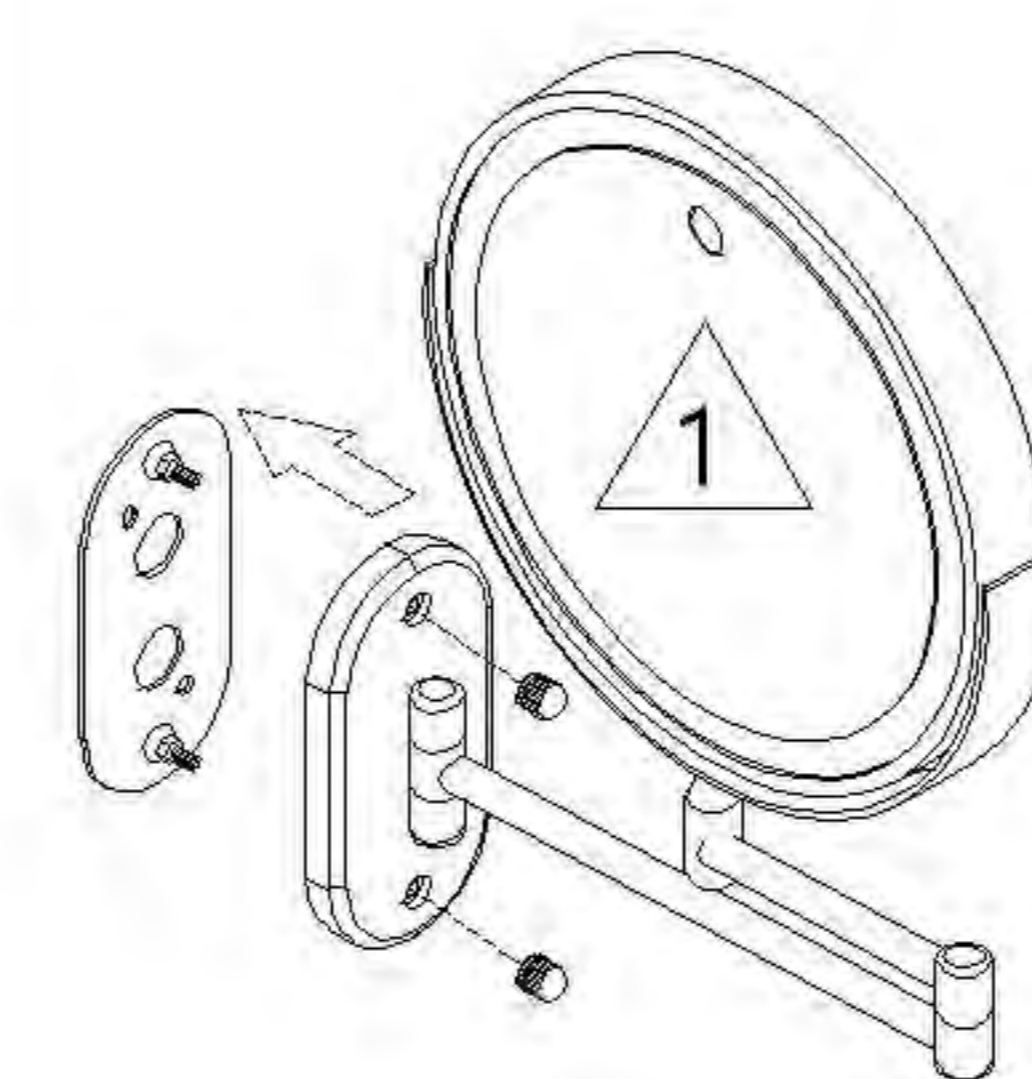
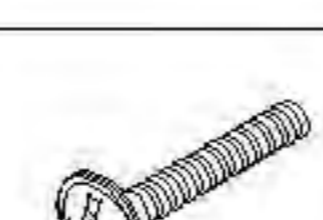
(H)\*8 (J)\*4

7

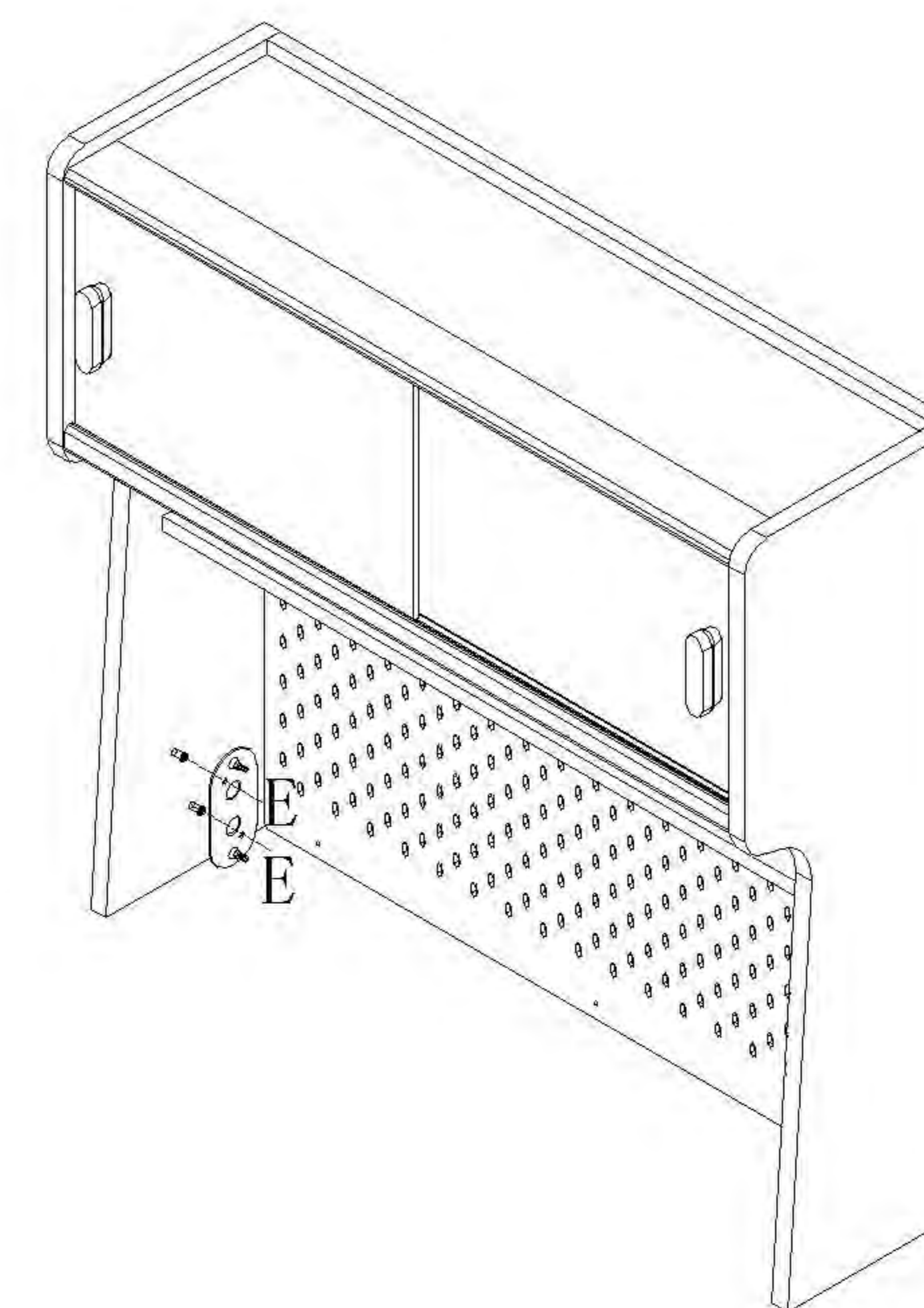


五金(H)安装位置: 根据个人使用需求进行安装  
Hardware (H) installation location: Install according to personal usage needs

(E)\*2

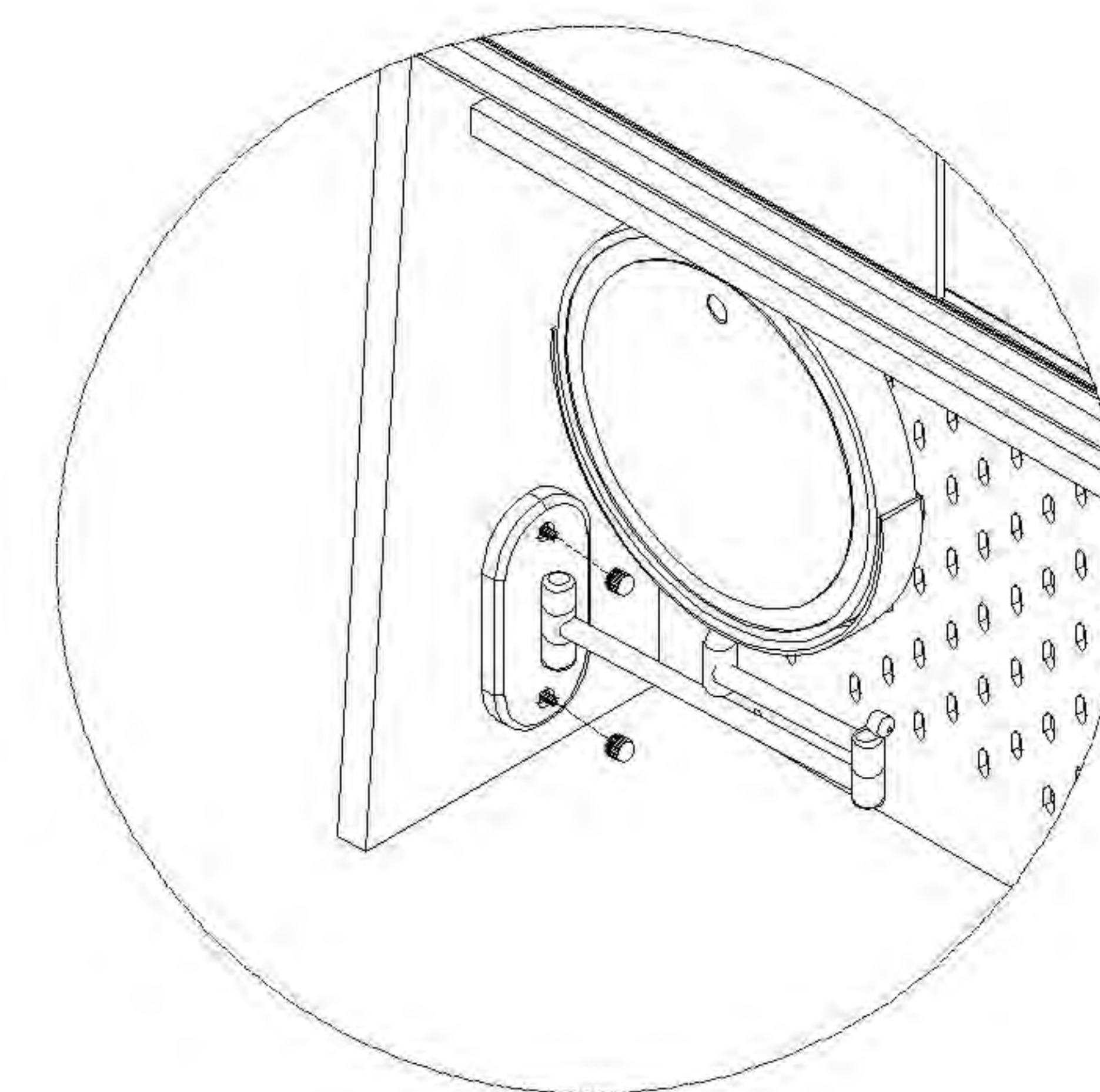


步骤1: 首先拧下妆镜的螺帽取下底座铁片  
Step 1: First, unscrew the nut of the makeup mirror and remove the base iron plate

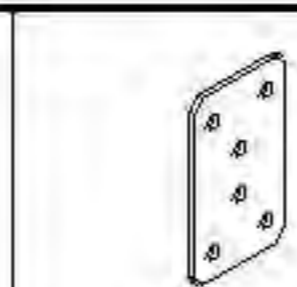


步骤2: 使用五金E安装铁片在侧板对应孔位上  
Step 2: Use hardware E to install iron plates in the corresponding holes on the side panel

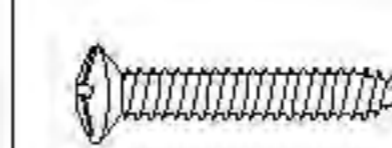
8



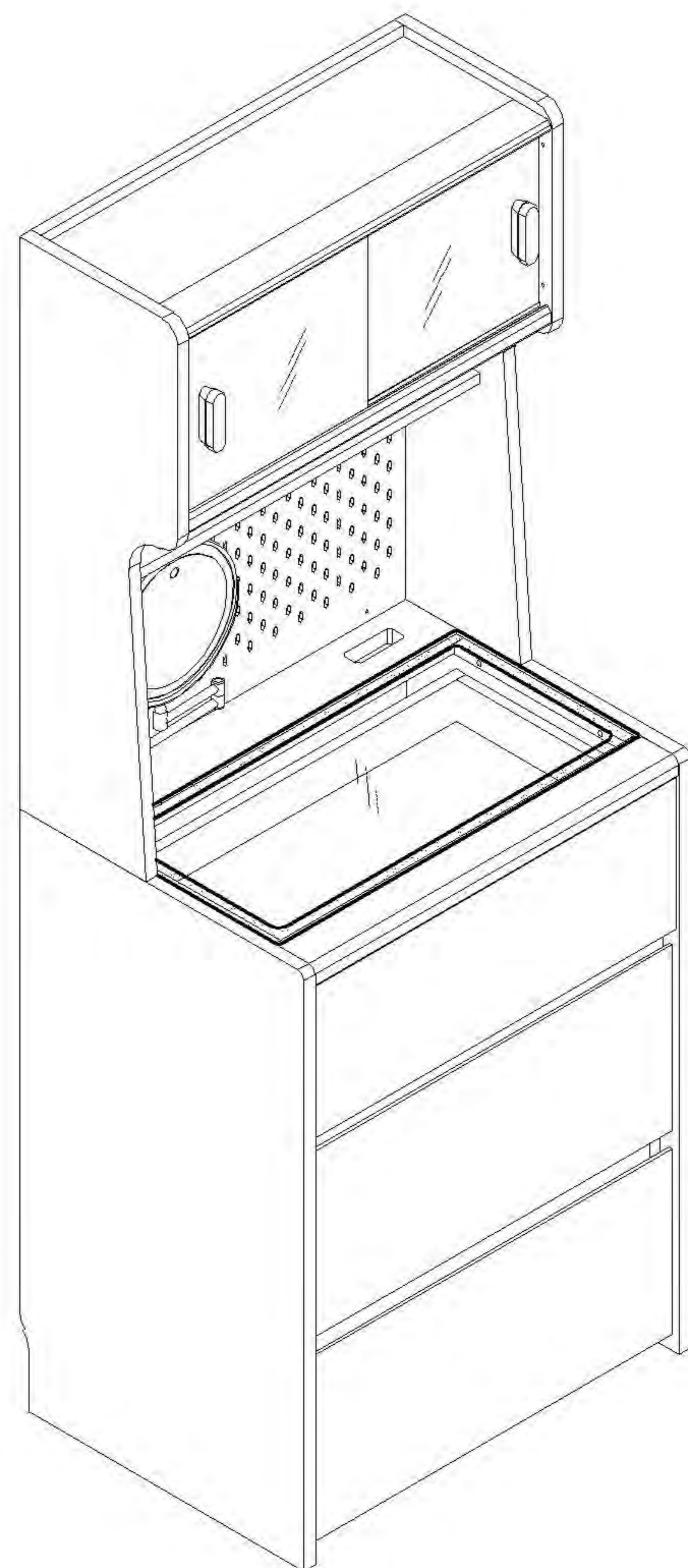
步骤3: 把底座安装在铁片上后拧紧螺帽安装  
Step 3: Install the base on the iron sheet and tighten the nut for installation



(I)\*2



(J)\*8



注意：上柜需与下柜搭配使用并安装固定铁片、防倒器；下柜的安装步骤请查看购买的下柜型号安装说明书，此处下柜为参考示意图。

Attention: The upper cabinet should be used in conjunction with the lower cabinet and installed with fixed iron plates and anti tipping devices; Please refer to the installation manual of the purchased lower cabinet model for the installation steps of the lower cabinet. Here is a reference diagram for the lower cabinet.

UD4C-A 0.5m一体高柜妆台

产品规格Specification: 514\*450\*1603mm

该组合所包含的半成品如下：

The semi-finished products included in the portfolio are as follows:

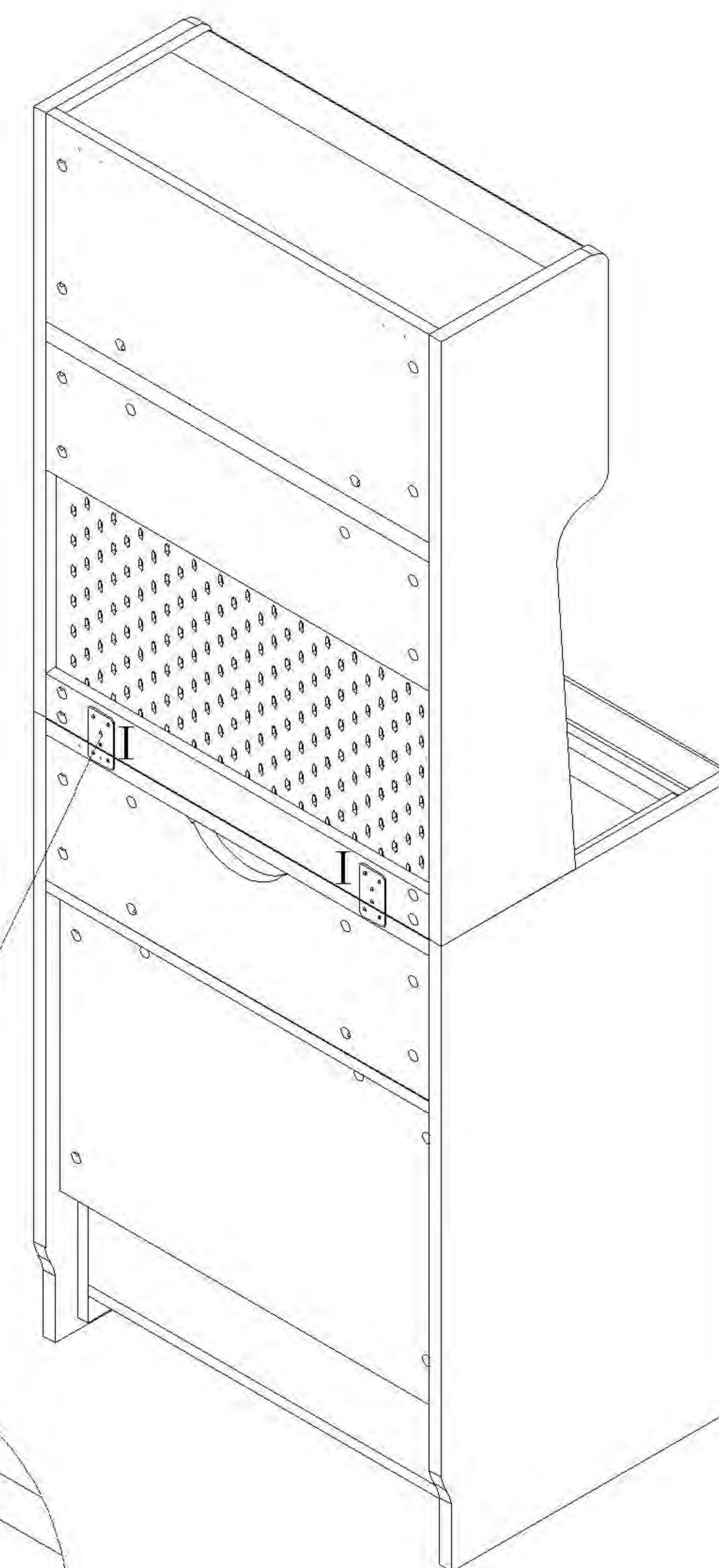
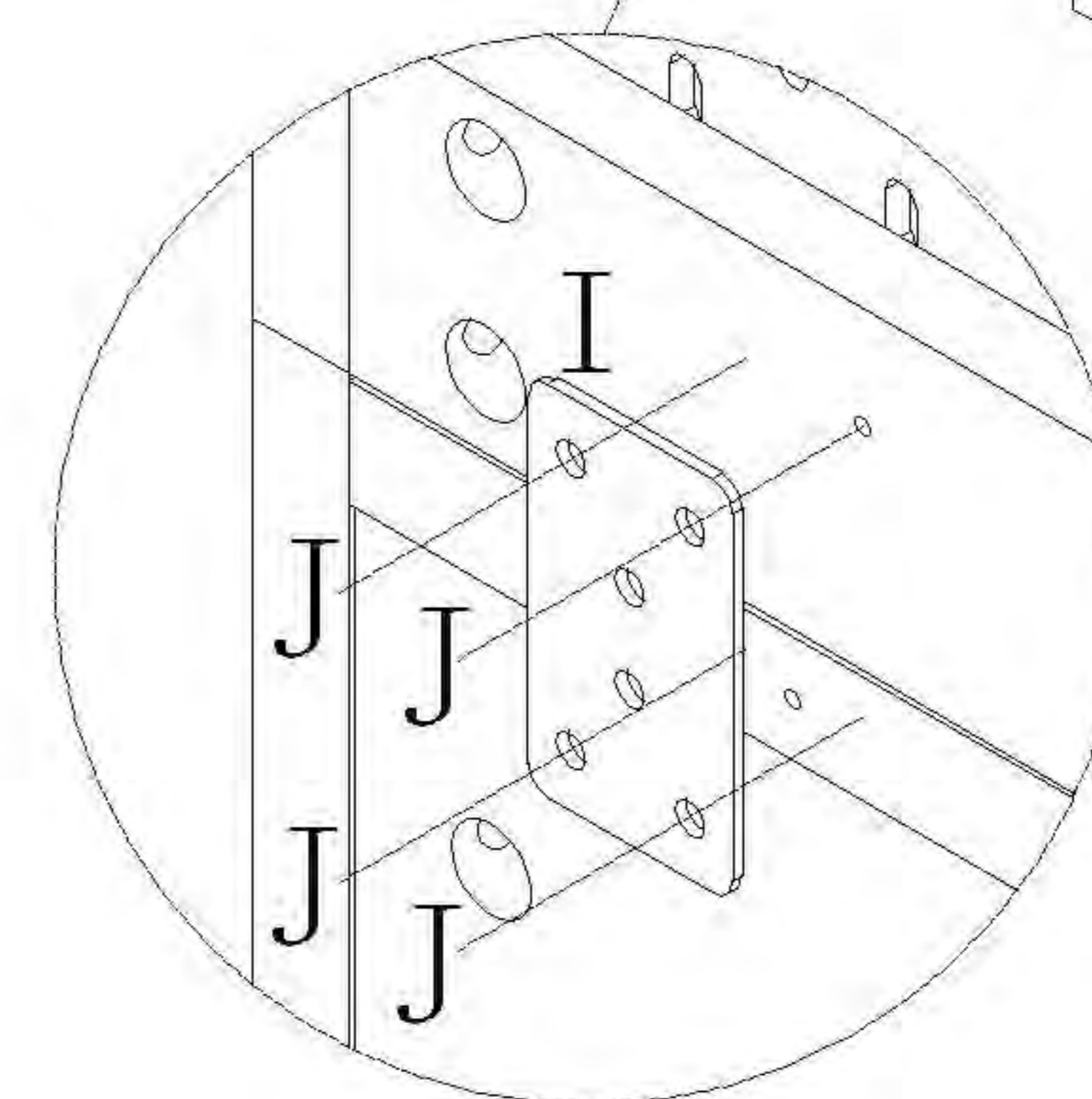
UD4C-A 0.5m一体妆台 主体

UD4C-A 0.5m一体妆台 座包

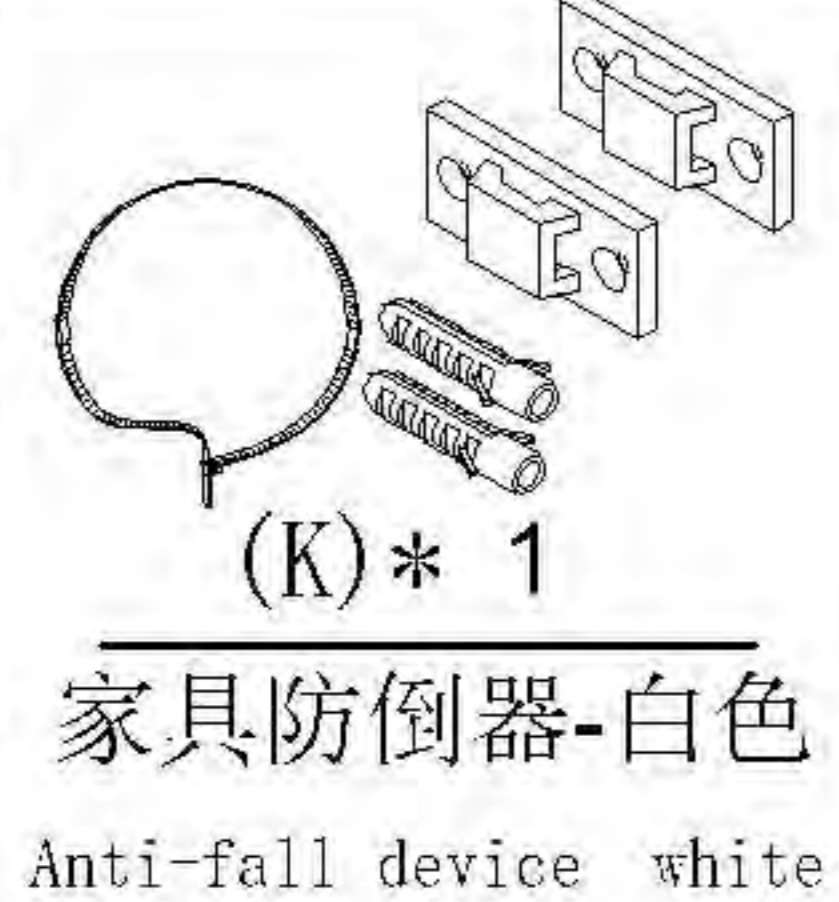
UD4C-A 0.5m一体妆台 上柜

UD4C-A 0.5m一体妆台 洞洞板

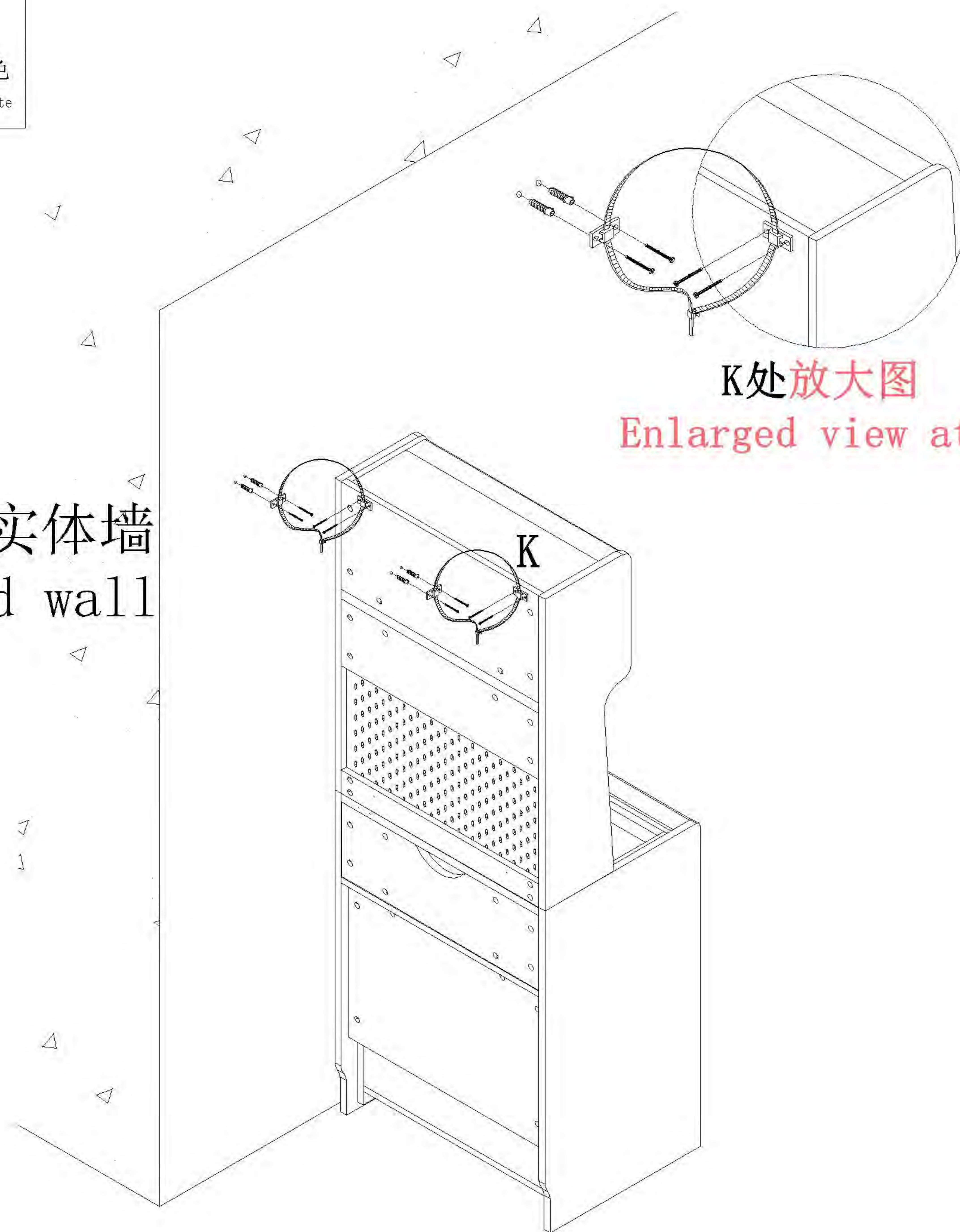
UD4C-A 一体妆台 妆镜



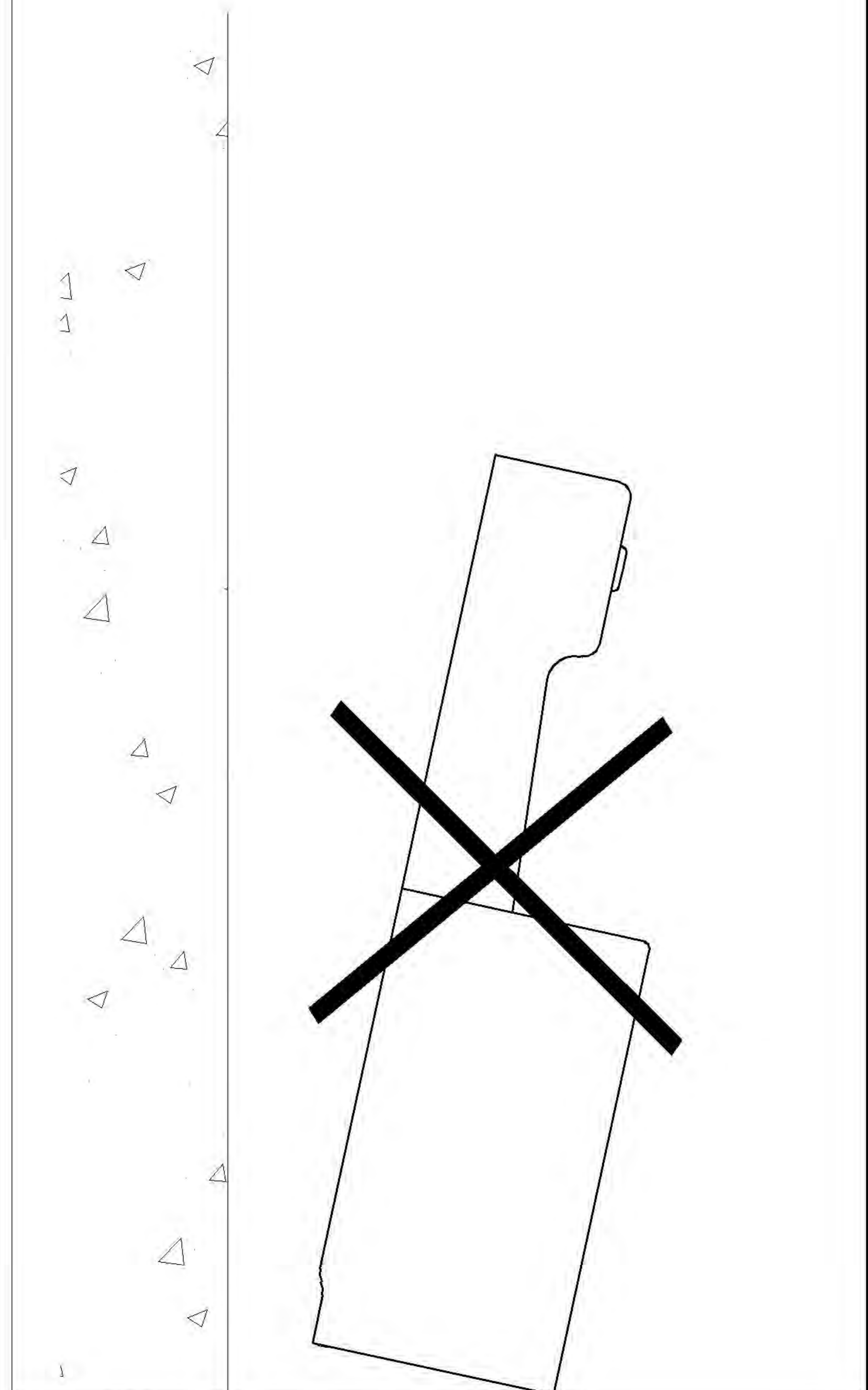
安装方法/  
Installation method



实体墙  
Solid wall

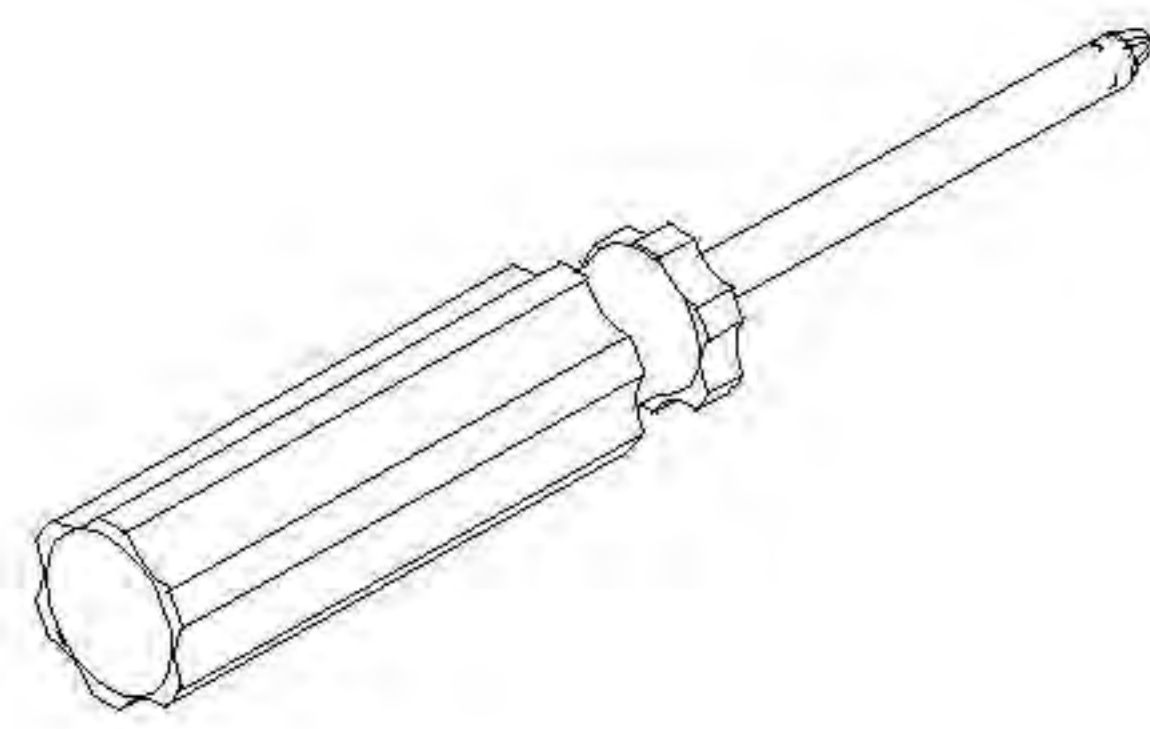
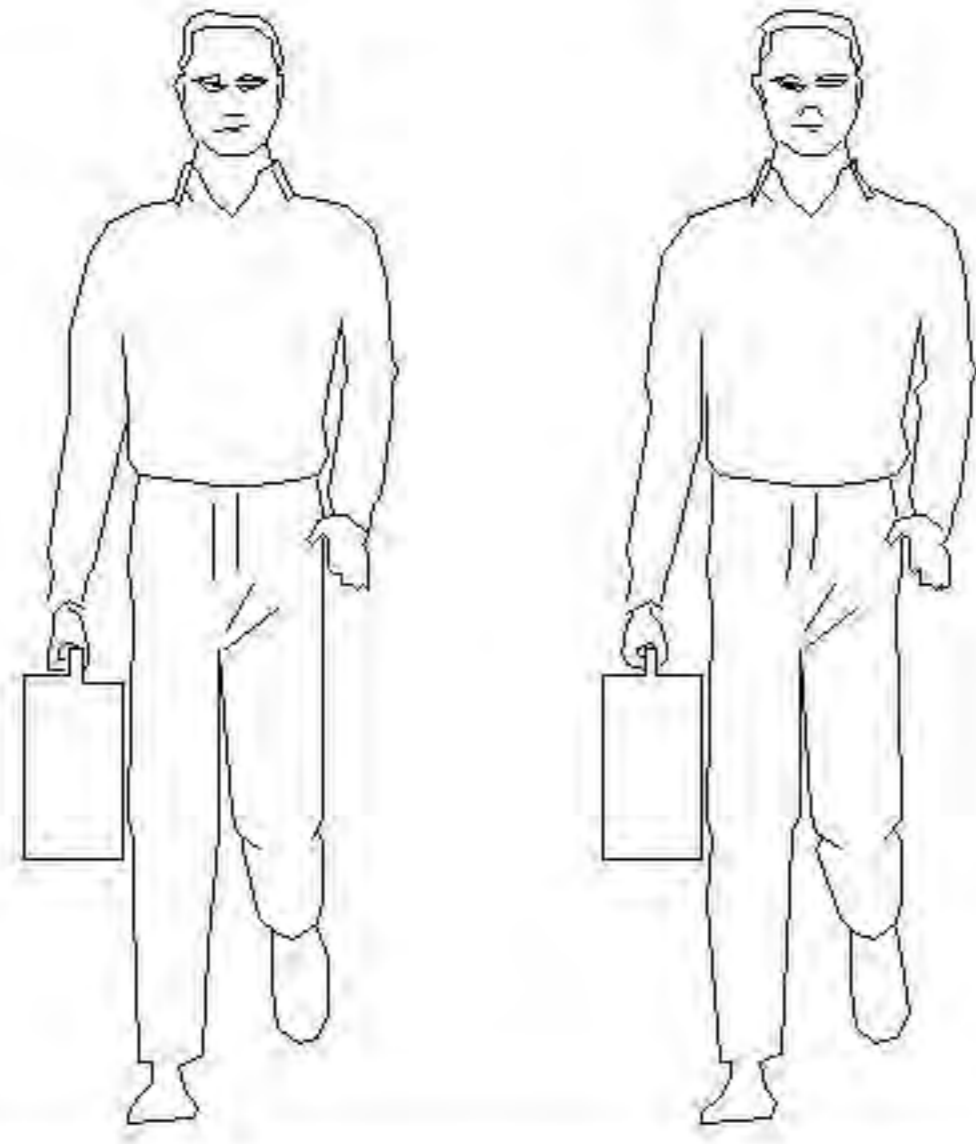


K处放大图  
Enlarged view at K



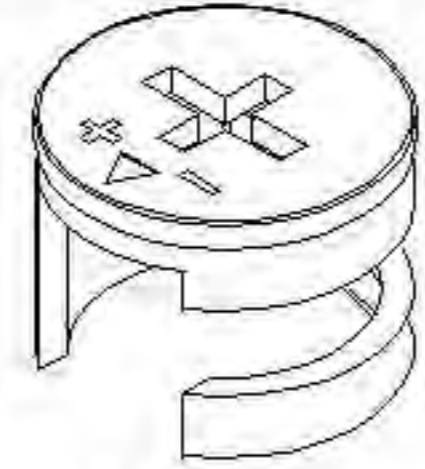
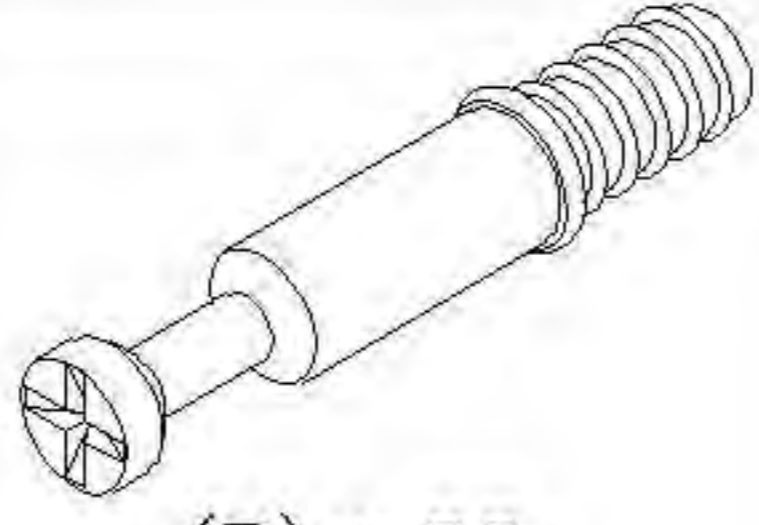
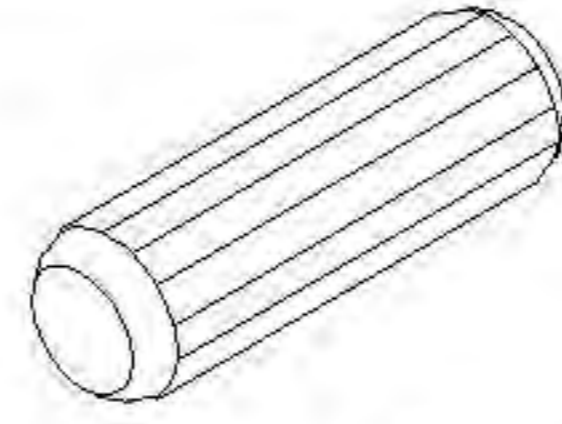
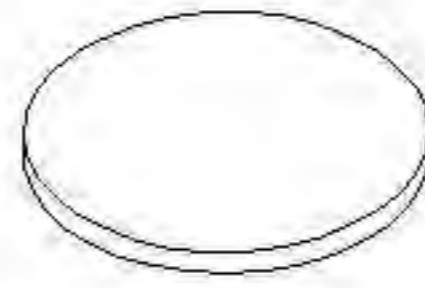

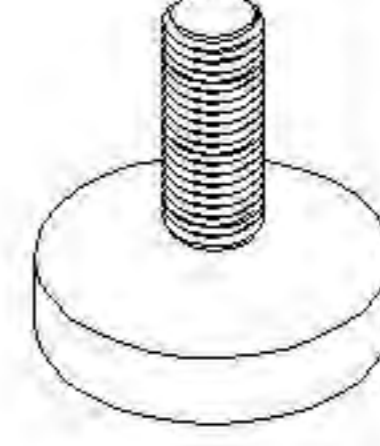
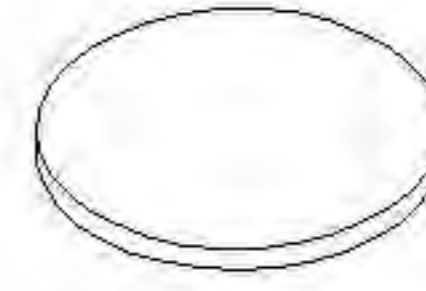
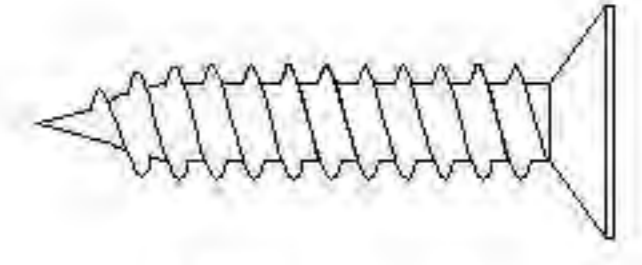
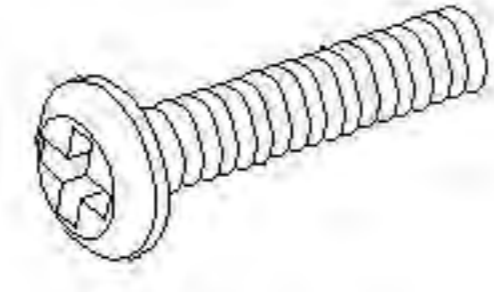
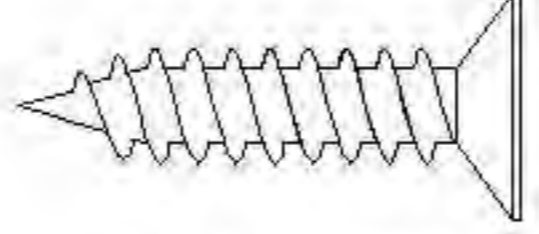
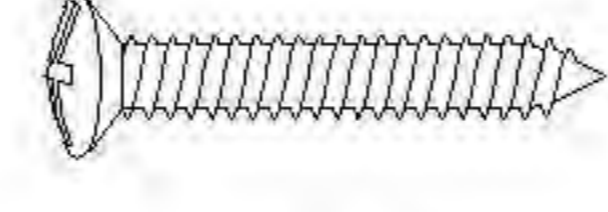
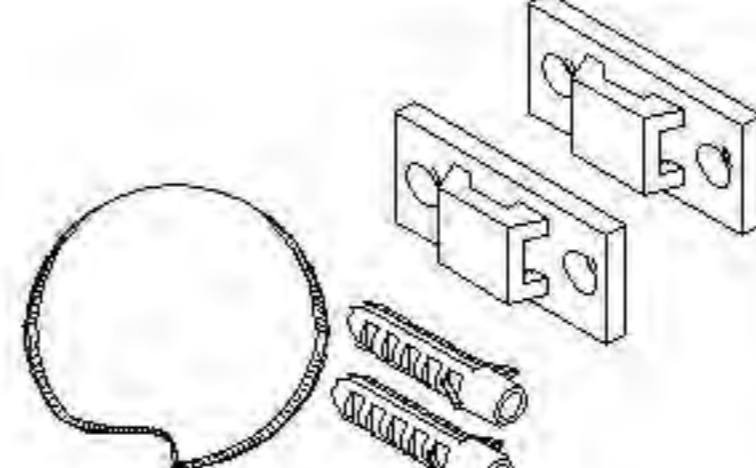
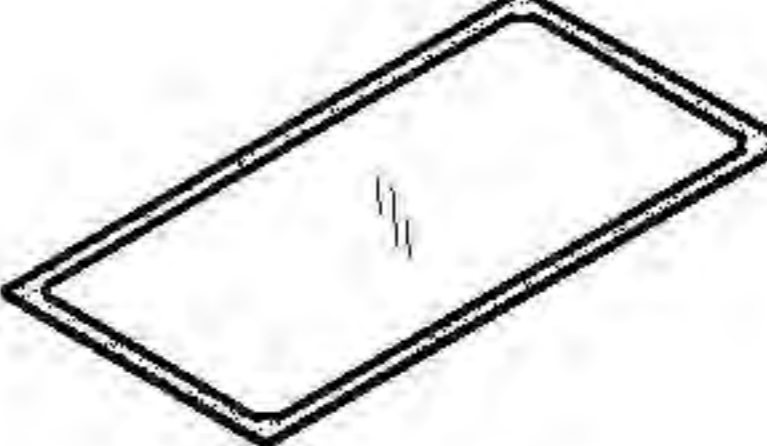
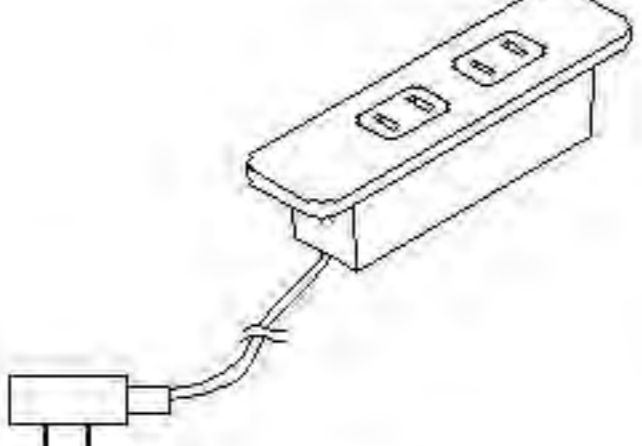
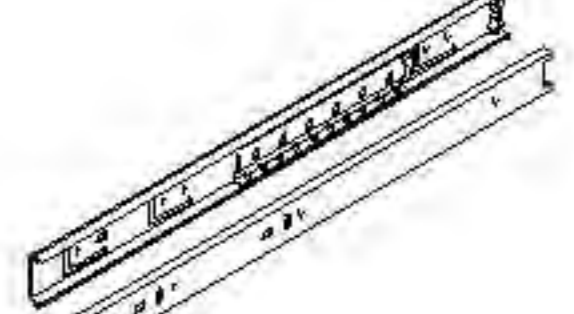
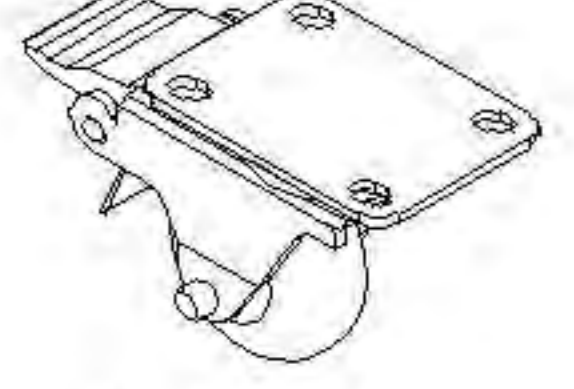
注意：上柜与下柜安装好后需安装防倒器，  
上下柜都配有防倒器，请将防倒器安装在图中上柜的位置。  
Note: After the upper and lower cabinets are installed, an anti-tip  
device should be installed.  
The upper and lower cabinets are equipped with anti-tipping devices.  
Install the anti-tipping devices at the positions on the upper  
cabinets in the figure.

### 安装示意图/Assembly Instruction

产品名称 Model NO.	0.6m一体妆台
产品型号 Product Model	UD4C-A
尺寸规格 Specification	(610*450*820)mm
安装工具 Tool	安装人数 Installer
	

注：为保证设计效果，部分尺寸为定制尺寸，不影响使用。



 (A)* 80 大三合一锁饼 Three-in-one large lock	 (B)* 80 二合一螺杆 2-in-1-screw	 (C)* 21 木榫Ø8x30mm wood tenon	 (D)* 4 圆胶垫 Round rubber pad	 (E)* 10 角码 Corner code	 (F)* 4 调节五金脚-20*25mm Adjusting foot	 (G)* 4 灰色毛毡脚垫 Footrest - Grey	 (H)* 4 自攻螺丝M4x20mm Self-tapping screw
 (I)* 4 斜边十字螺杆-M6x20 bevel cross screw	 (J)* 61 自攻螺丝M3.5x14mm Self-tapping screw	 (K)* 17 自攻大扁M4*16mm Self tapping flat screw	 (L)* 1 家具防倒器-白色 Anti-fall device white	 (M)* 1 面板玻璃-572*291*5mm Panel glass	 (N)* 1 插座 socket	 (O)* 3 三节滚珠导轨-10" three-section ball rail	 (P)* 4 双制脚轮 wheel

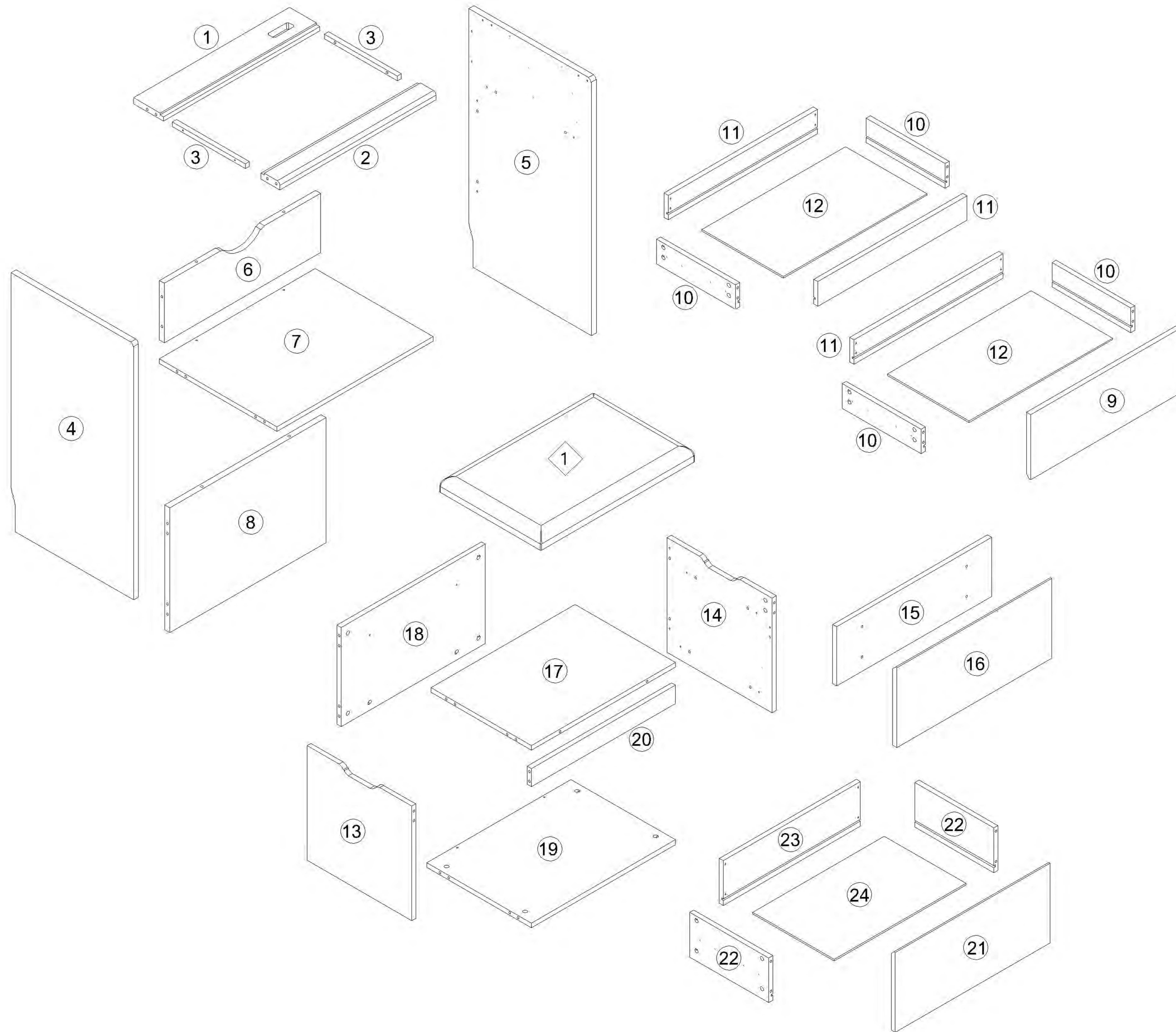
► 注意：防倒器一定要按图安装！

Be careful: The anti fall device must be installed!

► 注：抽面与柜体的间隙，为设计开启抽面使用，小心夹伤！

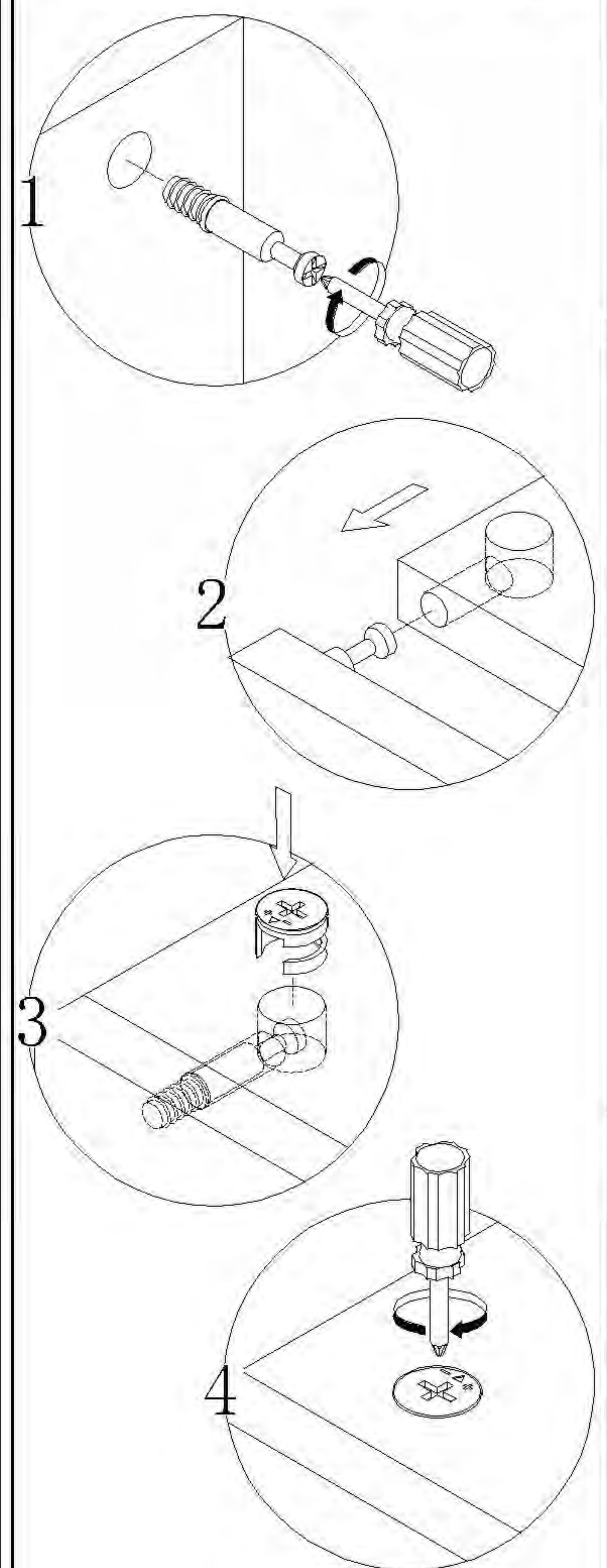
Note: The gap between the drawer panel and the cabinet is designed for opening the drawer panel. Be careful of pinch injuries!

UD4C-A (0.6m一体妆台)	部件表/Parts List					部件表/Parts List				
安装方法/ Installation method	编号NO.	名称Name	规格 (mm) Specification	数量QTY	材质Material	编号NO.	名称Name	规格 (mm) Specification	数量QTY	材质Material
		UD4C-A 0.6m一体妆台 主体: Dressing Table Body					UD4C-A 0.6m一体妆台 座包: Dressing Table Seat			
	①	面板1 Top panel 1	574*110*20	1	橡胶木 Rubber wood	①	座包 Seat	566*373*50	1	布料+纤维板+海绵 Cloth+Fiberboard+Sponge
	②	面板2 Top panel 2	574*70*25	1	橡胶木 Rubber wood					
	③	垫条1 Cushion strip 1	268*15*15	2	橡胶木 Rubber wood					
	④	左下侧板 Lower side board(L)	817*450*18	1	纤维板 Fiberboard					
	⑤	右下侧板 Lower side board(R)	817*450*18	1	纤维板 Fiberboard					
	⑥	上背板 Upper back board	574*189*18	1	纤维板 Fiberboard					
	⑦	上层板 Upper shelf	574*433*15	1	刨花板 Particle board					
	⑧	下背板 Lower back board	574*398*18	1	纤维板 Fiberboard					
	⑨	下抽屉面板 Bottom drawer's panel	570*207*15	1	刨花板 Particle board					
	⑩	抽屉侧板 Drawer side board	290*78*15	4	刨花板 Particle board					
	⑪	抽屉后板 Drawer Back panel	548*78*15	3	刨花板 Particle board					
	⑫	抽屉底板 Drawer Bottom panel	528*300*5	2	纤维板 Fiberboard					
	⑬	附柜左侧板 Sideboard of attached cabinet(L)	385*365*15	1	刨花板 Particle board					
	⑭	附柜右侧板 Sideboard of attached cabinet(R)	385*365*15	1	刨花板 Particle board					
	⑮	靠背 Backrest	570*188*15	1	刨花板 Particle board					
	⑯	饰板 Decorating plate	570*254*15	1	刨花板 Particle board					
	⑰	附柜层板 Shelf of attached cabinet	530*369*15	1	刨花板 Particle board					
	⑱	附柜背板 Attached back board	530*316*15	1	刨花板 Particle board					
	⑲	附柜底板 Attached bottom board	530*384*15	1	刨花板 Particle board					
	⑳	拉条 Brace	530*58*15	1	刨花板 Particle board					
	㉑	附柜抽屉面板 Cabinet drawer's panel	570*254*15	1	刨花板 Particle board					
	㉒	附柜抽屉侧板 Cabinet drawer's sideboard	290*142*15	2	刨花板 Particle board					
	㉓	附柜抽屉后板 Cabinet drawer's back board	504*142*15	1	刨花板 Particle board					
	㉔	附柜抽屉底板 Cabinet drawer's base board	484*300*5	1	纤维板 Fiberboard					



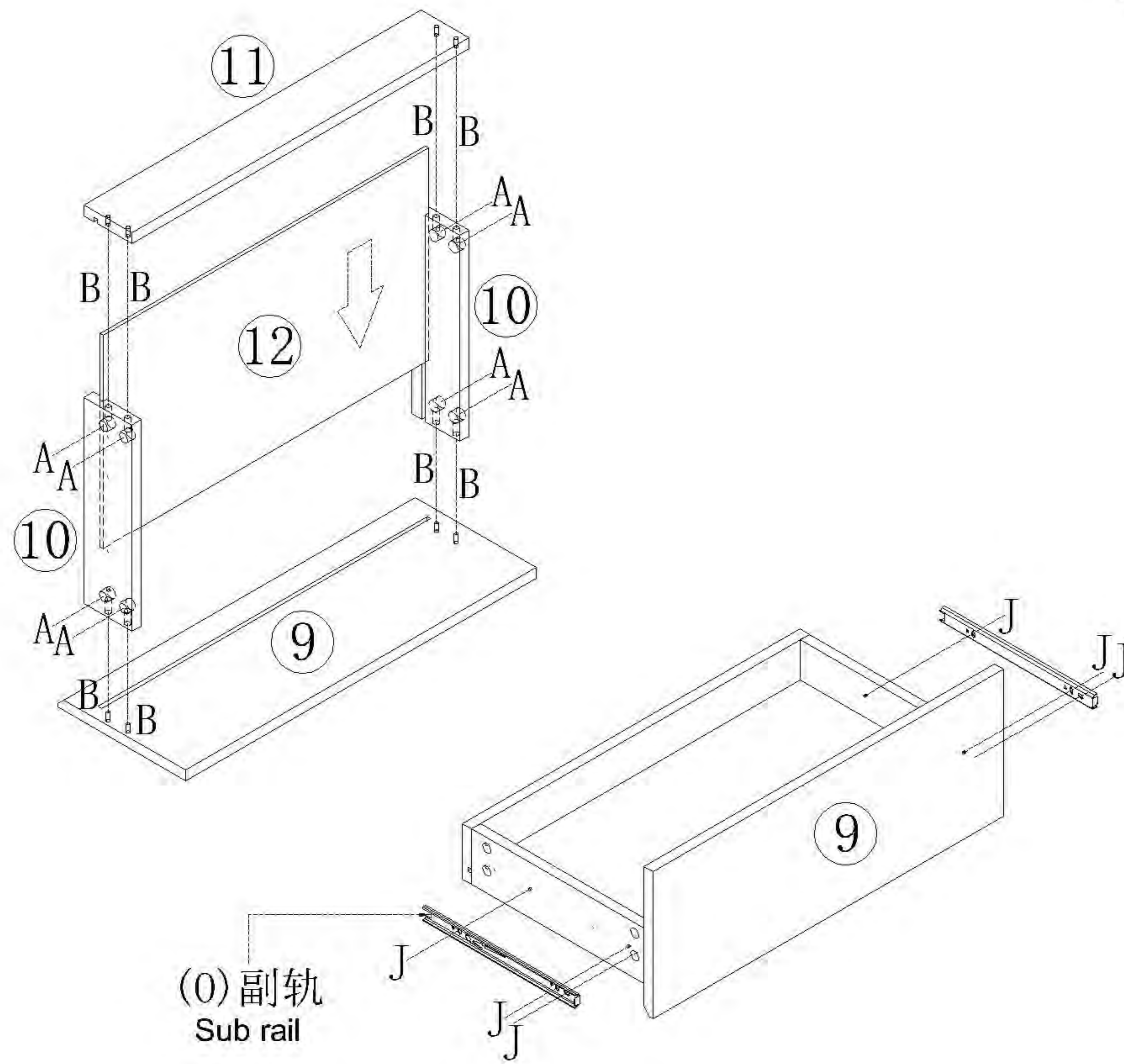
UD4C-A (0.6m一体妆台)

安装方法/  
Installation method



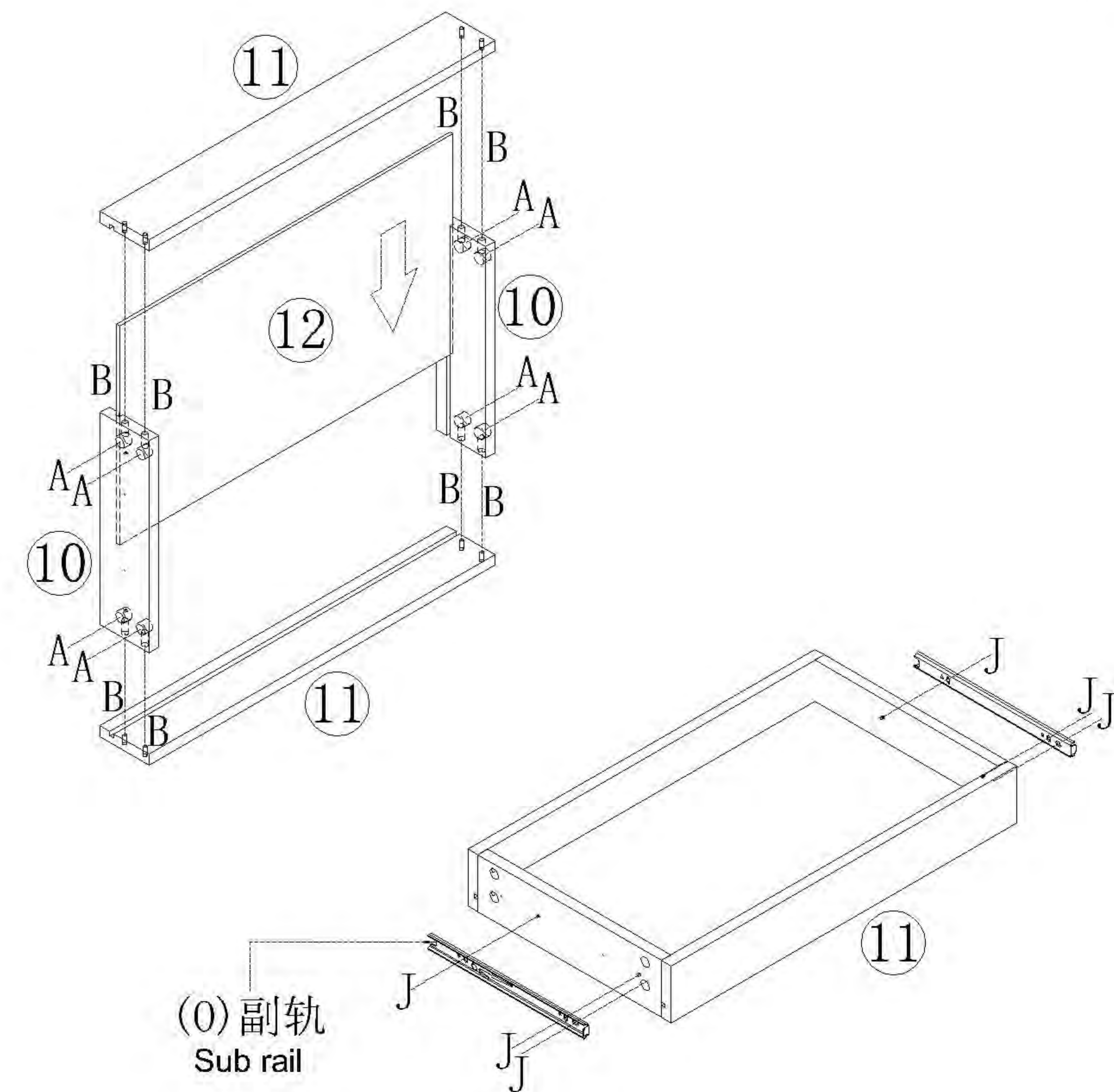
大二合一  
two-in-one

- (A)\*8
- (B)\*8
- (J)\*6
- (O)\*1



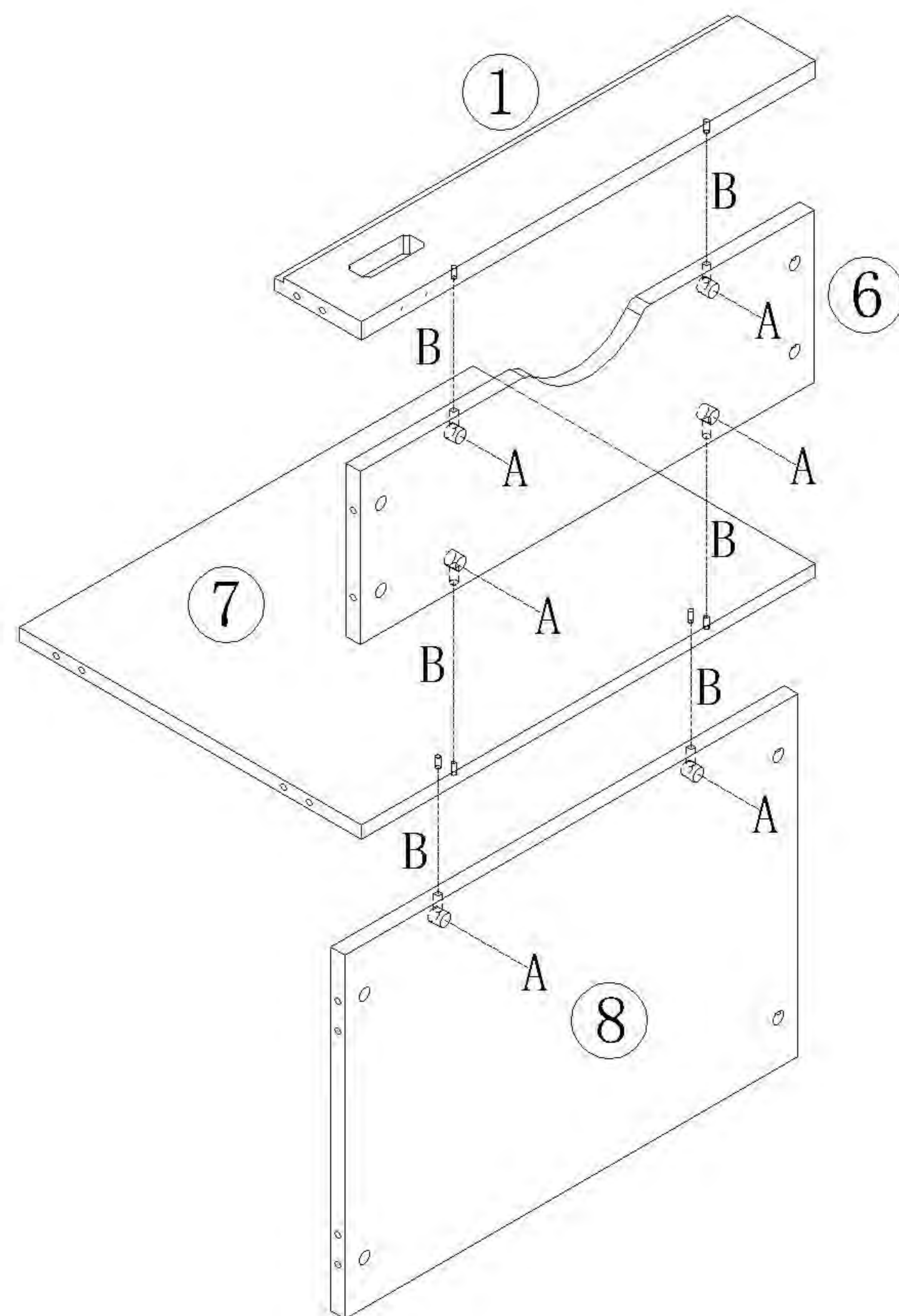
1

- (A)\*8
- (B)\*8
- (J)\*6
- (O)\*1



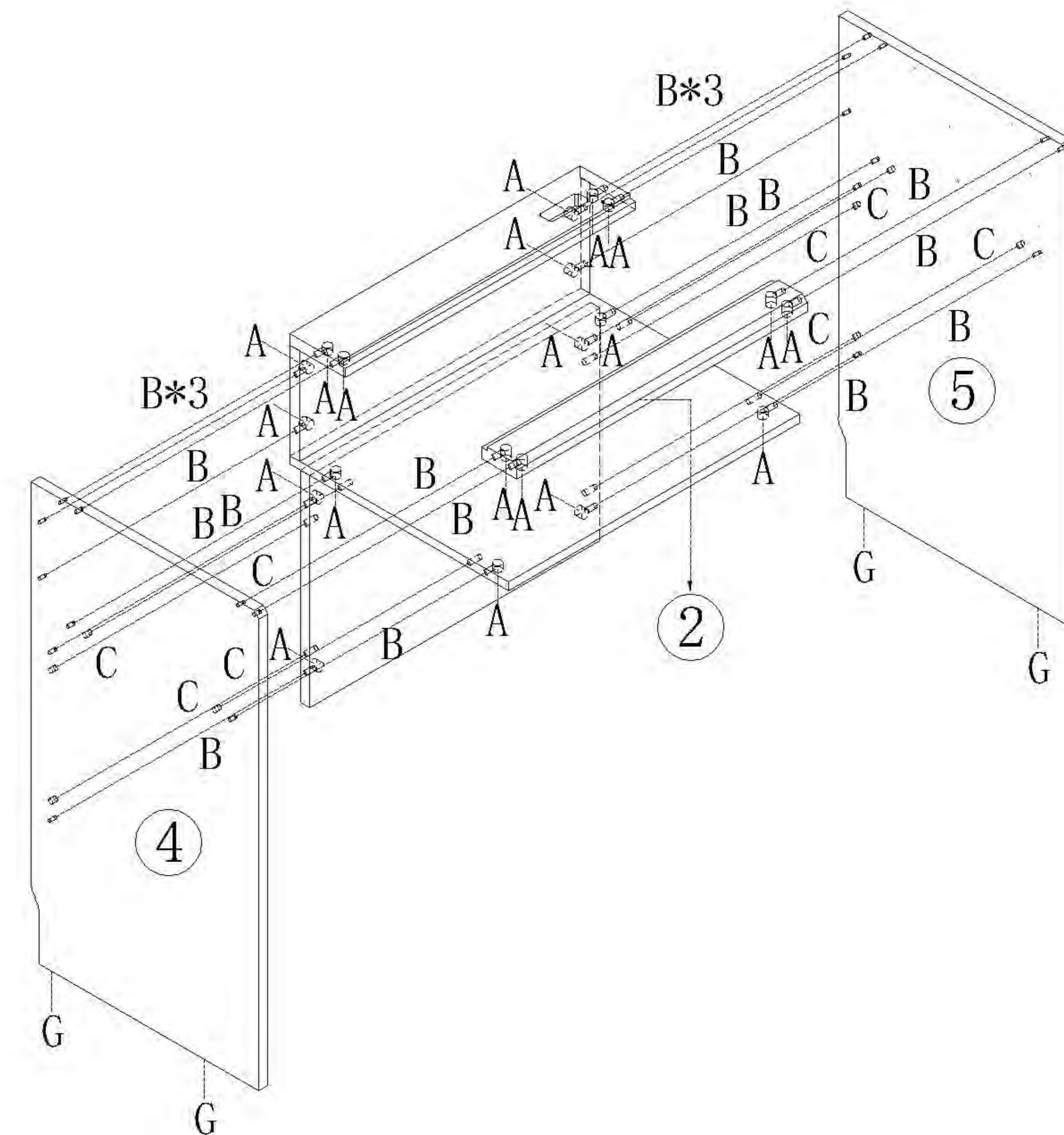
2

- (A)\*6
- (B)\*6



3

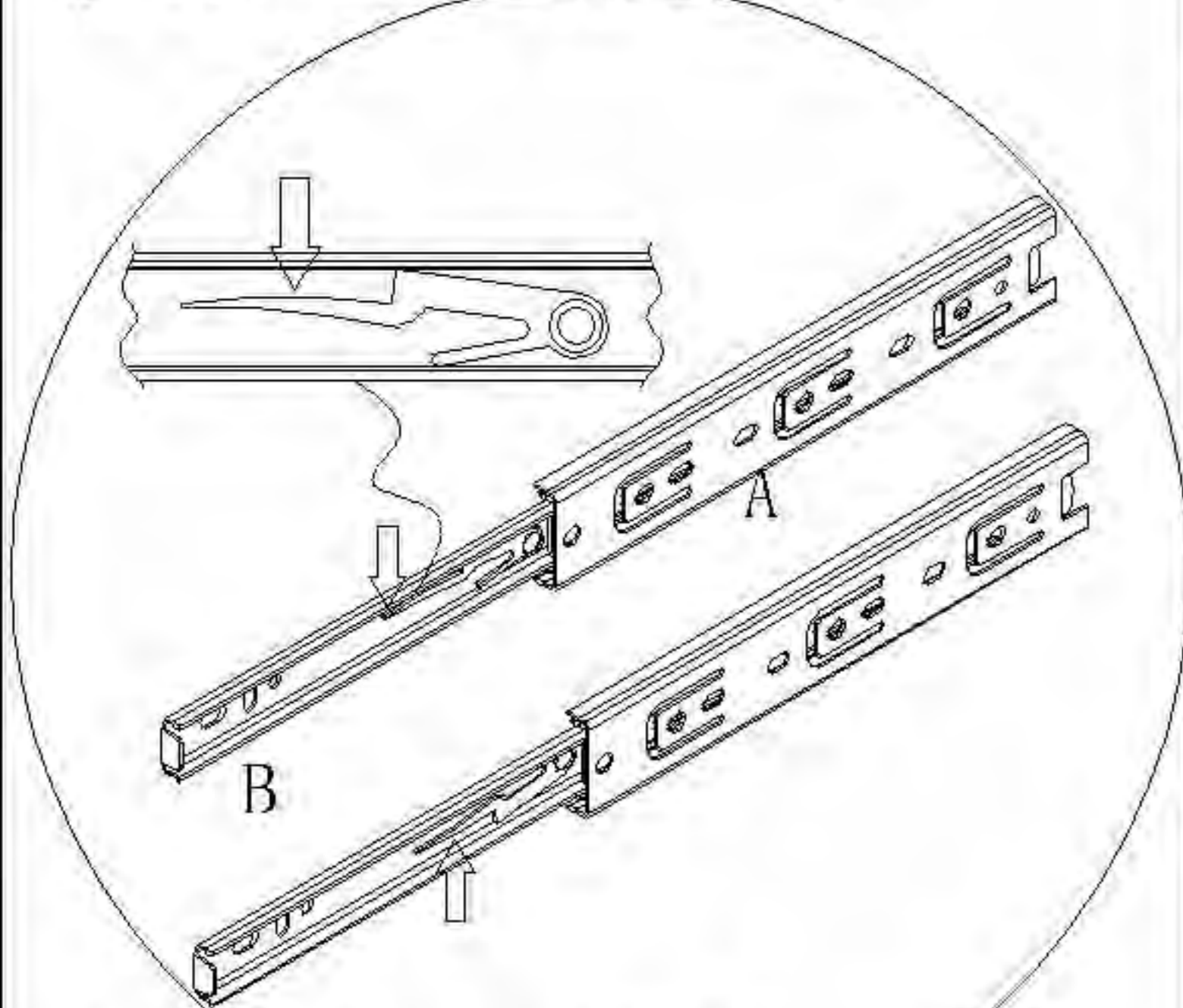
- (A)\*20
- (B)\*20
- (C)\*8
- (G)\*4



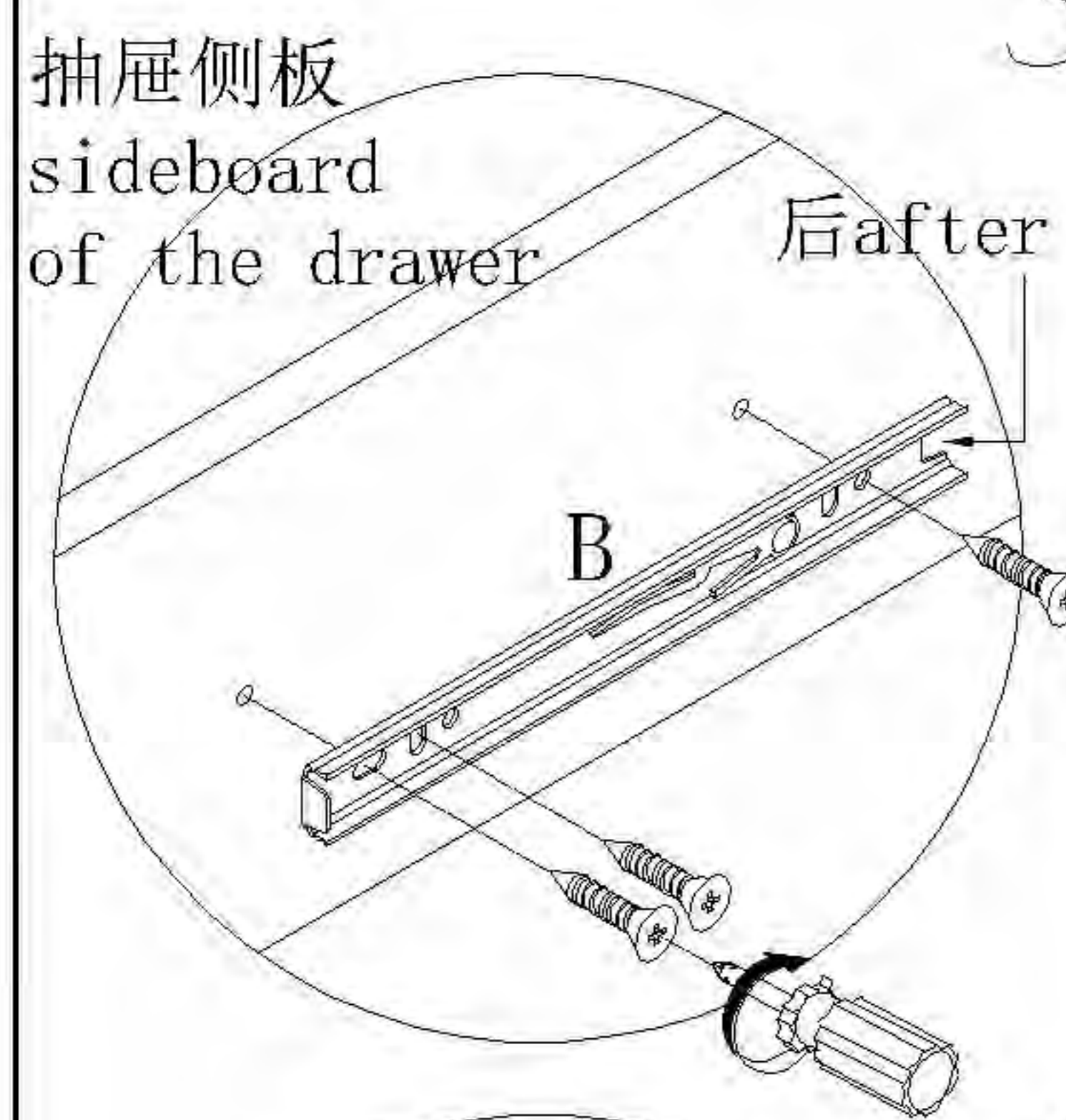
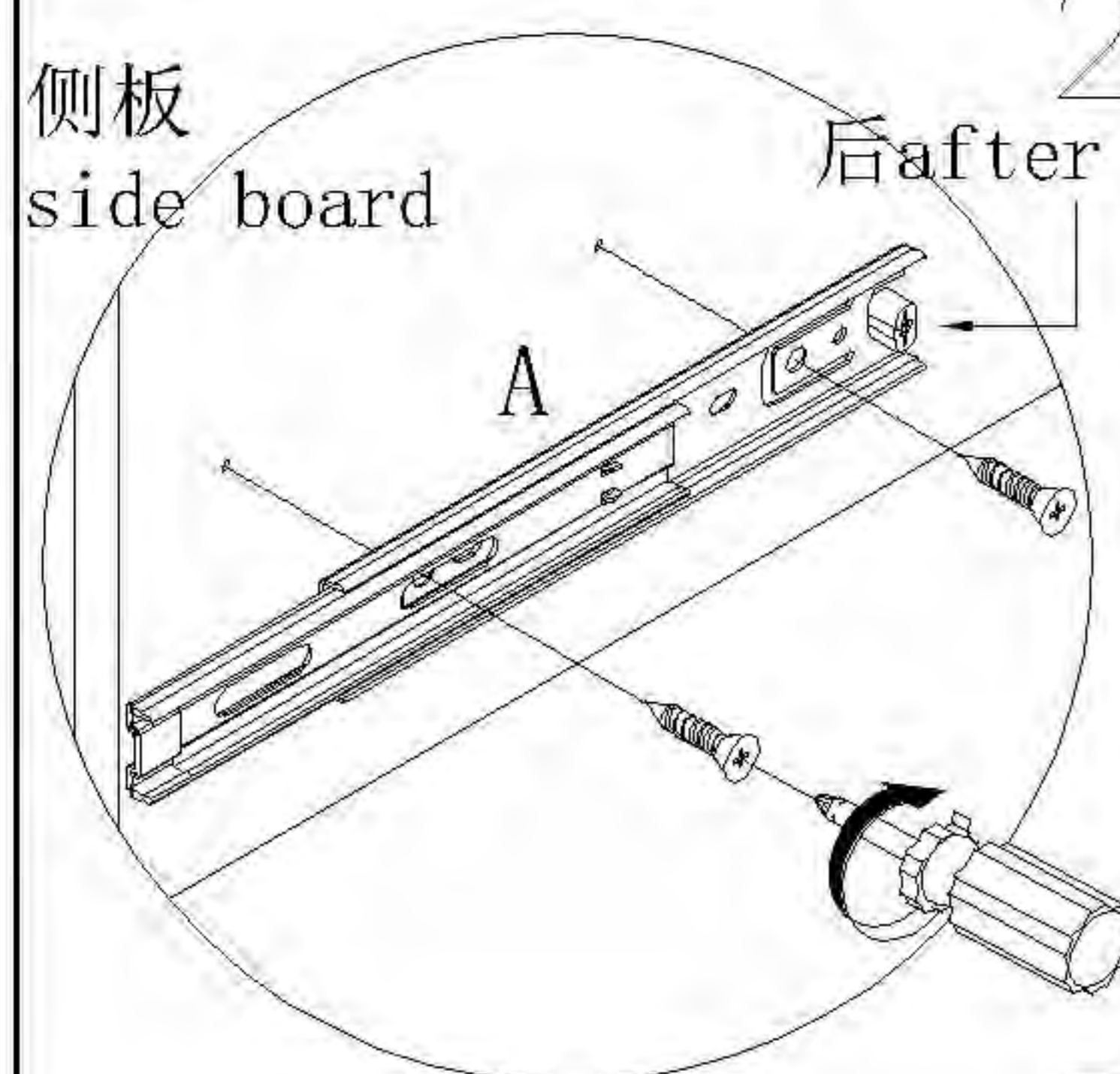
4

安装方法/  
Installation method

阀门开关(下压为开)  
Valve switch  
(press down to open)

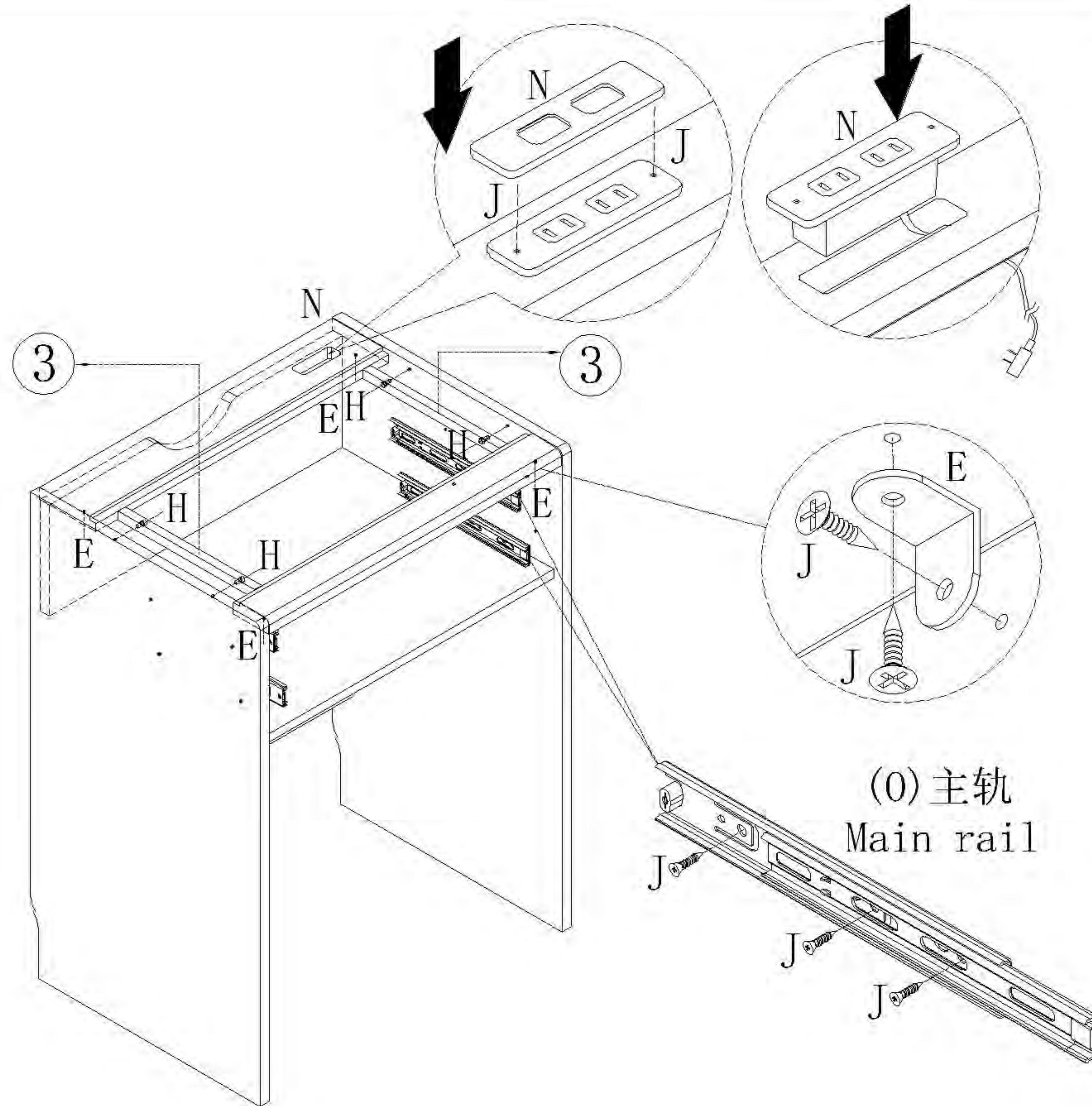


注: 先将A与B拆下来  
Note: remove a and B first



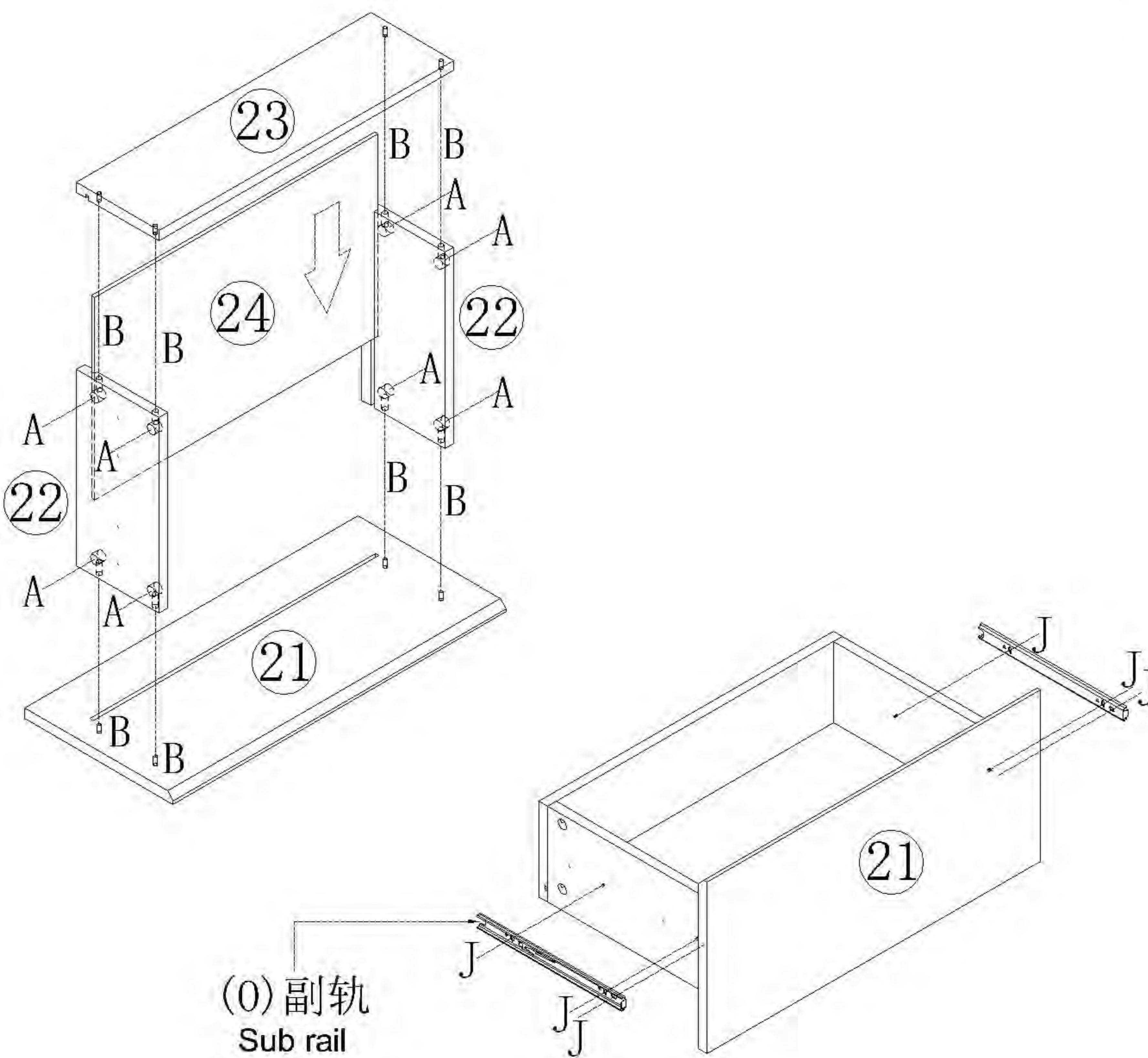
注: 将B对准A后推进去  
Note: align B with a and push it in  
三节滚珠导轨  
three-section ball rail

- (E)\*4
- (H)\*4
- (J)\*22
- (N)\*1
- (O)\*2



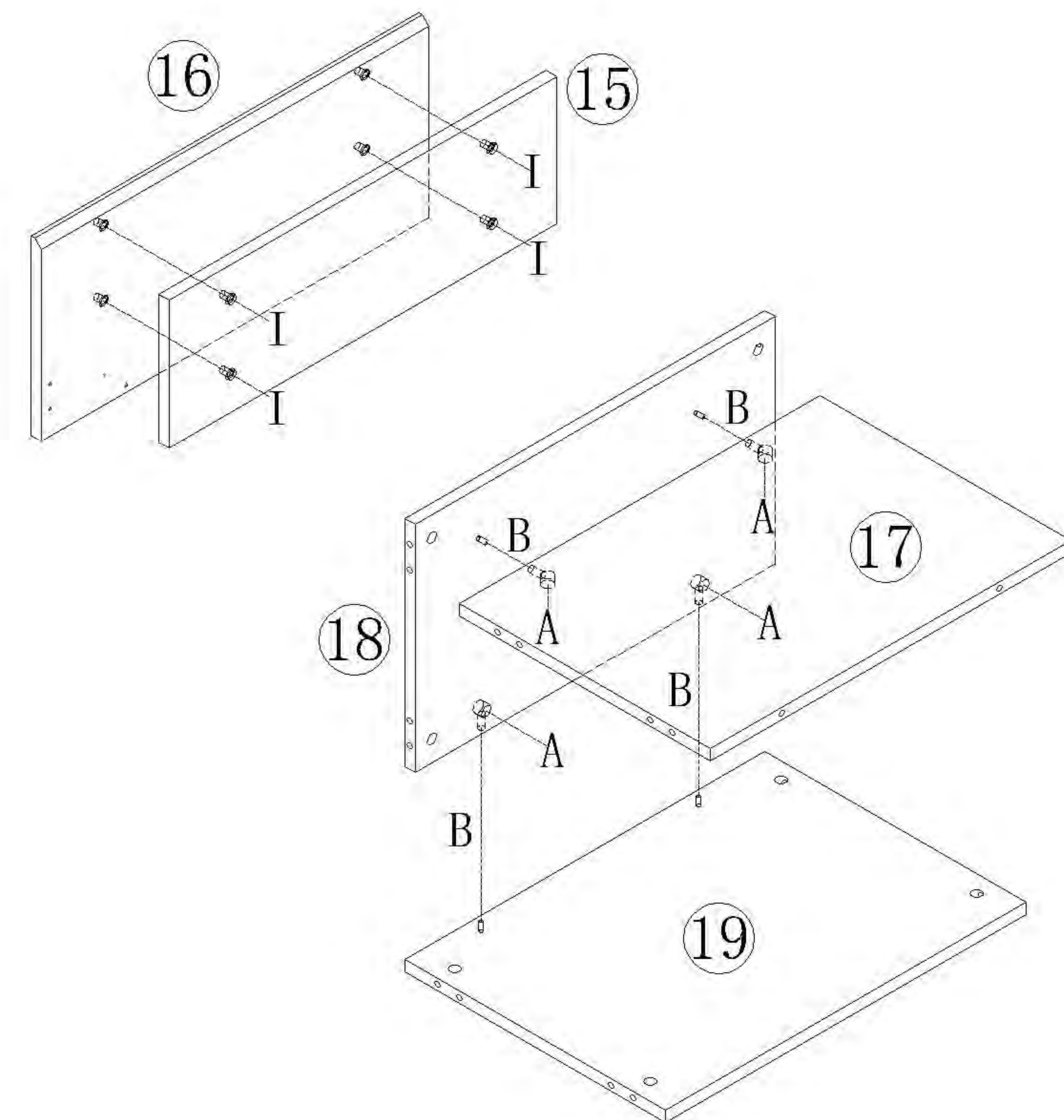
(O) 主轨  
Main rail

- (A)\*8
- (B)\*8
- (J)\*6
- (O)\*1

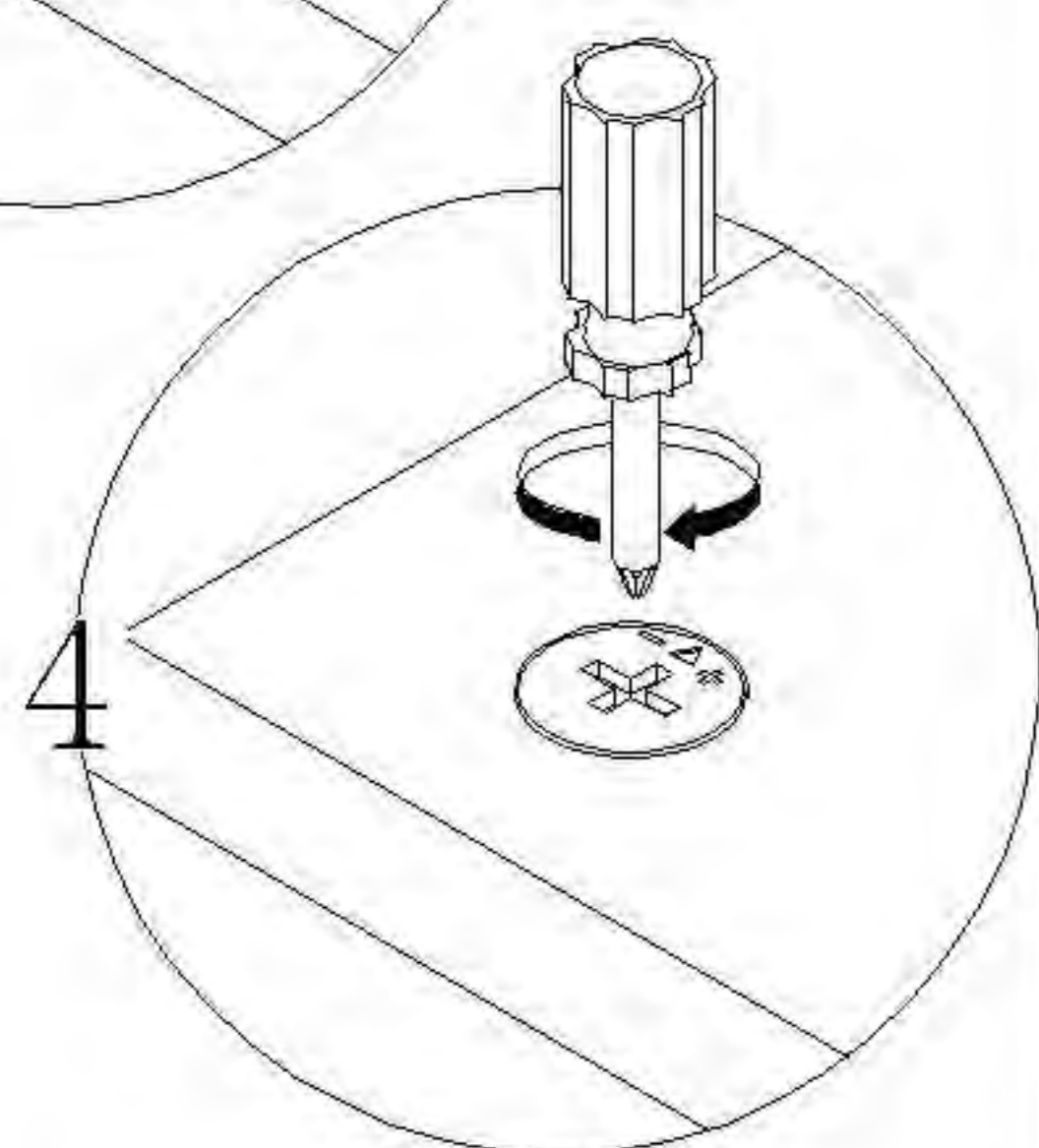
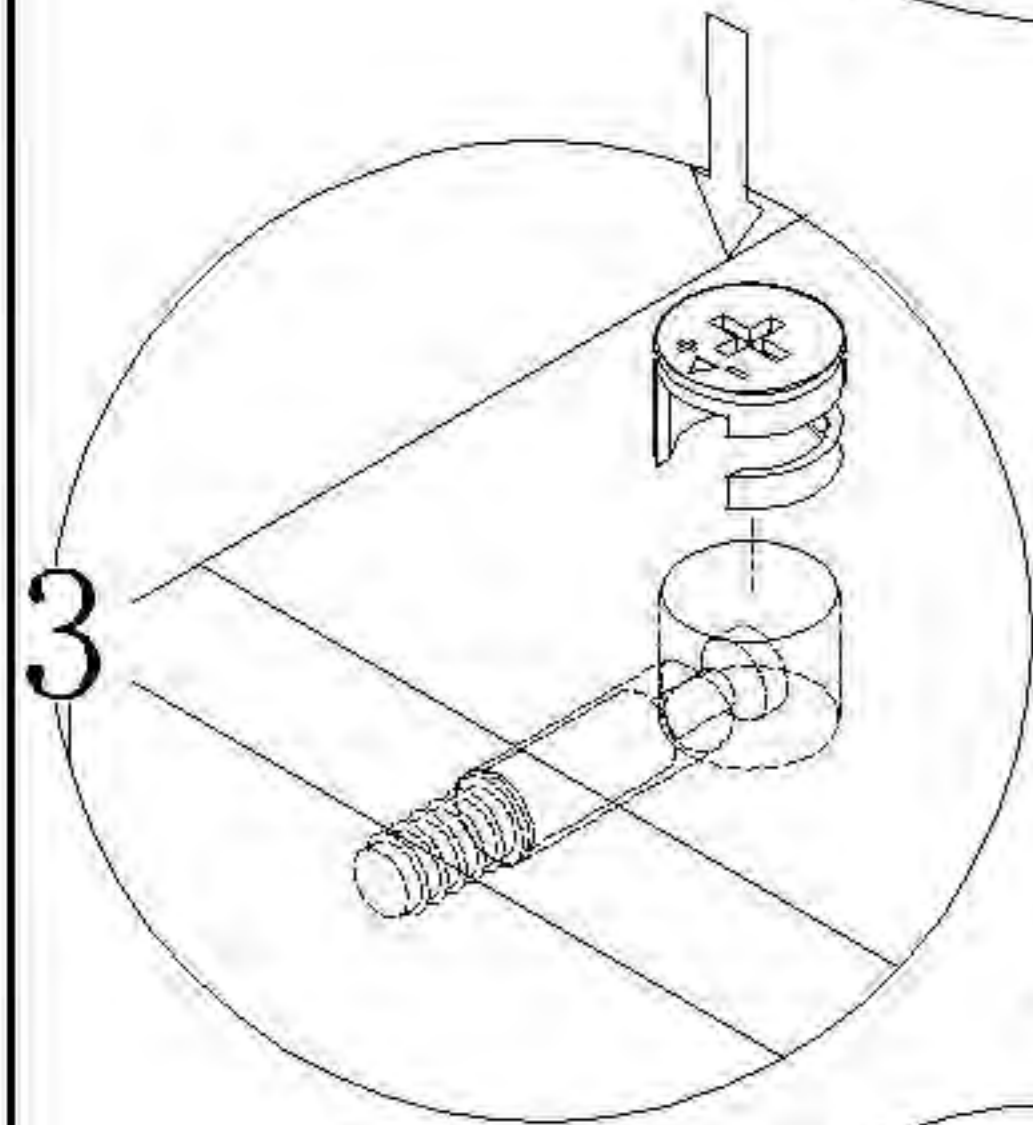
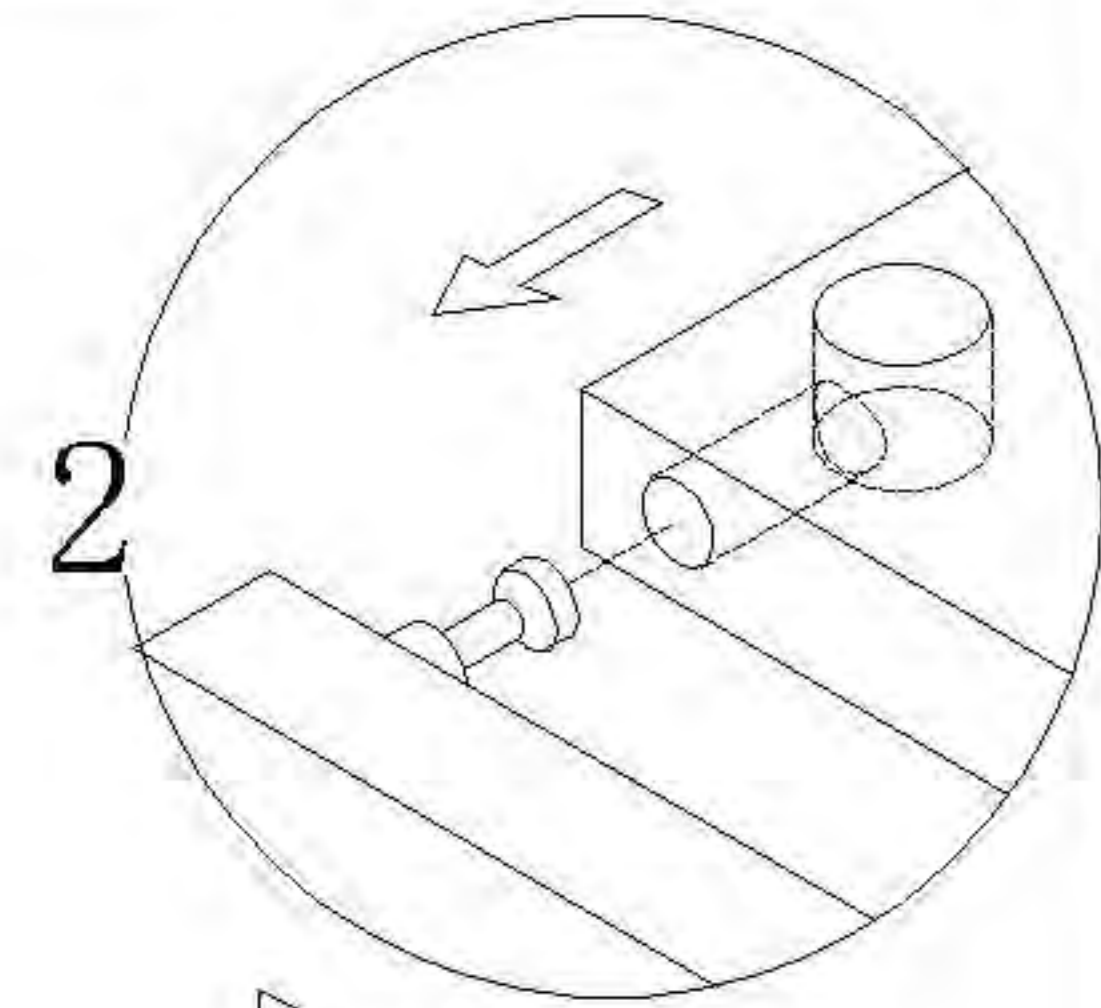
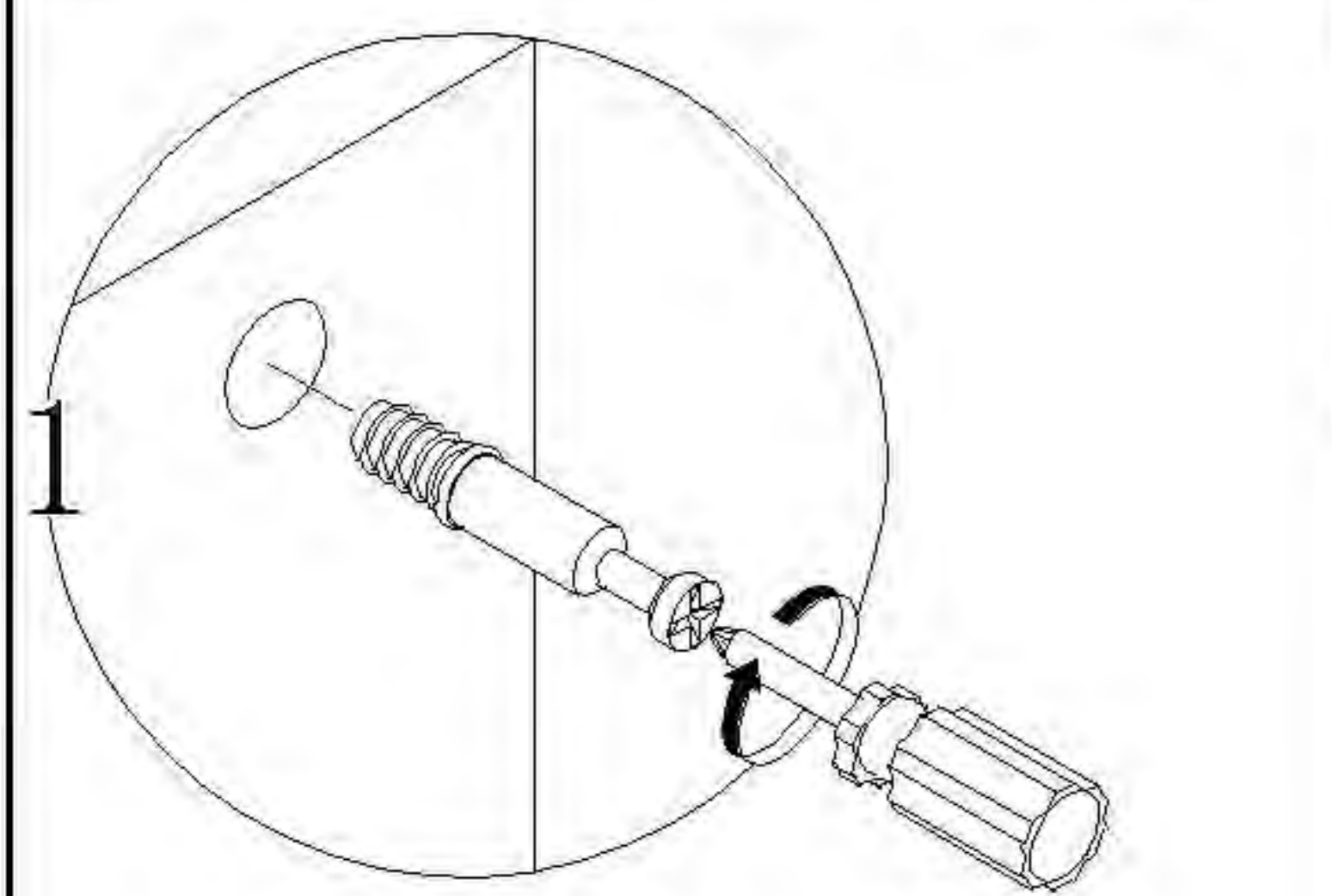


(O) 副轨  
Sub rail

- (A)\*4
- (B)\*4
- (I)\*4



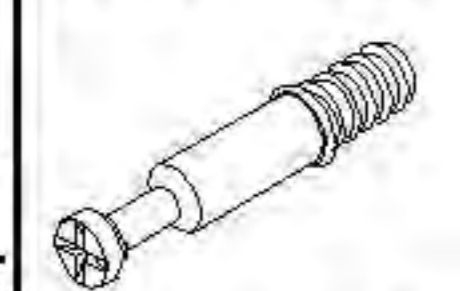
安装方法/  
Installation method



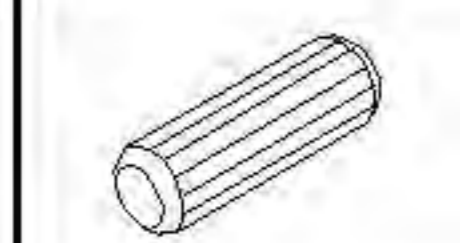
大二合一  
two-in-one



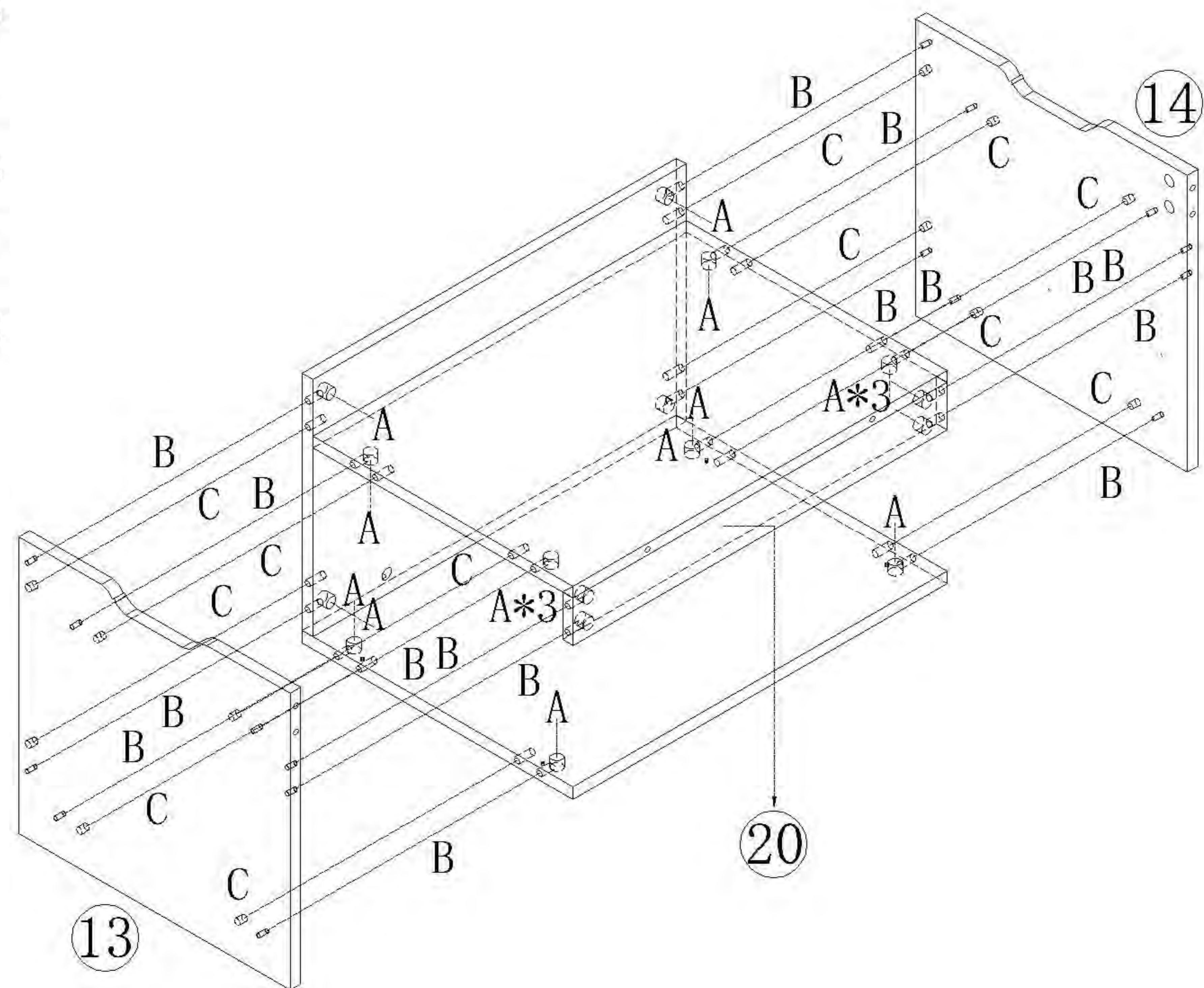
(A)\*16



(B)\*16



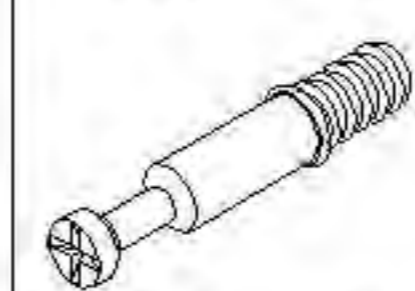
(C)\*12



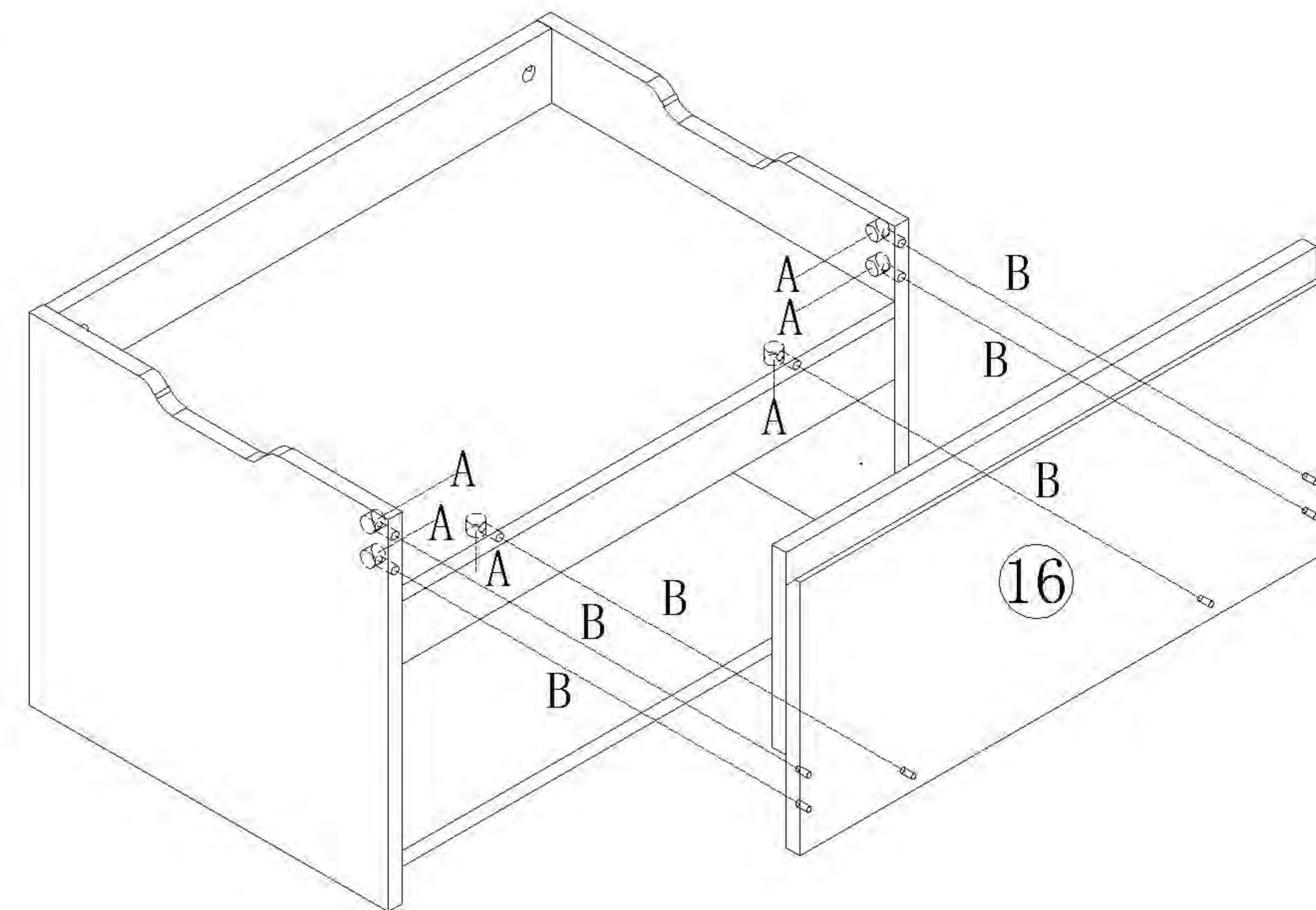
9



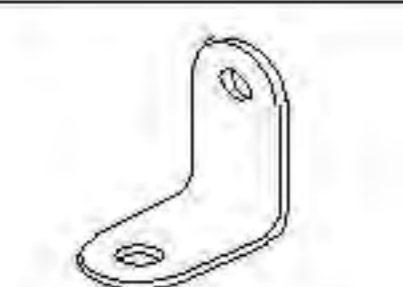
(A)\*6



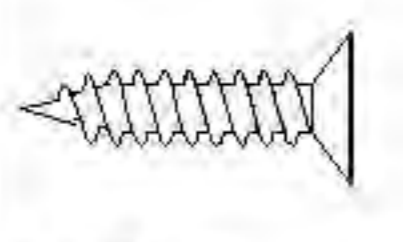
(B)\*6



10



(E)\*6



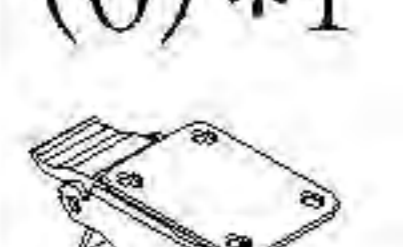
(J)\*18



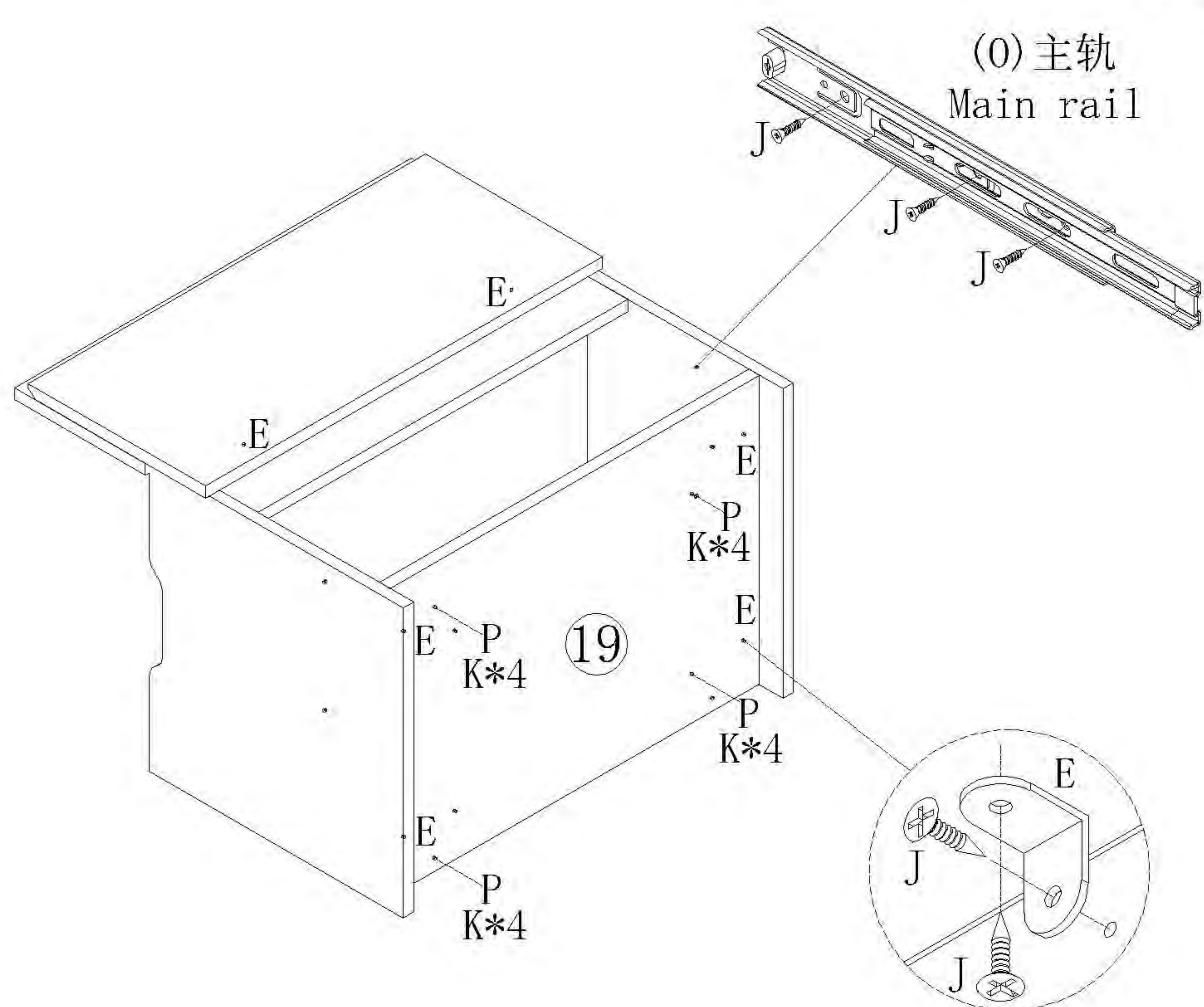
(K)\*16



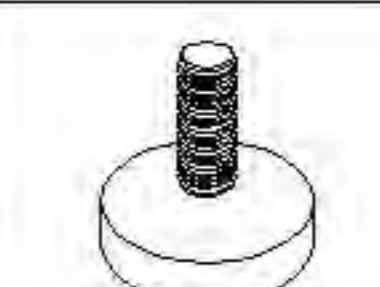
(O)\*1



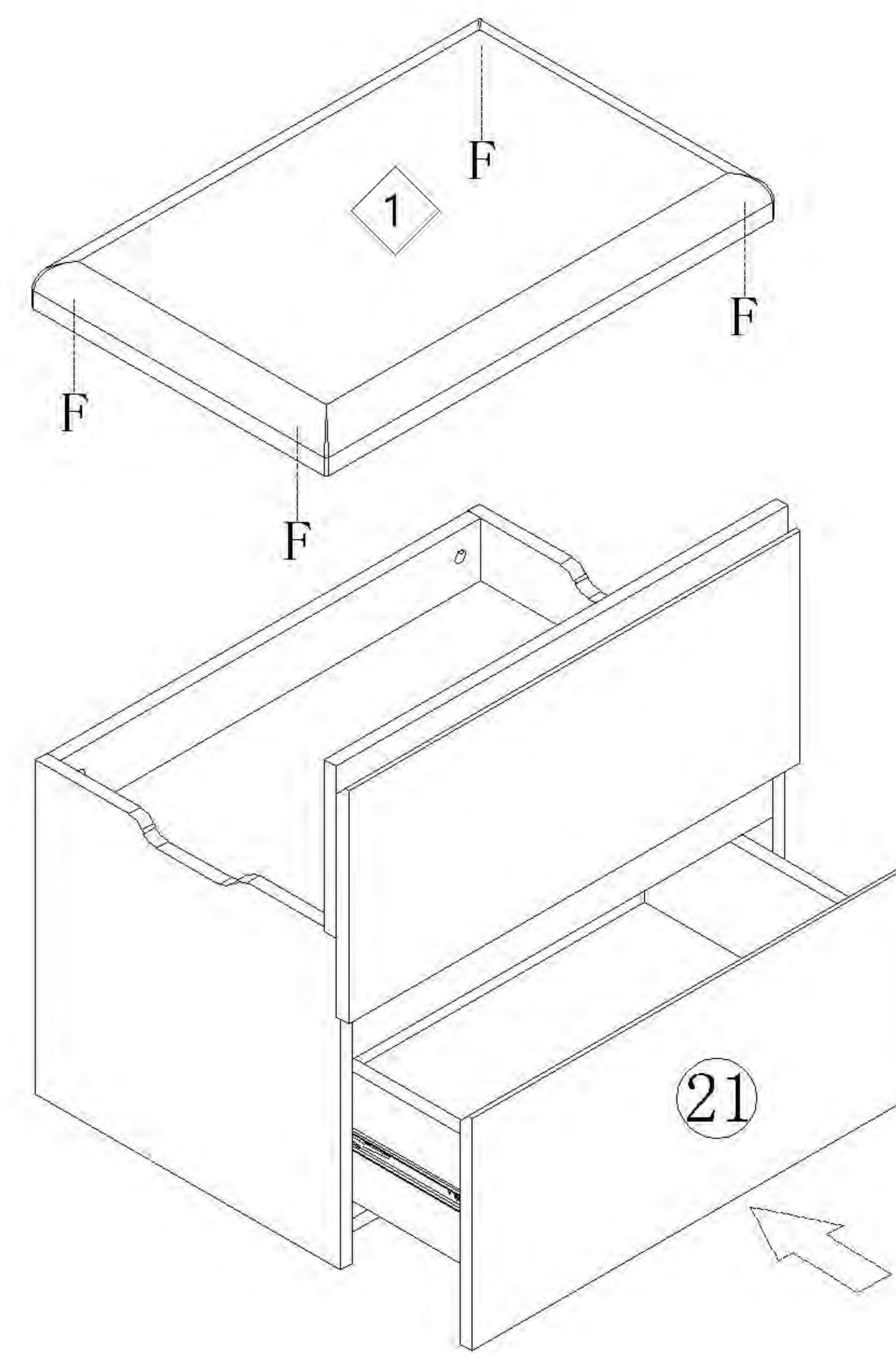
(P)\*4



11



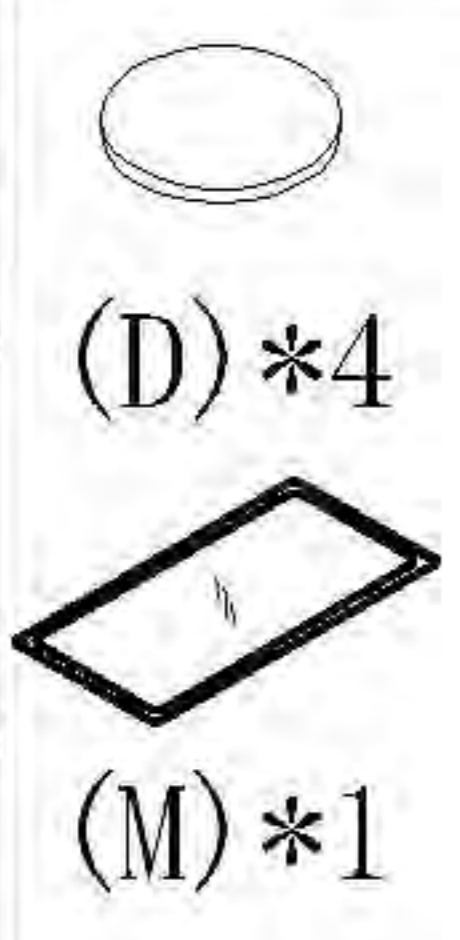
(F)\*4



12

UD4C-A (0.6m一体妆台)

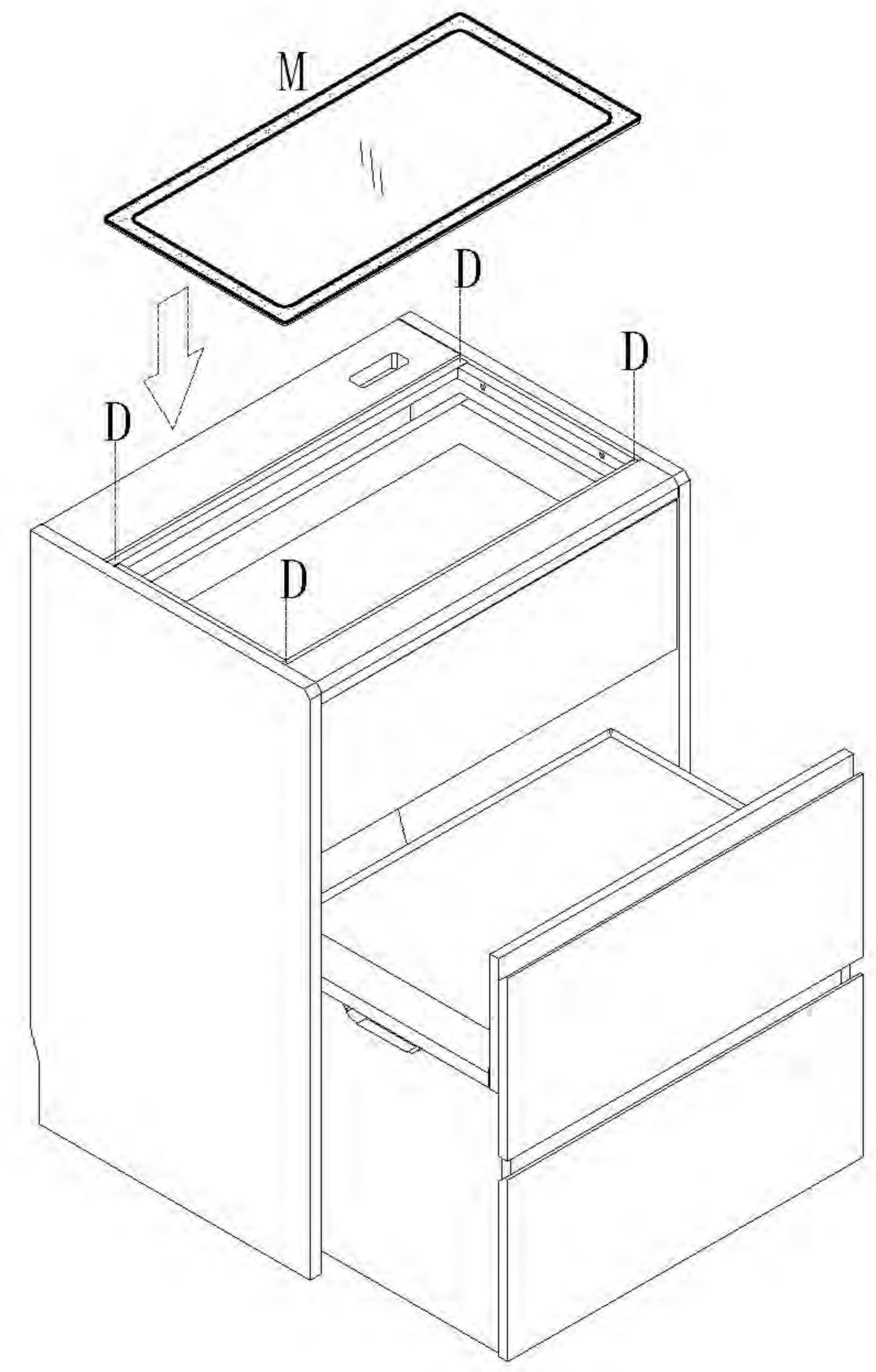
安装方法/  
Installation method



(D)\*4

(M)\*1

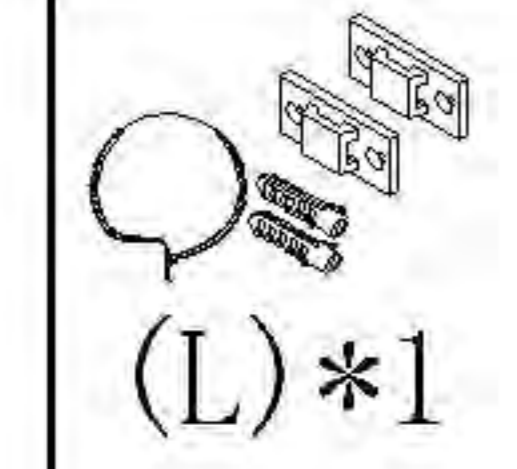
13



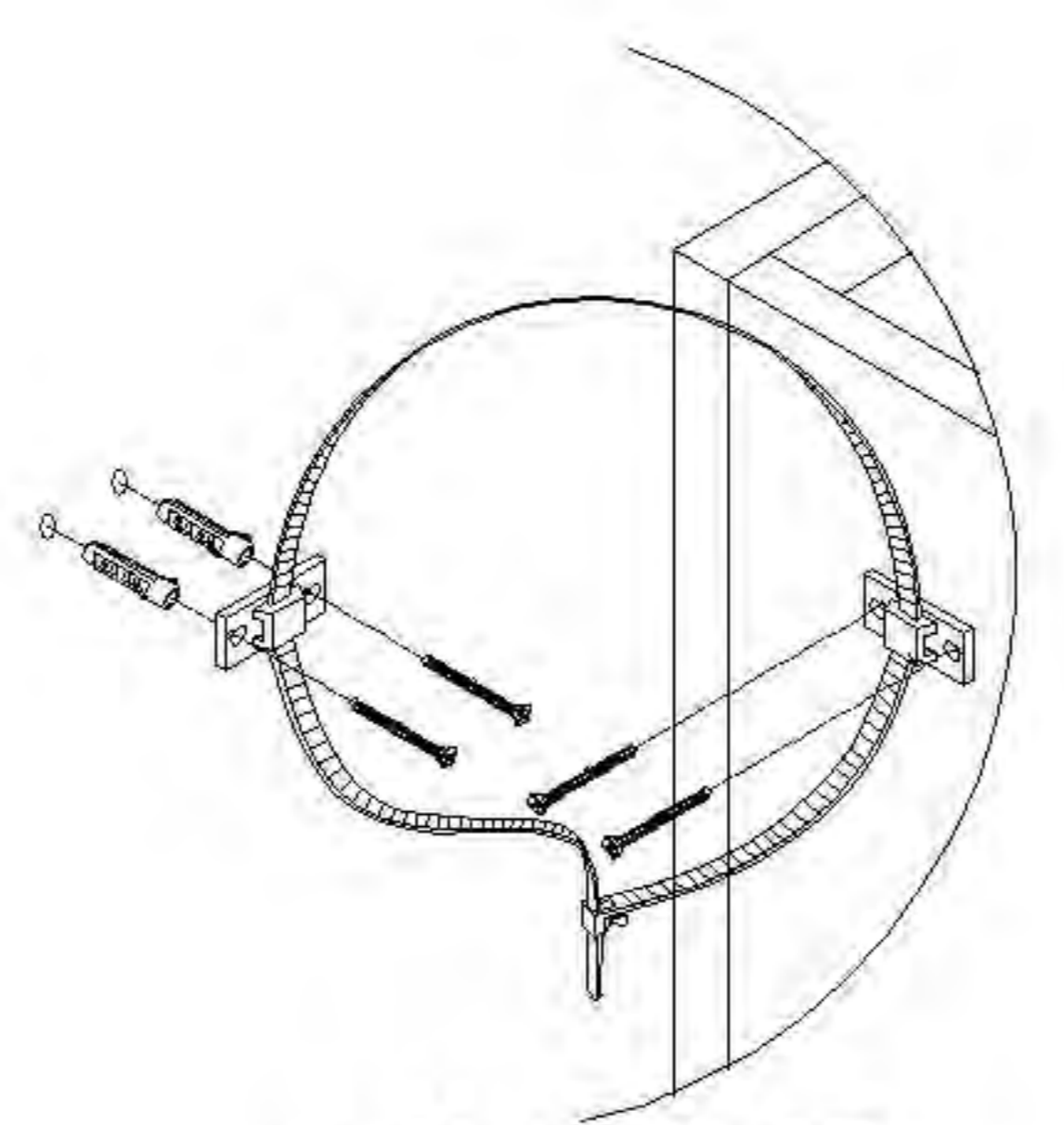
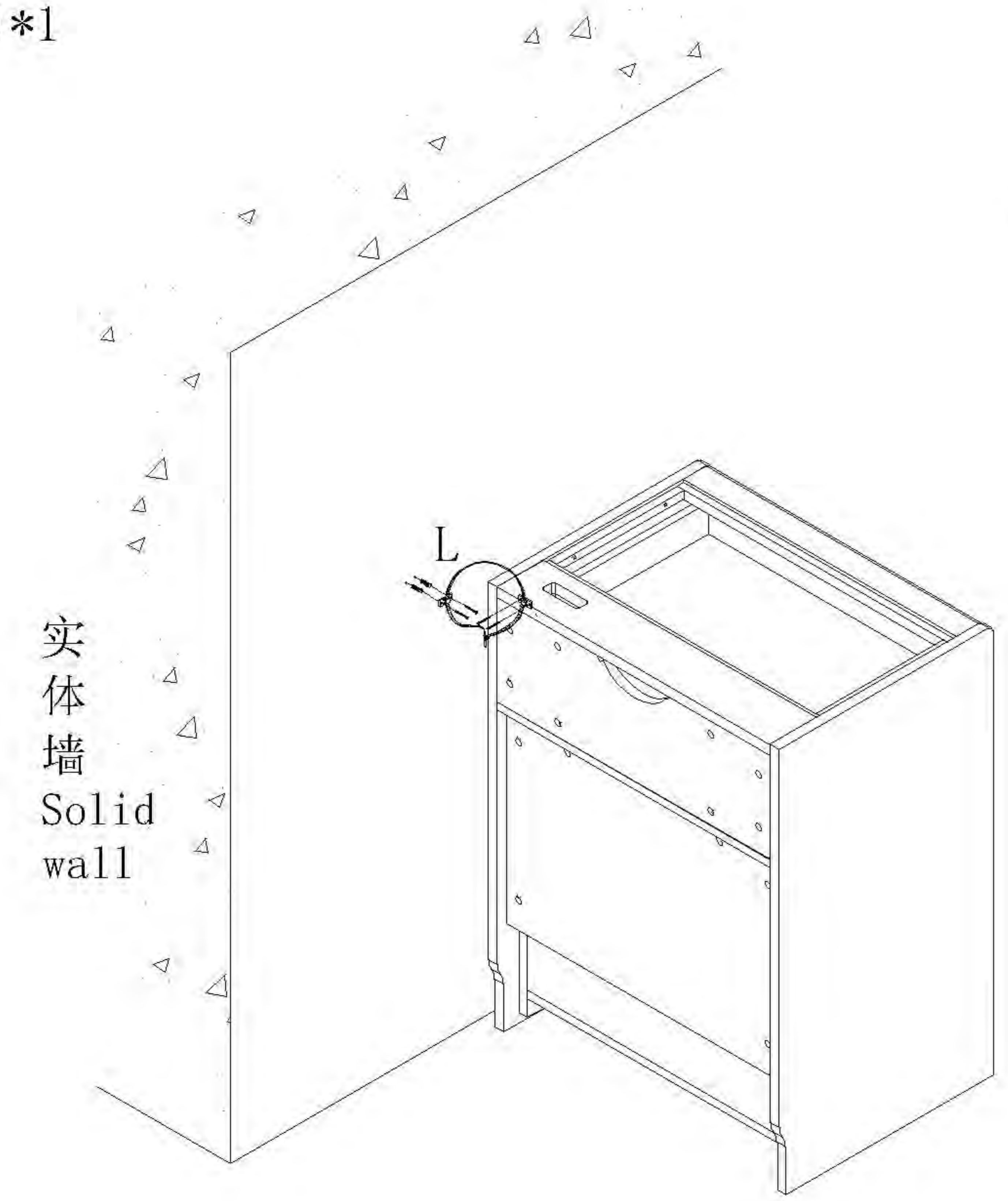
14



15

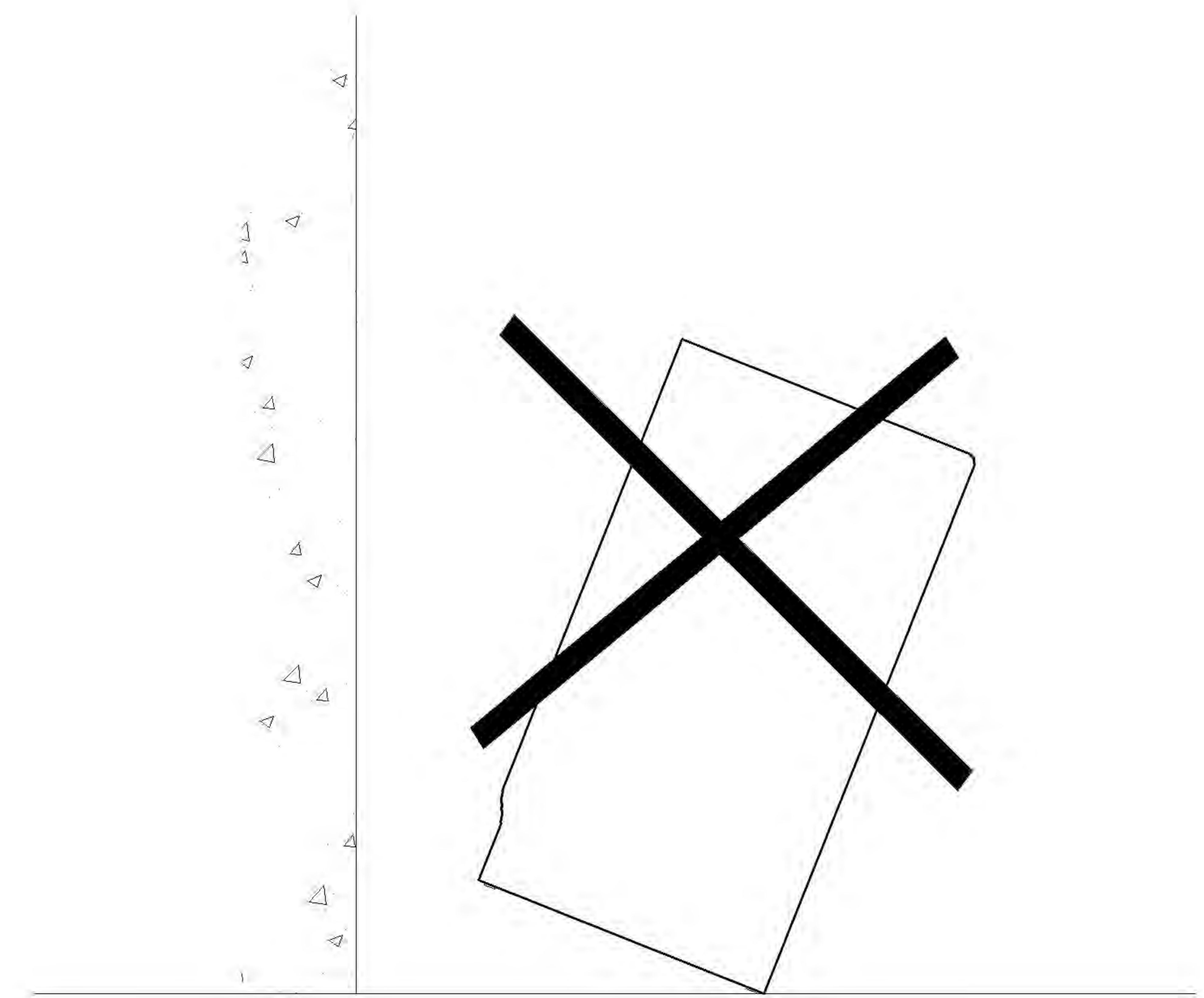


(L)\*1



L处放大图  
Enlarged drawing

16

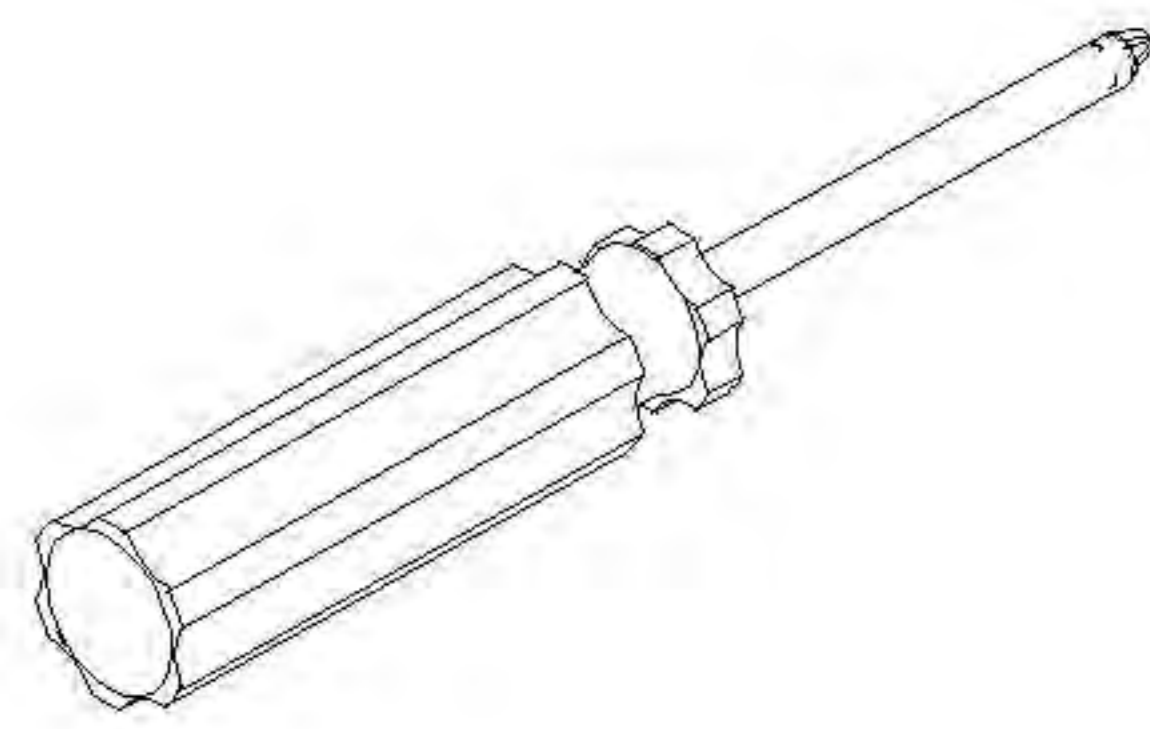



# LINSY 林氏家居

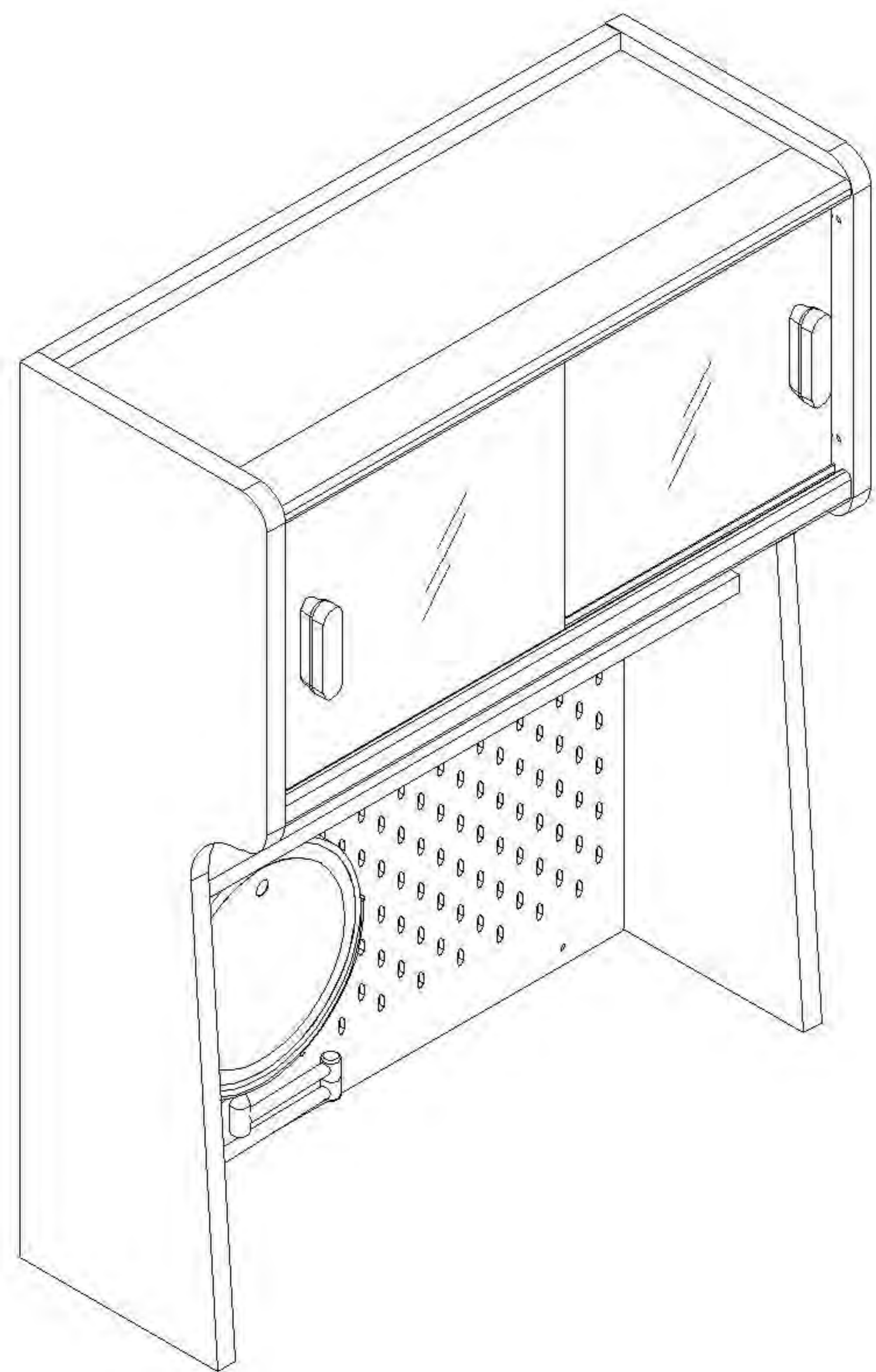
## 五金表/Hardware list

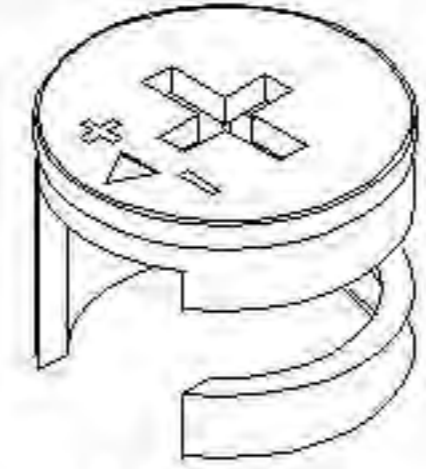
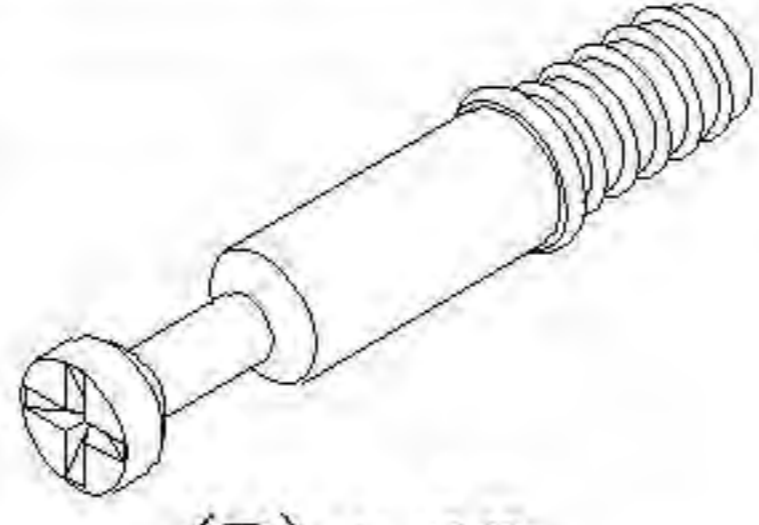
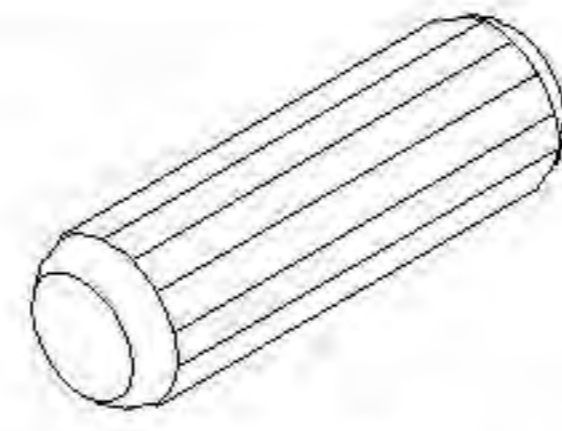
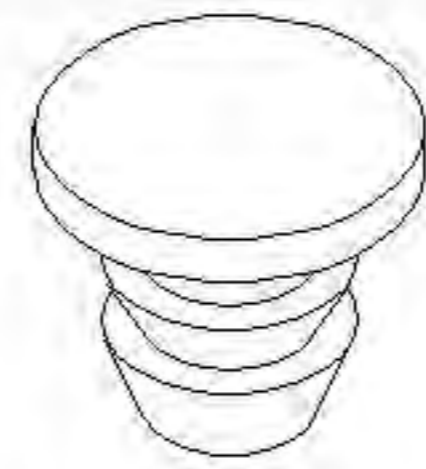
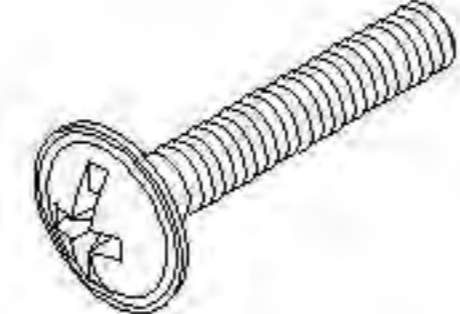
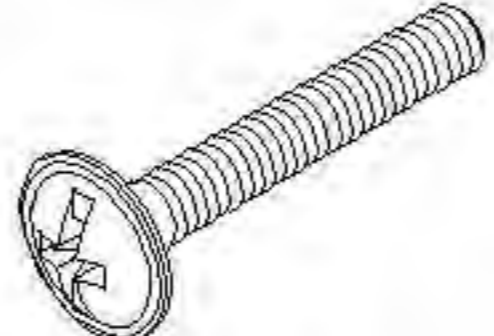
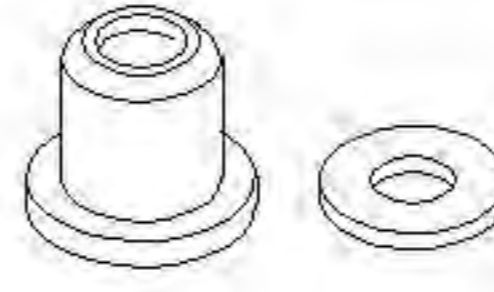
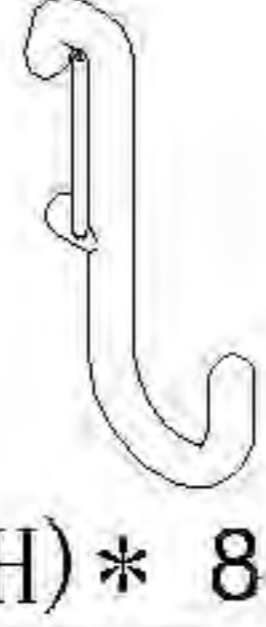
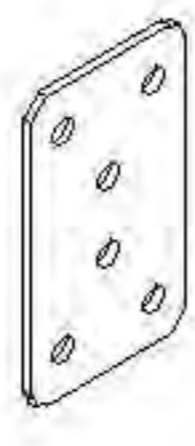
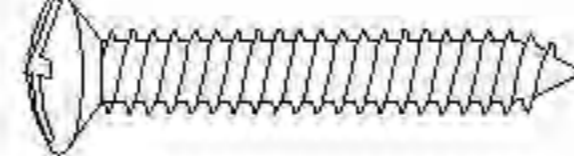
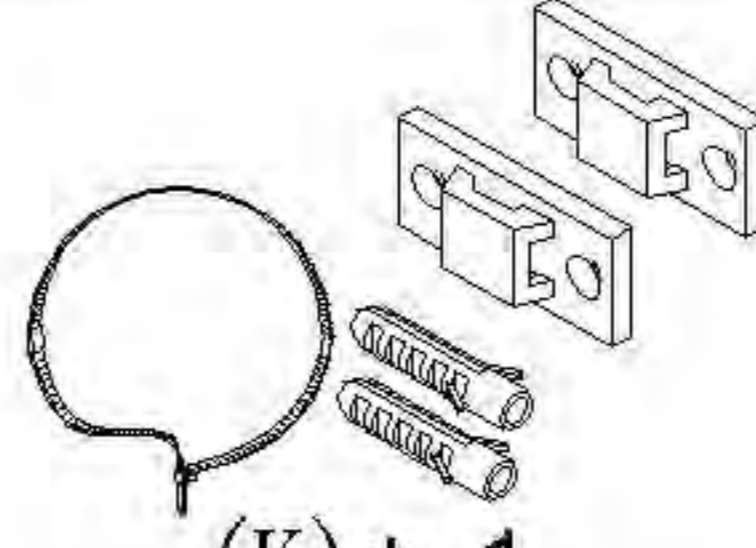
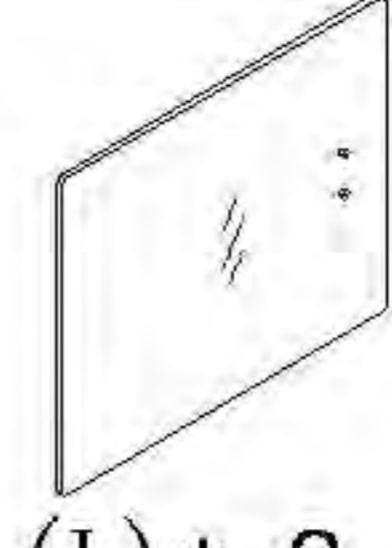
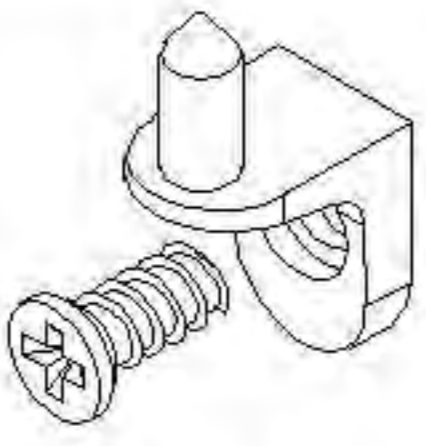
## 部件表/Parts List

### 安装示意图/Assembly Instruction

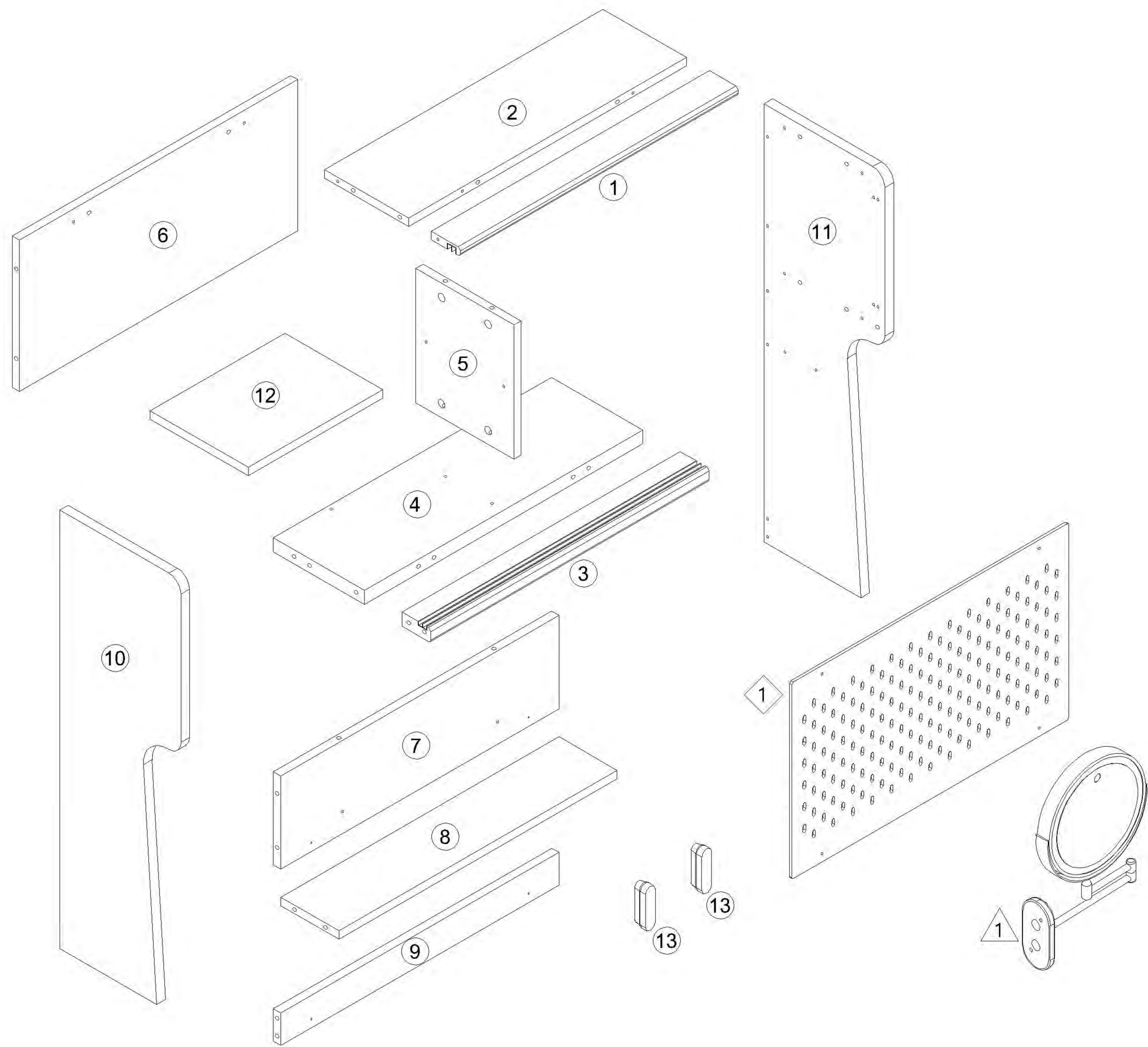
产品名称 Model NO.	0.6m一体妆台 上柜
产品型号 Product Model	UD4C-A
尺寸规格 Specification	(610*262*783)mm
安装工具 Tool	安装人数 Installer
	

注：为保证设计效果，部分尺寸为定制尺寸，不影响使用。



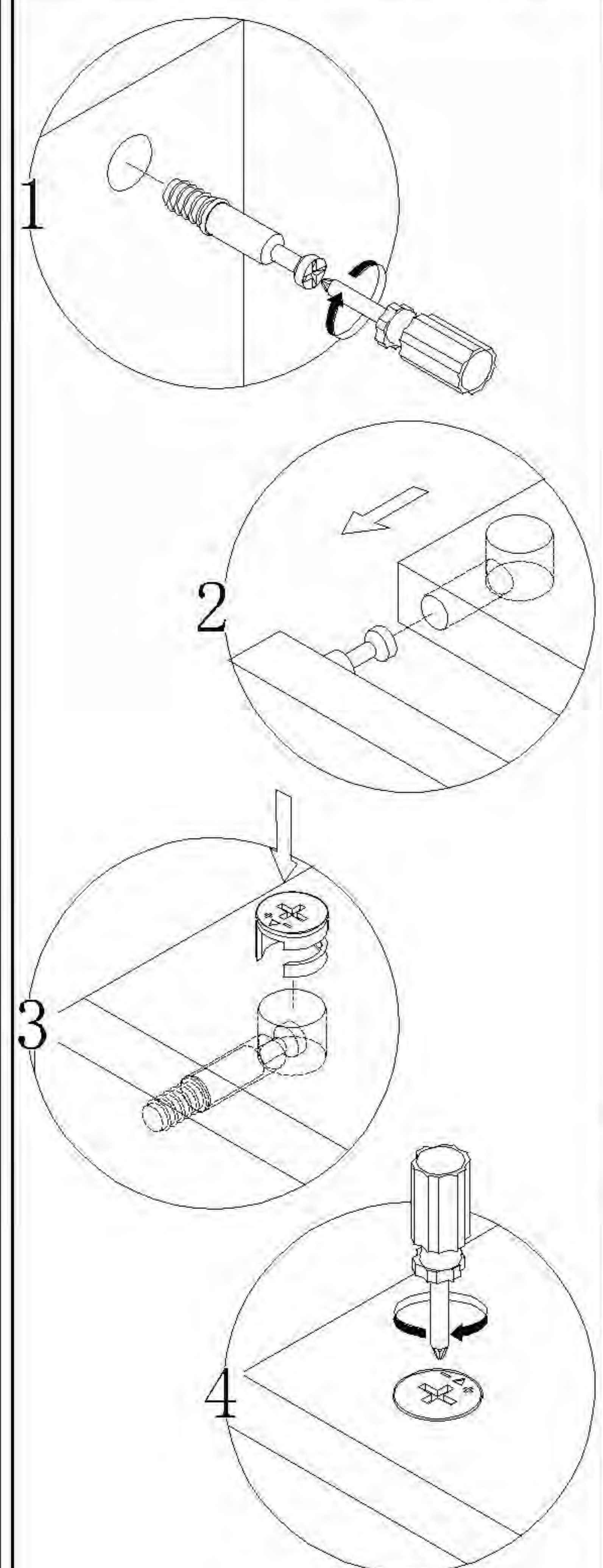
 (A)* 42 大三合一锁饼 Three-in-one large lock	 (B)* 42 二合一螺杆 2-in-1-screw	 (C)* 17 木榫Ø8x30mm wood tenon	 (D)* 8 防撞孔塞 Anti-collision plug
 (E)* 2 拉手螺丝-M4x12mm pulling screw	 (F)* 4 拉手螺丝-M4x18mm pulling screw	 (G)* 4 白色硅胶垫片 Silicone pad	 (H)* 8 挂钩 a hook
 (I)* 2 铁床条 Hardware piece	 (J)* 13 自攻大扁M4*16mm Self tapping flat screw	 (K)* 1 家具防倒器-白色 Anti-fall device white	 (L)* 2 趟门玻璃-295*250*5mm Sliding door glass
 (M)* 4 层板托5mm shelf support			

编号NO.	名称Name	规格 (mm) Specification	数量QTY	材质Material
UD4C-A 0.6m一体妆台 上柜: Dressing Table Upper Cabinet				
①	顶拉条 Top brace	574*60*15	1	纤维板 Fiberboard
②	顶板 Top board	574*173*15	1	刨花板 Particle board
③	中拉条 Brace	574*60*25	1	纤维板 Fiberboard
④	中层板 Middle shelf	574*188*25	1	刨花板 Particle board
⑤	上隔板 Upper clapboard	202*240*15	1	刨花板 Particle board
⑥	上背板 Upper back board	574*270*15	1	刨花板 Particle board
⑦	中背板 Middle back board	574*167*15	1	刨花板 Particle board
⑧	层板 shelf	574*120*15	1	刨花板 Particle board
⑨	下拉条 Bottom brace	574*58*15	1	刨花板 Particle board
⑩	左侧板 Side board(L)	783*250*18	1	纤维板 Fiberboard
⑪	右侧板 Side board(R)	783*250*18	1	纤维板 Fiberboard
⑫	活动层板movable shelf	278*202*15	1	刨花板 Particle board
⑬	门拉手 Handle	80*25*20	2	桦木 Birch
UD4C-A 0.6m一体妆台 洞洞板: Dressing Table Pegboard				
◇1	装饰板 Decorating plate	572*351*4.8	1	纤维板 Fiberboard
UD4C-A 一体妆台 妆镜: Dressing Table Mirror				
△1	妆镜 Dressing Mirror	250*315*26	1	玻璃+铁 Glass+Iron



编号NO.	名称Name
UD4C-A 0.6m一体妆台 上柜	
①	顶拉条 Top brace
②	顶板 Top board
③	中拉条 Brace
④	中层板 Middle shelf
⑤	上隔板 Upper clashboard
⑥	上背板 Upper back board
⑦	中背板 Middle back board
⑧	层板 shelf
⑨	下拉条 Bottom brace
⑩	左侧板 Side board(L)
⑪	右侧板 Side board(R)
⑫	活动层板movable shelf
⑬	门拉手 Handle
UD4C-A 0.6m一体妆台 洞洞板	
◇1	装饰板 Decorating plate
UD4C-A 一体妆台 妆镜	
△1	妆镜 Dressing Mirror

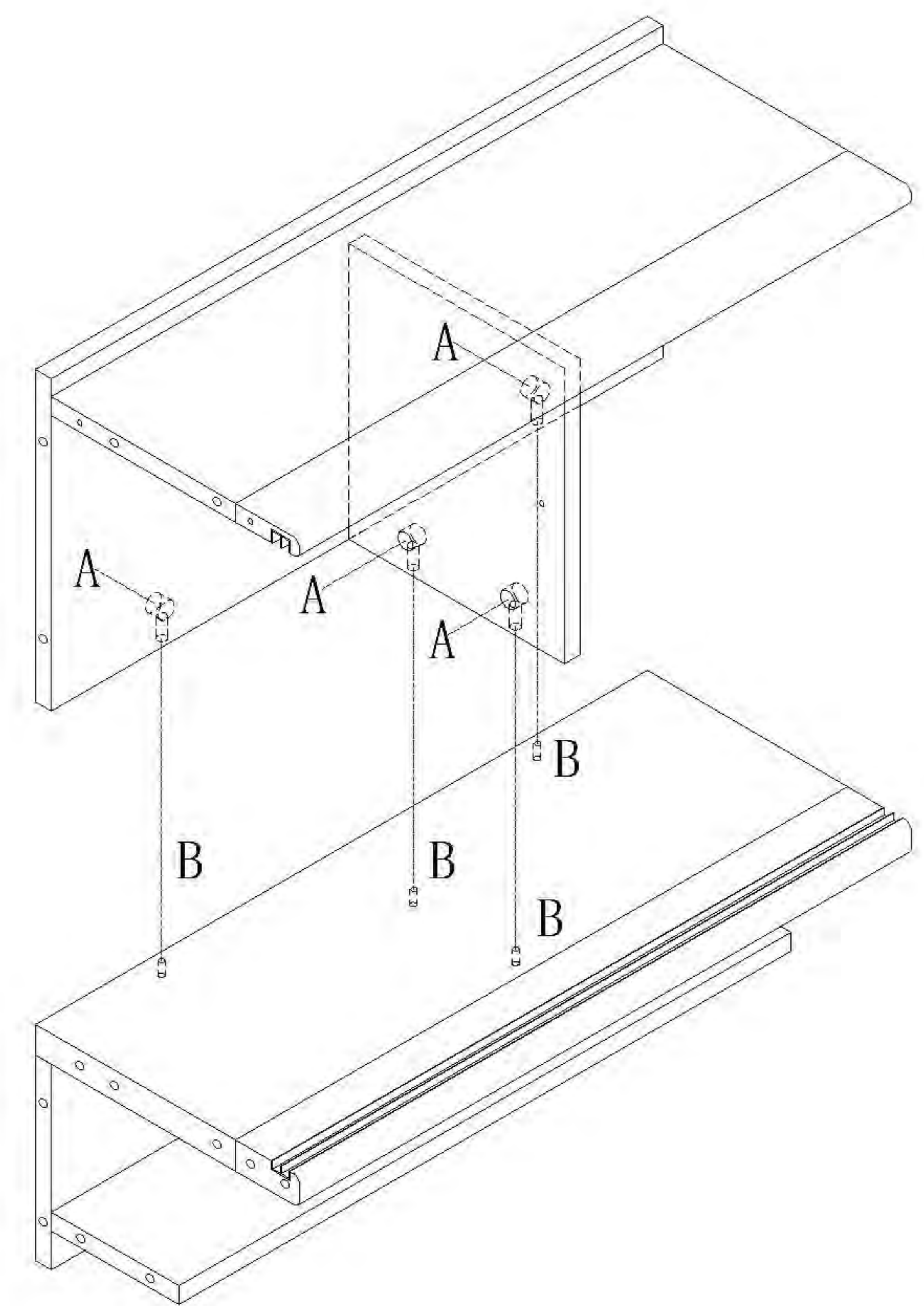
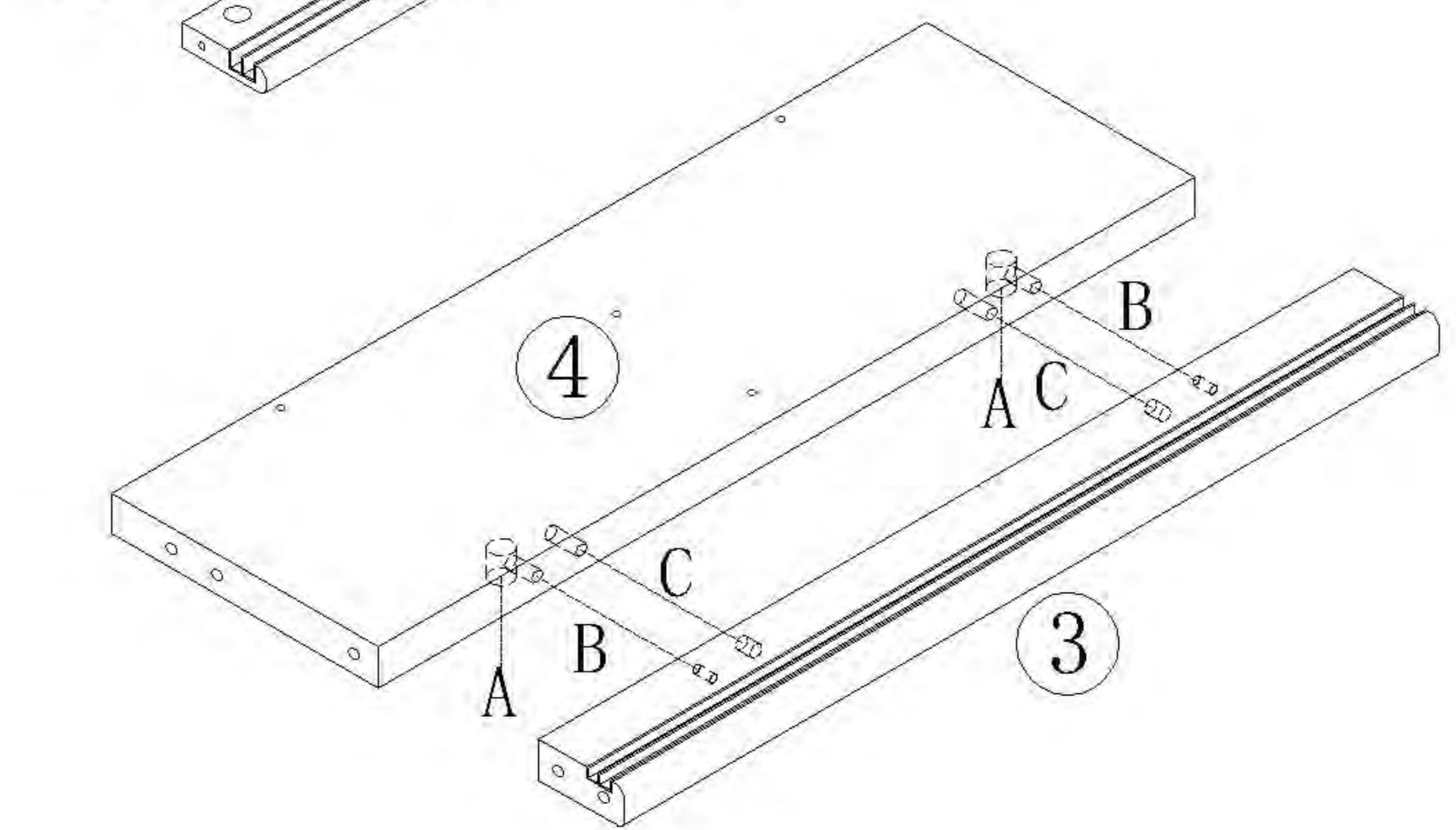
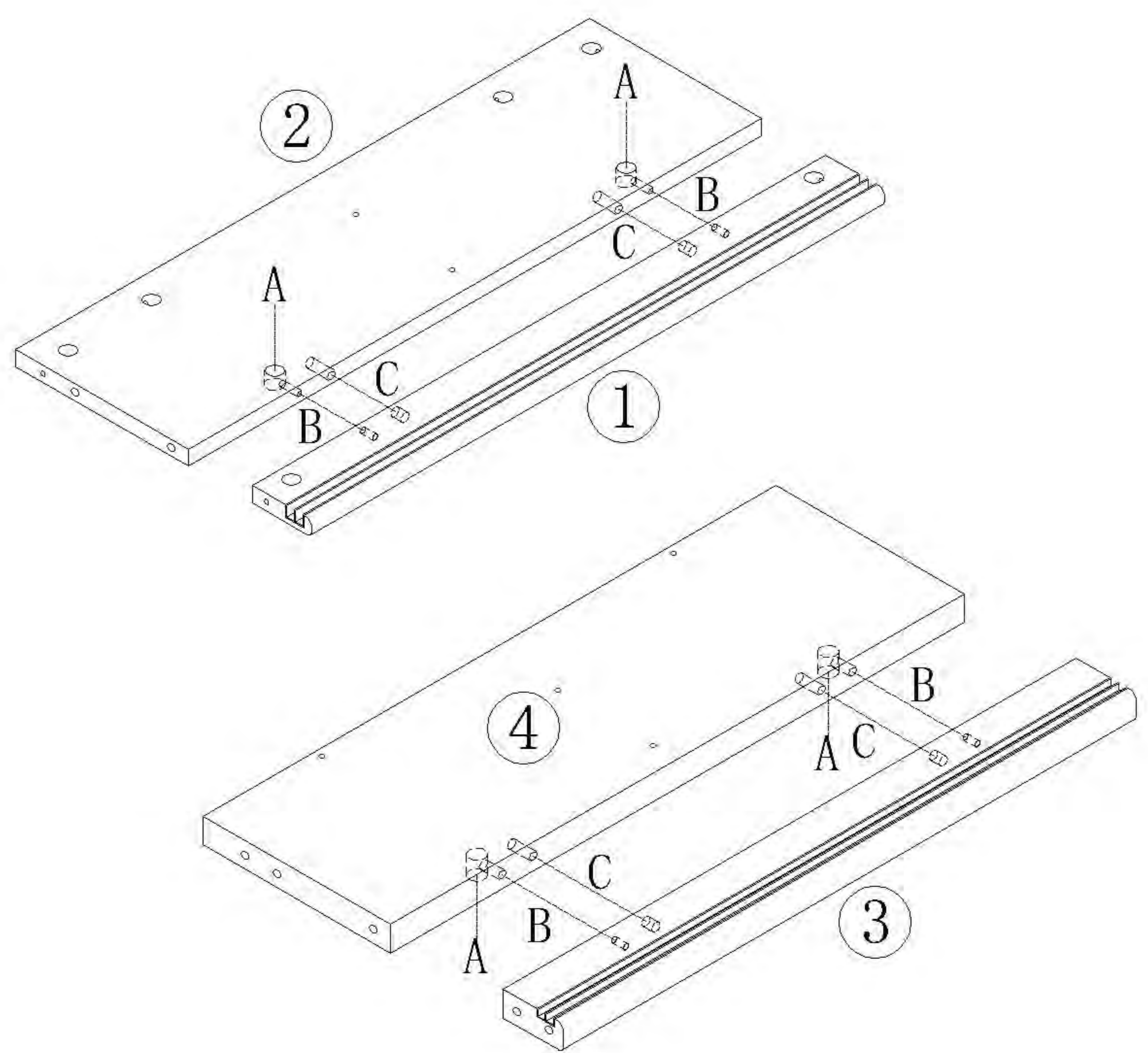
安装方法/  
Installation method



大二合一  
two-in-one

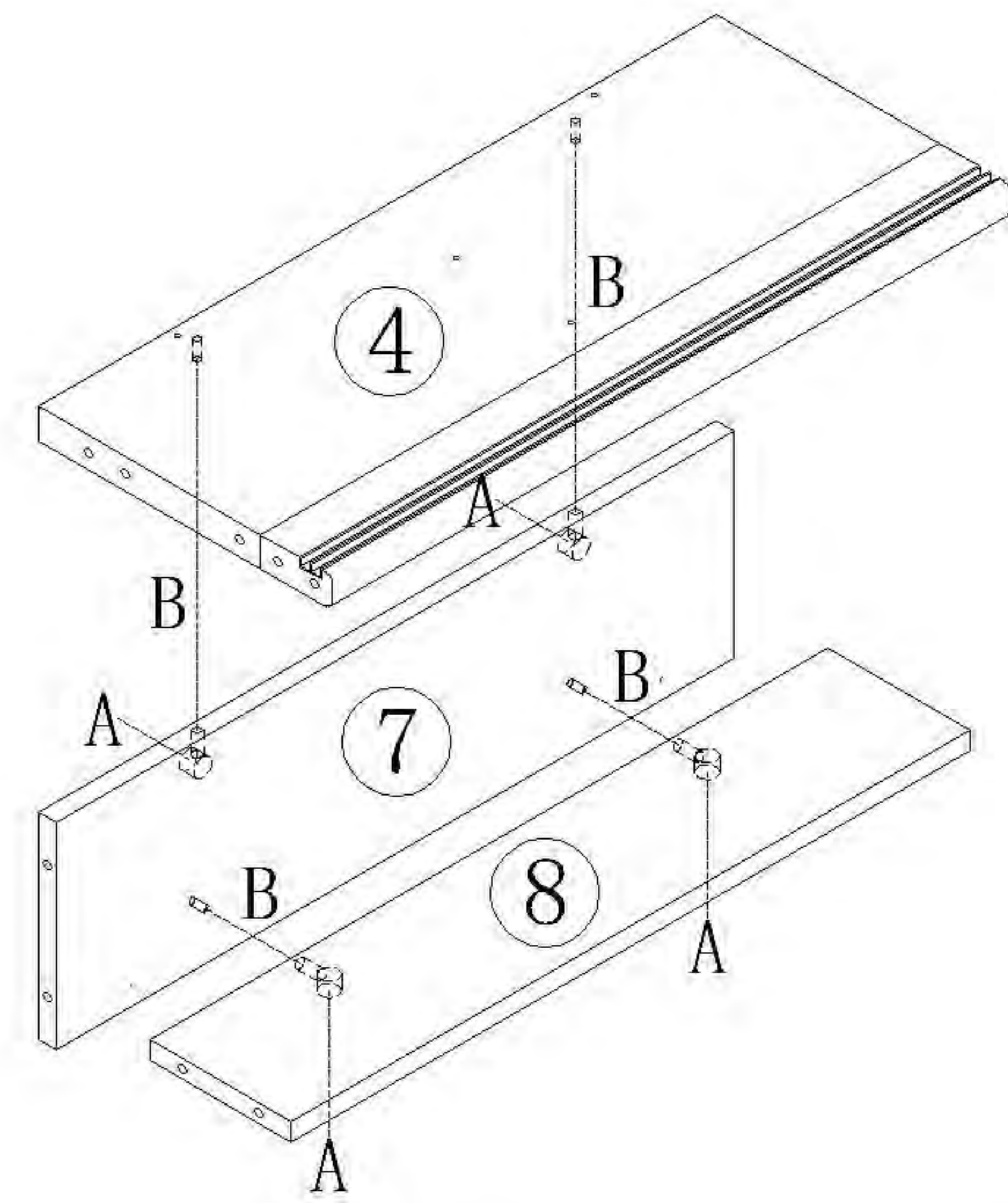
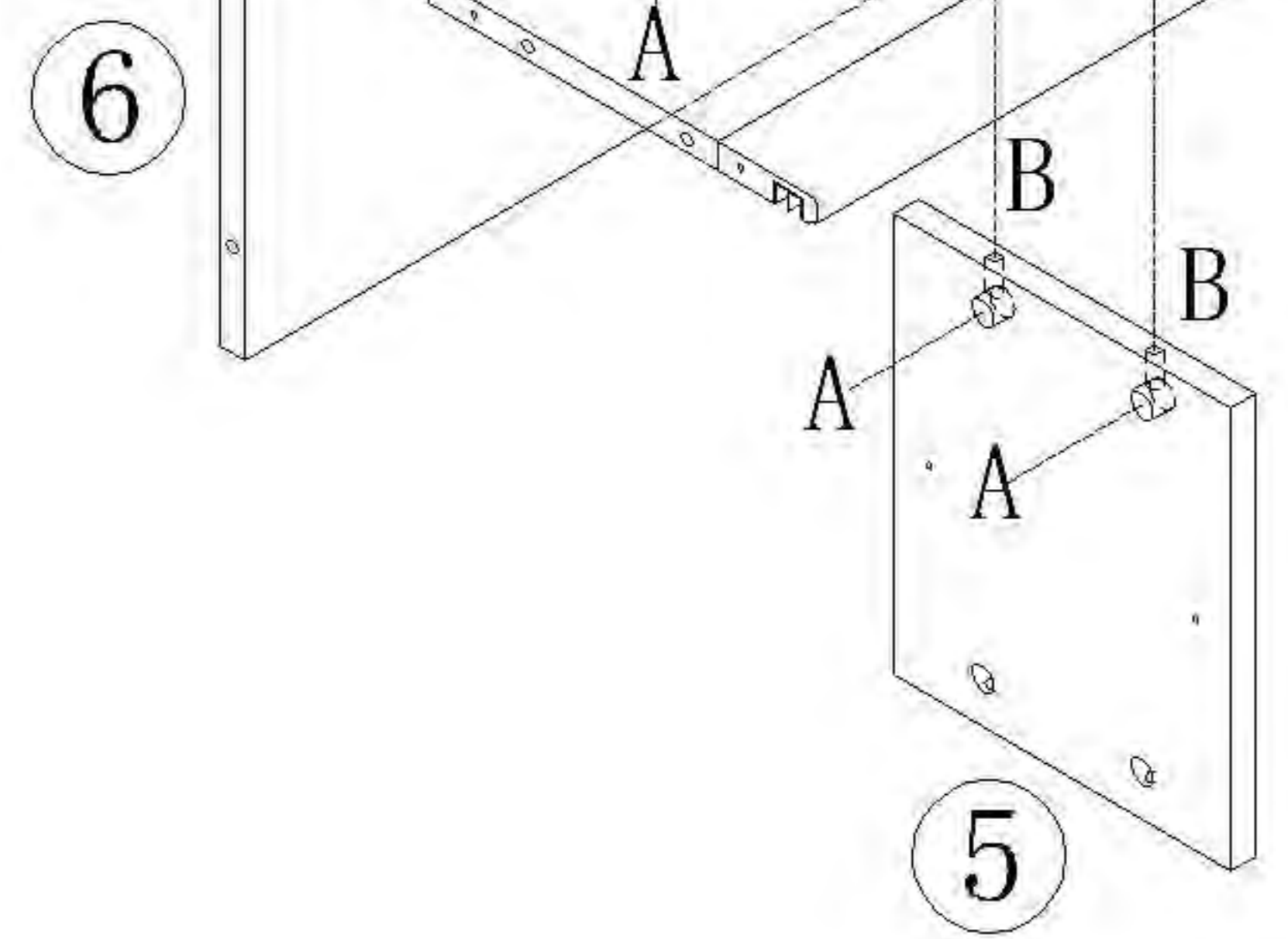
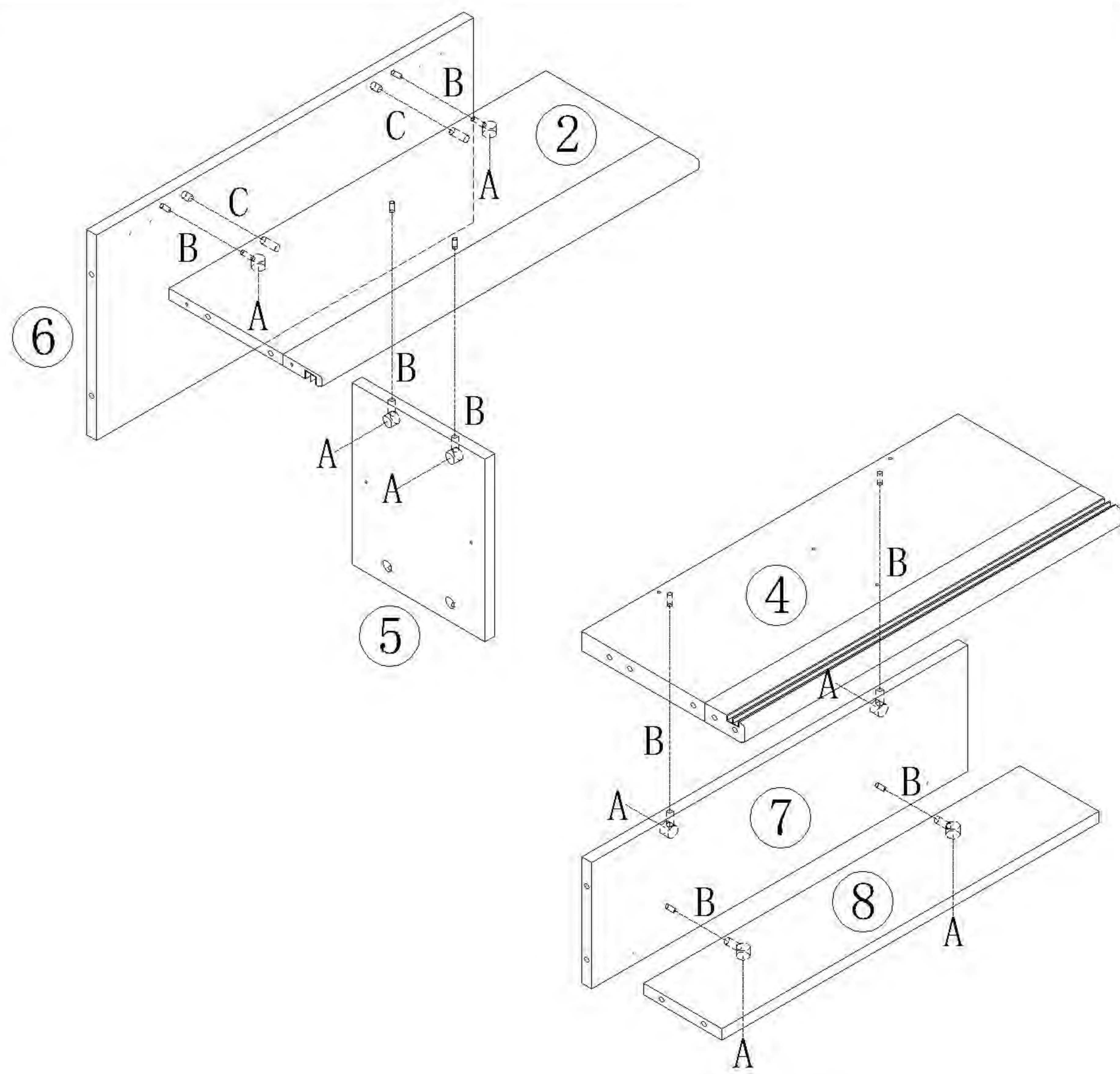
- (A)\*4
- (B)\*4
- (C)\*4

- (A)\*4
- (B)\*4



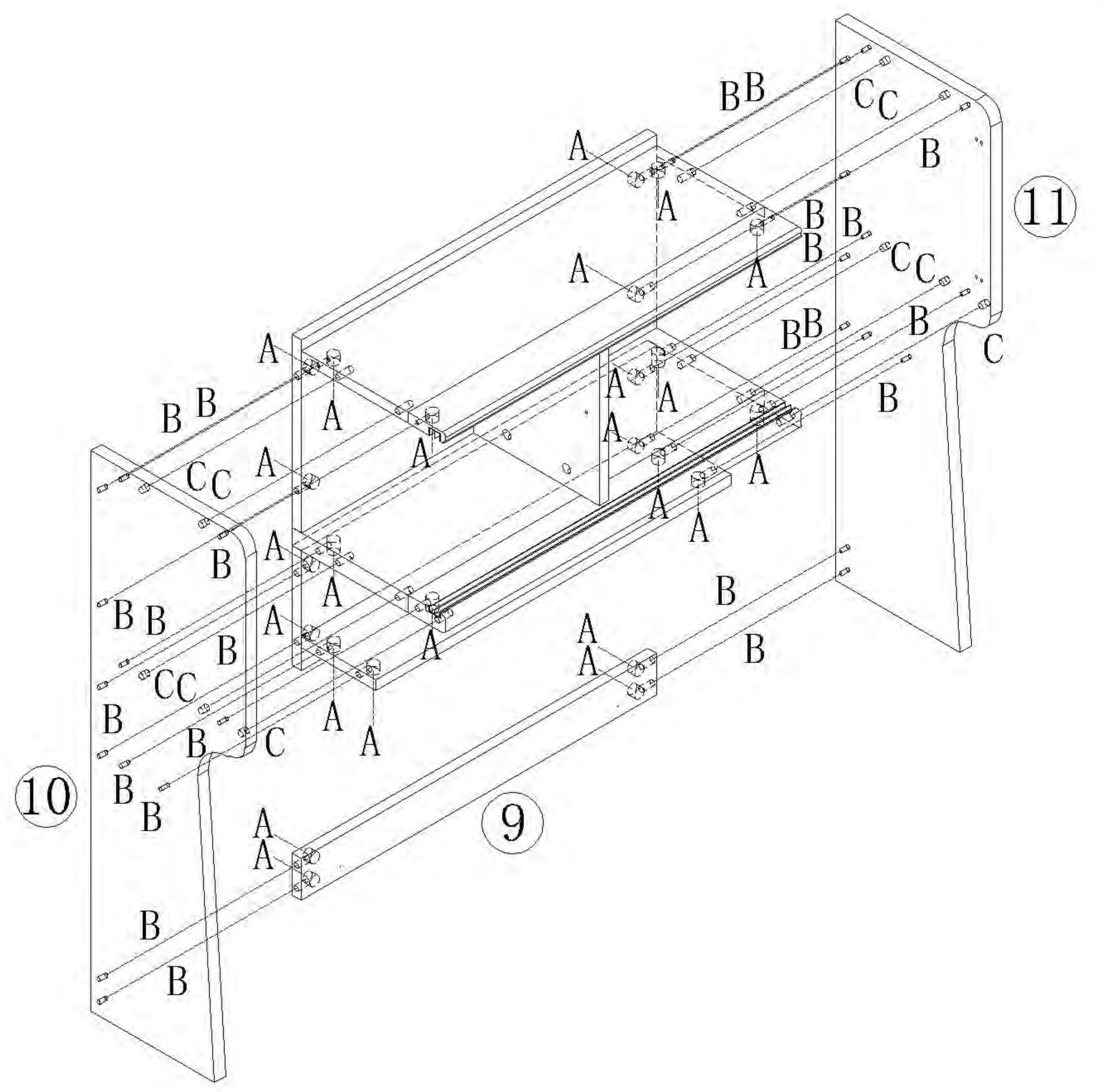
1

- (A)\*8
- (B)\*8
- (C)\*2



3

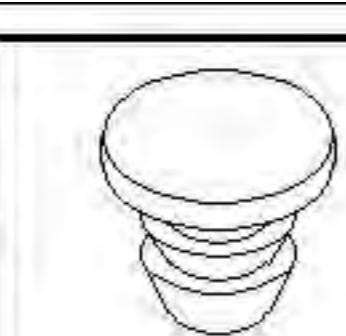
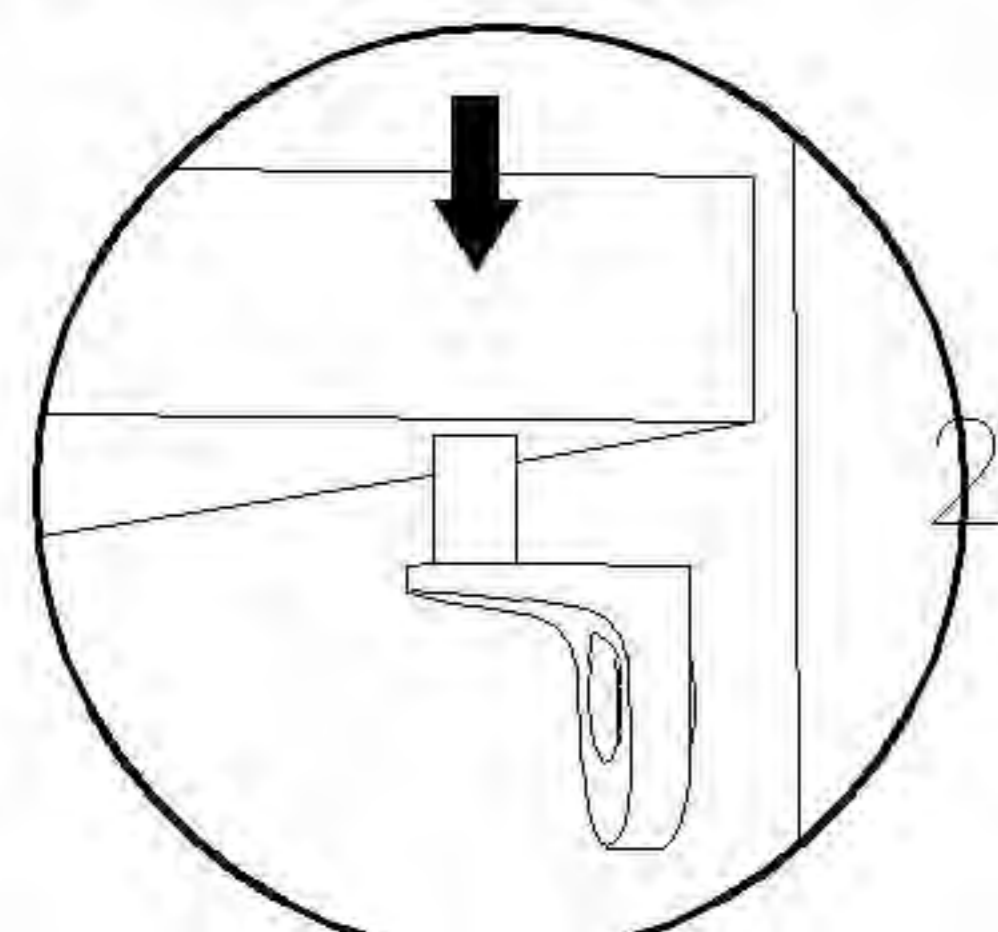
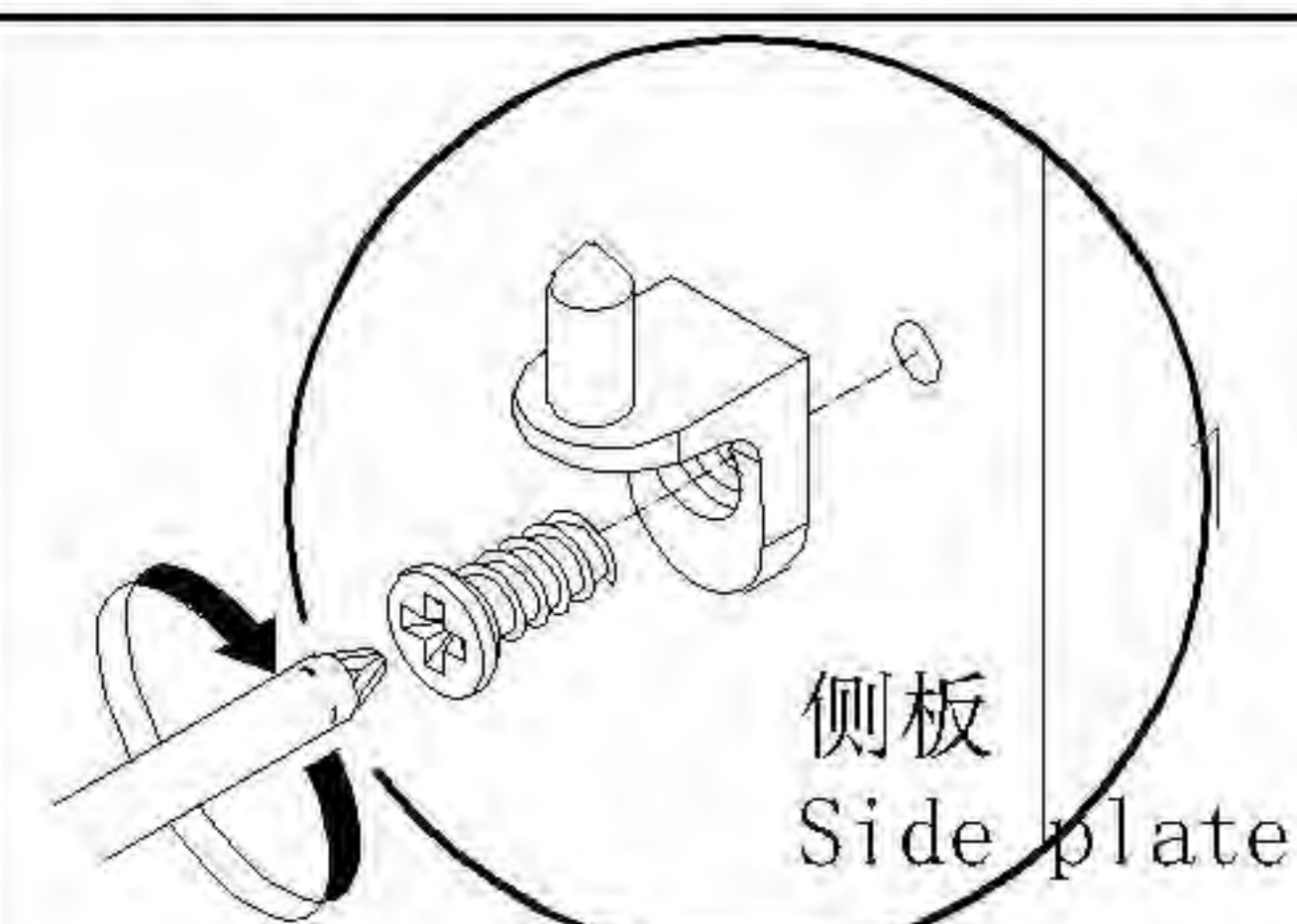
- (A)\*24
- (B)\*24
- (C)\*10



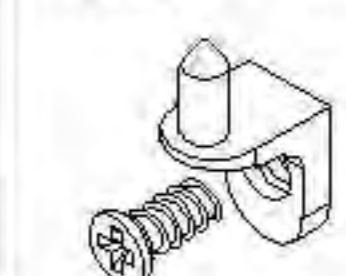
2

4

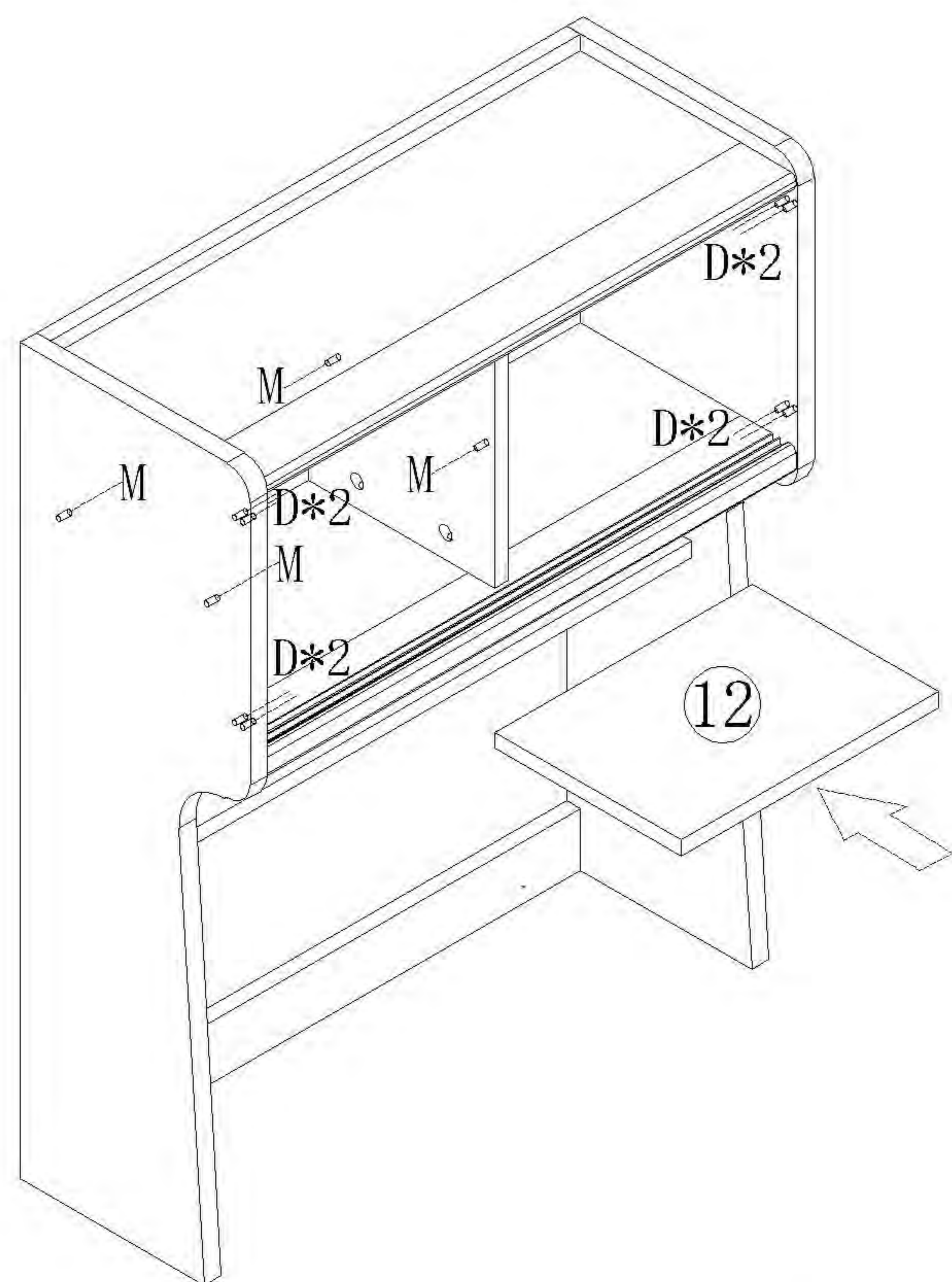
安装方法/  
Installation method



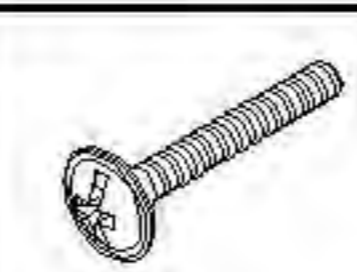
(D)\*8



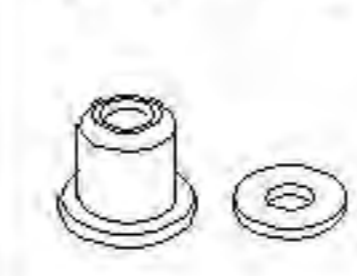
(M)\*4



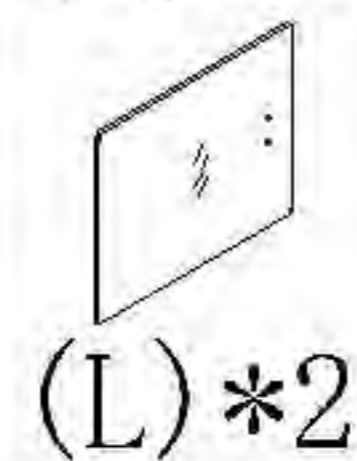
5



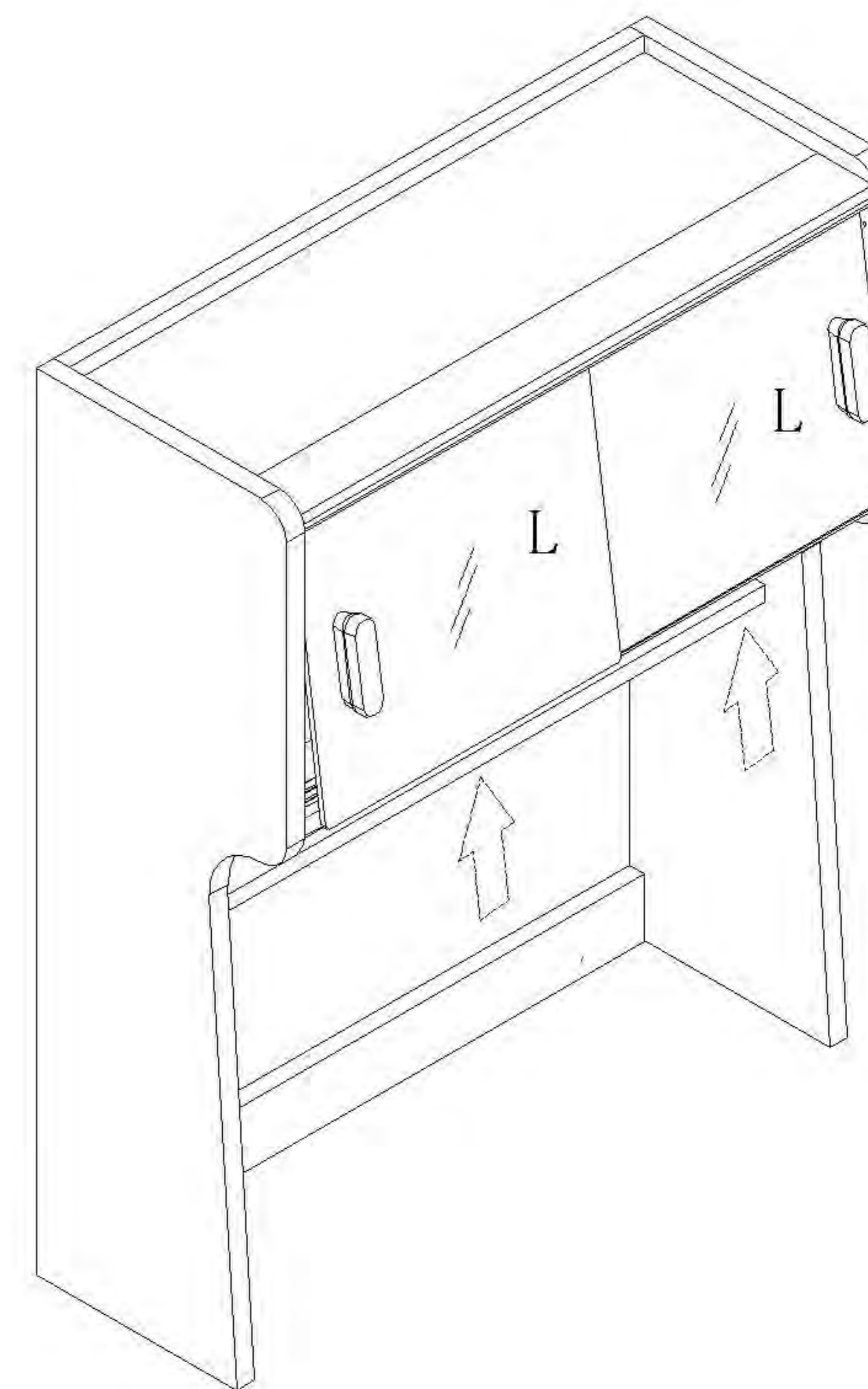
(F)\*4



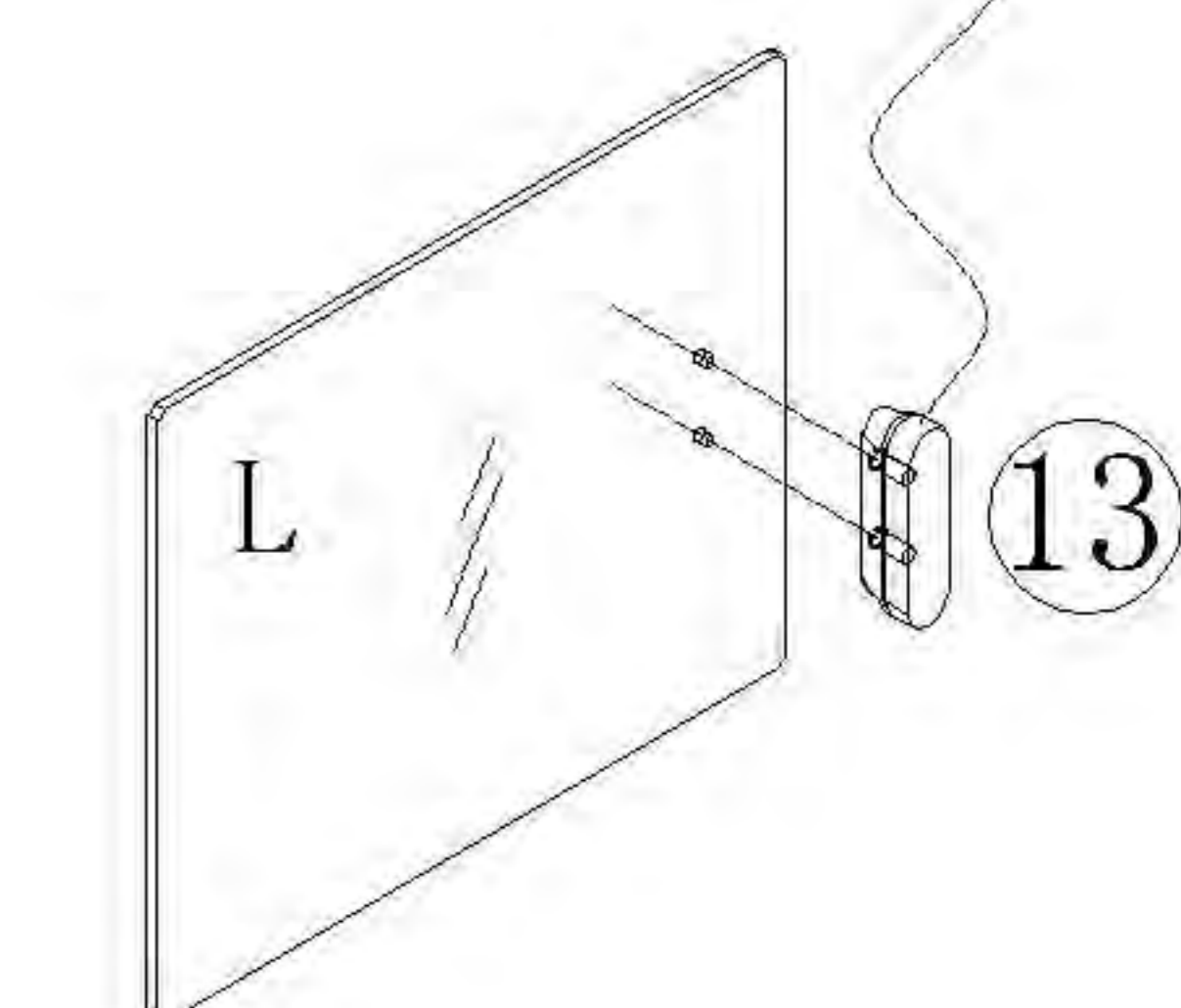
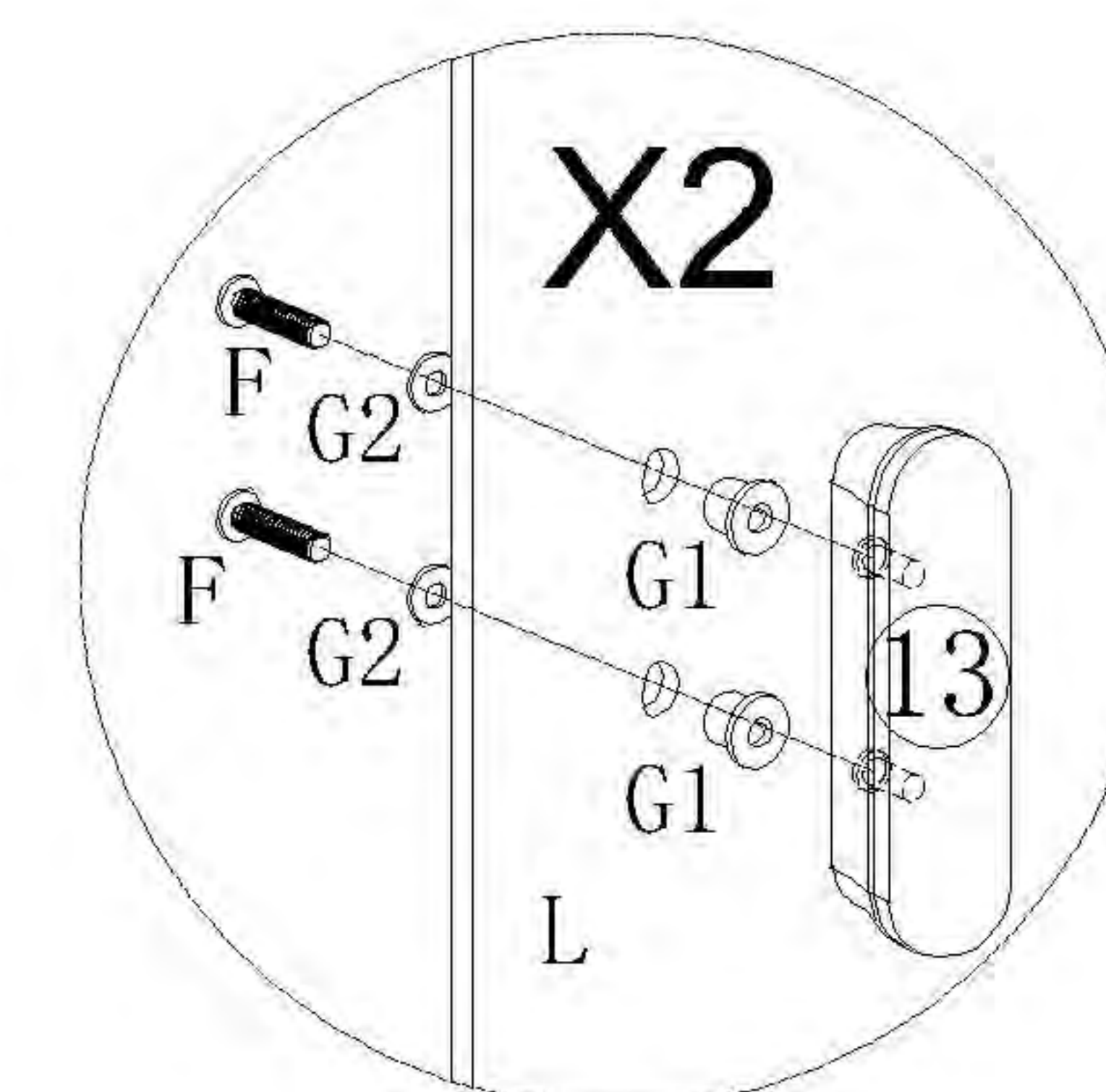
(G)\*4



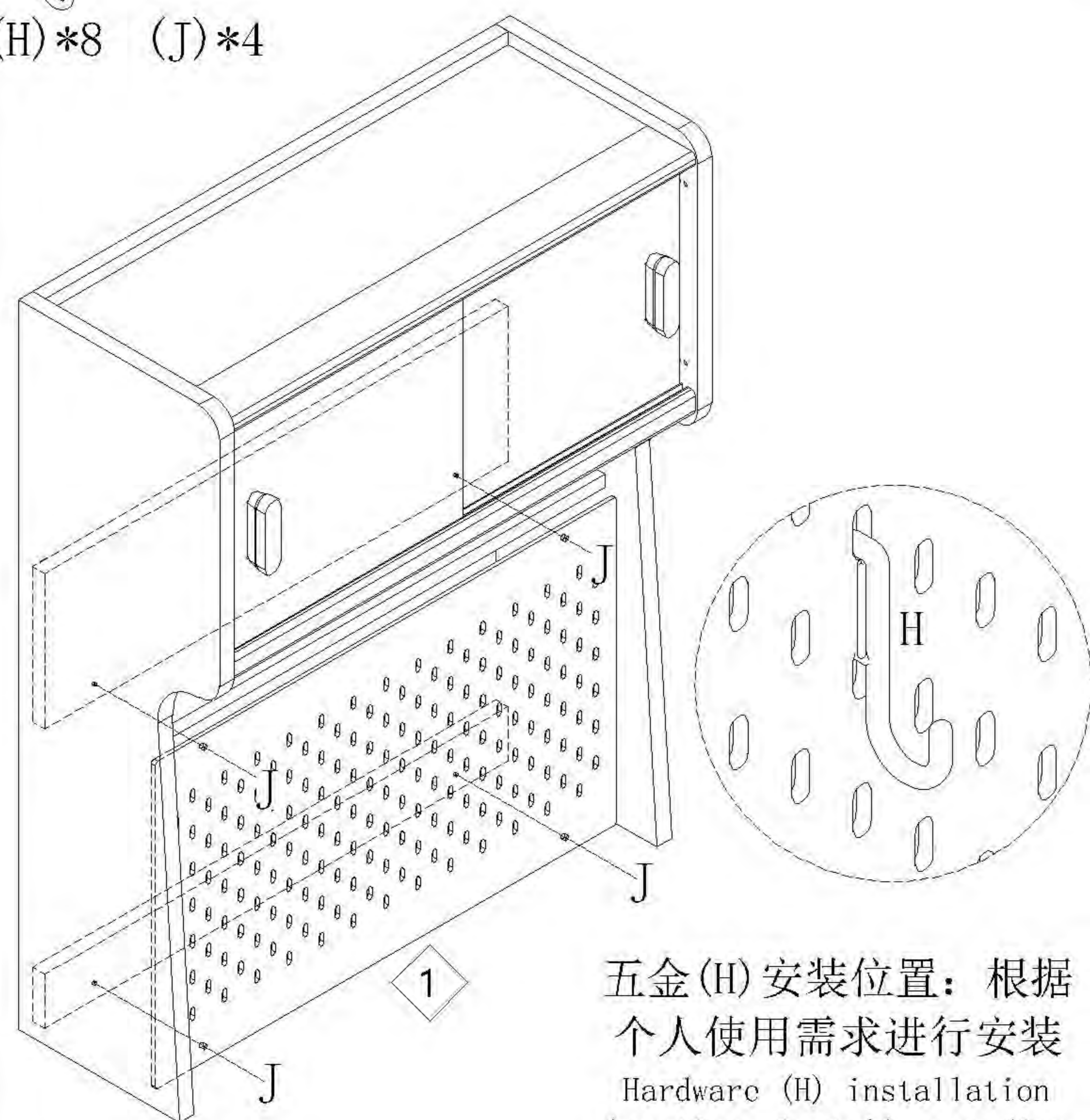
(L)\*2



6



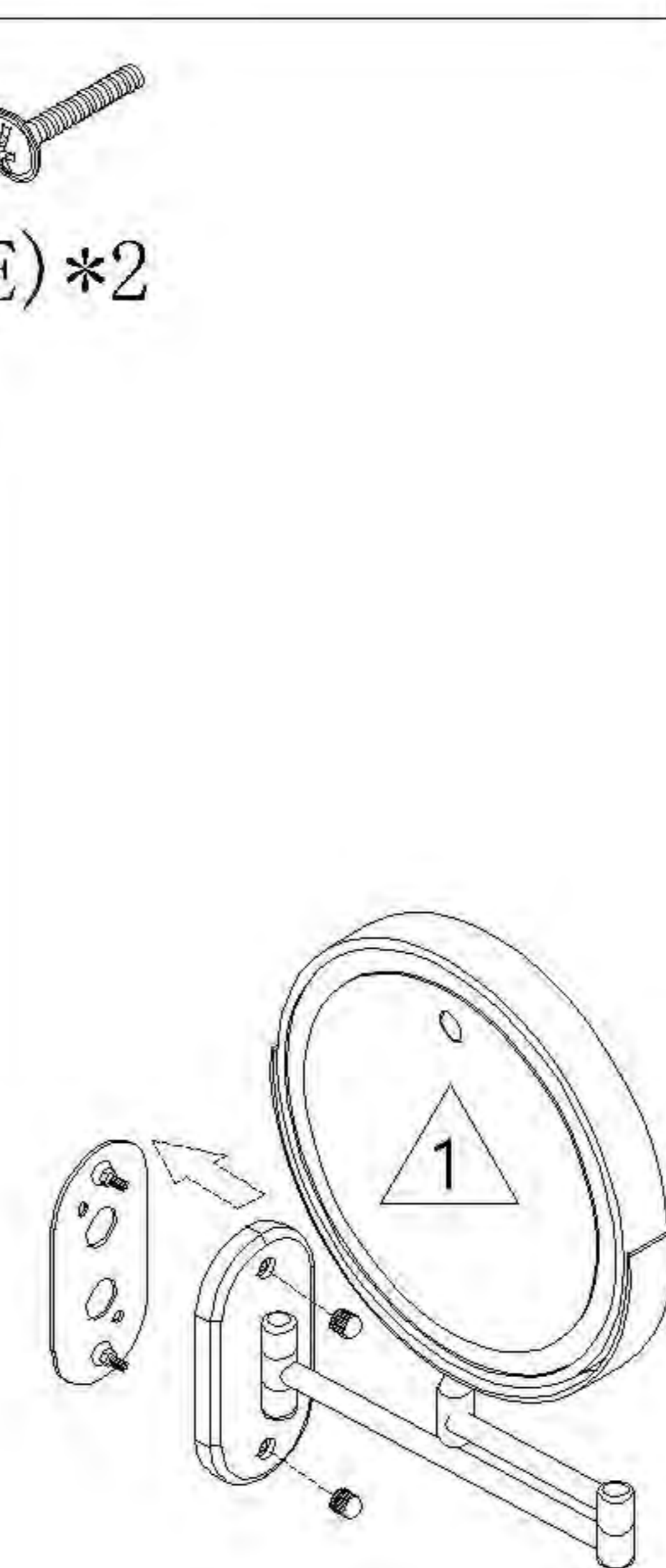
(H)\*8 (J)\*4



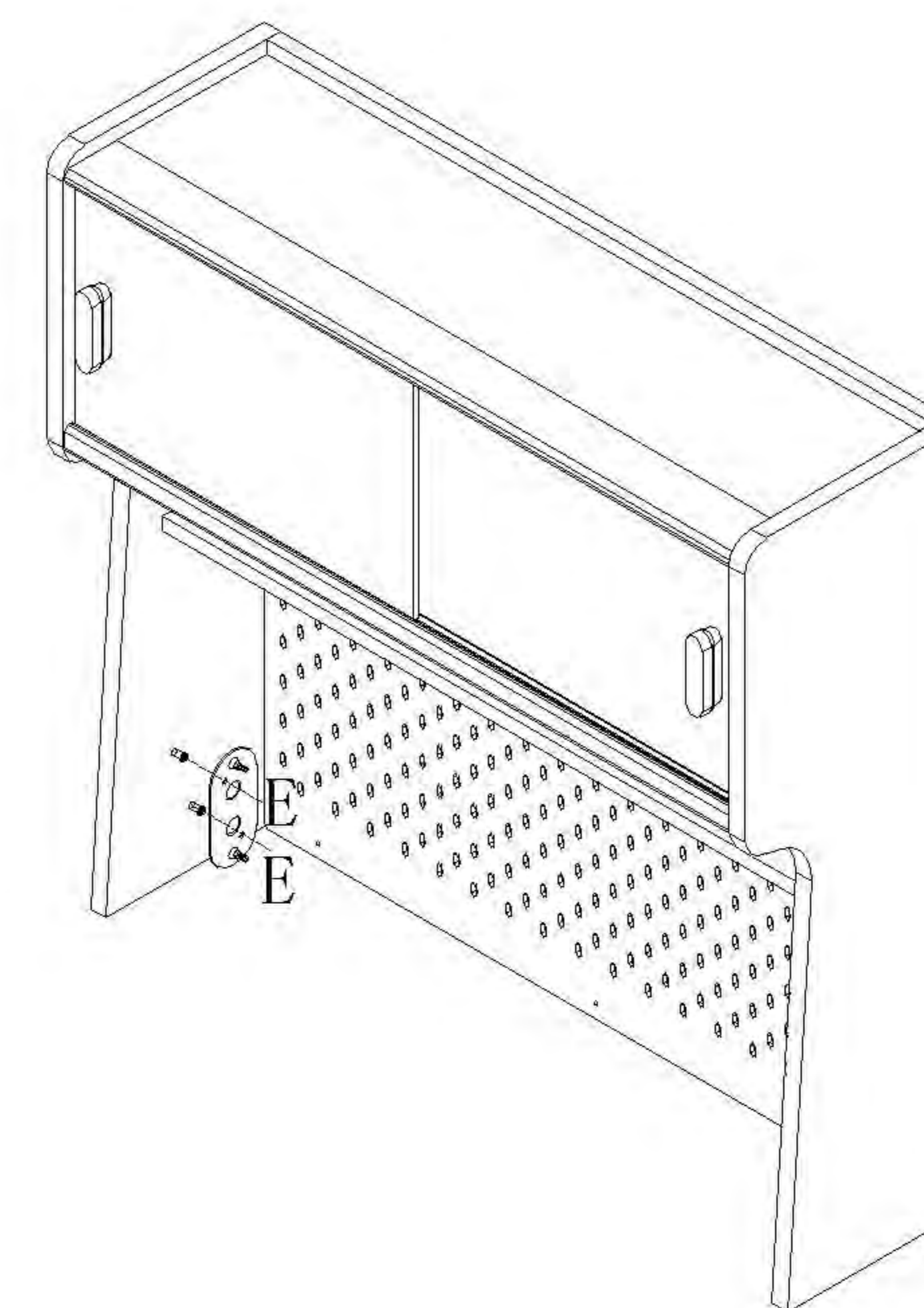
7

五金(H)安装位置: 根据个人使用需求进行安装  
Hardware (H) installation location: Install according to personal usage needs

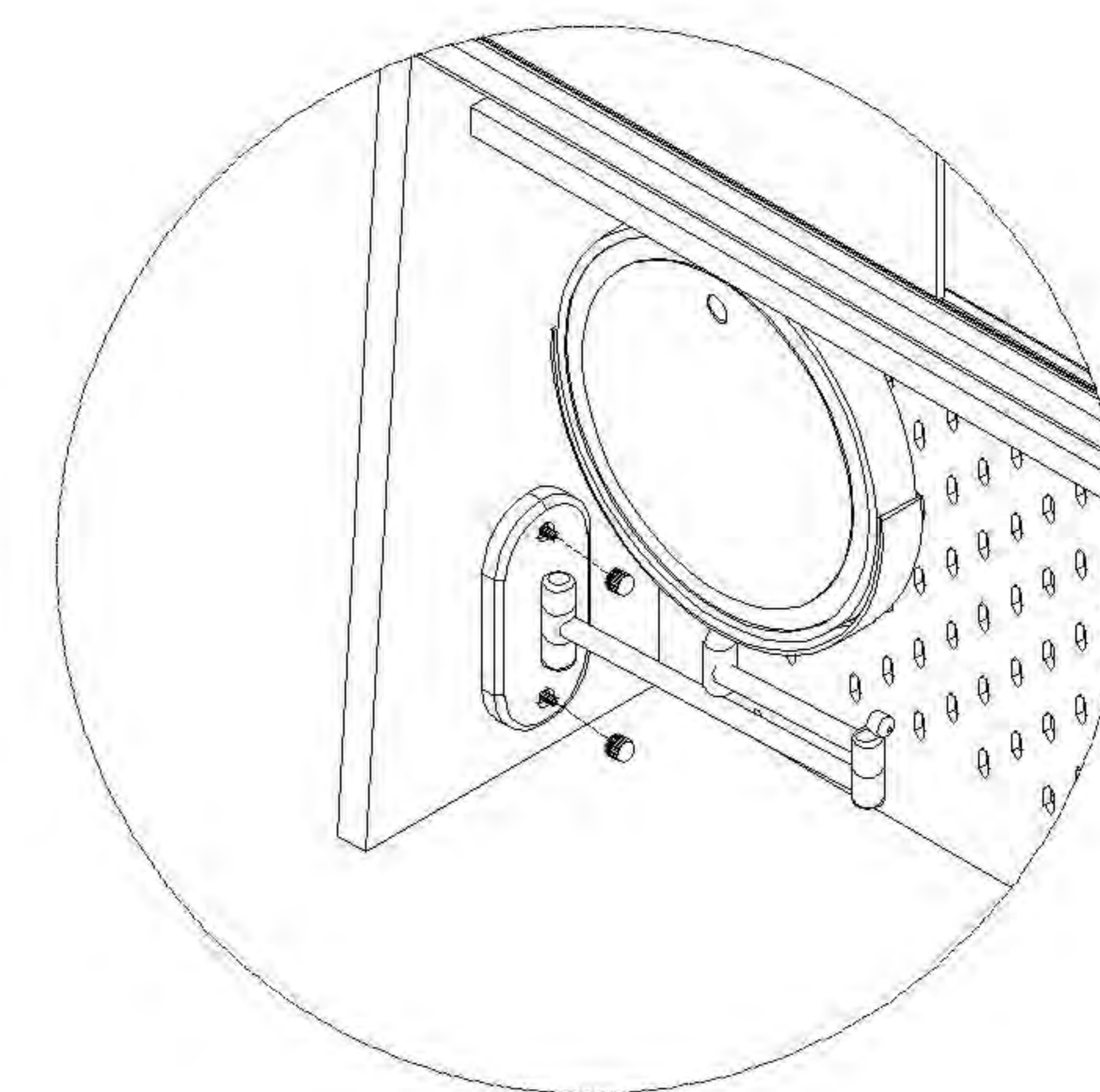
(E)\*2



步骤1: 首先拧下妆镜的螺帽取下底座铁片  
Step 1: First, unscrew the nut of the makeup mirror and remove the base iron plate

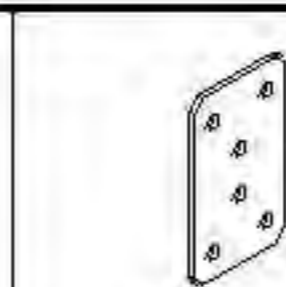


步骤2: 使用五金E安装铁片在侧板对应孔位上  
Step 2: Use hardware E to install iron plates in the corresponding holes on the side panel

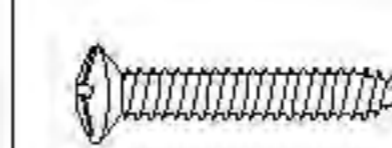


步骤3: 把底座安装在铁片上后拧紧螺帽安装  
Step 3: Install the base on the iron sheet and tighten the nut for installation

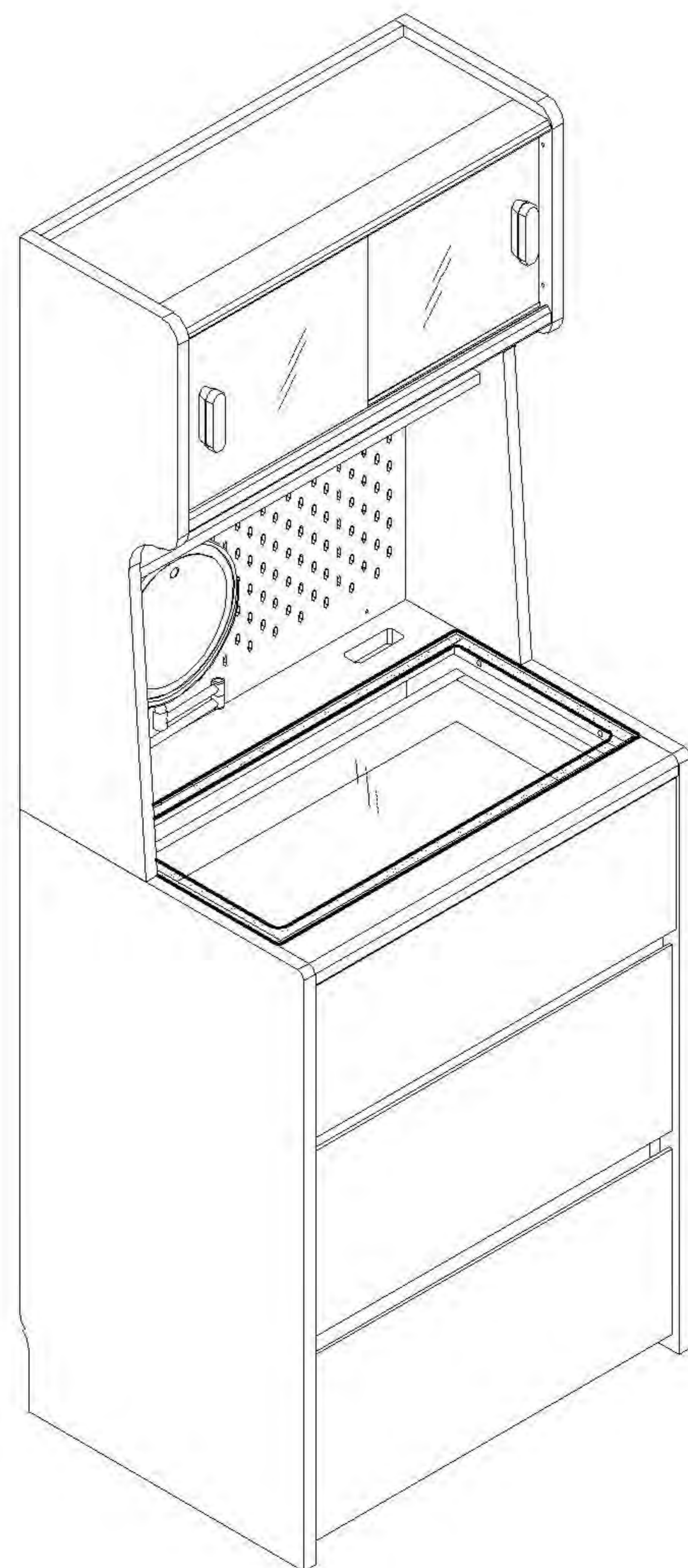
8



(I)\*2



(J)\*8



注意：上柜需与下柜搭配使用并安装固定铁片、防倒器；下柜的安装步骤请查看购买的下柜型号安装说明书，此处下柜为参考示意图。

Attention: The upper cabinet should be used in conjunction with the lower cabinet and installed with fixed iron plates and anti tipping devices; Please refer to the installation manual of the purchased lower cabinet model for the installation steps of the lower cabinet. Here is a reference diagram for the lower cabinet.

UD4C-A 0.6m一体高柜妆台

产品规格Specification: 610\*450\*1603mm

该组合所包含的半成品如下：

The semi-finished products included in the portfolio are as follows:

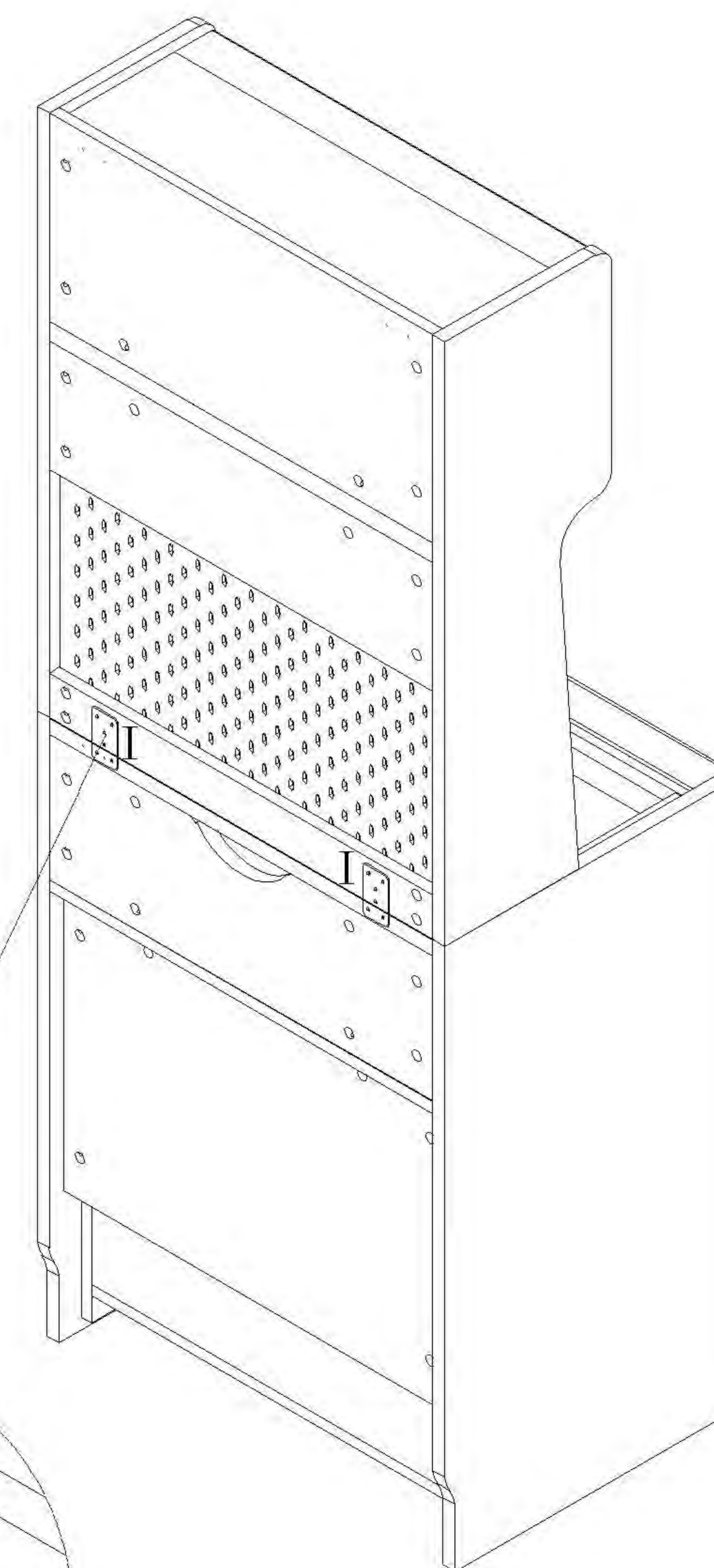
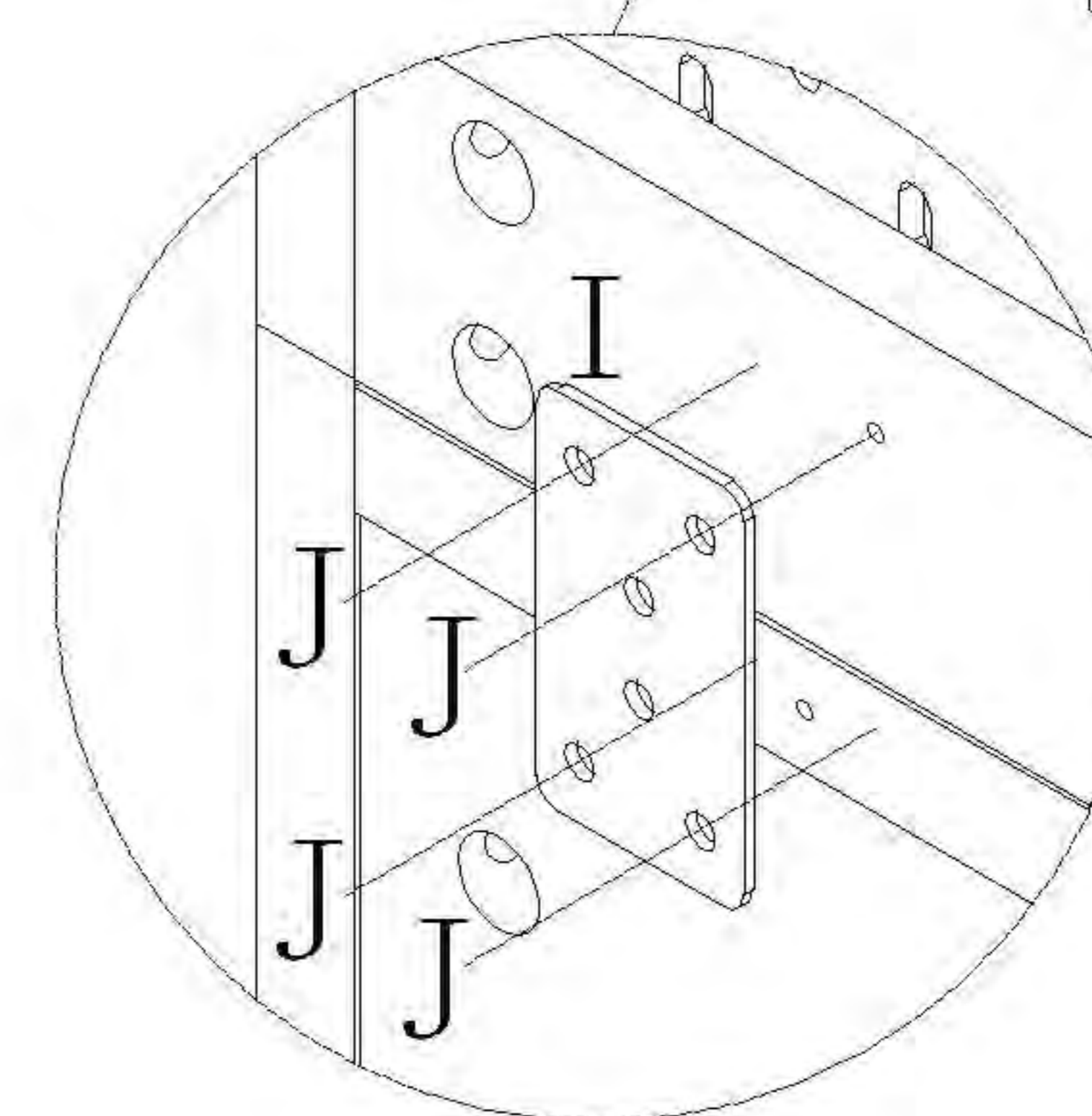
UD4C-A 0.6m一体妆台 主体

UD4C-A 0.6m一体妆台 座包

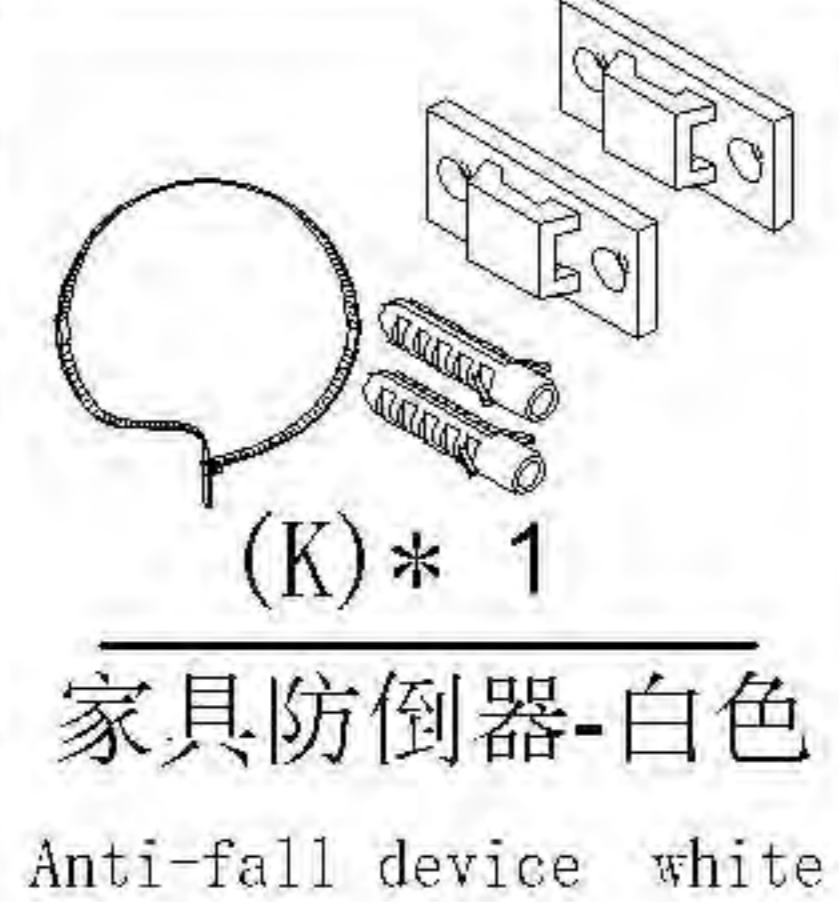
UD4C-A 0.6m一体妆台 上柜

UD4C-A 0.6m一体妆台 洞洞板

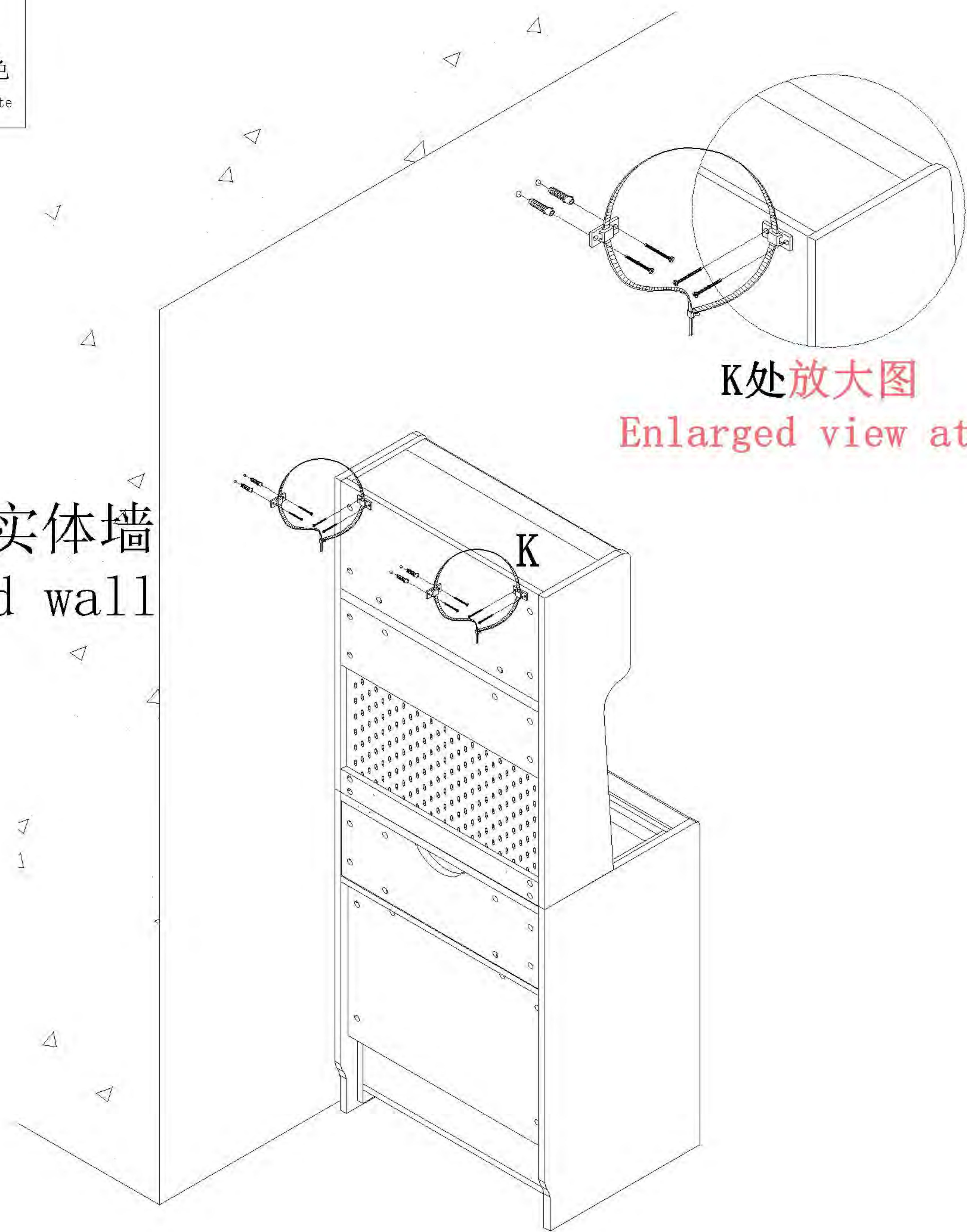
UD4C-A 一体妆台 妆镜



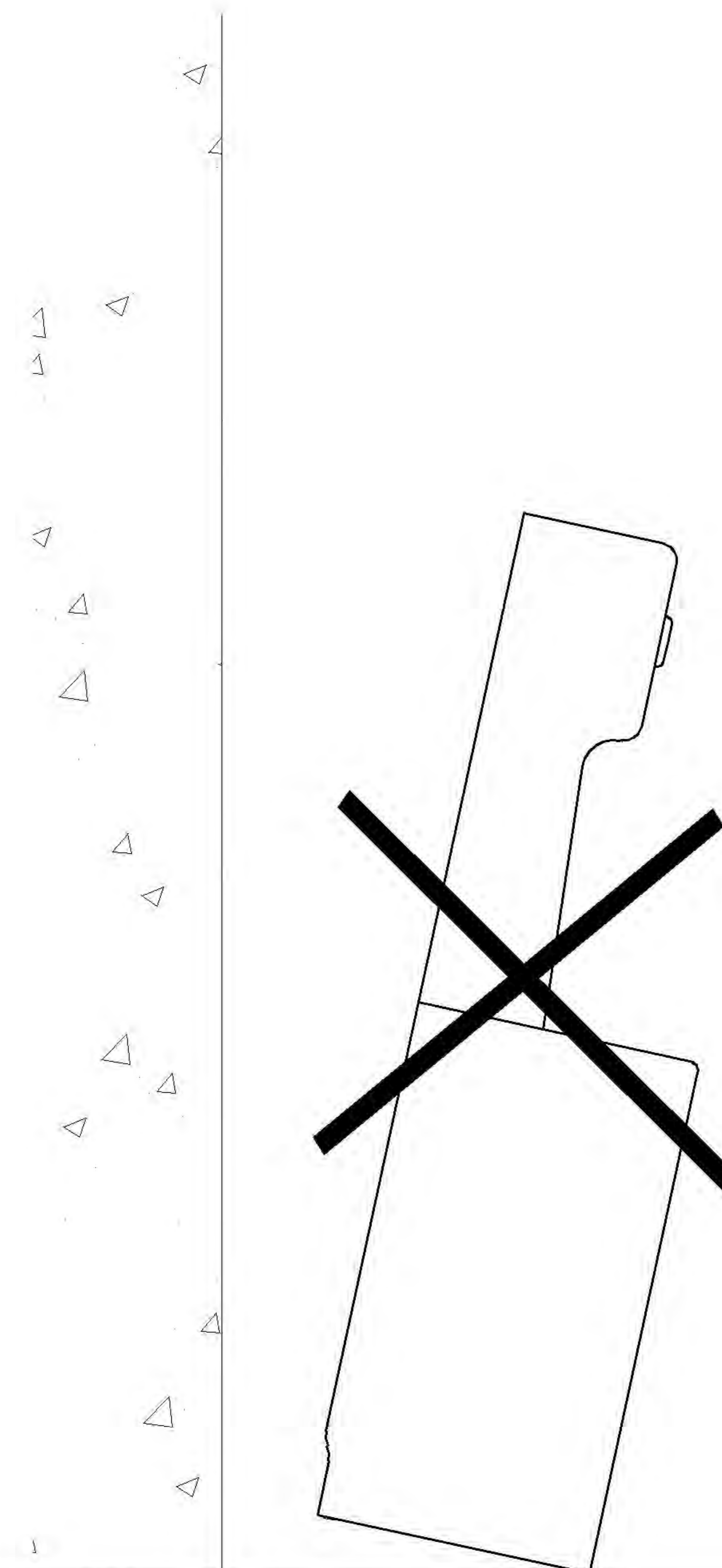
安装方法/  
Installation method



实体墙  
Solid wall

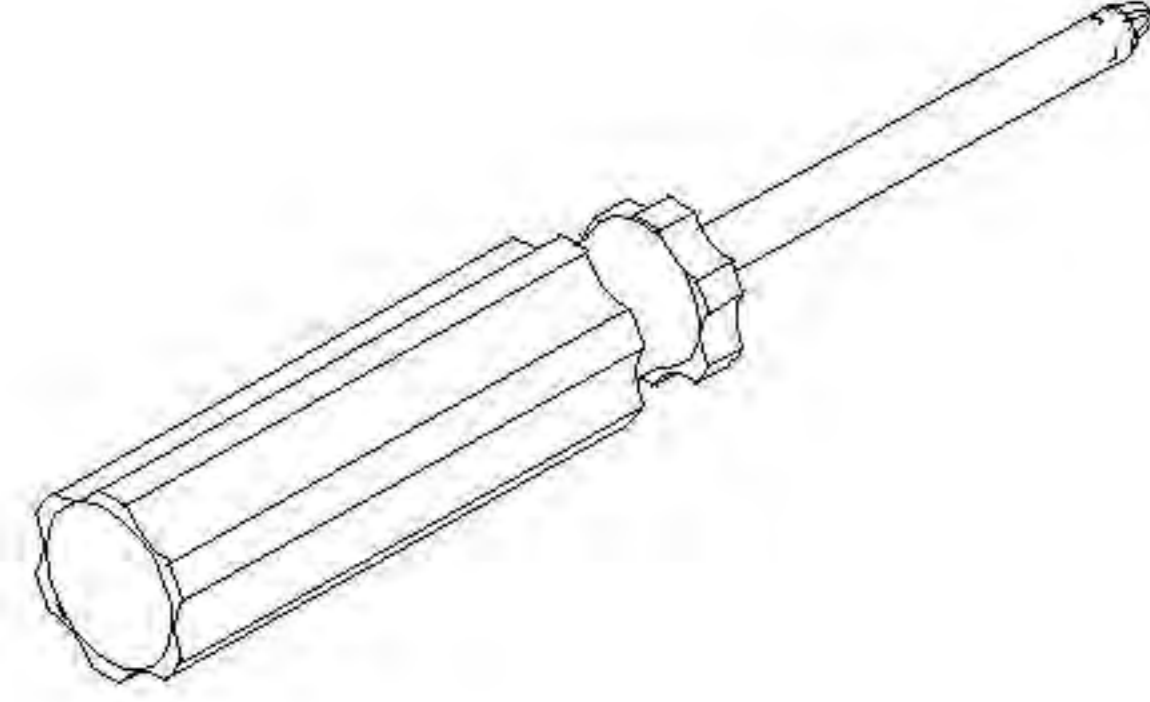
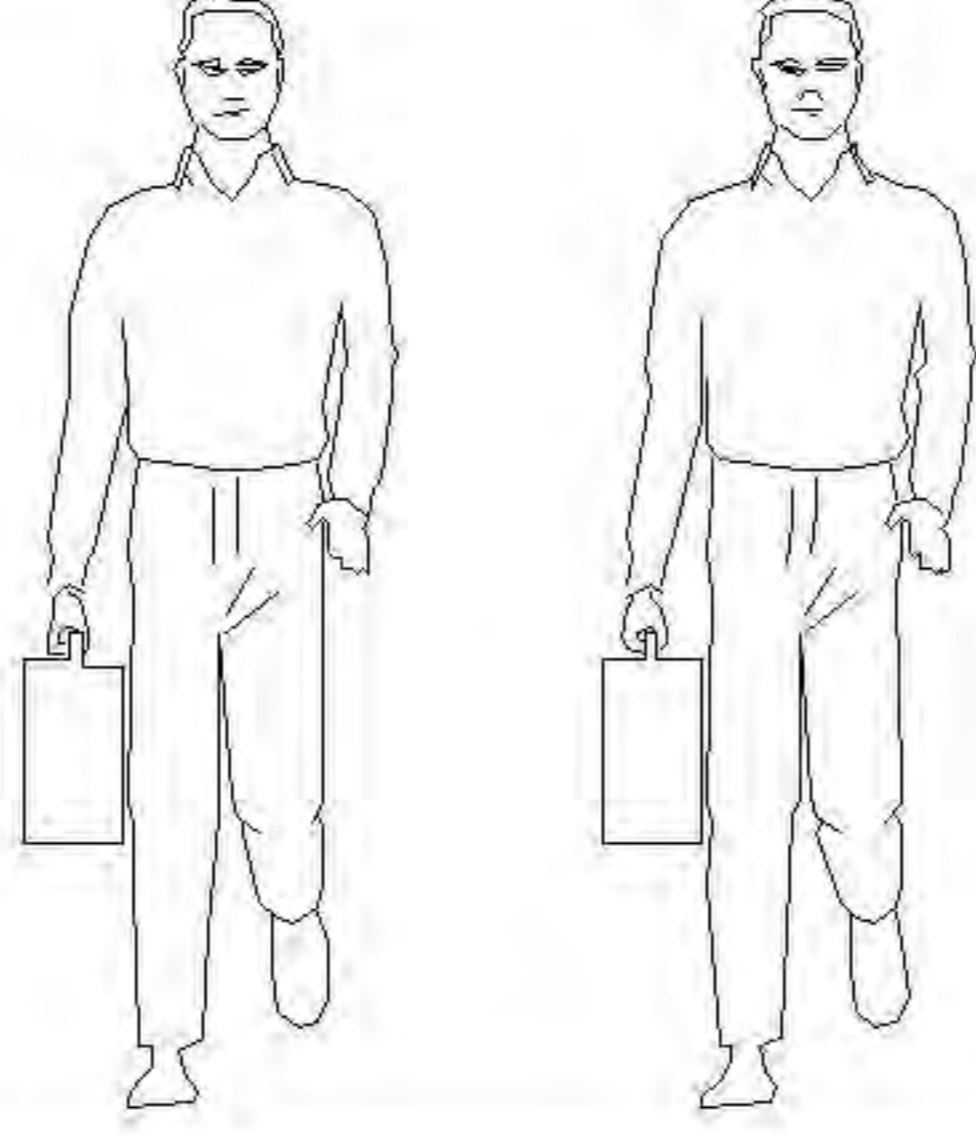


K处放大图  
Enlarged view at K

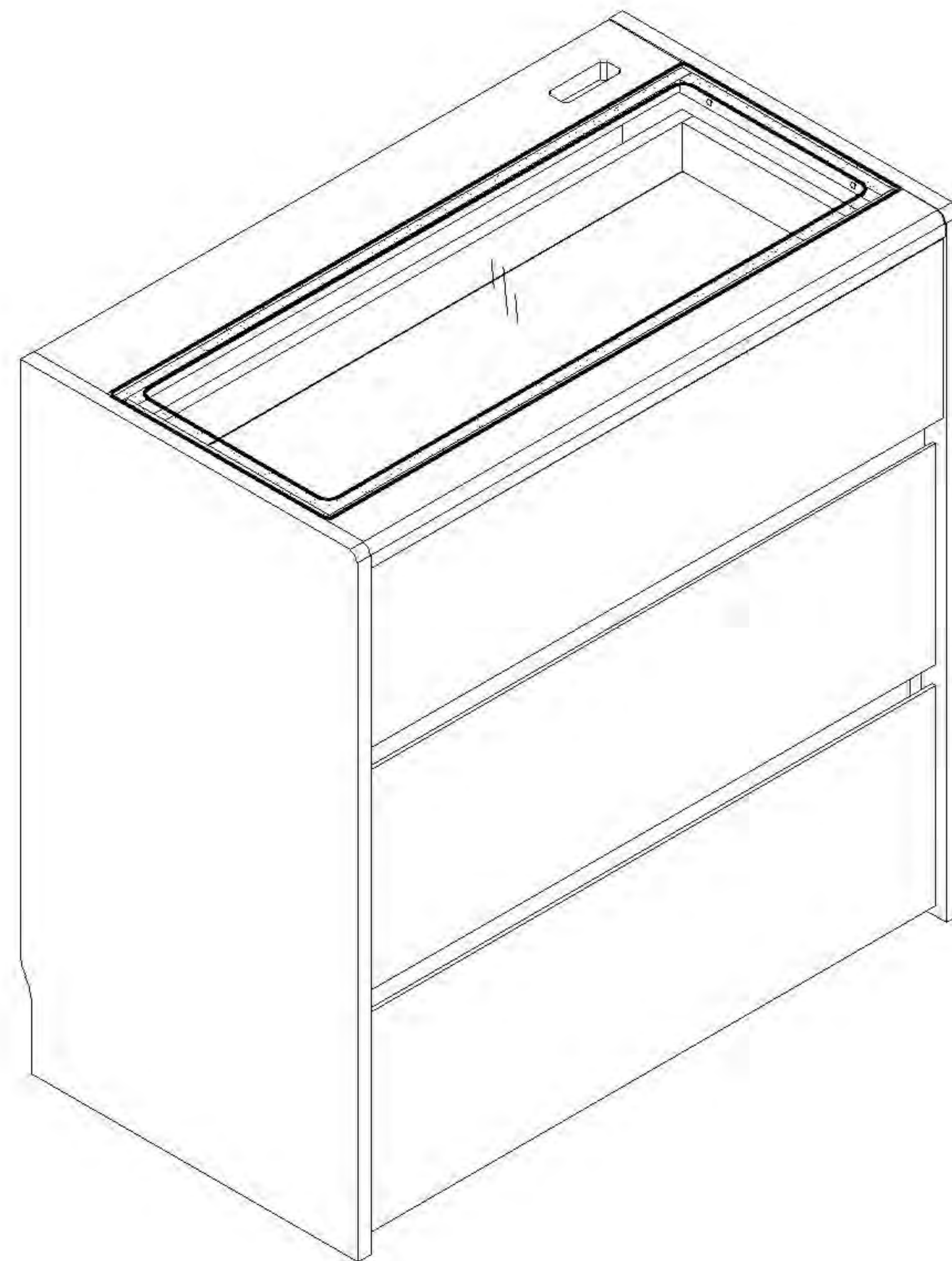


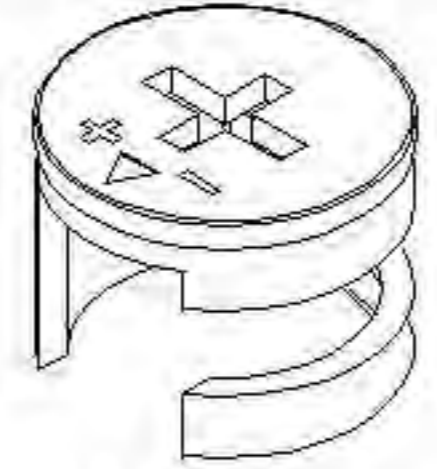
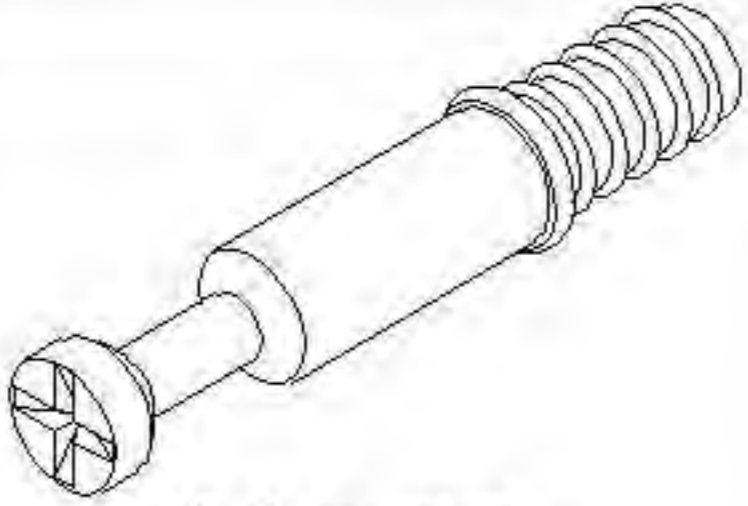
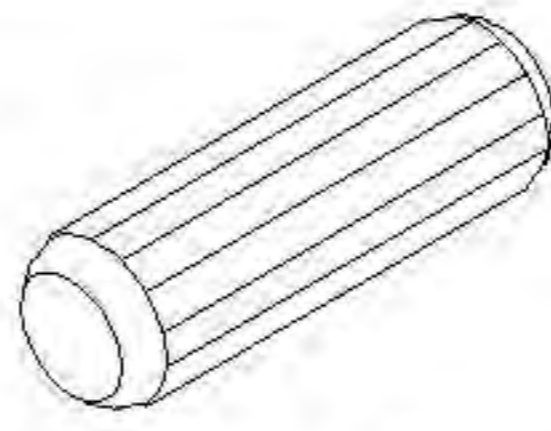
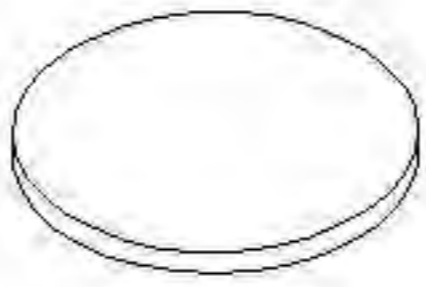

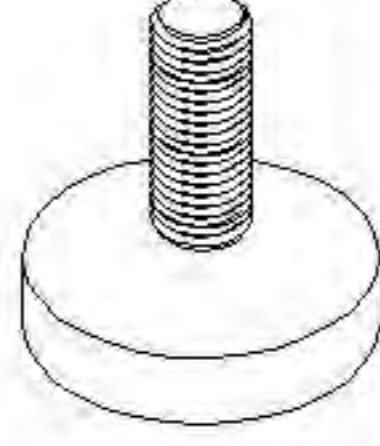
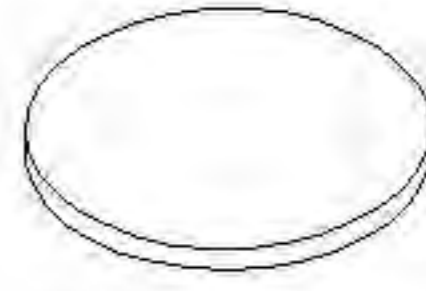
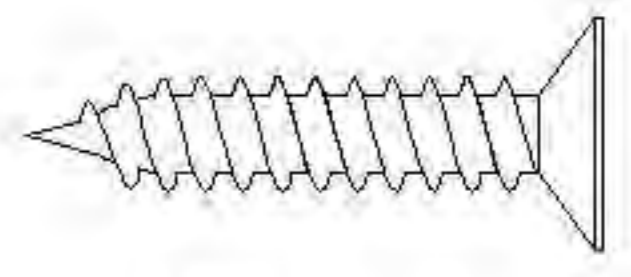
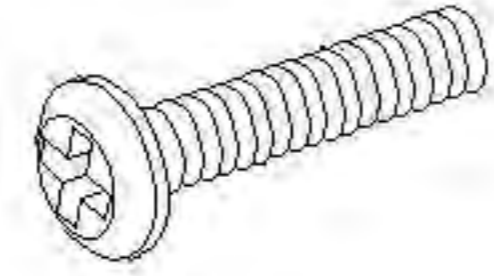
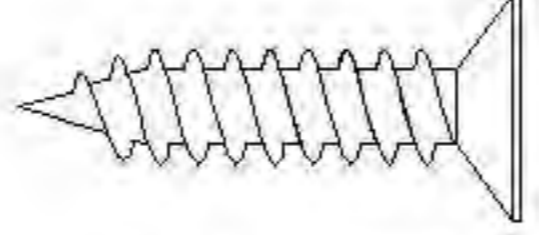
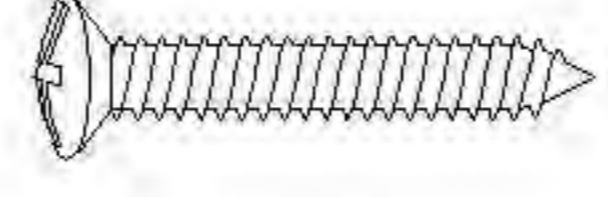
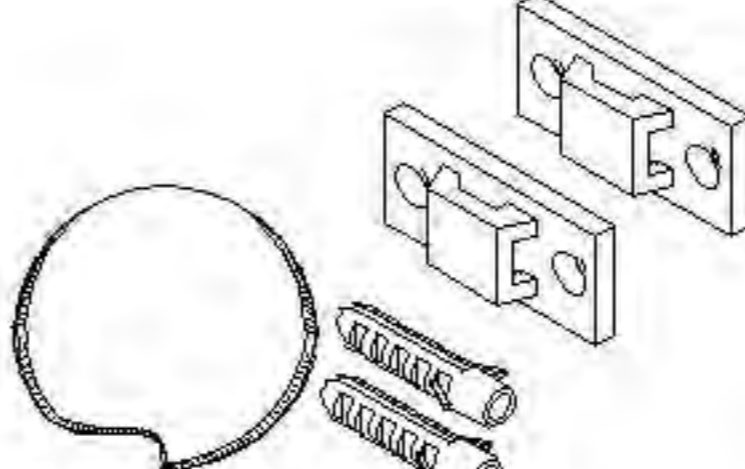
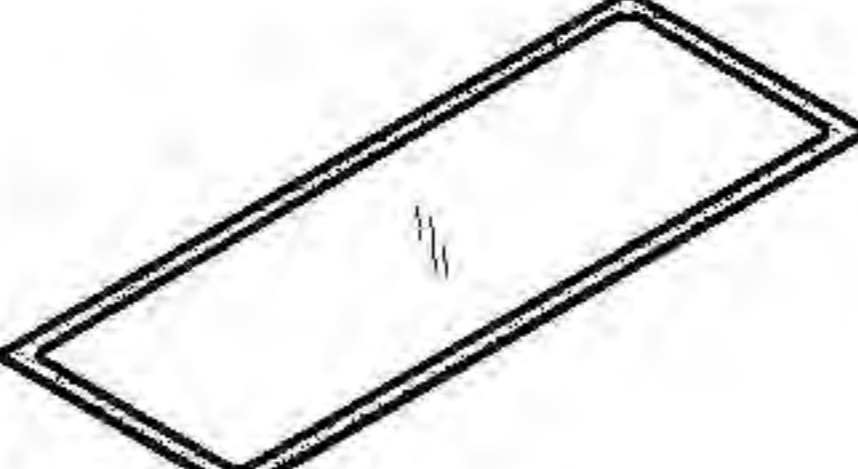
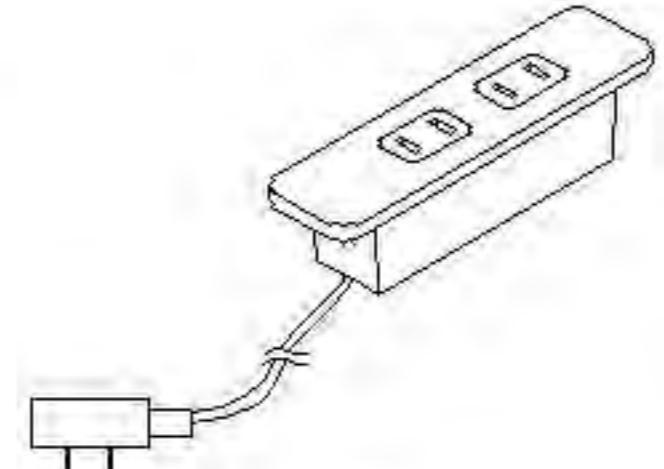
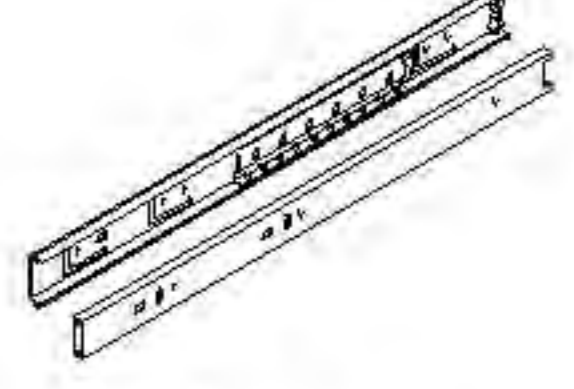
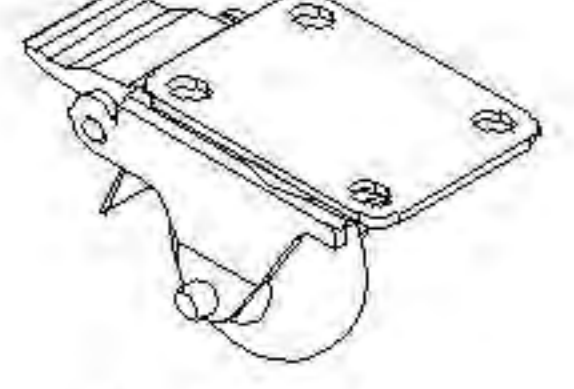
注意：上柜与下柜安装好后需安装防倒器，  
上下柜都配有防倒器，请将防倒器安装在图中上柜的位置。  
Note: After the upper and lower cabinets are installed, an anti-tip  
device should be installed.  
The upper and lower cabinets are equipped with anti-tipping devices.  
Install the anti-tipping devices at the positions on the upper  
cabinets in the figure.

### 安装示意图/Assembly Instruction

产品名称 Model NO.	0.8m一体妆台
产品型号 Product Model	UD4C-A
尺寸规格 Specification	(802*450*820)mm
安装工具 Tool	安装人数 Installer
	

注：为保证设计效果，部分尺寸为定制尺寸，不影响使用。



 (A)* 97 大三合一锁饼 Three-in-one large lock	 (B)* 97 二合一螺杆 2-in-1-screw	 (C)* 21 木榫Ø8x30mm wood tenon	 (D)* 4 圆胶垫 Round rubber pad	 (E)* 10 角码 Corner code	 (F)* 4 调节五金脚-20*25mm Adjusting foot	 (G)* 4 灰色毛毡脚垫 Footrest - Grey	 (H)* 4 自攻螺丝M4x20mm Self-tapping screw
 (I)* 4 斜边十字螺杆-M6x20 bevel cross screw	 (J)* 61 自攻螺丝M3.5x14mm Self-tapping screw	 (K)* 17 自攻大扁M4*16mm Self tapping flat screw	 (L)* 1 家具防倒器-白色 Anti-fall device white	 (M)* 1 面板玻璃-764*291*5mm Panel glass	 (N)* 1 插座 socket	 (O)* 3 三节滚珠导轨-10" three-section ball rail	 (P)* 4 双制脚轮 wheel

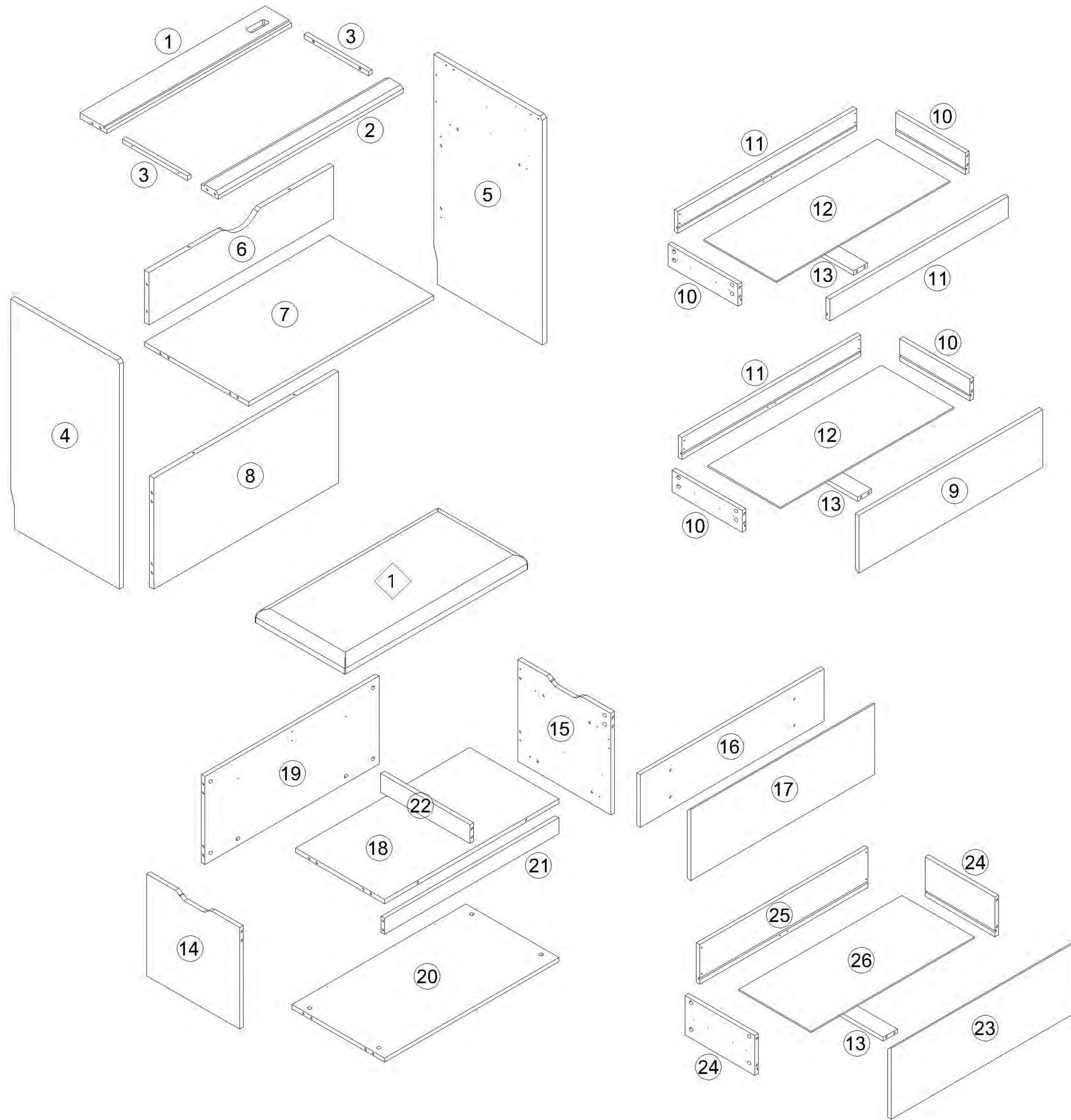
► 注意：防倒器一定要按图安装！

Be careful: The anti fall device must be installed!

► 注：抽面与柜体的间隙, 为设计开启抽面使用, 小心夹伤！

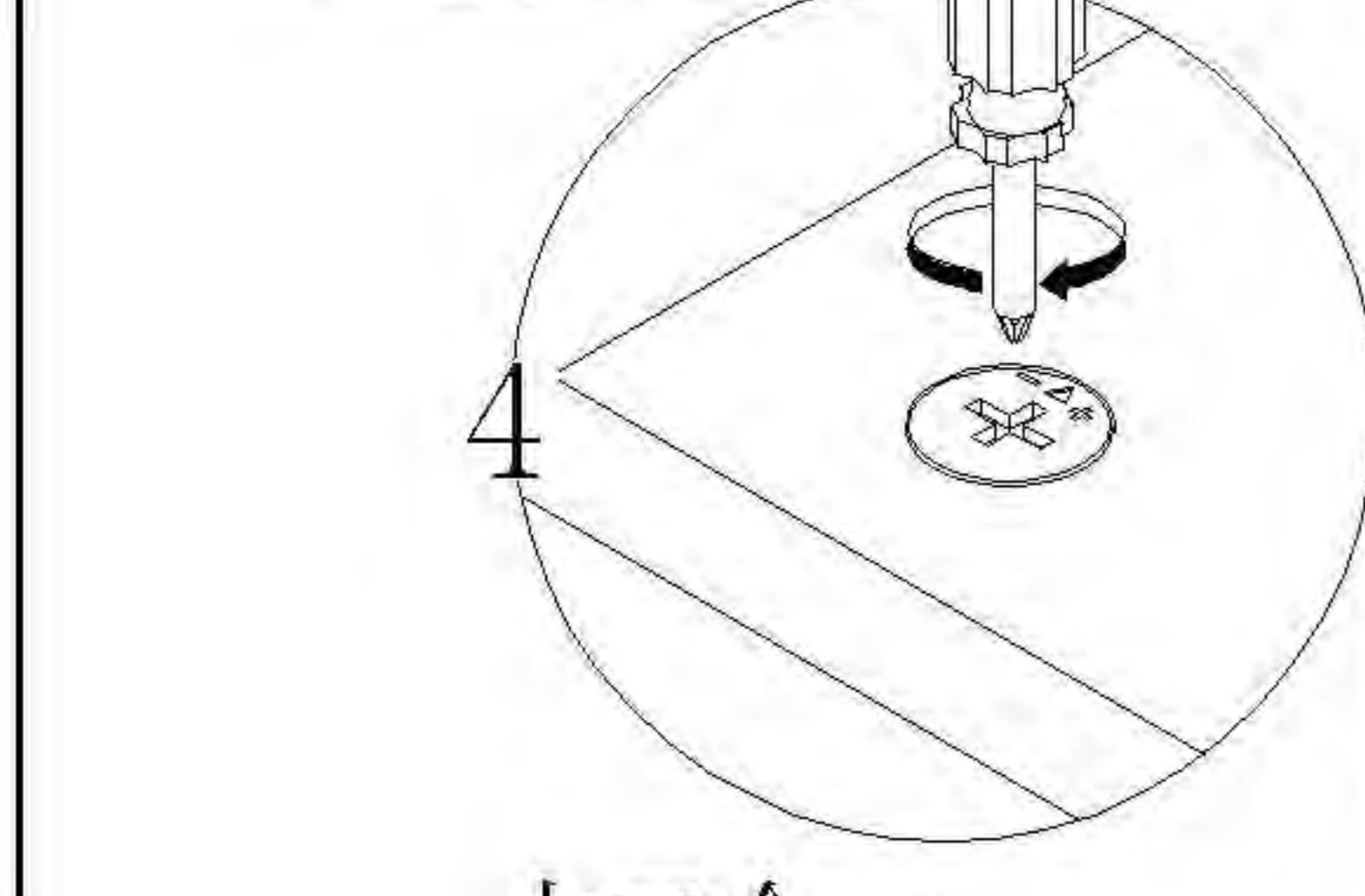
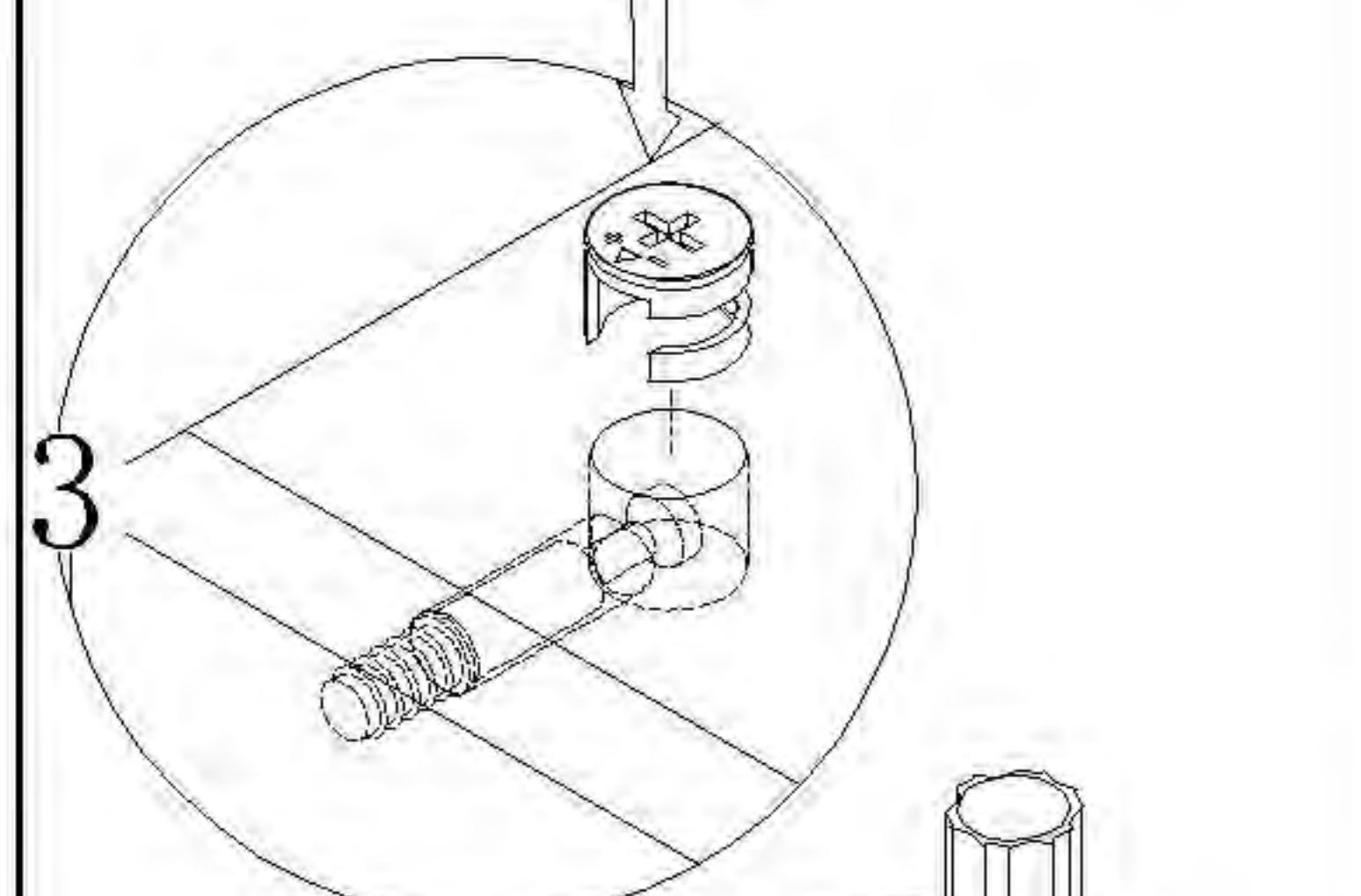
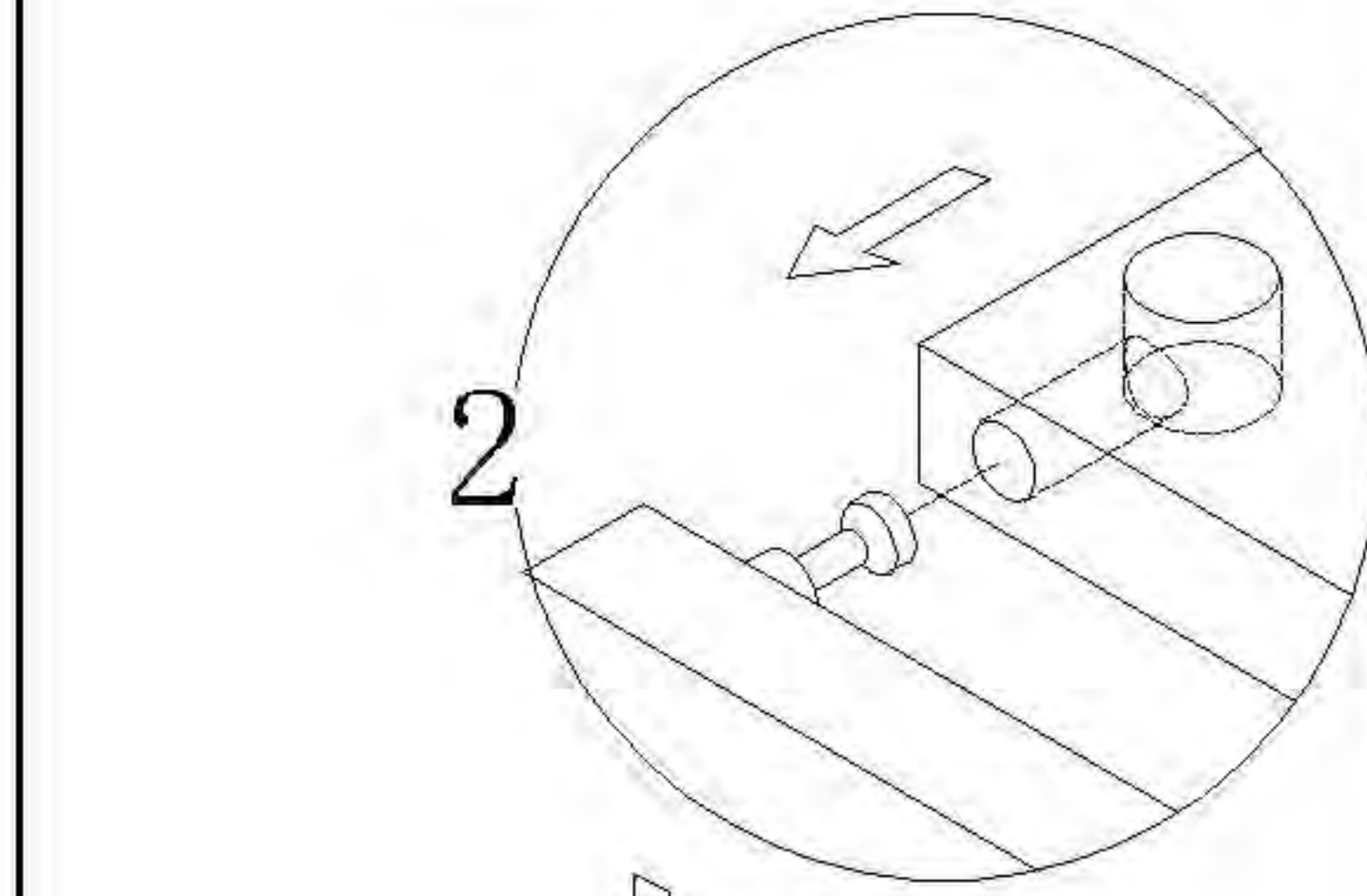
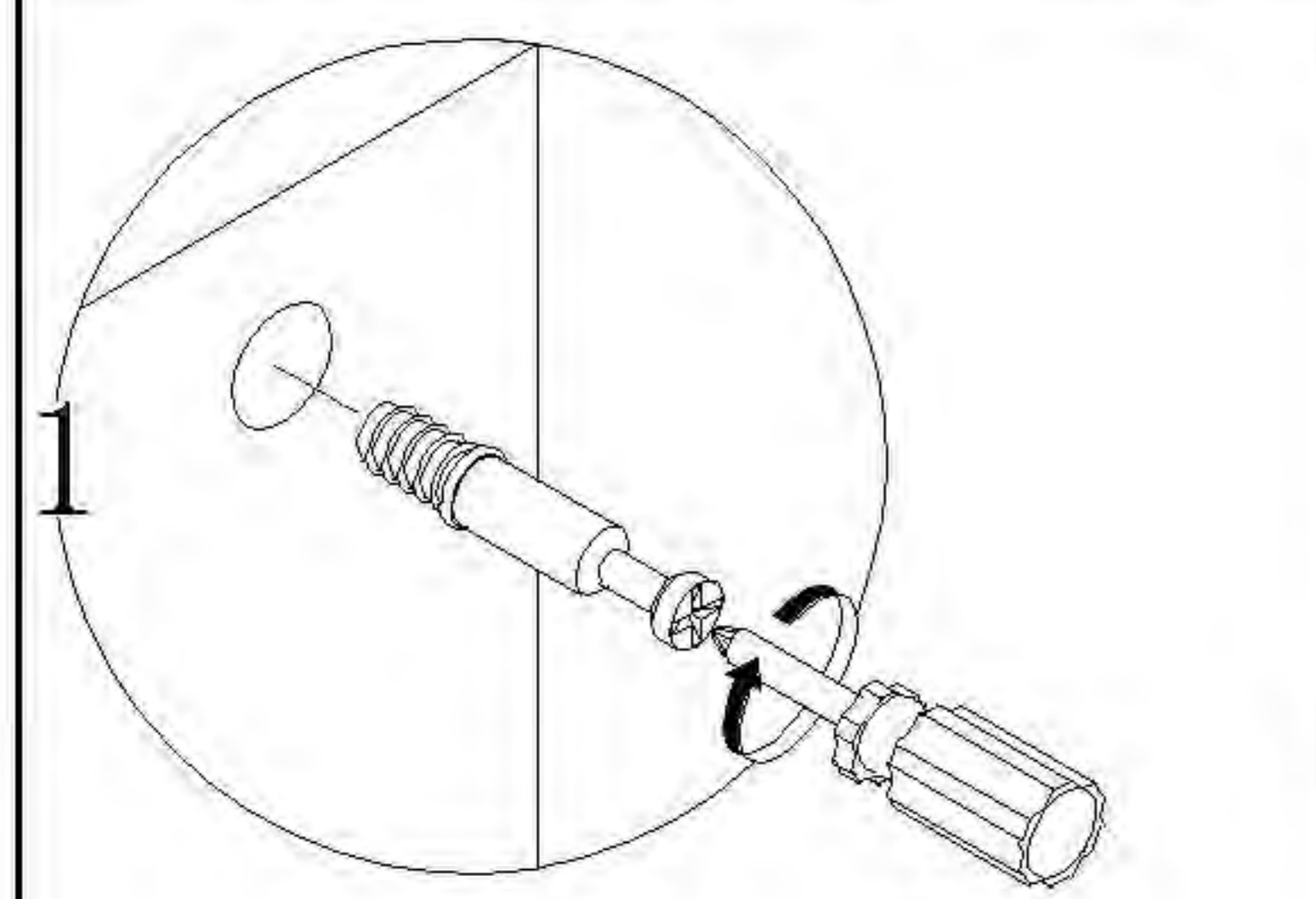
Note: The gap between the drawer panel and the cabinet is designed for opening the drawer panel. Be careful of pinch injuries!

UD4C-A (0.8m一体妆台)	部件表/Parts List					部件表/Parts List				
安装方法/ Installation method	编号NO.	名称Name	规格 (mm) Specification	数量QTY	材质Material	编号NO.	名称Name	规格 (mm) Specification	数量QTY	材质Material
	UD4C-A 0.8m一体妆台 主体: Dressing Table Body					②⑤	附柜抽屉后板 Cabinet drawer's back board	696*142*15	1	刨花板 Particle board
	①	面板1 Top panel 1	766*110*20	1	橡胶木 Rubber wood	②⑥	附柜抽屉底板 Cabinet drawer's base board	676*300*5	1	纤维板 Fiberboard
	②	面板2 Top panel 2	766*70*25	1	橡胶木 Rubber wood	UD4C-A 0.8m一体妆台 座包: Dressing Table Seat				
	③	垫条1 Cushion strip 1	268*15*15	2	橡胶木 Rubber wood	◇1	座包 Seat	758*373*50	1	布料+纤维板+海绵 Cloth+Fiberboard+Sponge
	④	左下侧板 Lower side board(L)	817*450*18	1	纤维板 Fiberboard					
	⑤	右下侧板 Lower side board(R)	817*450*18	1	纤维板 Fiberboard					
	⑥	上背板 Upper back board	766*189*18	1	纤维板 Fiberboard					
	⑦	上层板 Upper shelf	766*433*15	1	刨花板 Particle board					
	⑧	下背板 Lower back board	766*398*18	1	纤维板 Fiberboard					
	⑨	下抽屉面板 Bottom drawer's panel	762*207*15	1	刨花板 Particle board					
	⑩	抽屉侧板 Drawer side board	290*78*15	4	刨花板 Particle board					
	⑪	抽屉后板 Drawer Back panel	740*78*15	3	刨花板 Particle board					
	⑫	抽屉底板 Drawer Bottom panel	720*300*5	2	纤维板 Fiberboard					
	⑬	抽屉底托条 Drawer's bottom bracket	290*58*15	3	刨花板 Particle board					
	⑭	附柜左侧板 Sideboard of attached cabinet(L)	385*365*15	1	刨花板 Particle board					
	⑮	附柜右侧板 Sideboard of attached cabinet(R)	385*365*15	1	刨花板 Particle board					
	⑯	靠背 Backrest	762*188*15	1	刨花板 Particle board					
	⑰	饰板 Decorating plate	762*254*15	1	刨花板 Particle board					
	⑱	附柜层板 Shelf of attached cabinet	722*369*15	1	刨花板 Particle board					
	⑲	附柜背板 Attached back board	722*316*15	1	刨花板 Particle board					
	⑳	附柜底板 Attached bottom board	722*384*15	1	刨花板 Particle board					
	㉑	拉条 Brace	722*58*15	1	刨花板 Particle board					
	㉒	底拉条 Bottom brace	369*68*15	1	刨花板 Particle board					
	㉓	附柜抽屉面板 Cabinet drawer's panel	762*254*15	1	刨花板 Particle board					
㉔	附柜抽屉侧板 Cabinet drawer's sideboard	290*142*15	2	刨花板 Particle board						



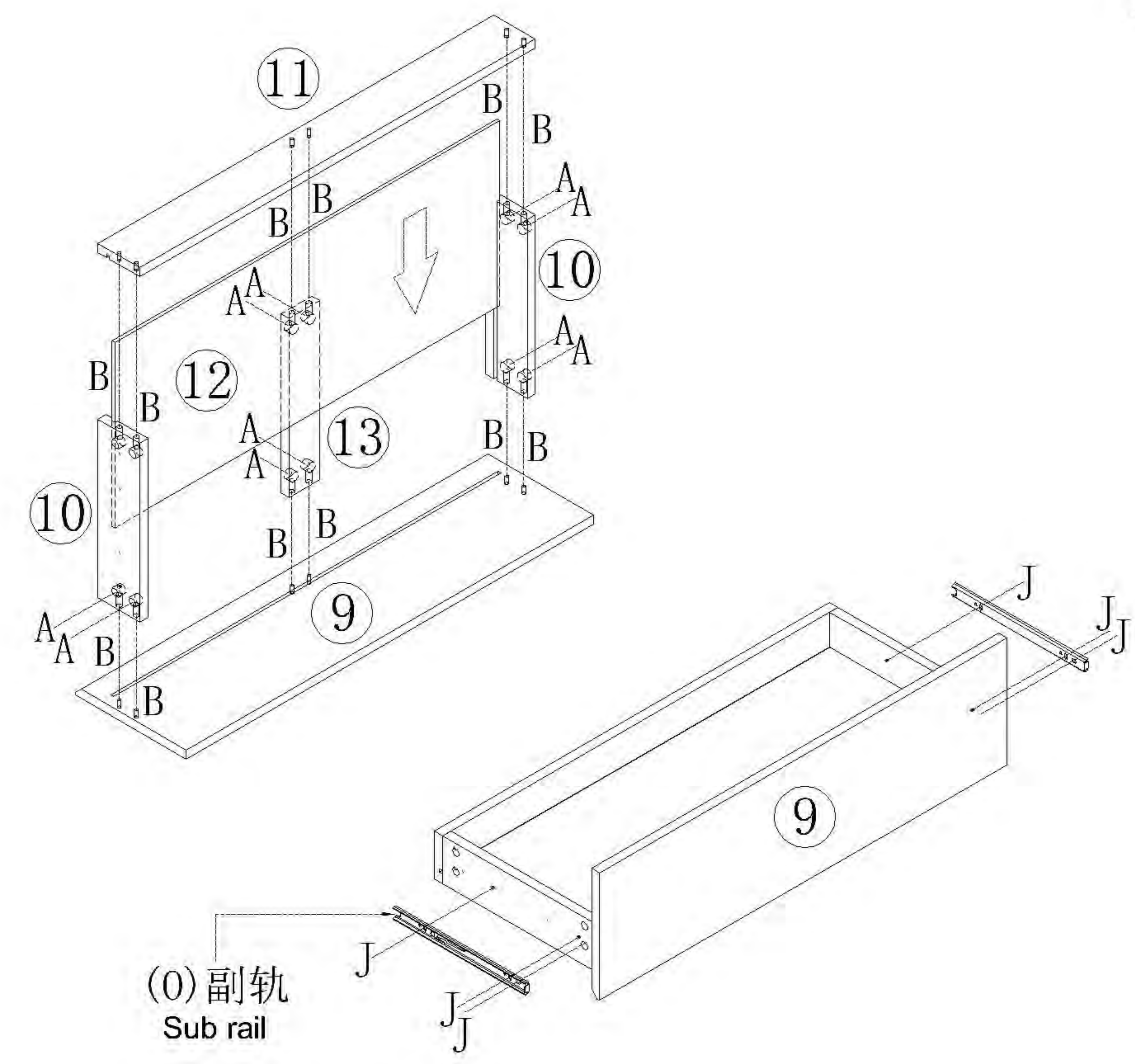
UD4C-A (0.8m一体妆台)

安装方法/  
Installation method

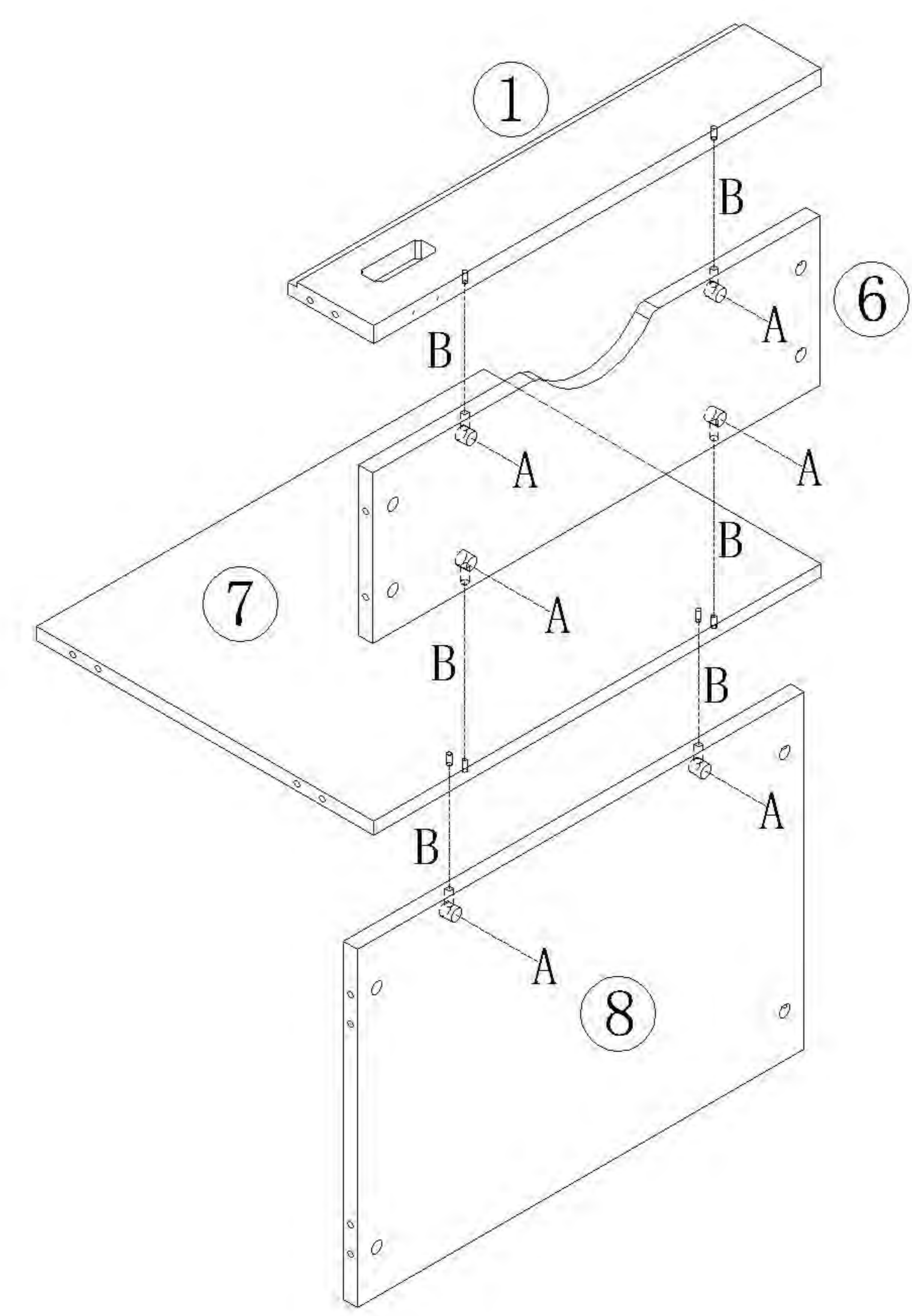


大二合一  
two-in-one

- (A)\*12
- (B)\*12
- (J)\*6
- (O)\*1

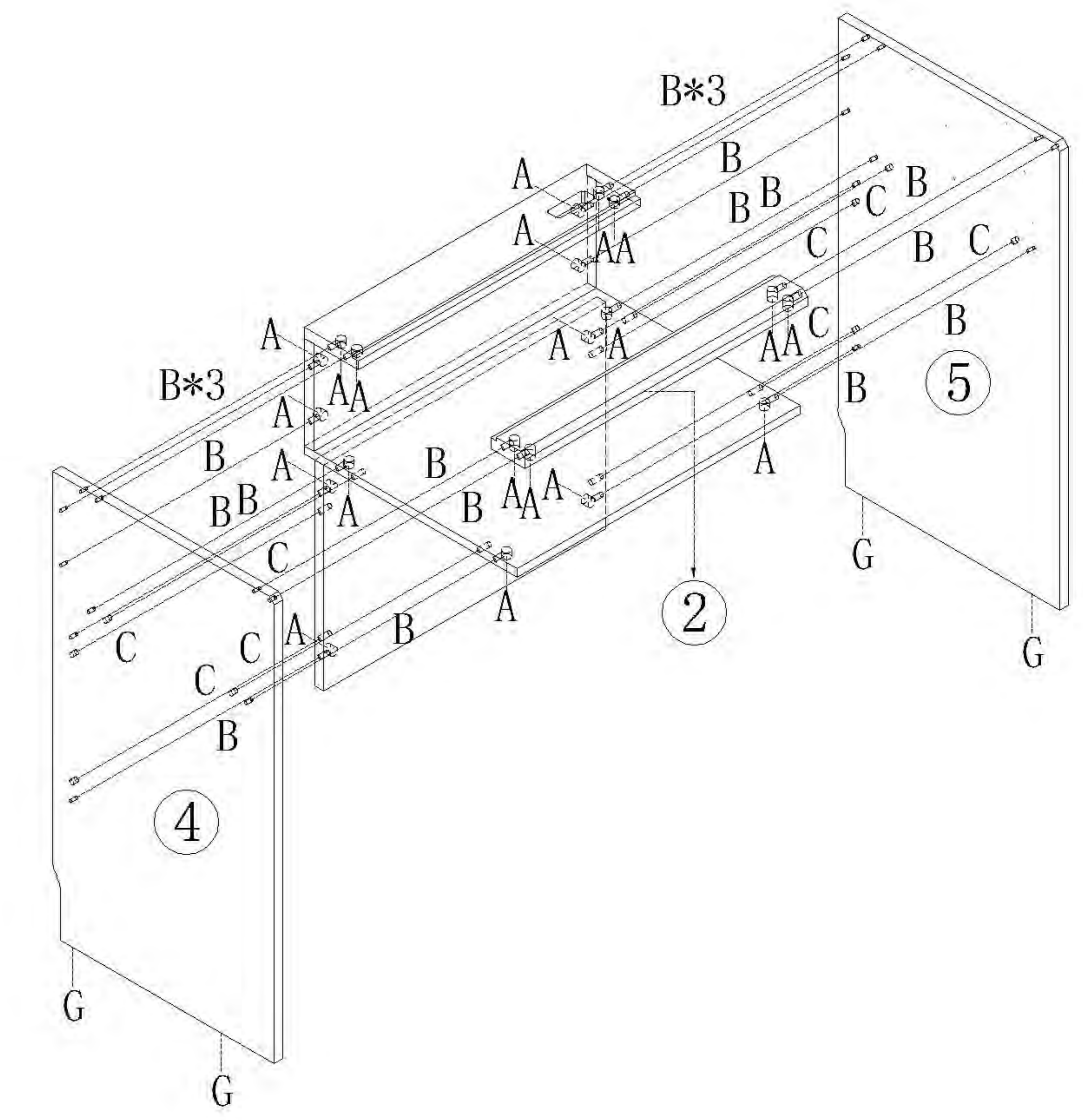


- (A)\*6
- (B)\*6



3

- (A)\*20
- (B)\*20
- (C)\*8
- (G)\*4

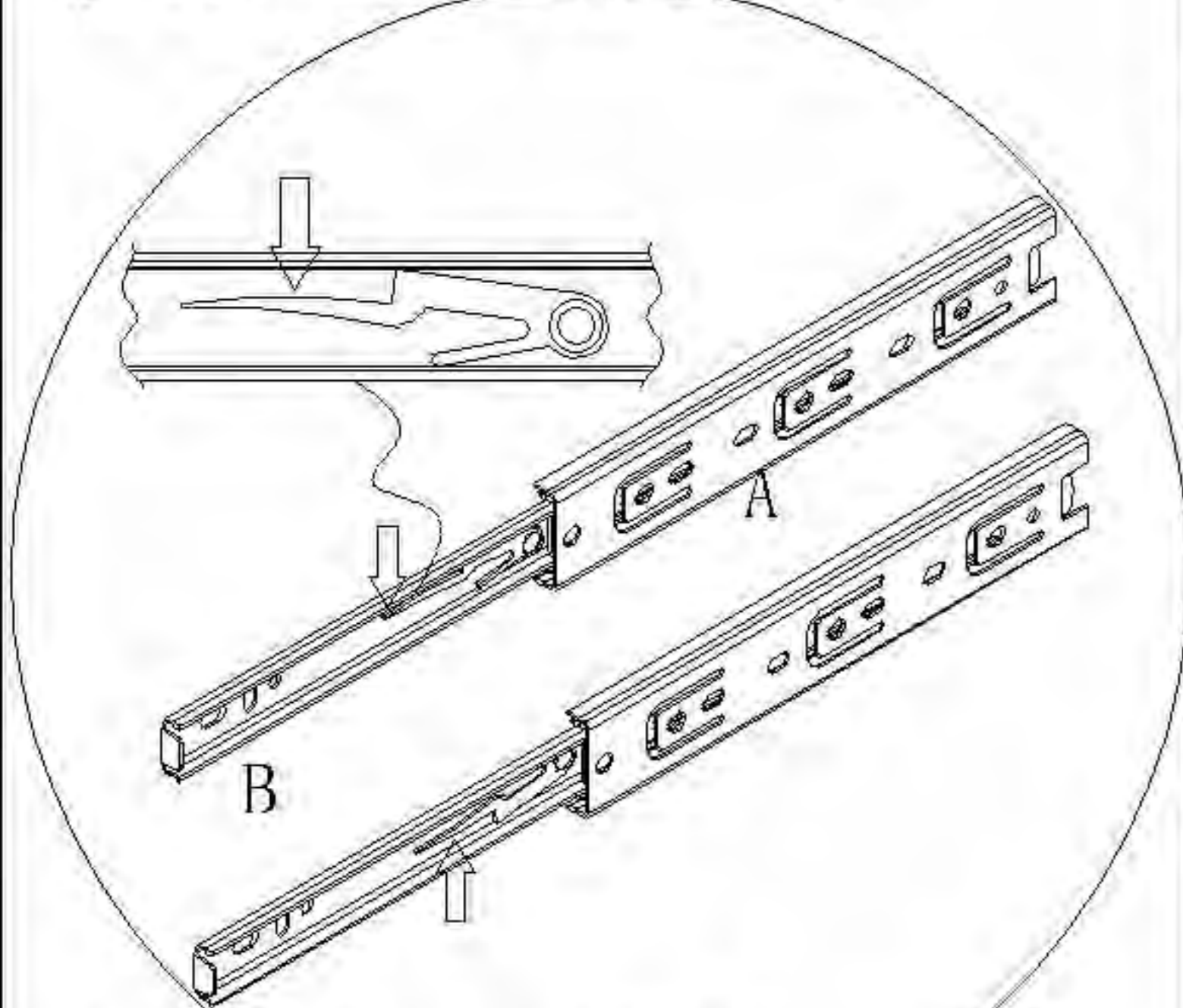


4

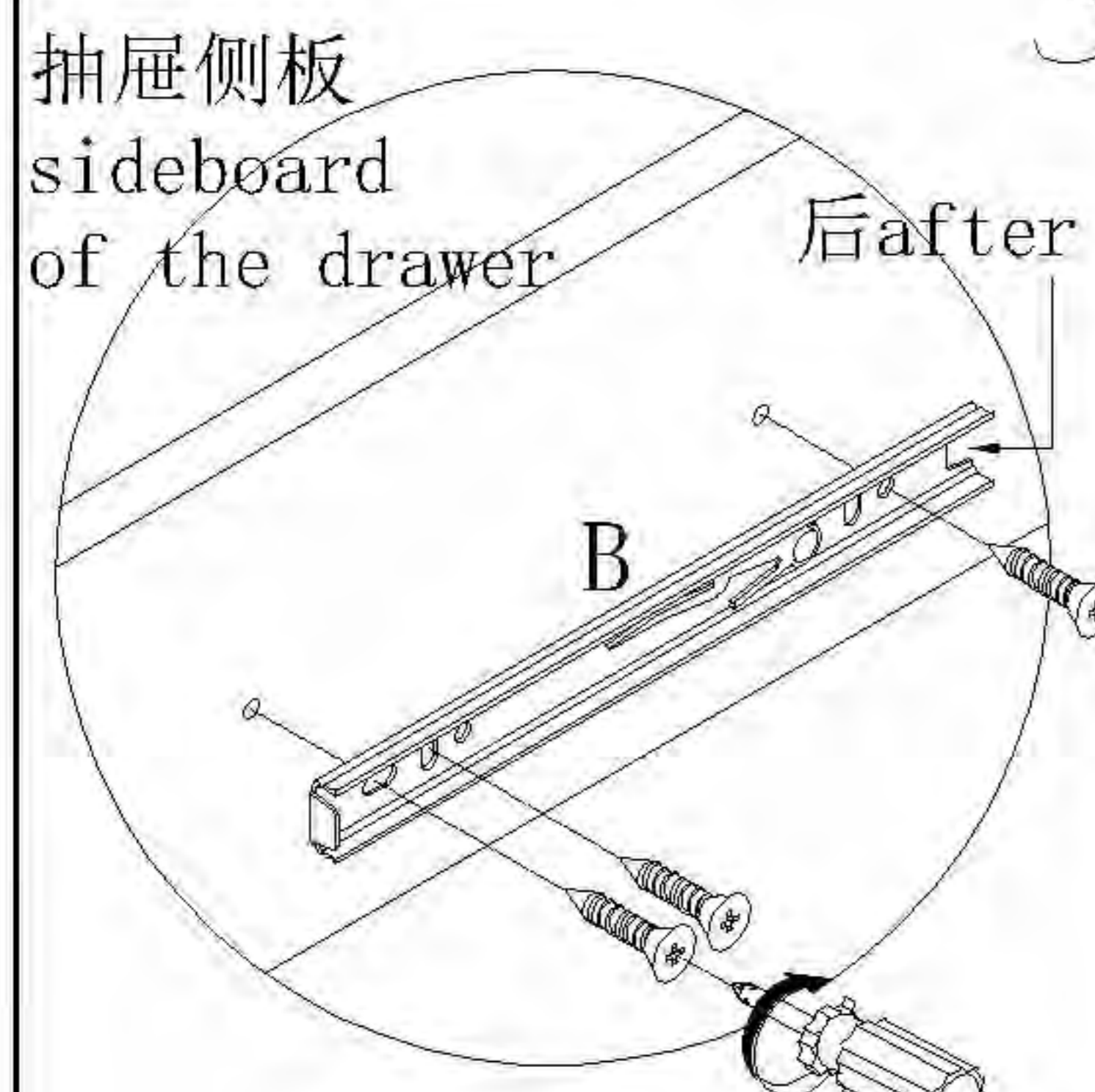
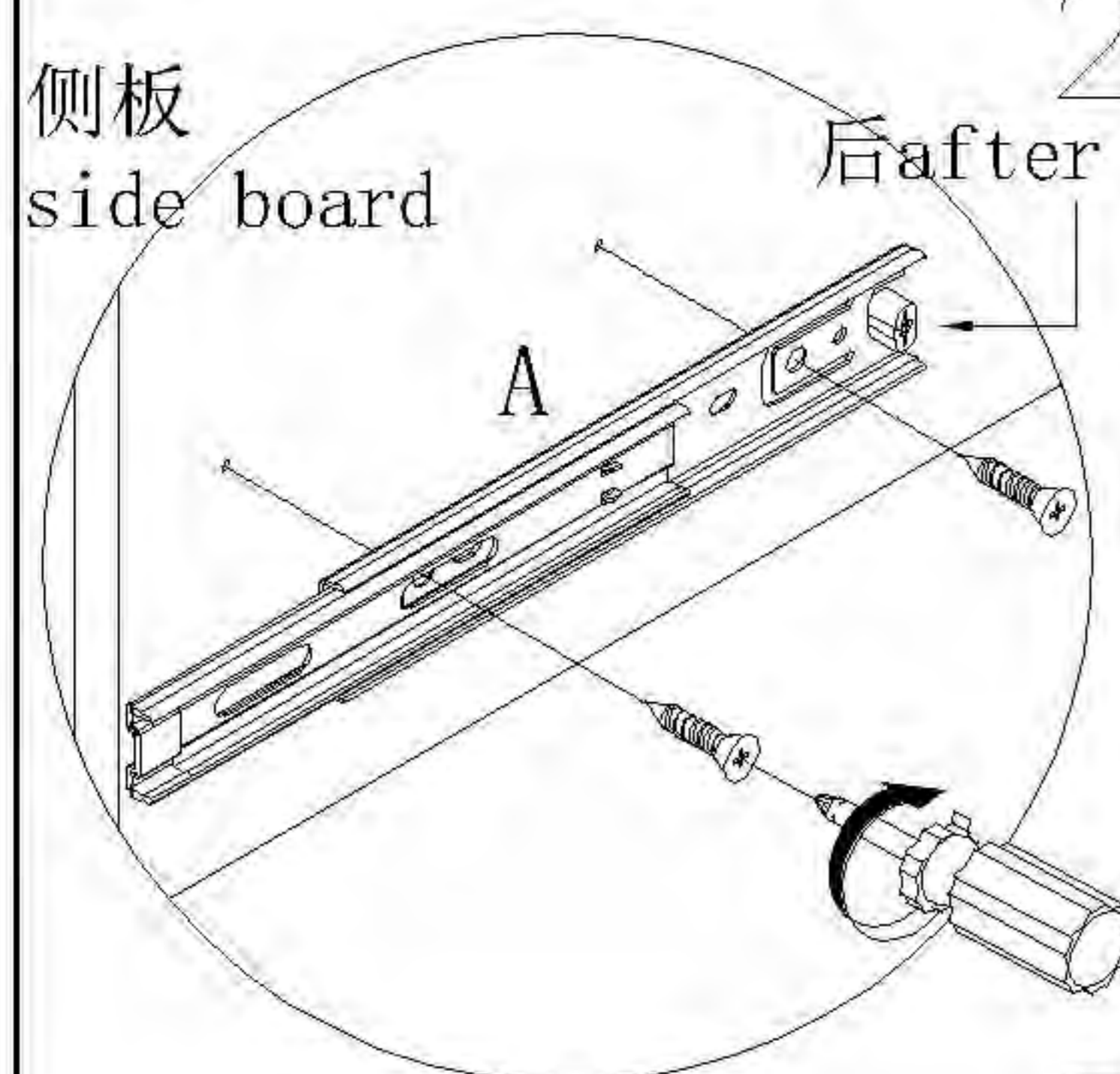
UD4C-A (0.8m一体妆台)

安装方法/  
Installation method

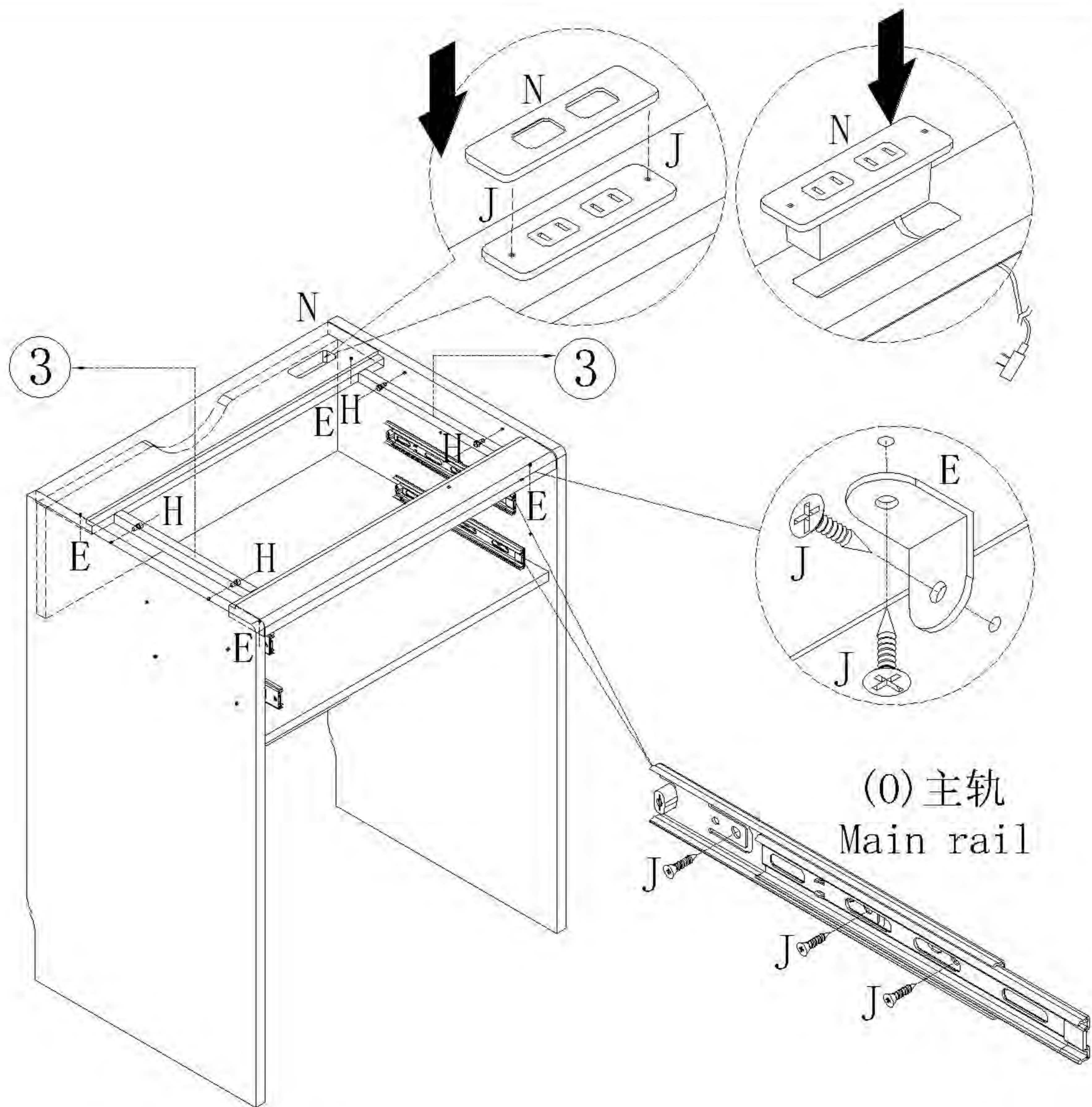
阀门开关(下压为开)  
Valve switch  
(press down to open)



注: 先将A与B拆下来  
Note: remove a and B first

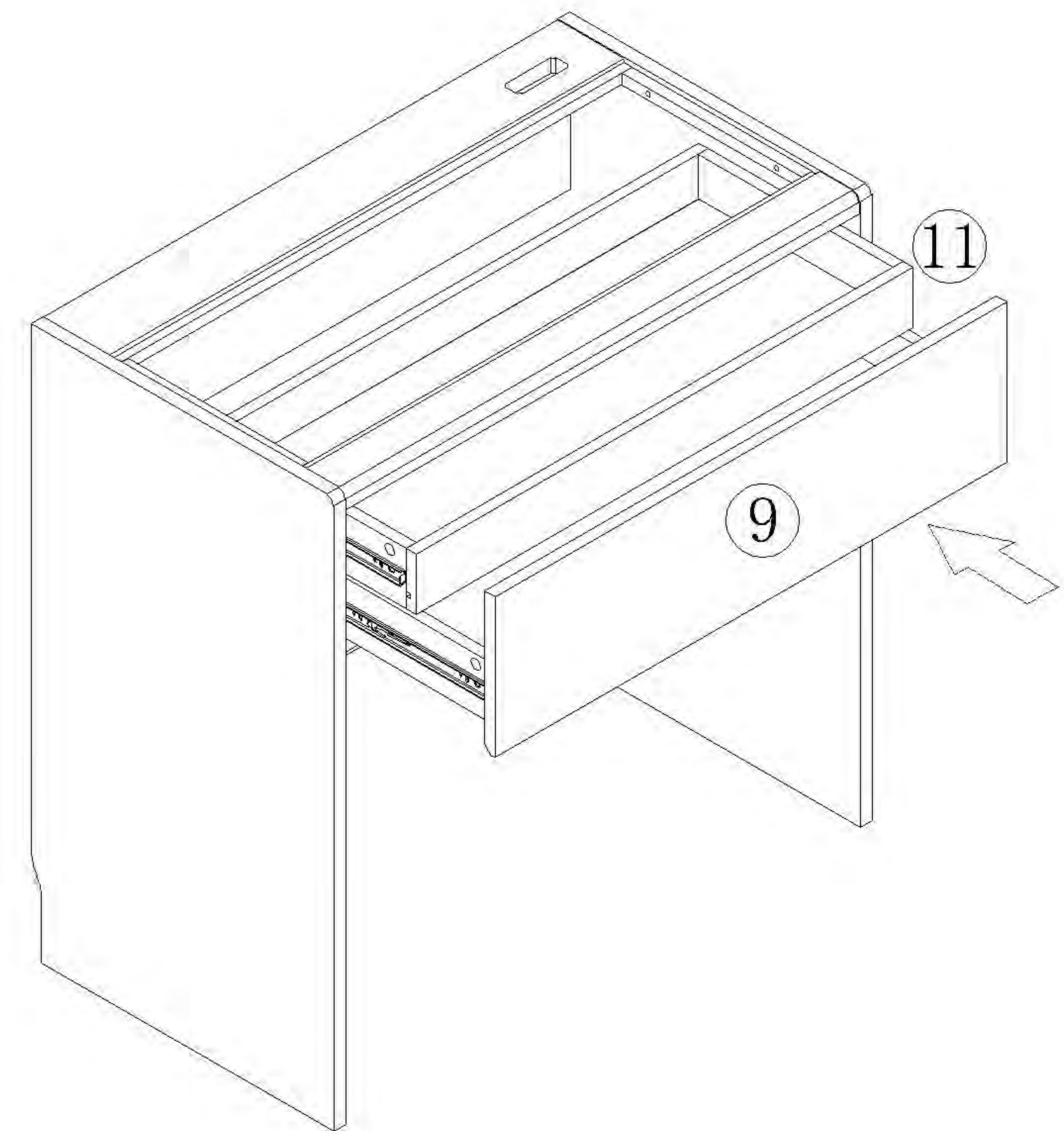


- (E)\*4
- (H)\*4
- (J)\*22
- (N)\*1
- (O)\*2

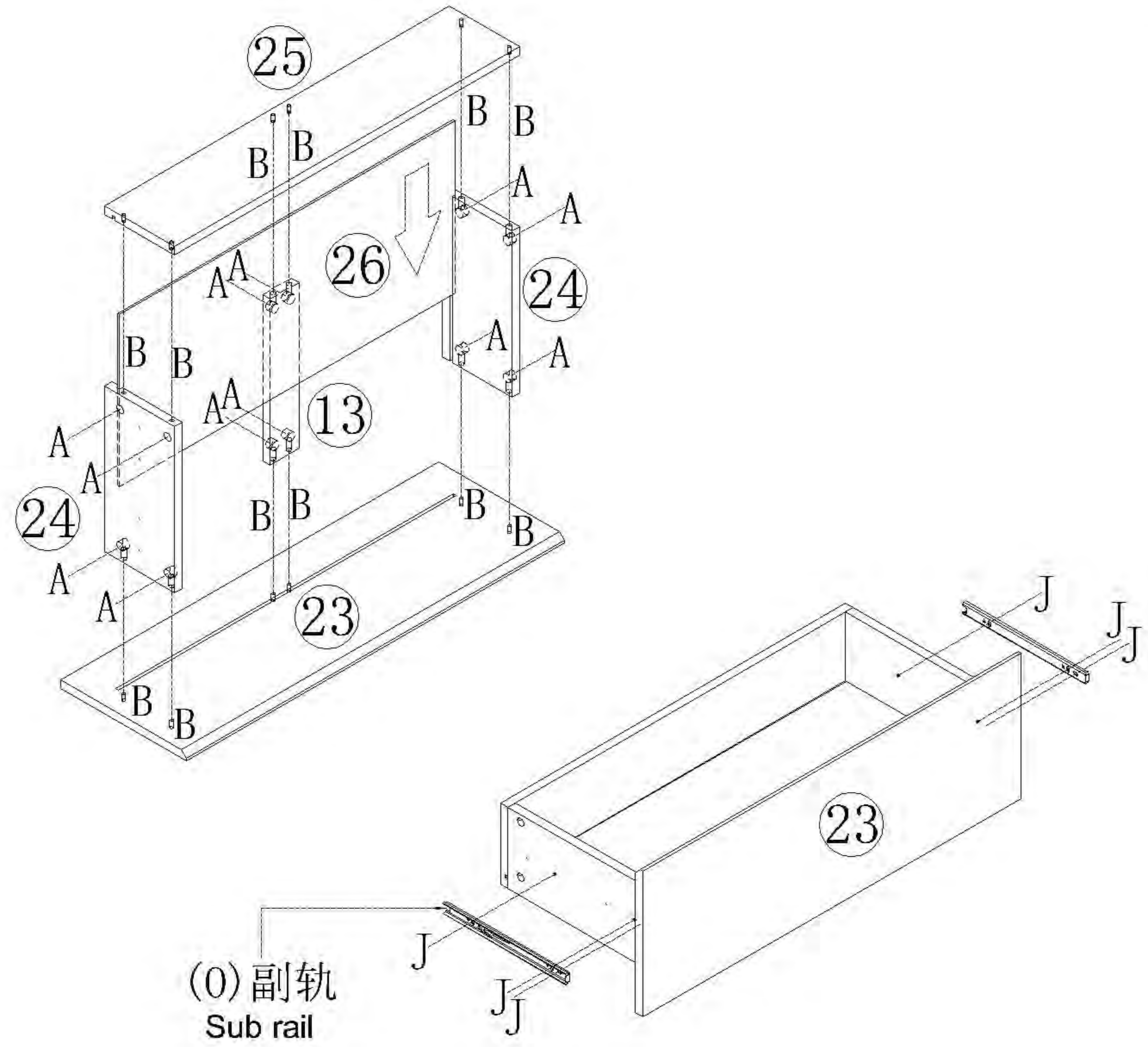


5

6



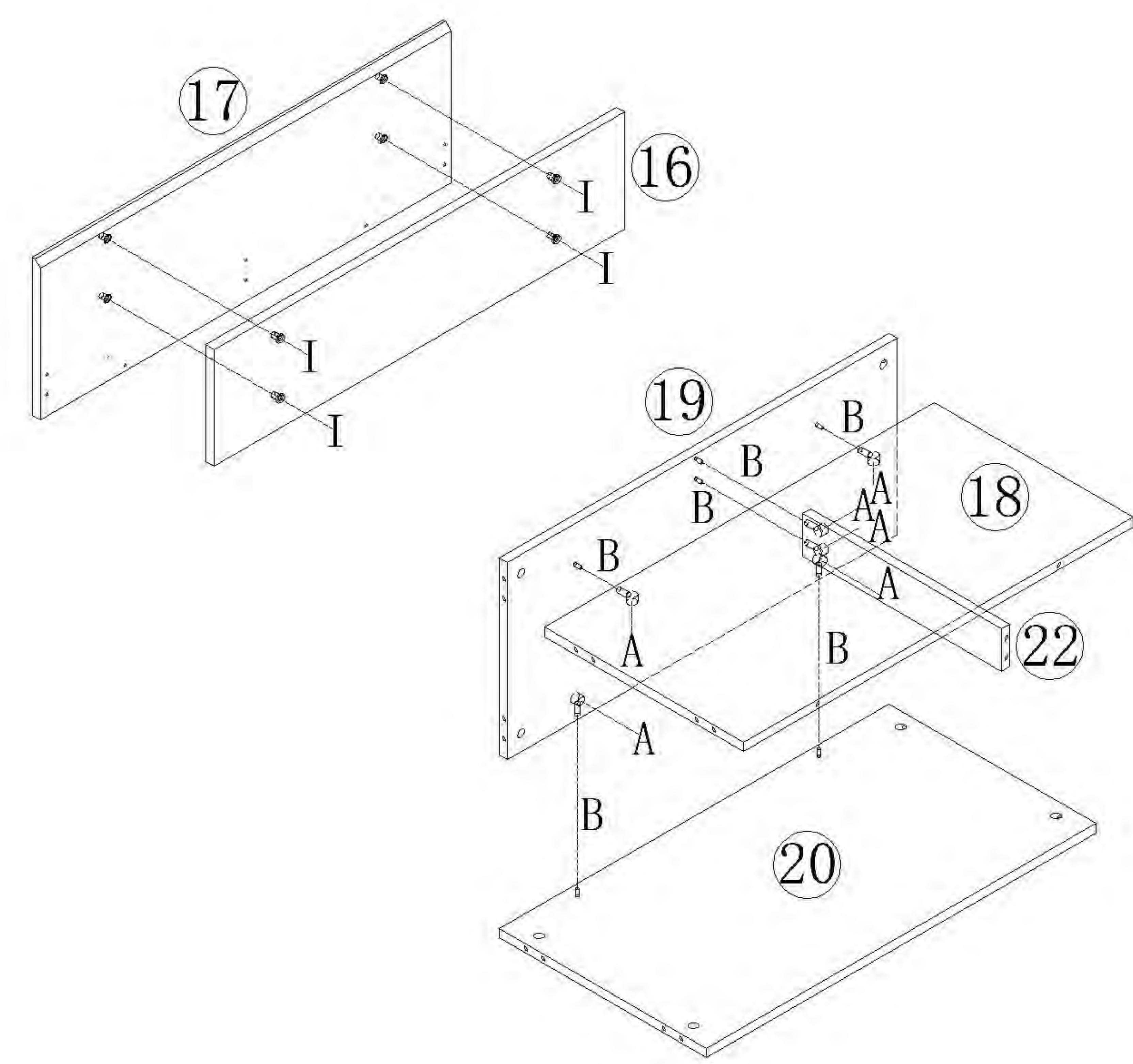
- (A)\*12
- (B)\*12
- (J)\*6
- (O)\*1



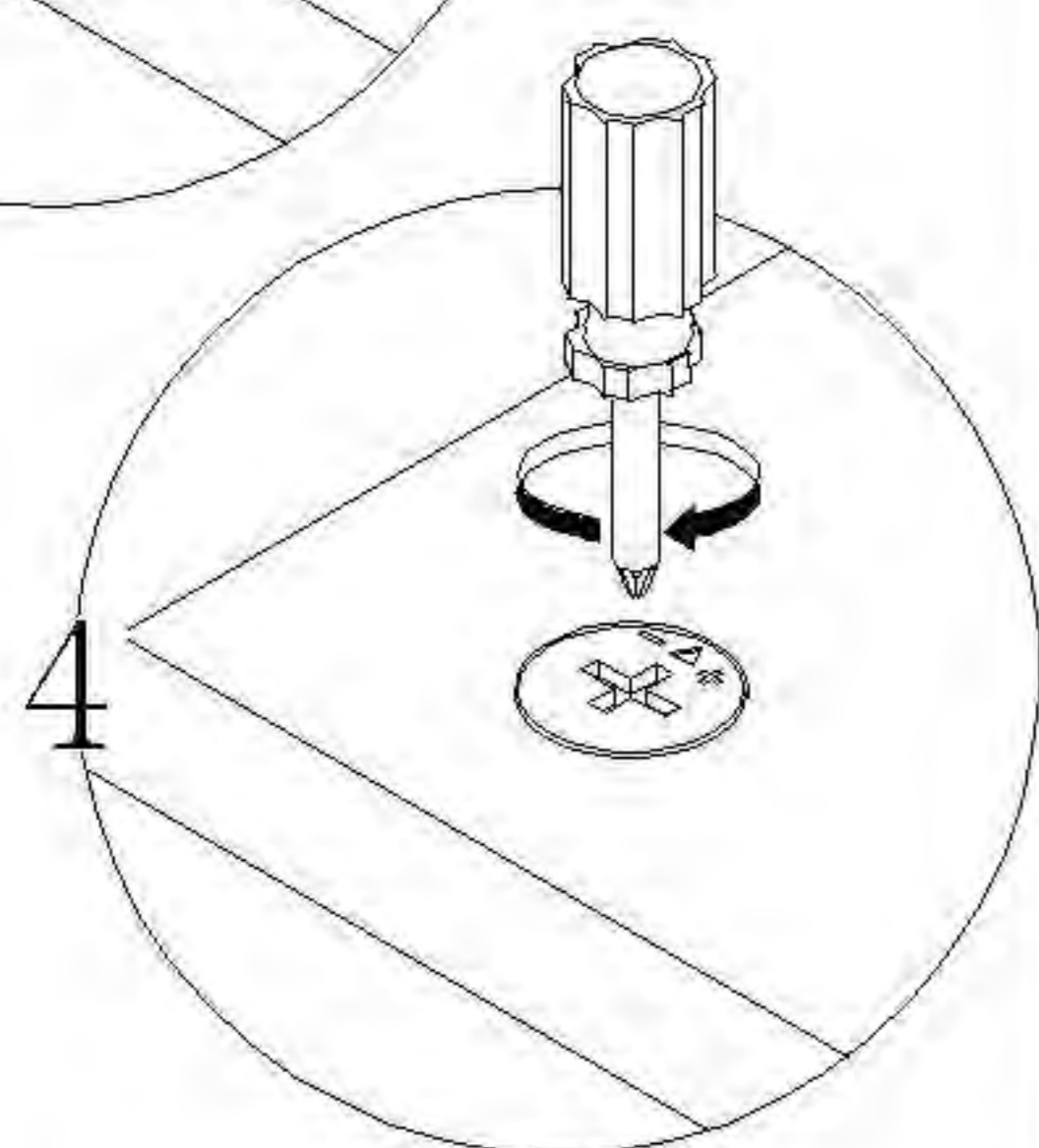
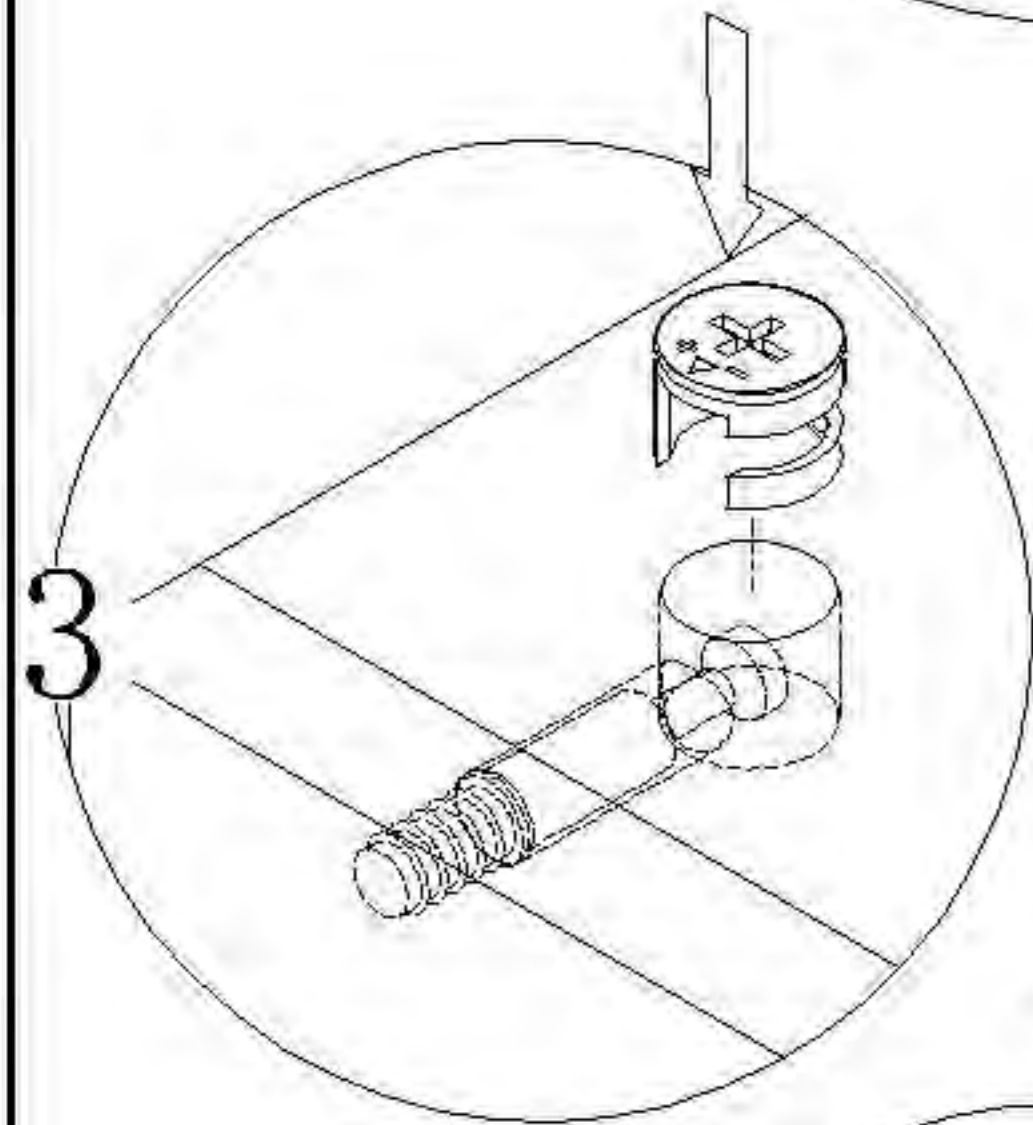
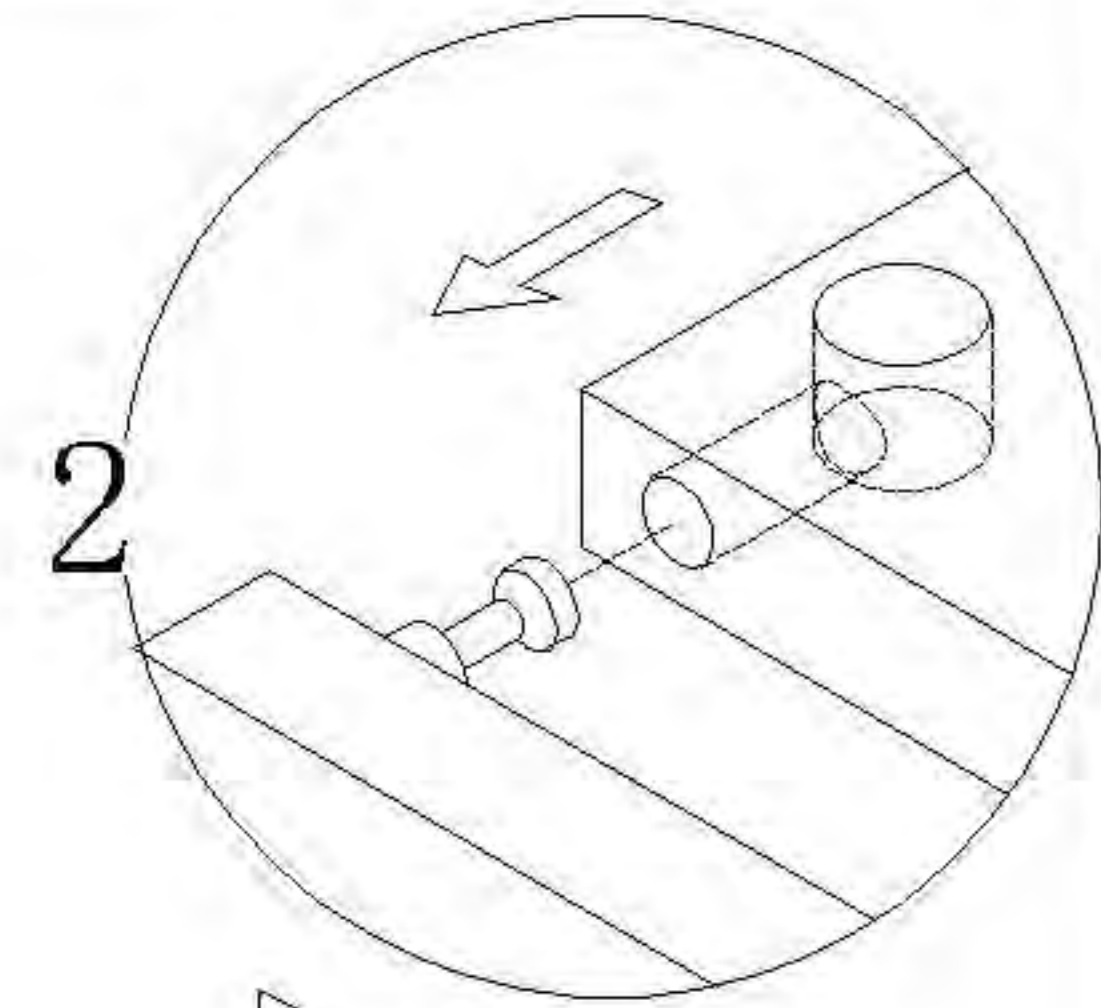
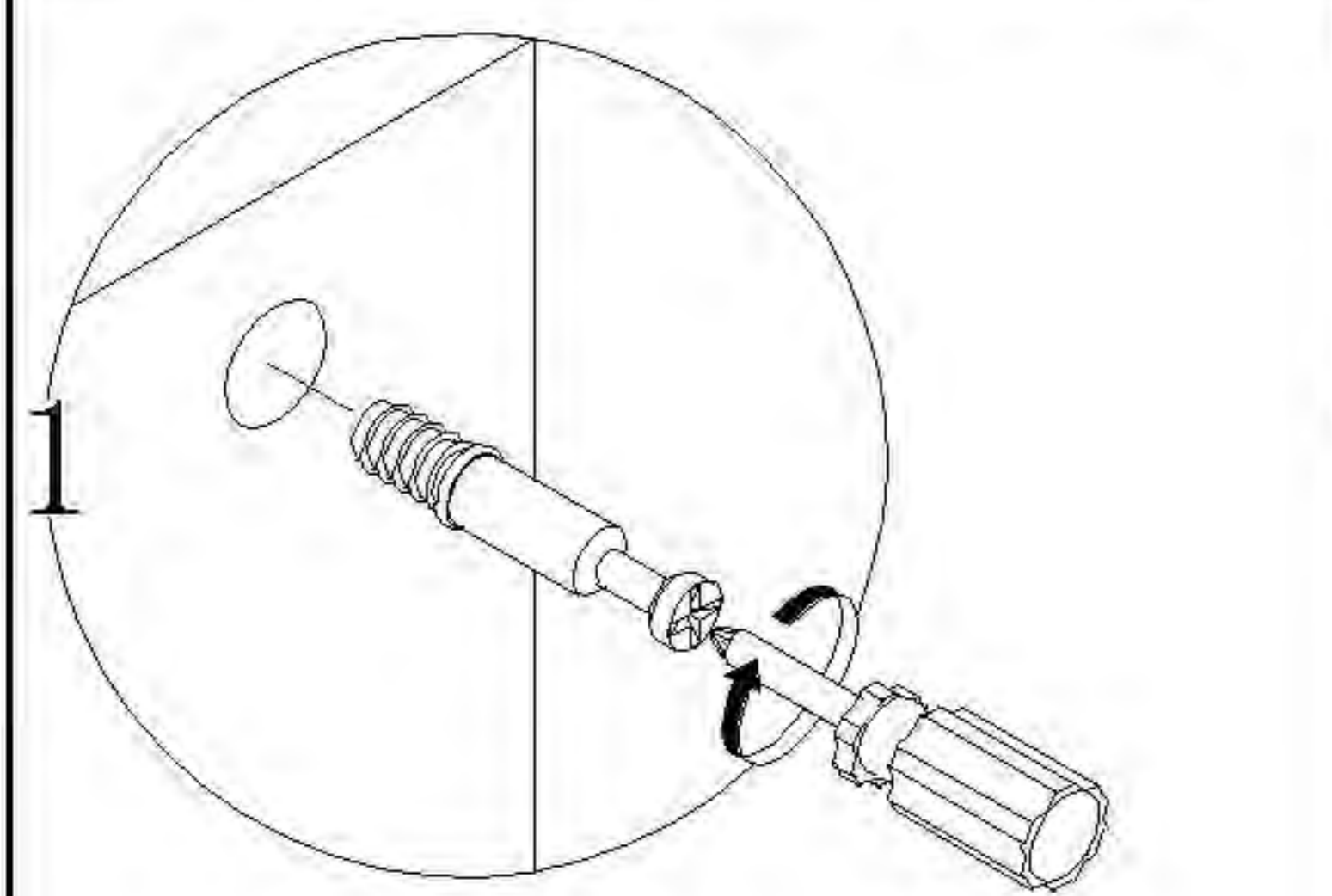
7

8

- (A)\*6
- (B)\*6
- (I)\*4



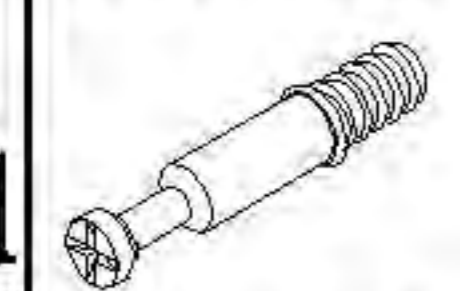
安装方法/  
Installation method



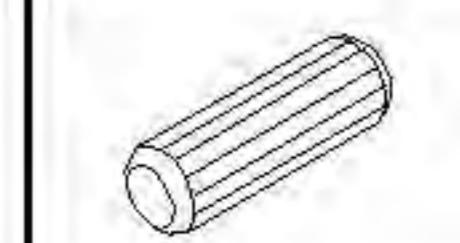
大二合一  
two-in-one



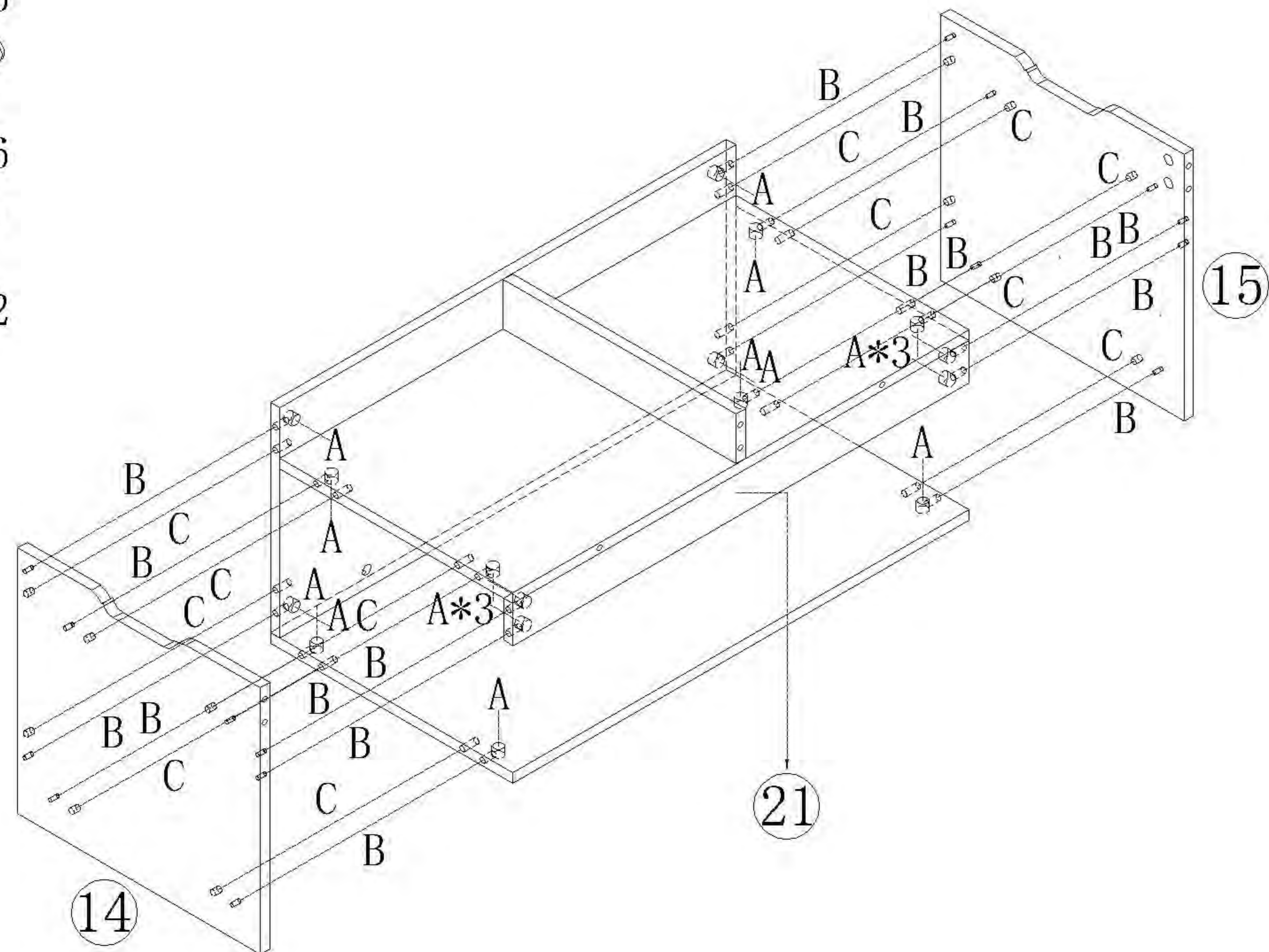
(A)\*16



(B)\*16



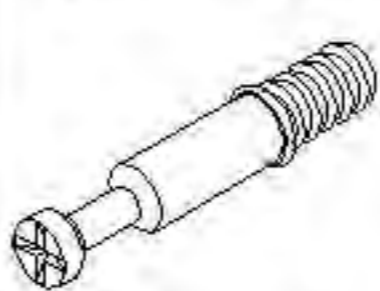
(C)\*12



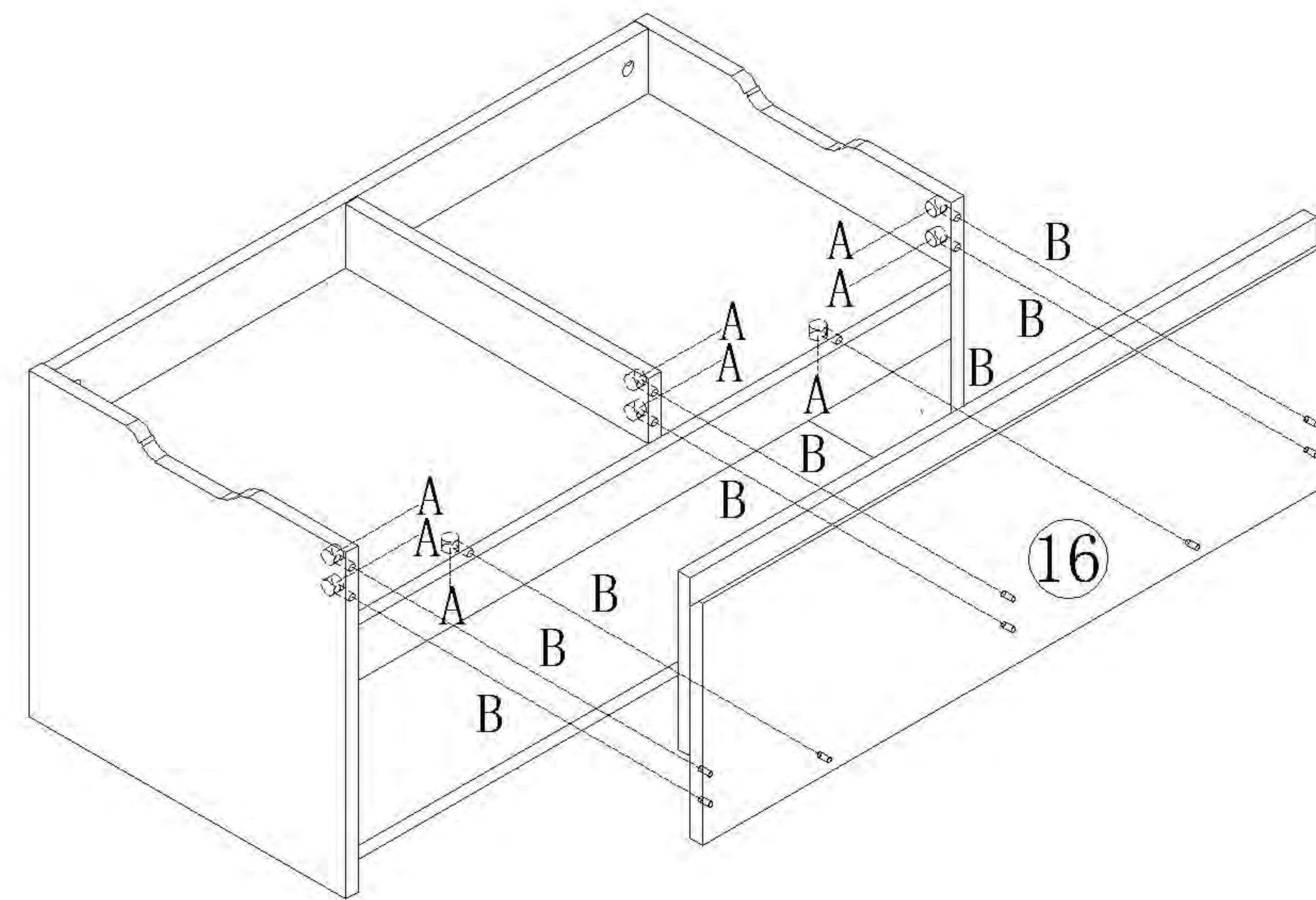
9



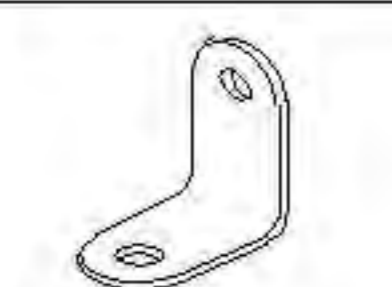
(A)\*8



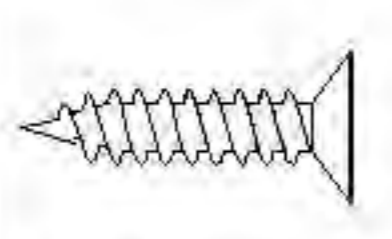
(B)\*8



10



(E)\*6



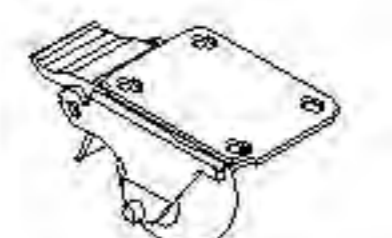
(J)\*18



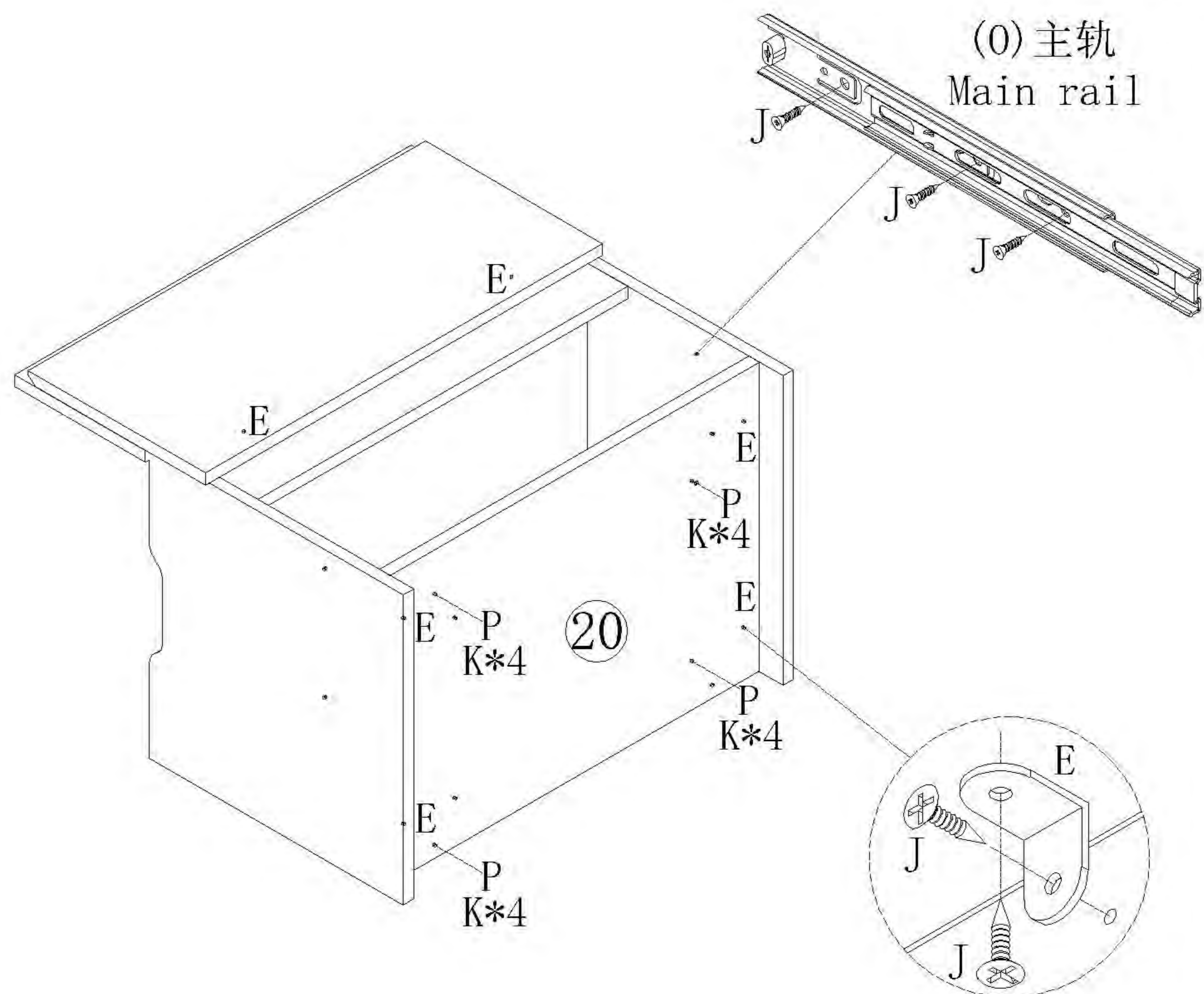
(K)\*16



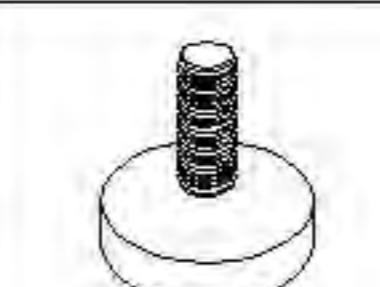
(O)\*1



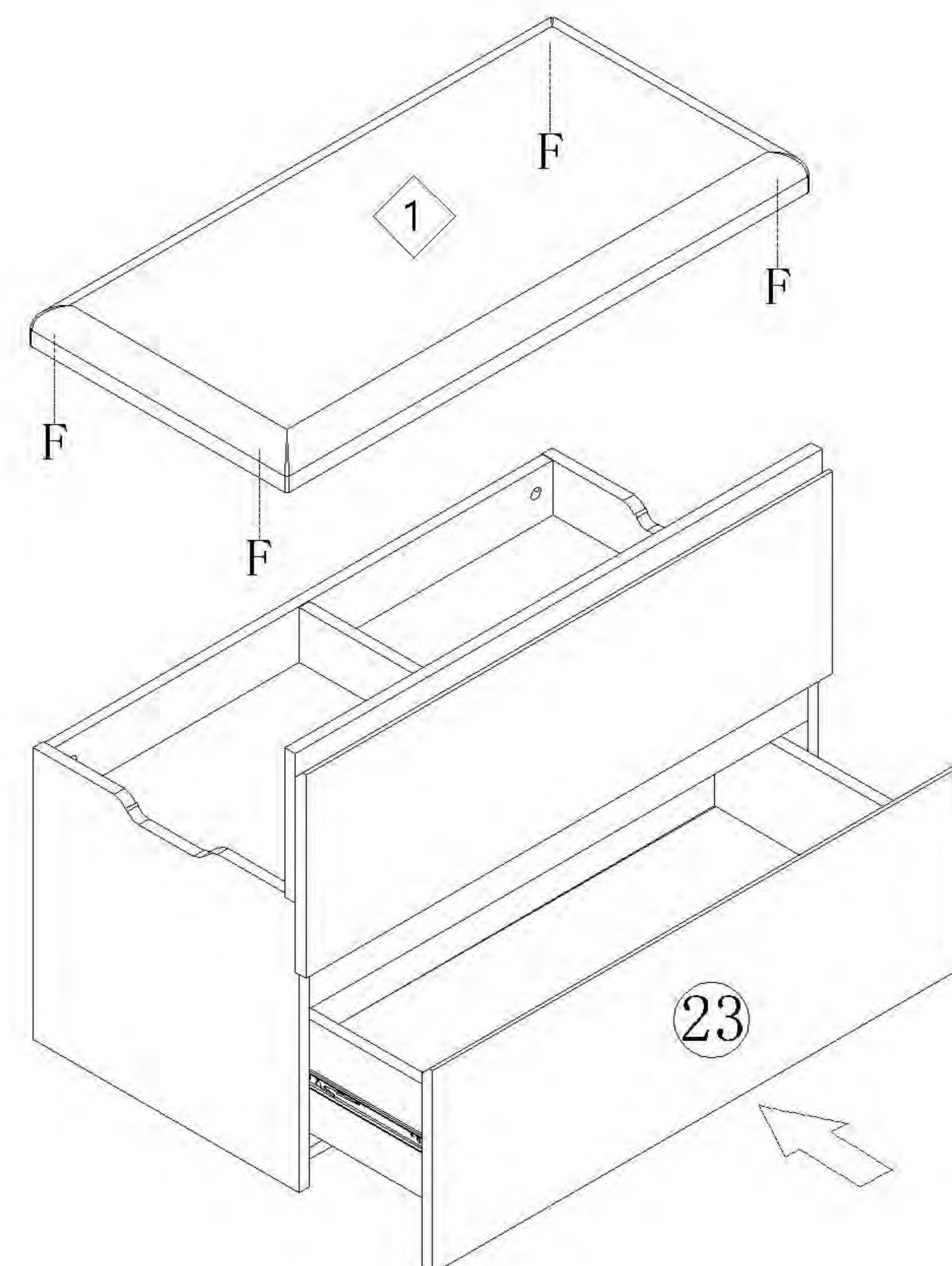
(P)\*4



11



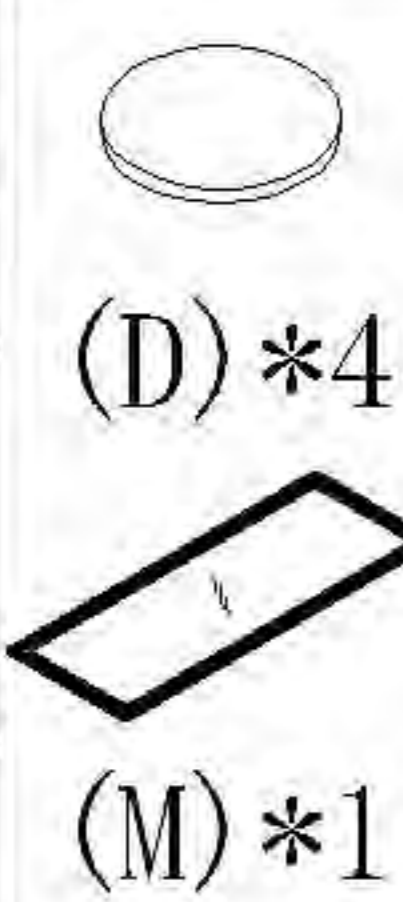
(F)\*4



12

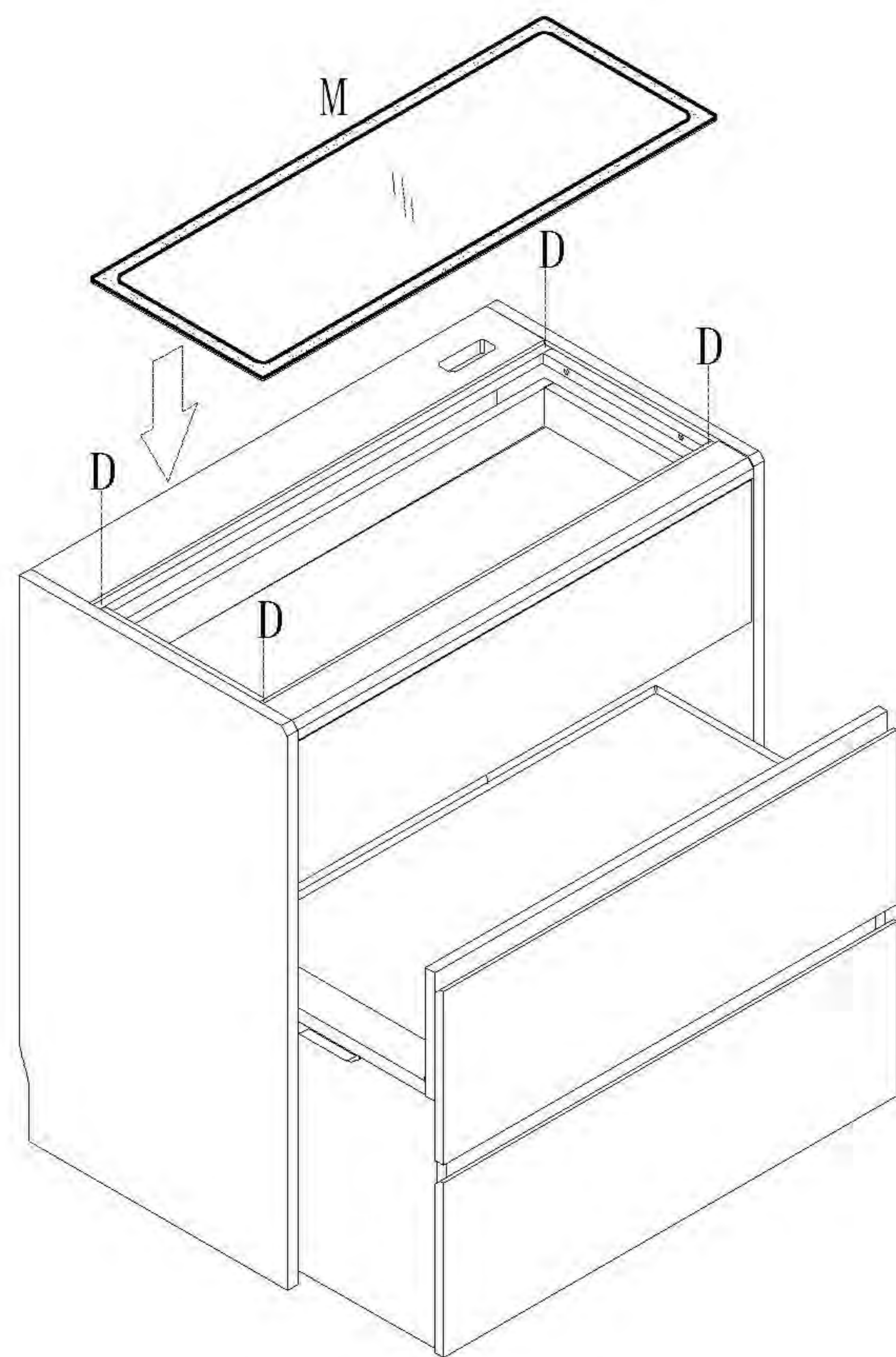
UD4C-A (0.8m一体妆台)

安装方法/  
Installation method

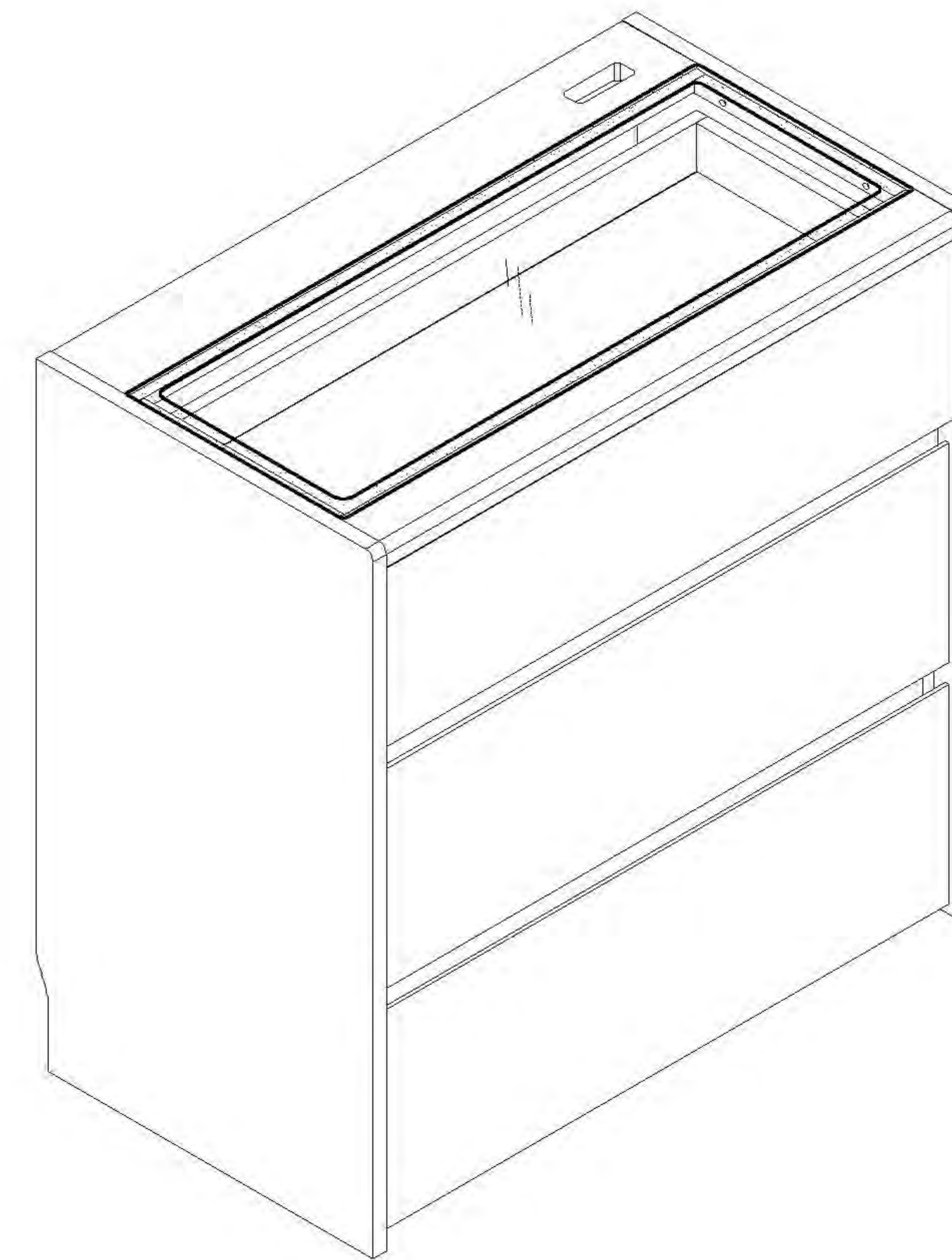


(D)\*4

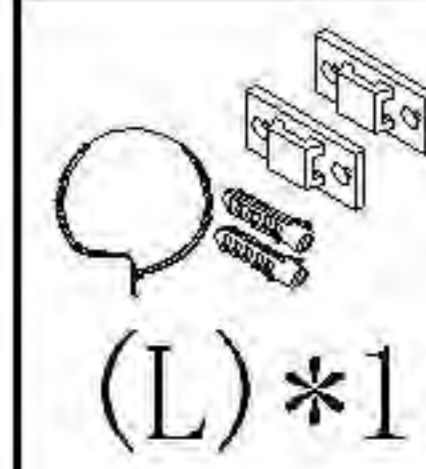
(M)\*1



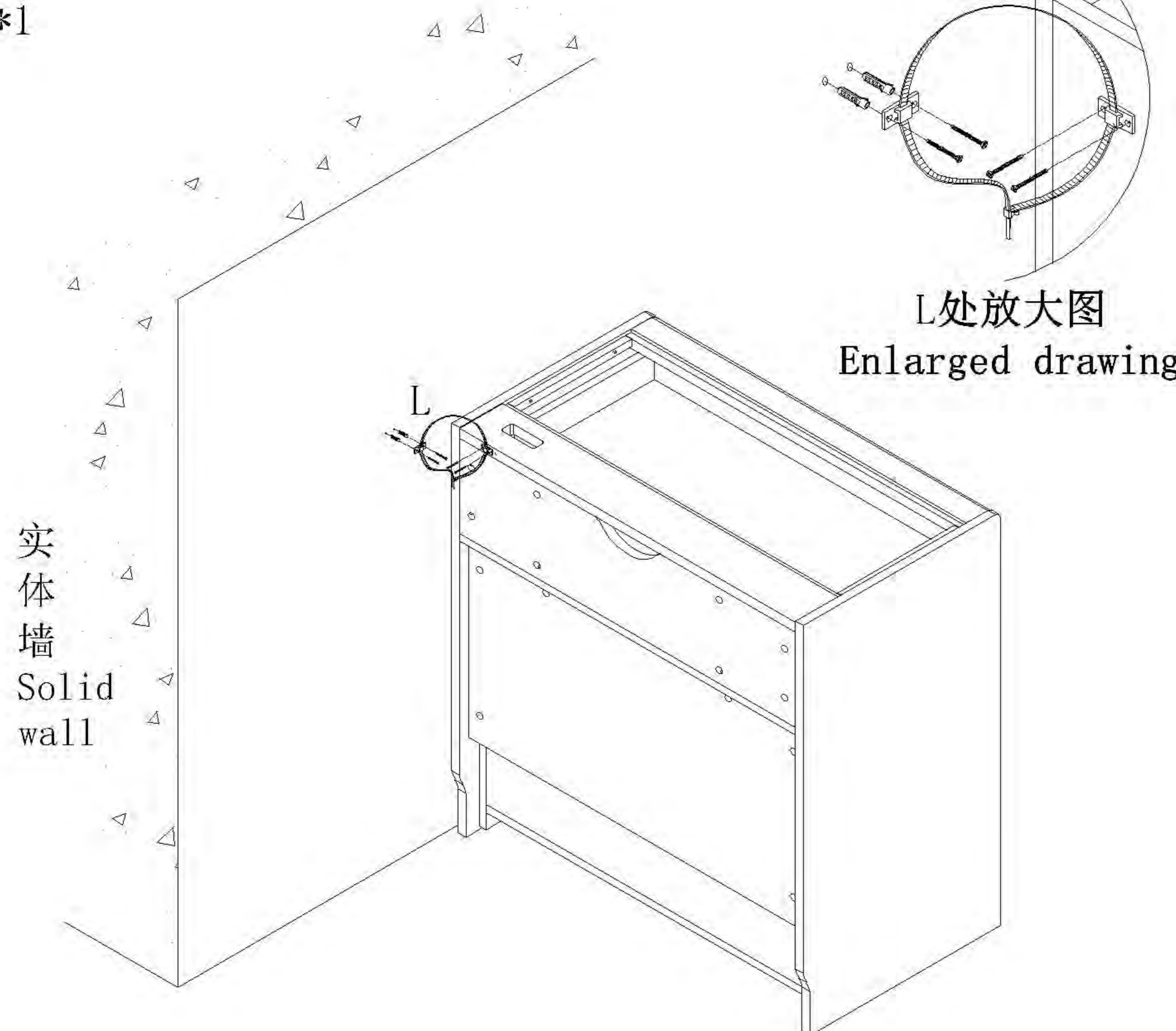
13



14



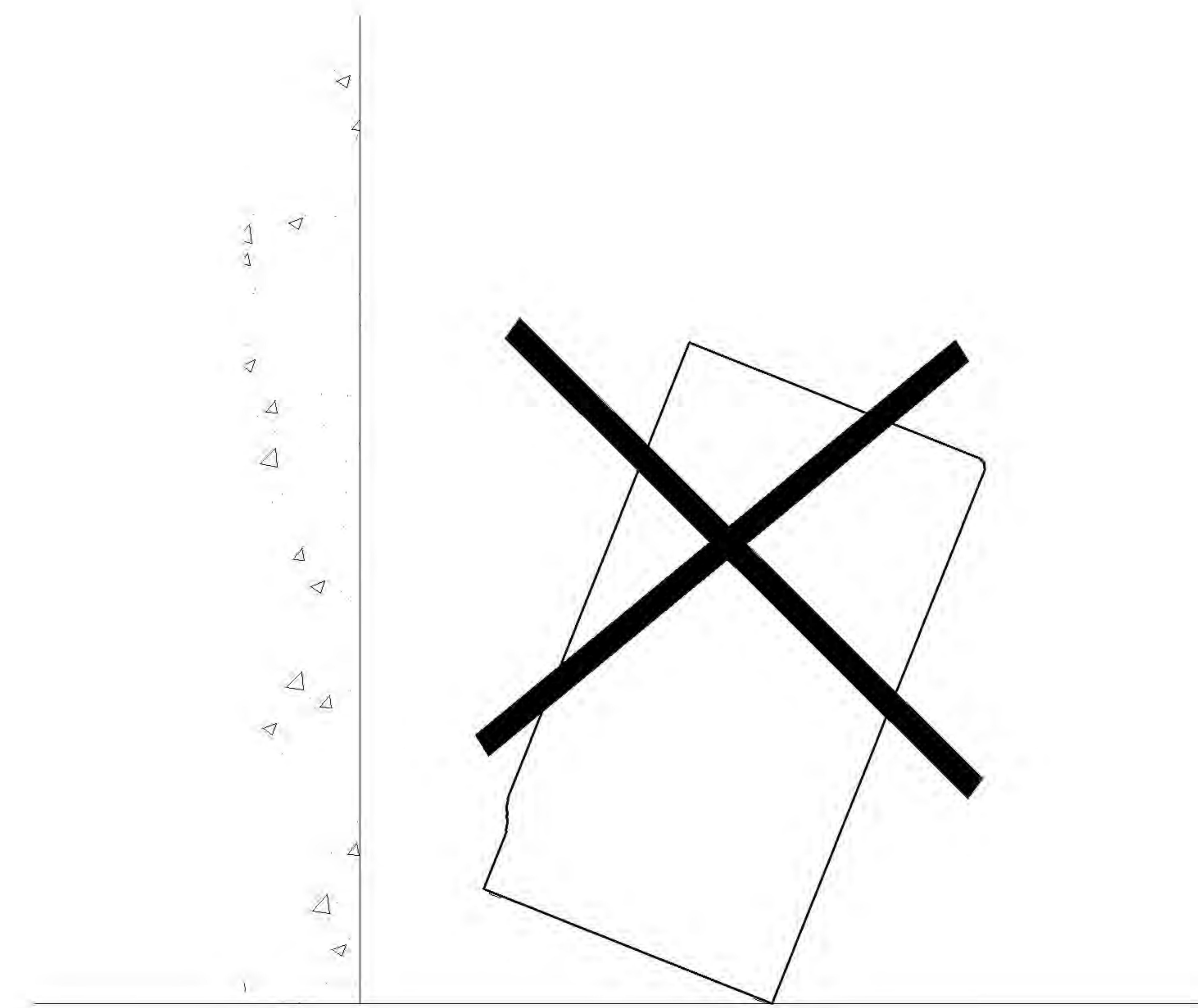
(L)\*1



实体墙  
Solid wall

L处放大图  
Enlarged drawing

15



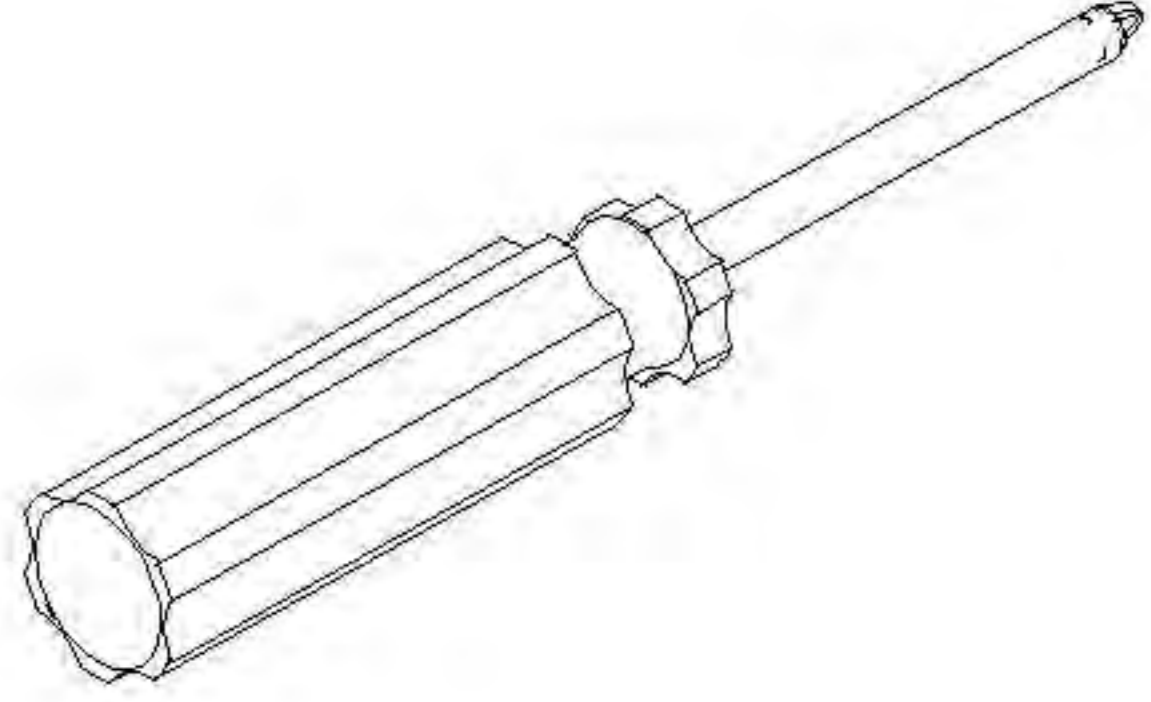
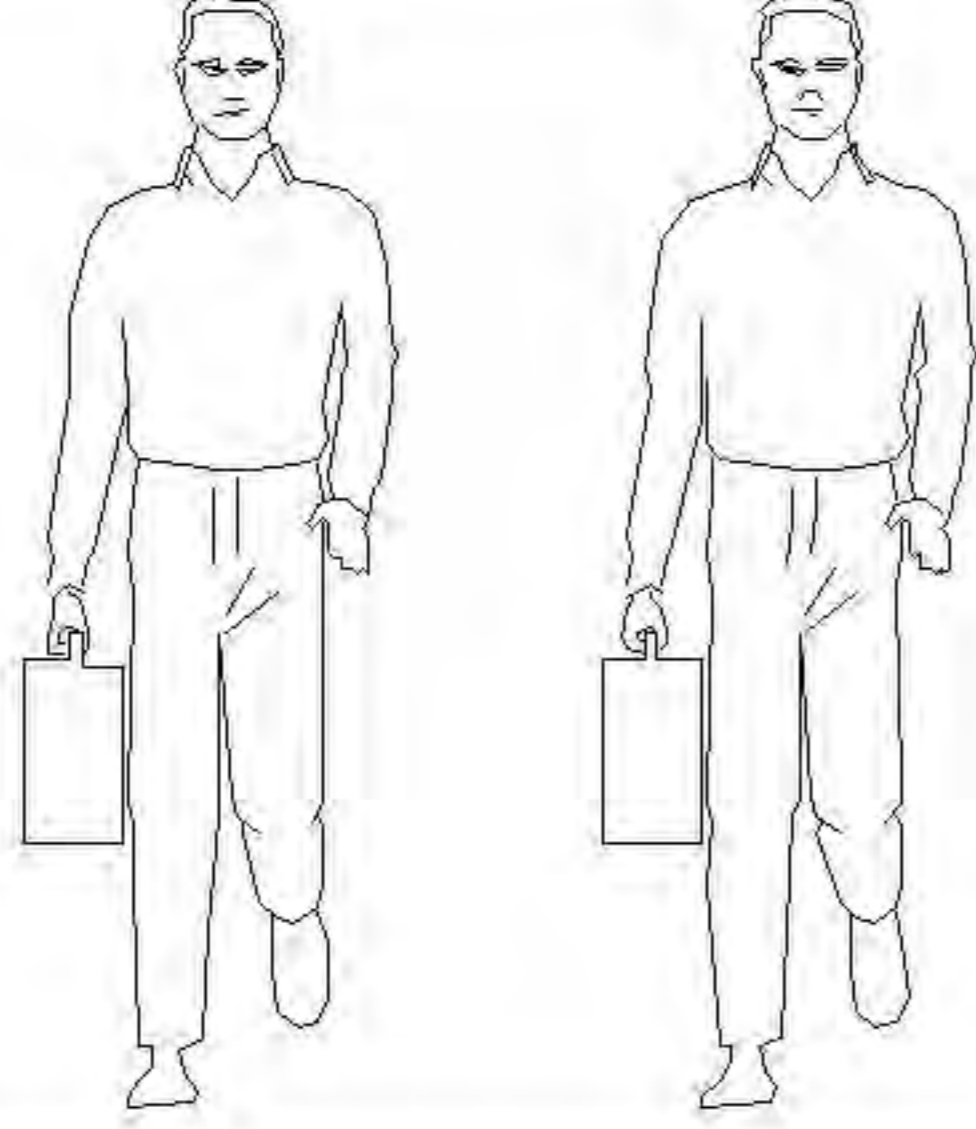
16

# LINSY 林氏家居

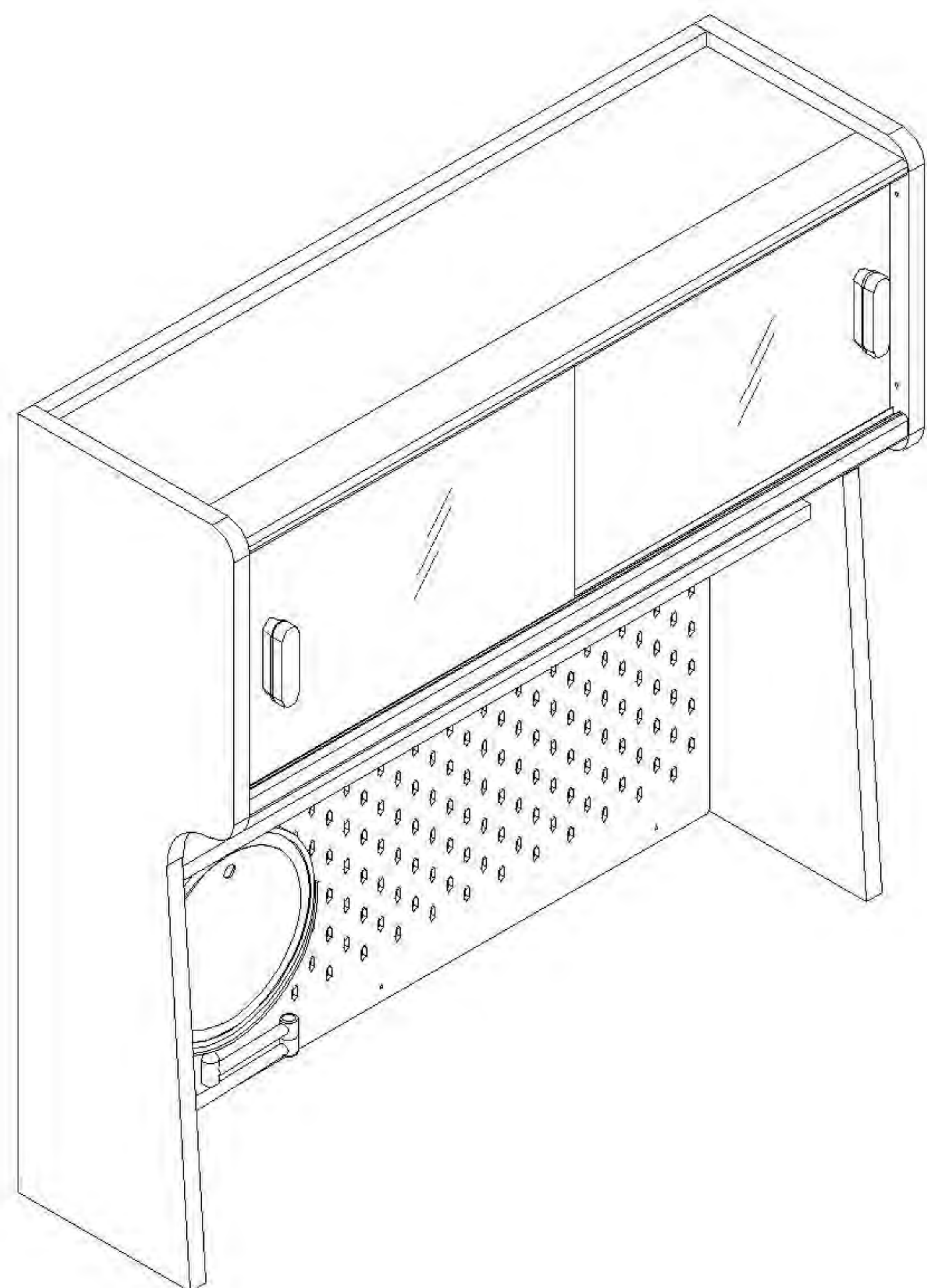
## 五金表/Hardware list

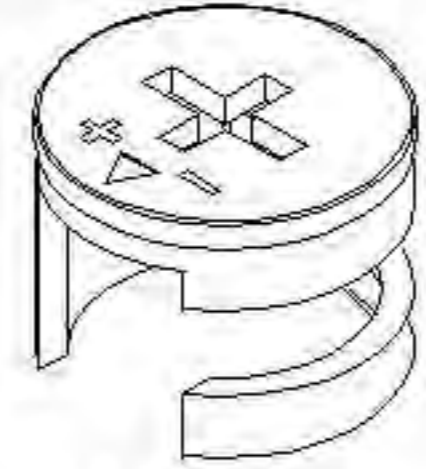
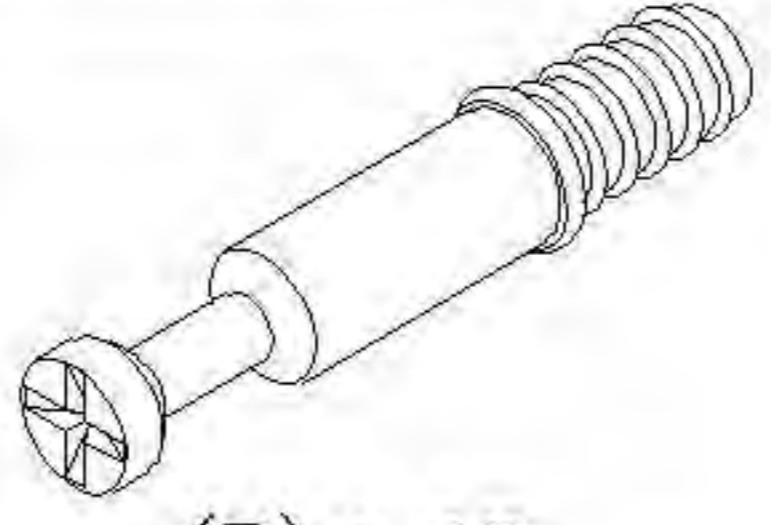
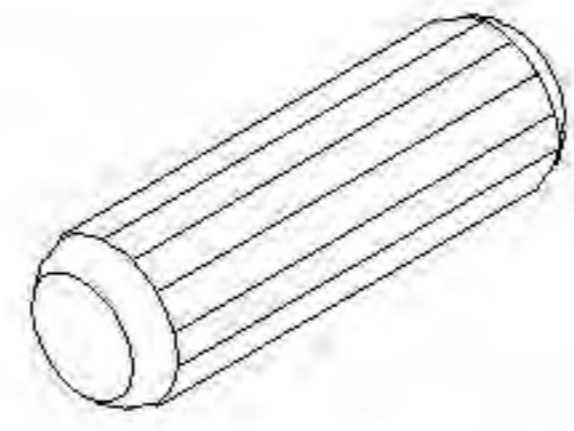
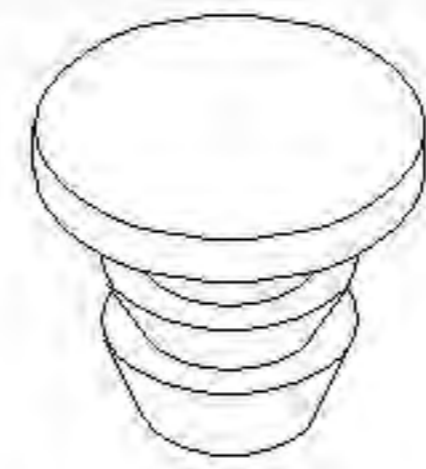
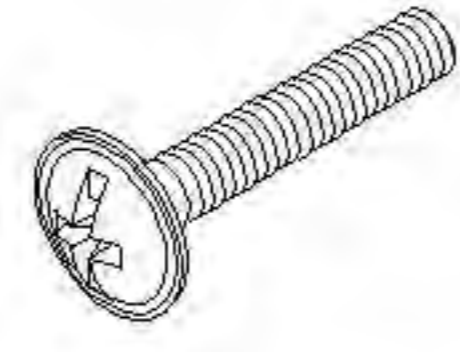
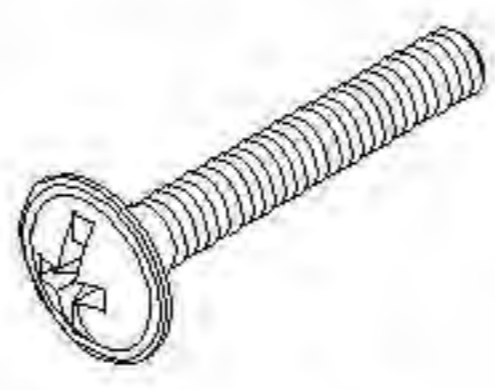
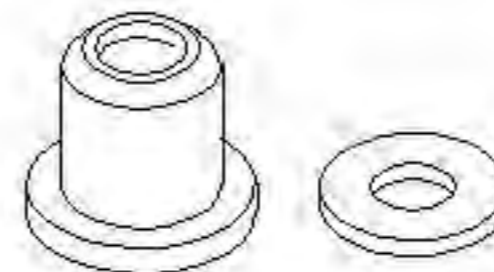
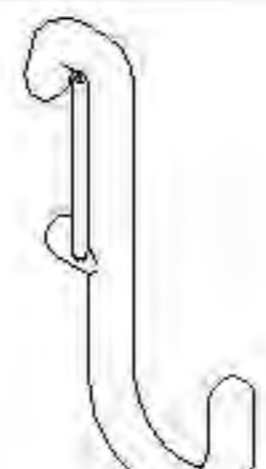
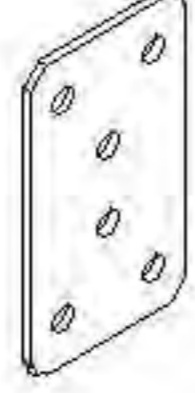
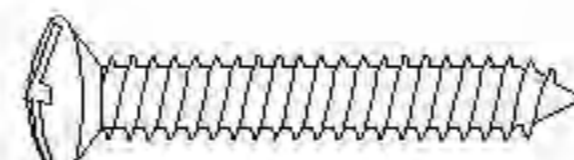
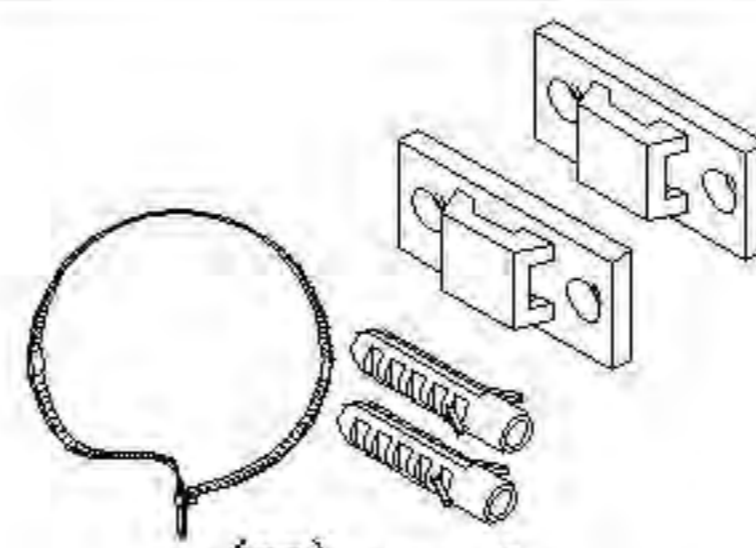
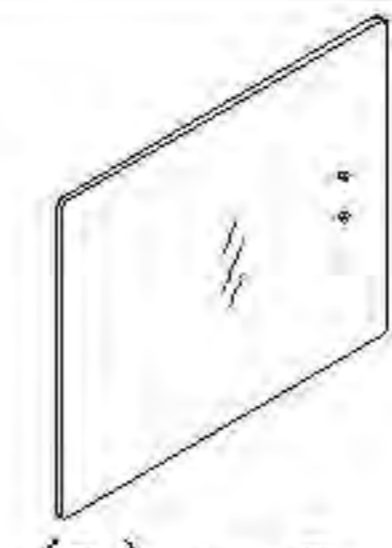
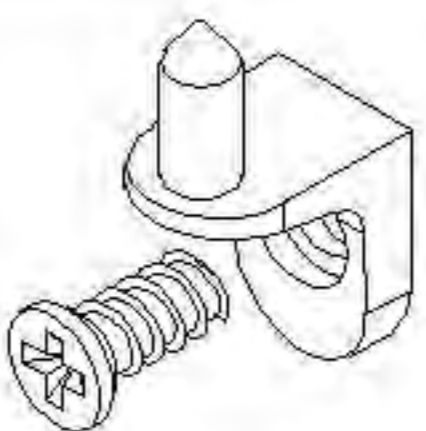
## 部件表/Parts List

### 安装示意图/Assembly Instruction

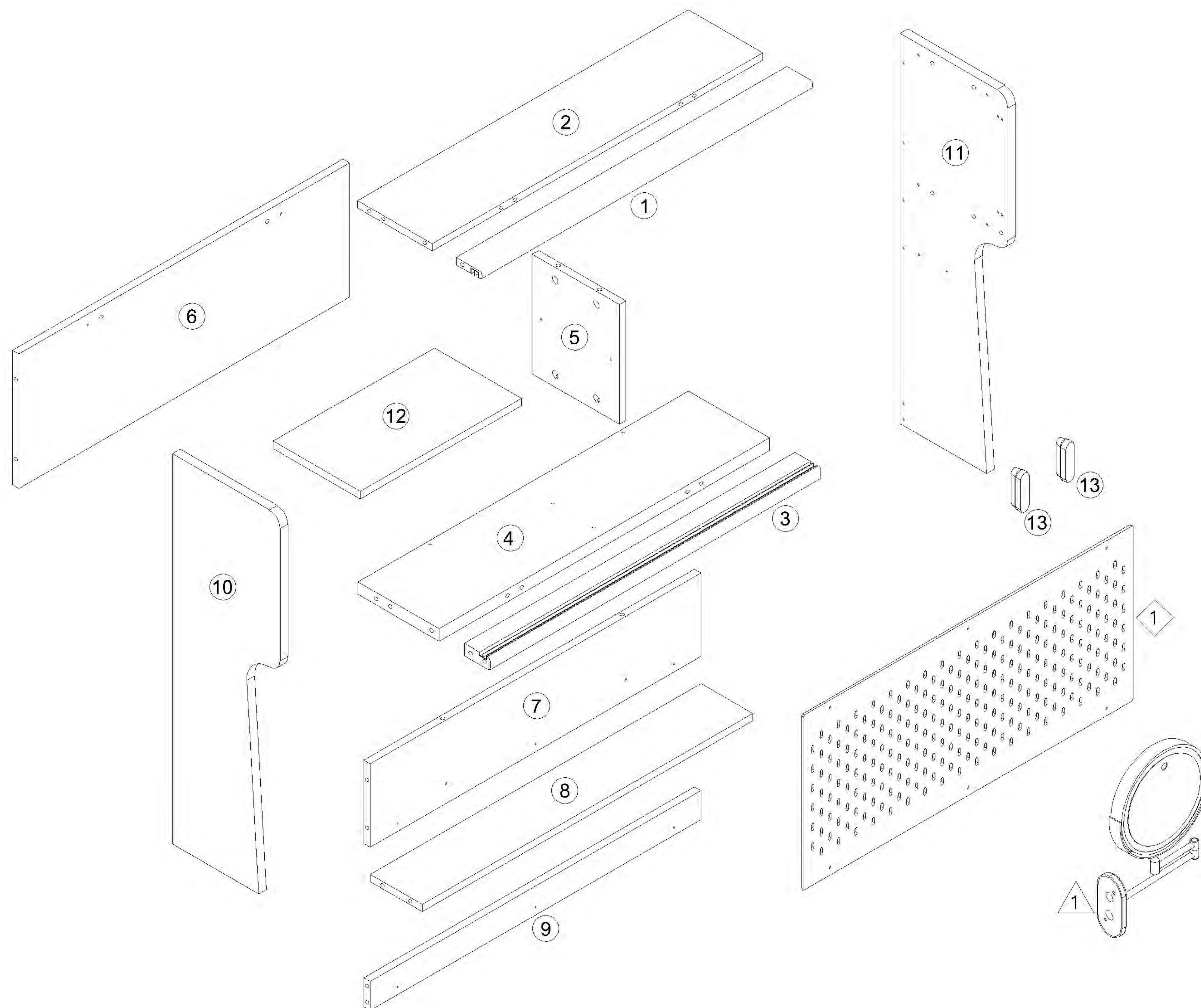
产品名称 Model NO.	0.8m一体妆台 上柜
产品型号 Product Model	UD4C-A
尺寸规格 Specification	(802*262*783)mm
安装工具 Tool	安装人数 Installer
	

注：为保证设计效果，部分尺寸为定制尺寸，不影响使用。



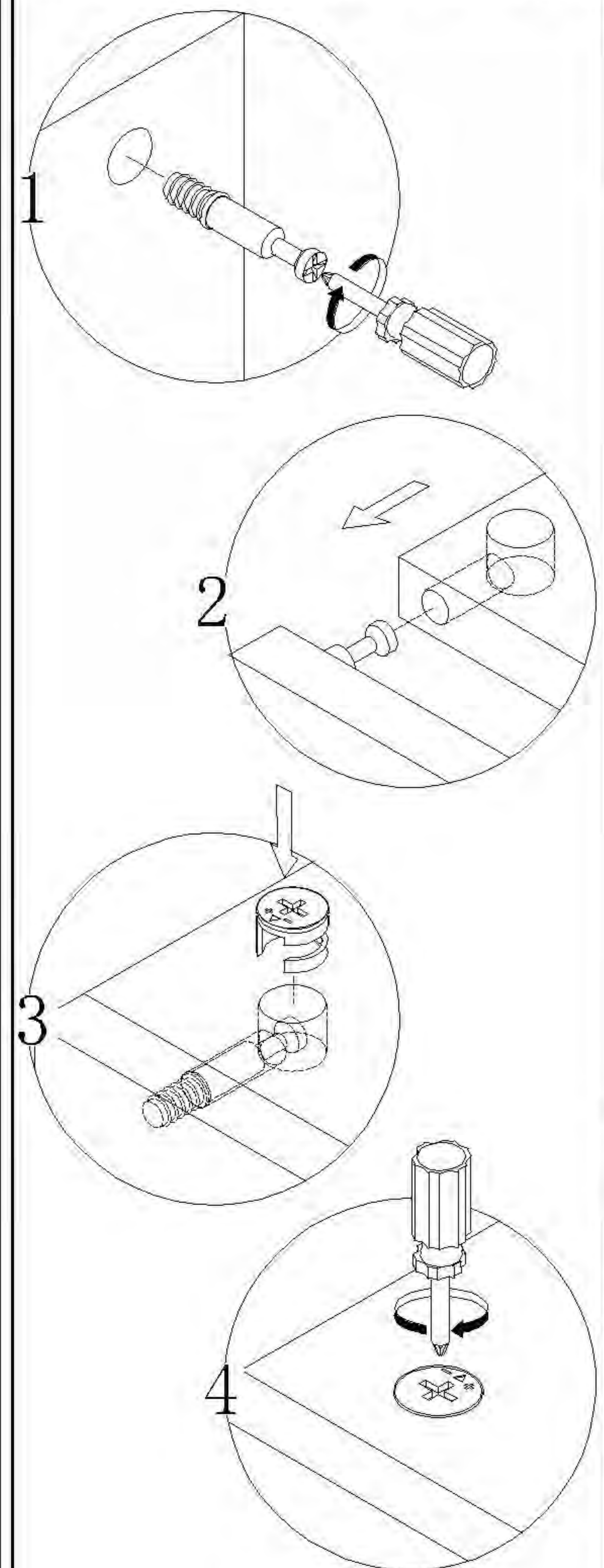
 (A)* 42 大三合一锁饼 Three-in-one large lock	 (B)* 42 二合一螺杆 2-in-1-screw	 (C)* 17 木榫Ø8x30mm wood tenon	 (D)* 8 防撞孔塞 Anti-collision plug
 (E)* 2 拉手螺丝-M4x12mm pulling screw	 (F)* 4 拉手螺丝-M4x18mm pulling screw	 (G)* 4 白色硅胶垫片 Silicone pad	 (H)* 8 挂钩 a hook
 (I)* 3 铁床条 Hardware piece	 (J)* 19 自攻大扁M4*16mm Self tapping flat screw	 (K)* 1 家具防倒器-白色 Anti-fall device white	 (L)* 2 趟门玻璃-390*250*5mm Sliding door glass
 (M)* 4 层板托5mm shelf support			

编号NO.	名称Name	规格 (mm) Specification	数量QTY	材质Material
UD4C-A 0.8m一体妆台 上柜: Dressing Table Upper Cabinet				
①	顶拉条 Top brace	766*60*15	1	纤维板 Fiberboard
②	顶板 Top board	766*173*15	1	刨花板 Particle board
③	中拉条 Brace	766*60*25	1	纤维板 Fiberboard
④	中层板 Middle shelf	766*188*25	1	刨花板 Particle board
⑤	上隔板 Upper clapboard	202*240*15	1	刨花板 Particle board
⑥	上背板 Upper back board	766*270*15	1	刨花板 Particle board
⑦	中背板 Middle back board	766*167*15	1	刨花板 Particle board
⑧	层板 shelf	766*120*15	1	刨花板 Particle board
⑨	下拉条 Bottom brace	766*58*15	1	刨花板 Particle board
⑩	左侧板 Side board(L)	783*250*18	1	纤维板 Fiberboard
⑪	右侧板 Side board(R)	783*250*18	1	纤维板 Fiberboard
⑫	活动层板movable shelf	374*202*15	1	刨花板 Particle board
⑬	门拉手 Handle	80*25*20	2	桦木 Birch
UD4C-A 0.8m一体妆台 洞洞板: Dressing Table Pegboard				
◇1	装饰板 Decorating plate	764*351*4.8	1	纤维板 Fiberboard
UD4C-A 一体妆台 妆镜: Dressing Table Mirror				
△1	妆镜 Dressing Mirror	250*315*26	1	玻璃+铁 Glass+Iron



编号NO.	名称Name
UD4C-A 0.8m一体妆台 上柜	
①	顶拉条 Top brace
②	顶板 Top board
③	中拉条 Brace
④	中层板 Middle shelf
⑤	上隔板 Upper clapboard
⑥	上背板 Upper back board
⑦	中背板 Middle back board
⑧	层板 shelf
⑨	下拉条 Bottom brace
⑩	左侧板 Side board(L)
⑪	右侧板 Side board(R)
⑫	活动层板movable shelf
⑬	门拉手 Handle
UD4C-A 0.8m一体妆台 洞洞板	
◇1	装饰板 Decorating plate
UD4C-A 一体妆台 妆镜	
△1	妆镜 Dressing Mirror

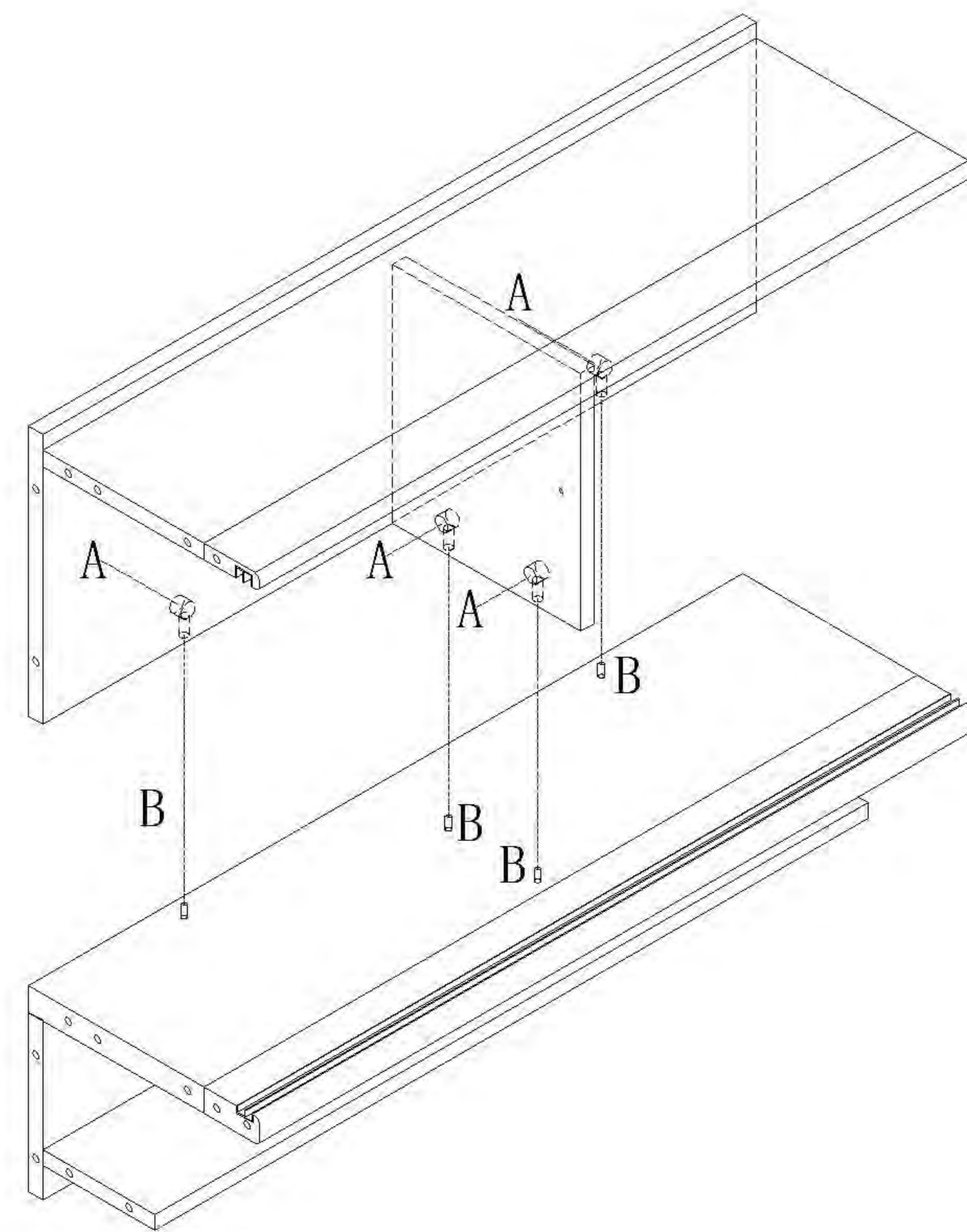
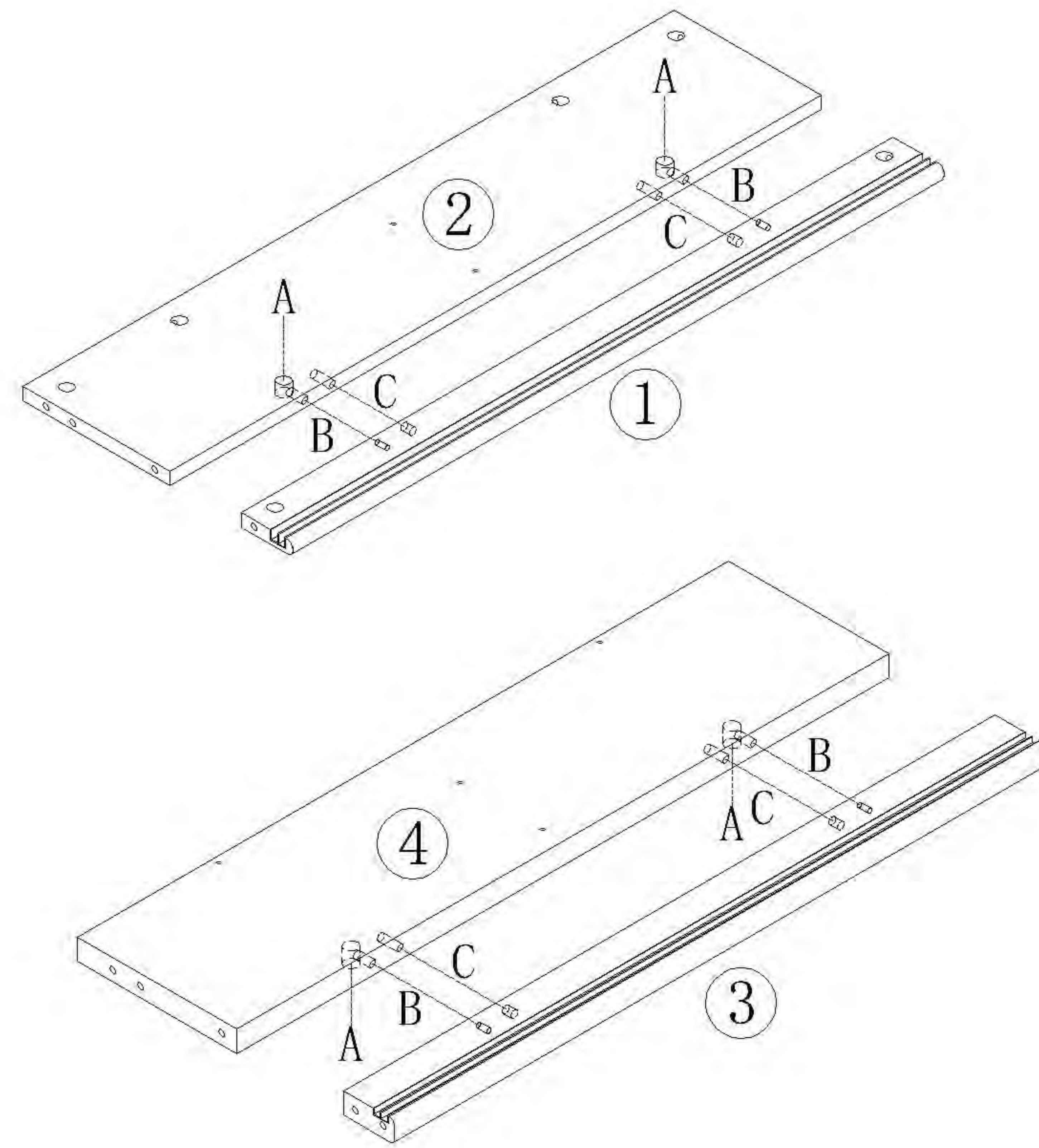
安装方法/  
Installation method



大二合一  
two-in-one

- (A)\*4
- (B)\*4
- (C)\*4

- (A)\*4
- (B)\*4



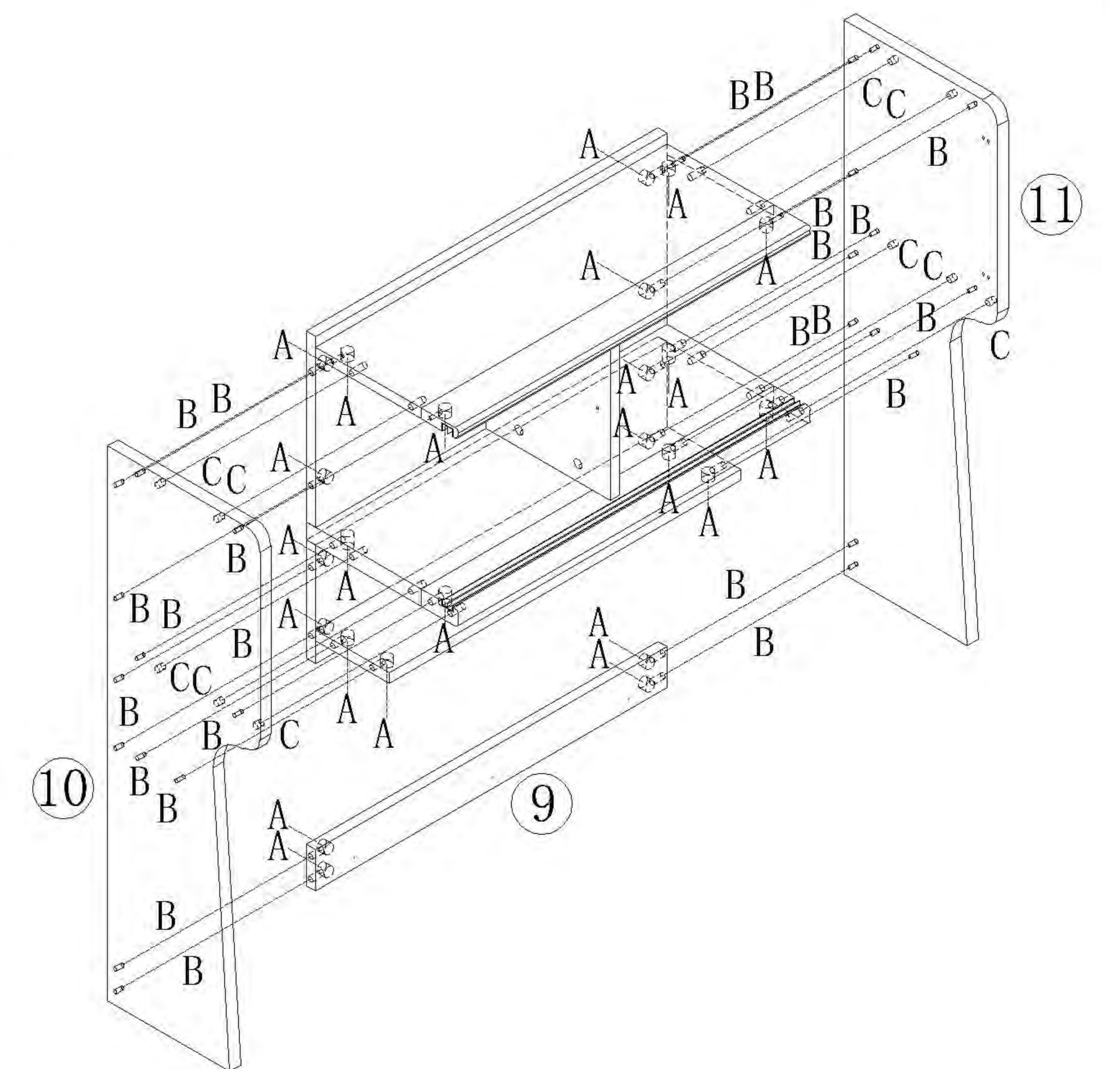
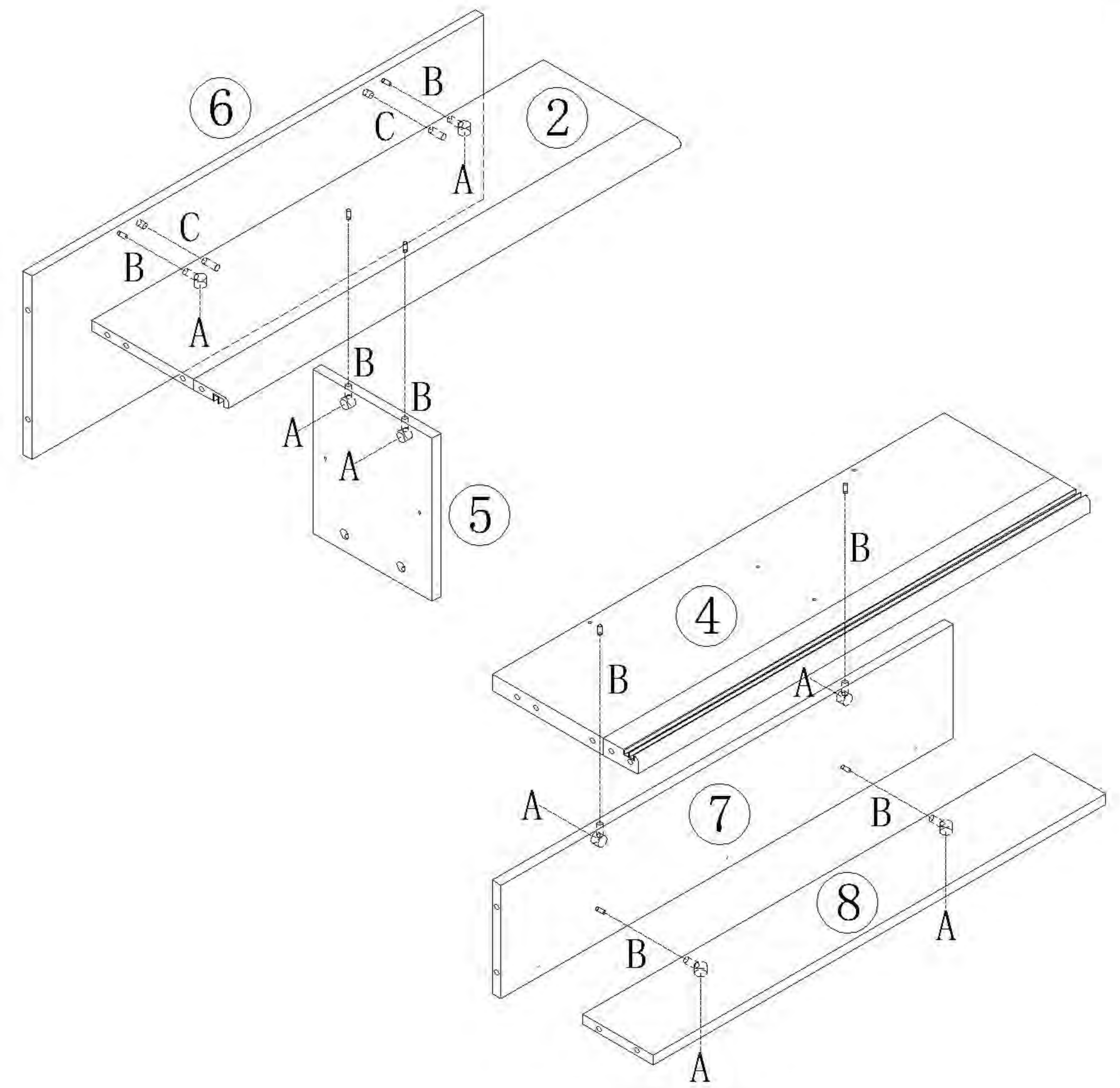
1

- (A)\*8
- (B)\*8
- (C)\*2

3

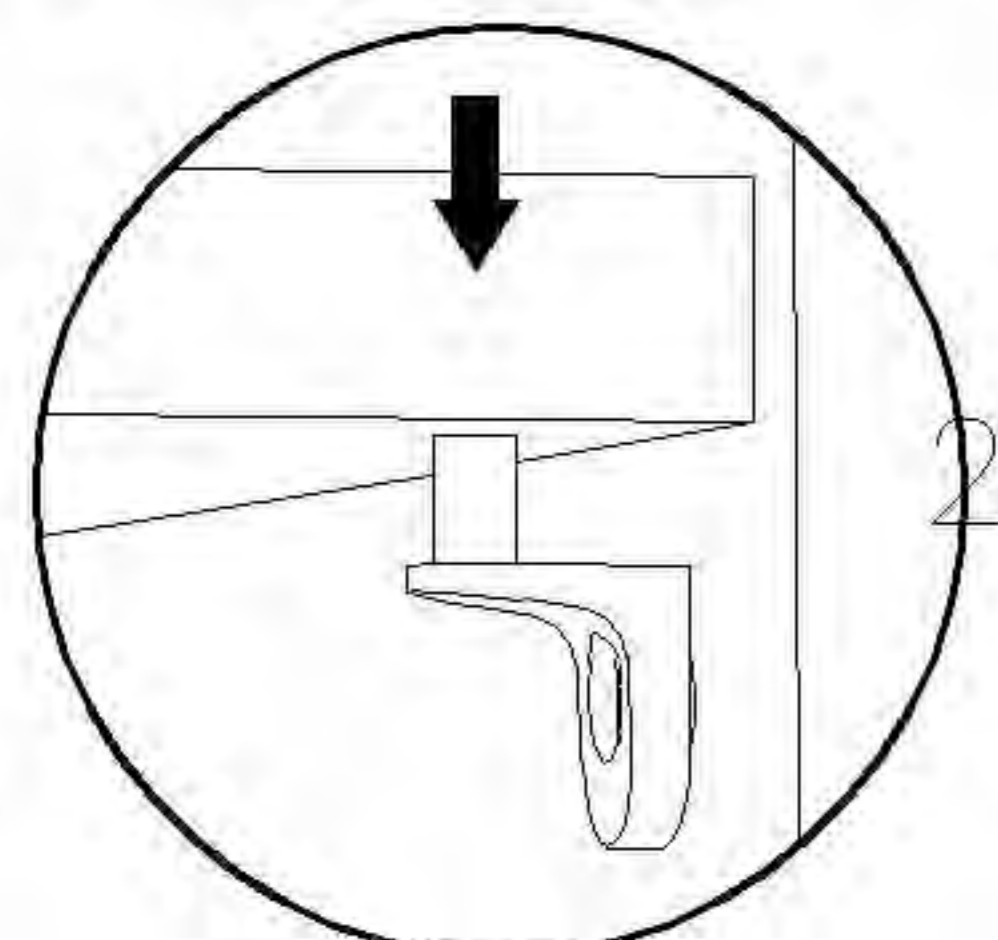
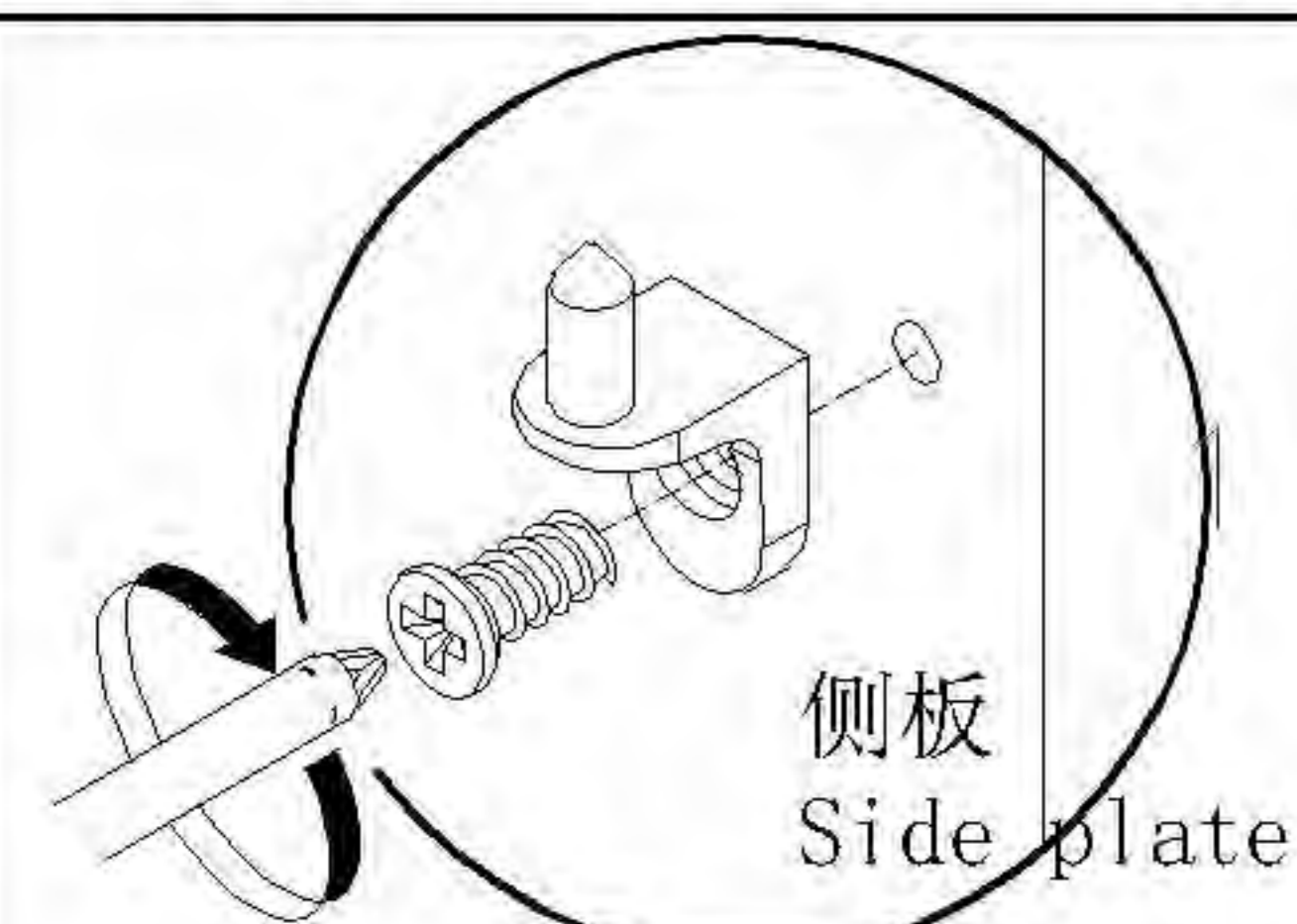
- (A)\*24
- (B)\*24
- (C)\*10

2

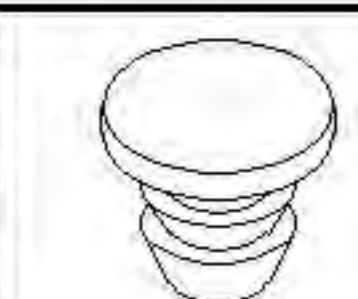


4

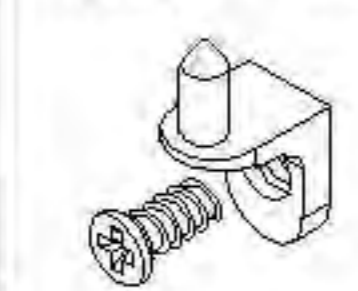
安装方法/  
Installation method



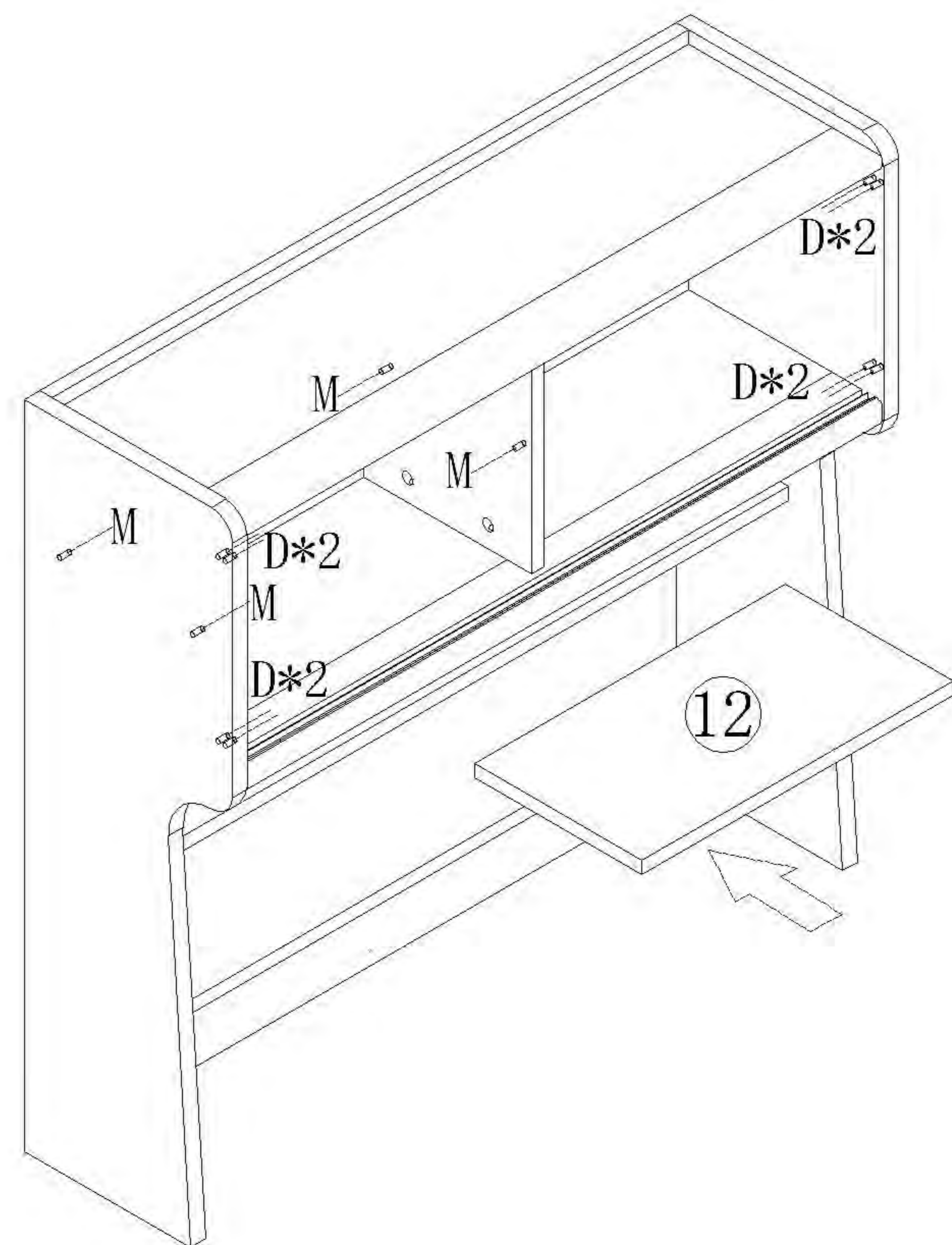
层板托5mm  
shelf support



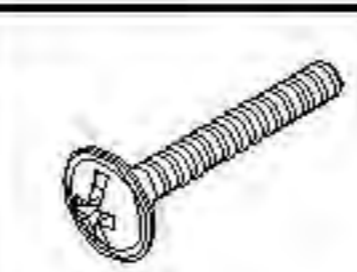
(D)\*8



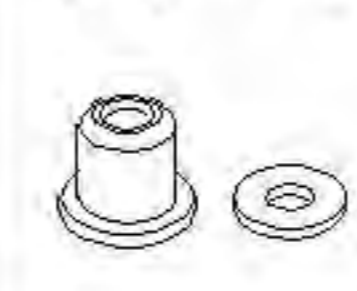
(M)\*4



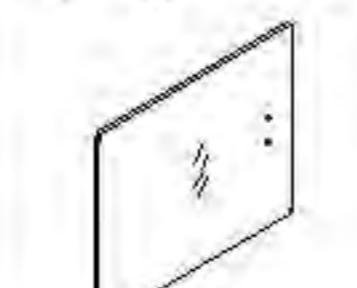
5



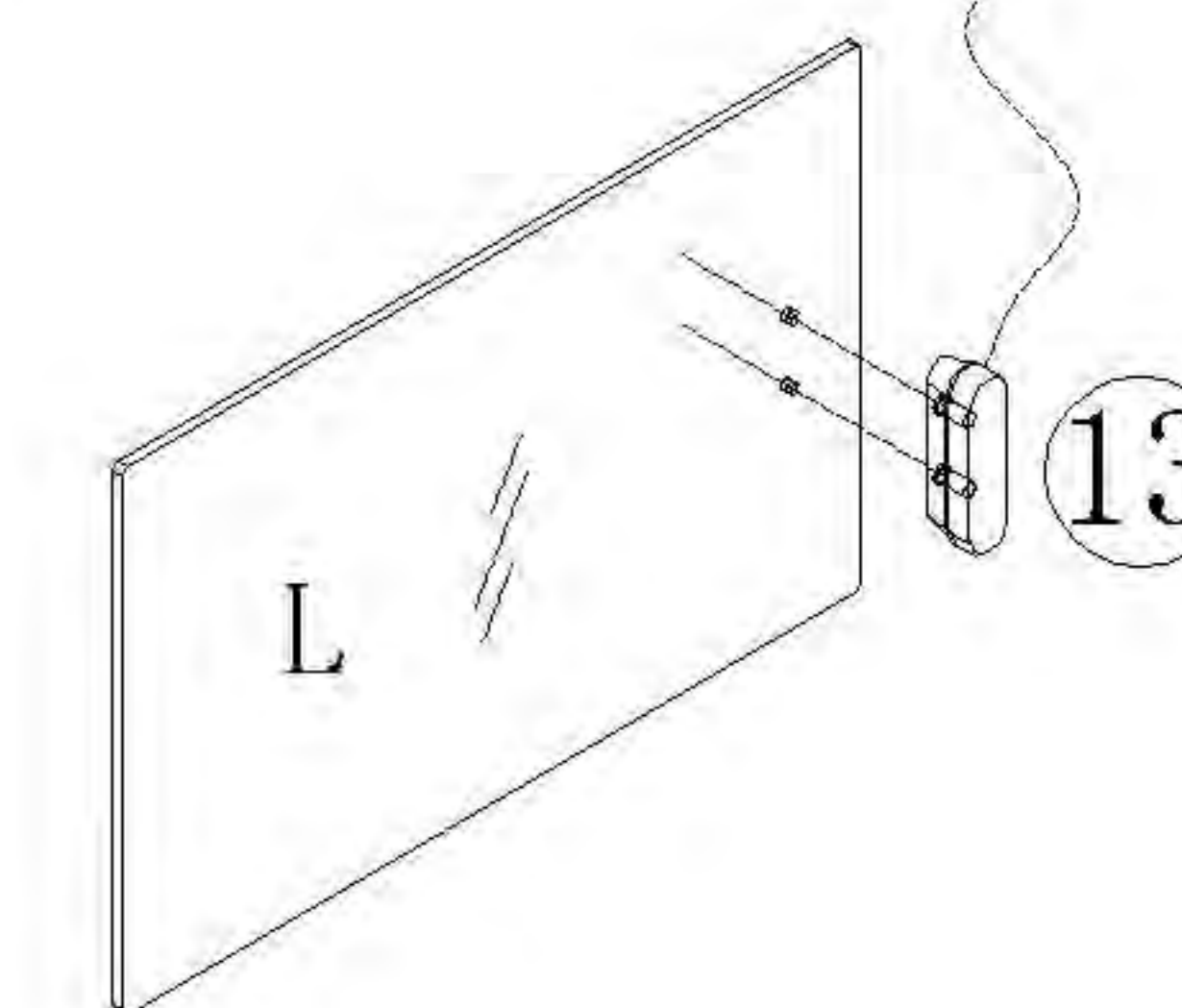
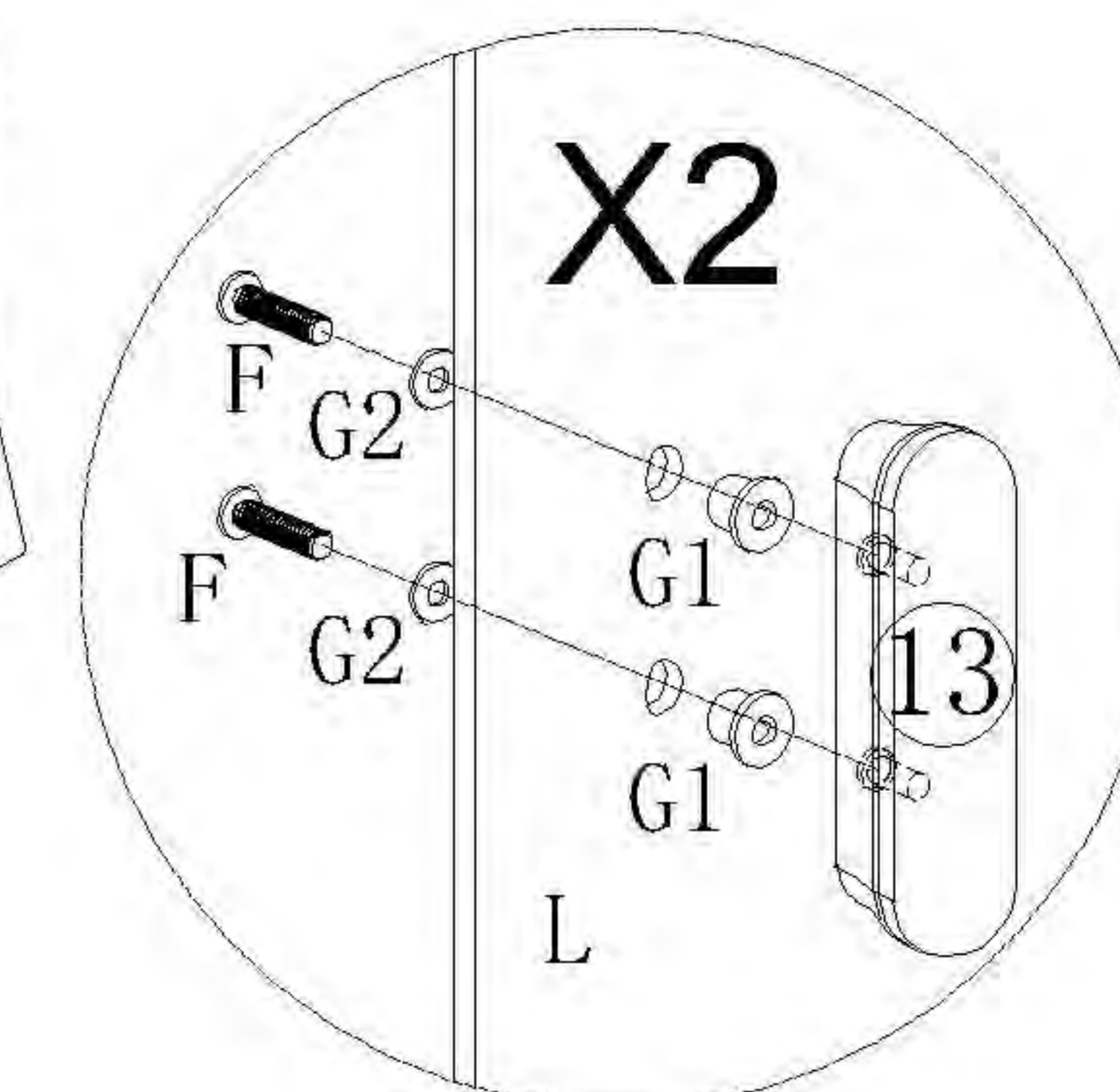
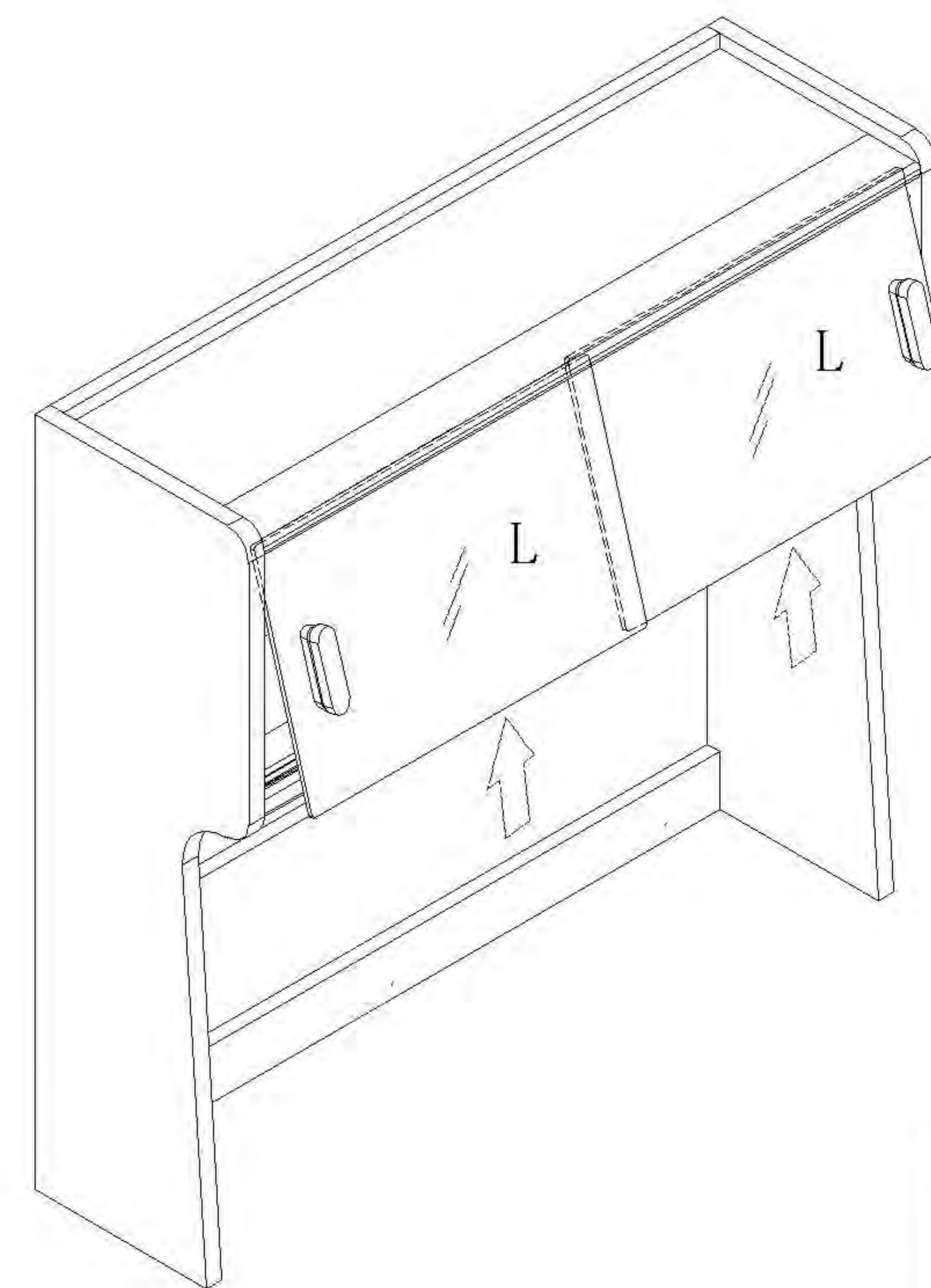
(F)\*4



(G)\*4

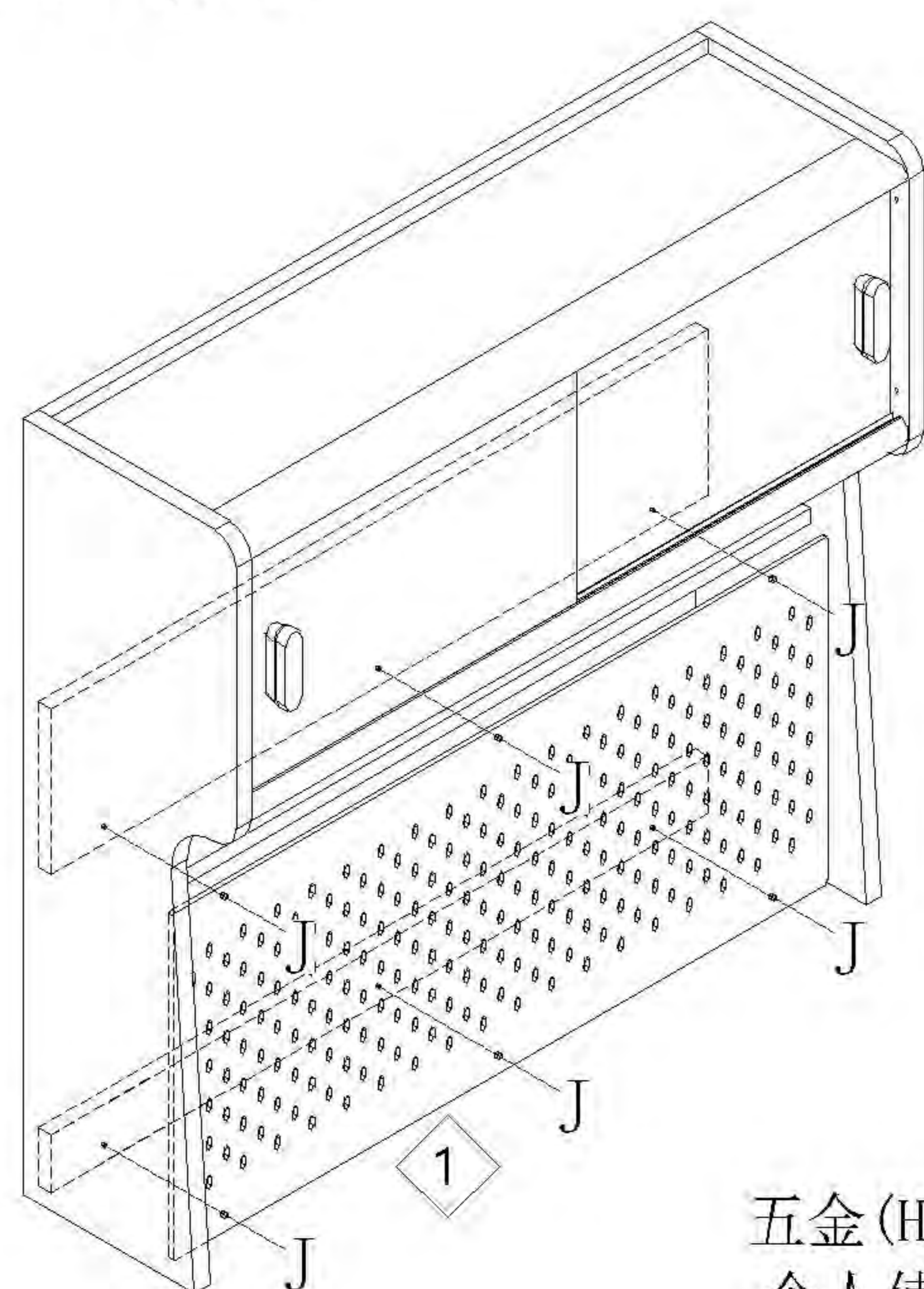


(L)\*2



6

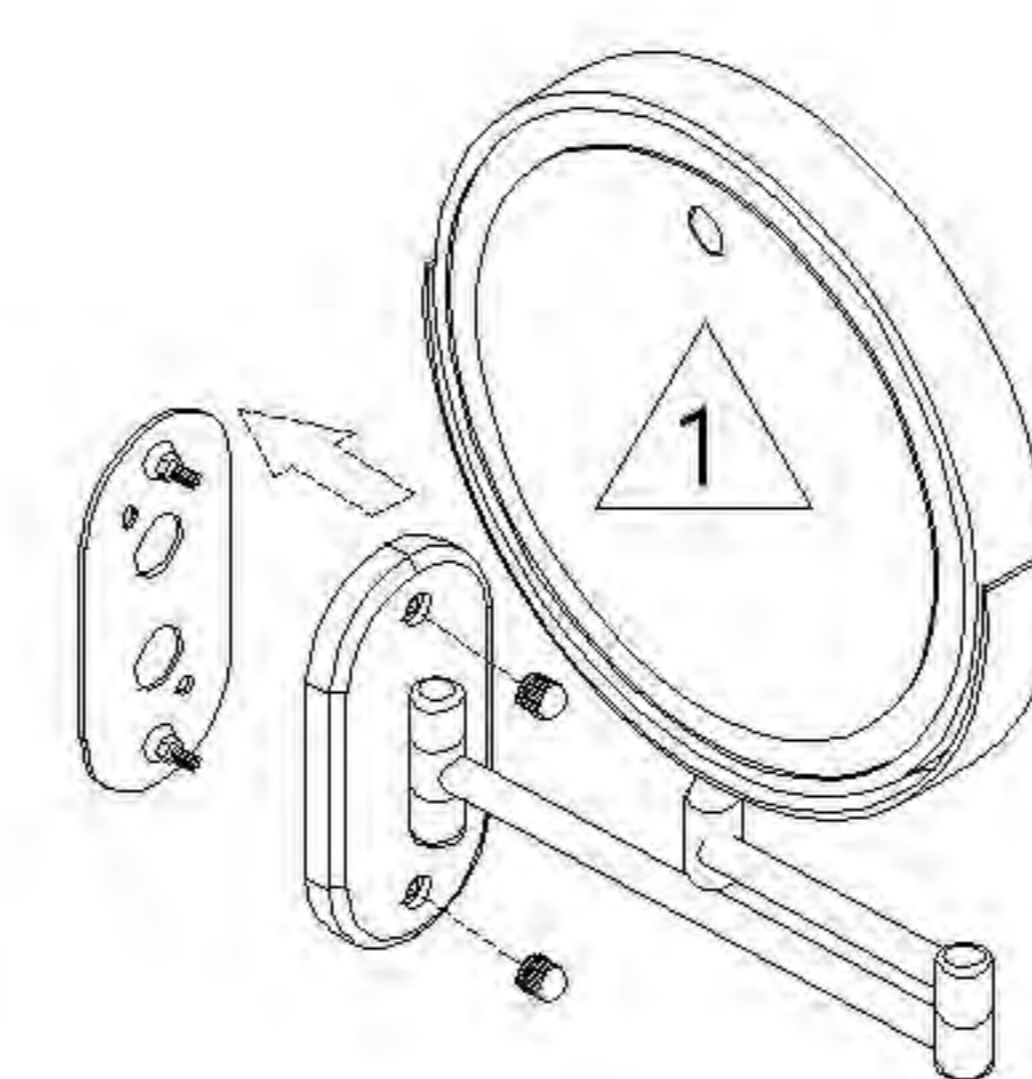
(H)\*8 (J)\*6



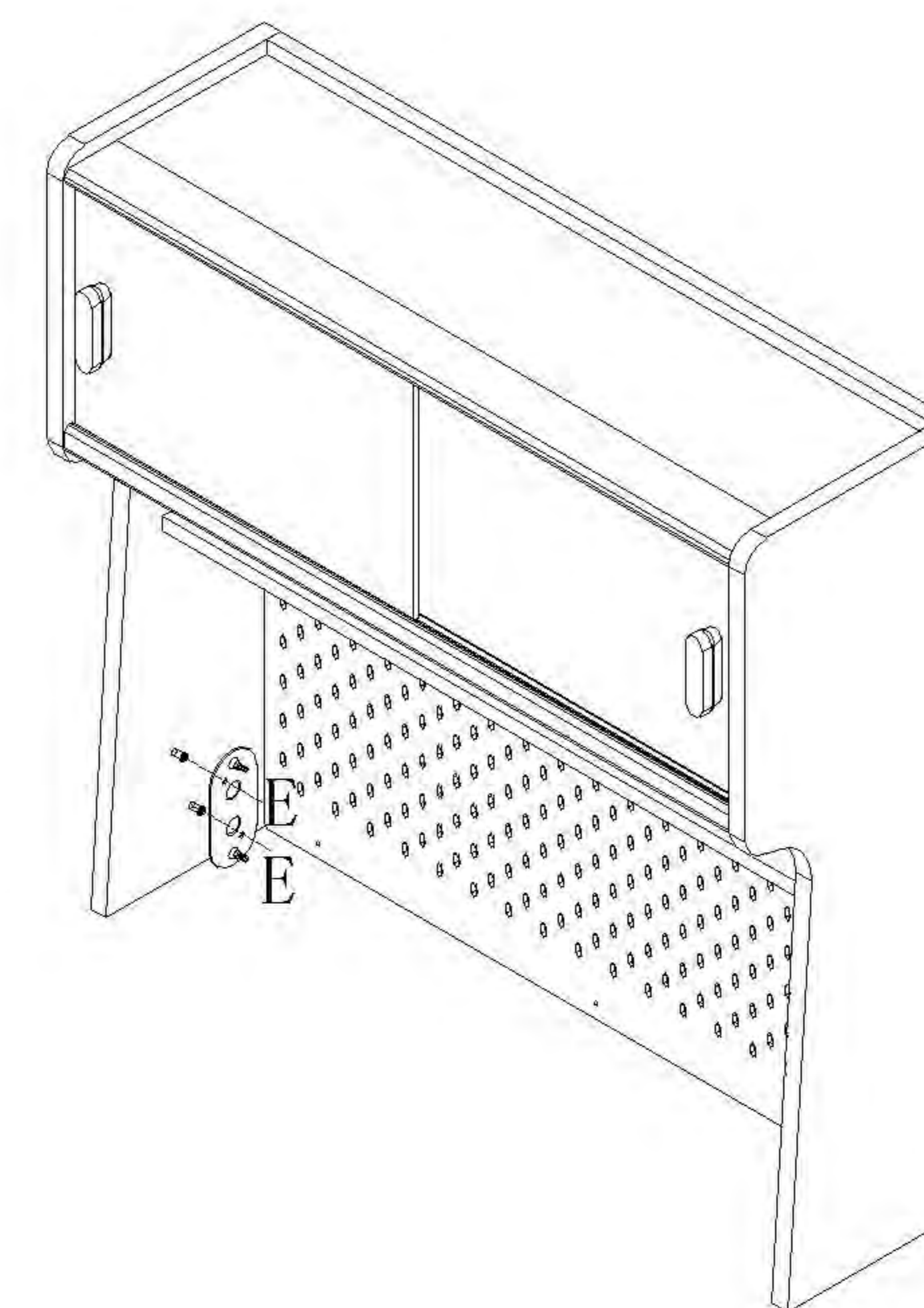
五金(H)安装位置: 根据个人使用需求进行安装  
Hardware (H) installation location: Install according to personal usage needs

7

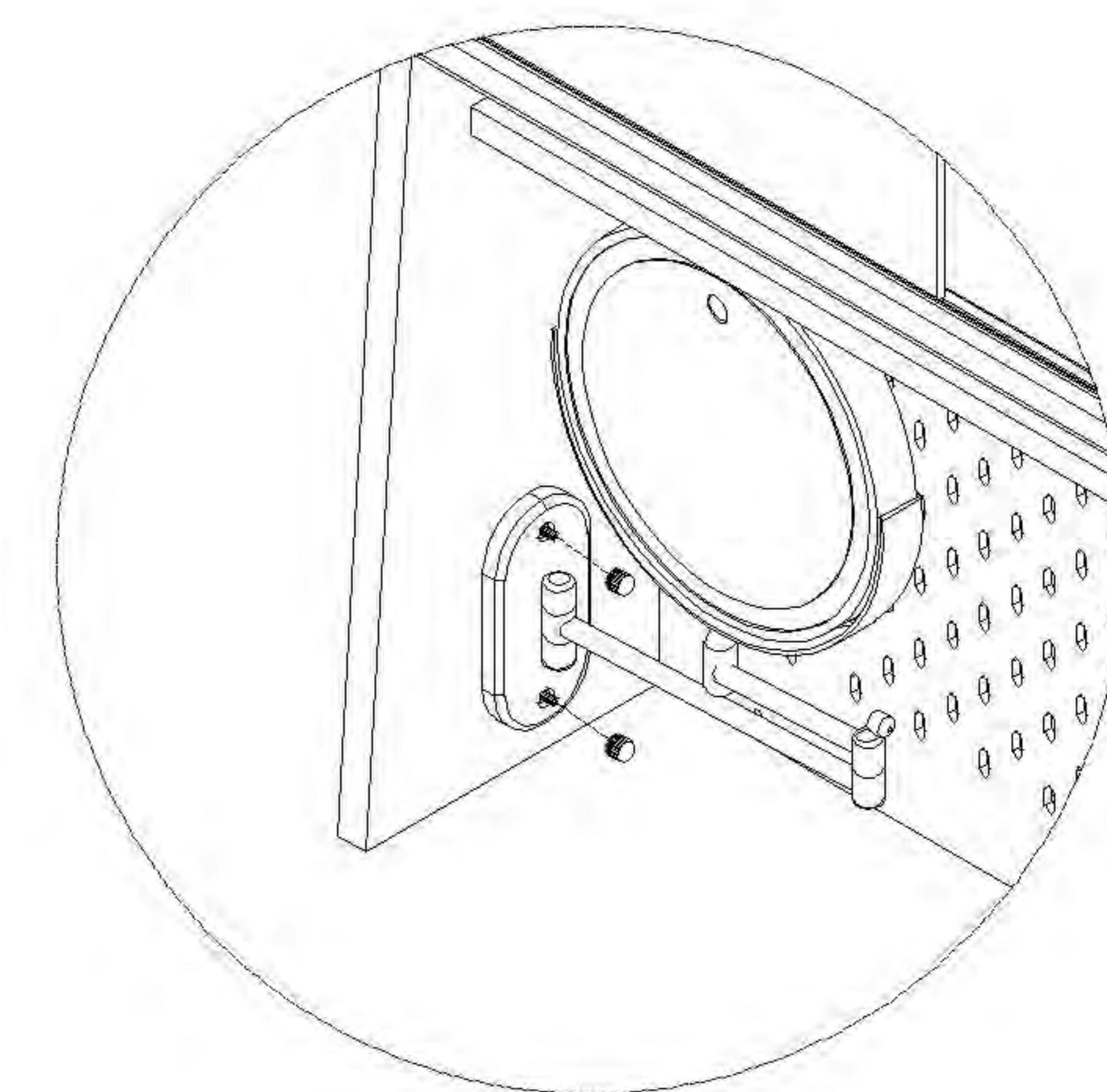
(E)\*2



步骤1: 首先拧下妆镜的螺帽取下底座铁片  
Step 1: First, unscrew the nut of the makeup mirror and remove the base iron plate

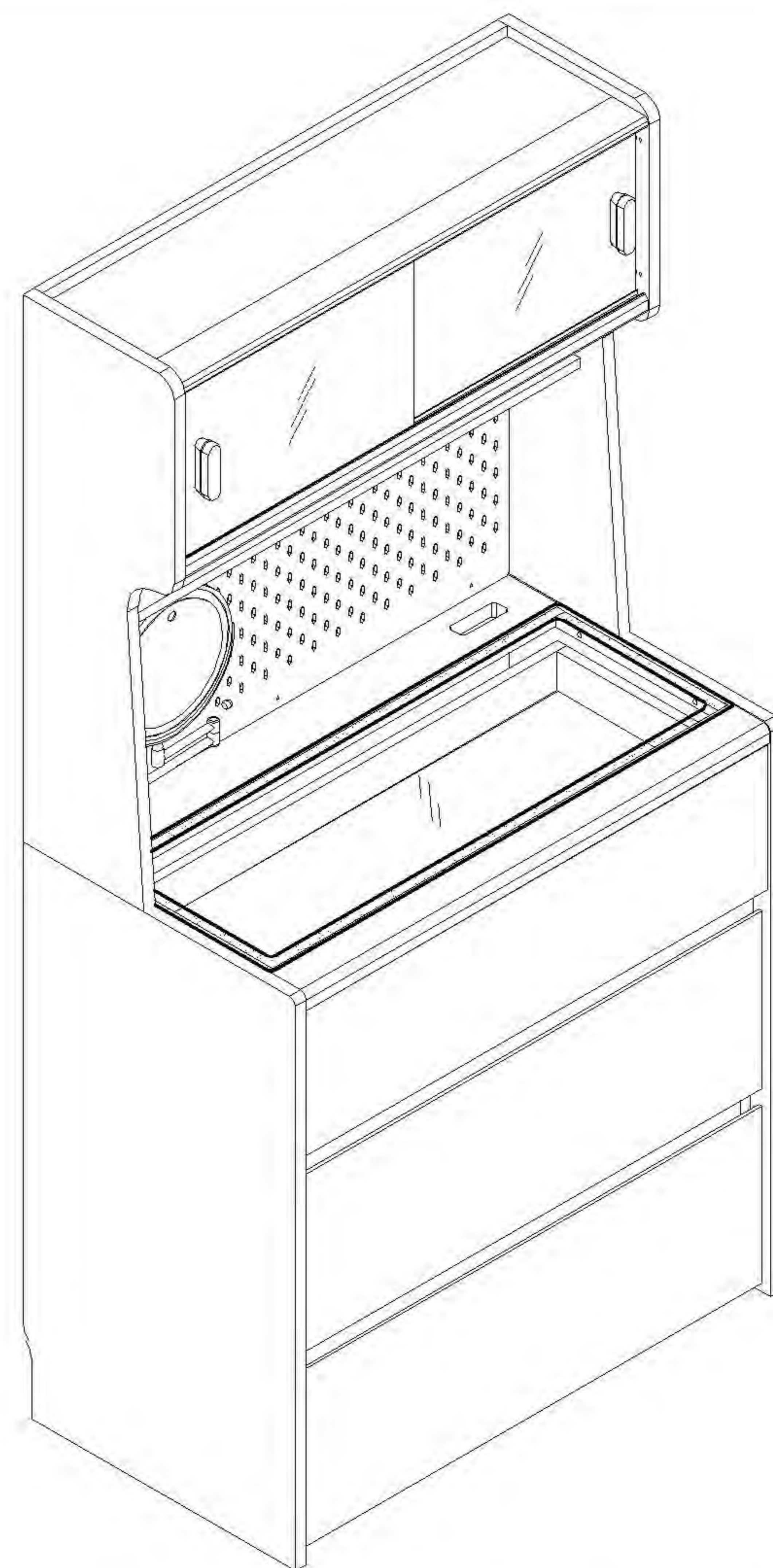


步骤2: 使用五金E安装铁片在侧板对应孔位上  
Step 2: Use hardware E to install iron plates in the corresponding holes on the side panel



步骤3: 把底座安装在铁片上后拧紧螺帽安装  
Step 3: Install the base on the iron sheet and tighten the nut for installation

8



注意：上柜需与下柜搭配使用并安装固定铁片、防倒器；下柜的安装步骤请查看购买的下柜型号安装说明书，此处下柜为参考示意图。

Attention: The upper cabinet should be used in conjunction with the lower cabinet and installed with fixed iron plates and anti tipping devices; Please refer to the installation manual of the purchased lower cabinet model for the installation steps of the lower cabinet. Here is a reference diagram for the lower cabinet.

UD4C-A 0.8m一体高柜妆台  
产品规格Specification: 802\*450\*1603mm

该组合所包含的半成品如下：

The semi-finished products included in the portfolio are as follows:

UD4C-A 0.8m一体妆台 主体

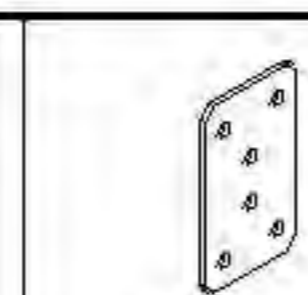
UD4C-A 0.8m一体妆台 座包

UD4C-A 0.8m一体妆台 上柜

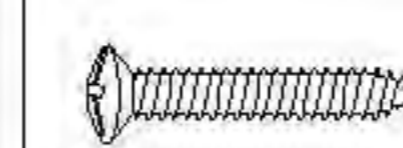
UD4C-A 0.8m一体妆台 洞洞板

UD4C-A 一体妆台 妆镜

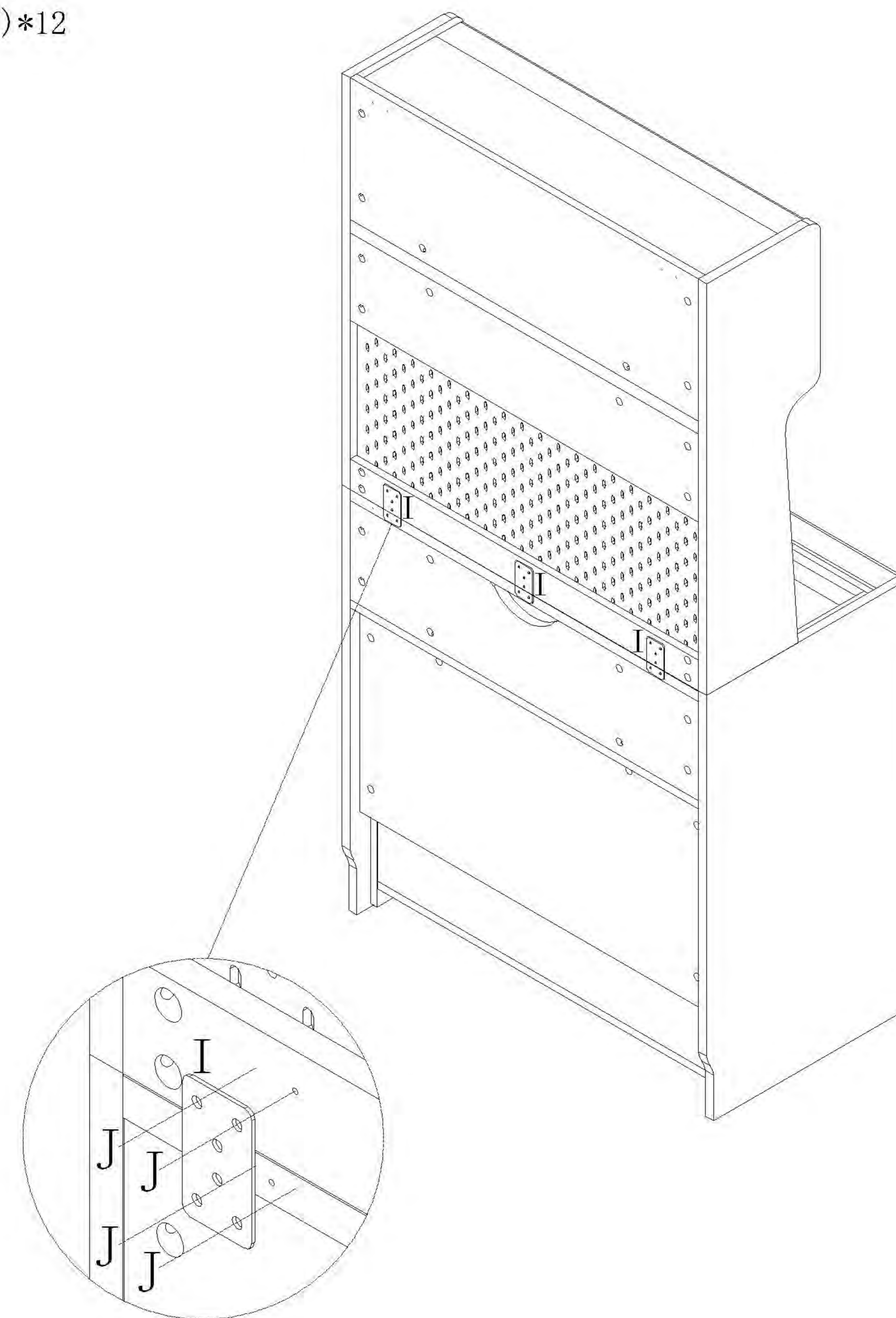
9



(I)\*3



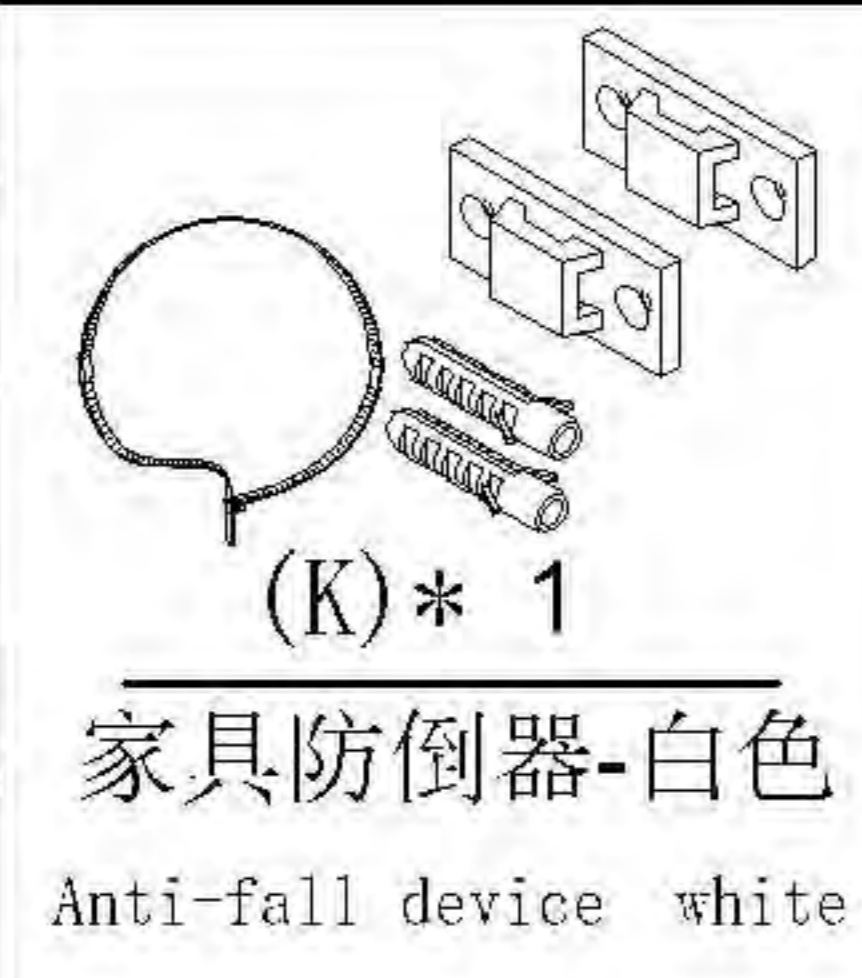
(J)\*12



10

UD4C-A (0.8m一体妆台上柜)

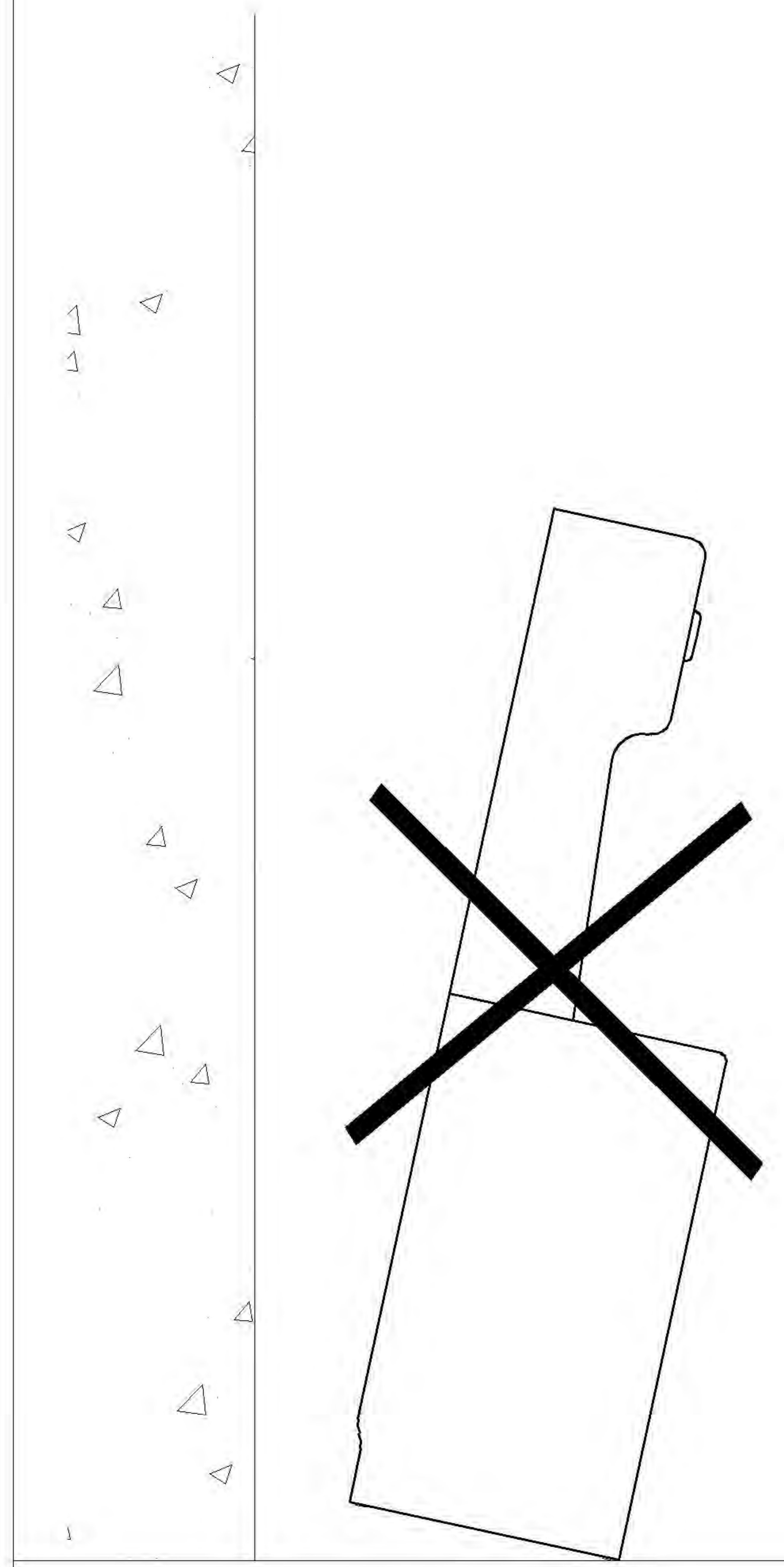
安装方法/  
Installation method



实体墙  
Solid wall



K处放大图  
Enlarged view at K



注意：上柜与下柜安装好后需安装防倒器，  
上下柜都配有防倒器，请将防倒器安装在图中上柜的位置。  
Note: After the upper and lower cabinets are installed, an anti-tip  
device should be installed.  
The upper and lower cabinets are equipped with anti-tipping devices.  
Install the anti-tipping devices at the positions on the upper  
cabinets in the figure.