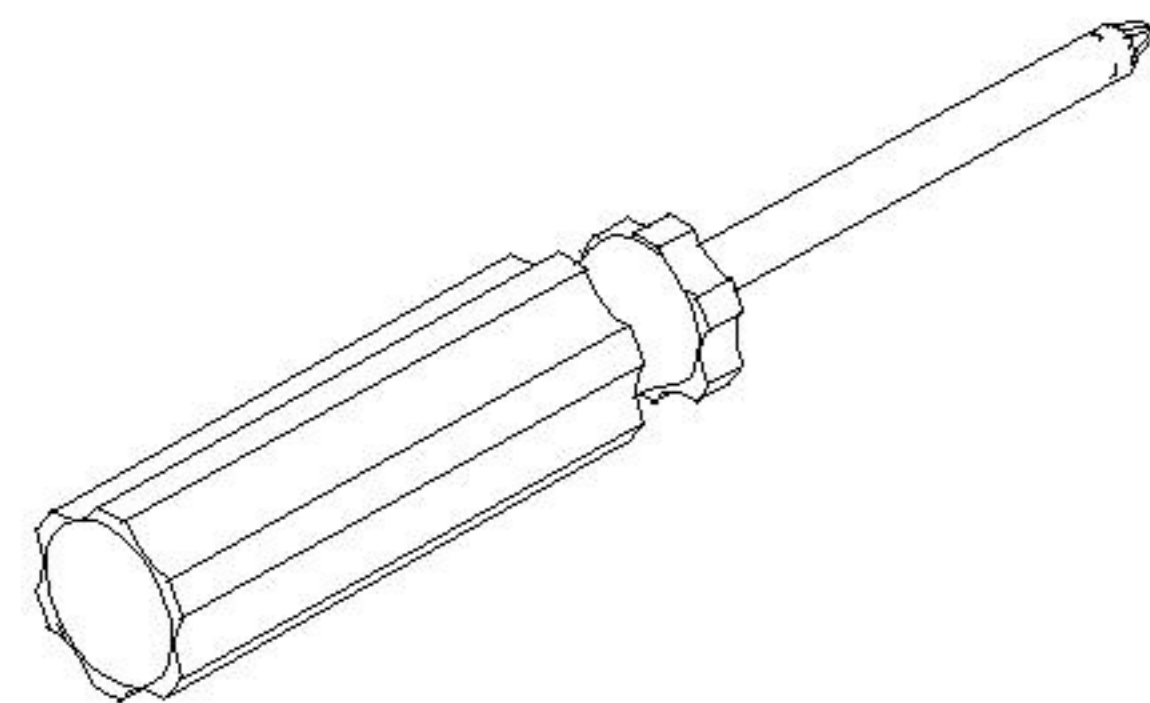
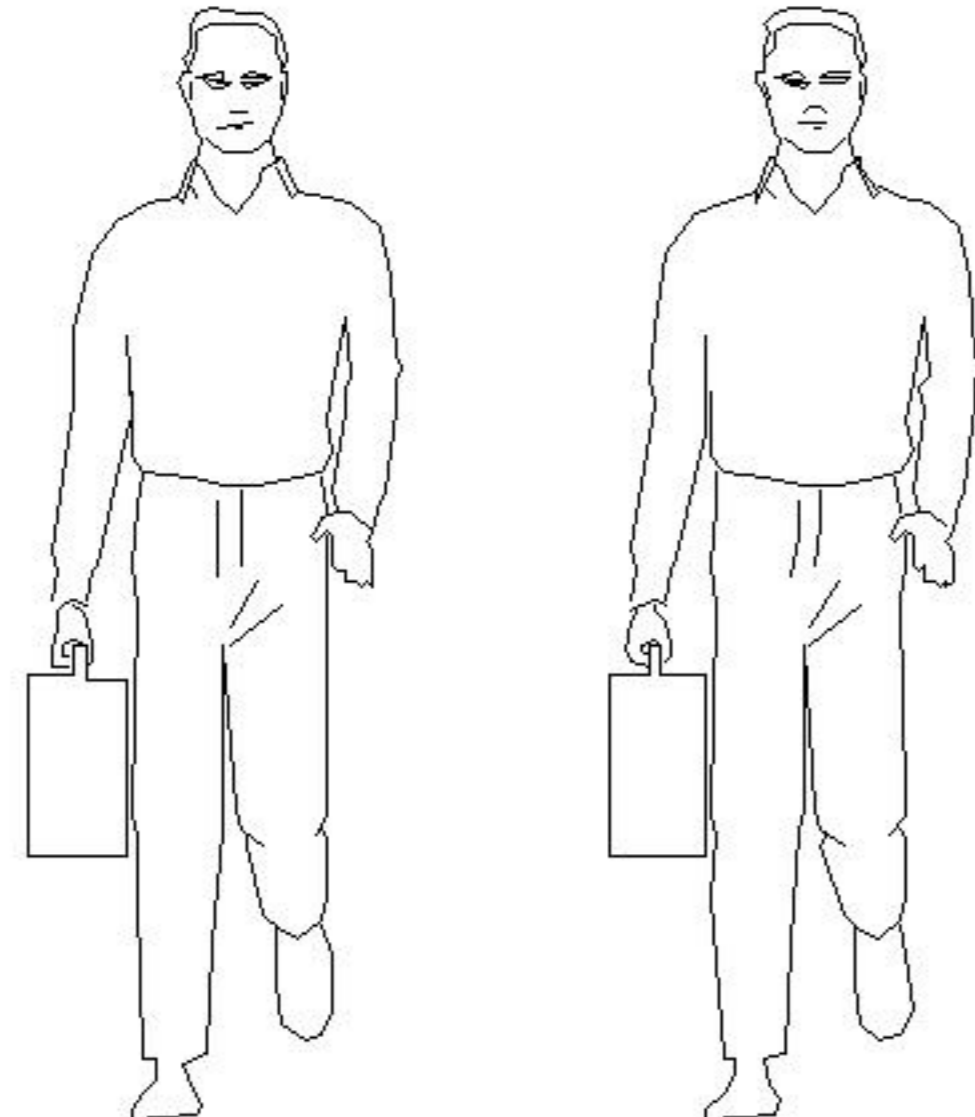


LINSY 林氏家居

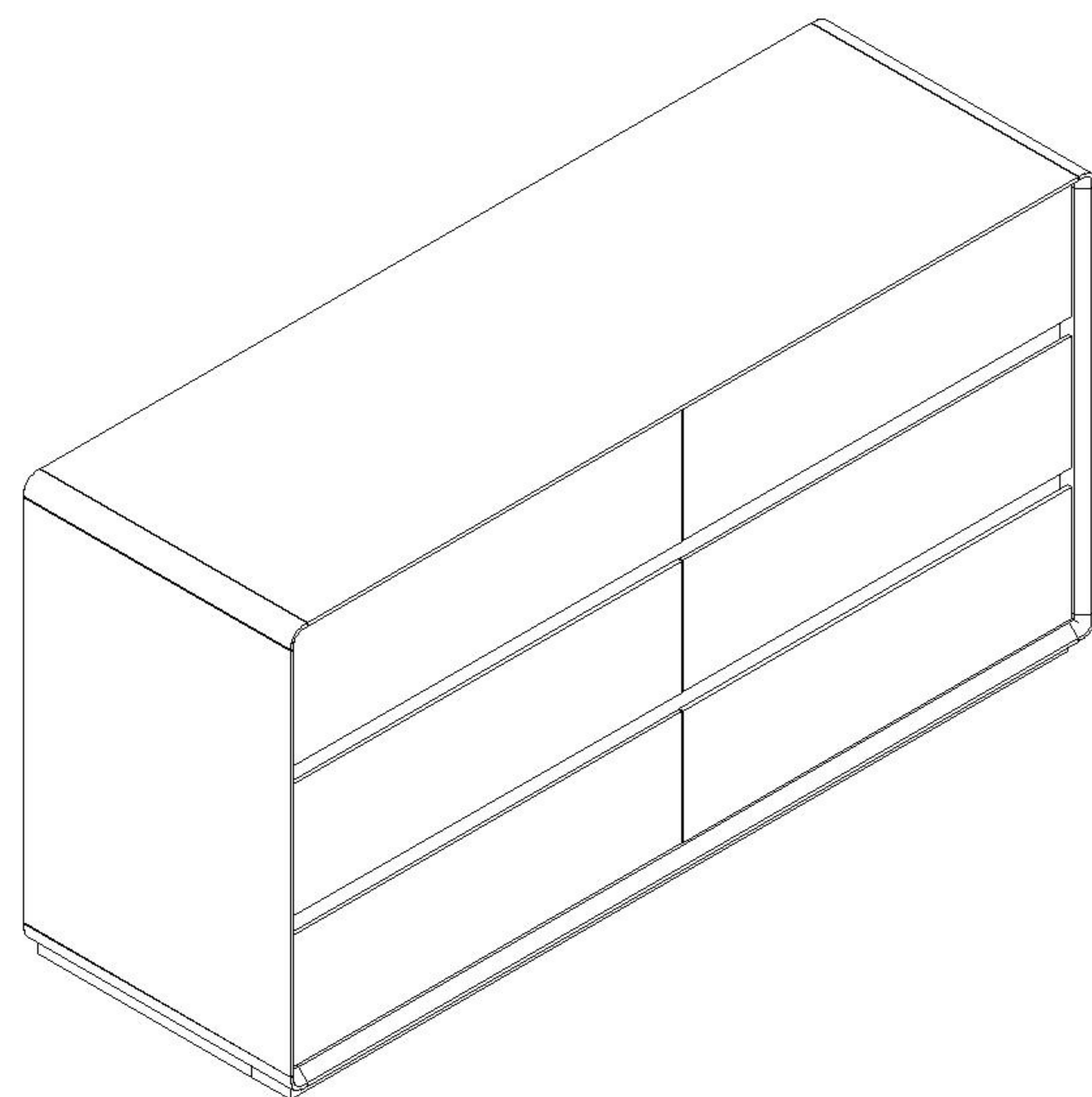
五金表/Hardware list

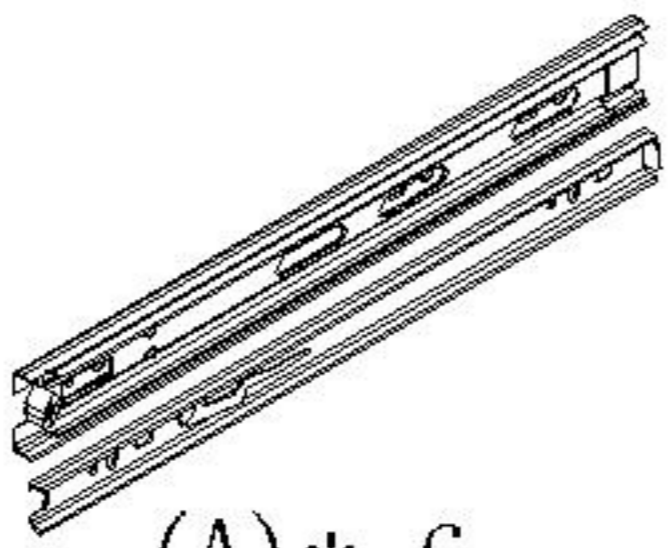
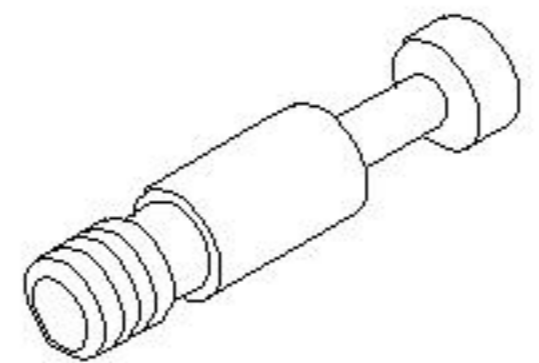
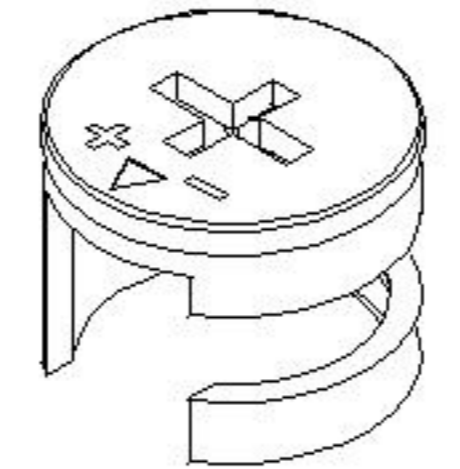
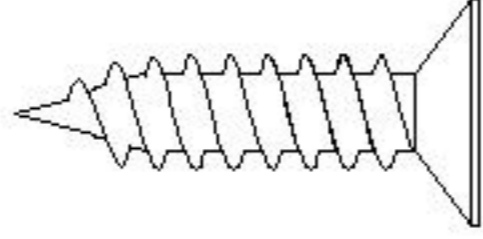
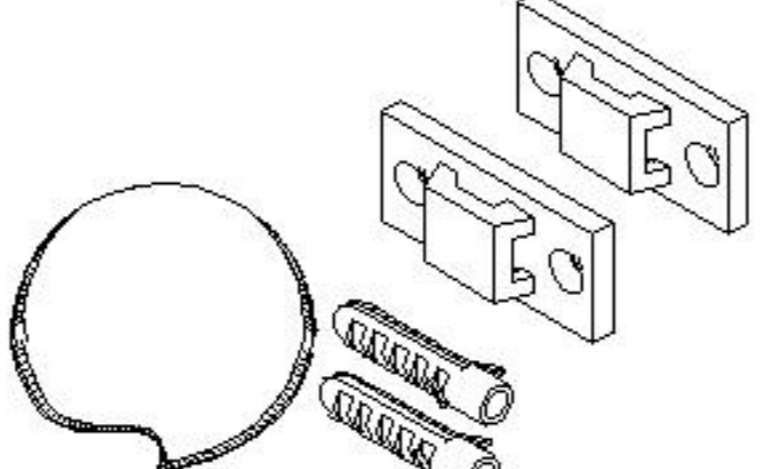
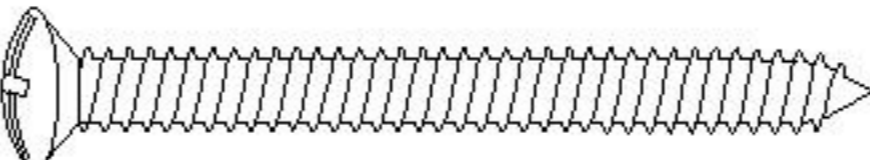
部件表/Parts List

安装示意图/Assembly Instruction

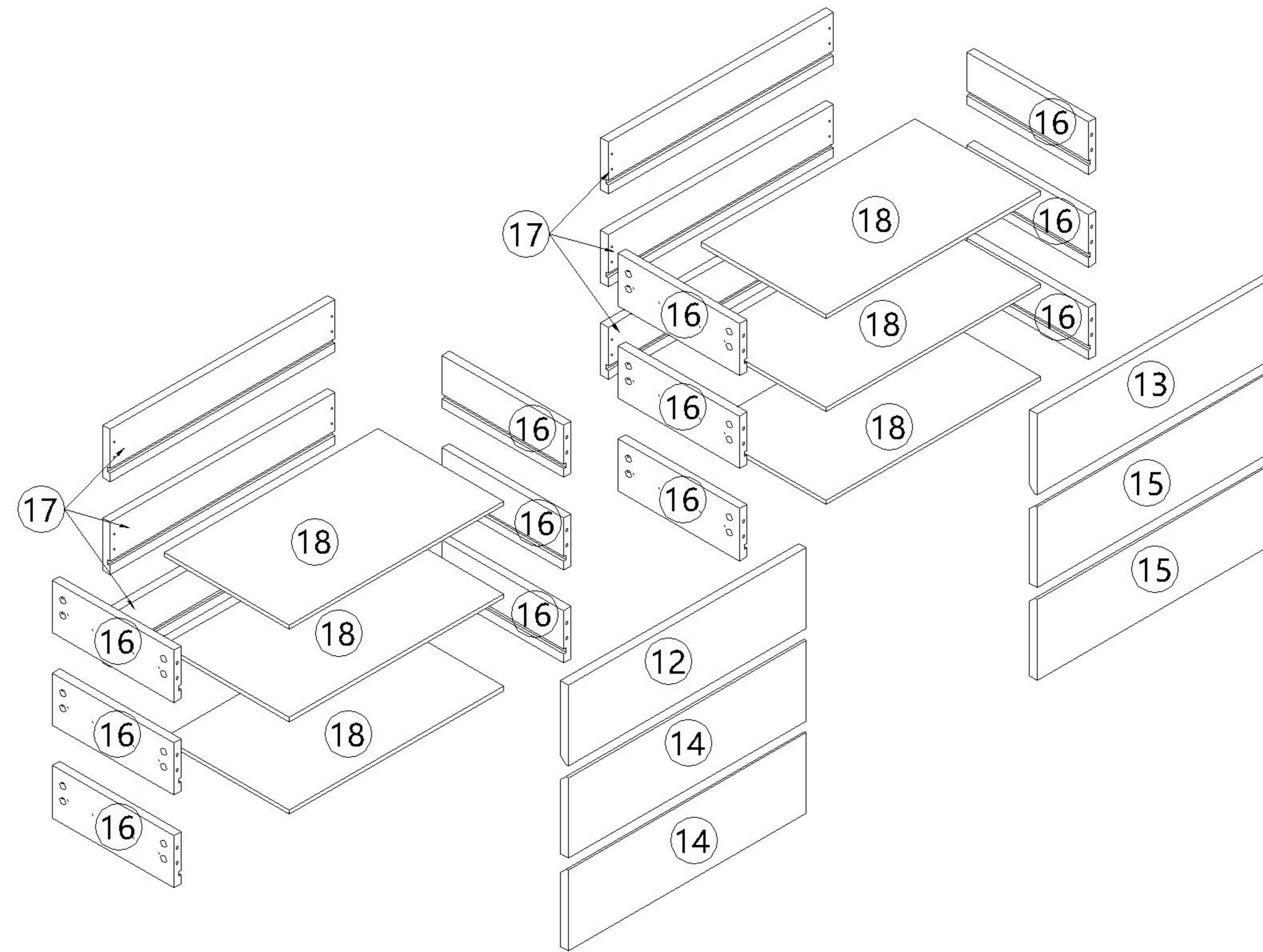
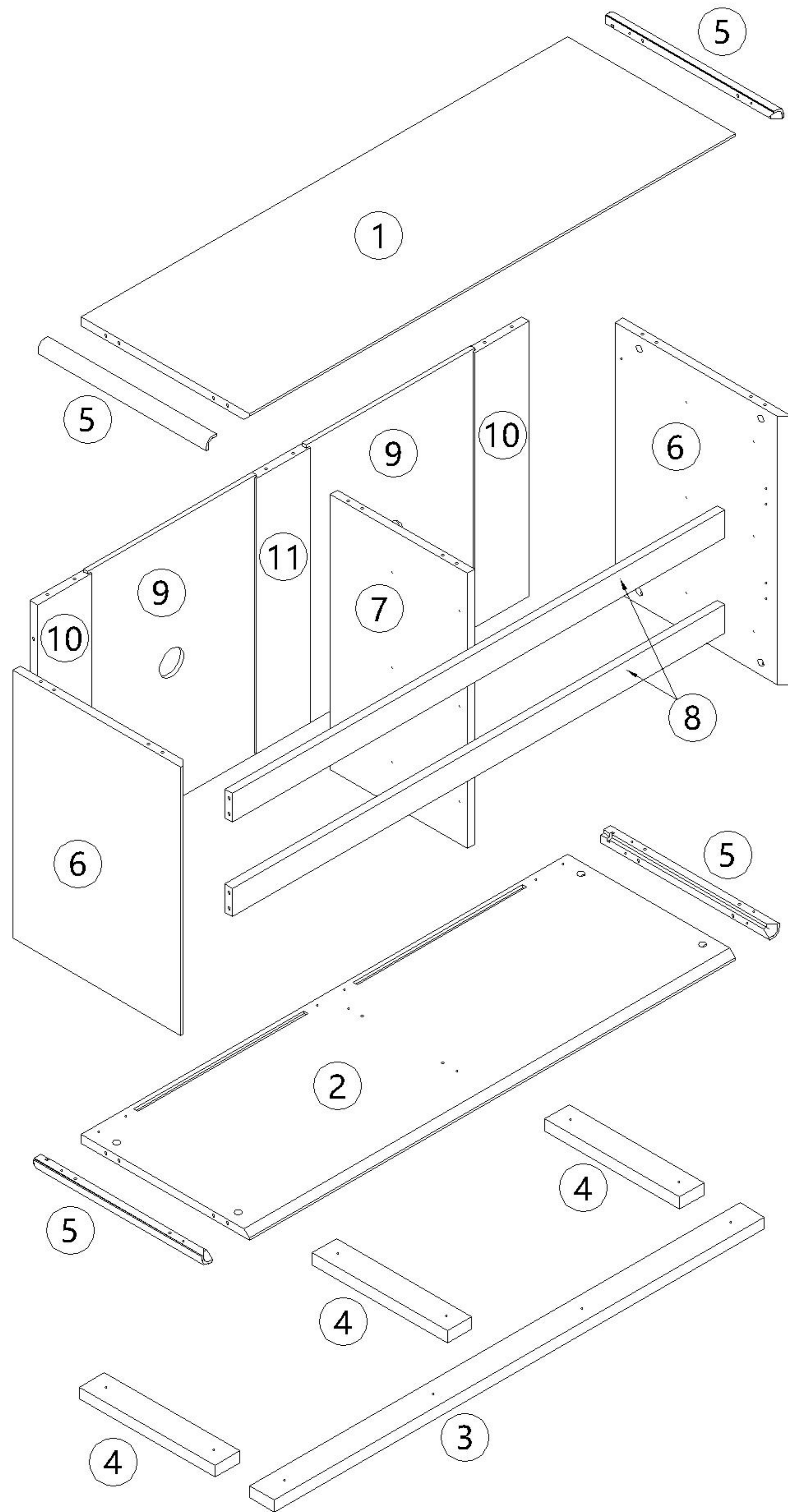
产品名称 Model NO.	UB1C-E六斗柜
产品规格 Specification	1200*398*628mm
安装工具 Tool	安装人数 Installer
	

注：为保证设计效果，部分尺寸为定制尺寸，不影响使用。



 (A)* 6 三节滚珠导轨-10" three-section ball rail	 (B)* 99 二合一螺杆 2-in-1-screw	 (C)* 99 大三合一锁饼 Three-in-one large lock	 (D)* 21 木榫08x30mm wood tenon
 (E)* 76 自攻螺丝M3.5x12mm Self-tapping screw	 (F)* 1 家具防倒器-白色 Anti-fall device white	 (G)* 10 灰色毛毡脚垫 Grey felt foot pad	 (H)* 11 自攻大扁M4*35mm Self tapping flat screw
 (I)* 2 透气孔盖 Vent cover	 (J)* 8 背板扣 Back Plate Buckle-White	 (K)* 8 自攻螺丝M3.5x16mm Self-tapping screw	

编号NO.	名称Name	规格(mm) Specification	数量QTY	材质Material
①	面板Top panel	1150*398*18	1	胶合板 Plywood
②	底板Bottom board	1150*398*18	1	胶合板 Plywood
③	前立水Front apron	1160*58*25	1	胶合板 Plywood
④	侧立水Side apron	320*58*25	3	胶合板 Plywood
⑤	转角木Corner connection wood	398*25*25	4	橡胶木 Rubber wood
⑥	侧板Side board	550*398*18	2	胶合板 Plywood
⑦	中侧板Middle side board	564*324*18	1	胶合板 Plywood
⑧	前拉条Front brace	1164*58*18	2	胶合板 Plywood
⑨	背板Back board	574*398*9	2	胶合板 Plywood
⑩	边背拉条Side back brace	564*129*18	2	胶合板 Plywood
⑪	背拉条Back brace	564*129*18	1	胶合板 Plywood
⑫	左上抽屉面板Upper left drawer panel	579*170*18	1	胶合板 Plywood
⑬	右上抽屉面板Upper right drawer panel	579*170*18	1	胶合板 Plywood
⑭	左下抽屉面板Lower left drawer panel	579*170*18	2	胶合板 Plywood
⑮	右下抽屉面板Lower right drawer panel	579*170*18	2	胶合板 Plywood
⑯	抽屉侧板Drawer's sideboard	295*110*18	12	胶合板 Plywood
⑰	抽屉后板Drawer's Back board	547*110*18	6	胶合板 Plywood
⑱	抽屉底板Drawer's Bottom board	521*305*9	6	胶合板 Plywood



编号NO.	名称Name
①	面板Top panel
②	底板Bottom board
③	前立水Front apron
④	侧立水Side apron
⑤	转角木Corner connection wood
⑥	侧板Side board
⑦	中侧板Middle side board
⑧	前拉条Front brace
⑨	背板Back board
⑩	边背拉条Side back brace
⑪	背拉条Back brace
⑫	左上抽屉面板Upper left drawer panel
⑬	右上抽屉面板Upper right drawer panel
⑭	左下抽屉面板Lower left drawer panel
⑮	右下抽屉面板Lower right drawer panel
⑯	抽屉侧板Drawer's sideboard
⑰	抽屉后板Drawer's Back board
⑱	抽屉底板Drawer's Bottom board

UB1C-E六斗柜

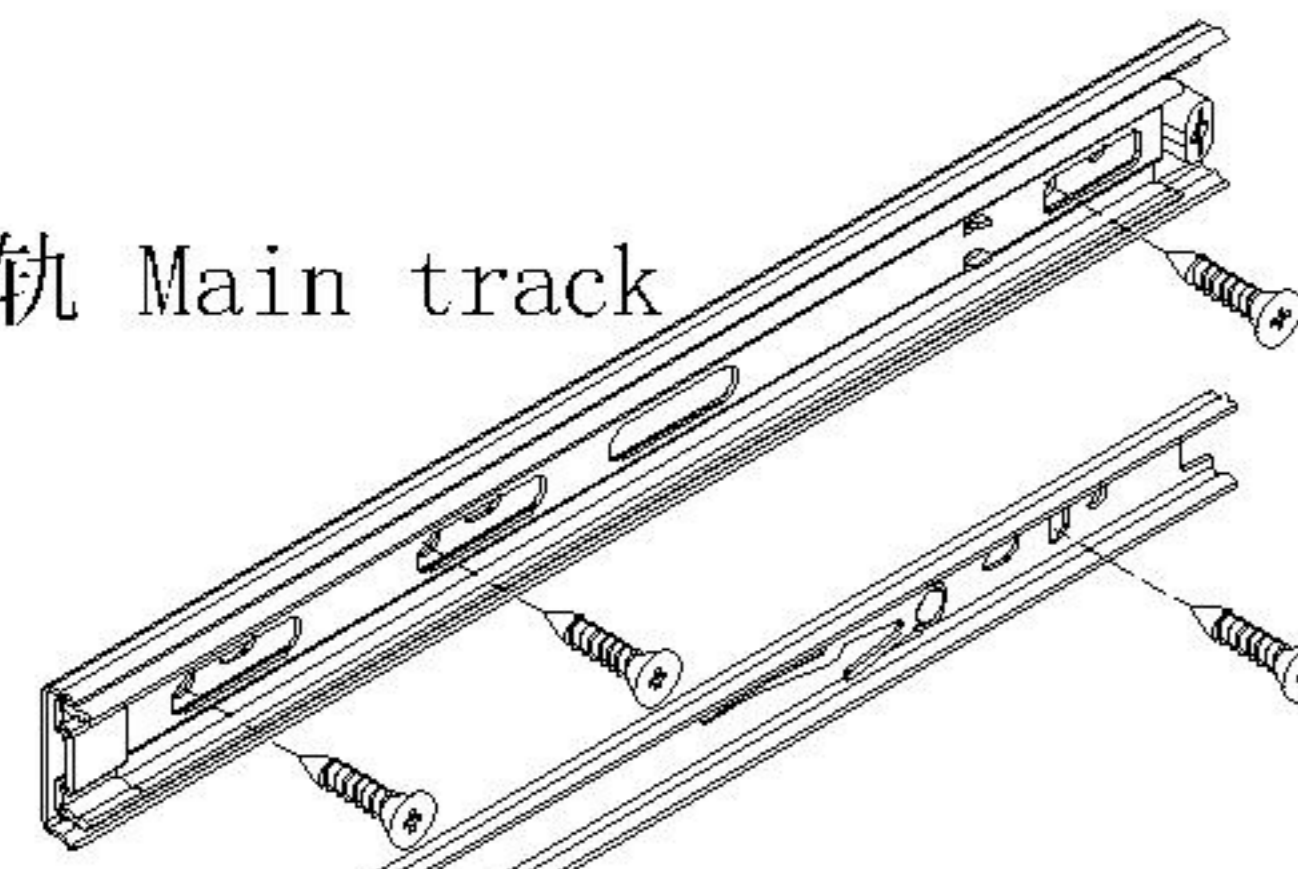
安装方法/
Installation method

阀门开关(下压为开)
Valve switch (press down to open)

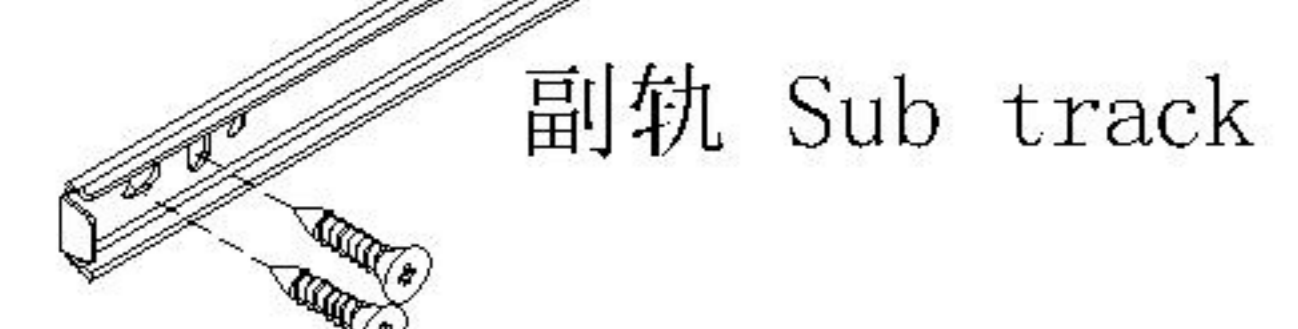
前 Forward 后 Back



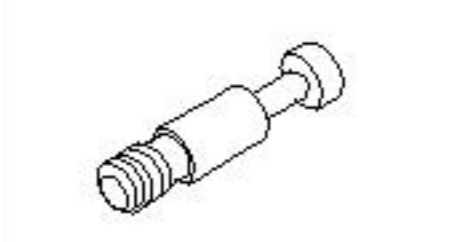
主轨 Main track



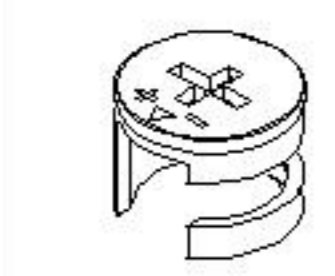
副轨 Sub track



三节滚珠导轨
Three-section rail



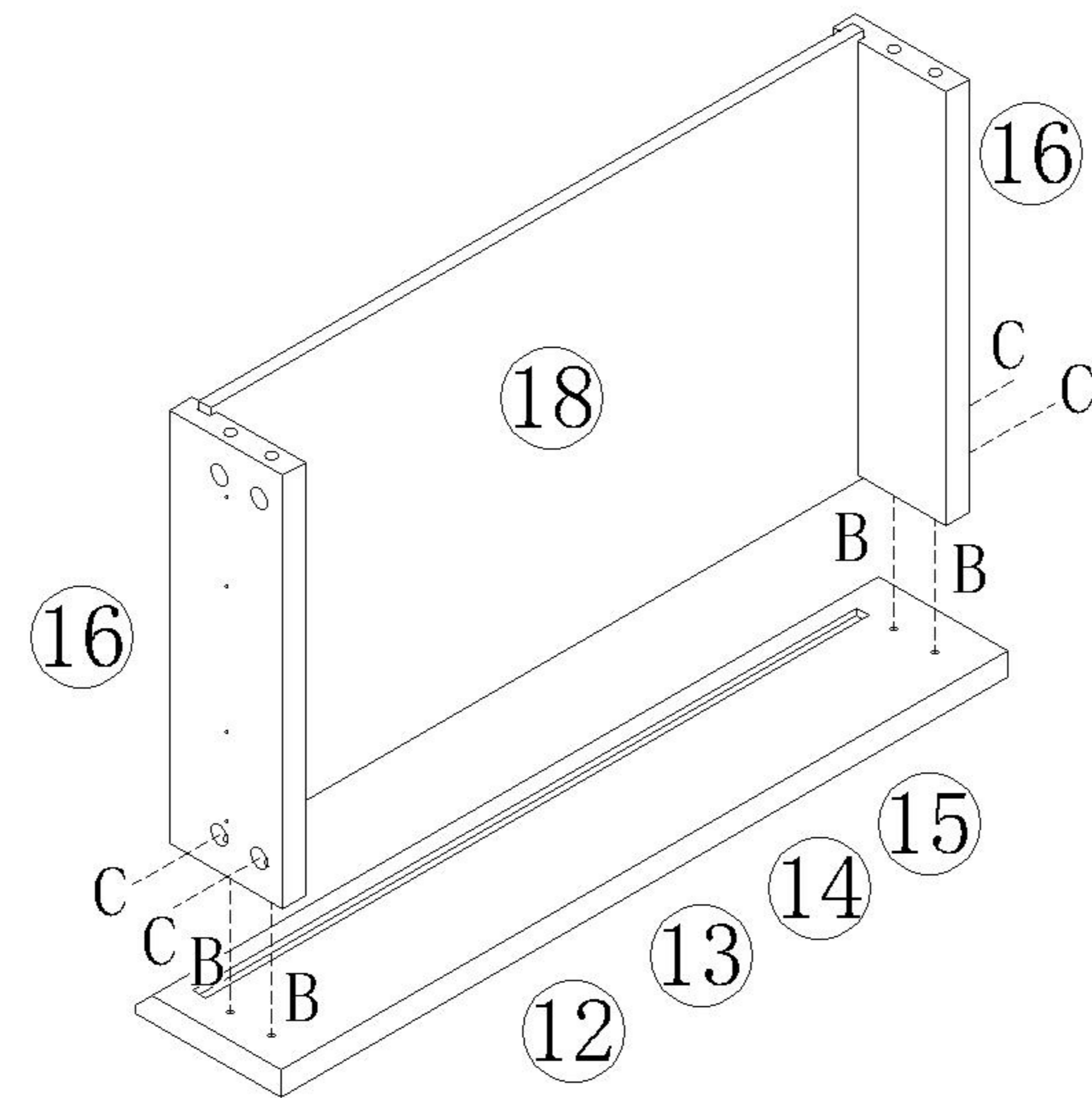
(B)*24



(C)*24

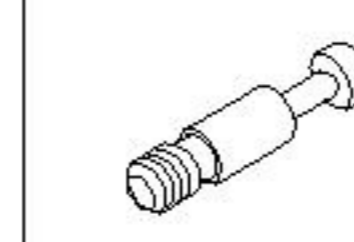
× 6

1

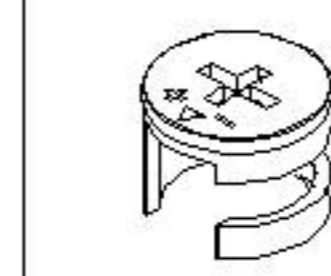


2

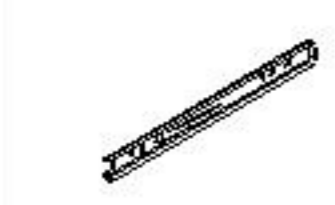
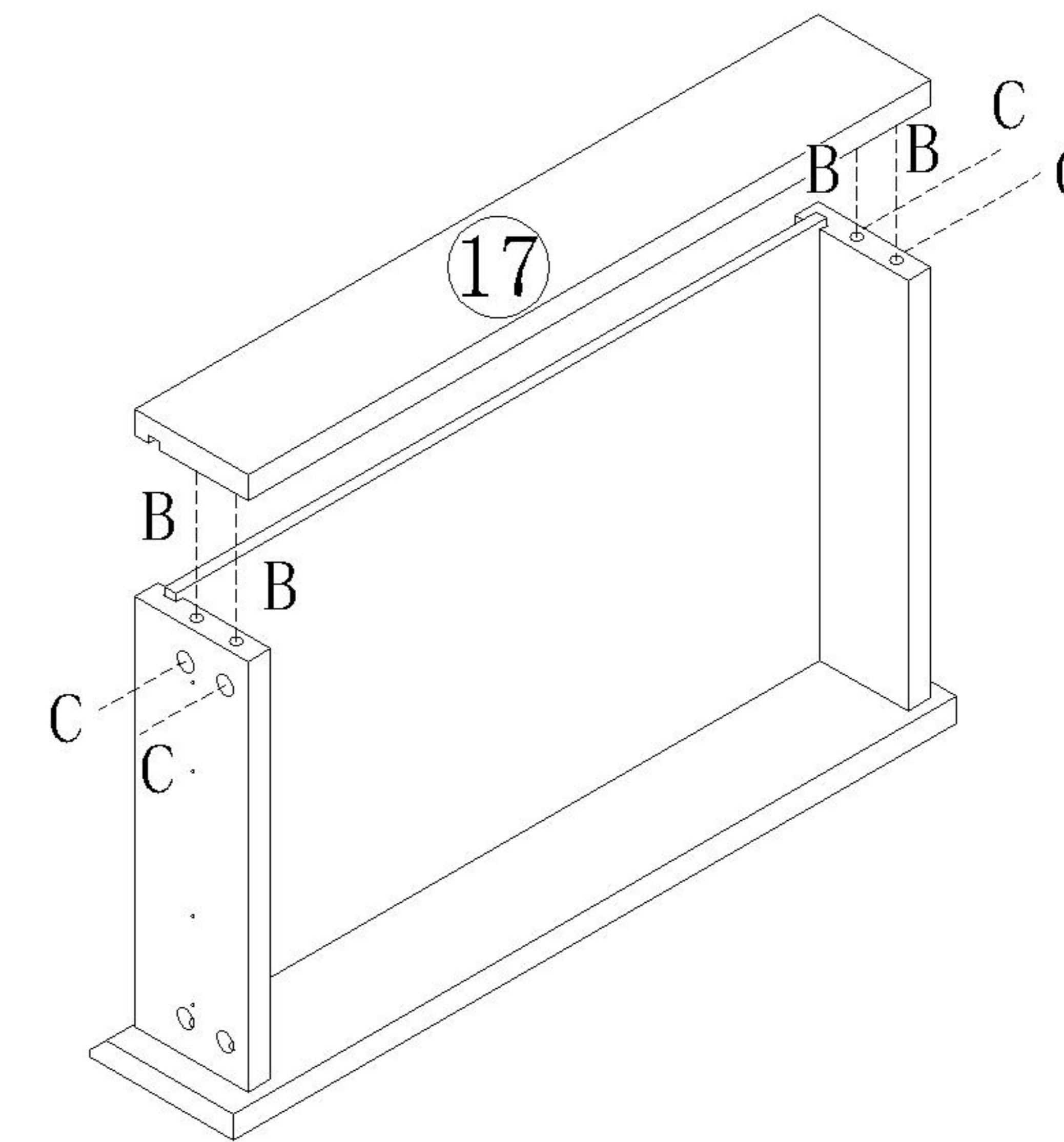
× 6



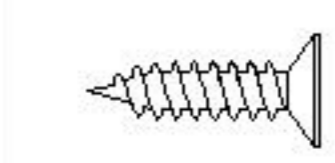
(B)*24



(C)*24



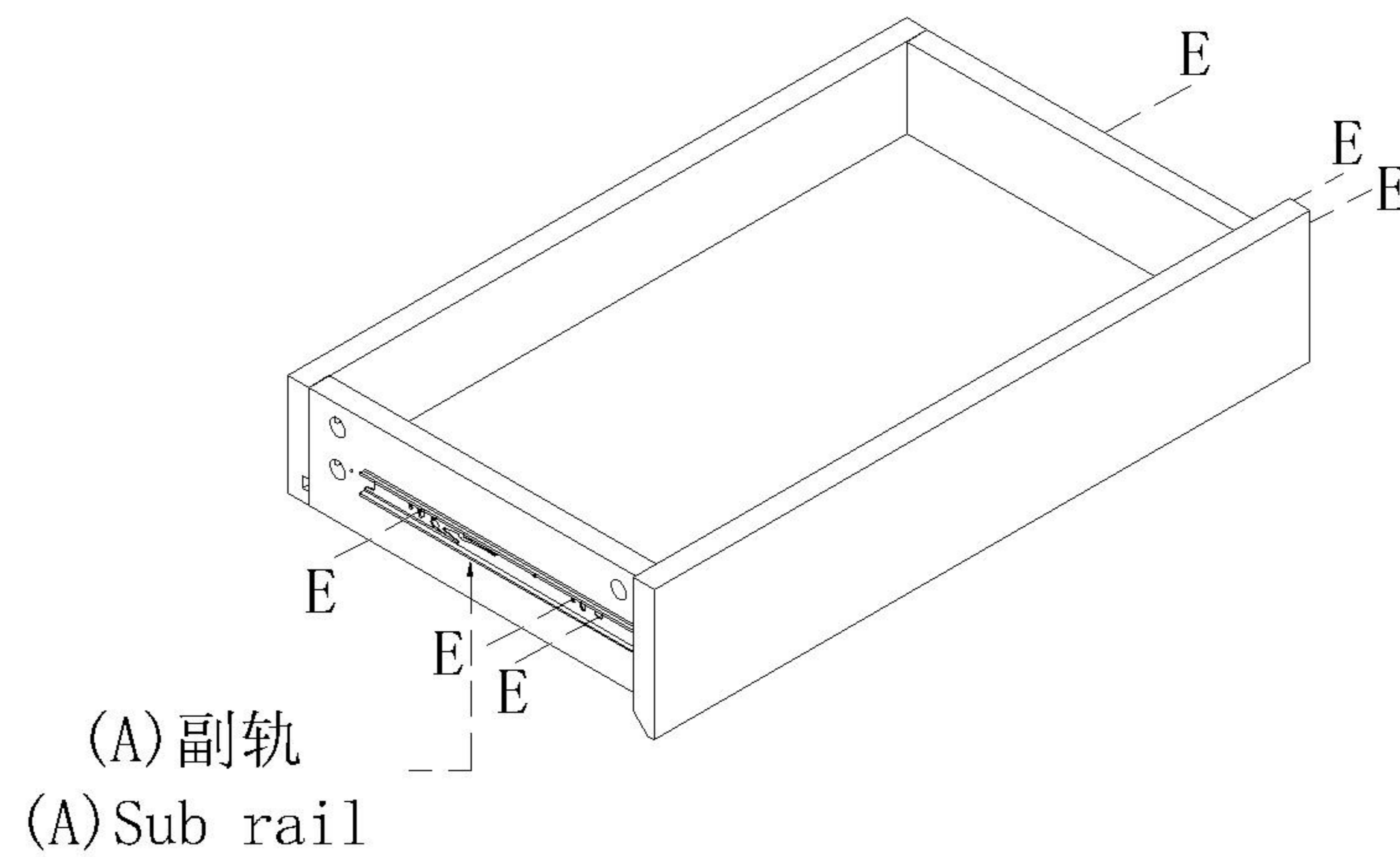
(A)*6



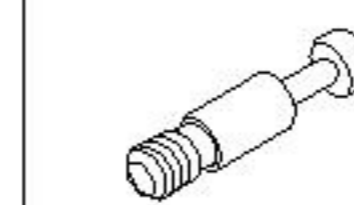
(E)*36

× 6

3



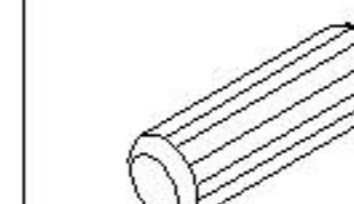
4



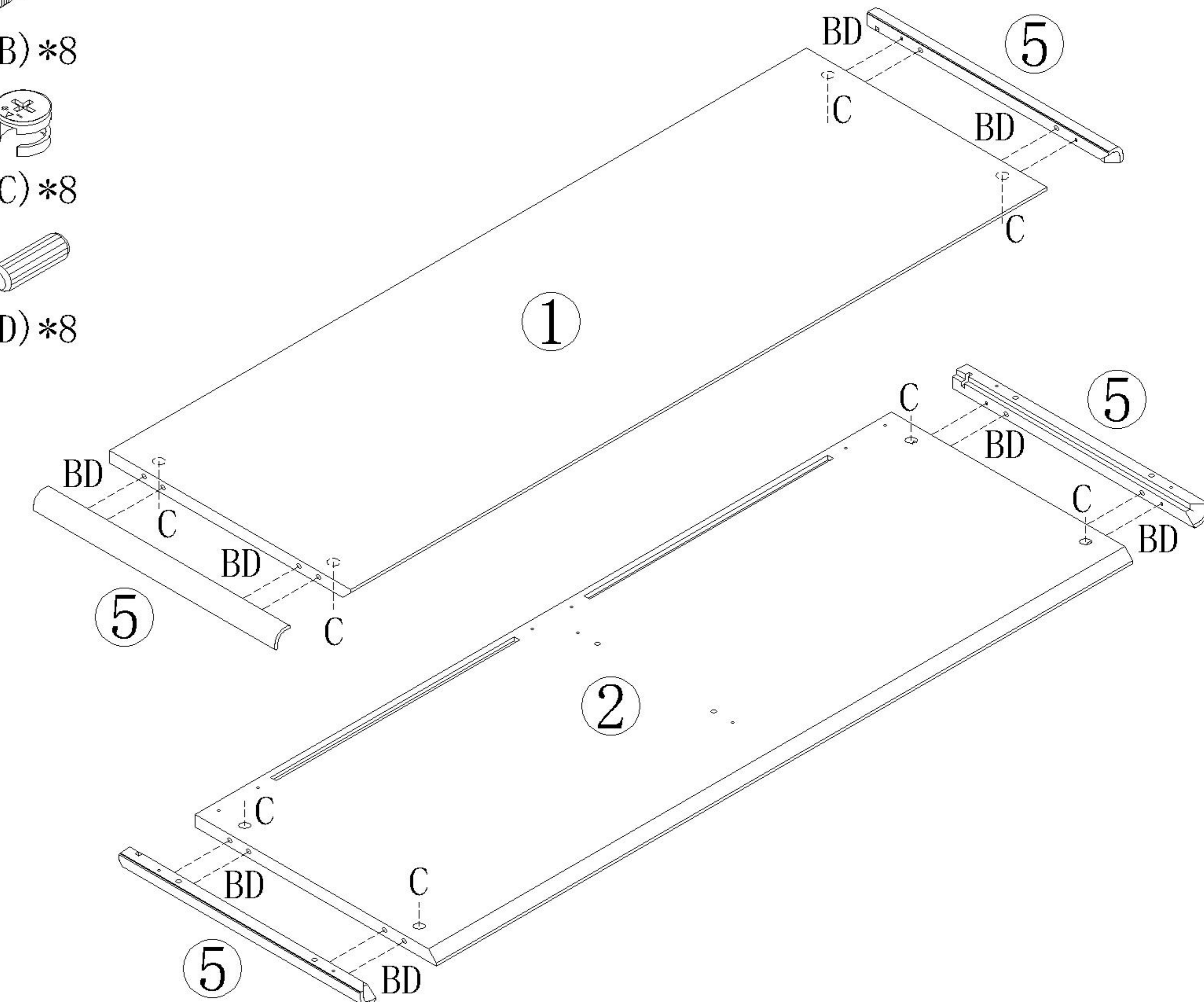
(B)*8



(C)*8

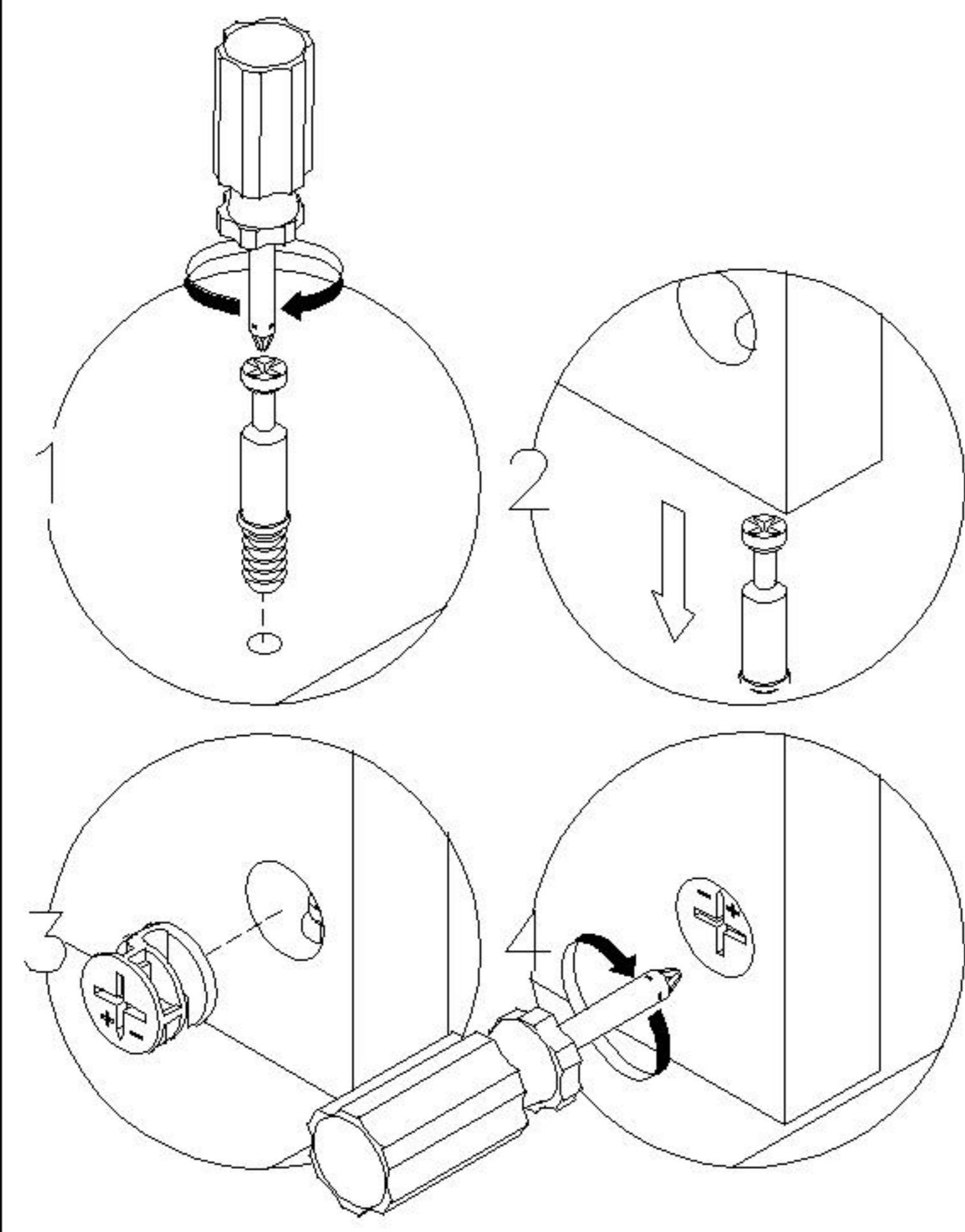


(D)*8



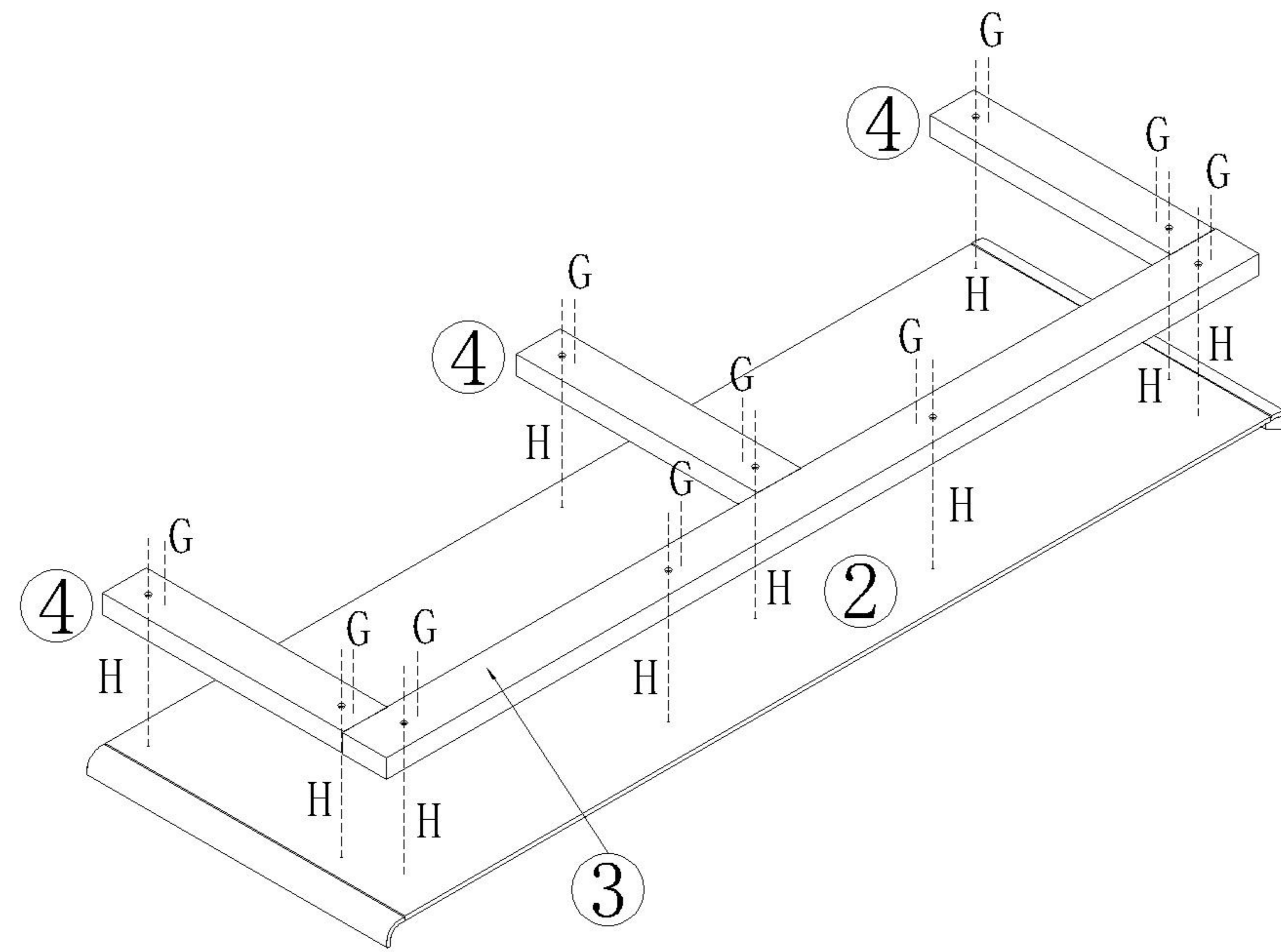
UB1C-E六斗柜

安装方法/
Installation method



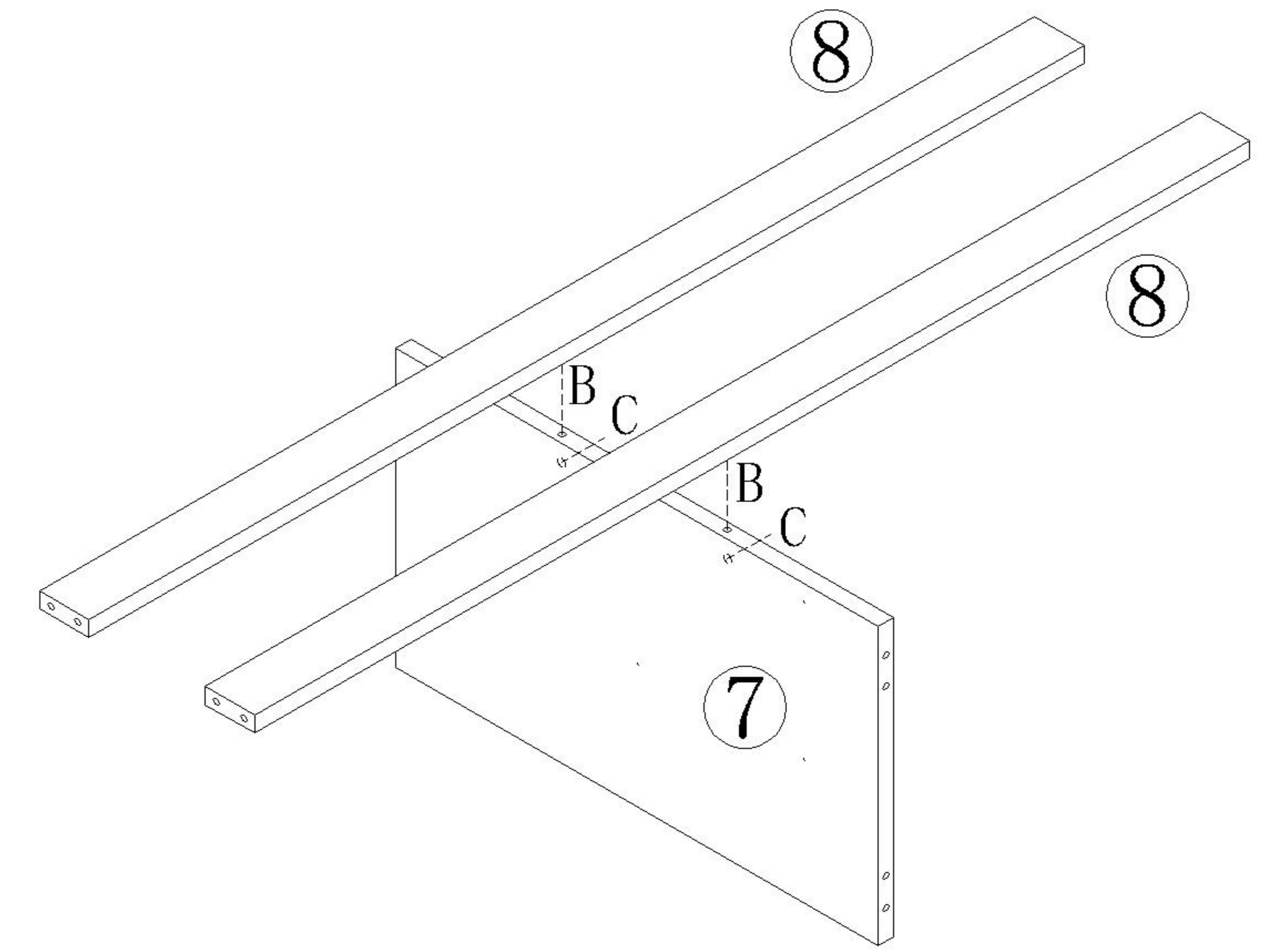
二合一 two-in-one

- (G)*10
- (H)*10



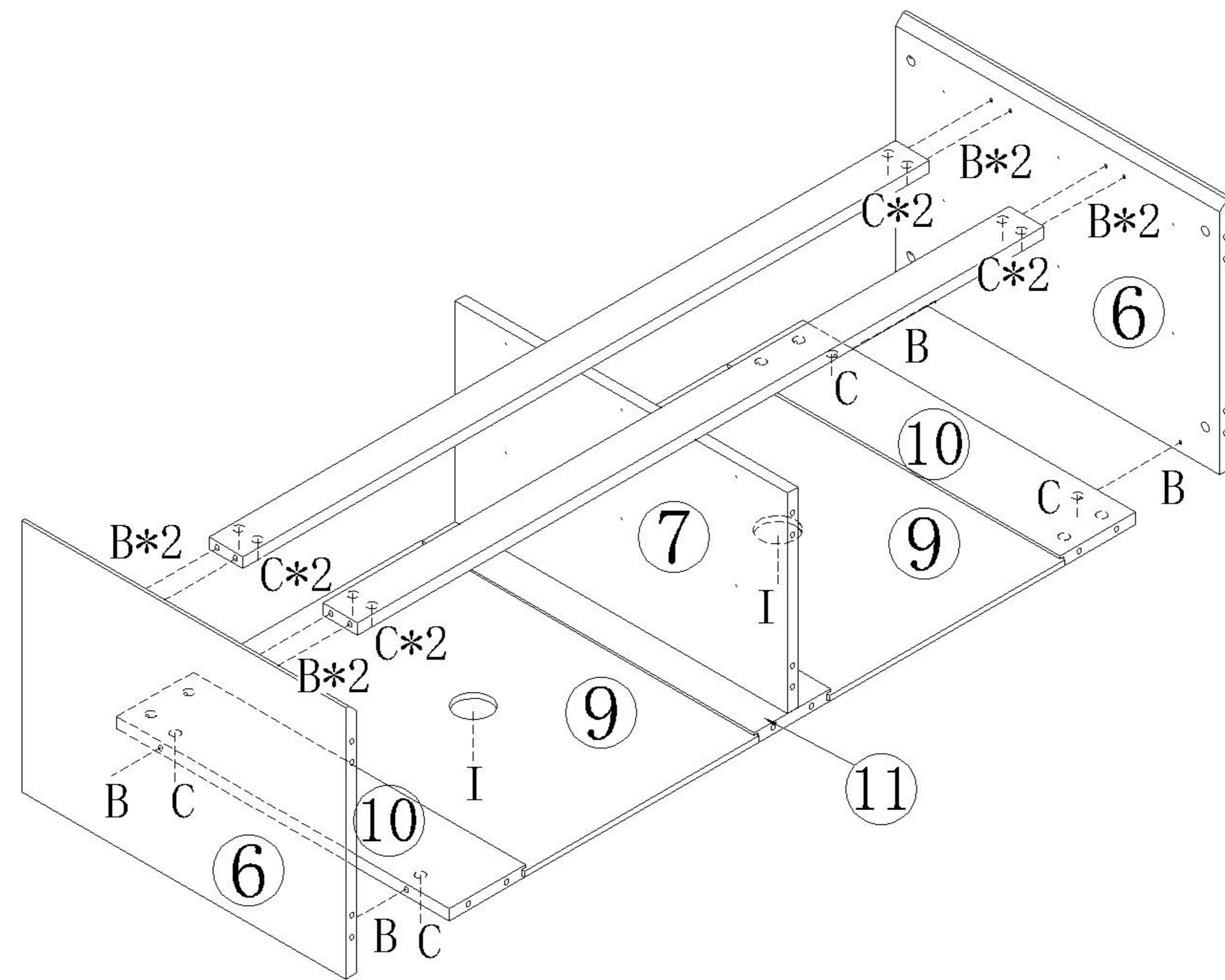
5

- (B)*2
- (C)*2



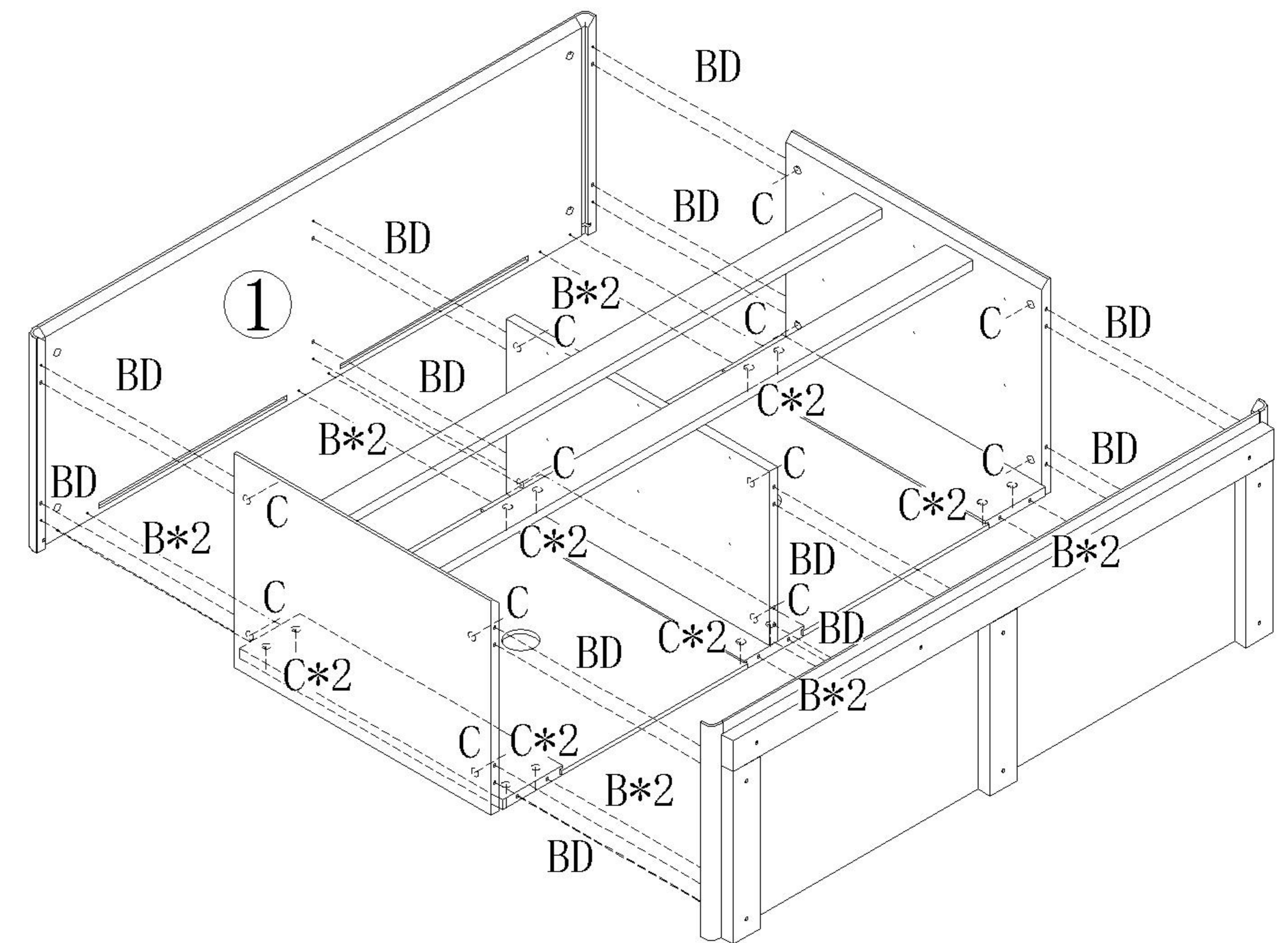
6

- (B)*12
- (C)*12
- (I)*2



7

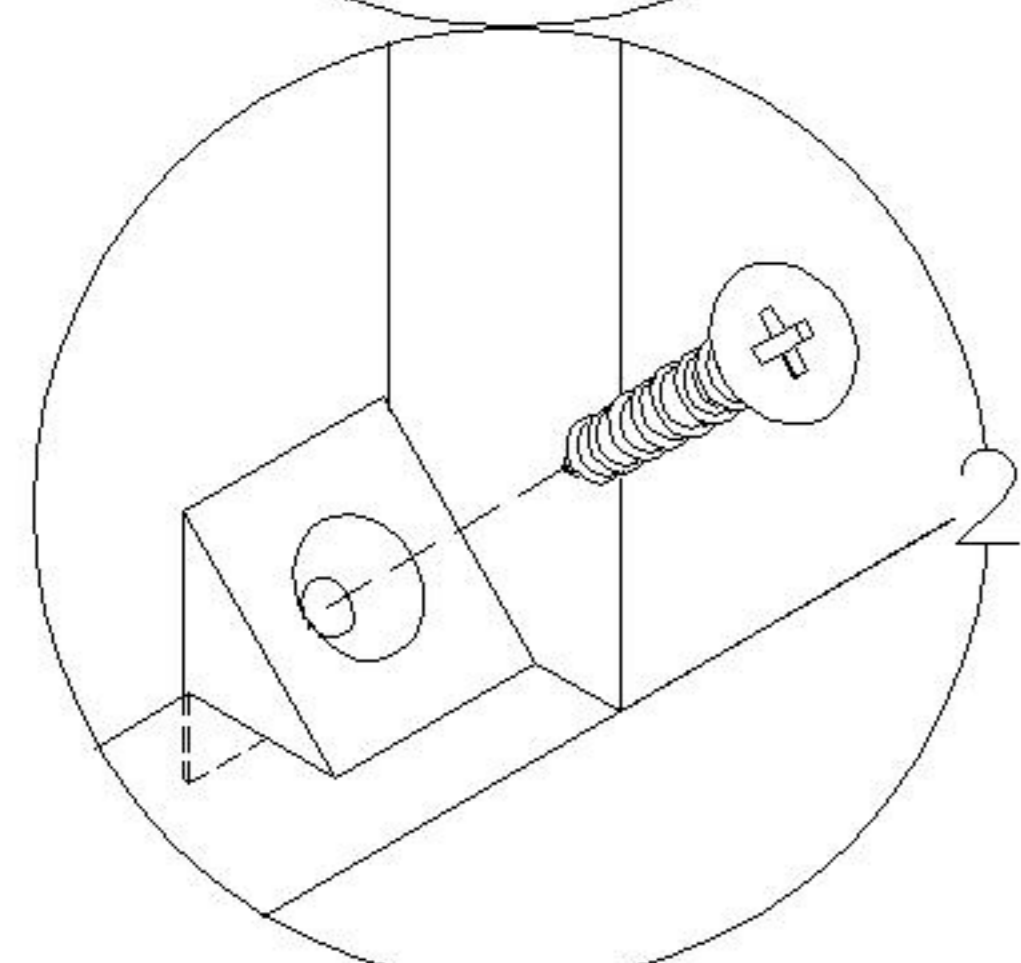
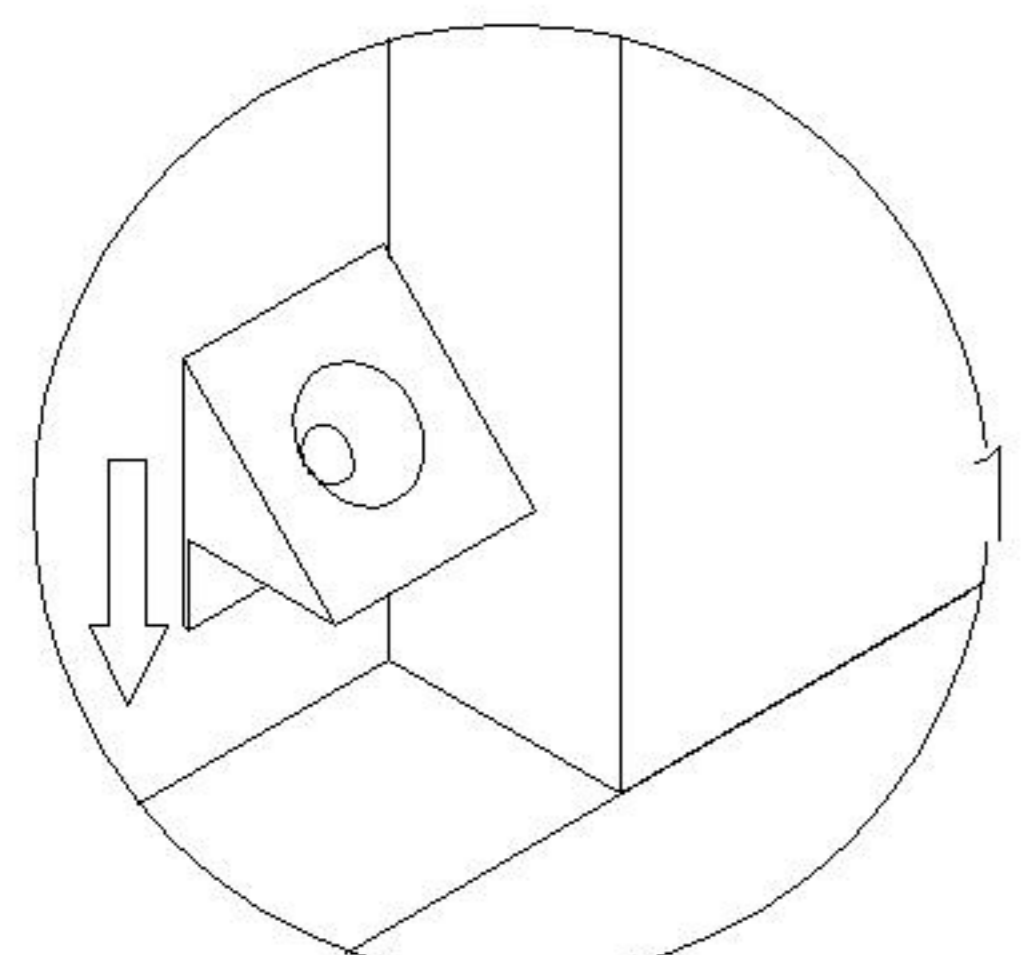
- (B)*24
- (C)*24
- (D)*12



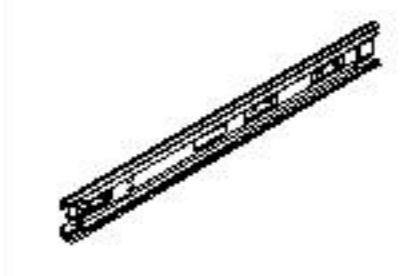
8

UB1C-E六斗柜

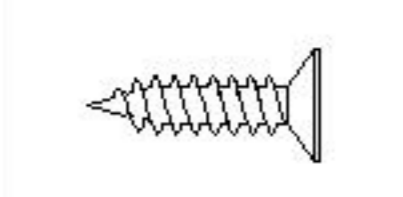
安装方法/
Installation method



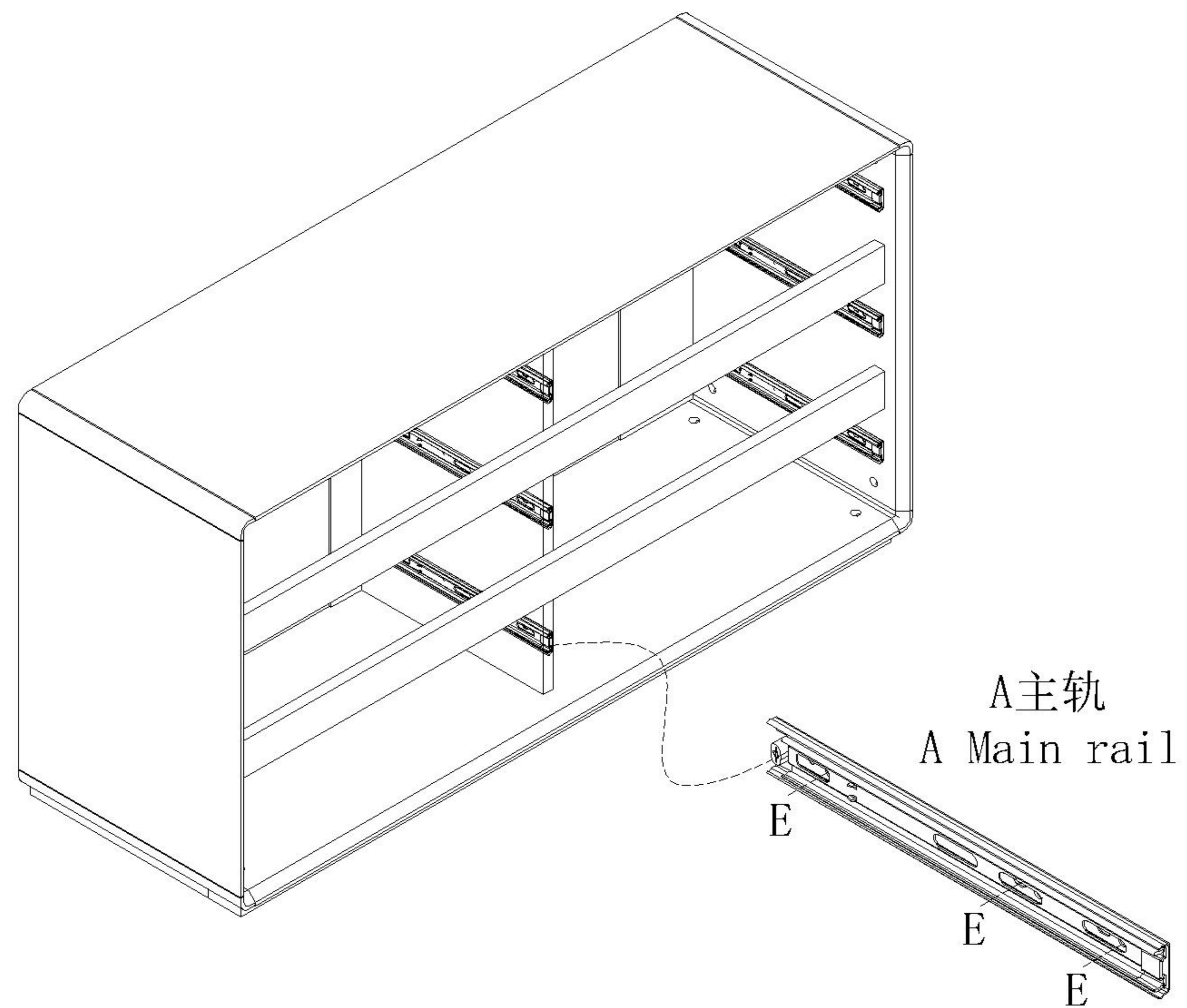
背板扣
Back Plate Buckle



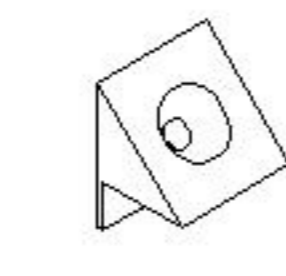
(A)*6



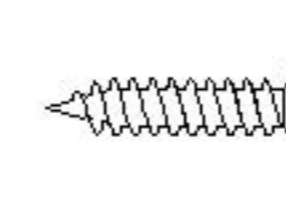
(E)*36



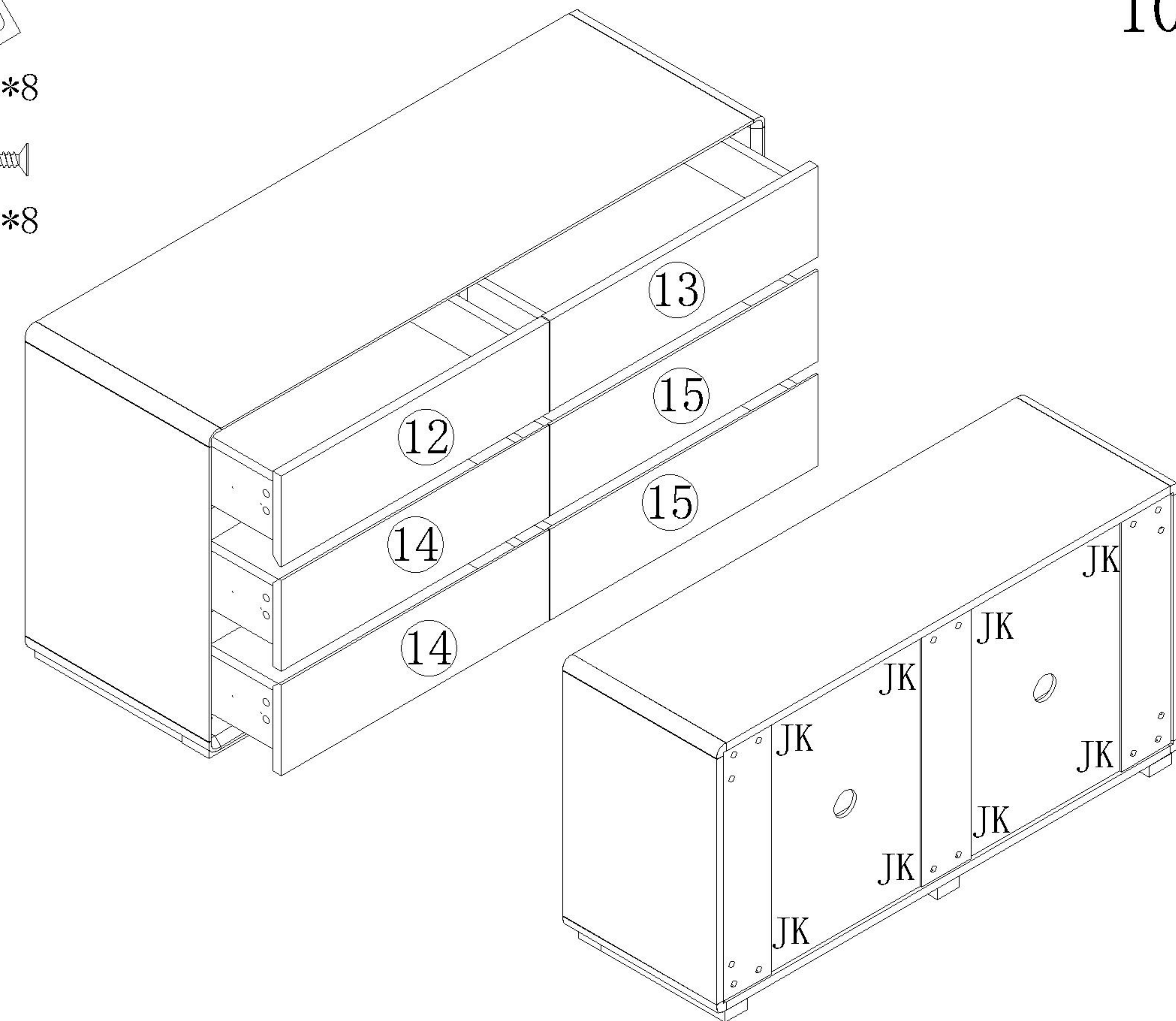
9



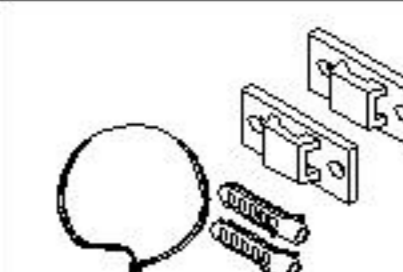
(J)*8



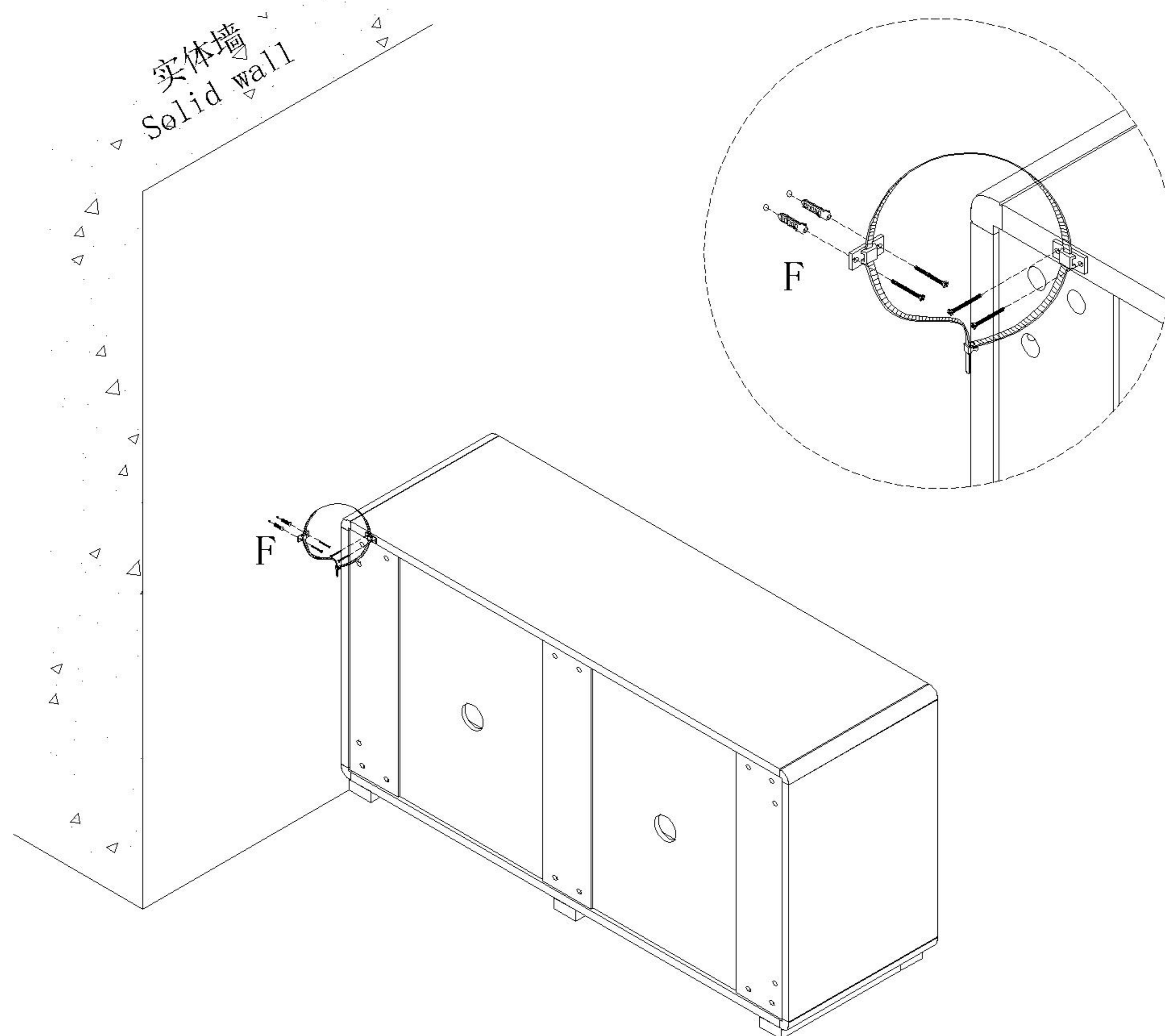
(K)*8



10



(F)*1



11

12

