

LINSY 林氏家居

安装工具
Tools required

安装人员
Installer

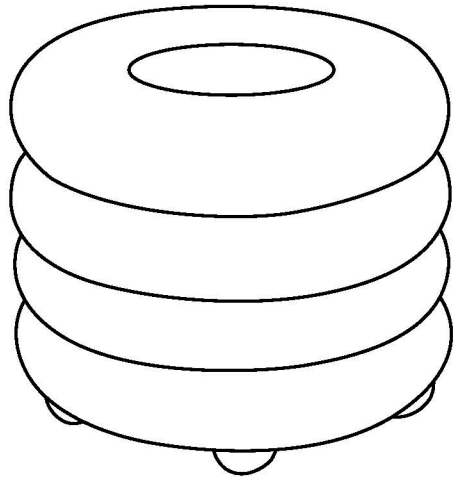


安装示意图 Installation diagram

产品名称 Component name	VE1H-A VE1H-B	产品规格 Component	410*410*400mm
------------------------	------------------	-------------------	---------------

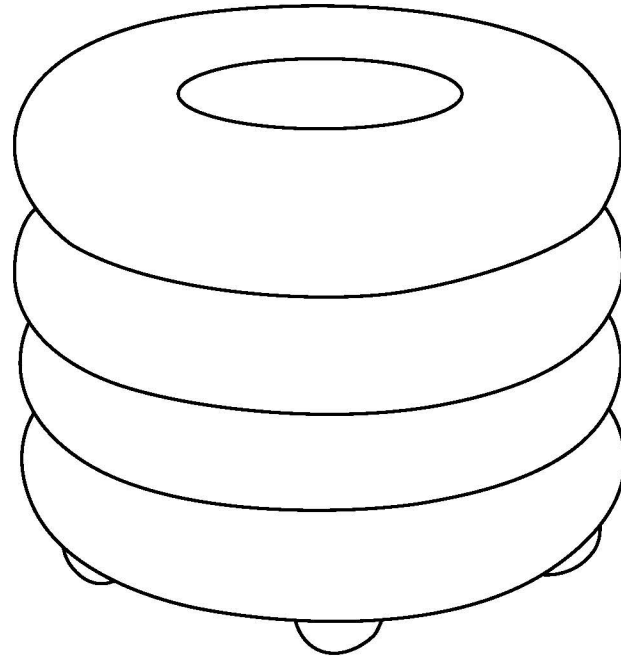
部件表 Component list

编号 Component number	名称 Component name	数量 Quantity	材质 Component material
①	椅身 body	1	布料+胶合板+海绵 Cloth+Plywood+Sponge



效果图
design sketch

STEP 1



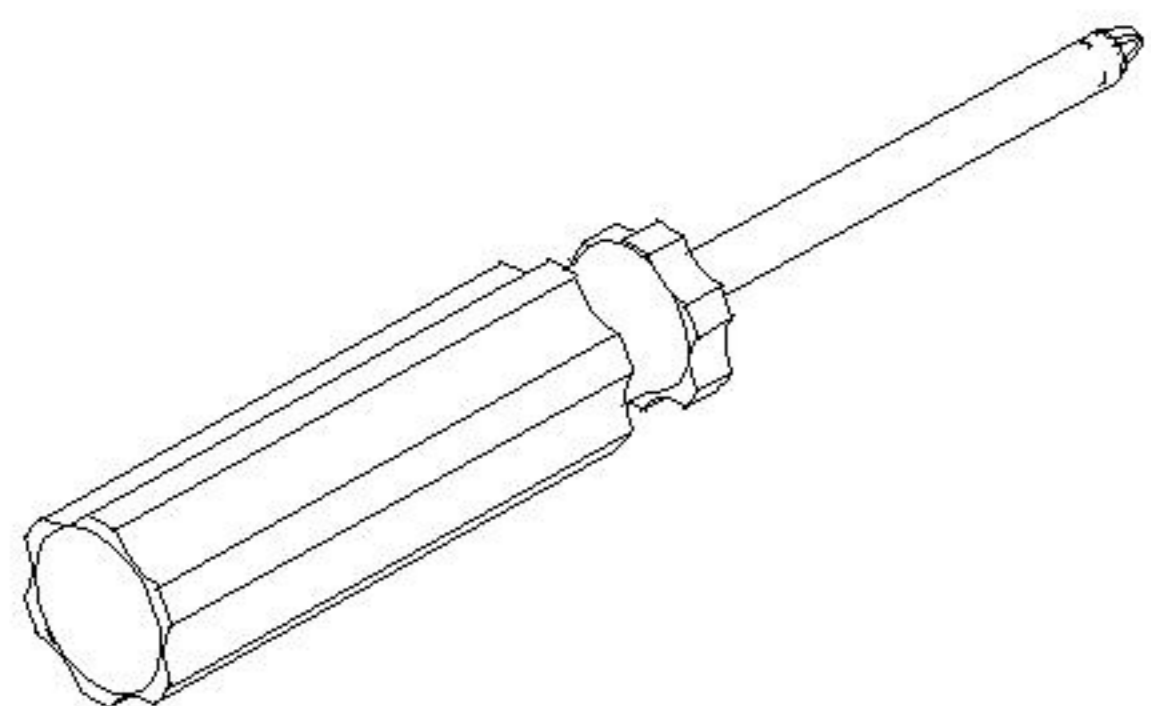
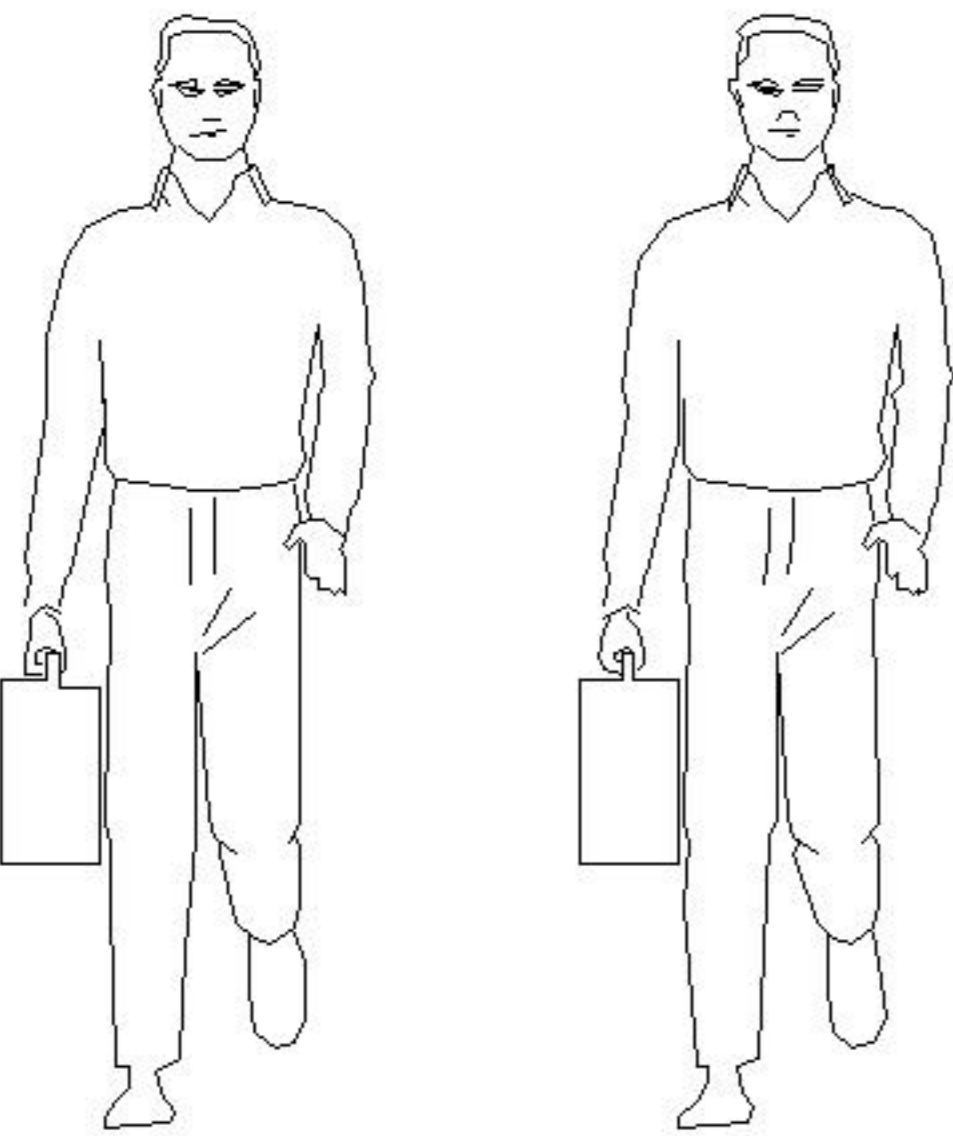
VE1H-A
VE1H-B

LINSY 林氏家居

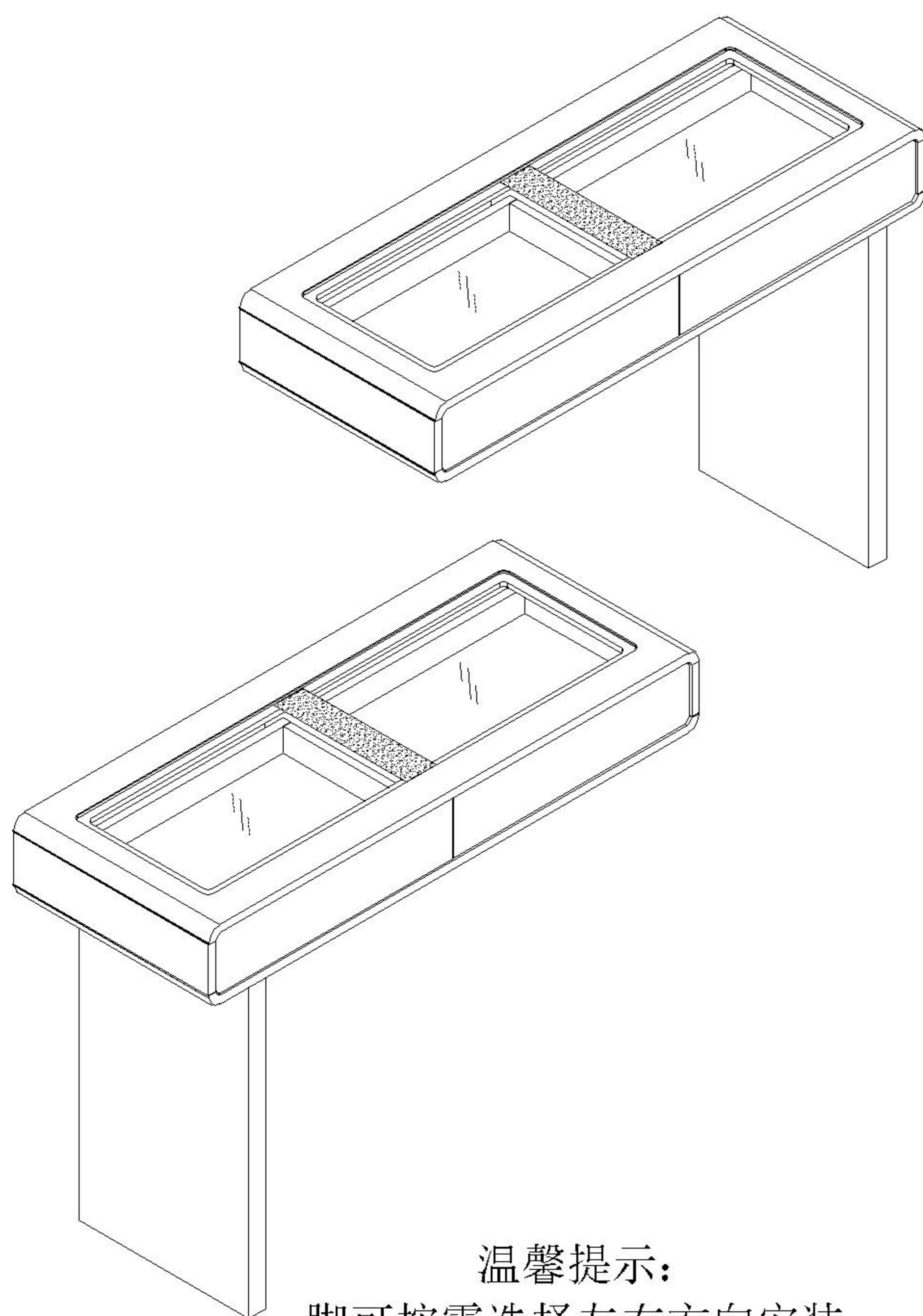
五金表/Hardware list

部件表/Parts List

安装示意图/Assembly Instruction

产品名称 Model NO.	妆台
产品型号 Product Model	UD3C-A
尺寸规格 Specification	(1000*398*754)mm
安装工具 Tool	安装人数 Installer
	

注：为保证设计效果，部分尺寸为定制尺寸，不影响使用。



温馨提示：
脚可按需选择左右方向安装
reminder: Feet can be installed in the left and right directions as needed

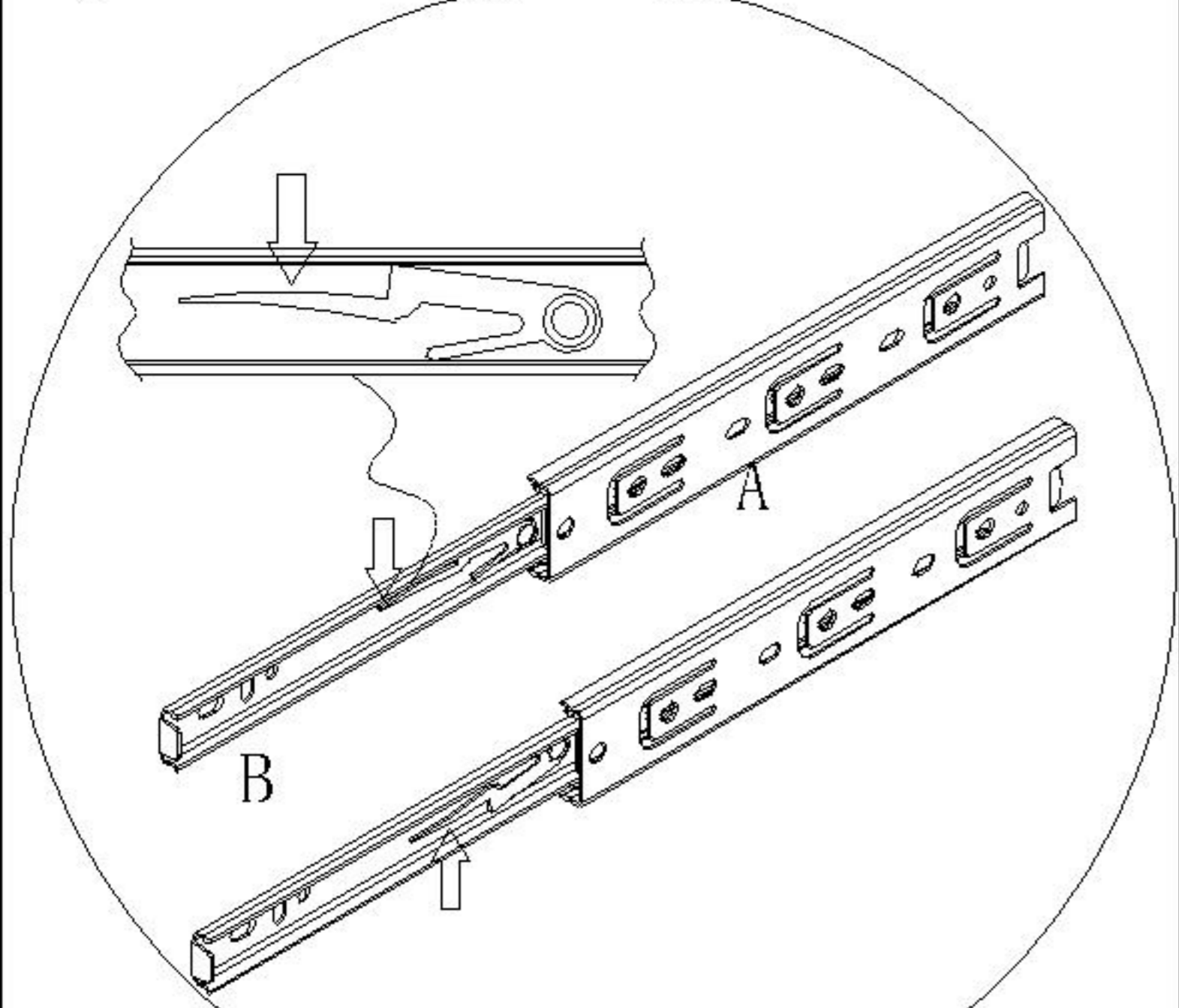
 (A)* 29 二合一螺杆 2-in-1-screw	 (B)* 29 大三合一锁饼 Three-in-one large lock	 (C)* 8 木榫Ø8x30mm wood tenon	 (D)* 34 自攻螺丝M3.5x12mm Self-tapping screw
 (E)* 4 自攻螺丝M3.5x16mm Self-tapping screw	 (F)* 4 背板扣 Back Plate Buckle-White	 (G)* 2 脚垫-灰色 Footrest - Grey	 (H)* 4 斜边十字螺杆-M8x25 bevel cross screw
 (I)* 3 斜边十字螺杆-M8x55 bevel cross screw	 (J)* 3 锤母-M8 Ø12x15mm Hammer nut	 (K)* 2 反弹器 Rebounder	 (L)* 1 垫片-黑色 Gasket - Black
 (M)* 1 家具防倒器-白色 Anti-fall device white	 (N)* 2 三节滚珠导轨-10" three-section ball rail		

编号NO.	名称Name	规格 (mm) Specification	数量QTY	材质Material
①	面板组立 Panel assembly	1000*398*25	1	纤维板+橡胶木+玻璃 Fiberboard+Rubber wood+Glass
②	底板组立 Bottom board assembly	1000*398*25	1	纤维板+橡胶木 Fiberboard+Rubber wood
③	侧板 Side board	91*397*15	2	刨花板 Particle board
④	中侧板 Middle side board	357*111*15	1	刨花板 Particle board
⑤	短垫条 Cushion strip	358*90*20	1	榉木 Beech wood
⑥	脚 Foot	590*346*36	1	纤维板+刨花板 Fiberboard+Particle board
⑦	背板 Back board	980*121*5	1	纤维板 Fiberboard
⑧	左抽屉面板 Drawer's panel(L)	482*107*15	1	刨花板 Particle board
⑨	右抽屉面板 Drawer's panel(R)	482*107*15	1	刨花板 Particle board
⑩	抽屉侧板 Drawer's sideboard	295*78*15	4	刨花板 Particle board
⑪	抽屉后板 Drawer's Back board	452*78*15	2	刨花板 Particle board
⑫	抽屉底板 Drawer's Bottom board	432*305*5	2	纤维板 Fiberboard

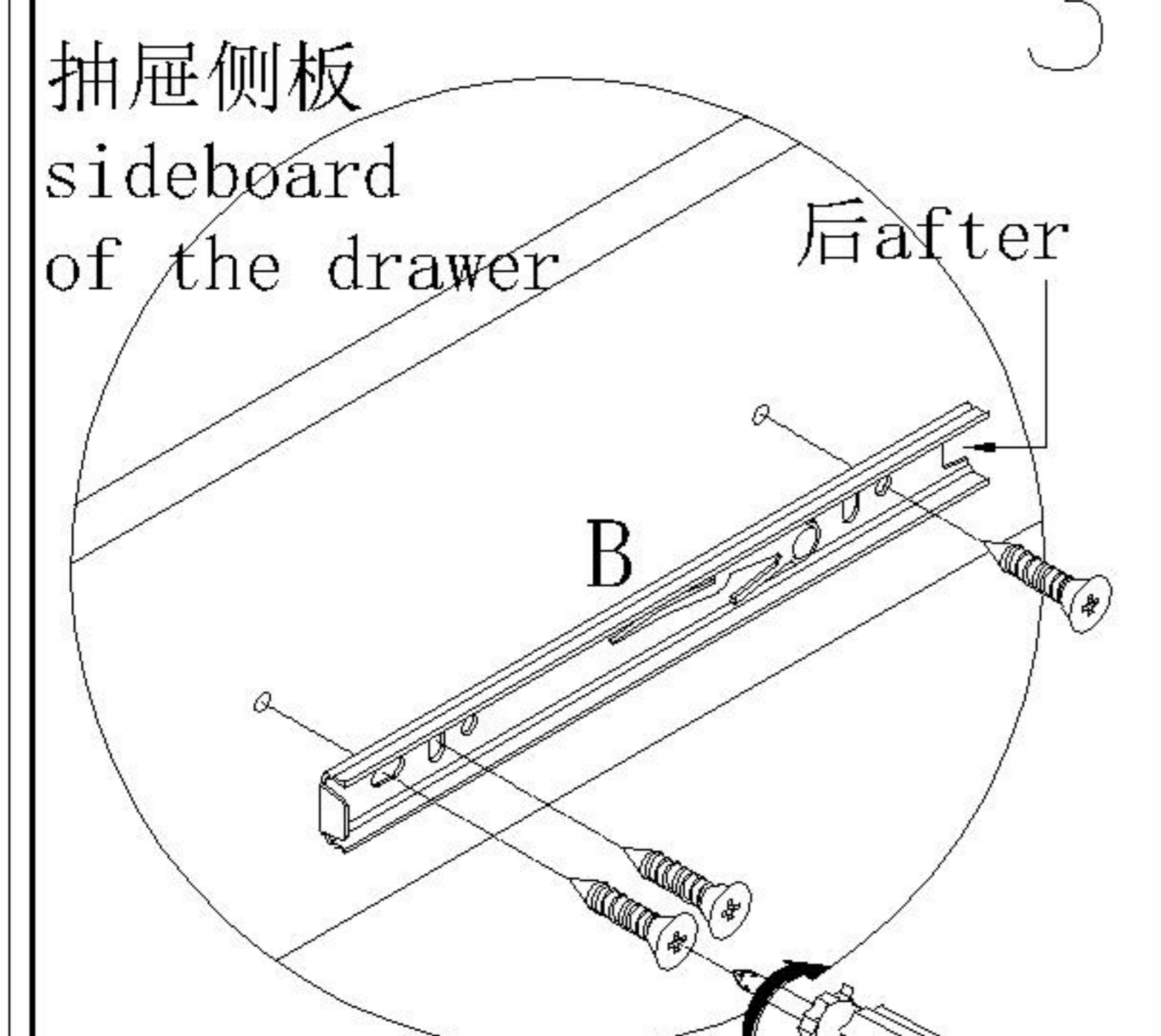
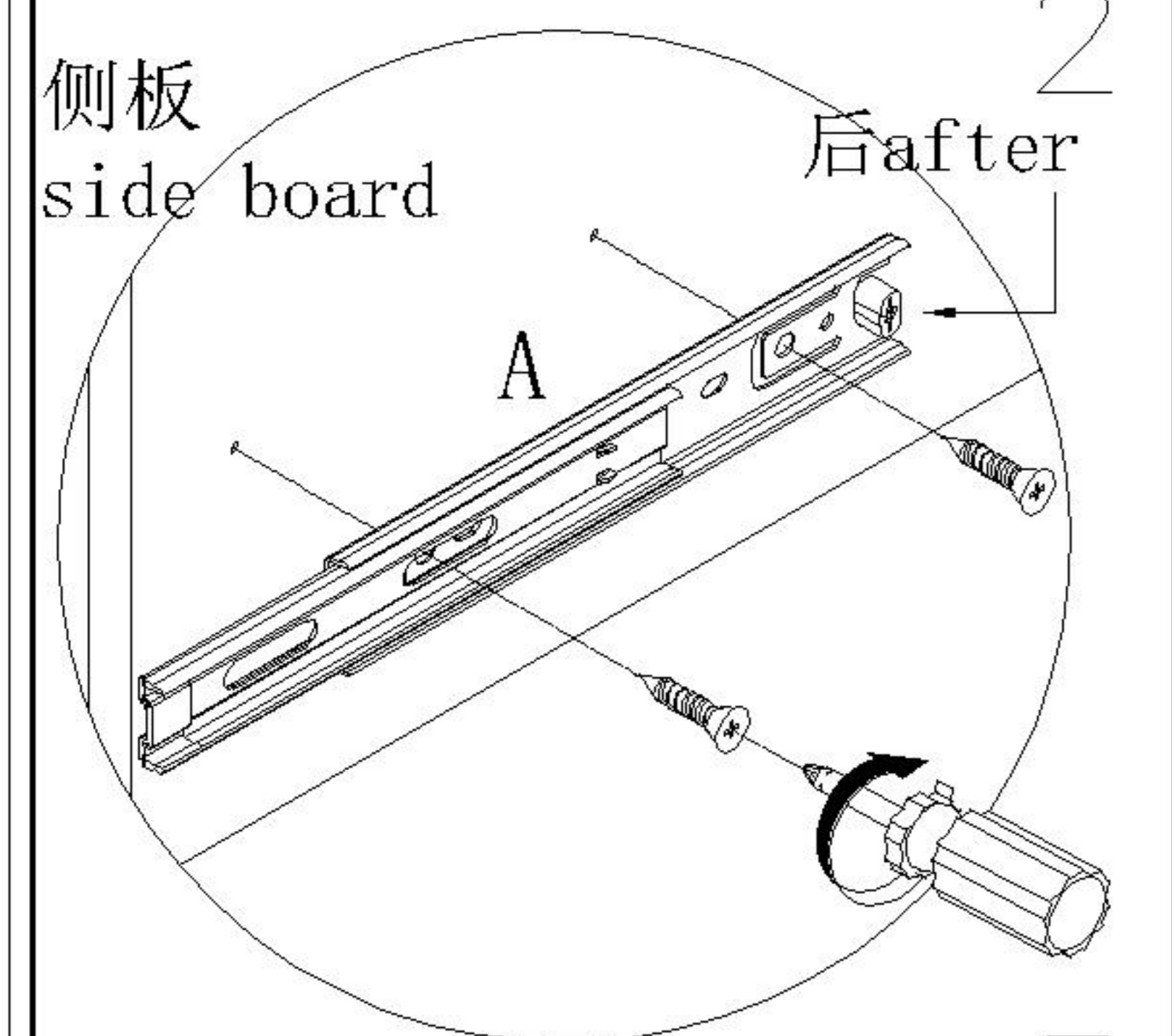
UD3C-A

安装方法/
Installation method

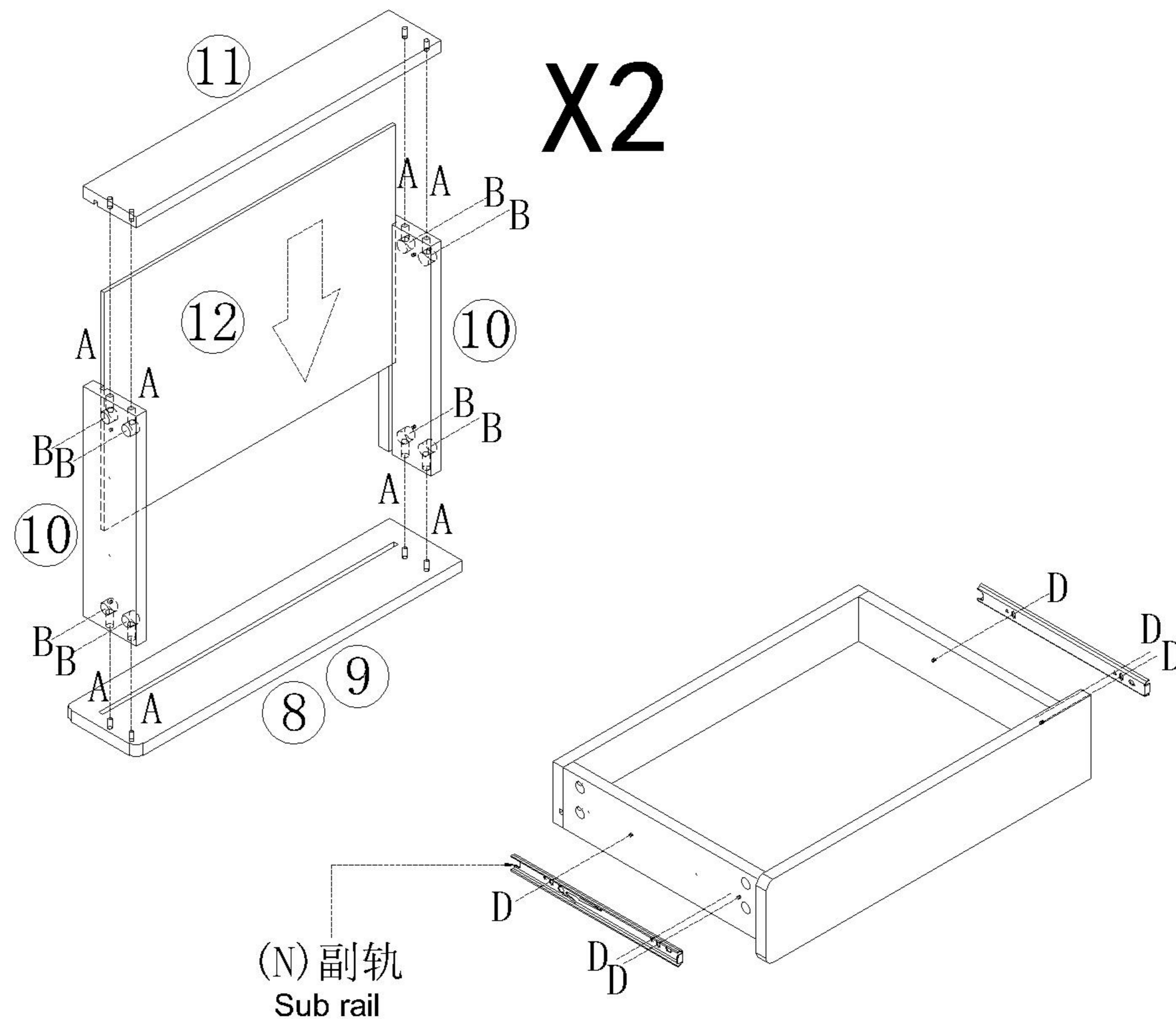
阀门开关(下压为开)
Valve switch
(press down to open)



注: 先将A与B拆下来
Note: remove a and B first

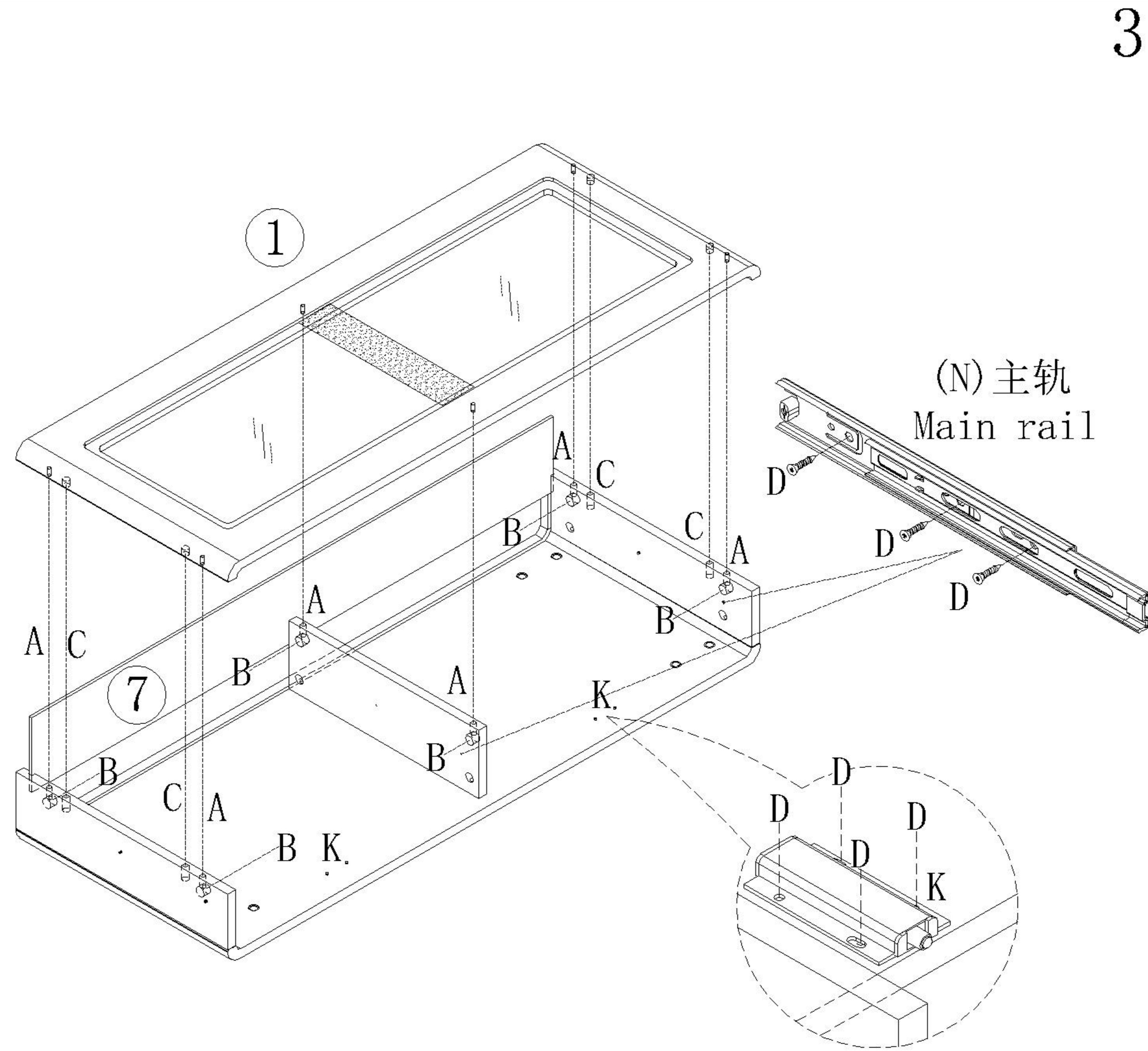


- (A)*16
- (B)*16
- (D)*12
- (N)*2

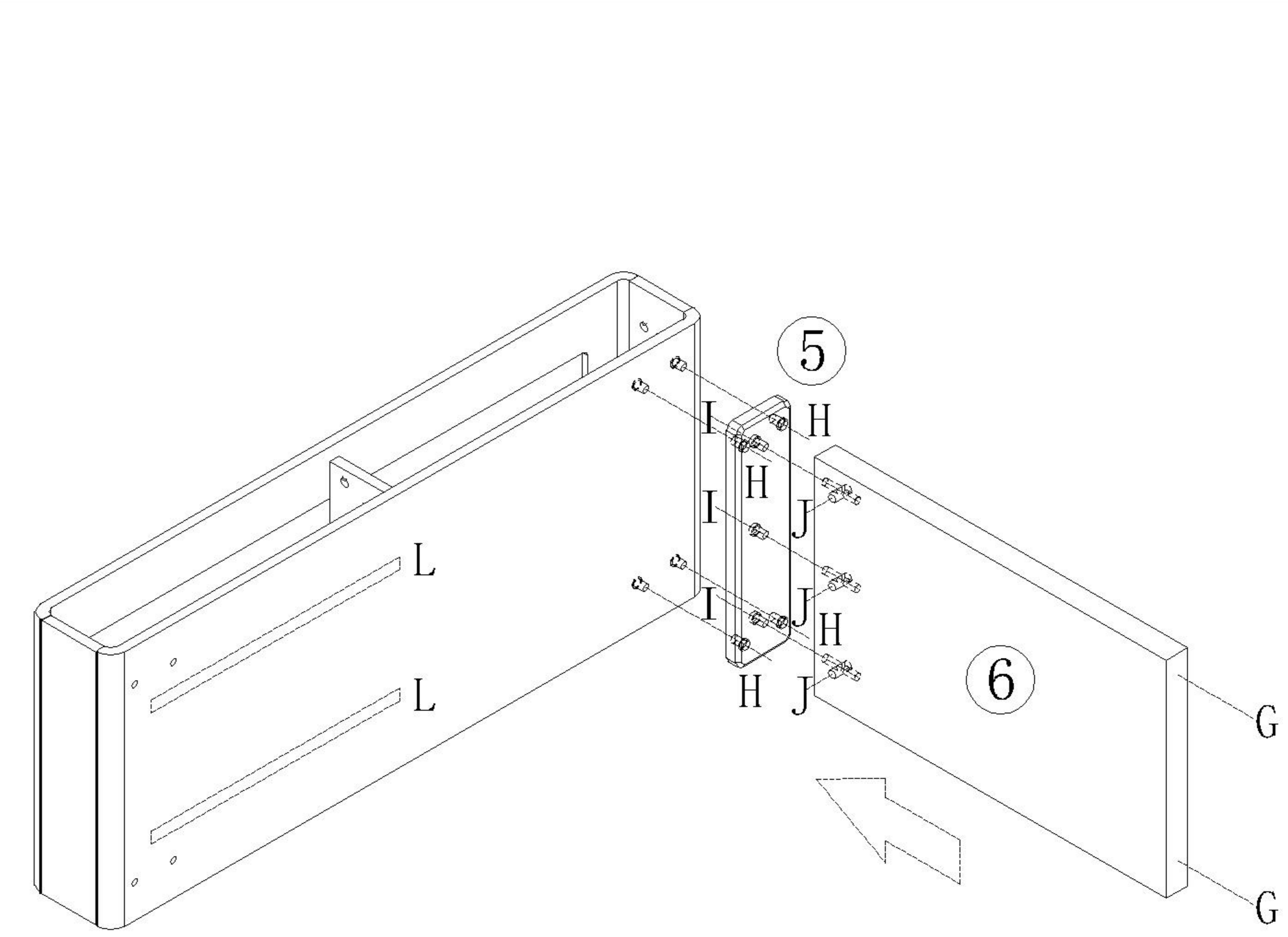


- (A)*6
- (B)*6
- (C)*4

- (A)*6
- (B)*6
- (C)*4
- (D)*20
- (K)*2
- (N)*2



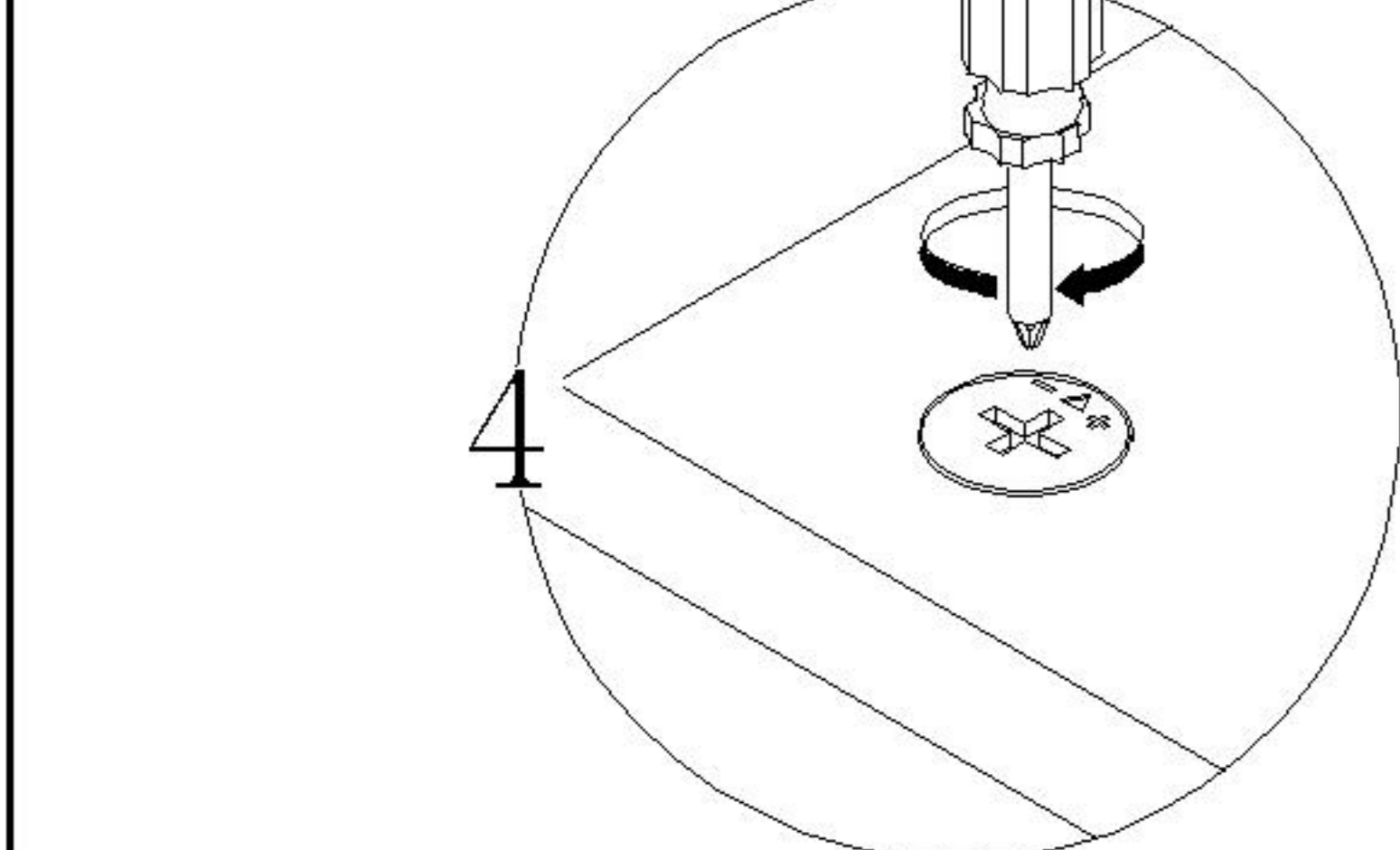
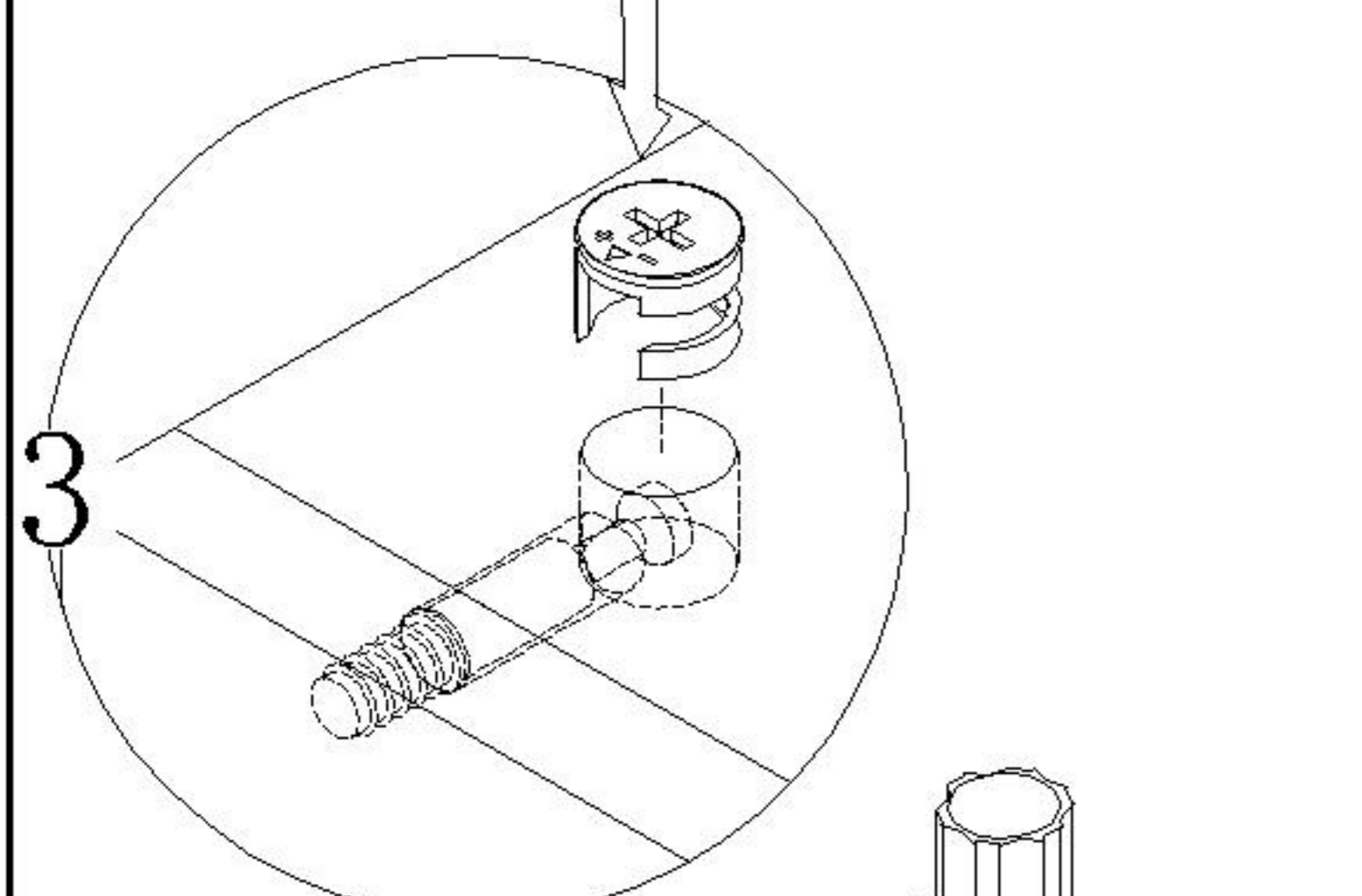
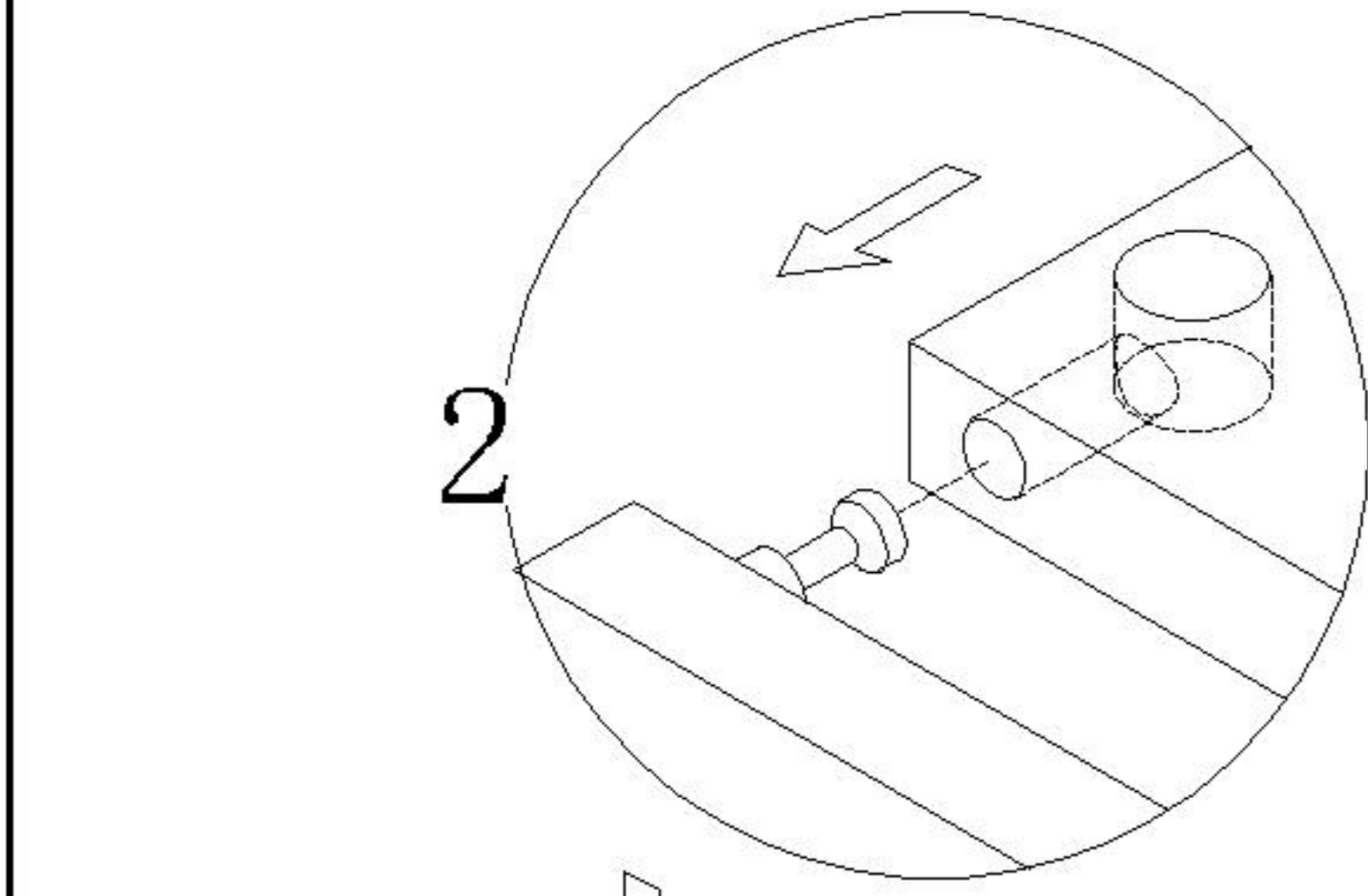
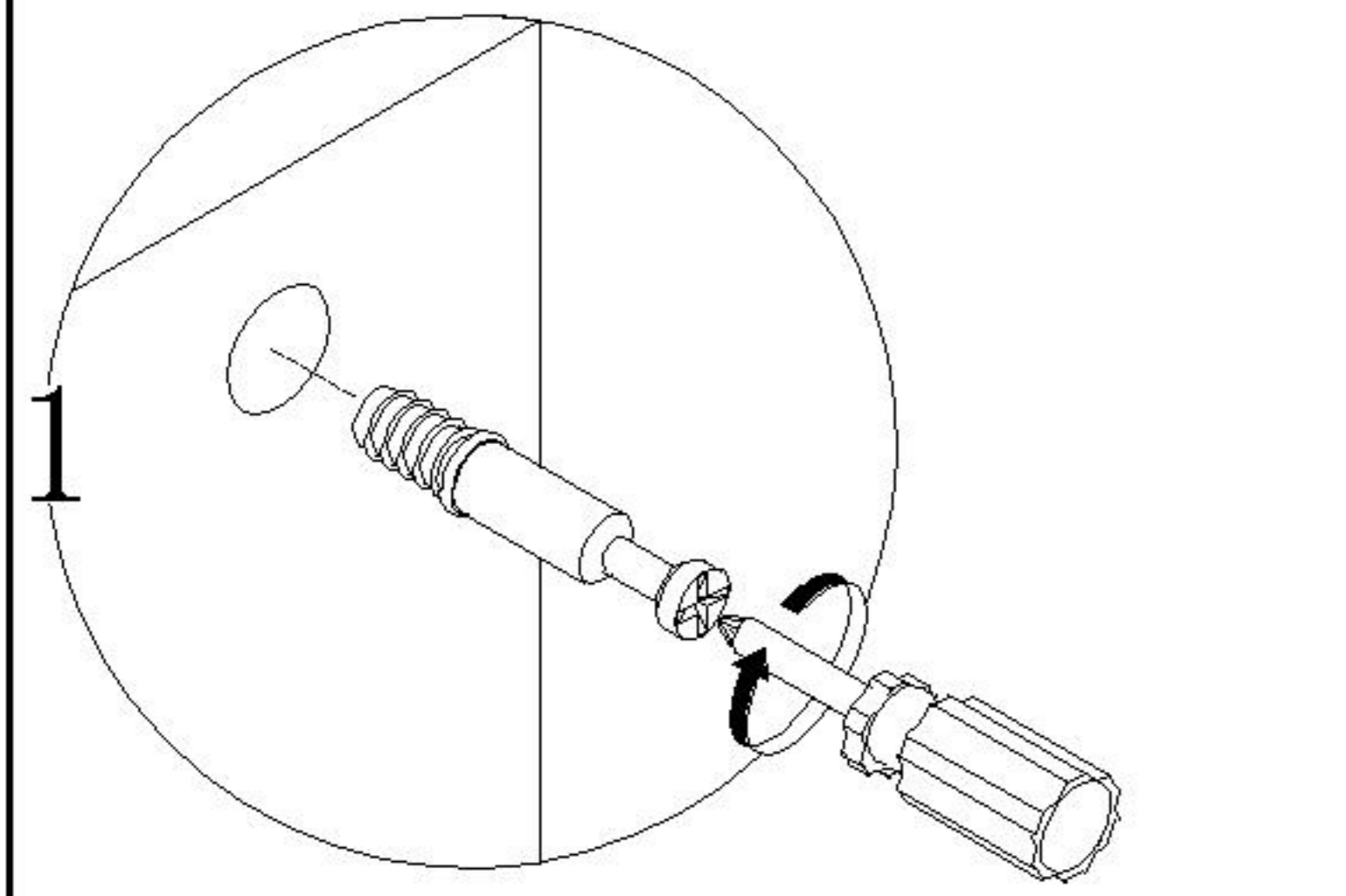
- (G)*2
- (H)*4
- (I)*3
- (J)*3
- (L)*1



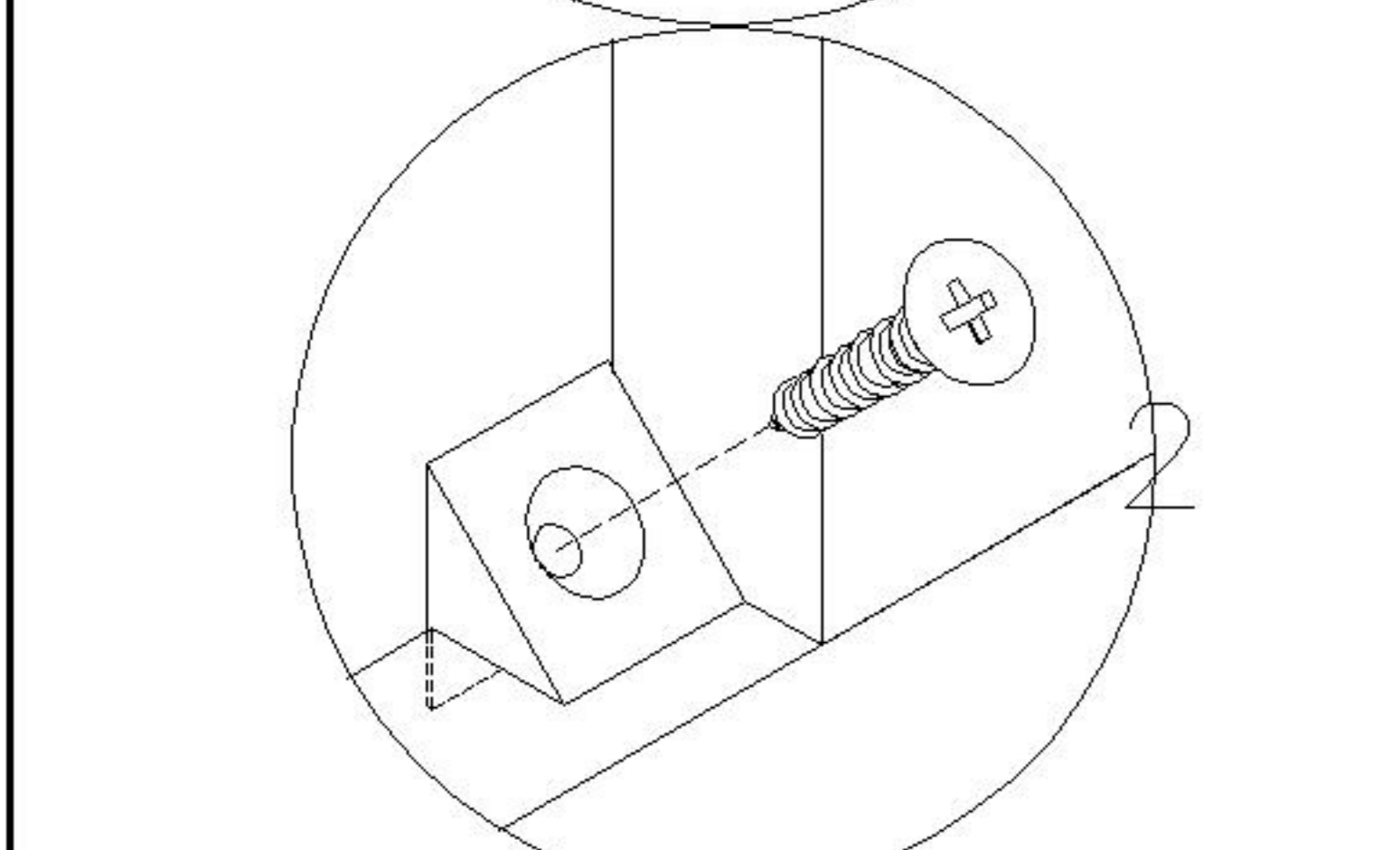
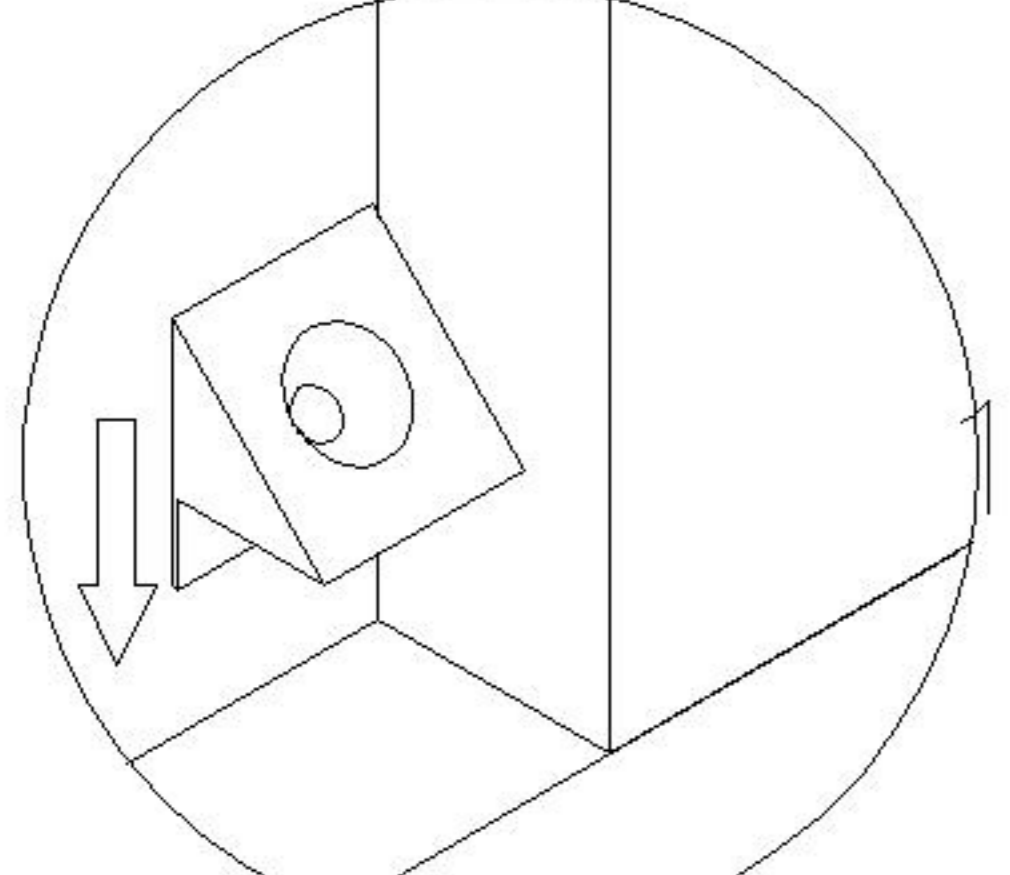
请把五金L裁剪为: L=400mm*2
Please cut the hardware L to L=400mm*2

UD3C-A

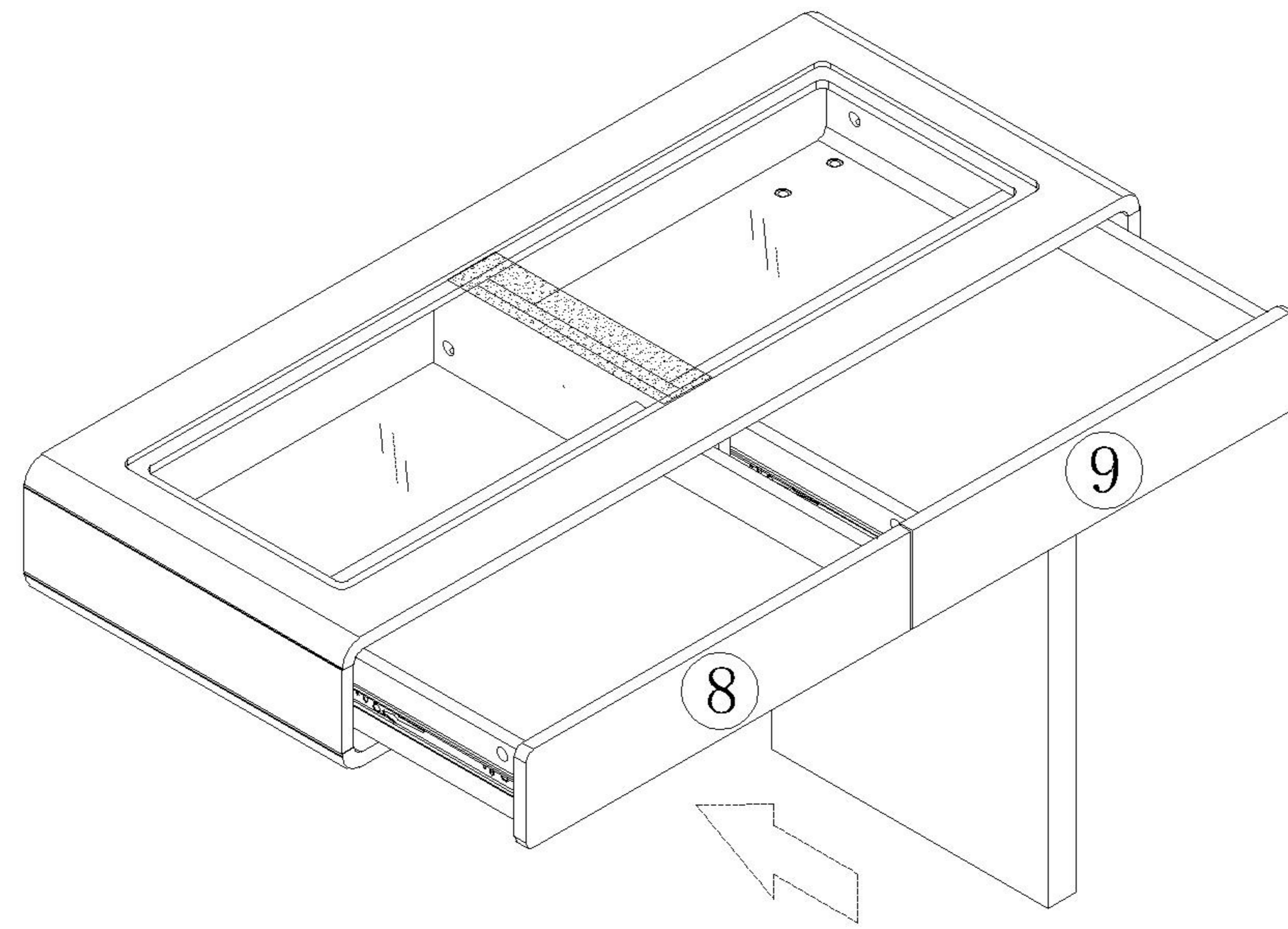
安装方法/
Installation method



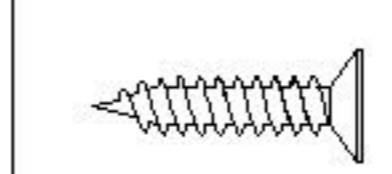
大二合一
two-in-one



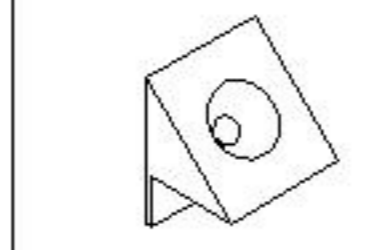
背板扣
Back Plate Buckle-White



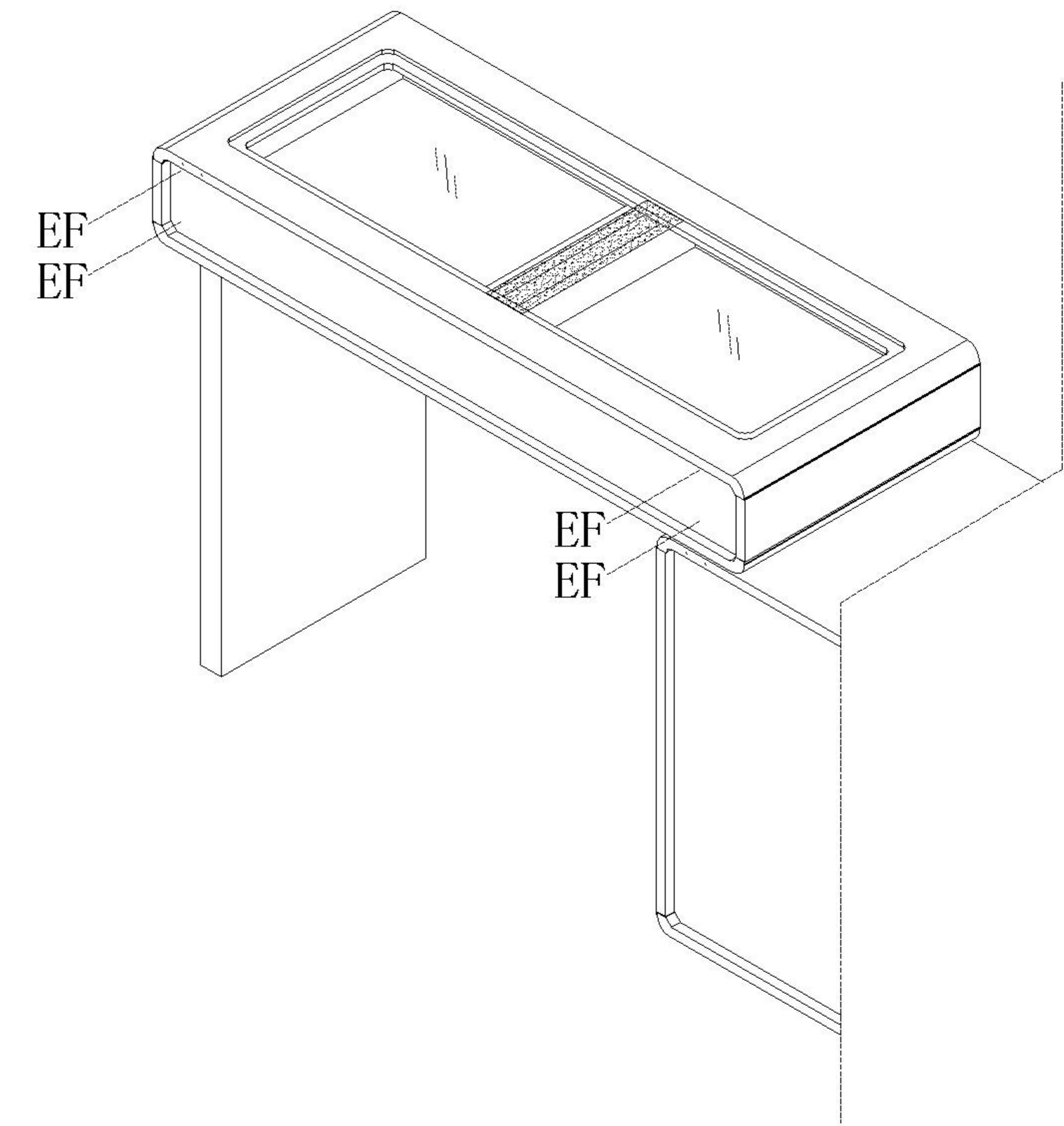
5



(E)*4



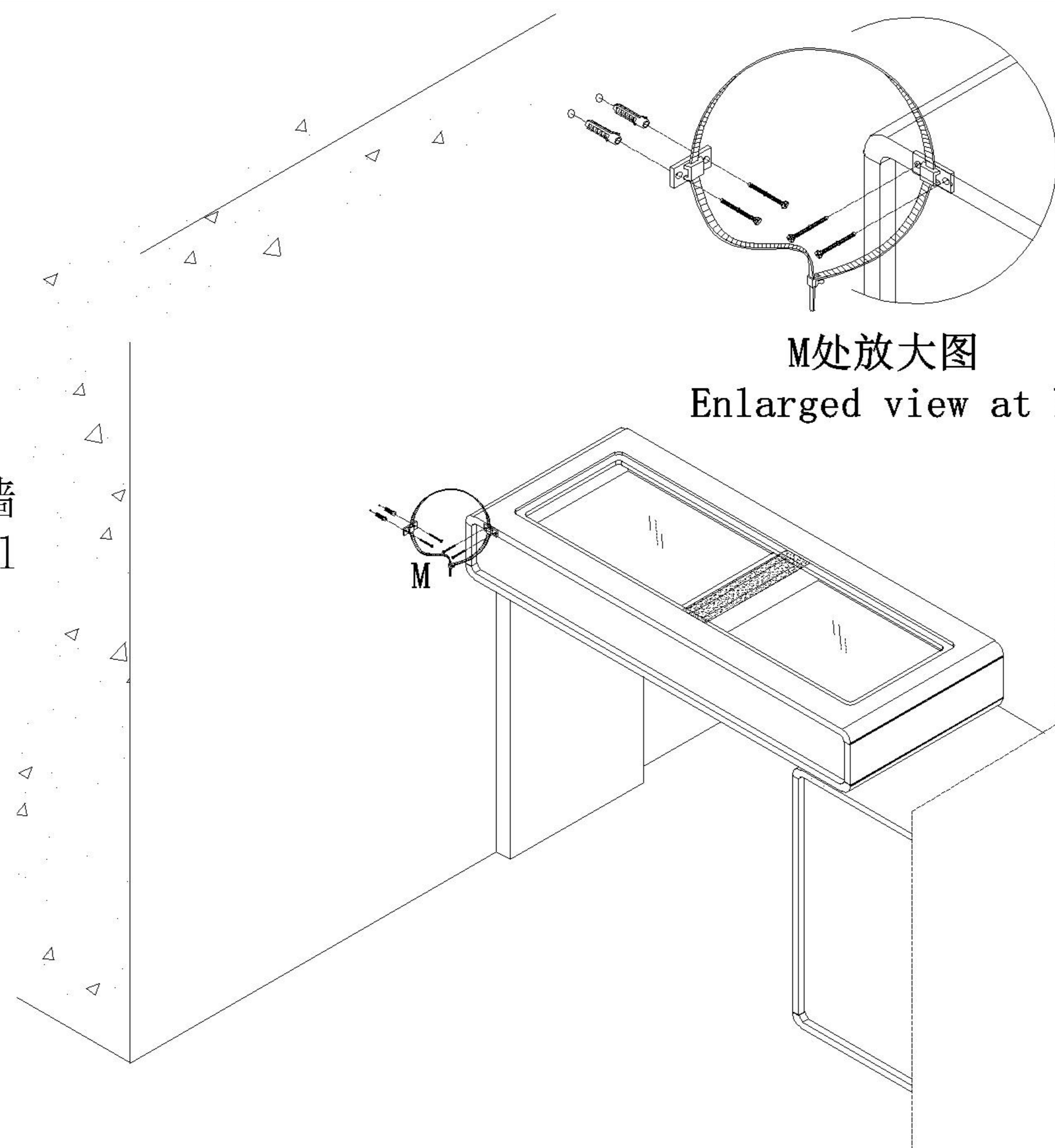
(F)*4



6

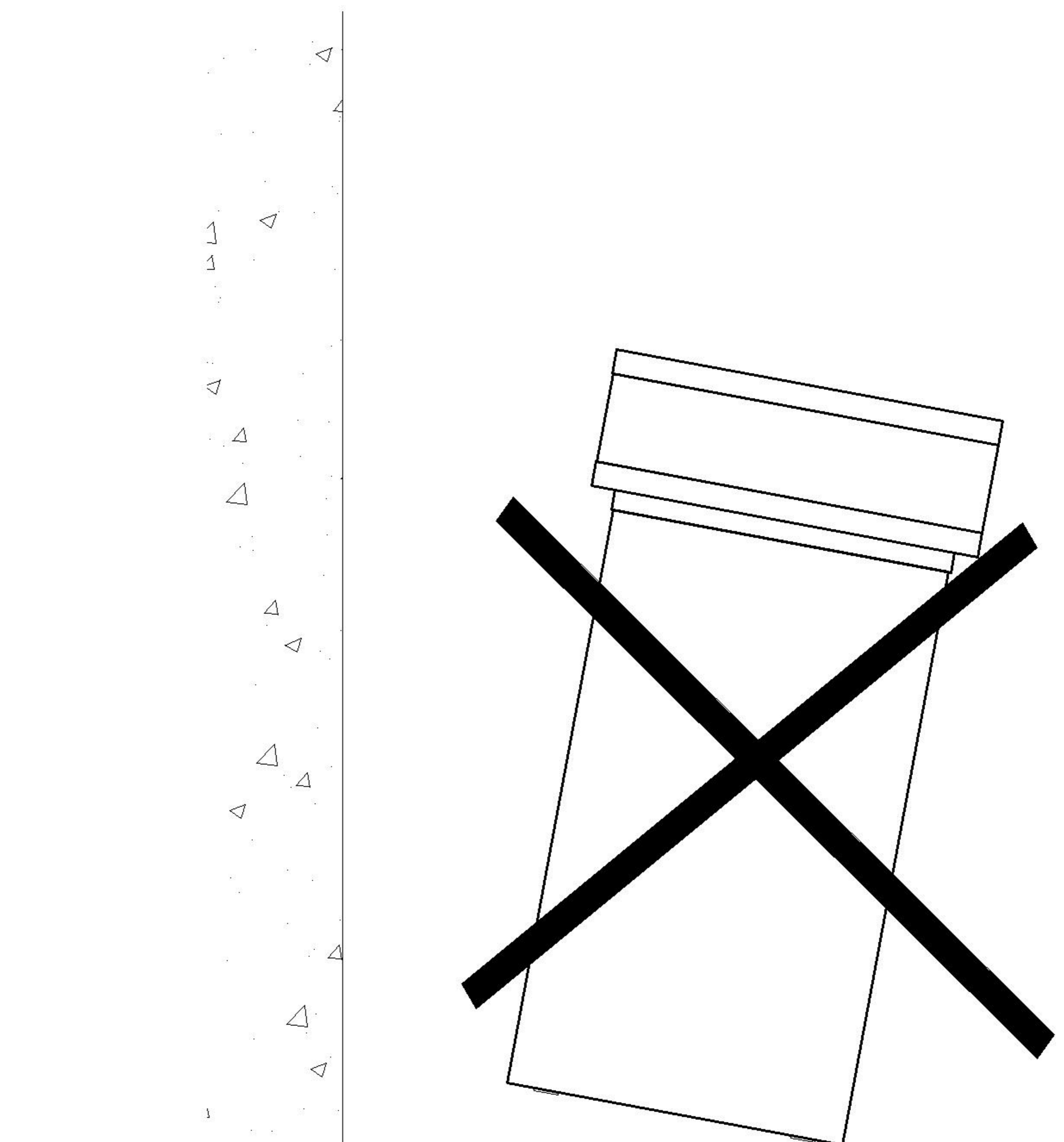
(M)*1

实体墙
Solid wall



M处放大图
Enlarged view at M

7

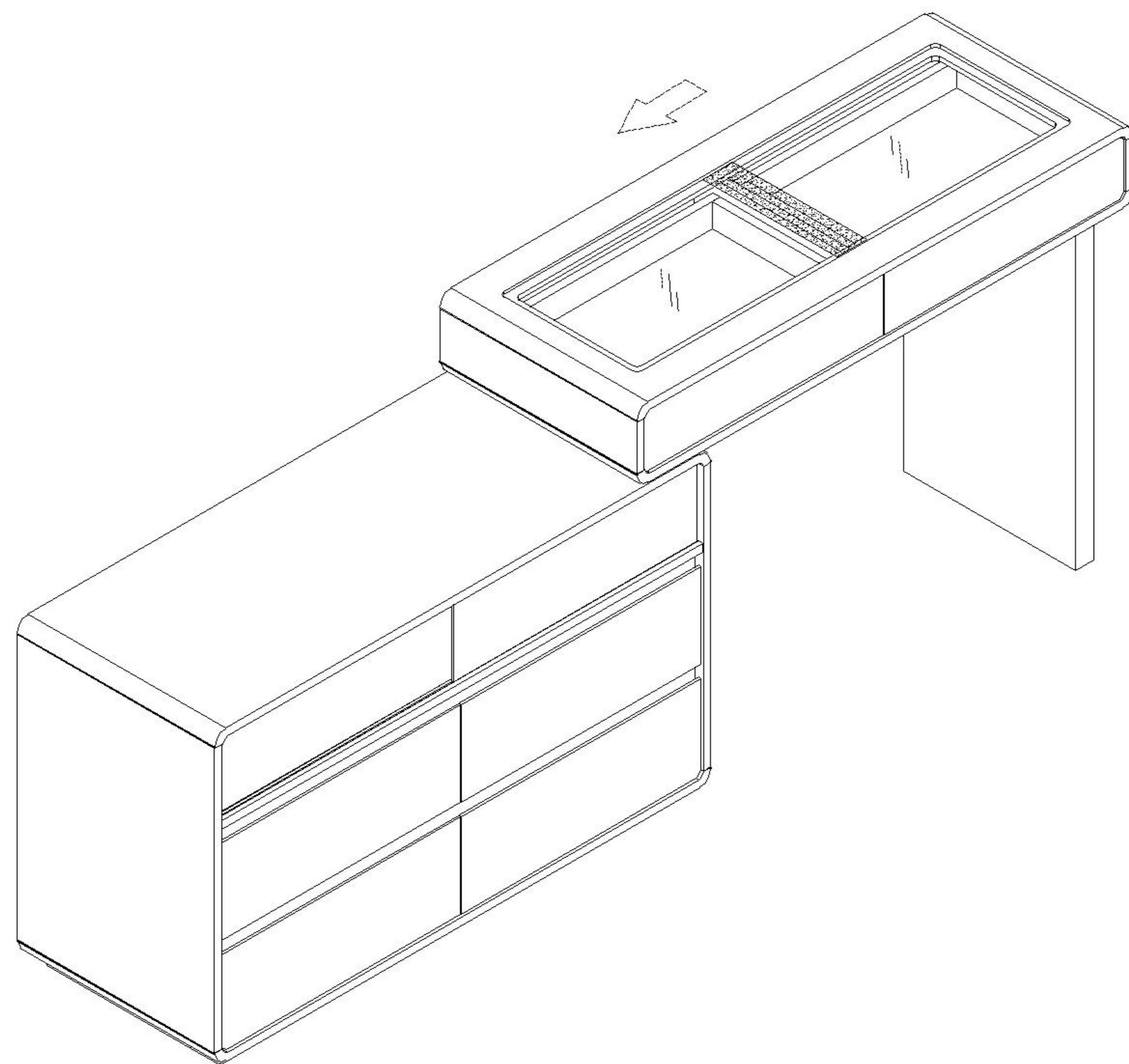


8

UD3C-A

安装方法/
Installation method

9



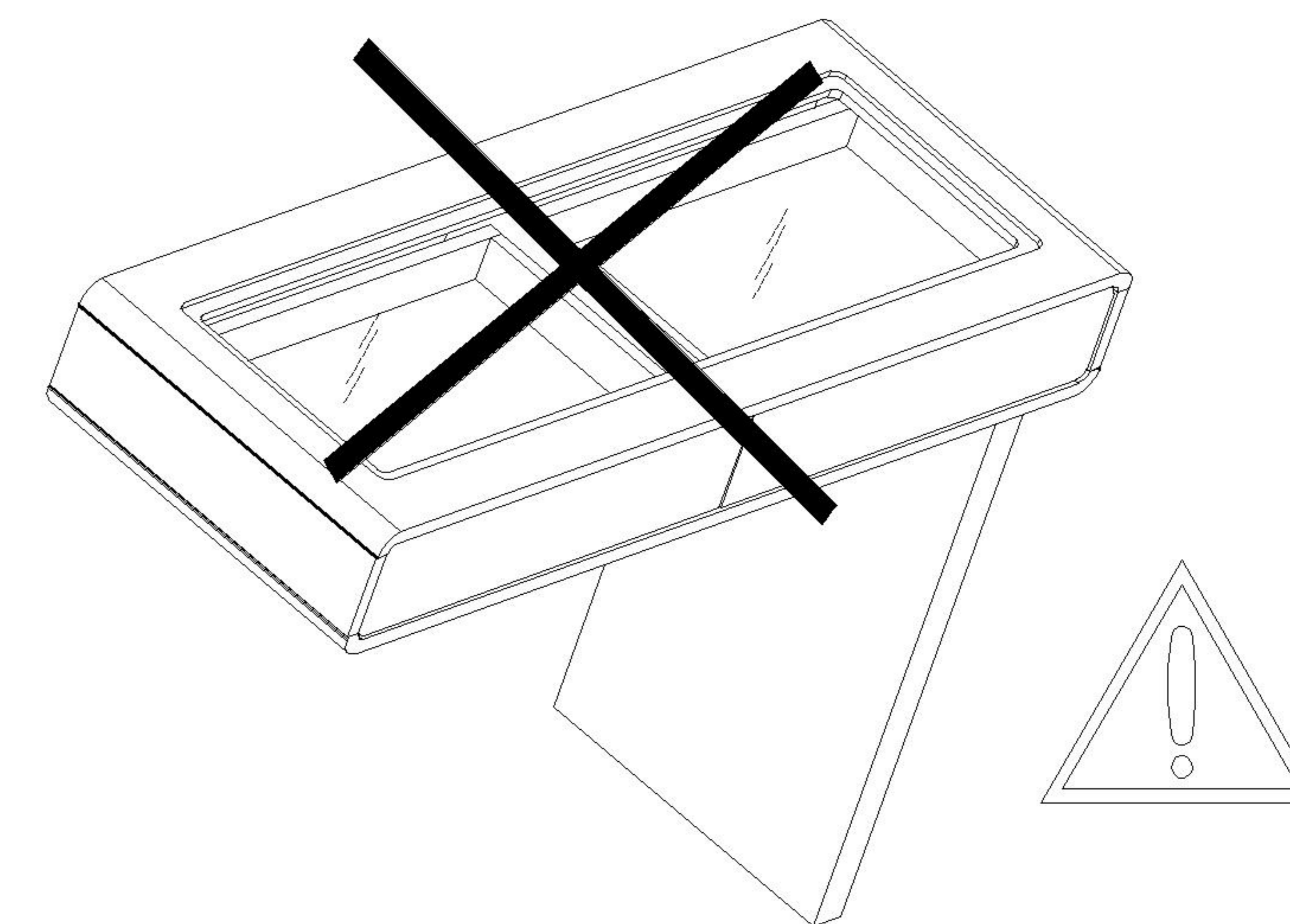
注意!
请适当调整妆台长度, 使妆台稳固不易倾倒。座位净空最长不长于760mm
Attention!

Please adjust the length of the dressing table appropriately to make it stable and not prone to tipping. The maximum headroom of the seat shall not exceed 760mm

UD3C-A 六斗柜妆台一体
产品规格Specification: 1850*398*754mm

该组合所包含的产品如下:
The products included in this combination are as follows:

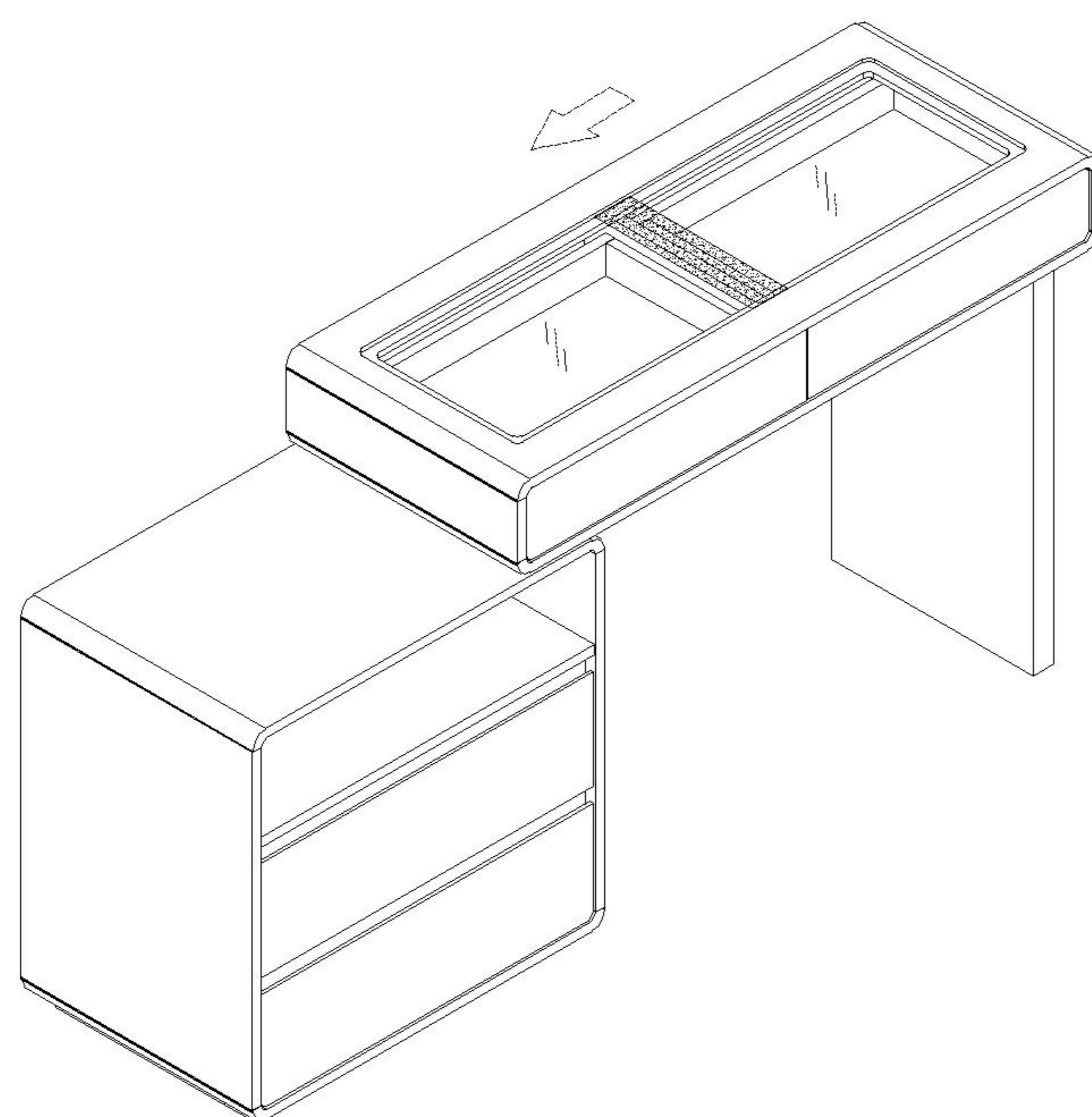
- UD3C-A 妆台主体
- UD3C-A Dressing Table Body
- UD2E-A 六斗柜
- UD2E-A Chest Of Drawers



注意!
使用产品时请适当调整主柜与边柜组合间距离, 单独放置会有倾倒的风险。

Be careful!
Please properly adjust the distance between the attached and main cabinet. Placing the main cabinet alone will have a risk of dumping.

10



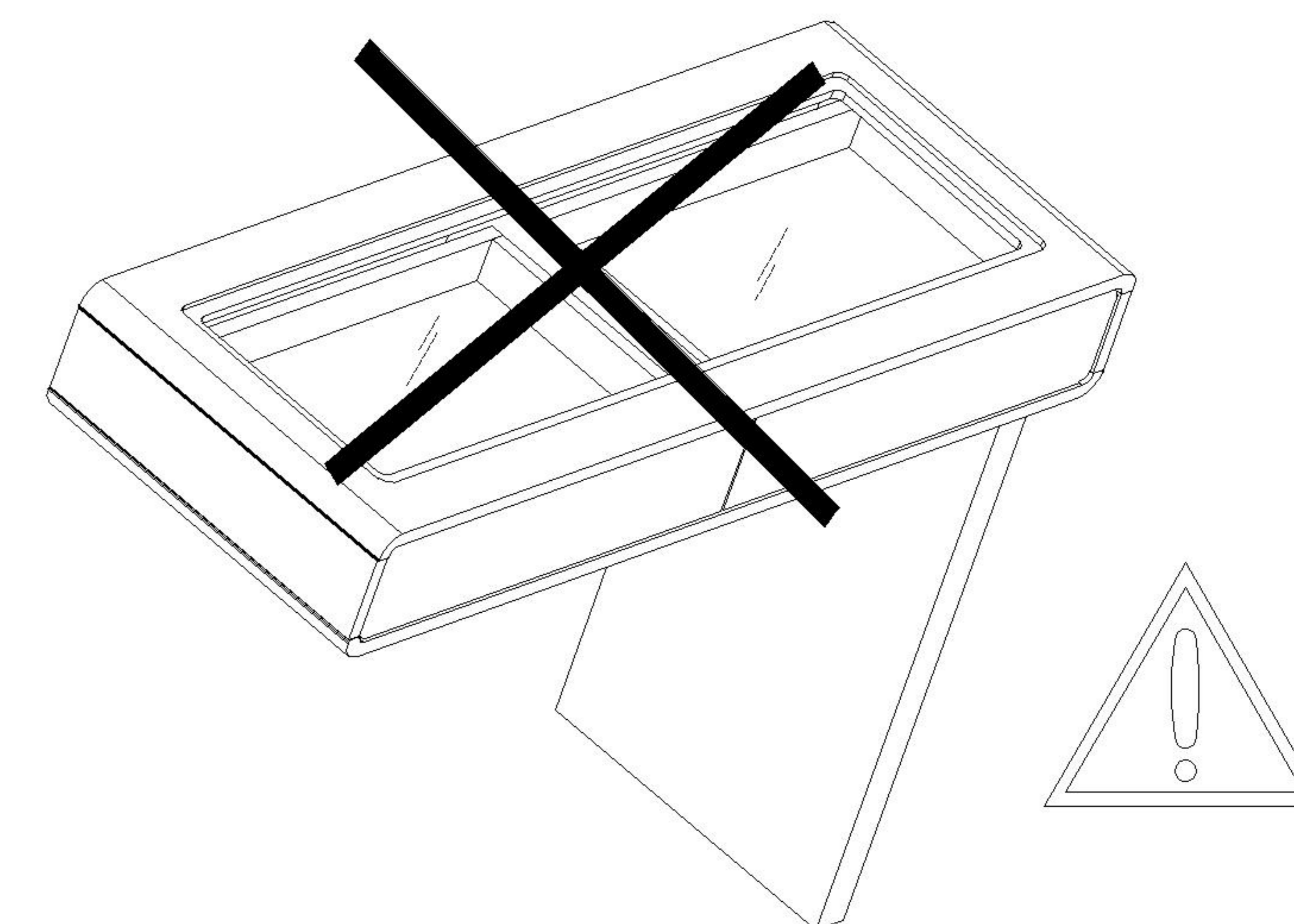
注意!
请适当调整妆台长度, 使妆台稳固不易倾倒。座位净空最长不长于760mm
Attention!

Please adjust the length of the dressing table appropriately to make it stable and not prone to tipping. The maximum headroom of the seat shall not exceed 760mm

UD3C-A 三斗柜 (0.6m) 妆台一体
产品规格Specification: 1454*398*754mm

该组合所包含的产品如下:
The products included in this combination are as follows:

- UD3C-A 妆台主体
- UD3C-A Dressing Table Body
- UD1E-A 三斗柜-0.6m
- UD1E-A Chest Of Drawers 0.6m



注意!
使用产品时请适当调整主柜与边柜组合间距离, 单独放置会有倾倒的风险。

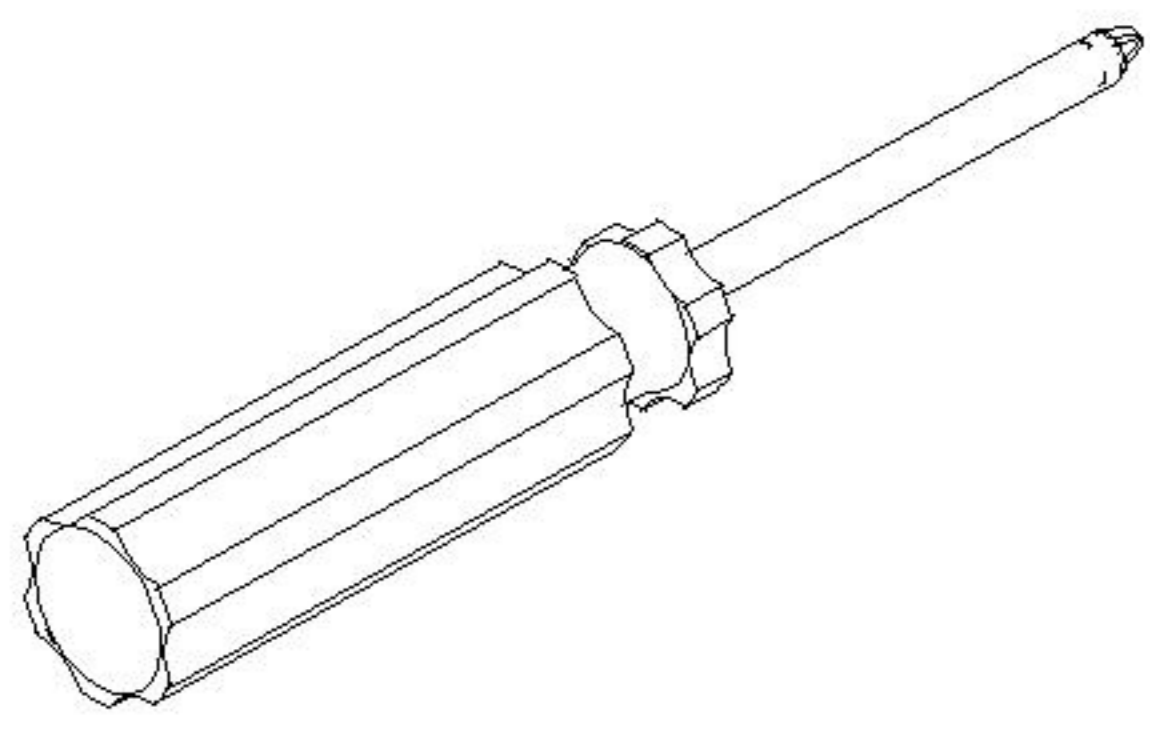
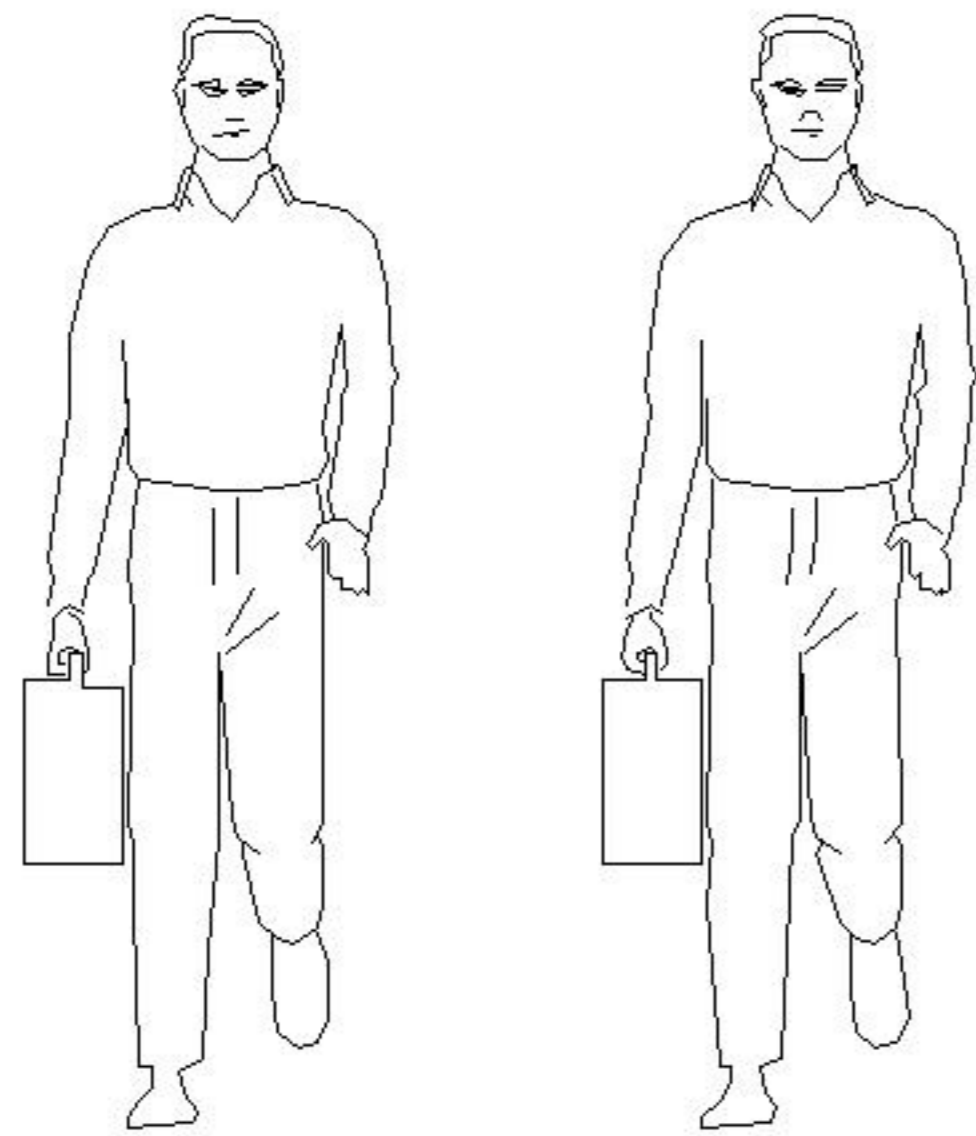
Be careful!
Please properly adjust the distance between the attached and main cabinet. Placing the main cabinet alone will have a risk of dumping.

LINSY 林氏家居

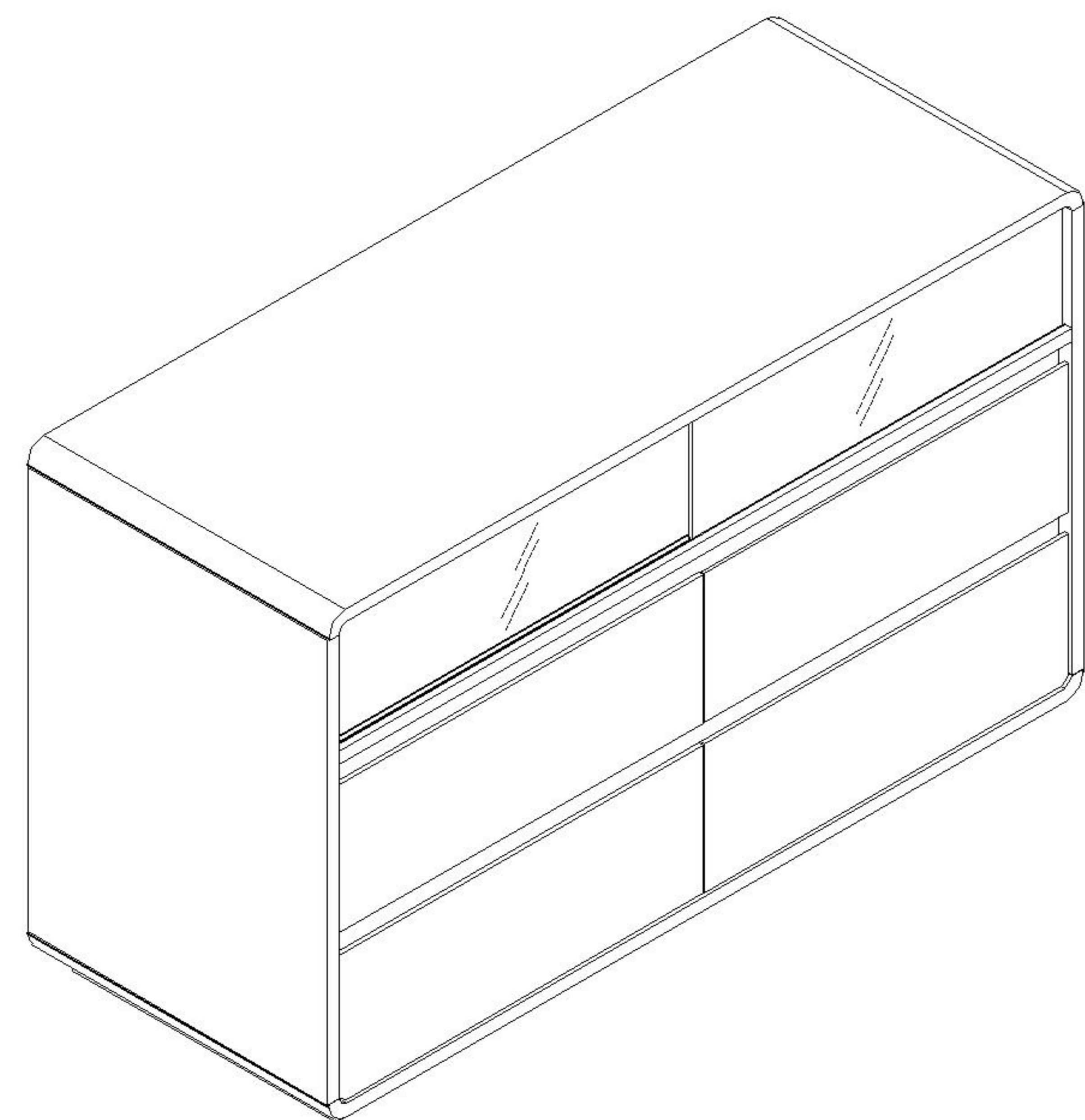
五金表/Hardware list

部件表/Parts List

安装示意图/Assembly Instruction

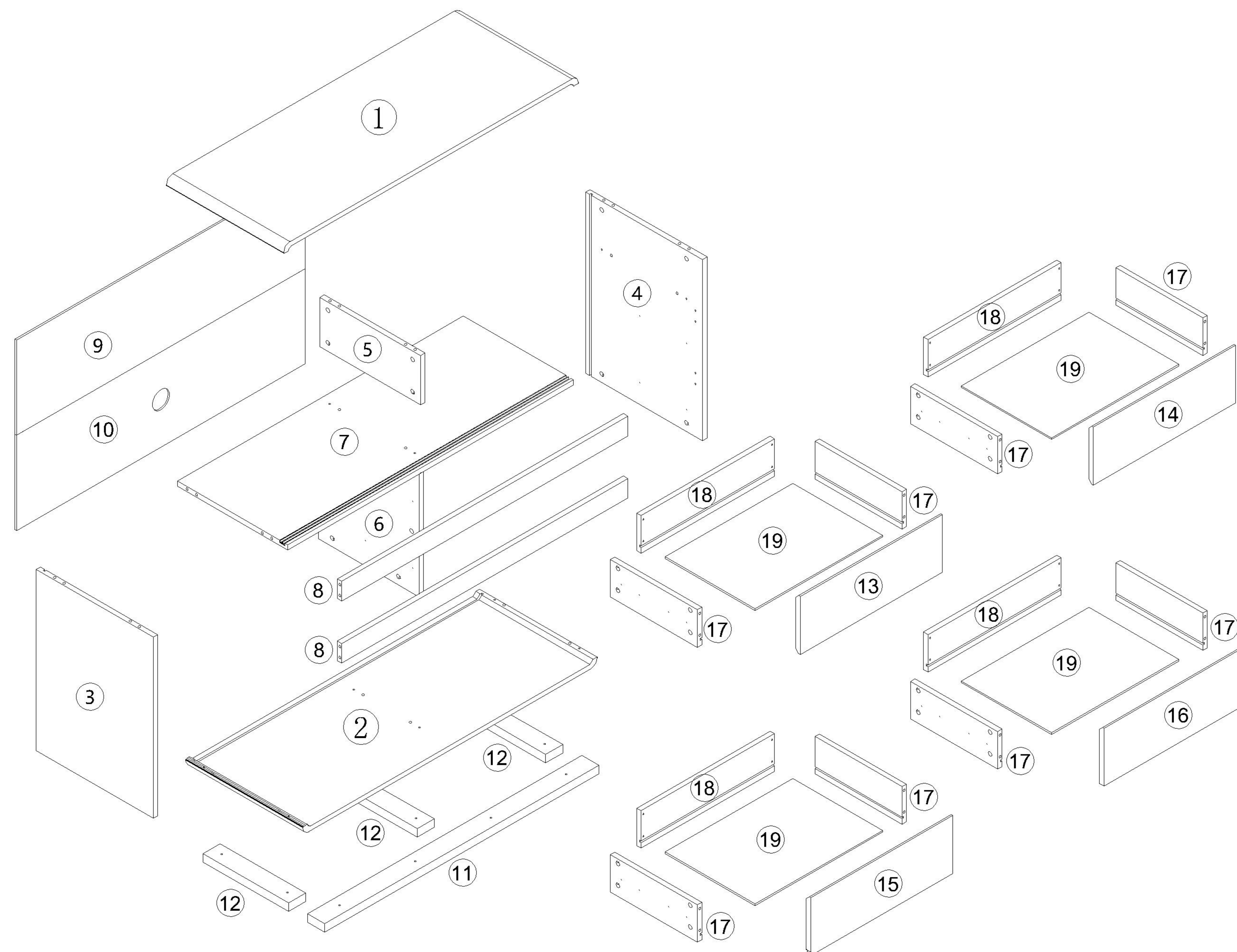
产品名称 Model NO.	六斗柜
产品型号 Product Model	UD2E-A
尺寸规格 Specification	(1000*398*610)mm
安装工具 Tool	安装人数 Installer
	

注：为保证设计效果，部分尺寸为定制尺寸，不影响使用。



 (A)* 65 二合一螺杆 2-in-1-screw	 (B)* 65 大三合一锁饼 Three-in-one large lock	 (C)* 21 木榫Ø8x30mm wood tenon	 (D)* 34 自攻螺丝M3.5x12mm Self-tapping screw
 (E)* 11 自攻螺丝M4x30mm Self-tapping screw	 (F)* 11 自攻螺丝M3.5x16mm Self-tapping screw	 (G)* 11 背板扣 Back Plate Buckle-White	 (H)* 8 脚垫-灰色 Footrest - Grey
 (I)* 1 透气孔盖-白色 Vent cover - white	 (J)* 1 家具防倒器-白色 Anti-fall device white	 (K)* 4 三节滚珠导轨-8" three-section ball rail	 (L)* 1 夹板条 Splint strip
 (M)* 2 趟门玻璃 Sliding door glass	 (N)* 4 透明防撞垫片Ø10x1.5 Transparent anti collision gasket		

编号NO.	名称Name	规格 (mm) Specification	数量QTY	材质Material
①	面板组立 Panel assembly	1000*398*25	1	纤维板+橡胶木 Fiberboard+Rubber wood
②	底板组立 Bottom board assembly	1000*398*25	1	纤维板+橡胶木 Fiberboard+Rubber wood
③	左侧板 Side board(L)	532*397*15	1	刨花板 Particle board
④	右侧板 Side board(R)	532*397*15	1	刨花板 Particle board
⑤	上隔板 Upper clapboard	342*145*15	1	刨花板 Particle board
⑥	下隔板 Down clapboard	392*342*15	1	刨花板 Particle board
⑦	层板 shelf	970*374*15	1	刨花板 Particle board
⑧	拉条brace	970*58*15	2	刨花板 Particle board
⑨	背板1 Back board 1	980*280*5	1	纤维板 Fiberboard
⑩	背板2 Back board 2	980*280*5	1	纤维板 Fiberboard
⑪	前脚条 Front foot strip	930*58*25	1	刨花板 Particle board
⑫	侧脚条 Side foot strip	290*58*25	3	刨花板 Particle board
⑬	左上抽屉面板 Upper drawer's panel(L)	482*170*15	1	刨花板 Particle board
⑭	右上抽屉面板 Upper drawer's panel(R)	482*170*15	1	刨花板 Particle board
⑮	左下抽屉面板 Bottom drawer's panel(L)	482*170*15	1	刨花板 Particle board
⑯	右下抽屉面板 Bottom drawer's panel(R)	482*170*15	1	刨花板 Particle board
⑰	抽屉侧板 Drawer's sideboard	295*110*15	8	刨花板 Particle board
⑱	抽屉后板 Drawer's Back board	452*110*15	4	刨花板 Particle board
⑲	抽屉底板 Drawer's Bottom board	432*305*5	4	纤维板 Fiberboard

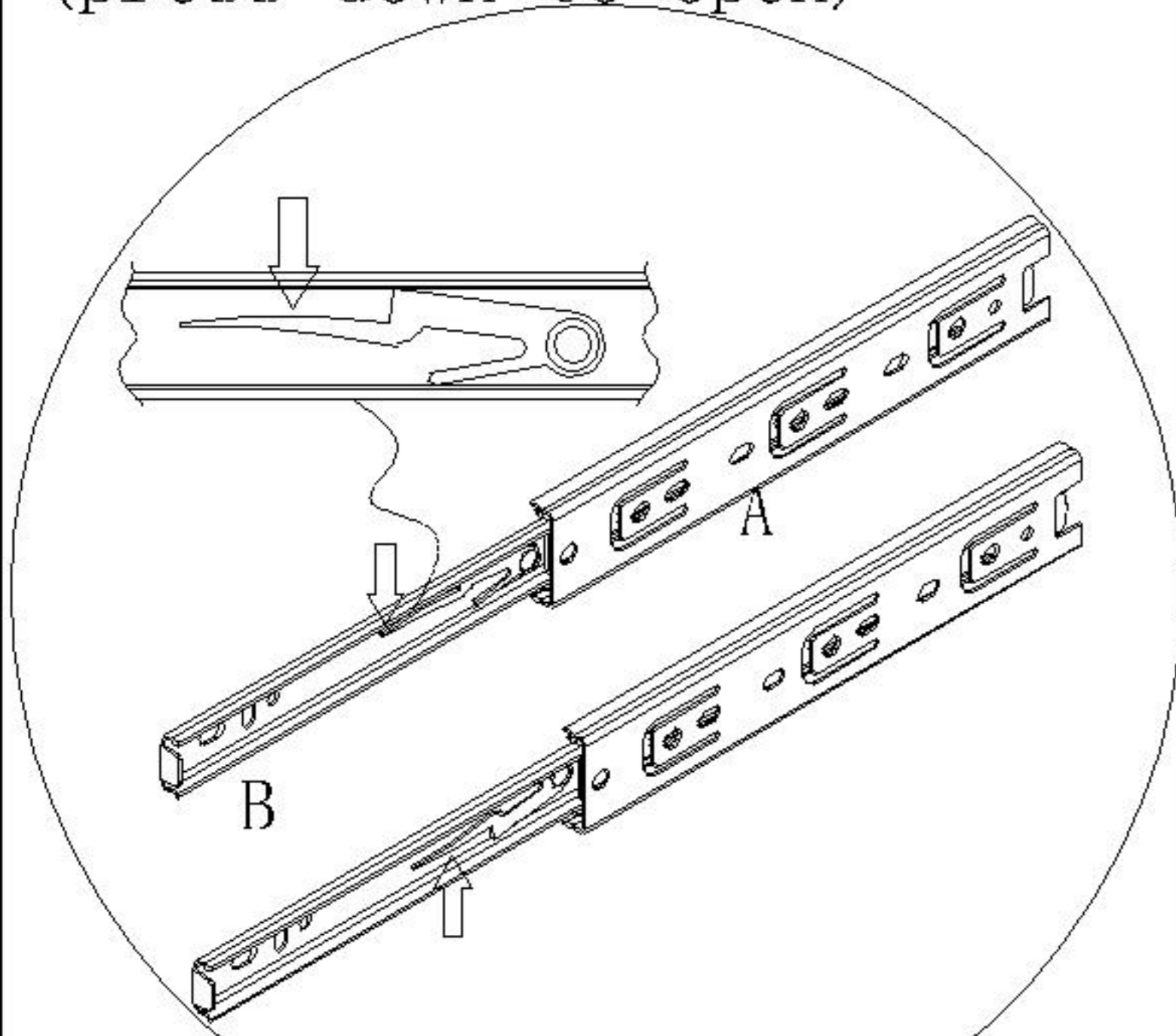


编号NO.	名称Name
①	面板组立 Panel assembly
②	底板组立 Bottom board assembly
③	左侧板 Side board(L)
④	右侧板 Side board(R)
⑤	上隔板 Upper clapboard
⑥	下隔板 Down clapboard
⑦	层板 shelf
⑧	拉条brace
⑨	背板1 Back board 1
⑩	背板2 Back board 2
⑪	前脚条 Front foot strip
⑫	侧脚条 Side foot strip
⑬	左上抽屉面板 Upper drawer's panel(L)
⑭	右上抽屉面板 Upper drawer's panel(R)
⑮	左下抽屉面板 Bottom drawer's panel(L)
⑯	右下抽屉面板 Bottom drawer's panel(R)
⑰	抽屉侧板 Drawer's sideboard
⑱	抽屉后板 Drawer's Back board
⑲	抽屉底板 Drawer's Bottom board

UD2E-A

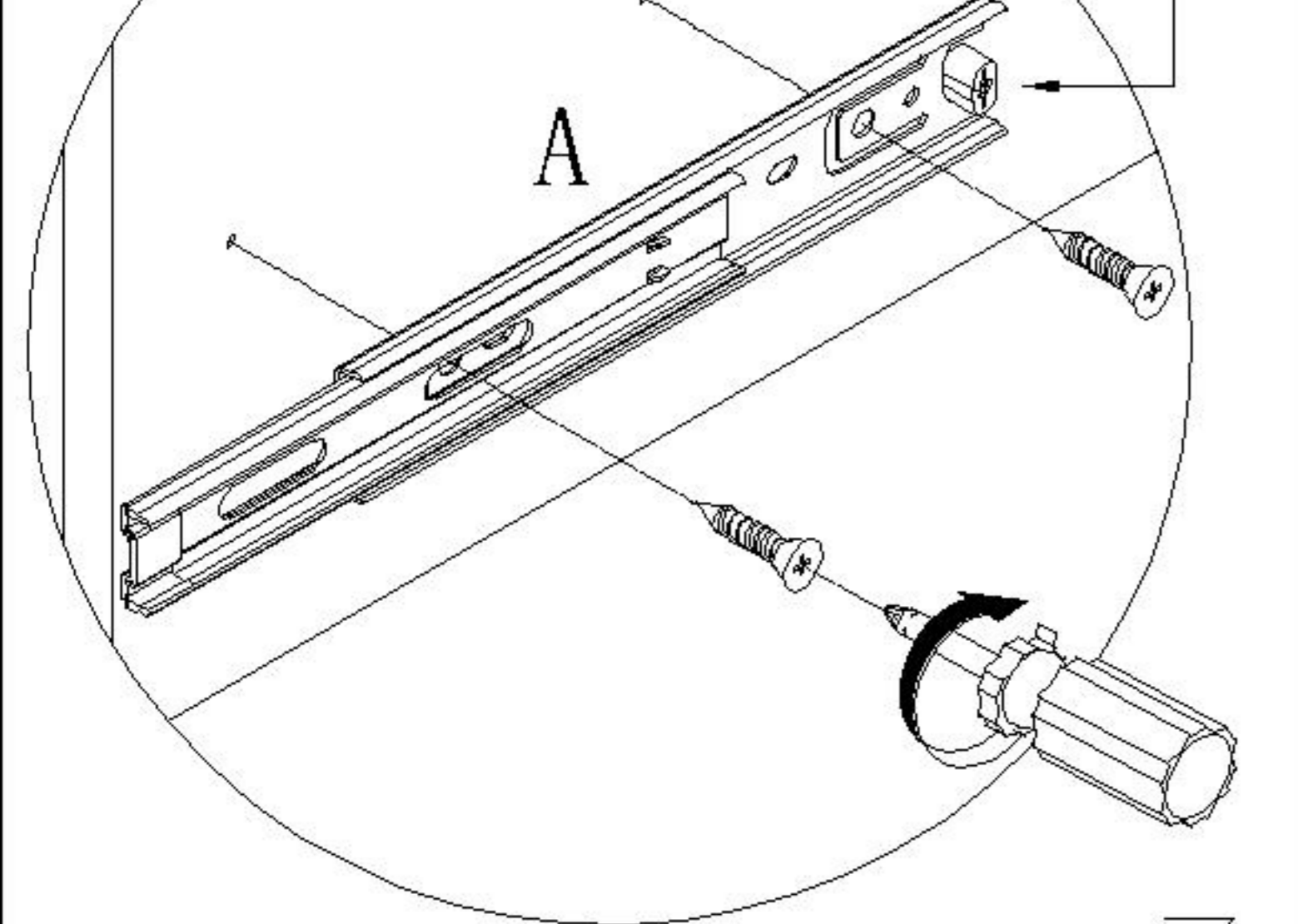
安装方法/
Installation method

阀门开关(下压为开)
Valve switch
(press down to open)

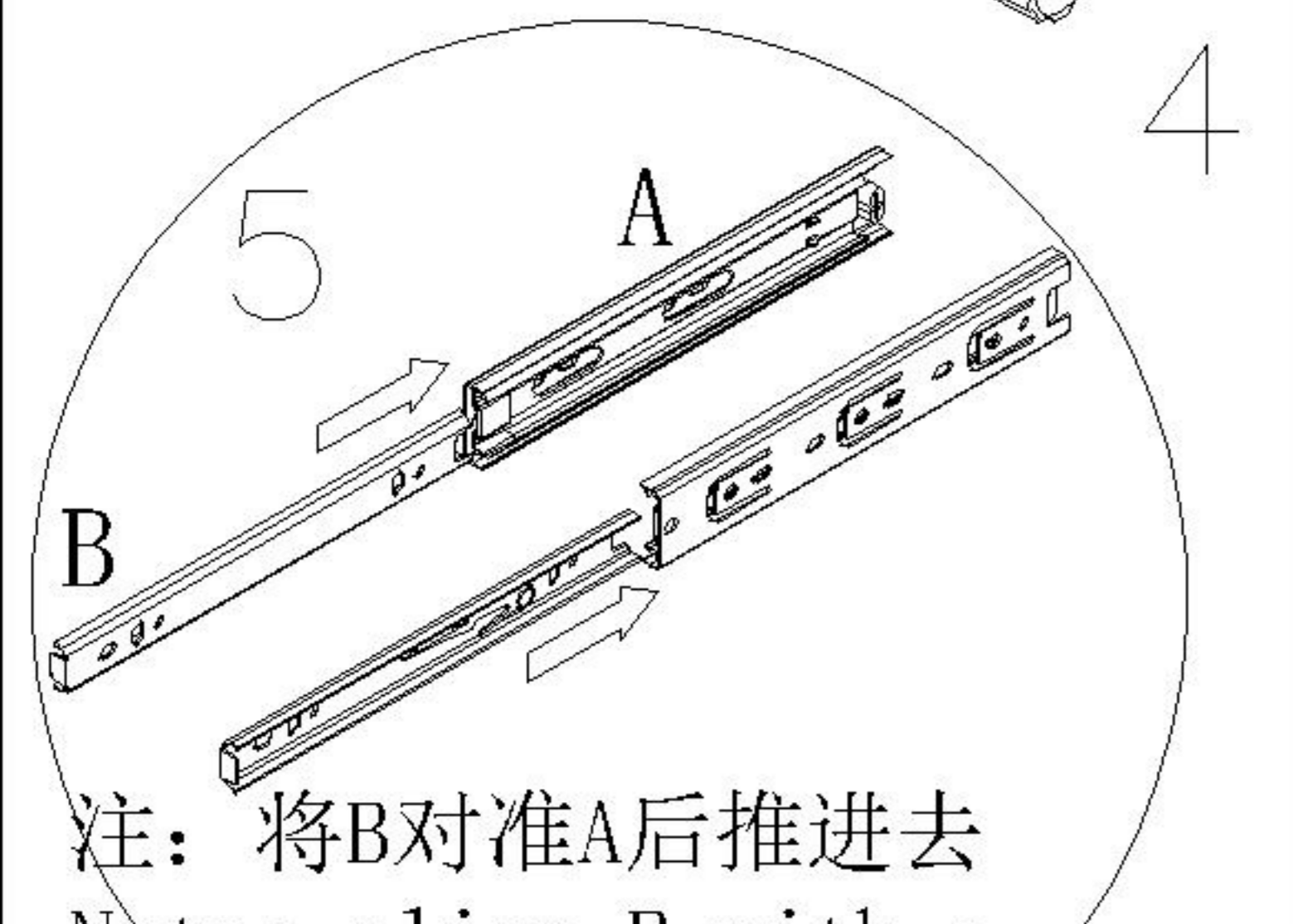
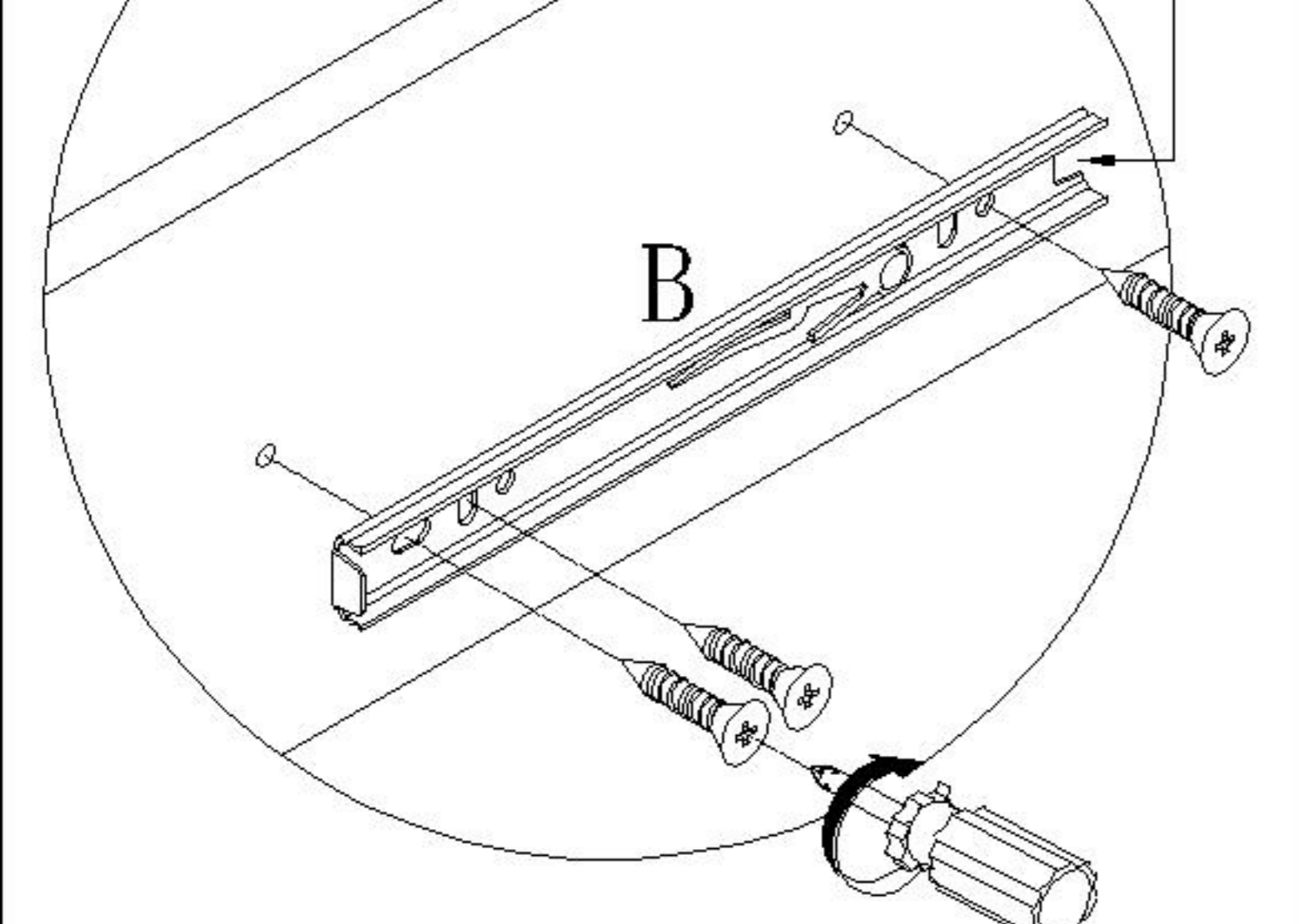


注: 先将A与B拆下来
Note: remove a and B first

侧板
side board



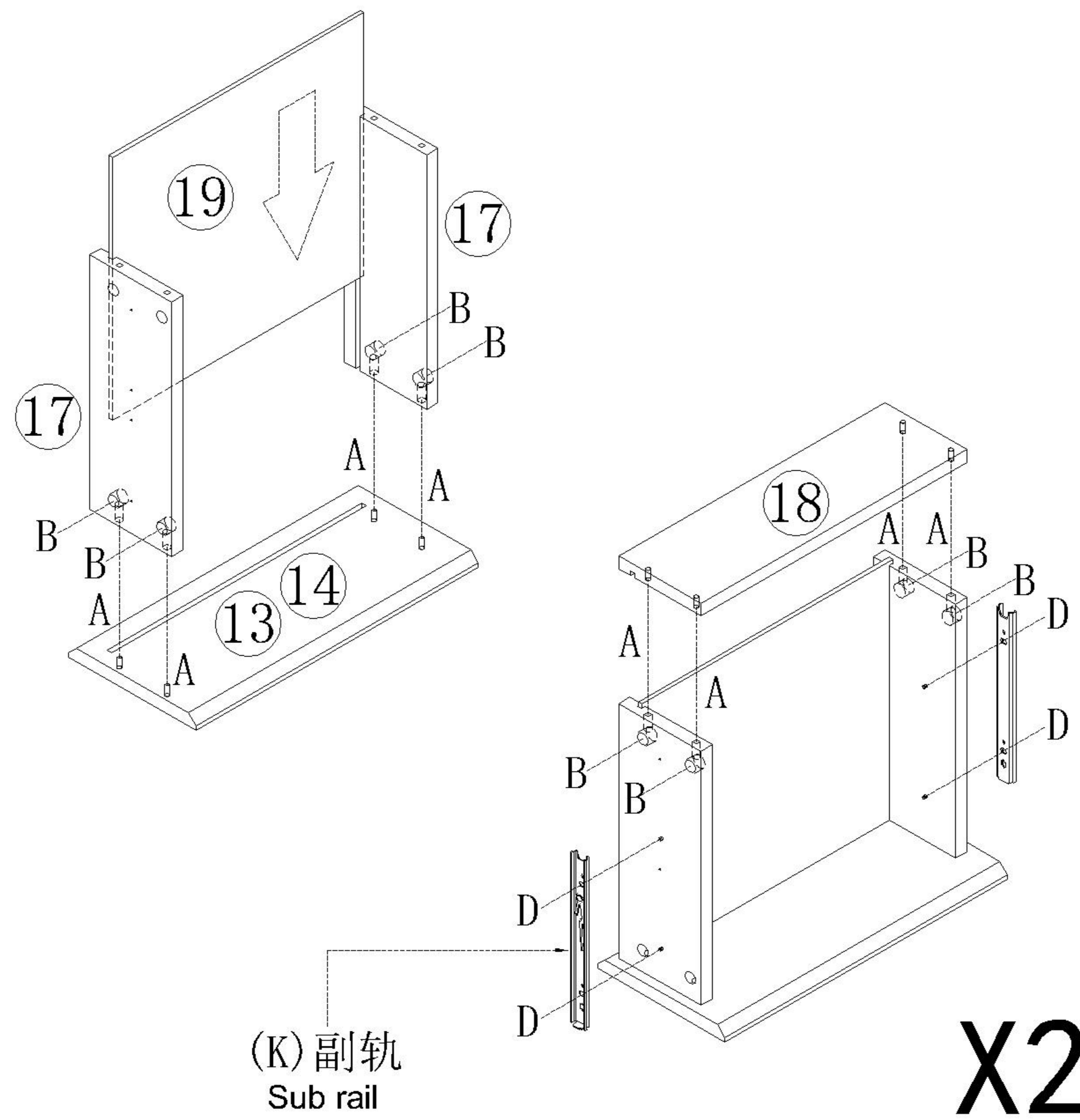
抽屉侧板
sideboard
of the drawer



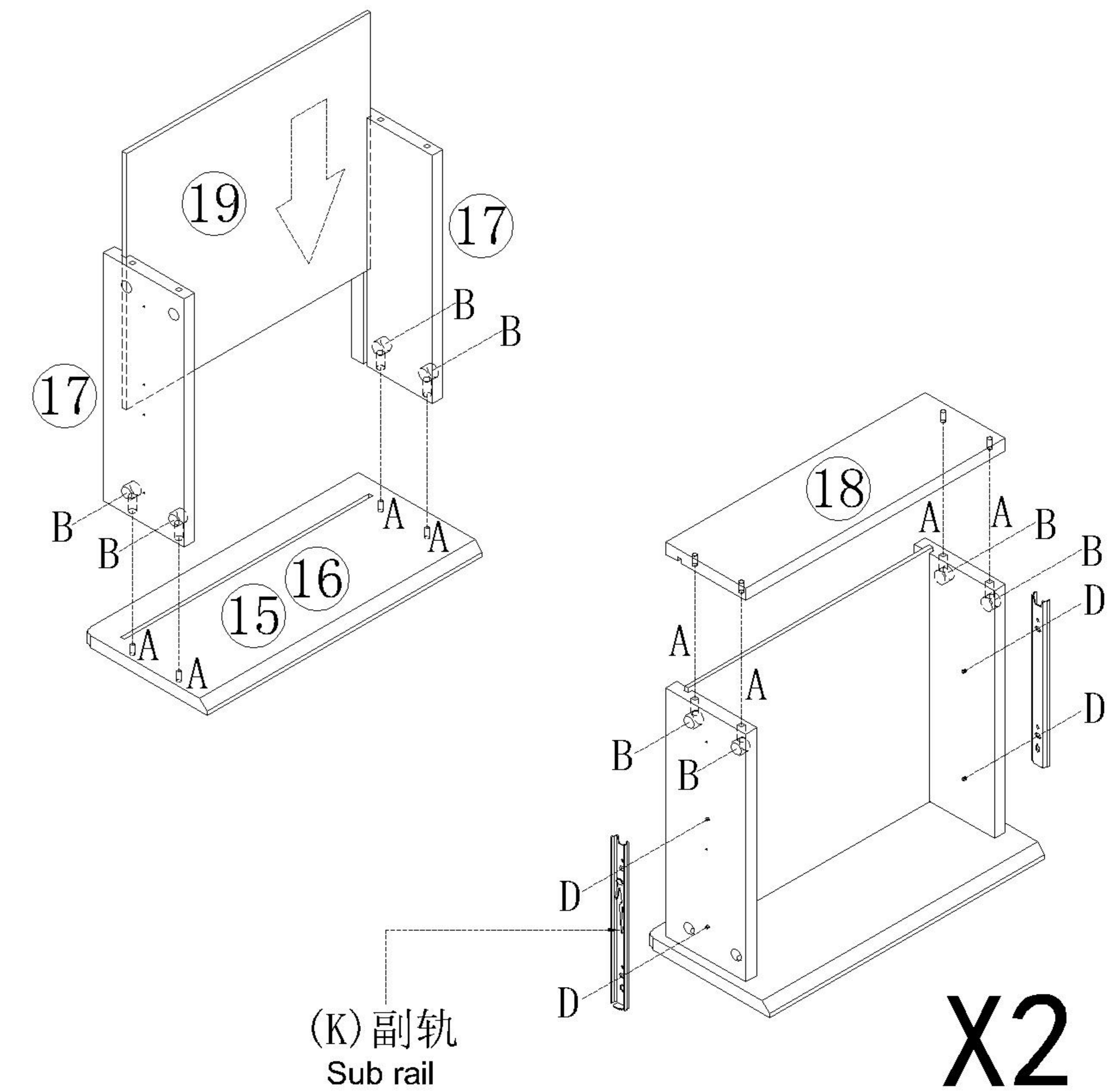
注: 将B对准A后推进去
Note: align B with a
and push it in

三节滚珠导轨
three-section ball rail

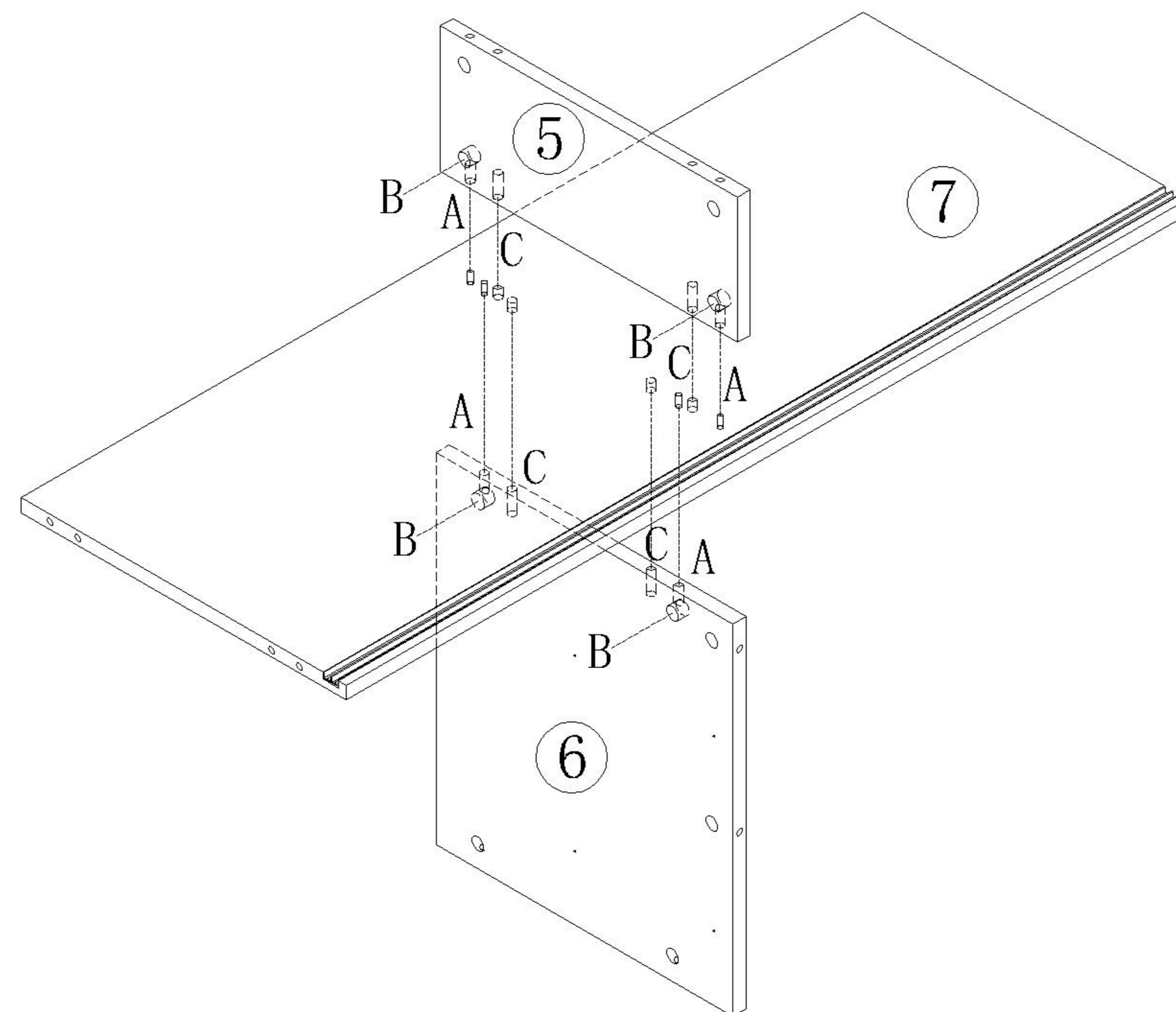
- (A)*16
- (B)*16
- (D)*8
- (K)*2



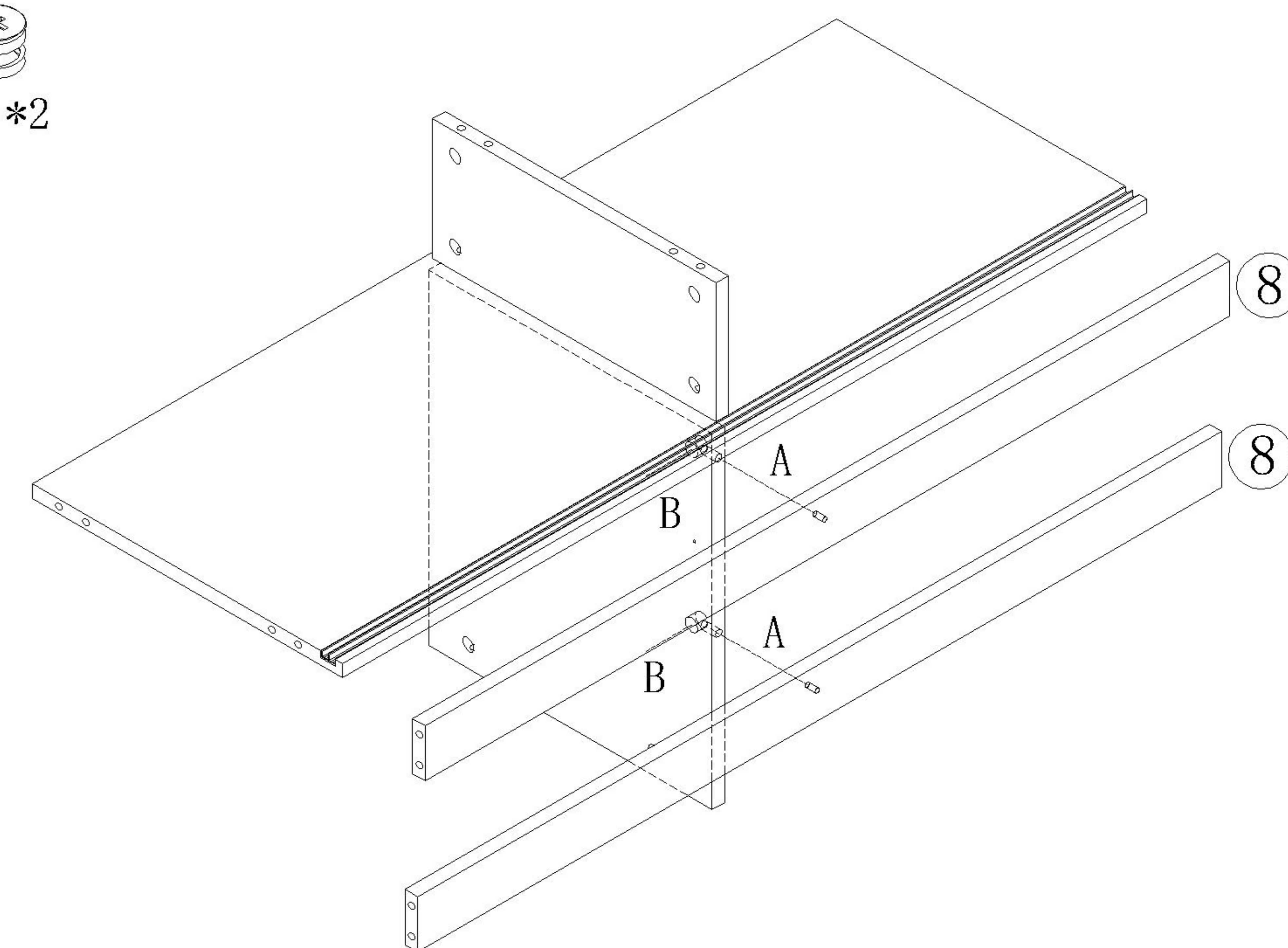
- (A)*16
- (B)*16
- (D)*8
- (K)*2



- (A)*4
- (B)*4
- (C)*4



- (A)*2
- (B)*2

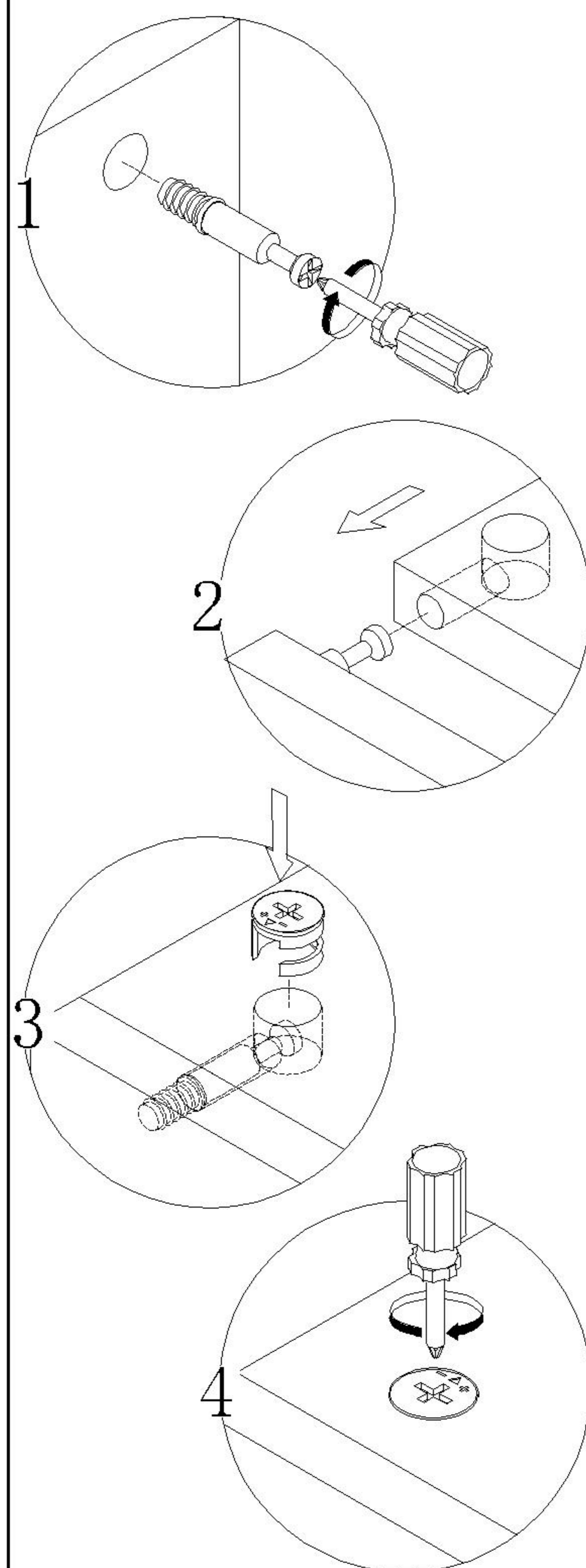


2

4

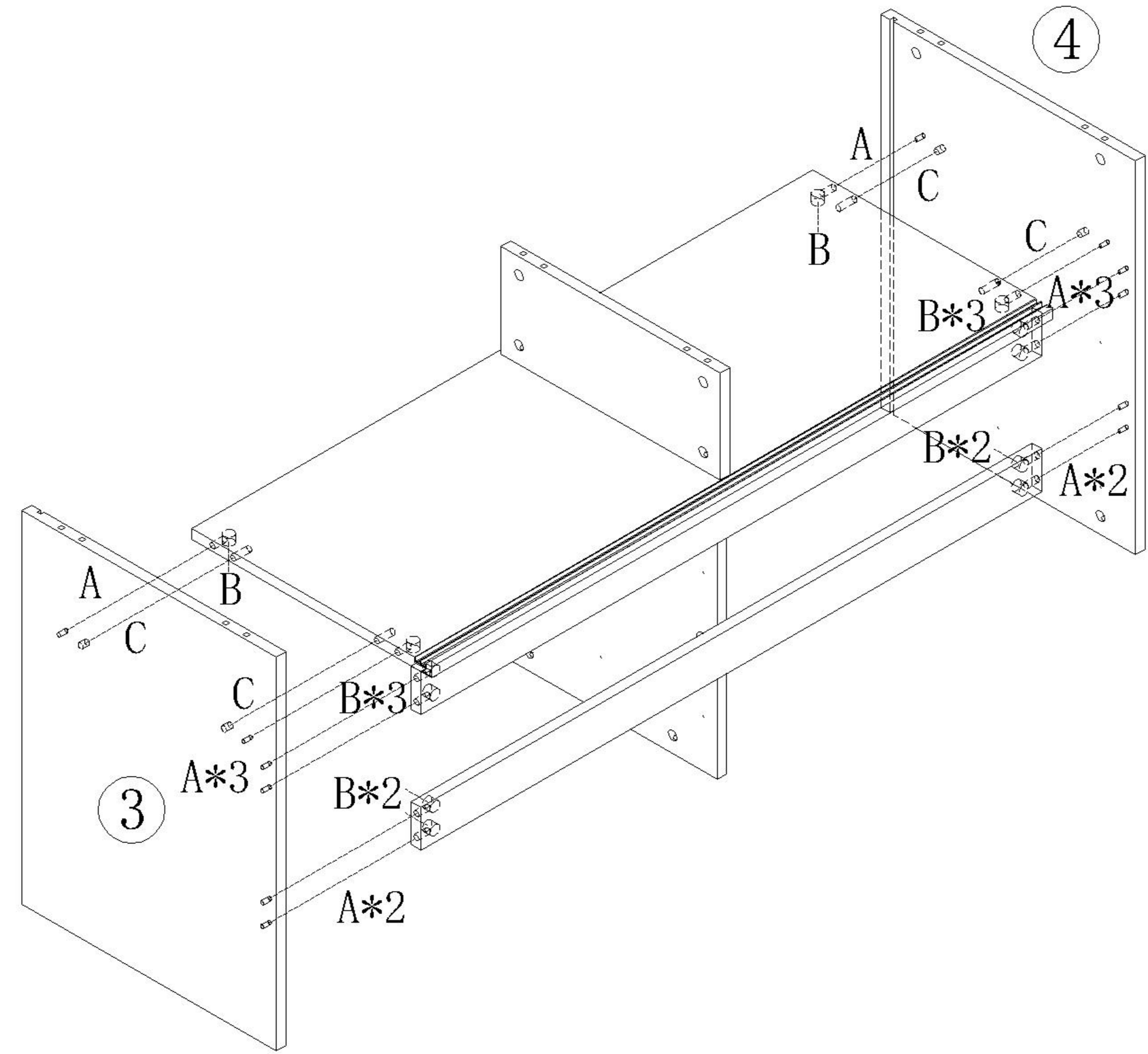
UD2E-A

安装方法/
Installation method



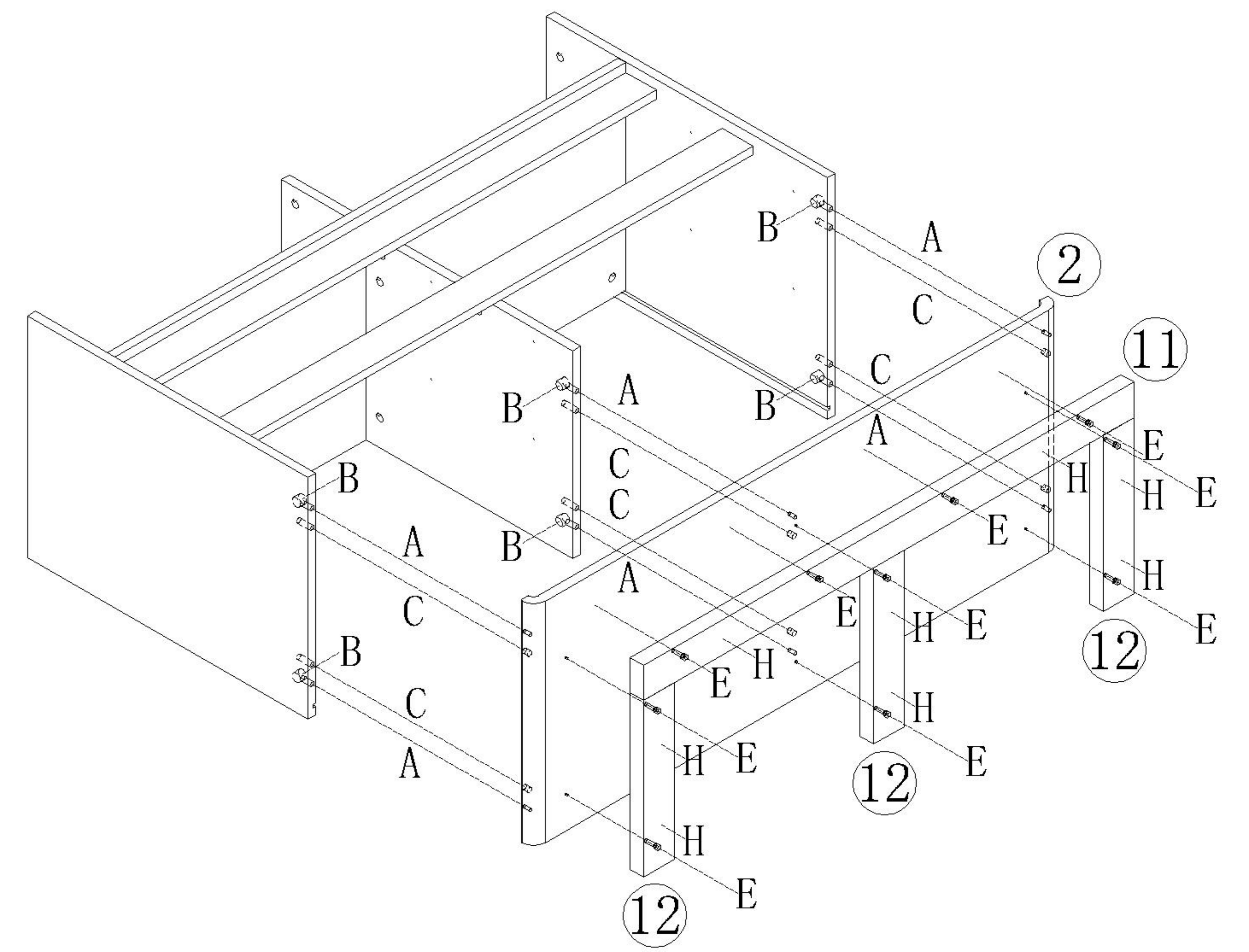
大二合一
two-in-one

- (A)*12
- (B)*12
- (C)*4



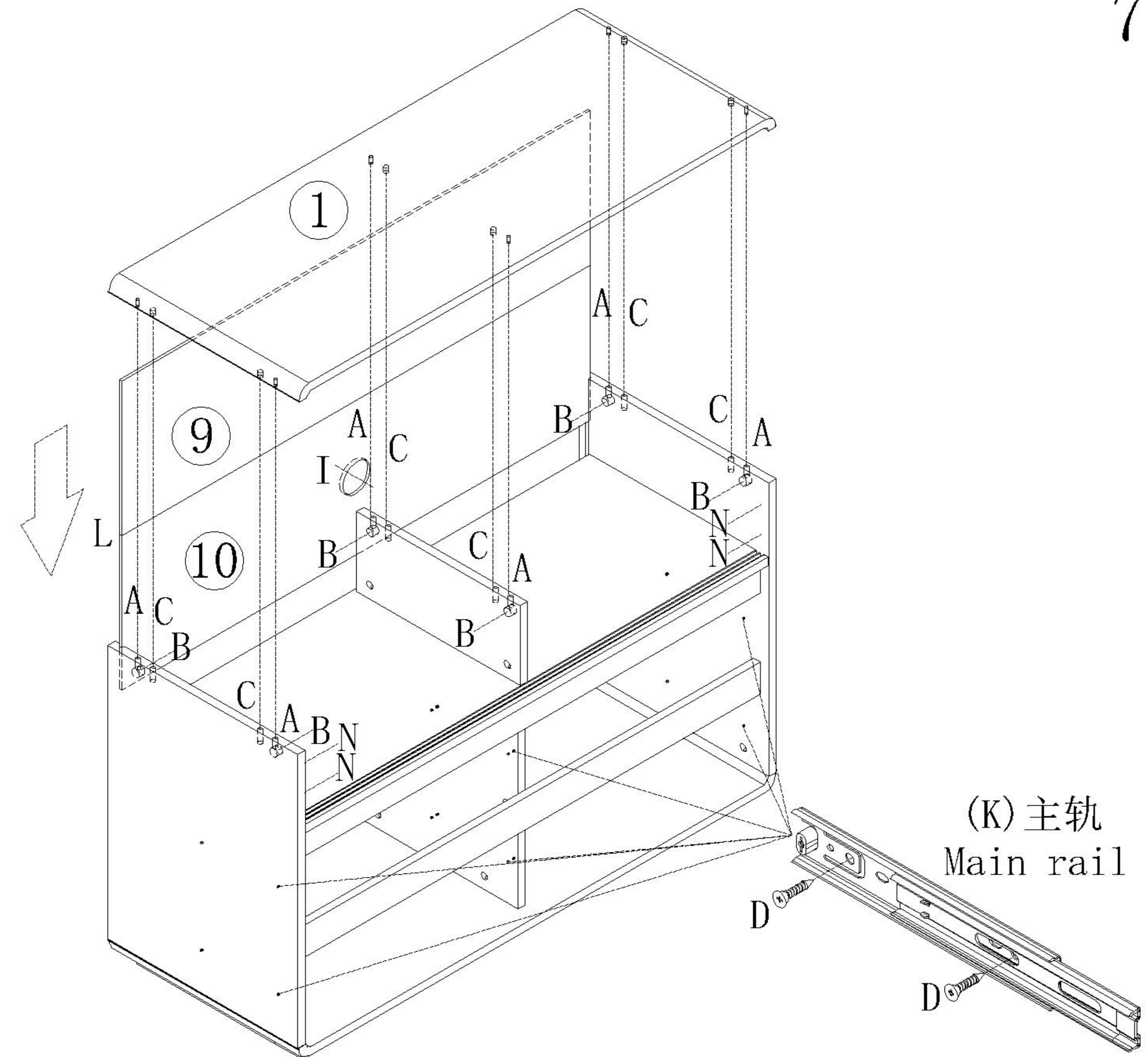
5

- (A)*6
- (B)*6
- (C)*6
- (E)*10
- (H)*8



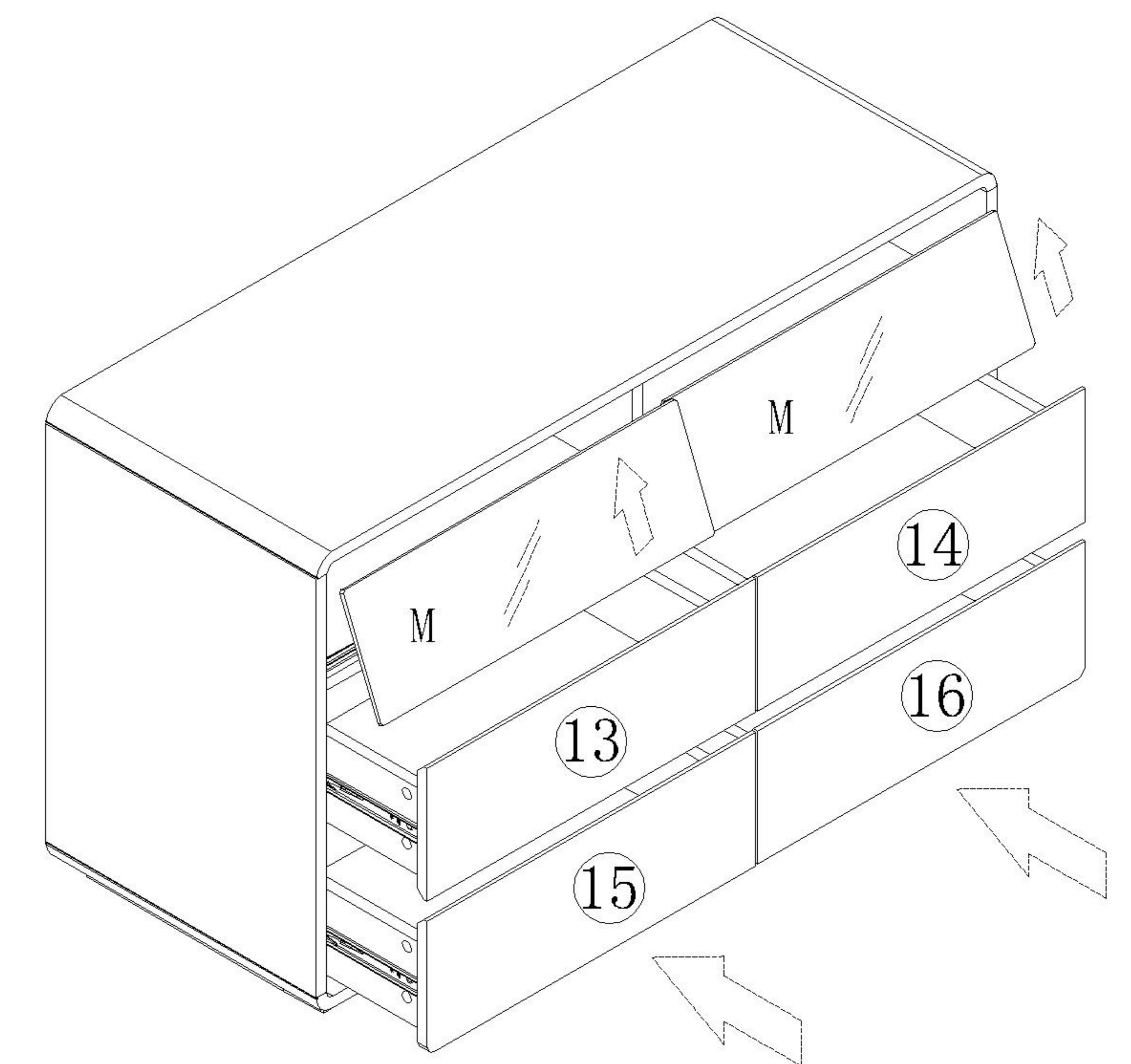
6

- (A)*6
- (B)*6
- (C)*6
- (D)*16
- (K)*4
- (I)*1
- (L)*1
- (N)*4



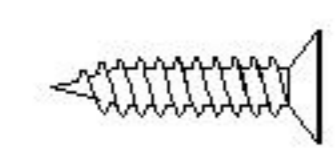
7

- (M)*2



8

UD2E-A

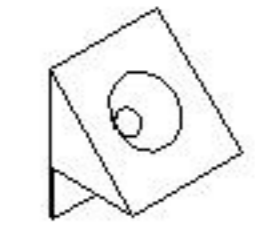


9

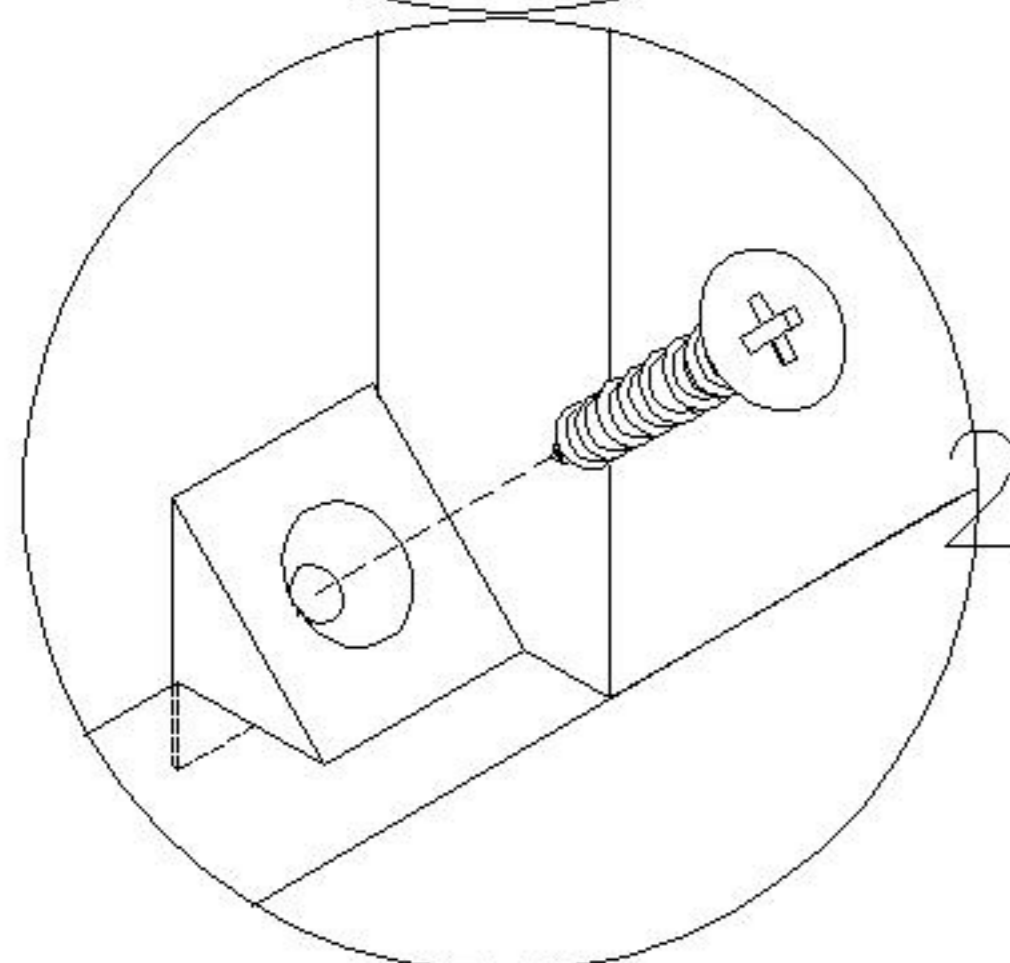
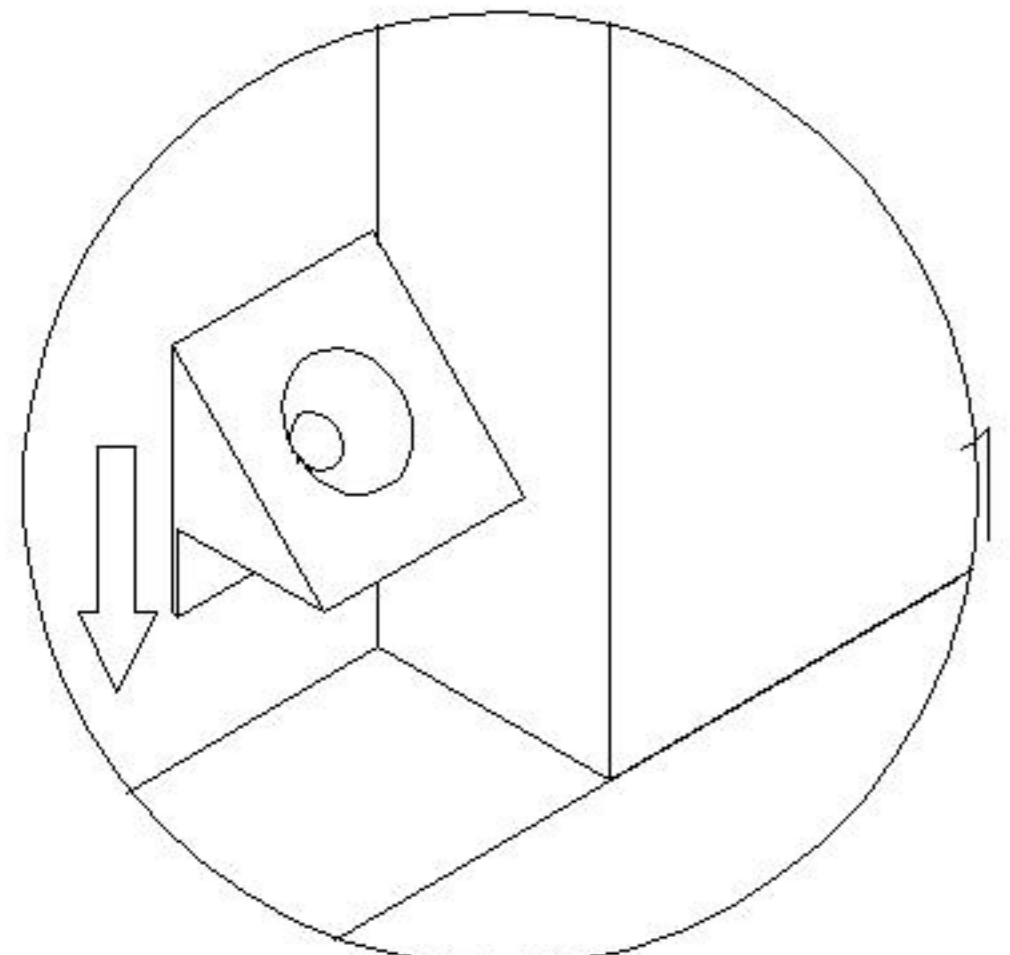
10

安装方法/
Installation method

(F)*10

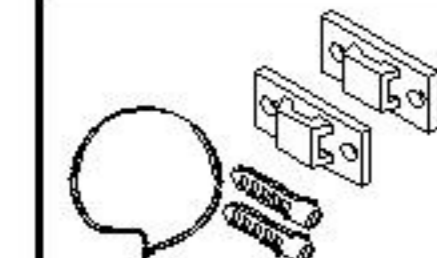
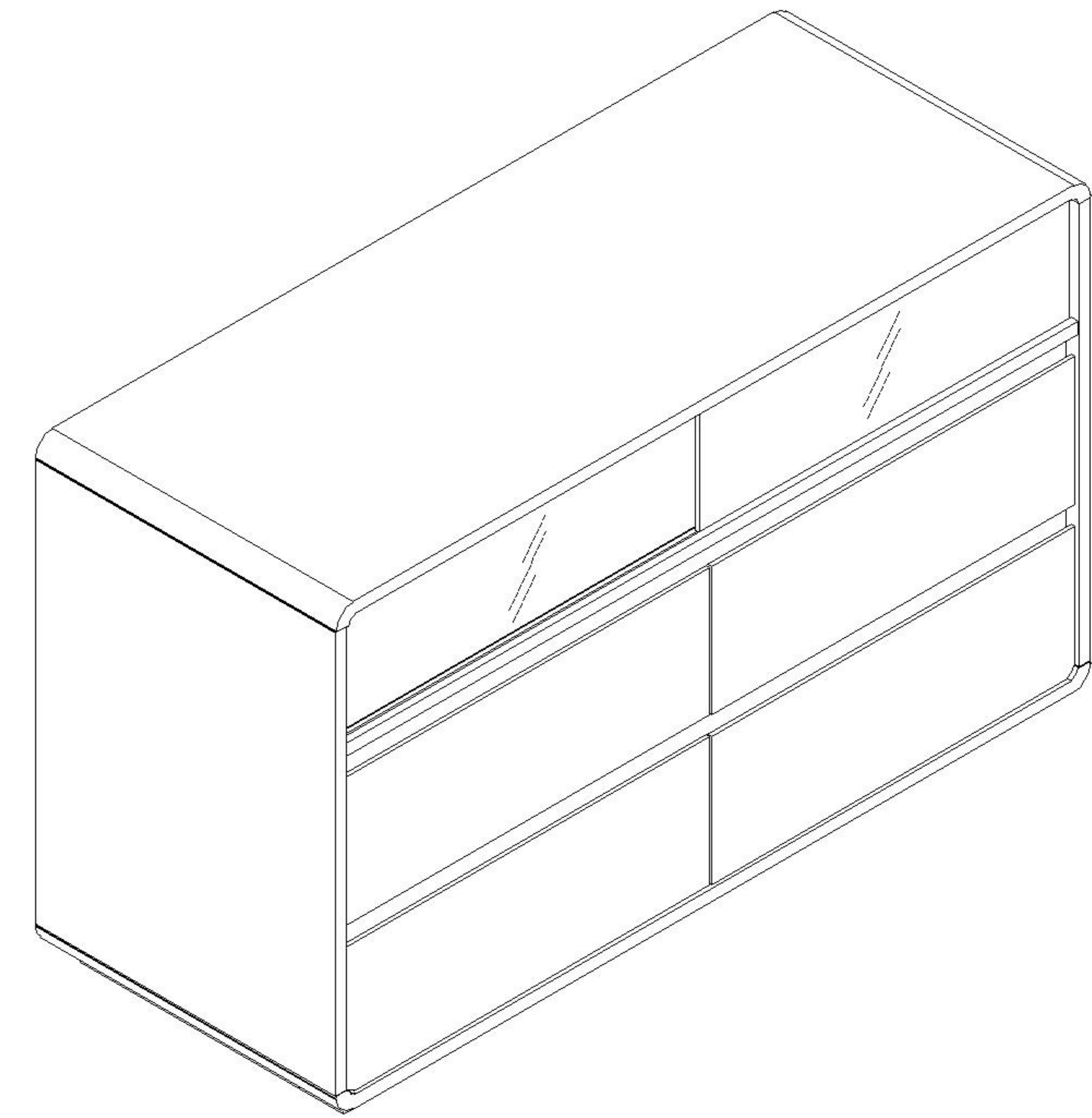
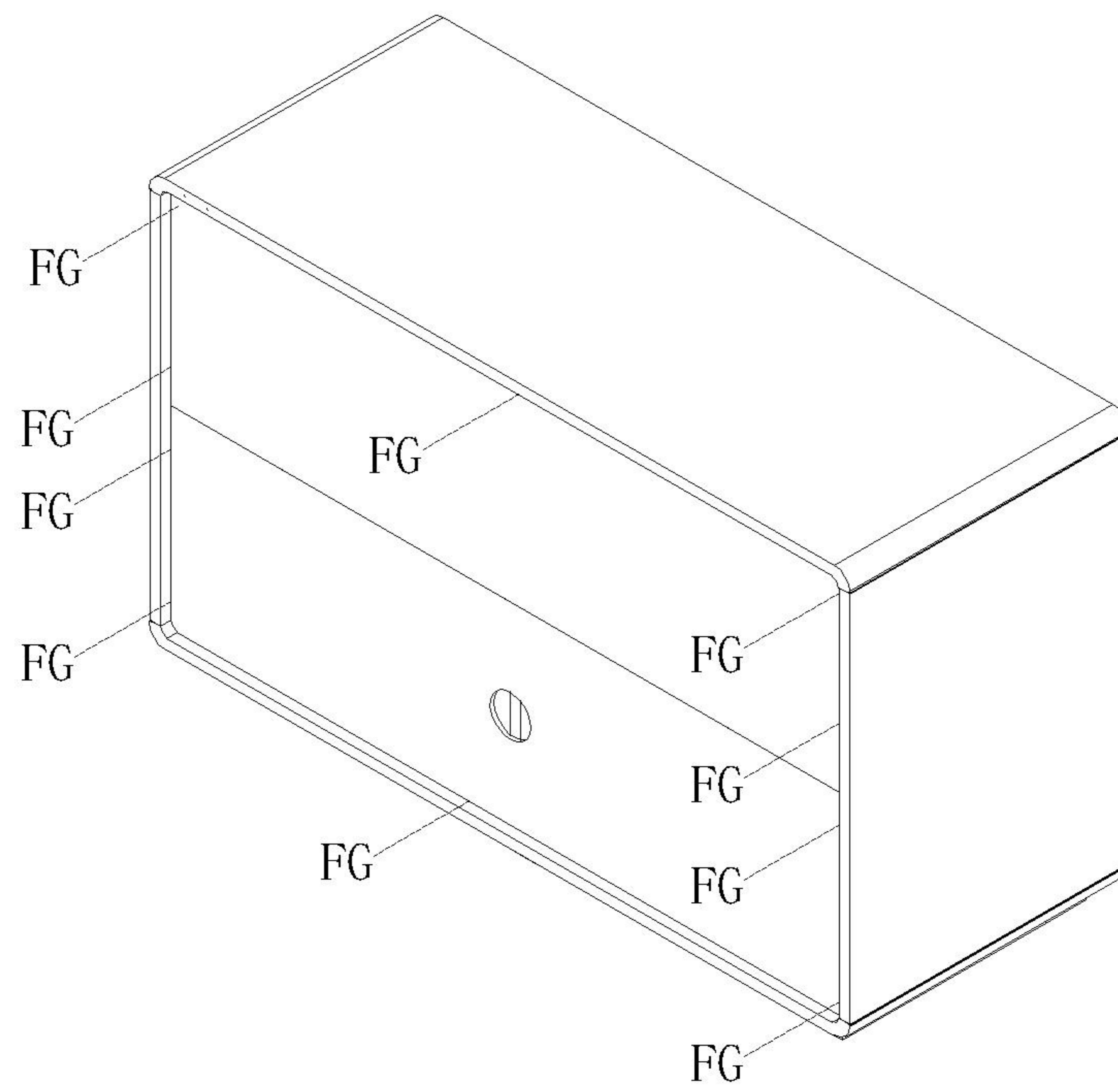


(G)*10



背板扣

Back Plate Buckle-White



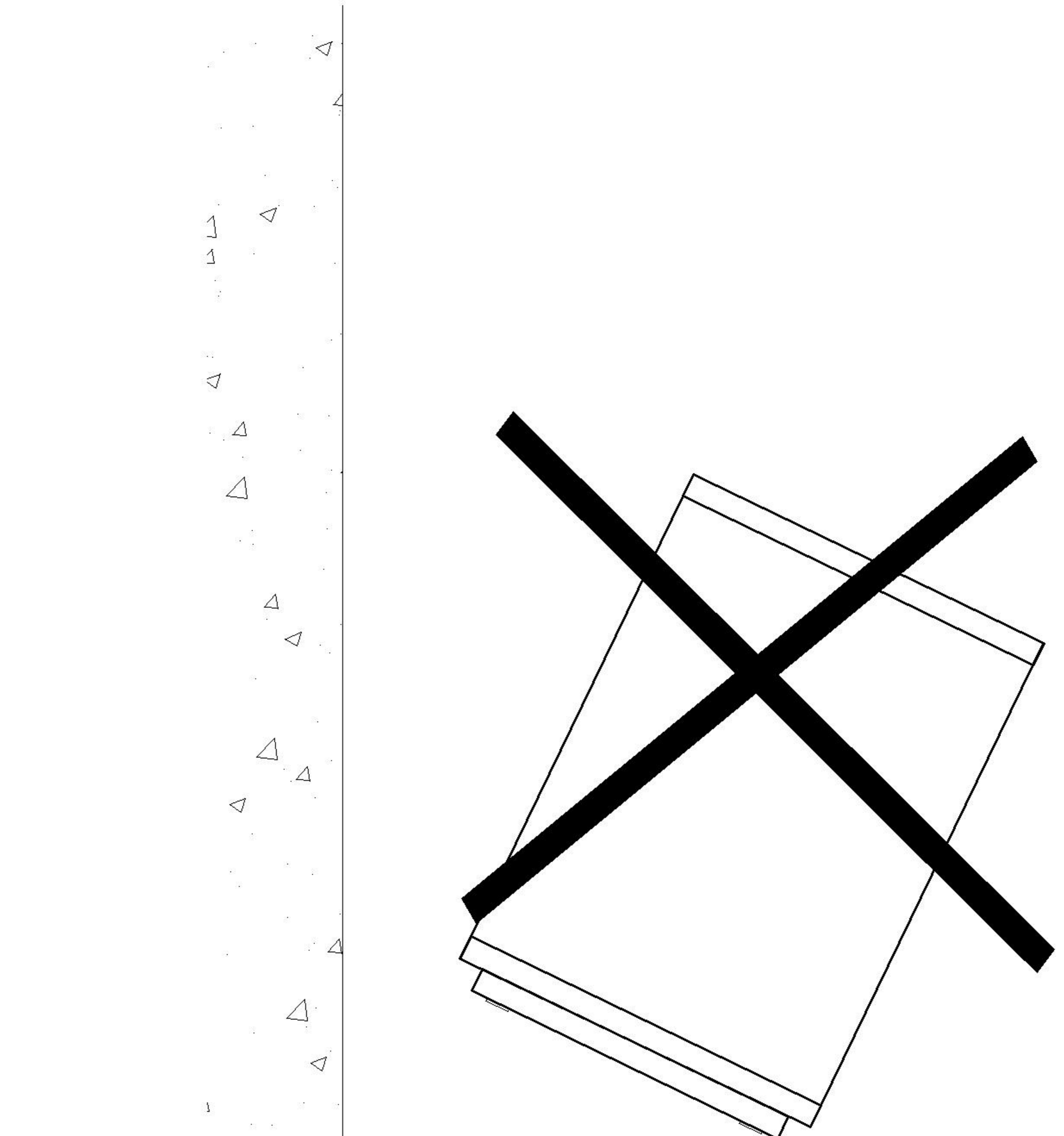
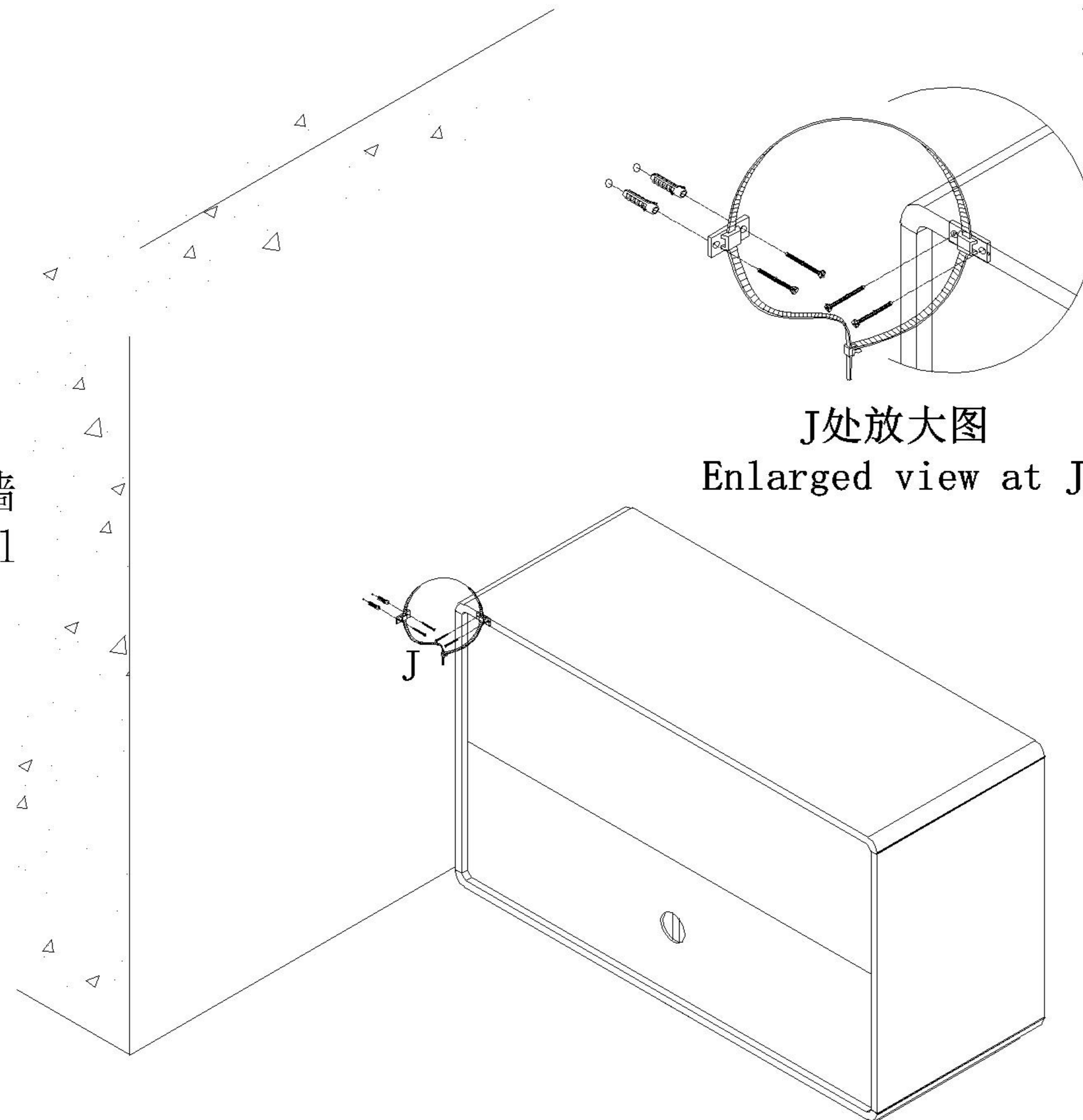
(J)*1

11

12

实体墙
Solid wall

J处放大图
Enlarged view at J

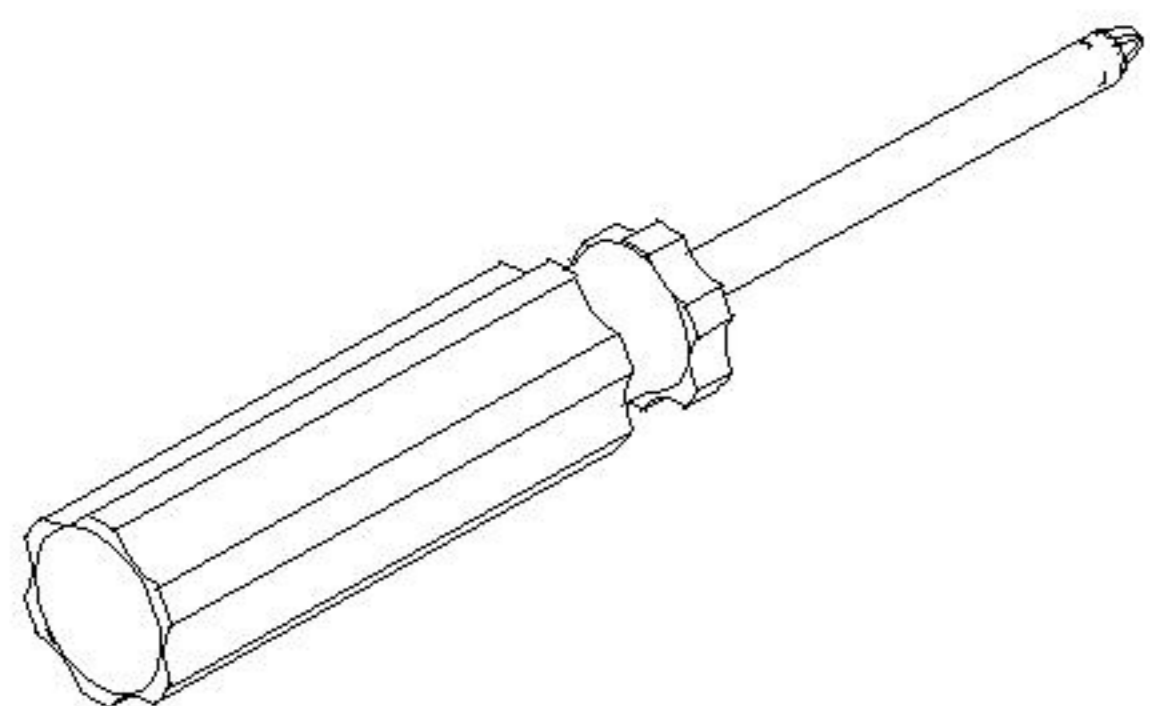
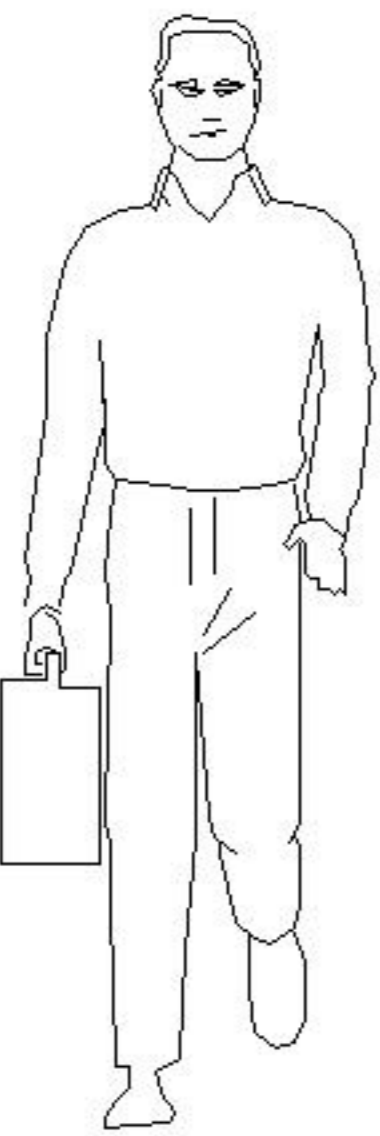


LINSY 林氏家居

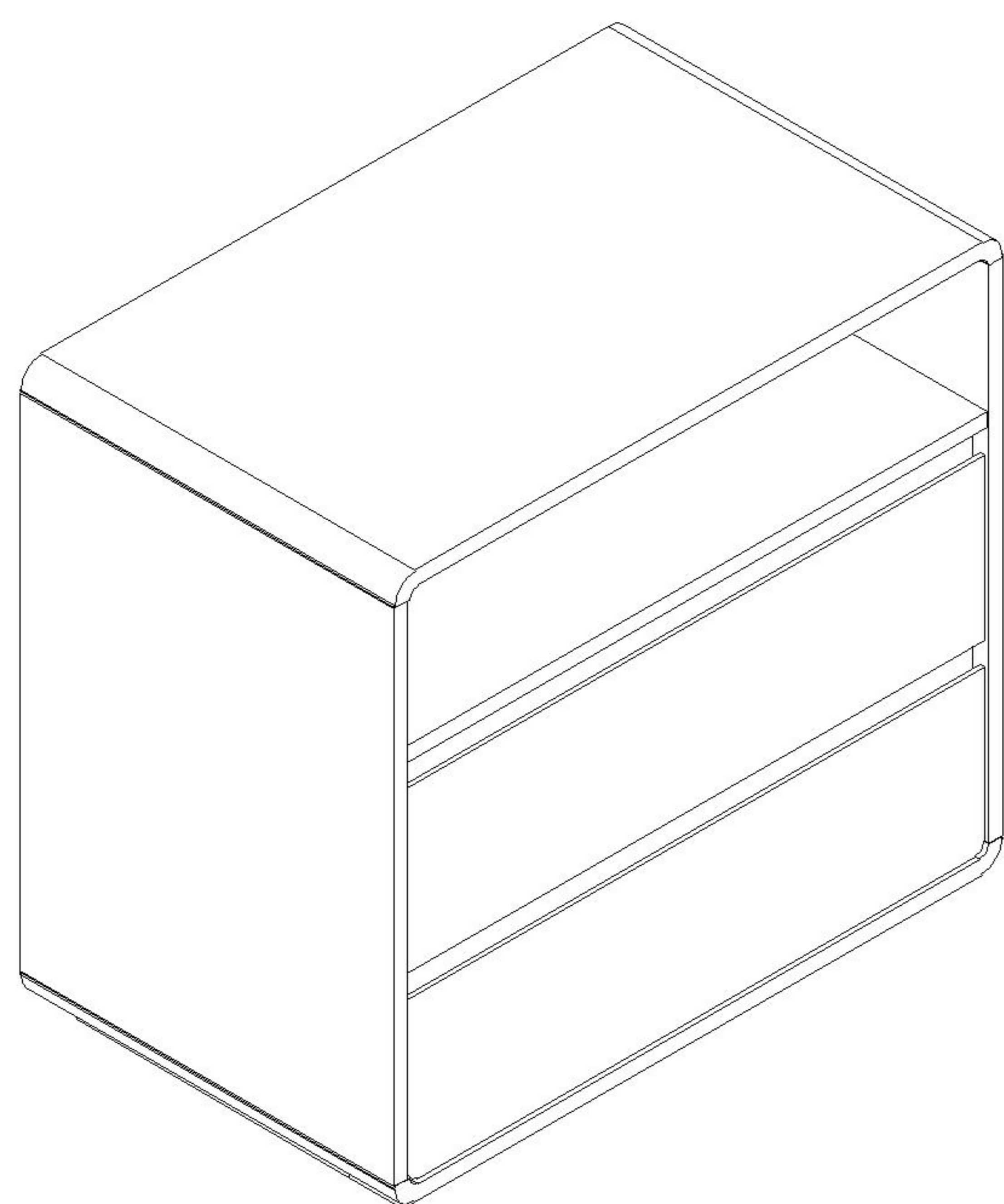
五金表/Hardware list

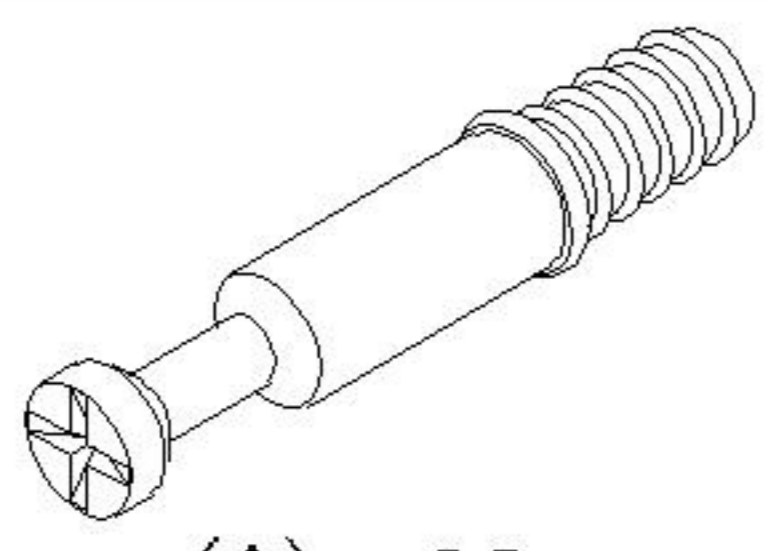
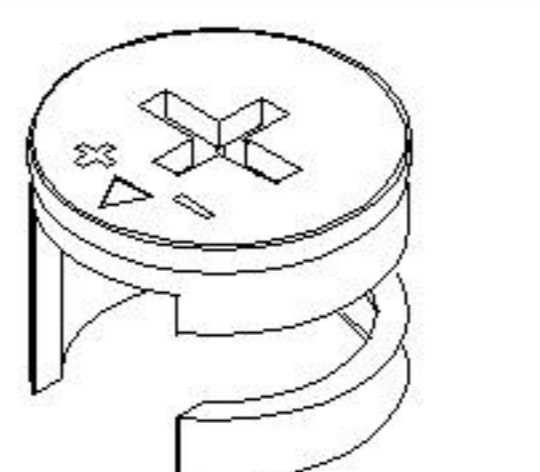
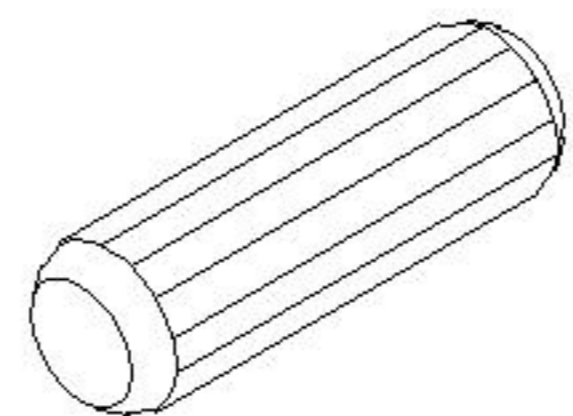
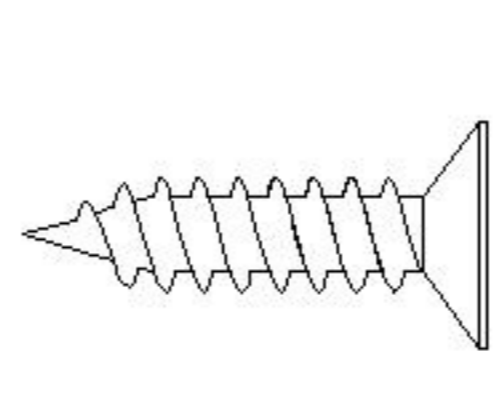
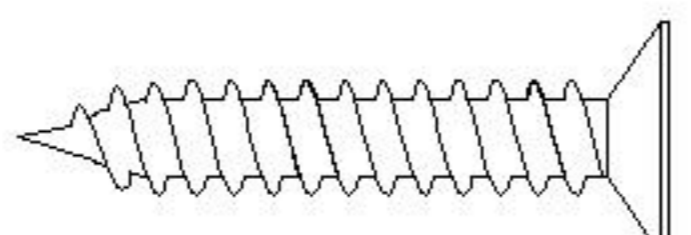
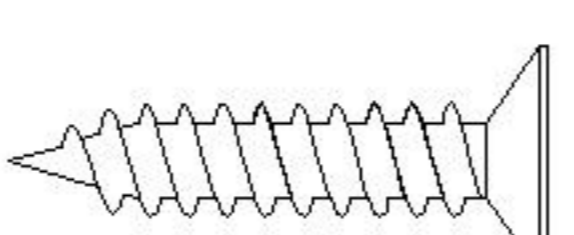
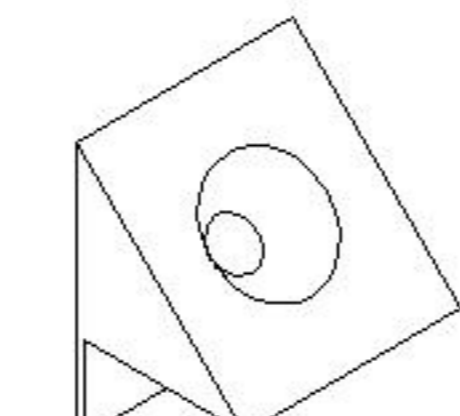

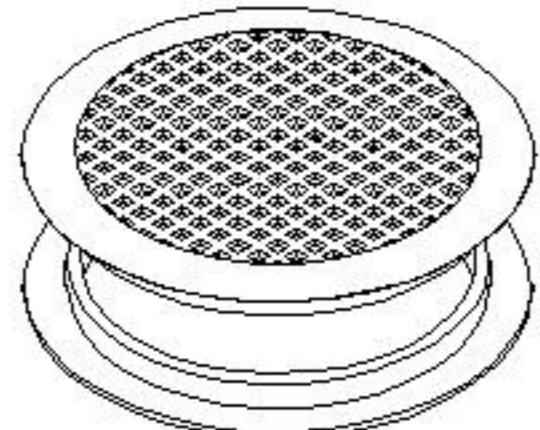
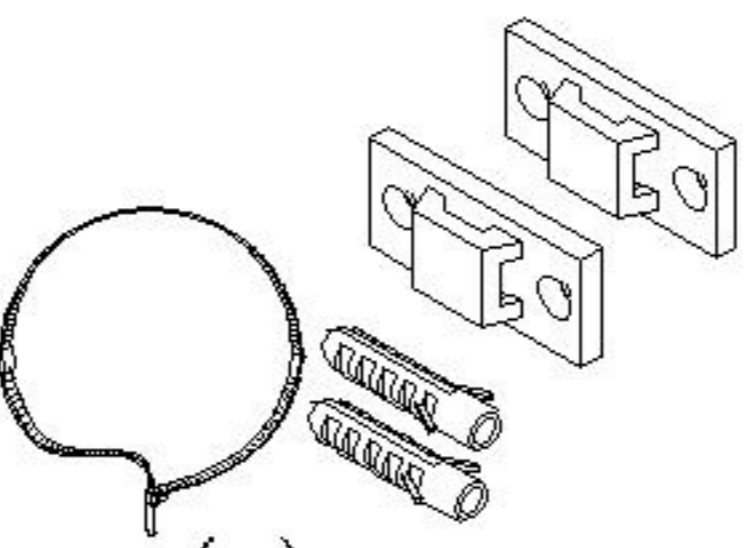
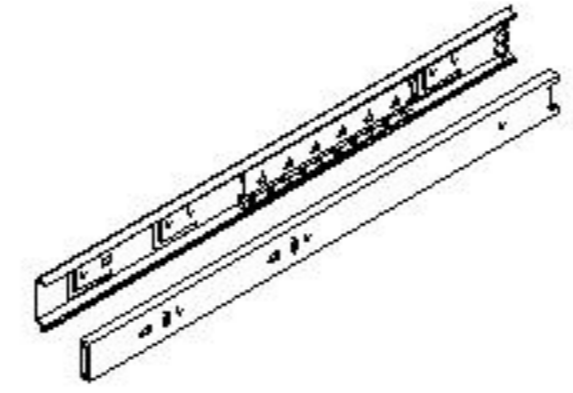
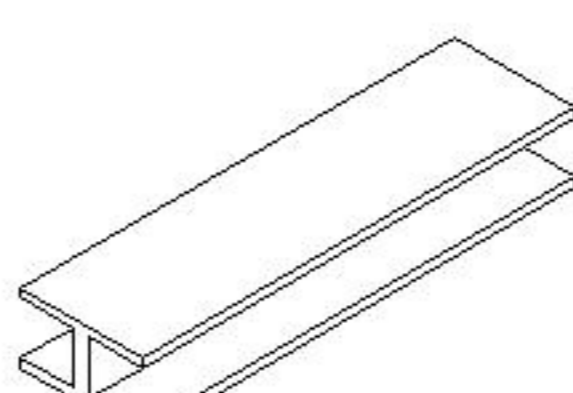
部件表/Parts List

安装示意图/Assembly Instruction

产品名称 Model NO.	三斗柜-0.6m
产品型号 Product Model	UD1E-A
尺寸规格 Specification	(604*398*610)mm
安装工具 Tool	安装人数 Installer
	

注：为保证设计效果，部分尺寸为定制尺寸，不影响使用。



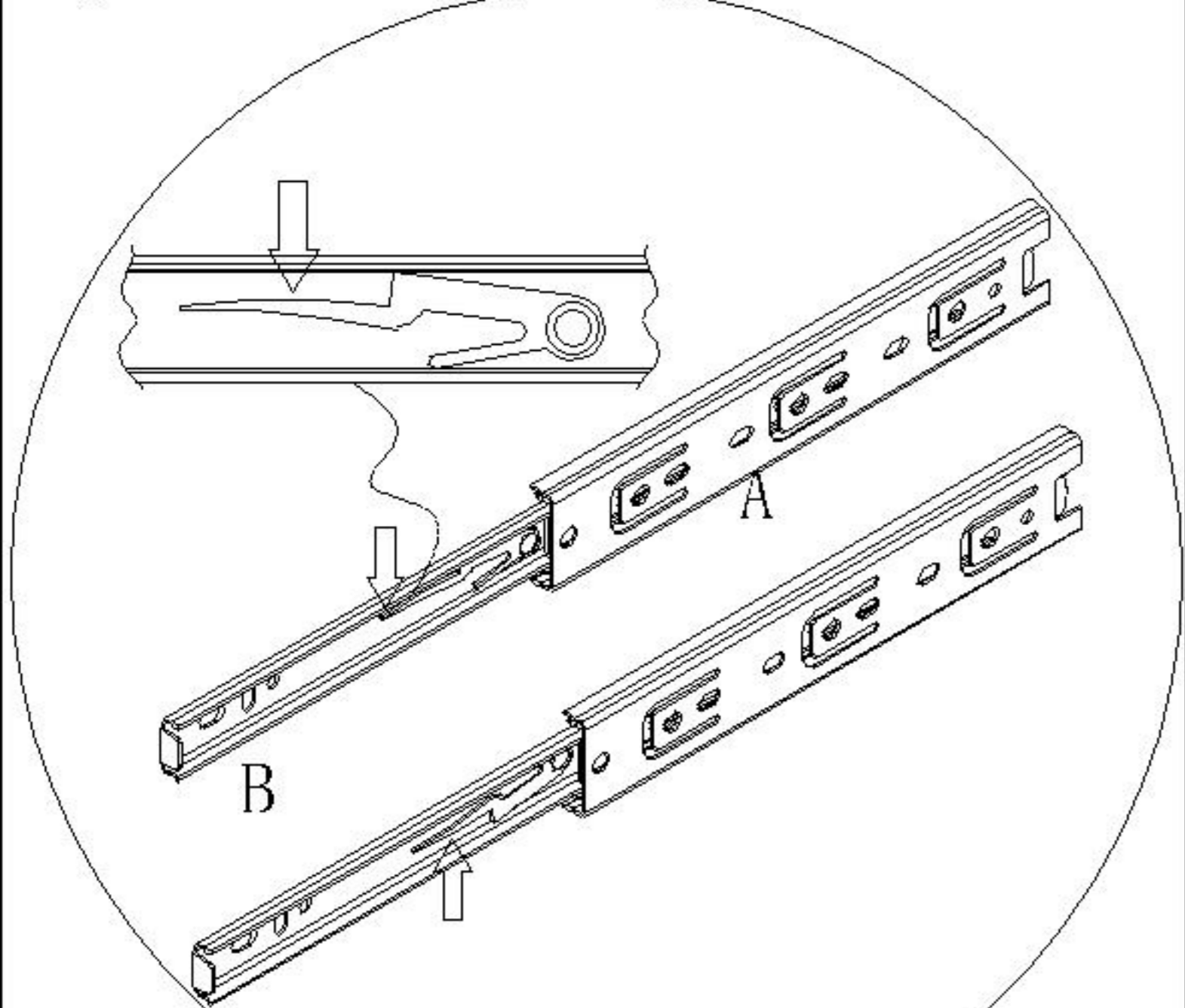
 (A)* 38 二合一螺杆 2-in-1-screw	 (B)* 38 大三合一锁饼 Three-in-one large lock	 (C)* 13 木榫Ø8x30mm wood tenon	 (D)* 17 自攻螺丝M3.5x12mm Self-tapping screw
 (E)* 6 自攻螺丝M4x30mm Self-tapping screw	 (F)* 8 自攻螺丝M3.5x16mm Self-tapping screw	 (G)* 8 背板扣 Back Plate Buckle-White	 (H)* 4 脚垫-灰色 Footrest - Grey
 (I)* 1 透气孔盖-白色 Vent cover - white	 (J)* 1 家具防倒器-白色 Anti-fall device white	 (K)* 2 三节滚珠导轨-8" three-section ball rail	 (L)* 1 夹板条 Splint strip

编号NO.	名称Name	规格 (mm) Specification	数量QTY	材质Material
①	面板组立 Panel assembly	604*398*25	1	纤维板+橡胶木 Fiberboard+Rubber wood
②	底板组立 Bottom board assembly	604*398*25	1	纤维板+橡胶木 Fiberboard+Rubber wood
③	左侧板 Side board(L)	532*397*15	1	刨花板 Particle board
④	右侧板 Side board(R)	532*397*15	1	刨花板 Particle board
⑤	层板 shelf	574*375*15	1	刨花板 Particle board
⑥	拉条brace	574*58*15	2	刨花板 Particle board
⑦	背板1 Back board 1	562*291*5	1	纤维板 Fiberboard
⑧	背板2 Back board 2	562*291*5	1	纤维板 Fiberboard
⑨	前脚条 Front foot strip	534*58*25	1	刨花板 Particle board
⑩	侧脚条 Side foot strip	290*58*25	2	刨花板 Particle board
⑪	上抽屉面板 Upper drawer's panel	570*170*15	1	刨花板 Particle board
⑫	下抽屉面板 Bottom drawer's panel	570*170*15	1	刨花板 Particle board
⑬	抽屉侧板 Drawer's sideboard	295*110*15	4	刨花板 Particle board
⑭	抽屉后板 Drawer's Back board	548*110*15	2	刨花板 Particle board
⑮	抽屉底板 Drawer's Bottom board	528*305*5	2	纤维板 Fiberboard

UD1E-A(三斗柜-0.6m)

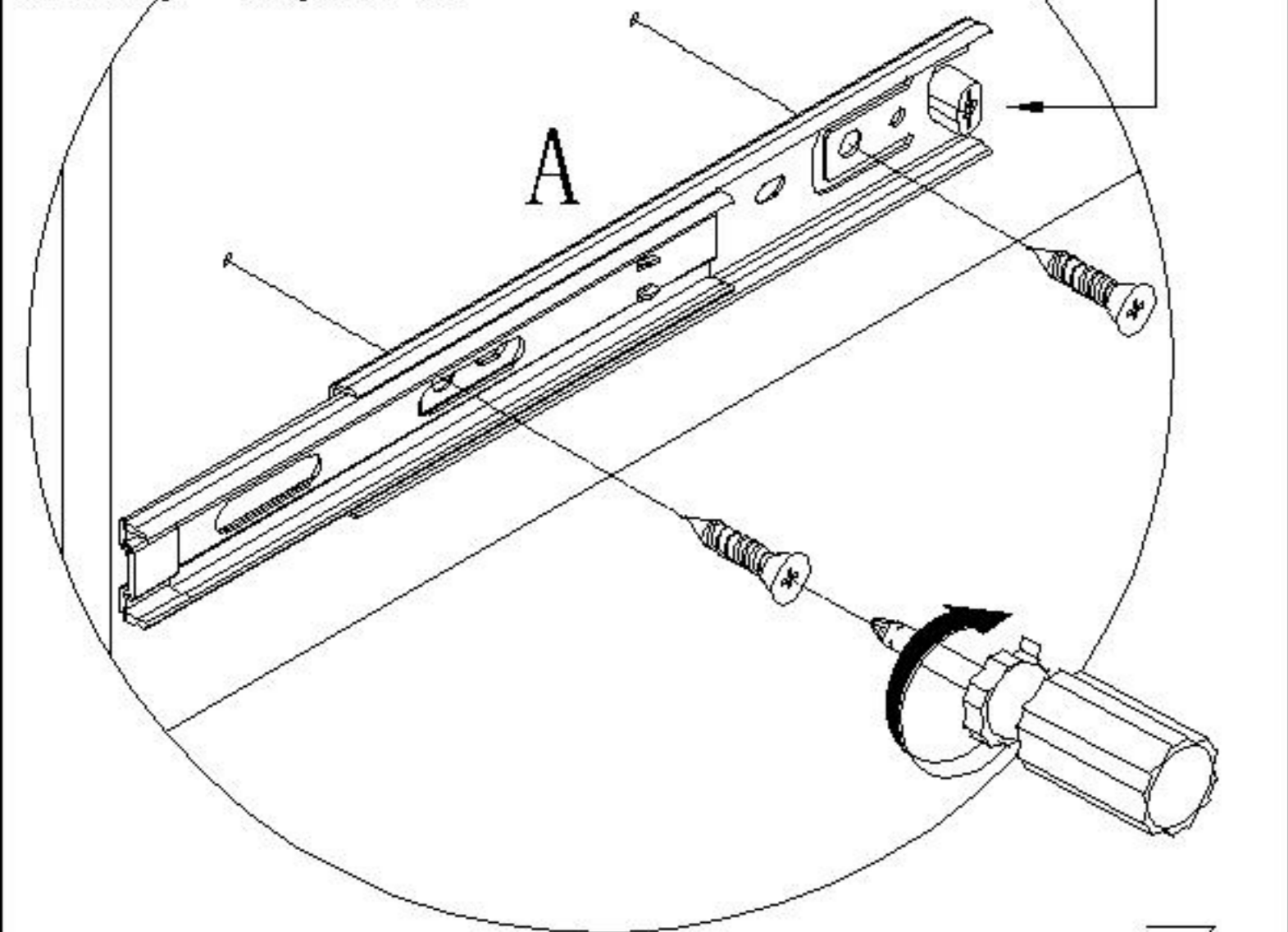
安装方法/
Installation method

阀门开关(下压为开)
Valve switch
(press down to open)

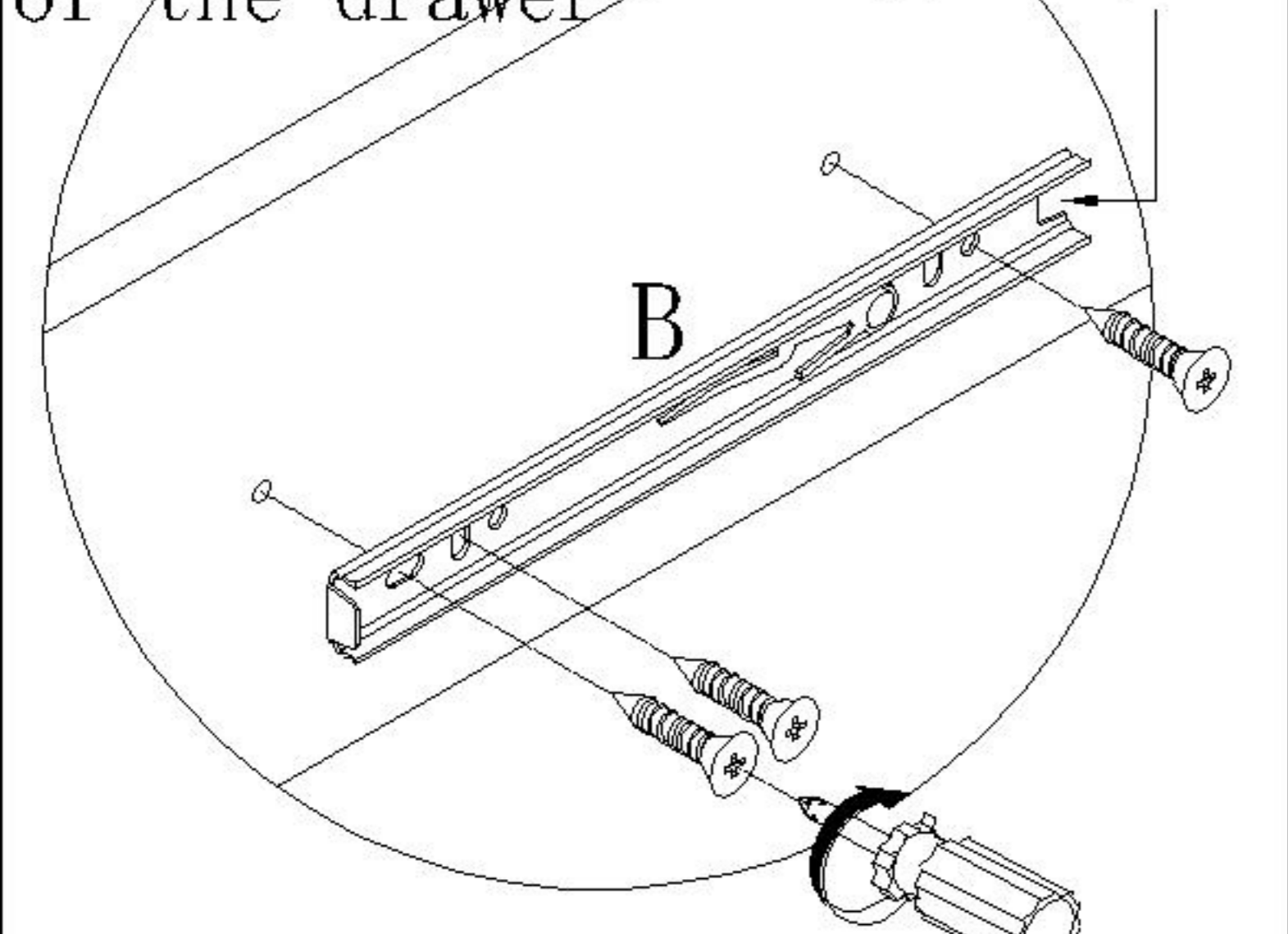


注: 先将A与B拆下来
Note: remove a and B first

侧板
side board



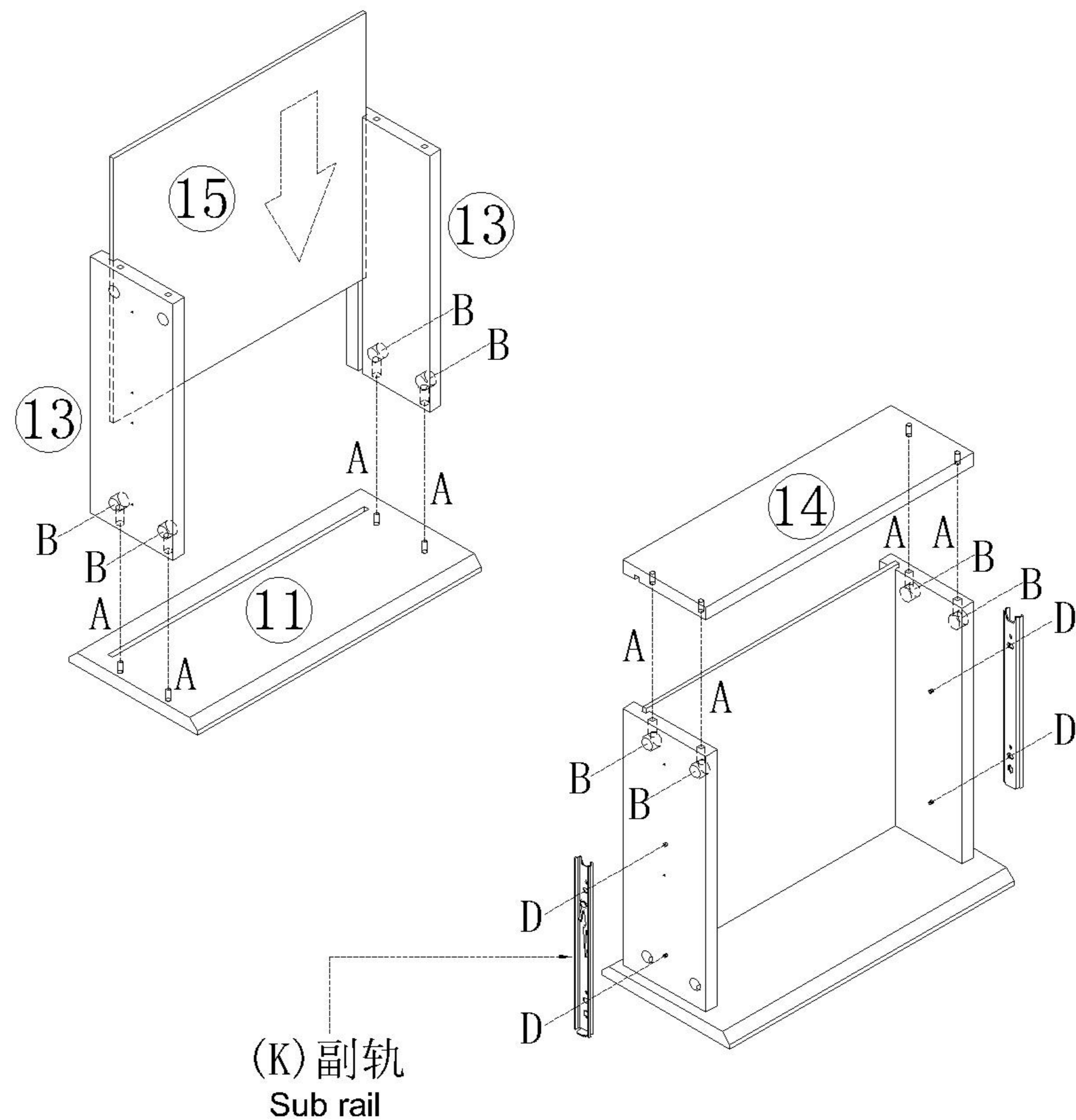
抽屉侧板
sideboard
of the drawer



注: 将B对准A后推进去
Note: align B with a
and push it in

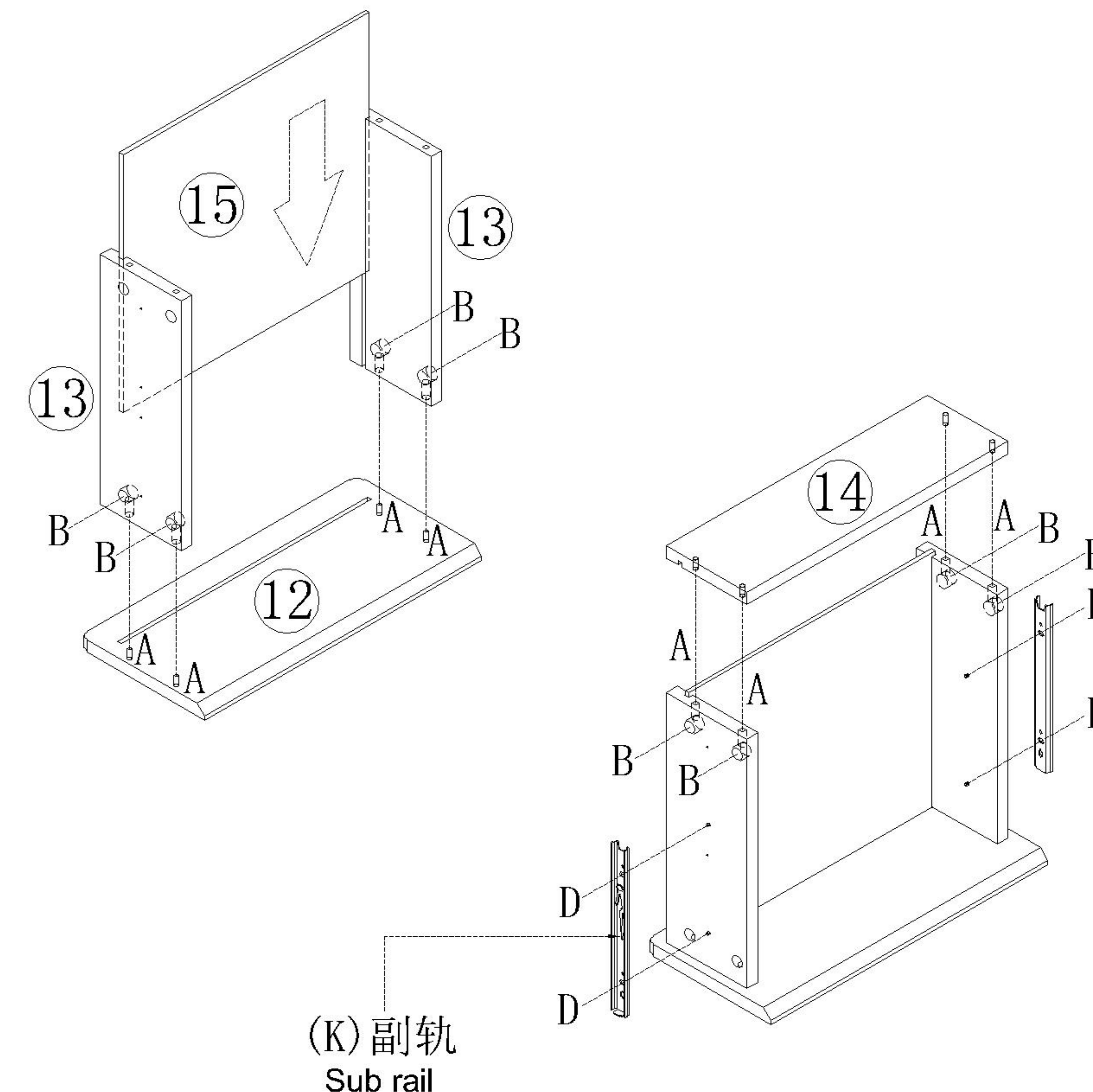
三节滚珠导轨
three-section ball rail

- (A)*8
- (B)*8
- (D)*4
- (K)*1



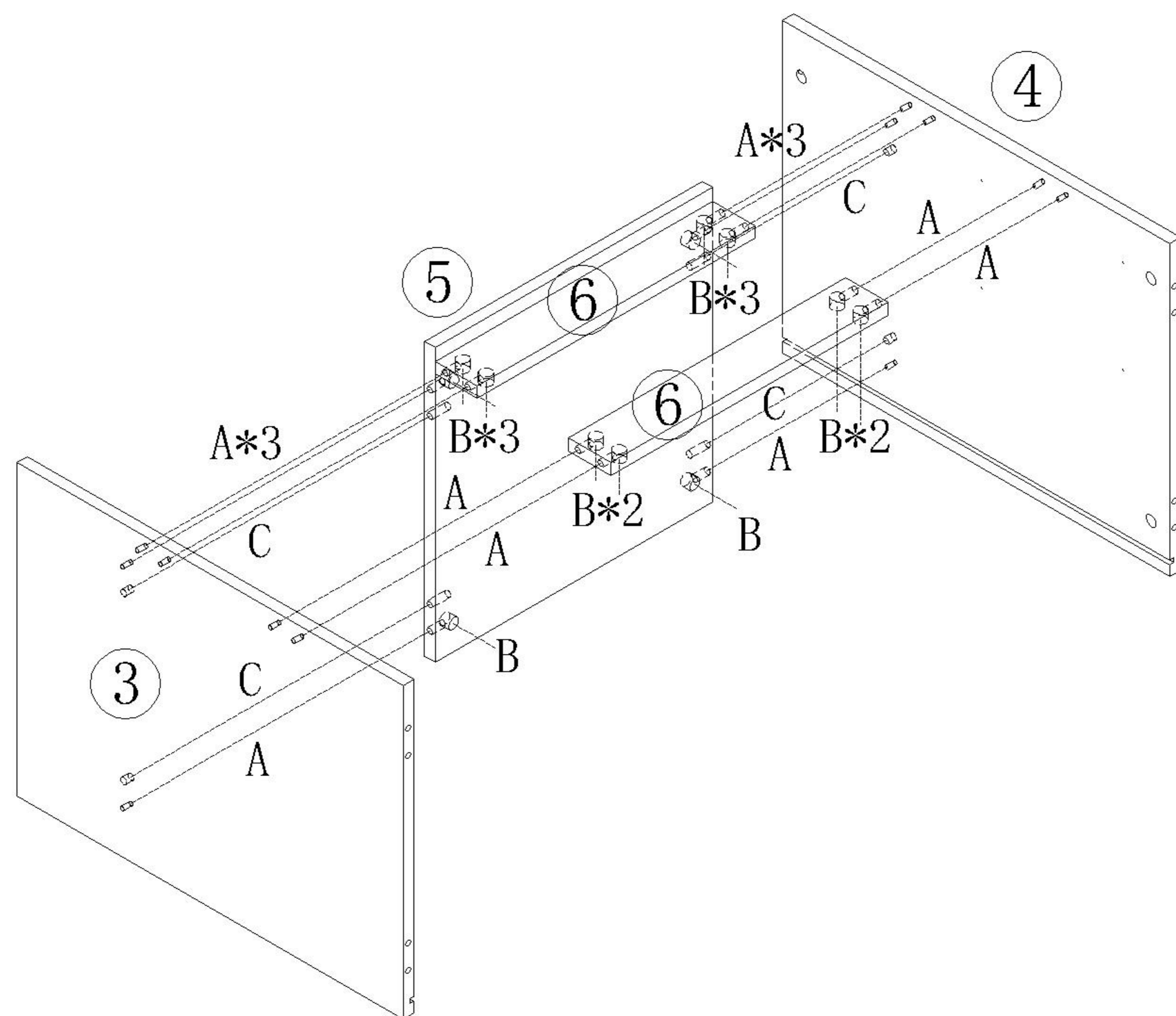
1

- (A)*8
- (B)*8
- (D)*4
- (K)*1



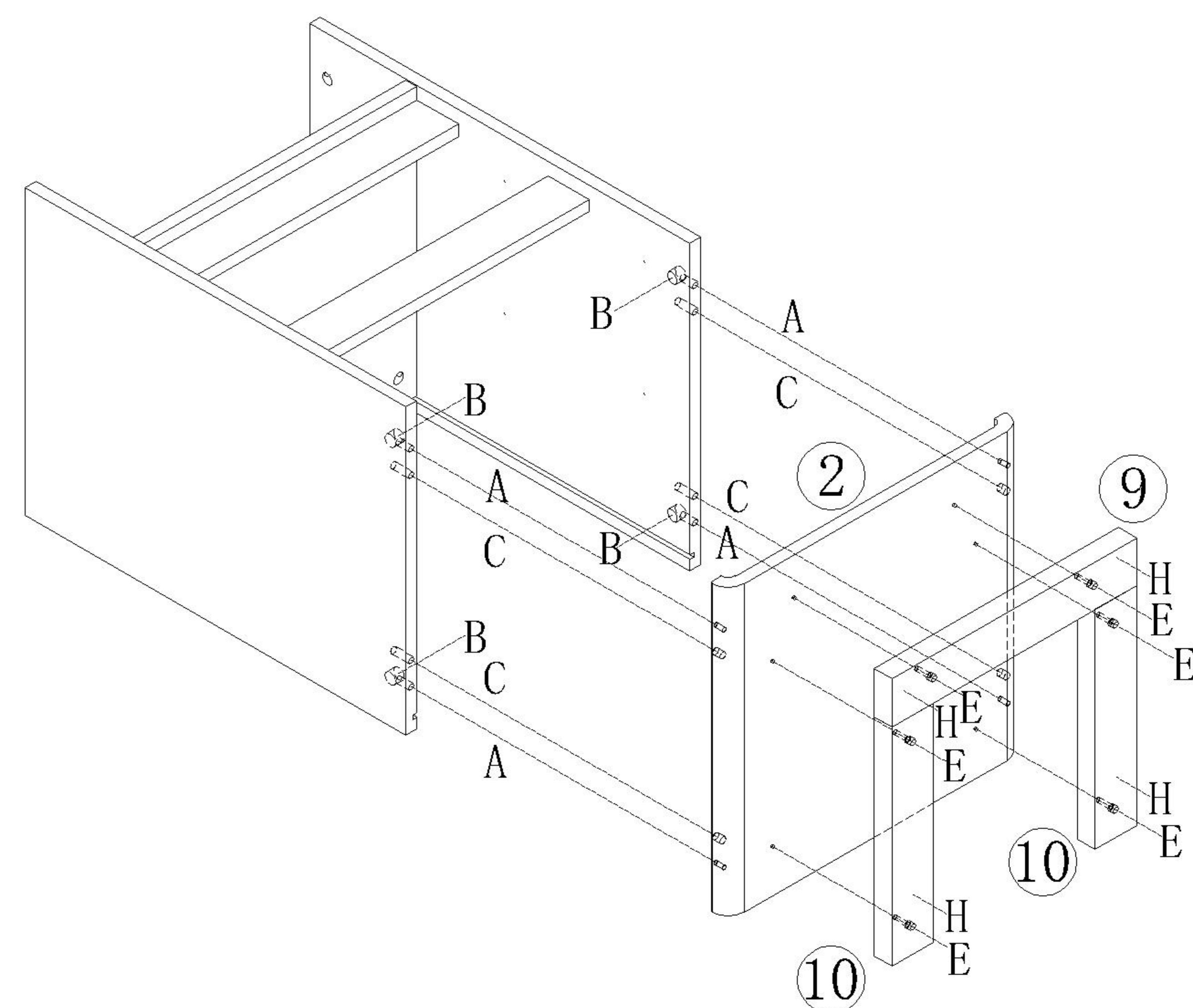
2

- (A)*12
- (B)*12
- (C)*4



3

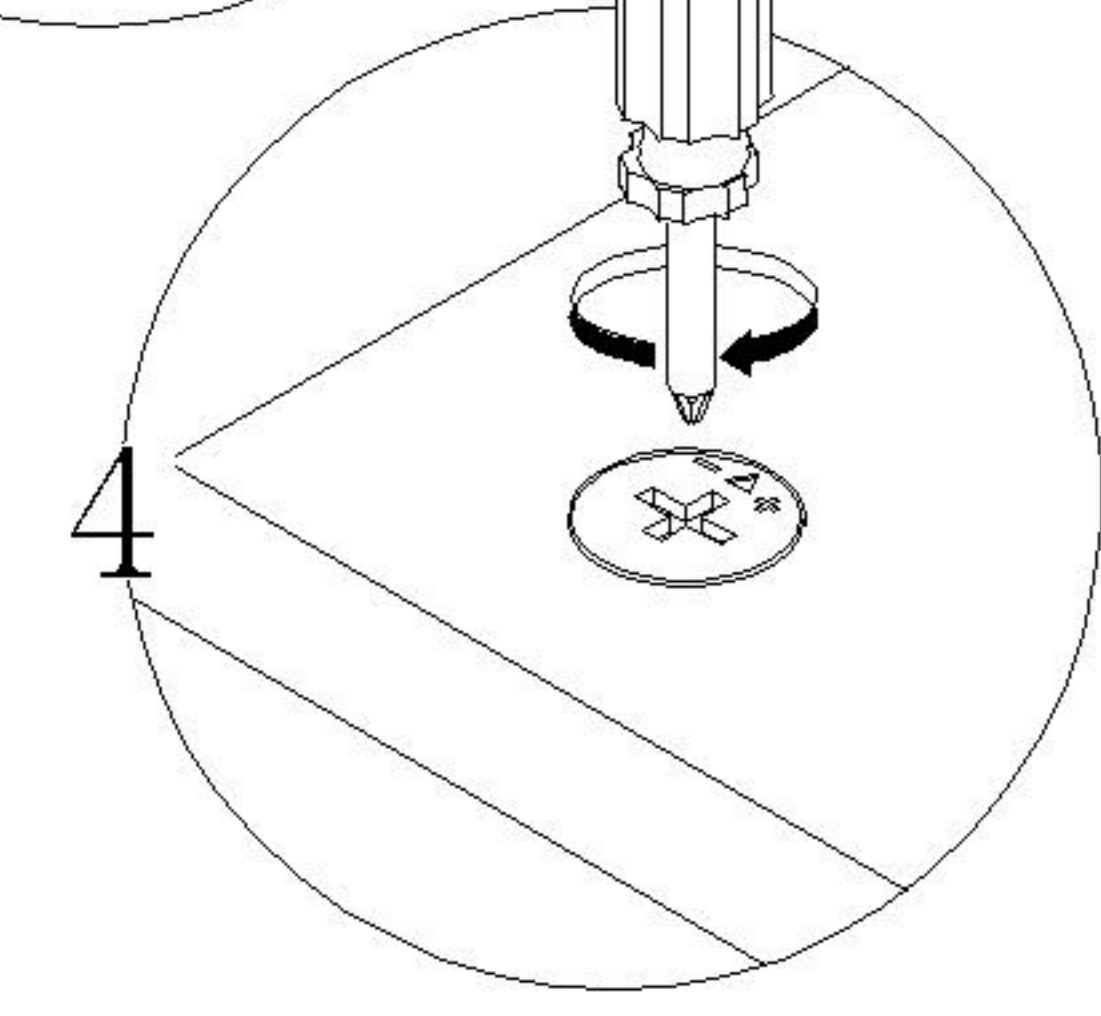
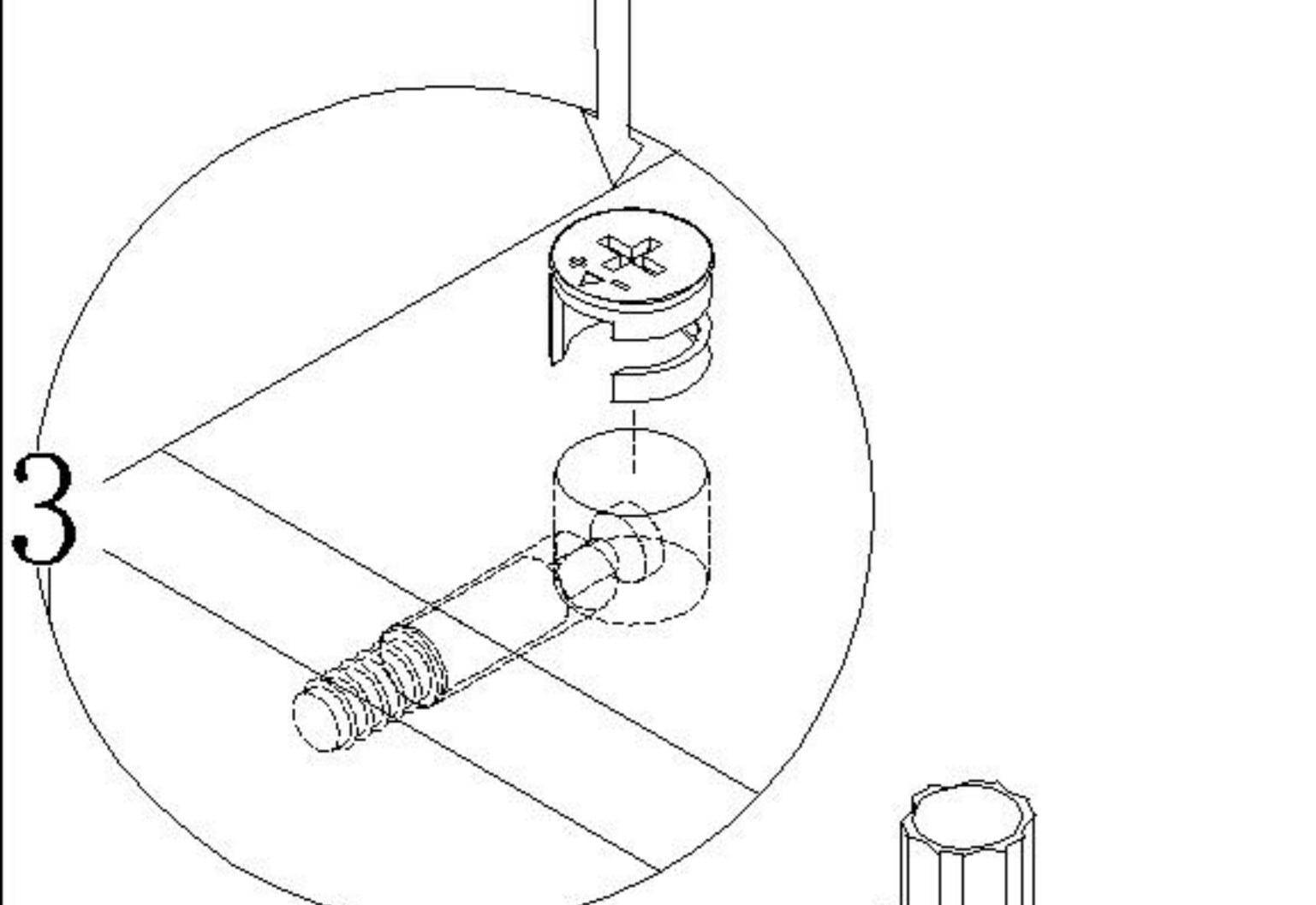
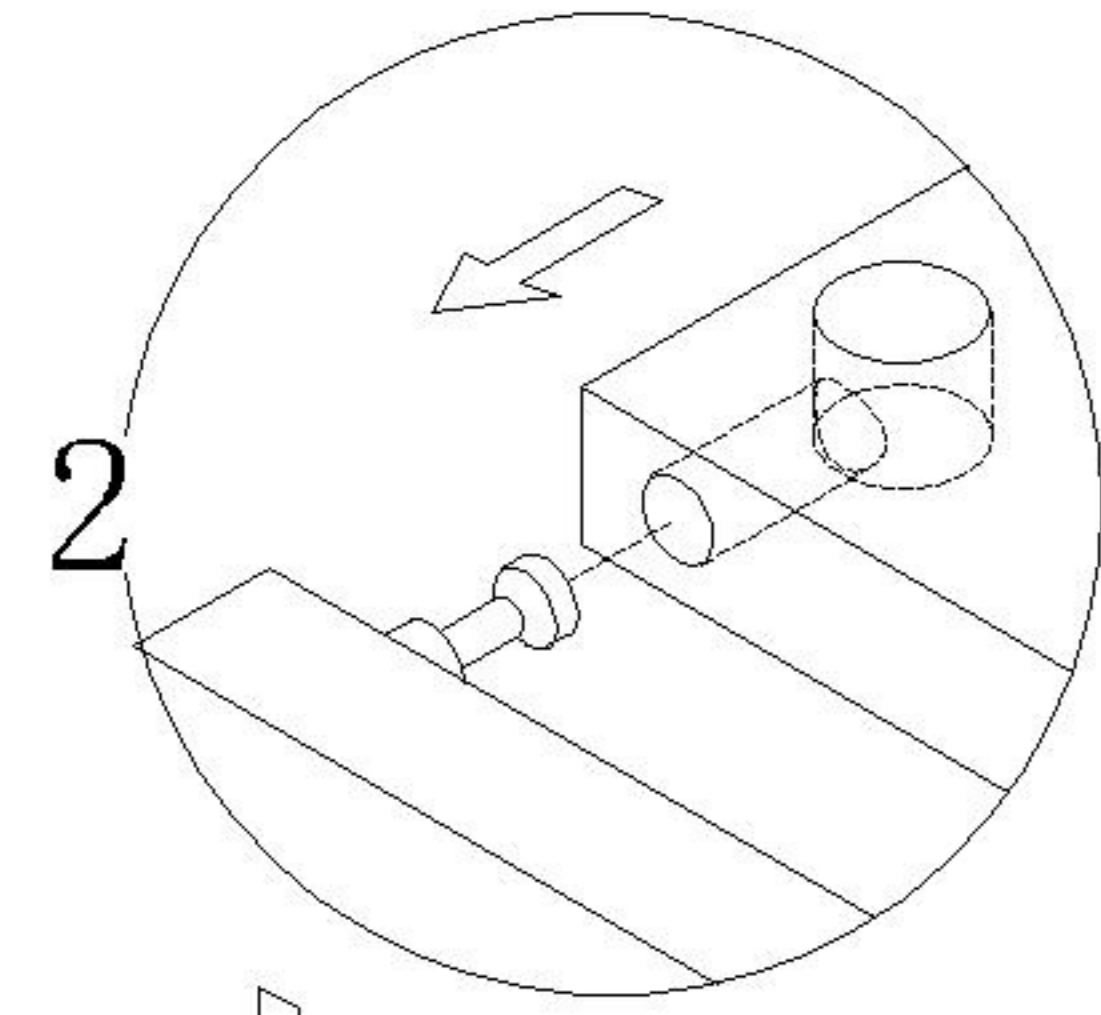
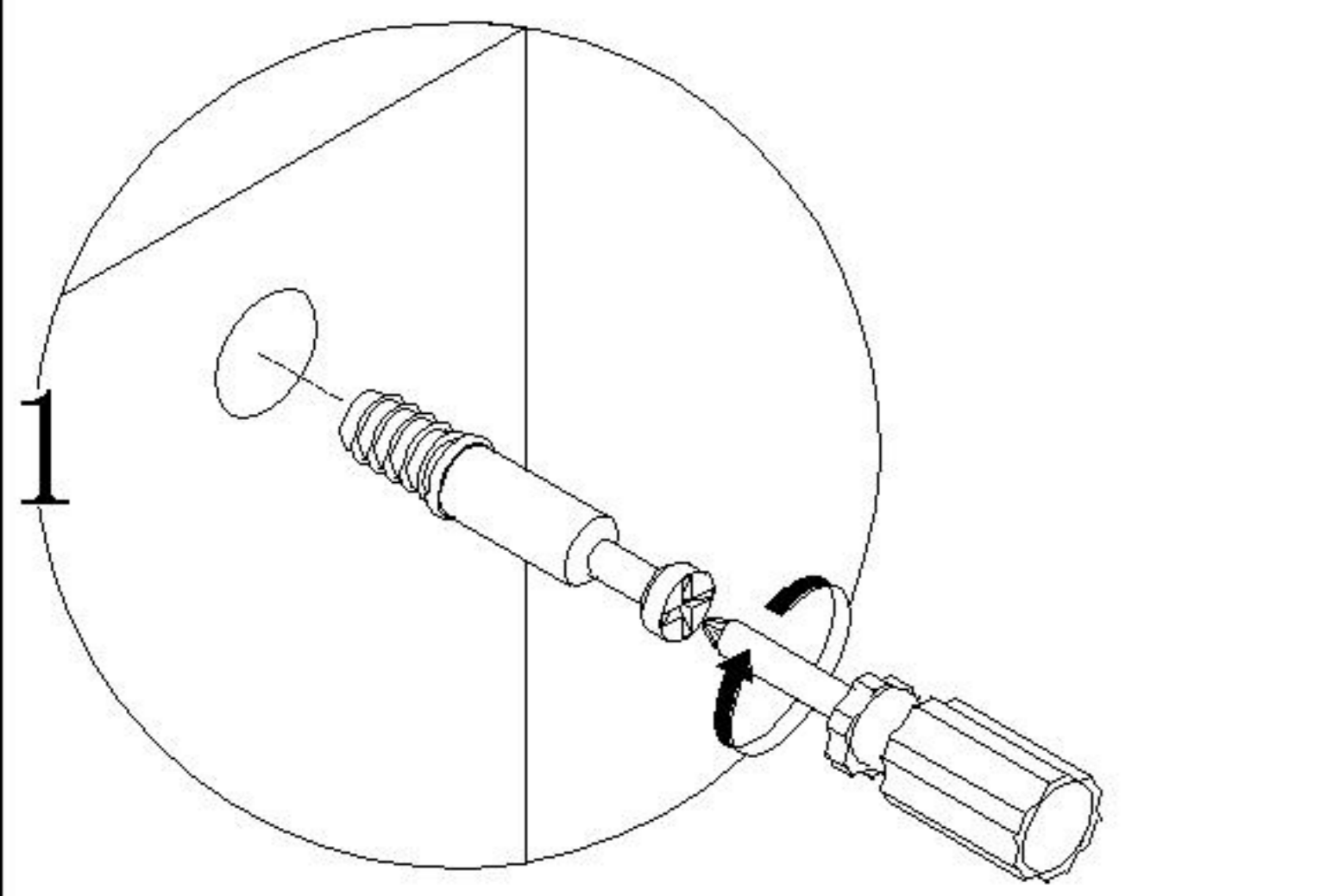
- (A)*4
- (B)*4
- (C)*4
- (E)*6
- (H)*4



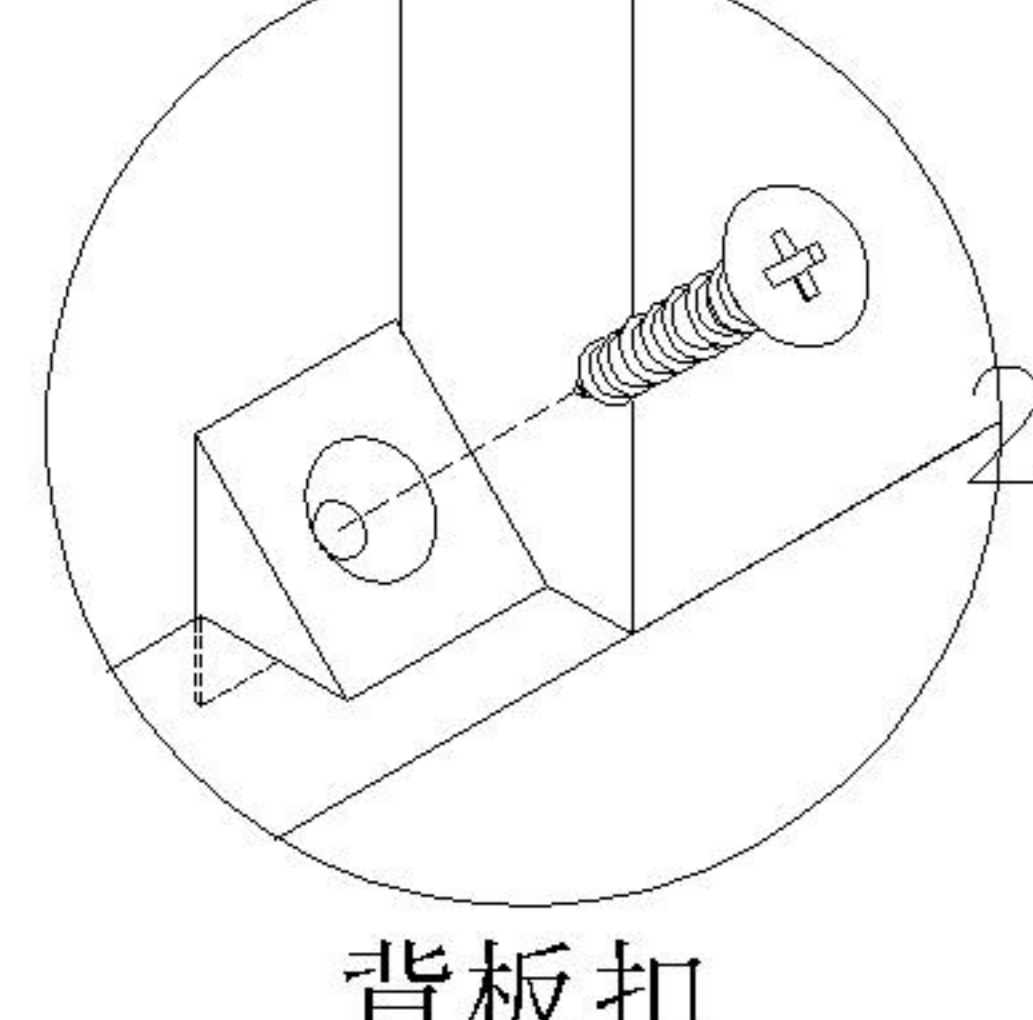
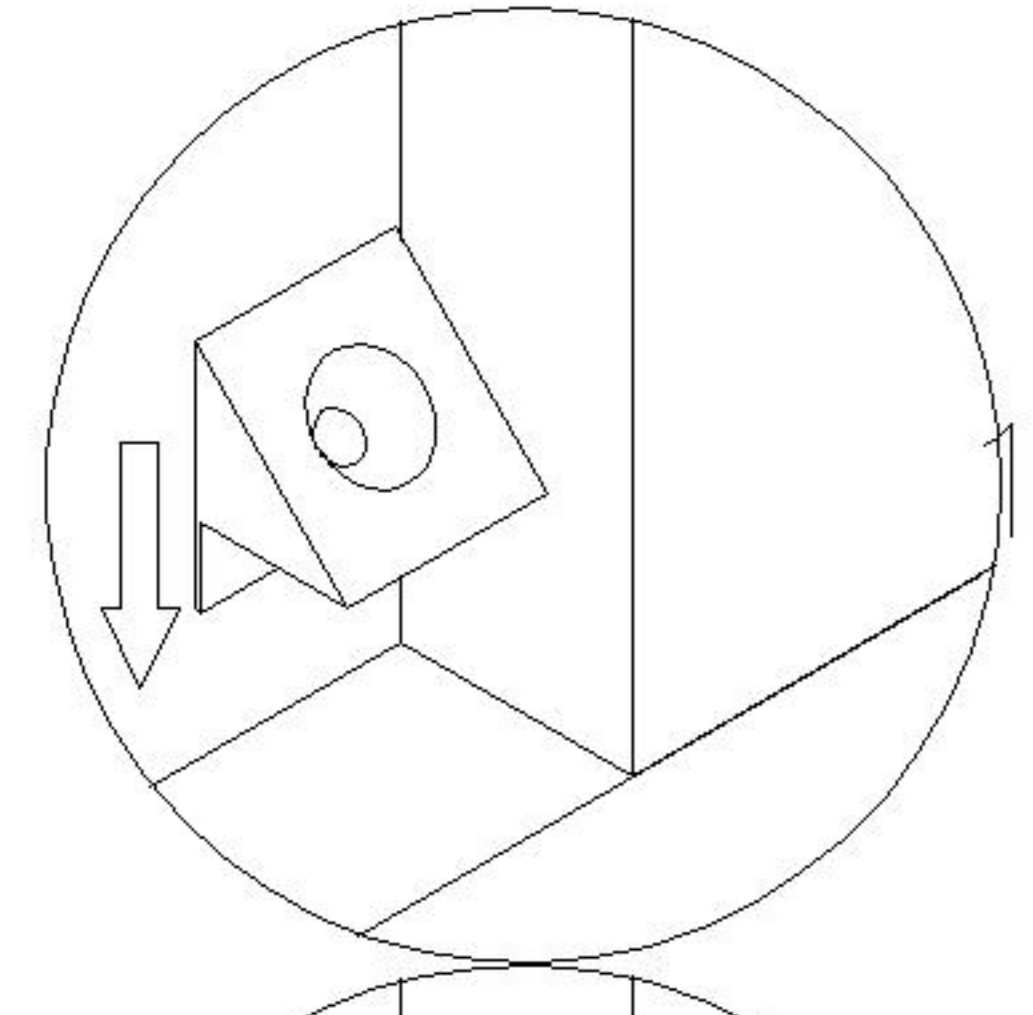
4

UD1E-A(三斗柜-0.6m)

安装方法/
Installation method



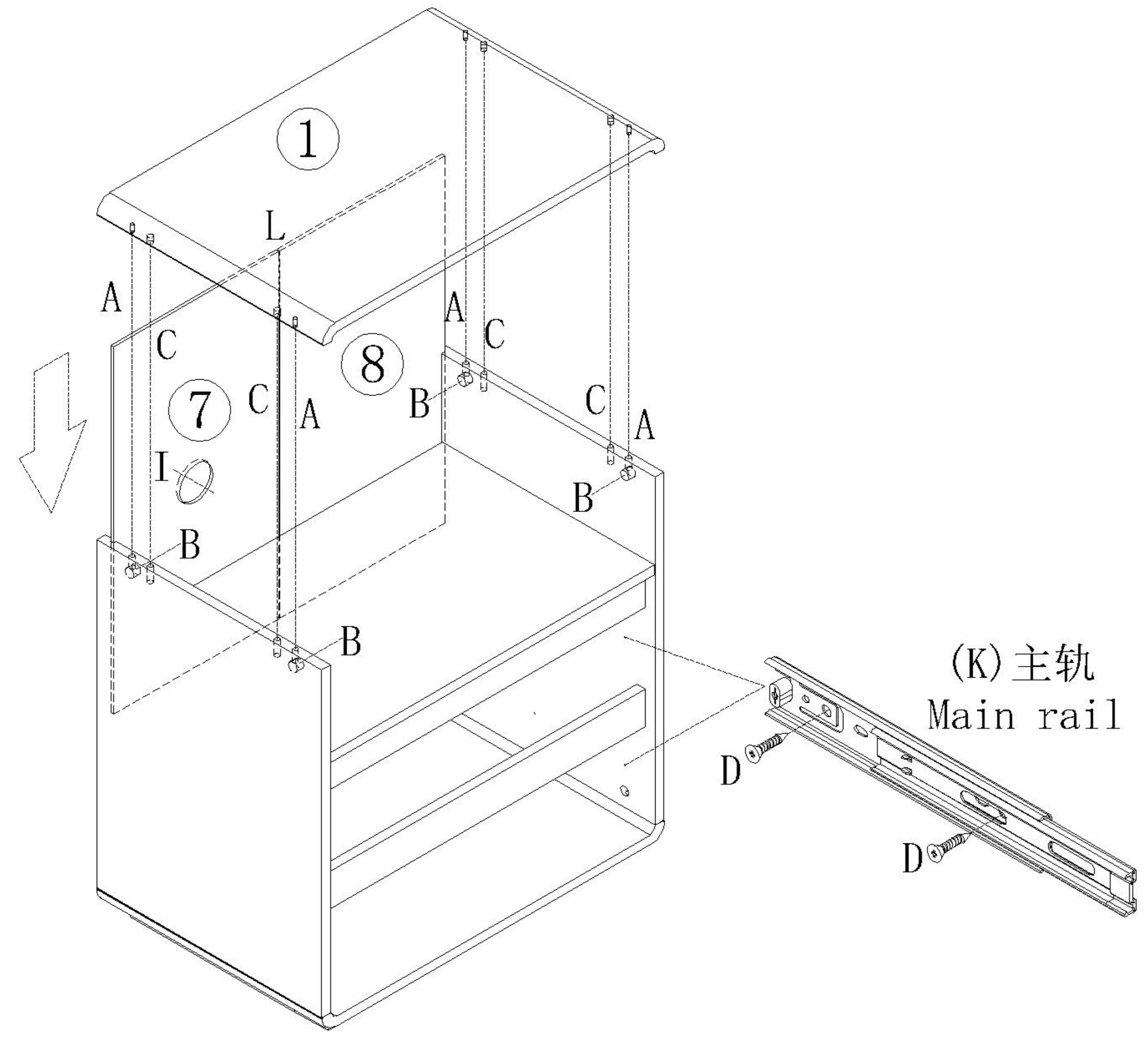
大二合一
two-in-one



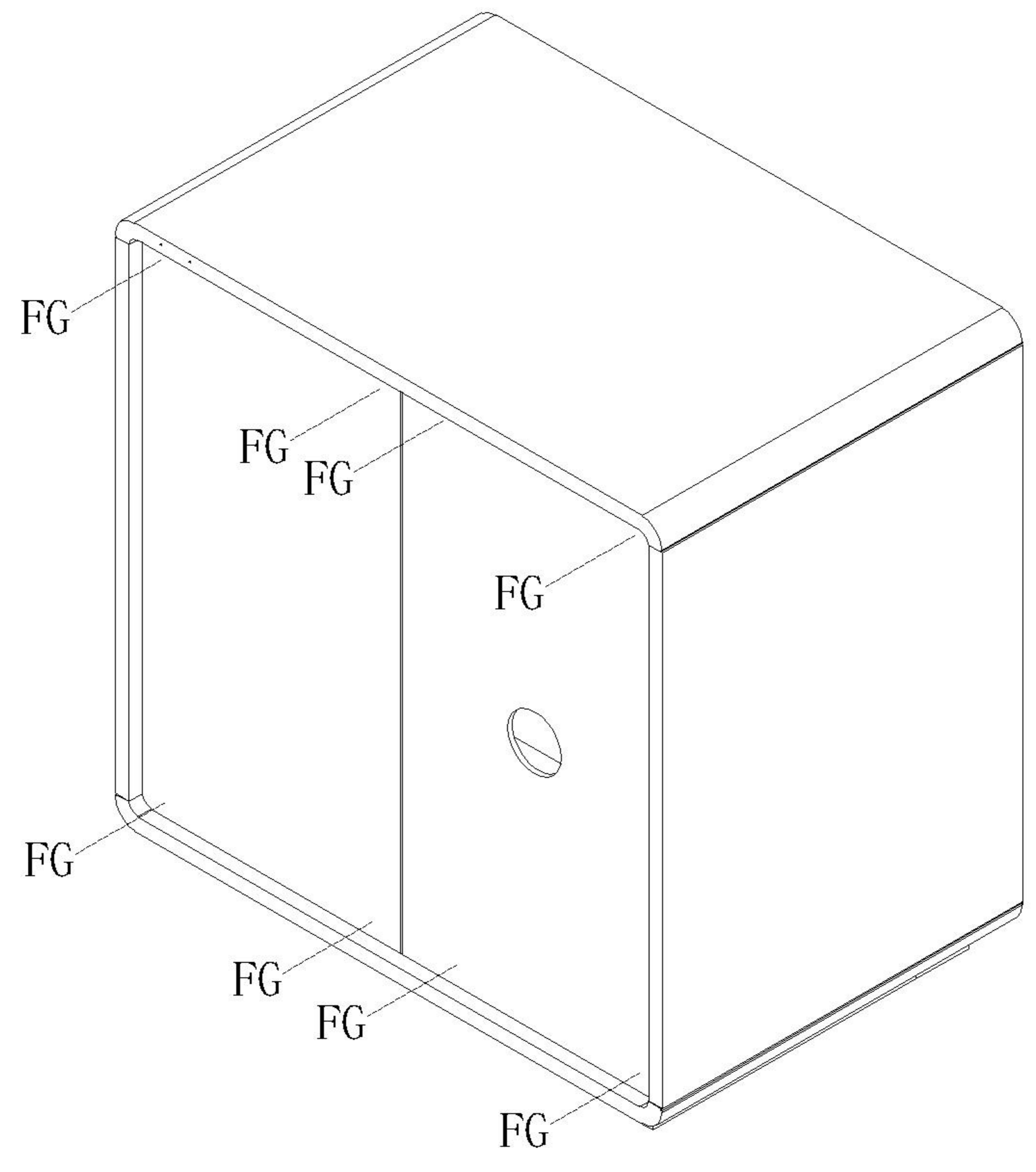
背板扣
Back Plate Buckle-White

- (A)*4
- (B)*4
- (C)*4
- (D)*8
- (K)*2
- (I)*1
- (L)*1

- (F)*8
- (G)*8



(K) 主轨
Main rail

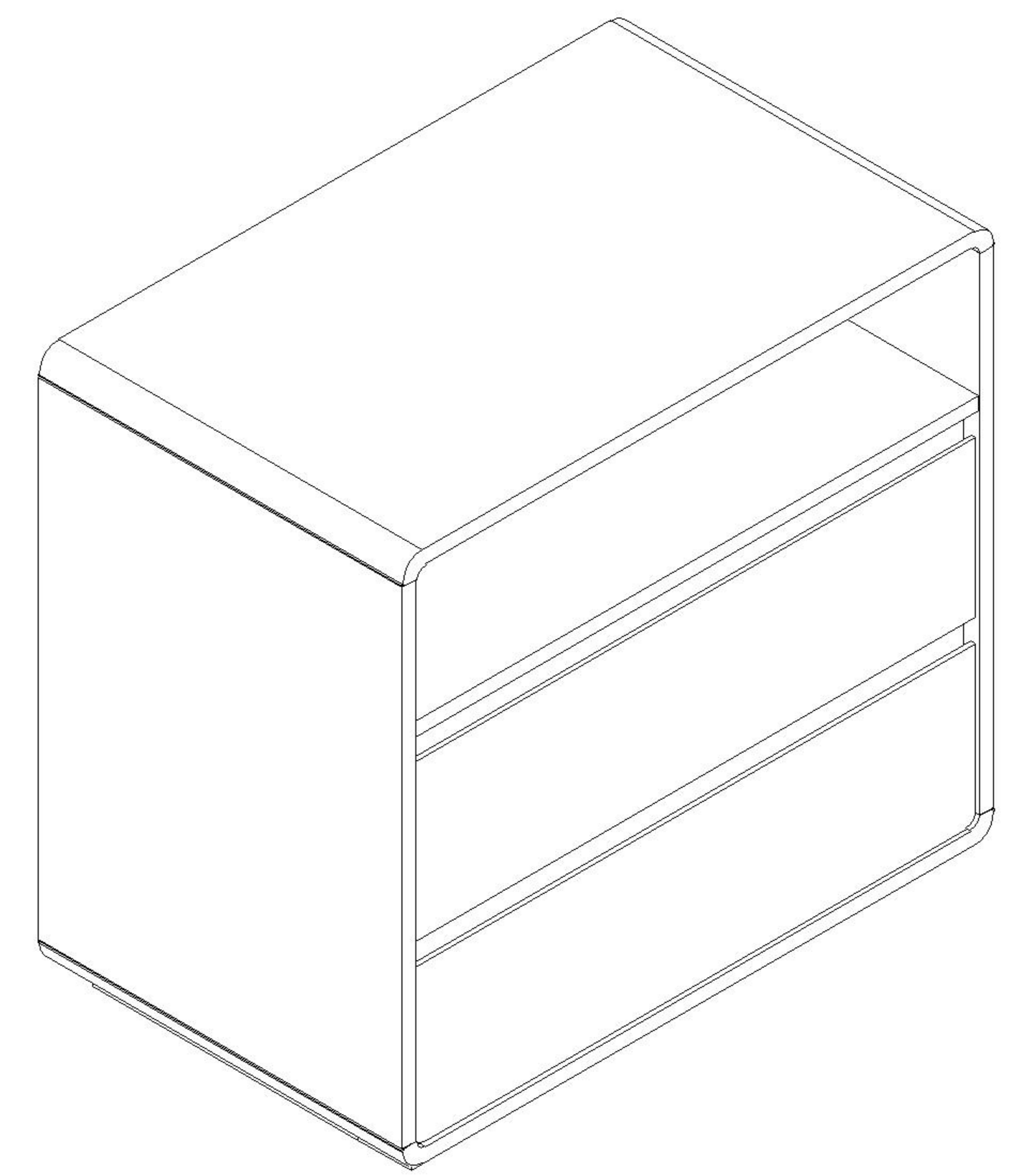
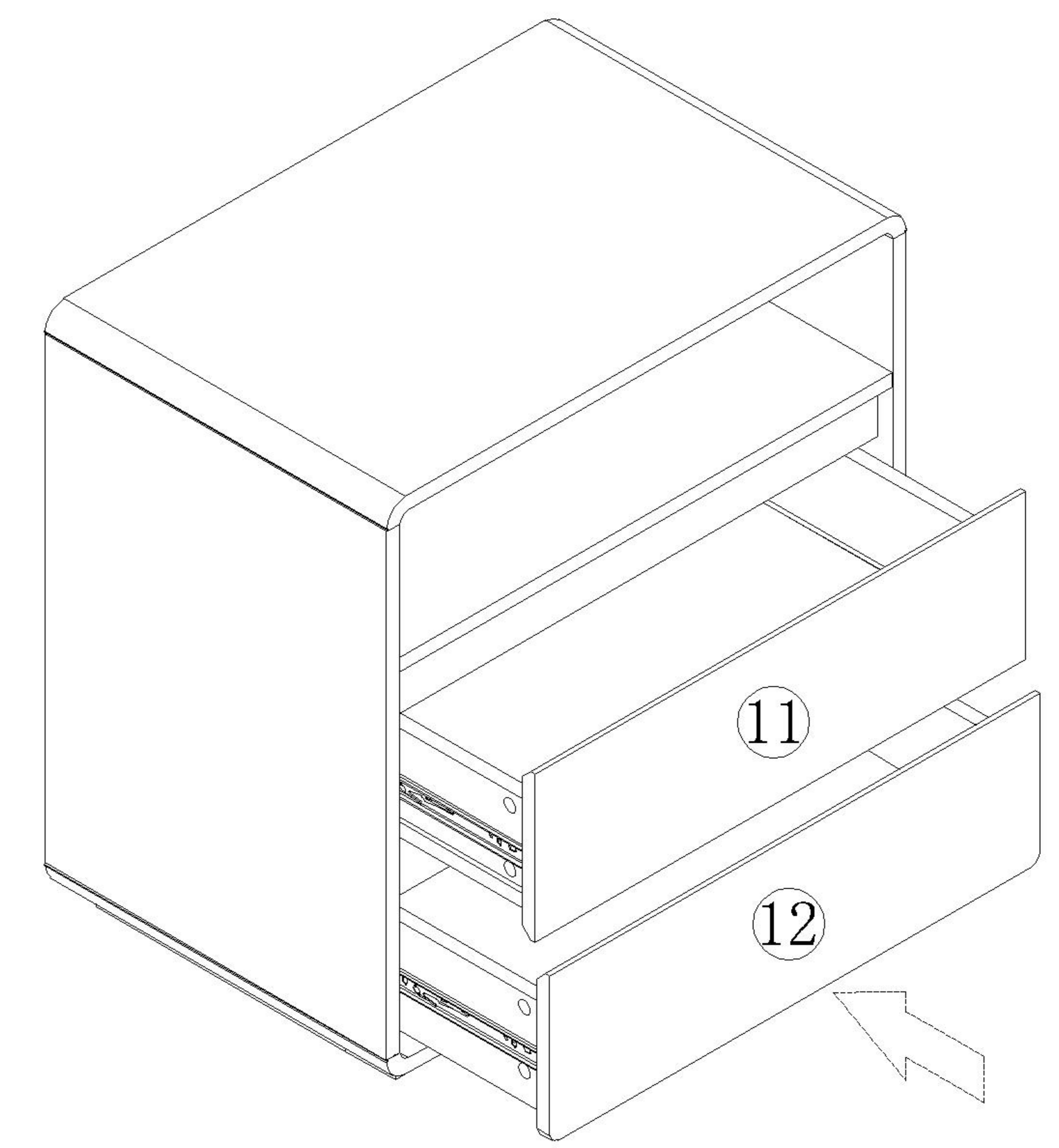


5

7

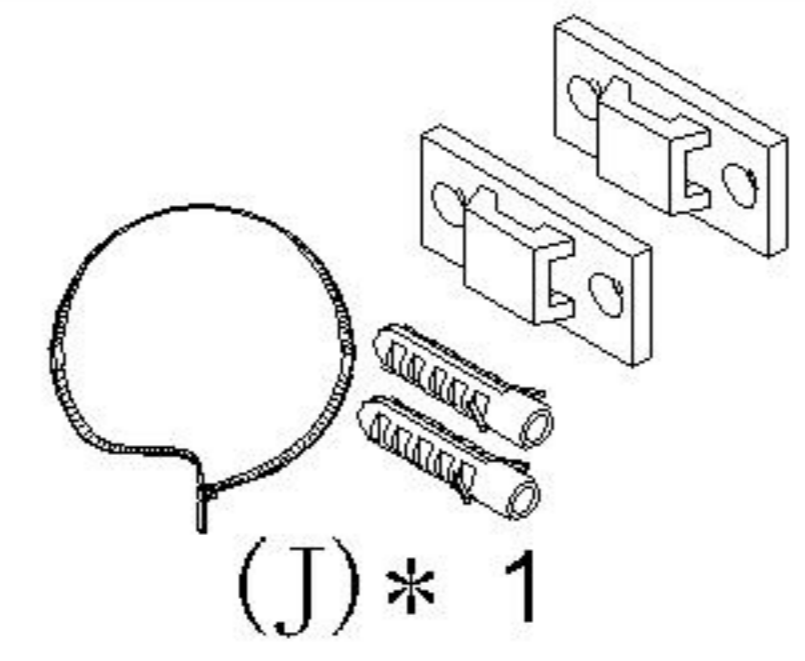
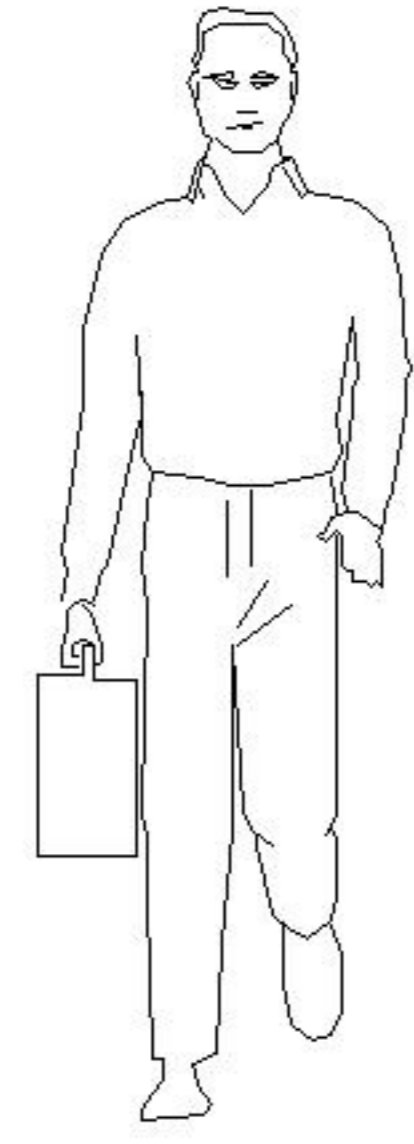
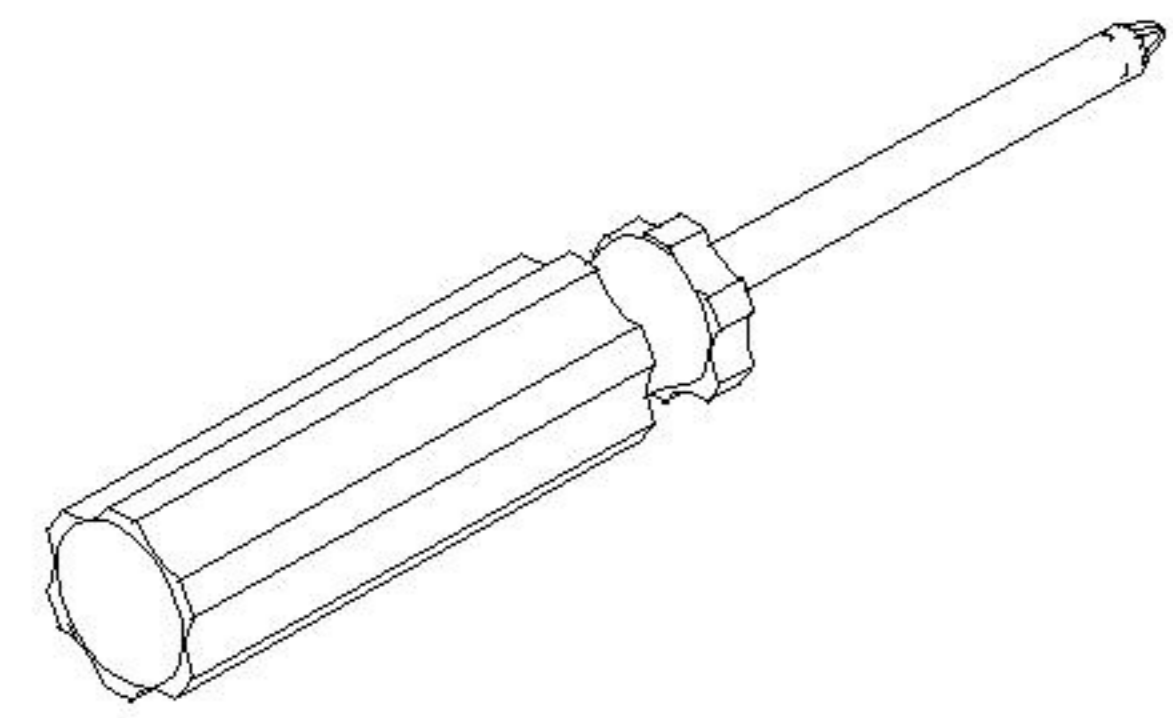
6

8



安装示意图/Assembly Instruction

产品名称 Model NO.	Anti-fall device
产品规格 Specification	UD1E-A(三斗柜-0.6m)
安装工具 Tool	安装人数 Installer

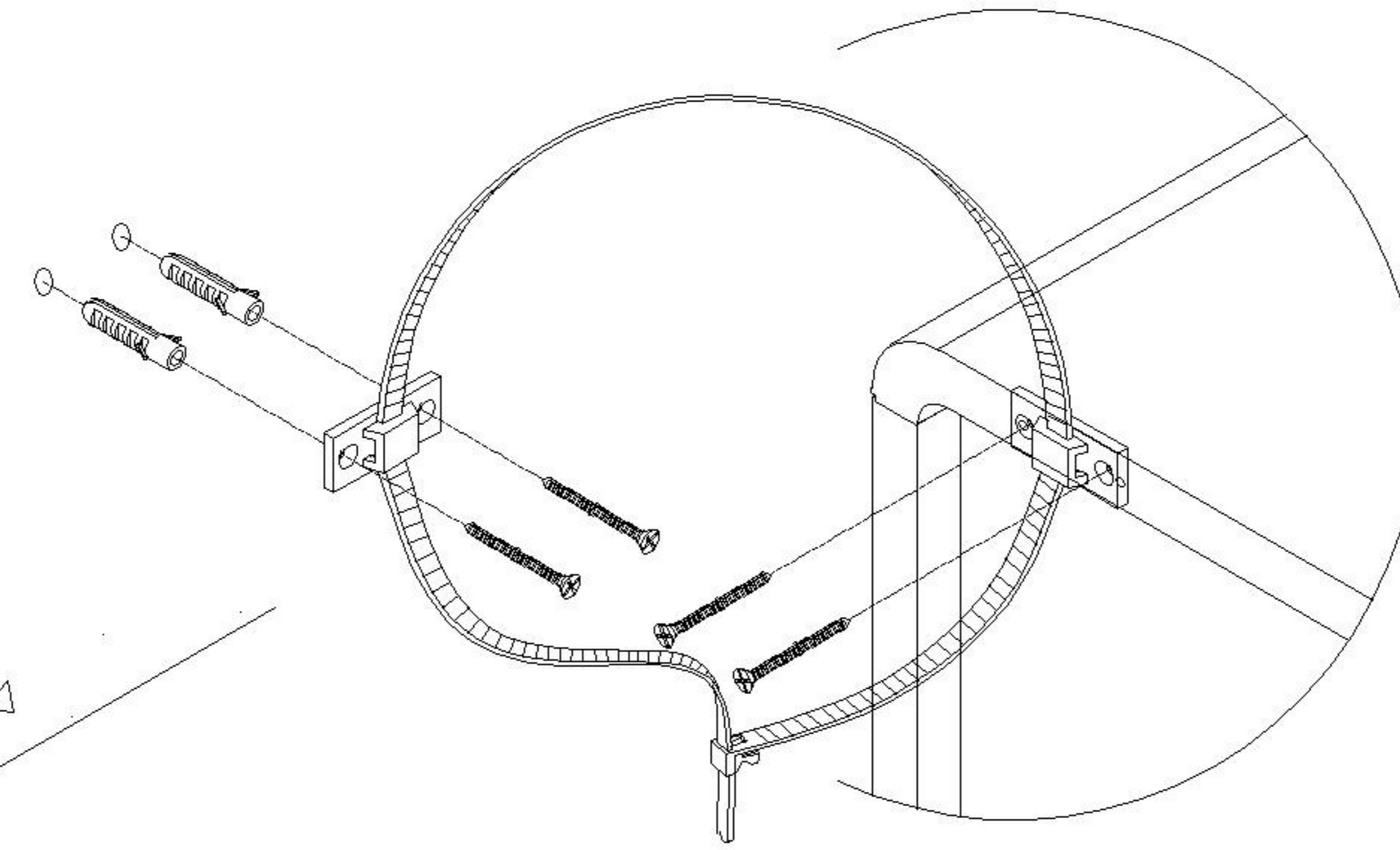


(J)* 1

家具防倒器-白色
Anti-fall device white

9

10



J处放大图
Enlarged view at J

实体墙
Solid wall

