

LINSY 林氏家居

安装工具
Tools required

安装人员
Installer

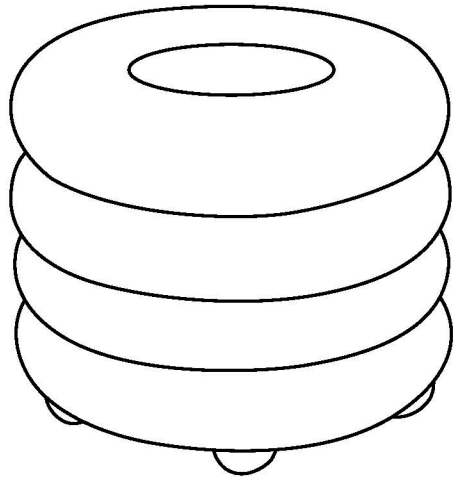


安装示意图 Installation diagram

产品名称 Component name	VE1H-A VE1H-B	产品规格 Component	410*410*400mm
------------------------	------------------	-------------------	---------------

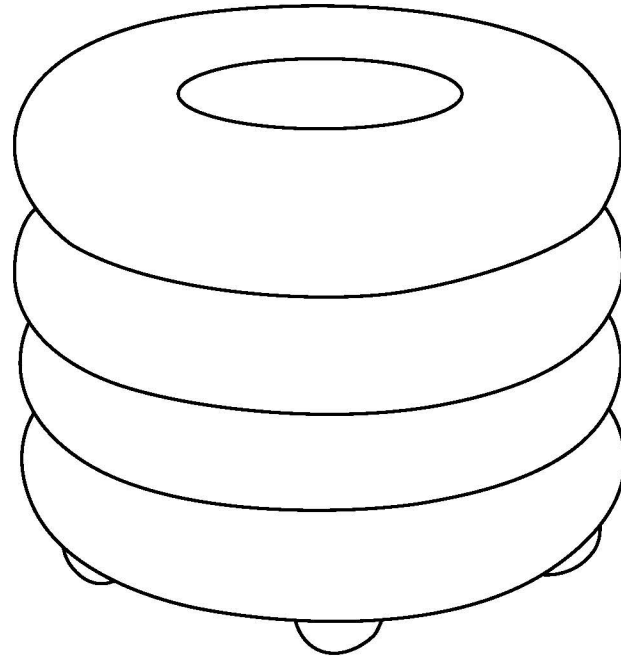
部件表 Component list

编号 Component number	名称 Component name	数量 Quantity	材质 Component material
①	椅身 body	1	布料+胶合板+海绵 Cloth+Plywood+Sponge



效果图
design sketch

STEP 1



VE1H-A
VE1H-B

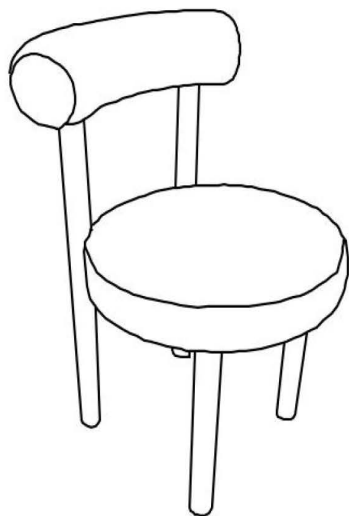
LINSY 林氏家居

安装示意图 Installation diagram

产品名称 component name	LS994H1-B	产品规格 dimension	505*515*740mm
------------------------	-----------	-------------------	---------------

部件表 Component list

编号 Component number	名称 Component name	数量 Quantity	材质 Component material
①	椅身 body	1	布料+海绵+胶合板+白蜡木 Cloth+Sponge+Plywood+Ash

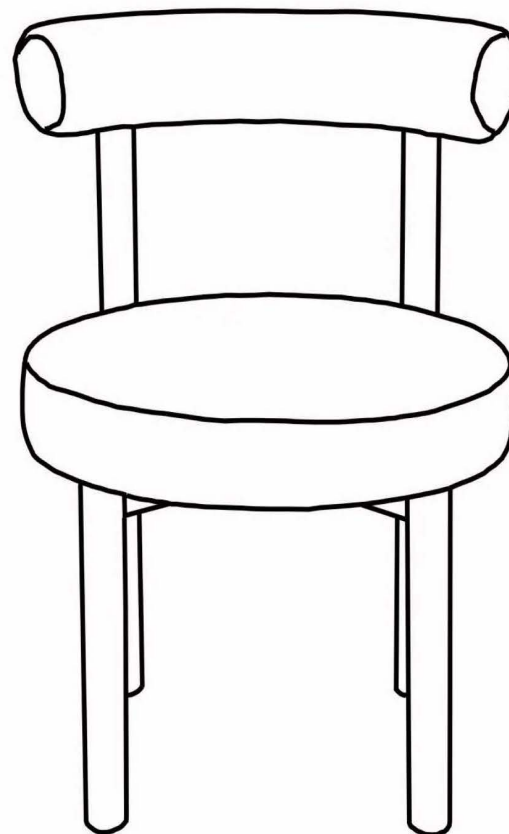


效果图

sketch

安装工具
Tools required

安装人员
Installer



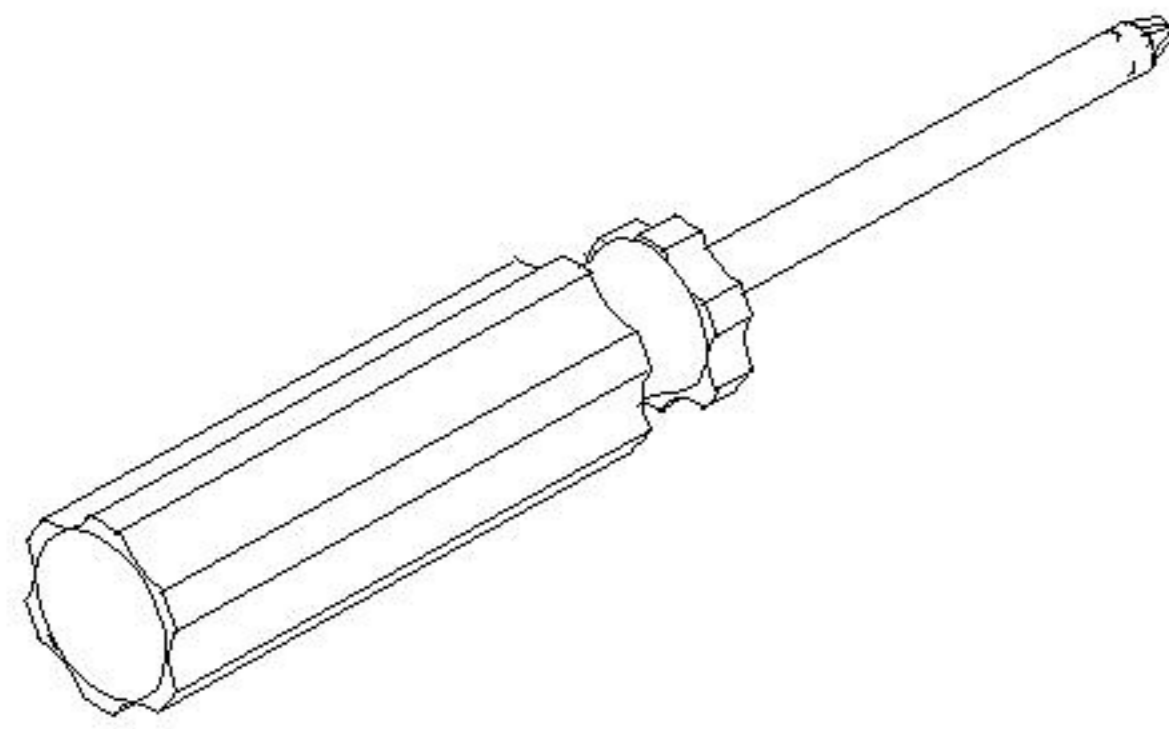
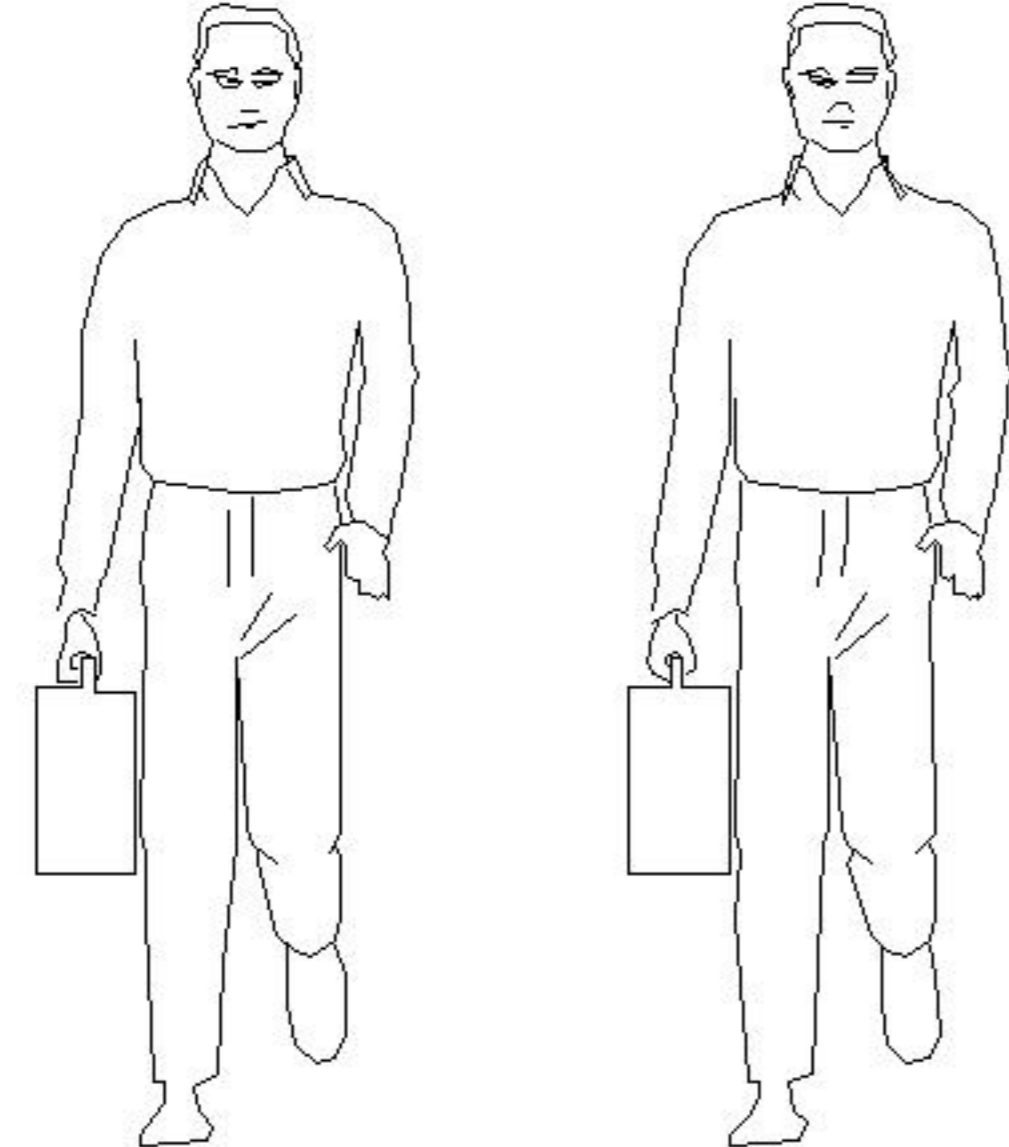
design

LINSY 林氏家居

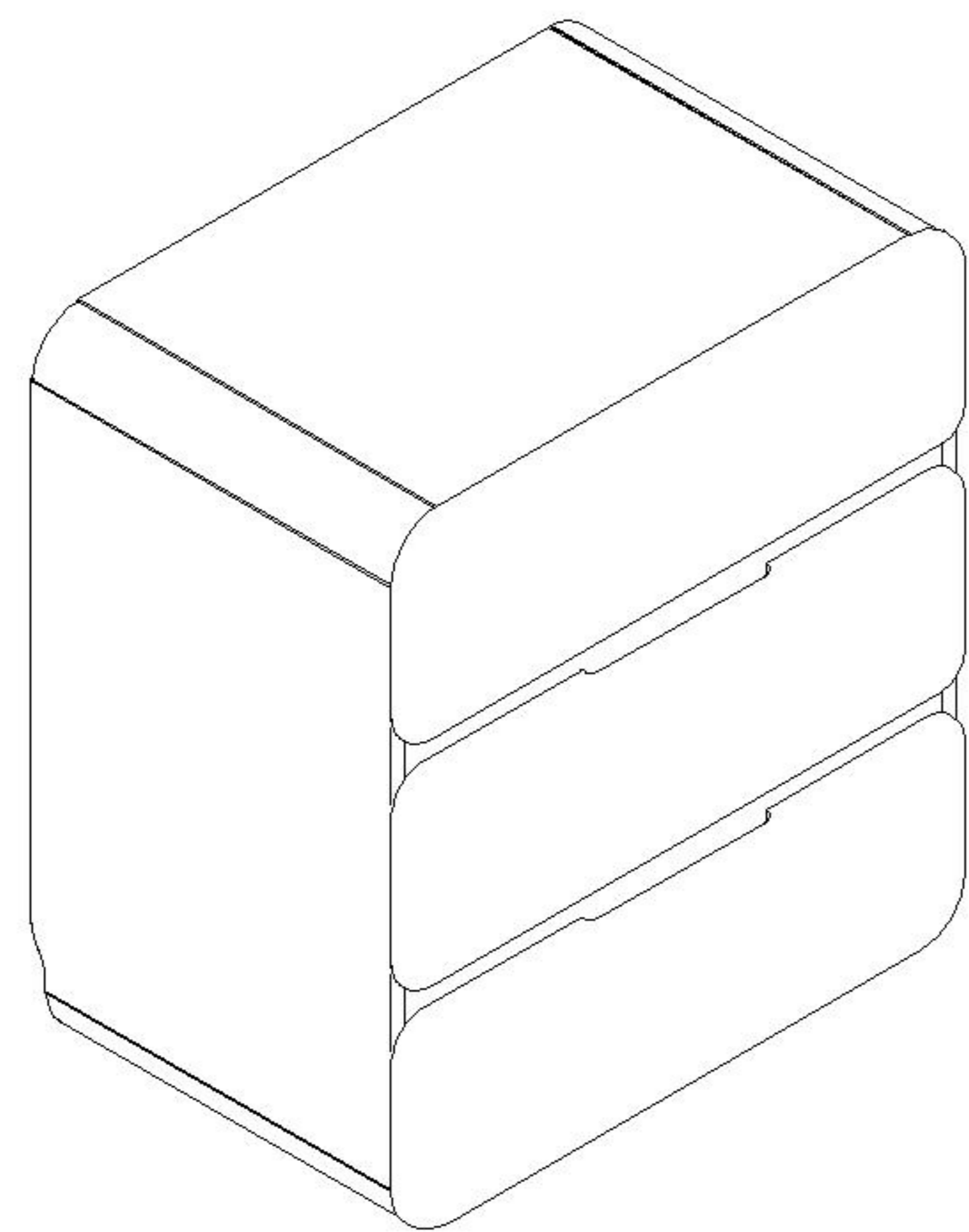
五金表/Hardware list

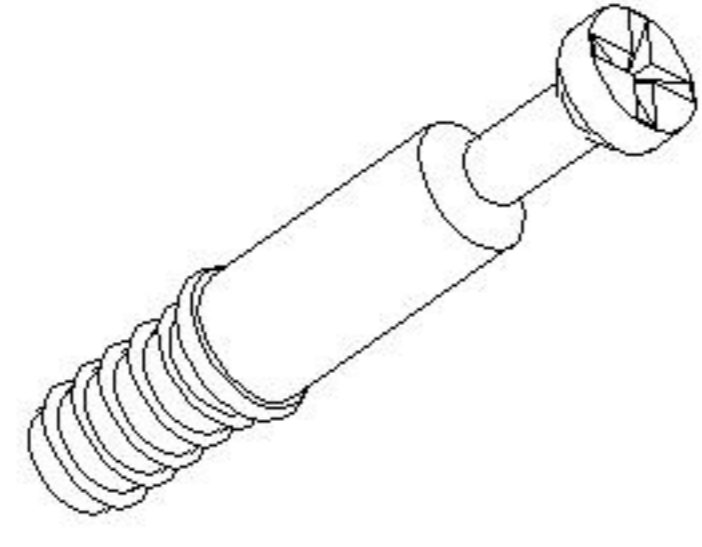
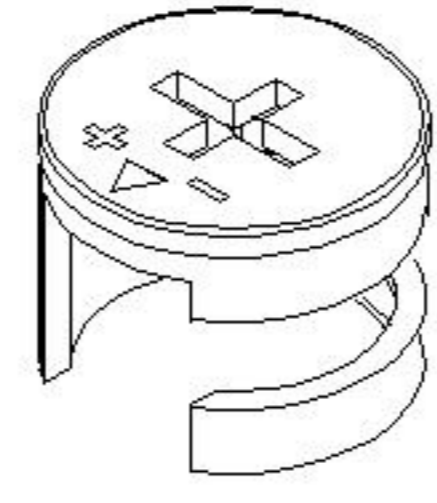
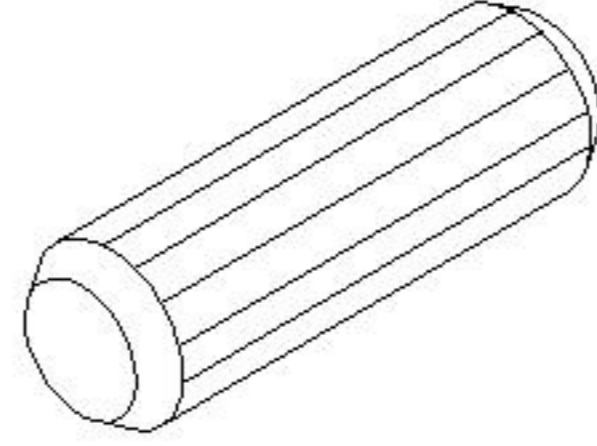
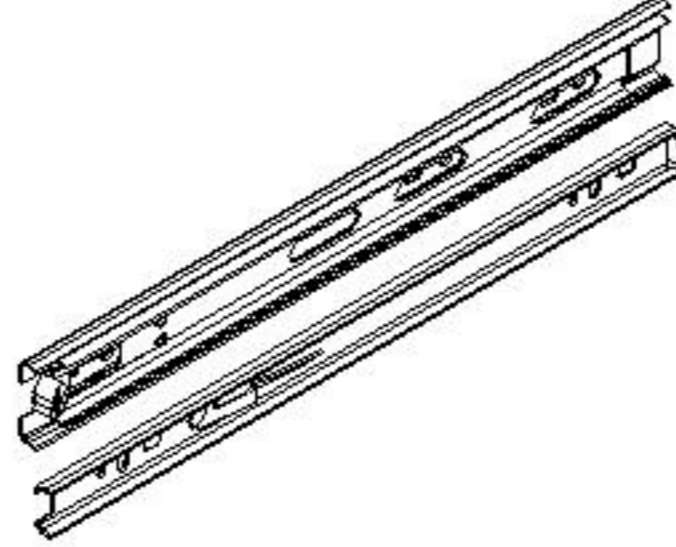
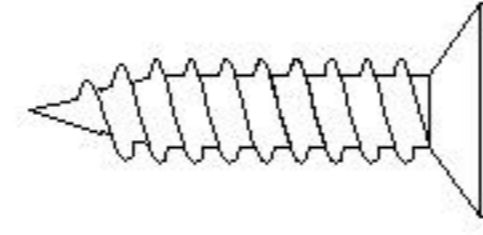
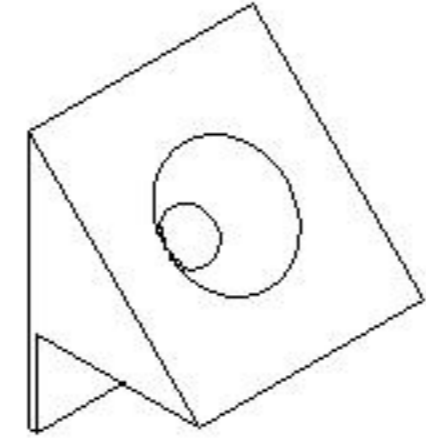
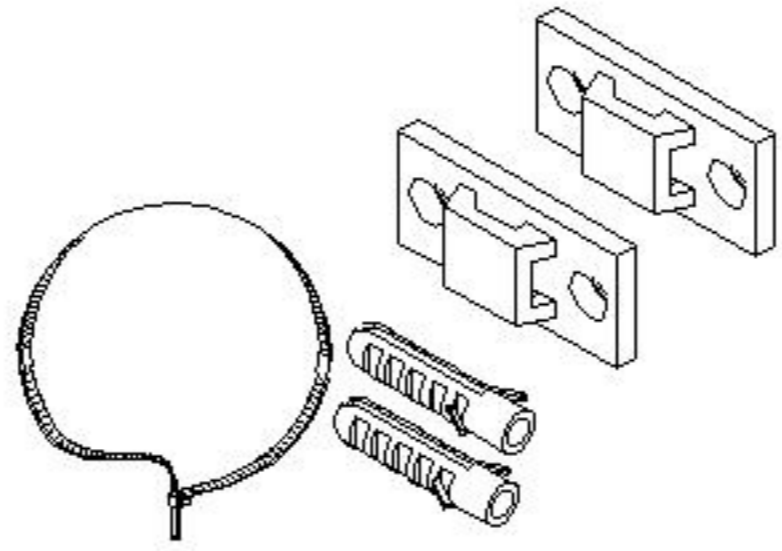
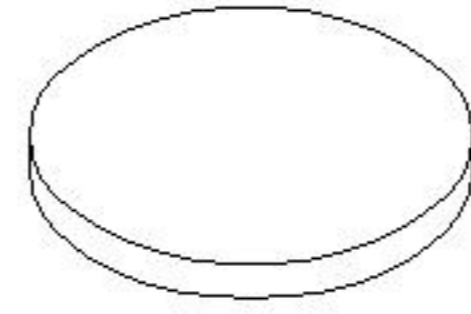
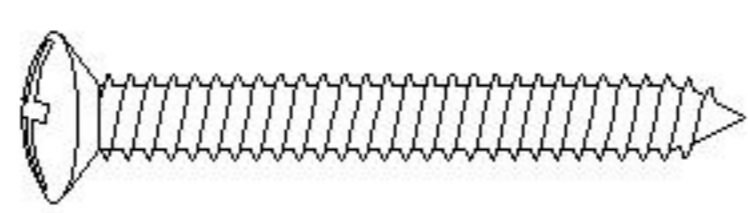
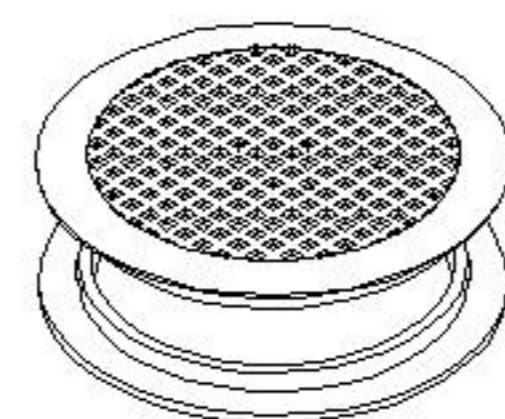
部件表/Parts List

安装示意图/Assembly Instruction

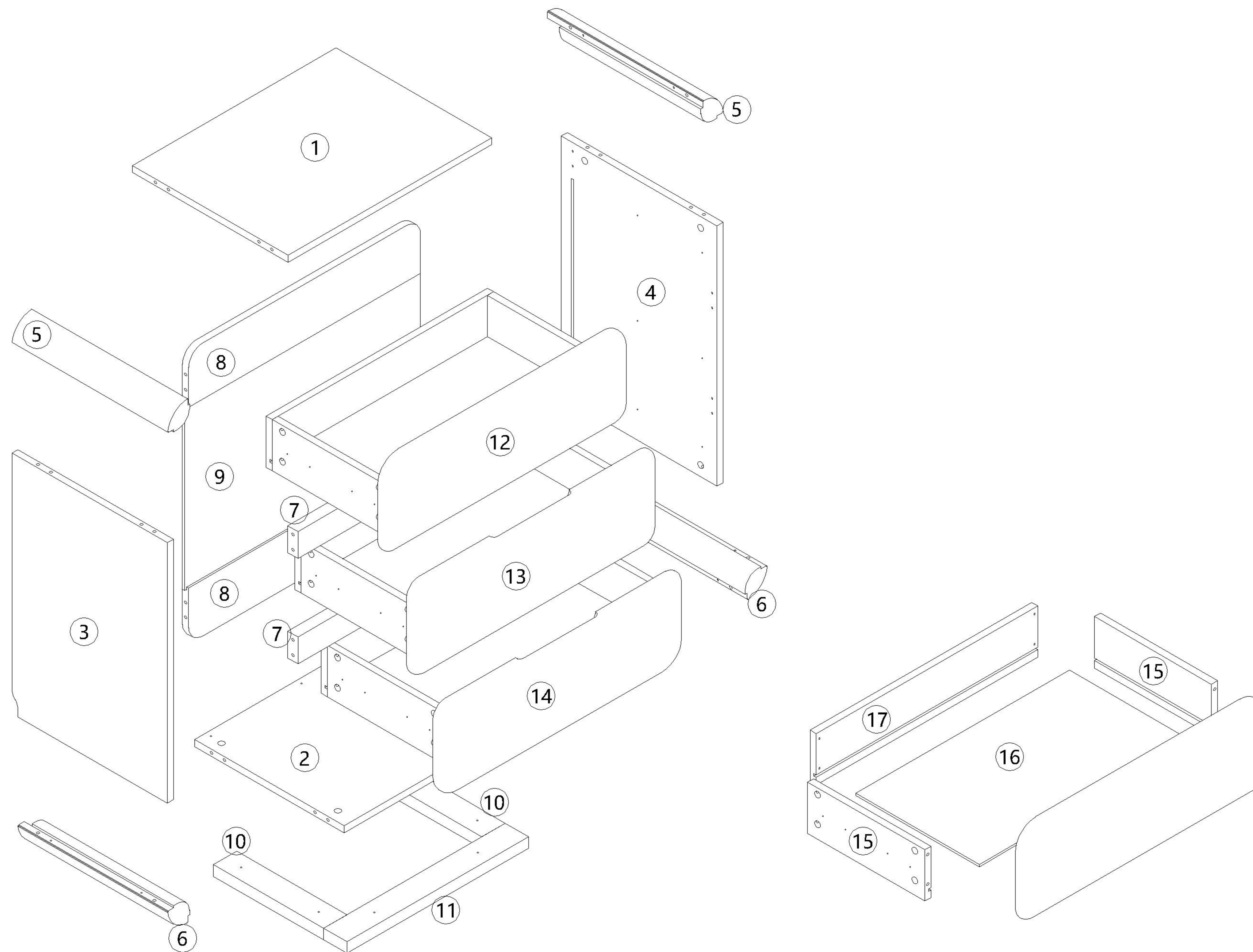
产品名称 Model NO.	YF1C-B 三斗柜
产品规格 Specification	606*400*687mm
安装工具 Tool	安装人数 Installer
	

注：为保证设计效果，部分尺寸为定制尺寸，不影响使用。
 Note: In order to ensure the design effect, some sizes are customized sizes and do not affect the use.



 (A)*65 二合一螺杆 2-in-1-screw	 (B)*65 大三合一锁饼 3-in-1 large lock	 (C)*17 木榫Ø8x30mm Wood tenon	 (D)*3 三节滚珠导轨10" Three-section rail
 (E)*42 自攻螺丝M3.5*14mm Tapping screw	 (F)*4 背板扣 White buckle	 (G)*1 家具防倒器-白色 Anti-fall device	 (H)*6 灰色毛毡垫
 (I)* 6 自攻大扁M4*30mm Self tapping flat screw	 (J)*1 透气孔盖 Breathable cover		

编号NO.	名称Name	规格(mm) Specification	数量QTY	材质Material
①	面板Top panel	504*385*15	1	刨花板 Particle Board
②	底板Bottom board	504*370*15	1	刨花板 Particle Board
③	左侧板Side board(L)	558*385*15	1	刨花板 Particle Board
④	右侧板Side board(R)	558*385*15	1	刨花板 Particle Board
⑤	上转角木Upper corner connecting wood	385*55*55	2	橡胶木 Rubber wood
⑥	下转角木Lower corner connection wood	370*55*55	2	橡胶木 Rubber wood
⑦	前拉条Front brace	574*58*25	2	刨花板 Particle Board
⑧	背拉条Back brace	574*120*15	2	刨花板 Particle Board
⑨	背板Back board	584*398*5	1	纤维板 Fiberboard
⑩	侧脚条Side foot strip	272*58*25	2	刨花板 Particle Board
⑪	前脚条Front foot strip	450*58*25	1	刨花板 Particle Board
⑫	上抽屉面板Upper drawer's panel	606*203*15	1	纤维板 Fiberboard
⑬	中抽屉面板Drawer's middle board	606*203*15	1	纤维板 Fiberboard
⑭	下抽屉面板Bottom drawer's panel	606*203*15	1	纤维板 Fiberboard
⑮	抽屉侧板Drawer's sideboard	290*110*15	6	刨花板 Particle Board
⑯	抽屉后板Drawer's Back board	548*110*15	3	刨花板 Particle Board
⑰	抽屉底板Drawer's Bottom board	528*300*5	3	纤维板 Fiberboard

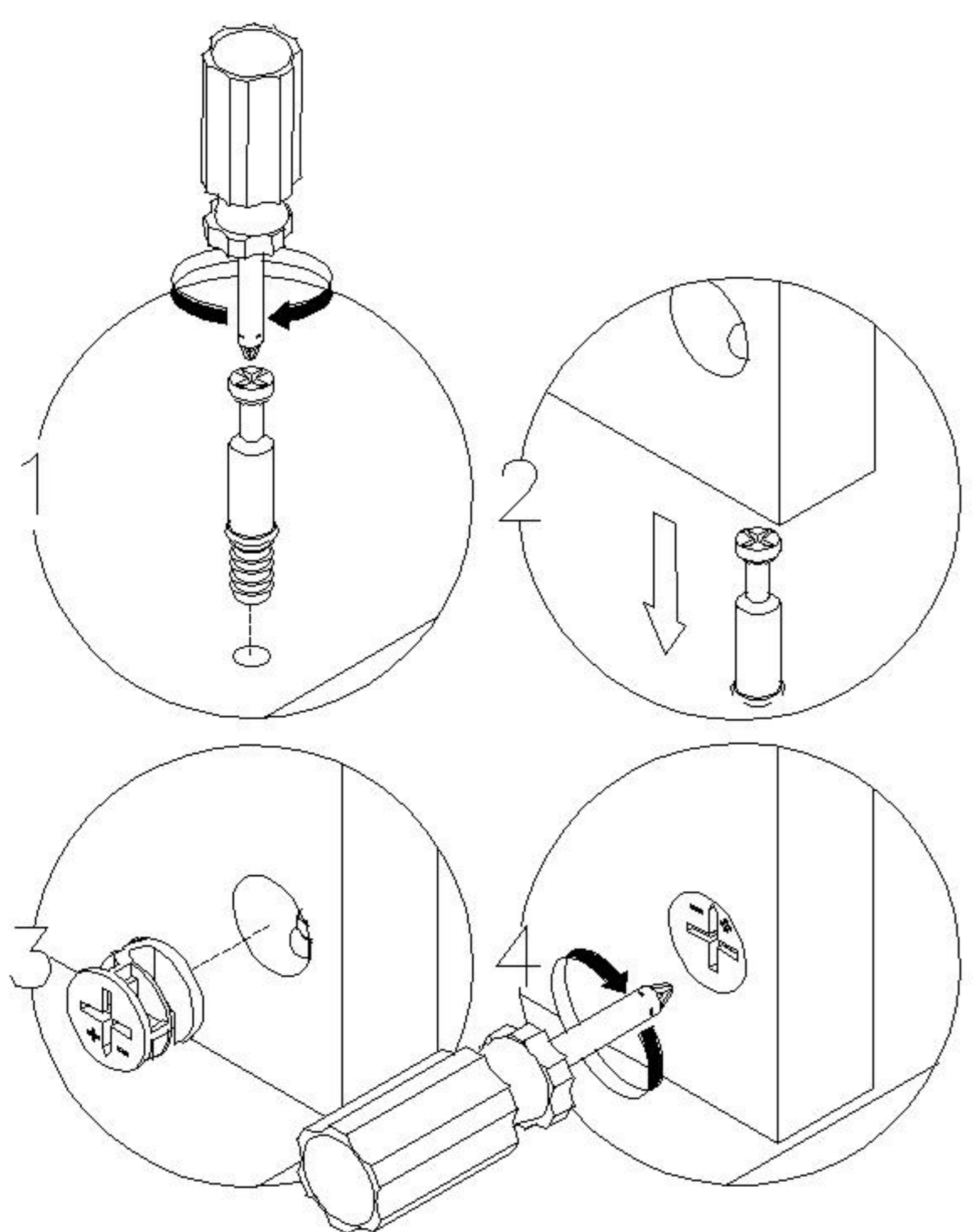


× 3

编号NO.	名称Name
①	面板Top panel
②	底板Bottom board
③	左侧板Side board(L)
④	右侧板Side board(R)
⑤	上转角木Upper corner connecting wood
⑥	下转角木Lower corner connection wood
⑦	前拉条Front brace
⑧	背拉条Back brace
⑨	背板Back board
⑩	侧脚条Side foot strip
⑪	前脚条Front foot strip
⑫	上抽屉面板Upper drawer's panel
⑬	中抽屉面板Drawer's middle board
⑭	下抽屉面板Bottom drawer's panel
⑮	抽屉侧板Drawer's sideboard
⑯	抽屉底板Drawer's Bottom board
⑰	抽屉后板Drawer's Back board

YF1C-B 三斗柜

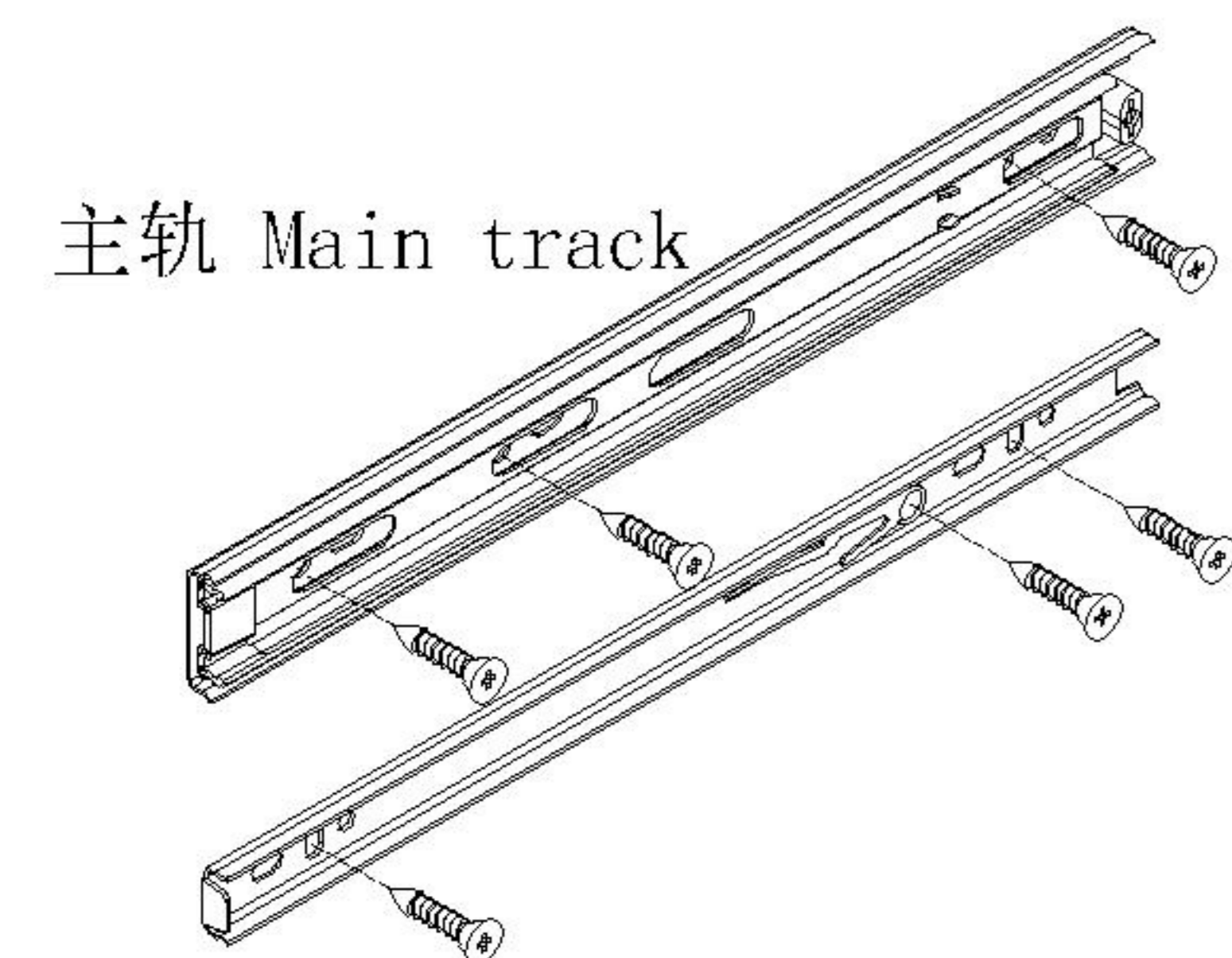
安装方法/
Installation method



二合一 two-in-one

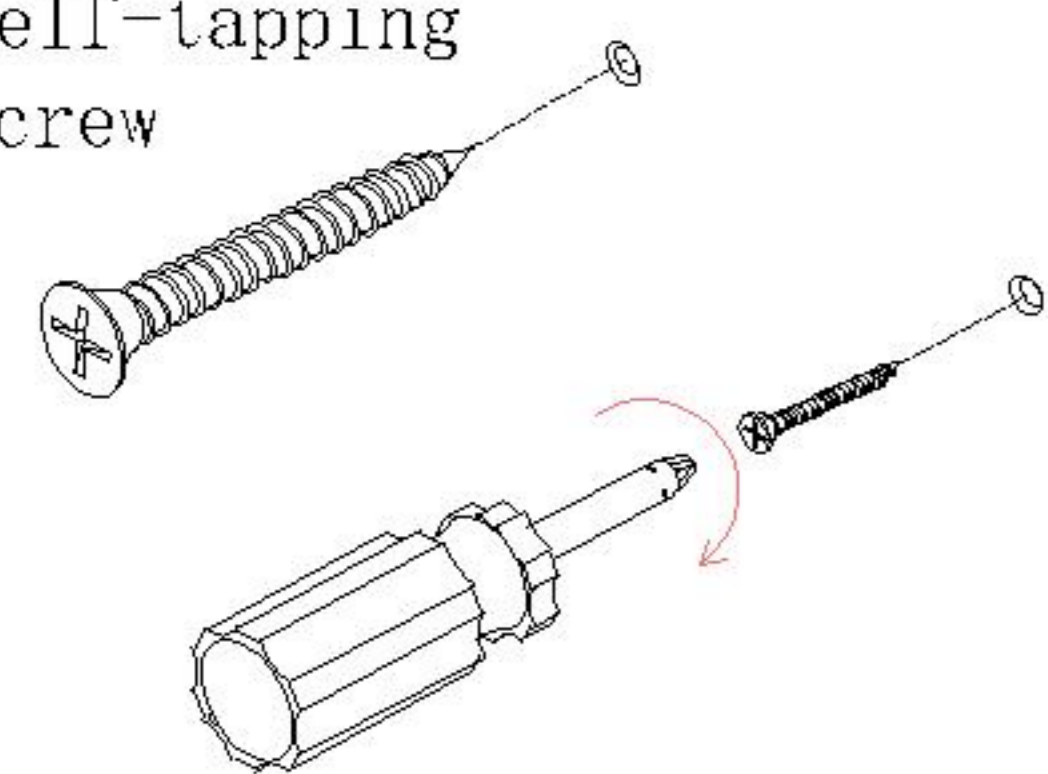
阀门开关(下压为开)
Valve switch (press down to open)

前 Forward 后 Back

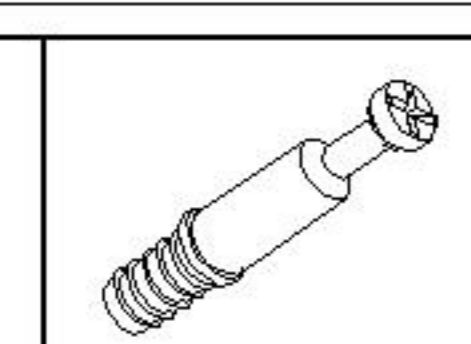


三节滚珠导轨-10"
Three-section rail

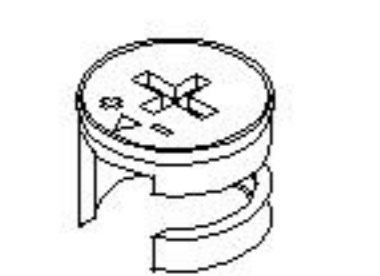
自攻螺丝
Self-tapping screw



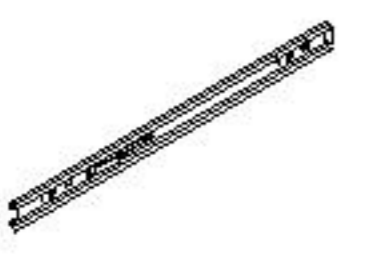
自攻螺丝
Self-tapping screw



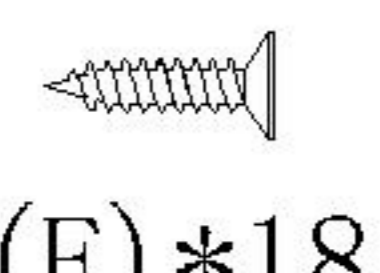
(A)*24



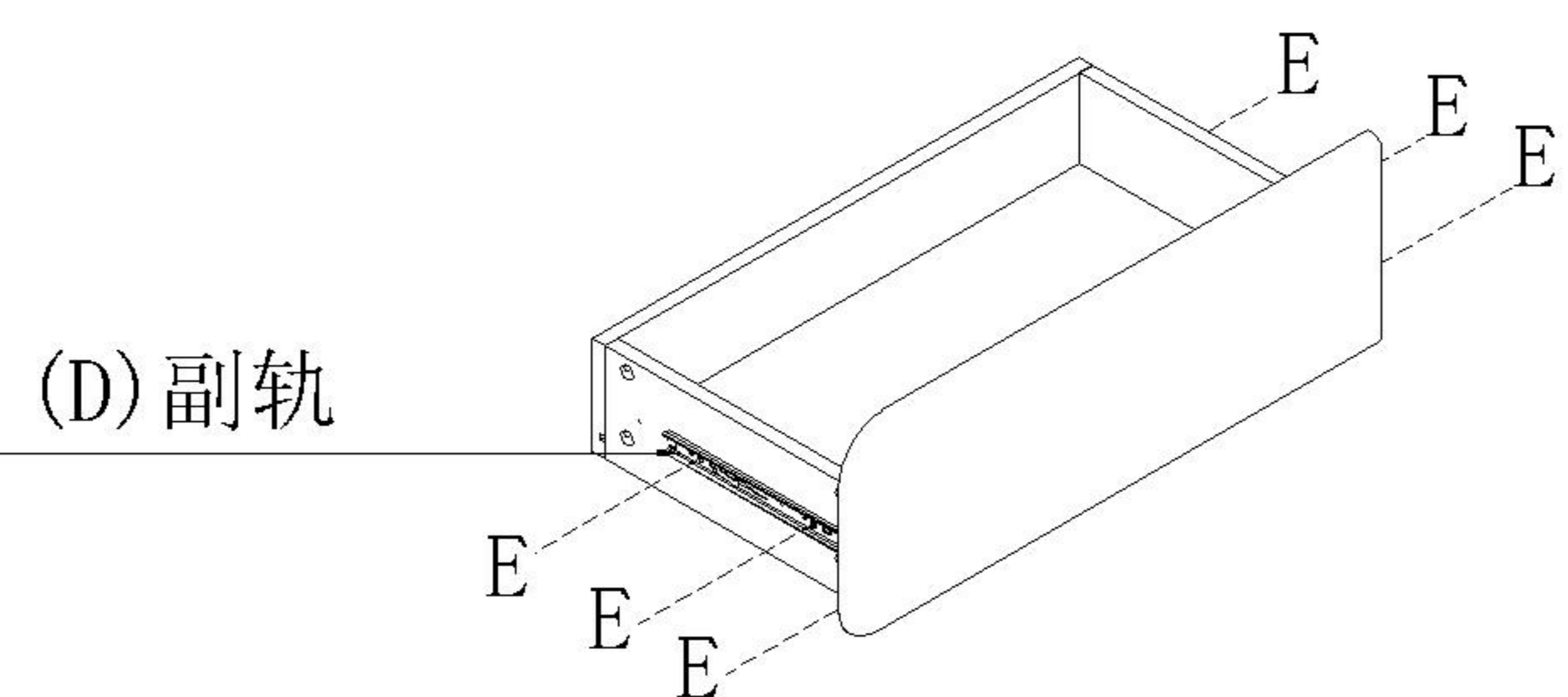
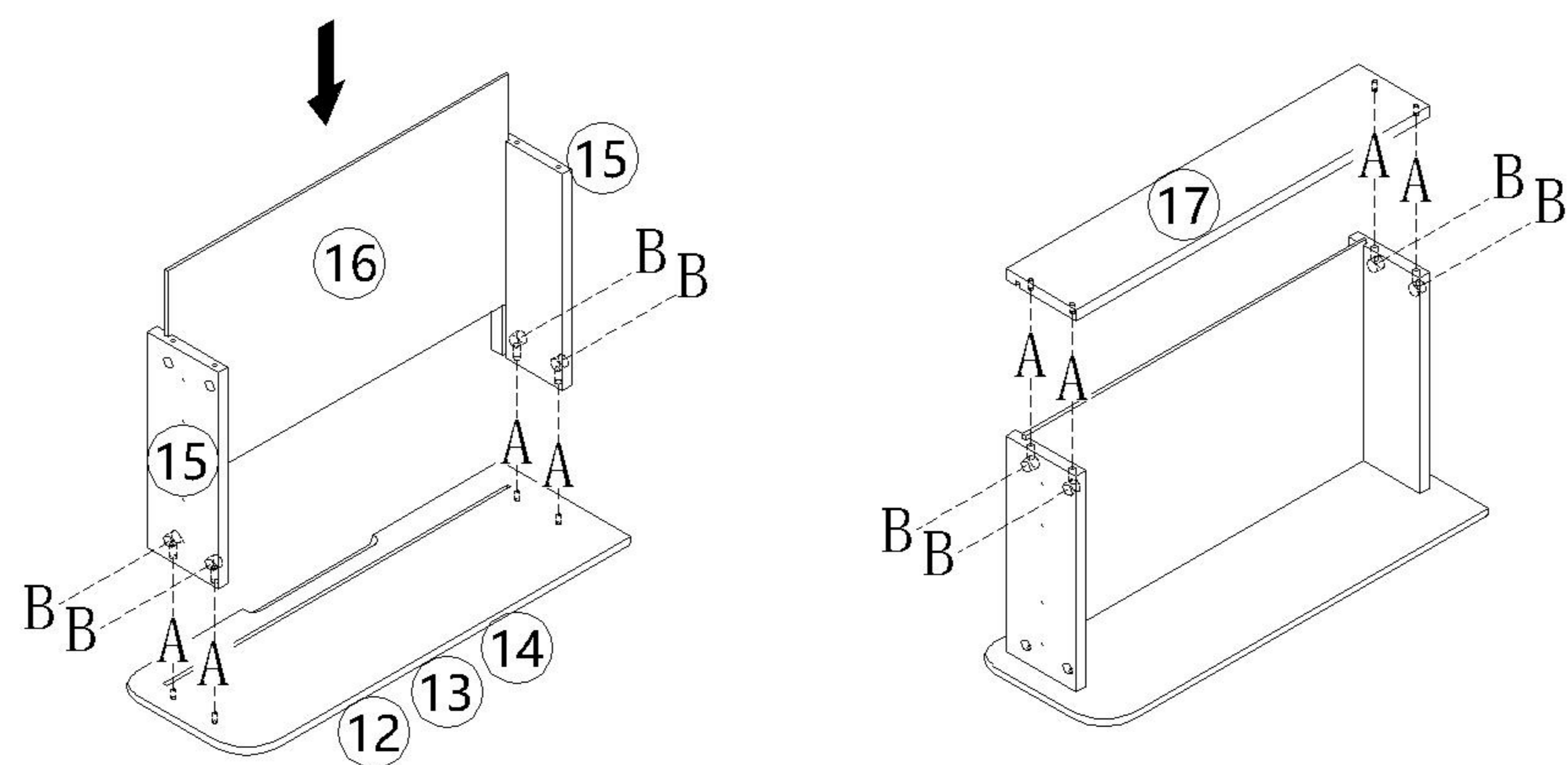
(B)*24



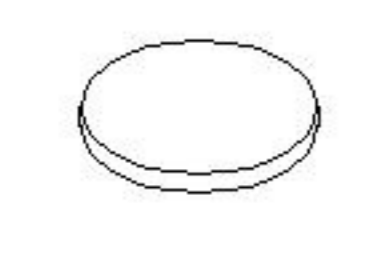
(D)*3



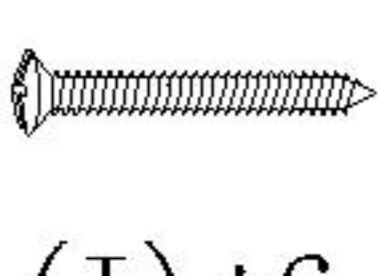
(E)*18



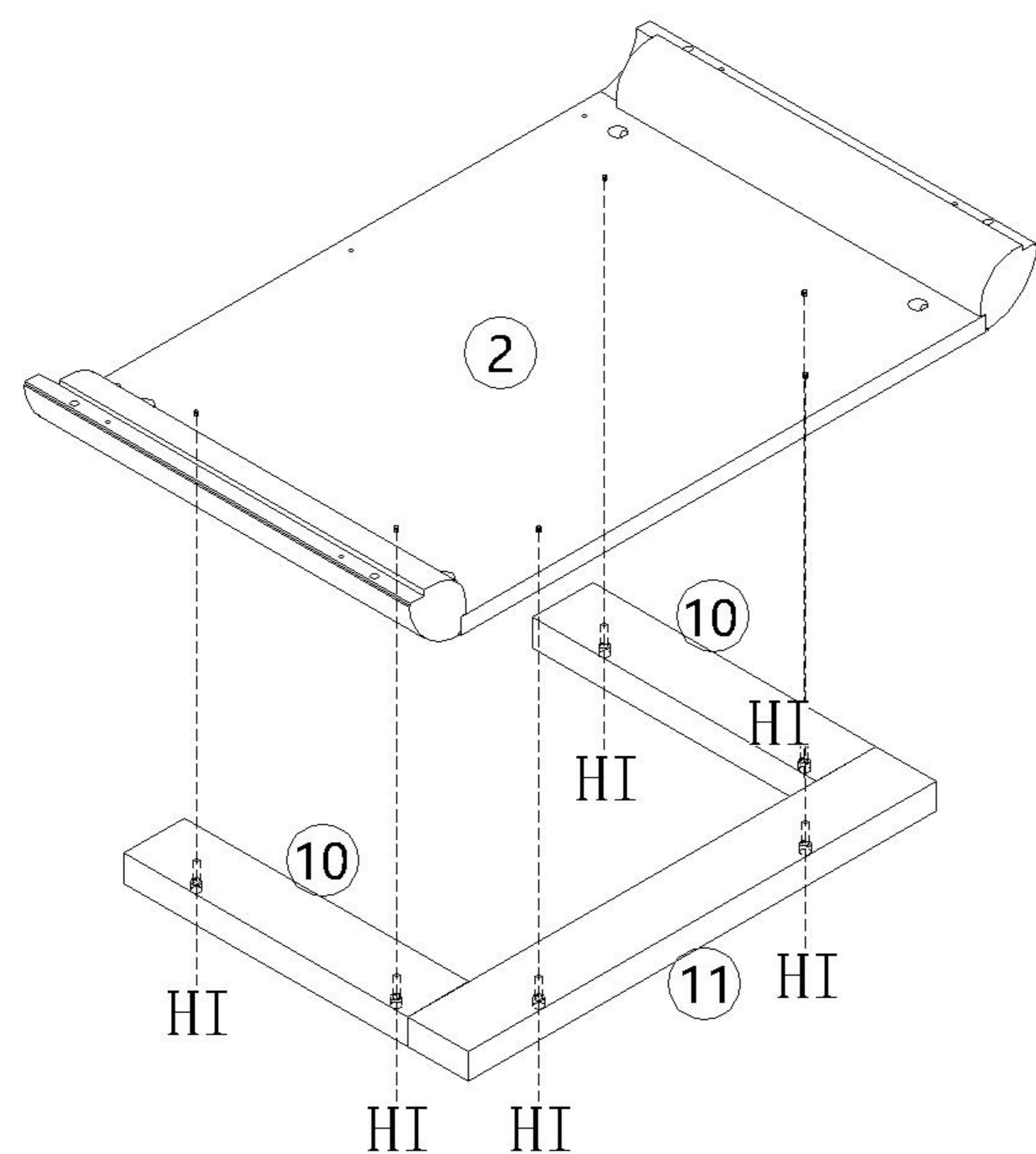
× 3



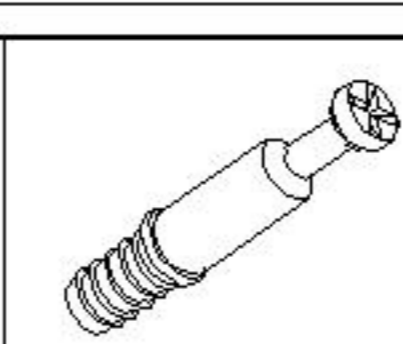
(H)*6



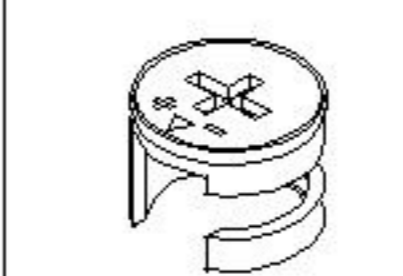
(I)*6



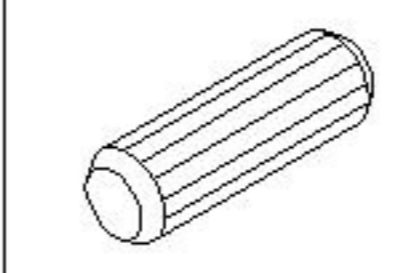
1



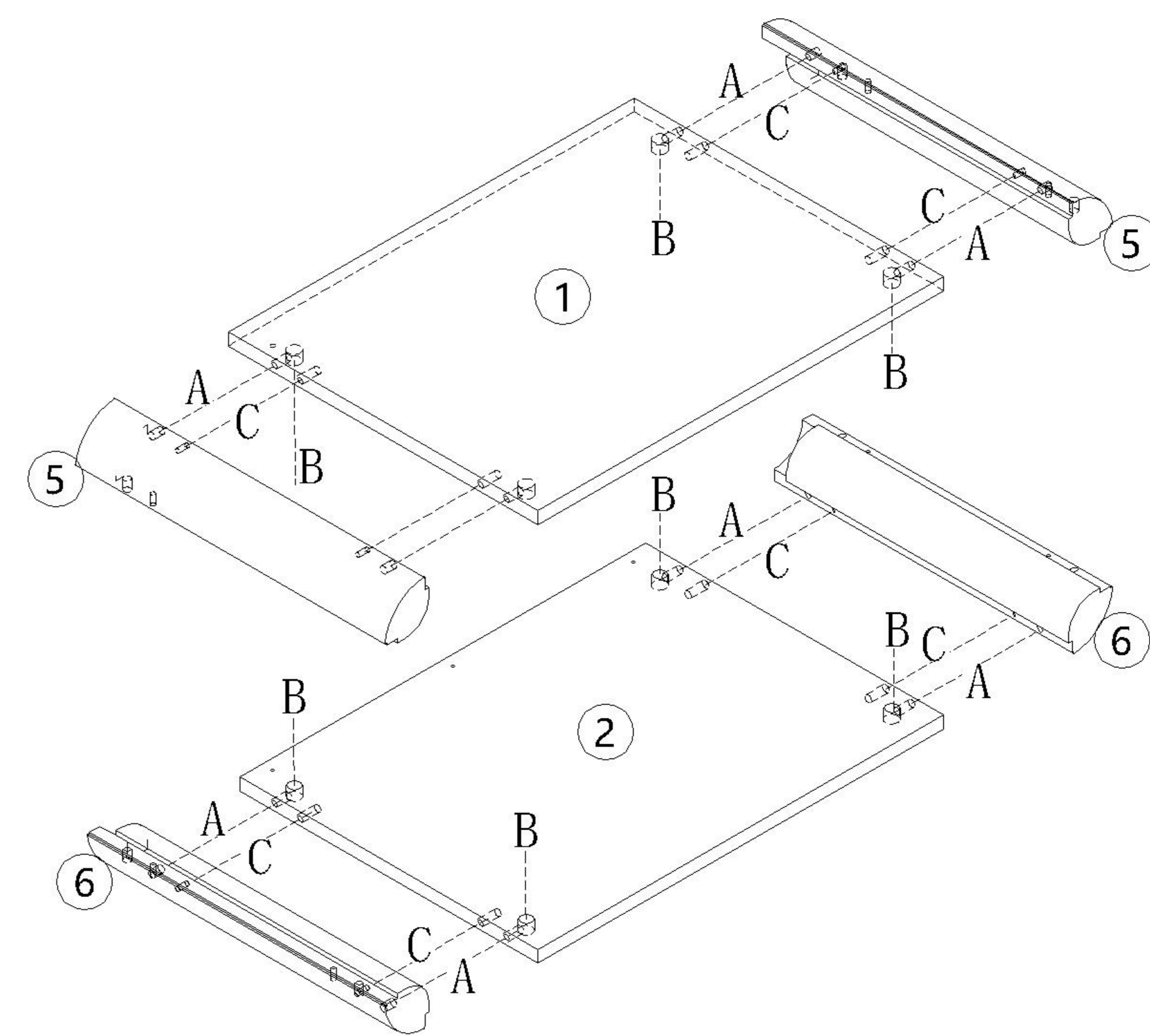
(A)*8



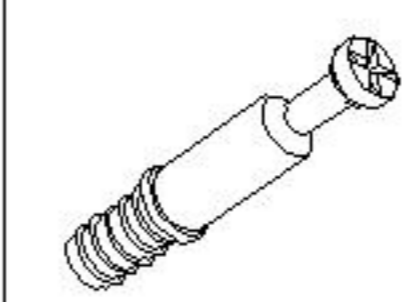
(B)*8



(C)*8



3



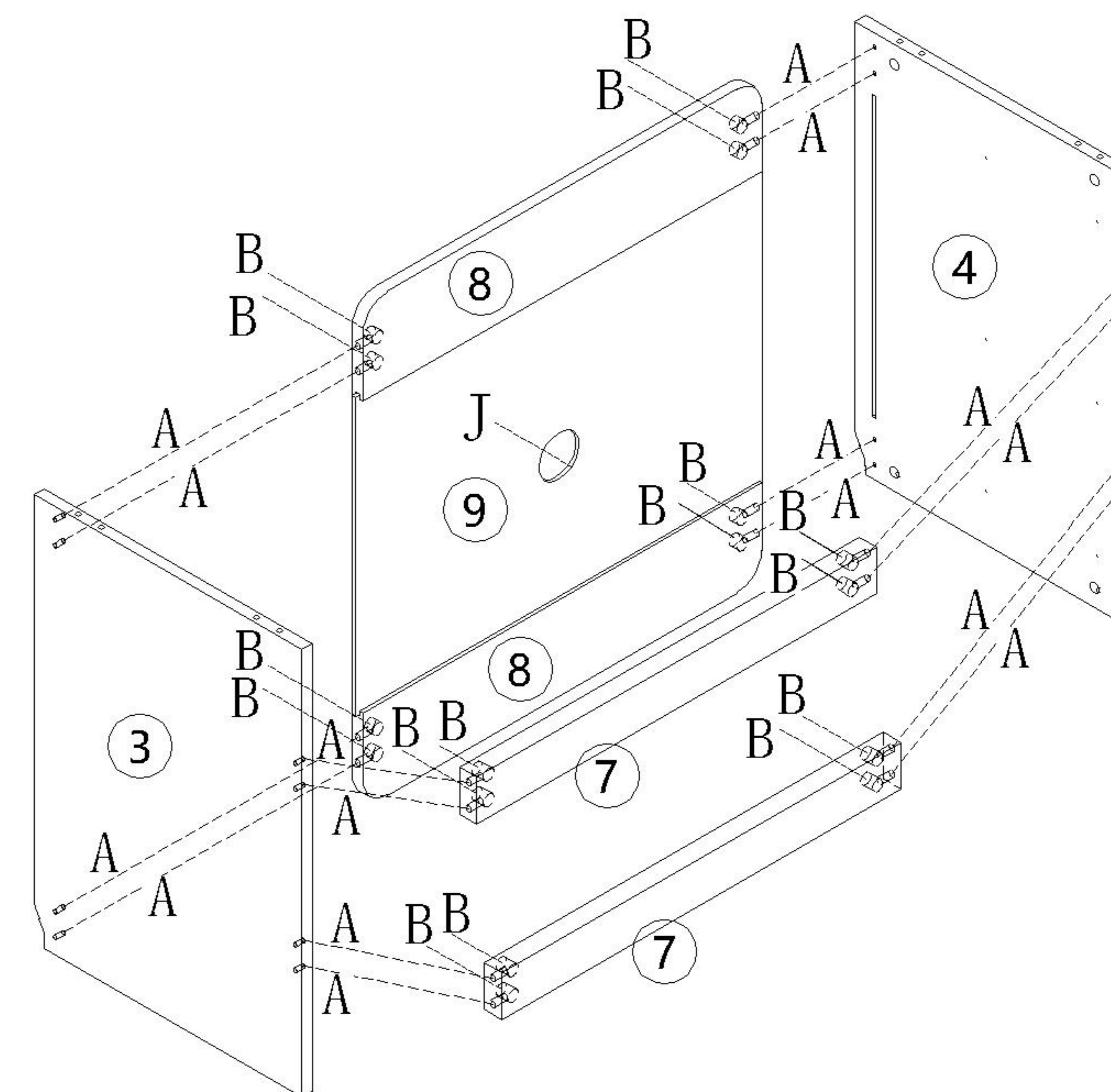
(A)*16



(B)*16



(J)*1

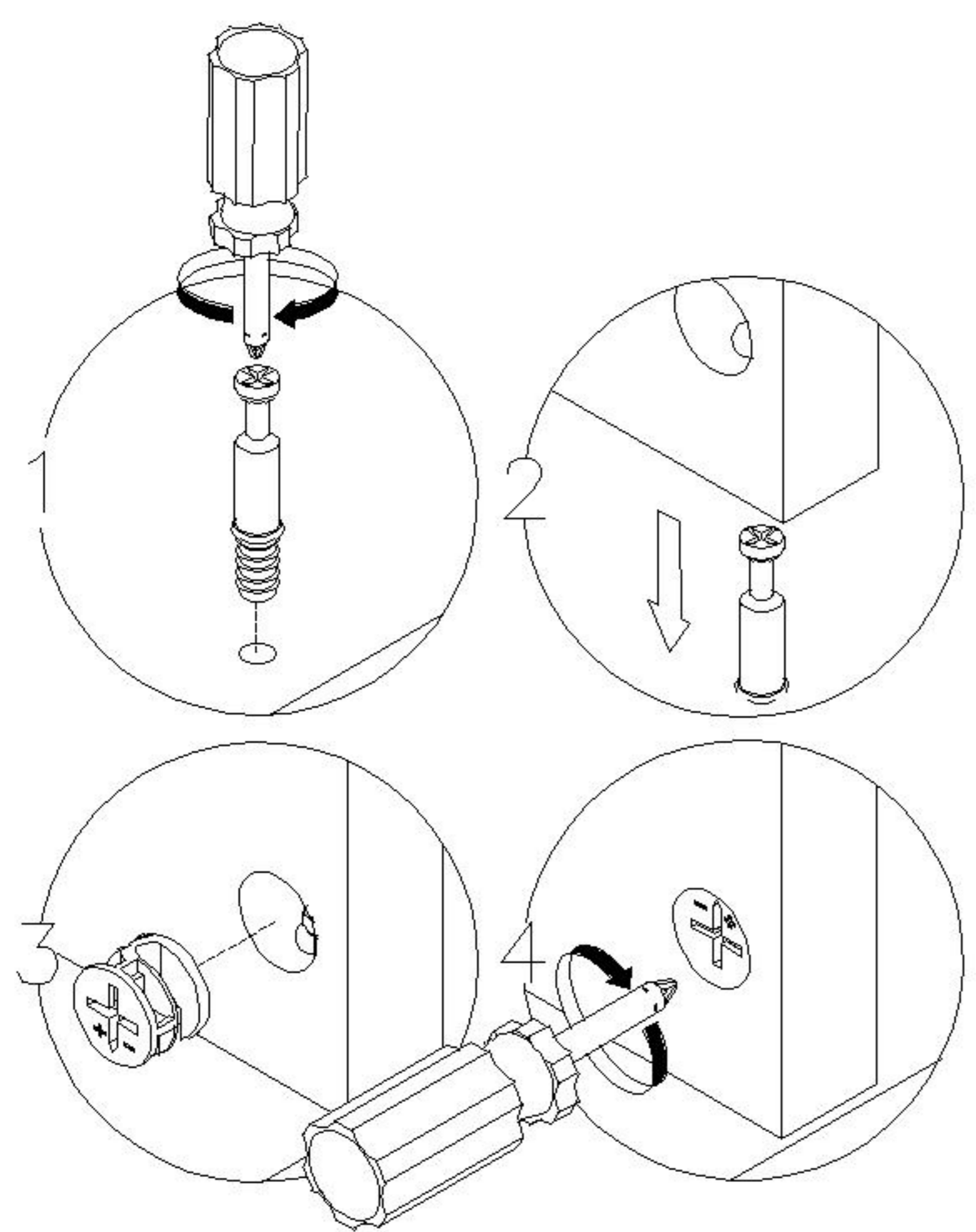


2

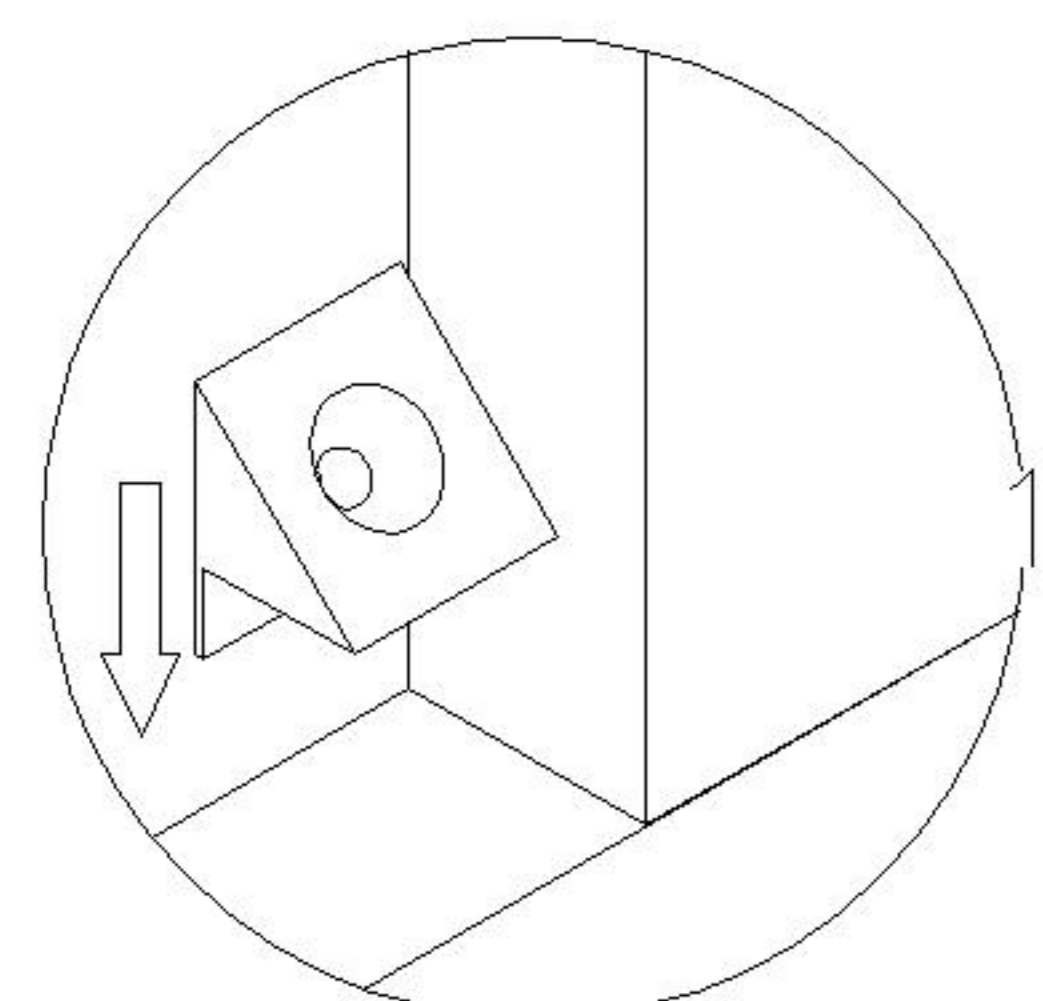
4

YF1C-B 三斗柜

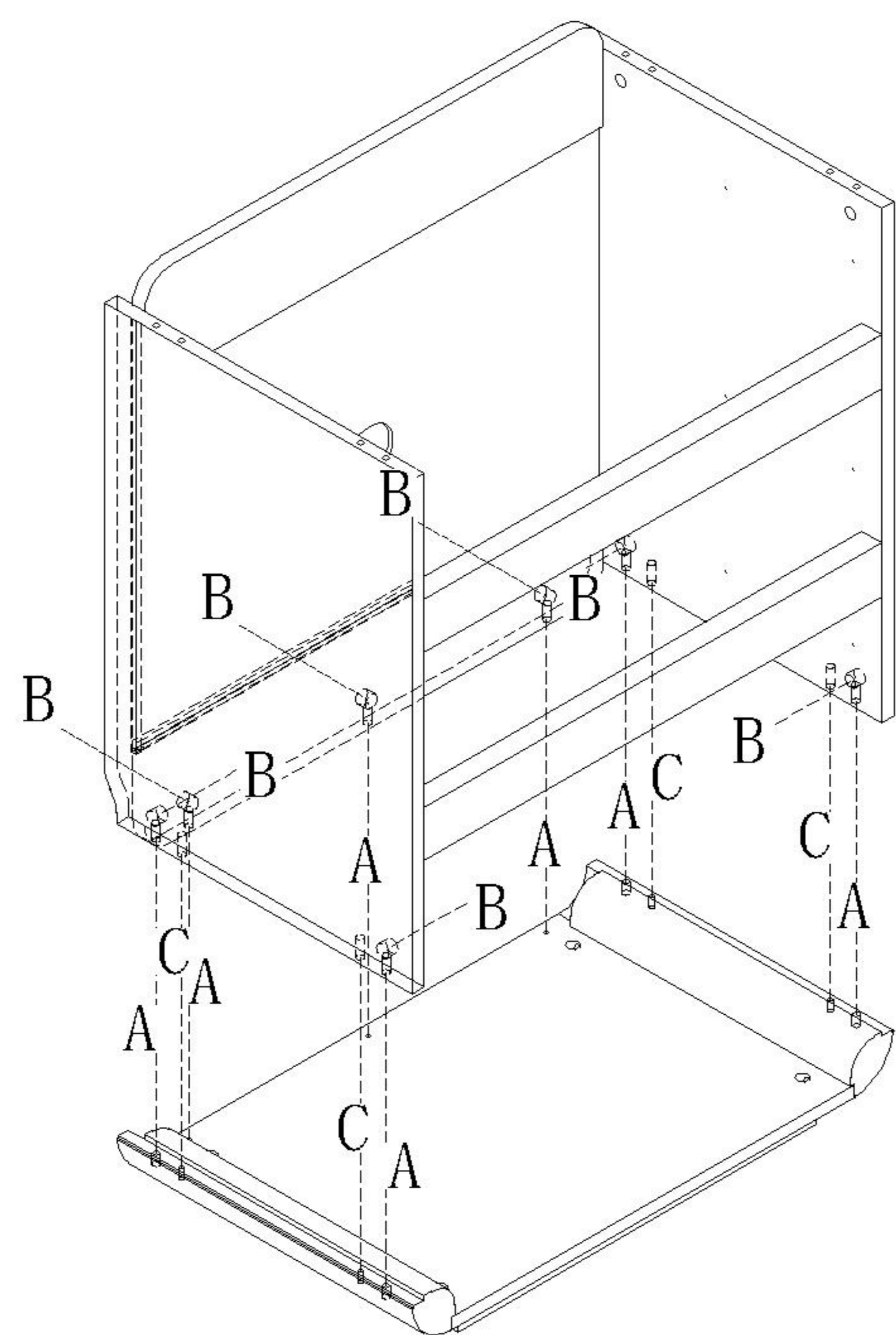
安装方法/
Installation method



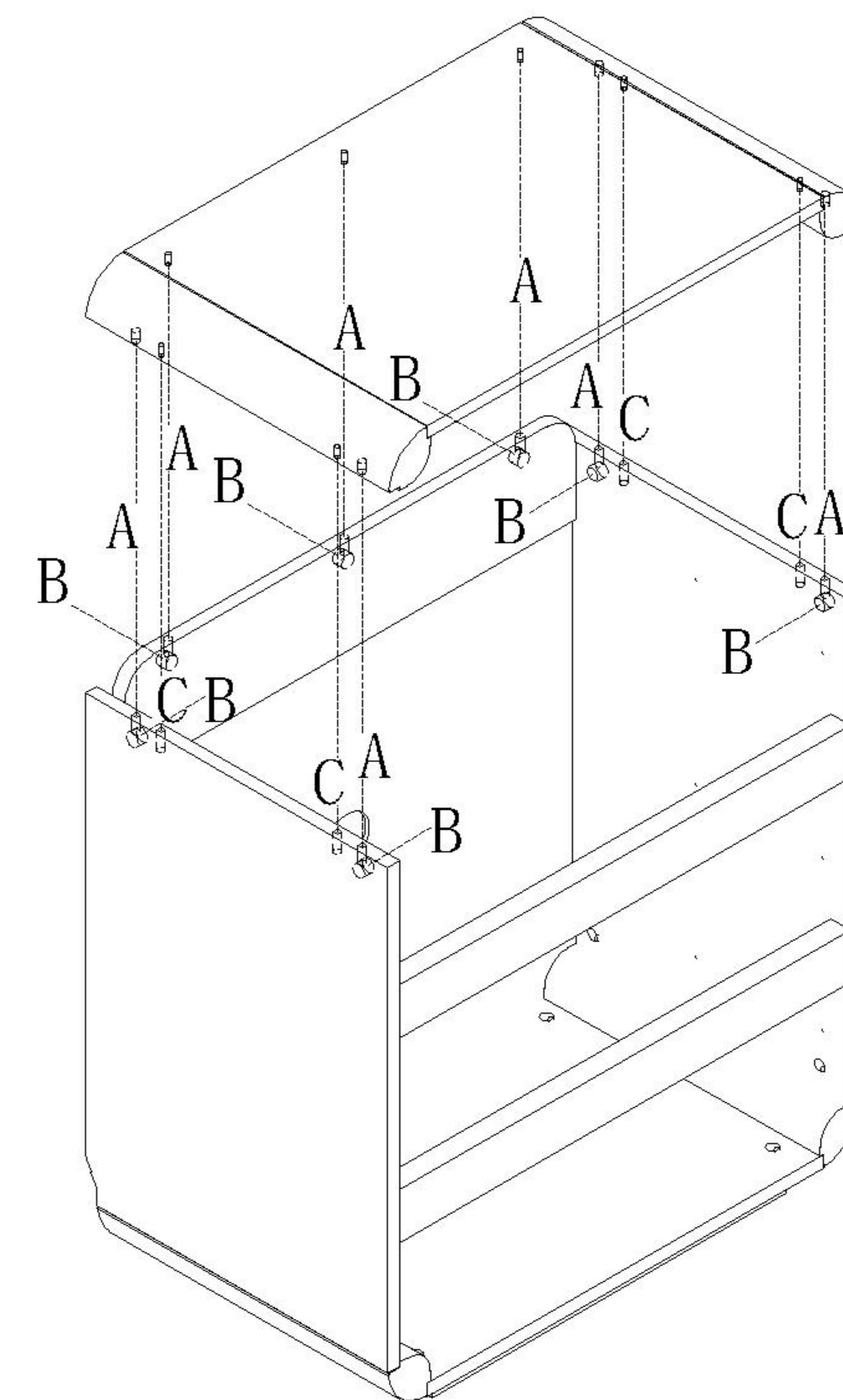
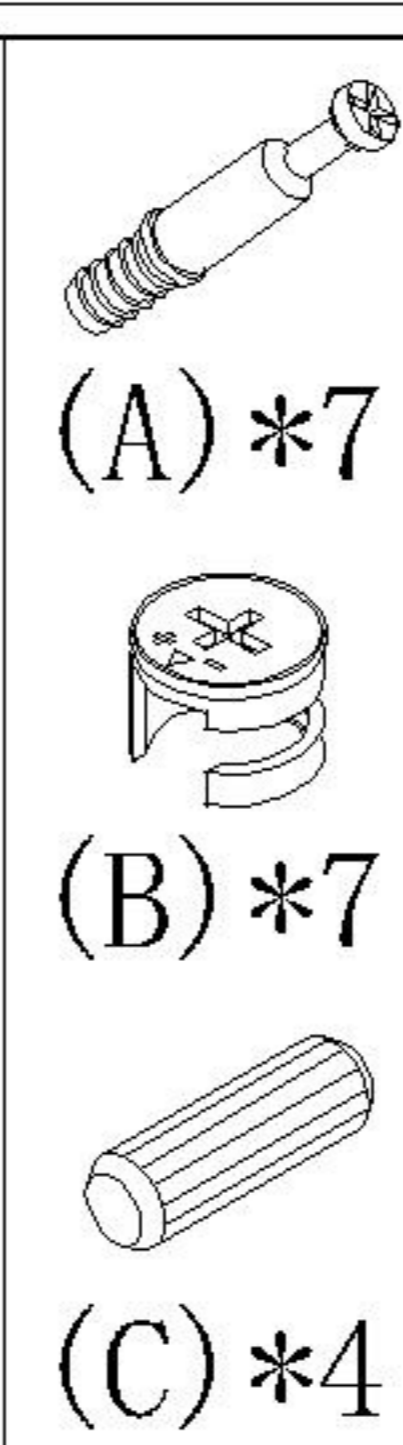
二合一 two-in-one



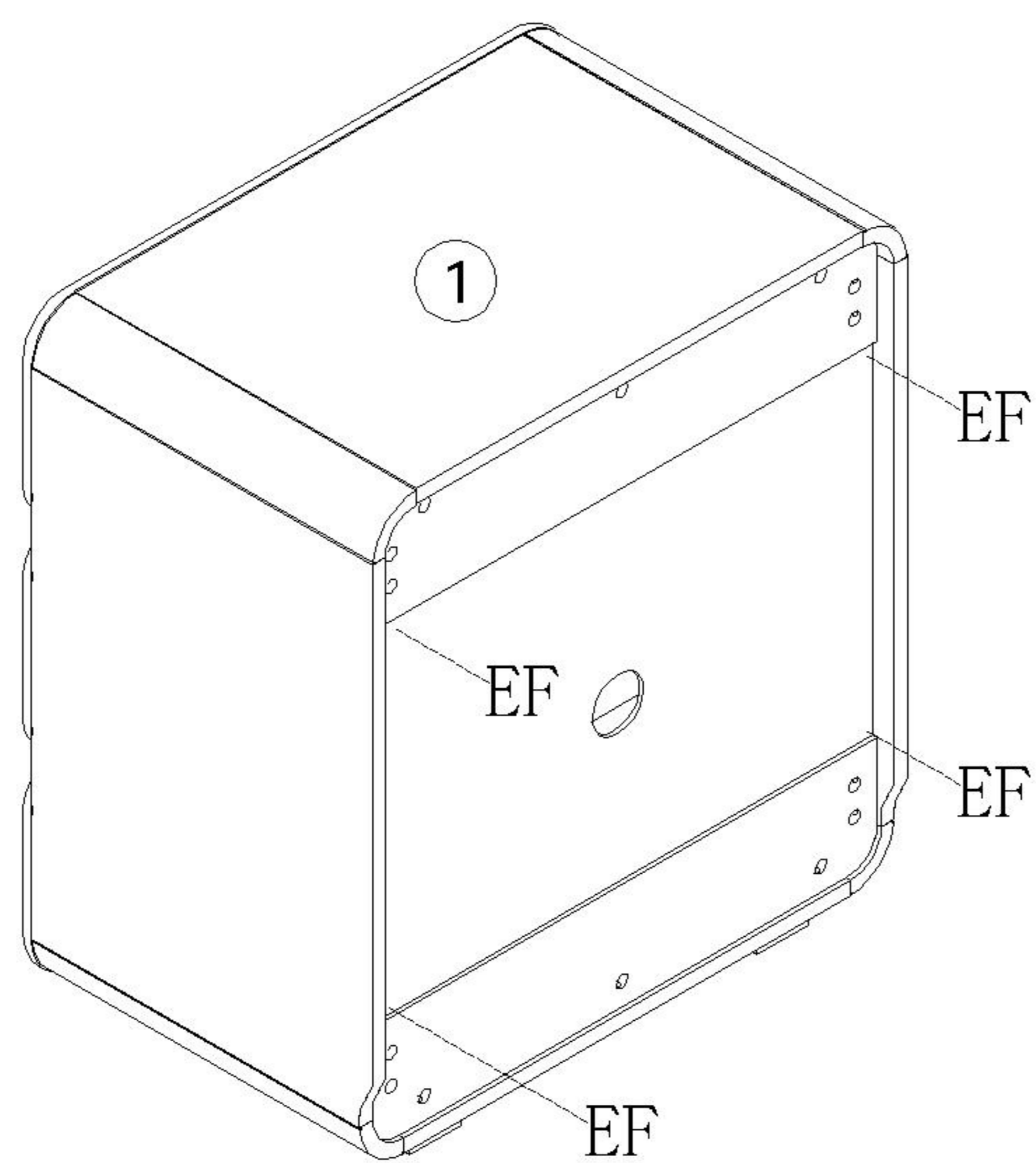
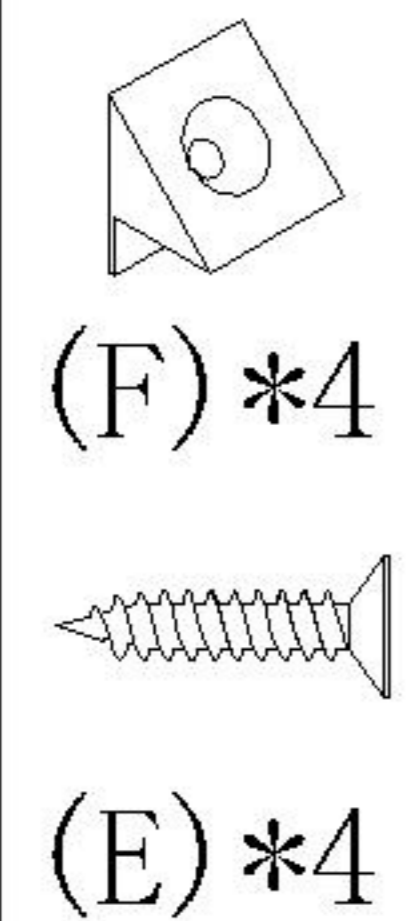
背板扣
Back Plate Buckle



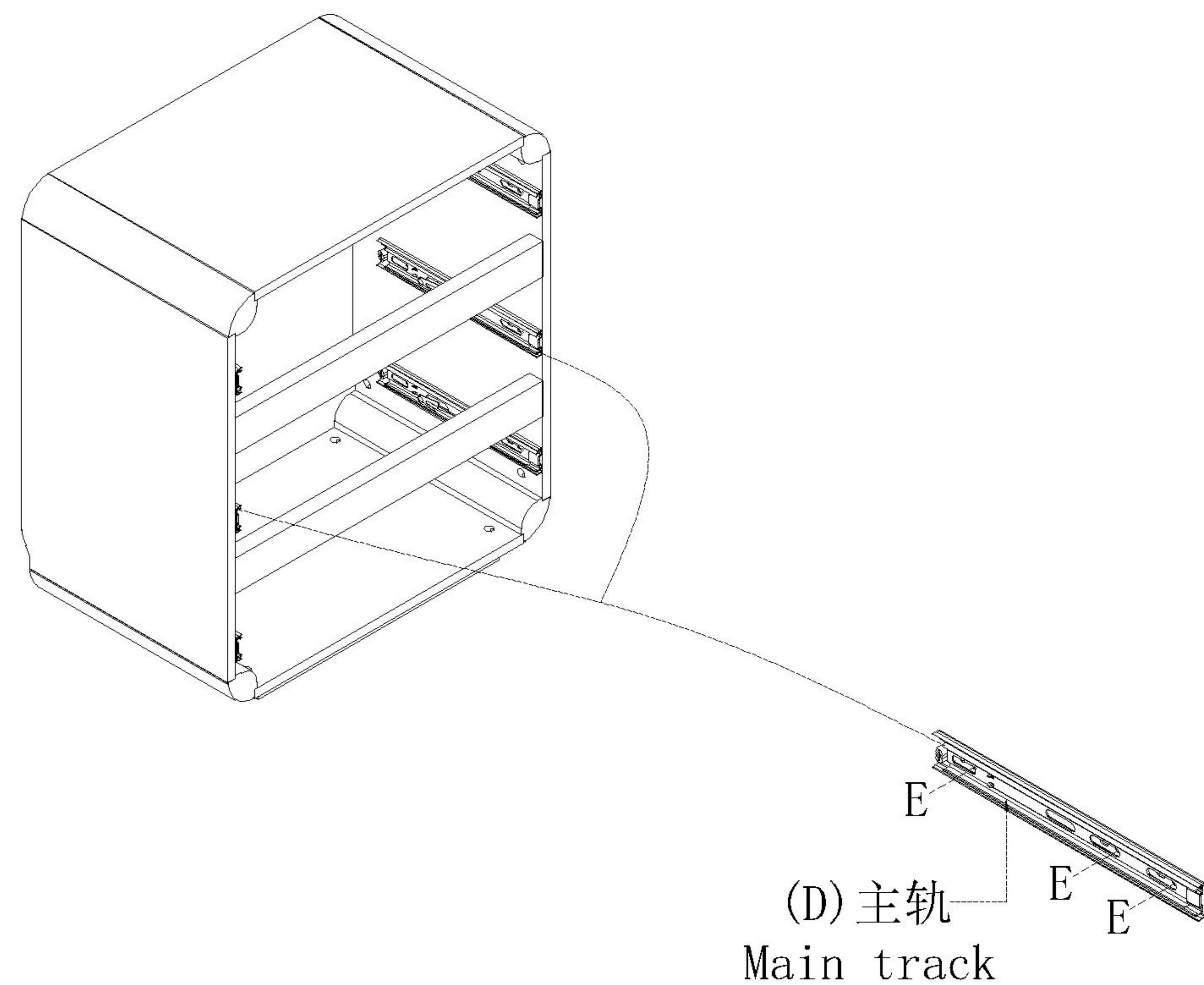
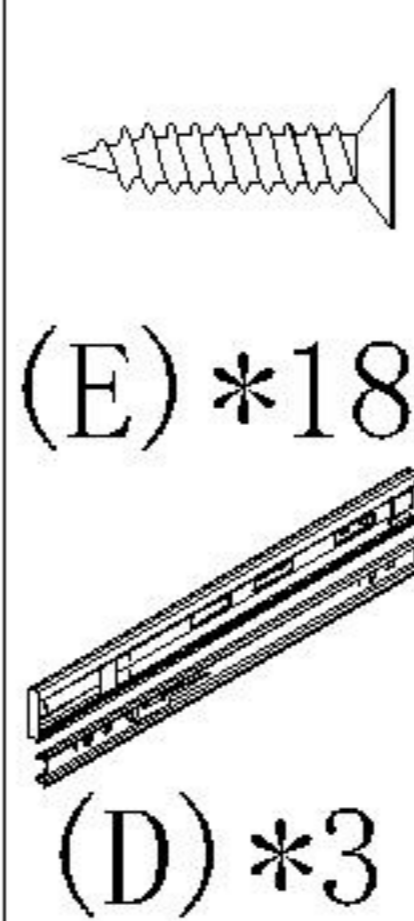
5



6



7



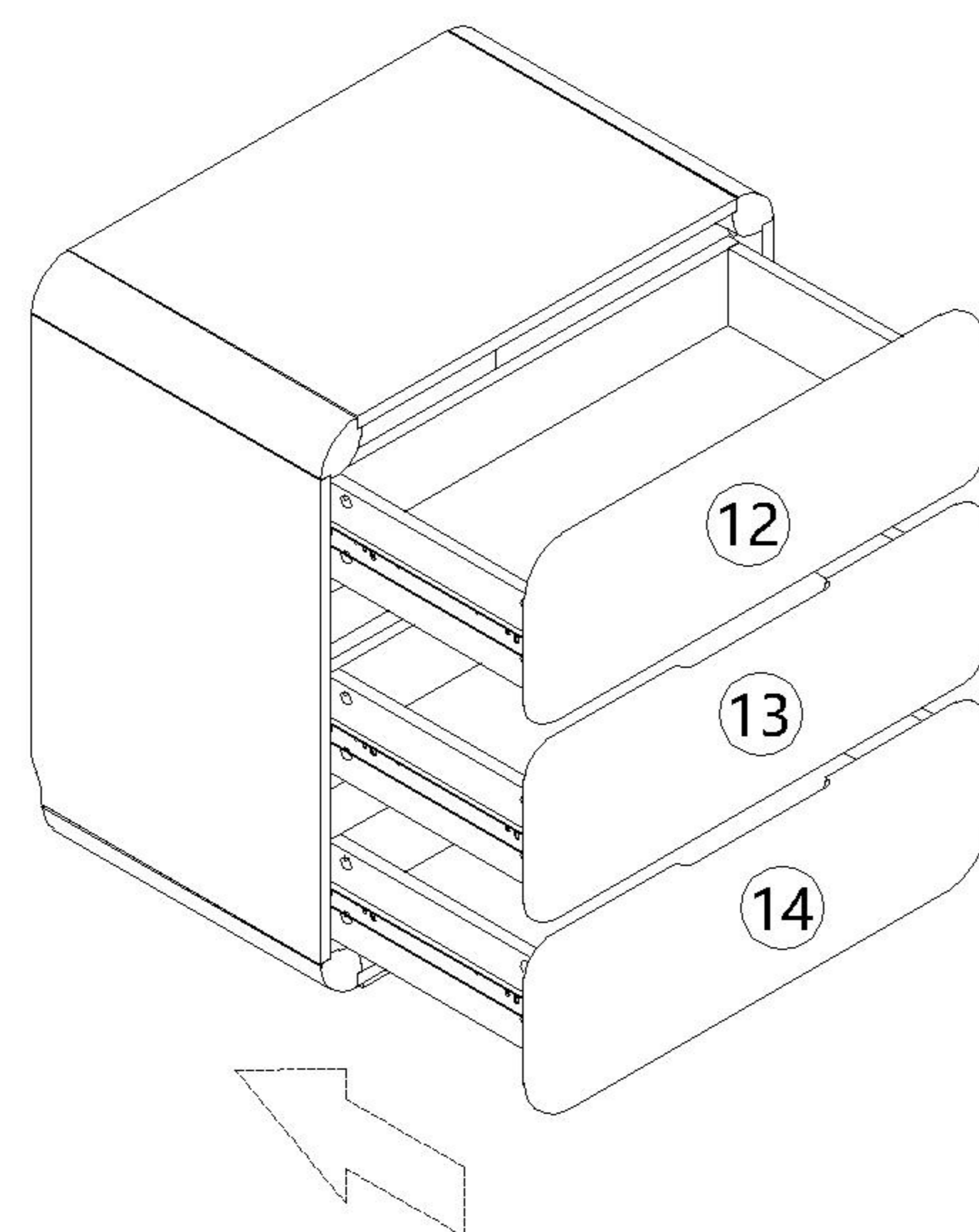
(D) 主轨
Main track

8

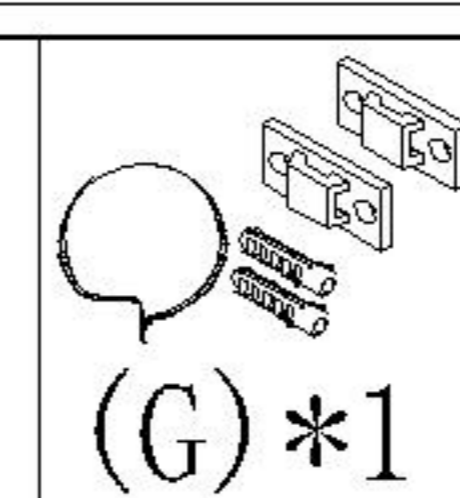
YF1C-B 三斗柜

安装方法/
Installation method

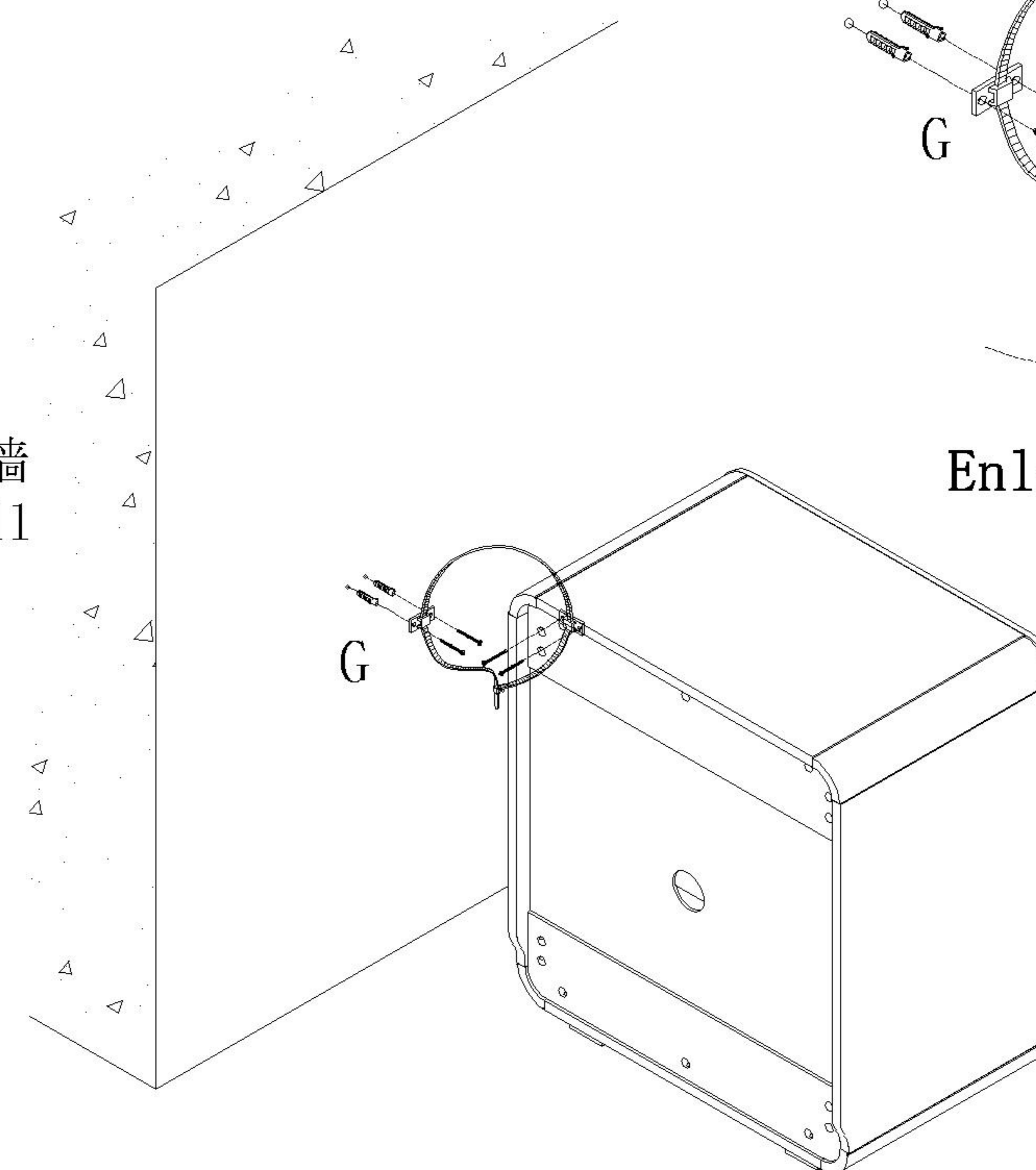
注：抽屉面板与柜体的间隙为设计开启抽屉使用，小心夹伤！
Note: the gap between the drawer panel and the cabinet is designed to open the drawer. Be careful not to pinch!



9



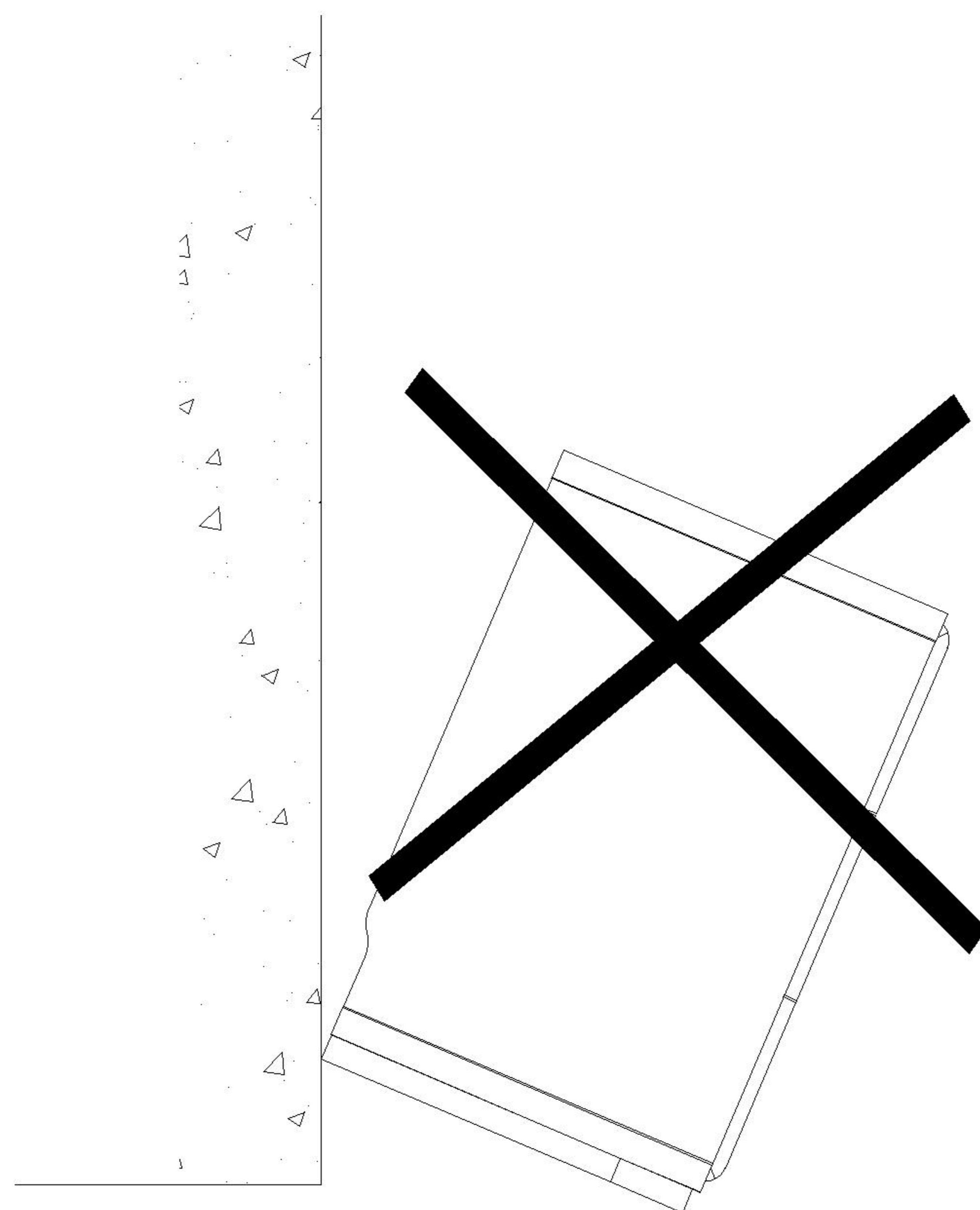
实体墙
Solid wall



G处放大图
Enlarged view at G

10

11



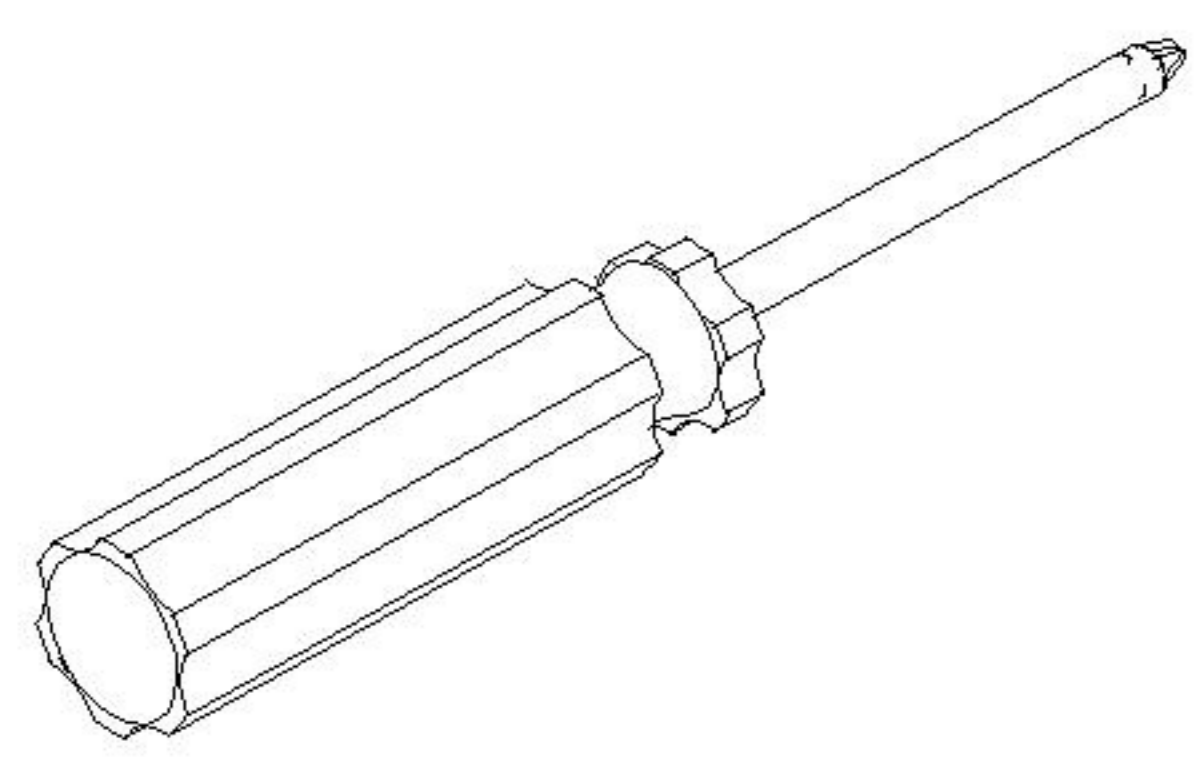
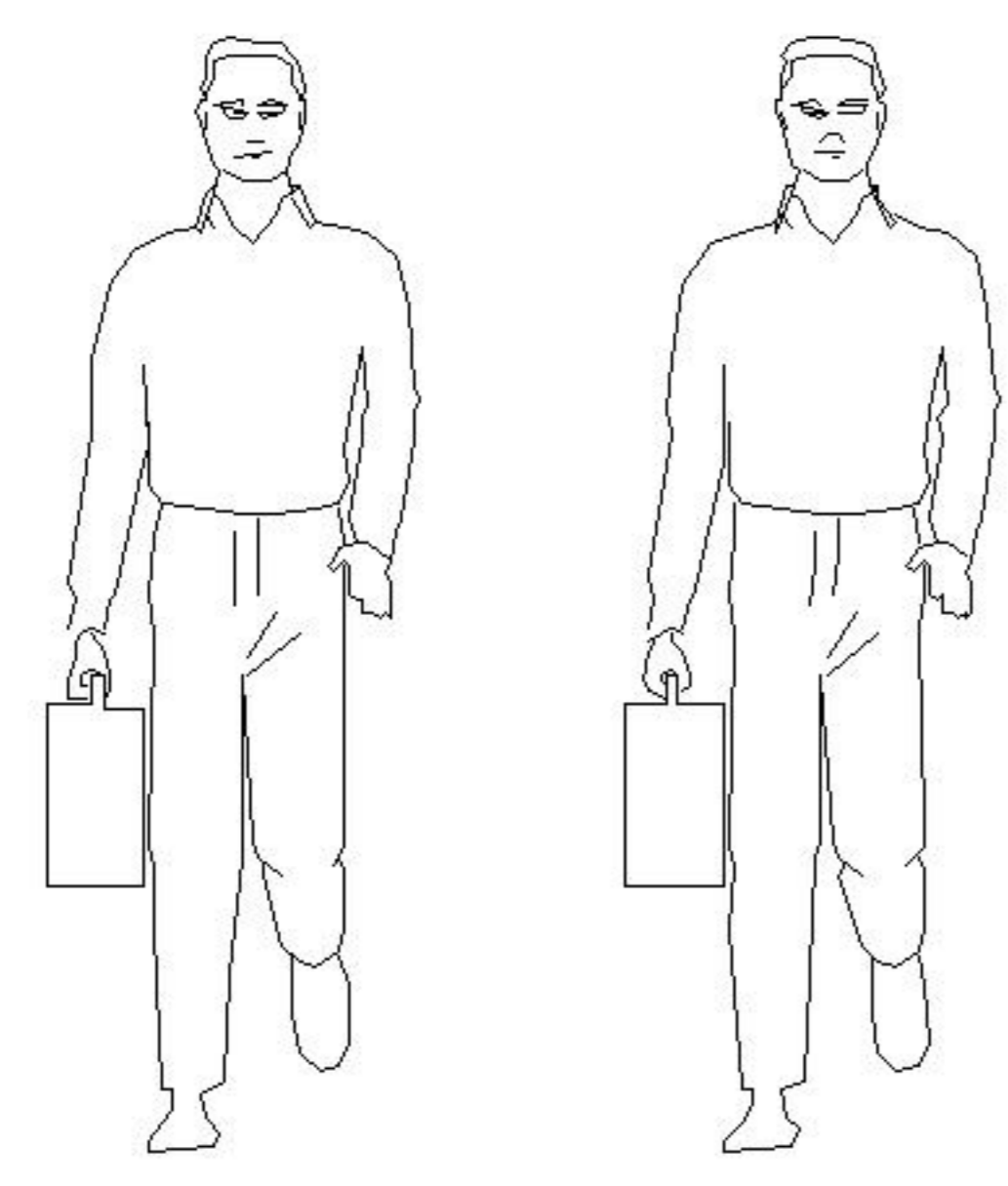
12

LINSY 林氏家居

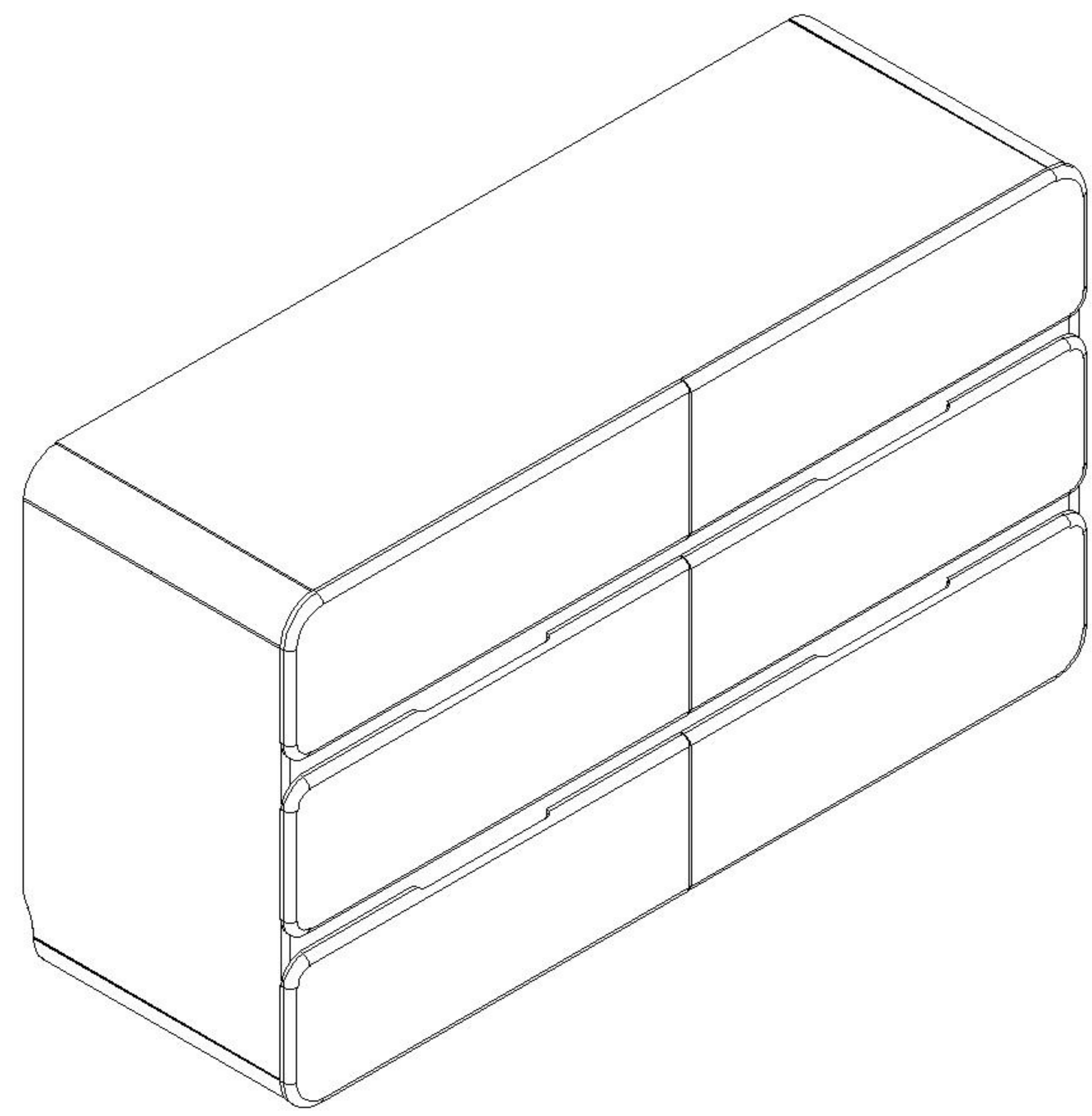
五金表/Hardware list

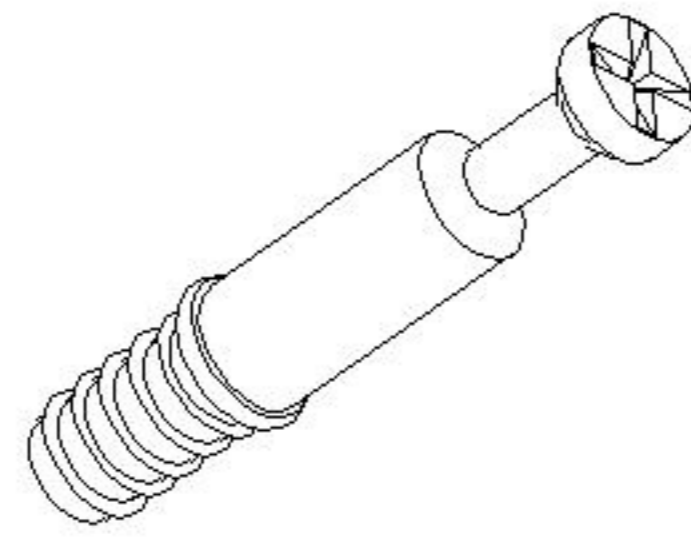
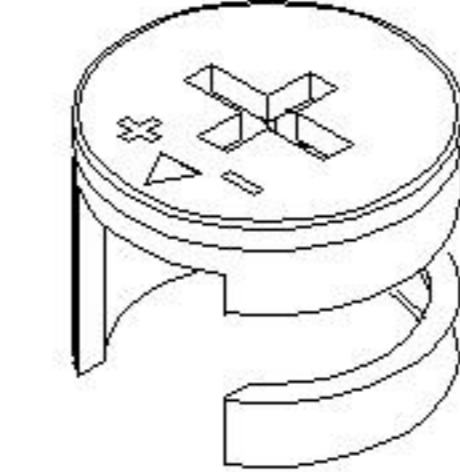
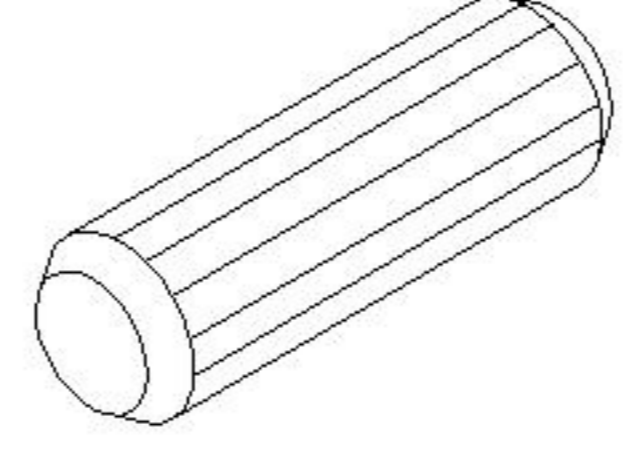
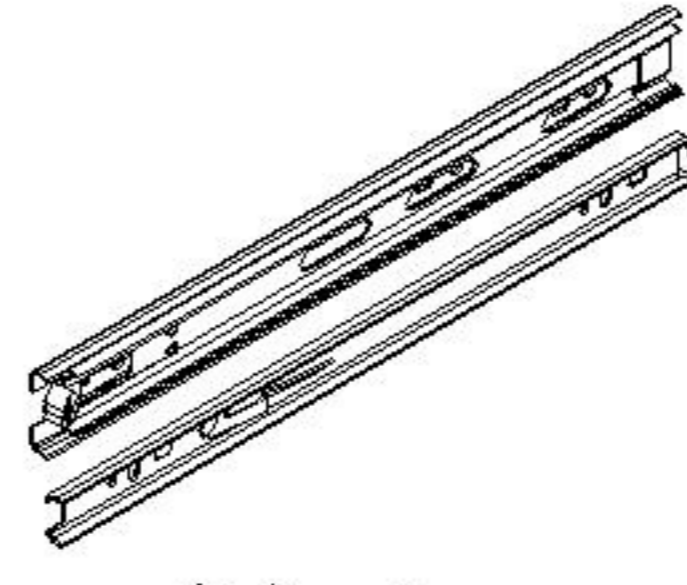
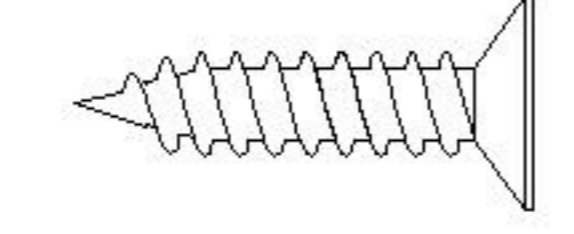
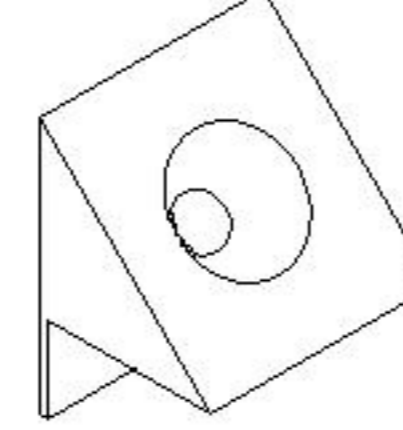
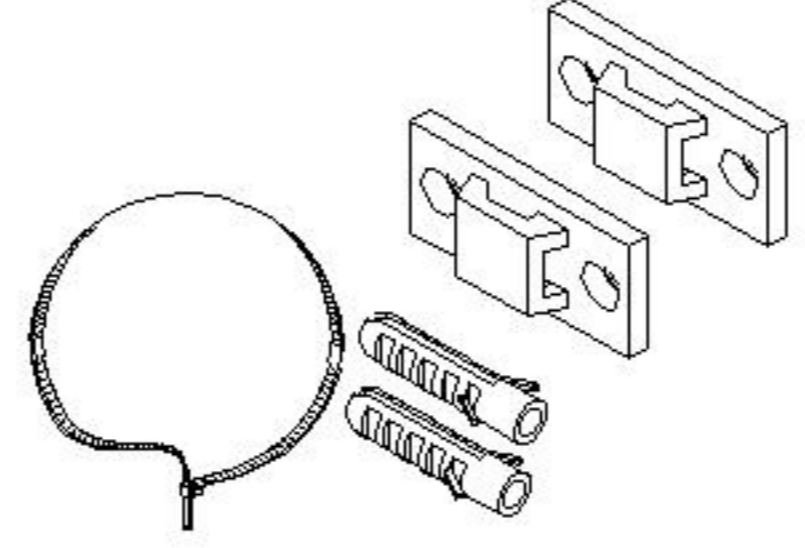
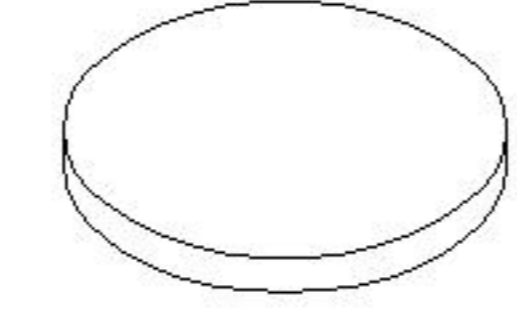
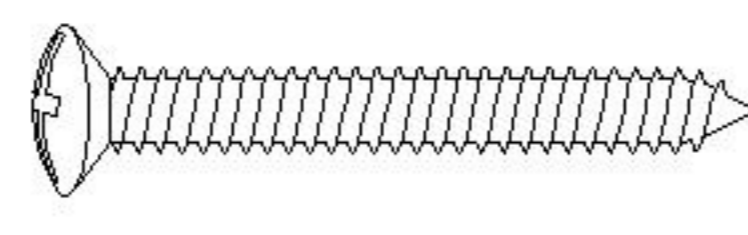
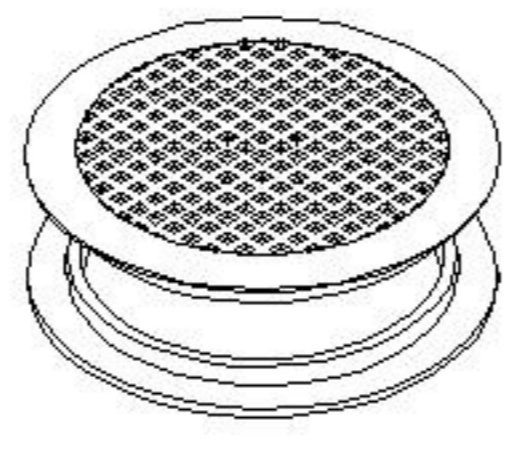
部件表/Parts List

安装示意图/Assembly Instruction

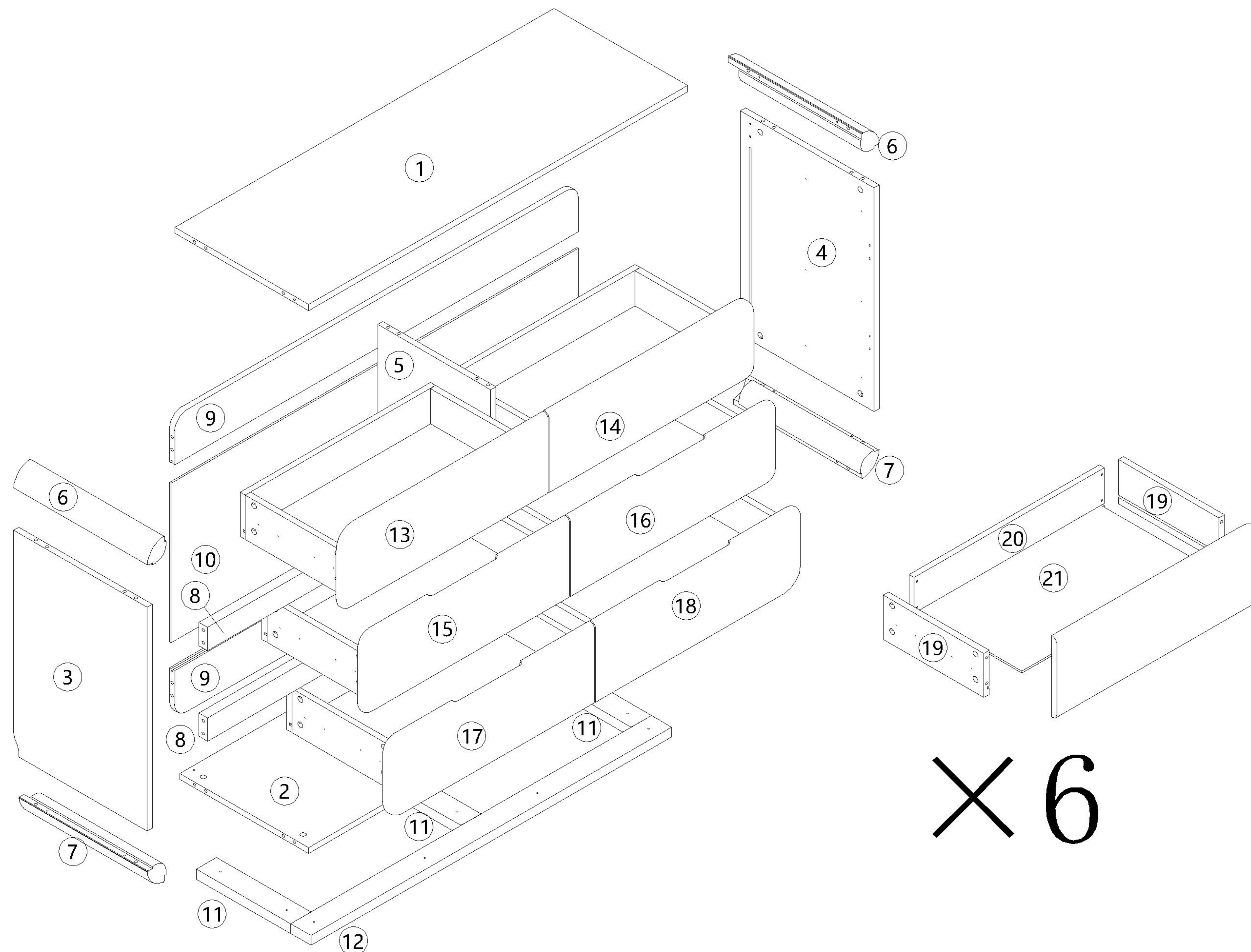
产品名称 Model NO.	YF1C-B 六斗柜
产品规格 Specification	1195*400*687mm
安装工具 Tool	安装人数 Installer
	

注：为保证设计效果，部分尺寸为定制尺寸，不影响使用。
 Note: In order to ensure the design effect, some sizes are customized sizes and do not affect the use.



 (A)*97 二合一螺杆 2-in-1-screw	 (B)*97 大三合一锁饼 3-in-1 large lock	 (C)*21 木榫Ø8x30mm Wood tenon	 (D)*6 三节滚珠导轨10" Three-section rail
 (E)*82 自攻螺丝M3.5*14mm Tapping screw	 (F)*6 背板扣 White buckle	 (G)*1 家具防倒器-白色 Anti-fall device	 (H)*10 灰色毛毡垫
 (I)*11 自攻大扁M4*30mm Self tapping flat screw	 (J)*2 透气孔盖 Breathable cover		

编号NO.	名称Name	规格(mm) Specification	数量QTY	材质Material
①	面板Top panel	1093*385*15	1	欧松板 Oriented Strand Board
②	底板Bottom board	1093*370*15	1	欧松板 Oriented Strand Board
③	左侧板Side board(L)	558*385*15	1	欧松板 Oriented Strand Board
④	右侧板Side board(R)	558*385*15	1	欧松板 Oriented Strand Board
⑤	中侧板Middle side board	628*325*15	1	欧松板 Oriented Strand Board
⑥	上转角木Upper corner connecting wood	385*55*55	2	橡胶木 Rubber wood
⑦	下转角木Lower corner connection wood	370*55*55	2	橡胶木 Rubber wood
⑧	前拉条Front brace	1163*58*25	2	欧松板 Oriented Strand Board
⑨	背拉条Back brace	1163*120*15	2	欧松板 Oriented Strand Board
⑩	背板Back board	1173*398*5	1	纤维板 Fiberboard
⑪	侧脚条Side foot strip	272*58*25	3	欧松板 Oriented Strand Board
⑫	前脚条Front foot strip	1039*58*25	1	欧松板 Oriented Strand Board
⑬	左上抽屉面板Upper left drawer panel	596*203*15	1	纤维板 Fiberboard
⑭	右上抽屉面板Upper right drawer panel	596*203*15	1	纤维板 Fiberboard
⑮	左中抽屉面板Left middle drawer panel	596*203*15	1	纤维板 Fiberboard
⑯	右中抽屉面板Right middle drawer panel	596*203*15	1	纤维板 Fiberboard
⑰	左下抽屉面板Lower left drawer panel	596*203*15	1	纤维板 Fiberboard
⑱	右下抽屉面板Lower right drawer panel	596*203*15	1	纤维板 Fiberboard
⑲	抽屉侧板Drawer's sideboard	290*110*15	12	欧松板 Oriented Strand Board
⑳	抽屉后板Drawer's Back board	548*110*15	6	欧松板 Oriented Strand Board
㉑	抽屉底板Drawer's Bottom board	528*300*5	6	纤维板 Fiberboard



编号NO.	名称Name
①	面板Top panel
②	底板Bottom board
③	左侧板Side board(L)
④	右侧板Side board(R)
⑤	中侧板Middle side board
⑥	上转角木Upper Corner Wood
⑦	下转角木Lower Corner Wood
⑧	前拉条Front brace
⑨	背拉条Back brace
⑩	背板Back board
⑪	侧脚条Side foot strip
⑫	前脚条Front foot strip
⑬	左上抽屉面板Upper left drawer panel
⑭	右上抽屉面板Upper right drawer panel
⑮	左中抽屉面板Left middle drawer panel
⑯	右中抽屉面板Right middle drawer panel
⑰	左下抽屉面板Lower left drawer panel
⑱	右下抽屉面板Lower right drawer panel
⑲	抽屉侧板Drawer's sideboard
⑳	抽屉后板Drawer's Back board
㉑	抽屉底板Drawer's Bottom board

YF1C-B 六斗柜

安装方法/

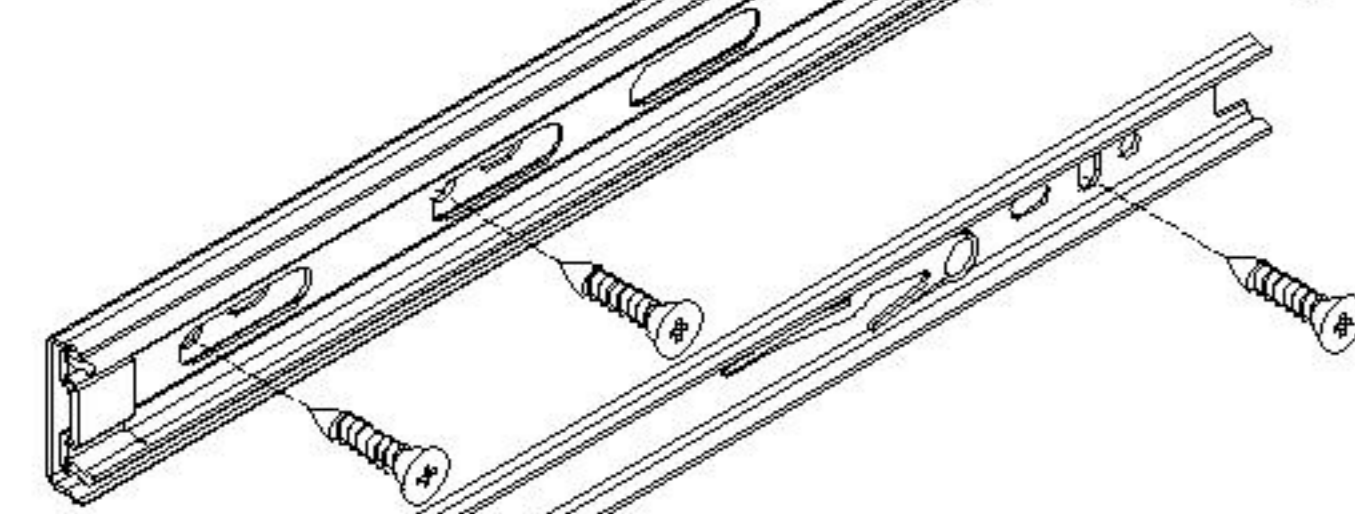
Installation method

阀门开关(下压为开)
Valve switch (press down to open)

前 Forward 后 Back



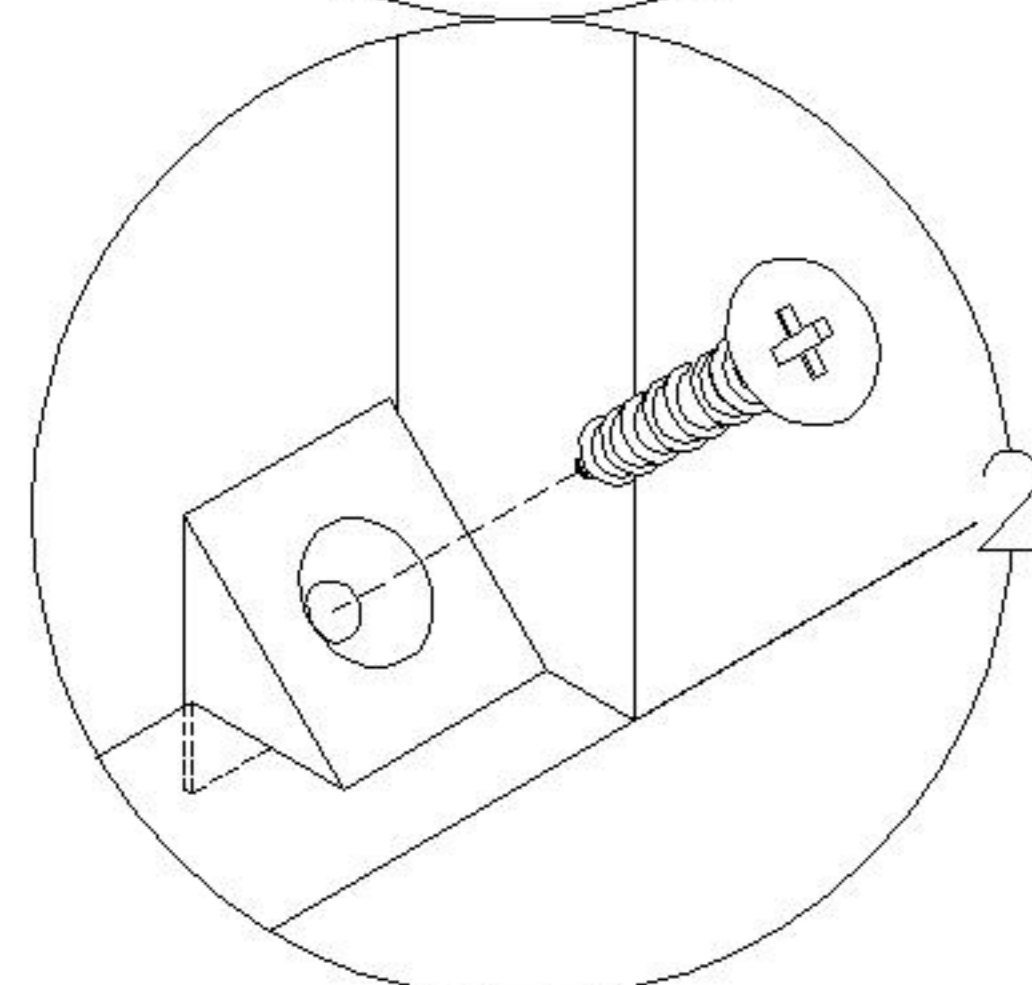
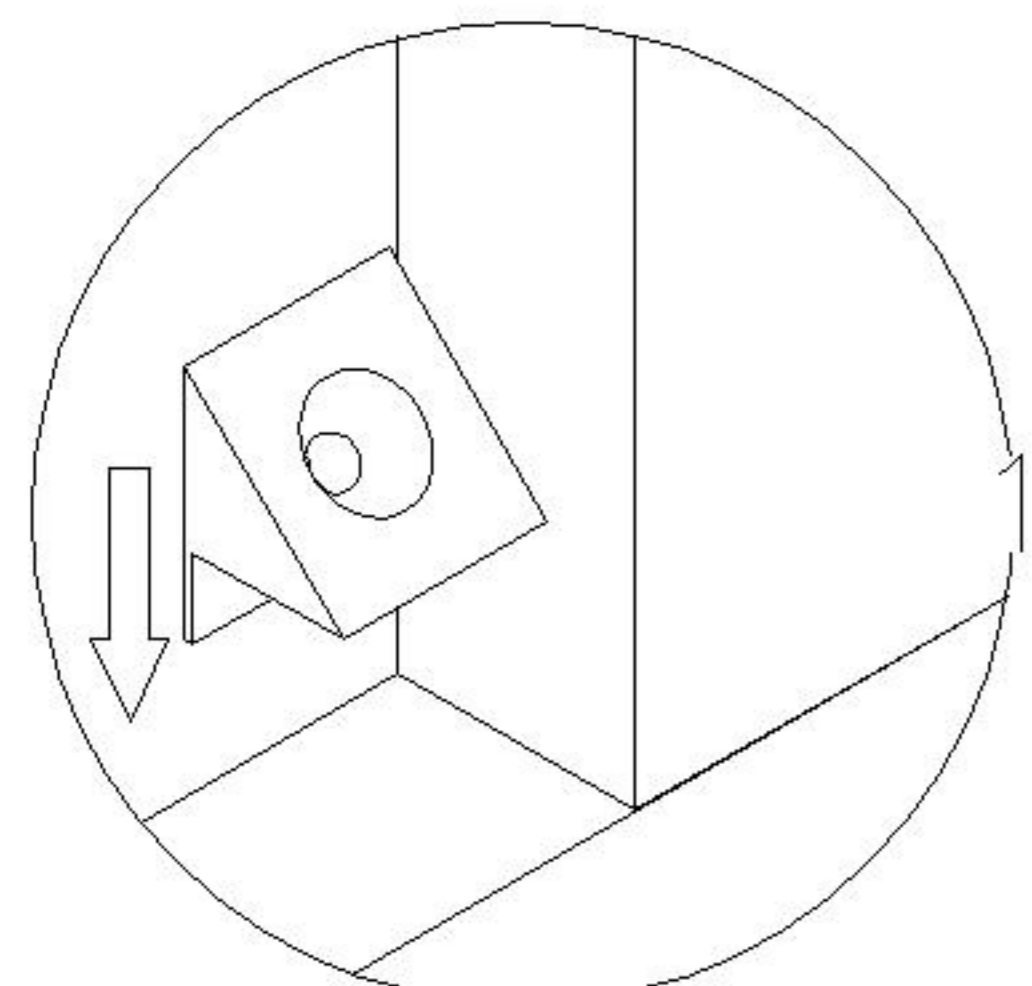
主轨 Main track



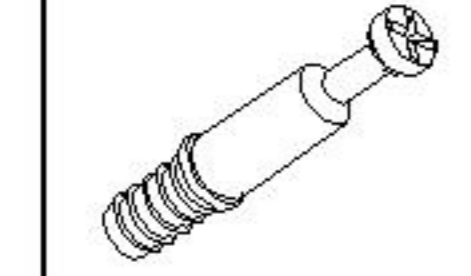
副轨 Sub track



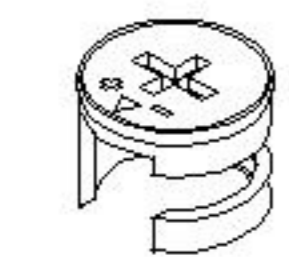
三节滚珠导轨
Three-section rail



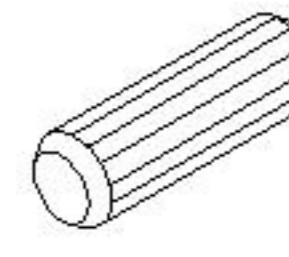
背板扣
Back Plate Buckle



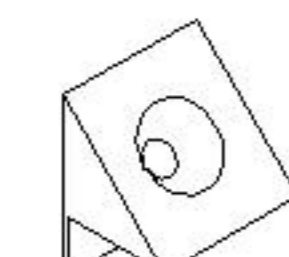
(A)*24



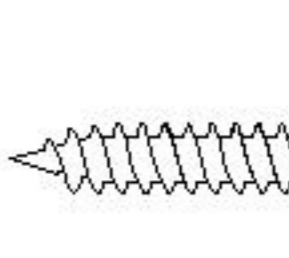
(B)*24



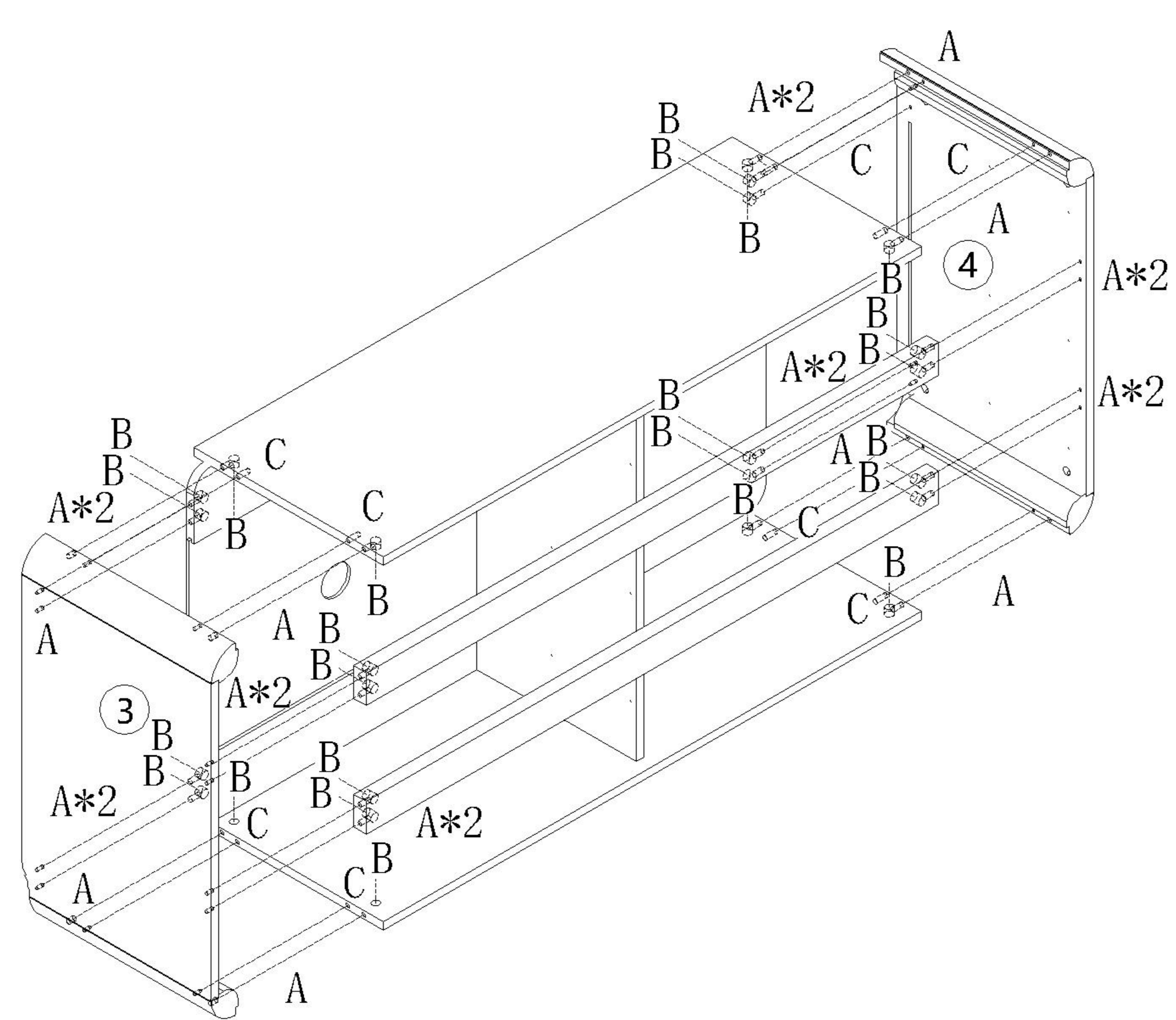
(C)*8



(F)*4



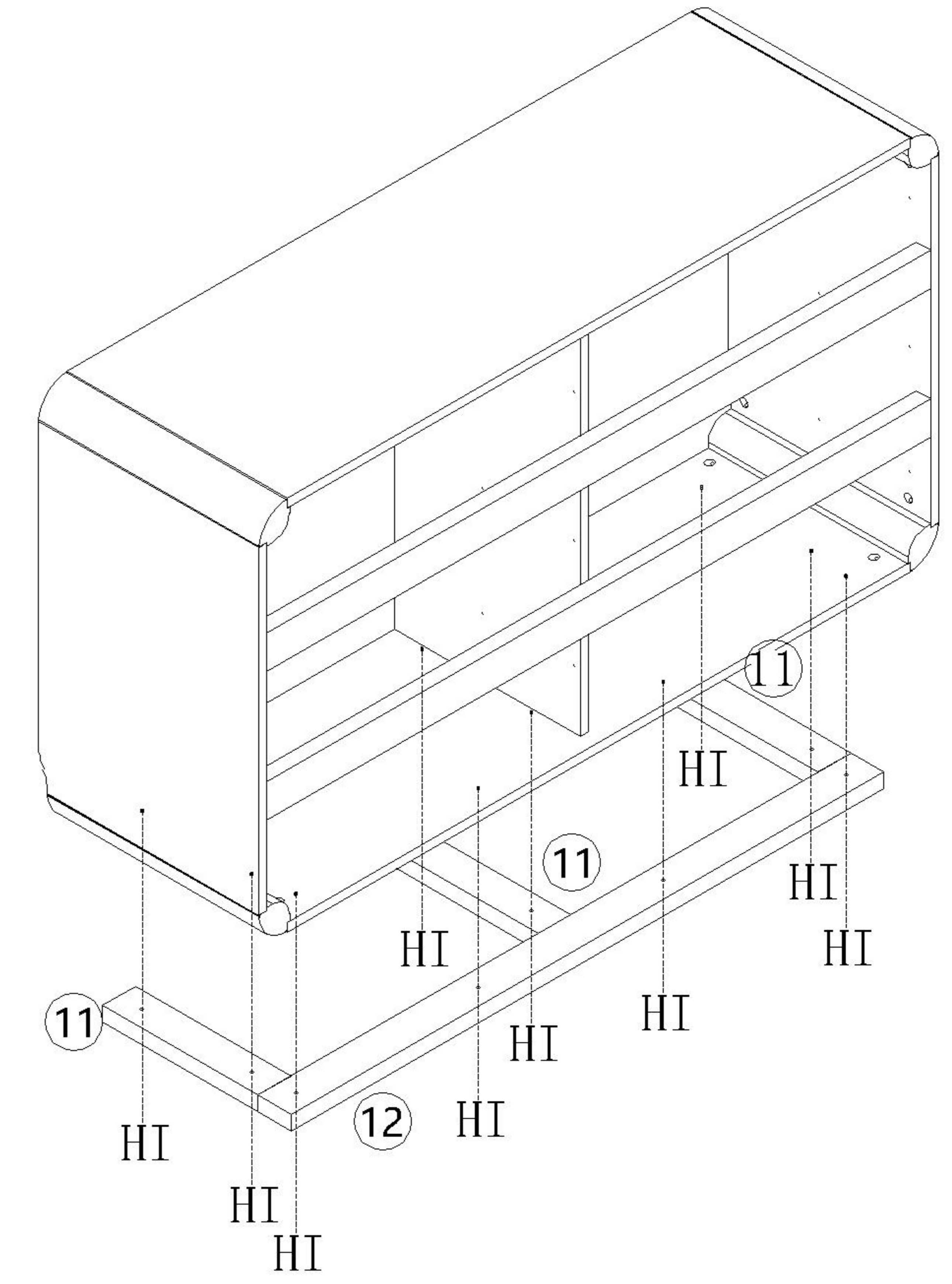
(E)*4



5

- (H)*10
- (I)*10

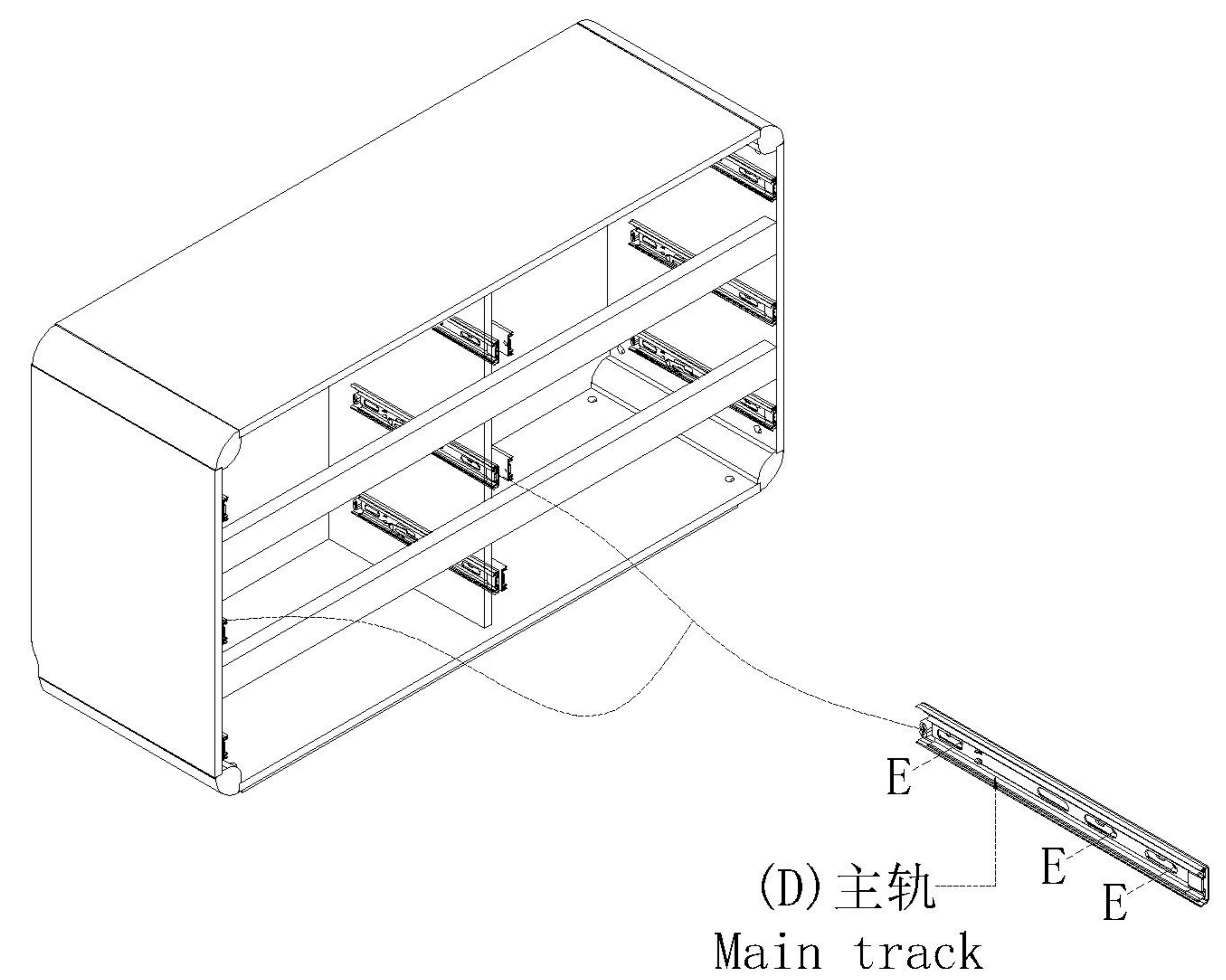
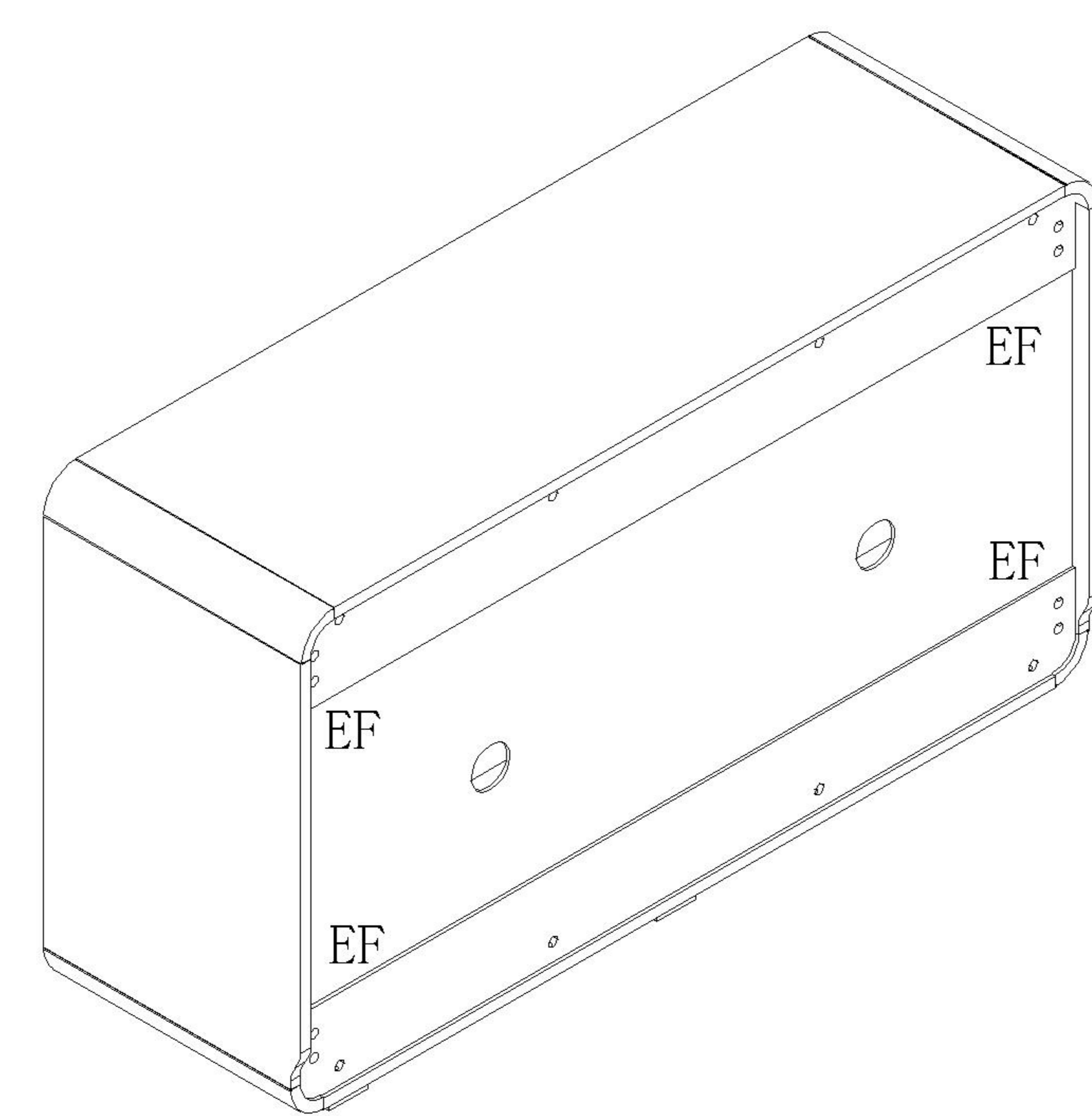
6



7

- (E)*36
- (D)*6

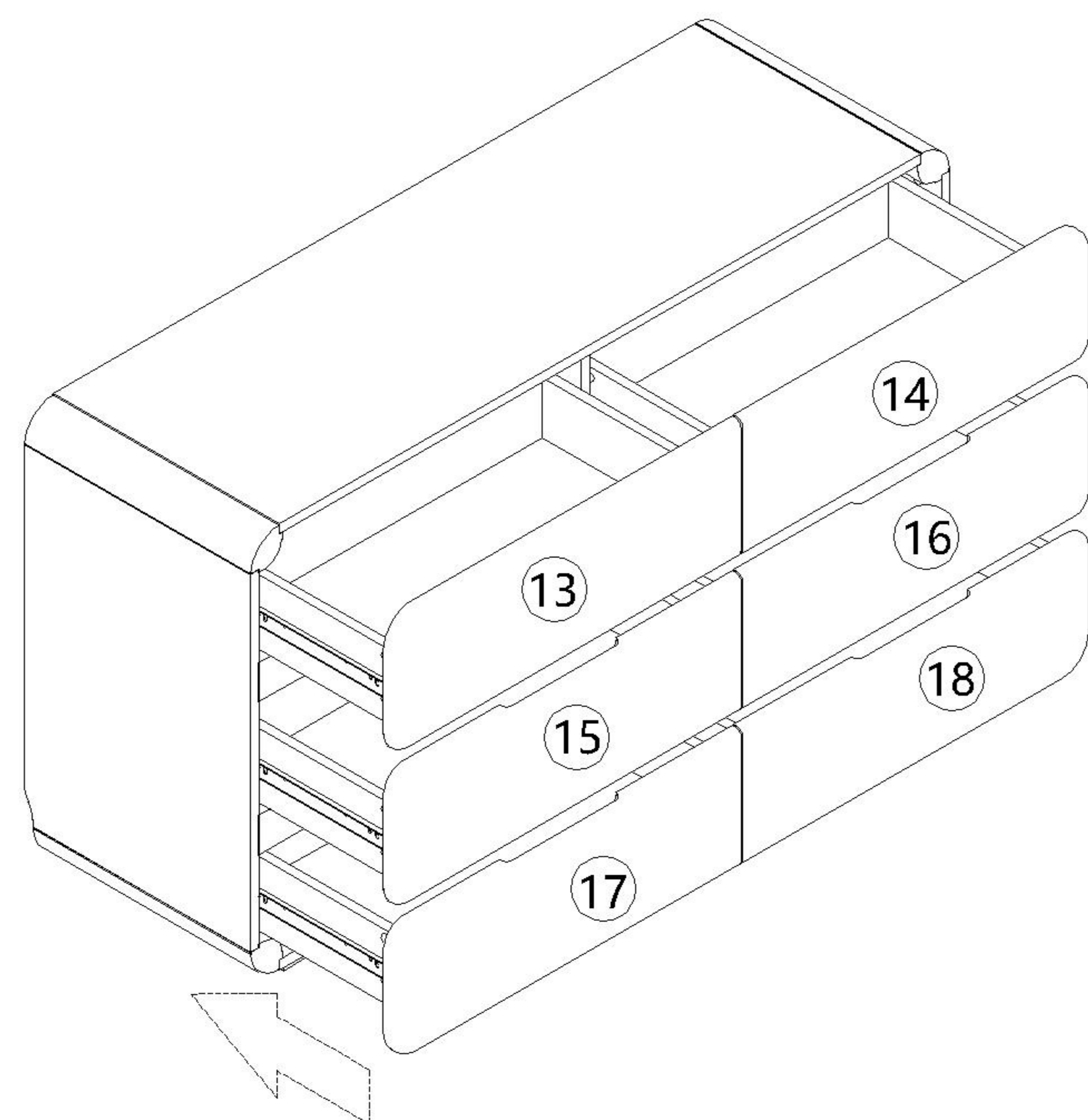
8



YF1C-B 六斗柜

安装方法/
Installation method

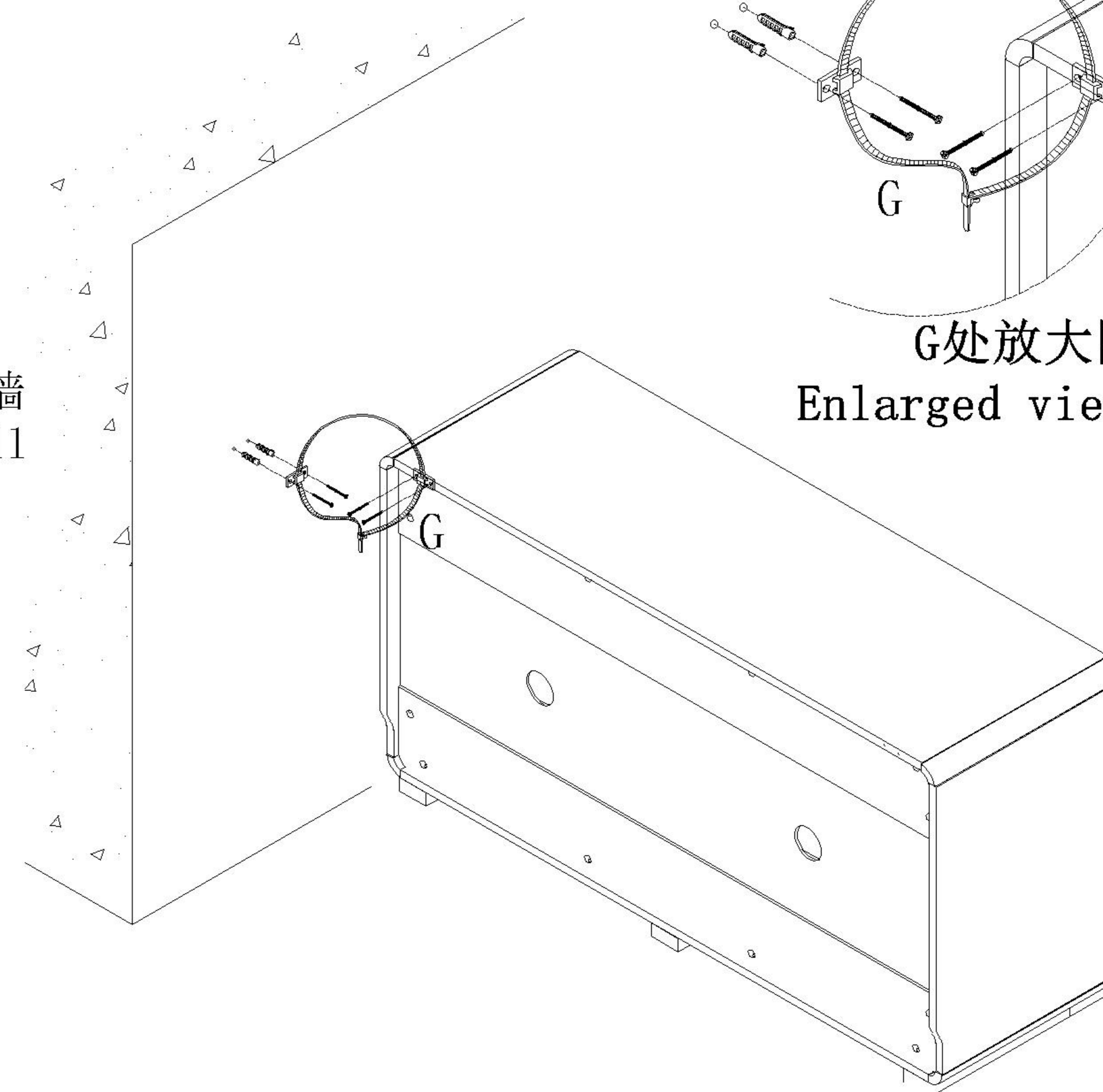
注：抽屉面板与柜体的间隙为设计开启抽屉使用，小心夹伤！
Note: the gap between the drawer panel and the cabinet is designed to open the drawer. Be careful not to pinch!



9

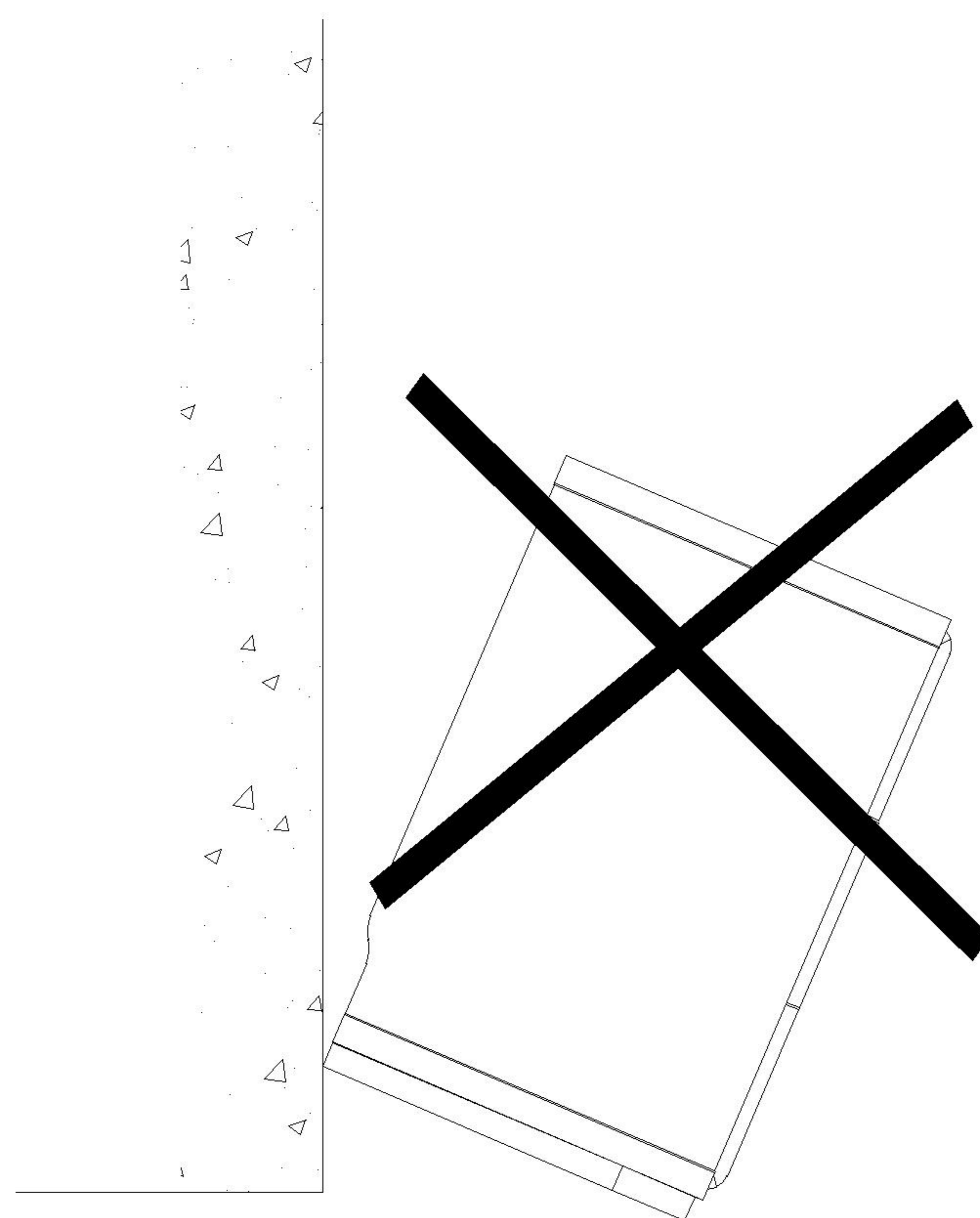
(G)*1

实体墙
Solid wall



G处放大图
Enlarged view at G

10



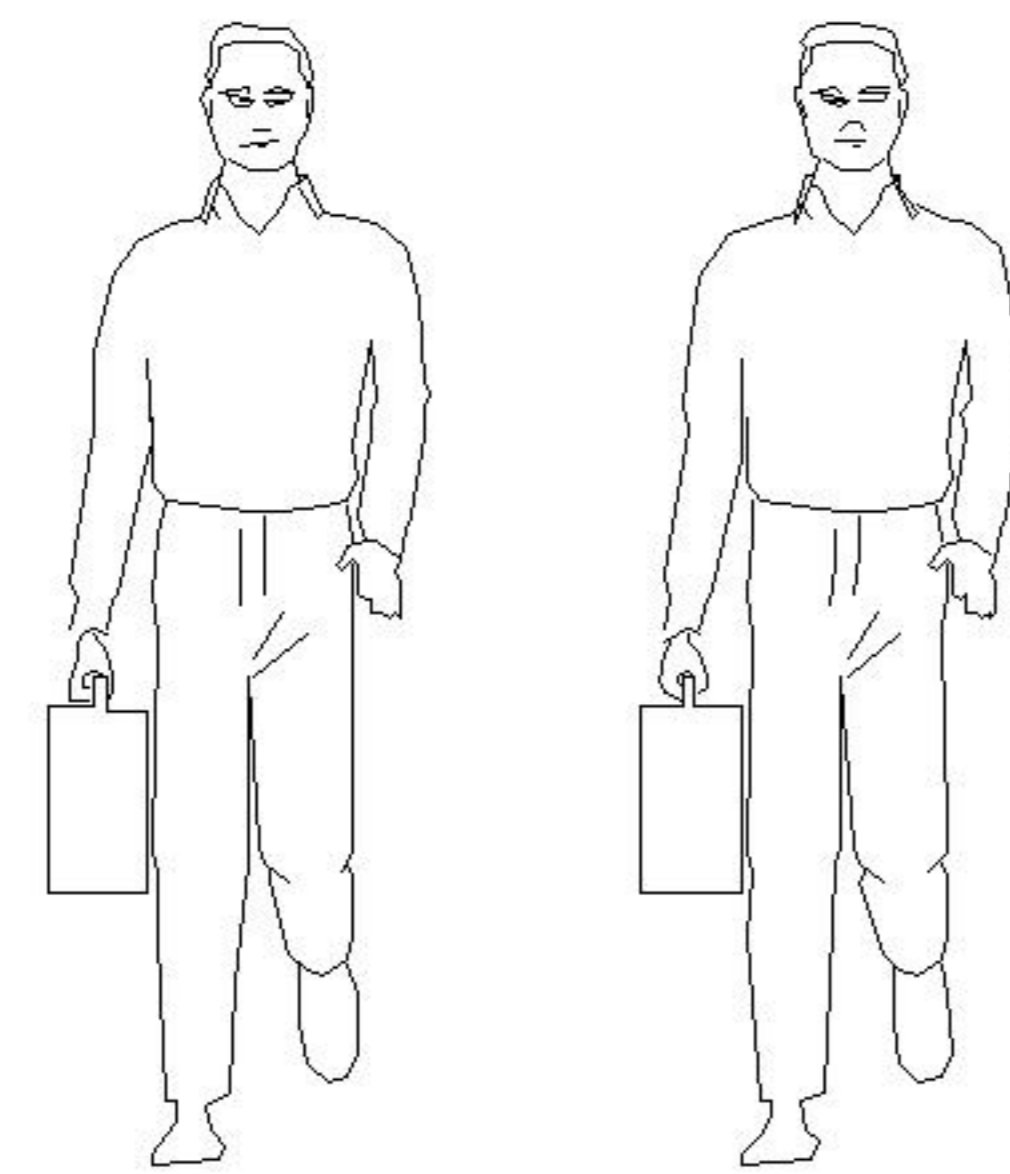
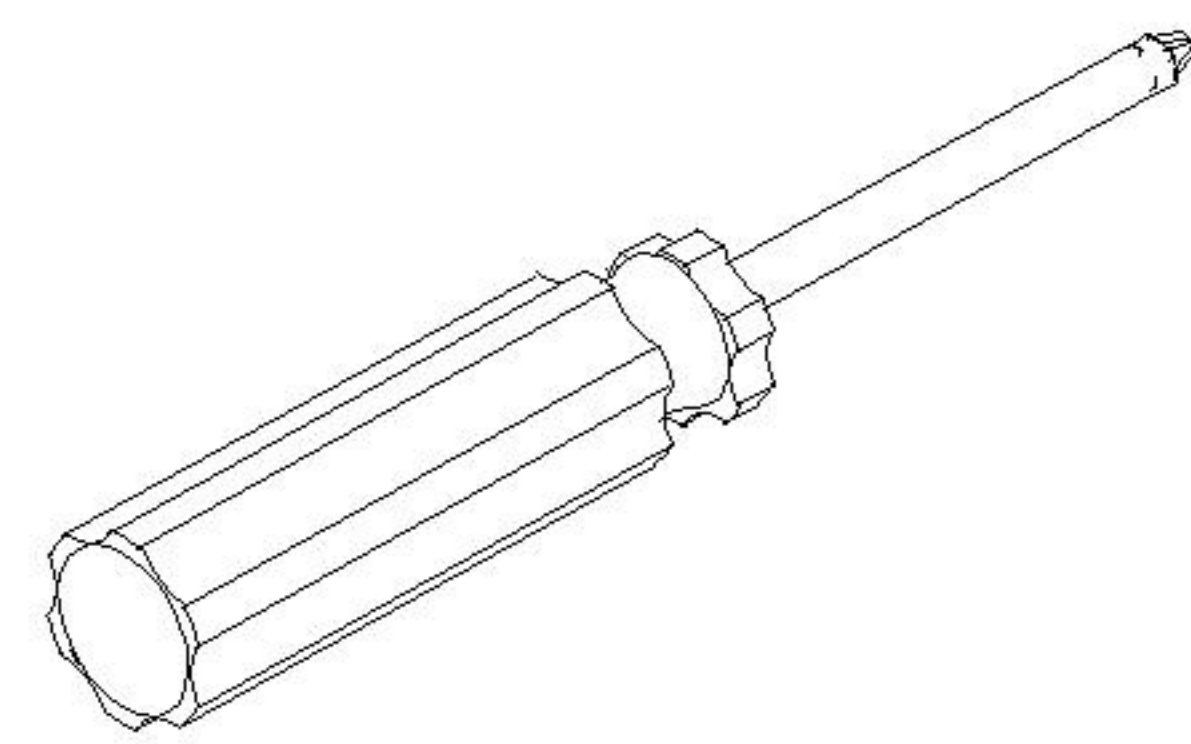
LINSY 林氏家居

五金表/Hardware list

部件表/Parts List

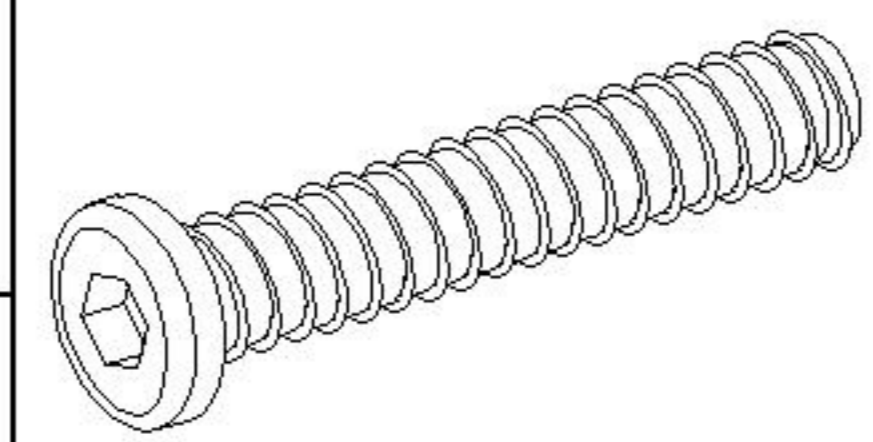
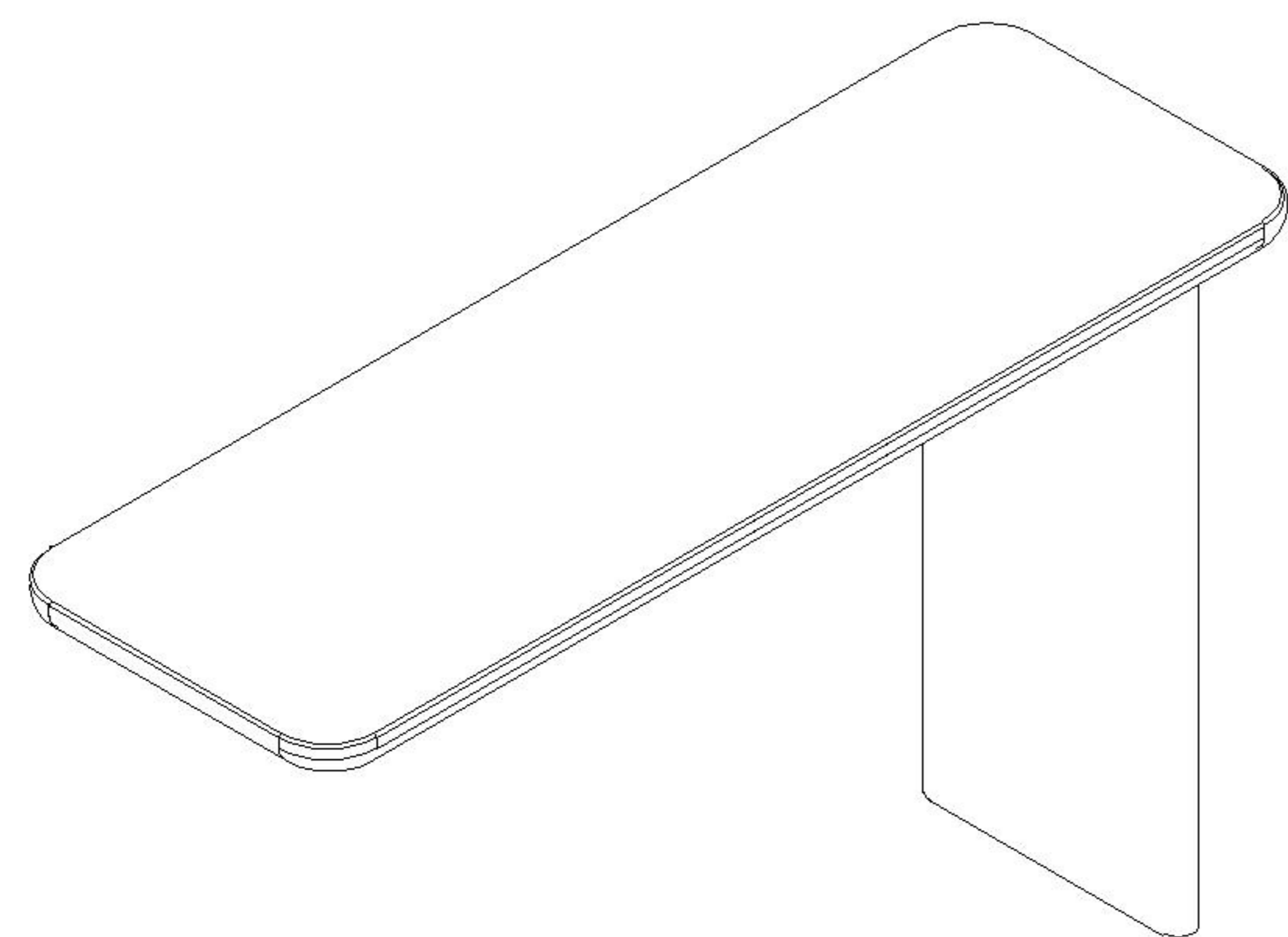
安装示意图/Assembly Instruction

产品名称 Model NO.	YF1C-B 妆台主体
产品规格 Specification	1200*400*749mm
安装工具 Tool	安装人数 Installer

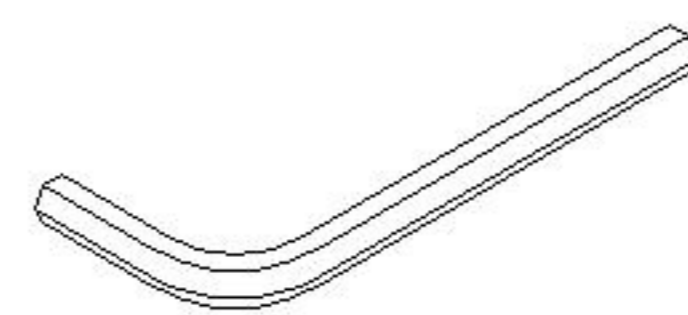


注：为保证设计效果，部分尺寸为定制尺寸，不影响使用。

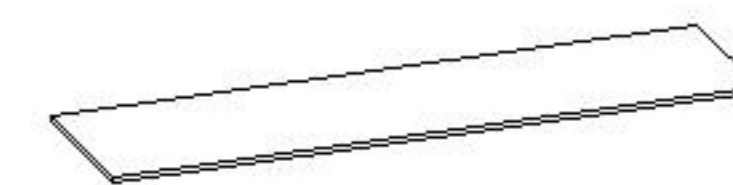
Note: In order to ensure the design effect, some sizes are customized sizes and do not affect the use.



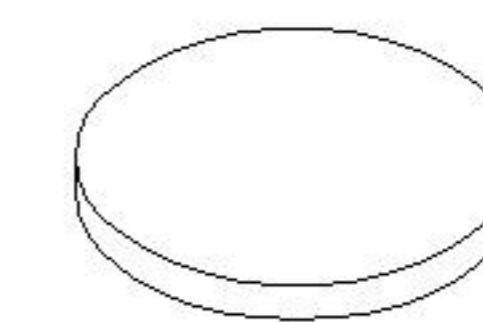
(A)*6
斜边内六角螺杆-M8x50
Beveled hexagon
socket head screw



(B)*1
内六角扳手5mm
Hexagon wrench



(C)* 2
垫片 L=300mm
Black long rubber
pad



(D)*2
灰色毛毡垫
Foot pad

编号NO.

名称Name

规格(mm)
Specification

数量QTY

材质Material

①

面板Top panel

1200*400*35

1

橡胶木Rubber
wood

②

短垫条Short pad strip

332*58*25

1

纤维板Fiberboard

③

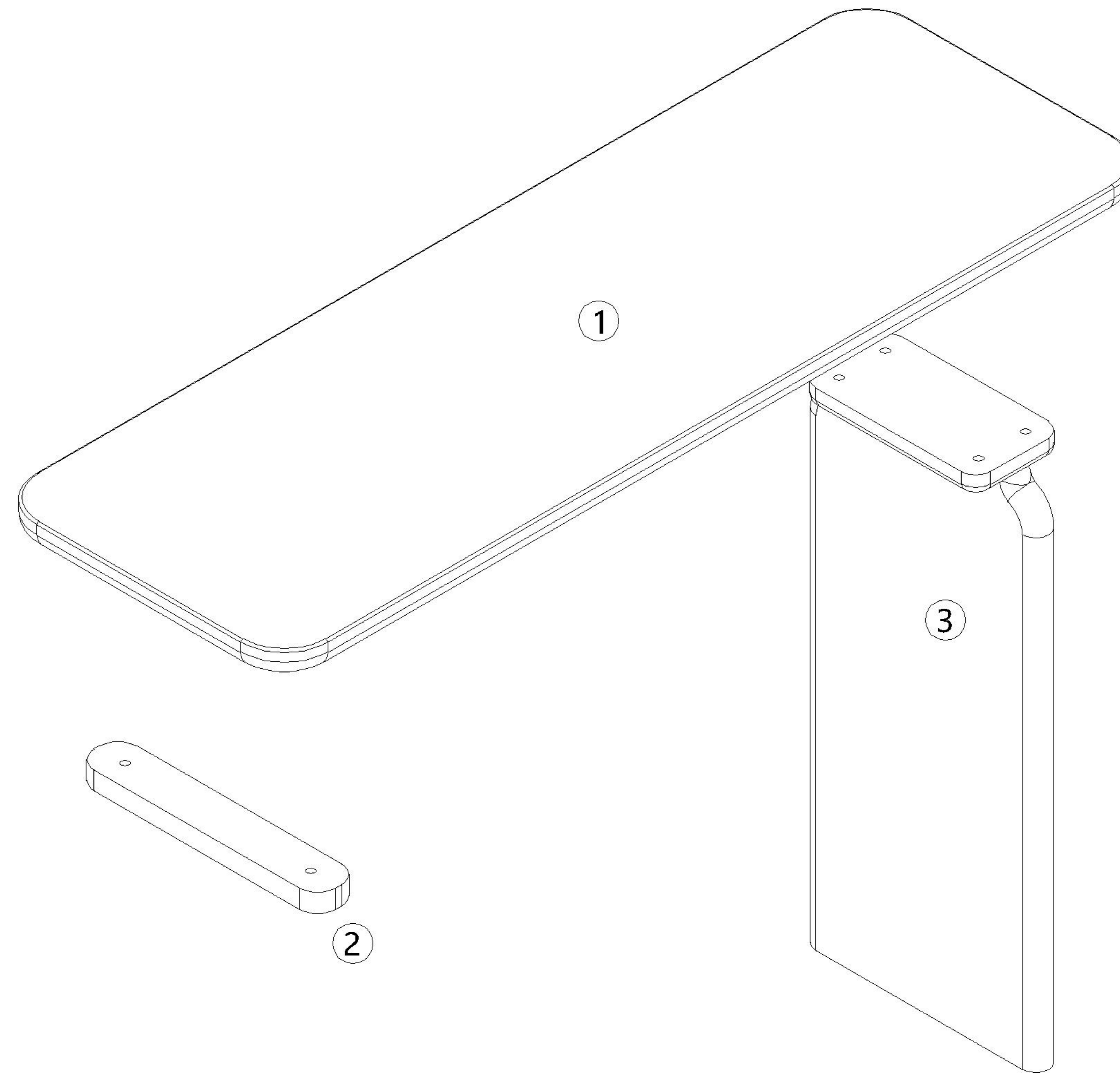
脚架Tripod

711*320*120

1

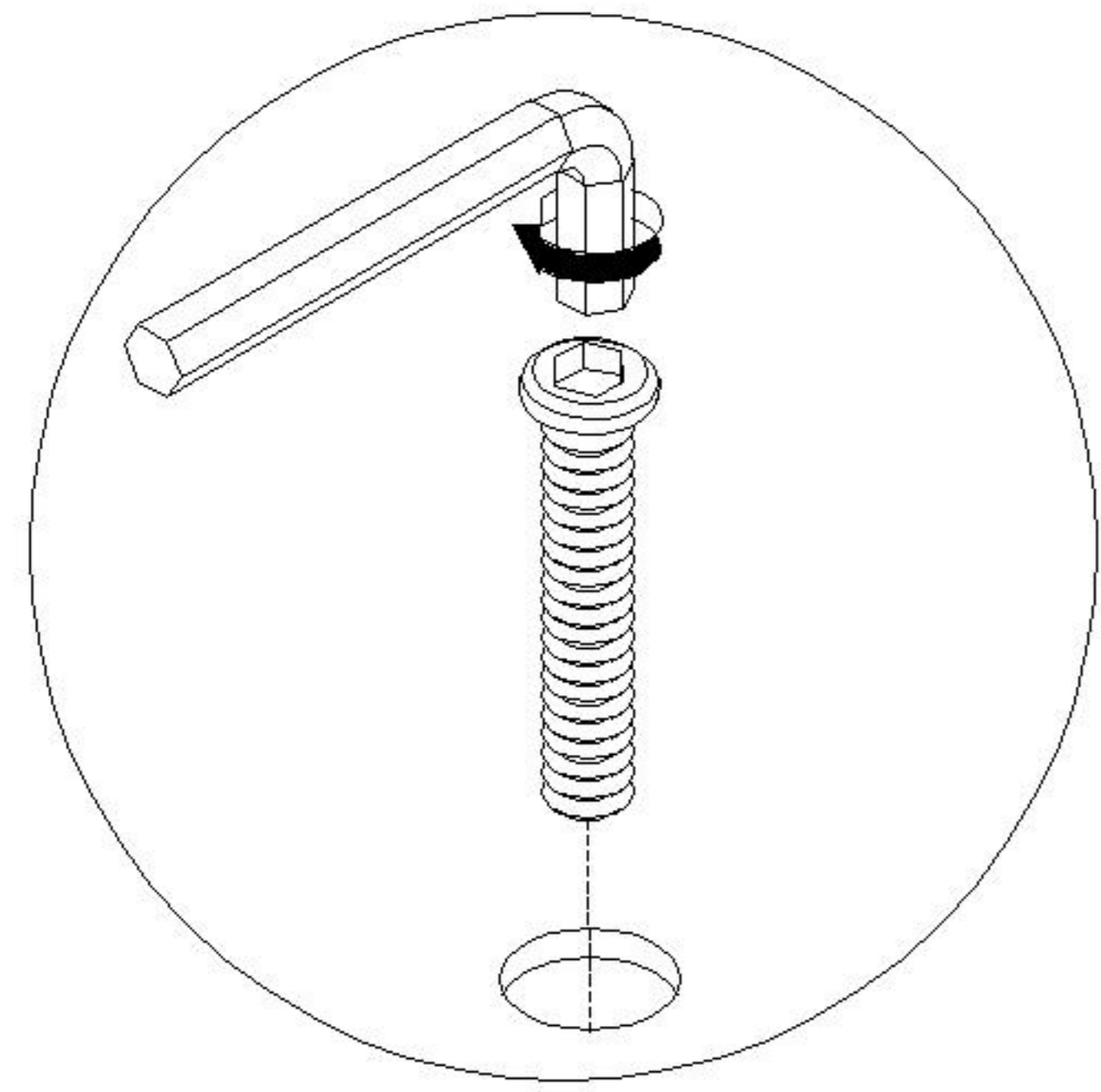
纤维板Fiberboard

编号NO.	名称Name
①	面板Top panel
②	短垫条Short pad strip
③	脚架Tripod

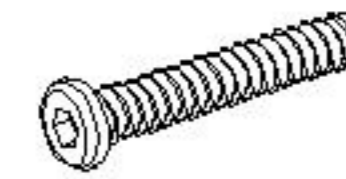
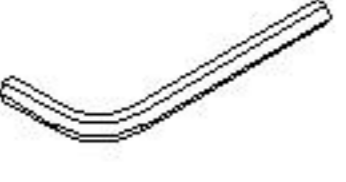


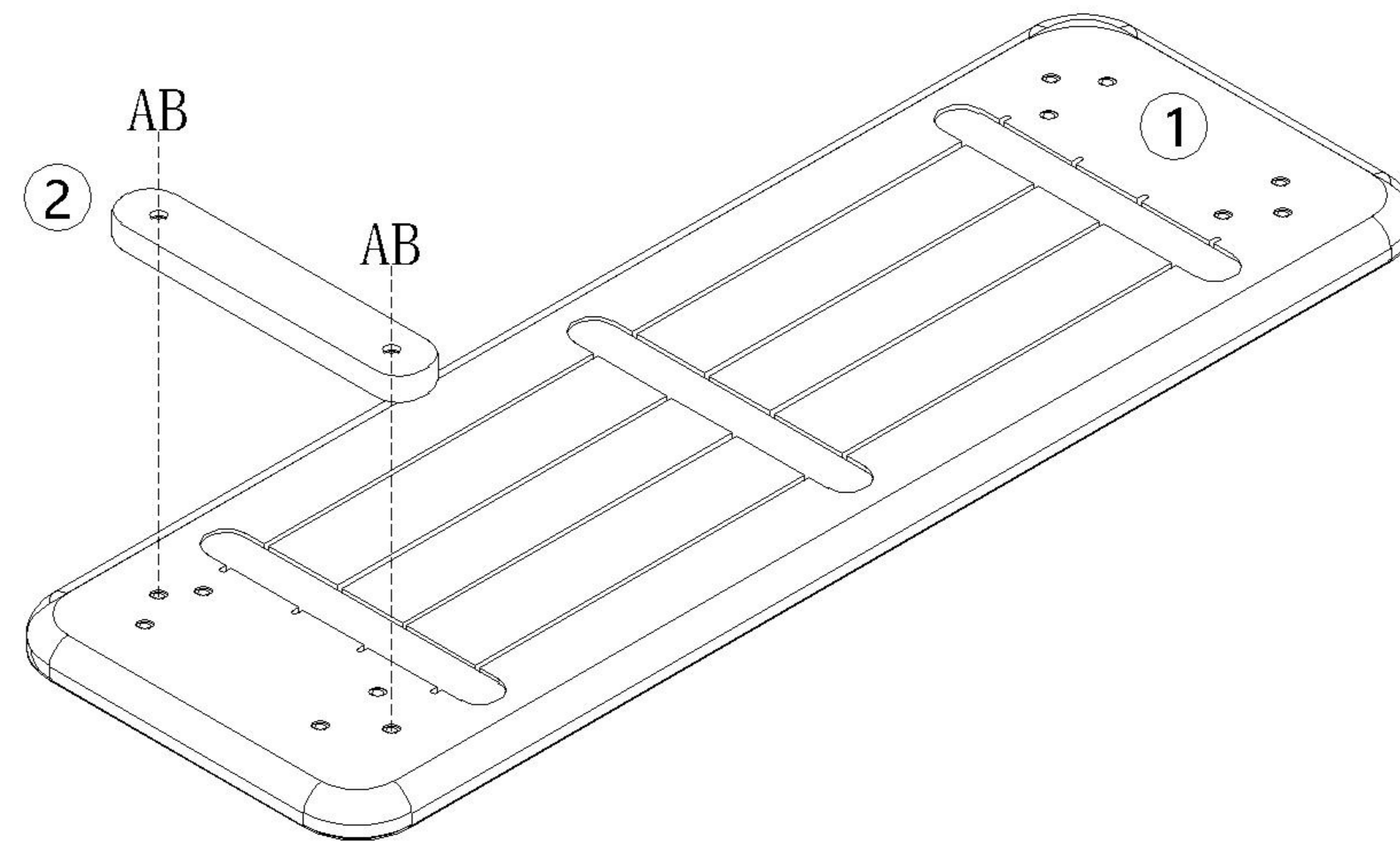
YF1C-B 妆台主体

安装方法/
Installation method

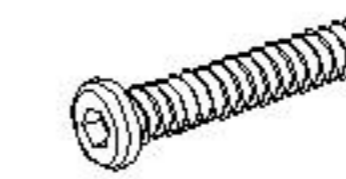
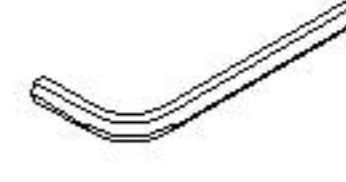




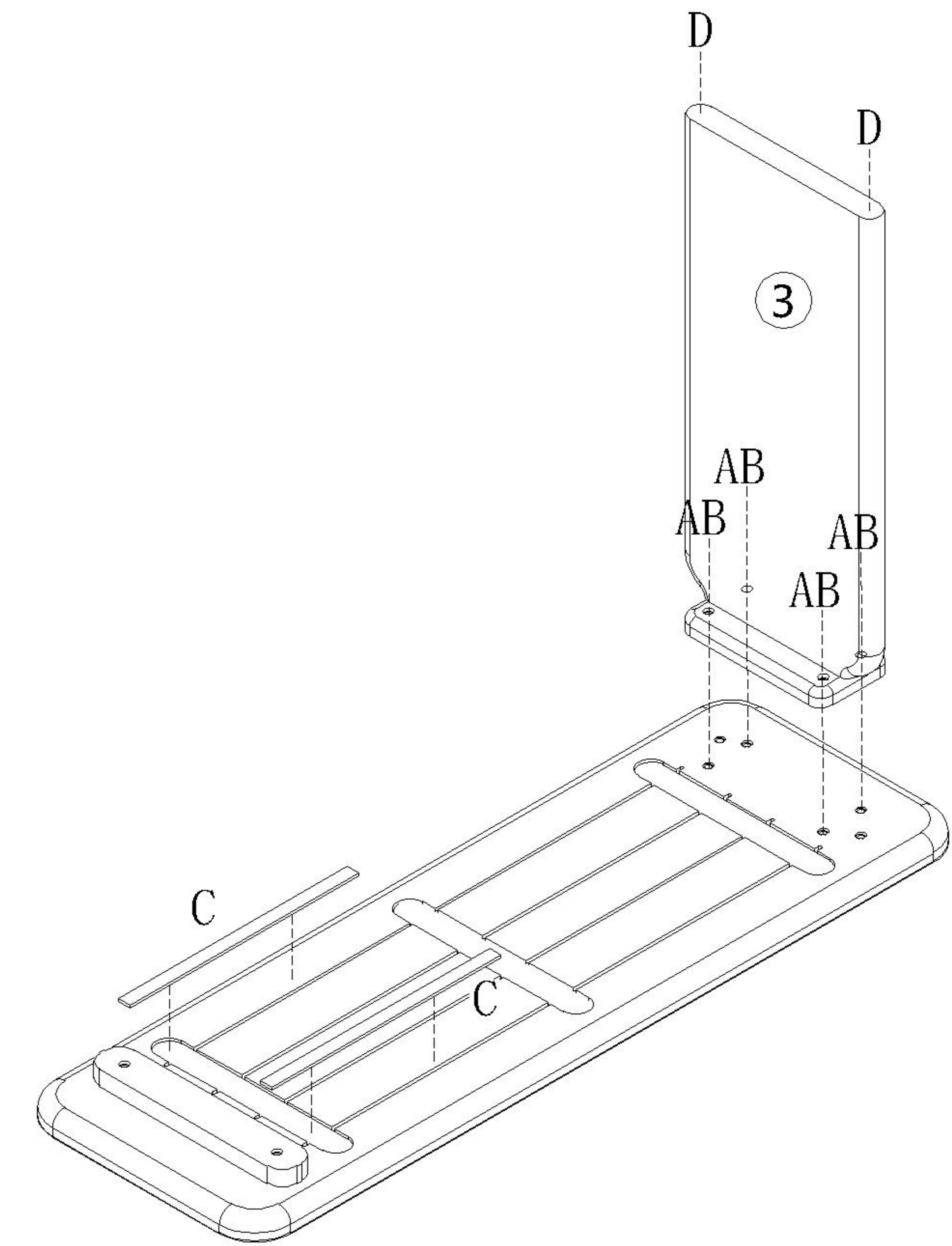
斜边内六角螺杆
Beveled hexagon socket head screw

-  (A)*2
-  (B)*1



1

-  (A)*4
-  (B)*1
-  (C)*2
-  (D)*2



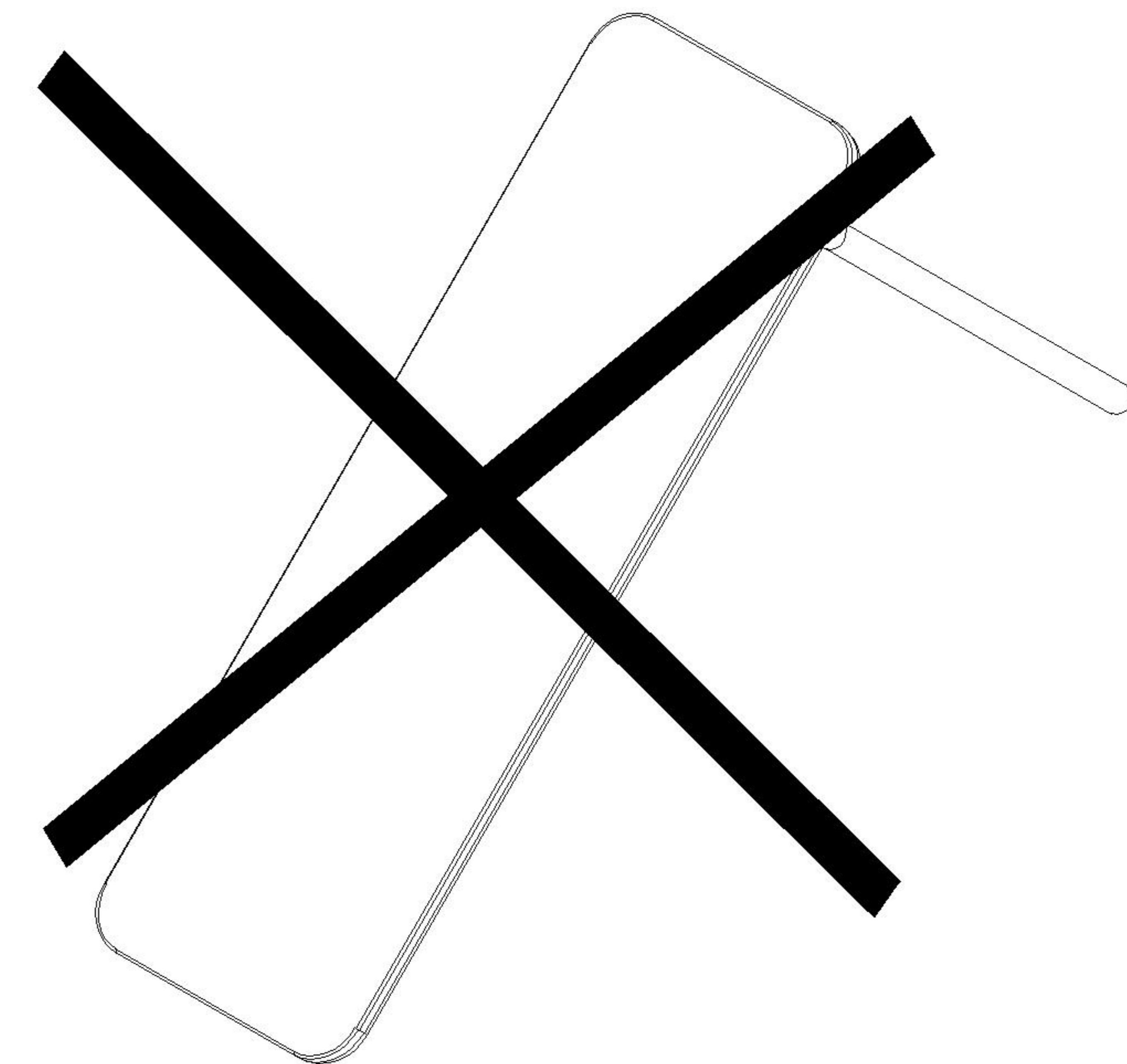
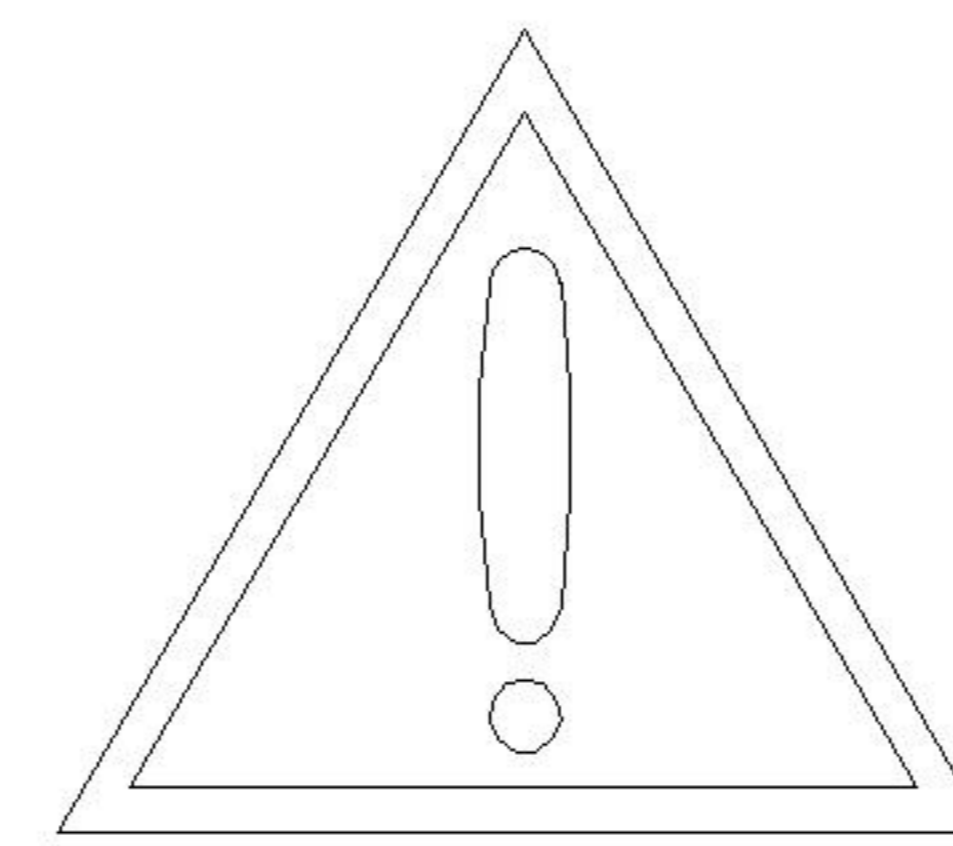
2

3

注意!

使用产品时请适当调整妆台与斗柜
间距离，单独放置会有倾倒的风险。

be careful! Please adjust the makeup stand and
bucket cabinet appropriately when using the product
There is a risk of tipping when placed separately
due to the distance between them.



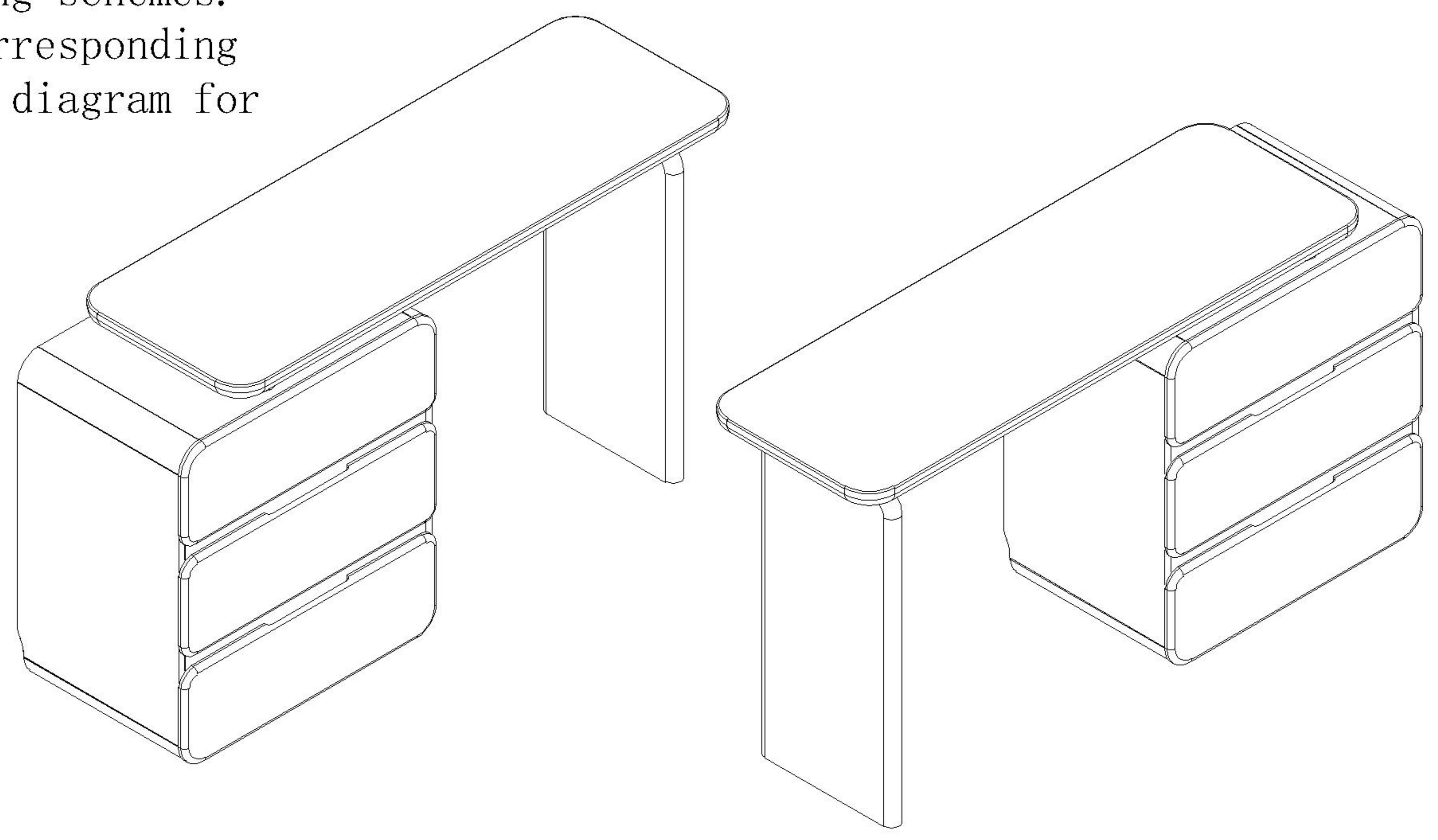
YF1C-B 妆台主体

安装方法/
Installation method

2种搭配方案，请选择对应的产品安装图，
进行安装：

There are two matching schemes.
Please select the corresponding
product installation diagram for
installation:

搭配方案1
Collocation scheme 1



组合尺寸Combined size: 1313~1524*400*749mm

产品可左右互换安装
Tips: The product can be
installed interchangeably
from left to right.

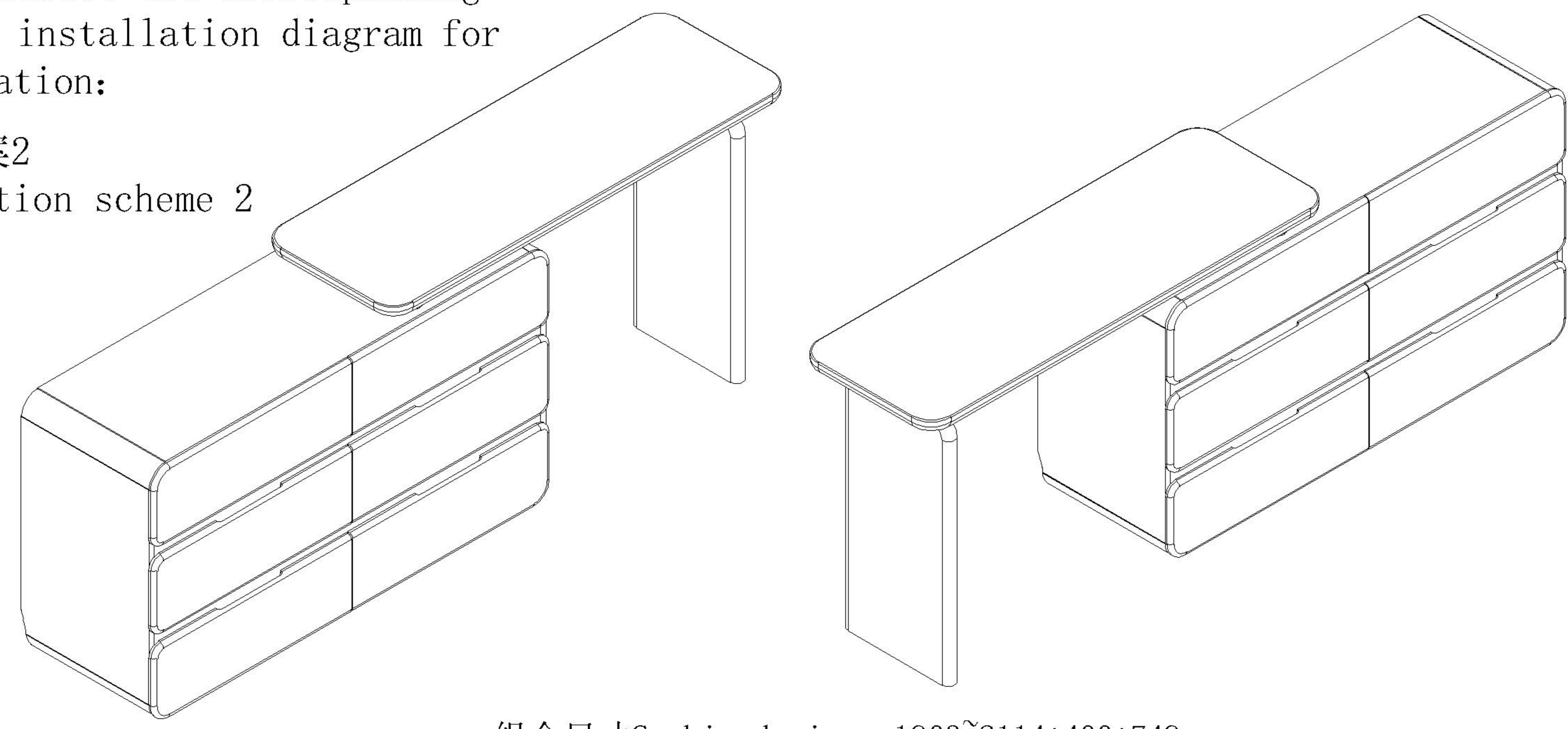
需与三斗柜组合使用
三斗柜另附安装图
Should be used in combination
with a three bucket cabinet
Three bucket cabinet with
additional installation
diagram attached

注意!
请适当调整附柜与主柜组合间的距离，
单独放置主柜会有倾倒的风险。
Be careful ! Please properly adjust
the distance between the attached and
main cabinet. Placing the main
cabinet alone will have a
risk of dumping.

2种搭配方案，请选择对应的产品安装图，
进行安装：

There are two matching schemes.
Please select the corresponding
product installation diagram for
installation:

搭配方案2
Collocation scheme 2



组合尺寸Combined size: 1903~2114*400*749mm

产品可左右互换安装
Tips: The product can be
installed interchangeably
from left to right.

需与六斗柜组合使用
六斗柜另附安装图
Should be used in combination
with a six bucket cabinet
Six bucket cabinet with
additional installation
diagram attached

注意!
请适当调整附柜与主柜组合间的距离，
单独放置主柜会有倾倒的风险。
Be careful ! Please properly adjust
the distance between the attached and
main cabinet. Placing the main
cabinet alone will have a
risk of dumping.