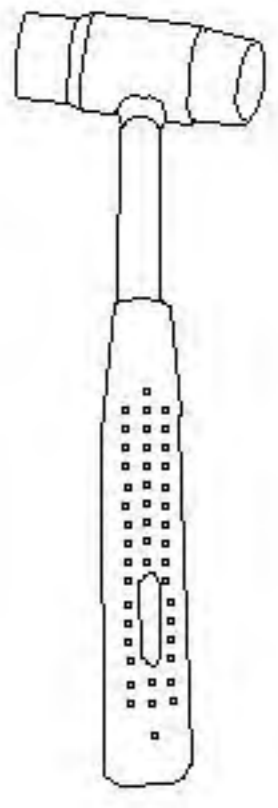
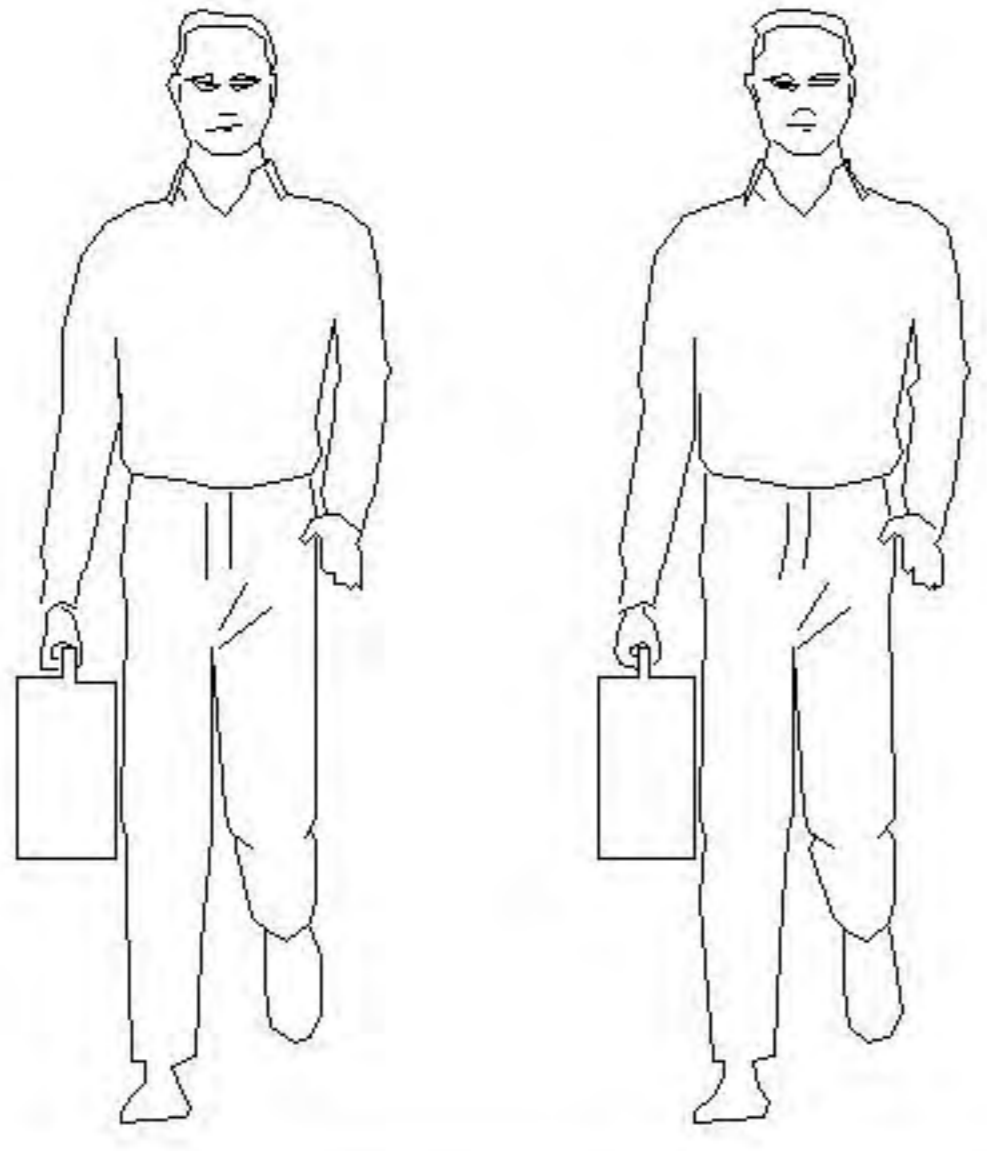
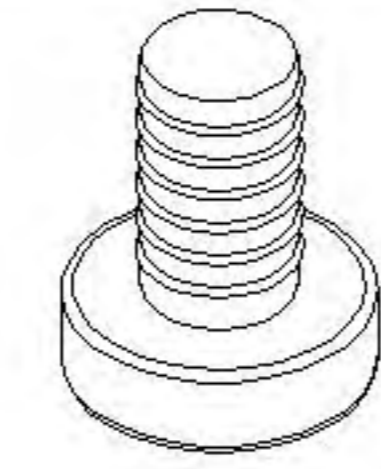
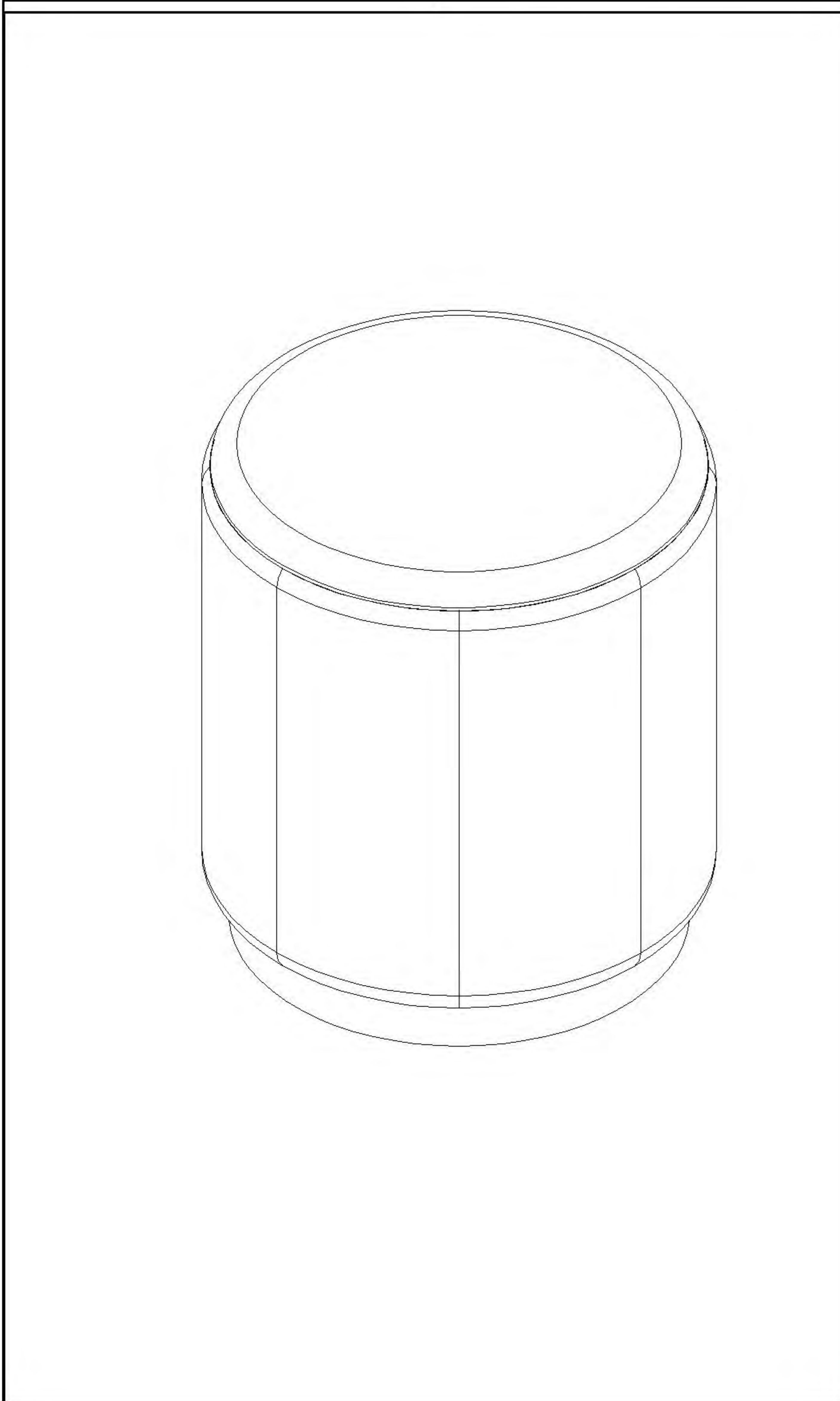


安装示意图/Assembly Instruction

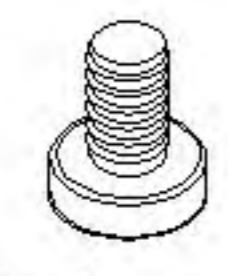
产品名称 Model NO.	JF2H-A
产品规格 Specification	330*330*401mm
安装工具 Tool	安装人数 Installer
	



(A)*4

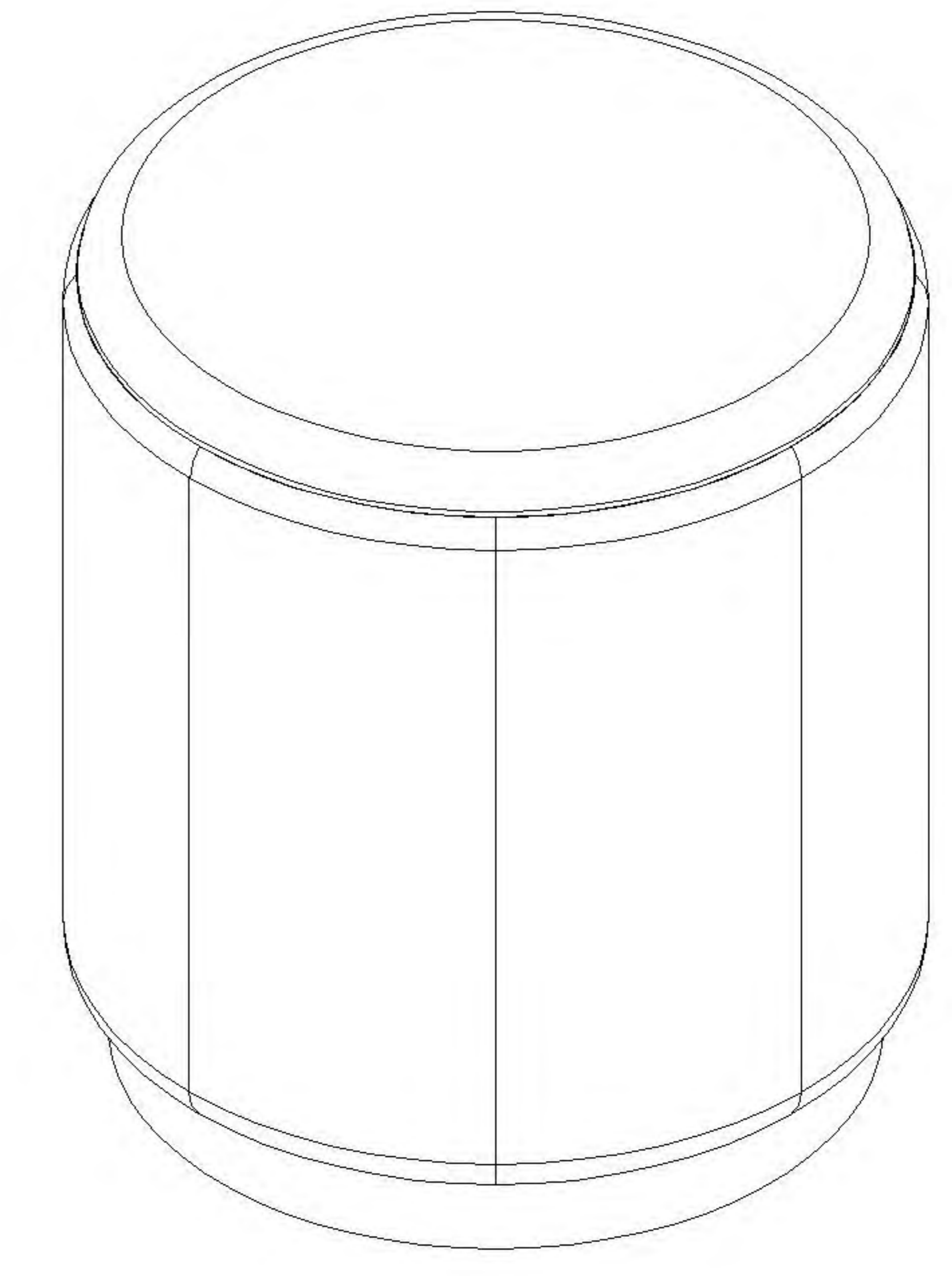
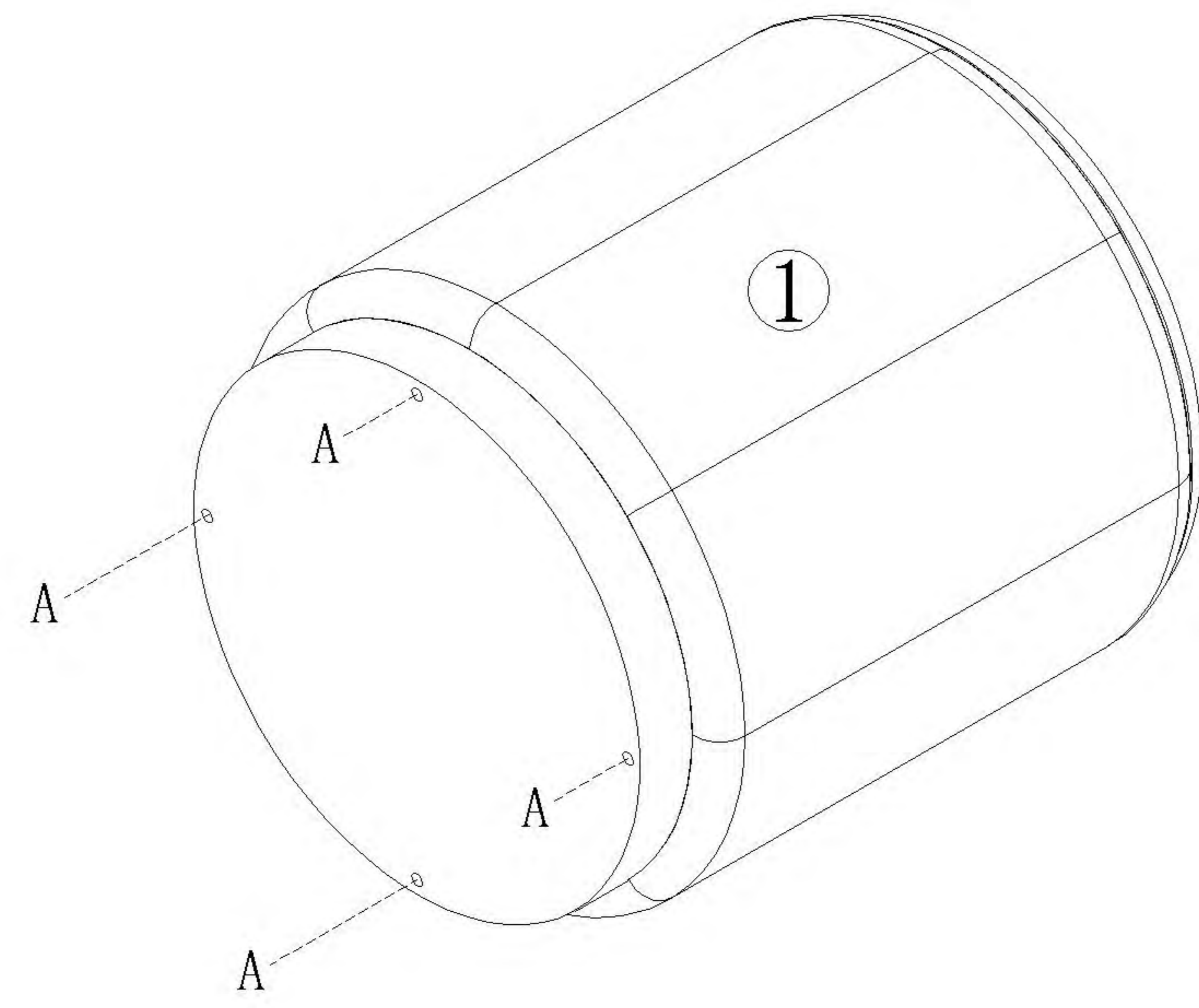
透明防滑PVC脚垫
Rubber stopper

编号NO.	名称Name	规格 (mm) Specification	数量QTY	材质Material
1	妆凳 Makeup stool	330*330*396	1	纤维板+胶合板+松木 +海绵+人造皮 Fiberboard+Plywood +Pine wood+Sponge +Artificial leather


(A)*4

1

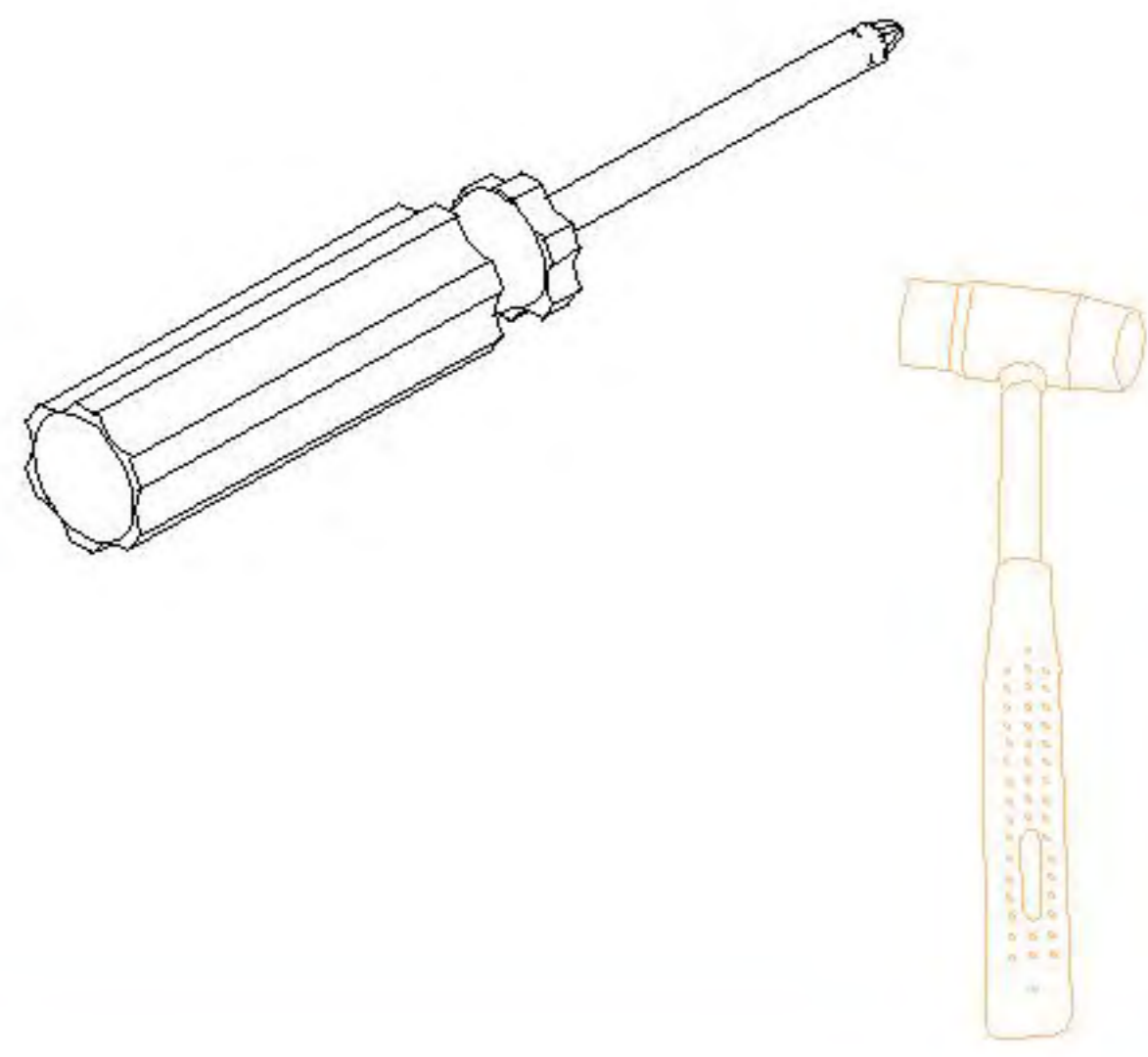
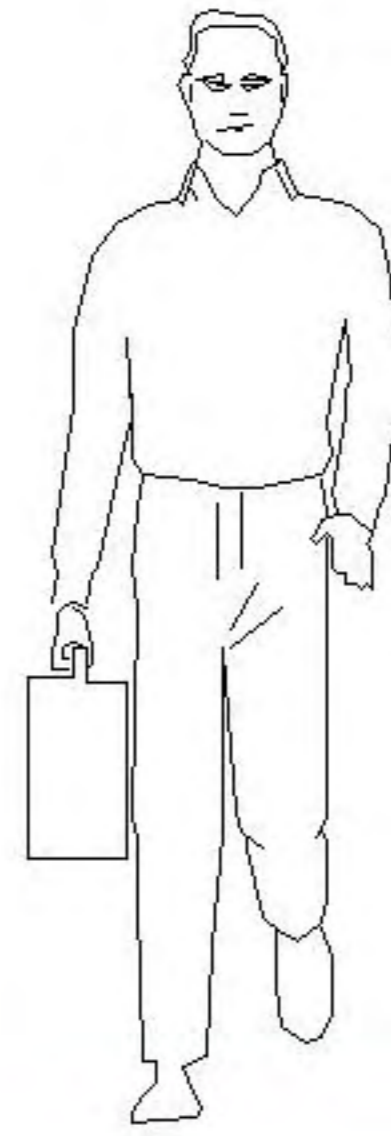
2

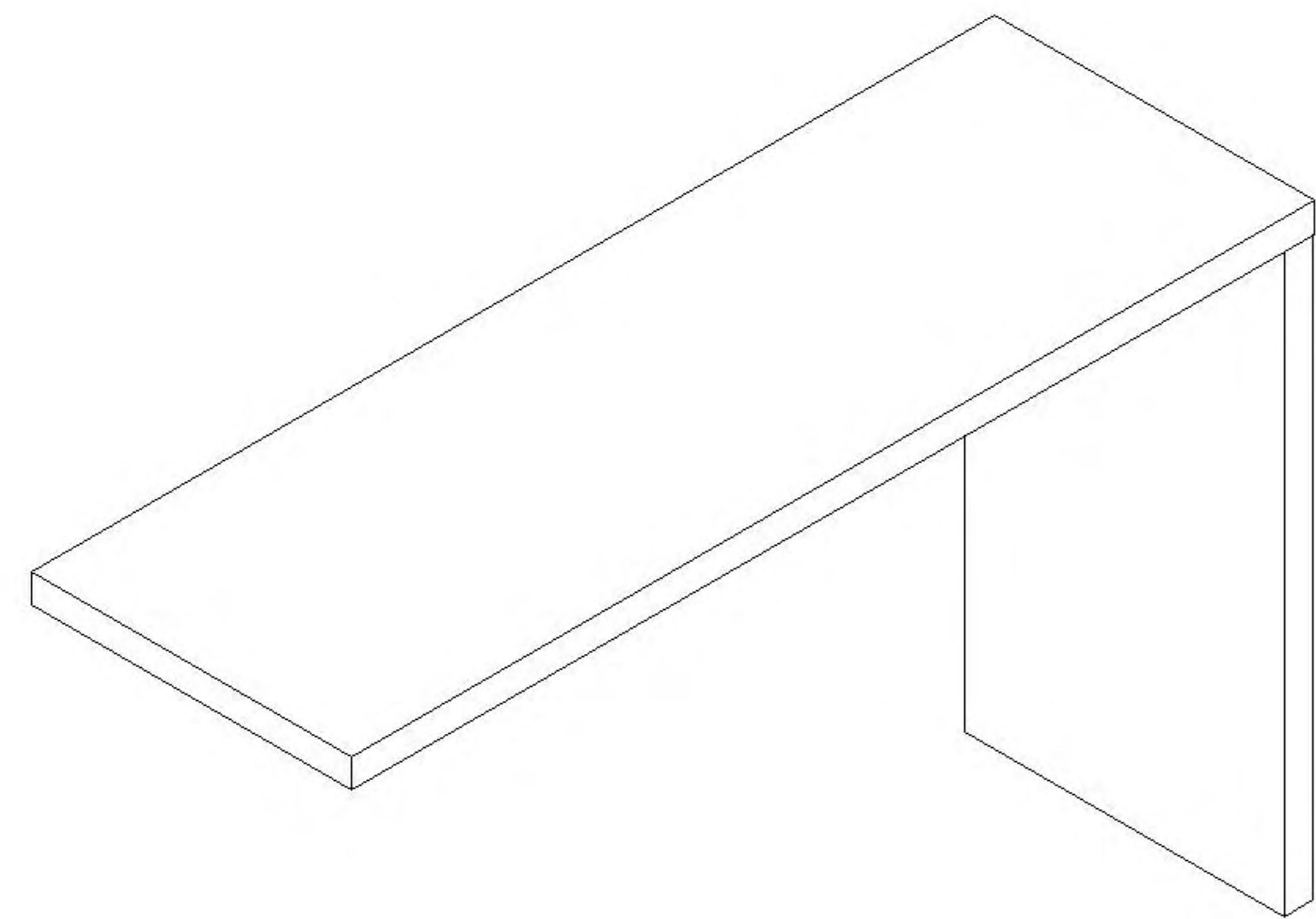







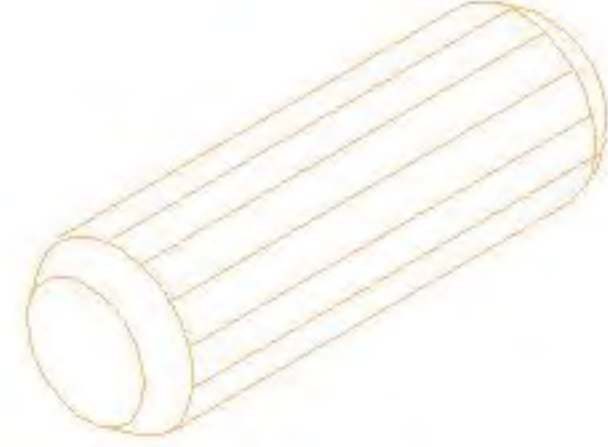

3

4

安装示意图/Assembly Instruction

产品名称 Model NO.	UT4V-A
产品规格 Specification	1195*398*754mm
安装工具 Tool	安装人数 Installer
	



 (A)* 2 外六角螺母M8 Hexagon Nut colored zinc	 (B)* 2 垫片M8-彩锌8*17 Gasket-color zinc	 (C)* 1 套筒扳手 Socket wrench	 (D)* 2 长胶垫-黑色 Long rubber pad - Black
 (E)* 2 脚垫-灰色 Footrest - Grey	 (F)* 2 木榫Ø10x40mm wood tenon	 (G)* 2 全牙螺杆-M8x725mm screw- color zinc	

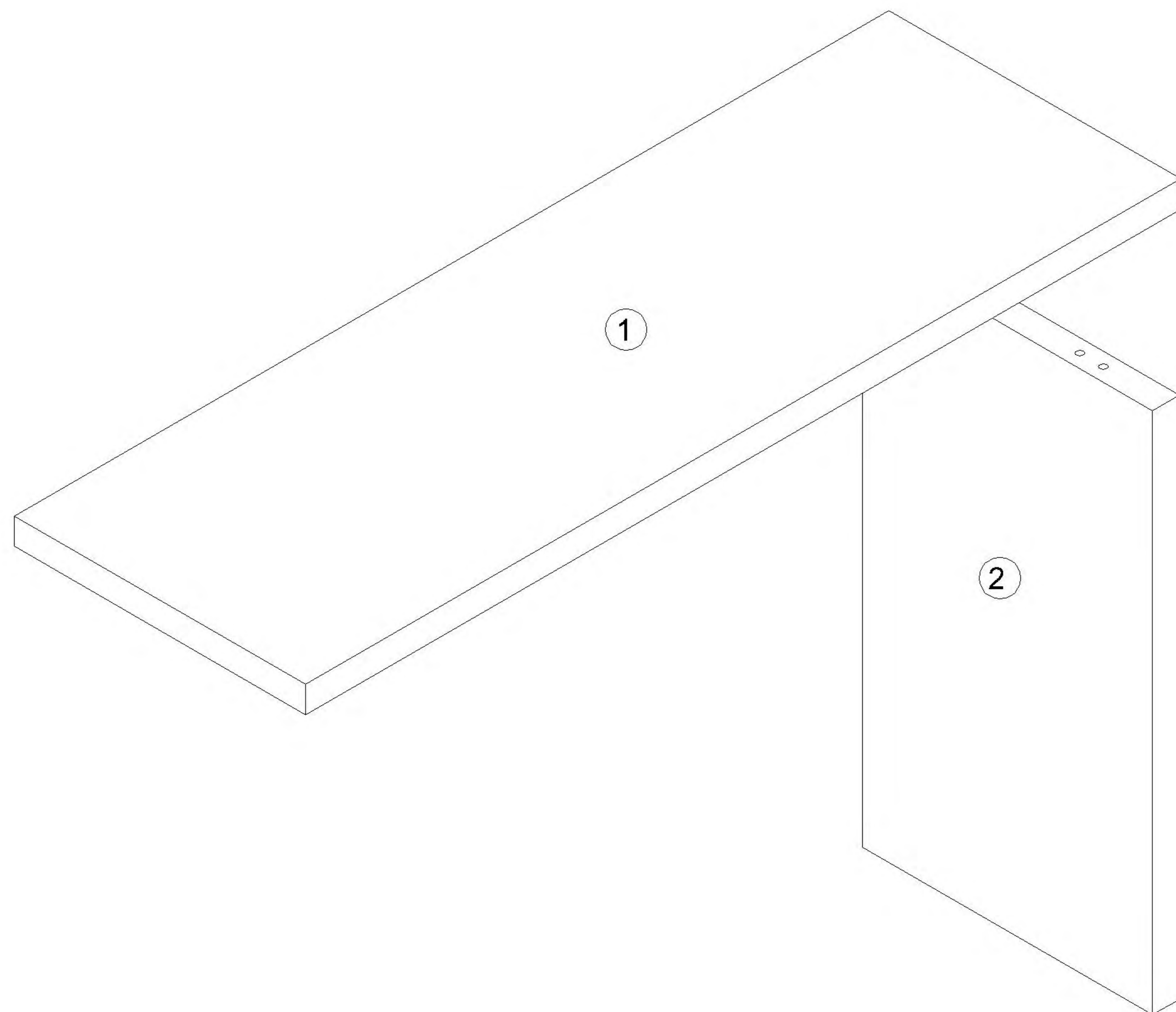
编号NO.	名称Name	规格 (mm) Specification	数量QTY	材质Material
①	面板 Top panel	1195*398*36	1	人造板 WBP
②	侧板 Side board	715*396*36	1	人造板 WBP

UT4V-A

产品分解图/
exploded drawing



部件表/Parts List

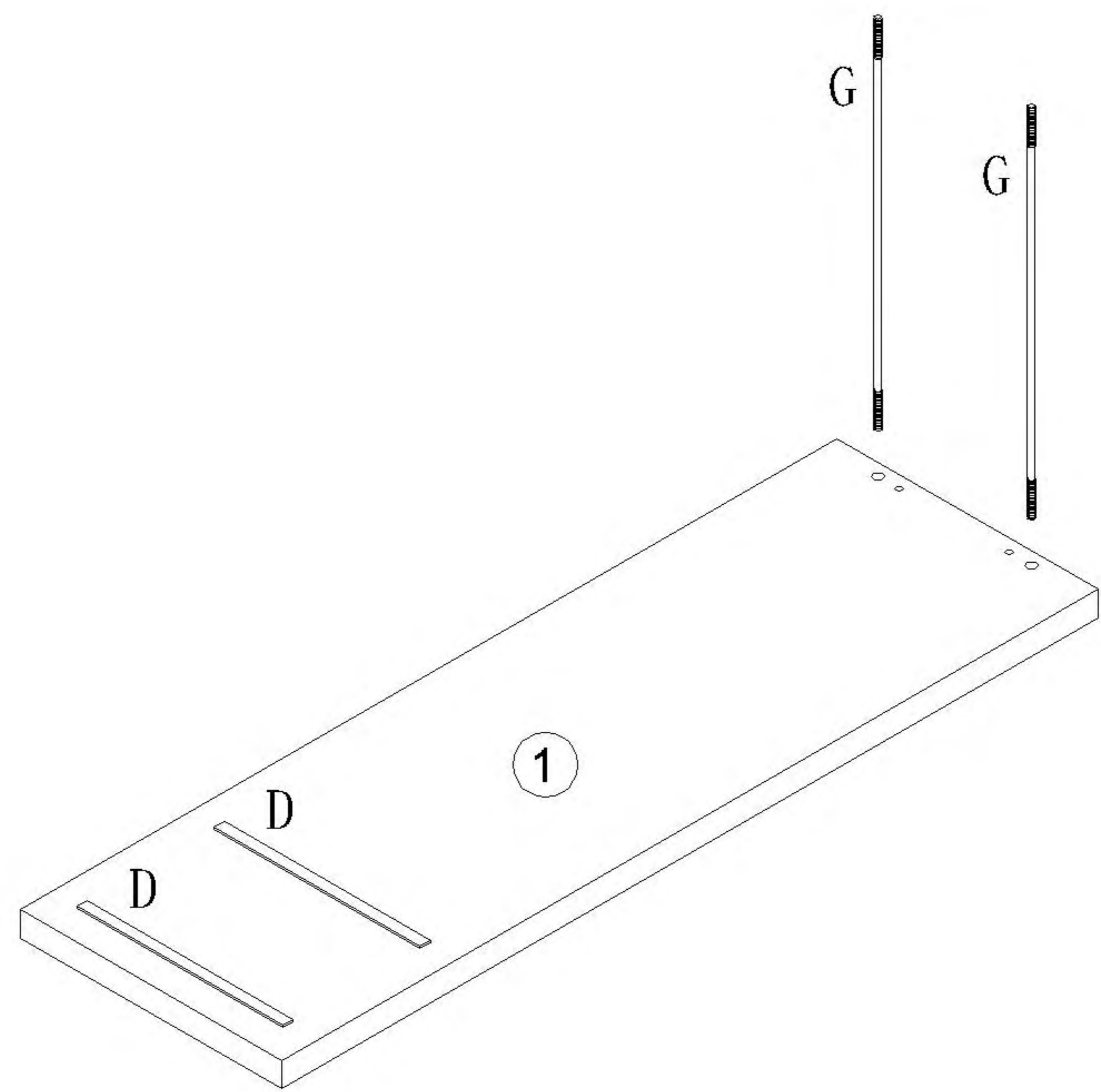
编号NO.	名称Name
①	面板 Top panel
②	侧板 Side board





UT4V-A

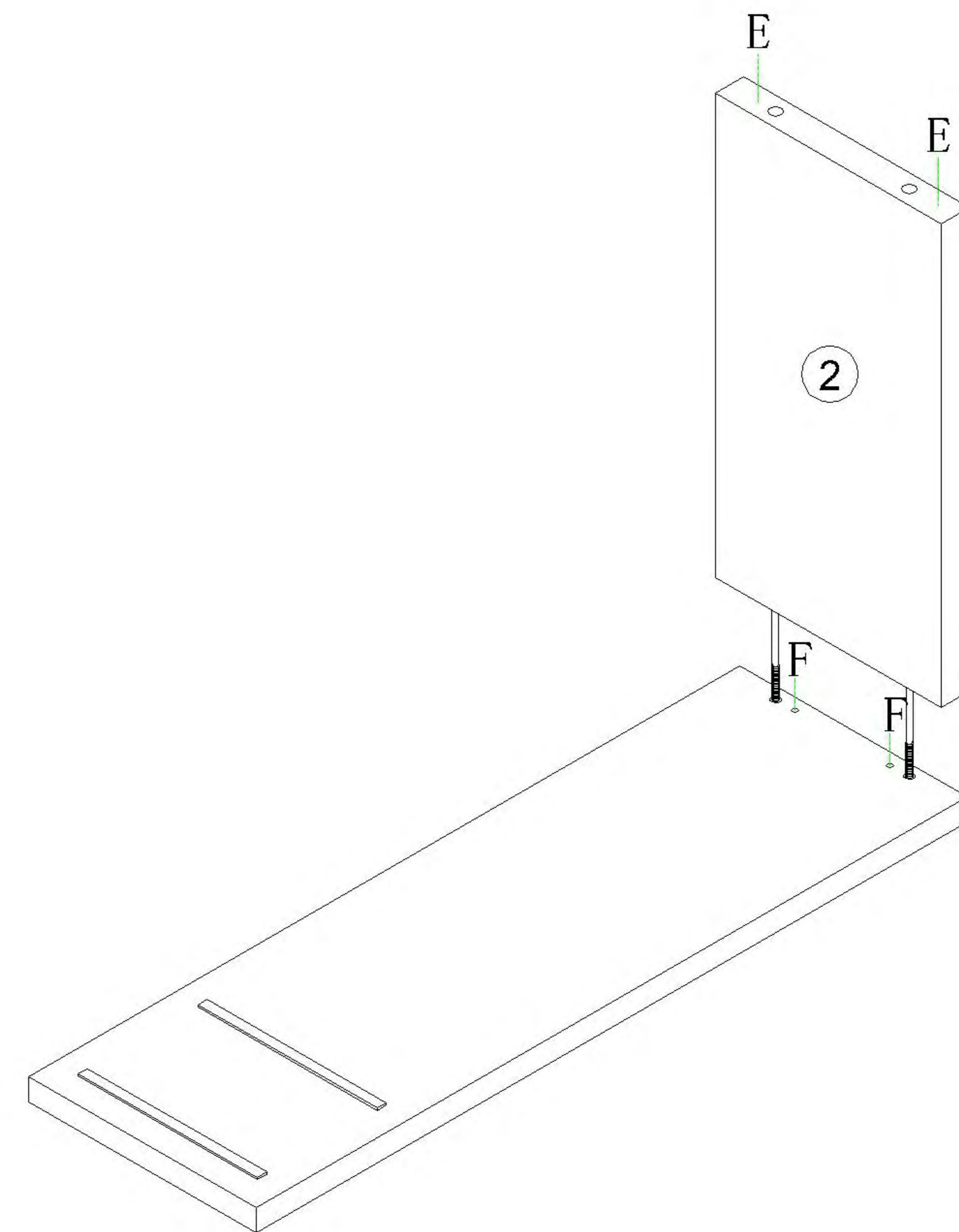
安装方法/
Installation method

-  (D)*2
-  (G)*2






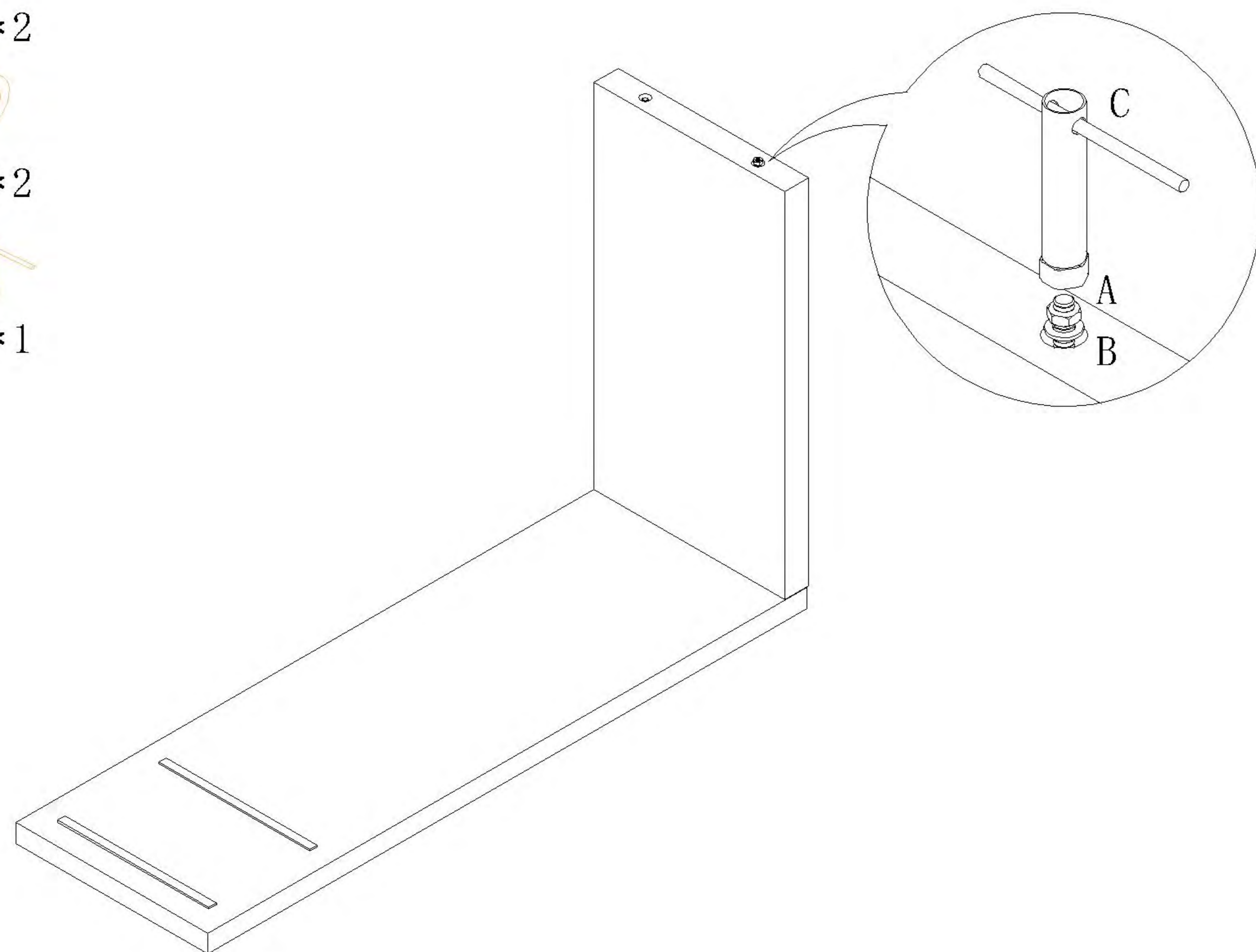
1

-  (E)*2
-  (F)*2



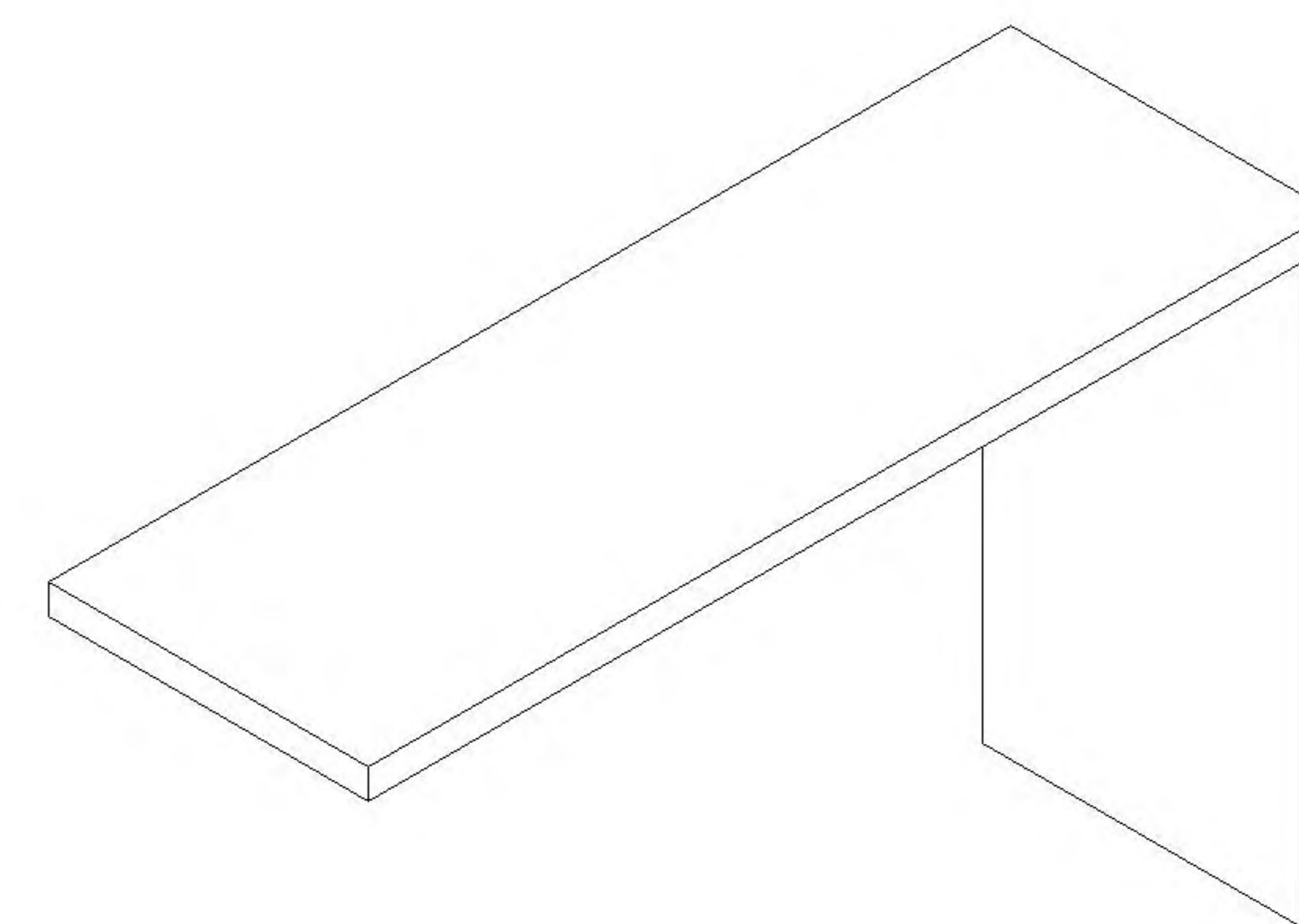
2

-  (A)*2
-  (B)*2
-  (C)*1



3

4



LINSY 林氏家居

五金表/Hardware list

部件表/Parts List

安装示意图/Assembly Instruction

产品名称 Model NO.

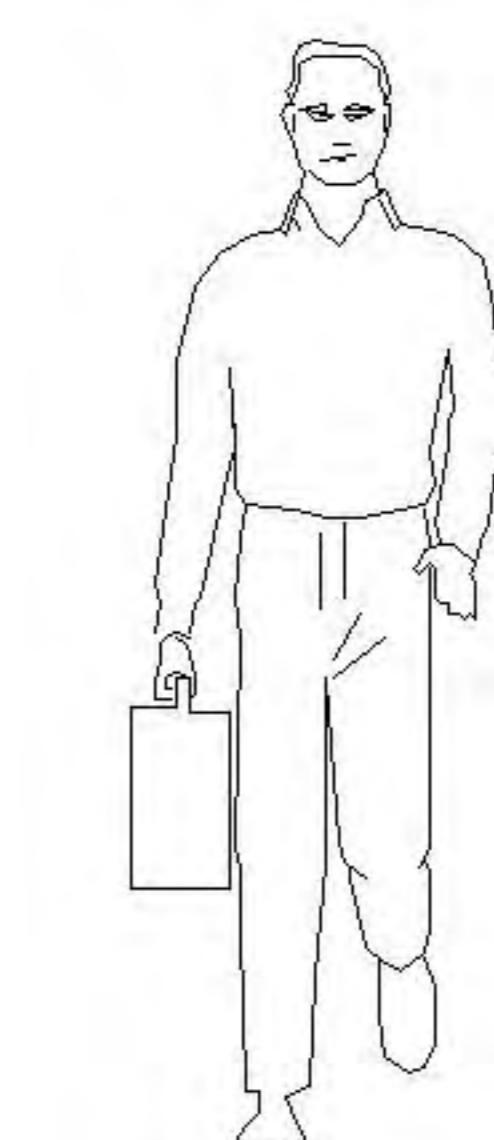
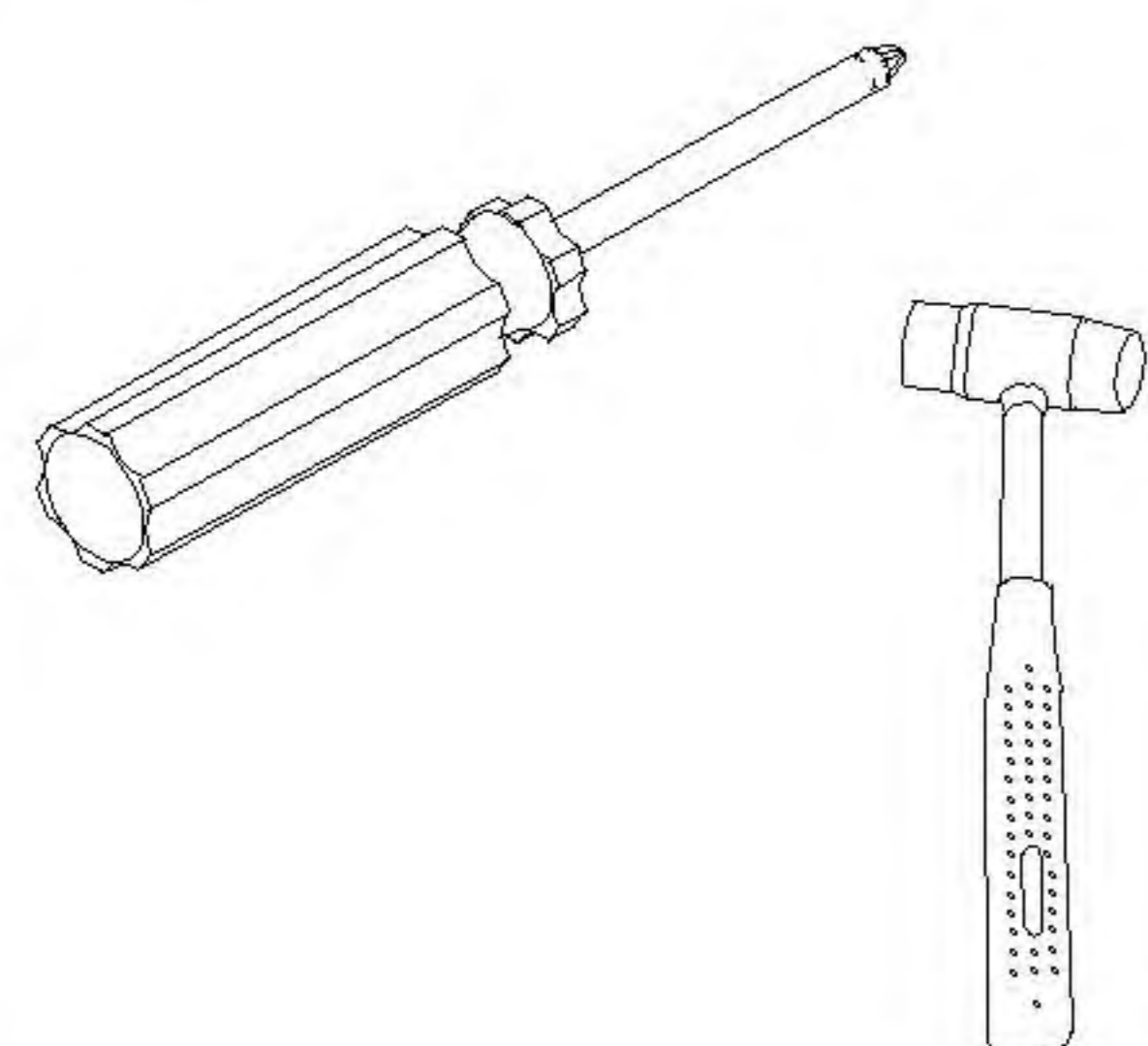
UPIE-A1(三斗柜)

产品规格 Specification

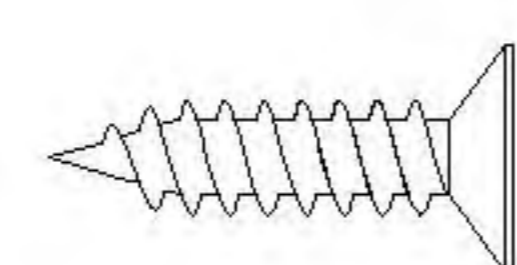
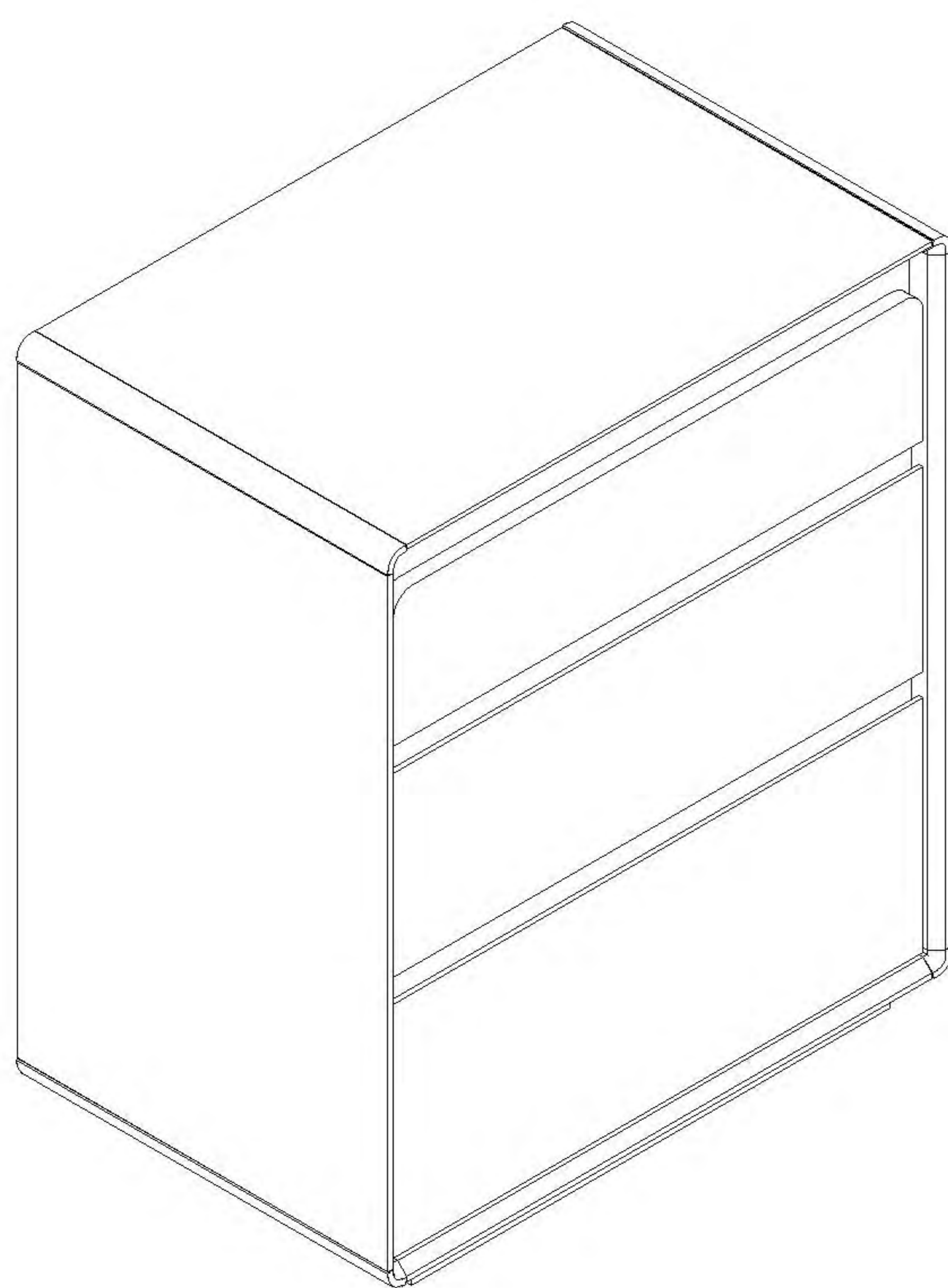
604*399*715mm

安装工具 Tool

安装人数 Installer

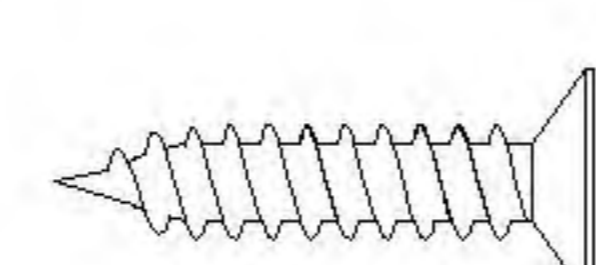


注：为保证设计效果，部分尺寸为定制尺寸，不影响使用。



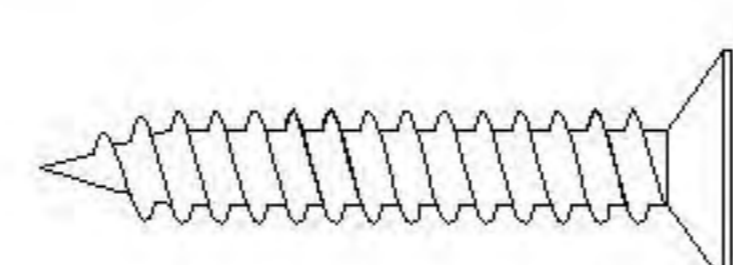
(A)* 55

自攻螺丝M3.5x14mm



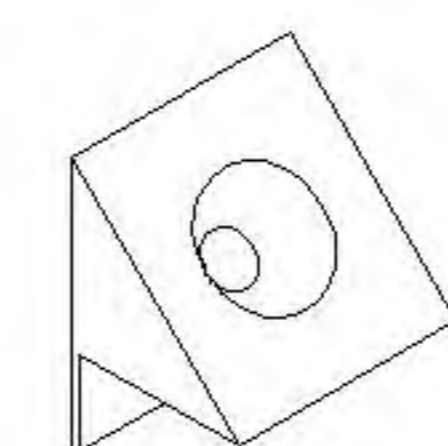
(B)* 7

自攻螺丝M3.5x16mm



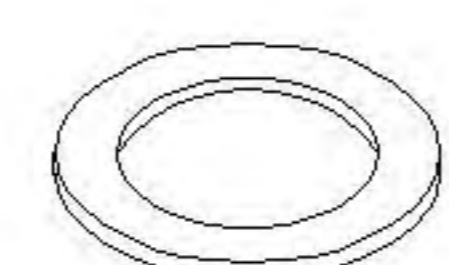
(C)* 6

自攻螺丝M4x35mm



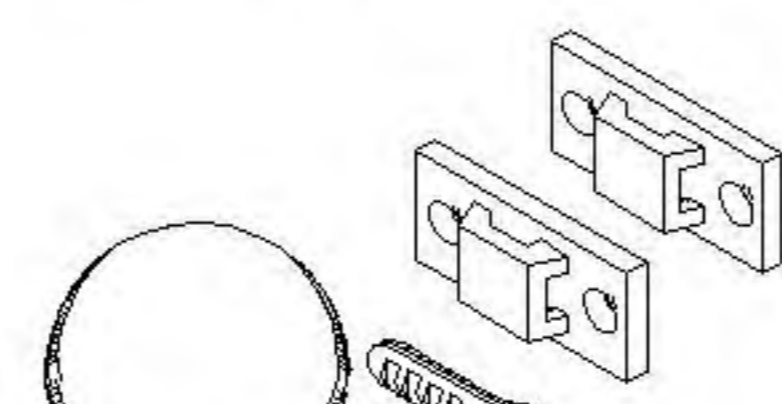
(D)* 4

背板扣
Back Plate
Buckle-White



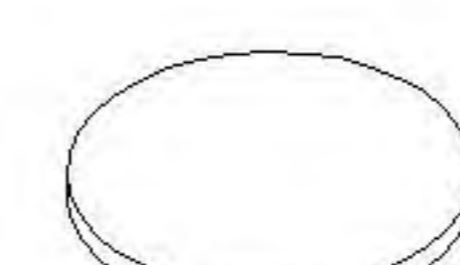
(E)* 3

透明塑料垫片
Plastic gasket



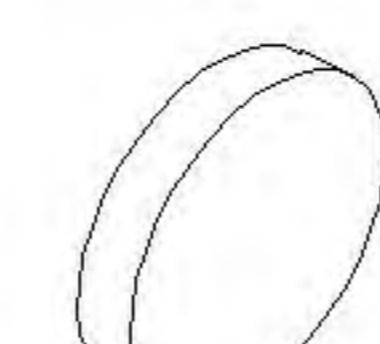
(F)* 1

家具防倒器-白色
Anti-fall device
white



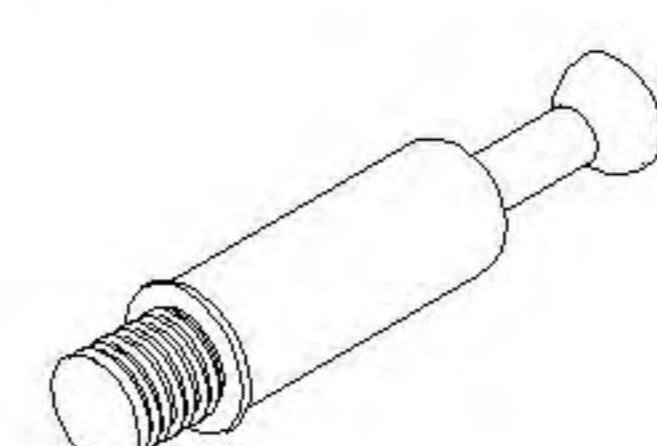
(G)* 6

灰色毛毡脚垫
Footrest - Grey



(H)* 3

镜钉
Mirror nail



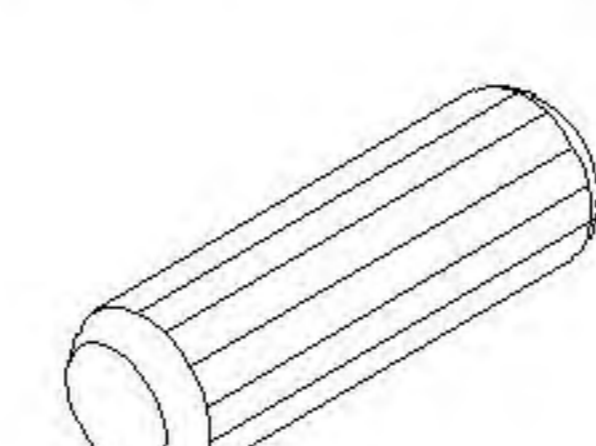
(I)* 63

二合一螺杆
2-in-1-screw



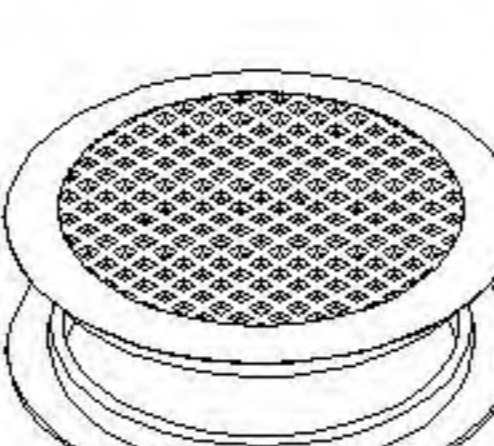
(J)* 63

大三合一锁饼
Three-in-one large
lock



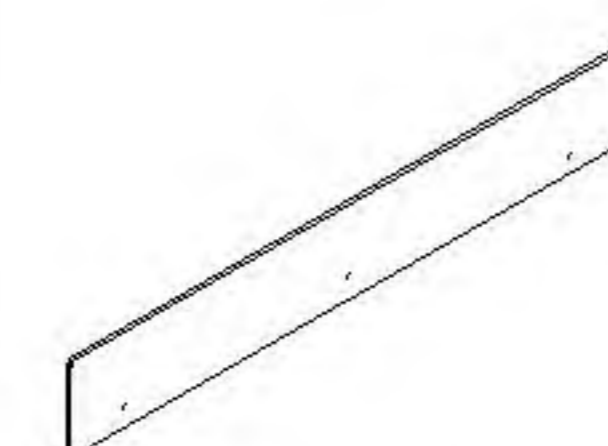
(K)* 17

木榫Ø8x30mm
wood tenon



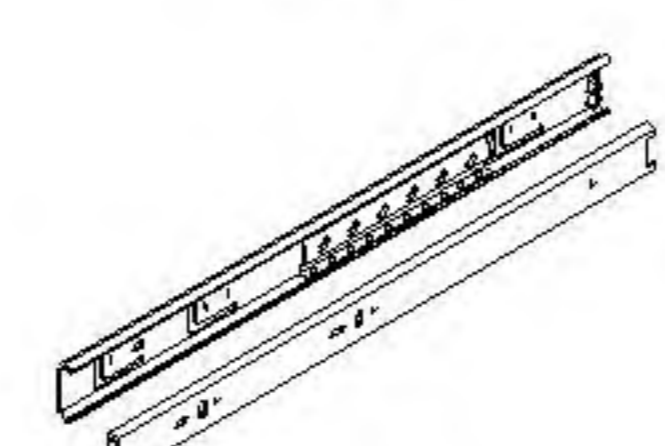
(L)* 1

透气孔盖
Vent cover



(M)* 1

抽面亚克力
Drawing Acrylic



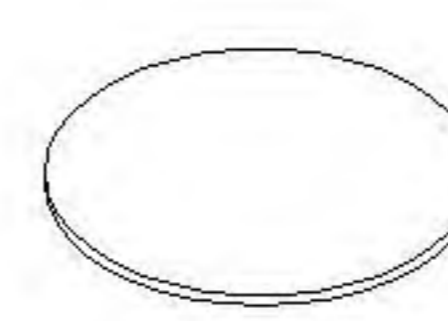
(N)* 3

三节滚珠导轨-10"
three-section ball
rail



(O)* 8

L型角码14x21x1.5
L-shaped corner
code



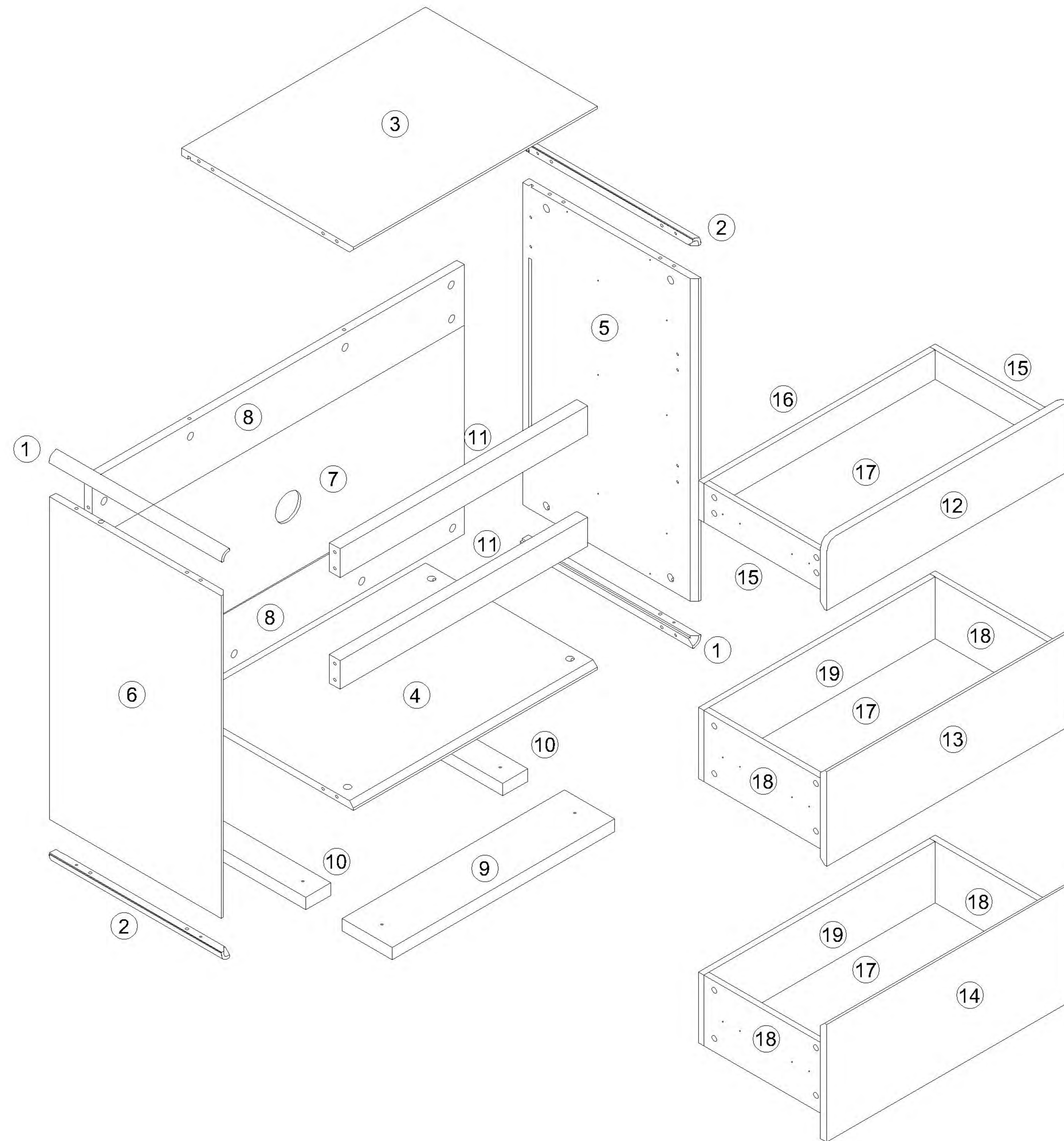
(P)* 63

PVC孔贴
PVC hole sticker

编号NO.	名称Name	规格 (mm) Specification	数量 QTY	材质Material
①	转角木/左 Corner wood(L)	399*20*20	2	白蜡木Ash
②	转角木/右 Corner wood(R)	399*20*20	2	白蜡木Ash
③	面板 Top panel	564*398*15	1	刨花板Particle board
④	底板 Bottom board	564*398*15	1	刨花板Particle board
⑤	右侧板 Side board(R)	647*398*15	1	刨花板Particle board
⑥	左侧板 Side board(L)	647*398*15	1	刨花板Particle board
⑦	背板 Back board	584*393*5	1	纤维板Fiberboard
⑧	背拉条 Back brace	574*137*15	2	刨花板Particle board
⑨	前脚条 Front foot strip	515*116*25	1	刨花板Particle board
⑩	侧脚条 Side foot strip	262*58*25	2	刨花板Particle board
⑪	前拉条 Front brace	574*58*25	2	刨花板Particle board
⑫	上抽屉面板 Upper drawer's panel	570*140*15	1	刨花板Particle board
⑬	中抽屉面板 Drawer's middle board	570*190*15	1	刨花板Particle board
⑭	下抽屉面板 Bottom drawer's panel	570*236*15	1	刨花板Particle board
⑮	上抽屉侧板 Upper drawer's sideboard	290*78*15	2	刨花板Particle board
⑯	上抽屉后板 Upper drawer's back board	548*78*15	1	刨花板Particle board
⑰	抽屉底板 Drawer's Bottom board	528*300*5	3	纤维板Fiberboard
⑱	下抽屉侧板 Lower drawer's sideboard	290*142*15	4	刨花板Particle board
⑲	下抽屉后板 Down drawer's back board	548*142*15	2	刨花板Particle board

►使用本产品请靠墙放置。

►Please place this product against the wall.

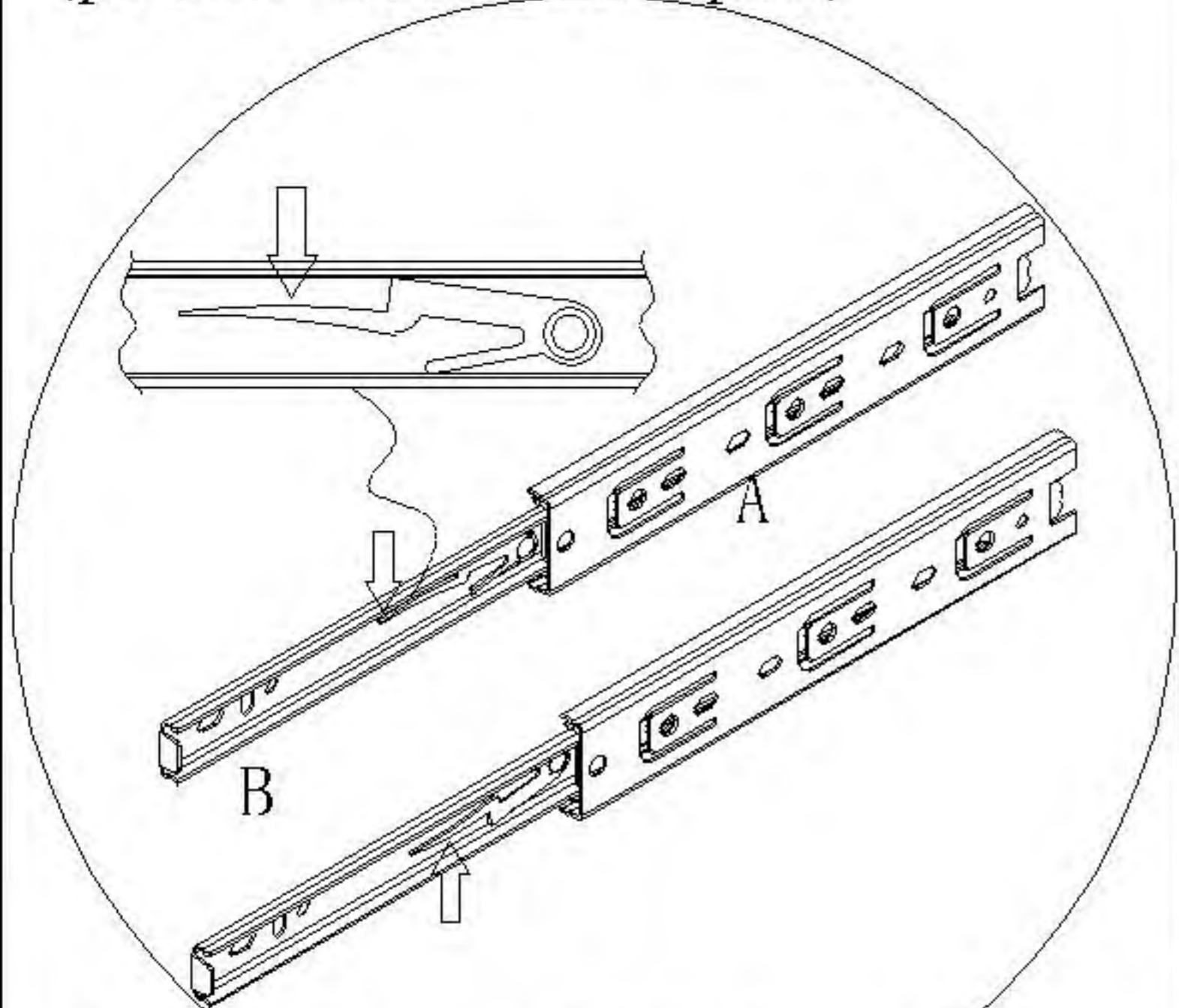


编号NO.	名称Name
①	转角木/左 Corner wood(L)
②	转角木/右 Corner wood(R)
③	面板 Top panel
④	底板 Bottom board
⑤	右侧板 Side board(R)
⑥	左侧板 Side board(L)
⑦	背板 Back board
⑧	背拉条 Back brace
⑨	前脚条 Front foot strip
⑩	侧脚条 Side foot strip
⑪	前拉条 Front brace
⑫	上抽屉面板 Upper drawer's panel
⑬	中抽屉面板 Drawer's middle board
⑭	下抽屉面板 Bottom drawer's panel
⑮	上抽屉侧板 Upper drawer's sideboard
⑯	上抽屉后板 Upper drawer's back board
⑰	抽屉底板 Drawer's Bottom board
⑱	下抽屉侧板 Lower drawer's sideboard
⑲	下抽屉后板 Down drawer's back board

UP1E-A1 (三斗柜)

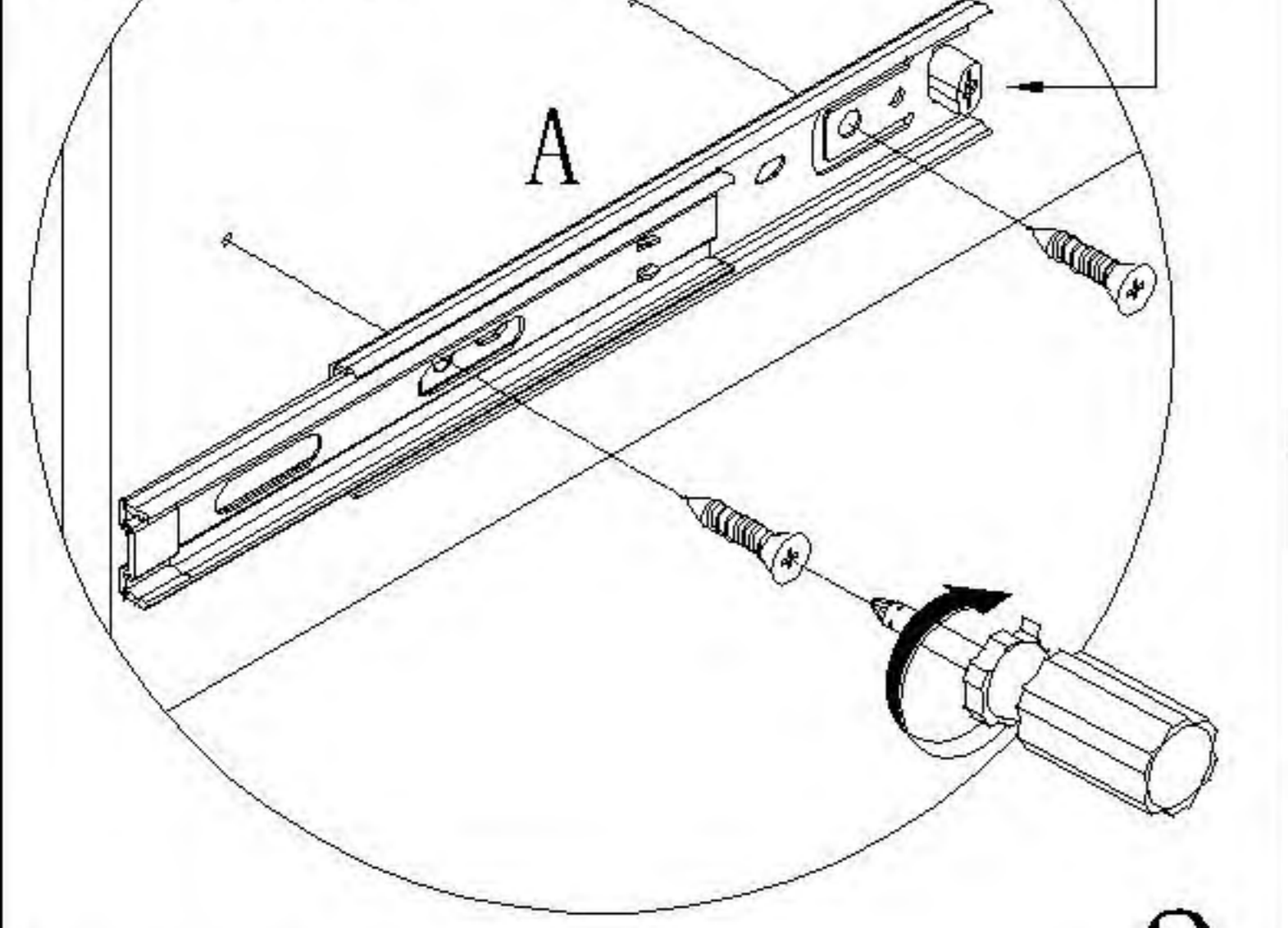
安装方法/
Installation method

1 阀门开关(下压为开)
Valve switch
(press down to open)

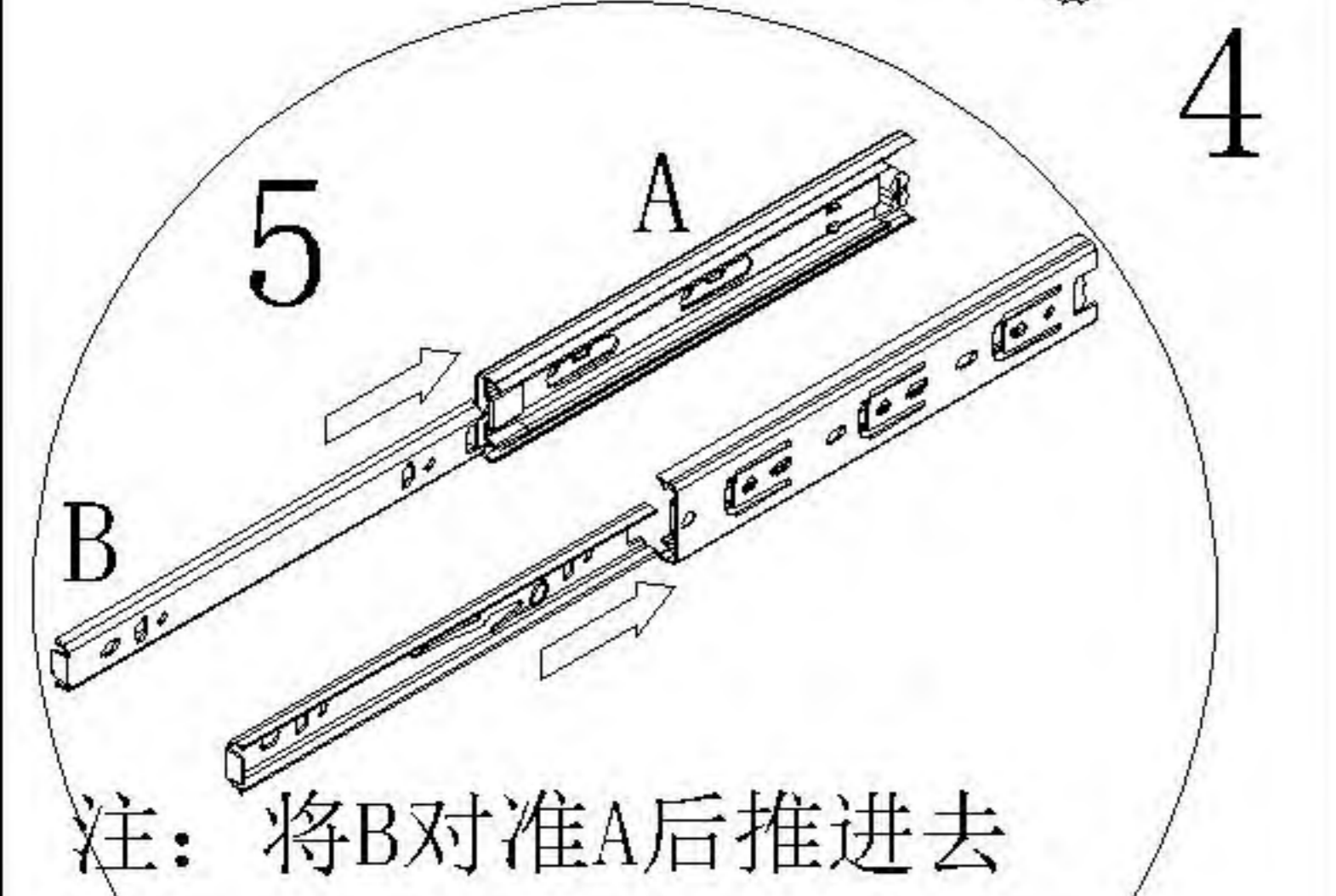
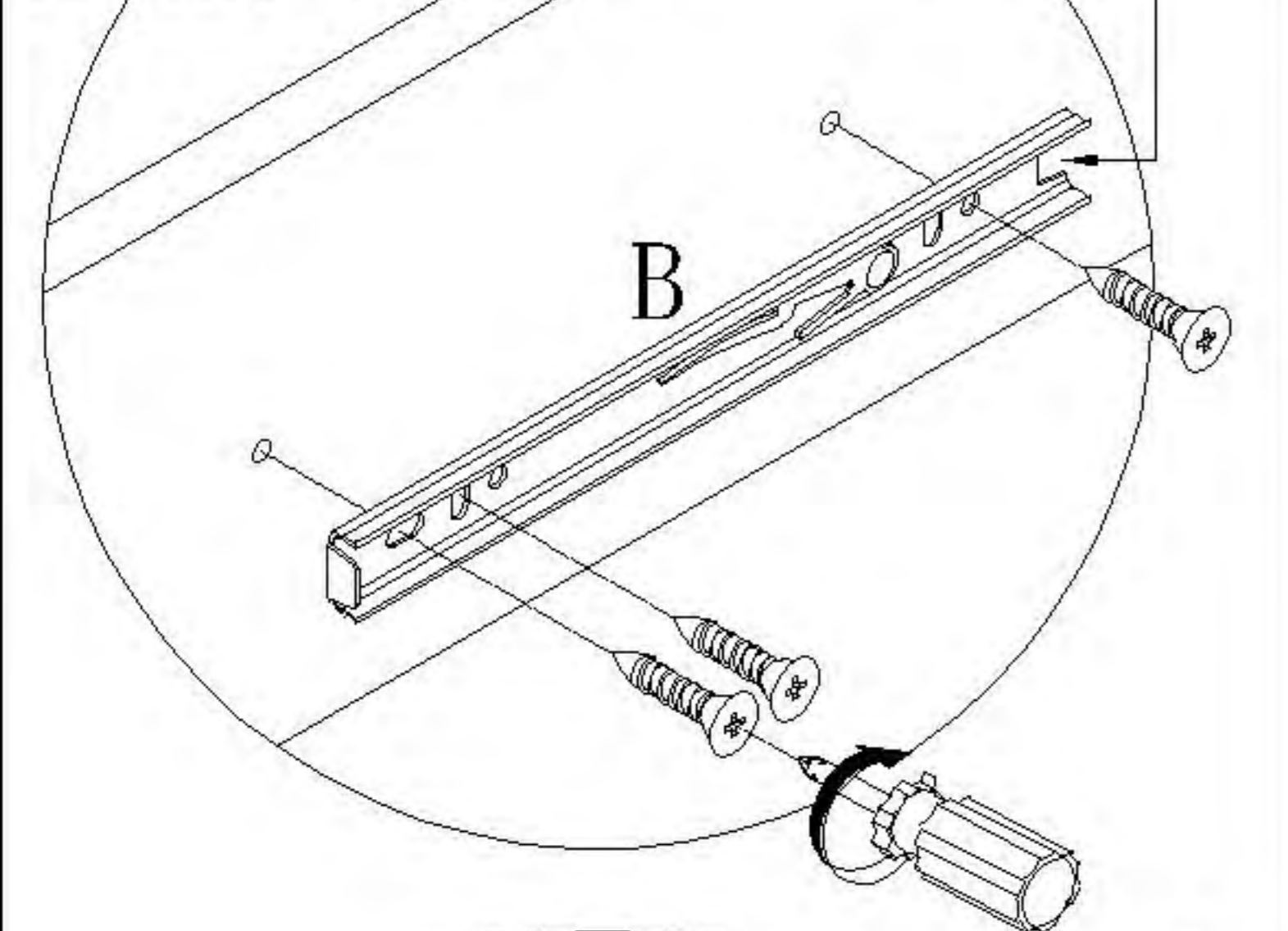


注: 先将A与B拆下来
Note: remove a and B first

2 侧板
side board

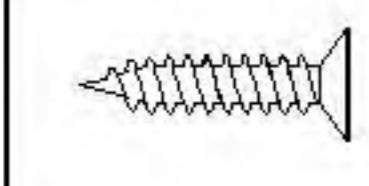


3 抽屉侧板
sideboard
of the drawer

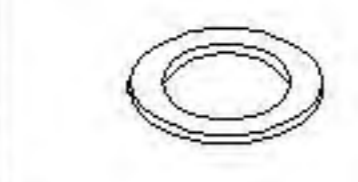


注: 将B对准A后推进去
Note: align B with a
and push it in

三节滚珠导轨
three-section ball rail



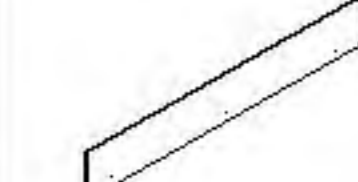
(B)*3



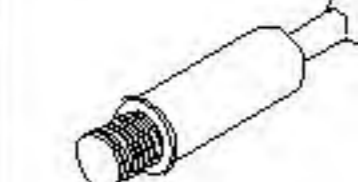
(E)*3



(H)*3



(M)*1



(I)*4



(J)*4

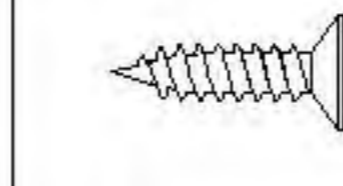


(I)*4

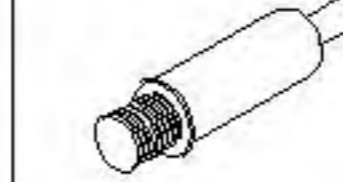


(J)*4

1



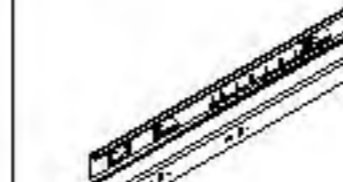
(A)*6



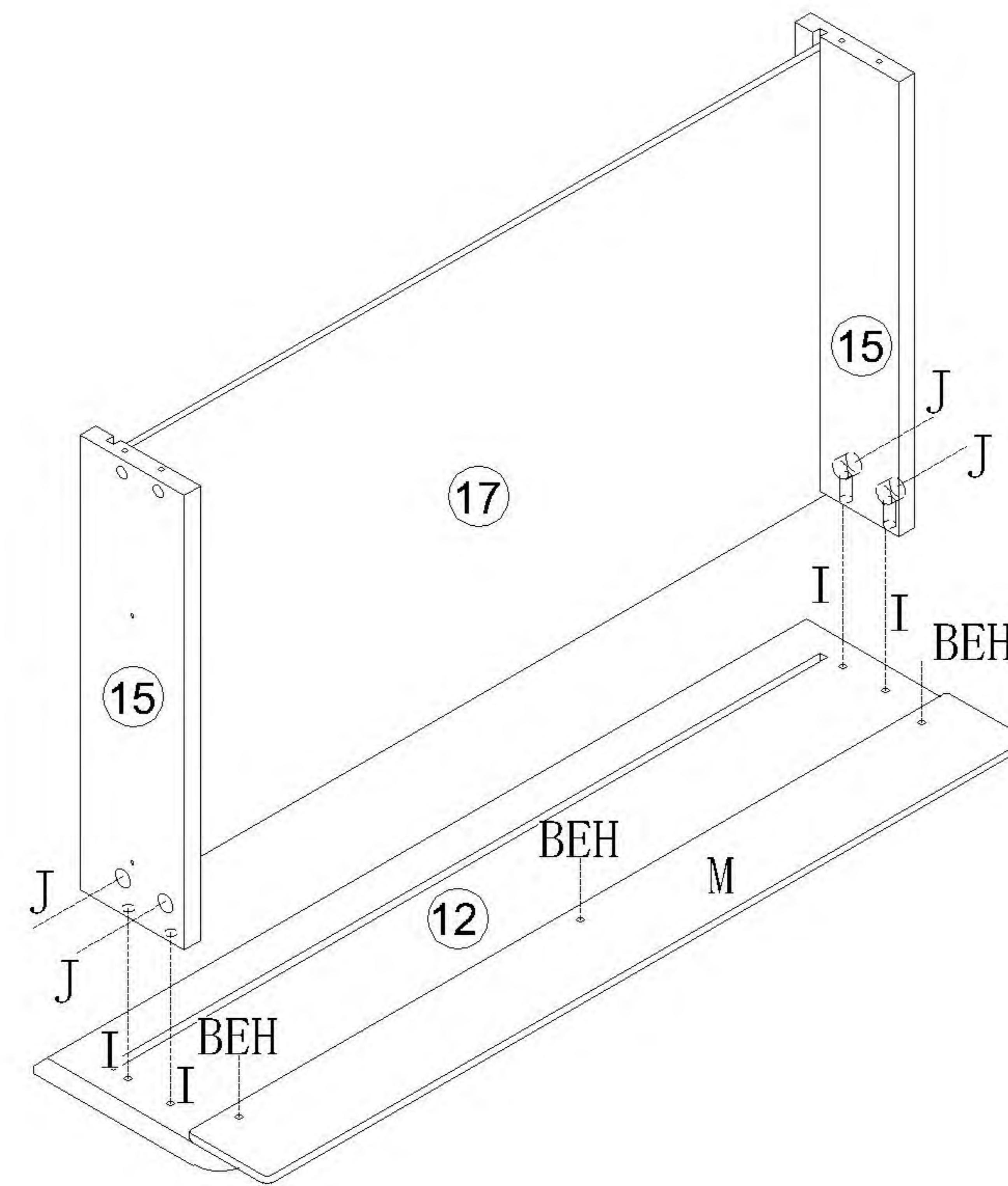
(I)*4



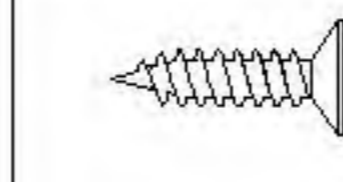
(J)*4



(N)*1



3



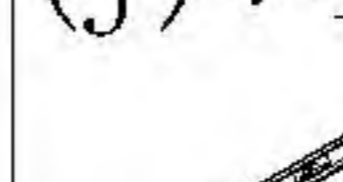
(A)*6



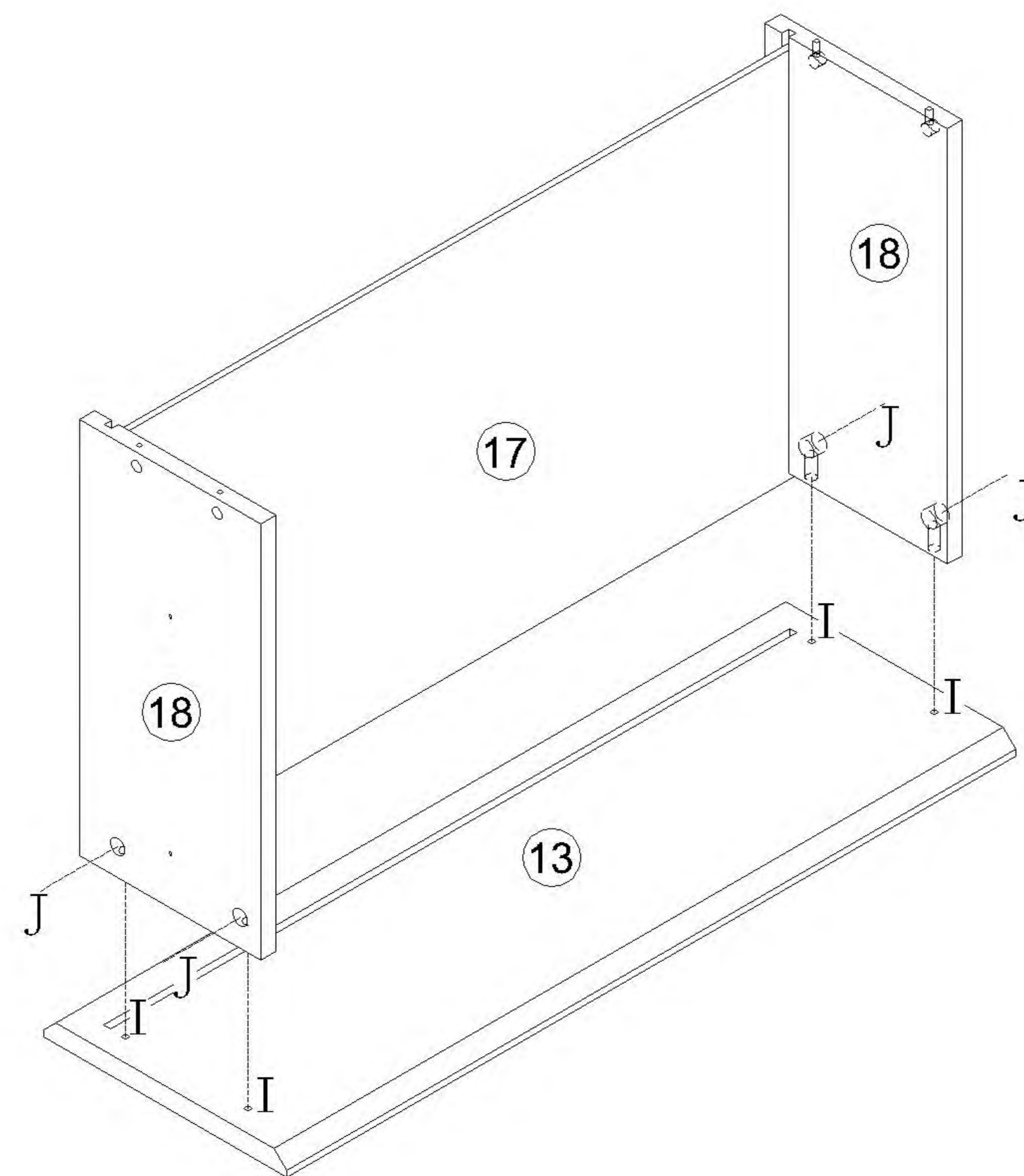
(I)*4



(J)*4

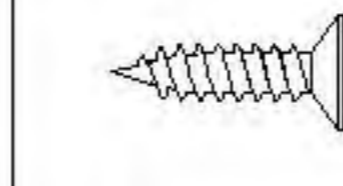


(N)*1

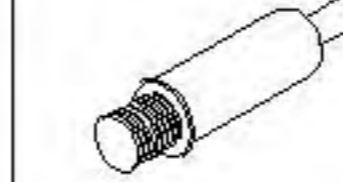


2

1



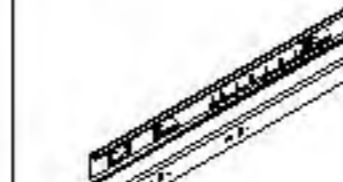
(A)*6



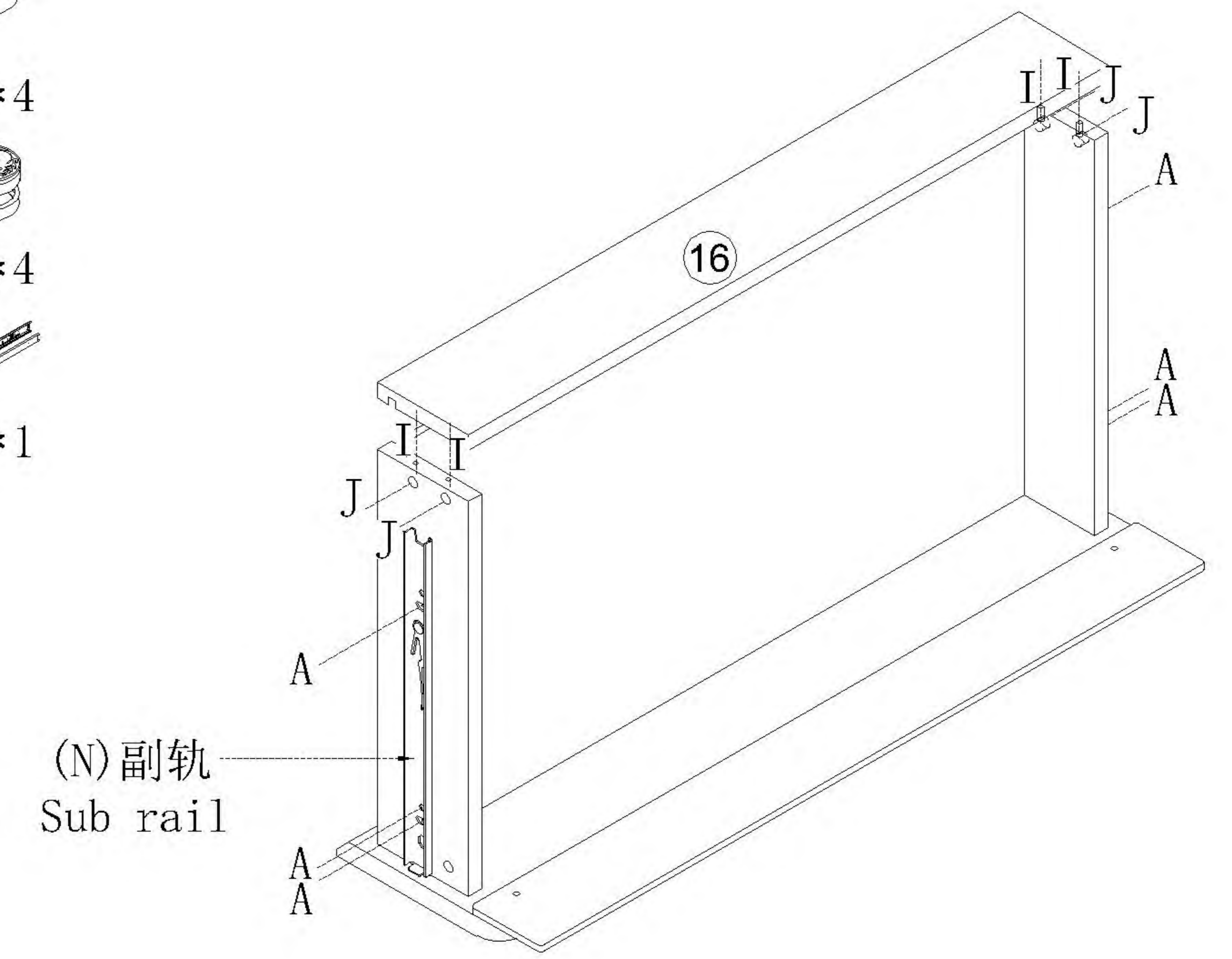
(I)*4



(J)*4

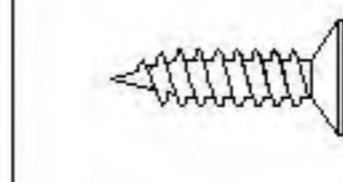


(N)*1



4

3



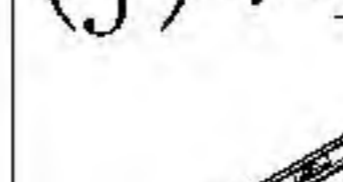
(A)*6



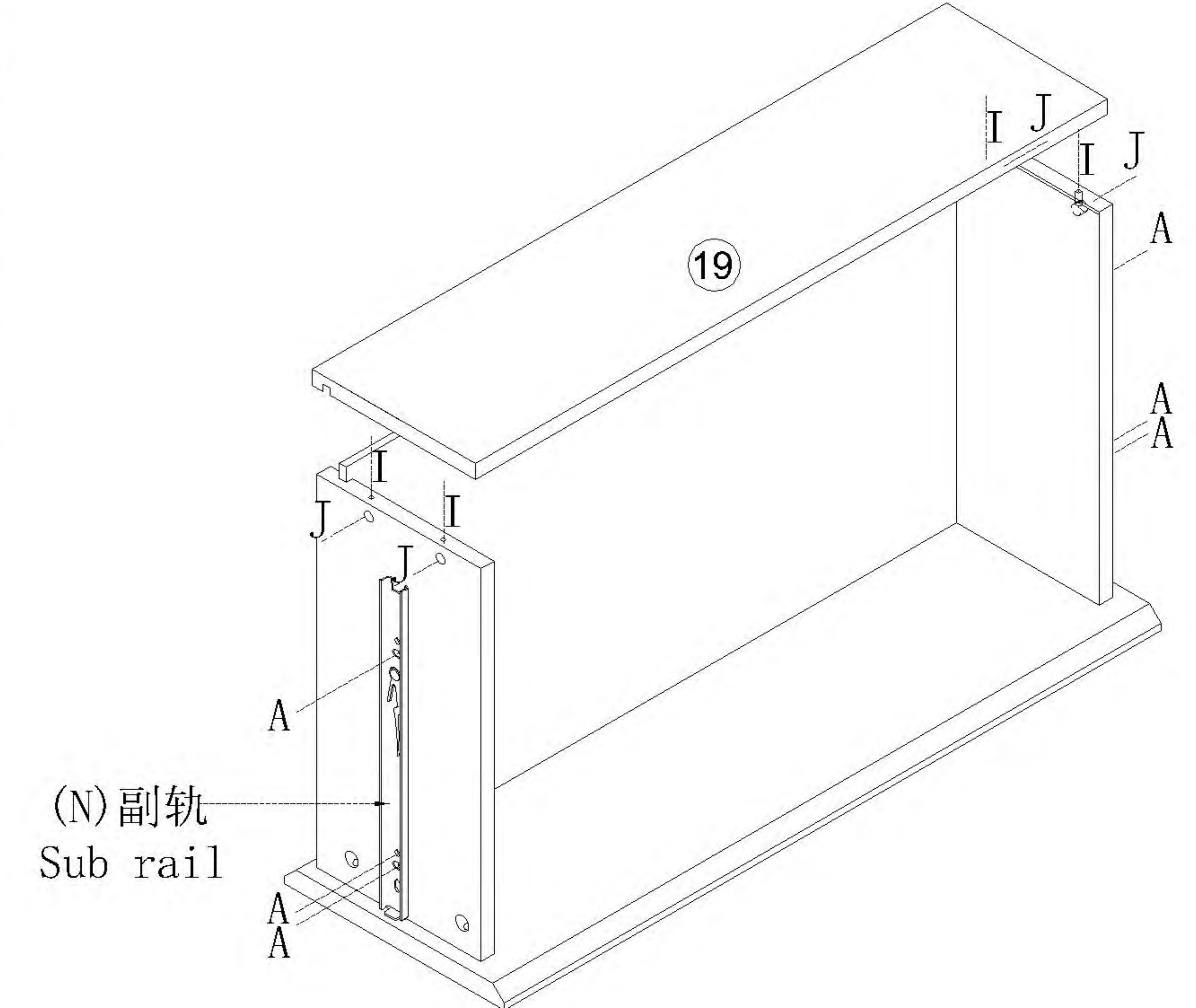
(I)*4



(J)*4

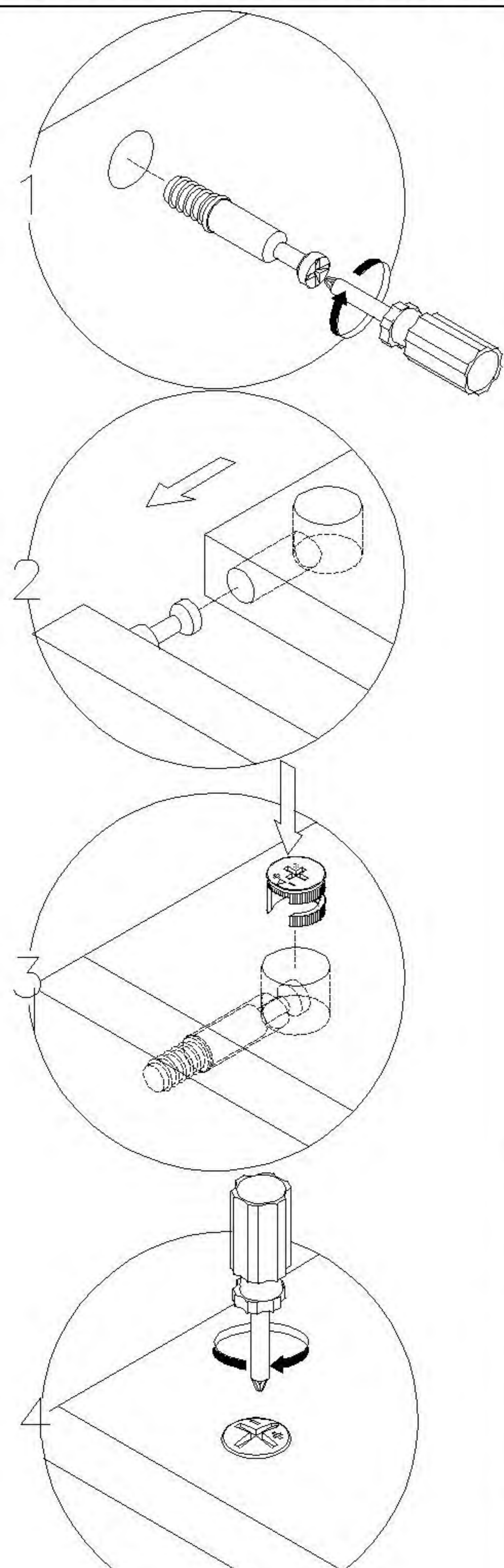


(N)*1

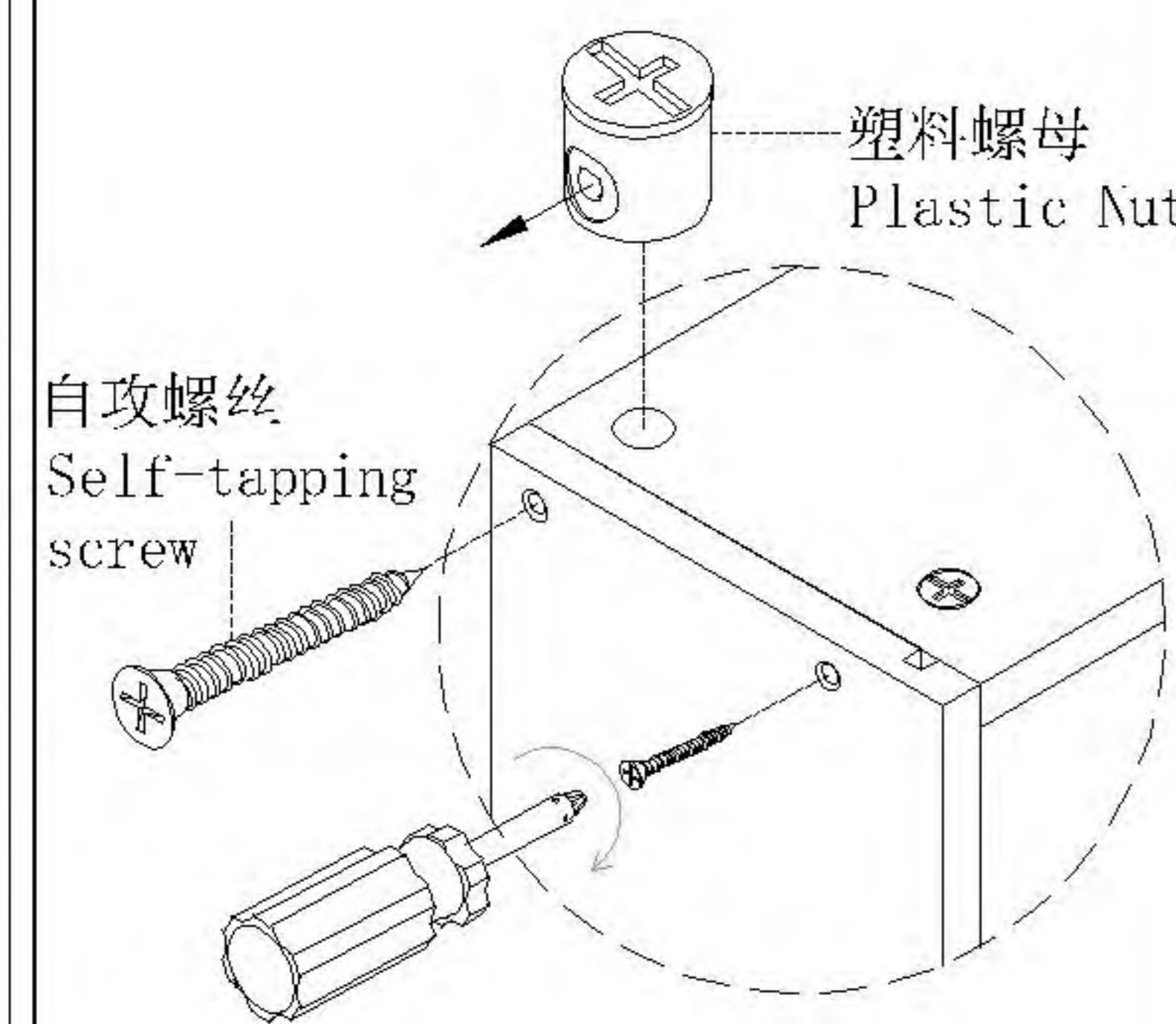


UP1E-A1 (三斗柜)

安装方法/
Installation method



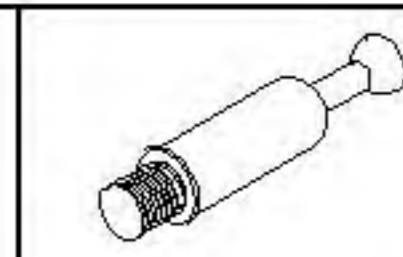
小二合一
small two-in-one



自攻螺丝
Self-tapping
screw

塑料螺母
Plastic Nut

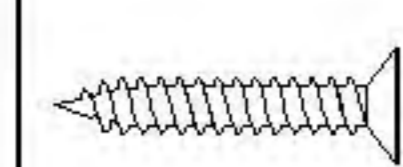
塑料螺母
Plastic Nut



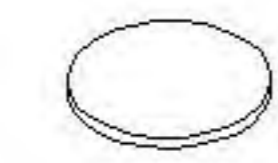
(I)*4



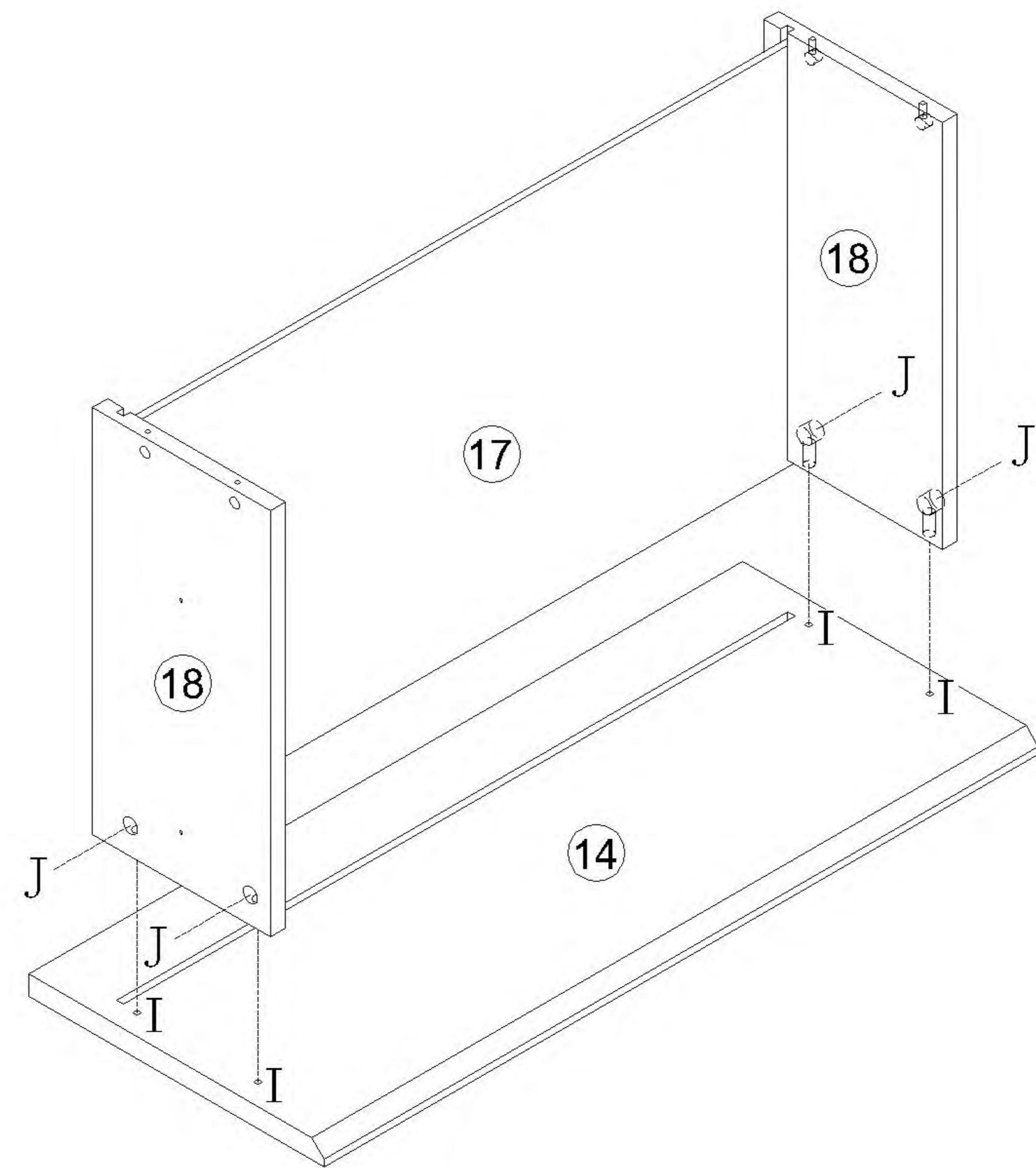
(J)*4



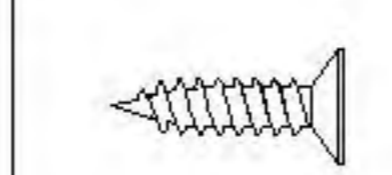
(C)*6



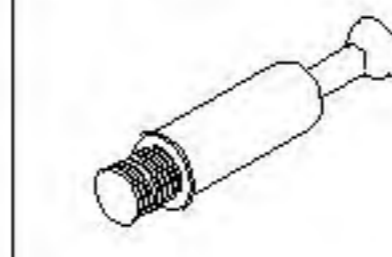
(G)*6



5



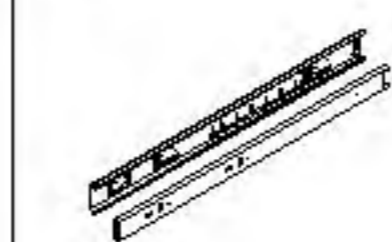
(A)*6



(I)*4

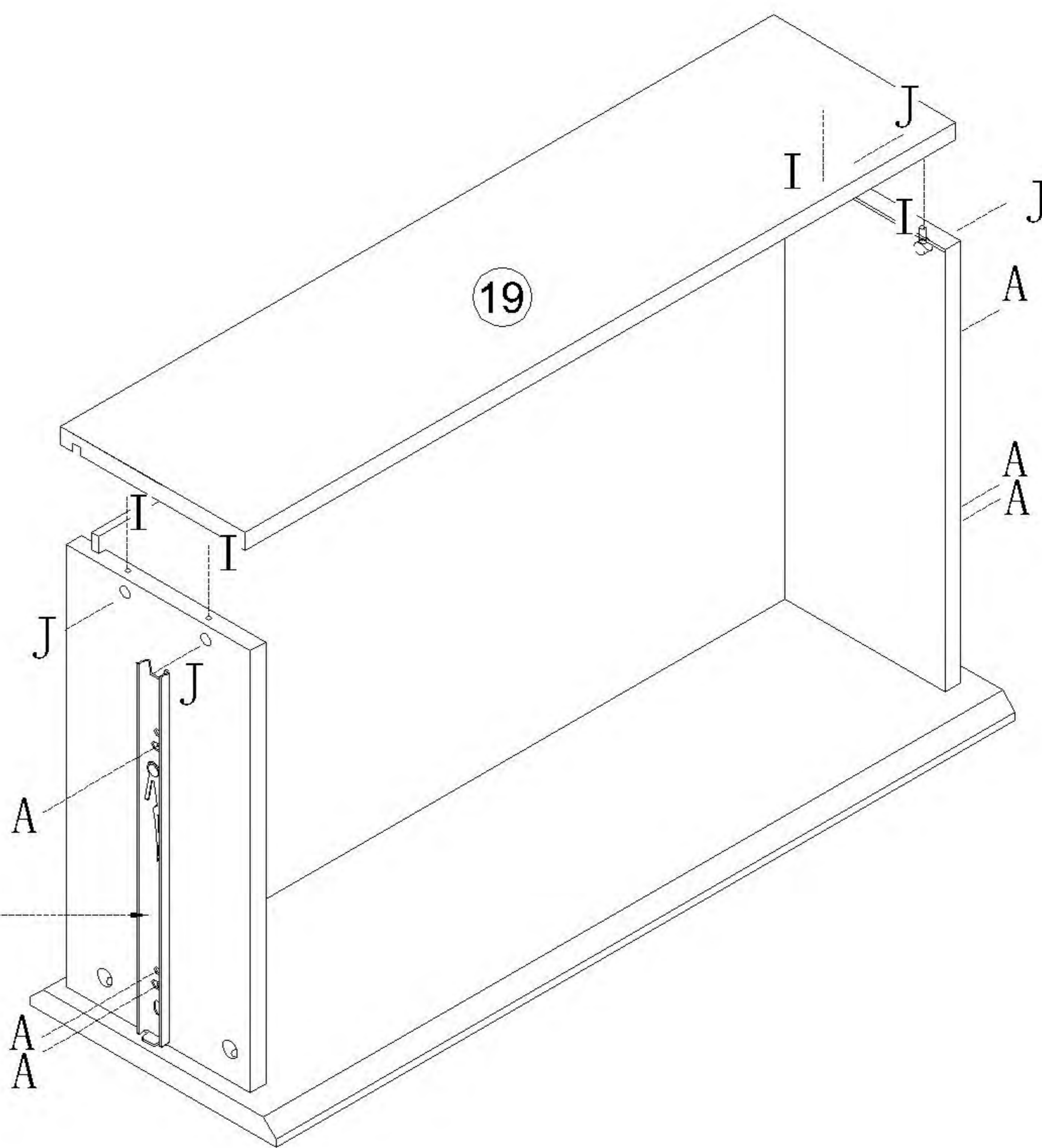


(J)*4

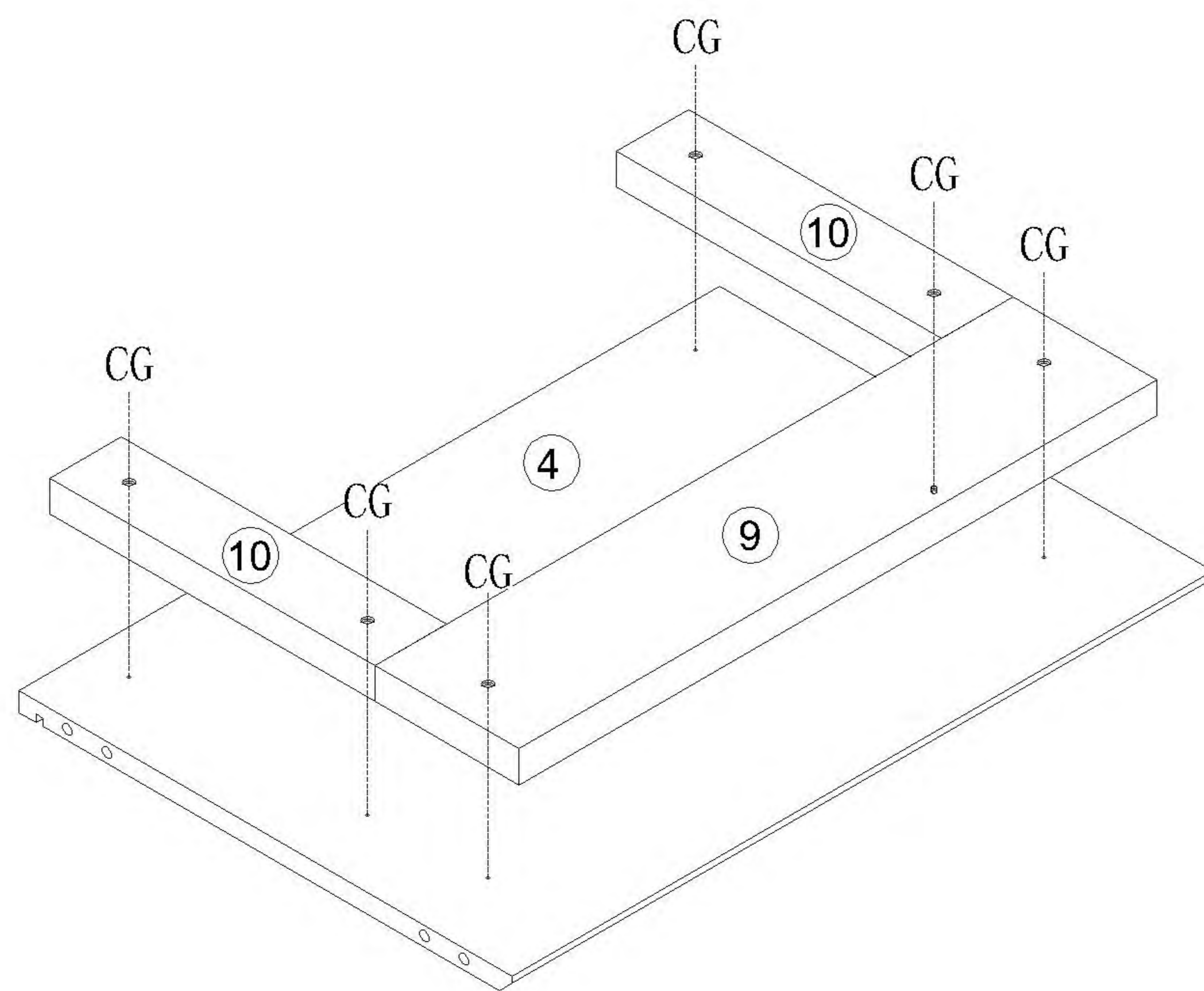


(N)*1

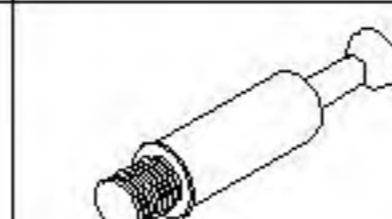
(N) 副轨
Sub rail



6



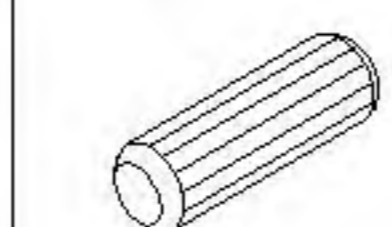
7



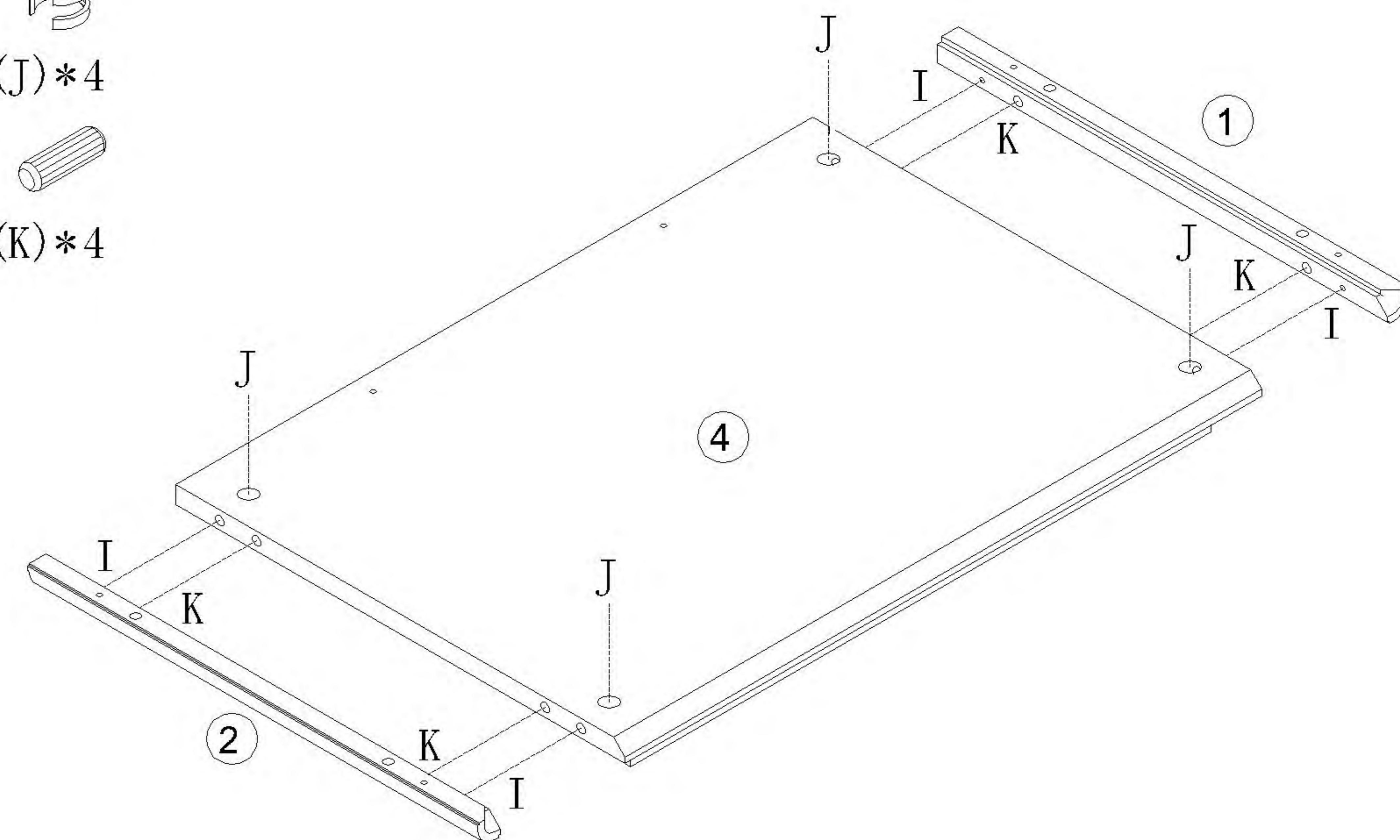
(I)*4



(J)*4



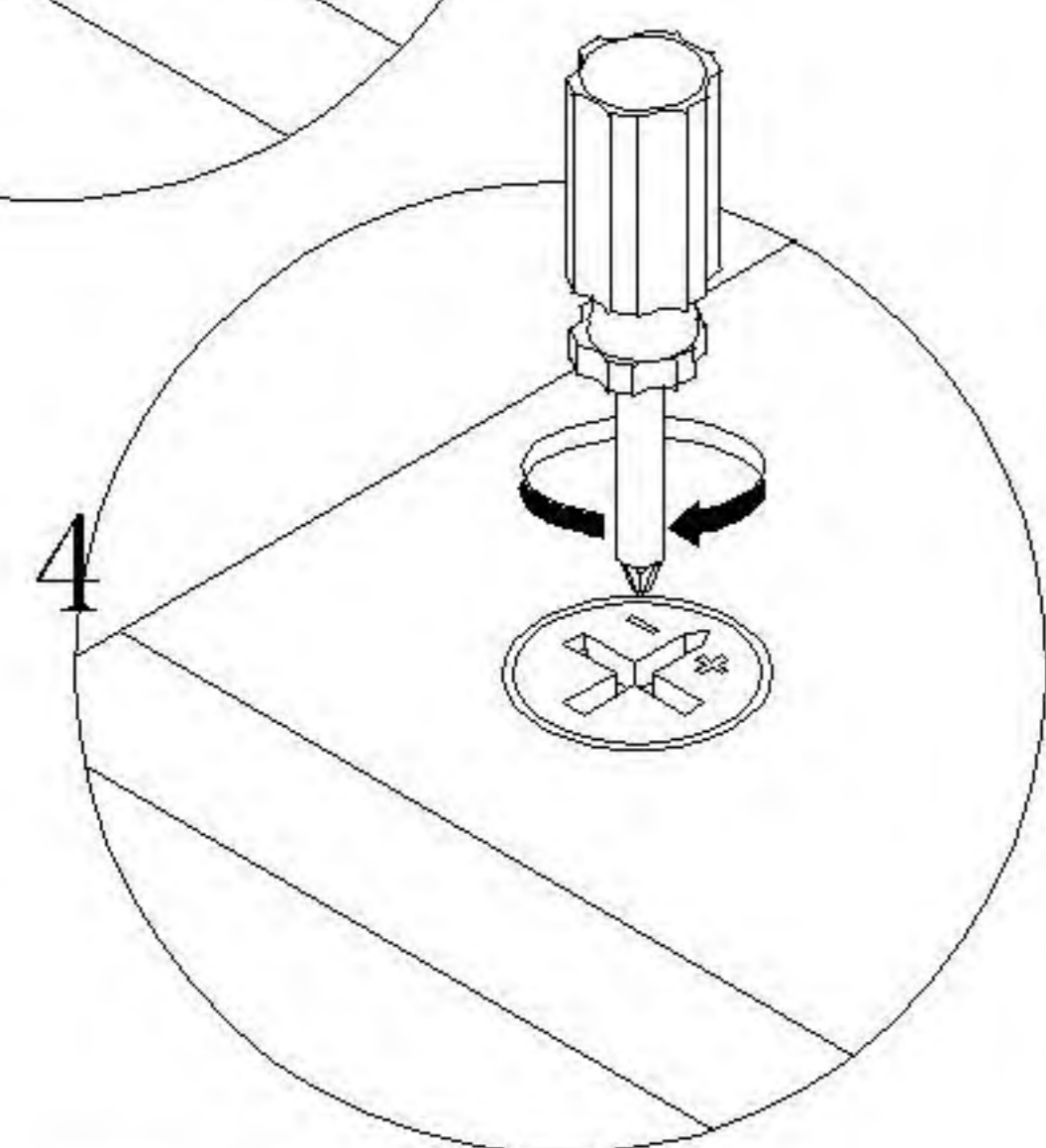
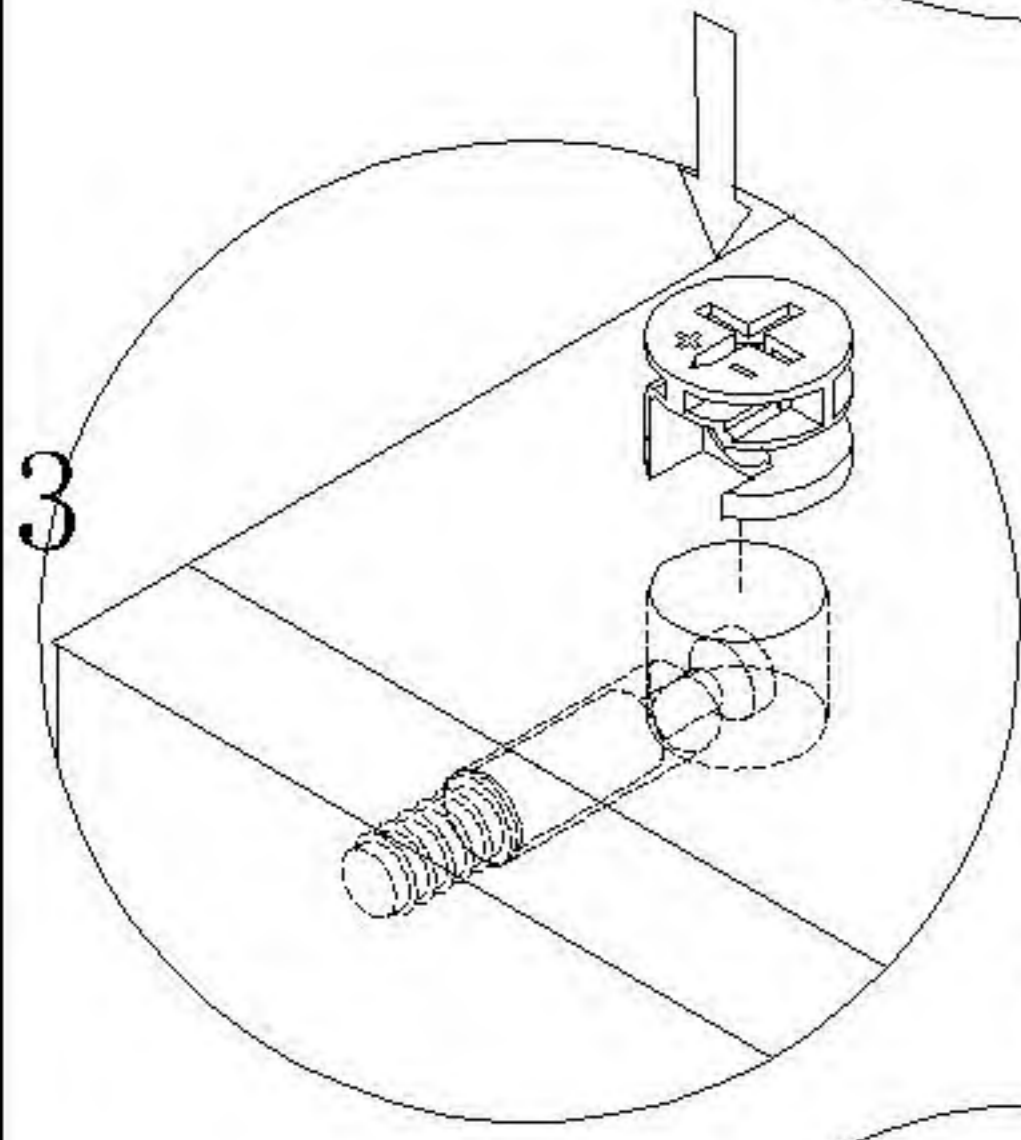
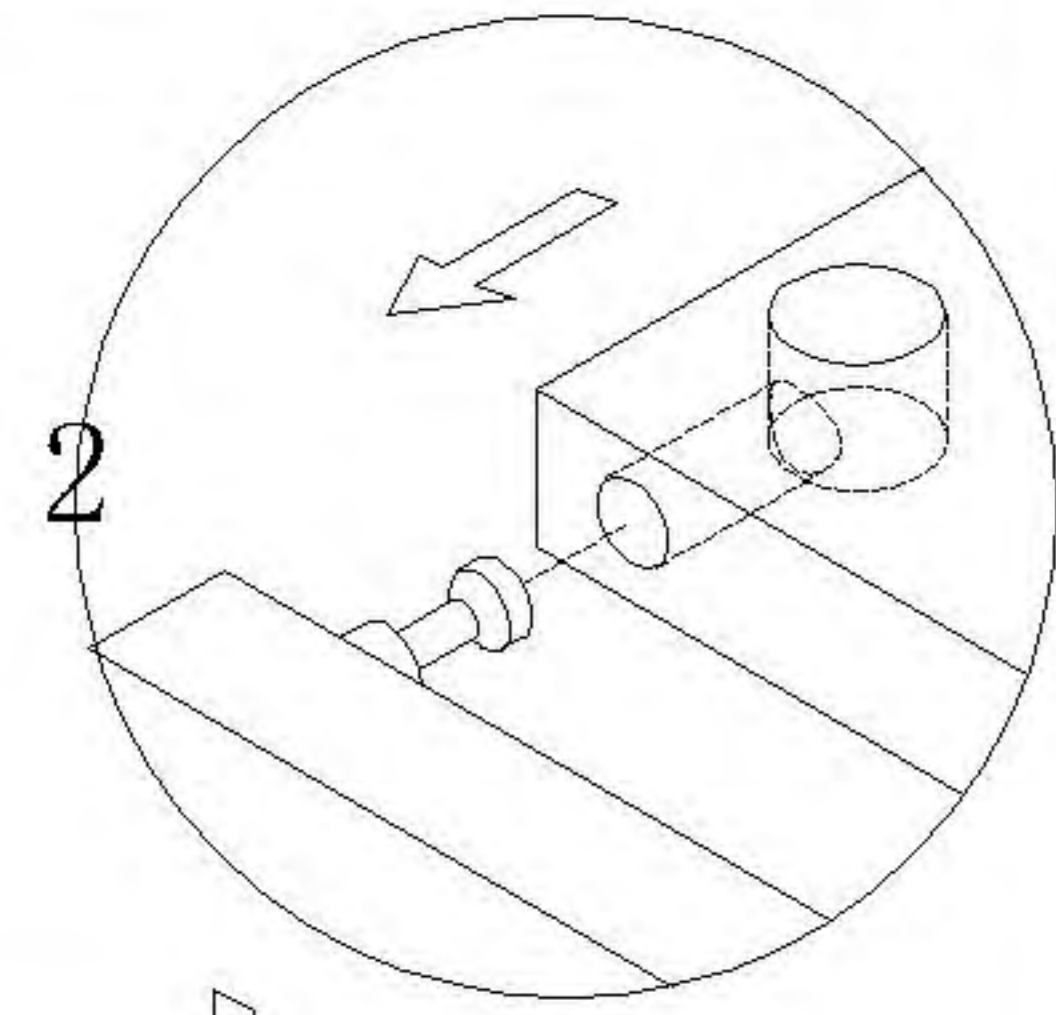
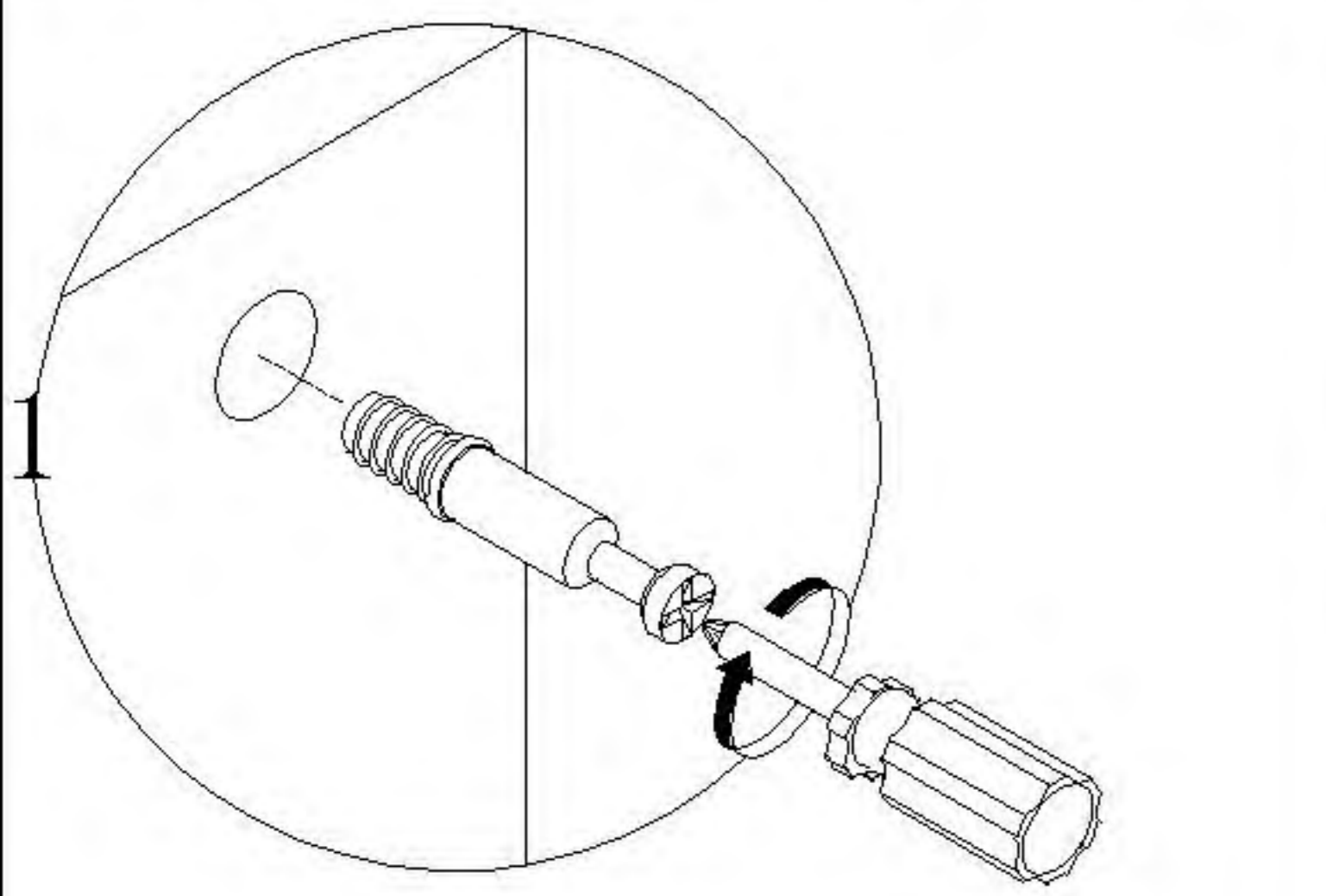
(K)*4



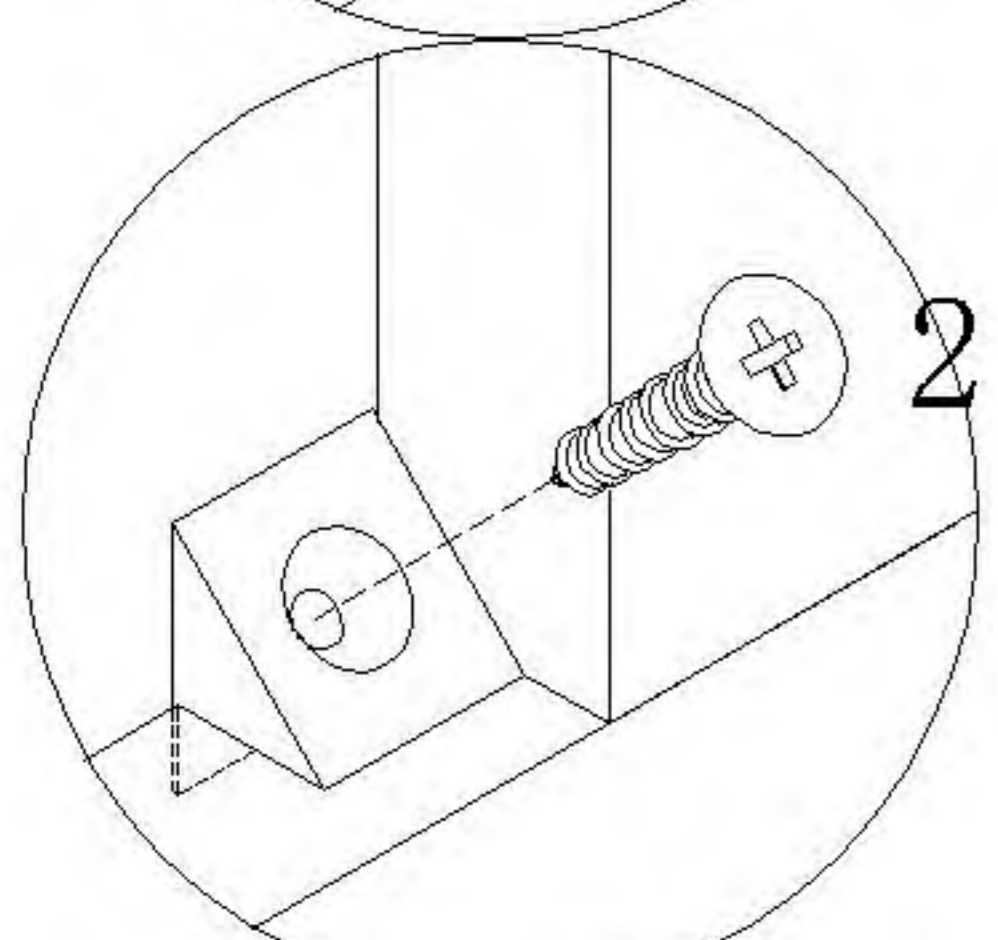
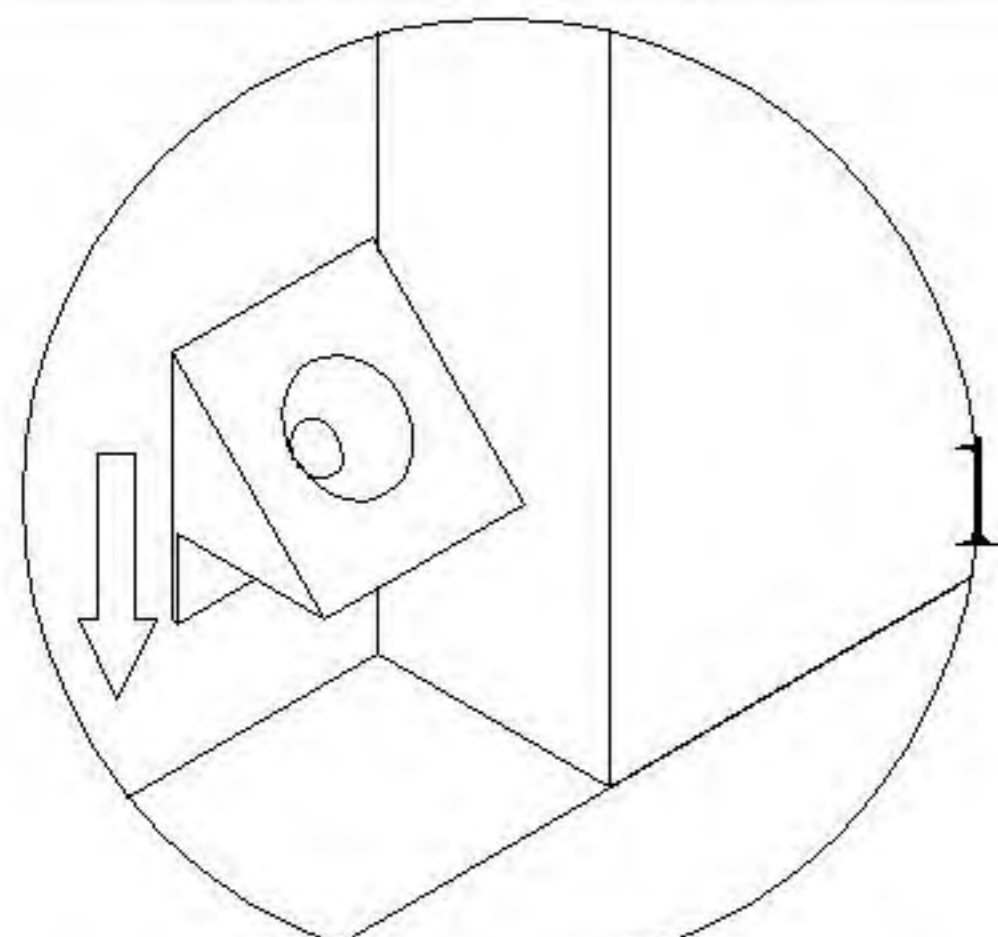
8

UP1E-A1 (三斗柜)

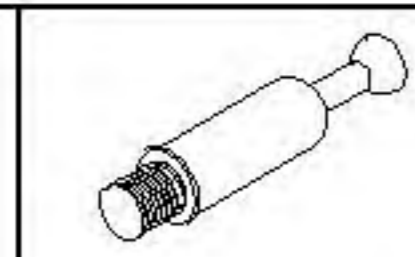
安装方法/
Installation method



大二合一
two-in-one



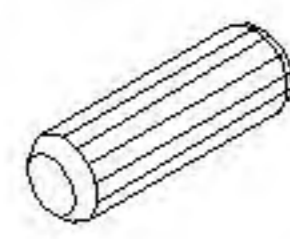
背板扣
Back Plate Buckle-White



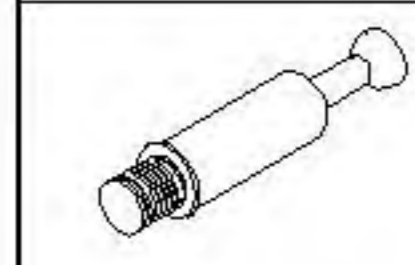
(I)*4



(J)*4



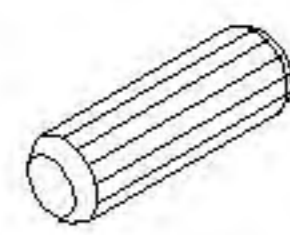
(K)*4



(I)*12

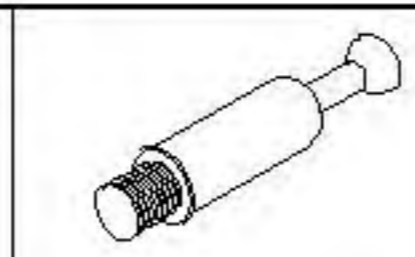


(J)*12



(K)*8

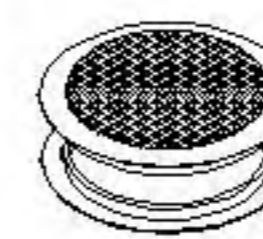
9



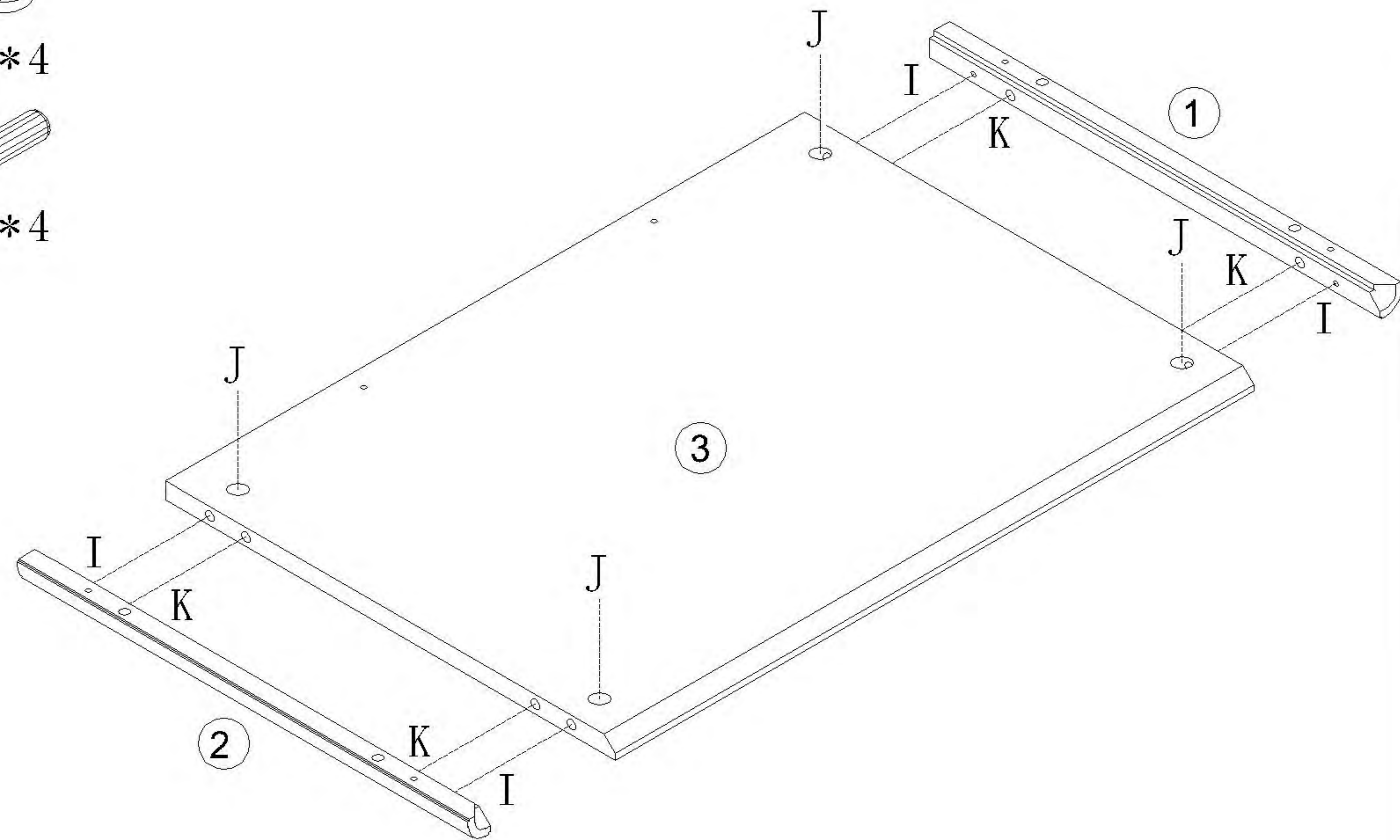
(I)*16



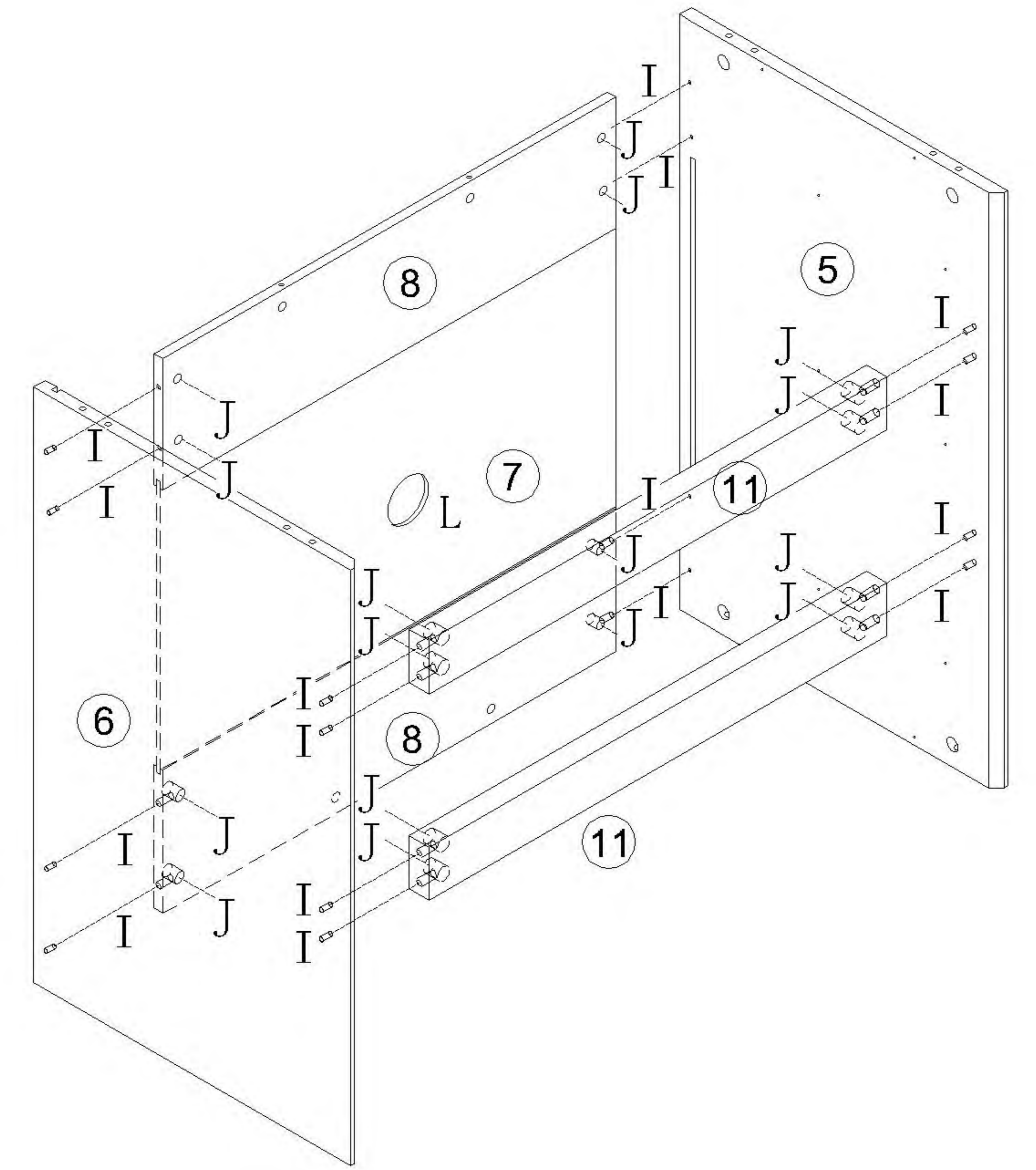
(J)*16



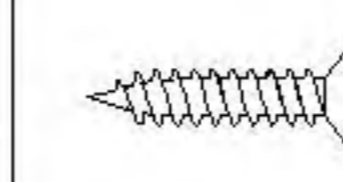
(L)*1



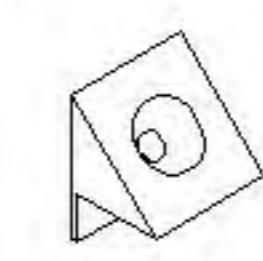
10



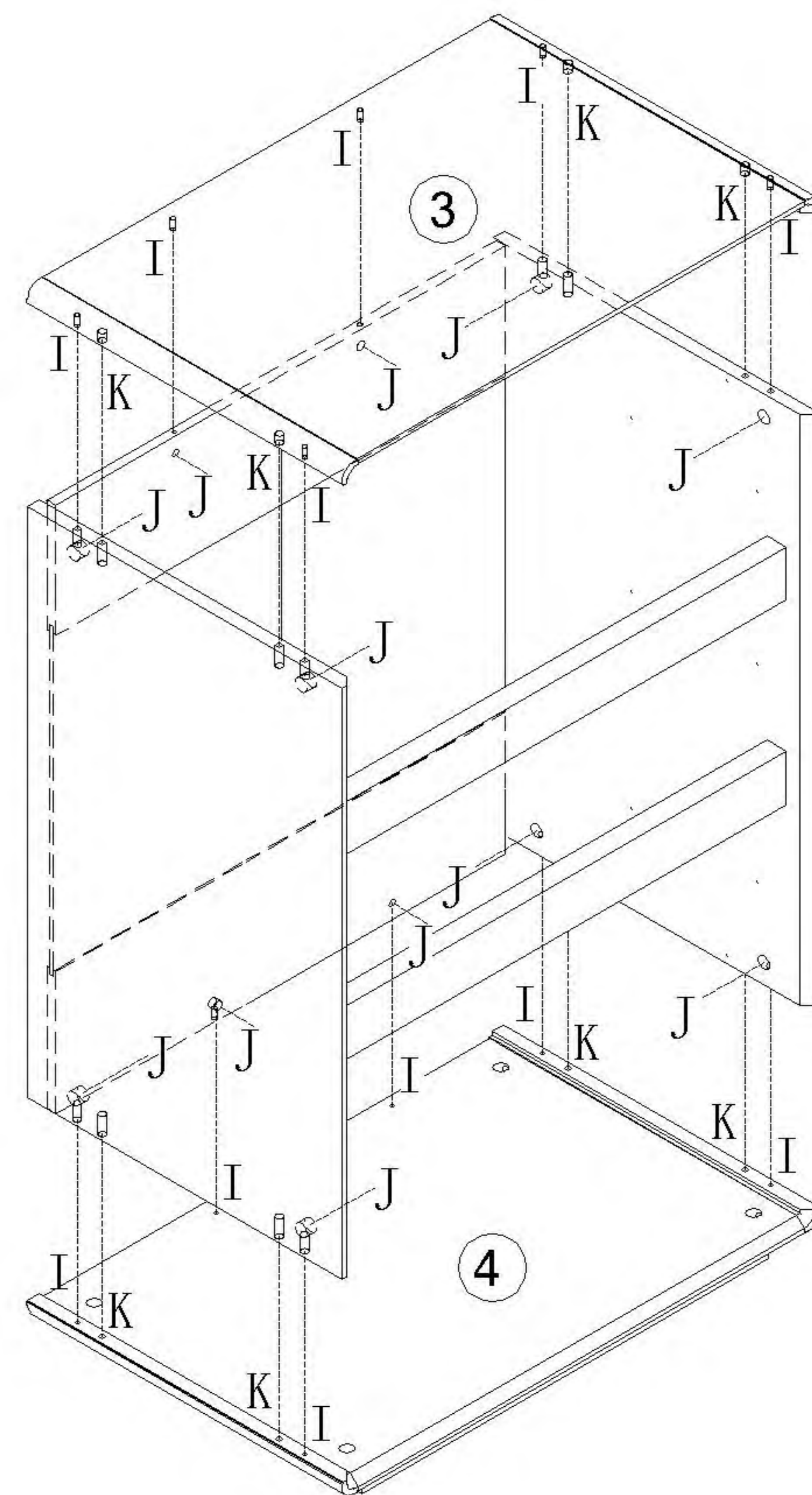
11



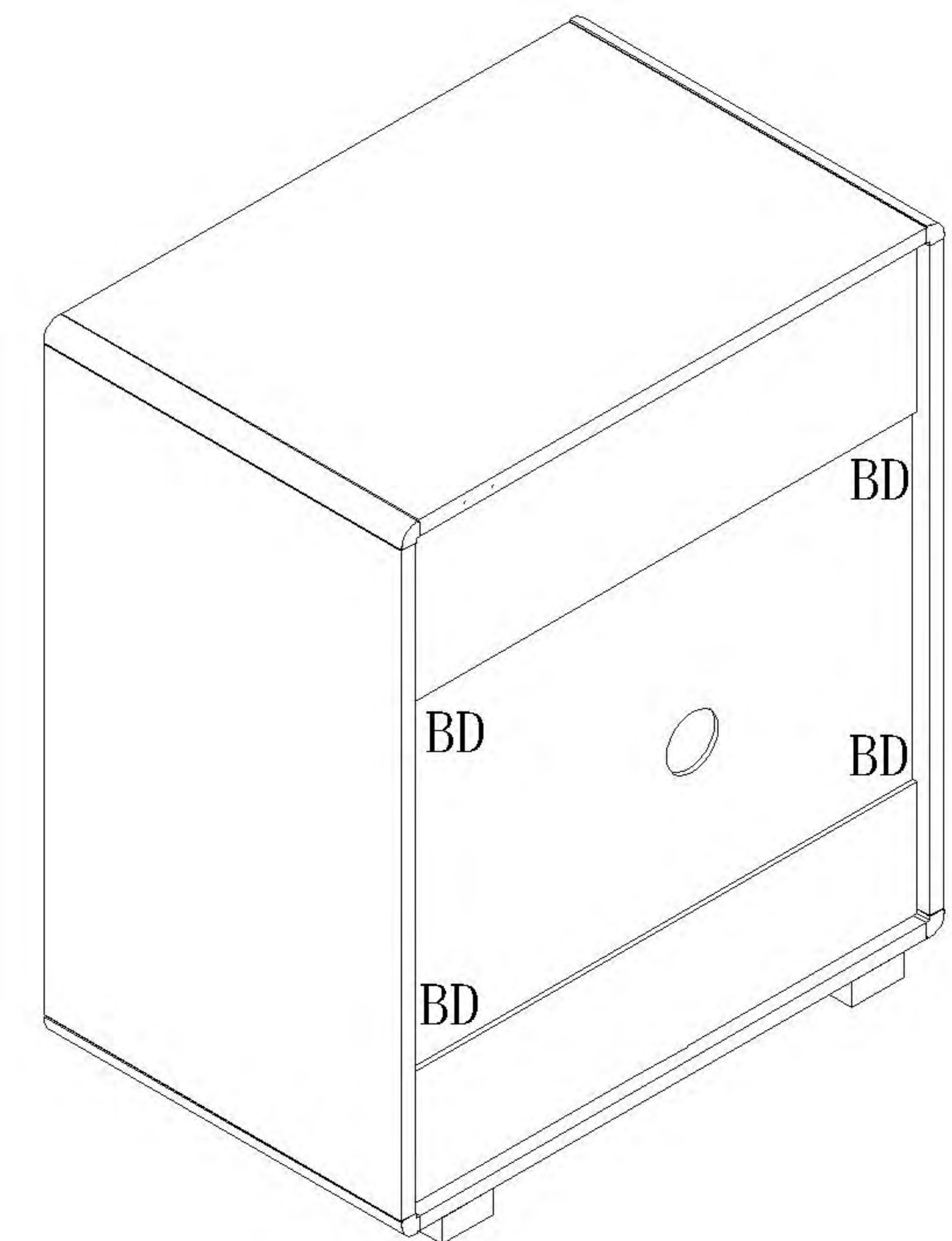
(B)*4



(D)*4

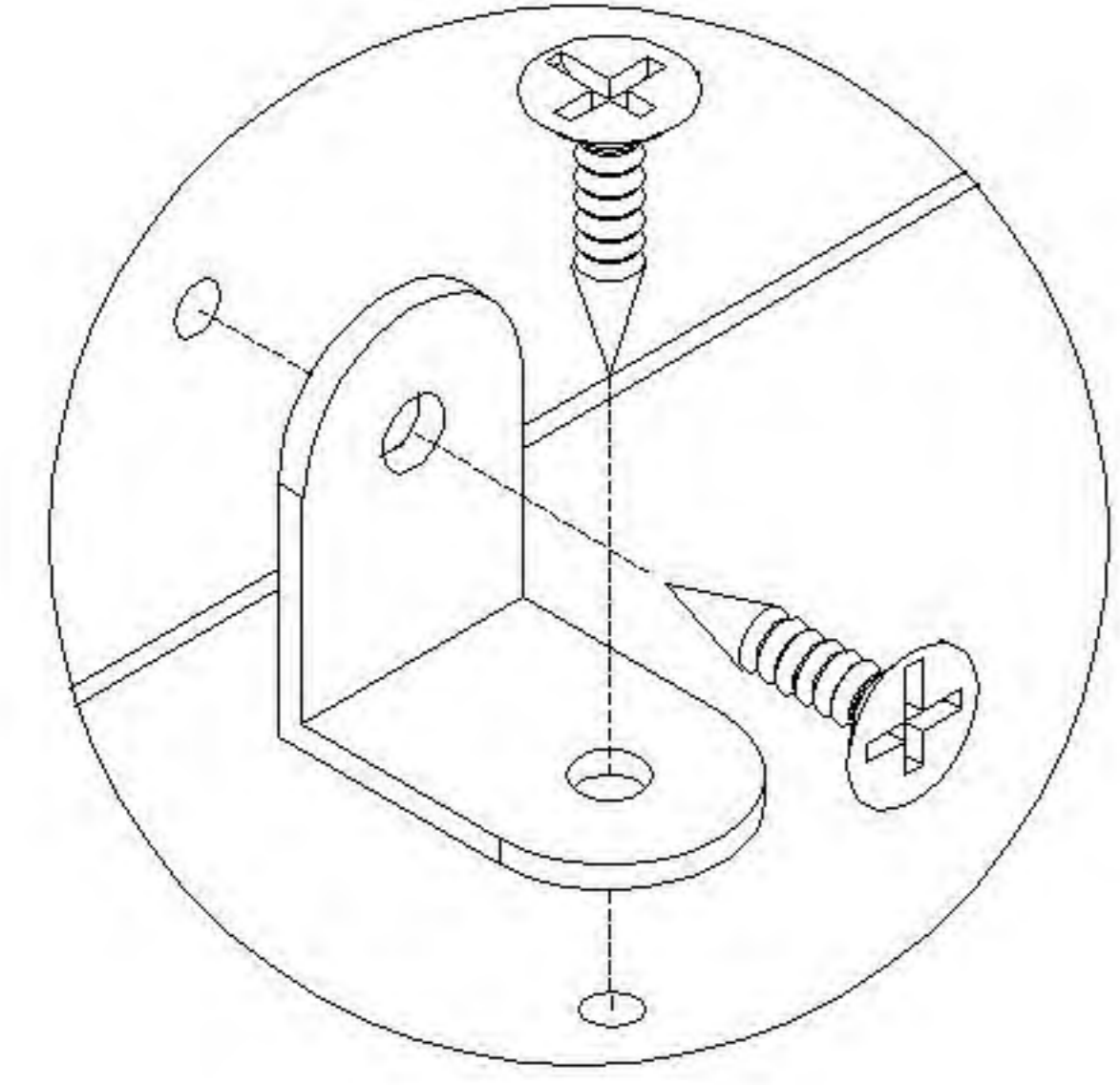


12

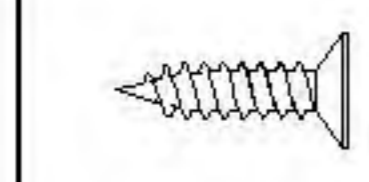


UP1E-A1 (三斗柜)

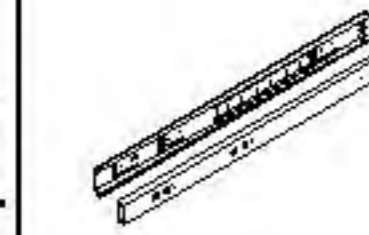
安装方法/
Installation method



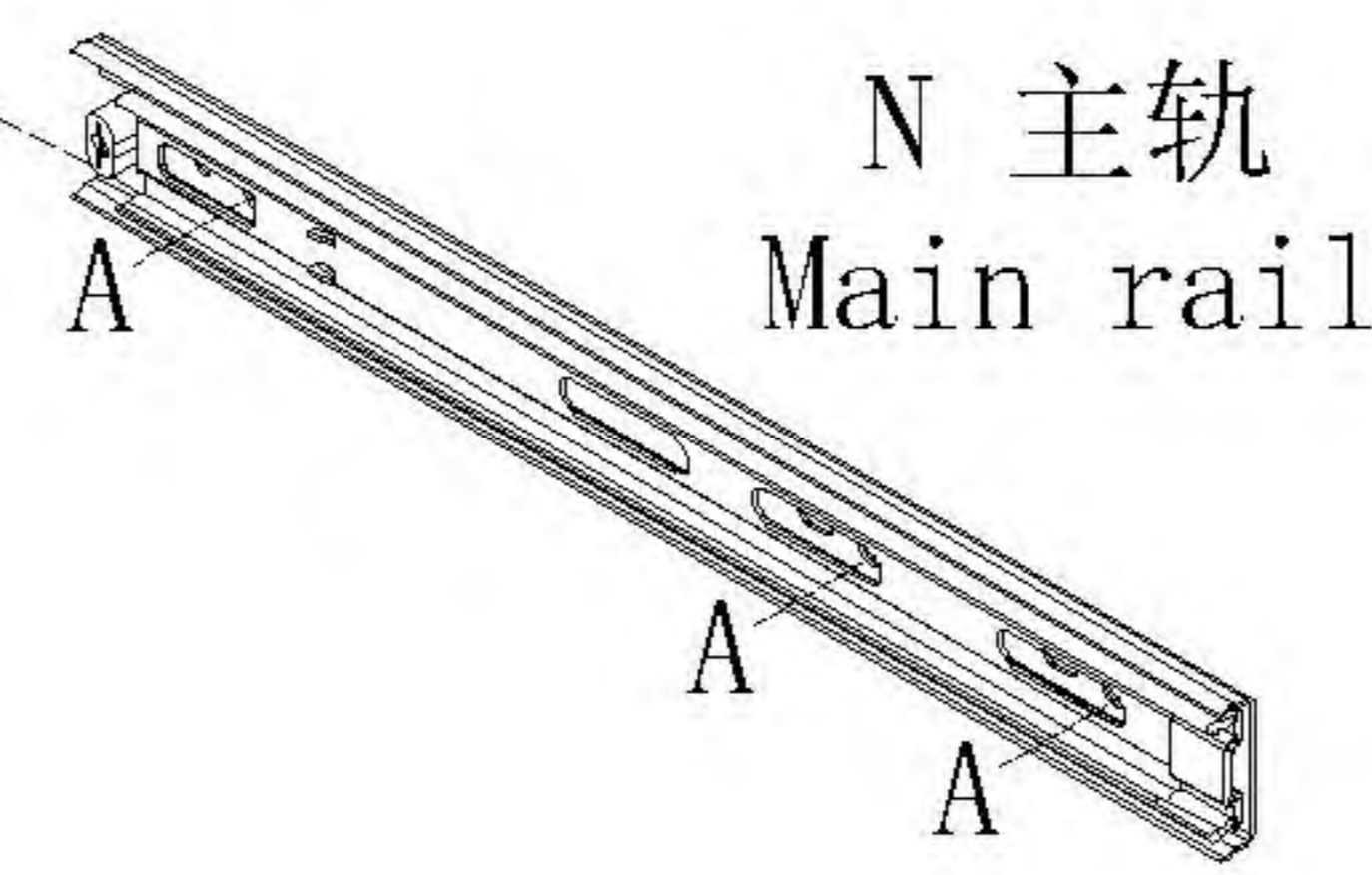
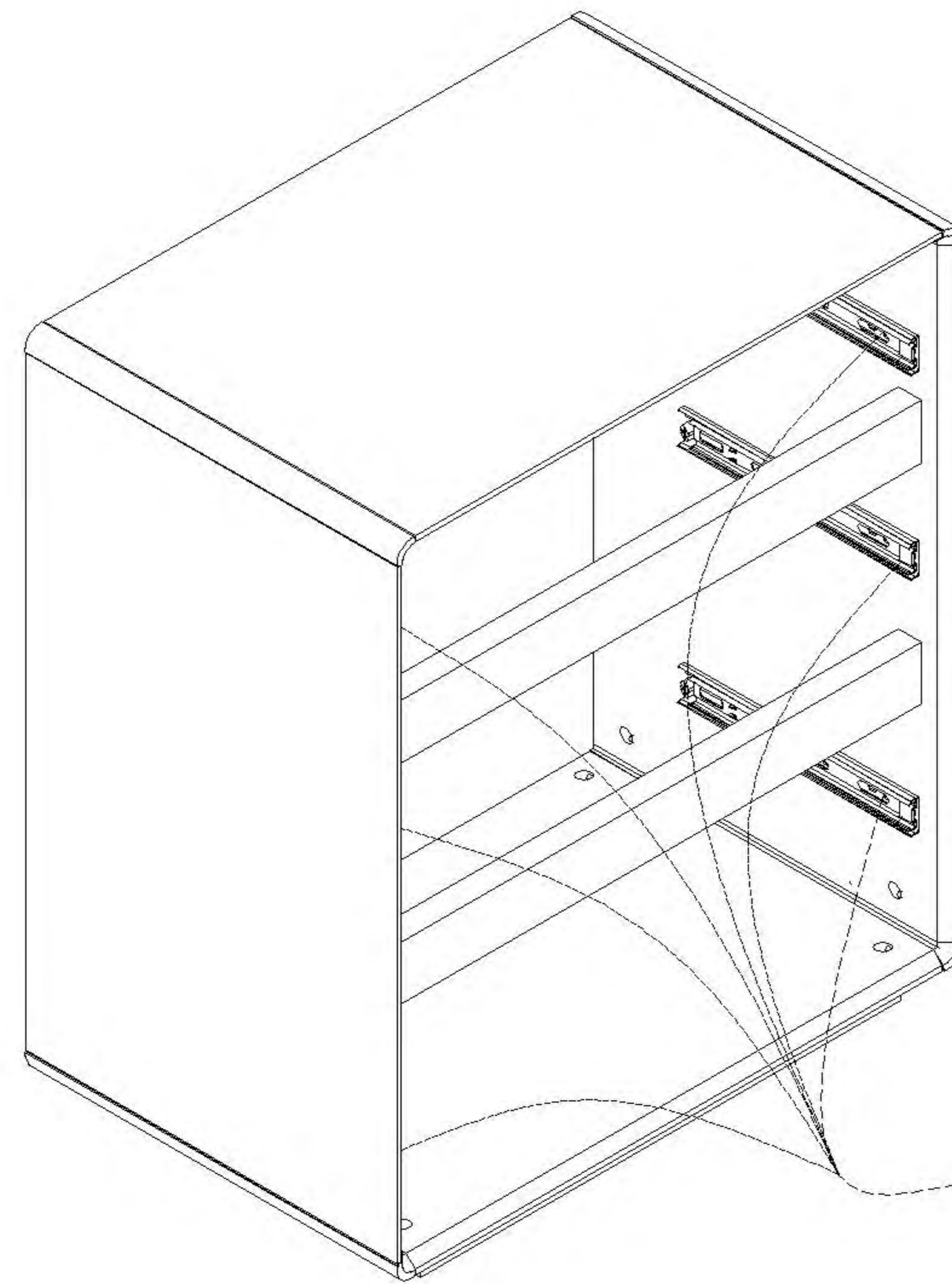
角码
Bracket



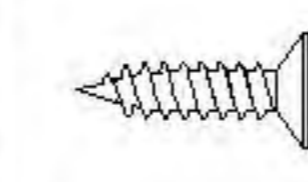
(A)*18



(N)*3



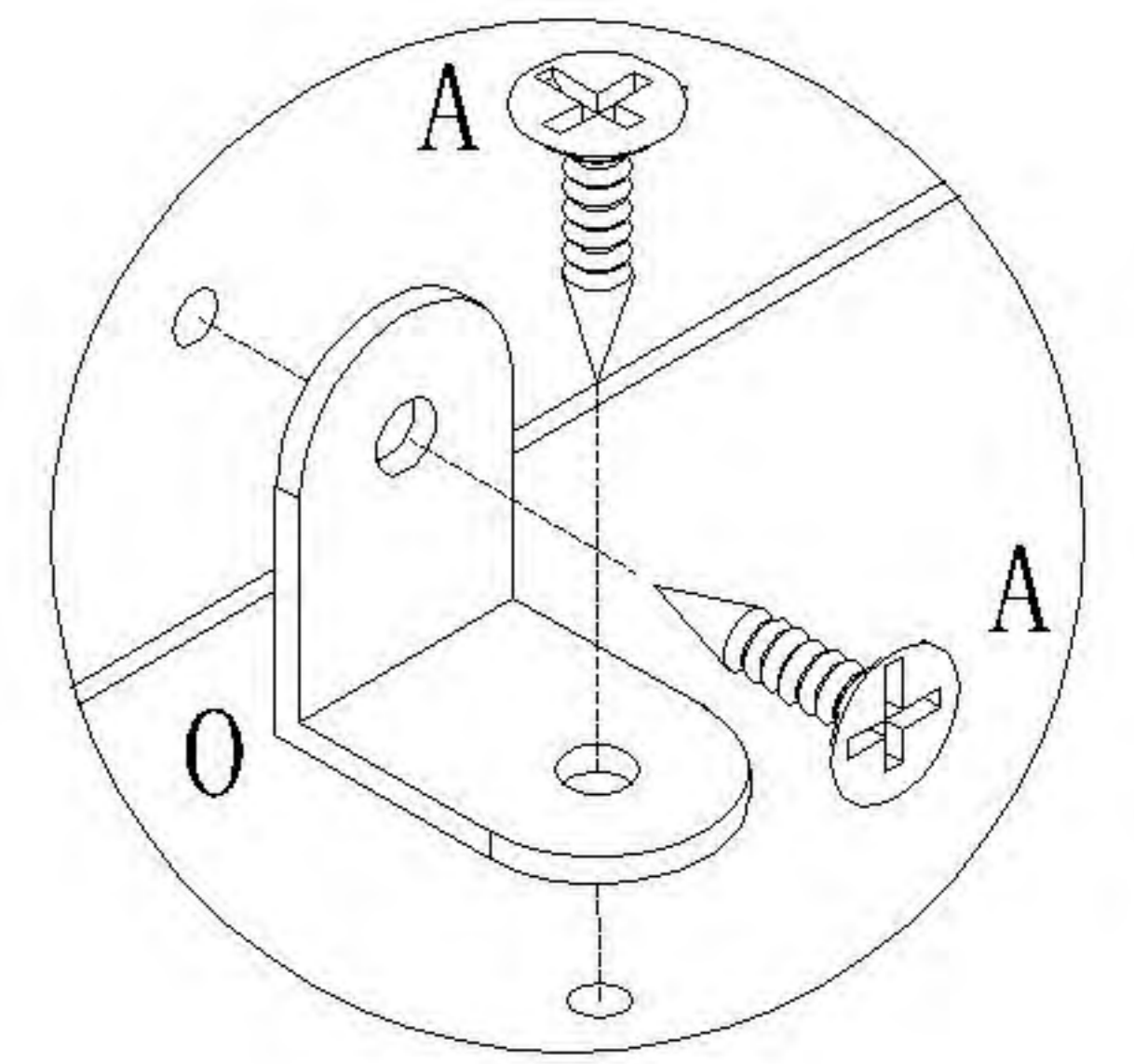
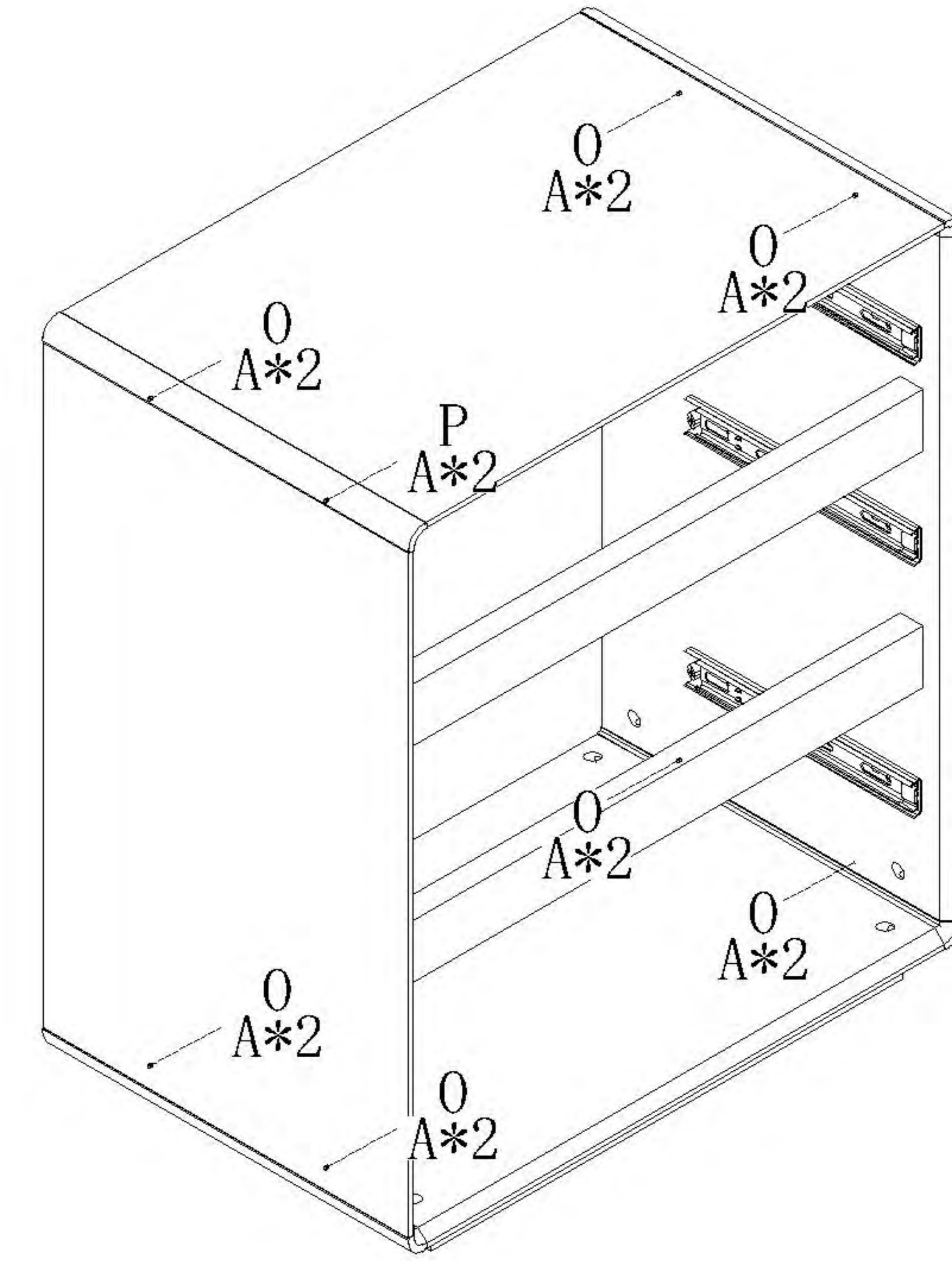
13



(A)*16

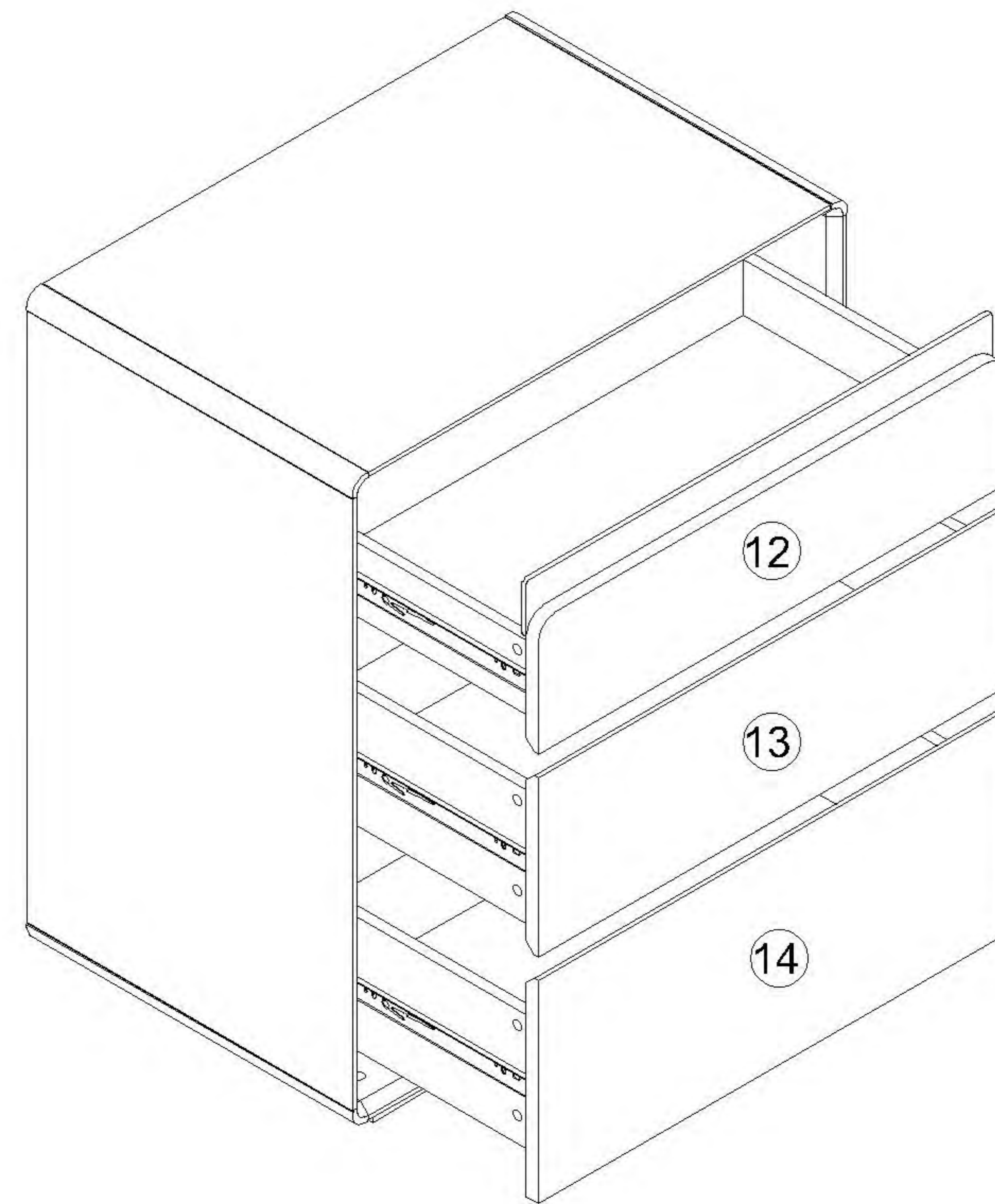


(O)*8



14

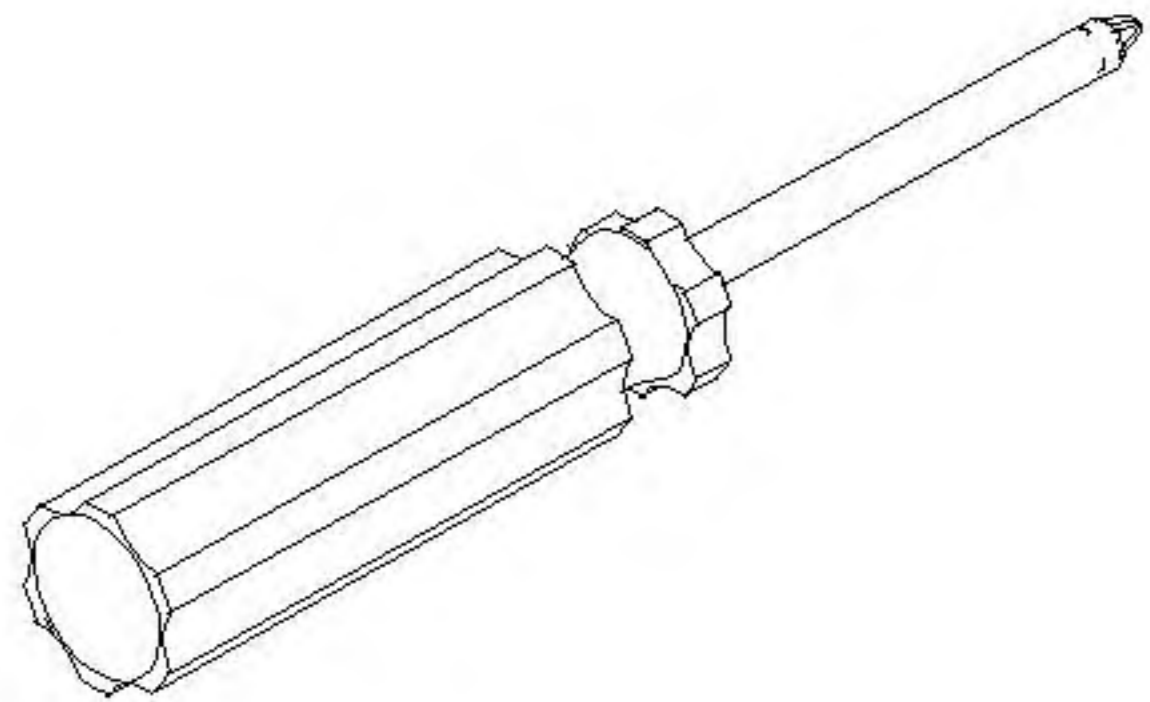
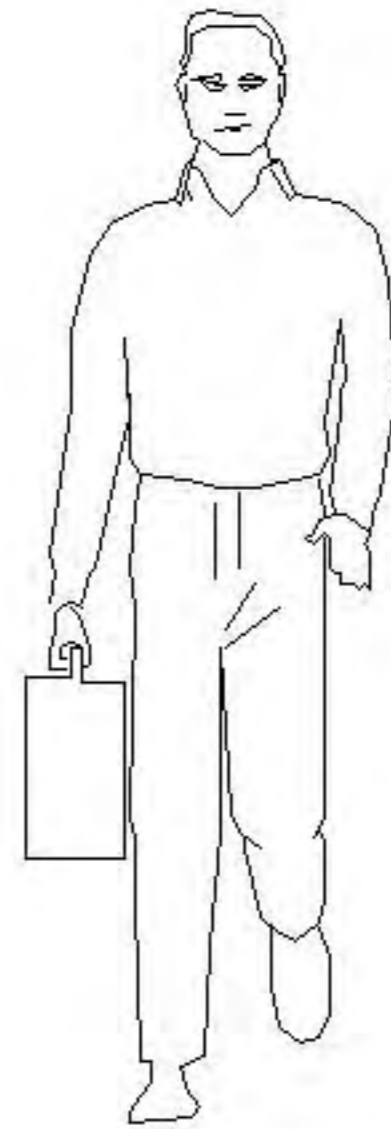
15

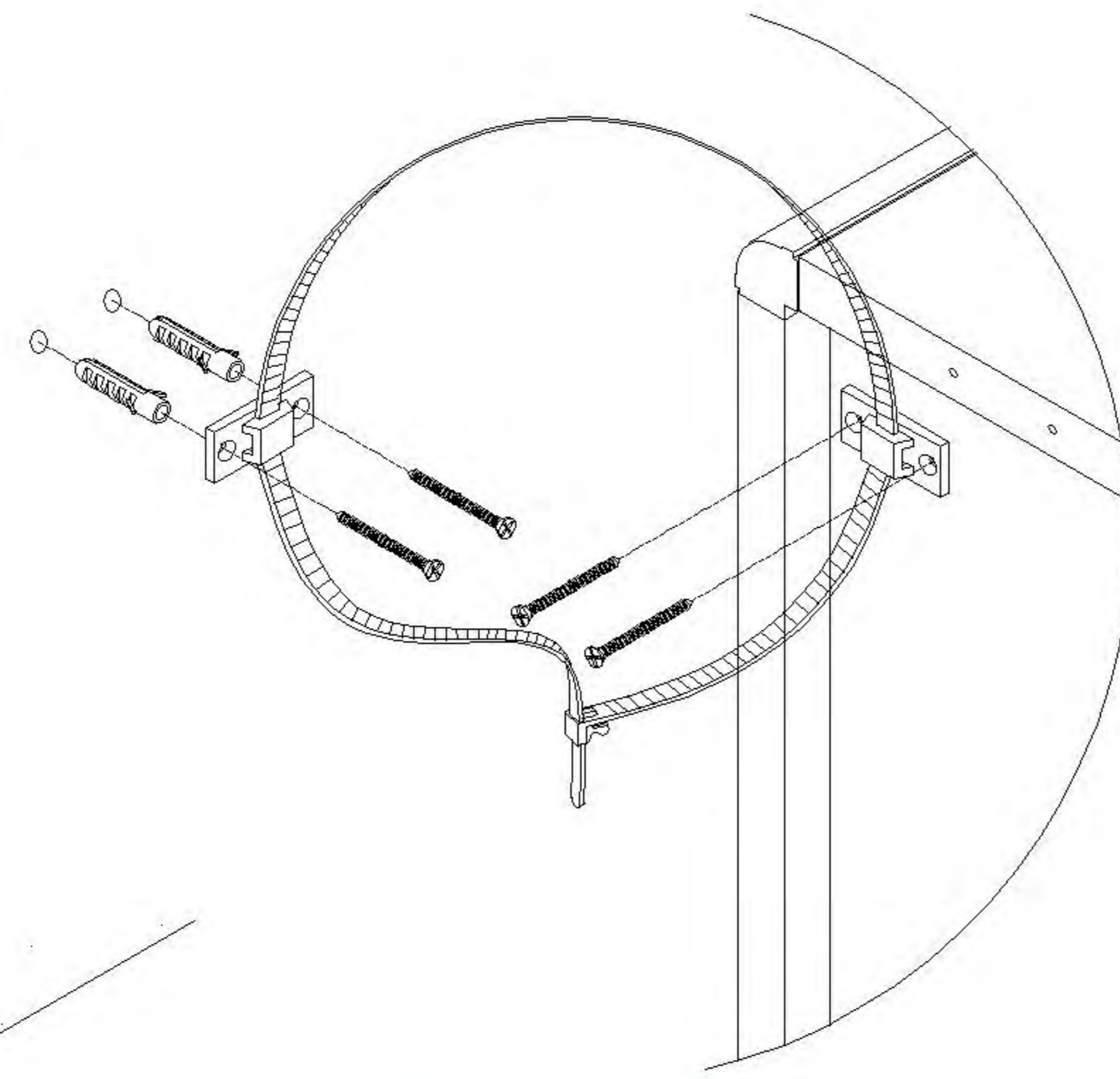


16

LINSY 林氏家居

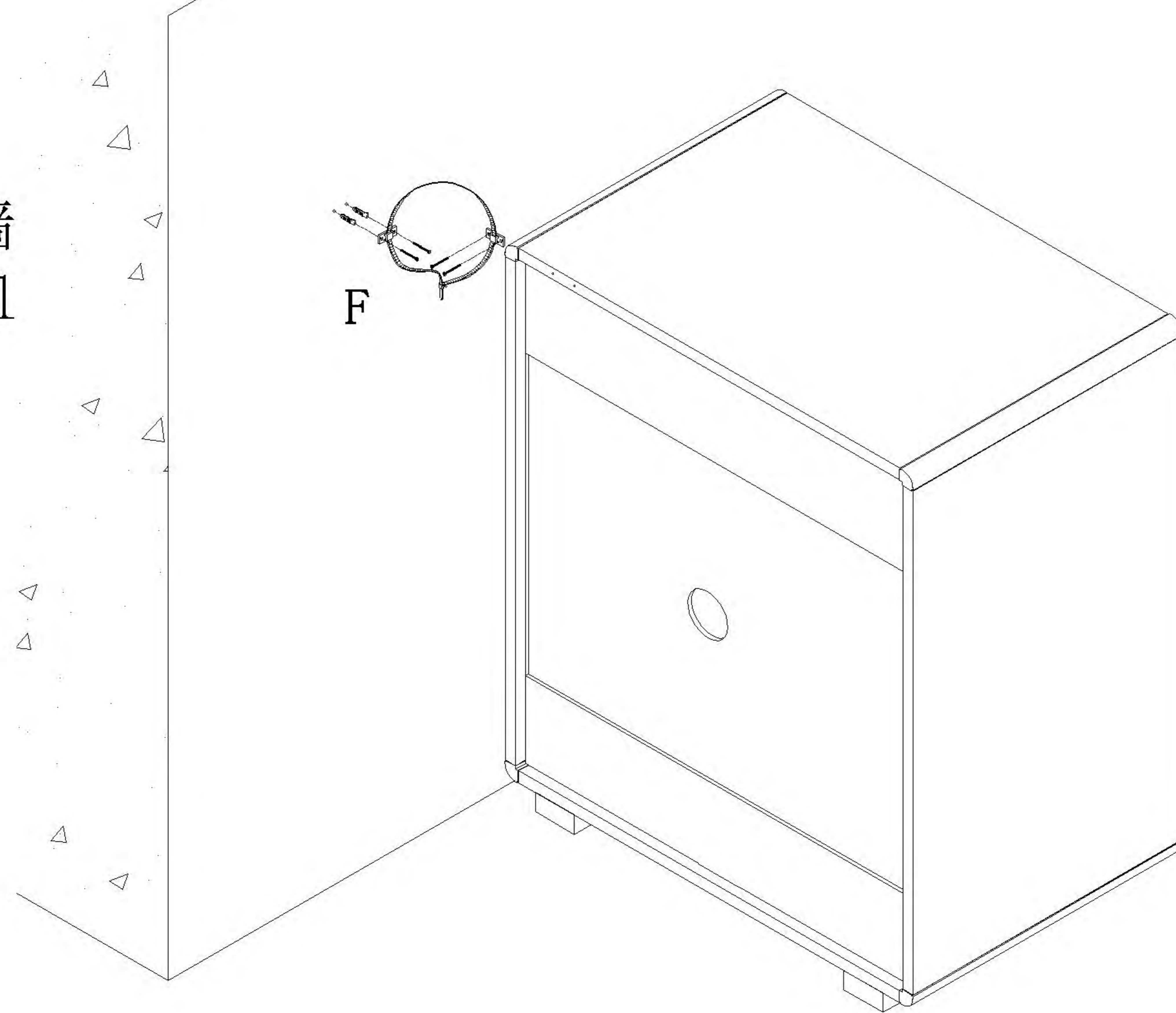
安装示意图/Assembly Instruction

产品名称 Model NO.	Anti-fall device
产品规格 Specification	-
安装工具 Tool	安装人数 Installer
	



F处放大图
Enlarged view at F

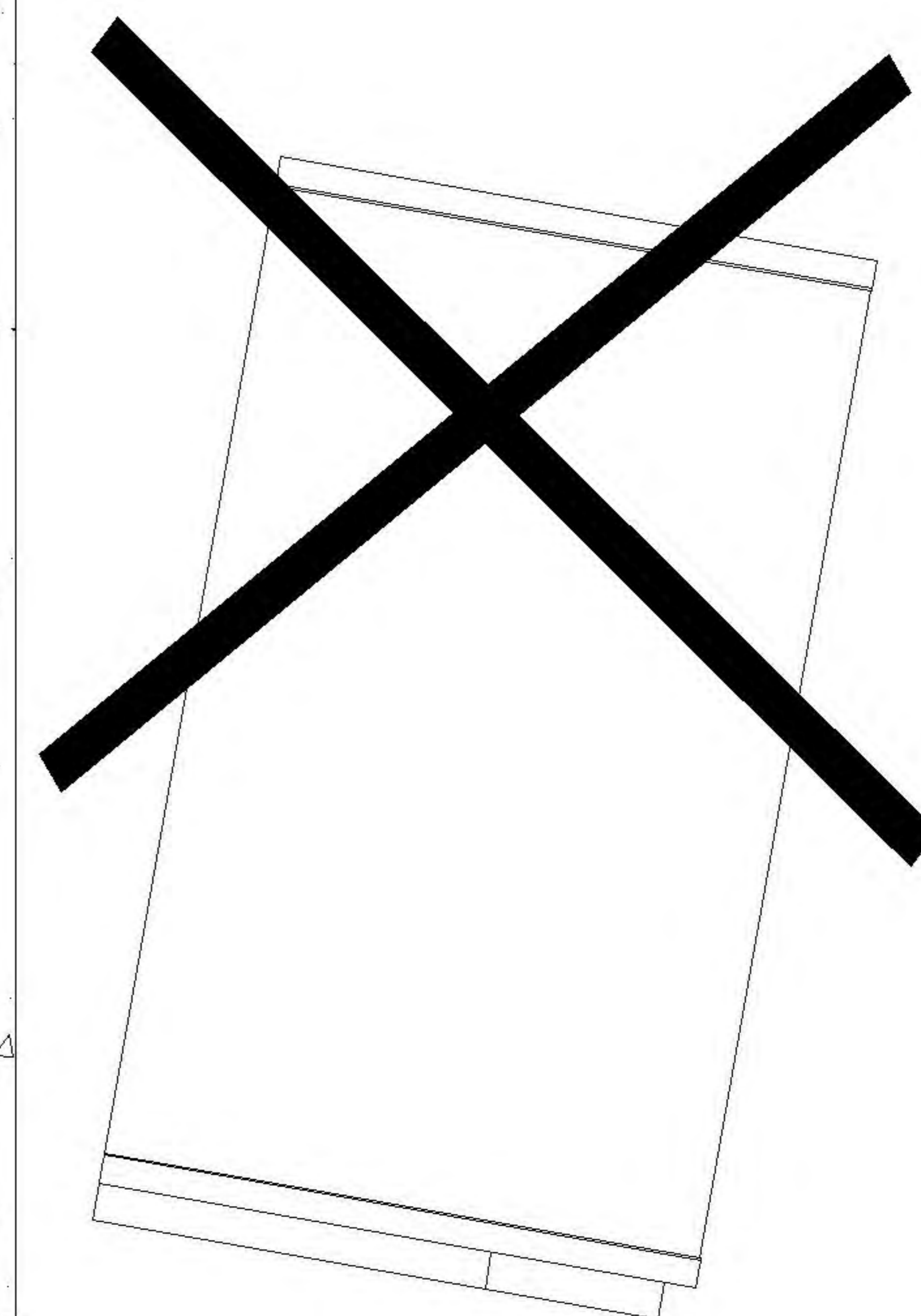
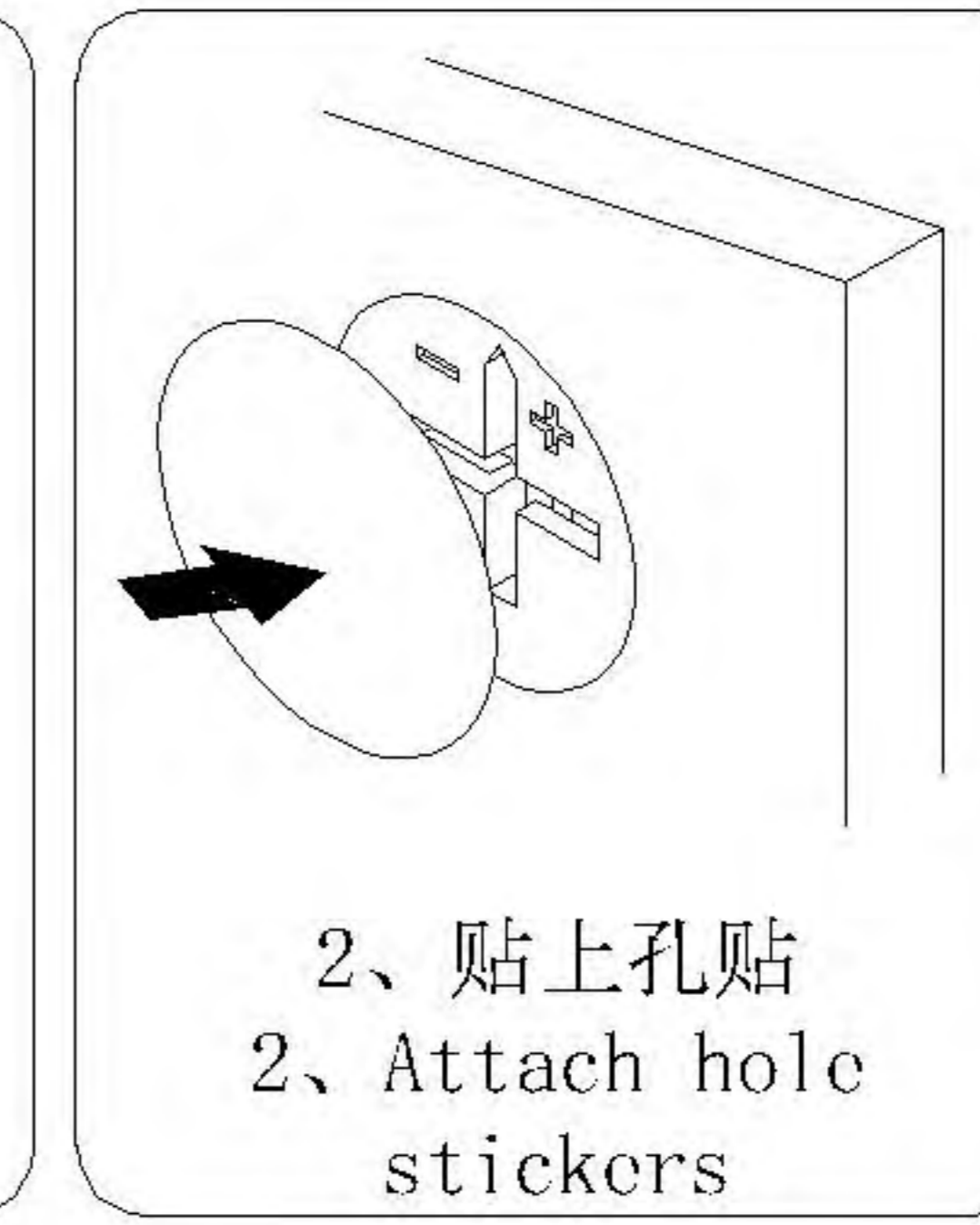
实体墙
Solid wall



(P)*63

孔位贴使用小贴士
产品安装完成后请贴上孔贴，多出的孔贴请保管好

Tips for using hole stickers:
After the product installation is completed, please attach the hole stickers. Please keep any extra hole stickers safe



LINSY 林氏家居

五金表/Hardware list

部件表/Parts List

安装示意图/Assembly Instruction

产品名称 Model NO.

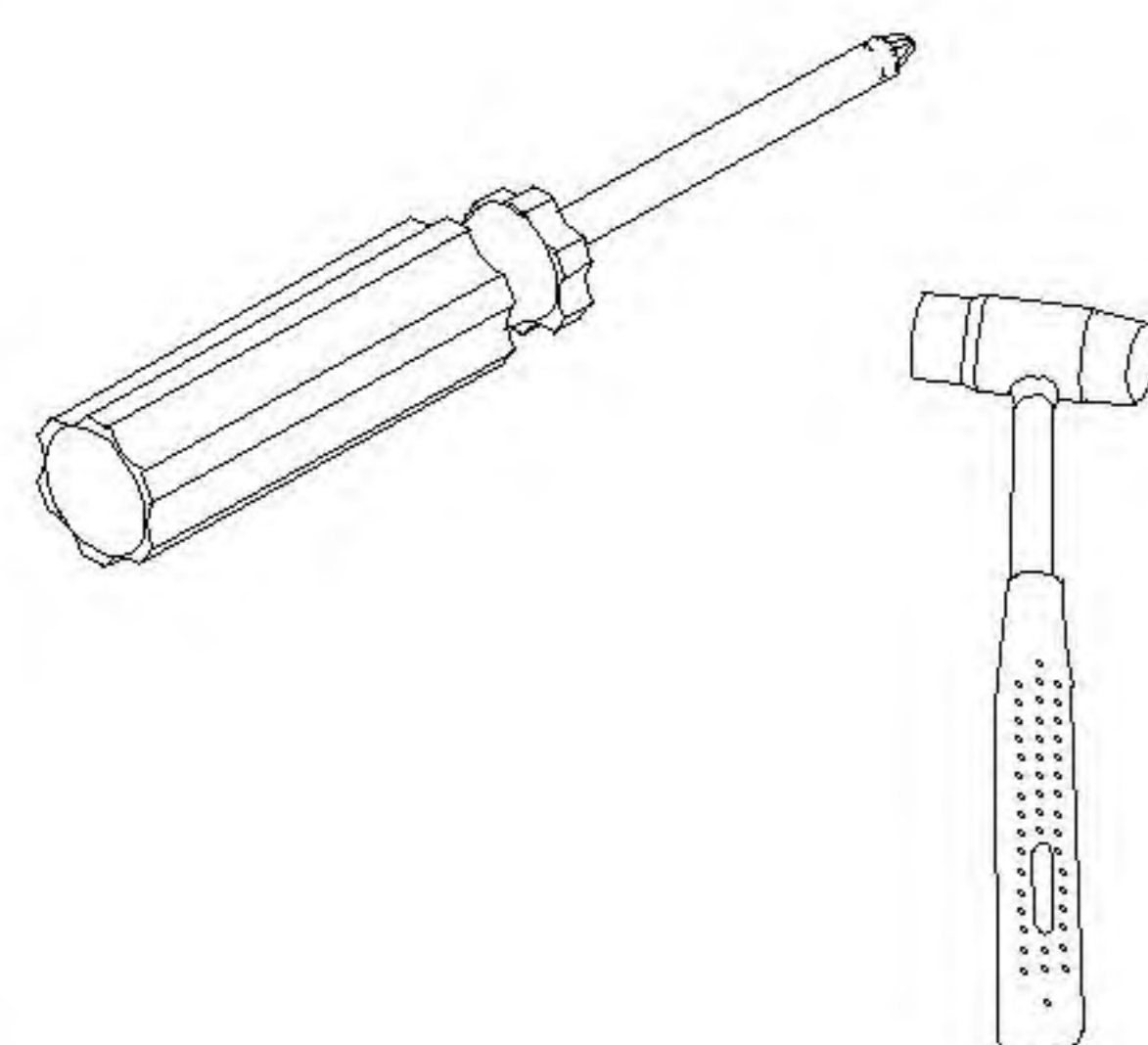
UPIE-A1(六斗柜)

产品规格 Specification

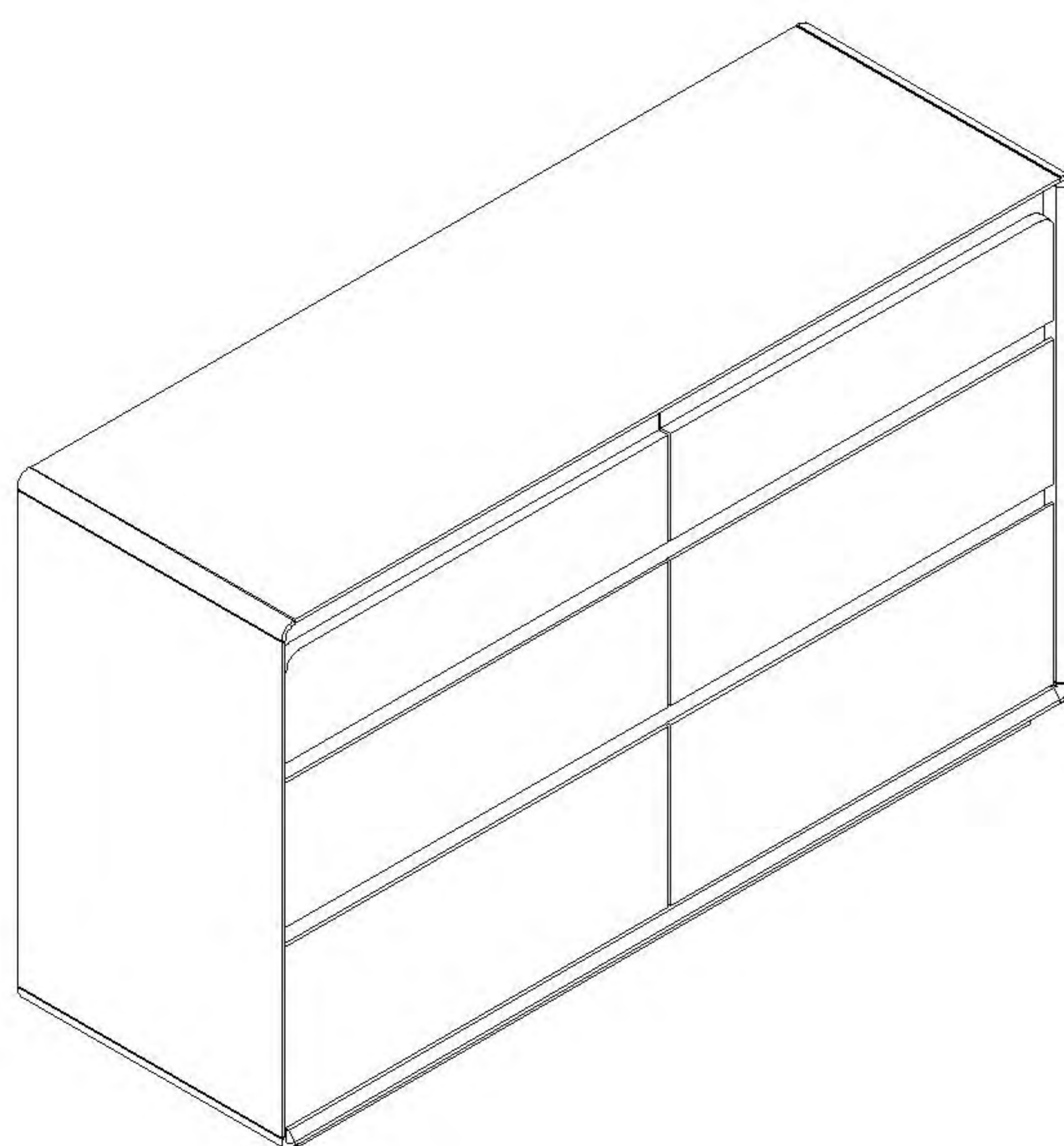
1193*399*715mm

安装工具 Tool

安装人数 Installer



注：为保证设计效果，部分尺寸为定制尺寸，不影响使用。

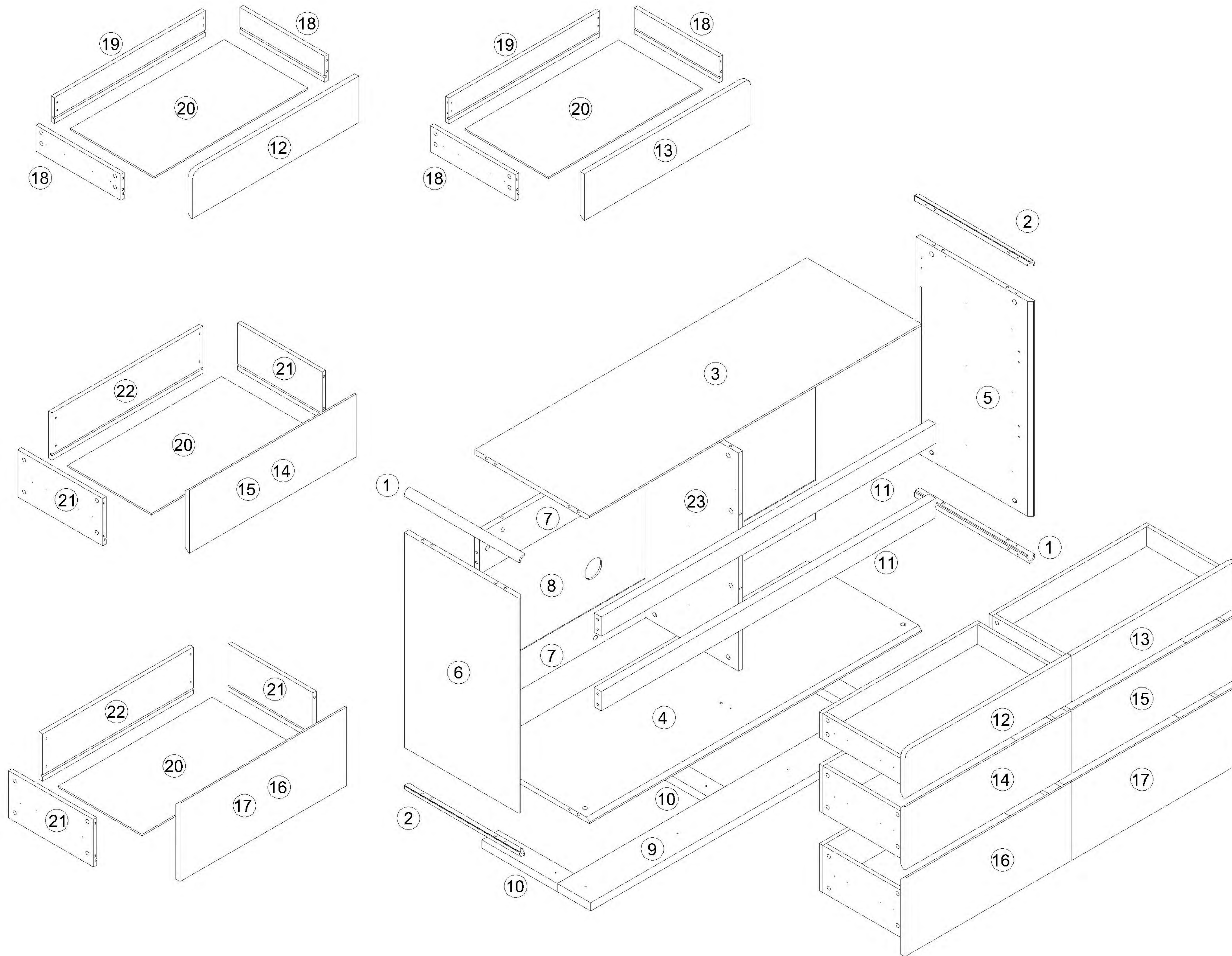


(A)* 93 自攻螺丝M3.5x14mm Self-tapping screw	(B)* 11 自攻螺丝M3.5x16mm Self-tapping screw	(C)* 11 自攻螺丝M4x35mm Self-tapping screw	(D)* 4 背板扣 Back Plate Buckle-White
(E)* 6 透明塑料垫片 Plastic gasket	(F)* 1 家具防倒器-白色 Anti-fall device white	(G)* 10 灰色毛毡脚垫 Footrest - Grey	(H)* 6 镜钉 Mirror nail
(I)* 99 二合一螺杆 2-in-1-screw	(J)* 99 大三合一锁饼 Three-in-one large lock	(K)* 21 木榫Ø8x30mm wood tenon	(L)* 2 透气孔盖 Vent cover
(M)* 6 三节滚珠导轨-10" three-section ball rail	(N)* 8 L型角码14x21x1.5 L-shaped corner code	(O)* 2 抽面亚克力 Drawing Acrylic	(P)* 99 PVC孔贴 PVC hole sticker

编号NO.	名称Name	规格 (mm) Specification	数量 QTY	材质Material
①	转角木/左 Corner wood(L)	399*20*20	2	白蜡木Ash
②	转角木/右 Corner wood(R)	399*20*20	2	白蜡木Ash
③	面板 Top panel	1153*398*15	1	刨花板Particle board
④	底板 Bottom board	1153*398*15	1	刨花板Particle board
⑤	右侧板 Side board(R)	647*398*15	1	刨花板Particle board
⑥	左侧板 Side board(L)	647*398*15	1	刨花板Particle board
⑦	背拉条 Back brace	1163*137*15	2	刨花板Particle board
⑧	背板 Back board	1173*393*5	1	纤维板Fiberboard
⑨	前脚条 Front foot strip	1104*116*25	1	刨花板Particle board
⑩	侧脚条 Side foot strip	262*58*25	3	刨花板Particle board
⑪	前拉条 Front brace	1163*58*25	2	刨花板Particle board
⑫	左上抽屉面板 Upper left drawer panel	578*140*15	1	刨花板Particle board
⑬	右上抽屉面板 Upper right drawer panel	578*140*15	1	刨花板Particle board
⑭	左中抽屉面板 Left middle drawer panel	578*190*15	1	刨花板Particle board
⑮	右中抽屉面板 Right middle drawer panel	578*190*15	1	刨花板Particle board
⑯	左下抽屉面板 Lower left drawer panel	578*236*15	1	刨花板Particle board
⑰	右下抽屉面板 Lower right drawer panel	578*236*15	1	刨花板Particle board
⑱	上抽屉侧板 Upper drawer's sideboard	290*78*15	4	刨花板Particle board
⑲	上抽屉后板 Upper drawer's back board	548*78*15	2	刨花板Particle board
⑳	抽屉底板 Drawer's Bottom board	528*300*5	6	纤维板Fiberboard
㉑	下抽屉侧板 Lower drawer's sideboard	290*142*15	8	刨花板Particle board
㉒	下抽屉后板 Down drawer's back board	548*142*15	4	刨花板Particle board
㉓	中隔板 Middle clapboard	657*325*15	1	刨花板Particle board

►使用本产品请靠墙放置。

►Please place this product against the wall.

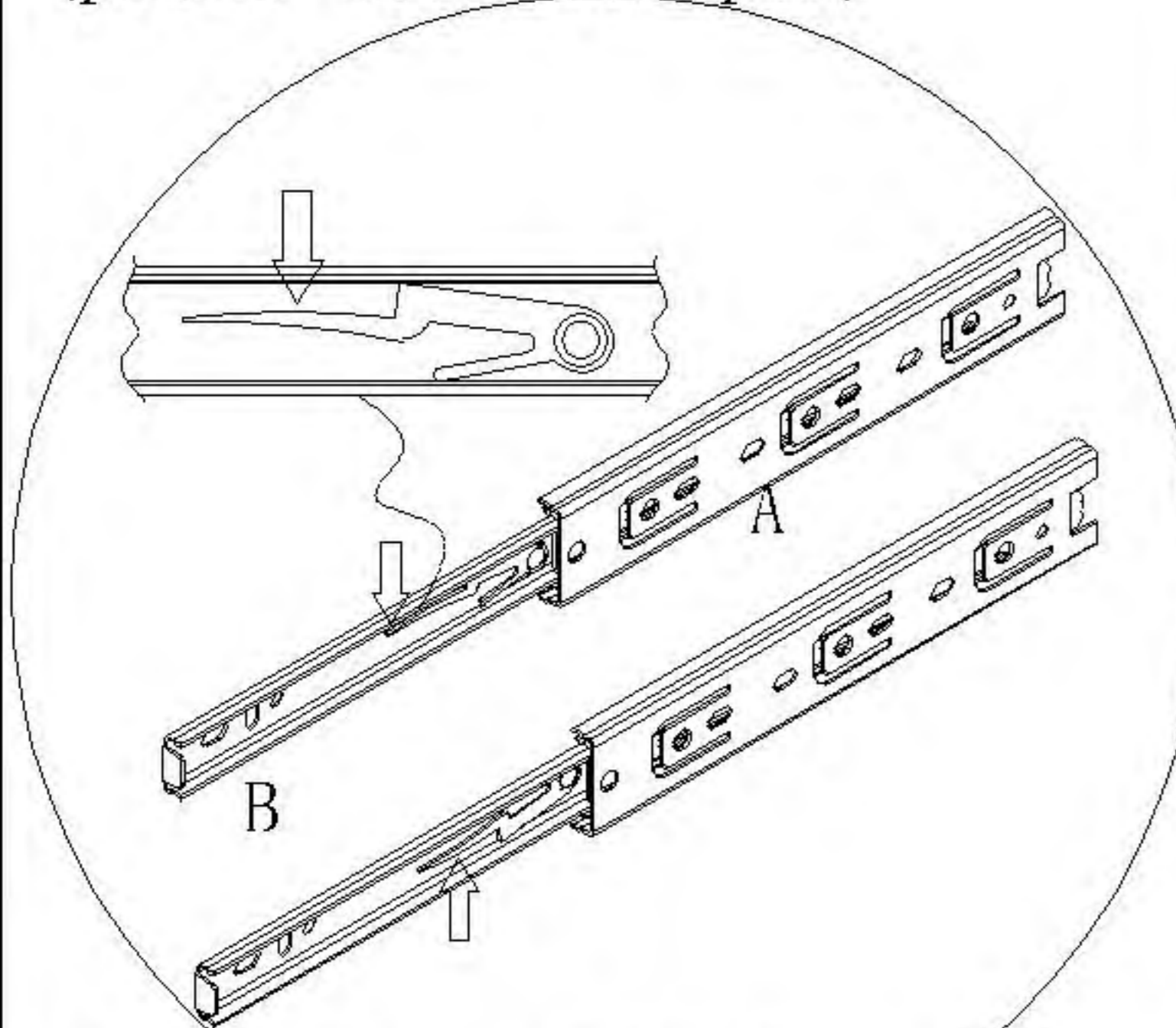


编号NO.	名称Name
①	转角木/左 Corner wood(L)
②	转角木/右 Corner wood(R)
③	面板 Top panel
④	底板 Bottom board
⑤	右侧板 Side board(R)
⑥	左侧板 Side board(L)
⑦	背拉条 Back brace
⑧	背板 Back board
⑨	前脚条 Front foot strip
⑩	侧脚条 Side foot strip
⑪	前拉条 Front brace
⑫	左上抽屉面板 Upper left drawer panel
⑬	右上抽屉面板 Upper right drawer panel
⑭	左中抽屉面板 Left middle drawer panel
⑮	右中抽屉面板 Right middle drawer panel
⑯	左下抽屉面板 Lower left drawer panel
⑰	右下抽屉面板 Lower right drawer panel
⑱	上抽屉侧板 Upper drawer's sideboard
⑲	上抽屉后板 Upper drawer's back board
⑳	抽屉底板 Drawer's Bottom board
㉑	下抽屉侧板 Lower drawer's sideboard
㉒	下抽屉后板 Down drawer's back board
㉓	中隔板 Middle clapboard

UP1E-A1 (六斗柜)

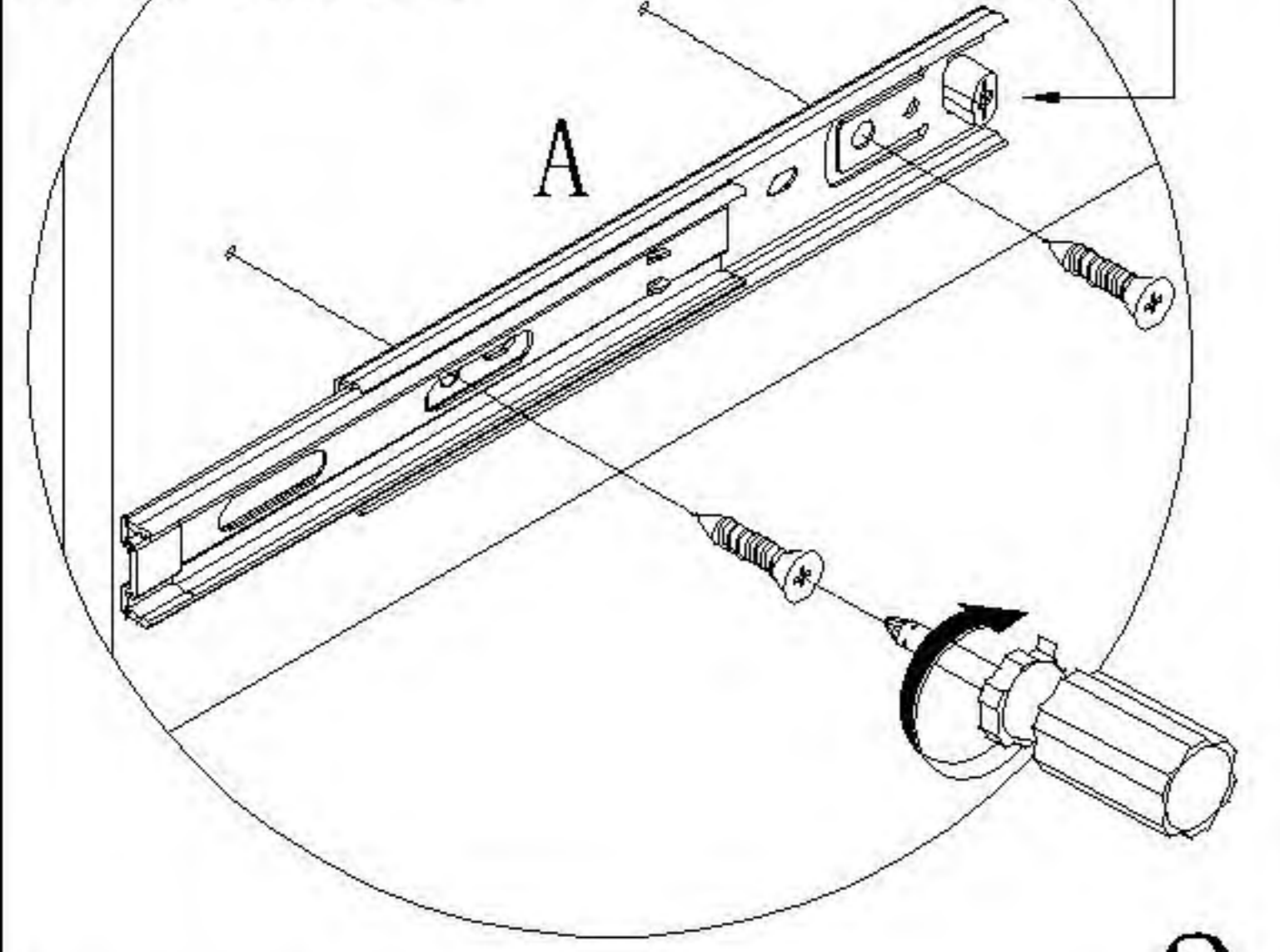
安装方法/
Installation method

1 阀门开关(下压为开)
Valve switch
(press down to open)

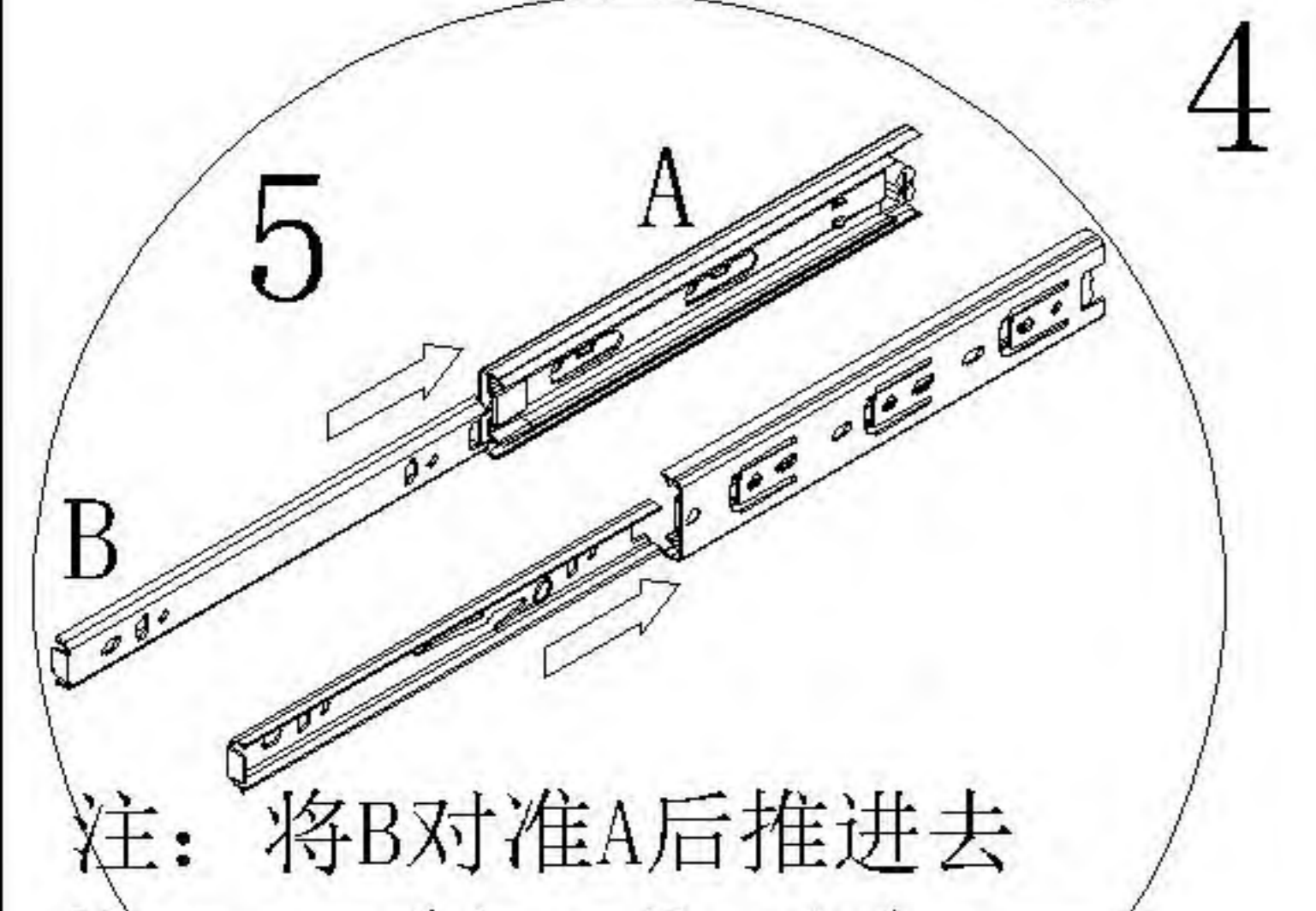
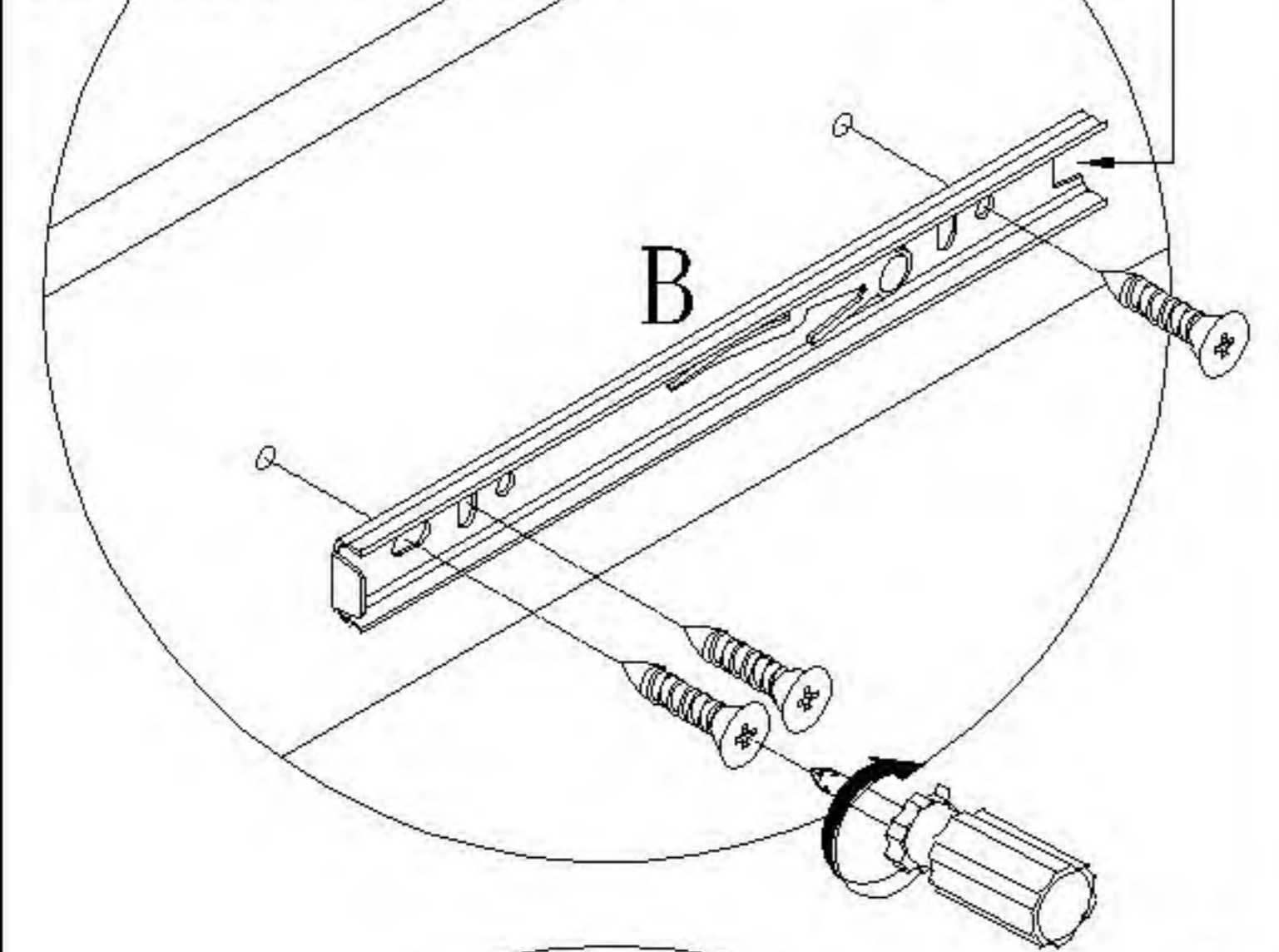


注: 先将A与B拆下来
Note: remove a and B first

2 侧板
side board

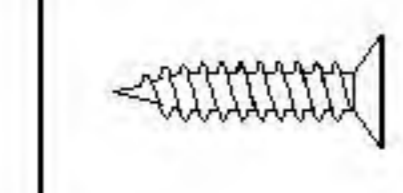


3 抽屉侧板
sideboard
of the drawer

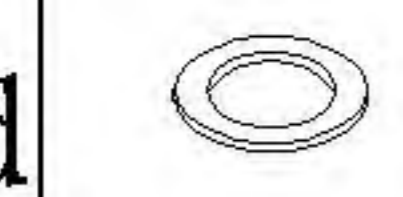


注: 将B对准A后推进去
Note: align B with a
and push it in

三节滚珠导轨
three-section ball rail



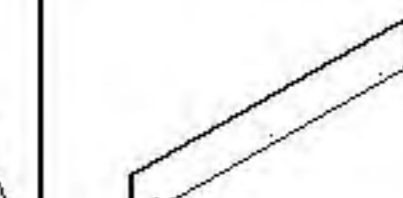
(B)*6



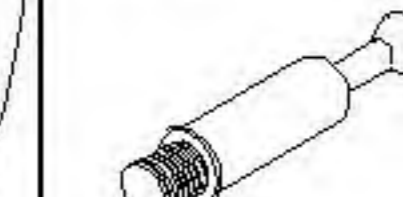
(E)*6



(H)*6



(O)*2



(I)*8



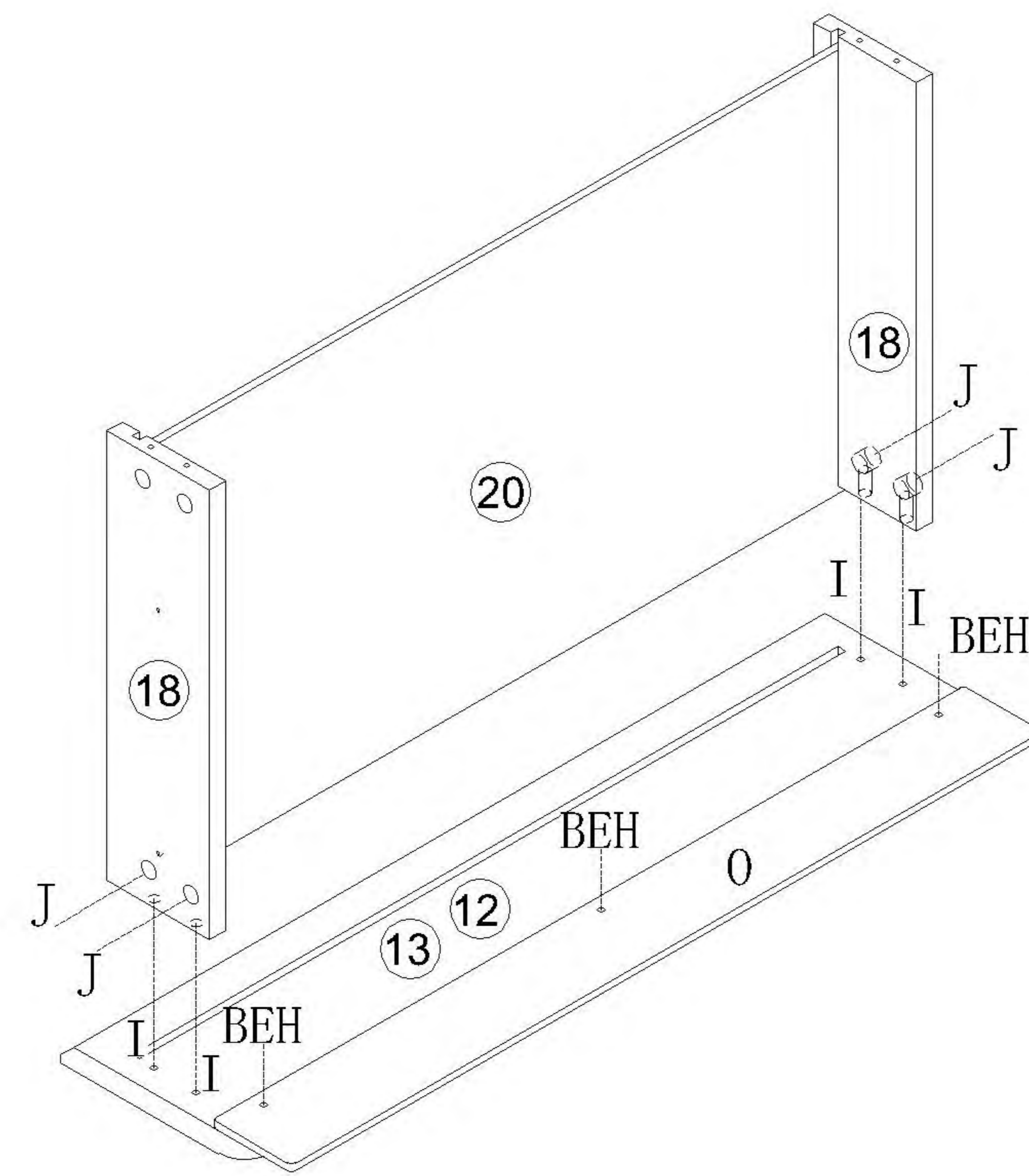
(J)*8



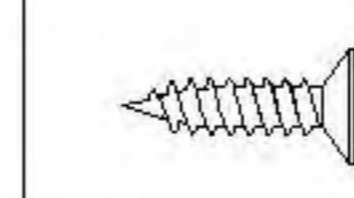
(I)*8



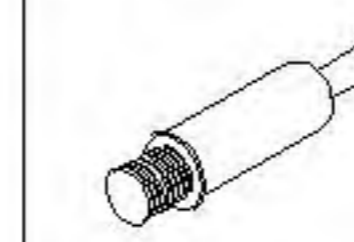
(J)*8



1



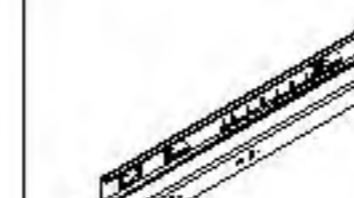
(A)*12



(I)*8

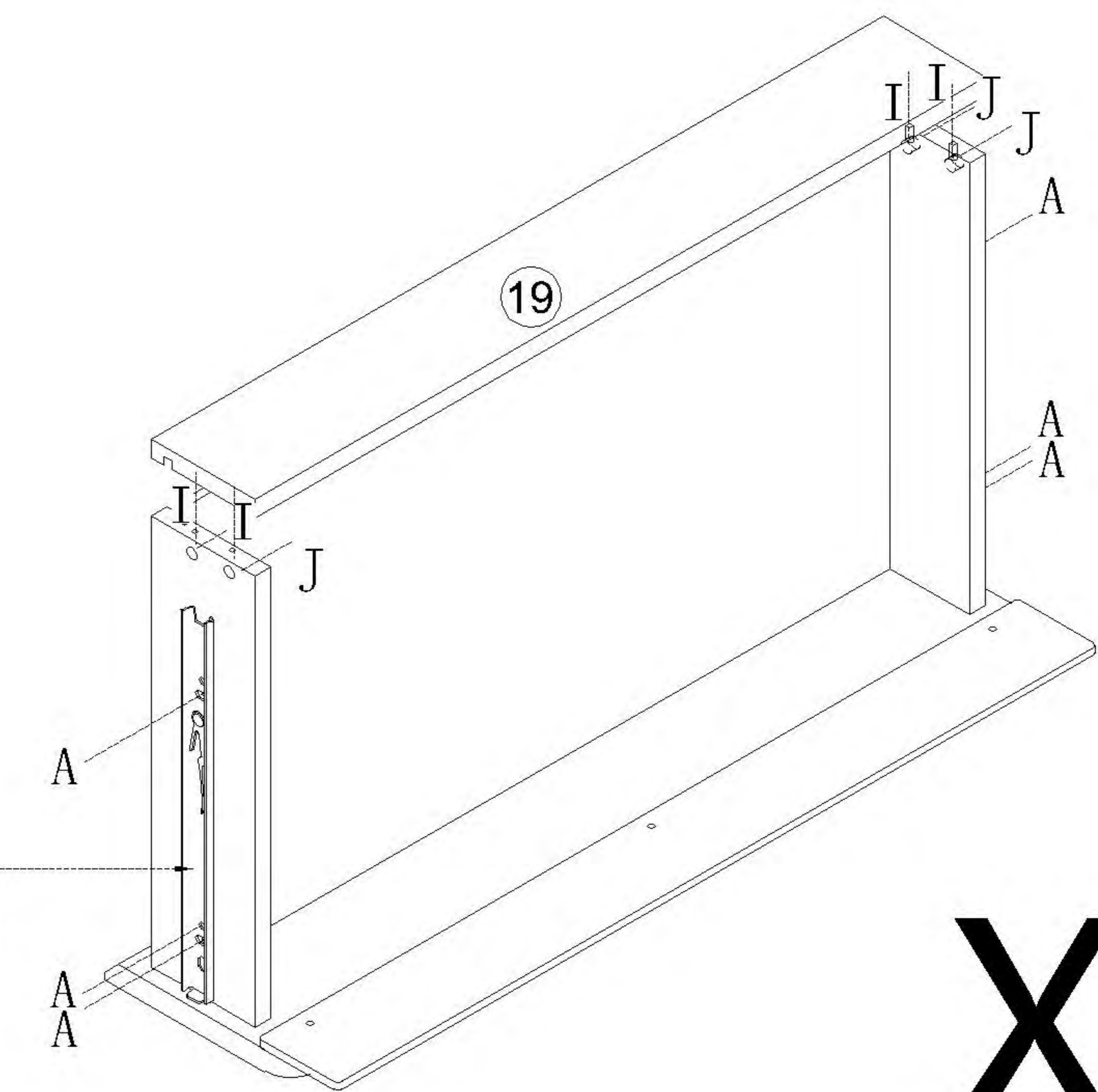


(J)*8



(M)*2

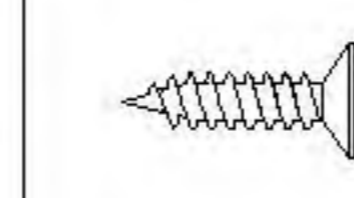
(M) 副轨
Sub rail



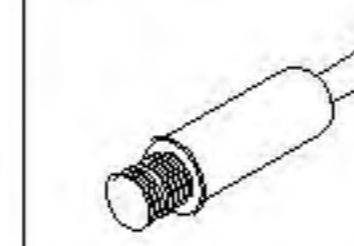
X2

2

3



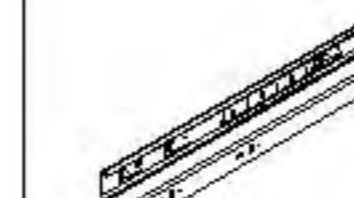
(A)*12



(I)*8

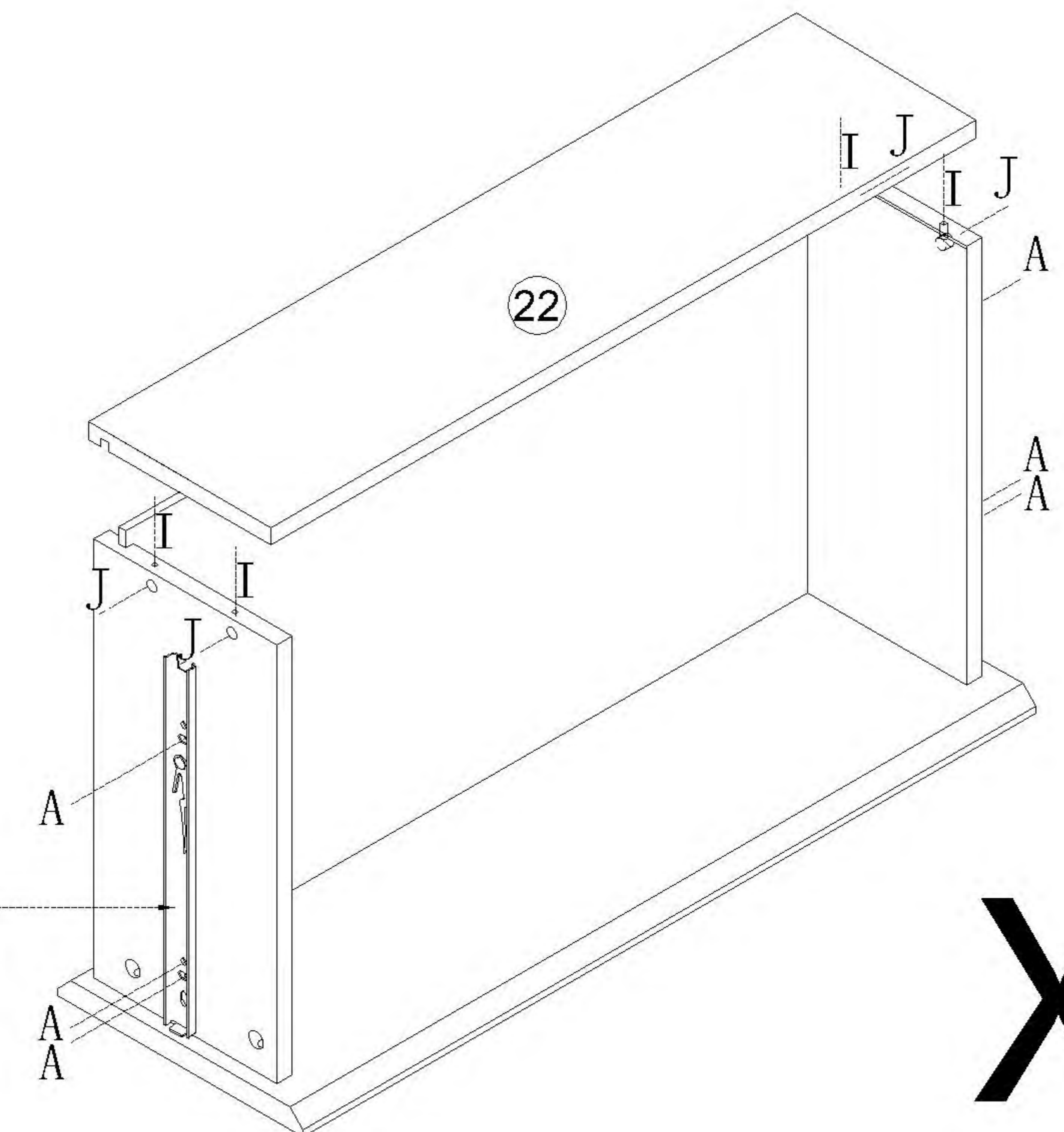
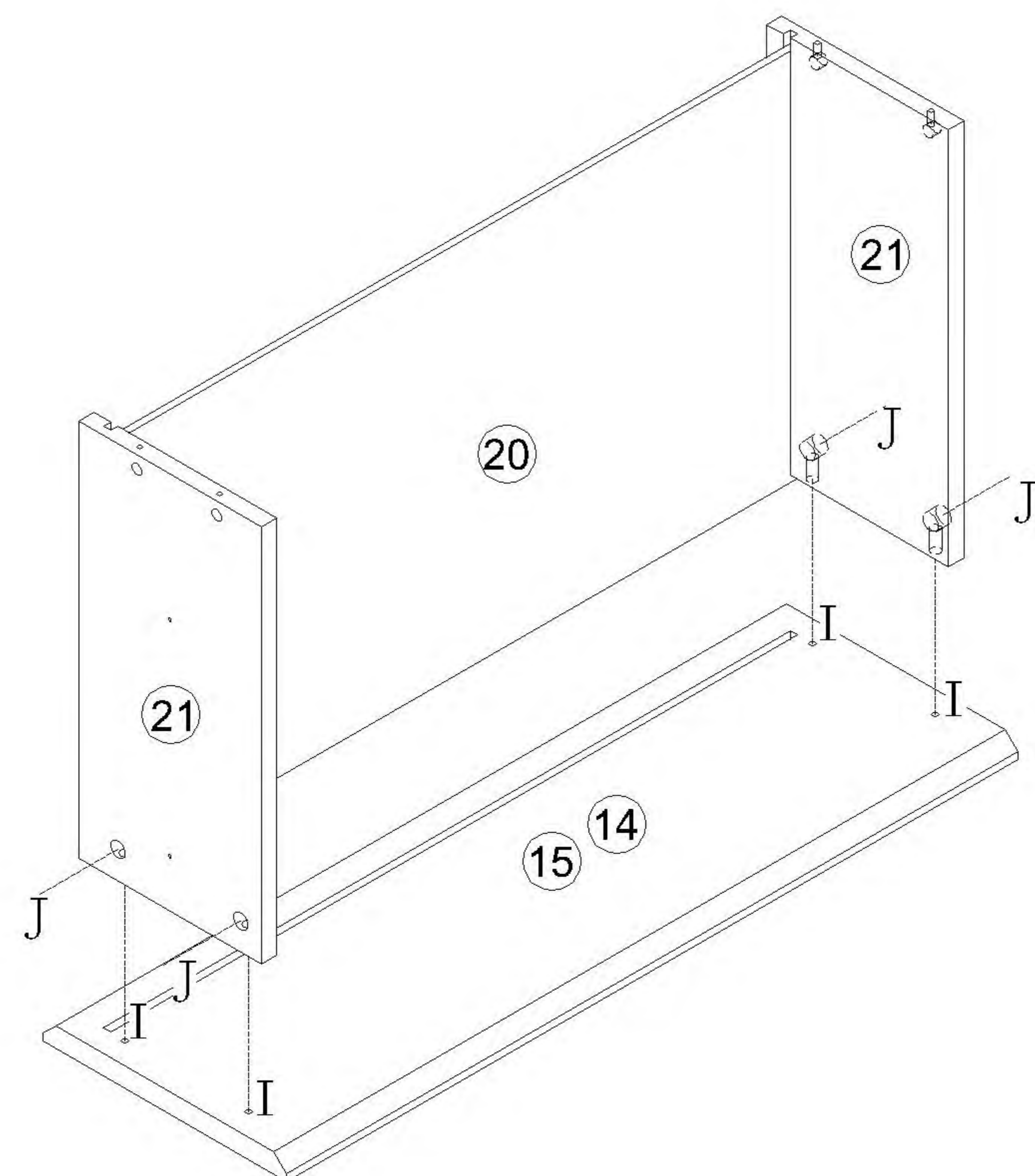


(J)*8



(M)*2

(M) 副轨
Sub rail

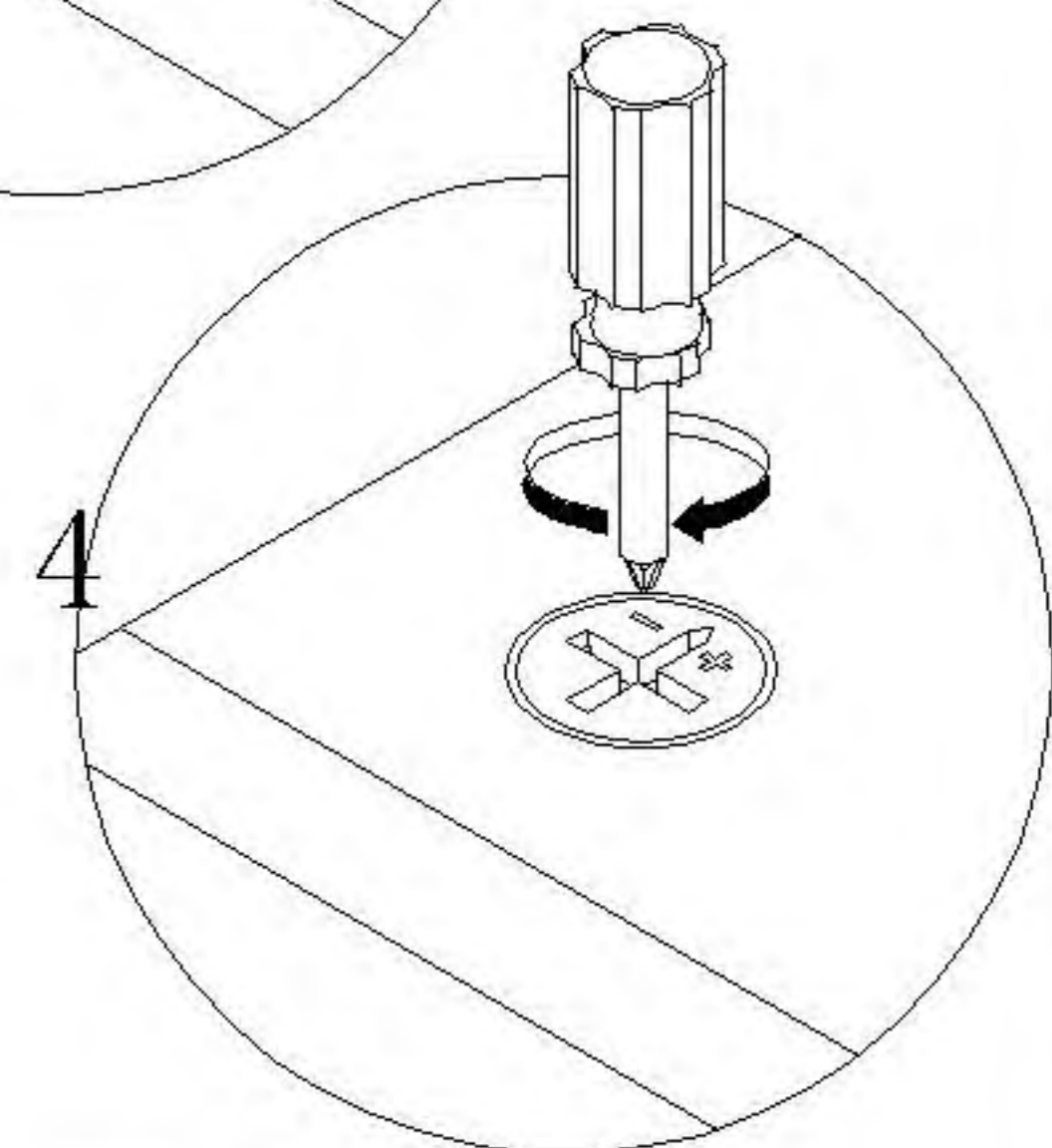
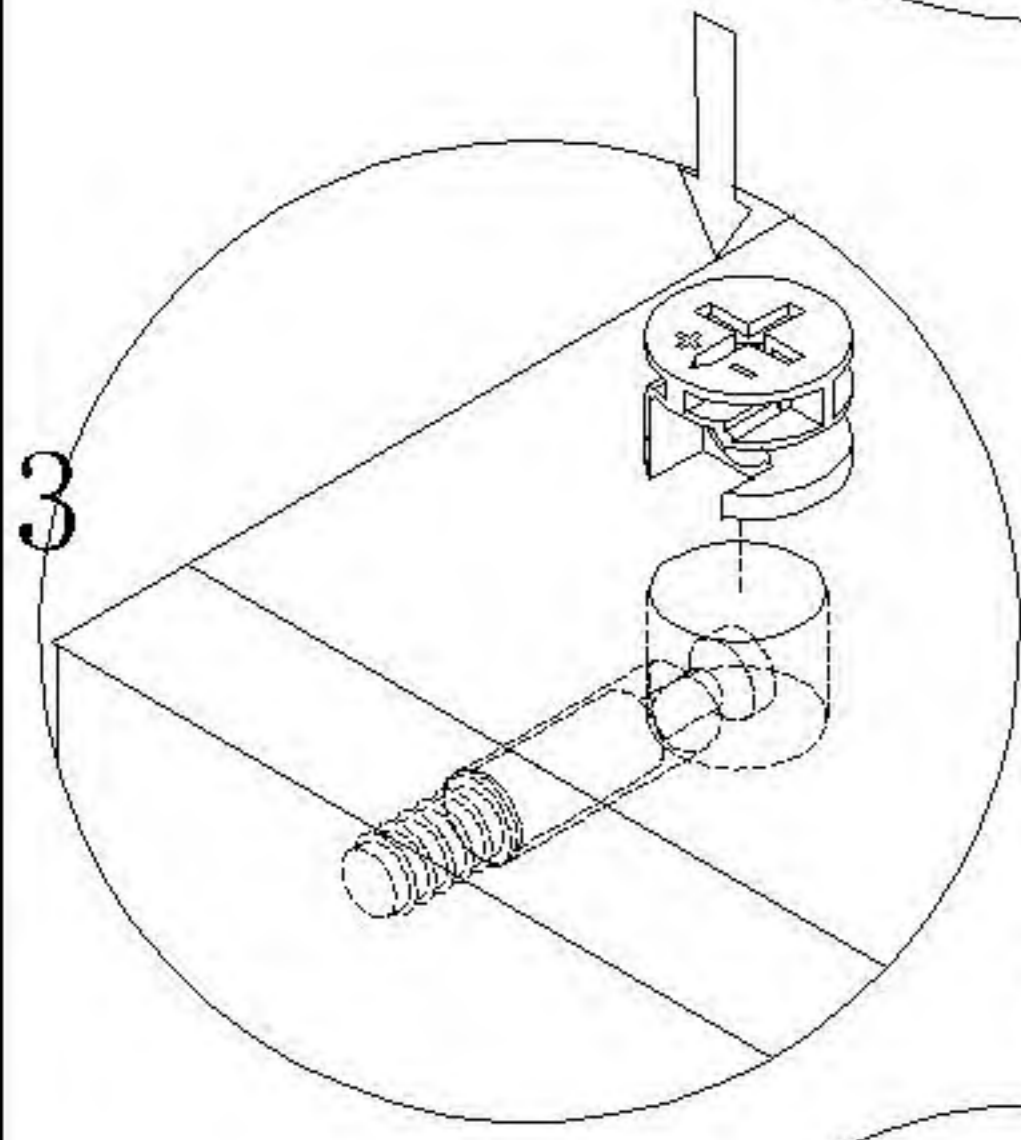
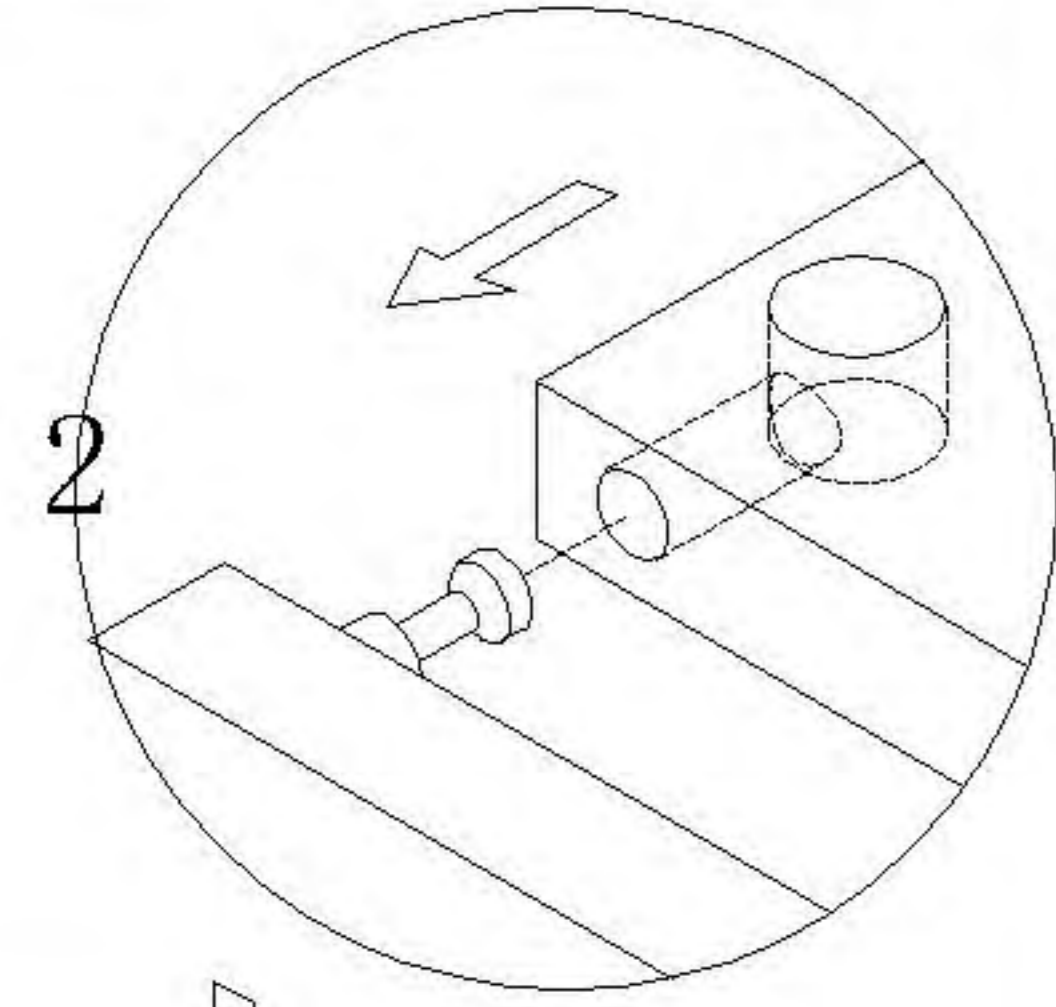
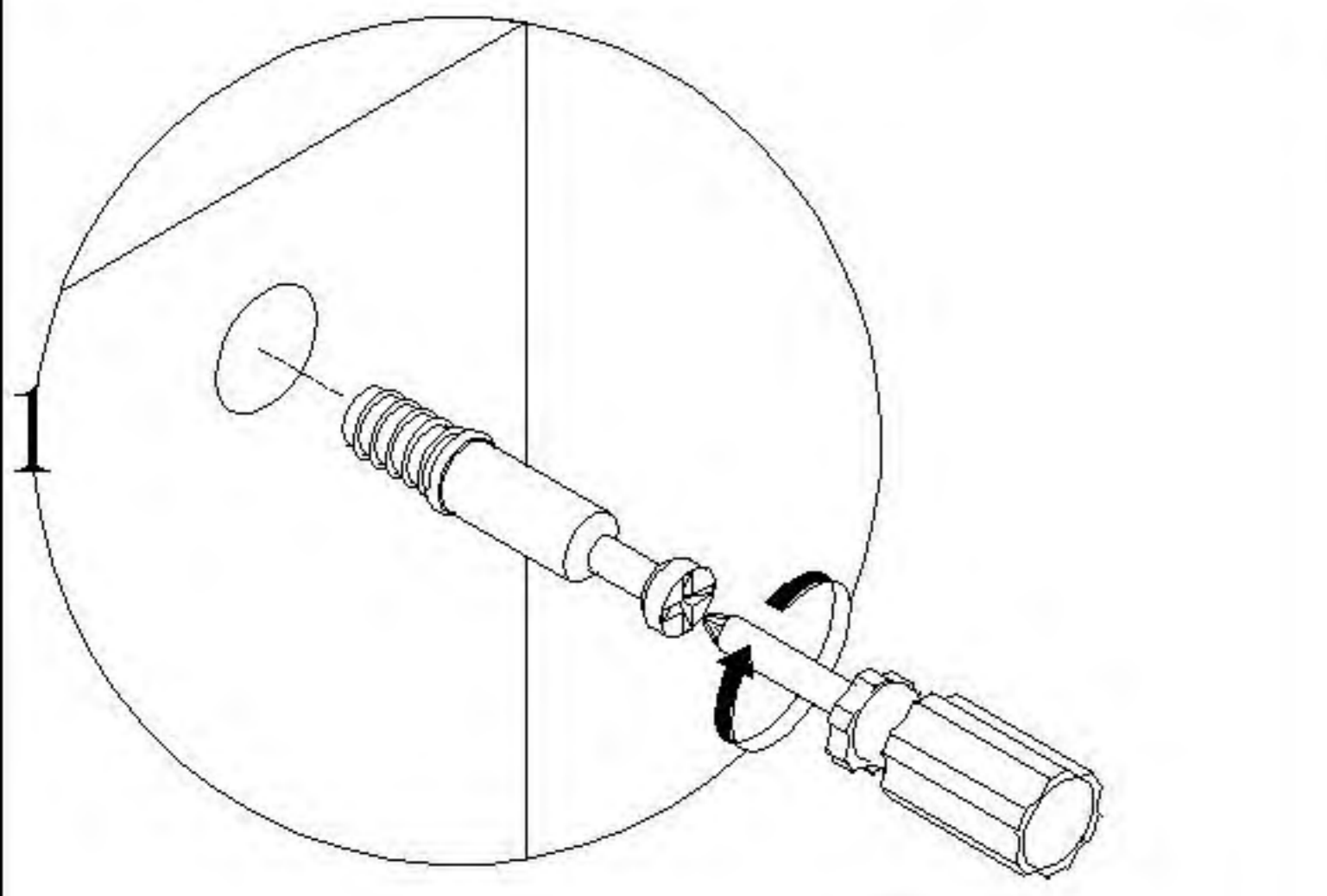


X2

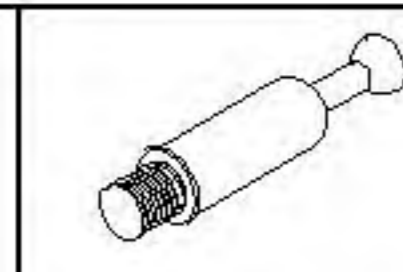
4

UP1E-A1 (六斗柜)

安装方法/
Installation method



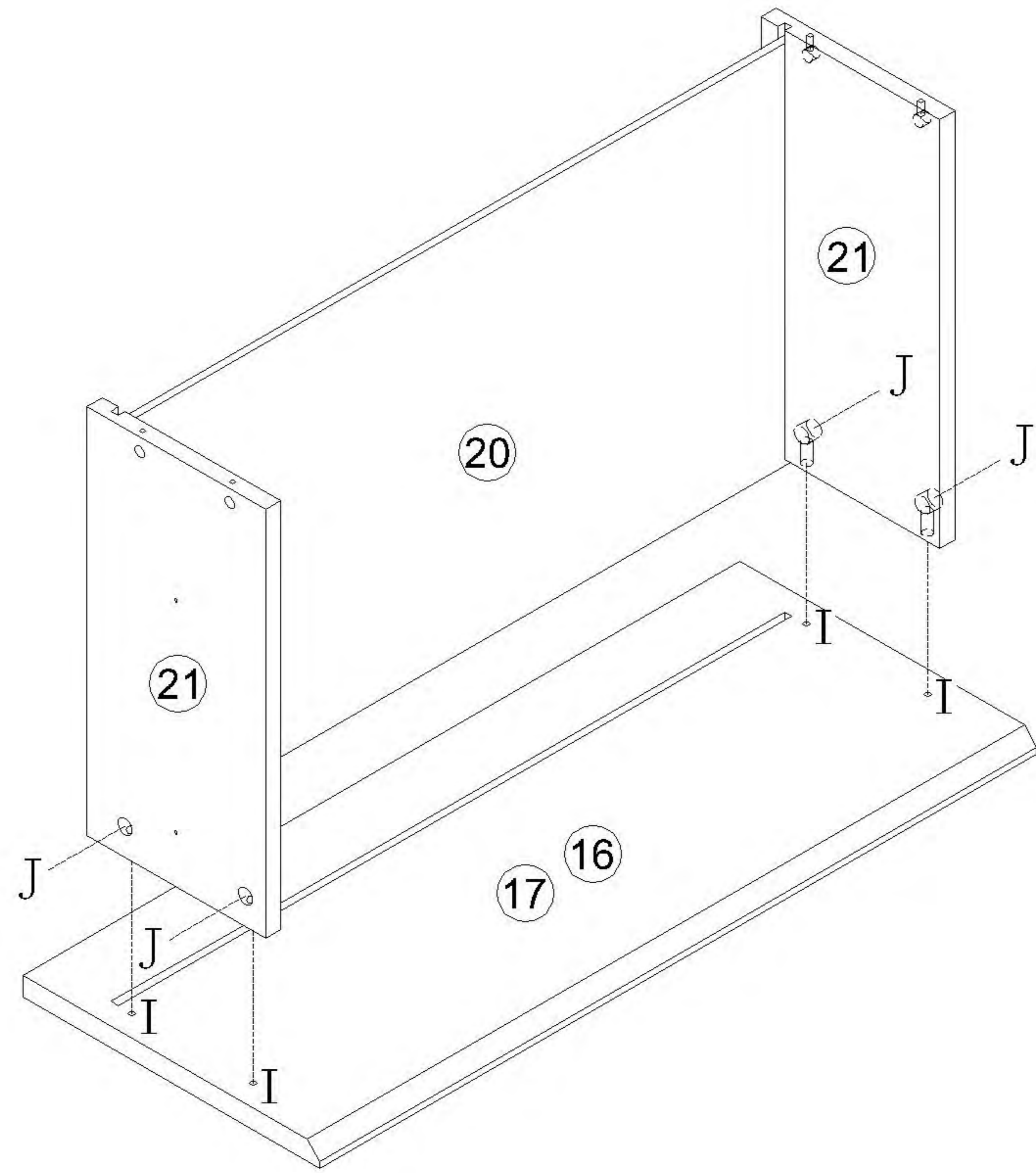
大二合一
two-in-one



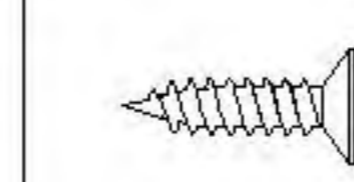
(I)*8



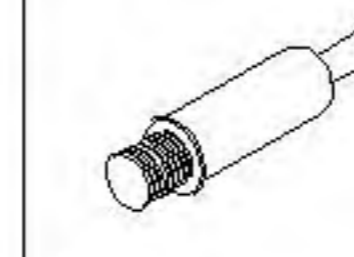
(J)*8



5



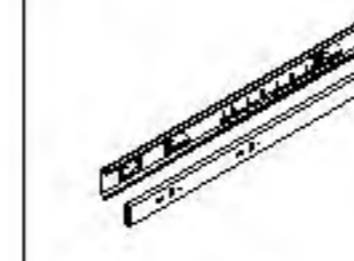
(A)*12



(I)*8

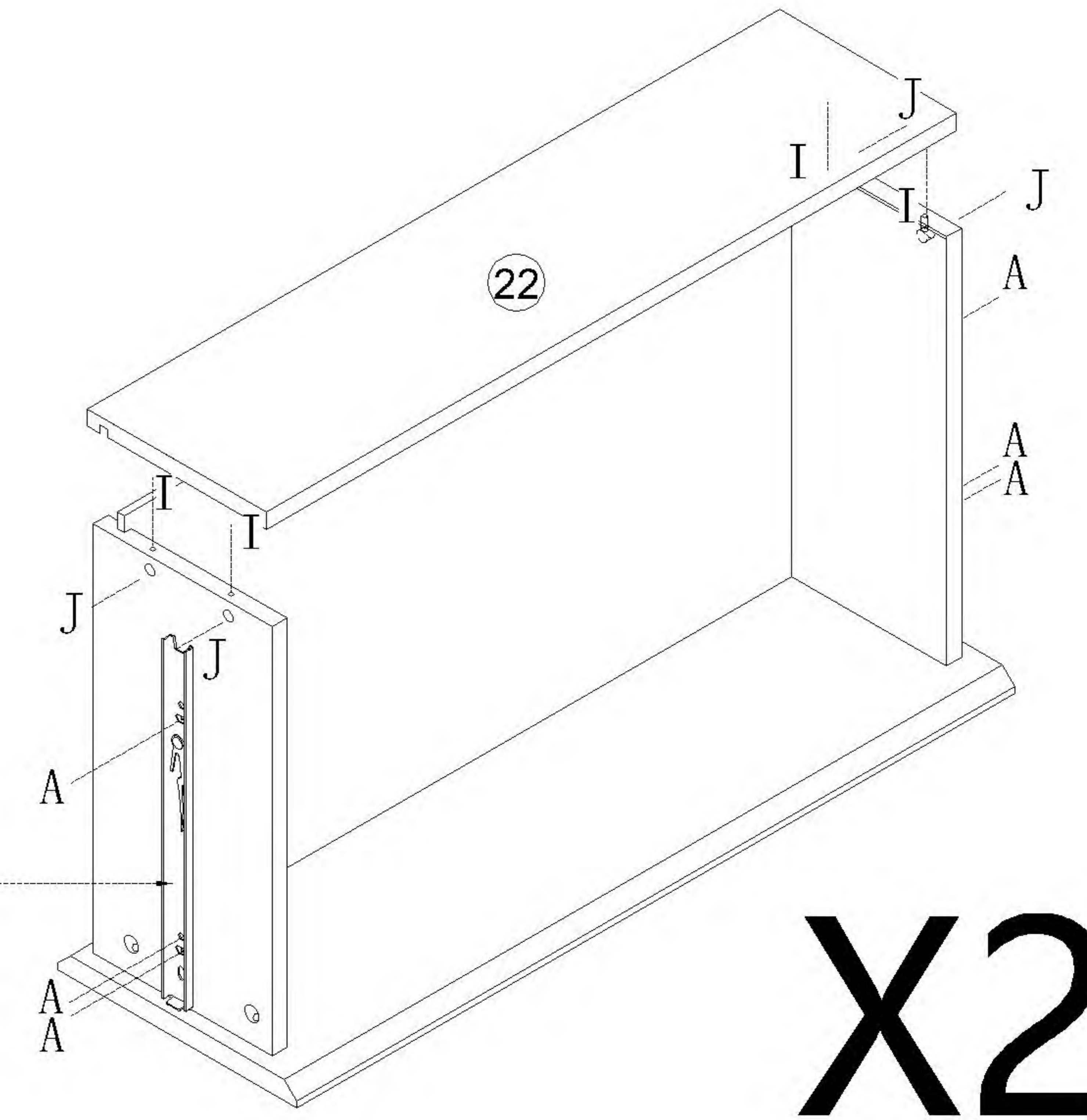


(J)*8



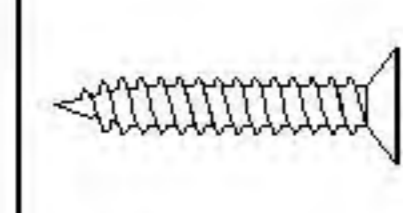
(M)*2

(M) 副轨
Sub rail

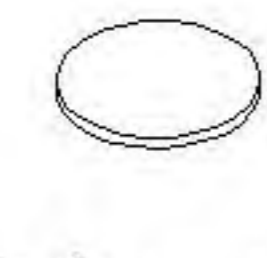


X2

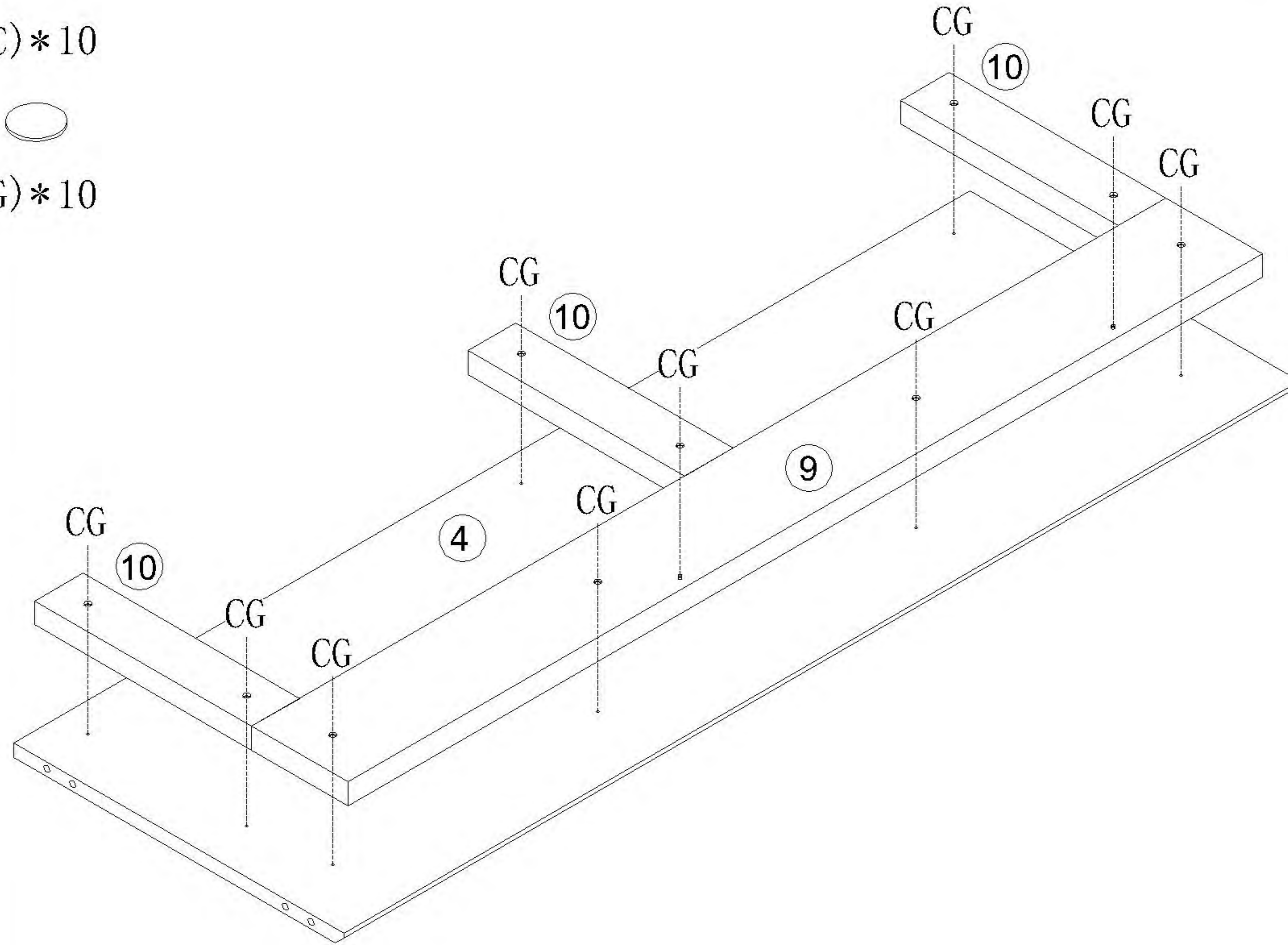
6



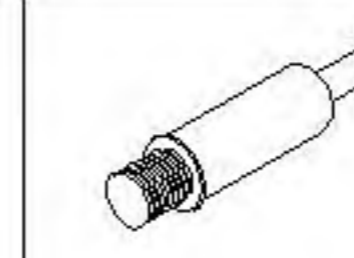
(C)*10



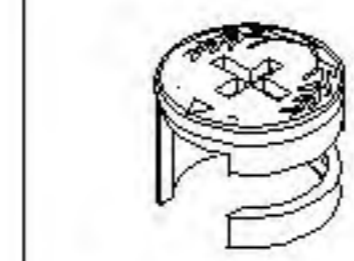
(G)*10



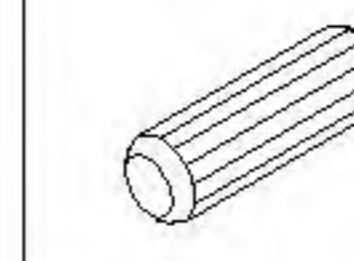
7



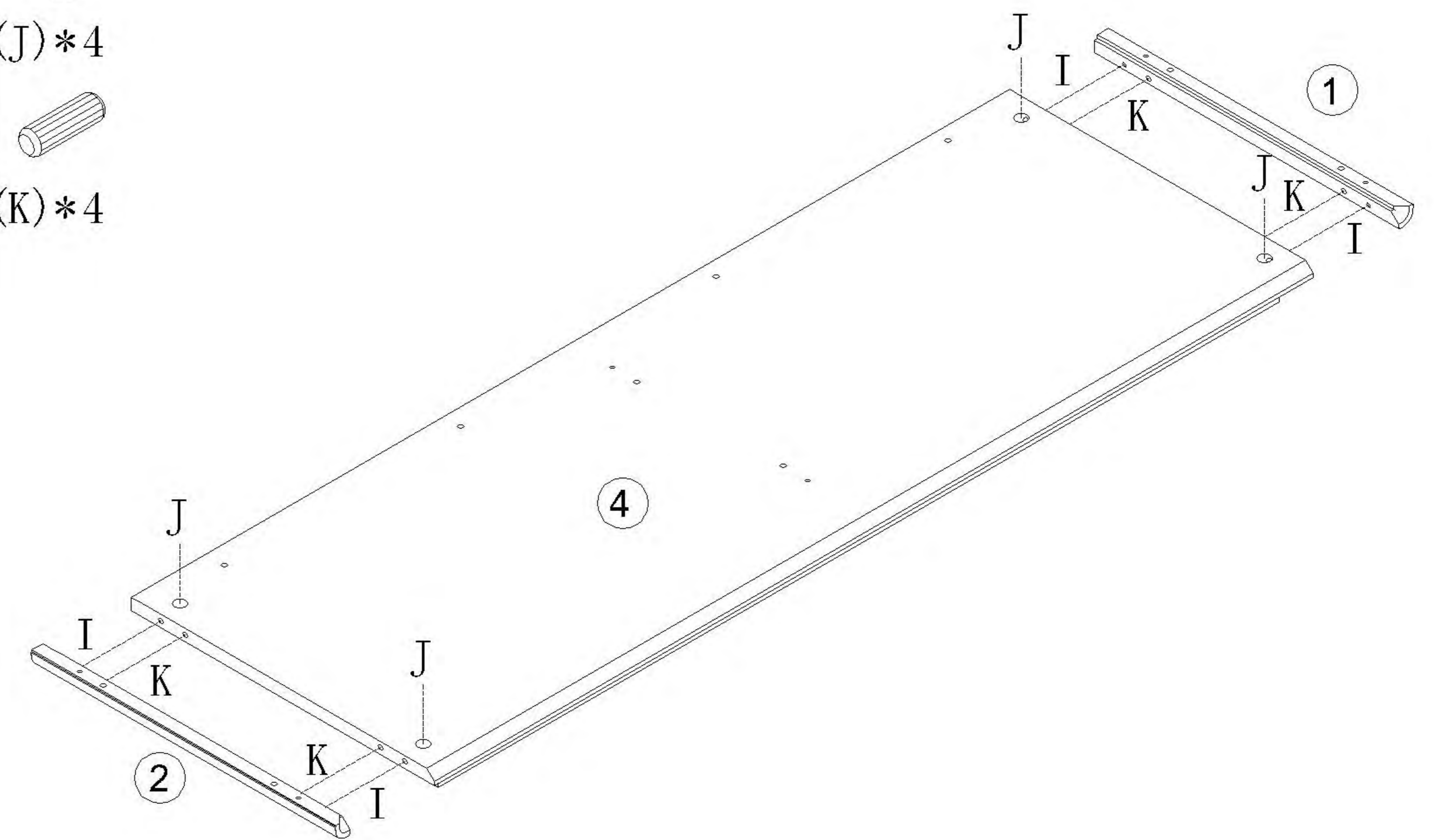
(I)*4



(J)*4



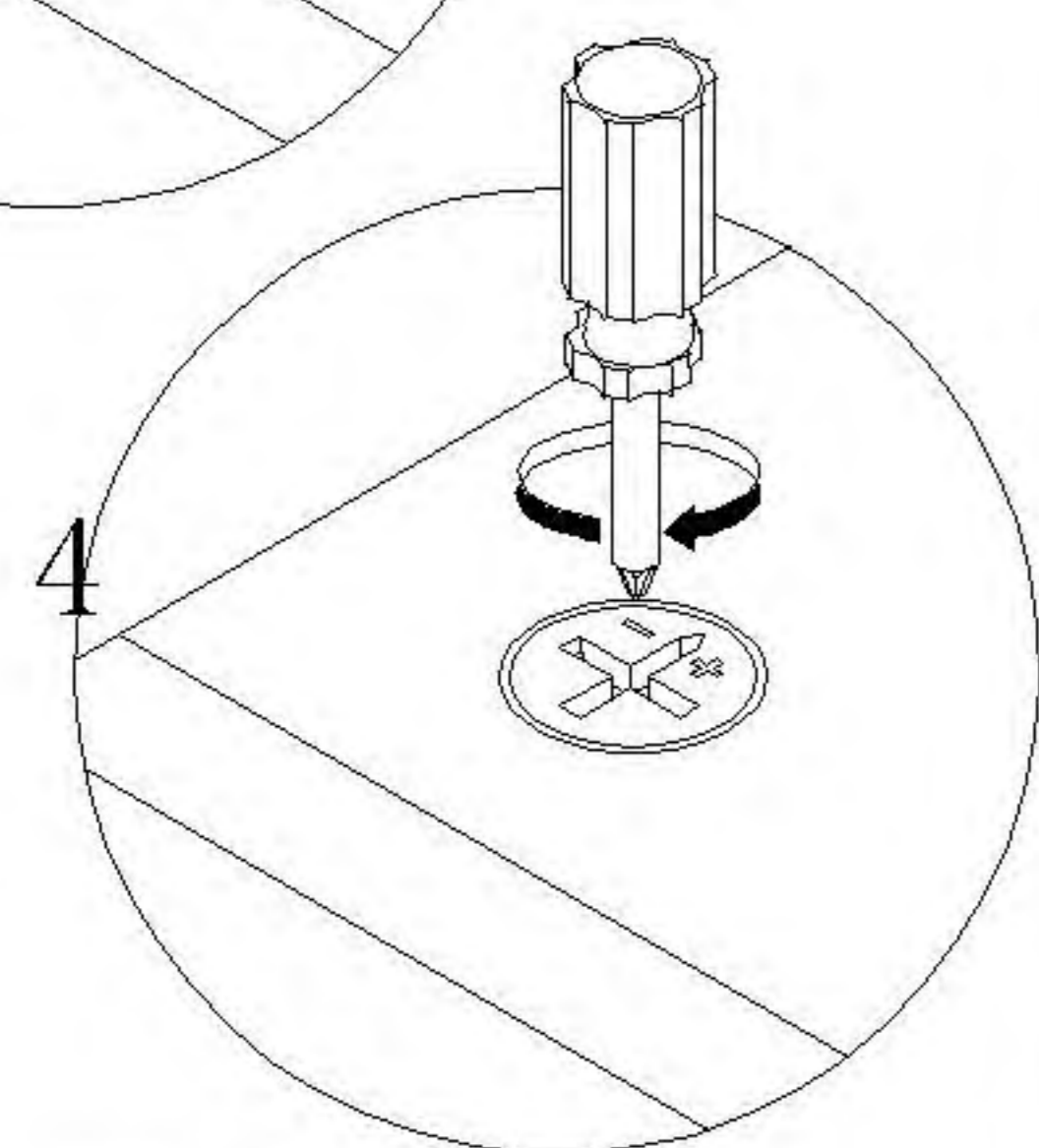
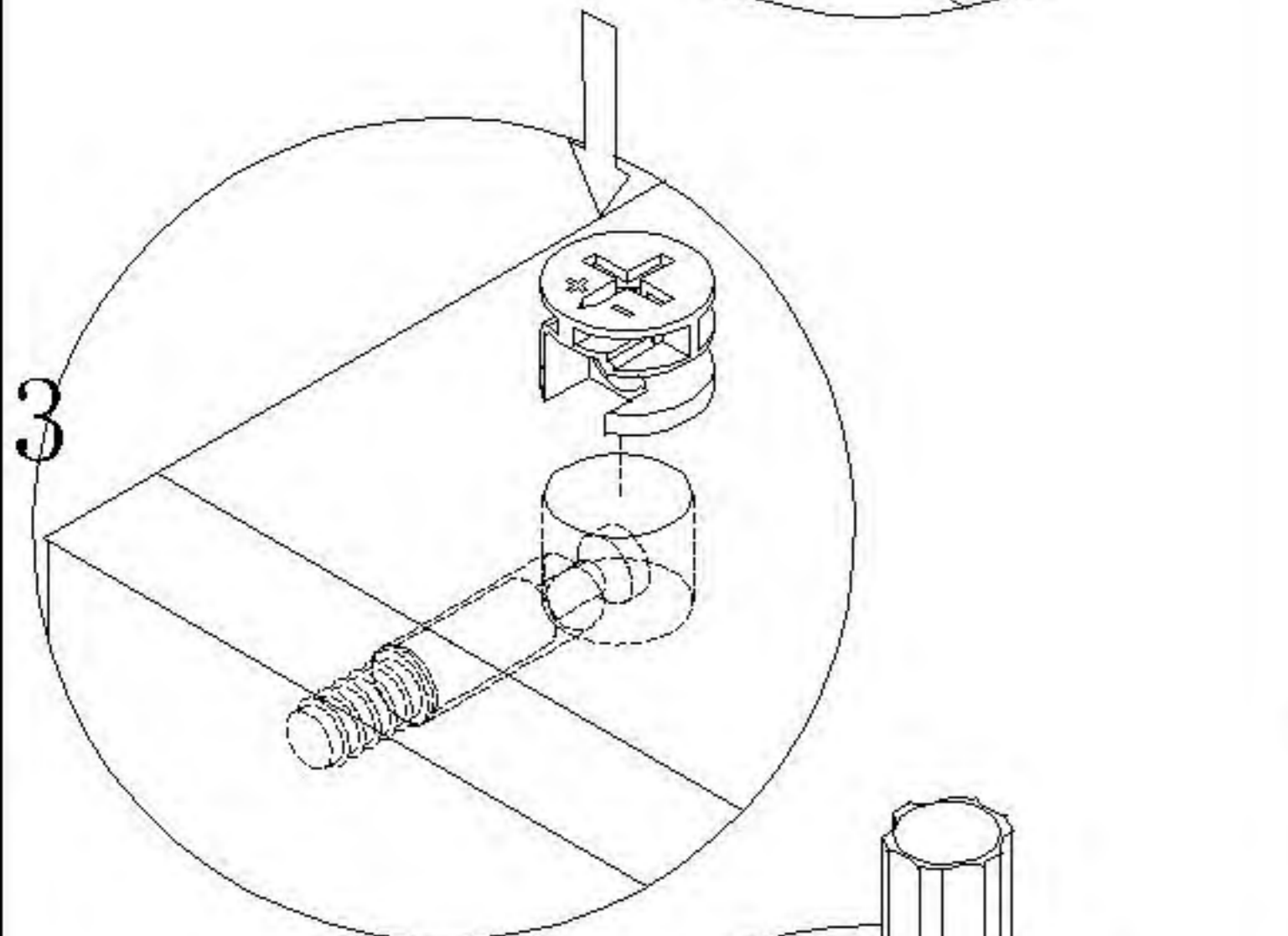
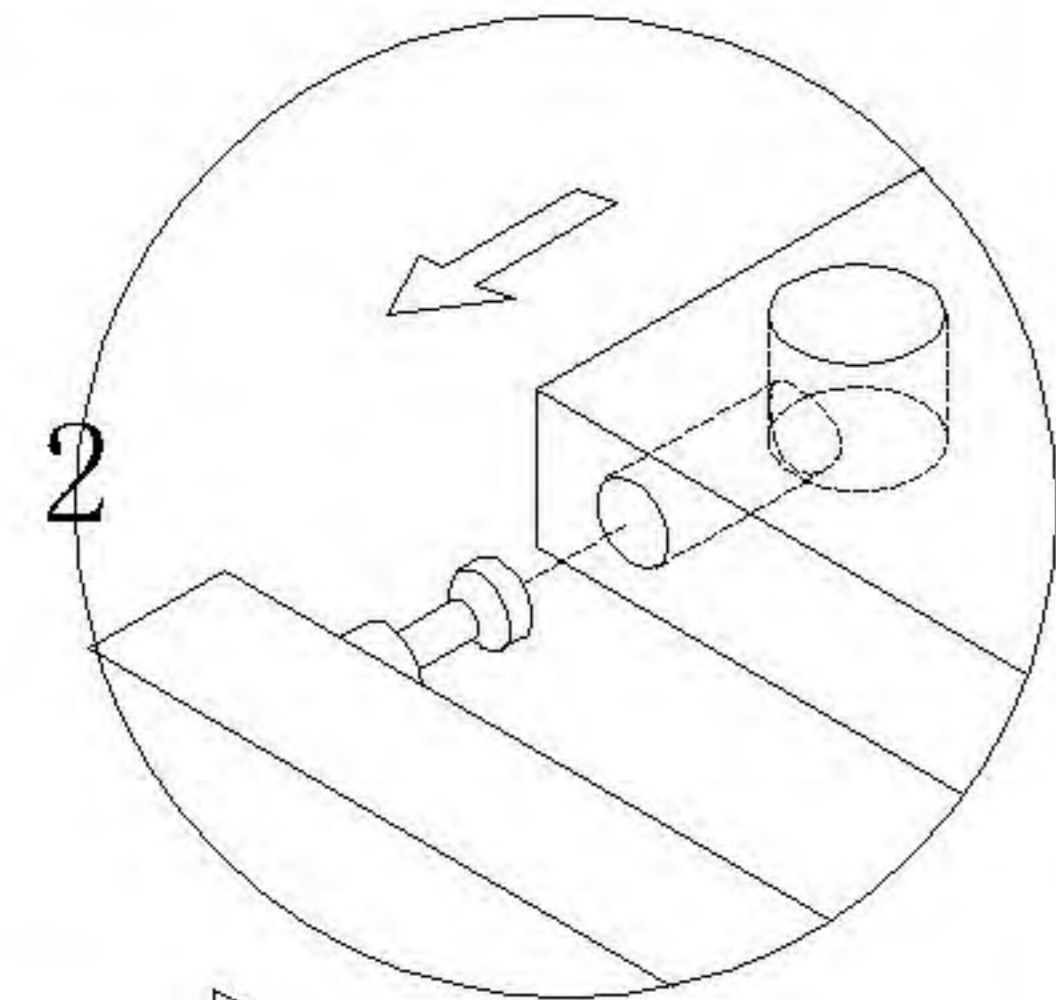
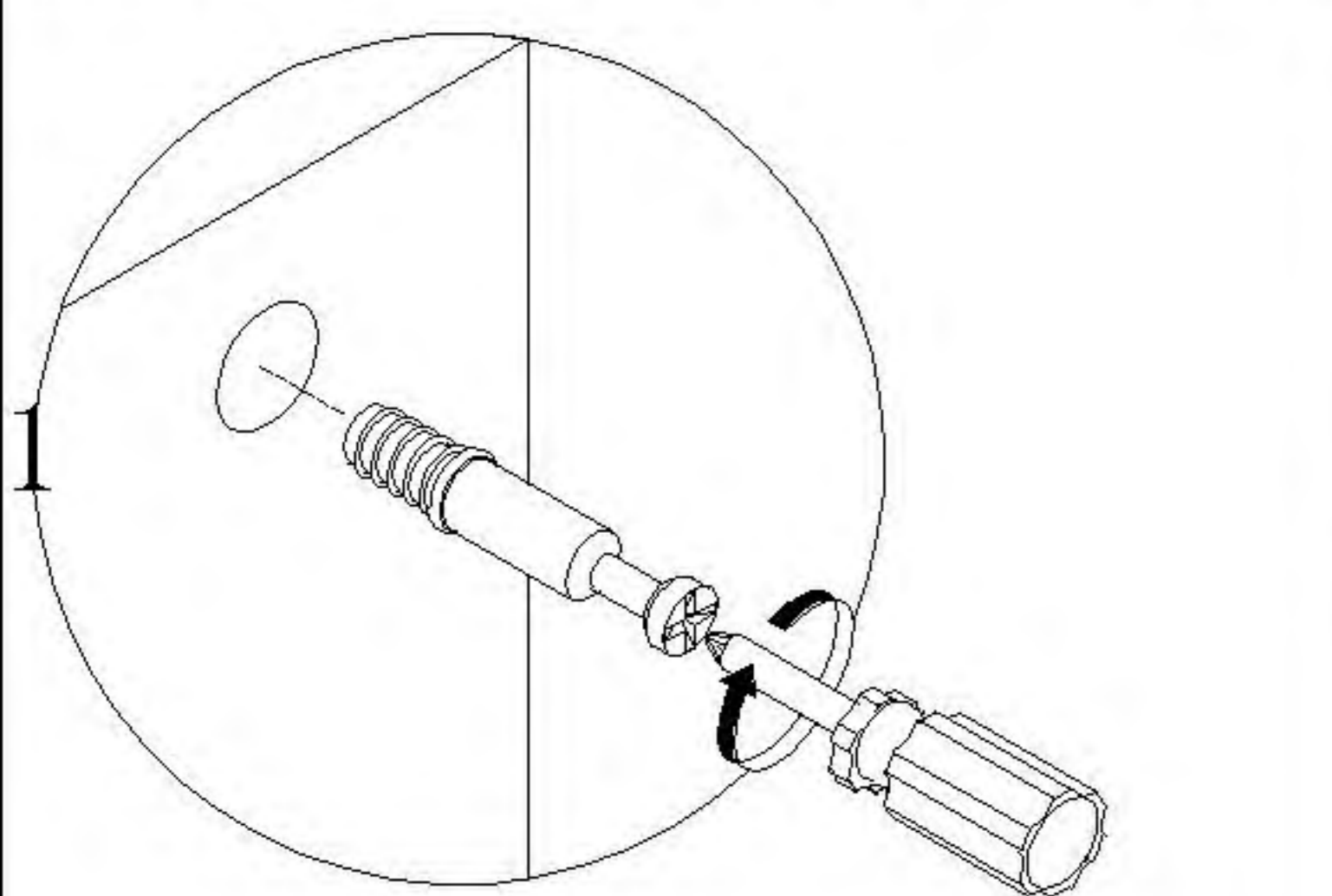
(K)*4



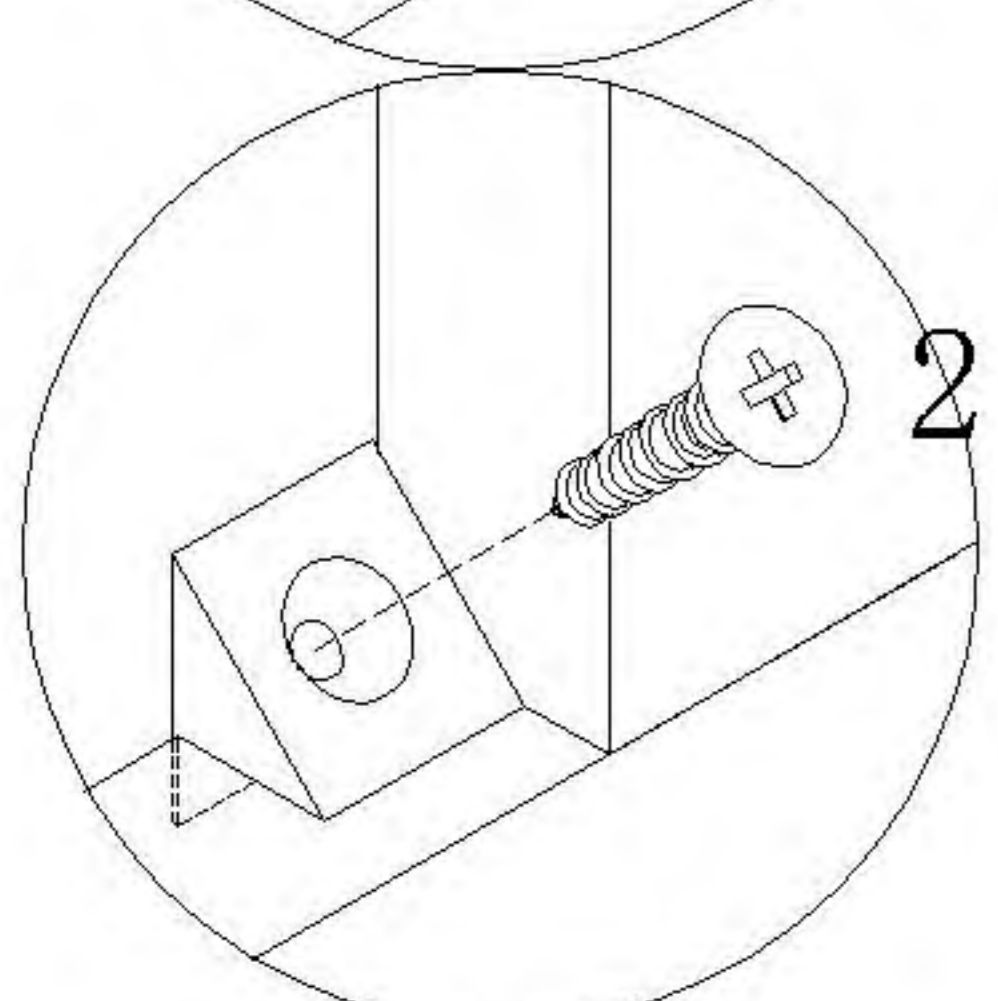
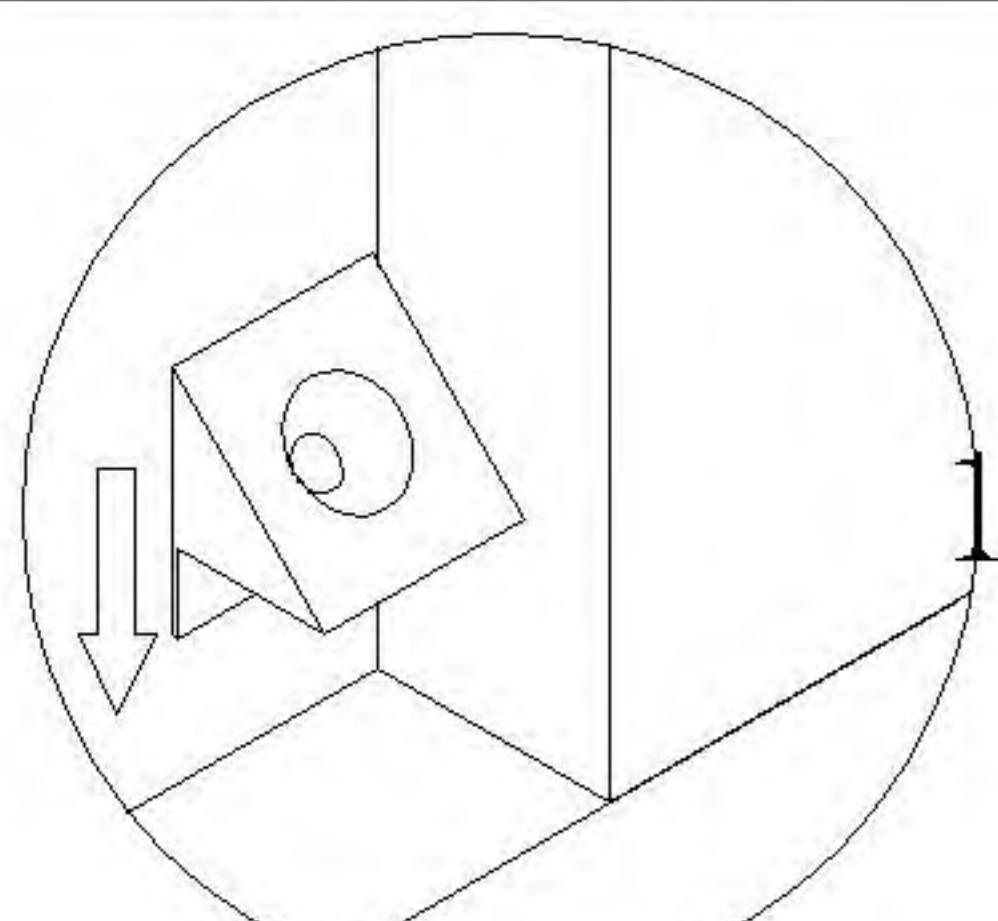
8

UP1E-A1 (六斗柜)

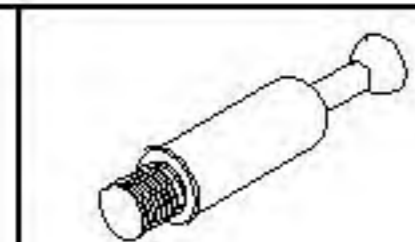
安装方法/
Installation method



大二合一
two-in-one



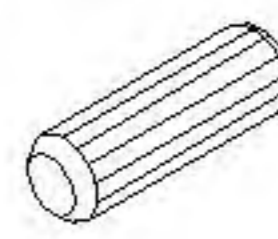
背板扣
Back Plate Buckle-White



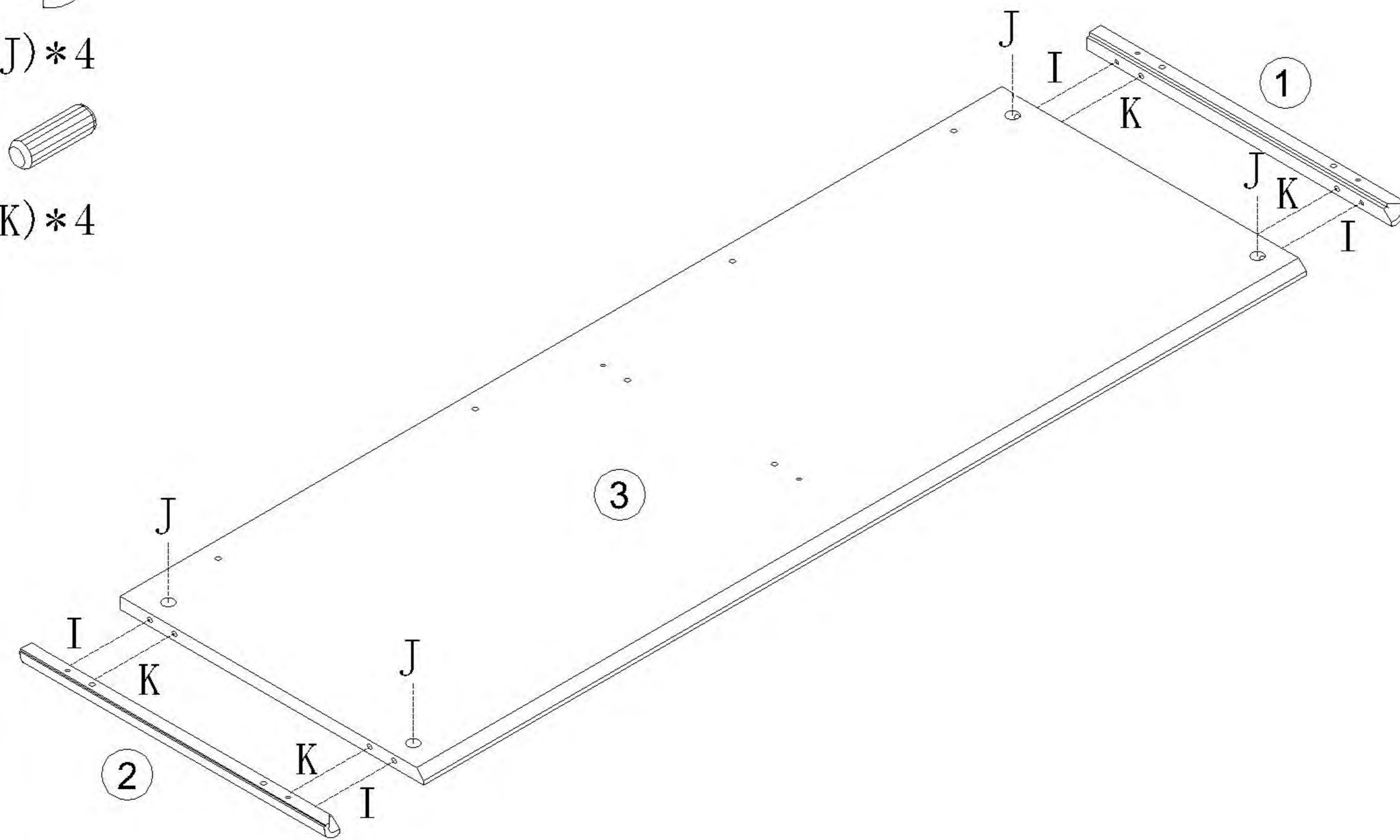
(I)*4



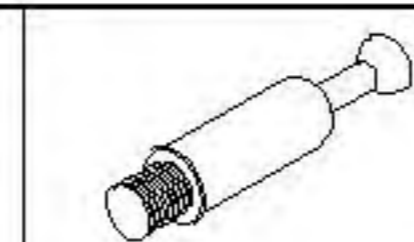
(J)*4



(K)*4



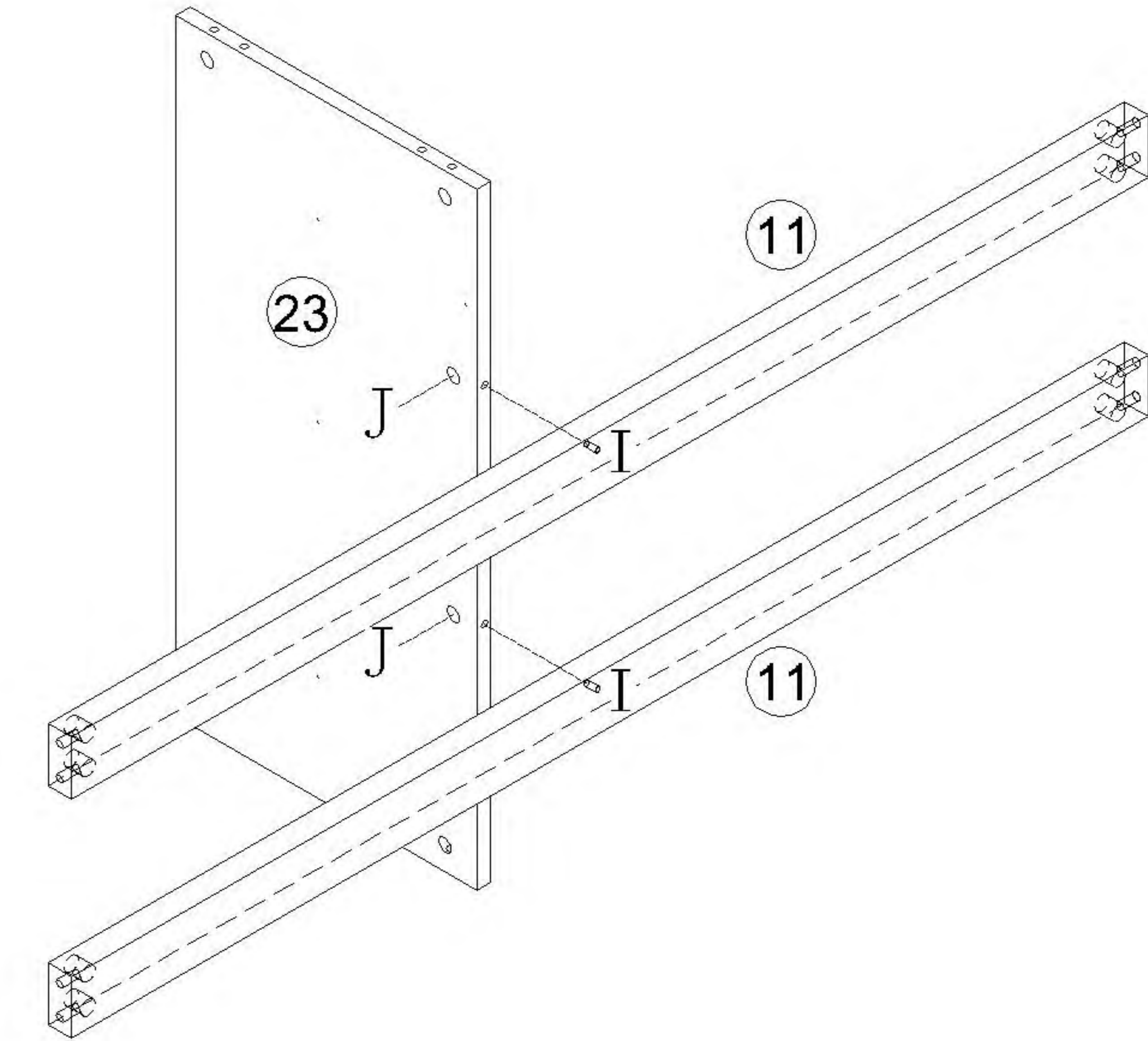
9



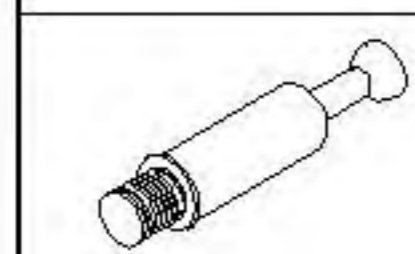
(I)*2



(J)*2



10



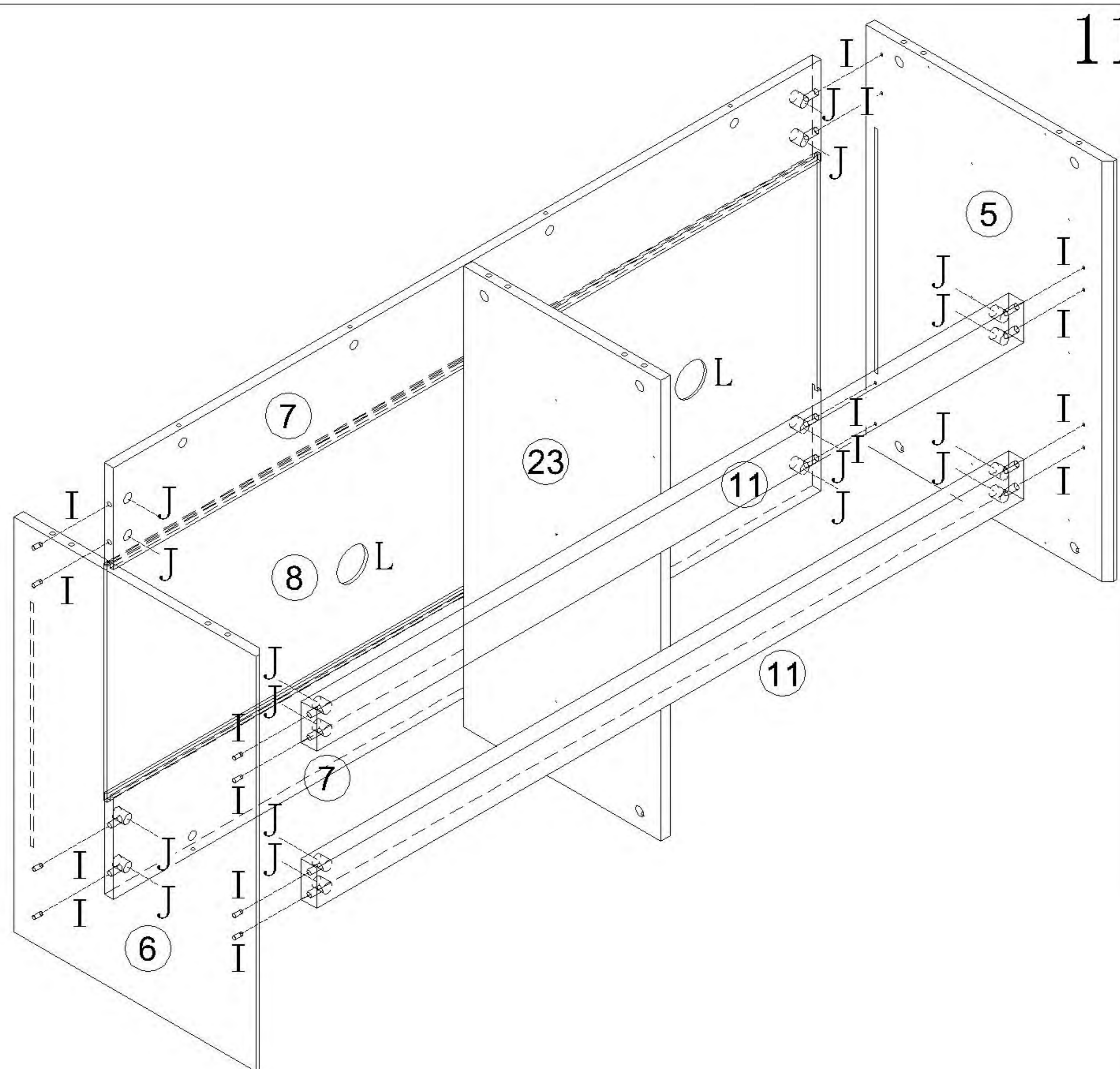
(I)*16



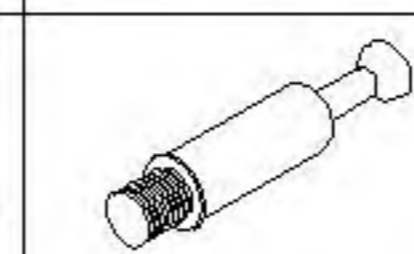
(J)*16



(L)*2



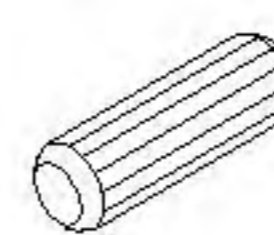
11



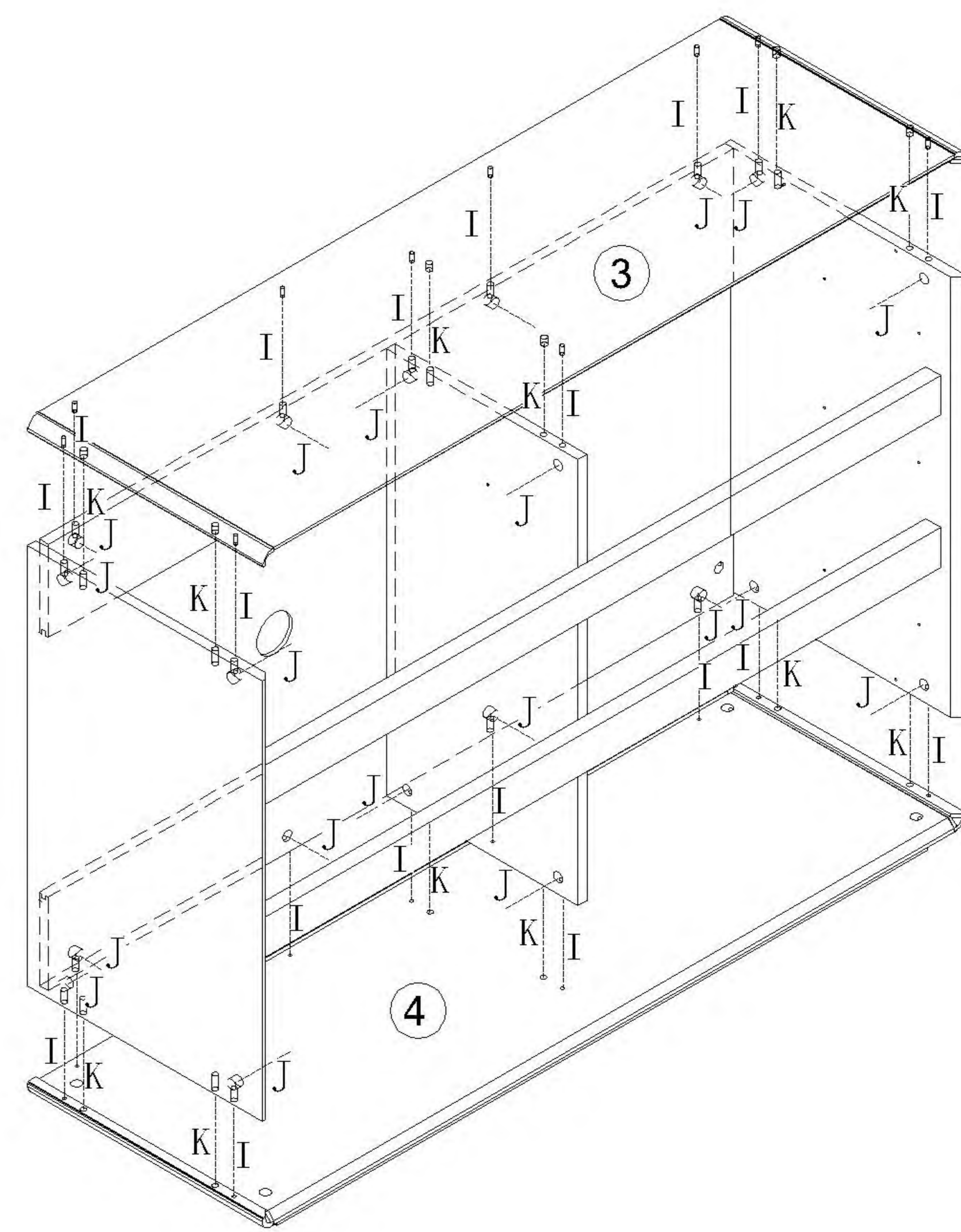
(I)*20



(J)*20



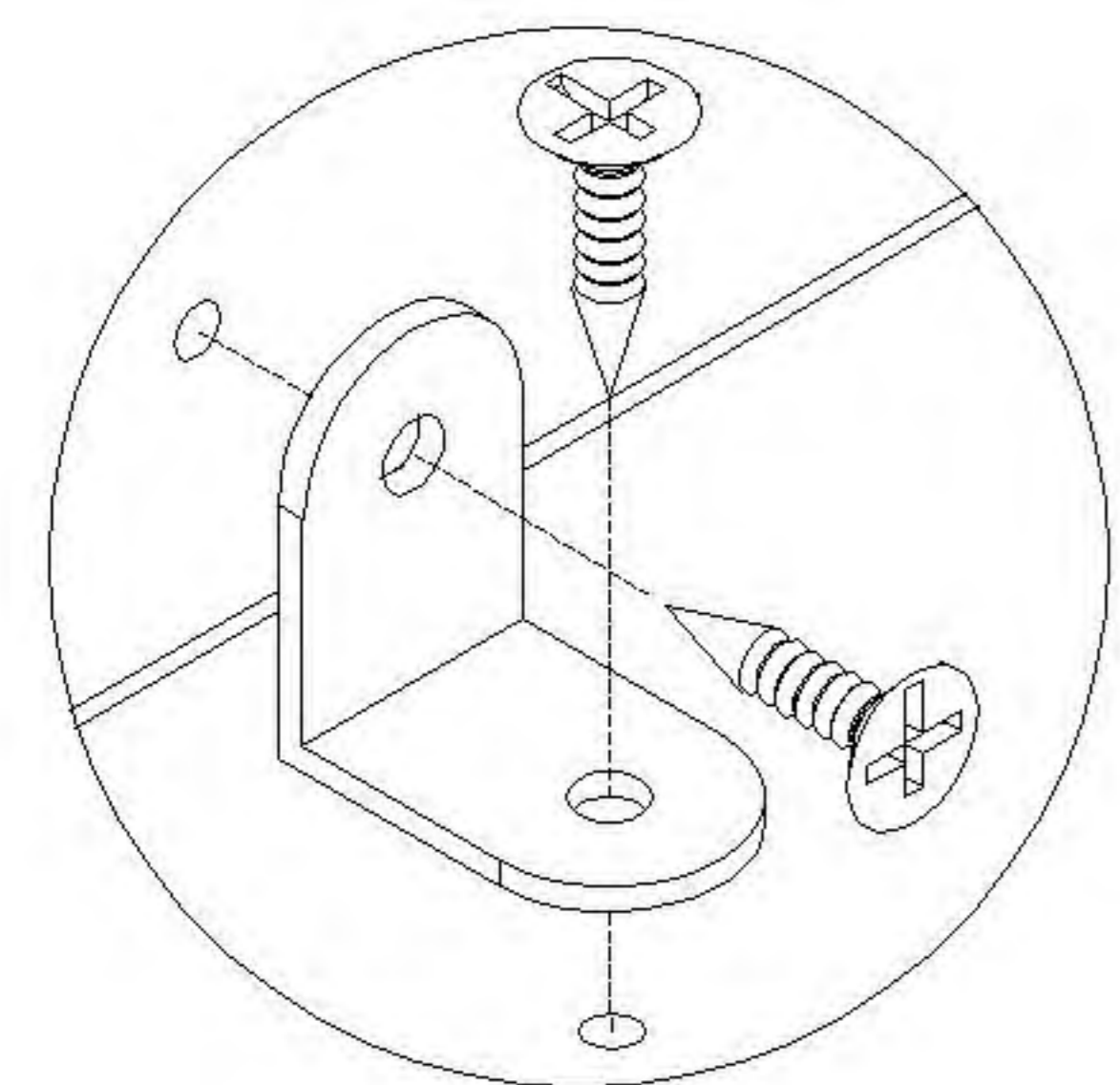
(K)*12



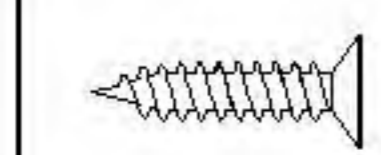
12

UP1E-A1 (六斗柜)

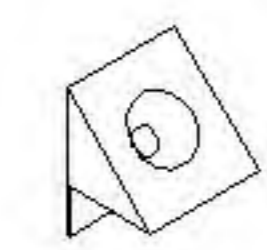
安装方法/
Installation method



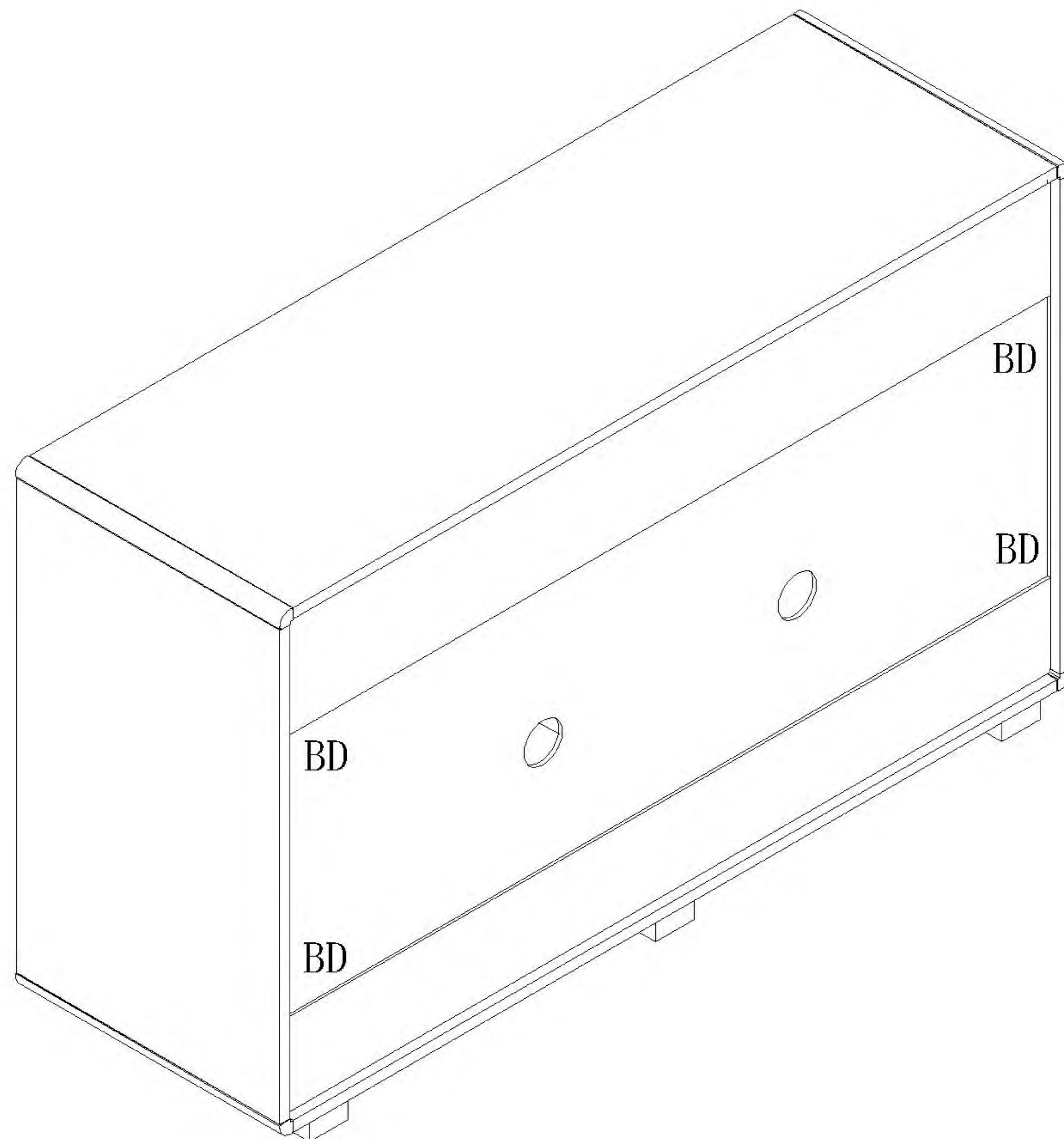
角码
Bracket



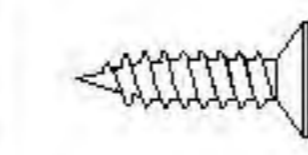
(B)*4



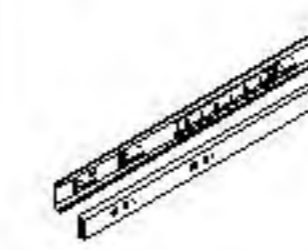
(D)*4



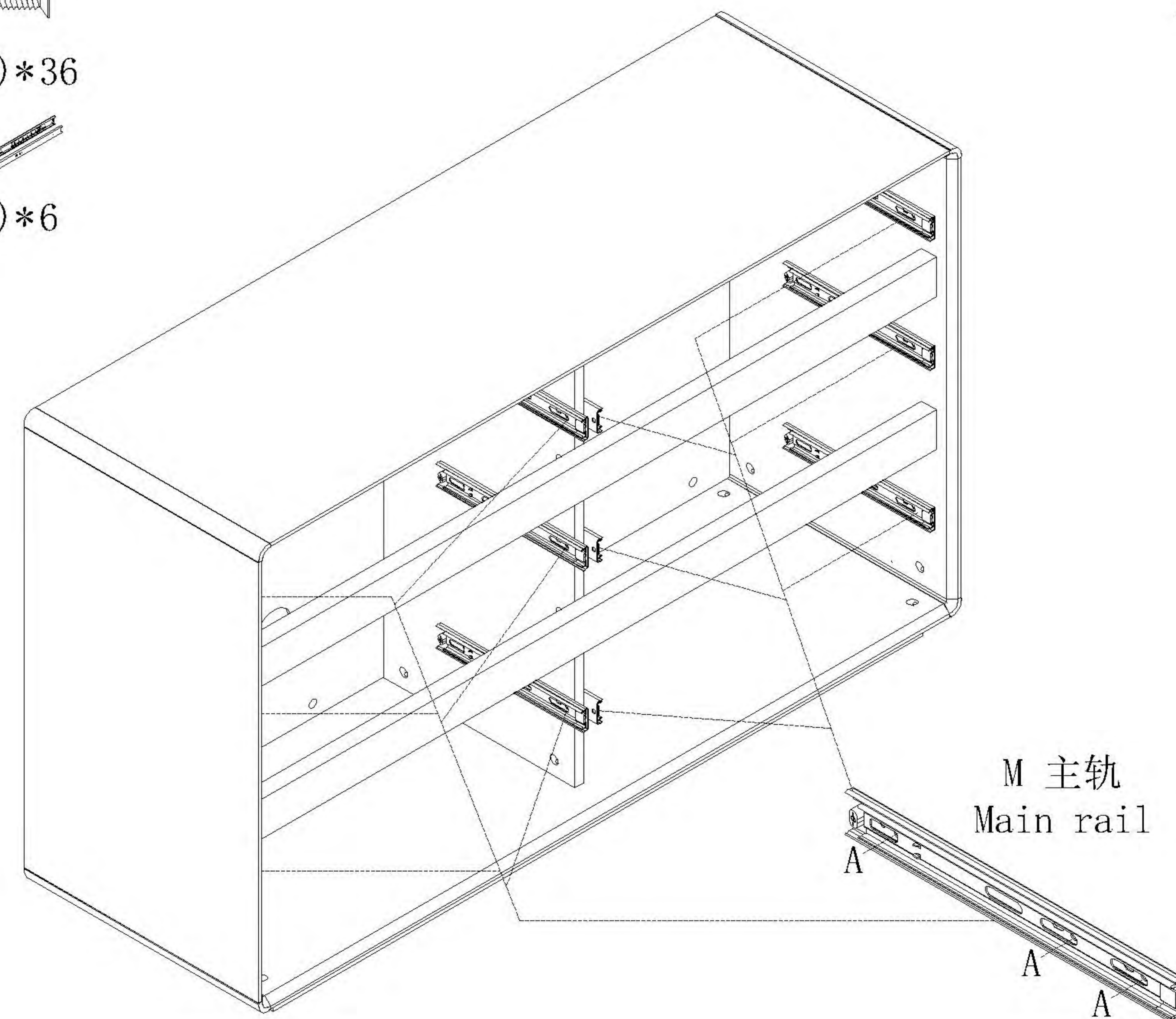
13



(A)*36



(M)*6



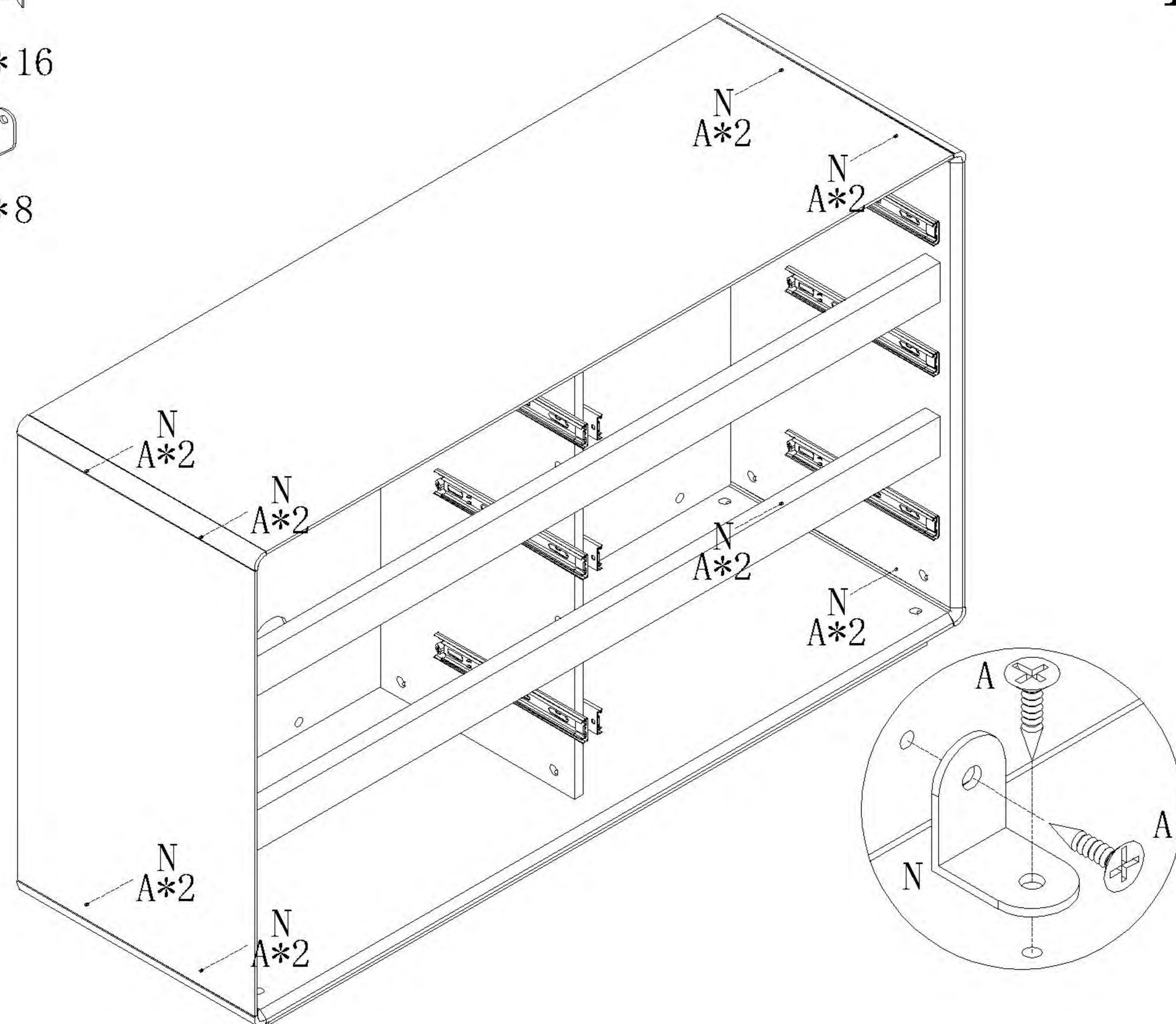
14



(A)*16

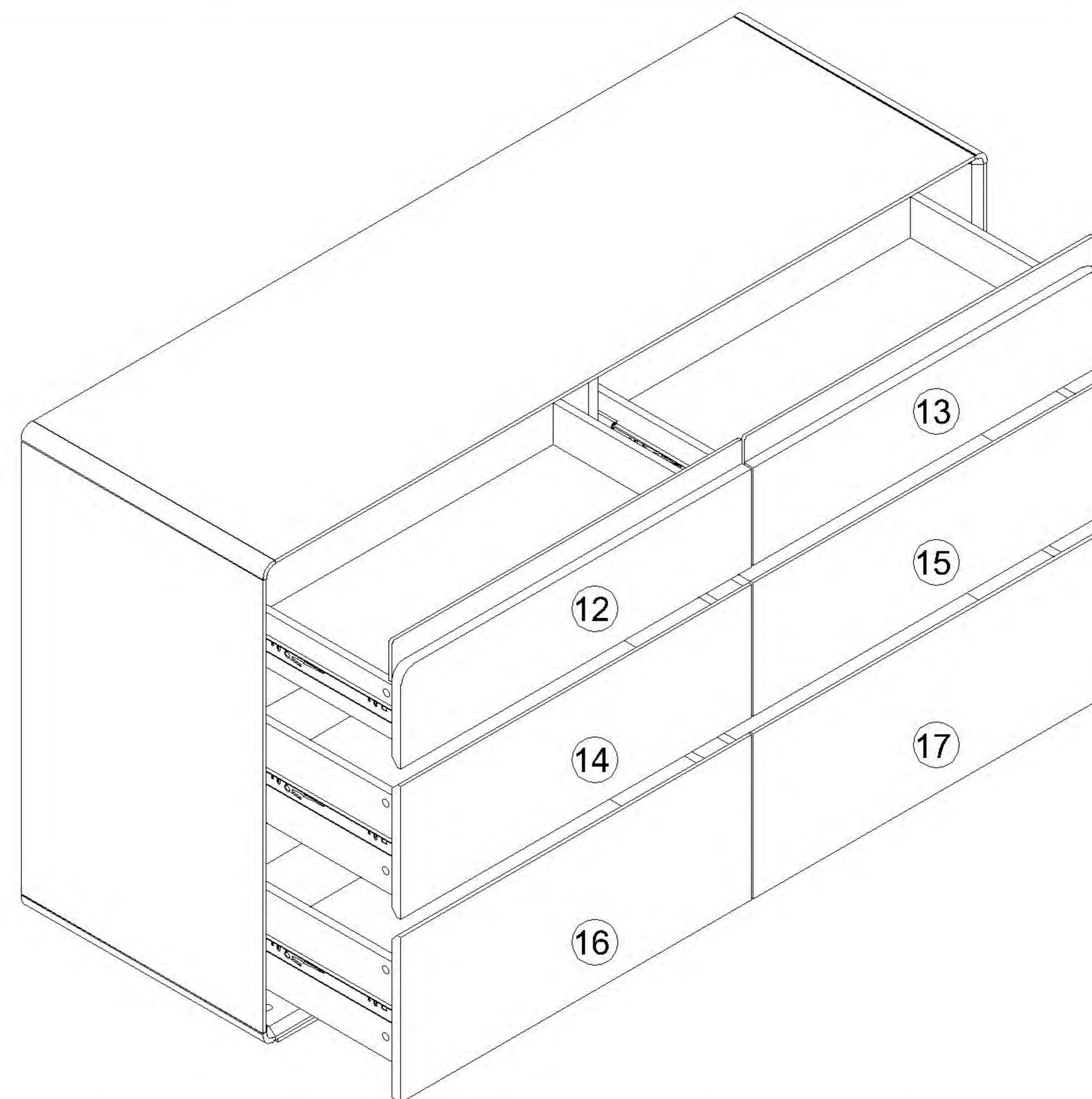


(N)*8



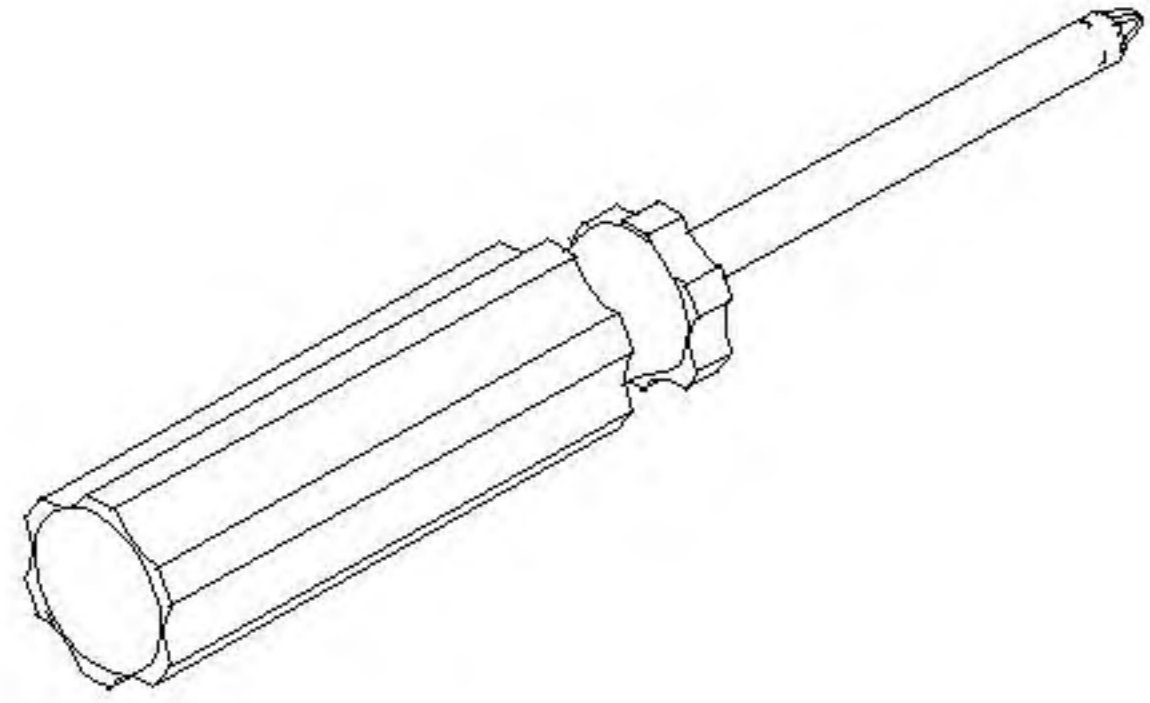
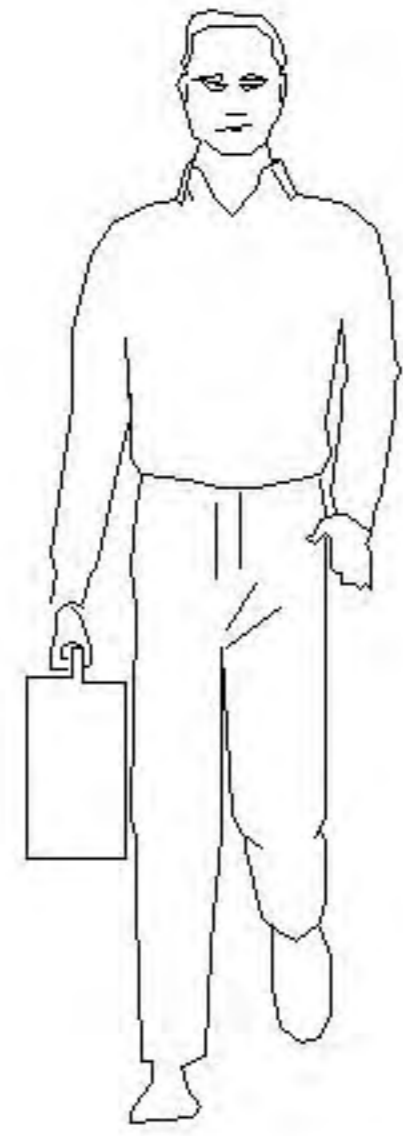
15

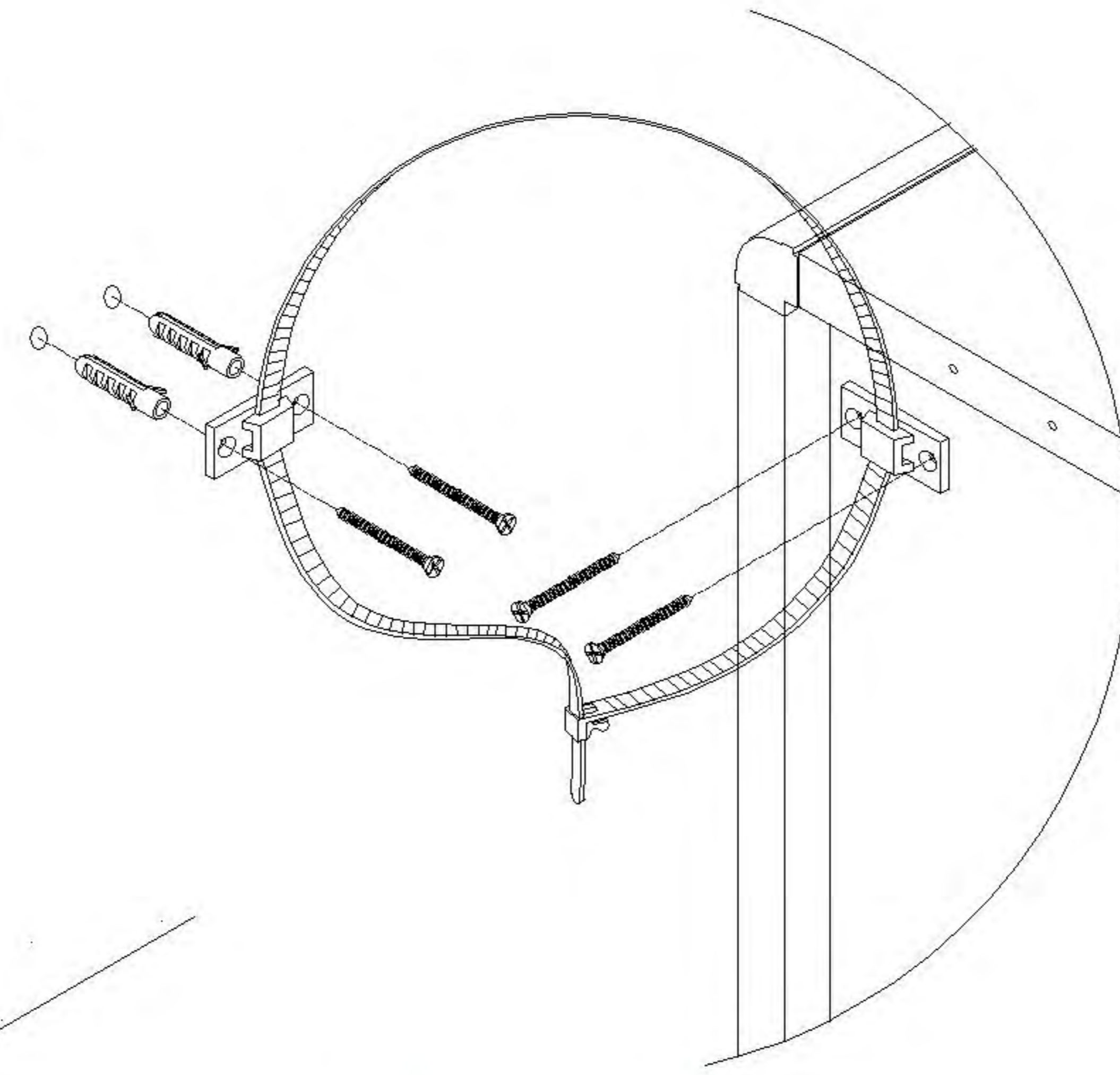
16



LINSY 林氏家居

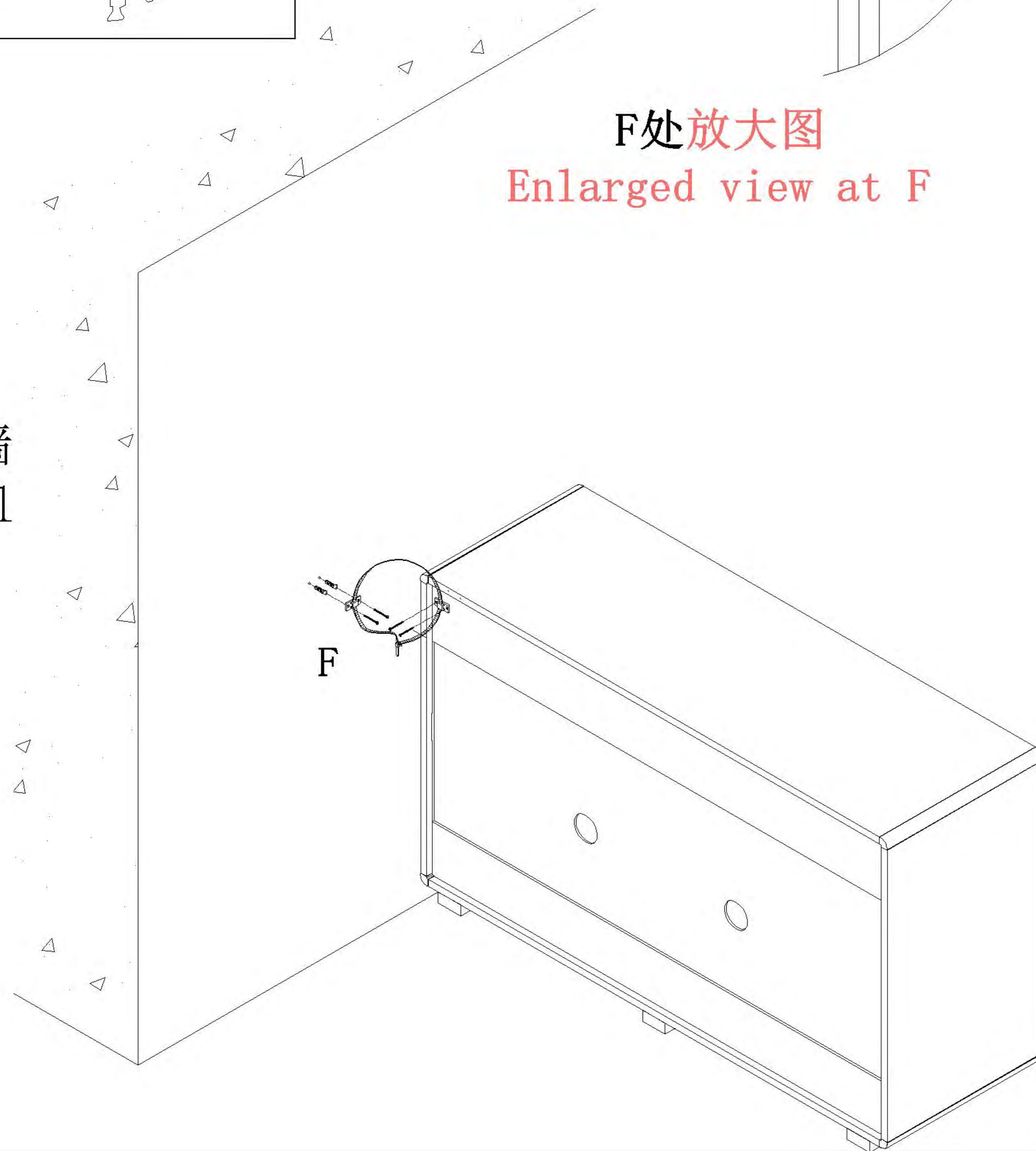
安装示意图/Assembly Instruction

产品名称 Model NO.	Anti-fall device
产品规格 Specification	-
安装工具 Tool	安装人数 Installer
	



F处放大图
Enlarged view at F

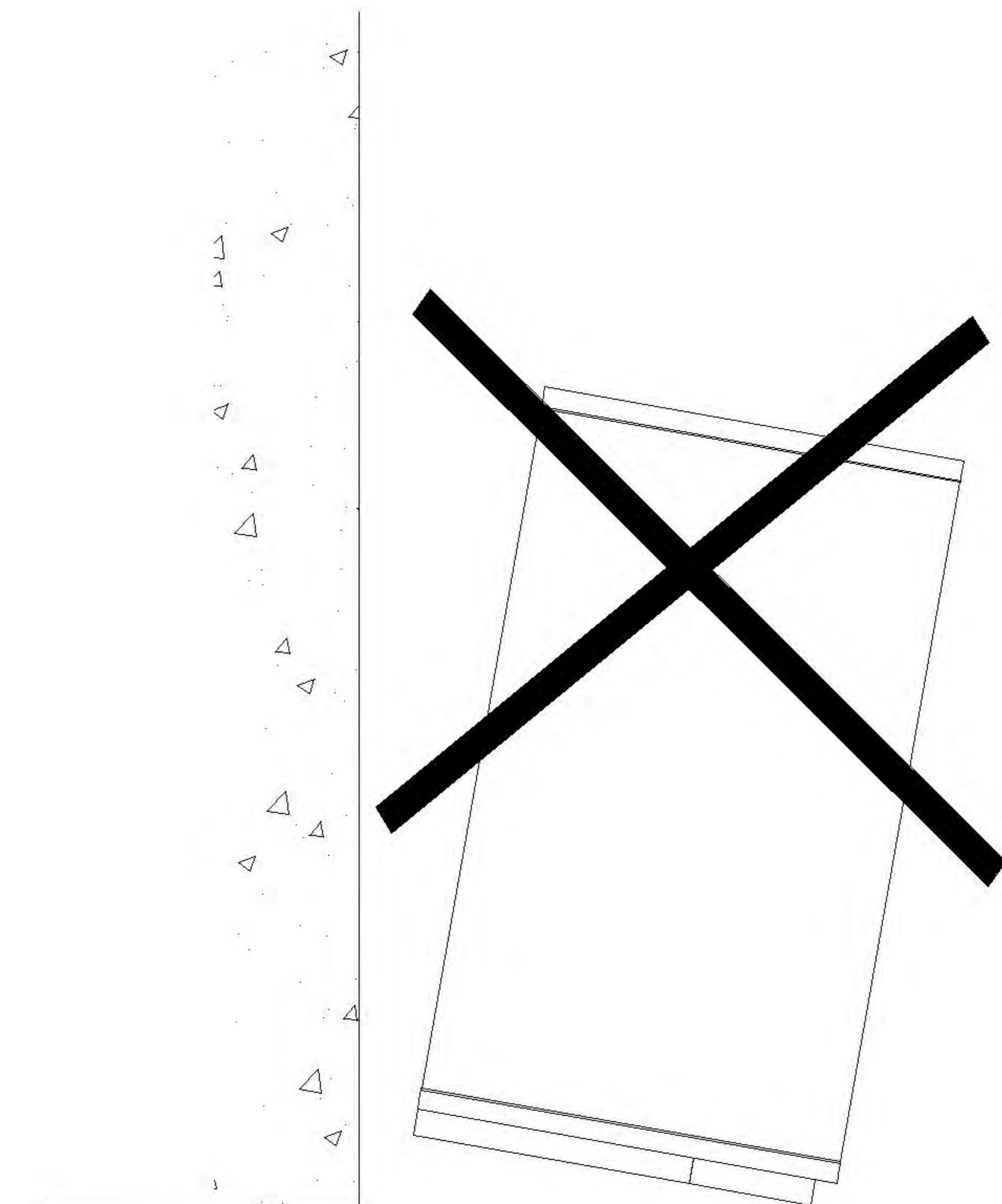
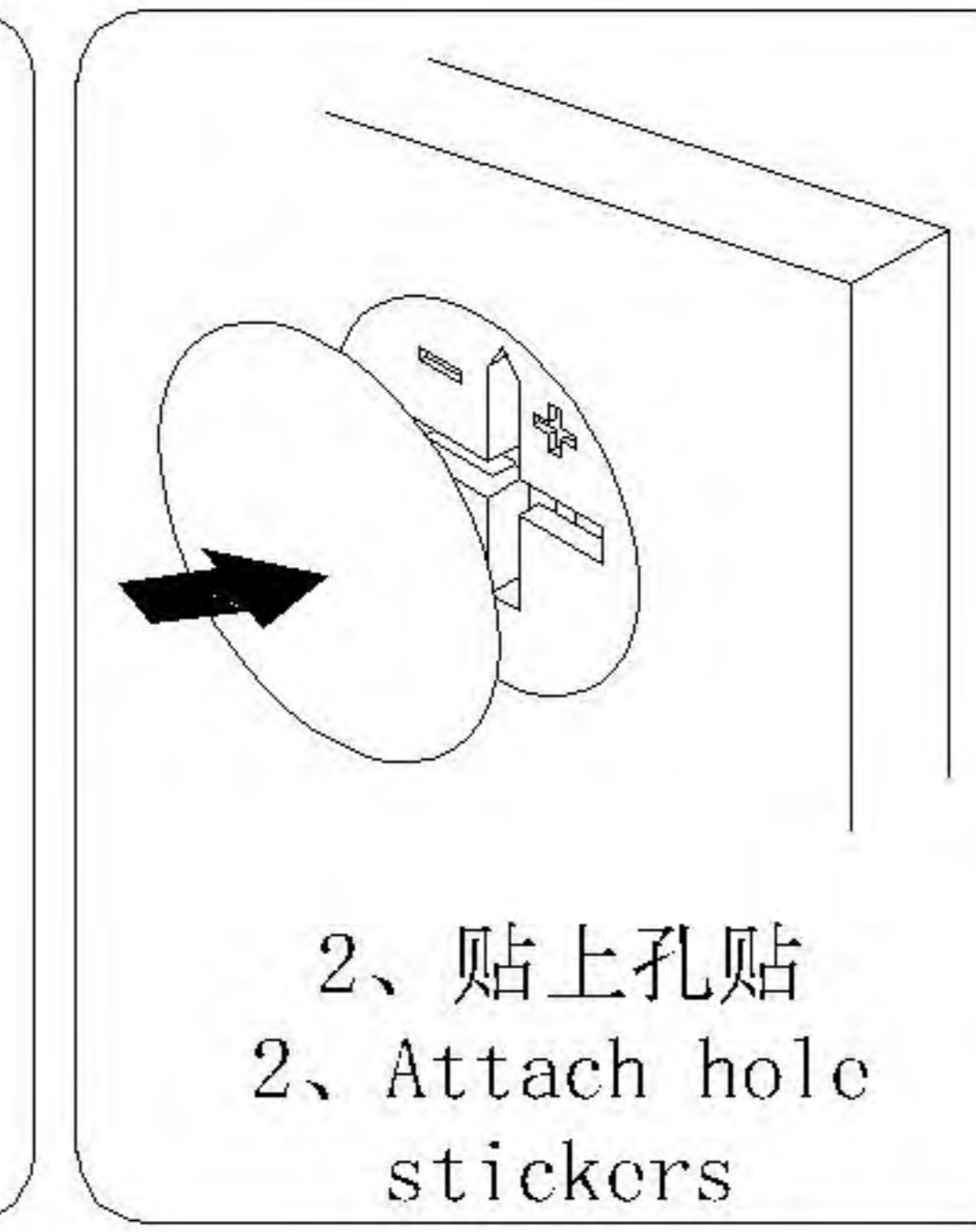
实体墙
Solid wall



(P)*99

孔位贴使用小贴士
产品安装完成后请贴上孔贴，多出的孔贴请保管好

Tips for using hole stickers:
After the product installation is completed, please attach the hole stickers. Please keep any extra hole stickers safe

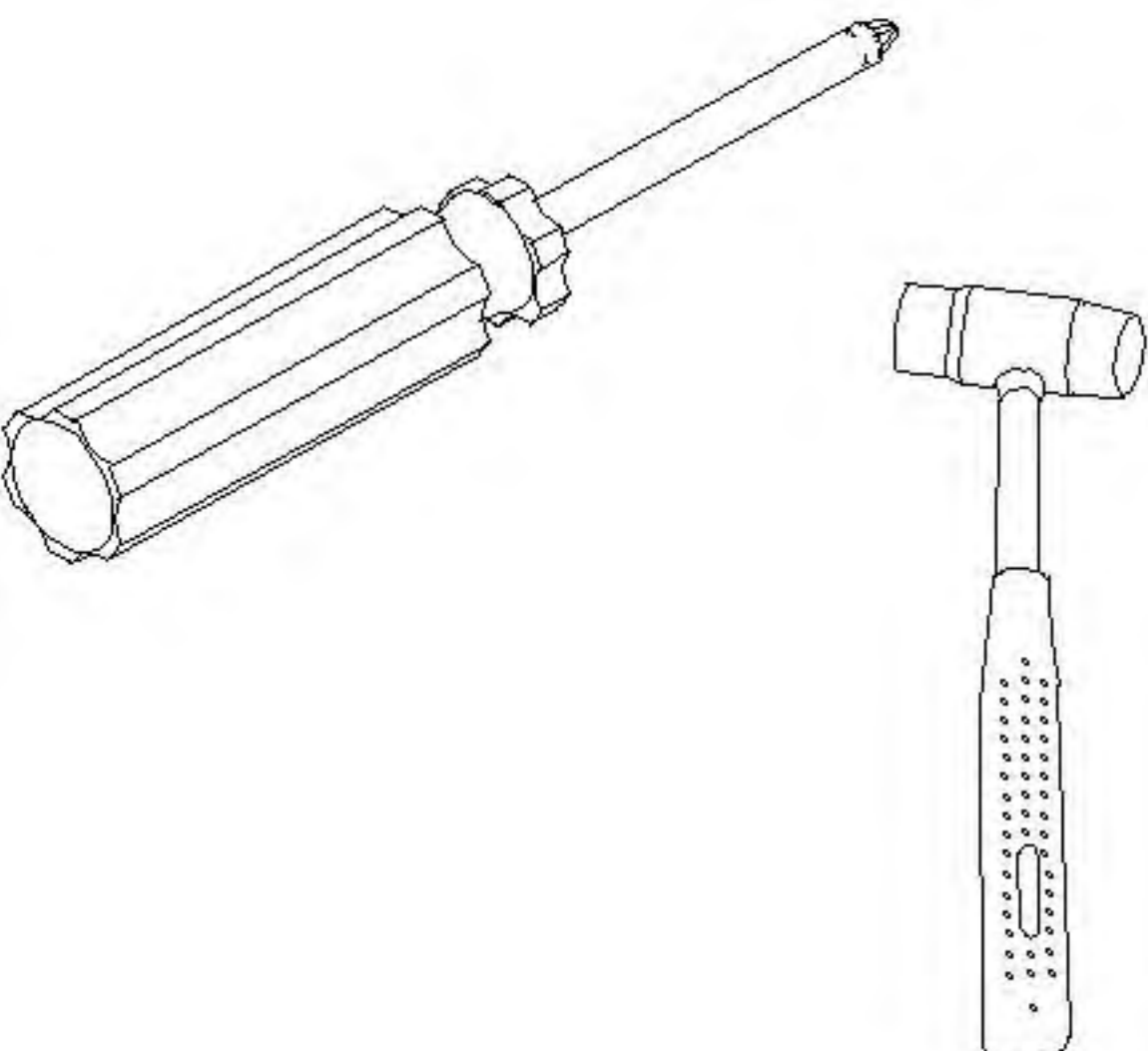
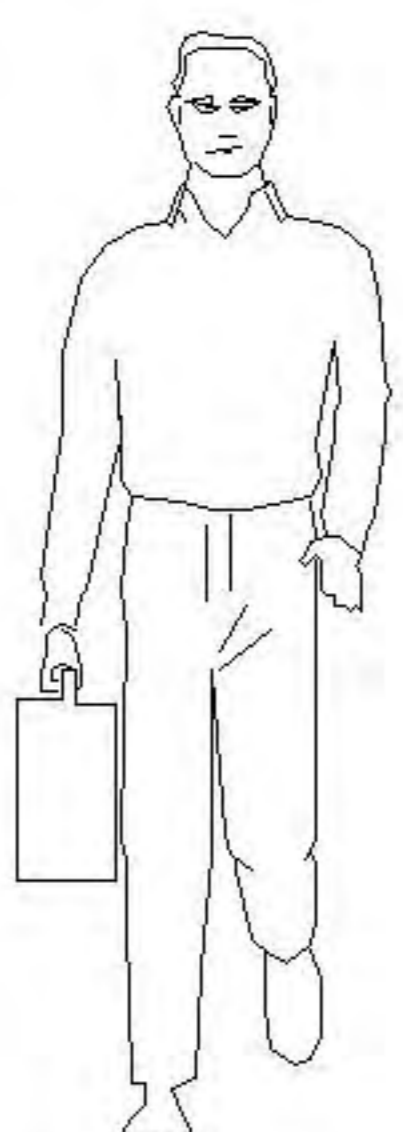


LINSY 林氏家居

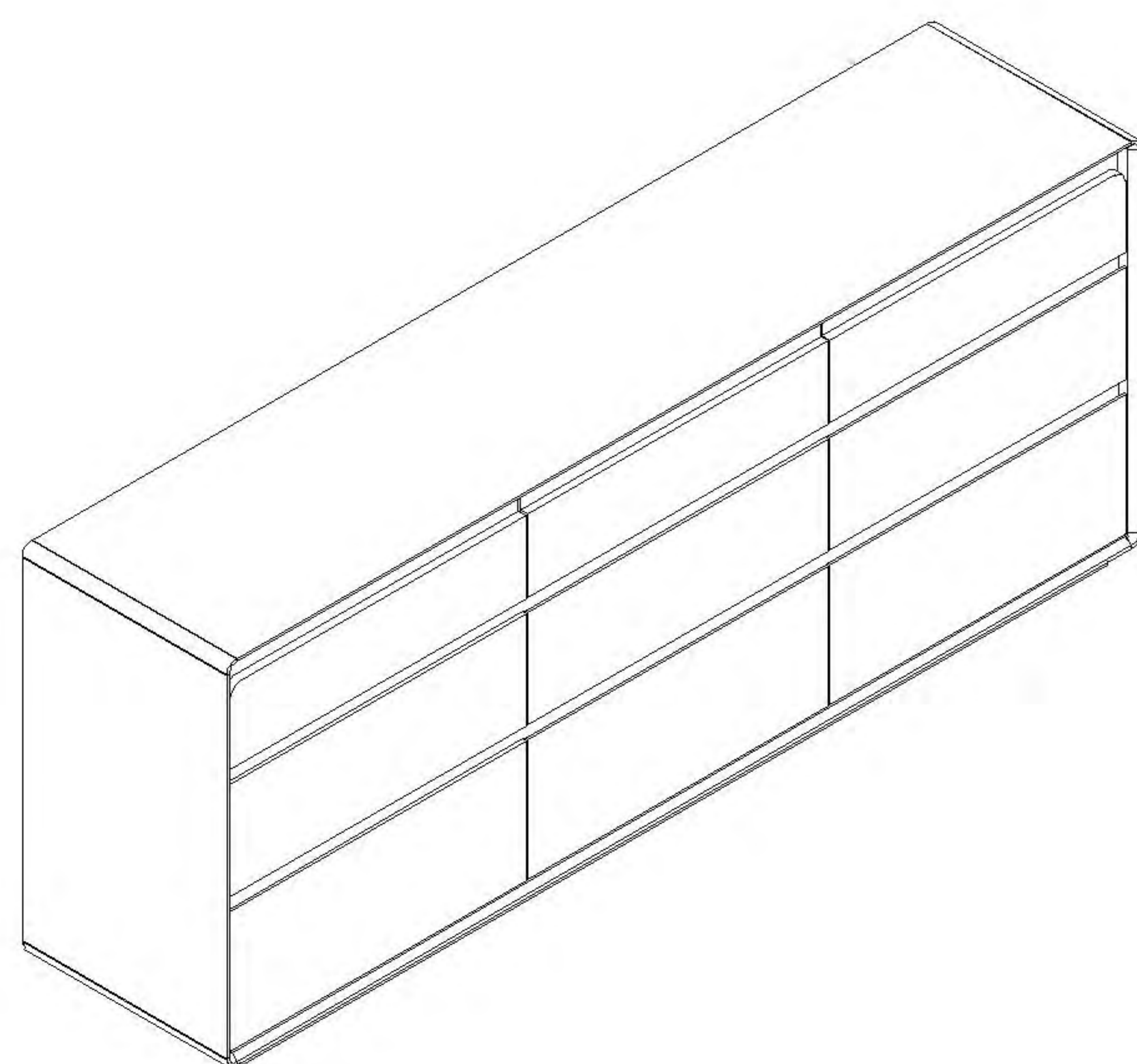
五金表/Hardware list

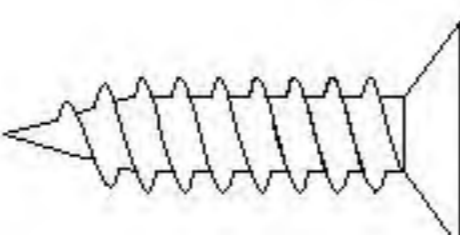
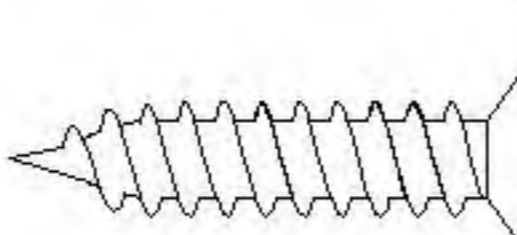
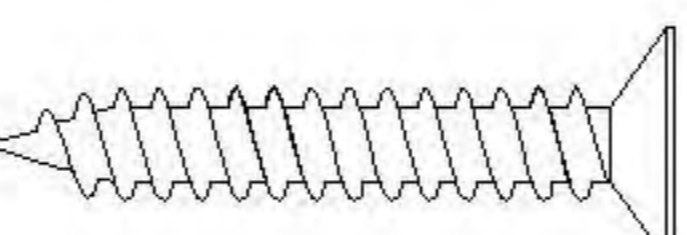
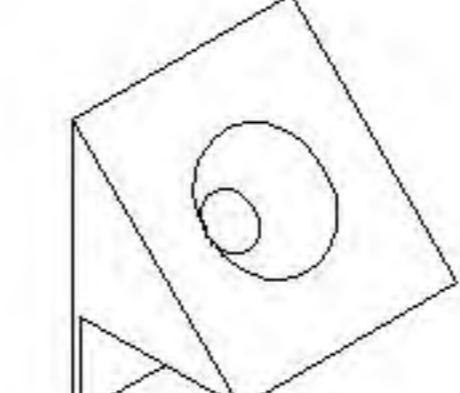
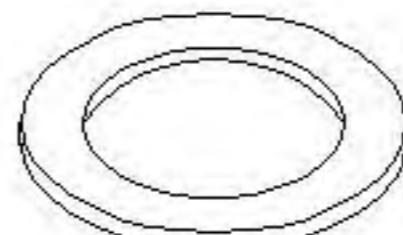
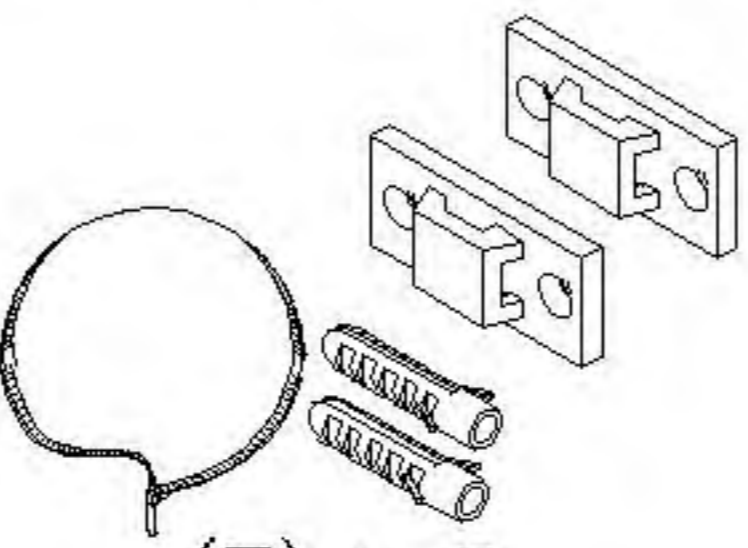
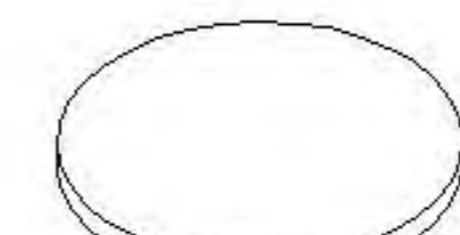
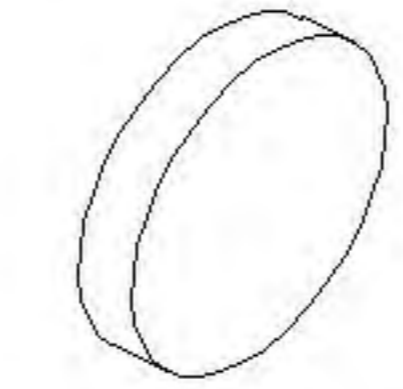
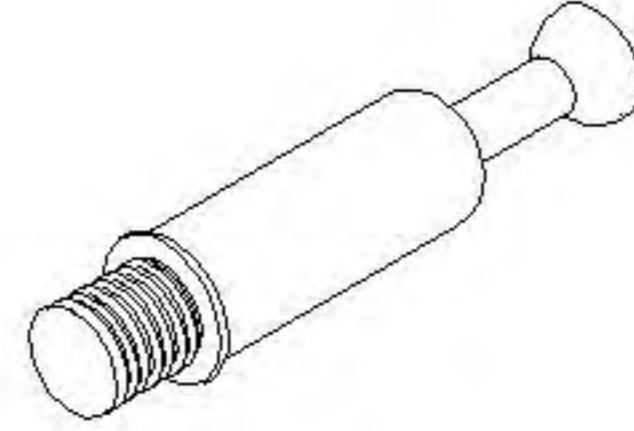
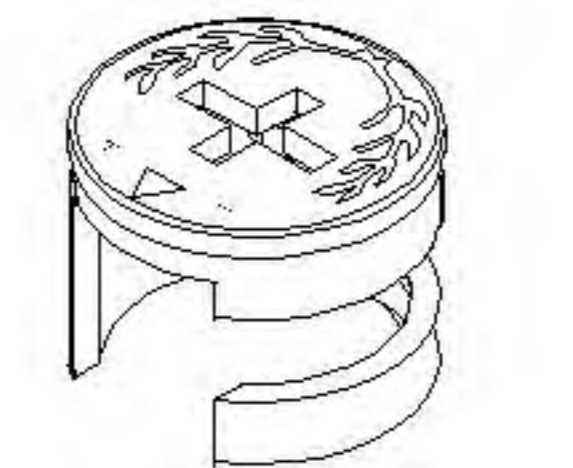
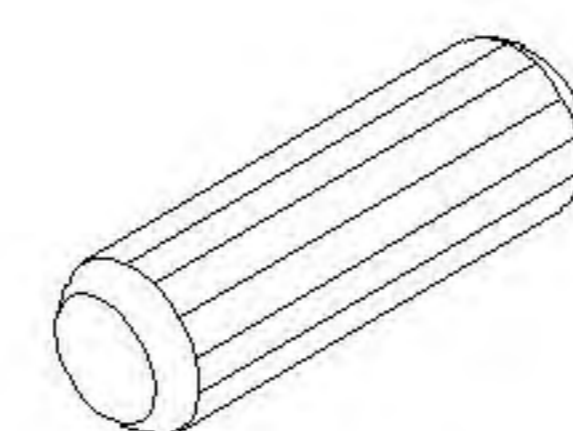
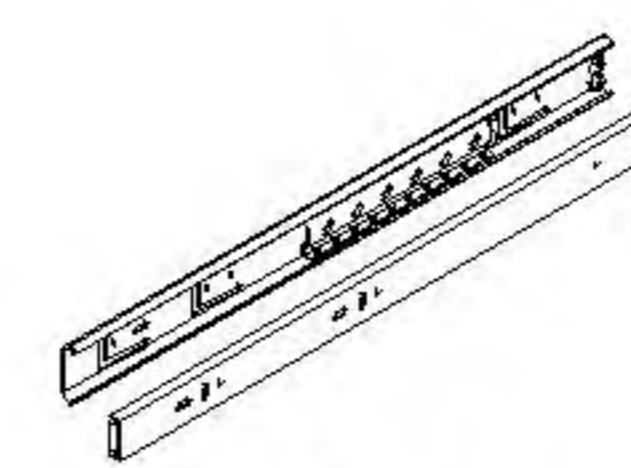
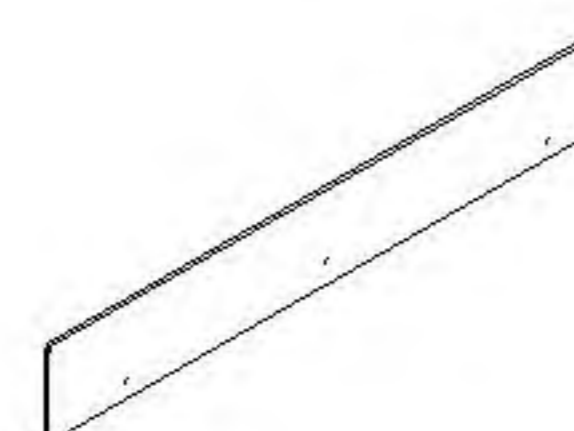
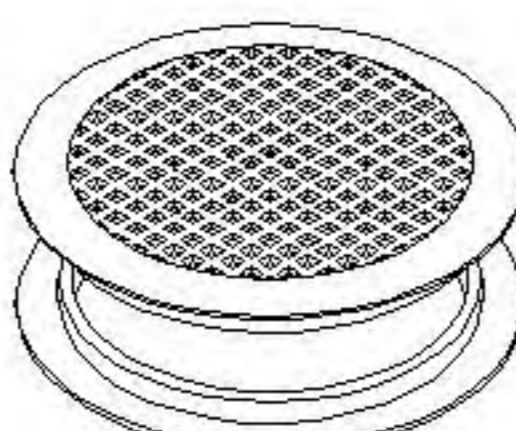
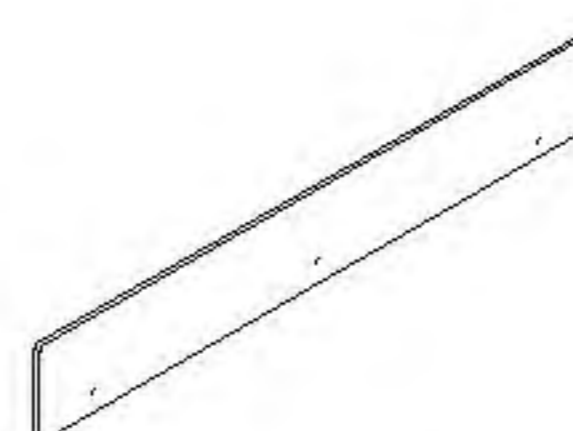

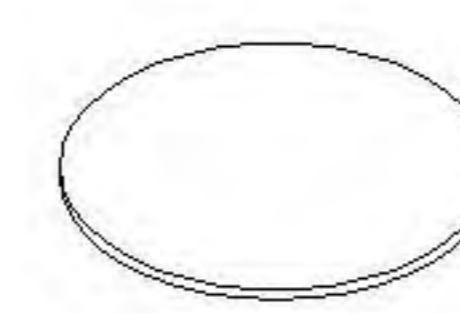
部件表/Parts List

安装示意图/Assembly Instruction

产品名称 Model NO.	UPIE-A1(九斗柜)
产品规格 Specification	1782*399*715mm
安装工具 Tool	安装人数 Installer
	

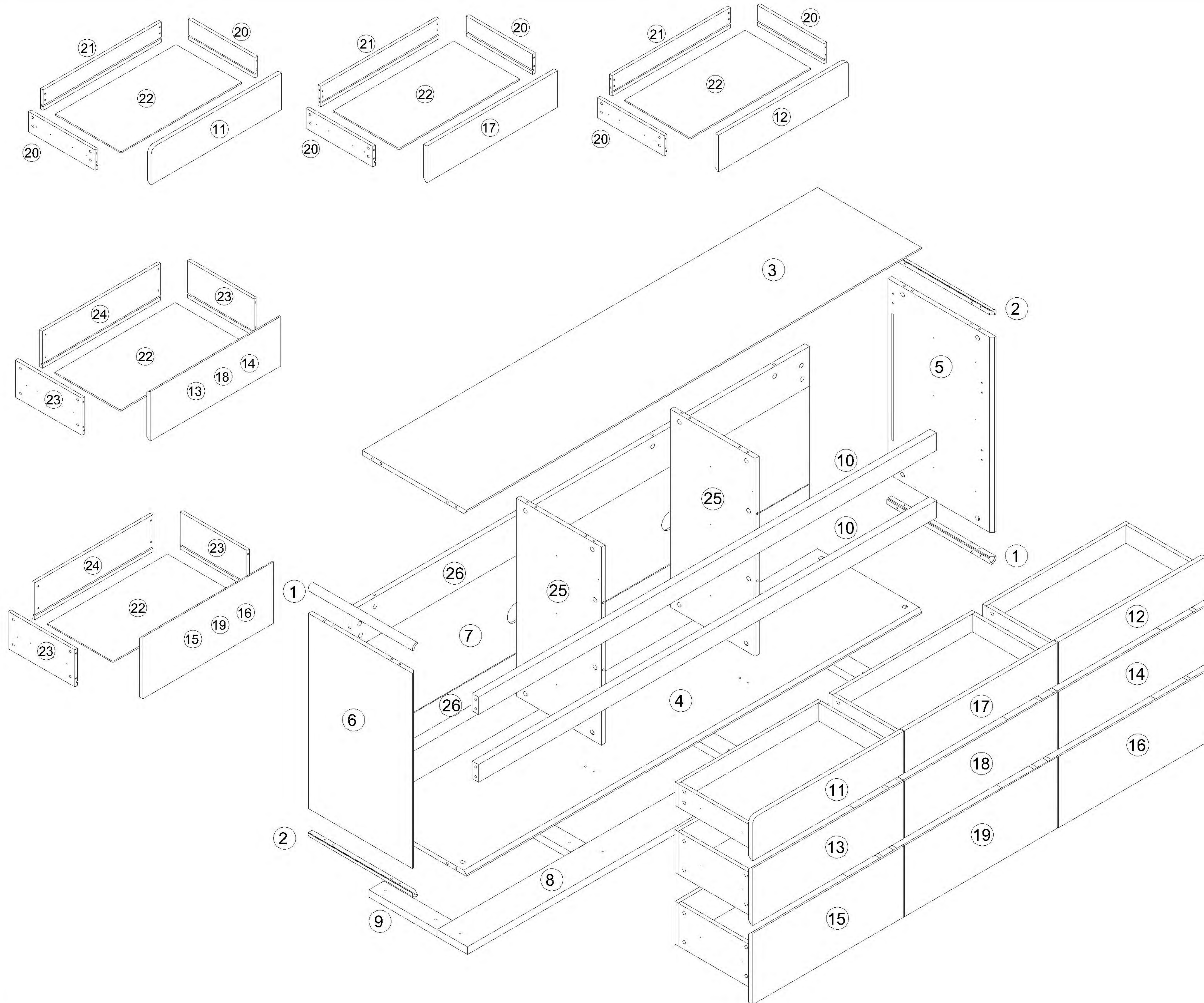
注：为保证设计效果，部分尺寸为定制尺寸，不影响使用。



 (A)*131 自攻螺丝M3.5x14mm Self-tapping screw	 (B)*14 自攻螺丝M3.5x16mm Self-tapping screw	 (C)*13 自攻螺丝M4x35mm Self-tapping screw	 (D)*4 背板扣 Back Plate Buckle-White
 (E)*9 透明塑料垫片 Plastic gasket	 (F)*2 家具防倒器-白色 Anti-fall device white	 (G)*12 灰色毛毡脚垫 Footrest - Grey	 (H)*9 镜钉 Mirror nail
 (I)*131 二合一螺杆 2-in-1-screw	 (J)*131 大三合一锁饼 Three-in-one large lock	 (K)*25 木榫Ø8x30mm wood tenon	 (L)*9 三节滚珠导轨-10" three-section ball rail
 (M)*2 抽面亚克力L=578 Drawing Acrylic	 (N)*2 透气孔盖 Vent cover	 (O)*1 抽面亚克力L=586 Drawing Acrylic	 (P)*8 L型角码14x21x1.5 L-shaped corner code
 (Q)*131 PVC孔贴 PVC hole sticker			

编号NO.	名称Name	规格 (mm) Specification	数量 QTY	材质Material
①	转角木/左 Corner wood(L)	399*20*20	2	白蜡木Ash
②	转角木/右 Corner wood(R)	399*20*20	2	白蜡木Ash
③	面板 Top panel	1742*398*15	1	刨花板Particle board
④	底板 Bottom board	1742*398*15	1	刨花板Particle board
⑤	右侧板 Side board(R)	647*398*15	1	刨花板Particle board
⑥	左侧板 Side board(L)	647*398*15	1	刨花板Particle board
⑦	背板 Back board	1762*393*5	1	纤维板Fiberboard
⑧	前脚条 Front foot strip	1693*116*25	1	刨花板Particle board
⑨	侧脚条 Side foot strip	262*58*25	4	刨花板Particle board
⑩	前拉条 Front brace	1752*58*25	2	刨花板Particle board
⑪	左上抽屉面板 Upper left drawer panel	578*140*15	1	刨花板Particle board
⑫	右上抽屉面板 Upper right drawer panel	578*140*15	1	刨花板Particle board
⑬	左中抽屉面板 Left middle drawer panel	578*190*15	1	刨花板Particle board
⑭	右中抽屉面板 Right middle drawer panel	578*190*15	1	刨花板Particle board
⑮	左下抽屉面板 Lower left drawer panel	578*236*15	1	刨花板Particle board
⑯	右下抽屉面板 Lower right drawer panel	578*236*15	1	刨花板Particle board
⑰	中上抽屉面板 Middle upper drawer's panel	586*140*15	1	刨花板Particle board
⑱	中中抽屉面板 Middle drawer's middle board	586*190*15	1	刨花板Particle board
⑲	中下抽屉面板 Middle bottom drawer's panel	586*236*15	1	刨花板Particle board
⑳	上抽屉侧板 Upper drawer's sideboard	290*78*15	6	刨花板Particle board
㉑	上抽屉后板 Upper drawer's back board	548*78*15	3	刨花板Particle board
㉒	抽屉底板 Drawer's Bottom board	528*300*5	9	纤维板Fiberboard
㉓	下抽屉侧板 Lower drawer's sideboard	290*142*15	12	刨花板Particle board
㉔	下抽屉后板 Down drawer's back board	548*142*15	6	刨花板Particle board
㉕	中隔板 Middle clapboard	657*325*15	2	刨花板Particle board
㉖	背拉条 Back brace	1752*137*15	2	刨花板Particle board

►使用本产品请靠墙放置。
►Please place this product against the wall.



编号NO.	名称Name
①	转角木/左 Corner wood(L)
②	转角木/右 Corner wood(R)
③	面板 Top panel
④	底板 Bottom board
⑤	右侧板 Side board(R)
⑥	左侧板 Side board(L)
⑦	背板 Back board
⑧	前脚条 Front foot strip
⑨	侧脚条 Side foot strip
⑩	前拉条 Front brace
⑪	左上抽屉面板 Upper left drawer panel
⑫	右上抽屉面板 Upper right drawer panel
⑬	左中抽屉面板 Left middle drawer panel
⑭	右中抽屉面板 Right middle drawer panel
⑮	左下抽屉面板 Lower left drawer panel
⑯	右下抽屉面板 Lower right drawer panel
⑰	中上抽屉面板 Middle upper drawer's panel
⑱	中中抽屉面板 Middle drawer's middle board
⑲	中下抽屉面板 Middle bottom drawer's panel
⑳	上抽屉侧板 Upper drawer's sideboard
㉑	上抽屉后板 Upper drawer's back board
㉒	抽屉底板 Drawer's Bottom board
㉓	下抽屉侧板 Lower drawer's sideboard
㉔	下抽屉后板 Down drawer's back board
㉕	中隔板 Middle clapboard
㉖	背拉条 Back brace

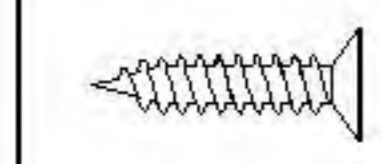
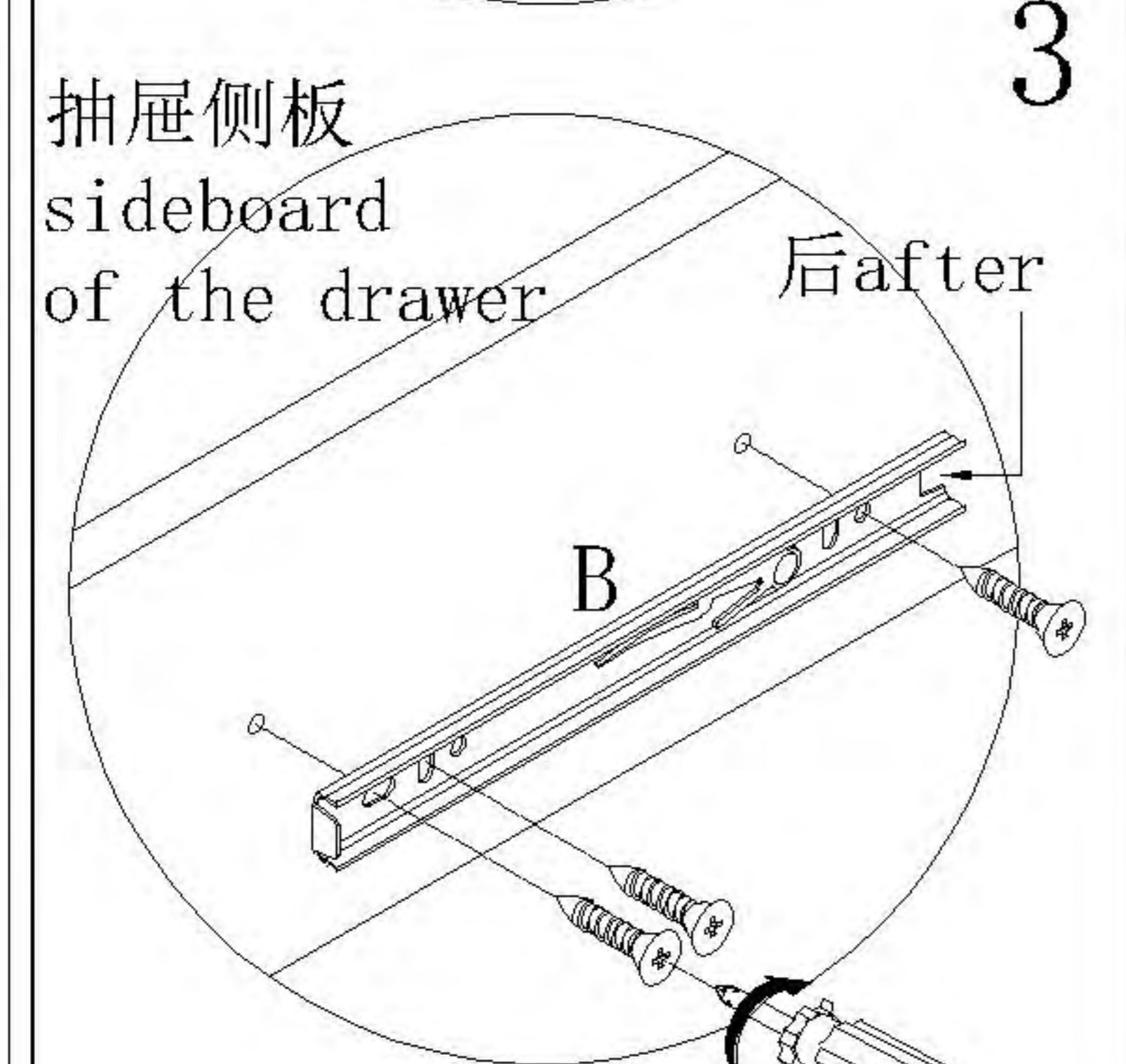
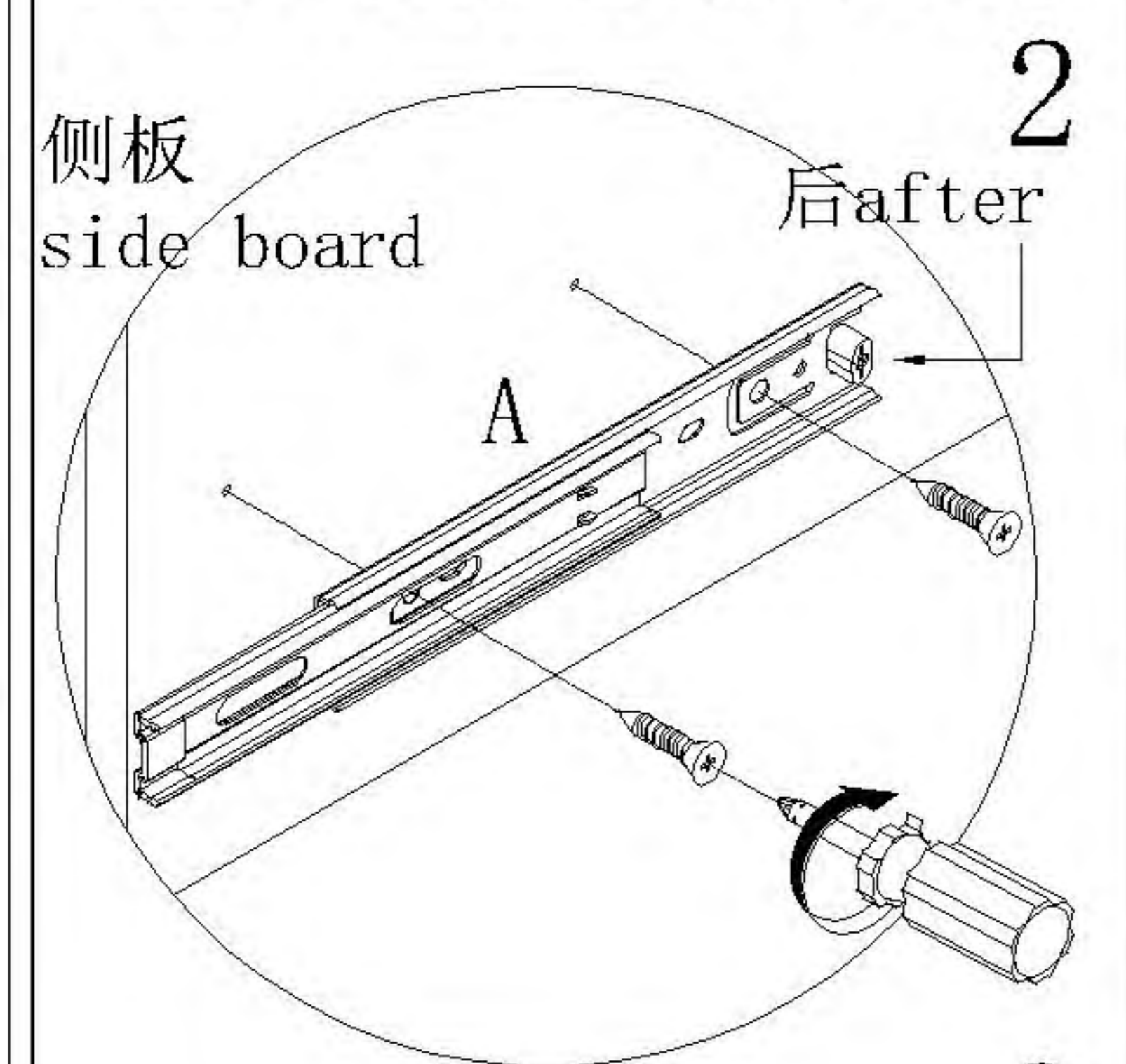
UP1E-A1 (九斗柜)

安装方法/
Installation method

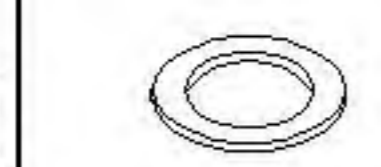
1 阀门开关(下压为开)
Valve switch
(press down to open)



注: 先将A与B拆下来
Note: remove a and B first



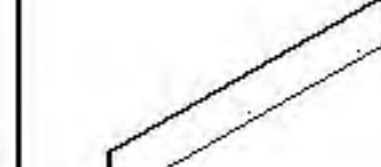
(B)*9



(E)*9



(H)*9



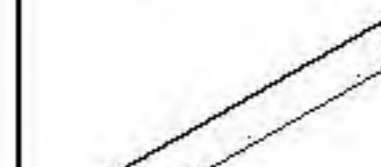
(M)*2



(I)*12



(J)*12



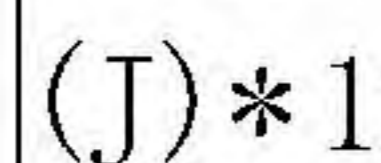
(O)*1



(I)*12



(J)*12



(J)*12



(J)*12



(J)*12



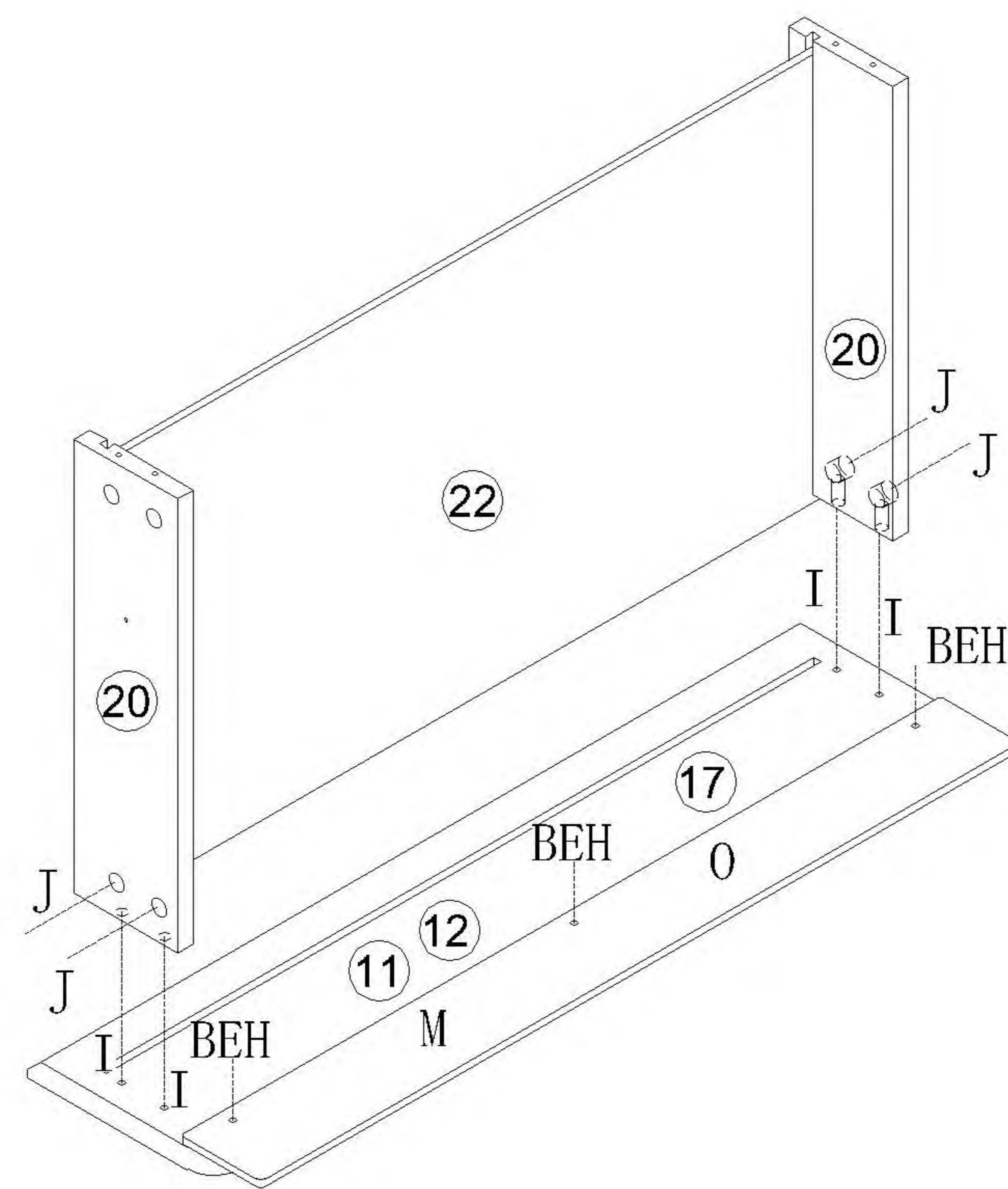
(J)*12



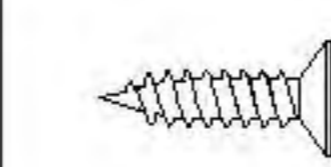
(J)*12



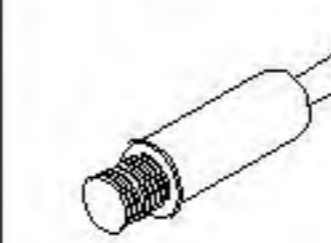
(J)*12



1



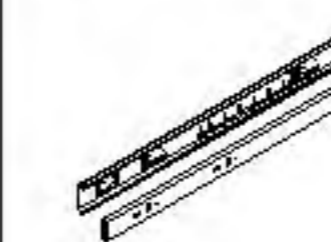
(A)*18



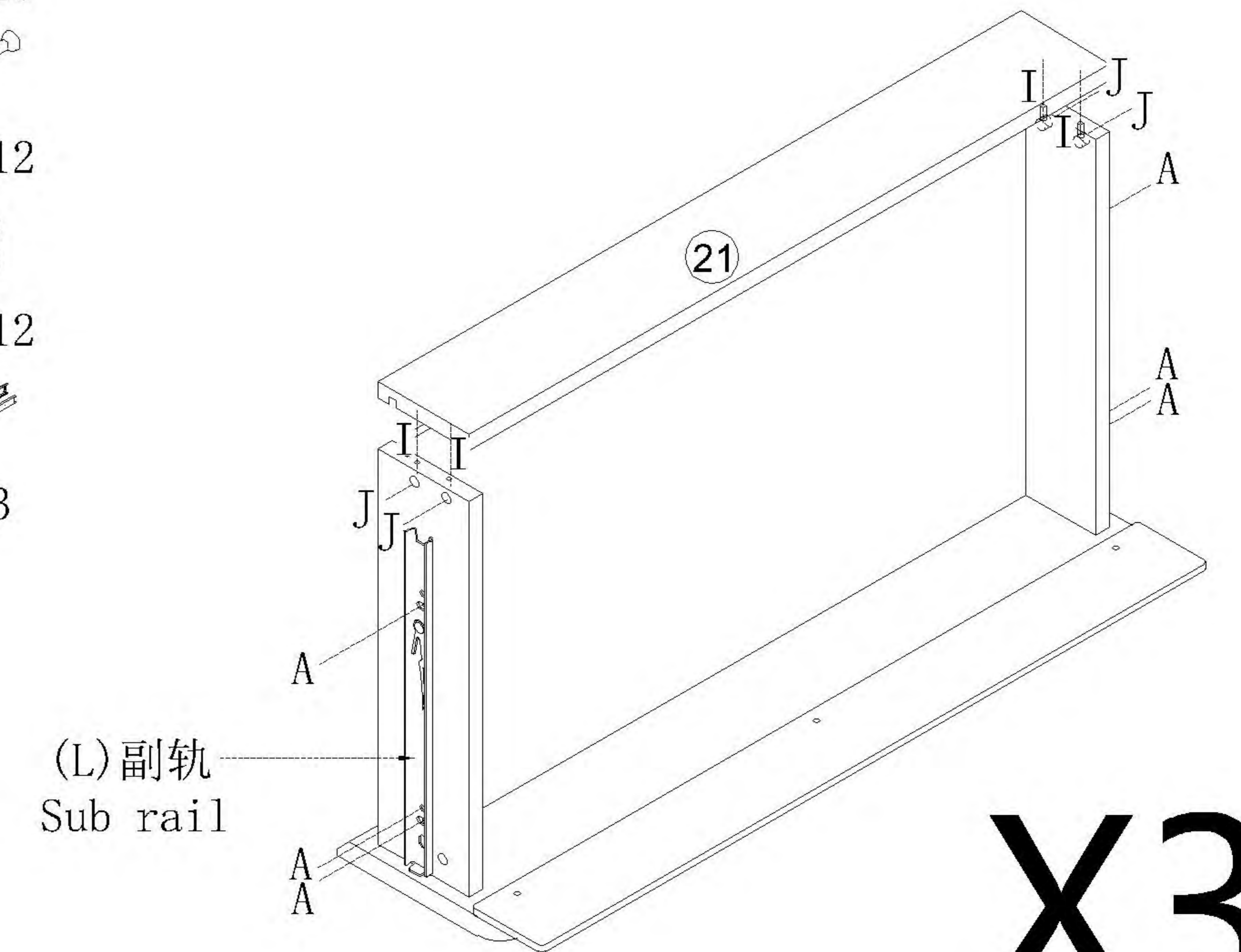
(I)*12



(J)*12

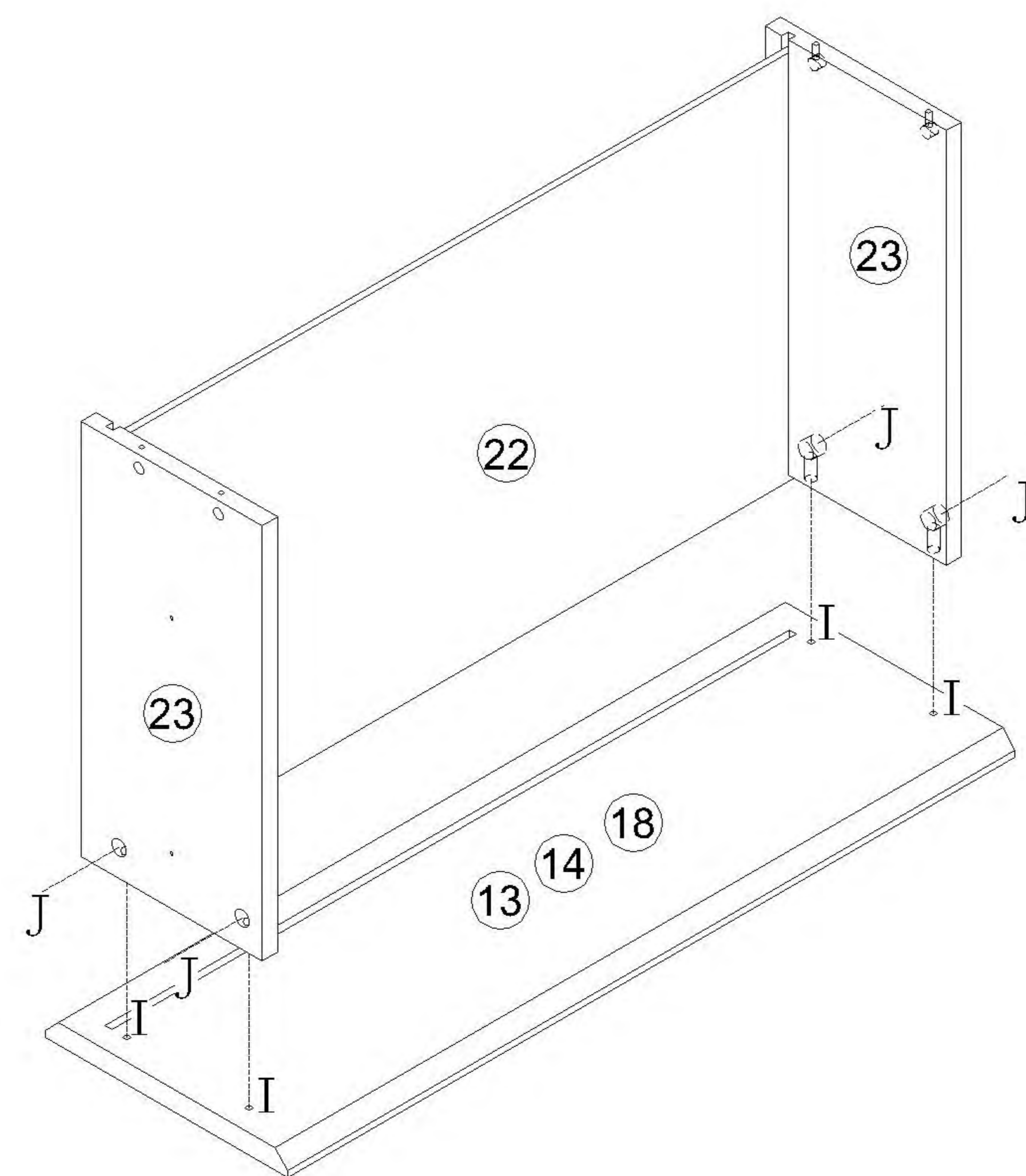


(L)*3

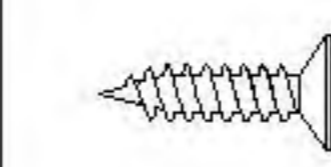


2

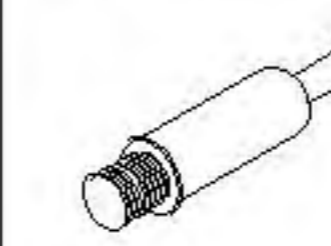
X3



3



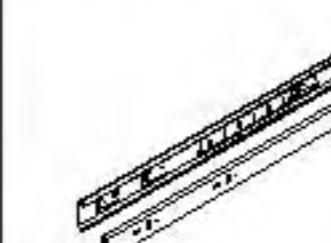
(A)*18



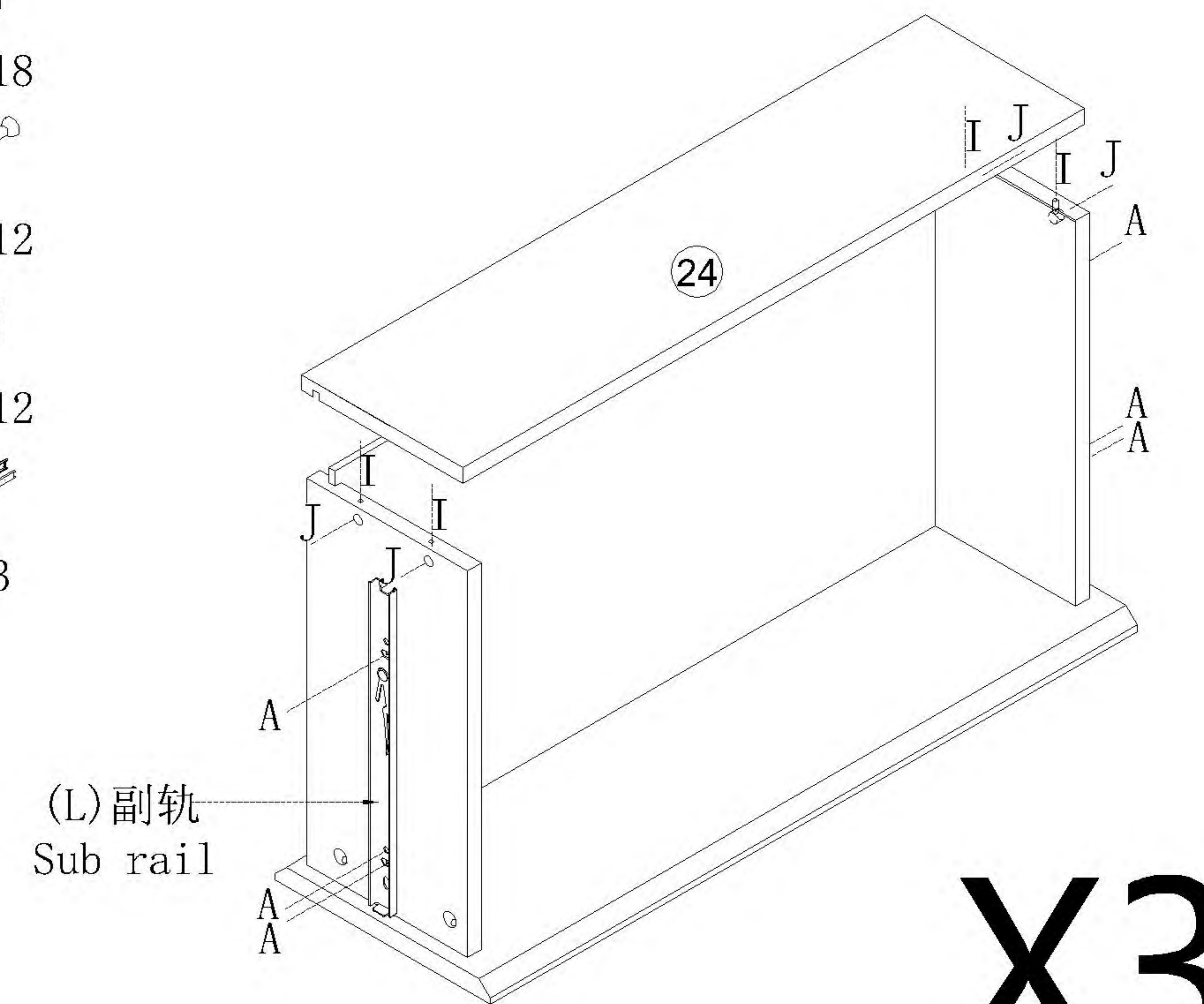
(I)*12



(J)*12



(L)*3

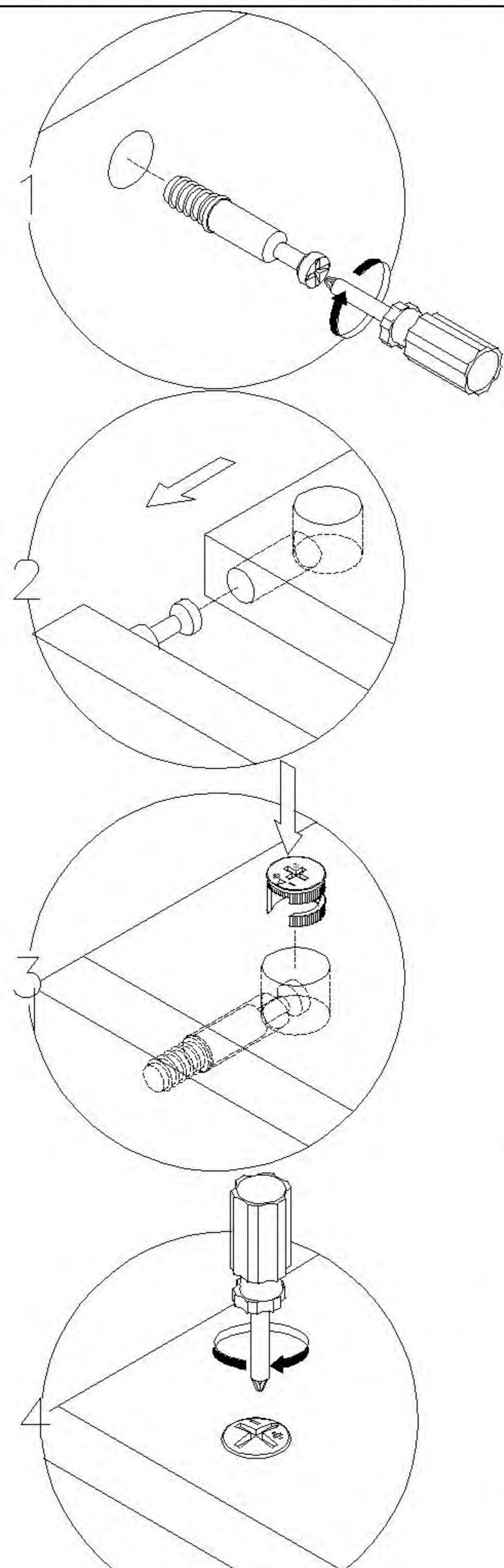


4

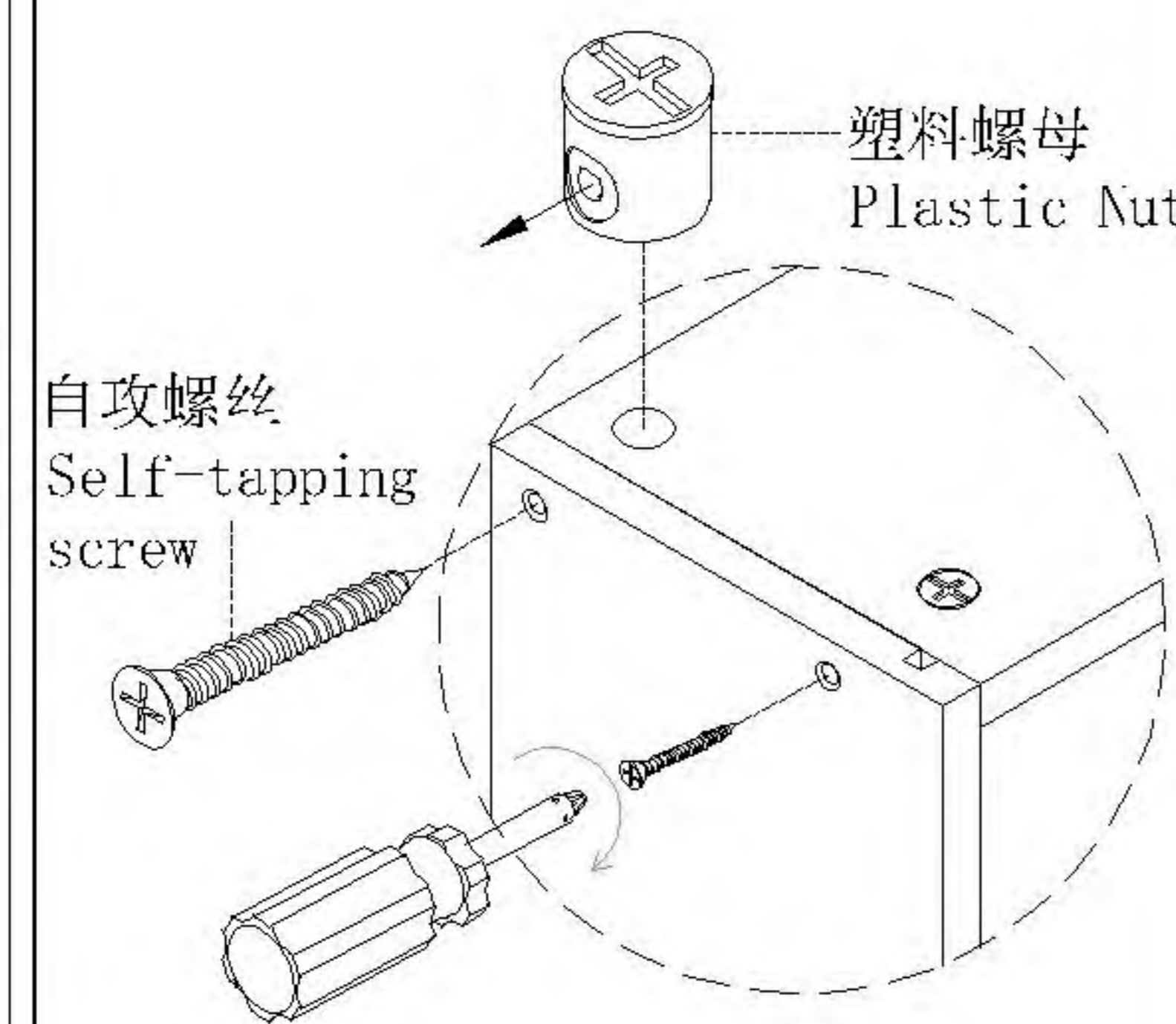
X3

UP1E-A1 (九斗柜)

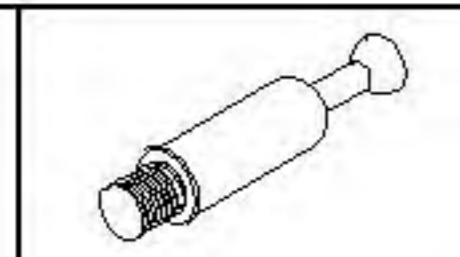
安装方法/
Installation method



小二合一
small two-in-one



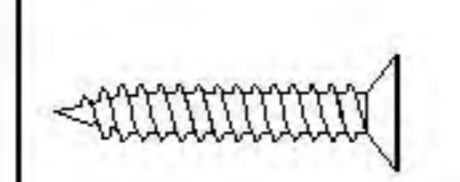
塑料螺母
Plastic Nut



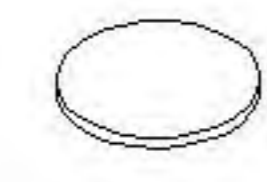
(I) * 12



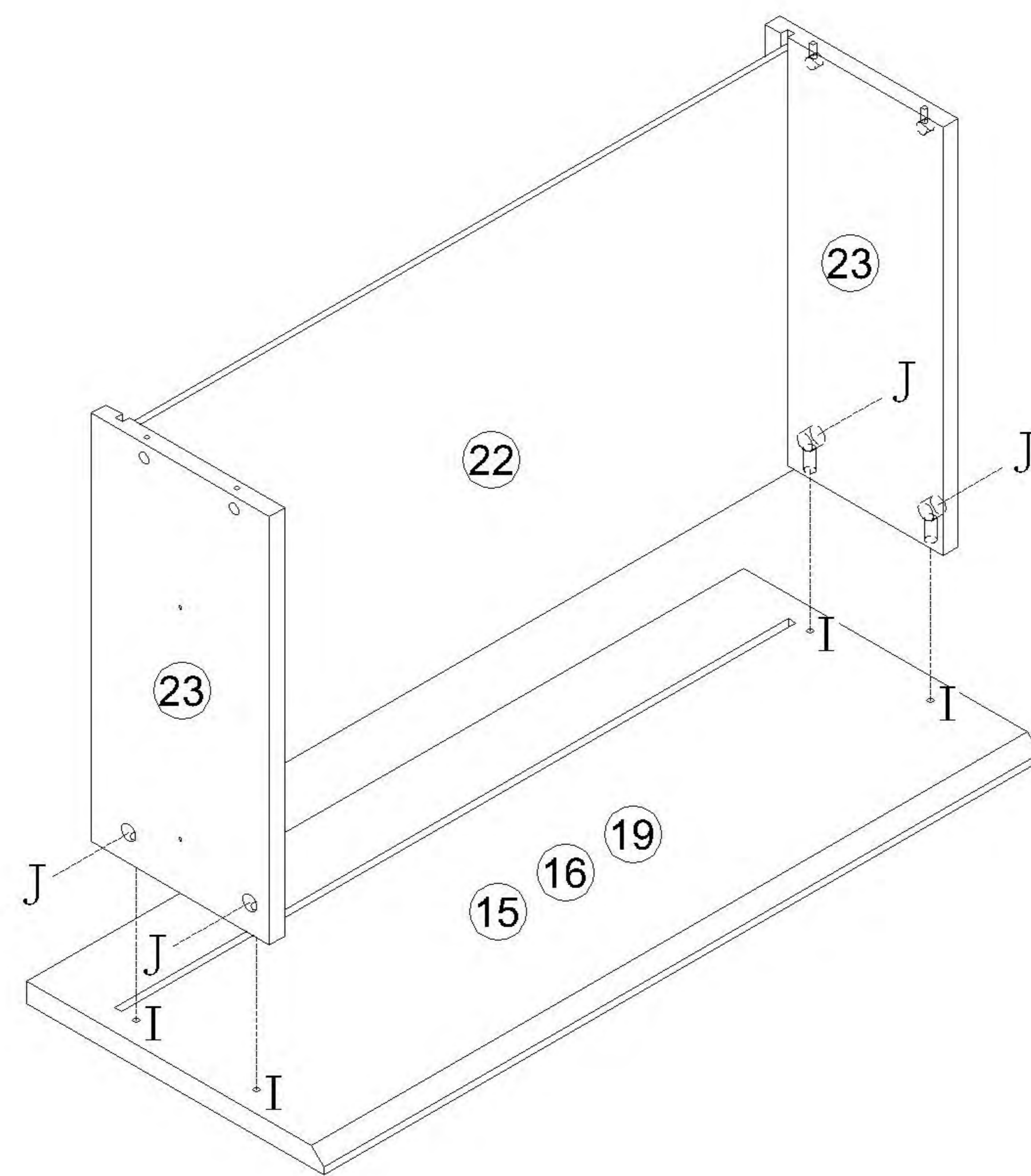
(J) * 12



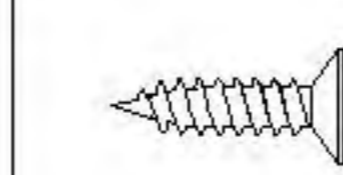
(C) * 12



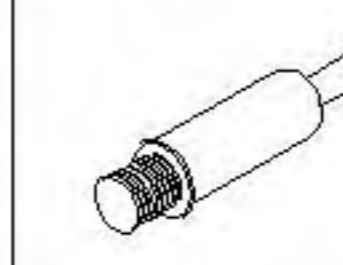
(G) * 12



5



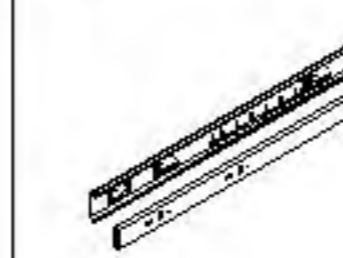
(A) * 18



(I) * 12

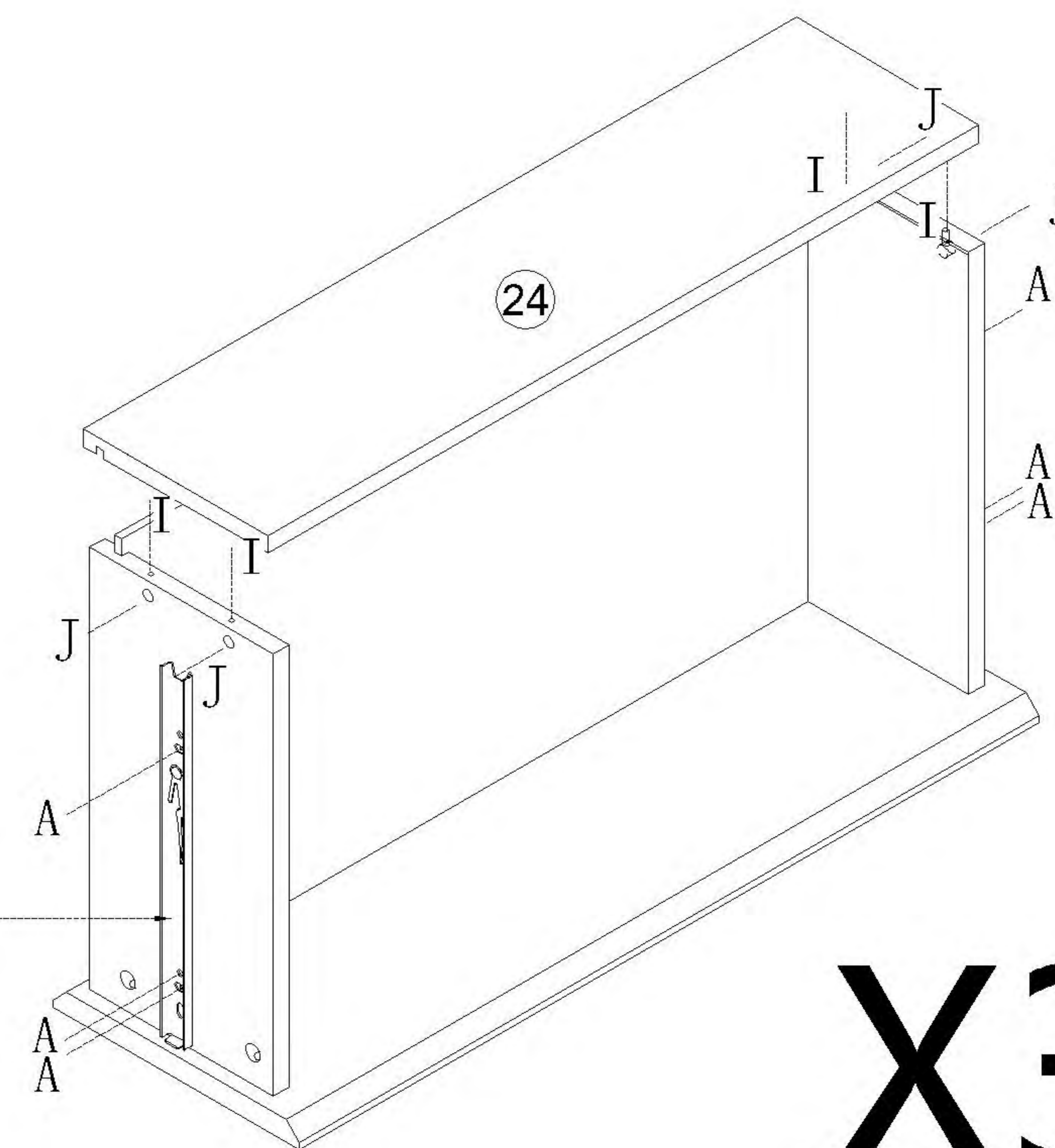


(J) * 12



(L) * 3

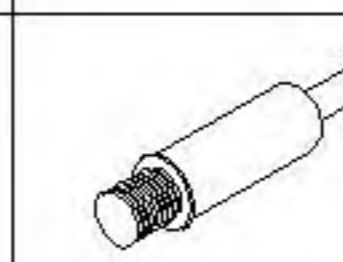
(L) 副轨
Sub rail



X3

6

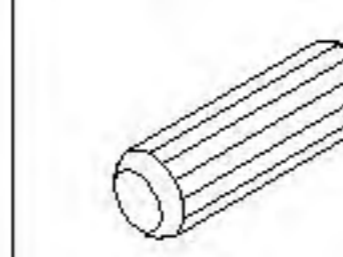
7



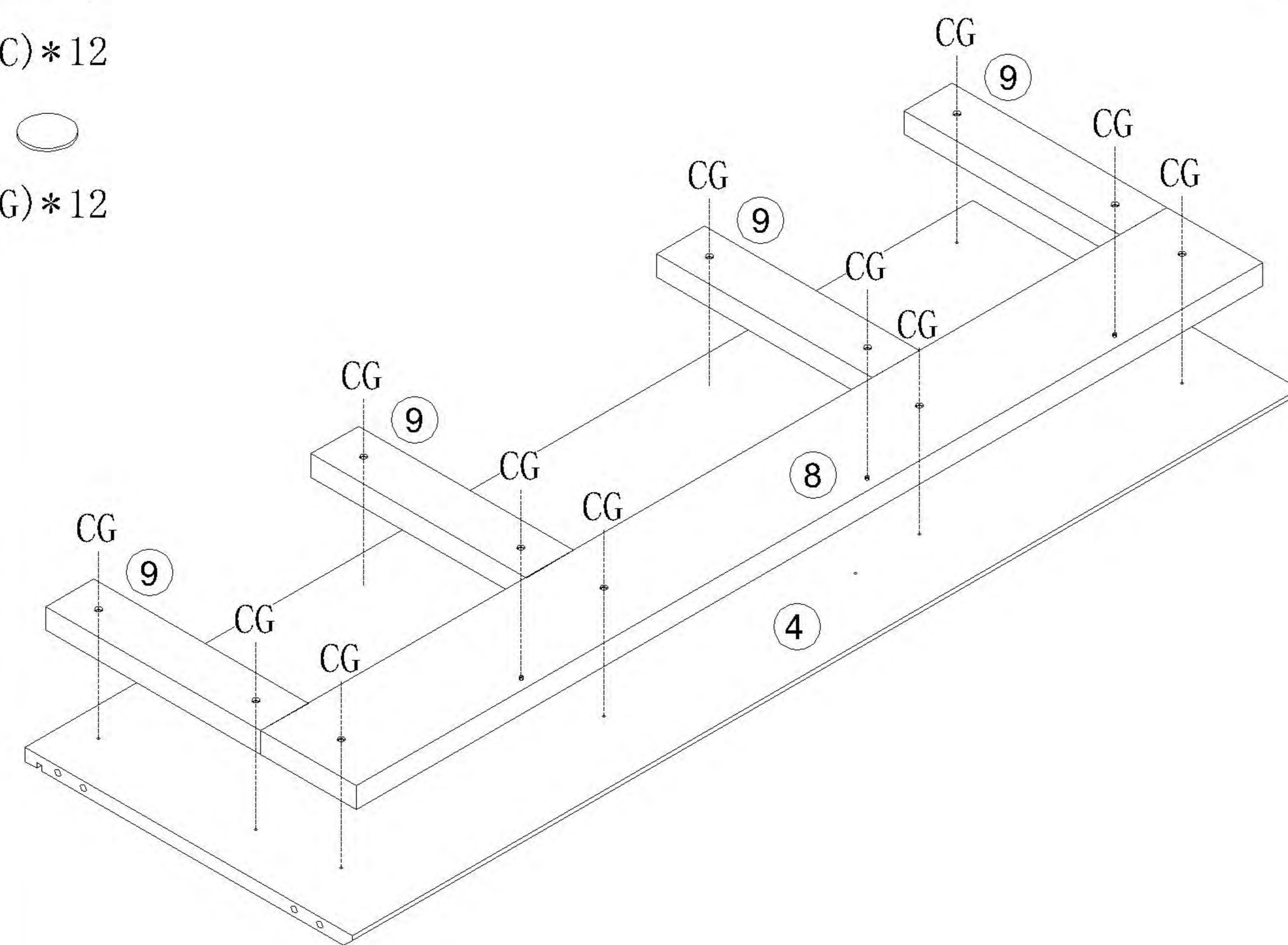
(I) * 4



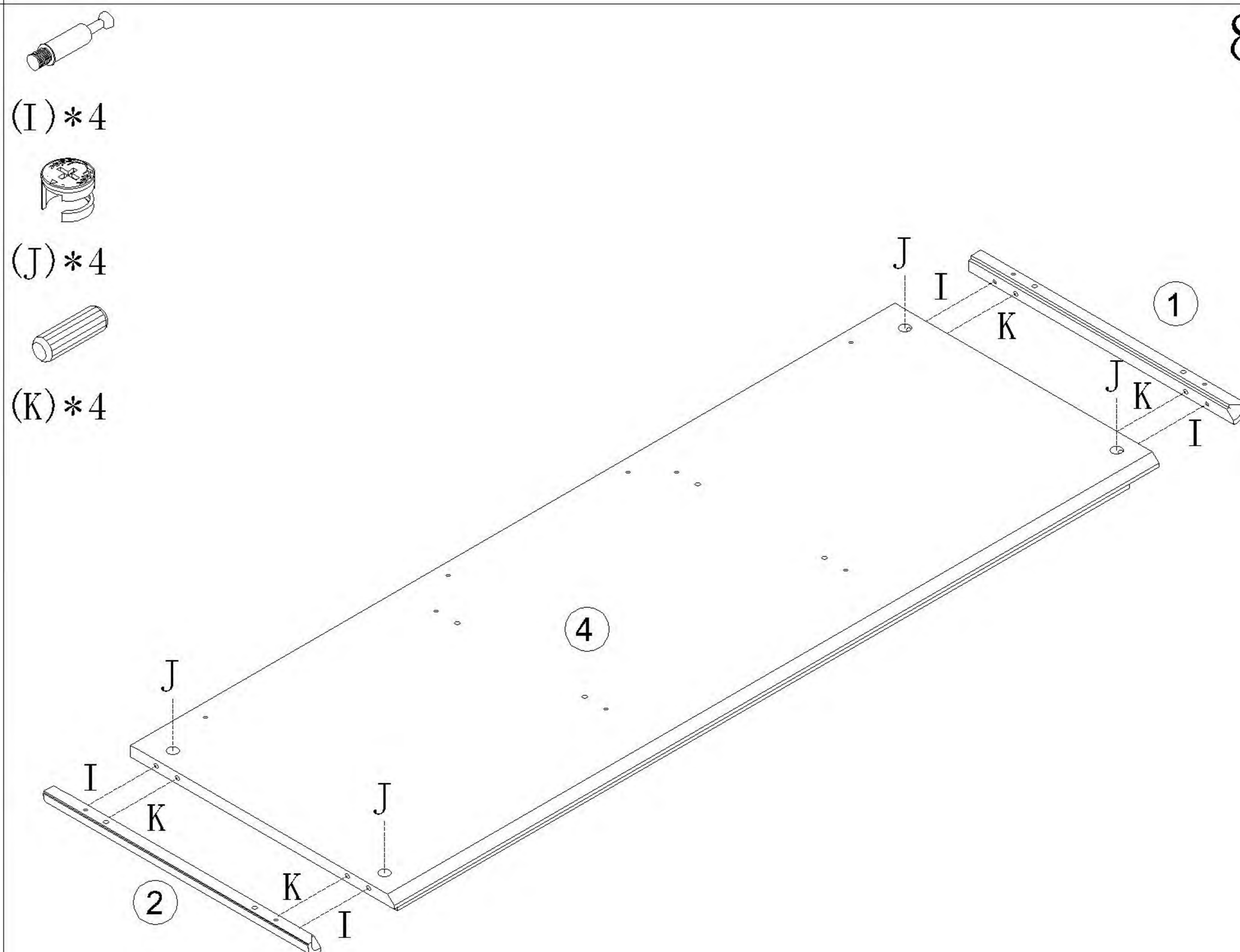
(J) * 4



(K) * 4

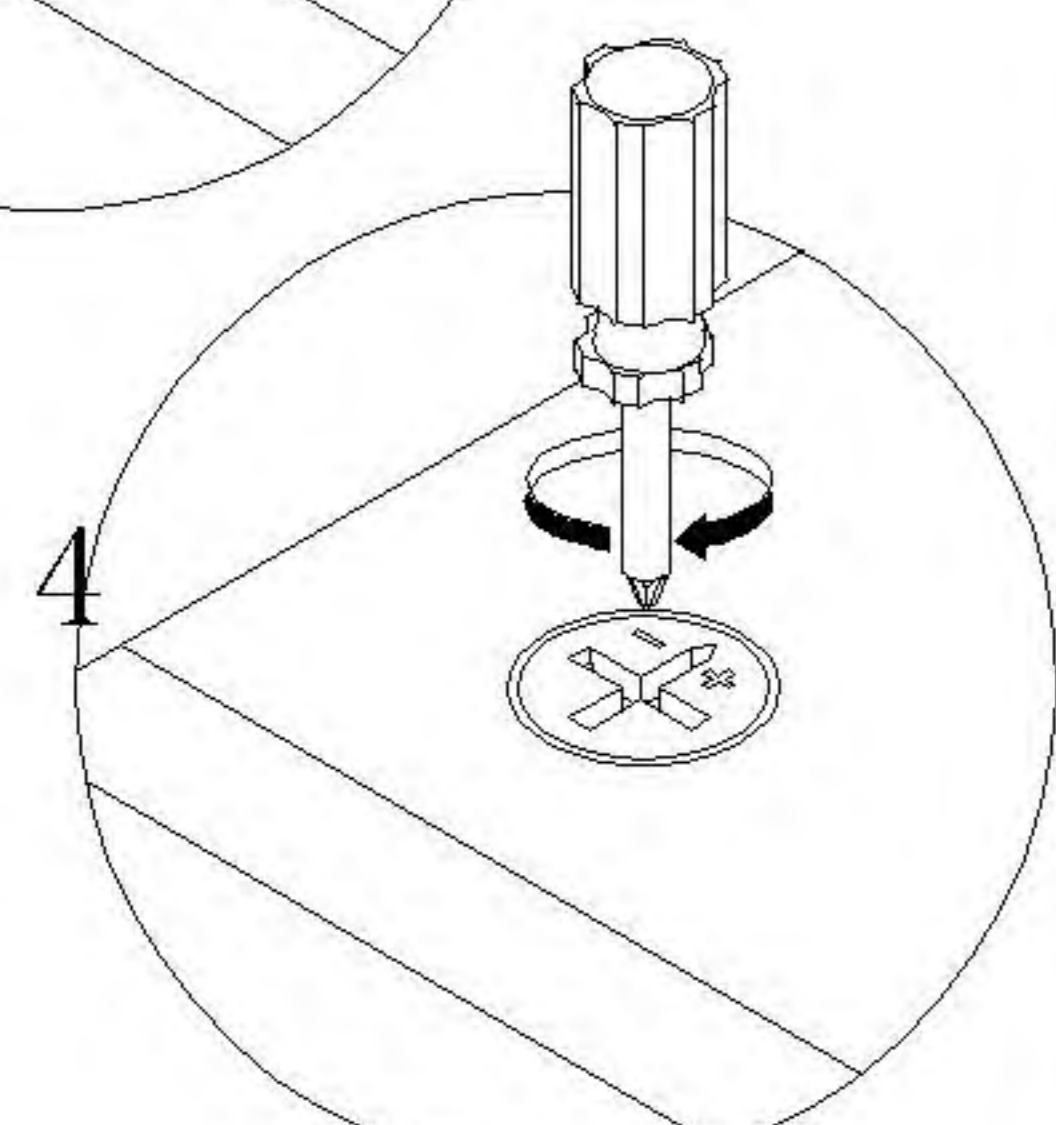
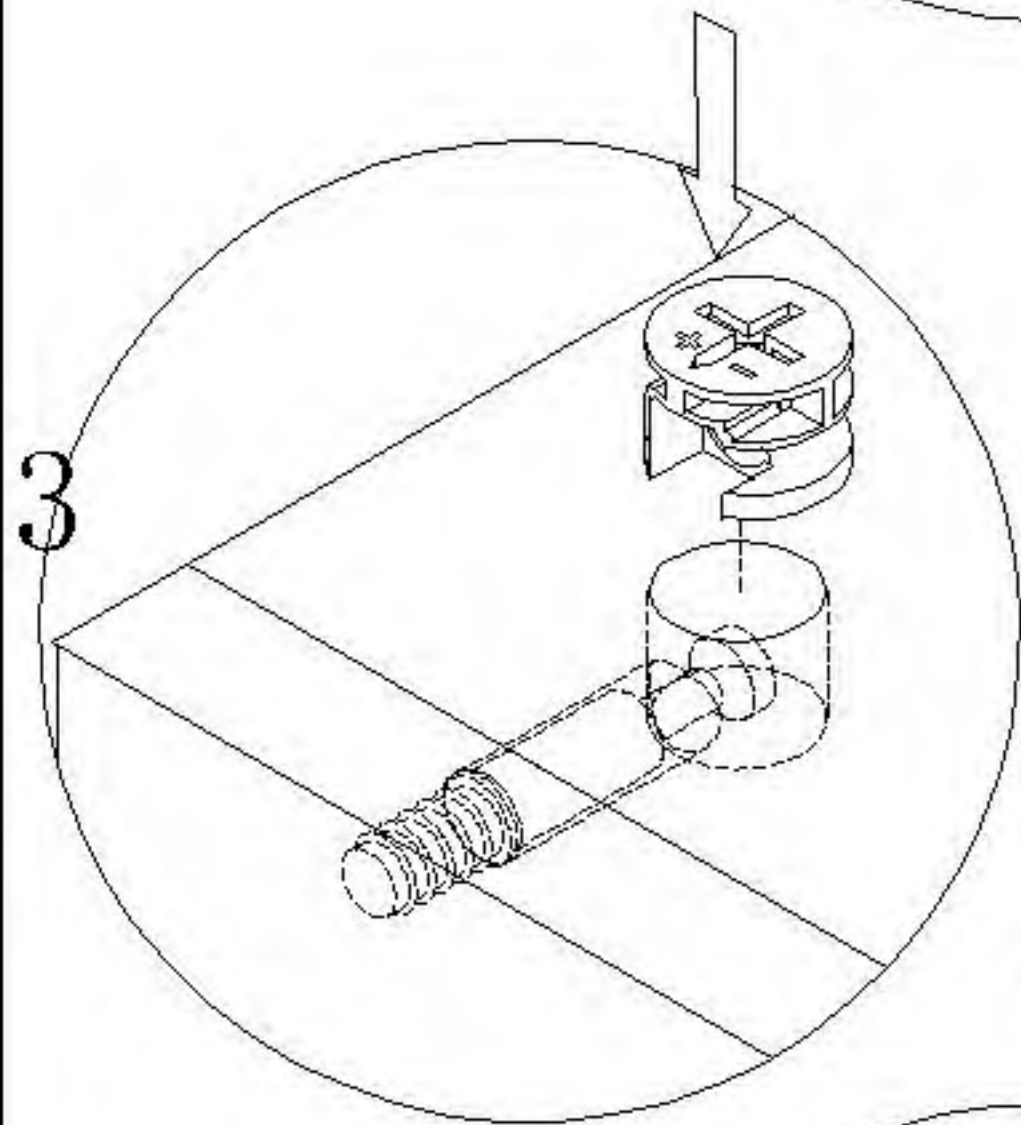
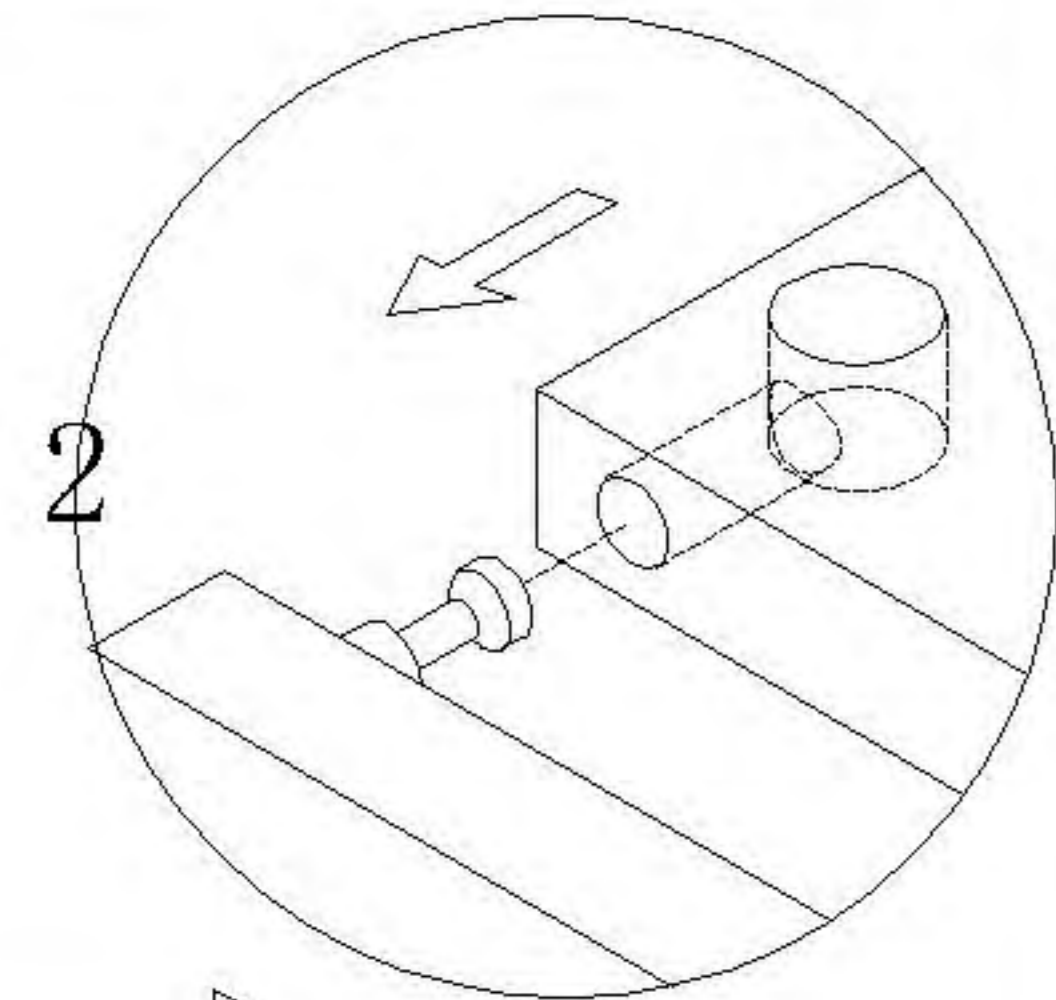
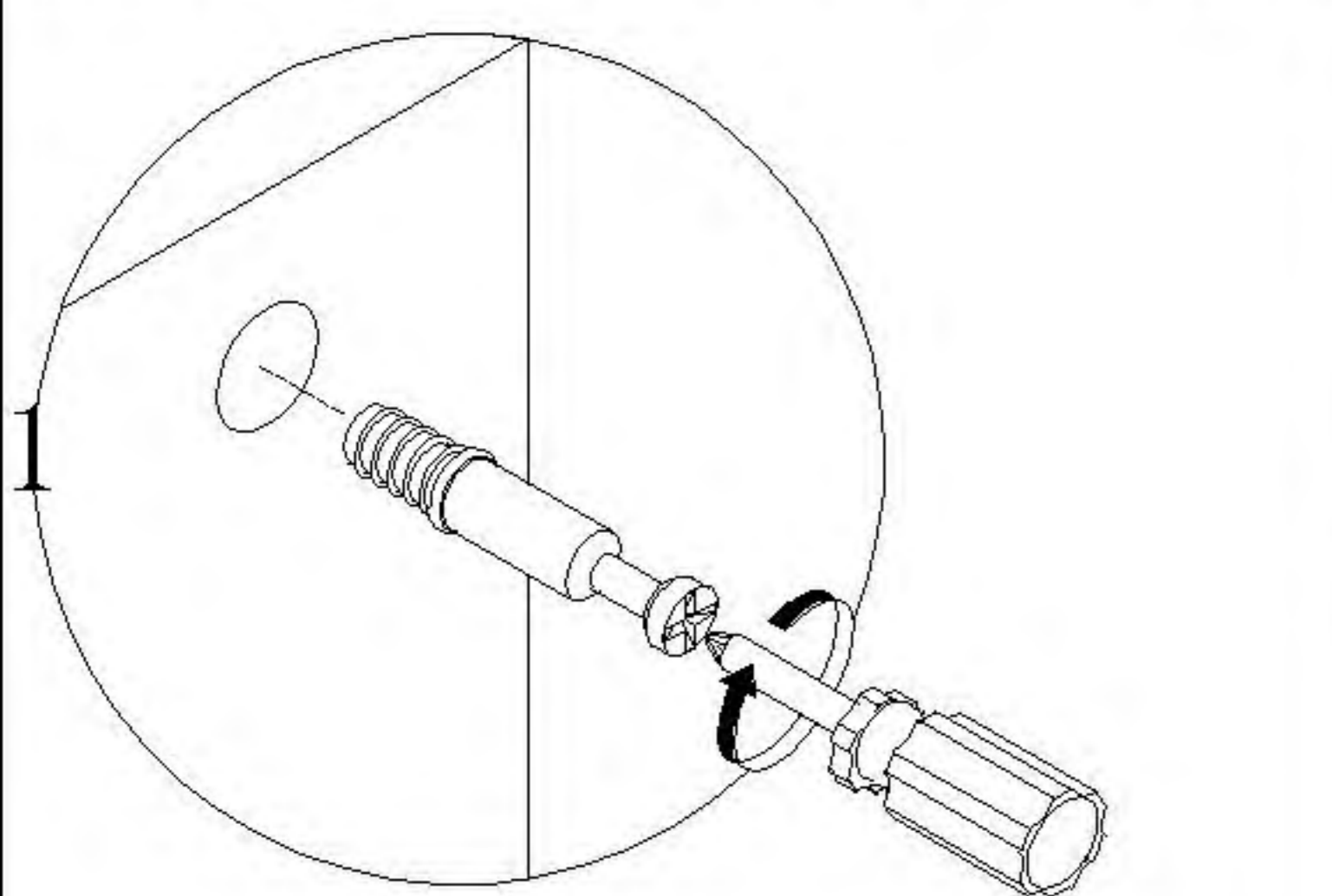


8

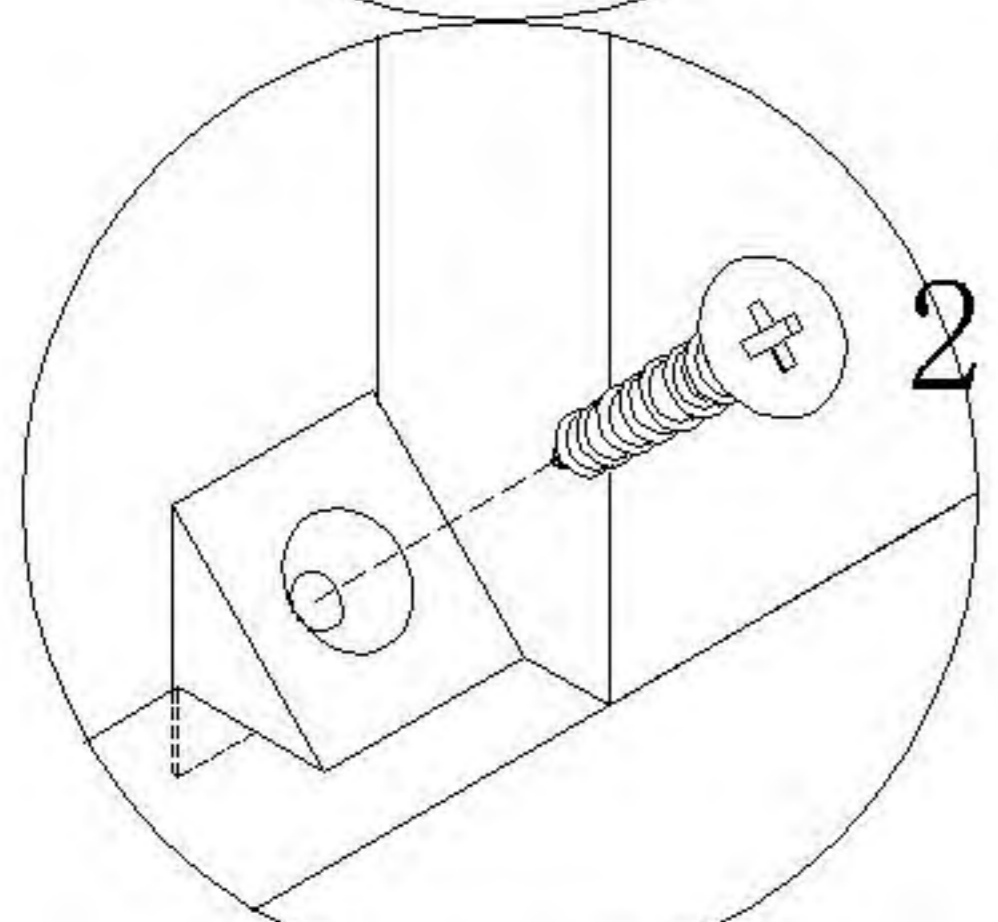
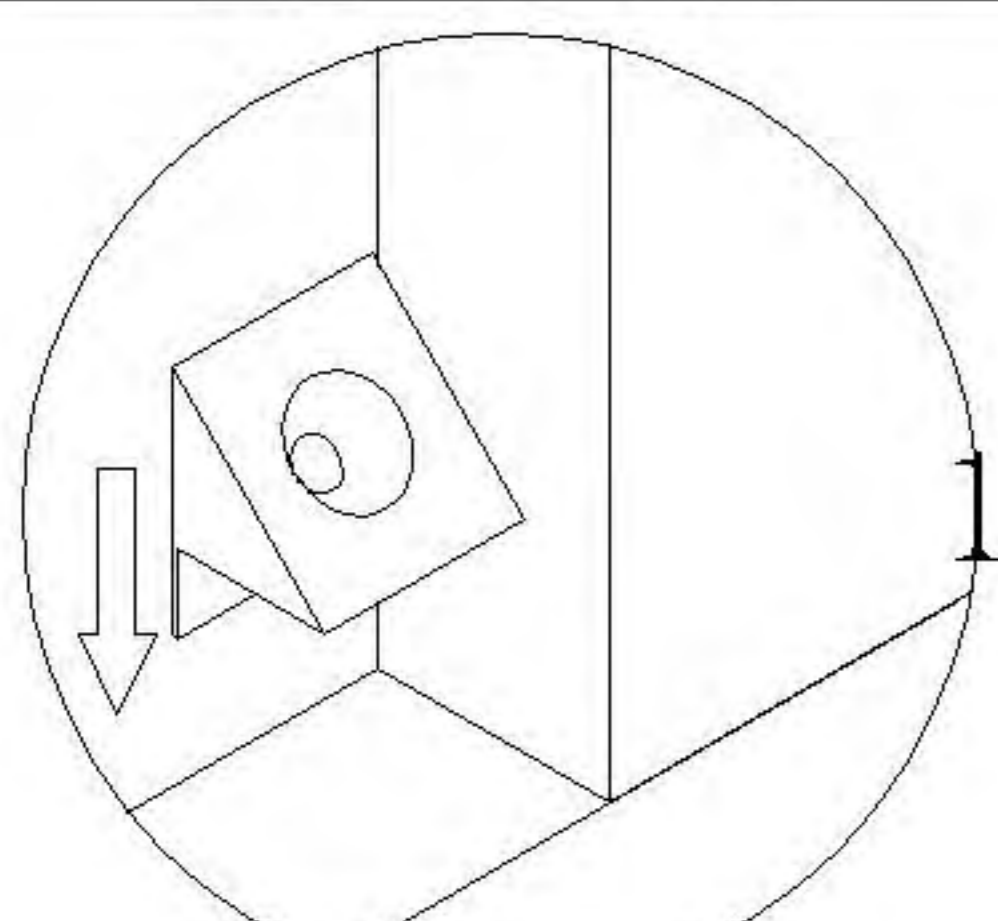


UP1E-A1 (九斗柜)

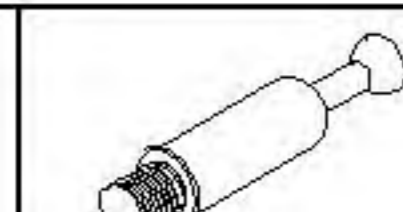
安装方法/
Installation method



大二合一
two-in-one



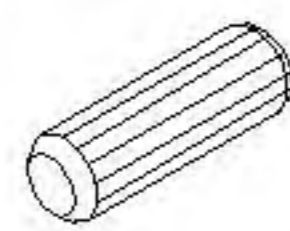
背板扣
Back Plate Buckle-White



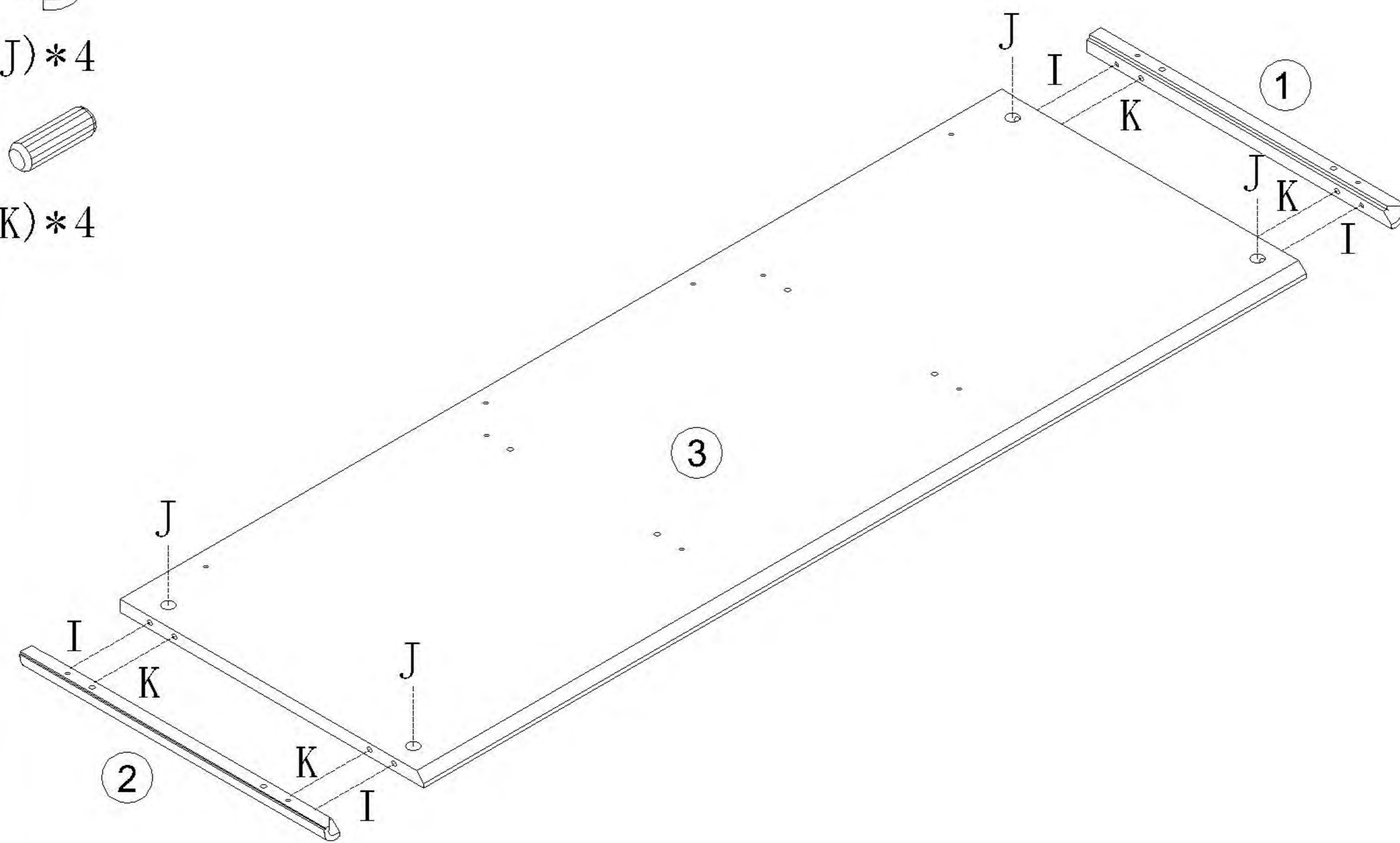
(I)*4



(J)*4



(K)*4



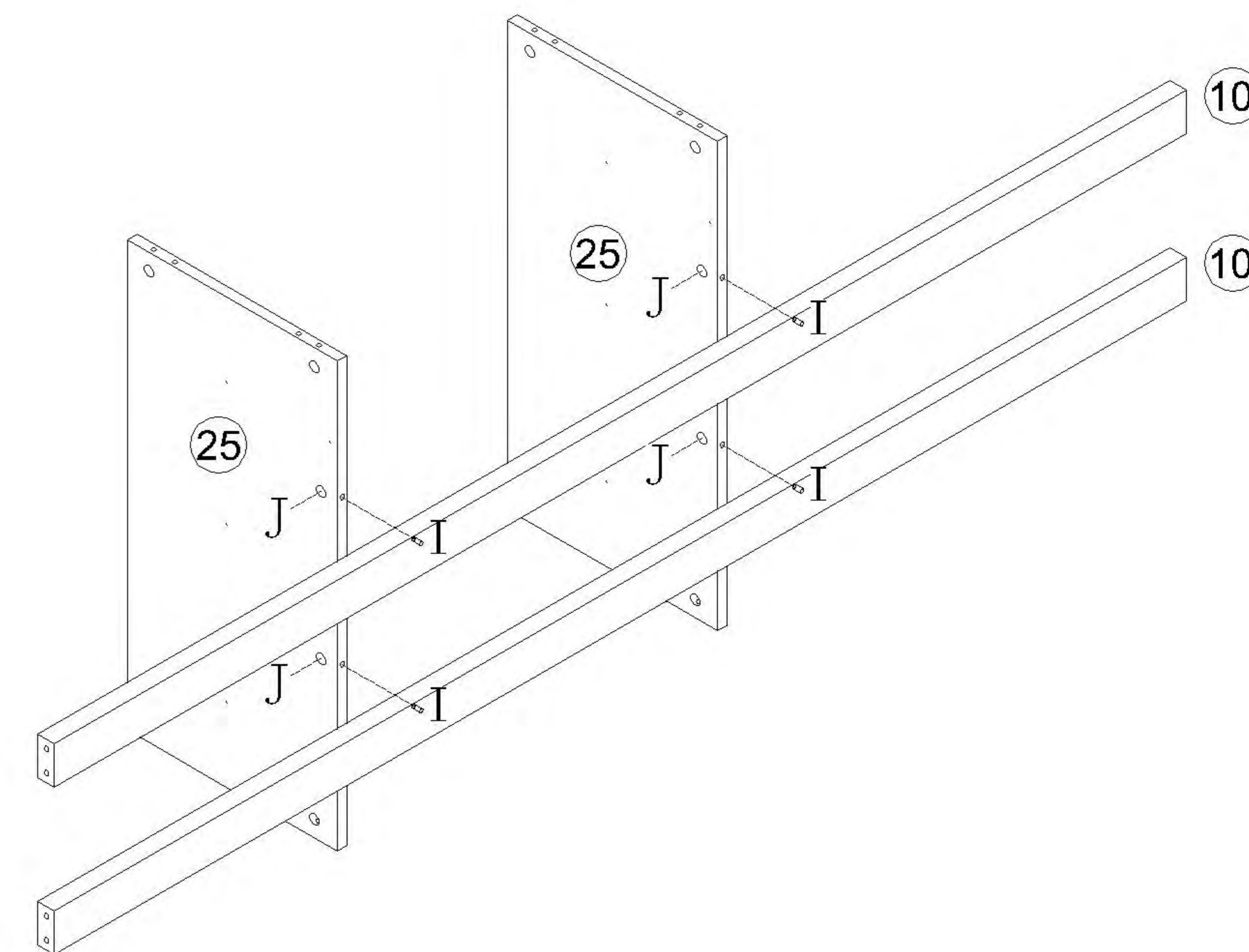
9



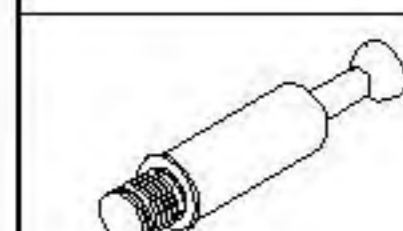
(I)*4



(J)*4



10



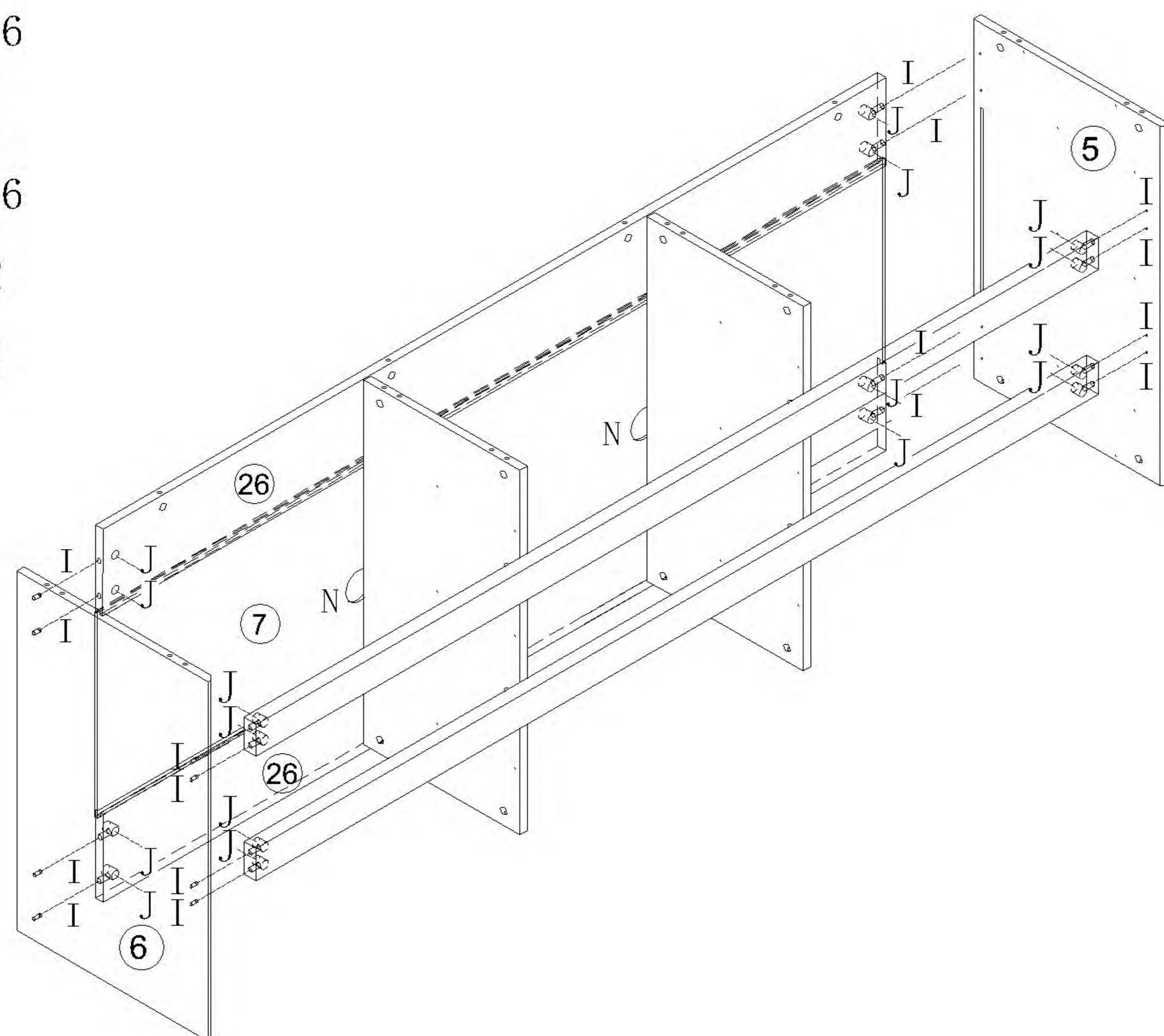
(I)*16



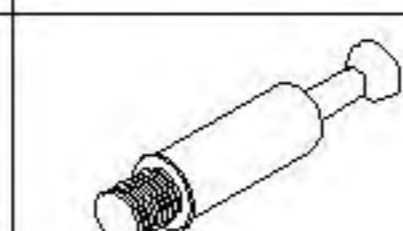
(J)*16



(N)*2



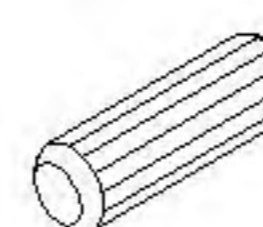
11



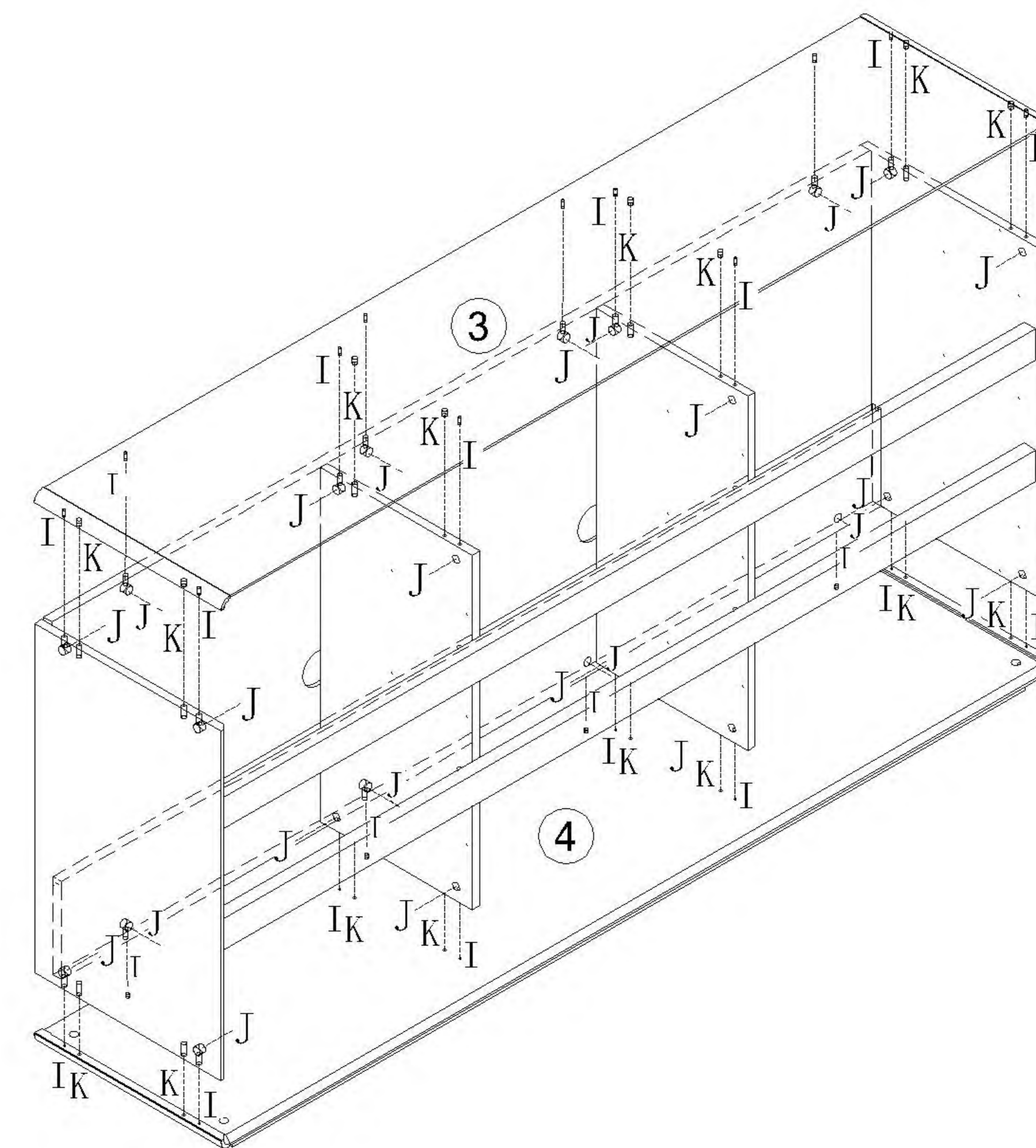
(I)*24



(J)*24



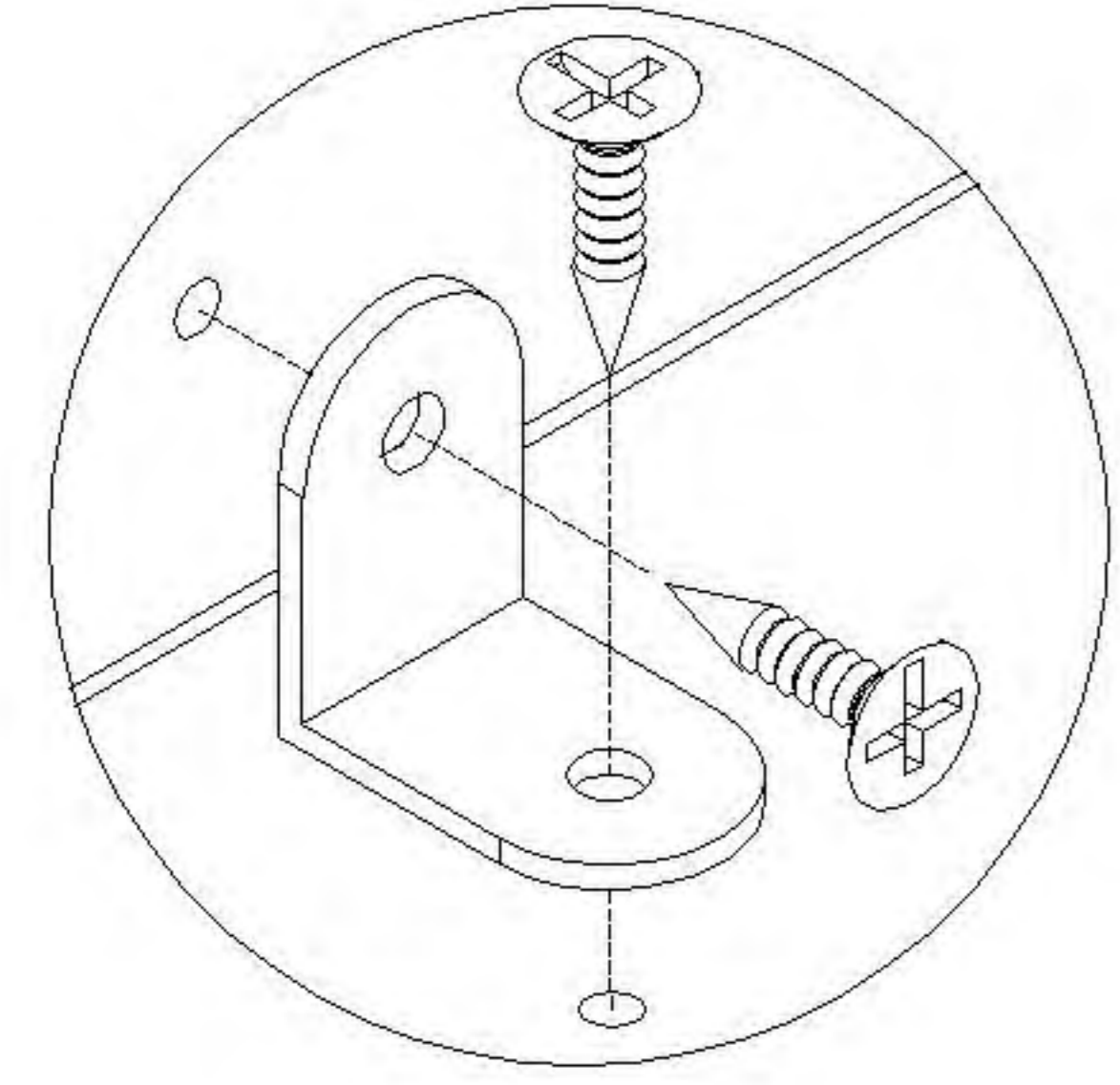
(K)*16



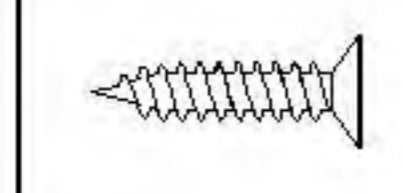
12

UP1E-A1 (九斗柜)

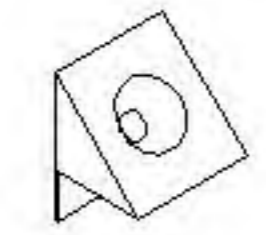
安装方法/
Installation method



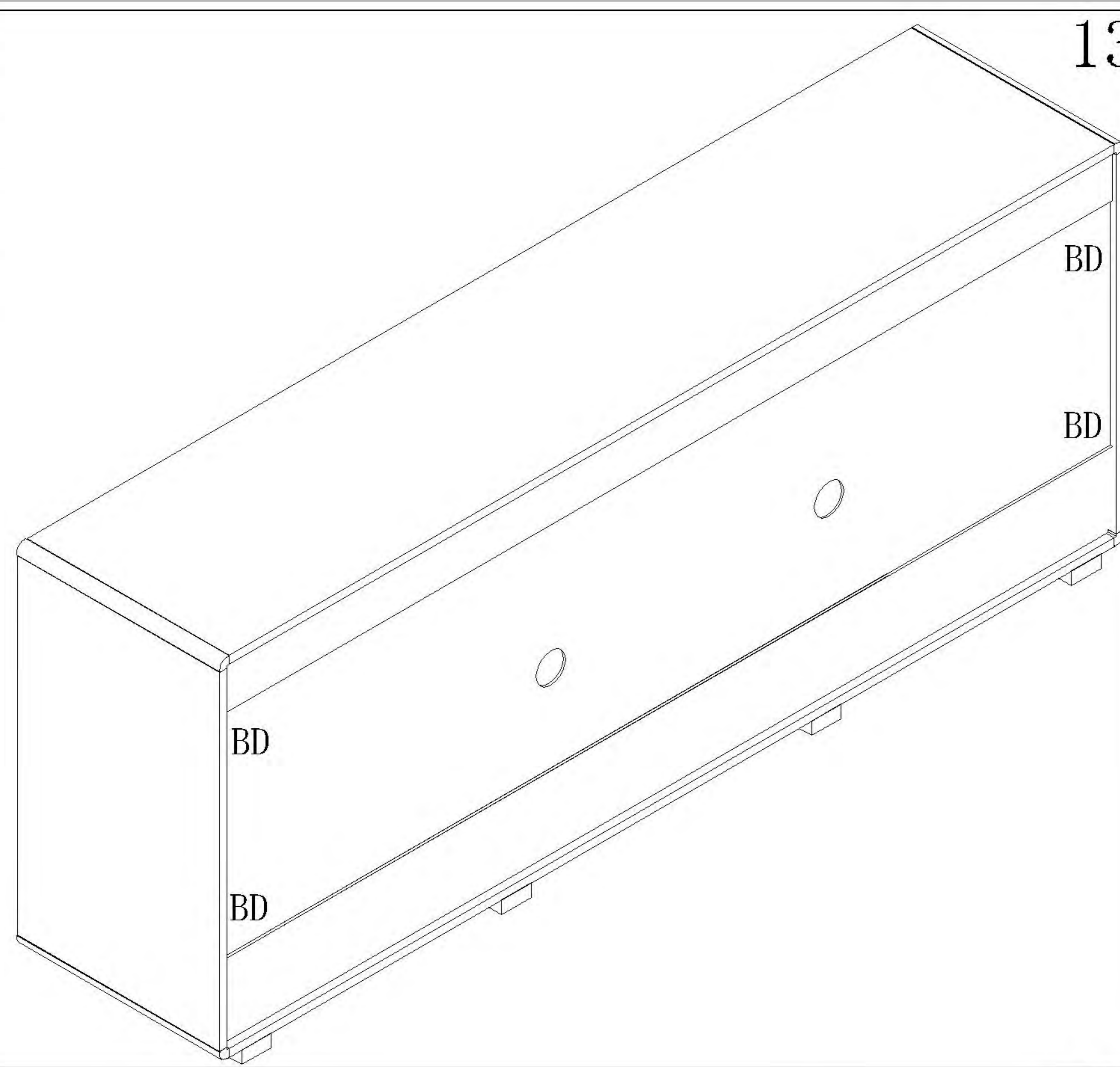
角码
Bracket



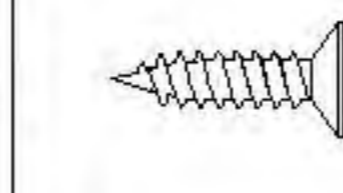
(B)*4



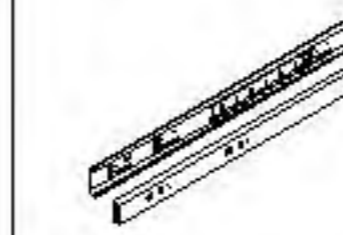
(D)*4



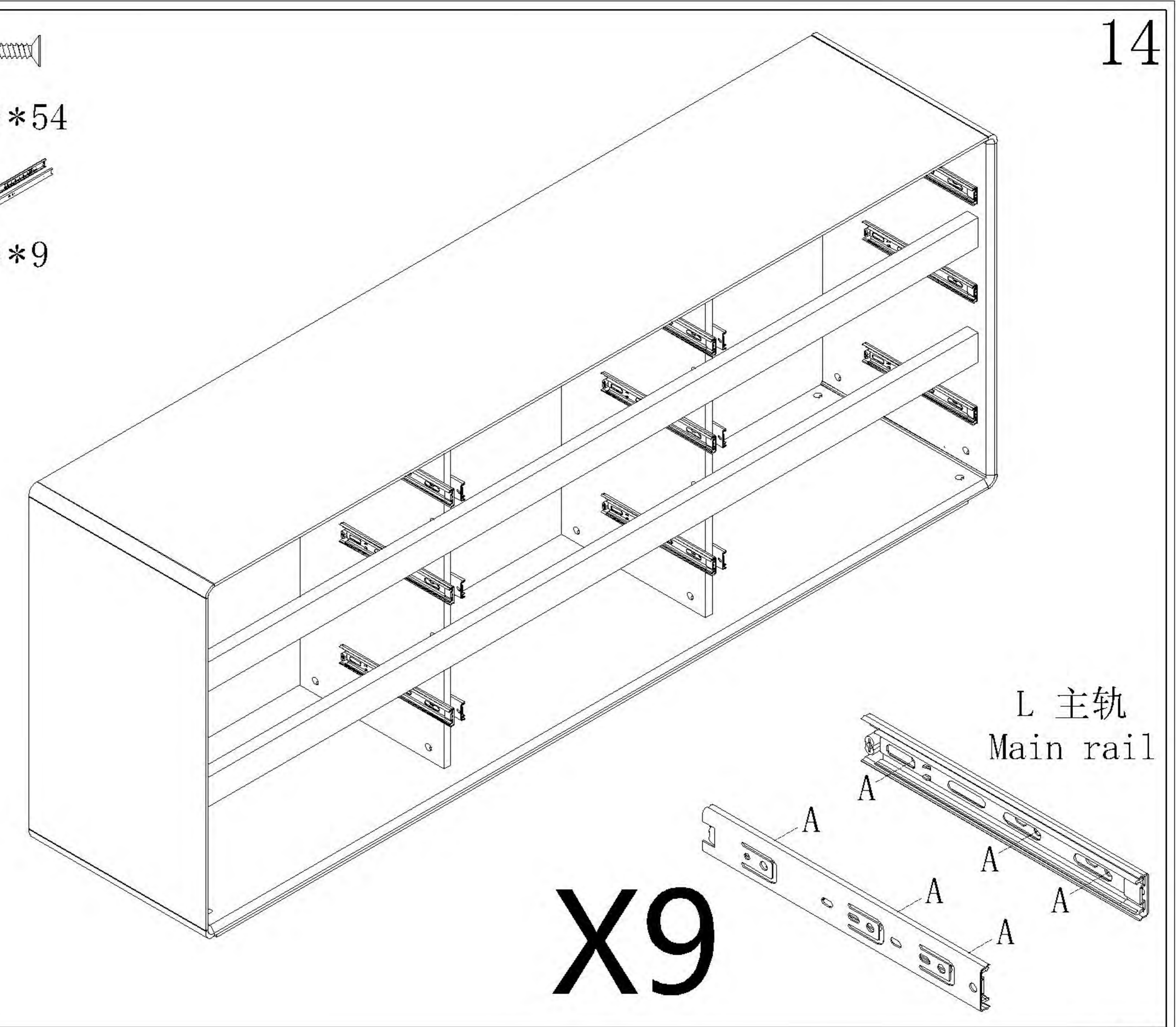
13



(A)*54

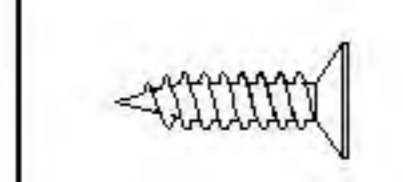


(L)*9



X9

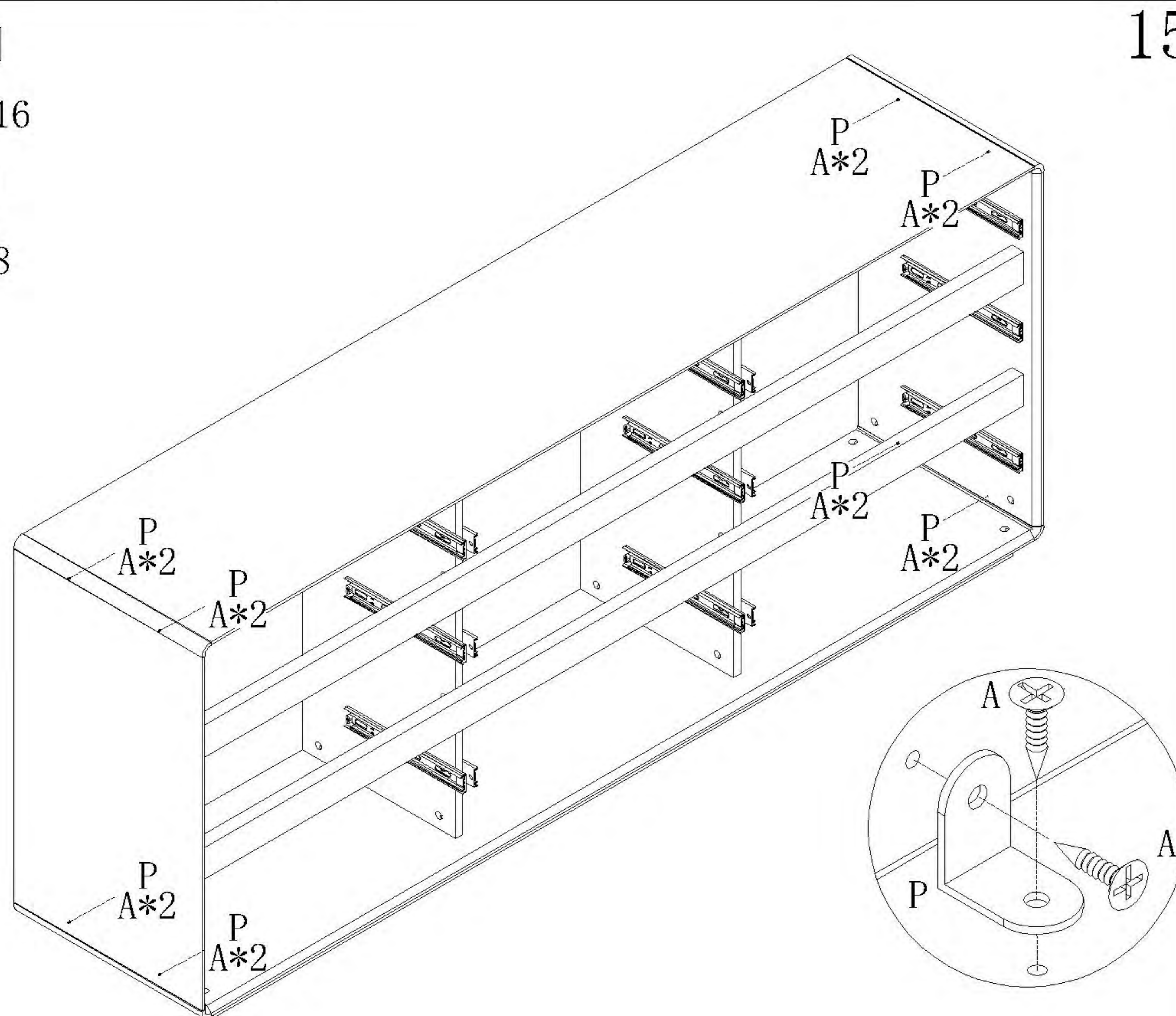
L 主轨
Main rail



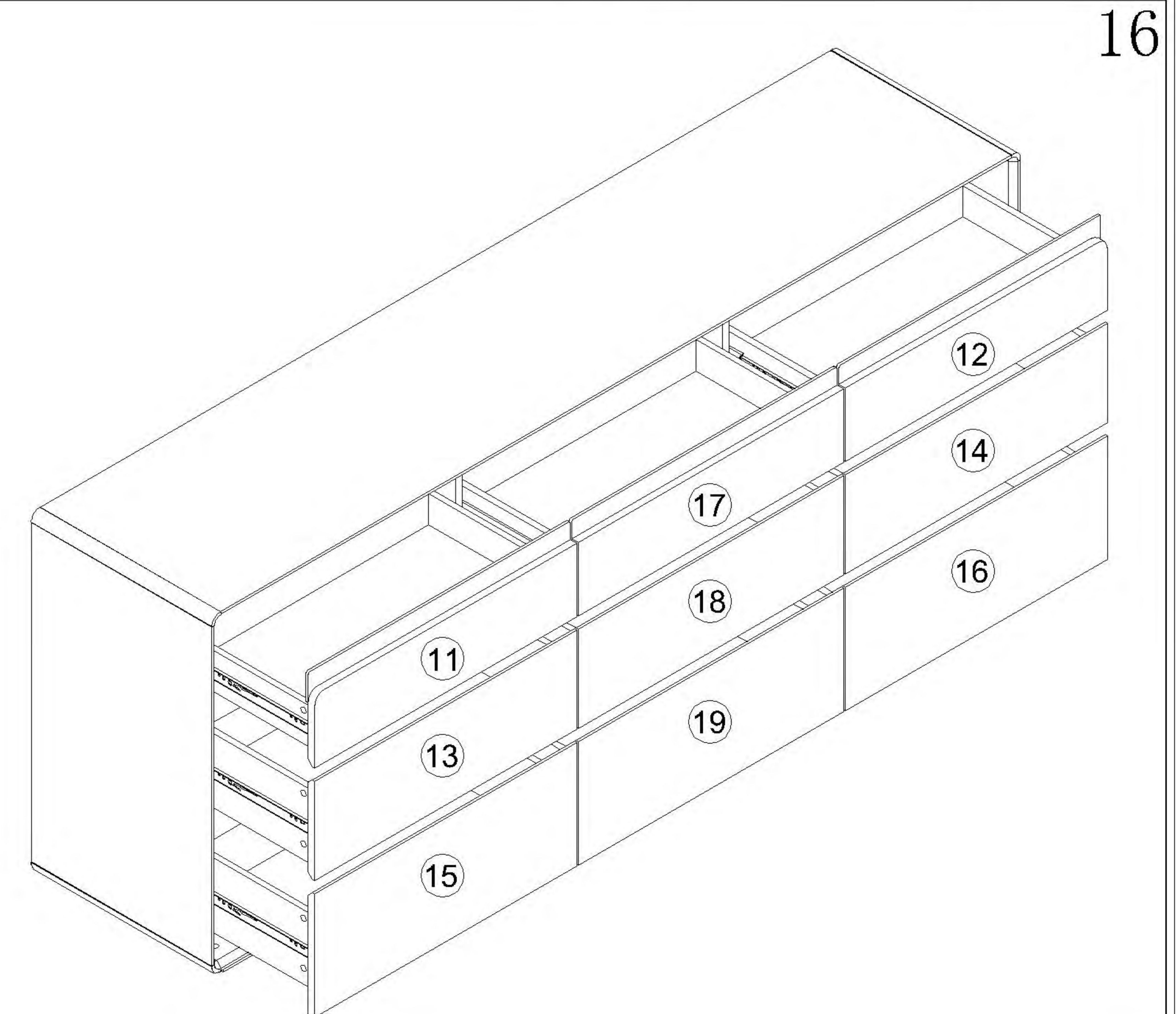
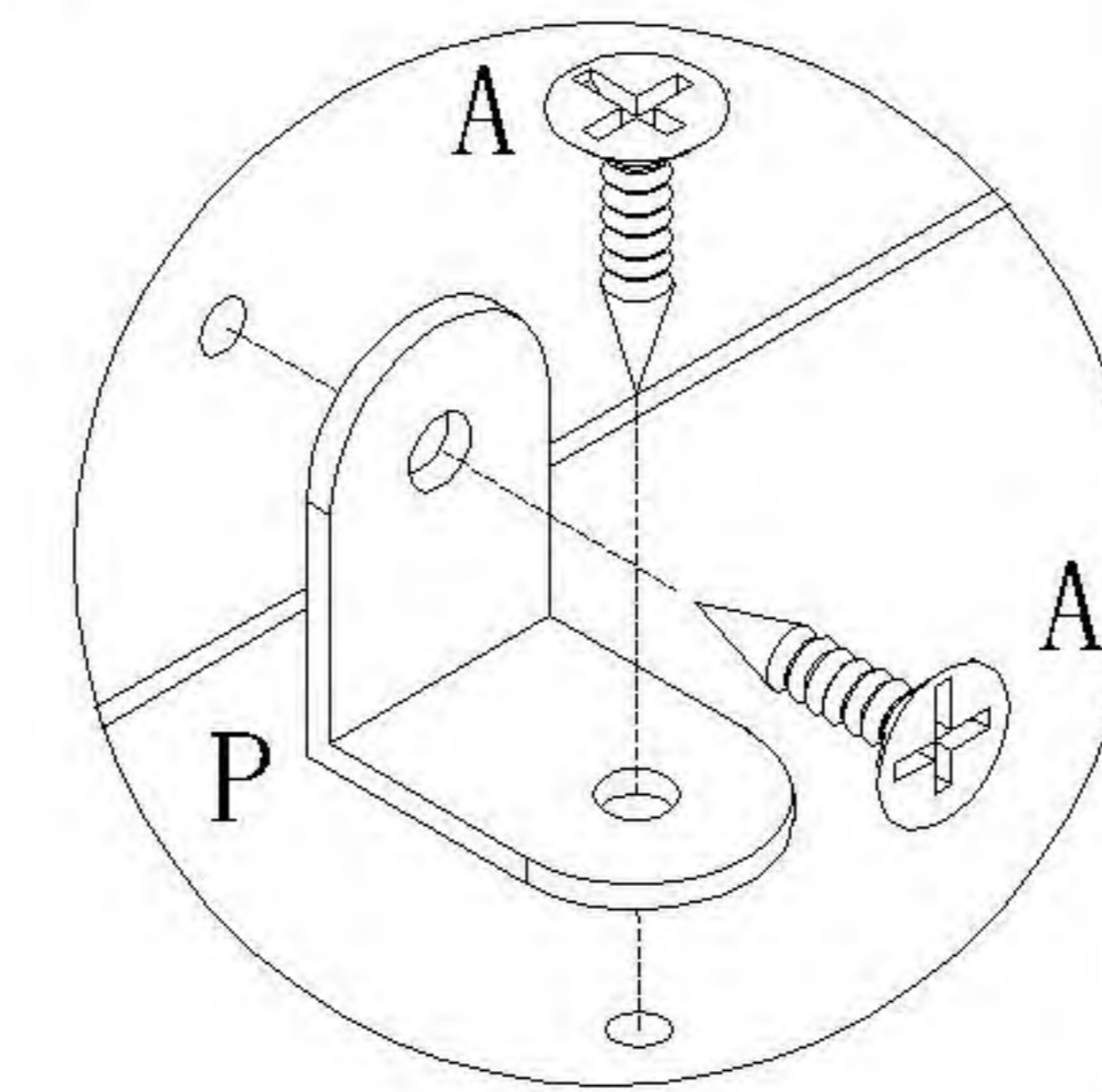
(A)*16



(P)*8



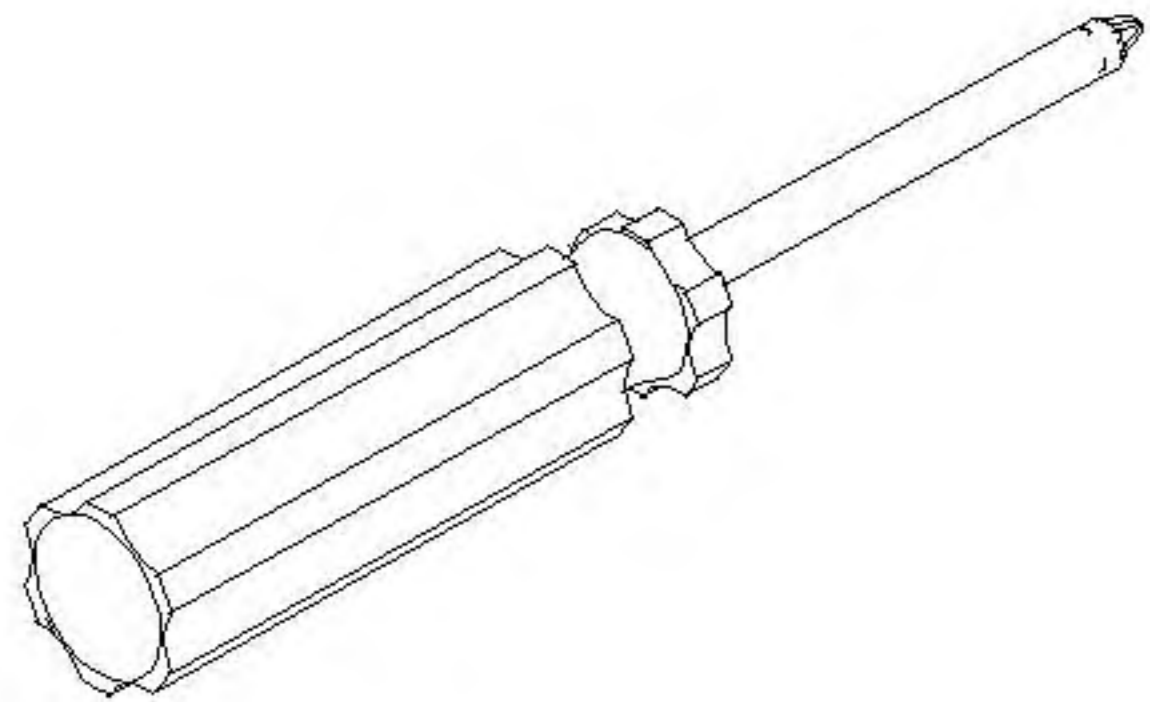
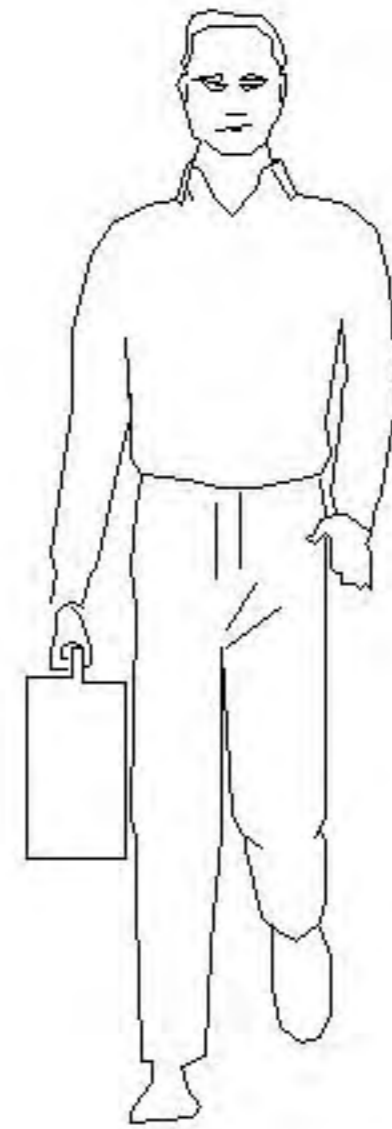
15

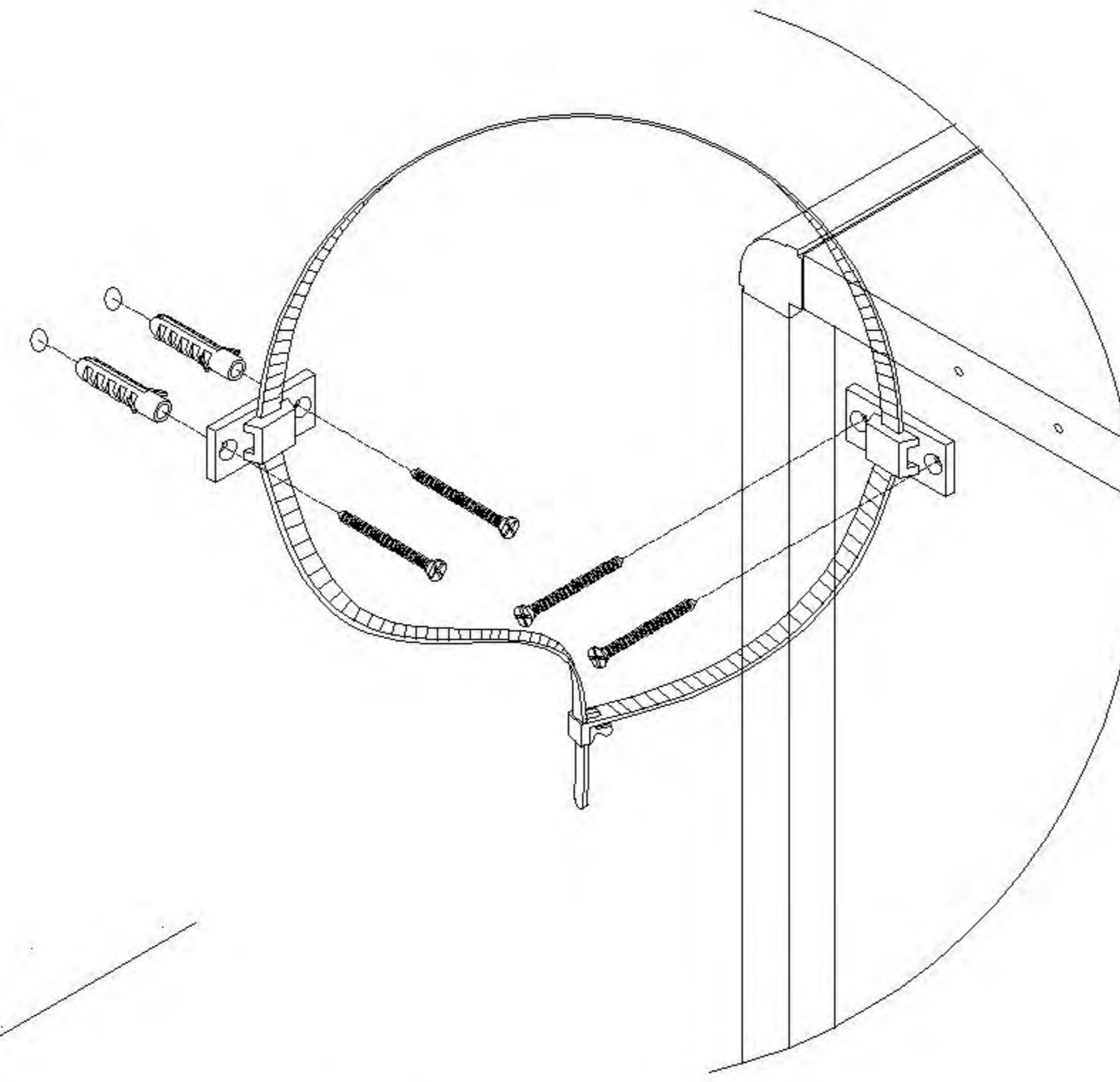


16

LINSY 林氏家居

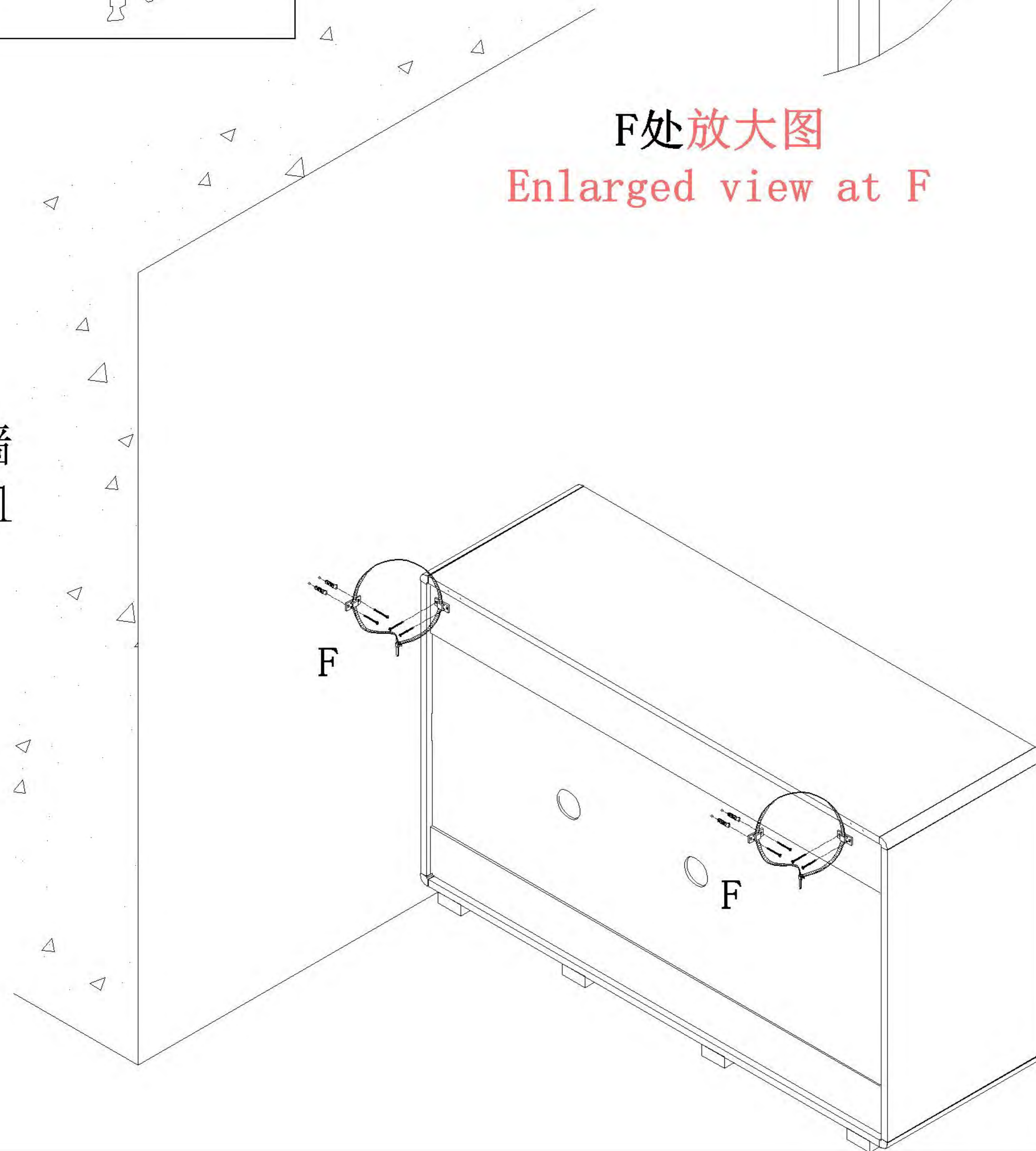
安装示意图/Assembly Instruction

产品名称 Model NO.	Anti-fall device
产品规格 Specification	-
安装工具 Tool	安装人数 Installer
	



F处放大图
Enlarged view at F

实体墙
Solid wall



(Q)*131

孔位贴使用小贴士
产品安装完成后请贴上孔贴，多出的孔贴请保管好

Tips for using hole stickers:
After the product installation is completed, please attach the hole stickers. Please keep any extra hole stickers safe

