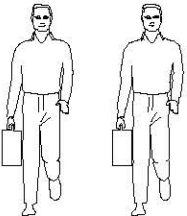
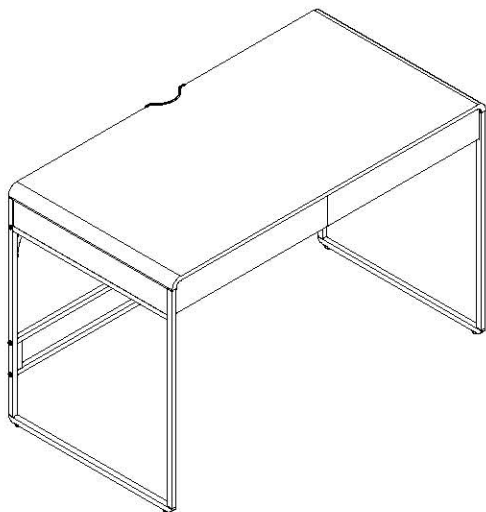


LINSY 林氏家居





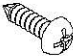





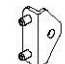
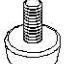




安装示意图/Assembly Instruction

| | |
|--------------------|---|
| 产品名称 Model NO. | 电脑桌 Computer Desk |
| 产品型号 Product Model | BG097-A/B |
| 尺寸规格 Specification | 1150*600*750mm |
| 安装工具 Tool | 安装人数 Installer |
| |  |

注：为保证设计效果，部分尺寸为定制尺寸，不影响使用。



五金表/Hardware list

| | | | |
|--|---|---|---|
|  (A)*4 木榫 $\phi 6 \times 30$ Wood tenon |  (B)*13 偏心轮 $\phi 15$ Cam lock |  (C)*8 偏心杆 $M6 \times 40$ Cam bolt |  (D)*5 偏心杆 $ST6 \times 40$ Cam bolt |
|  (E)*16 十字盘头 $ST4 \times 10$ Cross round screw |  (F)*8 十字沉头 $ST4 \times 12$ Cross screw |  (G)*8 木螺丝 $ST5 \times 38$ Wood screw |  (H)*12 木螺丝 $ST5 \times 50$ Wood screw |
|  (I)*20 扁圆头螺丝 $M6 \times 12$ Flat round head screw |  (J)*6 扁圆头螺丝 $M6 \times 25$ Flat round head screw |  (K)*4 抽屉连接件 Drawer connectors |  (L)*4 调节脚垫 $M6$ Adjusting the footrest |
|  (M)*4 14寸两折轨 14-inch three-fold rail |  (N)*4 中转轴 $\phi 5 \times 19$ Rotation shaft |  (O)*1 内六角扳手 $4MM$ Hexagon bar wrench |  (P)*1 穿线盒 Threading Box |

部件表/Parts List

| 编号NO. | 名称Name | 规格(MM) Specification | 数量QTY | 材质Material |
|-------|----------------------------|-------------------------|-------|----------------------|
| ① | 中立板 Middle riser | 483.5*103*16 | 1 | 刨花板 Particle board |
| ② | 抽屉侧板 Side plate | 339*70*12 | 4 | 刨花板 Particle board |
| ③ | 抽屉后板 Rear side panel | 507*70*12 | 2 | 刨花板 Particle board |
| ④ | 后底板 Rear bottom panel | 1118*134*16 | 1 | 刨花板 Particle board |
| ⑤ | 铁框架 Iron frame | 1118*116*16 | 1 | 钢 Steel |
| ⑥ | 台面板 Top board | 1150*600*33 | 1 | 纤维板 Fiberboard |
| ⑦ | 抽屉底板 Drawer bottom panel | 517*333*5 | 2 | 纤维板 Fiberboard |
| ⑧ | 右立板 Right riser | 564*85*15 | 1 | 纤维板 Fiberboard |
| ⑨ | 左立板 Left riser | 564*85*15 | 1 | 纤维板 Fiberboard |
| ⑩ | 左抽屉面板 Left drawer panels | 556*100*15 | 1 | 纤维板 Fiberboard |
| ⑪ | 后拉板 Rear pull plate | 1117*103*15 | 1 | 纤维板 Fiberboard |
| ⑬ | 折弯铁片 Bending iron sheet | 320*20*20 | 2 | 钢 Steel |
| ⑭ | 右侧架 Right side frame | 598*709*16 | 1 | 钢 Steel + 塑料 Plastic |
| ⑮ | 左侧架 Left side frame | 598*709*16 | 1 | 钢 Steel + 塑料 Plastic |
| ⑯ | 右抽屉面板 Right drawer panels | 556*100*15 | 1 | 纤维板 Fiberboard |
| ⑰ | 连接管 Connecting tubes | 1118.5*52*16 | 1 | 钢 Steel |
| ⑱ | 后连接管 Rear connecting tubes | 1118*116*16 | 1 | 钢 Steel |

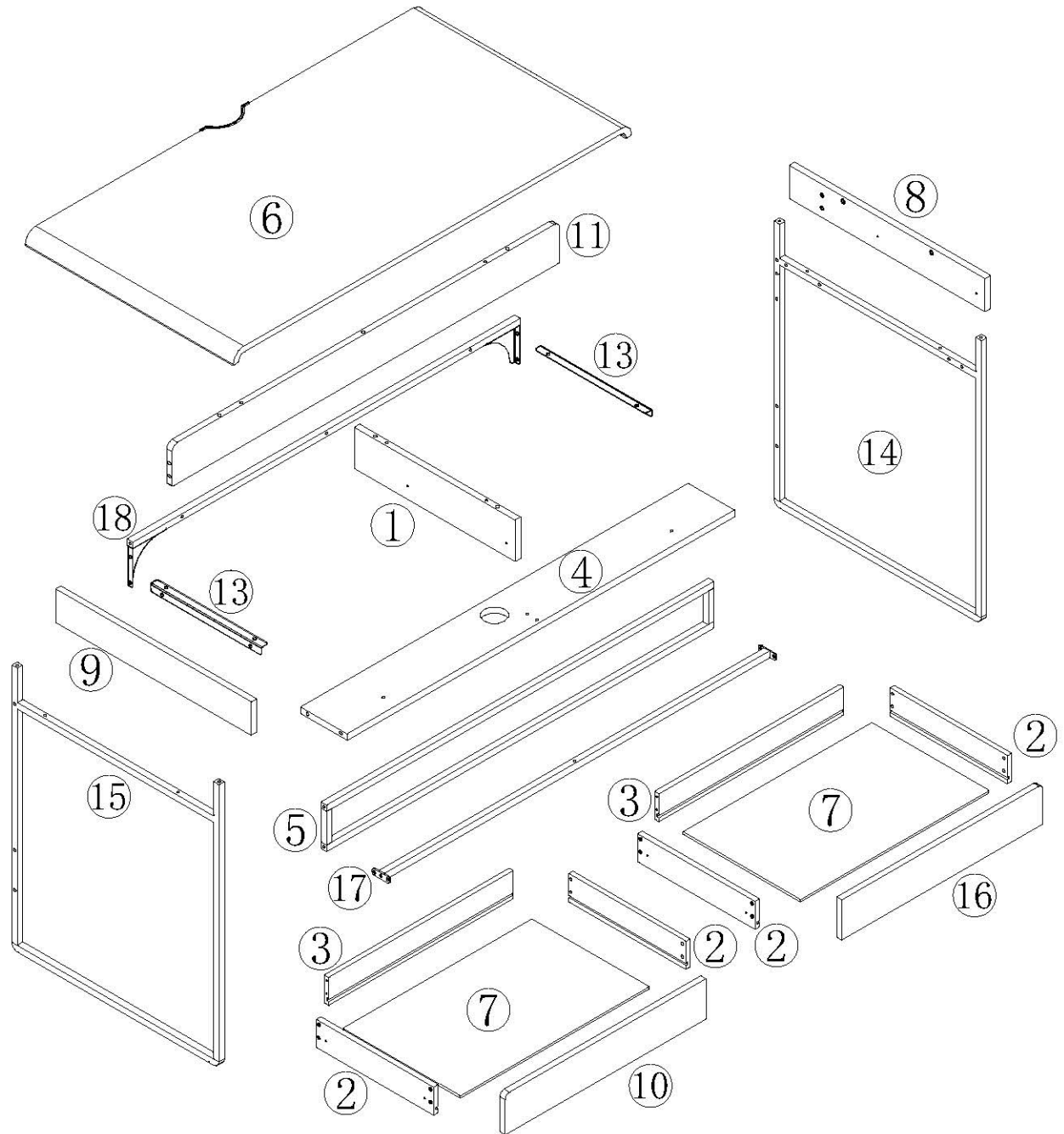
BG097-A/B

安装方法/
Installation method

温馨提示：
请正确使用螺丝，否则将
会造成产品严重损坏

Warm tips:
Please use the correct
screws, otherwise the
product will be
seriously damaged.

注意：
完成组装后再锁紧螺丝
Attention:
Please lock the screws
after assembly.



BG097-A/B

安装方法/

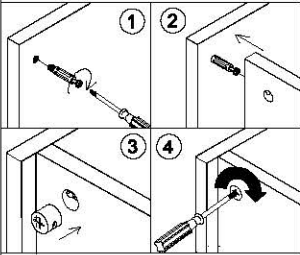
Installation method

温馨提示:

请正确使用螺丝, 否则将会造成产品严重损坏

Warm tips:

Please use the correct screws, otherwise the product will be seriously damaged.

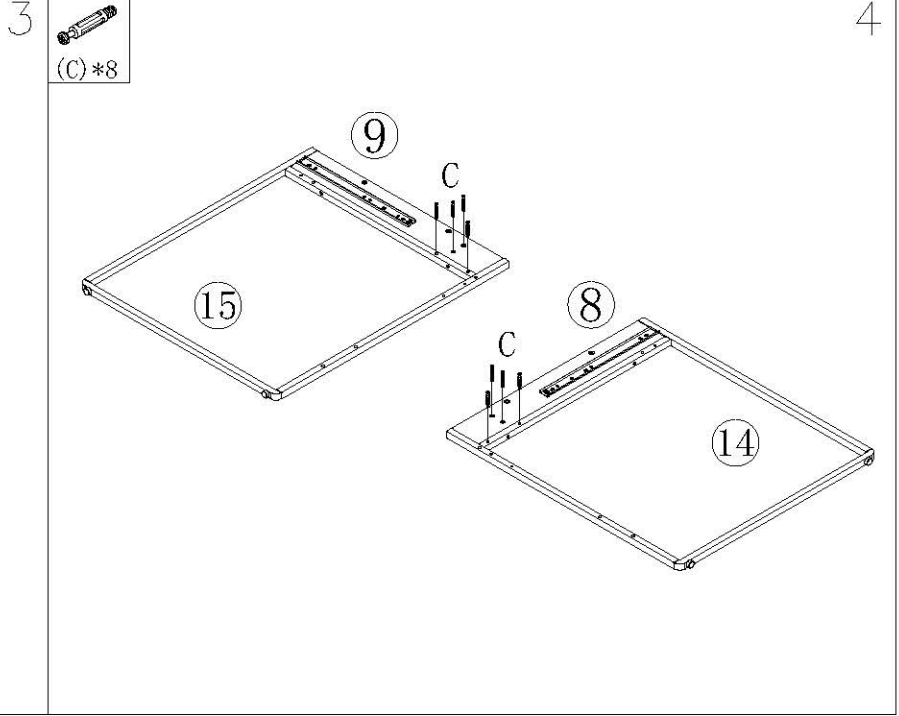
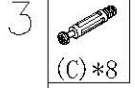
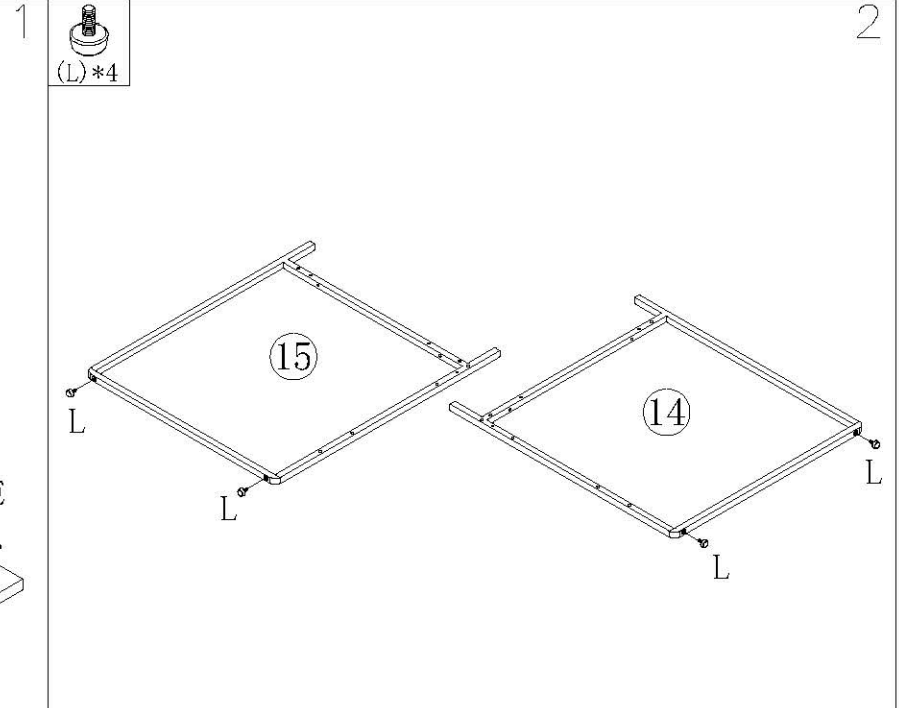
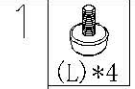
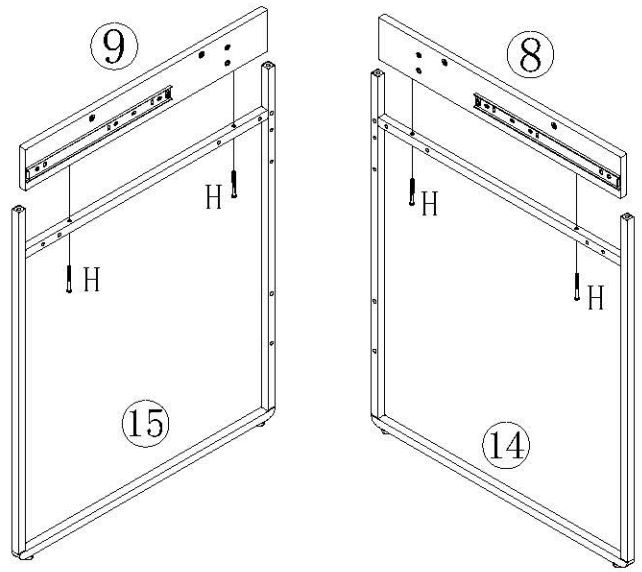
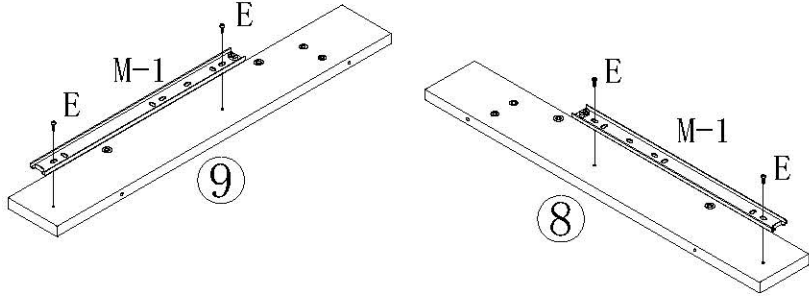
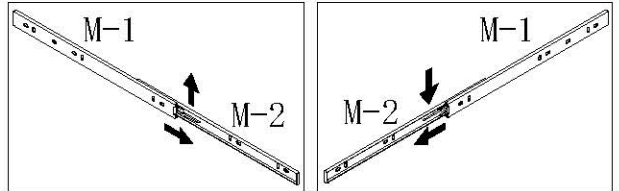
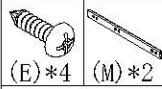


注意:

完成组装后再锁紧螺丝

Attention:

Please lock the screws after assembly.

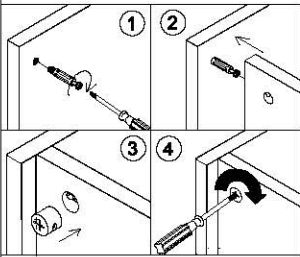


BG097-A/B

安装方法/
Installation method

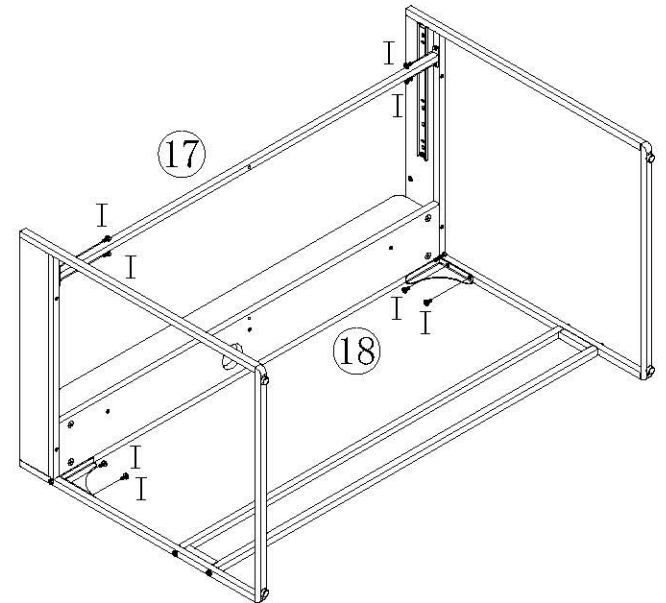
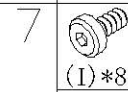
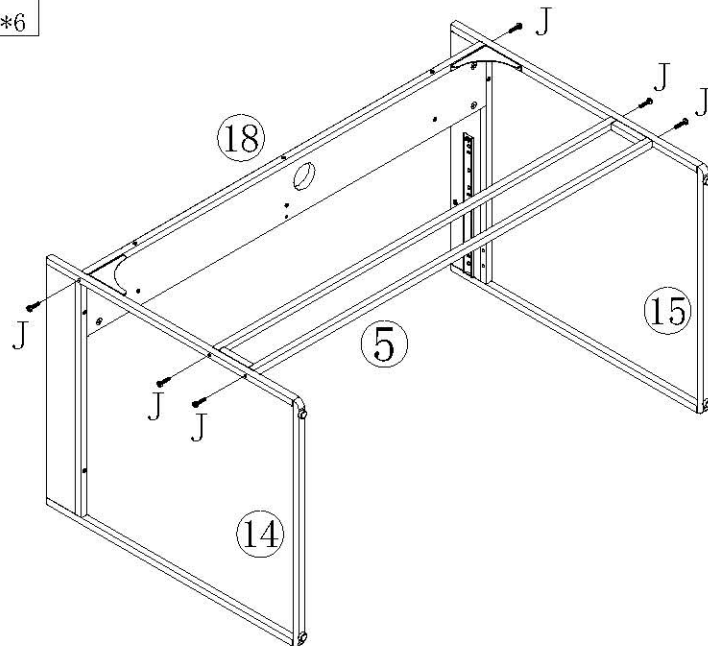
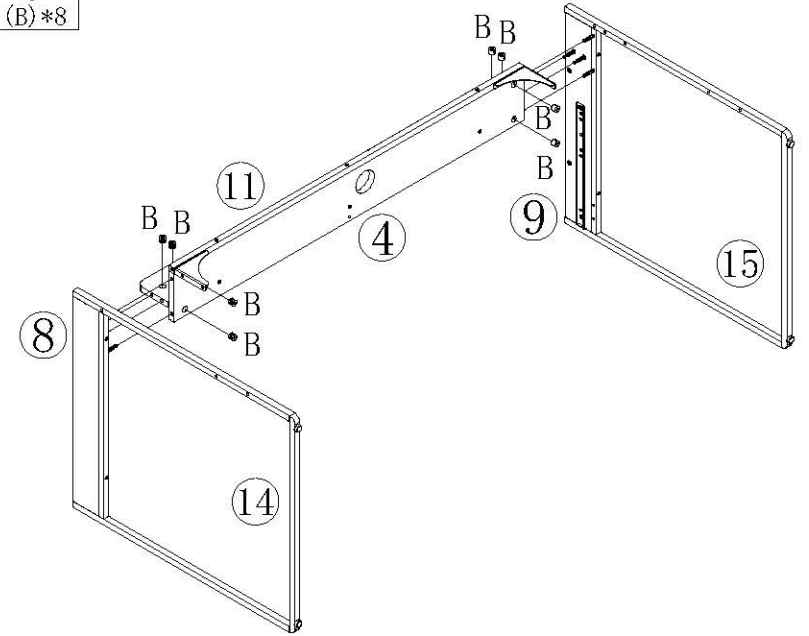
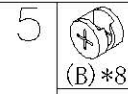
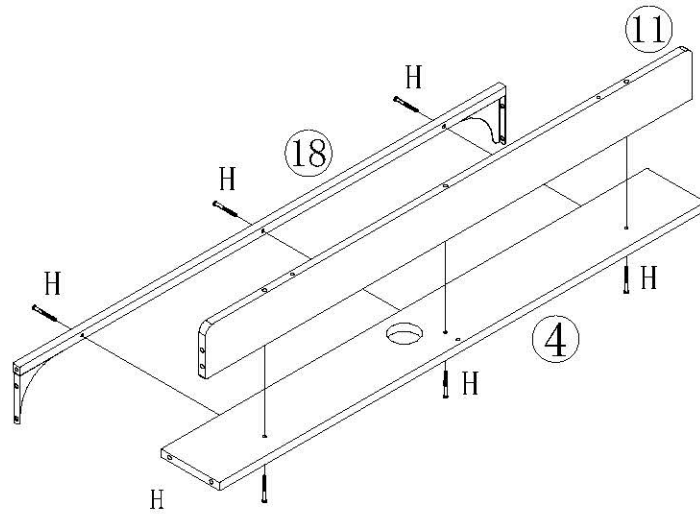
温馨提示：
请正确使用螺丝，否则将会造成产品严重损坏

Warm tips:
Please use the correct screws, otherwise the product will be seriously damaged.



注意：
完成组装后再锁紧螺丝

Attention:
Please lock the screws after assembly.



BG097-A/B

安装方法/

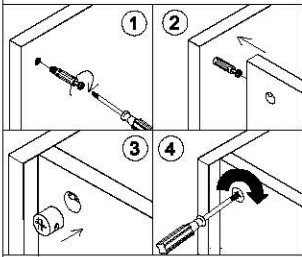
Installation method

温馨提示:

请正确使用螺丝, 否则将会造成产品严重损坏

Warm tips:

Please use the correct screws, otherwise the product will be seriously damaged.

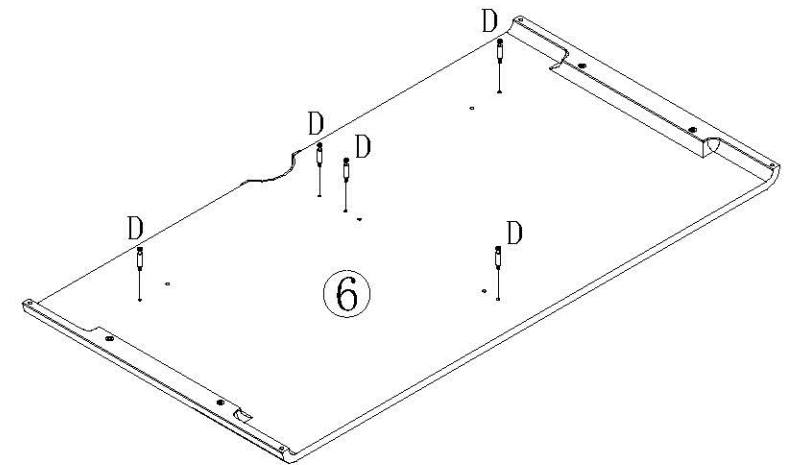
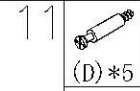
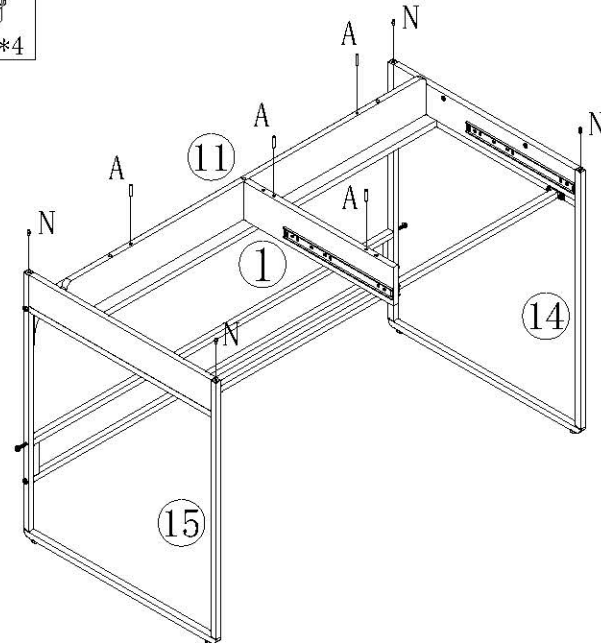
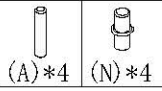
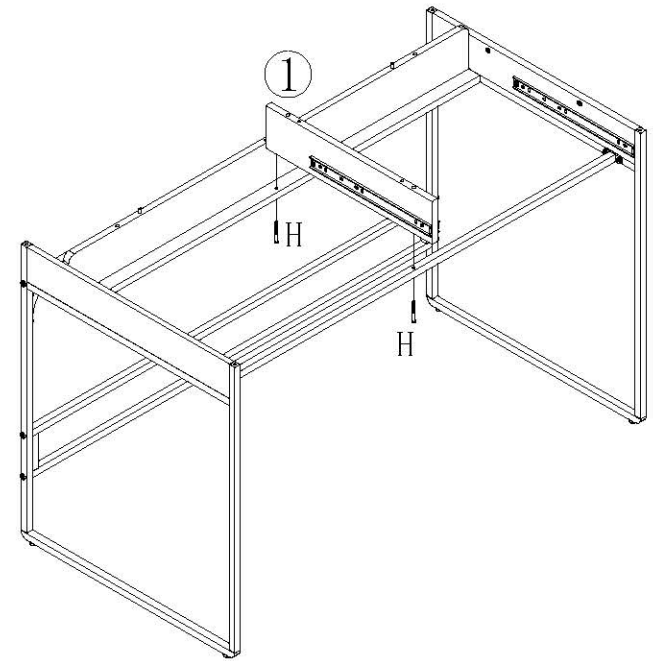
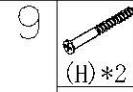
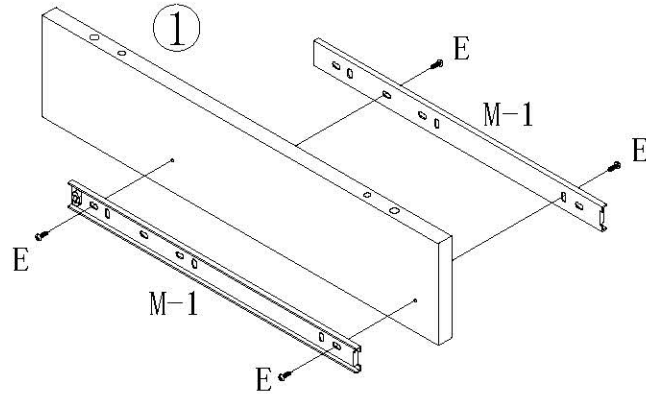
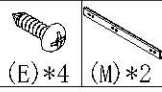


注意:

完成组装后再锁紧螺丝

Attention:

Please lock the screws after assembly.



10

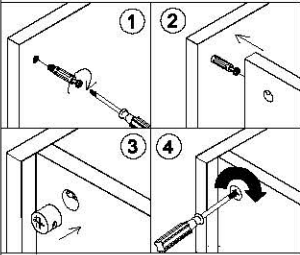
12

BG097-A/B

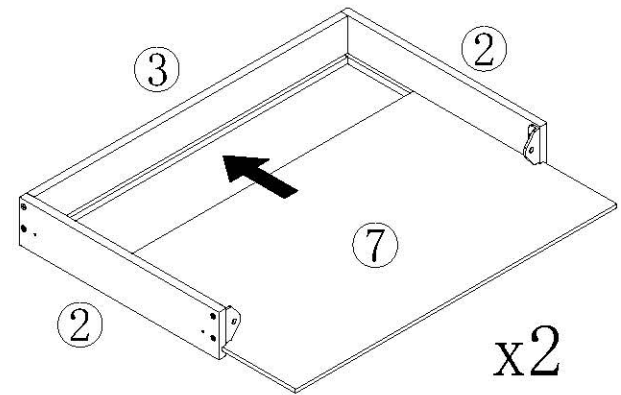
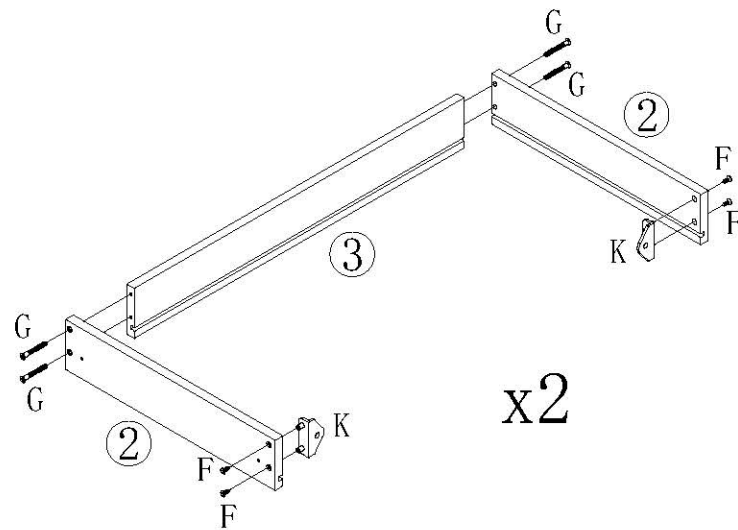
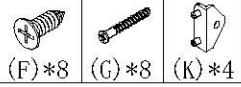
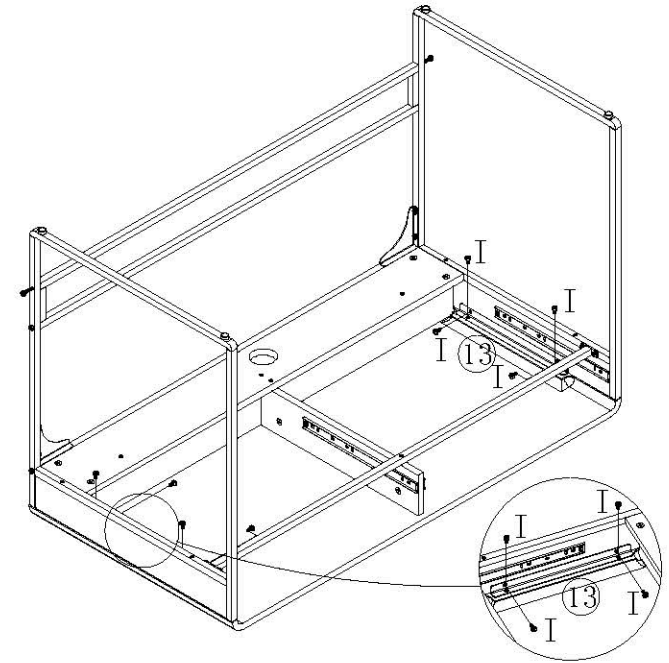
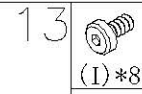
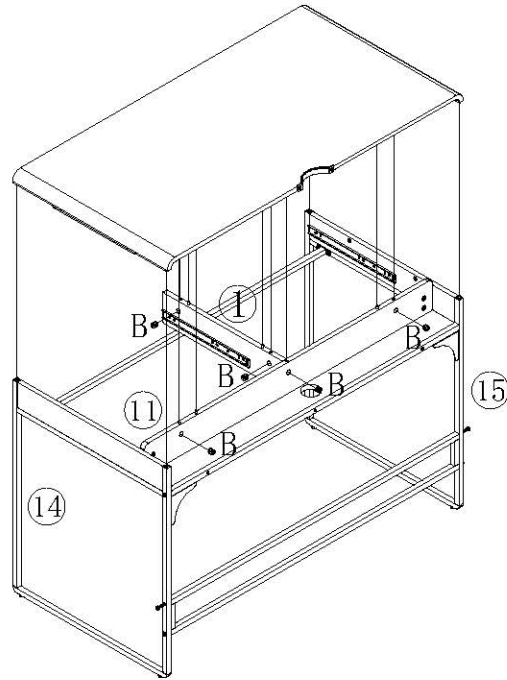
安装方法/
Installation method

温馨提示:
请正确使用螺丝, 否则将会造成产品严重损坏

Warm tips:
Please use the correct screws, otherwise the product will be seriously damaged.



注意:
完成组装后再锁紧螺丝
Attention:
Please lock the screws after assembly.



BG097-A/B

安装方法/

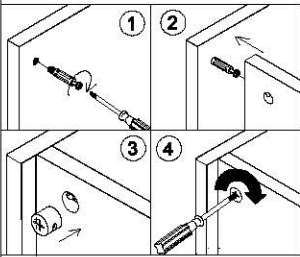
Installation method

温馨提示:

请正确使用螺丝, 否则将会造成产品严重损坏

Warm tips:

Please use the correct screws, otherwise the product will be seriously damaged.

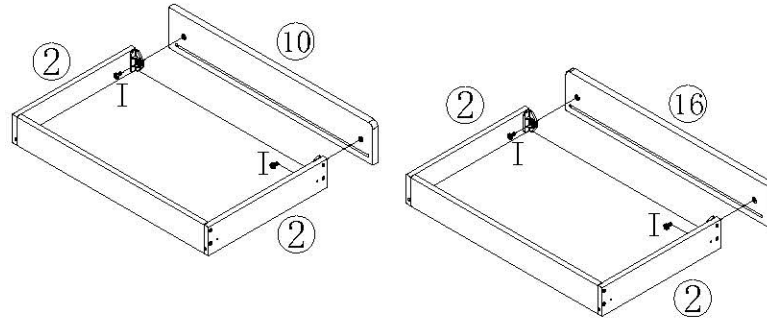


注意:

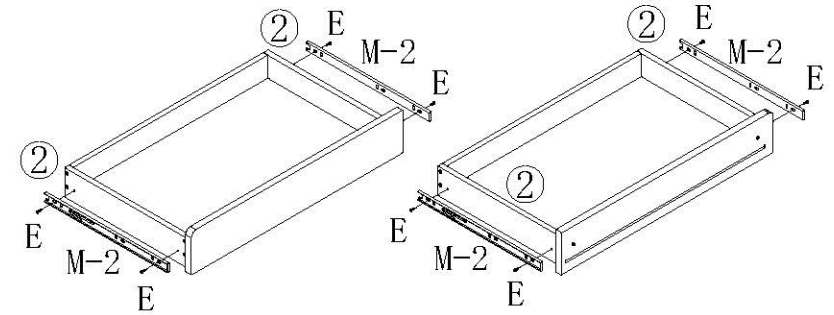
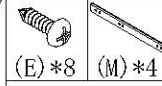
完成组装后再锁紧螺丝

Attention:

Please lock the screws after assembly.

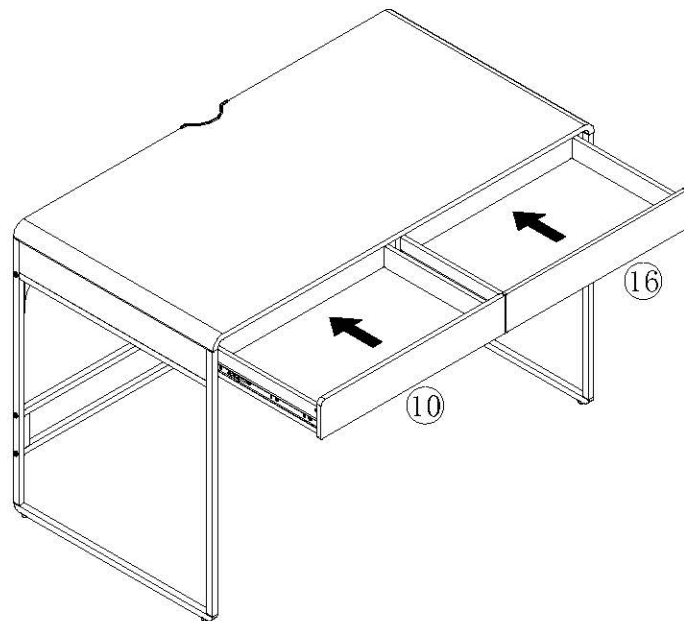


17

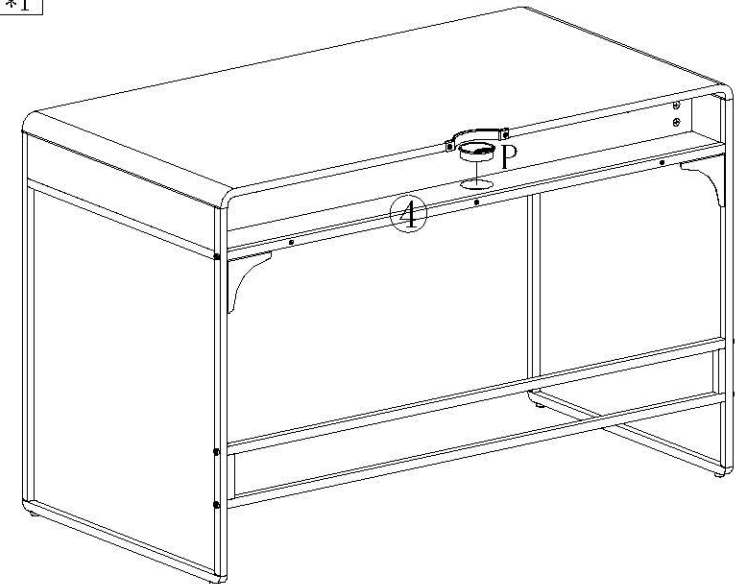


18

19



20



LINSY 林氏家居

五金表/Hardware list

部件表/Parts List

安装示意图/Assembly Instruction

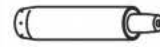
| | |
|--------------------|---------------------|
| 产品名称 Model NO. | BY120-C |
| 产品规格 Specification | 670*670*875-935 mmH |

安装人数 Installe



(A)*5

轮子 Caster



(B)*1

气杆 Gaslift

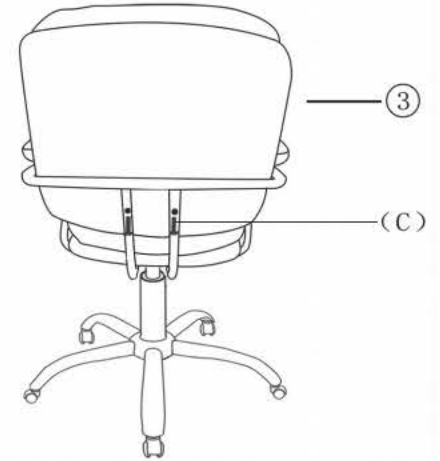


(C)*2

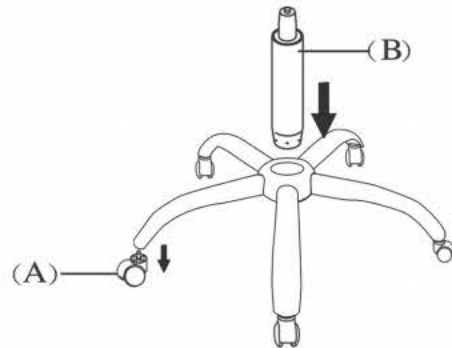
大内六角螺丝 M6*40
Large hexagon socket screws M6 * 40

| 名称 Name | 规格 Specification | 数量 QTY | 材质 Material |
|-----------------|------------------|--------|---|
| ① 椅身 Chair Body | 680*600*290MM | 1 | 人造皮+铁+海棉+板+合金+公仔棉 Artificial leather + iron + foam + board + alloy + PP cotton |
| ② 五星脚 Base | 300MM | 铁 Iron | |
| ③ 靠背 Backrest | 450*480*150MM | 1 | 人造皮+海棉+板+合金+公仔棉 Artificial leather + foam + board + alloy + PP cotton |

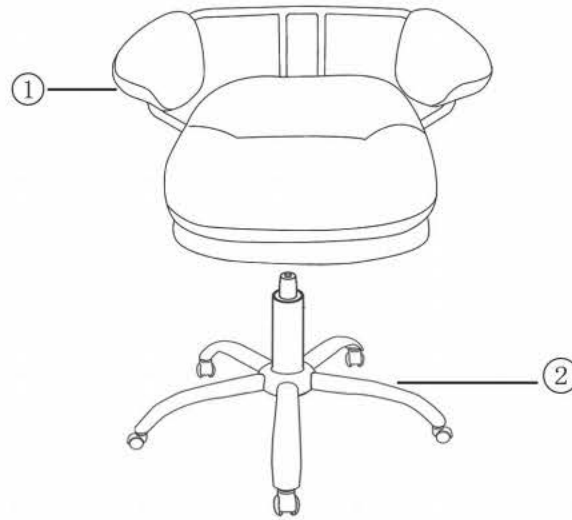
3.



1.



2.



4.

