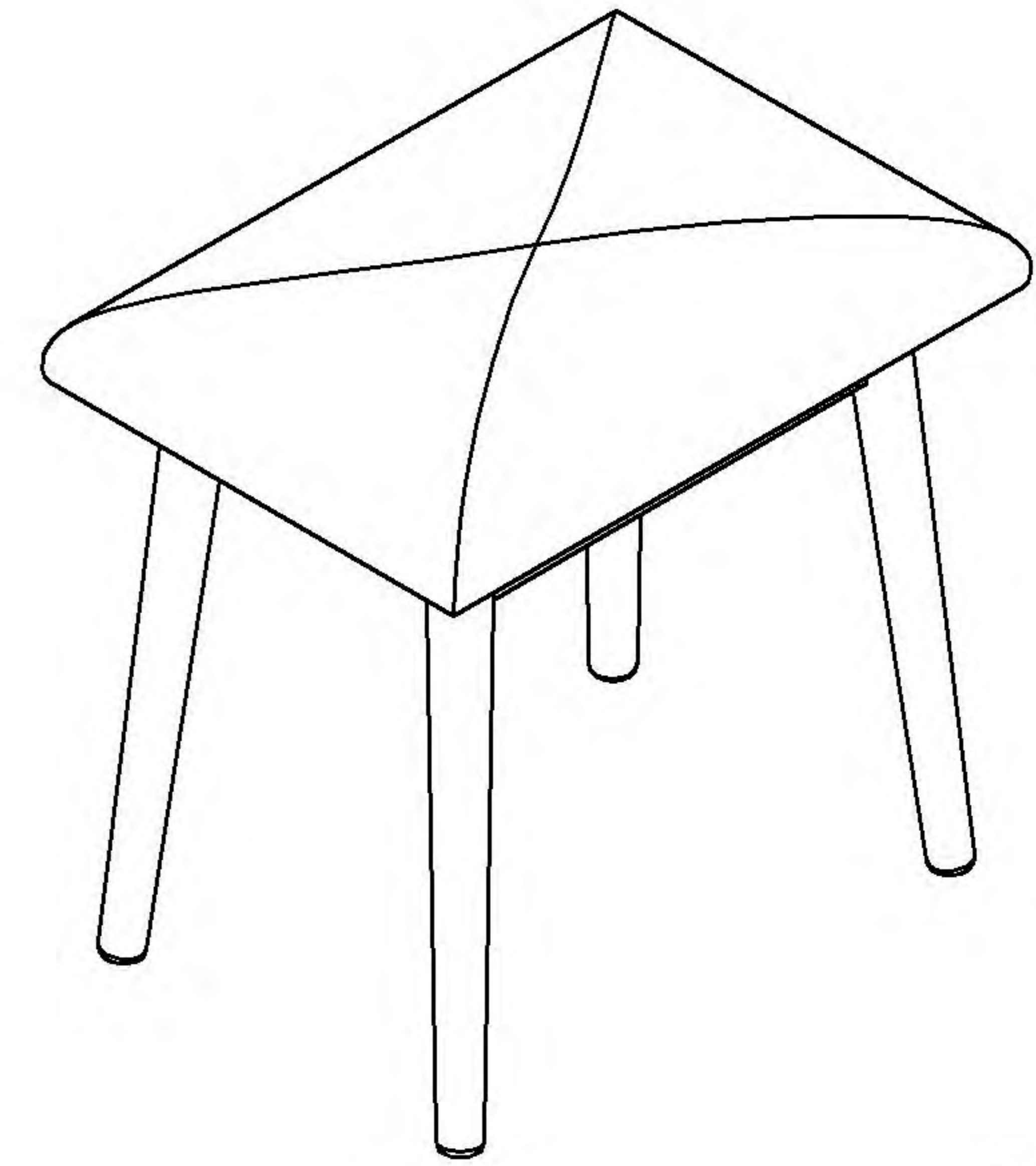
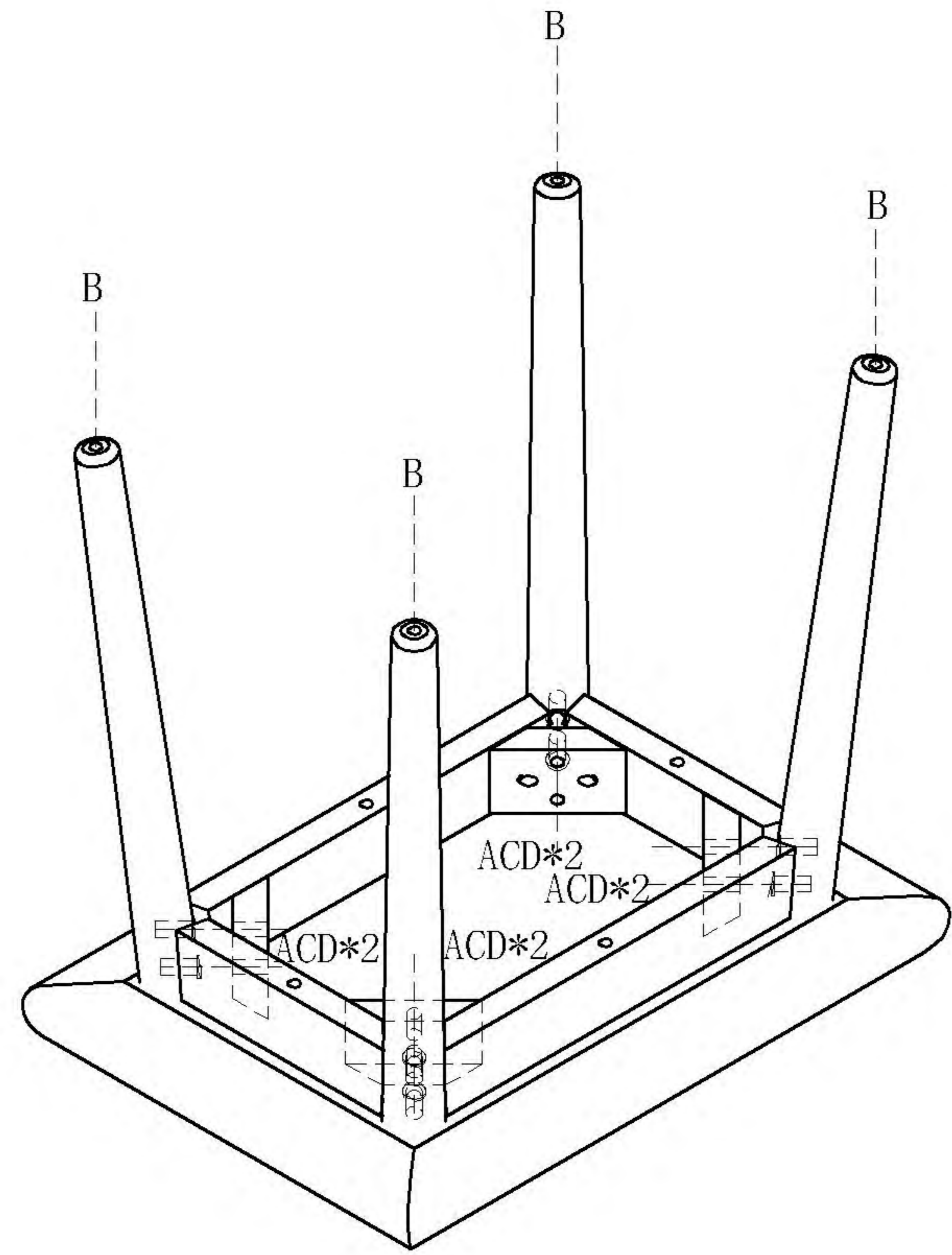
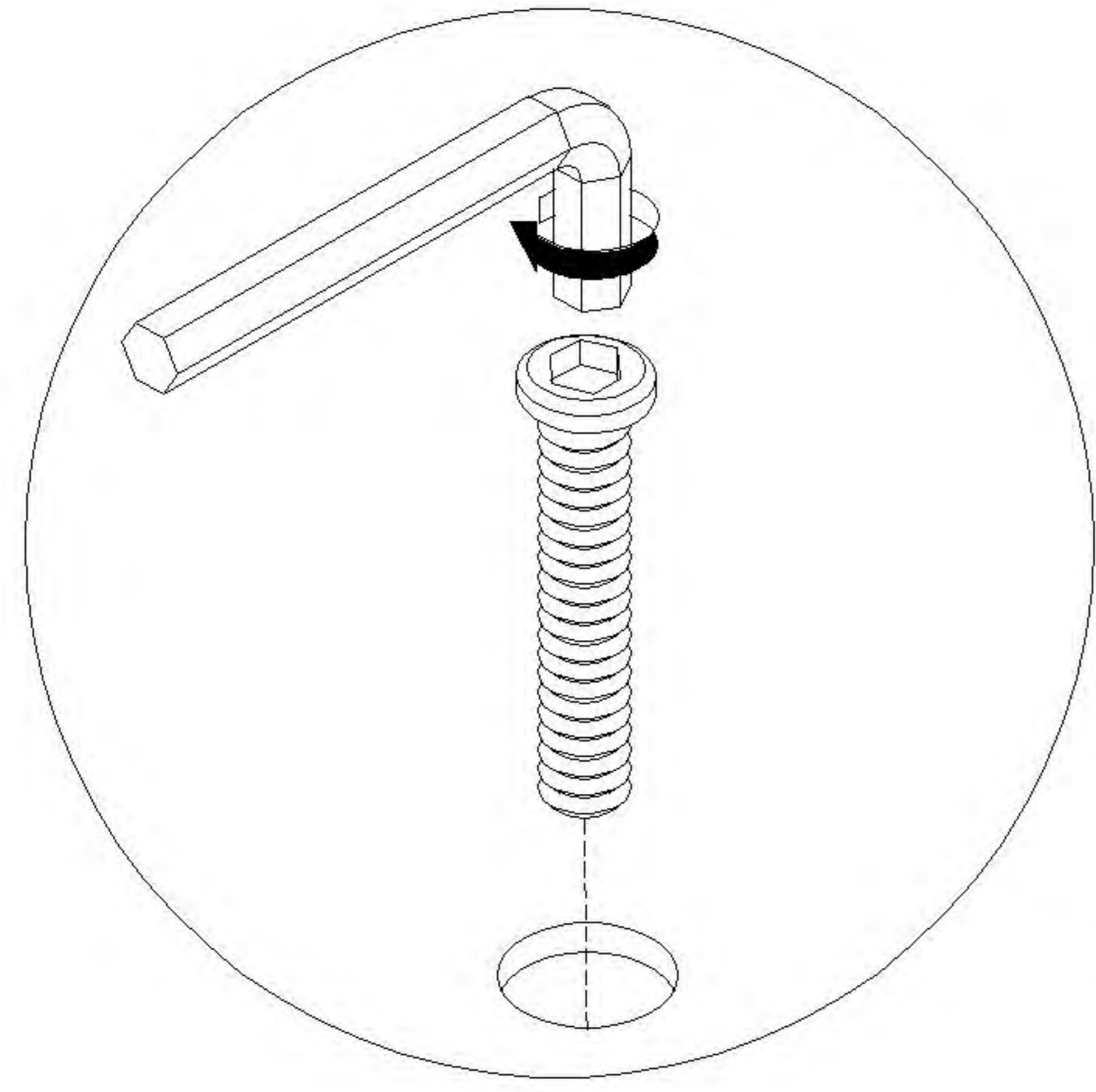




AS1H-A

安装方法/  
Installation method

- (A)\*1 (B)\*4
- (C)\*8 (D)\*8



完成安装  
Finished

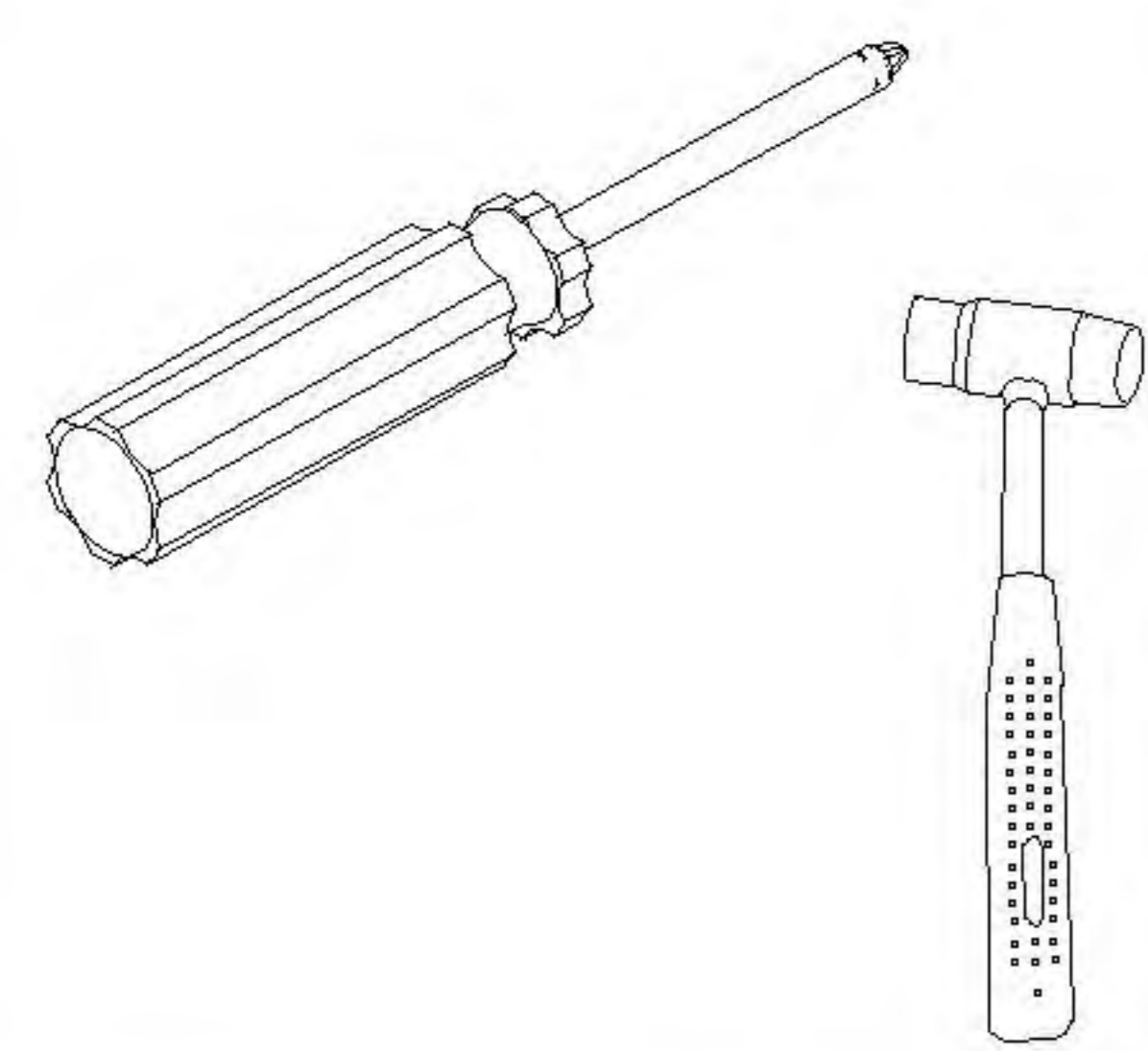
# LINSY 林氏家居

## 五金表/Hardware list

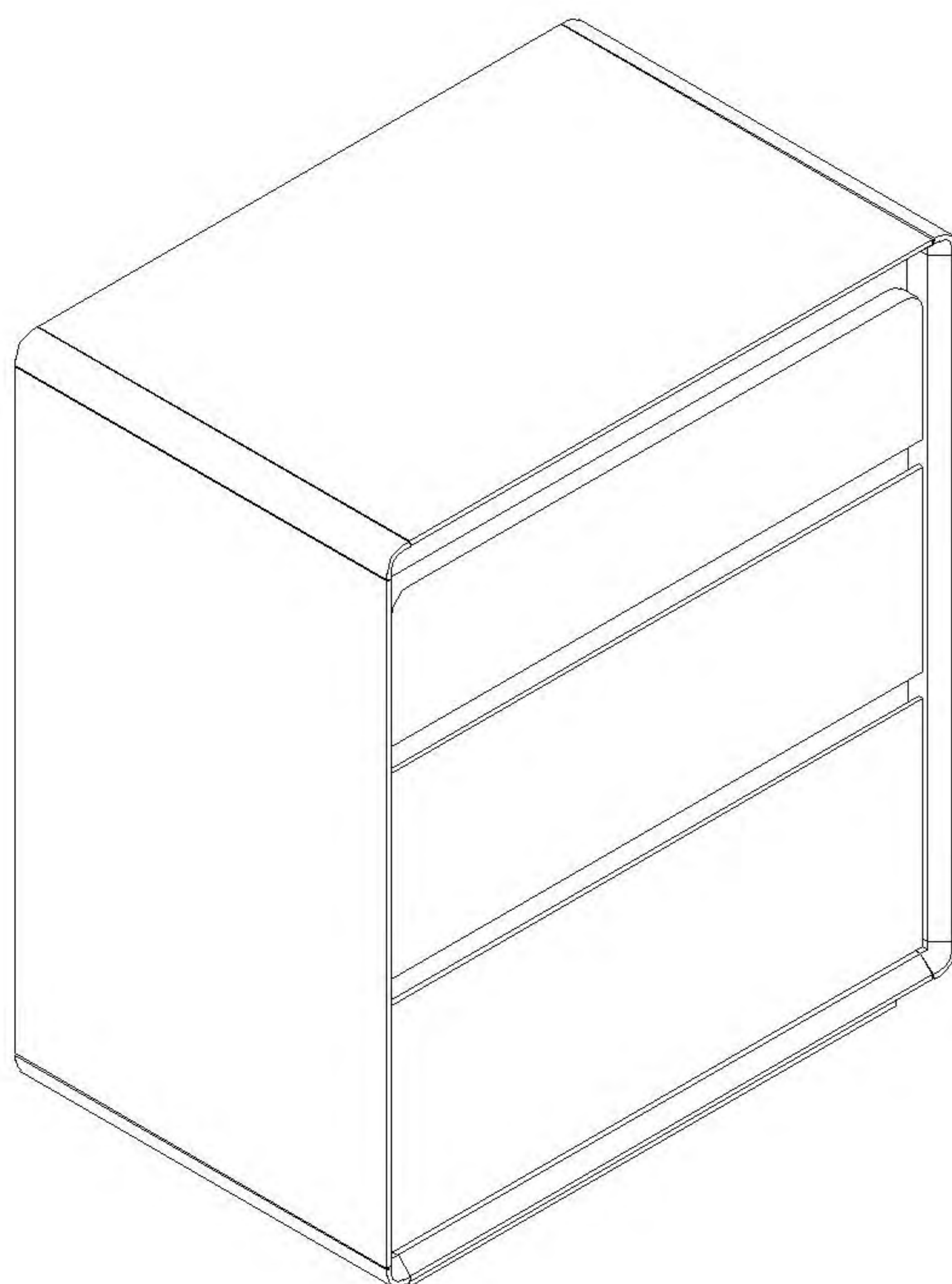
## 部件表/Parts List

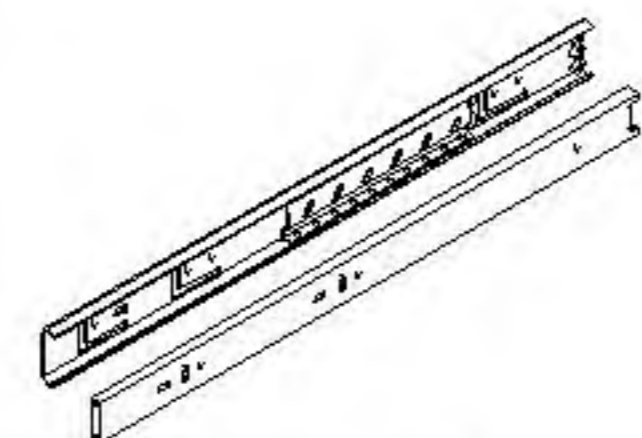
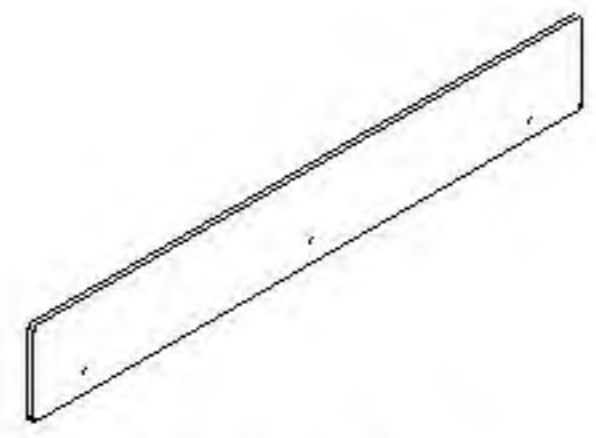
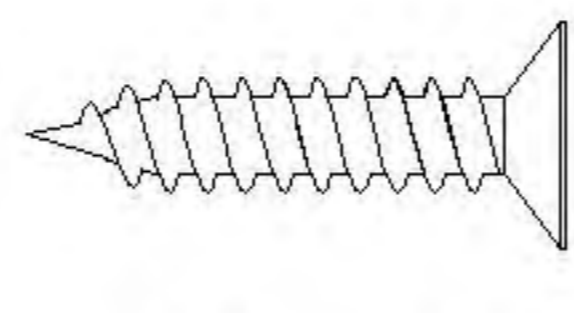
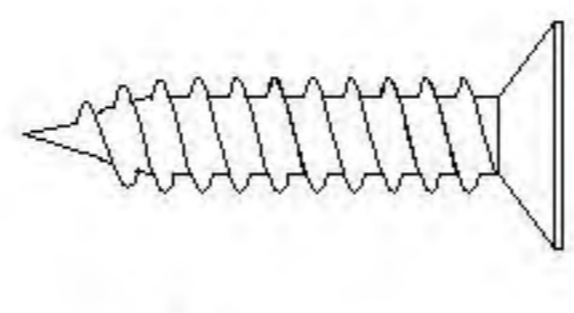
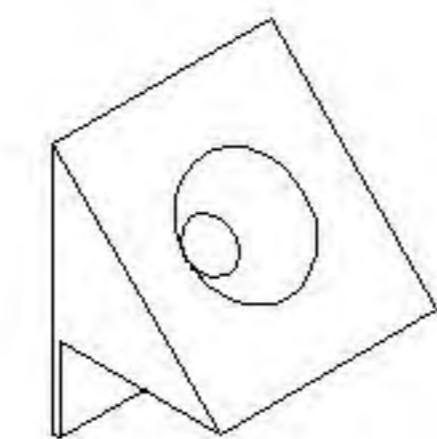
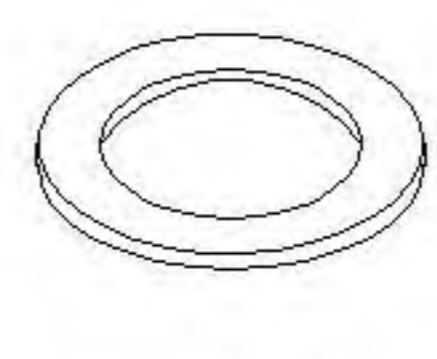
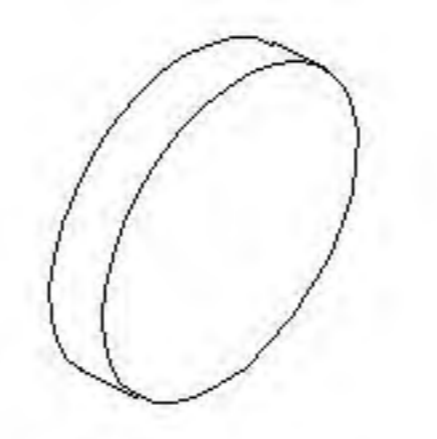
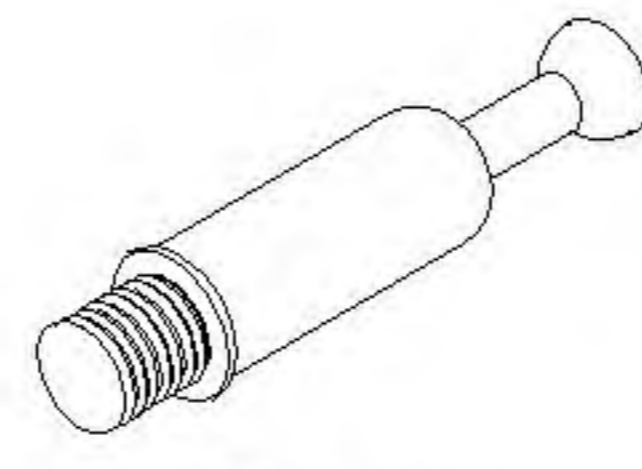
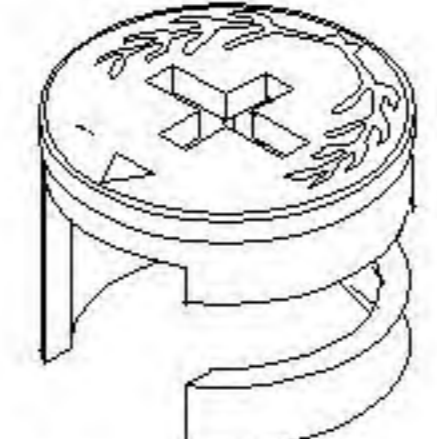
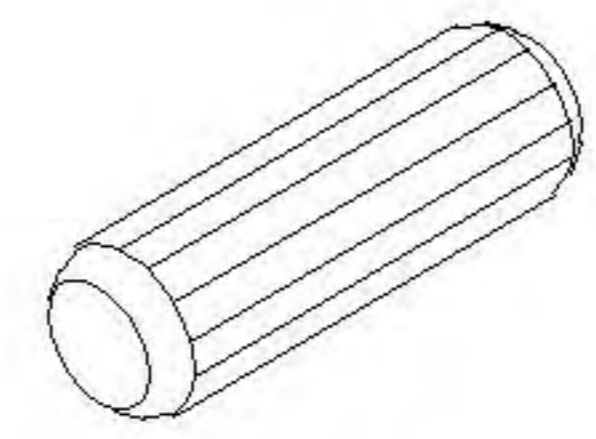
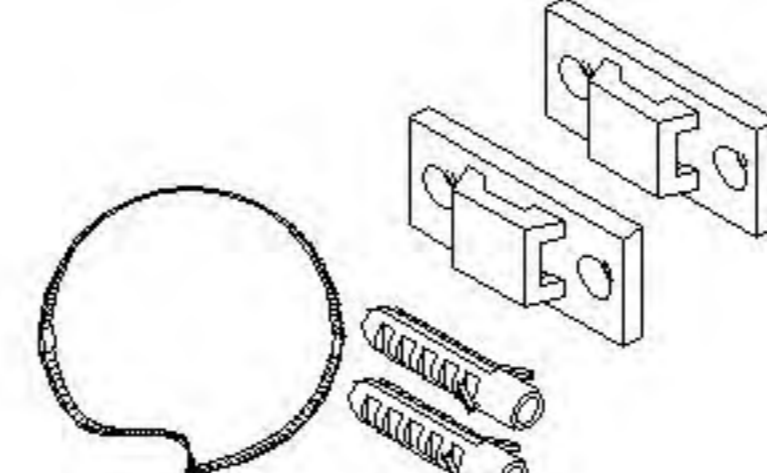
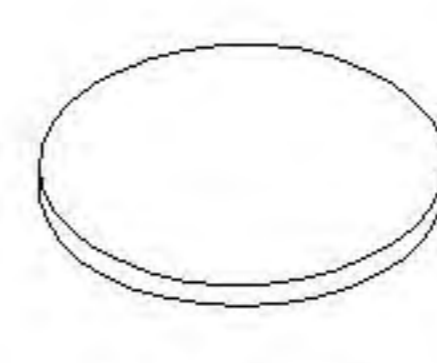
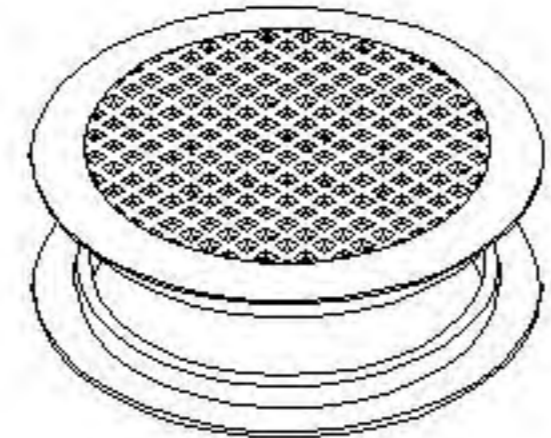

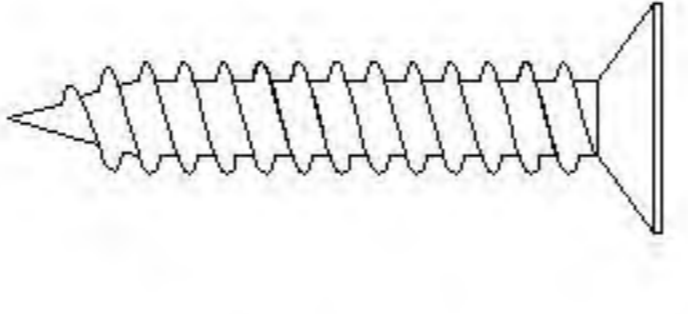
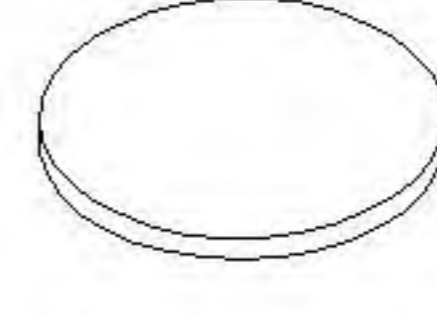
### 安装示意图/Assembly Instruction

产品名称 Model NO.	三斗柜
产品型号 Product Model	UM5C-A
尺寸规格 Specification	(604*399*622)mm
安装工具 Tool	安装人数 Installer



注：为保证设计效果，部分尺寸为定制尺寸，不影响使用。



 (A)* 3 三节滚珠导轨-10" three-section ball rail	 (B)* 1 抽面亚克力 Drawing Acrylic	 (C)* 59 自攻螺丝M3.5x14mm	 (D)* 3 自攻螺丝M3.5x16mm
 (E)* 4 背板扣 Back Plate Buckle-White	 (F)* 3 透明塑料垫片 Plastic gasket	 (G)* 3 镜钉 Mirror nail	 (H)* 63 二合一螺杆 2-in-1-screw
 (I)* 63 大三合一锁饼 Three-in-one large lock	 (J)* 17 木榫Ø8x30mm wood tenon	 (K)* 1 家具防倒器-白色 Anti-fall device white	 (L)* 6 灰色毛毡脚垫 Footrest - Grey
 (M)* 1 透气孔盖 Vent cover	 (N)* 8 L型角码14x21x1.5 L-shaped corner code	 (O)* 6 自攻螺丝M4x30mm Self-tapping screw	 (P)* 63 PVC孔贴 PVC hole sticker

编号NO.	名称Name	规格 (mm) Specification	数量 QTY	材质Material
①	面板 Top panel	564*398*15	1	刨花板Particle board
②	底板 Bottom board	564*398*15	1	刨花板Particle board
③	背拉条 Back brace	574*101*15	2	刨花板Particle board
④	背板 Back board	584*372*5	1	纤维板Fiberboard
⑤	前脚条 Front foot strip	515*58*25	1	刨花板Particle board
⑥	侧脚条 Side foot strip	320*58*25	2	刨花板Particle board
⑦	拉条 Brace	574*58*25	2	刨花板Particle board
⑧	转角木1 Corner wood 1	399*20*20	2	橡胶木Rubber wood
⑨	转角木2 Corner wood 2	399*20*20	2	橡胶木Rubber wood
⑩	右侧板 Side board(R)	554*398*15	1	刨花板Particle board
⑪	左侧板 Side board(L)	554*398*15	1	刨花板Particle board
⑫	上抽屉面板 Upper drawer's panel	570*133*15	1	刨花板Particle board
⑬	下抽屉面板 Bottom drawer's panel	570*170*15	2	刨花板Particle board
⑭	小抽屉侧板 Small Drawer's side board	290*84*15	2	刨花板Particle board
⑮	小抽屉后板 Small drawer's back board	548*84*15	1	刨花板Particle board
⑯	抽屉底板 Drawer's Bottom board	528*300*5	3	纤维板Fiberboard
⑰	大抽屉侧板 Big Drawer's side board	290*126*15	4	刨花板Particle board
⑱	大抽屉后板 Big drawer's back board	548*126*15	2	刨花板Particle board

►注：抽屉都是设计所需设计缝，小心夹伤！

Note: The drawers are designed with necessary seams.

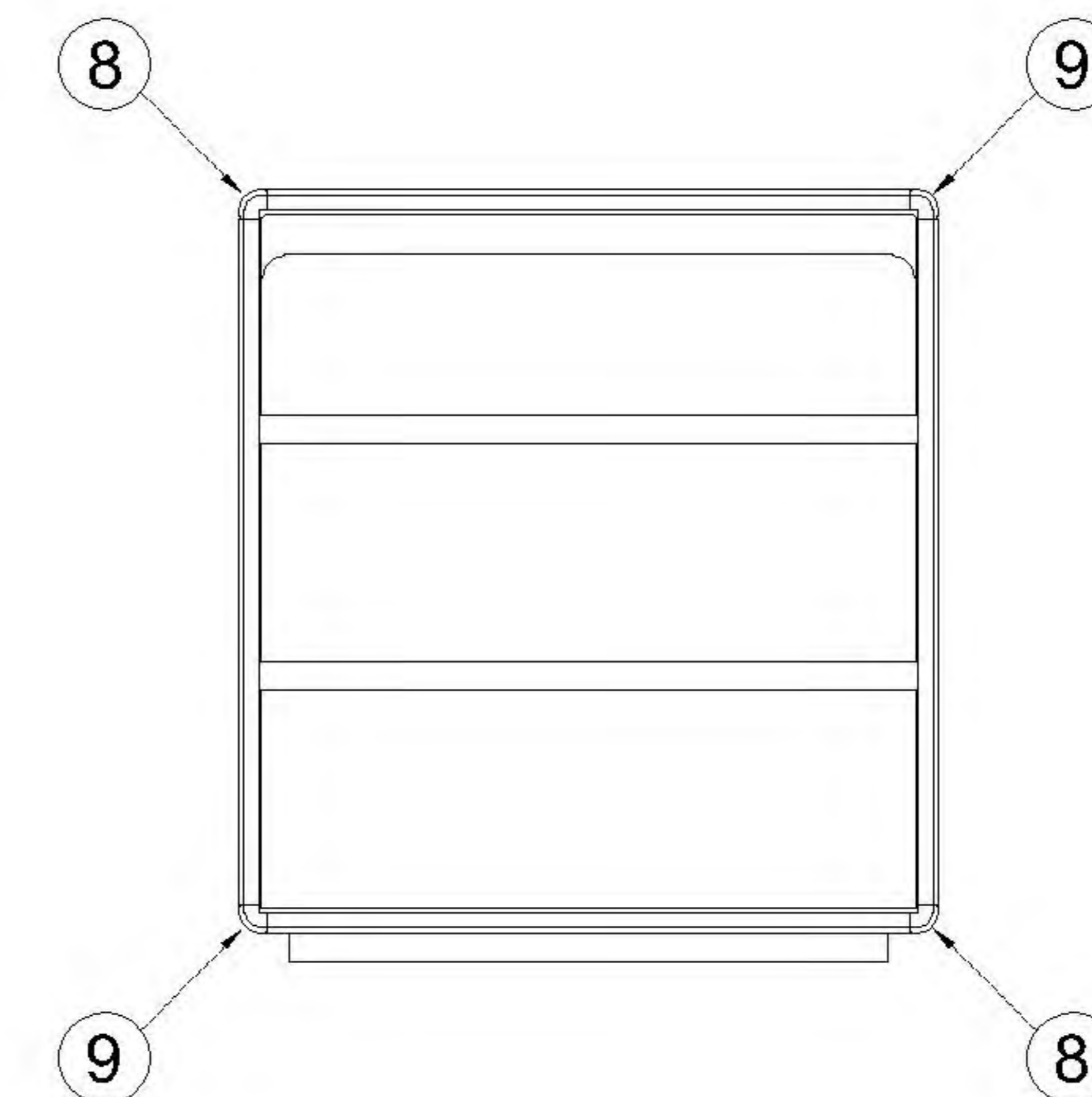
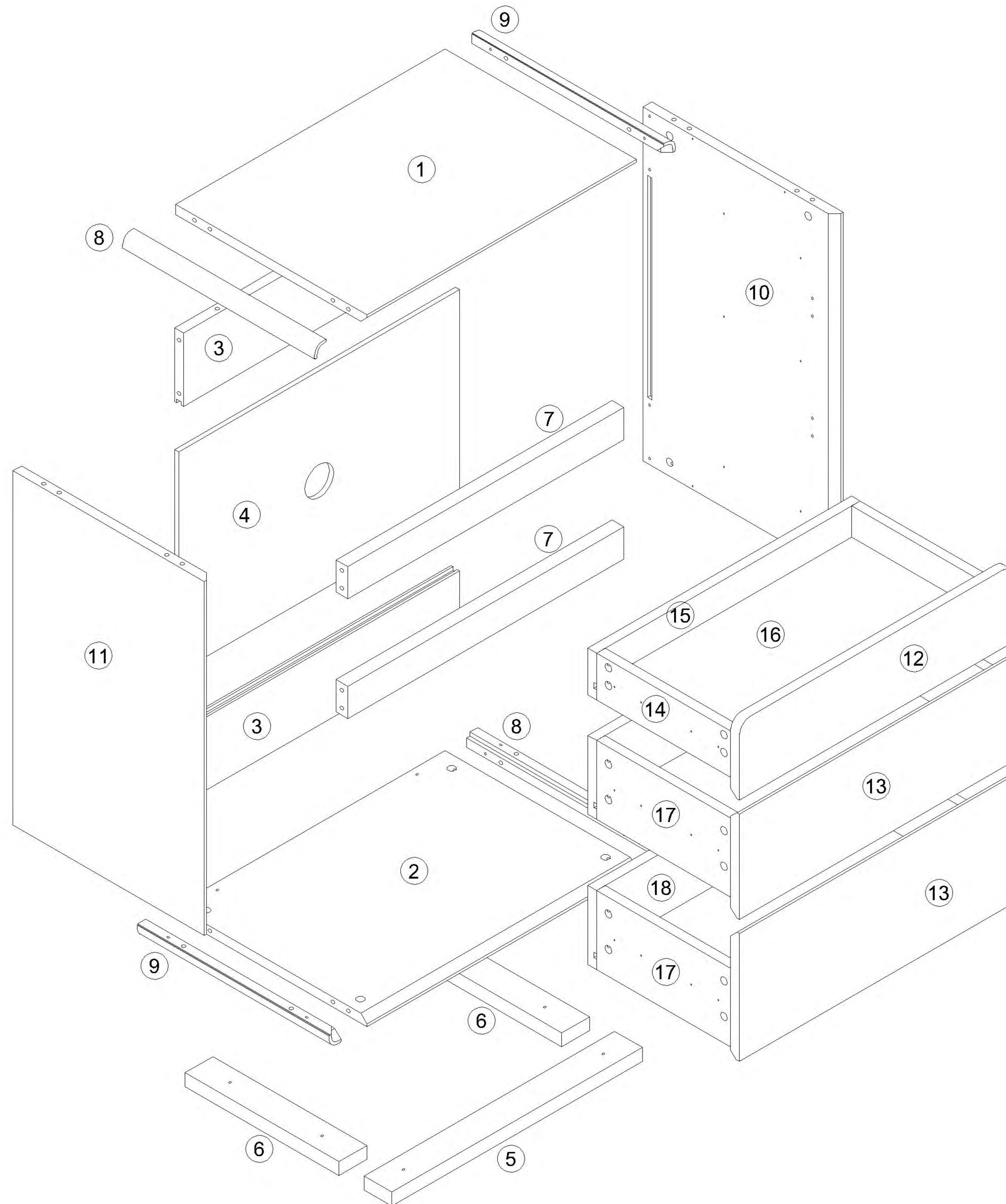
Be careful not to pinch!

►使用本产品请靠墙放置

Please place this product against the wall

►注意：防倒器一定要按图安装！

Be careful: The anti fall device must be installed!

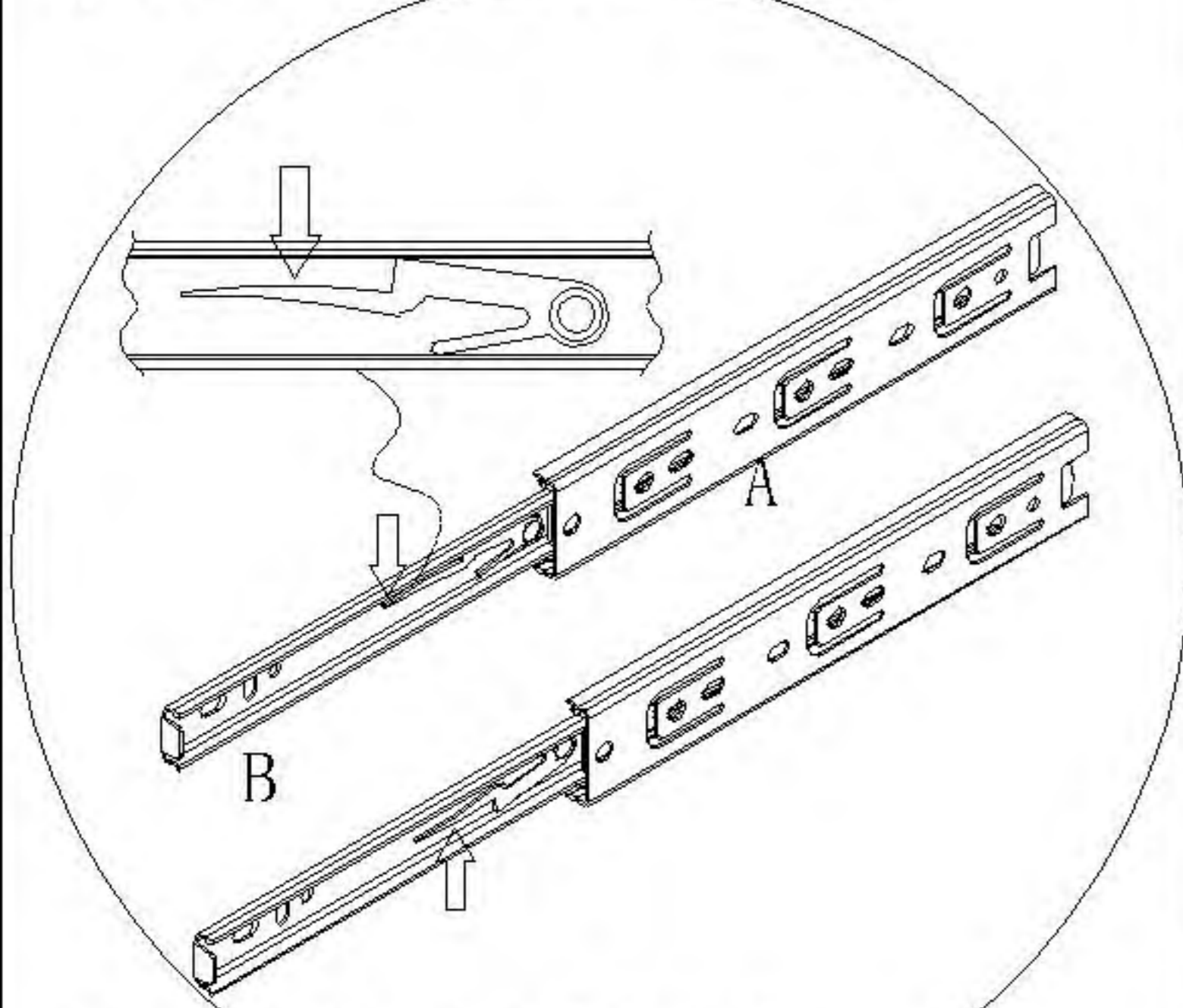


编号NO.	名称Name
①	面板 Top panel
②	底板 Bottom board
③	背拉条 Back brace
④	背板 Back board
⑤	前脚条 Front foot strip
⑥	侧脚条 Side foot strip
⑦	拉条 Brace
⑧	转角木1 Corner wood 1
⑨	转角木2 Corner wood 2
⑩	右侧板 Side board(R)
⑪	左侧板 Side board(L)
⑫	上抽屉面板 Upper drawer's panel
⑬	下抽屉面板 Bottom drawer's panel
⑭	小抽屉侧板 Small Drawer's side board
⑮	小抽屉后板 Small drawer's back board
⑯	抽屉底板 Drawer's Bottom board
⑰	大抽屉侧板 Big Drawer's side board
⑱	大抽屉后板 Big drawer's back board

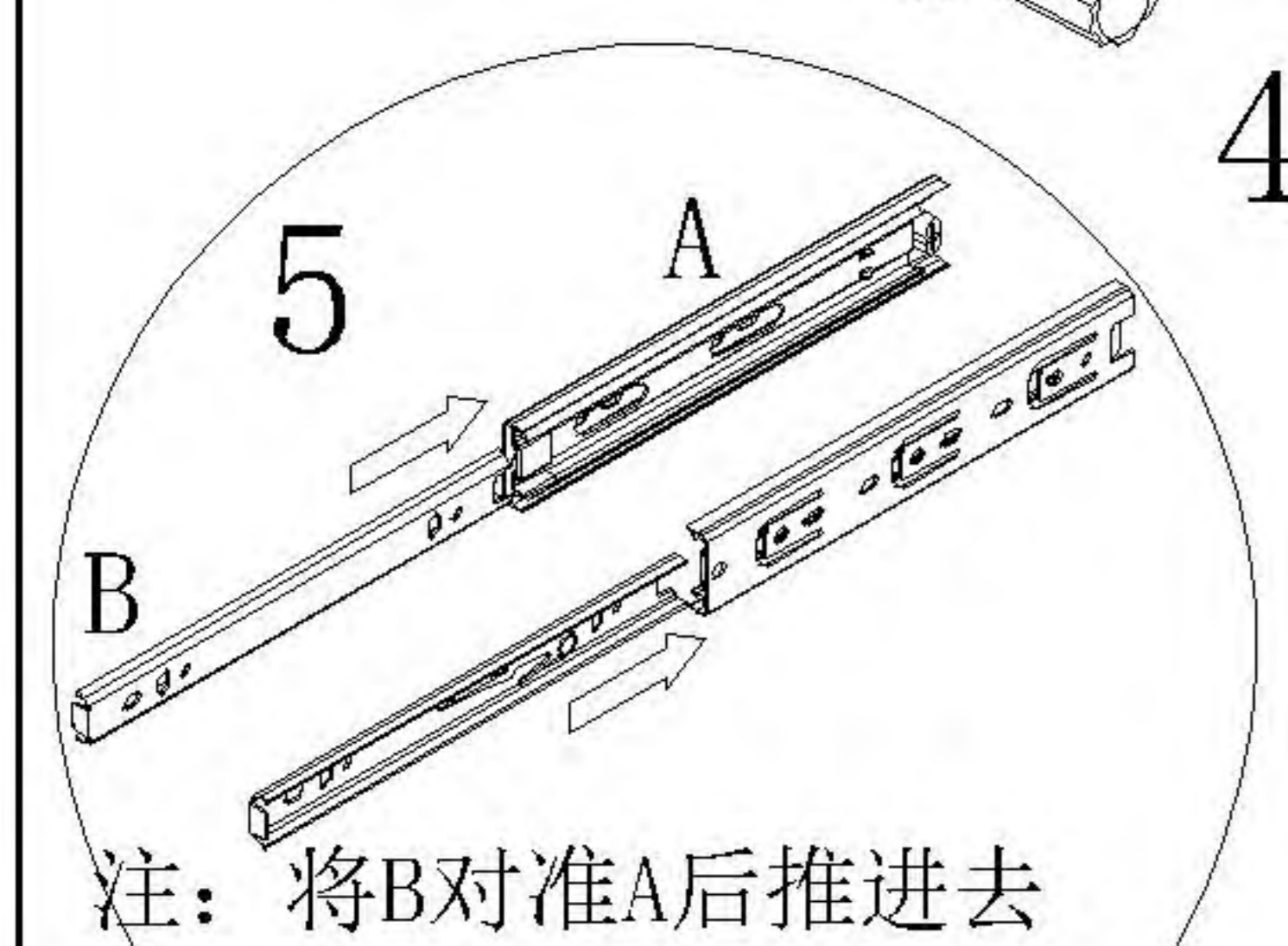
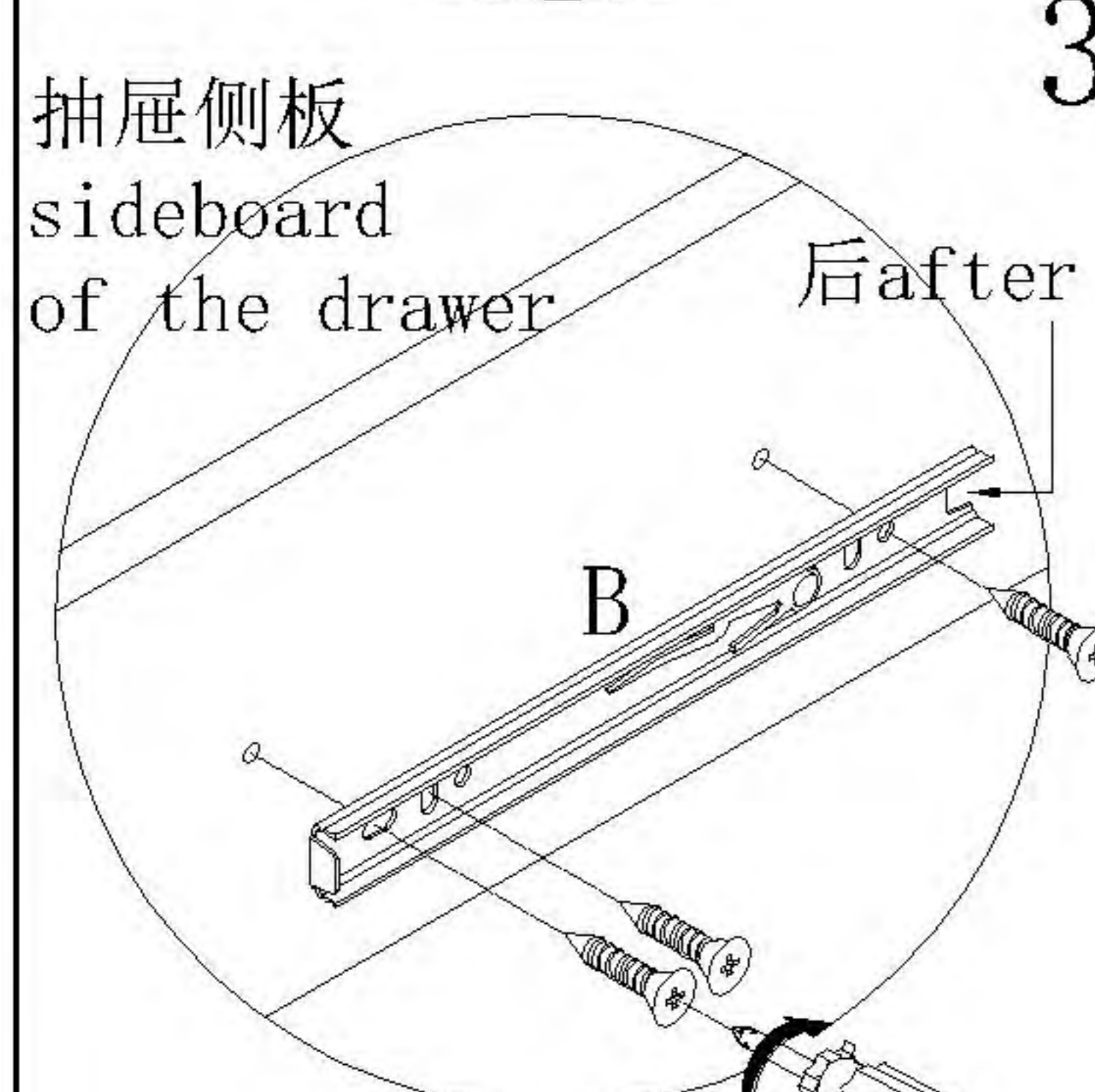
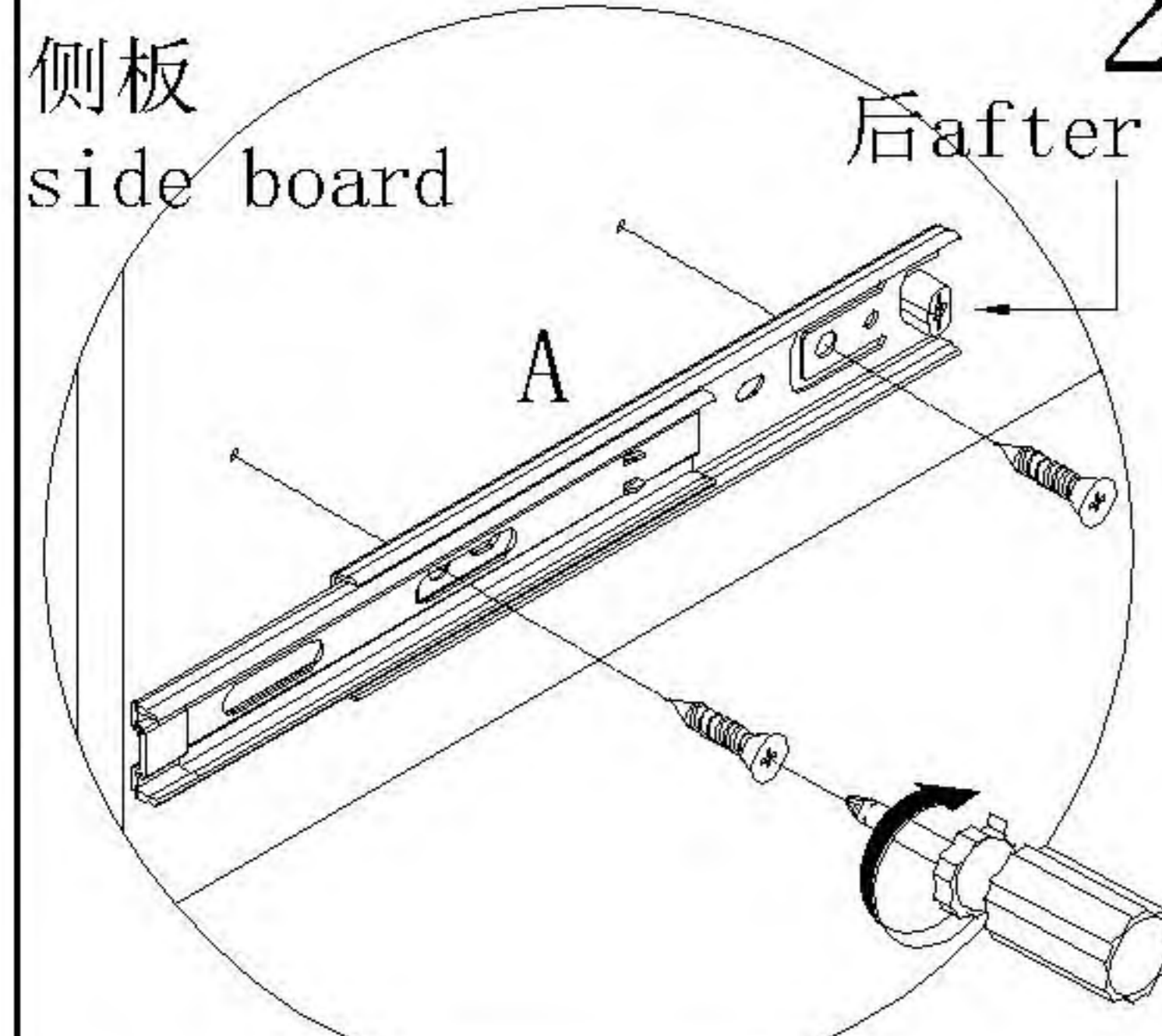
UM5C-A三斗柜

安装方法/  
Installation method

1 阀门开关(下压为开)  
Valve switch  
(press down to open)



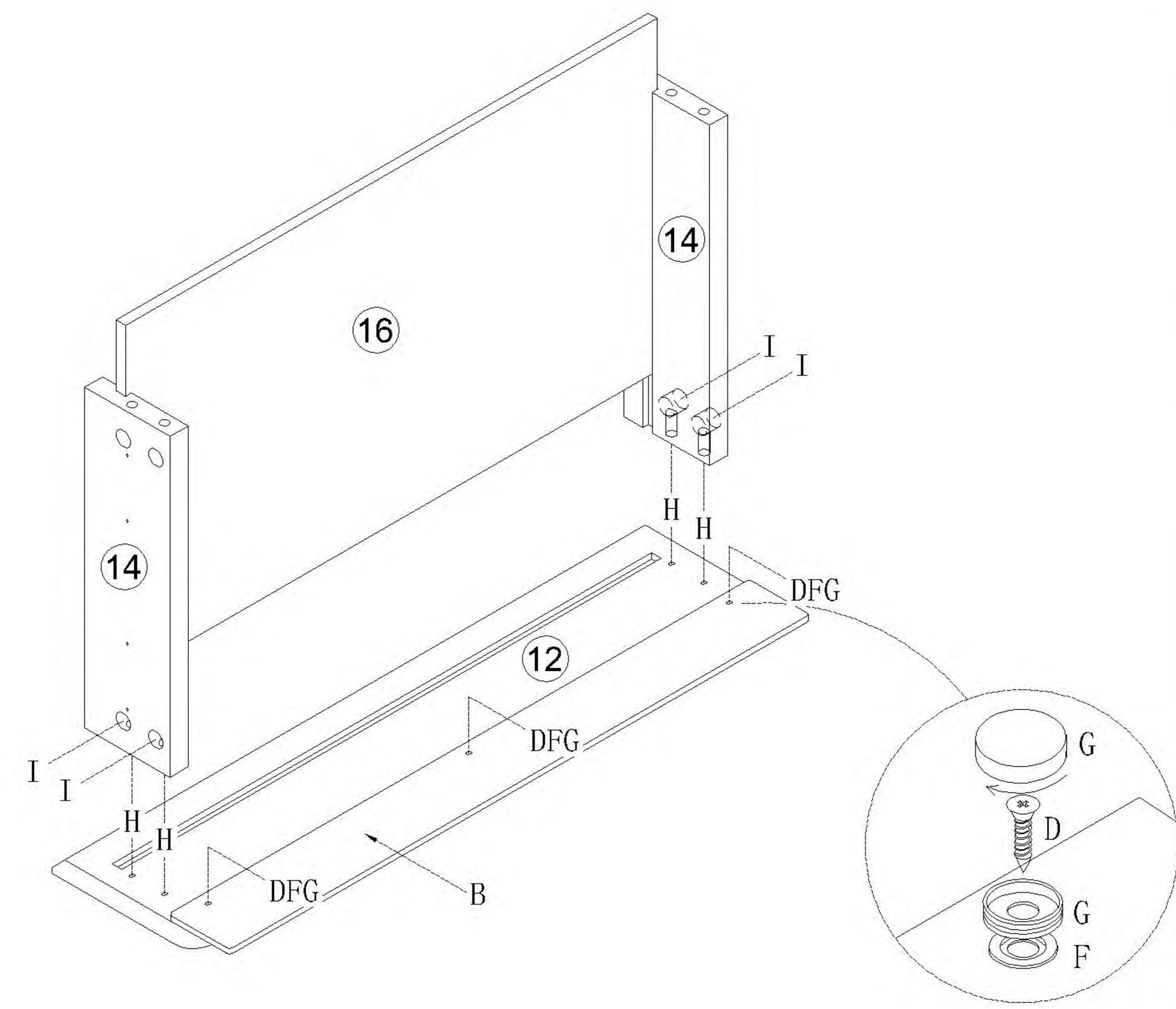
注: 先将A与B拆下来  
Note: remove a and B first



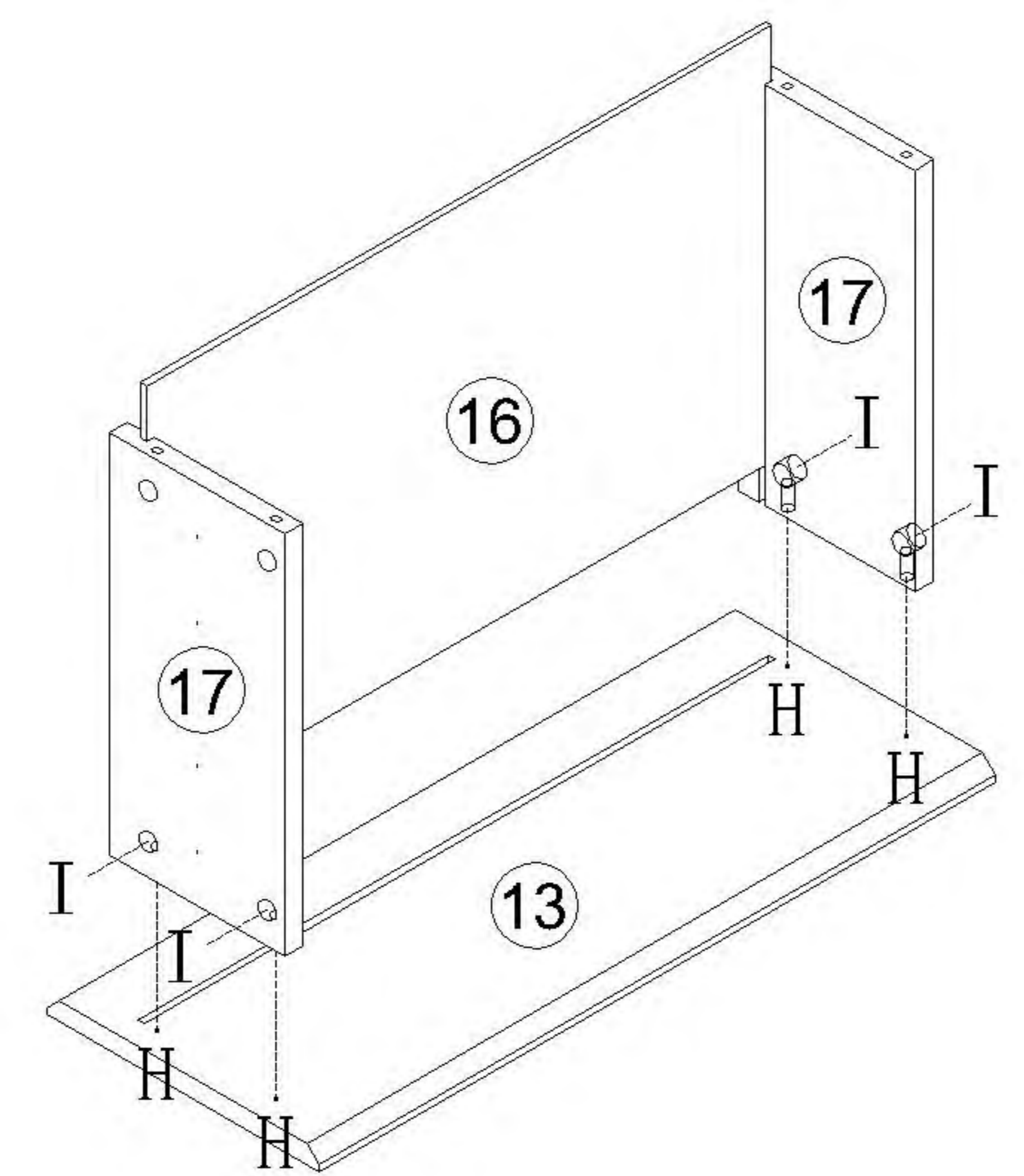
注: 将B对准A后推进去  
Note: align B with a  
and push it in

三节滚珠导轨  
three-section ball rail

- (B)\*1
- (D)\*3
- (F)\*3
- (G)\*3
- (H)\*4
- (I)\*4



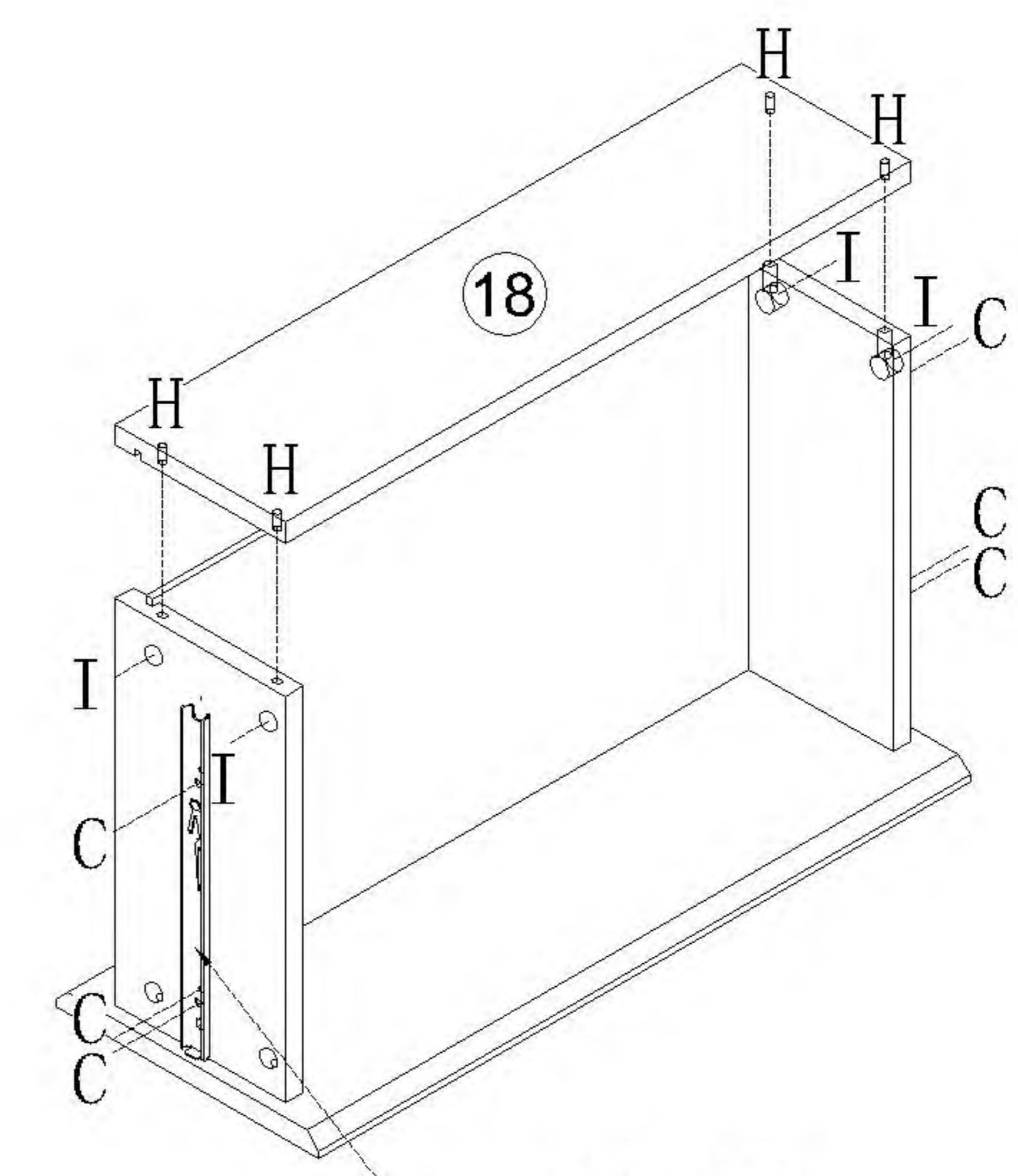
- (H)\*8
- (I)\*8



X2

3

- (A)\*2
- (C)\*12
- (H)\*8
- (I)\*8



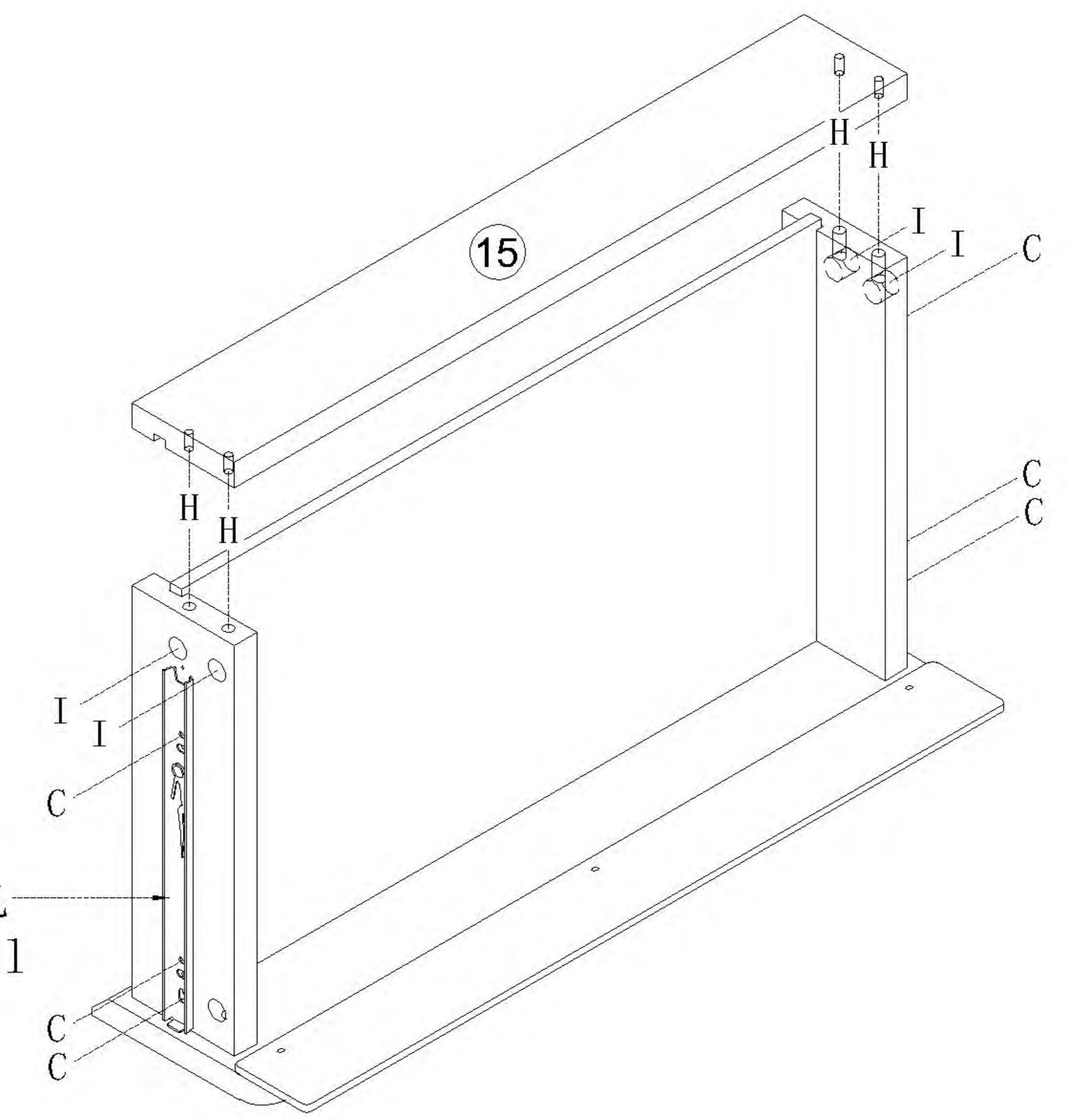
(A) 副轨  
Sub rail

X2

1

- (A)\*1
- (C)\*6
- (H)\*4
- (I)\*4

(A) 副轨  
Sub rail

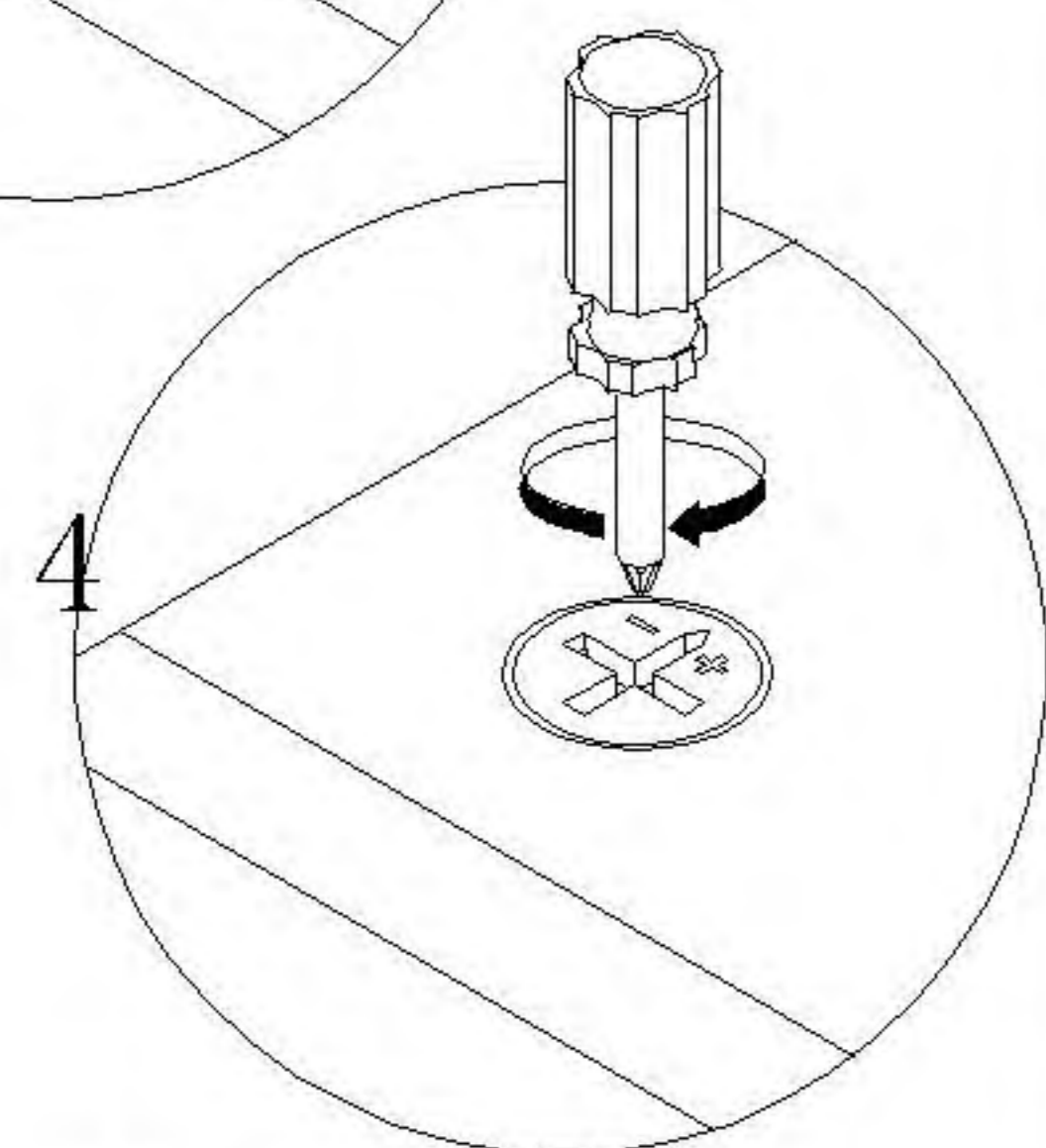
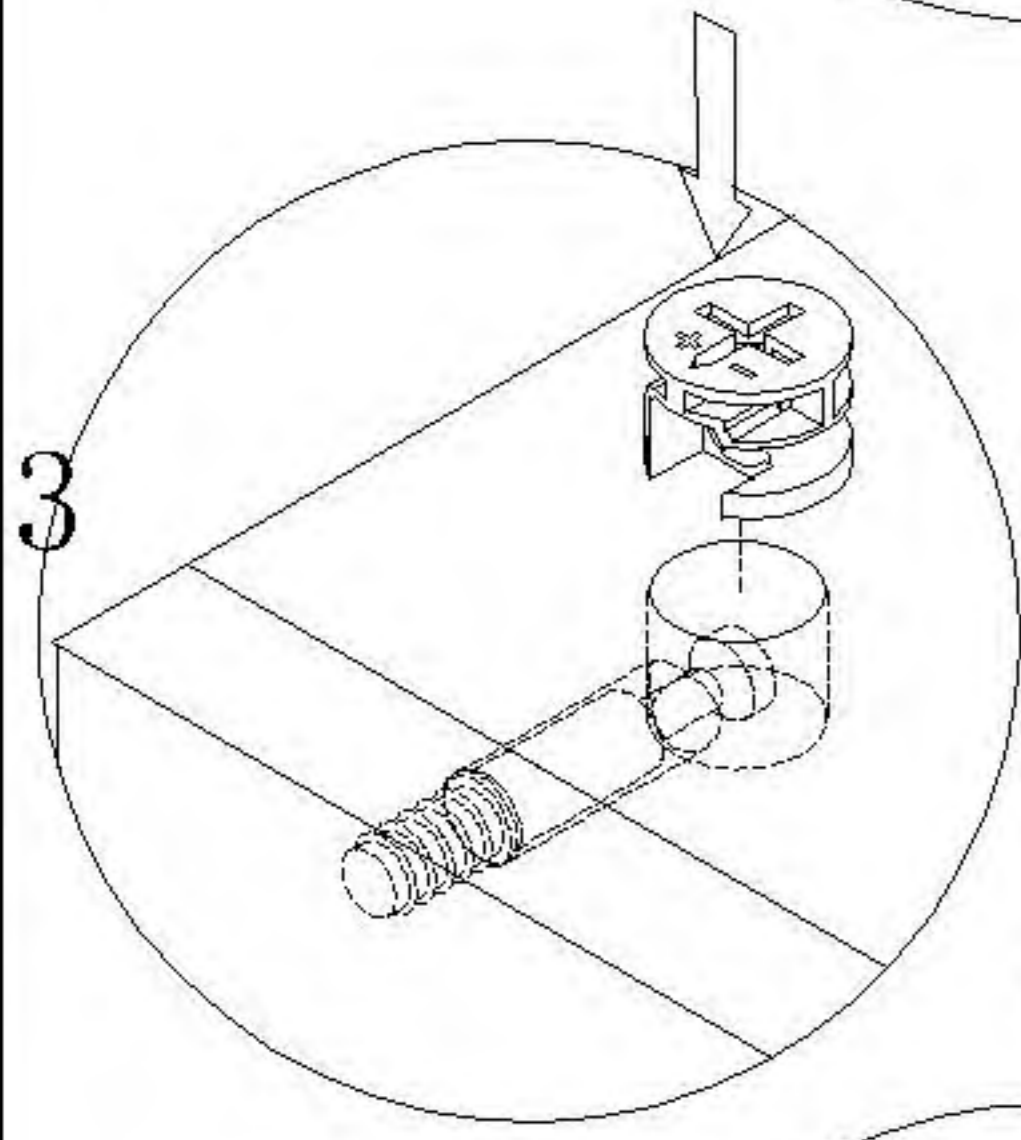
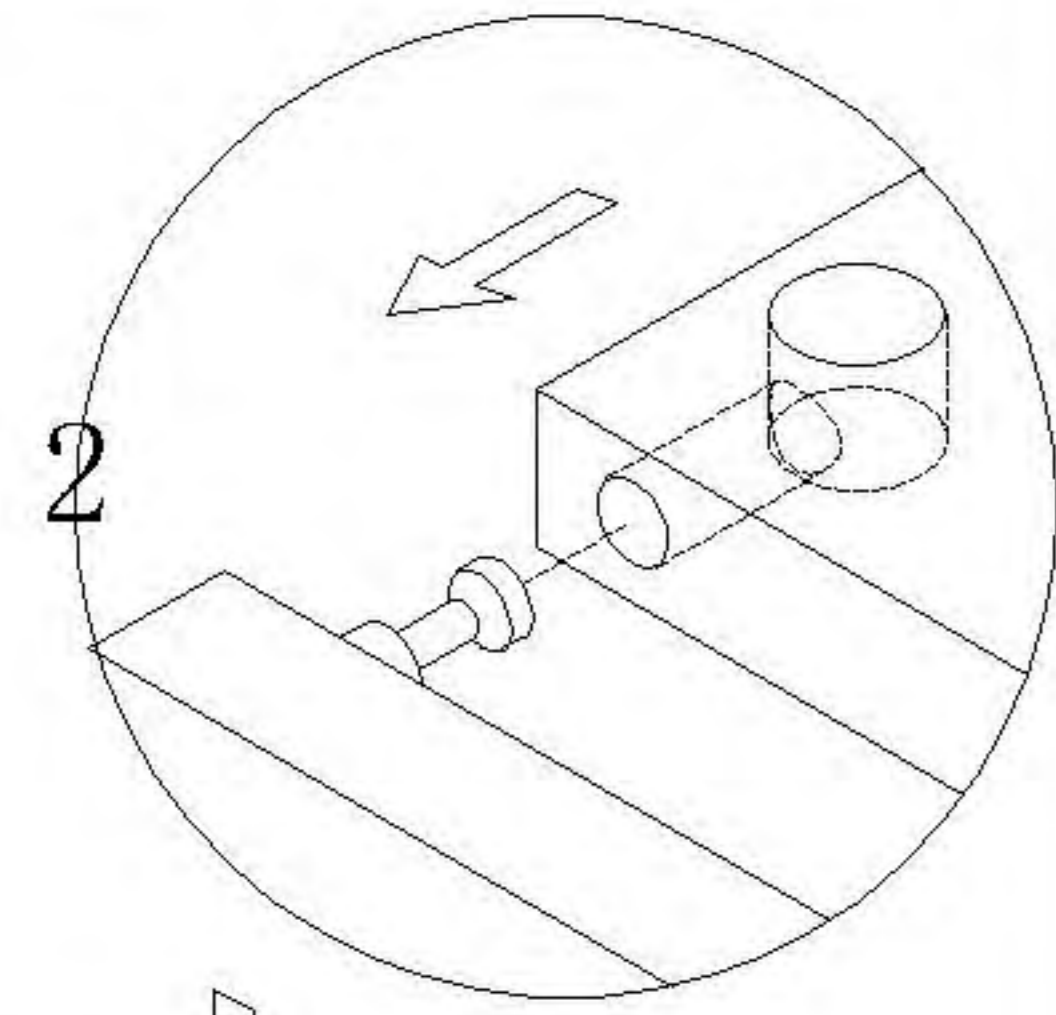
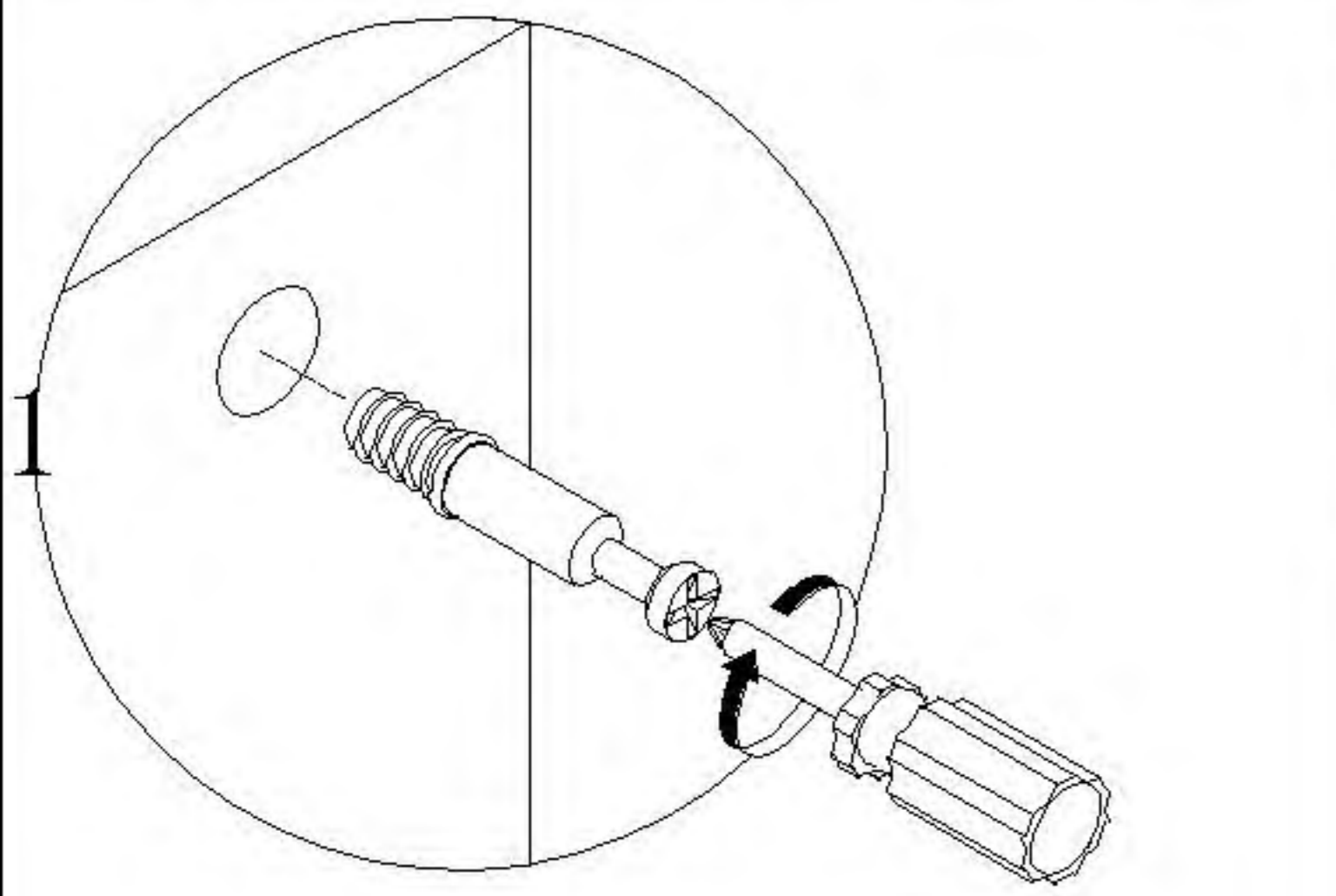


2

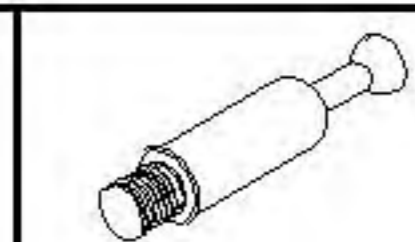
4

UM5C-A三斗柜

安装方法/  
Installation method



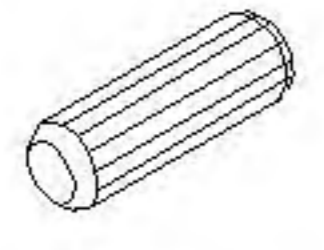
大二合一  
two-in-one



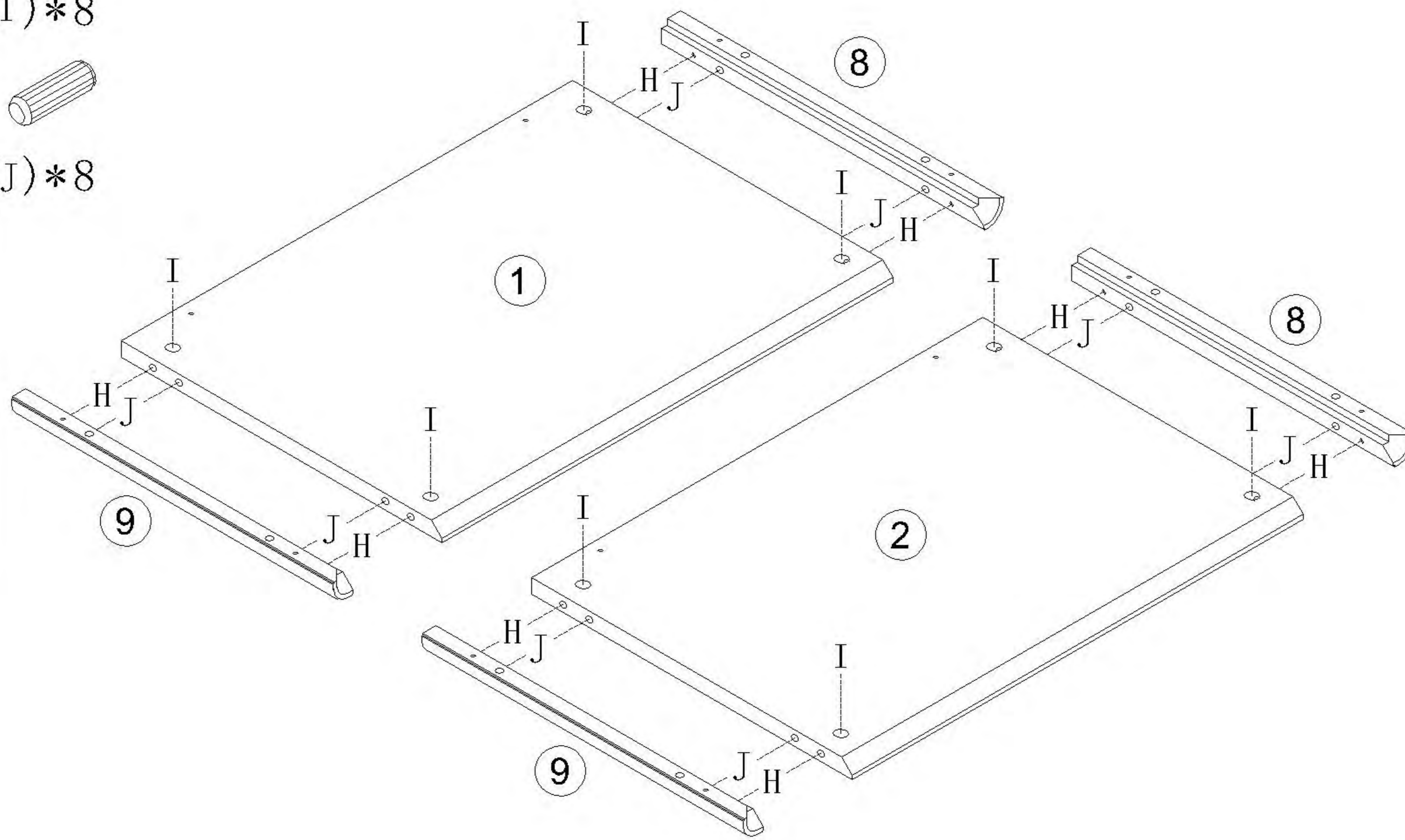
(H)\*8



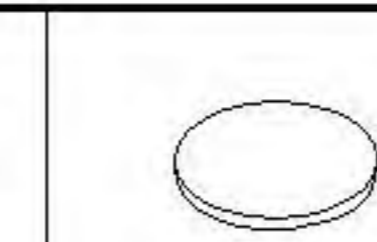
(I)\*8



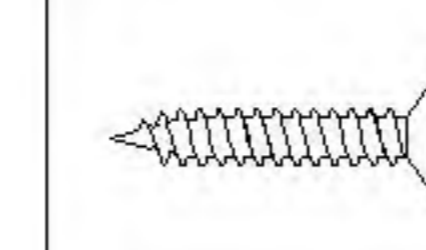
(J)\*8



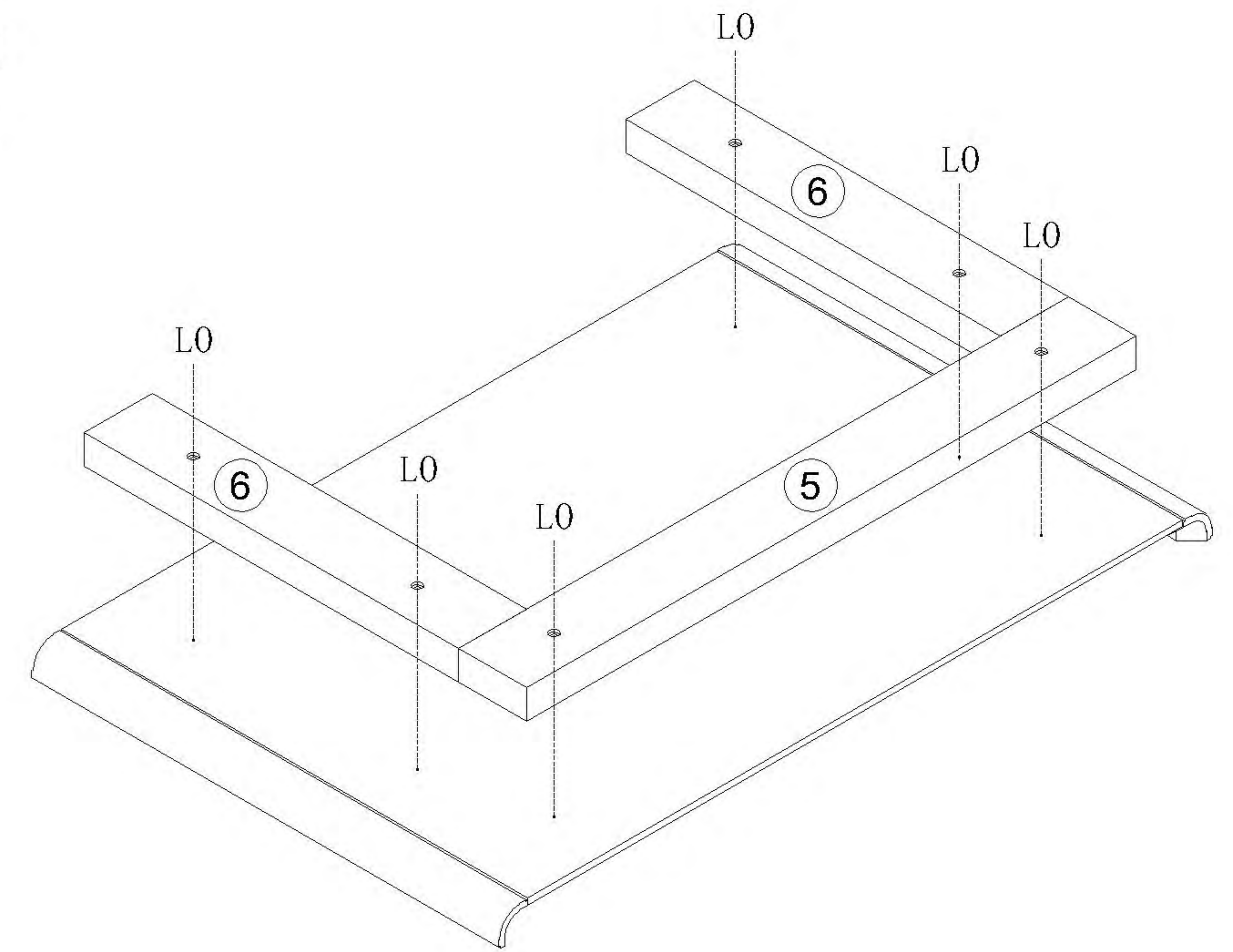
5



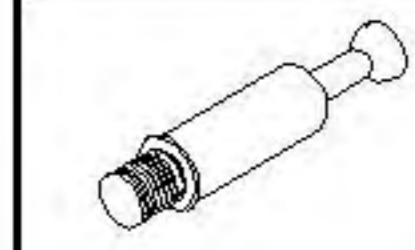
(L)\*6



(O)\*6



6



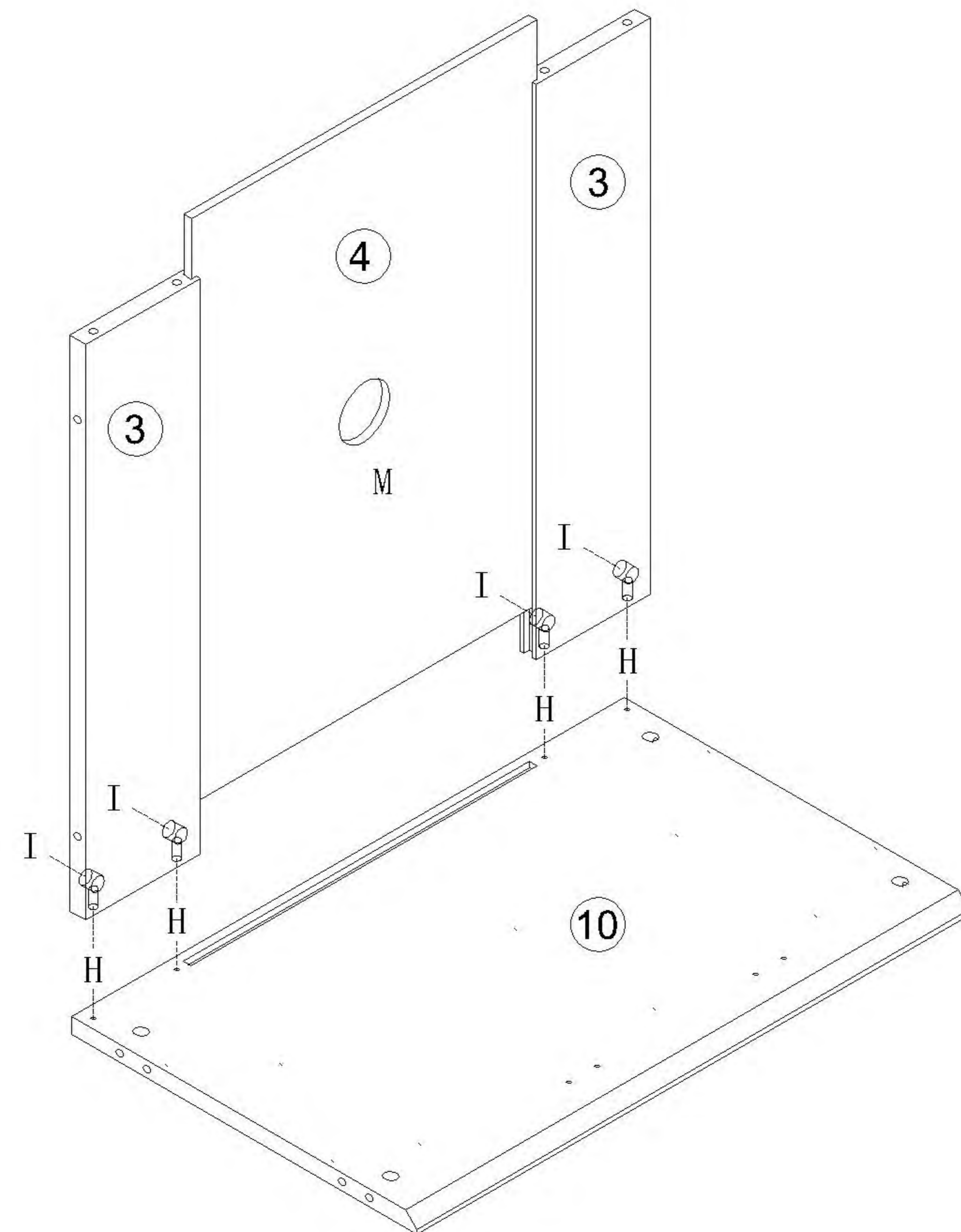
(H)\*4



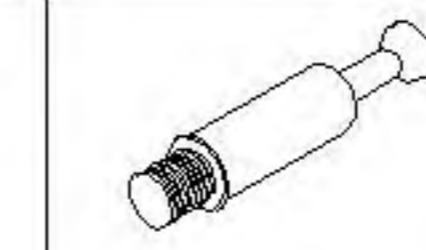
(I)\*4



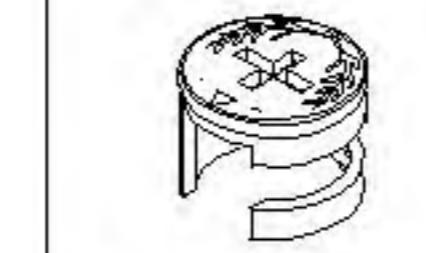
(M)\*1



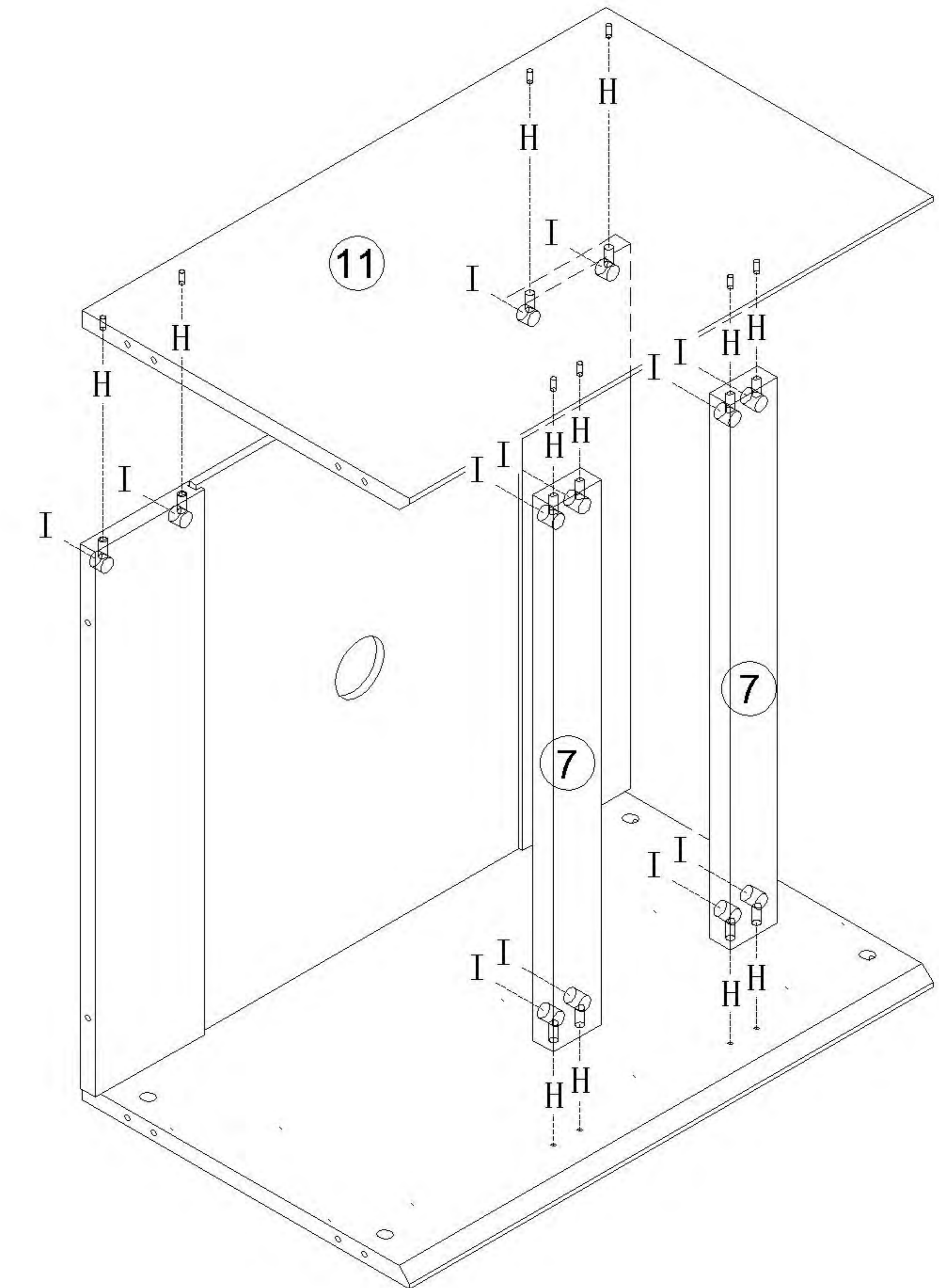
7



(H)\*12



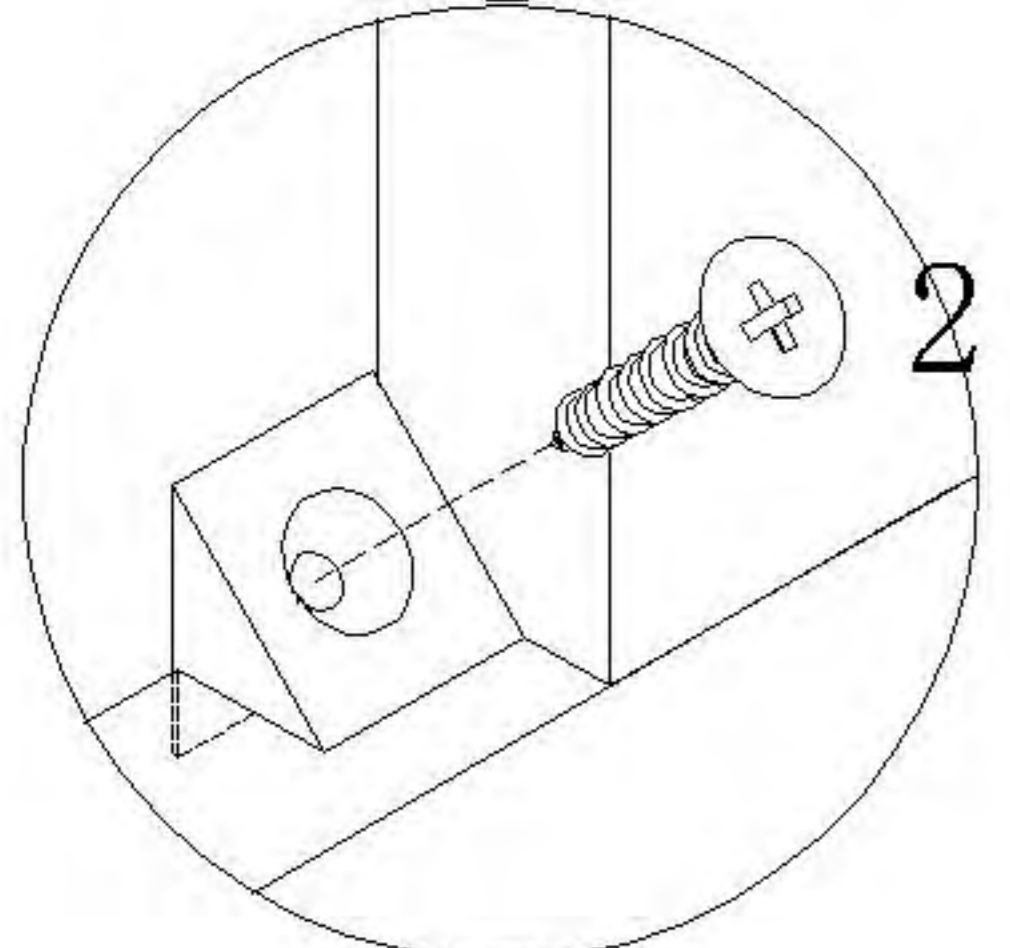
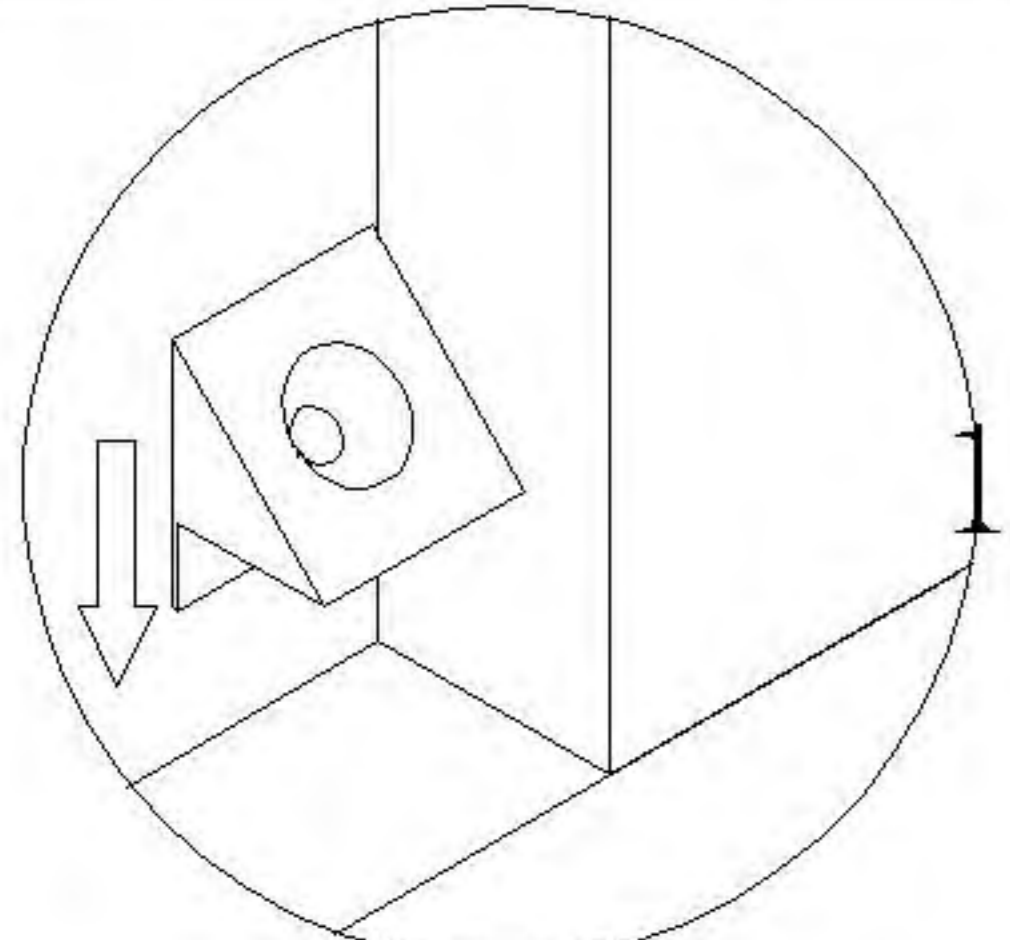
(I)\*12



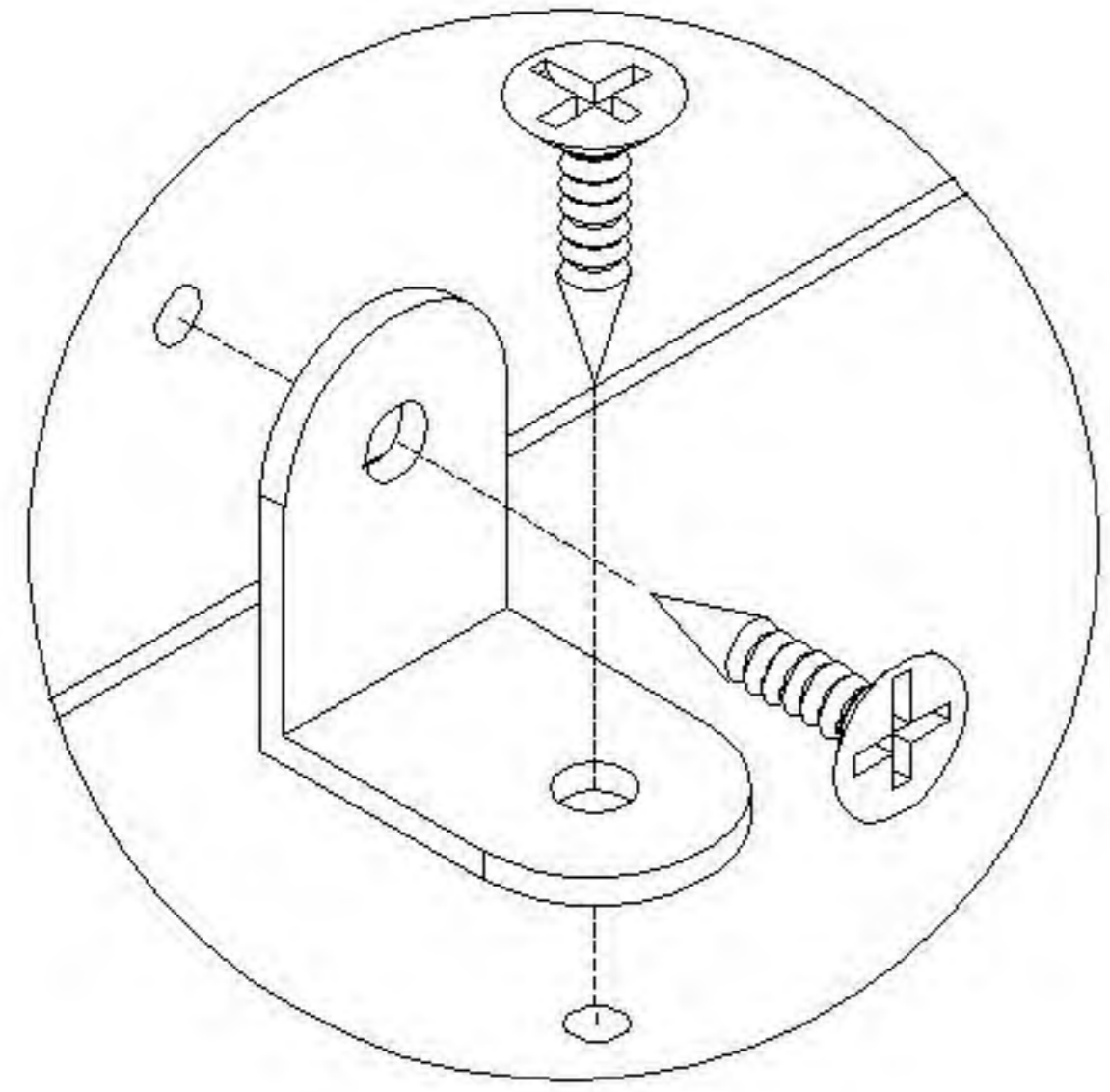
8

UM5C-A三斗柜

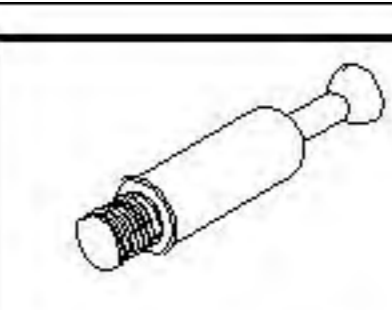
安装方法/  
Installation method



背板扣  
Back Plate Buckle-White



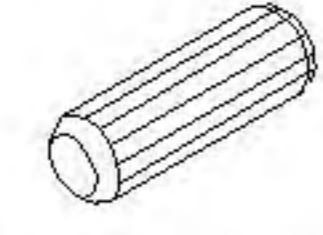
角码  
Bracket



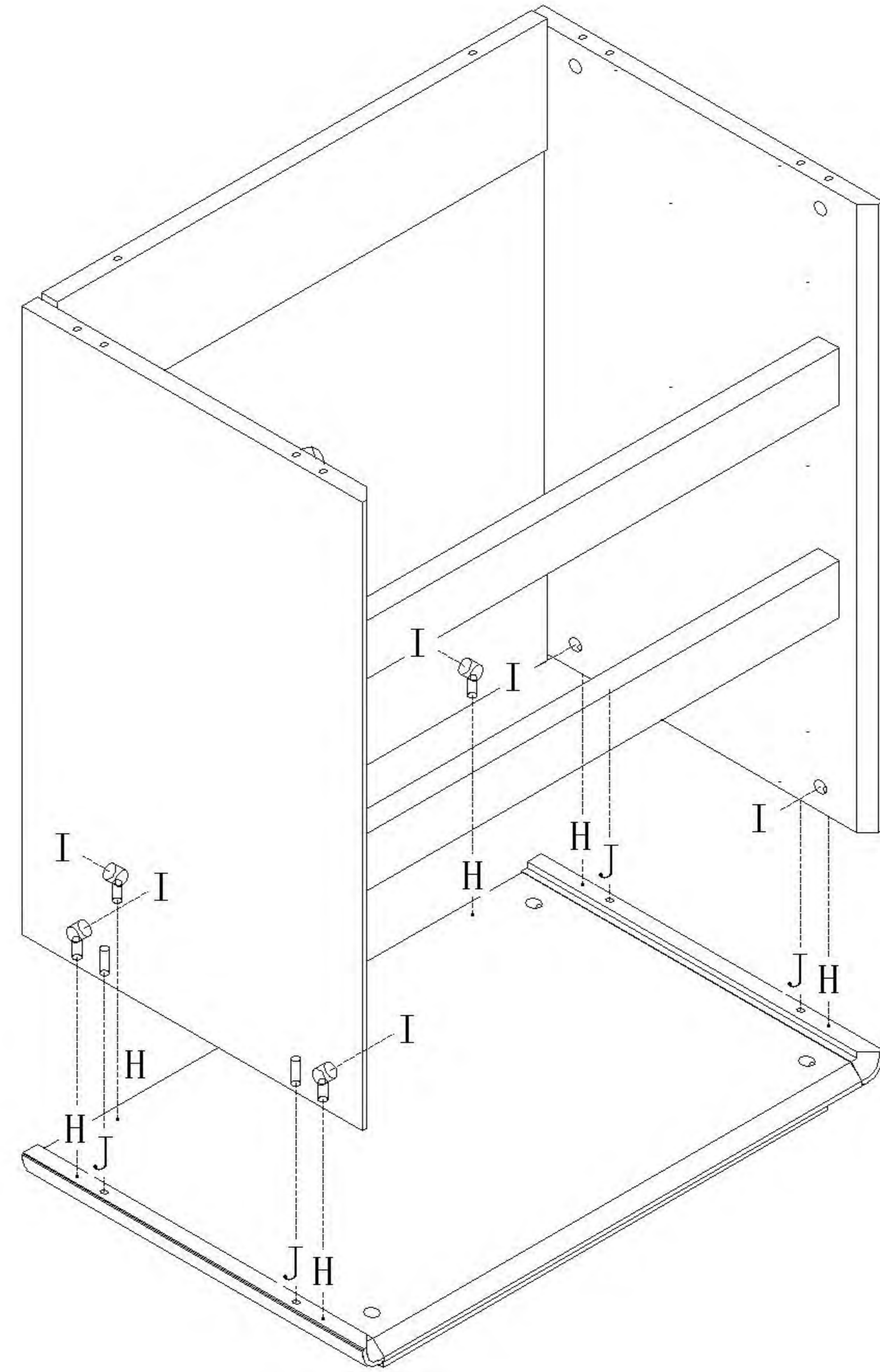
(H)\*6



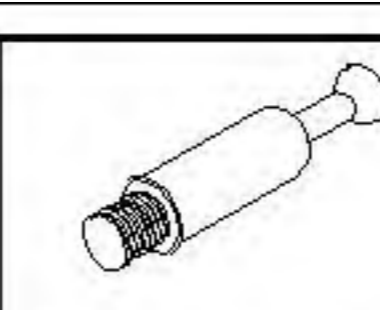
(I)\*6



(J)\*4



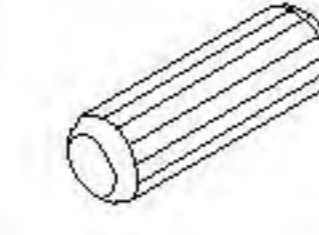
9



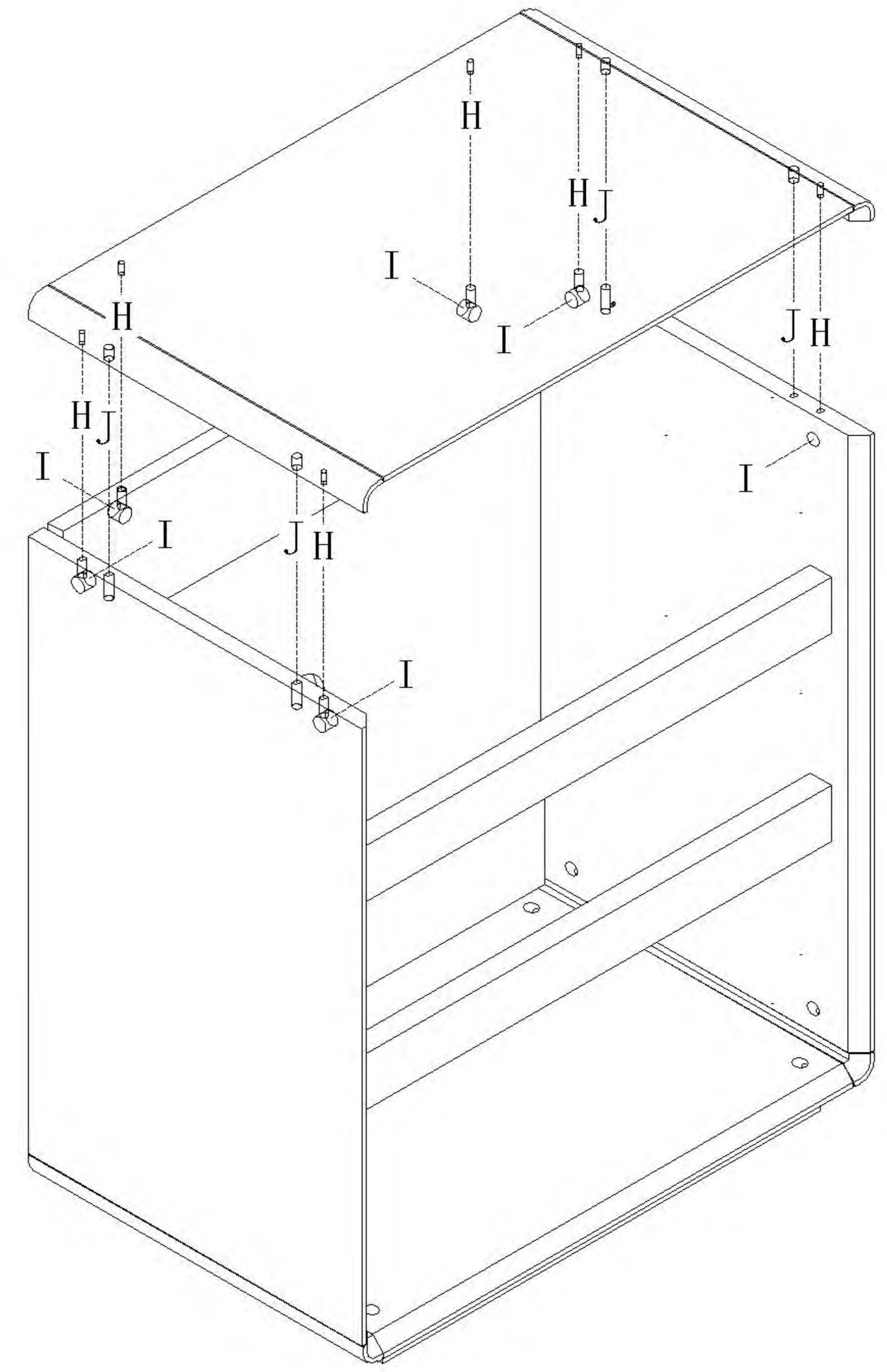
(H)\*6



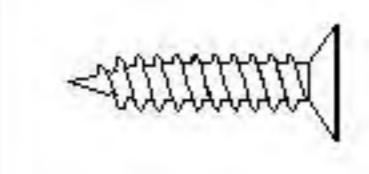
(I)\*6



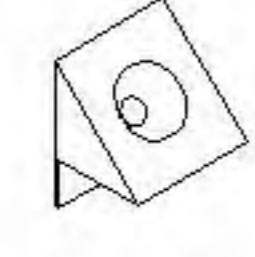
(J)\*4



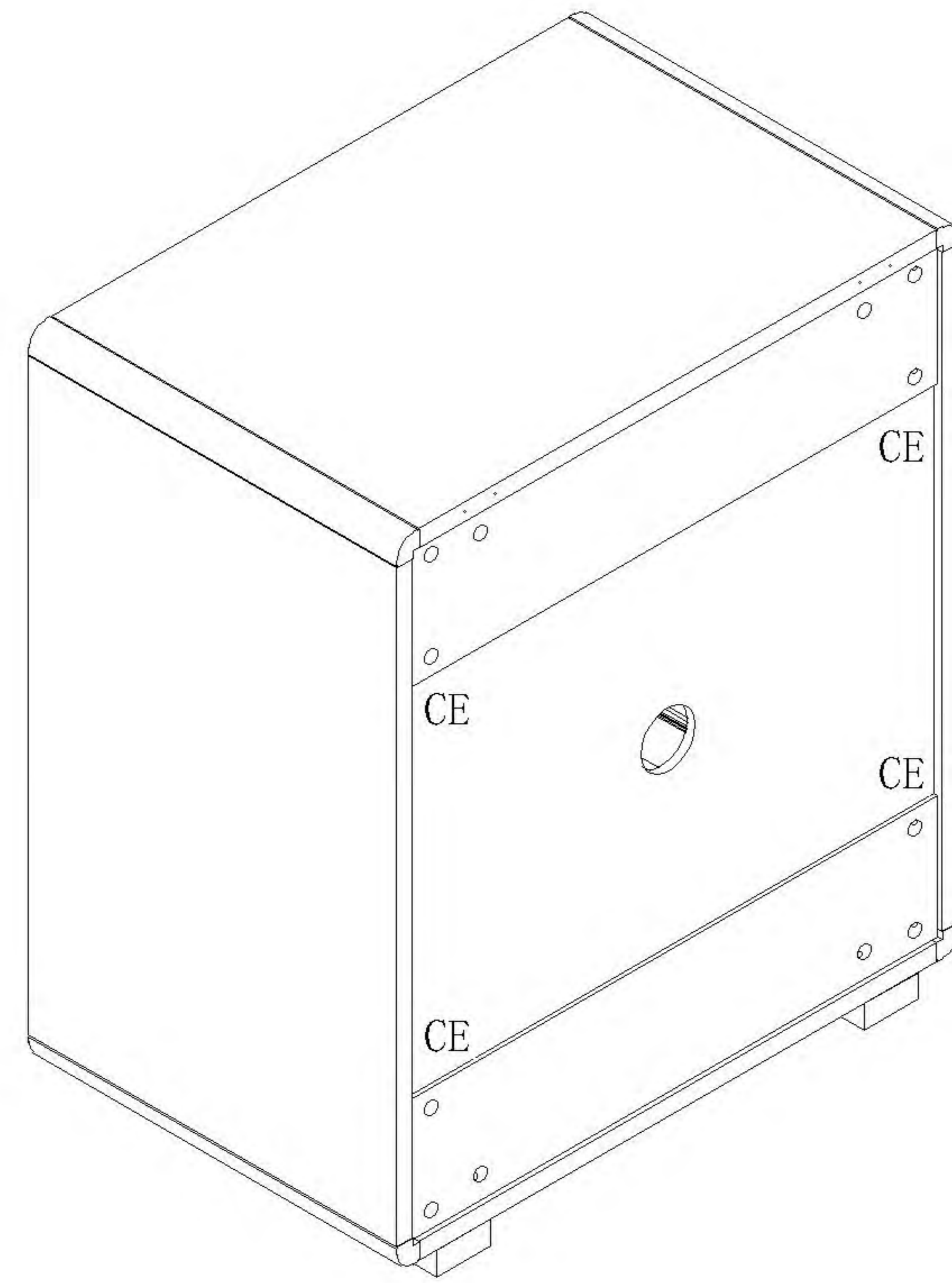
10



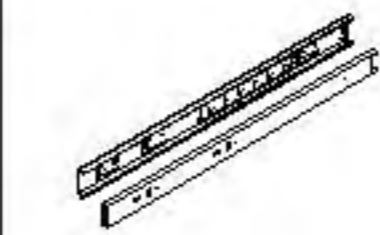
(C)\*4



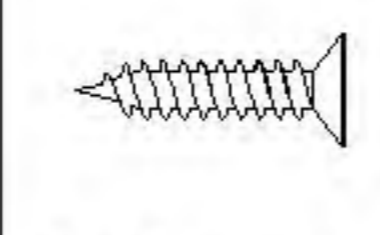
(E)\*4



11



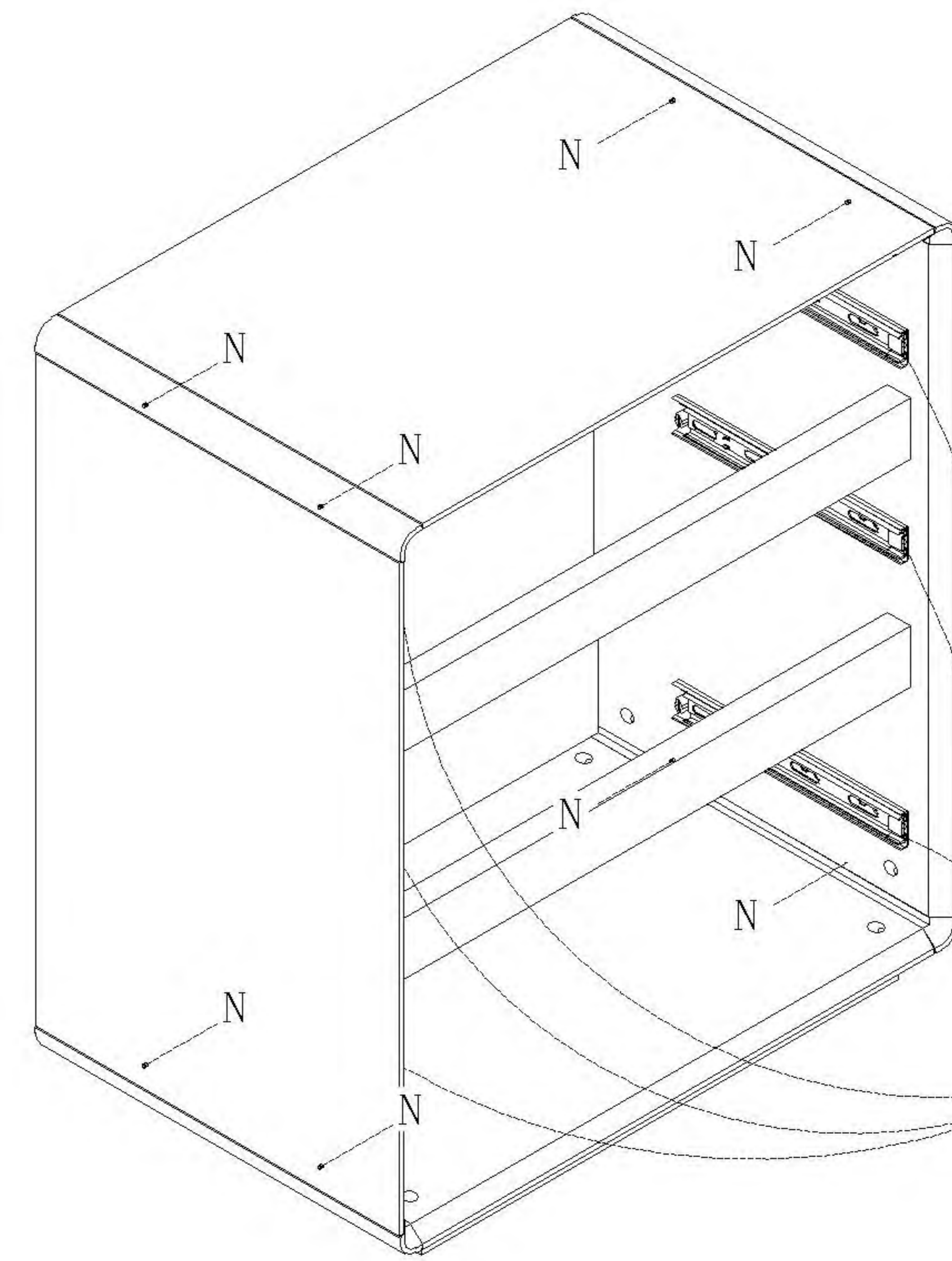
(A)\*3



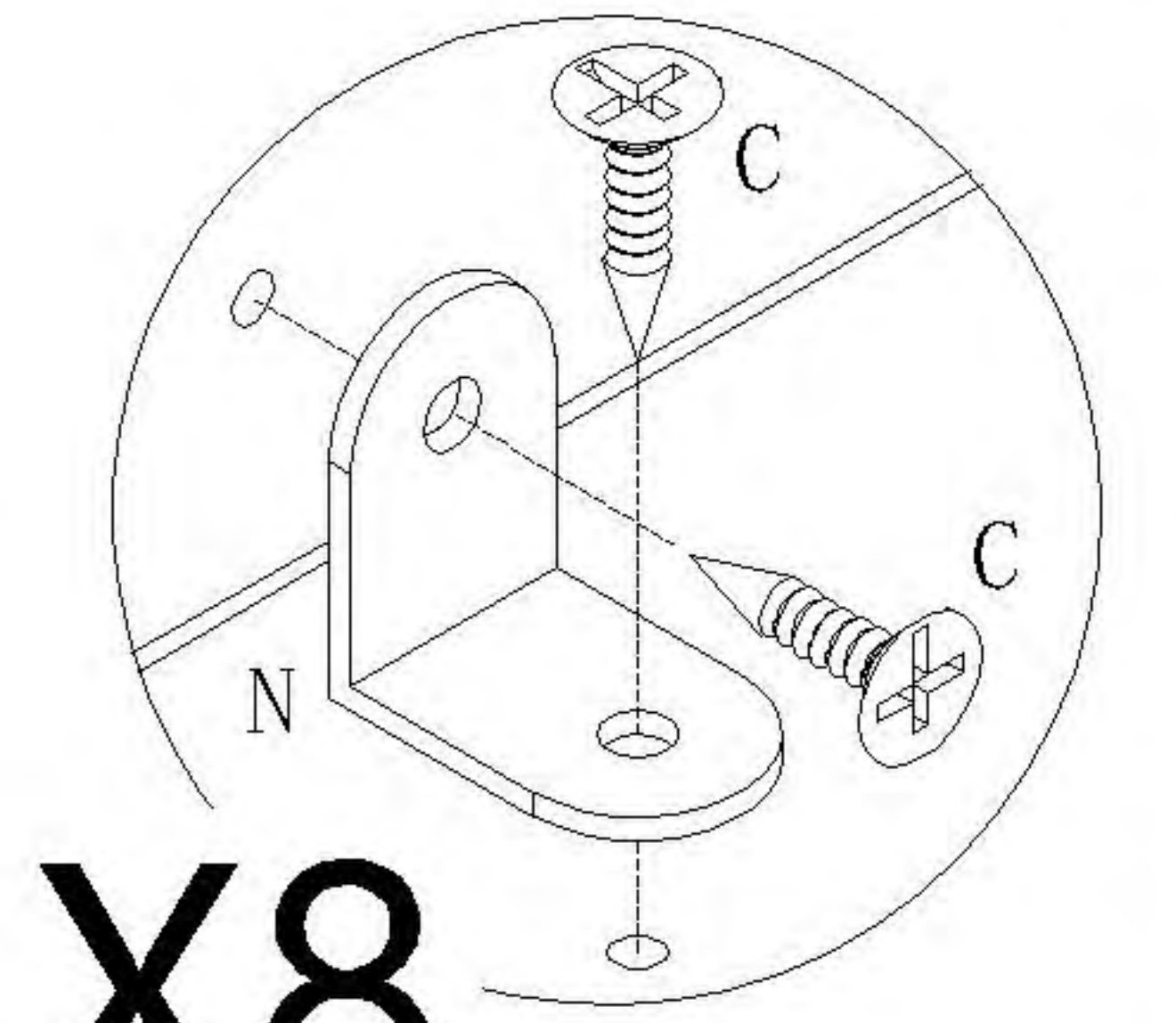
(C)\*34



(N)\*8



12

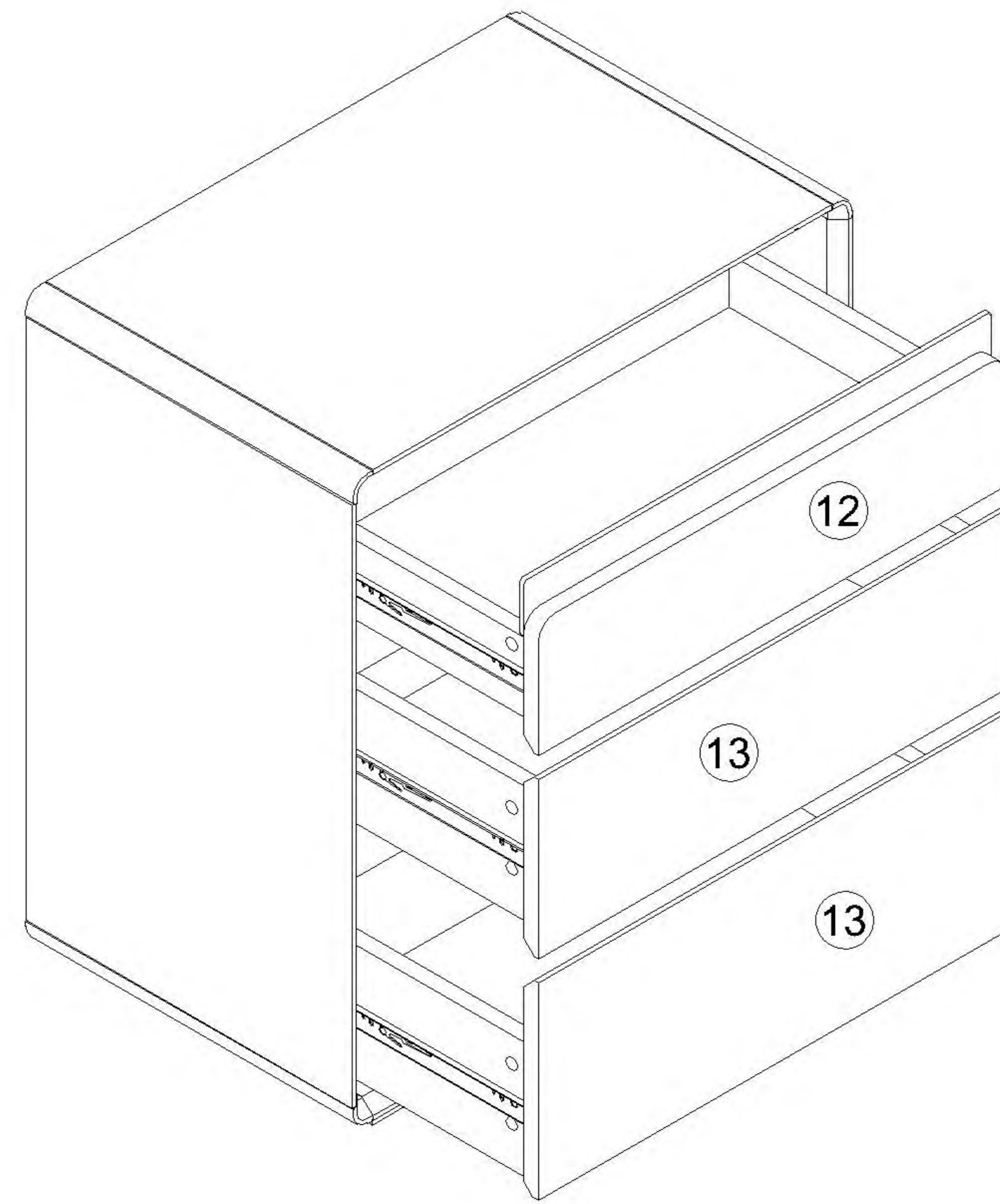


X8

A 主轨  
Main rail

UM5C-A三斗柜

安装方法/  
Installation method



13

(P)\*63

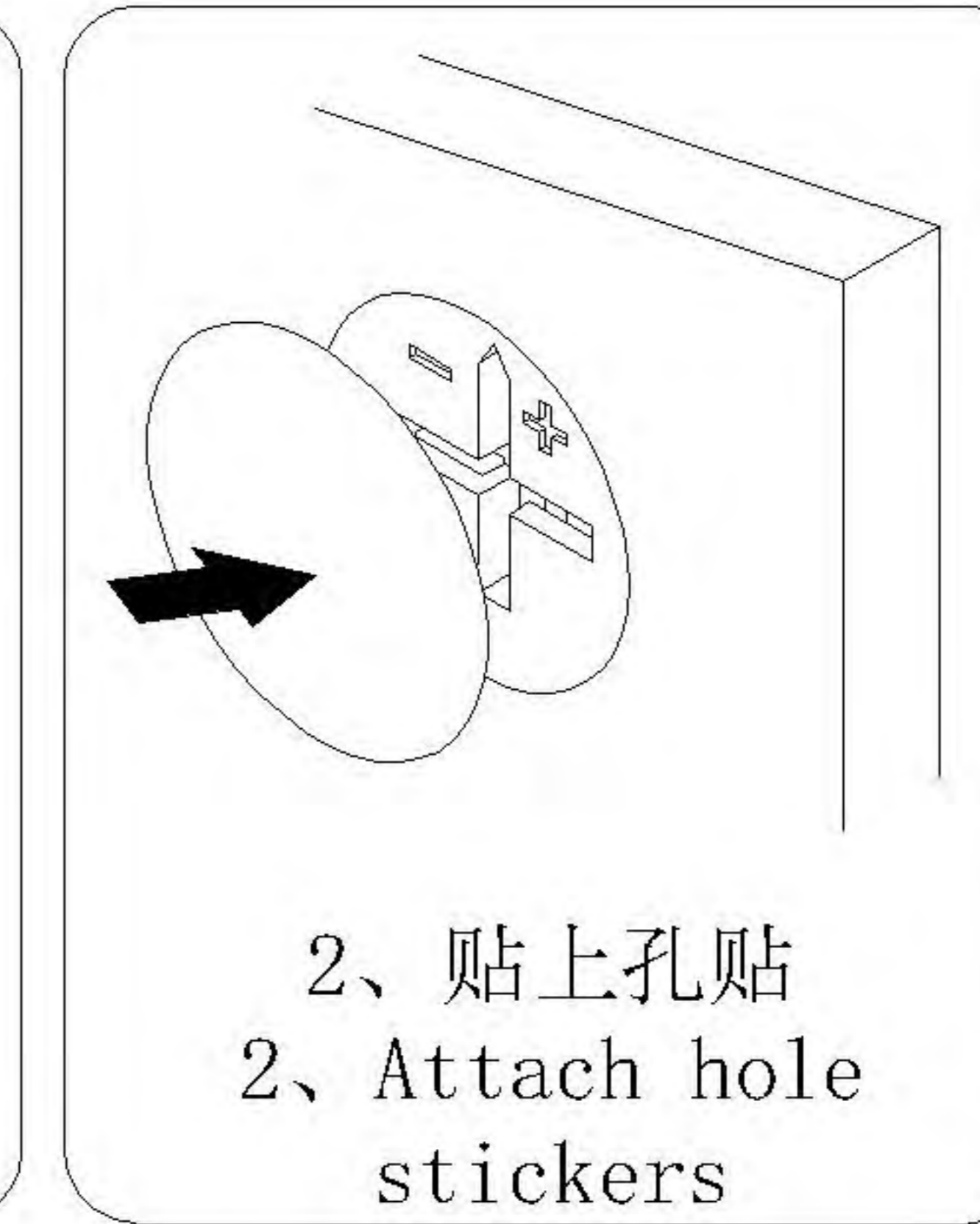
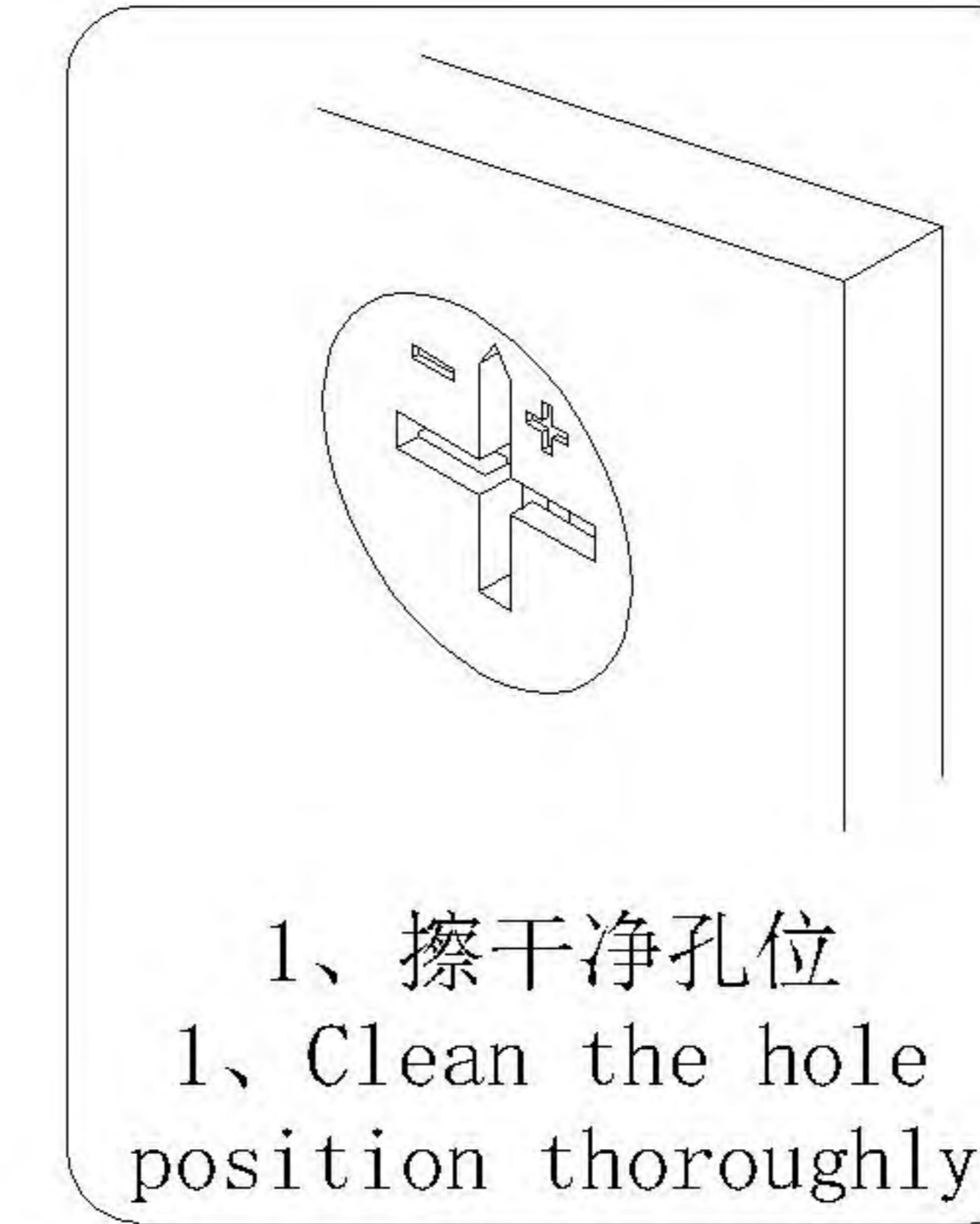
14

孔位贴使用小贴士

产品安装完成后请贴上孔贴，多出的孔贴请保管好

Tips for using hole stickers:

After the product installation is completed, please attach the hole stickers. Please keep any extra hole stickers safe

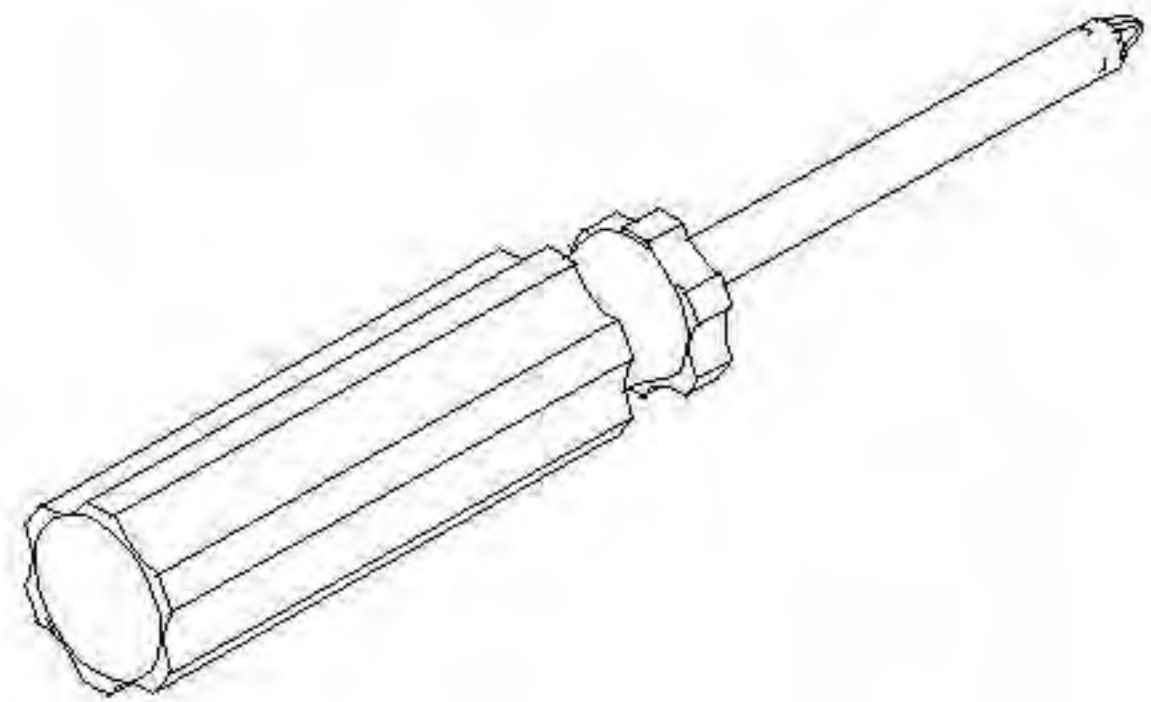



15

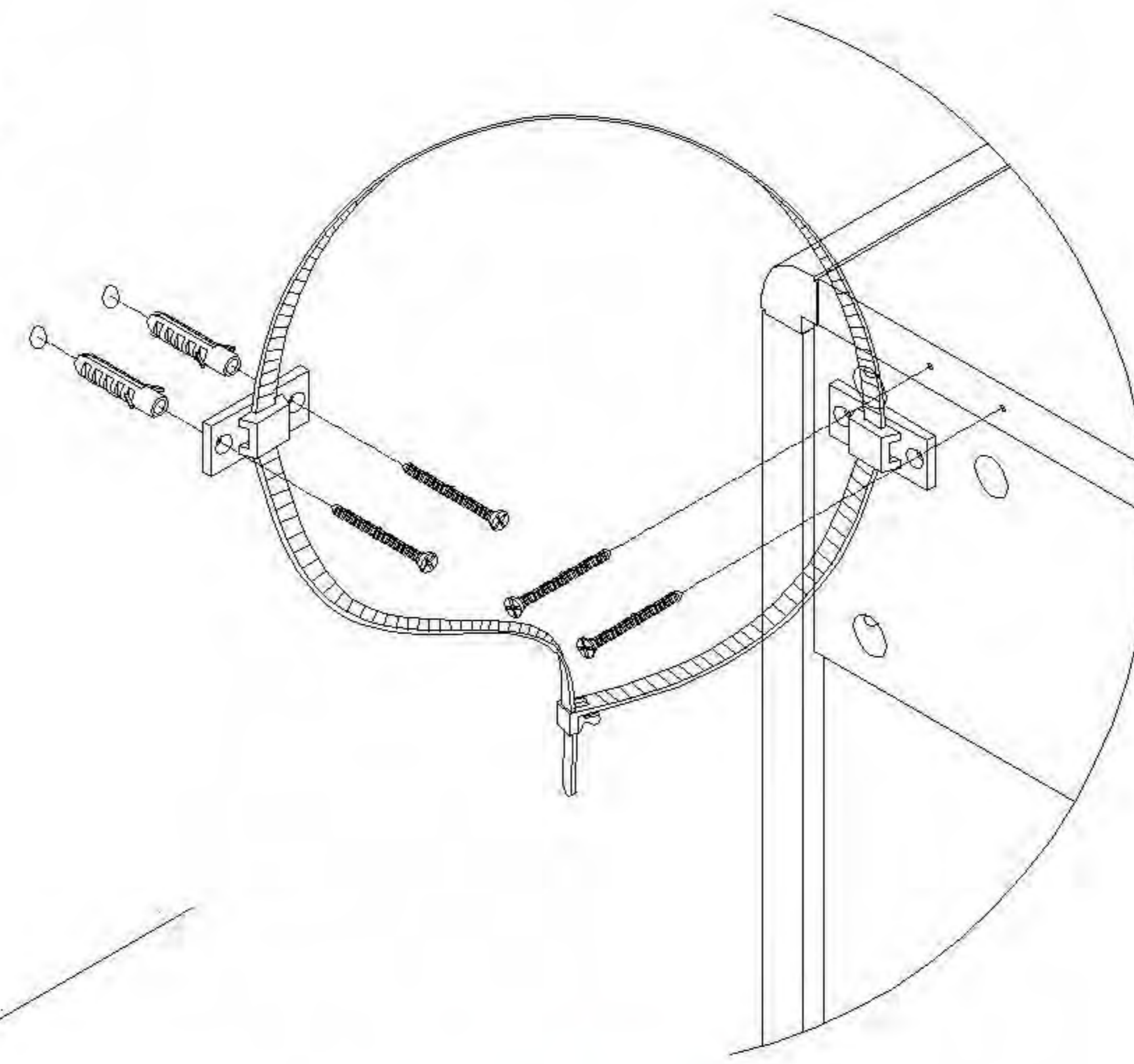
16

# LINSY 林氏家居

## 安装示意图/Assembly Instruction

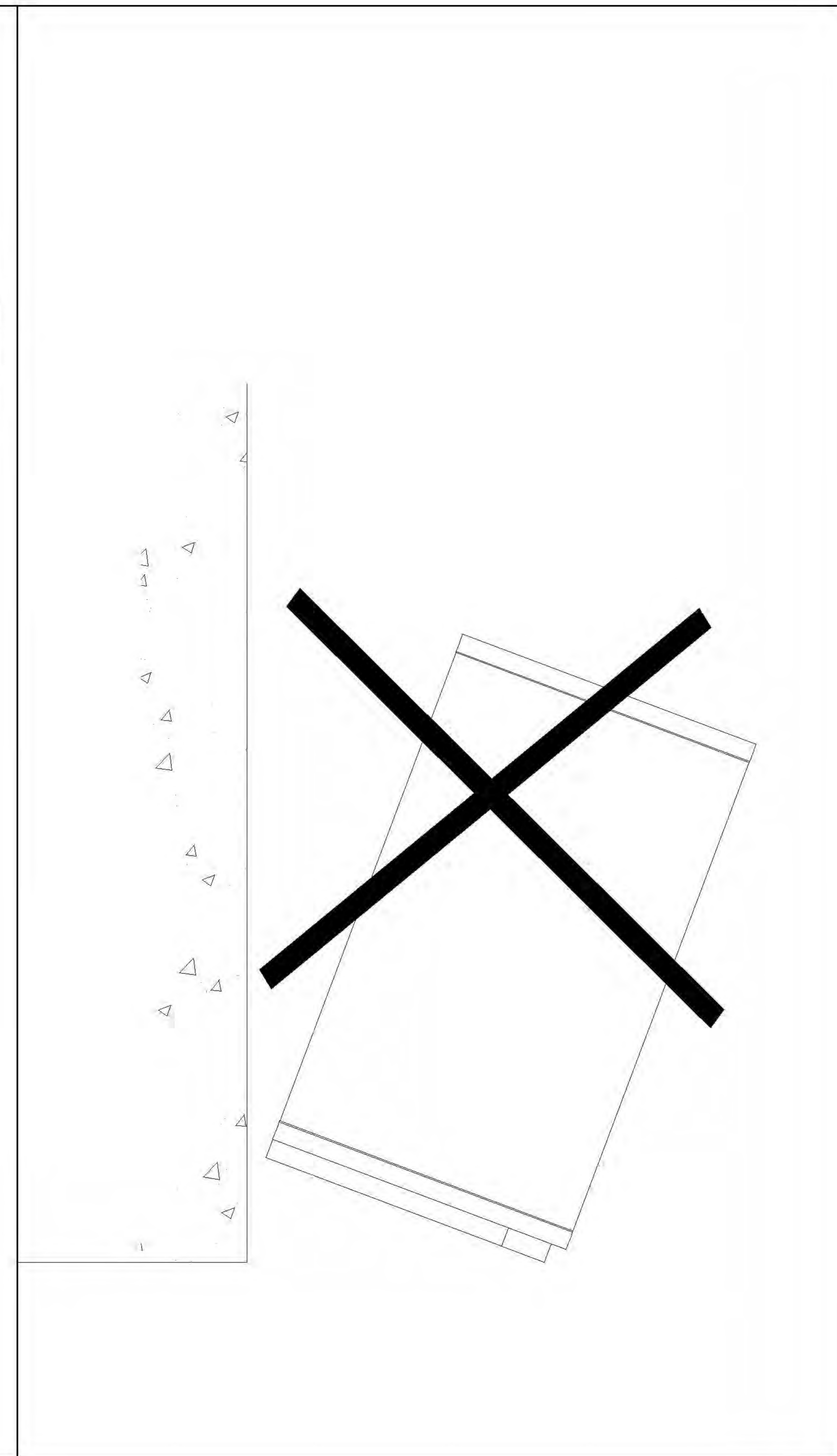
产品名称 Model NO.	Anti-fall device
产品规格 Specification	-
安装工具 Tool	安装人数 Installer
	

  
(K)\* 1  
家具防倒器-白色  
Anti-fall device  
white



K处放大图  
Enlarged view at K

实体墙  
Solid wall



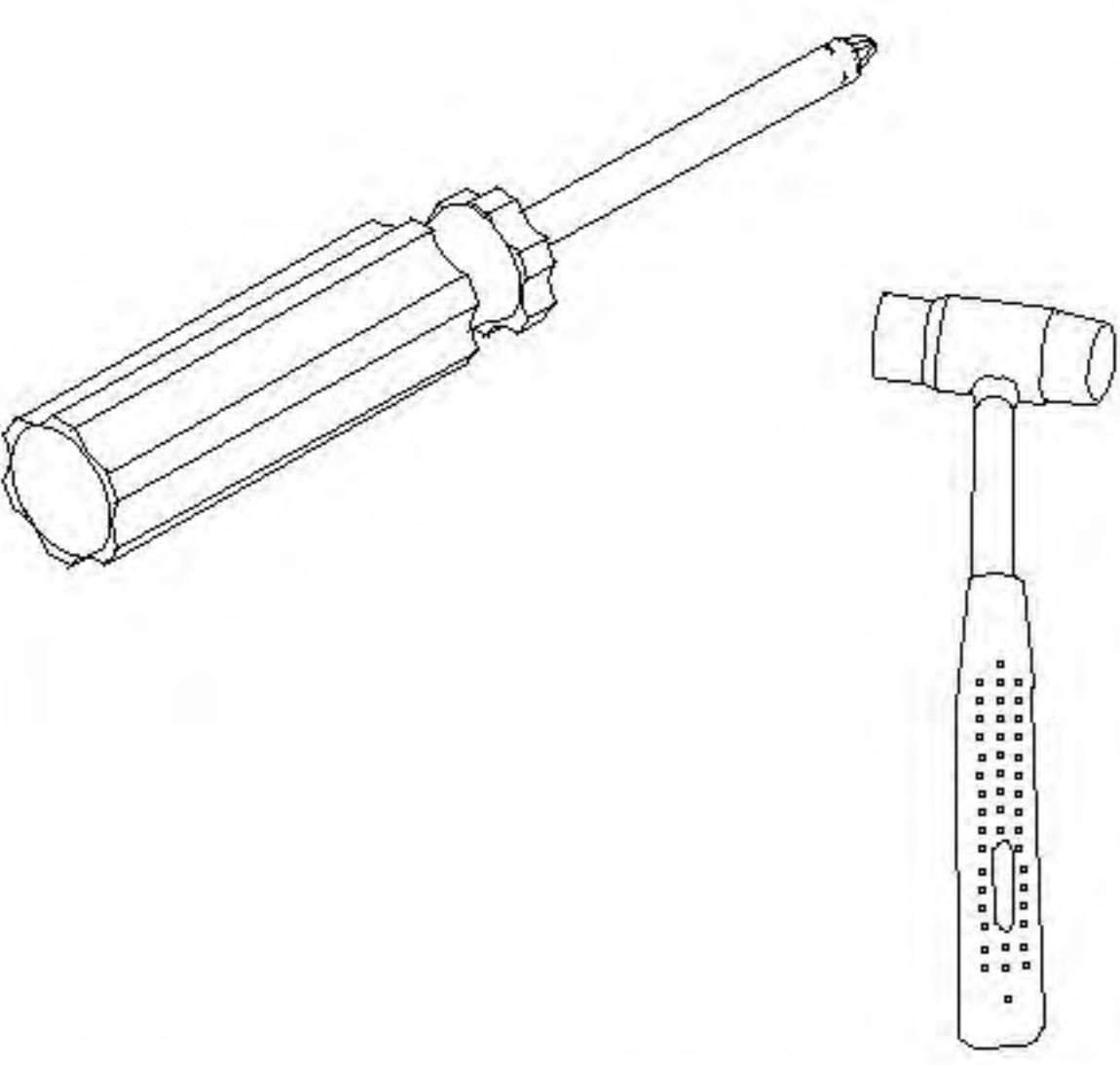
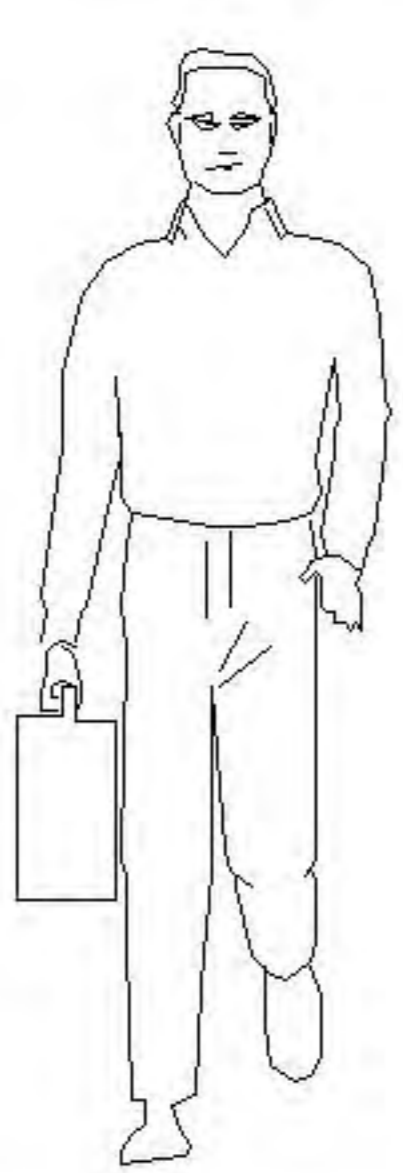
注意：  
防倒器一定要按图安装，为防止柜子倾倒！  
be careful:The anti fall device must be installed according to  
the diagram to prevent the cabinet from tipping over!

# LINSY 林氏家居

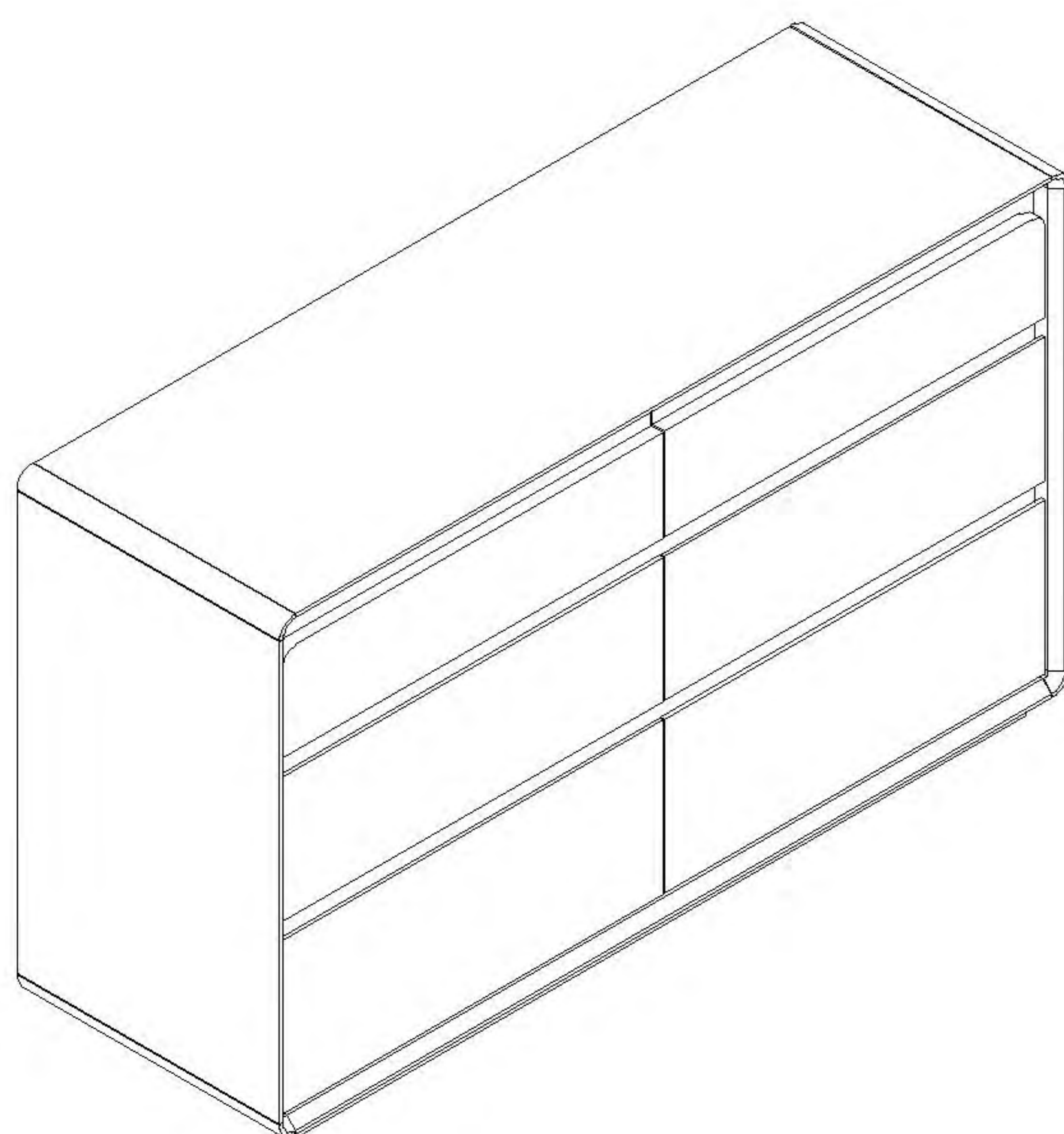
## 五金表/Hardware list

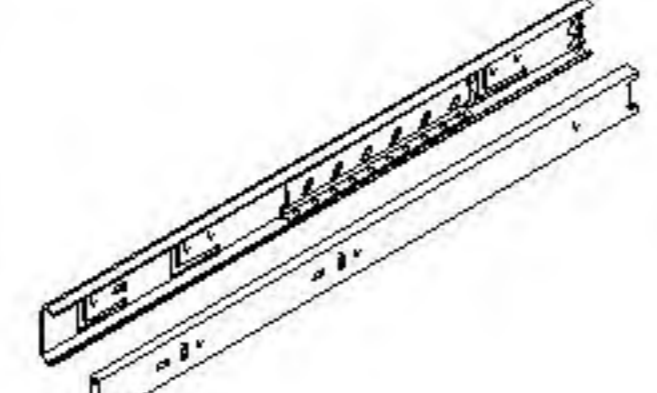
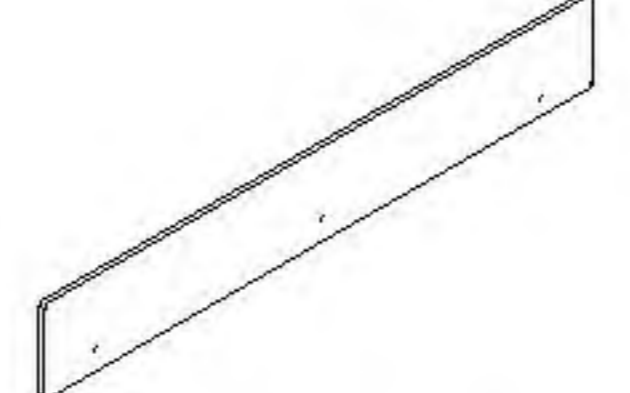
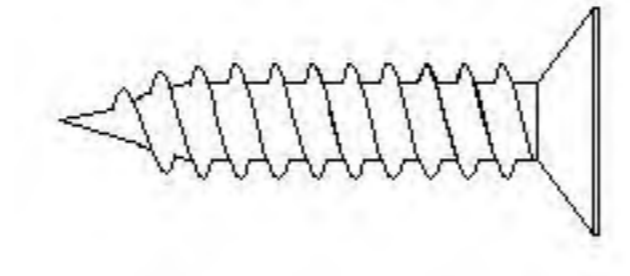
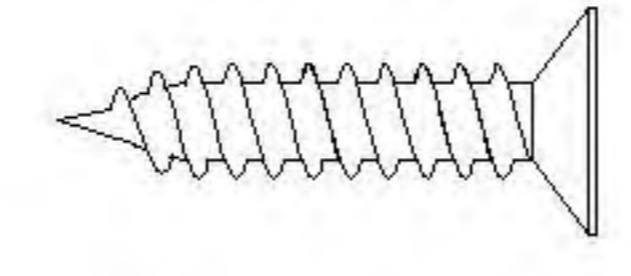
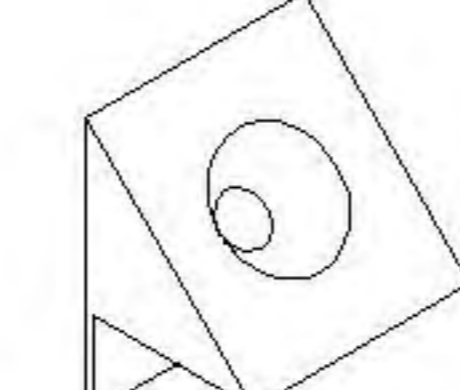
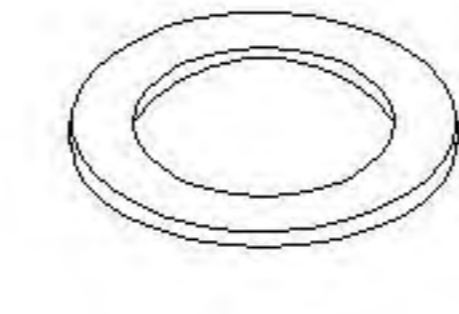
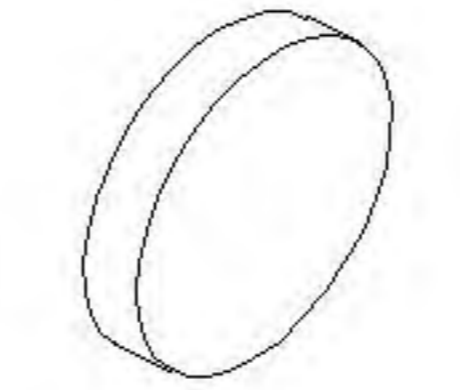
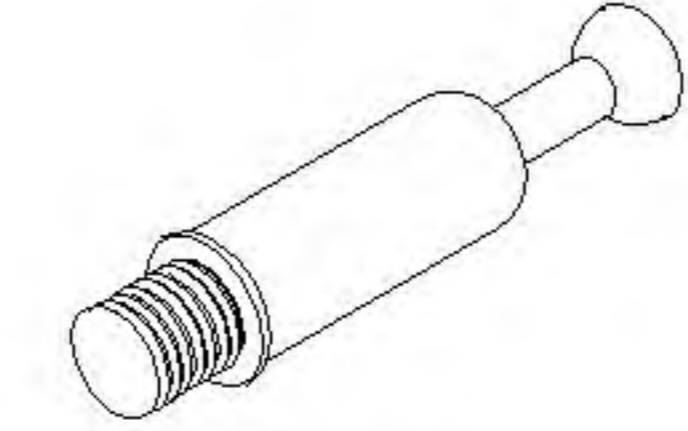
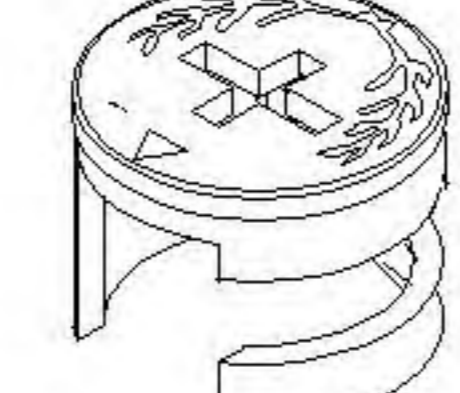
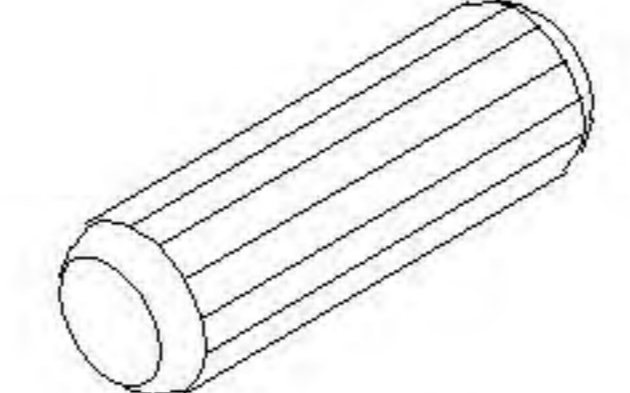
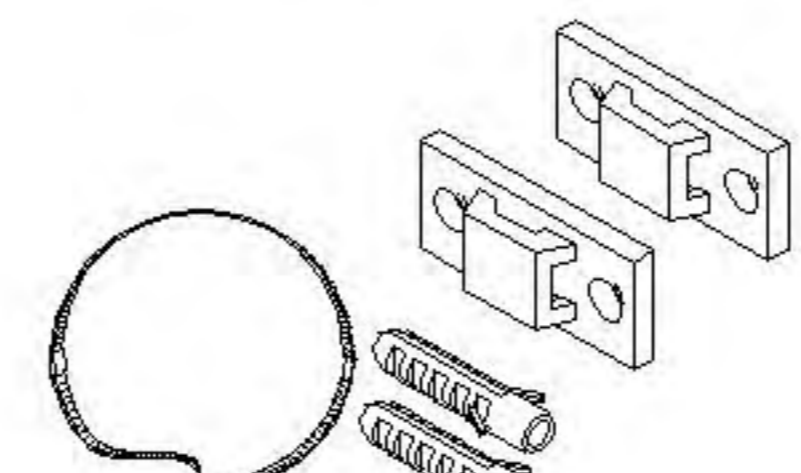
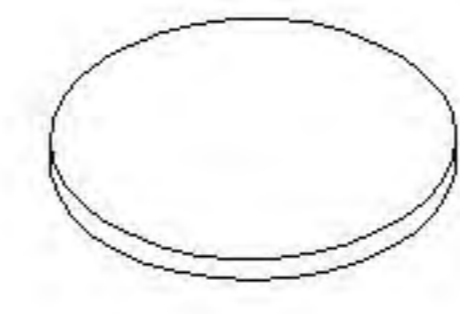
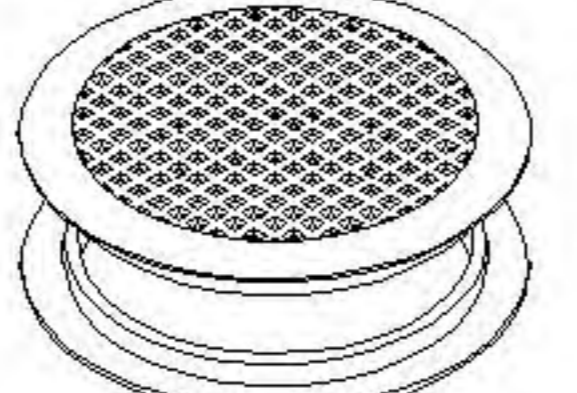

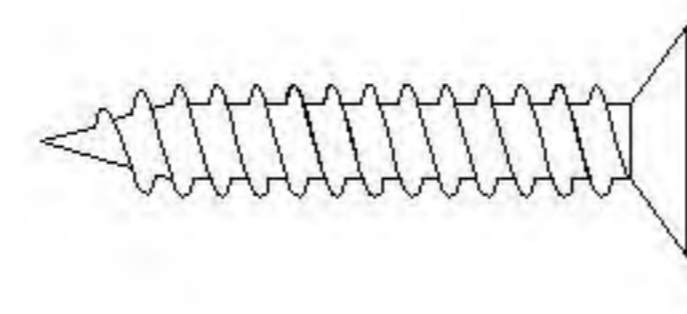
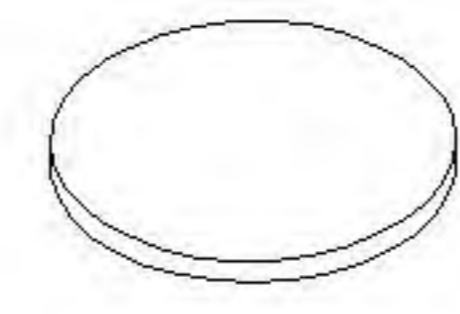
## 部件表/Parts List

### 安装示意图/Assembly Instruction

产品名称 Model NO.	六斗柜
产品型号 Product Model	UM5C-A
尺寸规格 Specification	(1193*399*622)mm
安装工具 Tool	安装人数 Installer
	

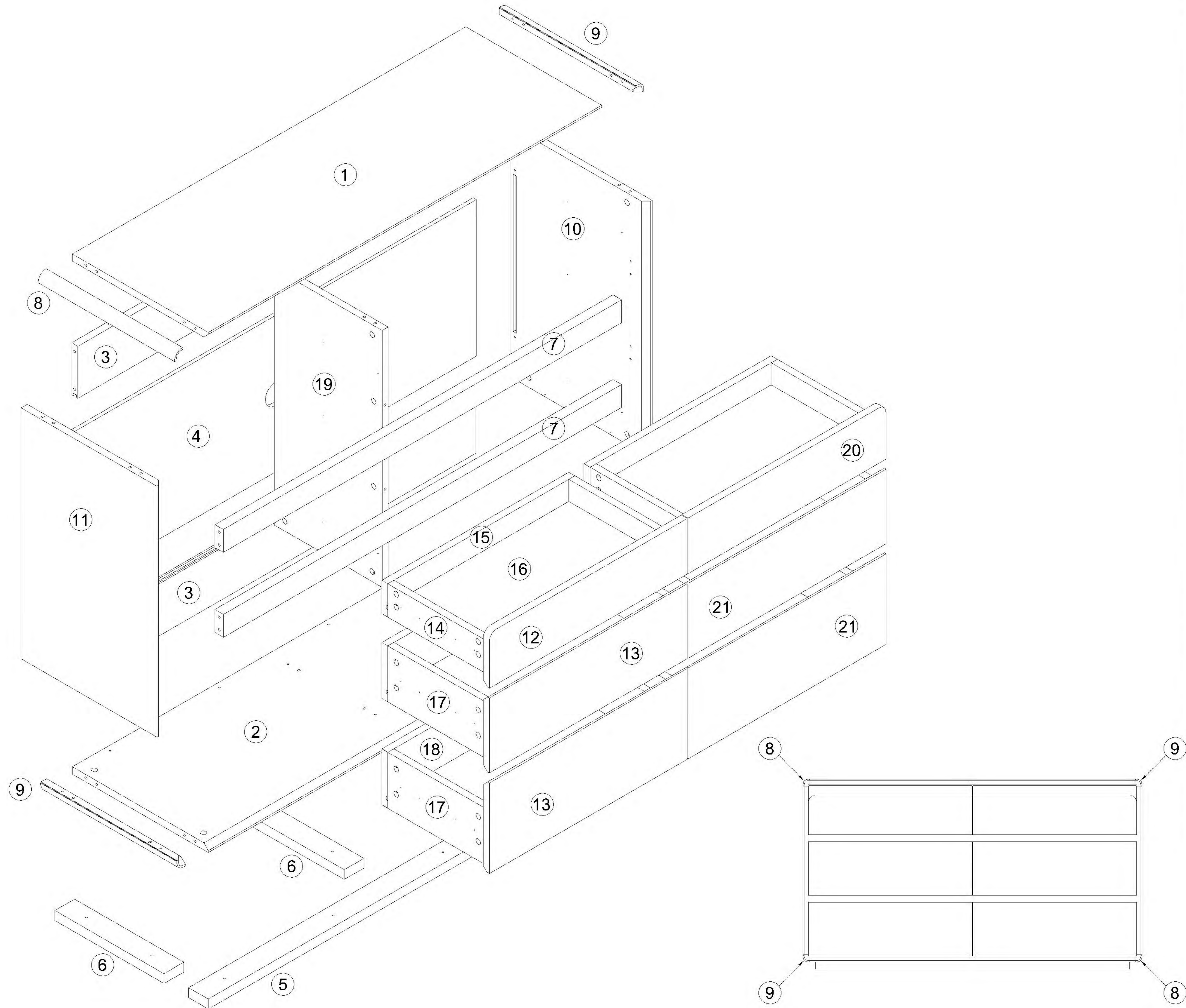
注：为保证设计效果，部分尺寸为定制尺寸，不影响使用。



 (A)* 6 三节滚珠导轨-10" three-section ball rail	 (B)* 2 抽面亚克力 Drawing Acrylic	 (C)* 97 自攻螺丝M3.5x14mm	 (D)* 6 自攻螺丝M3.5x16mm
 (E)* 4 背板扣 Back Plate Buckle-White	 (F)* 6 透明塑料垫片 Plastic gasket	 (G)* 6 镜钉 Mirror nail	 (H)* 99 二合一螺杆 2-in-1-screw
 (I)* 99 大三合一锁饼 Three-in-one large lock	 (J)* 21 木榫Ø8x30mm wood tenon	 (K)* 1 家具防倒器-白色 Anti-fall device white	 (L)* 10 灰色毛毡脚垫 Footrest - Grey
 (M)* 1 透气孔盖 Vent cover	 (N)* 8 L型角码14x21x1.5 L-shaped corner code	 (O)* 11 自攻螺丝M4x30mm	 (P)* 99 PVC孔贴 PVC hole sticker

►注：抽屉都是设计所需设计缝，小心夹伤！  
**Note: The drawers are designed with necessary seams. Be careful not to pinch!**  
 ►使用本产品请靠墙放置  
**Please place this product against the wall**  
 ►注意：防倒器一定要按图安装！  
**Be careful: The anti fall device must be installed!**

编号NO.	名称Name	规格 (mm) Specification	数量 QTY	材质Material
①	面板 Top panel	1153*398*15	1	刨花板Particle board
②	底板 Bottom board	1153*398*15	1	刨花板Particle board
③	背拉条 Back brace	1163*101*15	2	刨花板Particle board
④	背板 Back board	1173*372*5	1	纤维板Fiberboard
⑤	前脚条 Front foot strip	1104*58*25	1	刨花板Particle board
⑥	侧脚条 Side foot strip	320*58*25	3	刨花板Particle board
⑦	拉条 Brace	1163*58*25	2	刨花板Particle board
⑧	转角木1 Corner wood 1	399*20*20	2	橡胶木Rubber wood
⑨	转角木2 Corner wood 2	399*20*20	2	橡胶木Rubber wood
⑩	右侧板 Side board(R)	554*398*15	1	刨花板Particle board
⑪	左侧板 Side board(L)	554*398*15	1	刨花板Particle board
⑫	左上抽屉面板 Upper left drawer panel	578*133*15	1	刨花板Particle board
⑬	左下抽屉面板 Lower left drawer panel	578*170*15	2	刨花板Particle board
⑭	小抽屉侧板 Small Drawer's side board	290*84*15	4	刨花板Particle board
⑮	小抽屉后板 Small drawer's back board	548*84*15	2	刨花板Particle board
⑯	抽屉底板 Drawer's Bottom board	528*300*5	6	纤维板Fiberboard
⑰	大抽屉侧板 Big Drawer's side board	290*126*15	8	刨花板Particle board
⑱	大抽屉后板 Big drawer's back board	548*126*15	4	刨花板Particle board
⑲	中隔板 Middle clapboard	564*325*15	1	刨花板Particle board
⑳	右上抽屉面板 Upper right drawer panel	578*133*15	1	刨花板Particle board
㉑	右下抽屉面板 Lower right drawer panel	578*170*15	2	刨花板Particle board

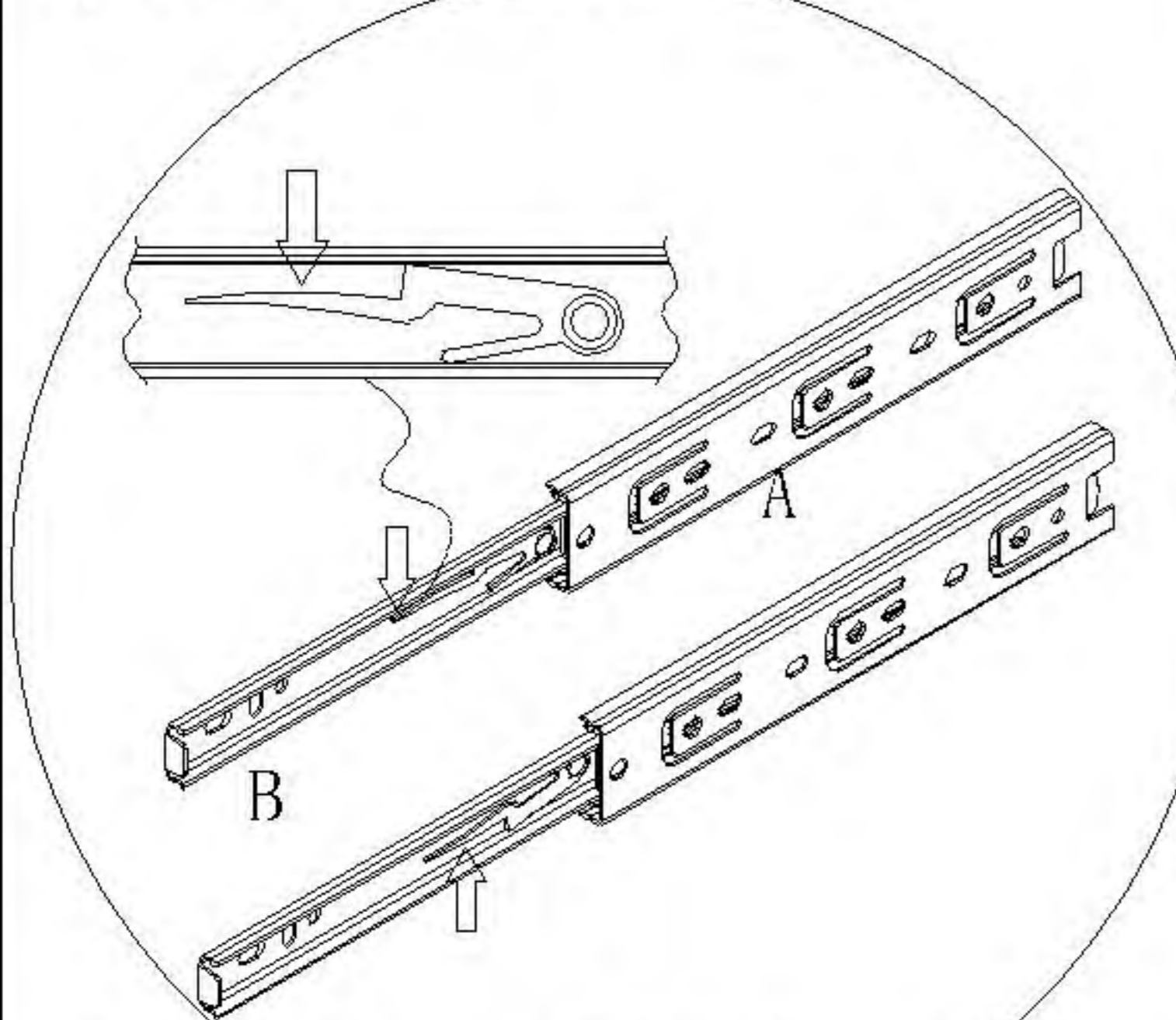


编号NO.	名称Name
①	面板 Top panel
②	底板 Bottom board
③	背拉条 Back brace
④	背板 Back board
⑤	前脚条 Front foot strip
⑥	侧脚条 Side foot strip
⑦	拉条 Brace
⑧	转角木1 Corner wood 1
⑨	转角木2 Corner wood 2
⑩	右侧板 Side board(R)
⑪	左侧板 Side board(L)
⑫	左上抽屉面板 Upper left drawer panel
⑬	左下抽屉面板 Lower left drawer panel
⑭	小抽屉侧板 Small Drawer's side board
⑮	小抽屉后板 Small drawer's back board
⑯	抽屉底板 Drawer's Bottom board
⑰	大抽屉侧板 Big Drawer's side board
⑱	大抽屉后板 Big drawer's back board
⑲	中隔板 Middle clapboard
⑳	右上抽屉面板 Upper right drawer panel
㉑	右下抽屉面板 Lower right drawer panel

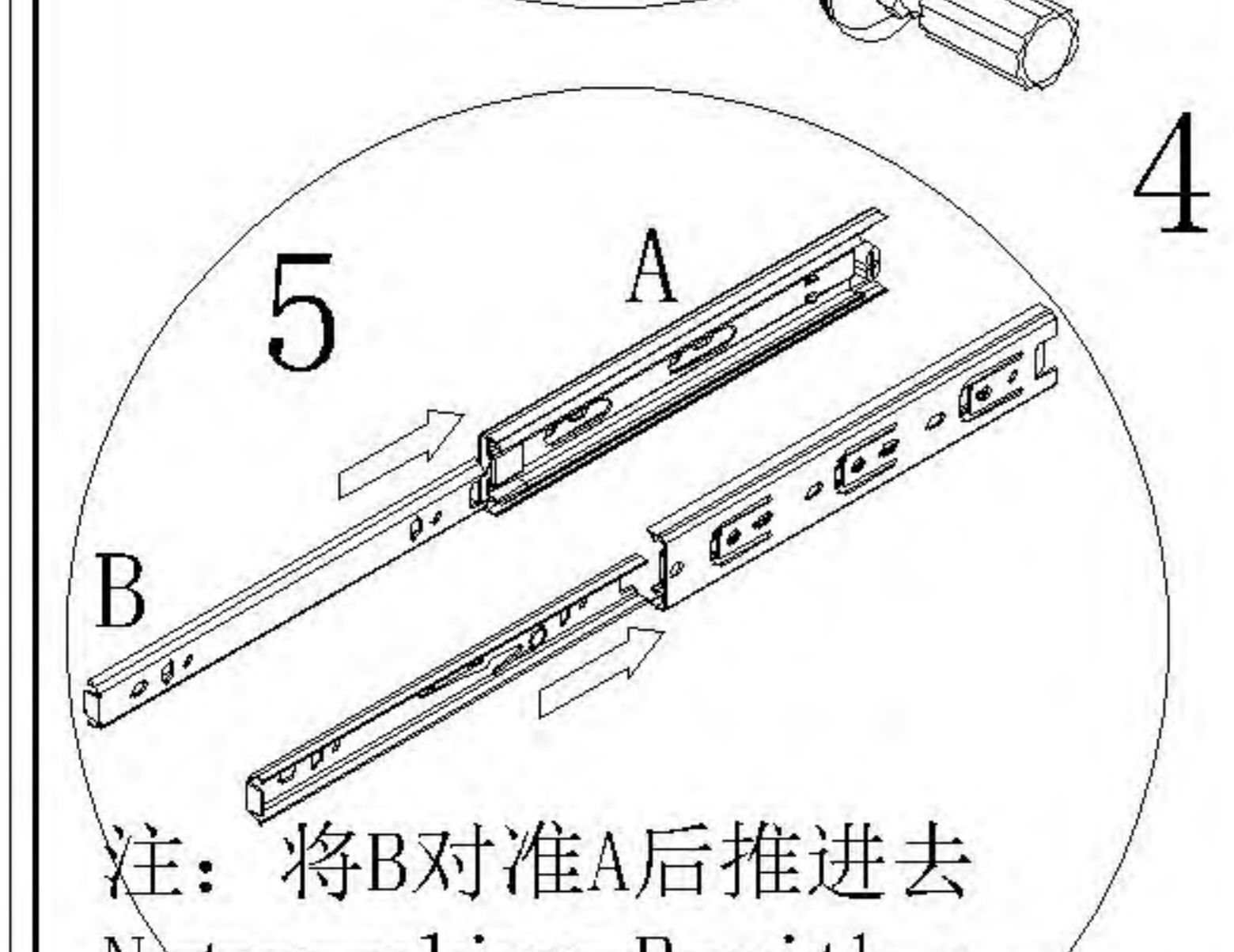
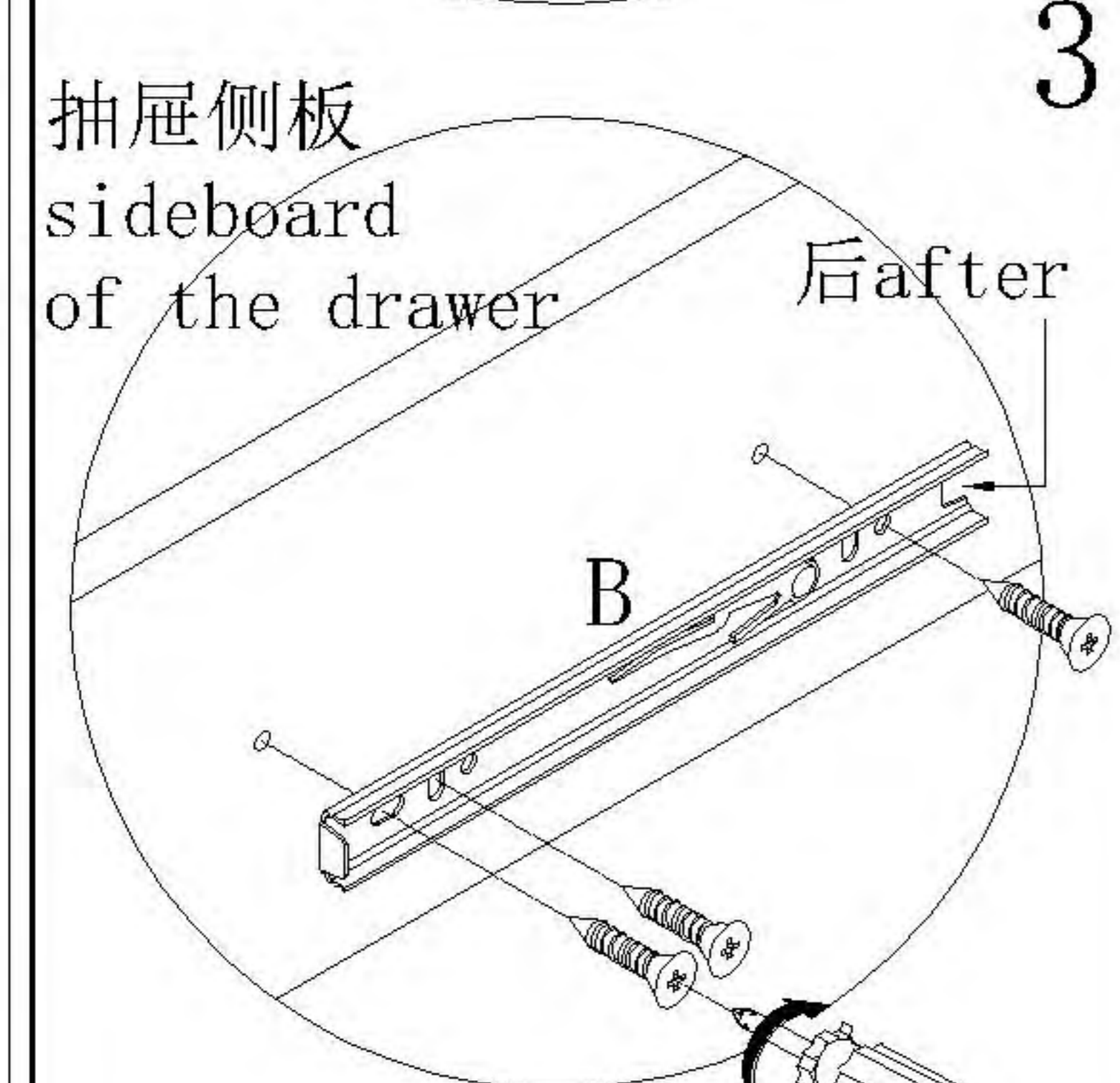
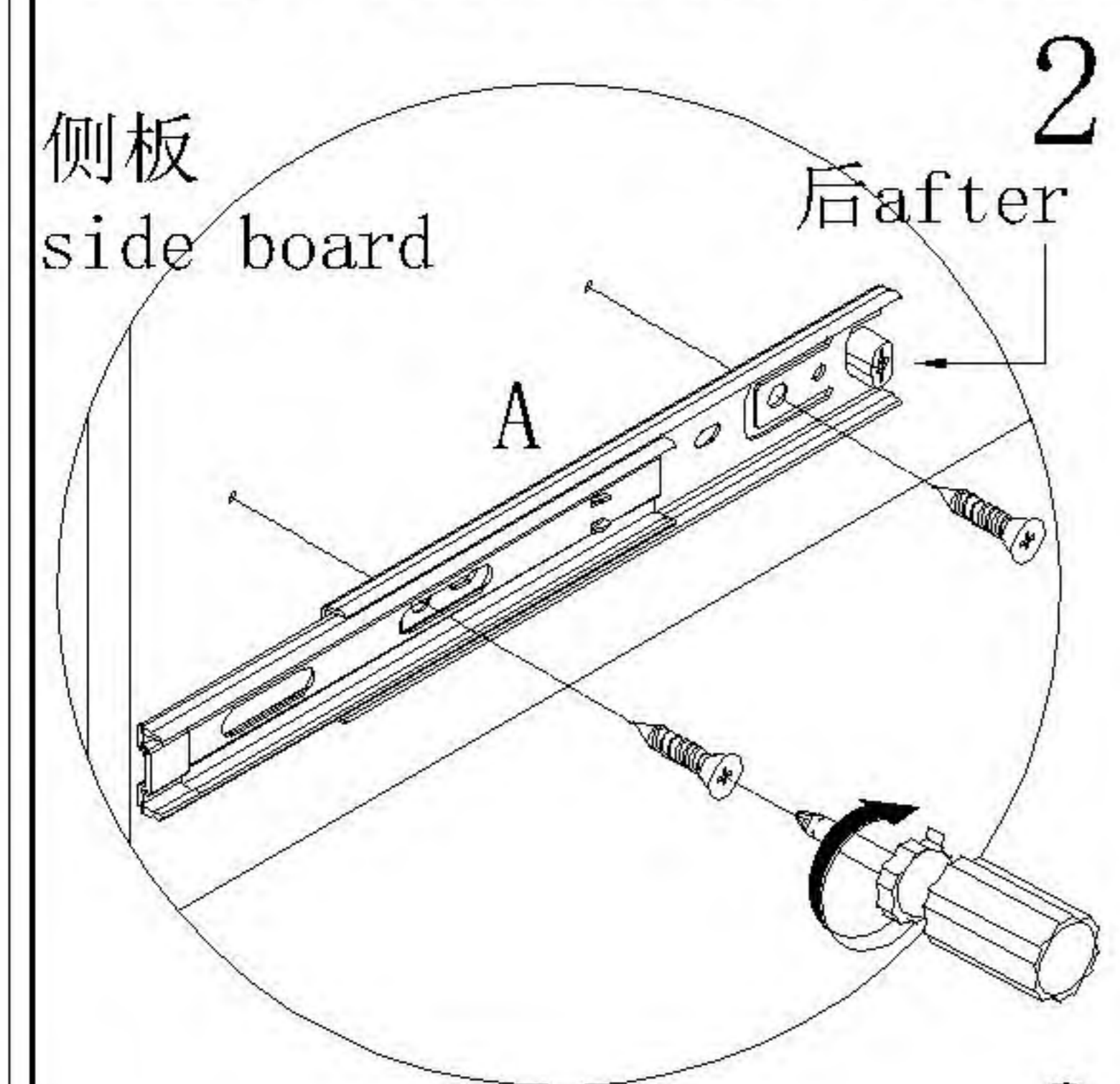
UM5C-A六斗柜

安装方法/  
Installation method

1 阀门开关(下压为开)  
Valve switch  
(press down to open)



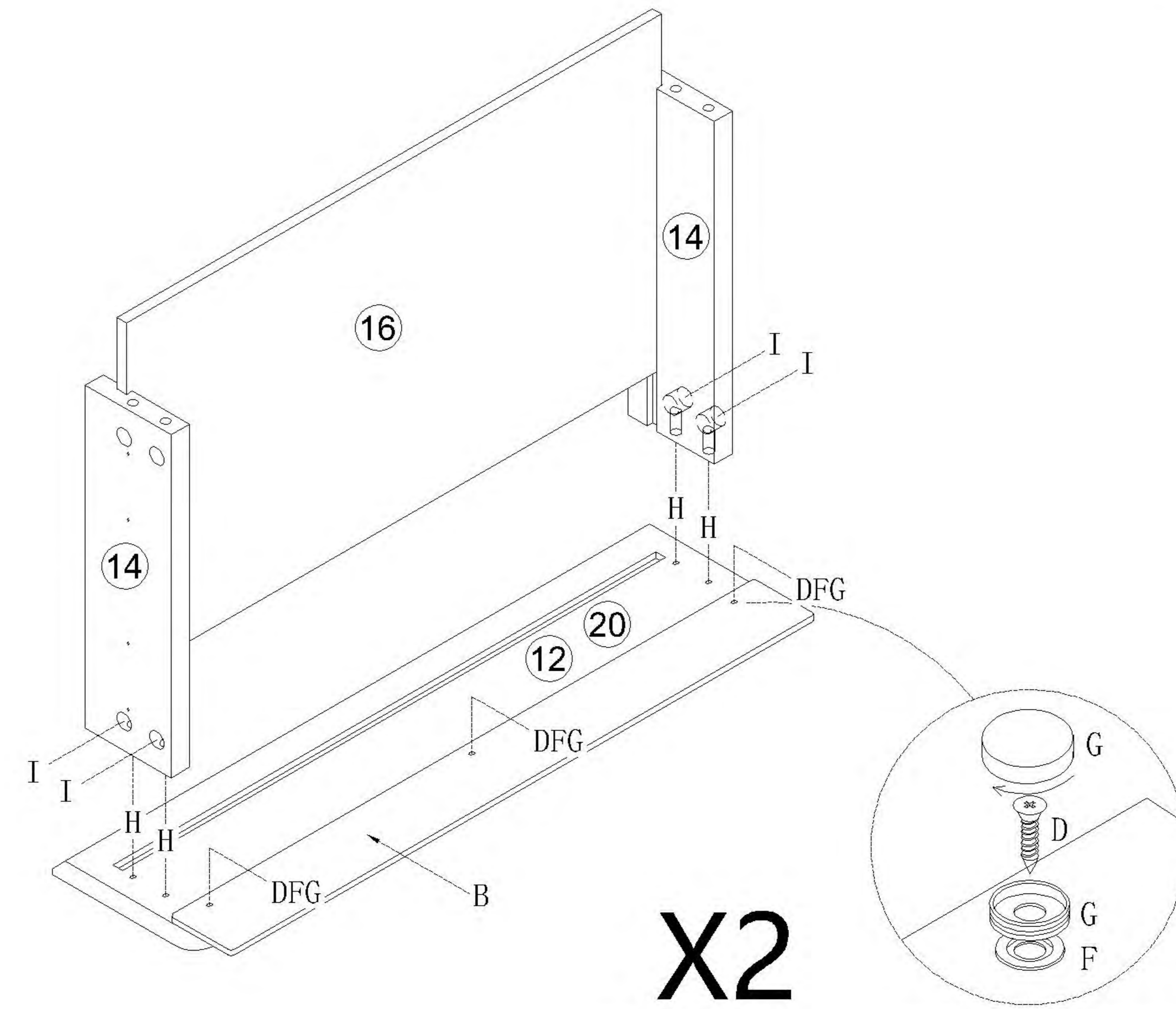
注: 先将A与B拆下来  
Note: remove a and B first



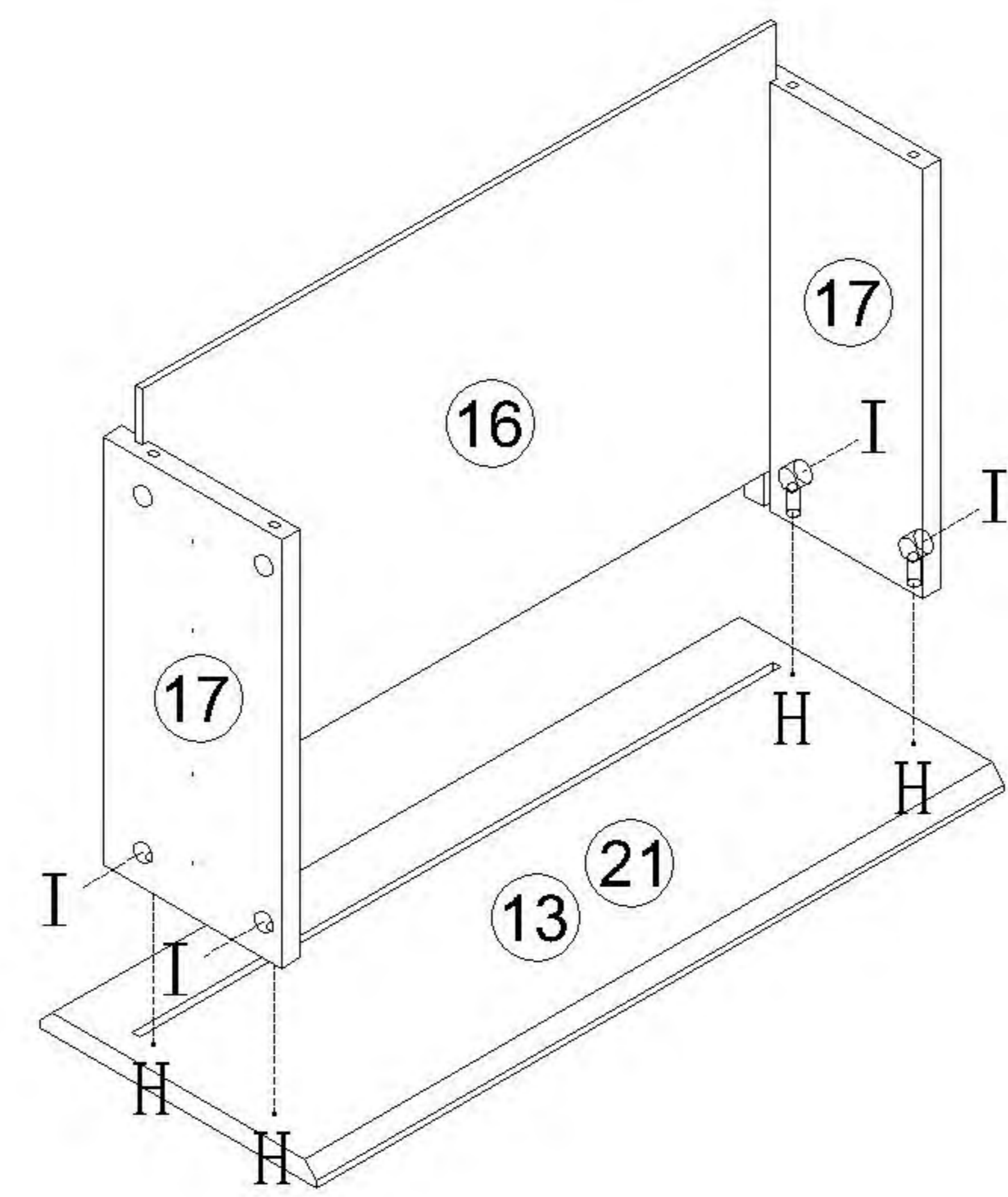
注: 将B对准A后推进去  
Note: align B with a  
and push it in

三节滚珠导轨  
three-section ball rail

- (B)\*2
- (D)\*6
- (F)\*6
- (G)\*6
- (H)\*8
- (I)\*8

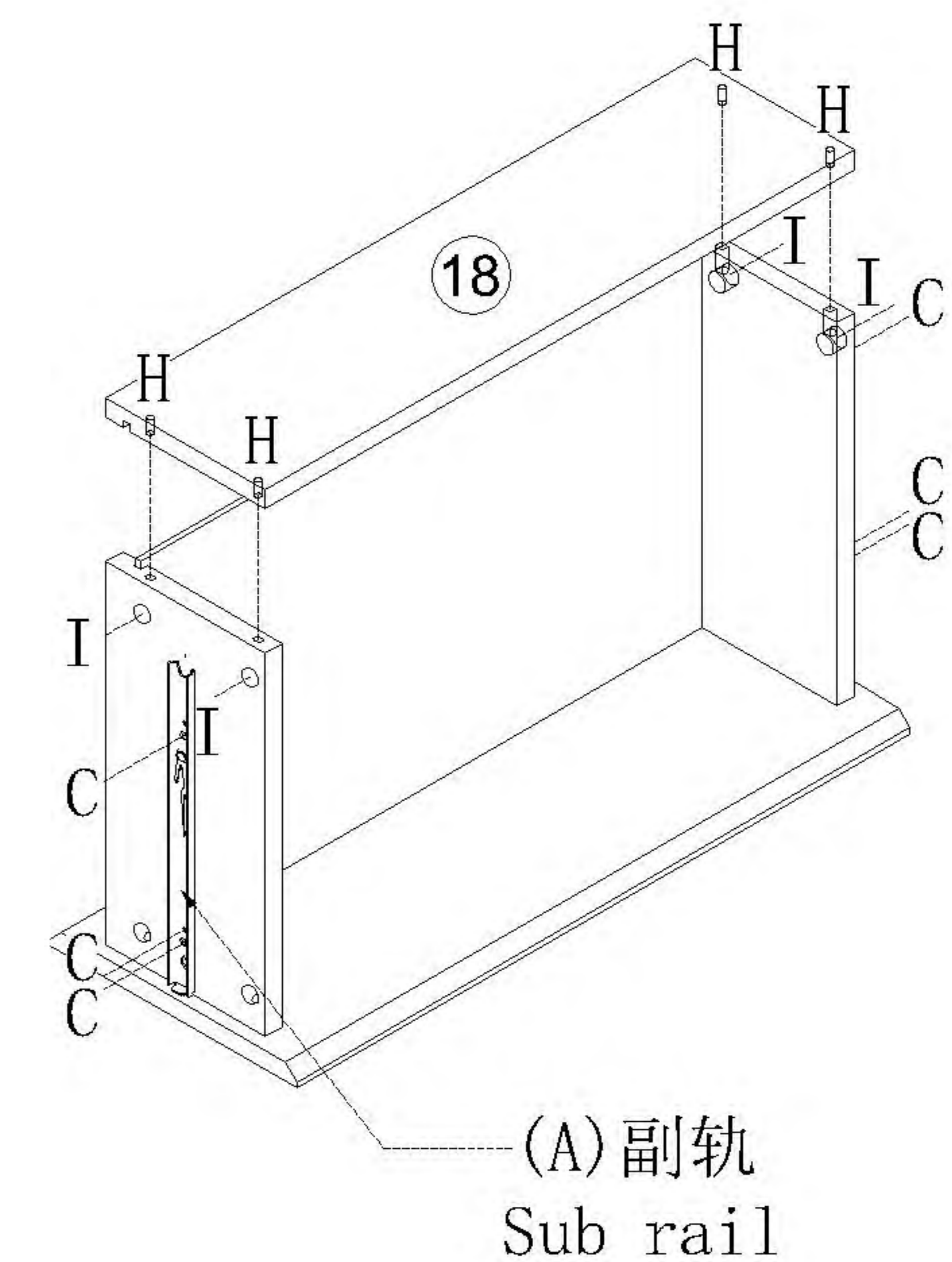


- (H)\*16
- (I)\*16



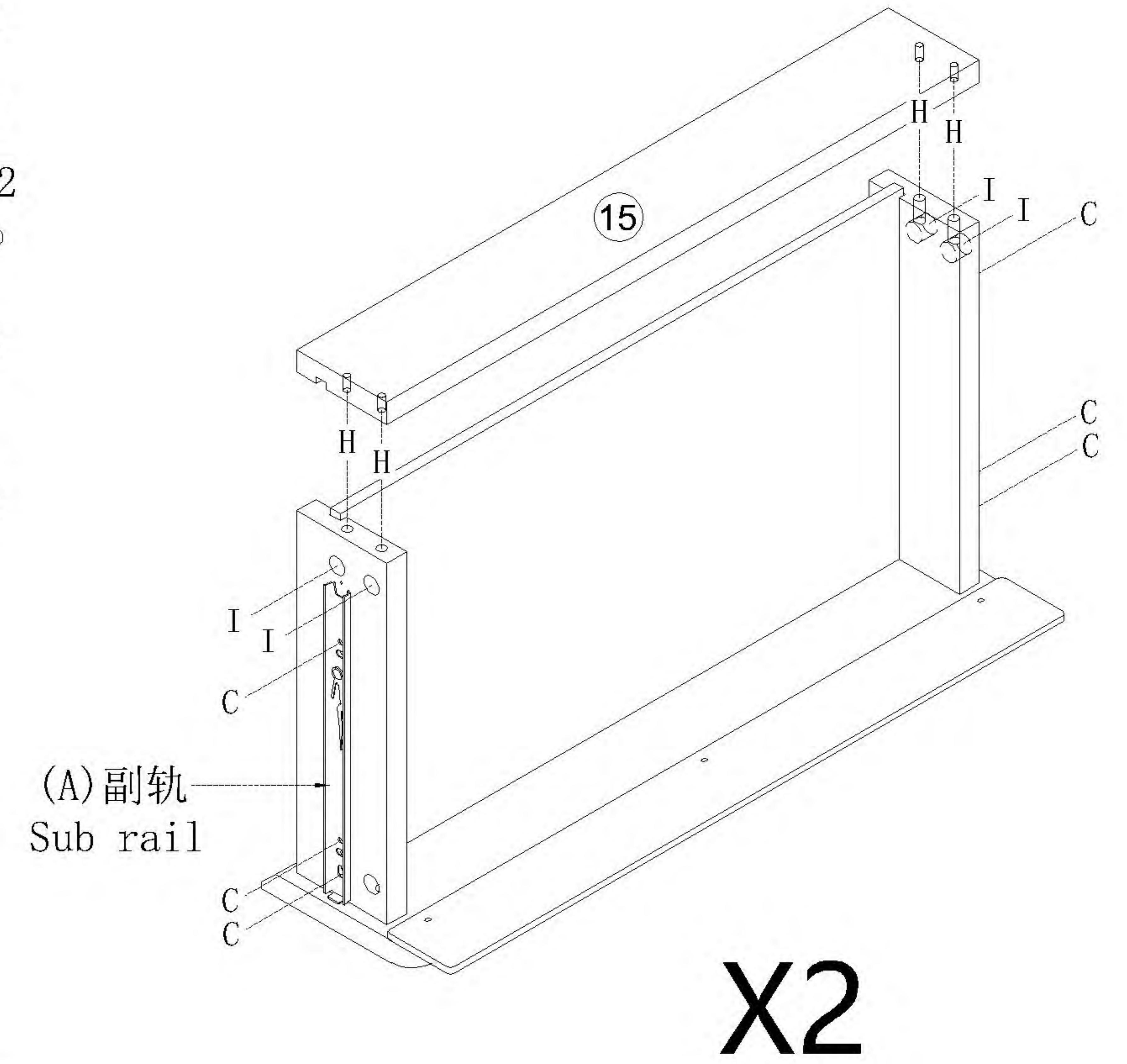
3

- (A)\*4
- (C)\*24
- (H)\*16
- (I)\*16



1

- (A)\*2
- (C)\*12
- (H)\*8
- (I)\*8

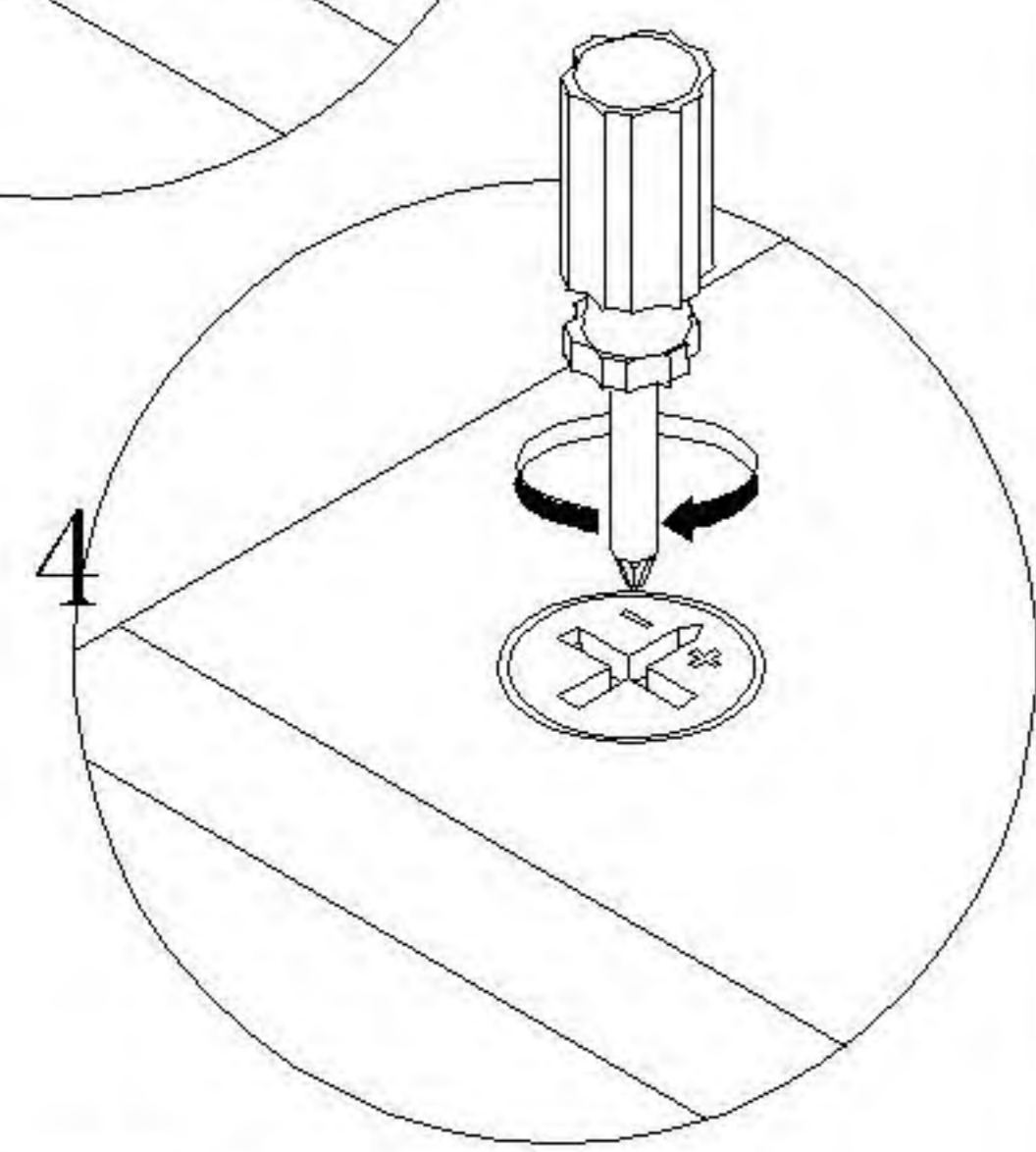
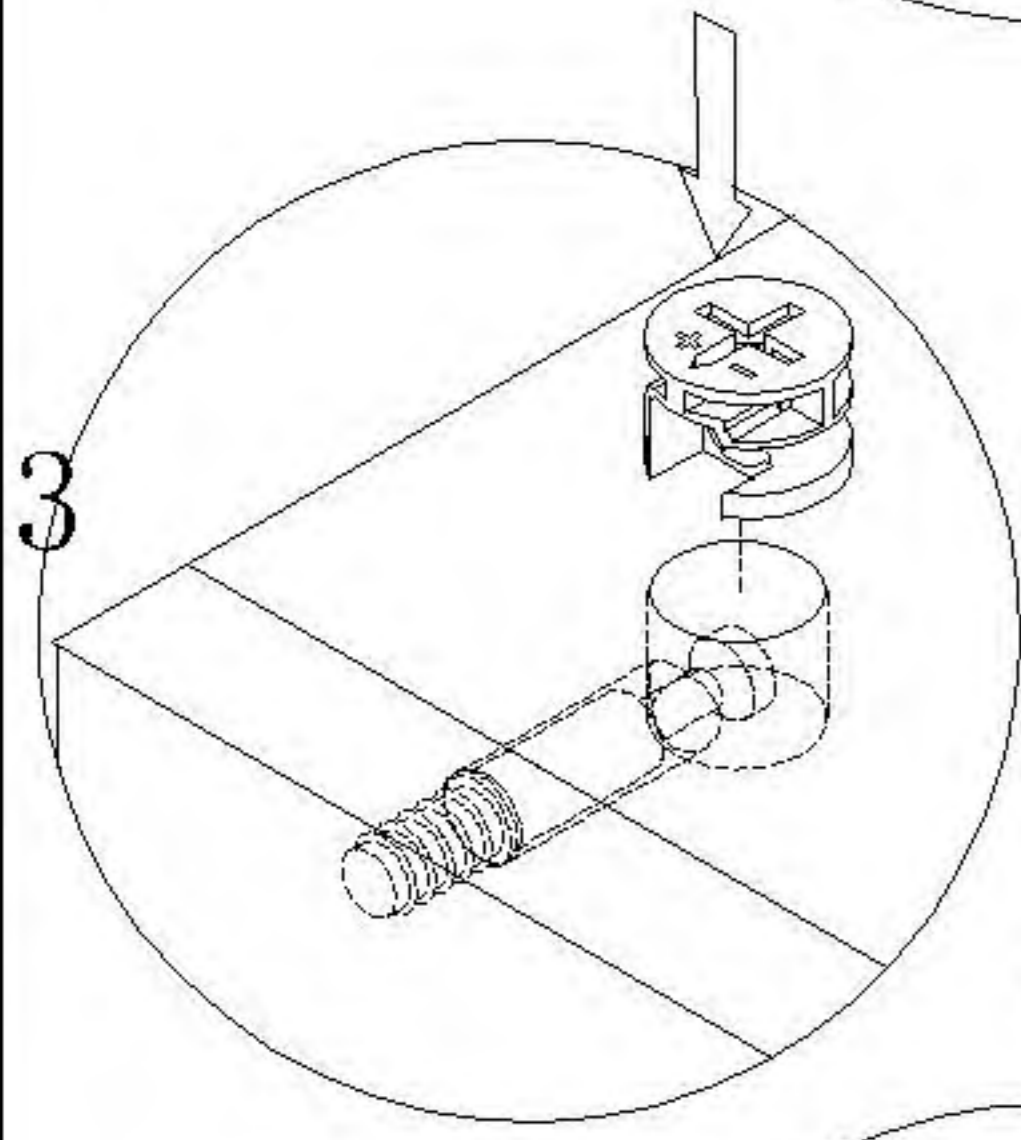
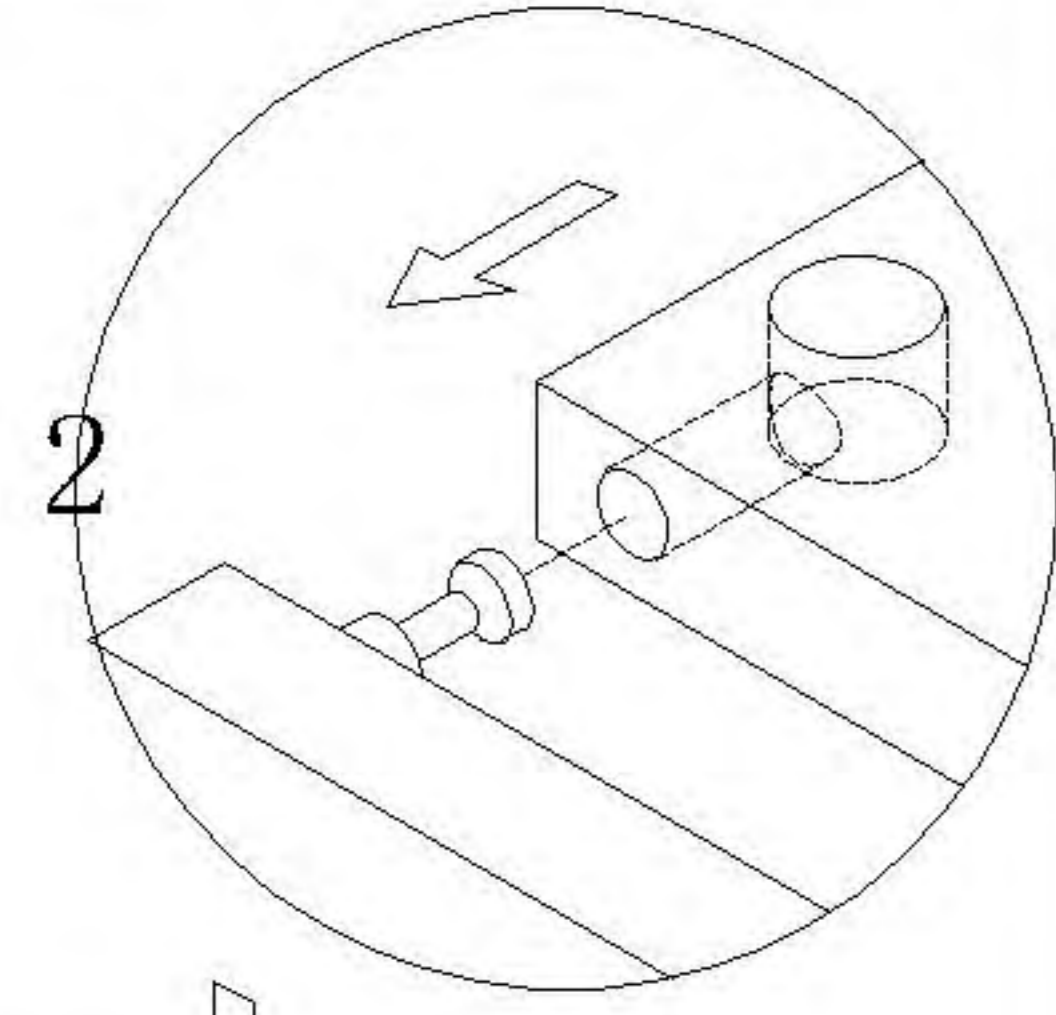
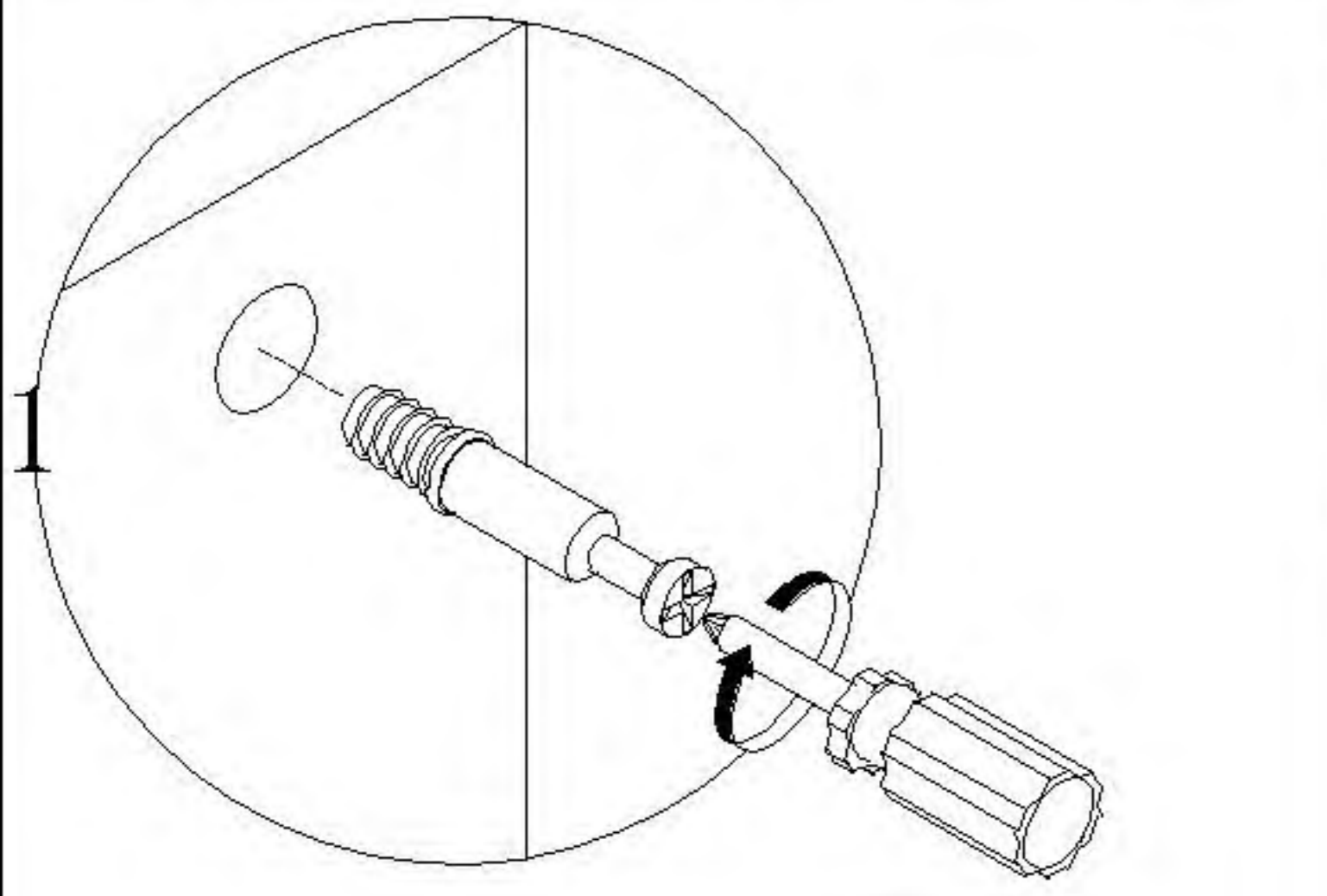


4

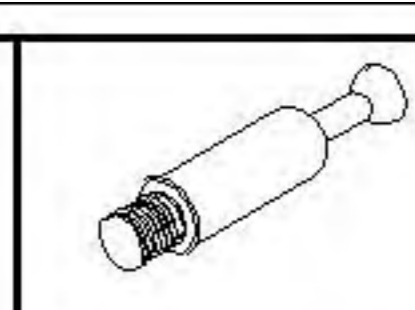
2

UM5C-A六斗柜

安装方法/  
Installation method



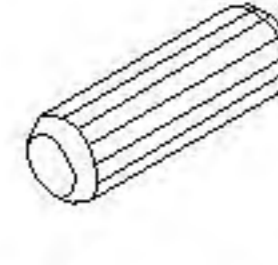
大二合一  
two-in-one



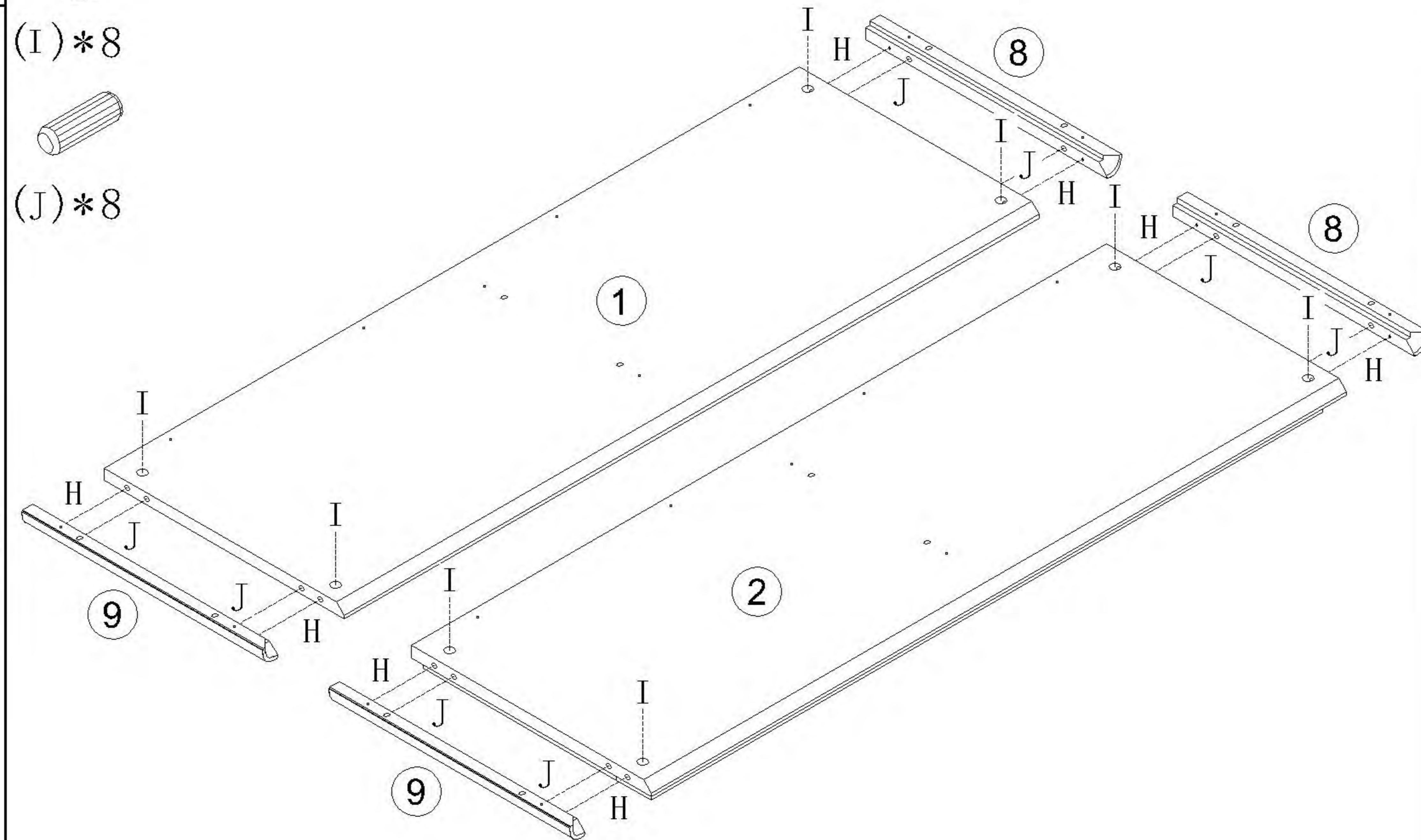
(H)\*8



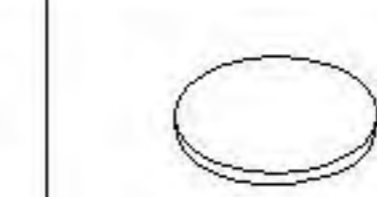
(I)\*8



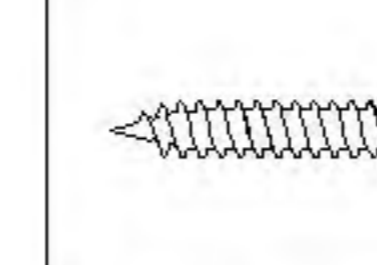
(J)\*8



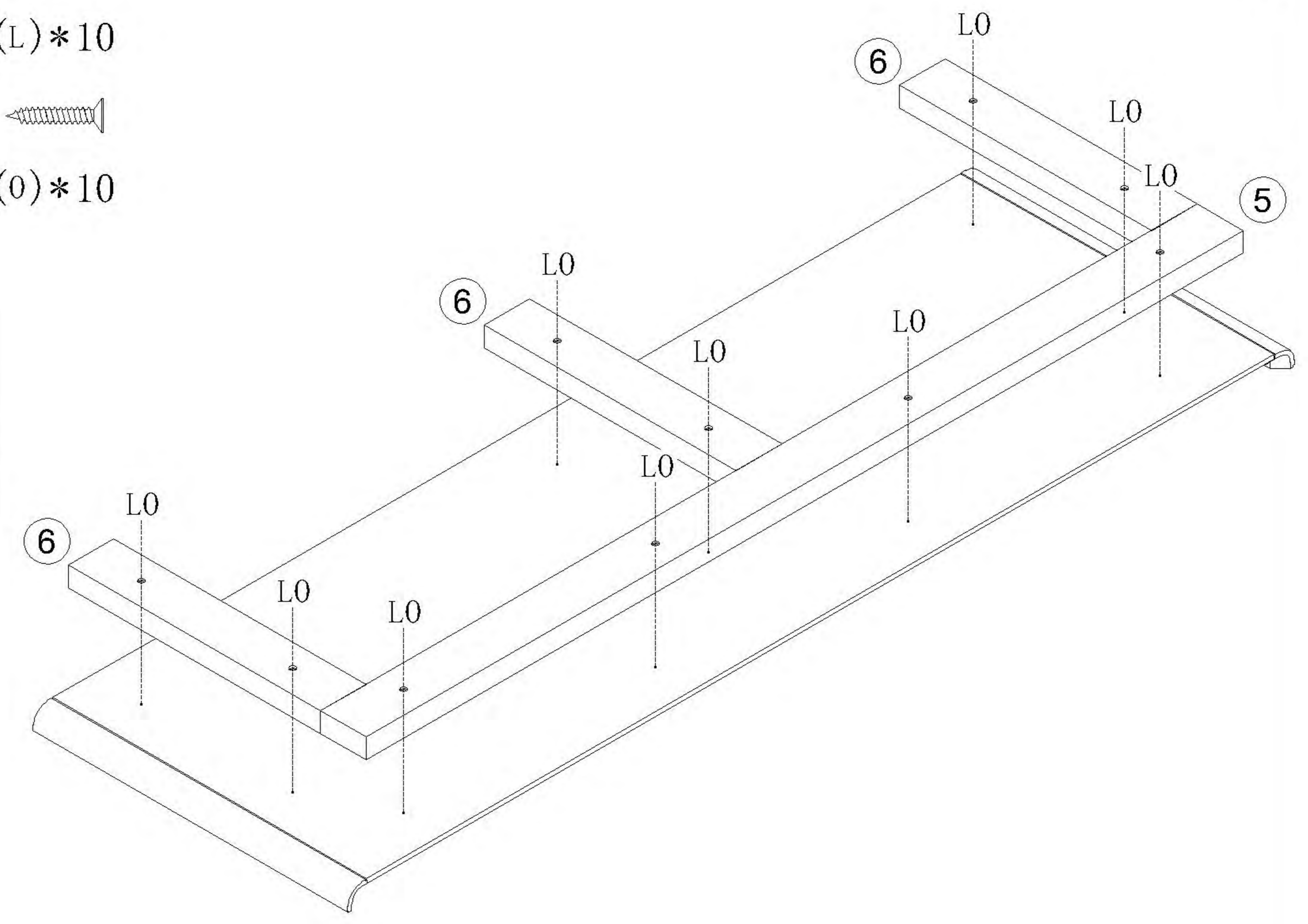
5



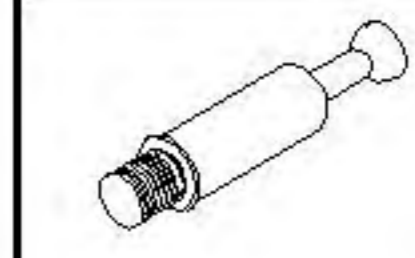
(L)\*10



(O)\*10



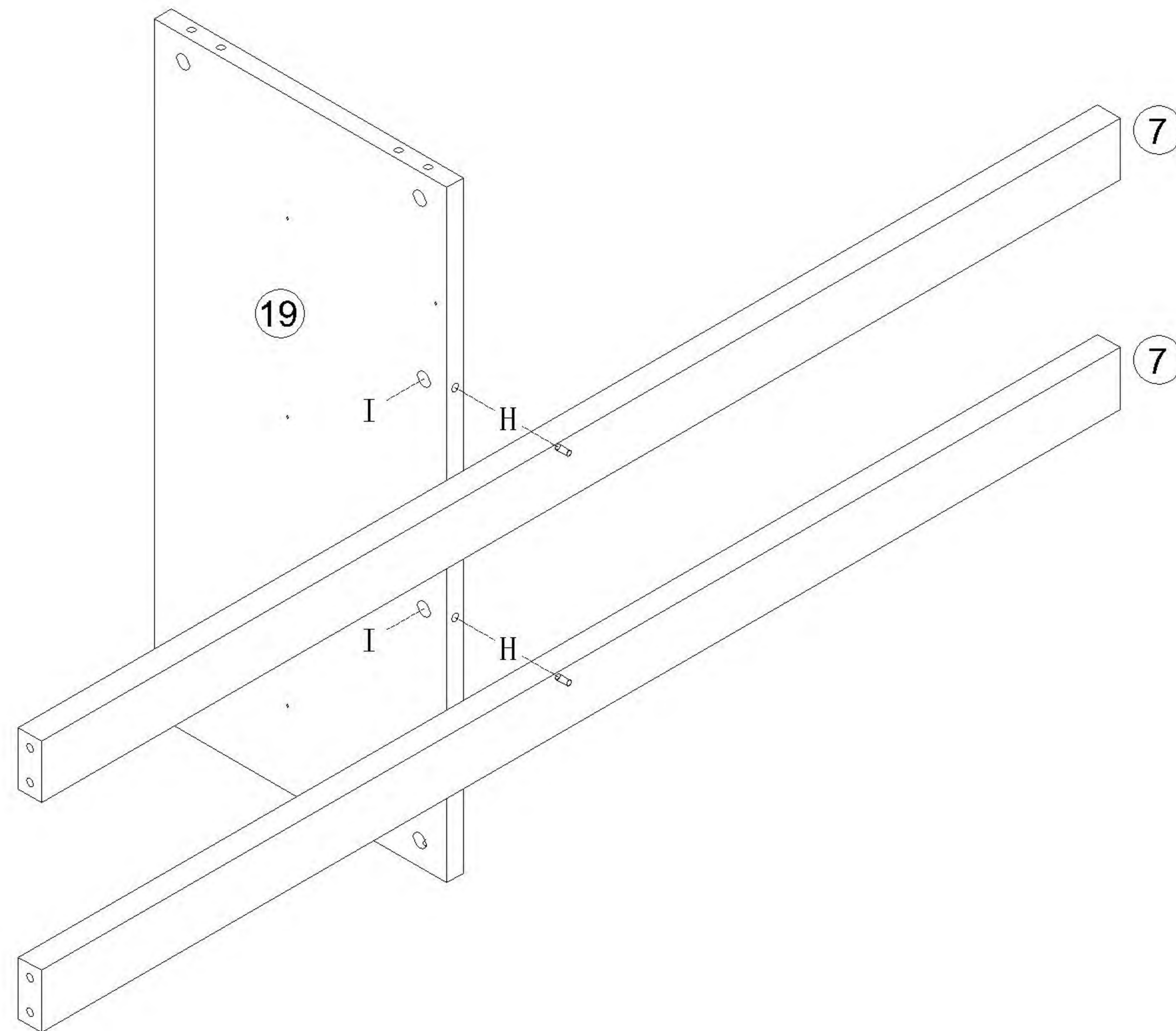
6



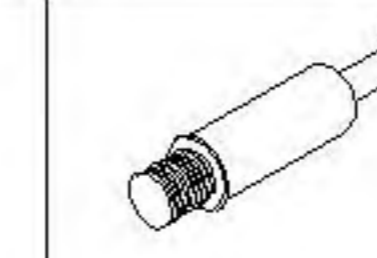
(H)\*2



(I)\*2



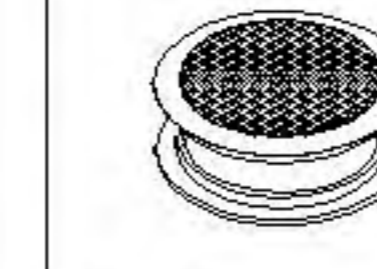
7



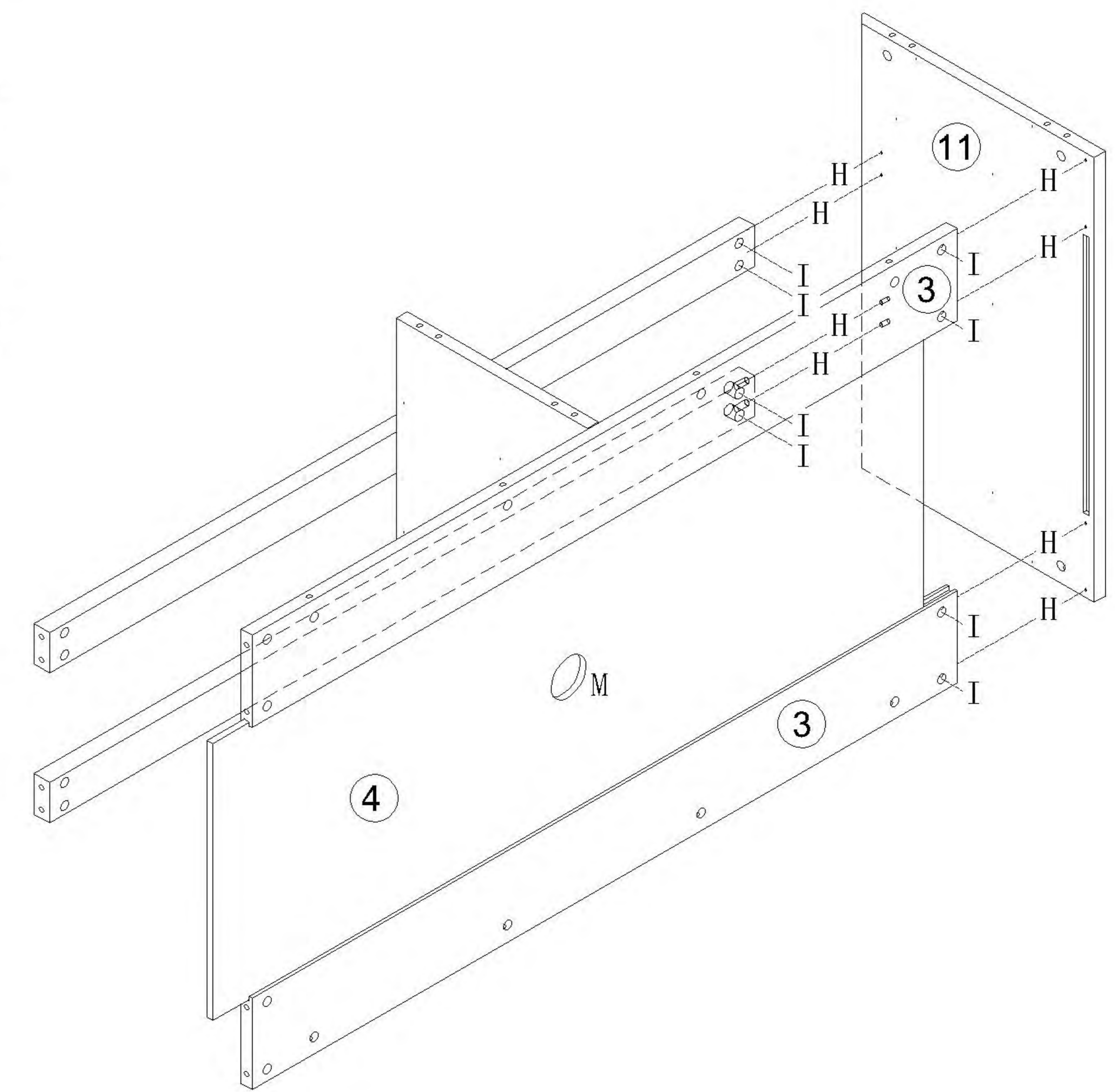
(H)\*8



(I)\*8



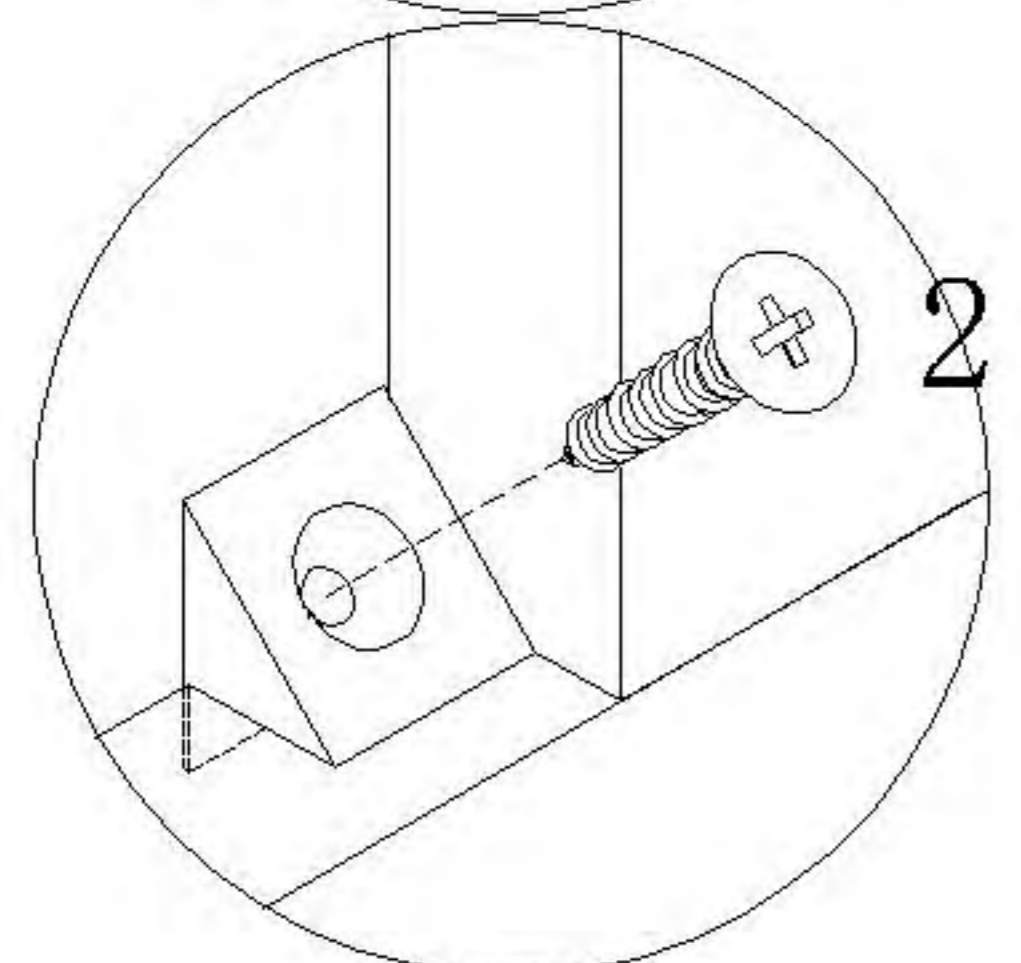
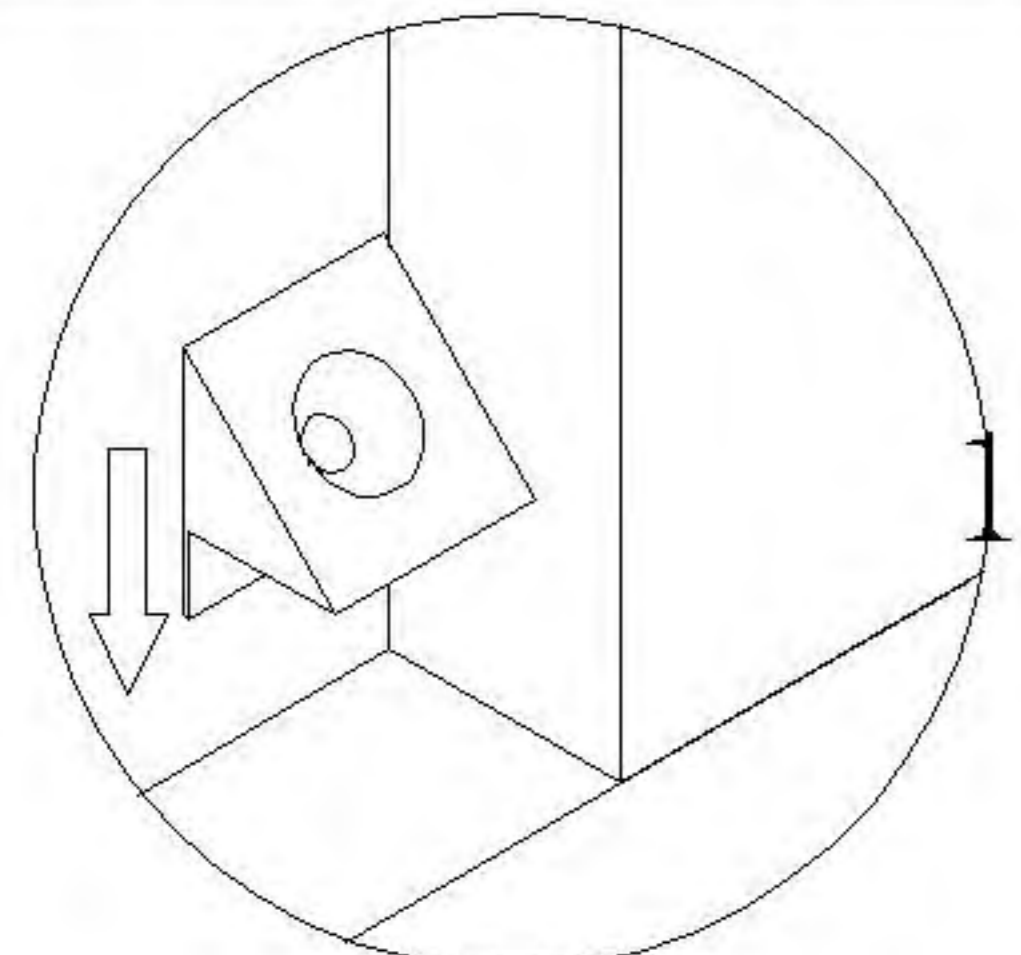
(M)\*1



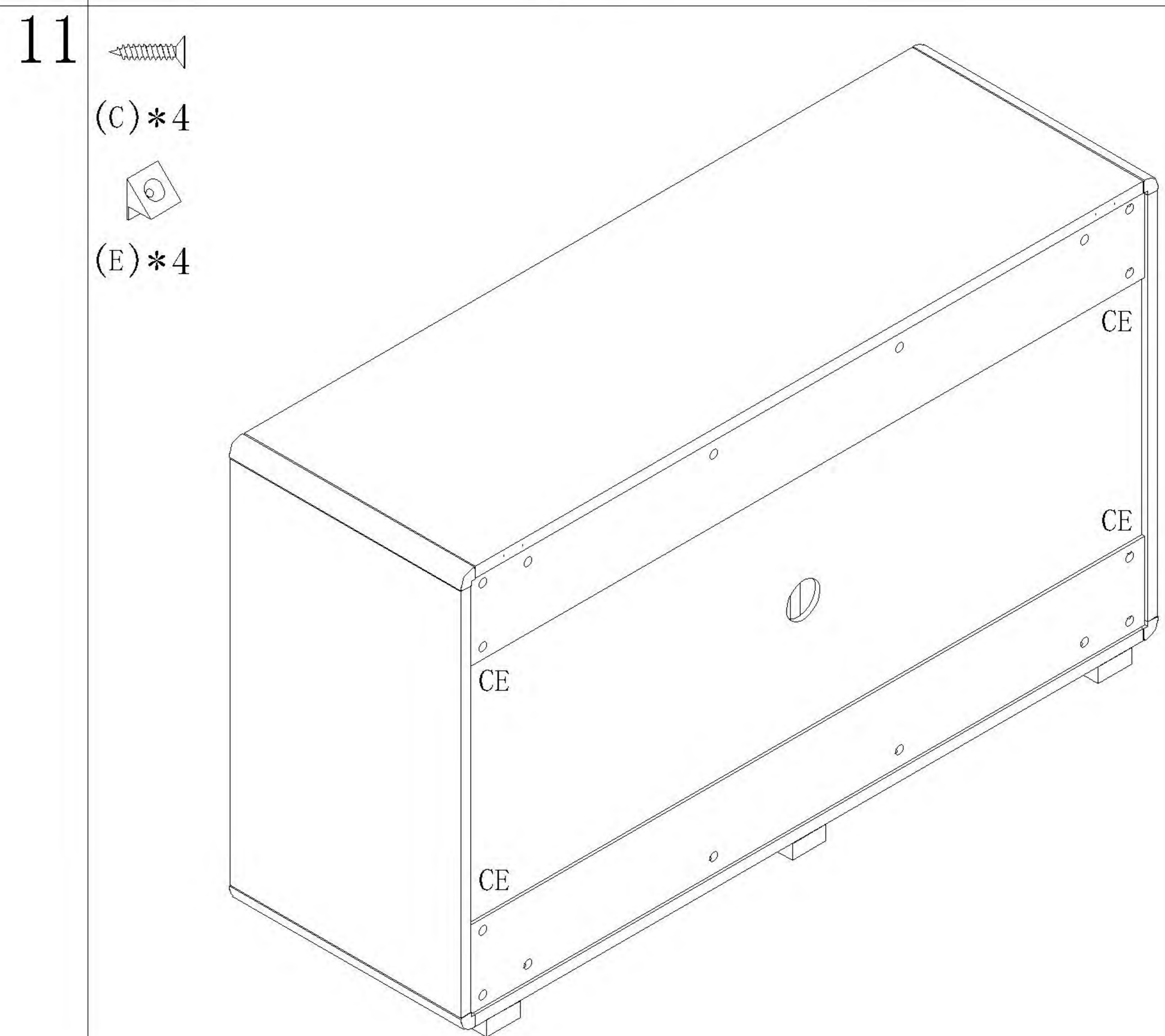
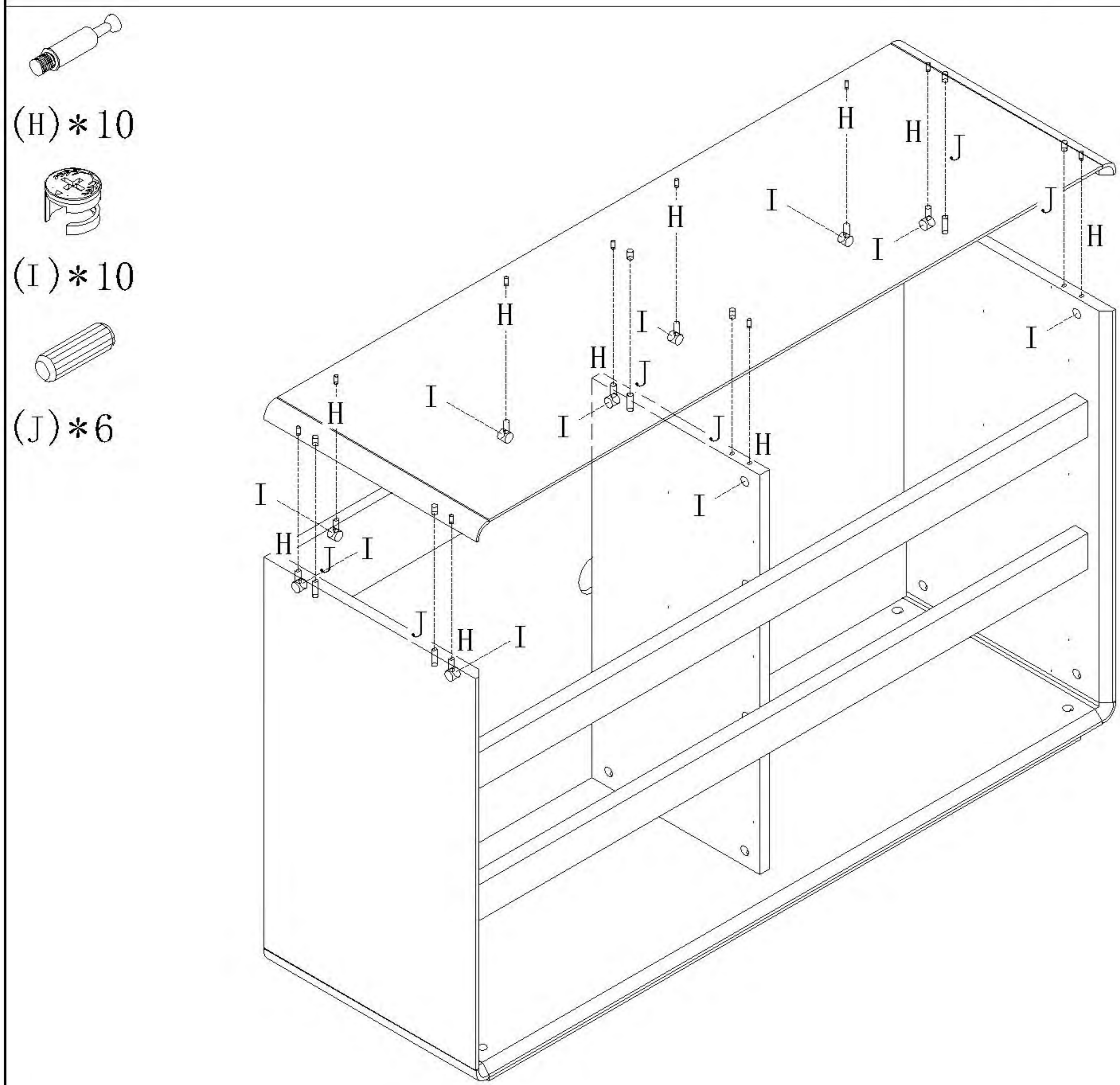
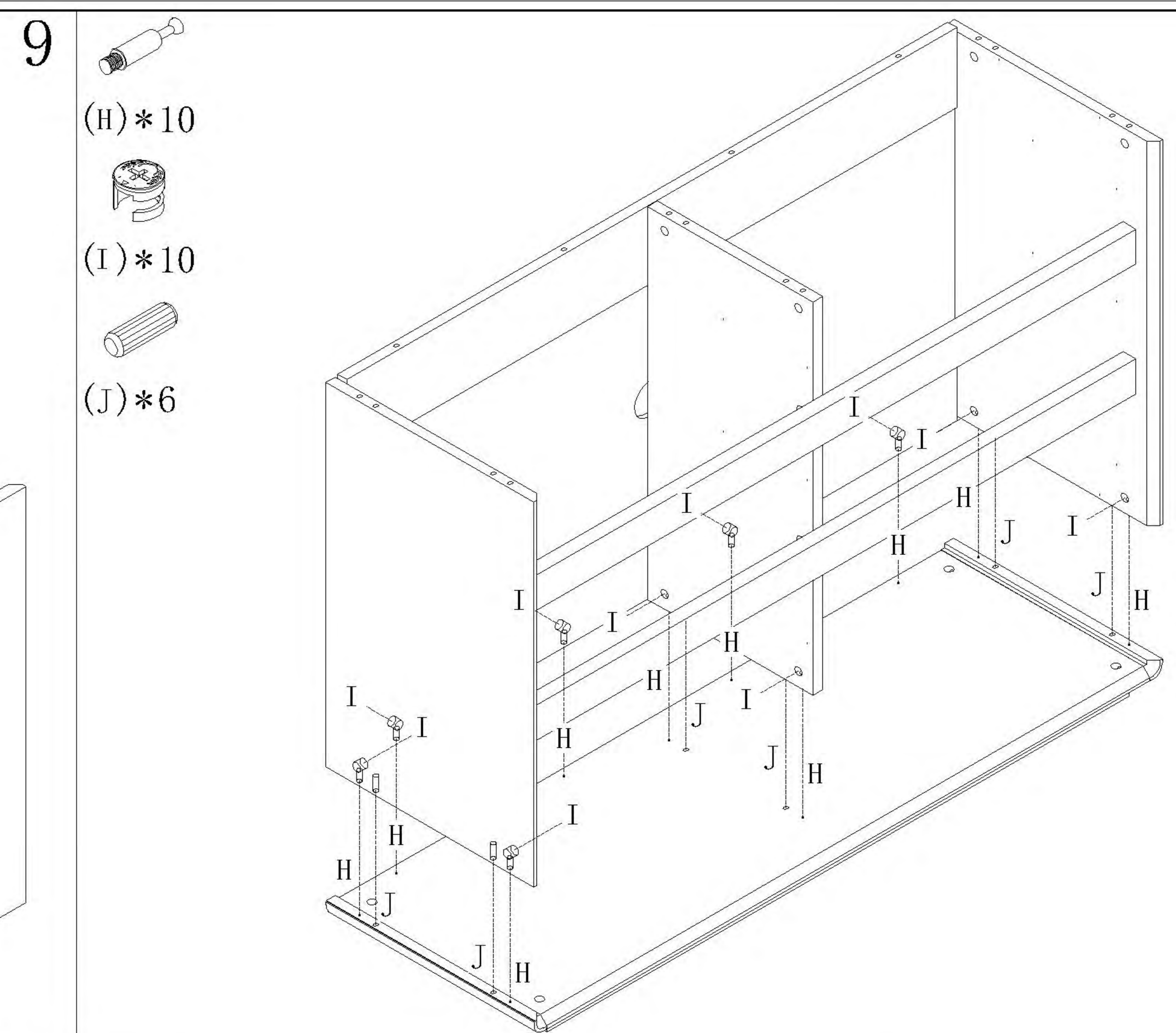
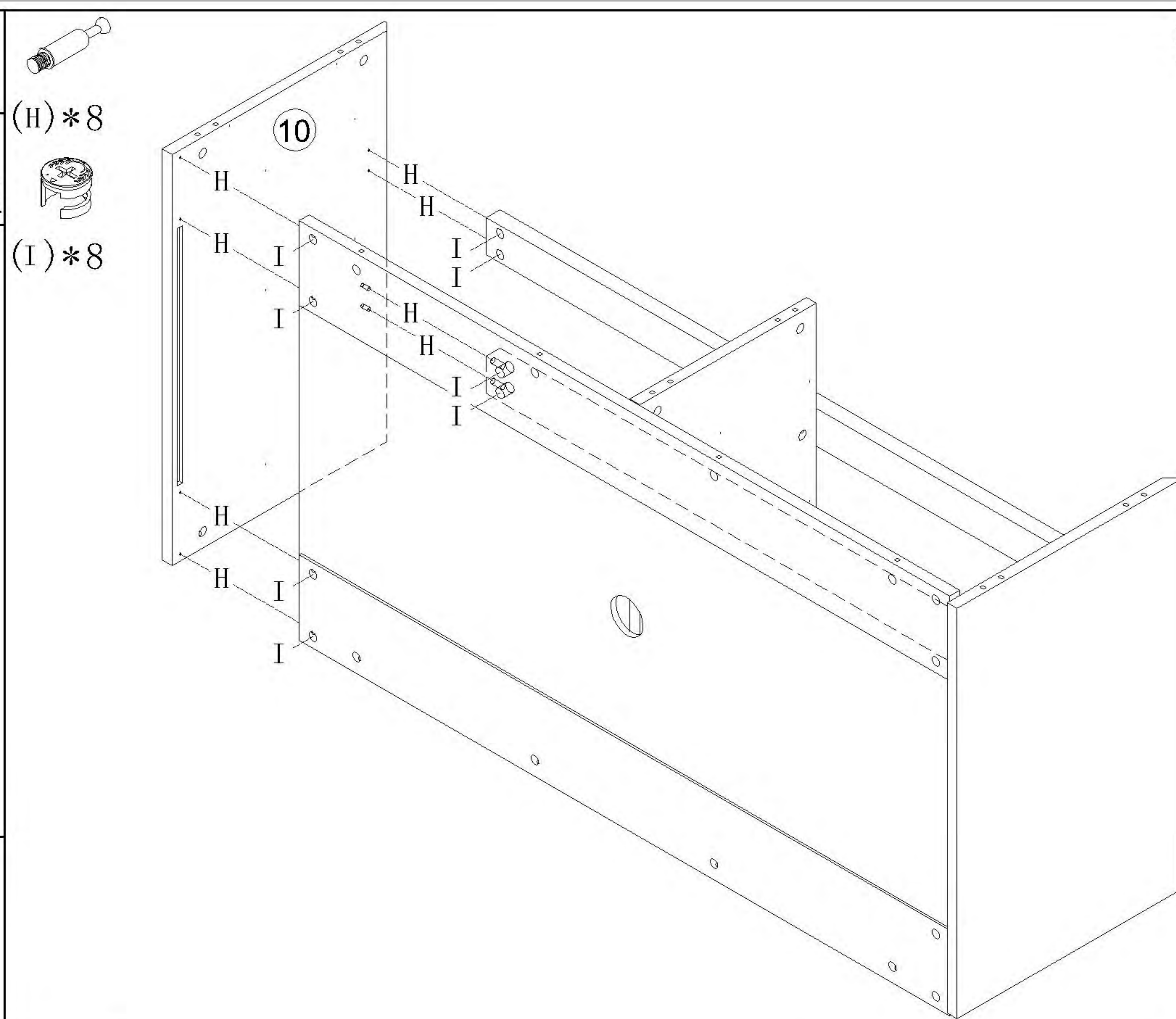
8

UM5C-A六斗柜

安装方法/  
Installation method



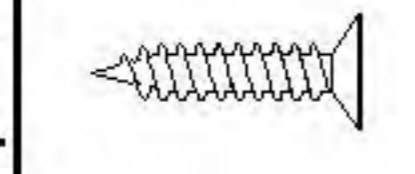
背板扣  
Back Plate Buckle-White



UM5C-A六斗柜

安装方法/  
Installation method

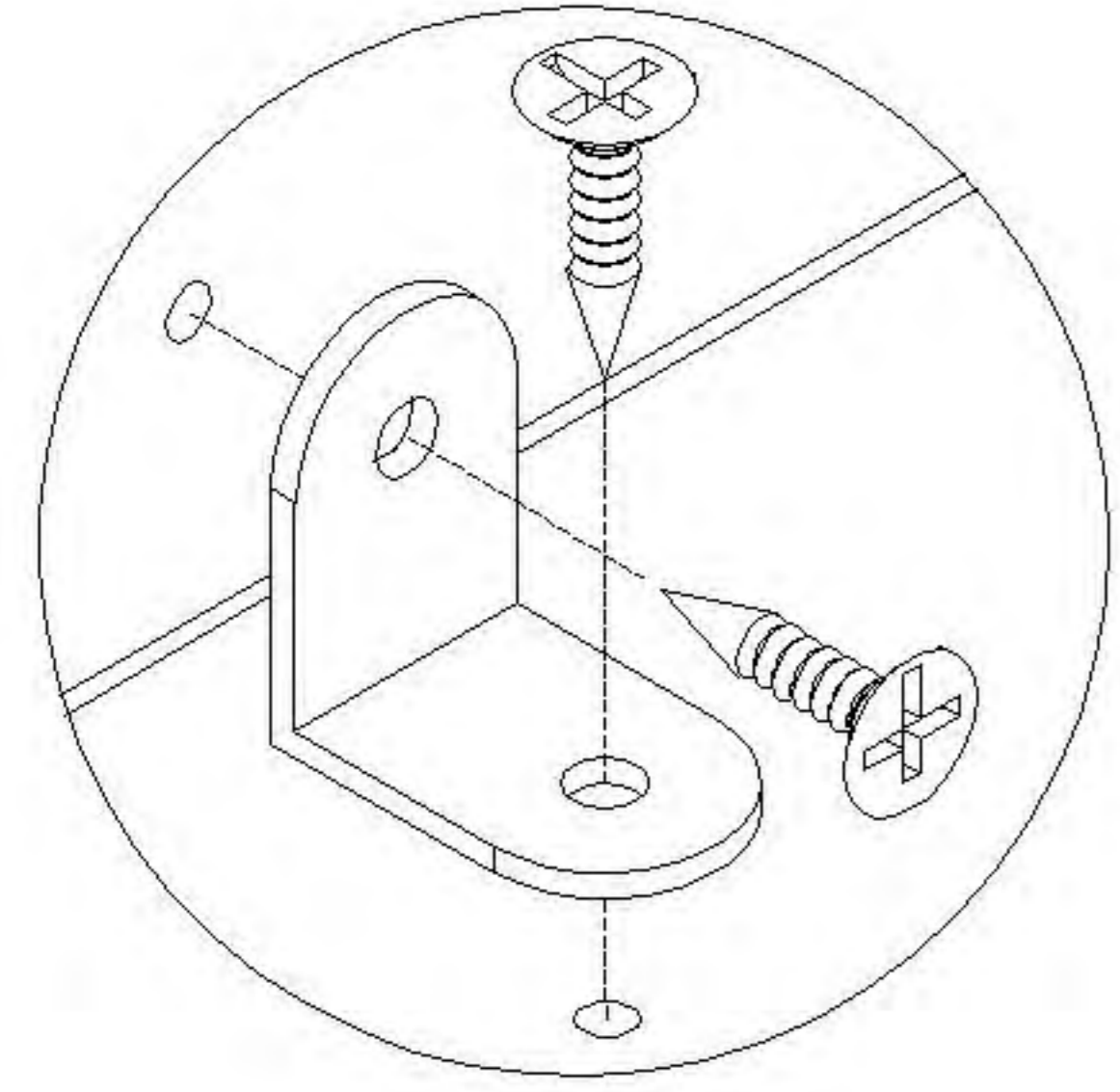
(A)\*6



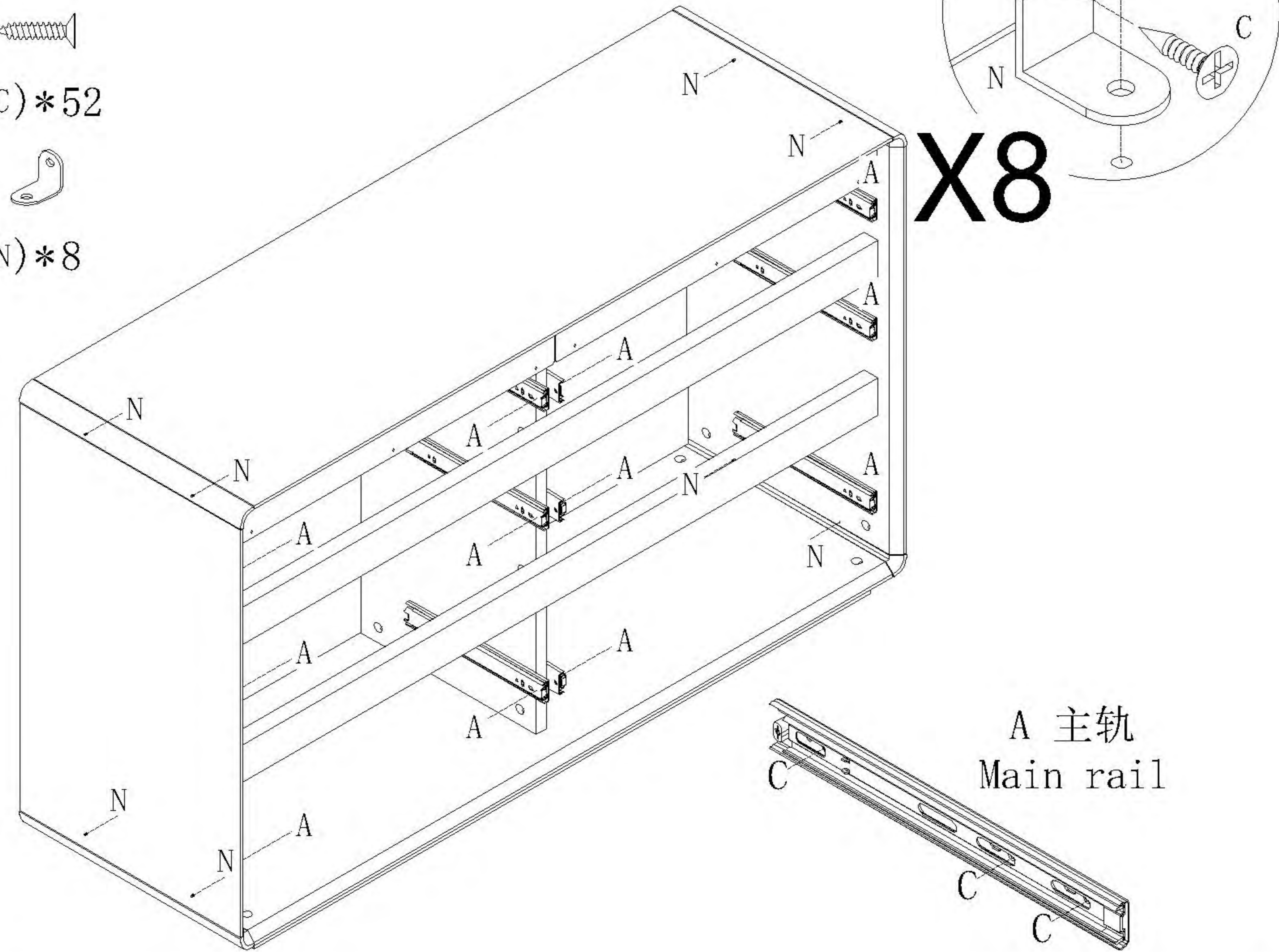
(C)\*52



(N)\*8

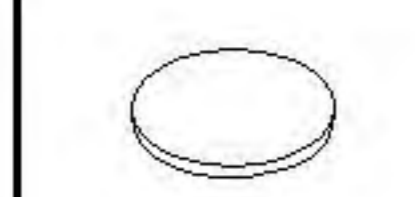
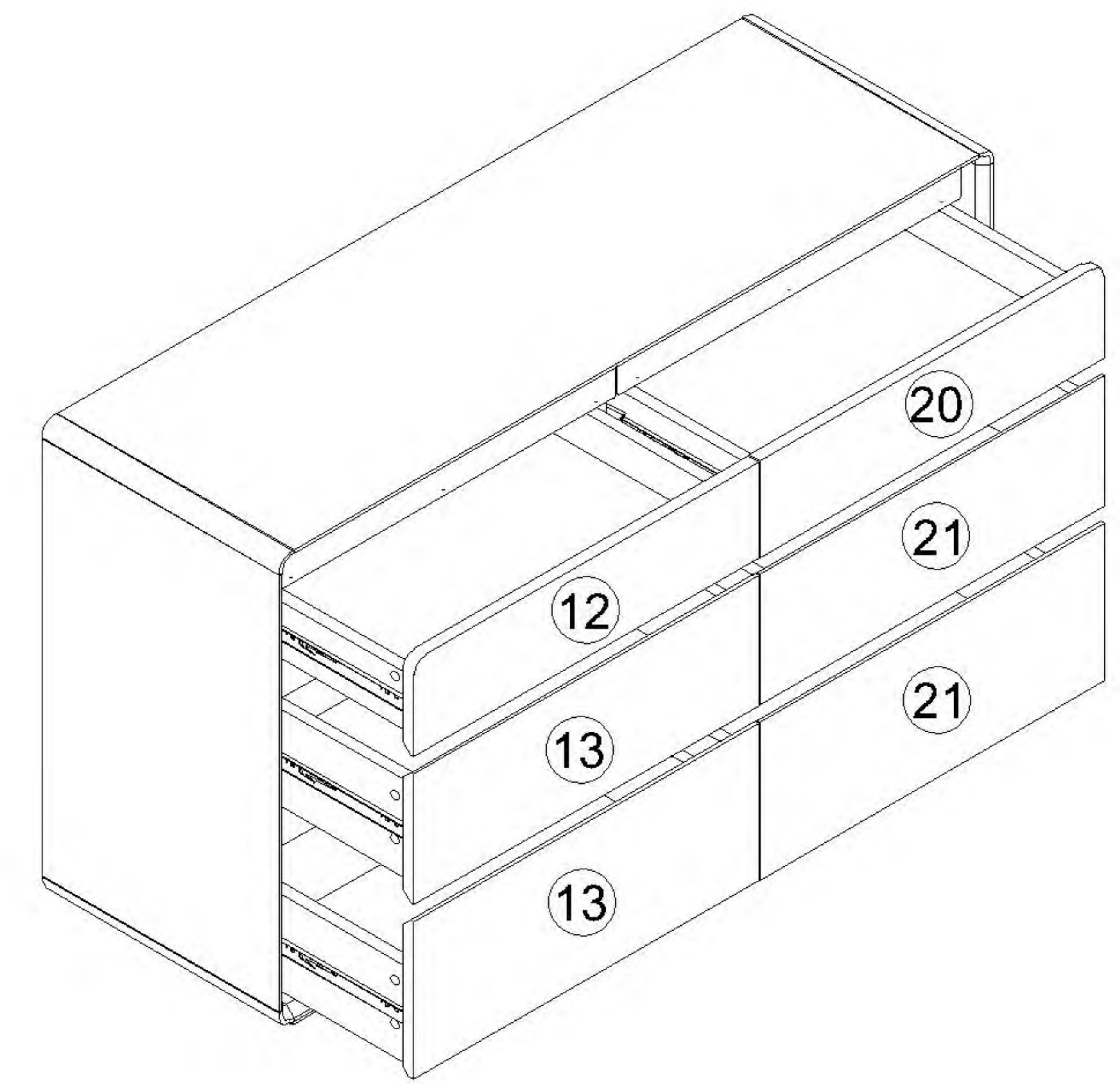


角码  
Bracket



13

14



(P)\*99

15

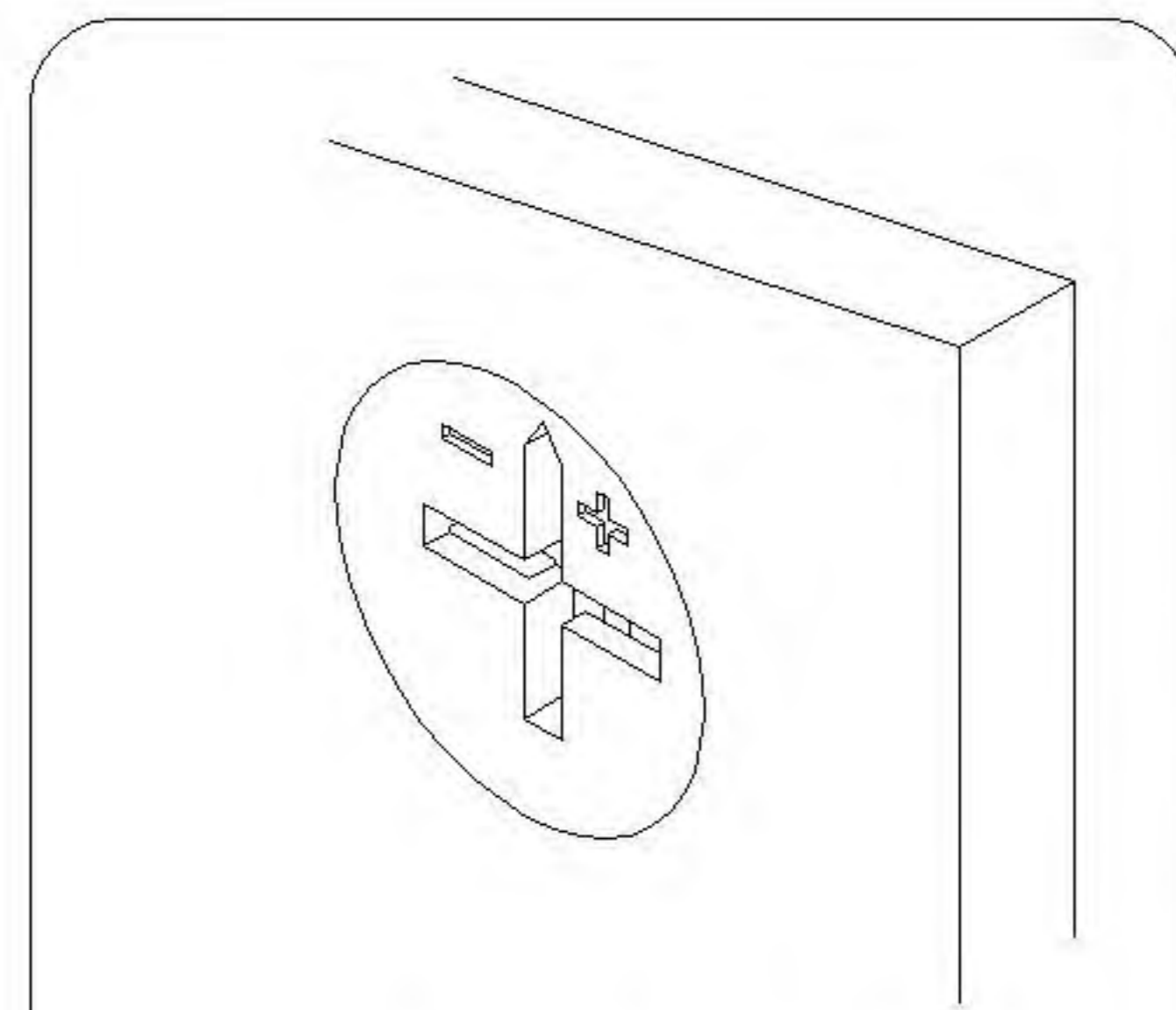
16

孔位贴使用小贴士

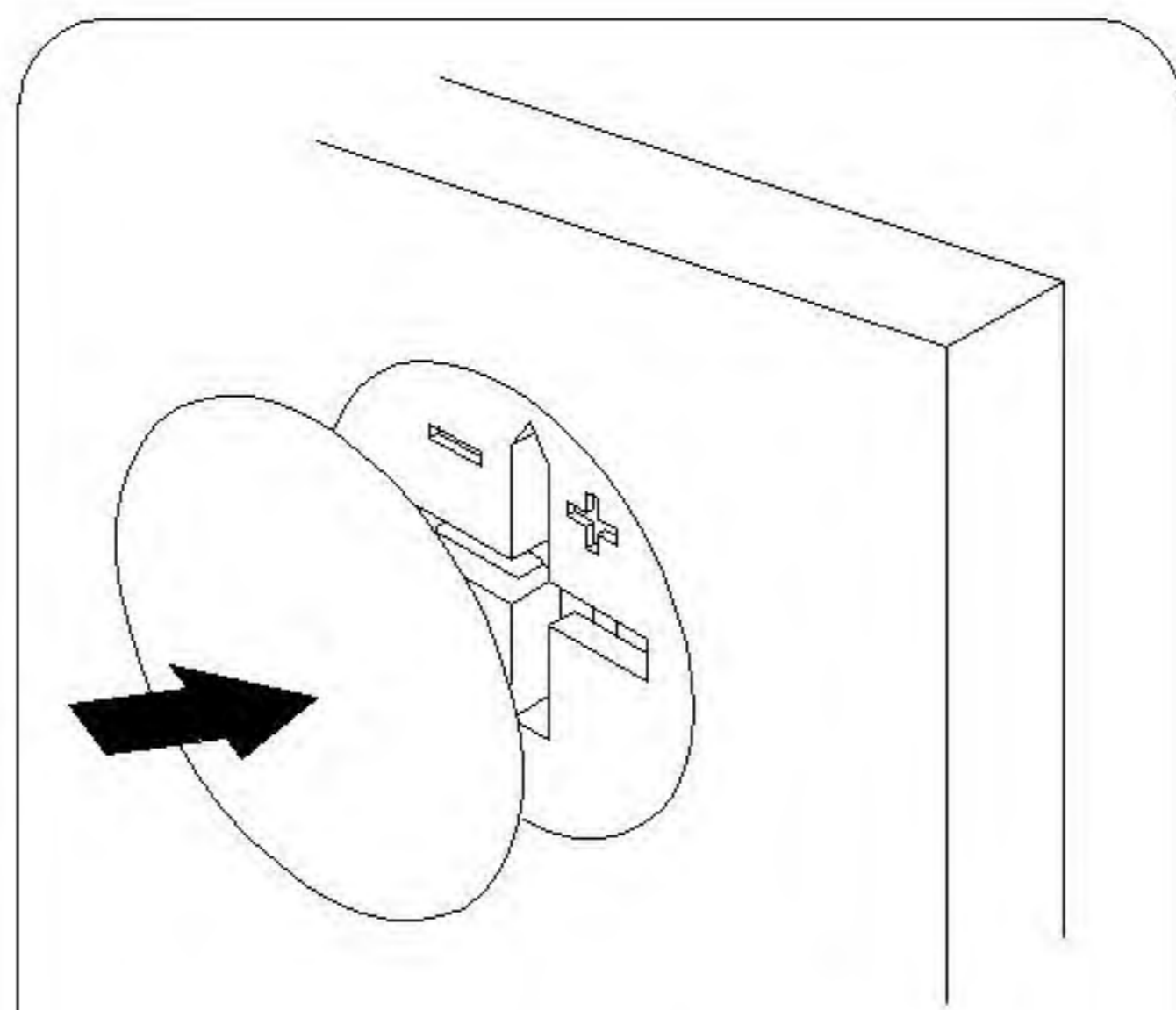
产品安装完成后请贴上孔贴，多出的孔贴请保管好

Tips for using hole stickers:

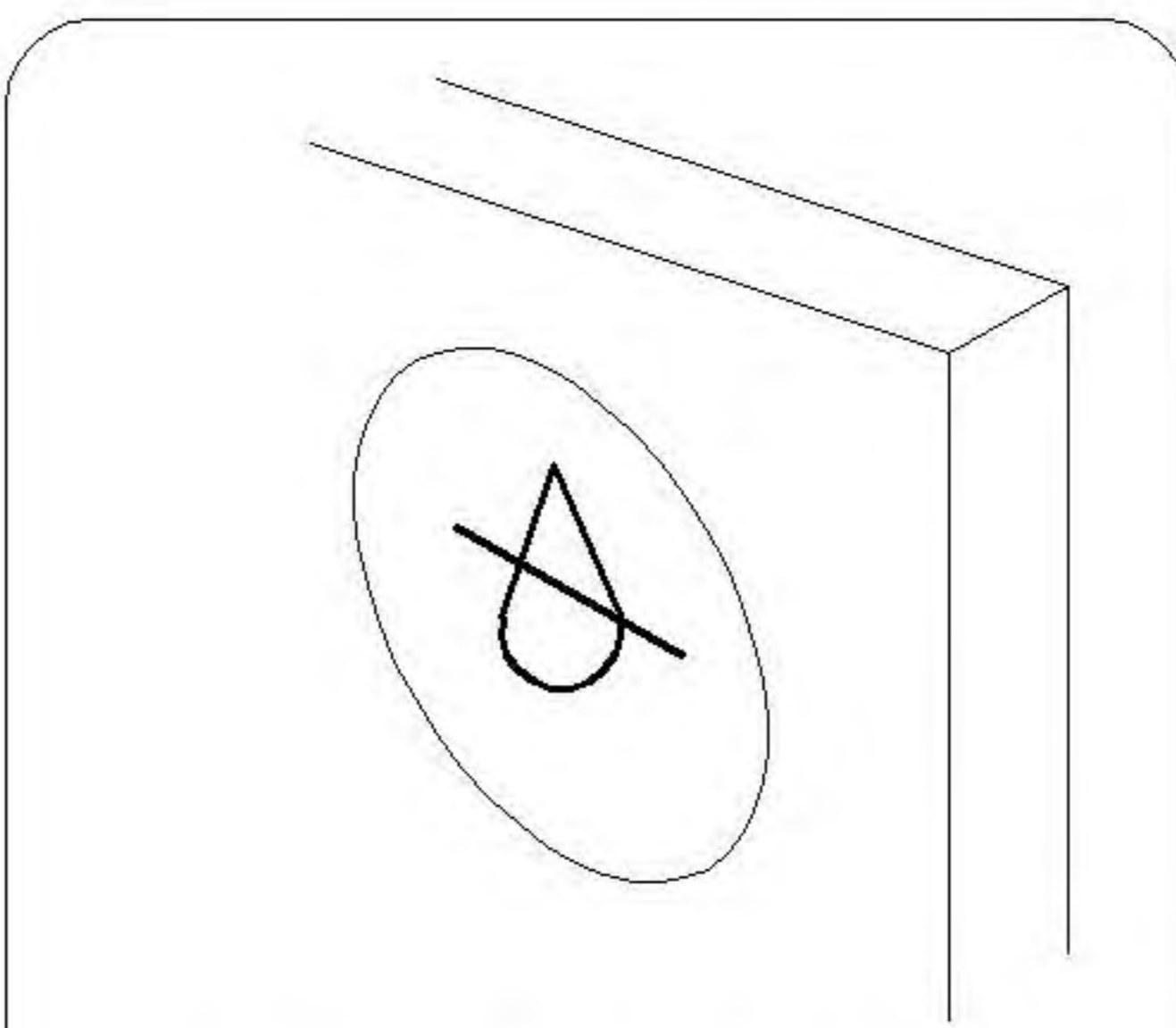
After the product installation is completed, please attach the hole stickers. Please keep any extra hole stickers safe



1、擦干净孔位  
1、Clean the hole position thoroughly



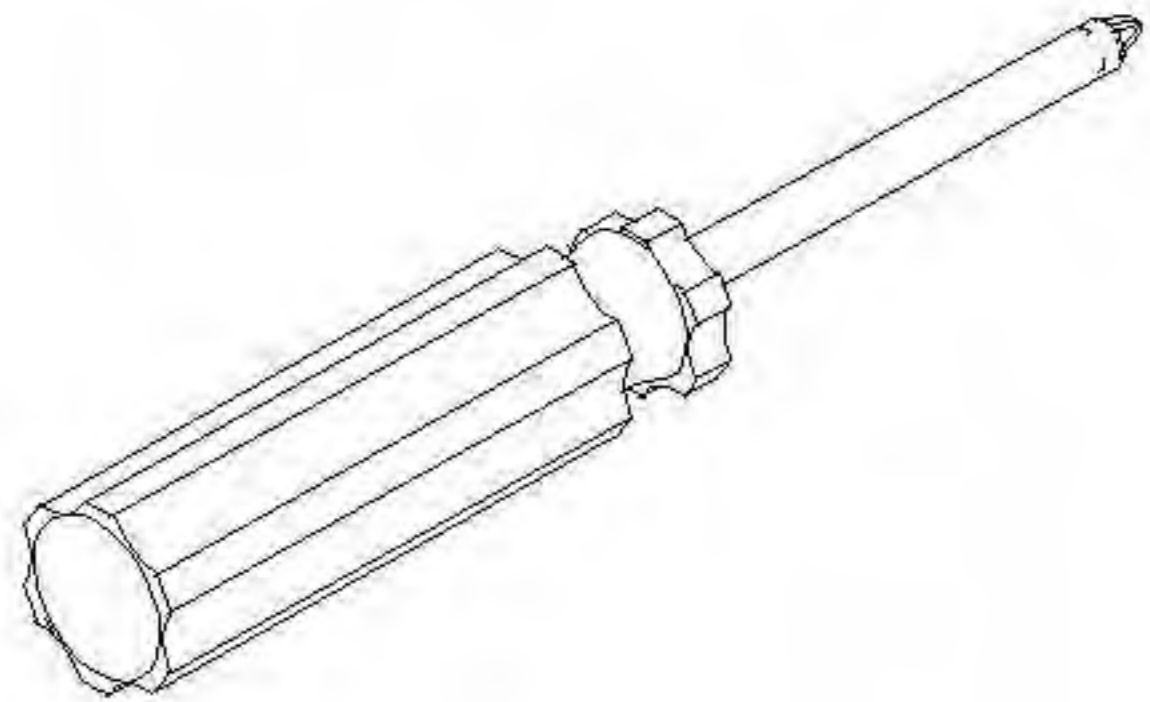

2、贴上孔贴  
2、Attach hole stickers



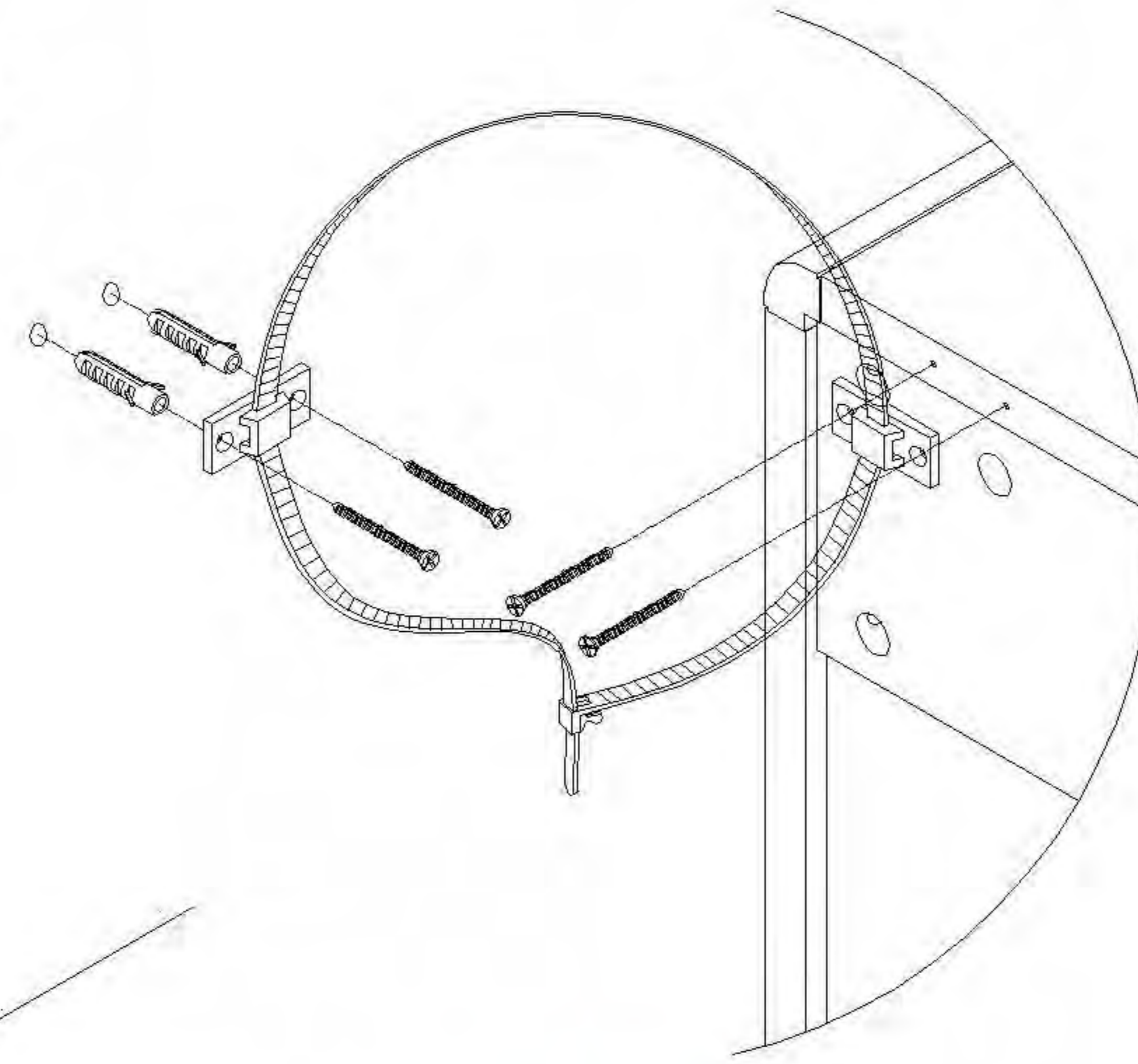
3、24小时内勿碰水  
3、Do not touch water within 24 hours

# LINSY 林氏家居

## 安装示意图/Assembly Instruction

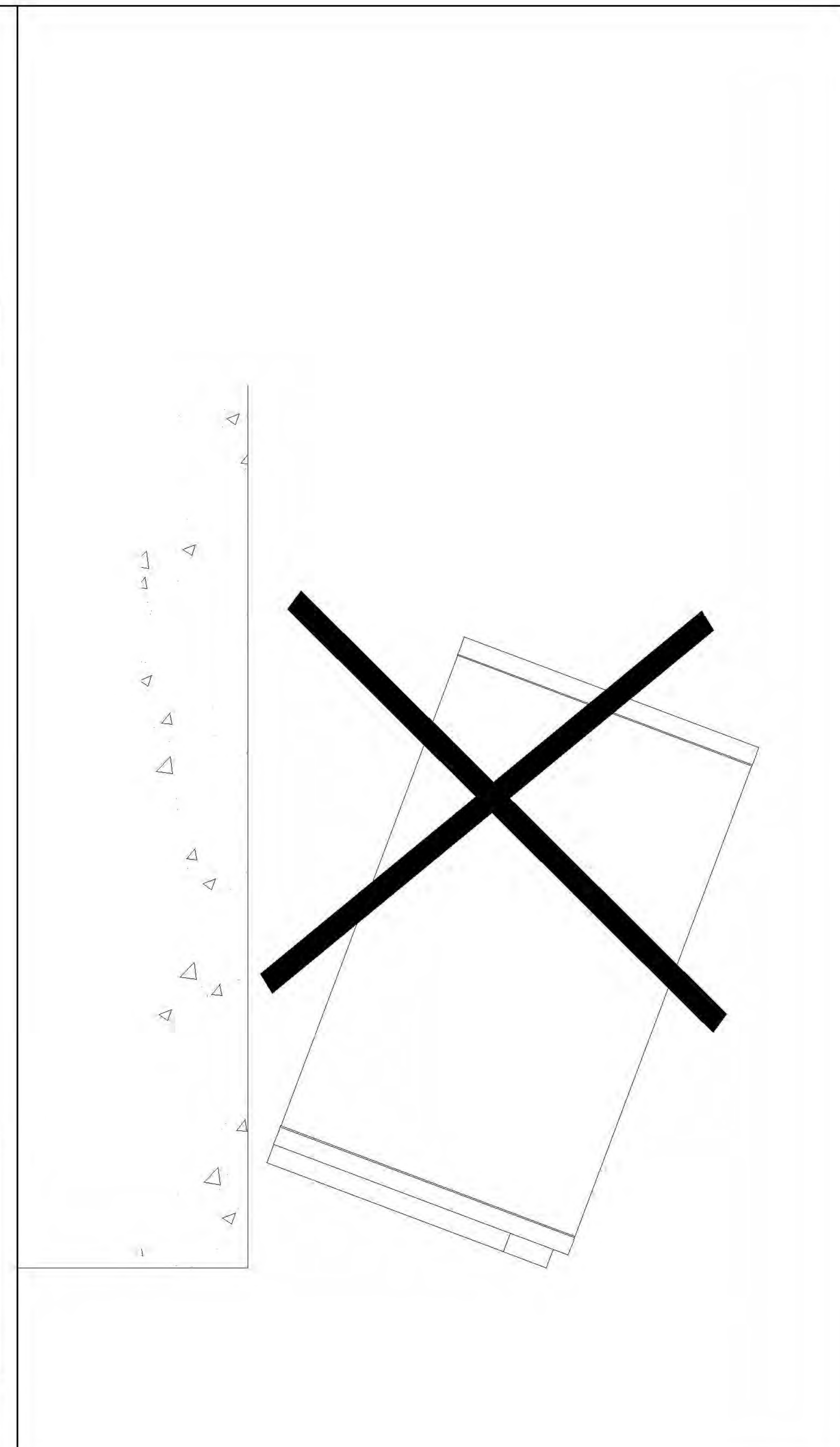
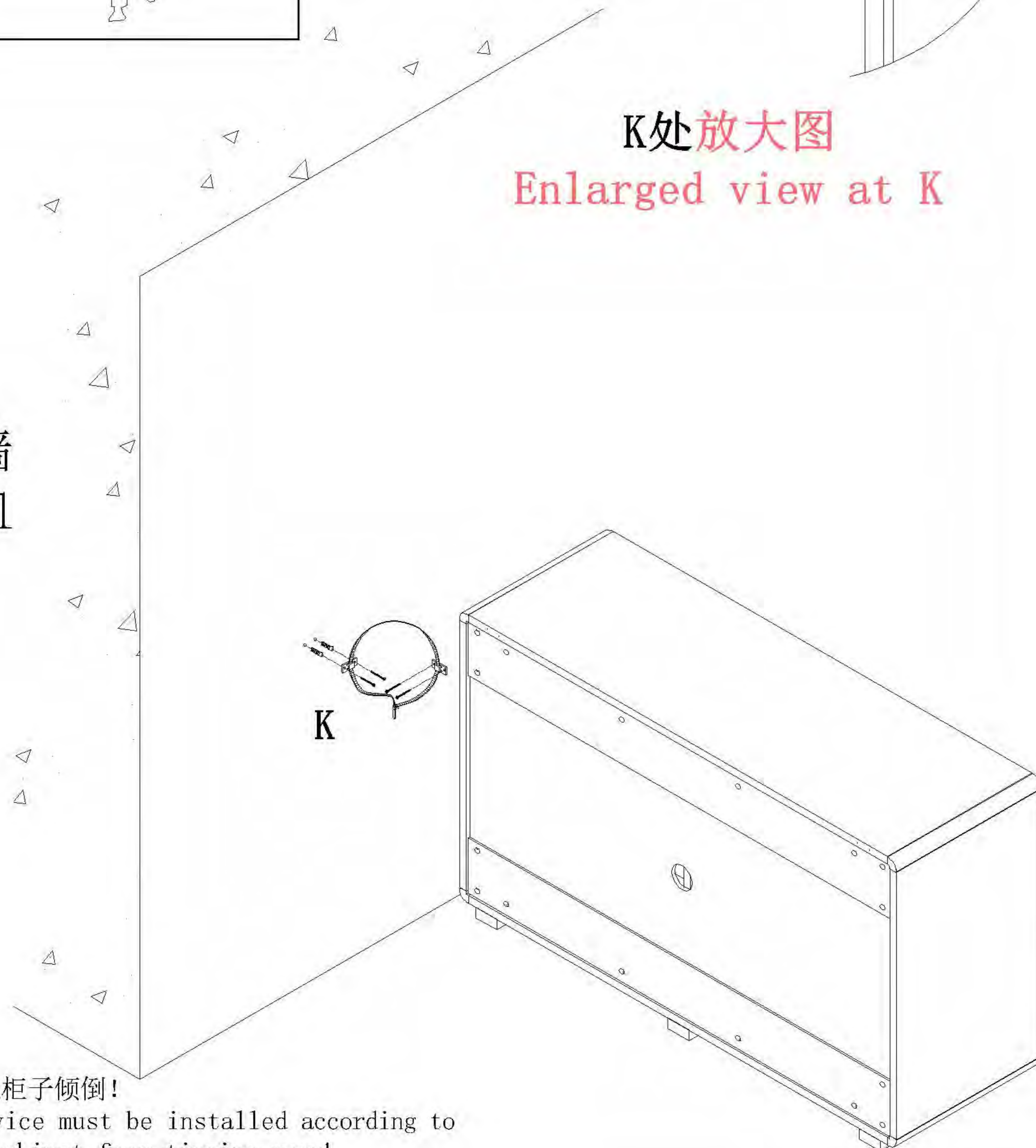
产品名称 Model NO.	Anti-fall device
产品规格 Specification	-
安装工具 Tool	安装人数 Installer
	

  
(K)\* 1  
家具防倒器-白色  
Anti-fall device  
white



K处放大图  
Enlarged view at K

实体墙  
Solid wall



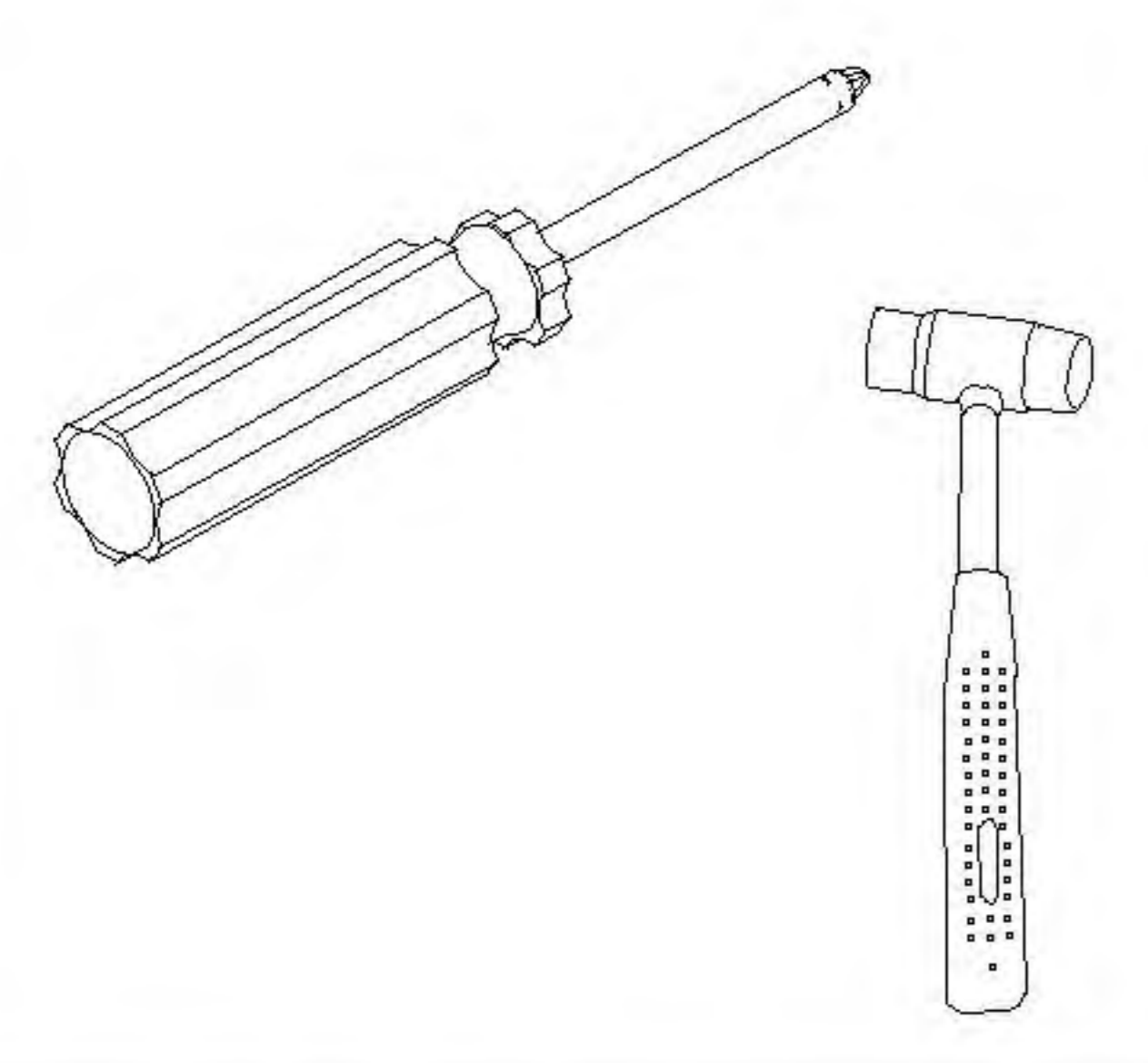
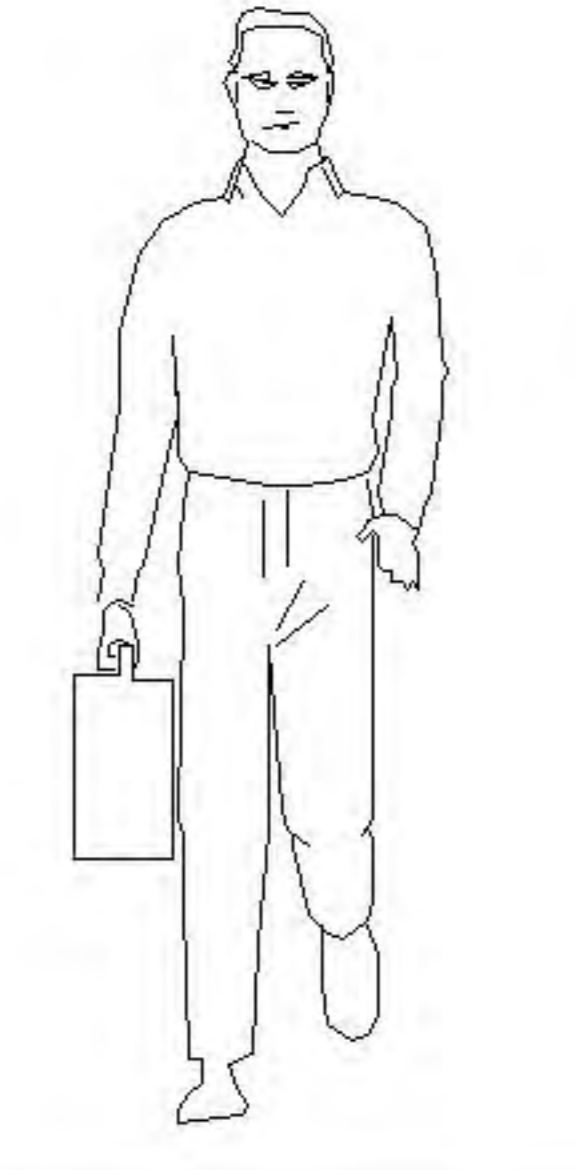
注意：  
防倒器一定要按图安装，为防止柜子倾倒！  
be careful:The anti fall device must be installed according to  
the diagram to prevent the cabinet from tipping over!

# LINSY 林氏家居

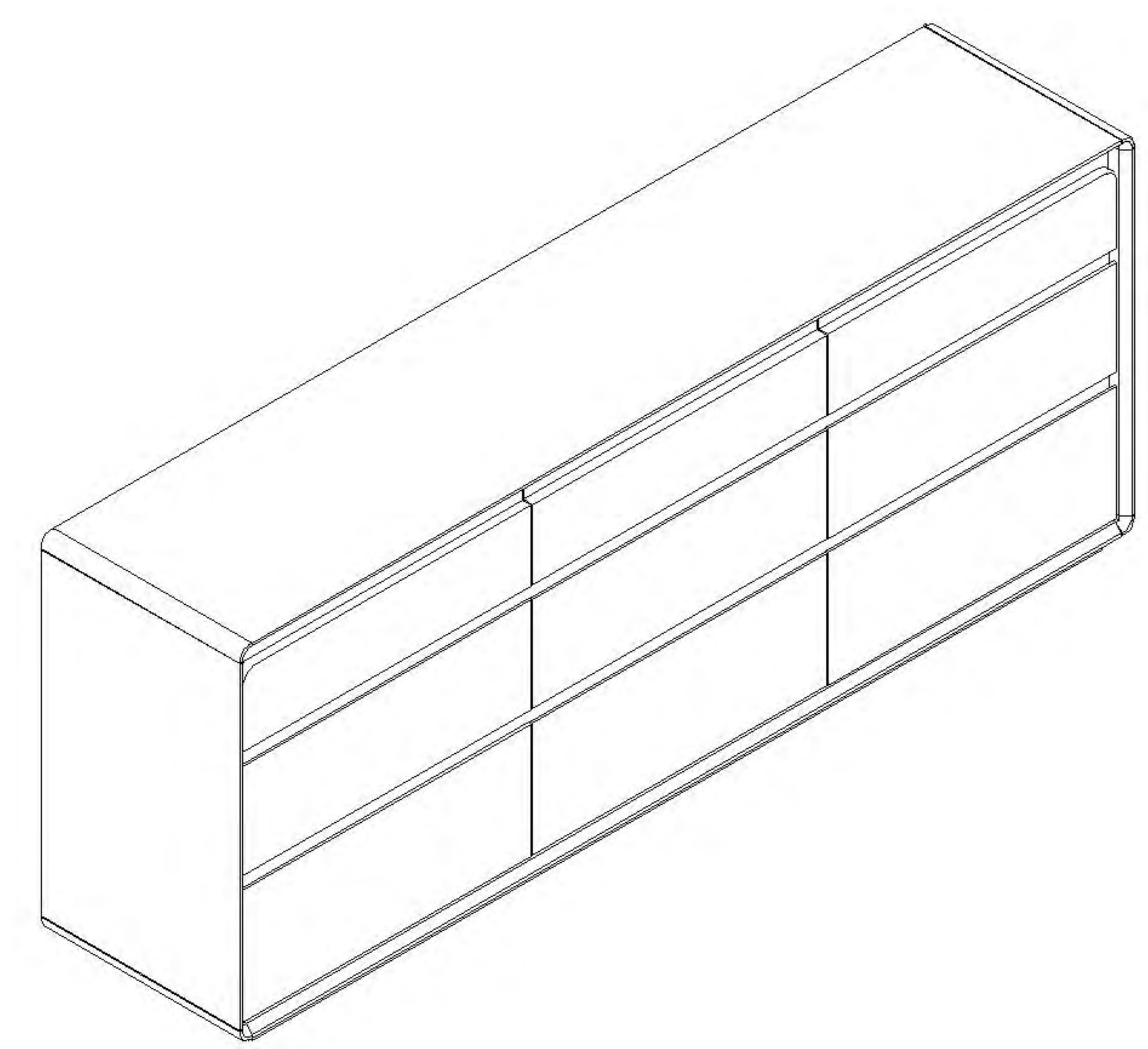
## 五金表/Hardware list

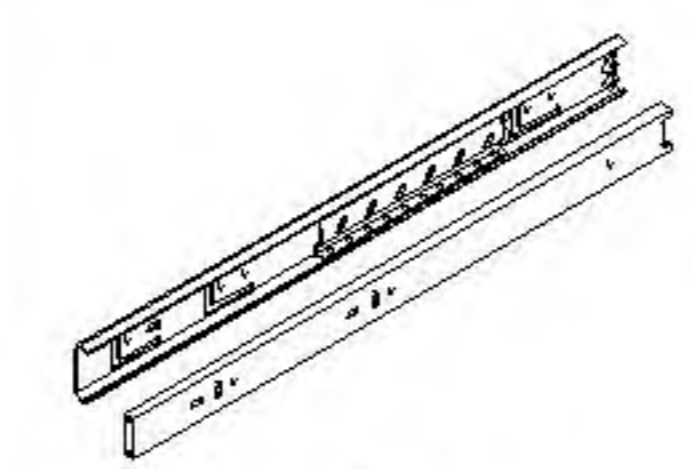
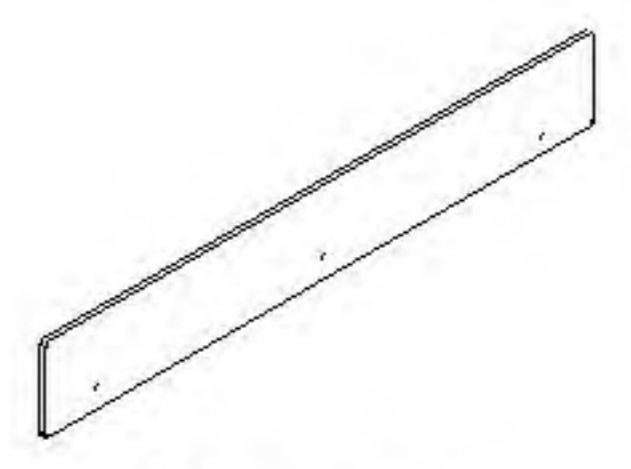
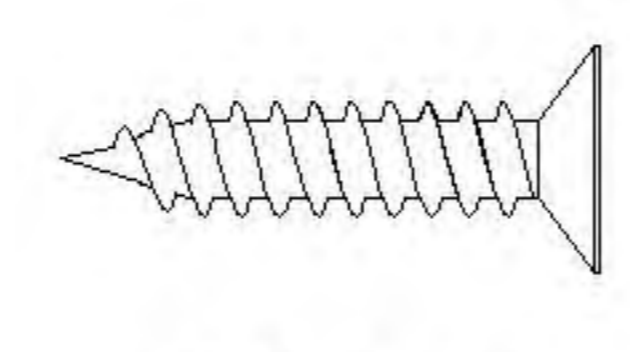
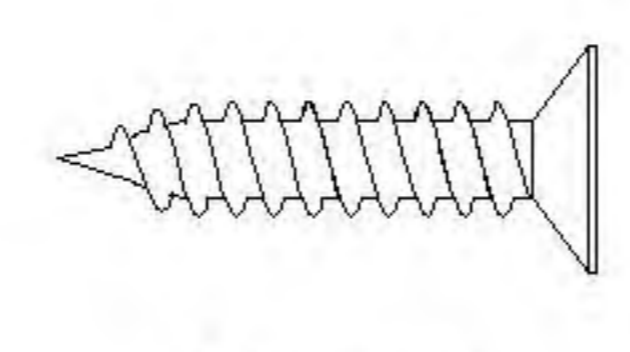
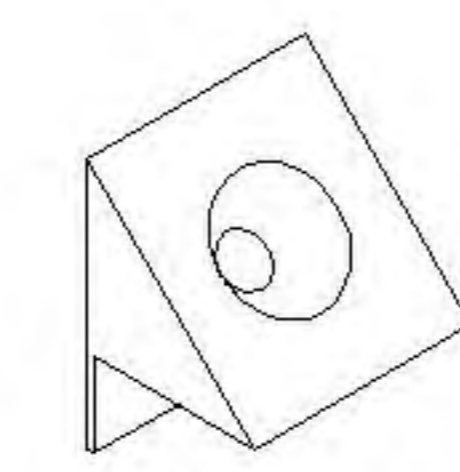
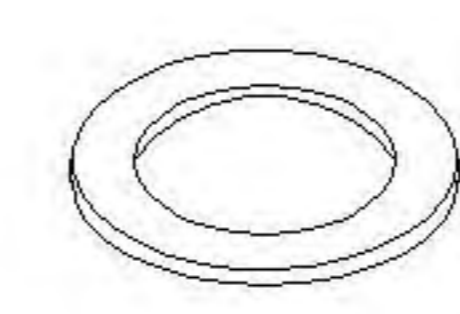
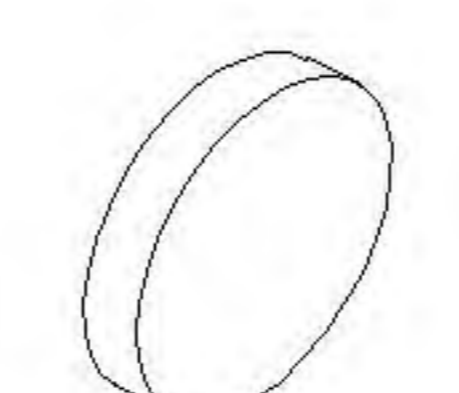
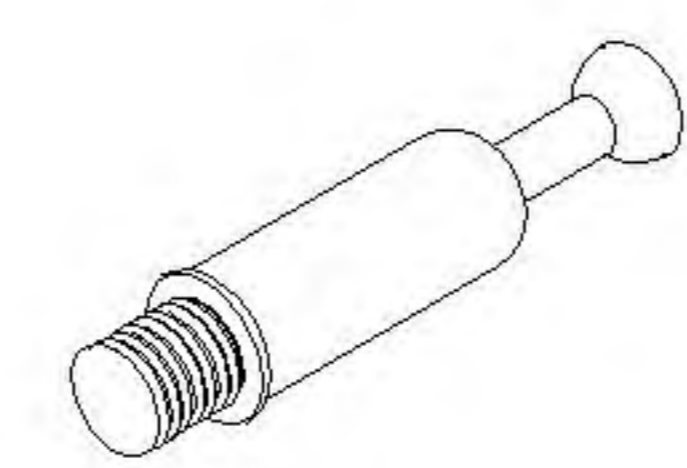
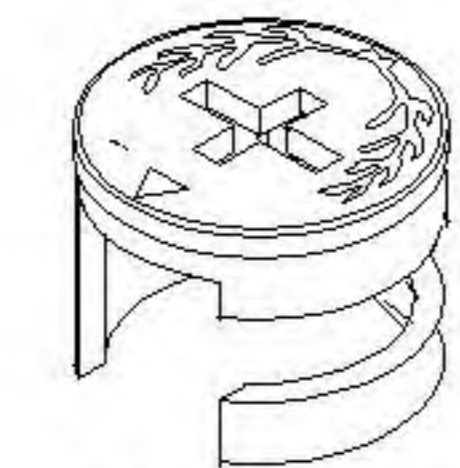
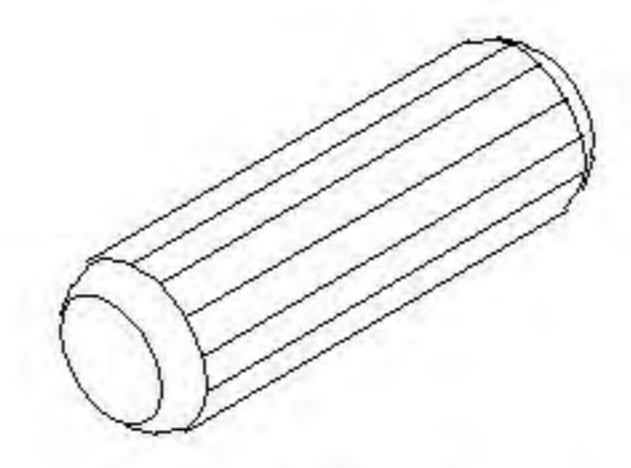
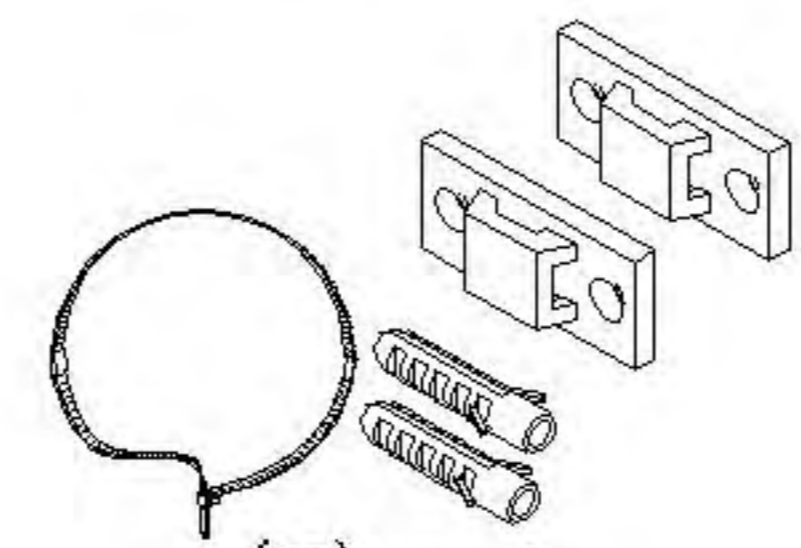
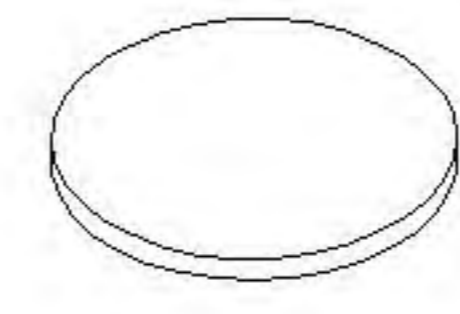
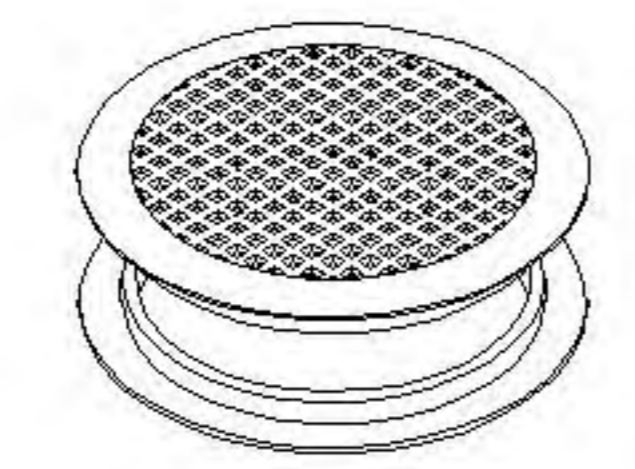

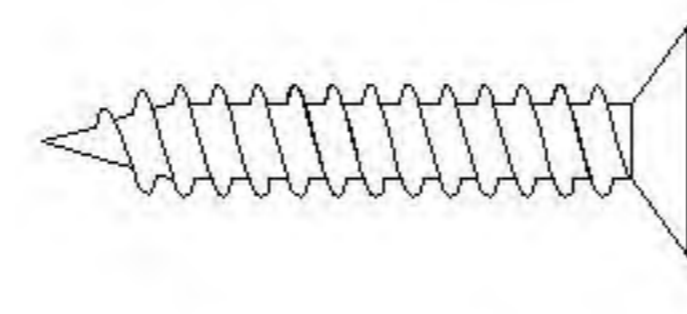
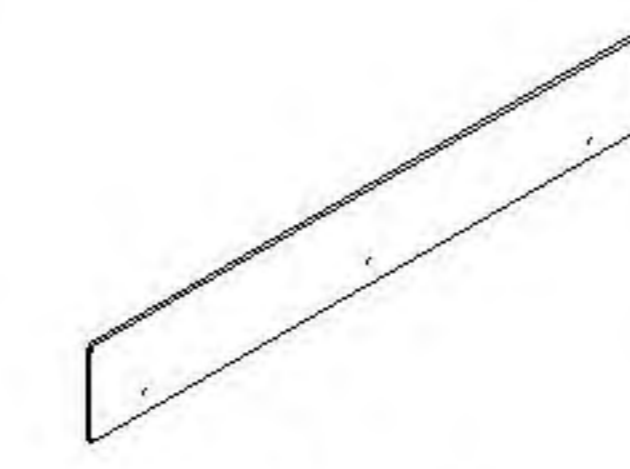
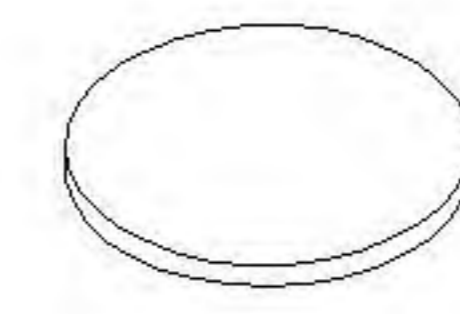
## 部件表/Parts List

### 安装示意图/Assembly Instruction

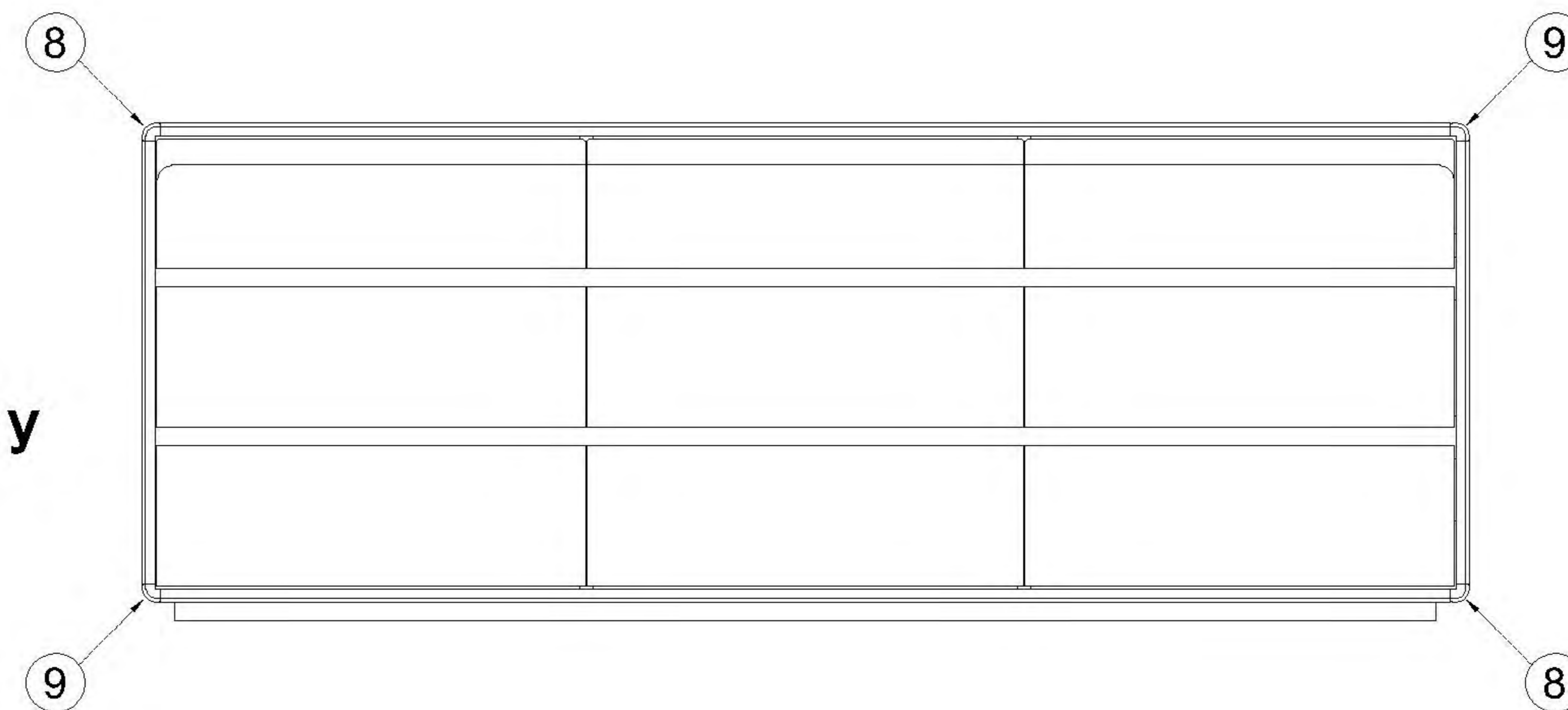
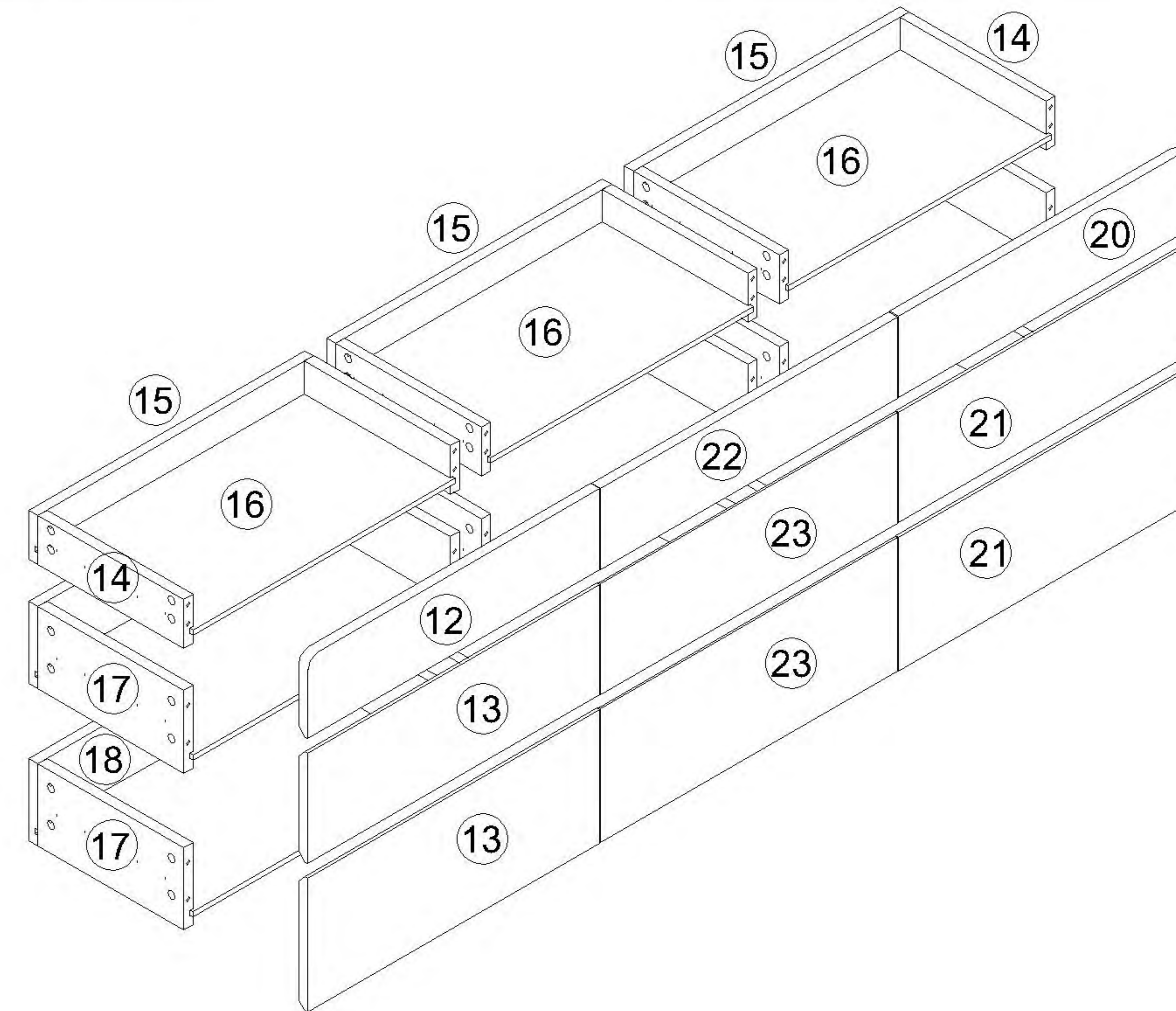
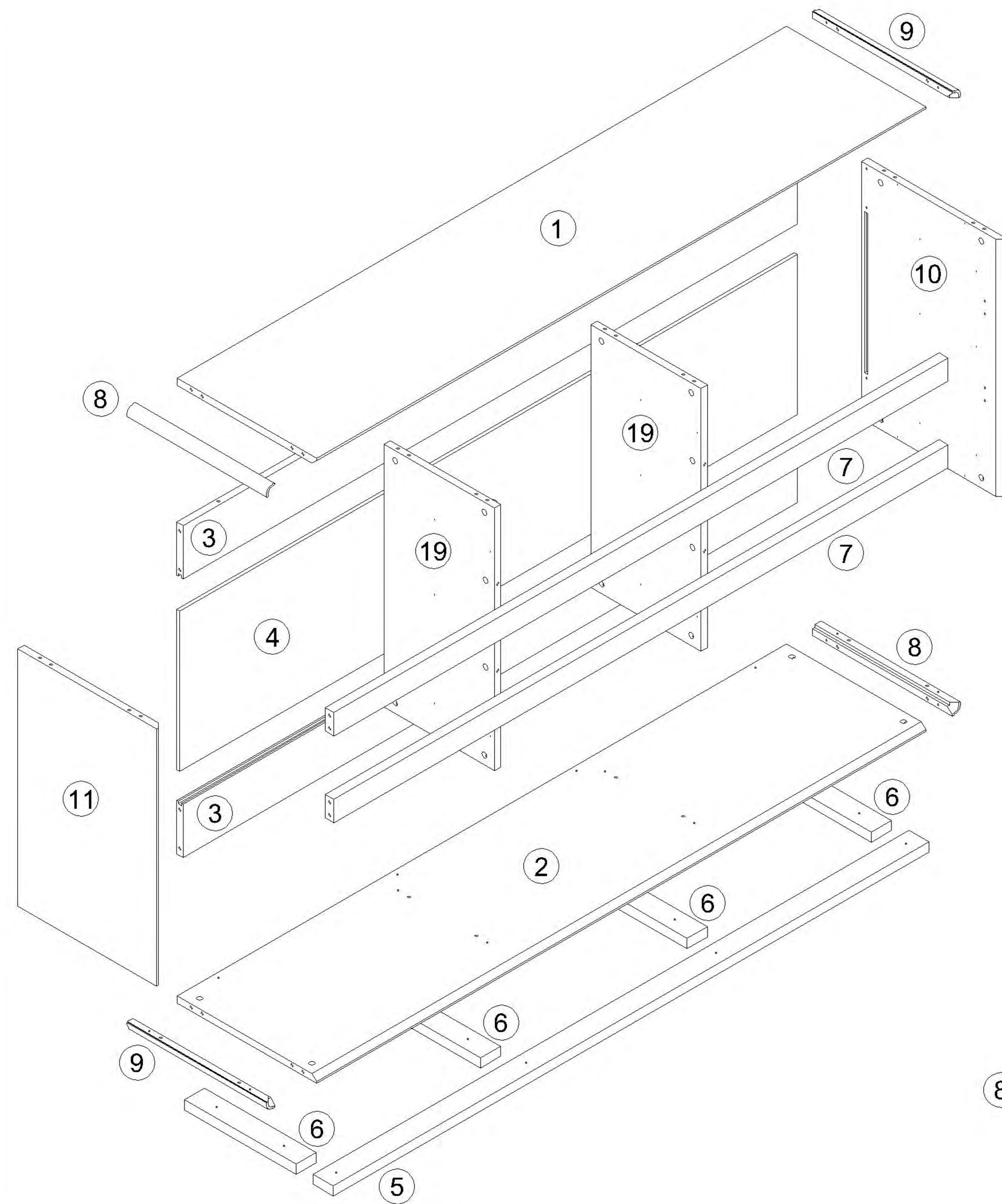
产品名称 Model NO.	九斗柜
产品型号 Product Model	UM5C-A
尺寸规格 Specification	(1494*399*622)mm
安装工具 Tool	安装人数 Installer
	

注：为保证设计效果，部分尺寸为定制尺寸，不影响使用。



 (A)* 9 三节滚珠导轨-10" three-section ball rail	 (B)* 2 抽面亚克力482mm Drawing Acrylic	 (C)*135 自攻螺丝M3.5x14mm Self-tapping screw	 (D)* 9 自攻螺丝M3.5x16mm Self-tapping screw
 (E)* 4 背板扣 Back Plate Buckle-White	 (F)* 9 透明塑料垫片 Plastic gasket	 (G)* 9 镜钉 Mirror nail	 (H)*131 二合一螺杆 2-in-1-screw
 (I)*131 大三合一锁饼 Three-in-one large lock	 (J)* 25 木榫Ø8x30mm wood tenon	 (K)* 1 家具防倒器-白色 Anti-fall device white	 (L)* 12 灰色毛毡脚垫 Footrest - Grey
 (M)* 1 透气孔盖 Vent cover	 (N)* 8 L型角码14x21x1.5 L-shaped corner code	 (O)* 13 自攻螺丝M4x30mm Self-tapping screw	 (P)* 1 抽面亚克力492mm Drawing Acrylic
 (Q)*131 PVC孔贴 PVC hole sticker			

编号NO.	名称Name	规格 (mm) Specification	数量 QTY	材质Material
①	面板 Top panel	1454*398*15	1	刨花板Particle board
②	底板 Bottom board	1454*398*15	1	刨花板Particle board
③	背拉条 Back brace	1464*101*15	2	刨花板Particle board
④	背板 Back board	1474*372*5	1	纤维板Fiberboard
⑤	前脚条 Front foot strip	1405*58*25	1	刨花板Particle board
⑥	侧脚条 Side foot strip	320*58*25	4	刨花板Particle board
⑦	拉条 Brace	1464*58*25	2	刨花板Particle board
⑧	转角木1 Corner wood 1	399*20*20	2	橡胶木Rubber wood
⑨	转角木2 Corner wood 2	399*20*20	2	橡胶木Rubber wood
⑩	右侧板 Side board(R)	554*398*15	1	刨花板Particle board
⑪	左侧板 Side board(L)	554*398*15	1	刨花板Particle board
⑫	左上抽屉面板 Upper left drawer panel	482*133*15	1	刨花板Particle board
⑬	左下抽屉面板 Lower left drawer panel	482*170*15	2	刨花板Particle board
⑭	小抽屉侧板 Small Drawer's side board	290*84*15	6	刨花板Particle board
⑮	小抽屉后板 Small drawer's back board	452*84*15	3	刨花板Particle board
⑯	抽屉底板 Drawer's Bottom board	432*300*5	9	纤维板Fiberboard
⑰	大抽屉侧板 Big Drawer's side board	290*126*15	12	刨花板Particle board
⑱	大抽屉后板 Big drawer's back board	452*126*15	6	刨花板Particle board
⑲	中隔板 Middle clapboard	564*325*15	2	刨花板Particle board
⑳	右上抽屉面板 Upper right drawer panel	482*133*15	1	刨花板Particle board
㉑	右下抽屉面板 Lower right drawer panel	482*170*15	2	刨花板Particle board
㉒	中上抽屉面板 Middle upper drawer's panel	492*133*15	1	刨花板Particle board
㉓	中下抽屉面板 Middle bottom drawer's panel	492*170*15	2	刨花板Particle board



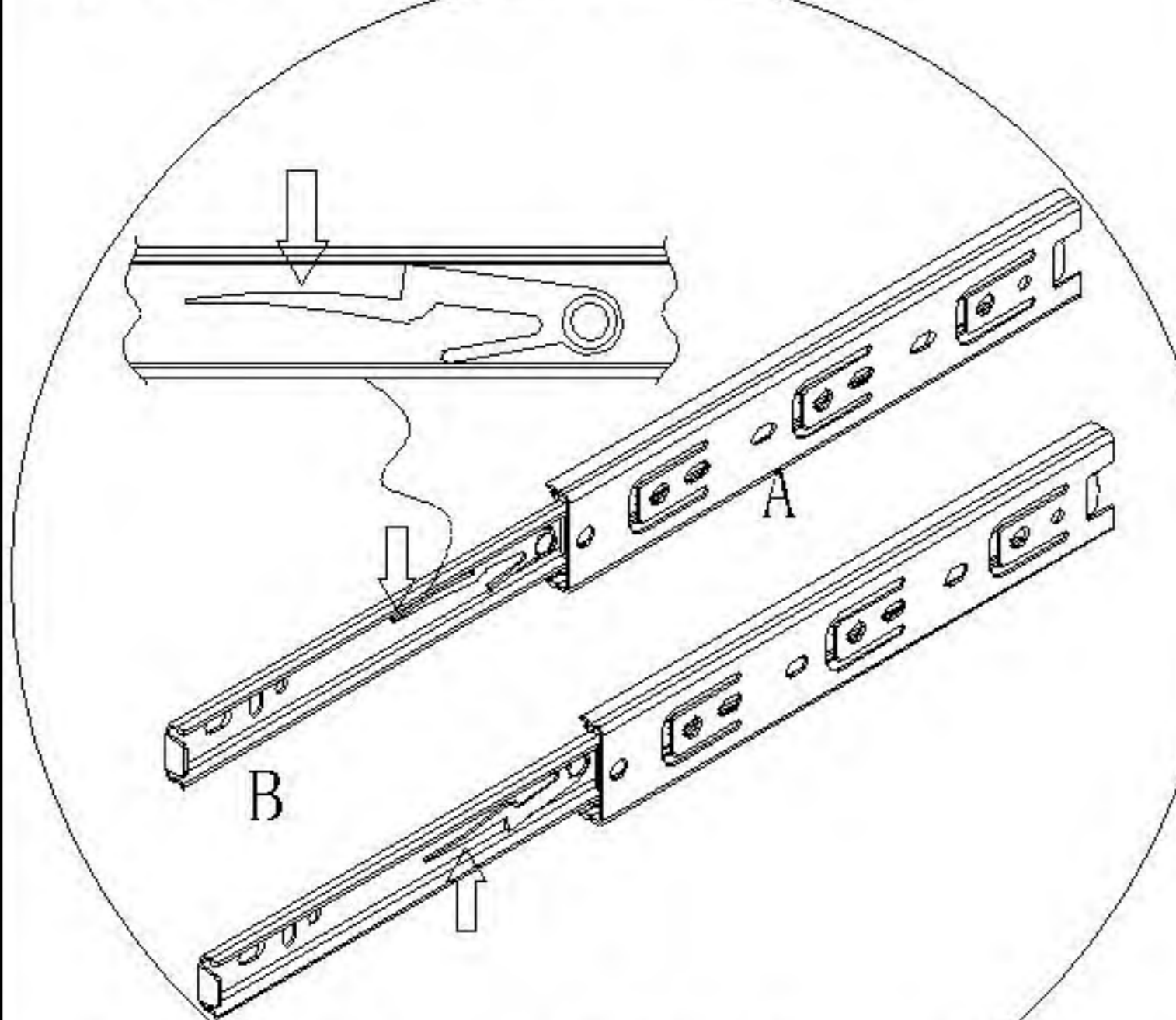
编号NO.	名称Name
①	面板 Top panel
②	底板 Bottom board
③	背拉条 Back brace
④	背板 Back board
⑤	前脚条 Front foot strip
⑥	侧脚条 Side foot strip
⑦	拉条 Brace
⑧	转角木1 Corner wood 1
⑨	转角木2 Corner wood 2
⑩	右侧板 Side board(R)
⑪	左侧板 Side board(L)
⑫	左上抽屉面板 Upper left drawer panel
⑬	左下抽屉面板 Lower left drawer panel
⑭	小抽屉侧板 Small Drawer's side board
⑮	小抽屉后板 Small drawer's back board
⑯	抽屉底板 Drawer's Bottom board
⑰	大抽屉侧板 Big Drawer's side board
⑱	大抽屉后板 Big drawer's back board
⑲	中隔板 Middle clapboard
⑳	右上抽屉面板 Upper right drawer panel
㉑	右下抽屉面板 Lower right drawer panel
㉒	中上抽屉面板 Middle upper drawer's panel
㉓	中下抽屉面板 Middle bottom drawer's panel

**►注：抽屉都是设计所需设计缝，小心夹伤！**  
**Note: The drawers are designed with necessary seams. Be careful not to pinch!**  
**►使用本产品请靠墙放置**  
**Please place this product against the wall**  
**►注意：防倒器一定要按图安装！**  
**Be careful: The anti fall device must be installed!**

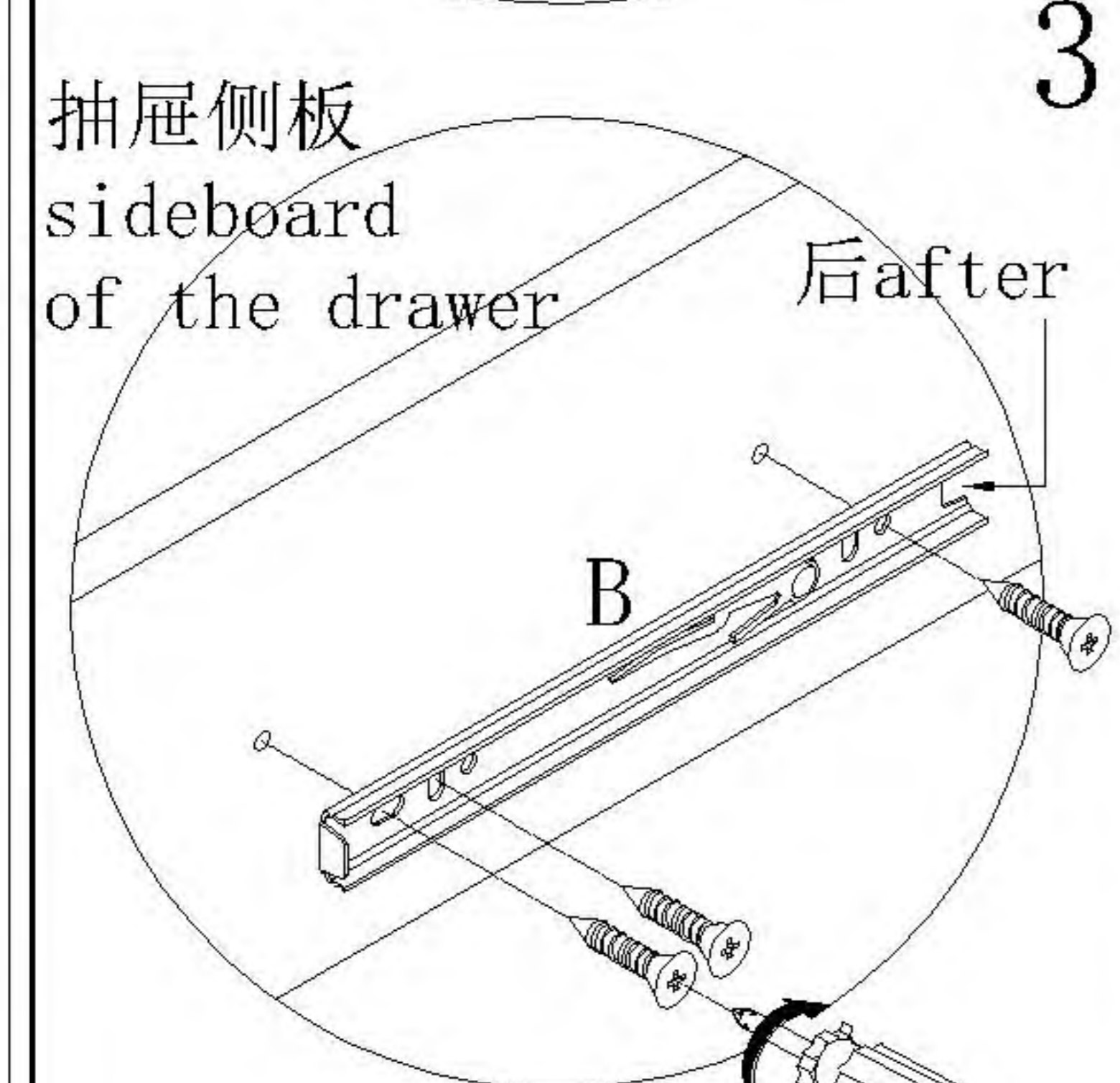
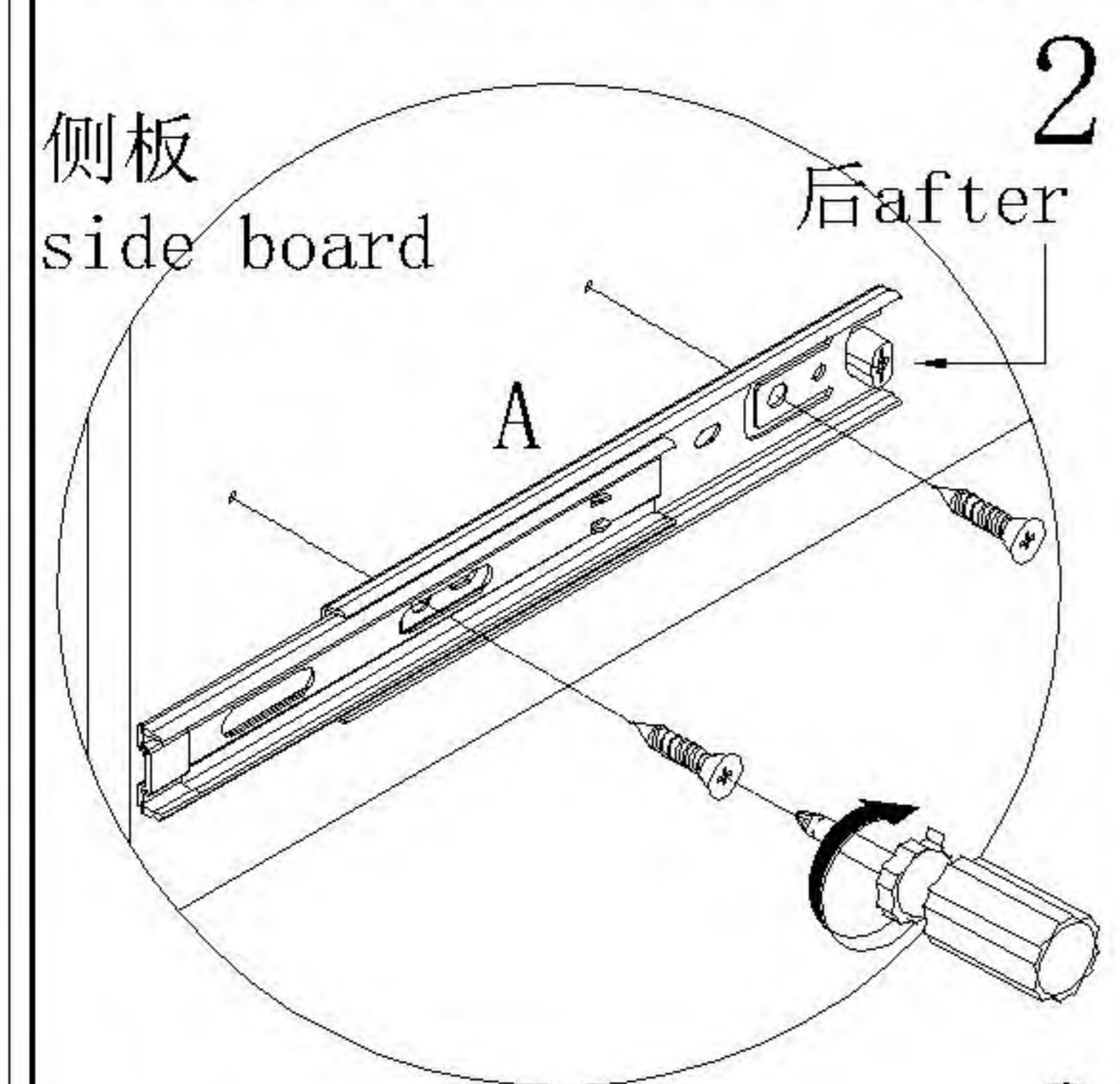
UM5C-A九斗柜

安装方法/  
Installation method

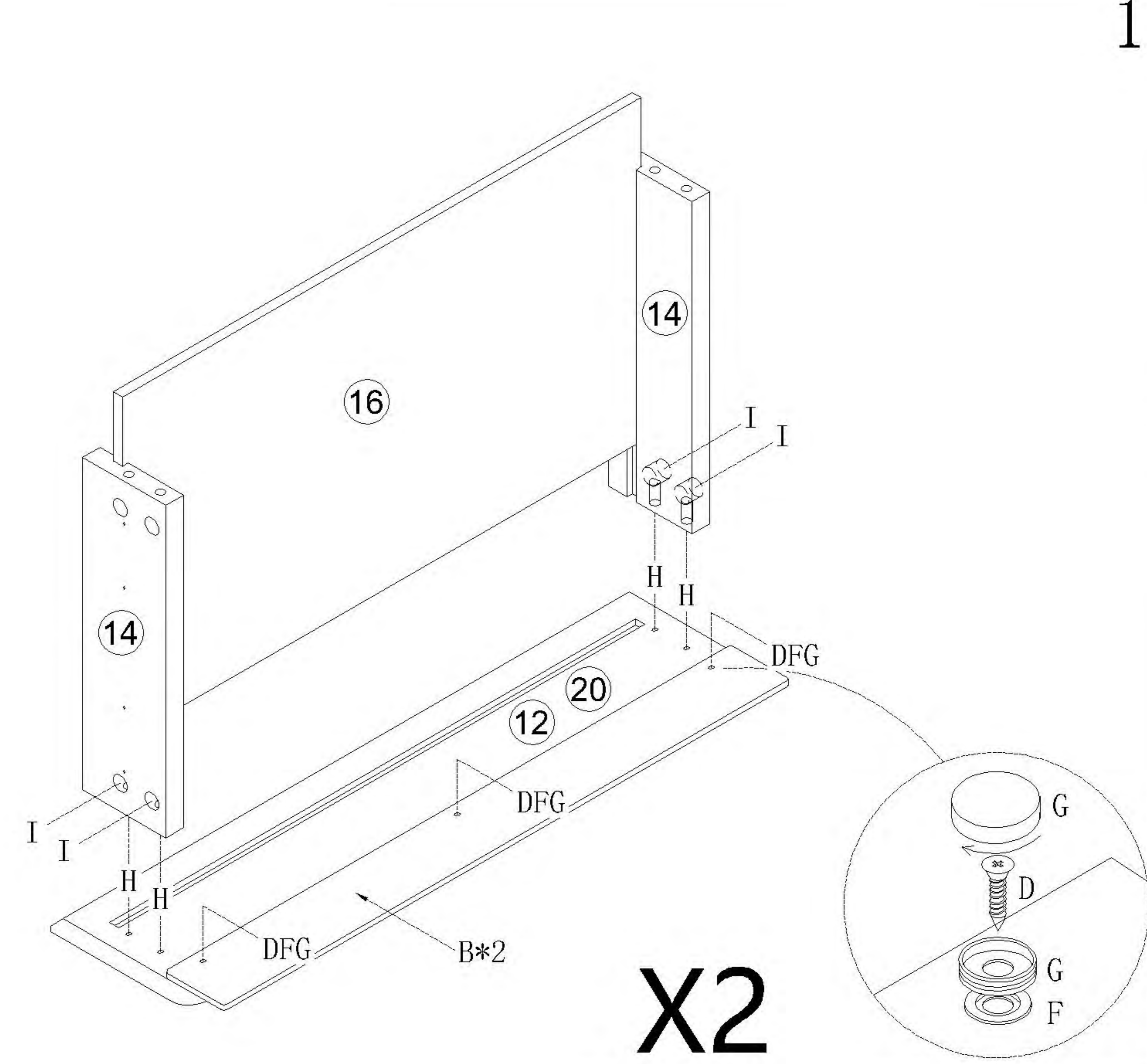
1  
阀门开关(下压为开)  
Valve switch  
(press down to open)



注: 先将A与B拆下来  
Note: remove a and B first

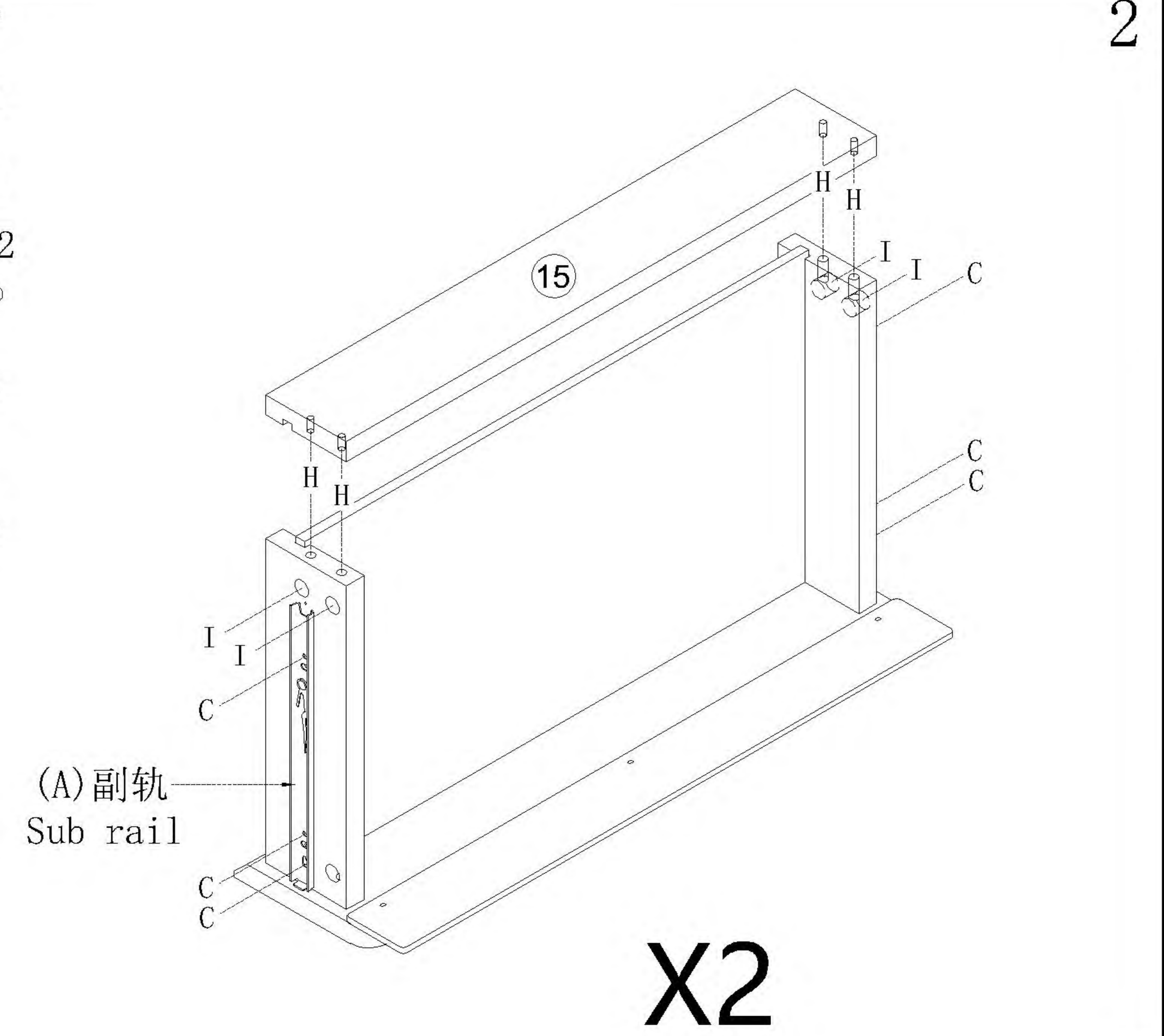


- (B)\*2
- (D)\*6
- (F)\*6
- (G)\*6
- (H)\*8
- (I)\*8



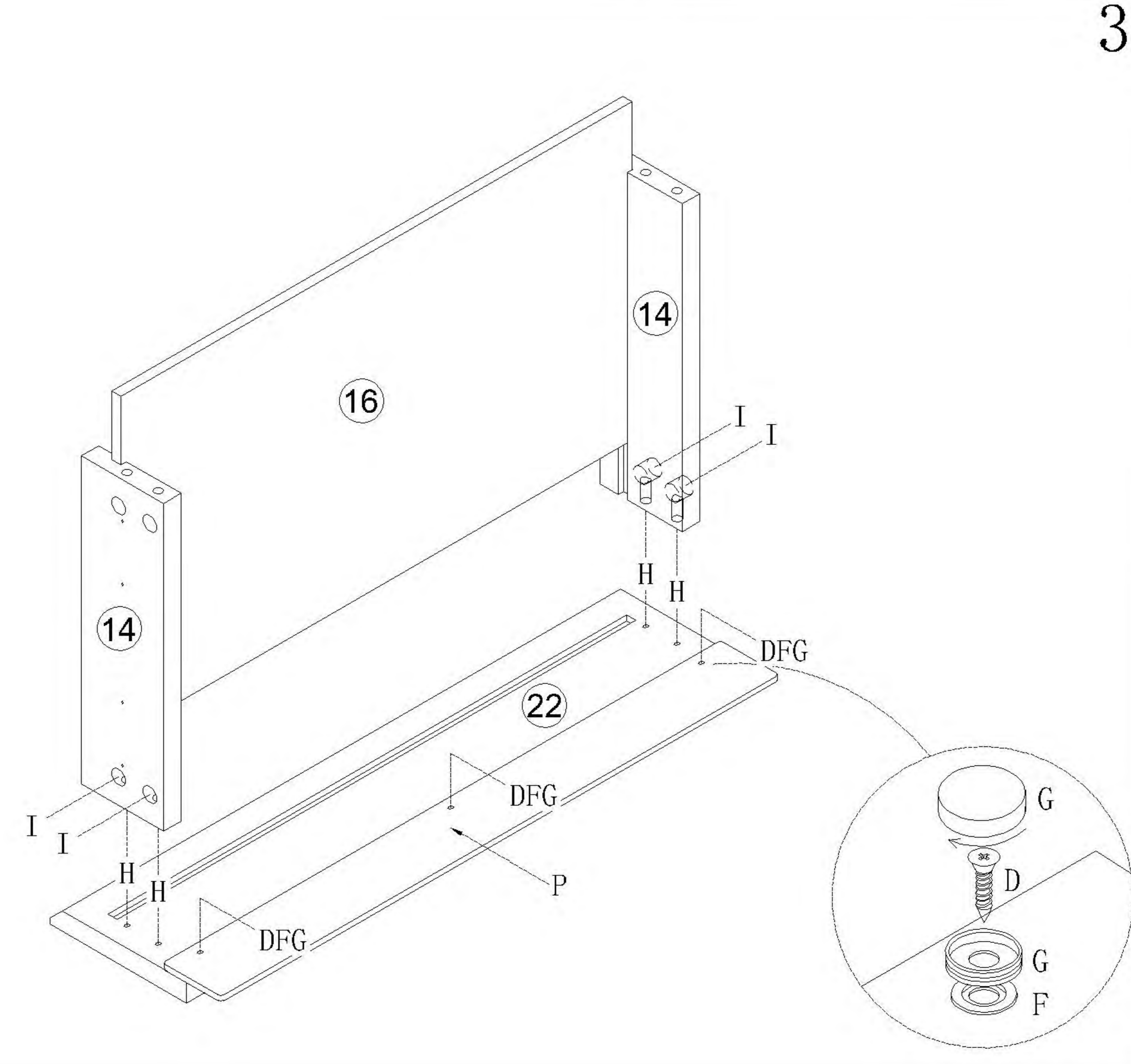
X2

- 1
- (A)\*2
  - (C)\*12
  - (H)\*8
  - (I)\*8

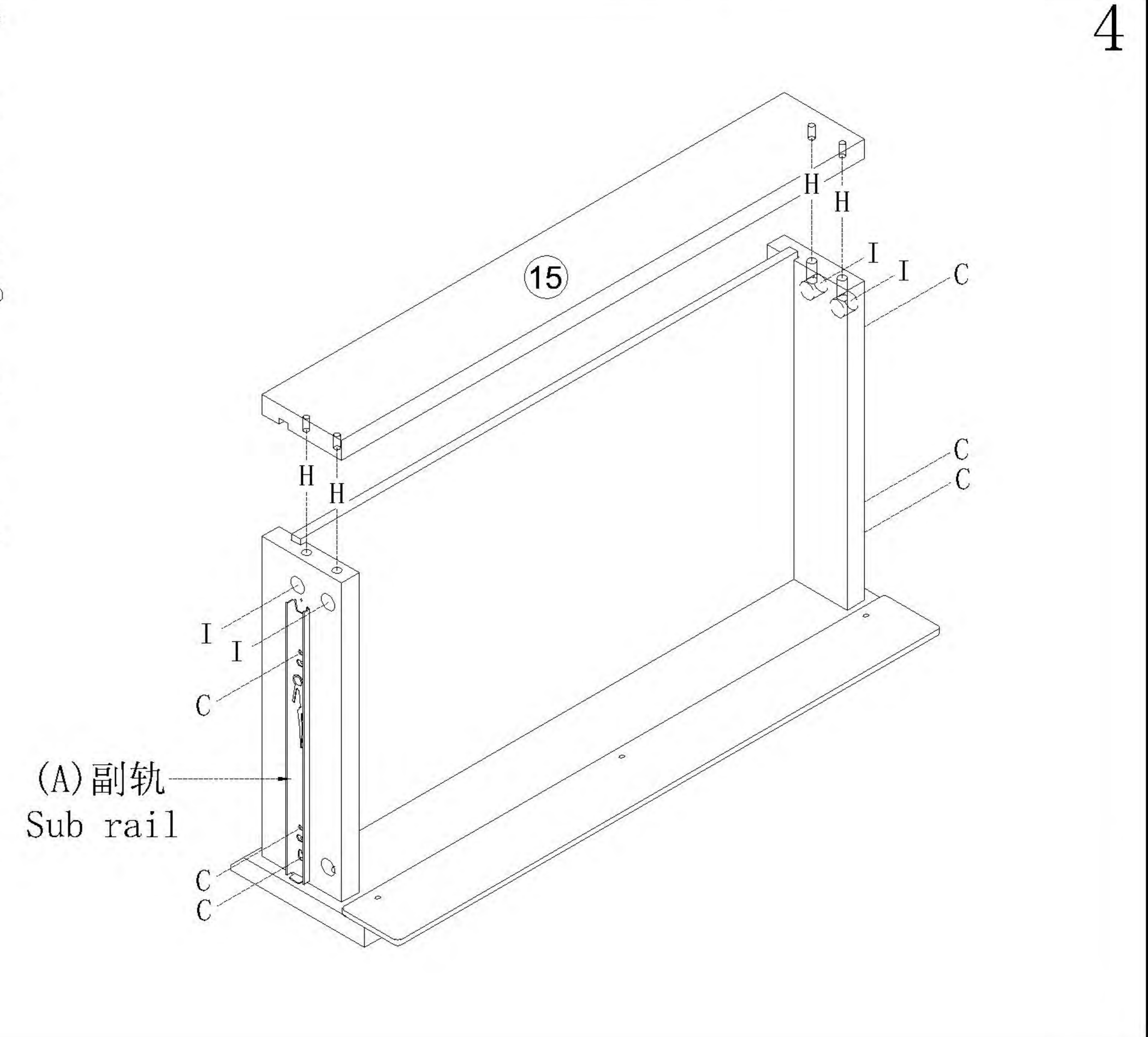


X2

- (D)\*3
- (F)\*3
- (G)\*3
- (H)\*4
- (I)\*4
- (P)\*1

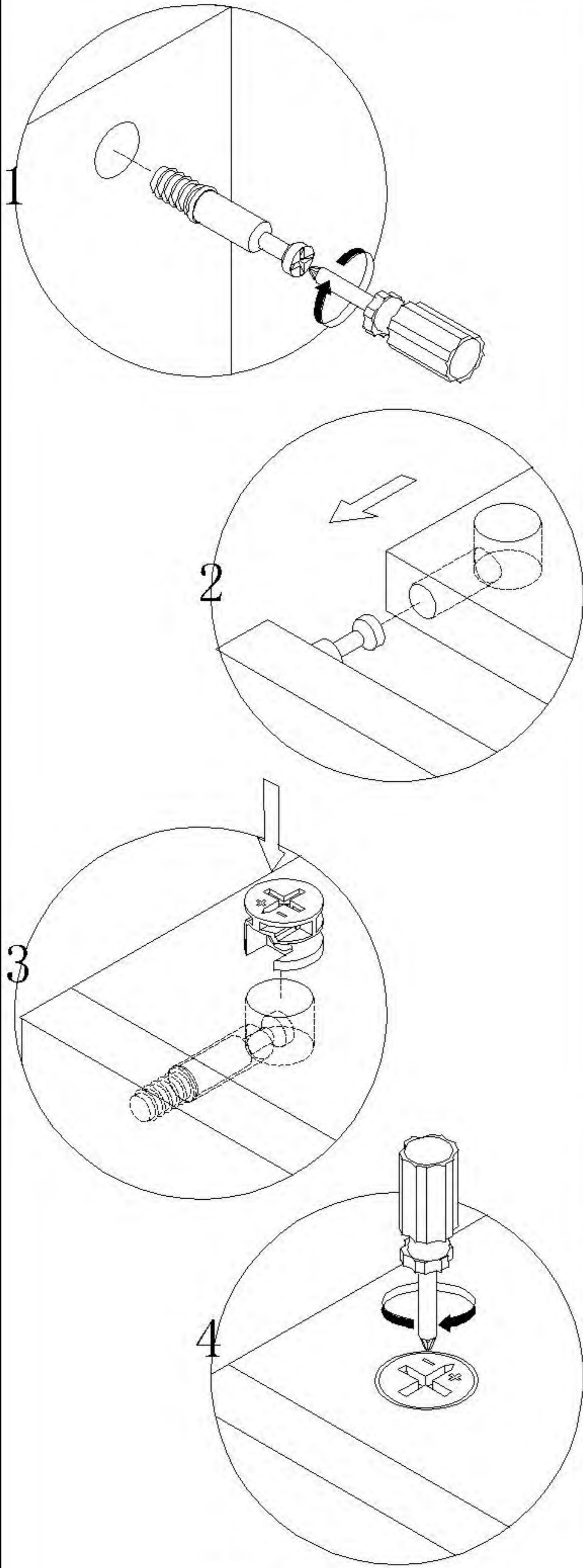


- 3
- (A)\*1
  - (C)\*6
  - (H)\*4
  - (I)\*4

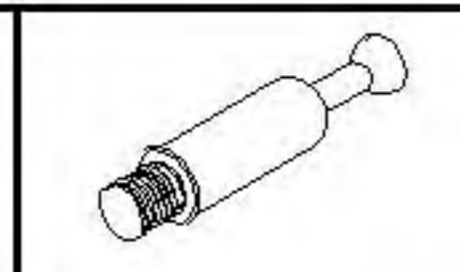


UM5C-A九斗柜

安装方法/  
Installation method



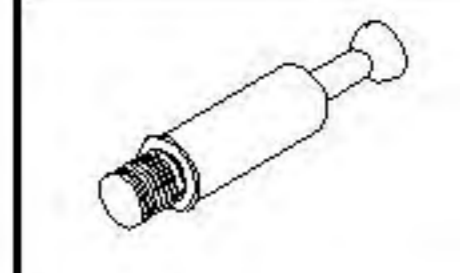
大二合一  
two-in-one



(H)\*24



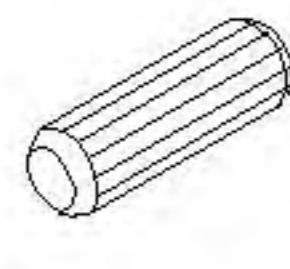
(I)\*24



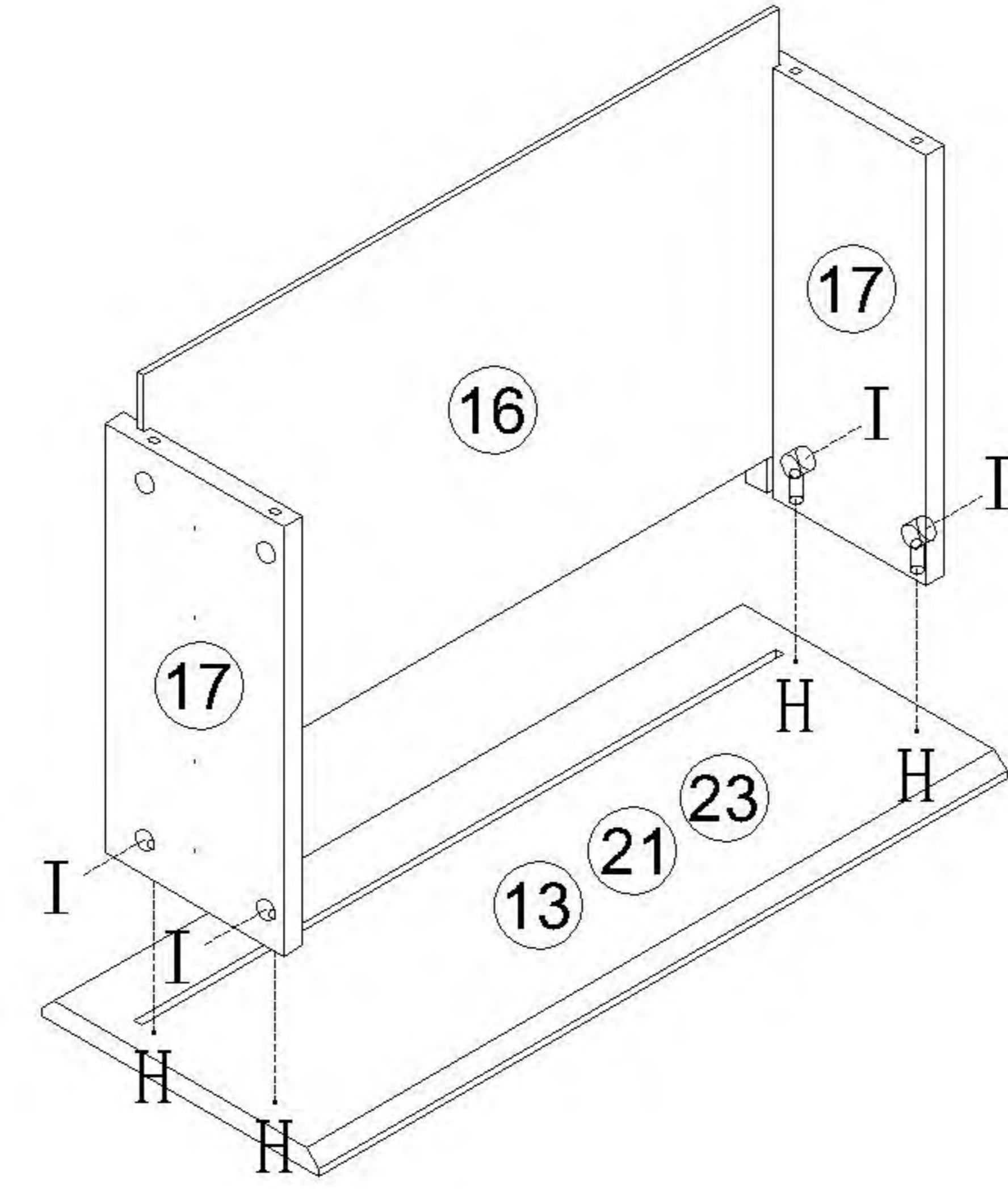
(H)\*8



(I)\*8

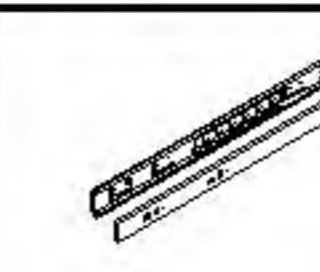


(J)\*8

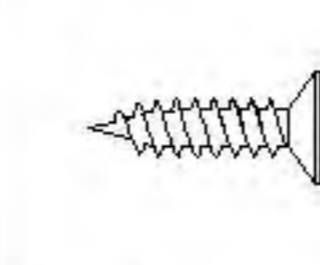


X6

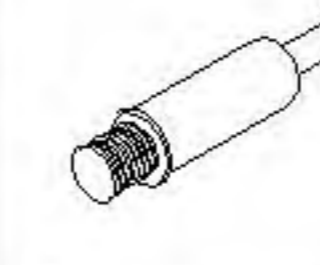
5



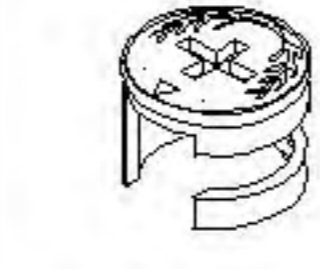
(A)\*6



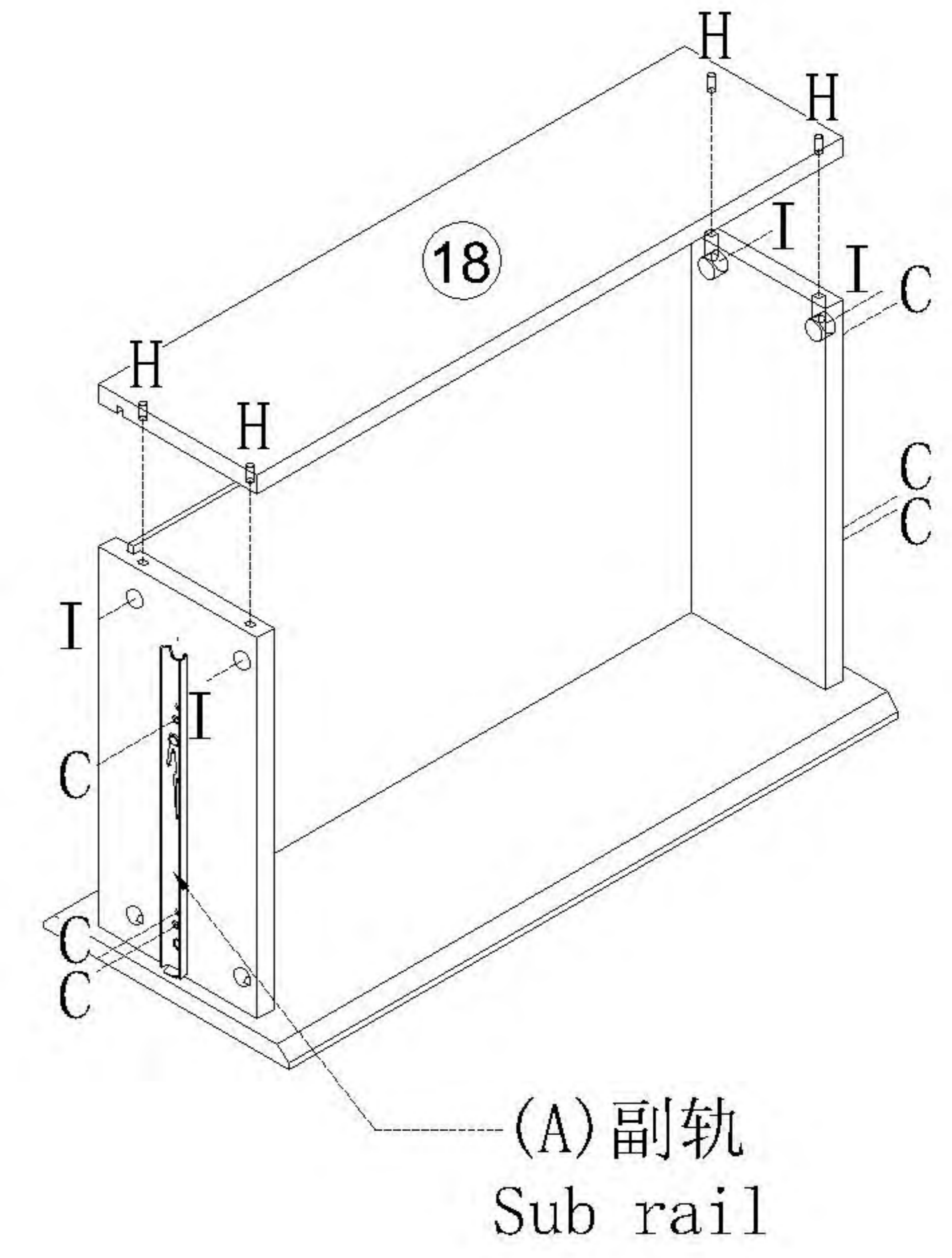
(C)\*36



(H)\*24



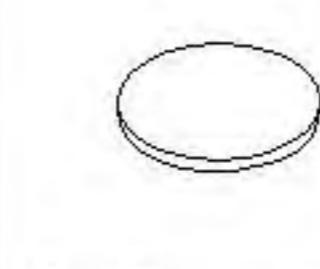
(I)\*24



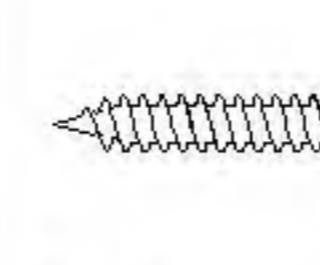
X6

6

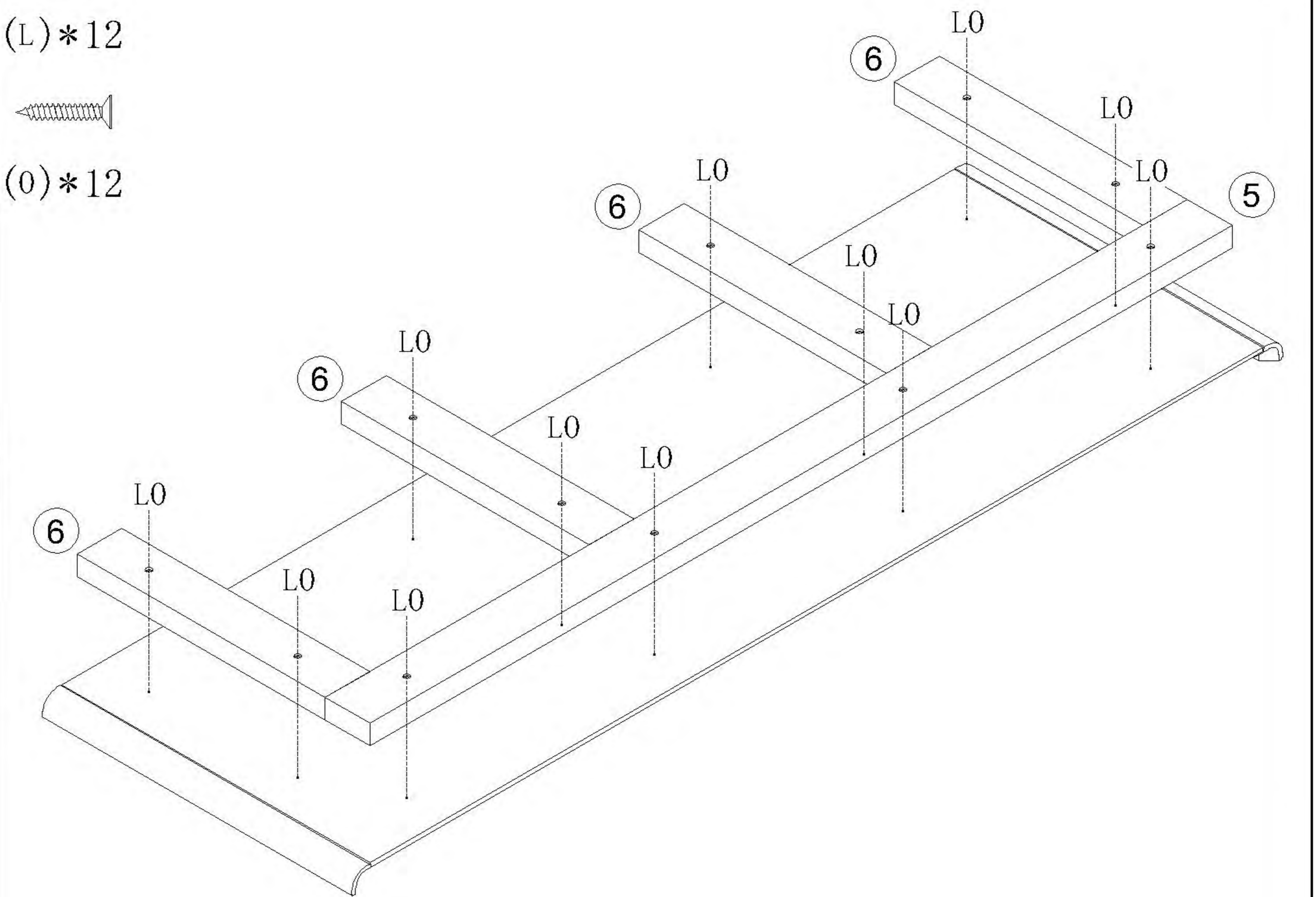
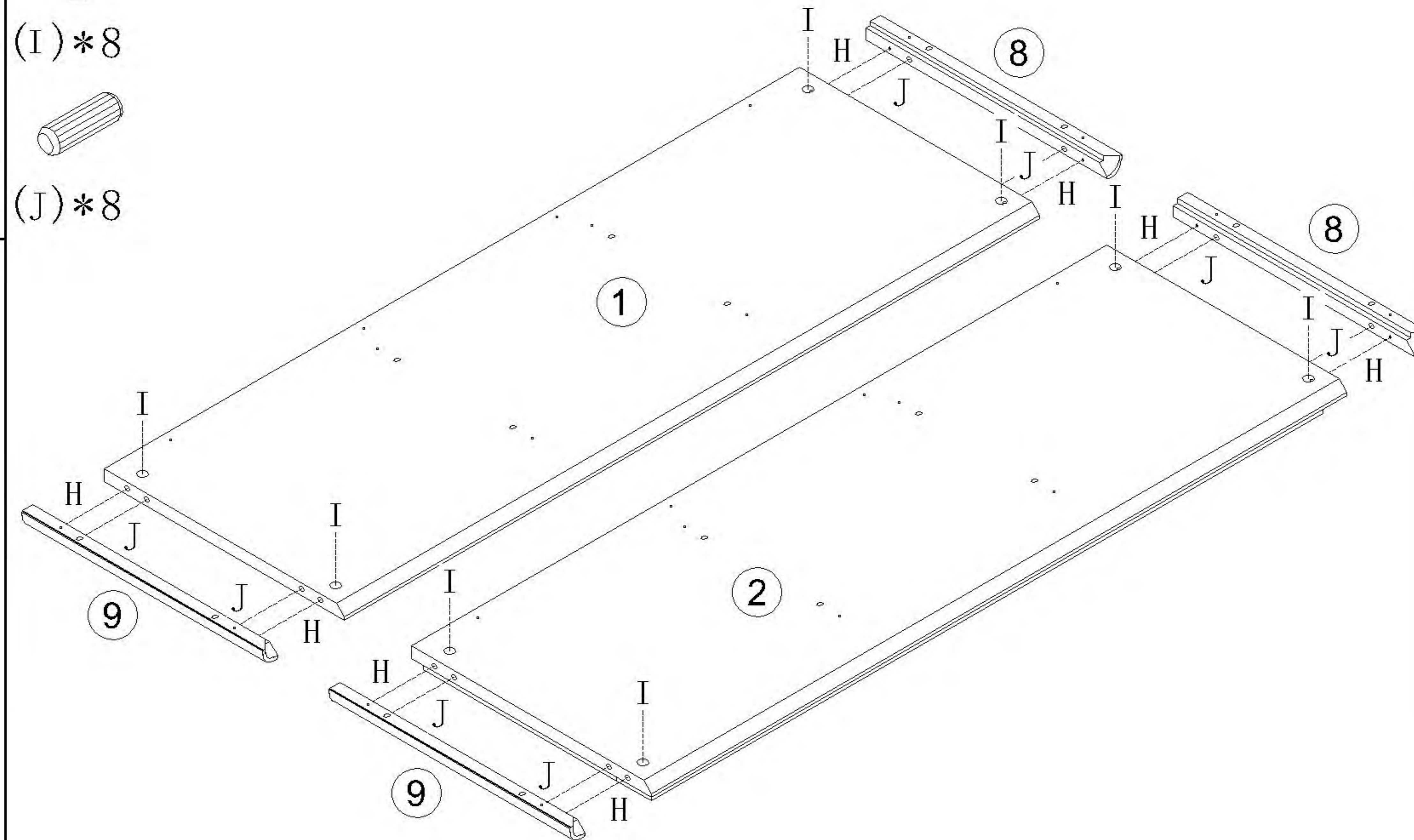
7



(L)\*12



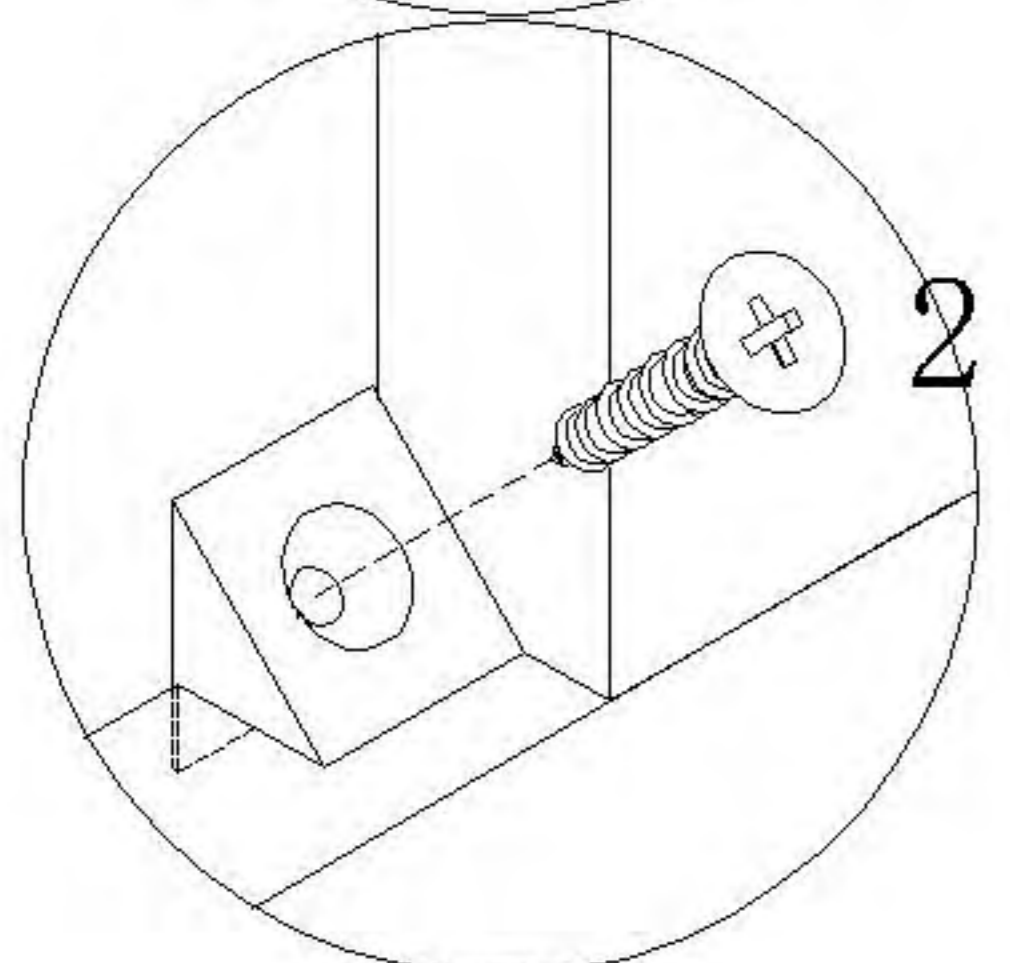
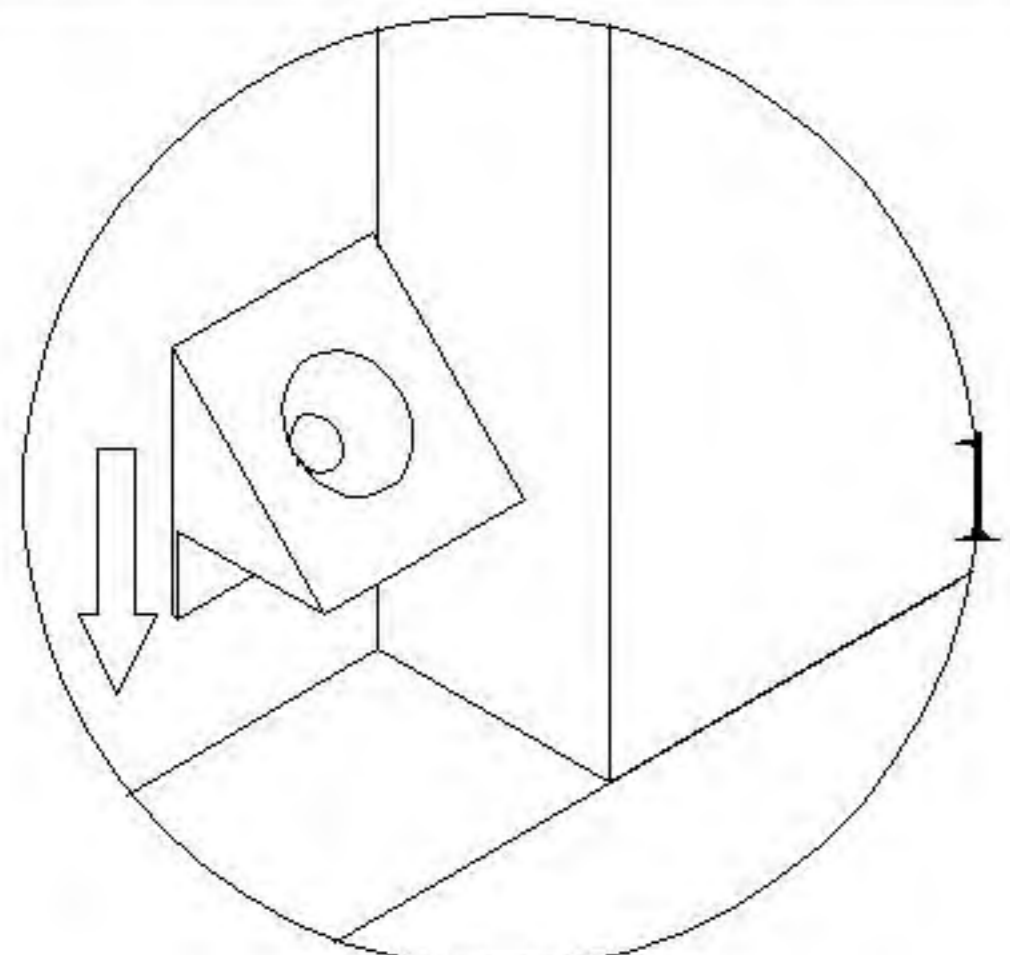
(O)\*12



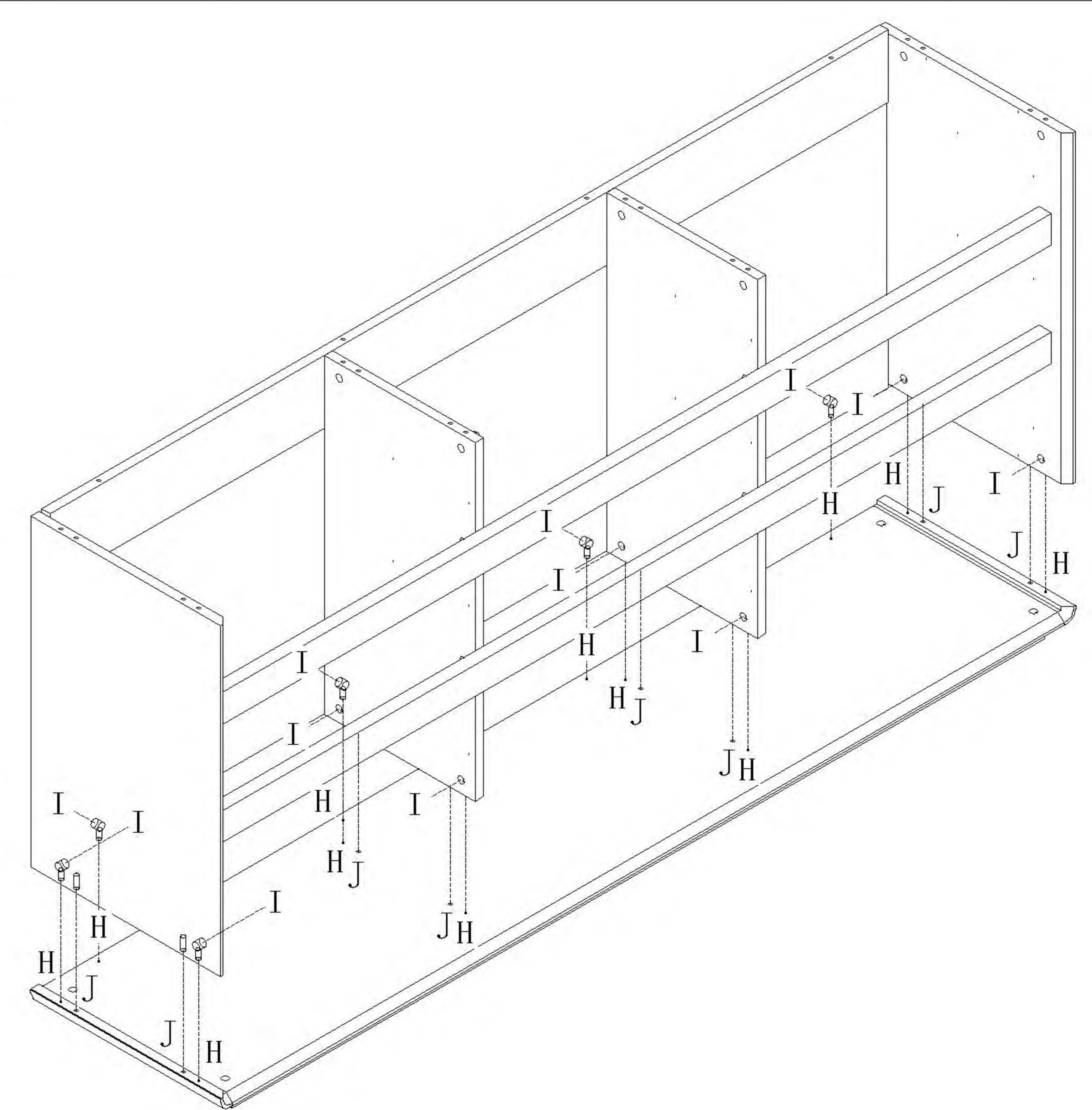
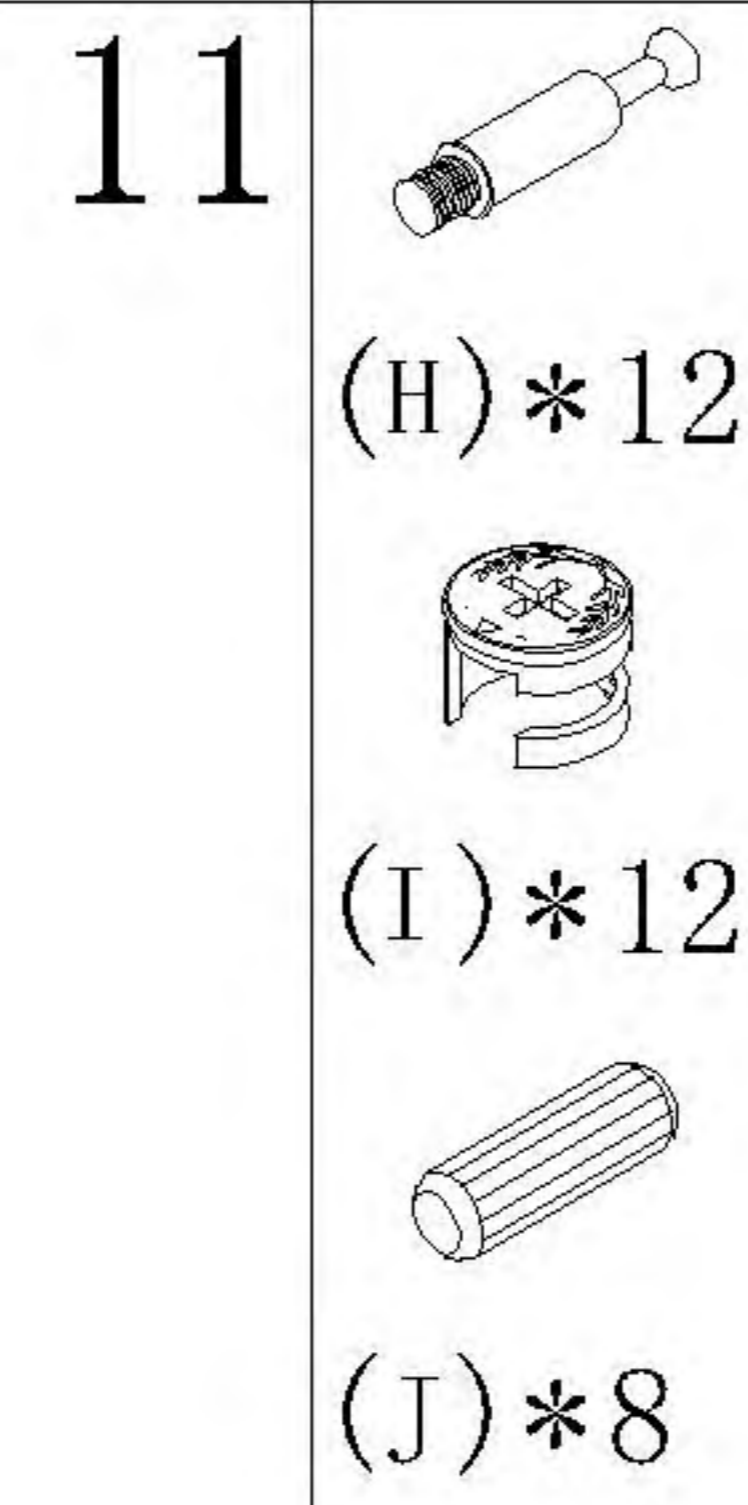
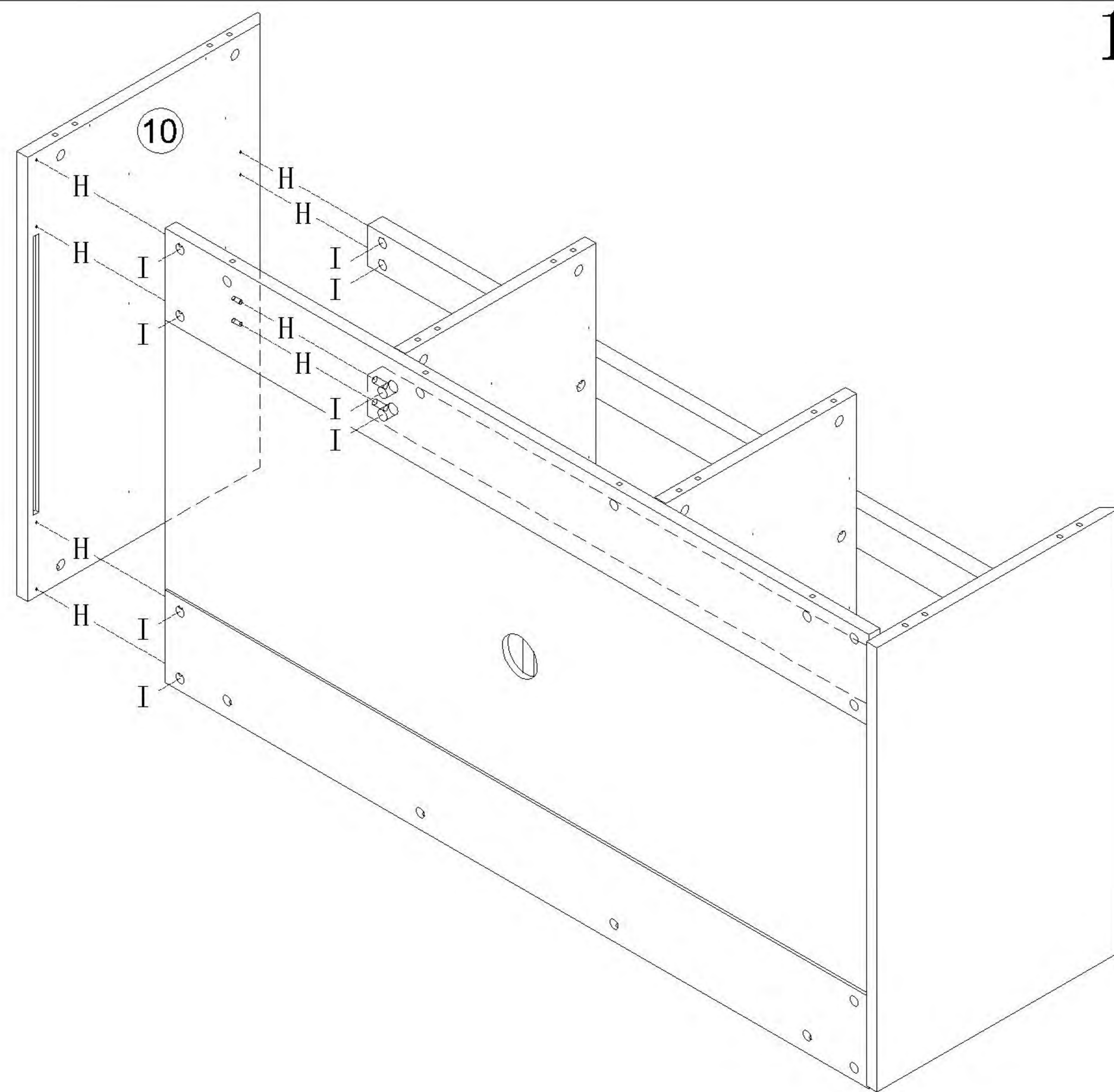
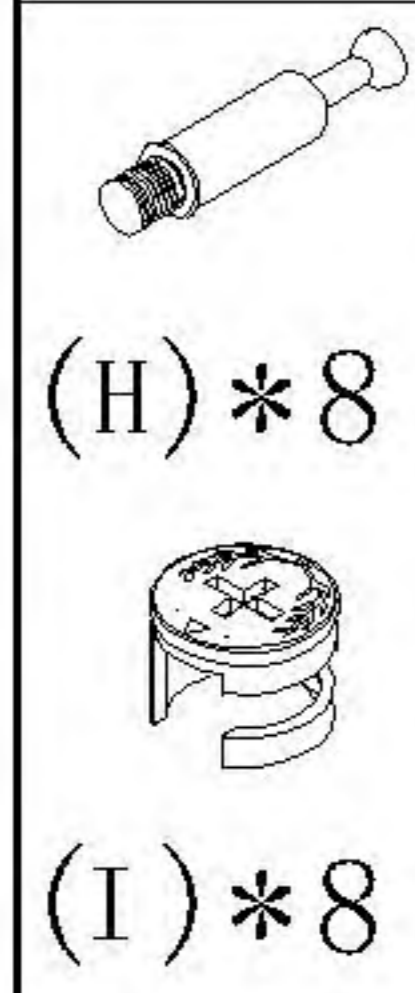
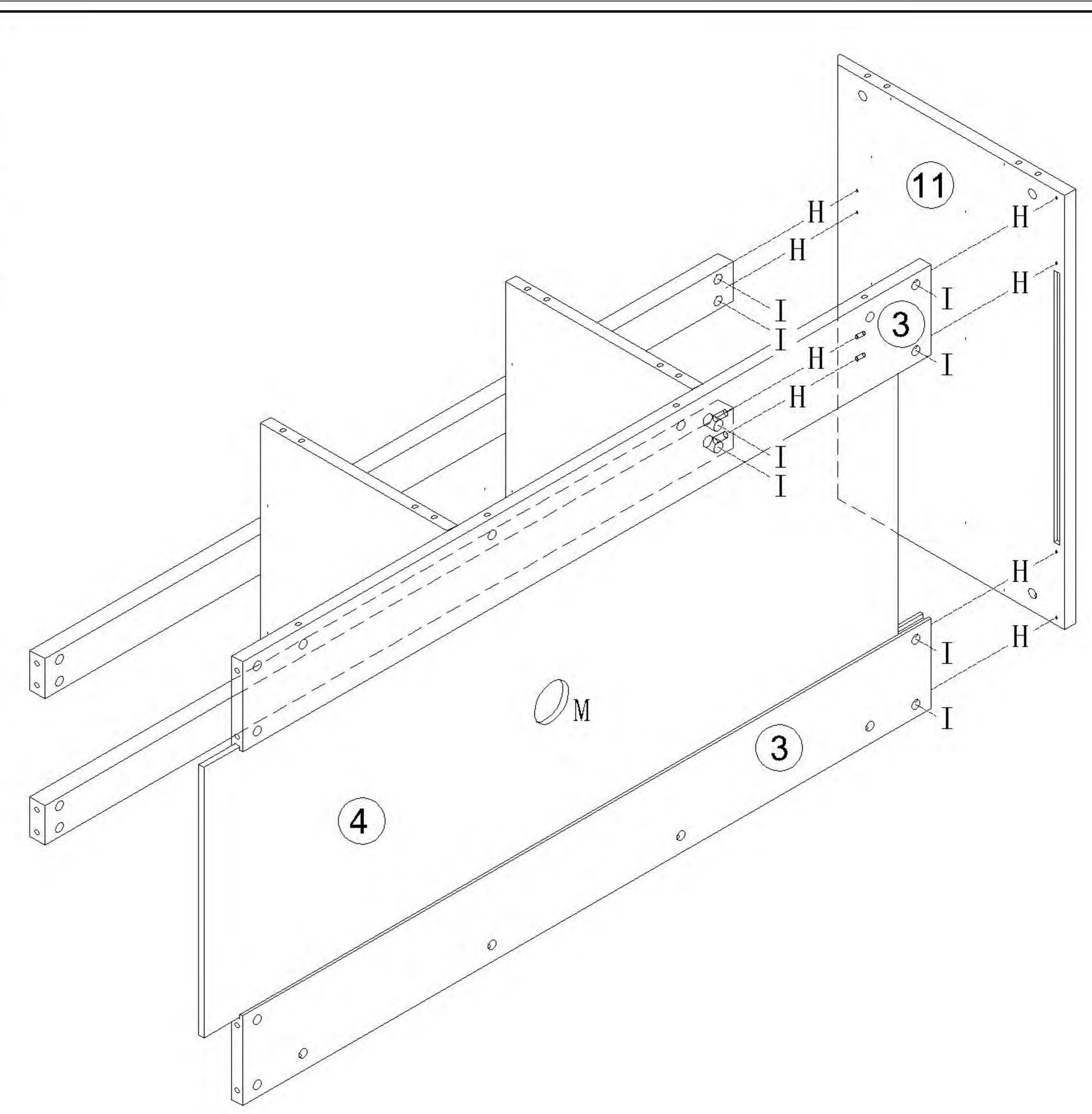
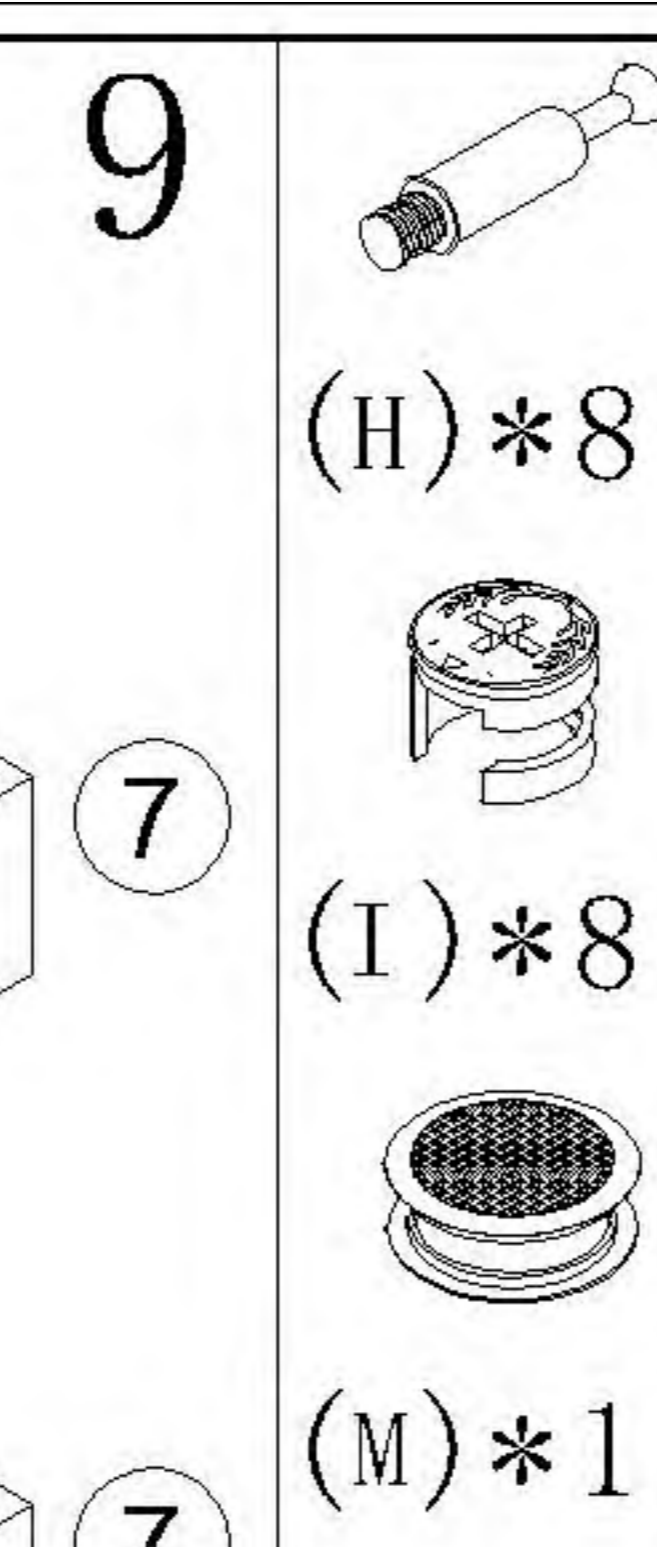
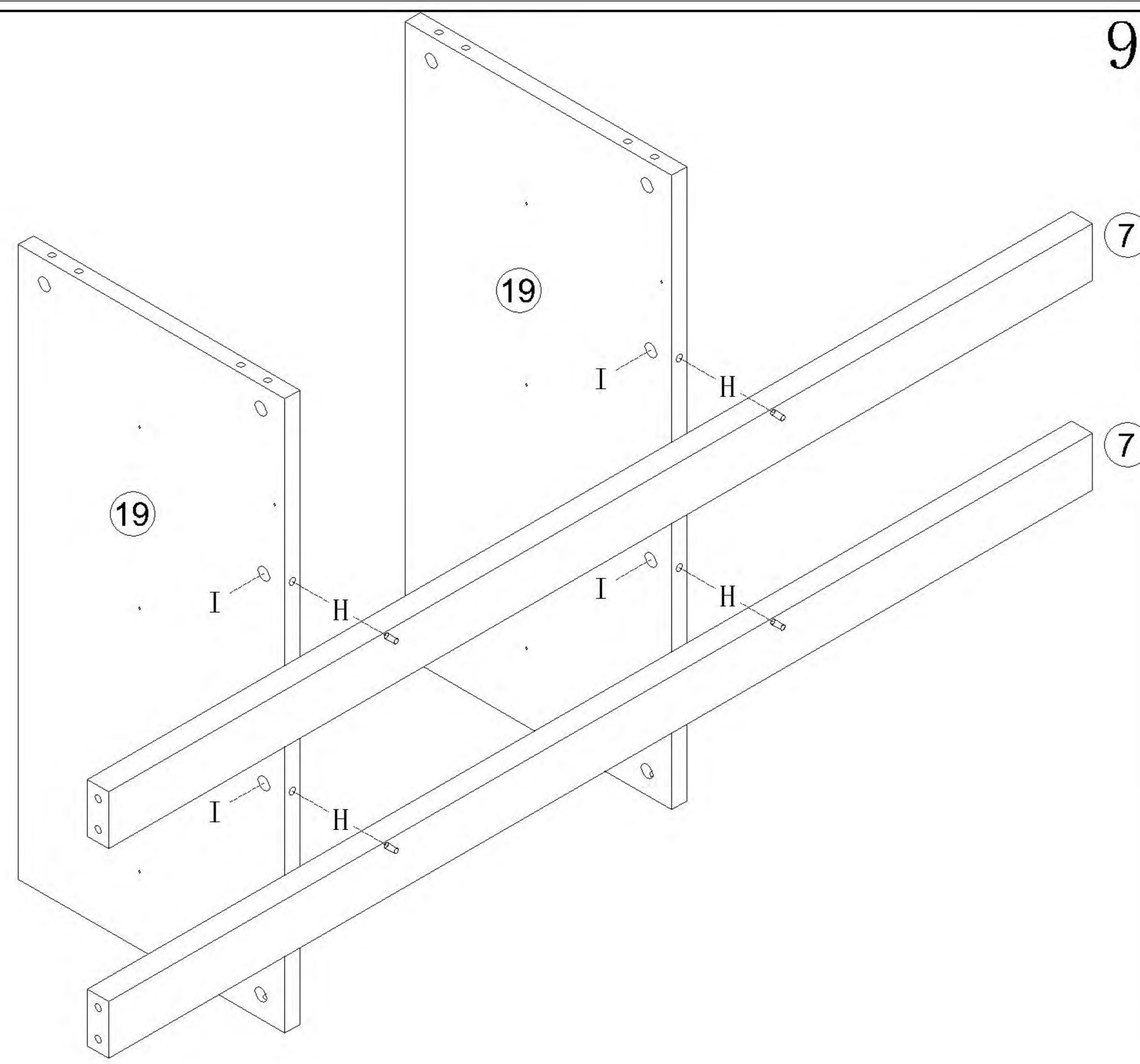
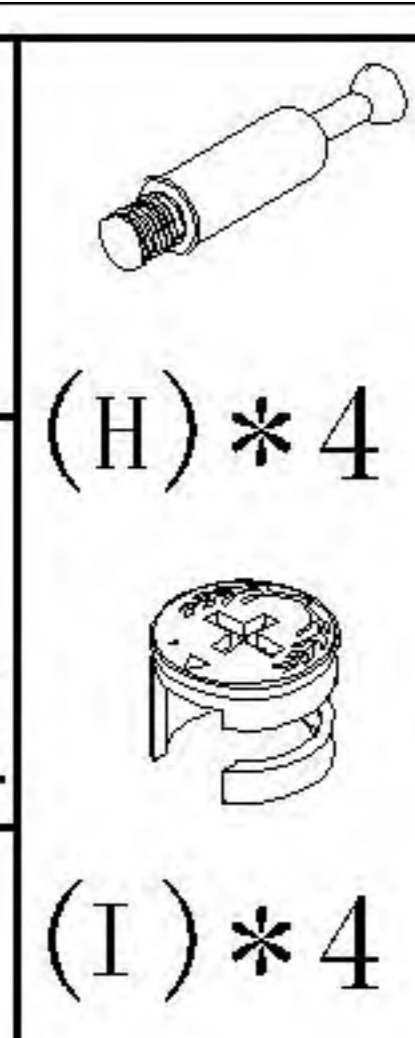
8

UM5C-A九斗柜

安装方法/  
Installation method

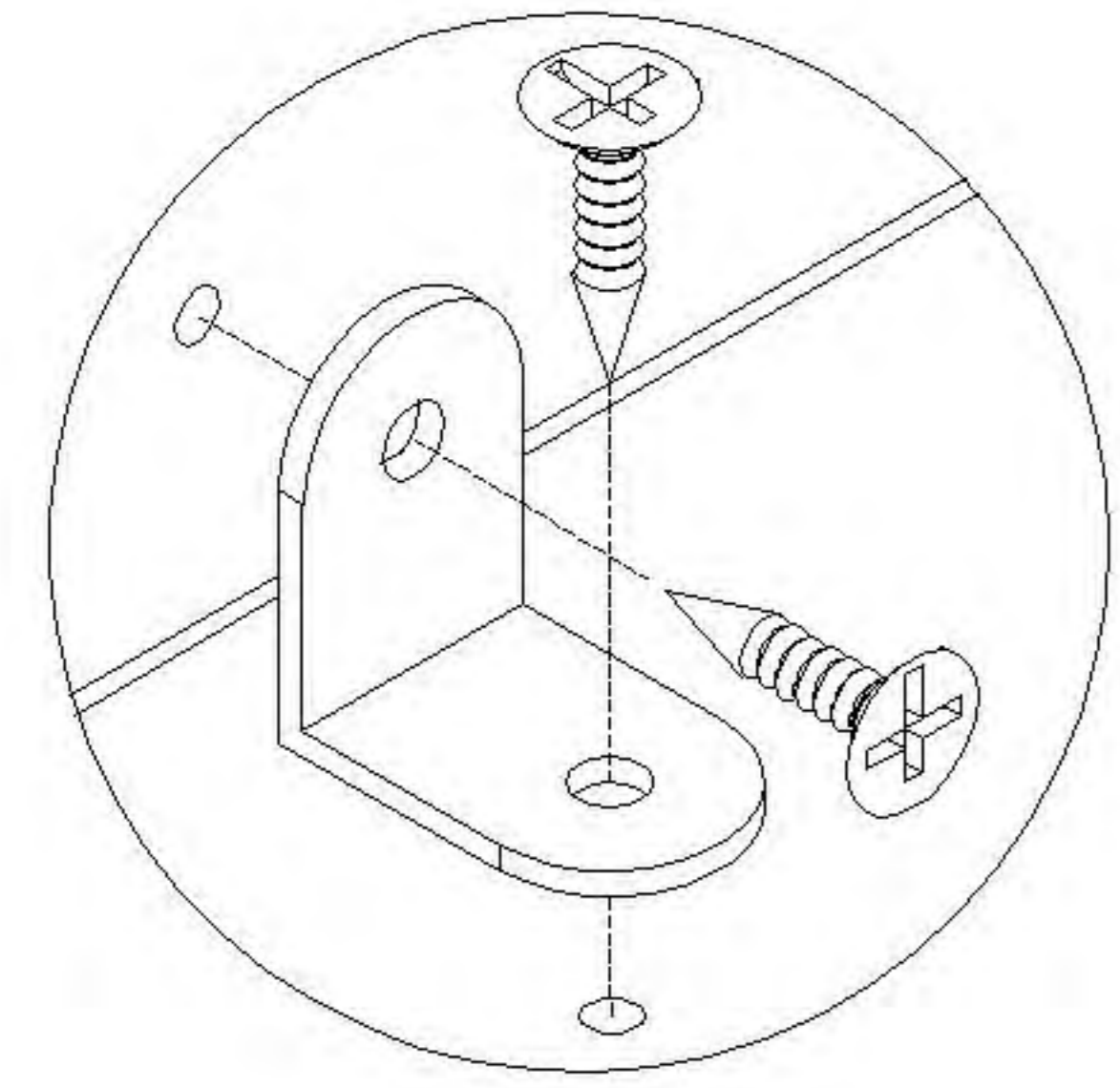


背板扣  
Back Plate Buckle-White

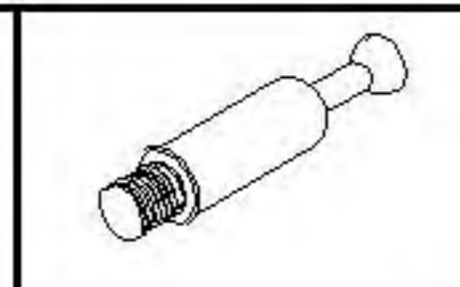


UM5C-A九斗柜

安装方法/  
Installation method



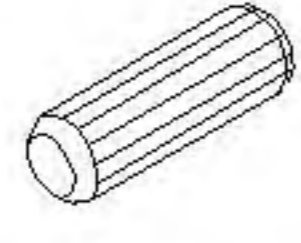
角码  
Bracket



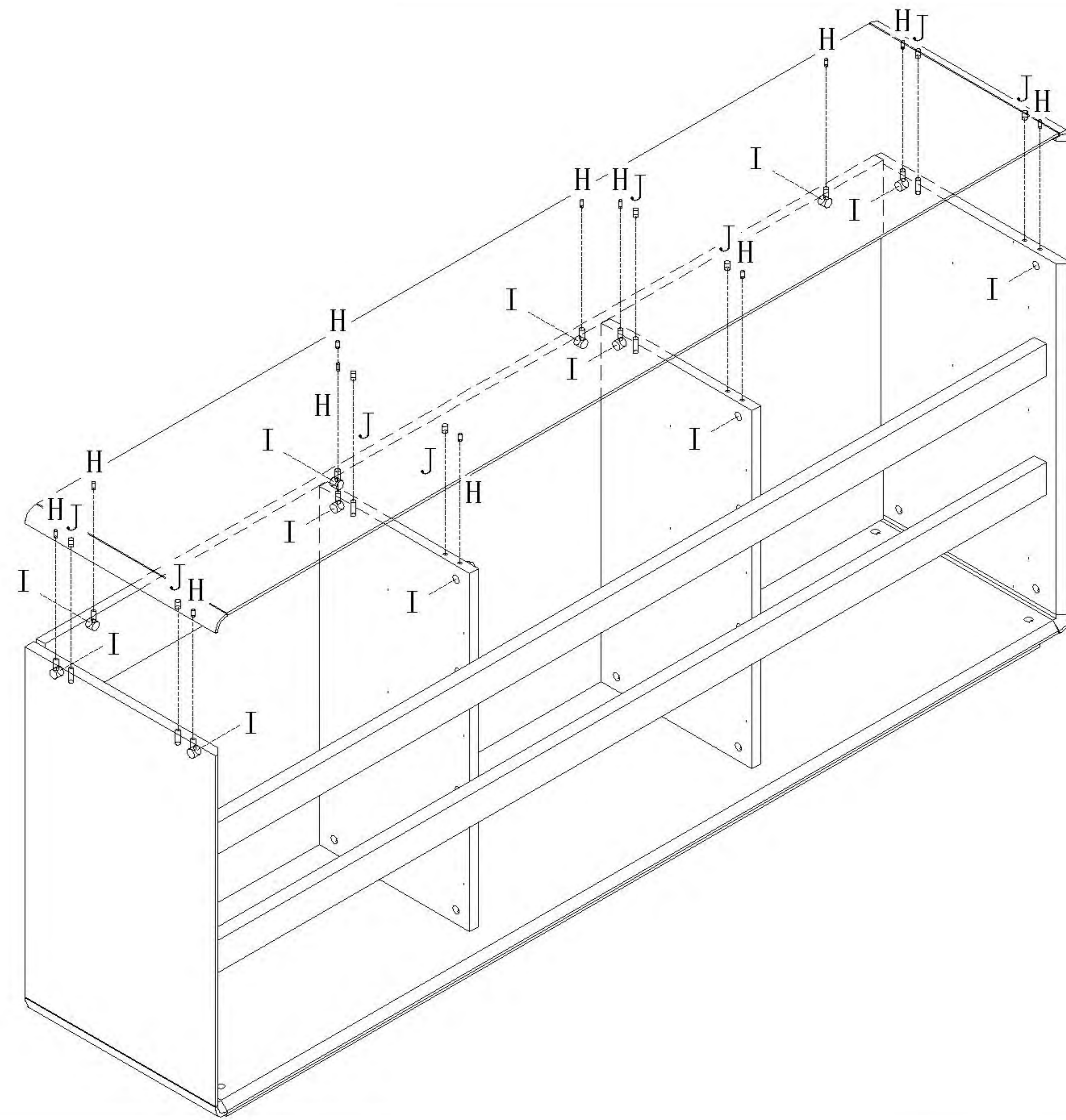
(H)\*12



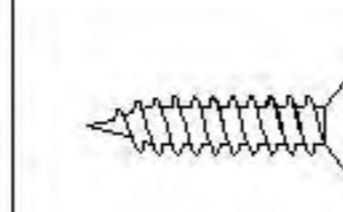
(I)\*12



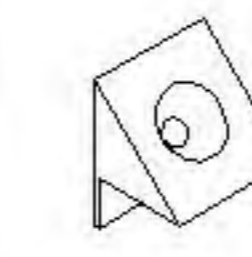
(J)\*8



13

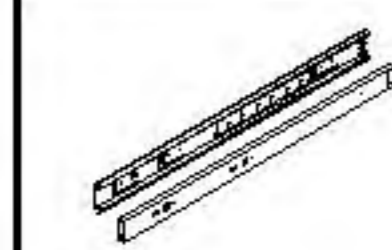
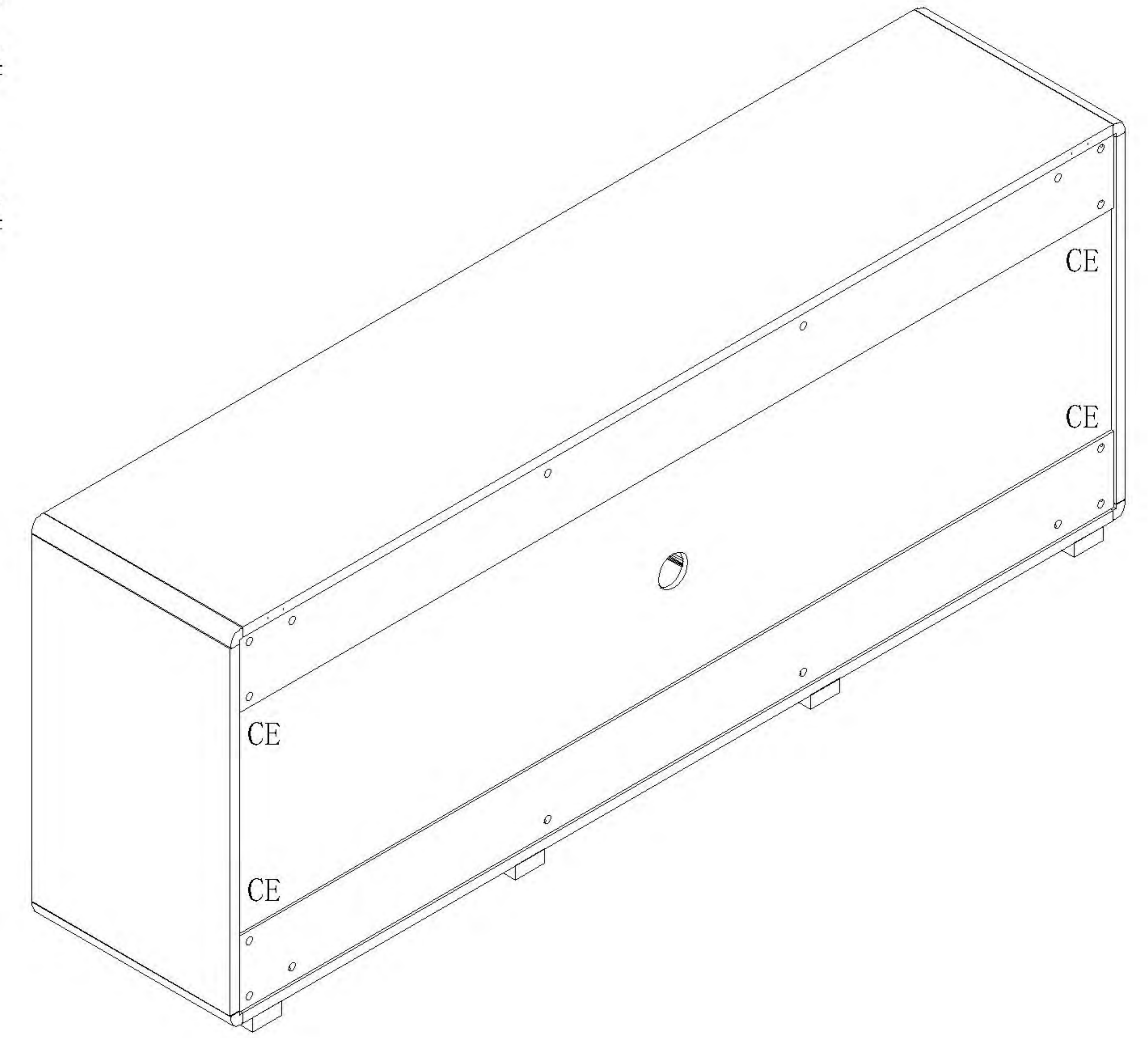


(C)\*4

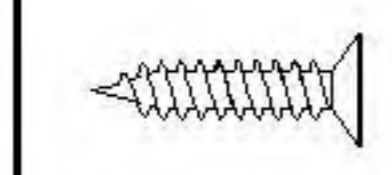


(E)\*4

14



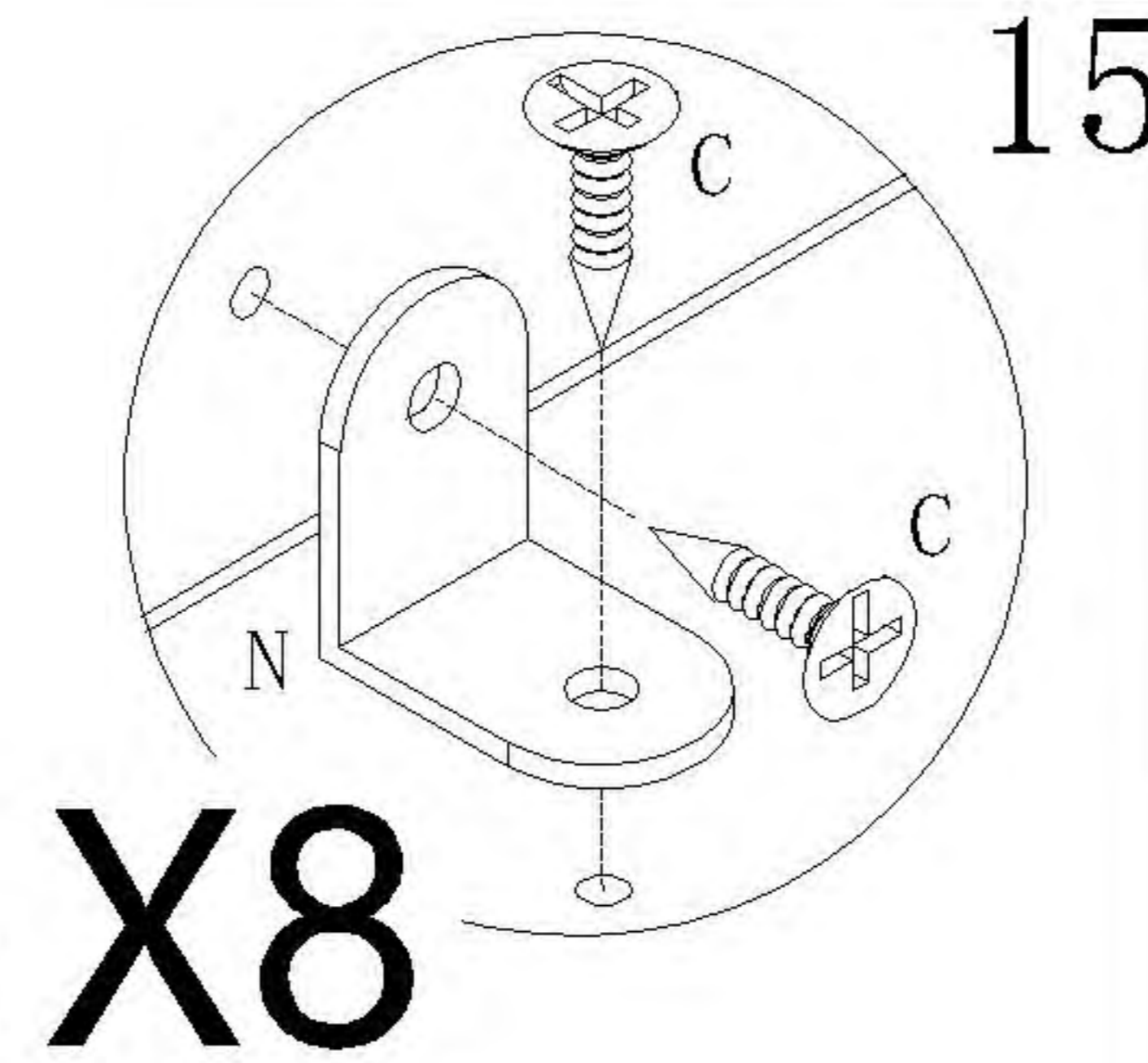
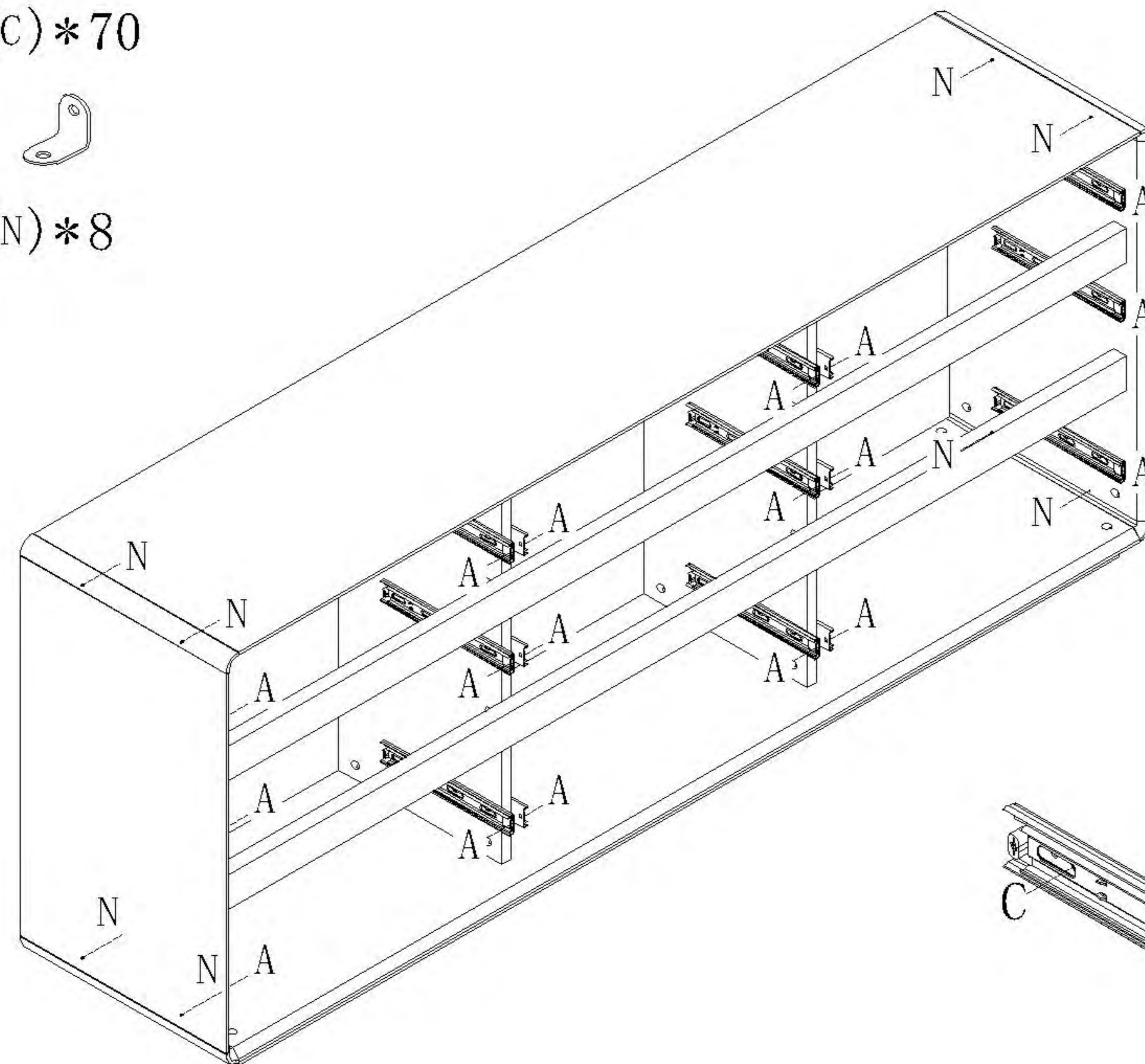
(A)\*9



(C)\*70

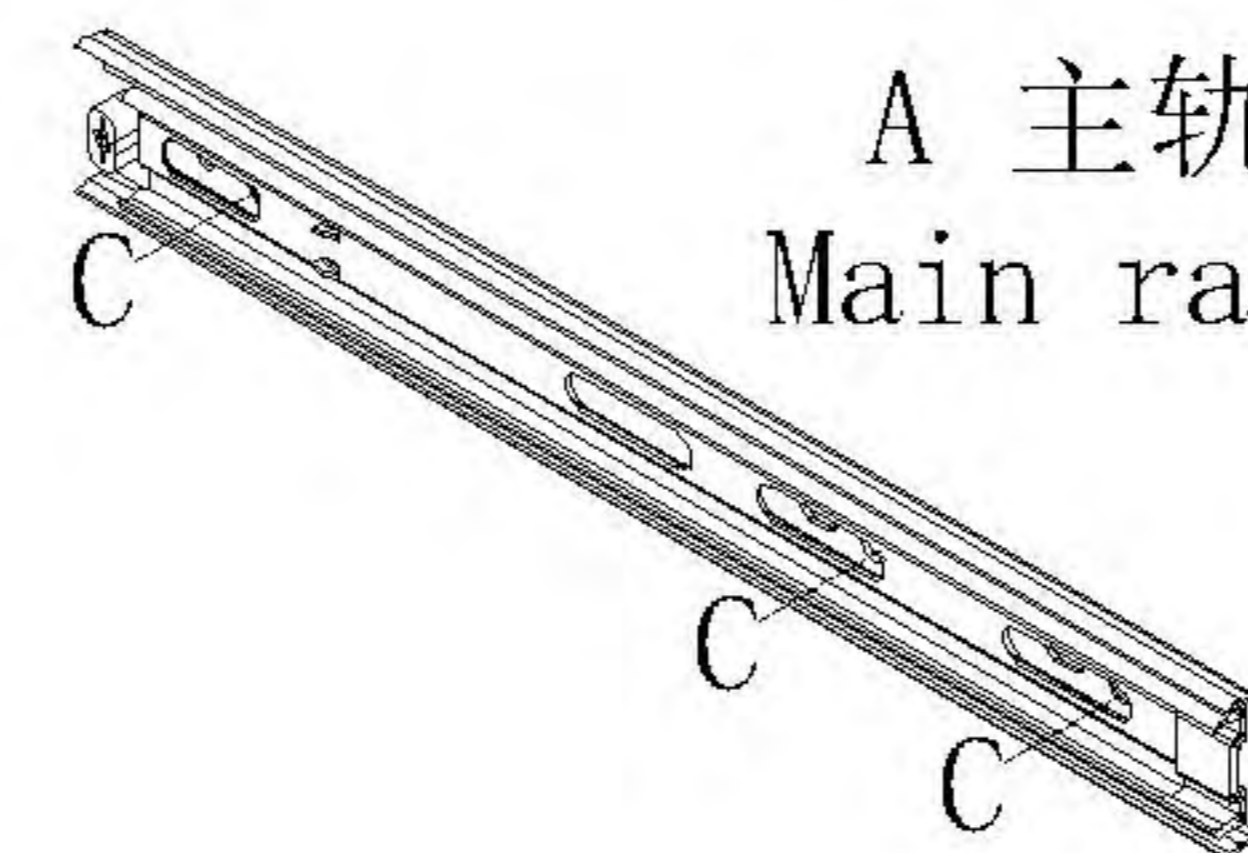


(N)\*8



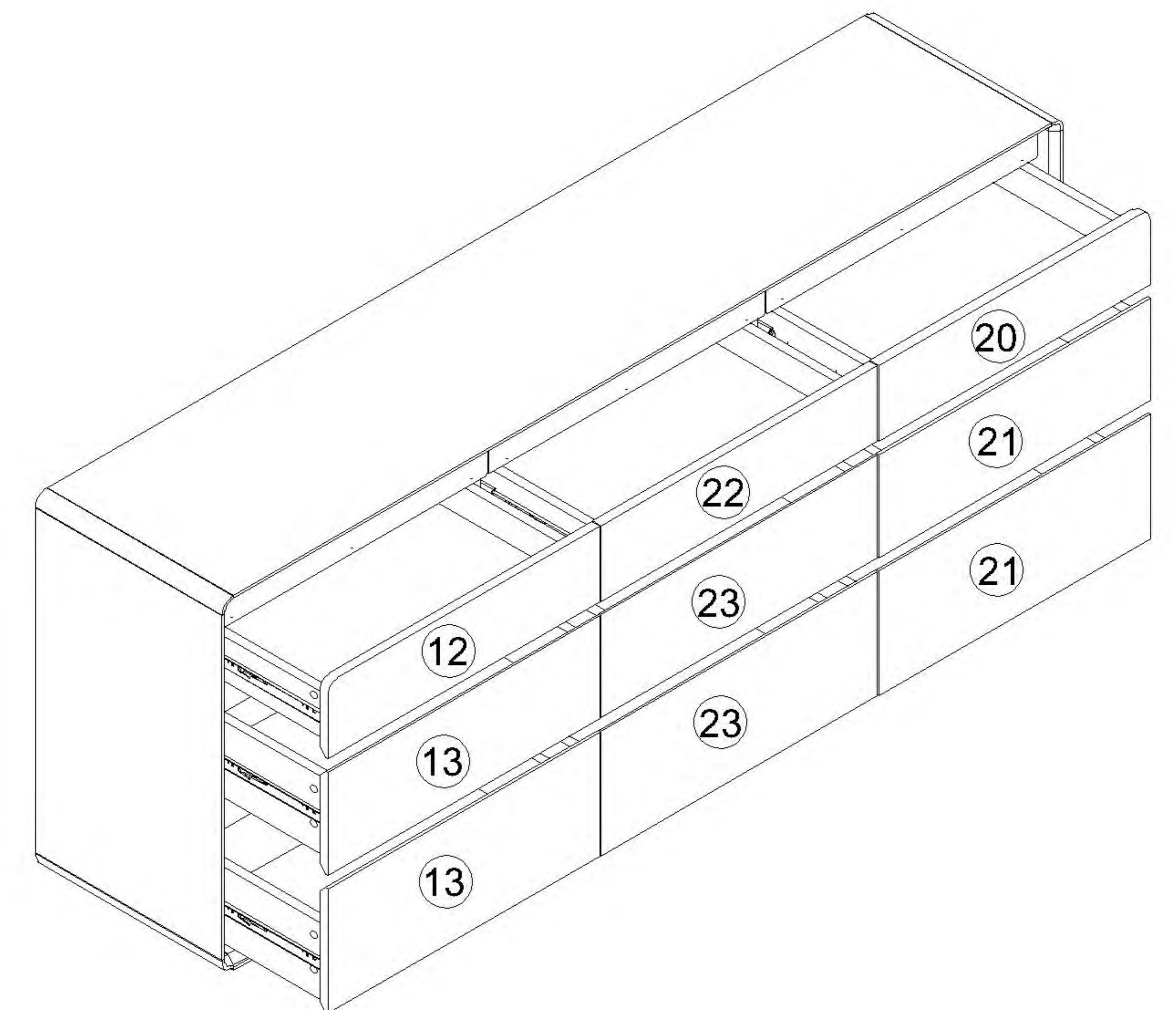
X8

A 主轨  
Main rail



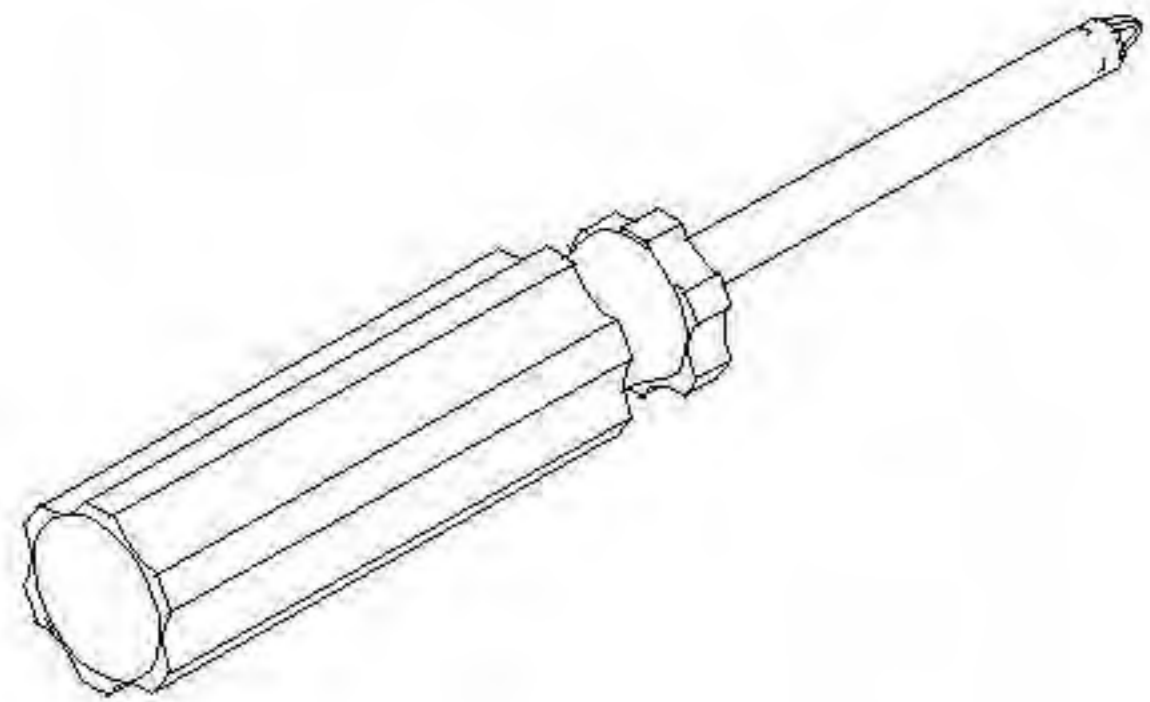
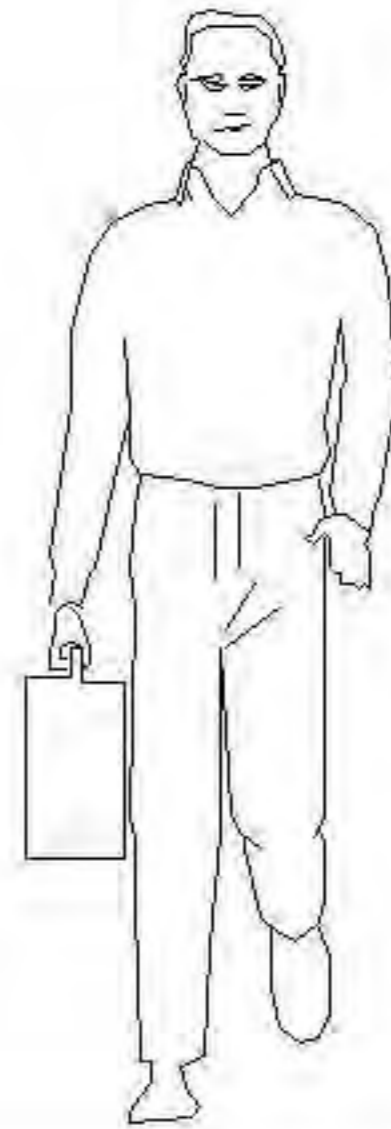
15

16

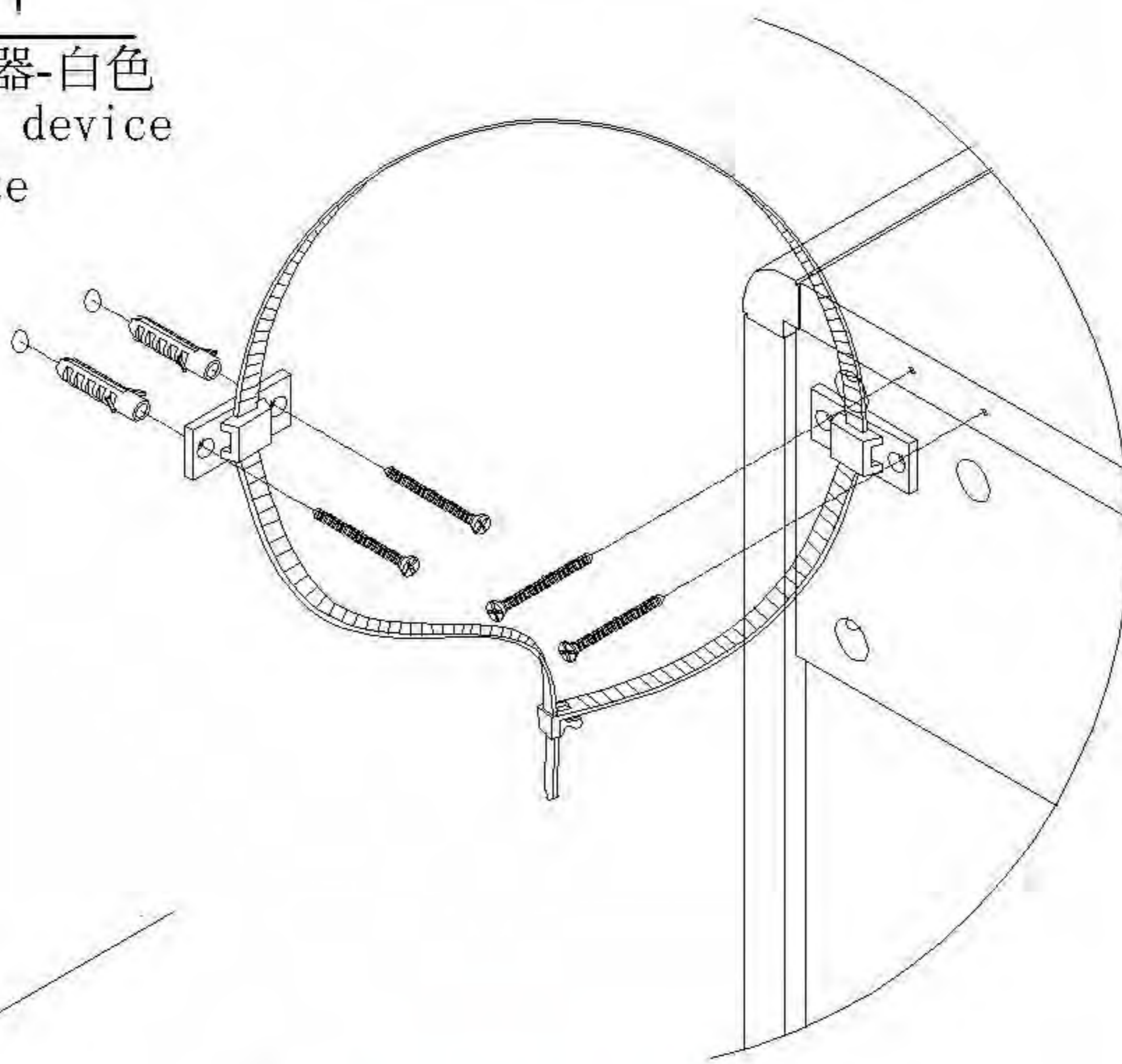


# LINSY 林氏家居

## 安装示意图/Assembly Instruction

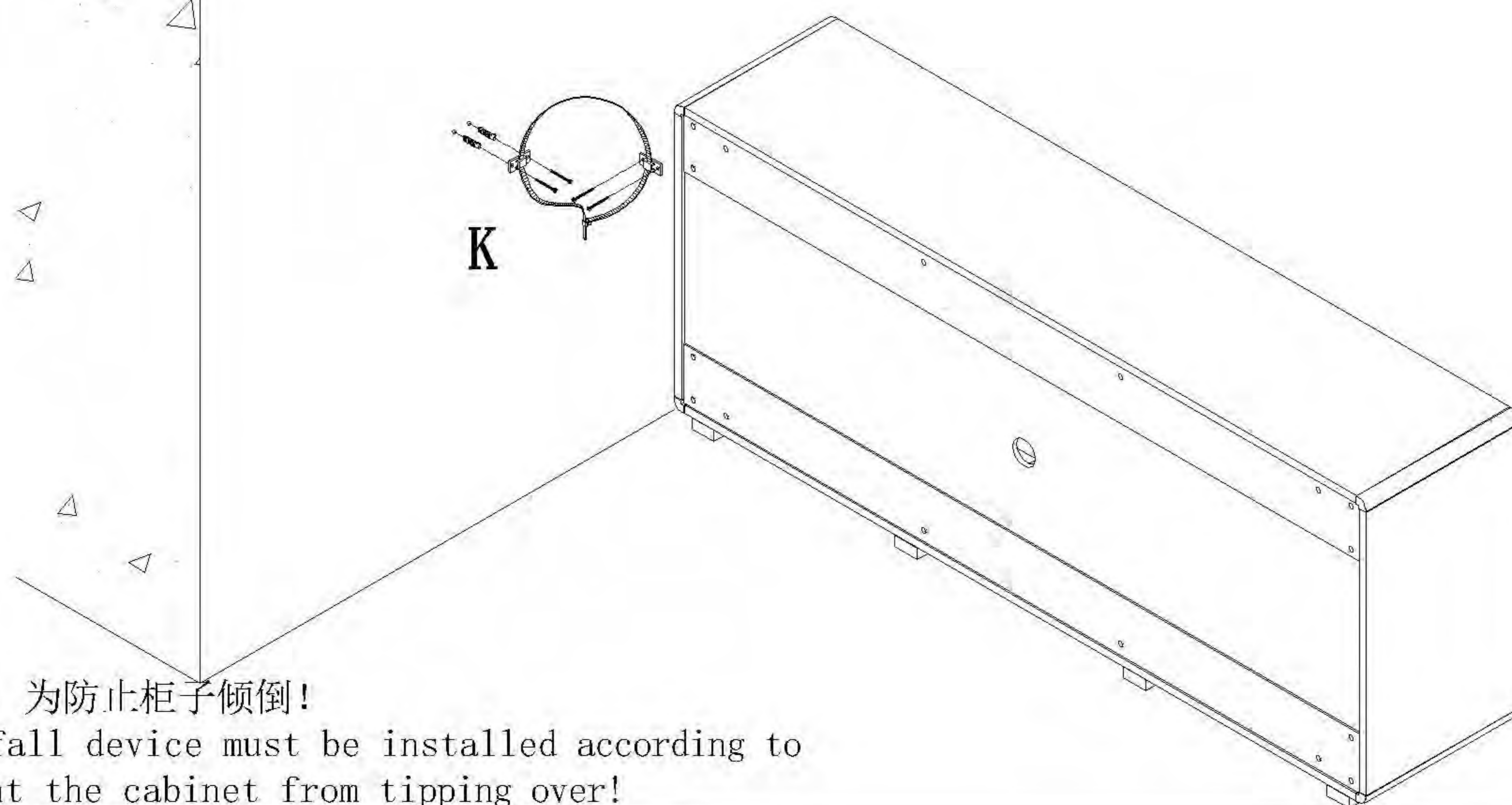
产品名称 Model NO.	Anti-fall device
产品规格 Specification	-
安装工具 Tool	安装人数 Installer
	

(K)\* 1  
家具防倒器-白色  
Anti-fall device  
white



K处放大图  
Enlarged view at K

实体墙  
Solid wall

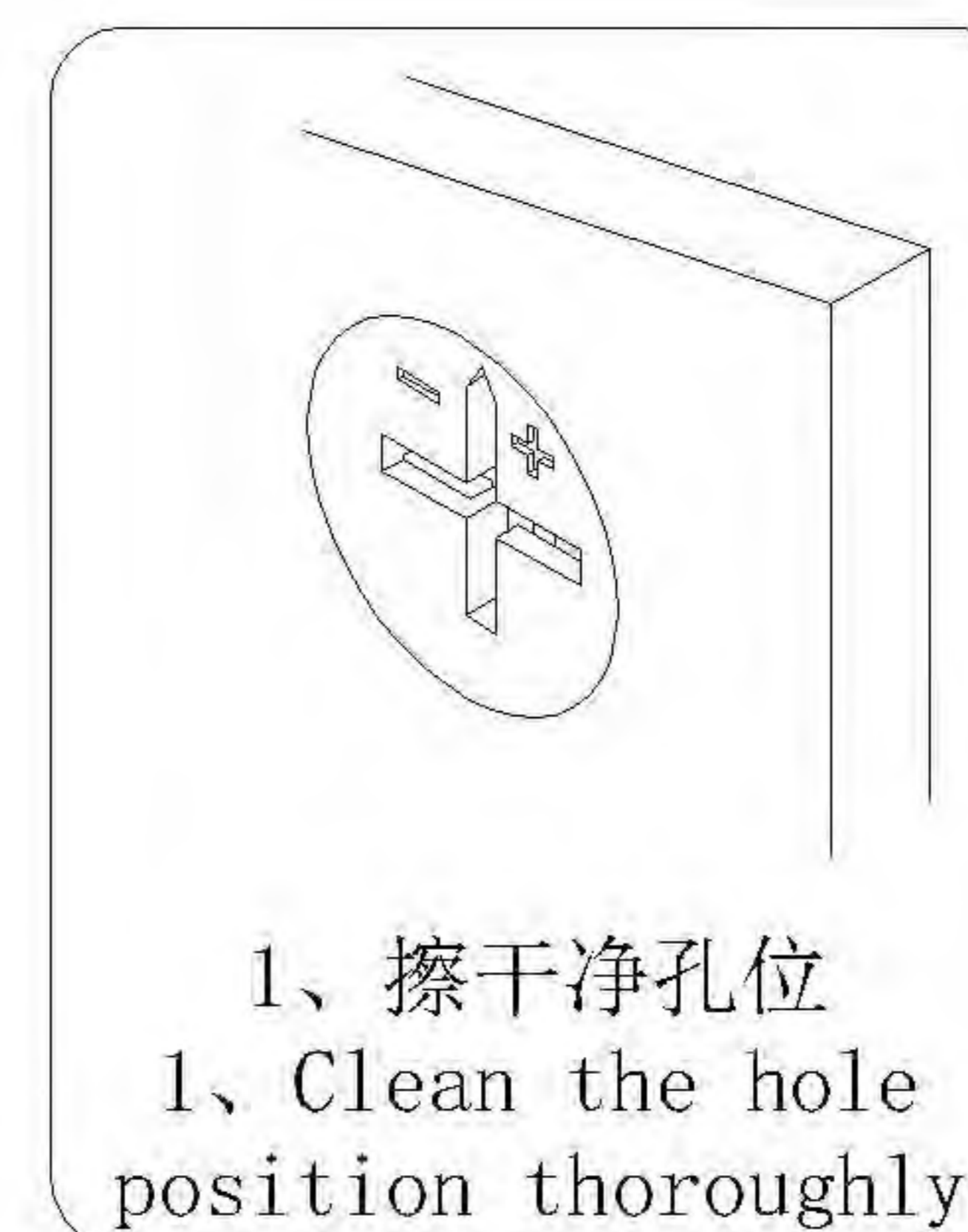


注意：  
防倒器一定要按图安装，为防止柜子倾倒！  
be careful:The anti fall device must be installed according to the diagram to prevent the cabinet from tipping over!

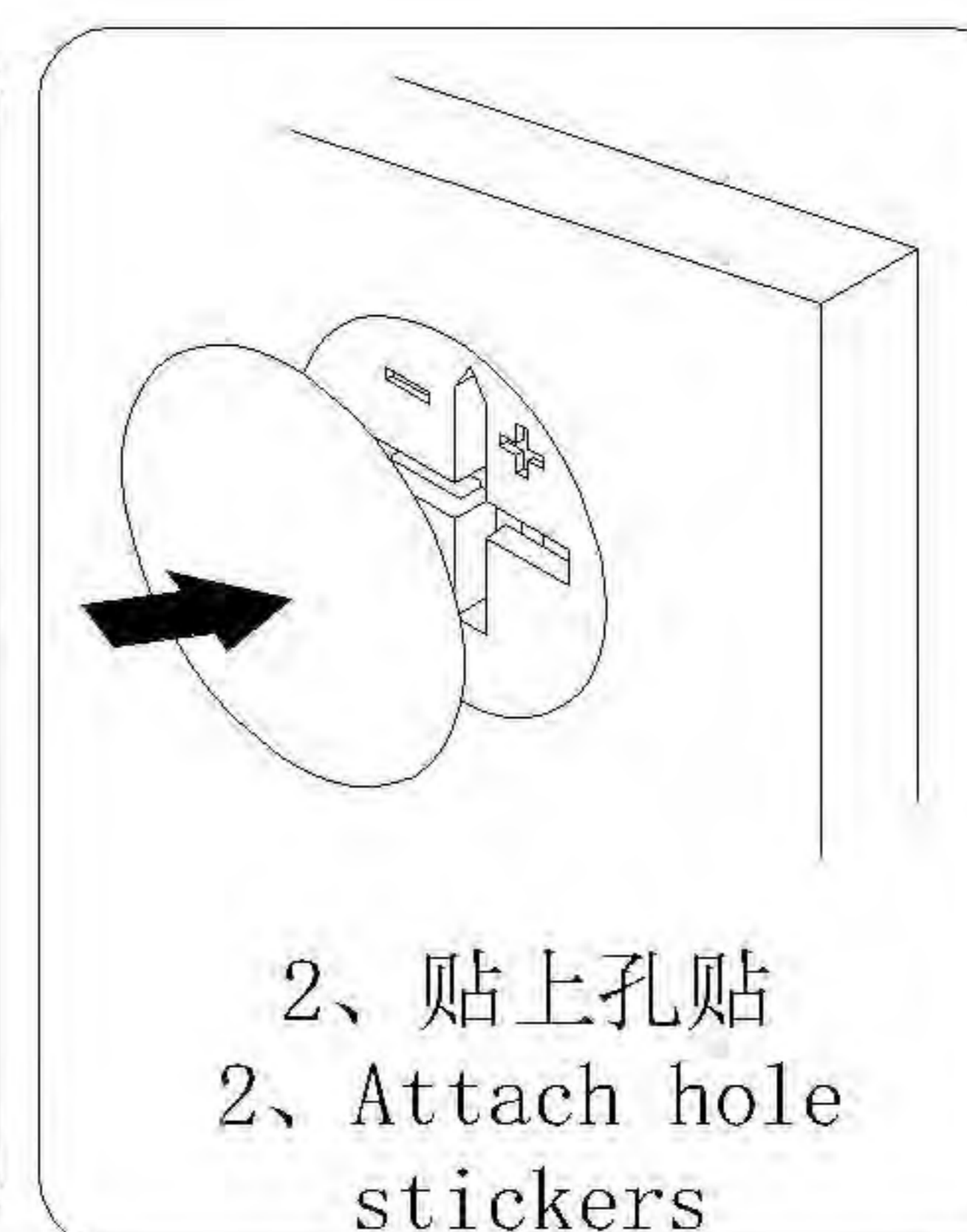
(Q)\* 131

孔位贴使用小贴士  
产品安装完成后请贴上孔贴，多出的孔贴请保管好

Tips for using hole stickers:  
After the product installation is completed, please attach the hole stickers. Please keep any extra hole stickers safe



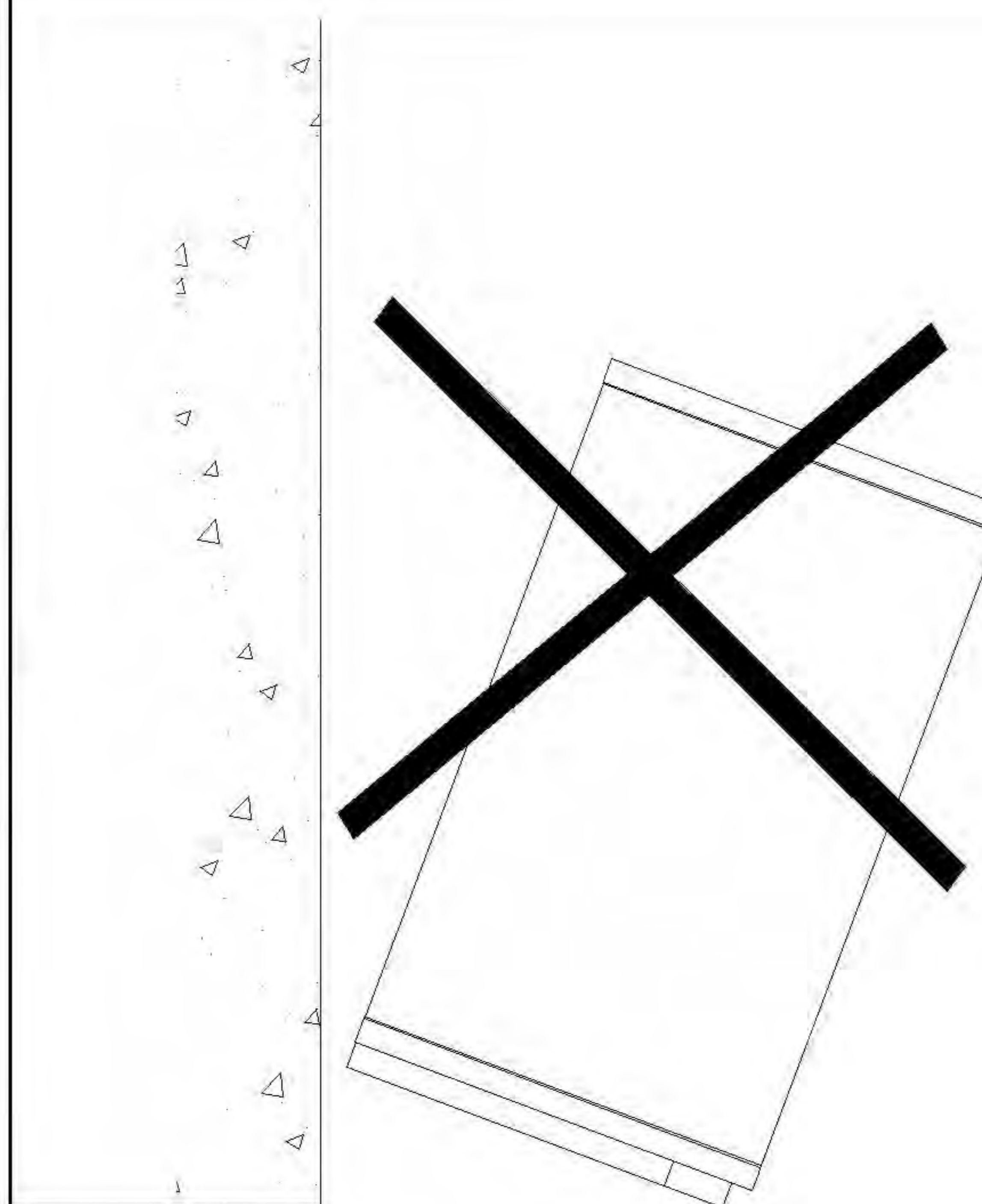
1、擦干净孔位  
1, Clean the hole position thoroughly



2、贴上孔贴  
2, Attach hole stickers



3、24小时内勿碰水  
3, Do not touch water within 24 hours



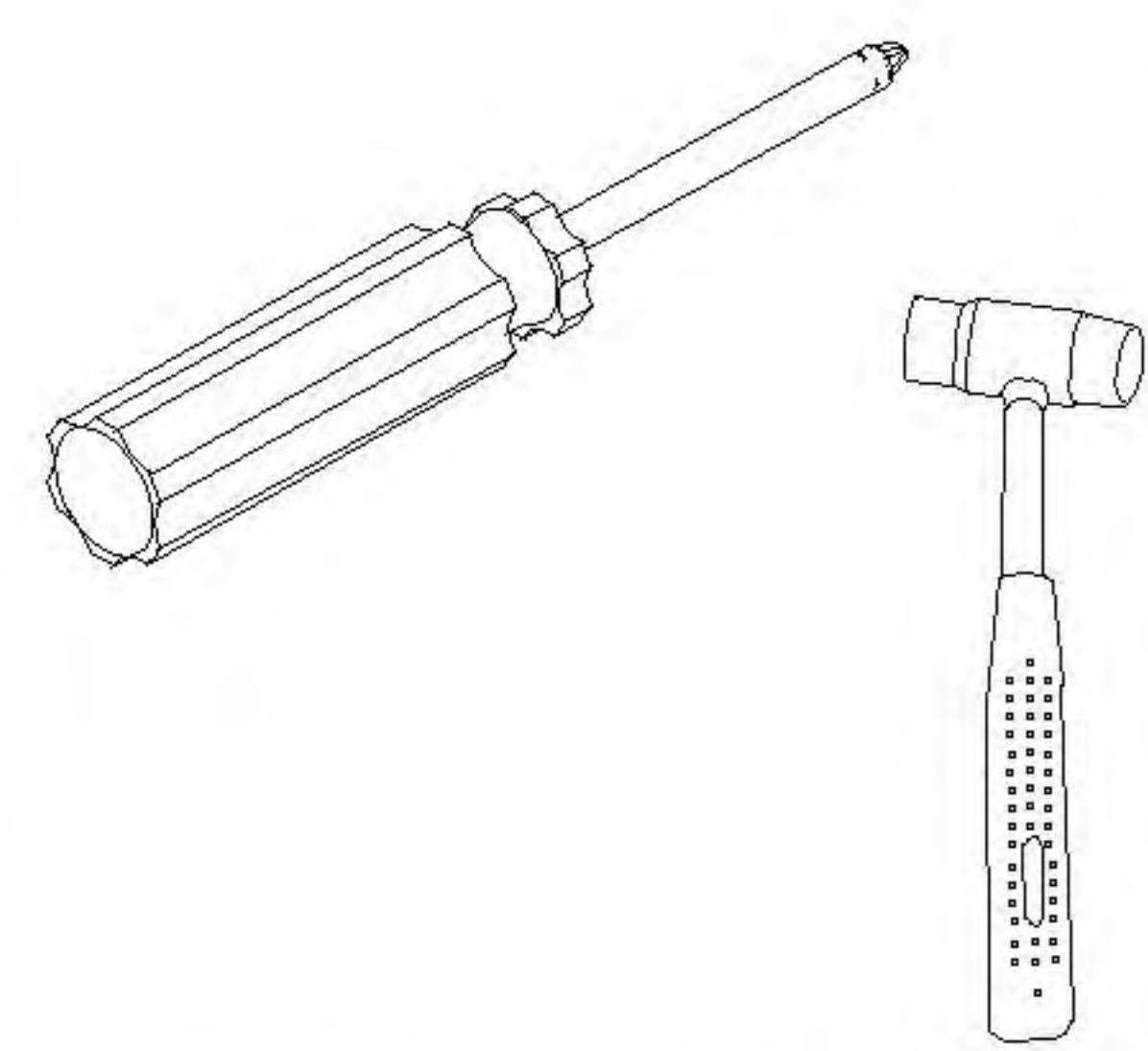
# LINSY 林氏家居

## 五金表/Hardware list

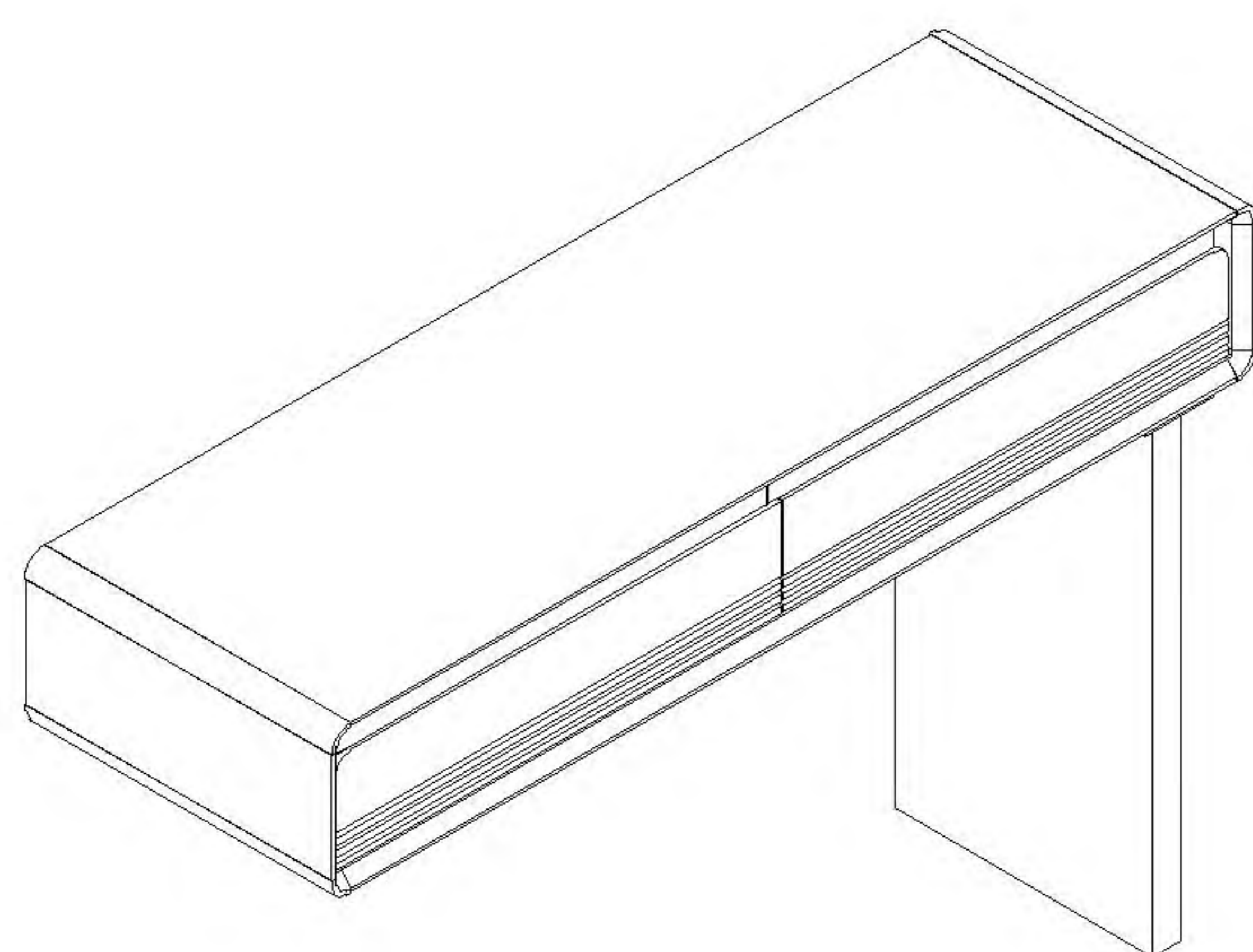
## 部件表/Parts List

安装示意图/Assembly Instruction

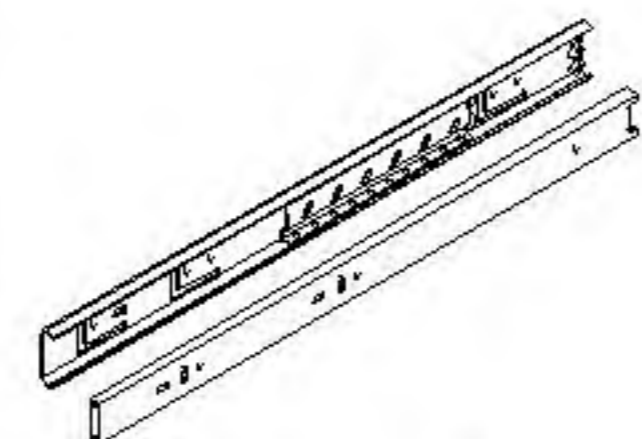
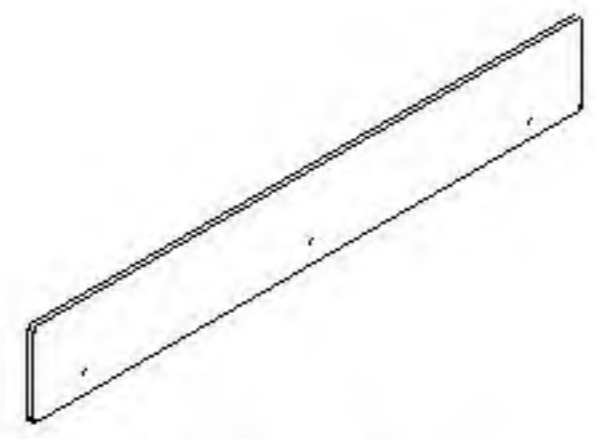
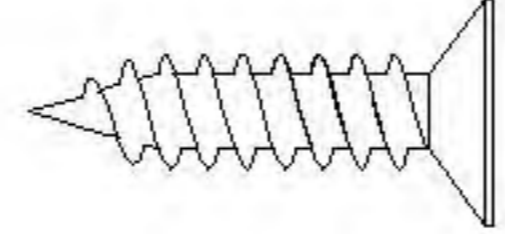
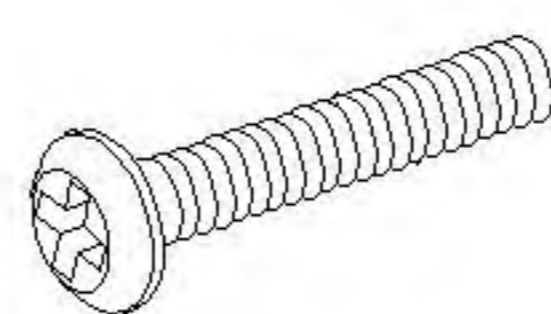
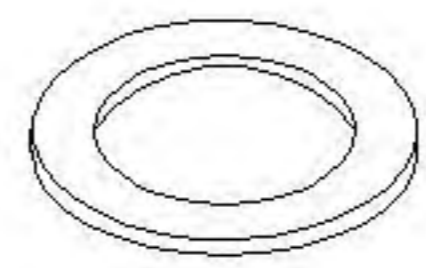
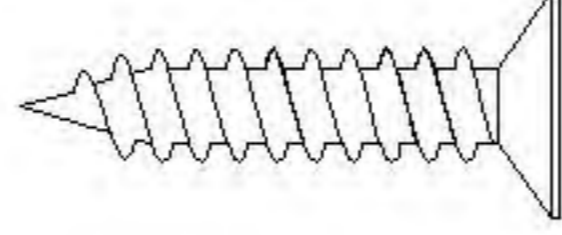
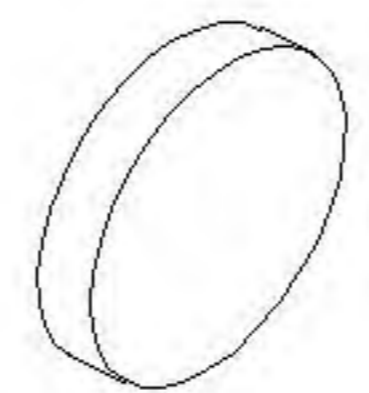
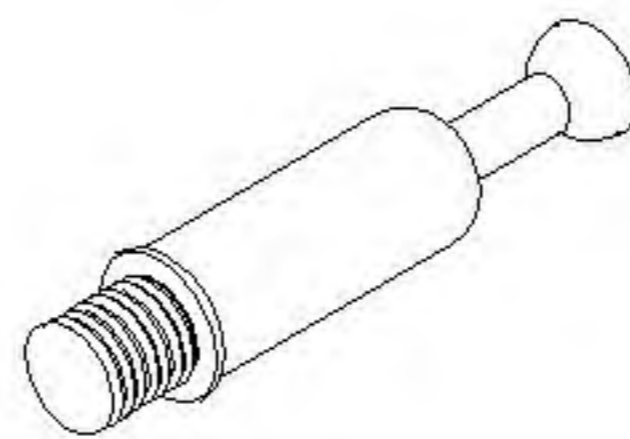

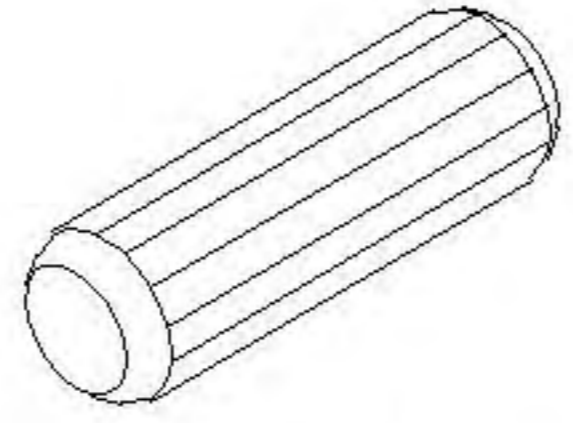

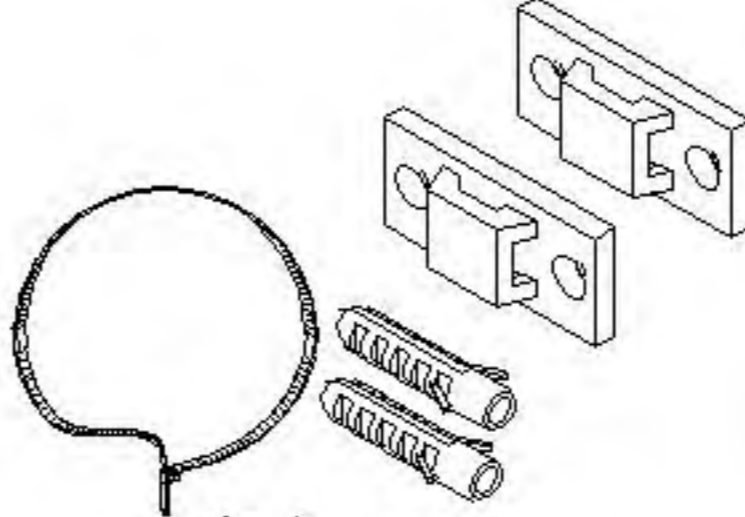

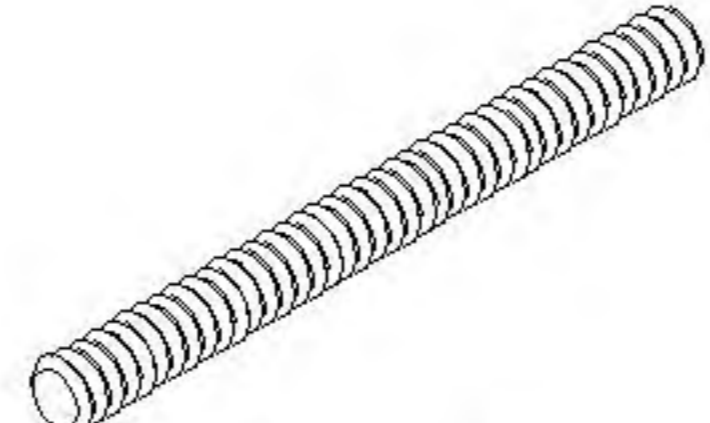
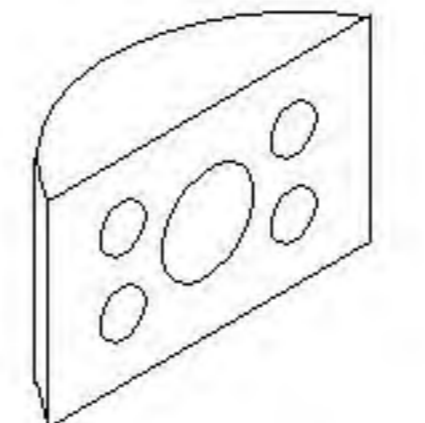
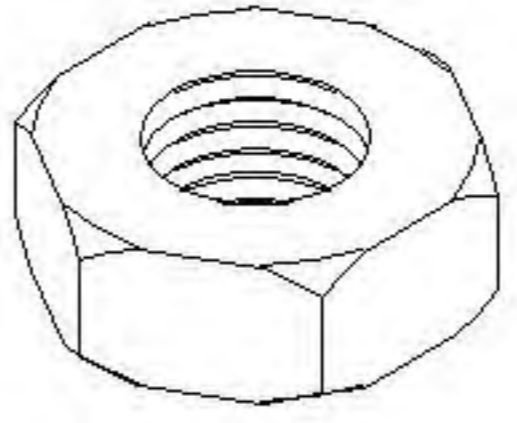
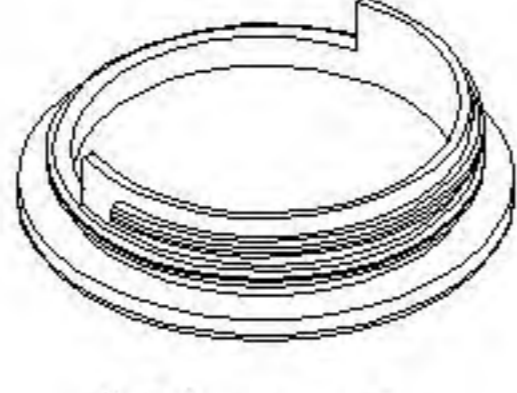
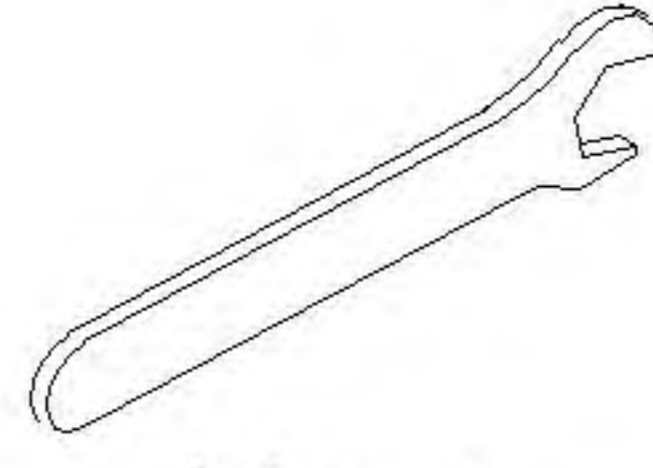
产品名称 Model NO.	妆台主体
产品型号 Product Model	UM5C-A
尺寸规格 Specification	(1193*399*808)mm
安装工具 Tool	安装人数 Installer



**注：为保证设计效果，部分尺寸为定制尺寸，不影响使用。**



注：可左右互换安装  
Note: it can be installed left and right interchangeably

 (A)* 2 三节滚珠导轨-10" three-section ball rail	 (B)* 2 抽面亚克力 Drawing Acrylic	 (C)* 25 自攻螺丝M3.5x14mm Self-tapping screw	 (D)* 4 斜边十字螺杆-M6x30 bevel cross screw
 (E)* 6 透明塑料垫片 Plastic gasket	 (F)* 6 自攻螺丝M3.5x16mm Self-tapping screw	 (G)* 6 镜钉 Mirror nail	 (H)* 48 二合一螺杆 2-in-1-screw
 (I)* 48 大三合一锁饼 Three-in-one large lock	 (J)* 23 木榫Ø8x30mm wood tenon	 (K)* 2 灰色毛毡脚垫 Footrest - Grey	 (L)* 1 家具防倒器-白色 Anti-fall device white
 (M)* 48 PVC孔贴 PVC hole sticker	 (N)* 3 全牙螺杆-M8x70mm screw- color zinc	 (O)* 3 五合一月牙 5-in-1 screw	 (P)* 3 外六角螺母M8 Hexagon Nut colored zinc
 (Q)* 3 五合一孔盖-棕色 5-in-1 plastic cover	 (R)* 1 开口扳手14mm Wrench- Open End Wrench		

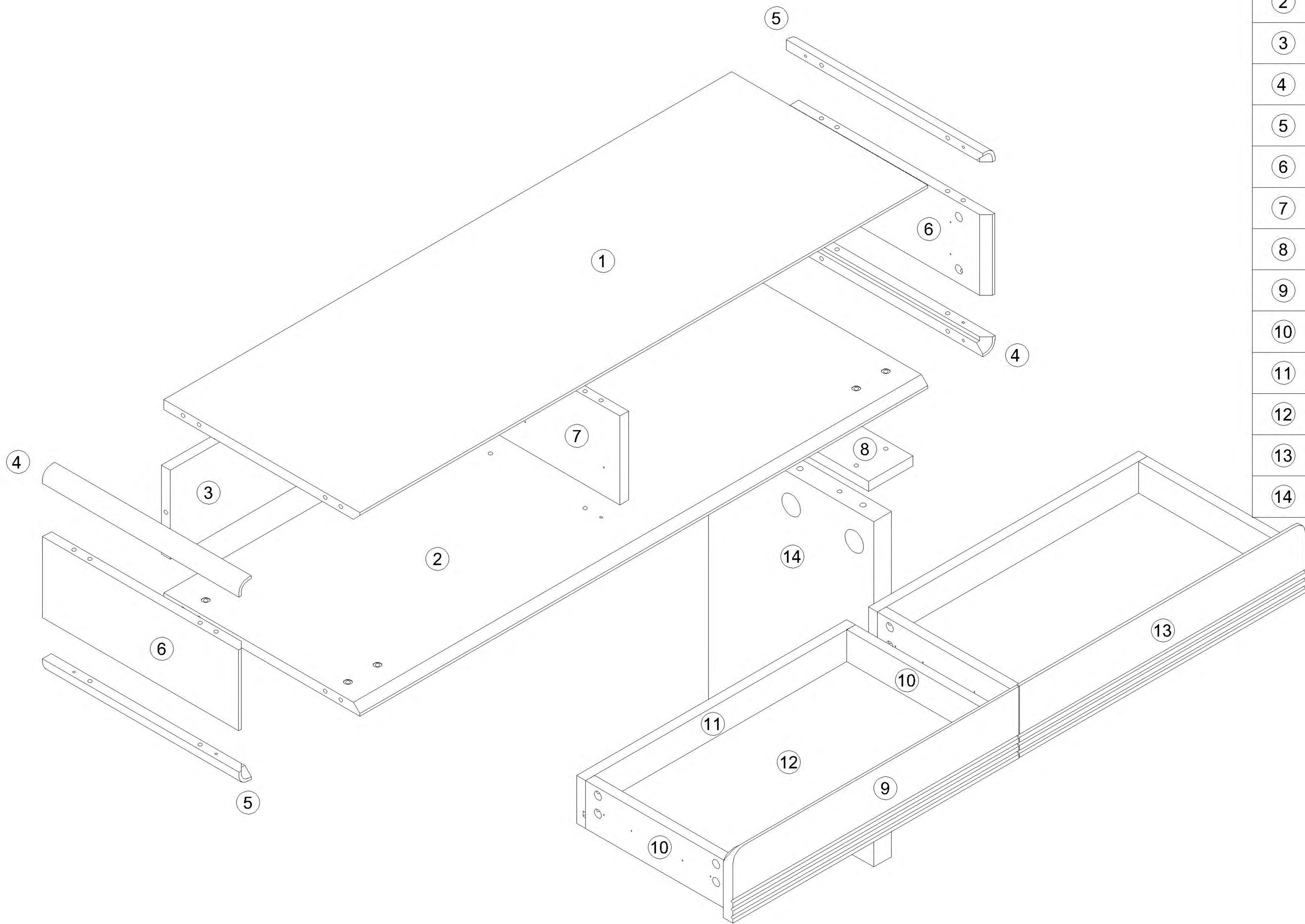
编号NO.	名称Name	规格 (mm) Specification	数量 QTY	材质Material
①	面板 Top panel	1153*398*15	1	刨花板Particle board
②	底板 Bottom board	1153*398*15	1	刨花板Particle board
③	背板 Back board	1163*156*15	1	刨花板Particle board
④	转角木1 Corner wood 1	399*20*20	2	橡胶木Rubber wood
⑤	转角木2 Corner wood 2	399*20*20	2	橡胶木Rubber wood
⑥	侧板 Side board	142*398*15	2	刨花板Particle board
⑦	中隔板 Middle clapboard	340*156*15	1	刨花板Particle board
⑧	连接板 Connection plate	368*90*15	1	刨花板Particle board
⑨	左抽屉面板 Drawer's panel (L)	578*126*20	1	橡胶木Rubber wood
⑩	小抽屉侧板 Small Drawer's side board	290*84*15	4	刨花板Particle board
⑪	小抽屉后板 Small drawer's back board	548*84*15	2	刨花板Particle board
⑫	抽屉底板 Drawer's Bottom board	528*300*5	2	纤维板Fiberboard
⑬	右抽屉面板 Drawer's panel (R)	578*126*20	1	橡胶木Rubber wood
⑭	边脚 Kerb shoe	604*336*30	1	刨花板Particle board

- ▶使用本产品请靠墙放置。
- ▶Please place this product against the wall.
- ▶注意：防倒器一定要按图安装！
- ▶Be careful:The anti fall device must be installed!▶

注：抽屉都是设计所需设计缝，小心夹伤！

Note: The drawers are designed with necessary seams.  
Be careful not to pinch!

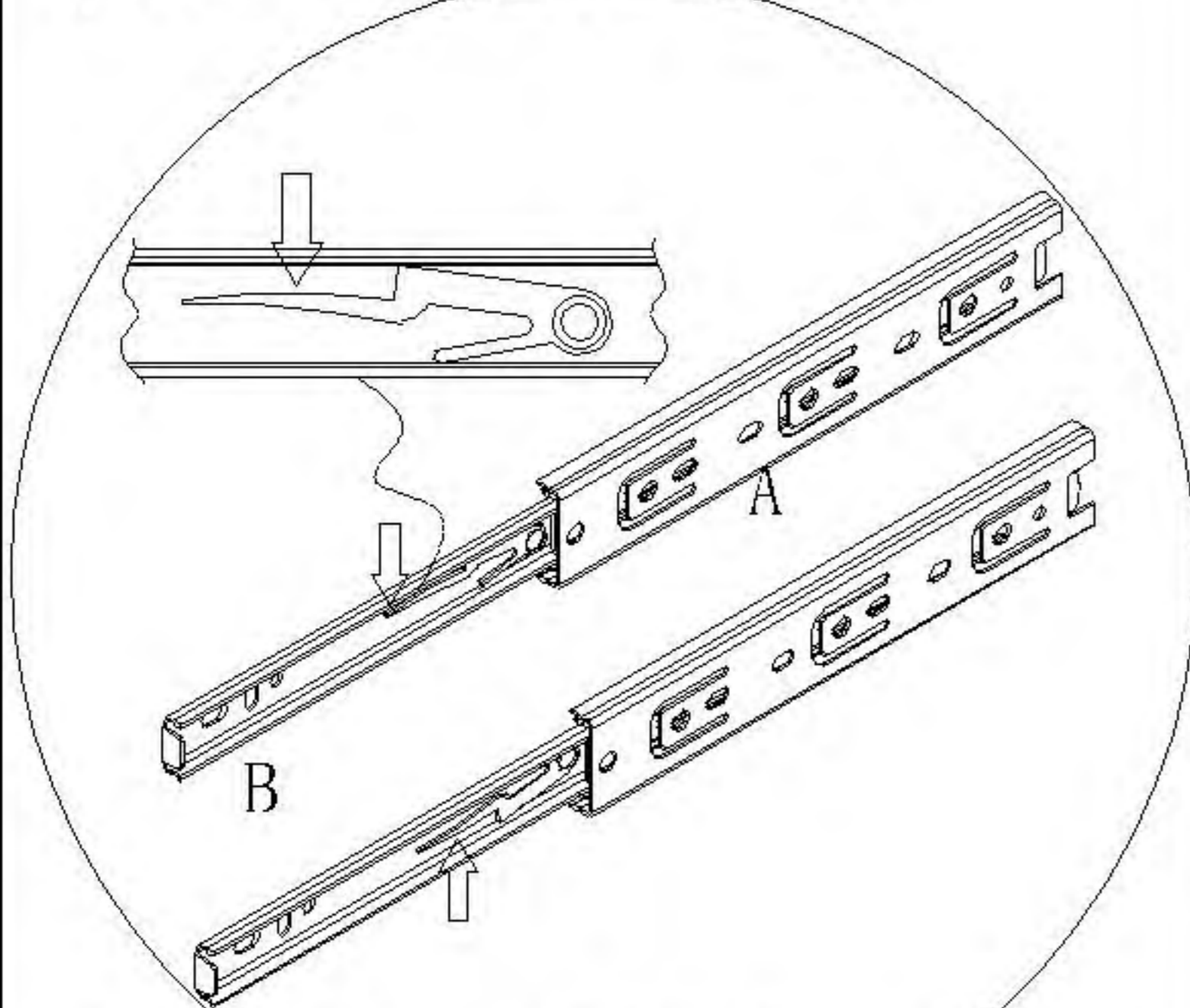
编号NO.	名称Name
①	面板 Top panel
②	底板 Bottom board
③	背板 Back board
④	转角木1 Corner wood 1
⑤	转角木2 Corner wood 2
⑥	侧板 Side board
⑦	中隔板 Middle clapboard
⑧	连接板 Connection plate
⑨	左抽屉面板 Drawer's panel (L)
⑩	小抽屉侧板 Small Drawer's side board
⑪	小抽屉后板 Small drawer's back board
⑫	抽屉底板 Drawer's Bottom board
⑬	右抽屉面板 Drawer's panel (R)
⑭	边脚 Kerb shoe



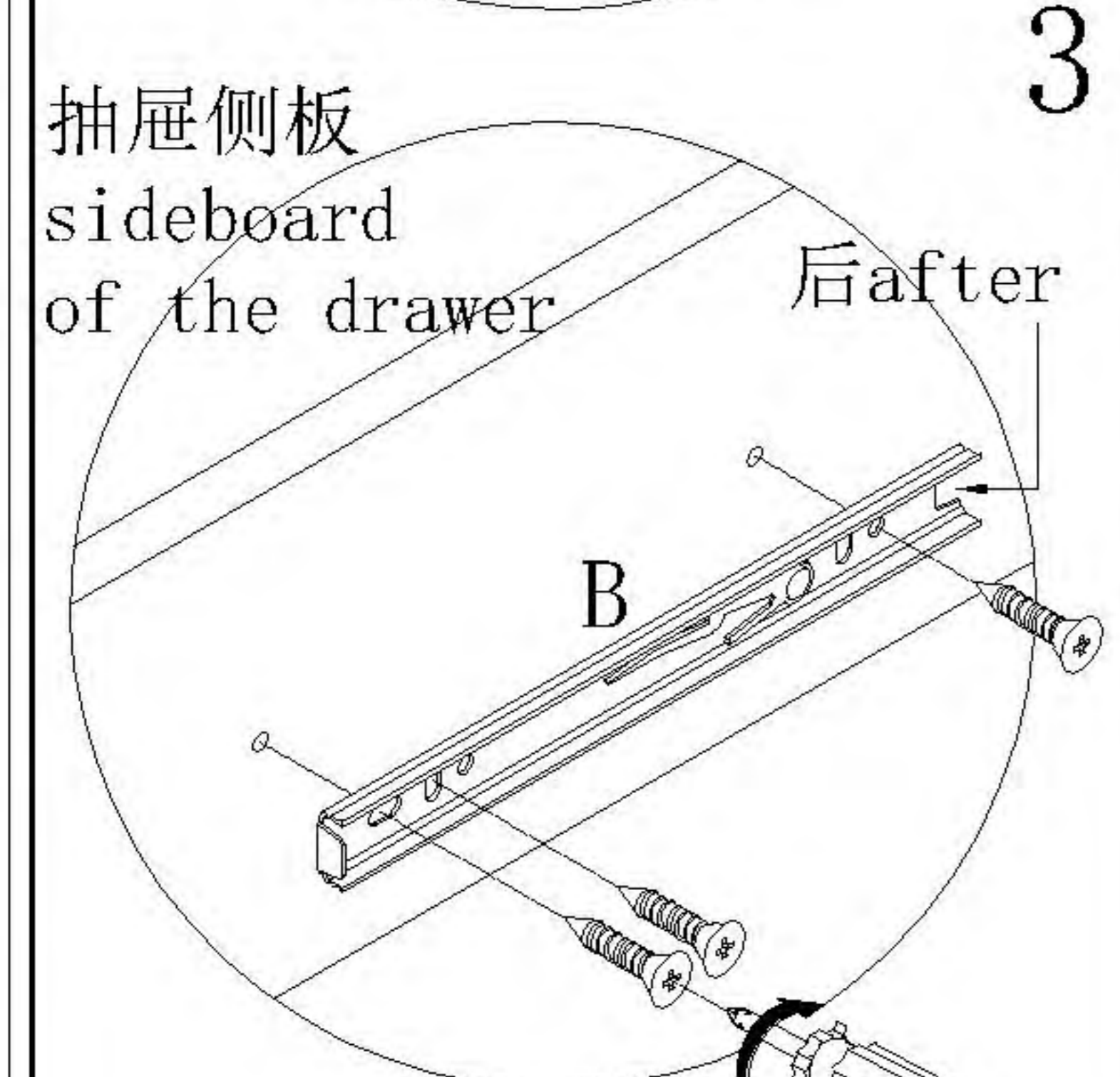
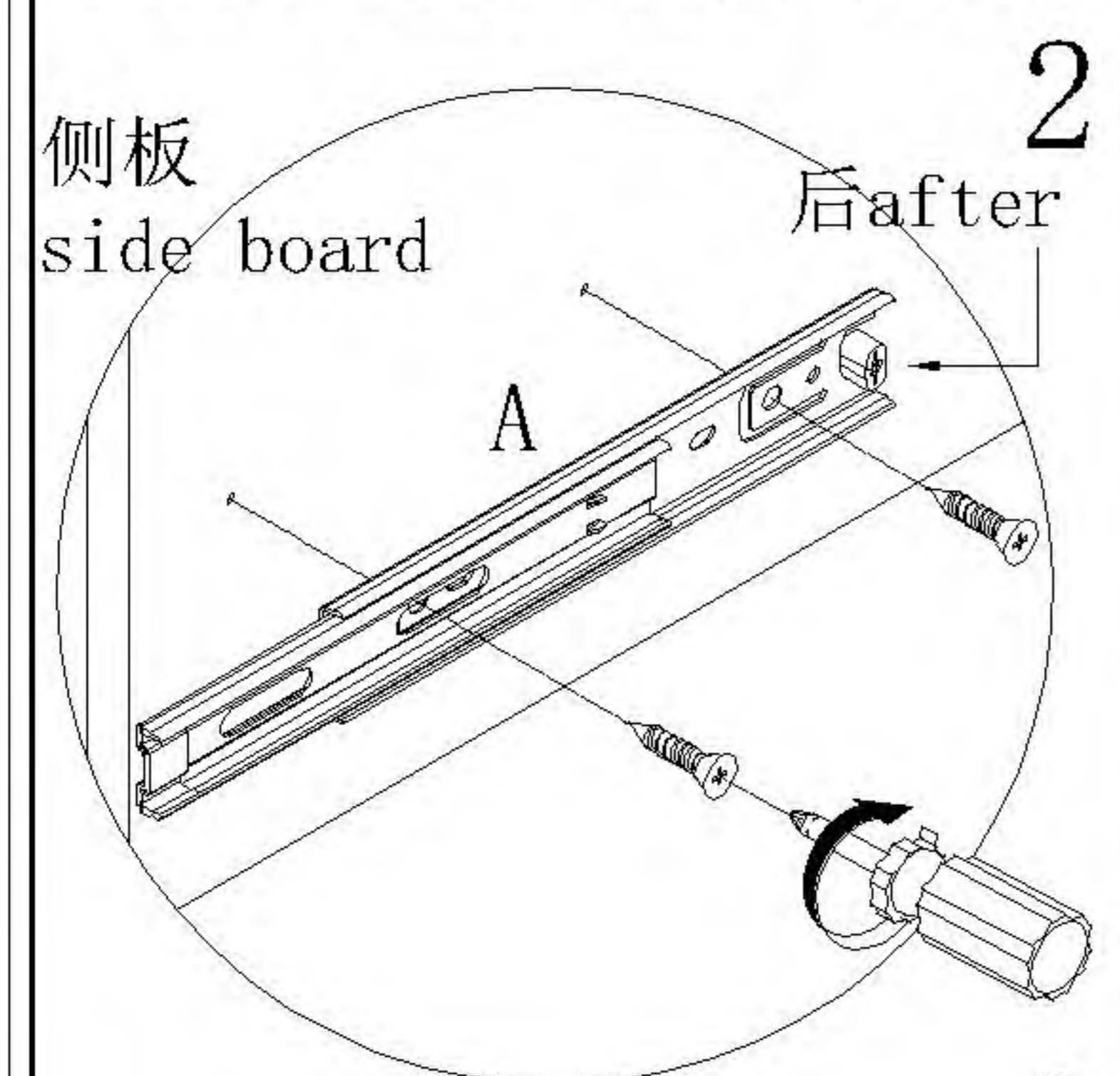
UM5C-A 妆台主体

安装方法/  
Installation method

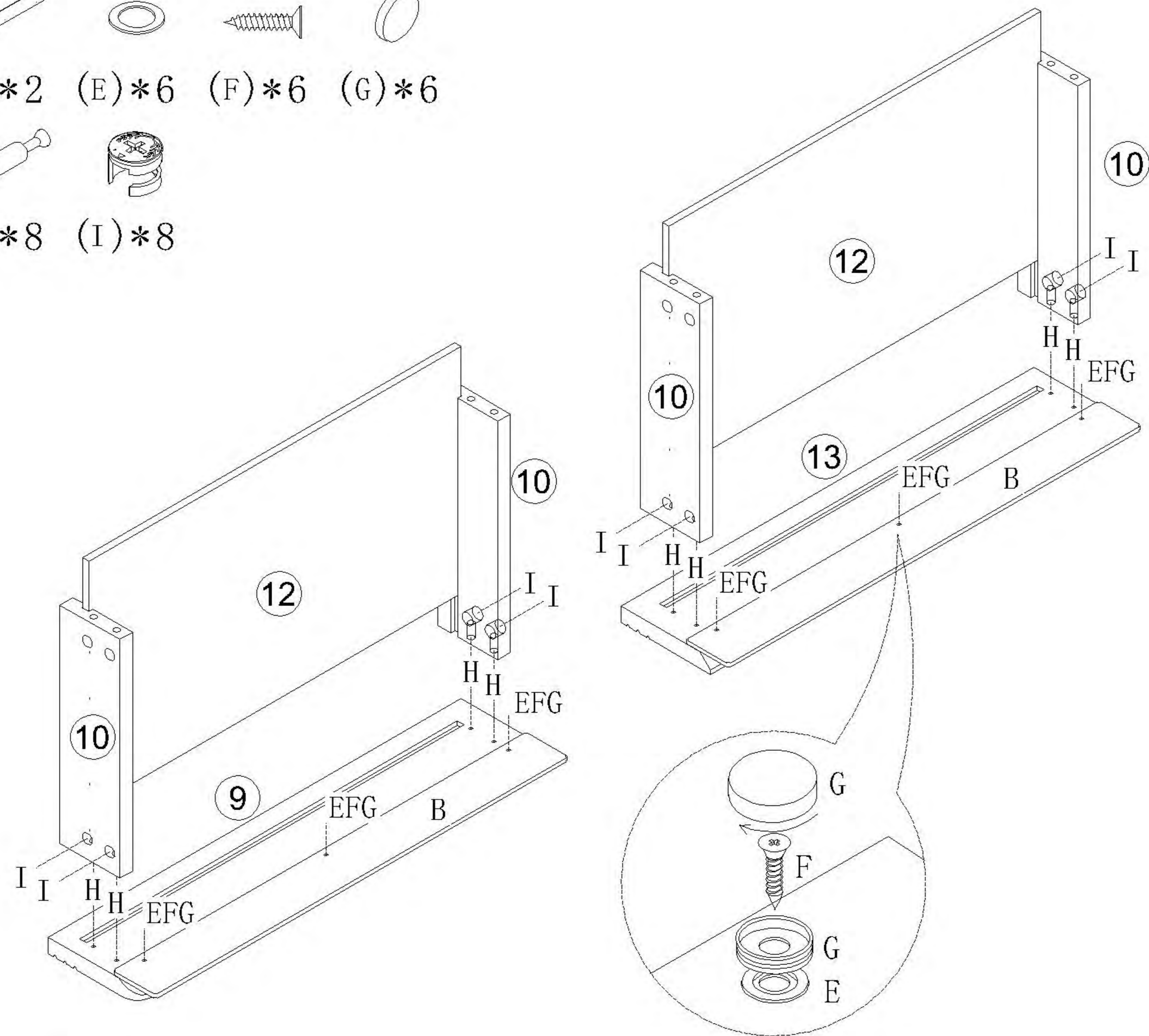
1 阀门开关(下压为开)  
Valve switch  
(press down to open)



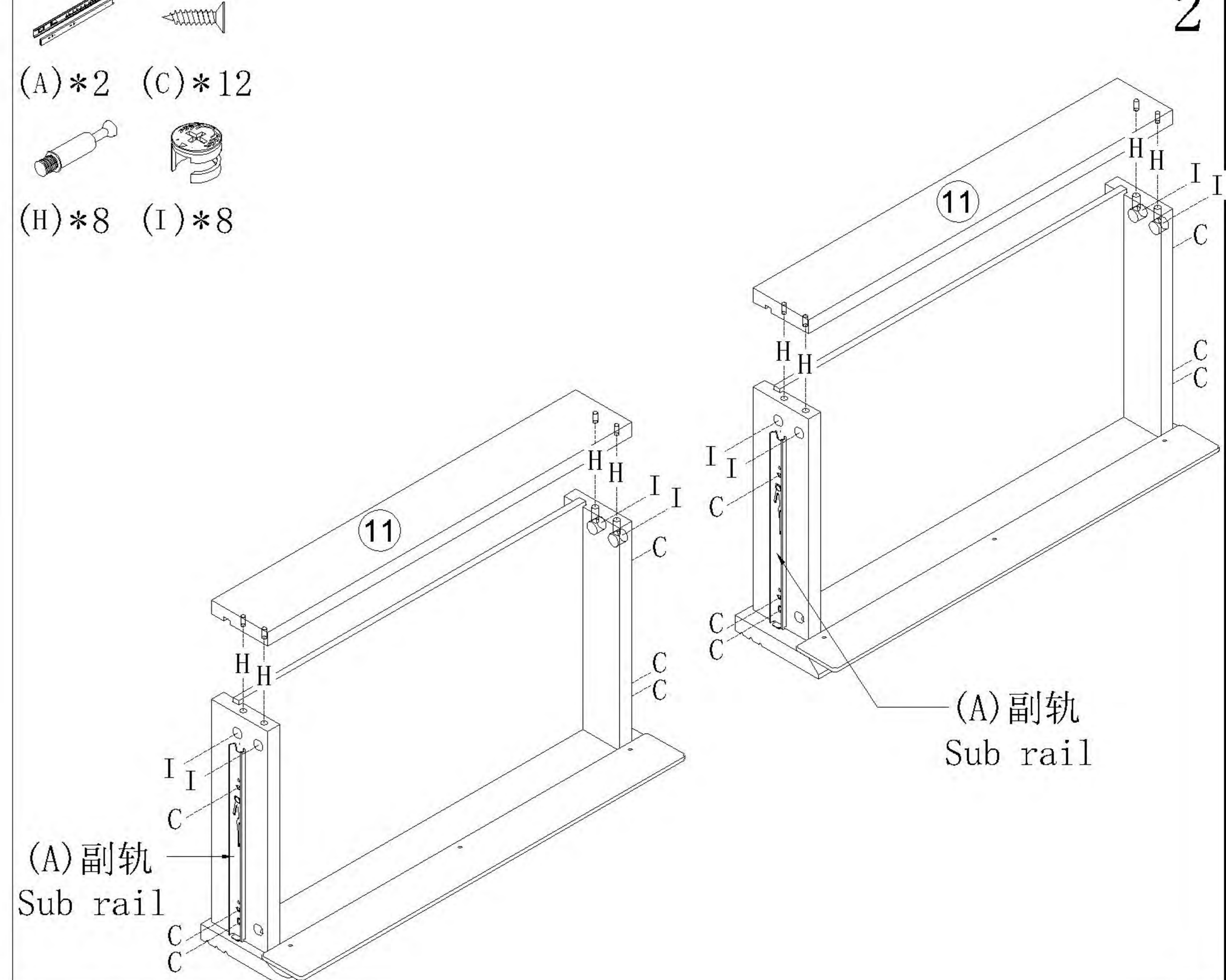
注: 先将A与B拆下来  
Note: remove a and B first



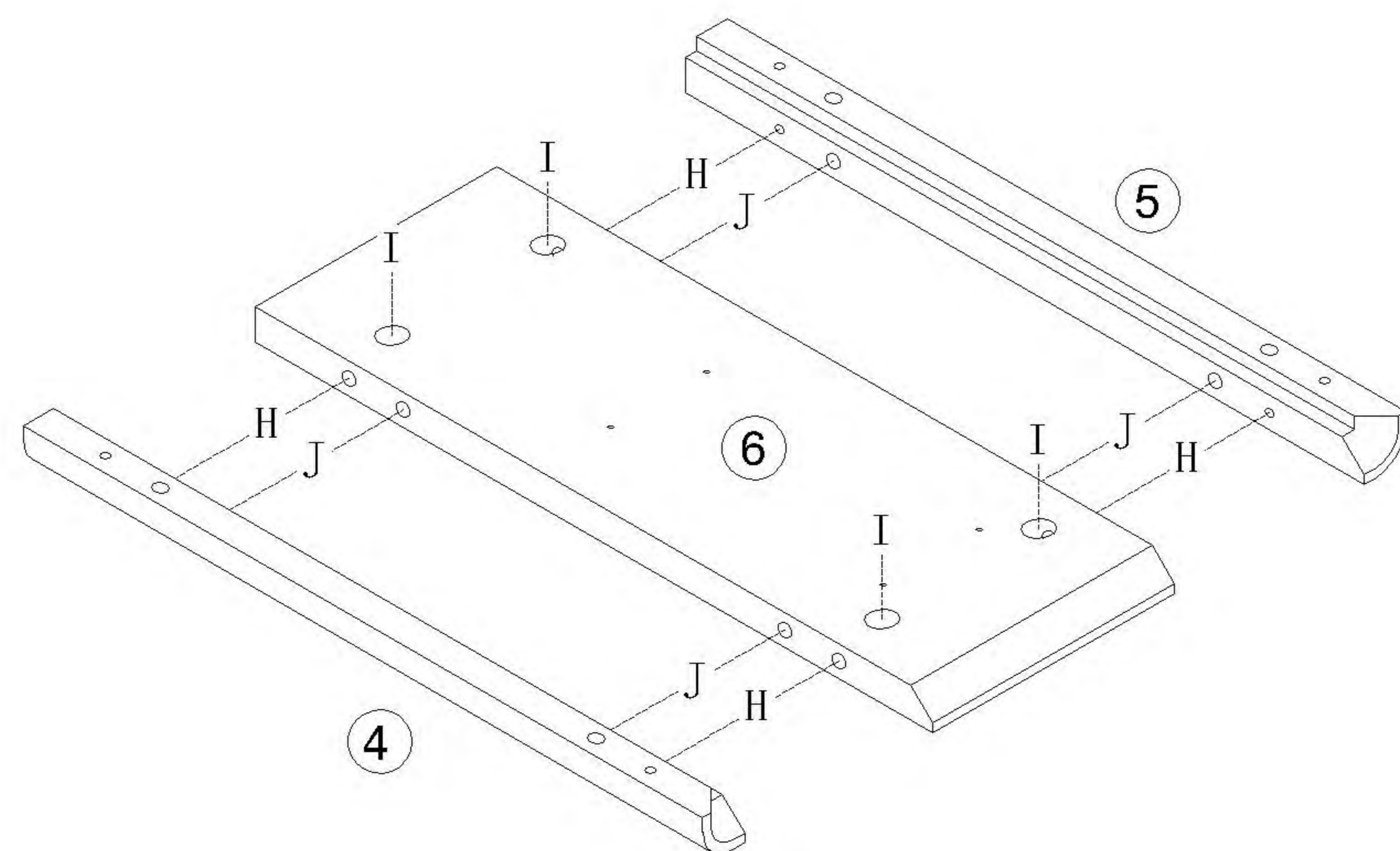
- (B)\*2 (E)\*6 (F)\*6 (G)\*6
- (H)\*8 (I)\*8



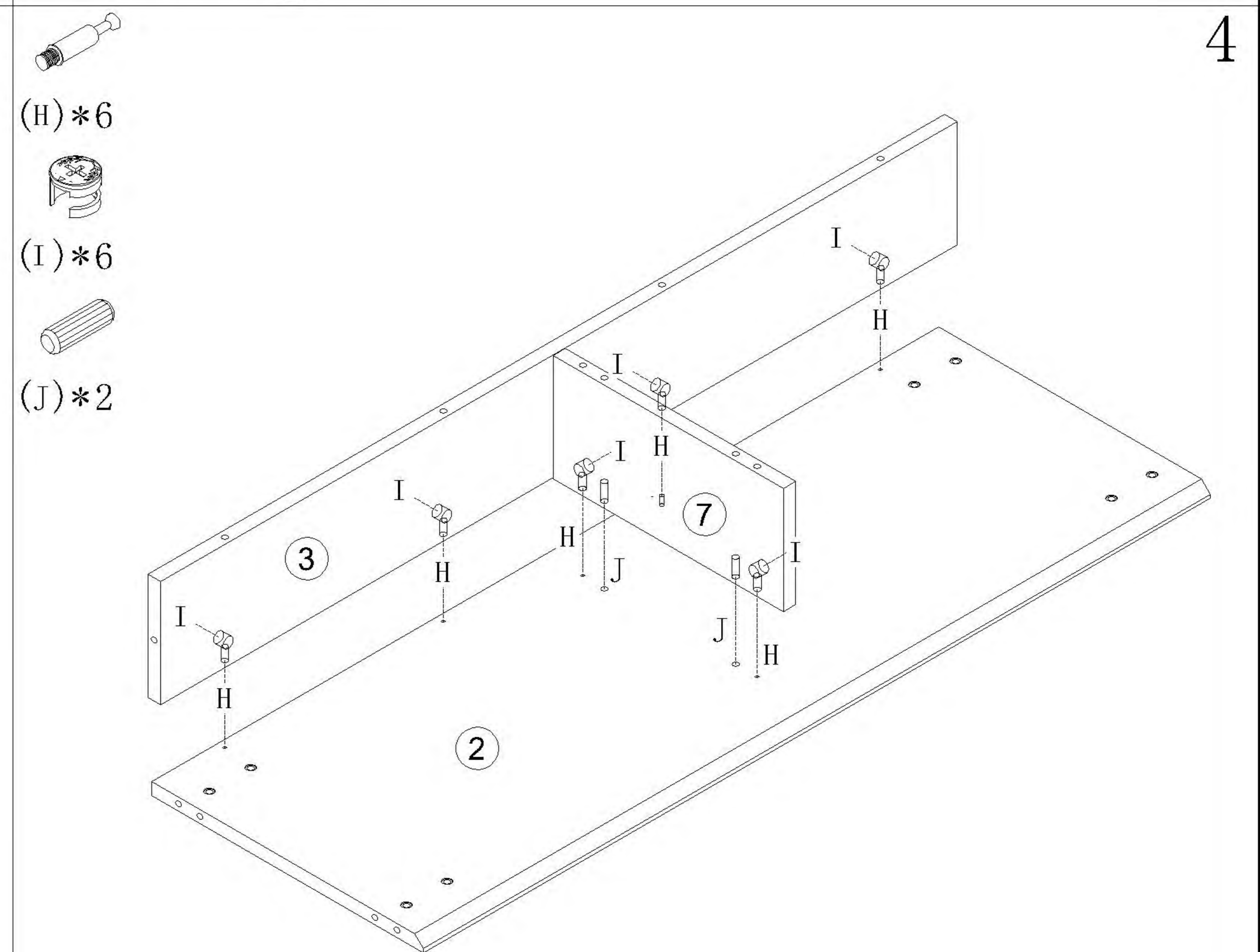
- (A)\*2 (C)\*12
- (H)\*8 (I)\*8



- (H)\*8
- (I)\*8
- (J)\*8



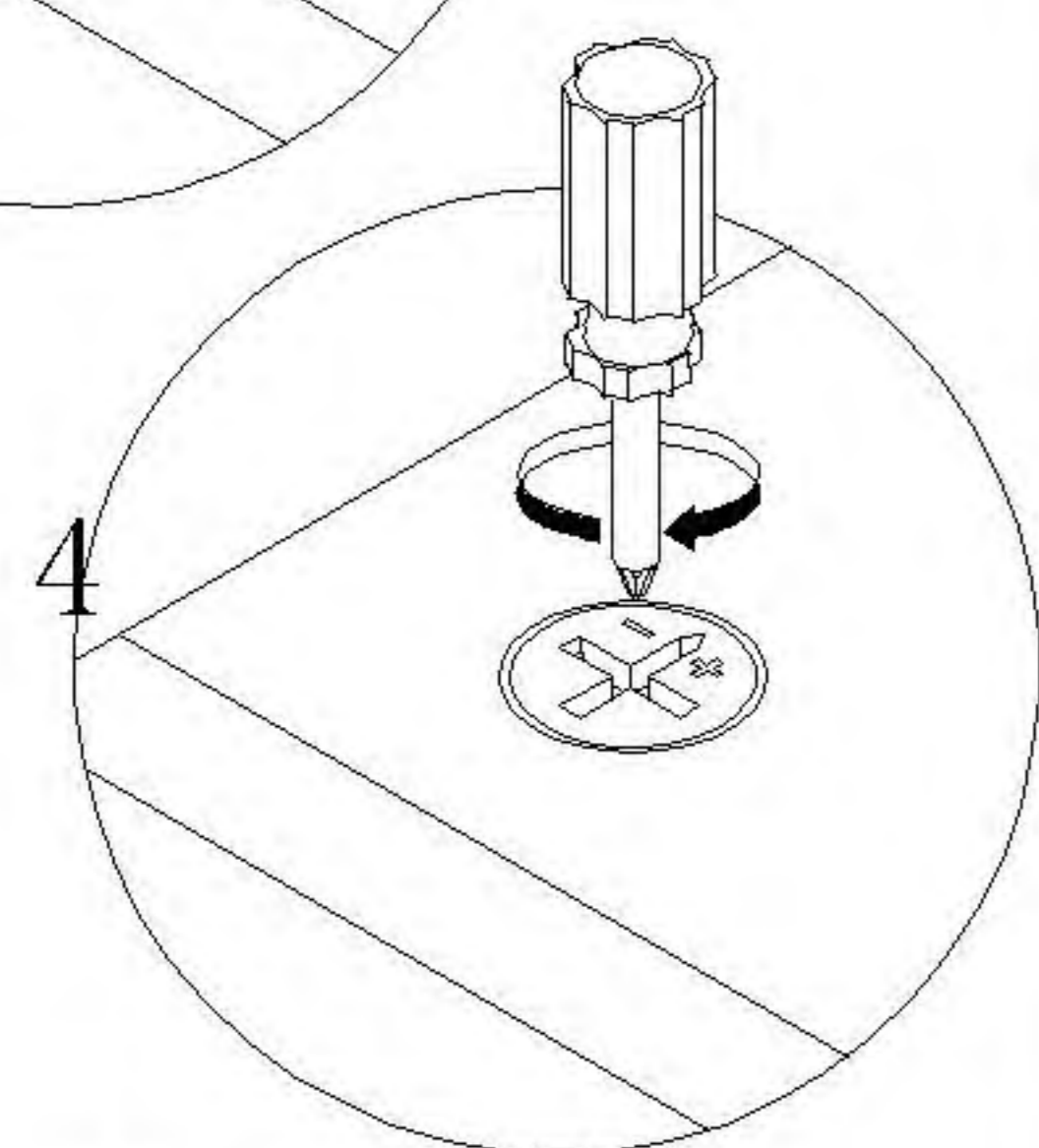
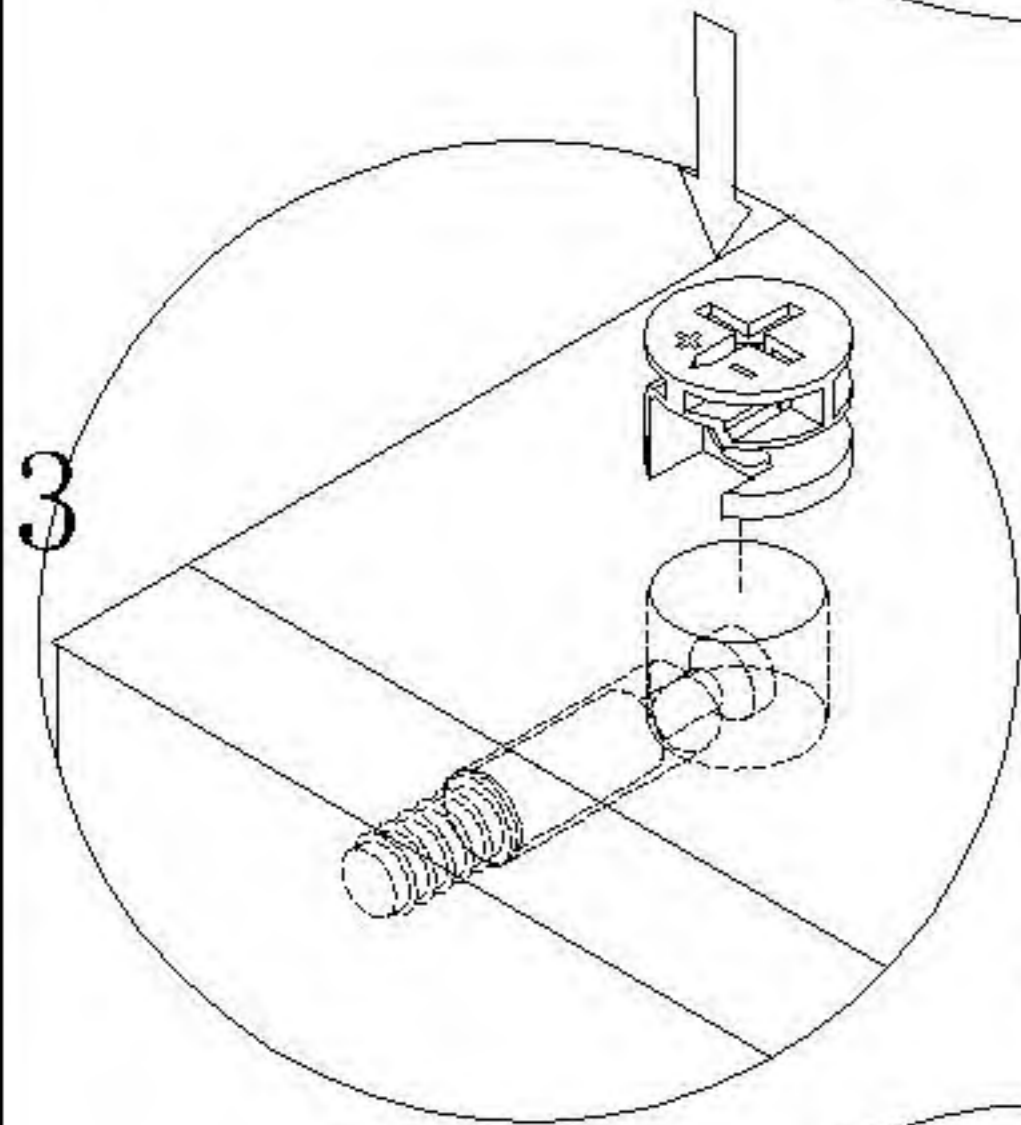
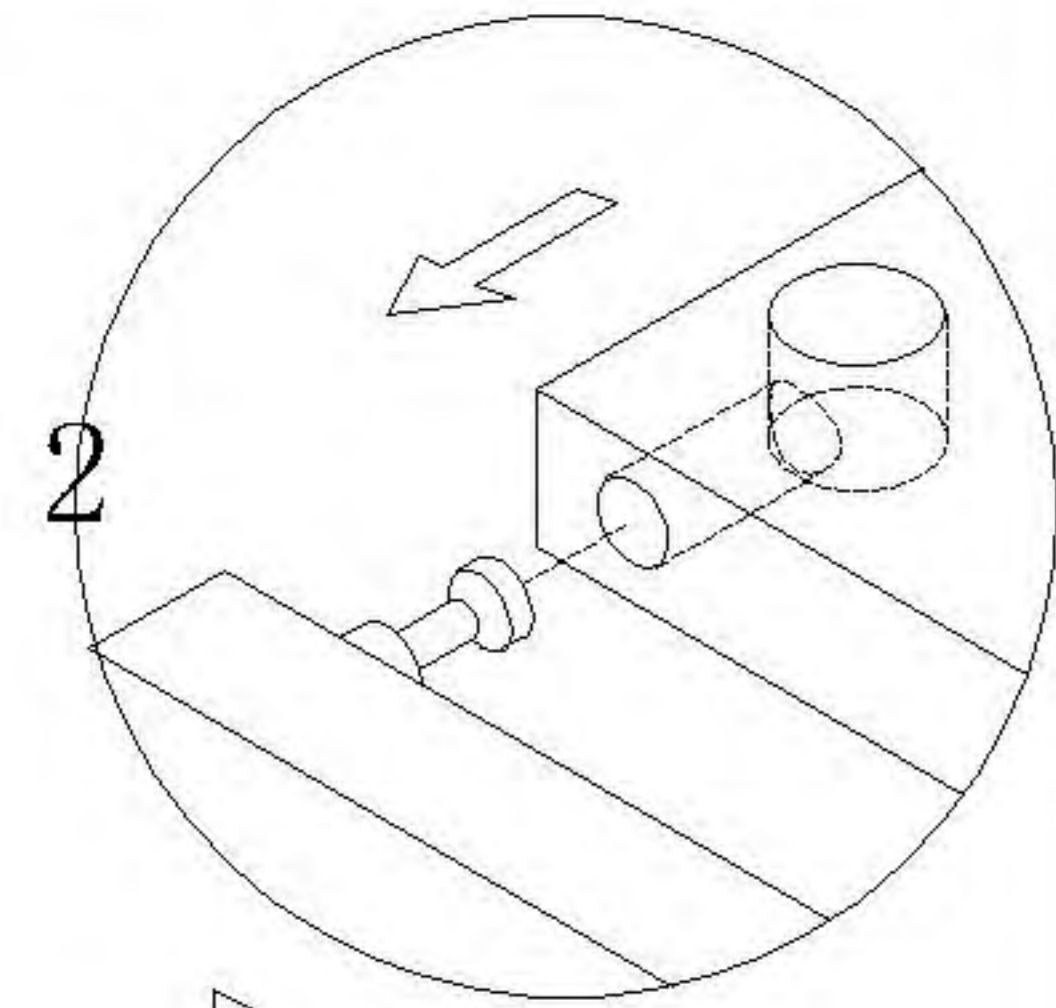
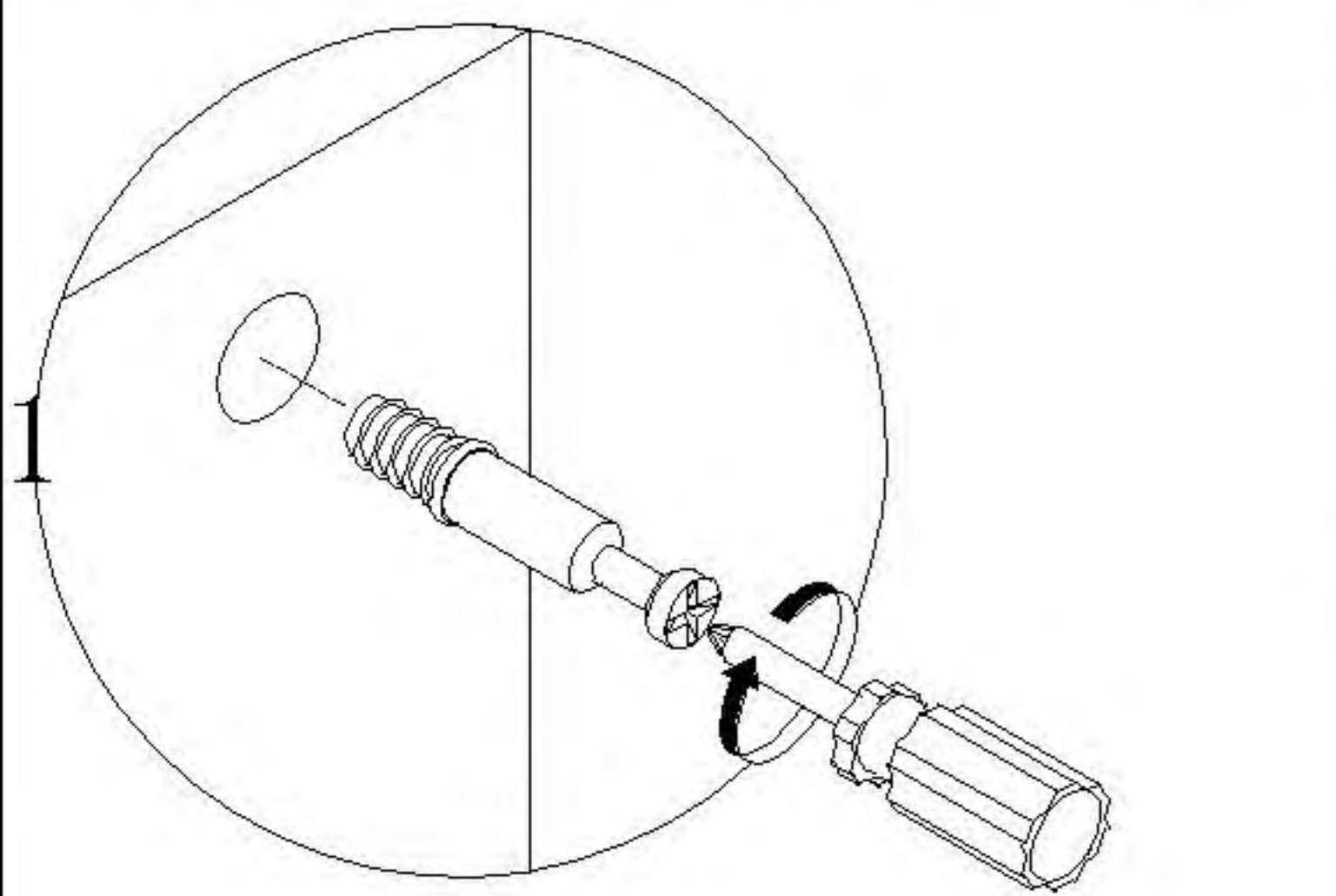
- (H)\*6
- (I)\*6
- (J)\*2



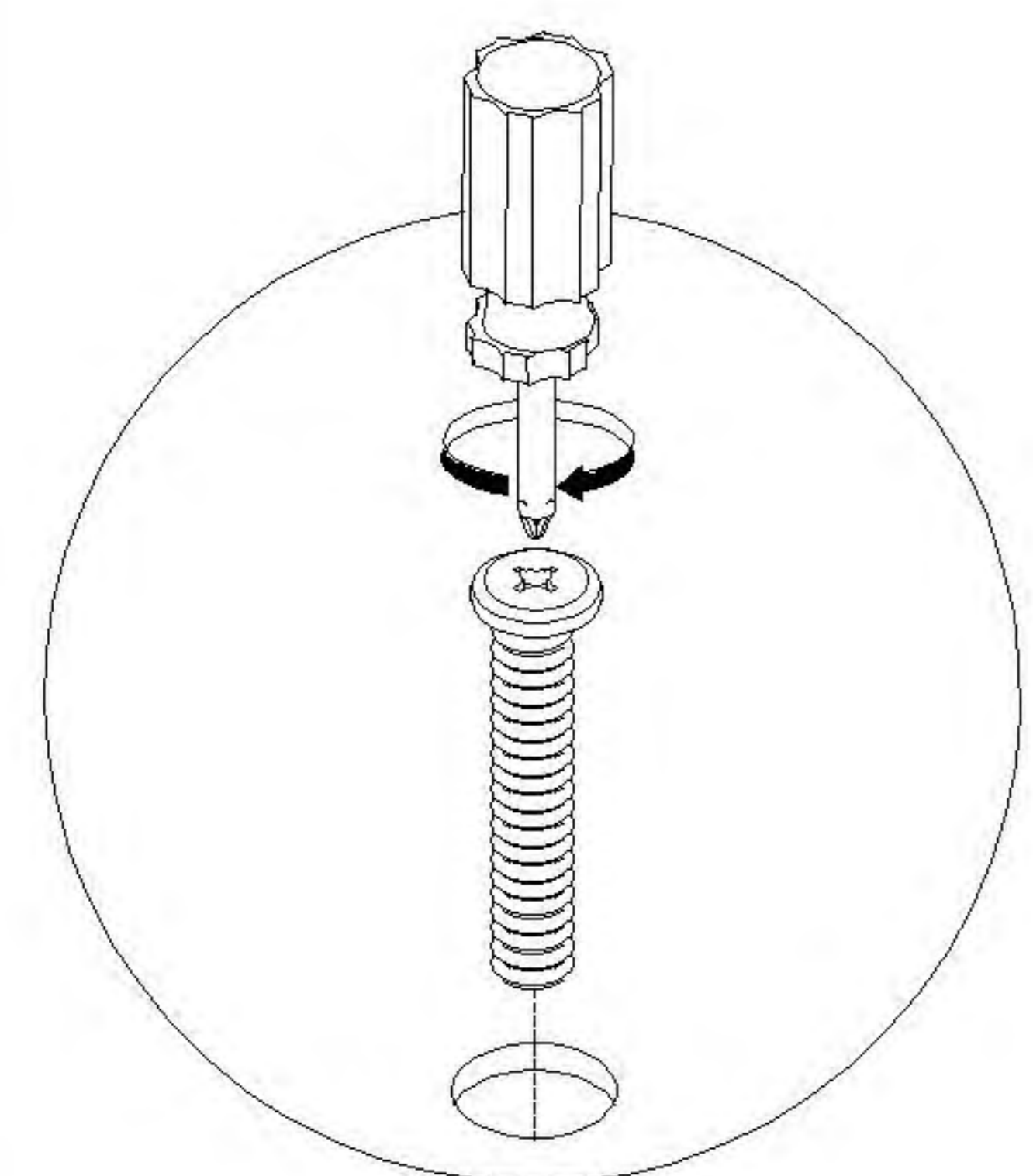
X2

UM5C-A 妆台主体

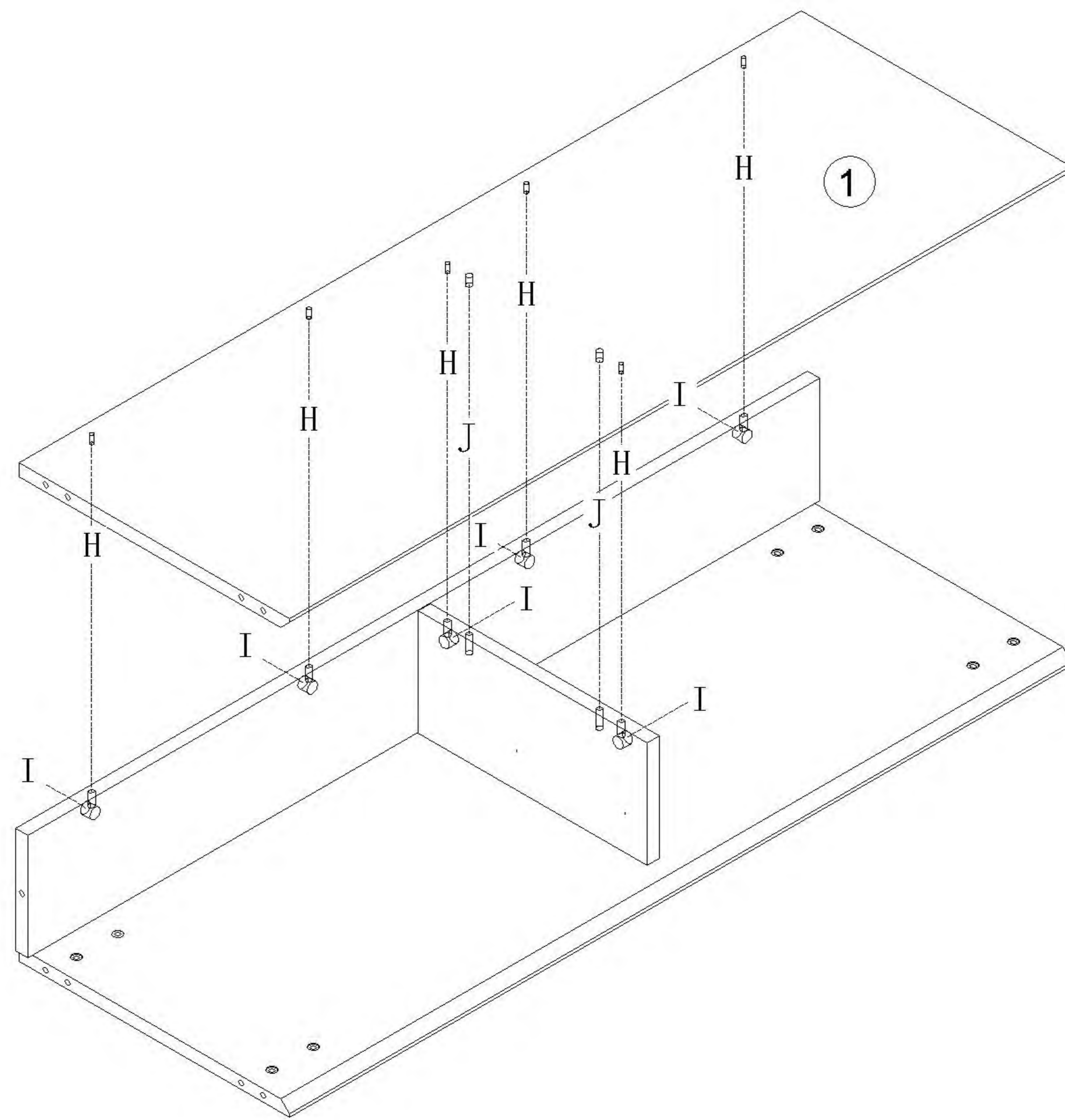
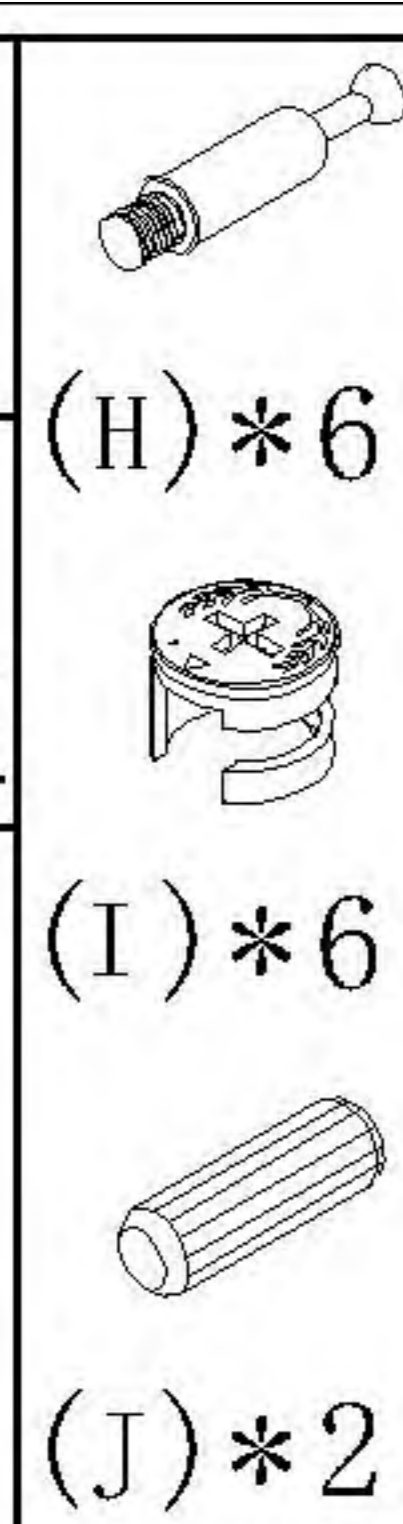
安装方法/  
Installation method



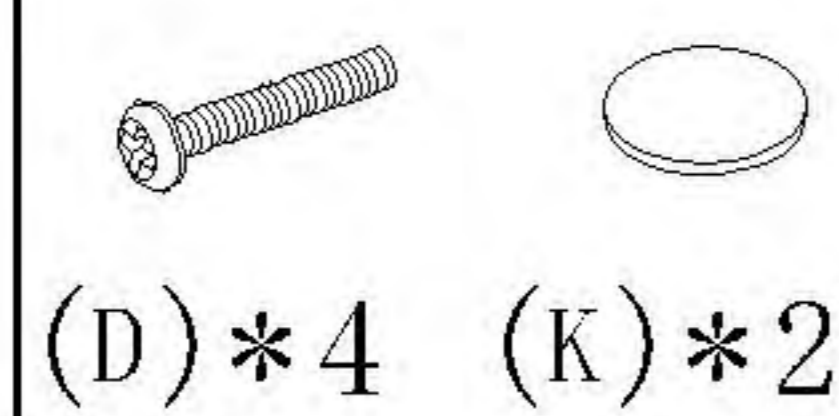
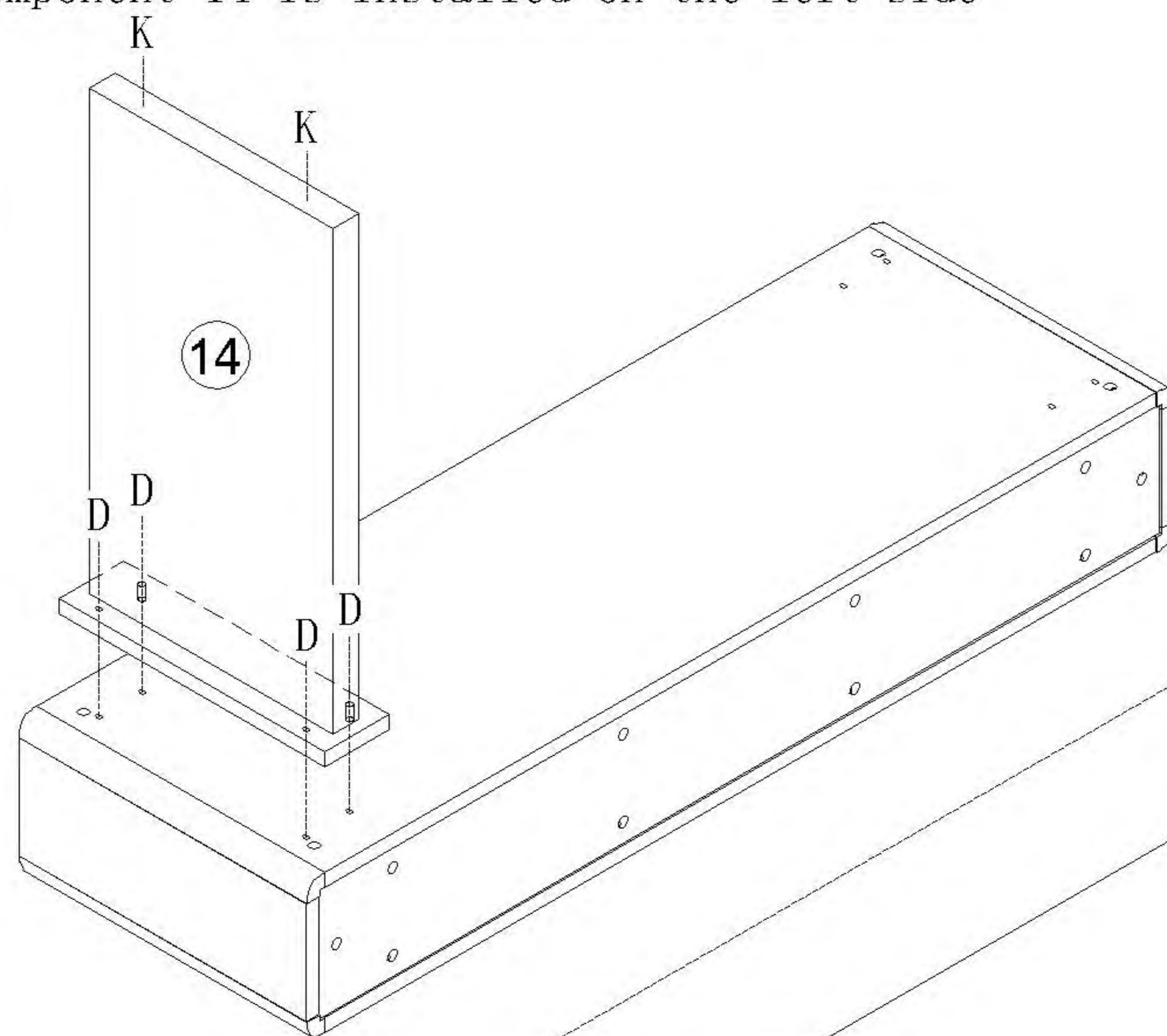
大二合一  
two-in-one



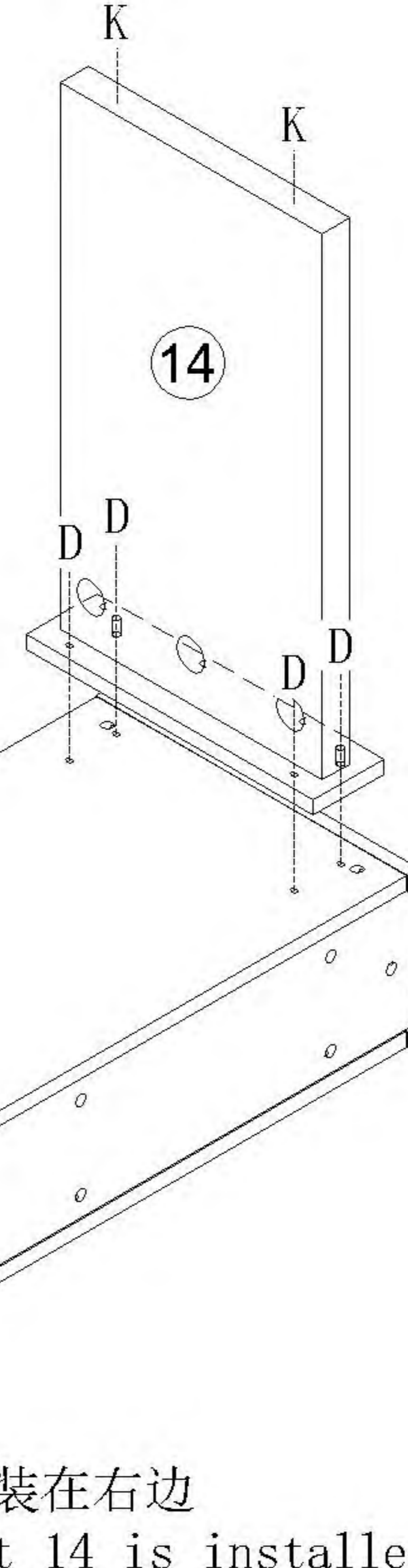
斜边十字螺杆  
bevel cross screw



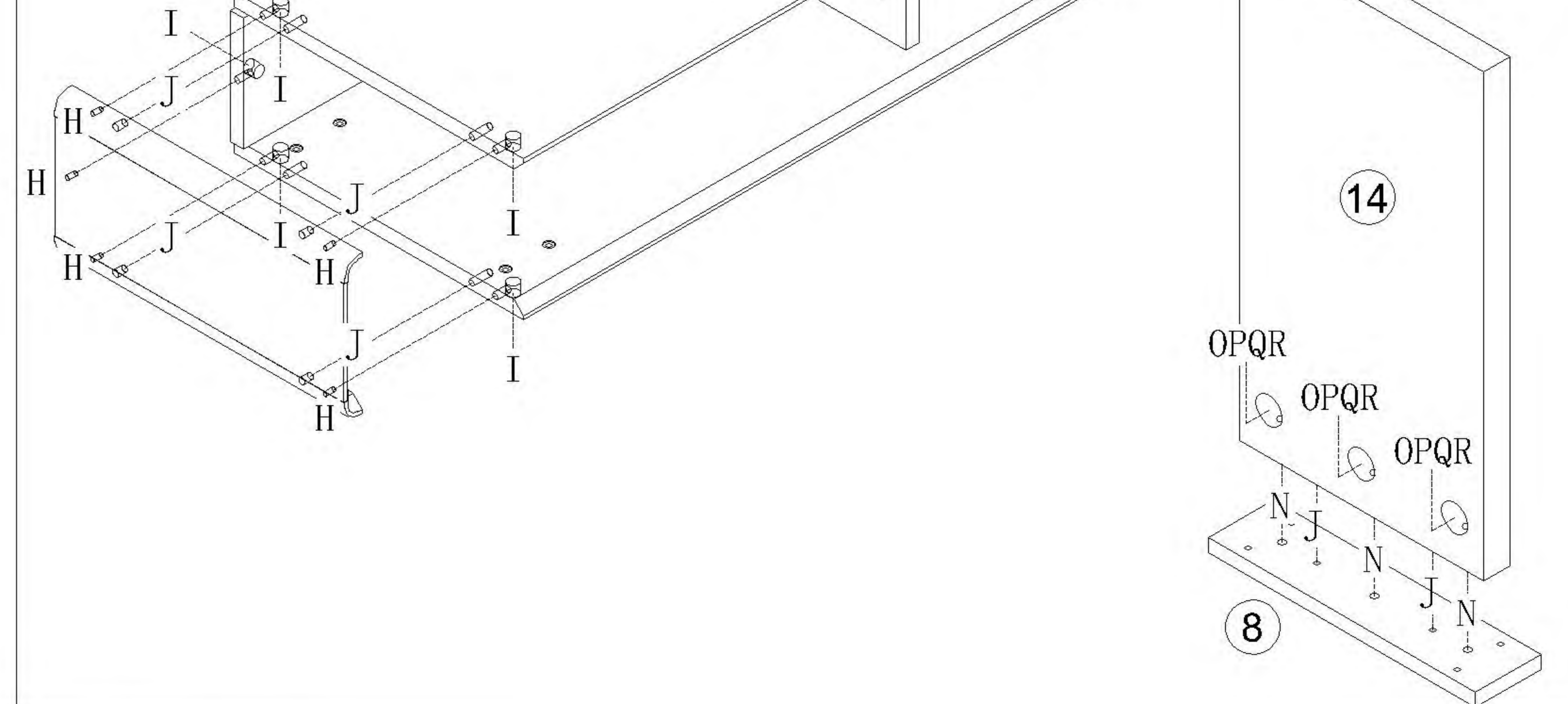
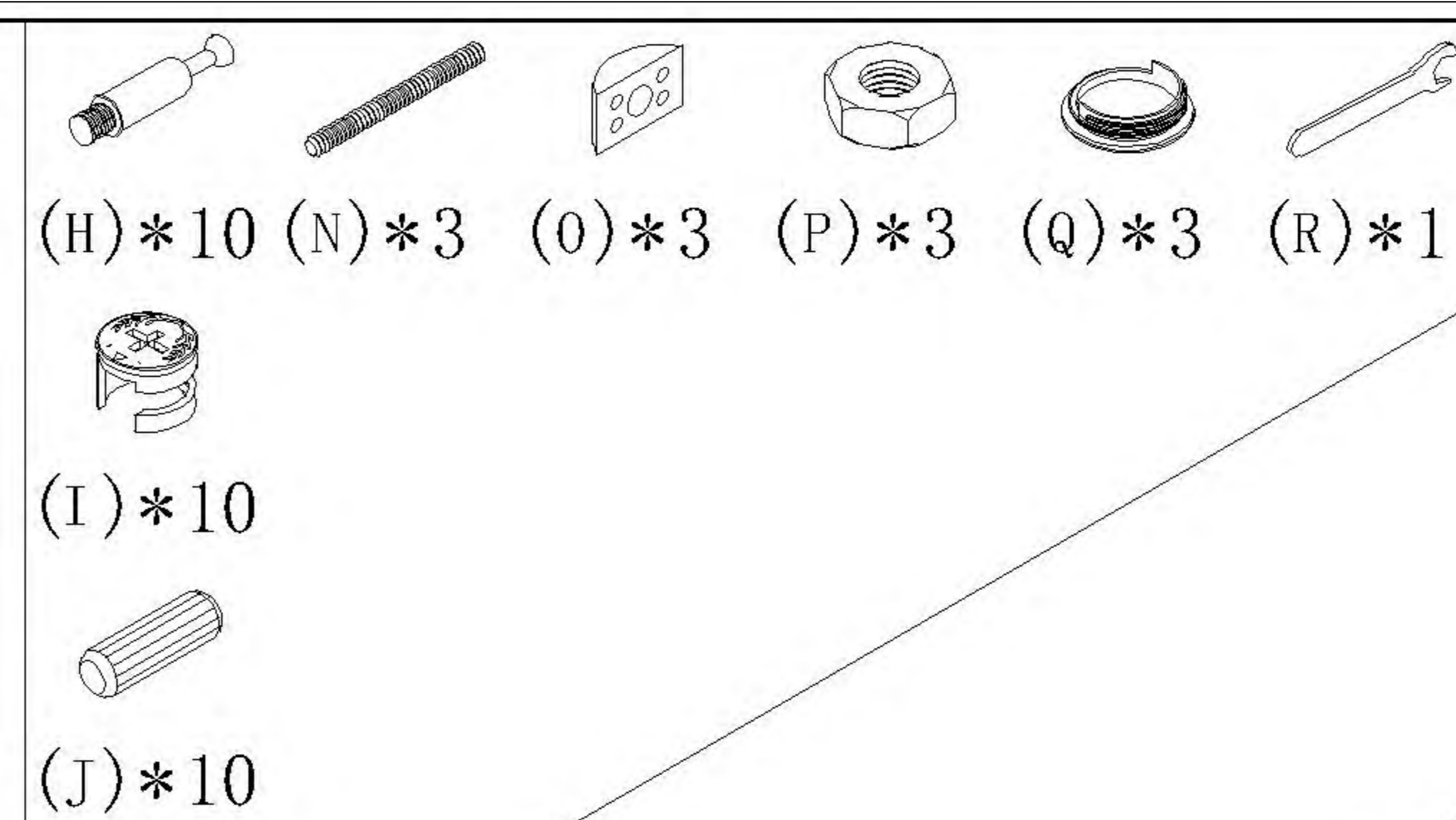
部件14安装在左边  
Component 14 is installed on the left side



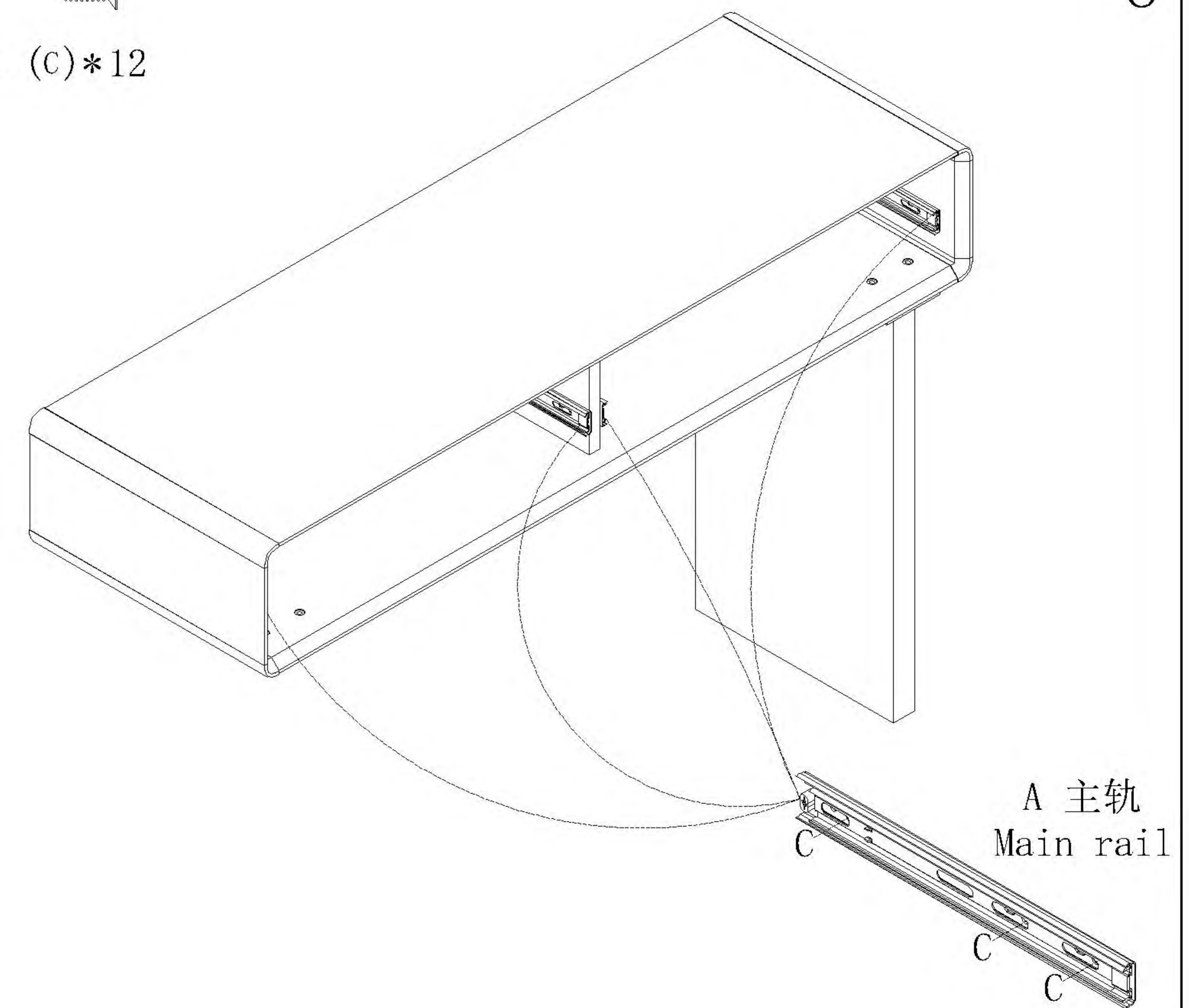
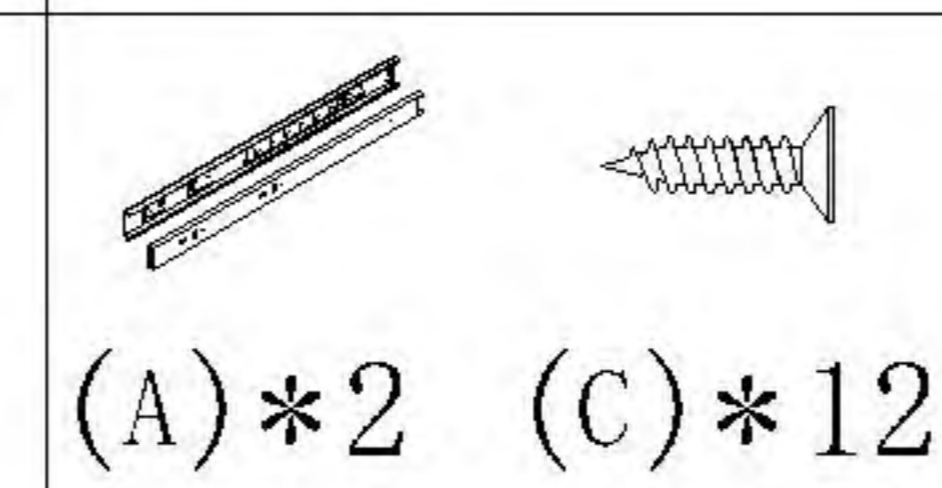
部件14安装在右边  
Component 14 is installed  
on the right side



5



7



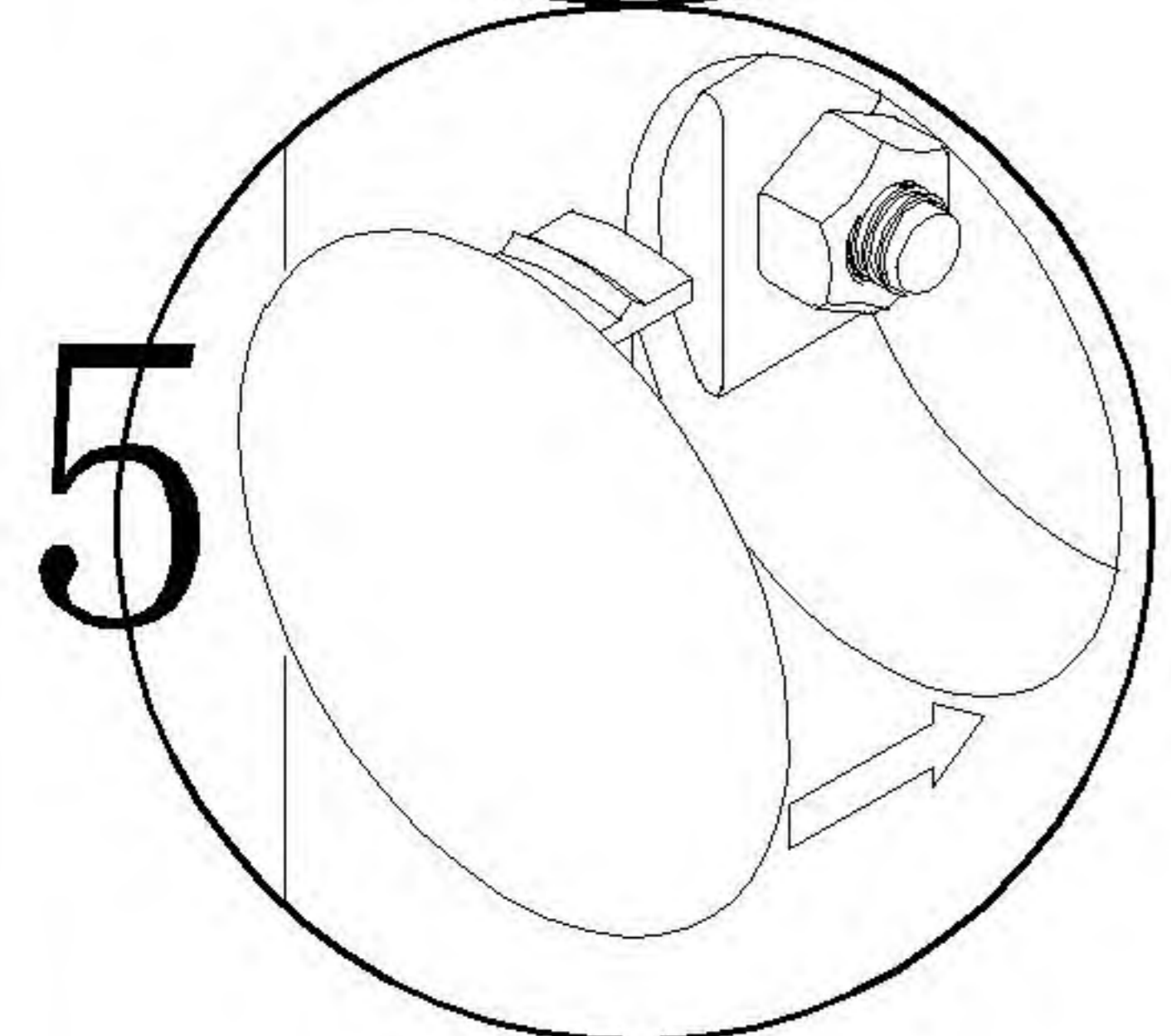
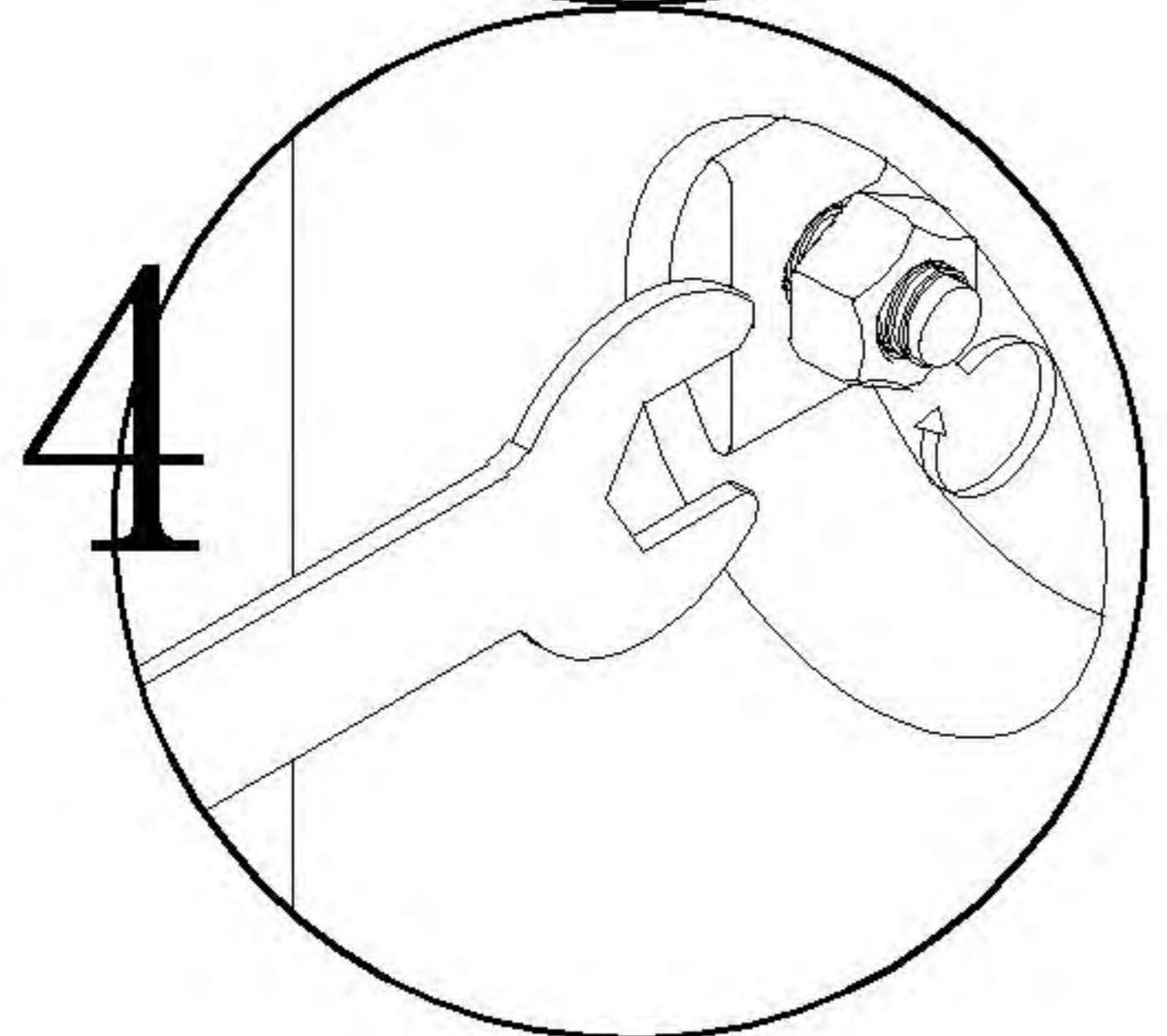
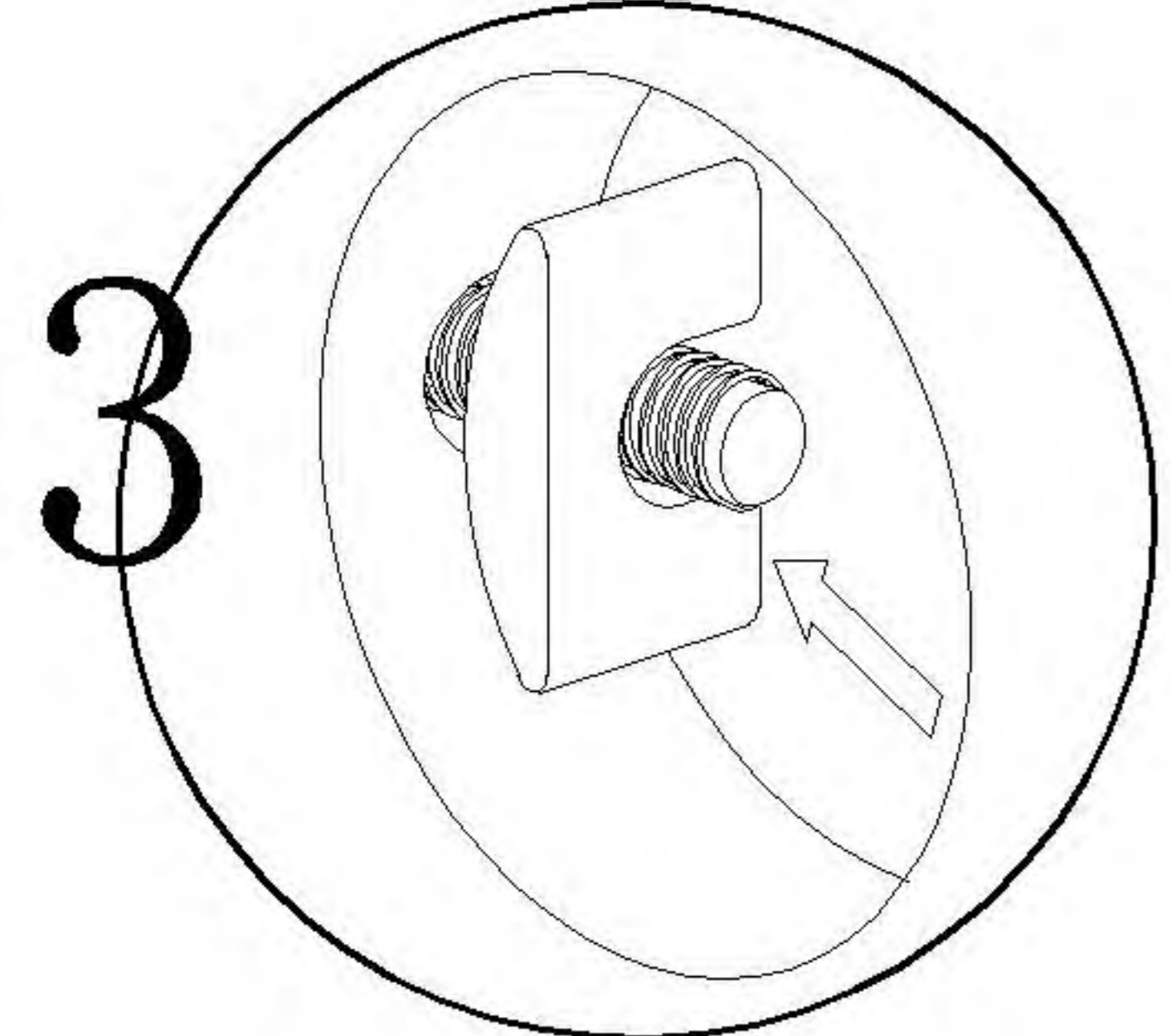
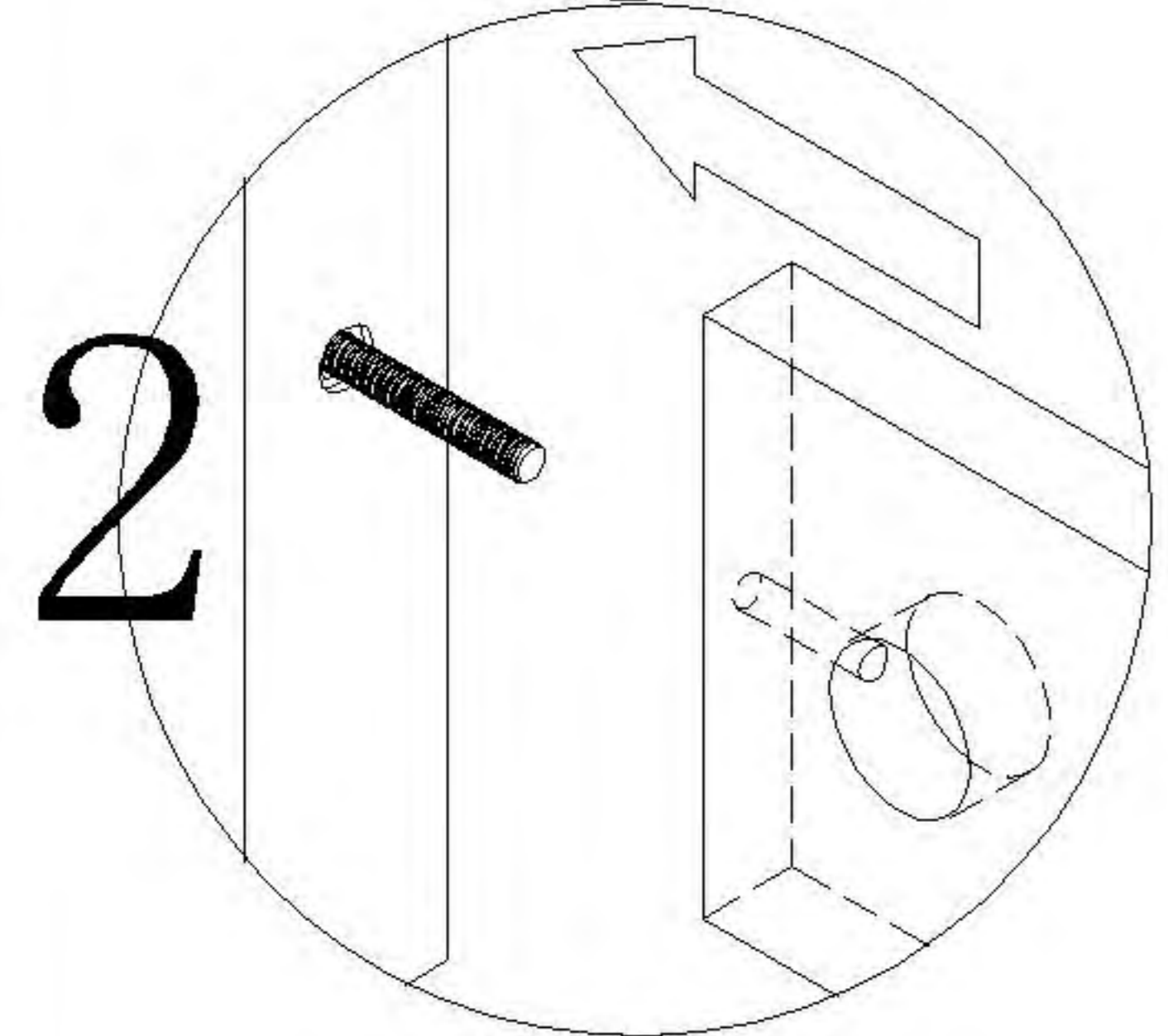
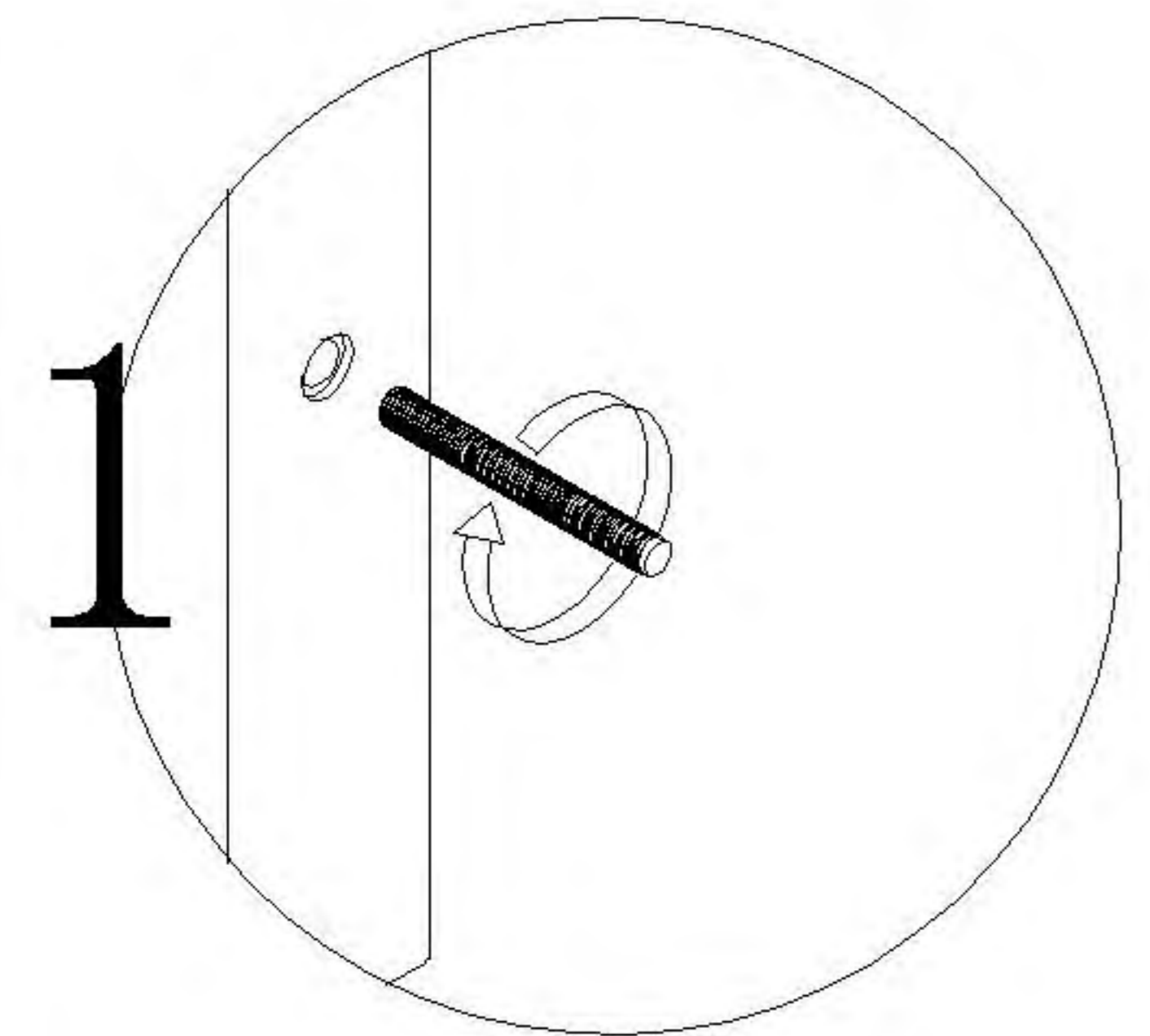
A 主轨  
Main rail

6

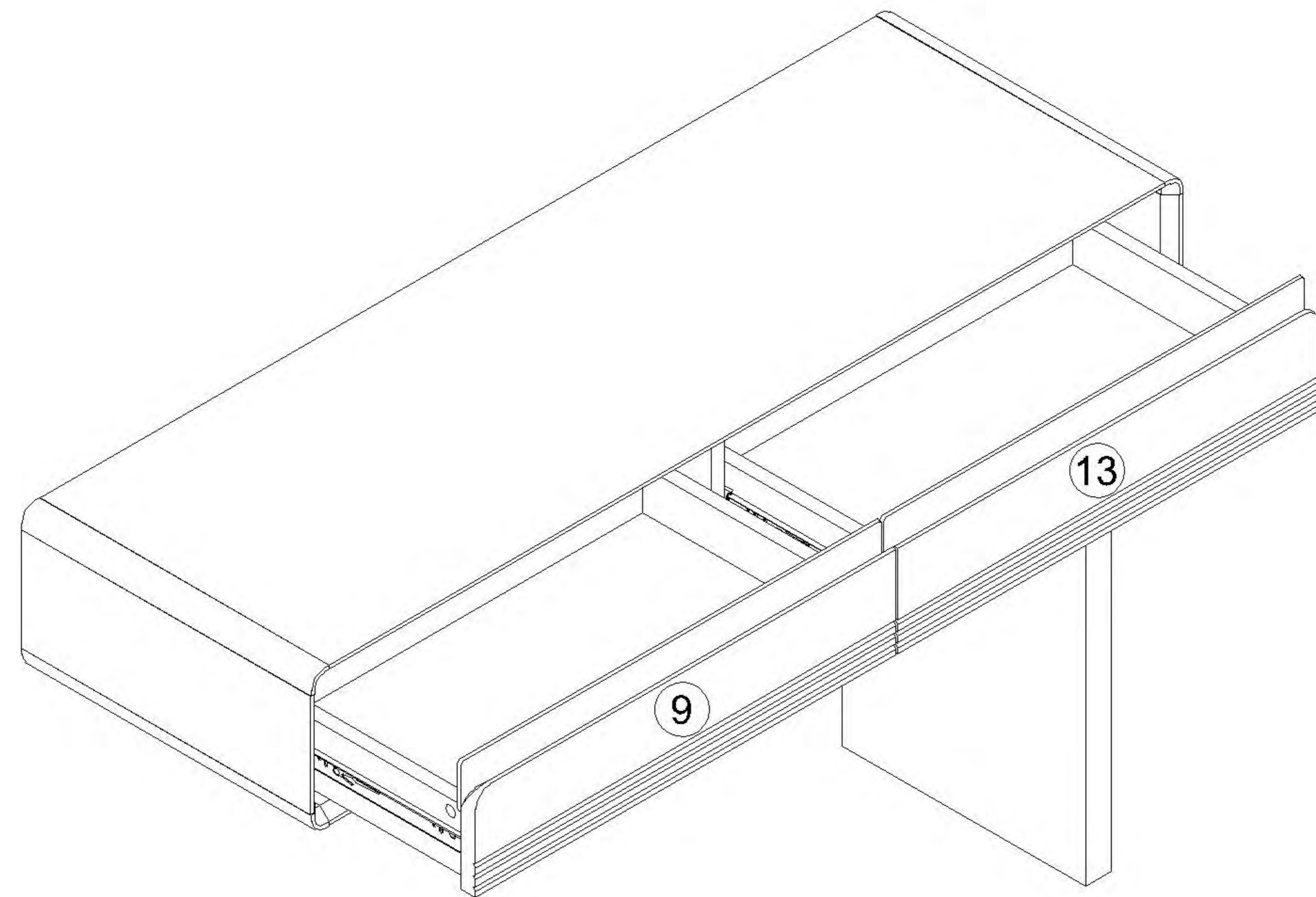
8

UM5C-A 妆台主体

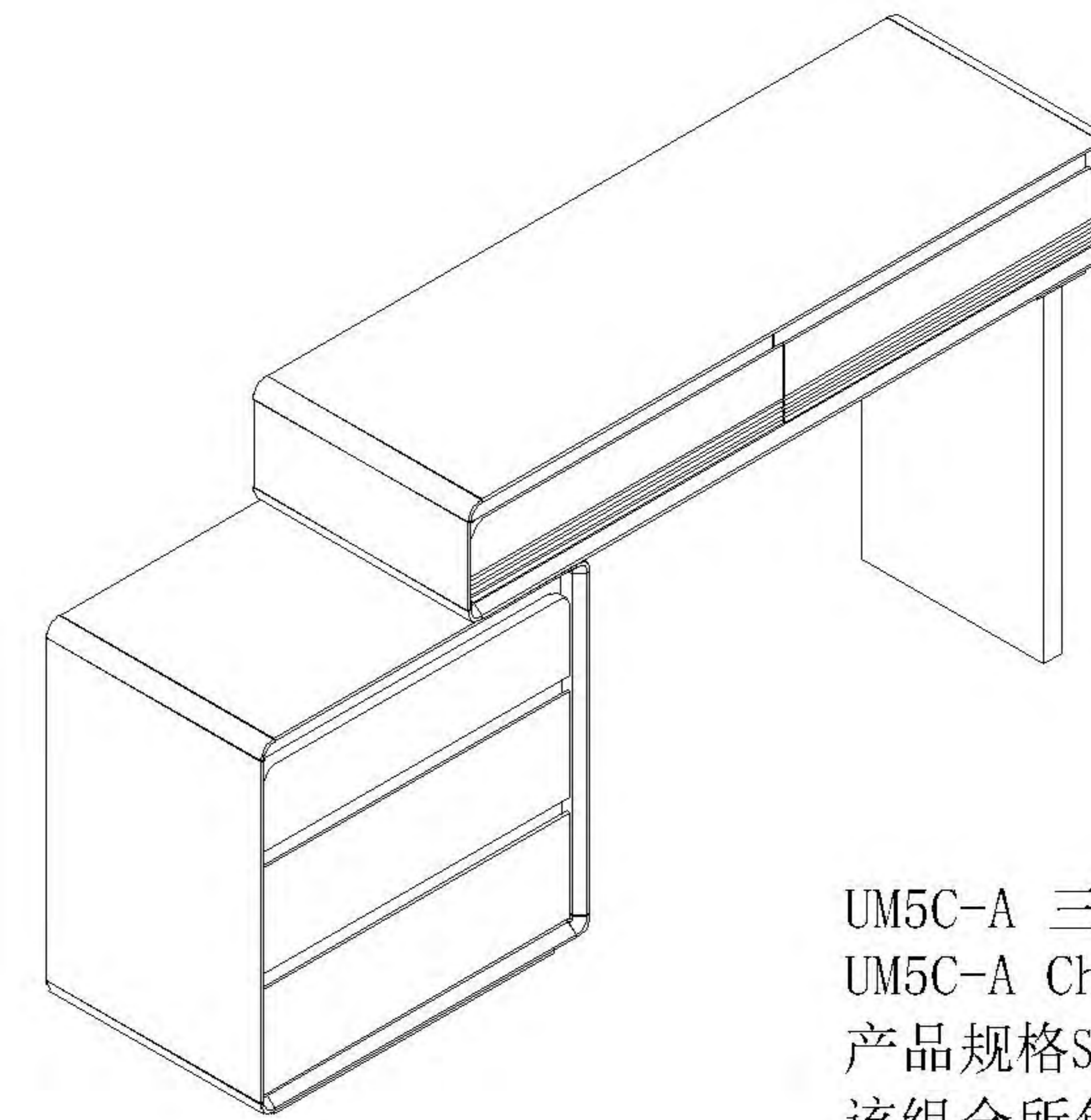
安装方法/  
Installation method



小五合一  
Small 5-in-1

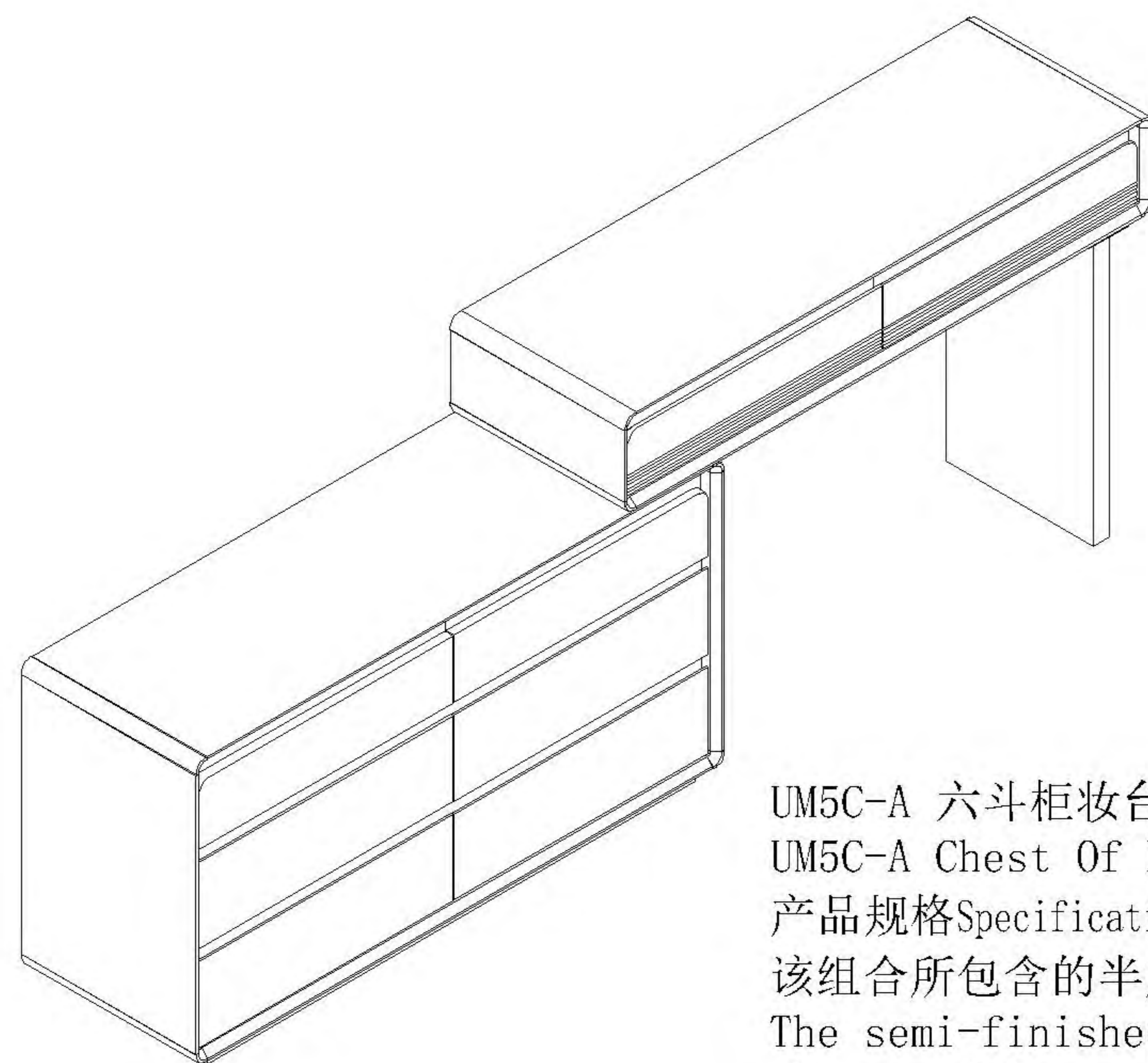


9



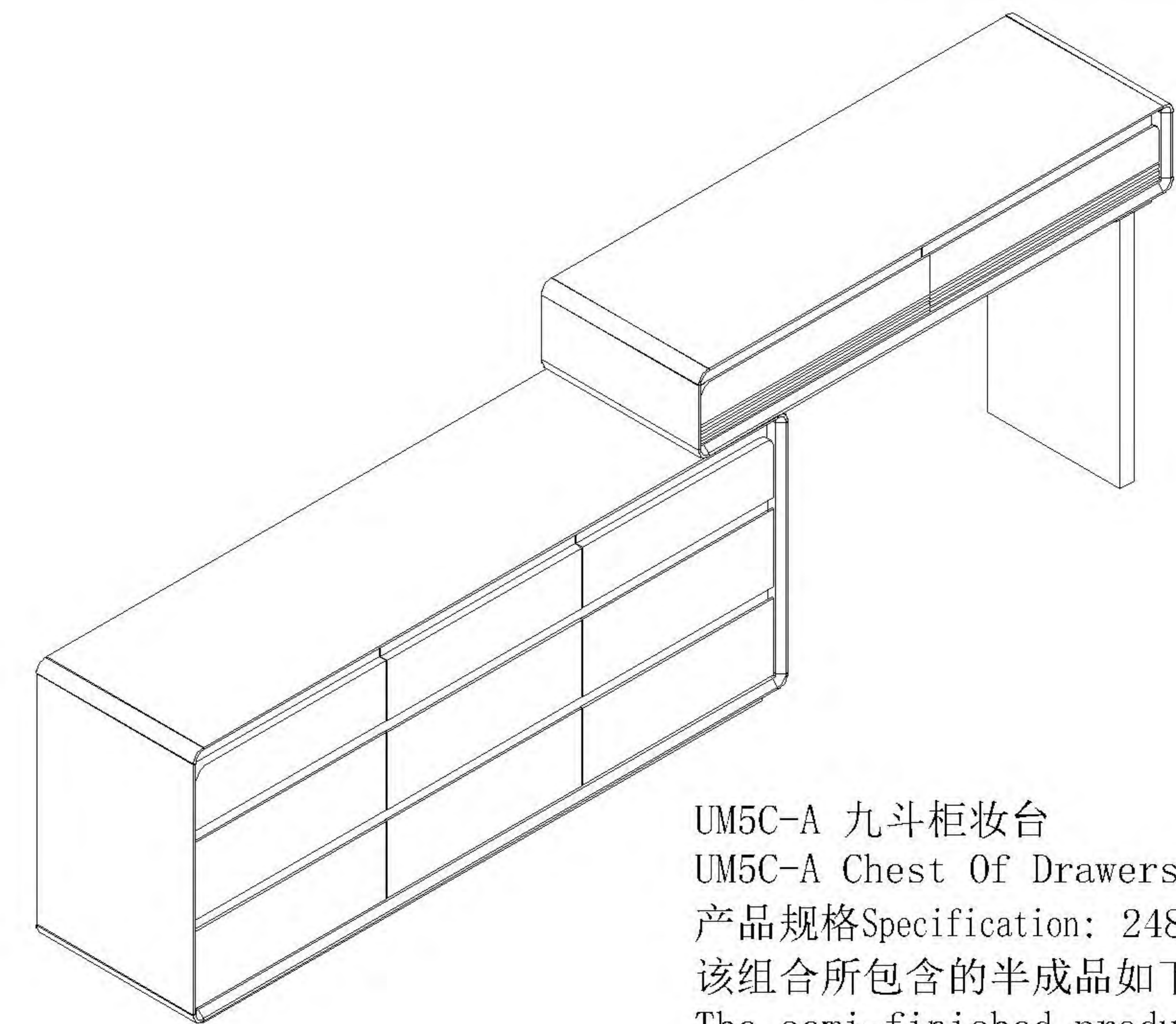
10

UM5C-A 三斗柜妆台  
UM5C-A Chest Of Drawers Dressing Table  
产品规格Specification: 1550\*399\*808mm  
该组合所包含的半成品如下:  
The semi-finished products included in the portfolio are as follows:  
UM5C-A 三斗柜/UM5C-A Chest Of Drawers  
产品规格Specification: 604\*399\*622mm  
UM5C-A 妆台主体/UM5C-A Makeup stand  
产品规格Specification: 1193\*399\*808mm



11

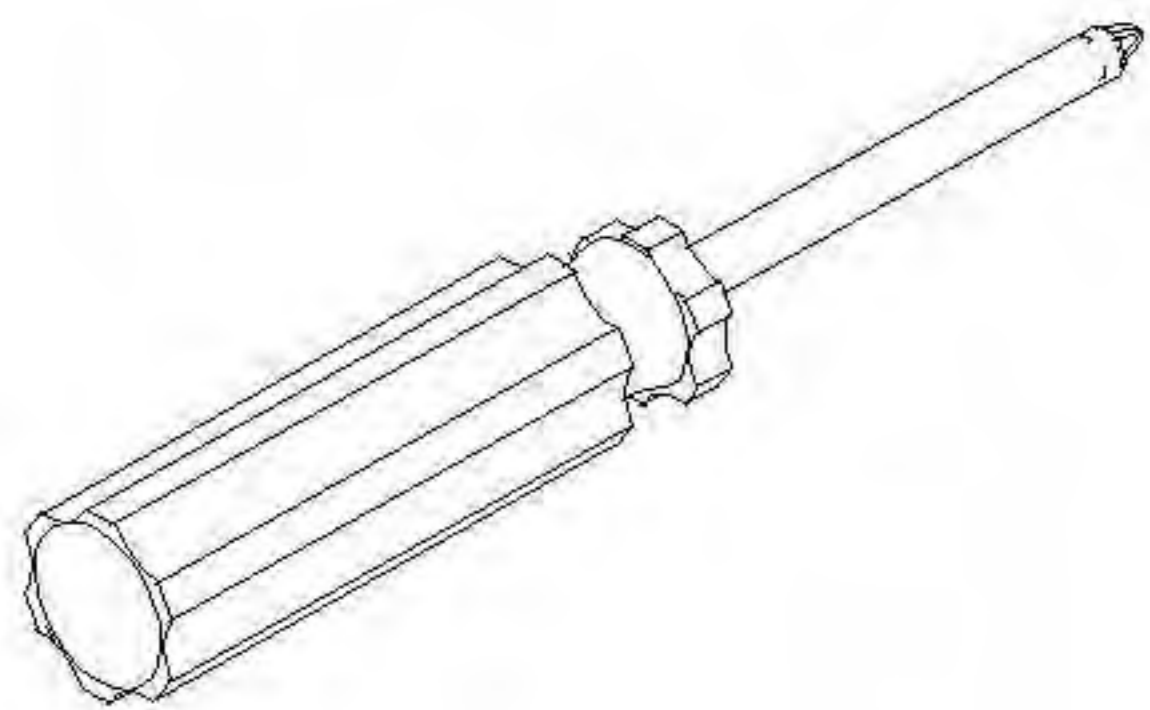
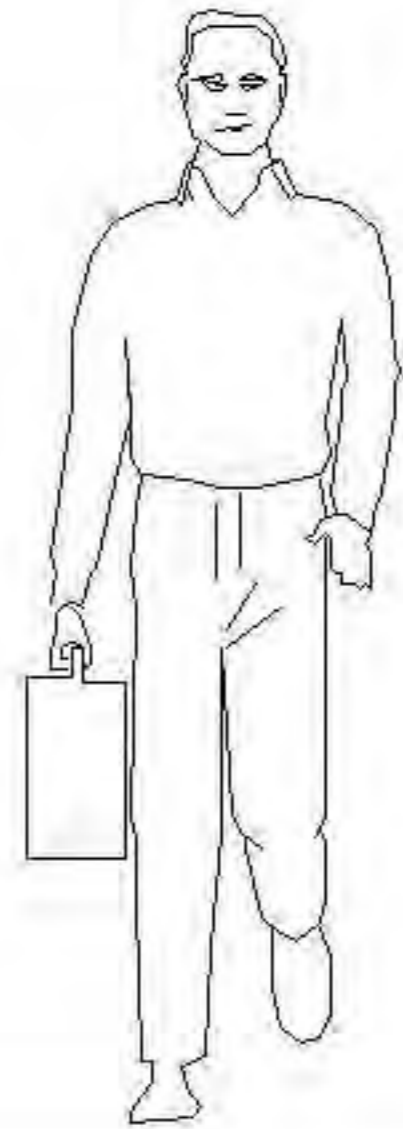
UM5C-A 六斗柜妆台  
UM5C-A Chest Of Drawers Dressing Table  
产品规格Specification: 2170\*399\*808mm  
该组合所包含的半成品如下:  
The semi-finished products included in the portfolio are as follows:  
UM5C-A 六斗柜/UM5C-A Chest Of Drawers  
产品规格Specification: 1193\*399\*622mm  
UM5C-A 妆台主体/UM5C-A Makeup stand  
产品规格Specification: 1193\*399\*808mm

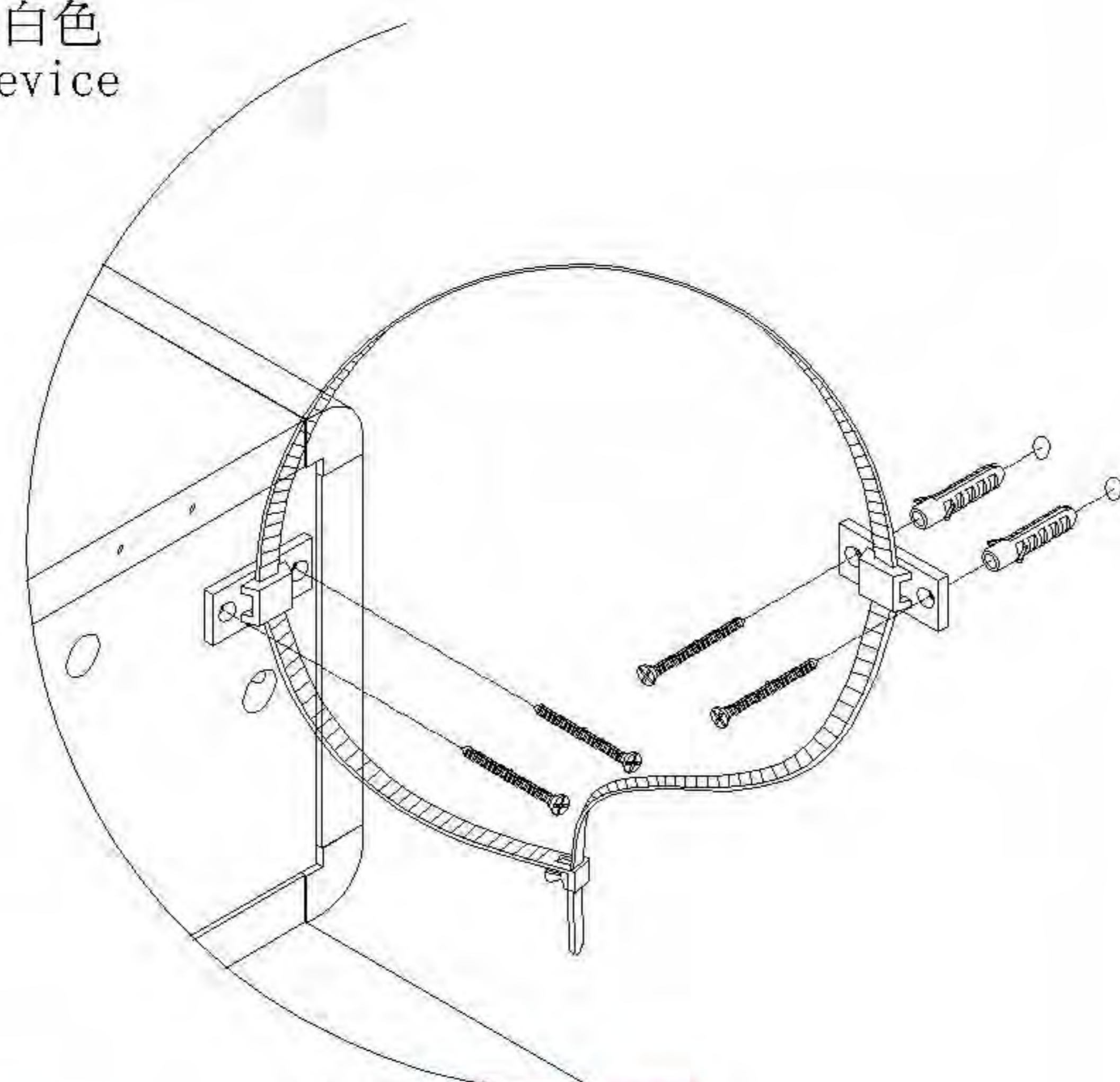


12

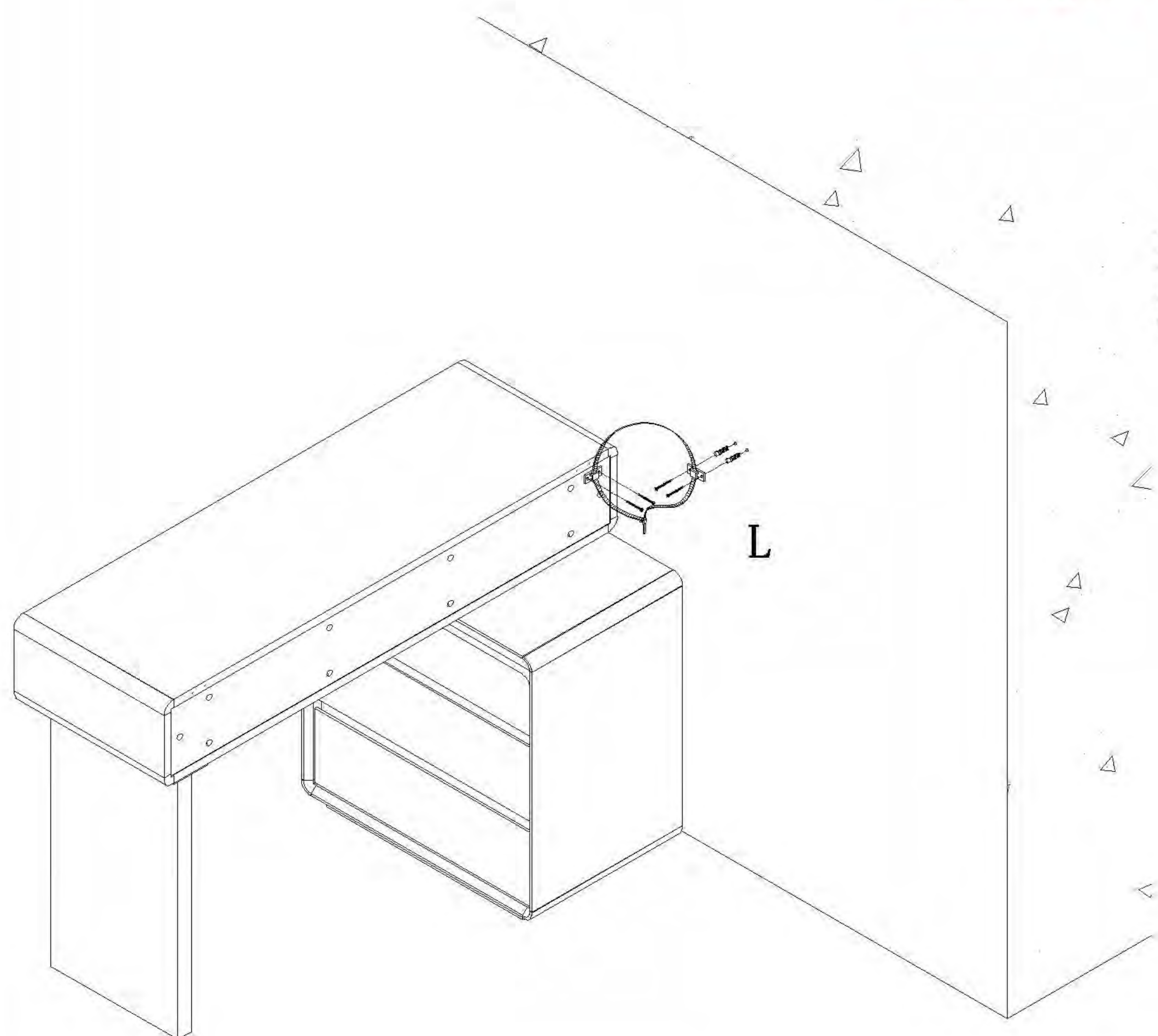
UM5C-A 九斗柜妆台  
UM5C-A Chest Of Drawers Dressing Table  
产品规格Specification: 2480\*399\*808mm  
该组合所包含的半成品如下:  
The semi-finished products included in the portfolio are as follows:  
UM5C-A 九斗柜/UM5C-A Chest Of Drawers  
产品规格Specification: 1494\*399\*622mm  
UM5C-A 妆台主体/UM5C-A Makeup stand  
产品规格Specification: 1193\*399\*808mm

## 安装示意图/Assembly Instruction

产品名称 Model NO.	Anti-fall device
产品规格 Specification	-
安装工具 Tool	安装人数 Installer
	



L处放大图  
Enlarged view at L



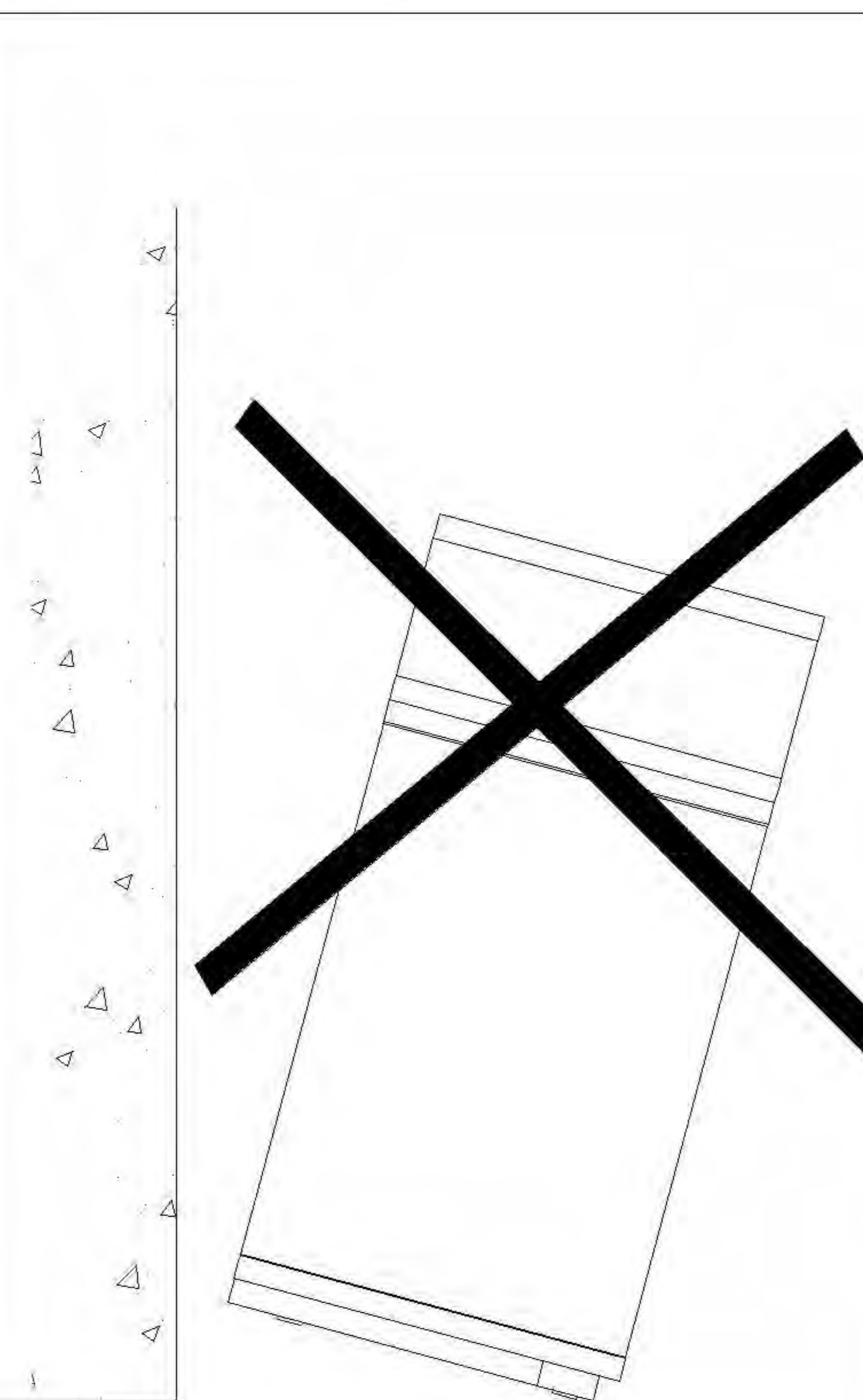
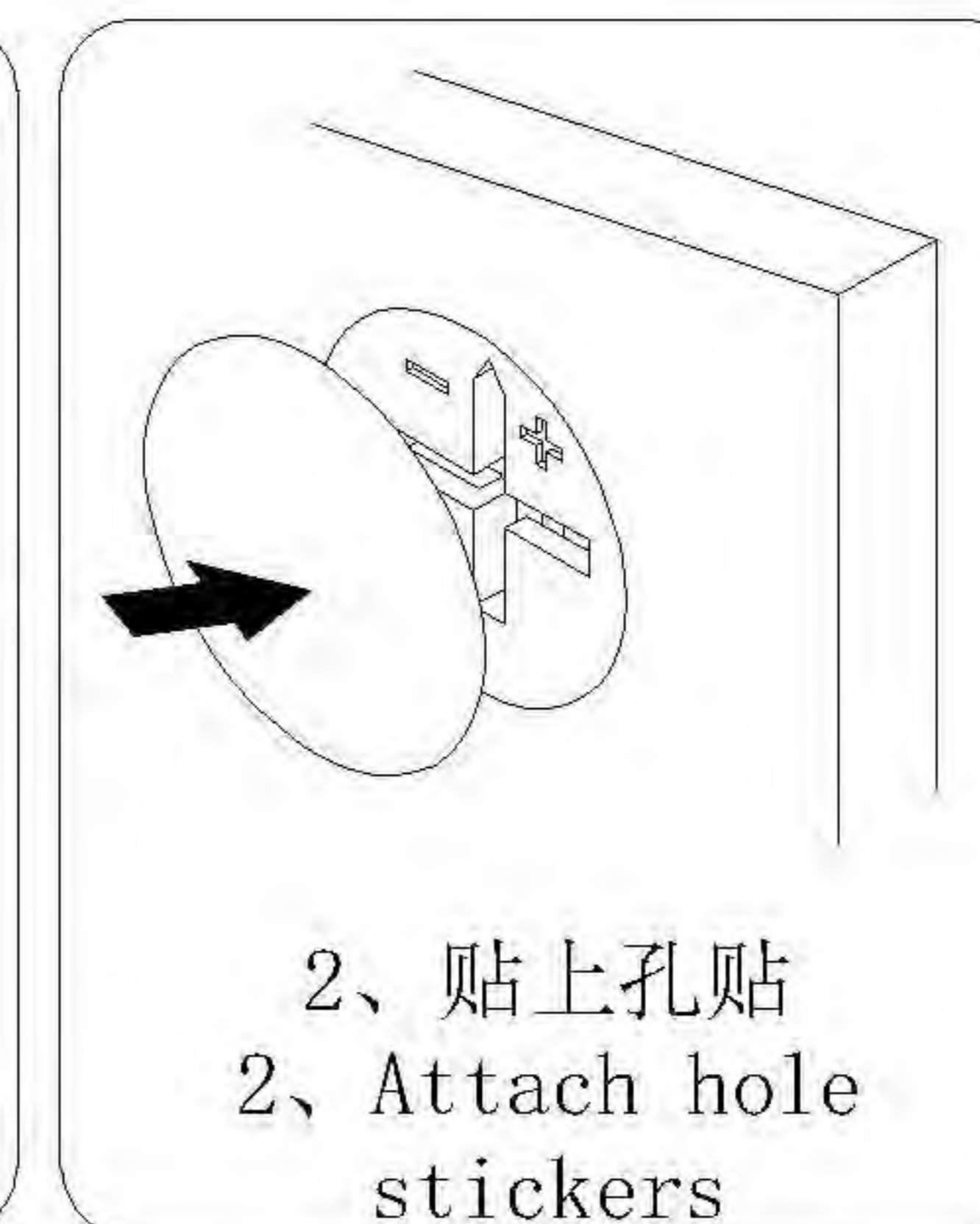
实体墙  
Solid wall

(M)\* 48

孔位贴使用小贴士  
产品安装完成后请贴上孔贴，多出的孔贴请保管好

Tips for using hole stickers:

After the product installation is completed, please attach the hole stickers. Please keep any extra hole stickers safe



注意：防倒器一定要按图安装，为防止柜子倾倒！

be careful: The anti fall device must be installed according to the diagram to prevent the cabinet from tipping over!