

LINSY 林氏家居

五金表/Hardware list

部件表/Parts List

安装示意图/Assembly Instruction

产品名称 Model NO.

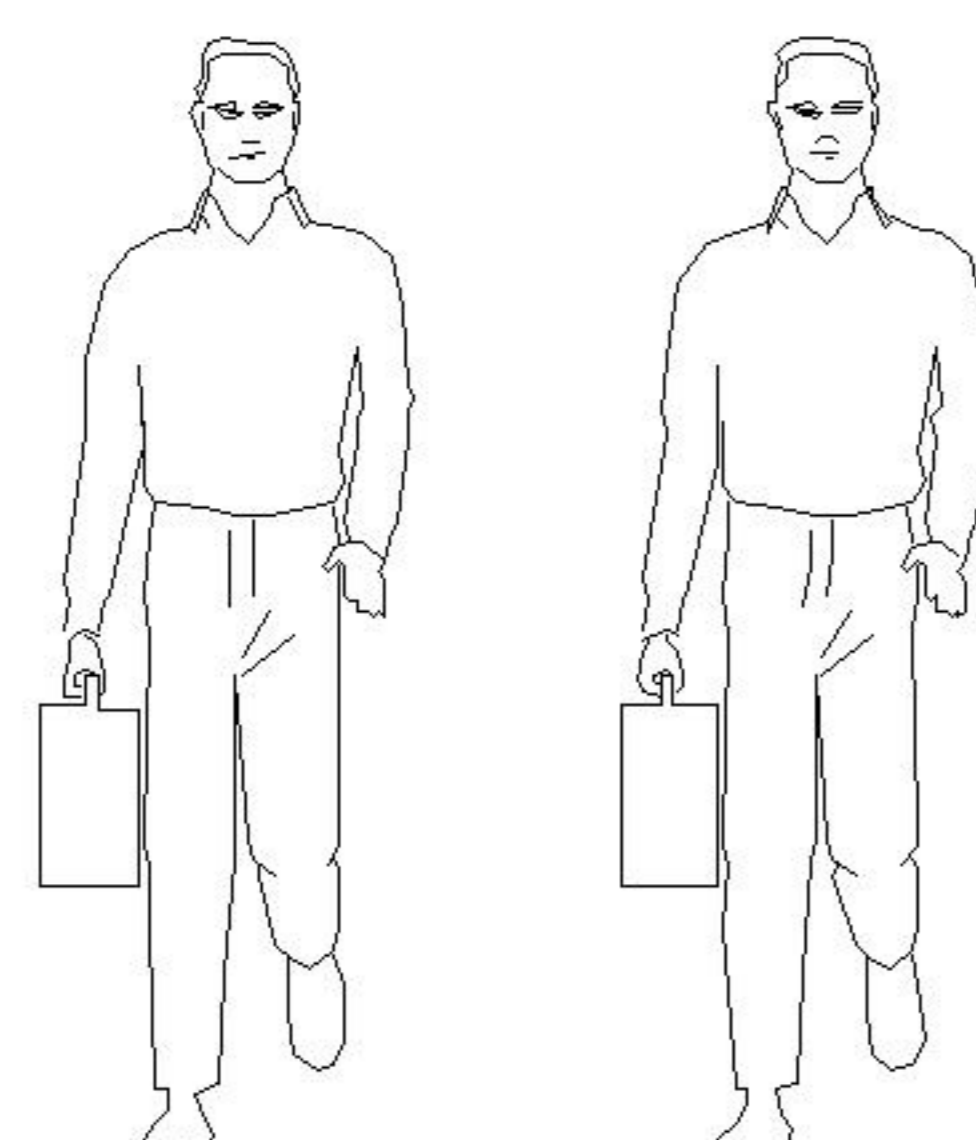
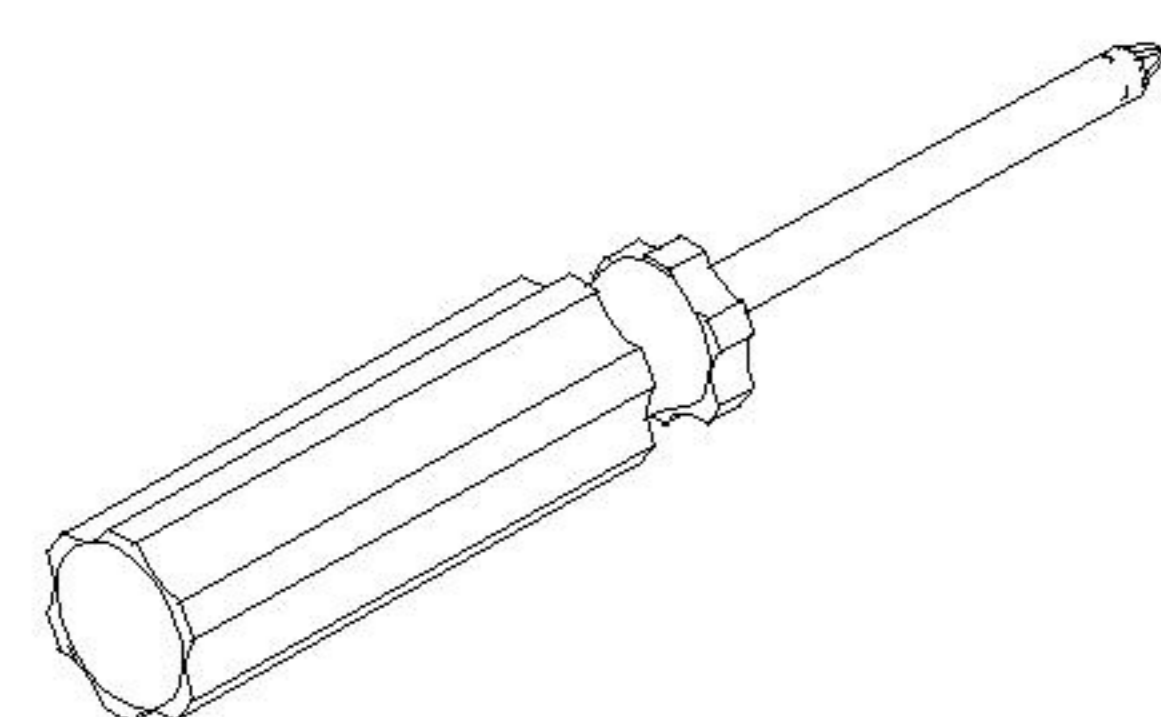
UB1C-E六斗柜

产品规格 Specification

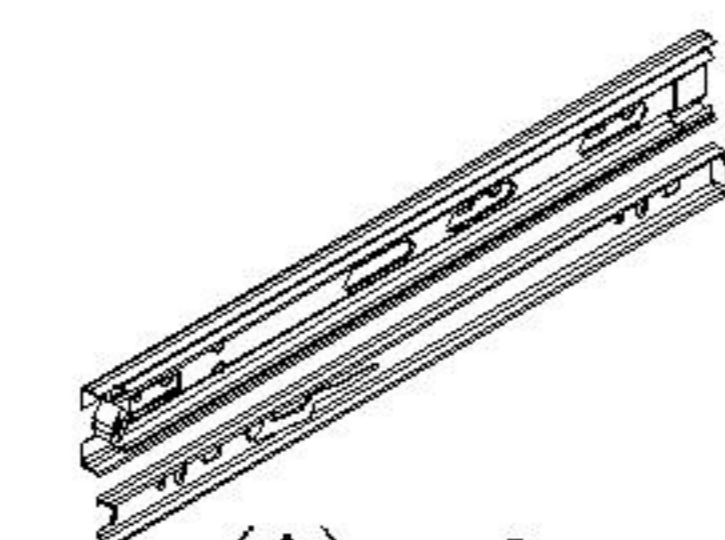
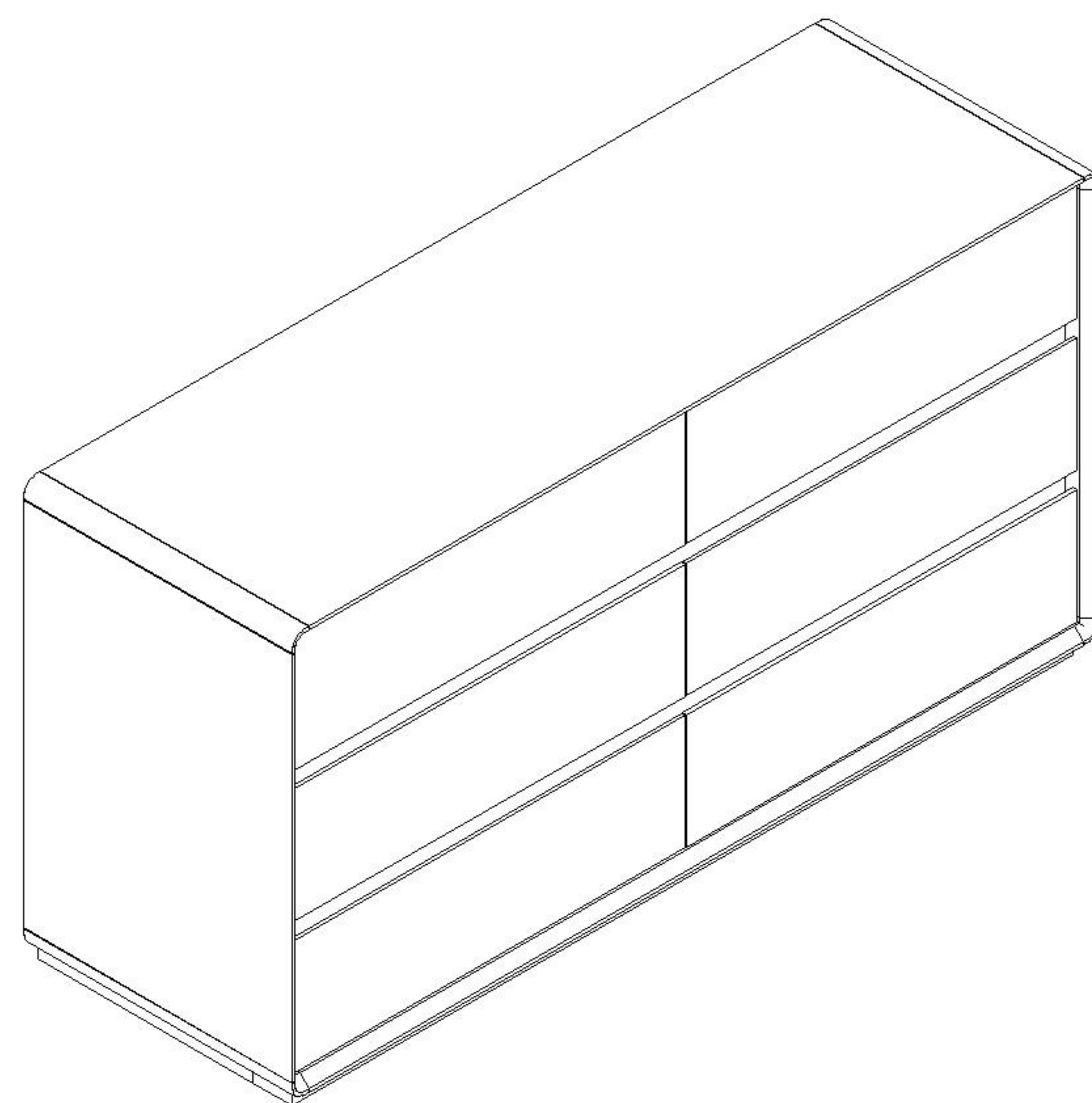
1200*398*628mm

安装工具 Tool

安装人数 Installer

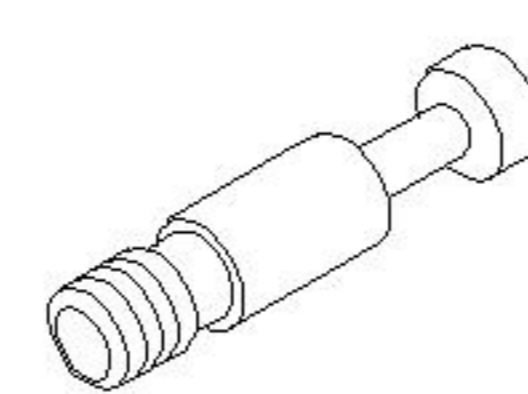


注：为保证设计效果，部分尺寸为定制尺寸，不影响使用。



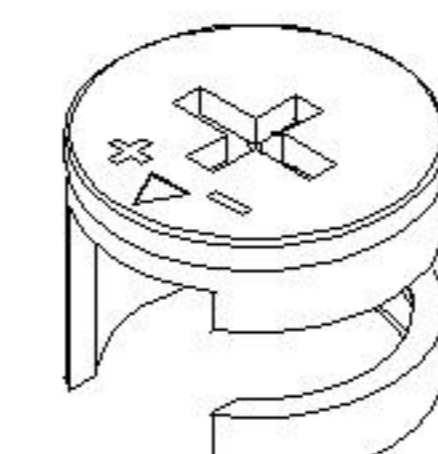
(A)* 6

三节滚珠导轨-10"
three-section ball rail



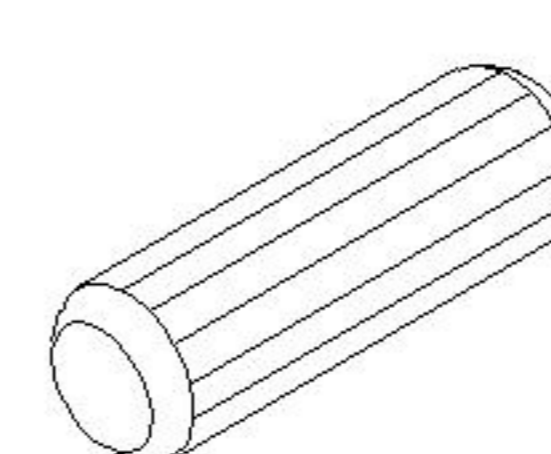
(B)* 99

二合一螺杆
2-in-1-screw



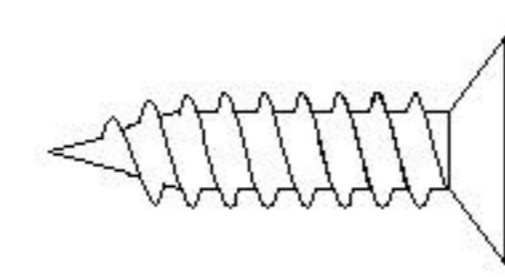
(C)* 99

大三合一锁饼
Three-in-one large lock



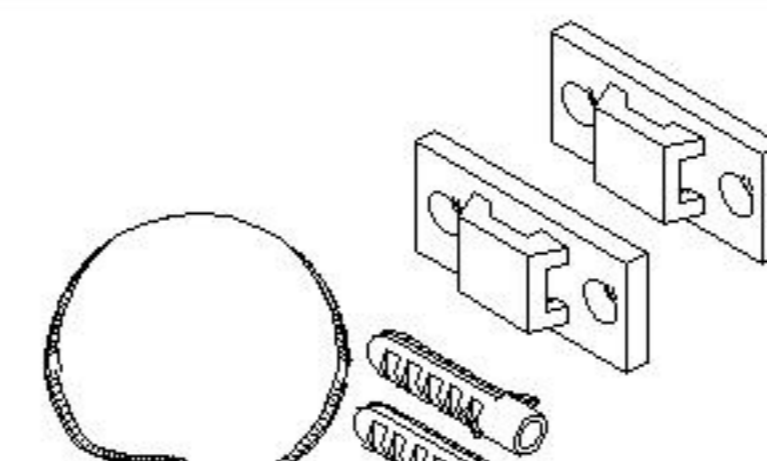
(D)* 21

木榫08x30mm
wood tenon



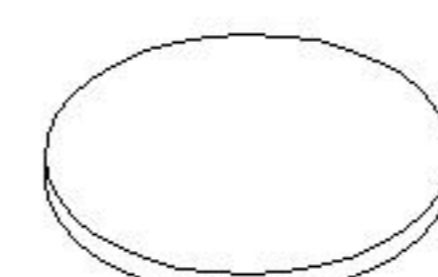
(E)* 76

自攻螺丝M3.5x12mm
Self-tapping screw



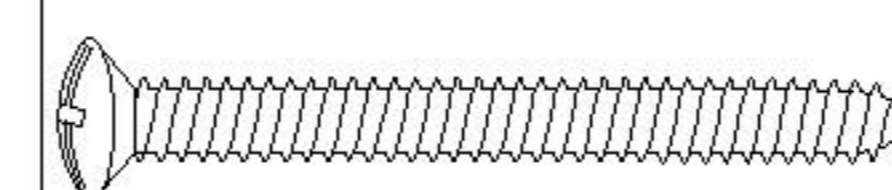
(F)* 1

家具防倒器-白色
Anti-fall device white



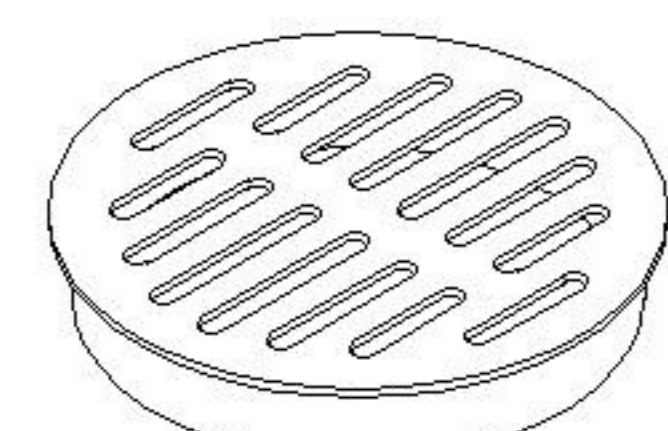
(G)* 10

灰色毛毡脚垫
Grey felt foot pad



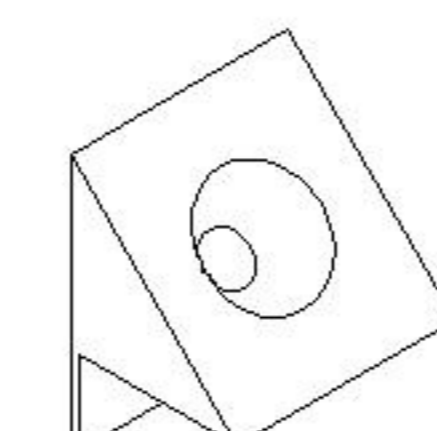
(H)* 11

自攻大扁M4*35mm
Self tapping flat screw



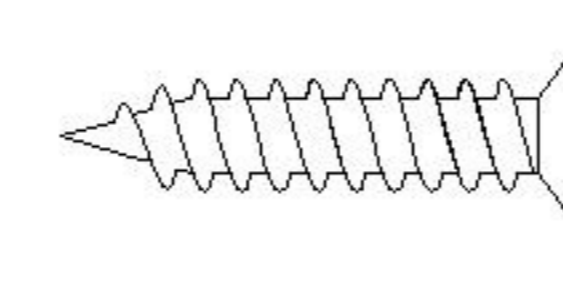
(I)* 2

透气孔盖
Vent cover



(J)* 8

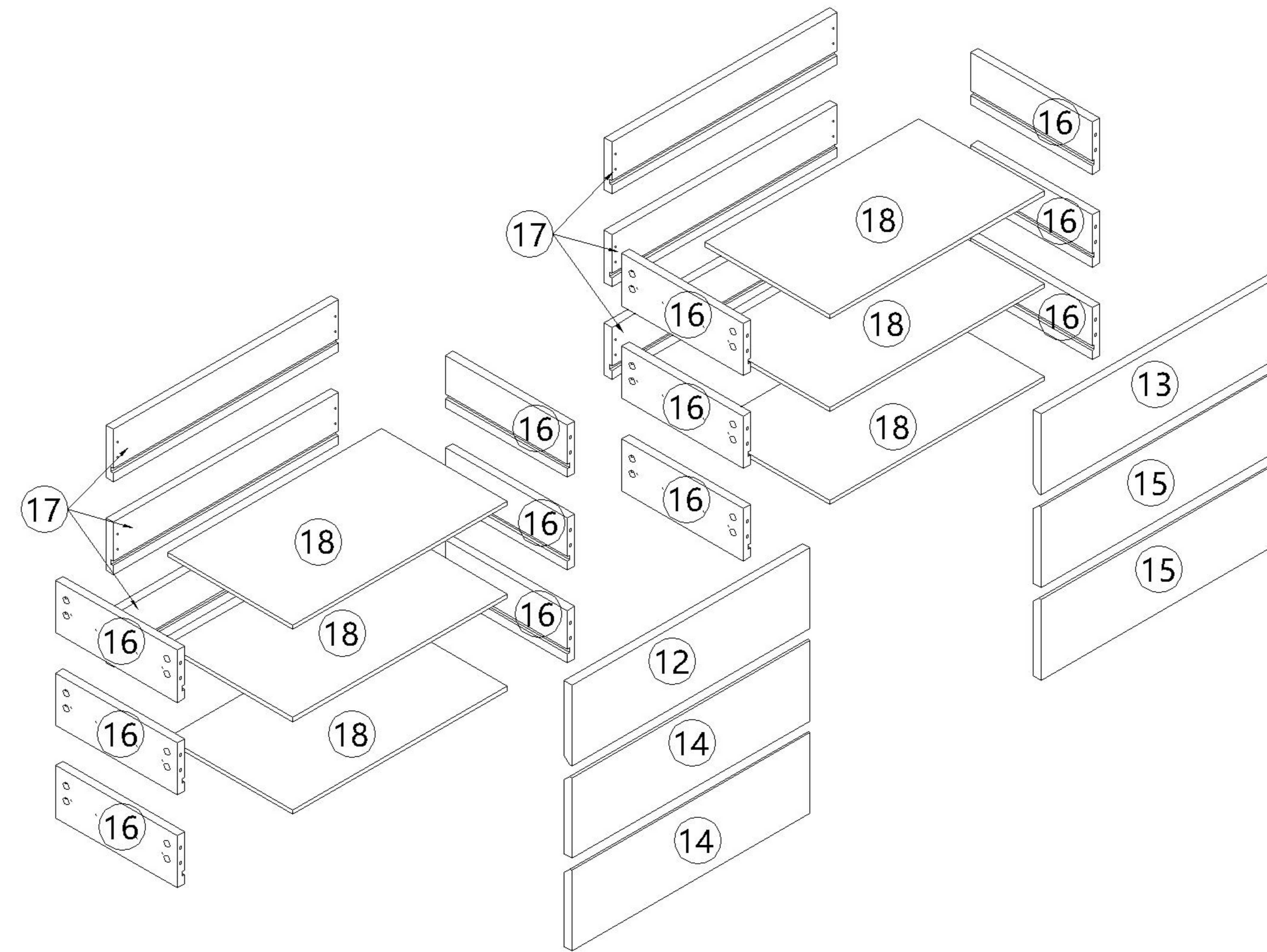
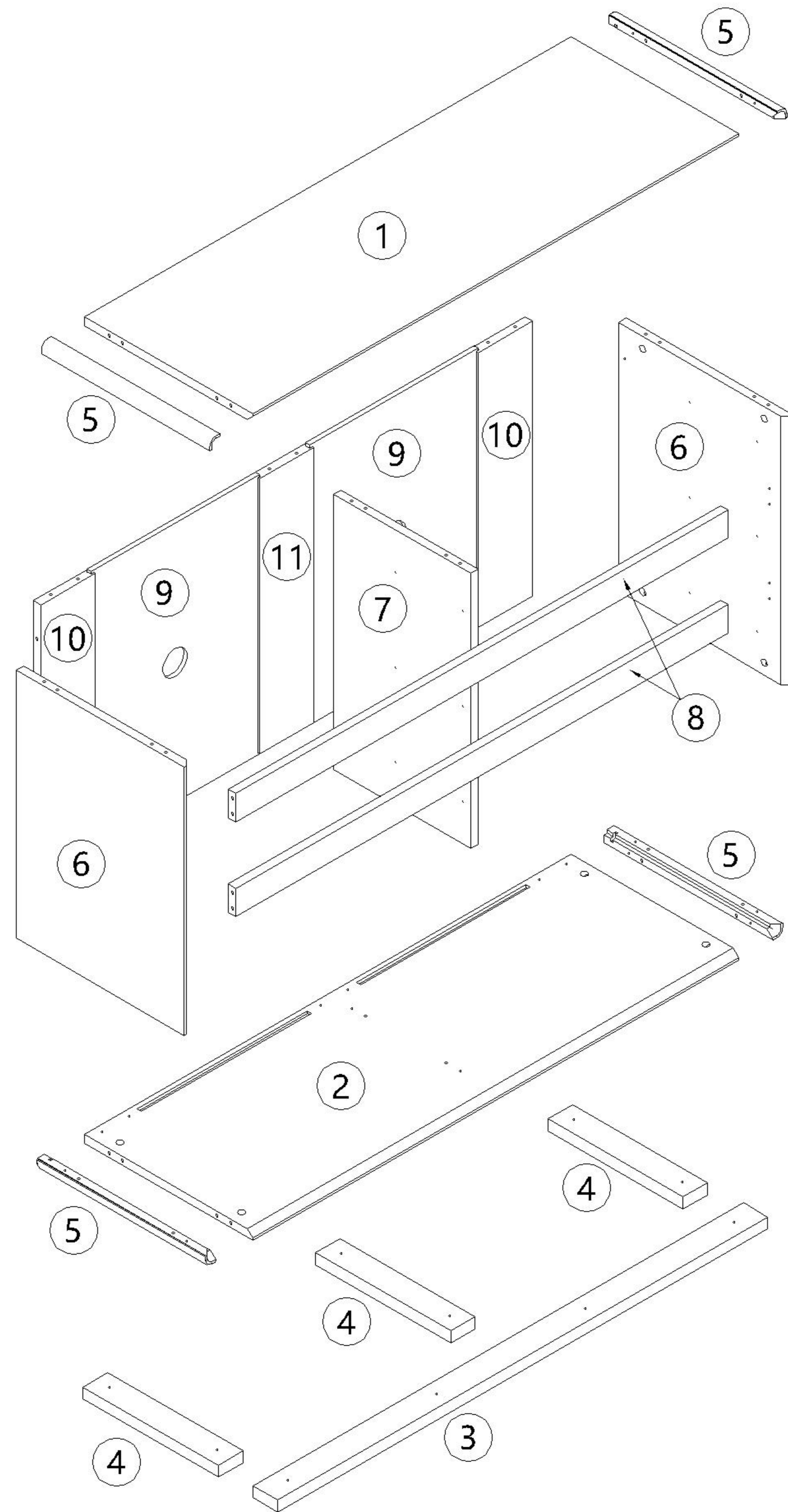
背板扣
Back Plate Buckle-White



(K)* 8

自攻螺丝M3.5x16mm
Self-tapping screw

编号NO.	名称Name	规格(mm) Specification	数量QTY	材质Material
①	面板Top panel	1150*398*18	1	胶合板 Plywood
②	底板Bottom board	1150*398*18	1	胶合板 Plywood
③	前立水Front apron	1160*58*25	1	胶合板 Plywood
④	侧立水Side apron	320*58*25	3	胶合板 Plywood
⑤	转角木Corner connection wood	398*25*25	4	橡胶木 Rubber wood
⑥	侧板Side board	550*398*18	2	胶合板 Plywood
⑦	中侧板Middle side board	564*324*18	1	胶合板 Plywood
⑧	前拉条Front brace	1164*58*18	2	胶合板 Plywood
⑨	背板Back board	574*398*9	2	胶合板 Plywood
⑩	边背拉条Side back brace	564*129*18	2	胶合板 Plywood
⑪	背拉条Back brace	564*129*18	1	胶合板 Plywood
⑫	左上抽屉面板Upper left drawer panel	579*170*18	1	胶合板 Plywood
⑬	右上抽屉面板Upper right drawer panel	579*170*18	1	胶合板 Plywood
⑭	左下抽屉面板Lower left drawer panel	579*170*18	2	胶合板 Plywood
⑮	右下抽屉面板Lower right drawer panel	579*170*18	2	胶合板 Plywood
⑯	抽屉侧板Drawer's sideboard	295*110*18	12	胶合板 Plywood
⑰	抽屉后板Drawer's Back board	547*110*18	6	胶合板 Plywood
⑱	抽屉底板Drawer's Bottom board	521*305*9	6	胶合板 Plywood



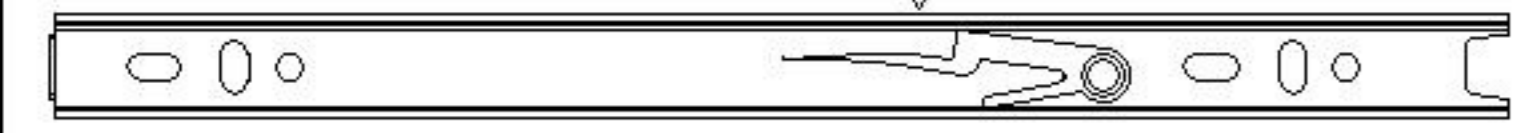
编号NO.	名称Name
①	面板Top panel
②	底板Bottom board
③	前立水Front apron
④	侧立水Side apron
⑤	转角木Corner connection wood
⑥	侧板Side board
⑦	中侧板Middle side board
⑧	前拉条Front brace
⑨	背板Back board
⑩	边背拉条Side back brace
⑪	背拉条Back brace
⑫	左上抽屉面板Upper left drawer panel
⑬	右上抽屉面板Upper right drawer panel
⑭	左下抽屉面板Lower left drawer panel
⑮	右下抽屉面板Lower right drawer panel
⑯	抽屉侧板Drawer's sideboard
⑰	抽屉后板Drawer's Back board
⑱	抽屉底板Drawer's Bottom board

UB1C-E六斗柜

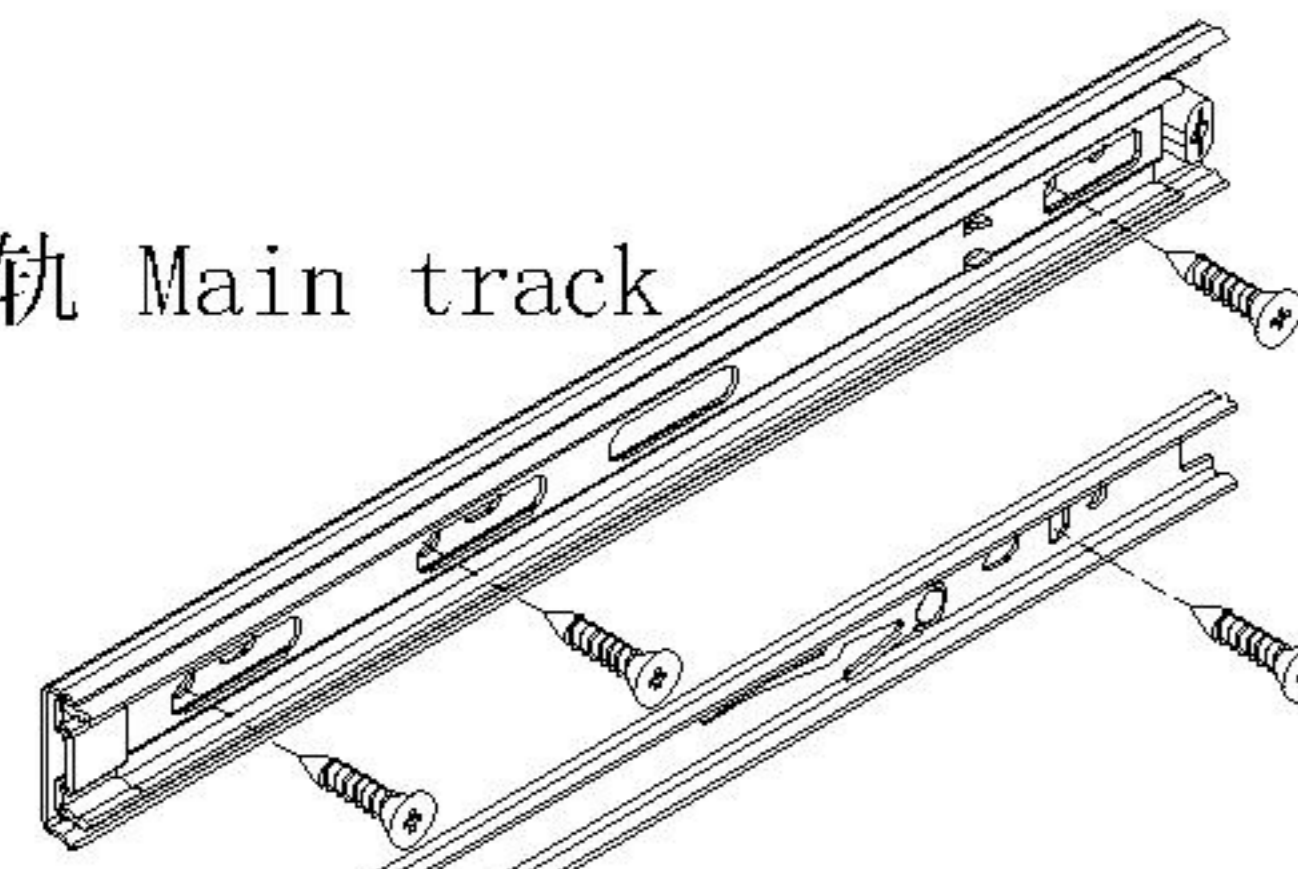
安装方法/
Installation method

阀门开关(下压为开)
Valve switch (press down to open)

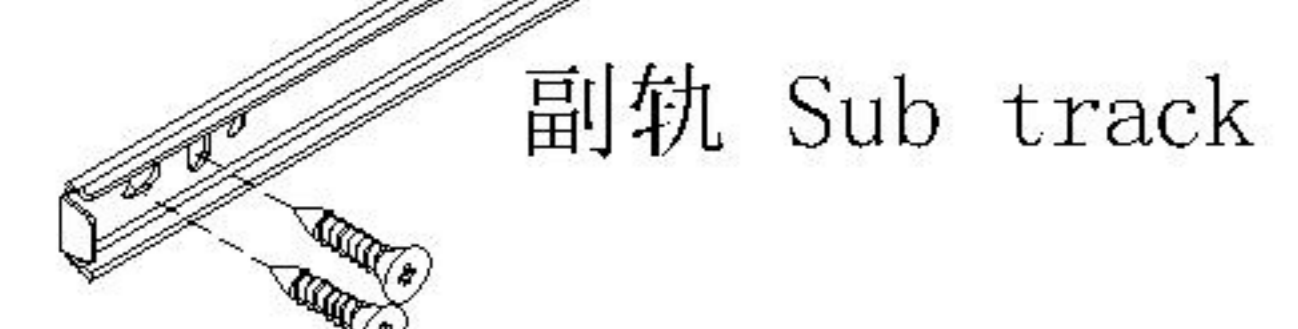
前 Forward 后 Back



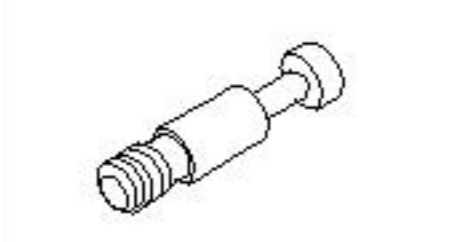
主轨 Main track



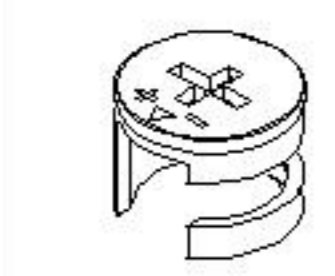
副轨 Sub track



三节滚珠导轨
Three-section rail



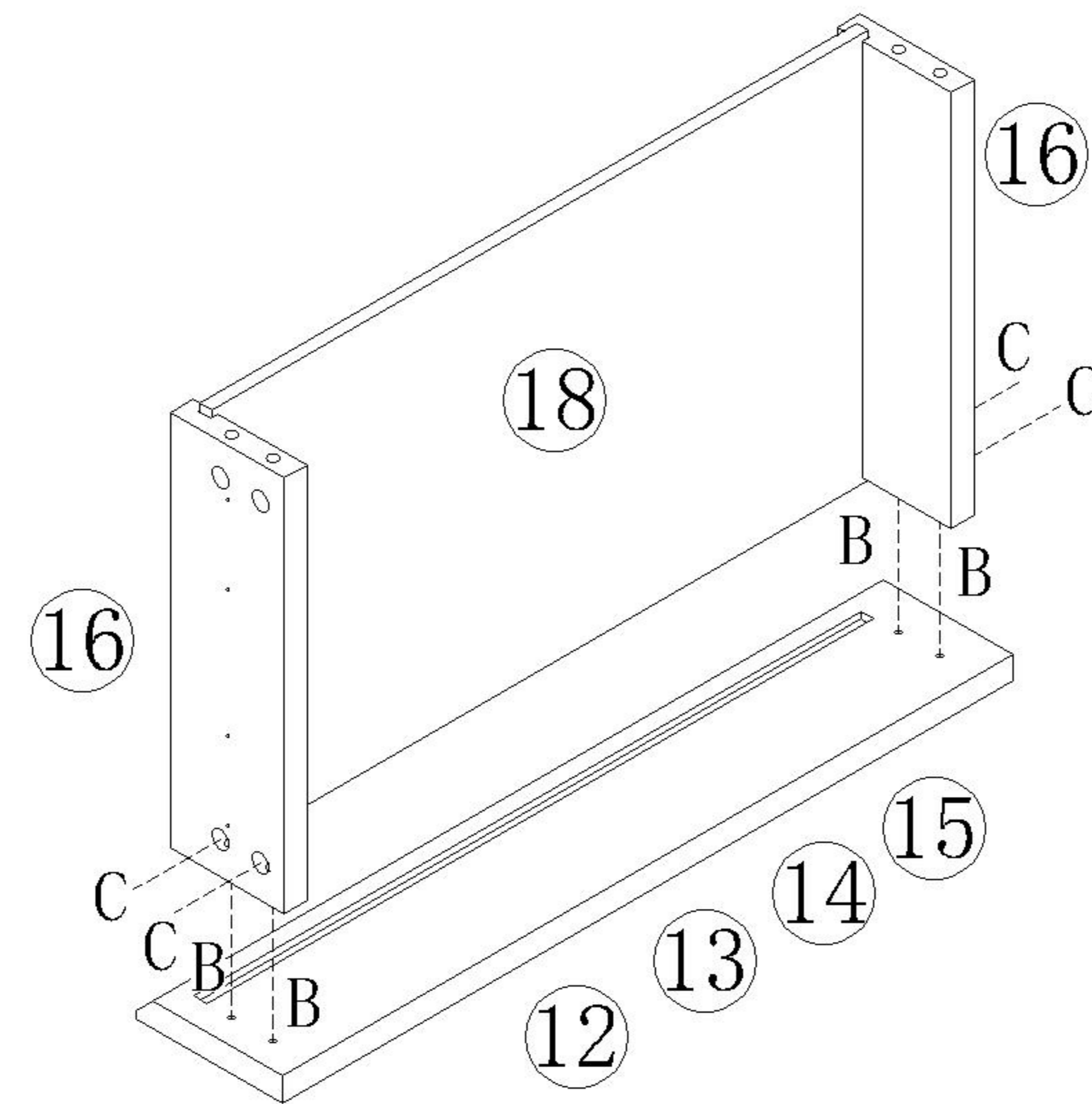
(B)*24



(C)*24

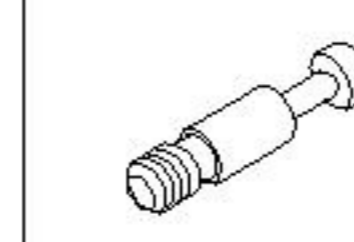
× 6

1

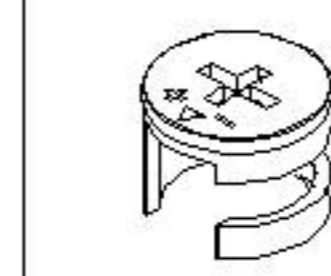


2

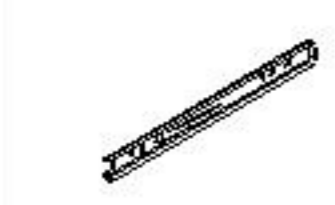
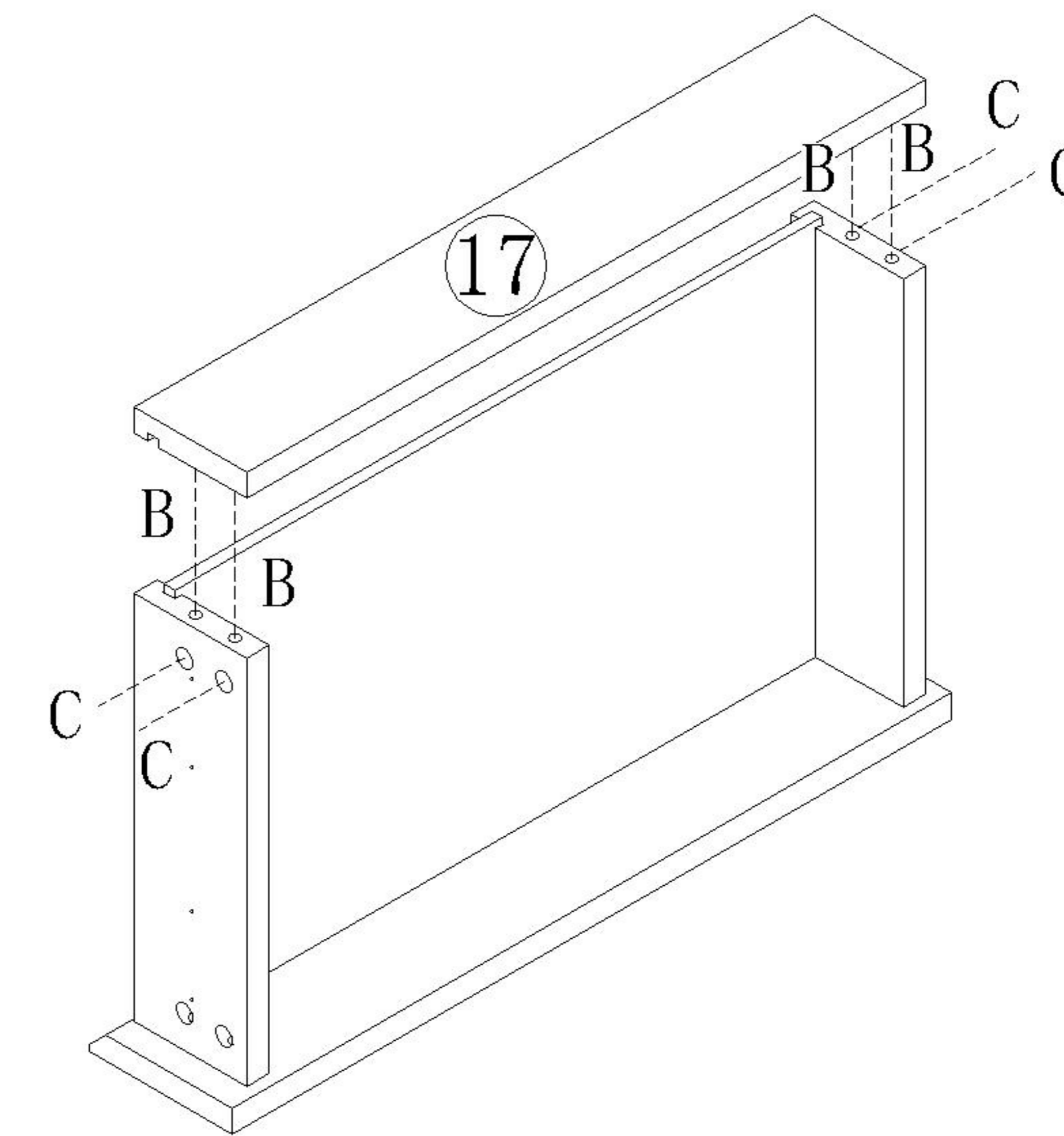
× 6



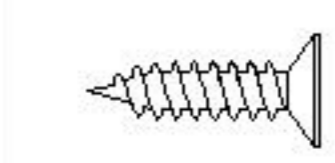
(B)*24



(C)*24



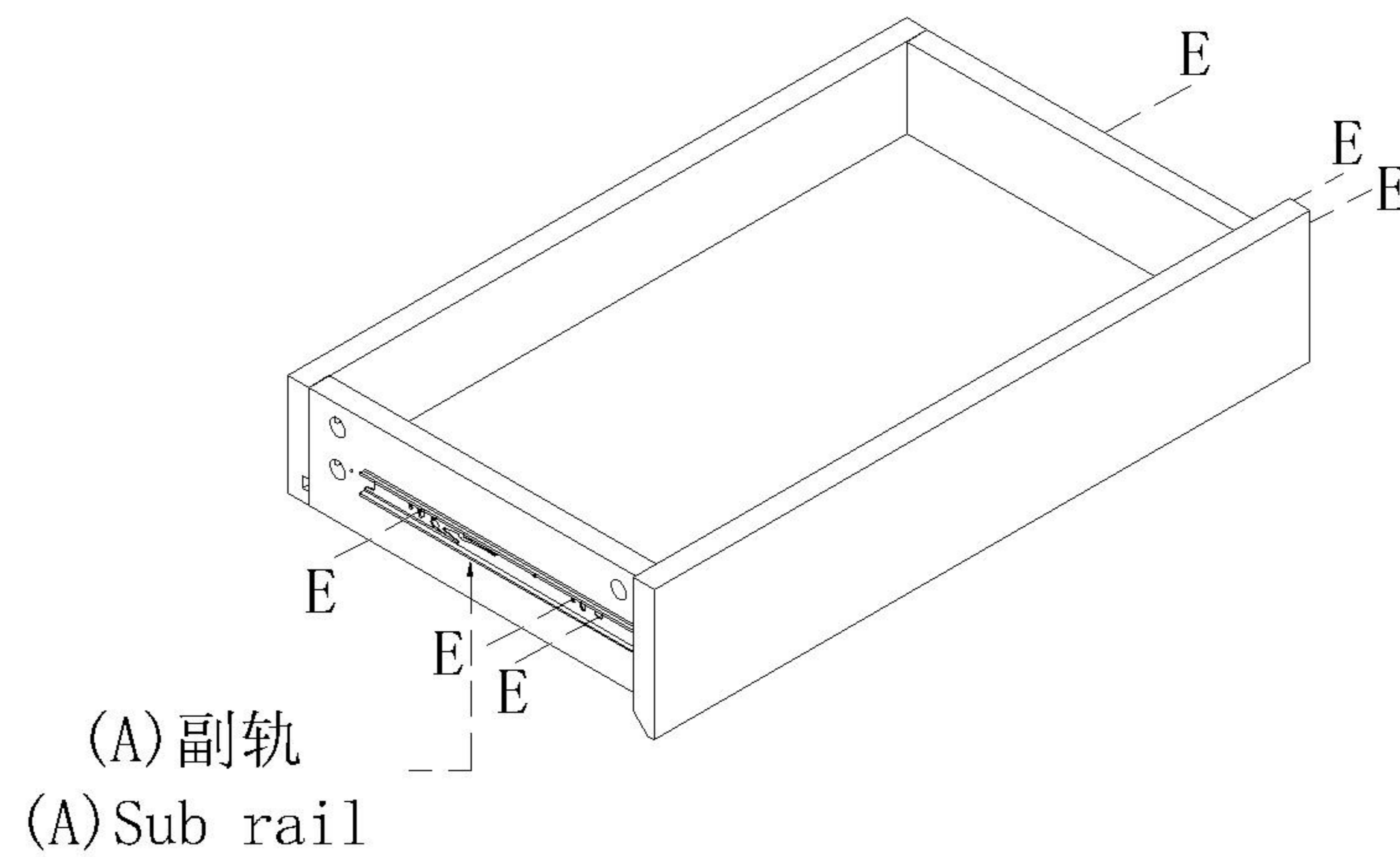
(A)*6



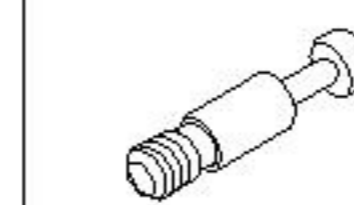
(E)*36

× 6

3



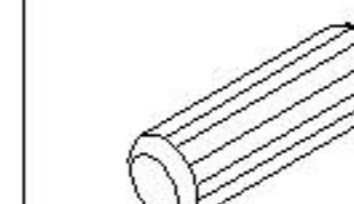
4



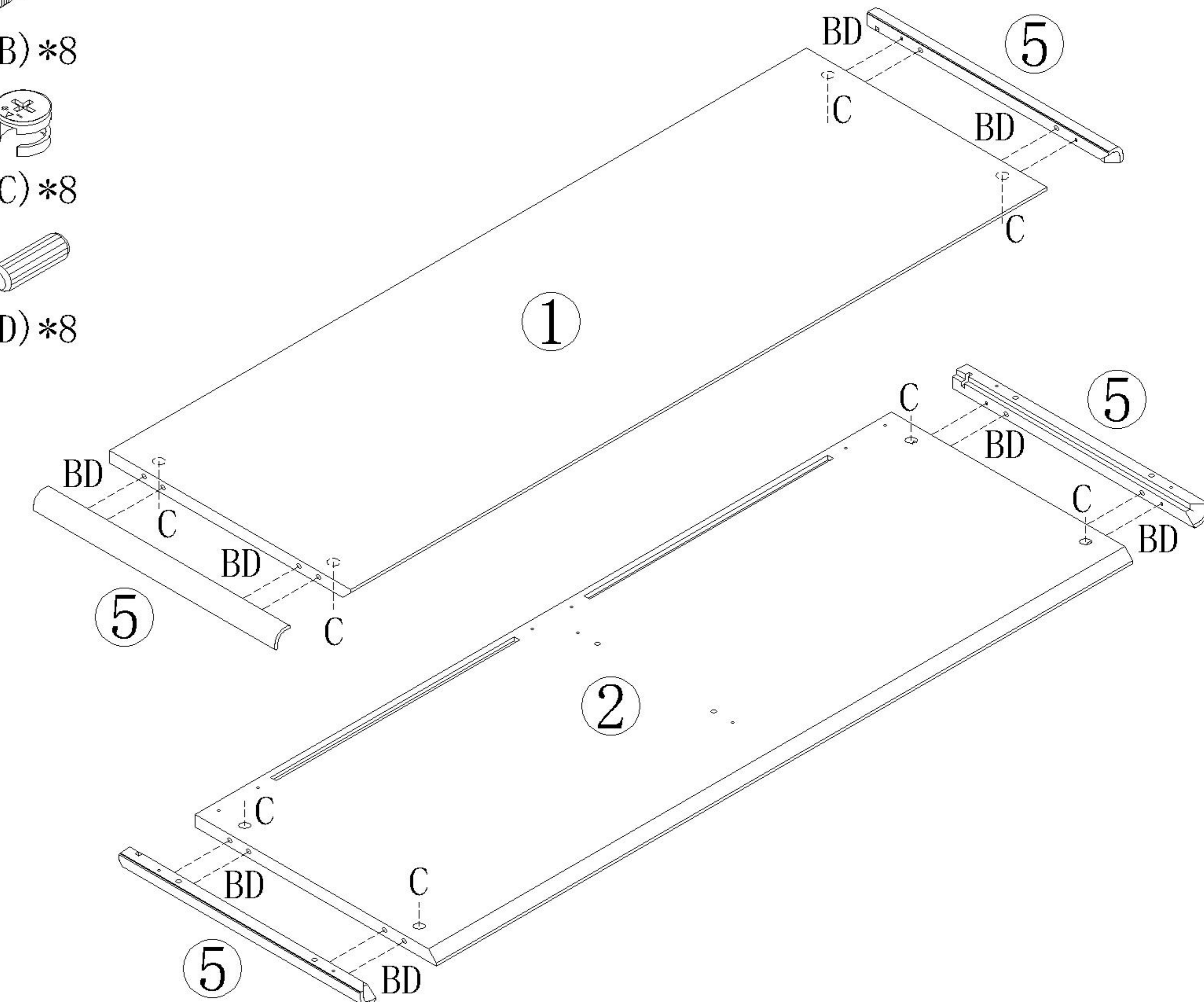
(B)*8



(C)*8

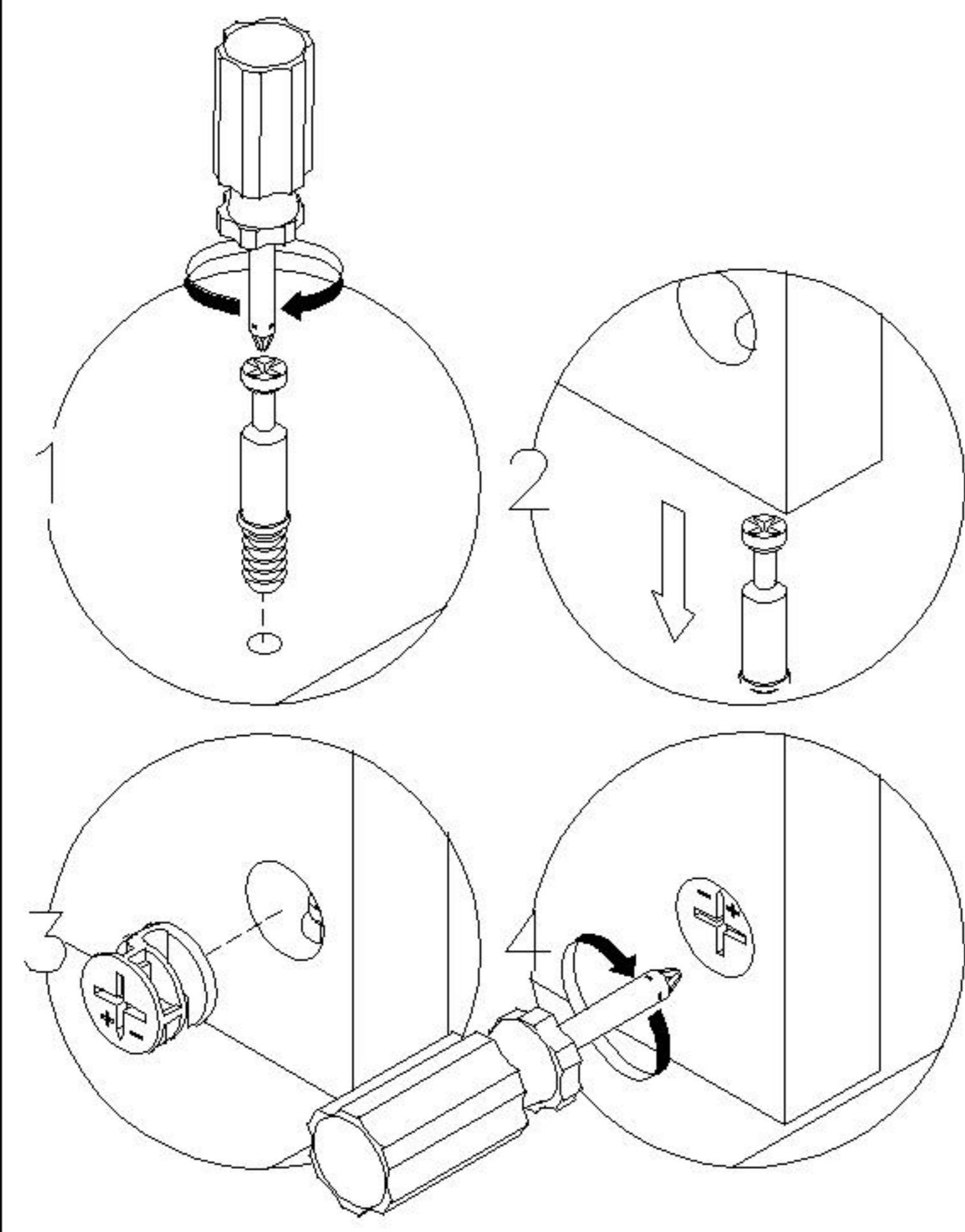


(D)*8



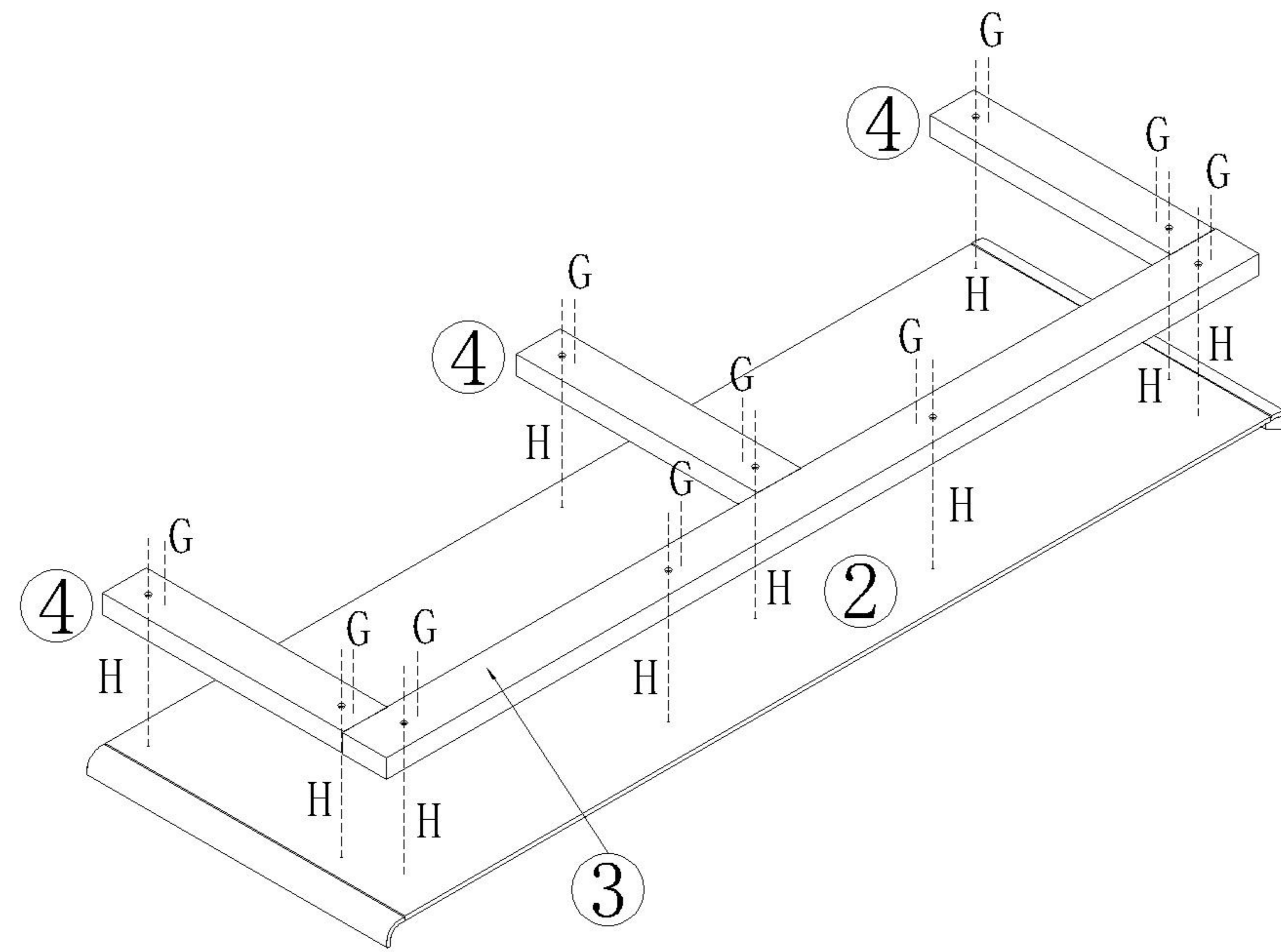
UB1C-E六斗柜

安装方法/
Installation method



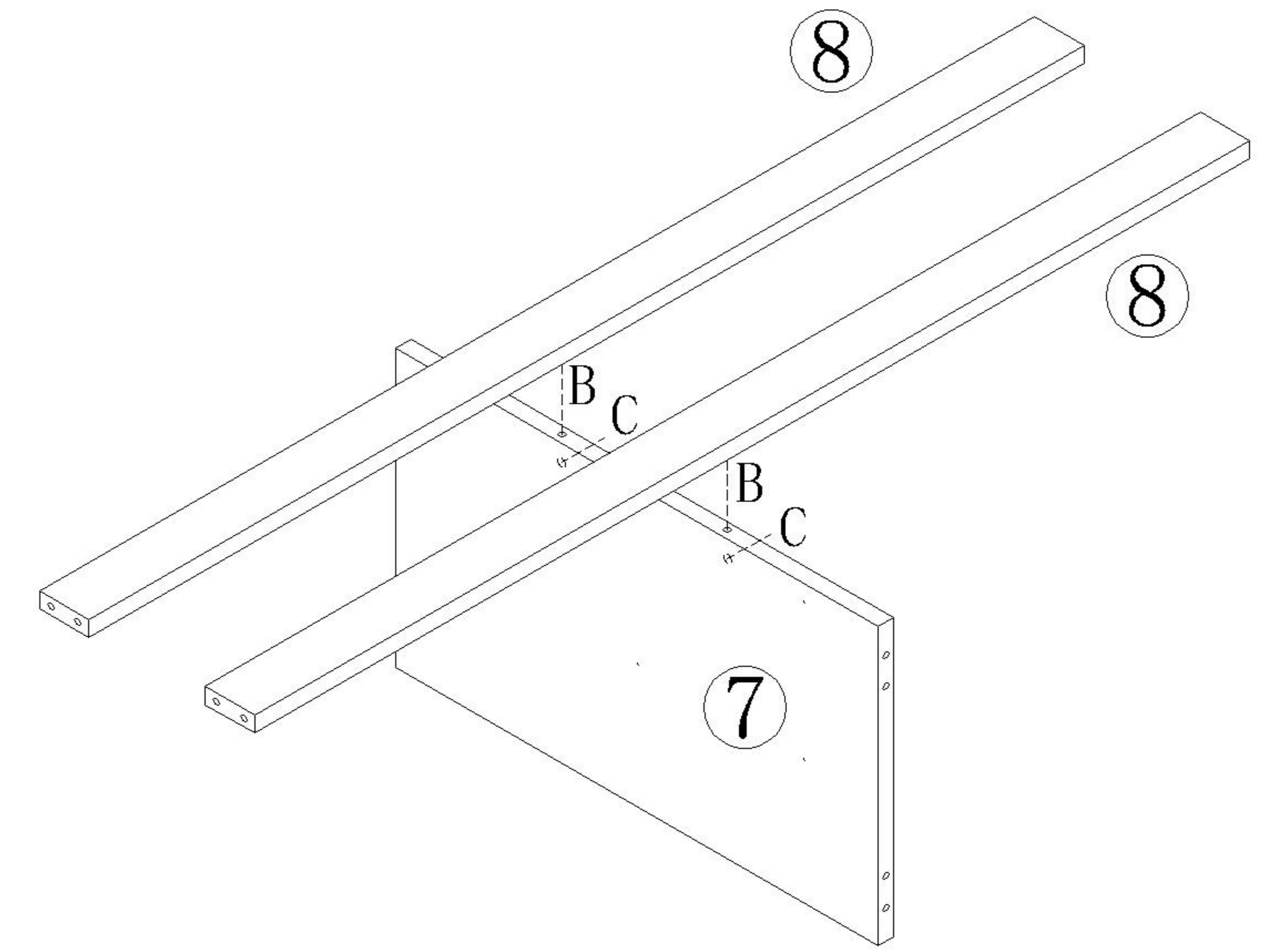
二合一 two-in-one

- (G)*10
- (H)*10



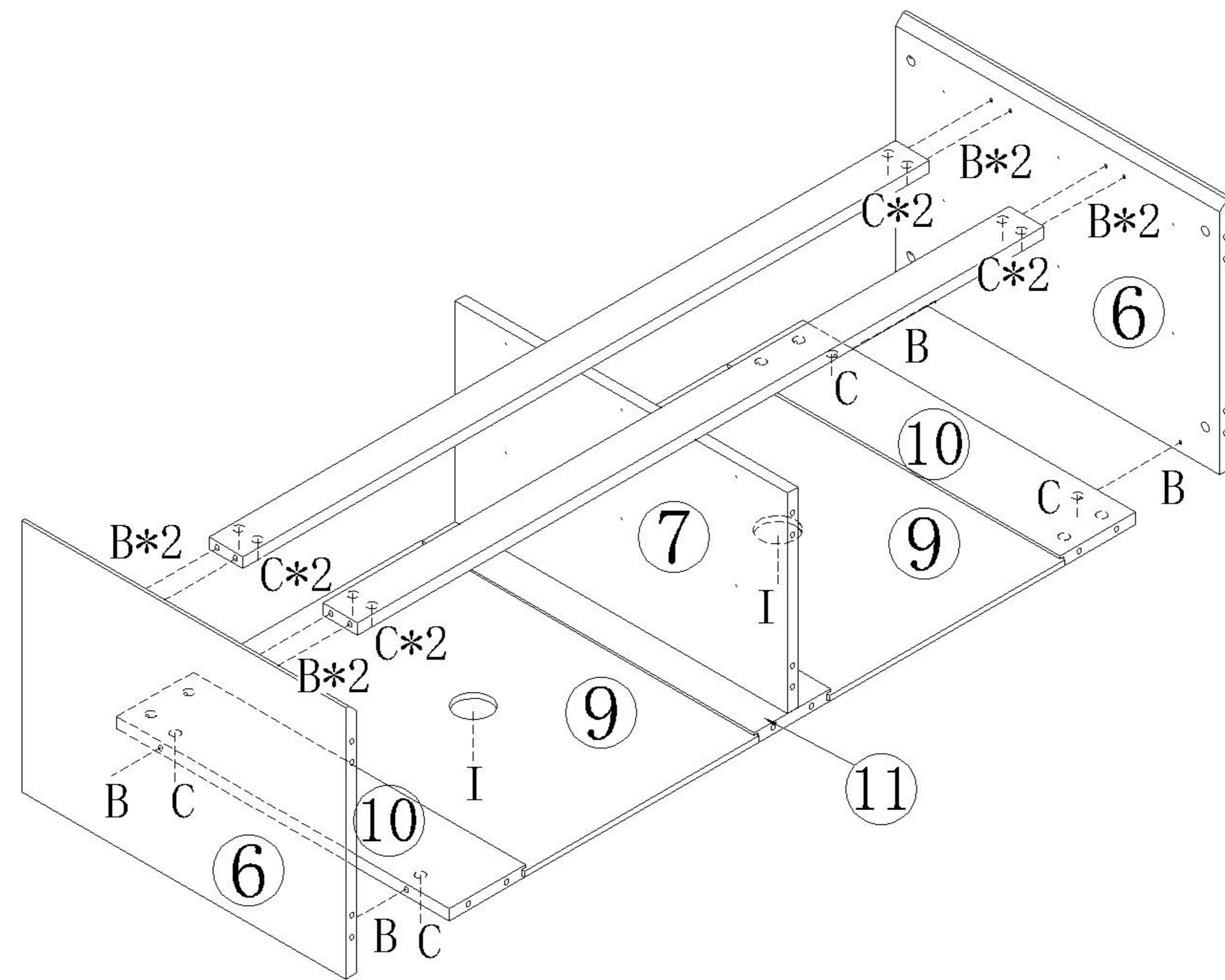
5

- (B)*2
- (C)*2



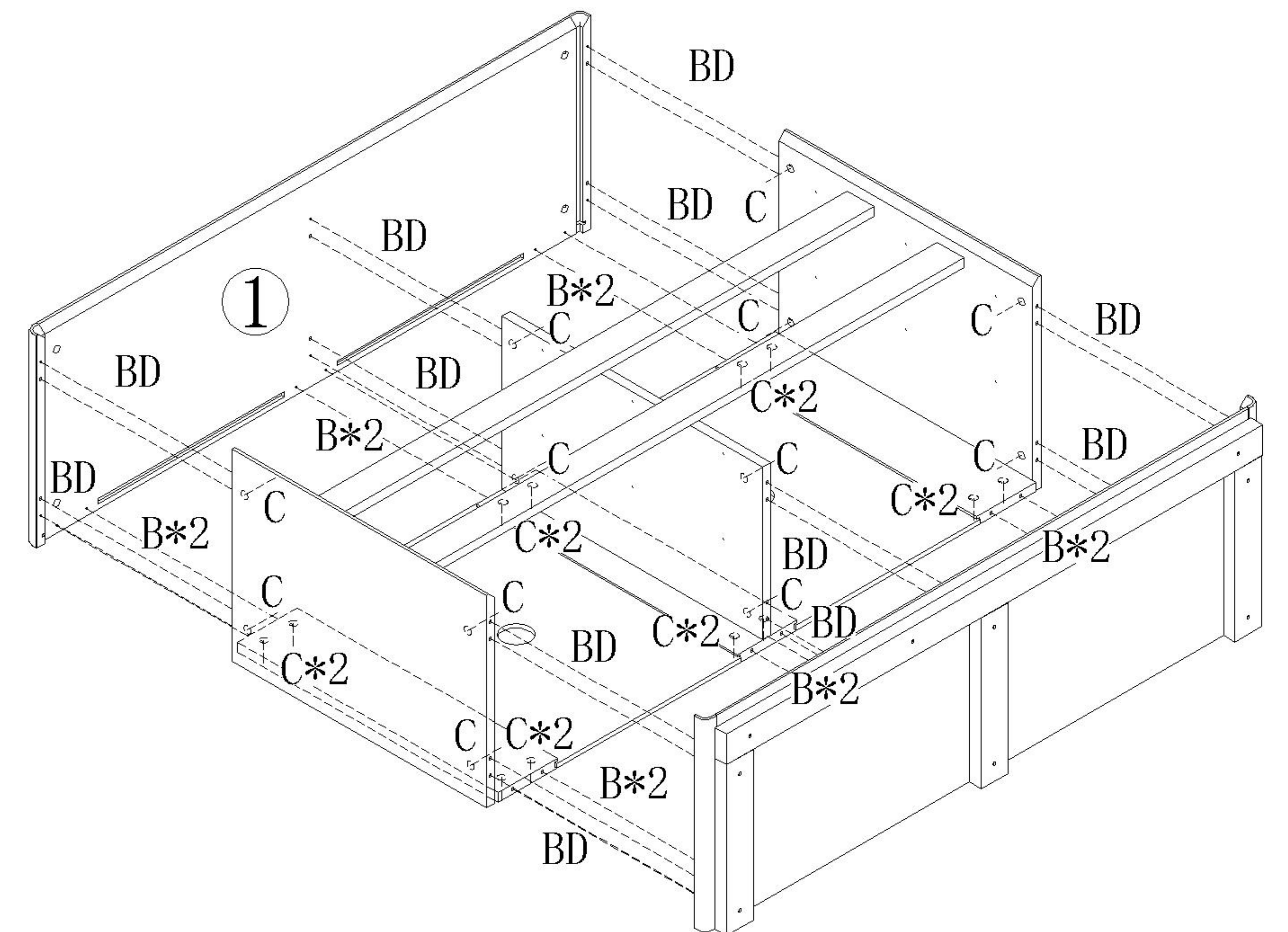
6

- (B)*12
- (C)*12
- (I)*2



7

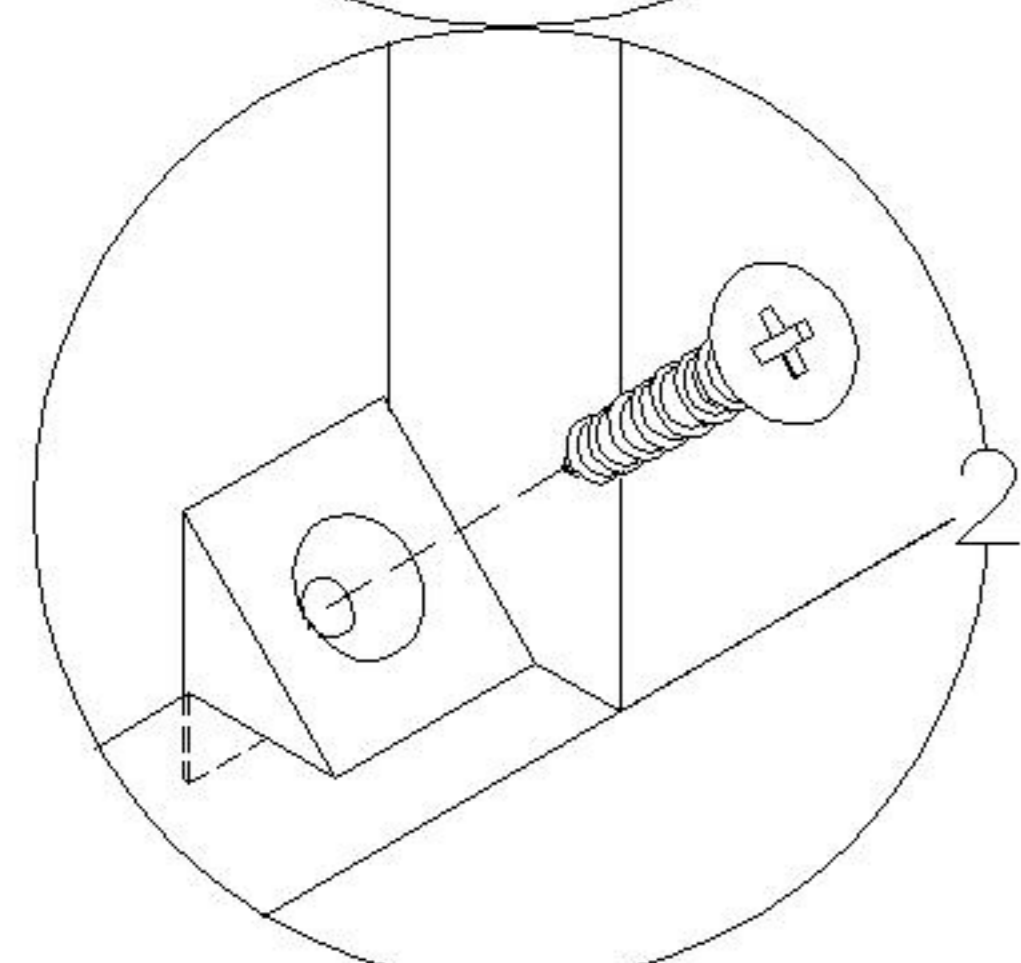
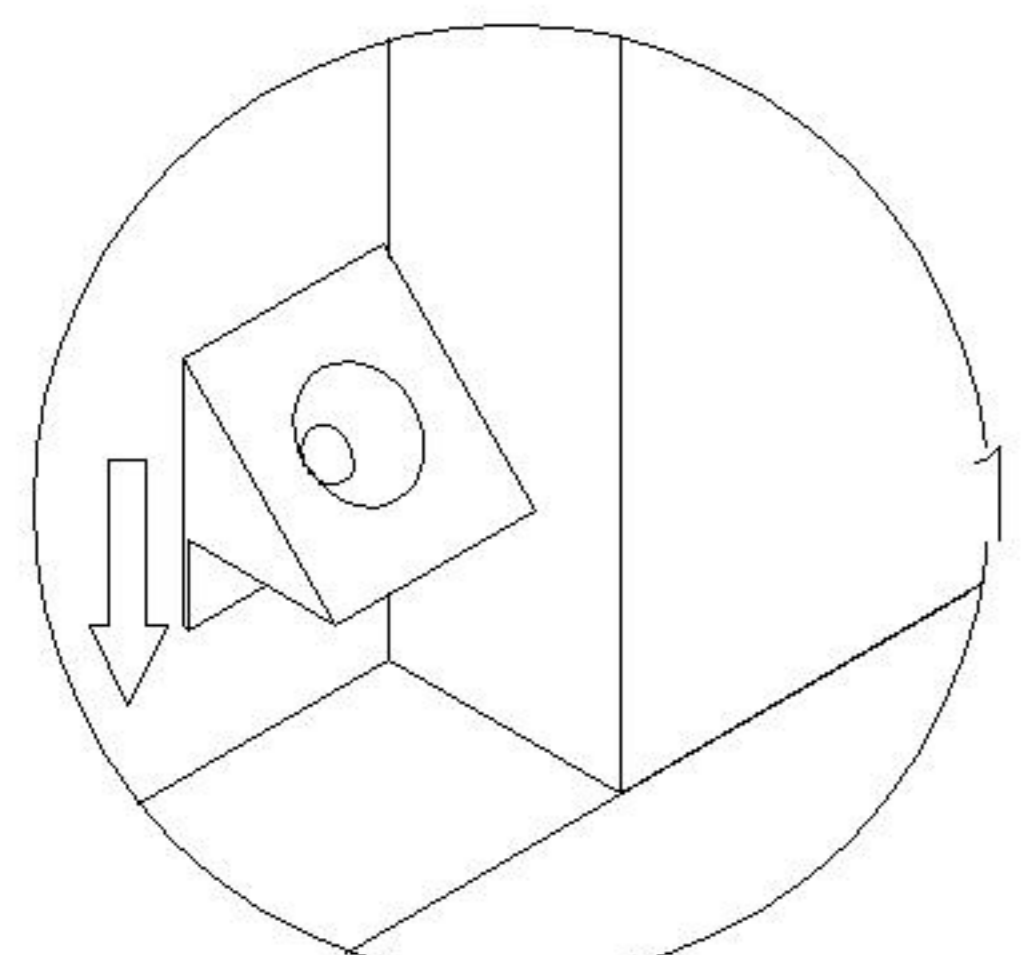
- (B)*24
- (C)*24
- (D)*12



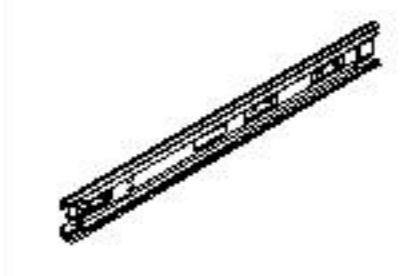
8

UB1C-E六斗柜

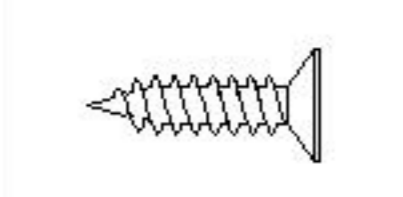
安装方法/
Installation method



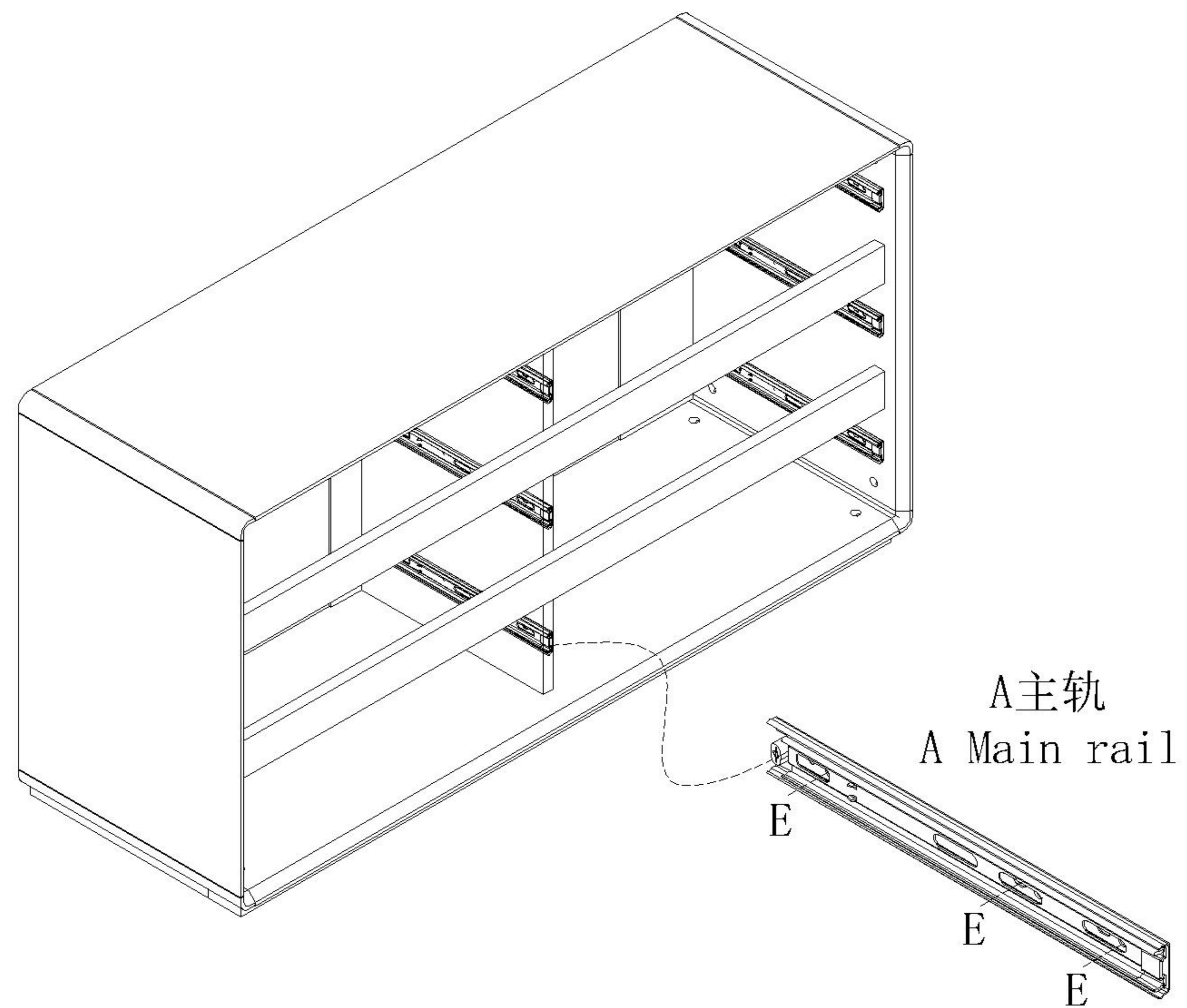
背板扣
Back Plate Buckle



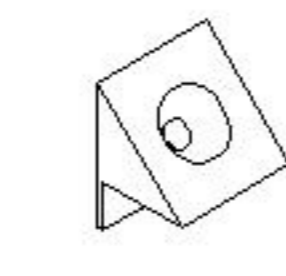
(A)*6



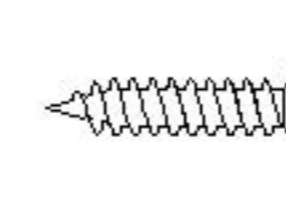
(E)*36



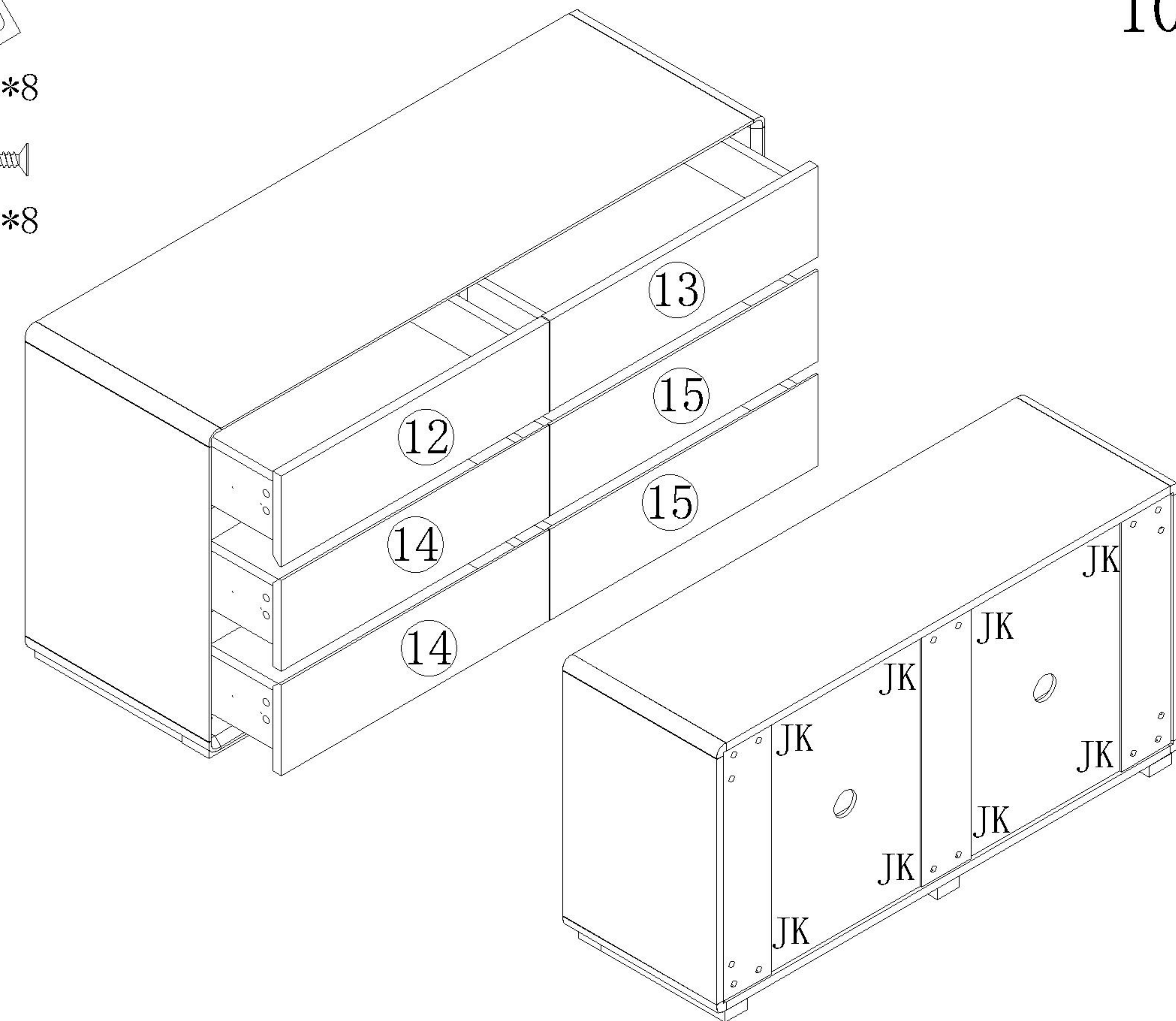
9



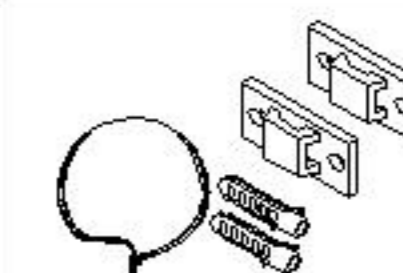
(J)*8



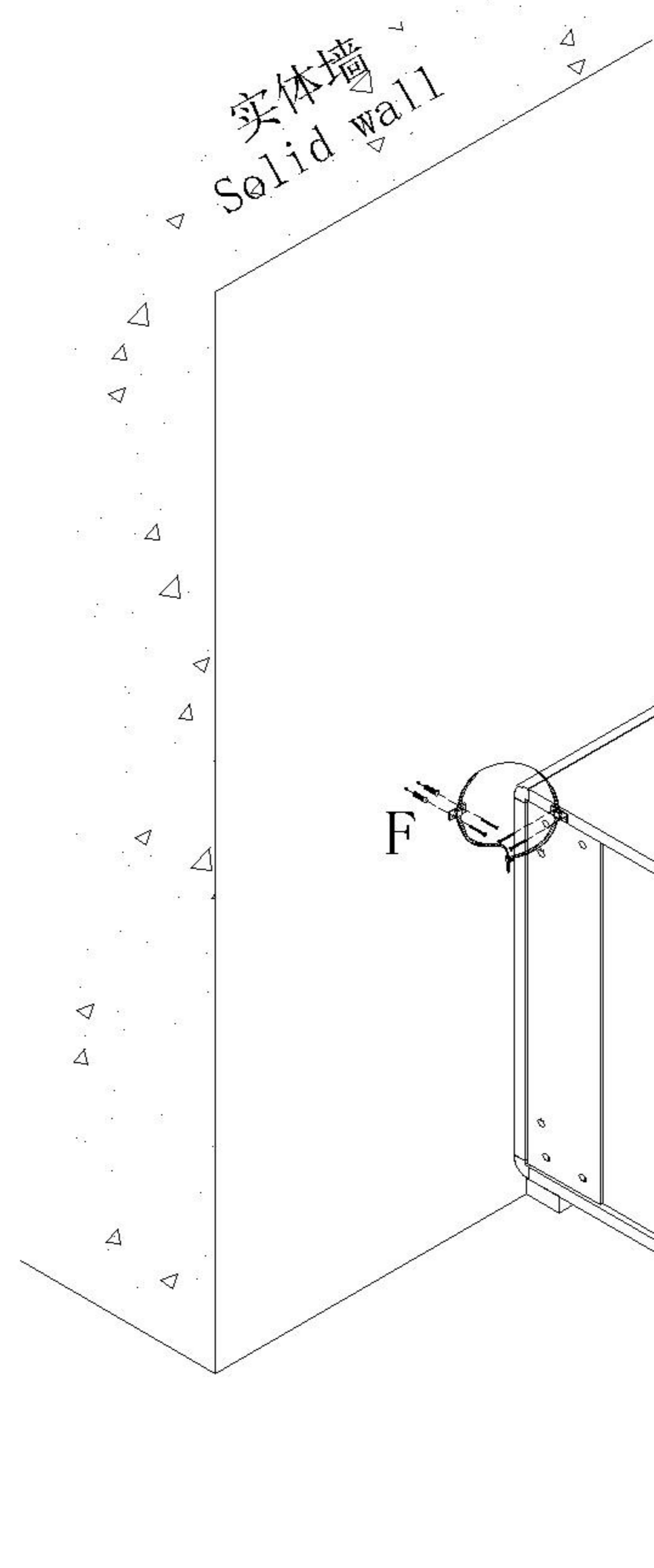
(K)*8



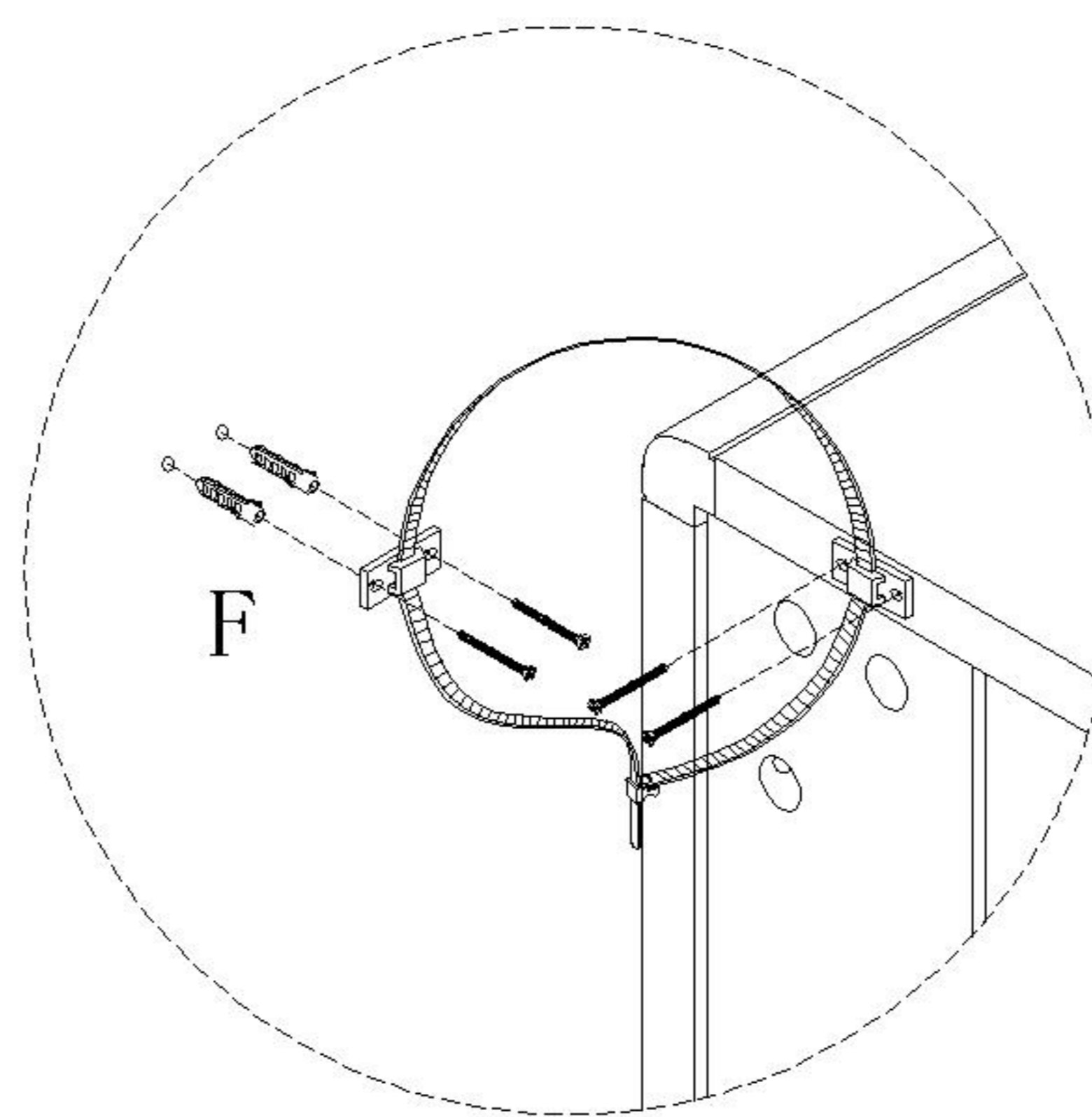
10



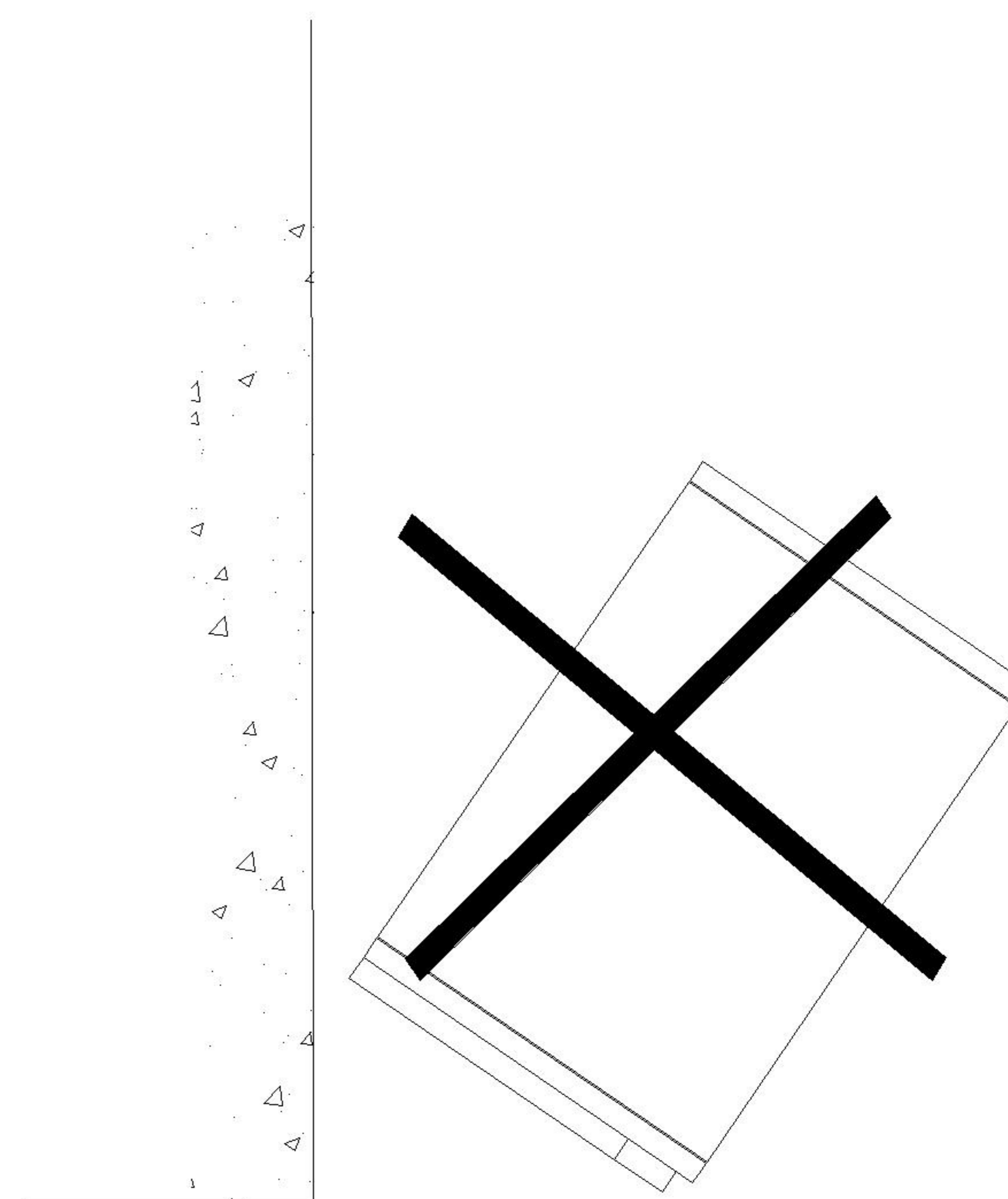
(F)*1



11



12



LINSY 林氏家居

五金表/Hardware list

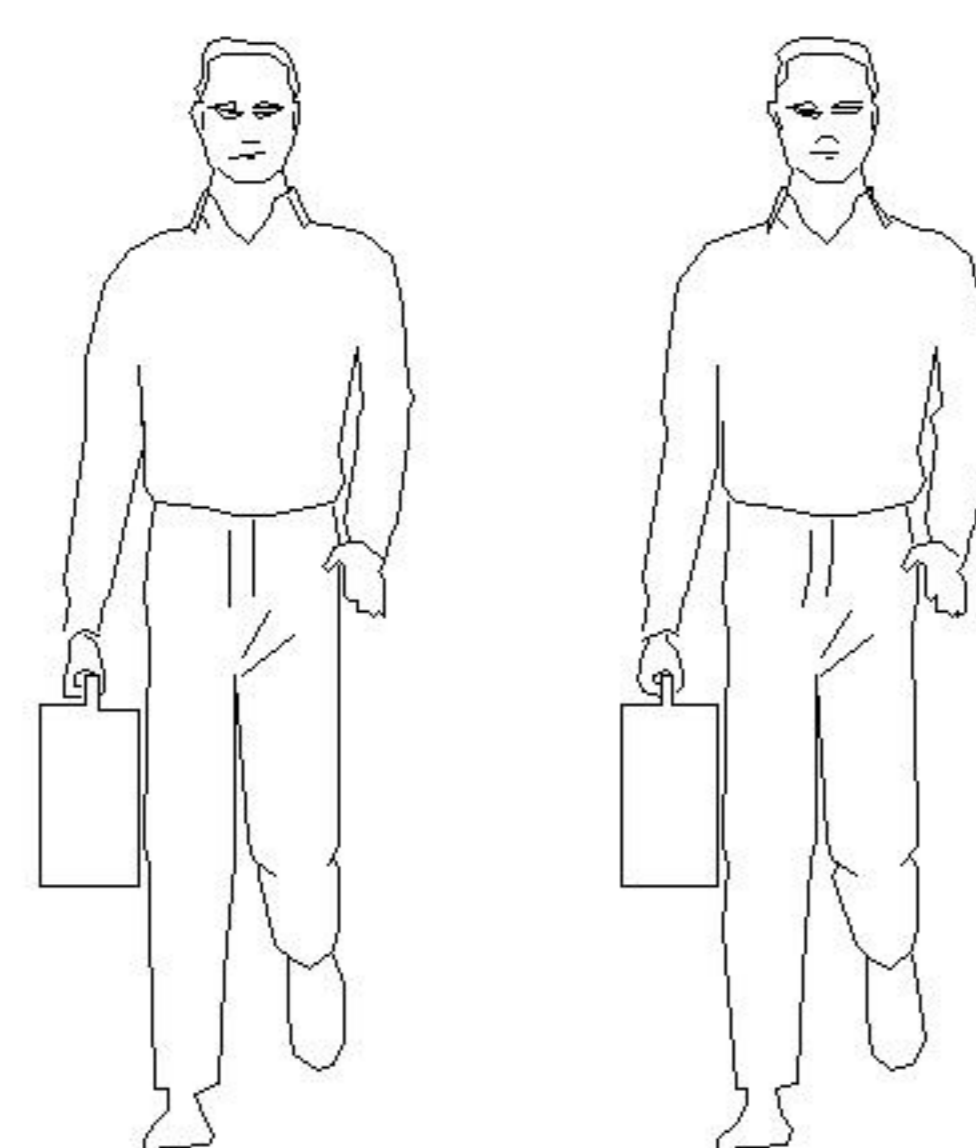
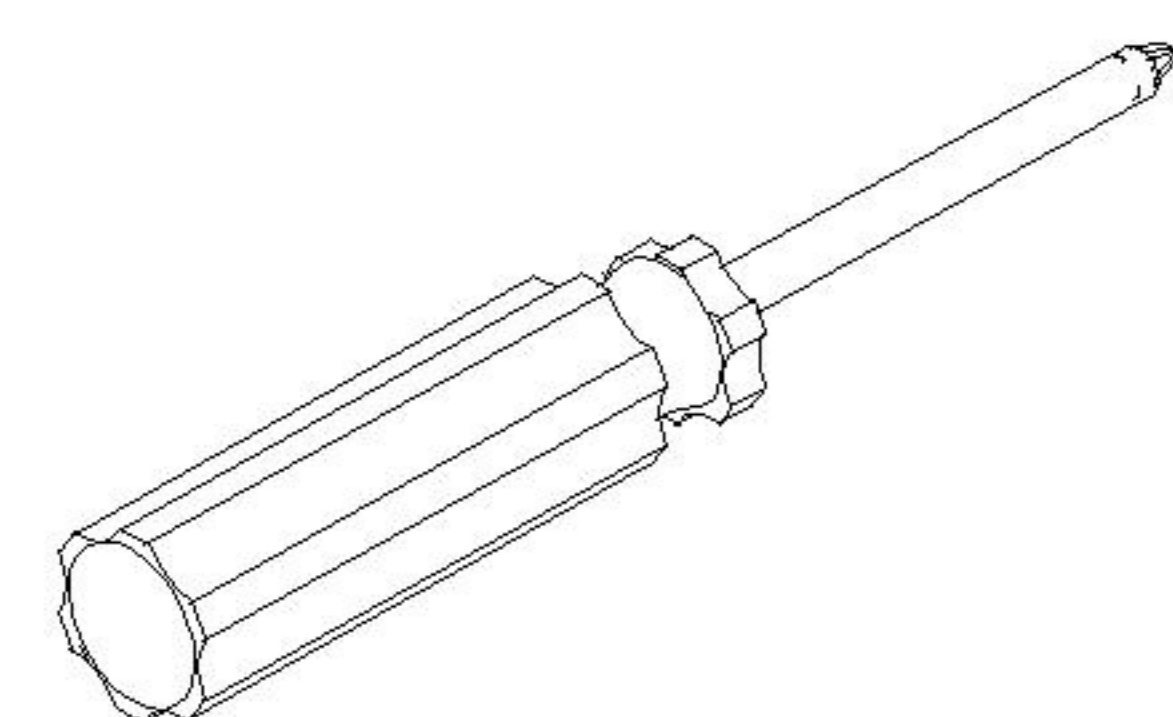
部件表/Parts List

安装示意图/Assembly Instruction

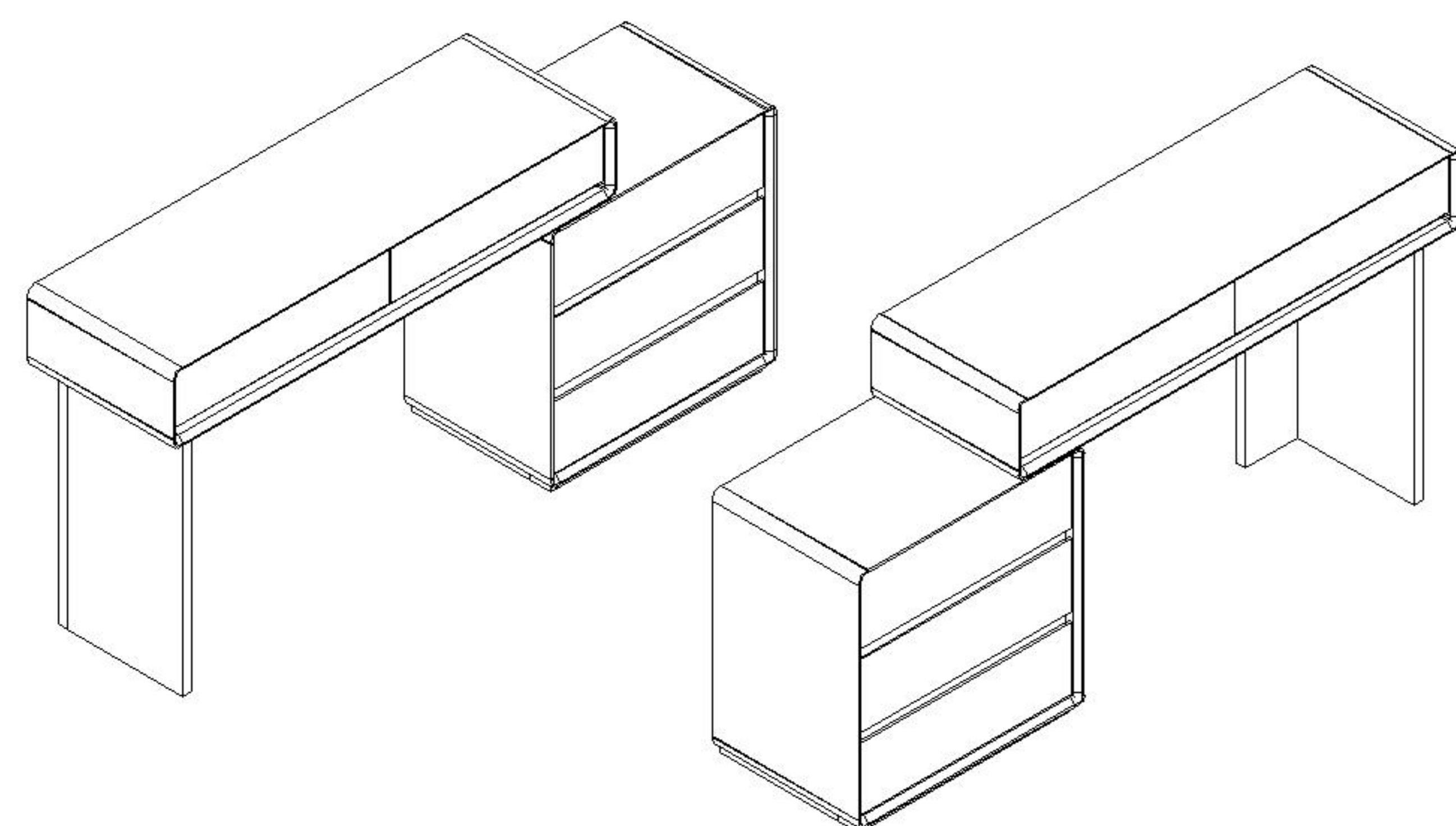
产品名称 Model NO. UB1C-E妆台

产品规格 Specification 1200*398*815mm

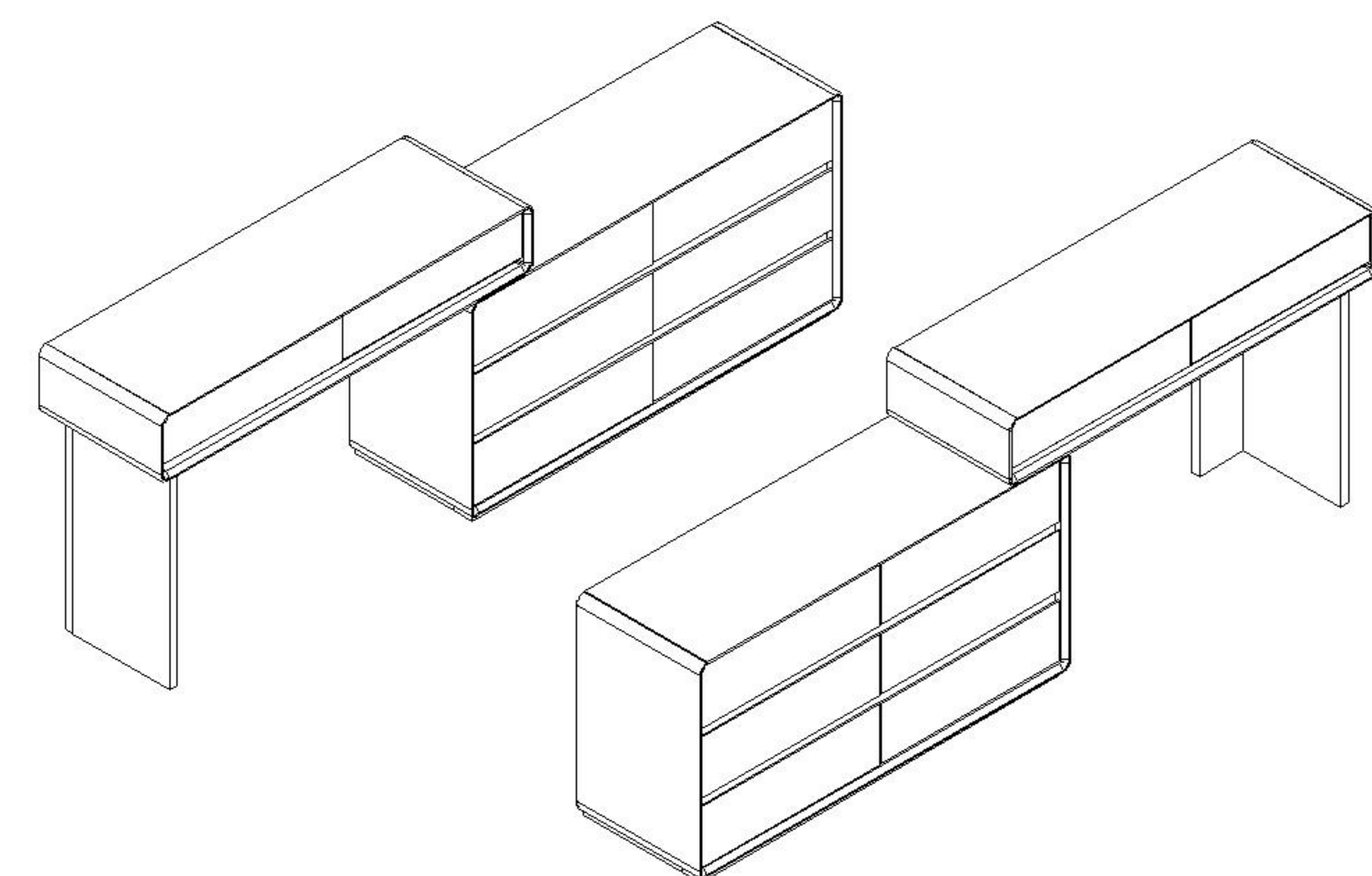
安装工具 Tool 安装人数 Installer



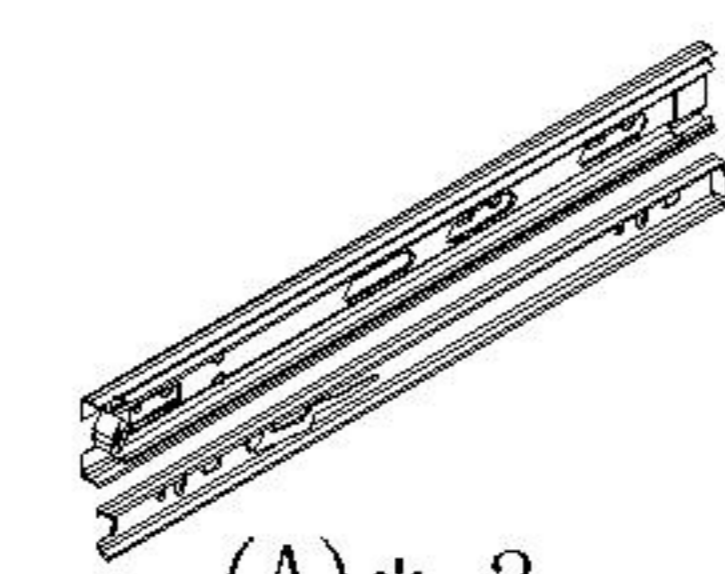
注：为保证设计效果，部分尺寸为定制尺寸，不影响使用。



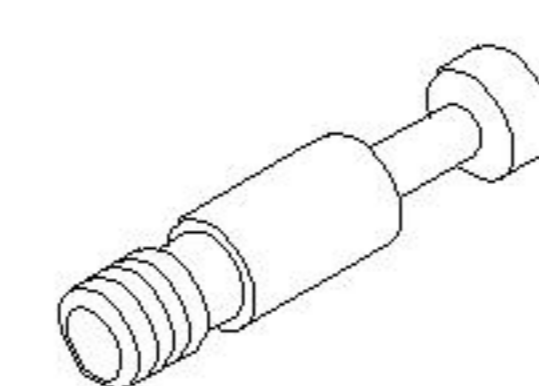
产品名称：UB1C-E三斗柜妆台
产品规格：1300~1659*398*815mm



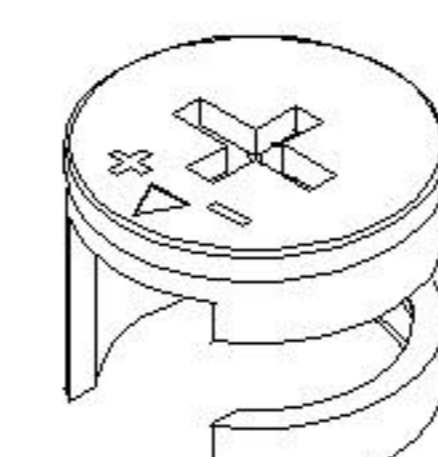
产品名称：UB1C-E六斗柜妆台
产品规格：1893~2250*398*815mm



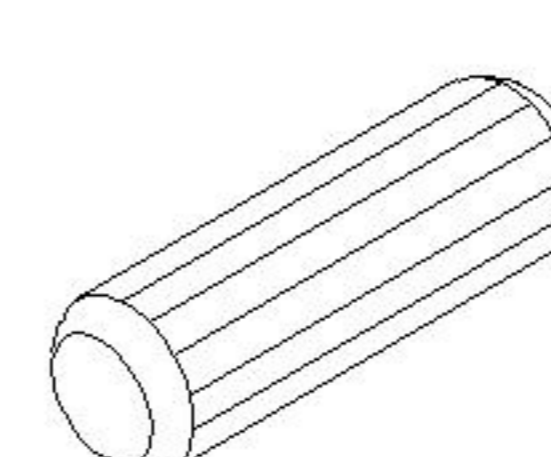
(A)* 2
三节滚珠导轨-10"
three-section ball rail



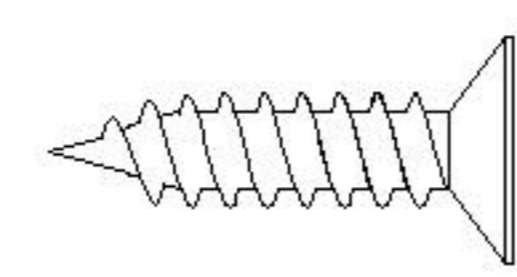
(B)* 48
二合一螺杆
2-in-1-screw



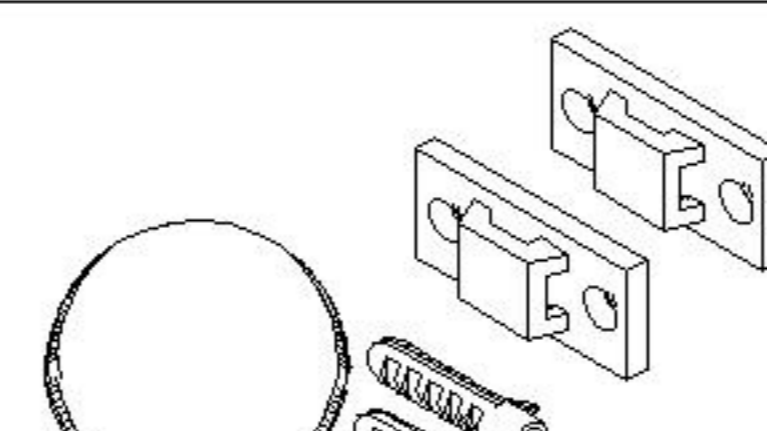
(C)* 48
大三合一锁饼
Three-in-one large lock



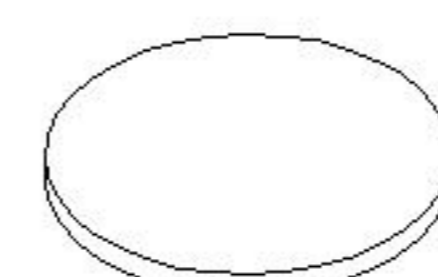
(D)* 19
木榫08x30mm
wood tenon



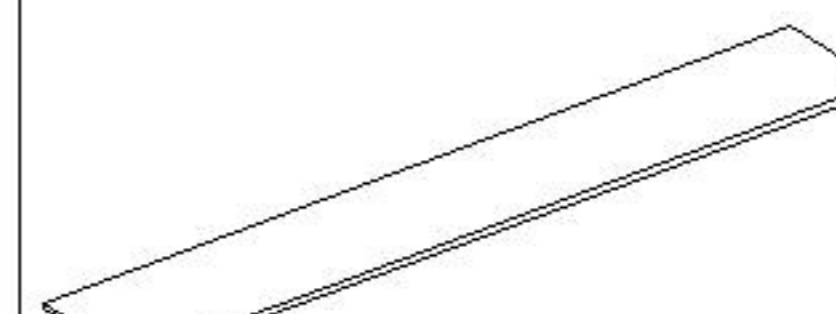
(E)* 25
自攻螺丝M3.5x12mm
Self-tapping screw



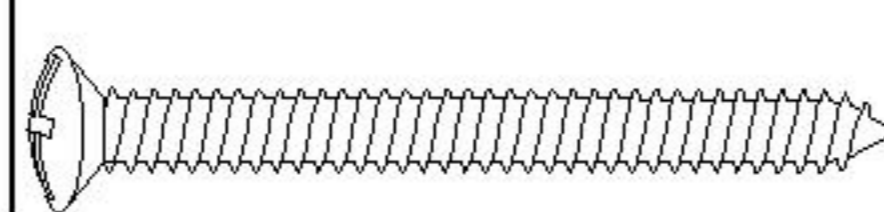
(F)* 1
家具防倒器-白色
Anti-fall device white



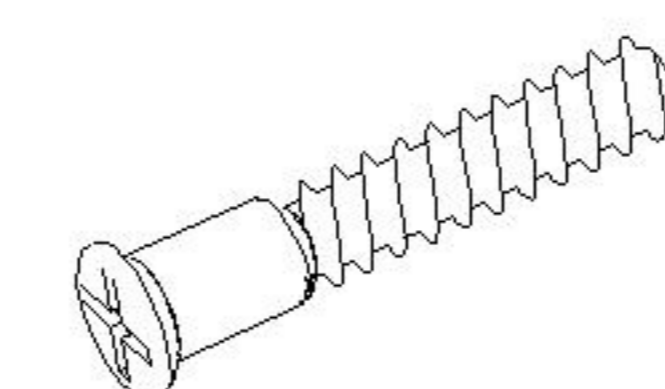
(G)* 4
灰色毛毡脚垫
Grey felt foot pad



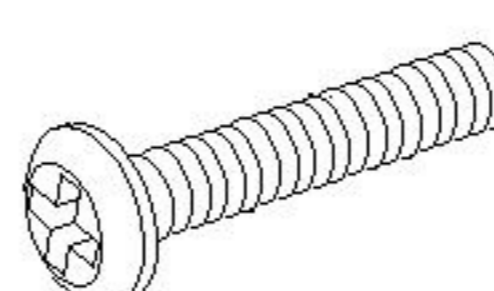
(H)* 2
垫片-黑色L=300mm
shim - Black



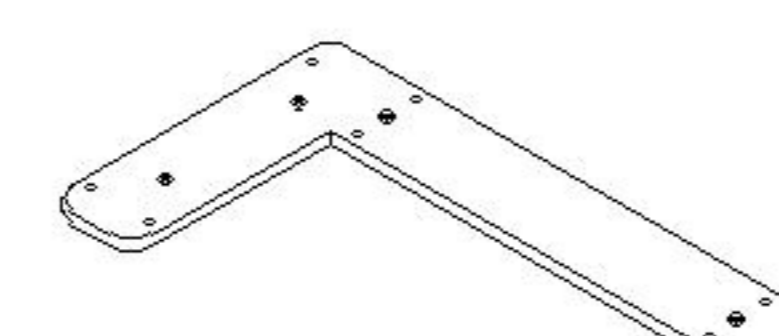
(I)* 4
自攻大扁M4*35mm
Self tapping flat screw



(J)* 7
过山丝-M7x38mm
Self-tapping screw galvanized

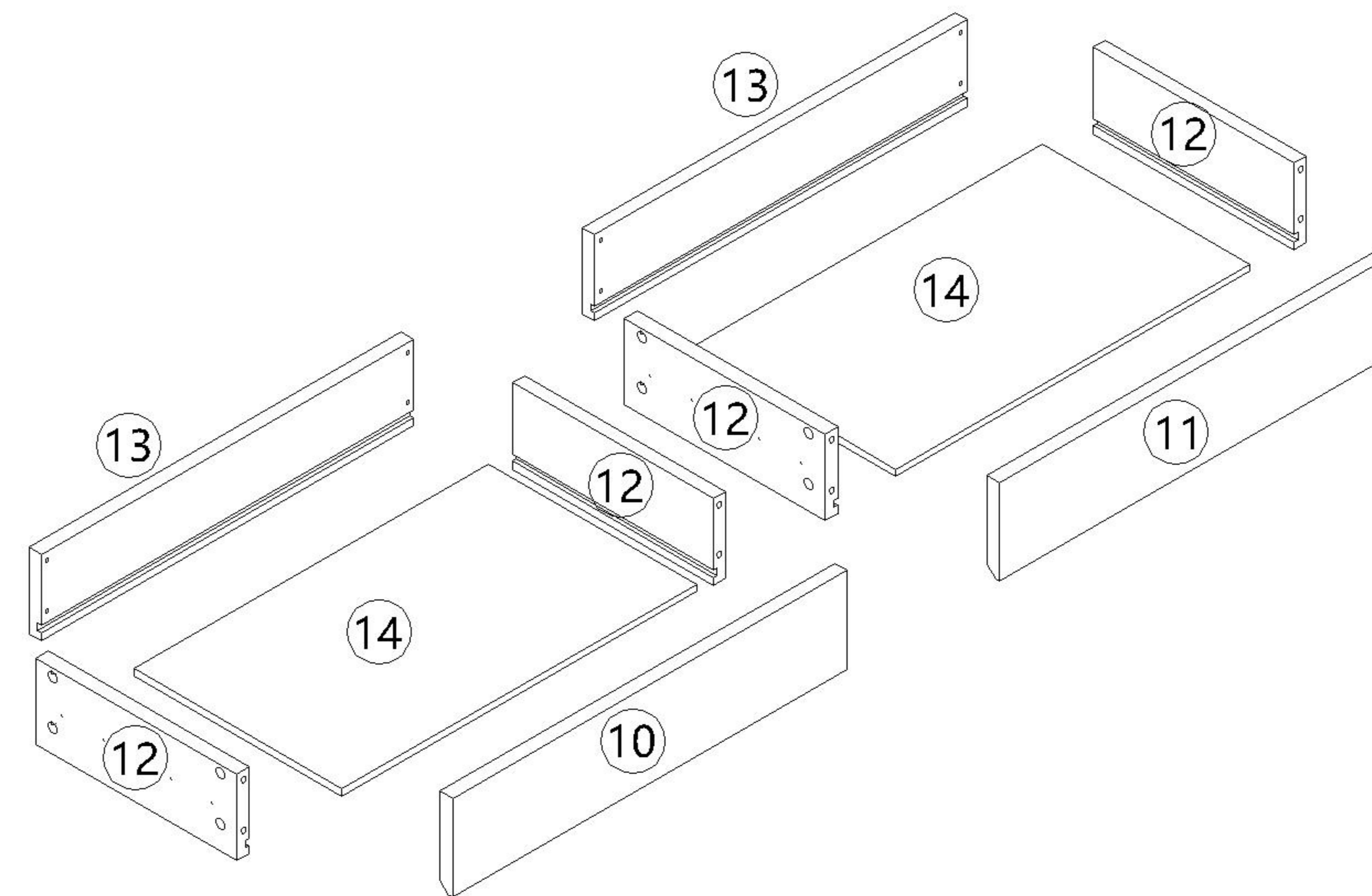
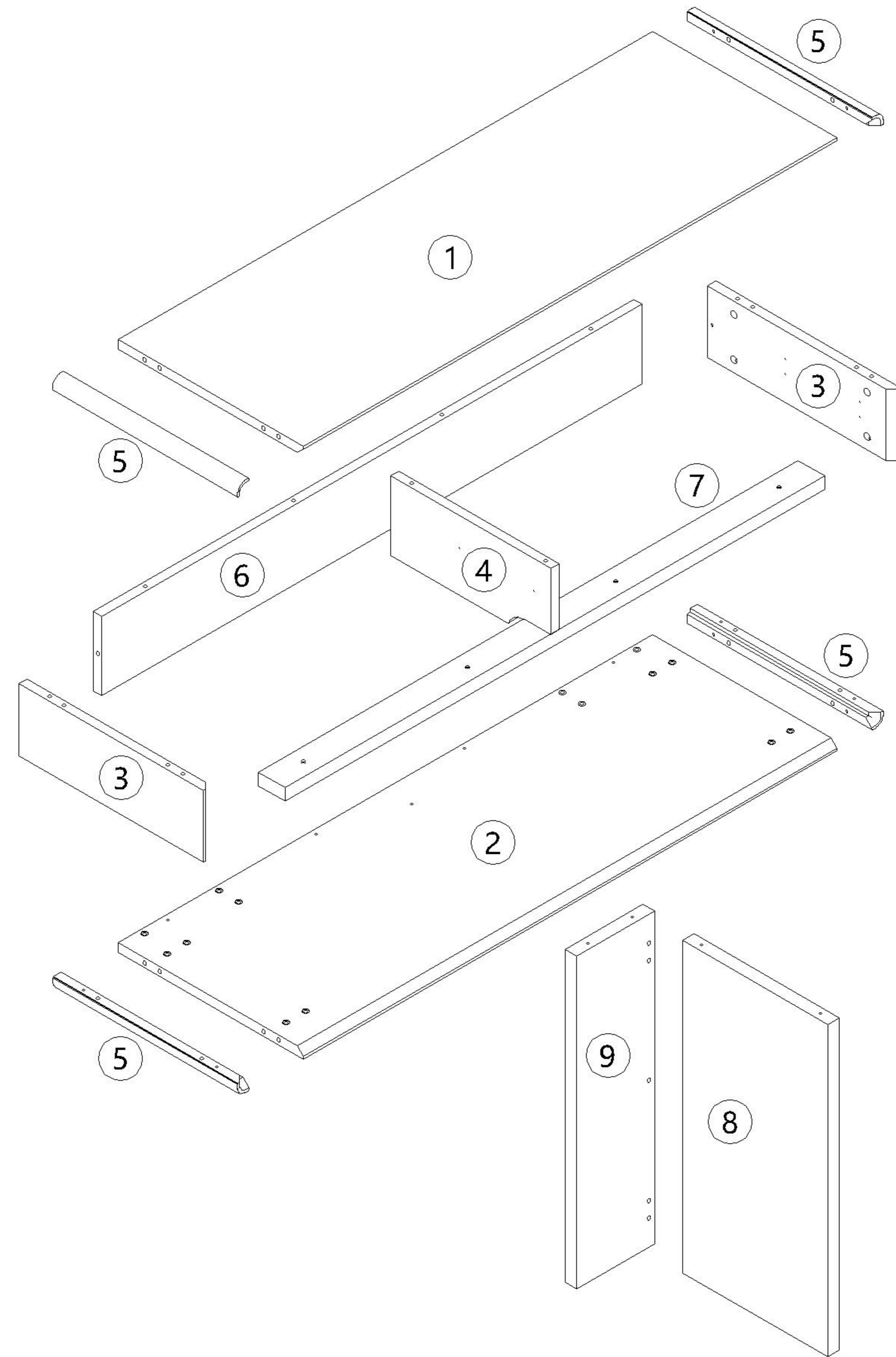


(K)* 7
斜边十字螺杆-M6x25
bevel cross screw



(L)* 1
妆台铁片
Makeup iron sheet

编号NO.	名称Name	规格(mm) Specification	数量QTY	材质Material
①	面板Top panel	1150*398*18	1	胶合板 Plywood
②	底板Bottom board	1150*398*18	1	胶合板 Plywood
③	侧板Side board	398*134*18	2	胶合板 Plywood
④	中侧板Middle side board	345*148*18	1	胶合板 Plywood
⑤	转角木Corner connection wood	398*25*25	4	橡胶木 Rubber wood
⑥	背板Back board	1164*148*18	1	胶合板 Plywood
⑦	拉条Brace	1162*58*25	1	胶合板 Plywood
⑧	下侧板Lower side board	620*313*25	1	胶合板 Plywood
⑨	后档板Rear bumper	620*168*25	1	胶合板 Plywood
⑩	左抽屉面板Drawer's panel (L)	579*126*18	1	胶合板 Plywood
⑪	右抽屉面板Drawer's panel (R)	579*126*18	1	胶合板 Plywood
⑫	抽屉侧板Drawer's sideboard	295*110*18	4	胶合板 Plywood
⑬	抽屉后板Drawer's Back board	547*110*18	2	胶合板 Plywood
⑭	抽屉底板Drawer's Bottom board	521*305*9	2	胶合板 Plywood



编号NO.	名称Name
①	面板Top panel
②	底板Bottom board
③	侧板Side board
④	中侧板Middle side board
⑤	转角木Corner connection wood
⑥	背板Back board
⑦	拉条Brace
⑧	下侧板Lower side board
⑨	后档板Rear bumper
⑩	左抽屉面板Drawer's panel(L)
⑪	右抽屉面板Drawer's panel(R)
⑫	抽屉侧板Drawer's sideboard
⑬	抽屉后板Drawer's Back board
⑭	抽屉底板Drawer's Bottom board

UB1C-E妆台

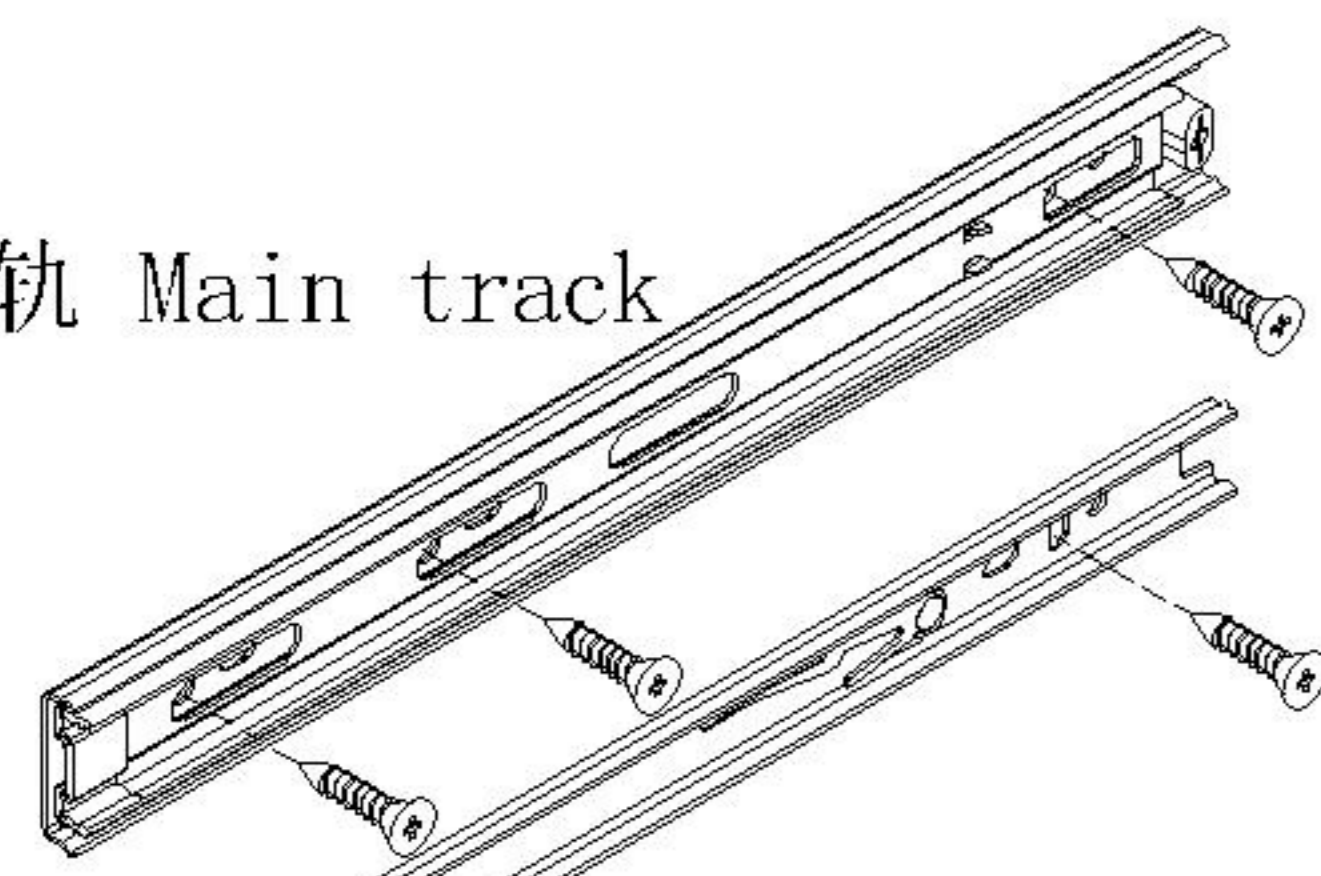
安装方法/
Installation method

阀门开关(下压为开)
Valve switch (press down to open)

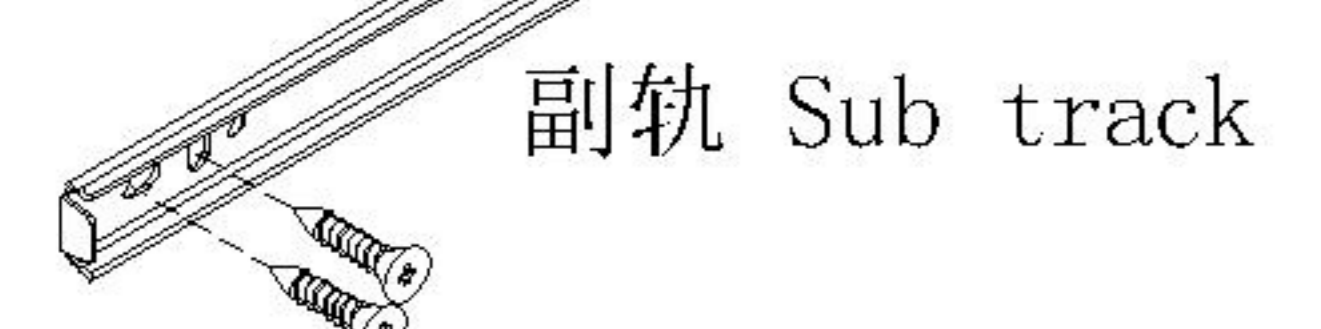
前 Forward 后 Back



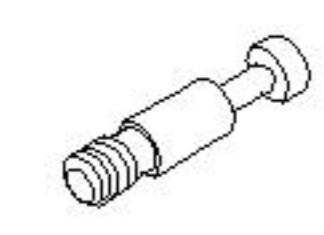
主轨 Main track



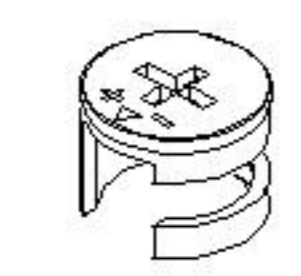
副轨 Sub track



三节滚珠导轨
Three-section rail



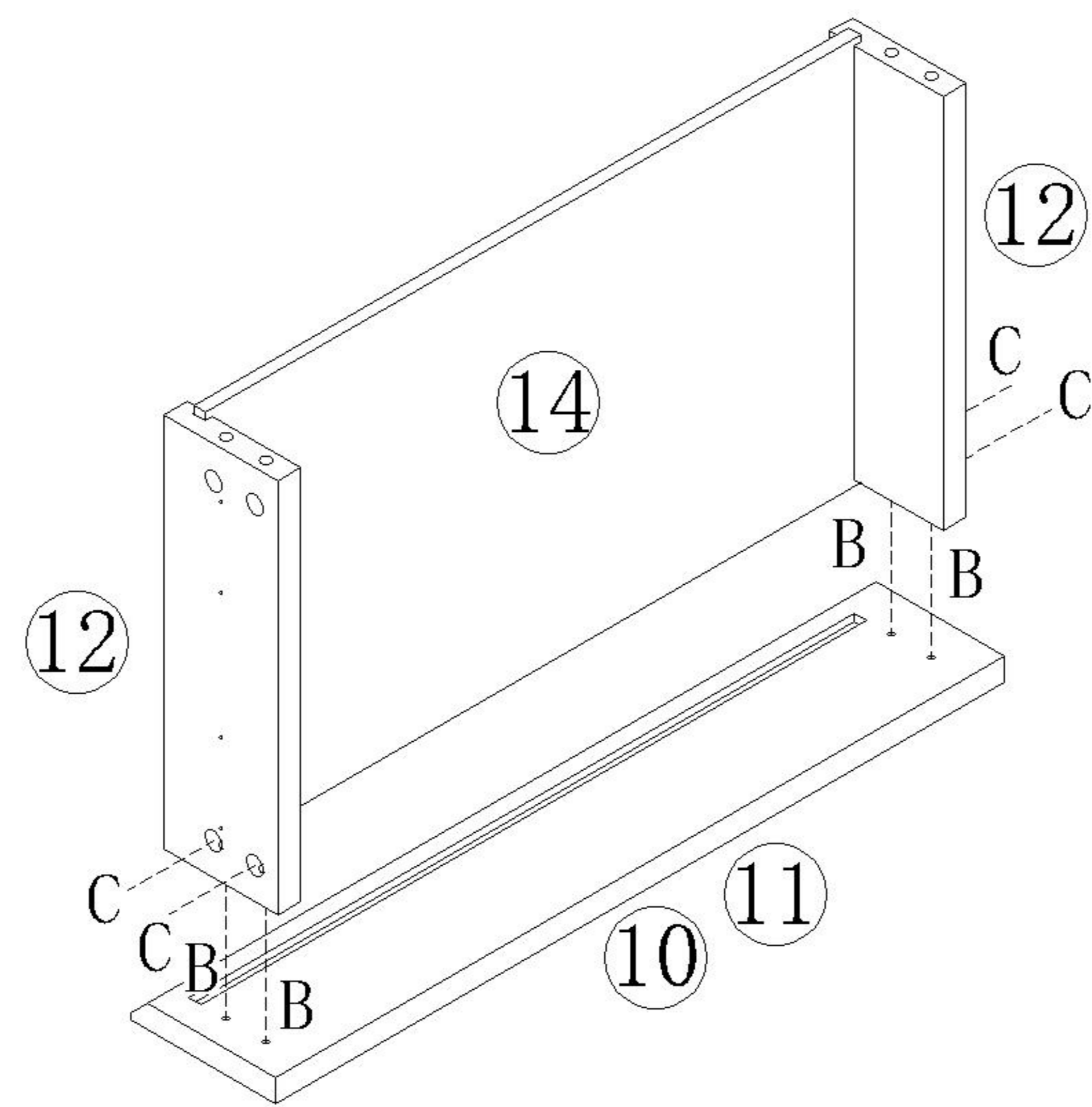
(B)*8



(C)*8

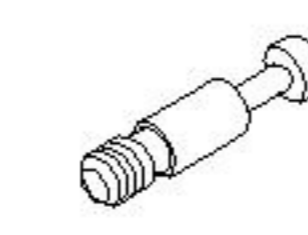
× 2

1

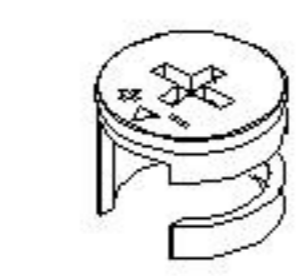


2

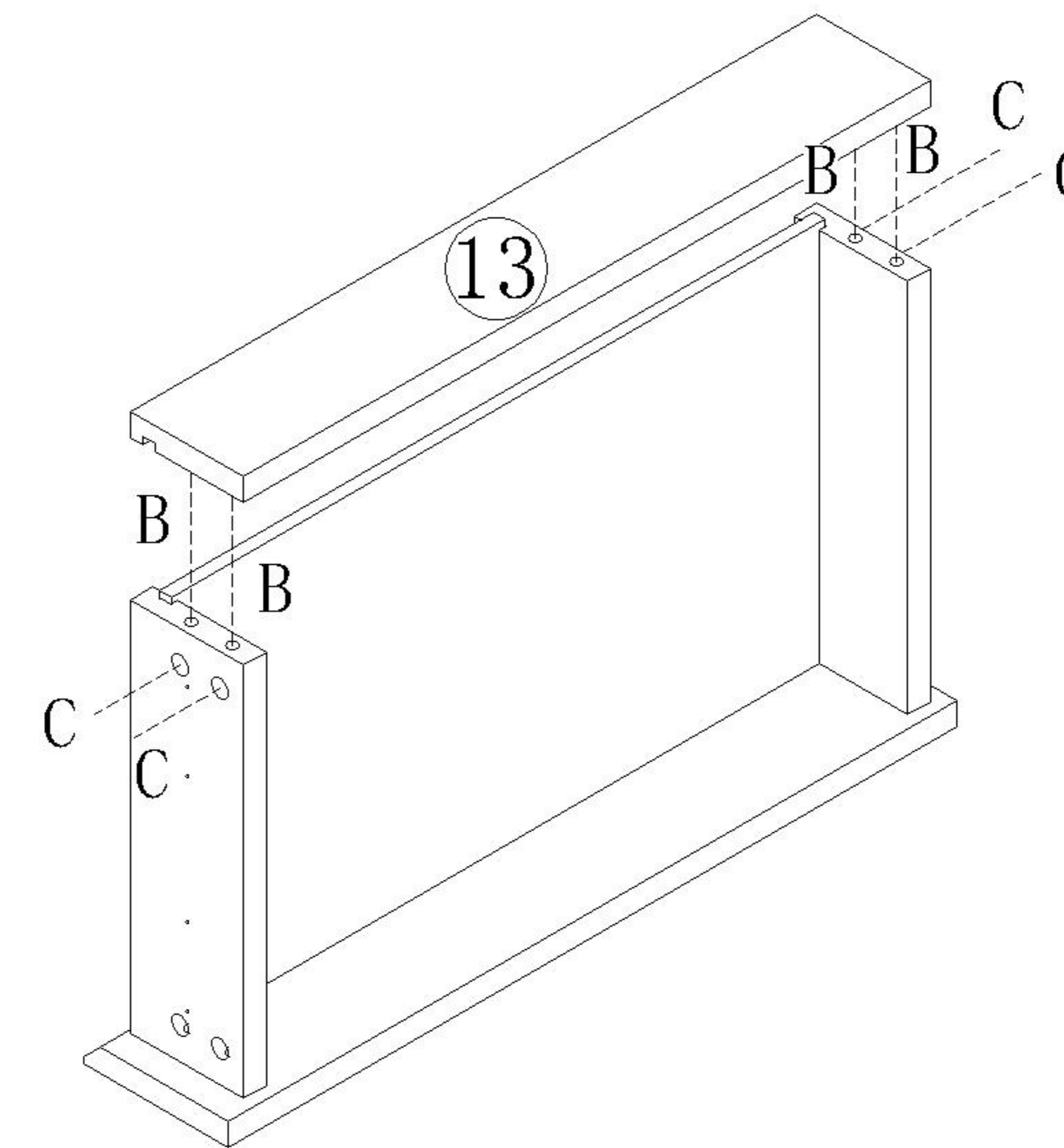
× 2



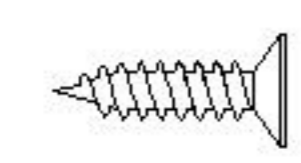
(B)*8



(C)*8



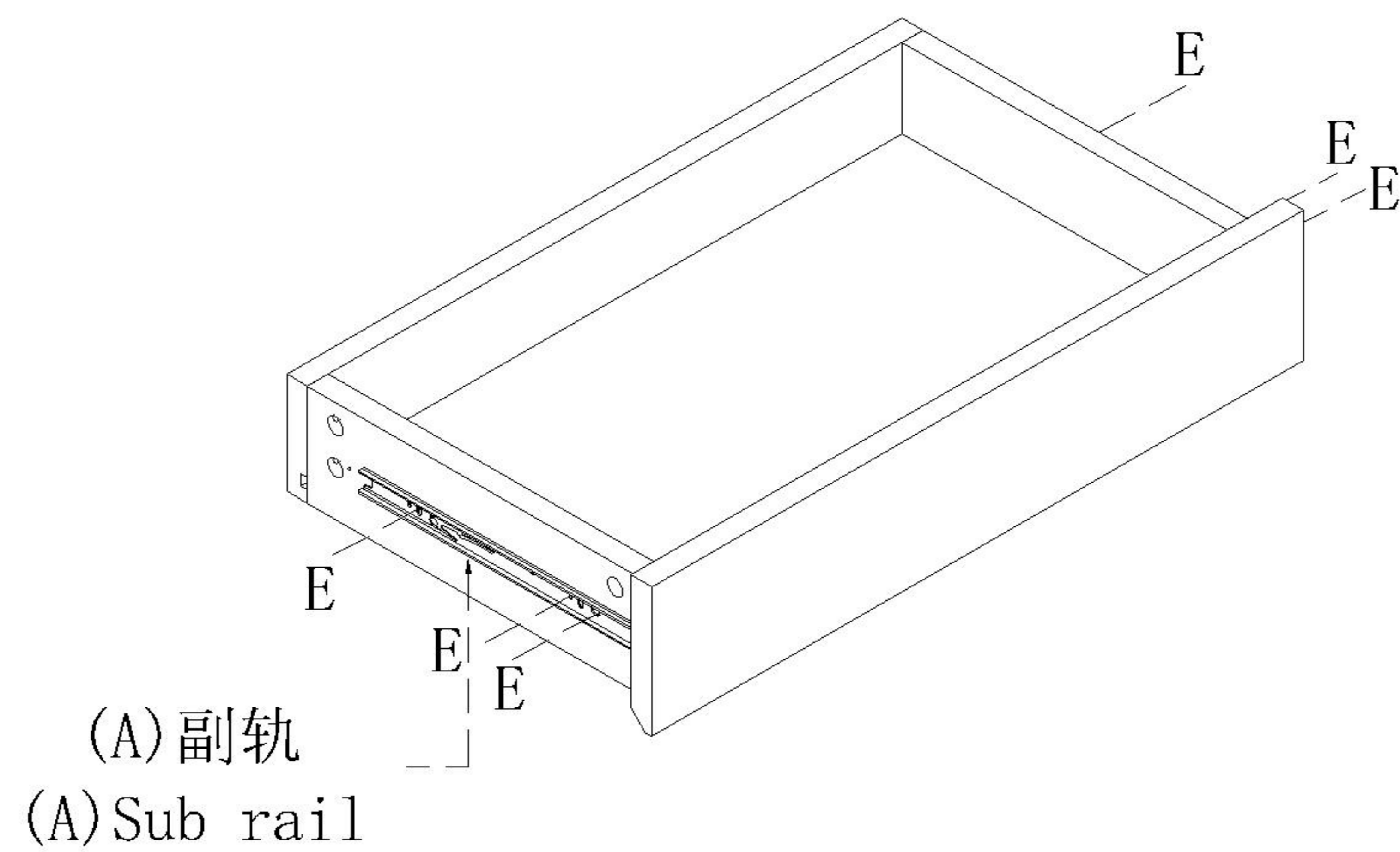
(A)*2



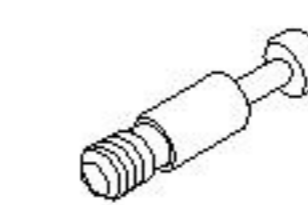
(E)*12

× 2

3



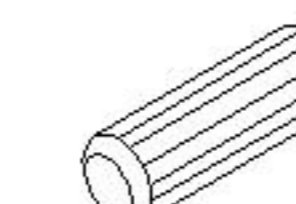
4



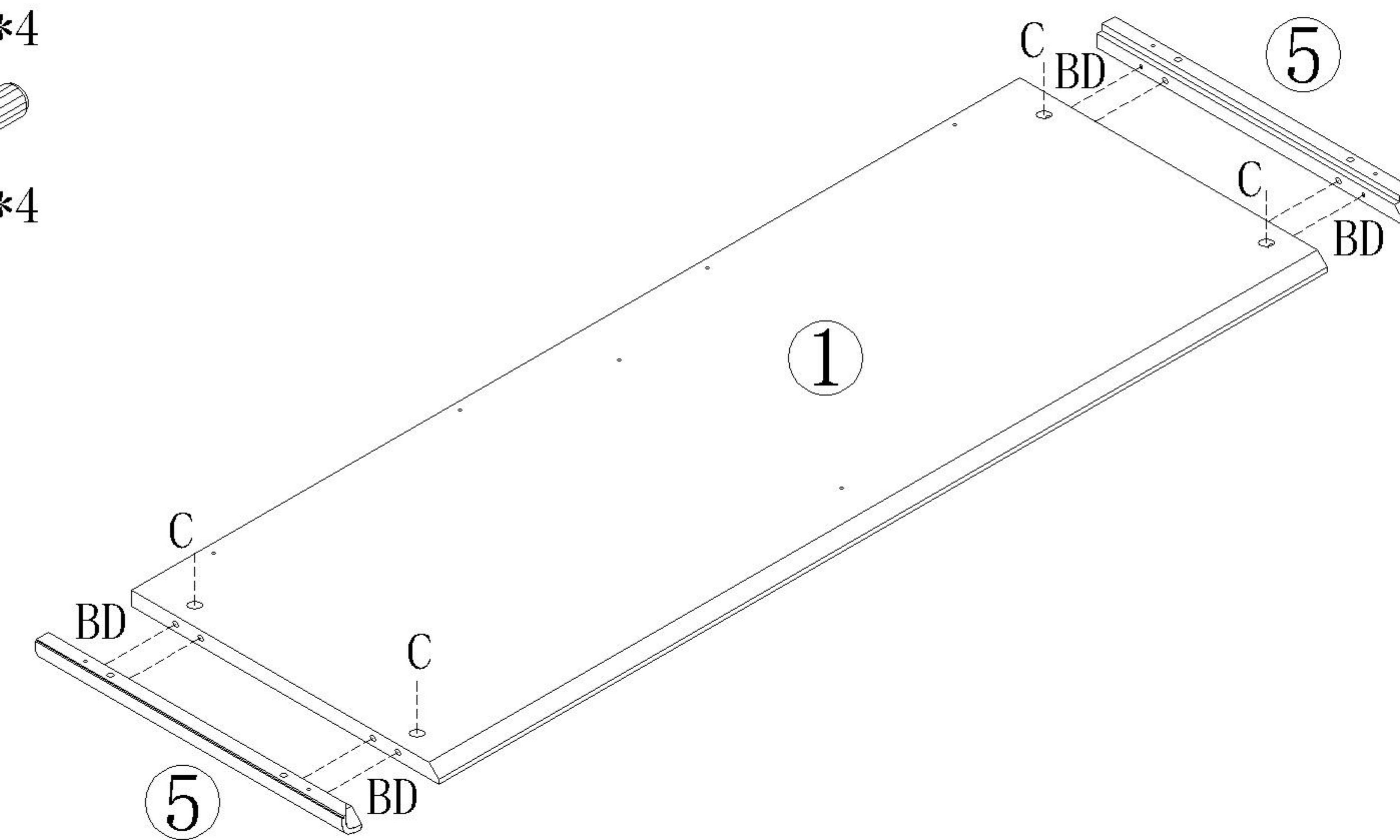
(B)*4



(C)*4

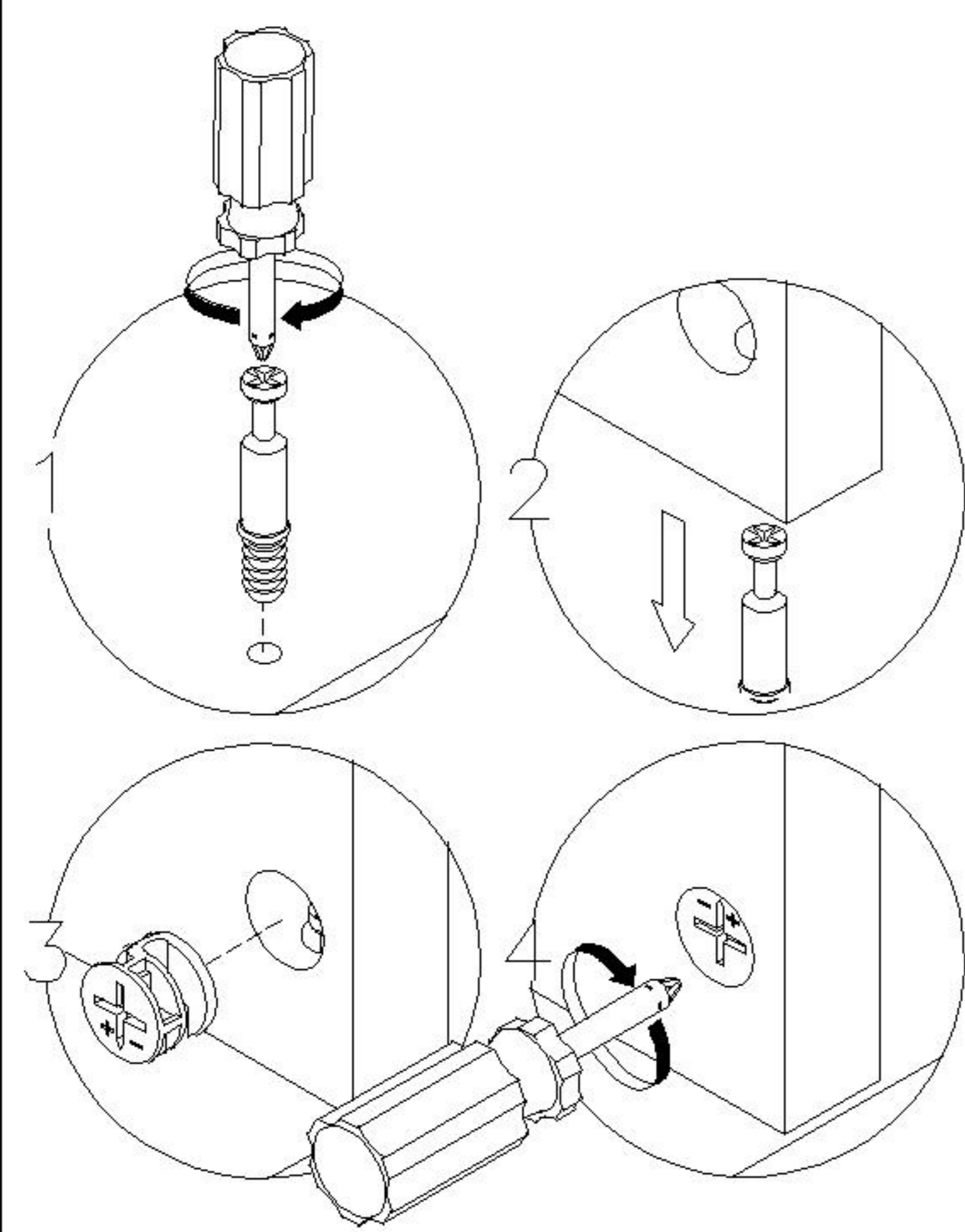


(D)*4

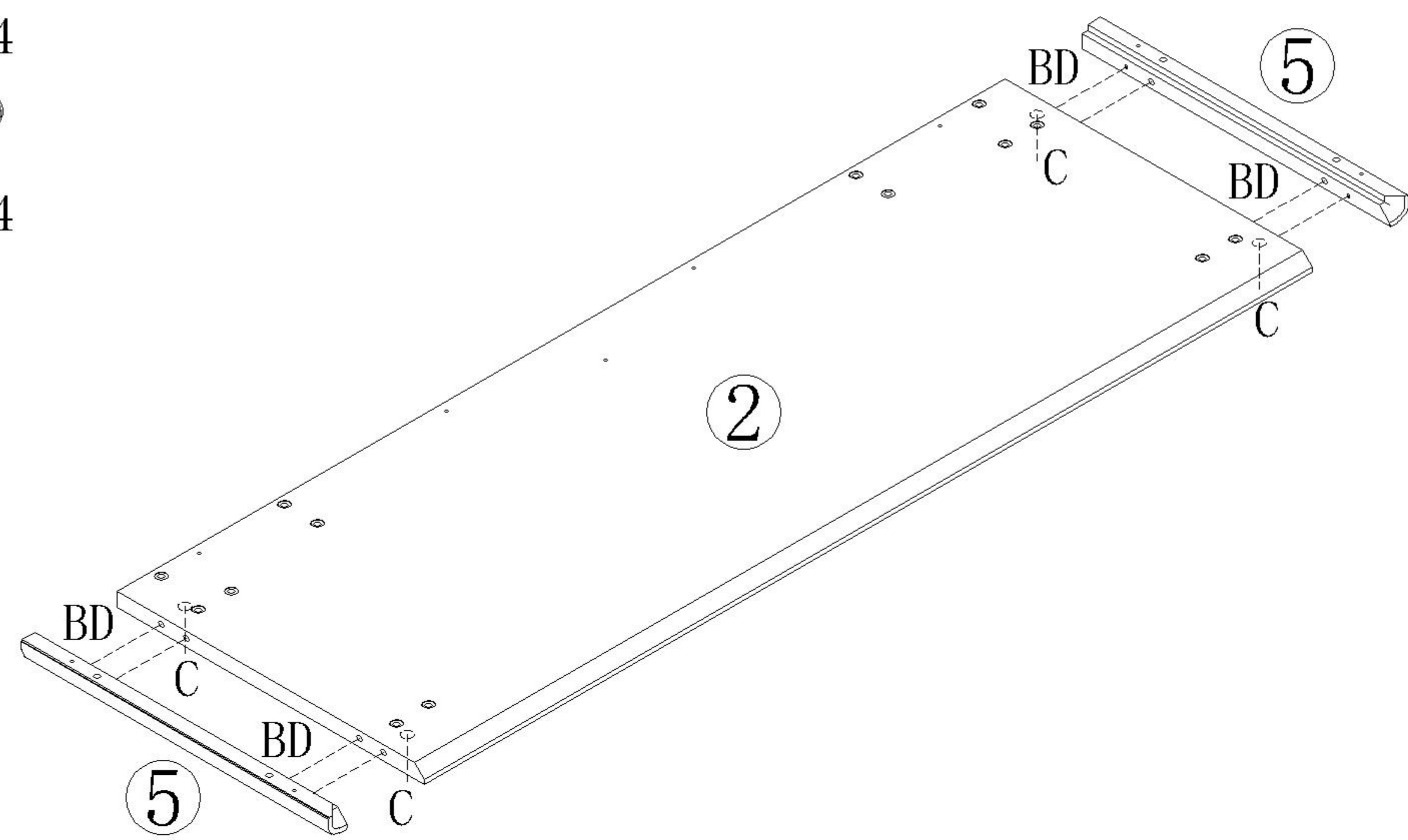
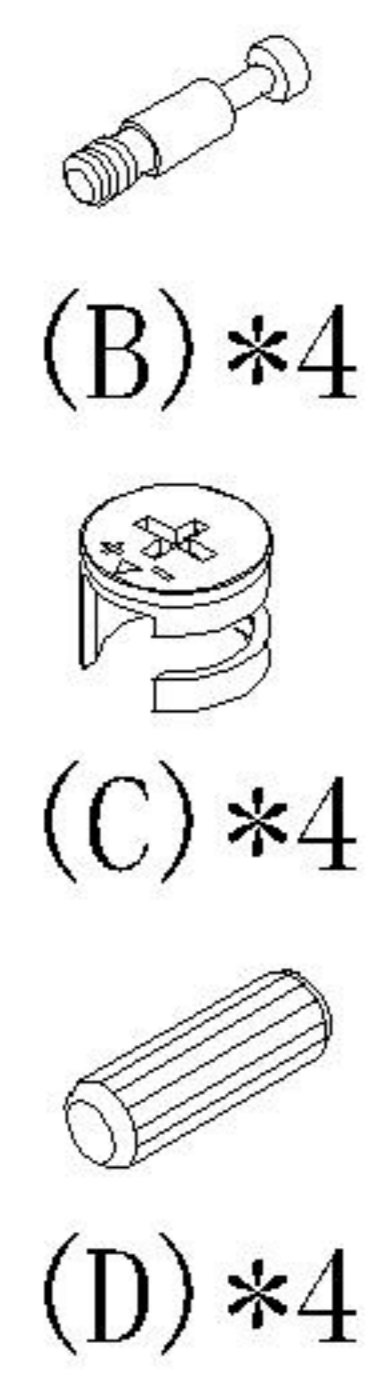


UB1C-E妆台

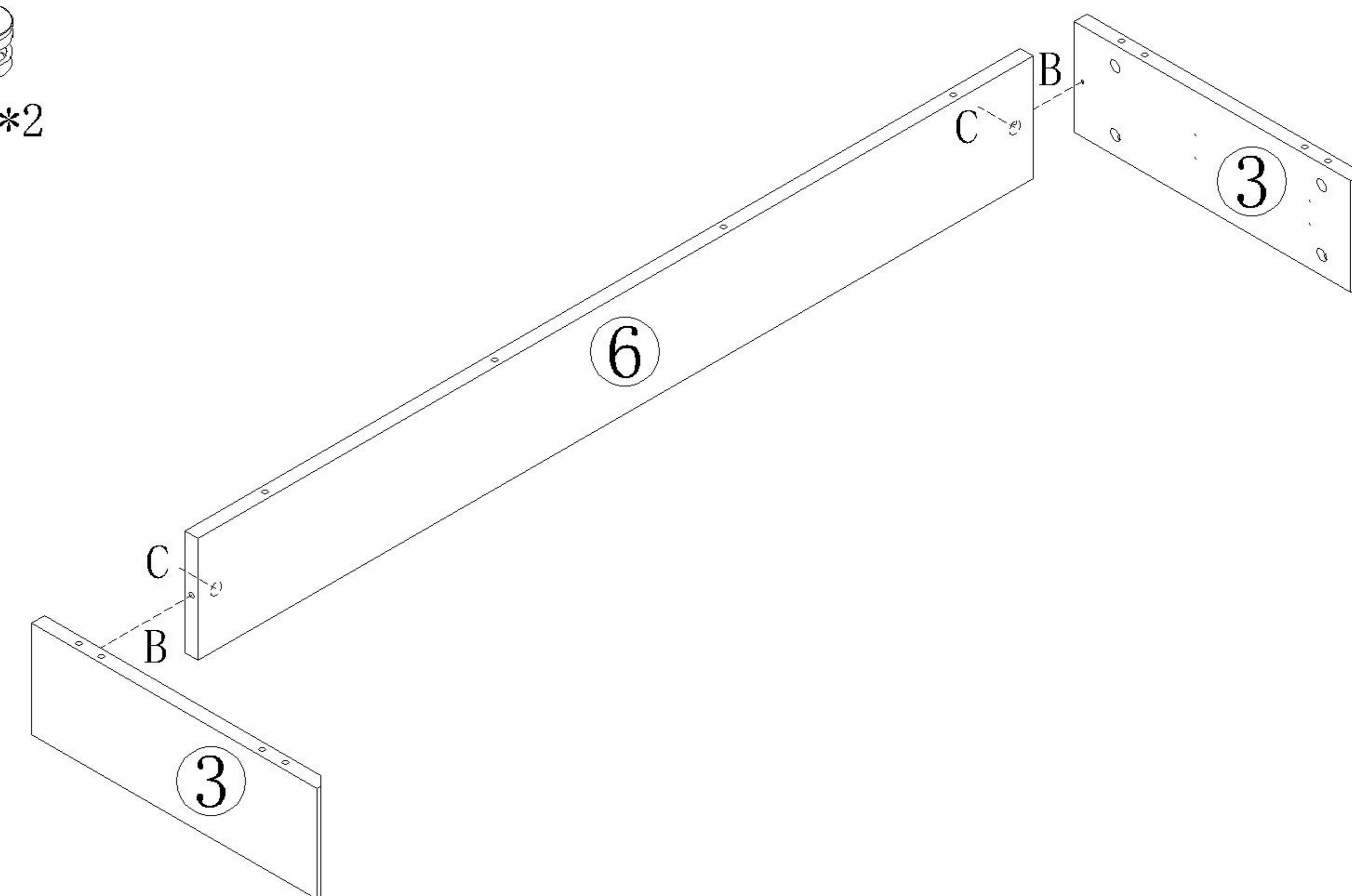
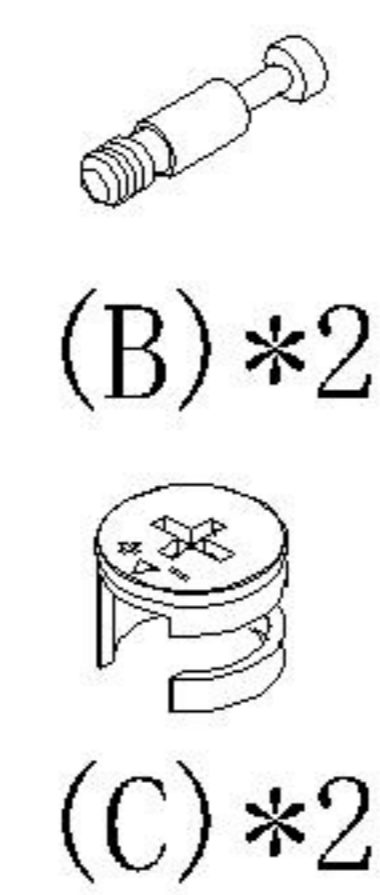
安装方法/
Installation method



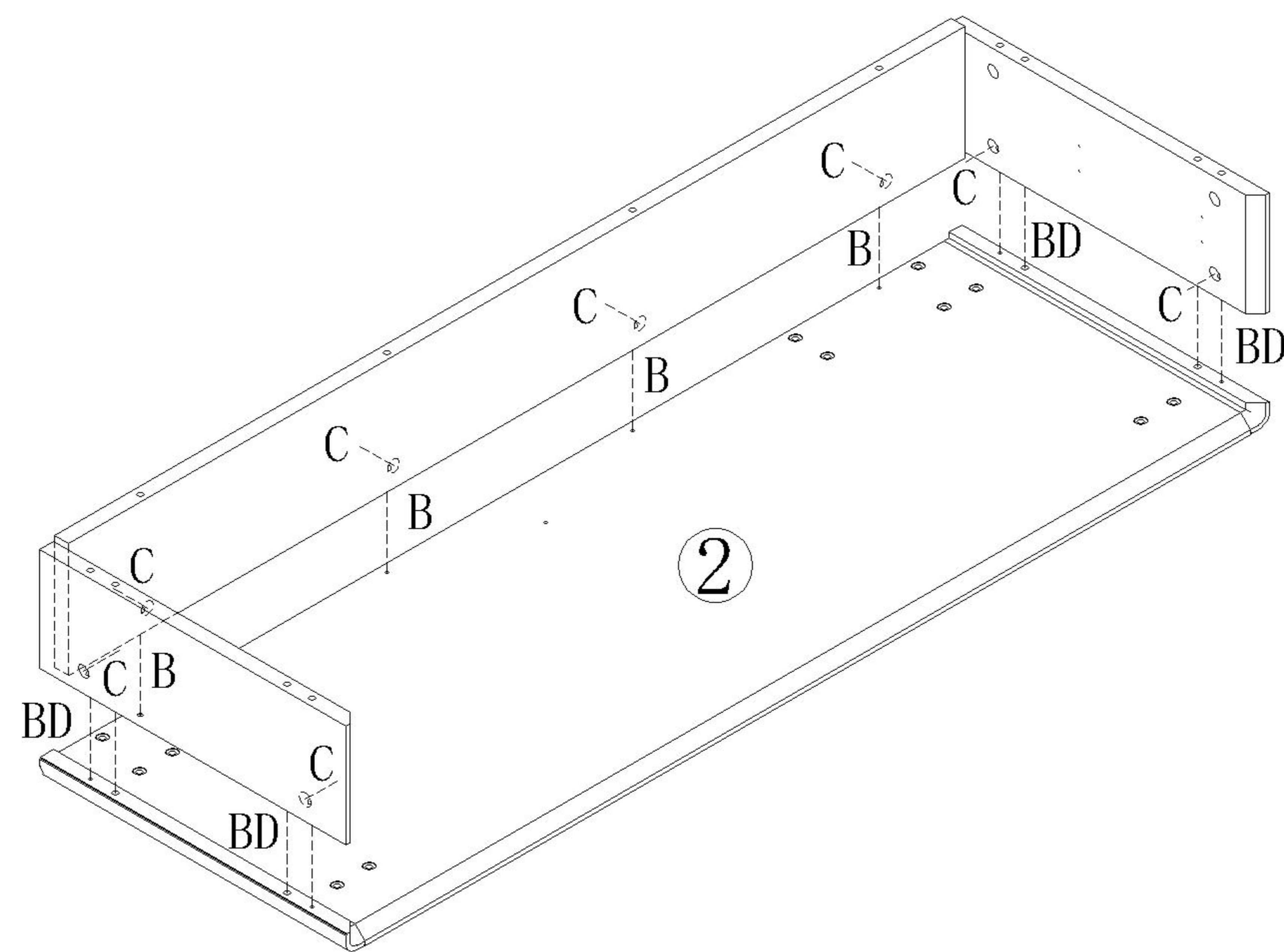
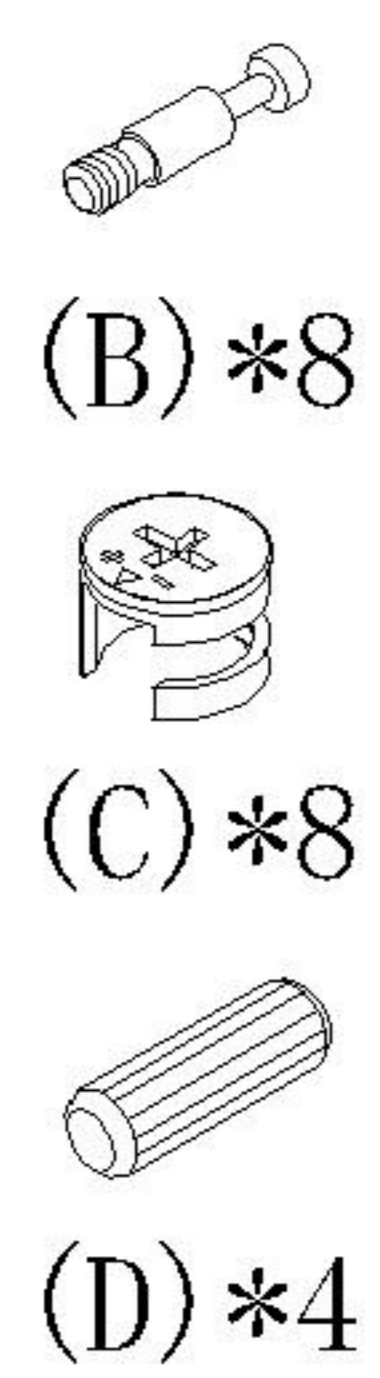
二合一 two-in-one



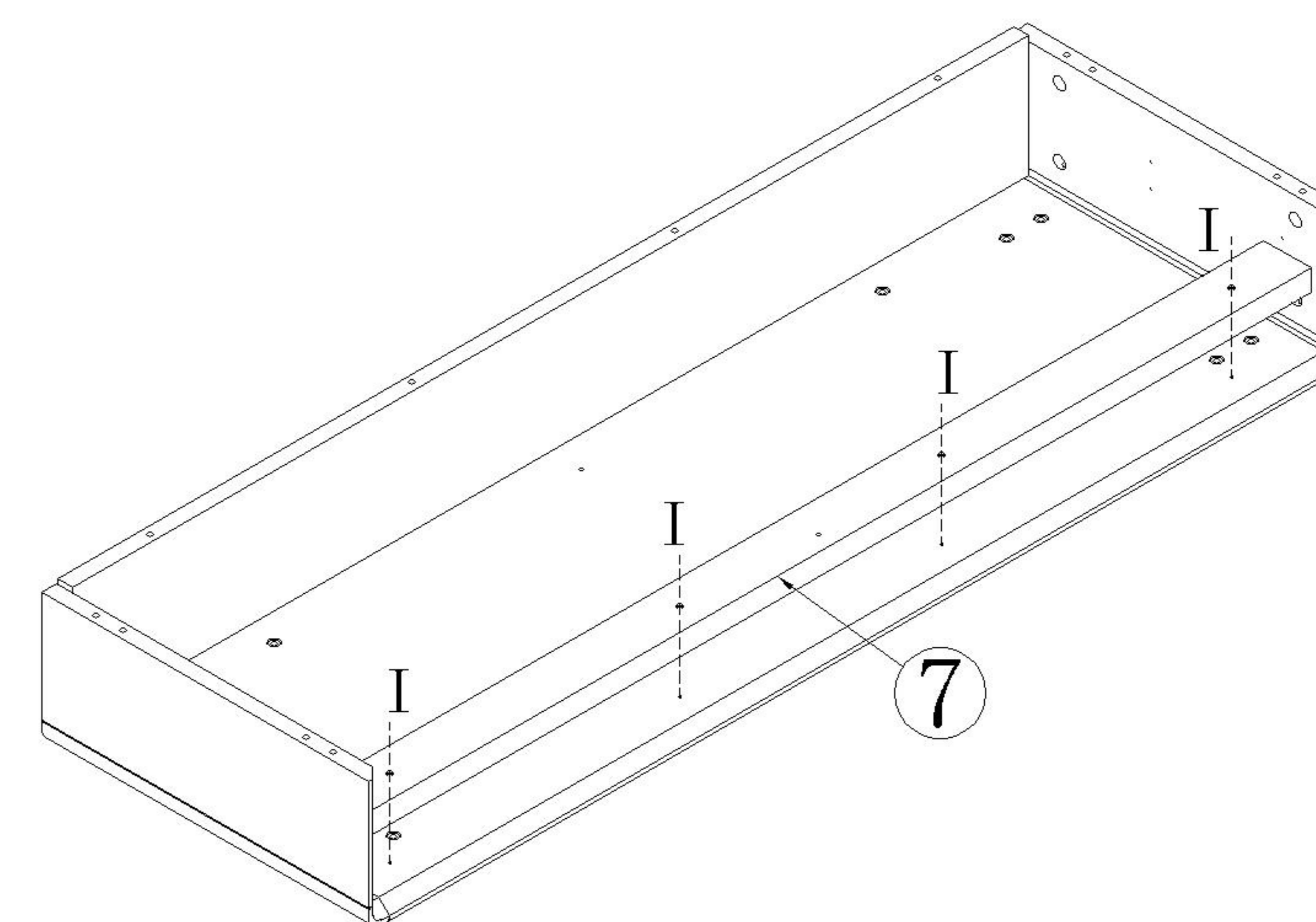
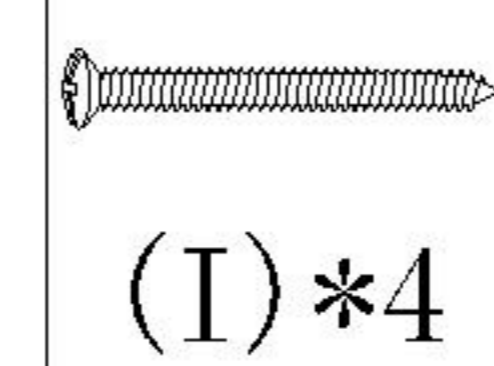
5



6



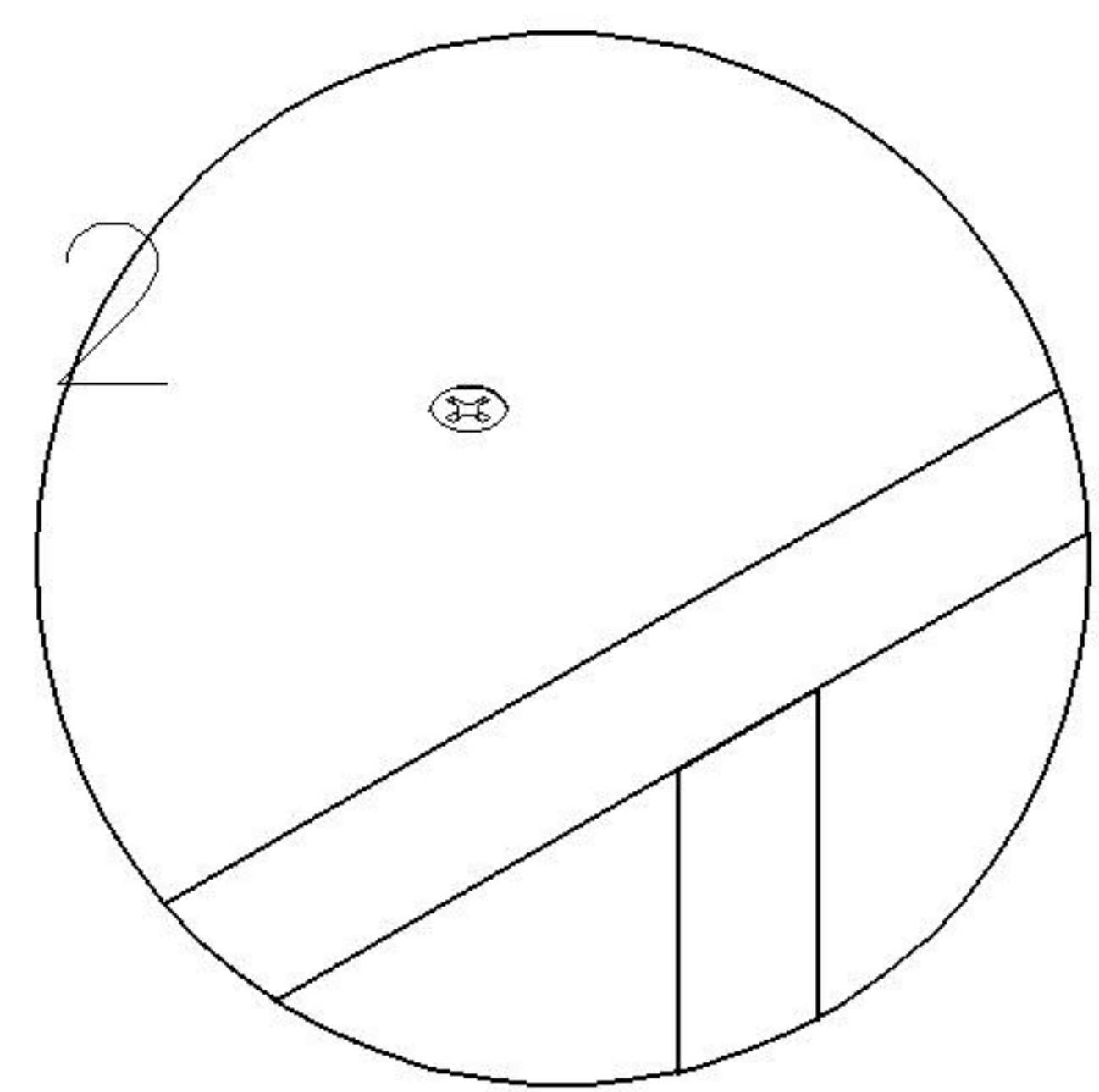
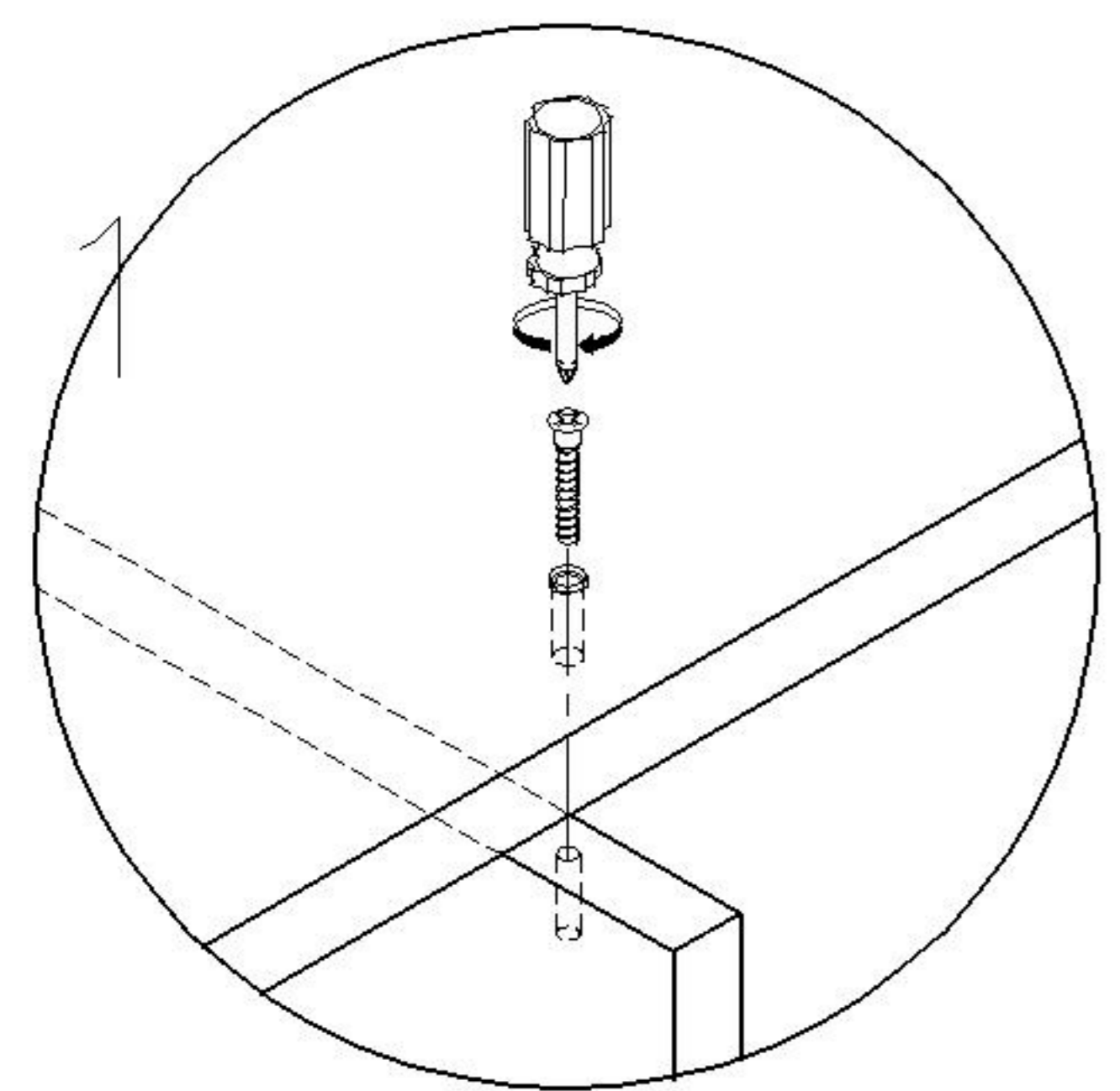
7



8

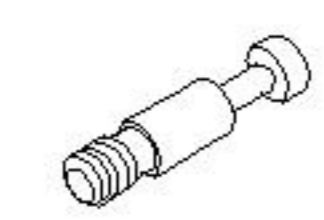
UB1C-E妆台

安装方法/
Installation method

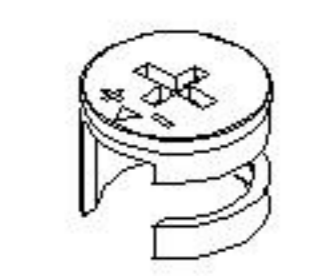


过山丝

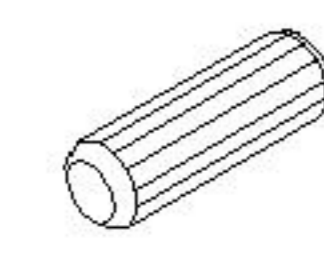
Self-tapping screw galvanized



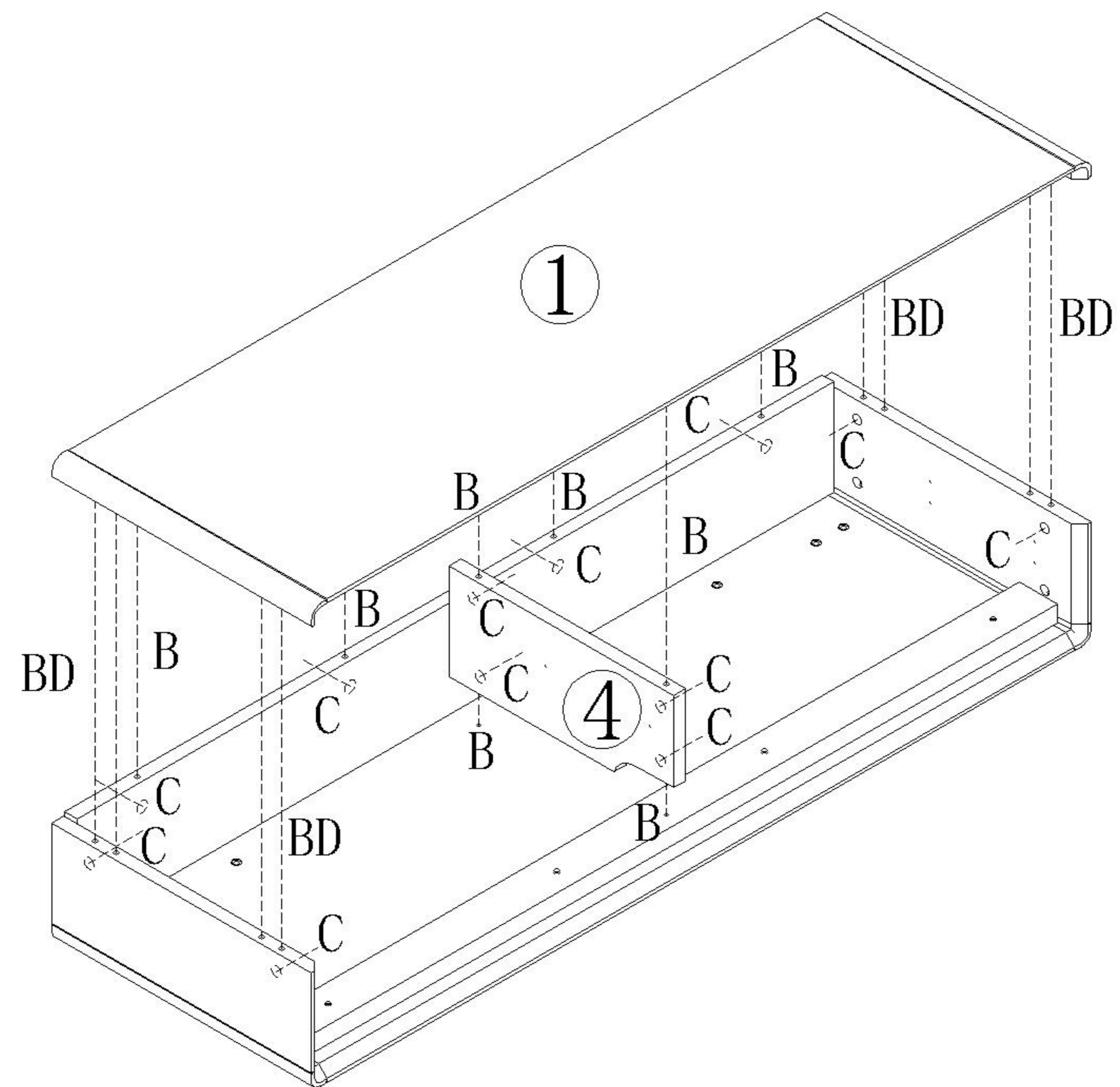
(B)*12



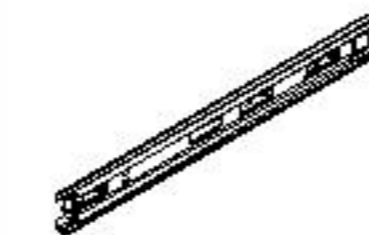
(C)*12



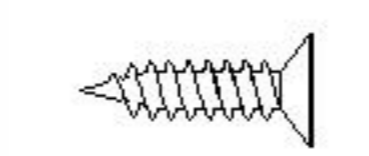
(D)*4



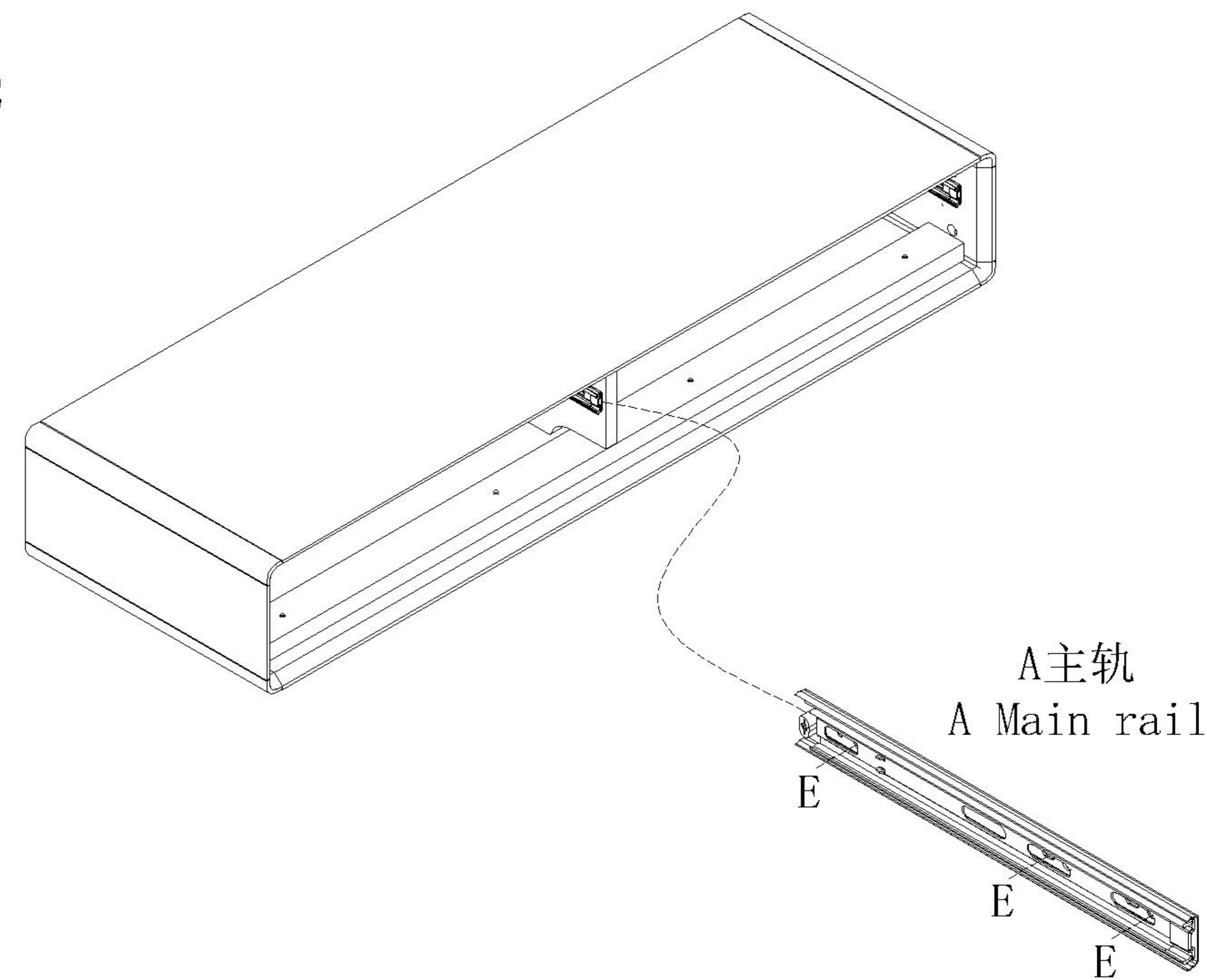
9



(A)*2

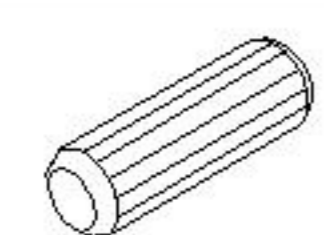


(E)*12

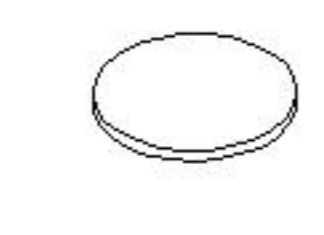


A主轨
A Main rail

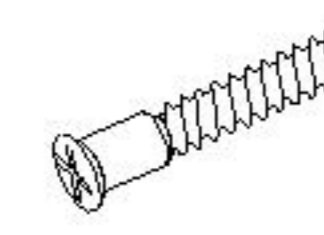
10



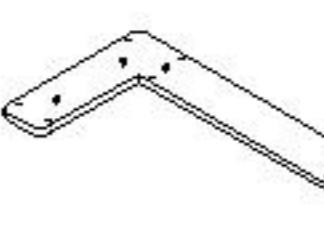
(D)*2



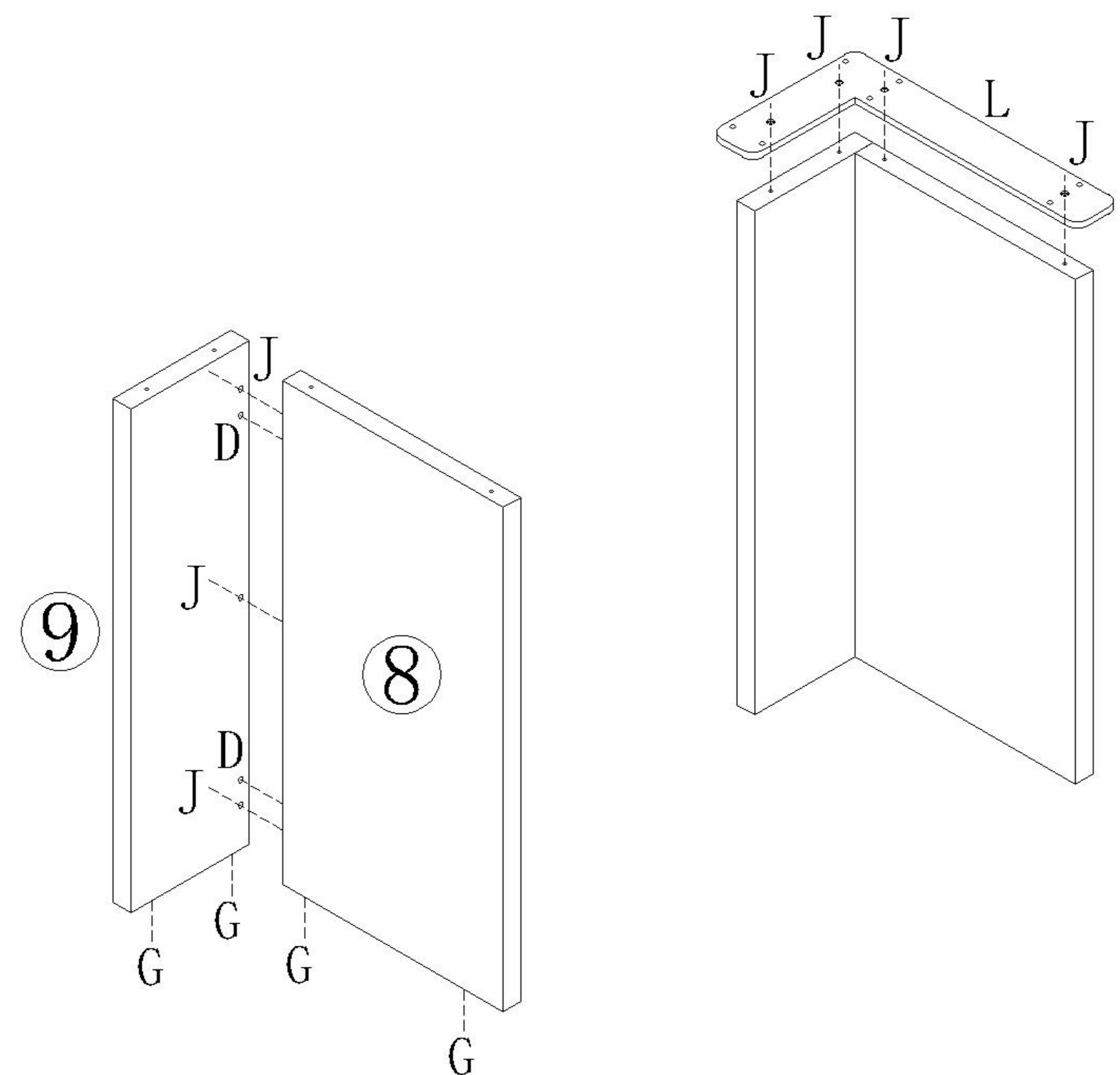
(G)*4



(J)*7



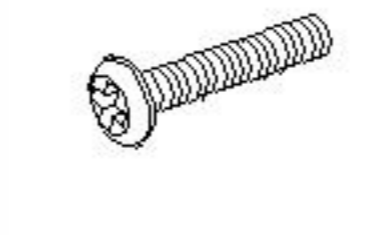
(L)*1



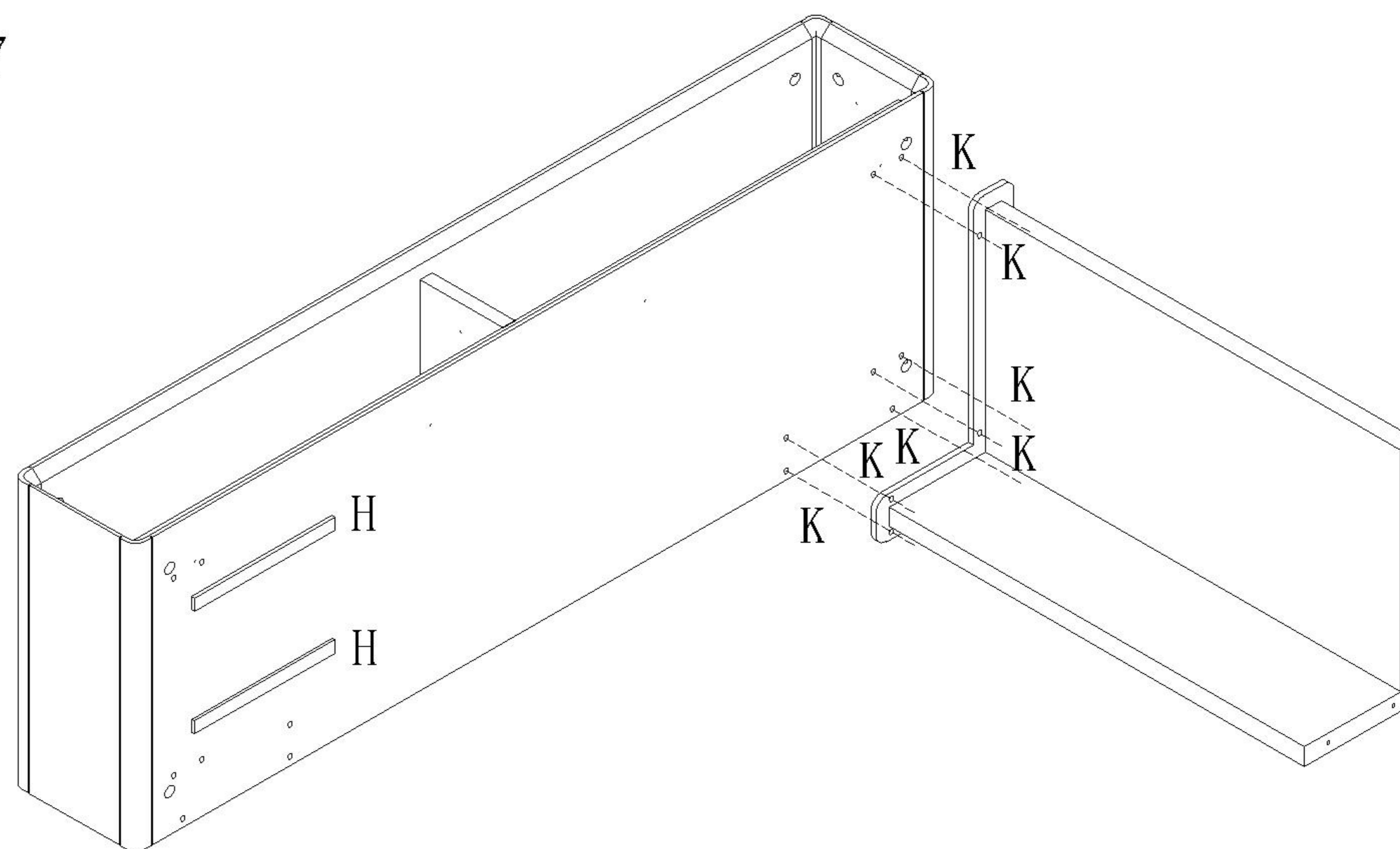
11



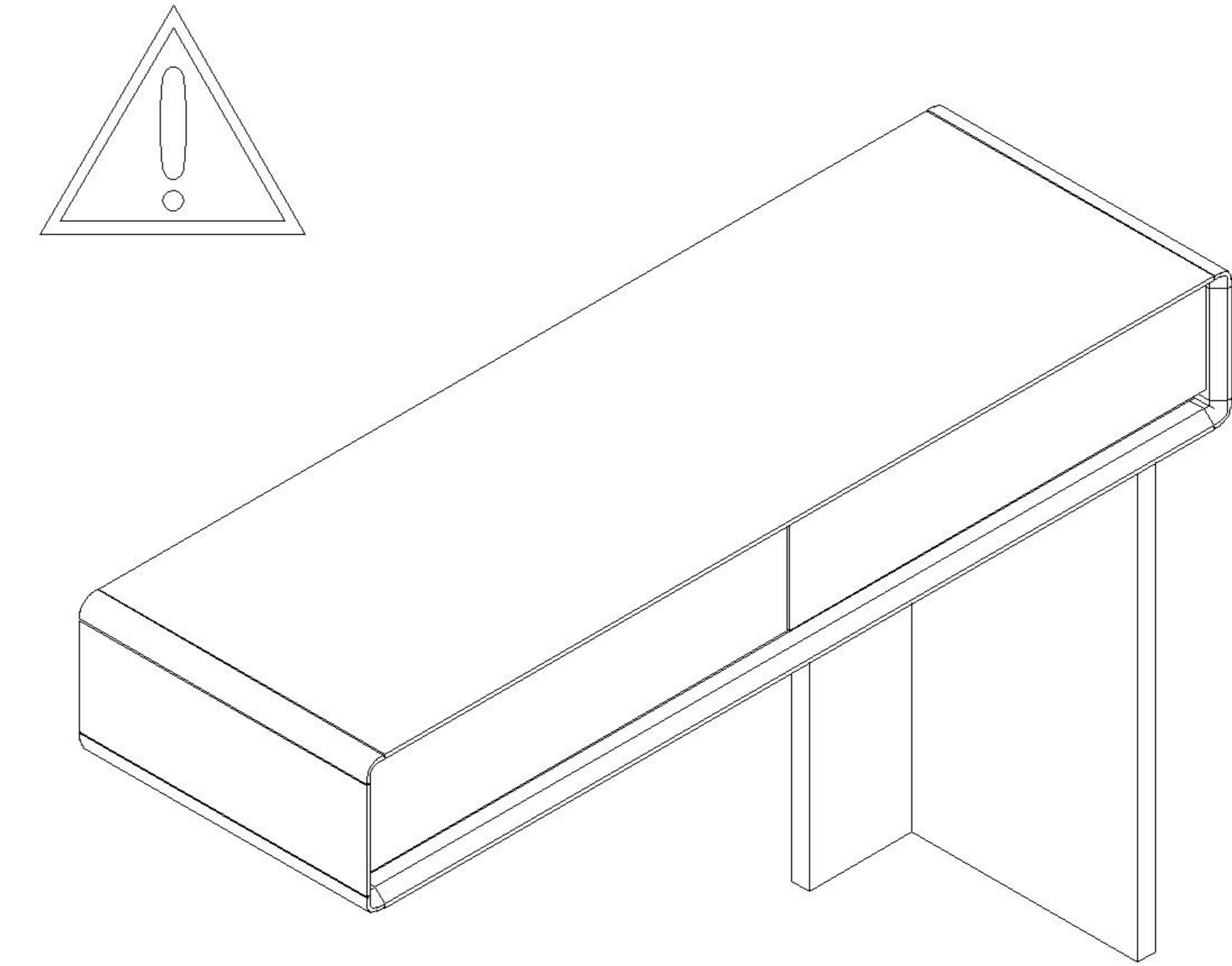
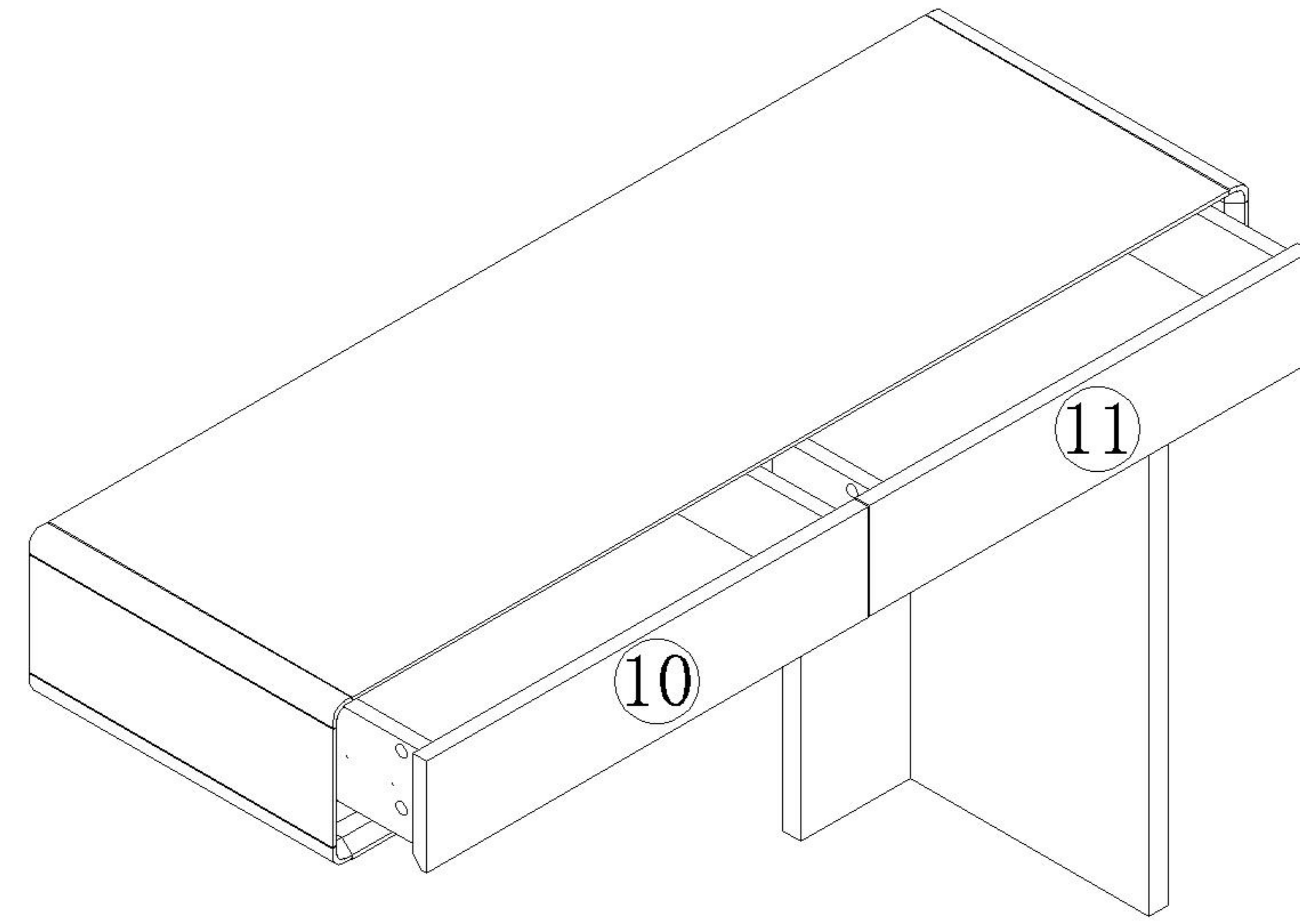
(H)*2



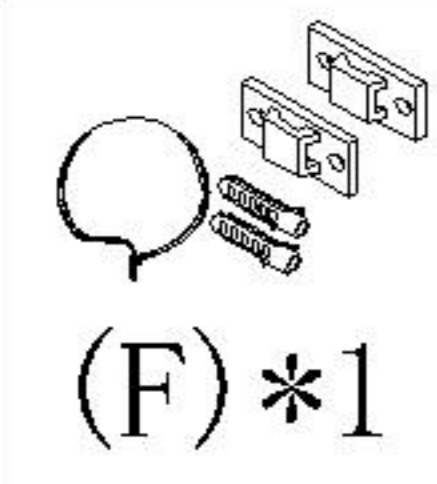
(K)*7



12



注意!
 使用产品时请适当调整主柜与边柜组合间距离，单独放置会有倾倒的风险。
 Be careful ! Please properly adjust the distance between the attached and main cabinet. Placing the main cabinet alone will have a risk of dumping.



实体墙
 Solid wall

