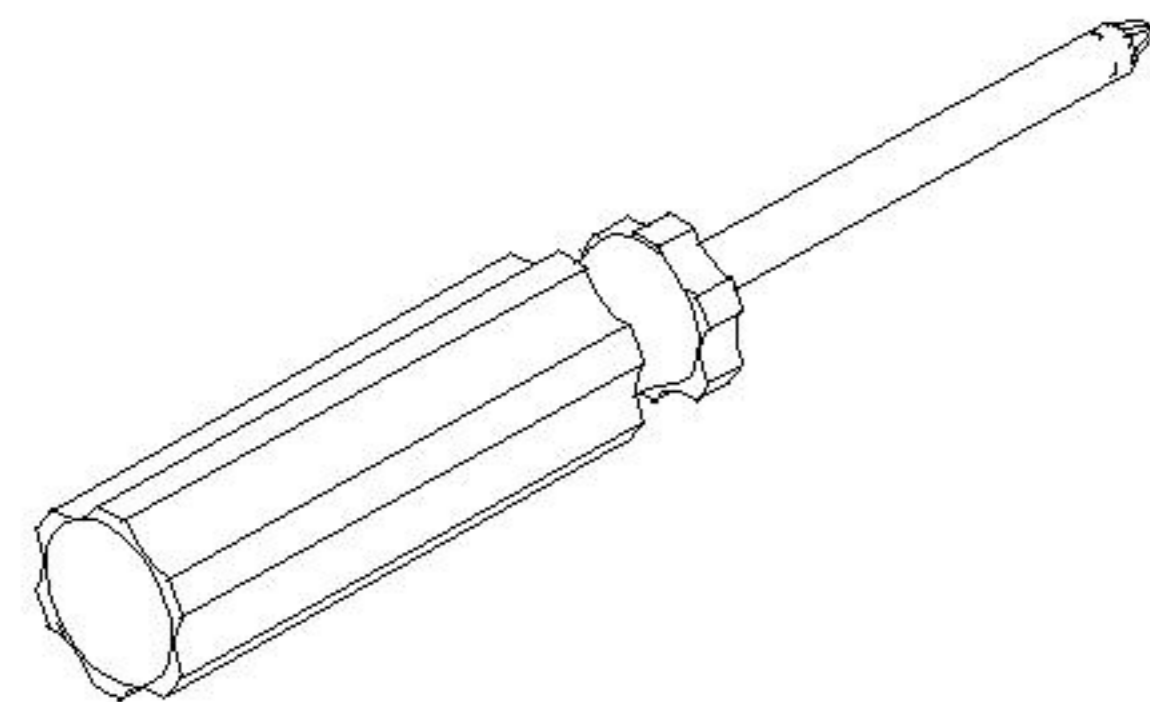
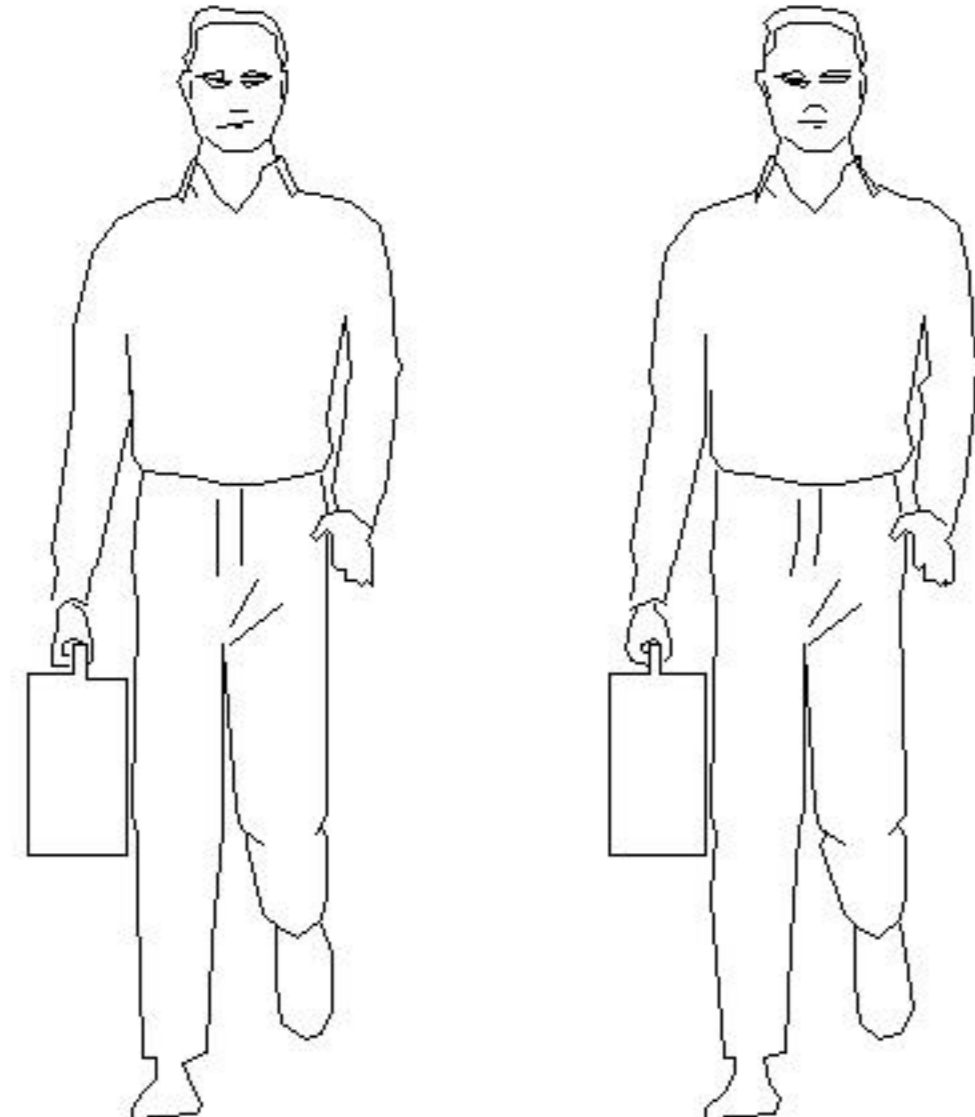


# LINSY 林氏家居

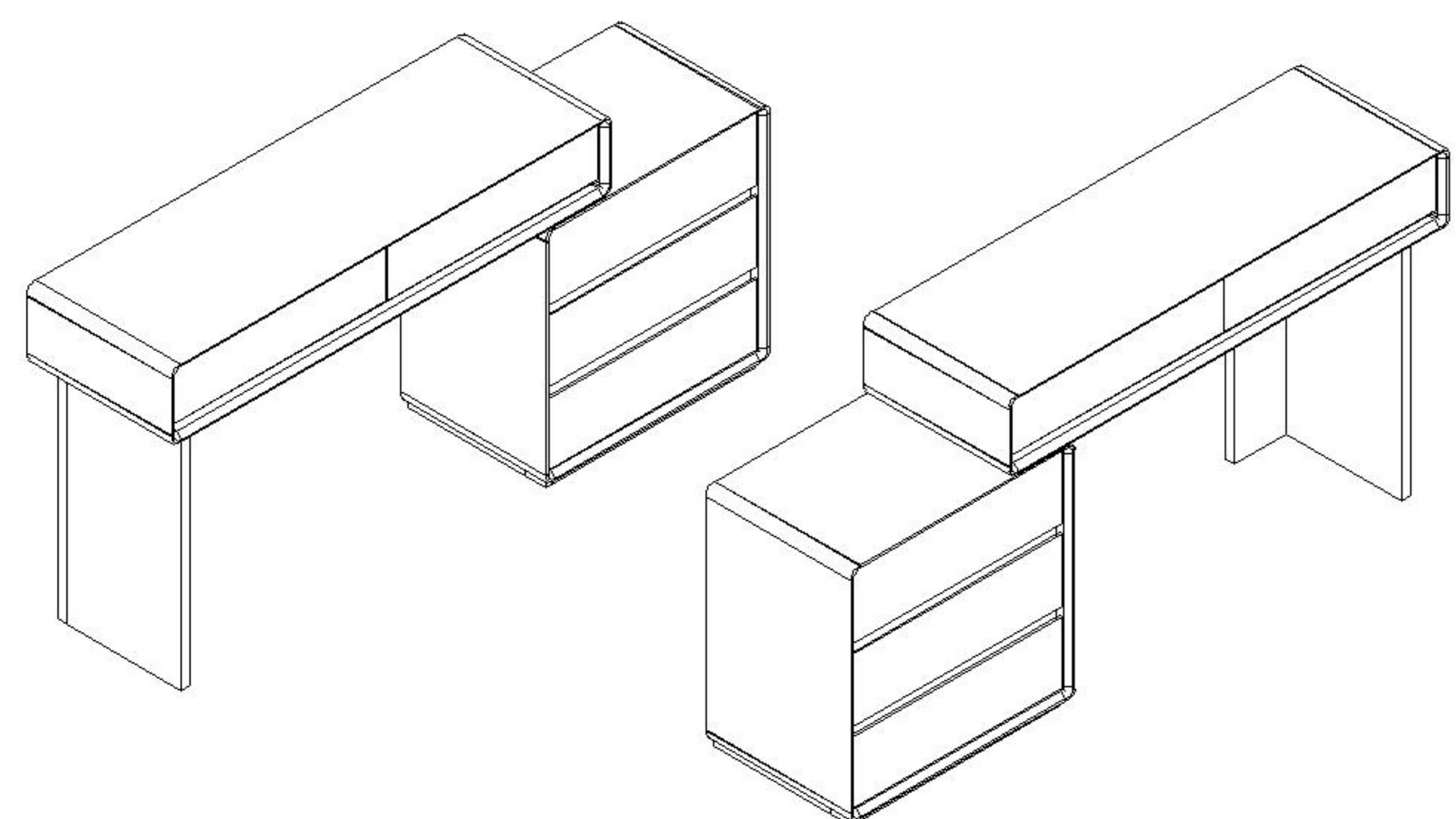
## 五金表/Hardware list

## 部件表/Parts List

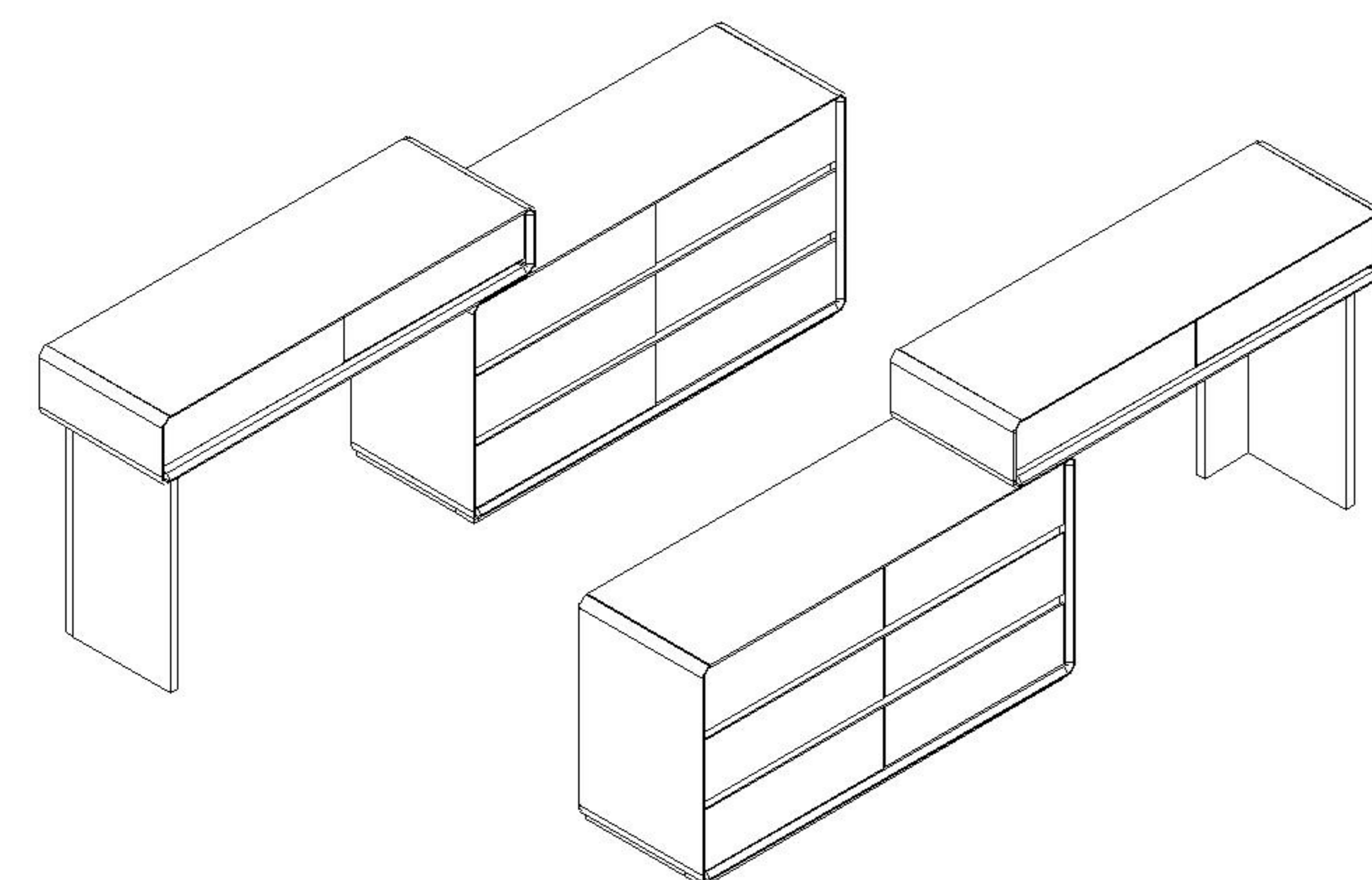
### 安装示意图/Assembly Instruction

产品名称 Model NO.	UN8C-F妆台
产品规格 Specification	1200*398*815mm
安装工具 Tool	安装人数 Installer
	

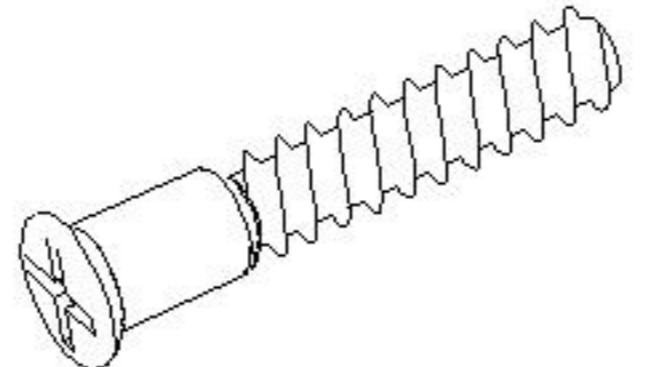
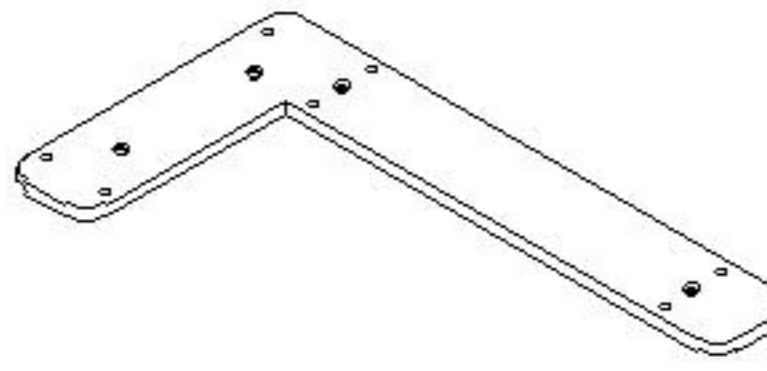
注：为保证设计效果，部分尺寸为定制尺寸，不影响使用。



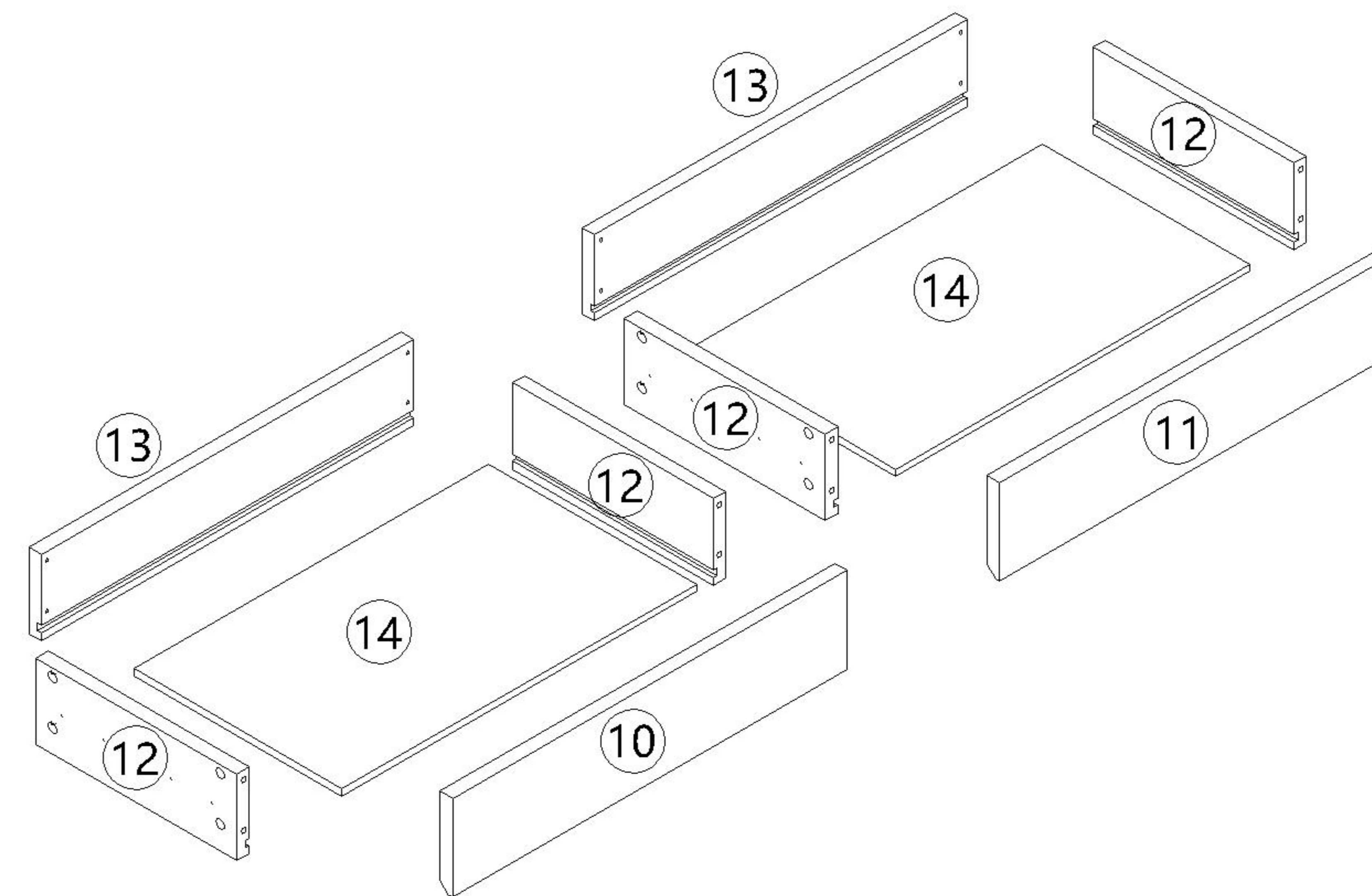
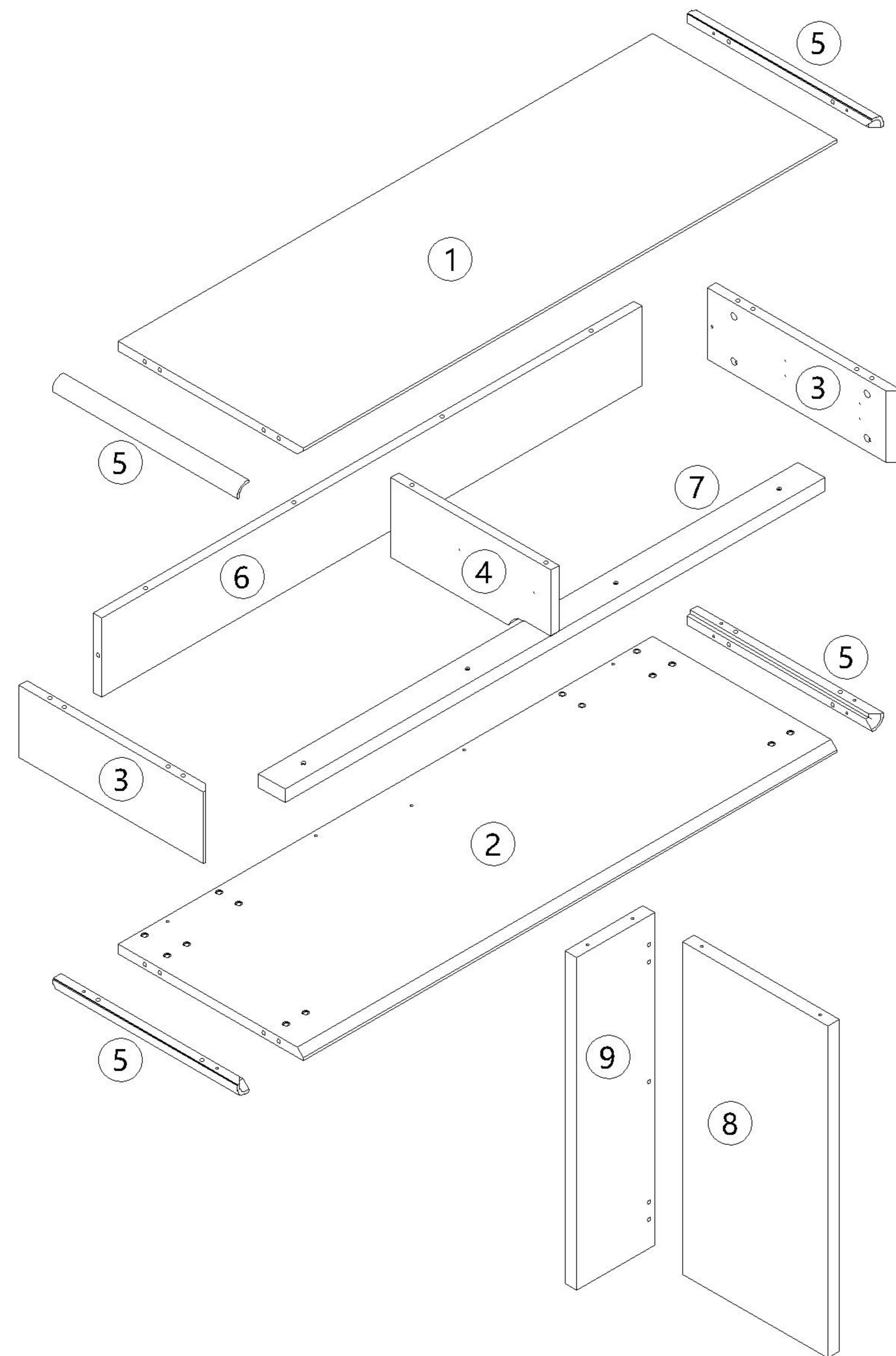
产品名称：UN8C-F三斗柜妆台  
产品规格：1300~1659\*398\*815mm



产品名称：UN8C-F六斗柜妆台  
产品规格：1893~2250\*398\*815mm

 (A)* 2 三节滚珠导轨-10" three-section ball rail	 (B)* 48 二合一螺杆 2-in-1-screw	 (C)* 48 大三合一锁饼 Three-in-one large lock	 (D)* 19 木榫Ø8x30mm wood tenon
 (E)* 25 自攻螺丝M3.5x12mm Self-tapping screw	 (F)* 1 家具防倒器-白色 Anti-fall device white	 (G)* 4 灰色毛毡脚垫 Grey felt foot pad	 (H)* 2 垫片-黑色L=300mm shim - Black
 (I)* 4 自攻大扁M4*35mm Self tapping flat screw	 (J)* 7 过山丝-M7x38mm Self-tapping screw galvanized	 (K)* 7 斜边十字螺杆-M6x25 bevel cross screw	 (L)* 1 妆台铁片 Makeup iron sheet

编号NO.	名称Name	规格(mm) Specification	数量QTY	材质Material
①	面板Top panel	1150*398*18	1	胶合板 Plywood
②	底板Bottom board	1150*398*18	1	胶合板 Plywood
③	侧板Side board	398*134*18	2	胶合板 Plywood
④	中侧板Middle side board	345*148*18	1	胶合板 Plywood
⑤	转角木Corner connection wood	398*25*25	4	橡胶木 Rubber wood
⑥	背板Back board	1164*148*18	1	胶合板 Plywood
⑦	拉条Brace	1162*58*25	1	胶合板 Plywood
⑧	下侧板Lower side board	620*313*25	1	胶合板 Plywood
⑨	后档板Rear bumper	620*168*25	1	胶合板 Plywood
⑩	左抽屉面板Drawer's panel(L)	579*126*18	1	胶合板 Plywood
⑪	右抽屉面板Drawer's panel(R)	579*126*18	1	胶合板 Plywood
⑫	抽屉侧板Drawer's sideboard	295*110*18	4	胶合板 Plywood
⑬	抽屉后板Drawer's Back board	547*110*18	2	胶合板 Plywood
⑭	抽屉底板Drawer's Bottom board	521*305*9	2	胶合板 Plywood



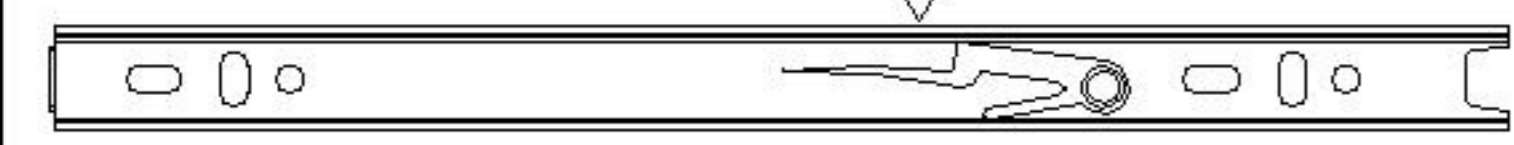
编号NO.	名称Name
①	面板Top panel
②	底板Bottom board
③	侧板Side board
④	中侧板Middle side board
⑤	转角木Corner connection wood
⑥	背板Back board
⑦	拉条Brace
⑧	下侧板Lower side board
⑨	后档板Rear bumper
⑩	左抽屉面板Drawer's panel(L)
⑪	右抽屉面板Drawer's panel(R)
⑫	抽屉侧板Drawer's sideboard
⑬	抽屉后板Drawer's Back board
⑭	抽屉底板Drawer's Bottom board

UN8C-F妆台

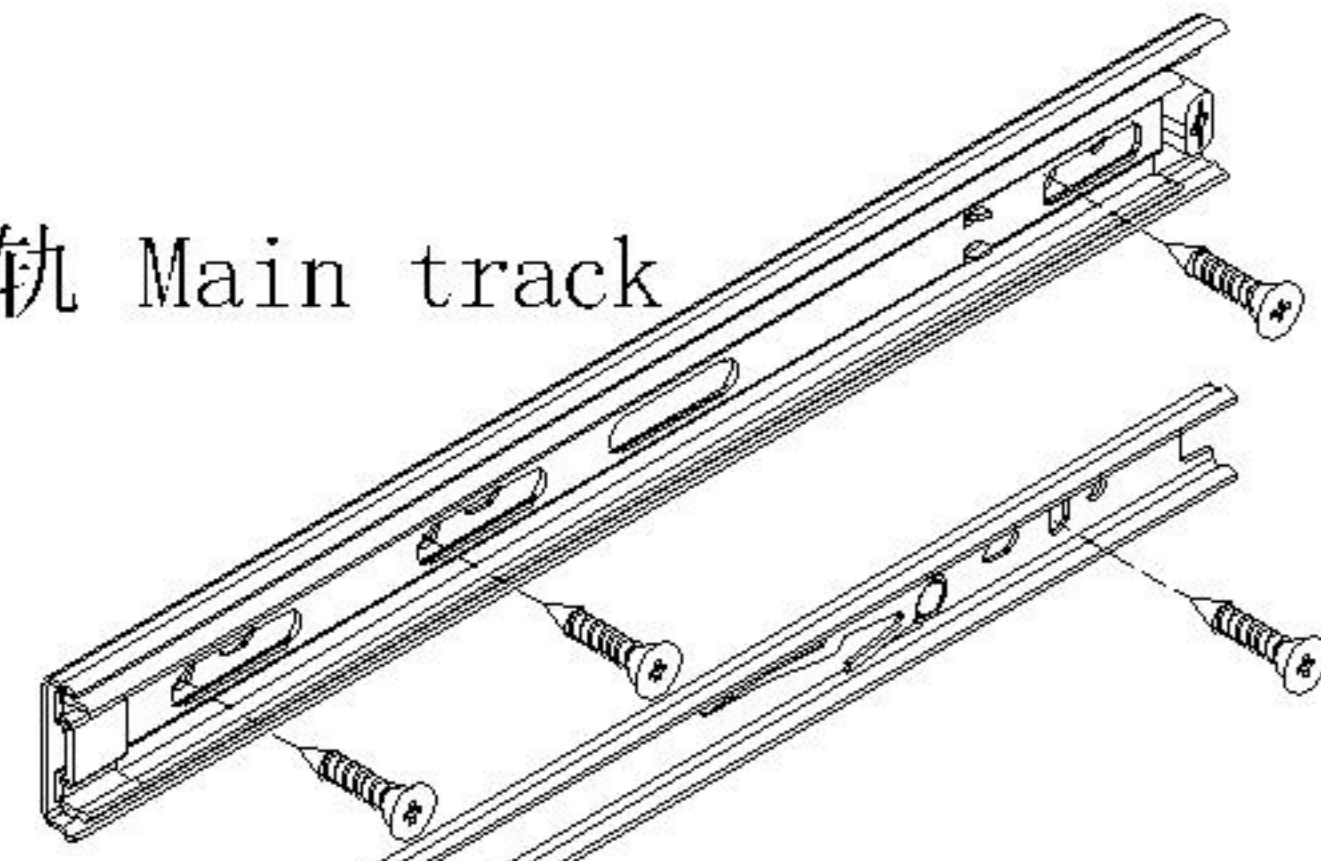
安装方法/  
Installation method

阀门开关(下压为开)  
Valve switch (press down to open)

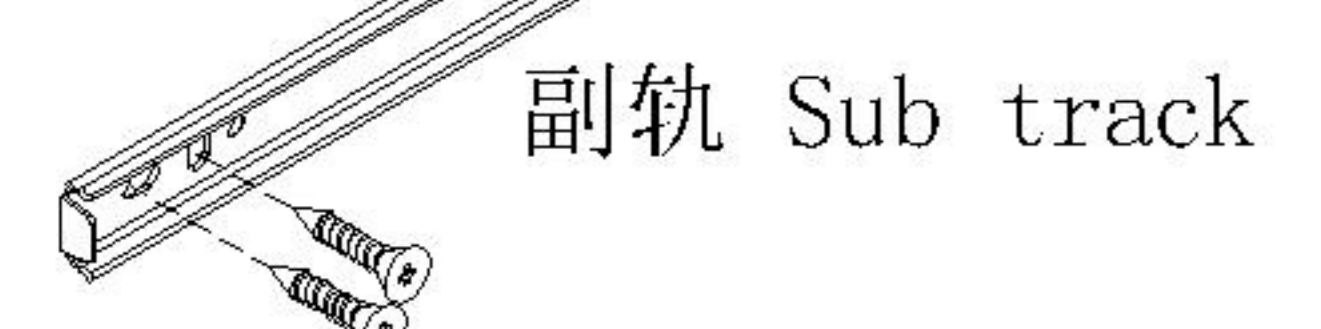
前 Forward      后 Back



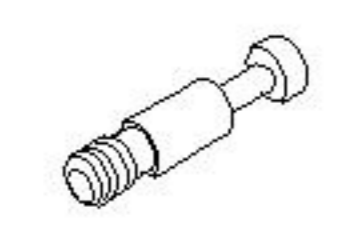
主轨 Main track



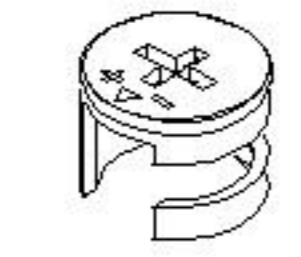
副轨 Sub track



三节滚珠导轨  
Three-section rail



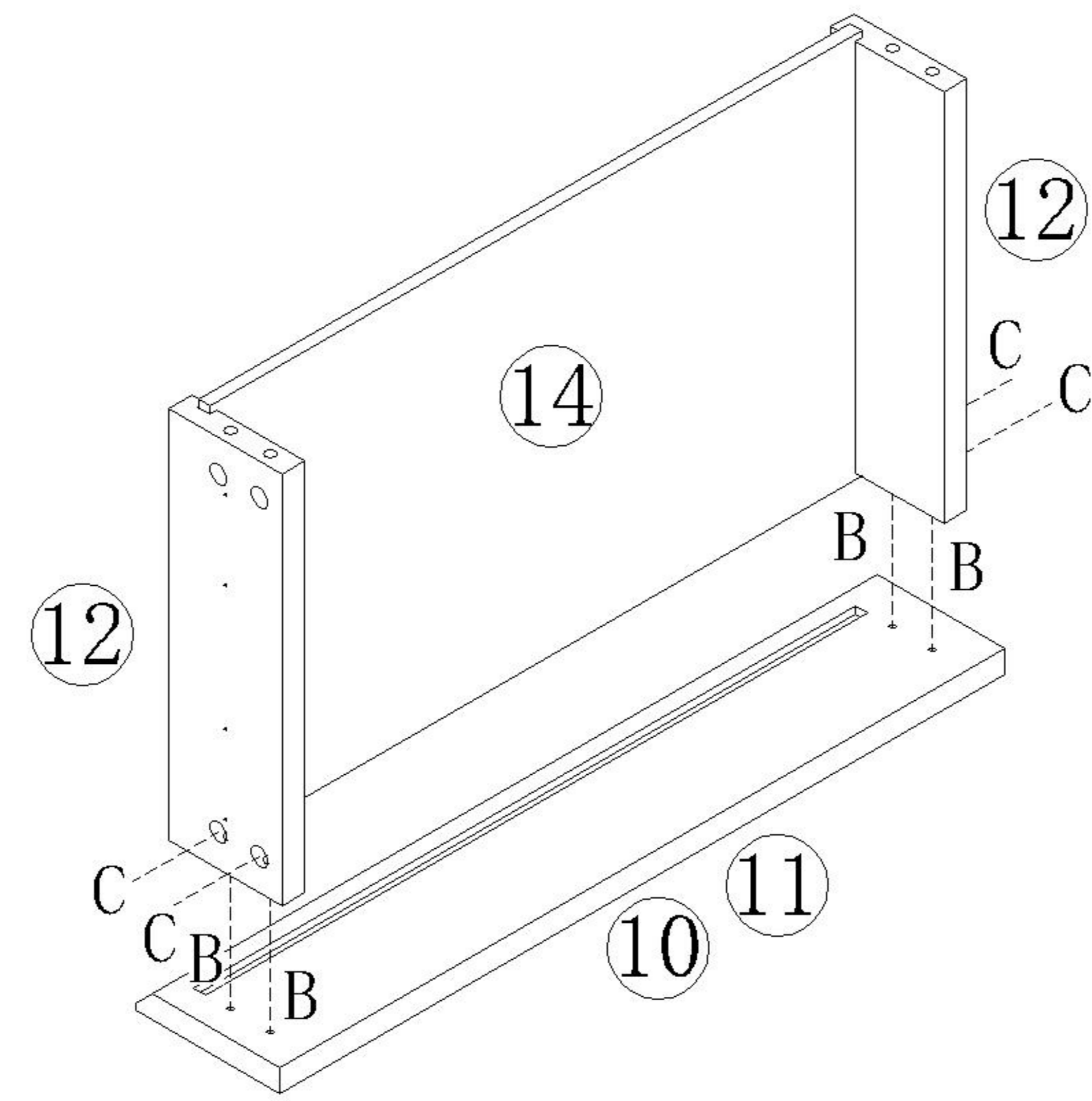
(B)\*8



(C)\*8

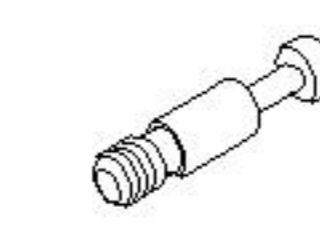
× 2

1

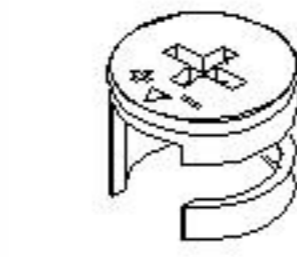


2

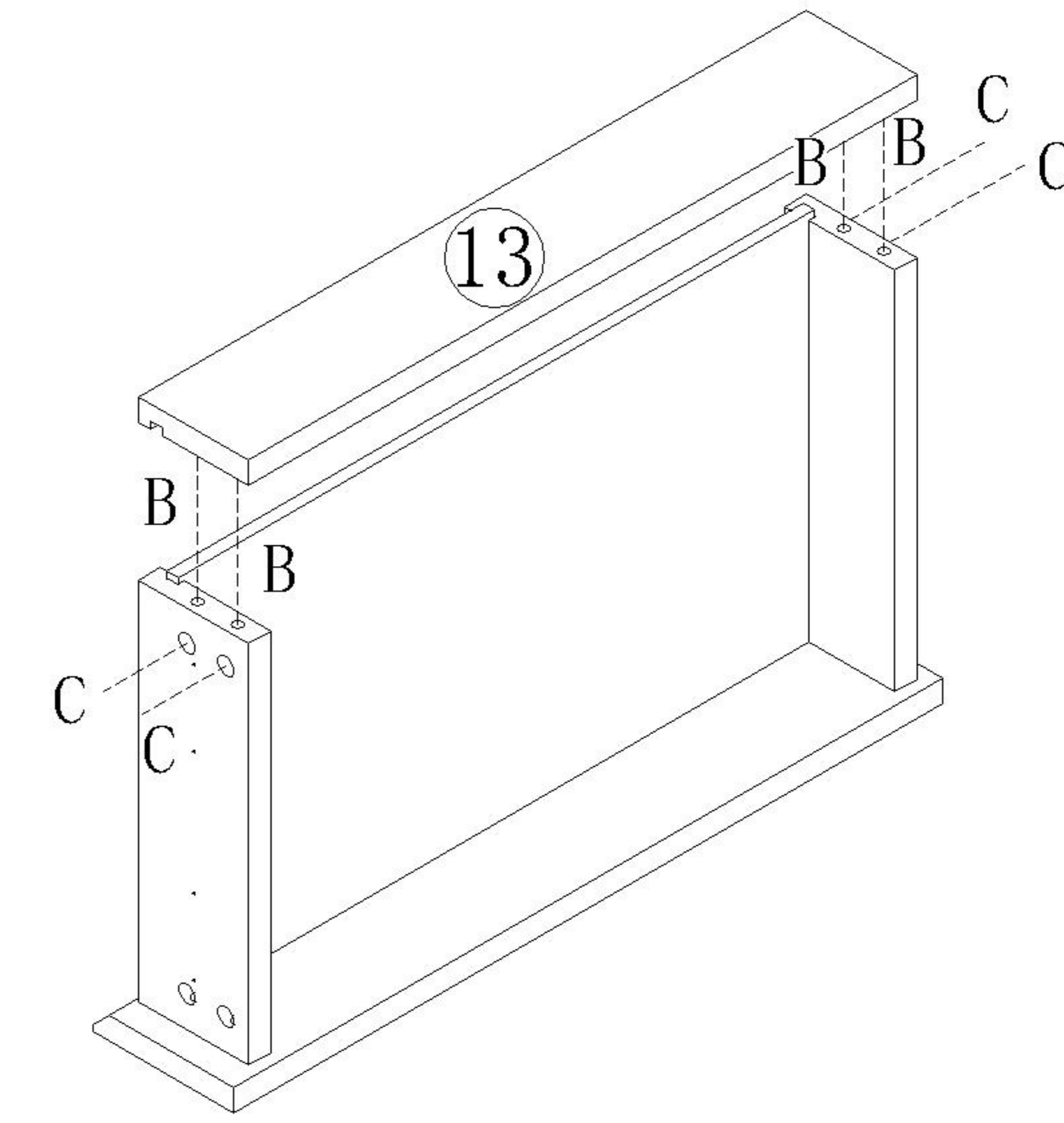
× 2



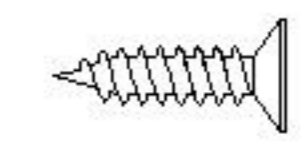
(B)\*8



(C)\*8



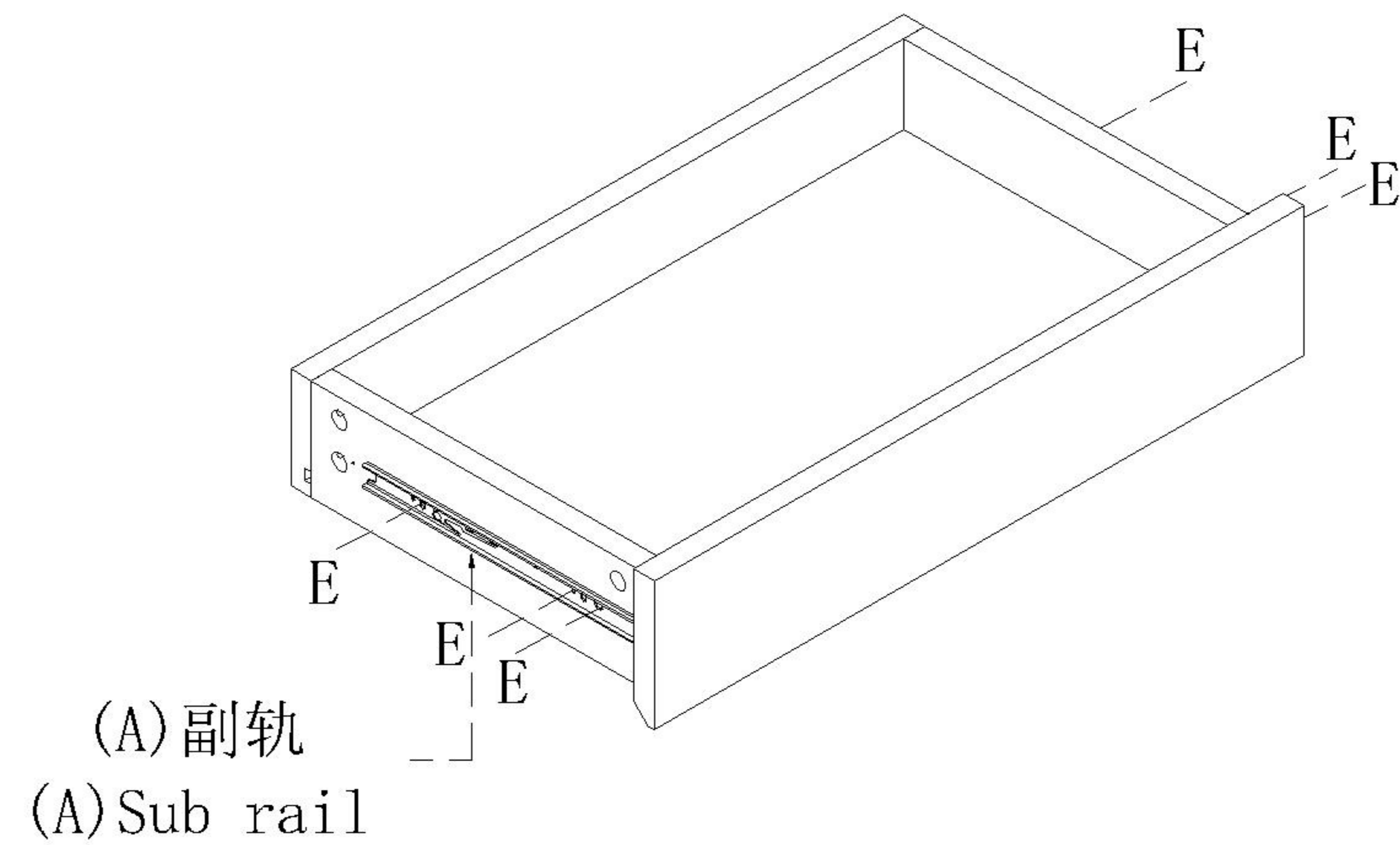
(A)\*2



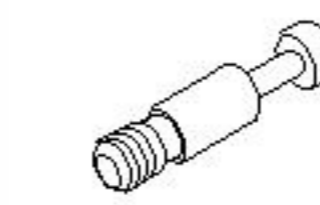
(E)\*12

× 2

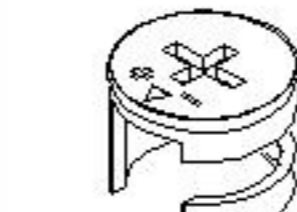
3



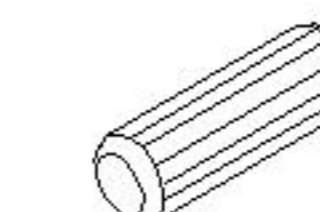
4



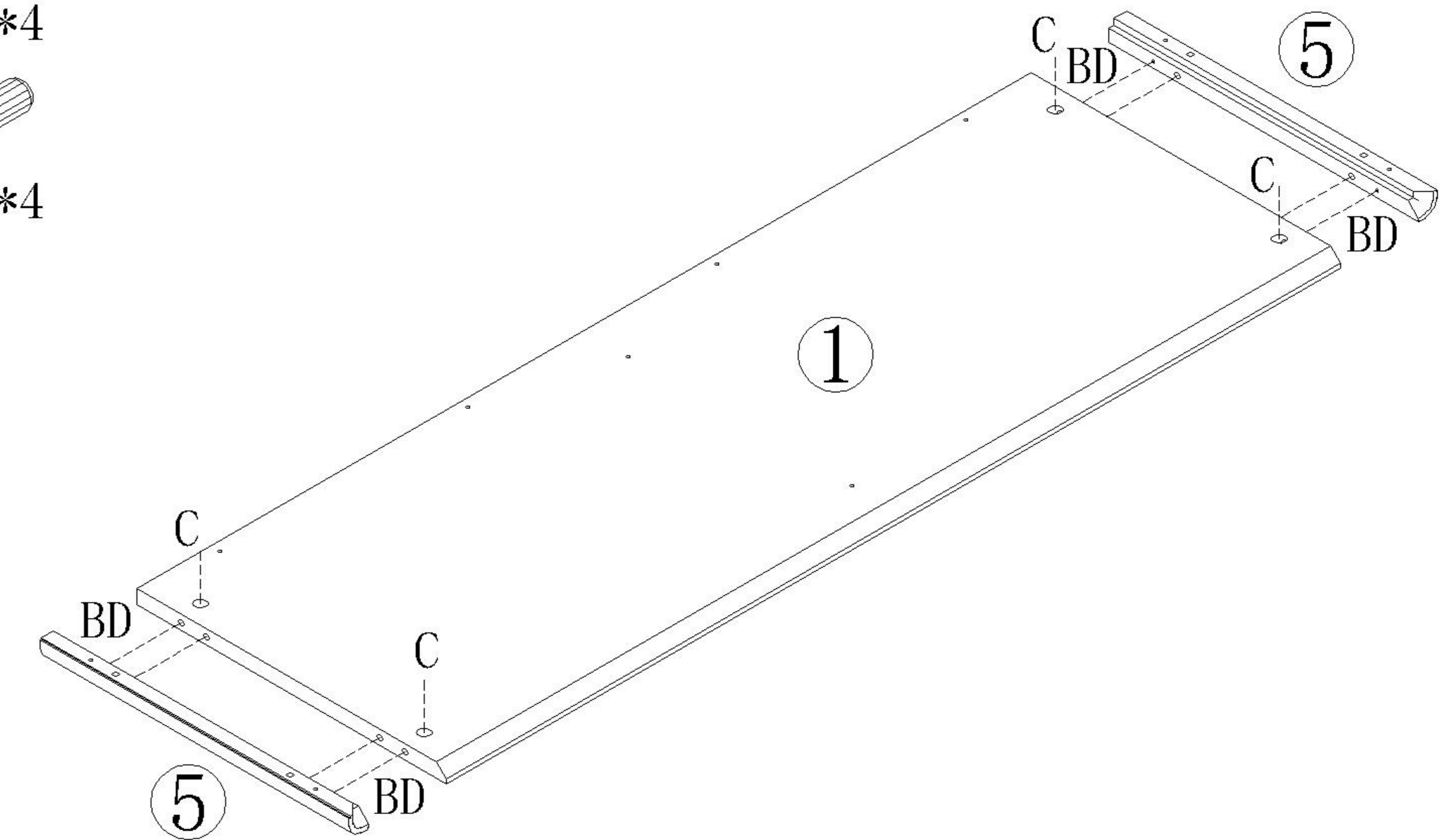
(B)\*4



(C)\*4

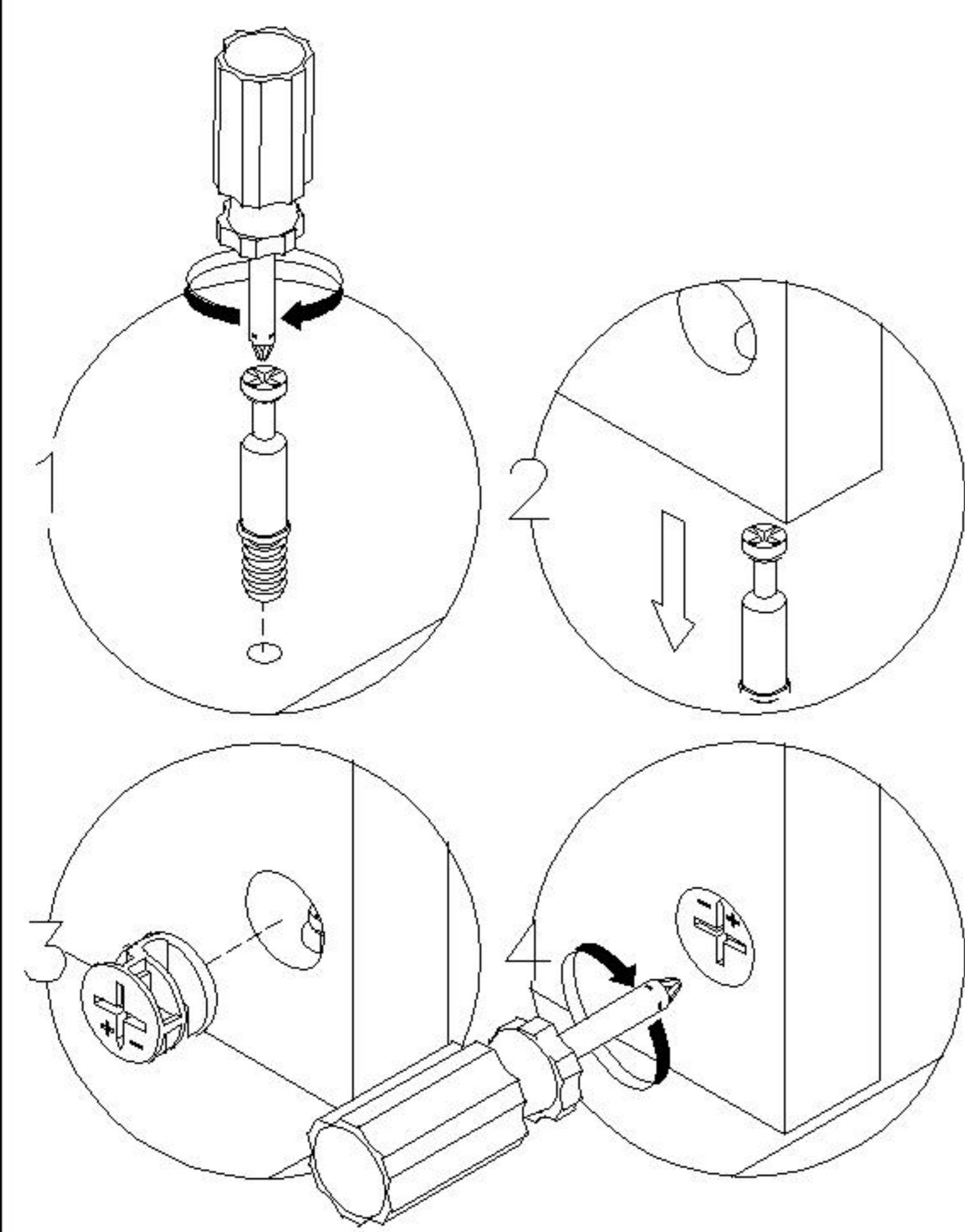


(D)\*4

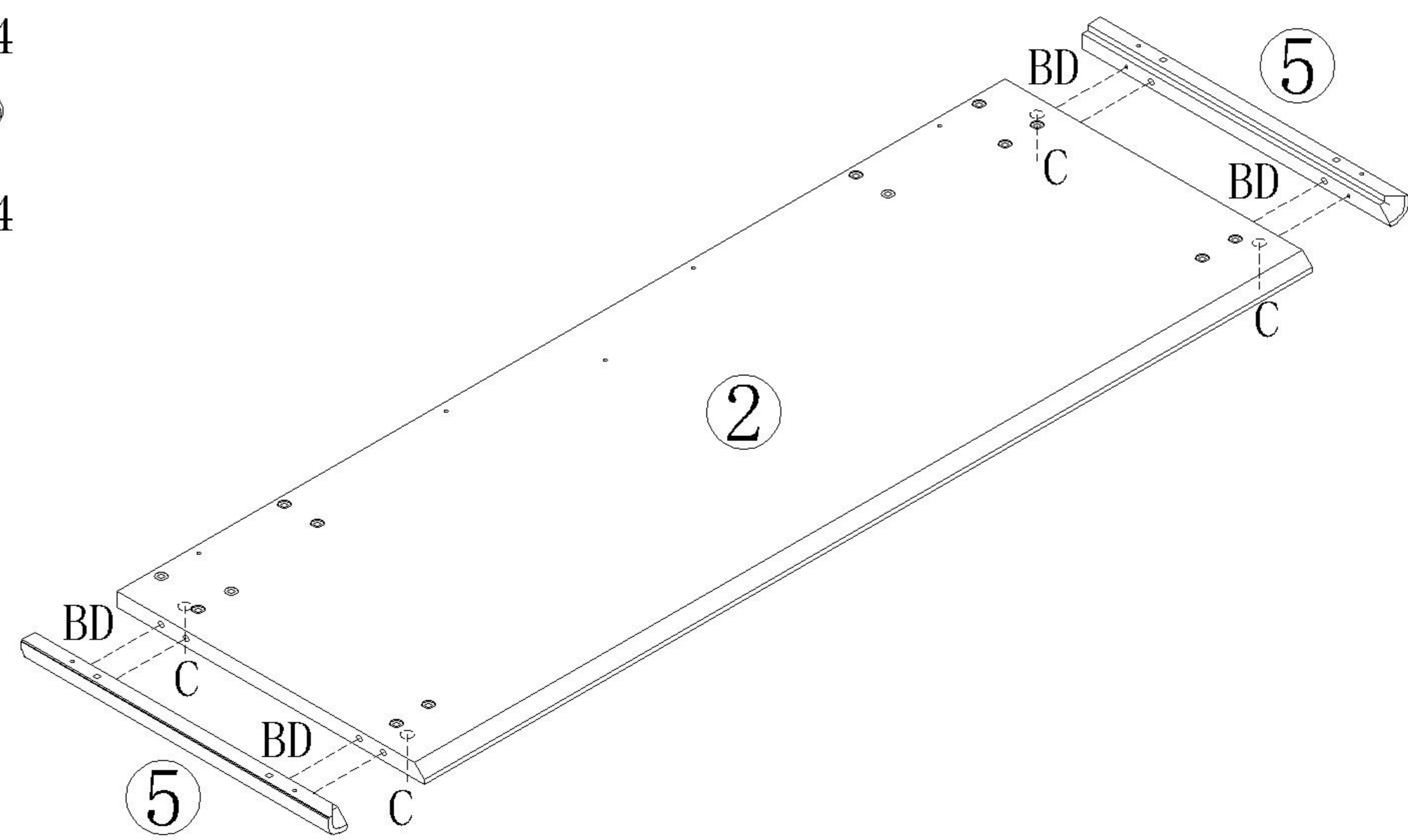
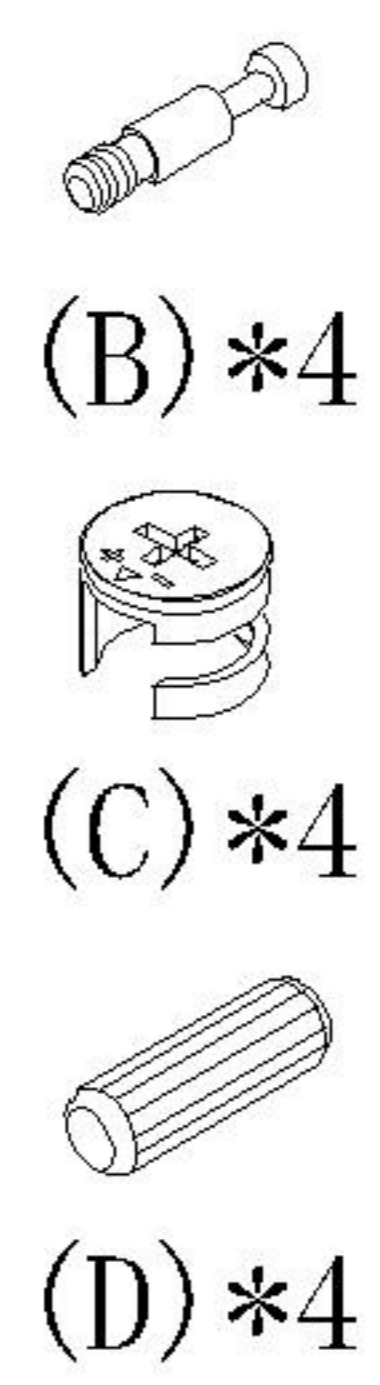


UN8C-F妆台

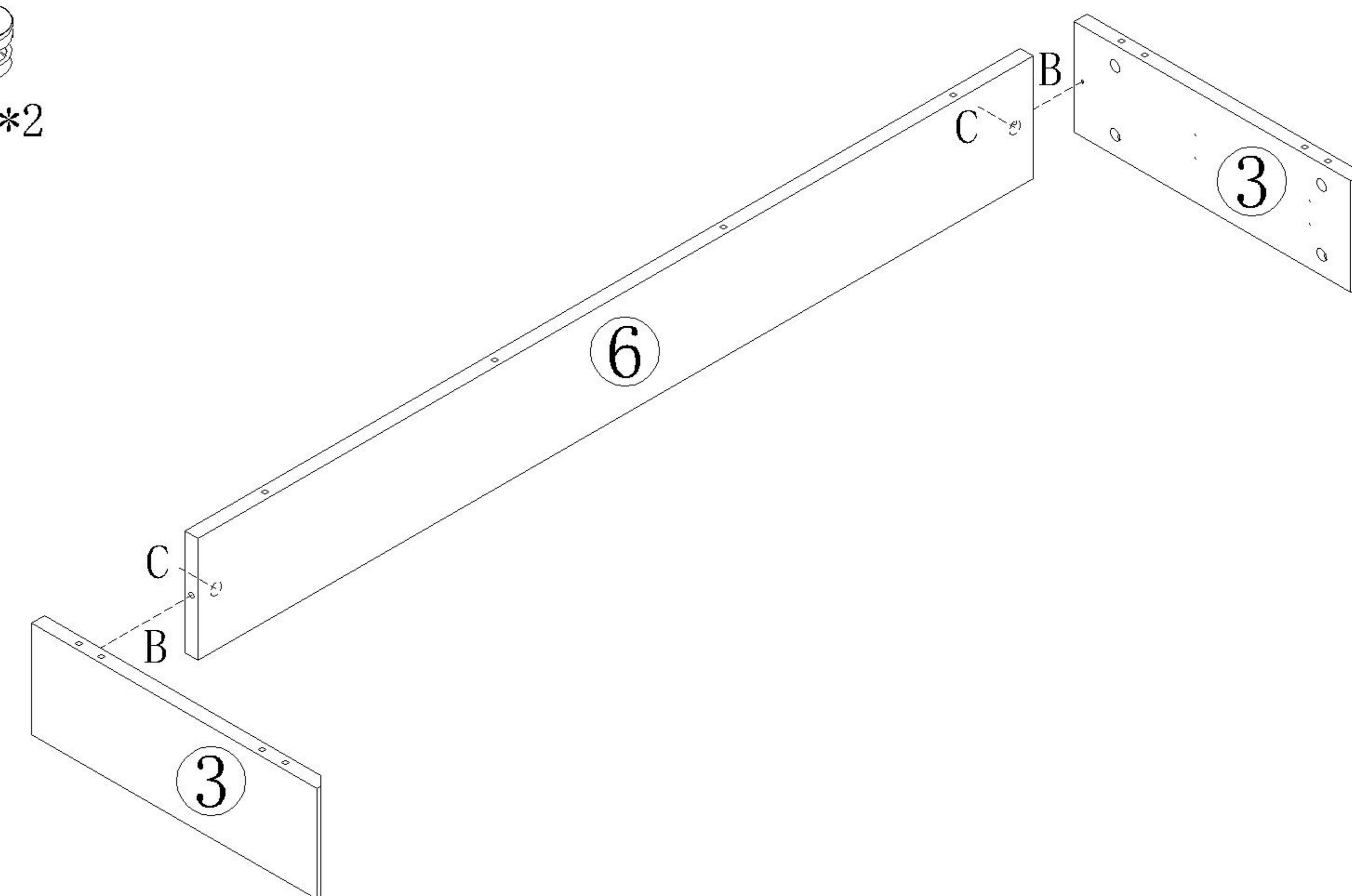
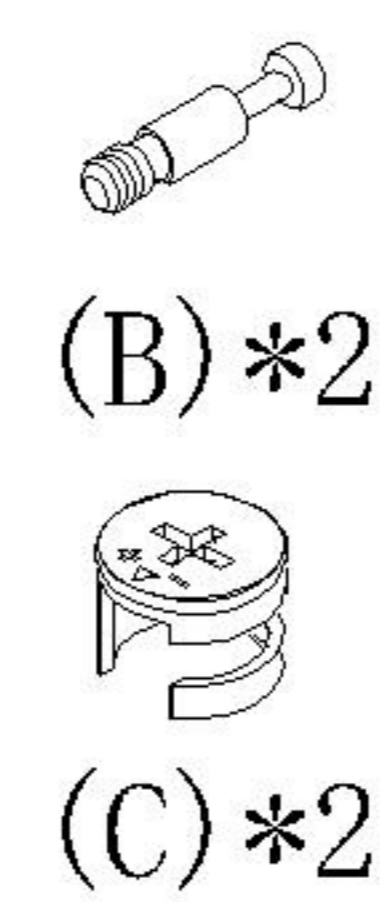
安装方法/  
Installation method



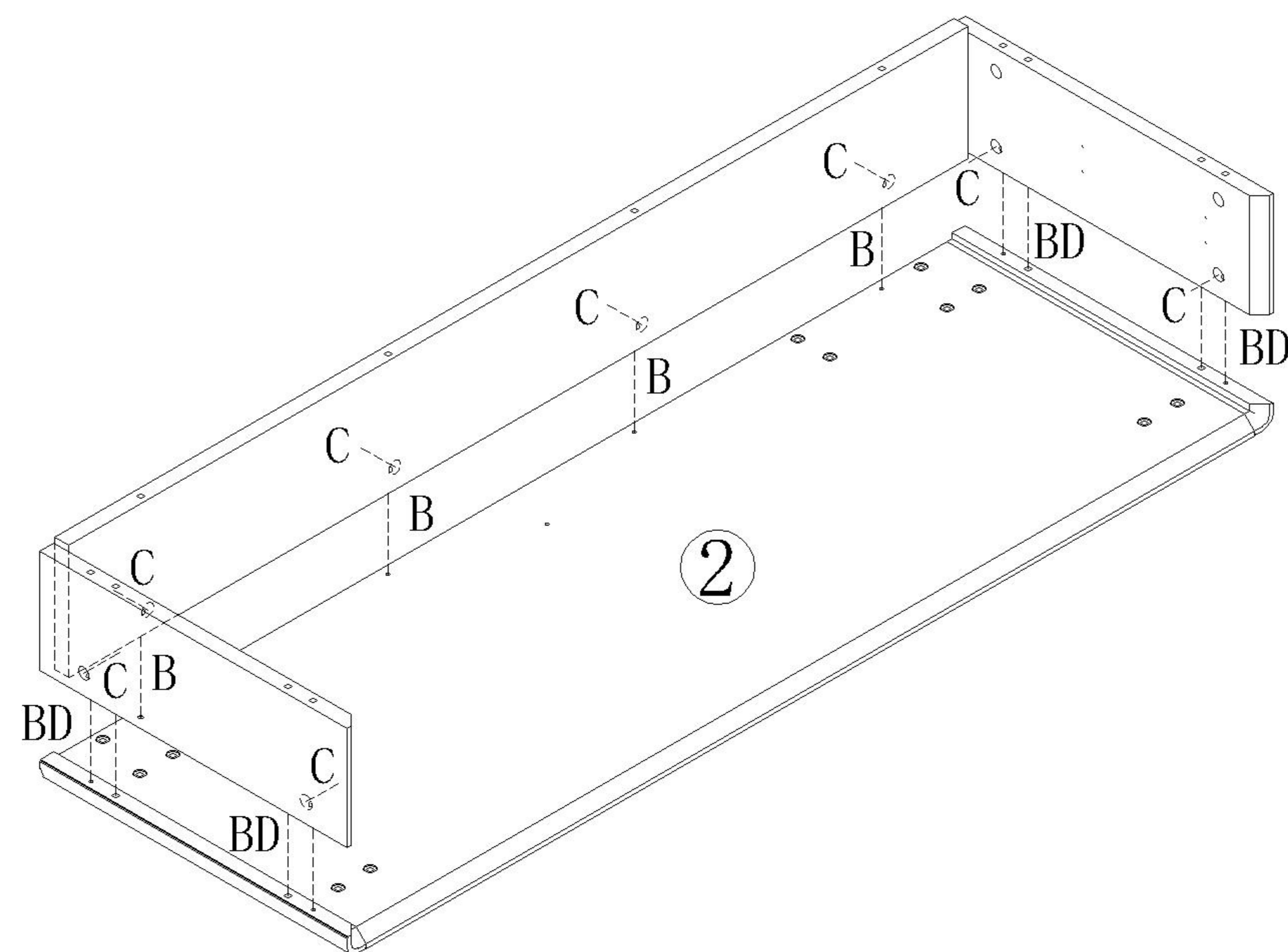
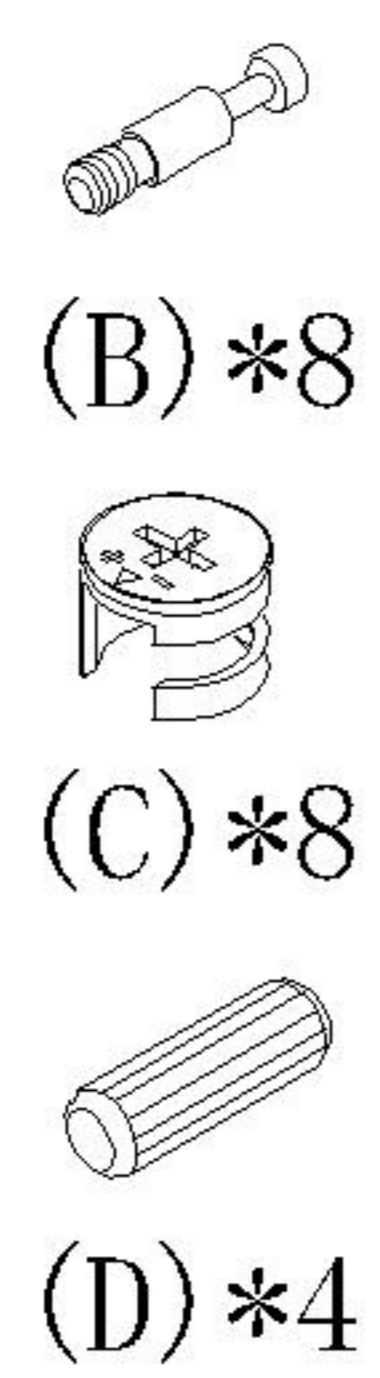
二合一 two-in-one



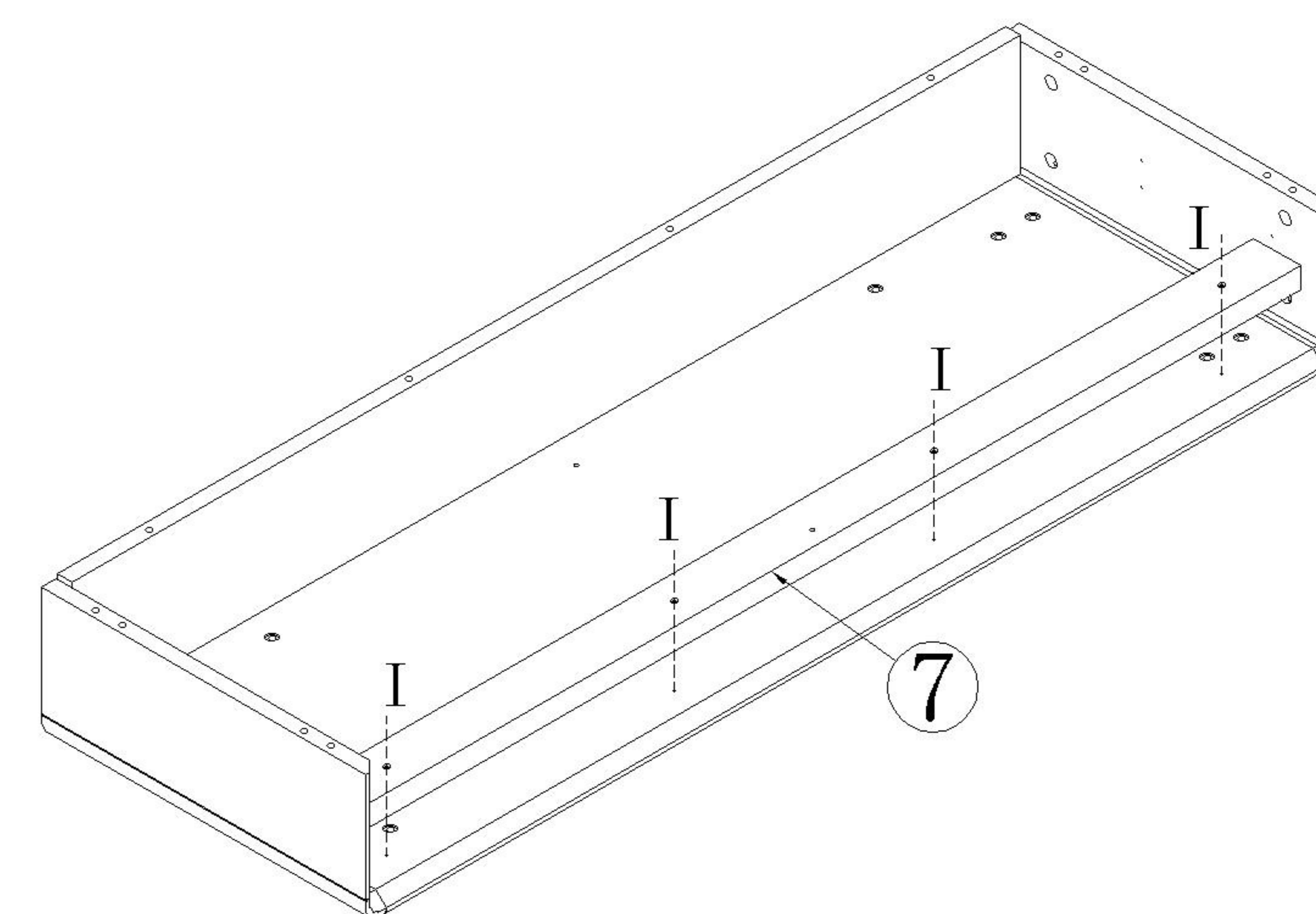
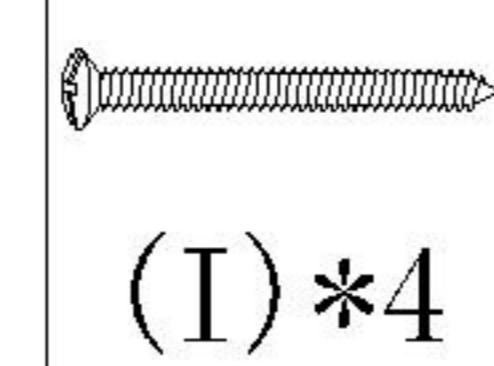
5



6



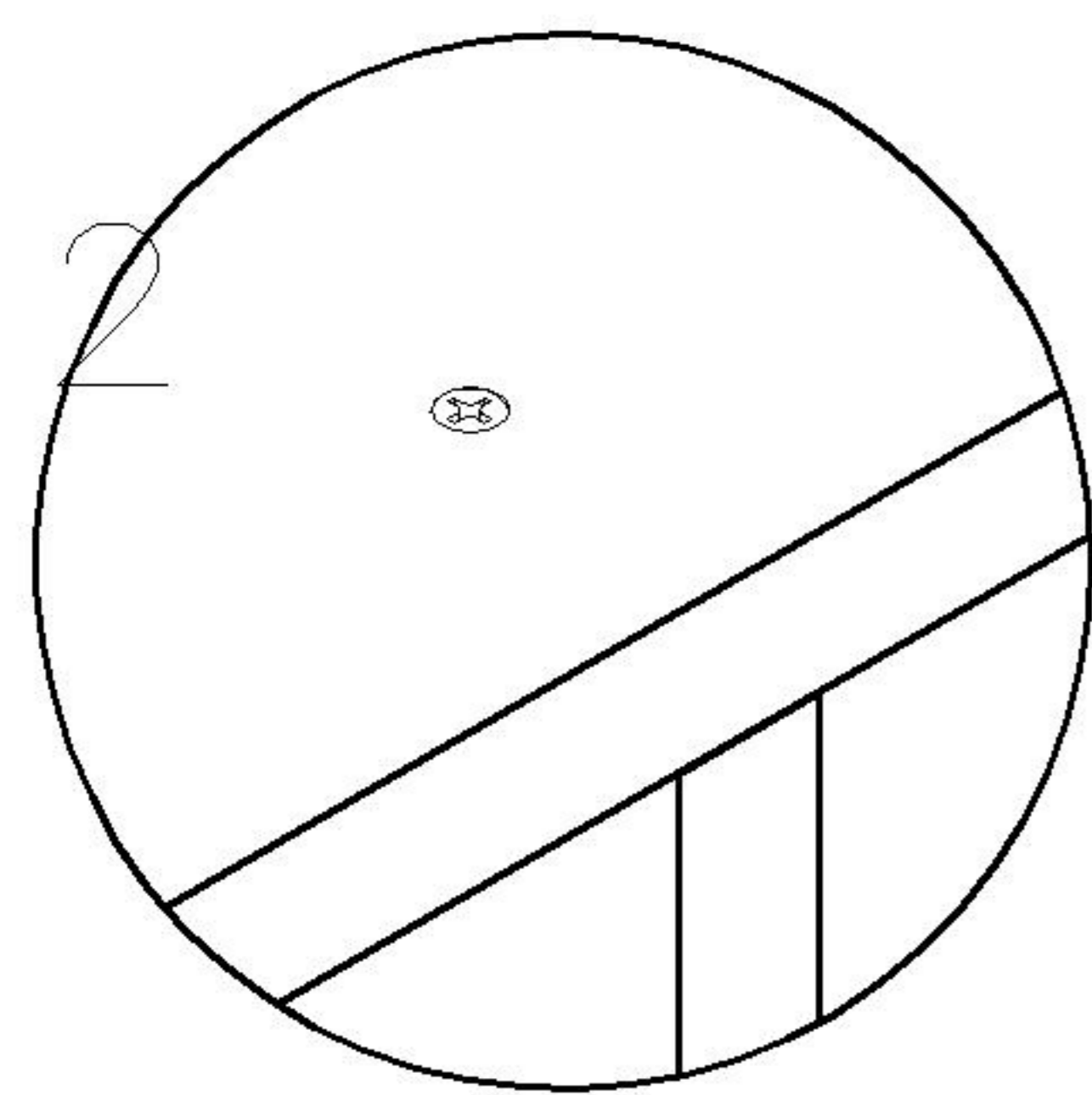
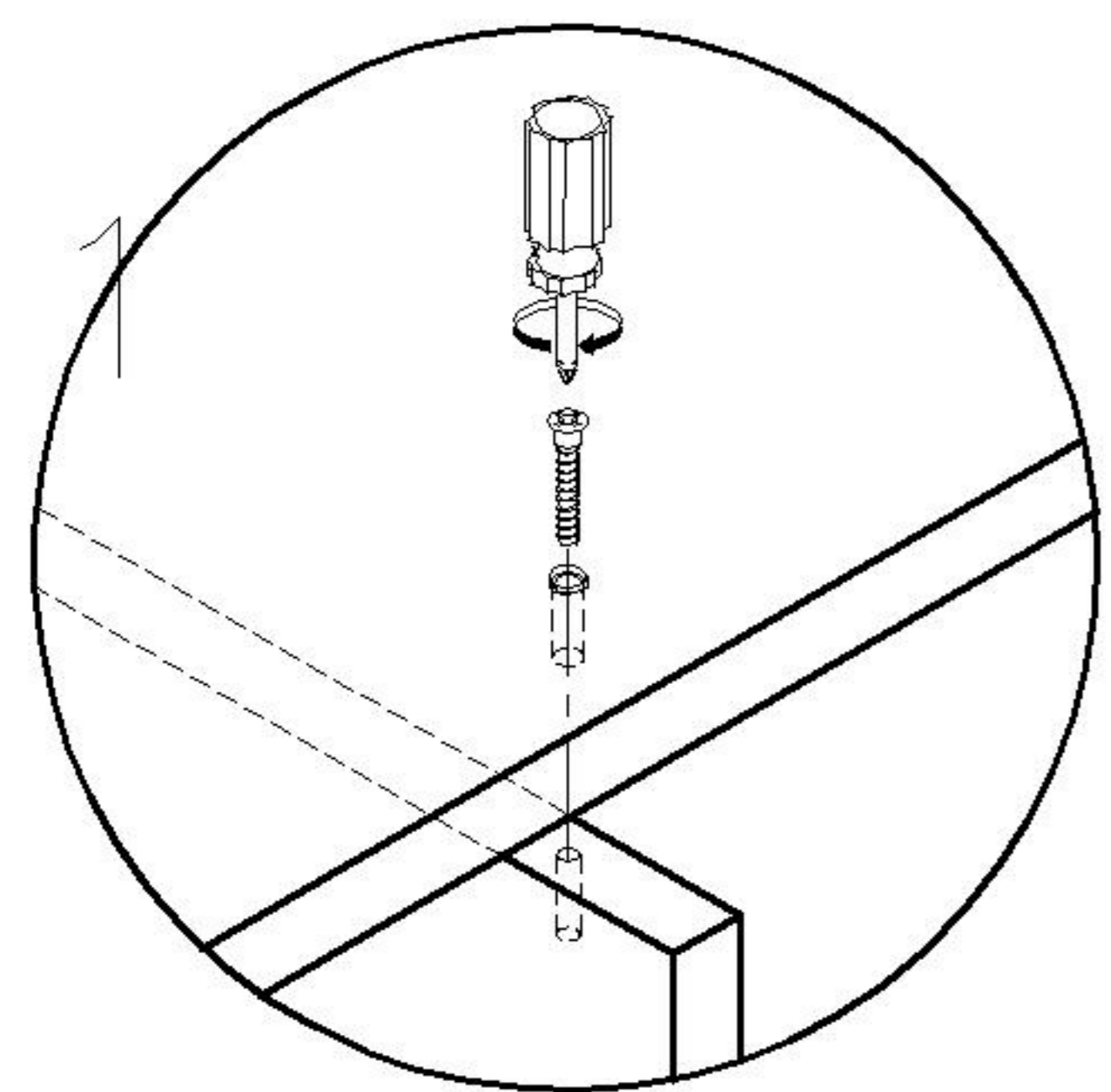
7



8

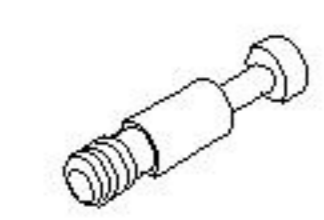
UN8C-F妆台

安装方法/  
Installation method

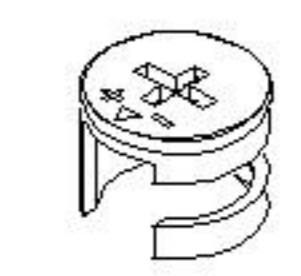


过山丝

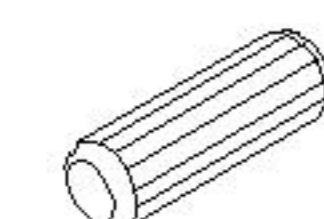
Self-tapping screw galvanized



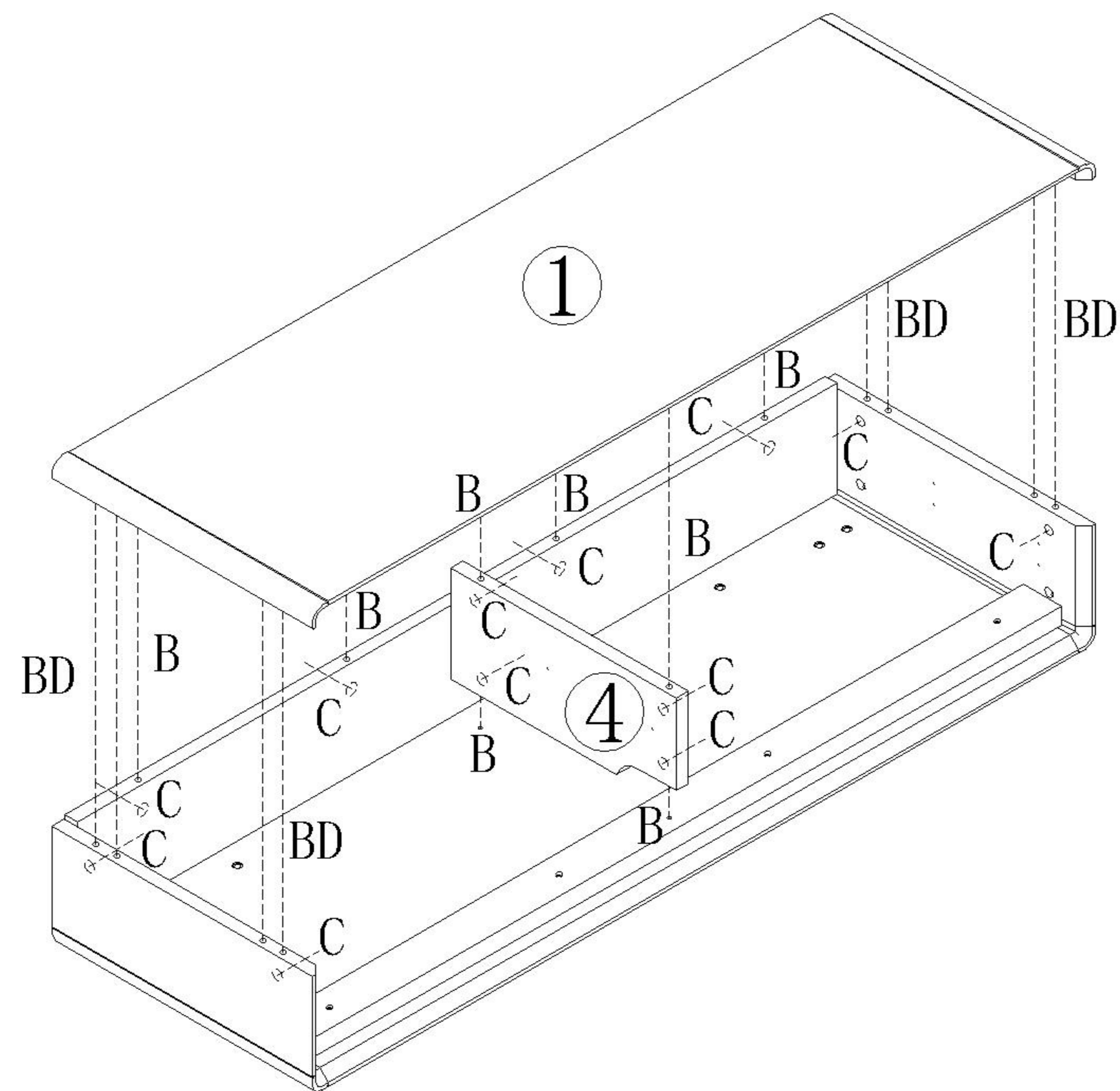
(B)\*12



(C)\*12



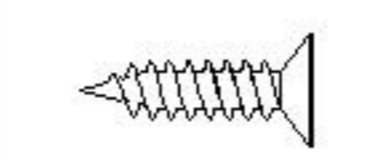
(D)\*4



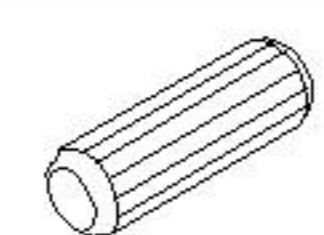
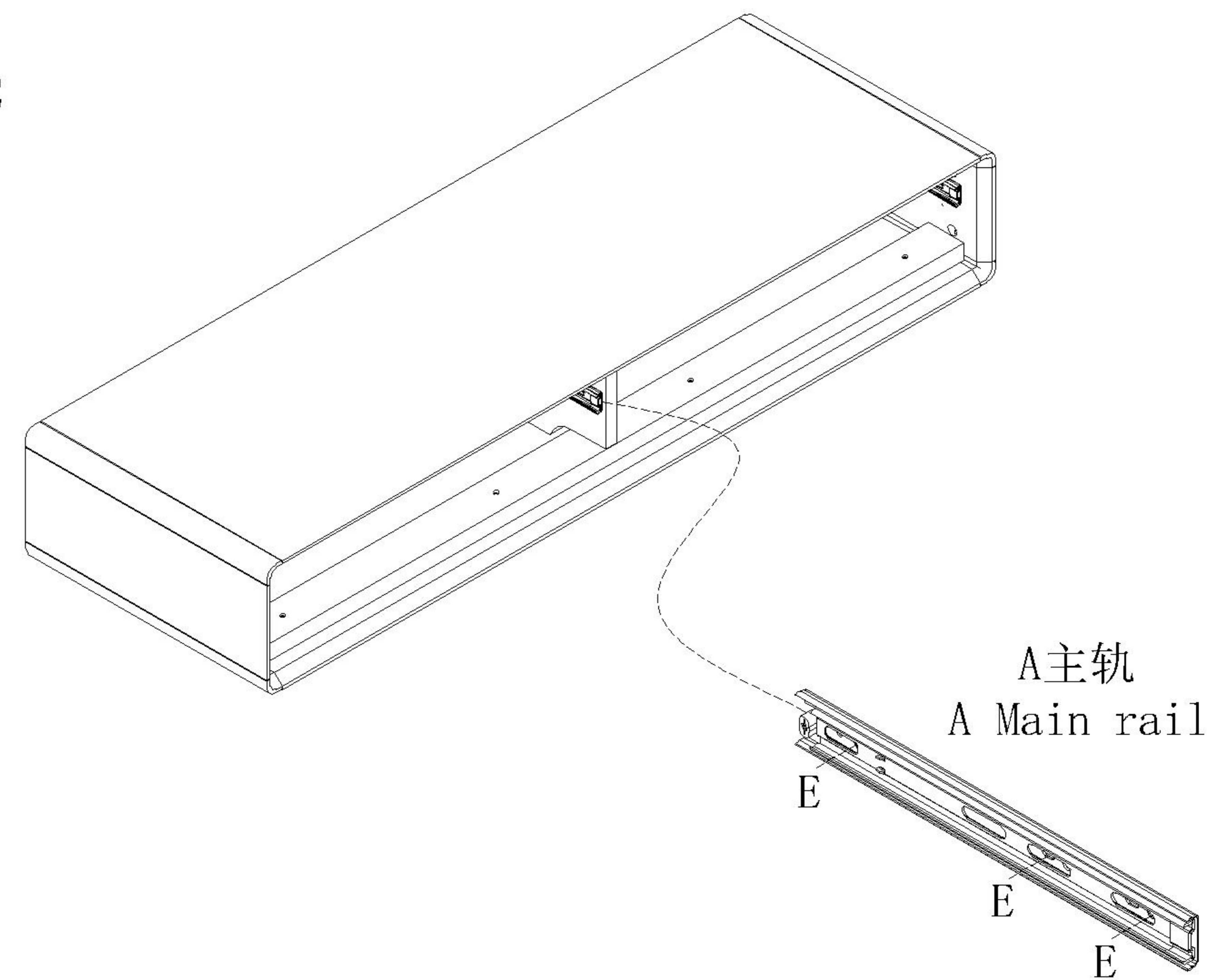
9



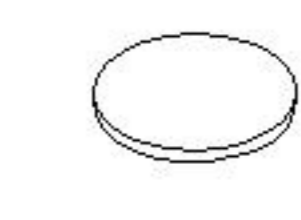
(A)\*2



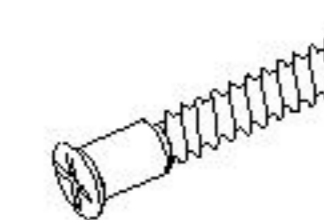
(E)\*12



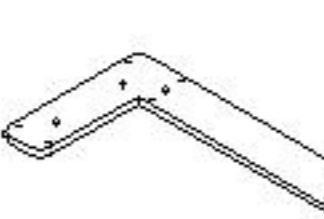
(D)\*2



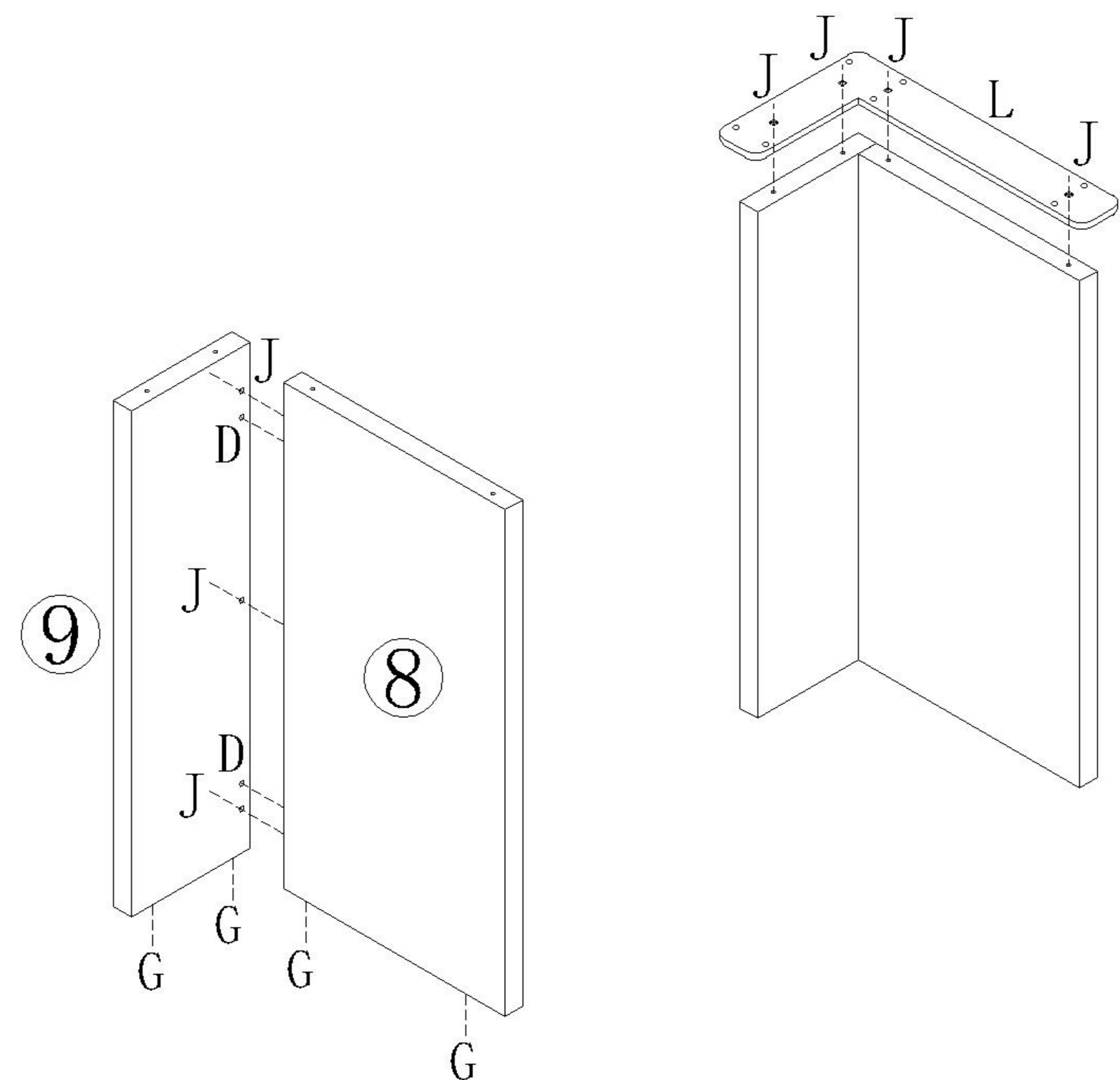
(G)\*4



(J)\*7



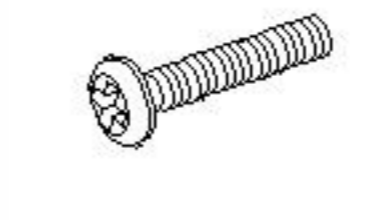
(L)\*1



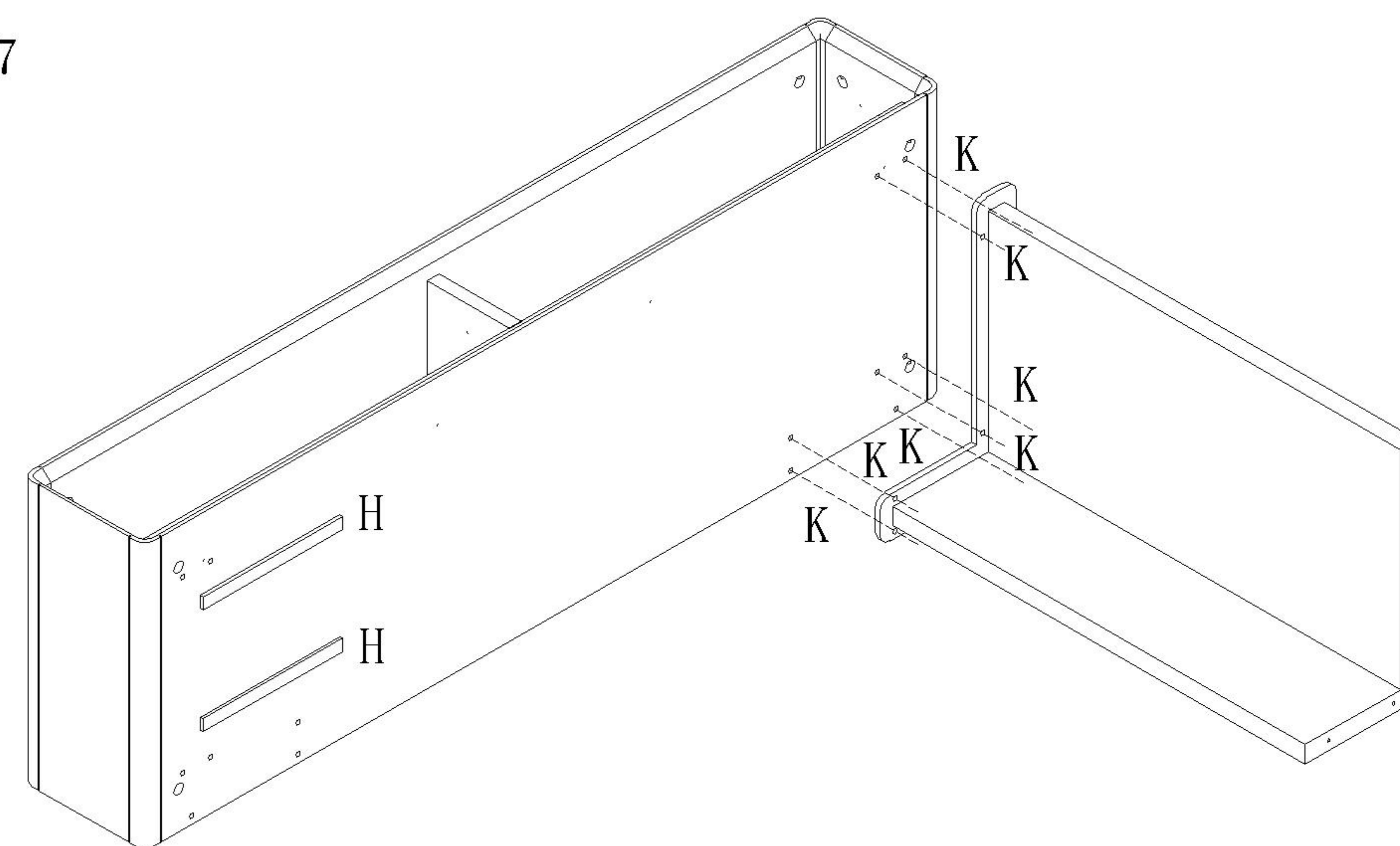
11



(H)\*2

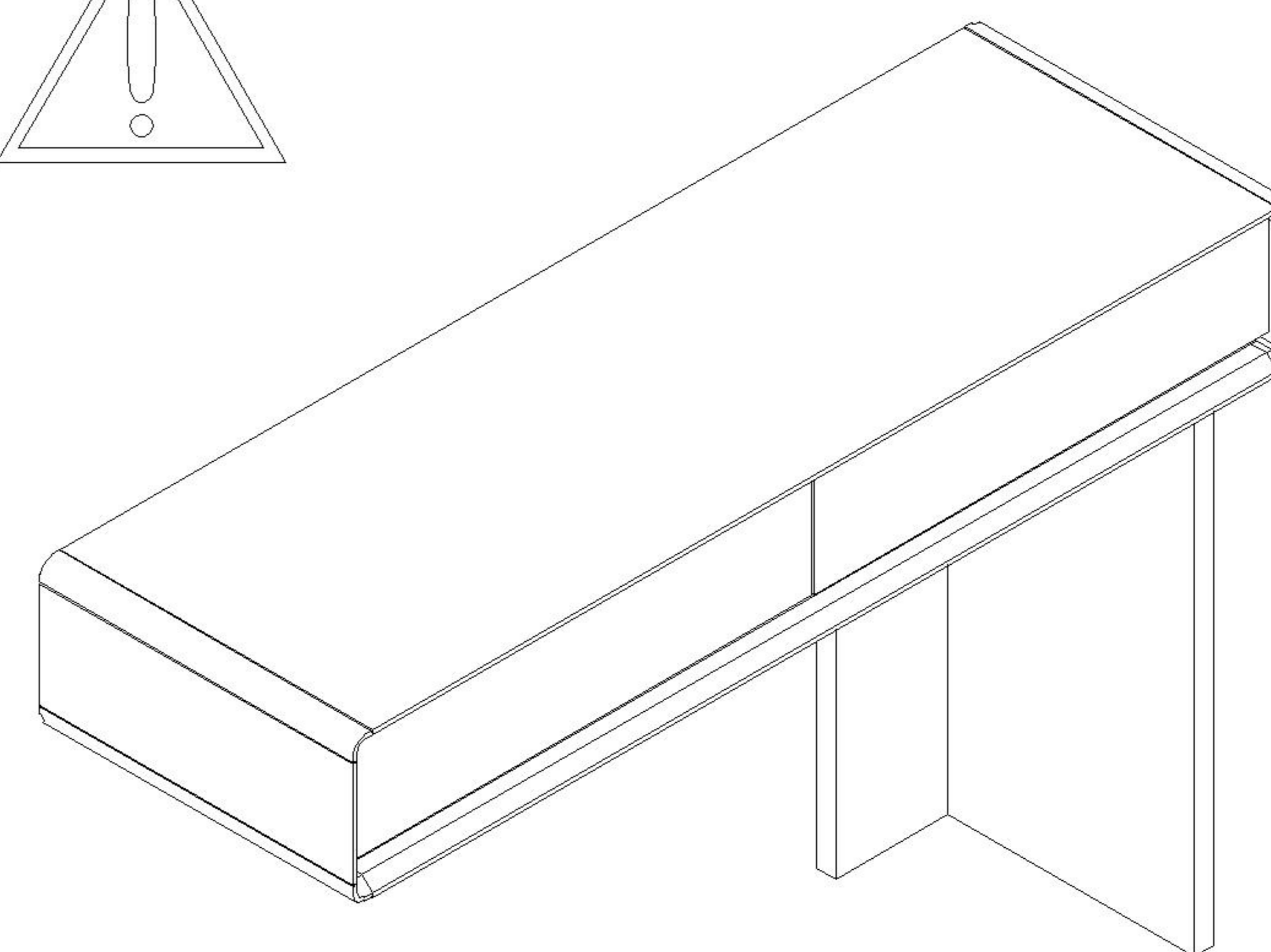
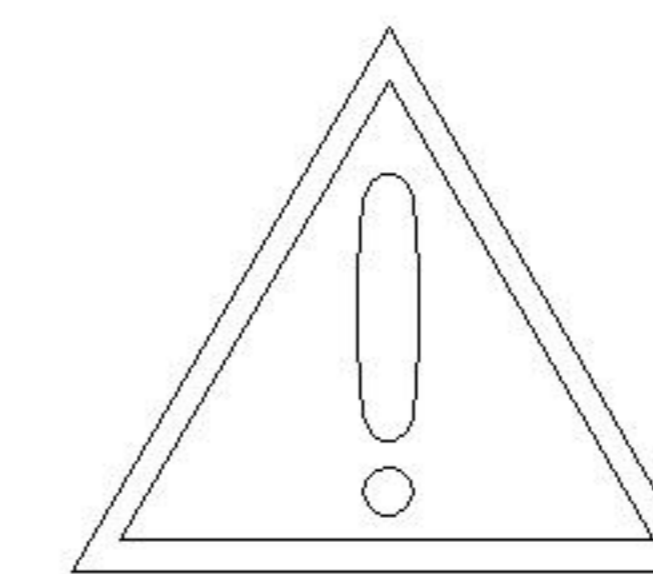
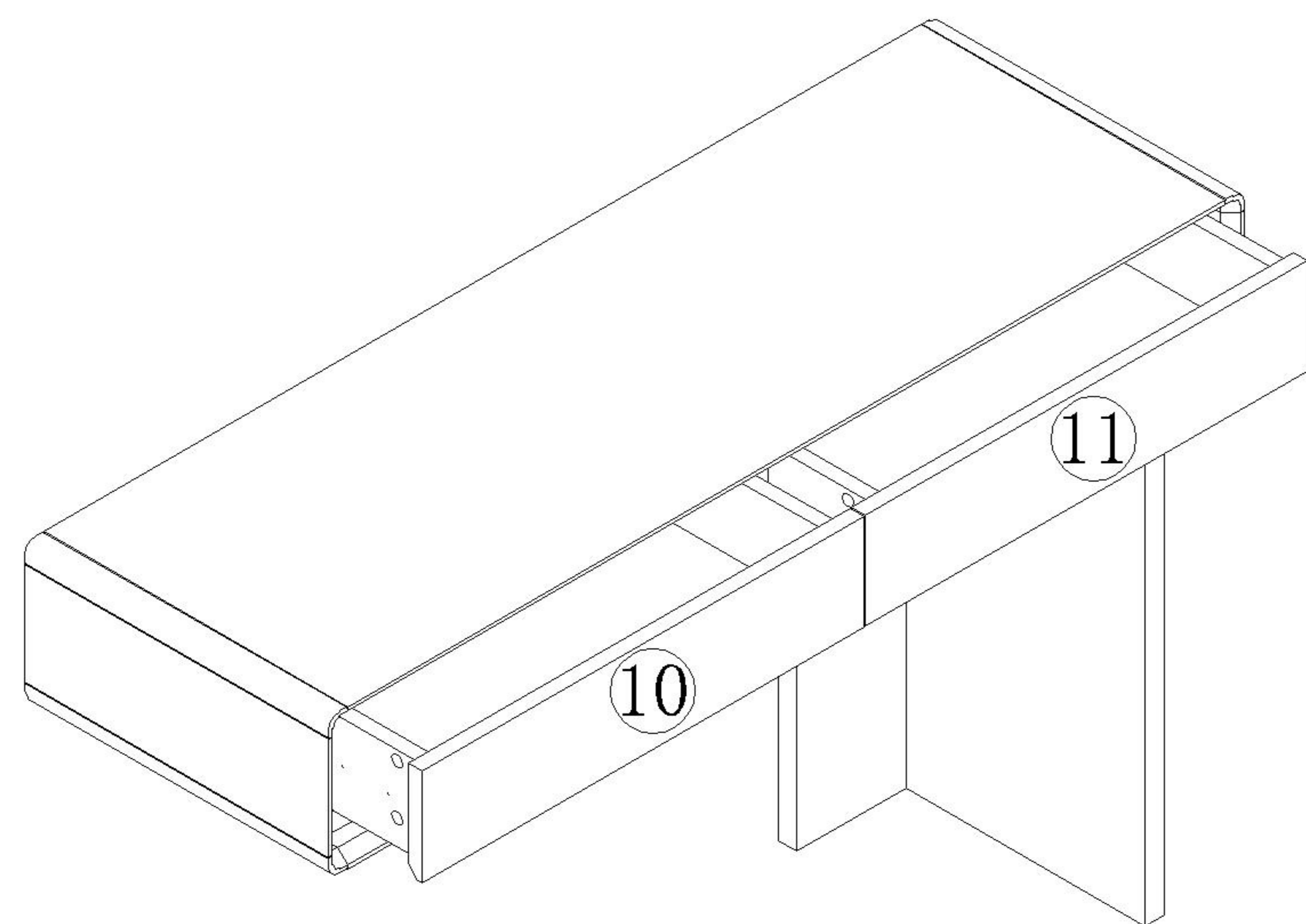


(K)\*7



10

12

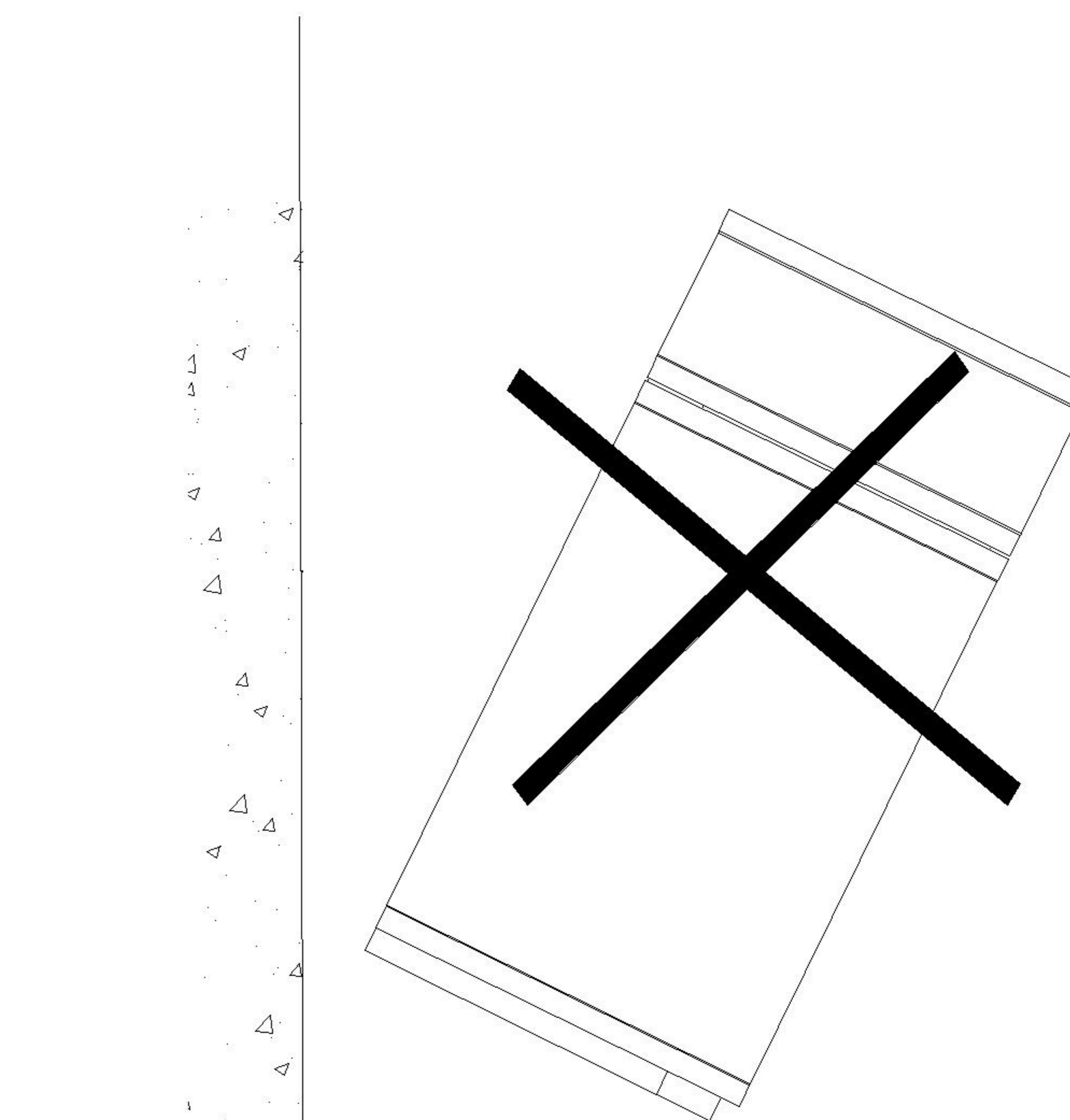
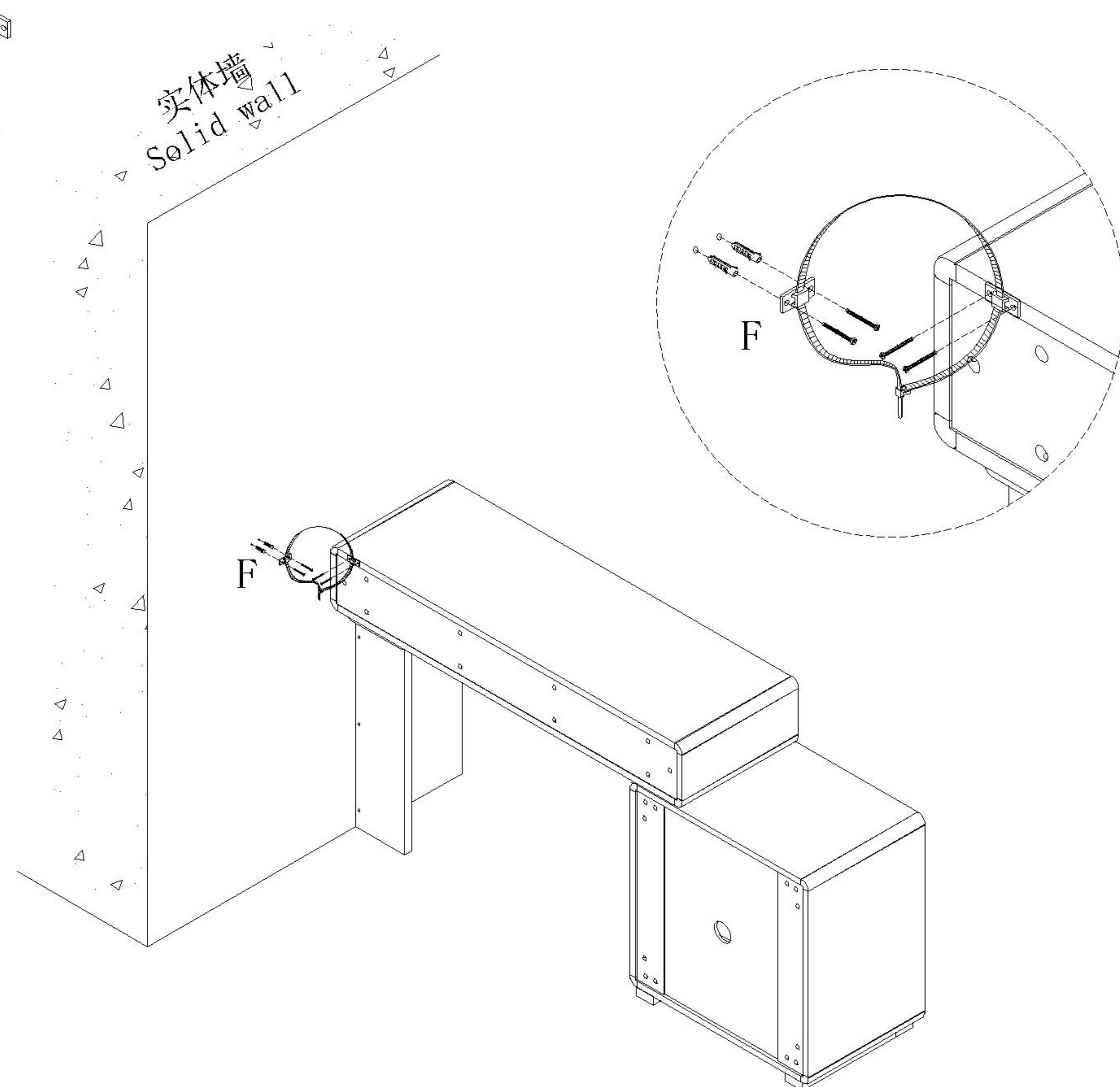


注意!

使用产品时请适当调整主柜与边柜组合间距离，单独放置会有倾倒的风险。

Be careful ! Please properly adjust the distance between the attached and main cabinet. Placing the main cabinet alone will have a risk of dumping.

(F)\*1

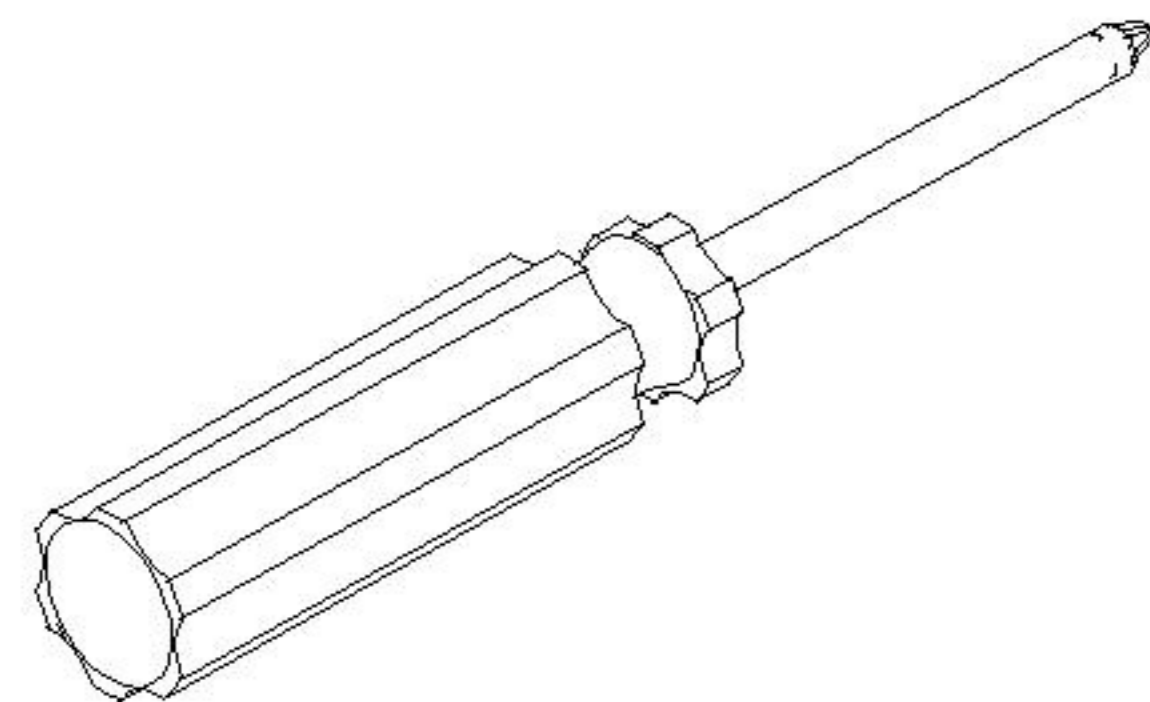
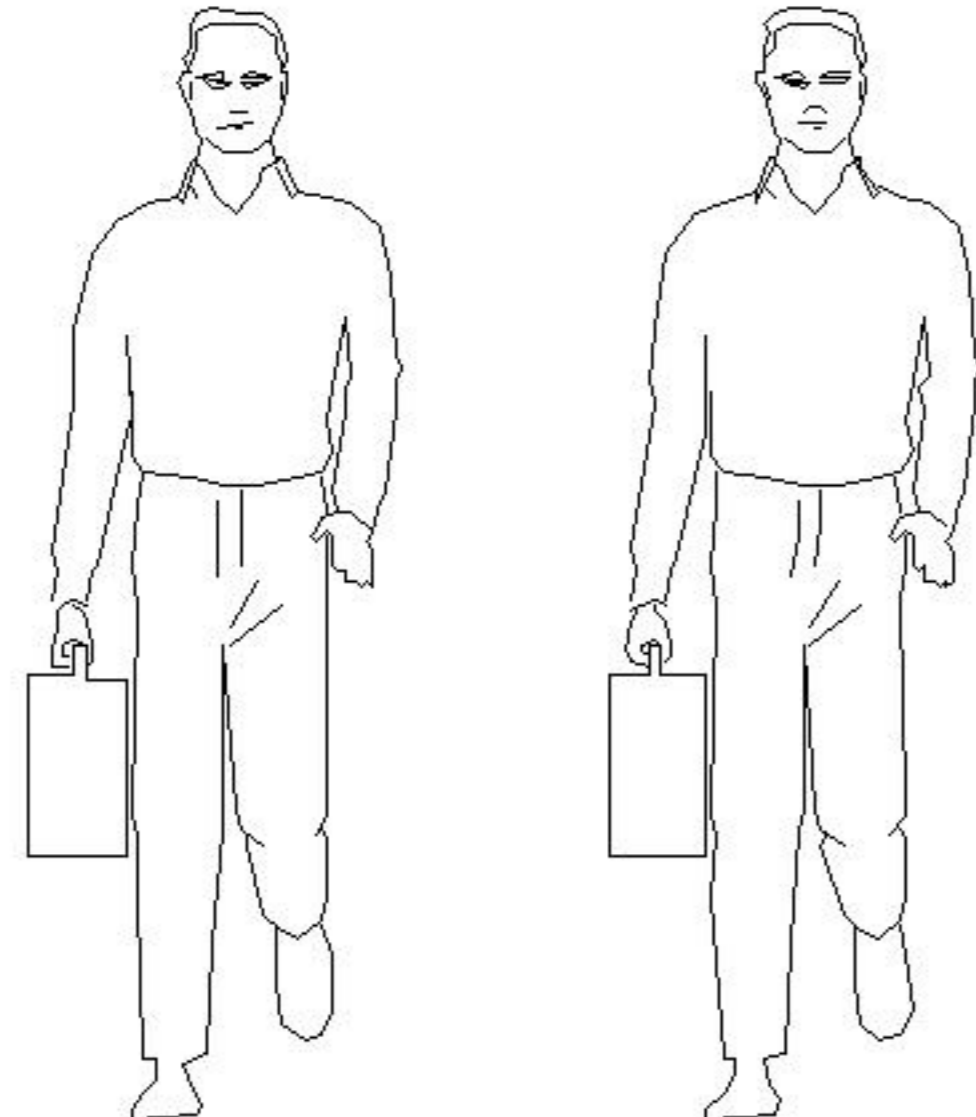


# LINSY 林氏家居

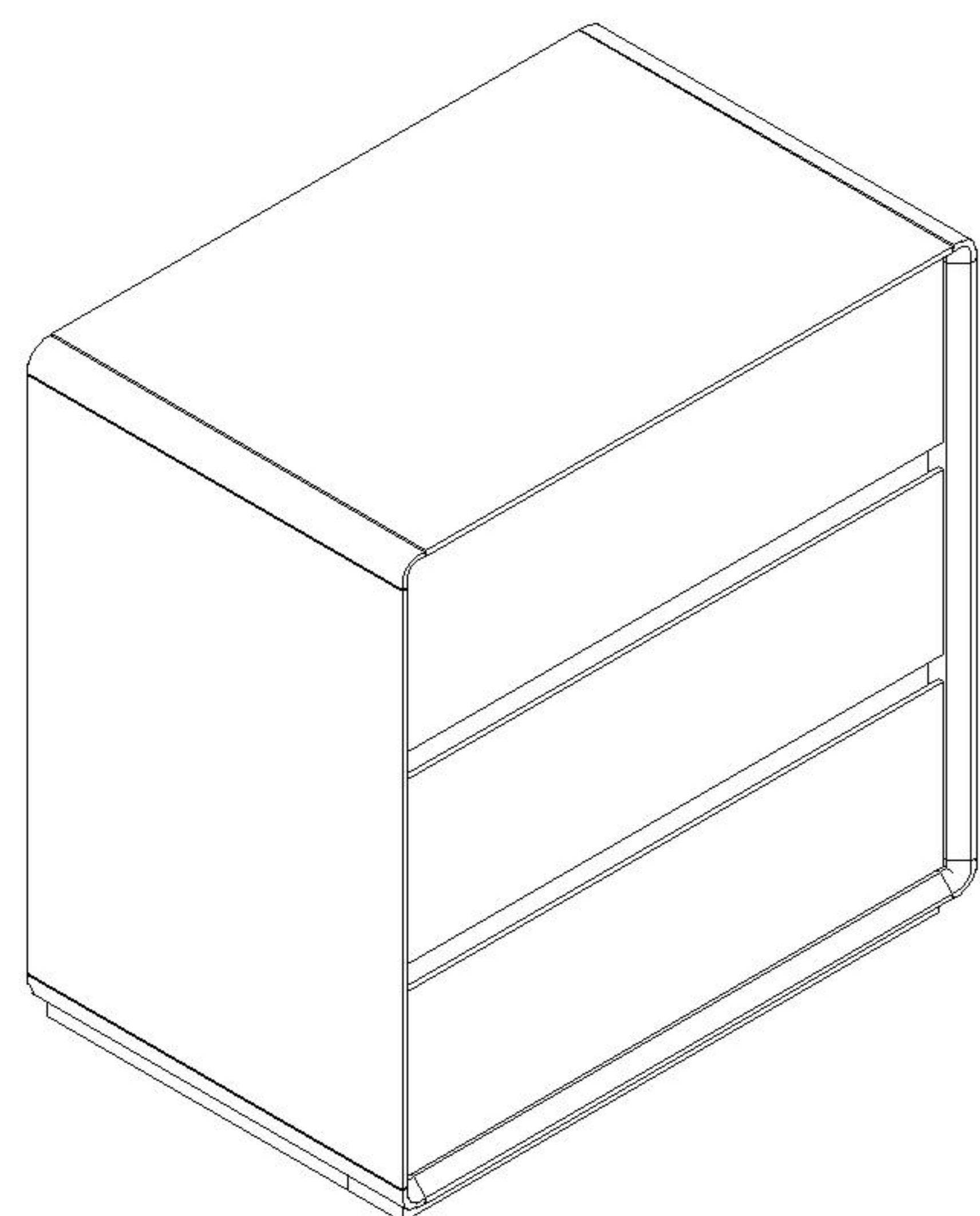
## 五金表/Hardware list

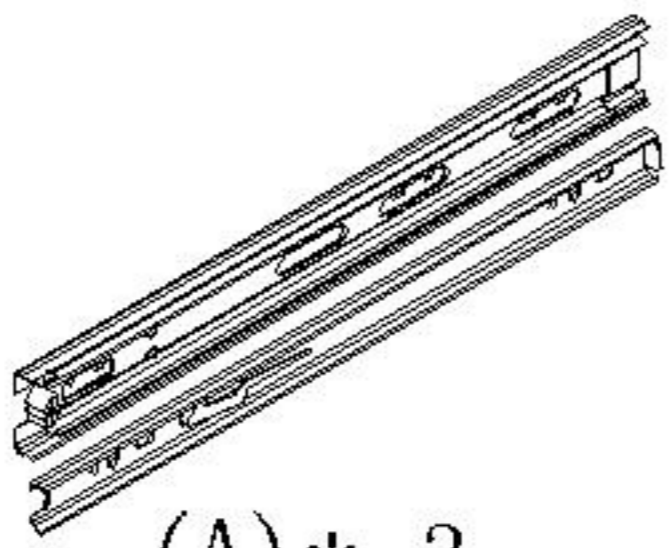
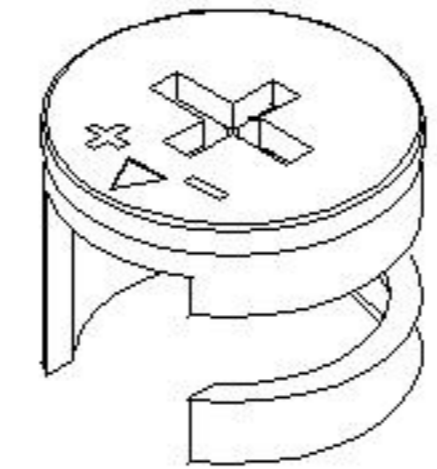
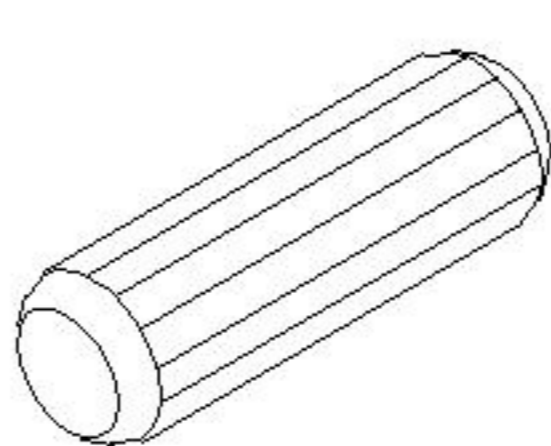
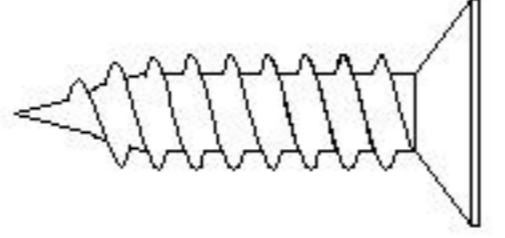

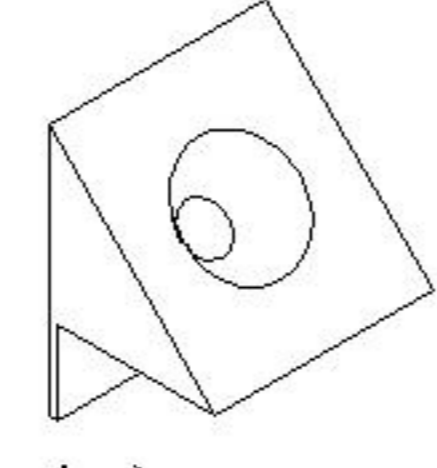
## 部件表/Parts List

### 安装示意图/Assembly Instruction

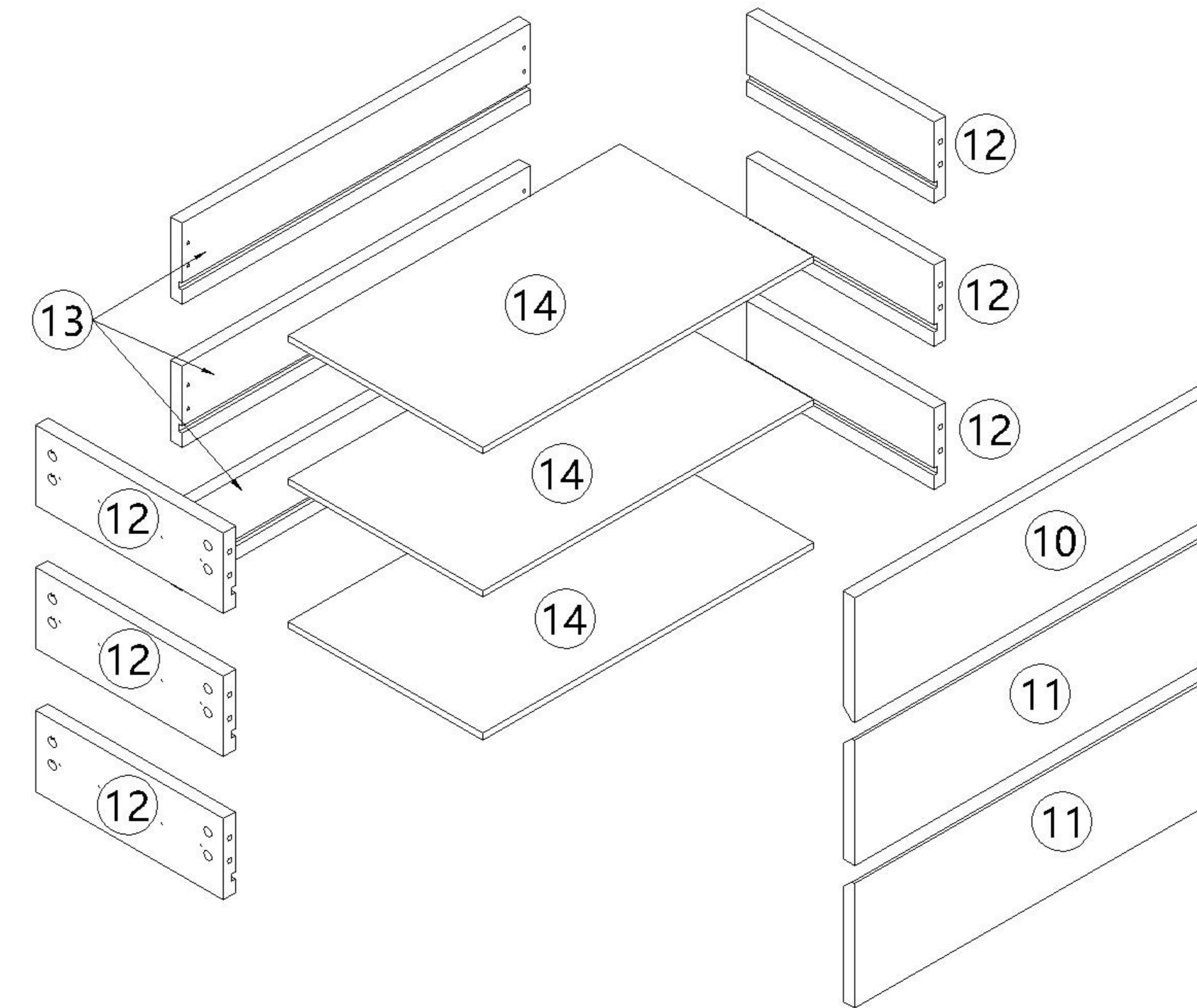
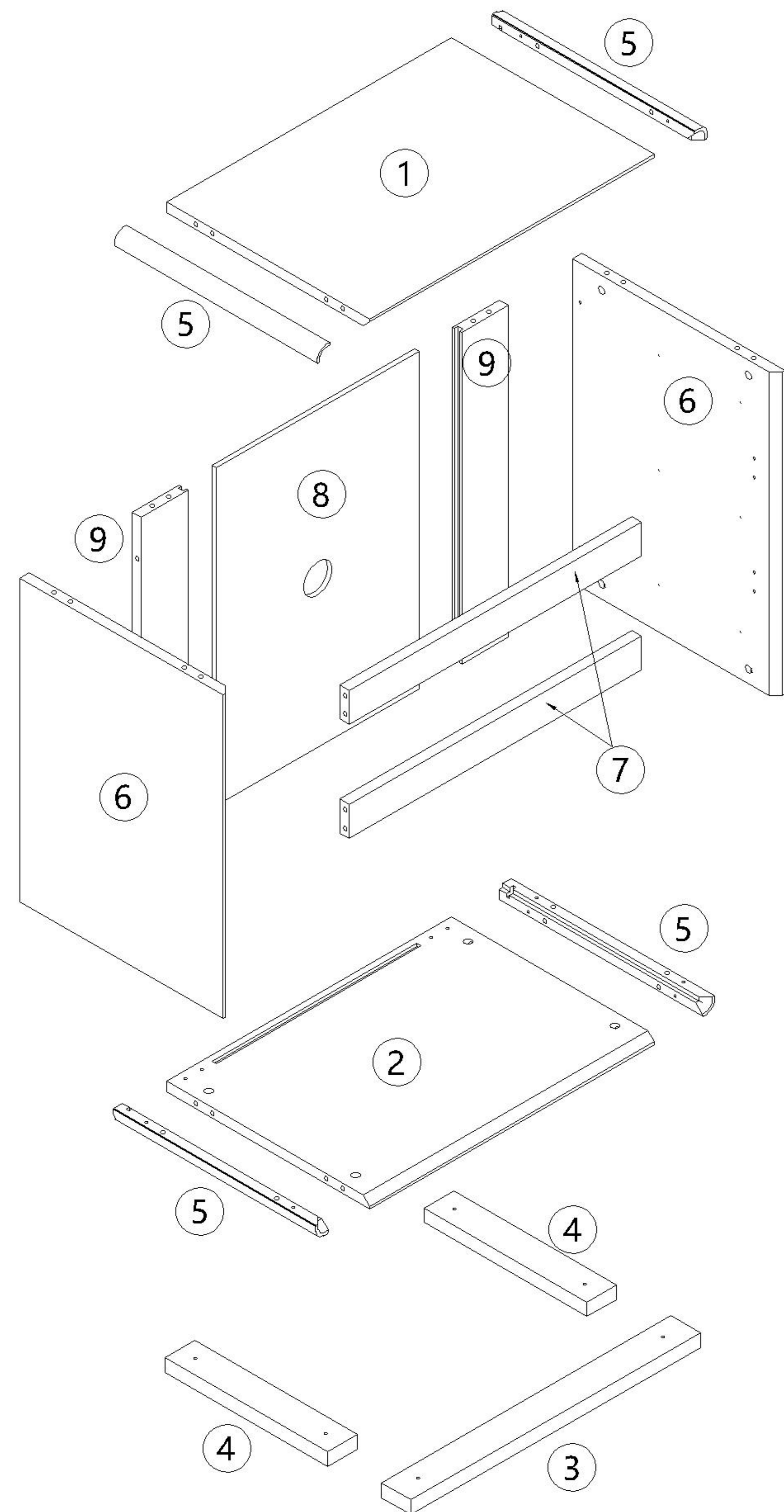
产品名称 Model NO.	UN8C-F三斗柜
产品规格 Specification	609*398*628mm
安装工具 Tool	安装人数 Installer
	

注：为保证设计效果，部分尺寸为定制尺寸，不影响使用。



 (A)* 3 三节滚珠导轨-10" three-section ball rail	 (B)* 63 二合一螺杆 2-in-1-screw	 (C)* 63 大三合一锁饼 Three-in-one large lock	 (D)* 17 木榫Ø8x30mm wood tenon
 (E)* 38 自攻螺丝M3.5x12mm Self-tapping screw	 (F)* 1 家具防倒器-白色 Anti-fall device white	 (G)* 6 灰色毛毡脚垫 Grey felt foot pad	 (H)* 6 自攻大扁M4*35mm Self tapping flat screw
 (I)* 1 透气孔盖 Vent cover	 (J)* 4 背板扣 Back Plate Buckle-White	 (K)* 4 自攻螺丝M3.5x16mm Self-tapping screw	

编号NO.	名称Name	规格(mm) Specification	数量QTY	材质Material
①	面板Top panel	559*398*18	1	胶合板 Plywood
②	底板Bottom board	559*398*18	1	胶合板 Plywood
③	前立水Front apron	569*58*25	1	胶合板 Plywood
④	侧立水Side apron	320*58*25	2	胶合板 Plywood
⑤	转角木Corner connection wood	398*25*25	4	橡胶木 Rubber wood
⑥	侧板Side board	550*398*18	2	胶合板 Plywood
⑦	前拉条Front brace	573*58*18	2	胶合板 Plywood
⑧	背板Back board	574*398*9	1	胶合板 Plywood
⑨	边背拉条Side back brace	564*92*18	2	胶合板 Plywood
⑩	上抽屉面板Upper drawer's panel	569*170*18	1	胶合板 Plywood
⑪	下抽屉面板Bottom drawer's panel	569*170*18	2	胶合板 Plywood
⑫	抽屉侧板Drawer's sideboard	295*110*18	6	胶合板 Plywood
⑬	抽屉后板Drawer's Back board	547*110*18	3	胶合板 Plywood
⑭	抽屉底板Drawer's Bottom board	521*305*9	3	胶合板 Plywood



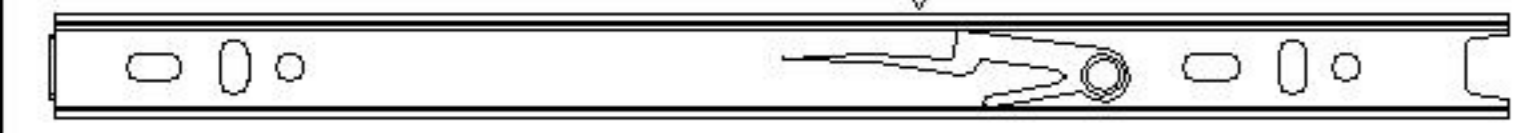
编号NO.	名称Name
①	面板Top panel
②	底板Bottom board
③	前立水Front apron
④	侧立水Side apron
⑤	转角木Corner connection wood
⑥	侧板Side board
⑦	前拉条Front brace
⑧	背板Back board
⑨	边背拉条Side back brace
⑩	上抽屉面板Upper drawer's panel
⑪	下抽屉面板Bottom drawer's panel
⑫	抽屉侧板Drawer's sideboard
⑬	抽屉后板Drawer's Back board
⑭	抽屉底板Drawer's Bottom board

UN8C-F三斗柜

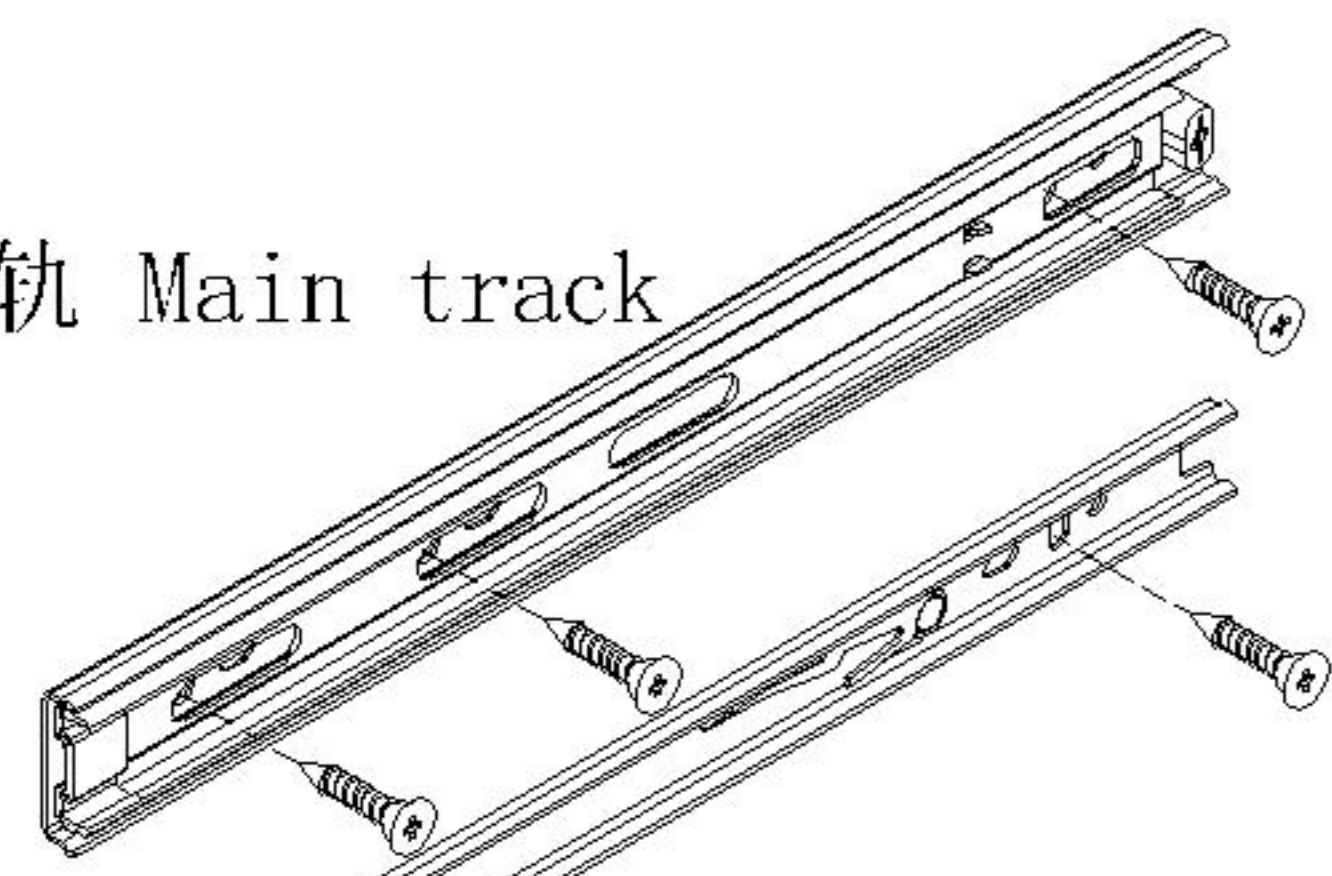
安装方法/  
Installation method

阀门开关(下压为开)  
Valve switch (press down to open)

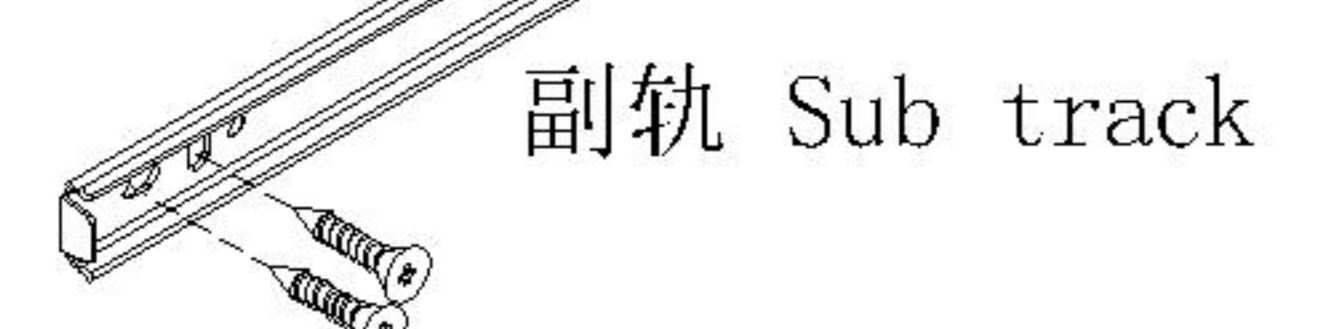
前 Forward      后 Back



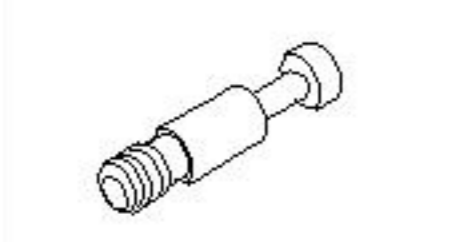
主轨 Main track



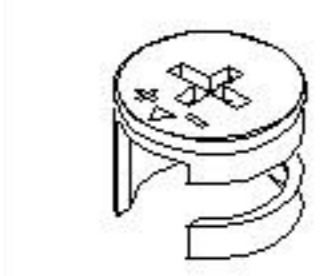
副轨 Sub track



三节滚珠导轨  
Three-section rail



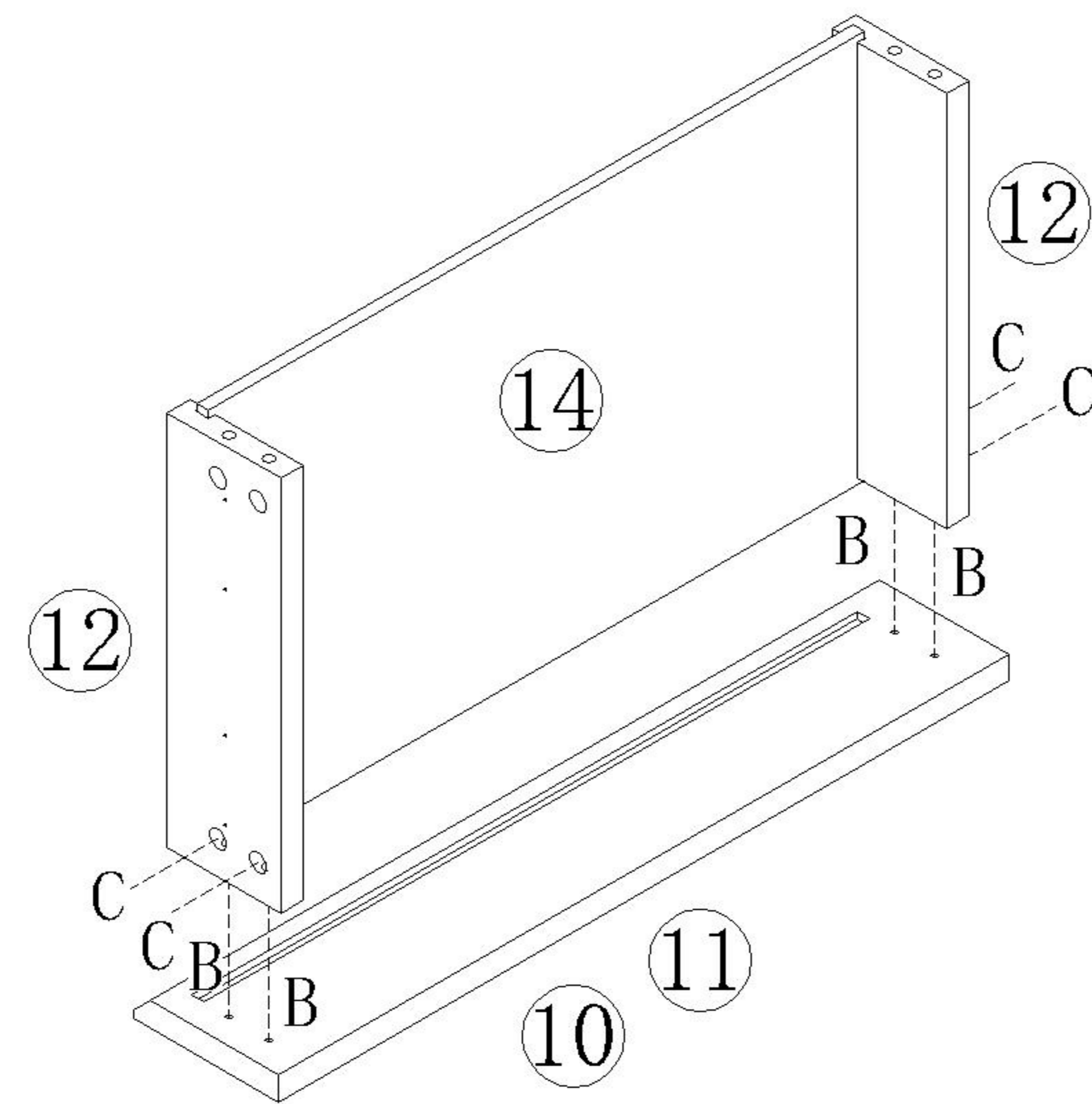
(B)\*12



(C)\*12

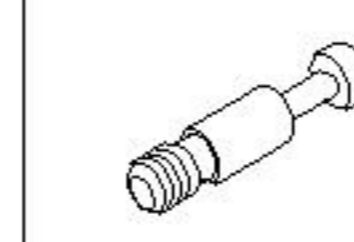
× 3

1

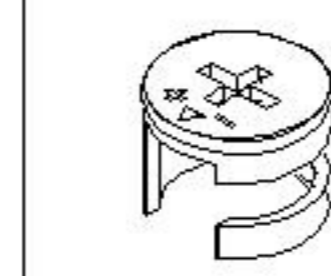


2

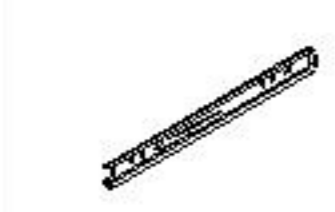
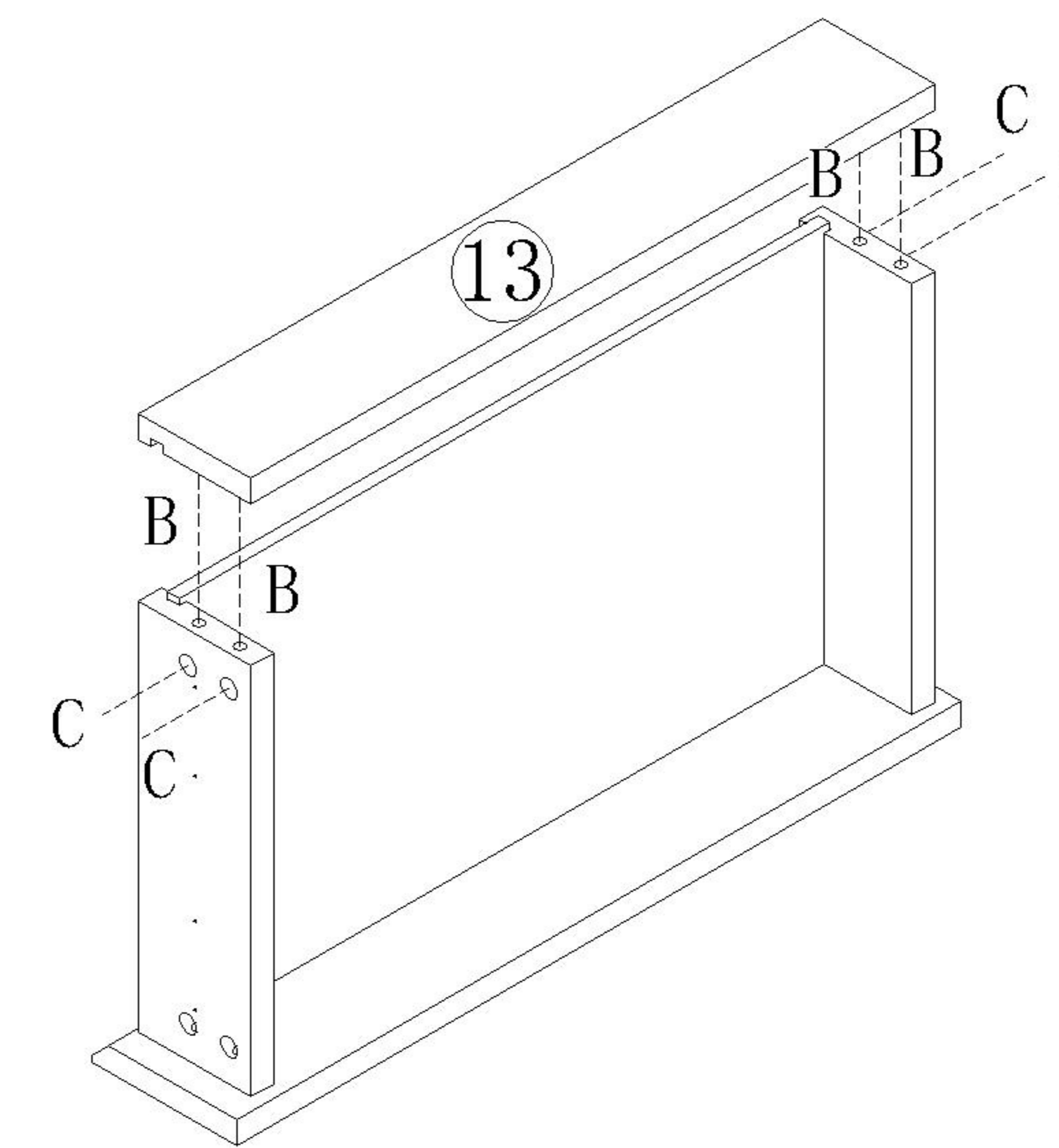
× 3



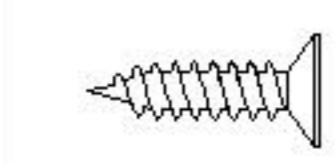
(B)\*12



(C)\*12



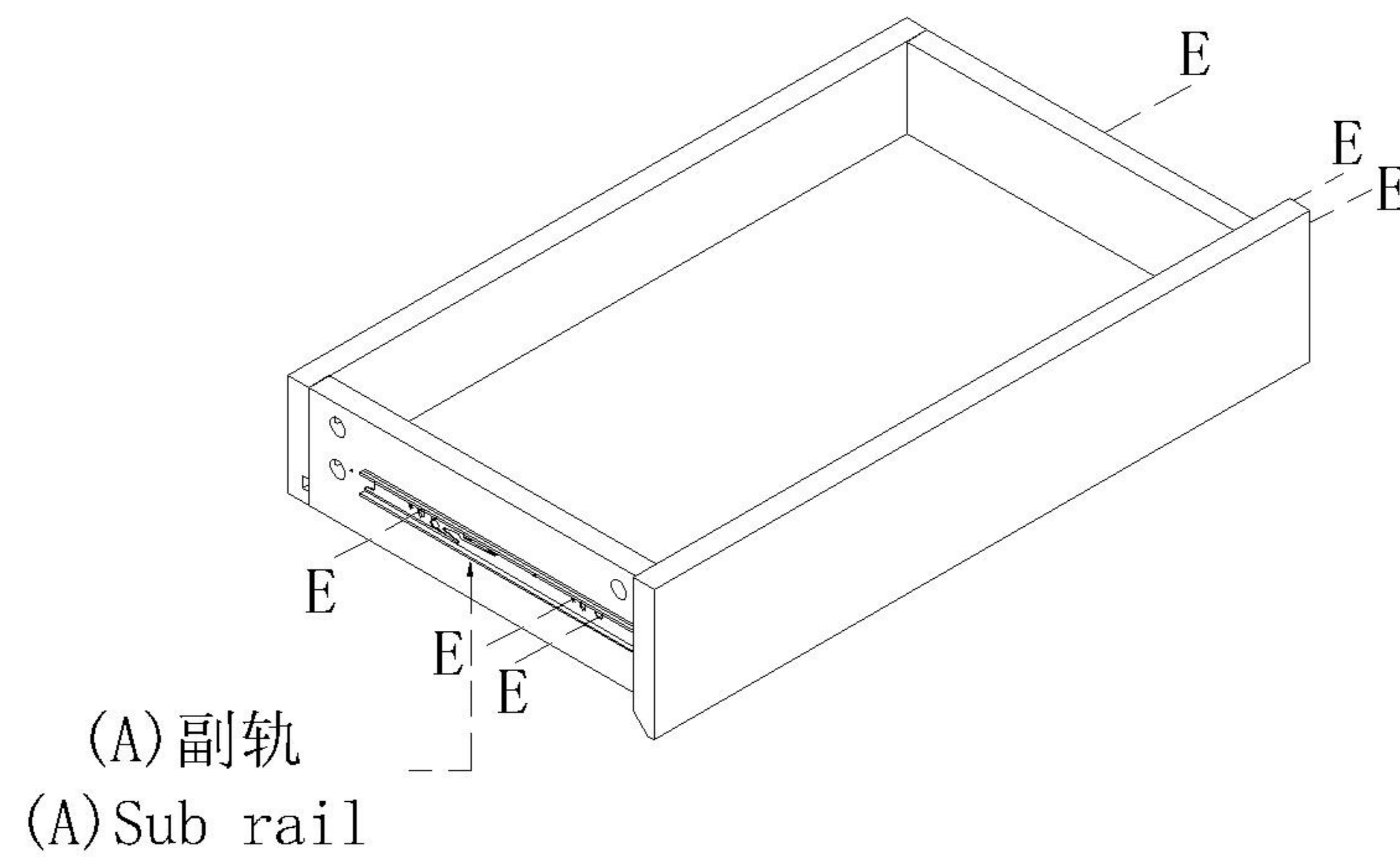
(A)\*3



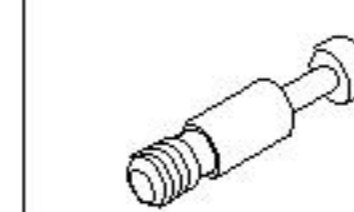
(E)\*18

× 3

3



4



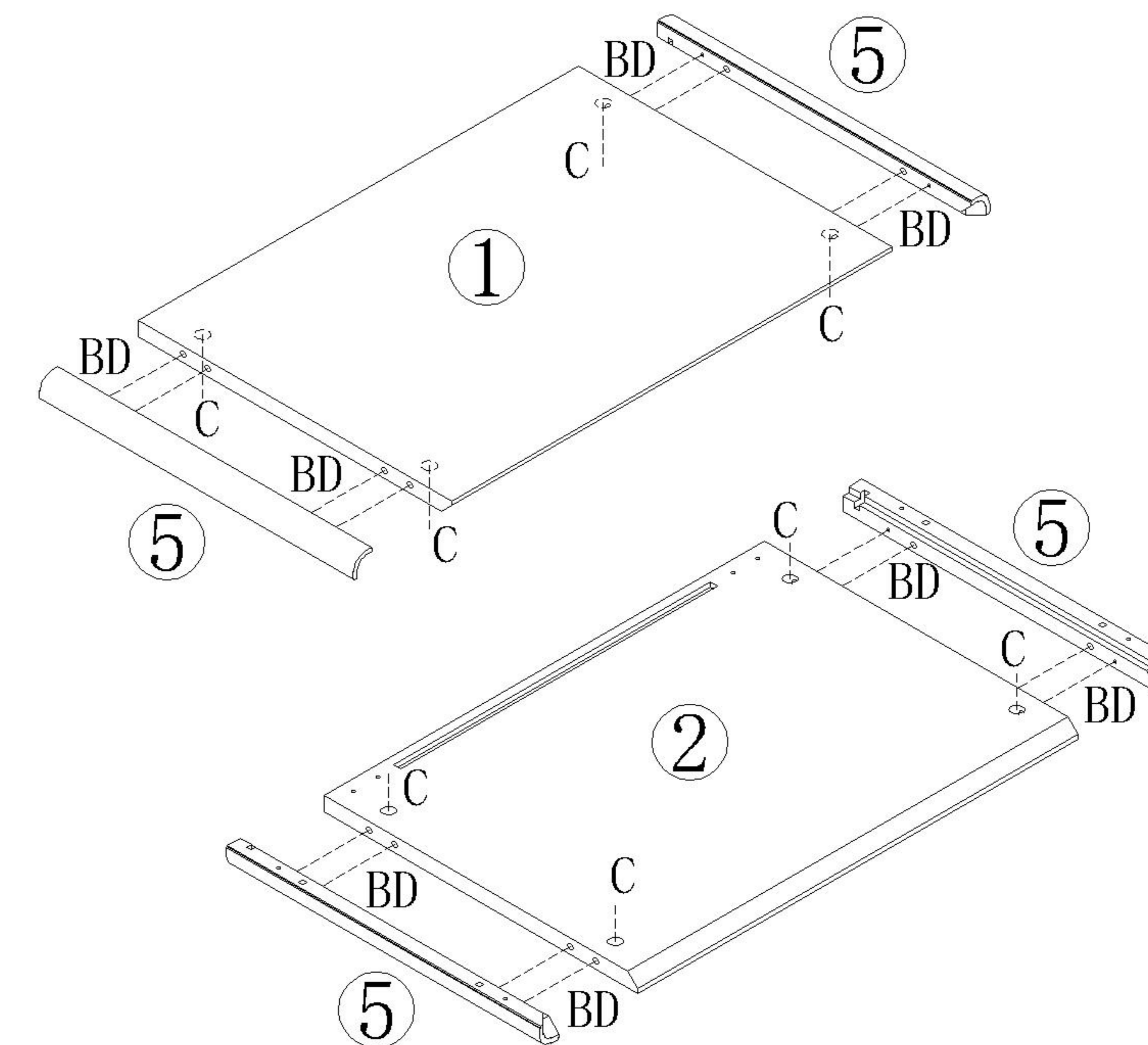
(B)\*8



(C)\*8

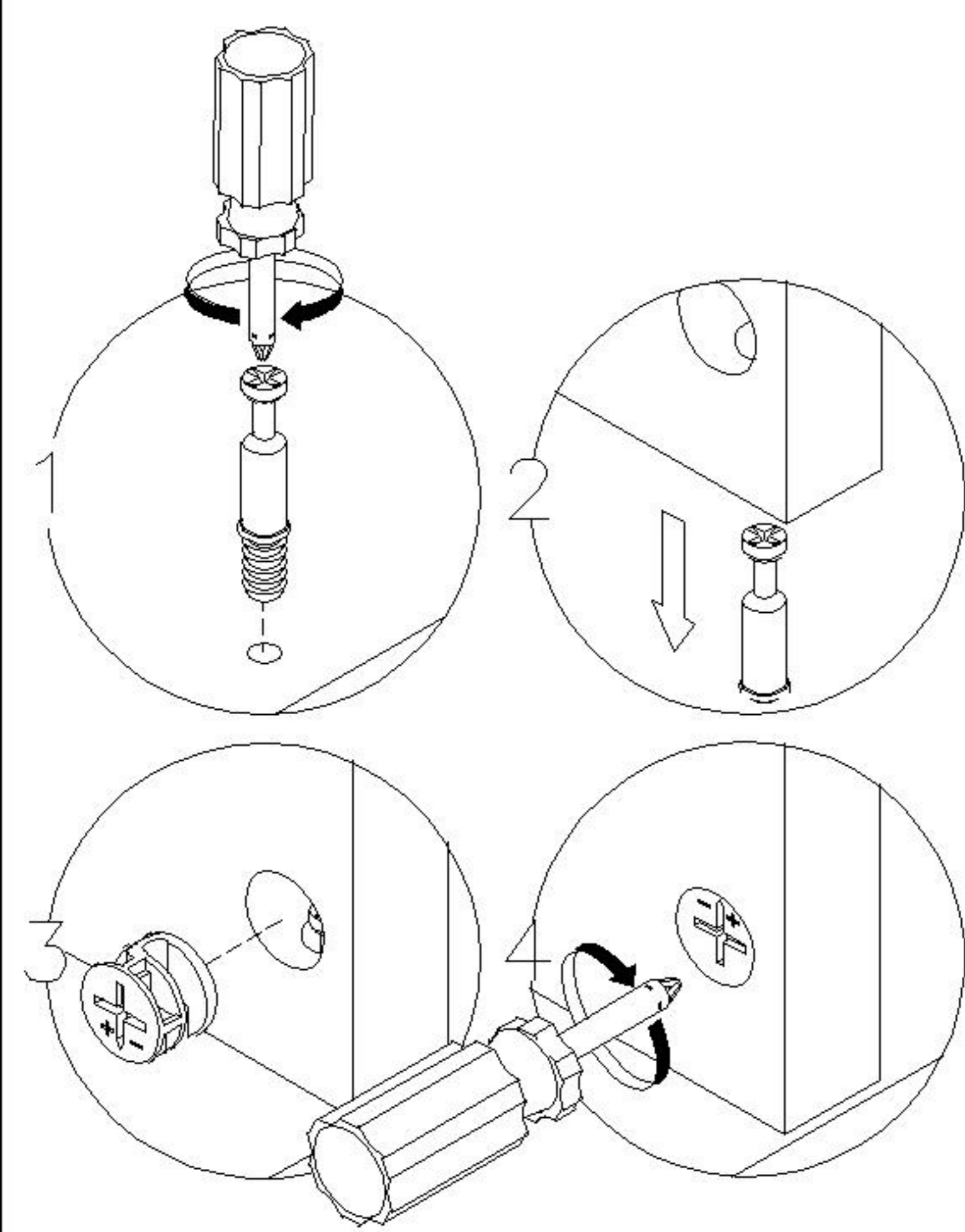


(D)\*8



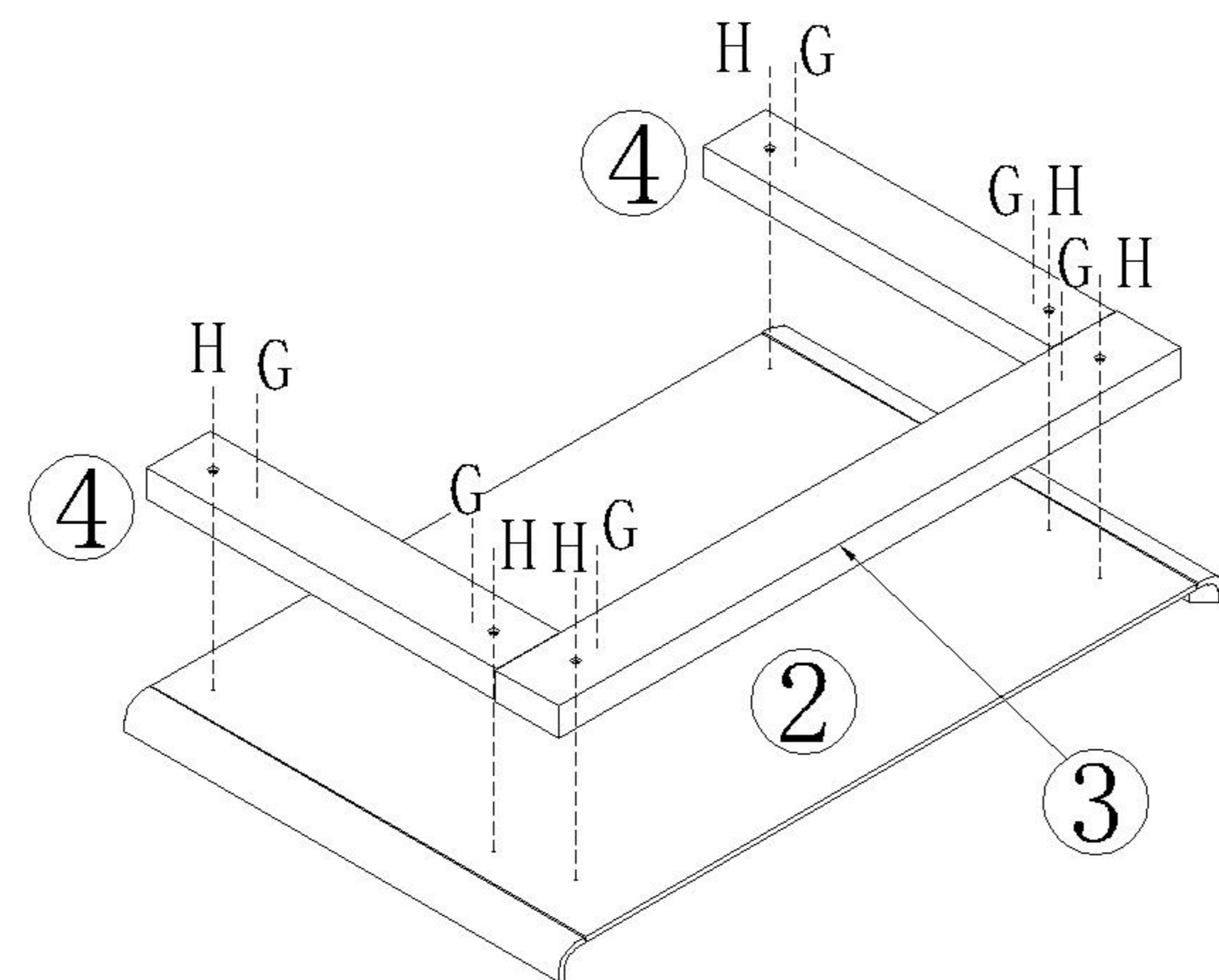
UN8C-F三斗柜

安装方法/  
Installation method



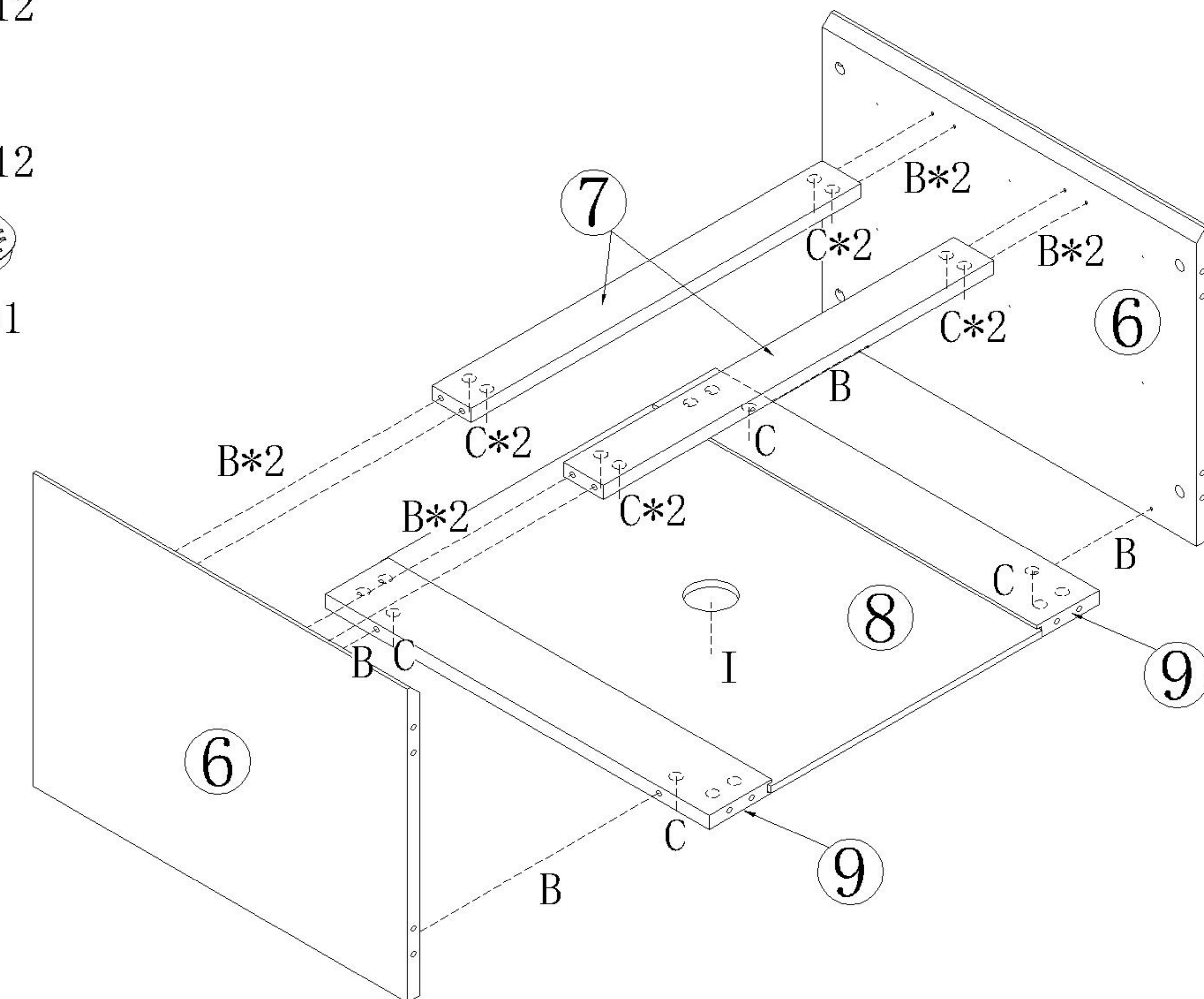
二合一 two-in-one

- (G)\*6
- (H)\*6



5

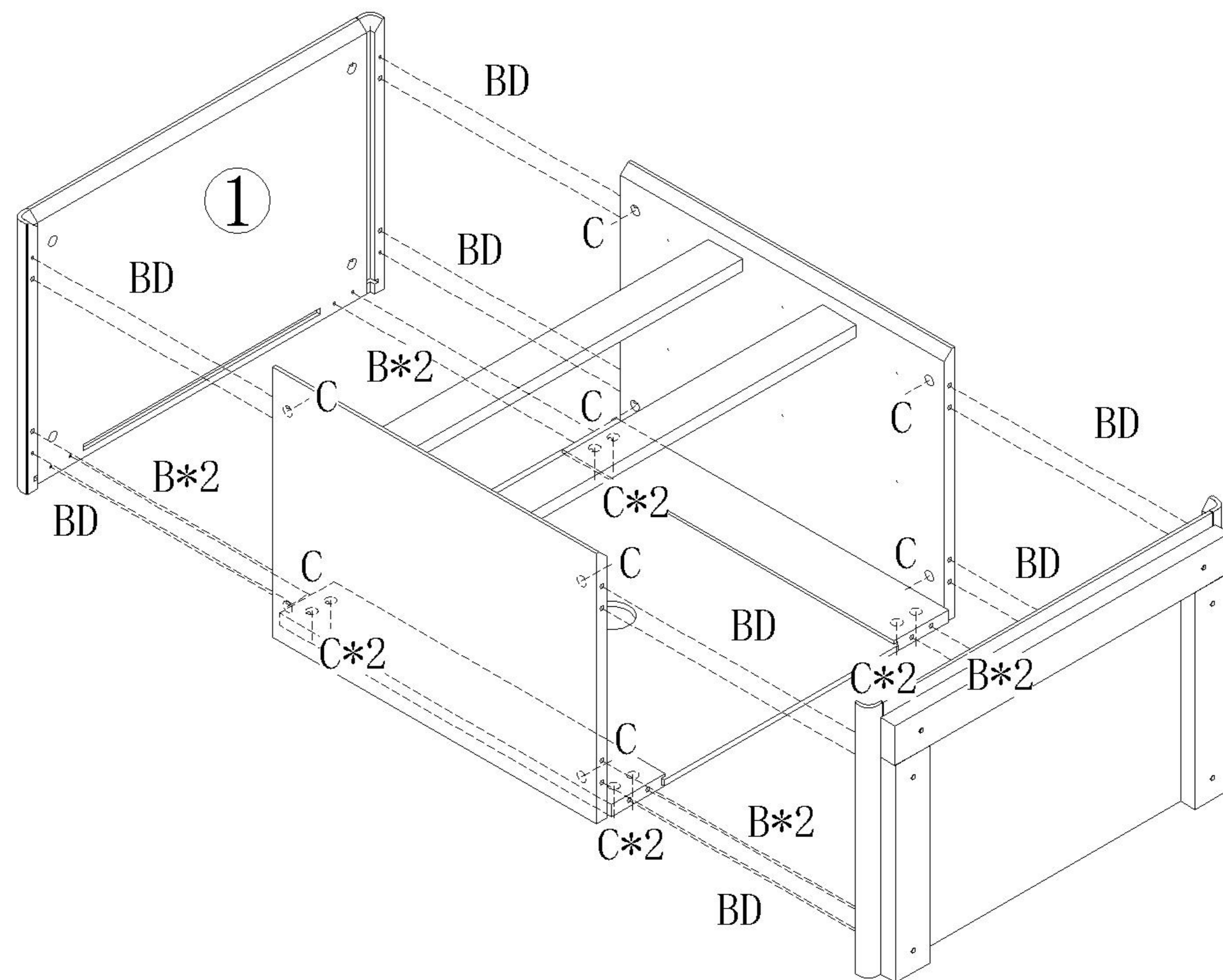
- (B)\*12
- (C)\*12
- (I)\*1



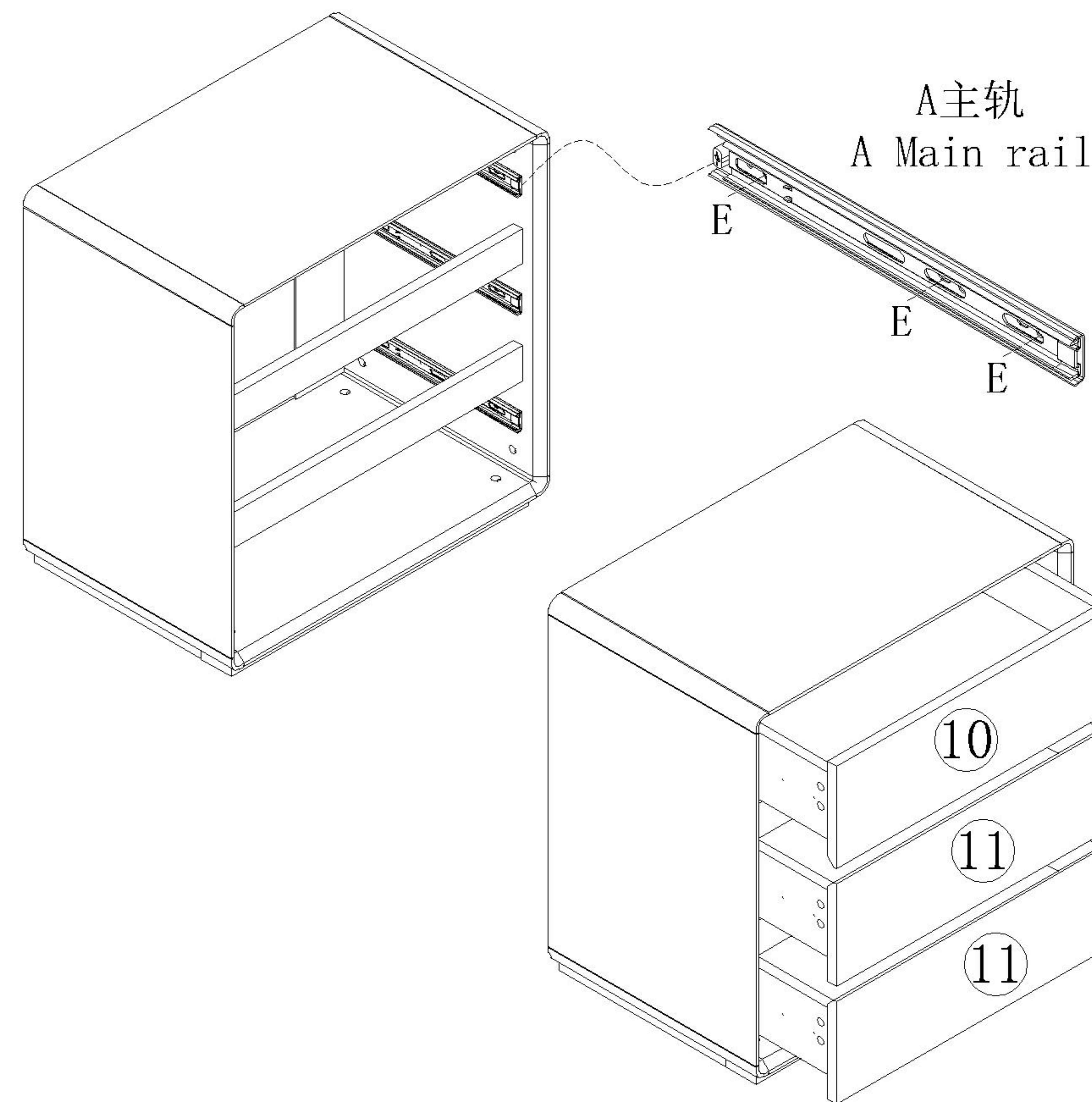
6

7

- (B)\*16
- (C)\*16
- (D)\*8



- (A)\*3
- (E)\*18



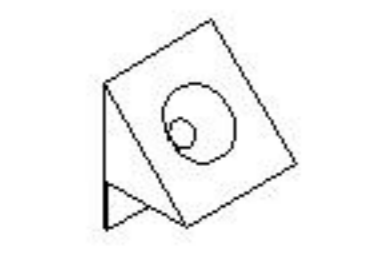
8

UN8C-F三斗柜

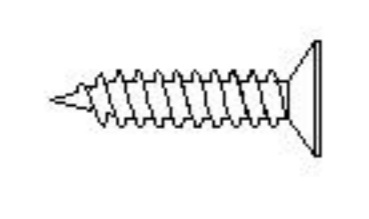
9

11

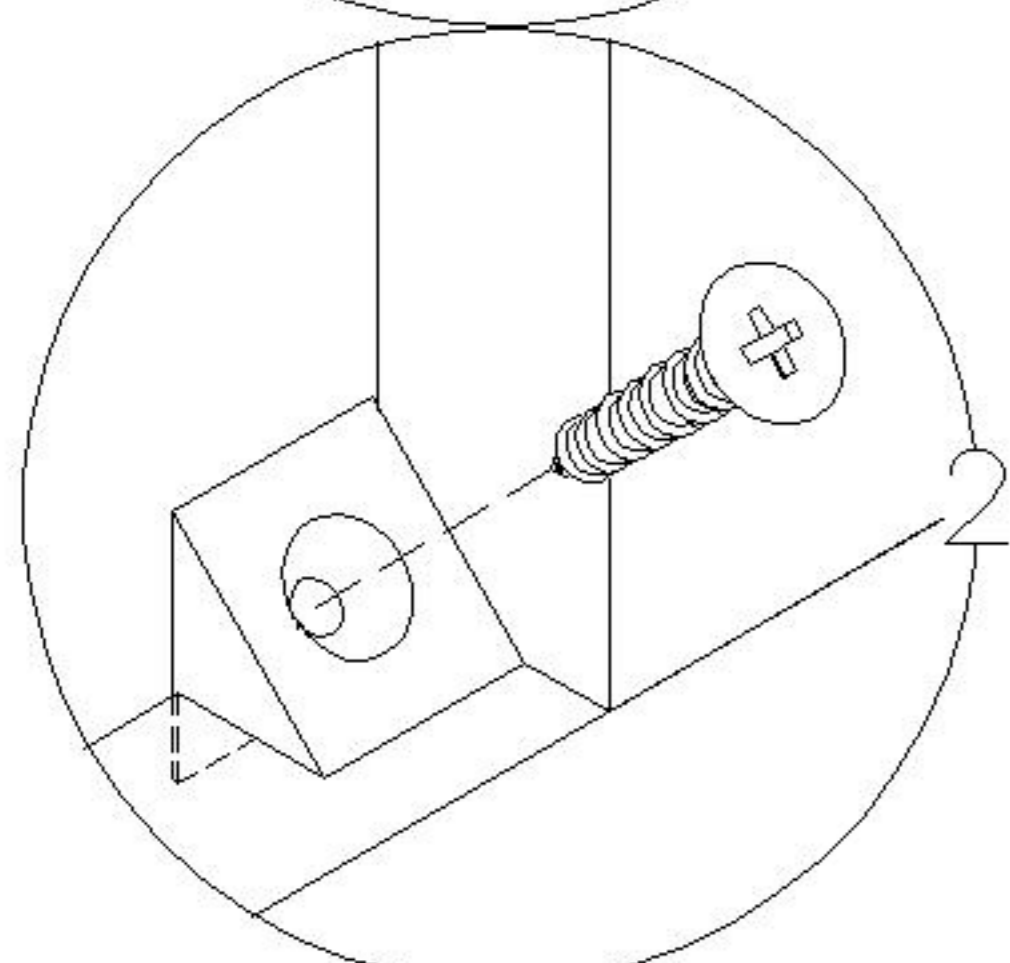
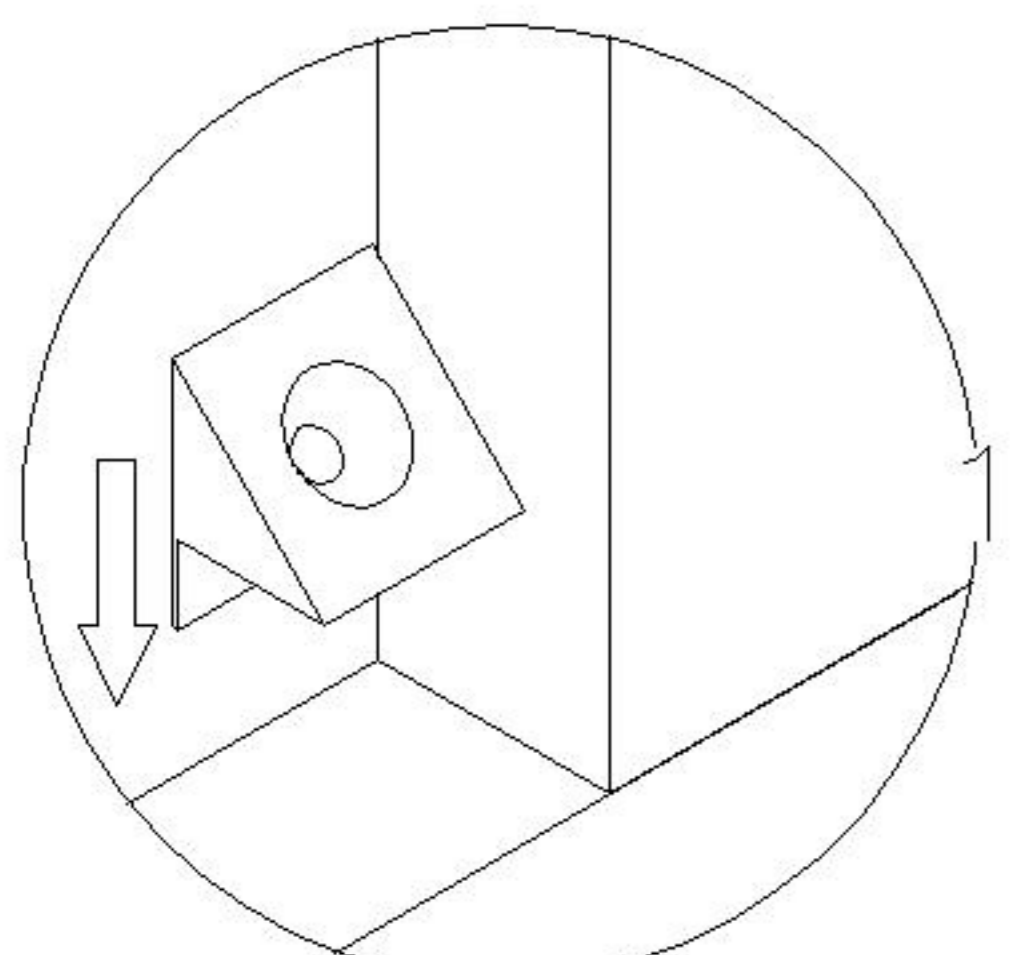
安装方法/  
Installation method



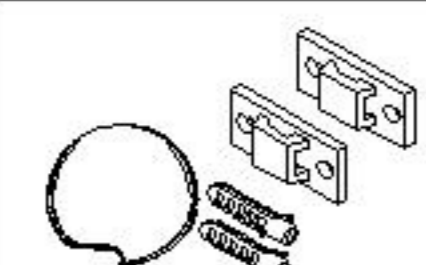
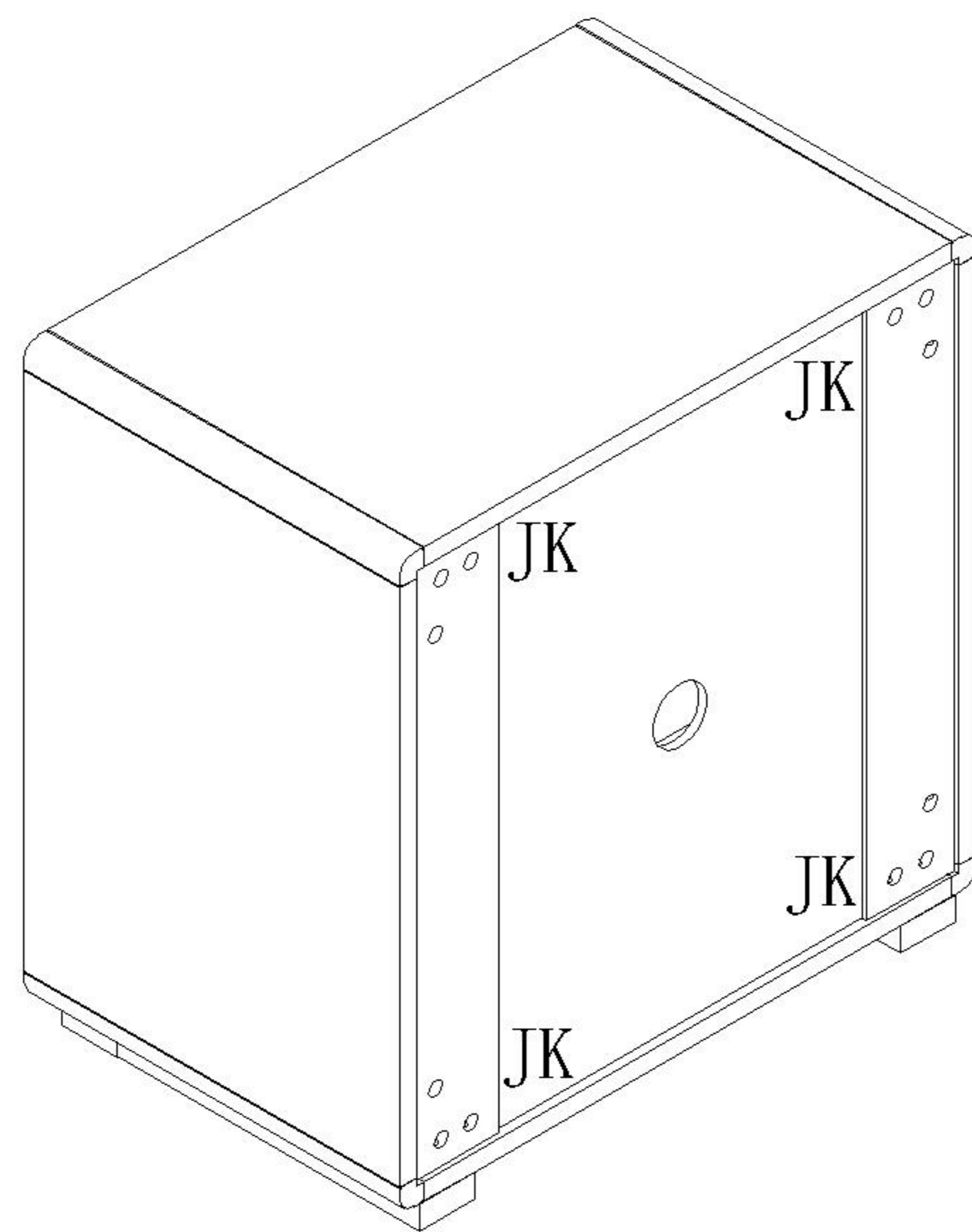
(J)\*4



(K)\*4

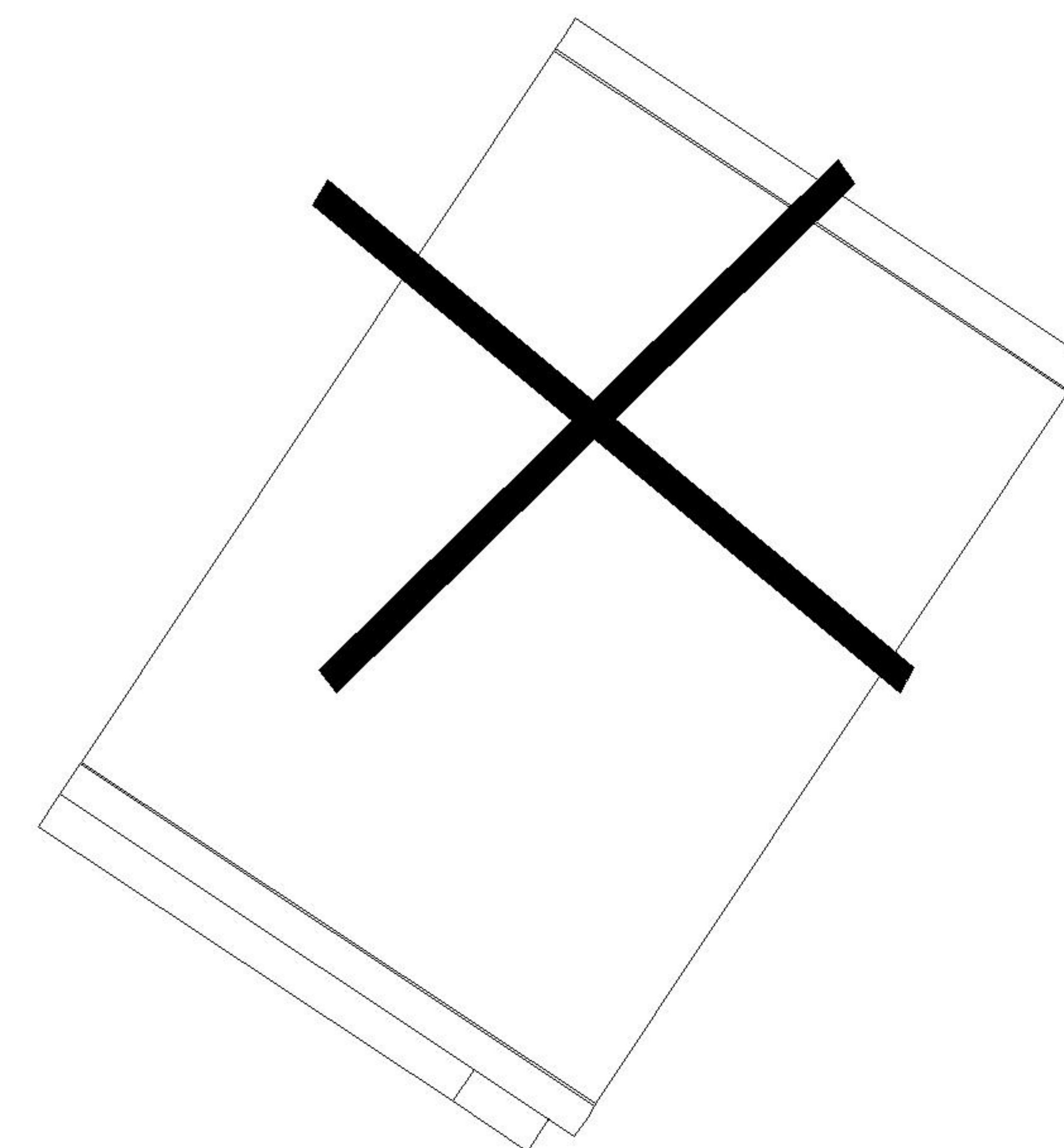
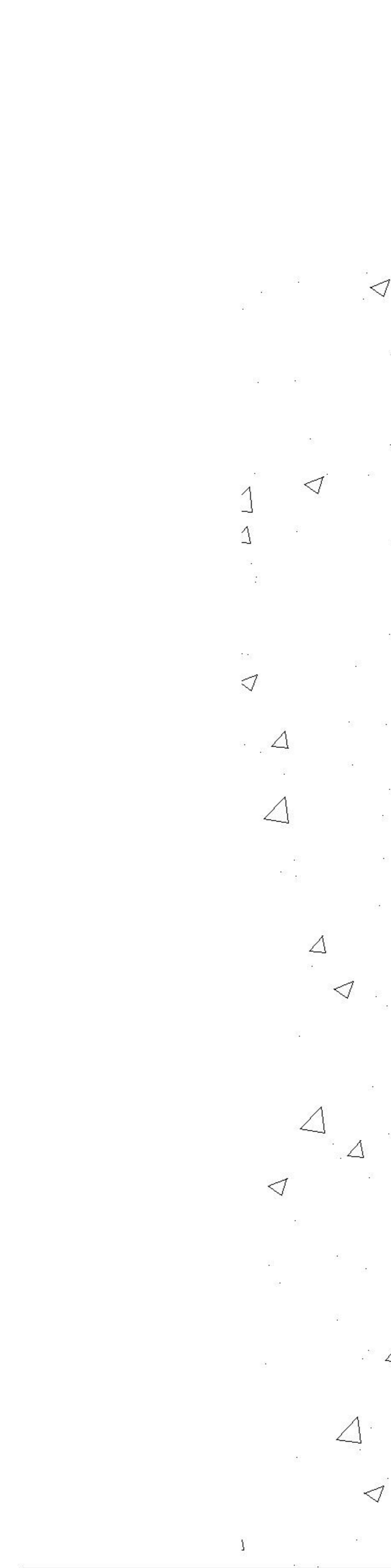
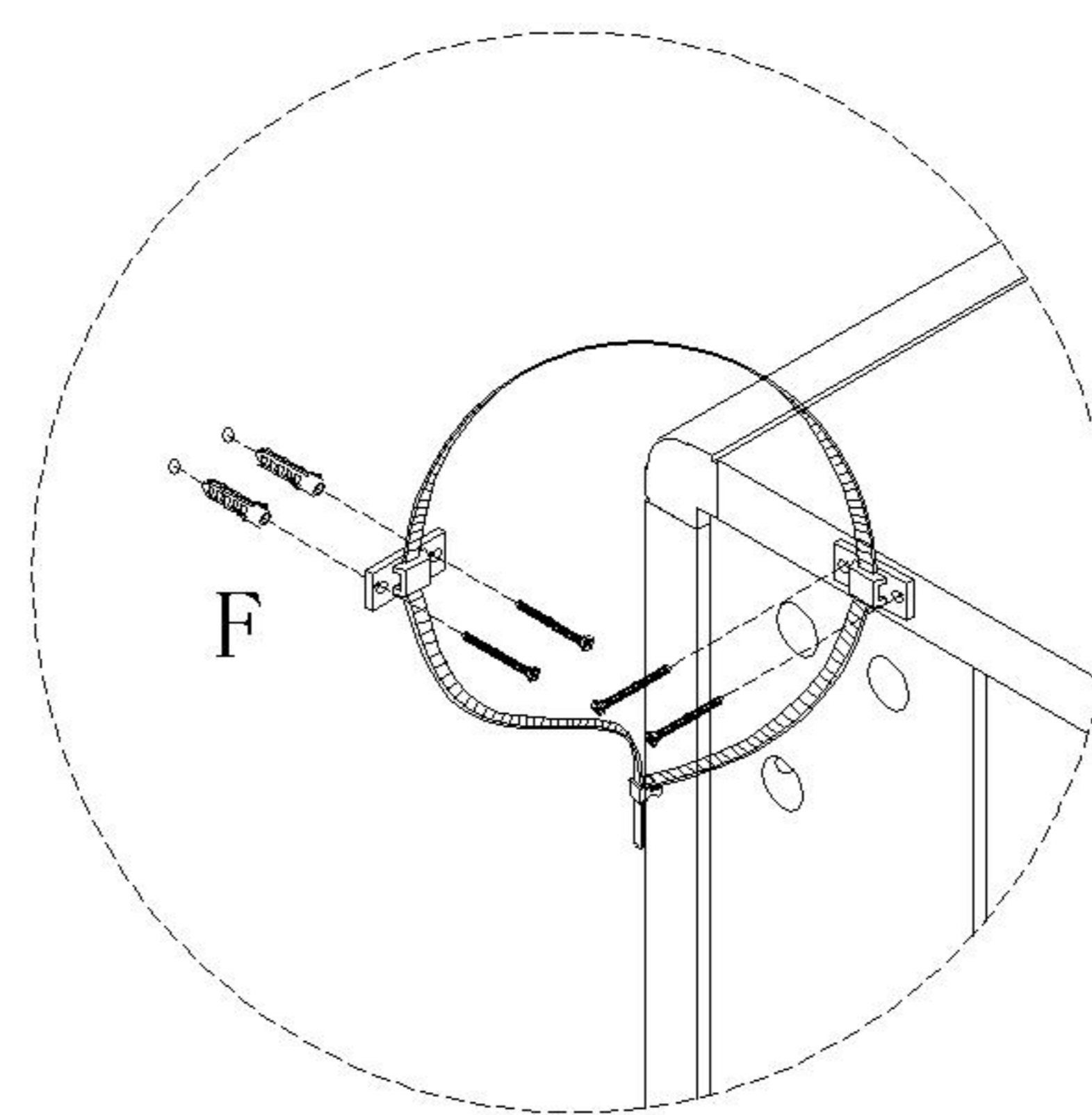
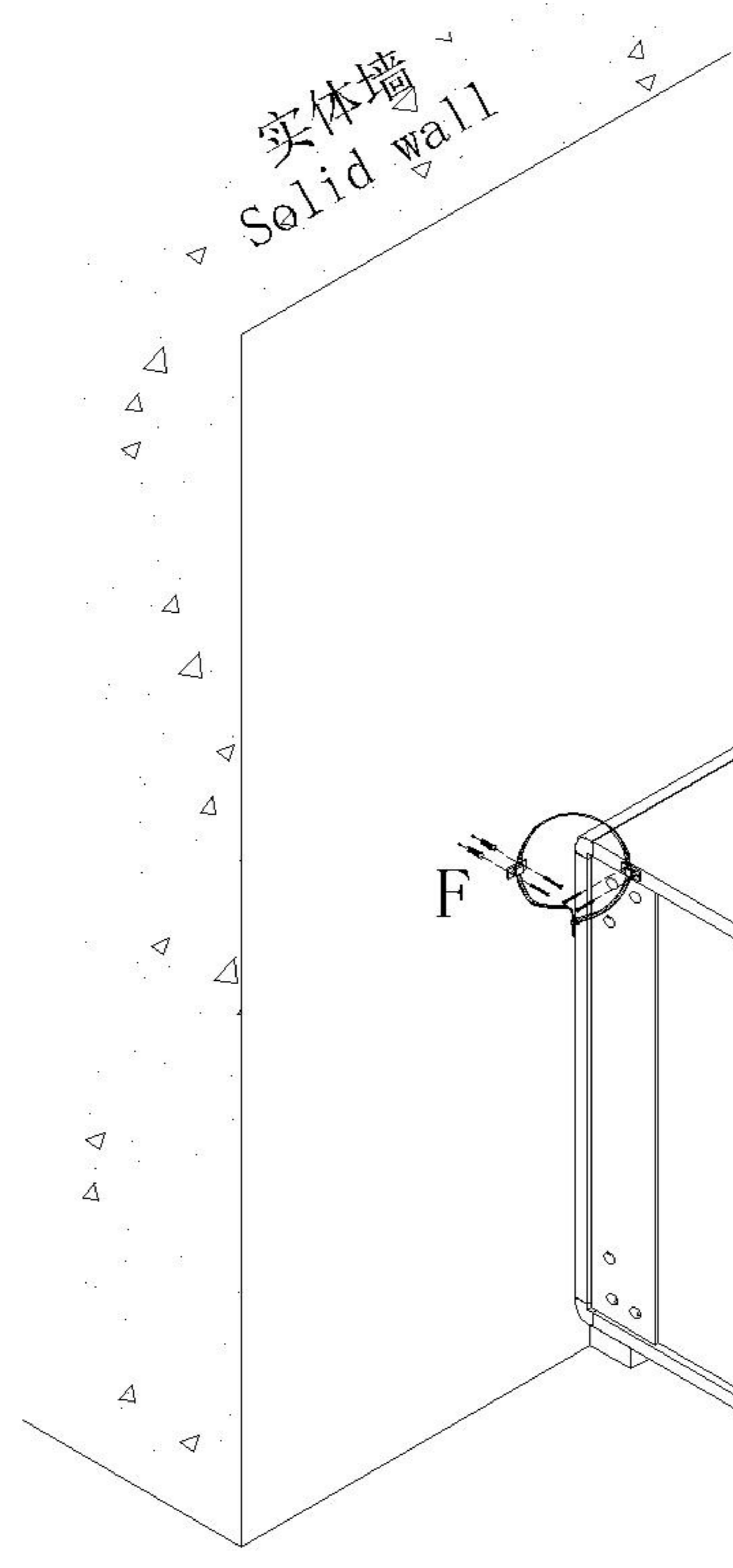


背板扣  
Back Plate Buckle



(F)\*1

10



# LINSY 林氏家居

## 五金表/Hardware list

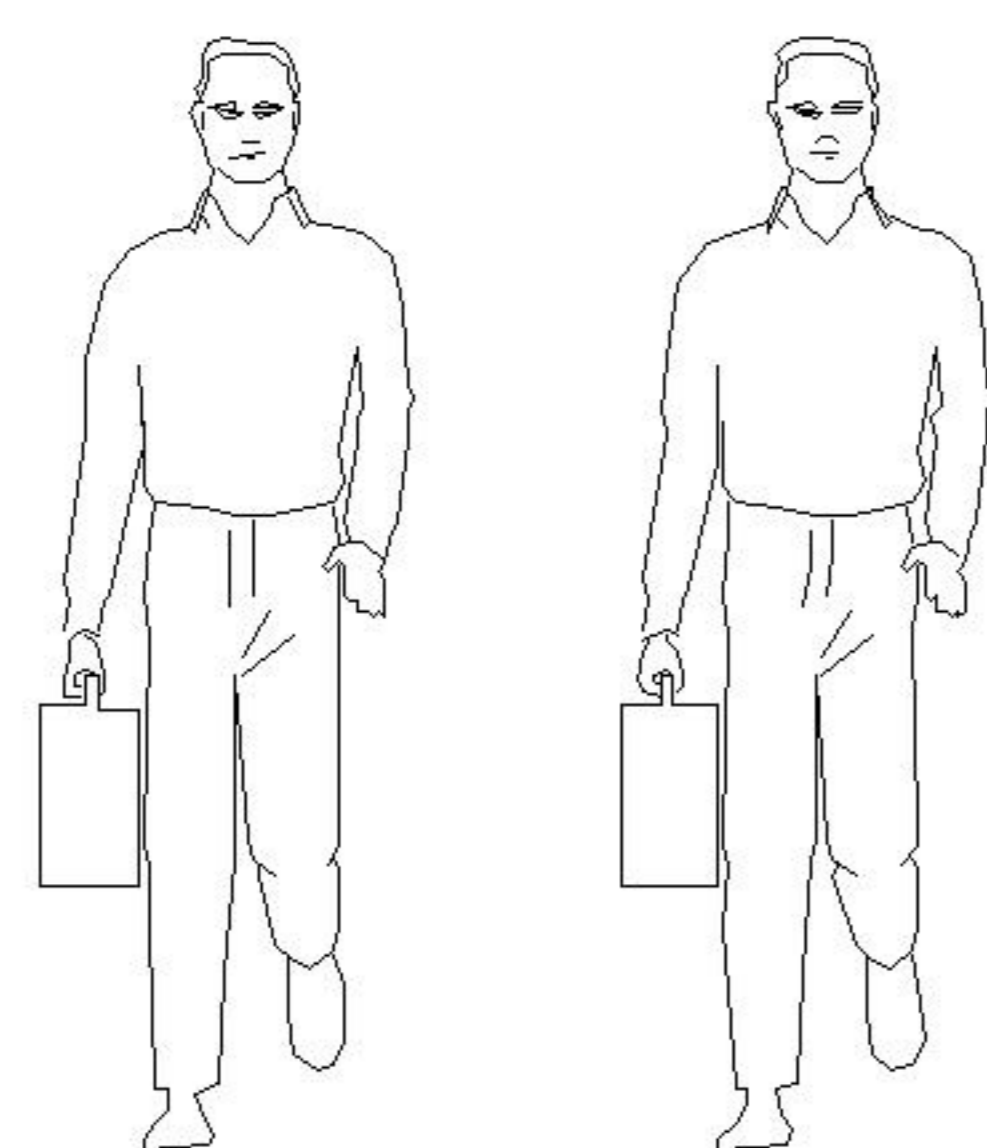
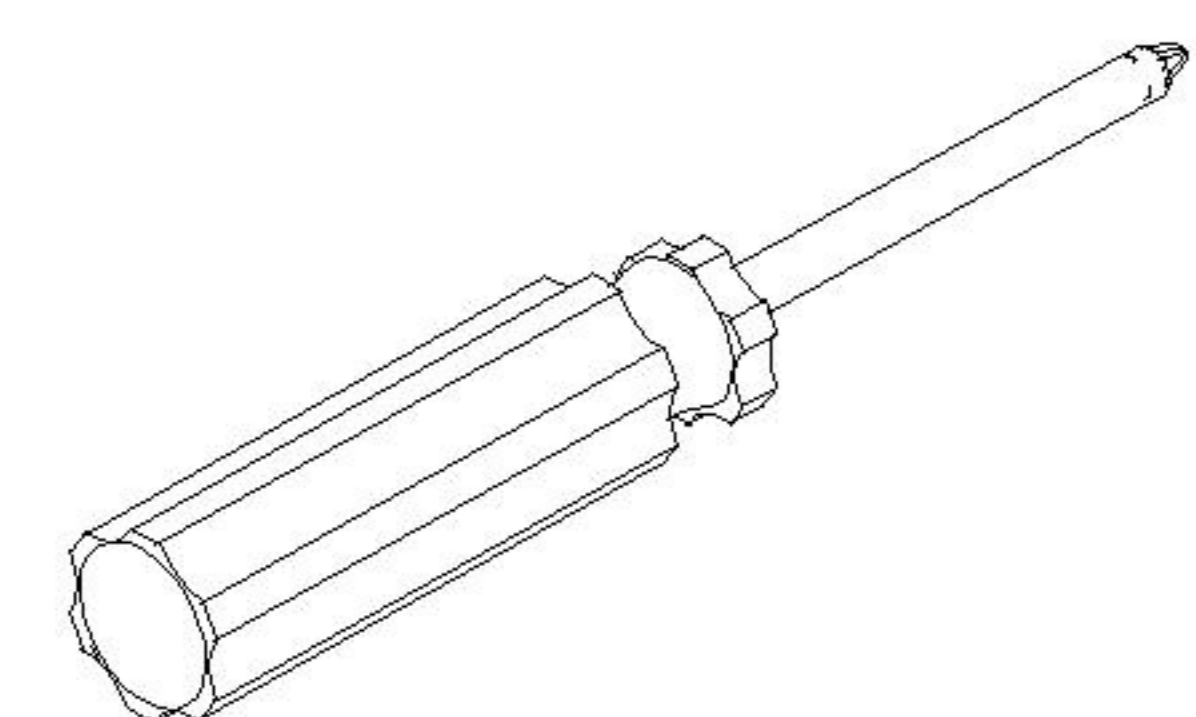
## 部件表/Parts List

### 安装示意图/Assembly Instruction

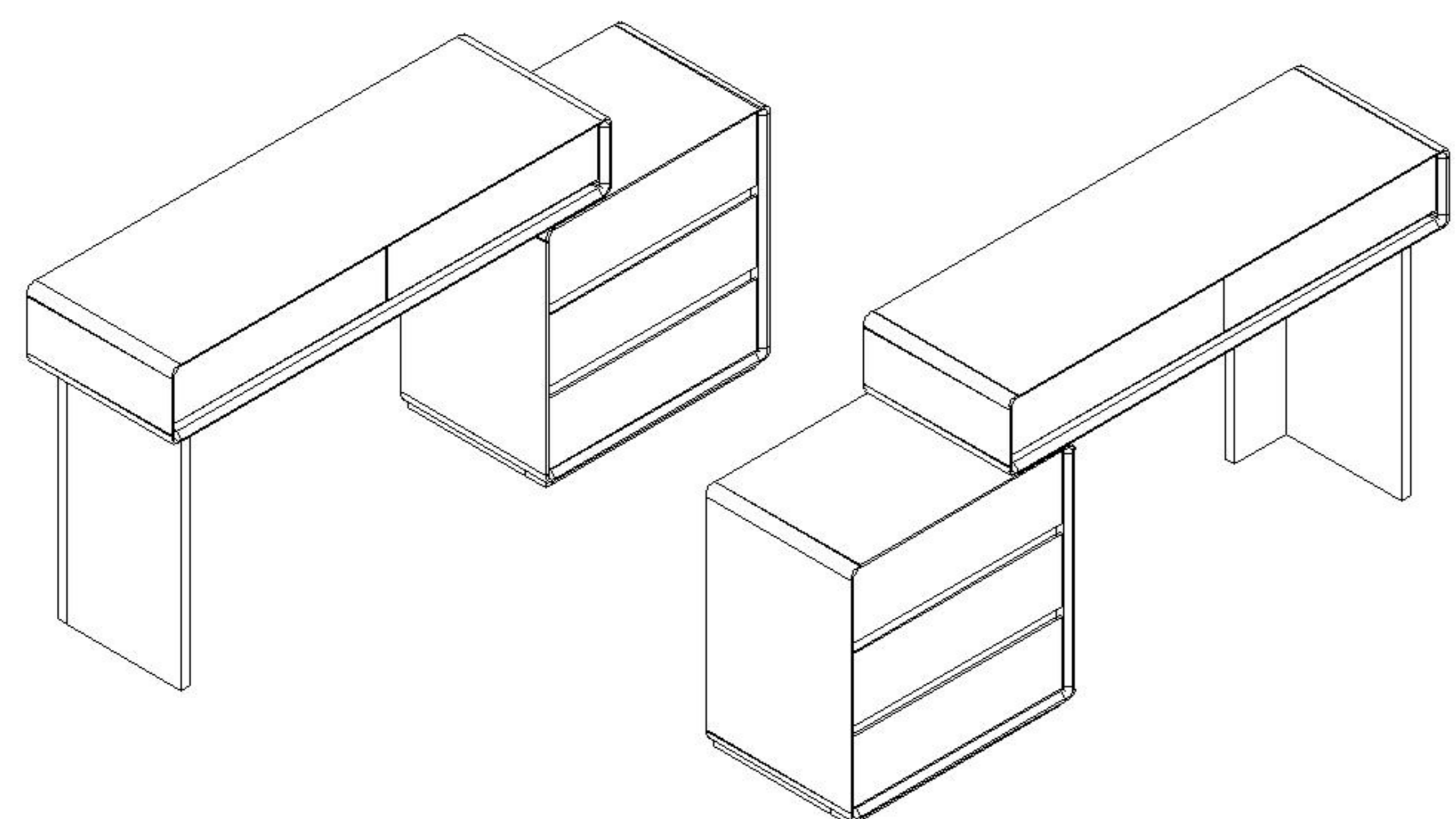
产品名称 Model NO. UN8C-F妆台

产品规格 Specification 1200\*398\*815mm

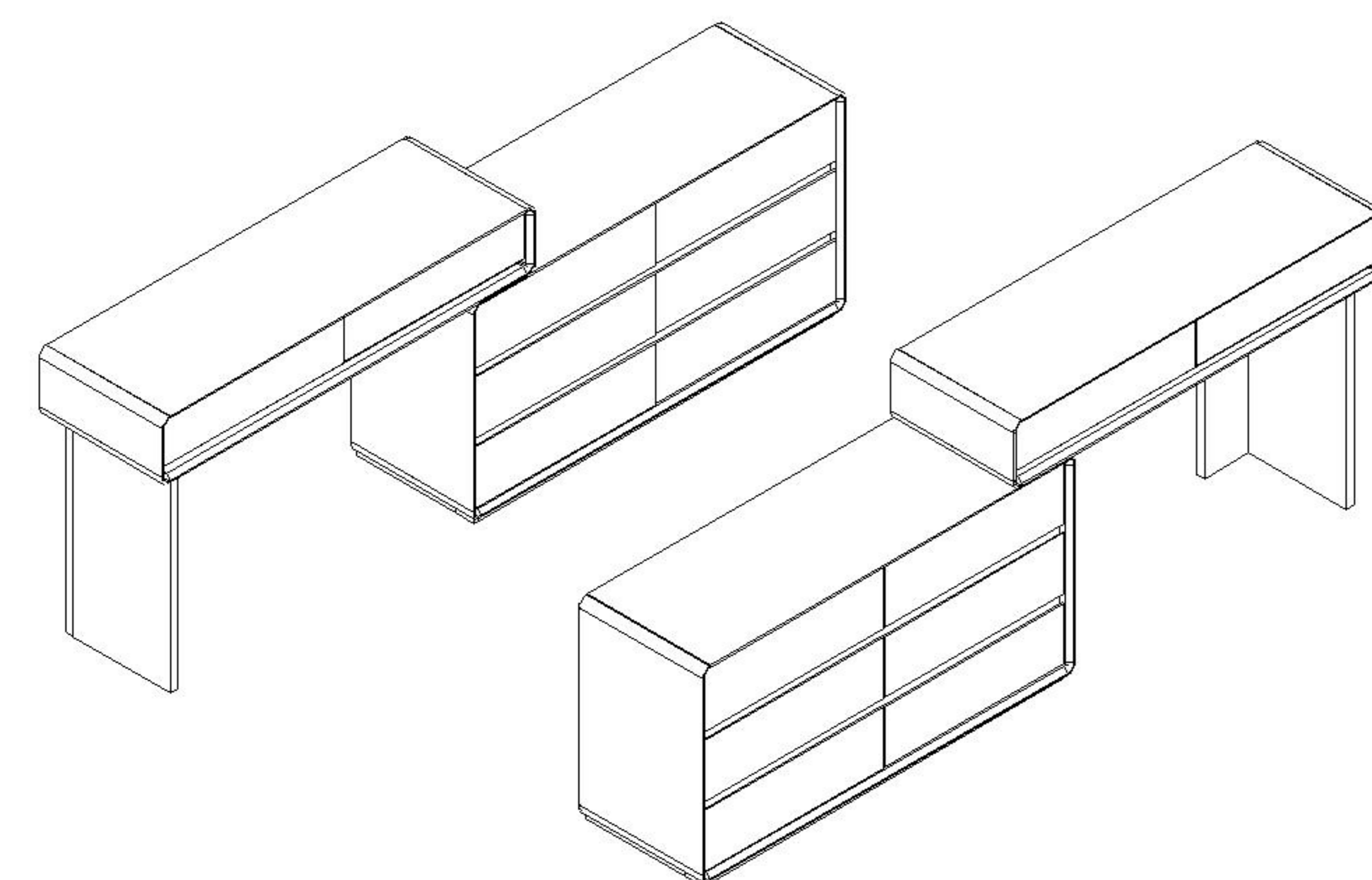
安装工具 Tool 安装人数 Installer



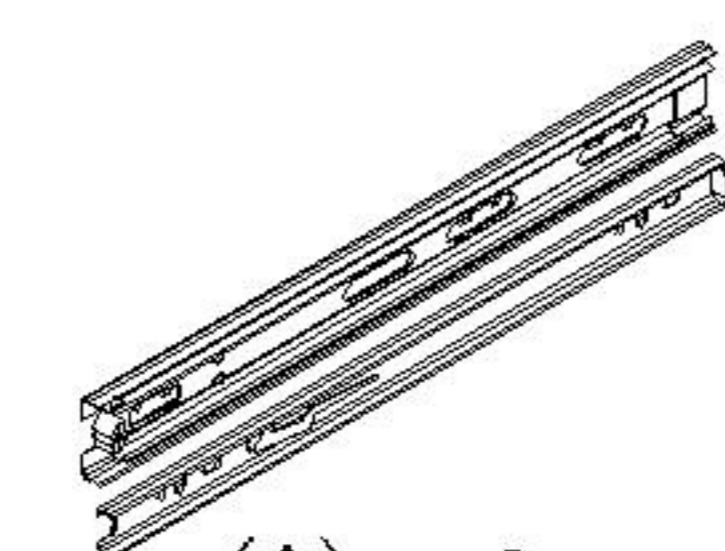
注：为保证设计效果，部分尺寸为定制尺寸，不影响使用。



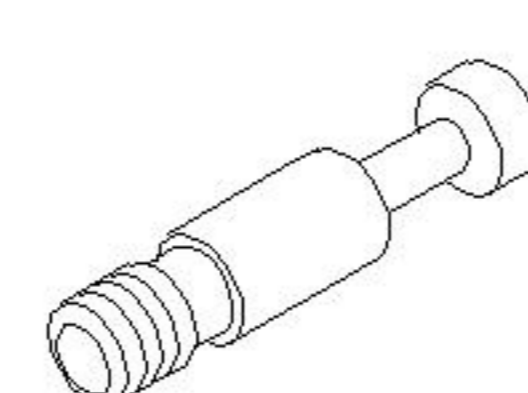
产品名称：UN8C-F三斗柜妆台  
产品规格：1300~1659\*398\*815mm



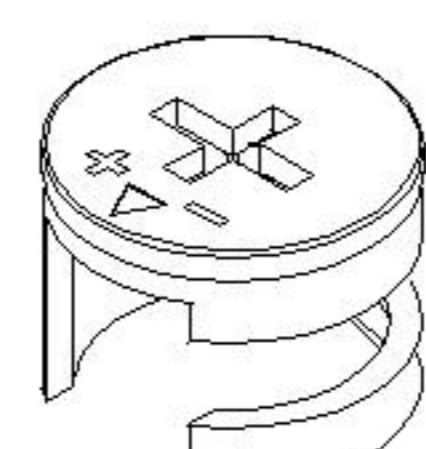
产品名称：UN8C-F六斗柜妆台  
产品规格：1893~2250\*398\*815mm



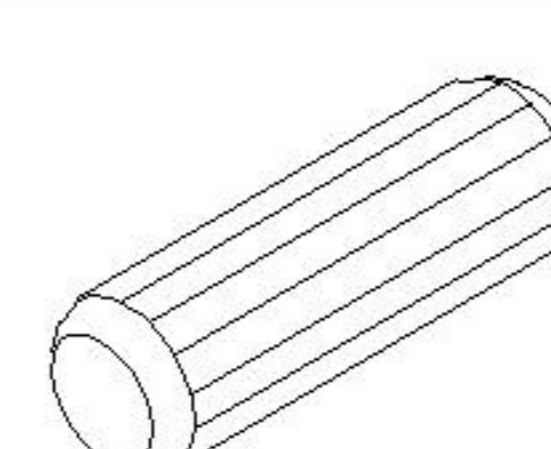
(A)\* 2  
三节滚珠导轨-10"  
three-section ball rail



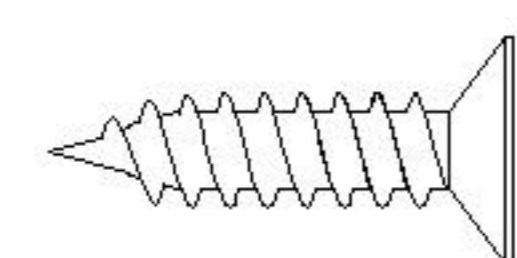
(B)\* 48  
二合一螺杆  
2-in-1-screw



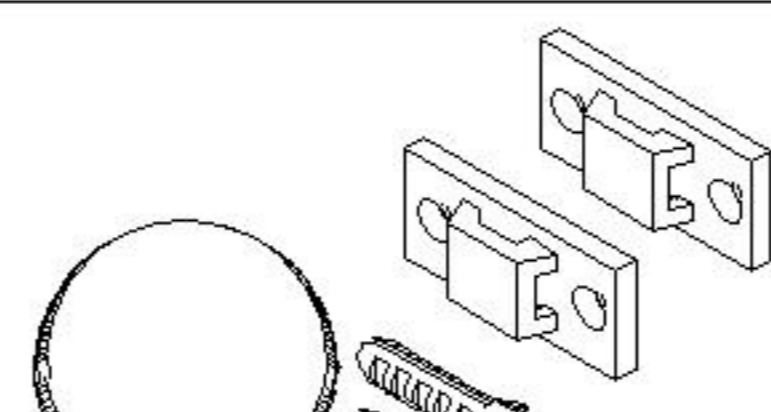
(C)\* 48  
大三合一锁饼  
Three-in-one large lock



(D)\* 19  
木榫08x30mm  
wood tenon



(E)\* 25  
自攻螺丝M3.5x12mm  
Self-tapping screw



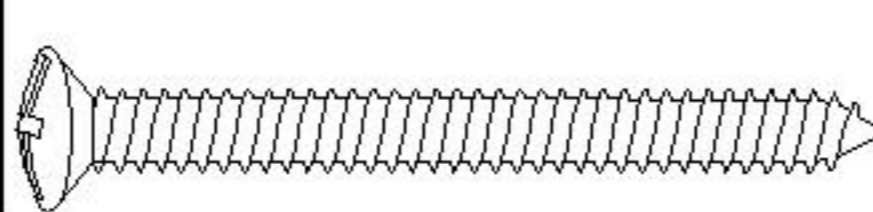
(F)\* 1  
家具防倒器-白色  
Anti-fall device white



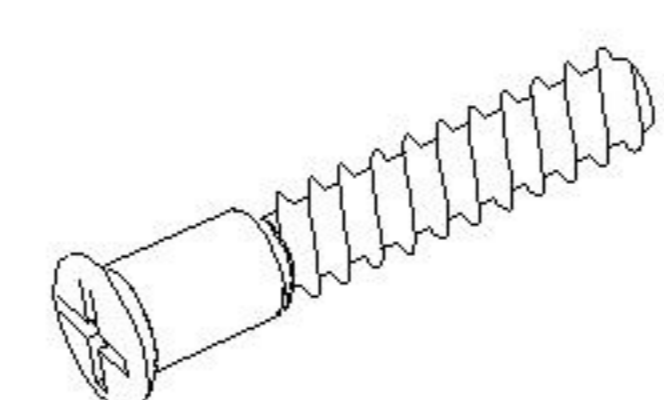
(G)\* 4  
灰色毛毡脚垫  
Grey felt foot pad



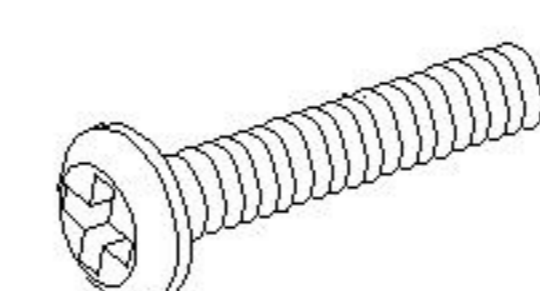
(H)\* 2  
垫片-黑色L=300mm  
shim - Black



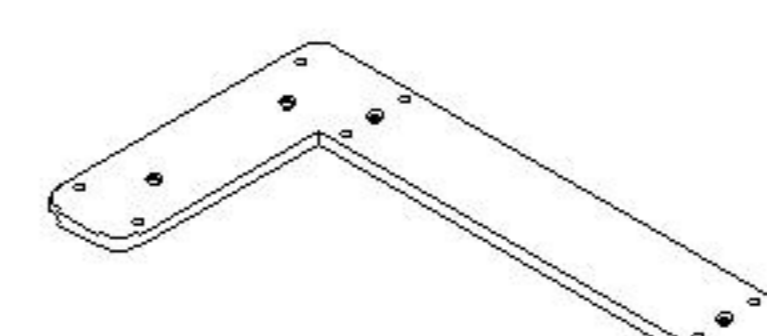
(I)\* 4  
自攻大扁M4\*35mm  
Self tapping flat screw



(J)\* 7  
过山丝-M7x38mm  
Self-tapping screw galvanized

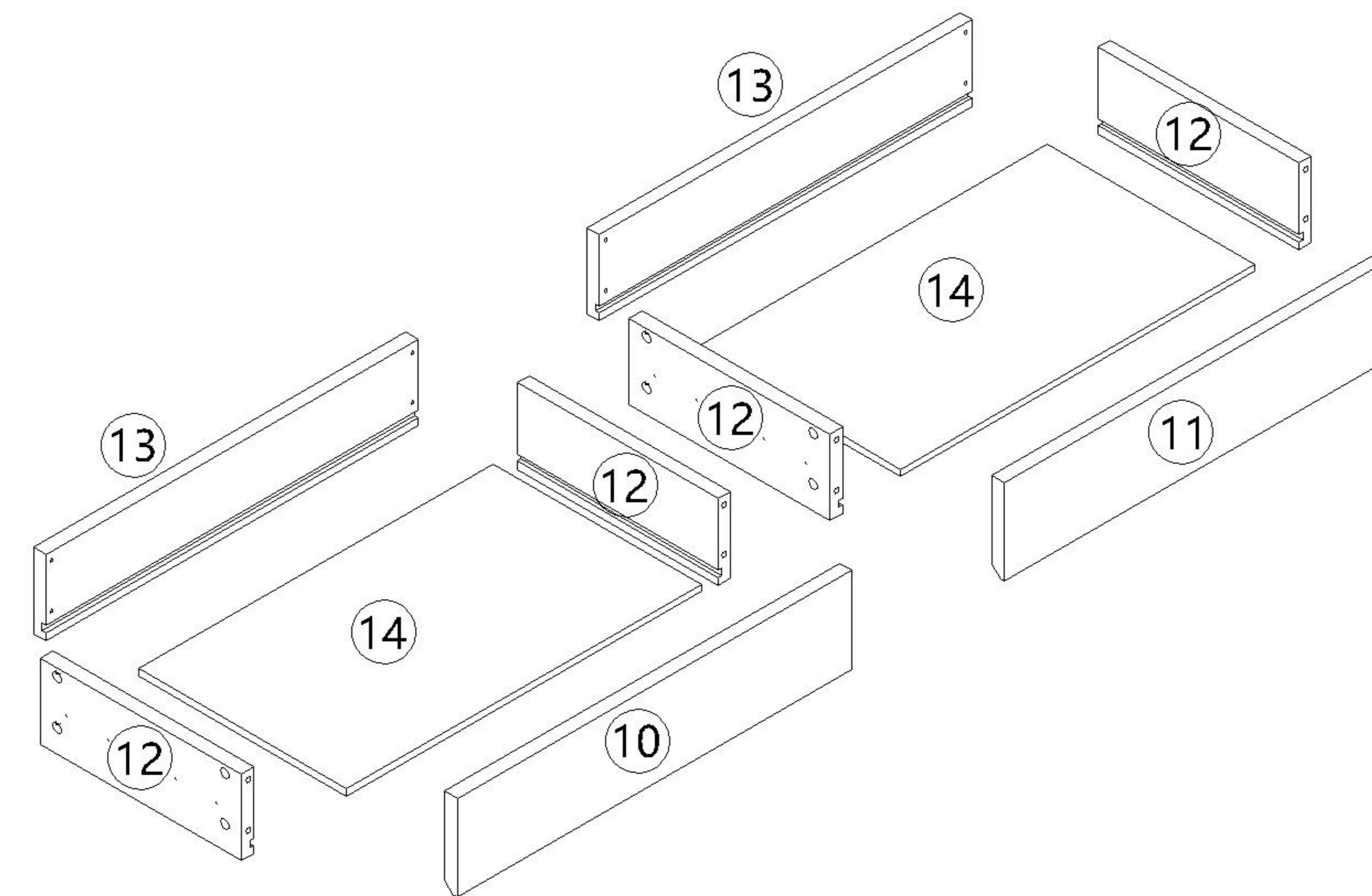
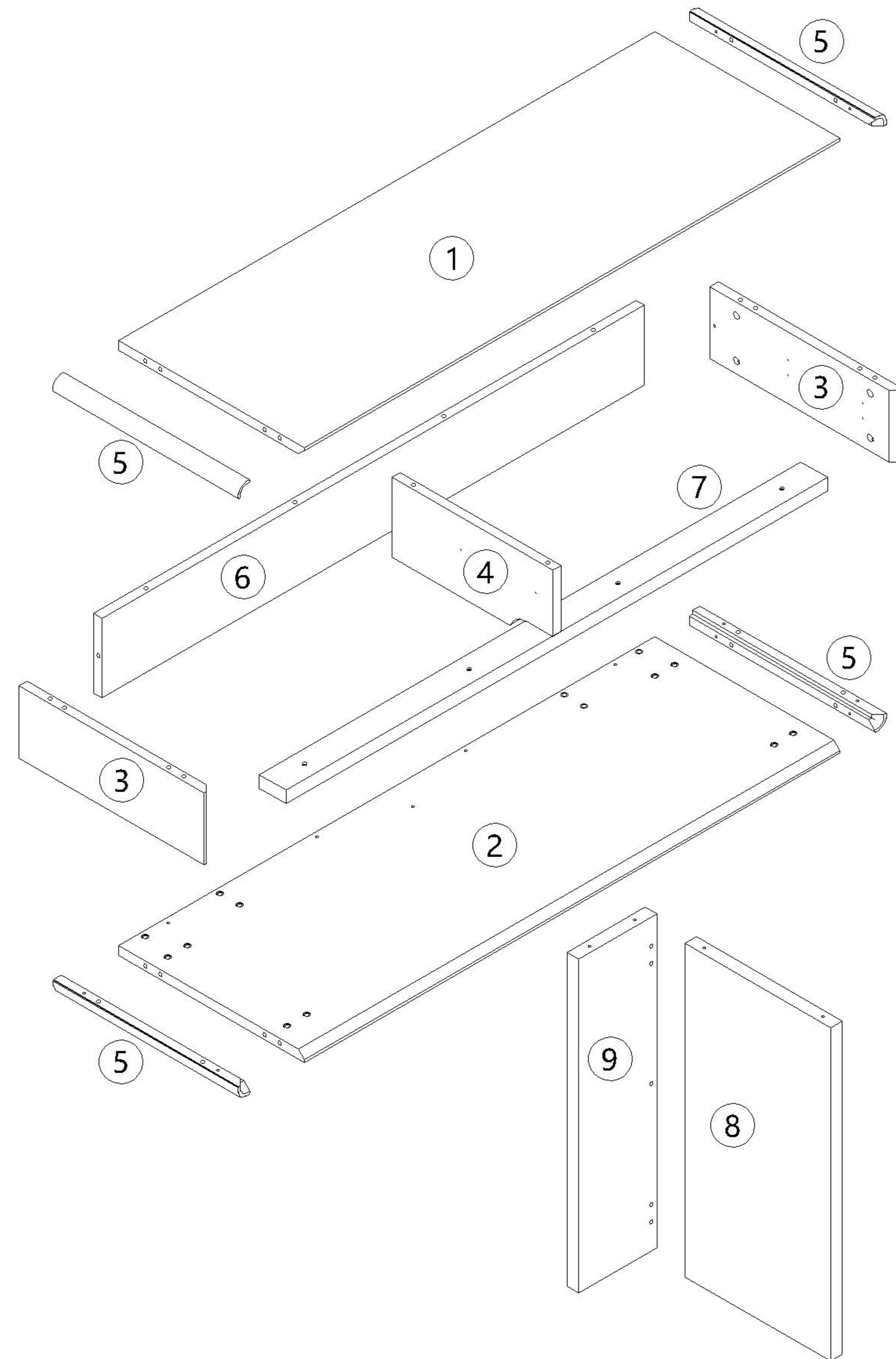


(K)\* 7  
斜边十字螺杆-M6x25  
bevel cross screw



(L)\* 1  
妆台铁片  
Makeup iron sheet

编号NO.	名称Name	规格(mm) Specification	数量QTY	材质Material
①	面板Top panel	1150*398*18	1	胶合板 Plywood
②	底板Bottom board	1150*398*18	1	胶合板 Plywood
③	侧板Side board	398*134*18	2	胶合板 Plywood
④	中侧板Middle side board	345*148*18	1	胶合板 Plywood
⑤	转角木Corner connection wood	398*25*25	4	橡胶木 Rubber wood
⑥	背板Back board	1164*148*18	1	胶合板 Plywood
⑦	拉条Brace	1162*58*25	1	胶合板 Plywood
⑧	下侧板Lower side board	620*313*25	1	胶合板 Plywood
⑨	后档板Rear bumper	620*168*25	1	胶合板 Plywood
⑩	左抽屉面板Drawer's panel(L)	579*126*18	1	胶合板 Plywood
⑪	右抽屉面板Drawer's panel(R)	579*126*18	1	胶合板 Plywood
⑫	抽屉侧板Drawer's sideboard	295*110*18	4	胶合板 Plywood
⑬	抽屉后板Drawer's Back board	547*110*18	2	胶合板 Plywood
⑭	抽屉底板Drawer's Bottom board	521*305*9	2	胶合板 Plywood



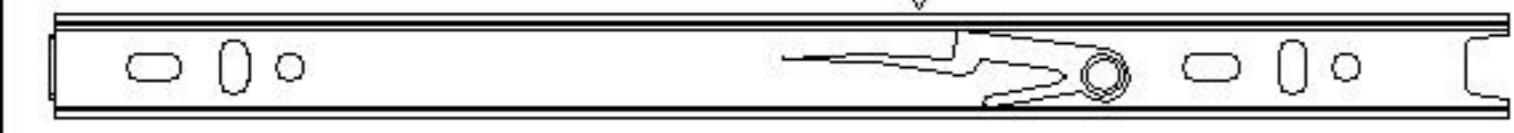
编号NO.	名称Name
①	面板Top panel
②	底板Bottom board
③	侧板Side board
④	中侧板Middle side board
⑤	转角木Corner connection wood
⑥	背板Back board
⑦	拉条Brace
⑧	下侧板Lower side board
⑨	后档板Rear bumper
⑩	左抽屉面板Drawer's panel(L)
⑪	右抽屉面板Drawer's panel(R)
⑫	抽屉侧板Drawer's sideboard
⑬	抽屉后板Drawer's Back board
⑭	抽屉底板Drawer's Bottom board

UN8C-F妆台

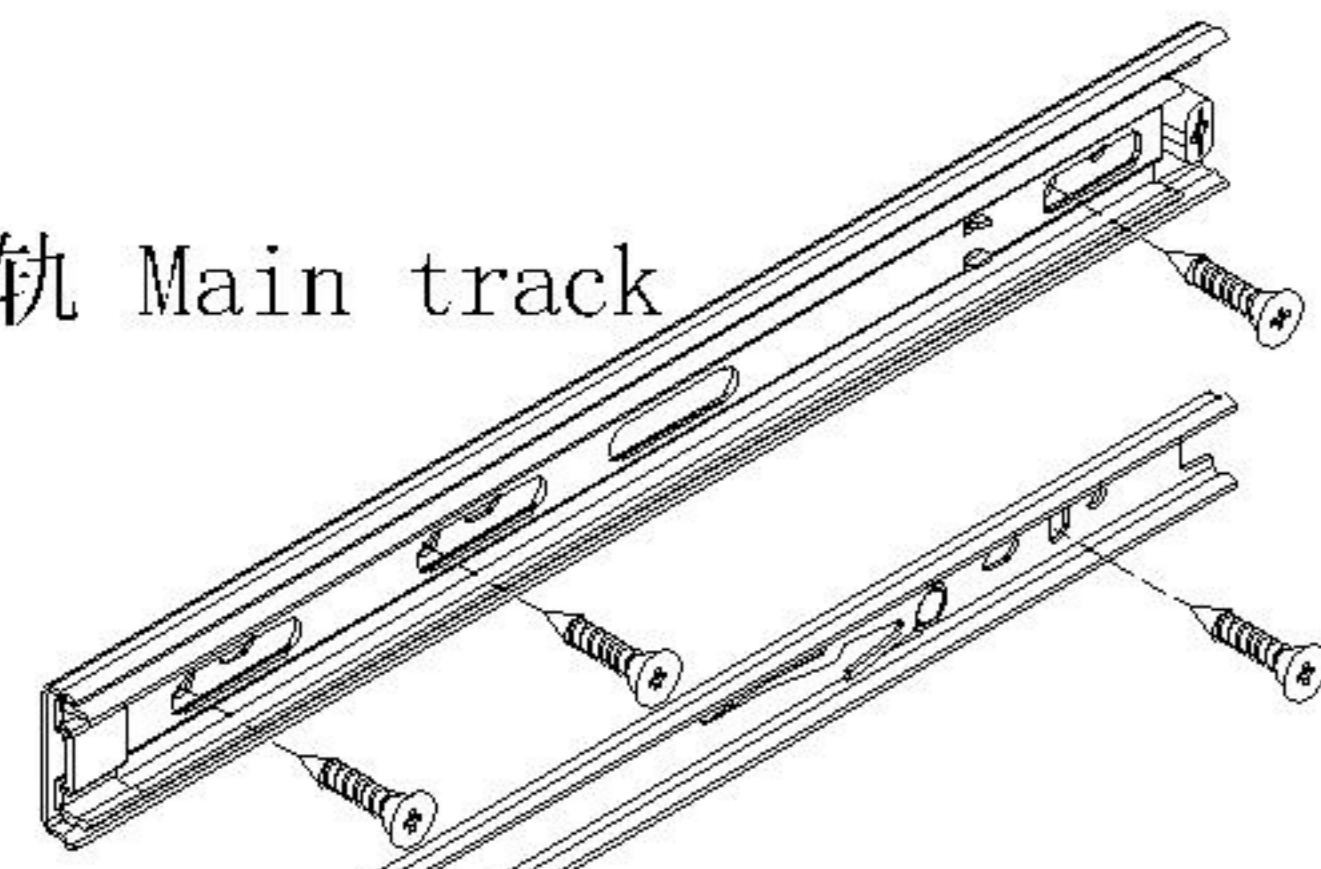
安装方法/  
Installation method

阀门开关(下压为开)  
Valve switch (press down to open)

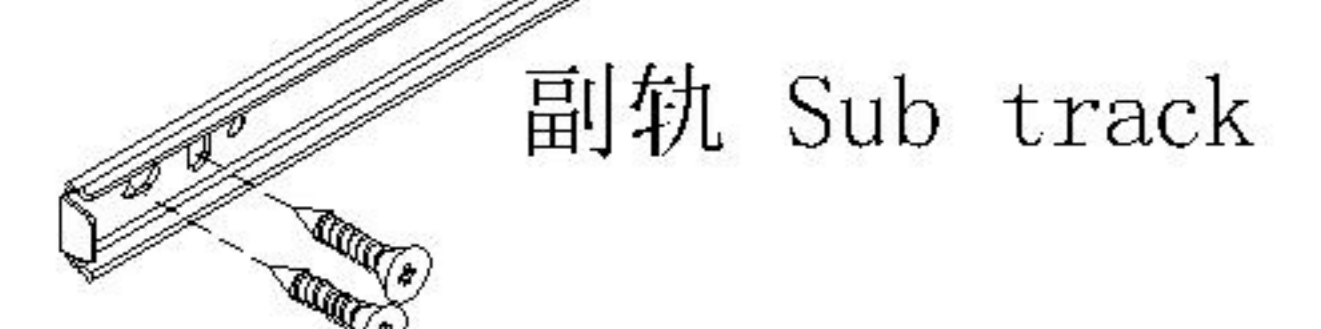
前 Forward      后 Back



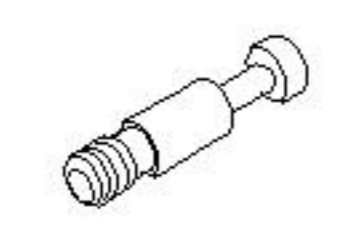
主轨 Main track



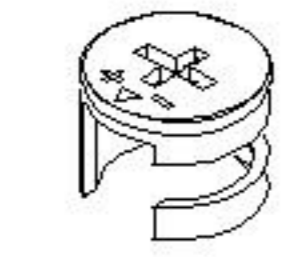
副轨 Sub track



三节滚珠导轨  
Three-section rail



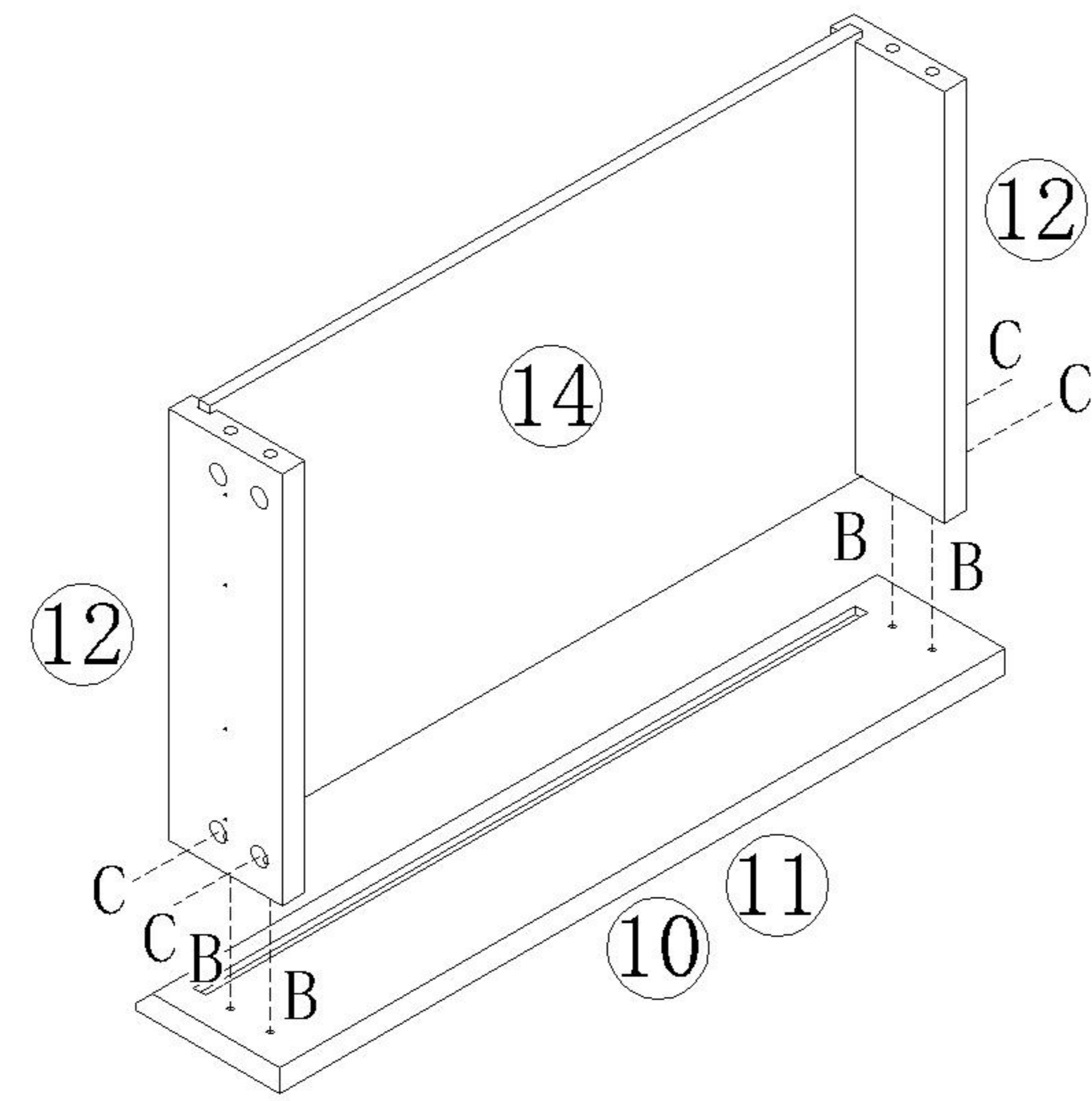
(B)\*8



(C)\*8

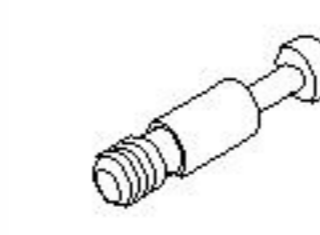
× 2

1

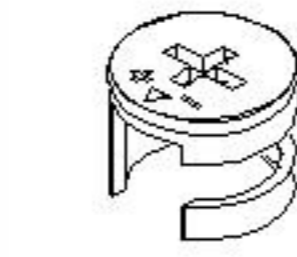


2

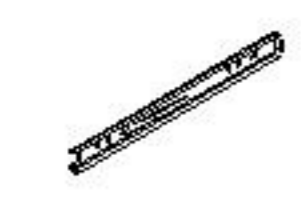
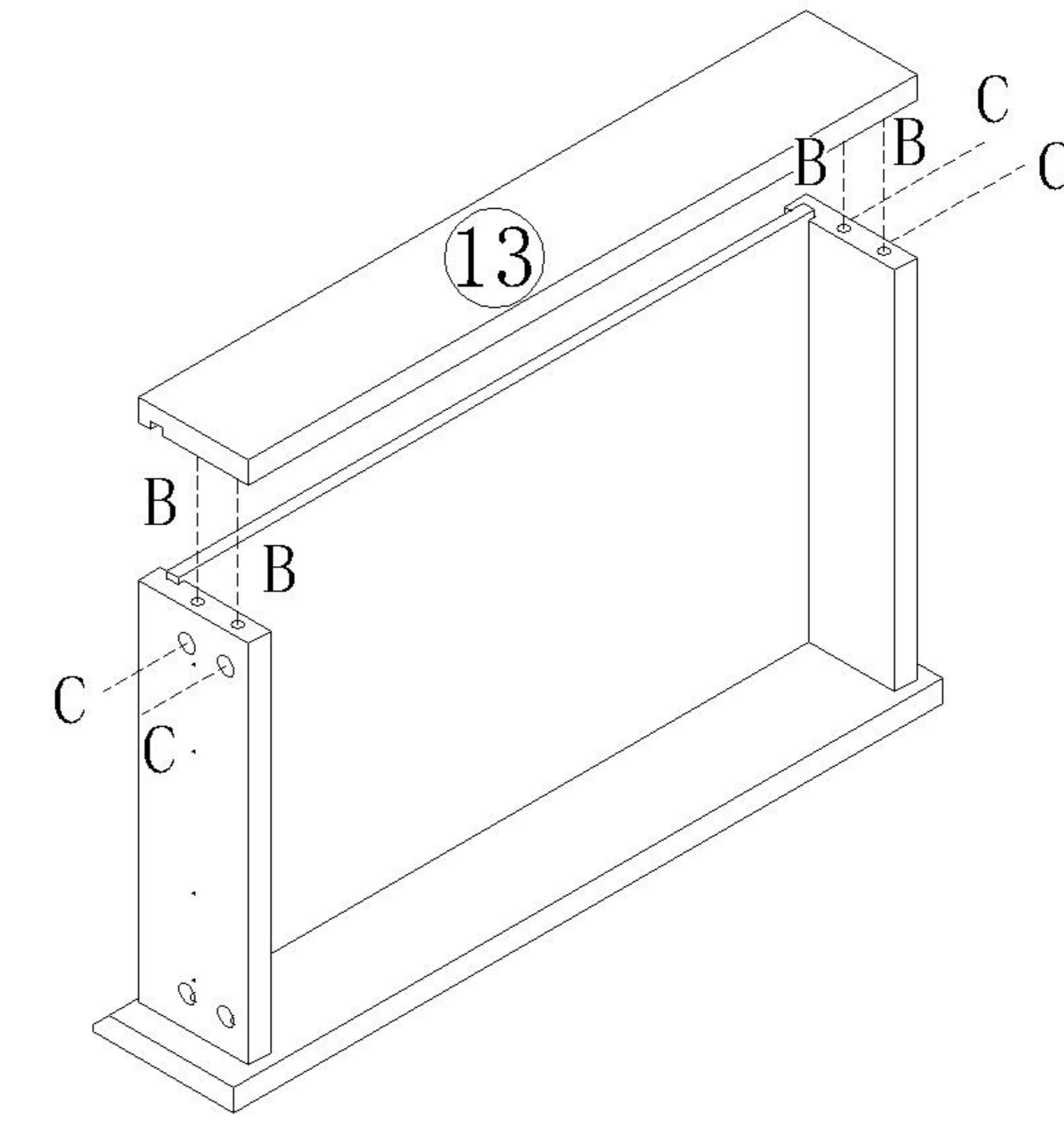
× 2



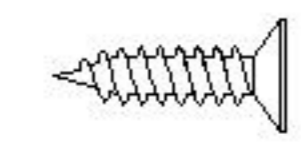
(B)\*8



(C)\*8



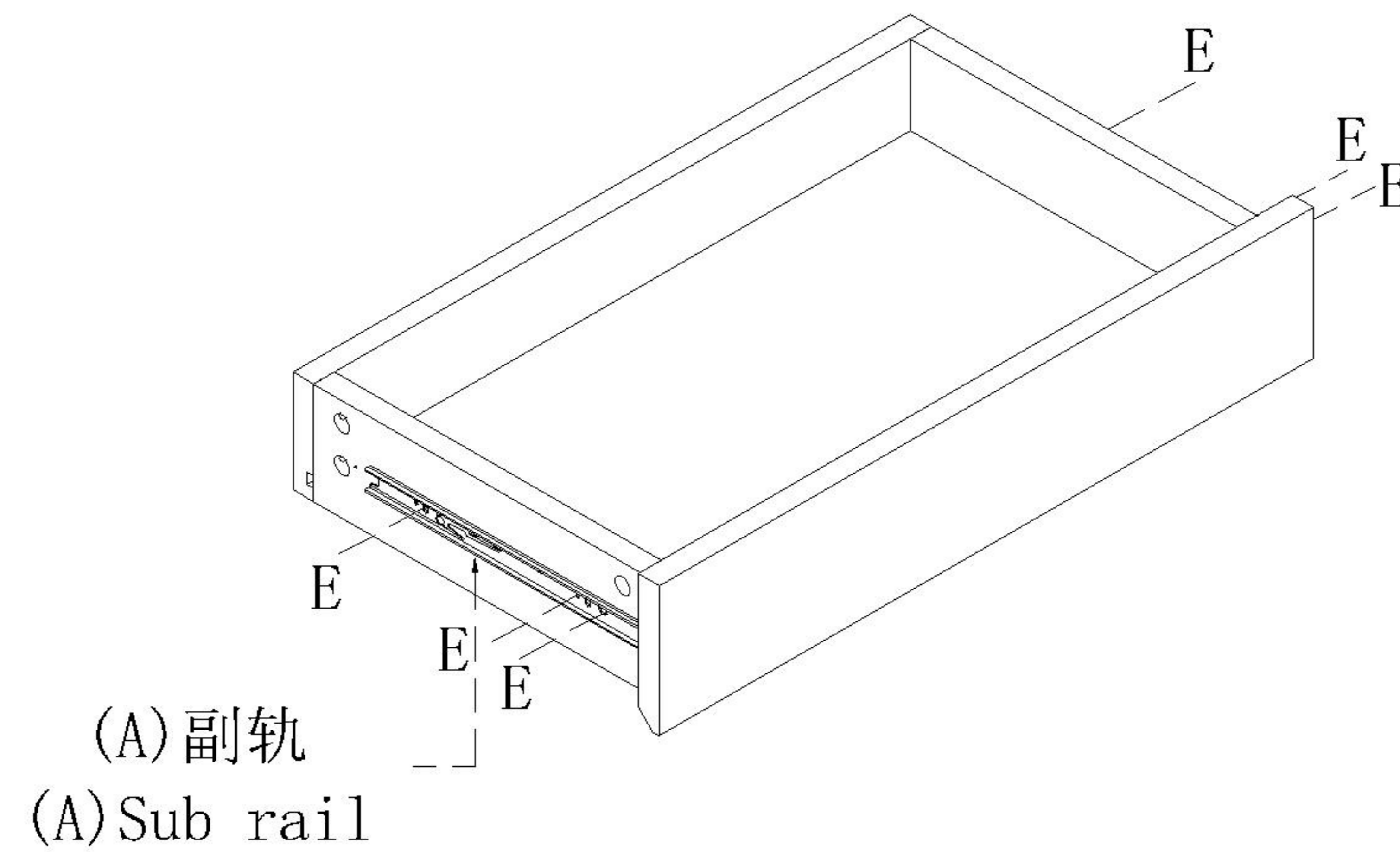
(A)\*2



(E)\*12

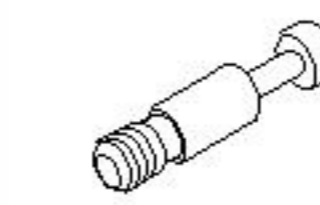
× 2

3

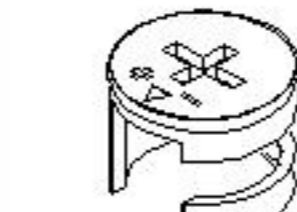


(A) 副轨  
(A) Sub rail

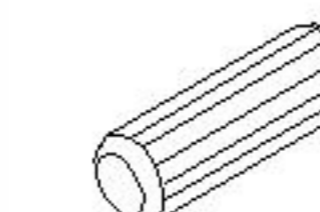
4



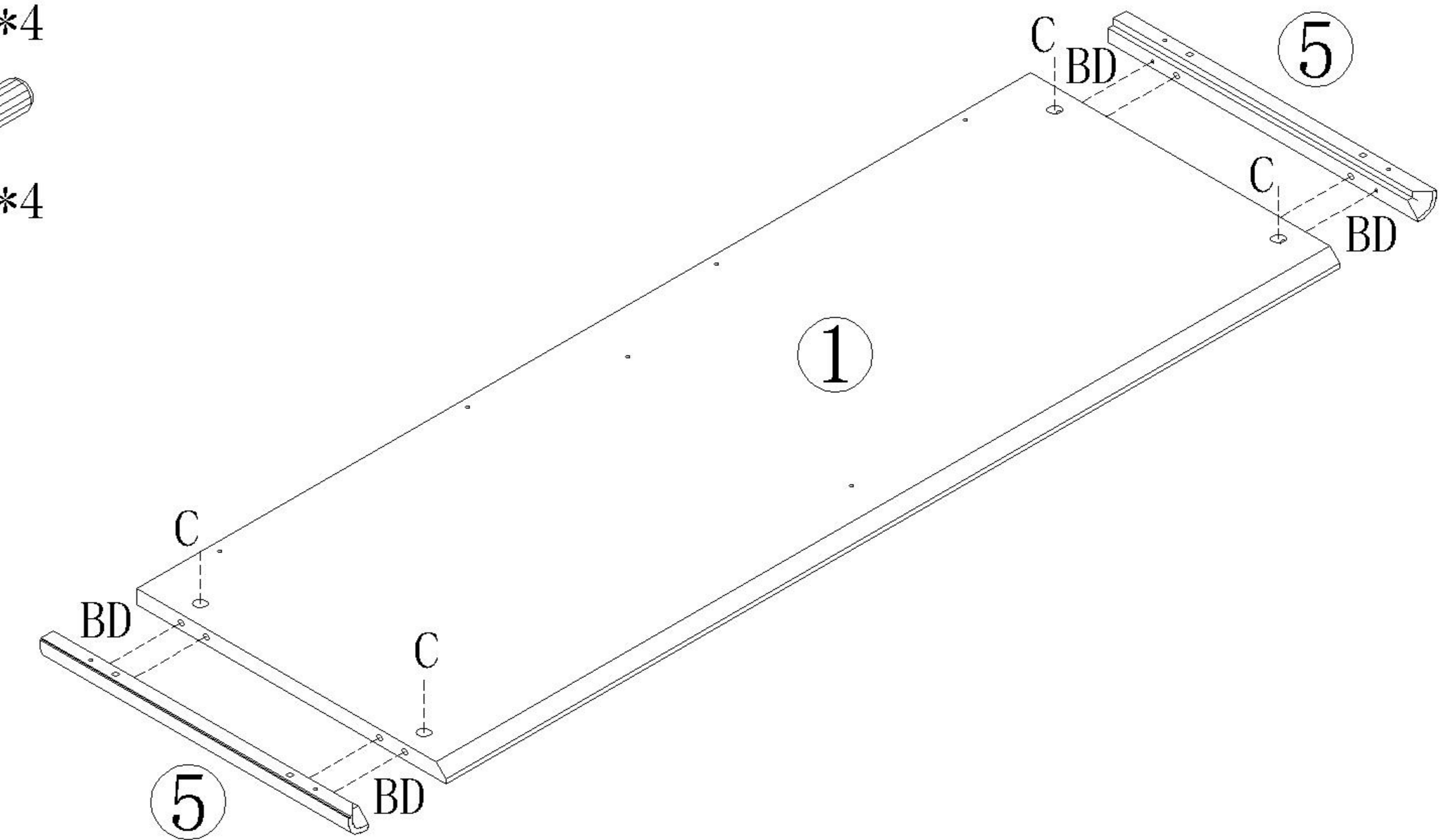
(B)\*4



(C)\*4

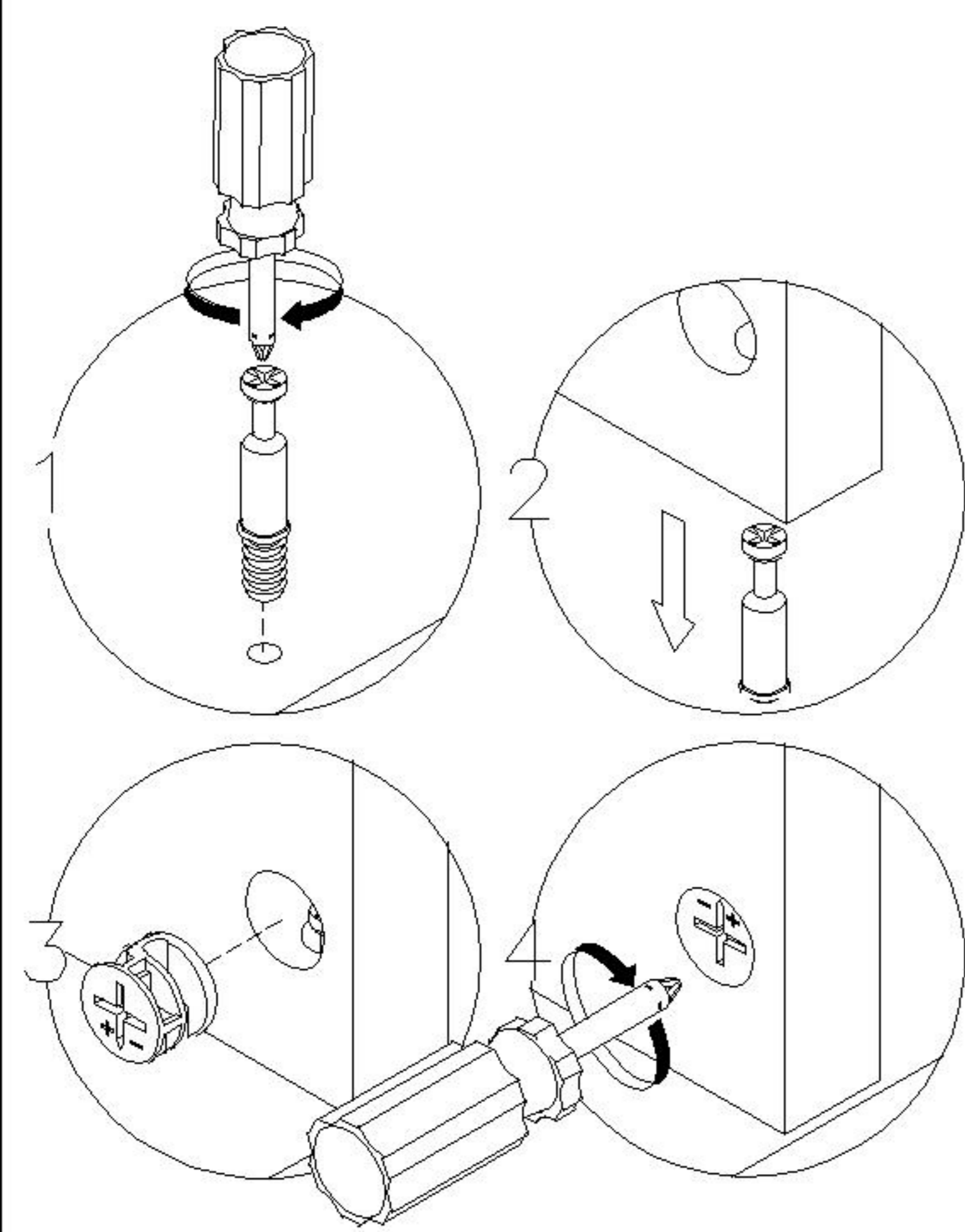


(D)\*4

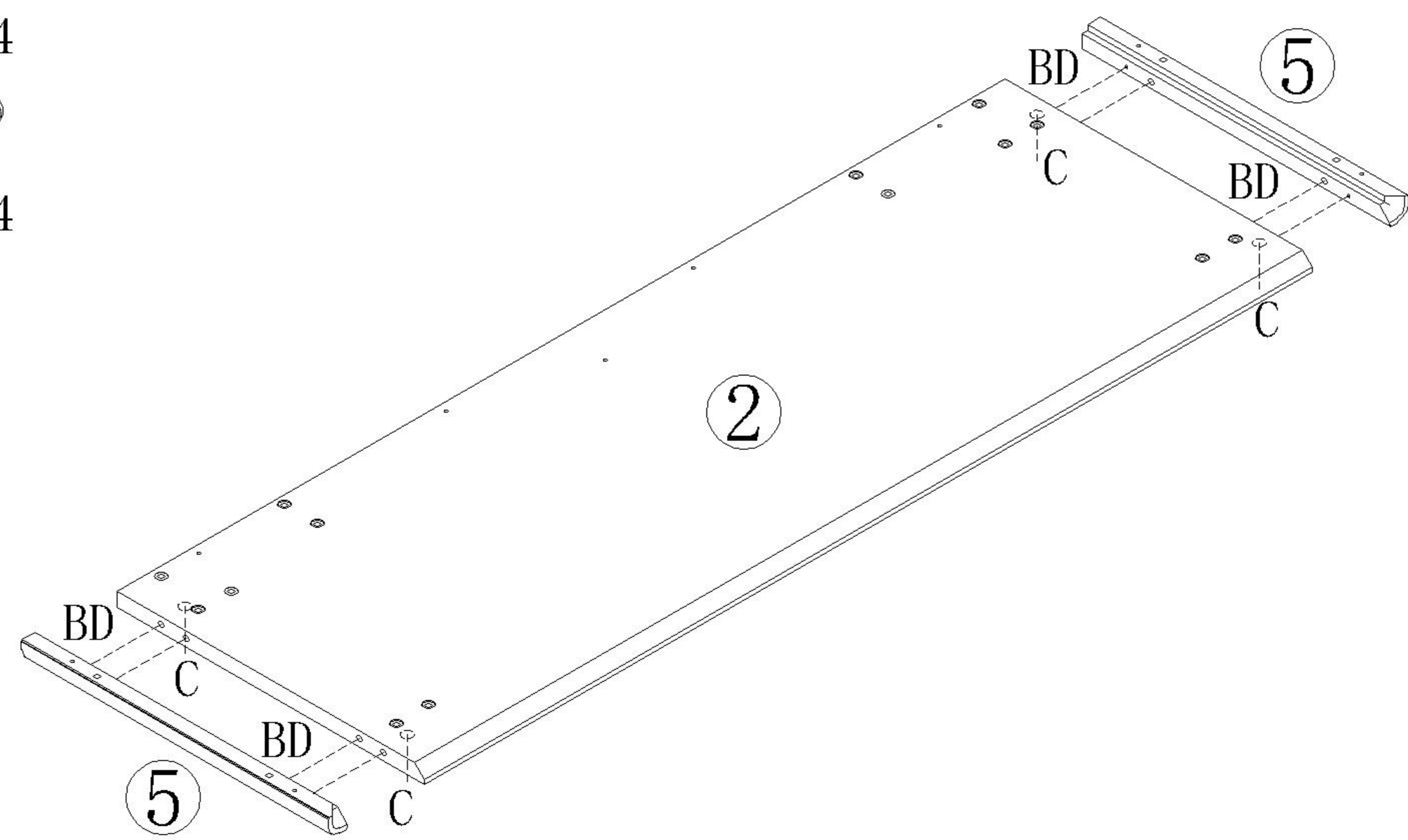
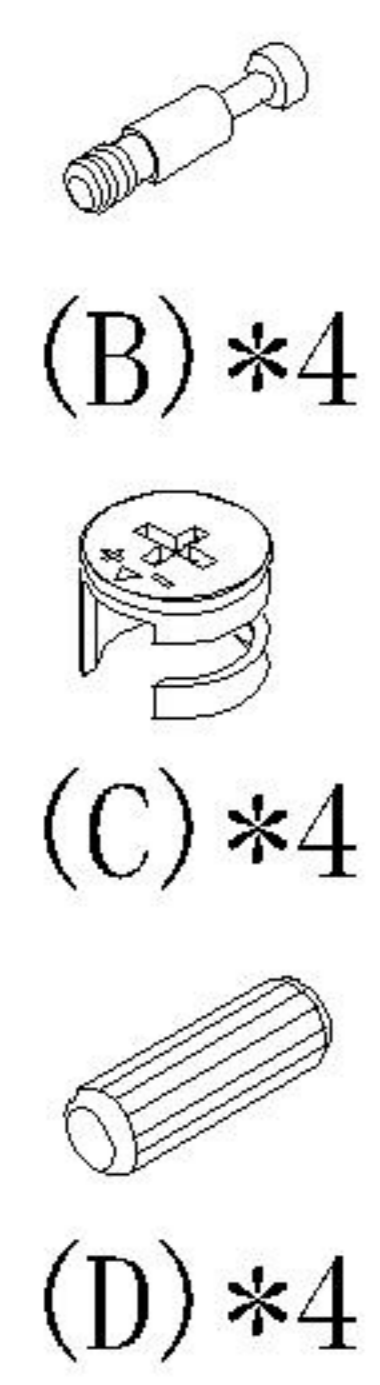


UN8C-F妆台

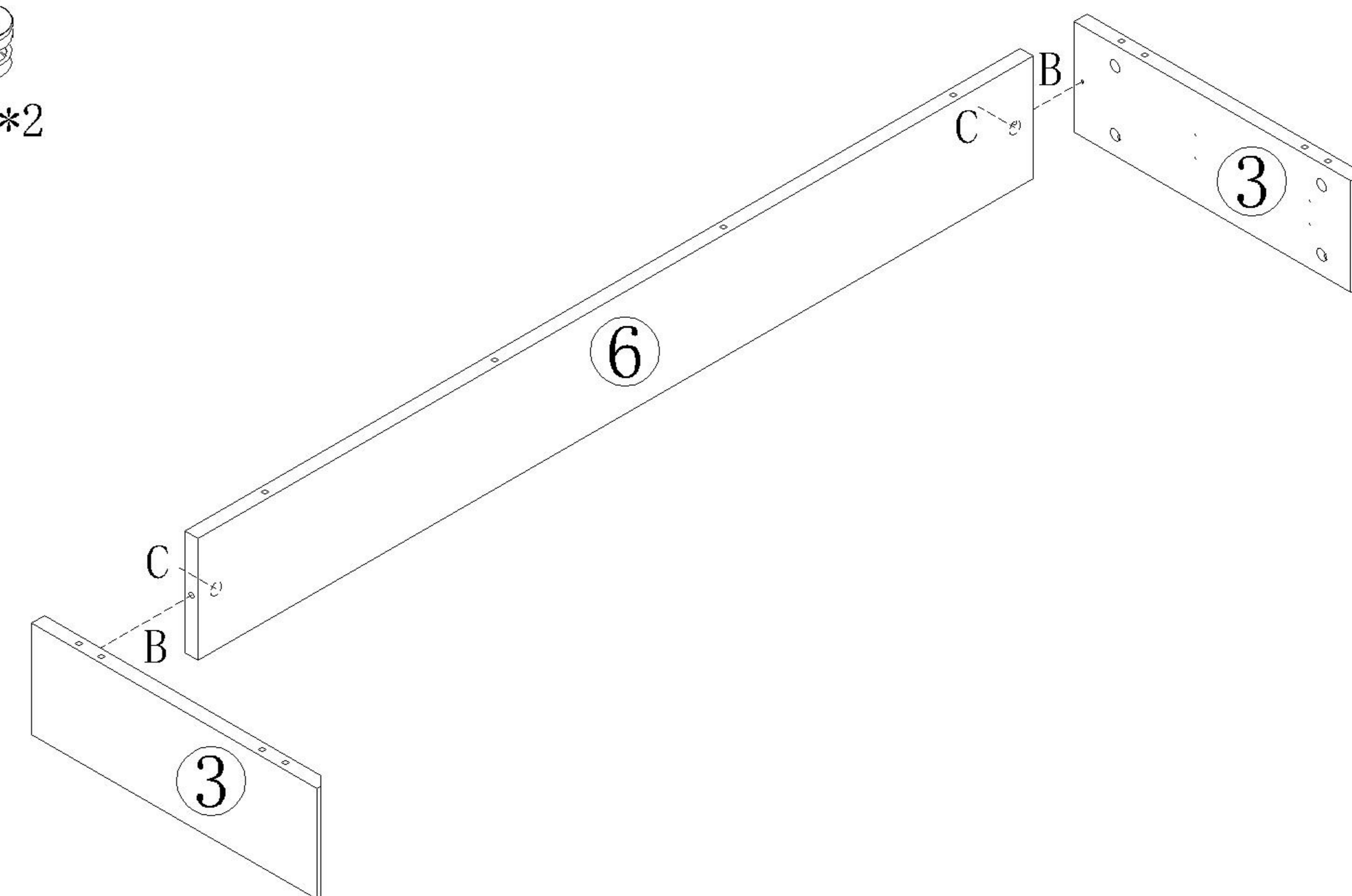
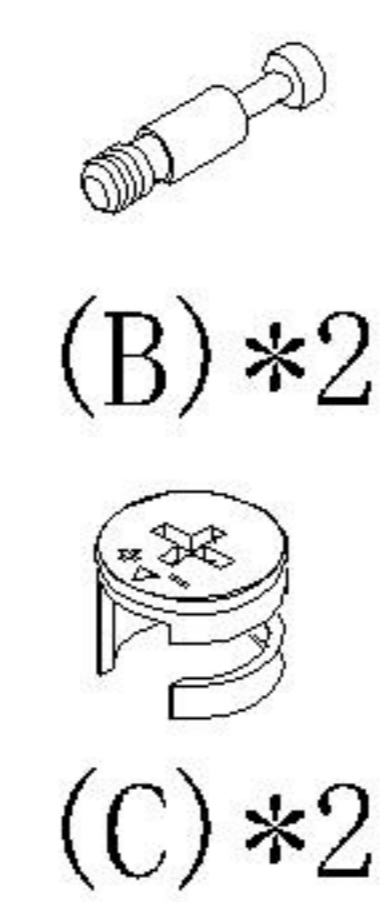
安装方法/  
Installation method



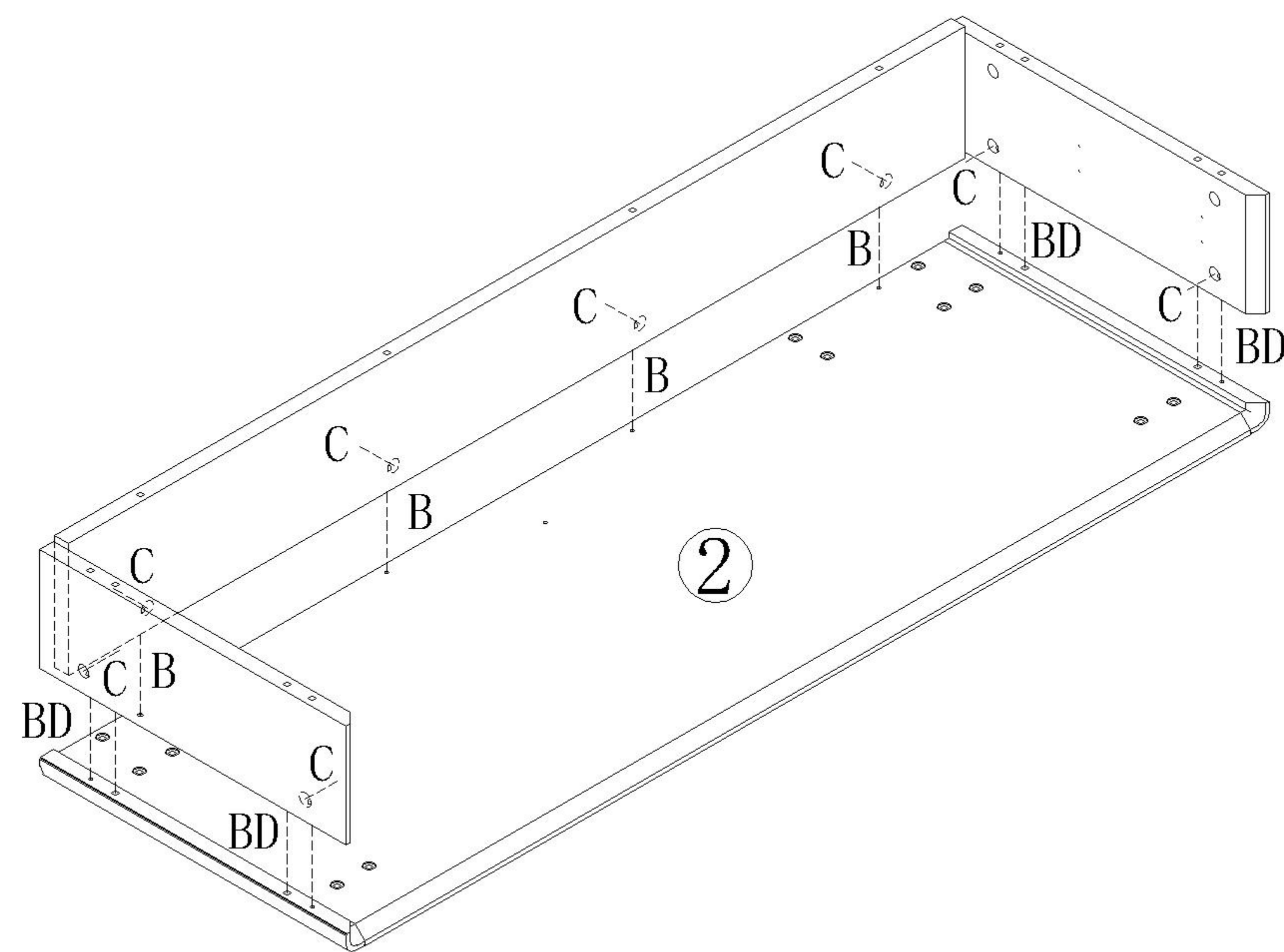
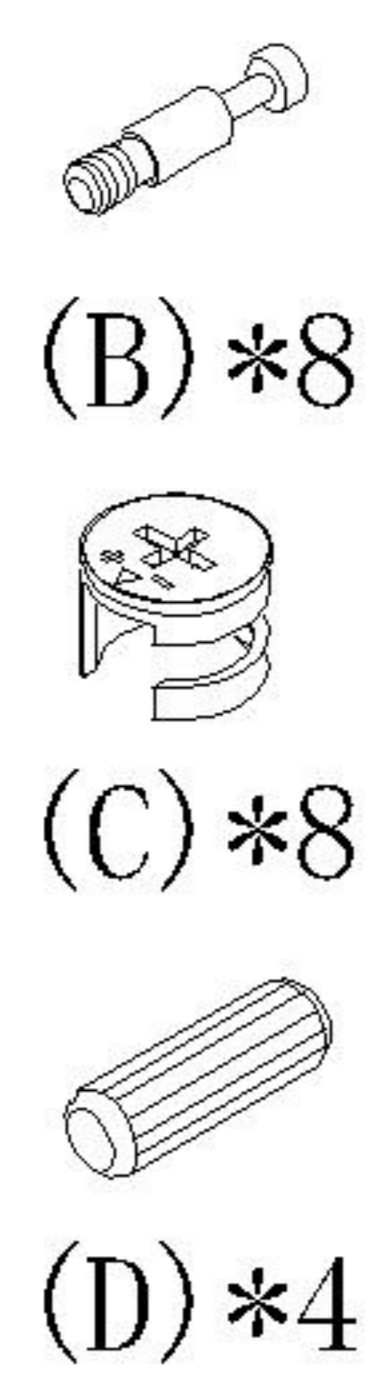
二合一 two-in-one



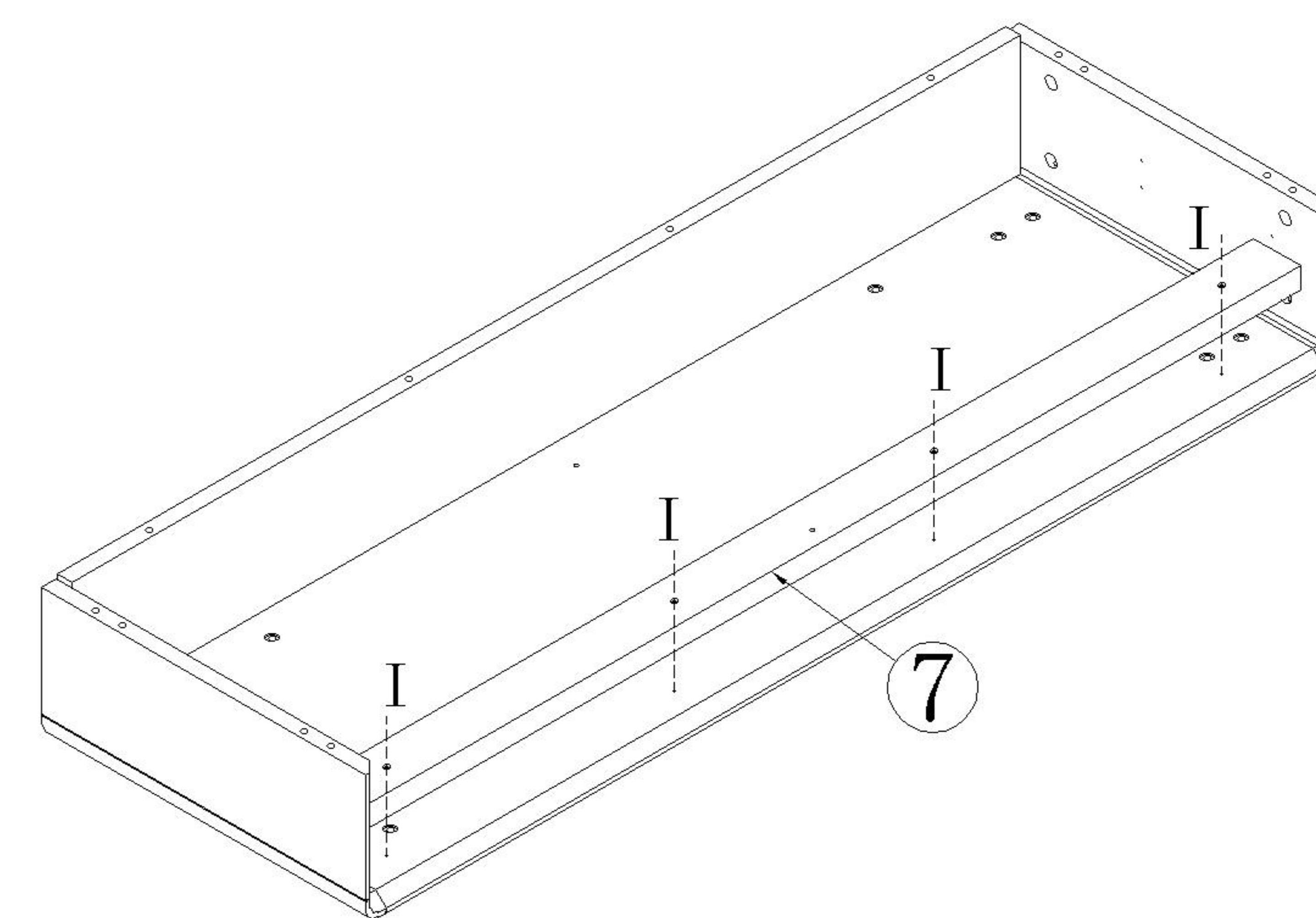
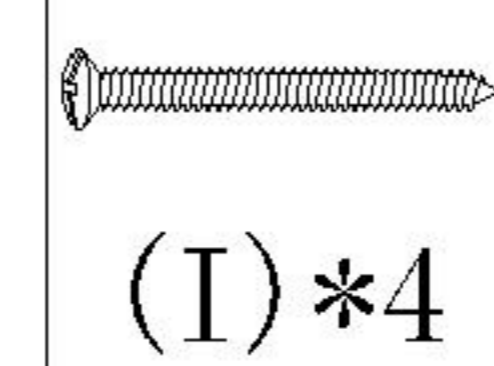
5



6



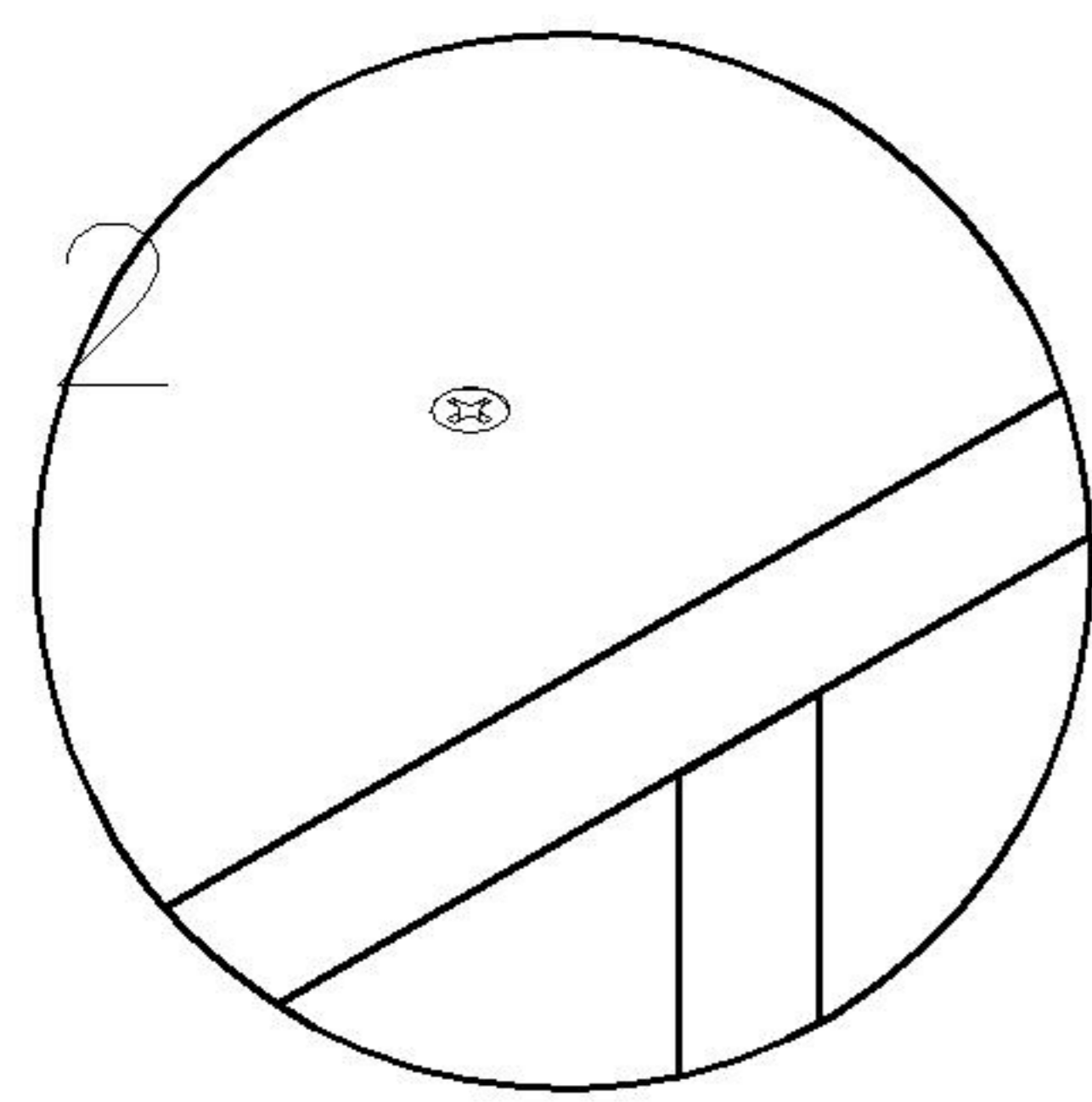
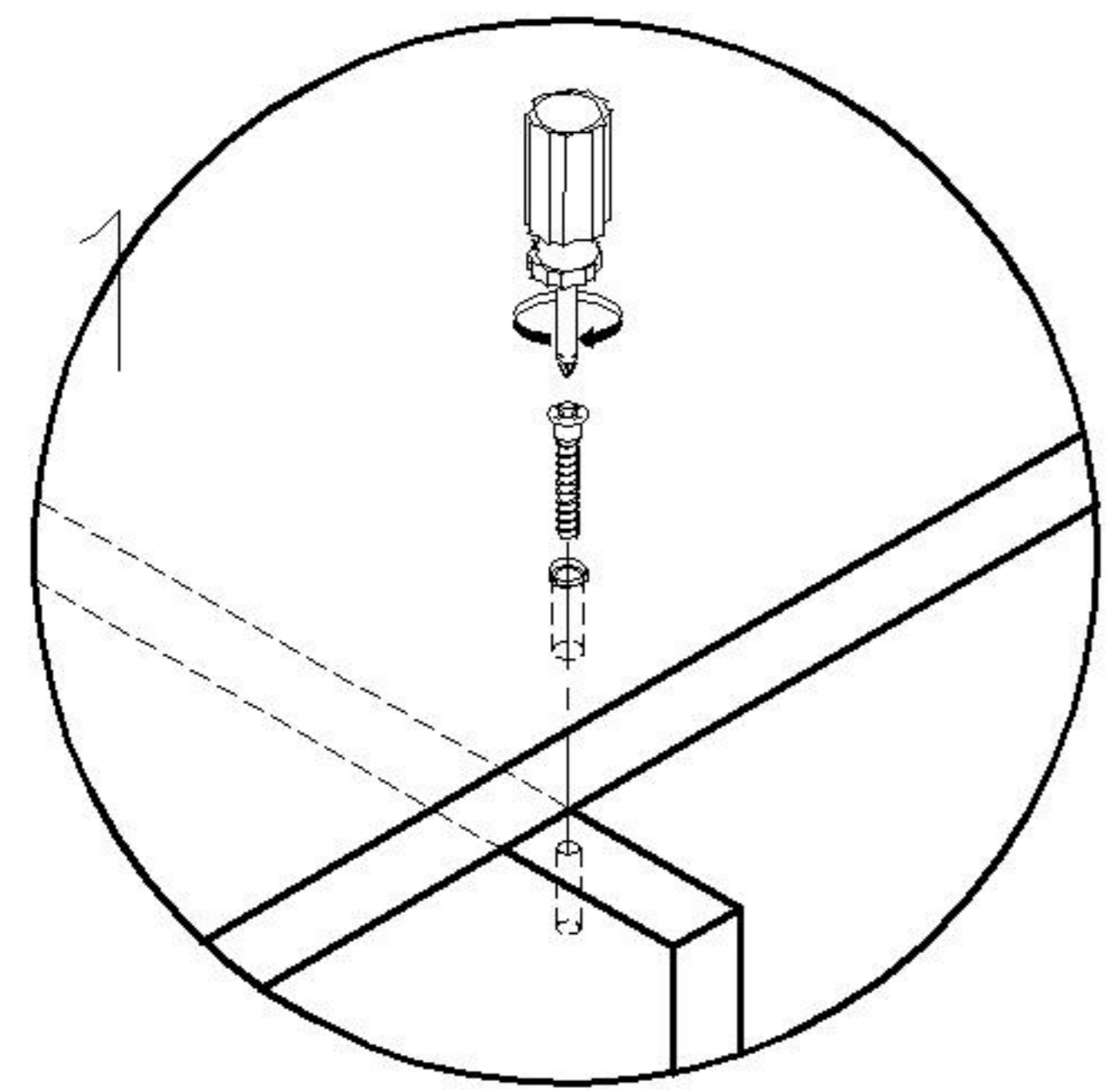
7



8

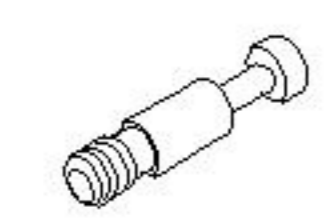
UN8C-F妆台

安装方法/  
Installation method

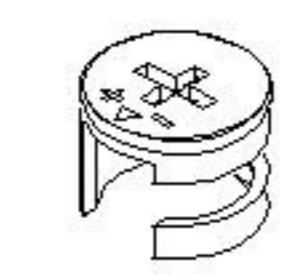


过山丝

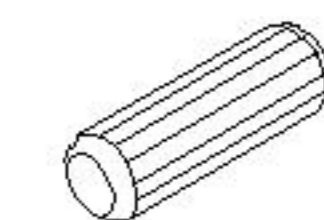
Self-tapping screw galvanized



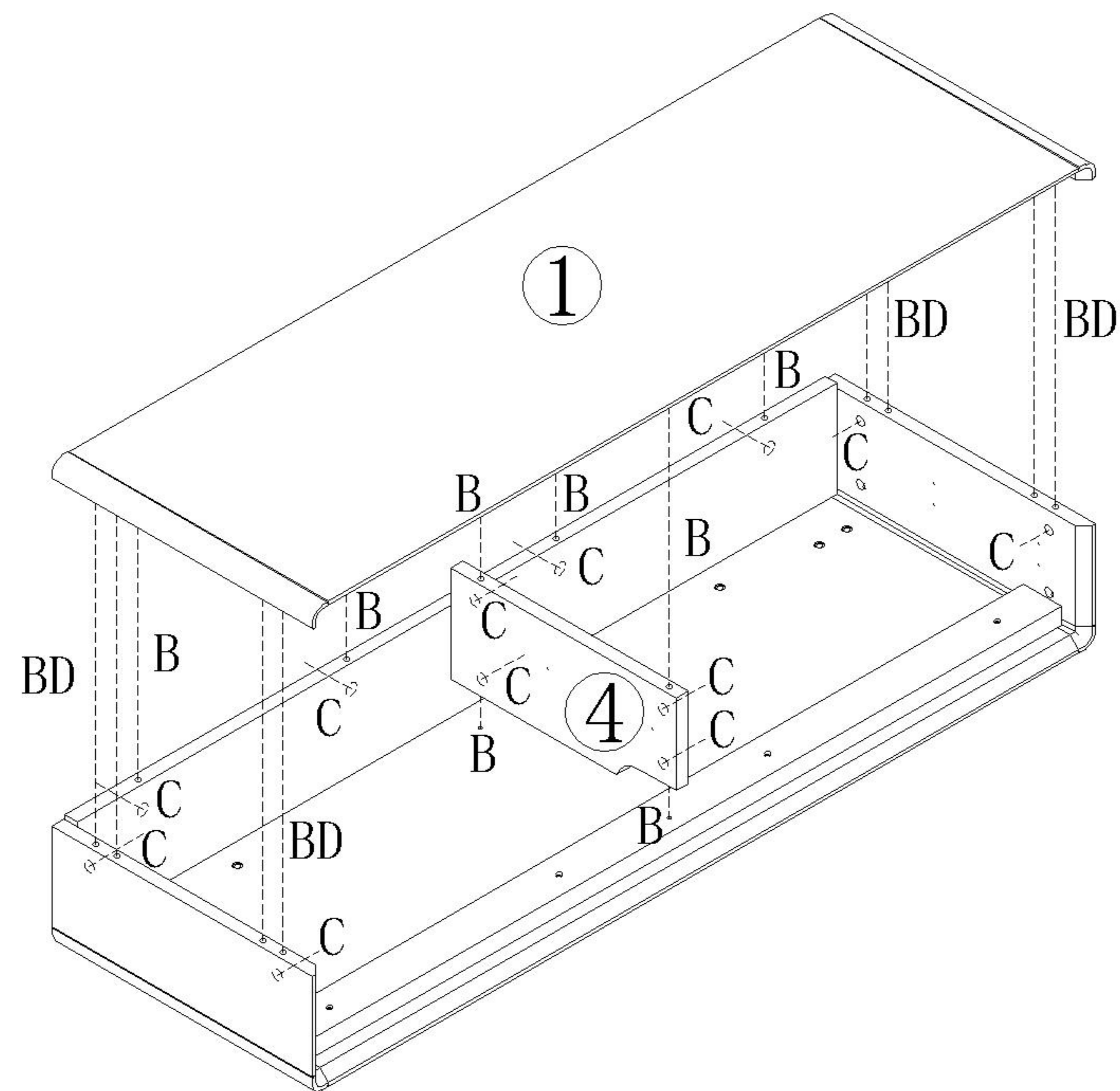
(B)\*12



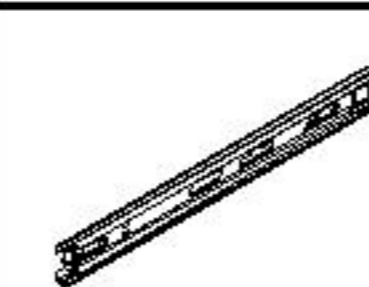
(C)\*12



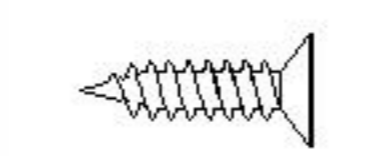
(D)\*4



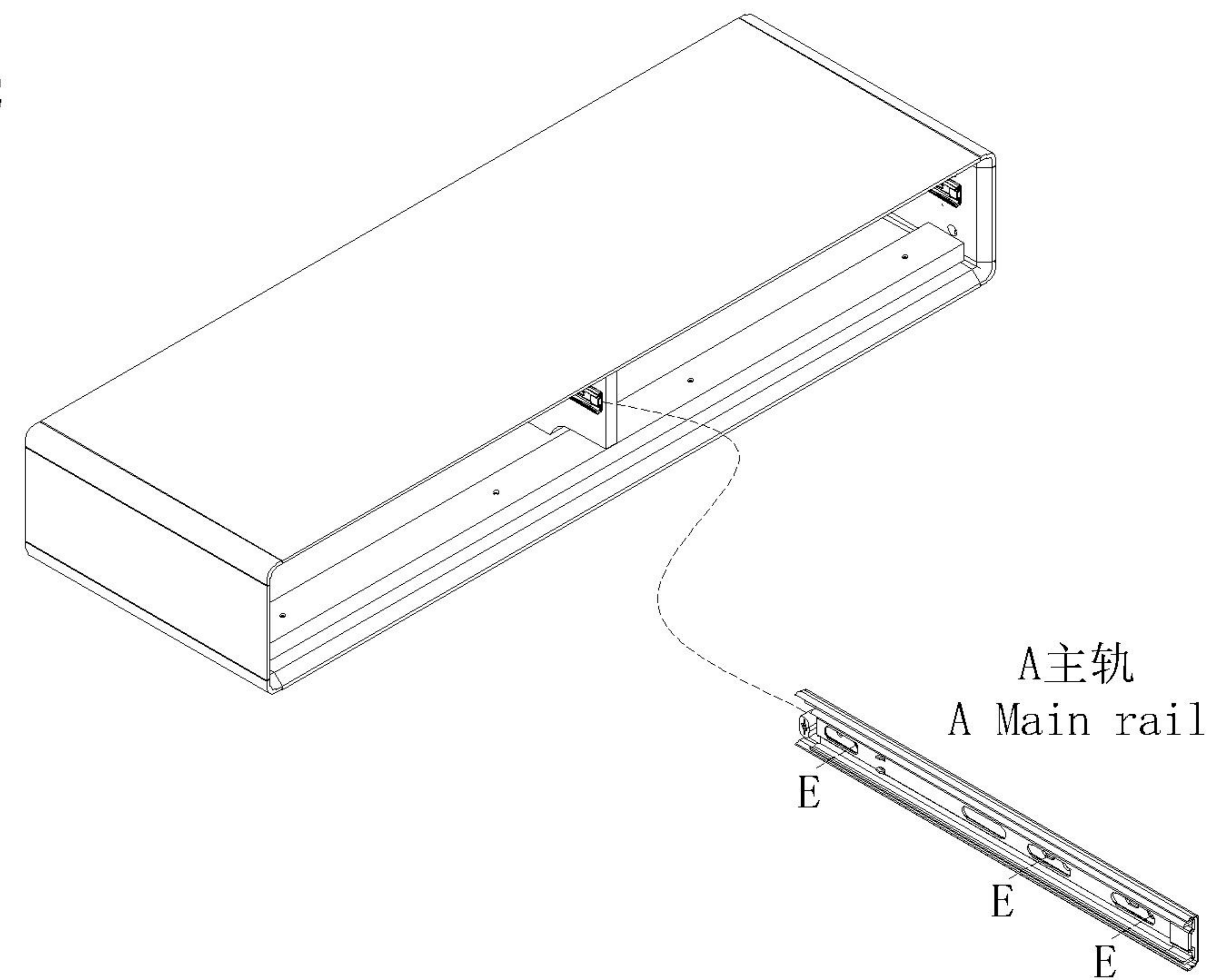
9



(A)\*2

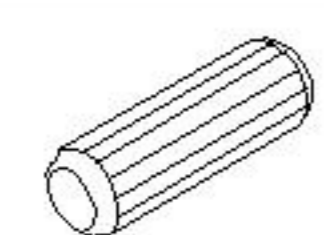


(E)\*12

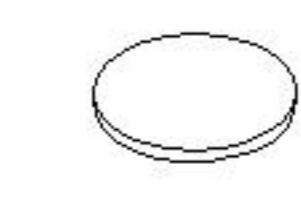


A主轨  
A Main rail

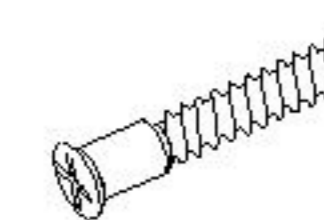
10



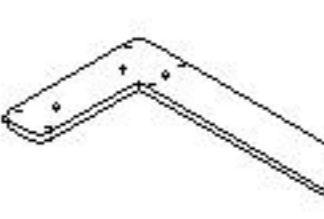
(D)\*2



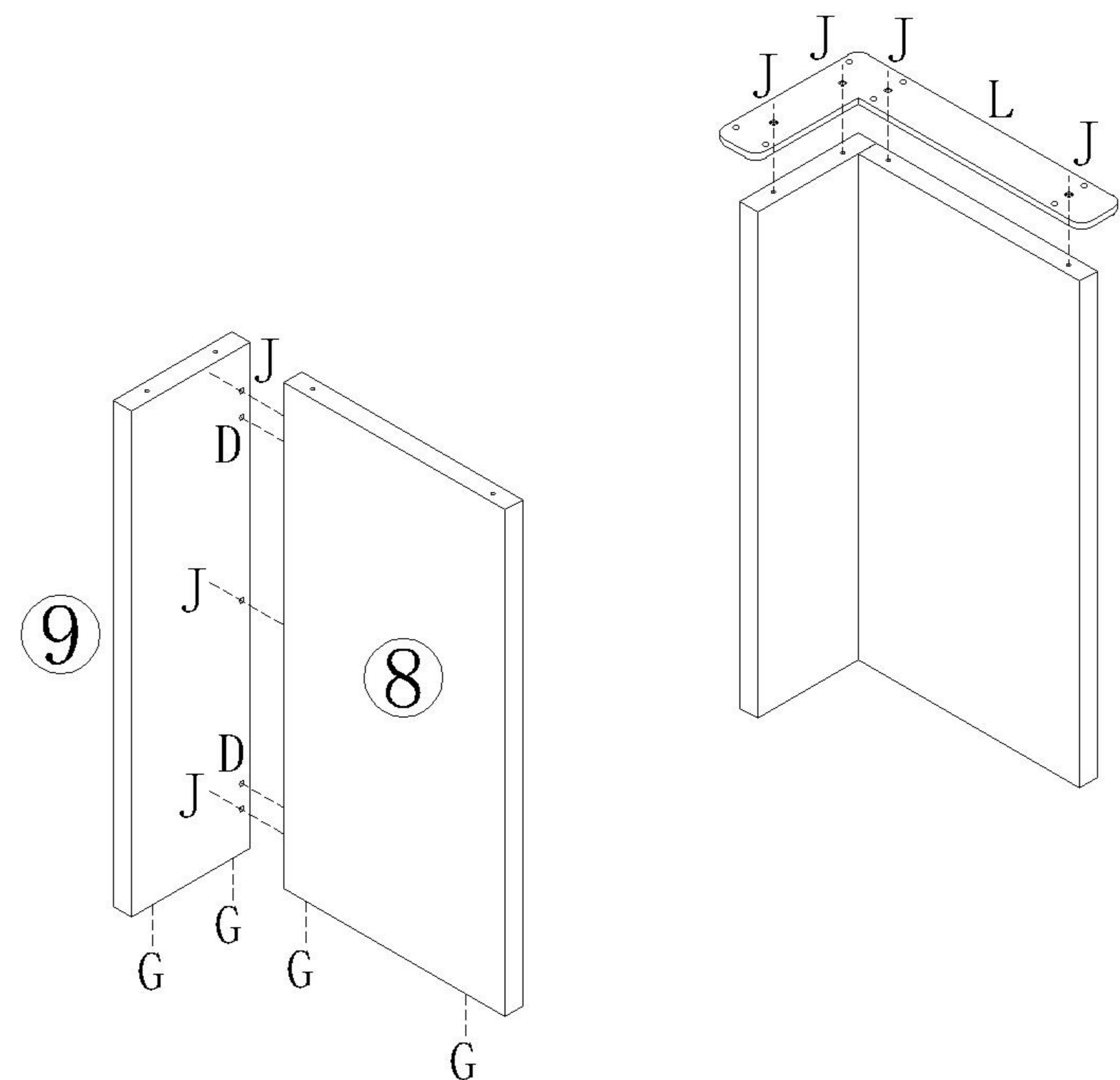
(G)\*4



(J)\*7



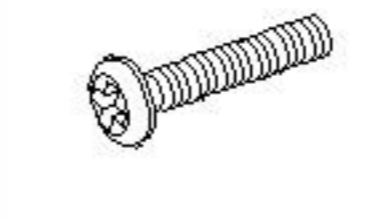
(L)\*1



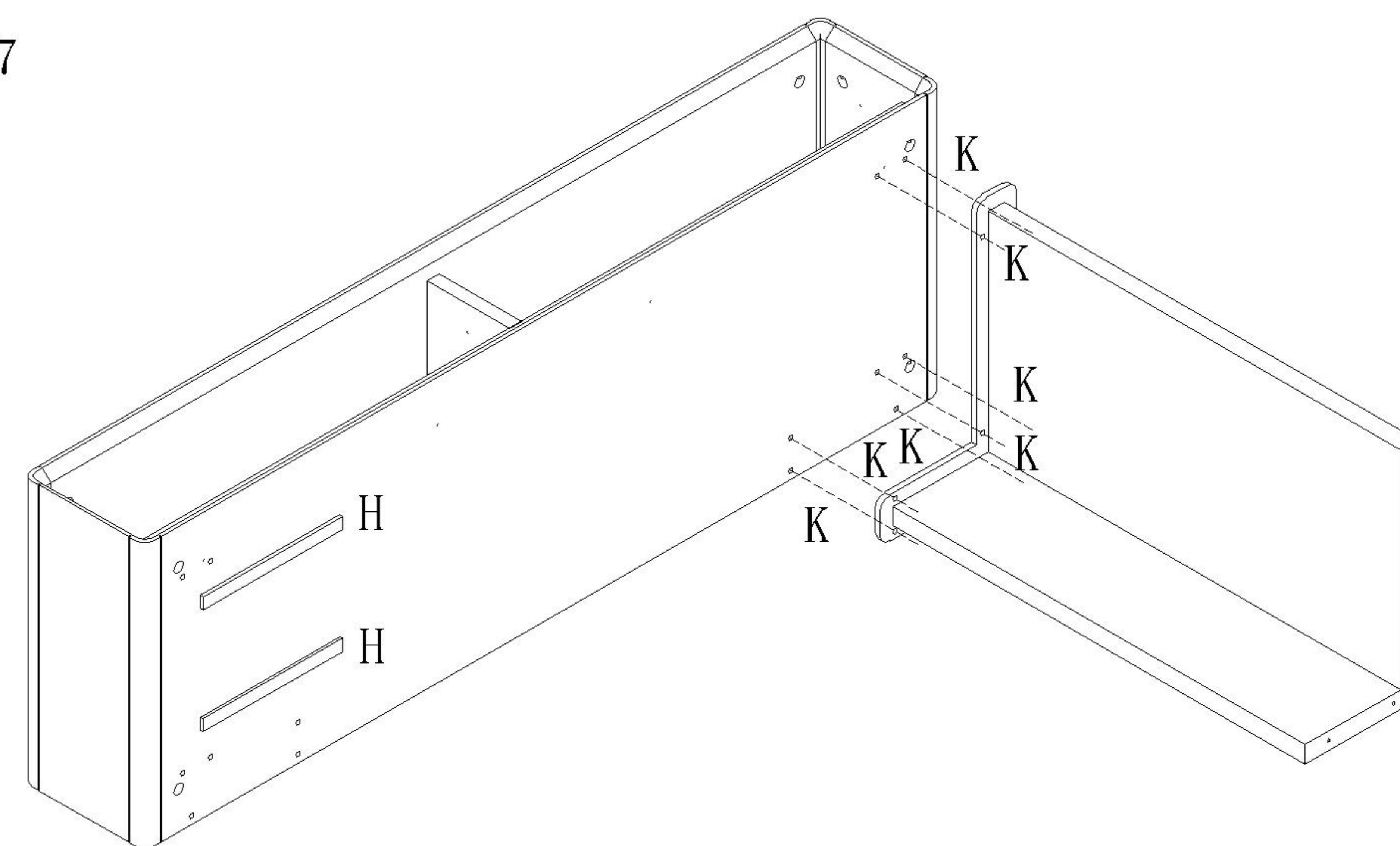
11



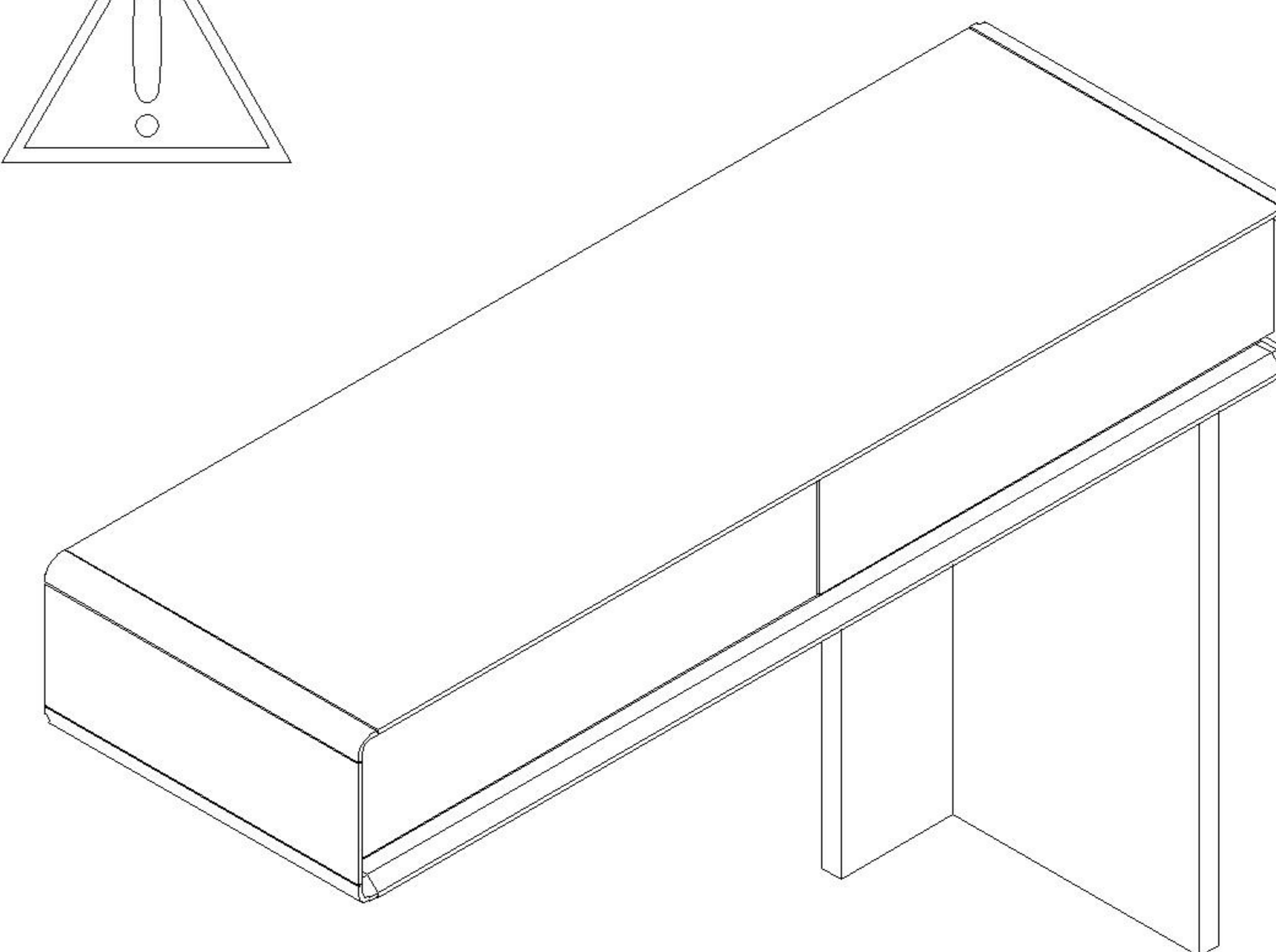
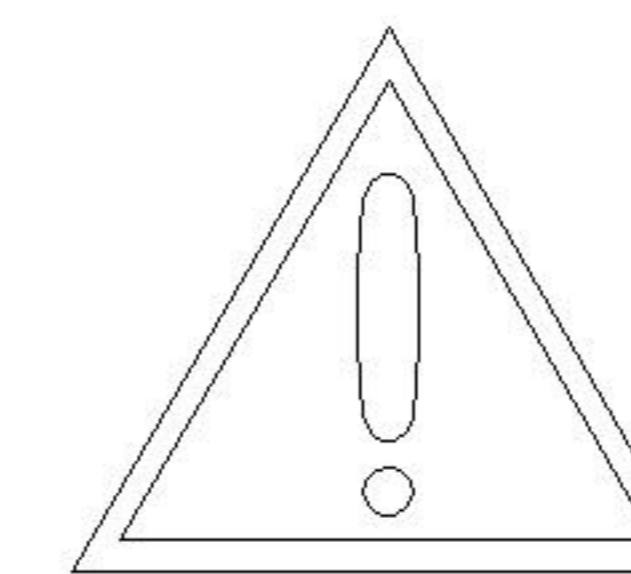
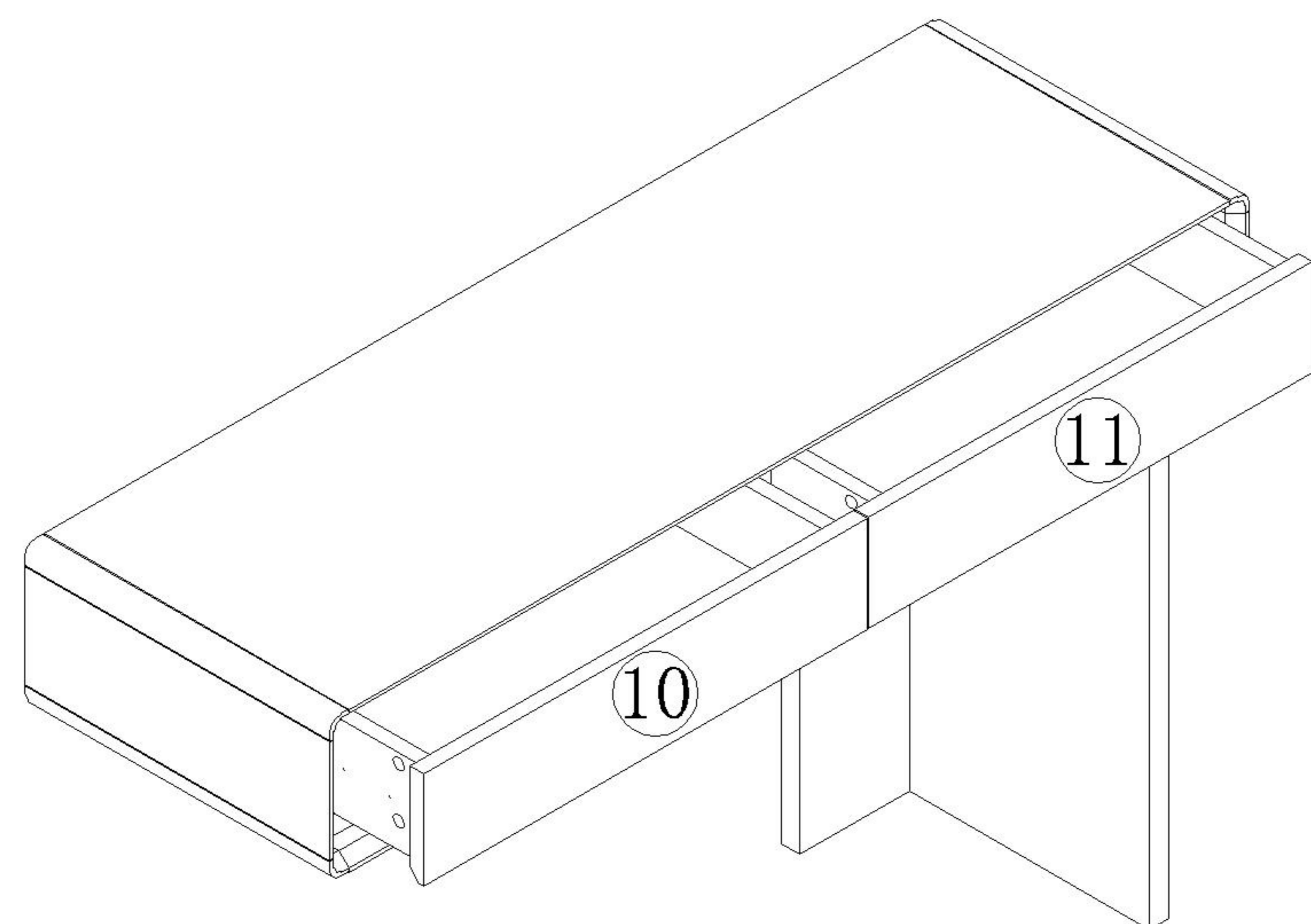
(H)\*2



(K)\*7



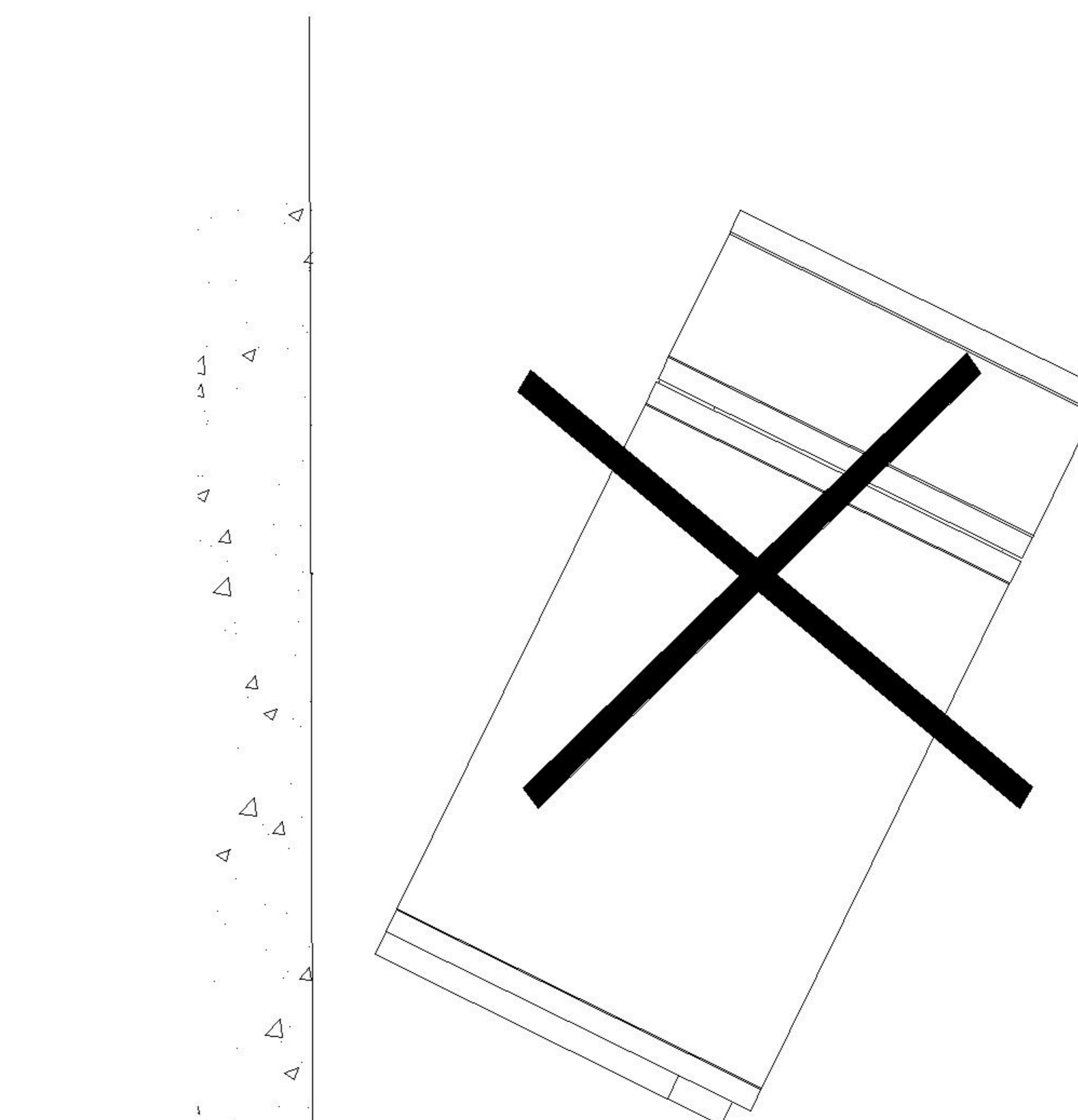
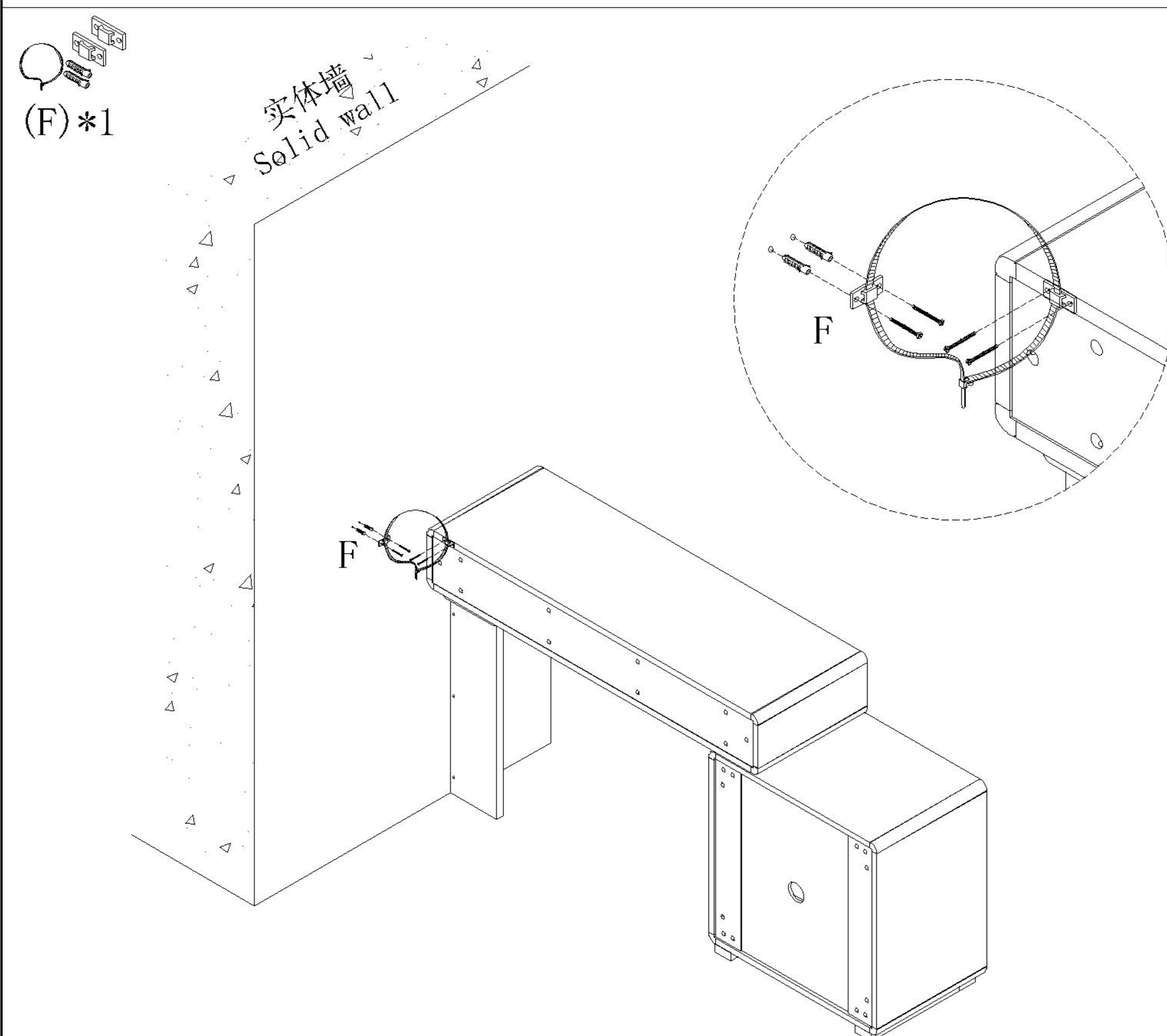
12



注意!

使用产品时请适当调整主柜与边柜组合间距离，单独放置会有倾倒的风险。

Be careful ! Please properly adjust the distance between the attached and main cabinet. Placing the main cabinet alone will have a risk of dumping.

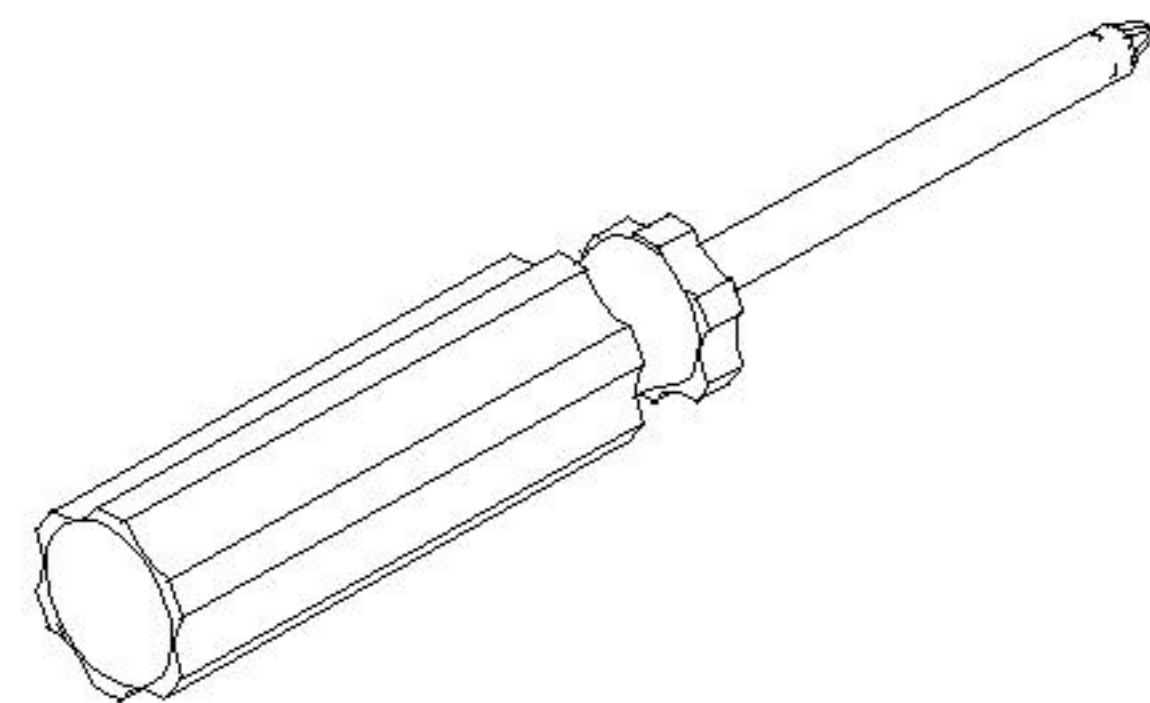
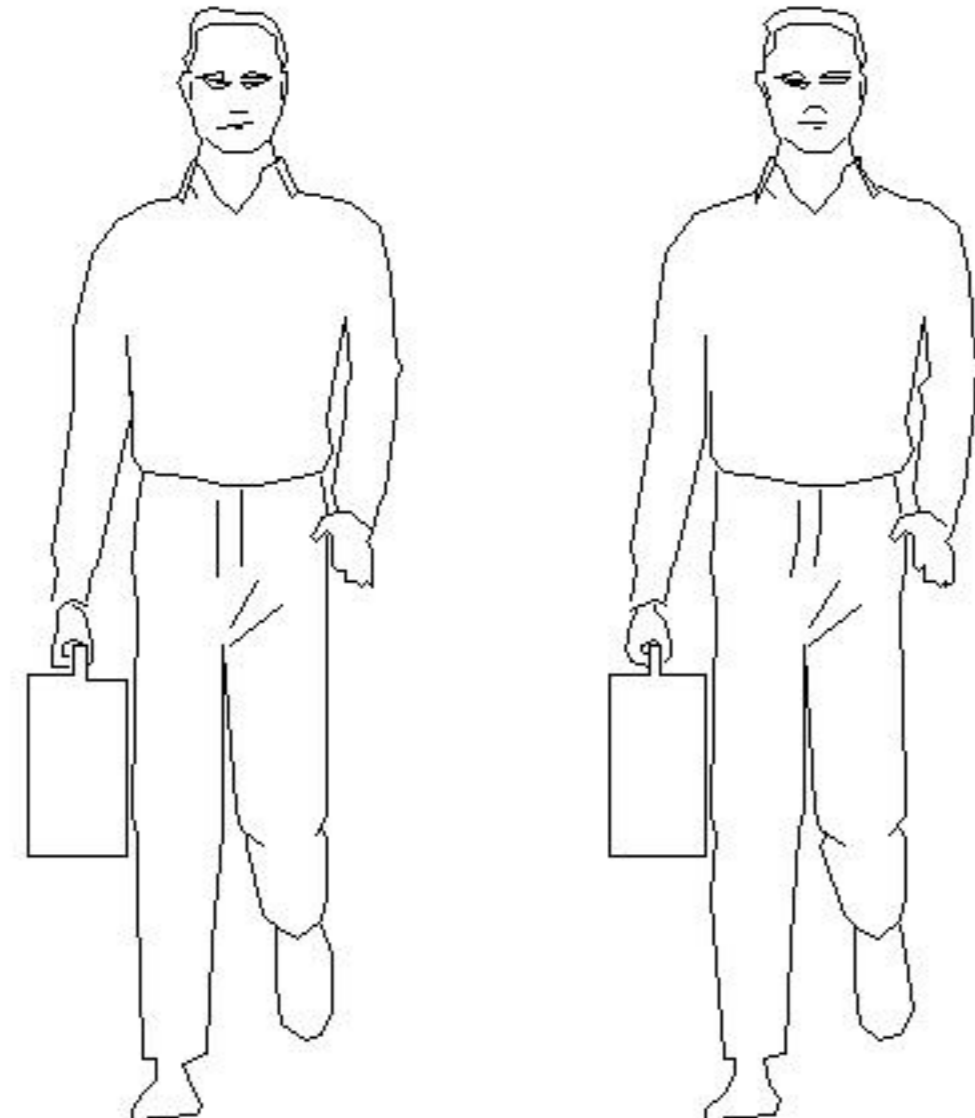


# LINSY 林氏家居

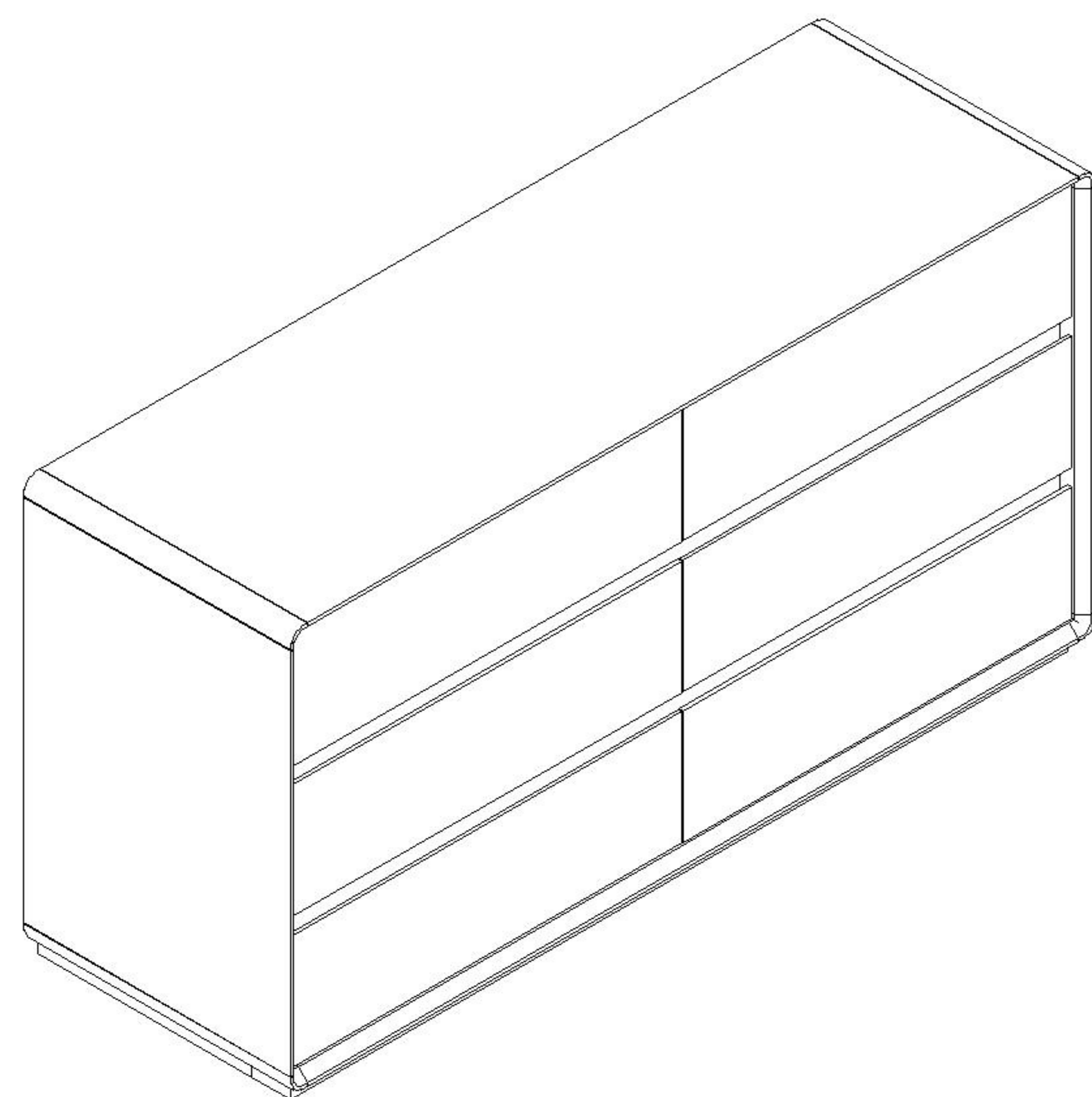
## 五金表/Hardware list

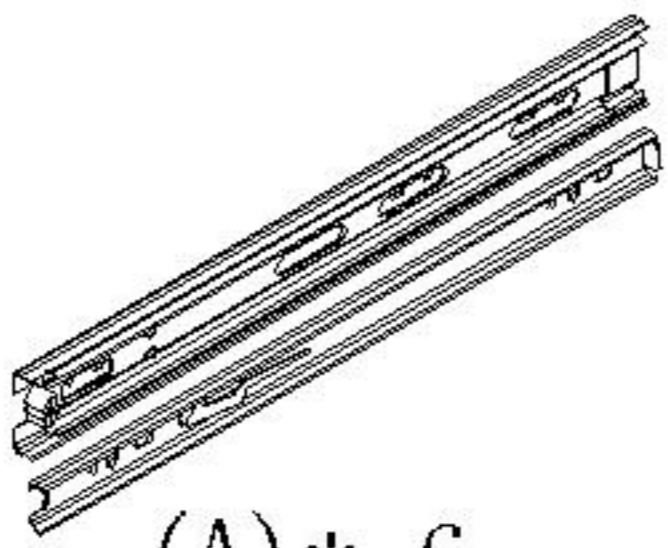
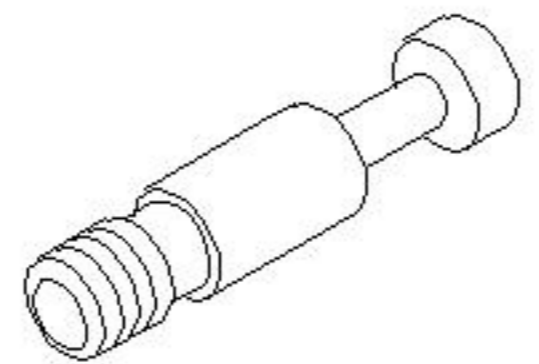
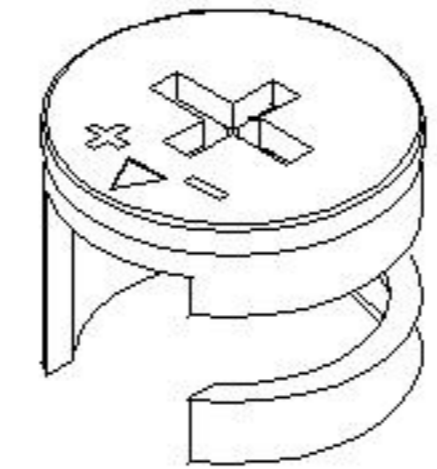
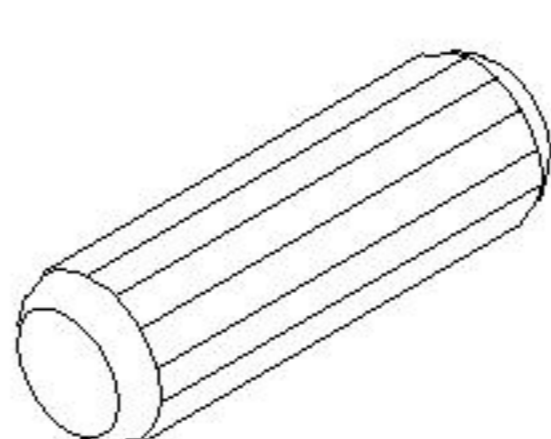
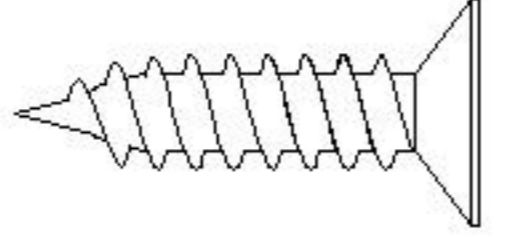
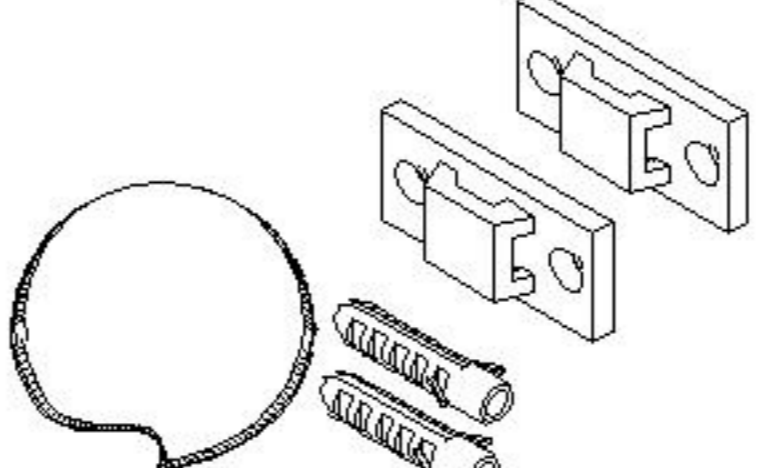

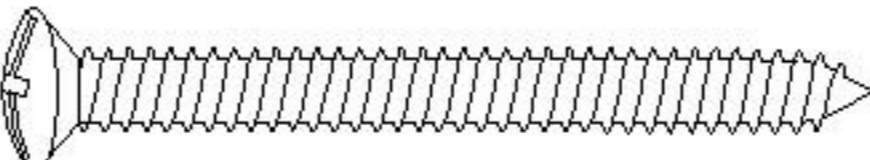
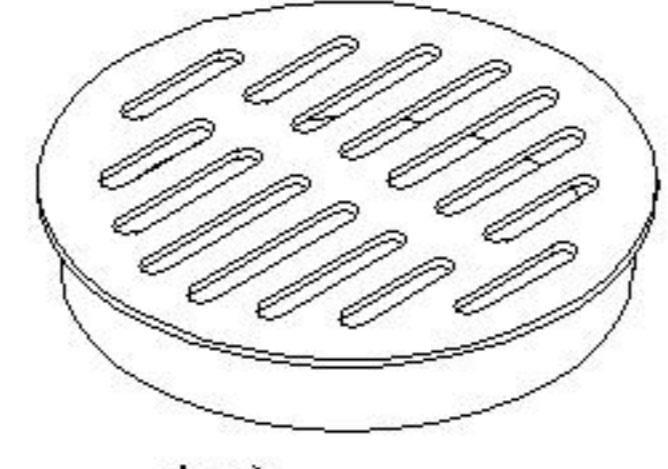
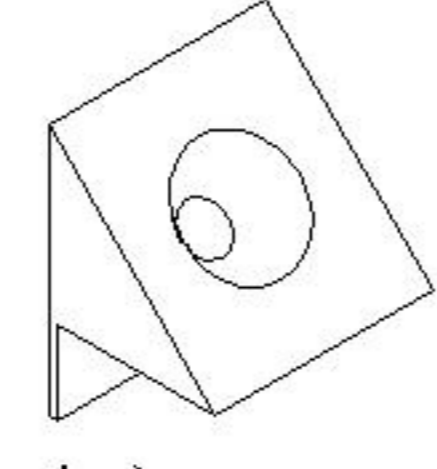
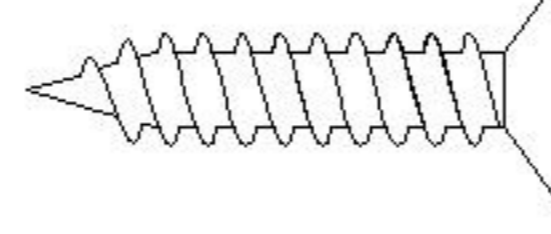
## 部件表/Parts List

### 安装示意图/Assembly Instruction

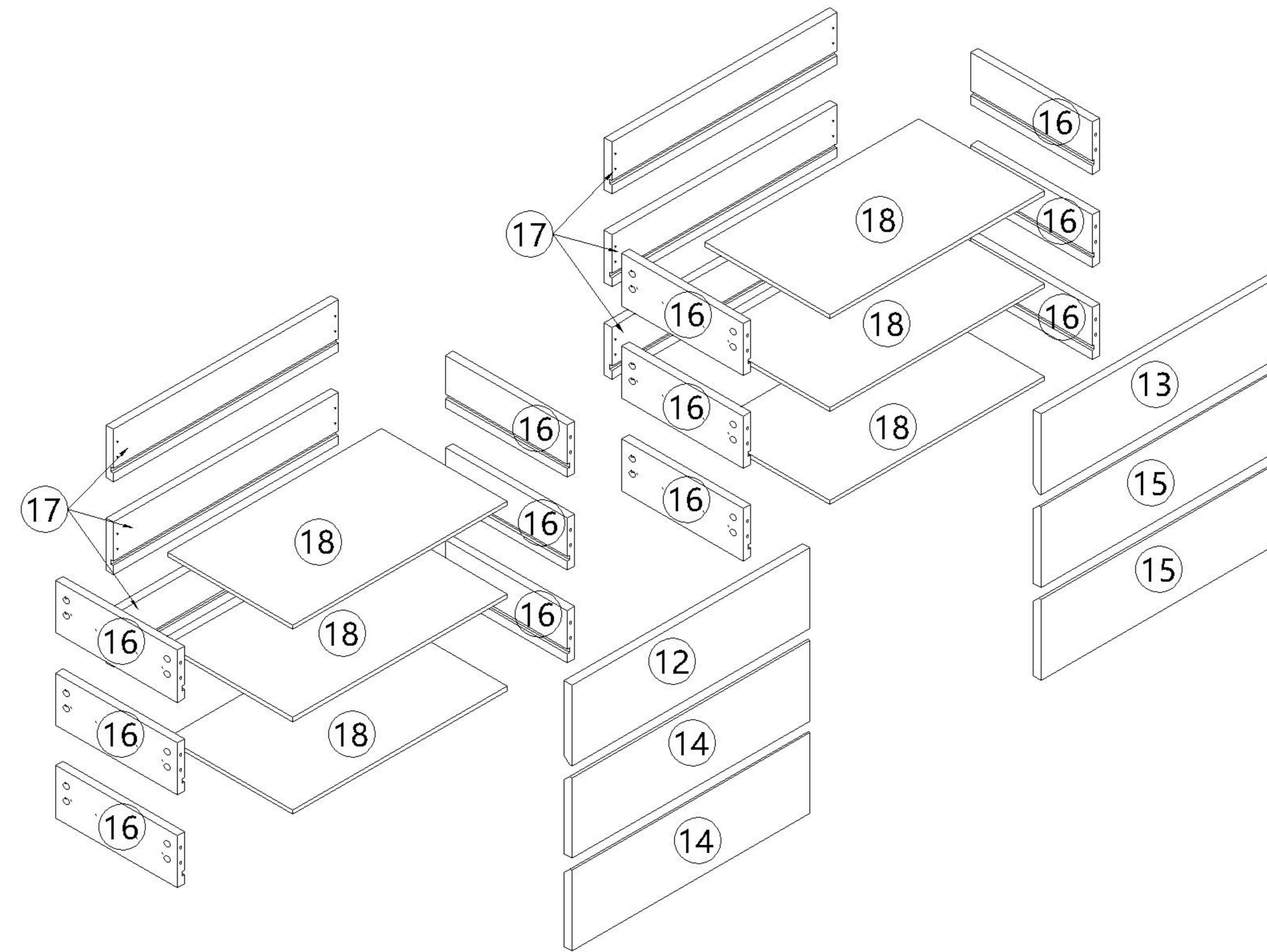
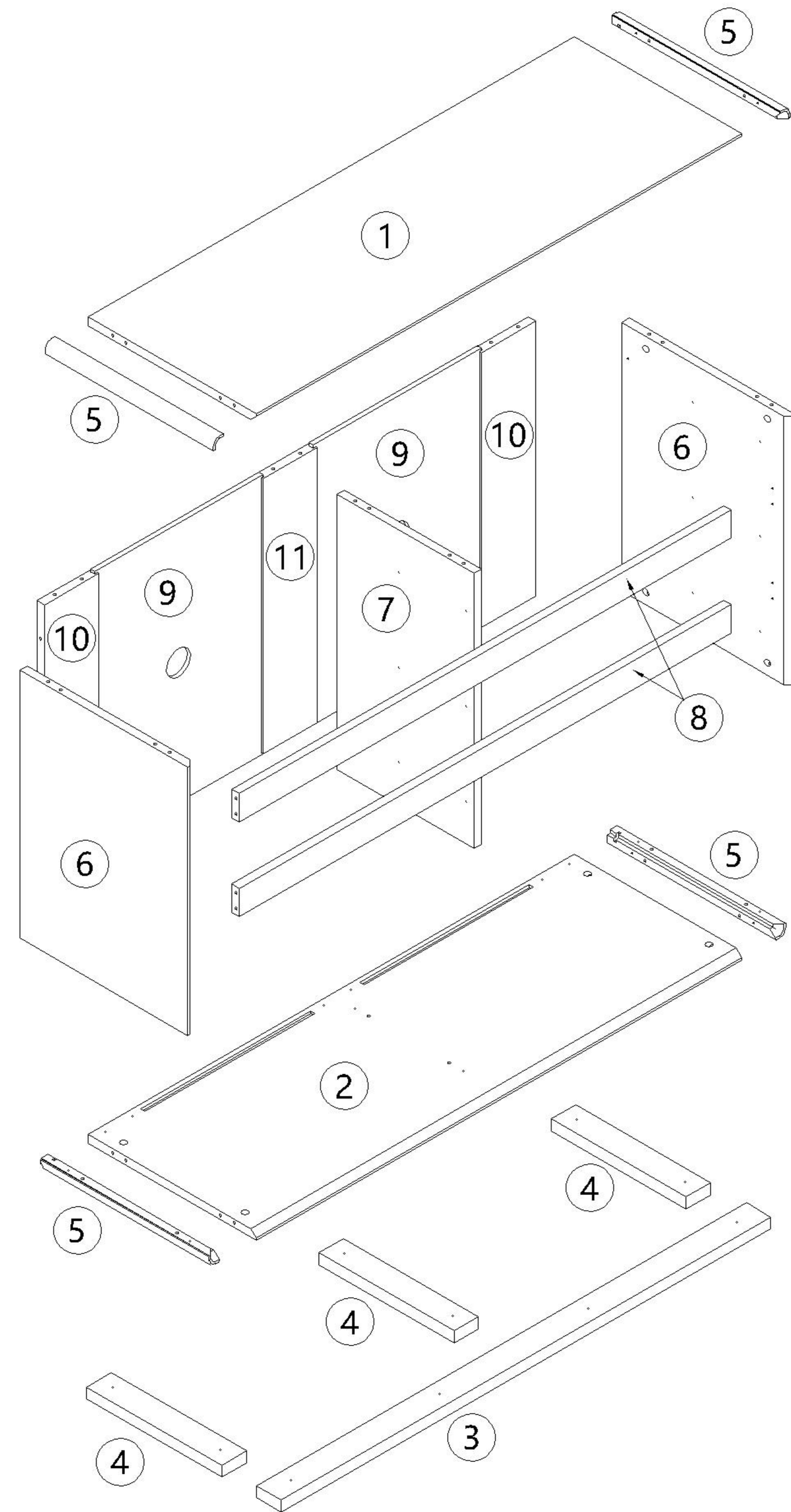
产品名称 Model NO.	UN8C-F六斗柜
产品规格 Specification	1200*398*628mm
安装工具 Tool	安装人数 Installer
	

注：为保证设计效果，部分尺寸为定制尺寸，不影响使用。



 (A)* 6 三节滚珠导轨-10" three-section ball rail	 (B)* 99 二合一螺杆 2-in-1-screw	 (C)* 99 大三合一锁饼 Three-in-one large lock	 (D)* 21 木榫08x30mm wood tenon
 (E)* 76 自攻螺丝M3.5x12mm Self-tapping screw	 (F)* 1 家具防倒器-白色 Anti-fall device white	 (G)* 10 灰色毛毡脚垫 Grey felt foot pad	 (H)* 11 自攻大扁M4*35mm Self tapping flat screw
 (I)* 2 透气孔盖 Vent cover	 (J)* 8 背板扣 Back Plate Buckle-White	 (K)* 8 自攻螺丝M3.5x16mm Self-tapping screw	

编号NO.	名称Name	规格(mm) Specification	数量QTY	材质Material
①	面板Top panel	1150*398*18	1	胶合板 Plywood
②	底板Bottom board	1150*398*18	1	胶合板 Plywood
③	前立水Front apron	1160*58*25	1	胶合板 Plywood
④	侧立水Side apron	320*58*25	3	胶合板 Plywood
⑤	转角木Corner connection wood	398*25*25	4	橡胶木 Rubber wood
⑥	侧板Side board	550*398*18	2	胶合板 Plywood
⑦	中侧板Middle side board	564*324*18	1	胶合板 Plywood
⑧	前拉条Front brace	1164*58*18	2	胶合板 Plywood
⑨	背板Back board	574*398*9	2	胶合板 Plywood
⑩	边背拉条Side back brace	564*129*18	2	胶合板 Plywood
⑪	背拉条Back brace	564*129*18	1	胶合板 Plywood
⑫	左上抽屉面板Upper left drawer panel	579*170*18	1	胶合板 Plywood
⑬	右上抽屉面板Upper right drawer panel	579*170*18	1	胶合板 Plywood
⑭	左下抽屉面板Lower left drawer panel	579*170*18	2	胶合板 Plywood
⑮	右下抽屉面板Lower right drawer panel	579*170*18	2	胶合板 Plywood
⑯	抽屉侧板Drawer's sideboard	295*110*18	12	胶合板 Plywood
⑰	抽屉后板Drawer's Back board	547*110*18	6	胶合板 Plywood
⑱	抽屉底板Drawer's Bottom board	521*305*9	6	胶合板 Plywood



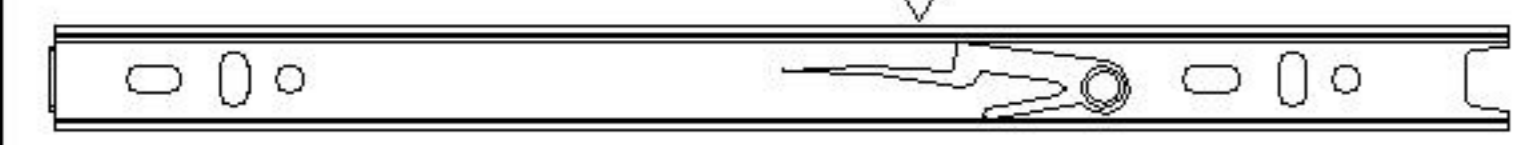
编号NO.	名称Name
①	面板Top panel
②	底板Bottom board
③	前立水Front apron
④	侧立水Side apron
⑤	转角木Corner connection wood
⑥	侧板Side board
⑦	中侧板Middle side board
⑧	前拉条Front brace
⑨	背板Back board
⑩	边背拉条Side back brace
⑪	背拉条Back brace
⑫	左上抽屉面板Upper left drawer panel
⑬	右上抽屉面板Upper right drawer panel
⑭	左下抽屉面板Lower left drawer panel
⑮	右下抽屉面板Lower right drawer panel
⑯	抽屉侧板Drawer's sideboard
⑰	抽屉后板Drawer's Back board
⑱	抽屉底板Drawer's Bottom board

UN8C-F六斗柜

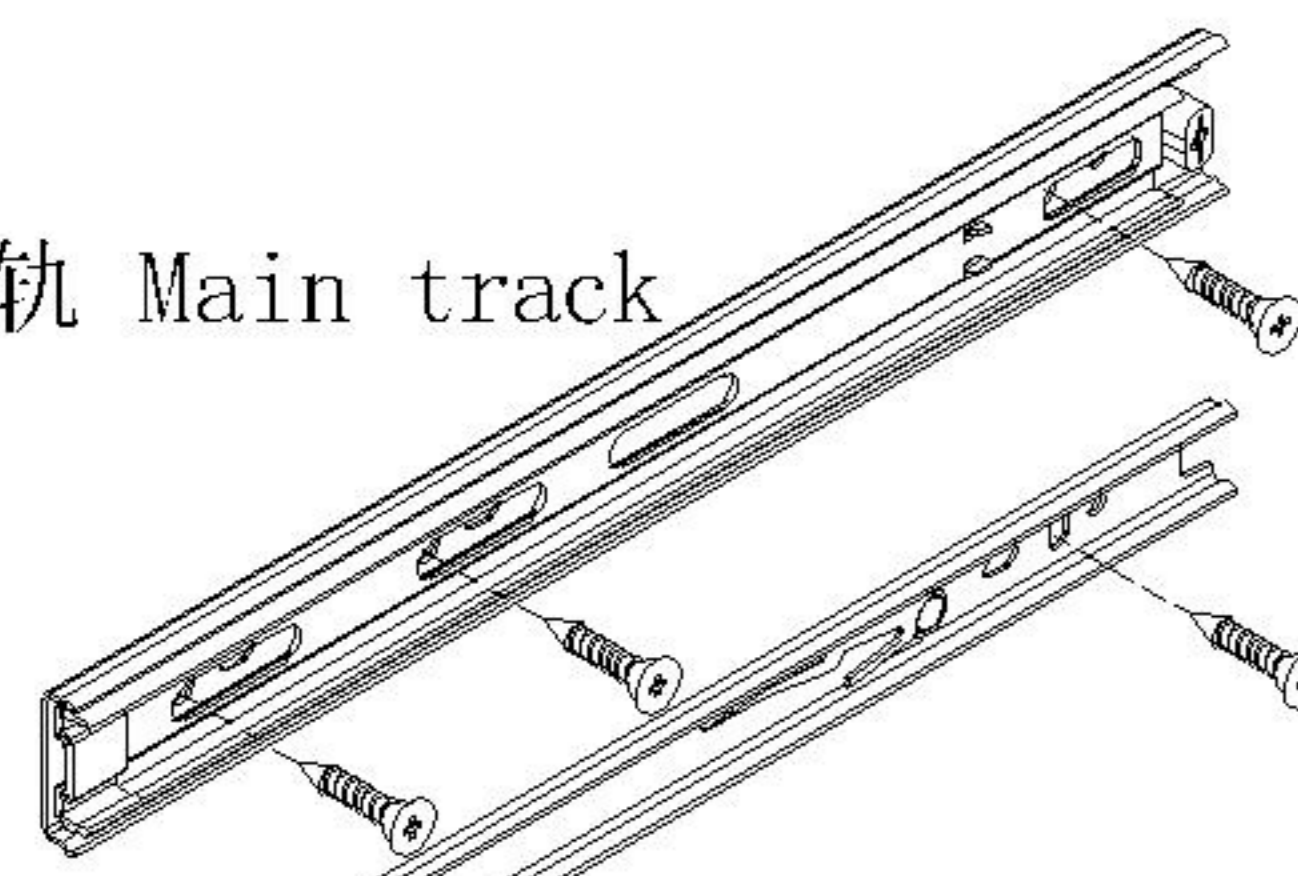
安装方法/  
Installation method

阀门开关(下压为开)  
Valve switch (press down to open)

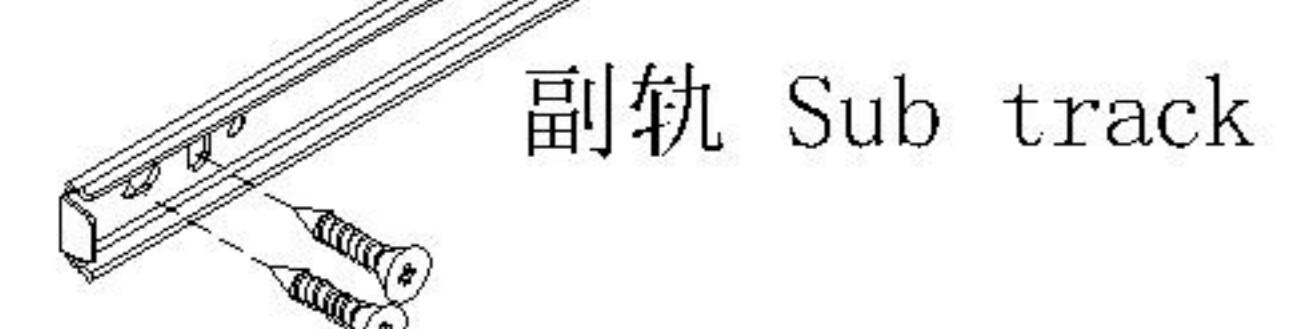
前 Forward      后 Back



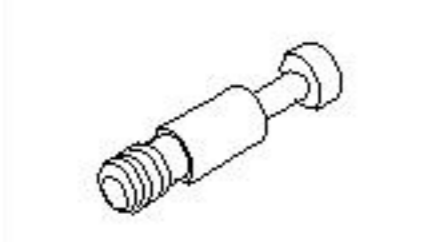
主轨 Main track



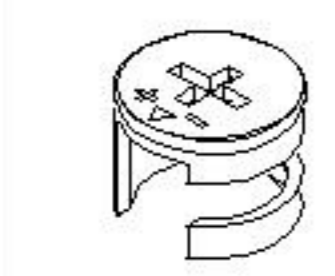
副轨 Sub track



三节滚珠导轨  
Three-section rail



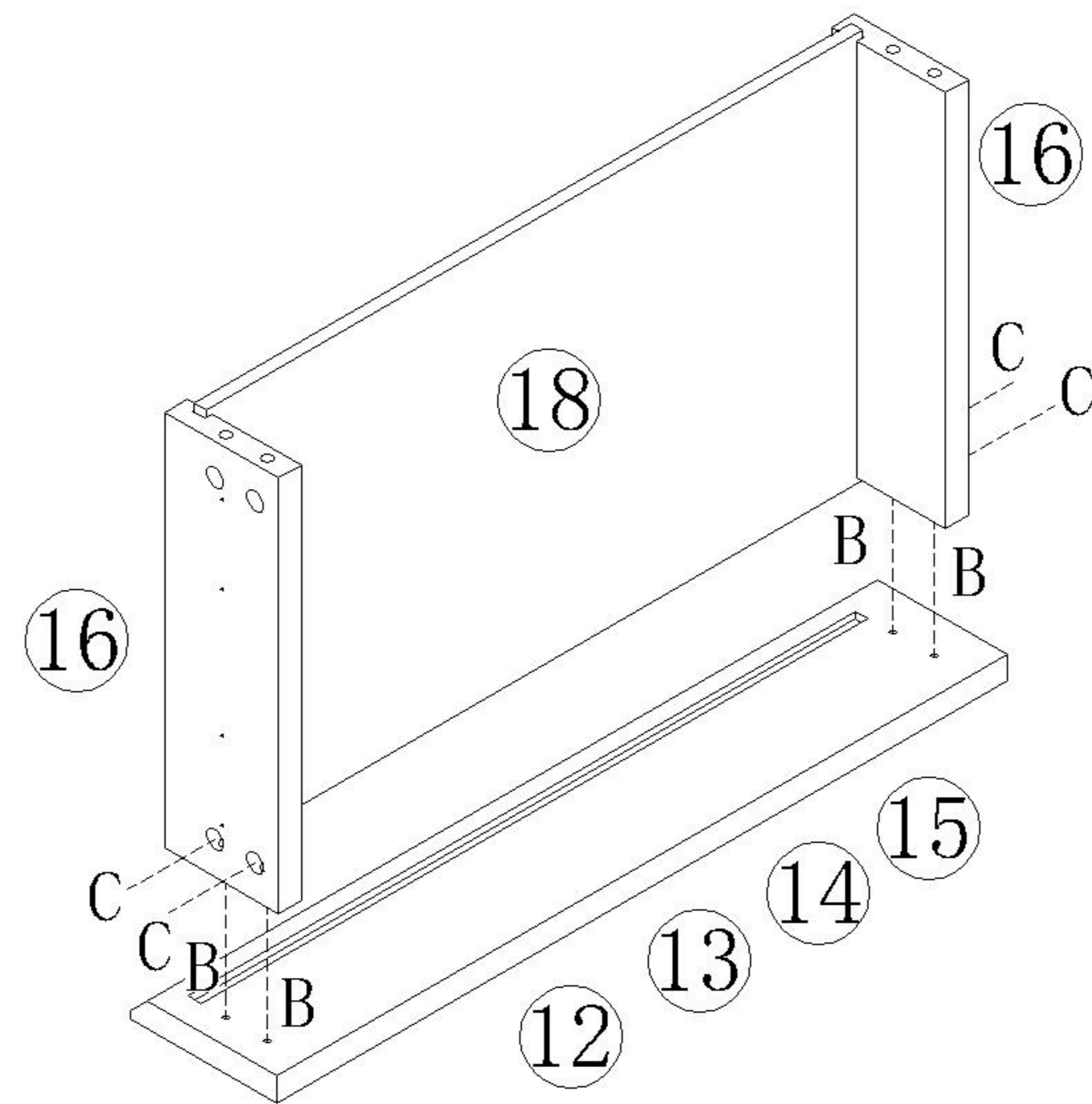
(B)\*24



(C)\*24

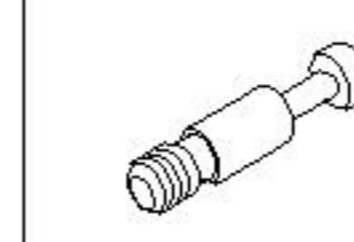
× 6

1

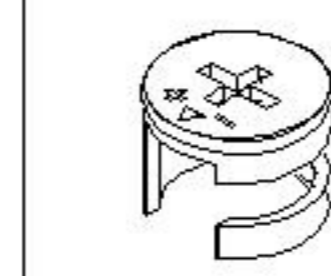


2

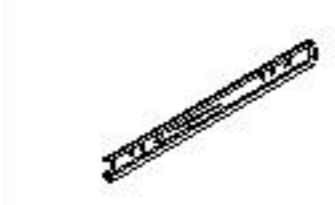
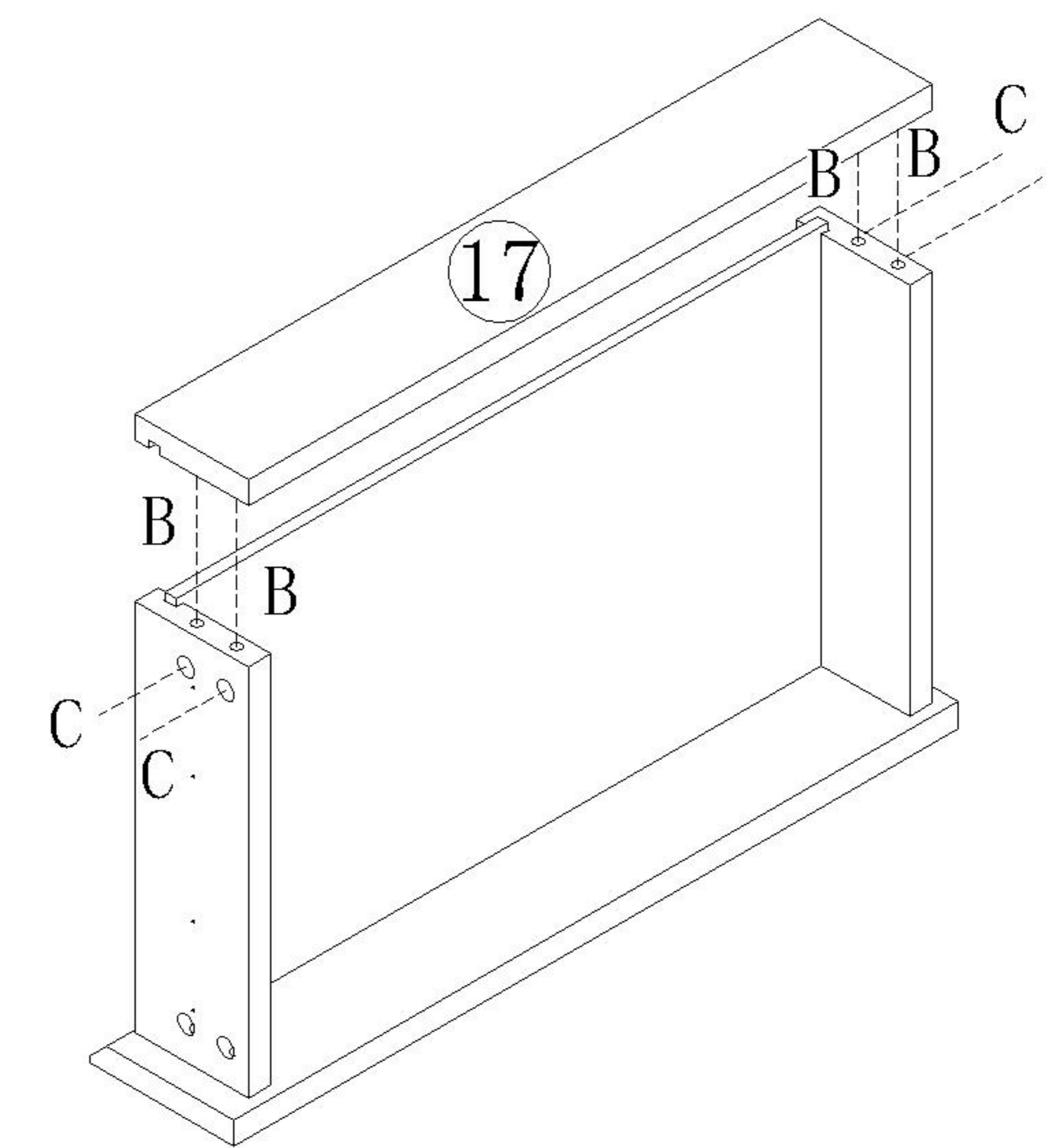
× 6



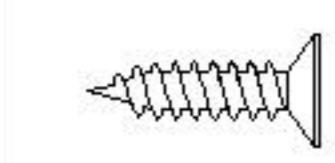
(B)\*24



(C)\*24



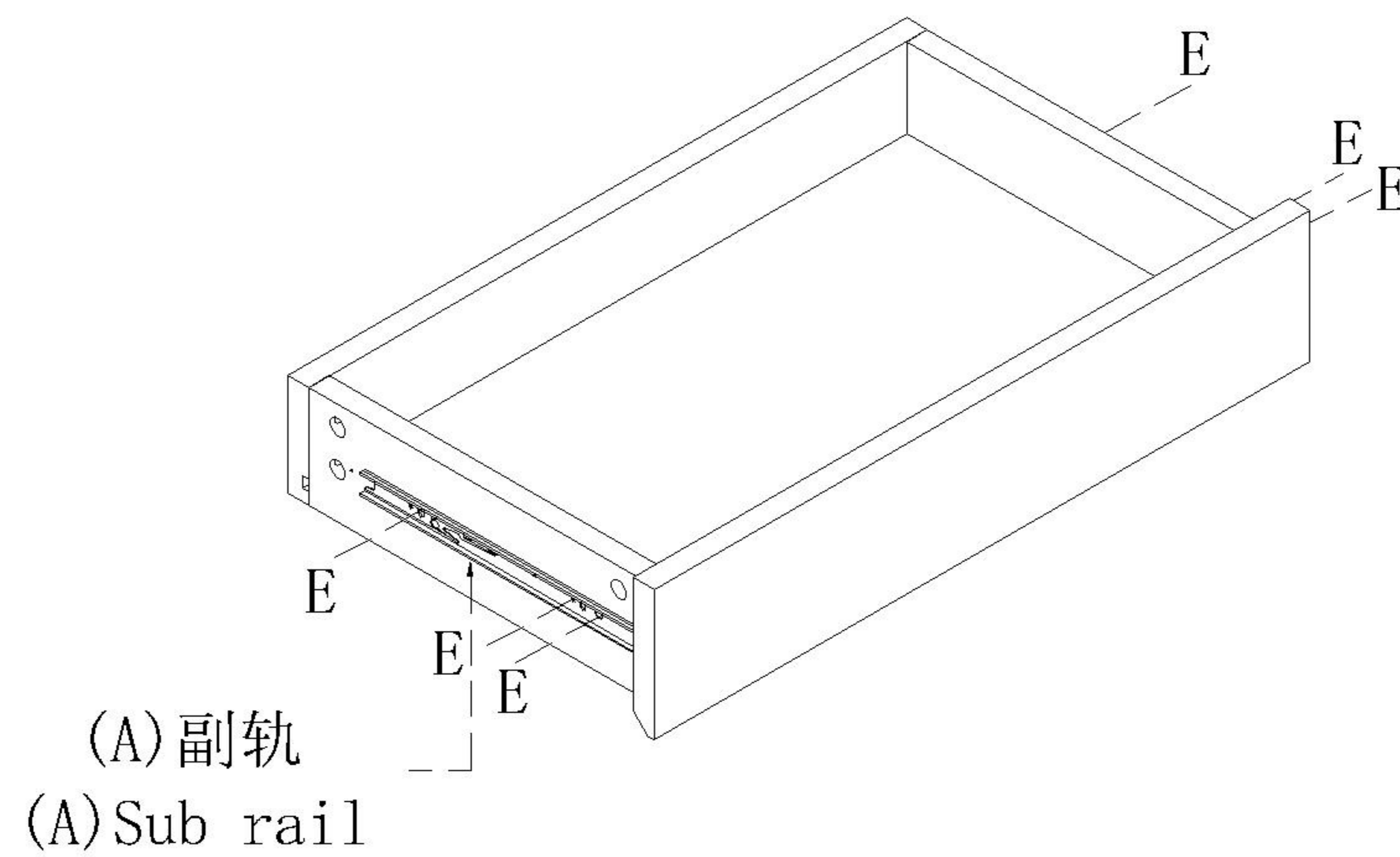
(A)\*6



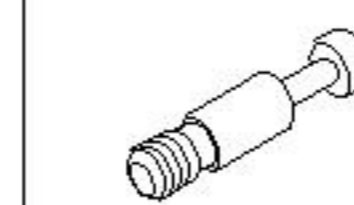
(E)\*36

× 6

3



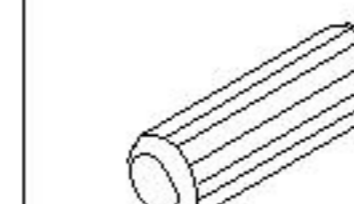
4



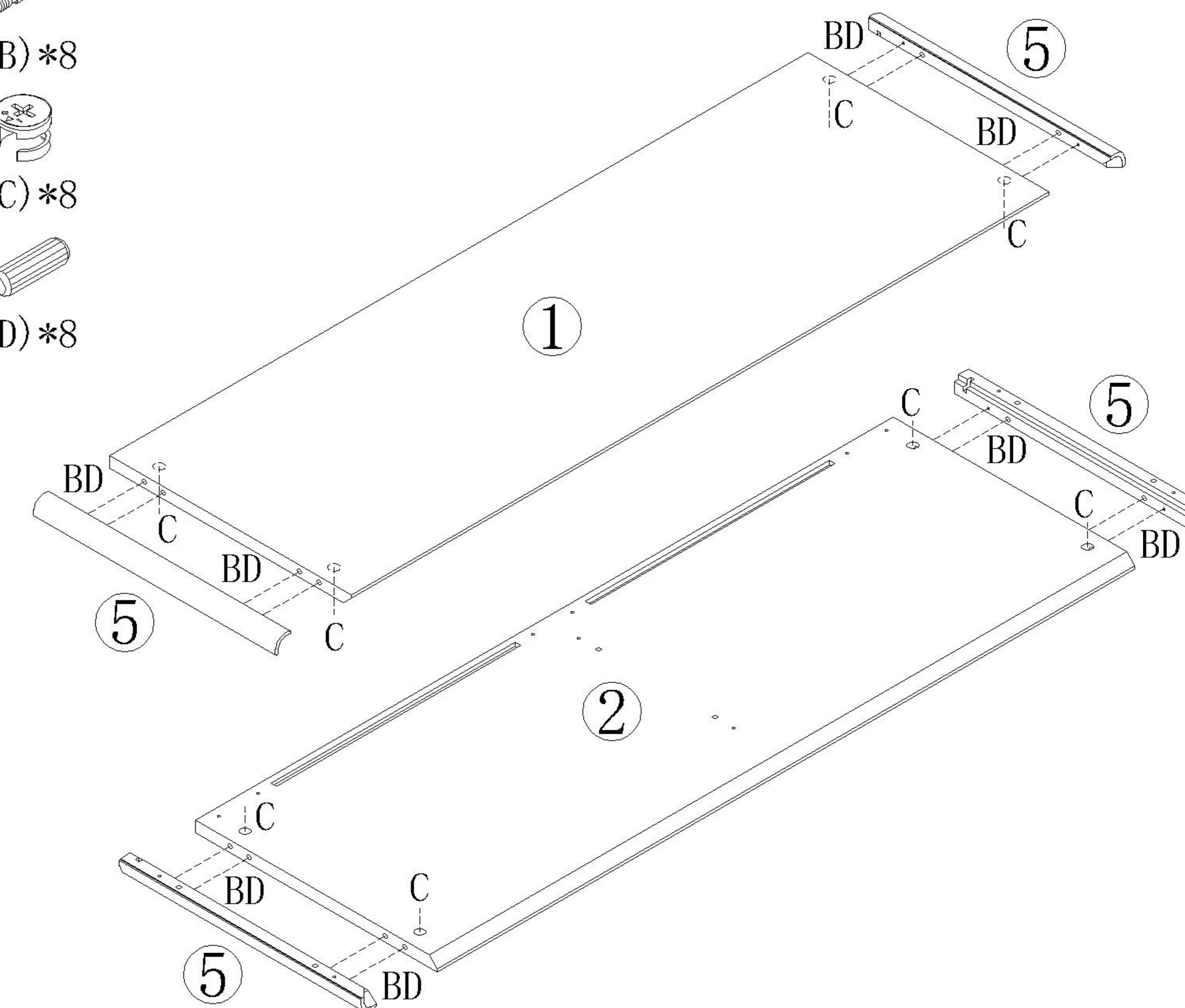
(B)\*8



(C)\*8

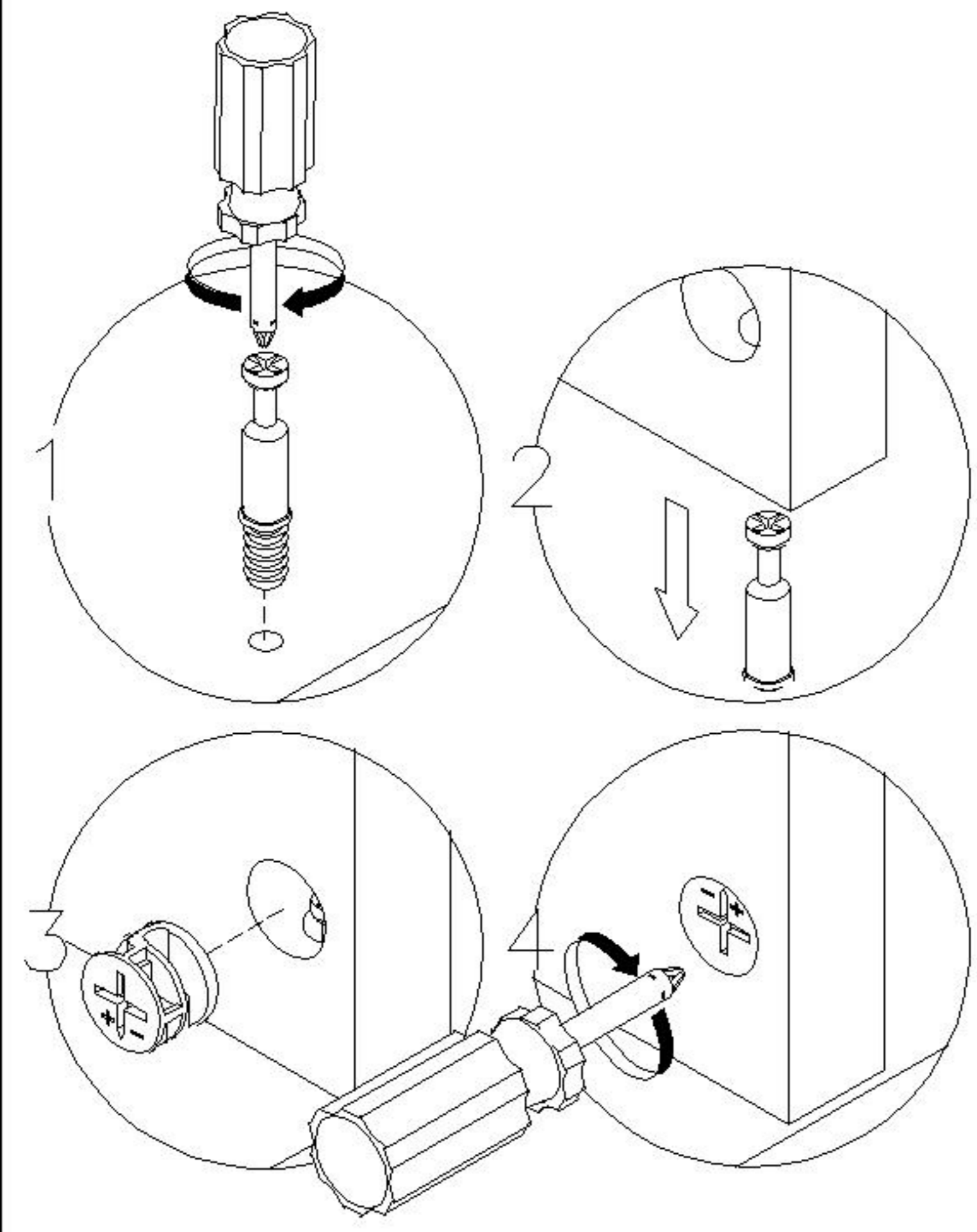


(D)\*8



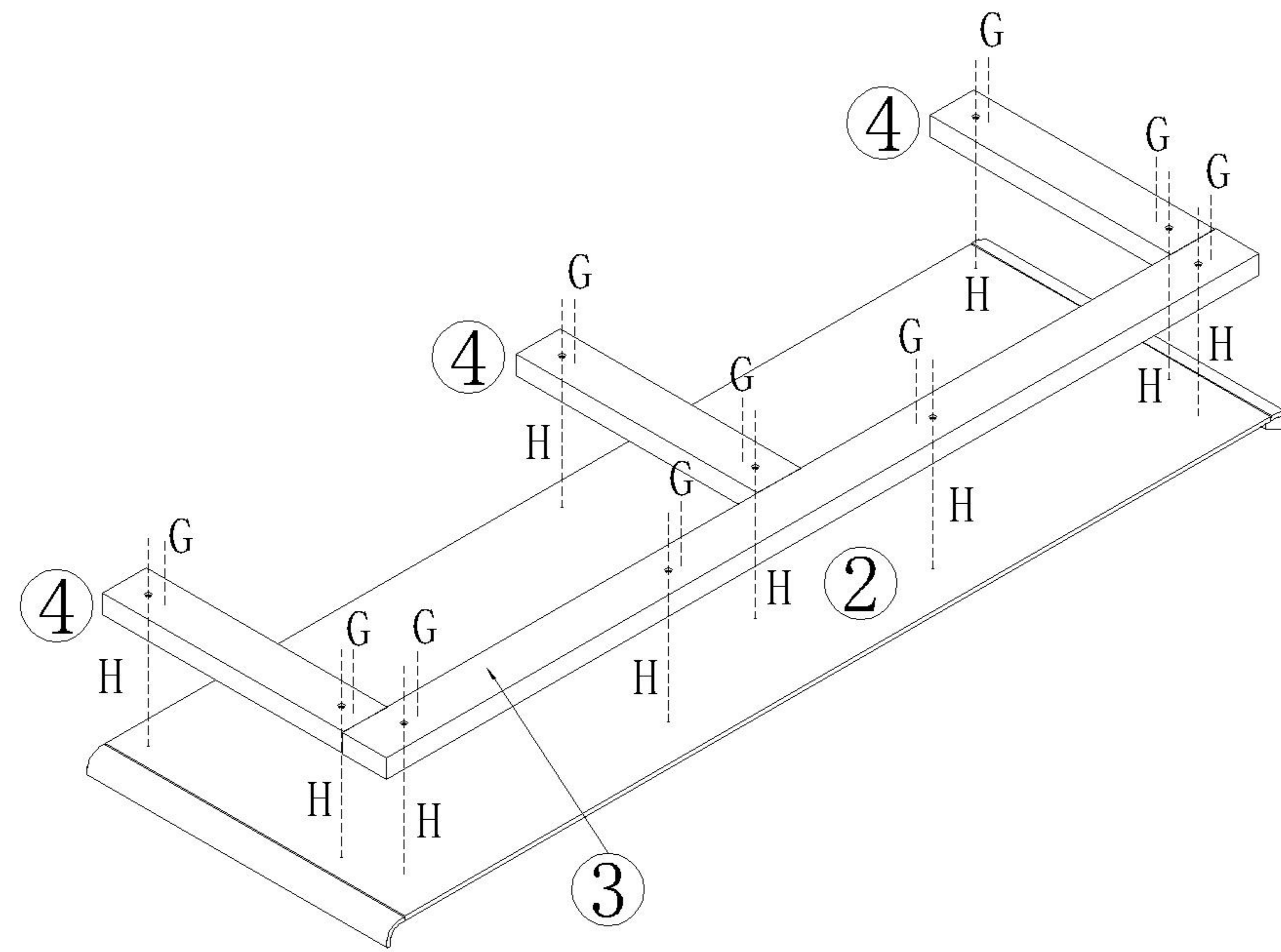
UN8C-F六斗柜

安装方法/  
Installation method



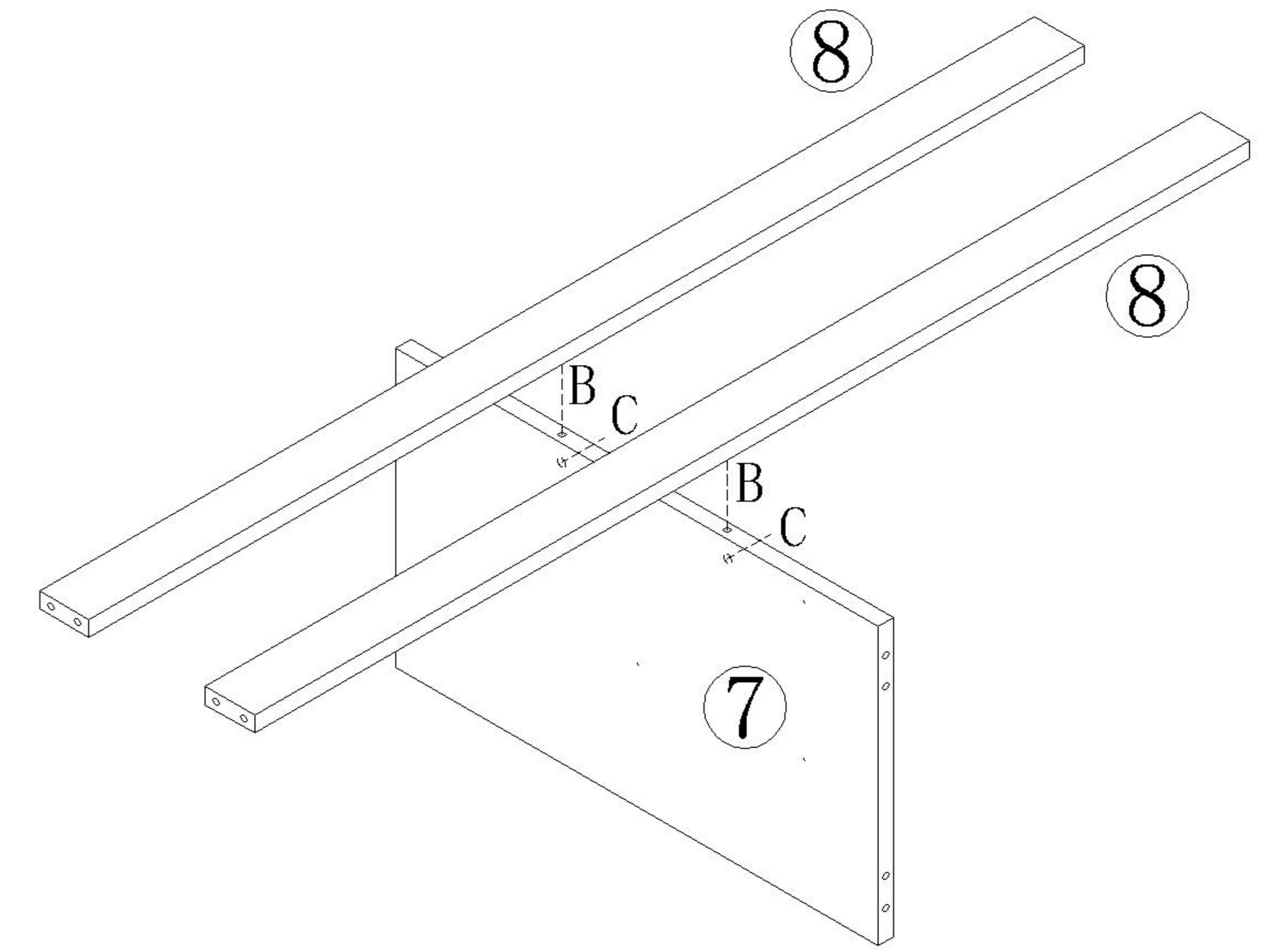
二合一 two-in-one

- (G)\*10
- (H)\*10



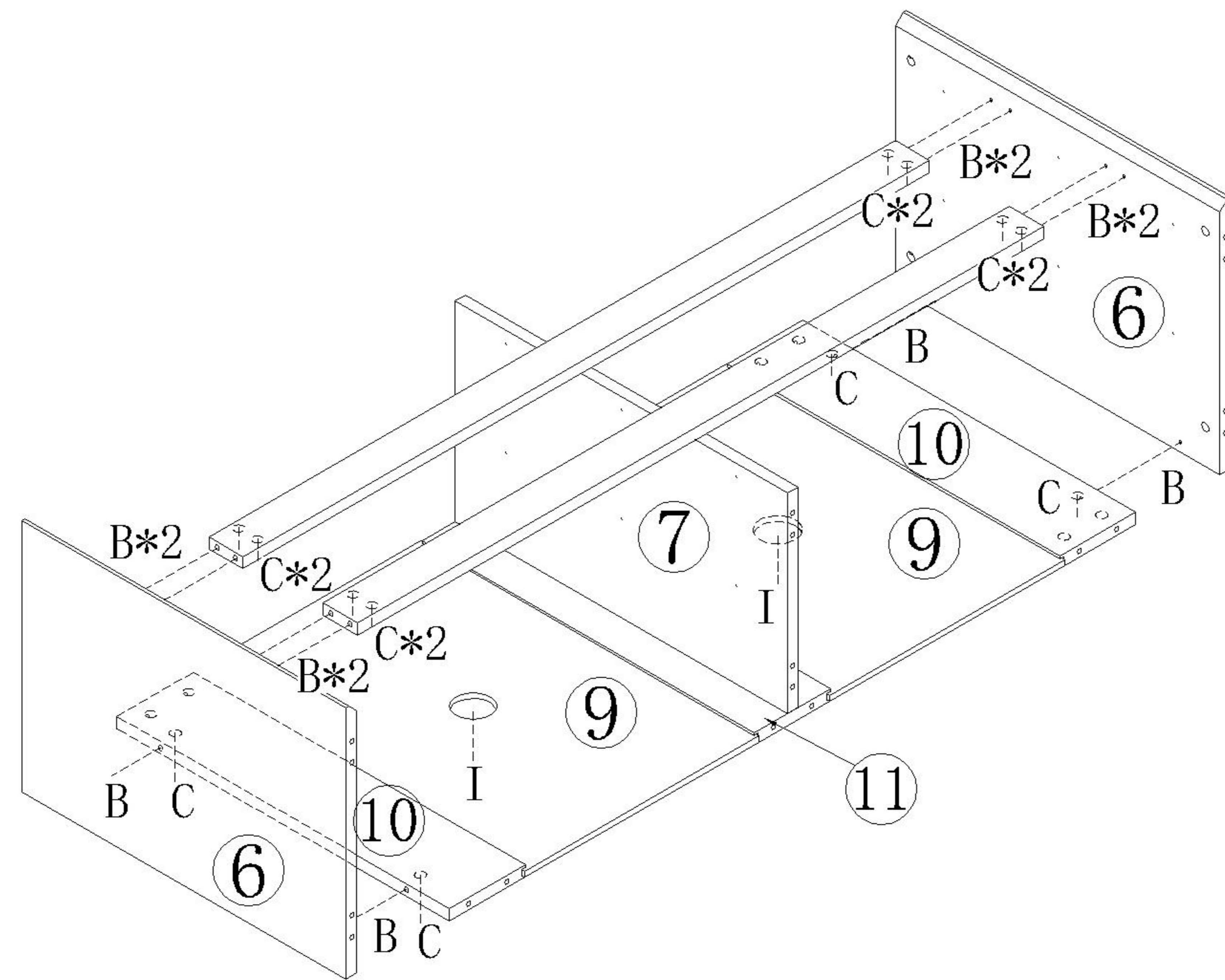
5

- (B)\*2
- (C)\*2



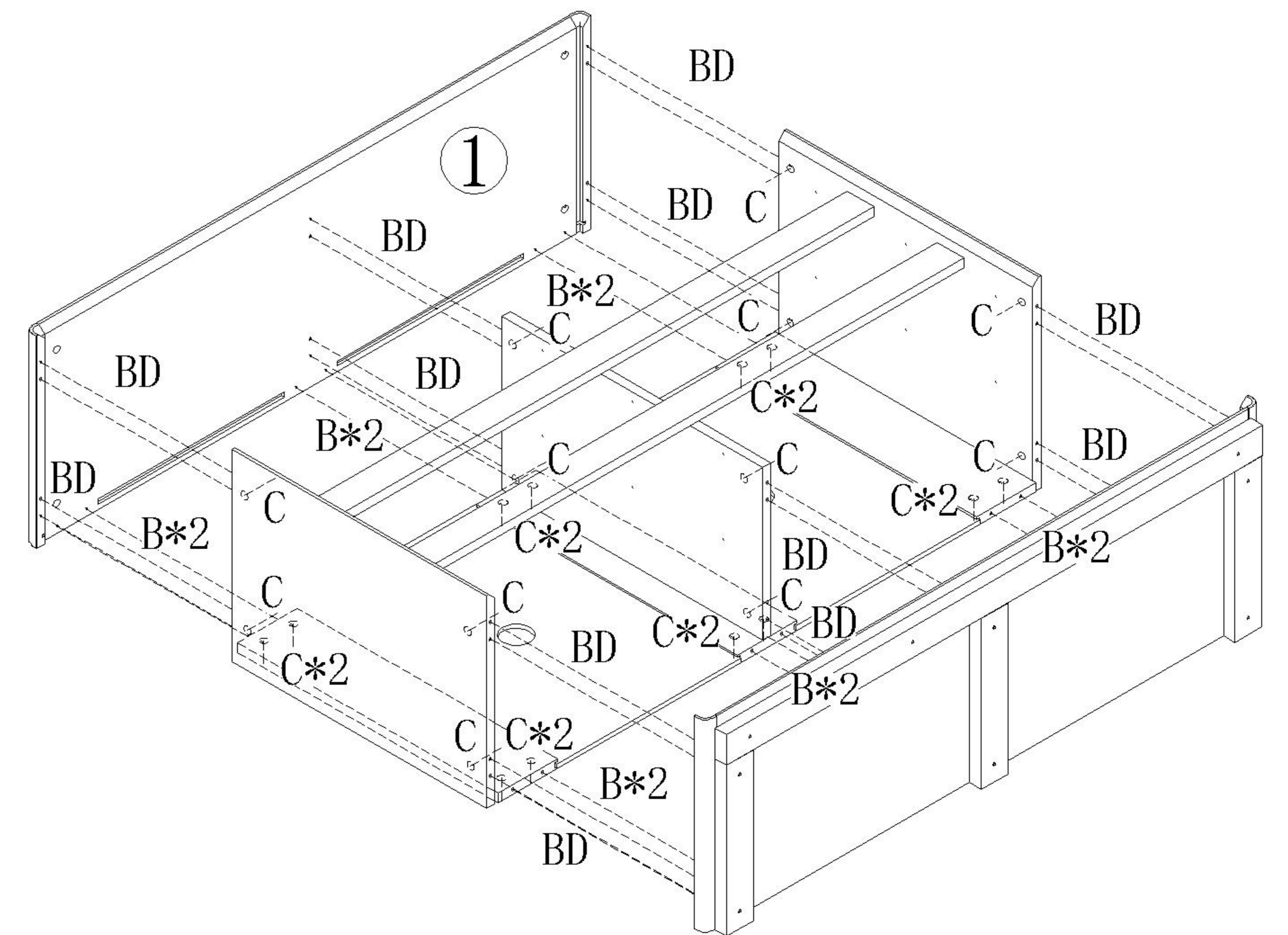
6

- (B)\*12
- (C)\*12
- (I)\*2



7

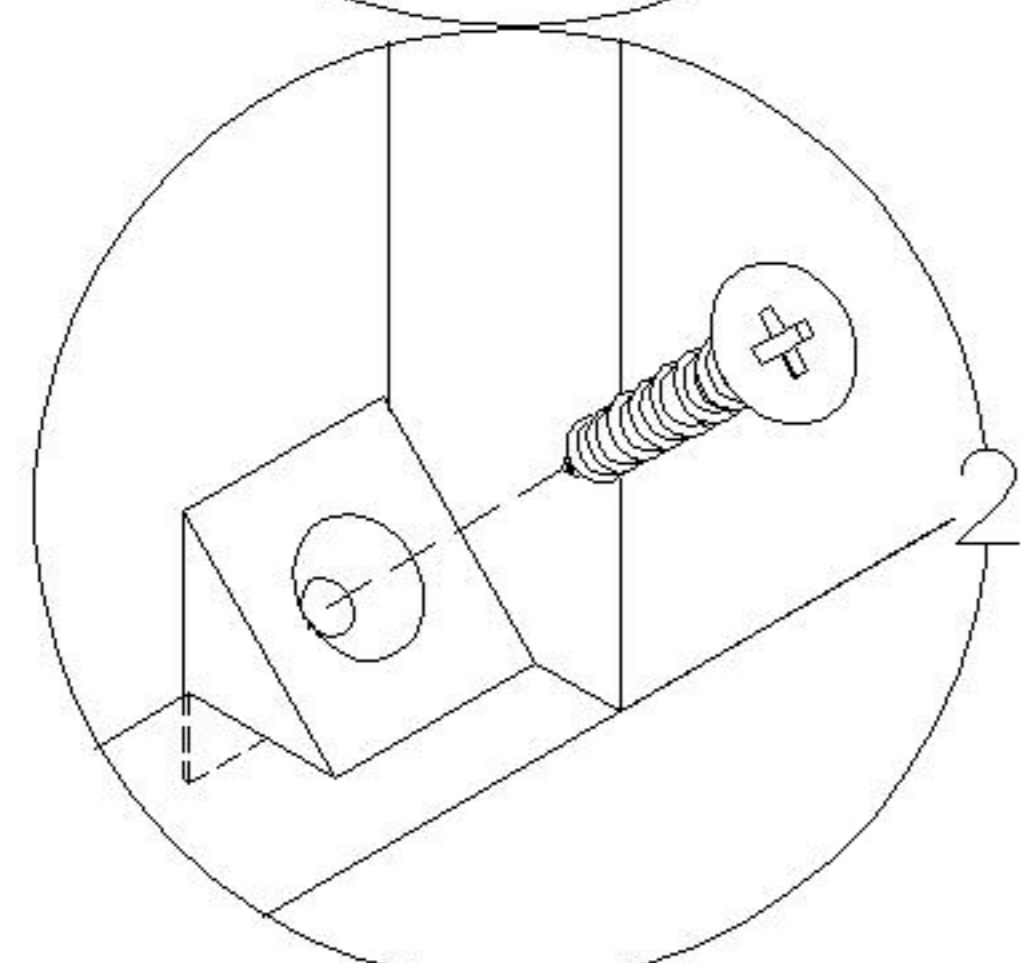
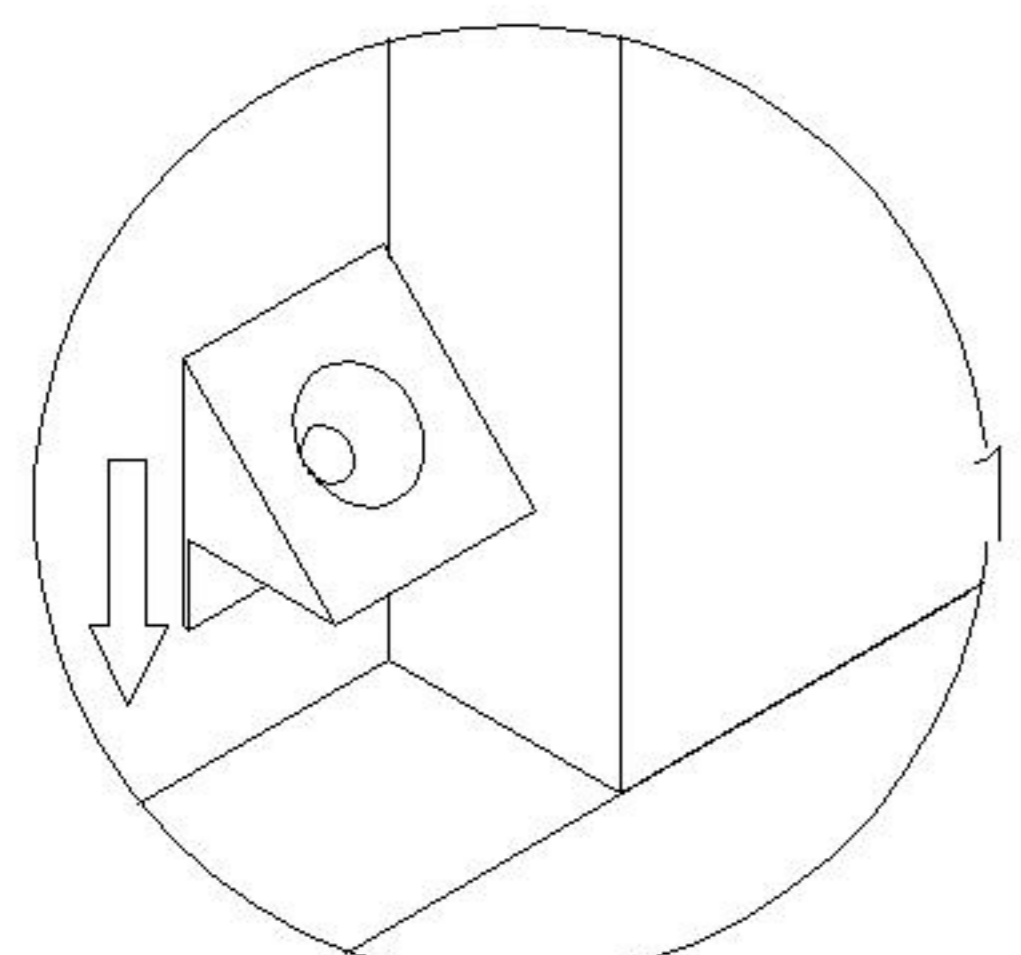
- (B)\*24
- (C)\*24
- (D)\*12



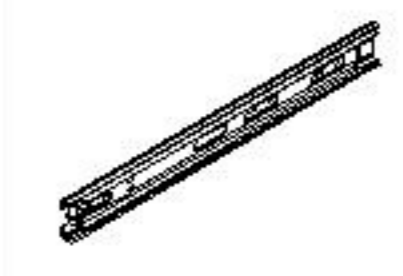
8

UN8C-F六斗柜

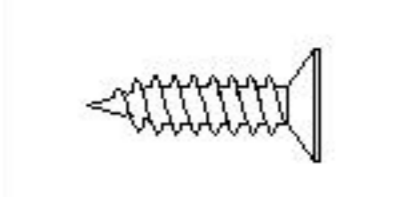
安装方法/  
Installation method



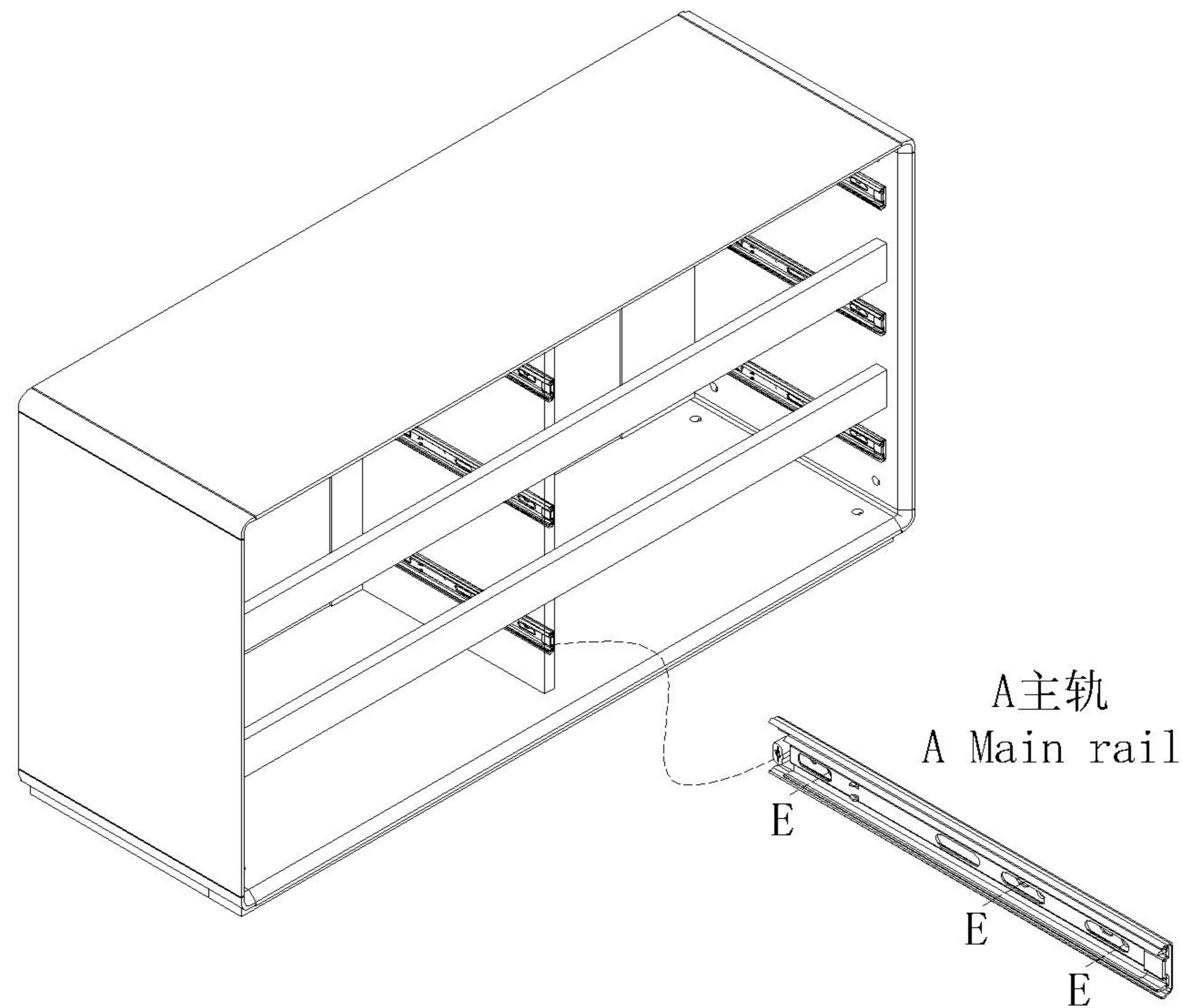
背板扣  
Back Plate Buckle



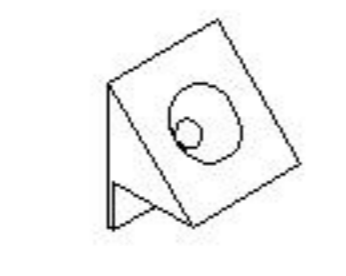
(A)\*6



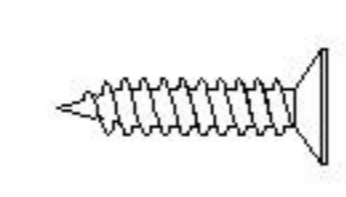
(E)\*36



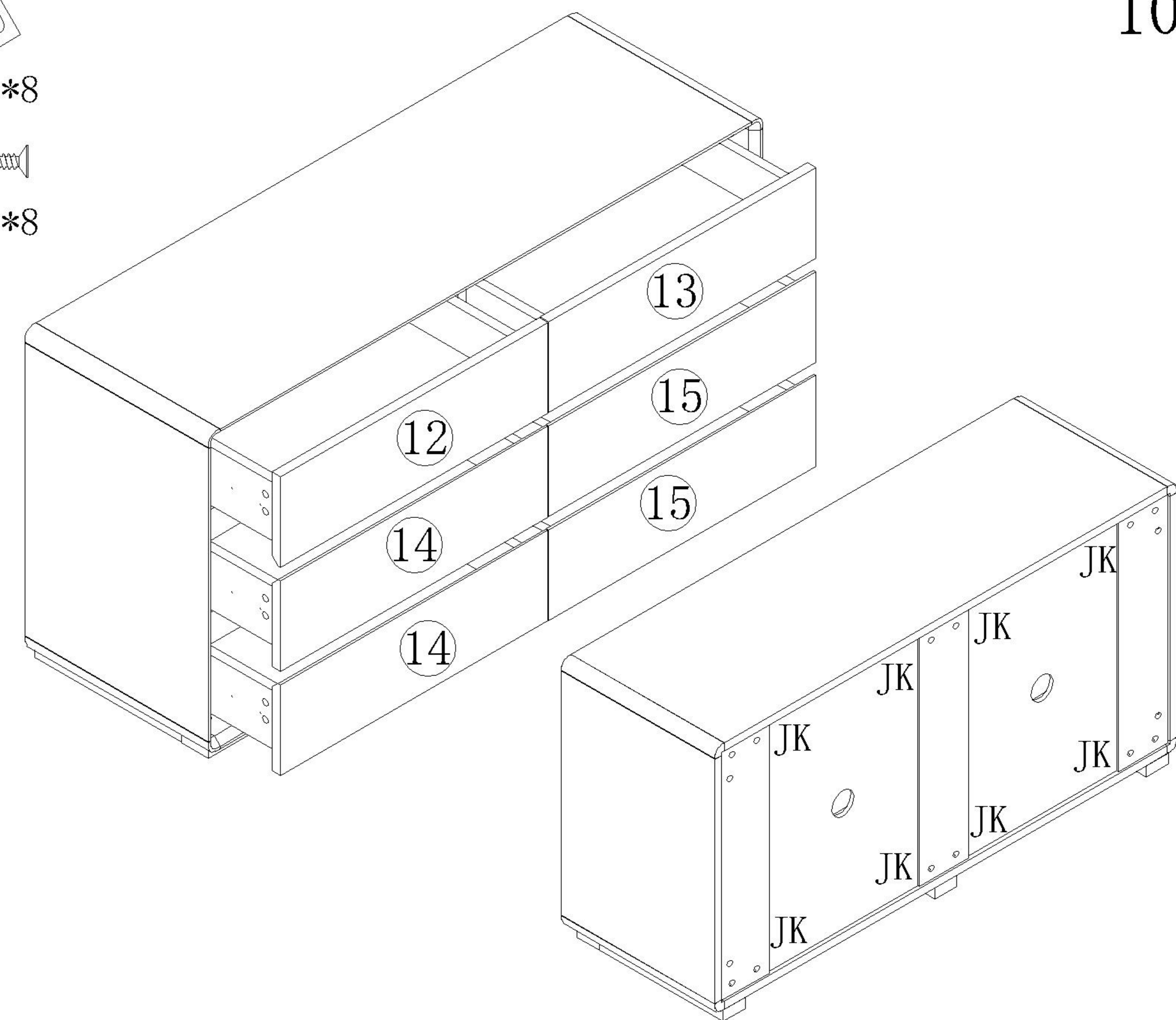
9



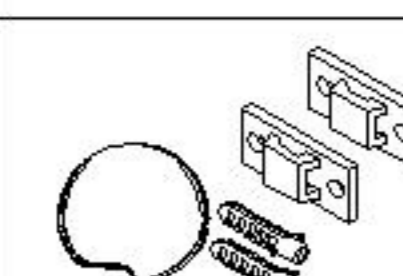
(J)\*8



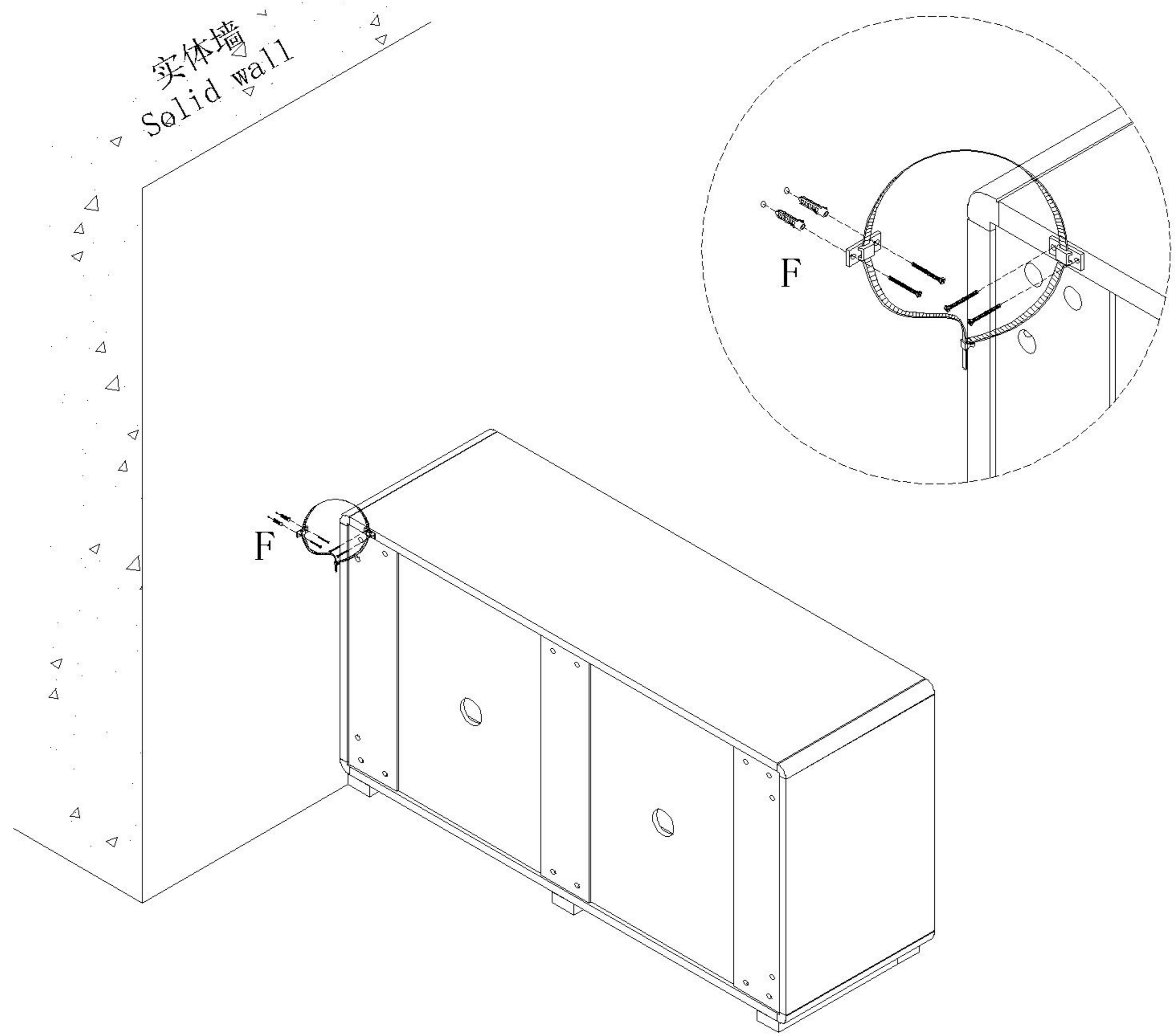
(K)\*8



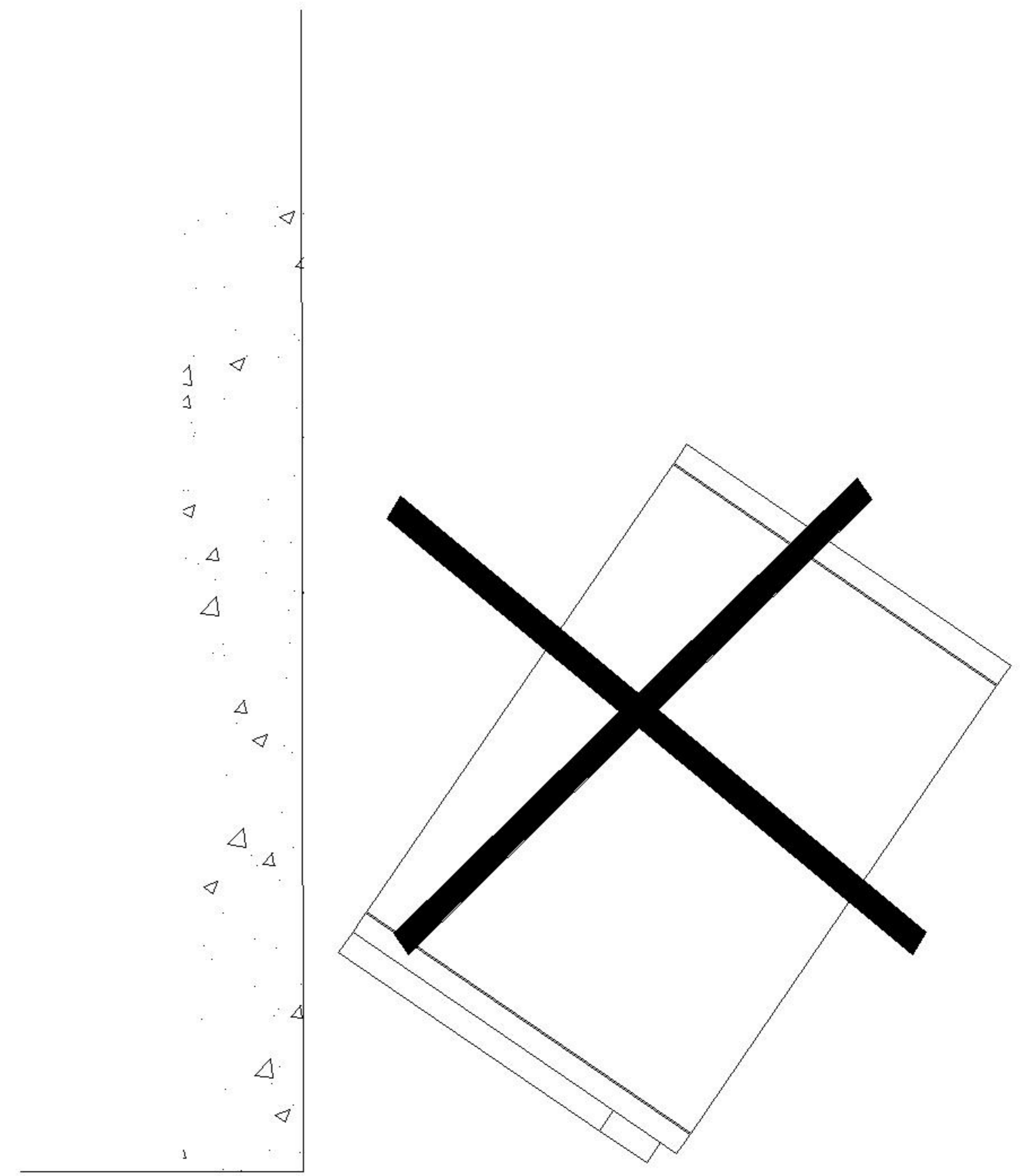
10



(F)\*1



11



12