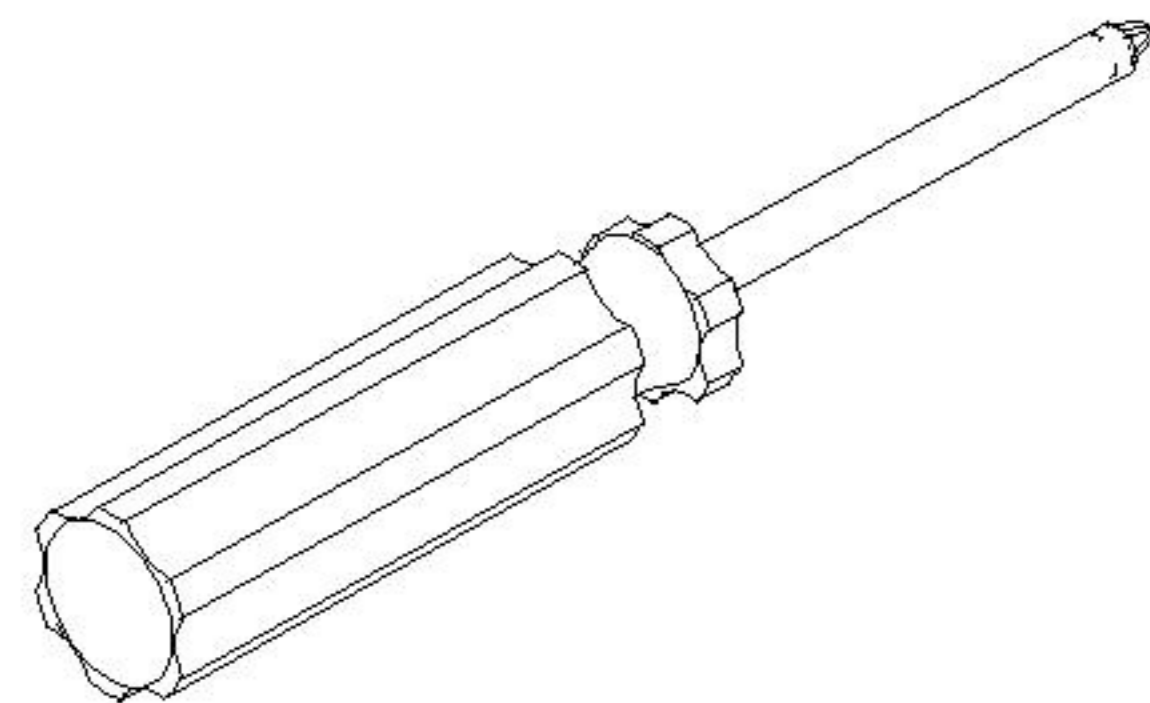
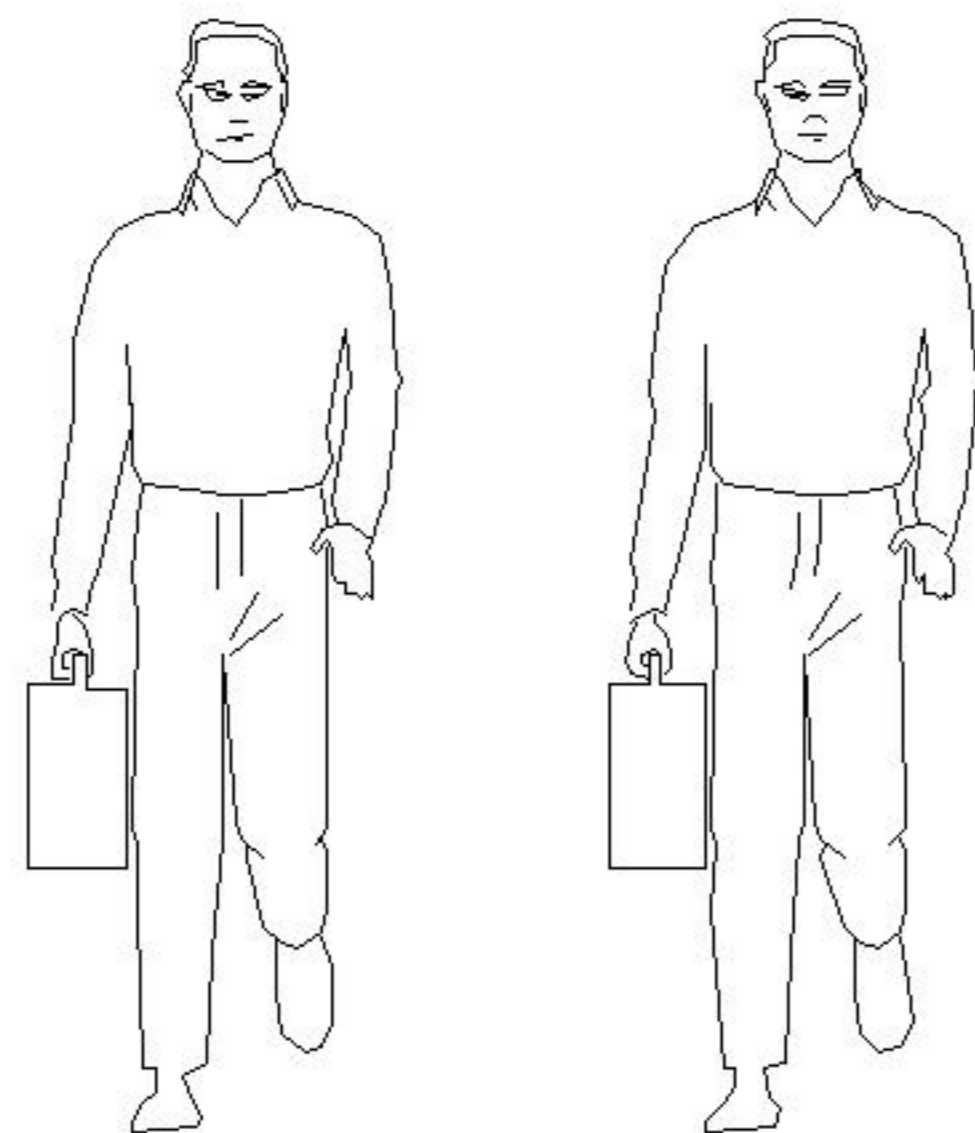


LINSY 林氏家居

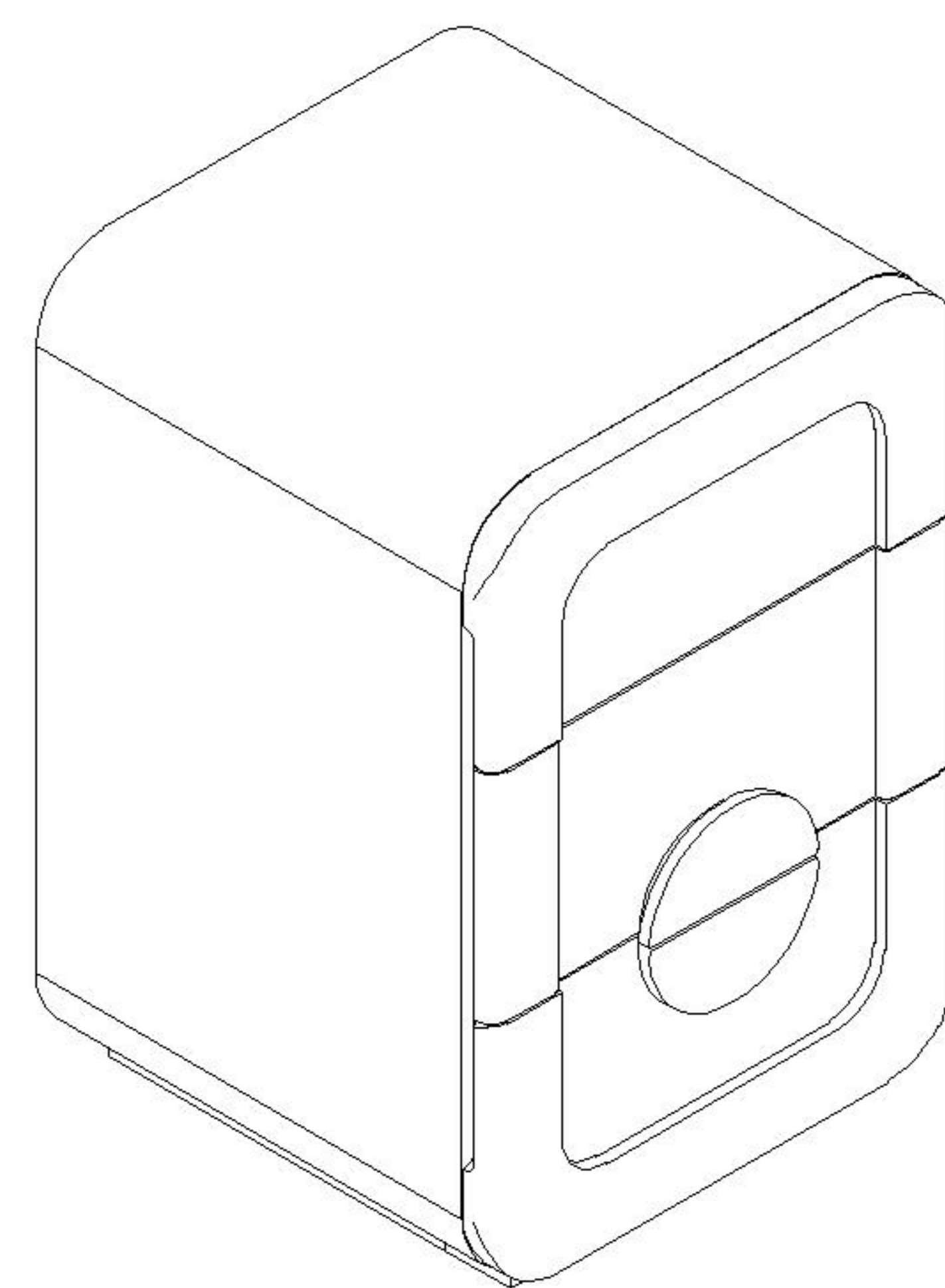
五金表/Hardware list

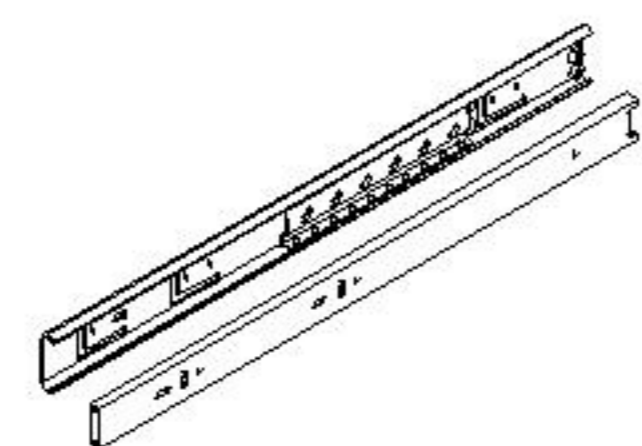
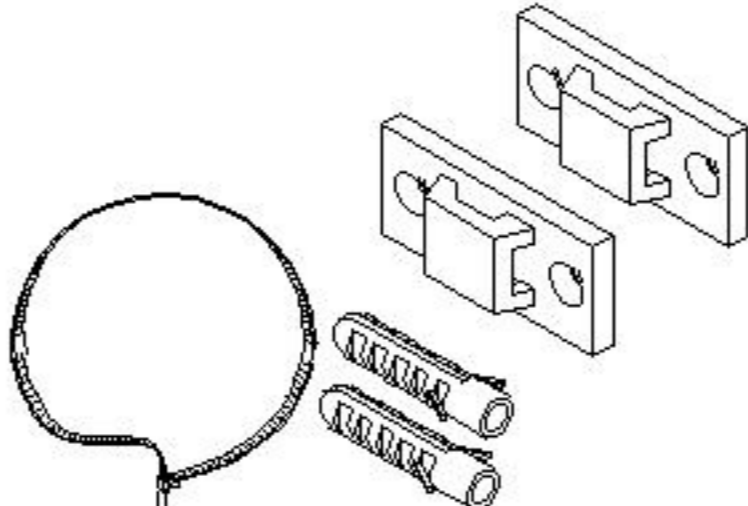
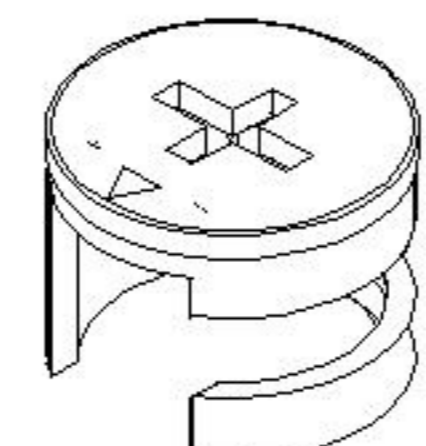
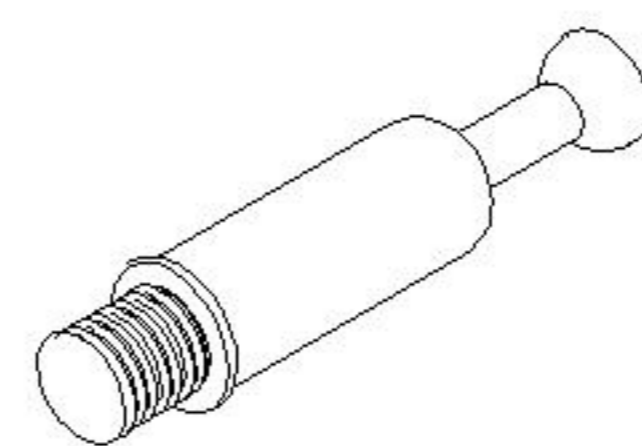
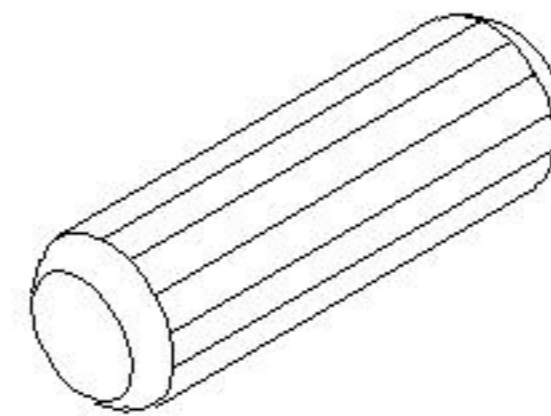
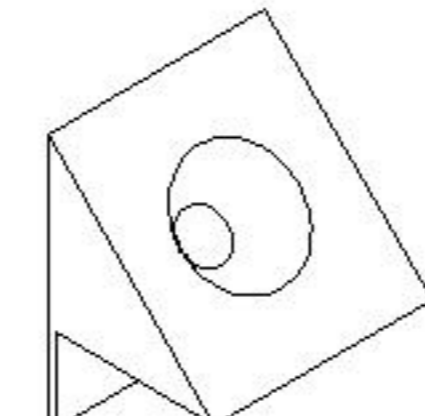
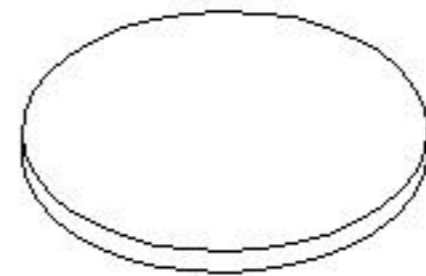
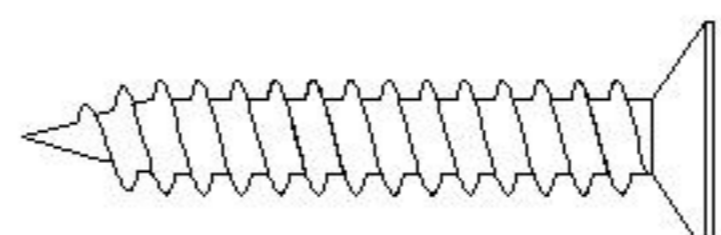
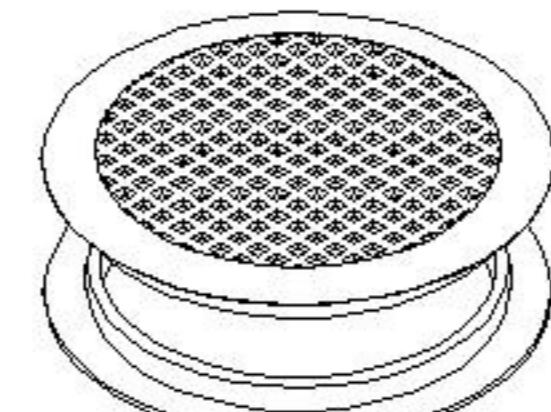
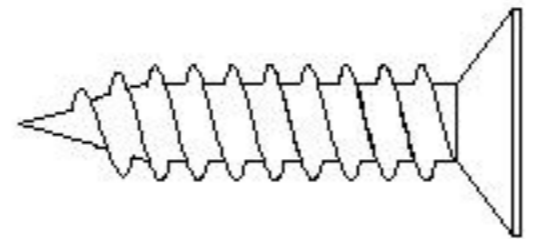
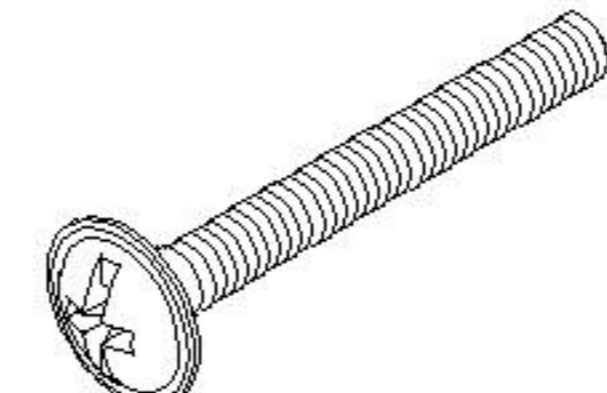
部件表/Parts List

安装示意图/Assembly Instruction

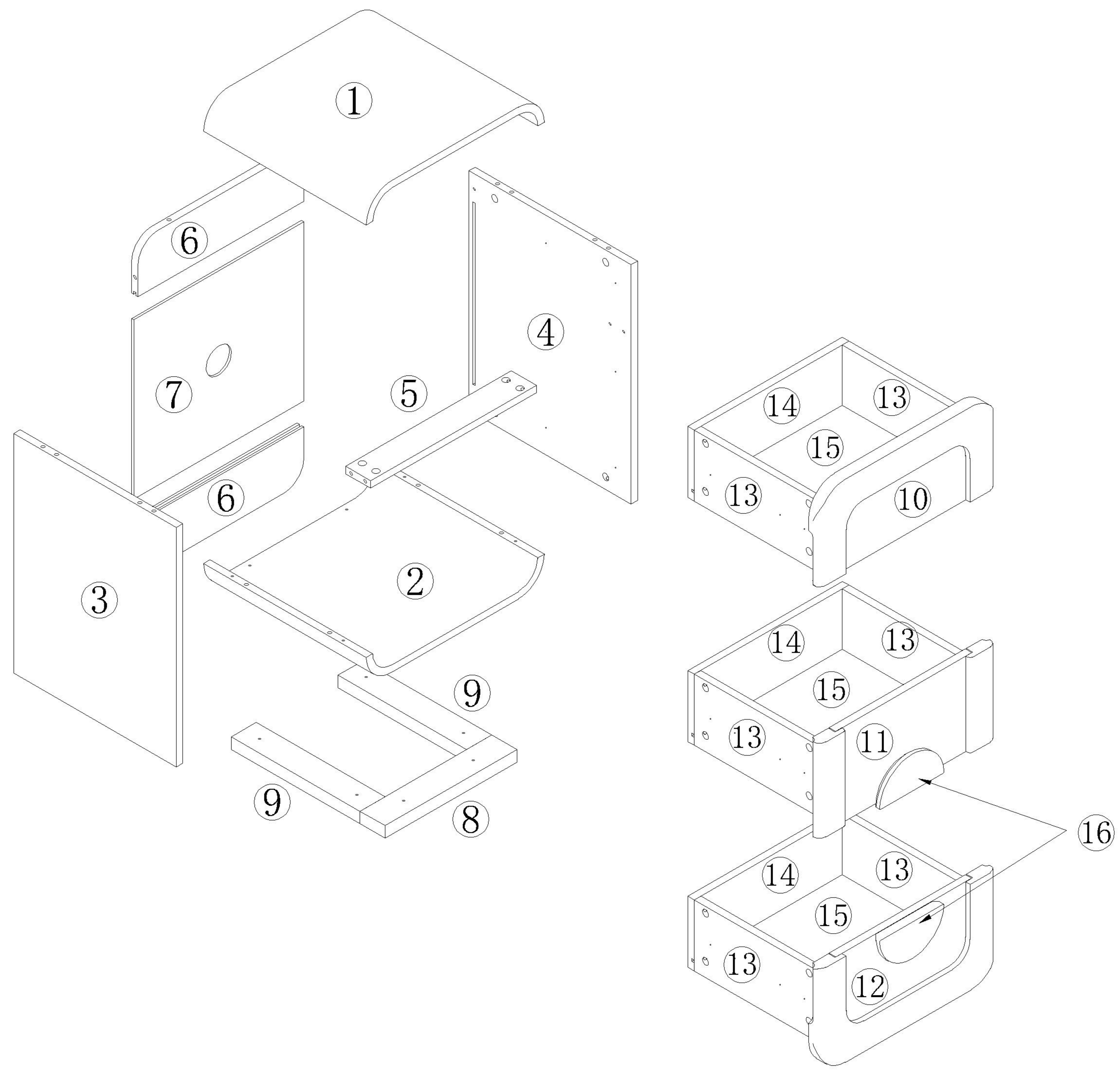
产品名称 Model NO.	0.4m妆台附柜
产品型号 Product Model	YF2C-A
尺寸规格 Specification	(412*408*626)mm
安装工具 Tool	安装人数 Installer
	

注：为保证设计效果，部分尺寸为定制尺寸，不影响使用。



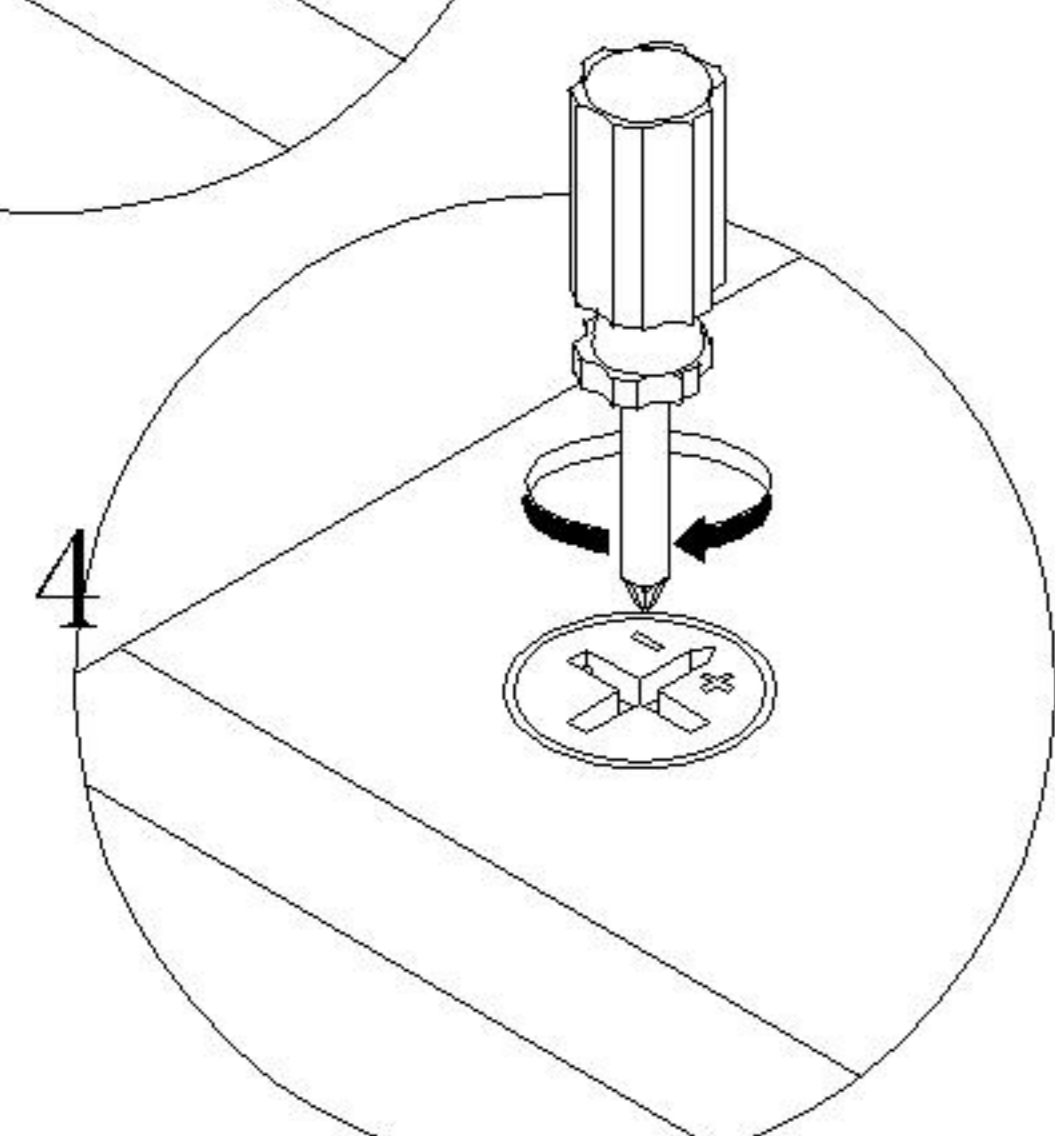
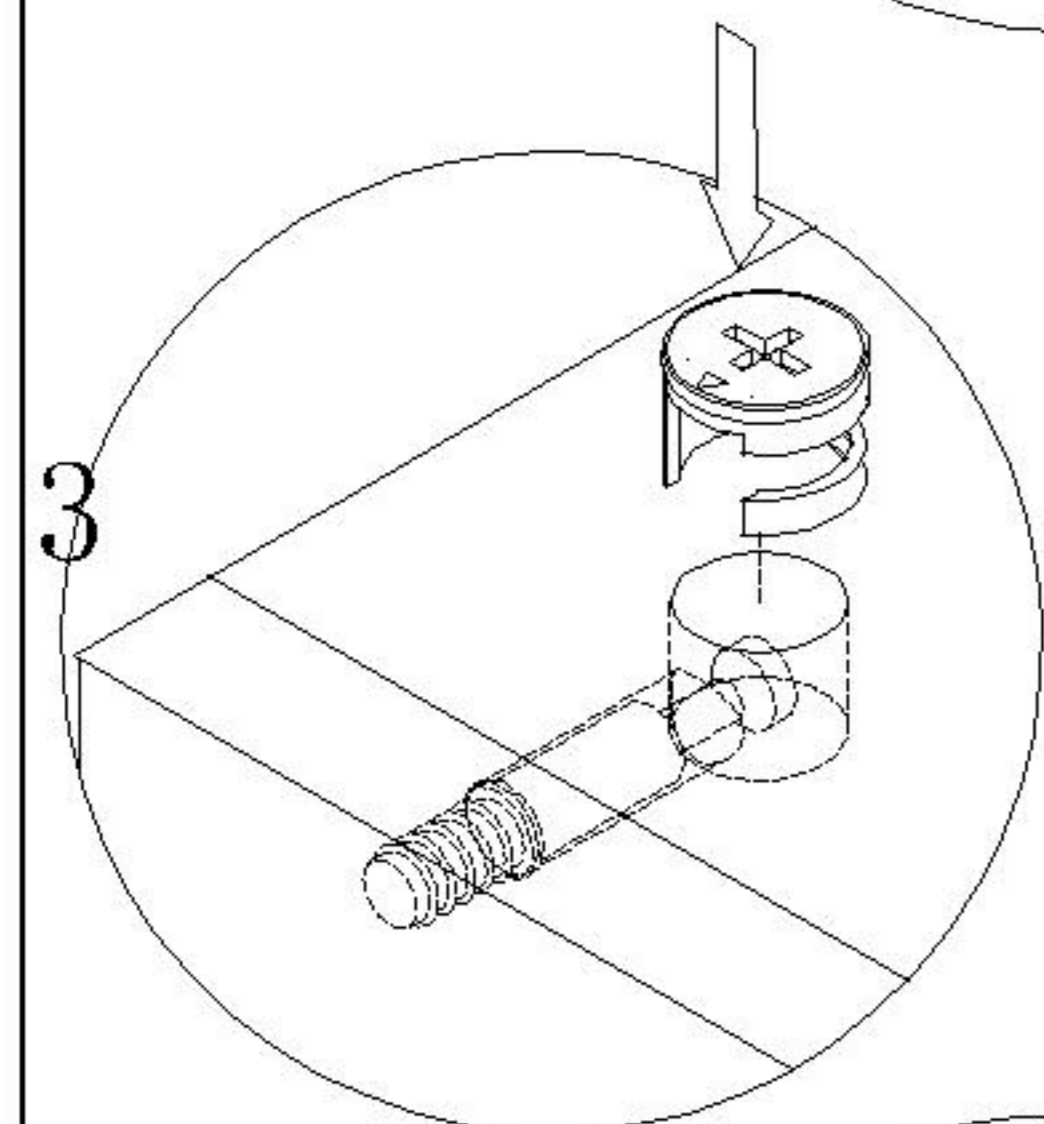
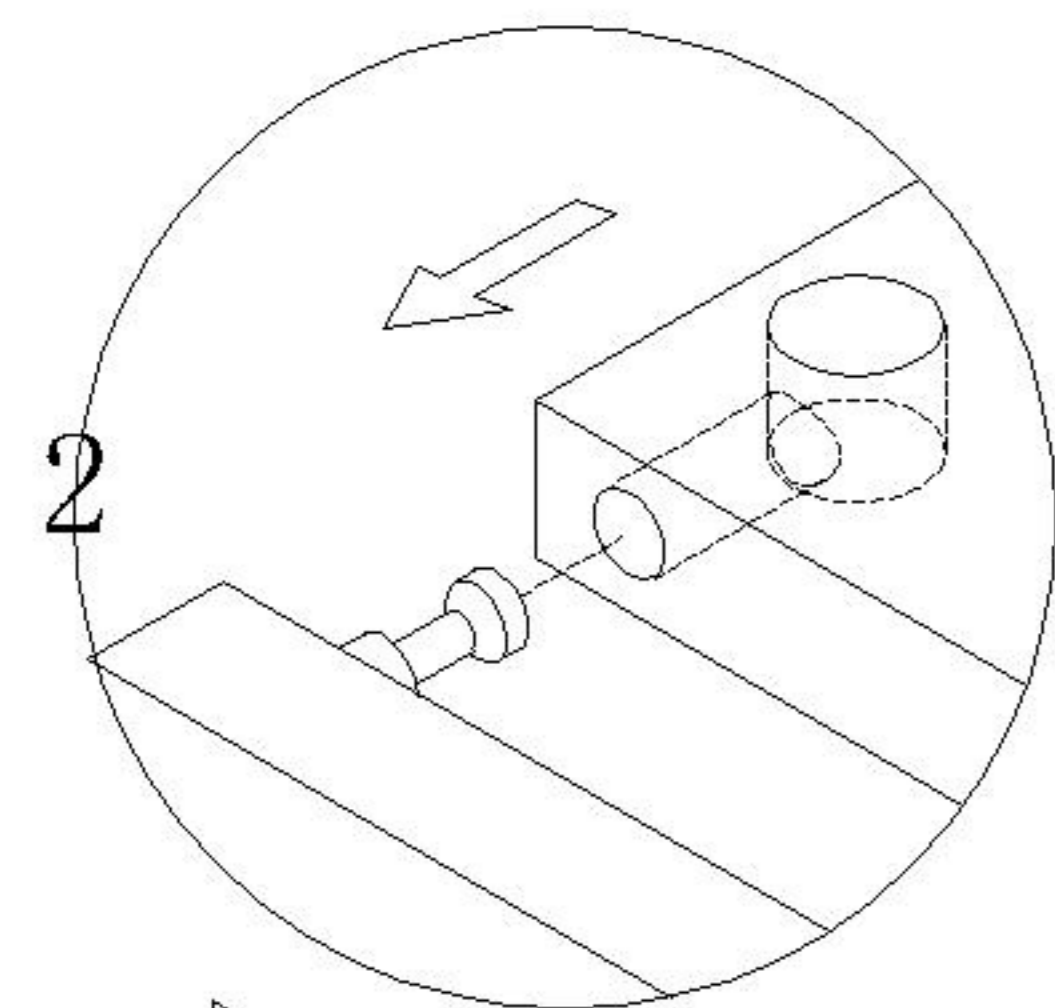
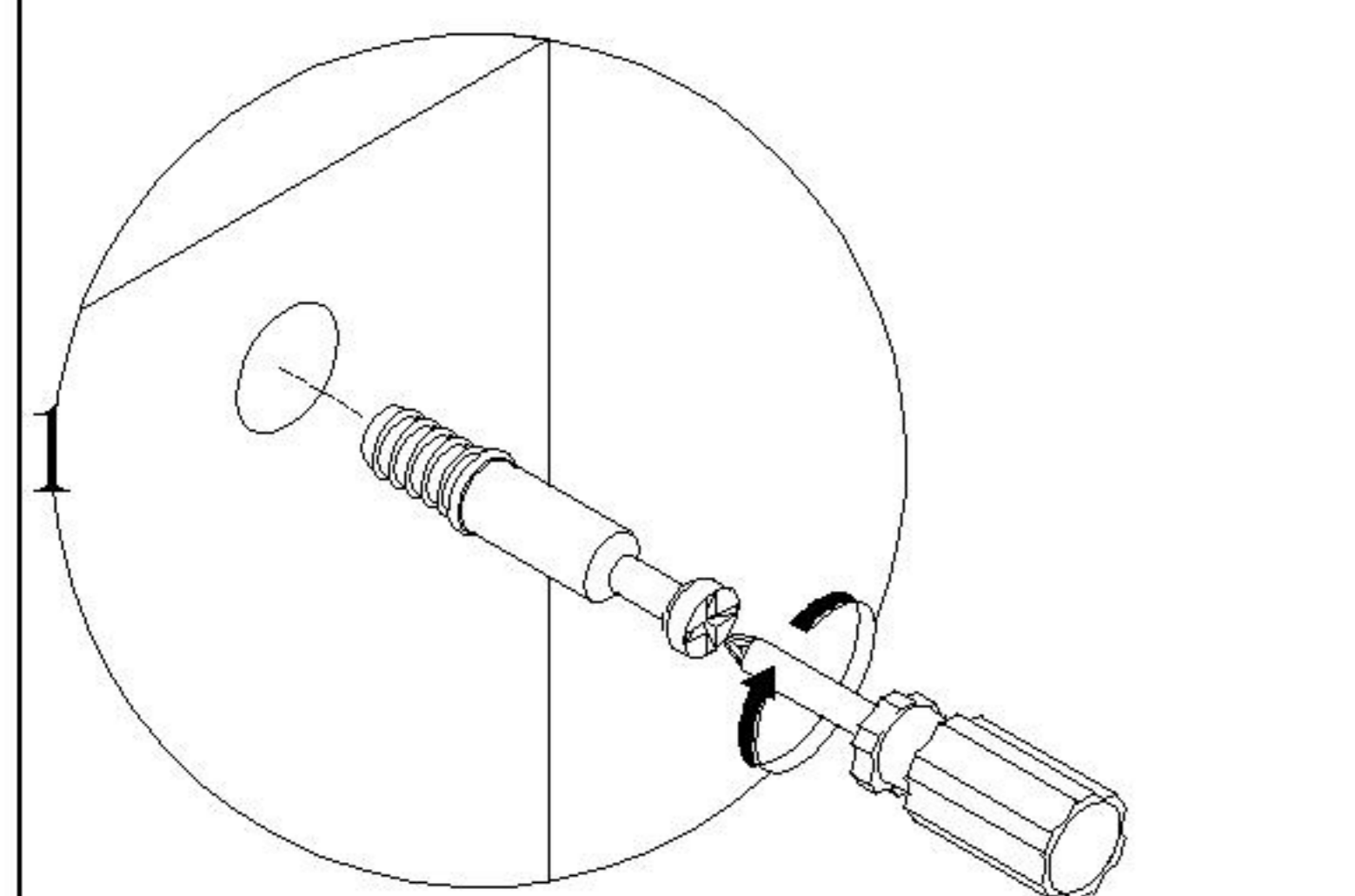
 (A)* 3 三节滚珠导轨-10" three-section ball rail	 (B)* 1 家具防倒器-白色 Anti-fall device white	 (C)* 46 大三合一锁饼 Three-in-one large lock	 (D)* 46 二合一螺杆 2-in-1-screw
 (E)* 8 木榫Ø8x30mm wood tenon	 (F)* 4 背板扣 Back Plate Buckle-White	 (G)* 6 灰色毛毡脚垫 Footrest - Grey	 (H)* 6 自攻螺丝M4x35mm Self-tapping screw
 (I)* 1 透气孔盖 Vent cover	 (J)* 42 自攻螺丝M3.5x14mm Self-tapping screw	 (K)* 4 拉手螺丝-M4x25mm pulling screw	

编号NO.	名称Name	规格 (MM) Specification	数量QTY	材质Material
①	面板 Top panel	412*375*60	1	纤维板+橡胶木 Fiberboard+Rubber wood
②	底板 Bottom board	412*375*60	1	纤维板+橡胶木 Fiberboard+Rubber wood
③	左侧板 Side board(L)	478*375*15	1	刨花板 Particle board
④	右侧板 Side board(R)	478*375*15	1	刨花板 Particle board
⑤	前拉条 Front brace	382*58*15	1	刨花板 Particle board
⑥	背拉条 Back brace	382*110*15	2	刨花板 Particle board
⑦	背板 Back board	392*358*5	1	纤维板 Fiberboard
⑧	底拉条 Bottom brace	304*58*25	1	刨花板 Particle board
⑨	侧拉条 Side brace	297*58*25	2	刨花板 Particle board
⑩	上抽屉面板组立 Upper drawer's panel	410*190*25	1	纤维板+刨花板 Fiberboard+Particle board
⑪	中抽屉面板组立 Drawer's middle board	410*190*25	1	纤维板+刨花板 Fiberboard+Particle board
⑫	下抽屉面板组立 Bottom drawer's panel	410*212*25	1	纤维板+刨花板 Fiberboard+Particle board
⑬	抽屉侧板 Drawer's sideboard	290*142*15	6	刨花板 Particle board
⑭	抽屉后板 Drawer's Back board	356*142*15	3	刨花板 Particle board
⑮	抽屉底板 Drawer's Bottom board	336*300*5	3	纤维板 Fiberboard
⑯	拉手1 Handle 1	150*73.5*18	2	纤维板 Fiberboard

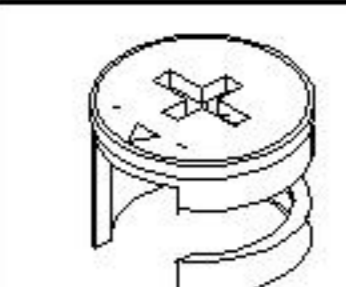


编号NO.	名称Name
①	面板 Top panel
②	底板 Bottom board
③	左侧板 Side board(L)
④	右侧板 Side board(R)
⑤	前拉条 Front brace
⑥	背拉条 Back brace
⑦	背板 Back board
⑧	底拉条 Bottom brace
⑨	侧拉条 Side brace
⑩	上抽屉面板组立 Upper drawer's panel
⑪	中抽屉面板组立 Drawer's middle board
⑫	下抽屉面板组立 Bottom drawer's panel
⑬	抽屉侧板 Drawer's sideboard
⑭	抽屉后板 Drawer's Back board
⑮	抽屉底板 Drawer's Bottom board
⑯	拉手1 Handle 1

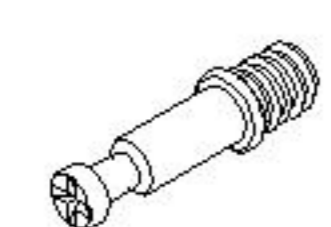
安装方法/
Installation method



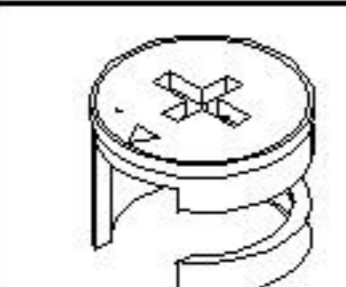
大二合一
two-in-one



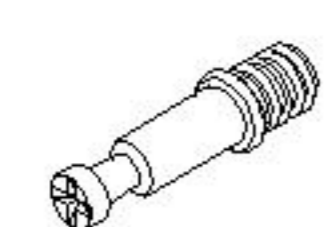
(C)*8



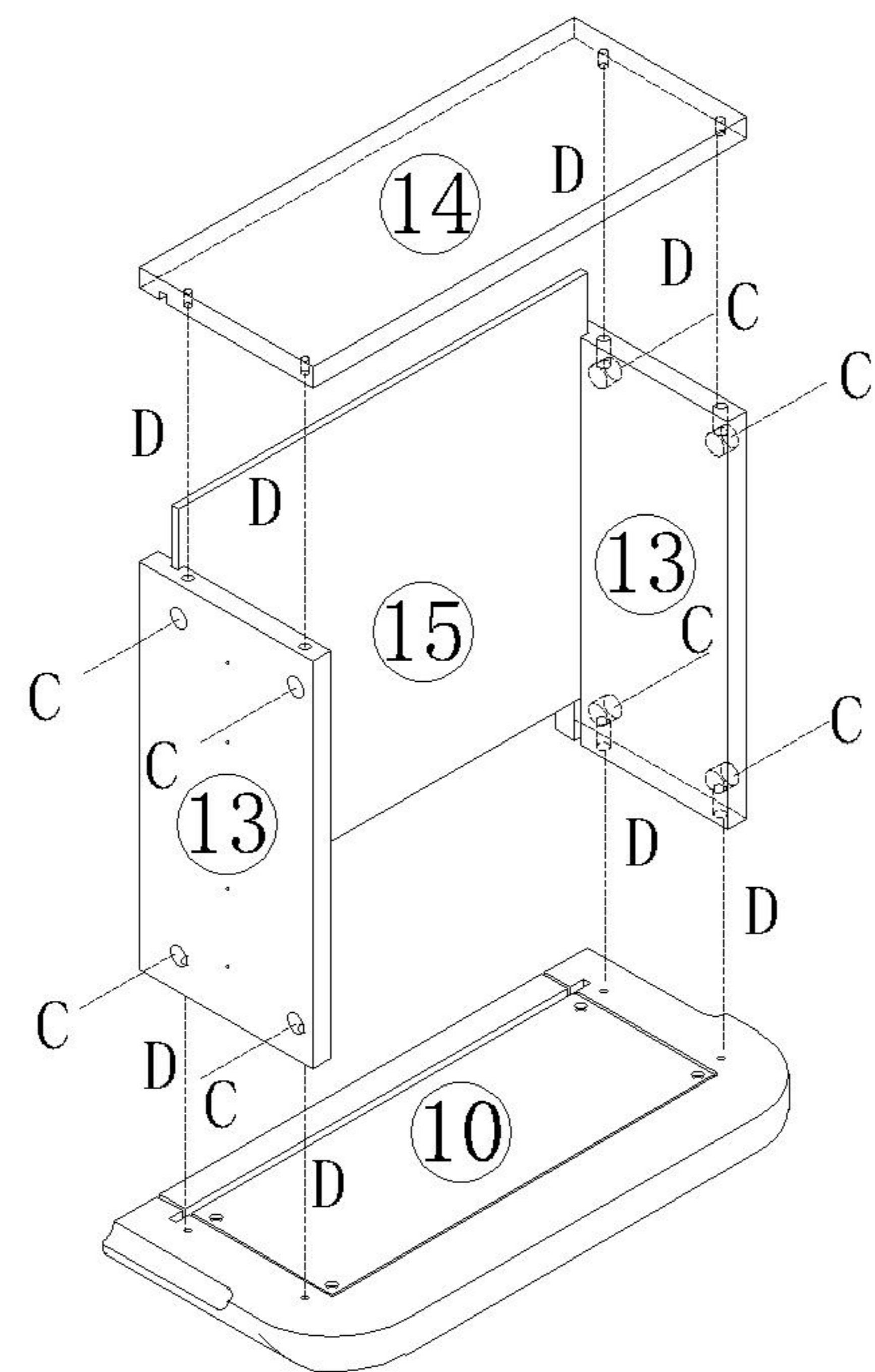
(D)*8



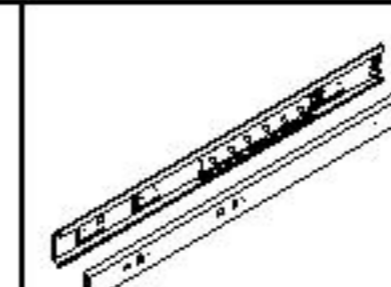
(C)*8



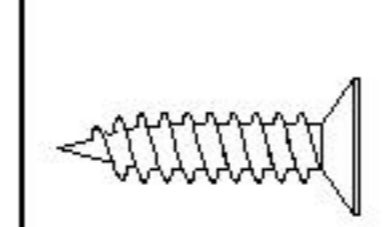
(D)*8



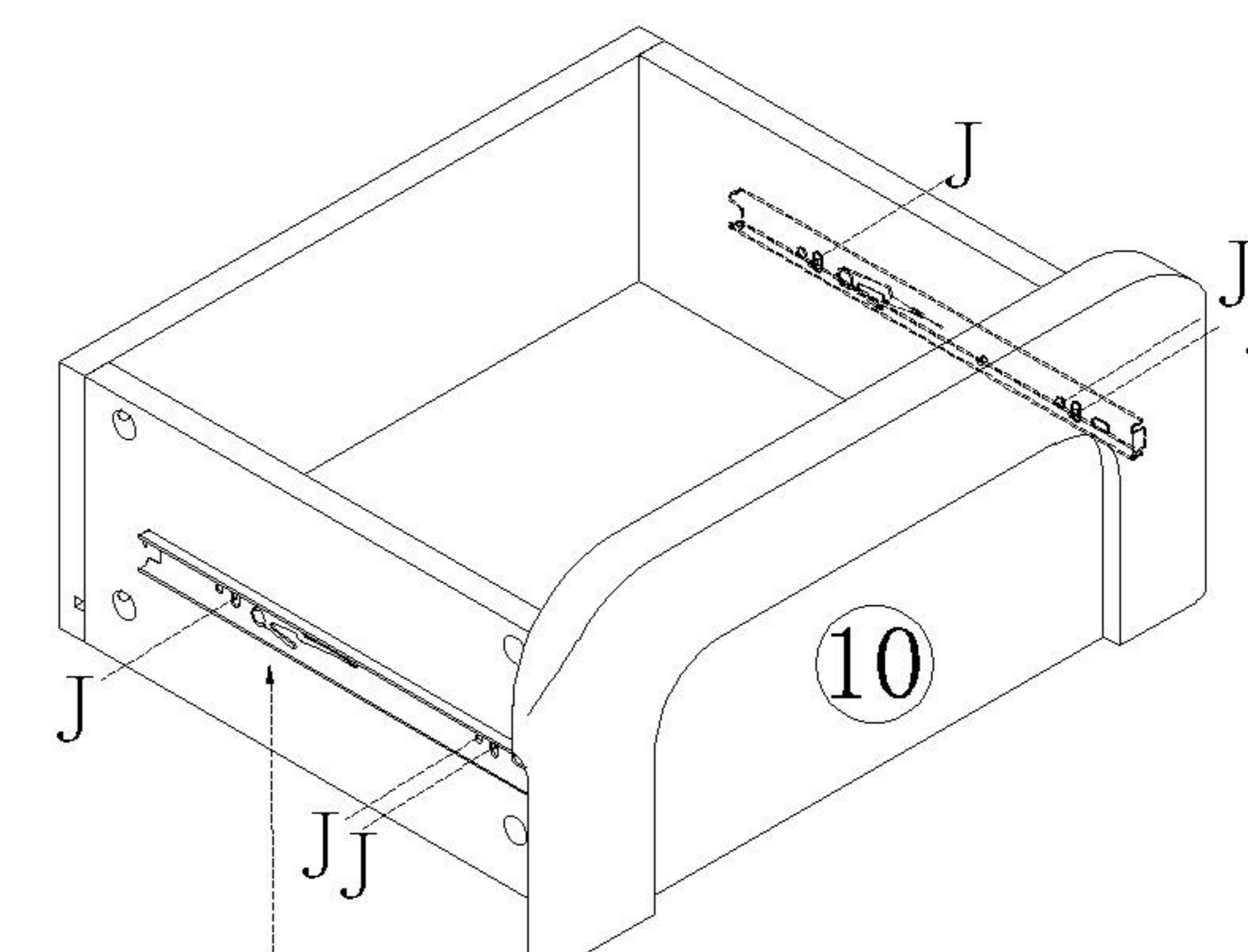
1



(A)*1



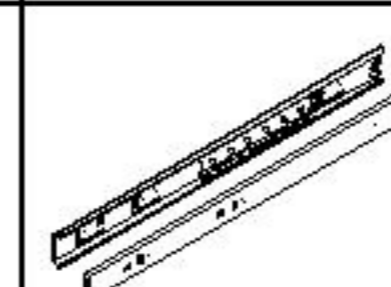
(J)*6



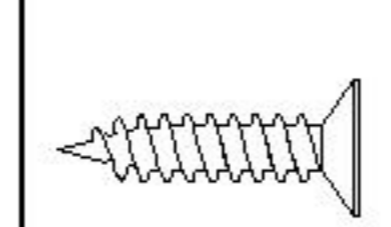
(A) 副轨
Sub rail

2

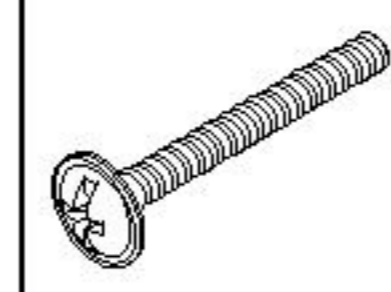
3



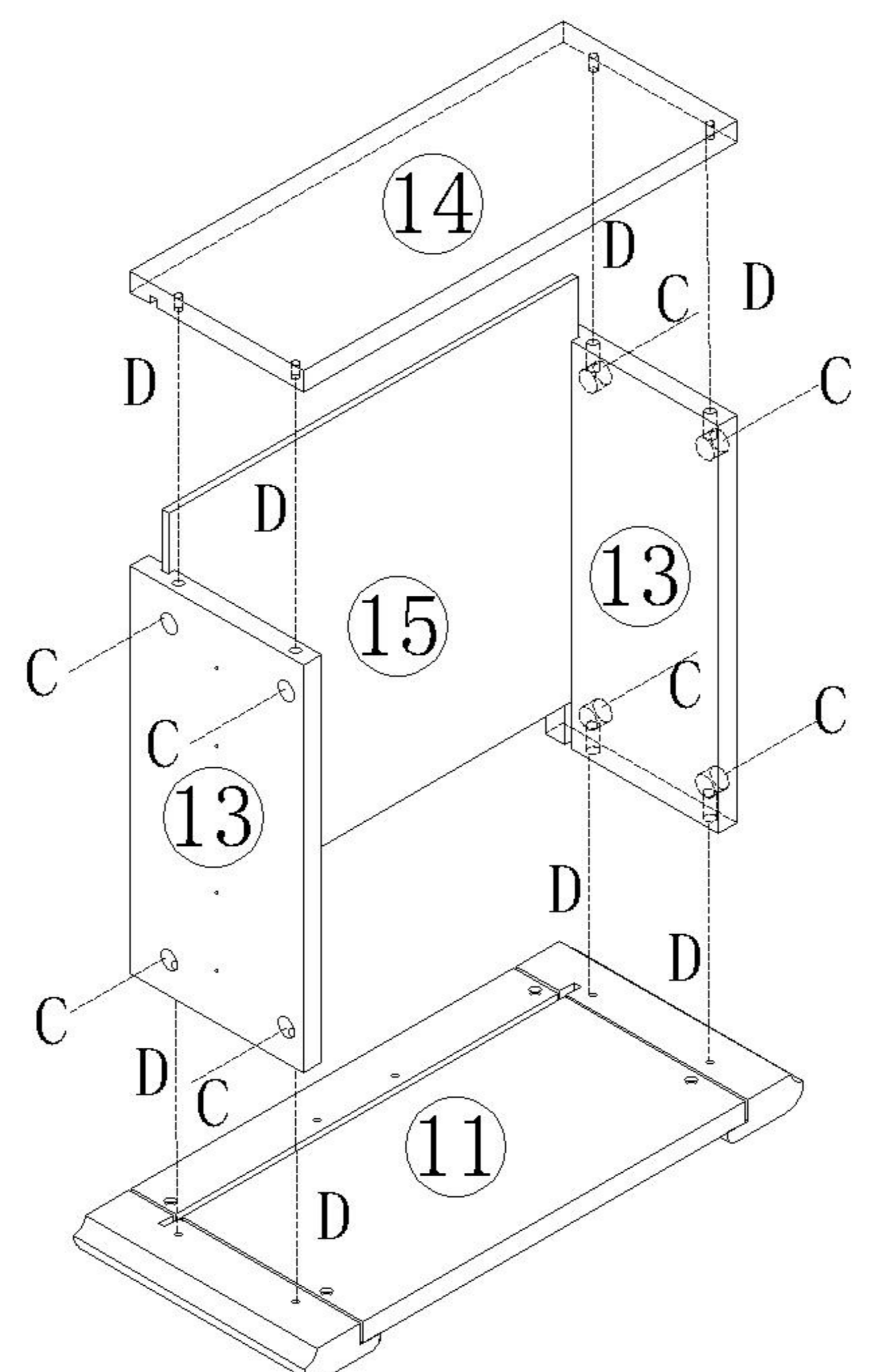
(A)*1



(J)*6

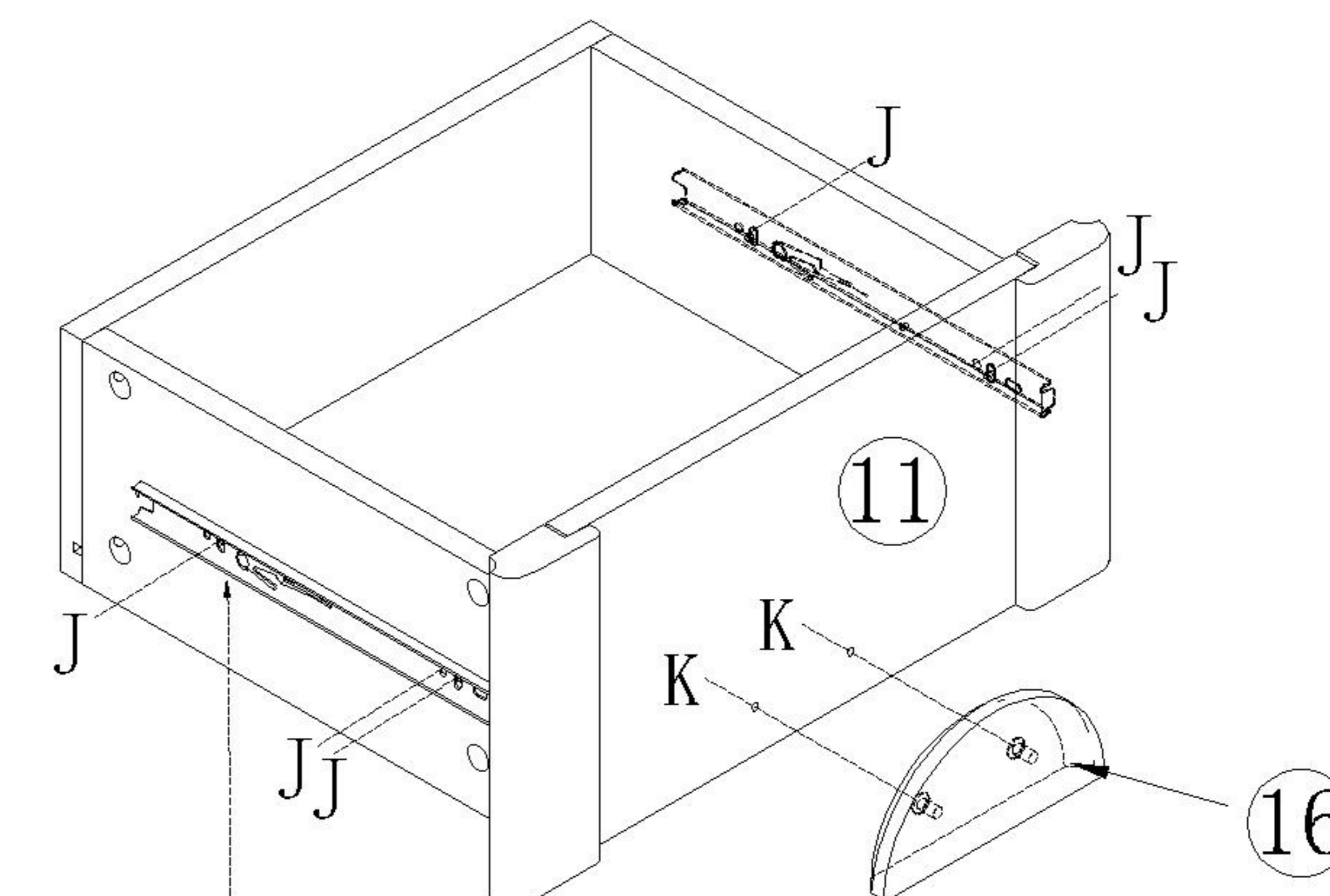


(K)*2



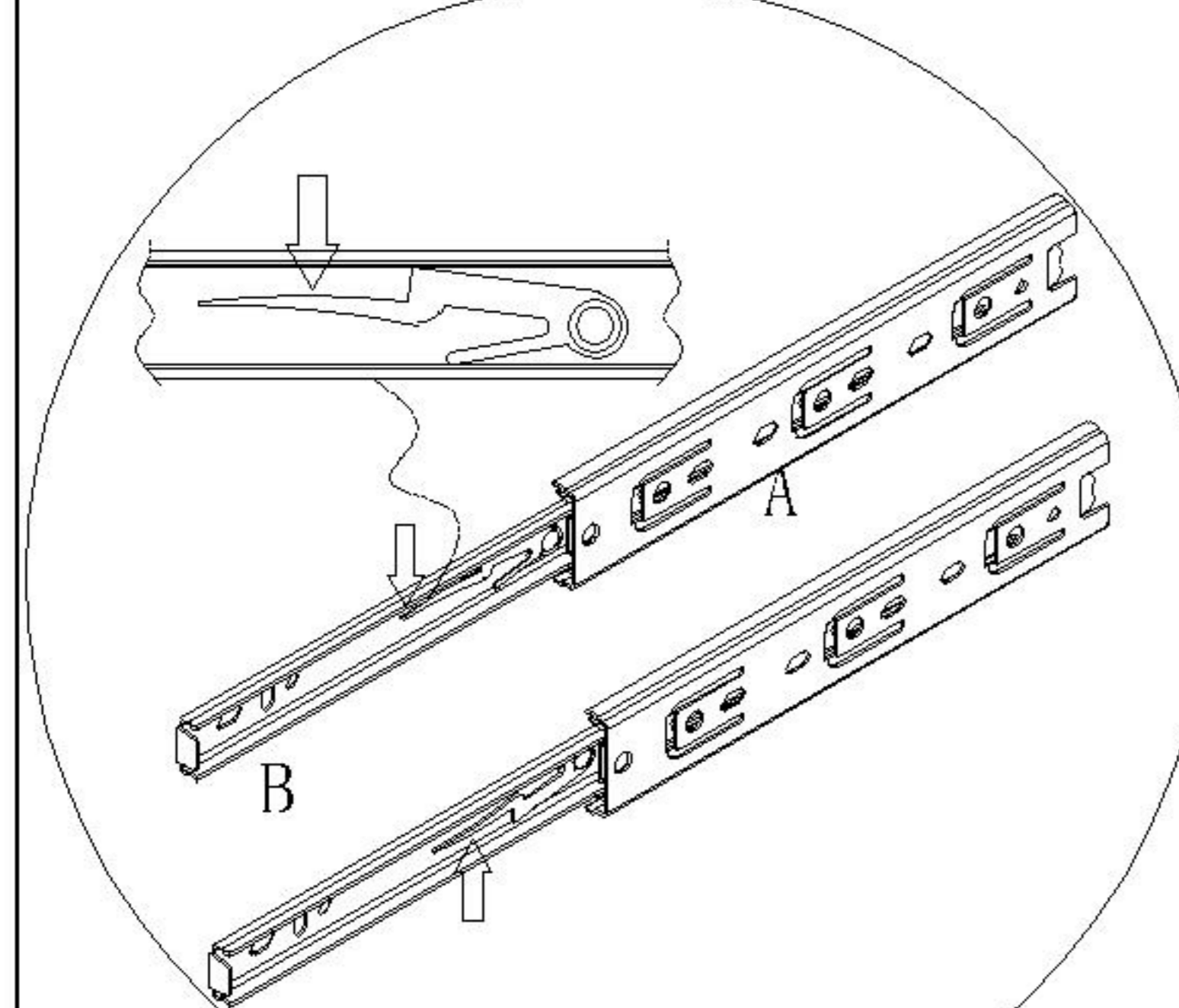
(A) 副轨
Sub rail

4

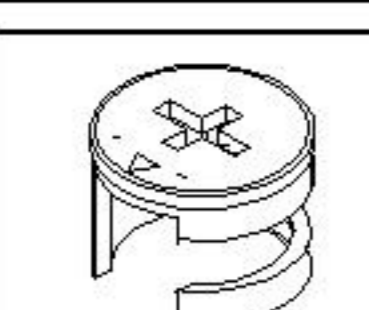
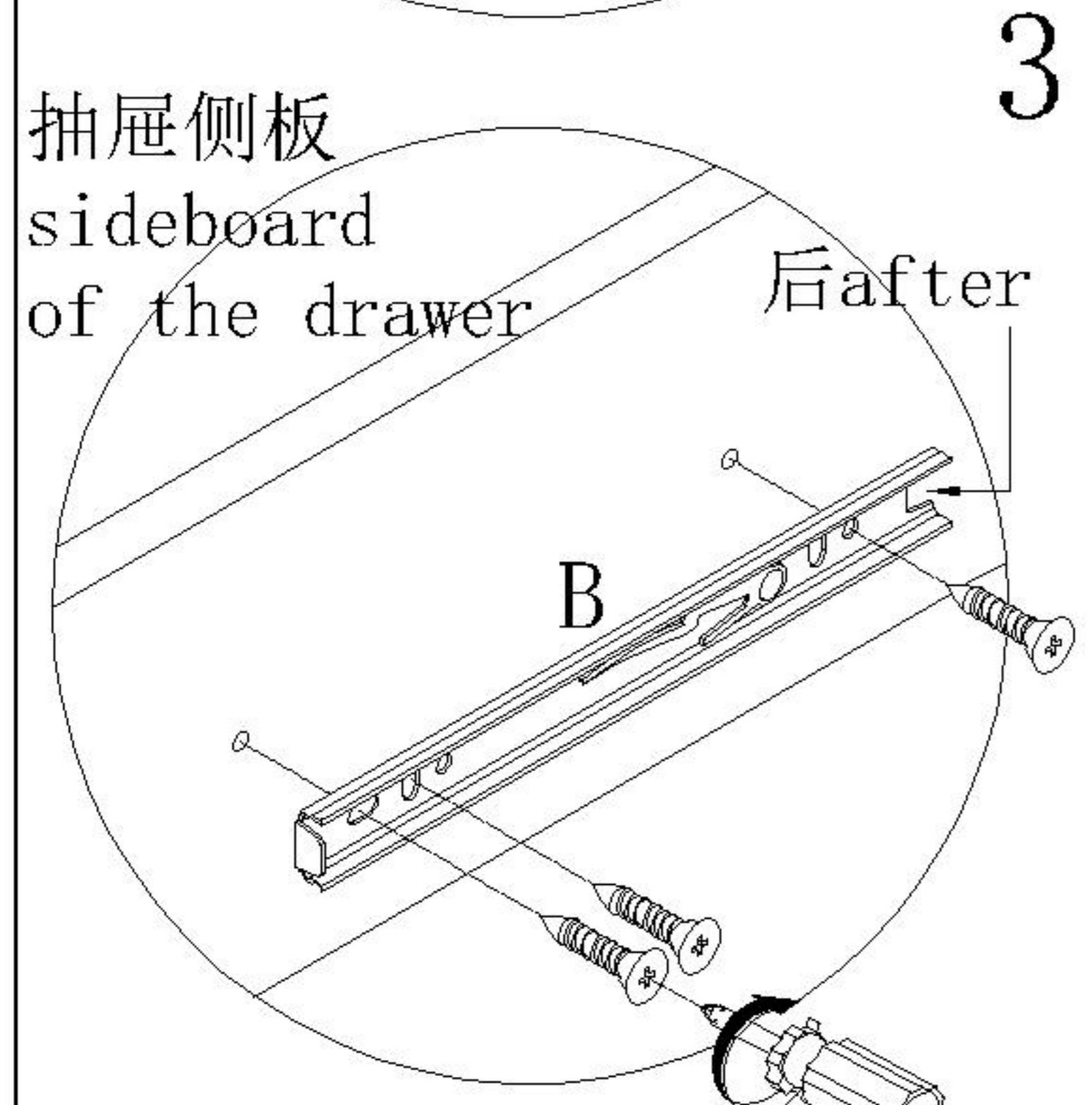
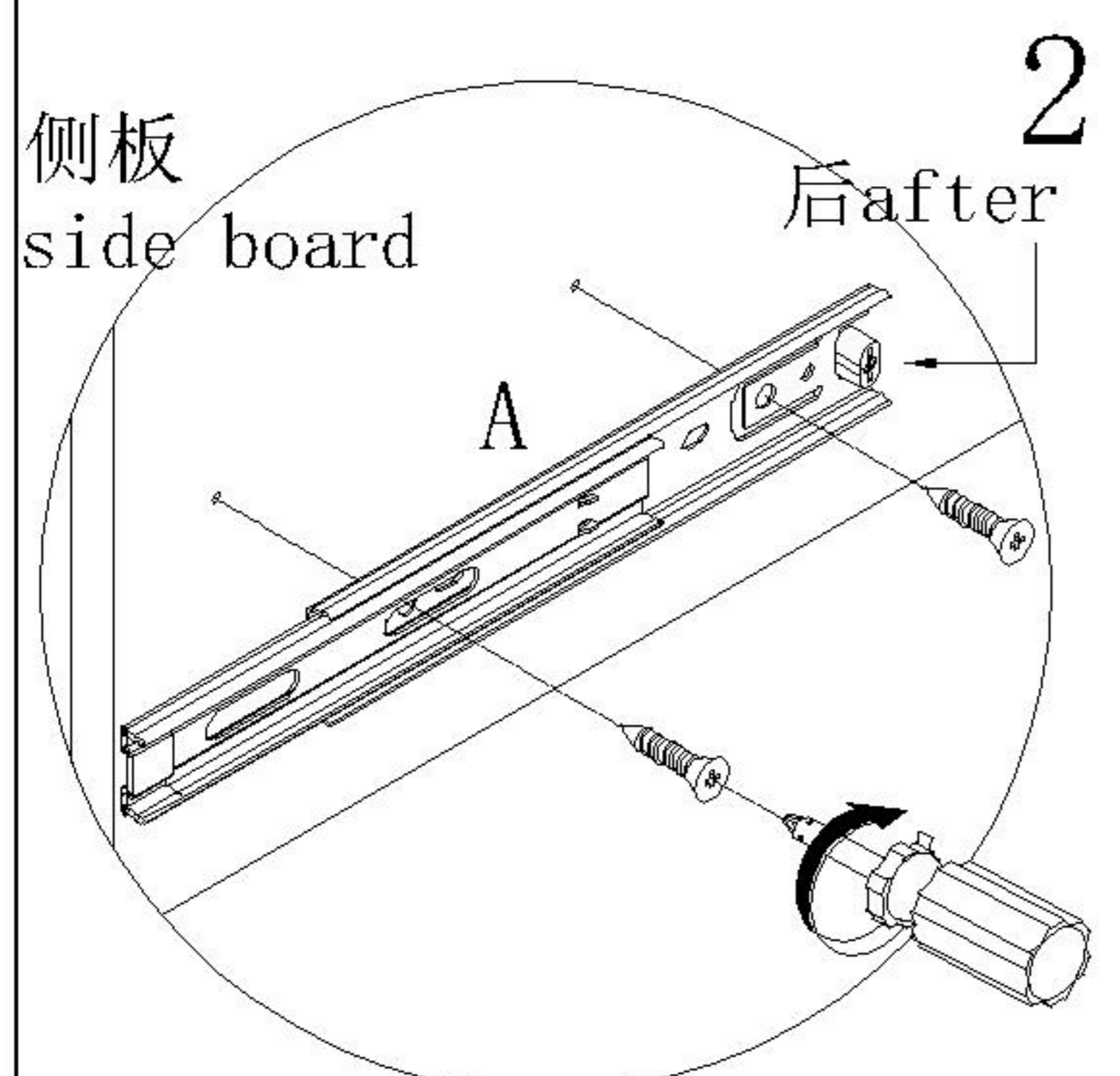


安装方法/
Installation method

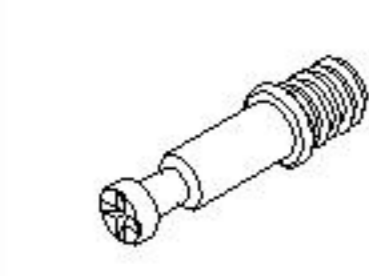
1
阀门开关(下压为开)
Valve switch
(press down to open)



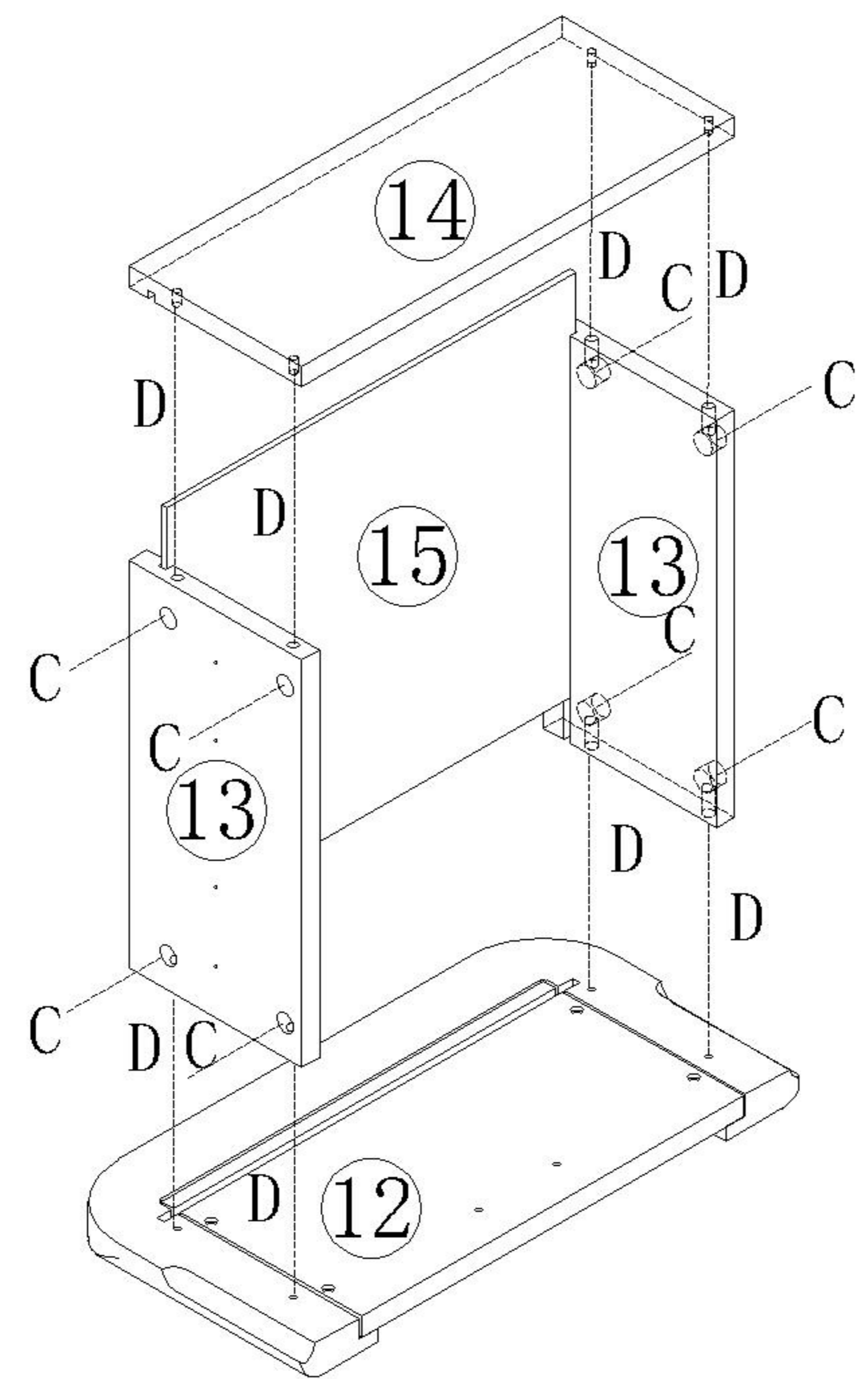
注: 先将A与B拆下来
Note: remove a and B first



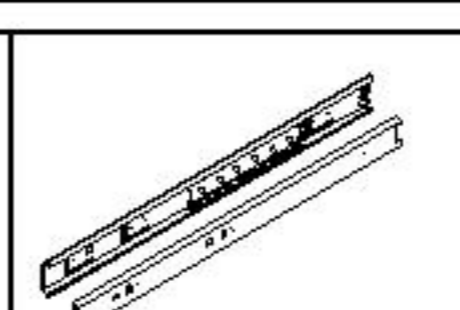
(C)*8



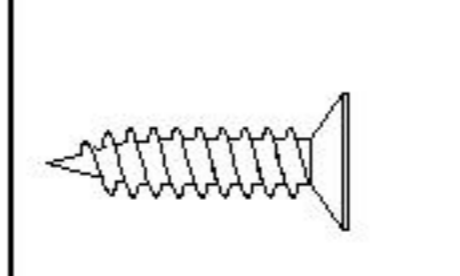
(D)*8



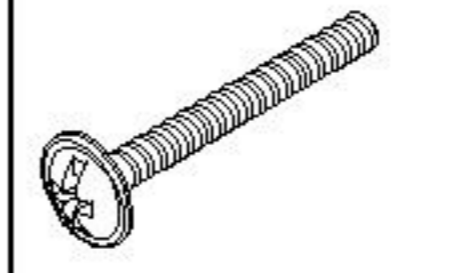
5



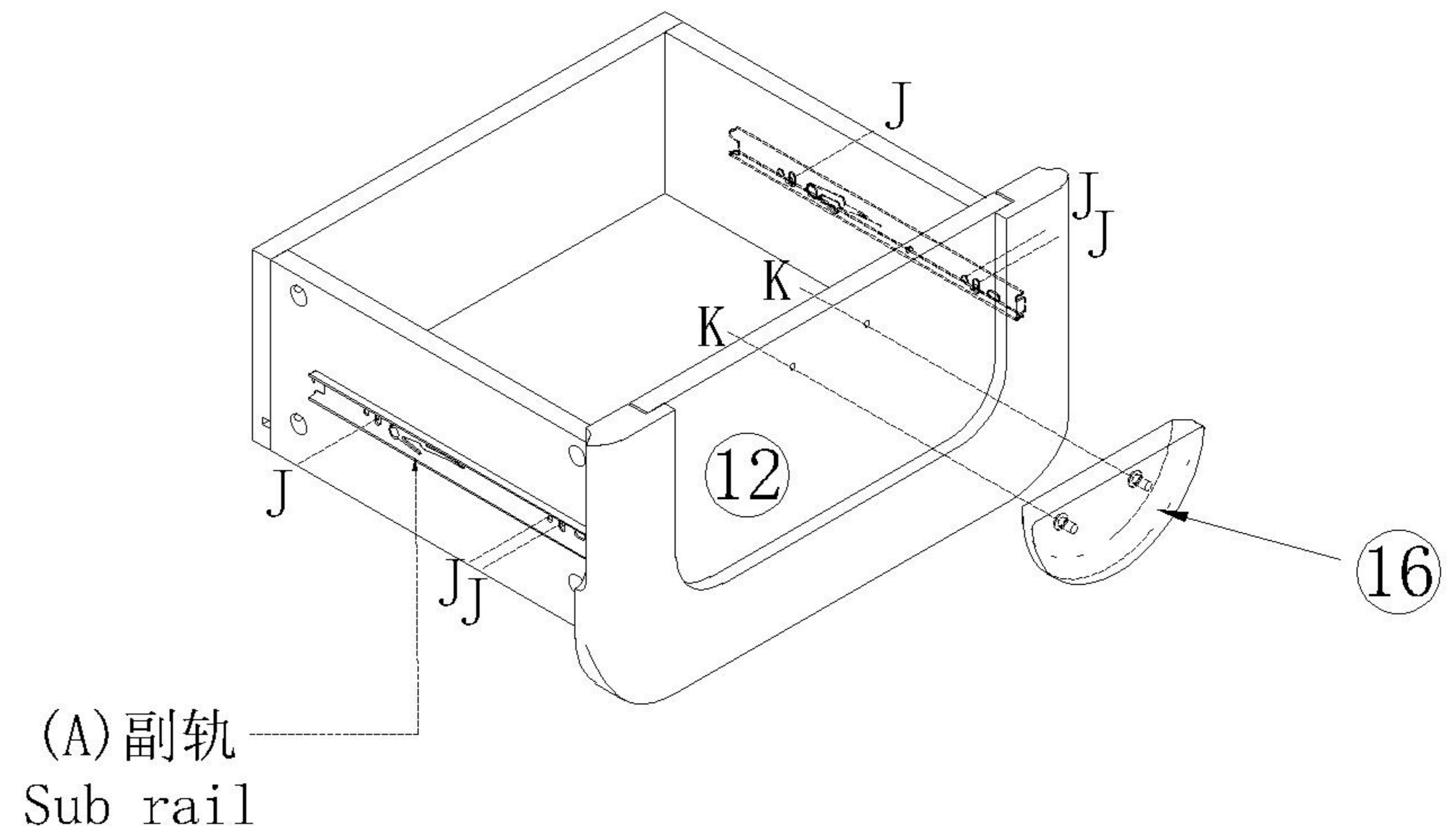
(A)*1



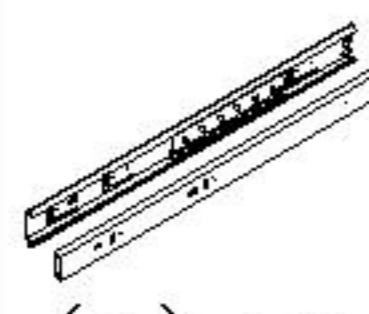
(J)*6



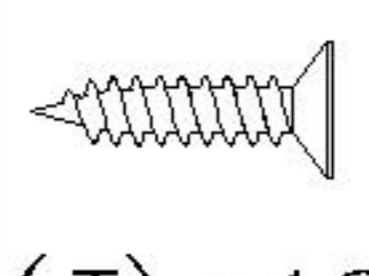
(K)*2



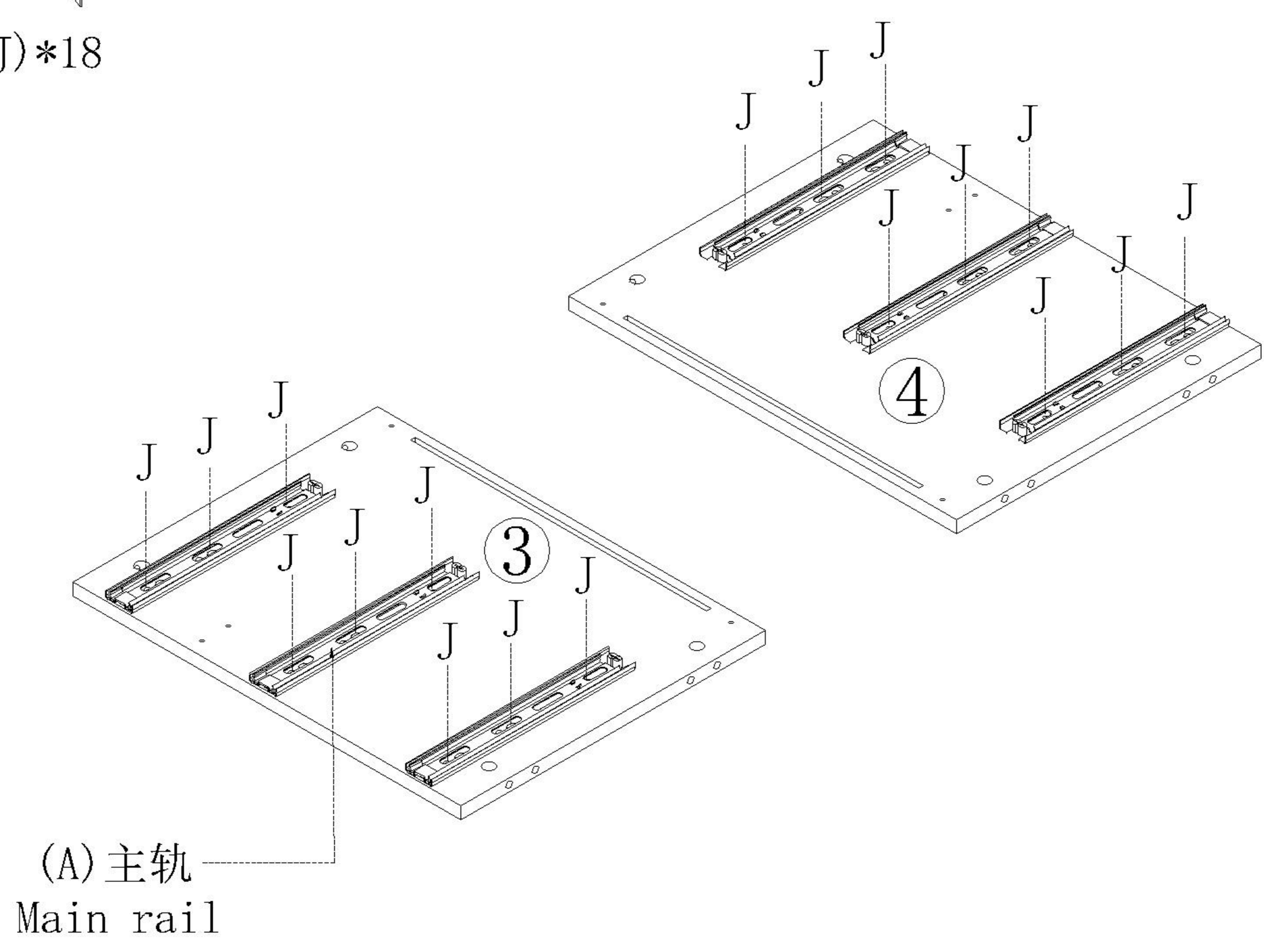
6



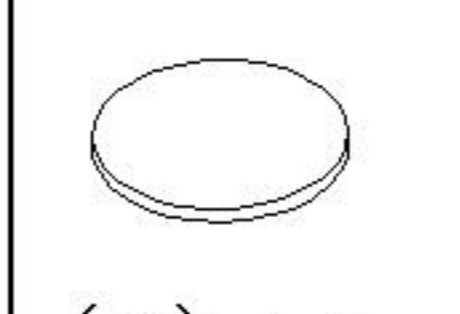
(A)*3



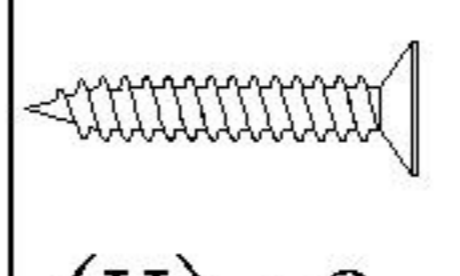
(J)*18



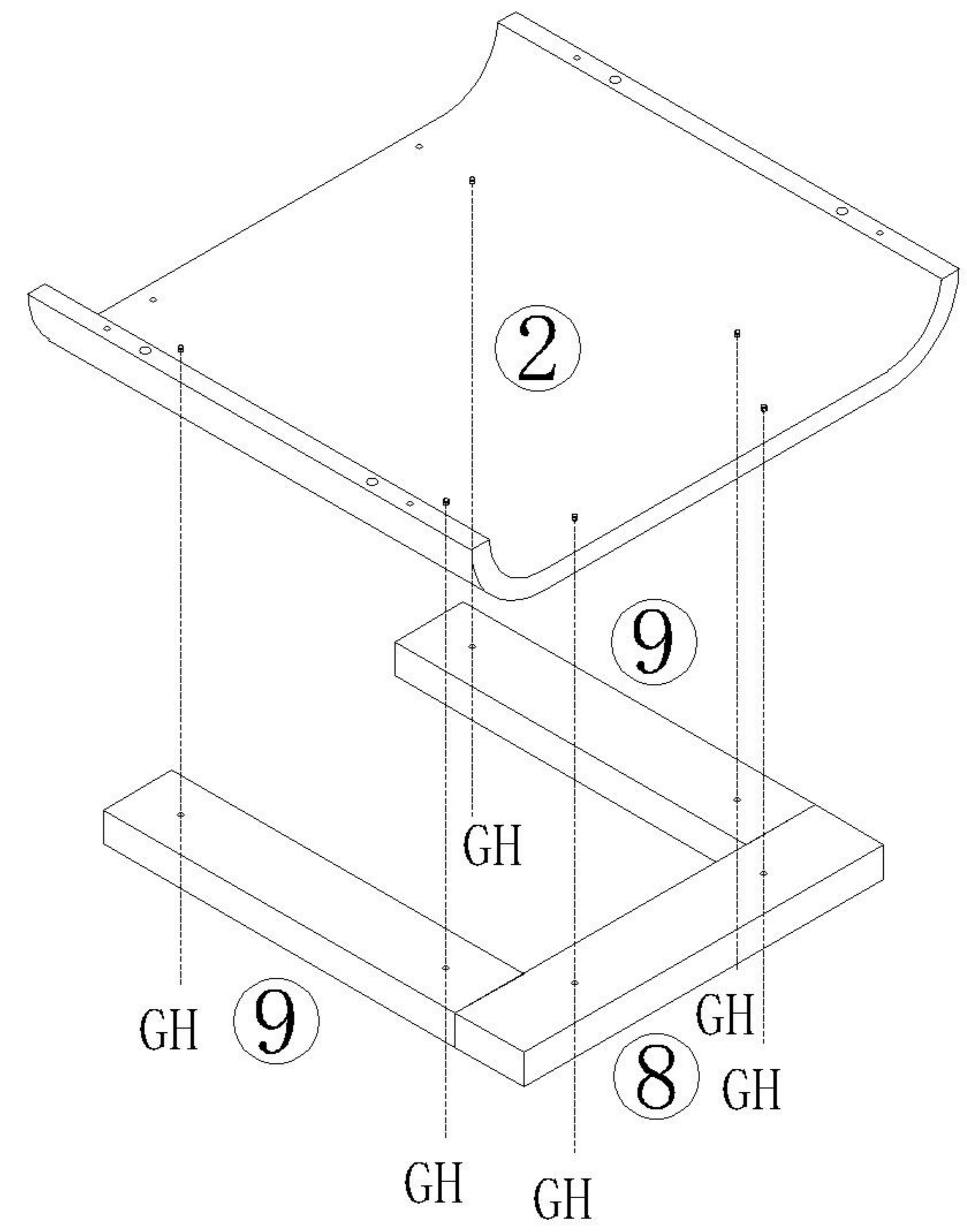
7



(G)*6

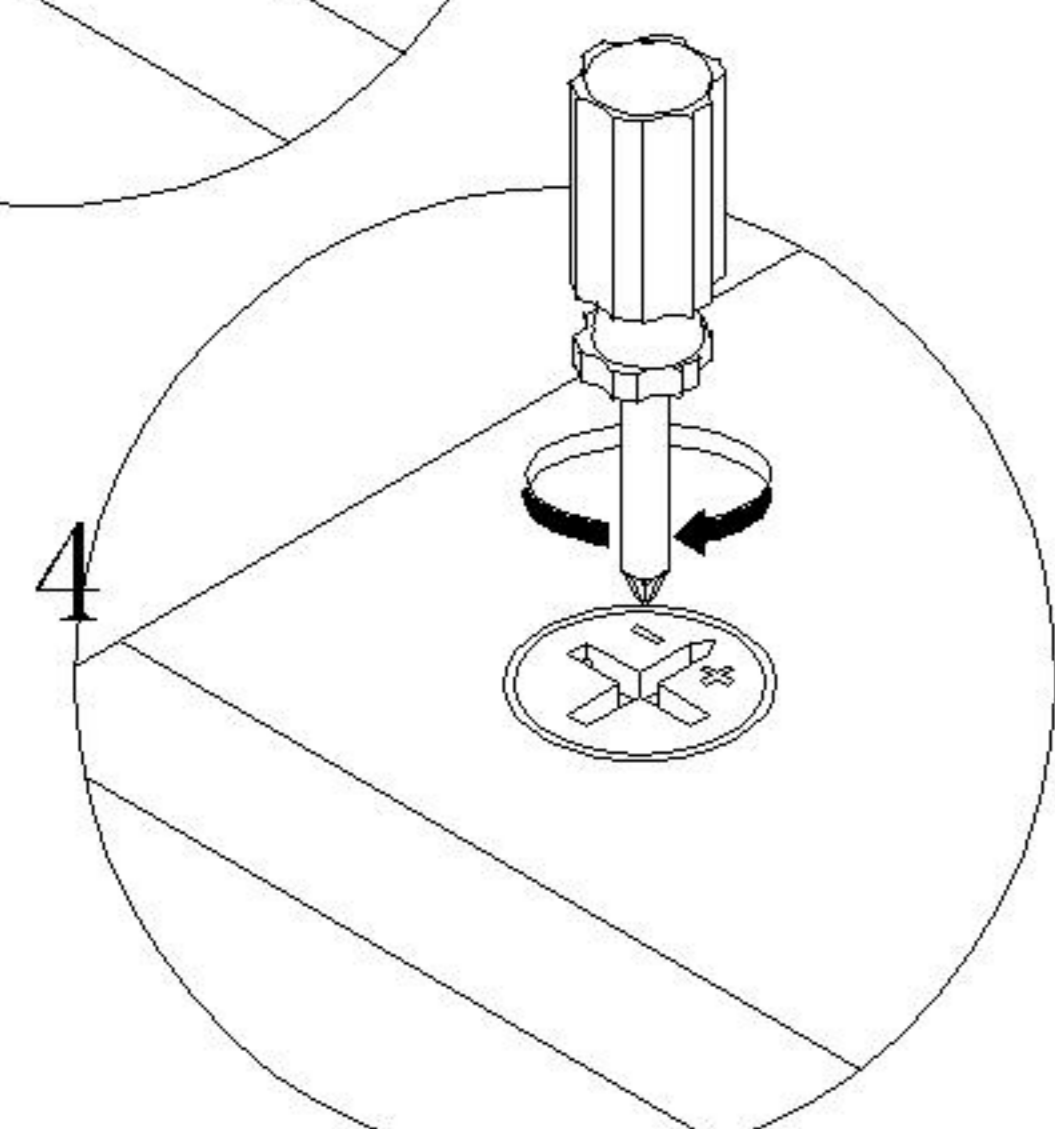
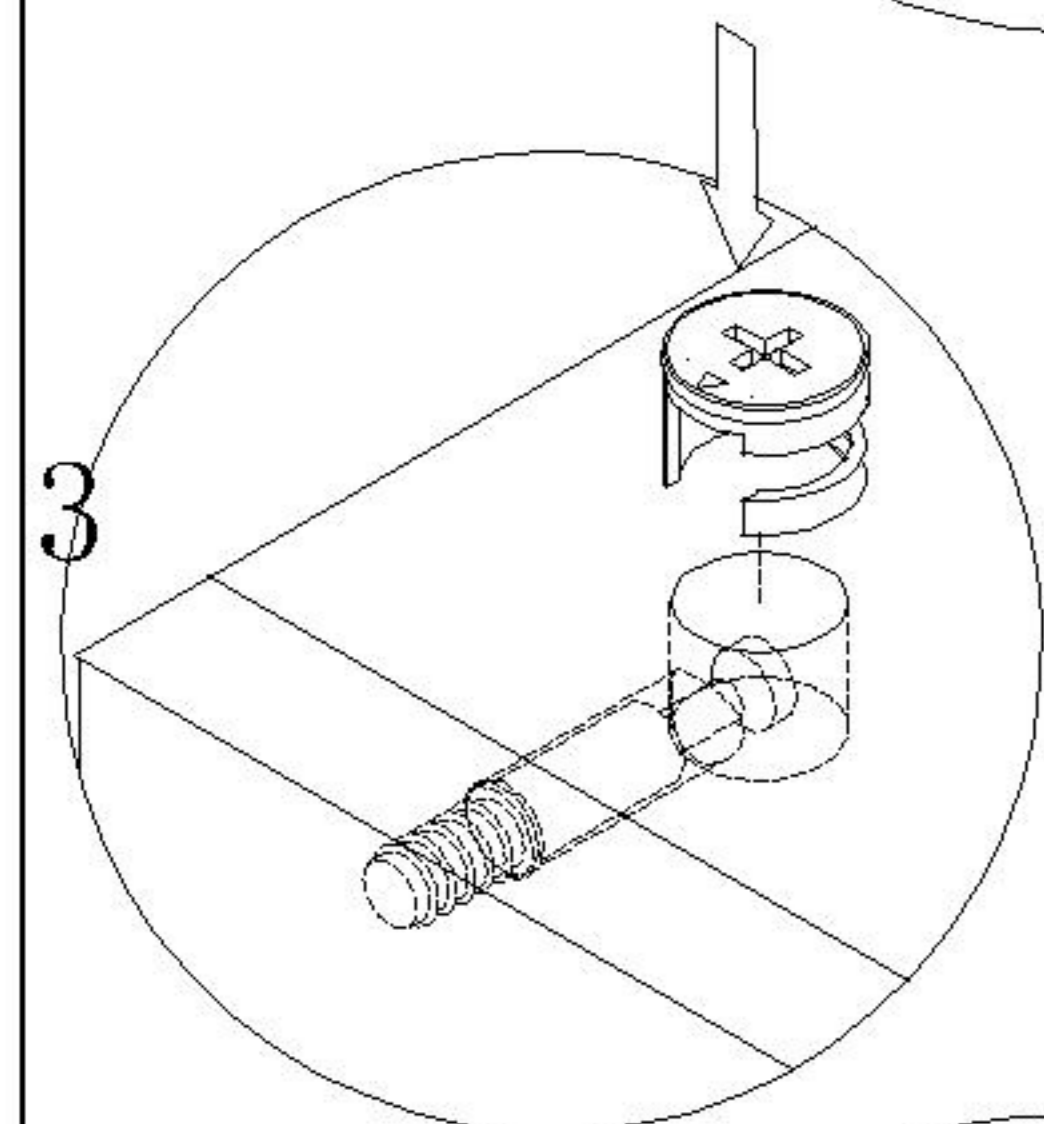
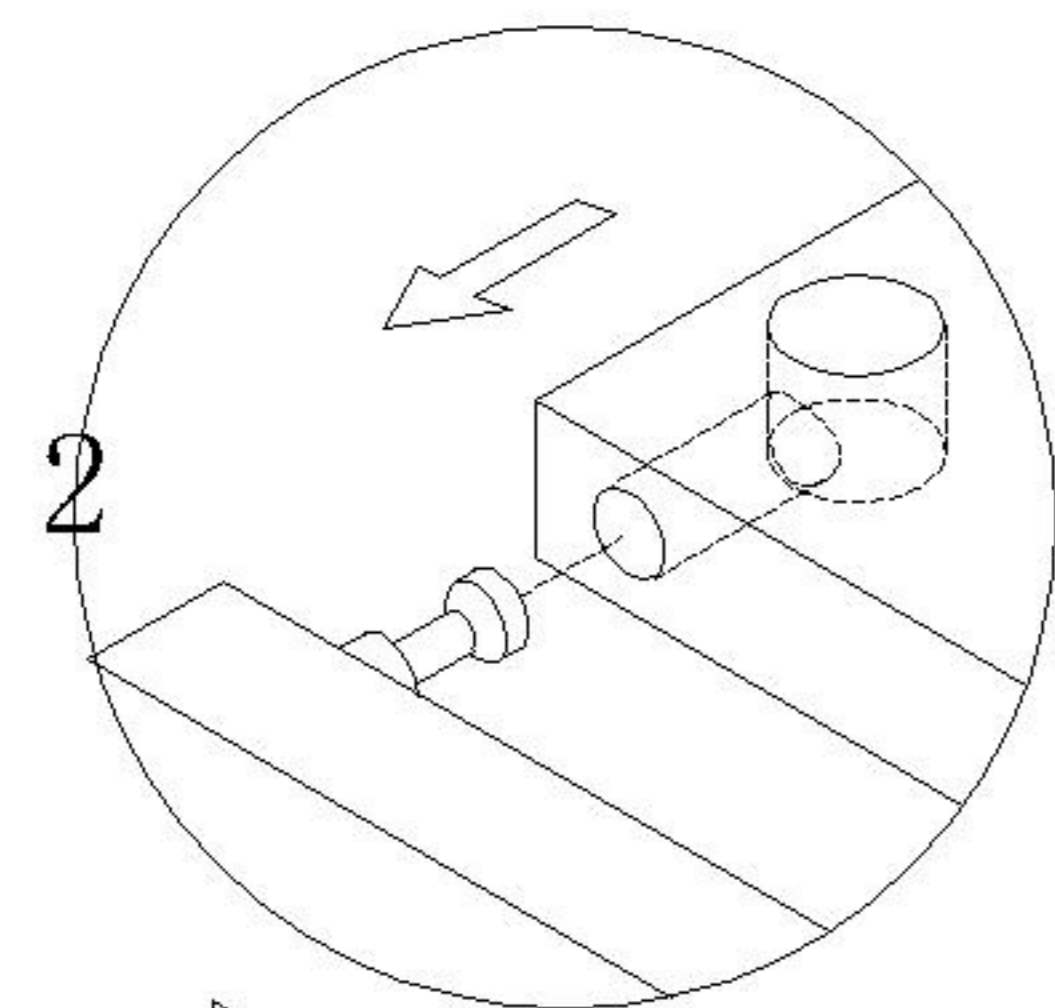
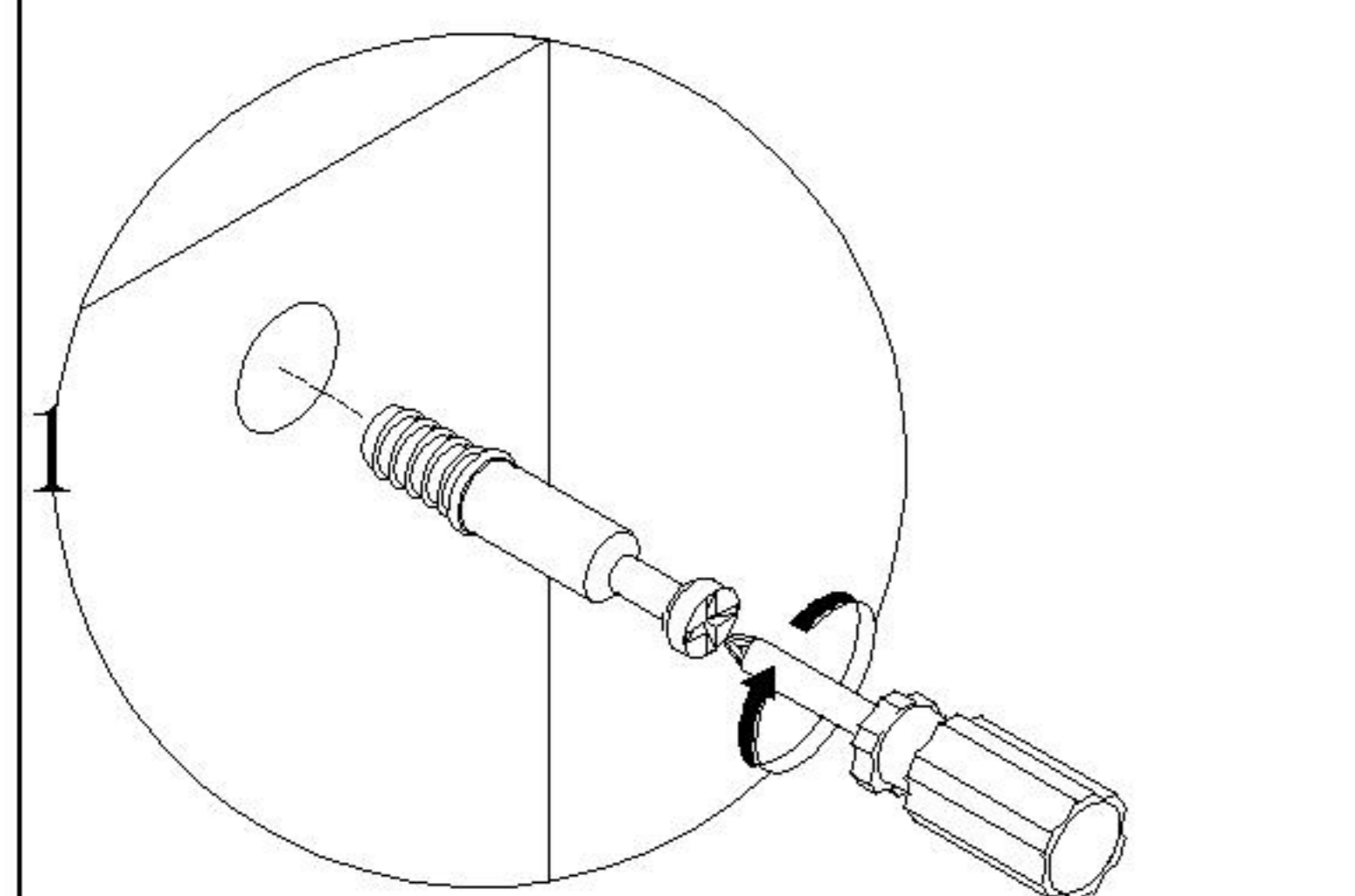


(H)*6

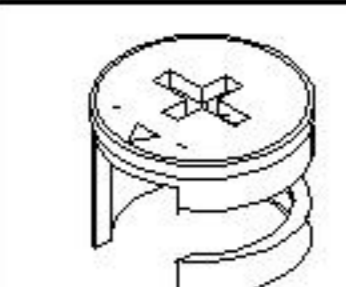


8

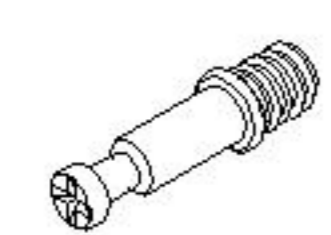
安装方法/
Installation method



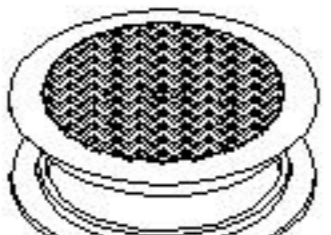
大二合一
two-in-one



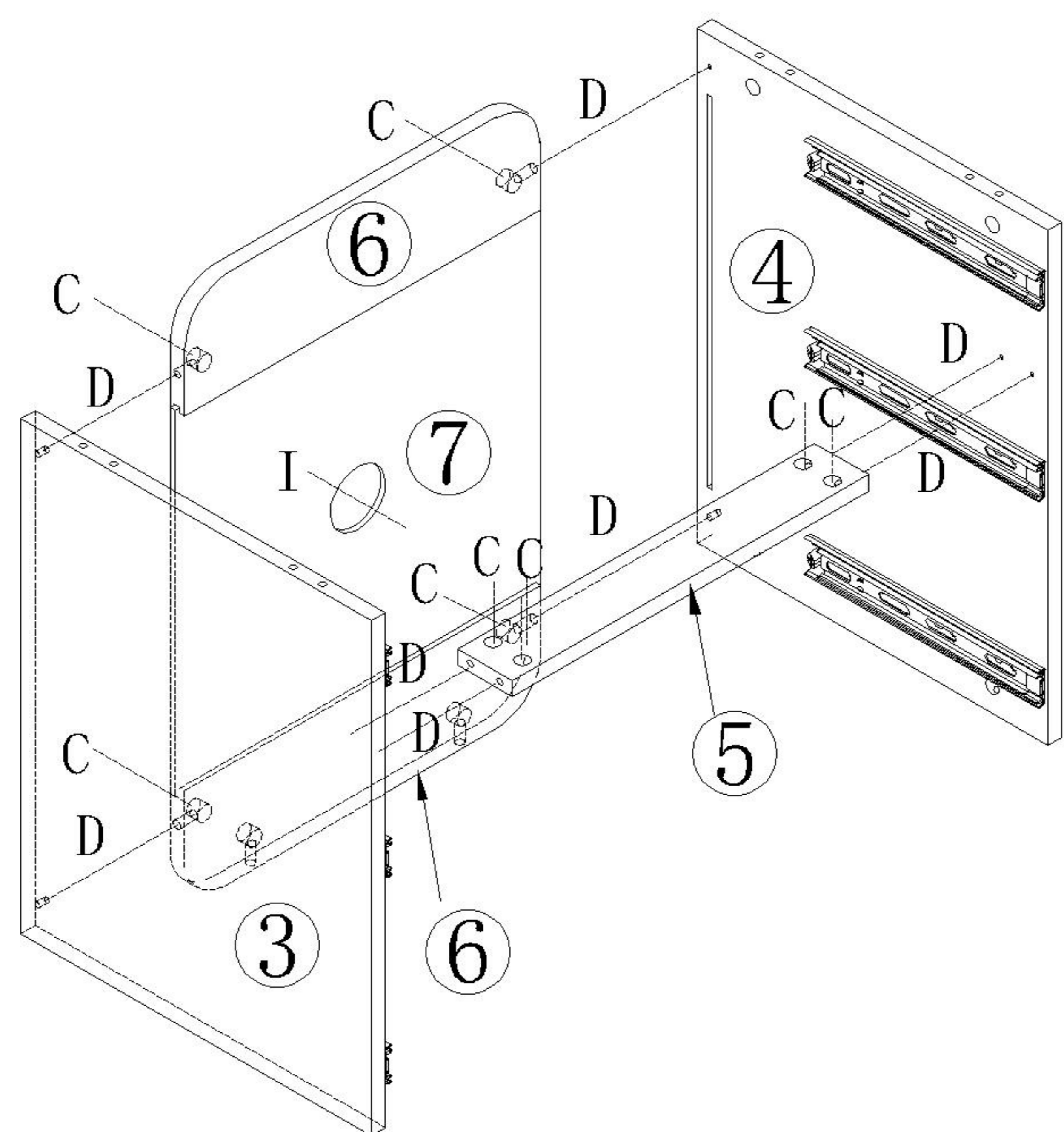
(C)*8



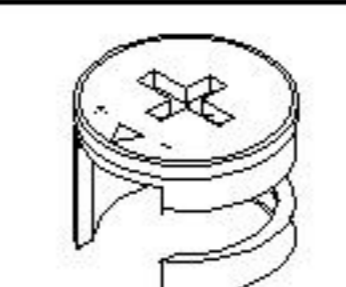
(D)*8



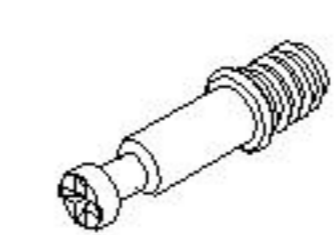
(I)*1



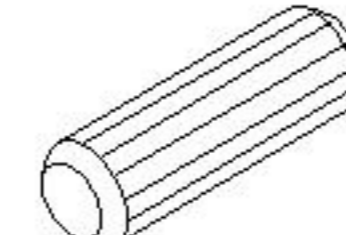
9



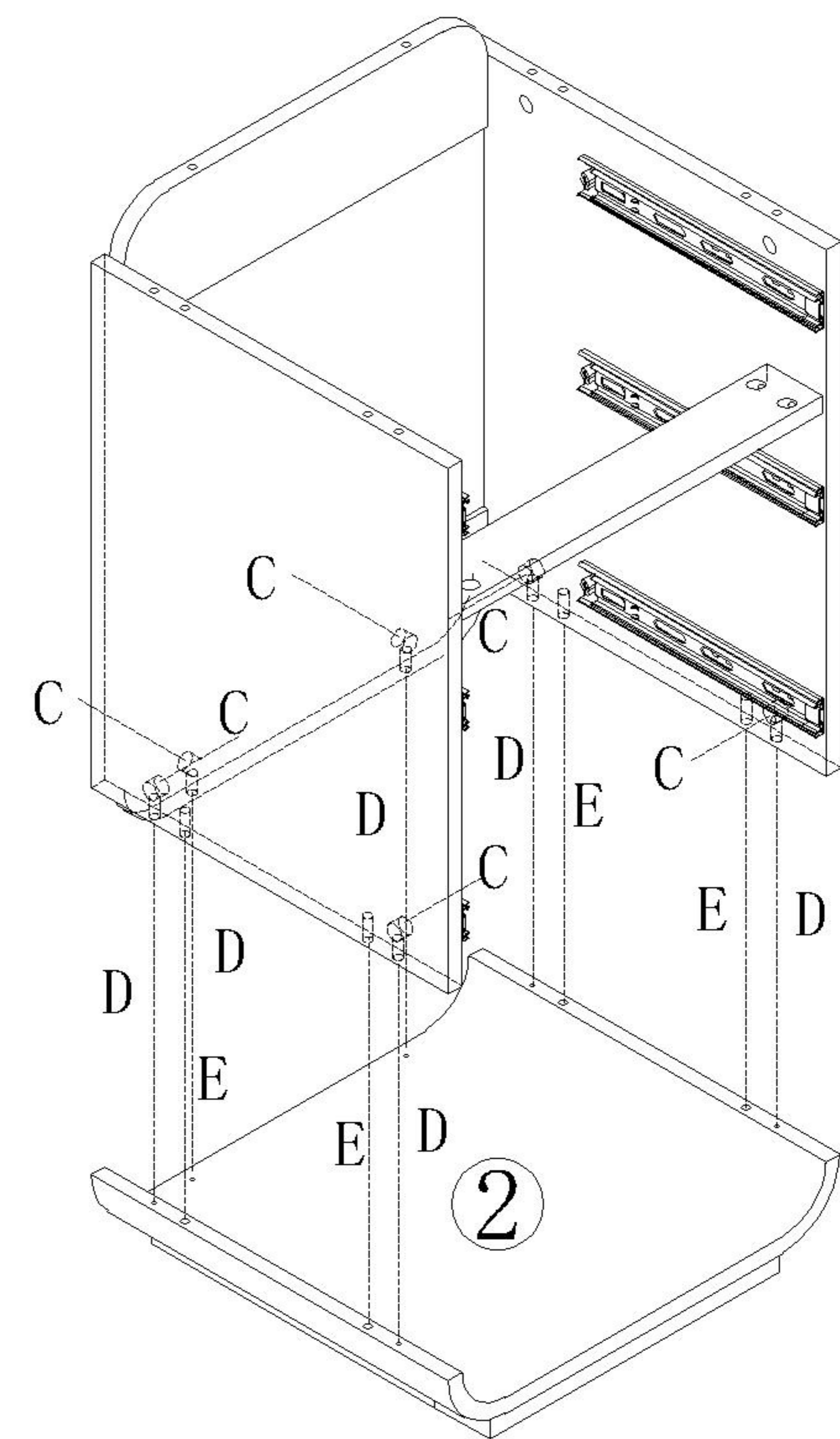
(C)*6



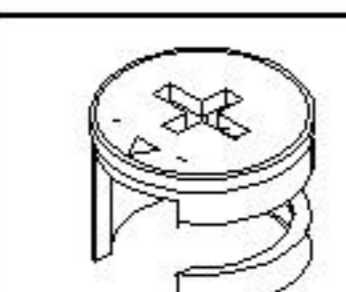
(D)*6



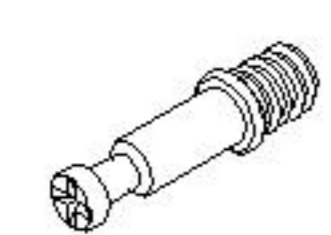
(E)*4



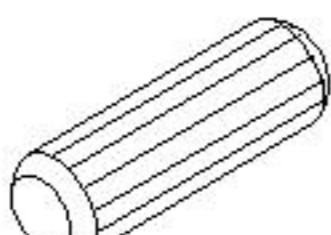
10



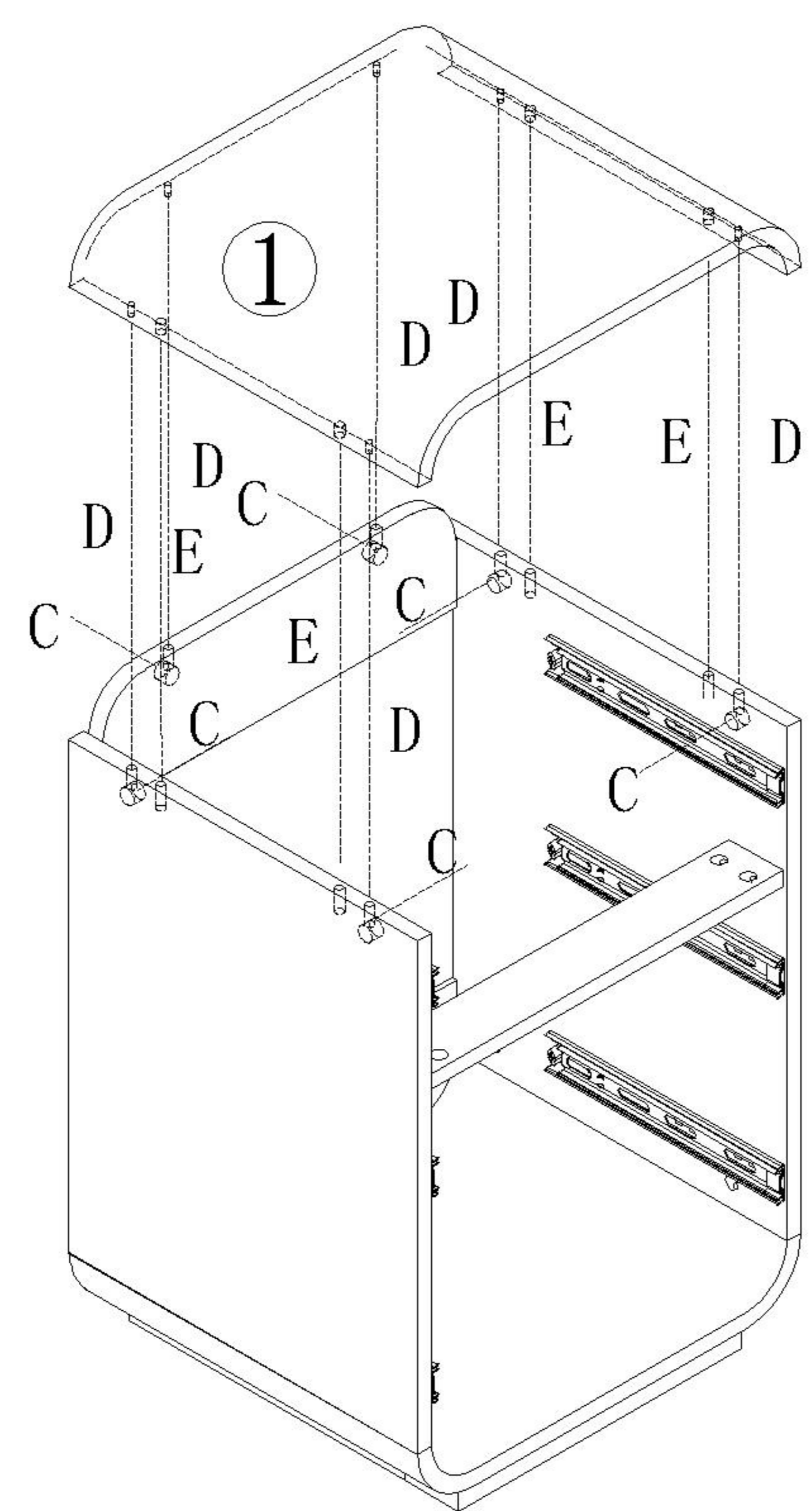
(C)*6



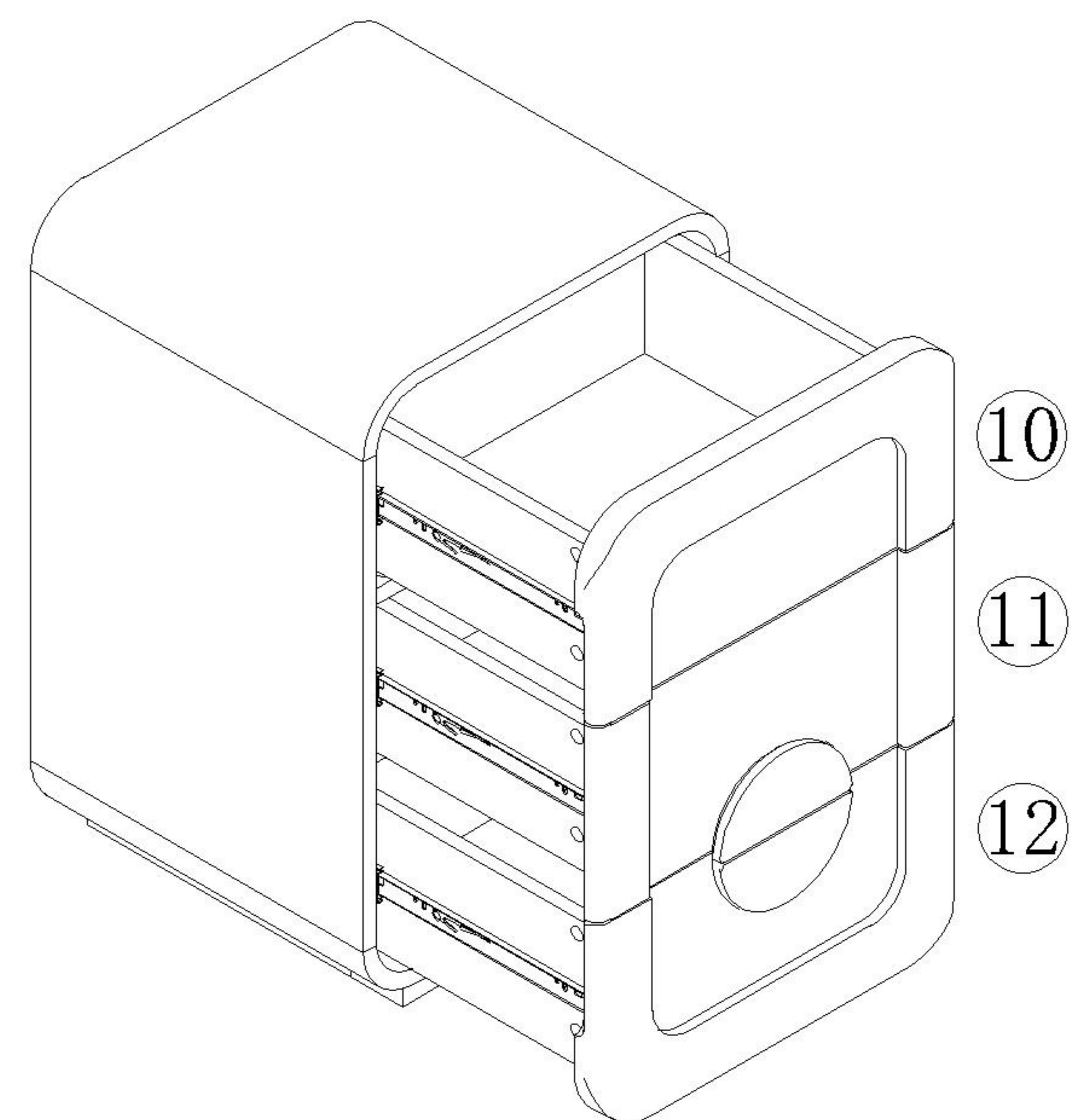
(D)*6



(E)*4

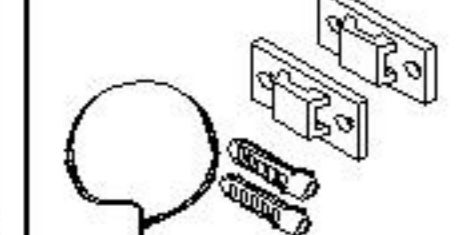




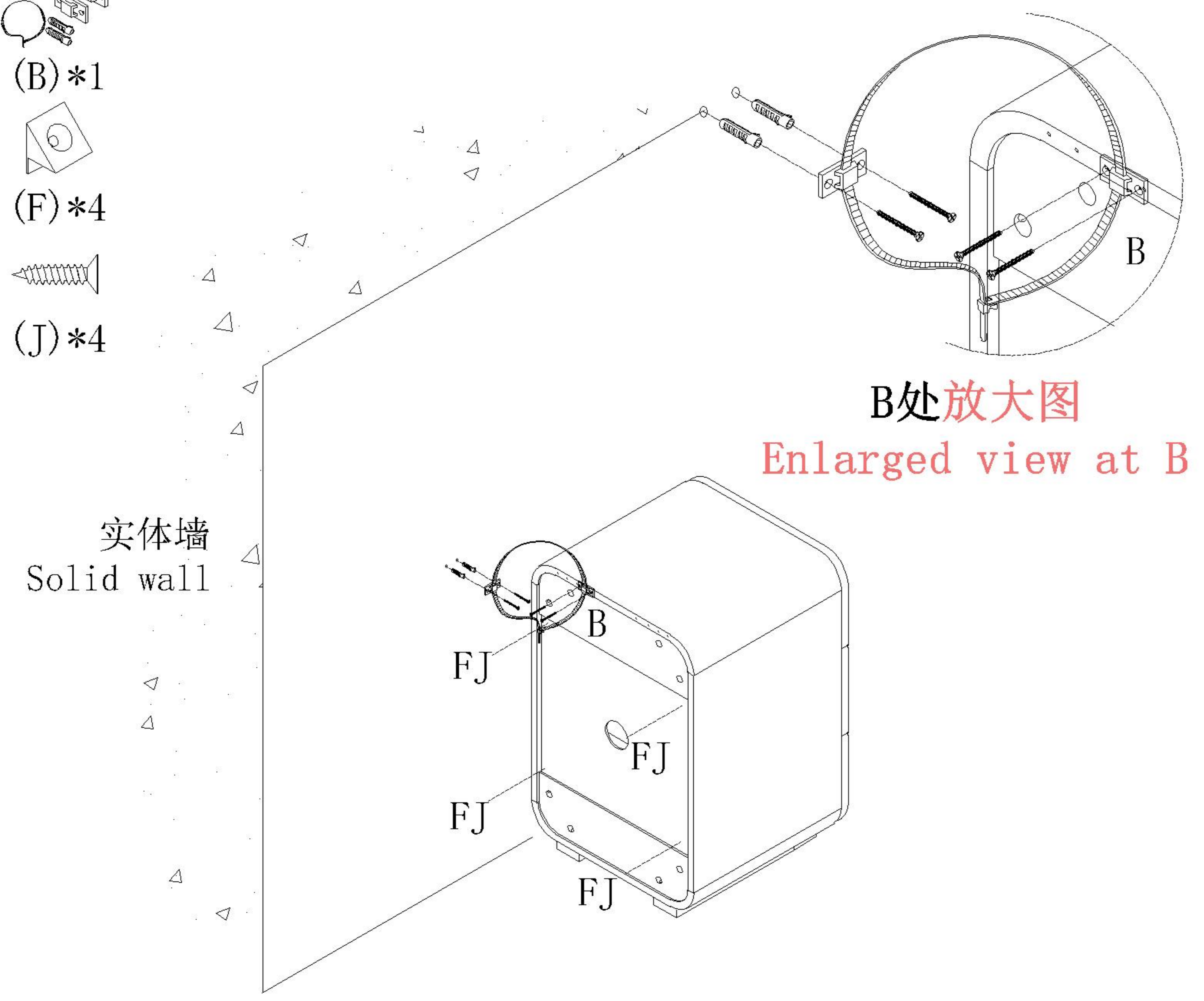
11



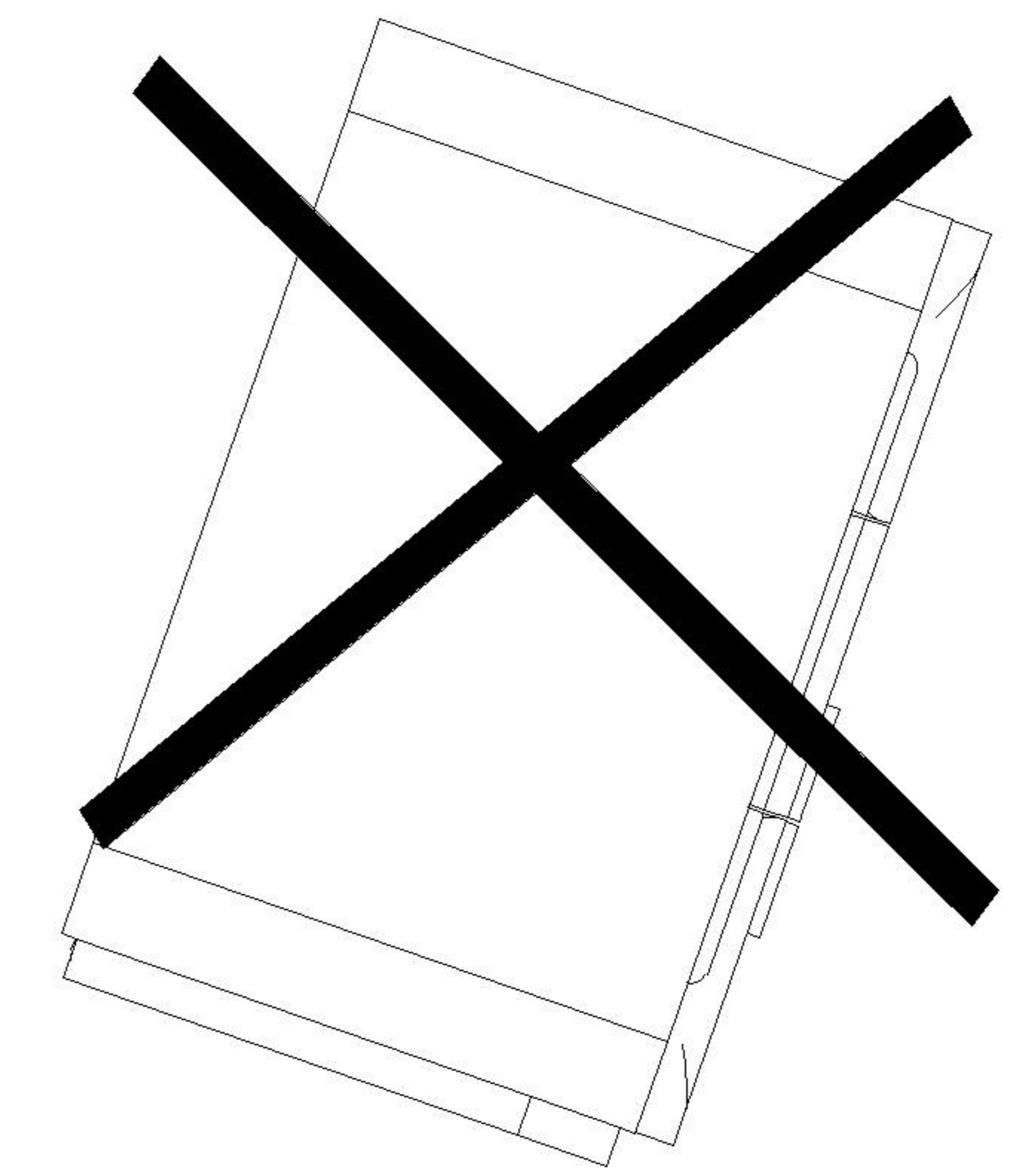
12

安装方法/
Installation method

-  (B)*1
-  (F)*4
-  (J)*4



实体墙
Solid wall

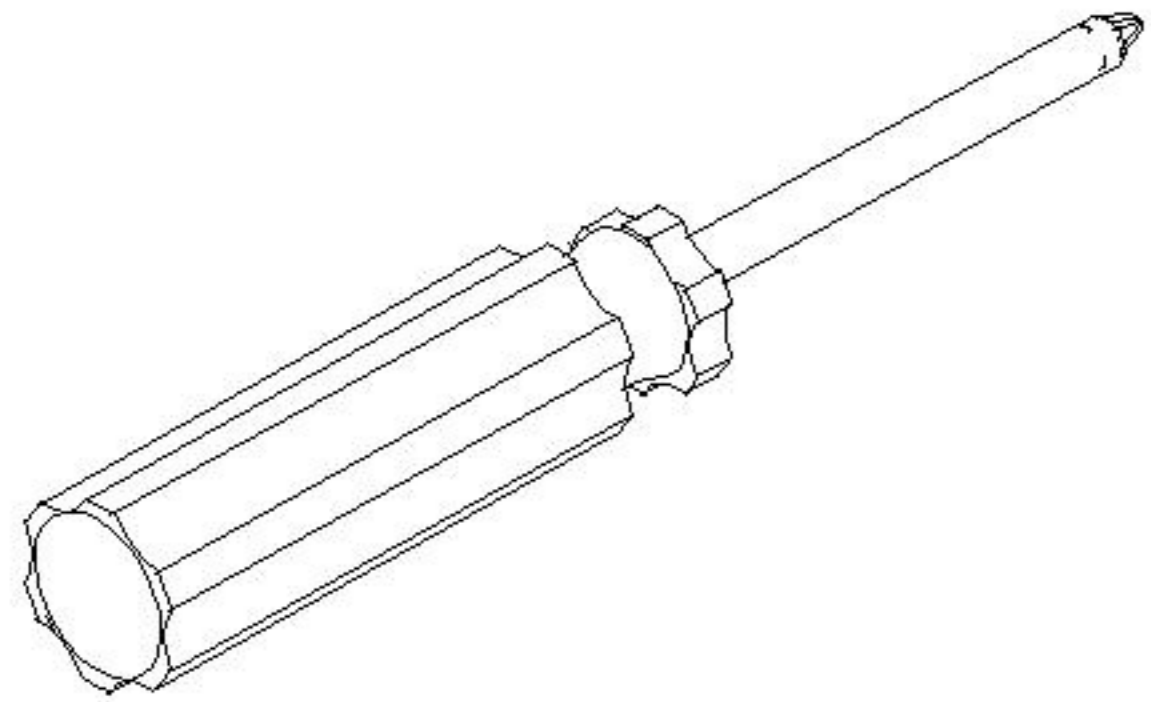
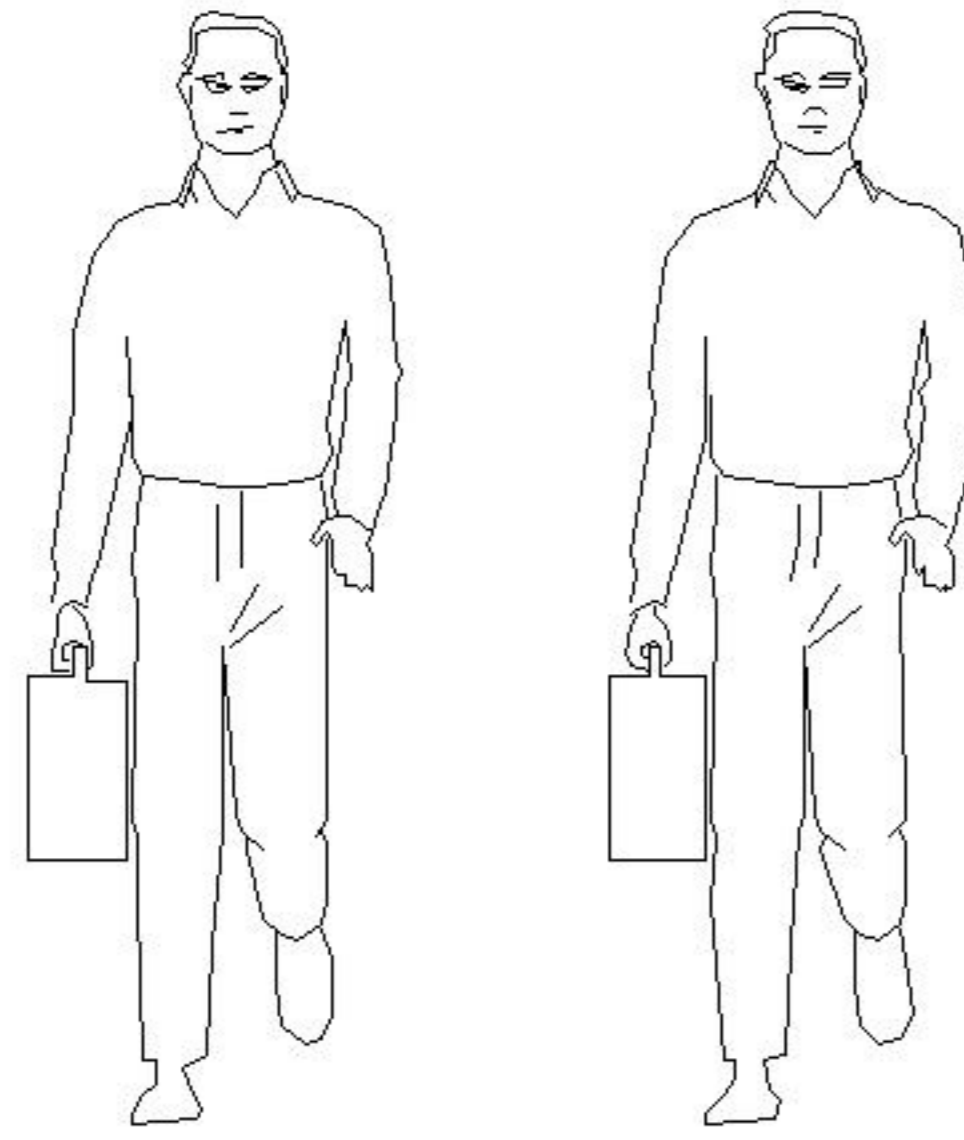


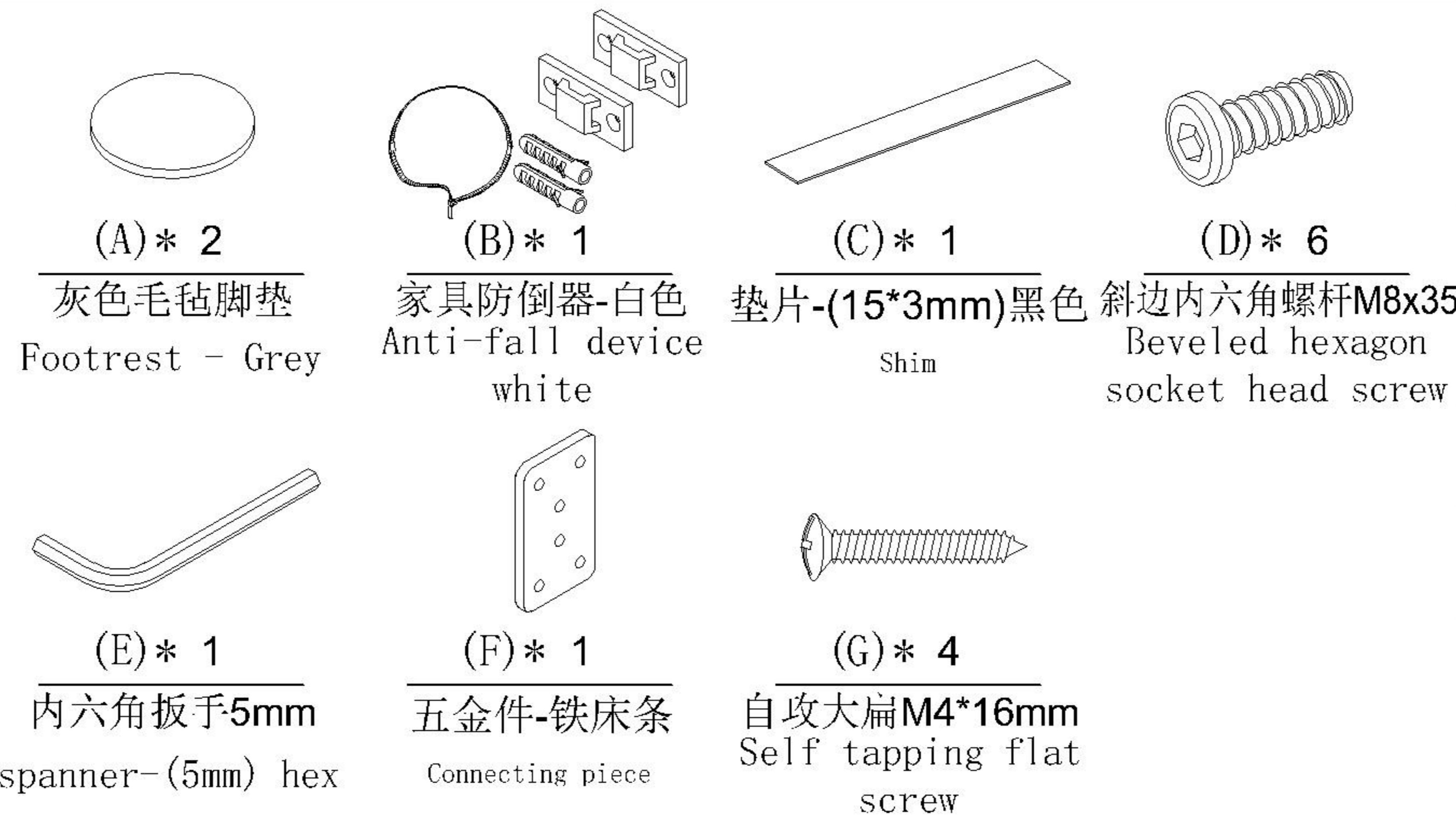
LINSY 林氏家居

五金表/Hardware list

部件表/Parts List

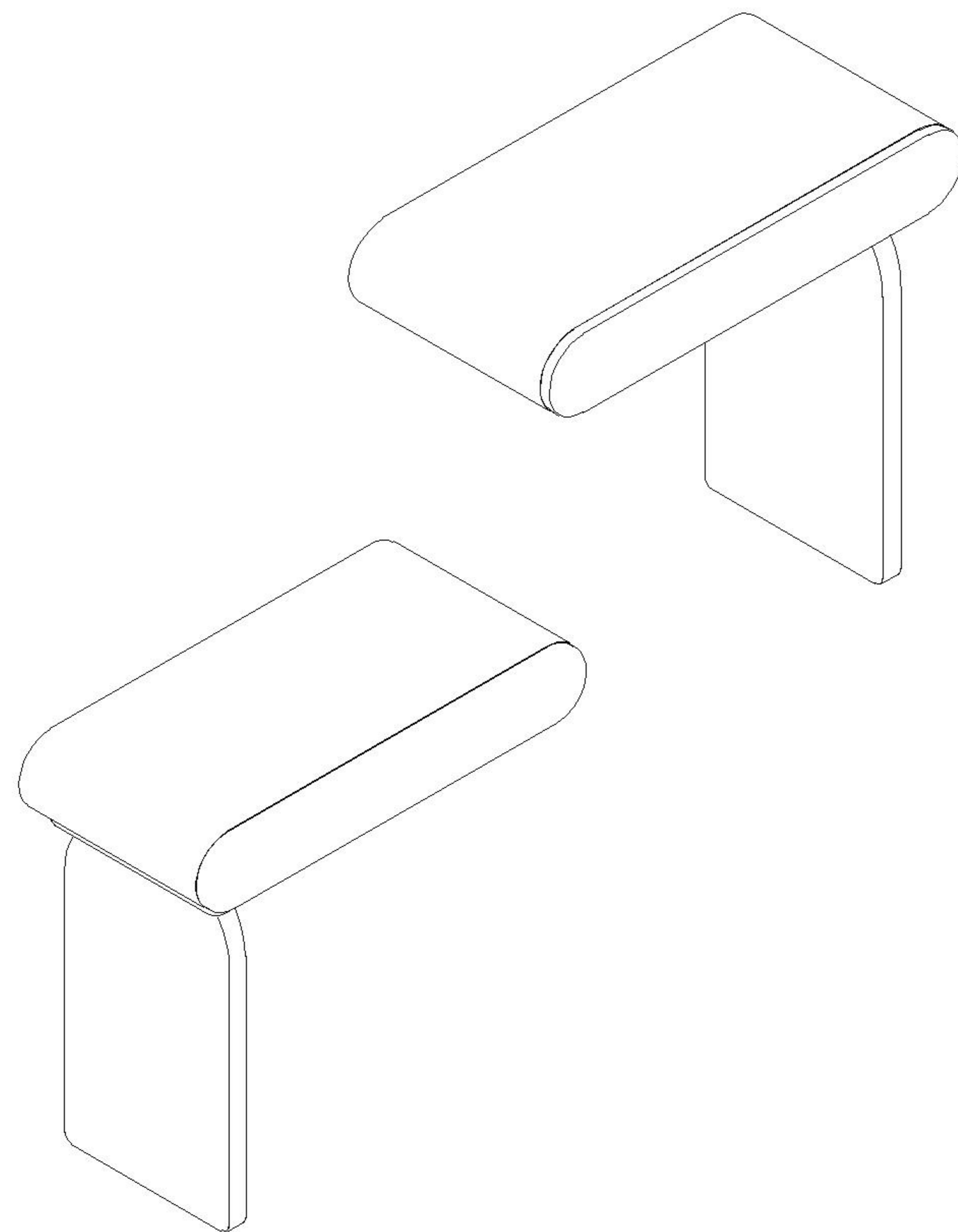
安装示意图/Assembly Instruction

产品名称 Model NO.	妆台主体
产品型号 Product Model	YF2C-A
尺寸规格 Specification	(818*400*766)mm
安装工具 Tool	安装人数 Installer
	



编号NO.	名称Name	规格 (MM) Specification	数量QTY	材质Material
①	整装柜子 Packaged cabinet	818*400*137	1	纤维板+刨花板 Fiberboard+Particle board
1-1	柜体 Cabinet	818*375*137	1	纤维板 Fiberboard
1-2	背板 Back board	636*99*5	1	纤维板 Fiberboard
1-3	抽屉面板 Drawer's top panel	816*135*25	1	纤维板 Fiberboard
1-4	抽屉侧板 Drawer's sideboard	290*78*15	2	刨花板 Particle board
1-5	抽屉后板 Drawer's Back board	612*78*15	1	刨花板 Particle board
1-6	抽屉底板 Drawer's Bottom board	592*300*5	1	纤维板 Fiberboard
1-7	抽屉底托条 Drawer's bottom bracket	290*58*15	1	刨花板 Particle board
②	脚架 Tripod	626*360*100	1	纤维板+橡胶木 Fiberboard+Rubber wood

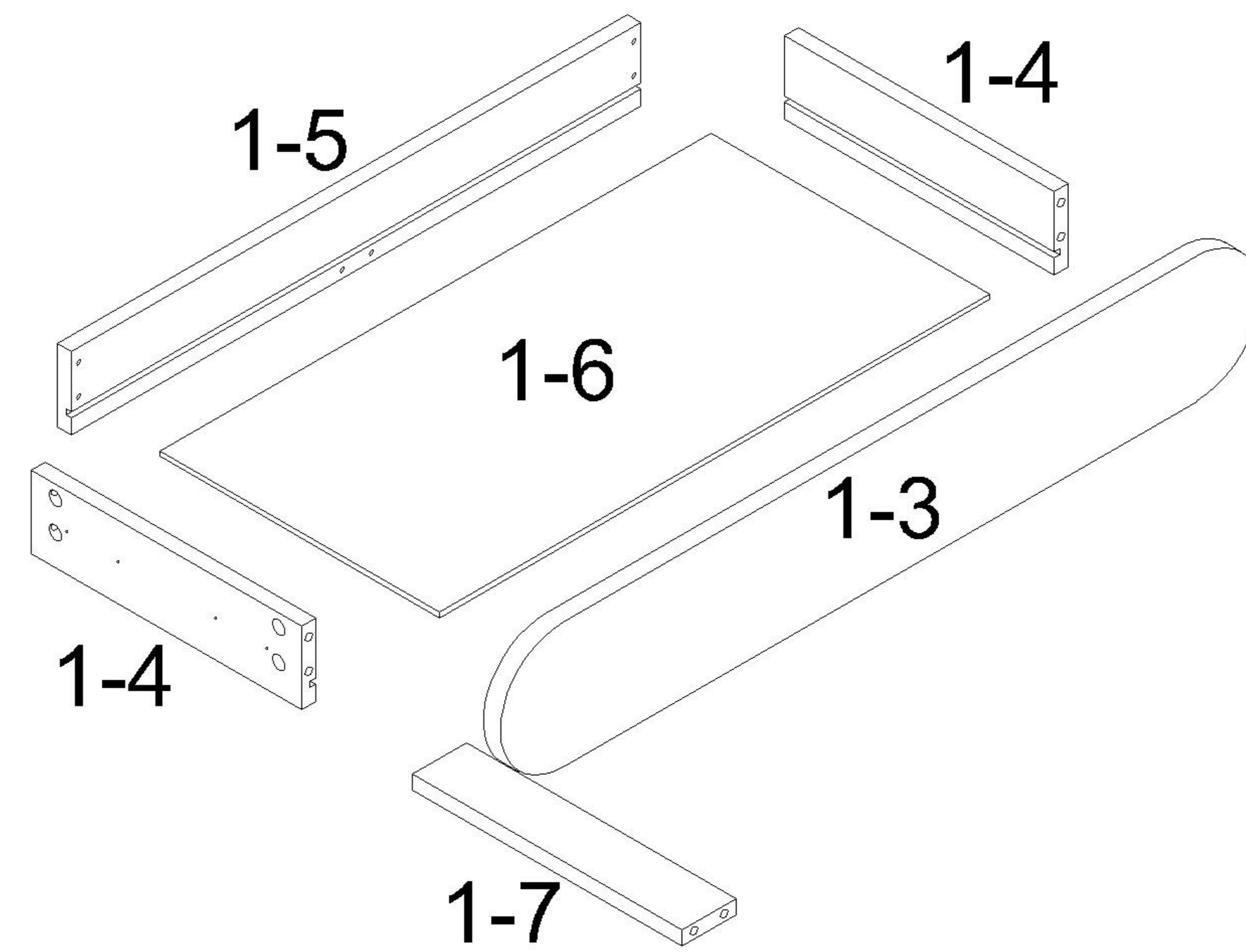
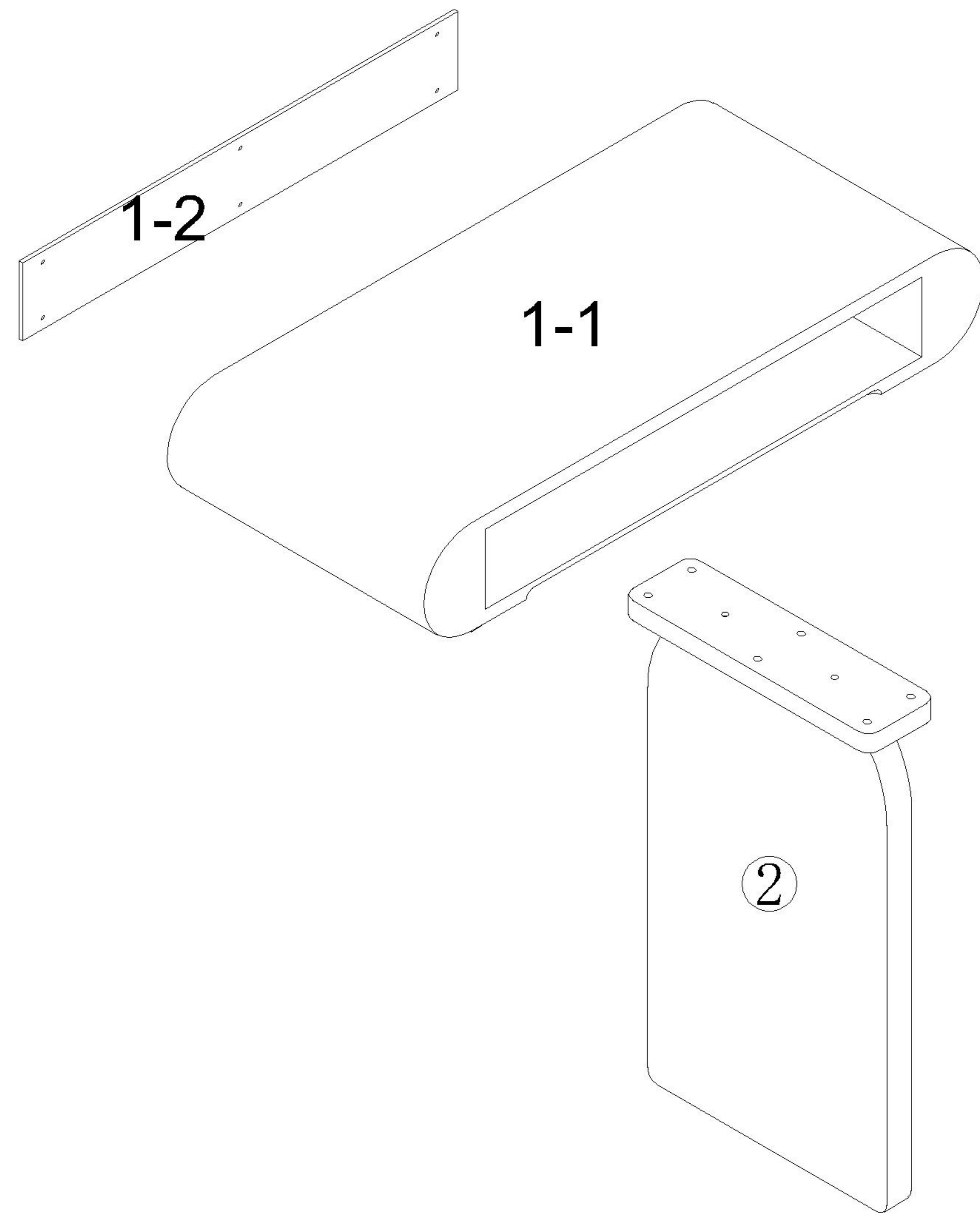
注：为保证设计效果，部分尺寸为定制尺寸，不影响使用。



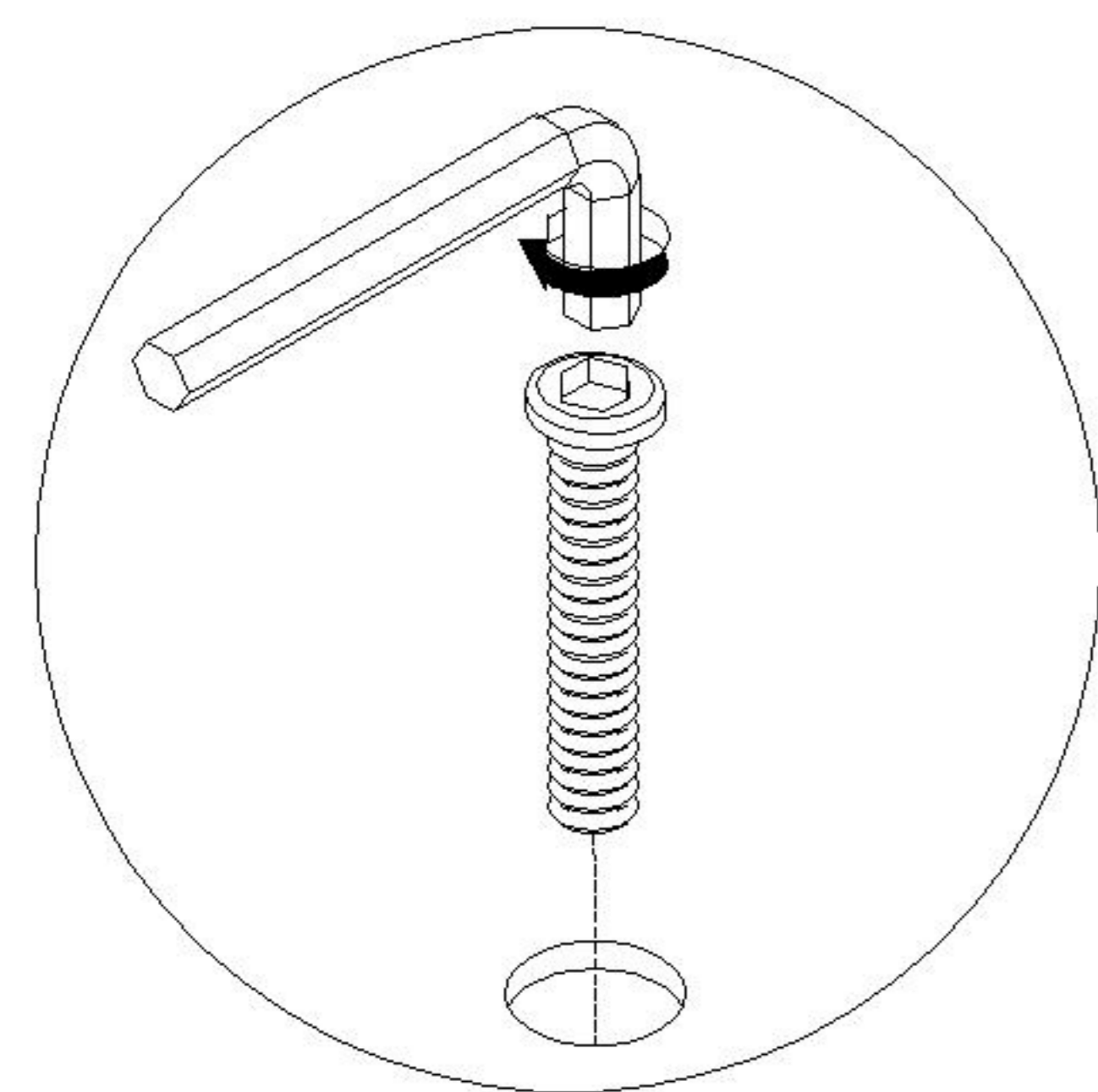
►提示：产品可左右互换安装
Tips: The product can be installed interchangeably from left to right.

提示：产品靠墙放置，并安装防倒装置
Tip: Place the product against the wall and install the anti falling device.

编号NO.	名称Name
①	整装柜子 Packaged cabinet
1-1	柜体 Cabinet
1-2	背板 Back board
1-3	抽屉面板 Drawer's top panel
1-4	抽屉侧板 Drawer's sideboard
1-5	抽屉后板 Drawer's Back board
1-6	抽屉底板 Drawer's Bottom board
1-7	抽屉底托条 Drawer's bottom bracket
②	脚架 Tripod

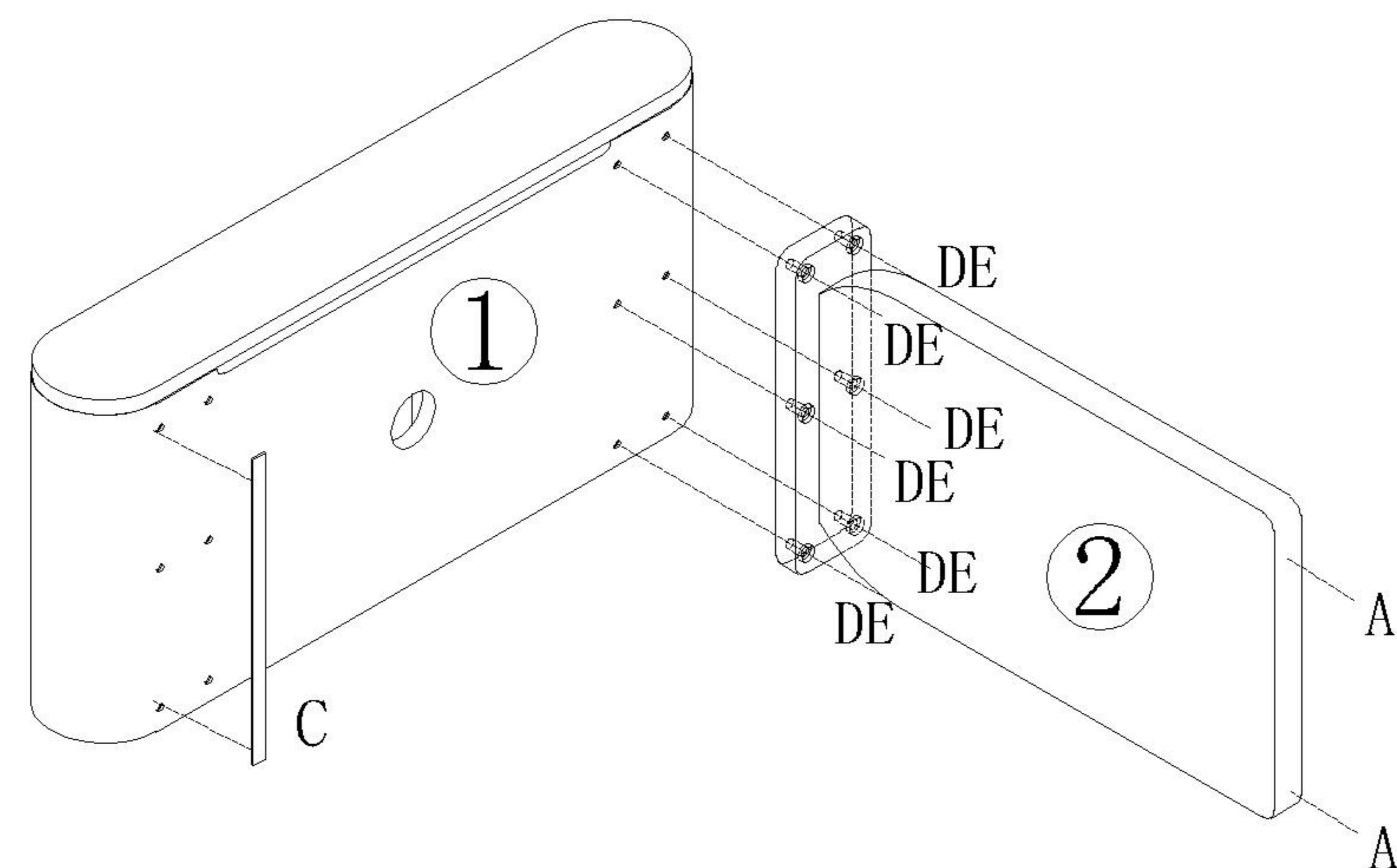


安装方法/
Installation method

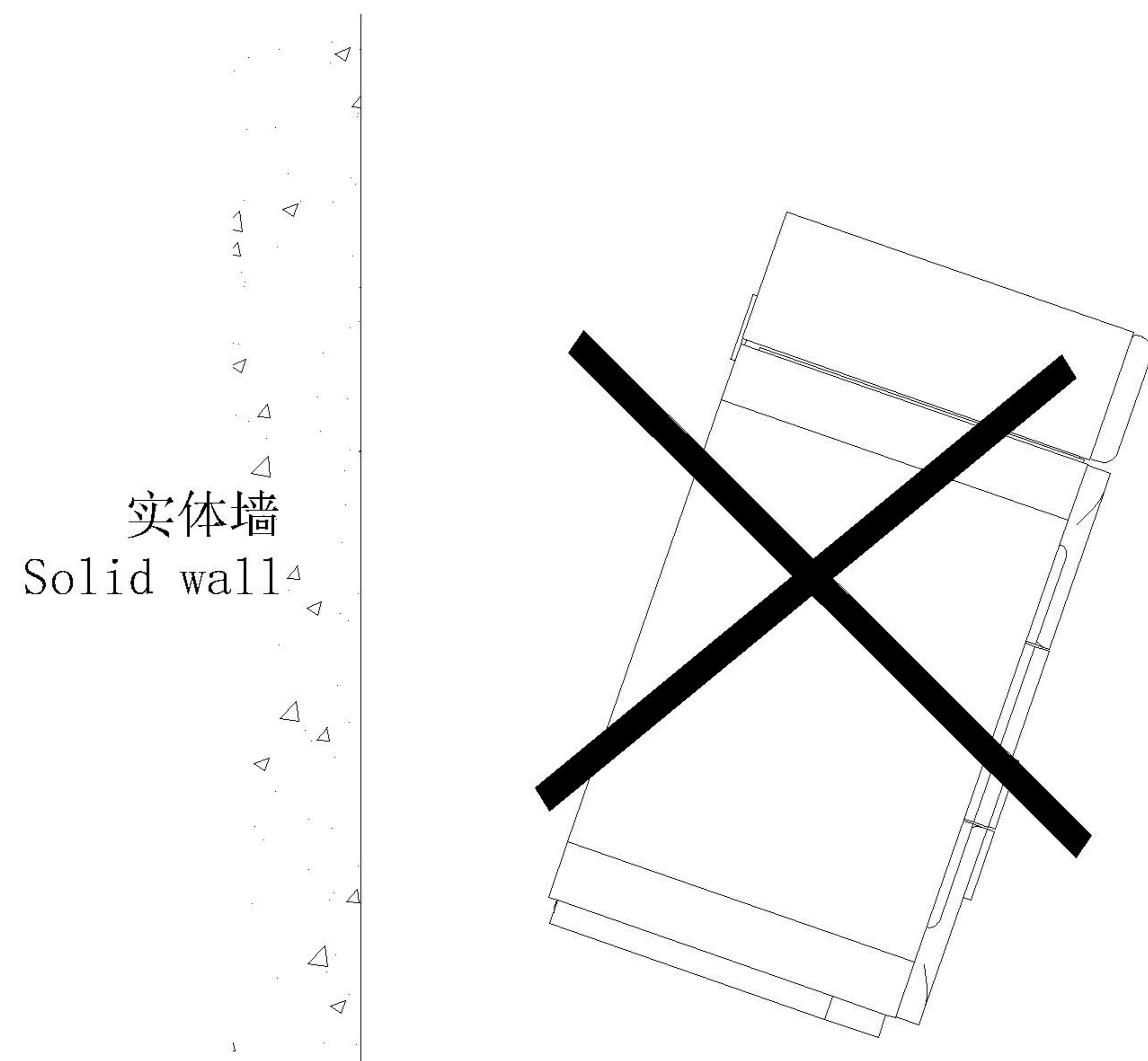


斜边内六角螺杆
Beveled hexagon socket head screw

- (A)*2
- (C)*1
- (D)*6
- (E)*1

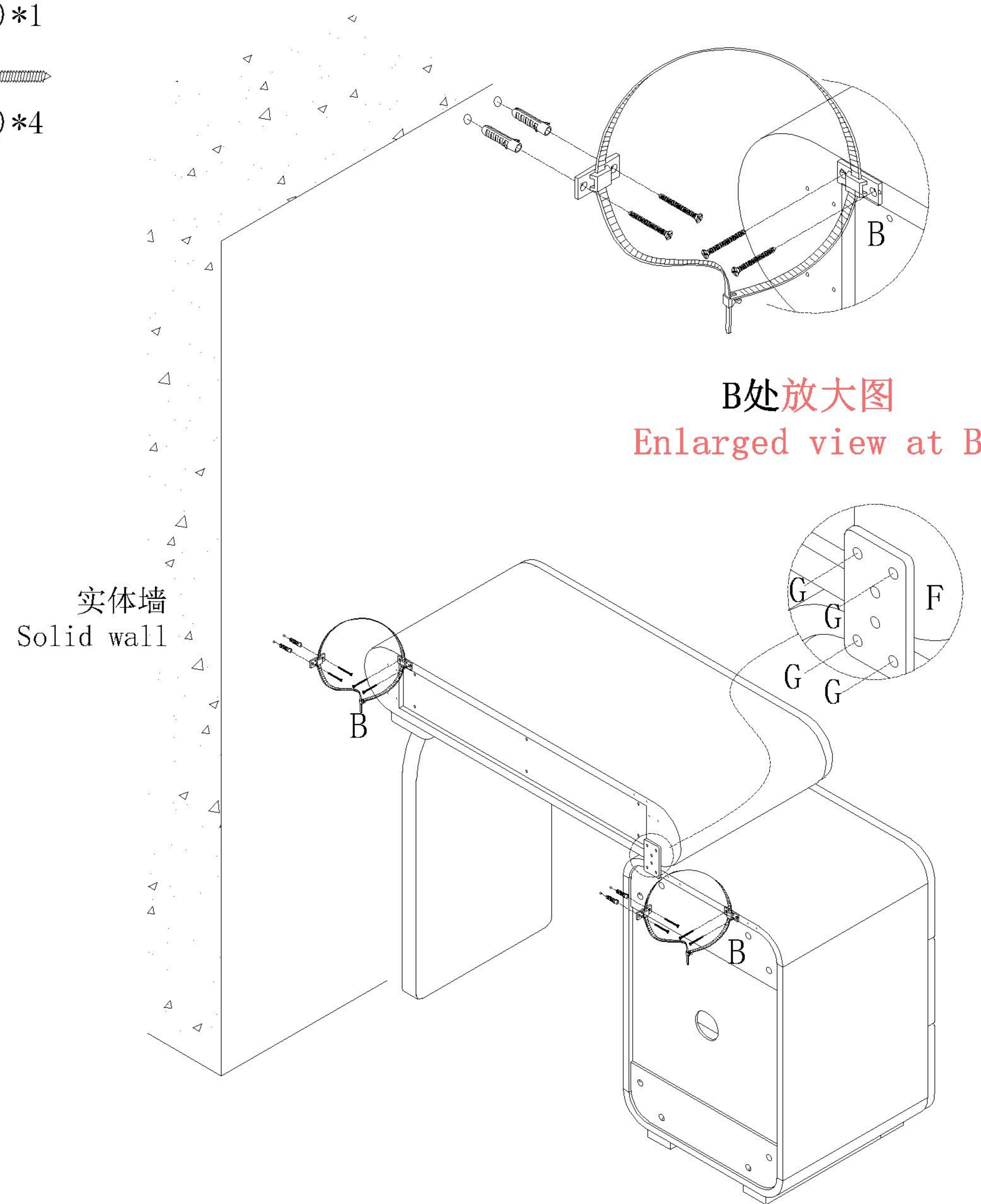


注：部件②和五金C可装左边或者右边，此图为妆台附柜在左边
Note: Component ② and hardware C can be installed on the left or right side. This diagram shows the dressing table with the attached cabinet on the left side.



3

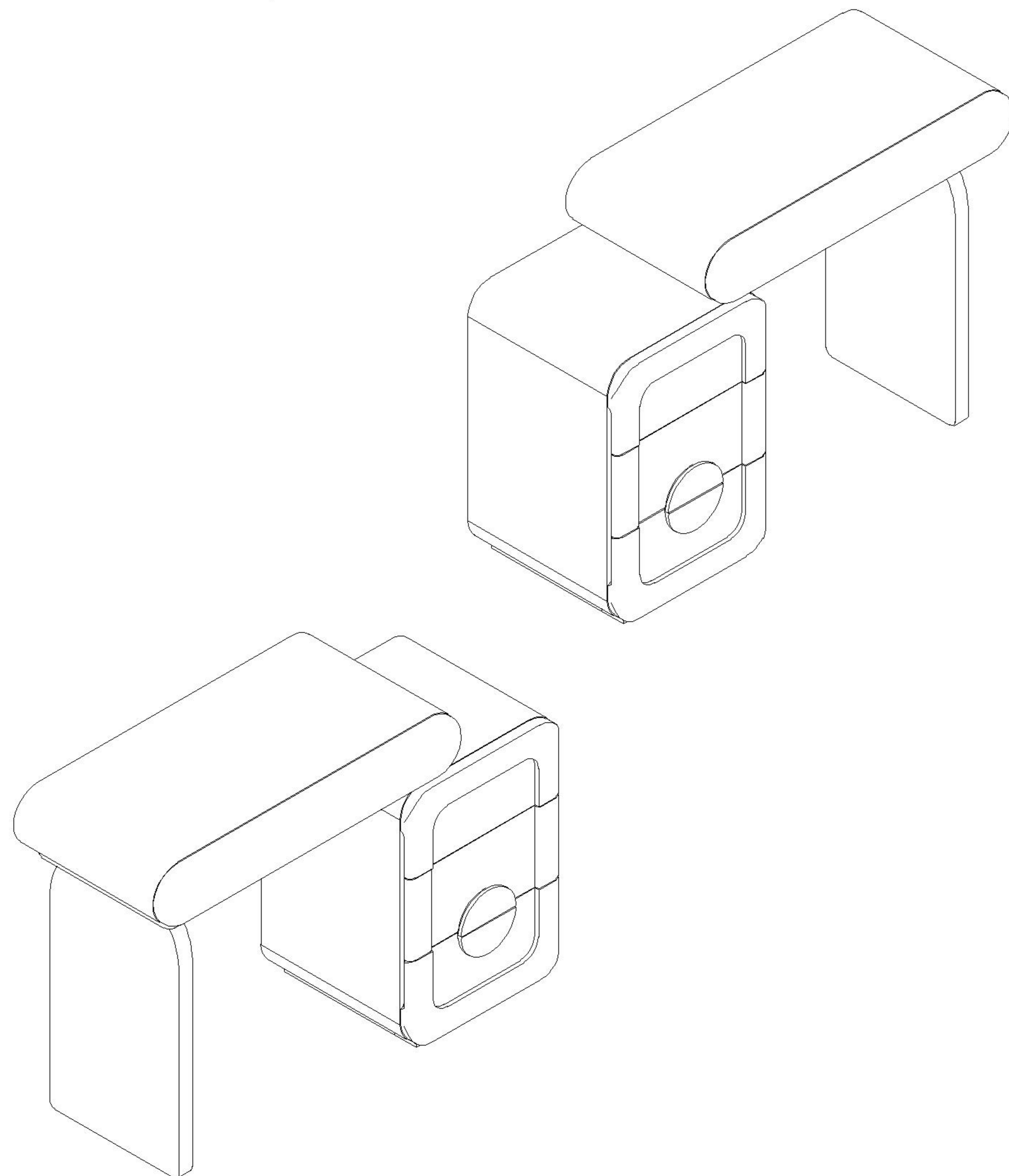
- (B)*1
- (F)*1
- (G)*4



备注：其中一个五金B放置在妆台附柜五金包中
Note: Please install the hardware B in the bucket cabinet at the position shown in the diagram

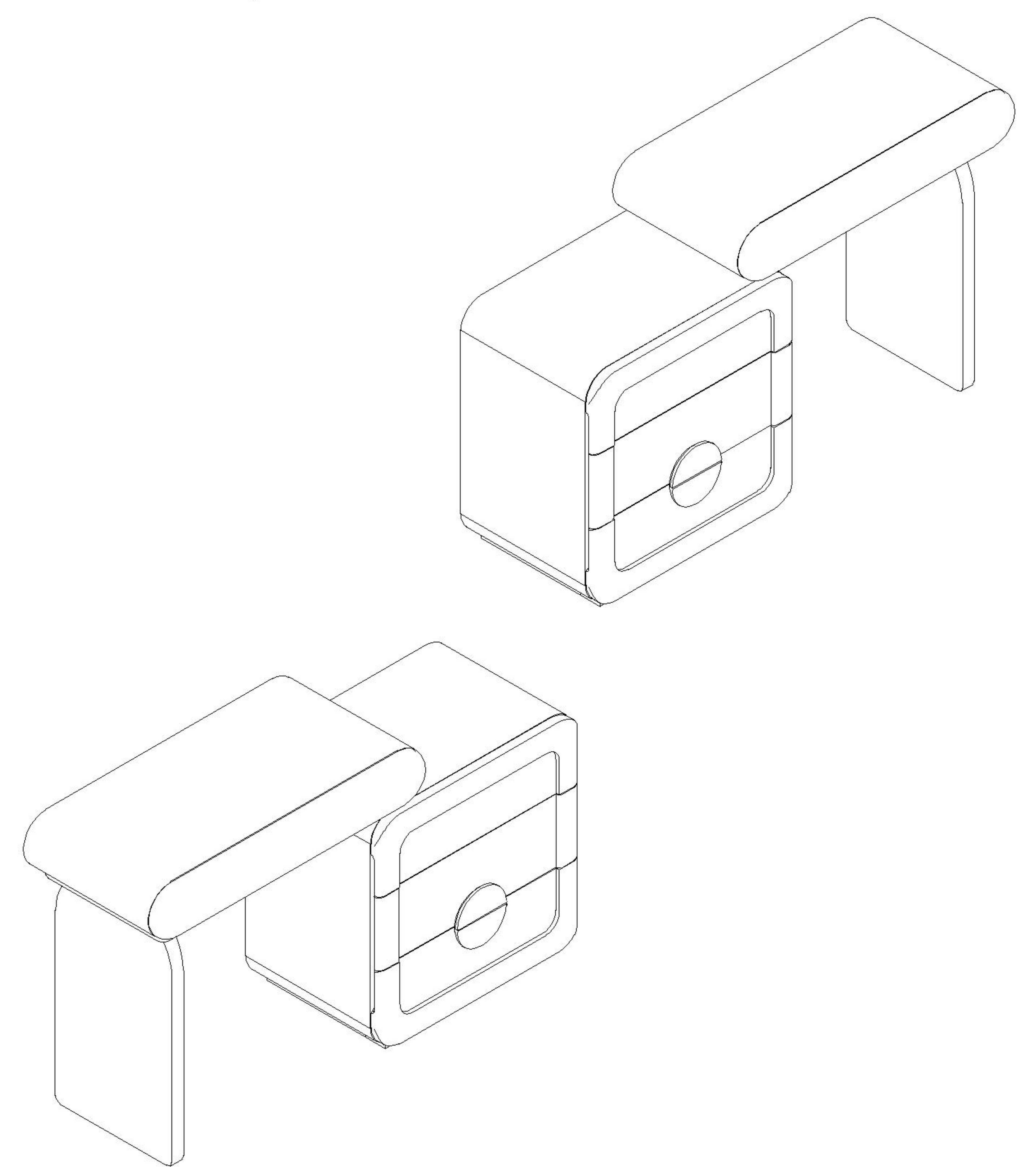
安装方法/
Installation method

注：可根据使用需求，把妆台主体的部件②左右调换安装！
Note: According to usage requirements, the components ② of the makeup table body can be swapped and installed on the left and right!



YF2C-A 0.4m妆台
YF2C-A 0.4m makeup stand
产品规格Specification: 1080*408*766mm
该组合所包含的半成品如下：
The semi-finished products included in the portfolio are as follows:
YF2C-A 妆台主体
YF2C-A dressing table main body
YF2C-A 0.4m妆台附柜
YF2C-A 0.4m dressing table with attached cabinet

注：可根据使用需求，把妆台主体的部件②左右调换安装！
Note: According to usage requirements, the components ② of the makeup table body can be swapped and installed on the left and right!



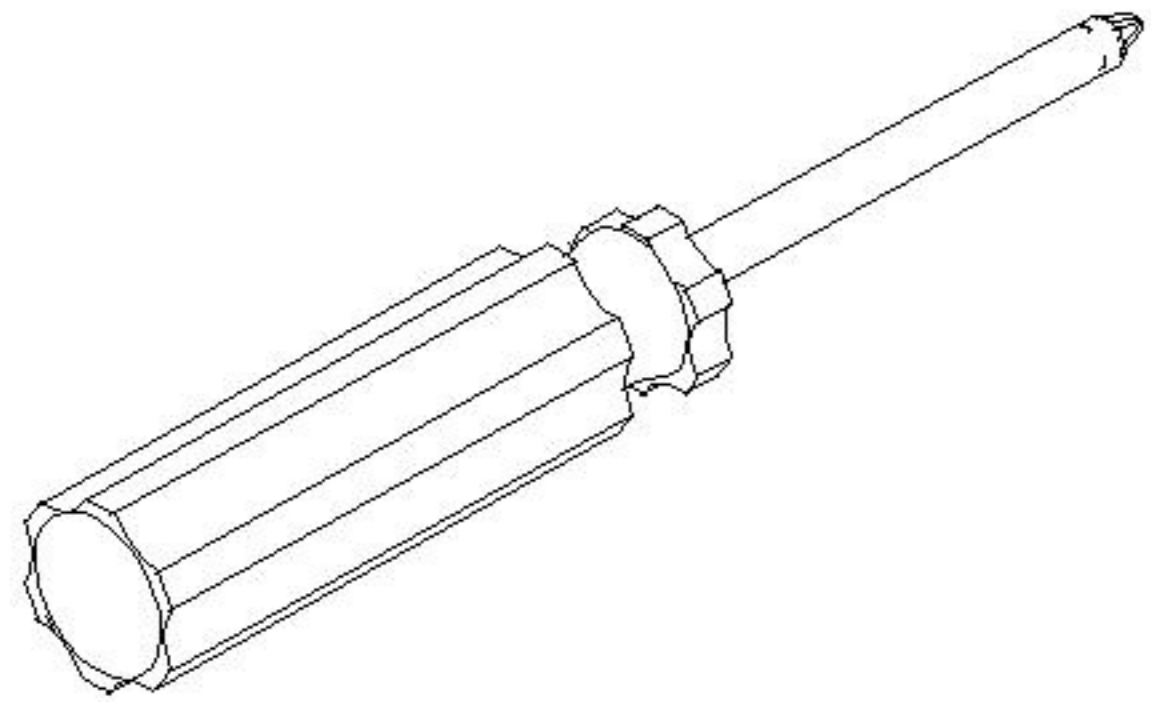
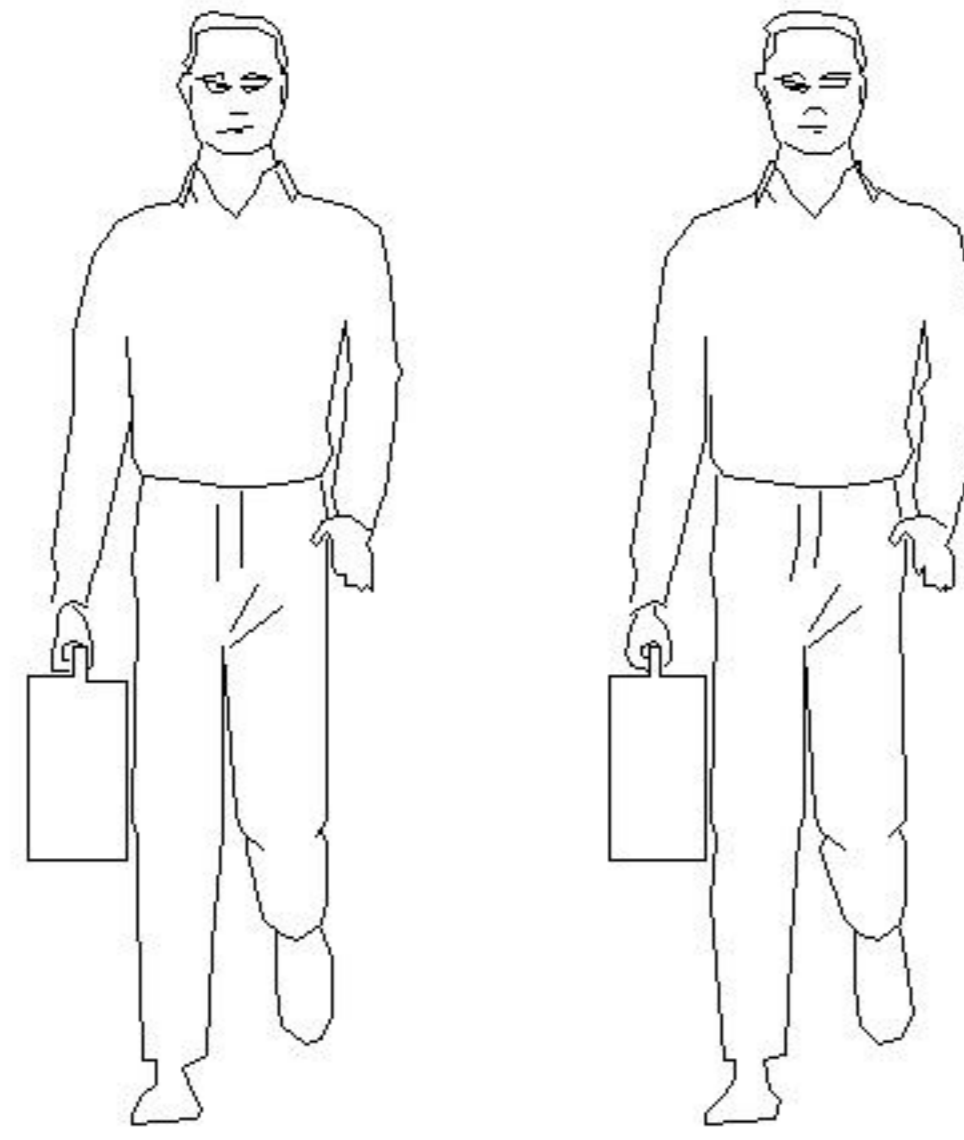
YF2C-A 0.6m妆台
YF2C-A 0.6m makeup stand
产品规格Specification: 1272*408*766mm
该组合所包含的半成品如下：
The semi-finished products included in the portfolio are as follows:
YF2C-A 妆台主体
YF2C-A dressing table main body
YF2C-A 0.6m妆台附柜
YF2C-A 0.6m dressing table with attached cabinet

LINSY 林氏家居

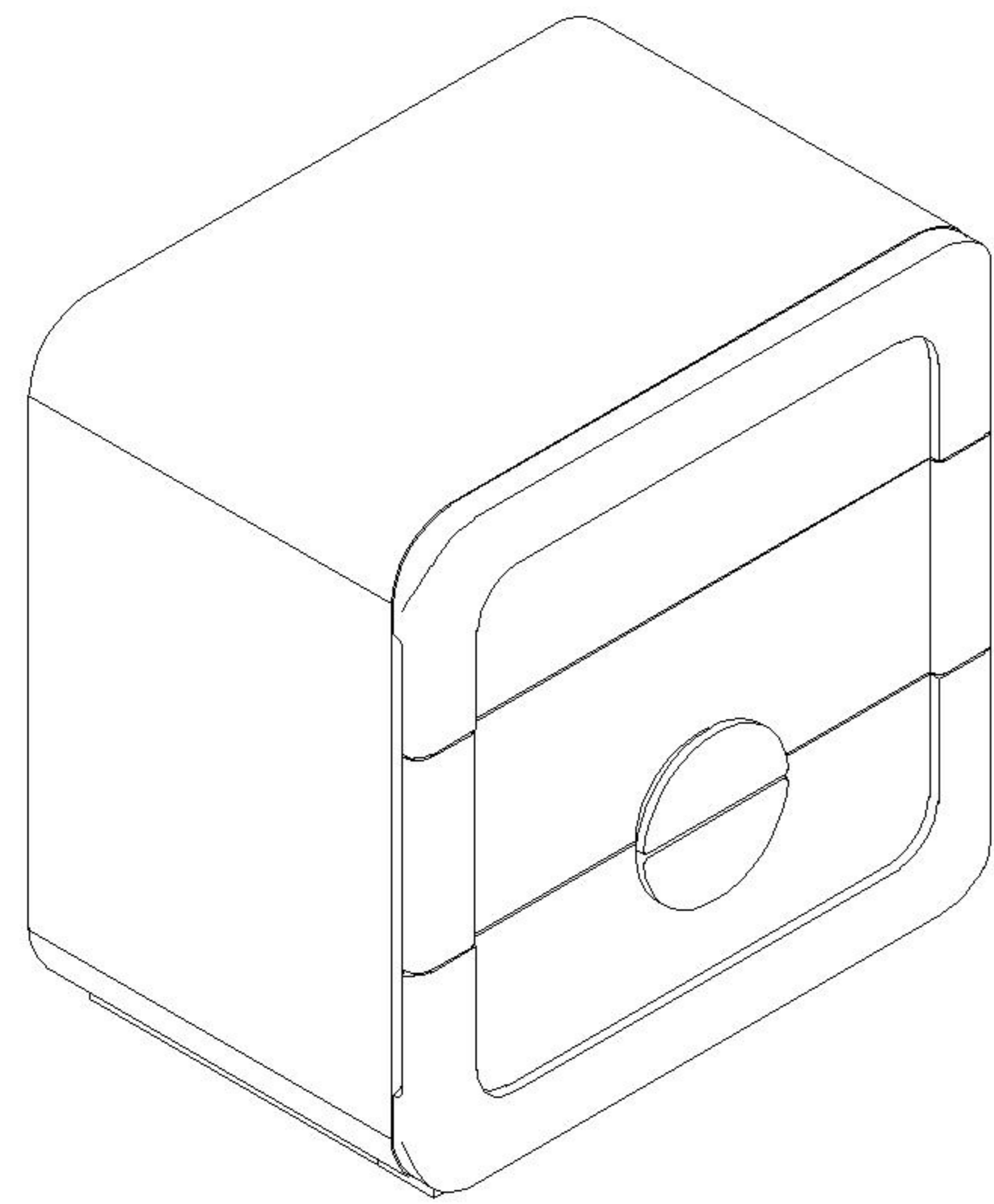
五金表/Hardware list

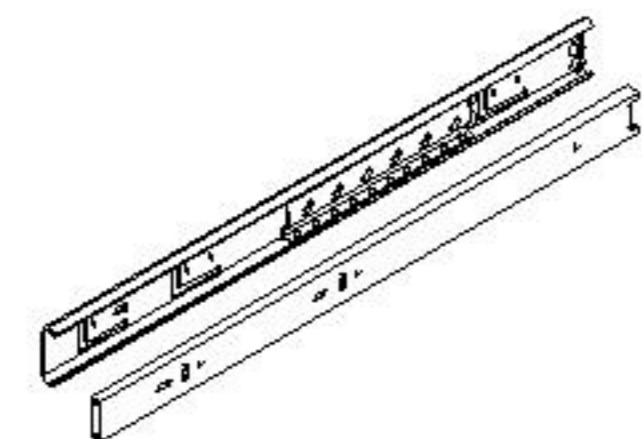
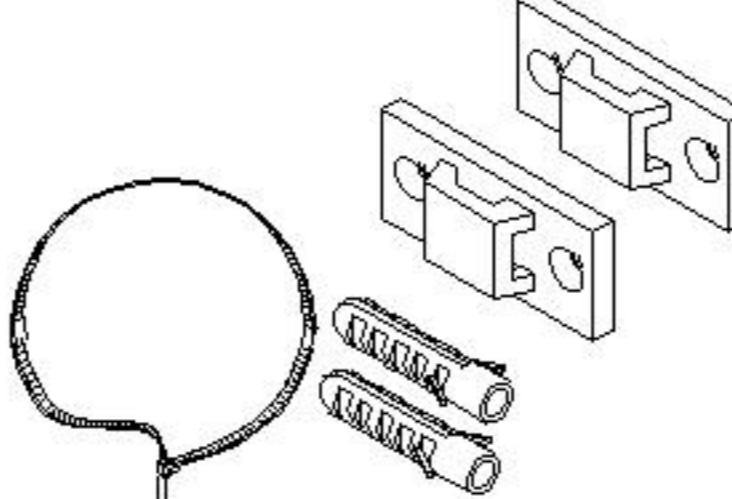
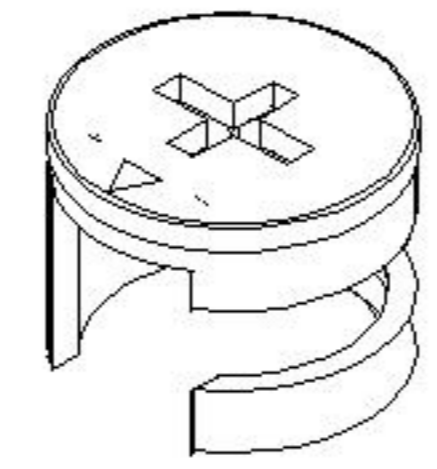
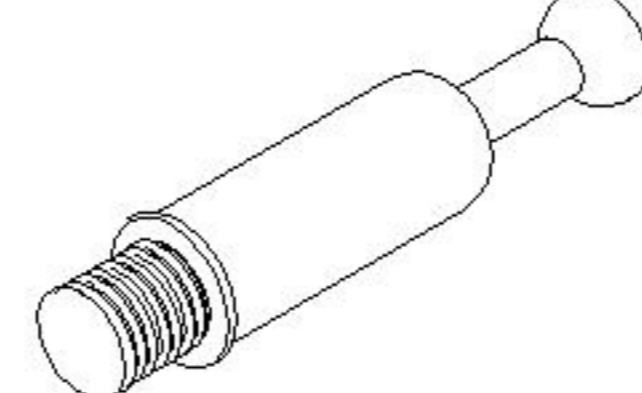
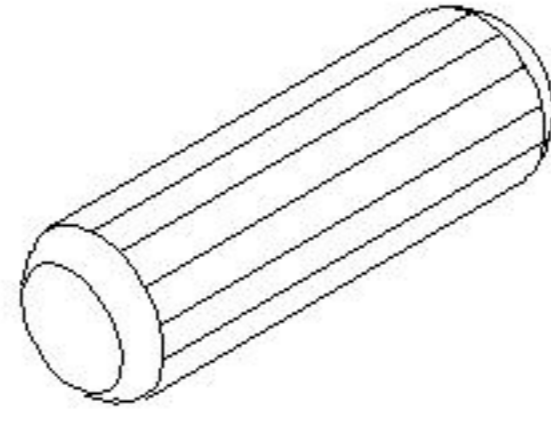
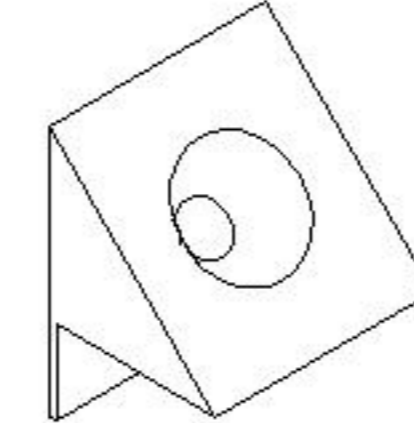
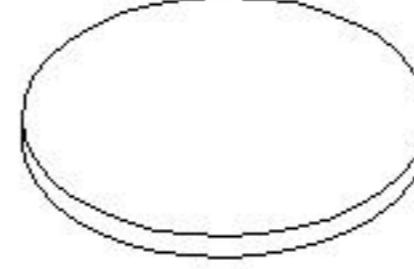
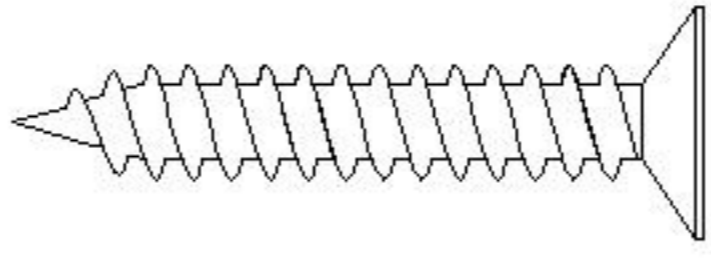
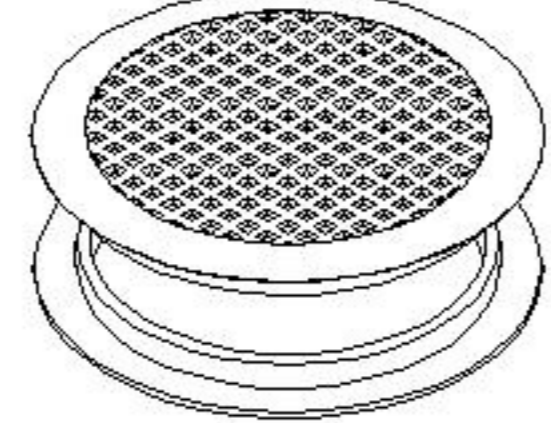
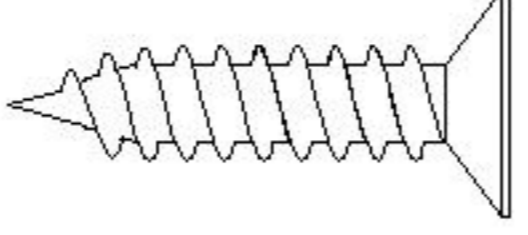
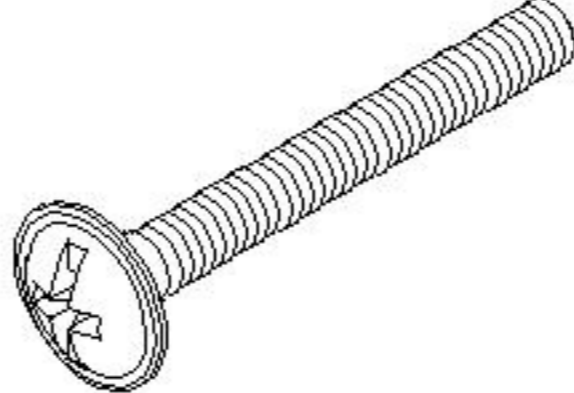
部件表/Parts List

安装示意图/Assembly Instruction

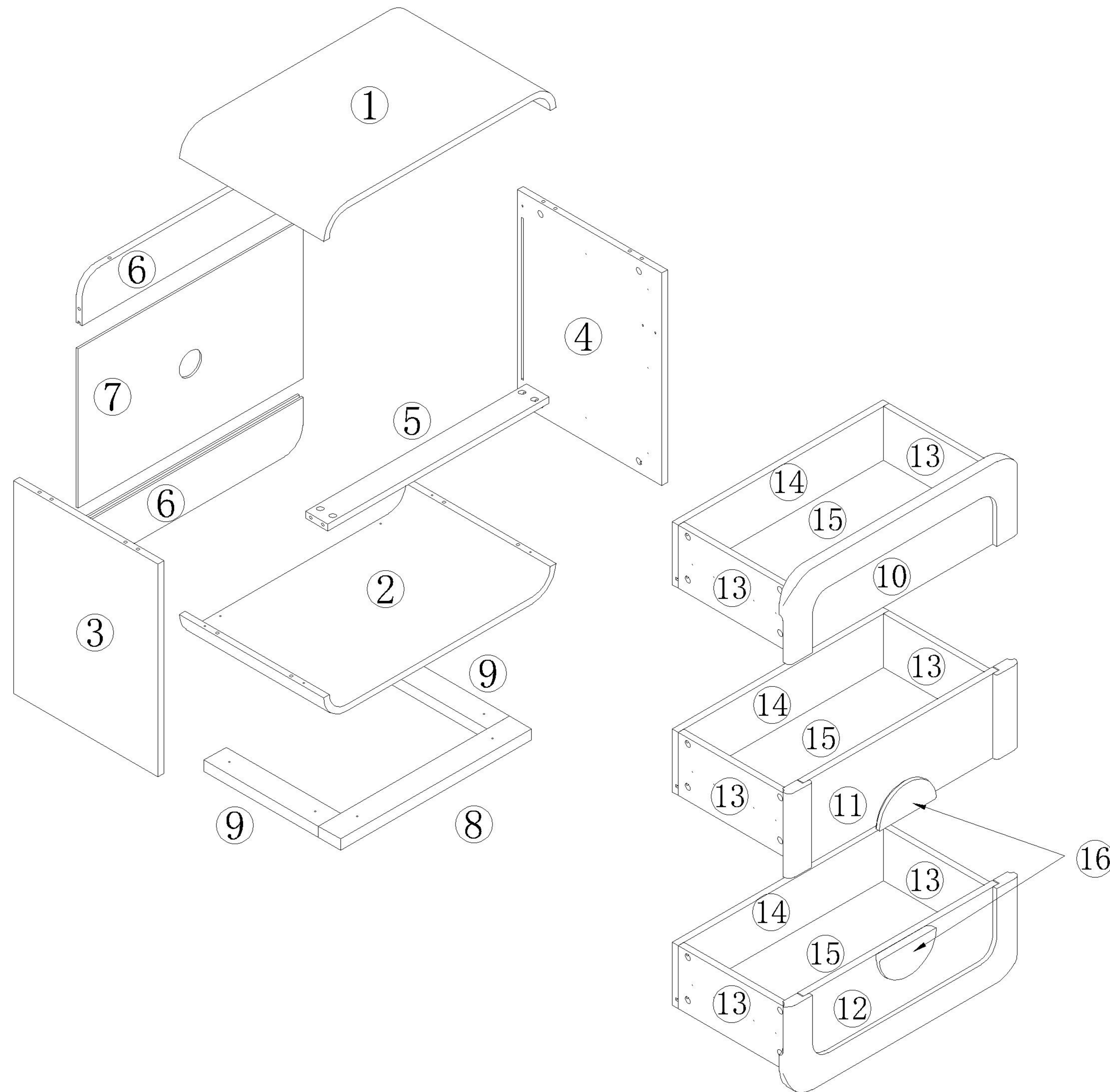
产品名称 Model NO.	0.6m妆台附柜
产品型号 Product Model	YF2C-A
尺寸规格 Specification	(604*408*626)mm
安装工具 Tool	安装人数 Installer
	

注：为保证设计效果，部分尺寸为定制尺寸，不影响使用。



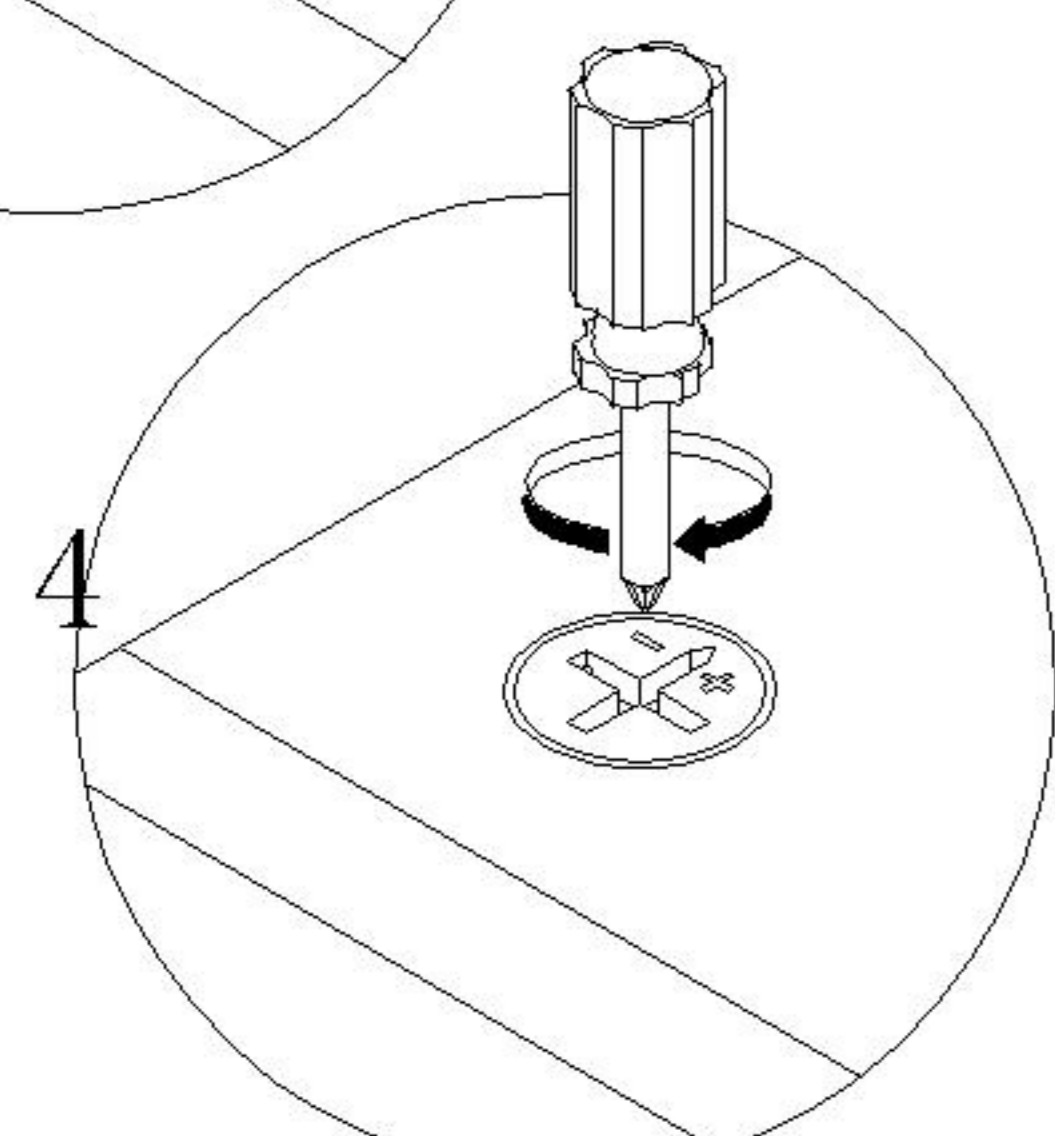
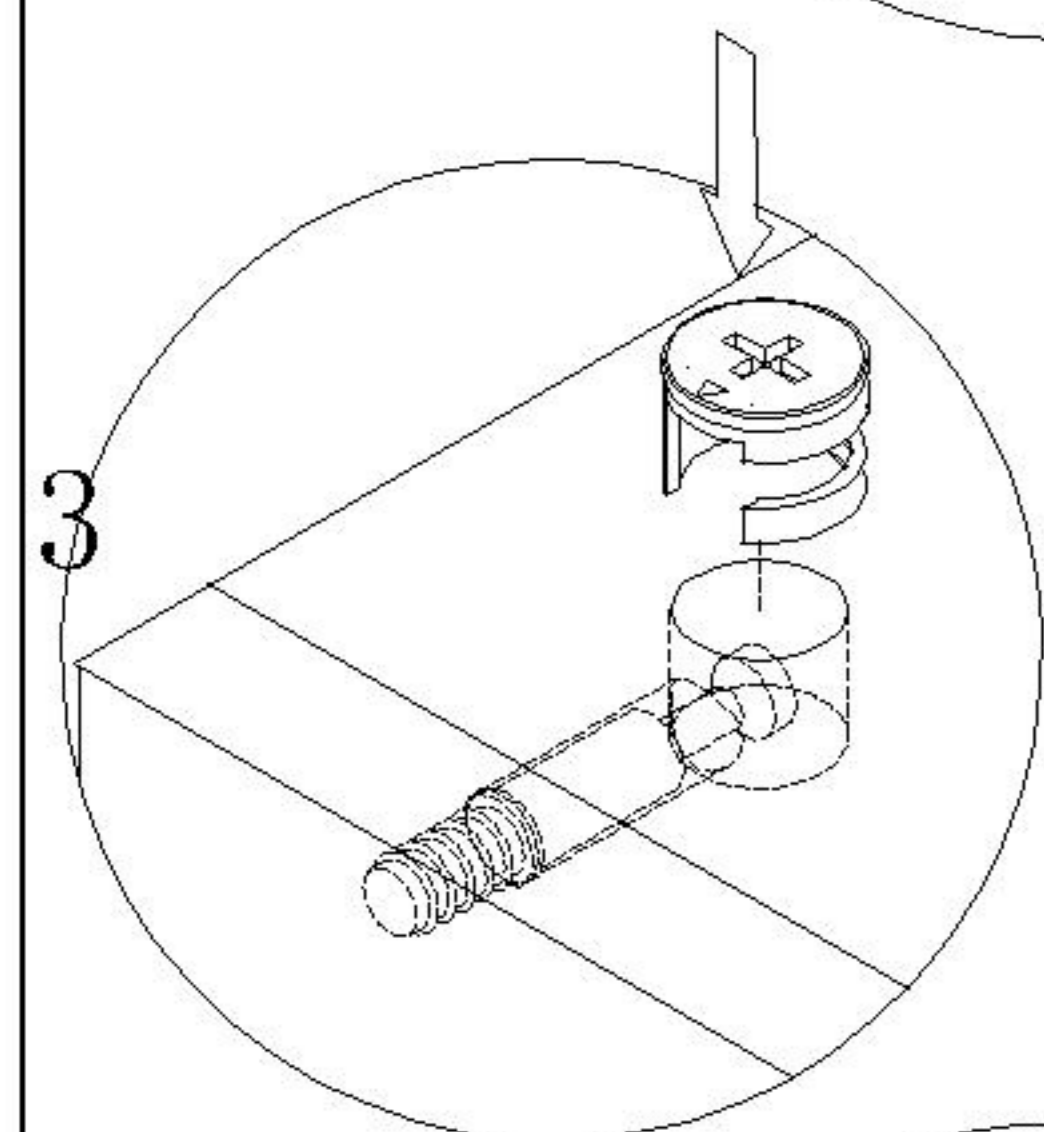
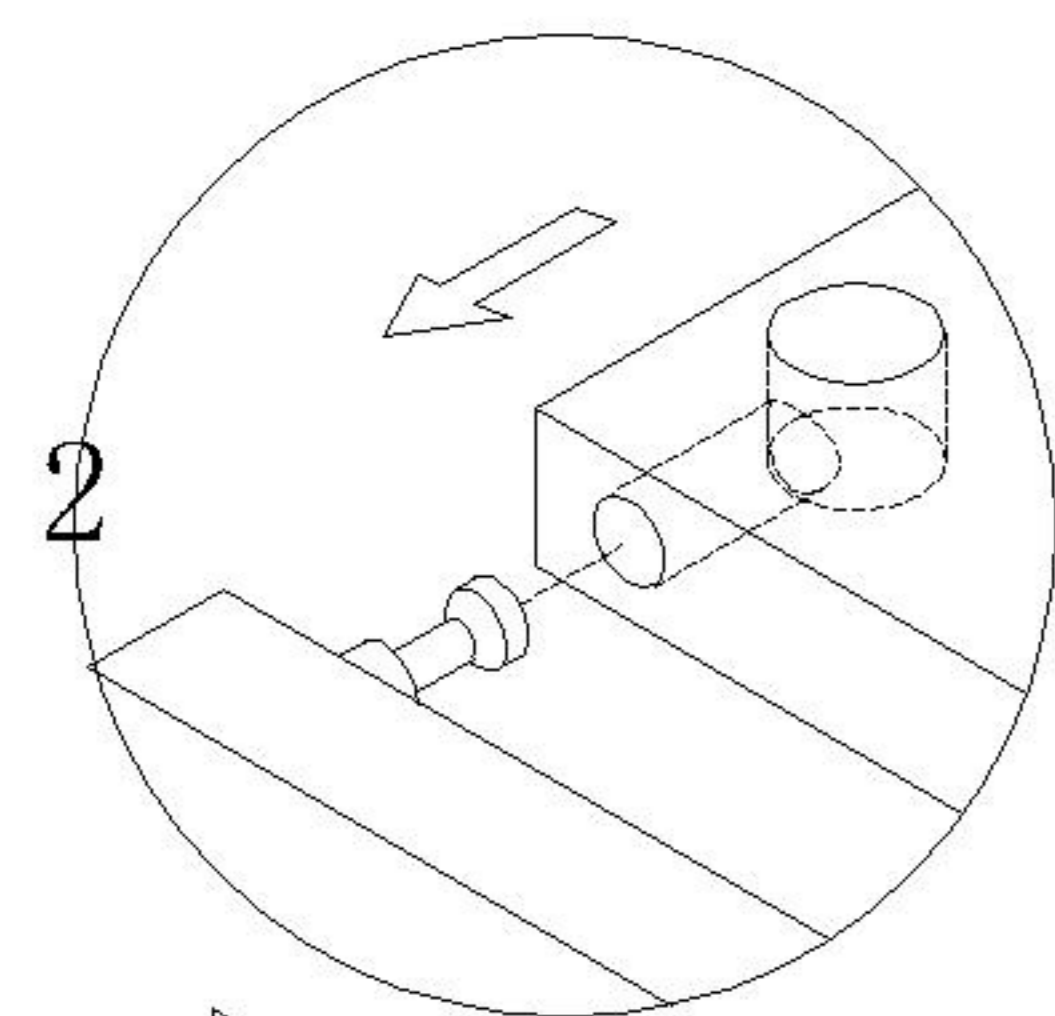
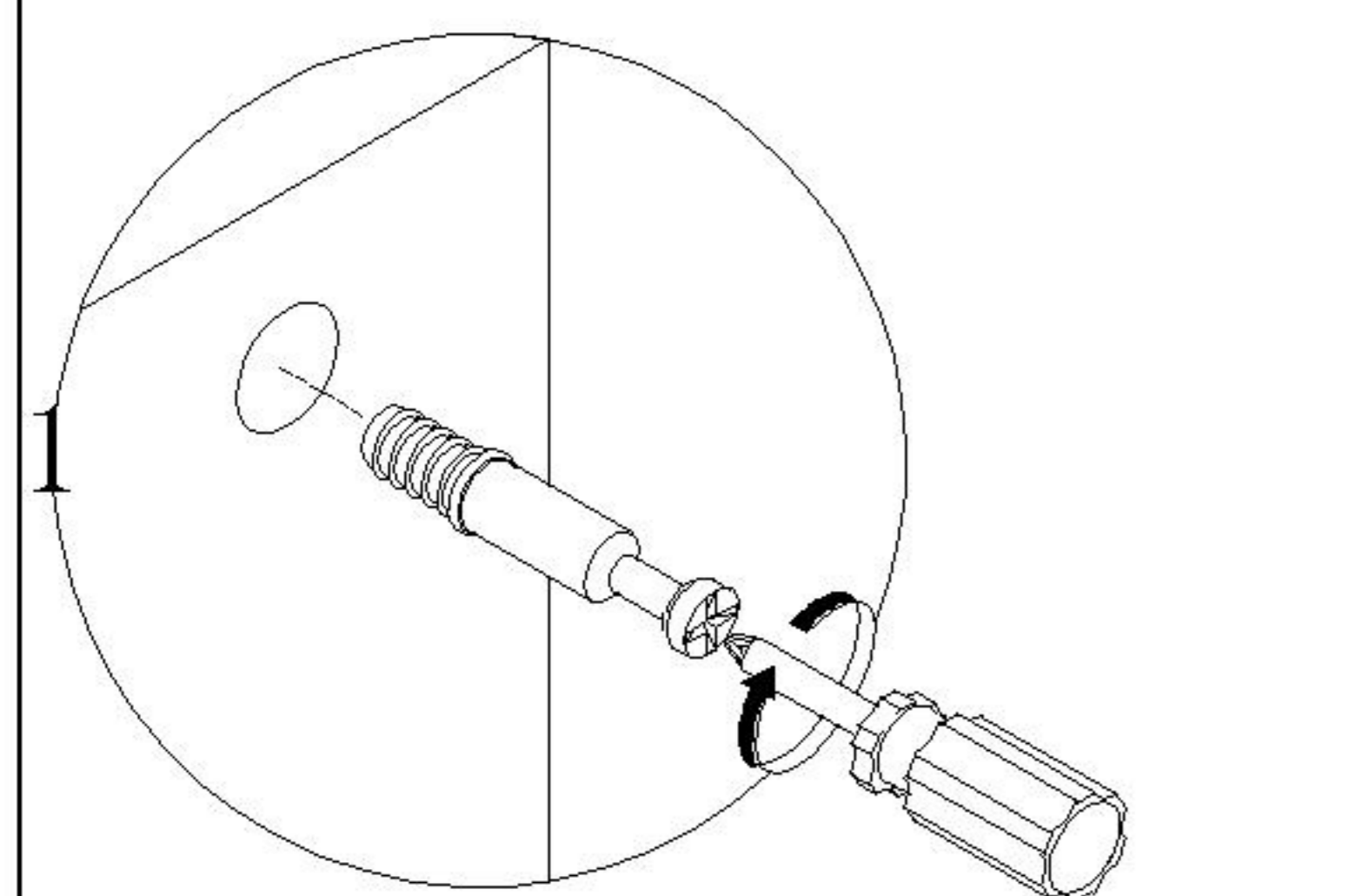
 (A)* 3 三节滚珠导轨-10" three-section ball rail	 (B)* 1 家具防倒器-白色 Anti-fall device white	 (C)* 46 大三合一锁饼 Three-in-one large lock	 (D)* 46 二合一螺杆 2-in-1-screw
 (E)* 8 木榫Ø8x30mm wood tenon	 (F)* 4 背板扣 Back Plate Buckle-White	 (G)* 6 灰色毛毡脚垫 Footrest - Grey	 (H)* 6 自攻螺丝M4x35mm Self-tapping screw
 (I)* 1 透气孔盖 Vent cover	 (J)* 42 自攻螺丝M3.5x14mm Self-tapping screw	 (K)* 4 拉手螺丝-M4x25mm pulling screw	

编号NO.	名称Name	规格 (MM) Specification	数量QTY	材质Material
①	面板 Top panel	604*375*60	1	纤维板+橡胶木 Fiberboard+Rubber wood
②	底板 Bottom board	604*375*60	1	纤维板+橡胶木 Fiberboard+Rubber wood
③	左侧板 Side board(L)	478*375*15	1	刨花板 Particle board
④	右侧板 Side board(R)	478*375*15	1	刨花板 Particle board
⑤	前拉条 Front brace	574*58*15	1	刨花板 Particle board
⑥	背拉条 Back brace	574*110*15	2	刨花板 Particle board
⑦	背板 Back board	584*358*5	1	纤维板 Fiberboard
⑧	底拉条 Bottom brace	496*58*25	1	刨花板 Particle board
⑨	侧拉条 Side brace	297*58*25	2	刨花板 Particle board
⑩	上抽屉面板组立 Upper drawer's panel	602*190*25	1	纤维板+刨花板 Fiberboard+Particle board
⑪	中抽屉面板组立 Drawer's middle board	602*190*25	1	纤维板+刨花板 Fiberboard+Particle board
⑫	下抽屉面板组立 Bottom drawer's panel	602*212*25	1	纤维板+刨花板 Fiberboard+Particle board
⑬	抽屉侧板 Drawer's sideboard	290*142*15	6	刨花板 Particle board
⑭	抽屉后板 Drawer's Back board	548*142*15	3	刨花板 Particle board
⑮	抽屉底板 Drawer's Bottom board	528*300*5	3	纤维板 Fiberboard
⑯	拉手1 Handle 1	150*73.5*18	2	纤维板 Fiberboard

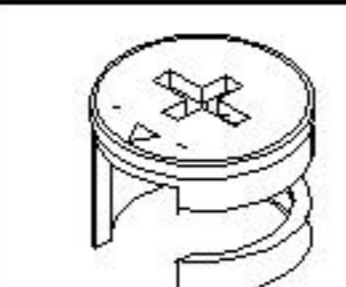


编号NO.	名称Name
①	面板 Top panel
②	底板 Bottom board
③	左侧板 Side board(L)
④	右侧板 Side board(R)
⑤	前拉条 Front brace
⑥	背拉条 Back brace
⑦	背板 Back board
⑧	底拉条 Bottom brace
⑨	侧拉条 Side brace
⑩	上抽屉面板组立 Upper drawer's panel
⑪	中抽屉面板组立 Drawer's middle board
⑫	下抽屉面板组立 Bottom drawer's panel
⑬	抽屉侧板 Drawer's sideboard
⑭	抽屉后板 Drawer's Back board
⑮	抽屉底板 Drawer's Bottom board
⑯	拉手1 Handle 1

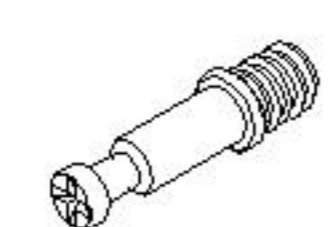
安装方法/
Installation method



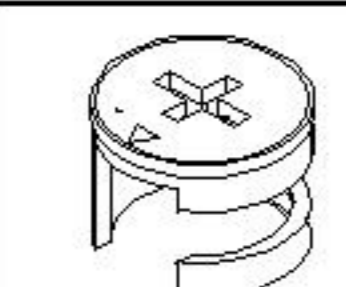
大二合一
two-in-one



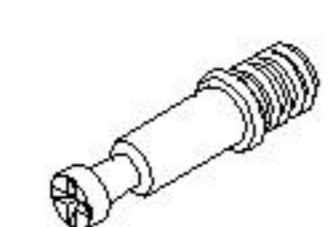
(C)*8



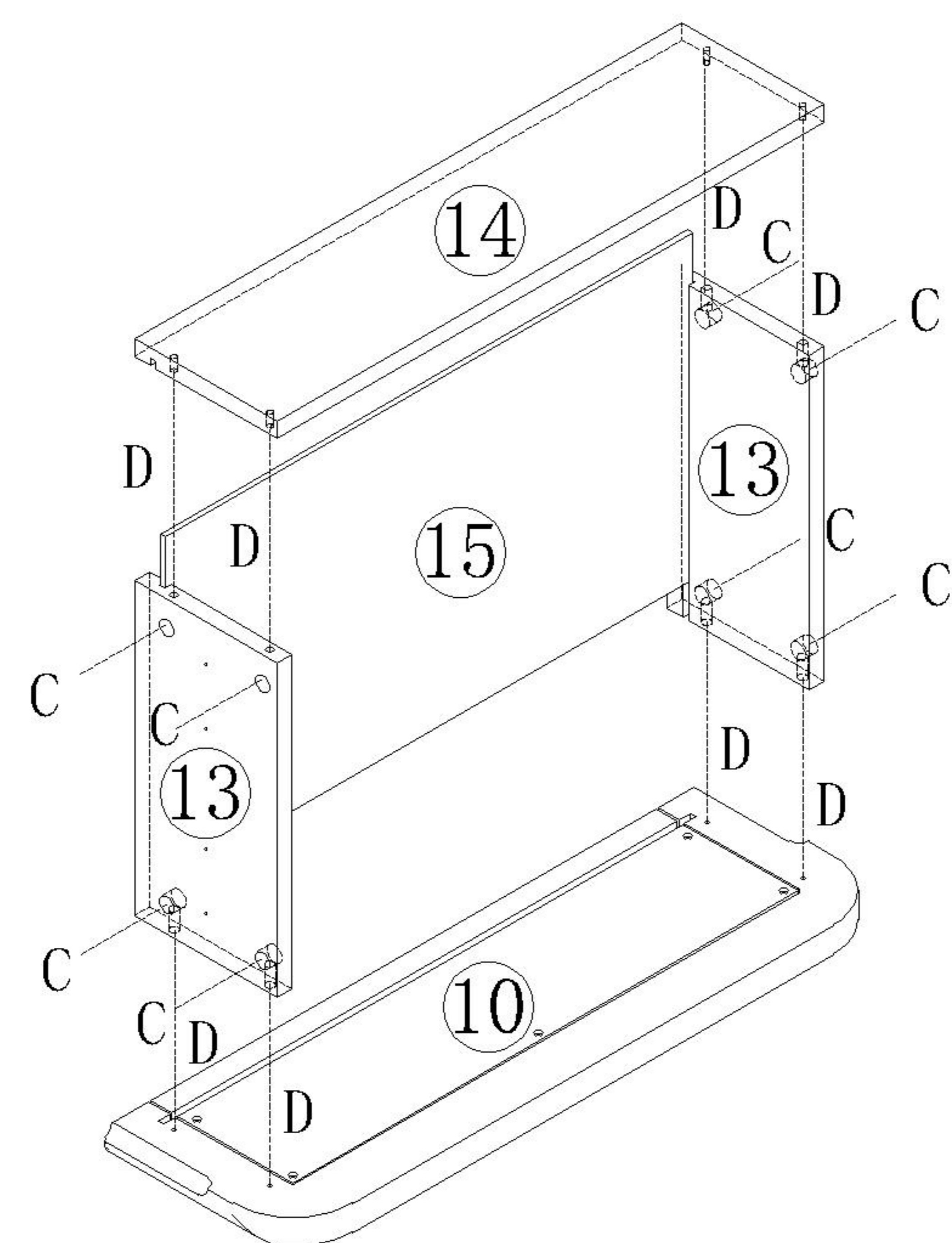
(D)*8



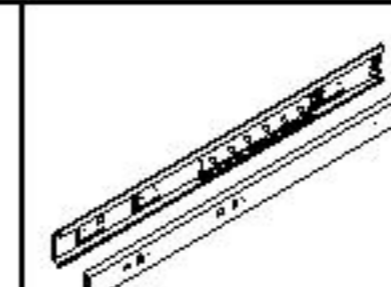
(C)*8



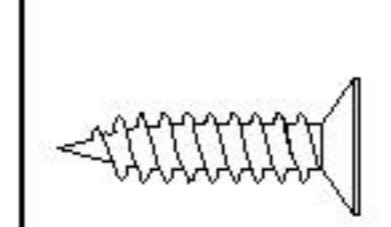
(D)*8



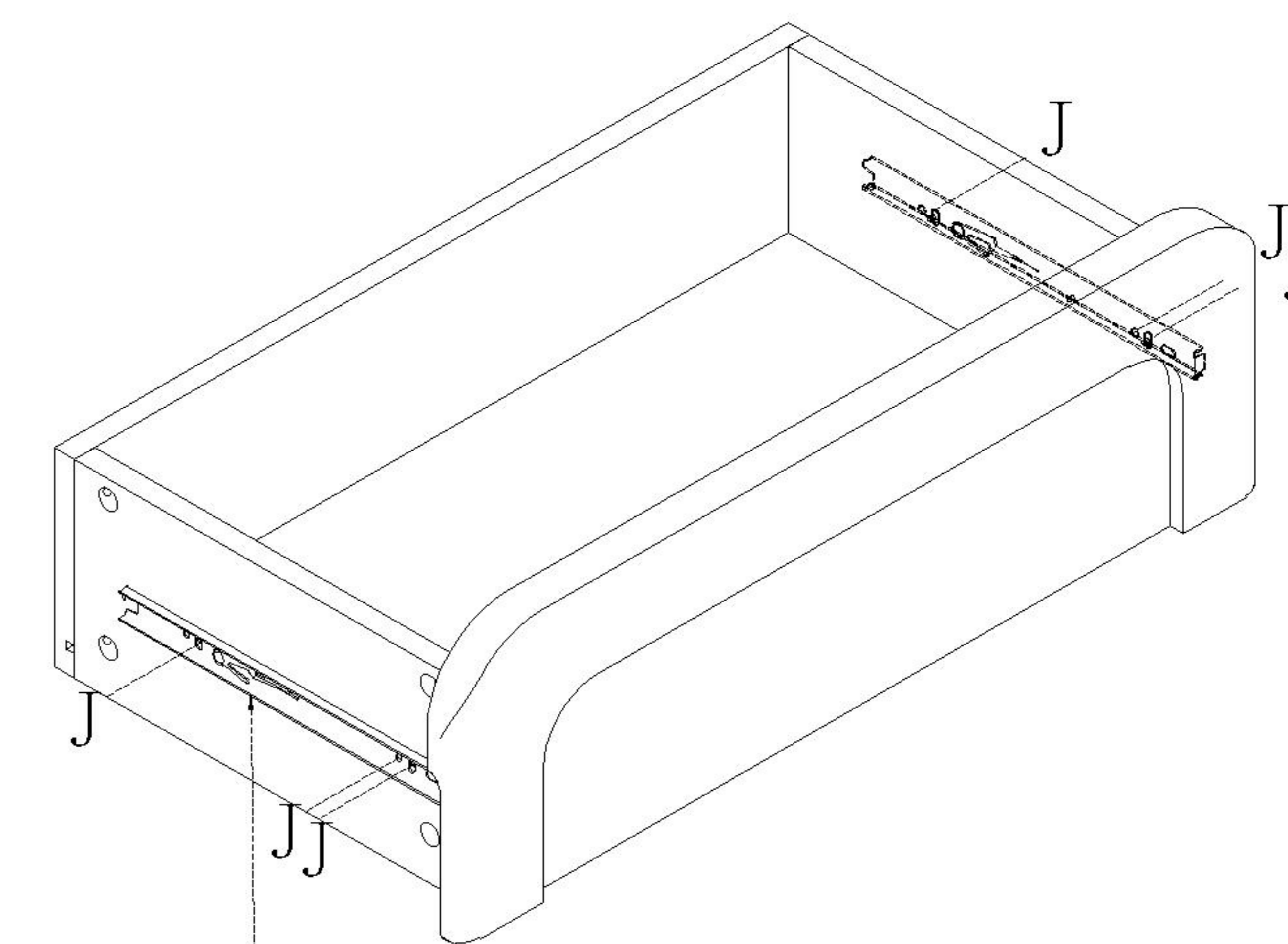
1



(A)*1

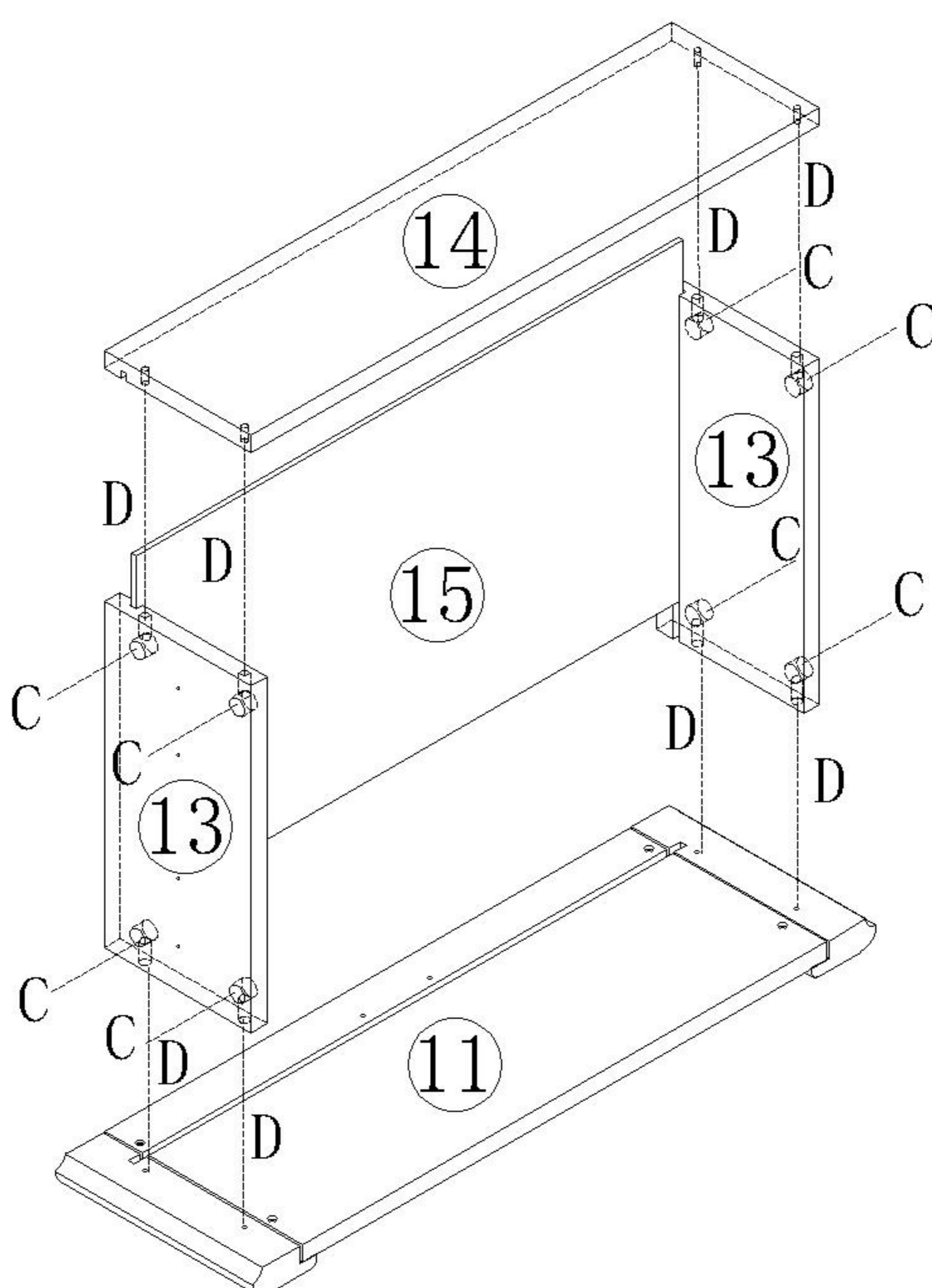


(J)*6

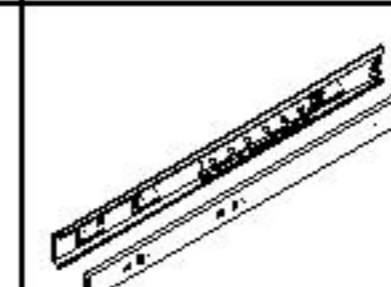


(A) 副轨
Sub rail

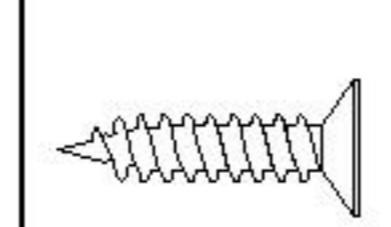
2



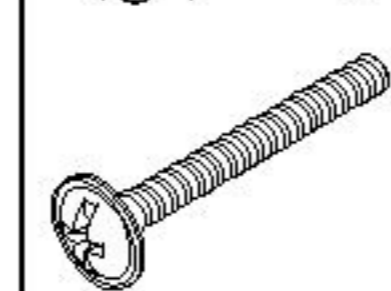
3



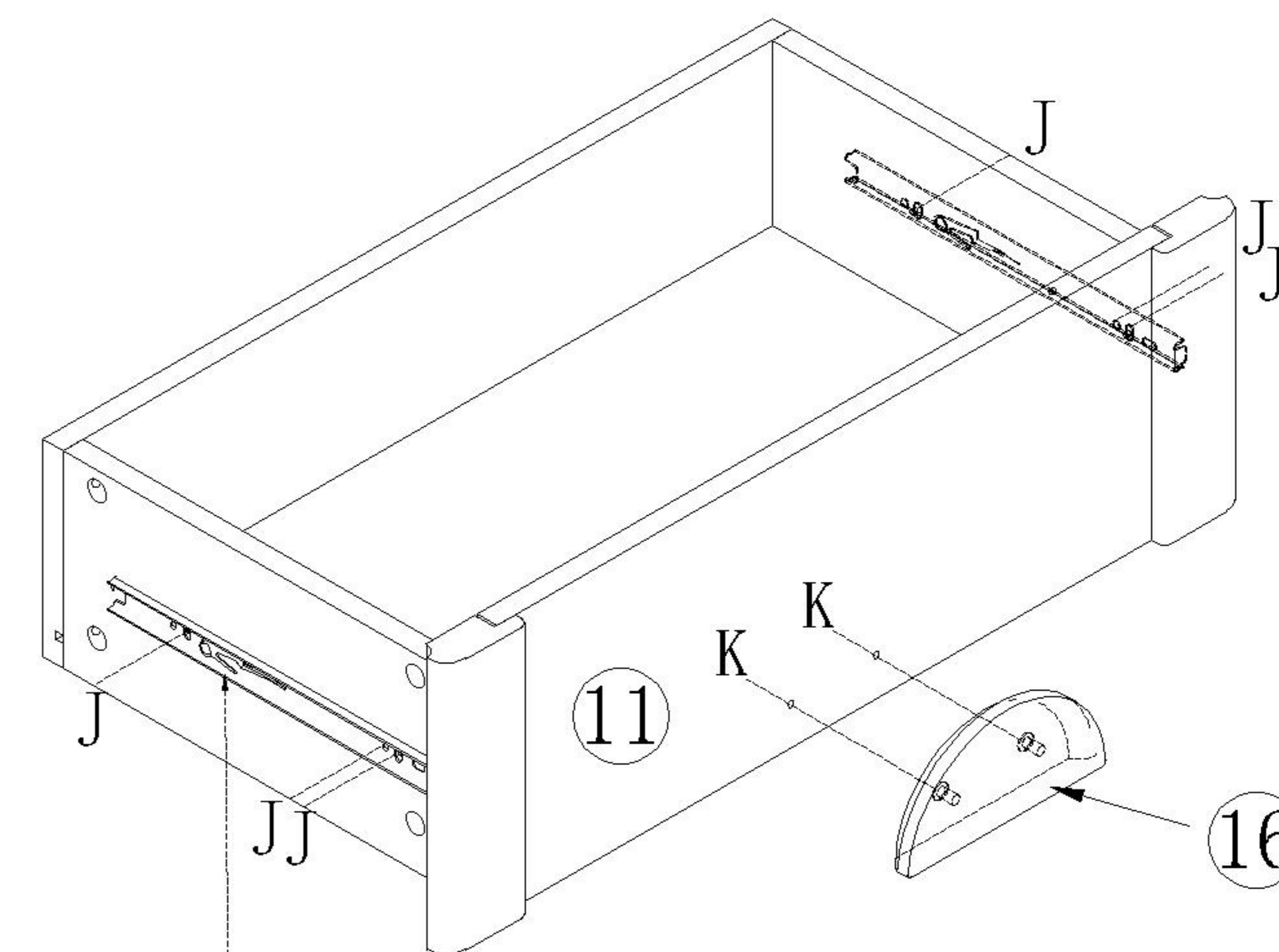
(A)*1



(J)*6



(K)*2

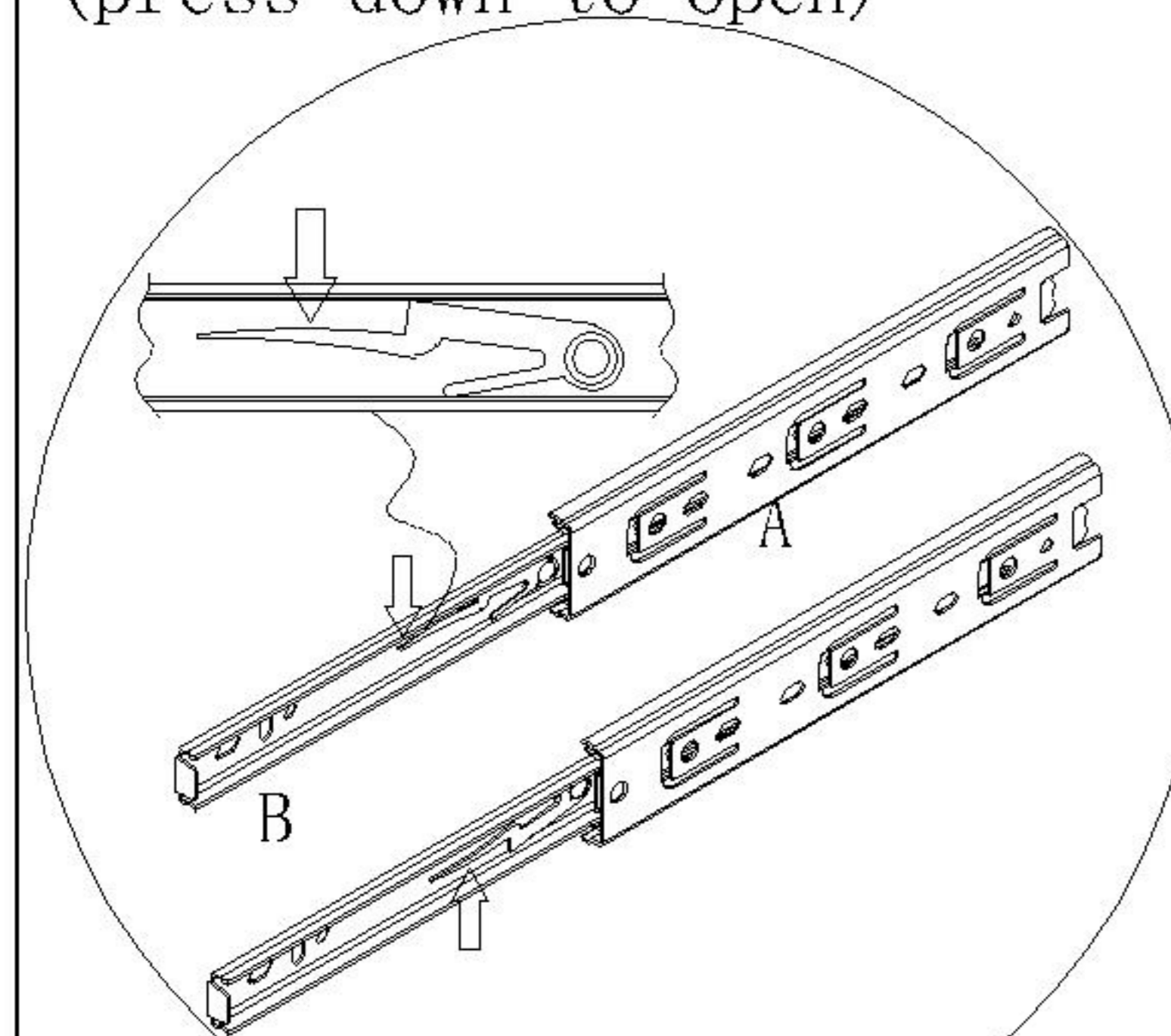


(A) 副轨
Sub rail

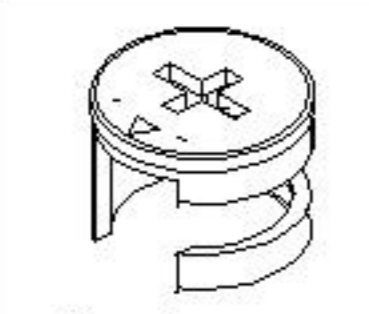
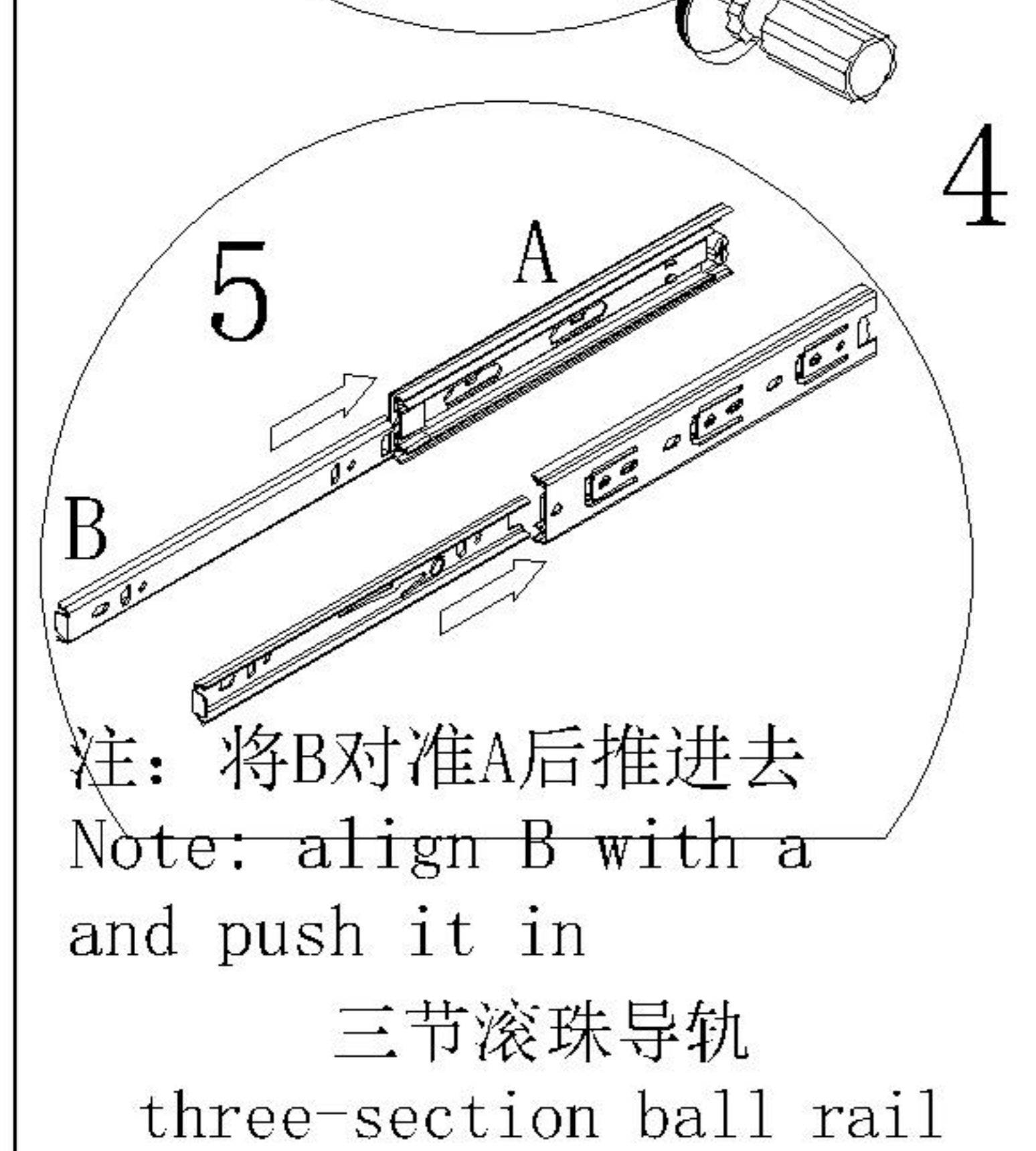
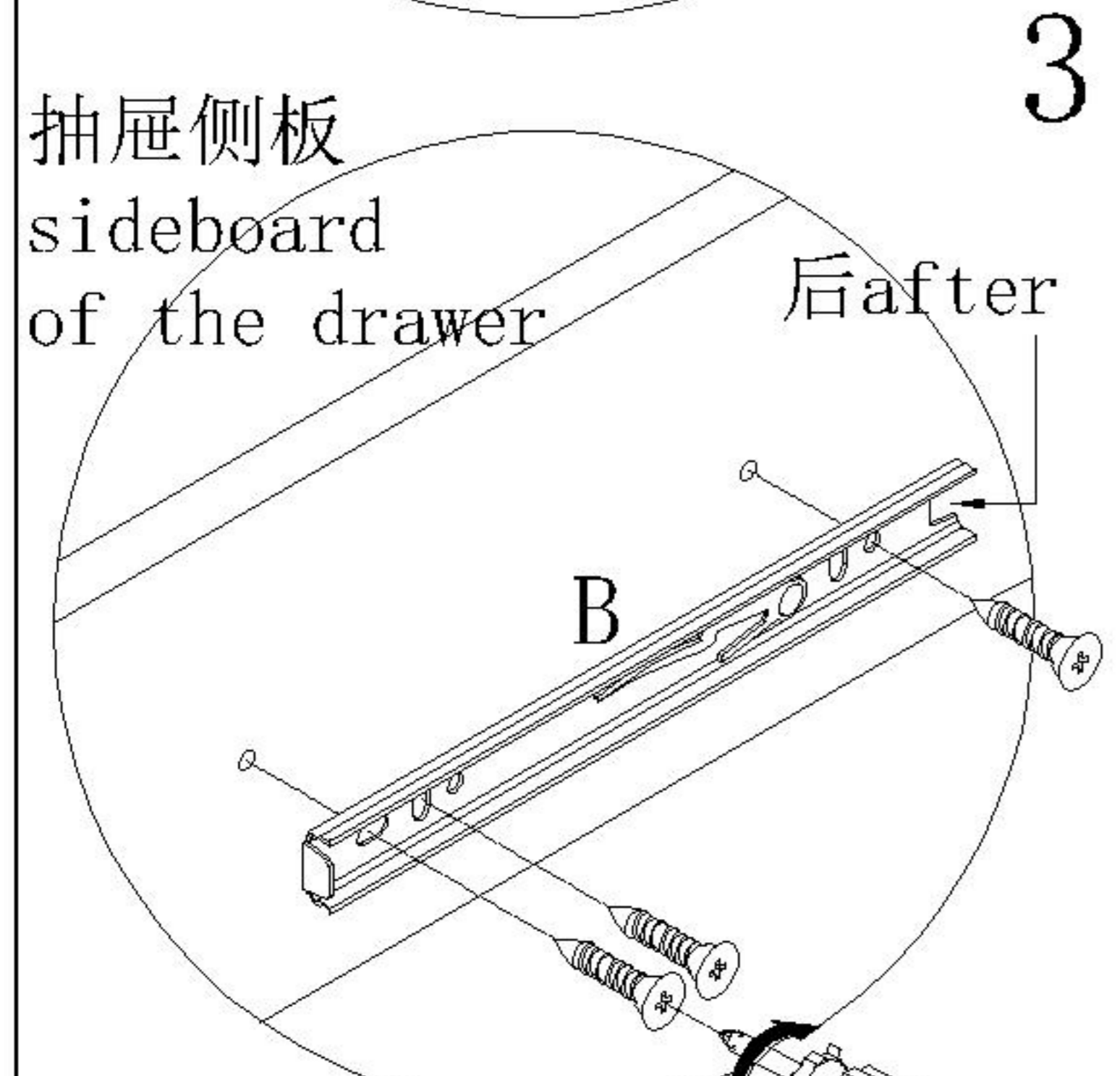
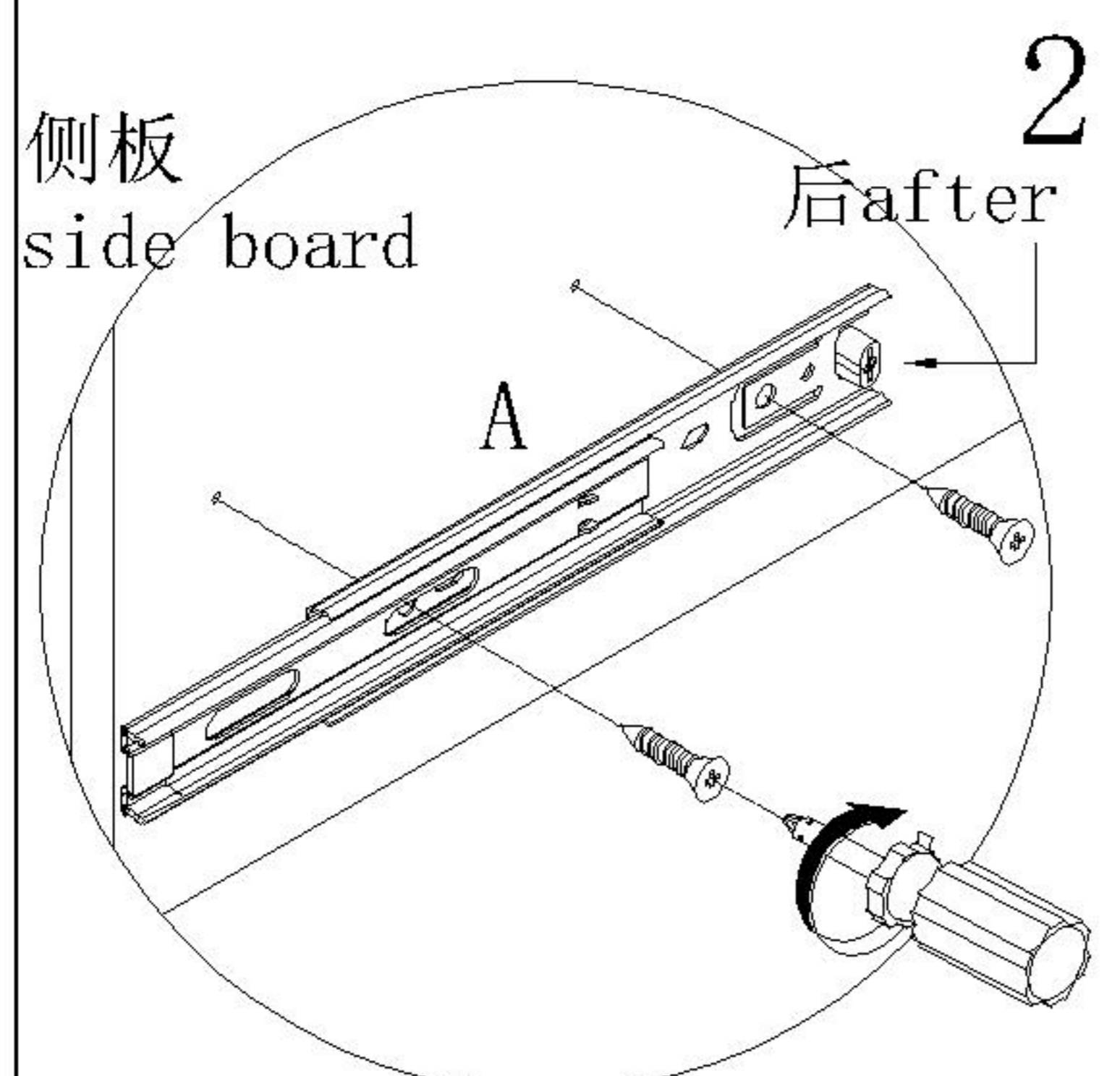
4

安装方法/
Installation method

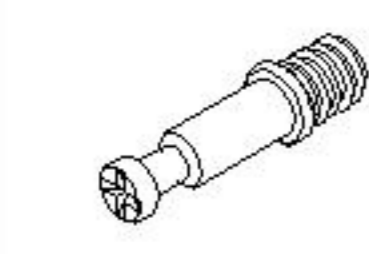
1
阀门开关(下压为开)
Valve switch
(press down to open)



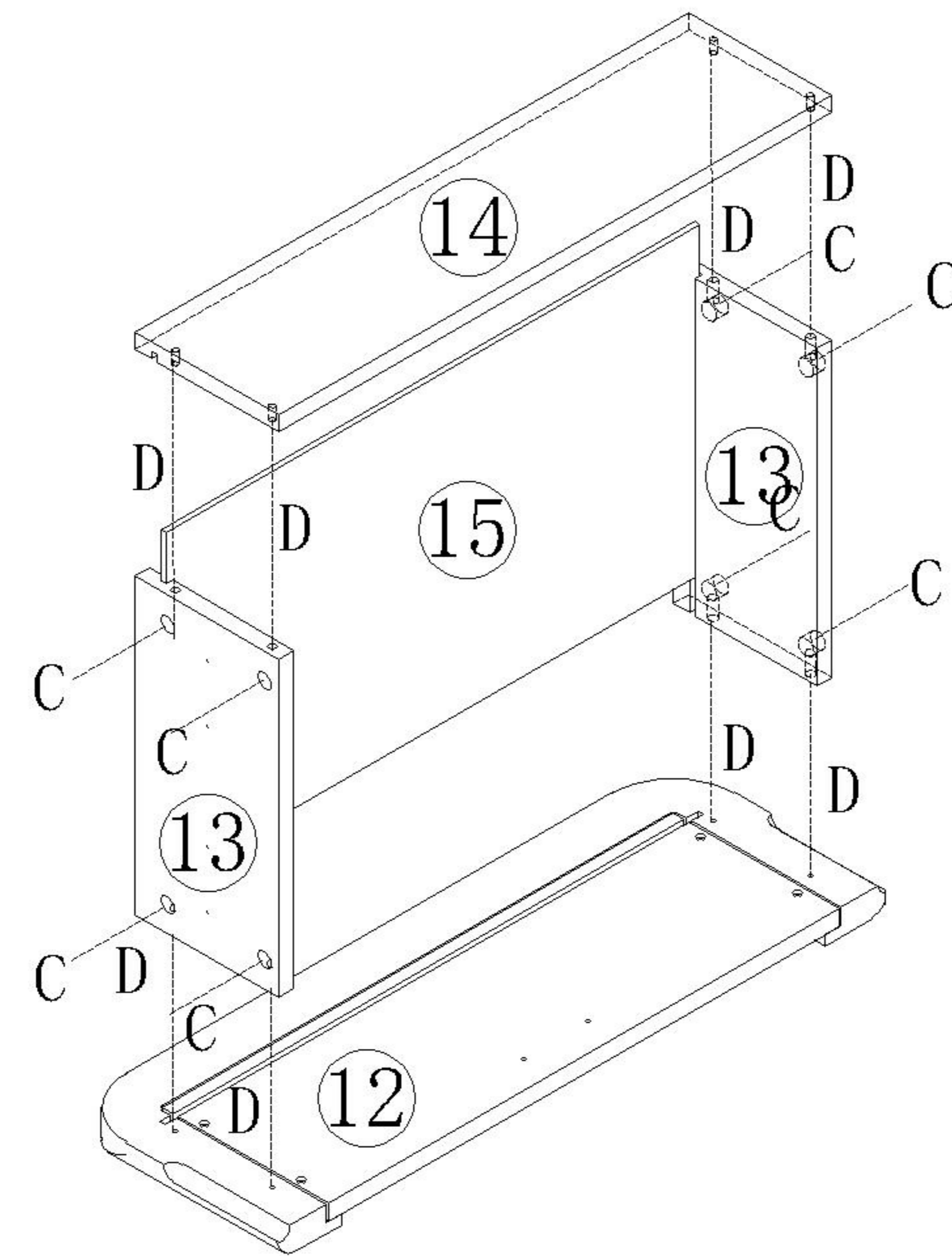
注: 先将A与B拆下来
Note: remove a and B first



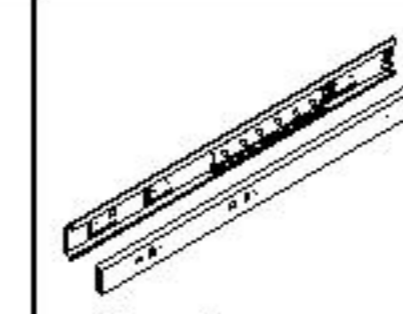
(C)*8



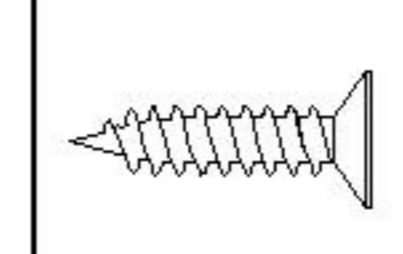
(D)*8



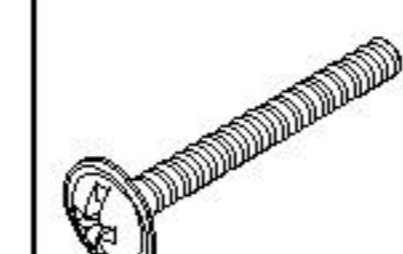
5



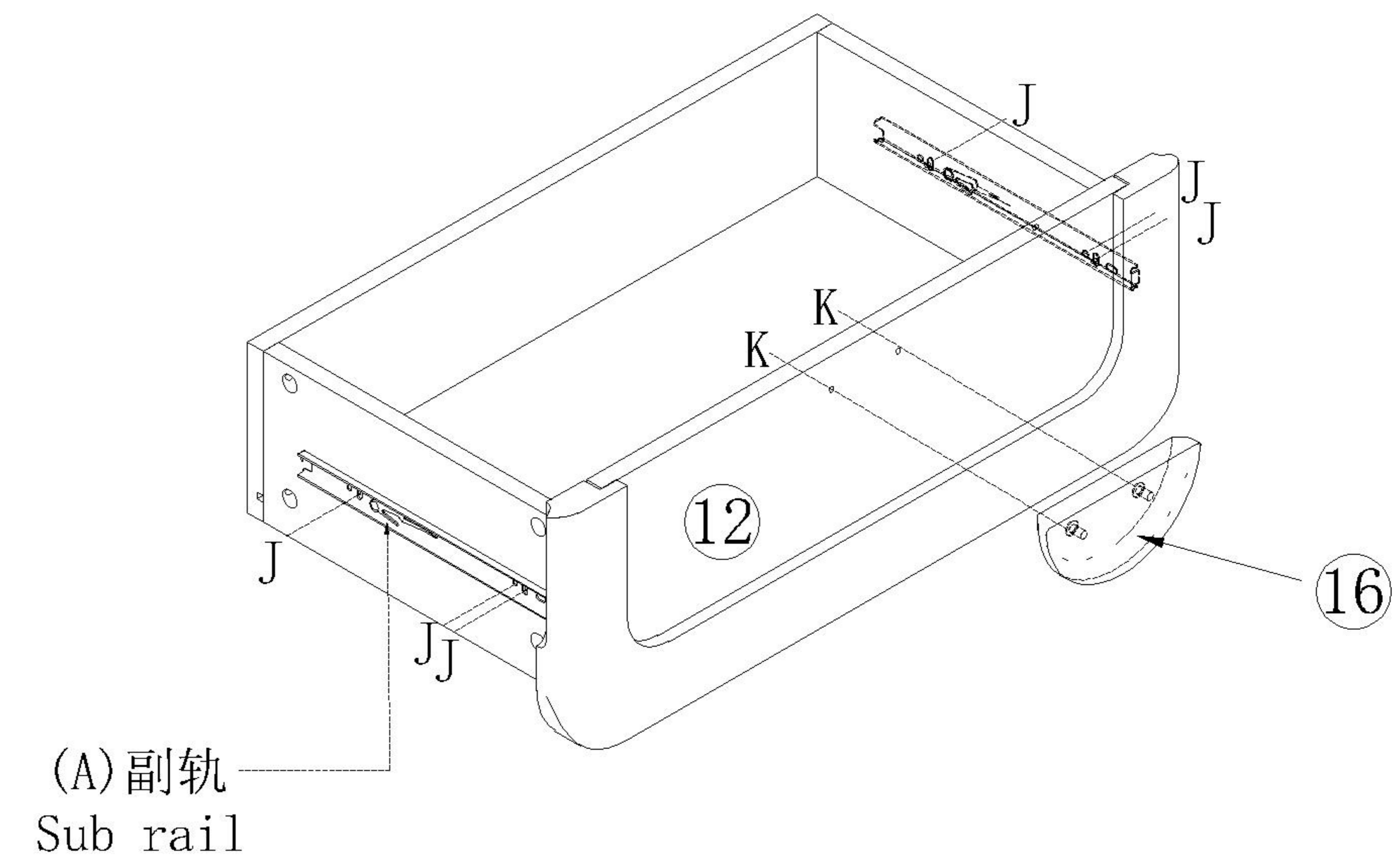
(A)*1



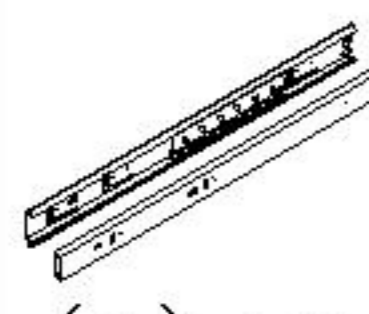
(J)*6



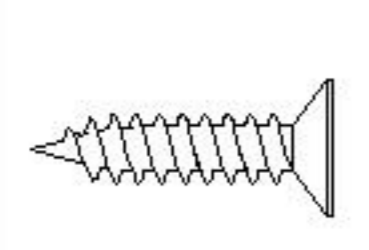
(K)*2



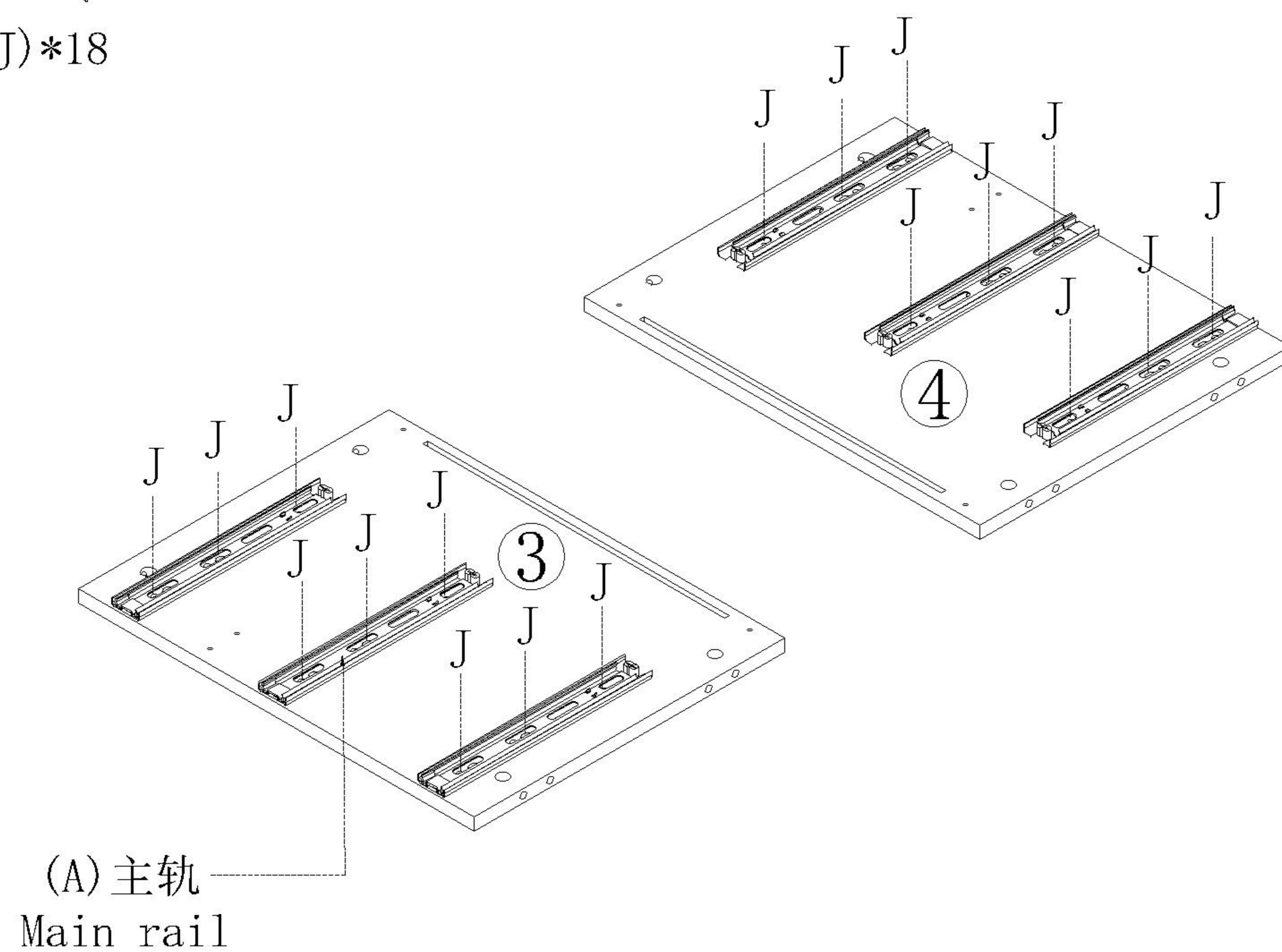
6



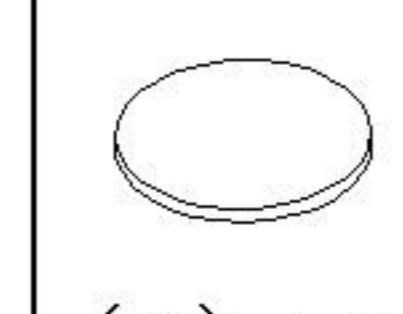
(A)*3



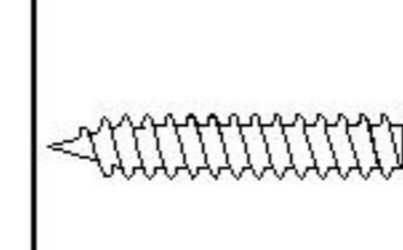
(J)*18



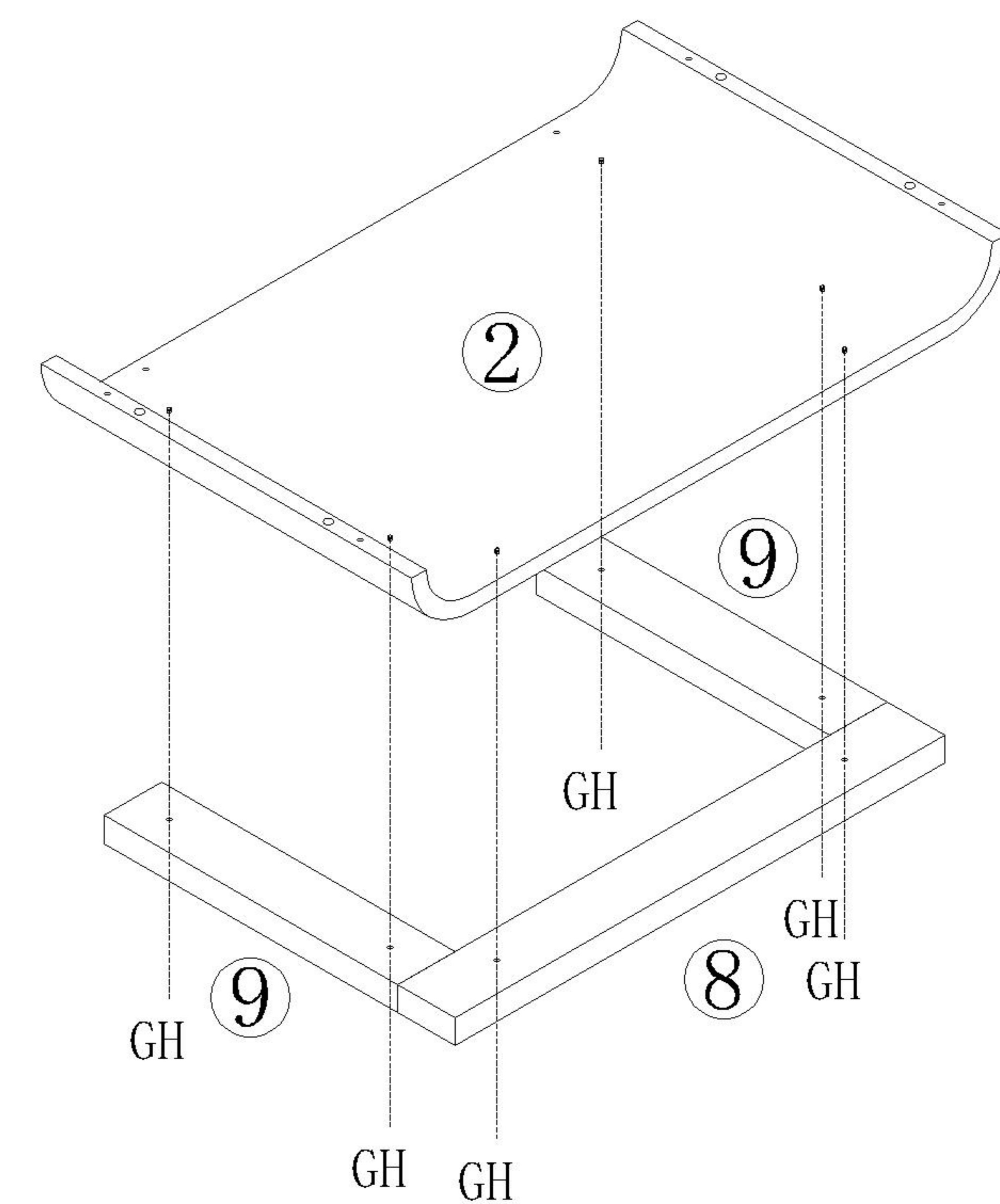
7



(G)*6

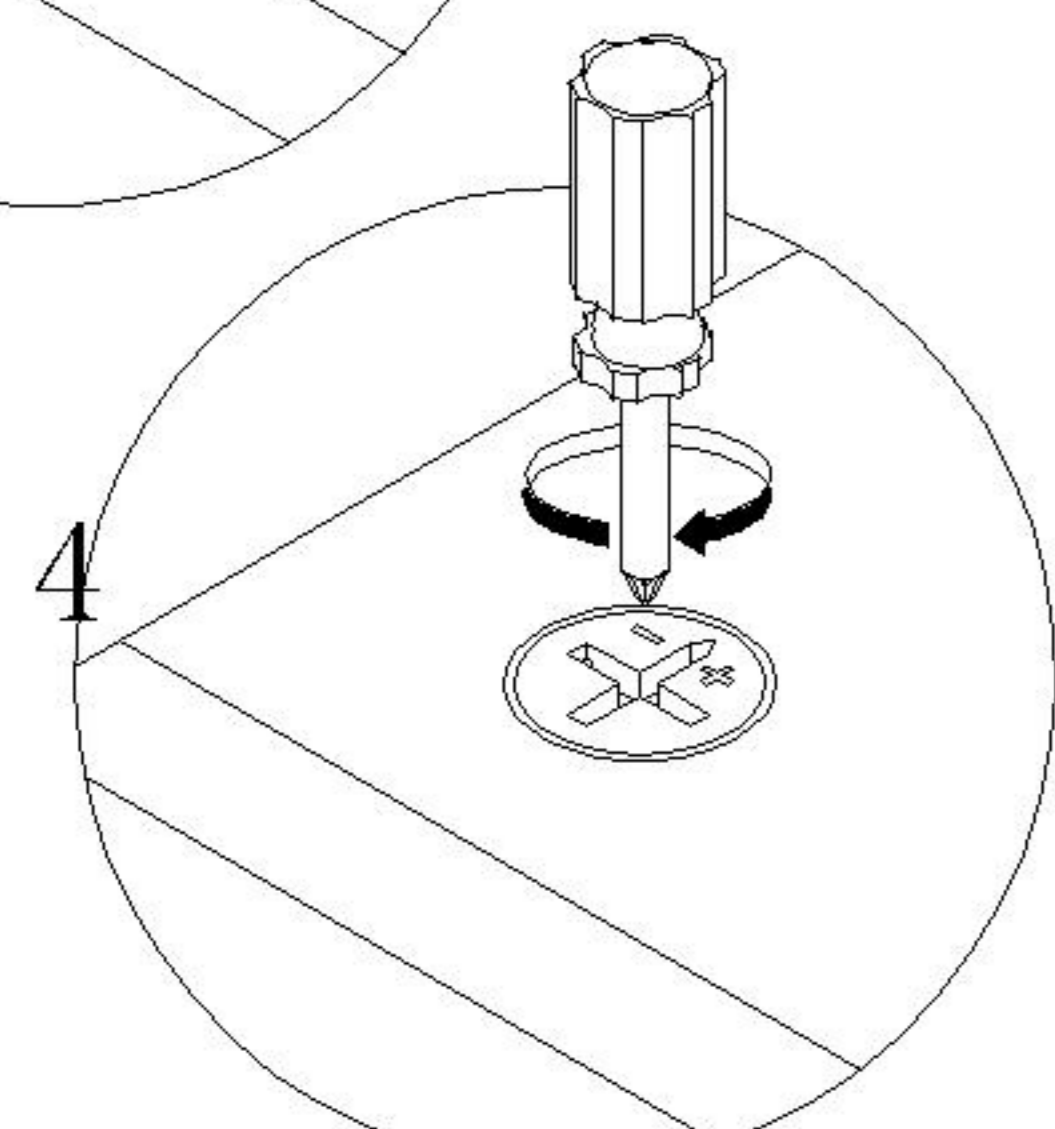
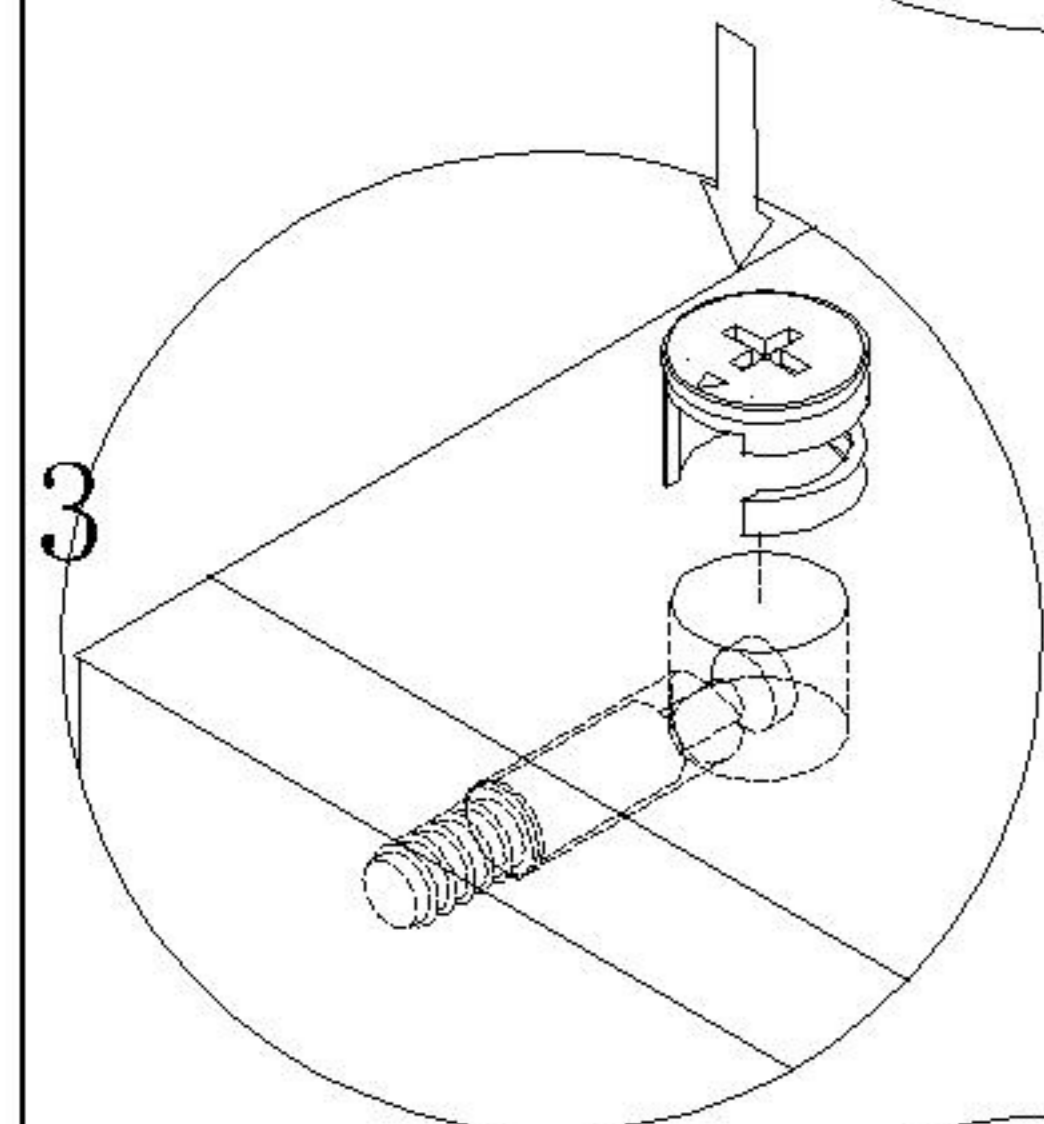
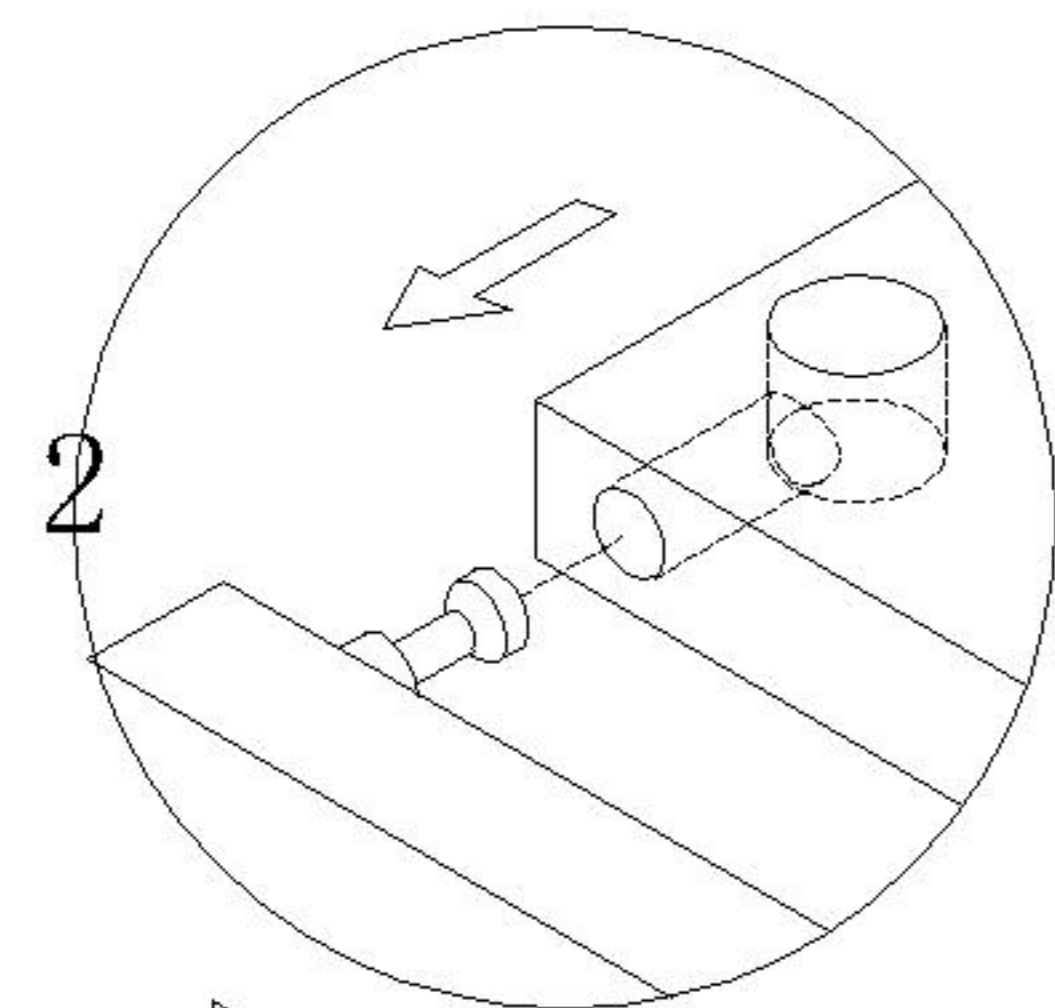
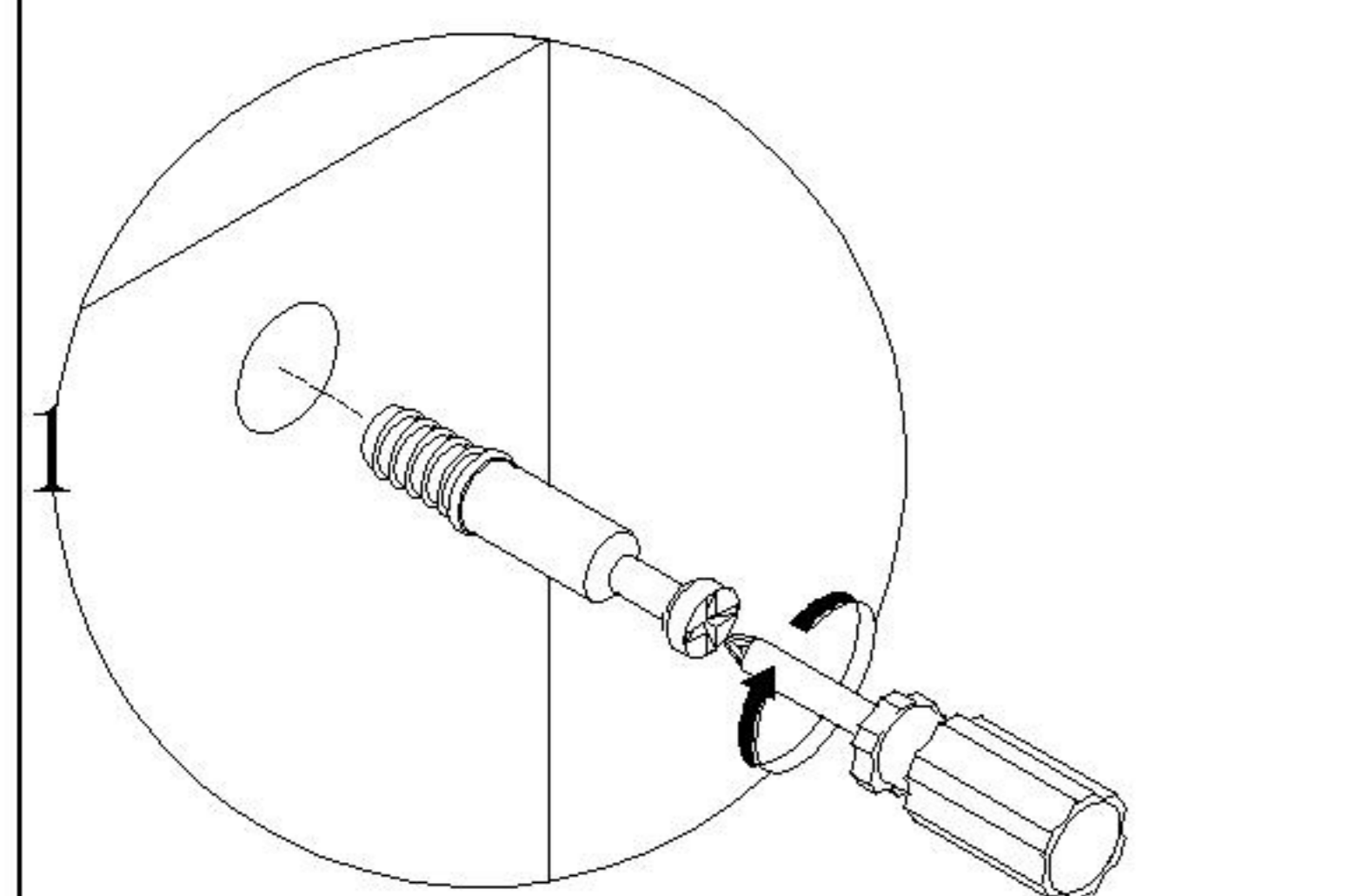


(H)*6

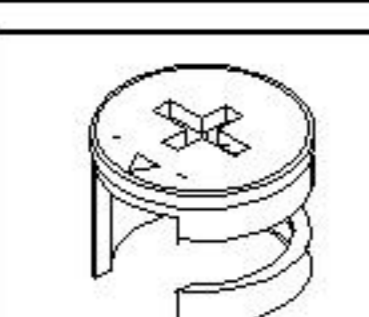


8

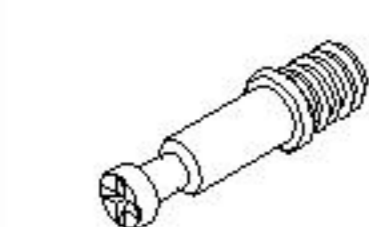
安装方法/
Installation method



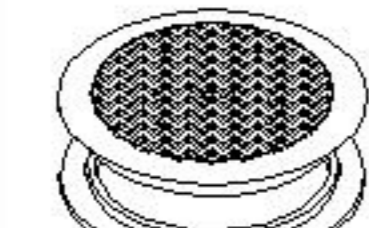
大二合一
two-in-one



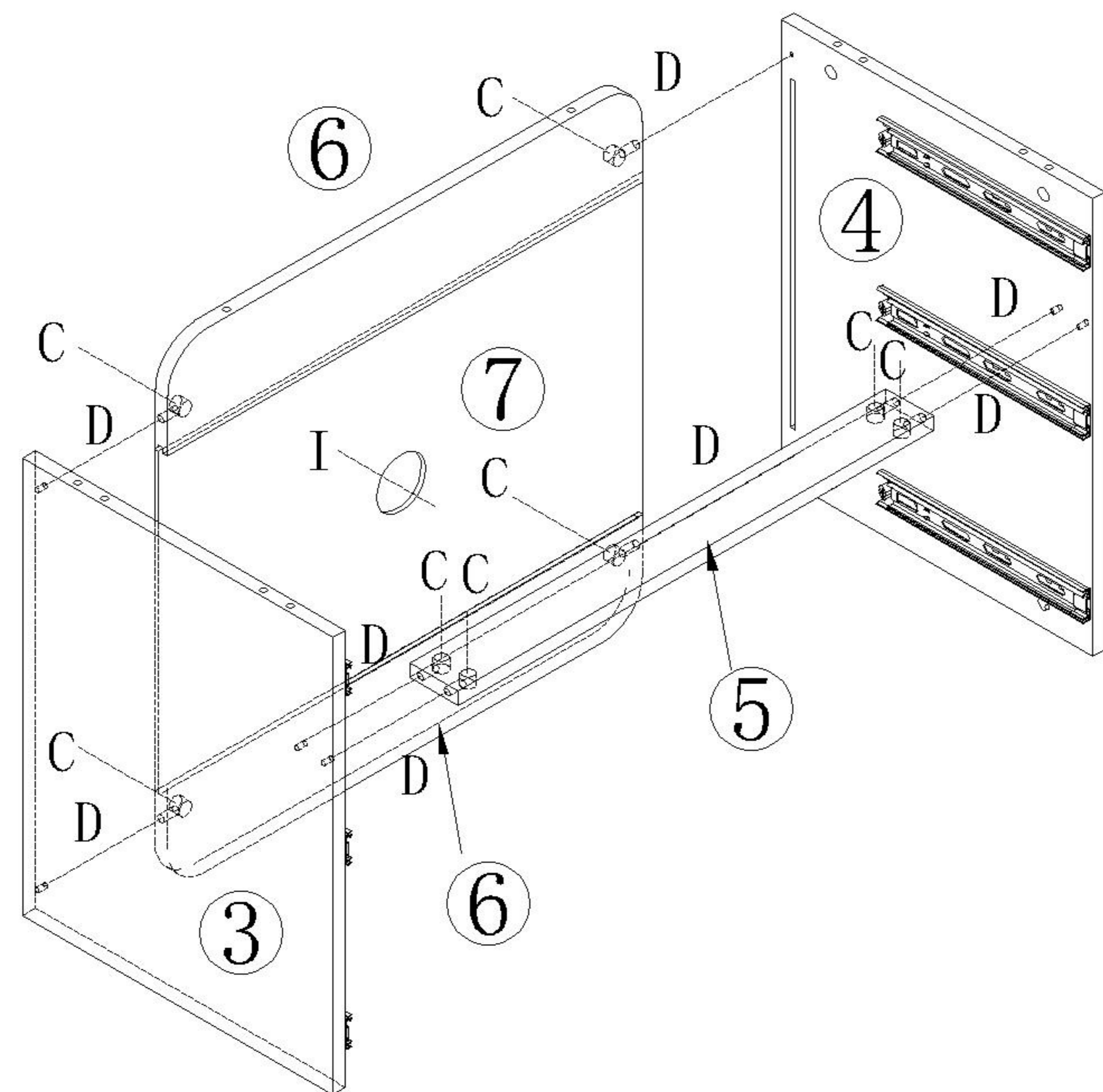
(C)*8



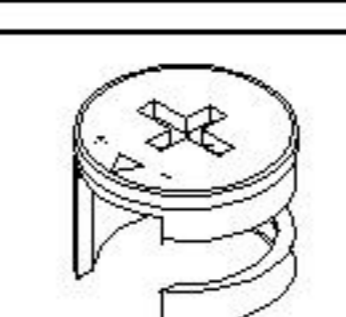
(D)*8



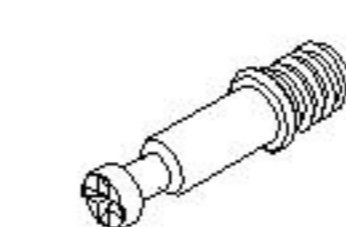
(I)*1



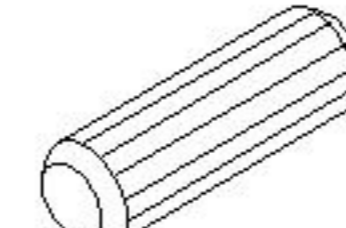
9



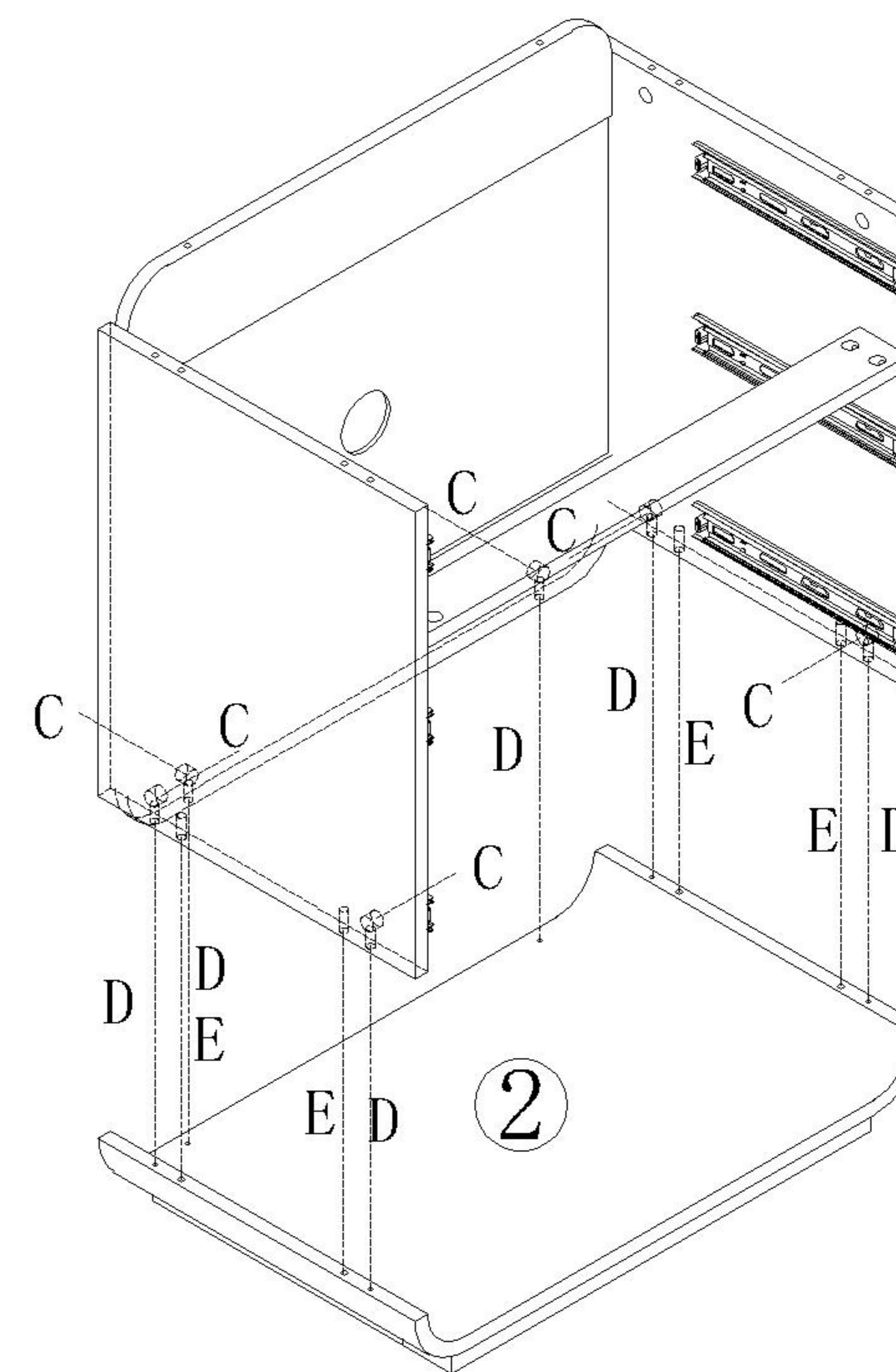
(C)*6



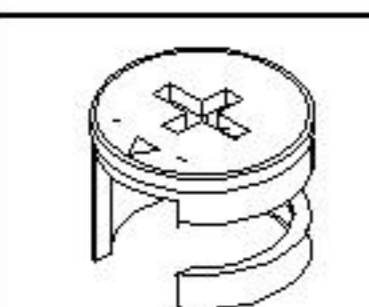
(D)*6



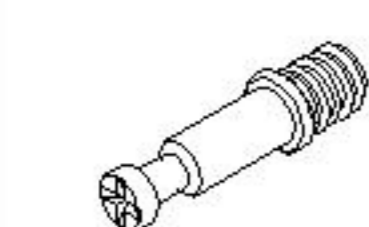
(E)*4



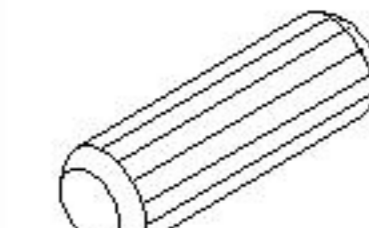
10



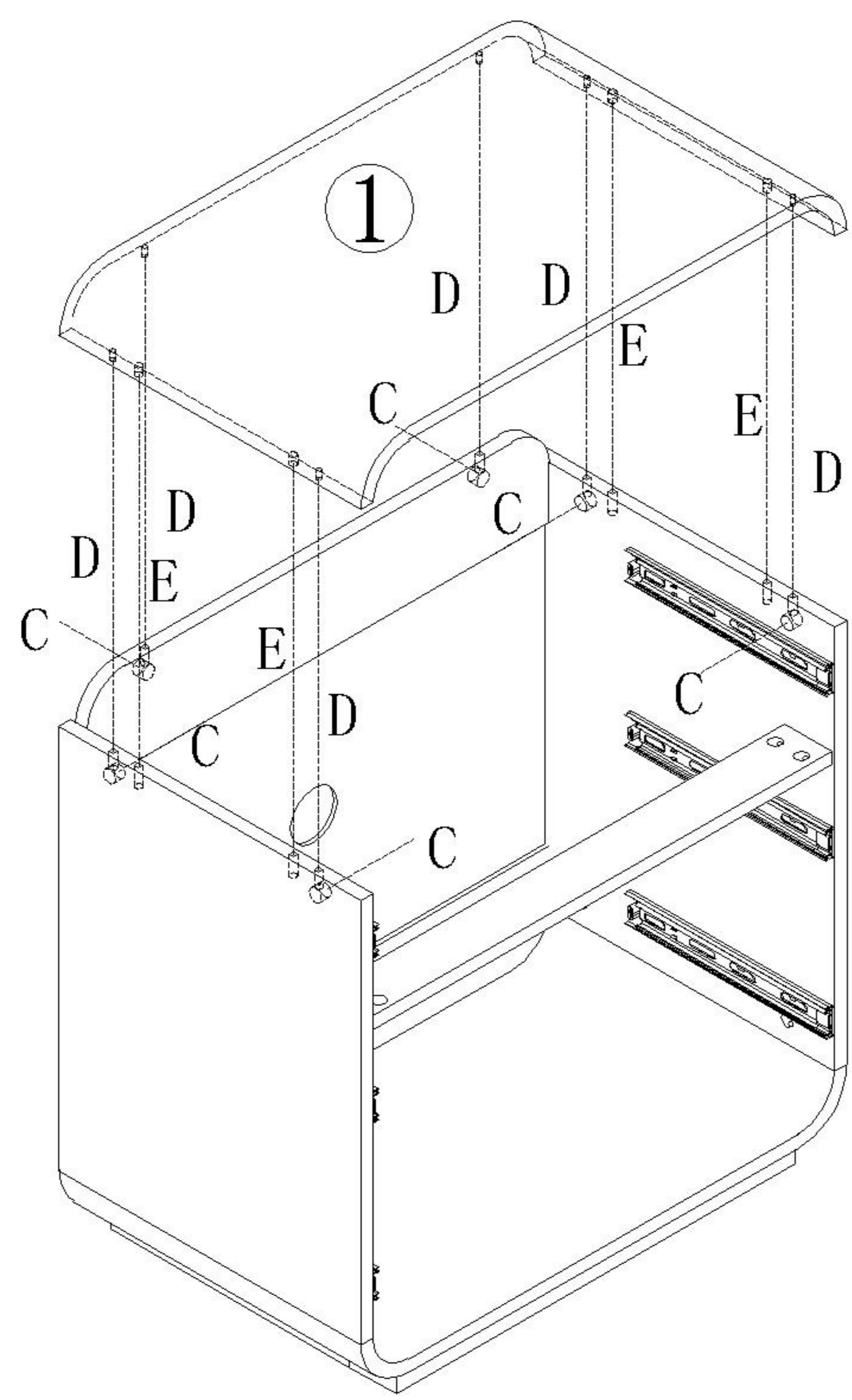
(C)*6



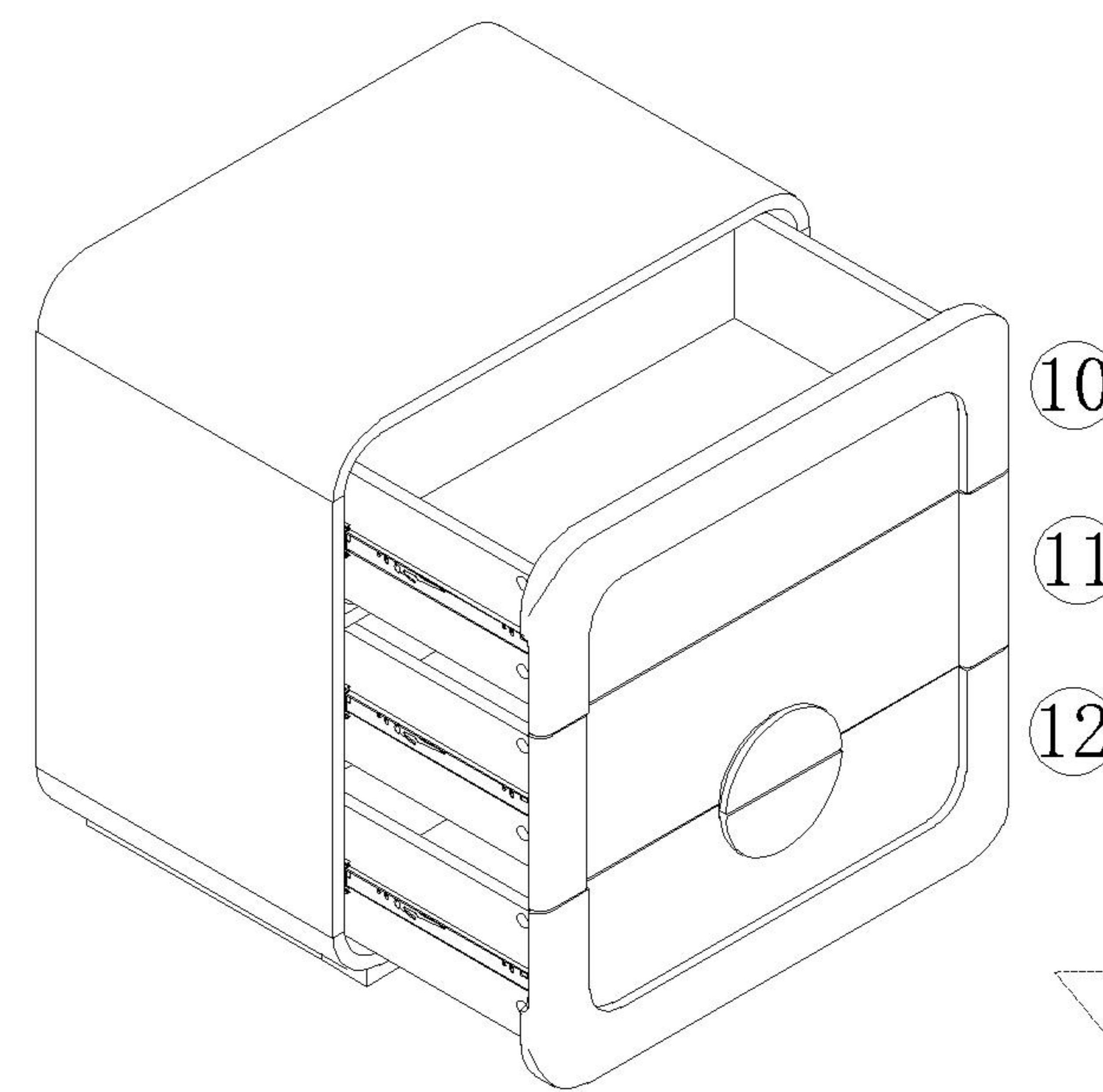
(D)*6



(E)*4

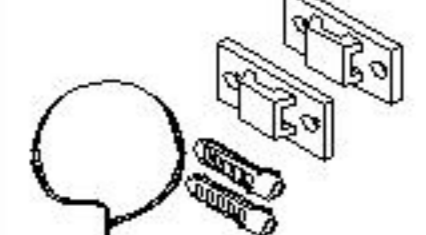




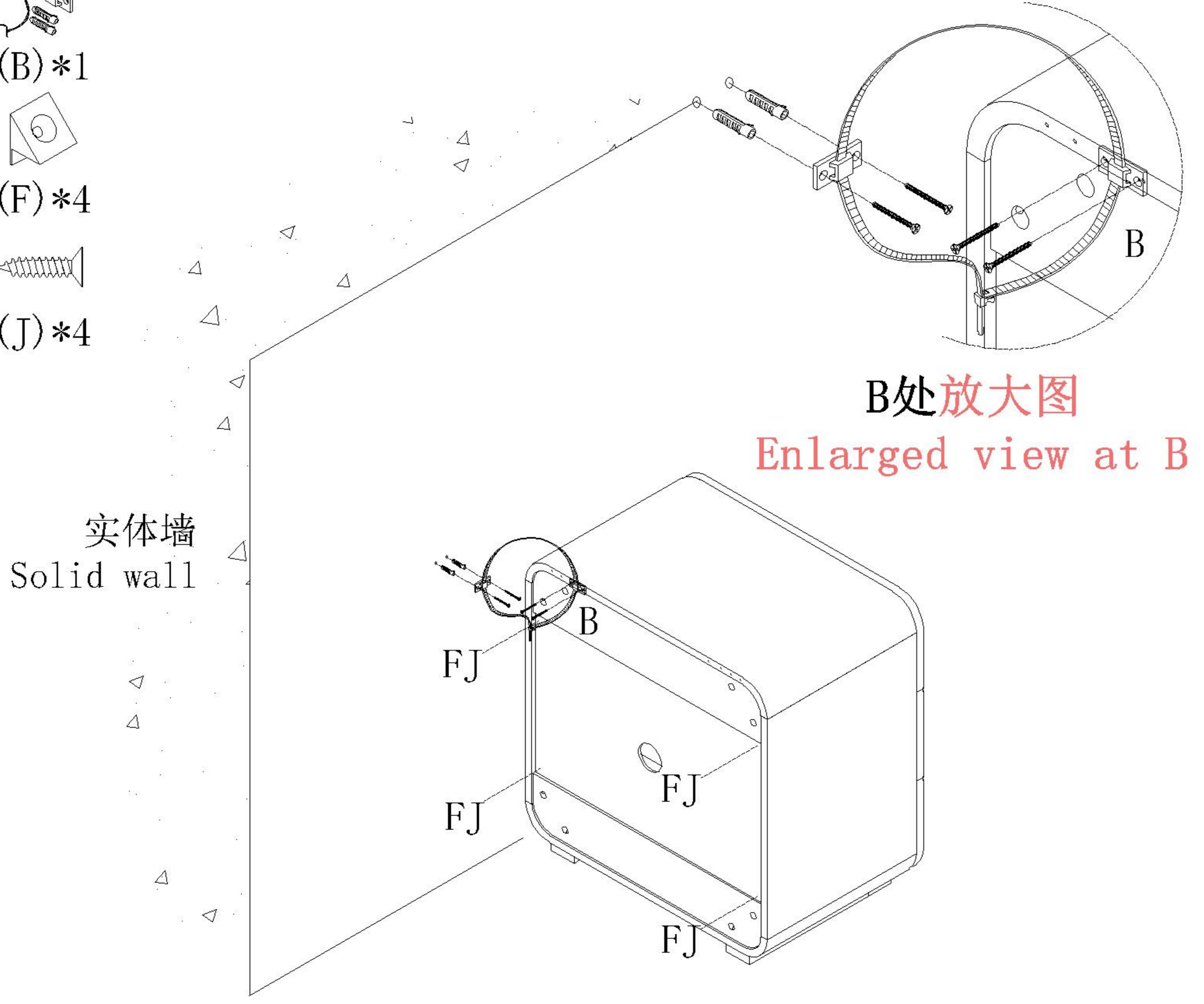
11



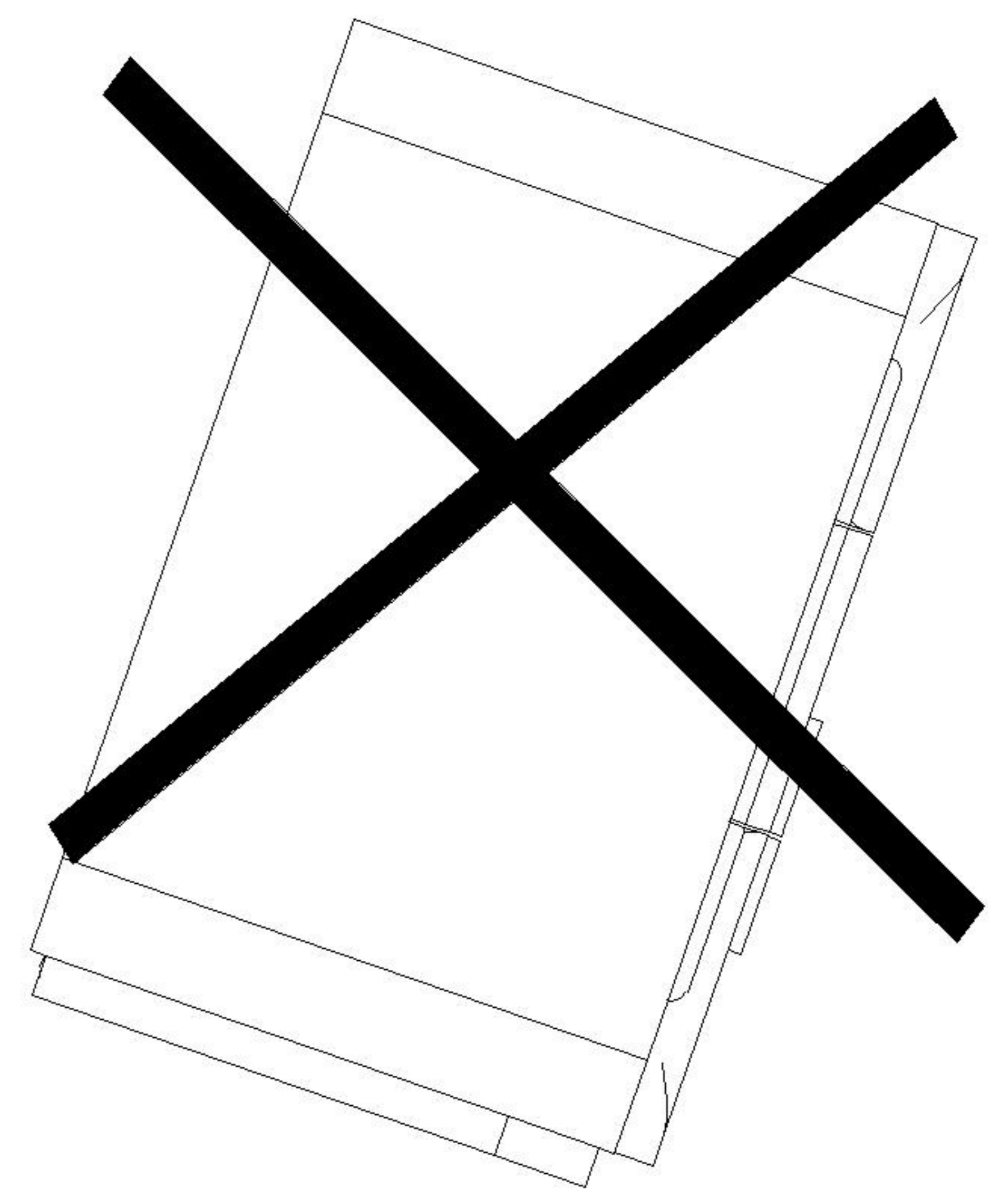
12

安装方法/
Installation method

-  (B)*1
-  (F)*4
-  (J)*4



实体墙
Solid wall



LINSY 林氏家居

安装工具
Tools required

安装人员
Installer

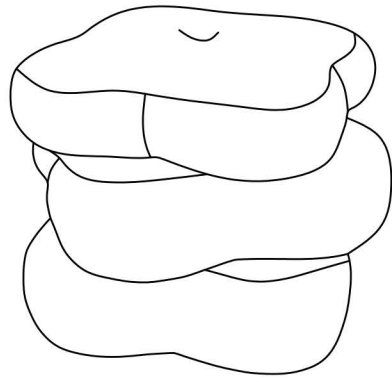


安装示意图 Installation diagram

产品名称 Component name	LS995H5-A	产品规格 Component	400*400*450MM
------------------------	-----------	-------------------	---------------

部件表 Component list

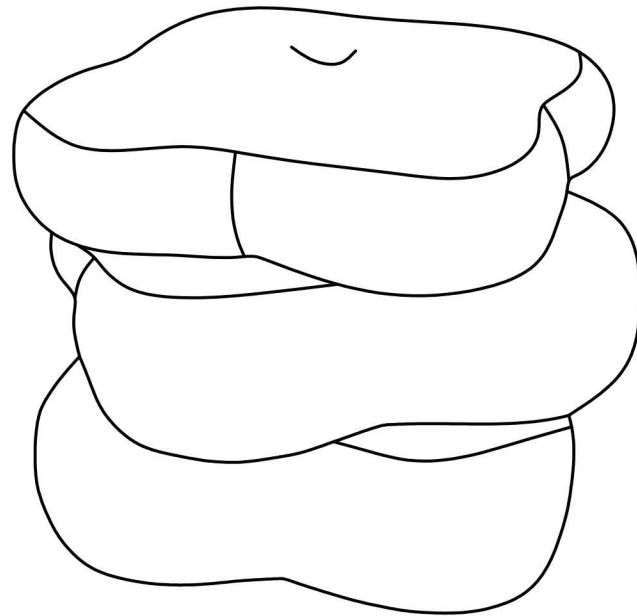
编号 Component number	名称 Component name	数量 Quantity	材质 Component material
①	椅身 body	1	面料 + 胶合板 + 松木 + 海绵 Fabric + Plywood + Pine Wood + Sponge



效果图

design sketch

STEP 1



LS995H5-A