

LINSY 林氏家居

五金表/Hardware list

部件表/Parts List

安装示意图/Assembly Instruction

产品名称 Model NO.

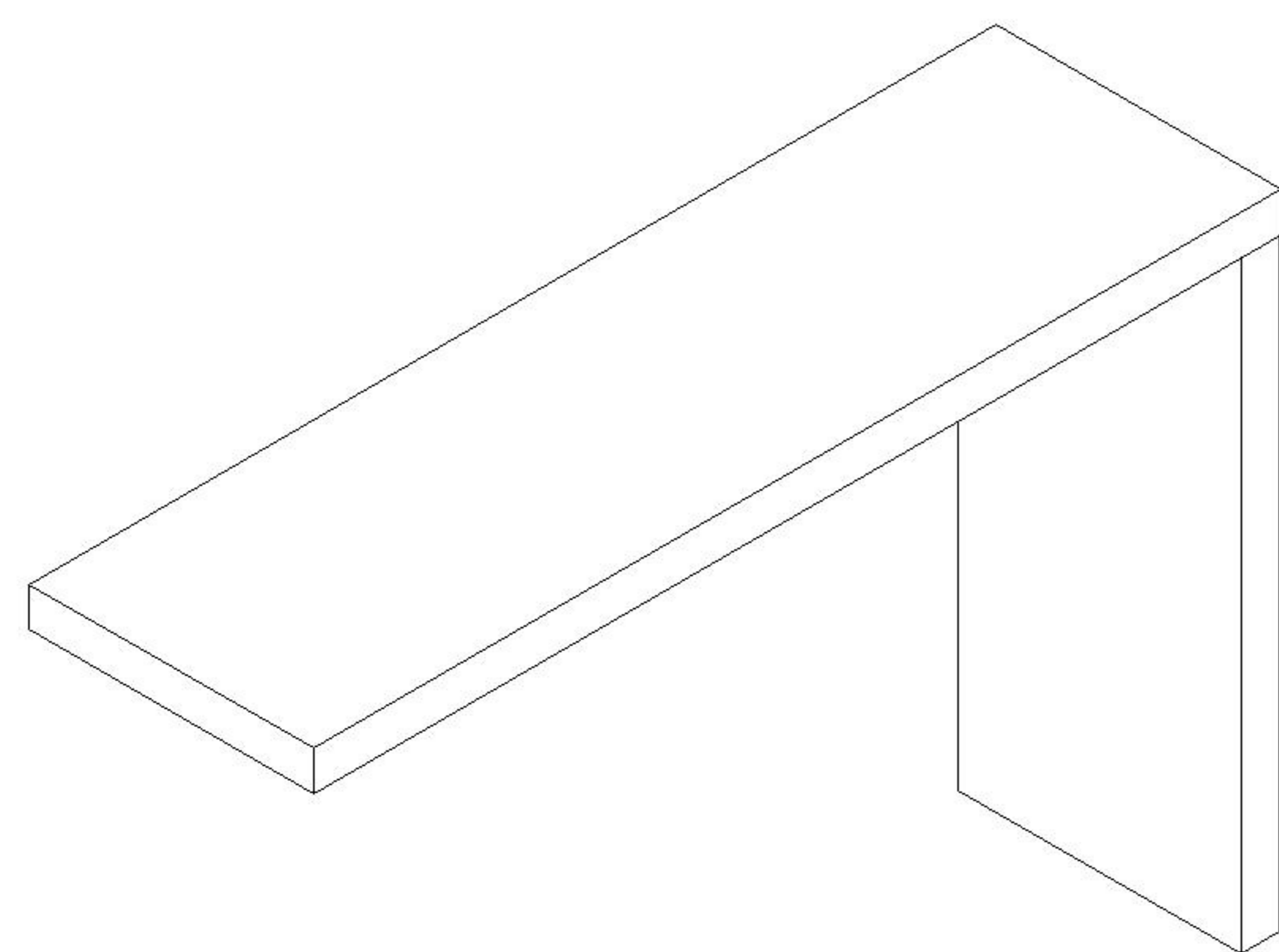
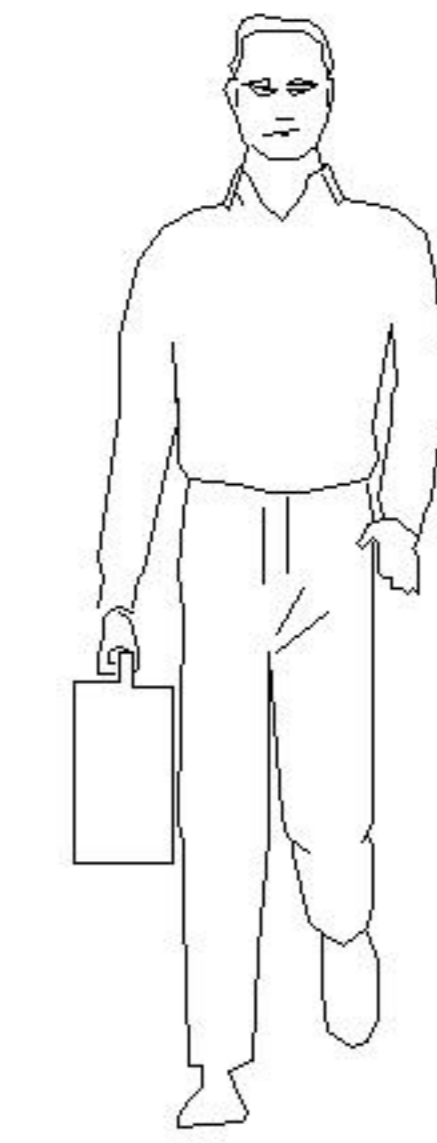
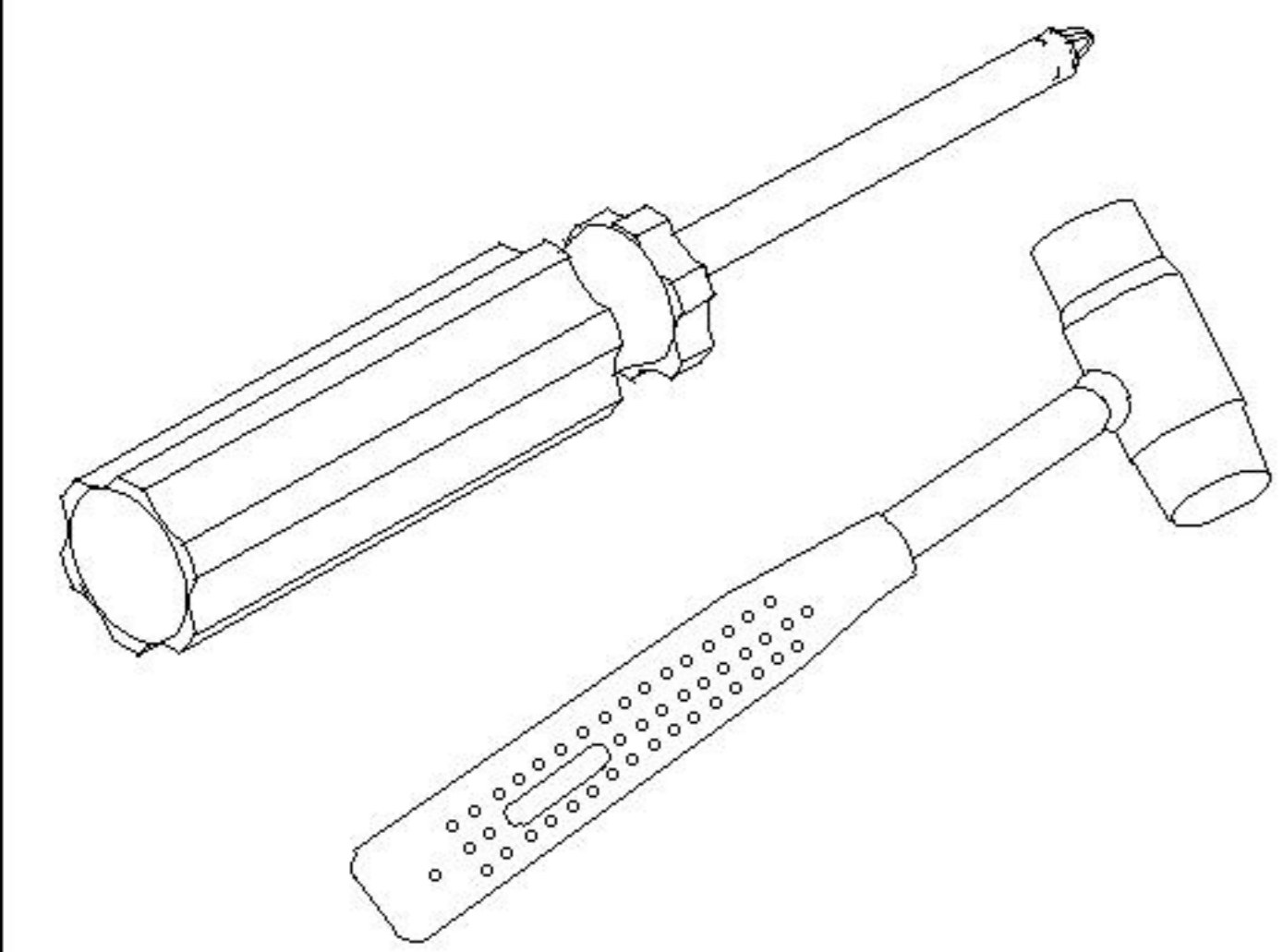
VK1V-A

产品规格 Specification

1200*362*753MM

安装工具 Tool

安装人数 Installer

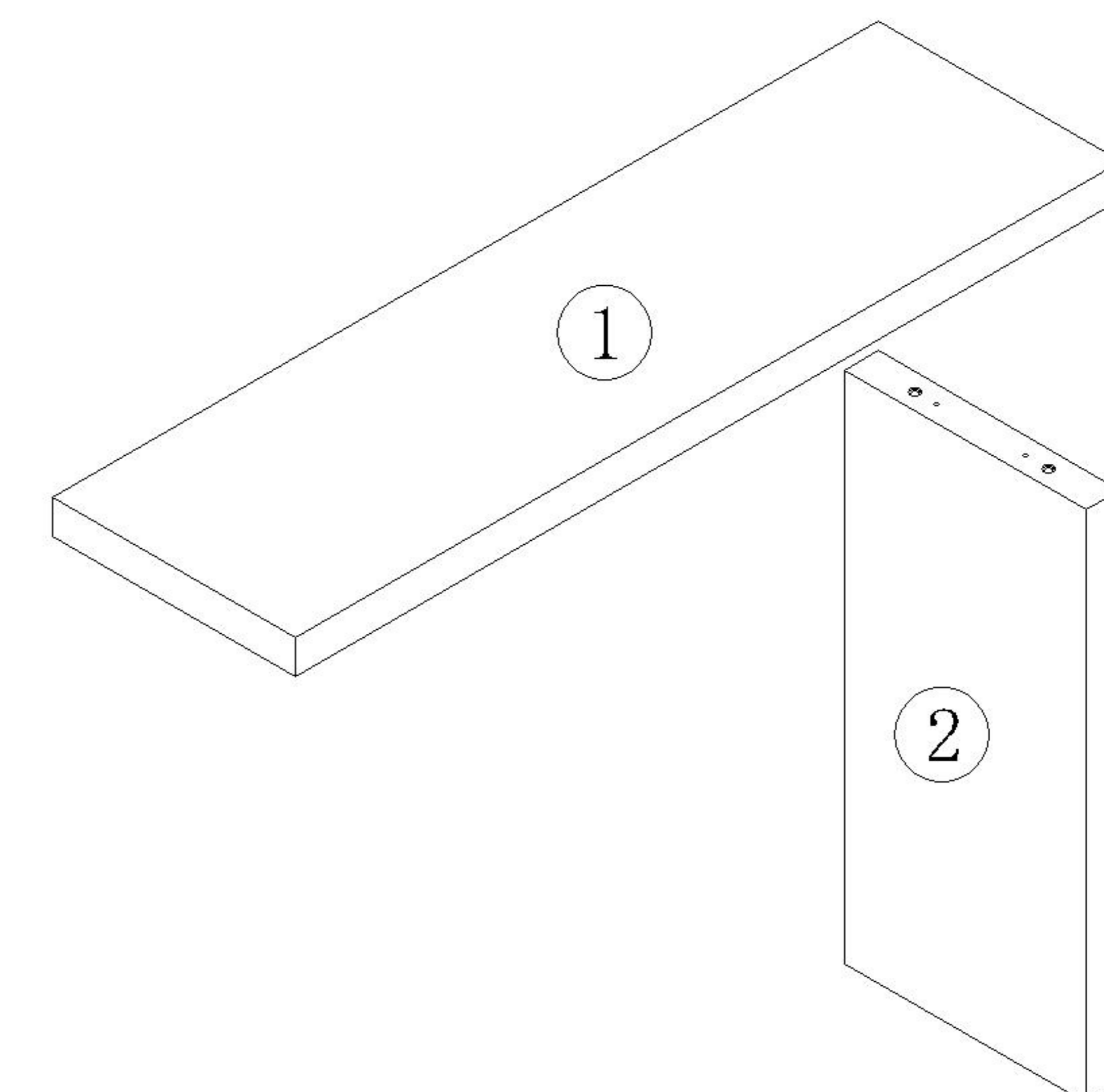


(A)*2 全牙螺杆-(M8*725mm) Full thread screw	(B)*2 灰色毛毡垫 Foot pad	(C)*2 木榫Ø10x10mm Wood tenon	(D)*2 外六角螺母-M8 Hexagon Nut
(E)*2 垫片-M8*17 Shim	(F)*1 套筒扳手-内六角14mm Hexagon wrench	(G)*2 垫片-黑色长胶垫 Black long rubber pad	

编号NO.	名称Name	规格(mm) Specification	数量QTY	材质Material
①	面板 Top panel	1200*362*36	1	人造板 WBP
②	侧板 Side board	714*360*36	1	人造板 WBP

分解图/Decomposition diagram

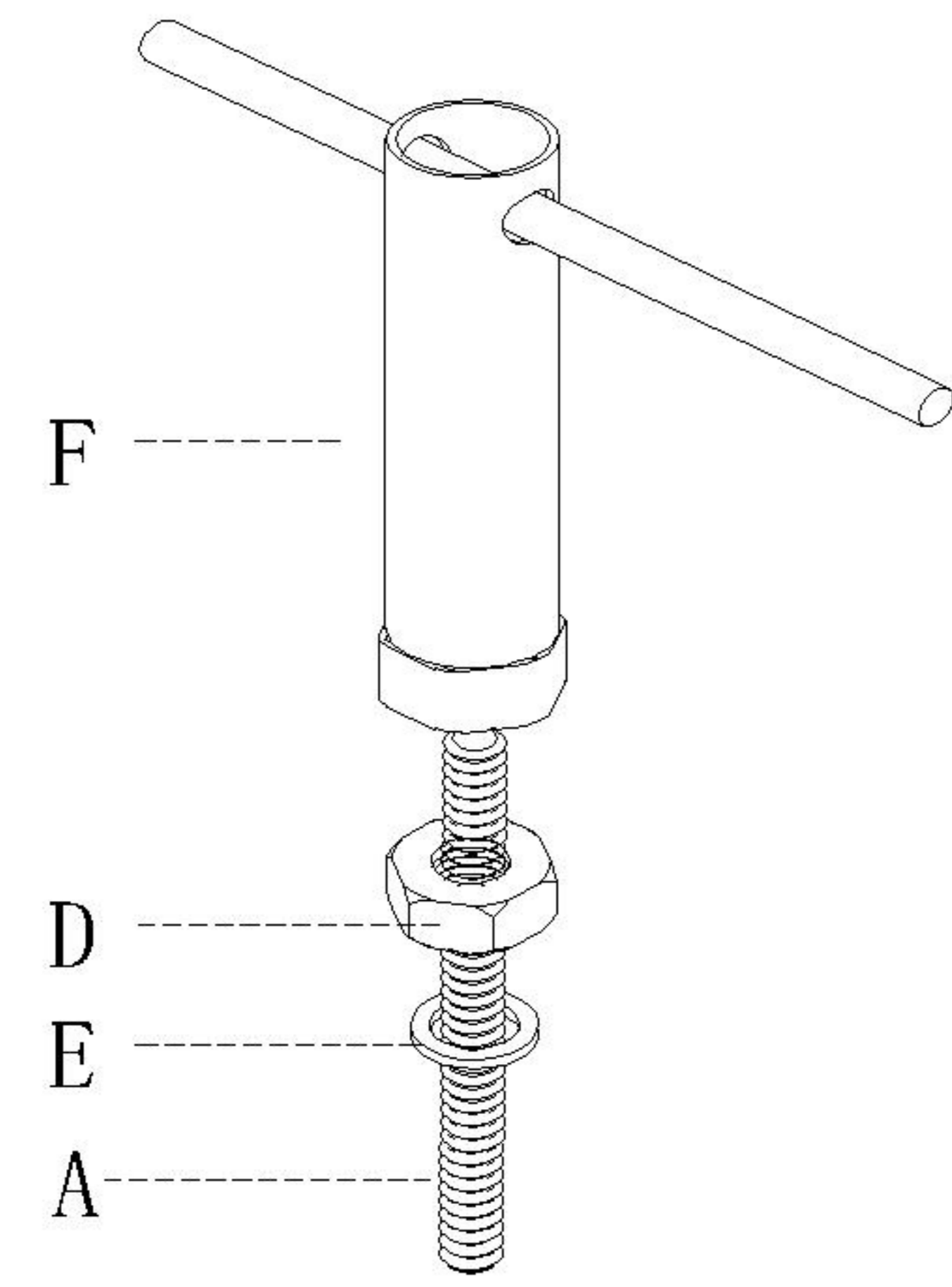
编号NO.	名称Name
①	面板 Top panel
②	侧板 Side board



VK1V-A

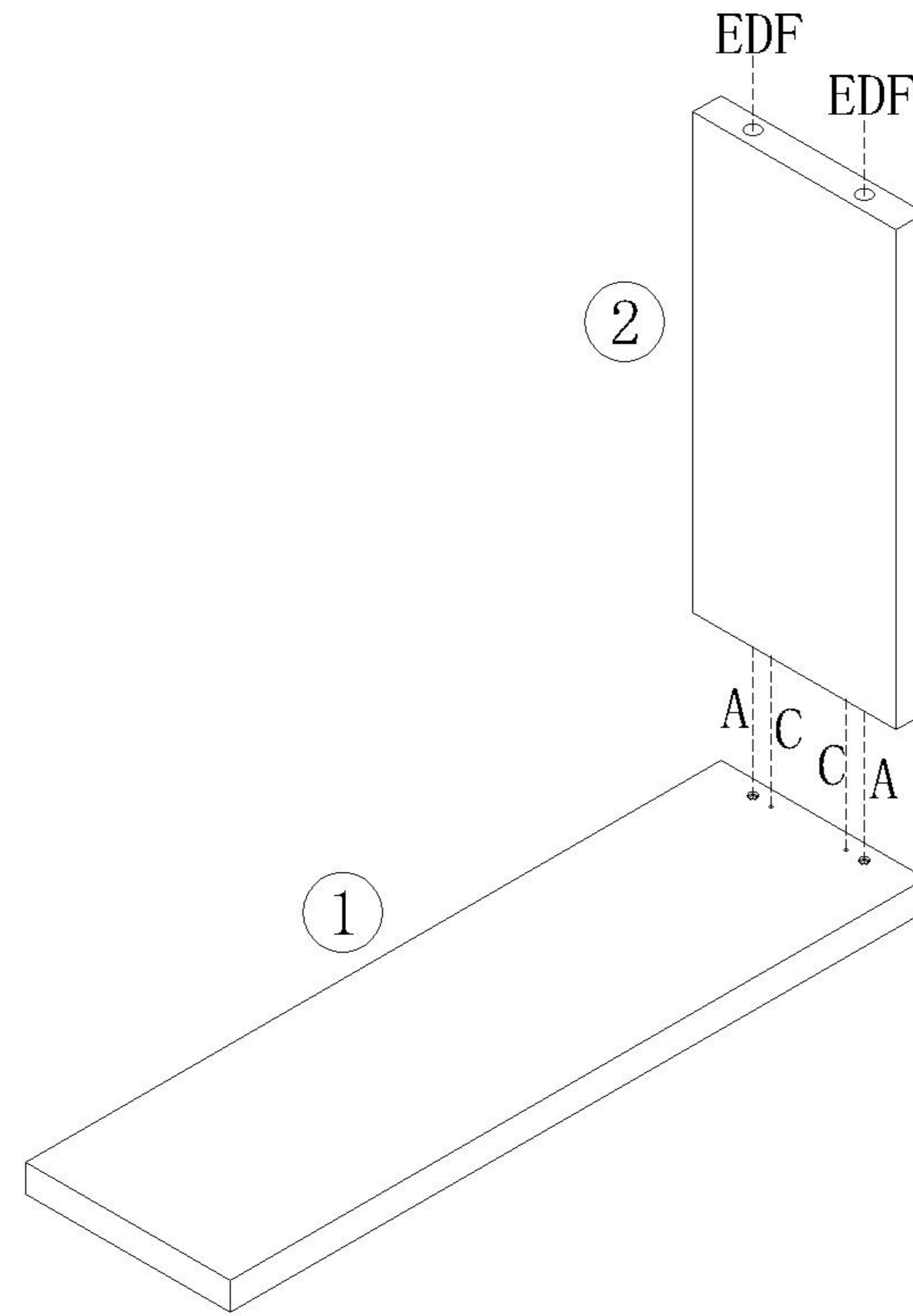
安装方法

Installation method



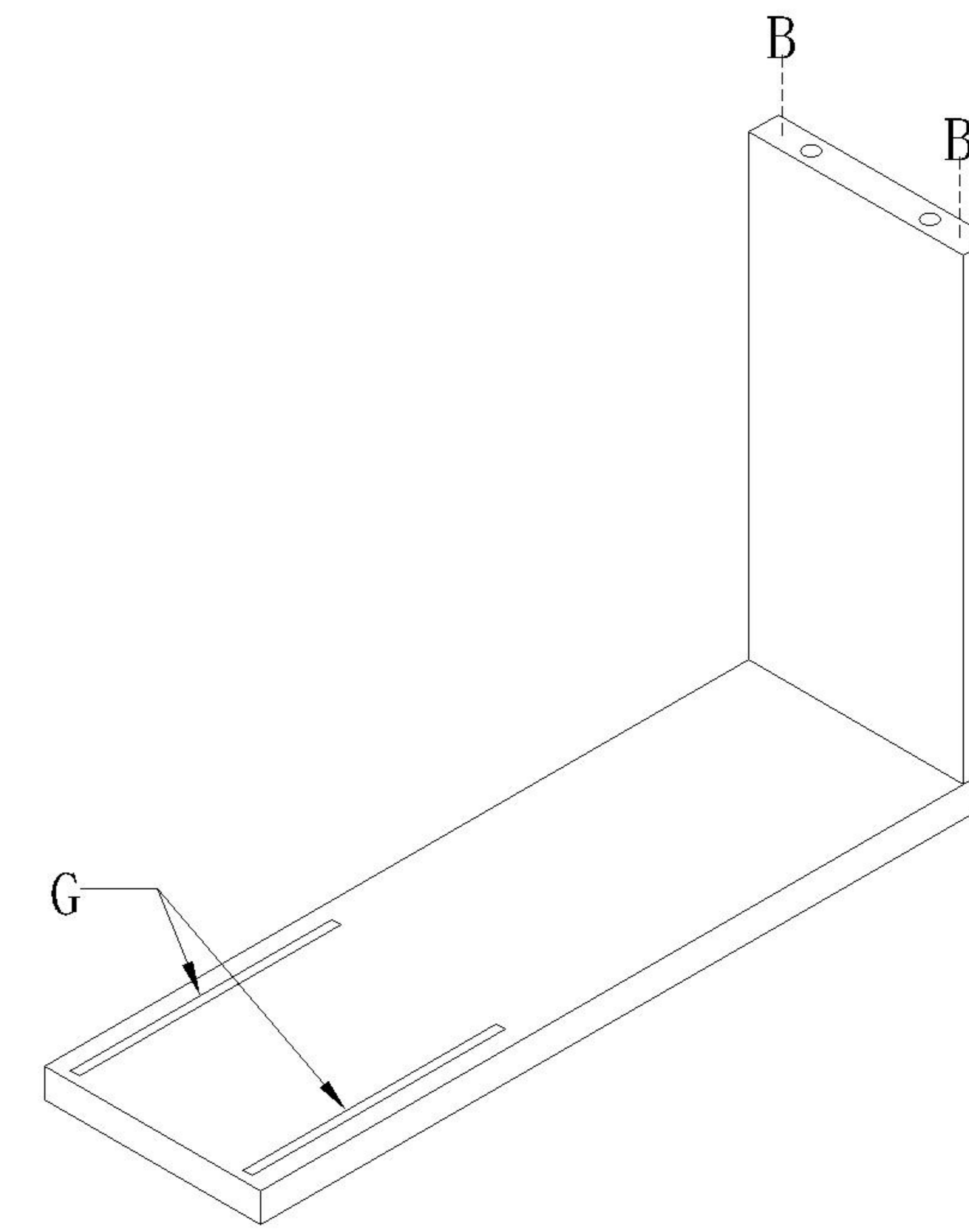
全牙螺杆
Full thread screw

- (A) *2
- (C) *2
- (D) *2
- (E) *2
- (F) *1

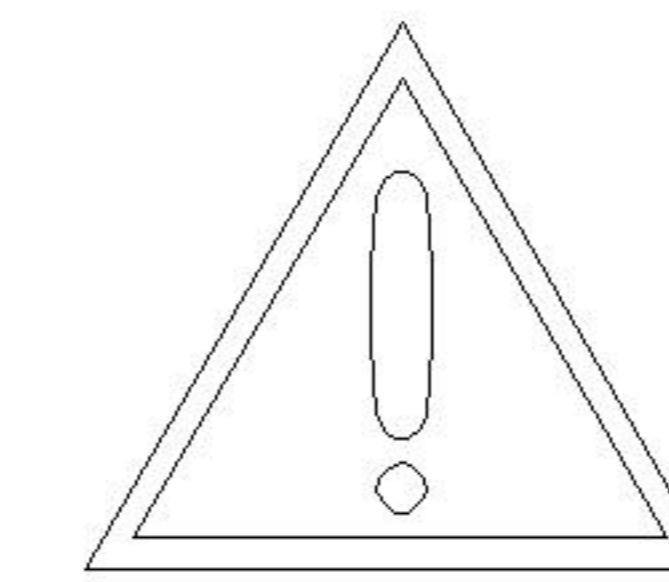
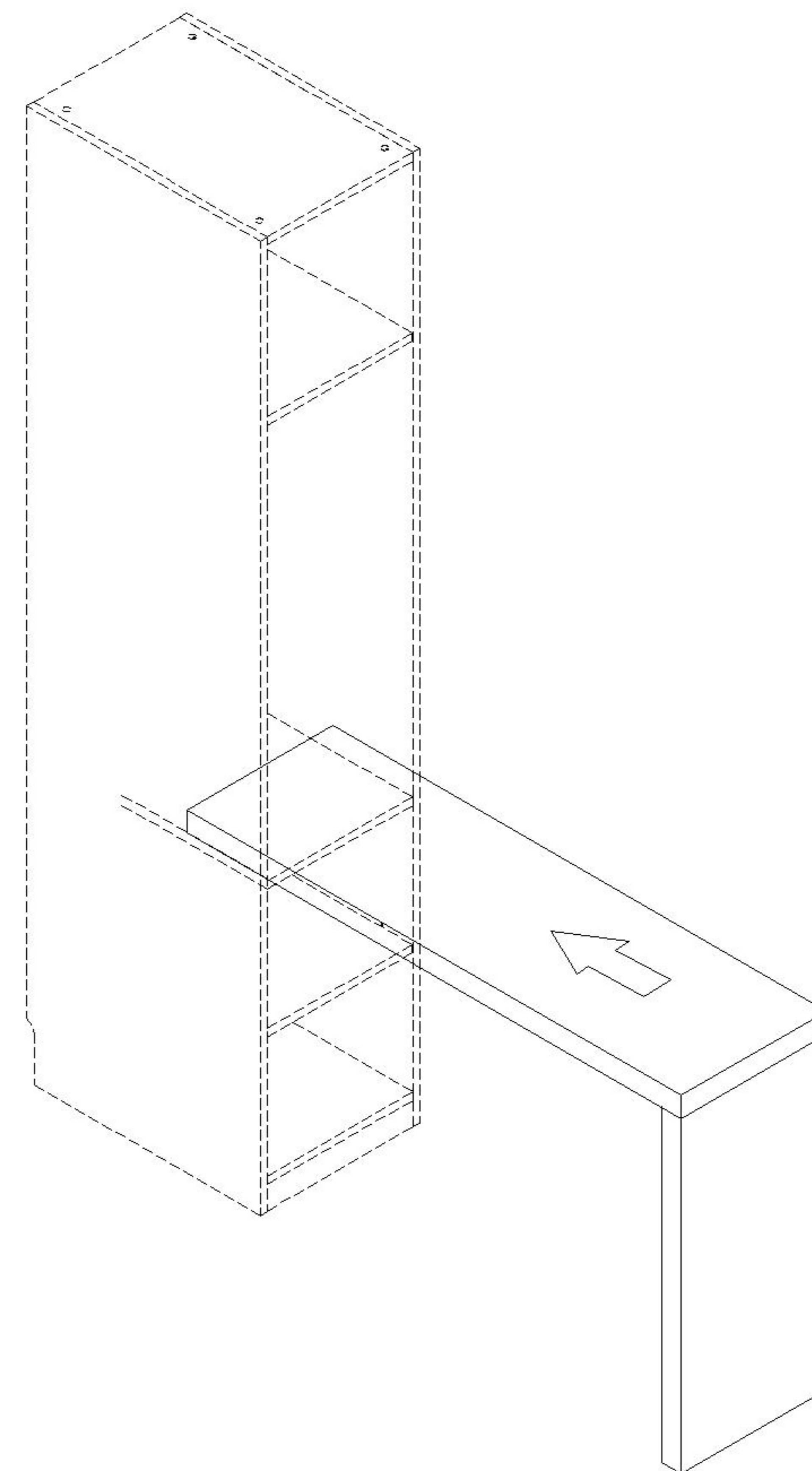


1

- (B) *2
- (G) *2

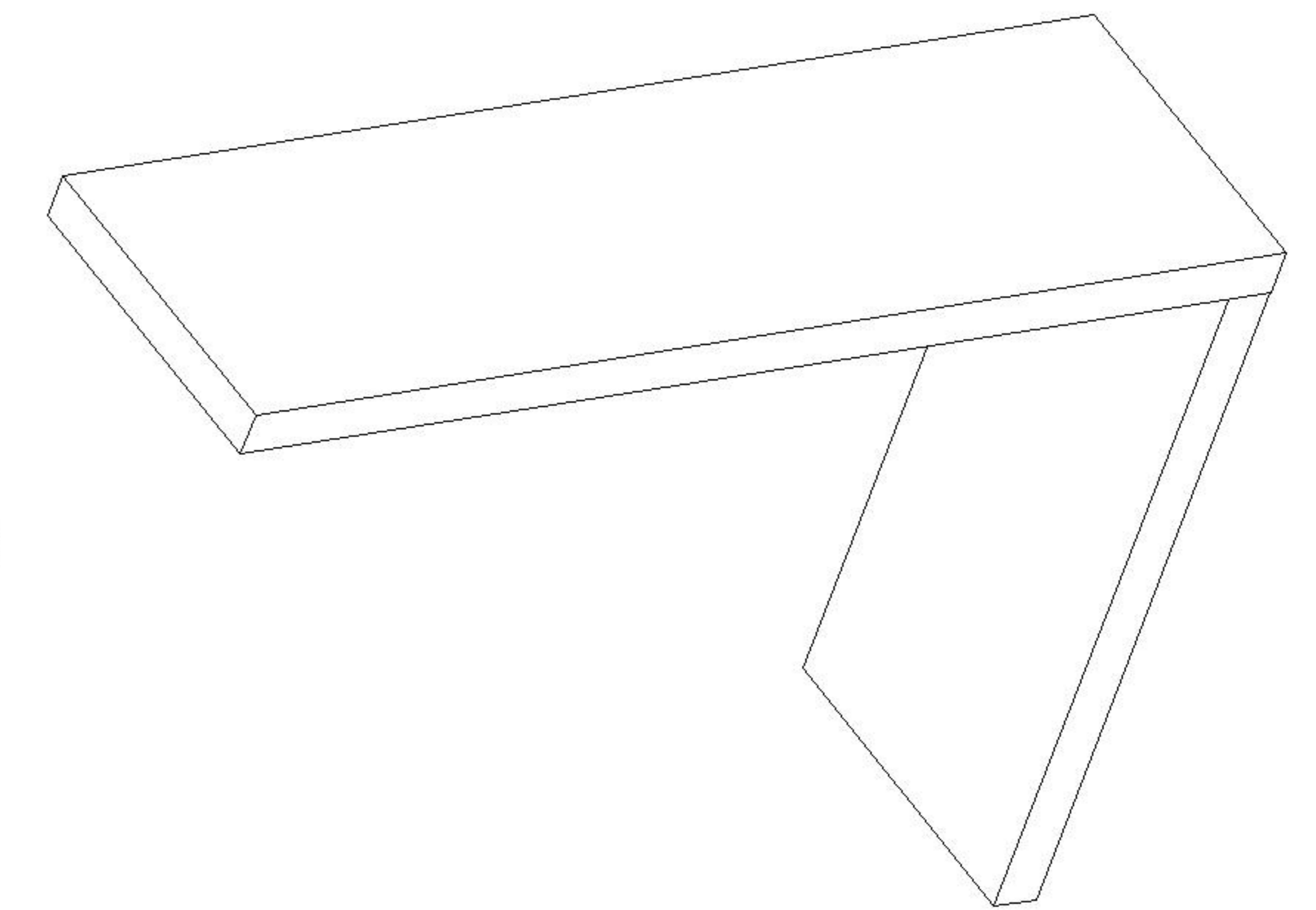


2



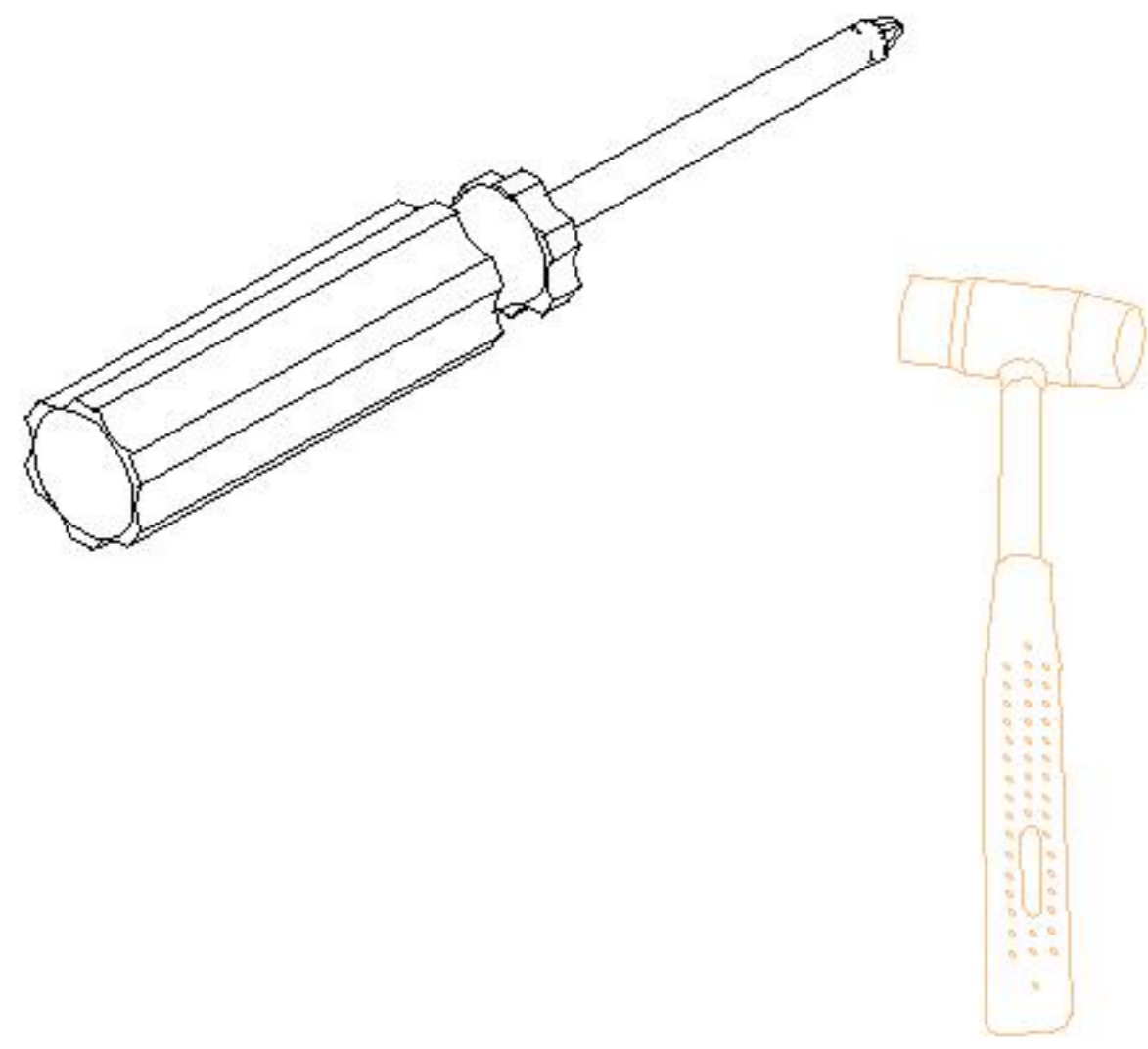
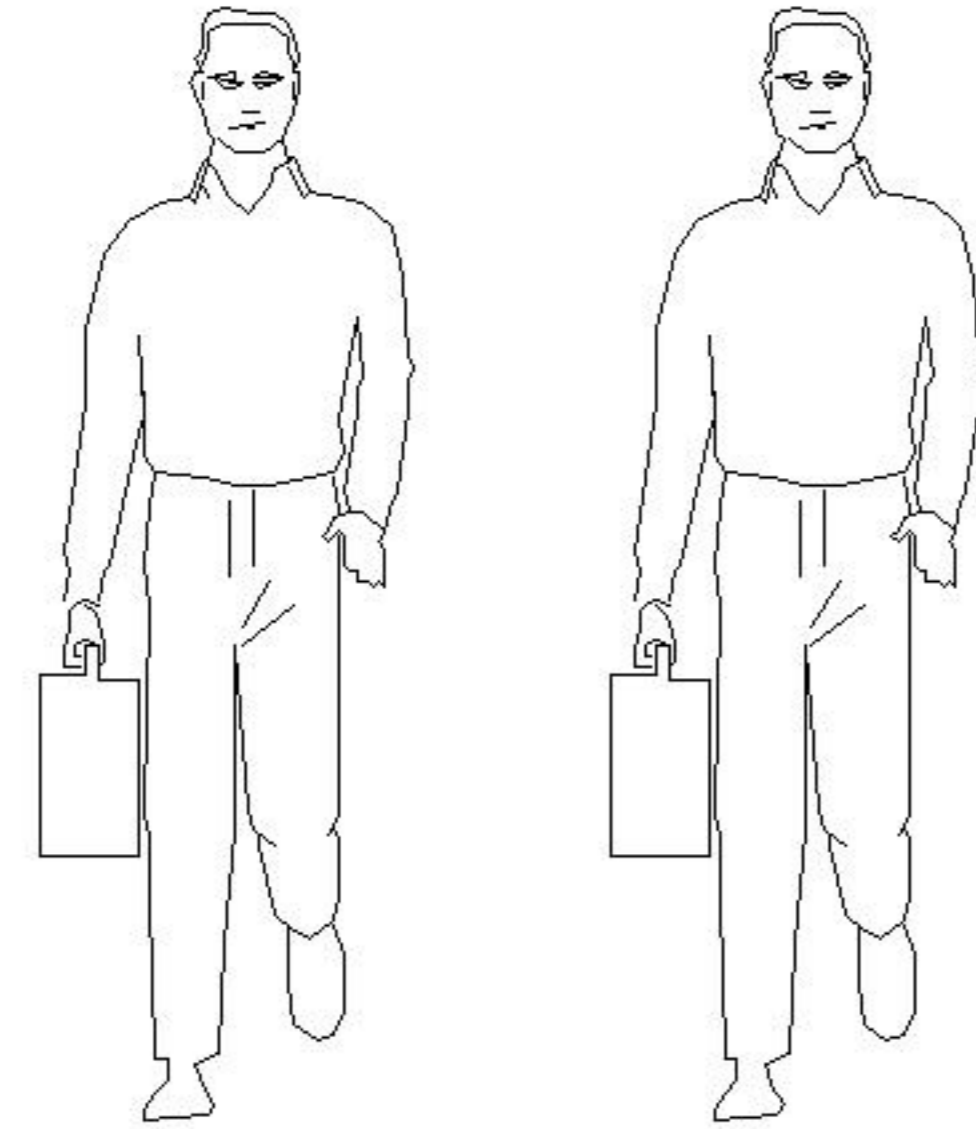
注意!
使用产品时请适当调整主柜与边柜组合间
距离，单独放置会有倾倒的风险。

Be careful !
Please properly adjust the distance
between the attached and main
cabinet. Placing the main cabinet
alone will have a risk of dumping.

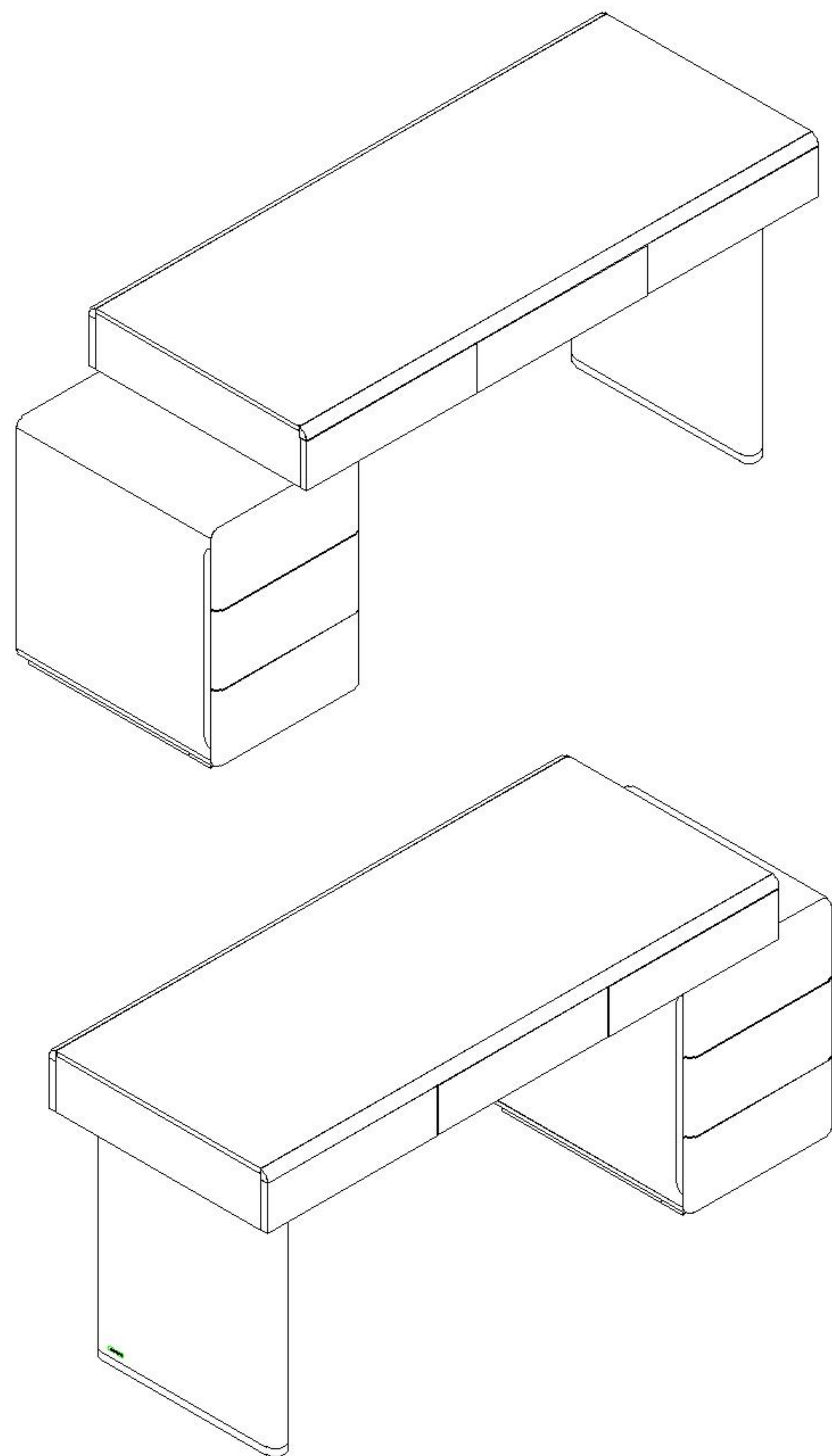


3

安装示意图/Assembly Instruction

产品名称 Model NO.	VK1V-A(1.2m)
产品规格 Specification	1202~1402*596*754mm
安装工具 Tool	安装人数 Installer
	

提示：产品可左右互换安装
 Tips: The product can be installed interchangeably from left to right.



 (A)*27 大三合一锁饼 Three-in-one large lock	 (B)*27 二合一螺杆 2-in-1-screw	 (C)*44 小二合一杆 2-in-1 small rod	 (D)*44 小三合一锁饼 3-in-1 small lock	 (E)*25 塑料螺母 Plastic Nut	 (F)*25 自攻螺丝M4x40mm Self-tapping screw	 (G)*80 自攻螺丝M3.5x12mm Self-tapping screw	 (H)*6 自攻螺丝M3.5x16mm Self-tapping screw	
 (I)*9 自攻螺丝M4*25mm Self-tapping screw	 (J)*6 三节滚珠导轨(DTC)-12" Three-section ball rail	 (K)*6 背板扣 Back Panel Buckle	 (L)*12 灰色毛毡垫 Foot pad	 (M)*1 防倒器 Anti-fall device	 (N)*3 斜边内六角螺杆M8*65 Bevel inner hexagon screw	 (O)*6 斜边内六角螺杆M8*35 Bevel inner hexagon screw	 (P)*4 木榫Ø6x30mm Wood tenon	
 (Q)*13 木榫Ø8x30mm Wood tenon	 (R)*1 方管 Square tube	 (S)*2 角码14x21x1.5mm Small bracket	 (T)*2 自攻大扁M4*20mm Self tapping flat screw	 (U)*2 自攻大扁M4*35mm Self tapping flat screw	 (V)*3 锤母-M8*15 Hammer nut	 (W)*12 过山丝-M7x38mm Confirmat screw	 (X)*1 扳手-(5mm)内六角扳手 Hexagon wrench	
 (Y)*1 白色透气孔盖 white Cover with vent hole	 (Z)* 8 透明圆形防滑垫 Nonslip plastic pad	 (A1)*1 垫片-黑色, L=330mm Black long rubber pad						

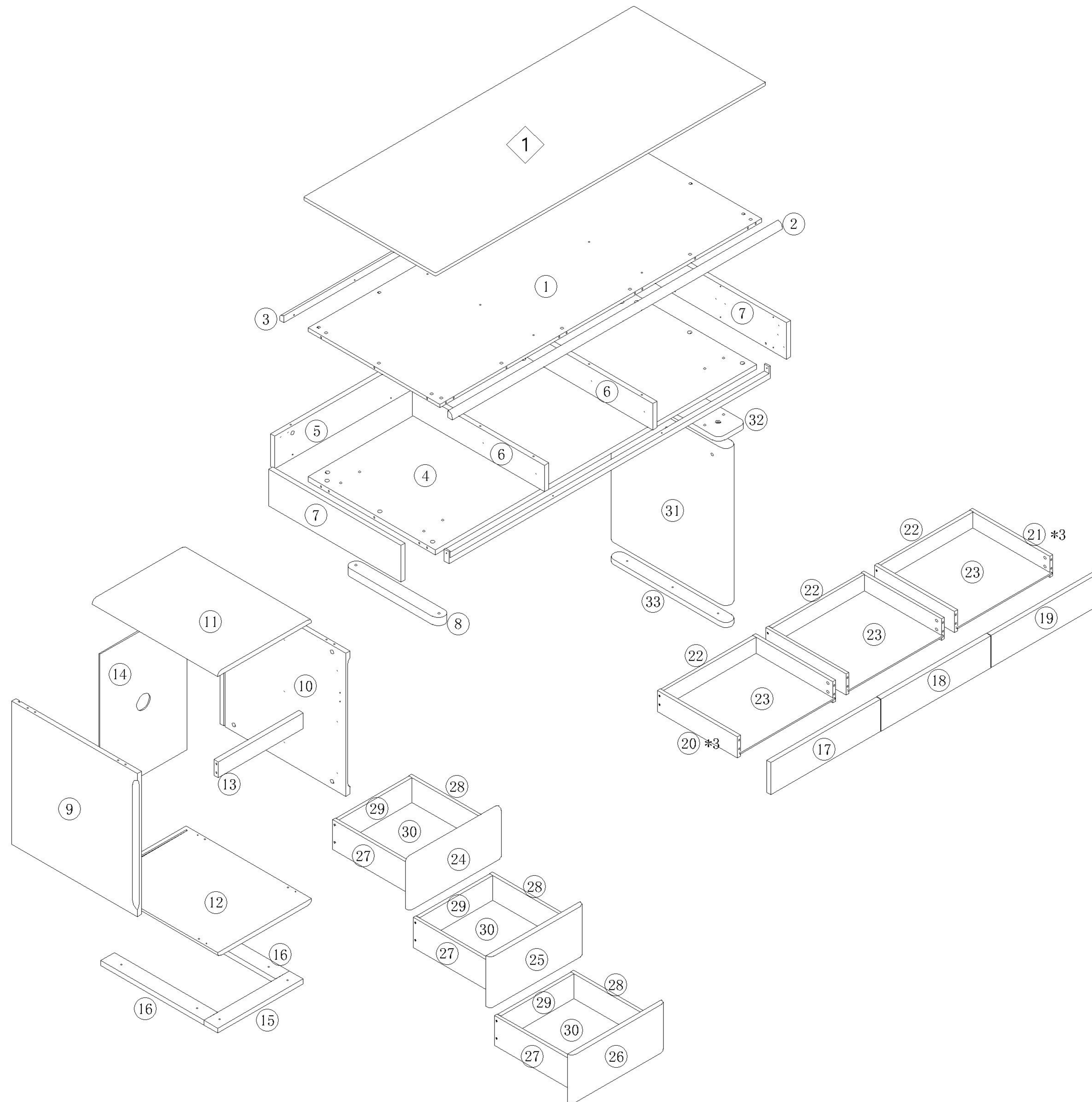
VK1V-A(1.2m)

部件表/Parts List

部件表/Parts List

安装方法/
Installation method

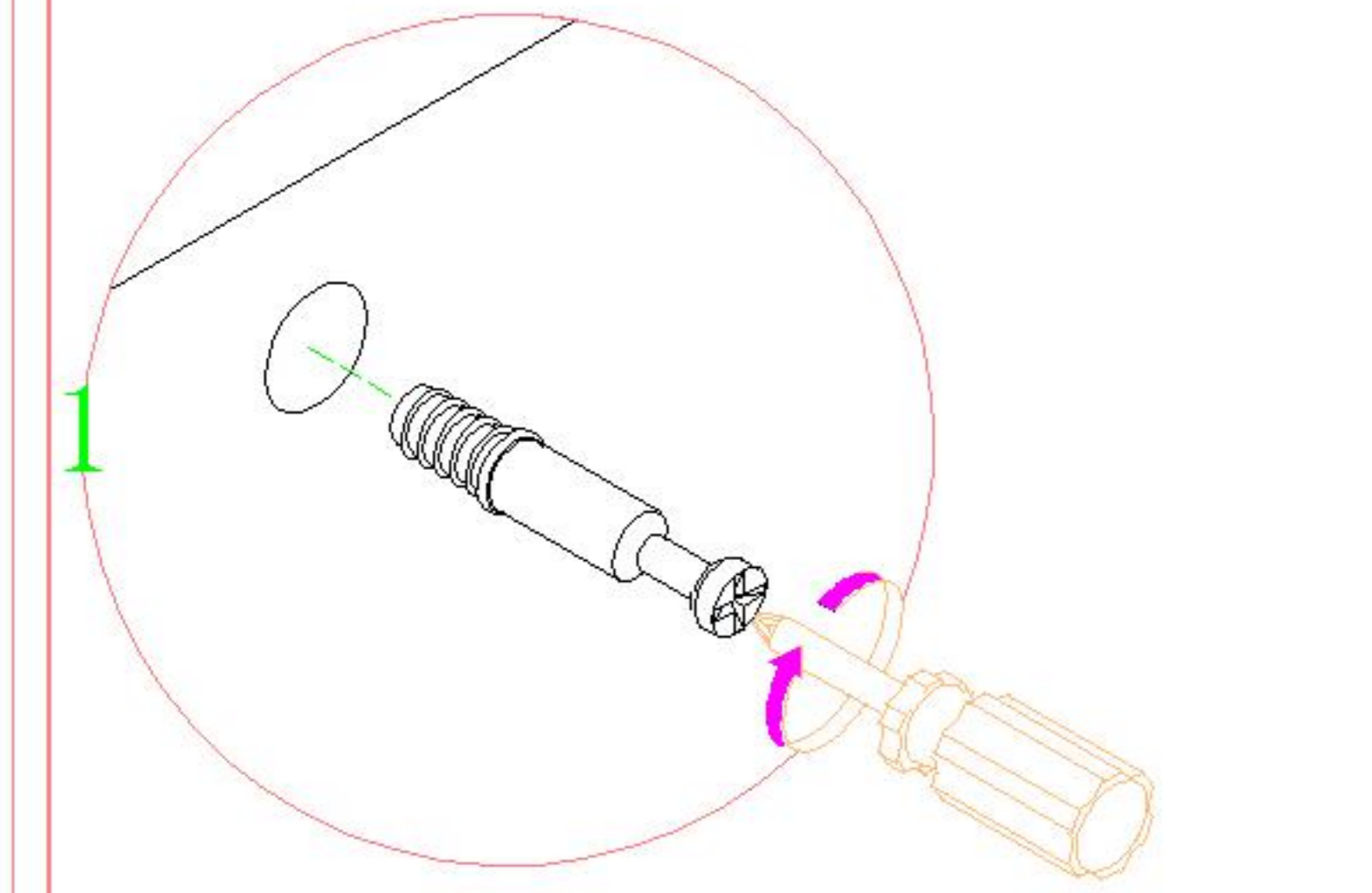
编号NO.	名称Name	规格 (mm) Specification	数量QTY	材质Material	编号NO.	名称Name	规格 (mm) Specification	数量QTY	材质Material
书桌主体:Desk Main body					②④	左下抽屉面板Bottom left drawer panel	398*186*18	1	纤维板 Fiberboard
①	面板Top panel	1164*560*12	1	刨花板 Particle board	②⑤	中下抽屉面板Bottom drawer panel	398*186*18	1	纤维板 Fiberboard
②	上柜前饰条Front trim	1202*25*18	1	白蜡木Ash	②⑥	下抽屉面板Bottom drawer's panel	398*186*18	1	纤维板 Fiberboard
③	面板后条Panel back strip	1202*25*18	1	白蜡木Ash	②⑦	下抽屉左侧板Bottom drawer left panel	340*110*12	3	刨花板 Particle board
④	底板Bottom board	1164*539*18	1	刨花板 Particle board	②⑧	下抽屉右侧板Bottom drawer right side panel	340*110*12	3	刨花板 Particle board
⑤	上背板Upper back board	1202*120*18	1	刨花板 Particle board	②⑨	下抽屉后板Down drawer's back board	310*110*12	3	刨花板 Particle board
⑥	中侧板Middle side board	560*97*18	2	刨花板 Particle board	③⑩	下抽屉底板Bottom drawer plate	336*320*5	3	纤维板 Fiberboard
⑦	外侧板Sideboard	560*134*18	2	刨花板 Particle board	③⑪	脚Foot	576*500*49	1	纤维板 Fiberboard
⑧	长垫条Long strip	398*50*30	1	纤维板 Fiberboard	③⑫	托条Supporting strip	510*120*18	1	刨花板 Particle board
⑨	附柜左侧板Sideboard of attached cabinet(L)	532*525*18	1	纤维板 Fiberboard	③⑬	装饰条Trim strip	500*49*18	1	刨花板 Particle board
⑩	附柜右侧板Sideboard of attached cabinet(R)	532*525*18	1	纤维板 Fiberboard	书桌面板: Desk Panel				
⑪	附柜面板Attached counter board	532*398*18	1	纤维板 Fiberboard	◇1	面板Top panel	1202*559*11	1	石材Stone
⑫	附柜底板Attached bottom board	532*398*18	1	纤维板 Fiberboard					
⑬	下拉条Bottom brace	360*58*18	1	刨花板 Particle board					
⑭	下背板Lower back board	535*370*5	1	纤维板 Fiberboard					
⑮	前脚条Front foot strip	362*58*18	1	刨花板 Particle board					
⑯	侧脚条Side foot strip	438*58*18	2	刨花板 Particle board					
⑰	左抽屉面板Drawer's panel(L)	399*118*18	1	刨花板 Particle board					
⑱	中抽屉面板Drawer's middle board	399*118*18	1	刨花板 Particle board					
⑲	右抽屉面板Drawer's panel(R)	399*118*18	1	刨花板 Particle board					
⑳	抽屉左侧板Drawer's side board(L)	340*78*12	3	刨花板 Particle board					
㉑	抽屉右侧板Drawer's side board(R)	340*78*12	3	刨花板 Particle board					
㉒	抽屉后板Drawer's Back board	326*78*12	3	刨花板 Particle board					
㉓	抽屉底板Drawer's Bottom board	336*336*5	3	纤维板 Fiberboard					



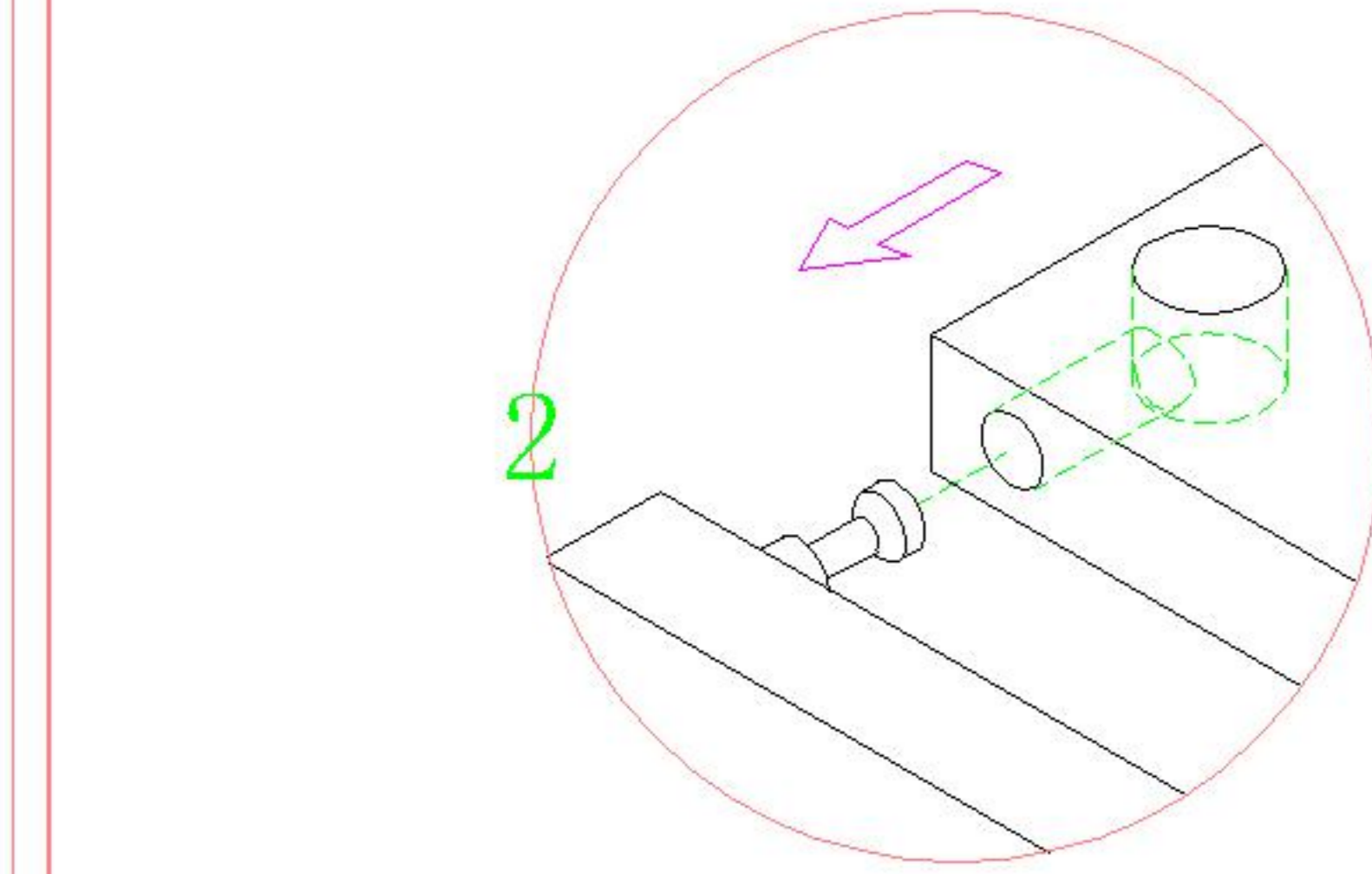
编号NO.	名称Name	编号NO.	名称Name
书桌主体:Desk Main body		②④	左下抽屉面板Bottom left drawer panel
①	面板Top panel	②⑤	中下抽屉面板Bottom drawer panel
②	上柜前饰条Front trim	②⑥	下抽屉面板Bottom drawer's panel
③	面板后条Panel back strip	②⑦	下抽屉左侧板Bottom drawer left panel
④	底板Bottom board	②⑧	下抽屉右侧板Bottom drawer right side panel
⑤	上背板Upper back board	②⑨	下抽屉后板Down drawer's back board
⑥	中侧板Middle side board	③⑩	下抽屉底板Bottom drawer plate
⑦	外侧板Sideboard	③①	脚Foot
⑧	长垫条Long strip	③②	托条Supporting strip
⑨	附柜左侧板Sideboard of attached cabinet(L)	③③	装饰条trim strip
⑩	附柜右侧板Sideboard of attached cabinet(R)	书桌面板: Desk Panel	
⑪	附柜面板Attached counter board	①	面板Top panel
⑫	附柜底板Attached bottom board		
⑬	下拉条Bottom brace		
⑭	下背板Lower back board		
⑮	前脚条Front foot strip		
⑯	侧脚条Side foot strip		
⑰	左抽屉面板Drawer's panel(L)		
⑱	中抽屉面板Drawer's middle board		
⑲	右抽屉面板Drawer's panel(R)		
⑳	抽屉左侧板Drawer's side board(L)		
㉑	抽屉右侧板Drawer's side board(R)		
㉒	抽屉后板Drawer's Back board		
㉓	抽屉底板Drawer's Bottom board		

VK1V-A (1.2m)

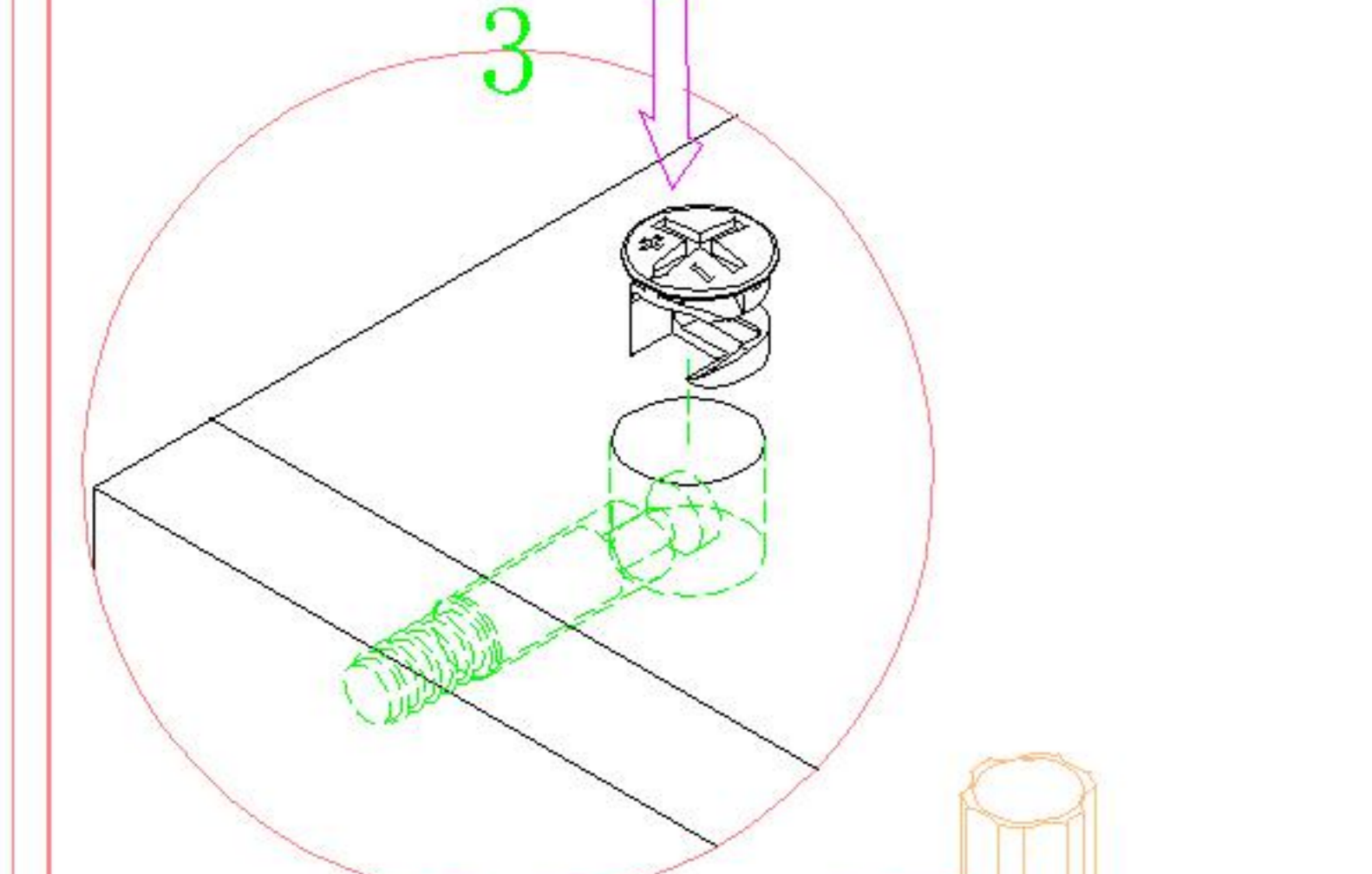
安装方法/
Installation method



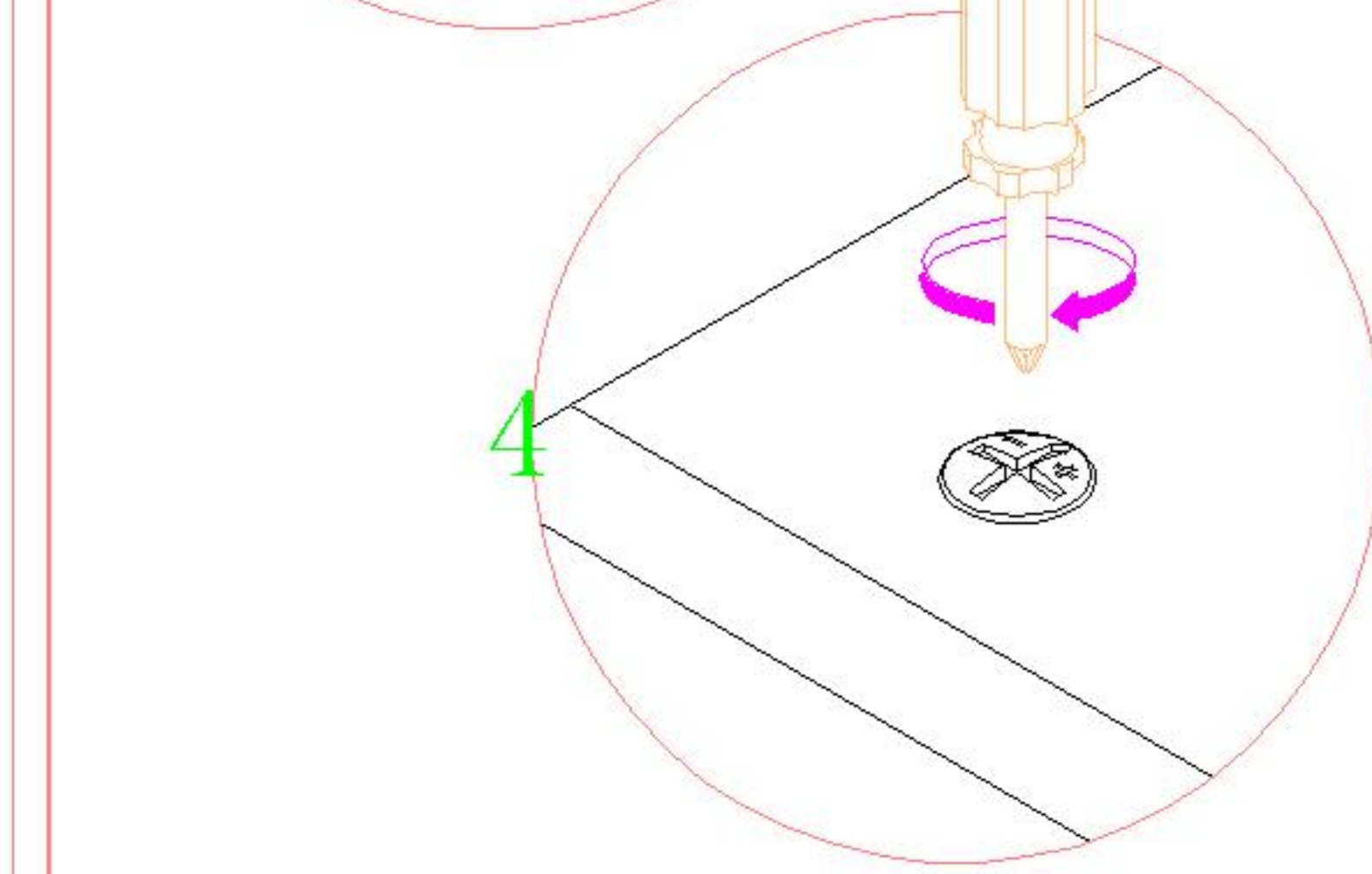
1



2

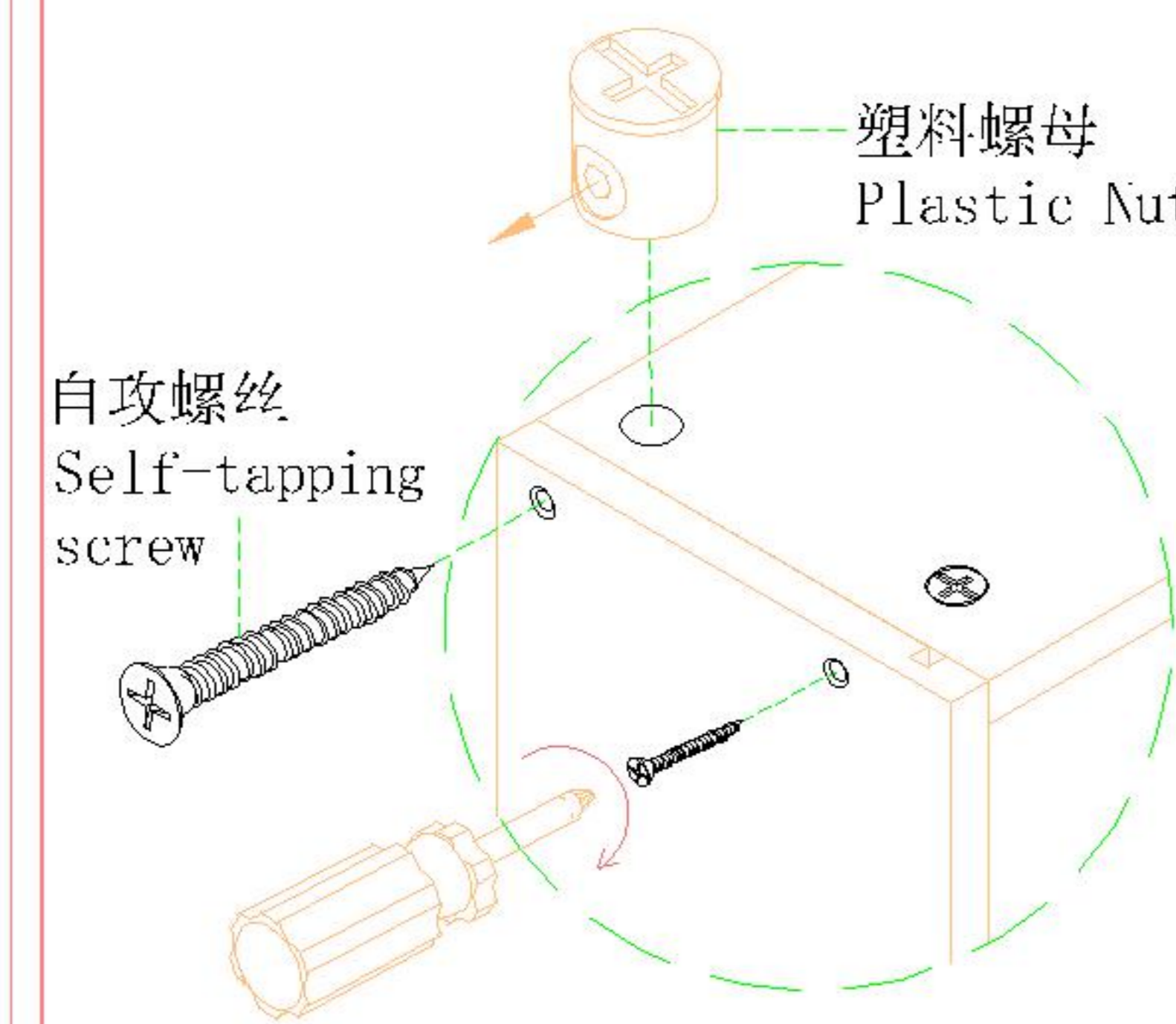


3



4

小二合一
small two-in-one

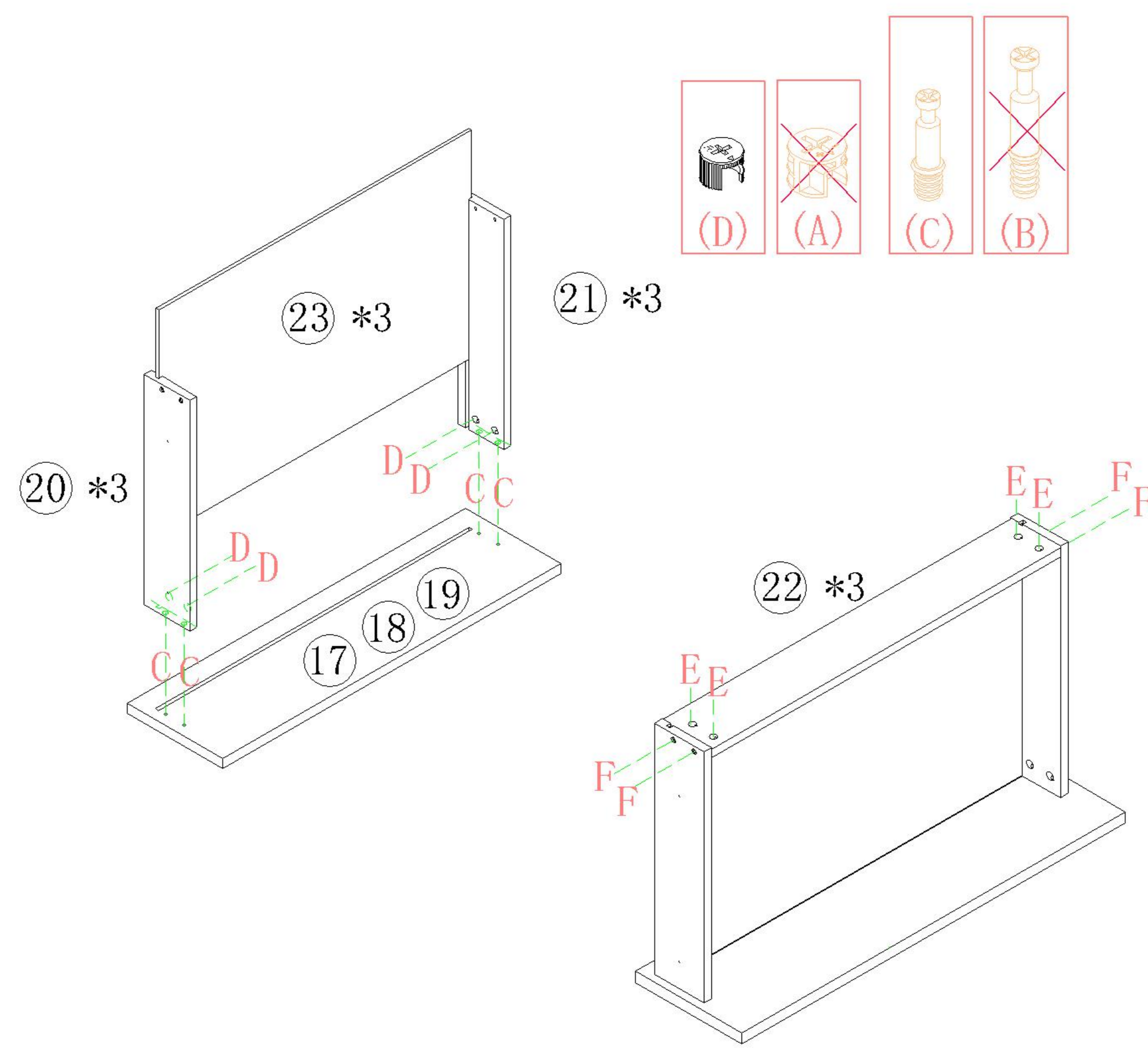


自攻螺丝
Self-tapping
screw

塑料螺母
Plastic Nut

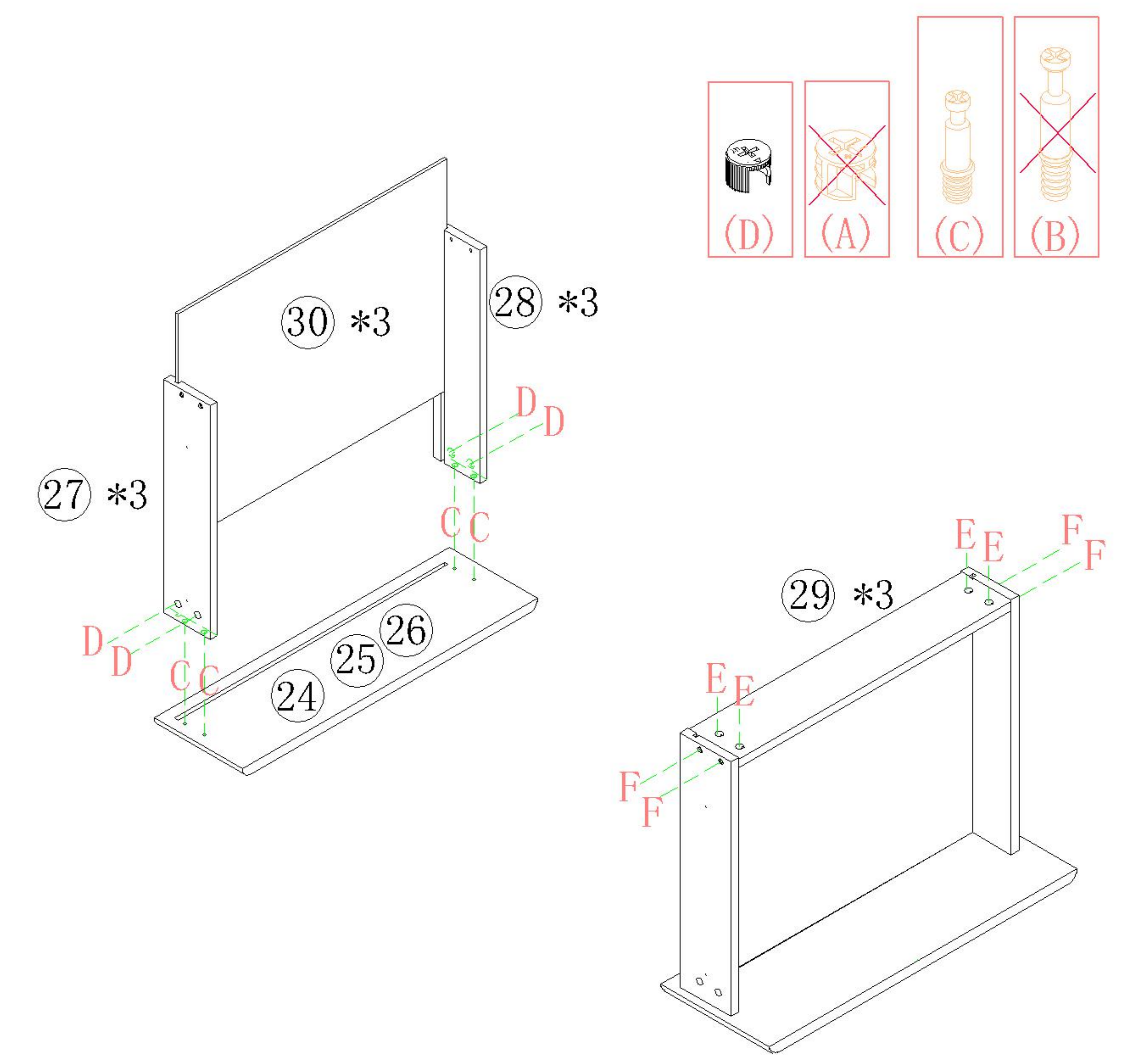
塑料螺母
Plastic Nut

- (C)*12
- (D)*12
- (E)*12
- (F)*12



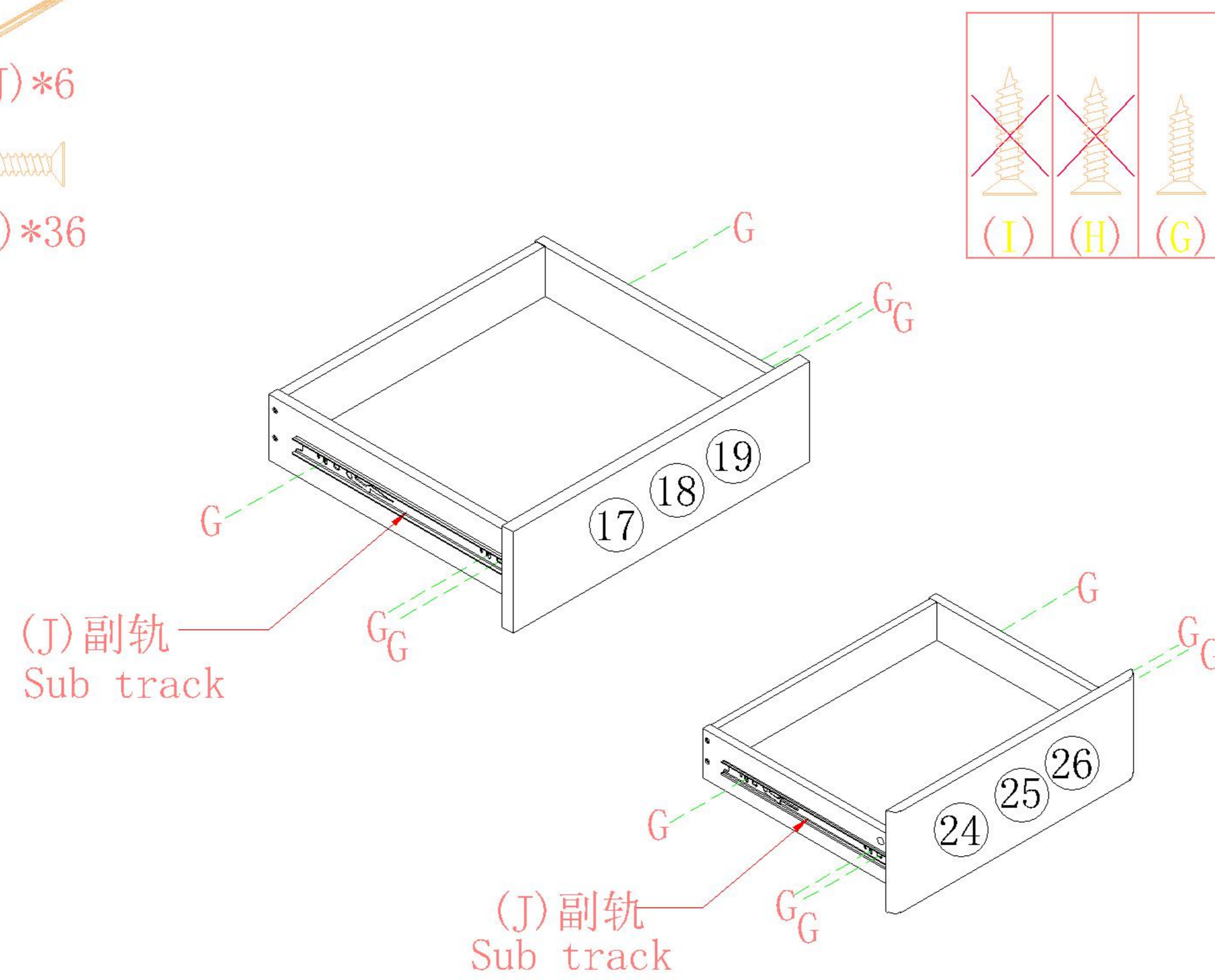
1

- (C)*12
- (D)*12
- (E)*12
- (F)*12



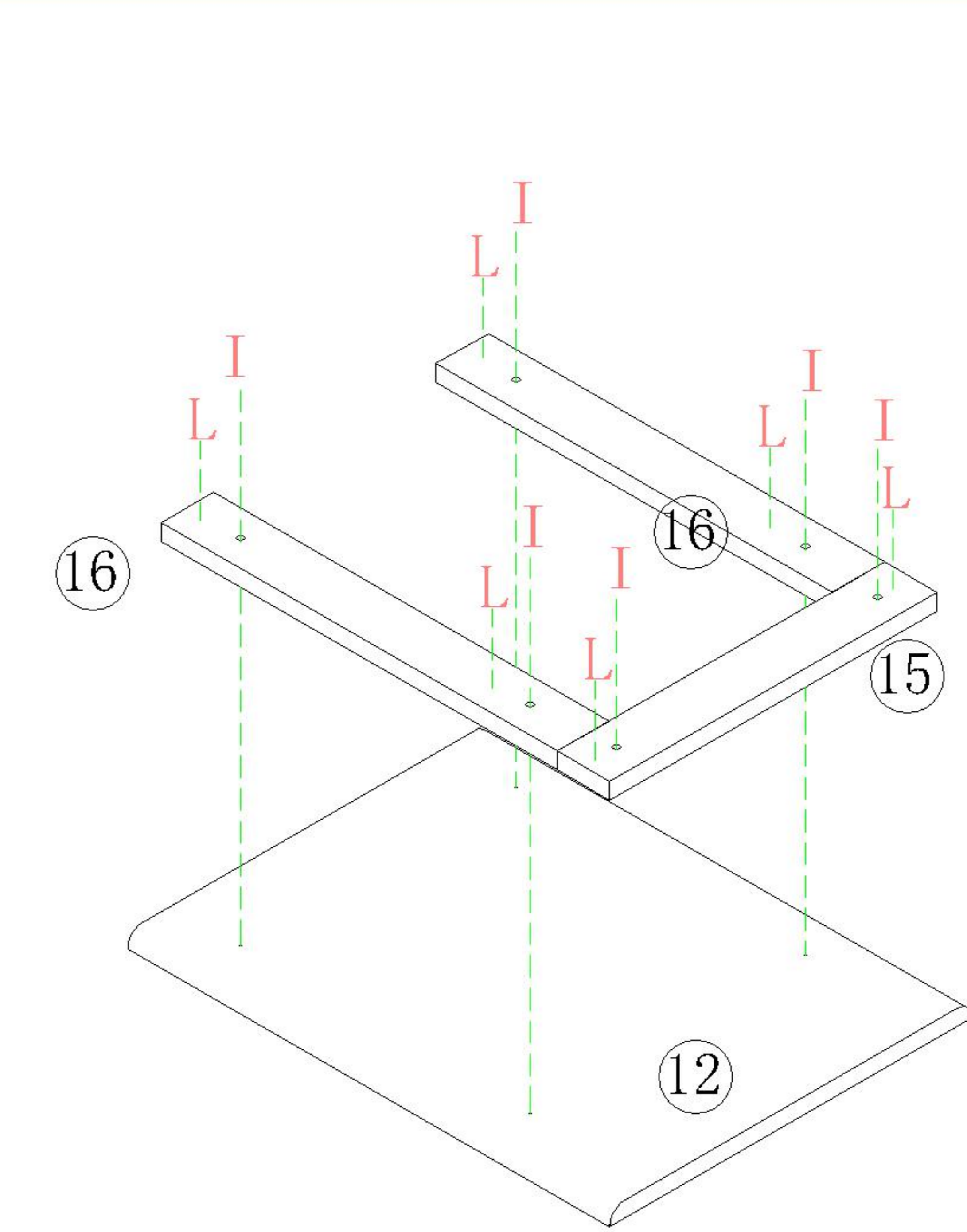
2

- (J)*6
- (G)*36



3

- (I)*6
- (L)*6



4

VK1V-A (1.2m)

安装方法/
Installation method

阀门开关(下压为开)
Valve switch (press down to open)

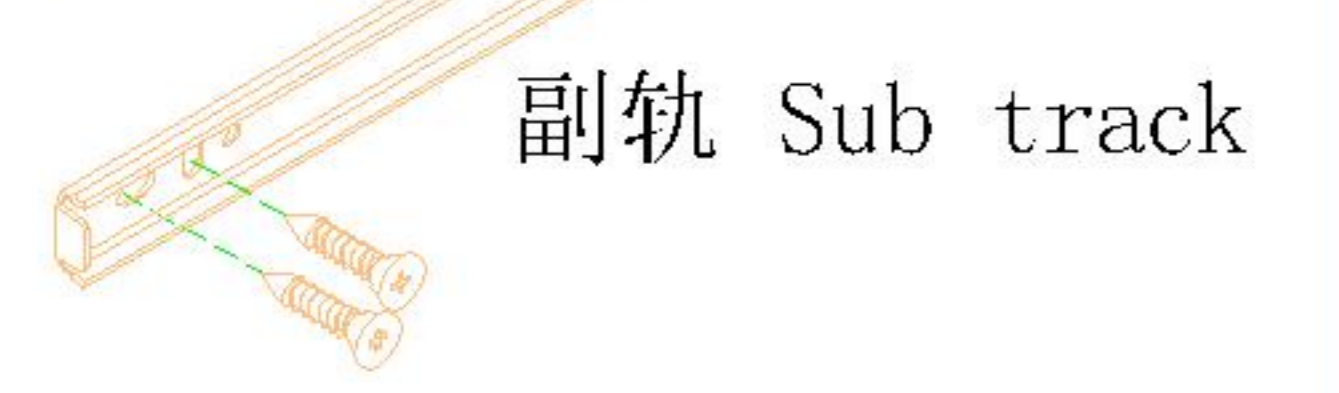
前 Forward ↓ 后 Back



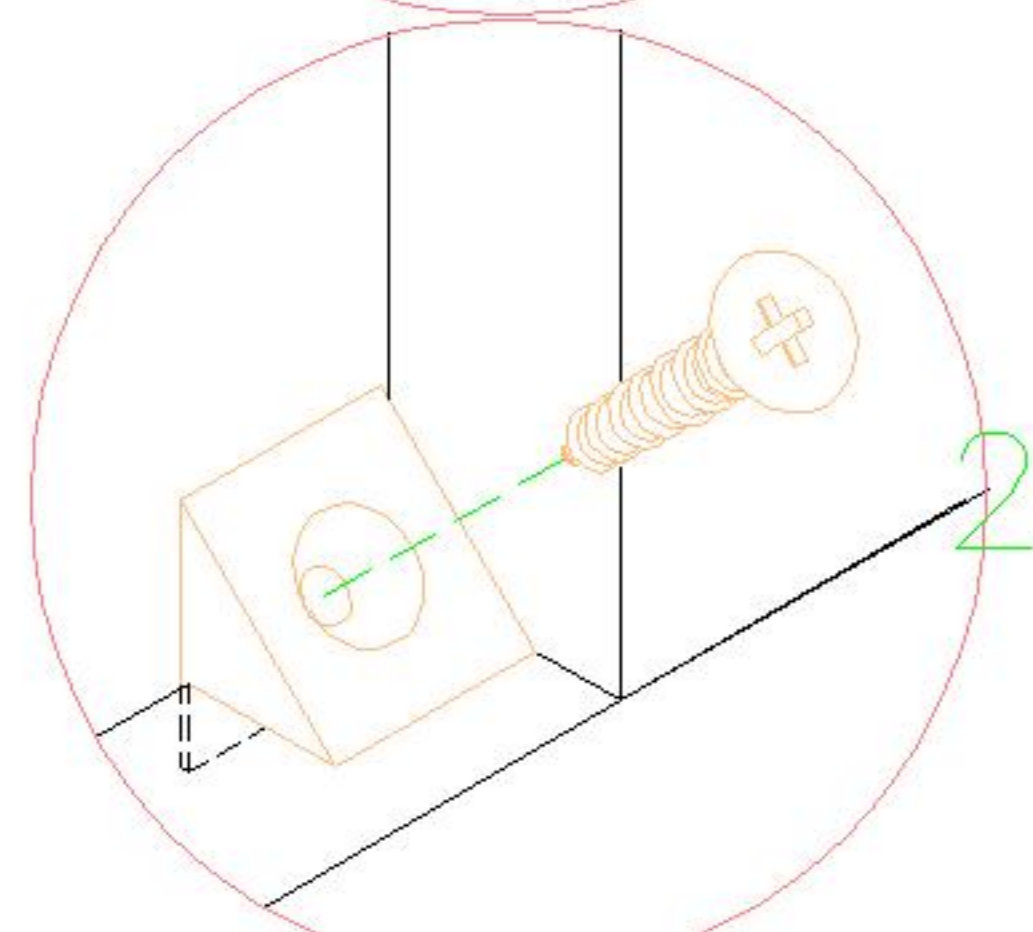
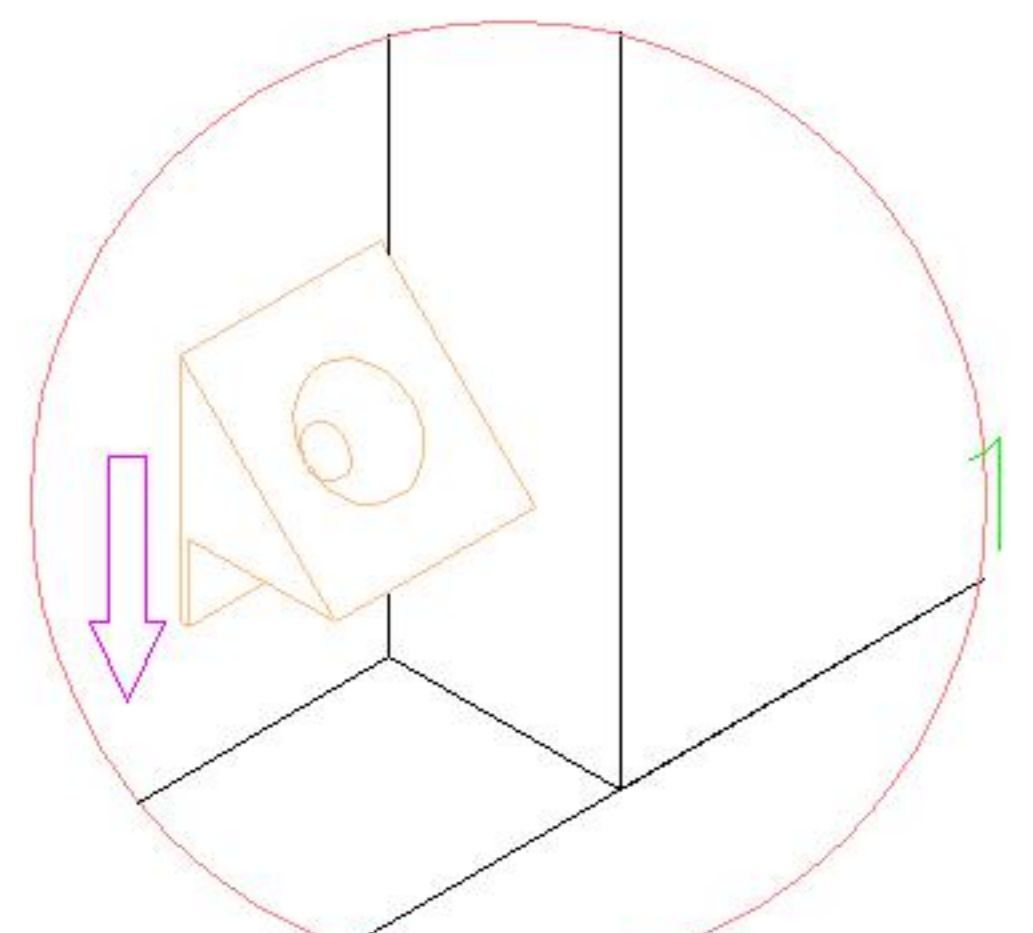
主轨 Main track



副轨 Sub track



三节滚珠导轨
Three-section rail



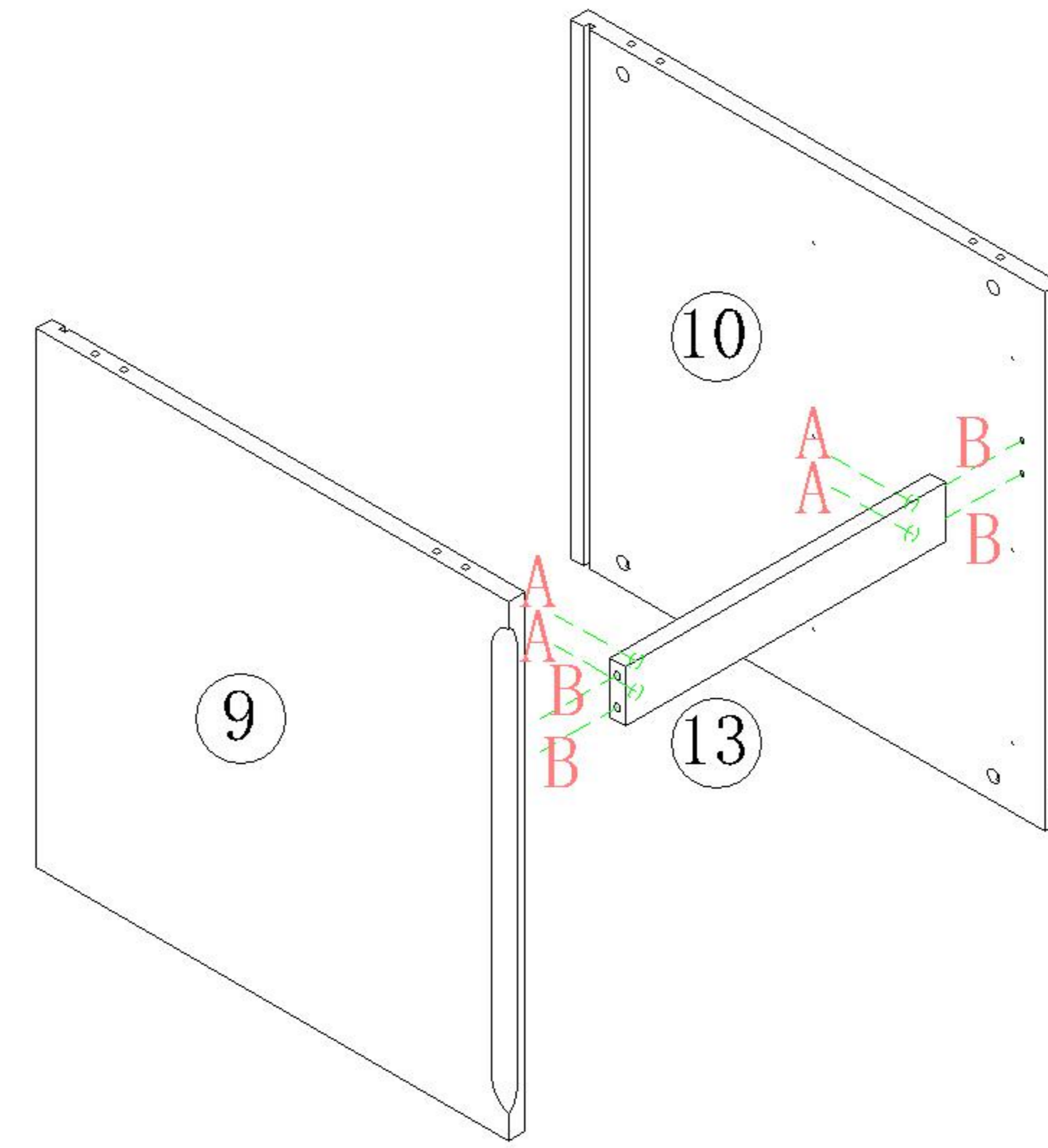
背板扣
Back Plate Buckle-White



(A)*4



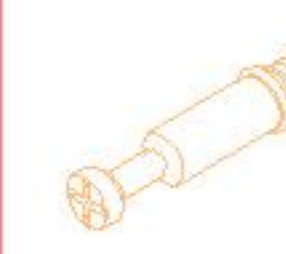
(B)*4



5



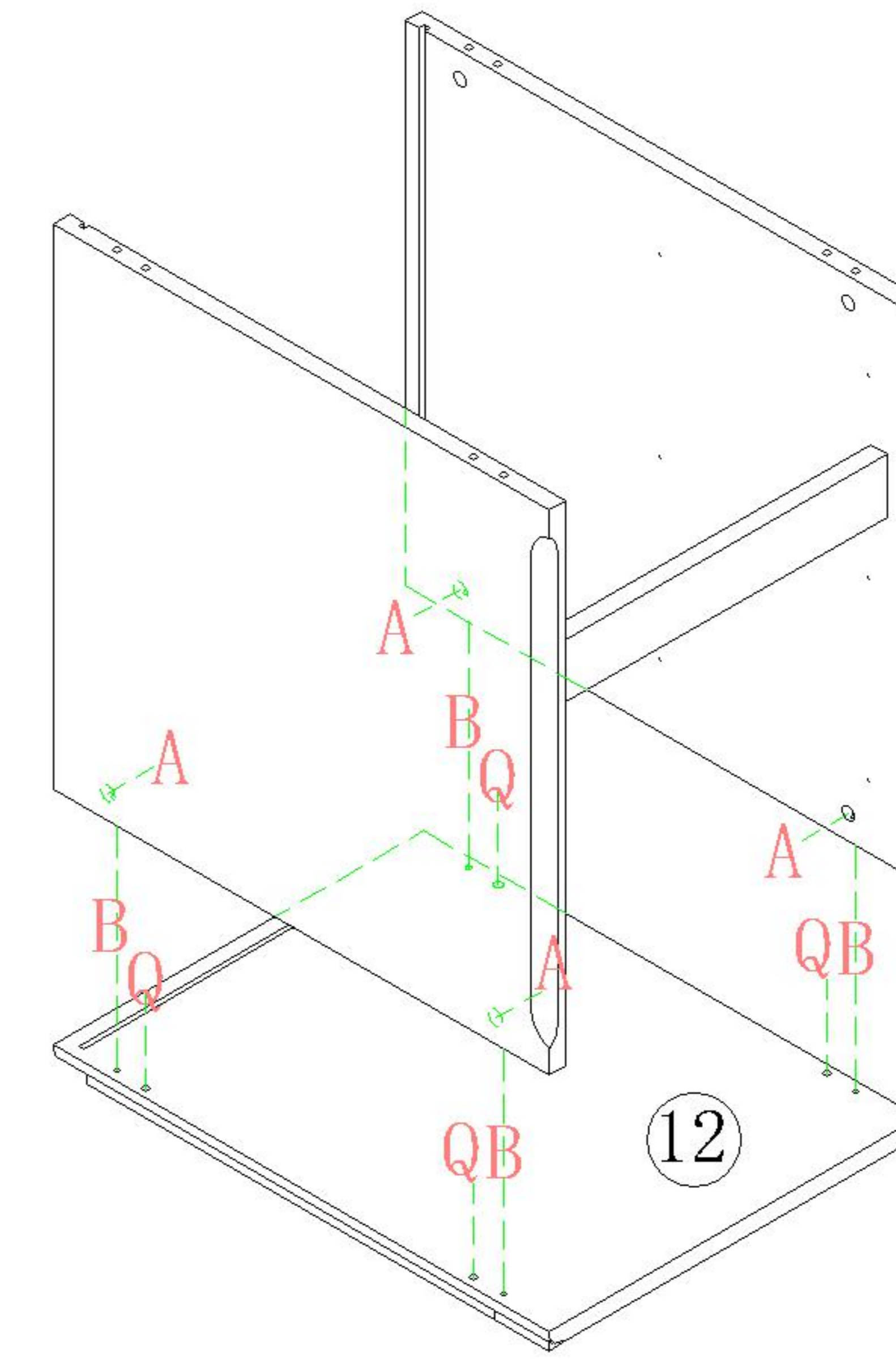
(A)*4



(B)*4



(Q)*4



6



(A)*4



(B)*4



(Q)*4



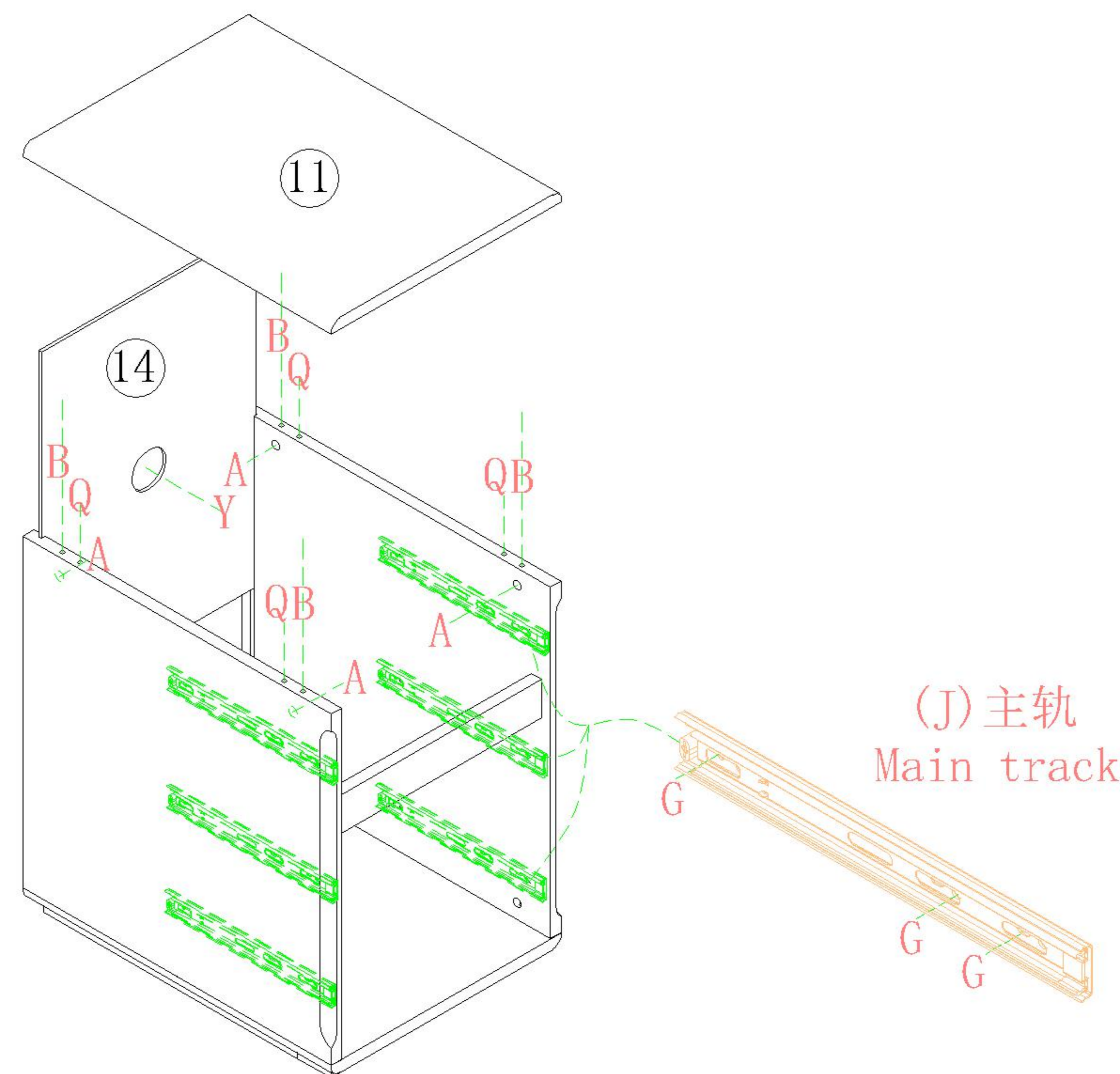
(Y)*1



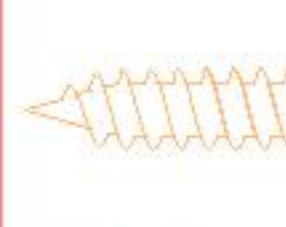
(J)*3



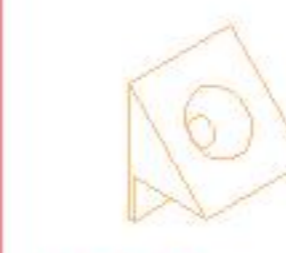
(G)*18



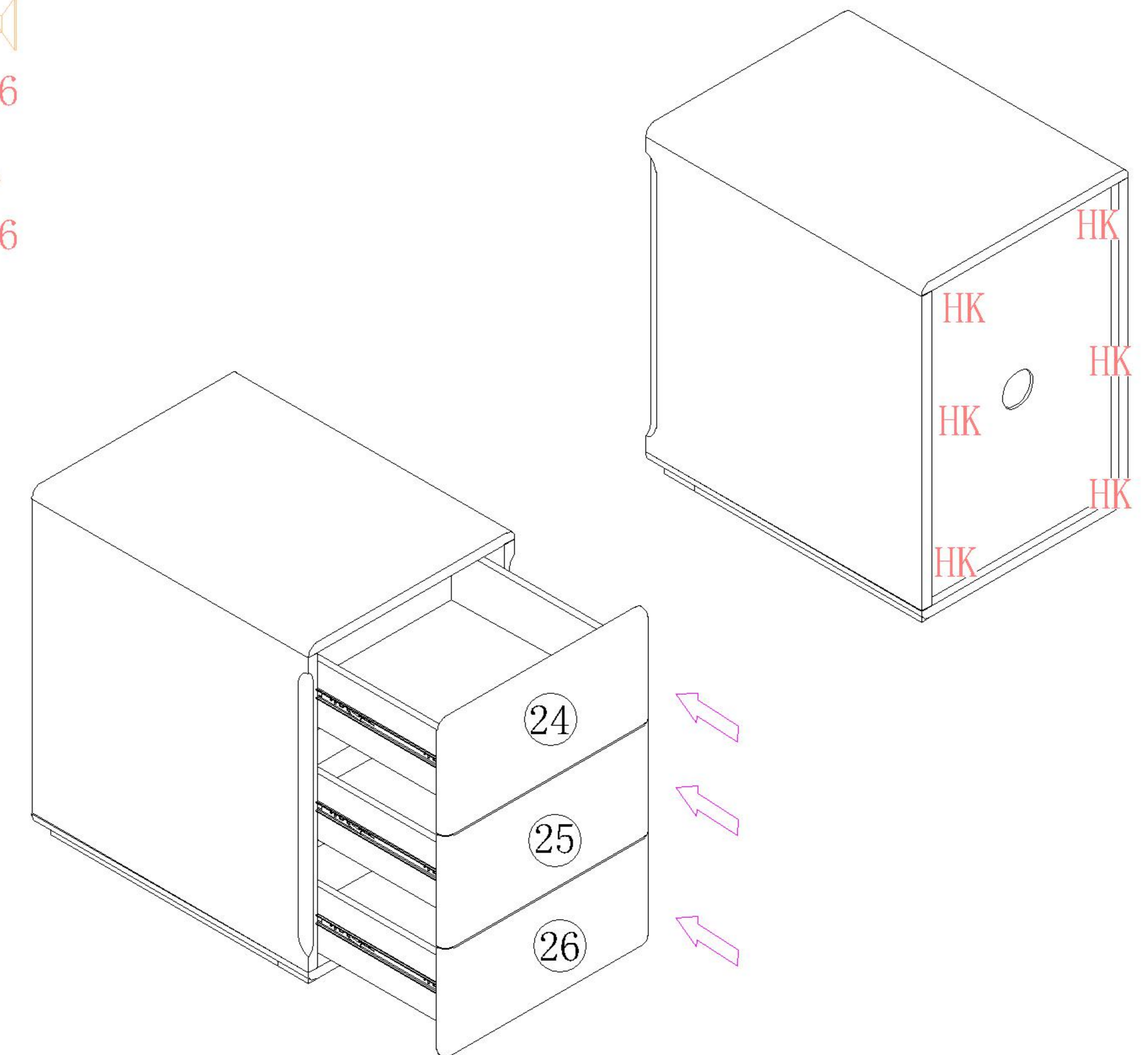
7



(H)*6



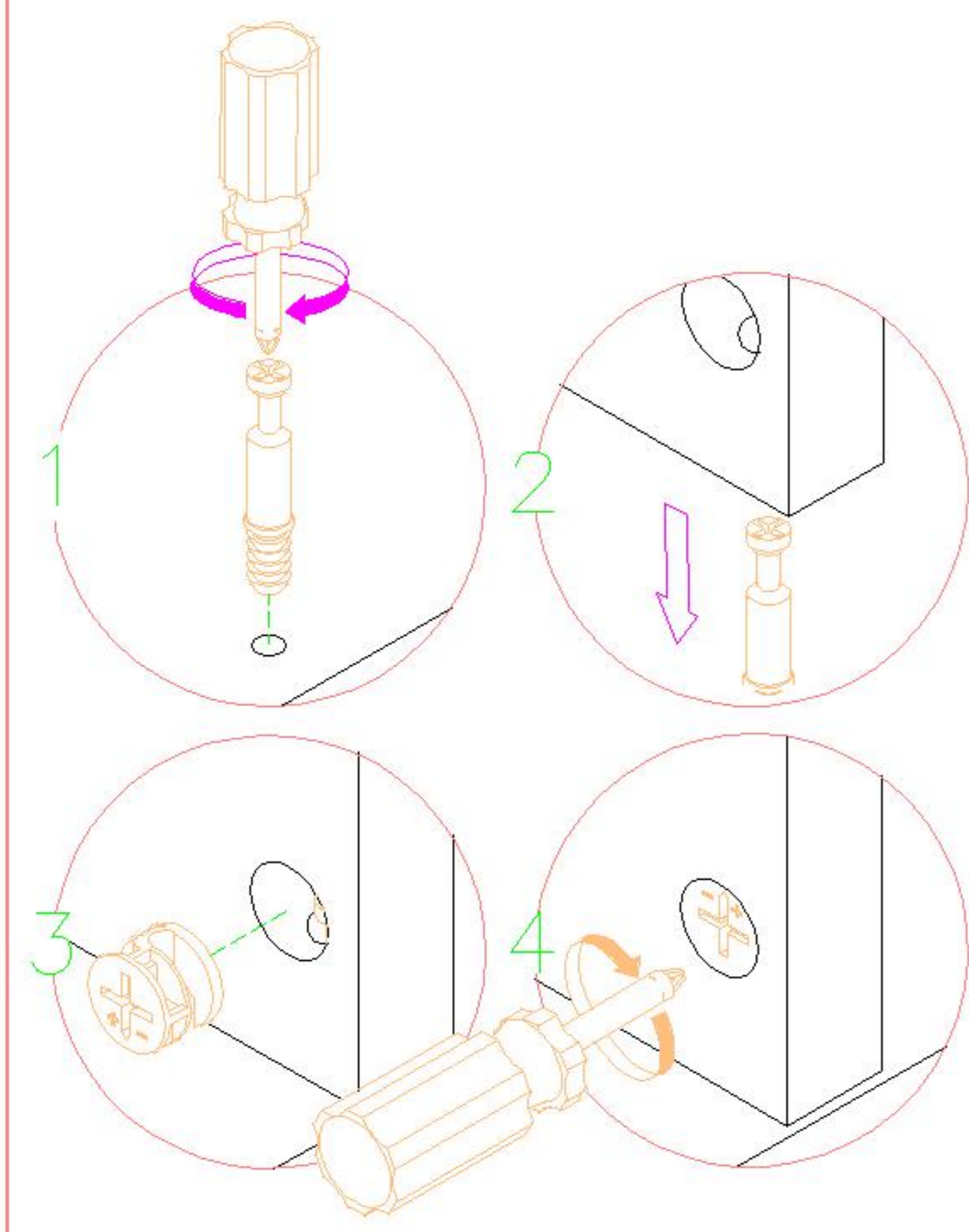
(K)*6



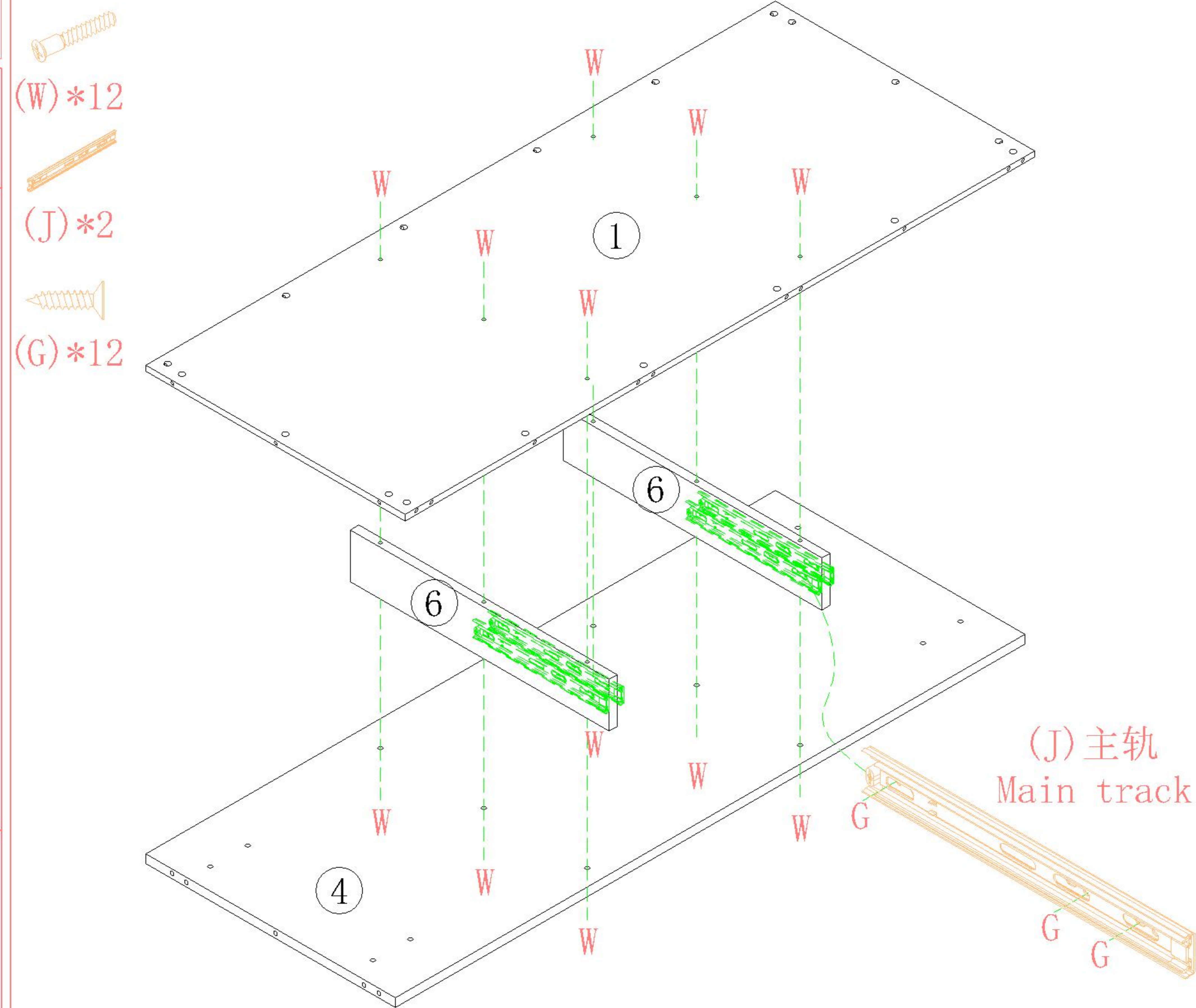
8

VK1V-A (1.2m)

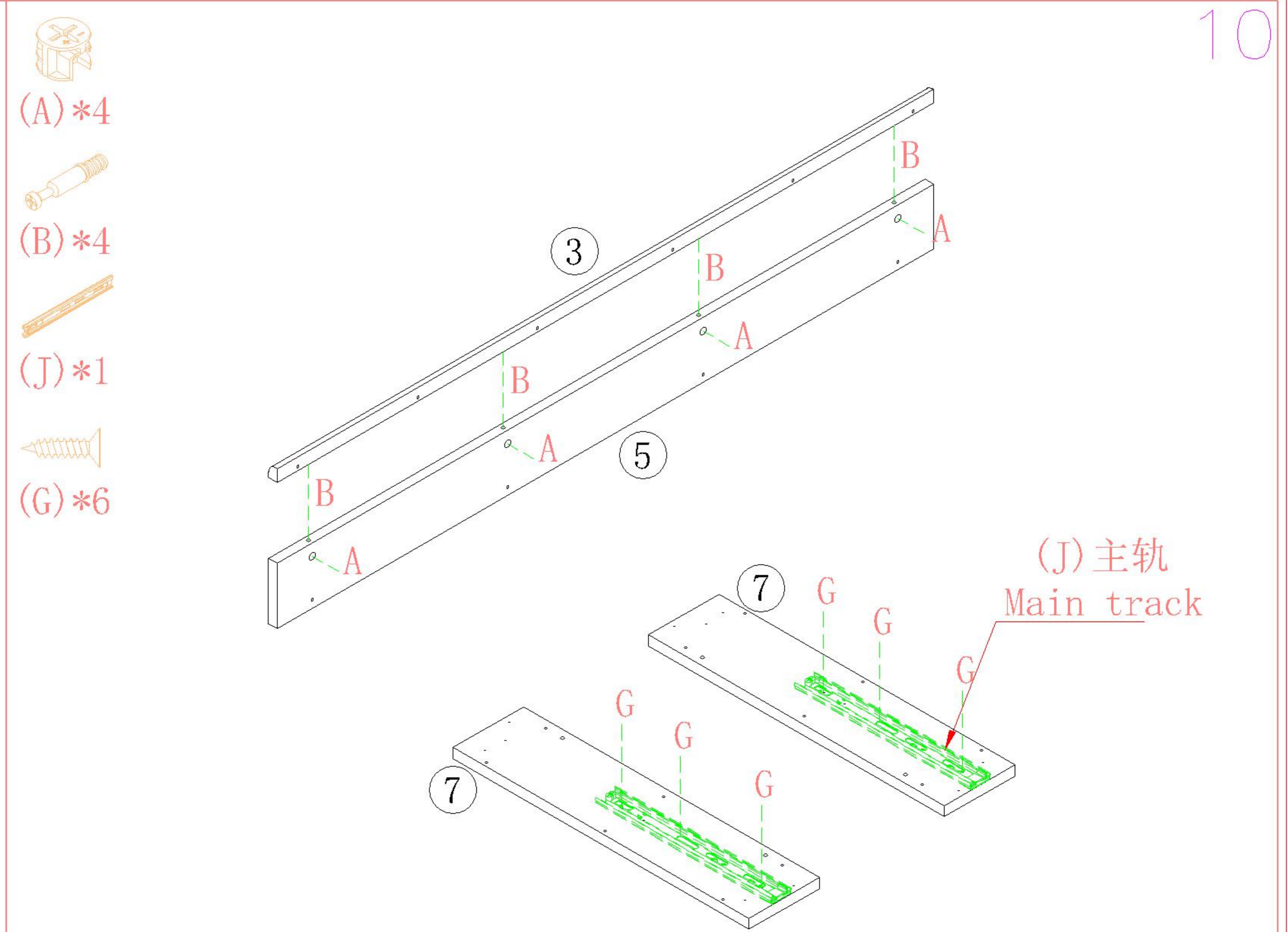
安装方法/
Installation method



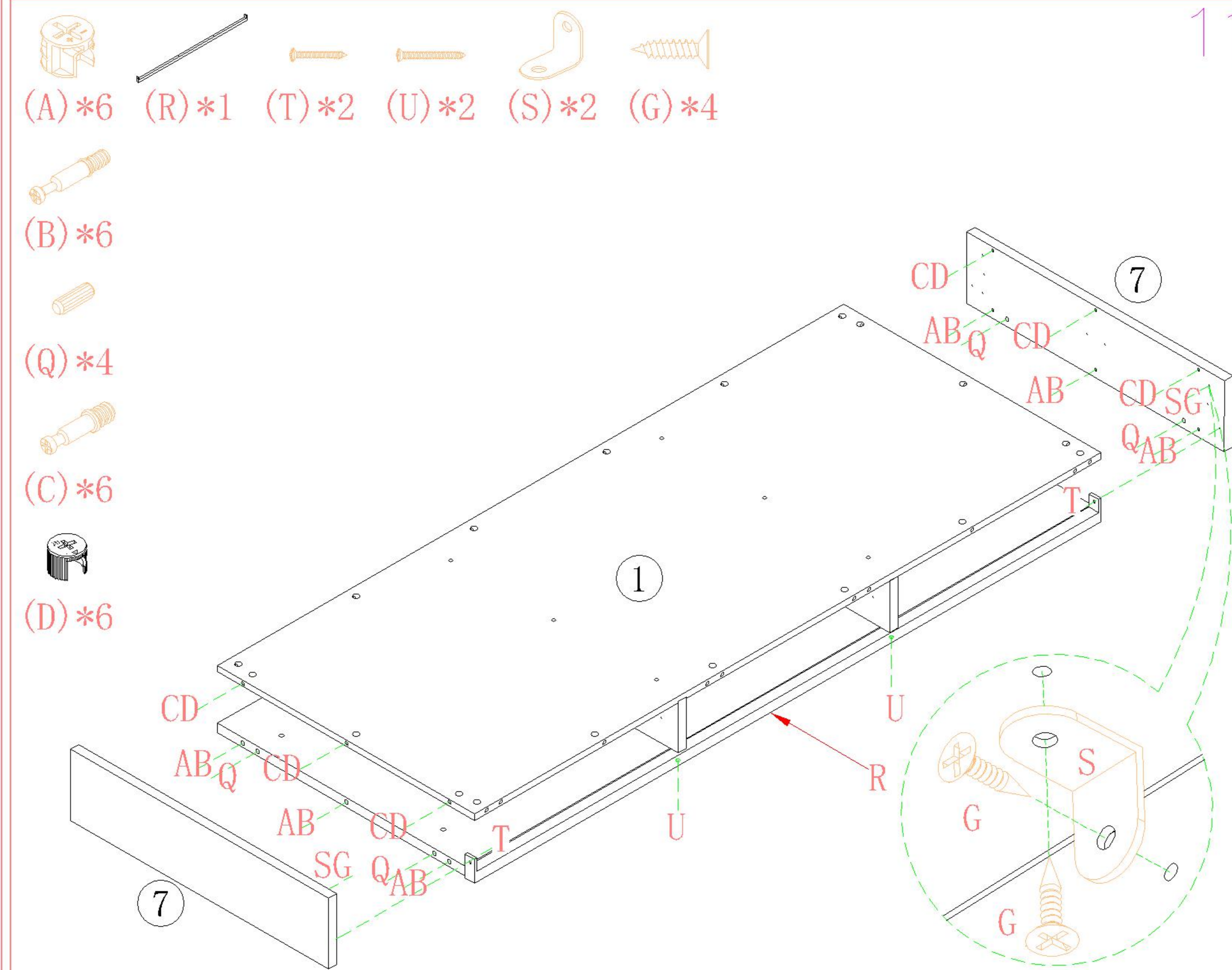
二合一 two-in-one



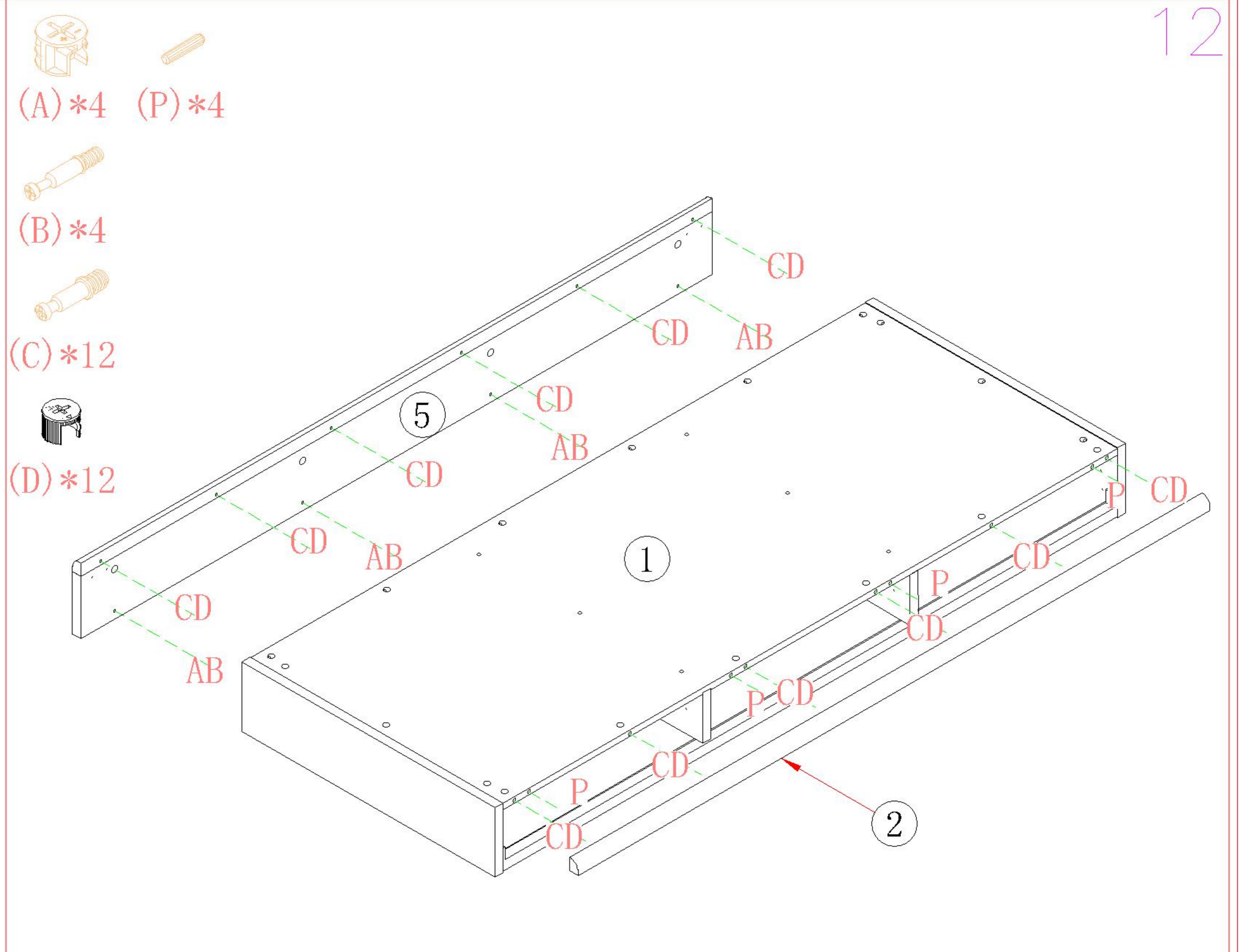
9



10



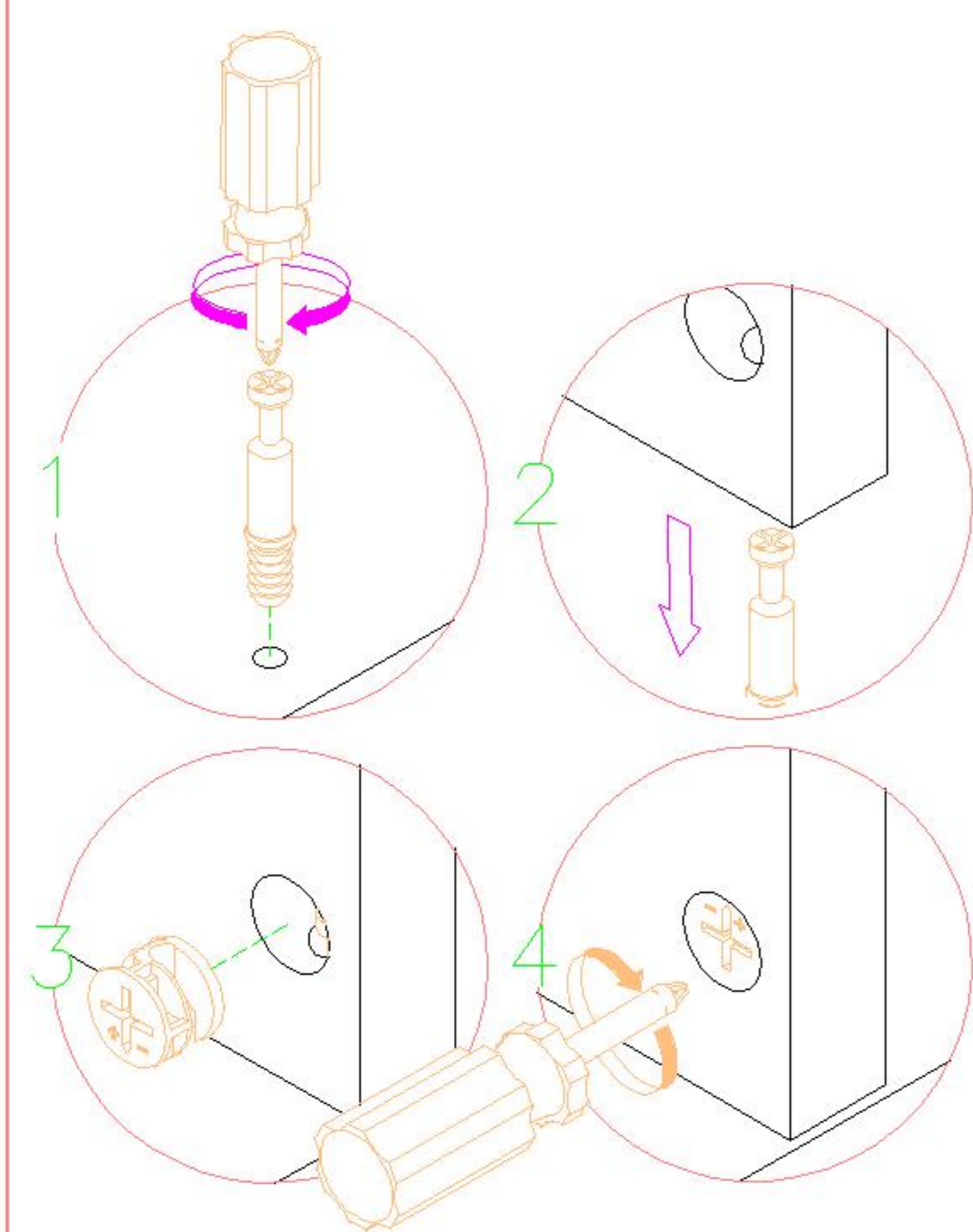
11



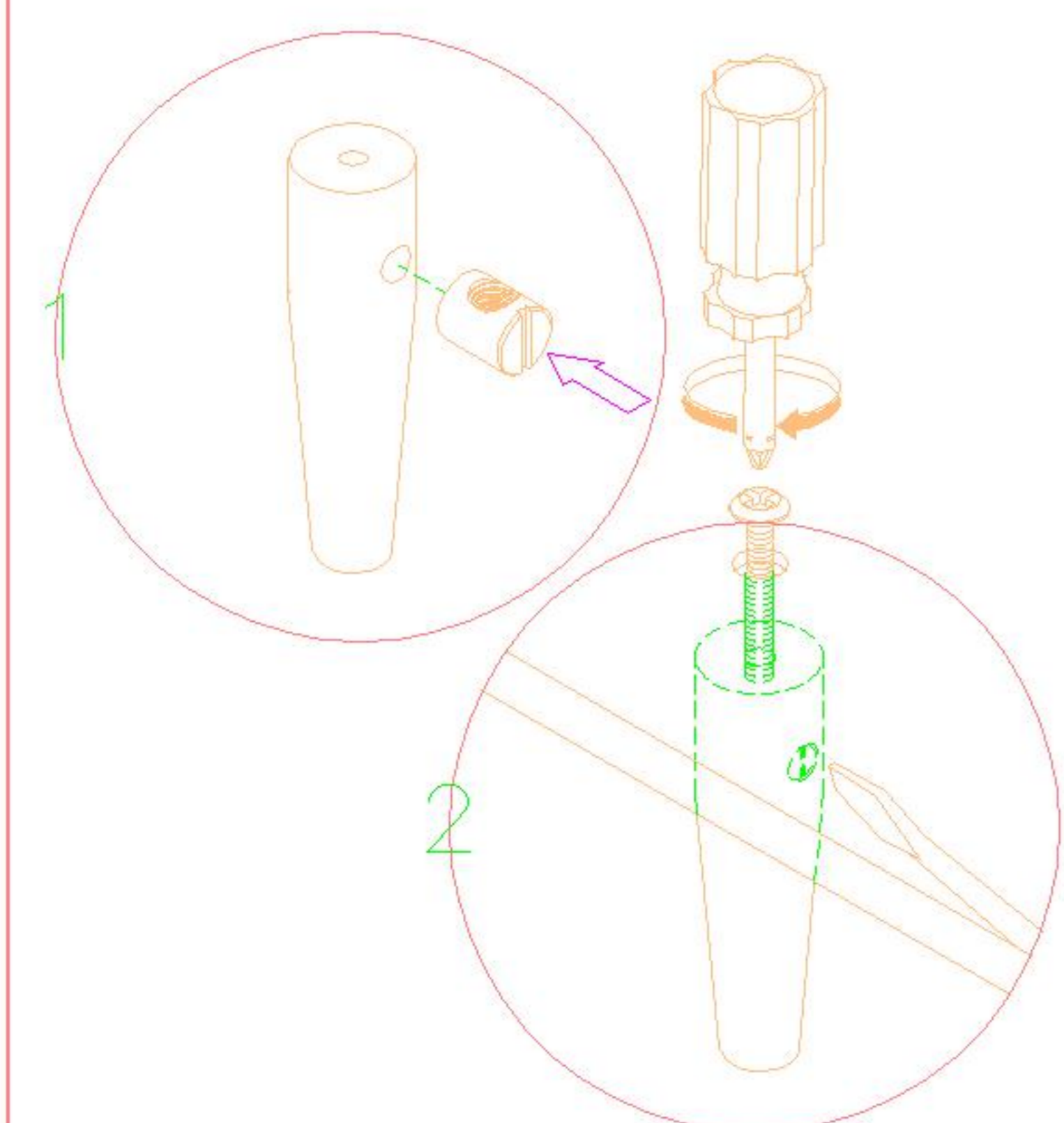
12

VK1V-A (1.2m)

安装方法/
Installation method

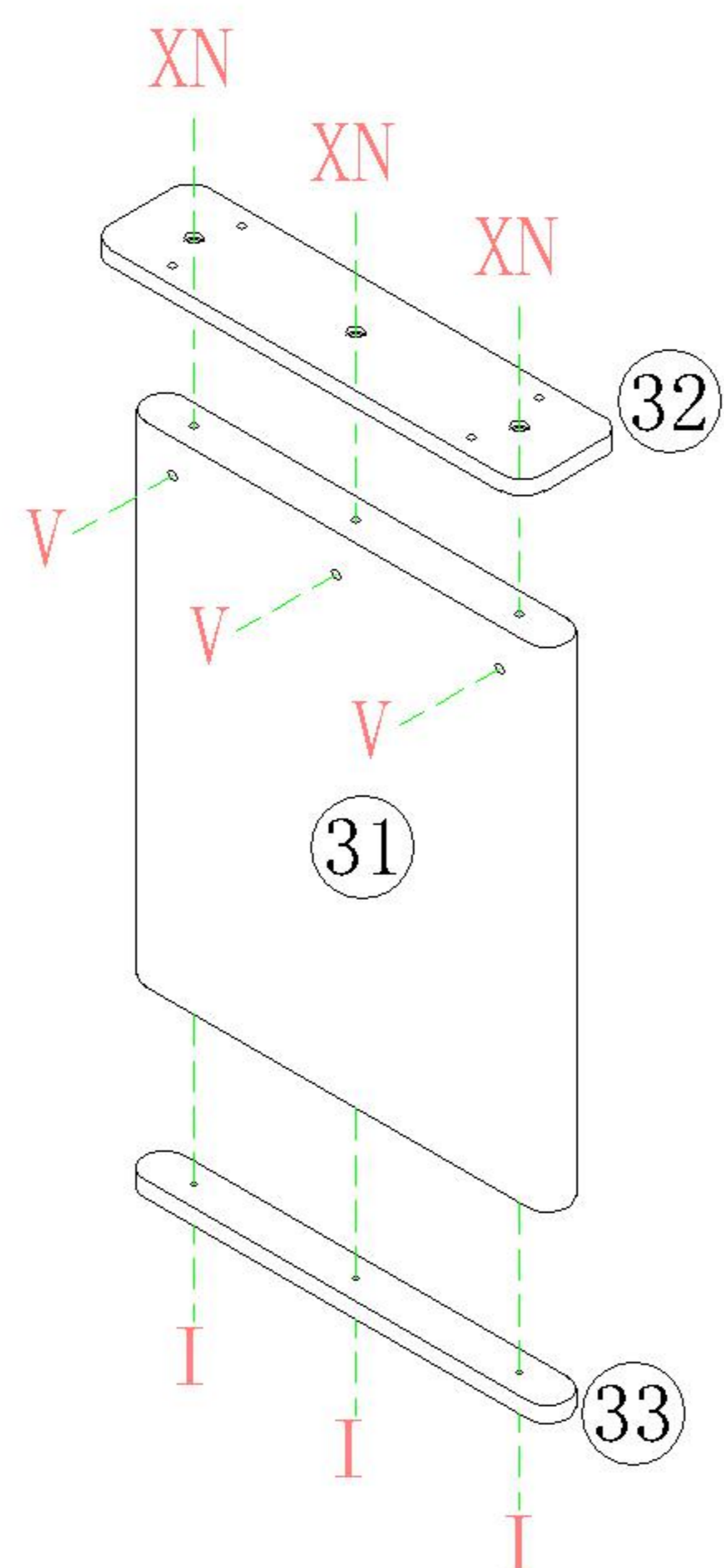


二合一 two-in-one



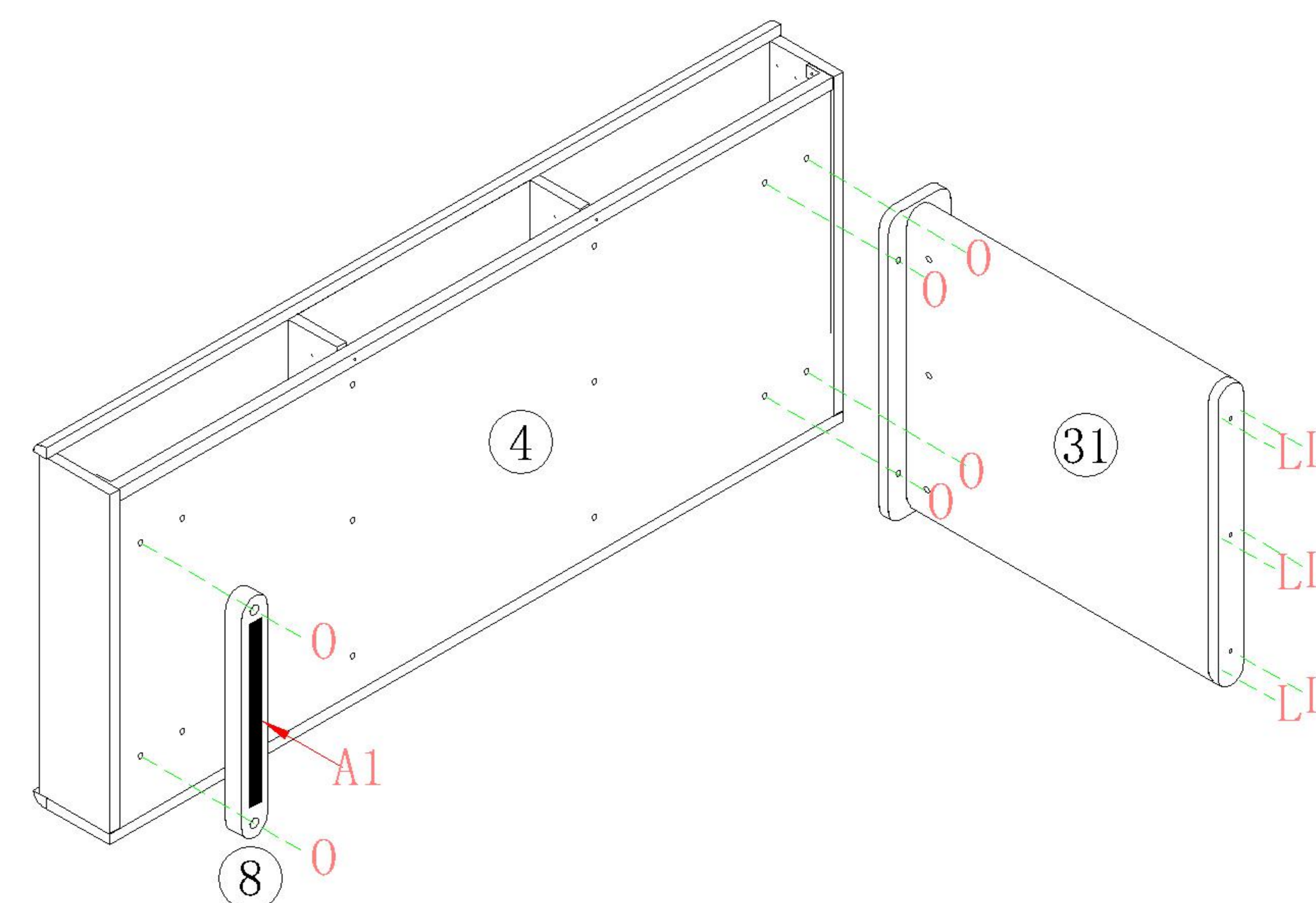
锤母
Hammer nut

(I)*3 (N)*3 (V)*3 (X)*1



13

(O)*6
(L)*6
(A1)*1

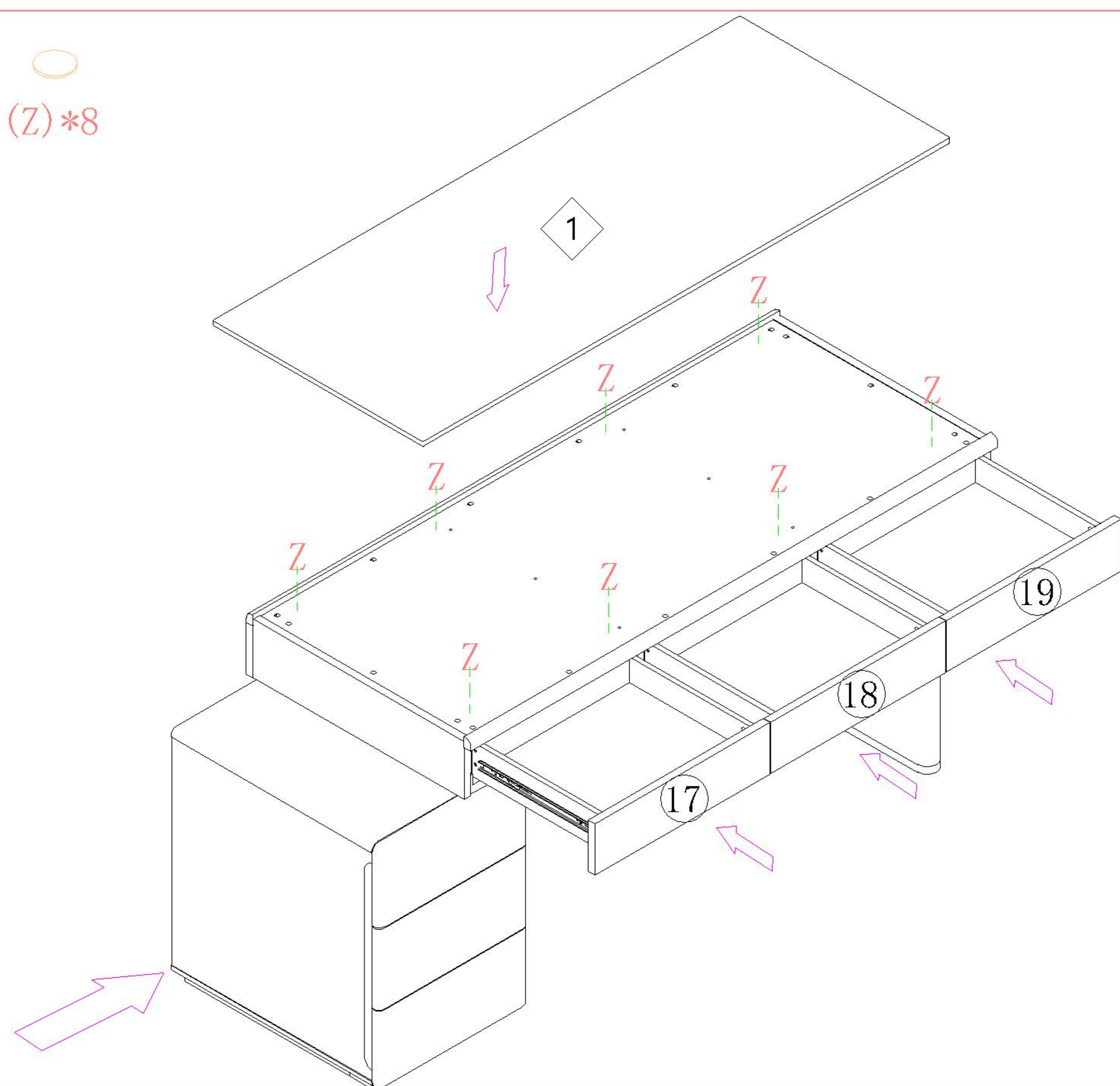


可左右互换安装

installed interchangeably from left to right

15

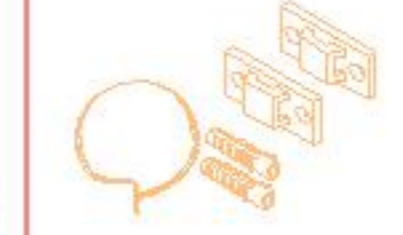
(Z)*8



注意!

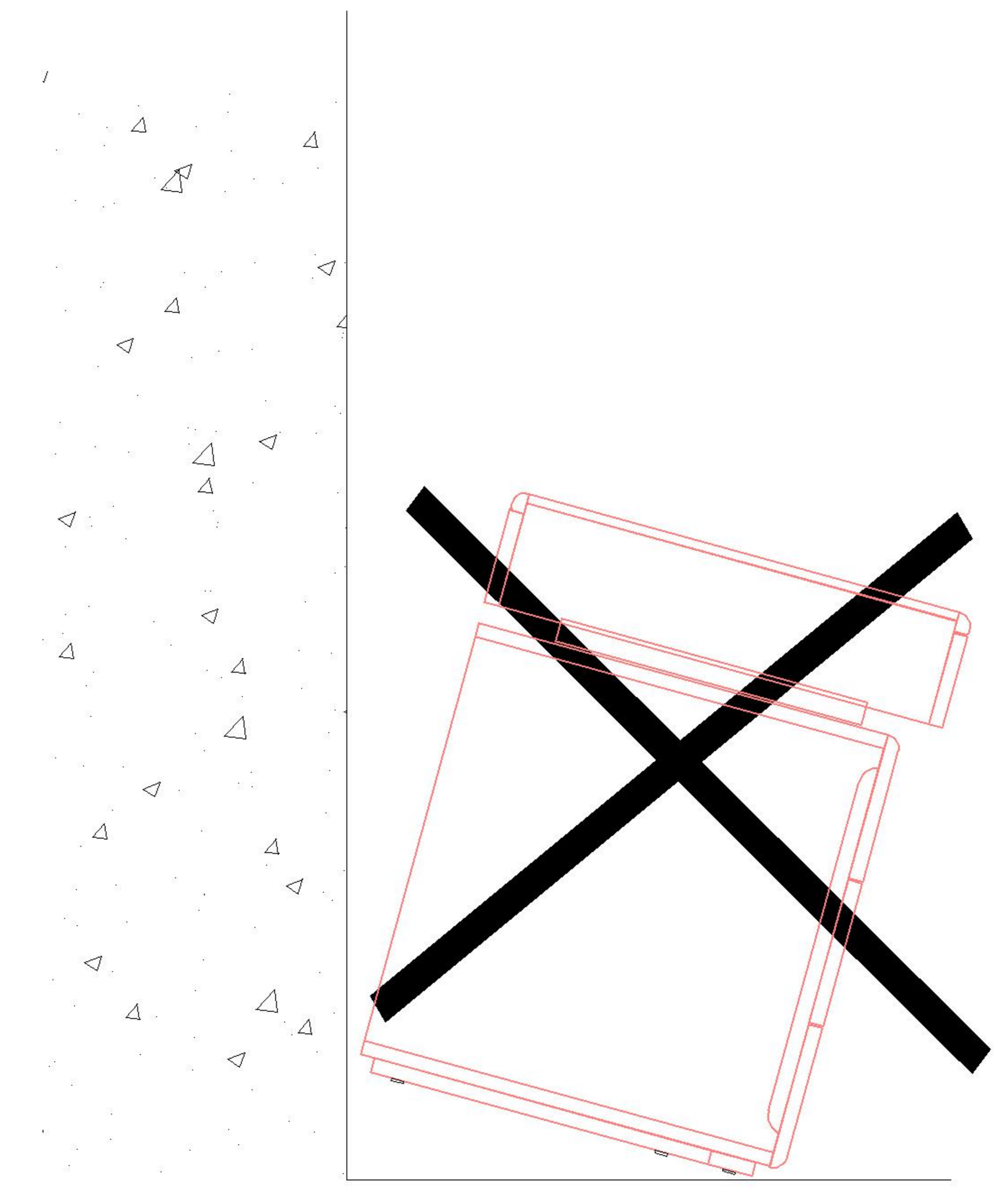
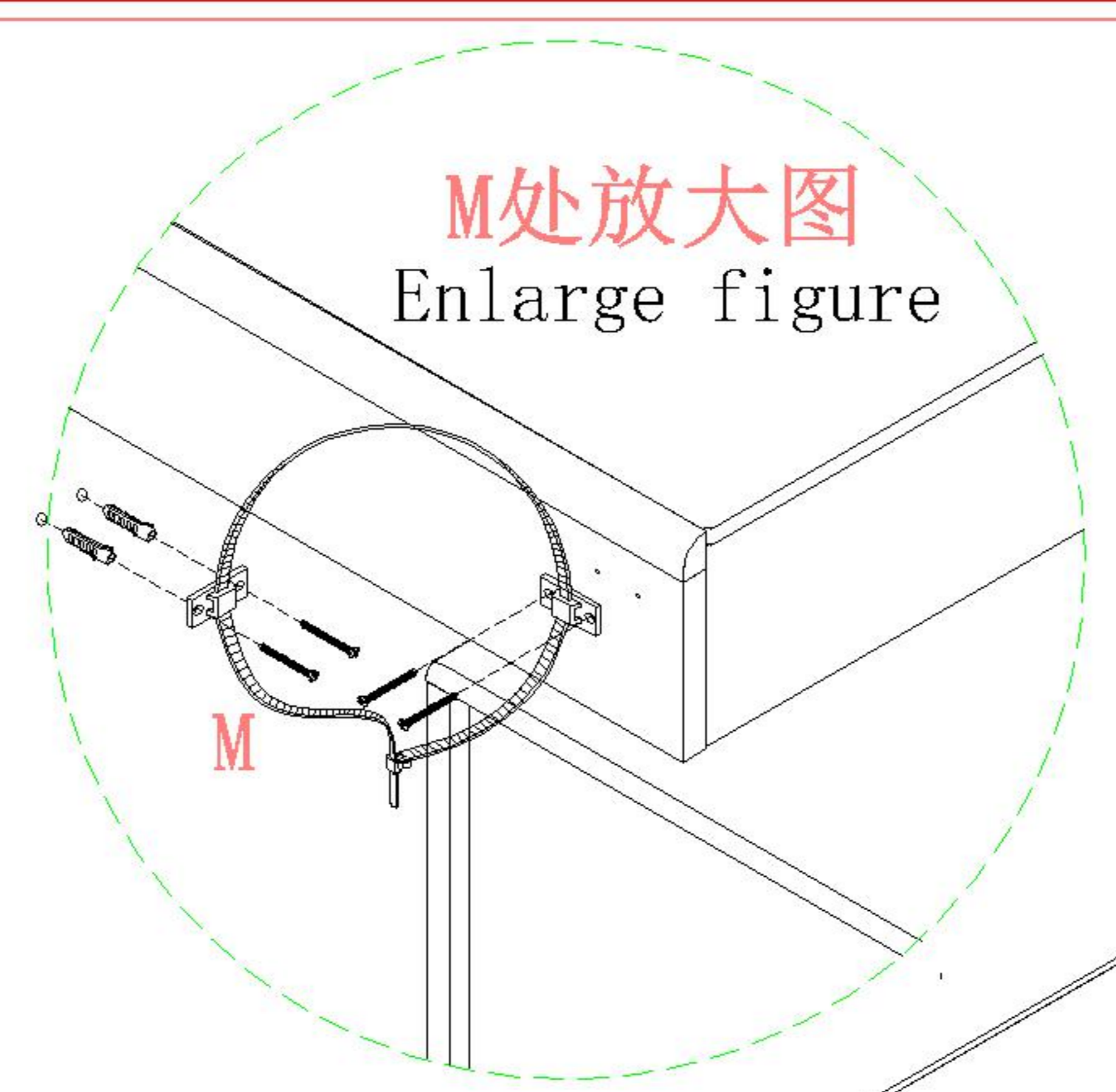
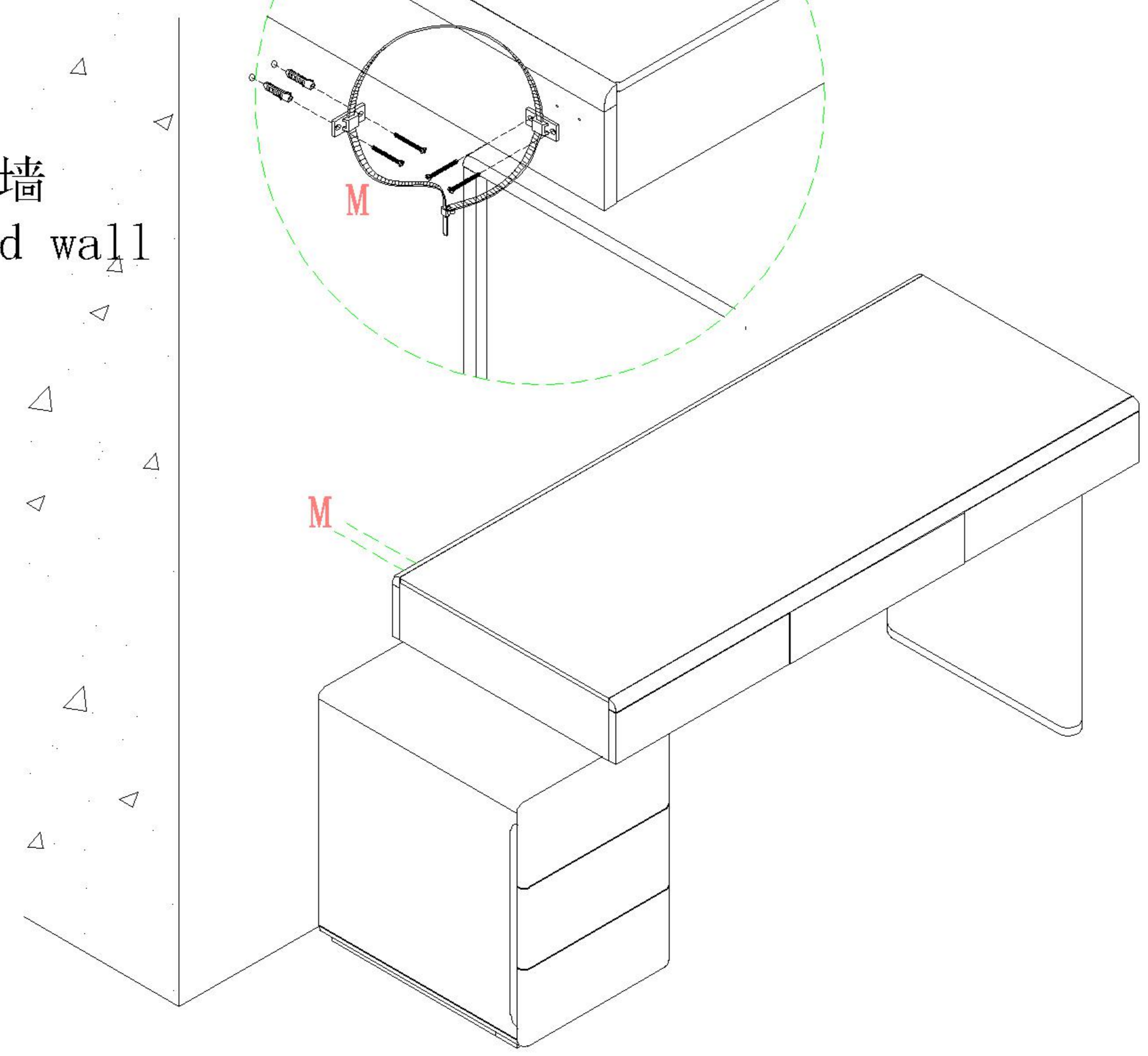
使用产品时请适当调整主柜与边柜组合间距离，单独放置会有倾倒的风险。

Be careful ! Please properly adjust the distance between the attached and main cabinet. Placing the main cabinet alone will have a risk of dumping.


(M)*1

实体墙
Solid wall

M处放大图
Enlarge figure



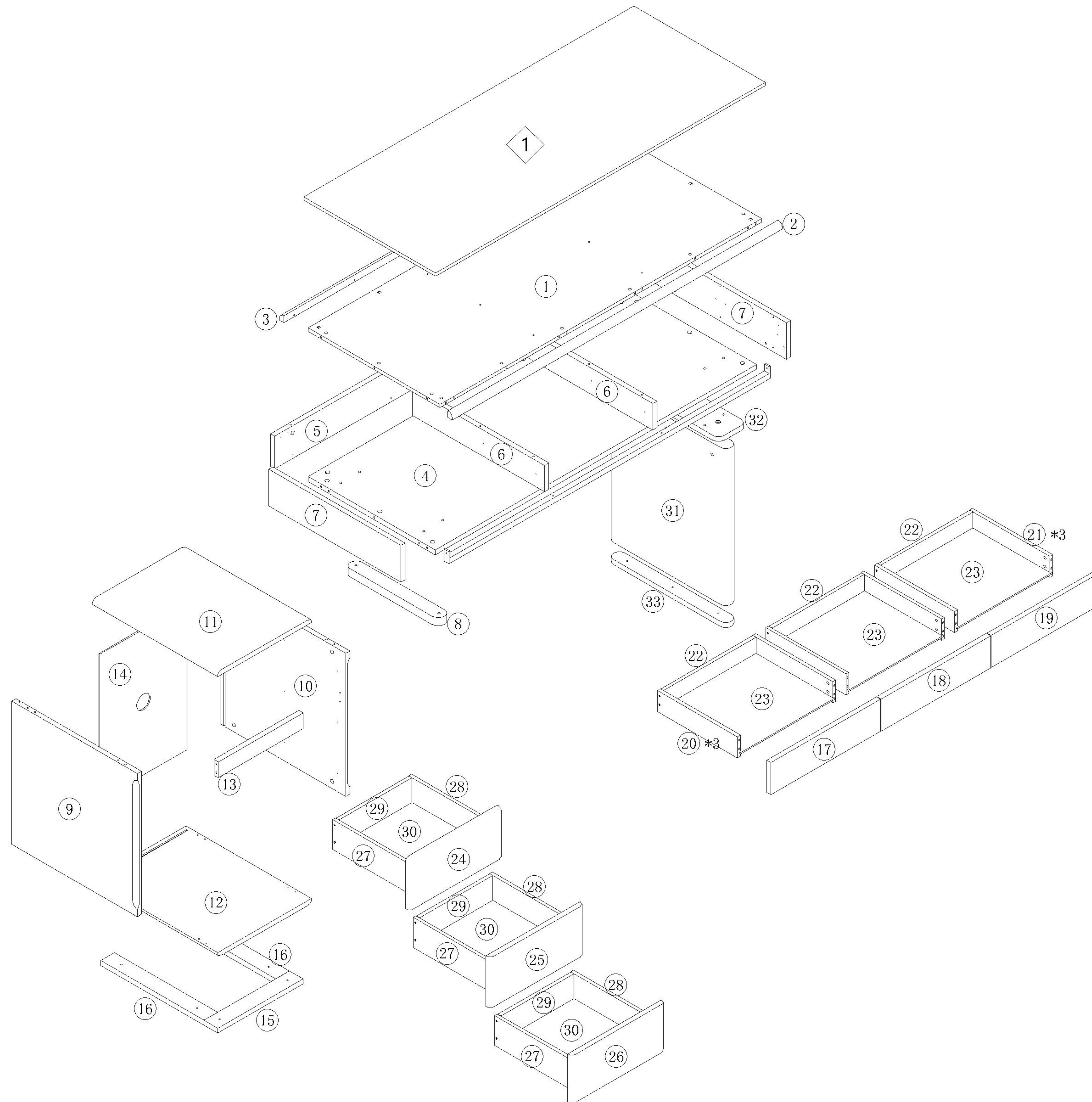
VK1V-A(1.4m)

部件表/Parts List

部件表/Parts List

安装方法/
Installation method

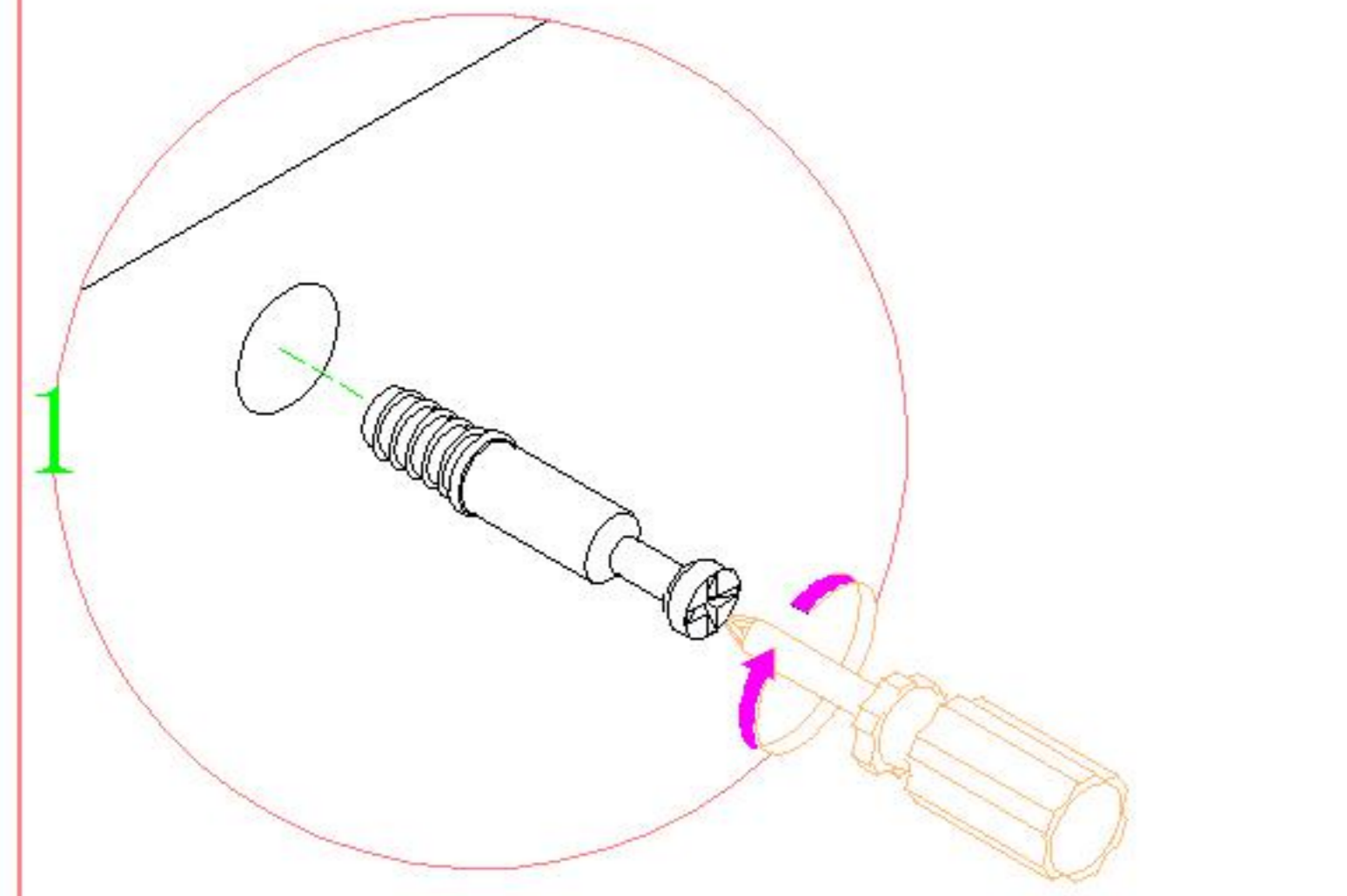
编号NO.	名称Name	规格 (mm) Specification	数量QTY	材质Material	编号NO.	名称Name	规格 (mm) Specification	数量QTY	材质Material
书桌主体:Desk Main body					②④	左下抽屉面板Bottom left drawer panel	398*186*18	1	纤维板 Fiberboard
①	面板Top panel	1362*560*12	1	刨花板 Particle board	②⑤	中下抽屉面板Bottom drawer panel	398*186*18	1	纤维板 Fiberboard
②	上柜前饰条Front trim	1400*25*18	1	白蜡木Ash	②⑥	下抽屉面板Bottom drawer's panel	398*186*18	1	纤维板 Fiberboard
③	面板后条Panel back strip	1400*25*18	1	白蜡木Ash	②⑦	下抽屉左侧板Bottom drawer left panel	340*110*12	3	刨花板 Particle board
④	底板Bottom board	1362*539*18	1	刨花板 Particle board	②⑧	下抽屉右侧板Bottom drawer right side panel	340*110*12	3	刨花板 Particle board
⑤	上背板Upper back board	1400*120*18	1	刨花板 Particle board	②⑨	下抽屉后板Down drawer's back board	310*110*12	3	刨花板 Particle board
⑥	中侧板Middle side board	560*97*18	2	刨花板 Particle board	③⑩	下抽屉底板Bottom drawer plate	336*320*5	3	纤维板 Fiberboard
⑦	外侧板Sideboard	560*134*18	2	刨花板 Particle board	③⑪	脚Foot	576*500*49	1	纤维板 Fiberboard
⑧	长垫条Long strip	398*50*30	1	纤维板 Fiberboard	③⑫	托条Supporting strip	510*120*18	1	刨花板 Particle board
⑨	附柜左侧板Sideboard of attached cabinet(L)	532*525*18	1	纤维板 Fiberboard	③⑬	装饰条Trim strip	500*49*18	1	刨花板 Particle board
⑩	附柜右侧板Sideboard of attached cabinet(R)	532*525*18	1	纤维板 Fiberboard	书桌面板: Desk Panel				
⑪	附柜面板Attached counter board	532*398*18	1	纤维板 Fiberboard	◇1	面板Top panel	1400*559*11	1	石材Stone
⑫	附柜底板Attached bottom board	532*398*18	1	纤维板 Fiberboard					
⑬	下拉条Bottom brace	360*58*18	1	刨花板 Particle board					
⑭	下背板Lower back board	535*370*5	1	纤维板 Fiberboard					
⑮	前脚条Front foot strip	362*58*18	1	刨花板 Particle board					
⑯	侧脚条Side foot strip	438*58*18	2	刨花板 Particle board					
⑰	左抽屉面板Drawer's panel(L)	465*118*18	1	刨花板 Particle board					
⑱	中抽屉面板Drawer's middle board	465*118*18	1	刨花板 Particle board					
⑲	右抽屉面板Drawer's panel(R)	465*118*18	1	刨花板 Particle board					
⑳	抽屉左侧板Drawer's side board(L)	340*78*12	3	刨花板 Particle board					
㉑	抽屉右侧板Drawer's side board(R)	340*78*12	3	刨花板 Particle board					
㉒	抽屉后板Drawer's Back board	392*78*12	3	刨花板 Particle board					
㉓	抽屉底板Drawer's Bottom board	402*336*5	3	纤维板 Fiberboard					



编号NO.	名称Name	编号NO.	名称Name
书桌主体:Desk Main body		②④	左下抽屉面板Bottom left drawer panel
①	面板Top panel	②⑤	中下抽屉面板Bottom drawer panel
②	上柜前饰条Front trim	②⑥	下抽屉面板Bottom drawer's panel
③	面板后条Panel back strip	②⑦	下抽屉左侧板Bottom drawer left panel
④	底板Bottom board	②⑧	下抽屉右侧板Bottom drawer right side panel
⑤	上背板Upper back board	②⑨	下抽屉后板Down drawer's back board
⑥	中侧板Middle side board	③⑩	下抽屉底板Bottom drawer plate
⑦	外侧板Sideboard	③①	脚Foot
⑧	长垫条Long strip	③②	托条Supporting strip
⑨	附柜左侧板Sideboard of attached cabinet(L)	③③	装饰条trim strip
⑩	附柜右侧板Sideboard of attached cabinet(R)	书桌面板: Desk Panel	
⑪	附柜面板Attached counter board	①	面板Top panel
⑫	附柜底板Attached bottom board		
⑬	下拉条Bottom brace		
⑭	下背板Lower back board		
⑮	前脚条Front foot strip		
⑯	侧脚条Side foot strip		
⑰	左抽屉面板Drawer's panel(L)		
⑱	中抽屉面板Drawer's middle board		
⑲	右抽屉面板Drawer's panel(R)		
⑳	抽屉左侧板Drawer's side board(L)		
㉑	抽屉右侧板Drawer's side board(R)		
㉒	抽屉后板Drawer's Back board		
㉓	抽屉底板Drawer's Bottom board		

VK1V-A (1.4m)

安装方法/
Installation method

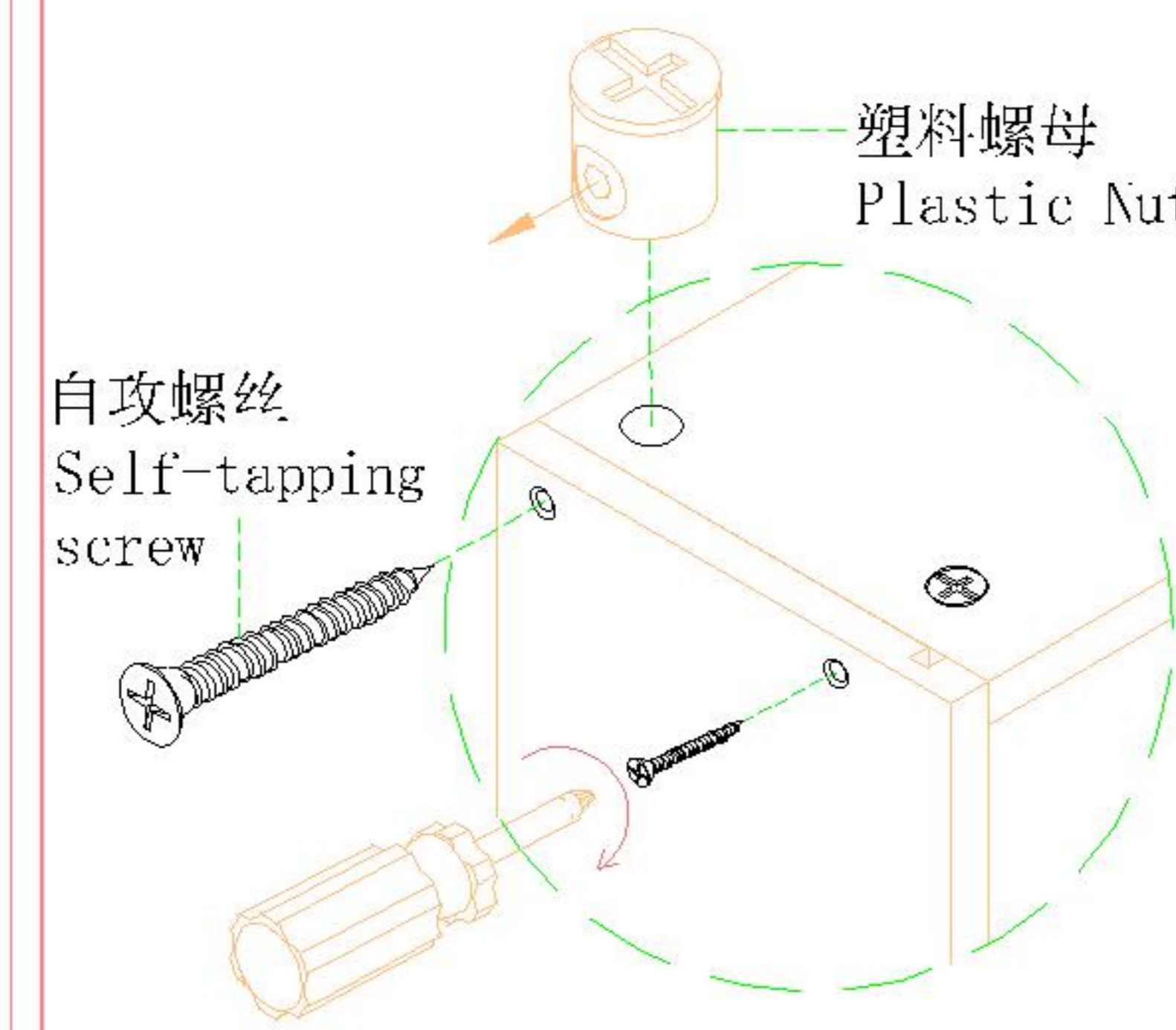


2

3

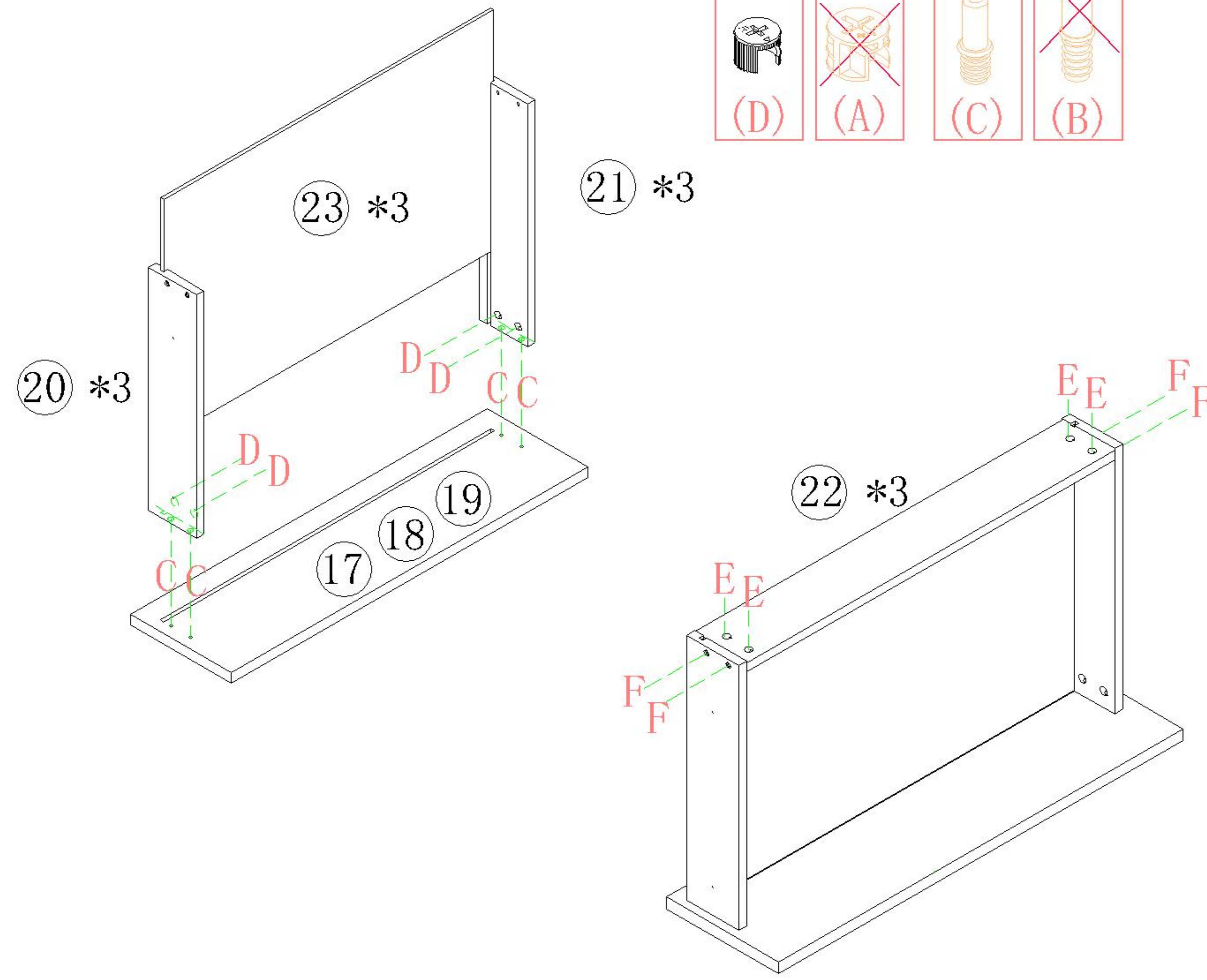
4

小二合一
small two-in-one

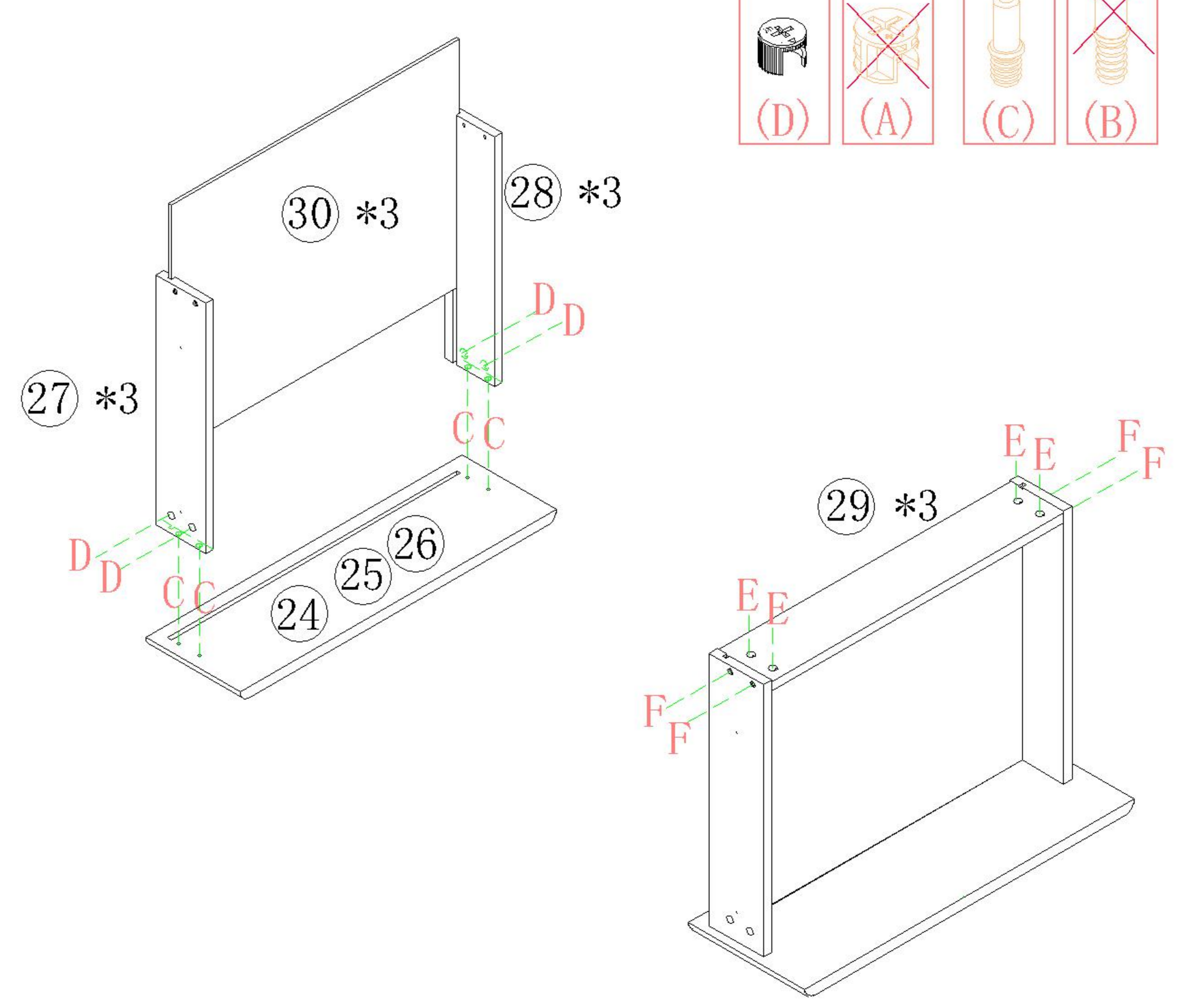


塑料螺母
Plastic Nut

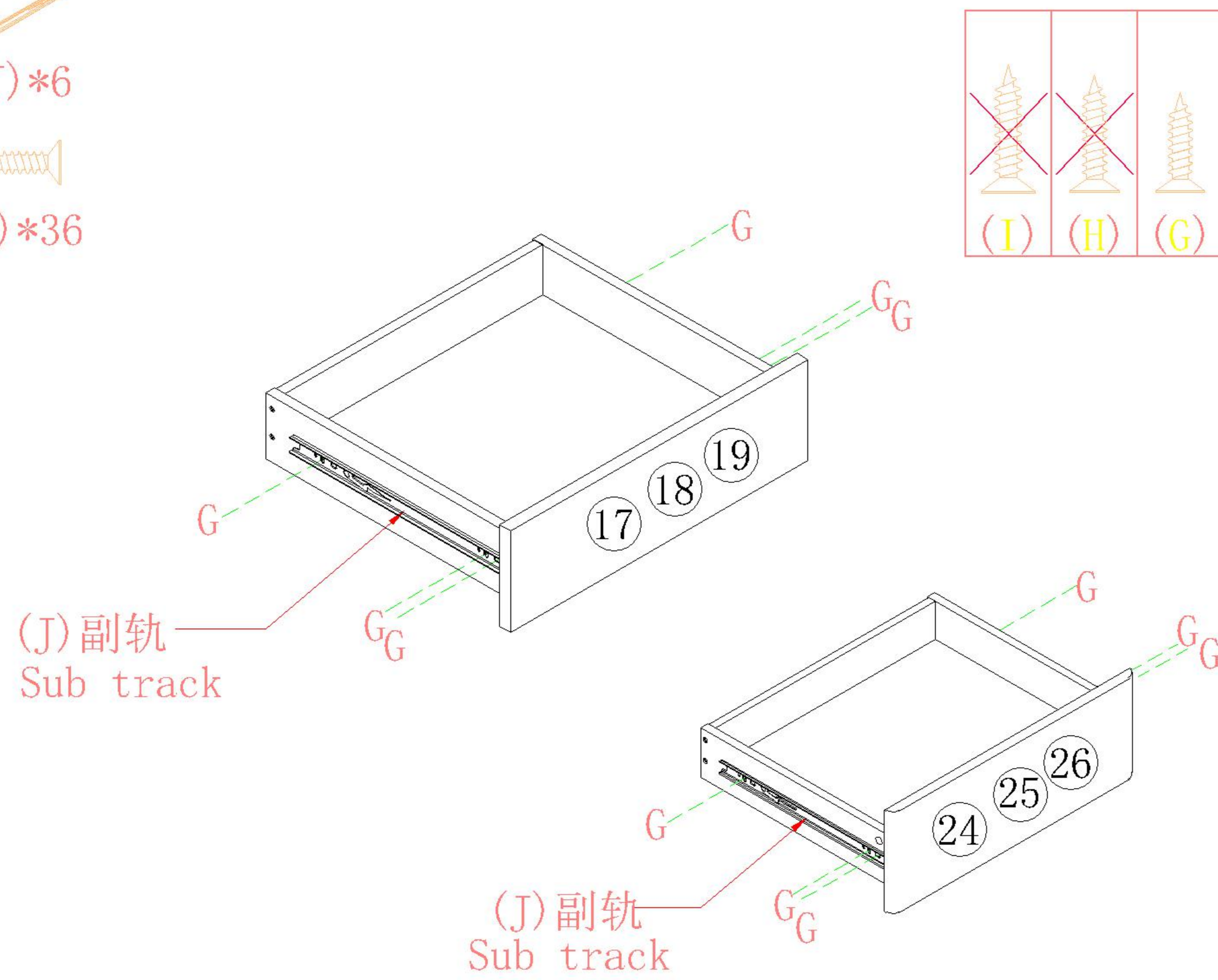
- (C)*12
- (D)*12
- (E)*12
- (F)*12



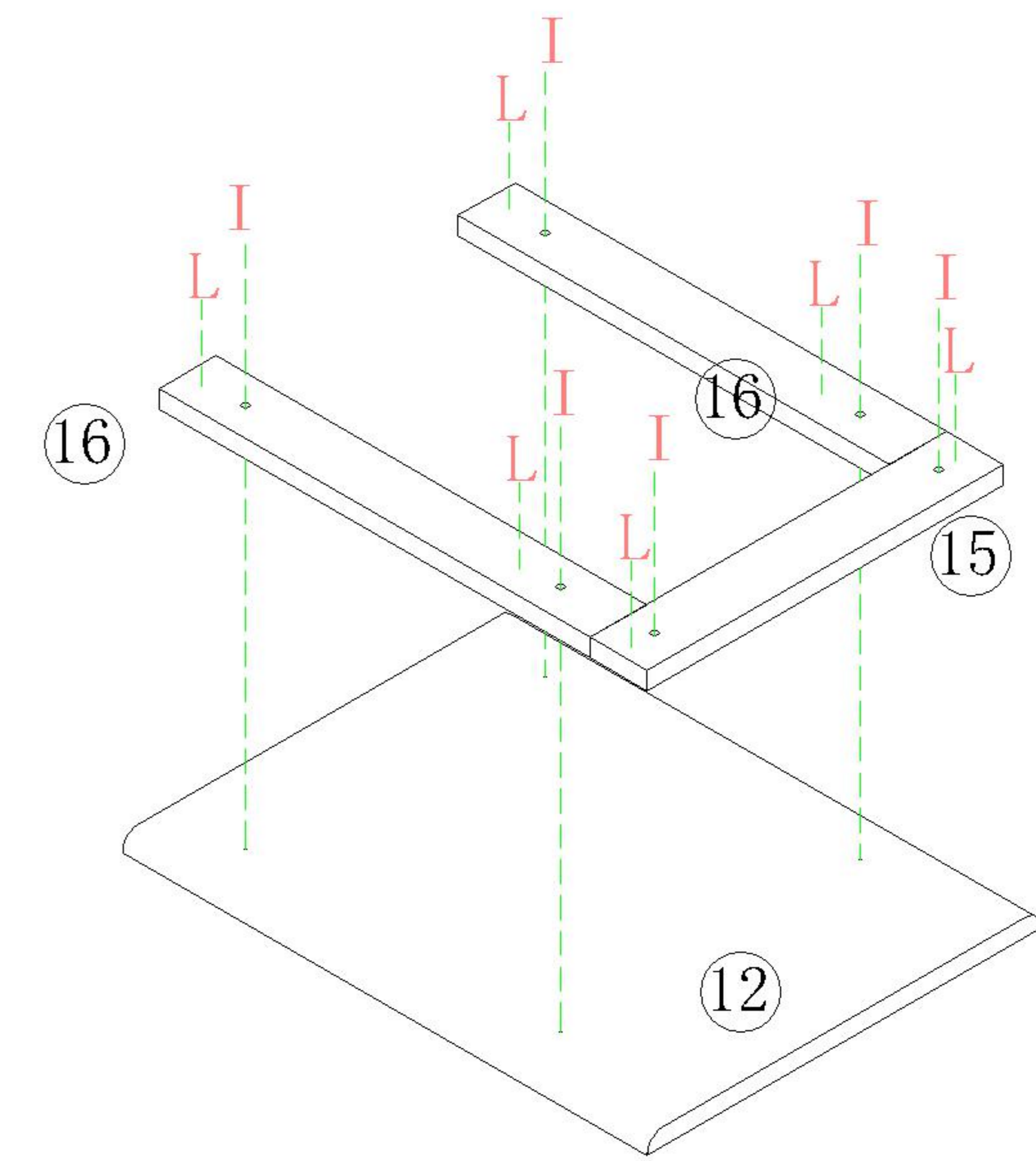
- (C)*12
- (D)*12
- (E)*12
- (F)*12



- (J)*6
- (G)*36



- (I)*6
- (L)*6



VK1V-A (1.4m)

安装方法/
Installation method

阀门开关(下压为开)
Valve switch (press down to open)

前 Forward ↓ 后 Back



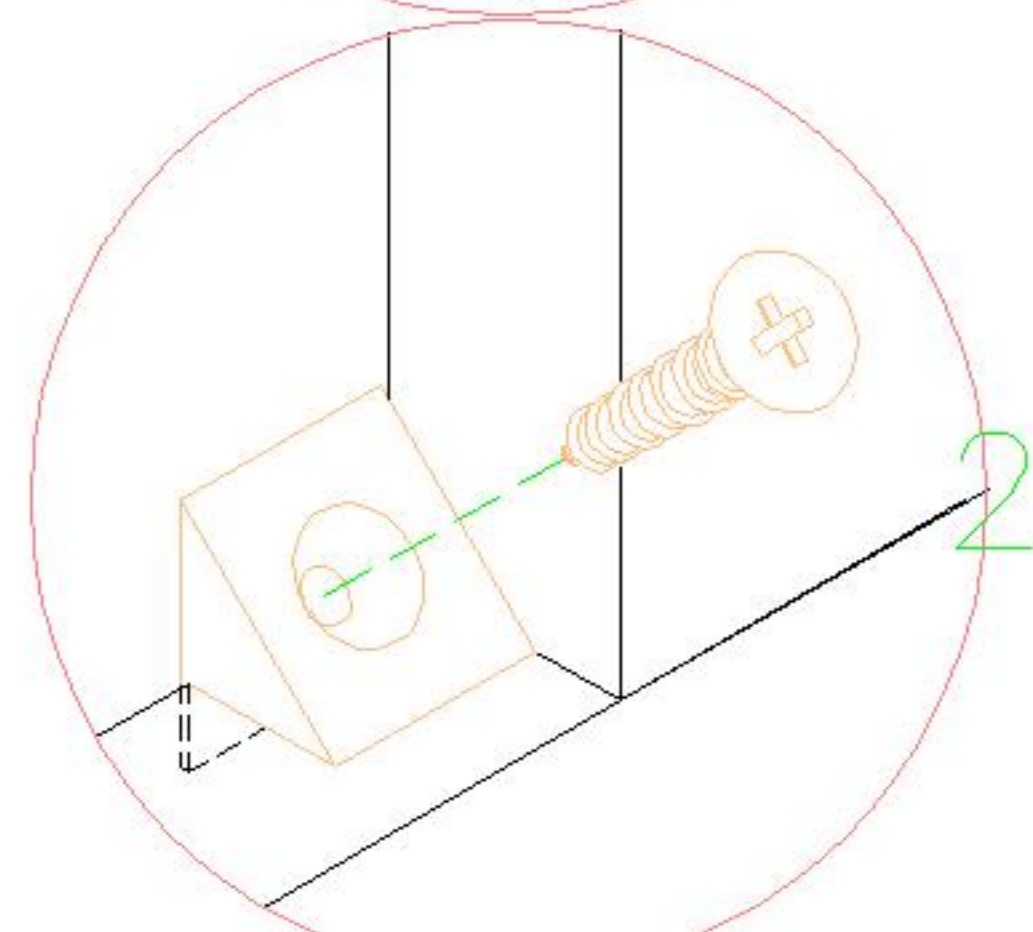
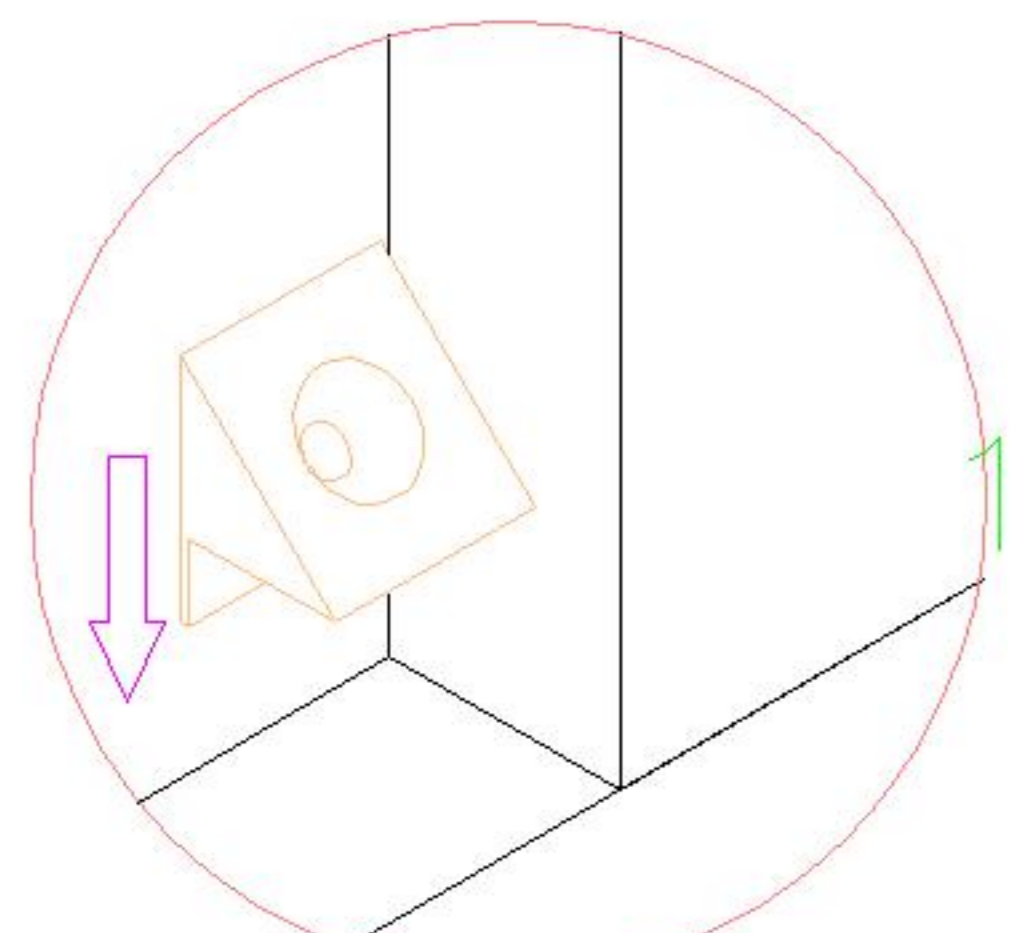
主轨 Main track



副轨 Sub track



三节滚珠导轨
Three-section rail



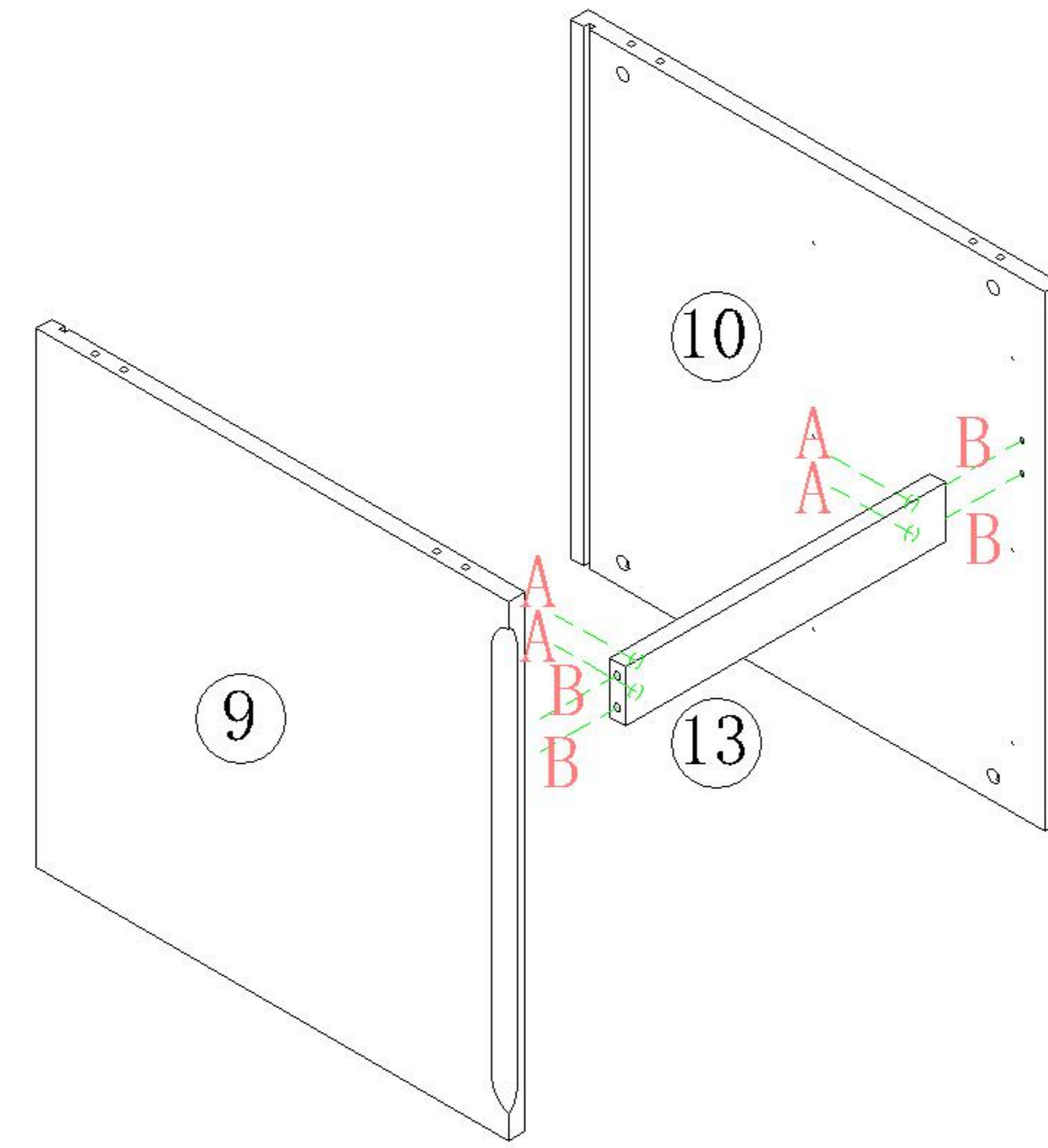
背板扣
Back Plate Buckle-White



(A) *4



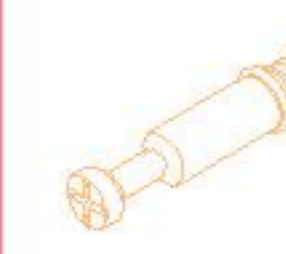
(B) *4



5



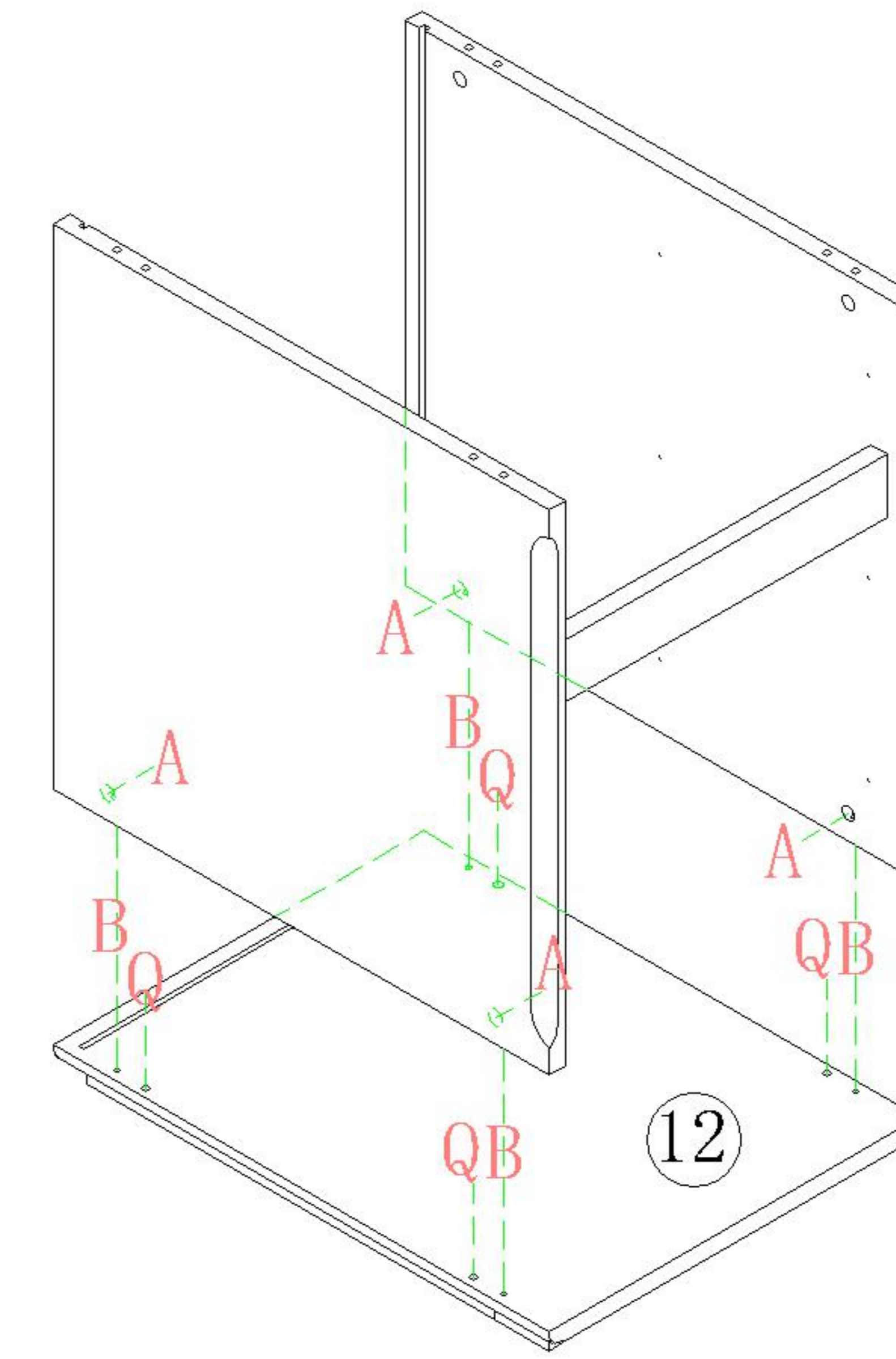
(A) *4



(B) *4



(Q) *4



6



(A) *4



(B) *4



(Q) *4



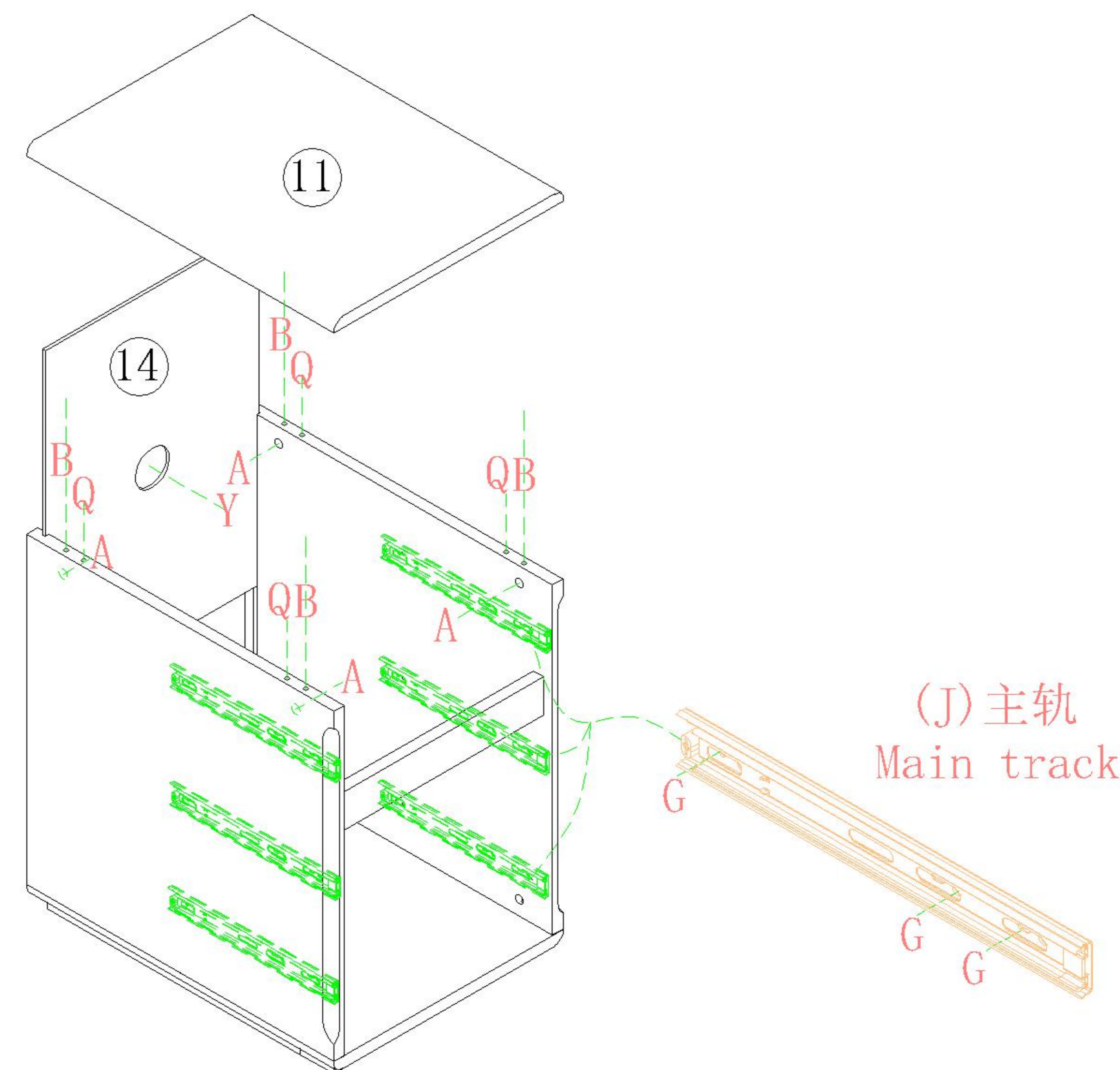
(Y) *1



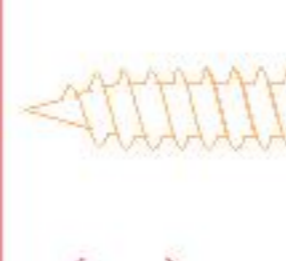
(J) *3



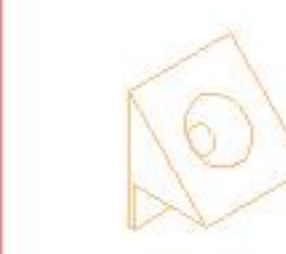
(G) *18



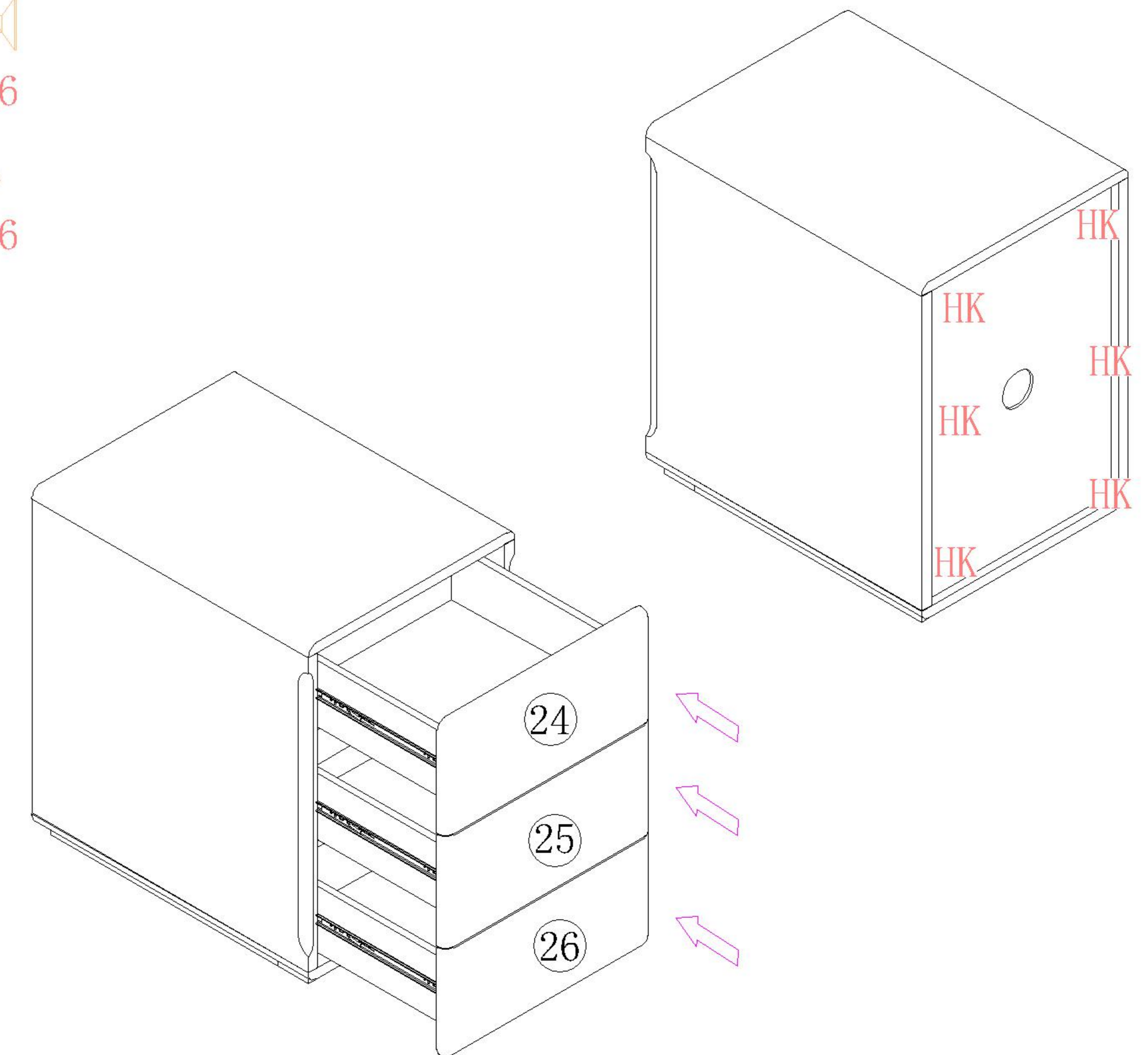
7



(H) *6



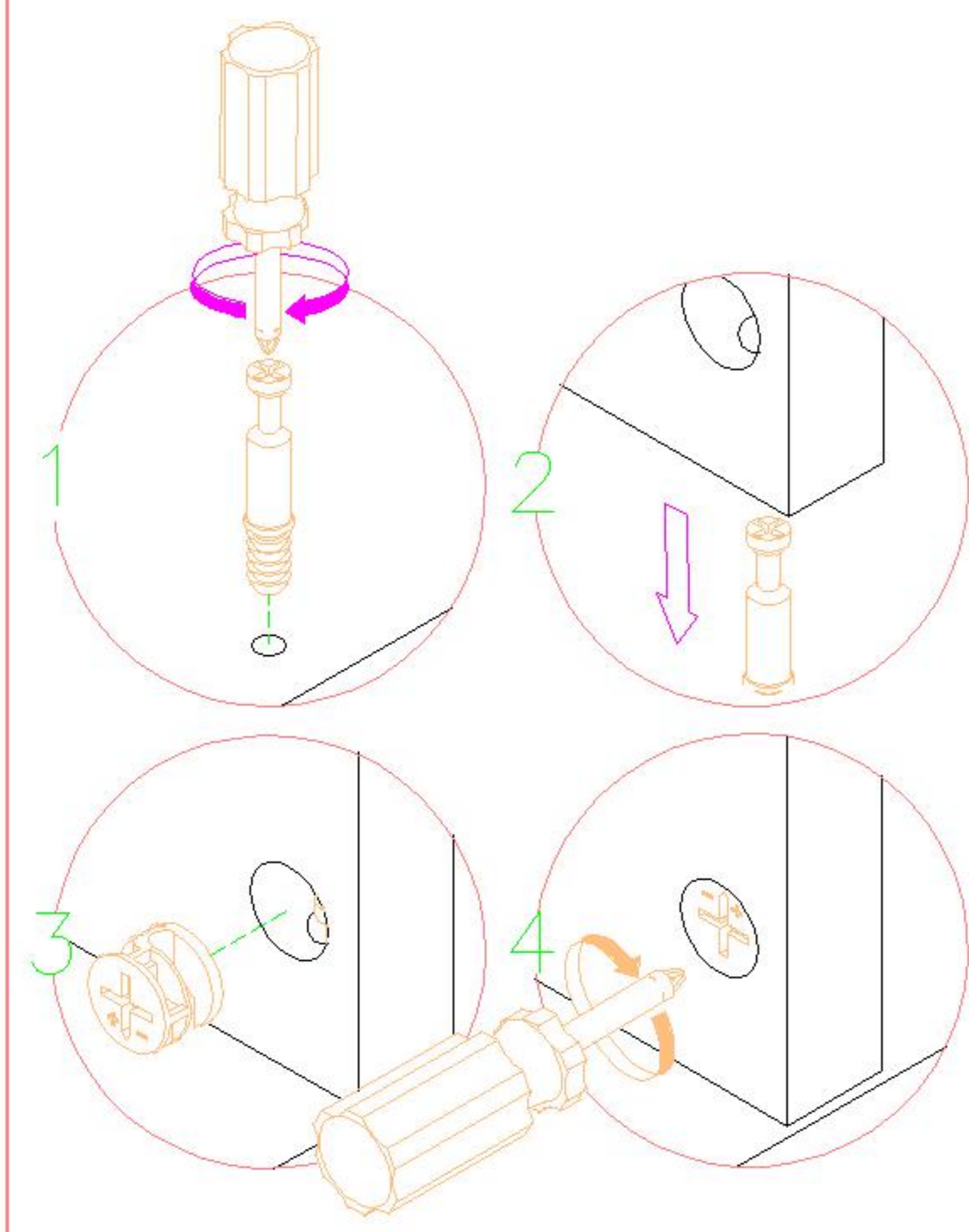
(K) *6



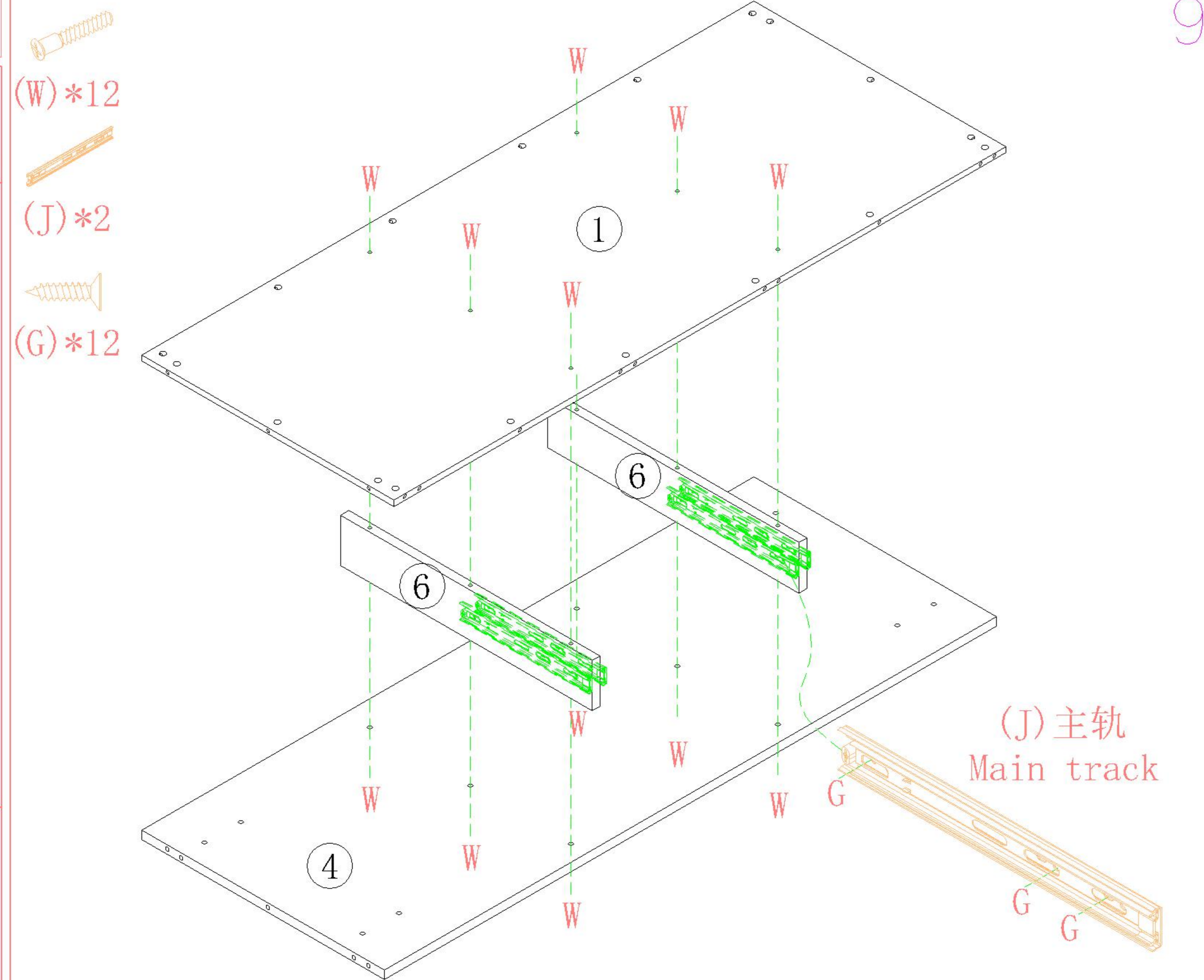
8

VK1V-A (1.4m)

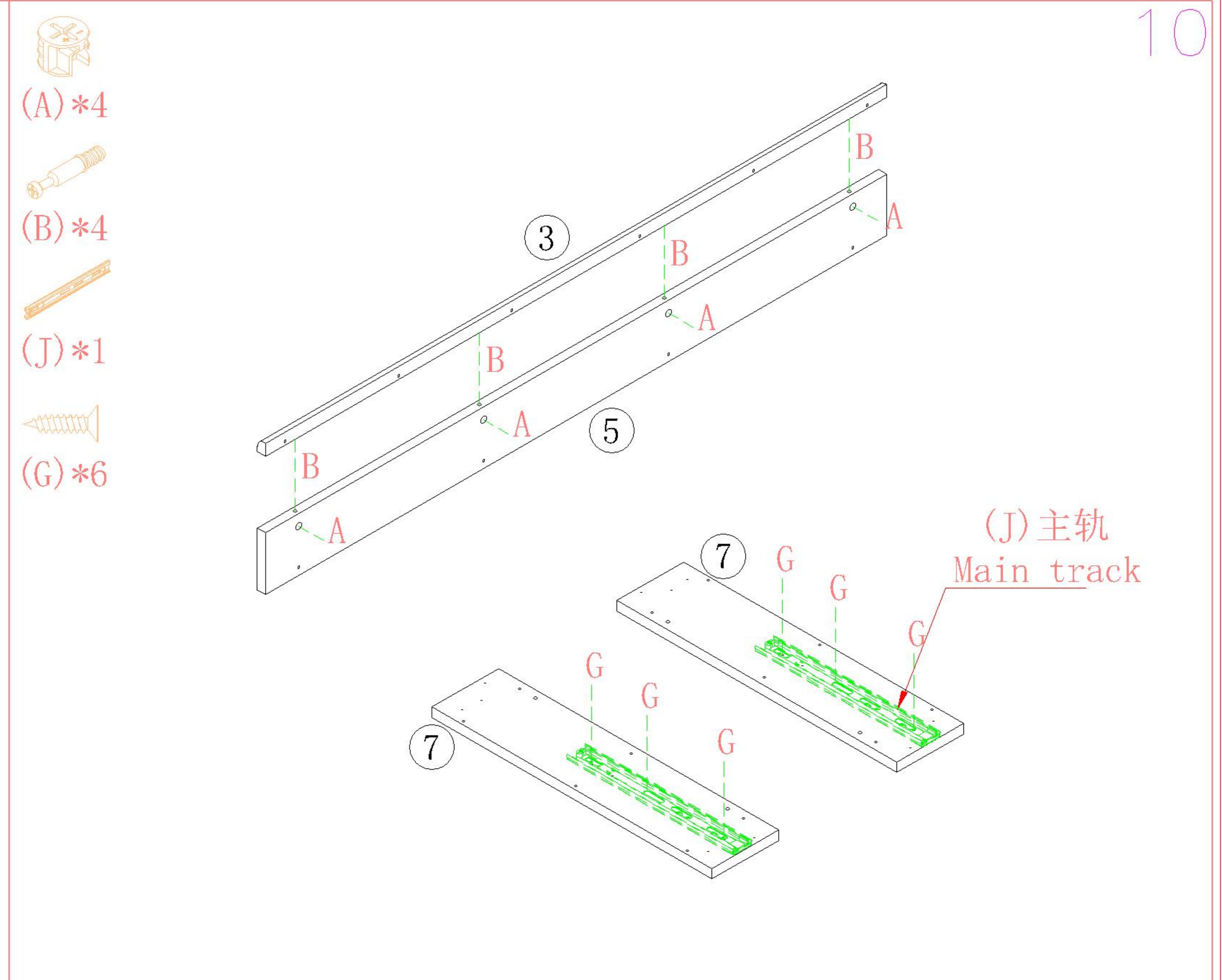
安装方法/
Installation method



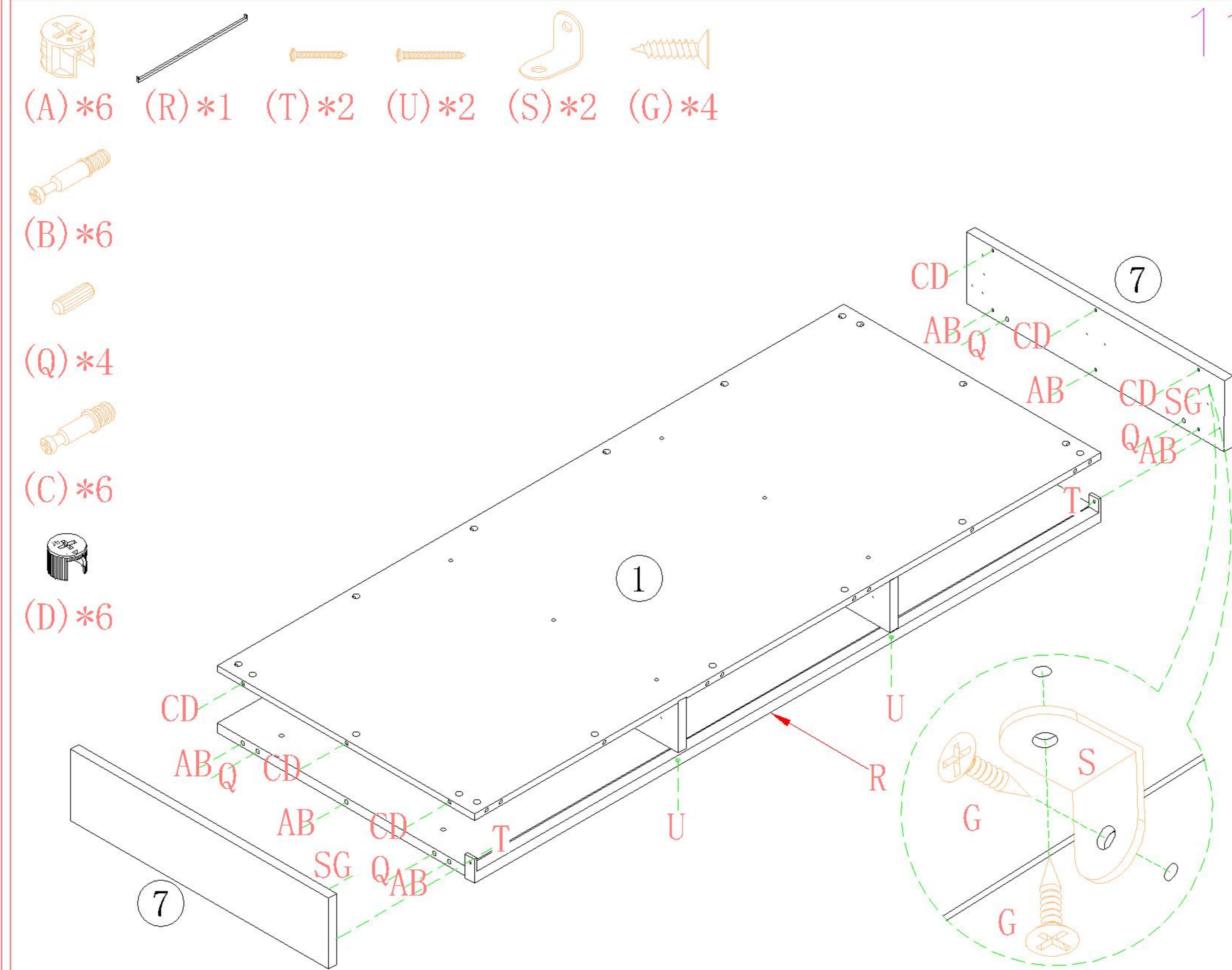
二合一 two-in-one



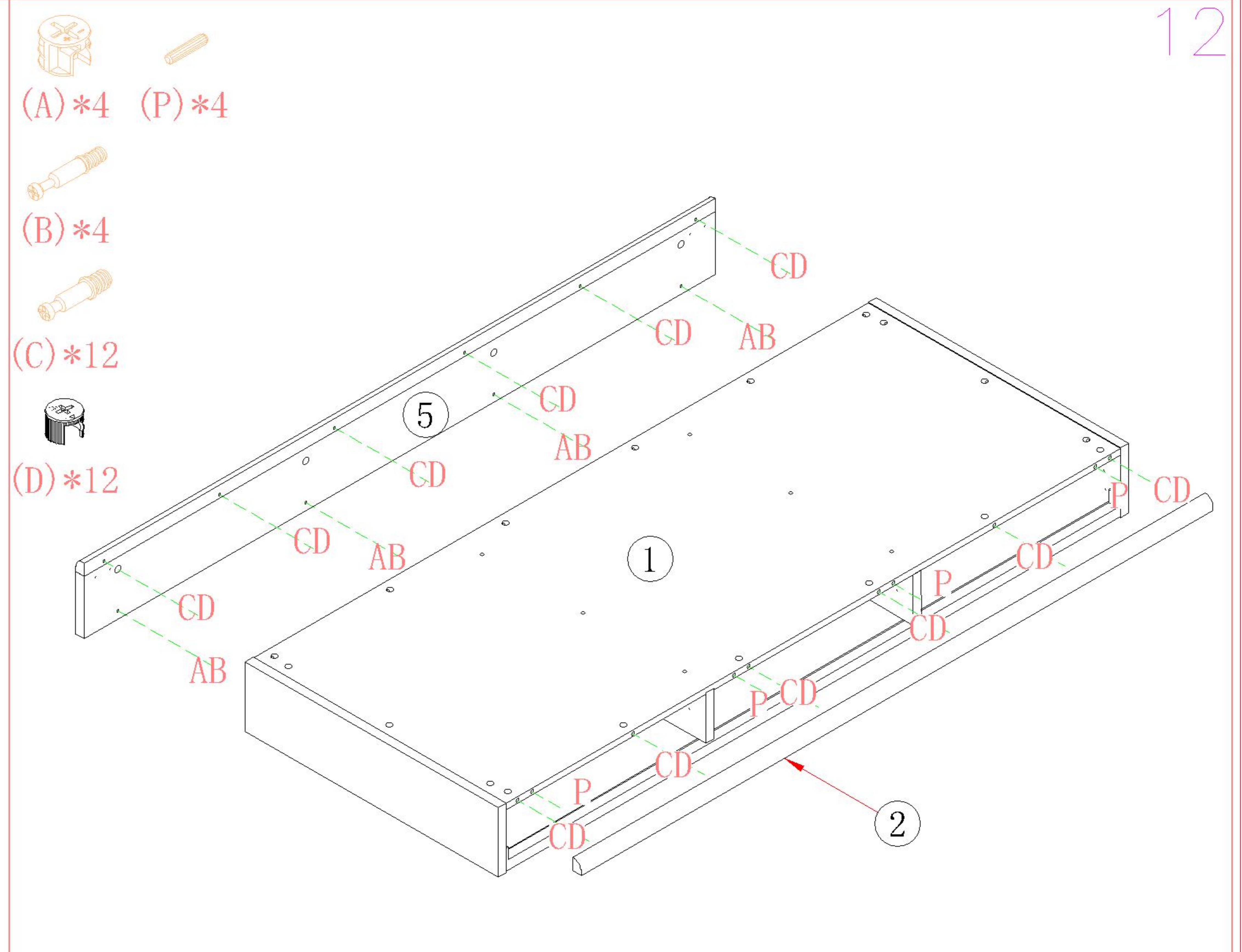
9



10



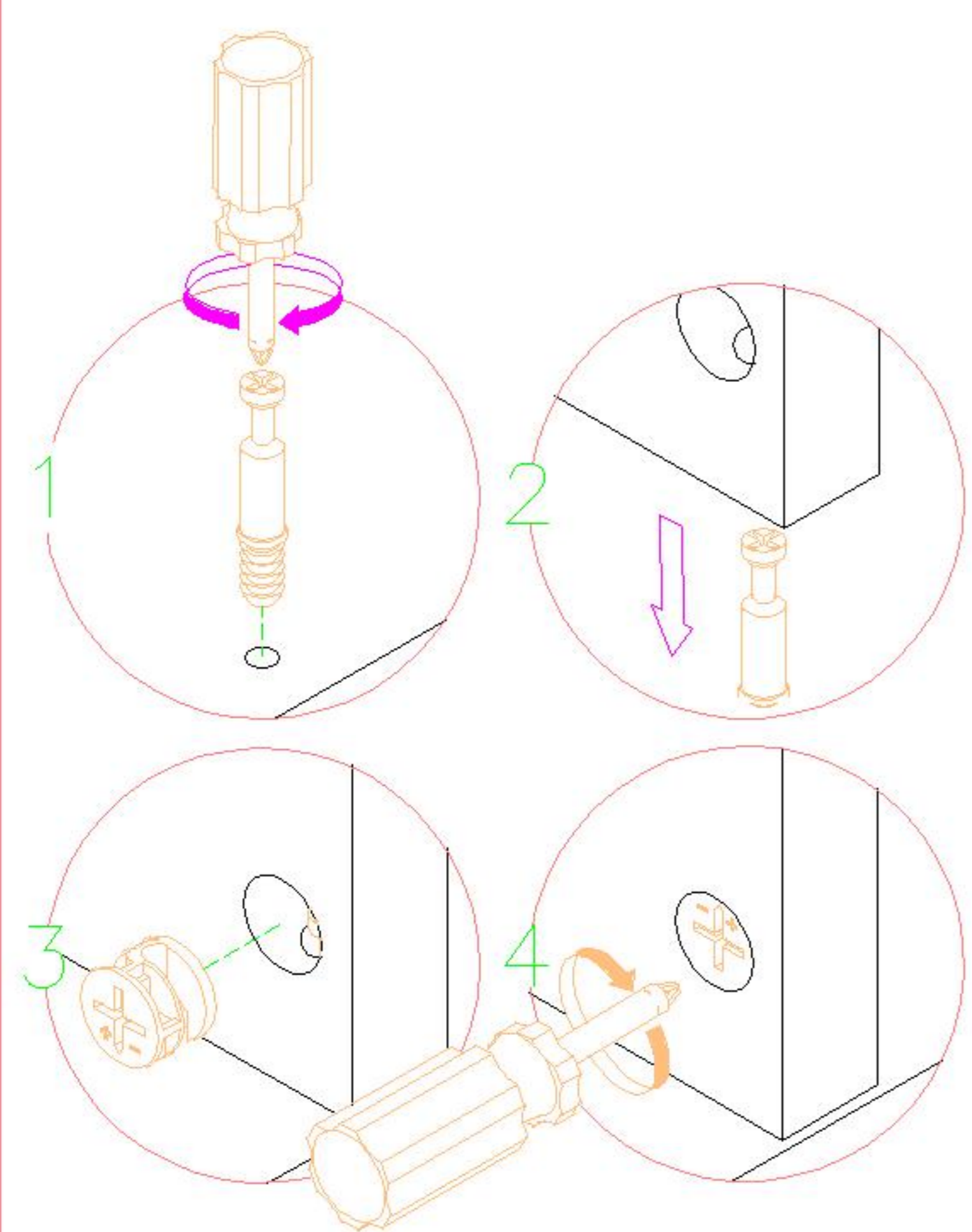
11



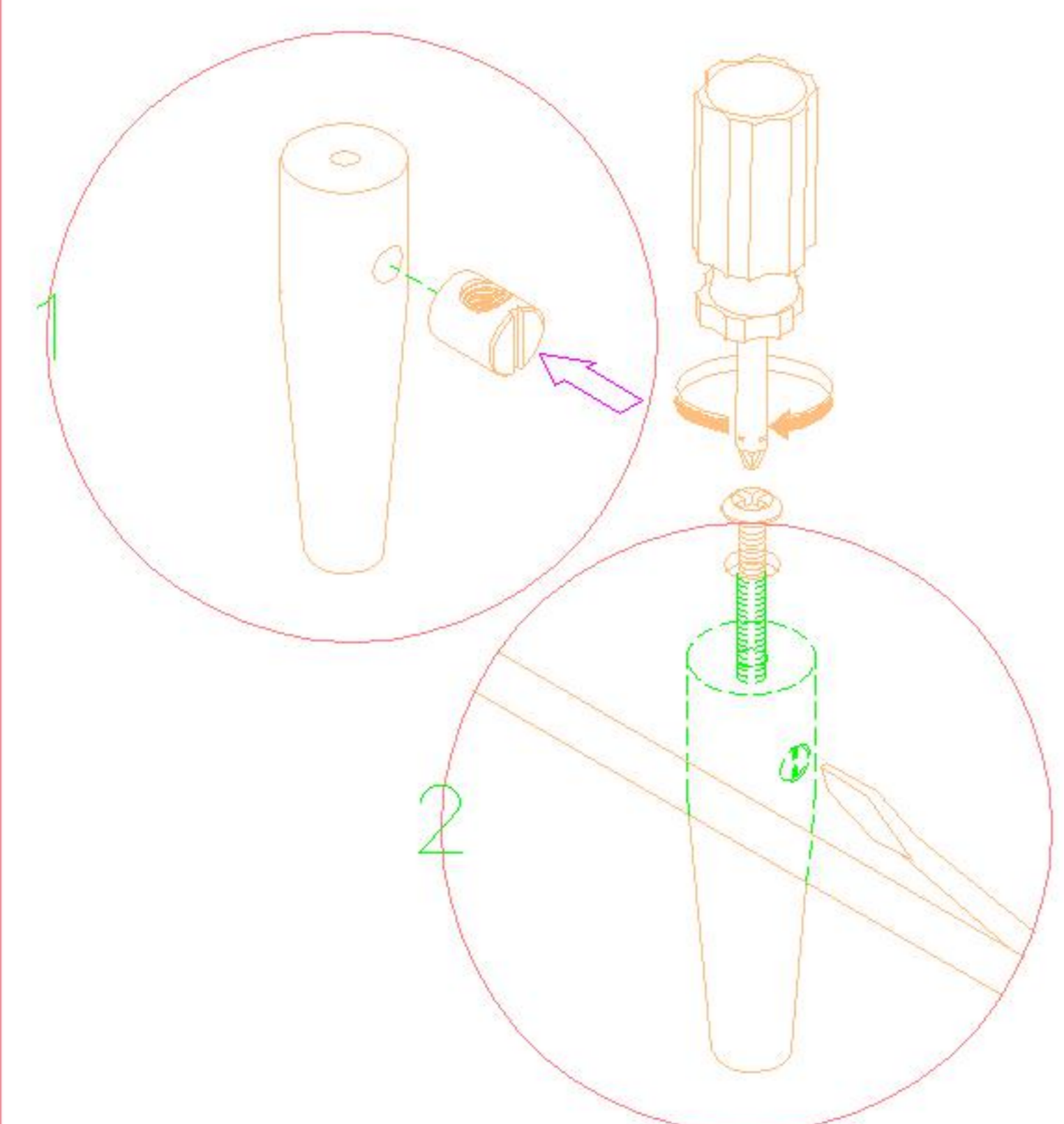
12

VK1V-A (1.4m)

安装方法/
Installation method

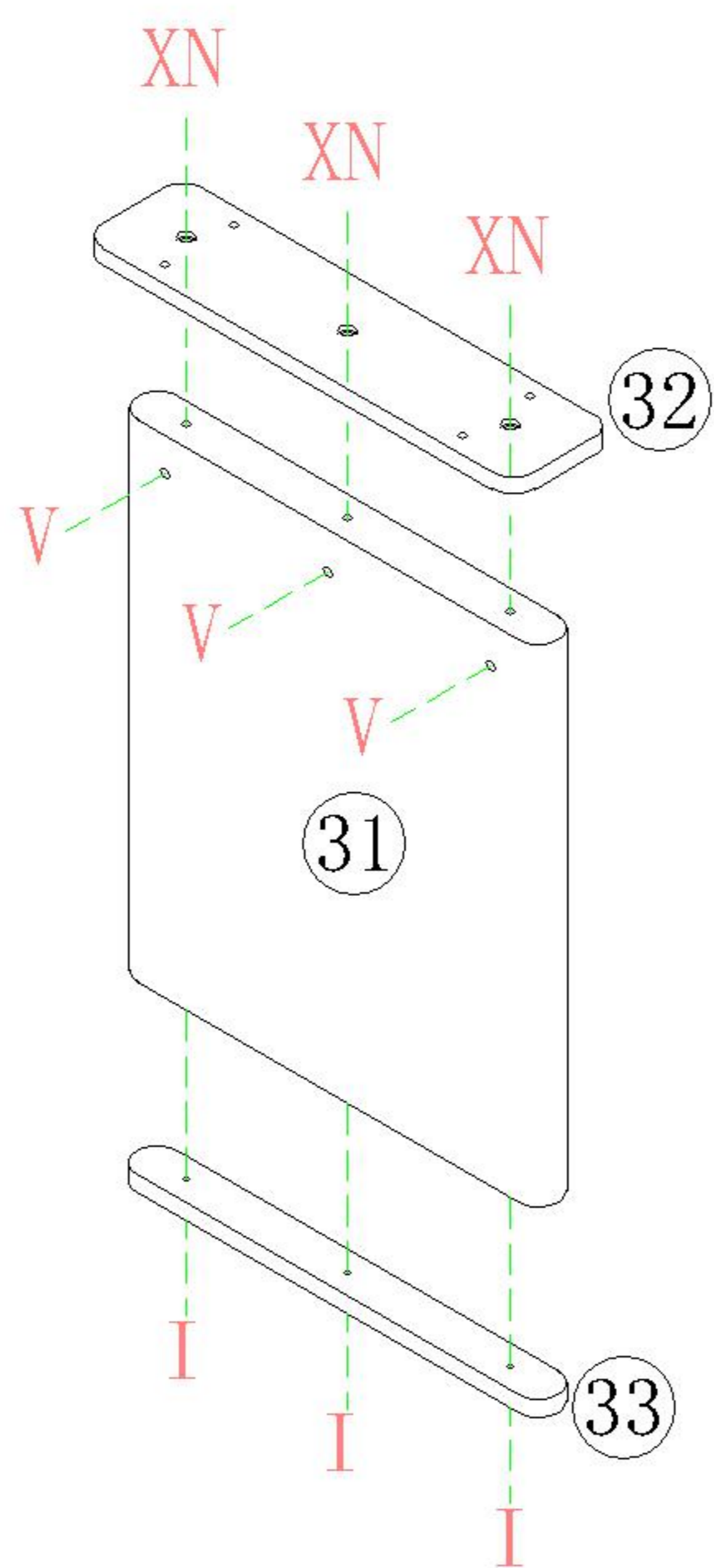


二合一 two-in-one



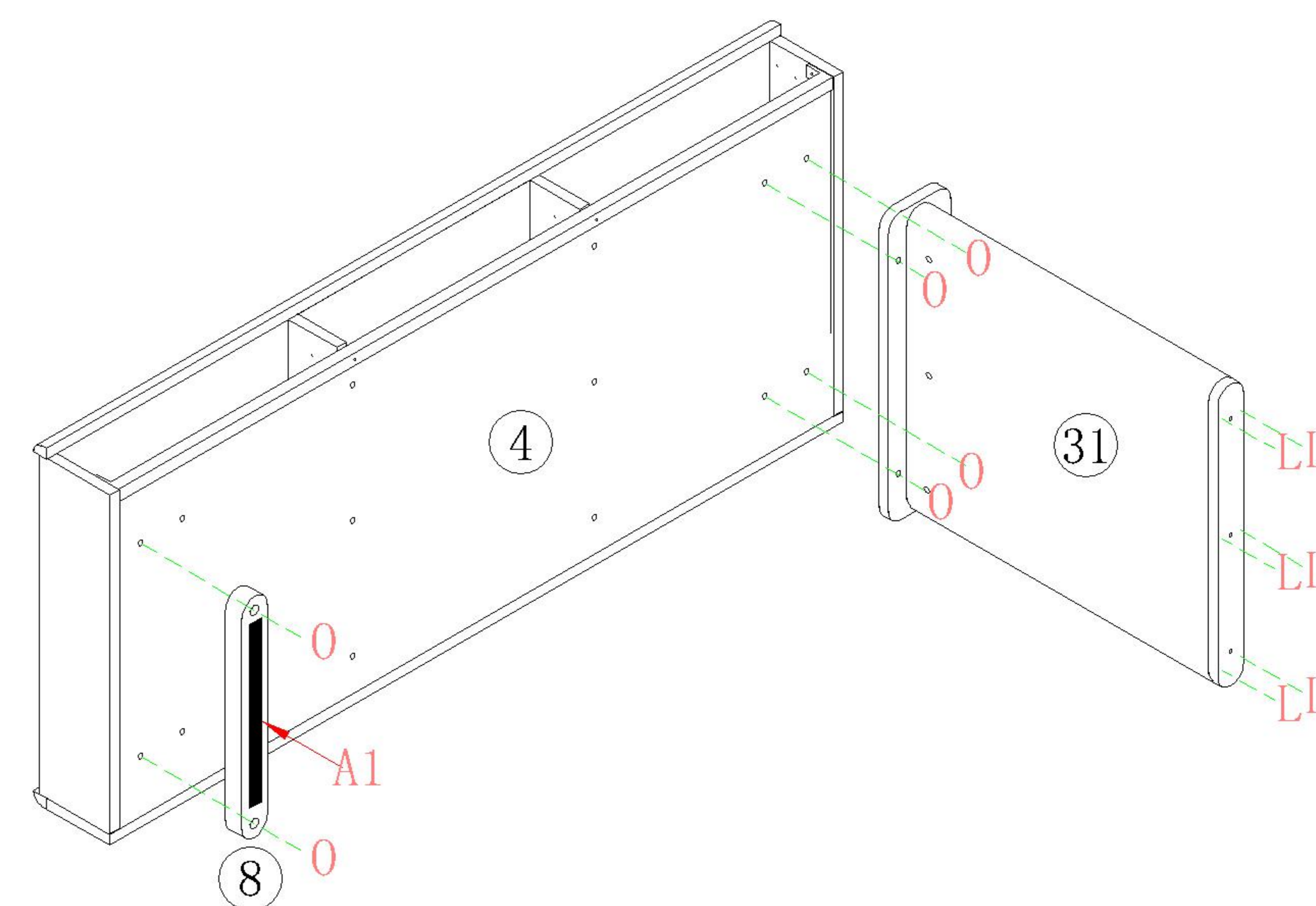
锤母
Hammer nut

(I)*3 (N)*3 (V)*3 (X)*1



13

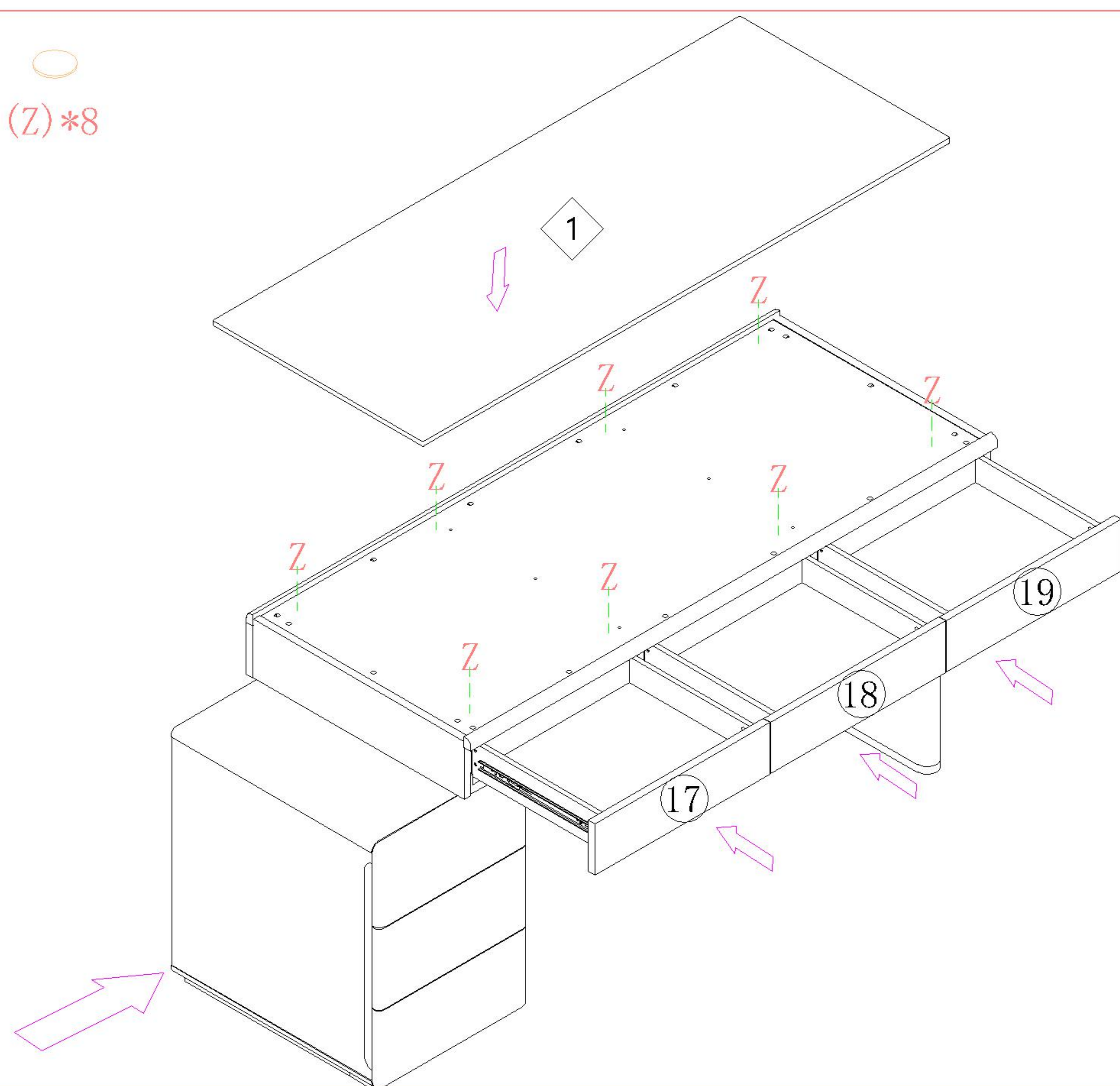
(O)*6
(L)*6
(A1)*1



可左右互换安装
installed interchangeably from left to right

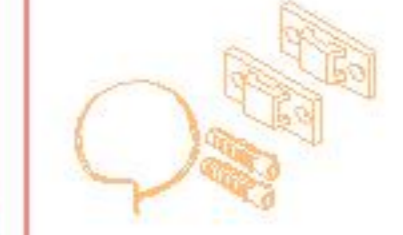
15

(Z)*8



注意!
使用产品时请适当调整主
柜与边柜组合间距离, 单
独放置会有倾倒的风险。

Be careful ! Please properly adjust the distance
between the attached and main cabinet. Placing
the main cabinet alone will have a risk of dumping.


(M)*1

实体墙
Solid wall

M处放大图
Enlarge figure

