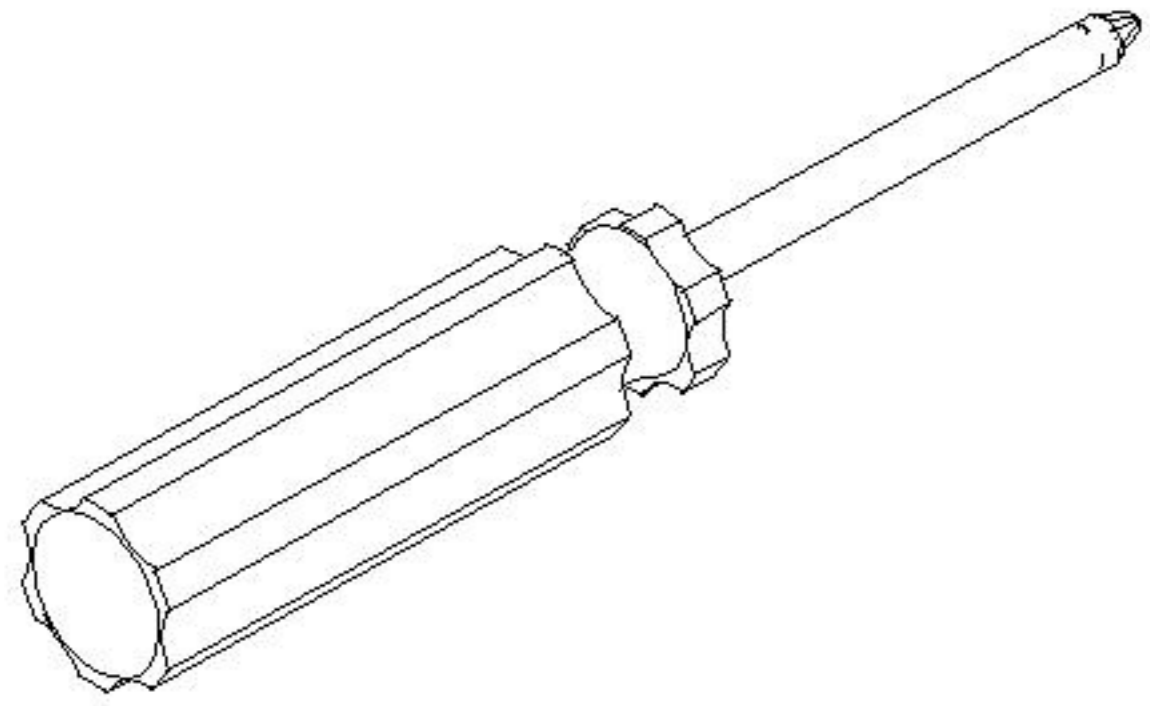
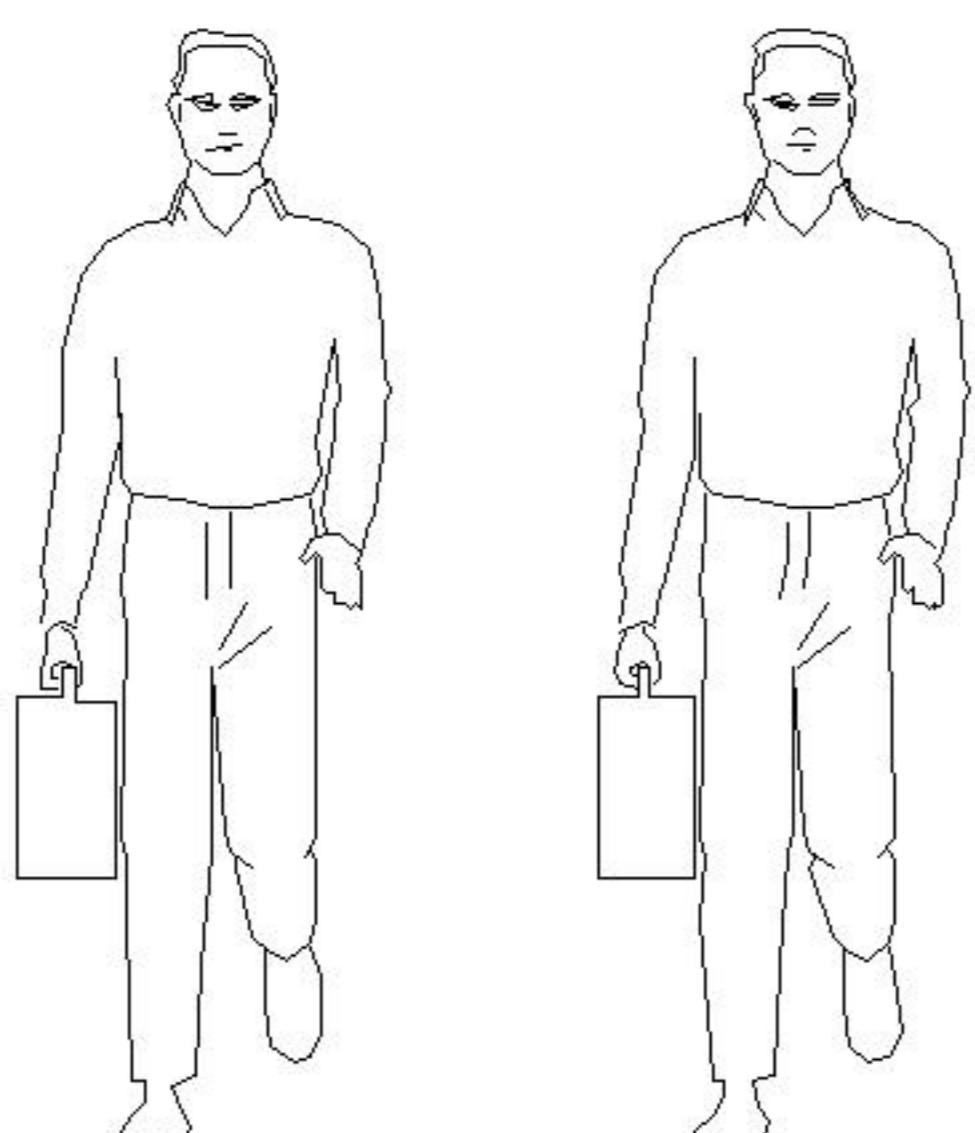


LINSY 林氏家居

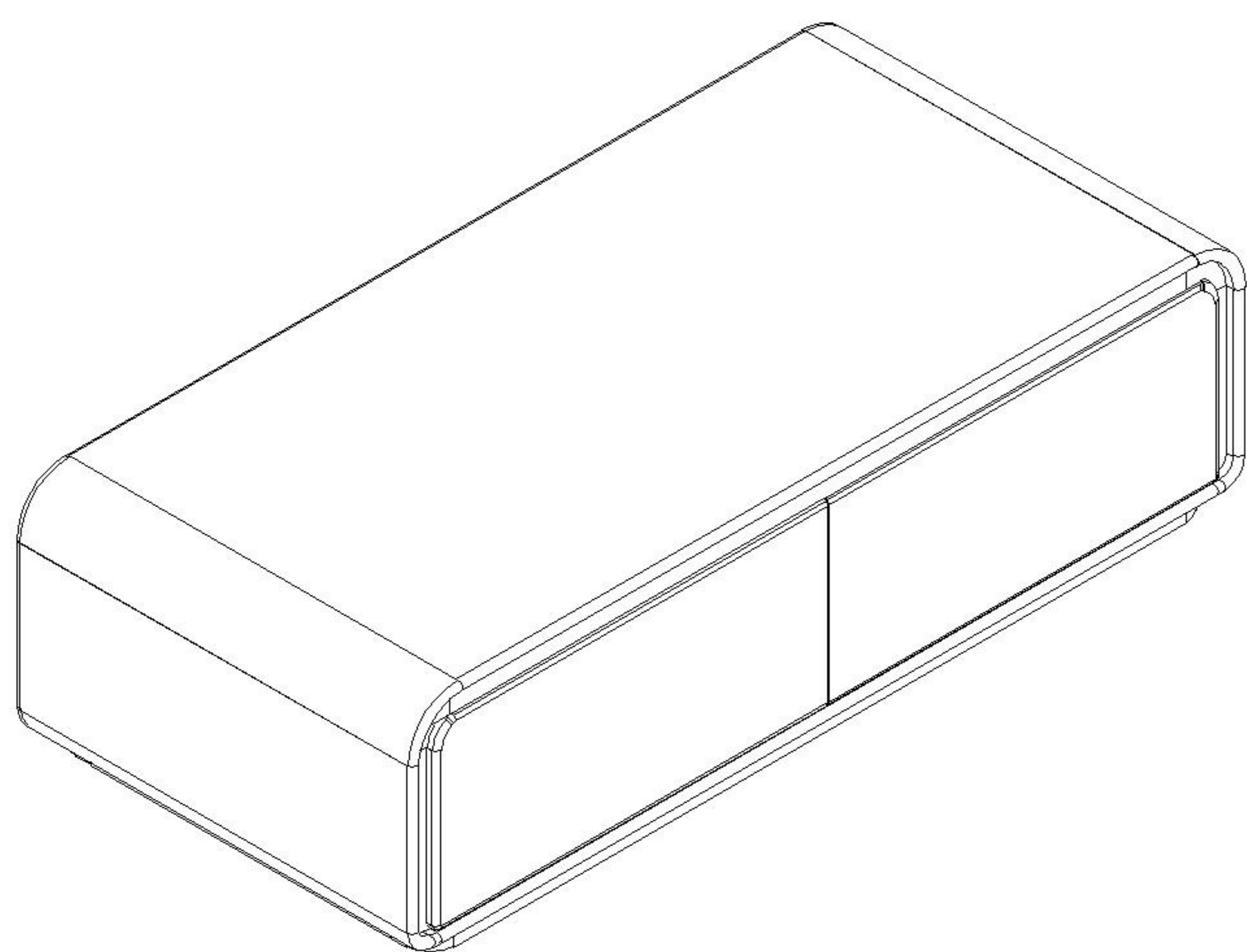
五金表/Hardware list

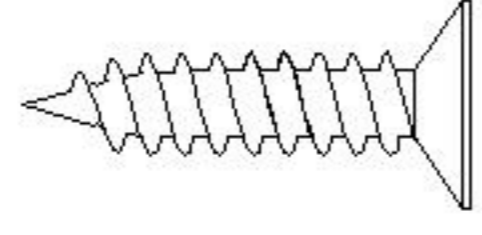
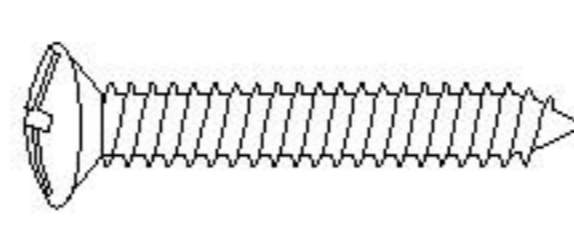
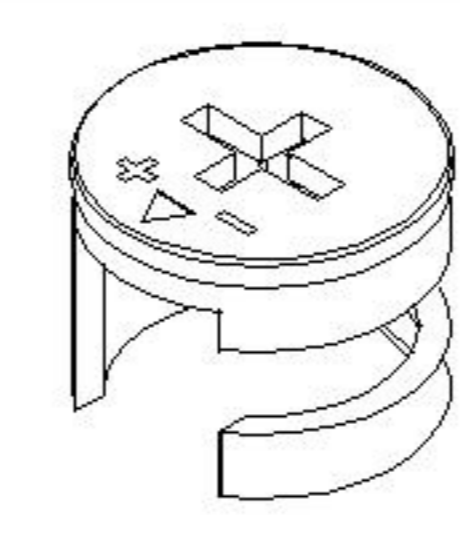
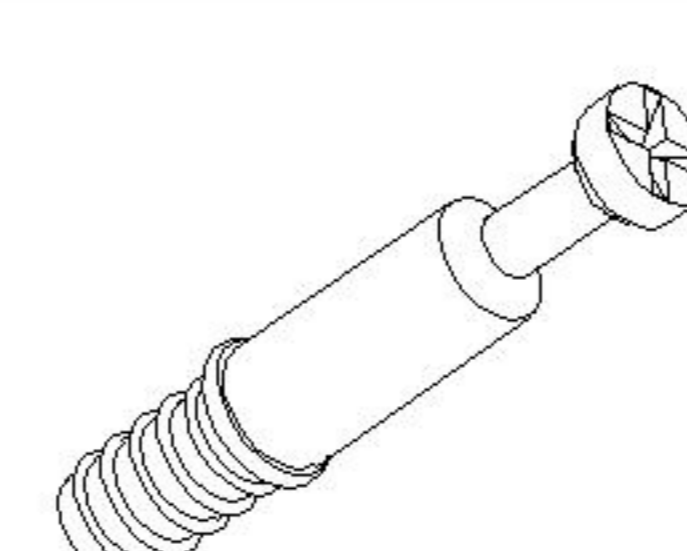
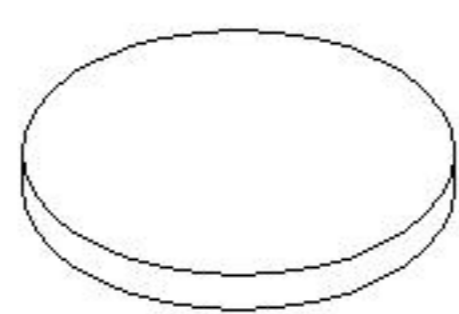
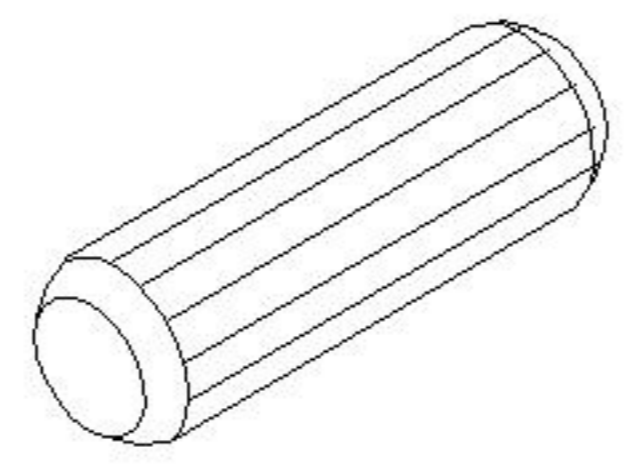

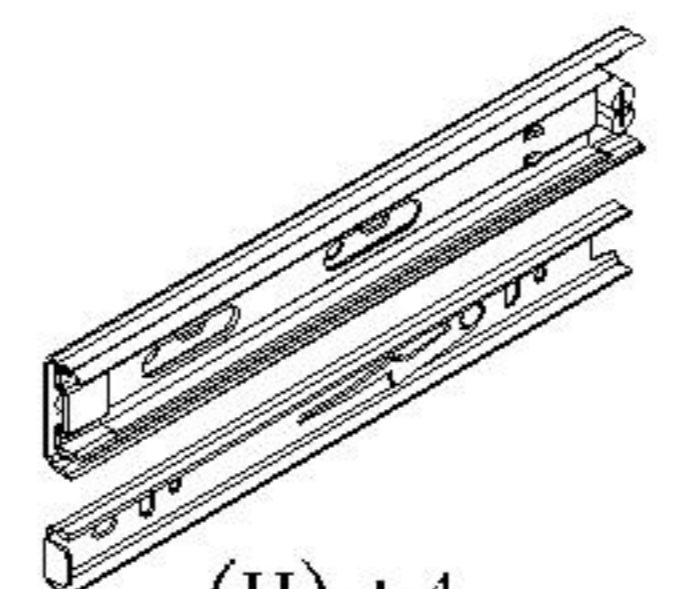
部件表/Parts List

安装示意图/Assembly Instruction

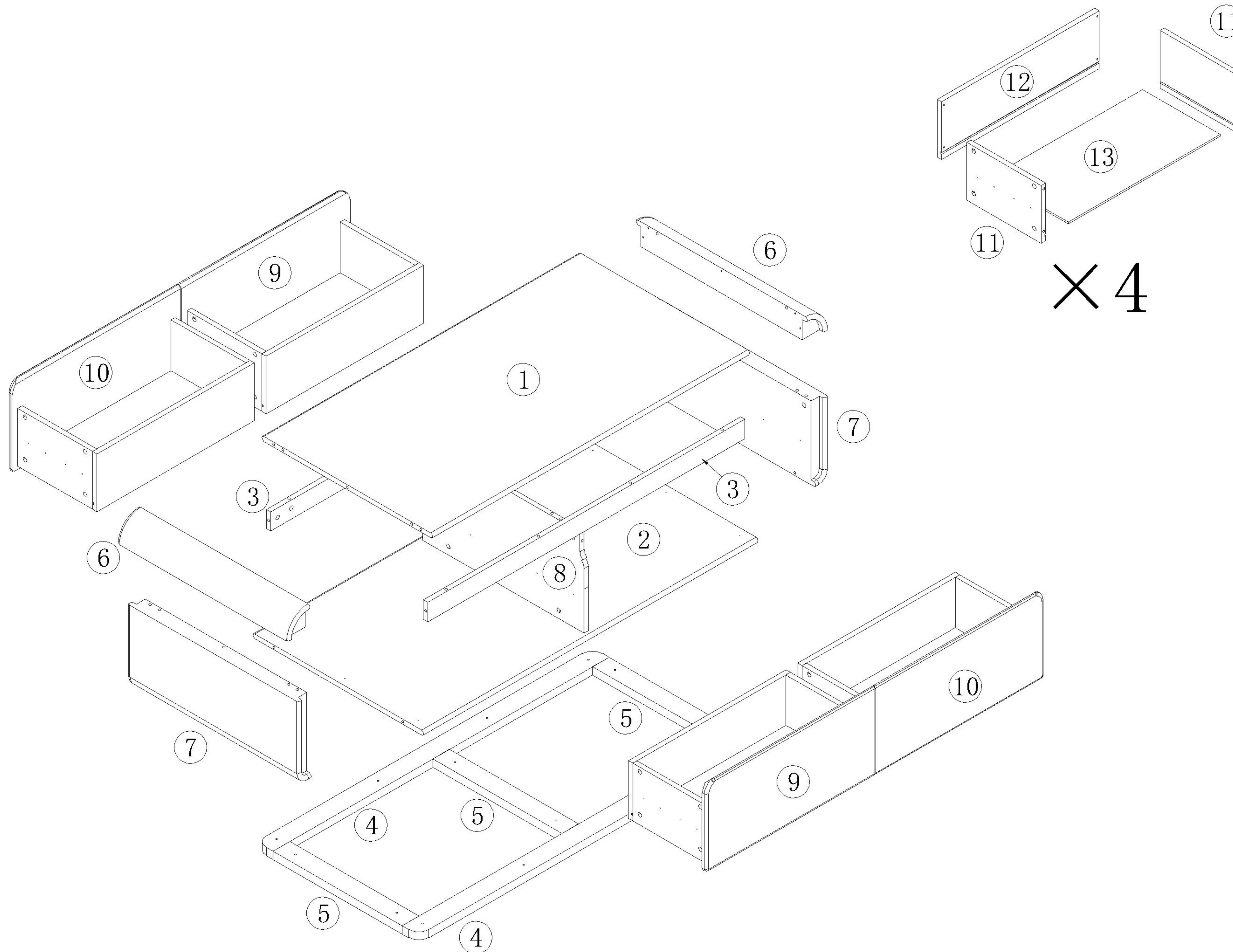
产品名称 Model NO.	RI7L-C 茶几
产品规格 Specification	1253*596*355mm
安装工具 Tool	安装人数 Installer
	

注：为保证设计效果，部分尺寸为定制尺寸，不影响使用。



 (A)*55 白攻螺丝M3.5*14mm Tapping screw	 (B)*15 百攻天扁M1*35mm Flat head tapping screw	 (C)*65 大三合一锁饼 3-in-1 large lock	 (D)*65 二合一螺杆 2-in-1-screw
 (E)*9 灰色毛毡垫 Foot pad	 (F)*17 木榫-φ8*30 Wood tenon	 (G)*6 L型角码 L-shaped corner bracket	 (H)*4 三节滚珠导轨8" Three-section rail

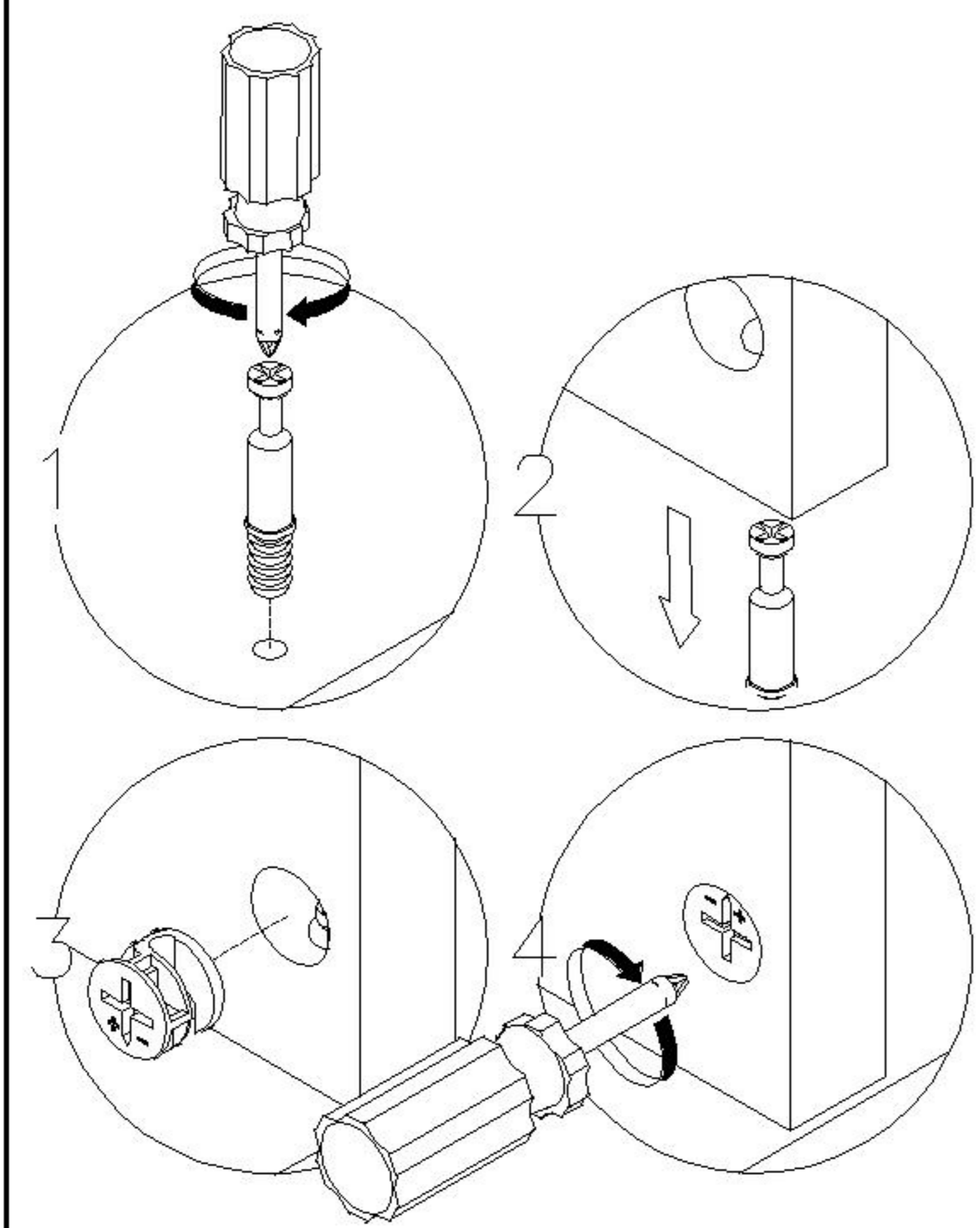
编号NO.	名称Name	规格(mm) Specification	数量QTY	材质Material
①	面板Top panel	1103*595*15	1	纤维板 Fiberboard
②	底板Bottom board	1163*595*15	1	纤维板 Fiberboard
③	上拉条Top brace	1103*58*15	2	纤维板 Fiberboard
④	长脚条Long foot slat	1169*58*25	2	欧松板 Oriented Strand Board
⑤	短脚条Short foot strip	449*58*25	3	欧松板 Oriented Strand Board
⑥	转角木 Corner connection wood	596*75*75	2	橡胶木 Rubber wood
⑦	侧板Side board	595*252*45	2	纤维板 Fiberboard
⑧	中侧板Middle side board	561*297*15	1	欧松板 Oriented Strand Board
⑨	左抽屉面板 Drawer's panel (L)	587*270*15	2	纤维板 Fiberboard
⑩	右抽屉面板 Drawer's panel (R)	587*270*15	2	纤维板 Fiberboard
⑪	抽屉侧板 Drawer's sideboard	260*174*15	8	欧松板 Oriented Strand Board
⑫	抽屉后板 Drawer's Back board	548*174*15	4	欧松板 Oriented Strand Board
⑬	抽屉底板 Drawer's Bottom board	528*270*5	4	纤维板 Fiberboard



编号NO.	名称Name
①	面板Top panel
②	底板Bottom board
③	上拉条Top brace
④	长脚条Long foot slat
⑤	短脚条Short foot strip
⑥	转角木 Corner connection wood
⑦	侧板Side board
⑧	中侧板Middle side board
⑨	左抽屉面板 Drawer's panel (L)
⑩	右抽屉面板 Drawer's panel (R)
⑪	抽屉侧板 Drawer's sideboard
⑫	抽屉后板 Drawer's Back board
⑬	抽屉底板 Drawer's Bottom board

安装方法

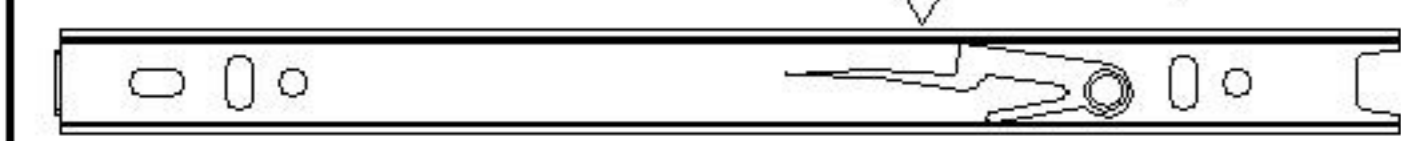
Installation method



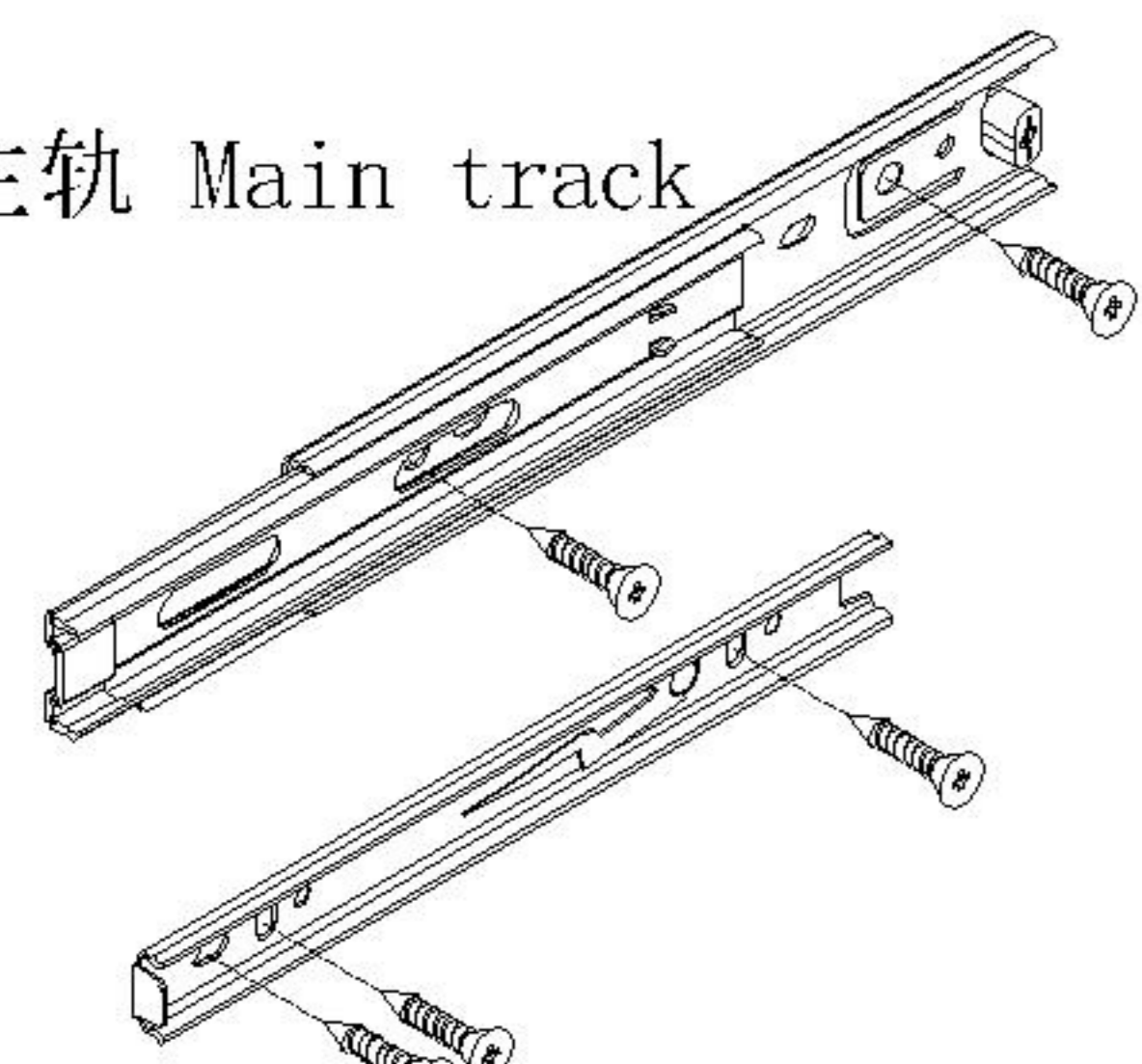
二合一 two-in-one

阀门开关(下压为开)
Valve switch (press down to open)

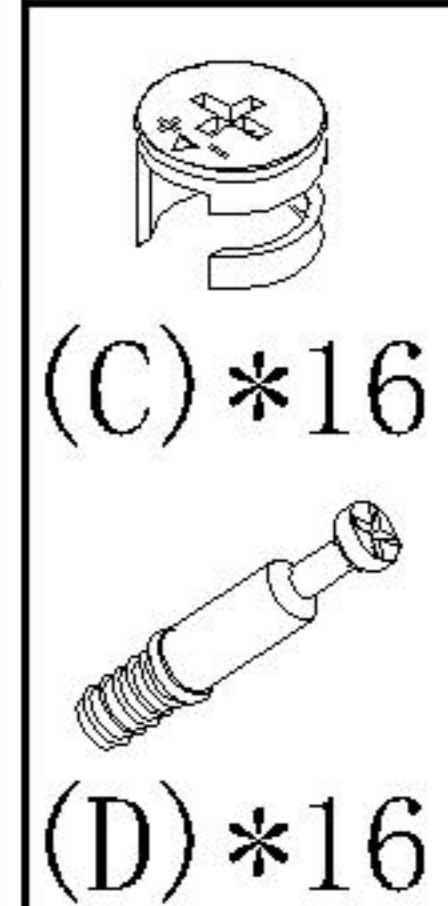
前 Forward 后 Back



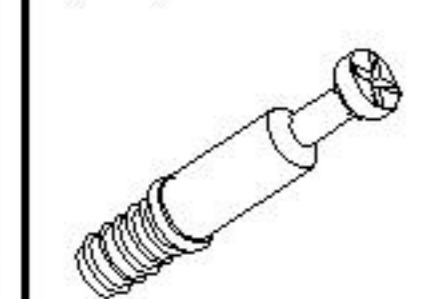
主轨 Main track



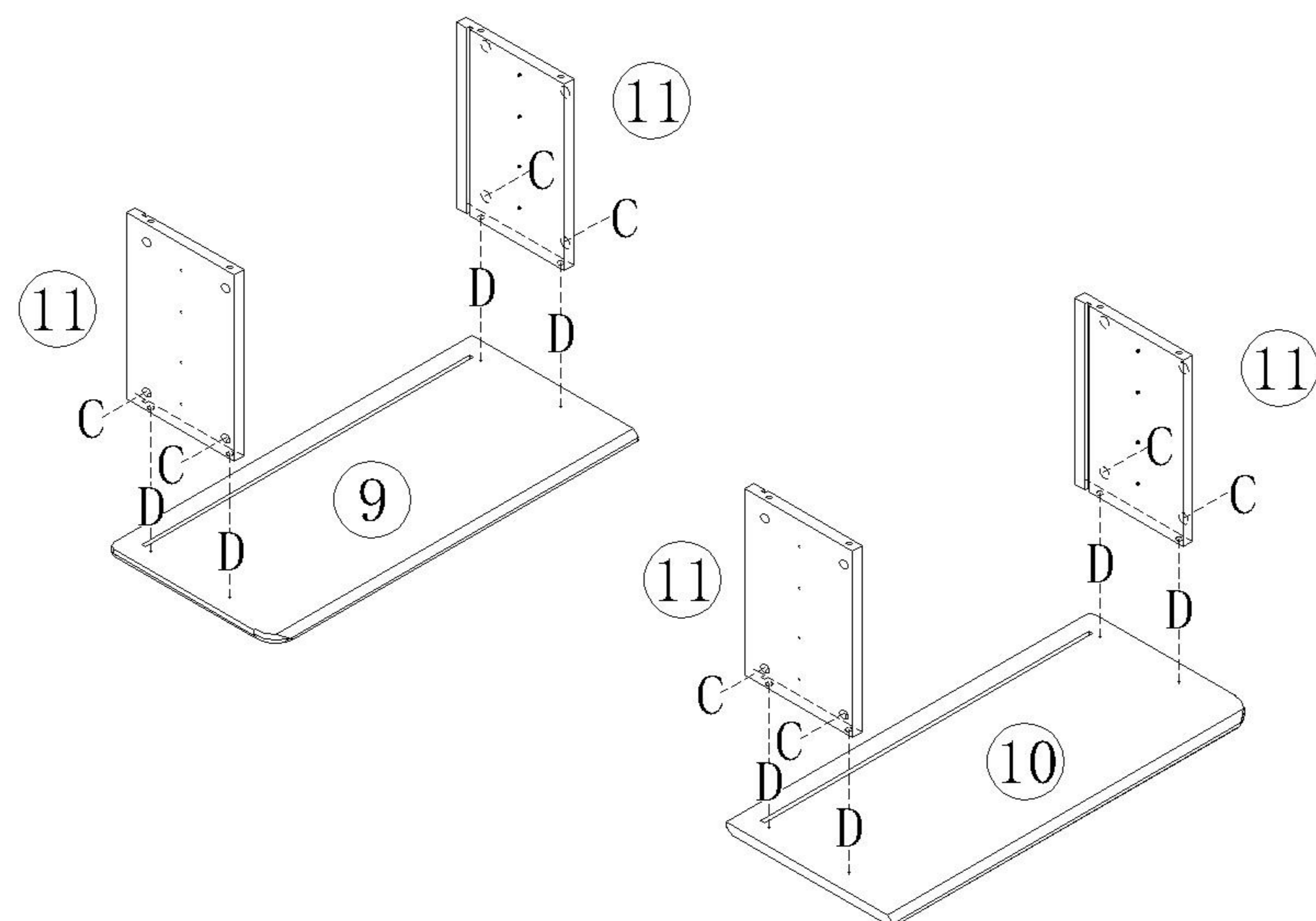
三节滚珠导轨-8"
Three-section rail



(C)*16

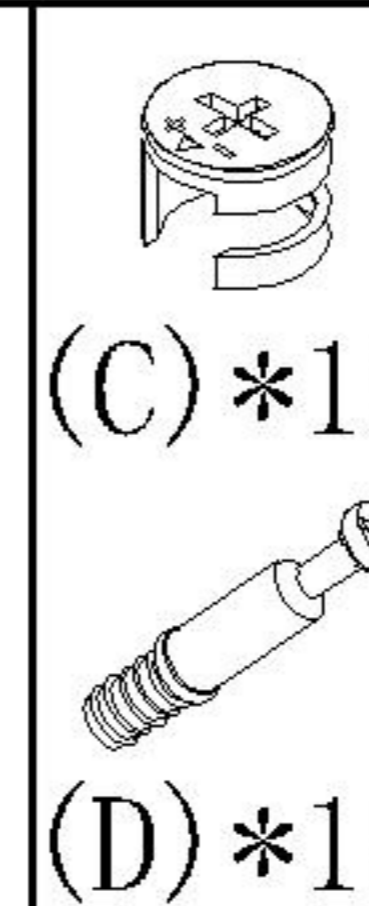


(D)*16

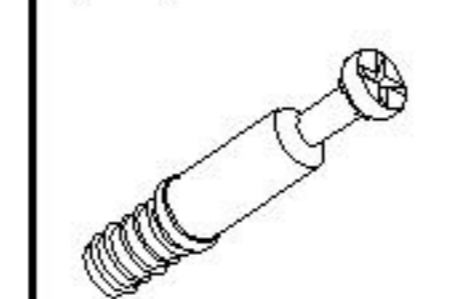


×2

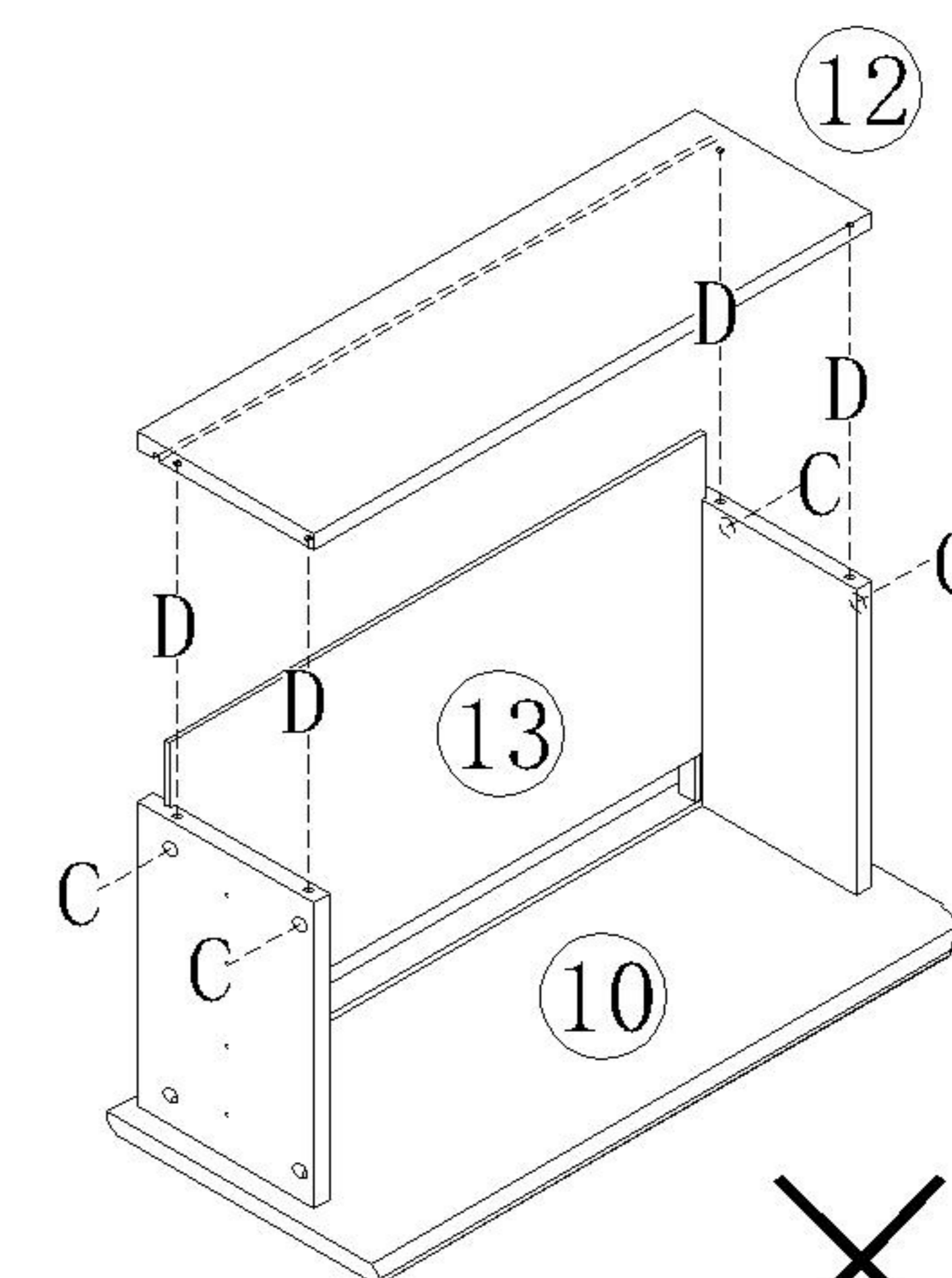
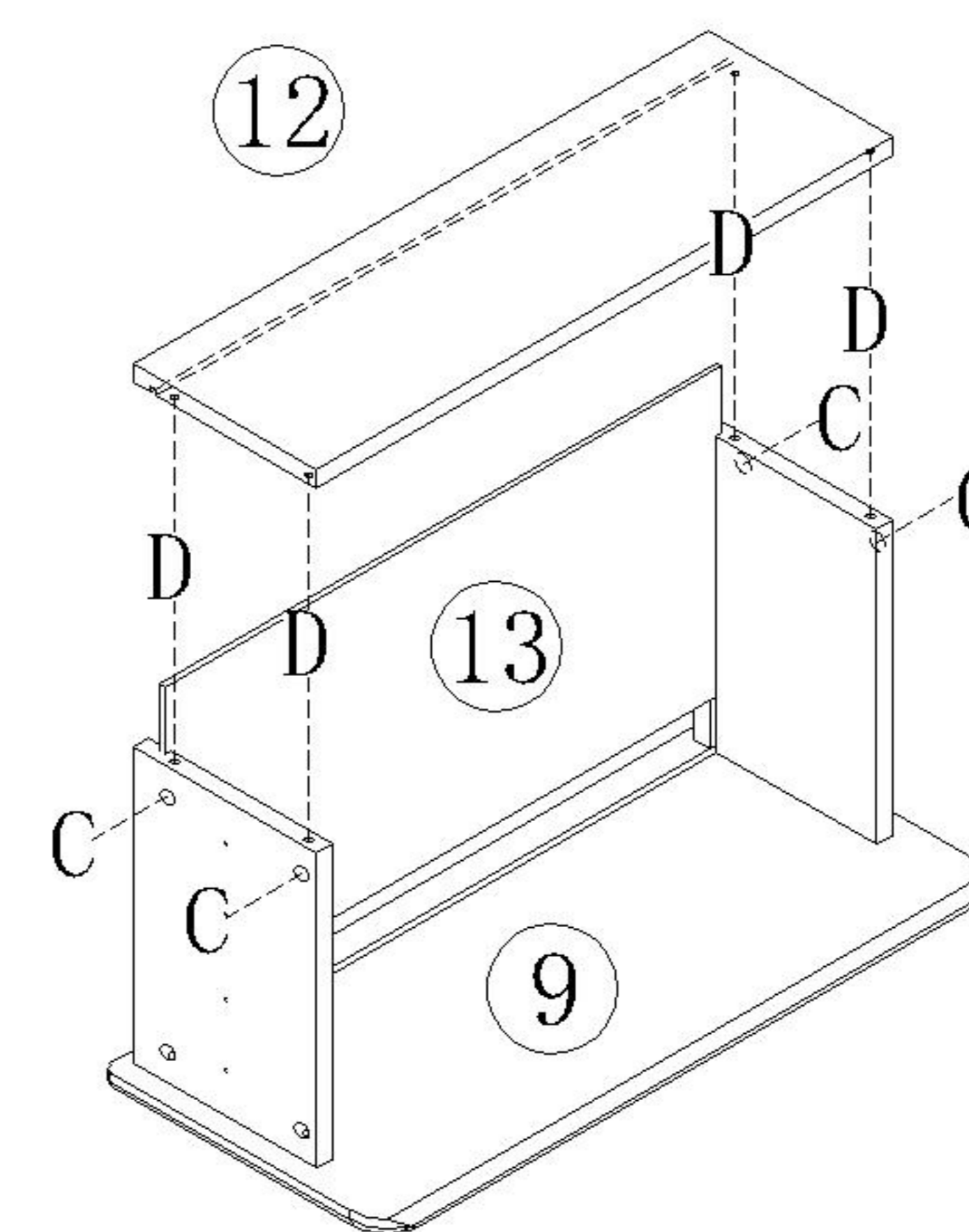
1



(C)*16

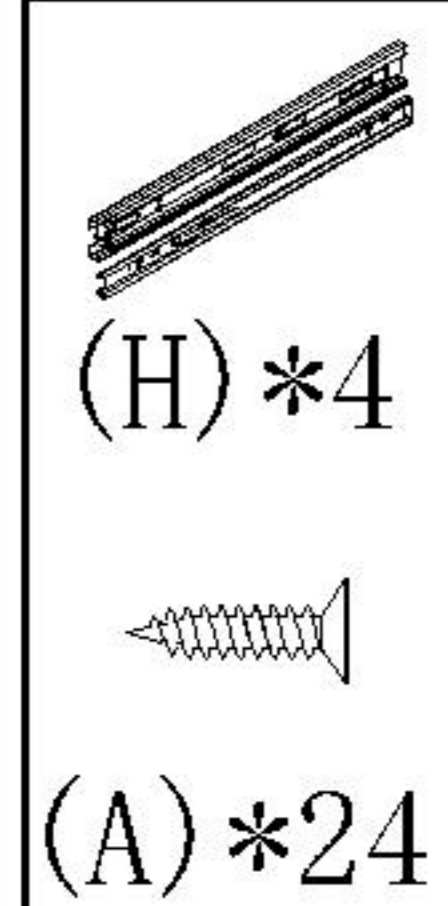


(D)*16

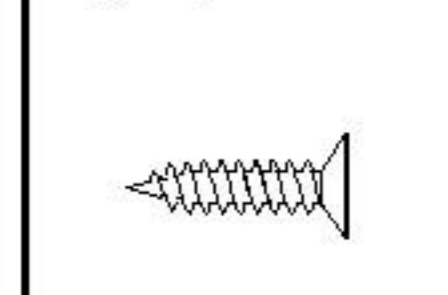


×2

2

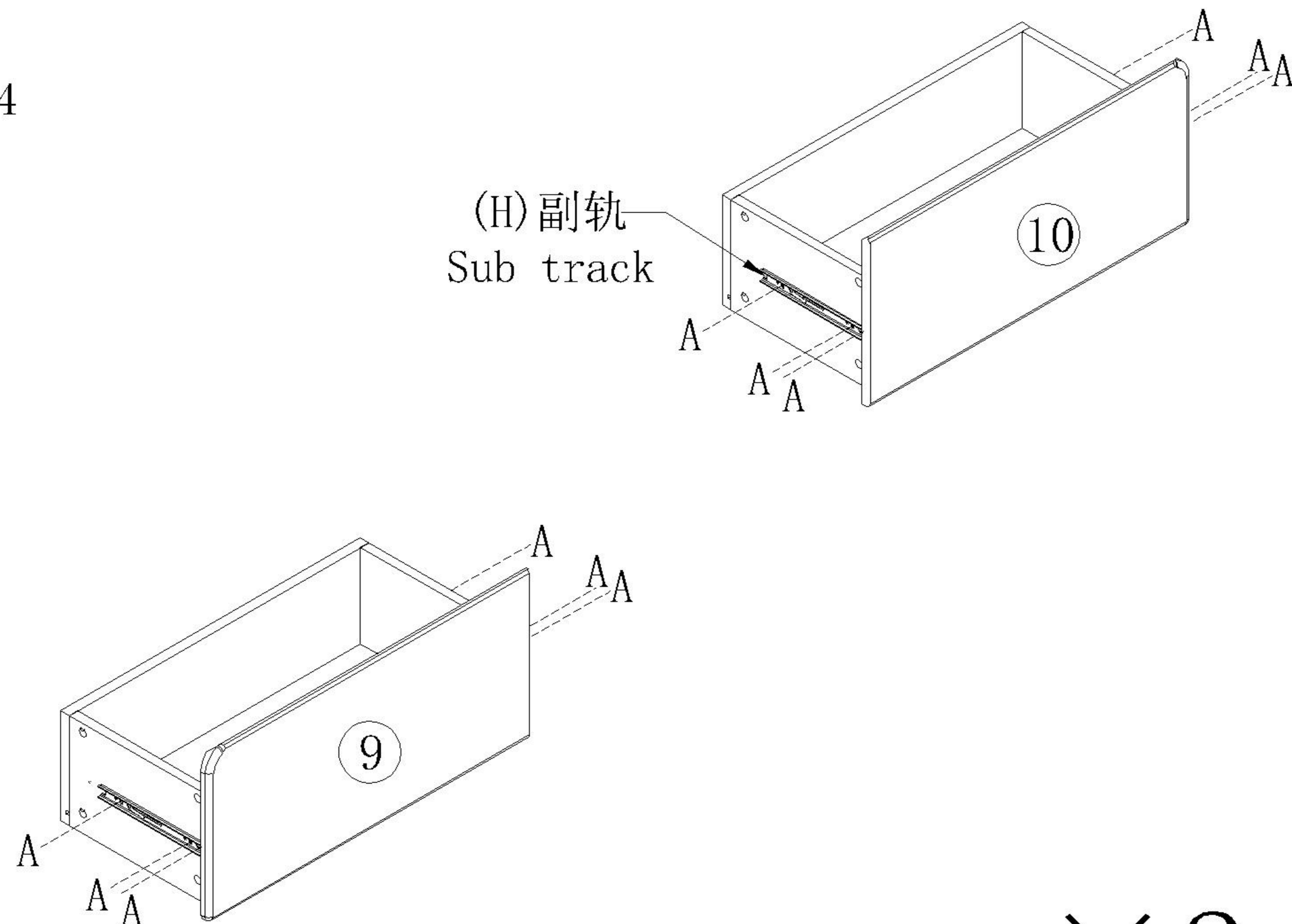


(H)*4



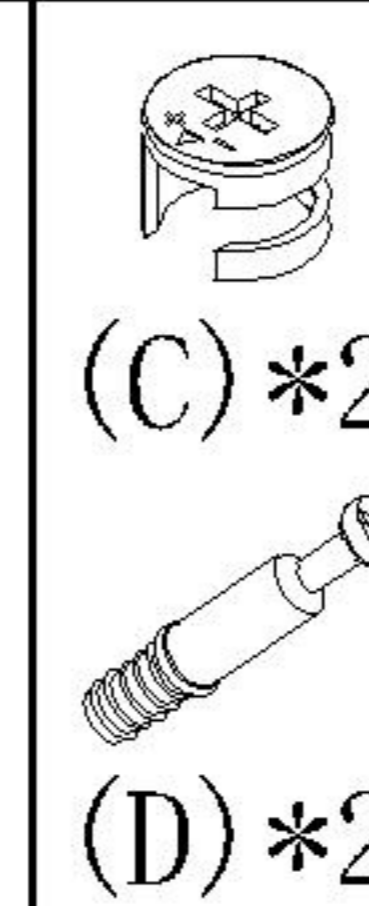
(A)*24

(H)副轨
Sub track

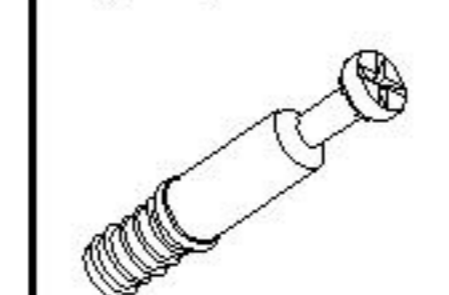


×2

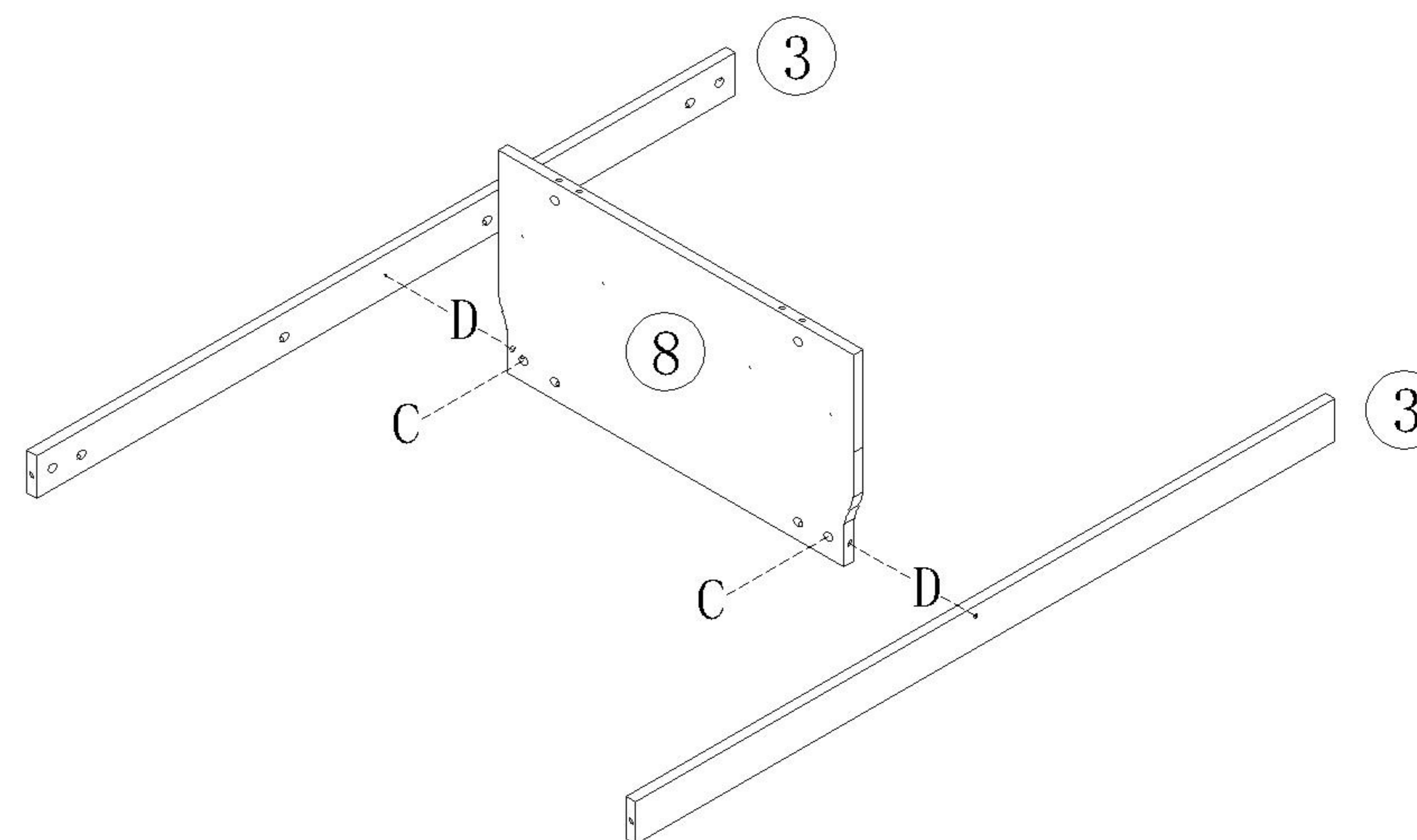
3



(C)*2



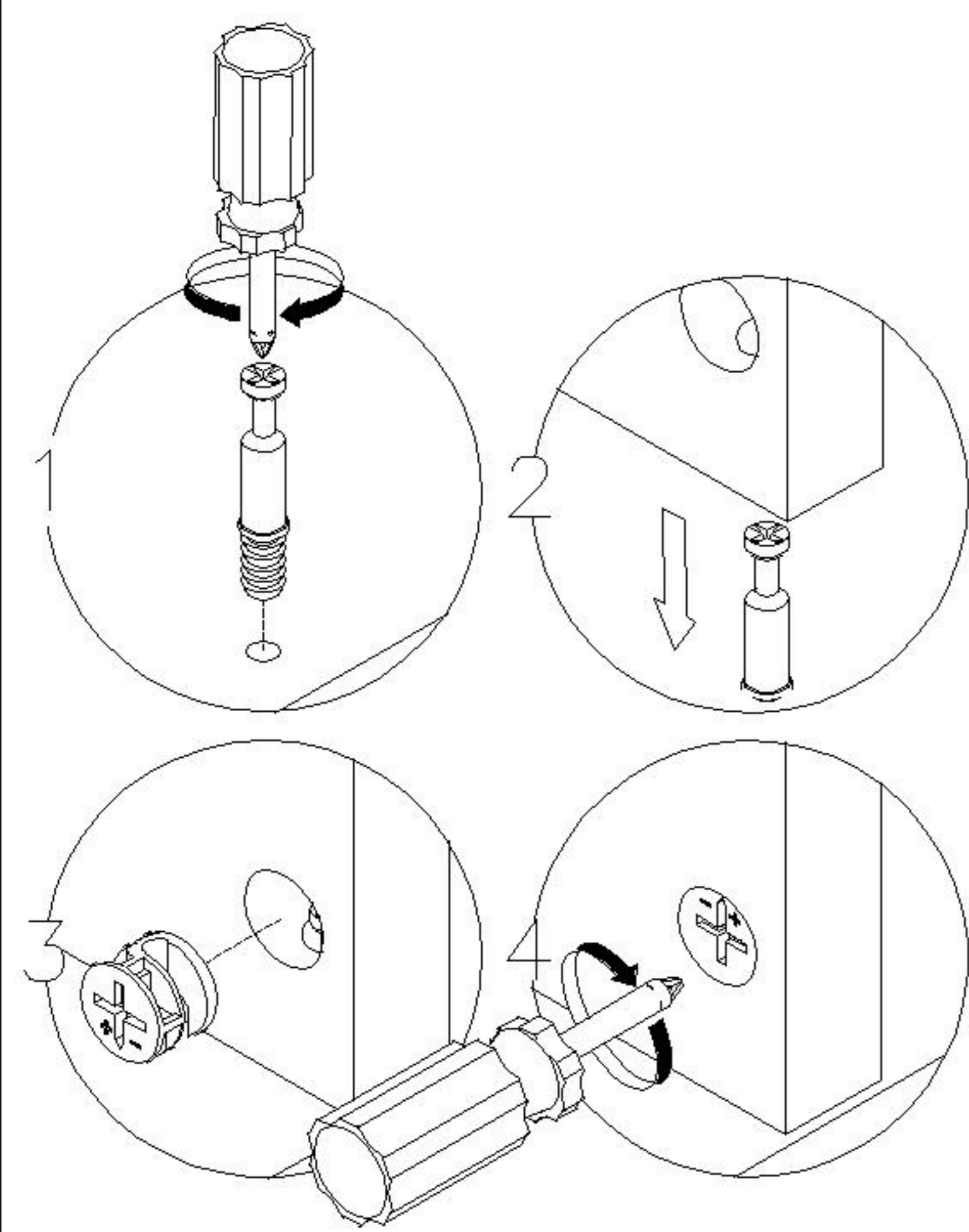
(D)*2



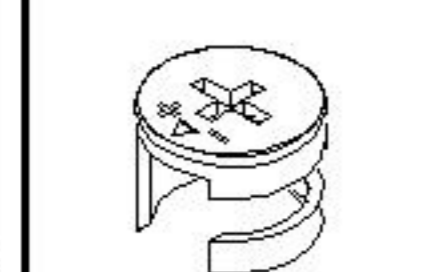
4

安装方法

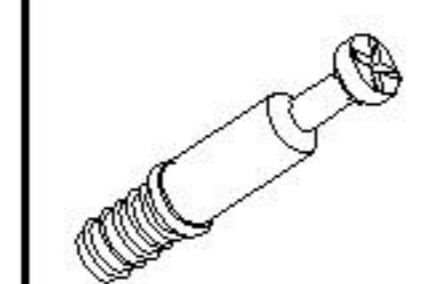
Installation method



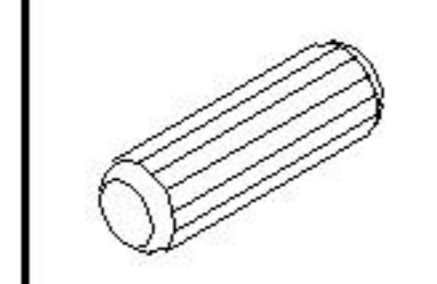
二合一 two-in-one



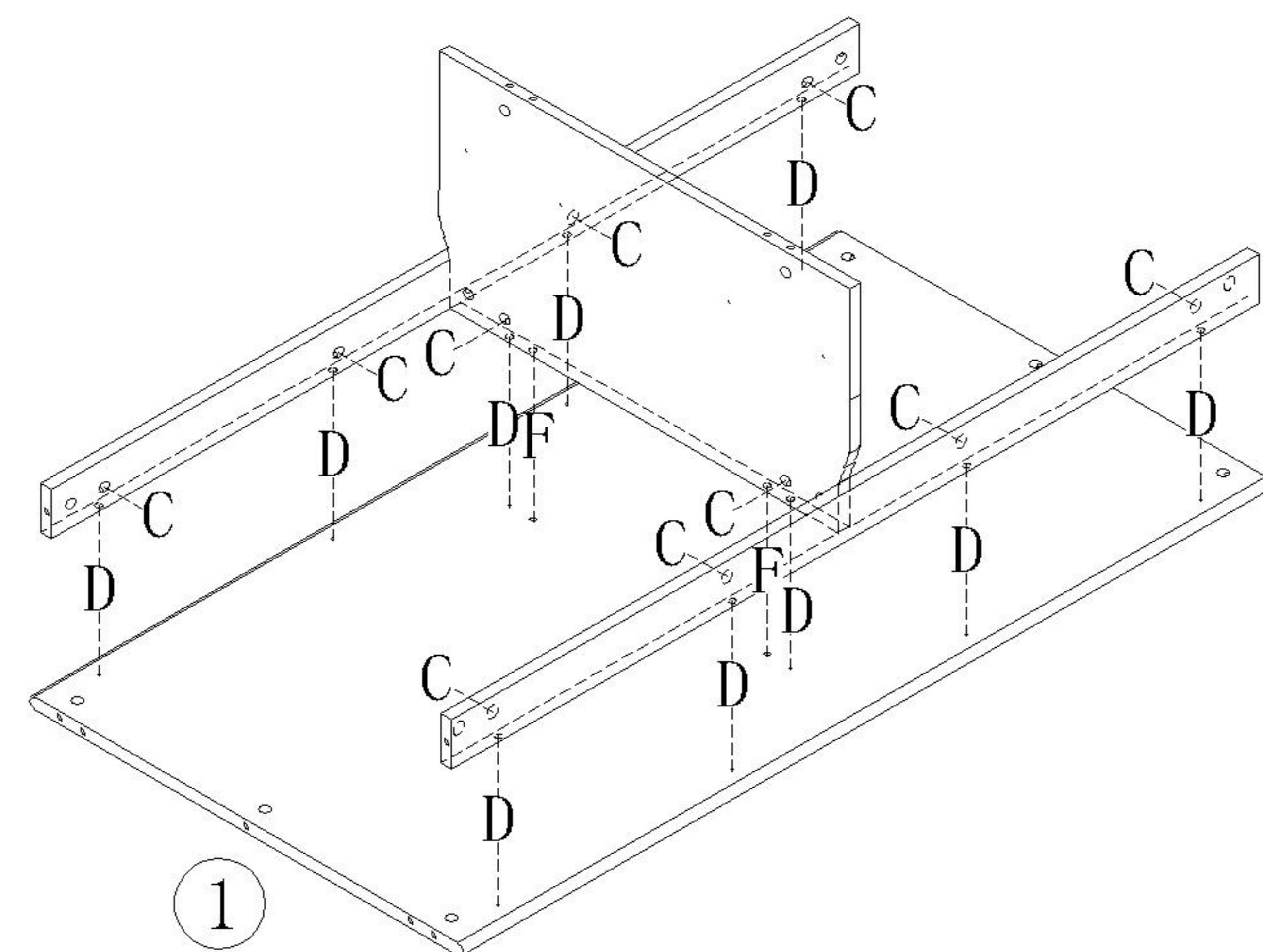
(C)*10



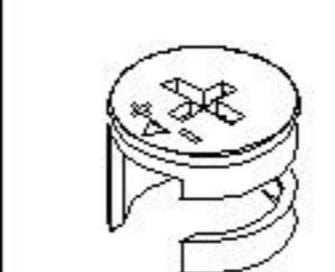
(D)*10



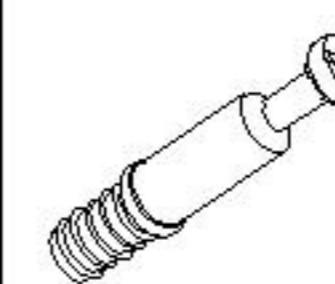
(F)*2



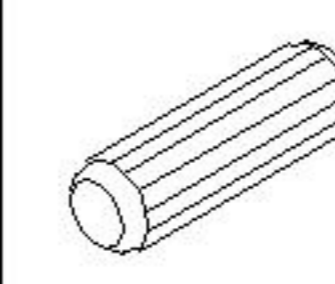
5



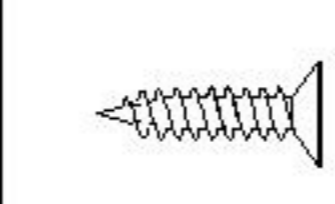
(C)*2



(D)*2



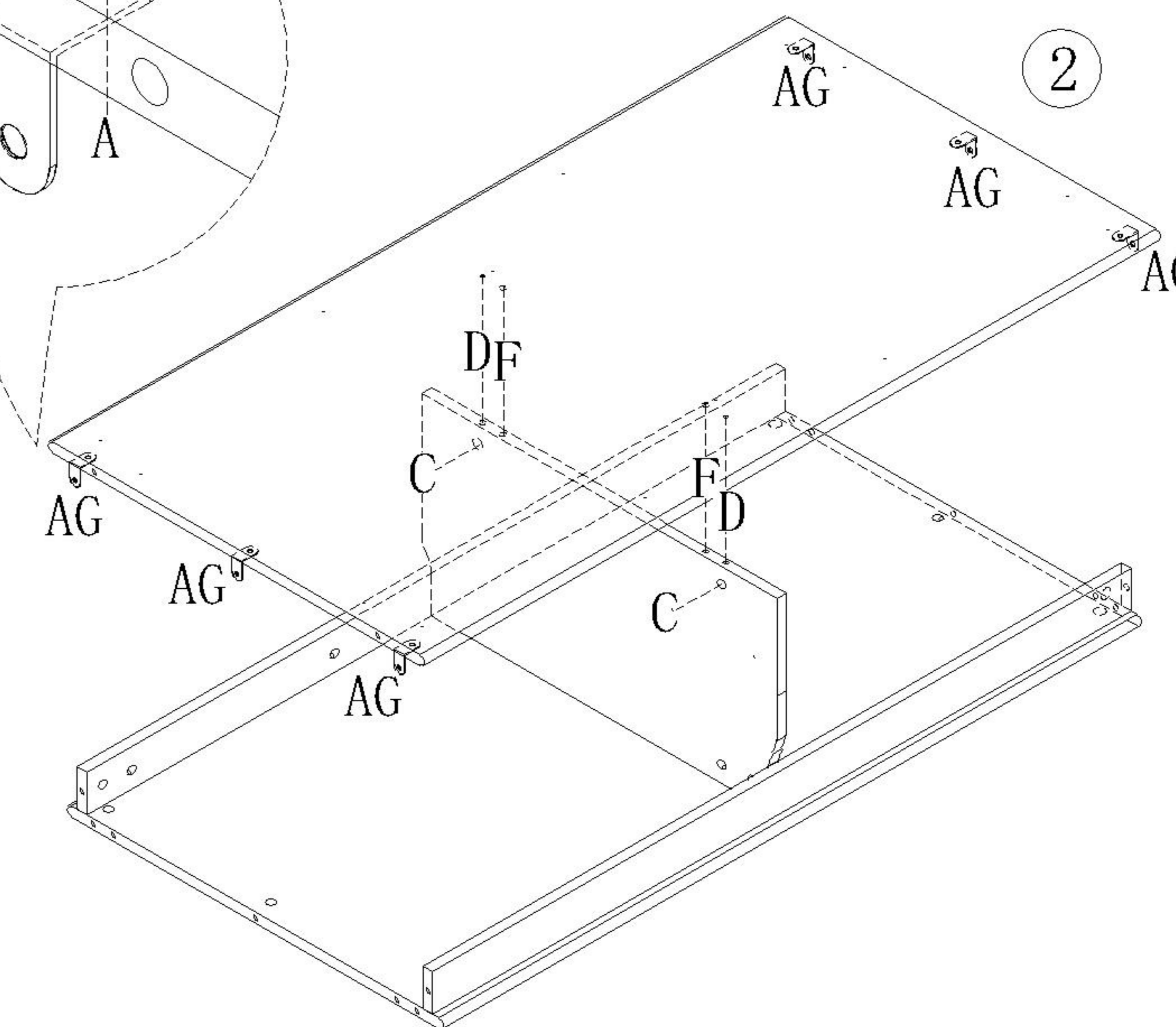
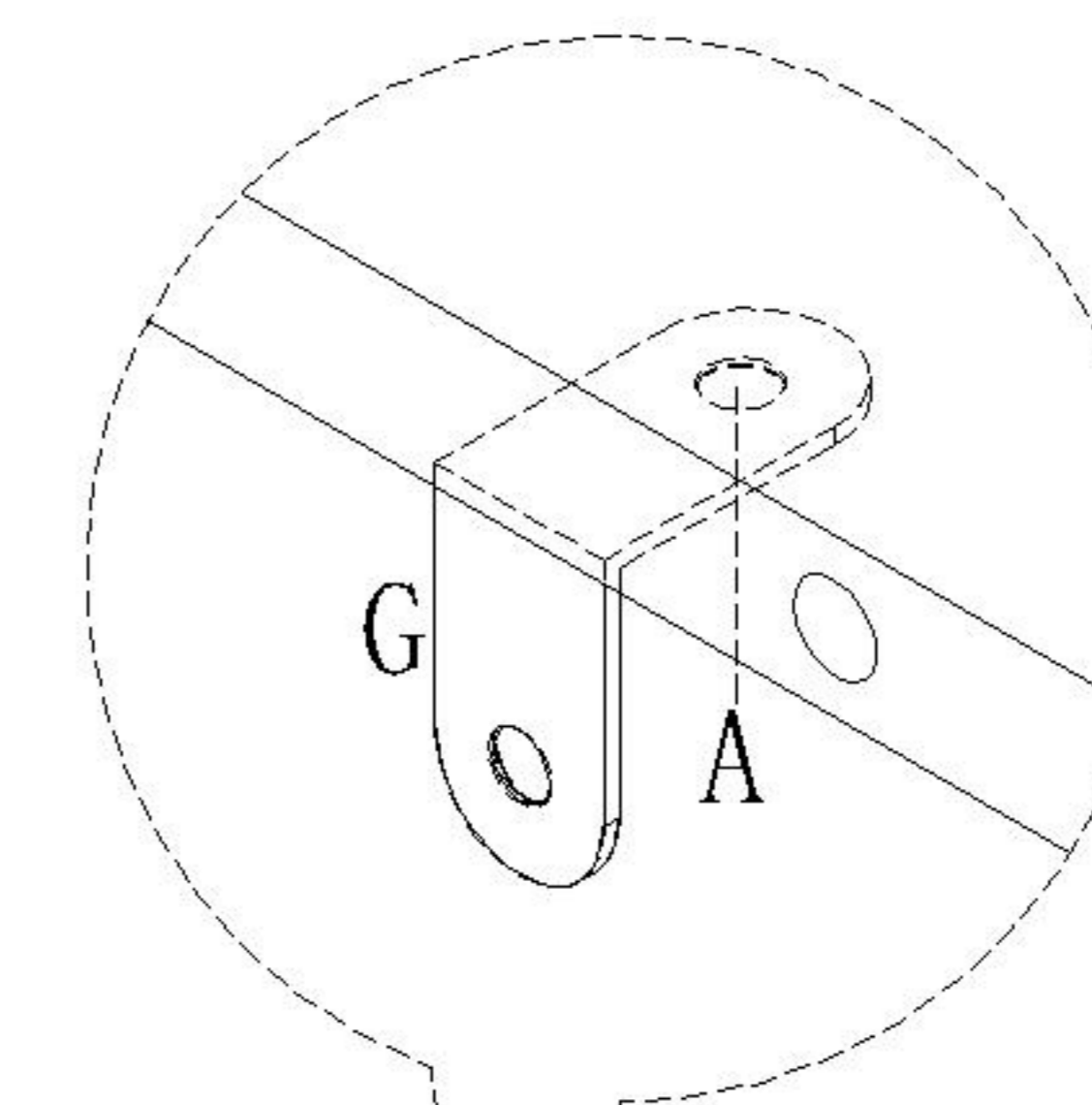
(F)*2



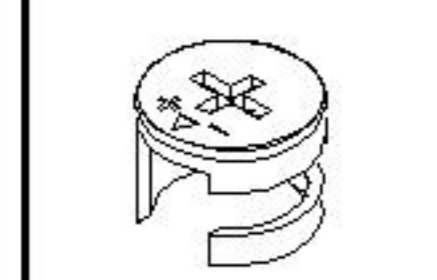
(A)*6



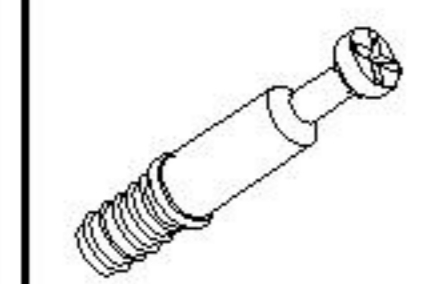
(G)*6



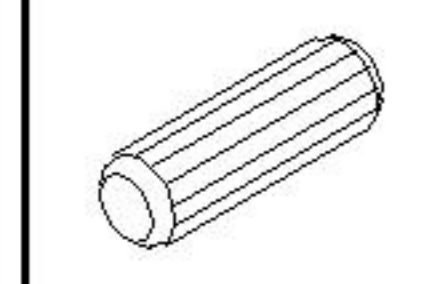
6



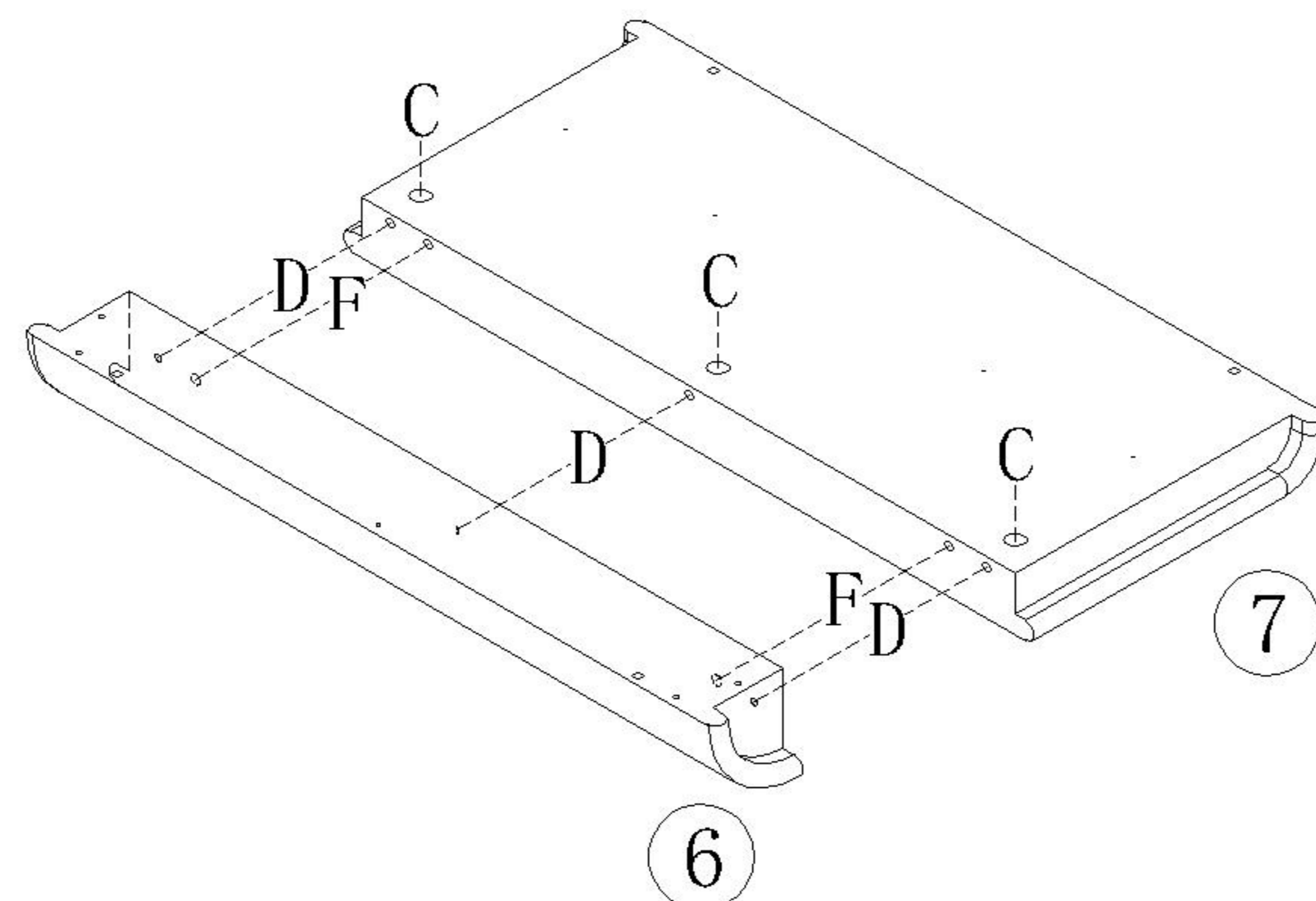
(C)*6



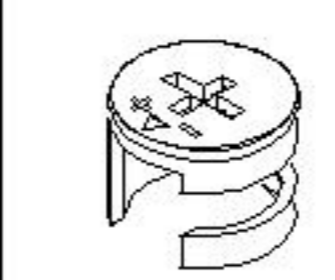
(D)*6



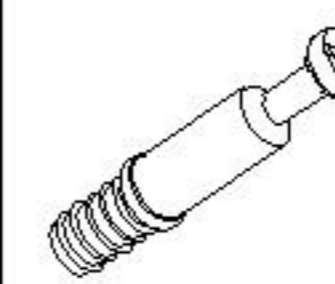
(F)*4



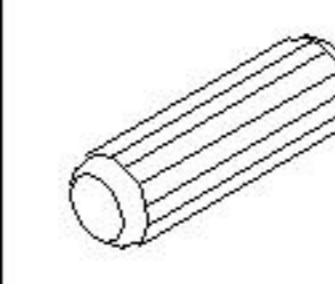
7



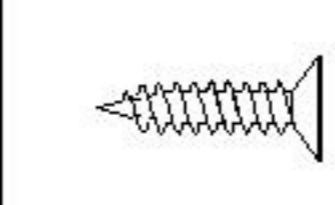
(C)*10



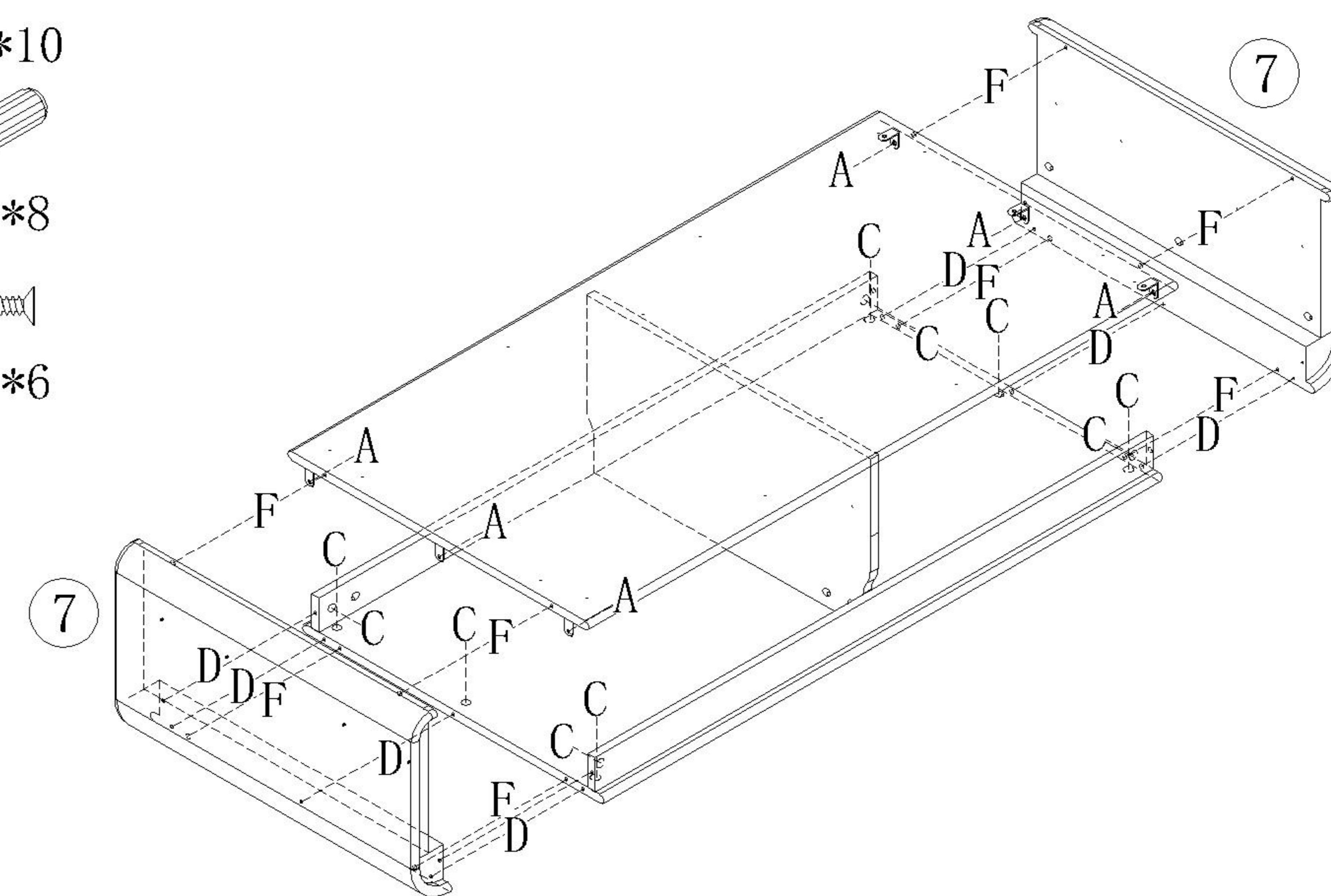
(D)*10



(F)*8



(A)*6



8

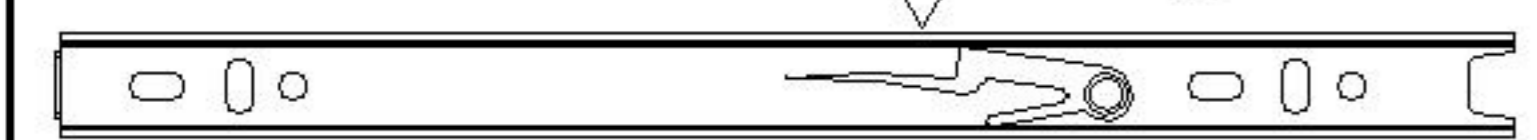
×2

安装方法

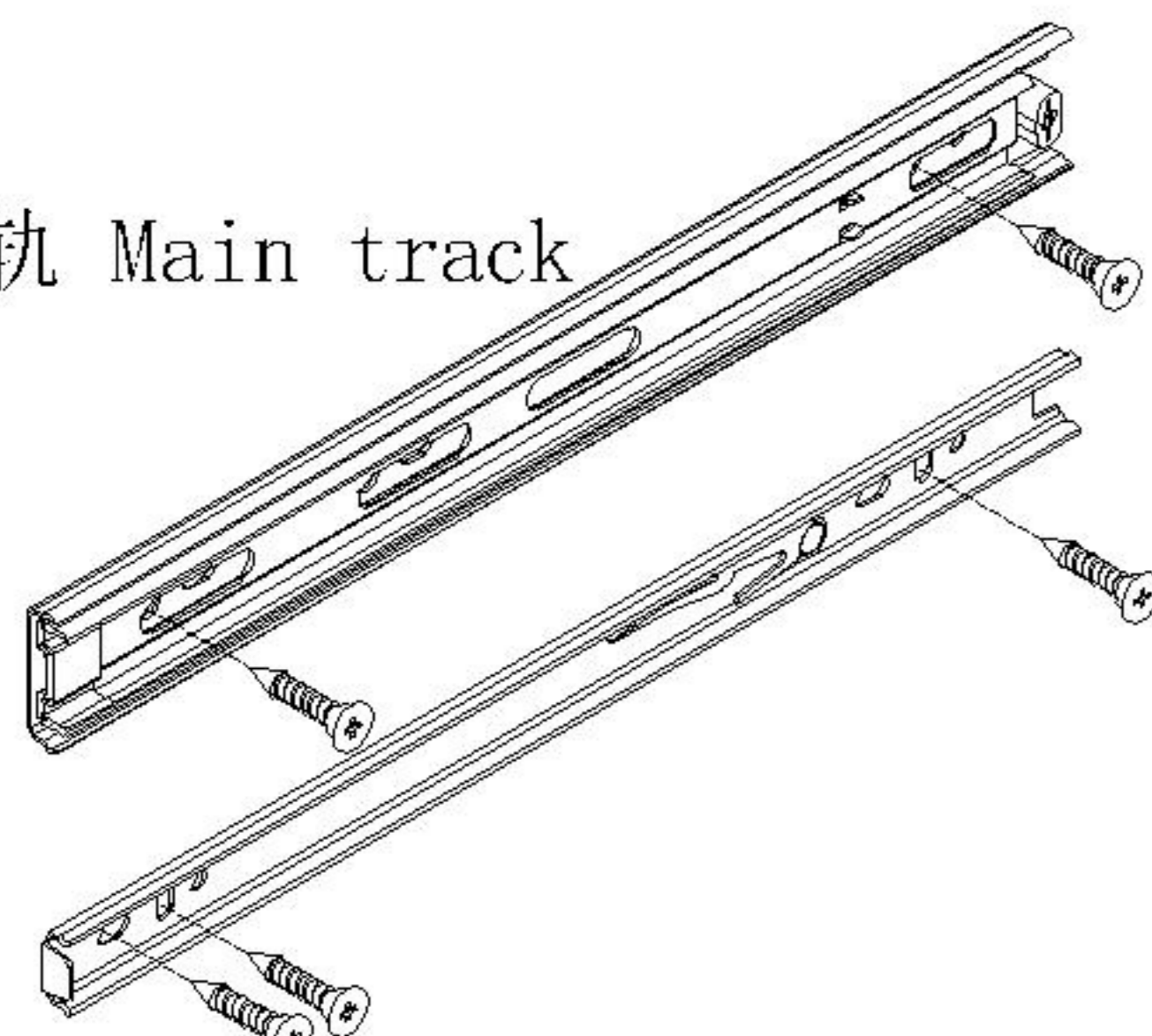
Installation method

阀门开关(下压为开)
Valve switch (press down to open)

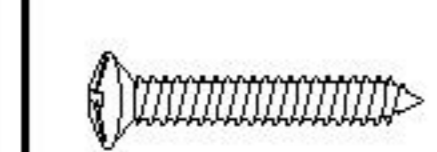
前 Forward 后 Back



主轨 Main track



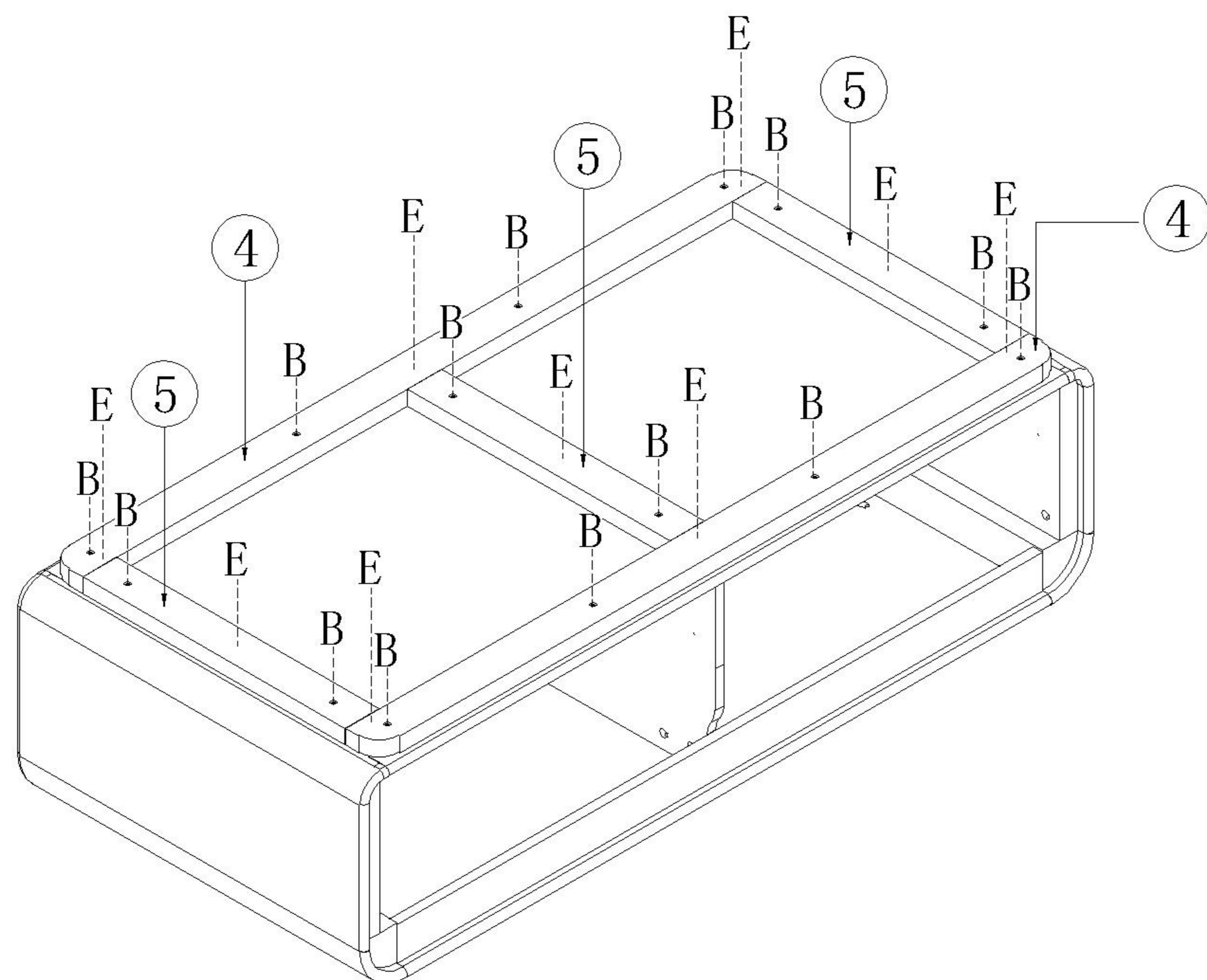
三节滚珠导轨-8"
Three-section rail



(B)*14



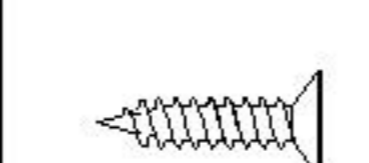
(E)*8



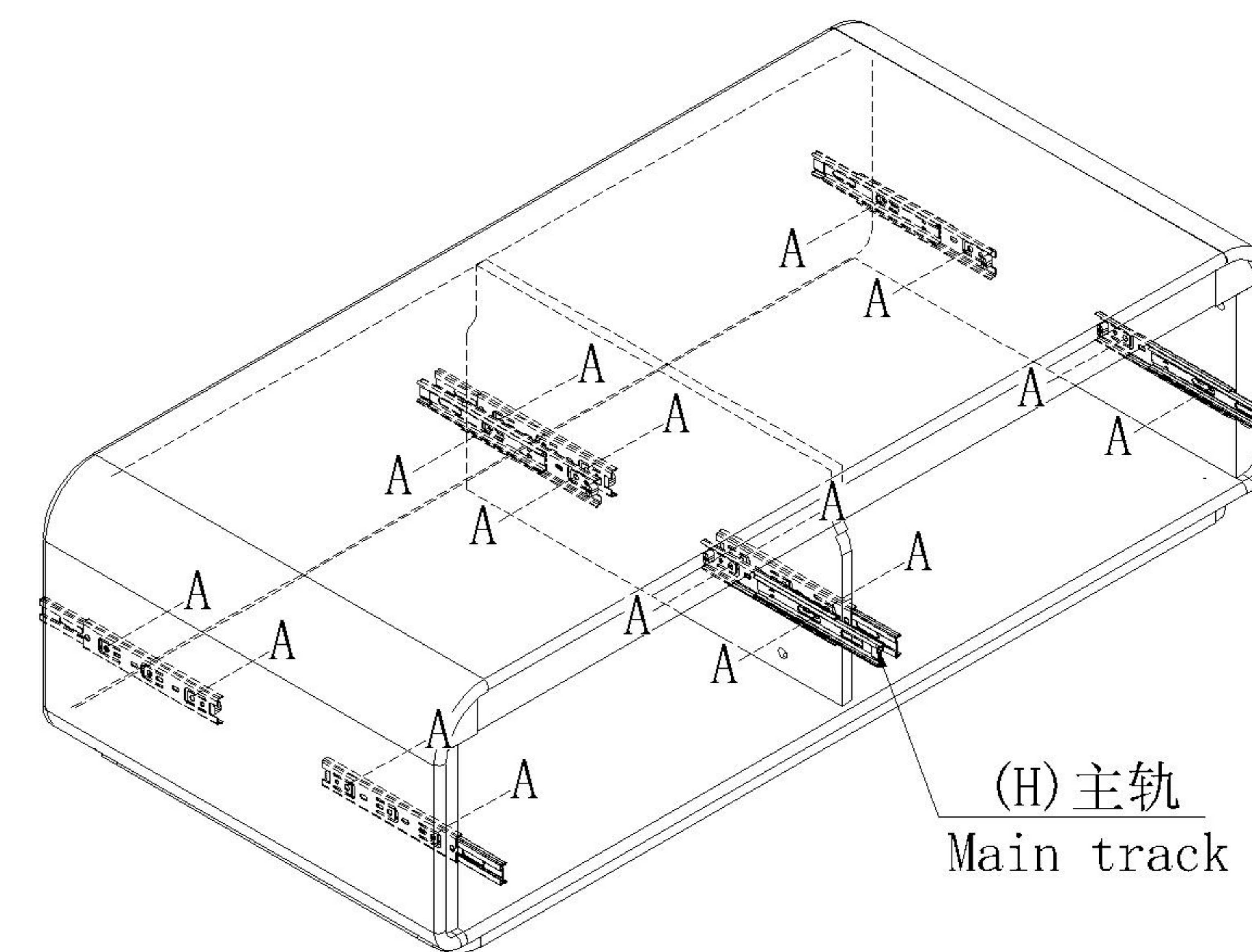
9



(H)*4



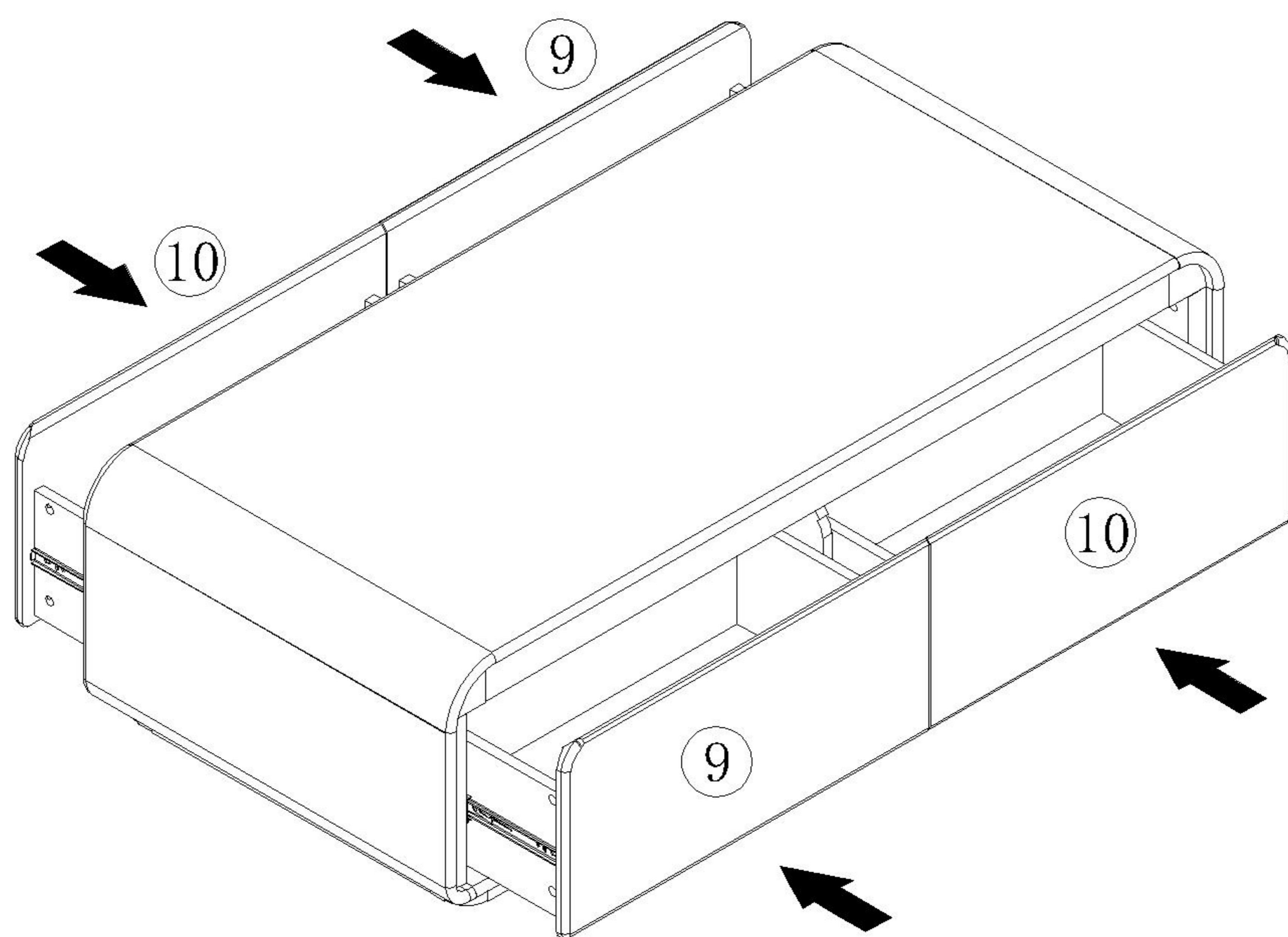
(A)*16



(H) 主轨
Main track

10

11



12

