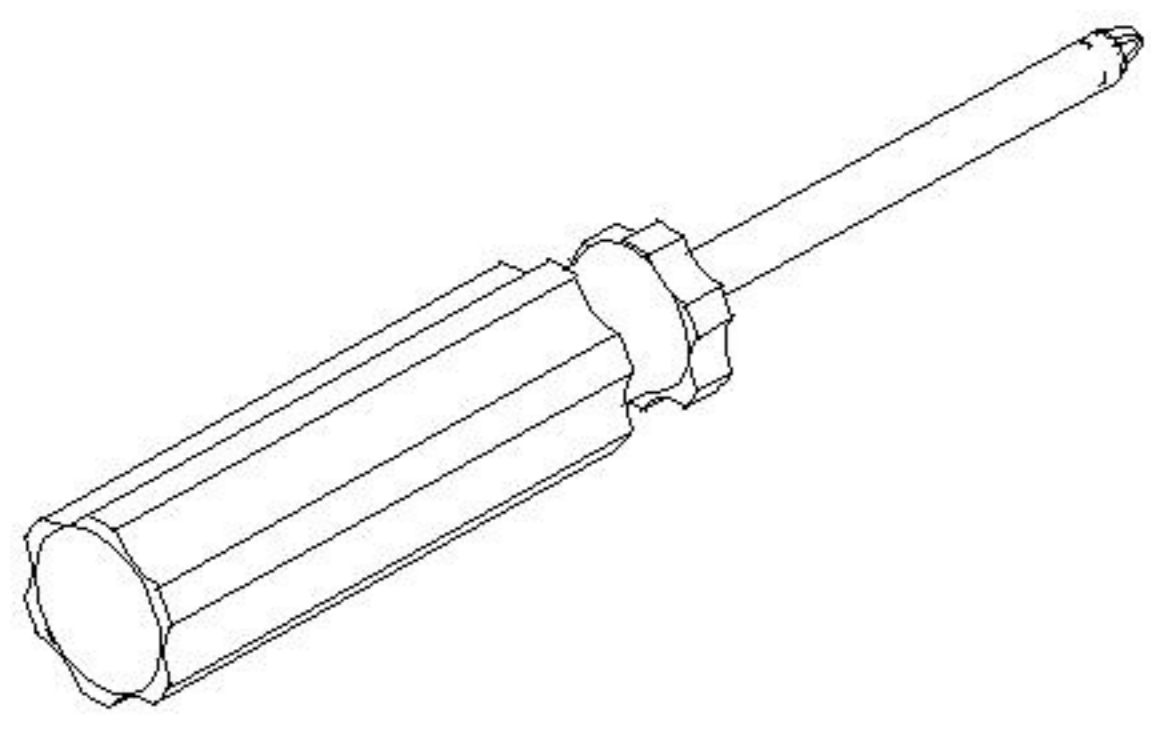
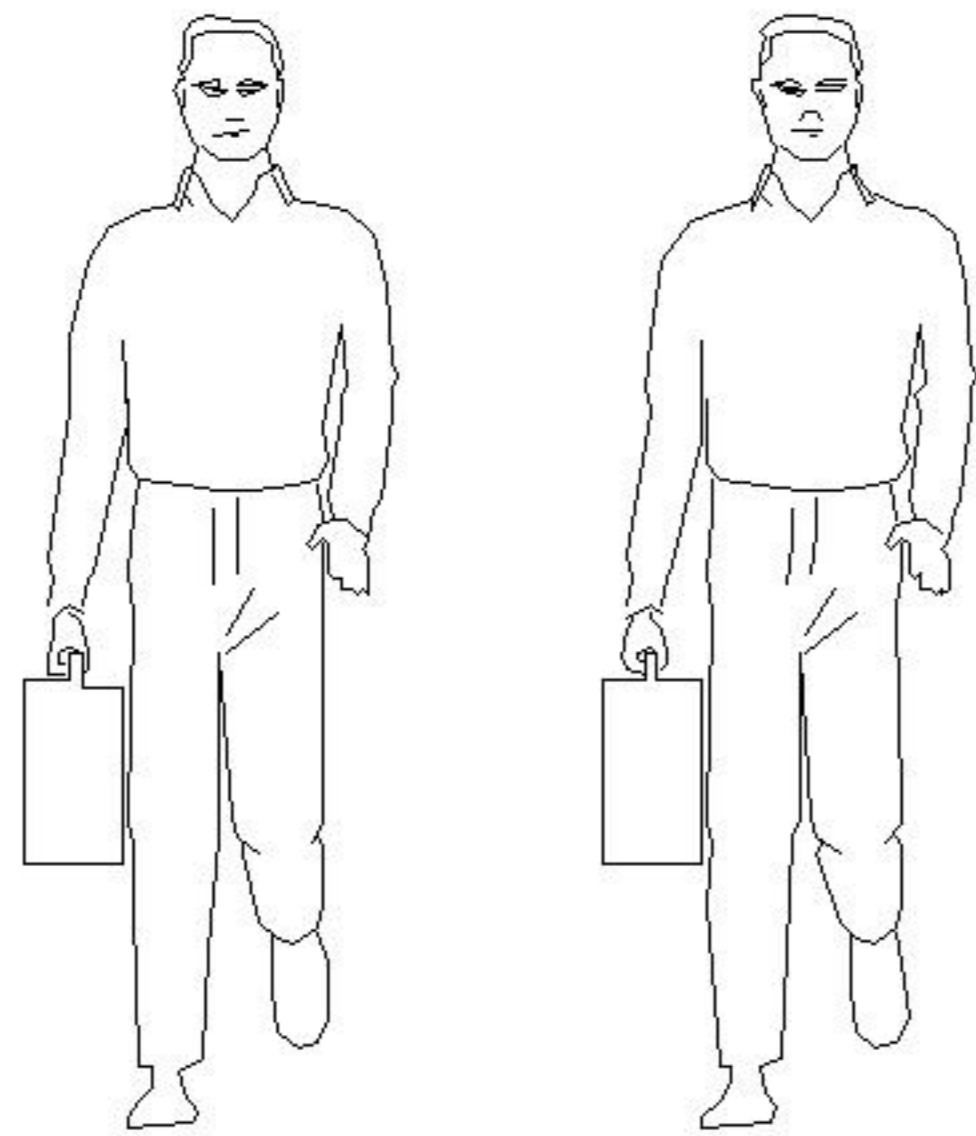


# LINSY 林氏家居

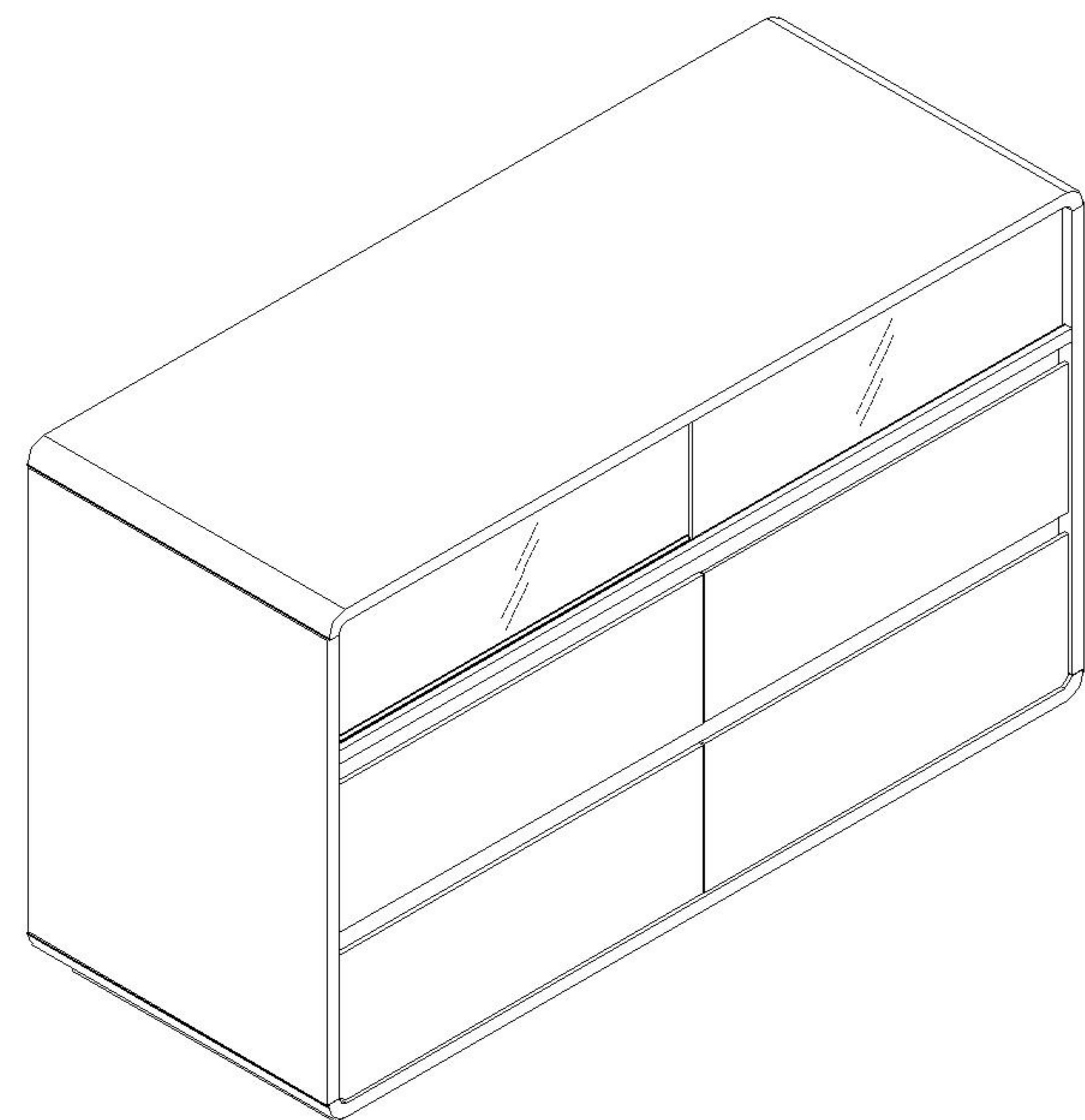
## 五金表/Hardware list

## 部件表/Parts List

### 安装示意图/Assembly Instruction

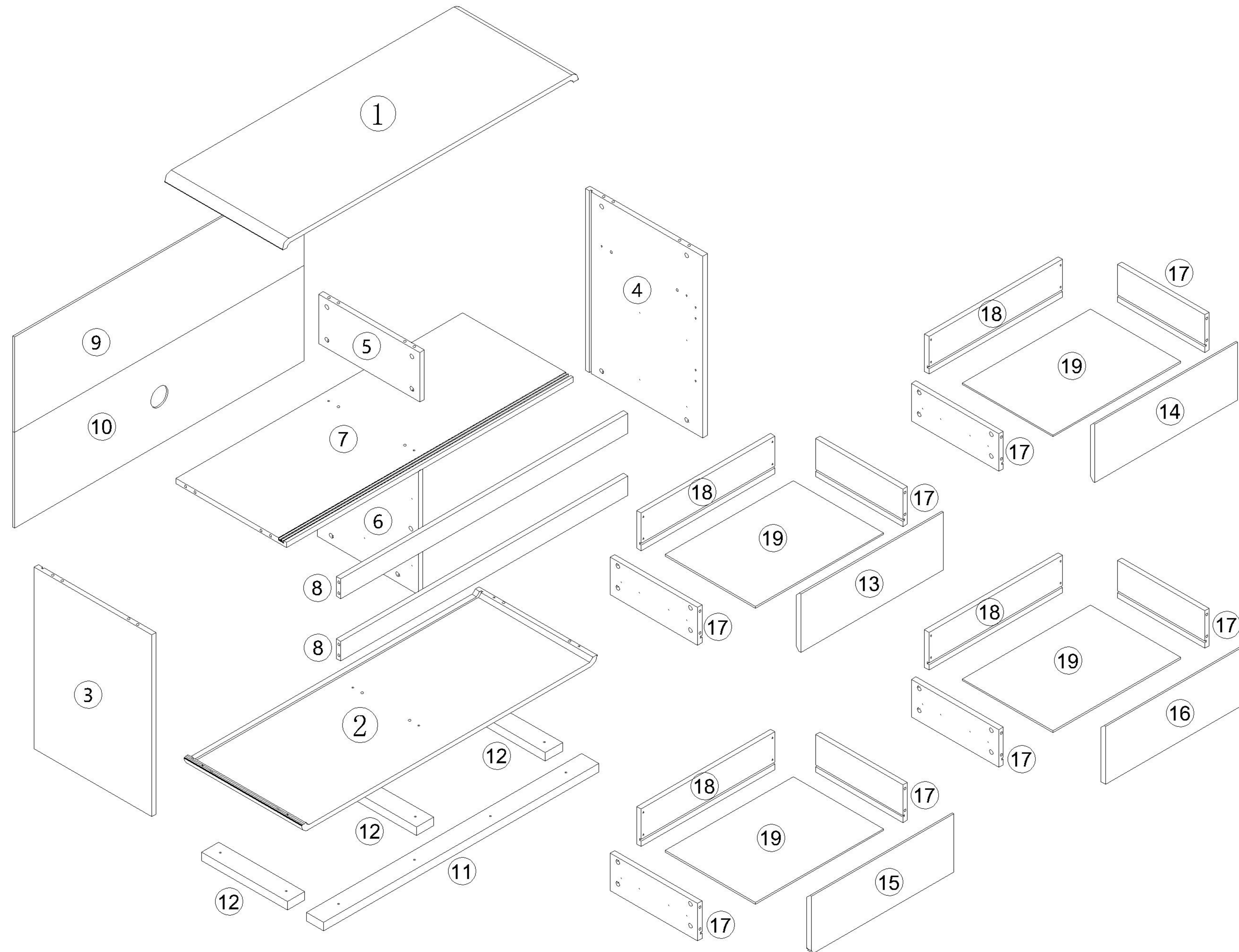
产品名称 Model NO.	六斗柜
产品型号 Product Model	UD2E-A
尺寸规格 Specification	(1000*398*610)mm
安装工具 Tool	安装人数 Installer
	

注：为保证设计效果，部分尺寸为定制尺寸，不影响使用。



 (A)* 65 二合一螺杆 2-in-1-screw	 (B)* 65 大三合一锁饼 Three-in-one large lock	 (C)* 21 木榫Ø8x30mm wood tenon	 (D)* 34 自攻螺丝M3.5x12mm Self-tapping screw
 (E)* 11 自攻螺丝M4x30mm Self-tapping screw	 (F)* 11 自攻螺丝M3.5x16mm Self-tapping screw	 (G)* 11 背板扣 Back Plate Buckle-White	 (H)* 8 脚垫-灰色 Footrest - Grey
 (I)* 1 透气孔盖-白色 Vent cover - white	 (J)* 1 家具防倒器-白色 Anti-fall device white	 (K)* 4 三节滚珠导轨-8" three-section ball rail	 (L)* 1 夹板条 Splint strip
 (M)* 2 趟门玻璃 Sliding door glass	 (N)* 4 透明防撞垫片Ø10x1.5 Transparent anti collision gasket		

编号NO.	名称Name	规格 (mm) Specification	数量QTY	材质Material
①	面板组立 Panel assembly	1000*398*25	1	纤维板+橡胶木 Fiberboard+Rubber wood
②	底板组立 Bottom board assembly	1000*398*25	1	纤维板+橡胶木 Fiberboard+Rubber wood
③	左侧板 Side board(L)	532*397*15	1	刨花板 Particle board
④	右侧板 Side board(R)	532*397*15	1	刨花板 Particle board
⑤	上隔板 Upper clapboard	342*145*15	1	刨花板 Particle board
⑥	下隔板 Down clapboard	392*342*15	1	刨花板 Particle board
⑦	层板 shelf	970*374*15	1	刨花板 Particle board
⑧	拉条brace	970*58*15	2	刨花板 Particle board
⑨	背板1 Back board 1	980*280*5	1	纤维板 Fiberboard
⑩	背板2 Back board 2	980*280*5	1	纤维板 Fiberboard
⑪	前脚条 Front foot strip	930*58*25	1	刨花板 Particle board
⑫	侧脚条 Side foot strip	290*58*25	3	刨花板 Particle board
⑬	左上抽屉面板 Upper drawer's panel(L)	482*170*15	1	刨花板 Particle board
⑭	右上抽屉面板 Upper drawer's panel(R)	482*170*15	1	刨花板 Particle board
⑮	左下抽屉面板 Bottom drawer's panel(L)	482*170*15	1	刨花板 Particle board
⑯	右下抽屉面板 Bottom drawer's panel(R)	482*170*15	1	刨花板 Particle board
⑰	抽屉侧板 Drawer's sideboard	295*110*15	8	刨花板 Particle board
⑱	抽屉后板 Drawer's Back board	452*110*15	4	刨花板 Particle board
⑲	抽屉底板 Drawer's Bottom board	432*305*5	4	纤维板 Fiberboard

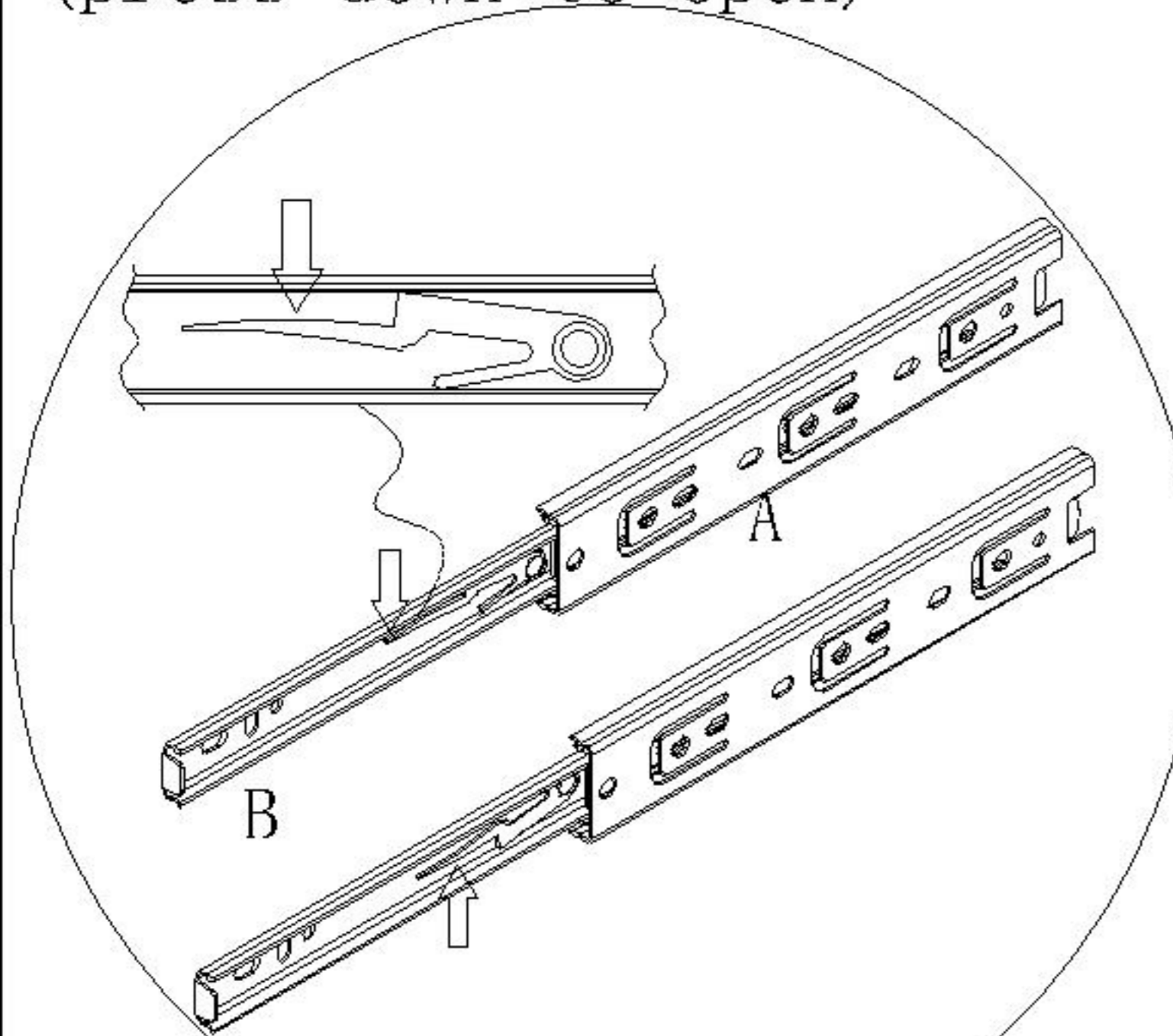


编号NO.	名称Name
①	面板组立 Panel assembly
②	底板组立 Bottom board assembly
③	左侧板 Side board(L)
④	右侧板 Side board(R)
⑤	上隔板 Upper clapboard
⑥	下隔板 Down clapboard
⑦	层板 shelf
⑧	拉条brace
⑨	背板1 Back board 1
⑩	背板2 Back board 2
⑪	前脚条 Front foot strip
⑫	侧脚条 Side foot strip
⑬	左上抽屉面板 Upper drawer's panel(L)
⑭	右上抽屉面板 Upper drawer's panel(R)
⑮	左下抽屉面板 Bottom drawer's panel(L)
⑯	右下抽屉面板 Bottom drawer's panel(R)
⑰	抽屉侧板 Drawer's sideboard
⑱	抽屉后板 Drawer's Back board
⑲	抽屉底板 Drawer's Bottom board

UD2E-A

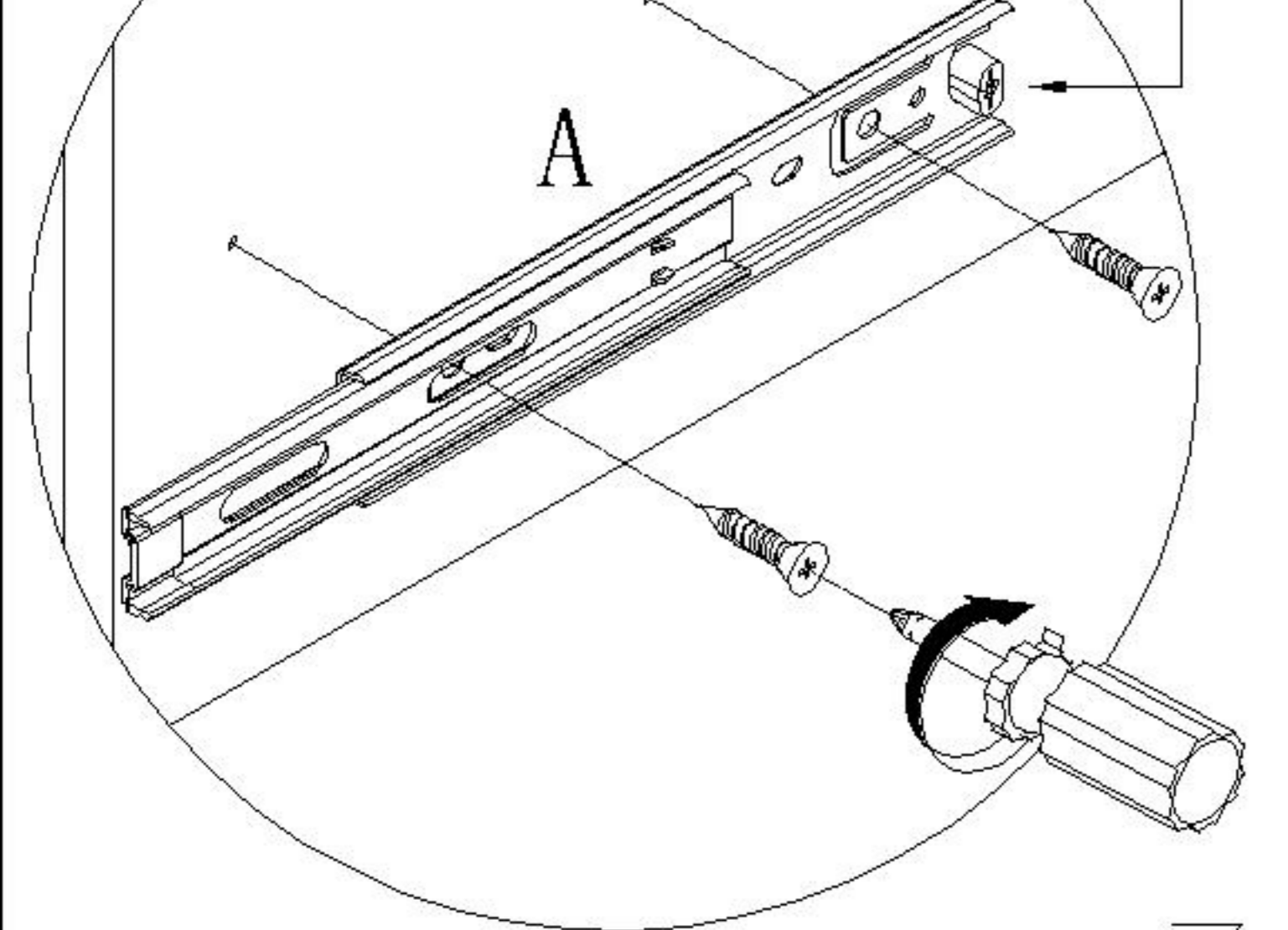
安装方法/  
Installation method

阀门开关(下压为开)  
Valve switch  
(press down to open)

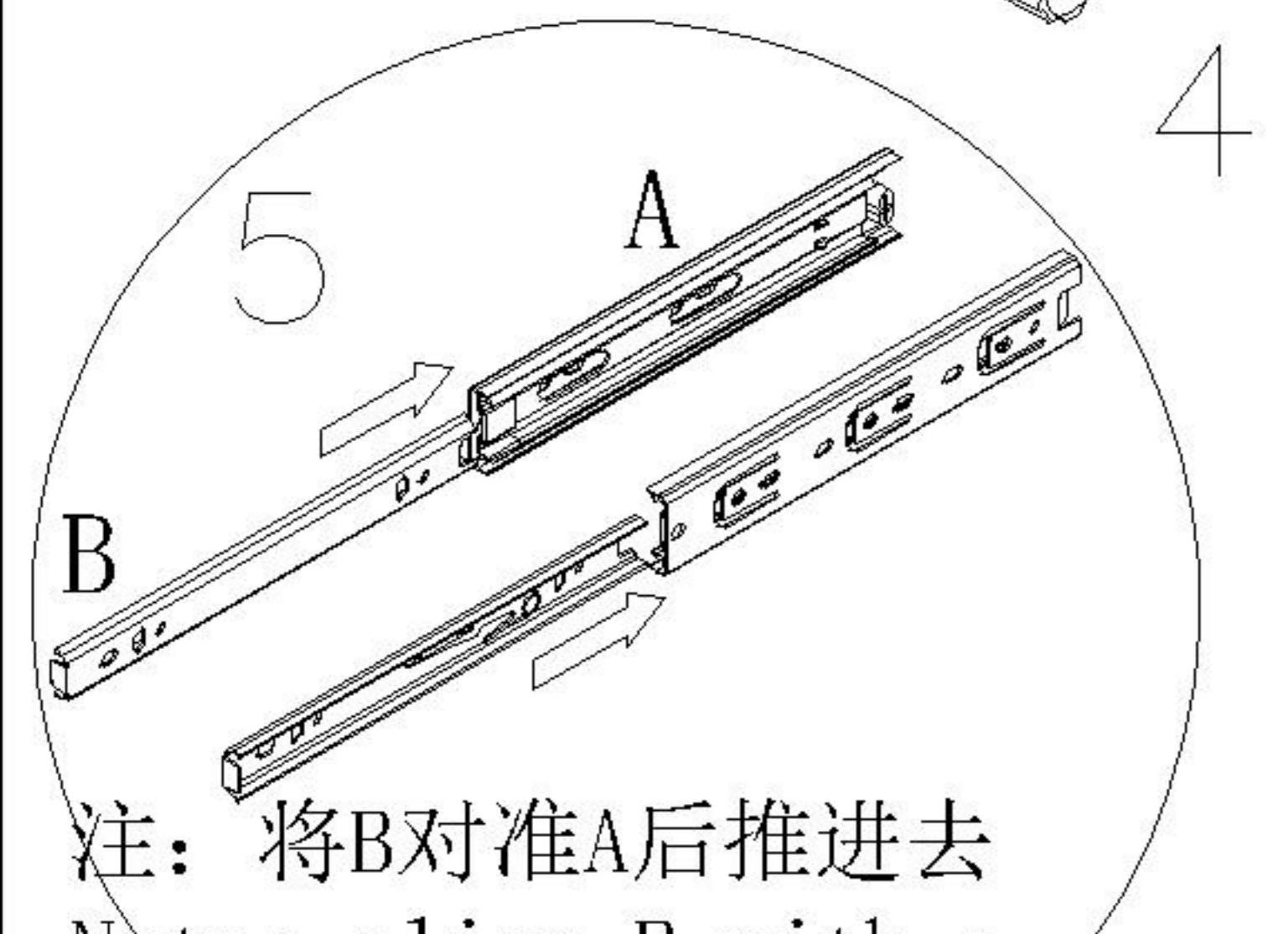
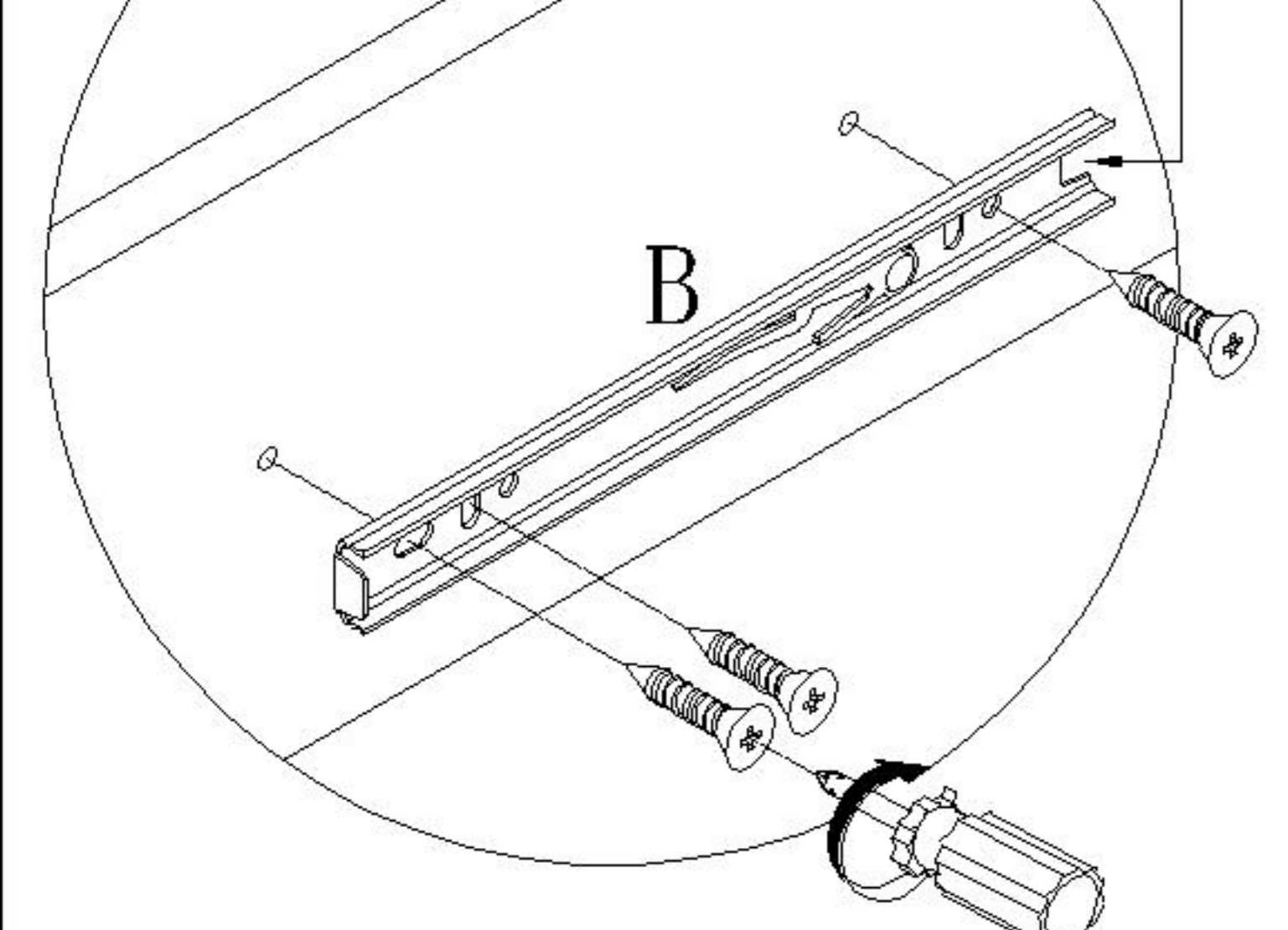


注: 先将A与B拆下来  
Note: remove a and B first

侧板  
side board



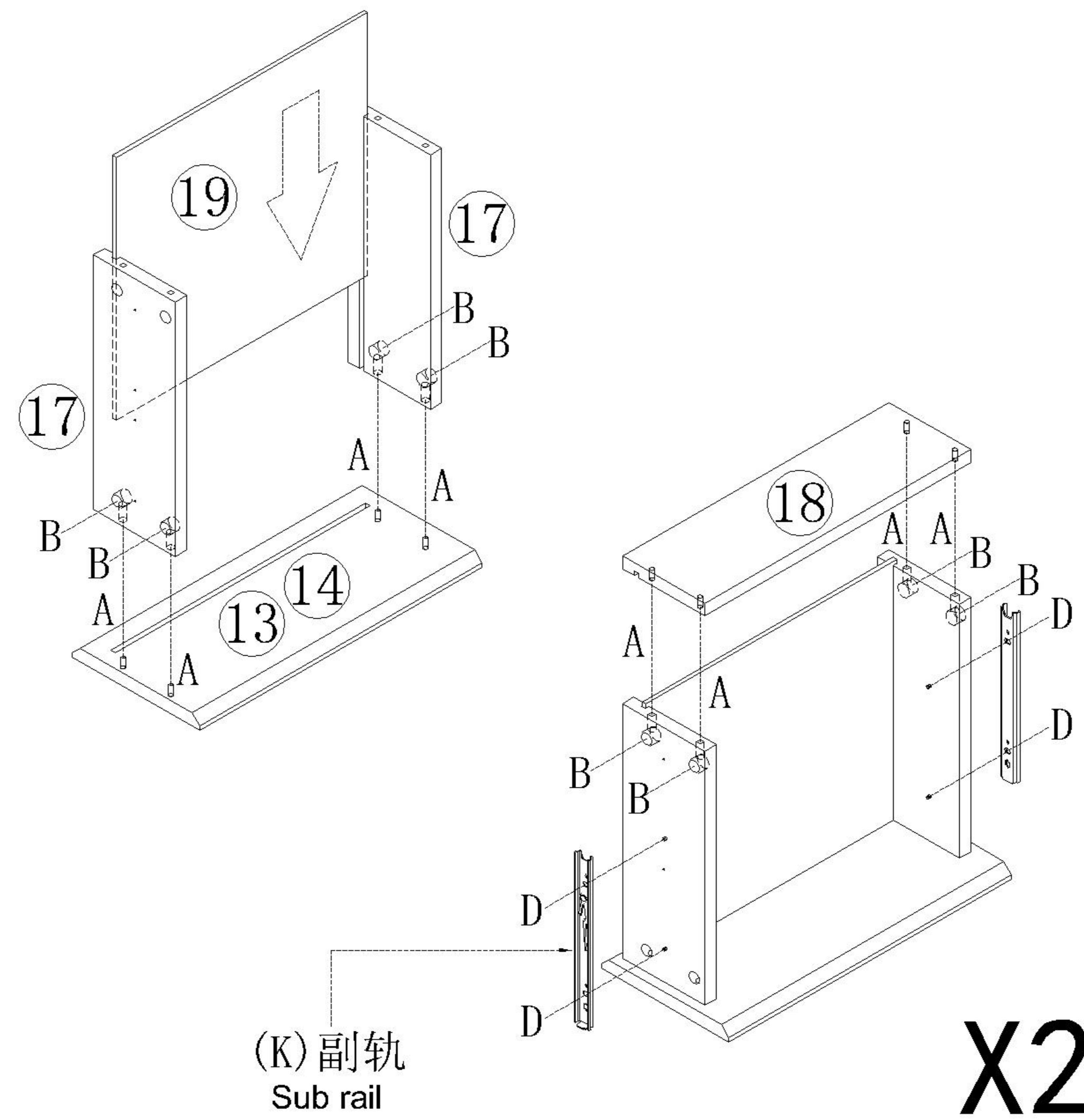
抽屉侧板  
sideboard  
of the drawer



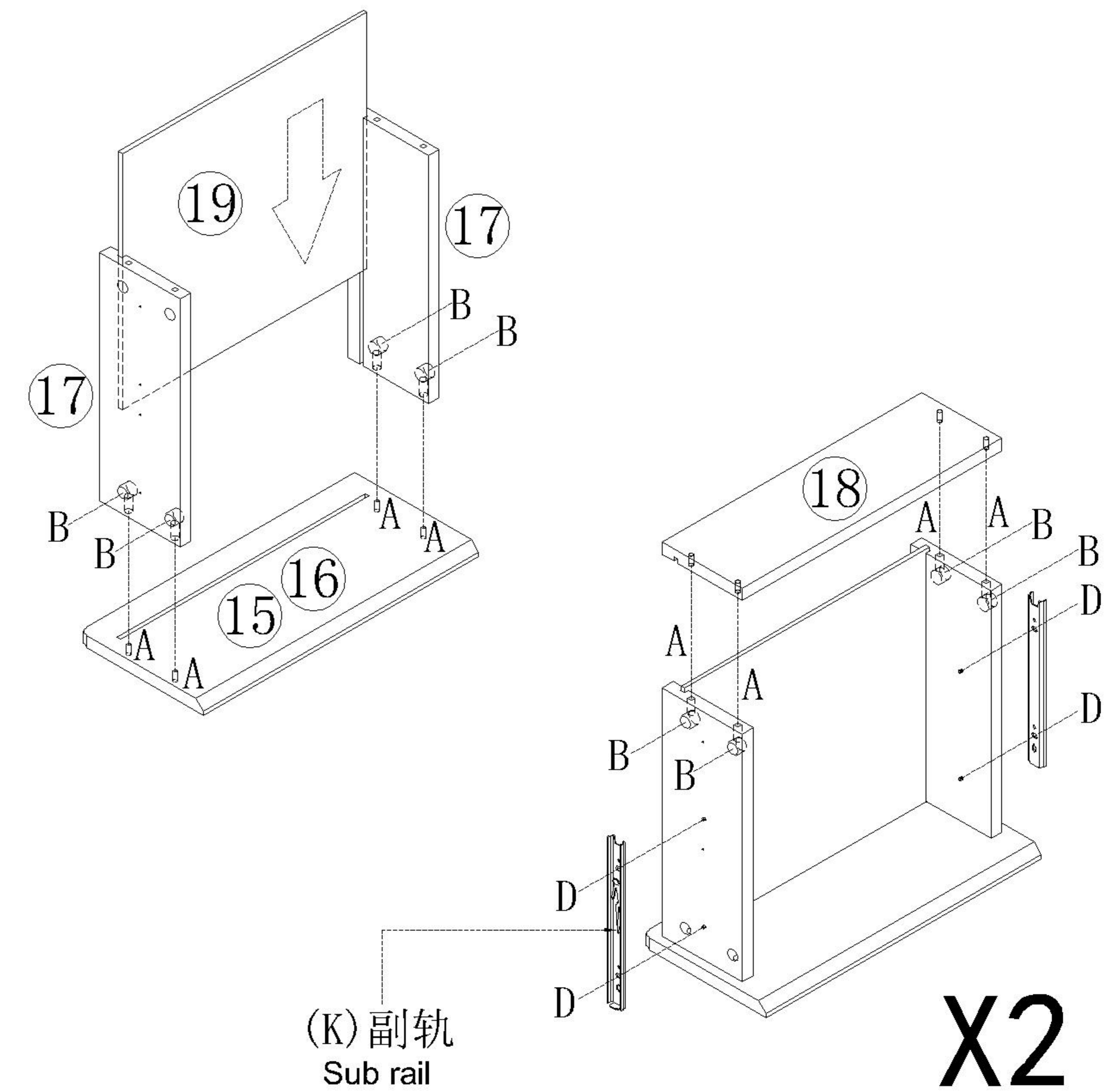
注: 将B对准A后推进去  
Note: align B with a  
and push it in

三节滚珠导轨  
three-section ball rail

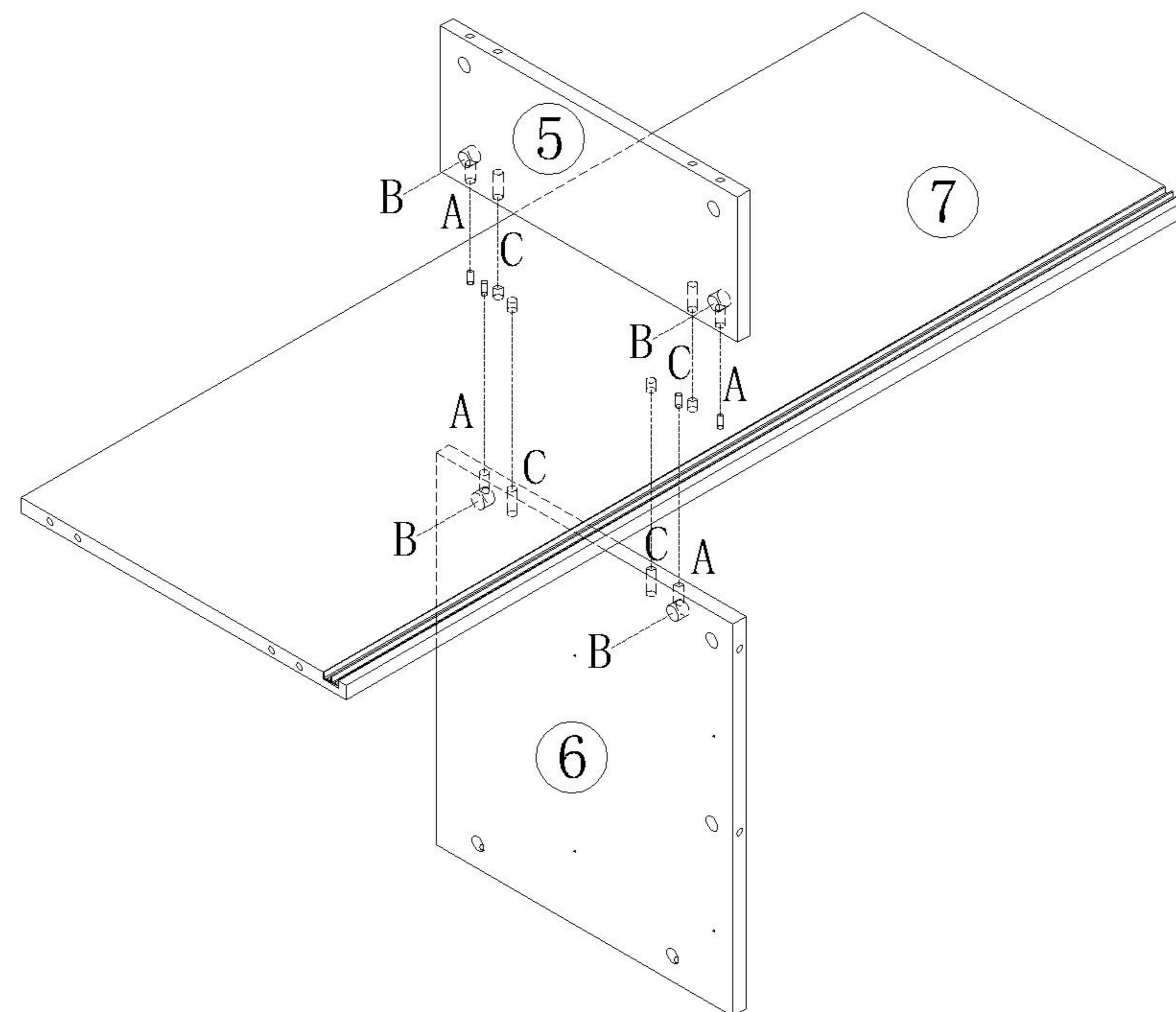
- (A)\*16
- (B)\*16
- (D)\*8
- (K)\*2



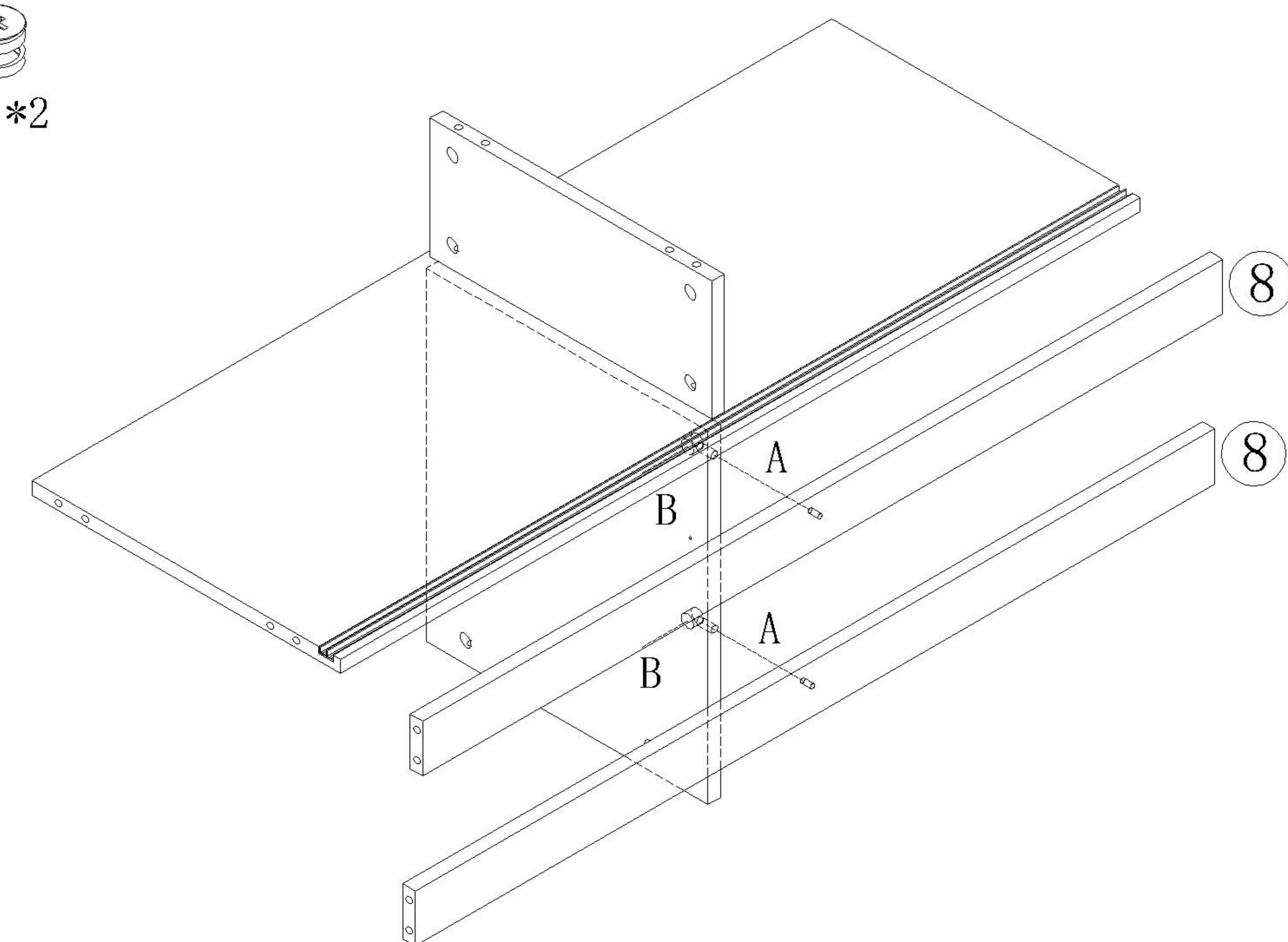
- (A)\*16
- (B)\*16
- (D)\*8
- (K)\*2



- (A)\*4
- (B)\*4
- (C)\*4

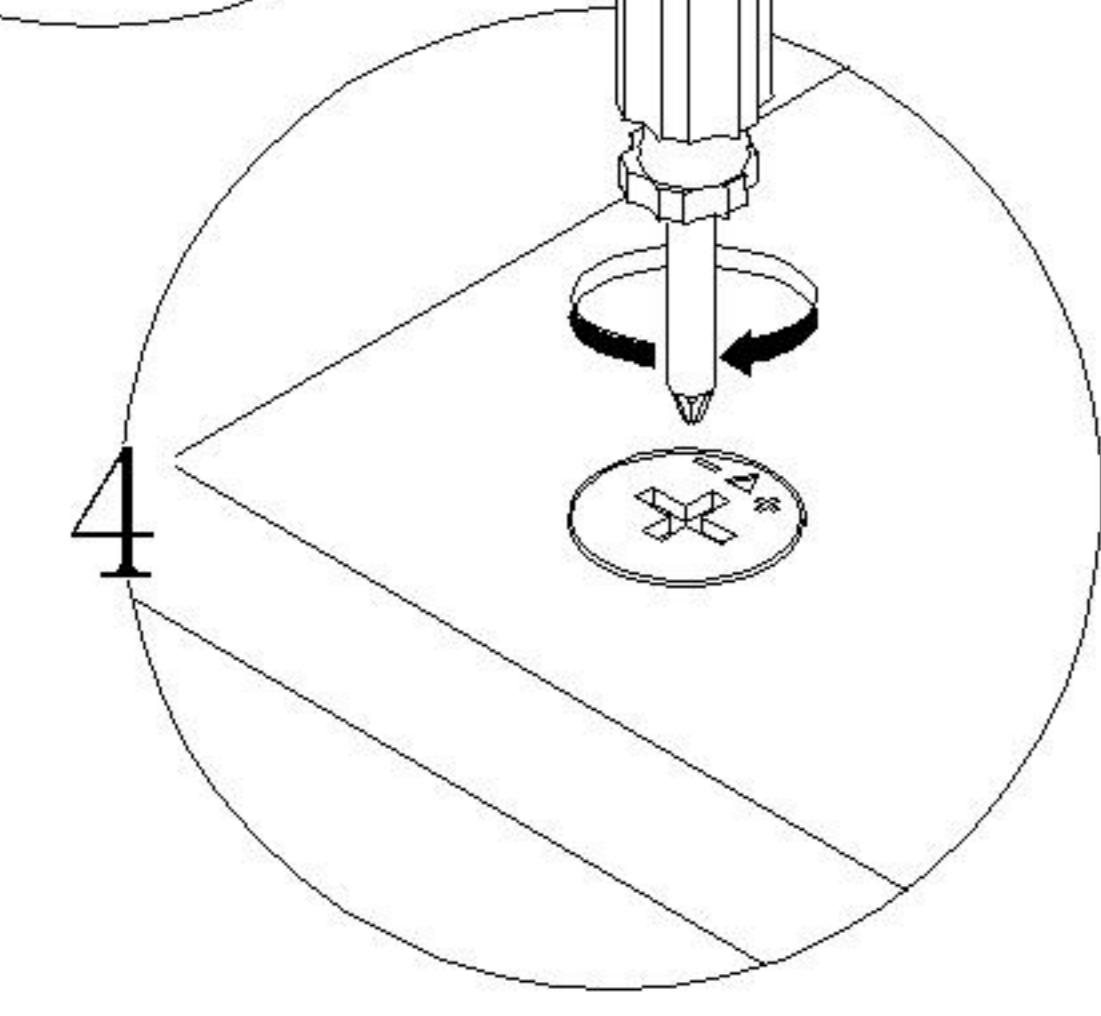
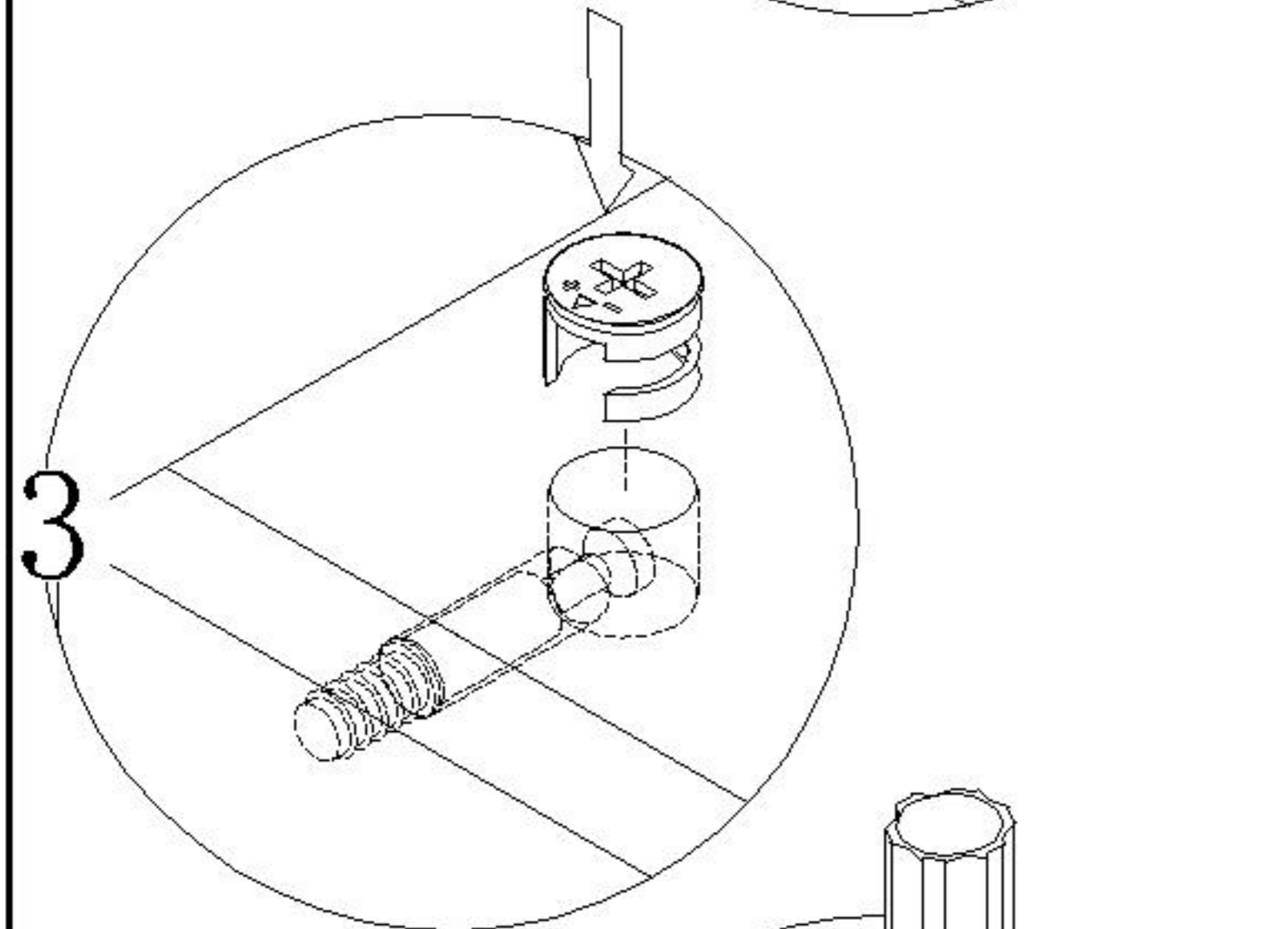
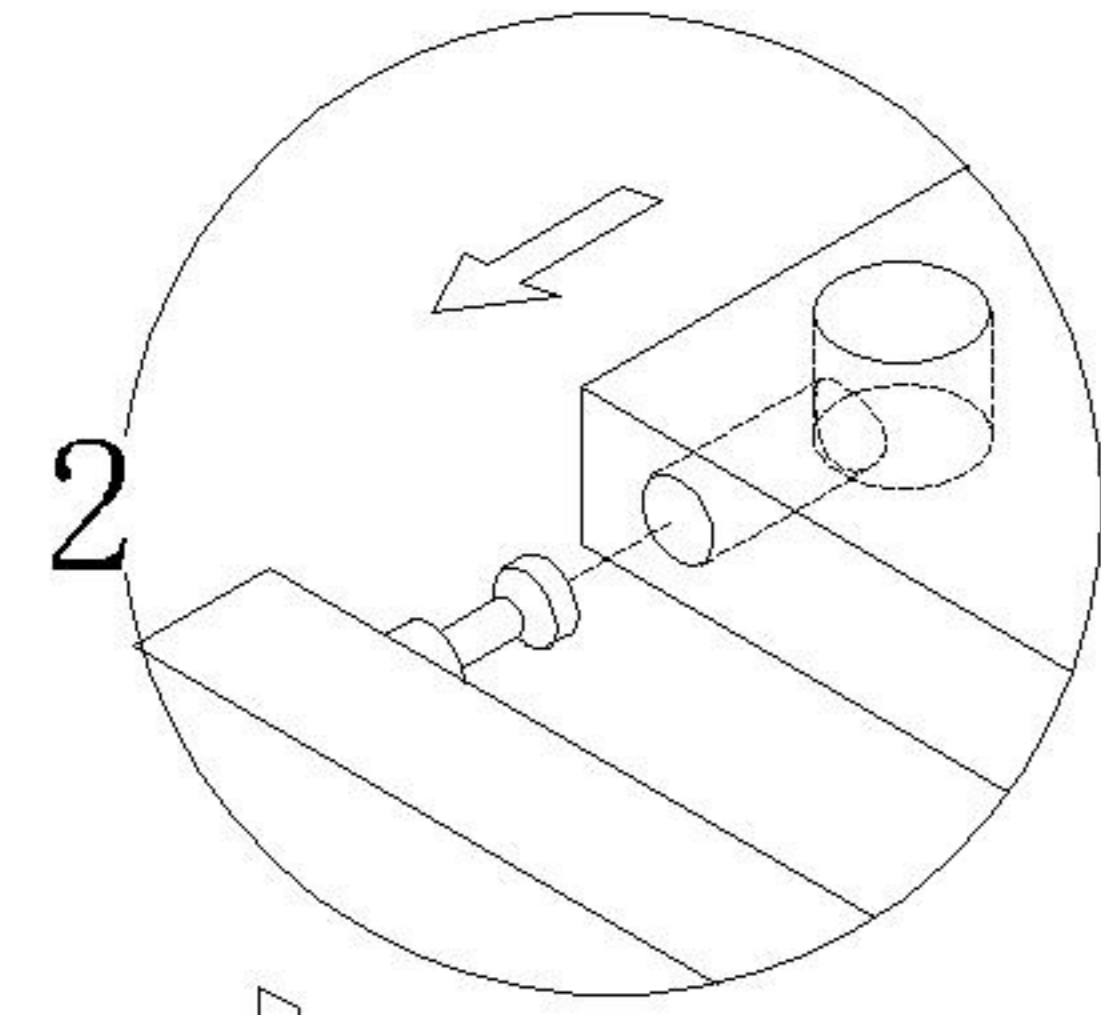
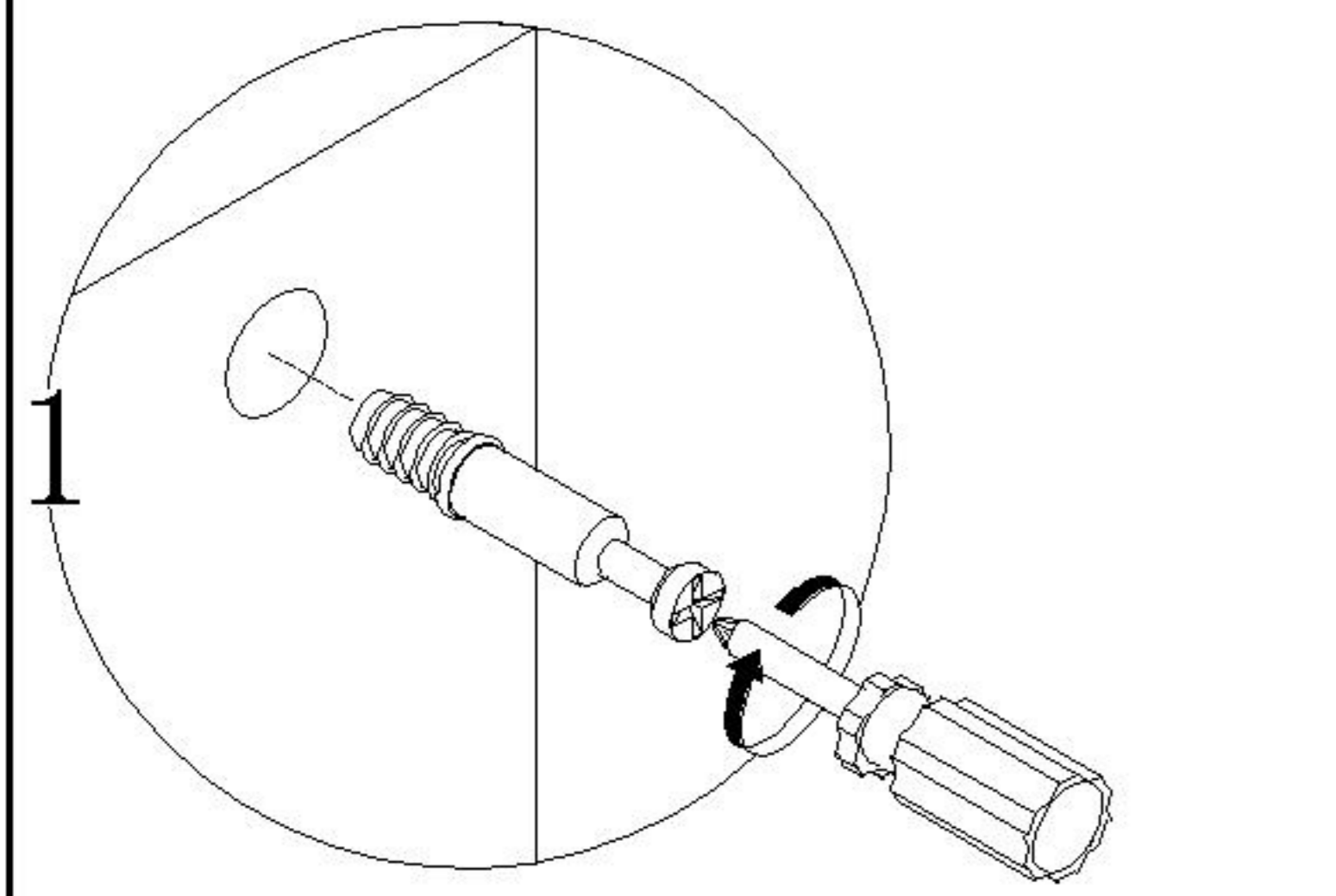


- (A)\*2
- (B)\*2

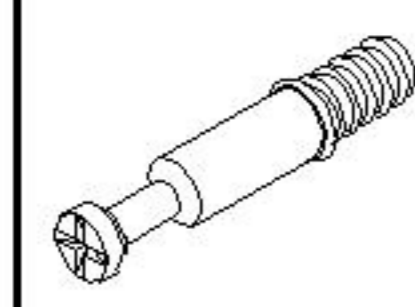


UD2E-A

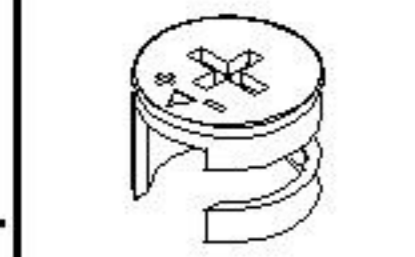
安装方法/  
Installation method



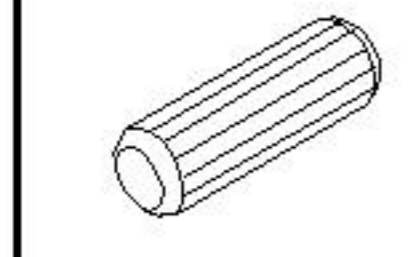
大二合一  
two-in-one



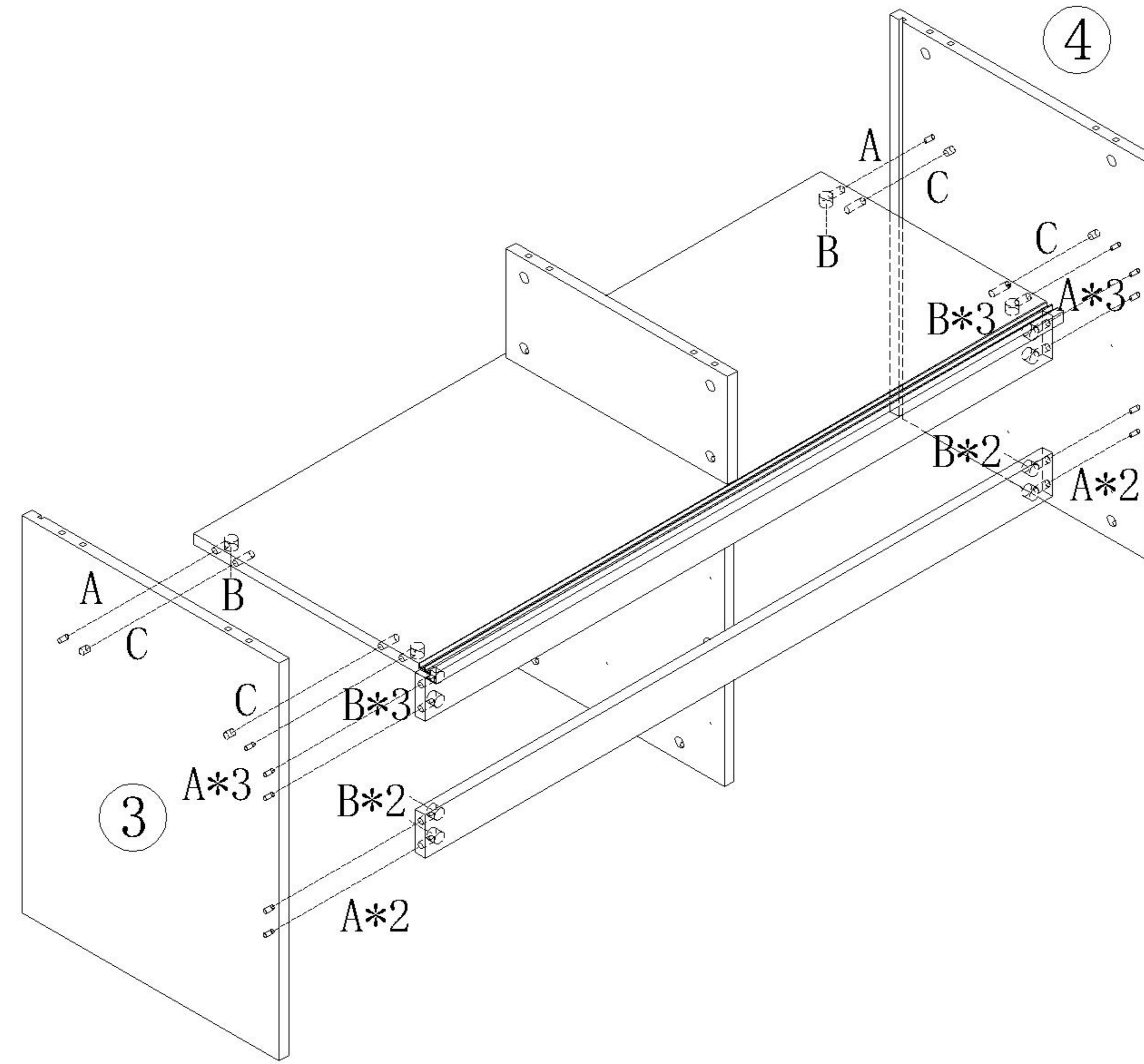
(A)\*12



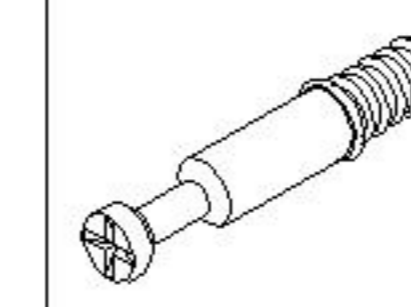
(B)\*12



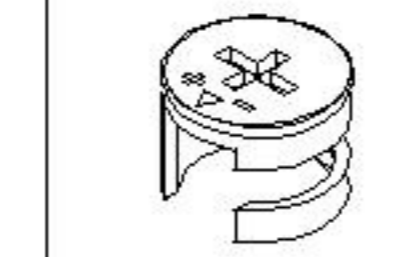
(C)\*4



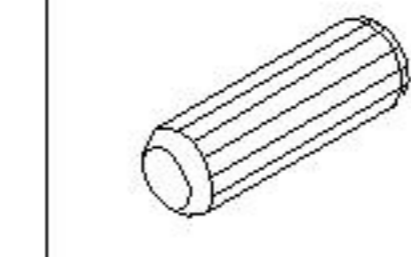
5



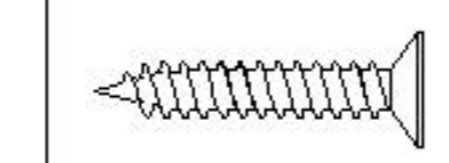
(A)\*6



(B)\*6



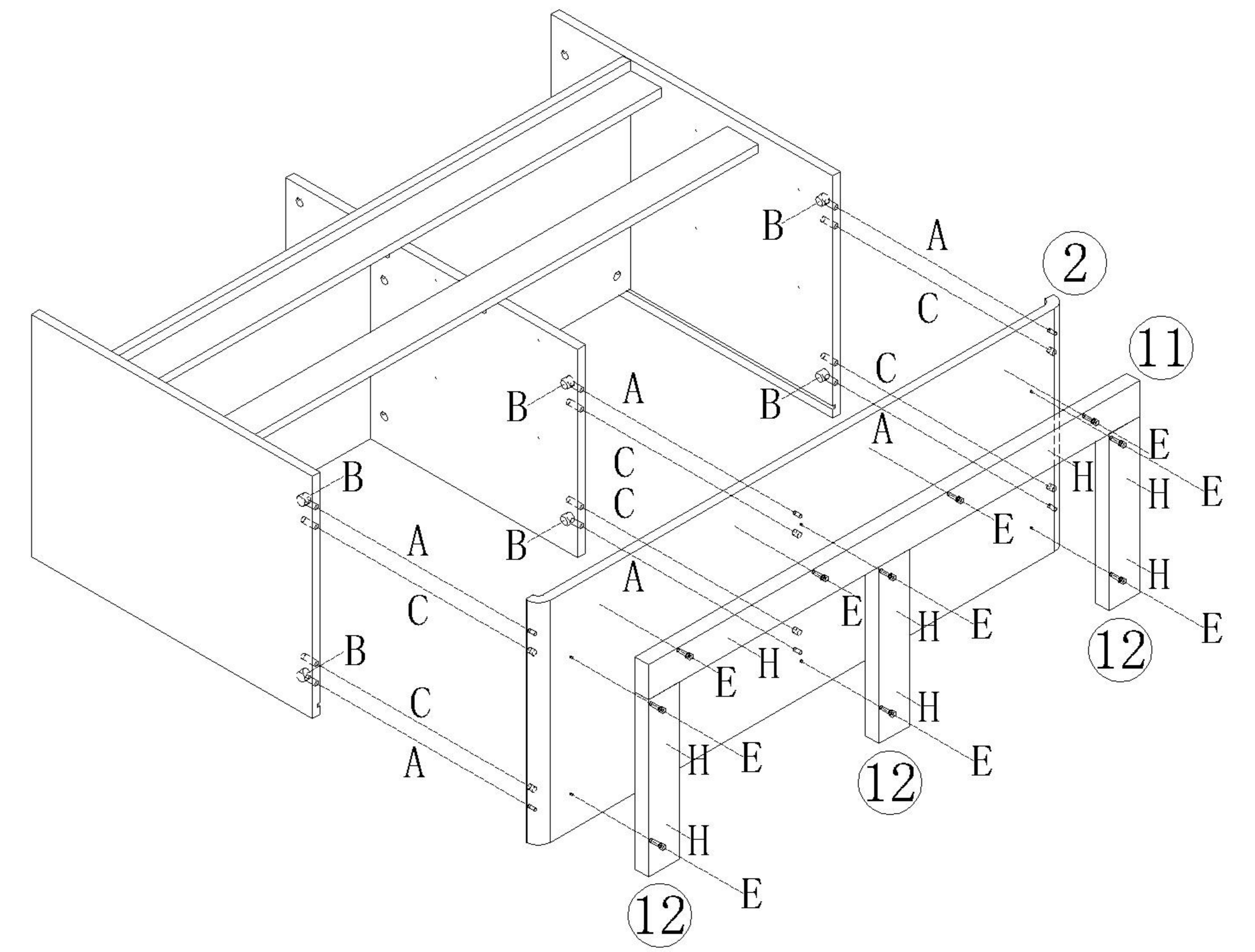
(C)\*6



(E)\*10

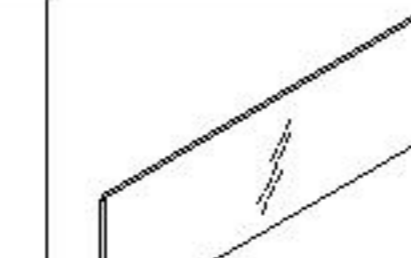


(H)\*8

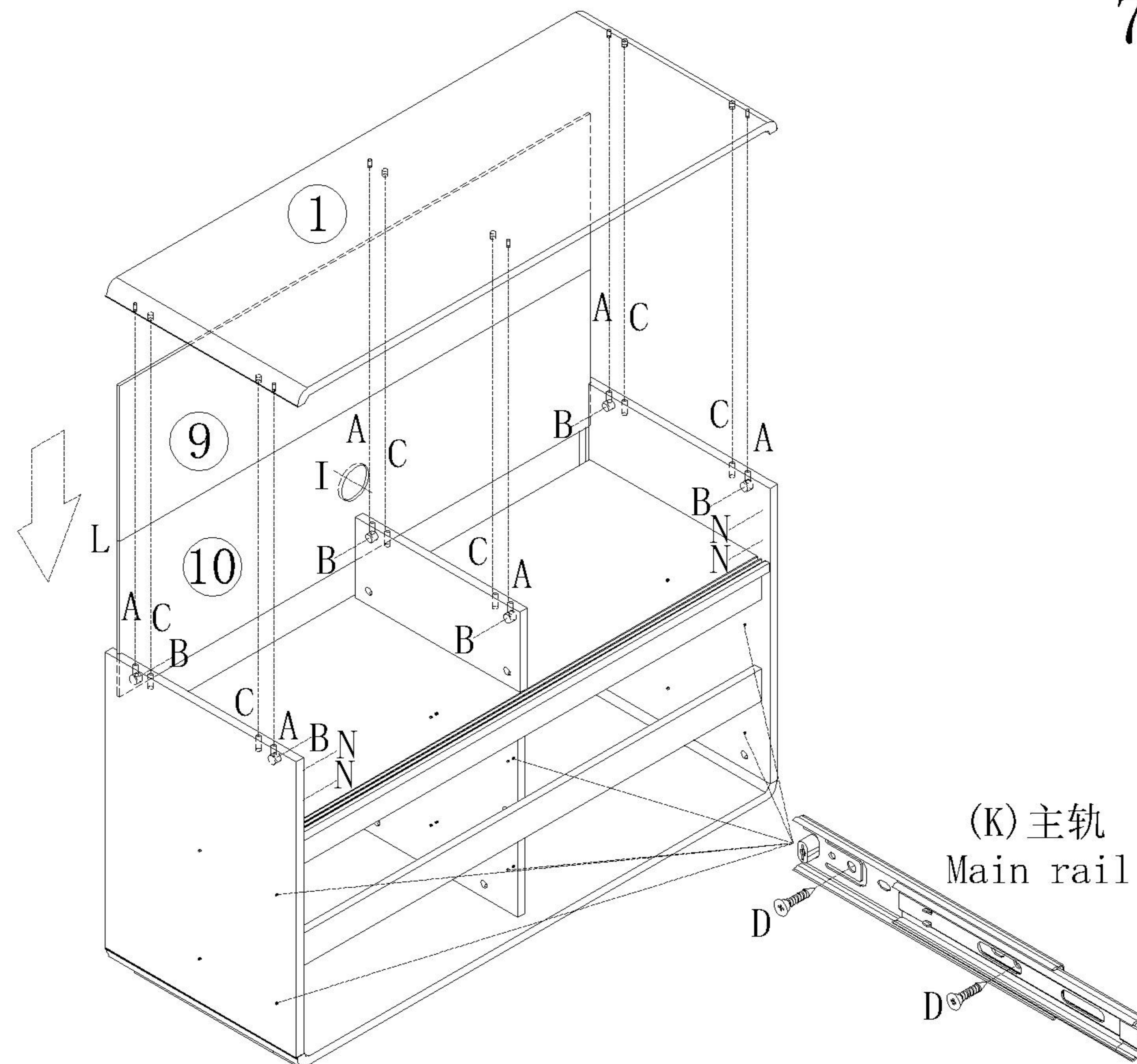


6

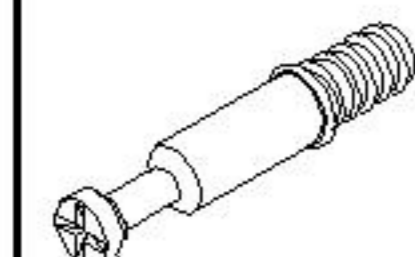
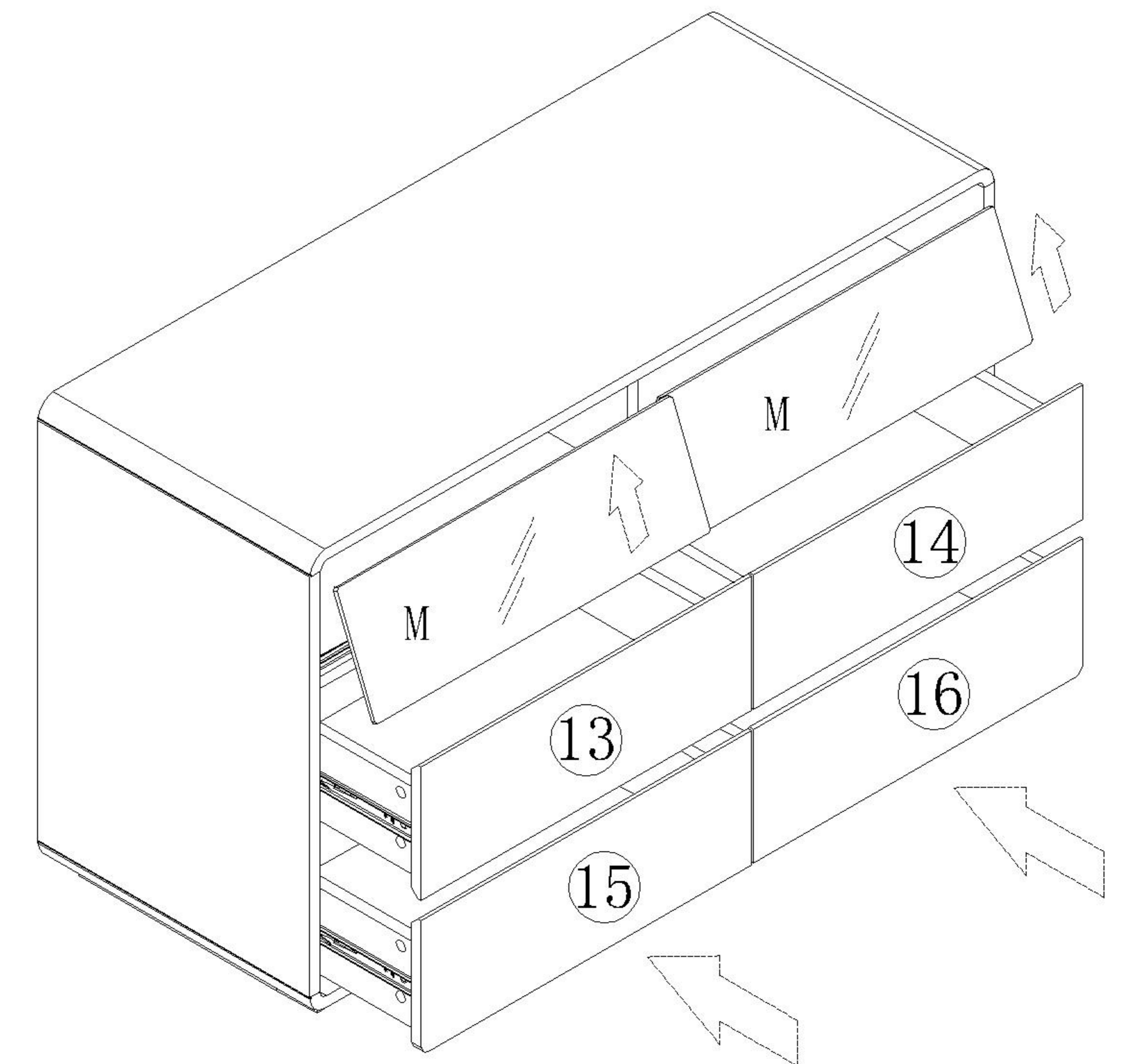
7



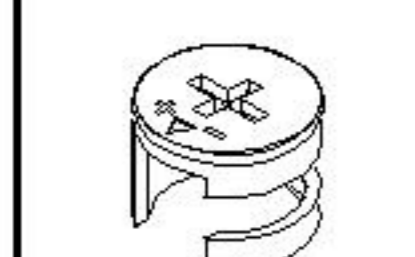
(M)\*2



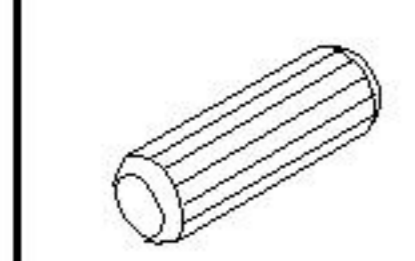
8



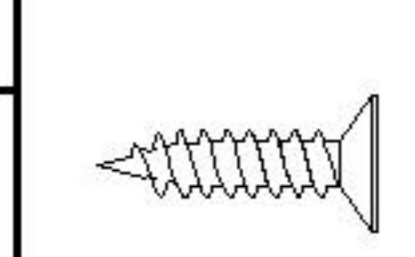
(A)\*6



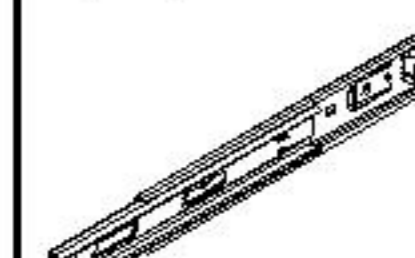
(B)\*6



(C)\*6



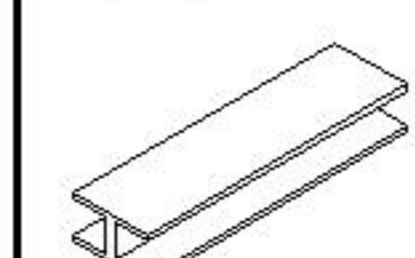
(D)\*16



(K)\*4



(I)\*1

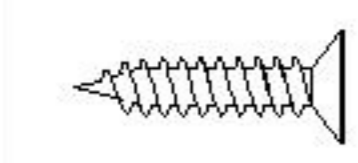


(L)\*1



(N)\*4

UD2E-A

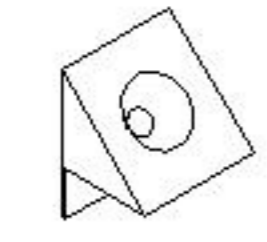


9

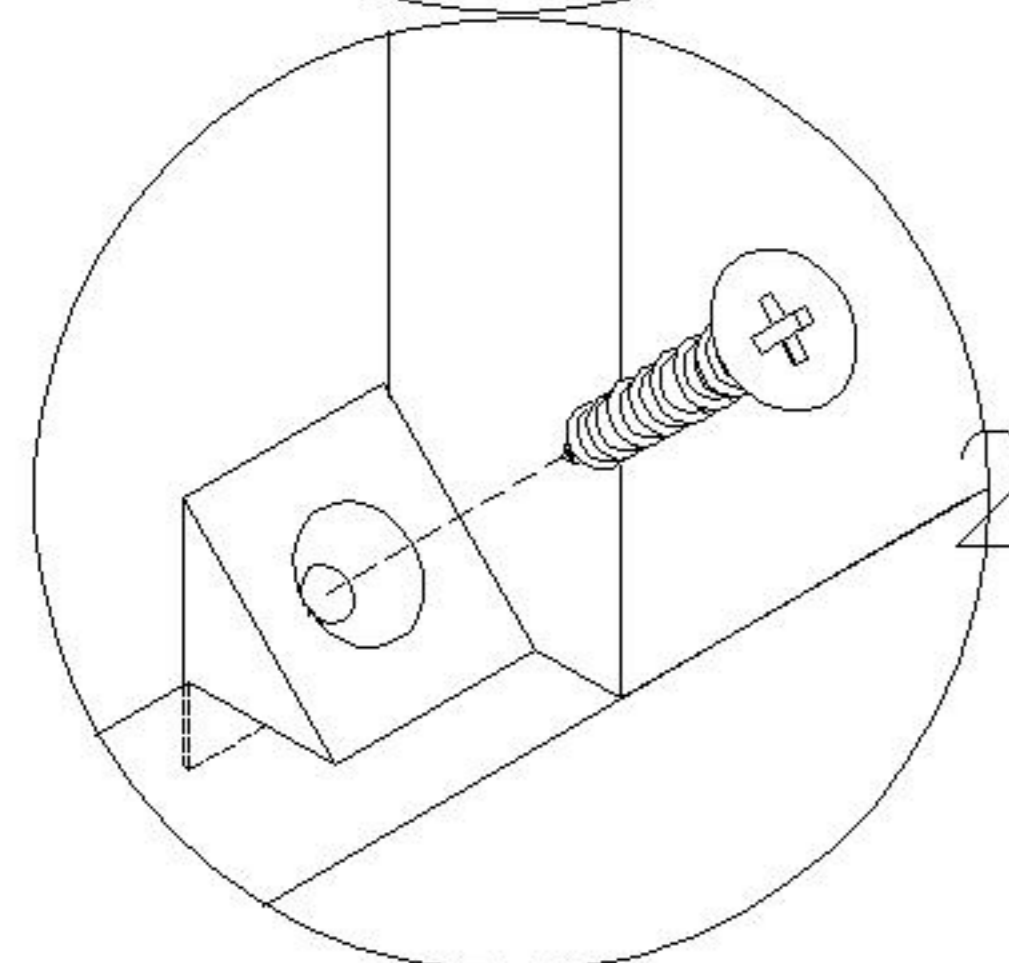
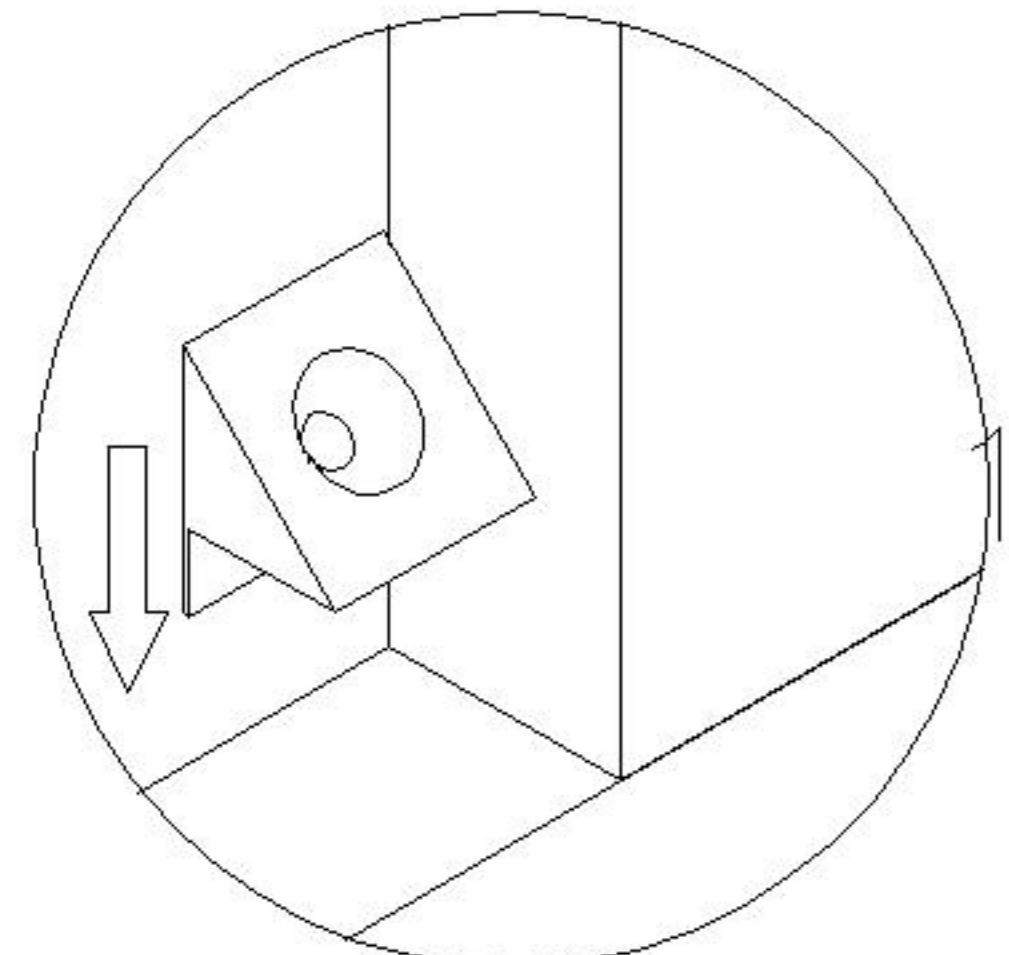
10

安装方法/  
Installation method

(F)\*10

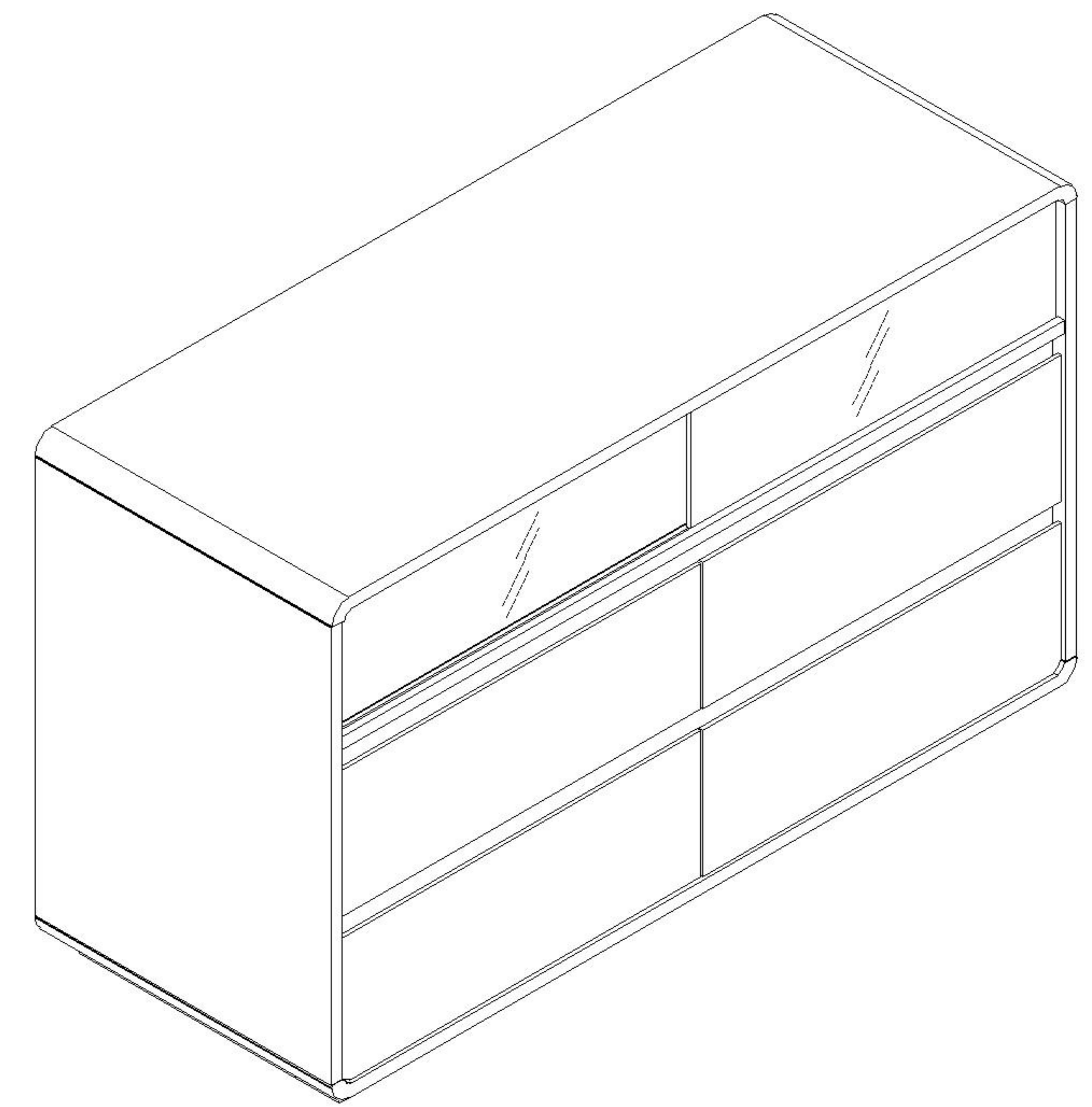
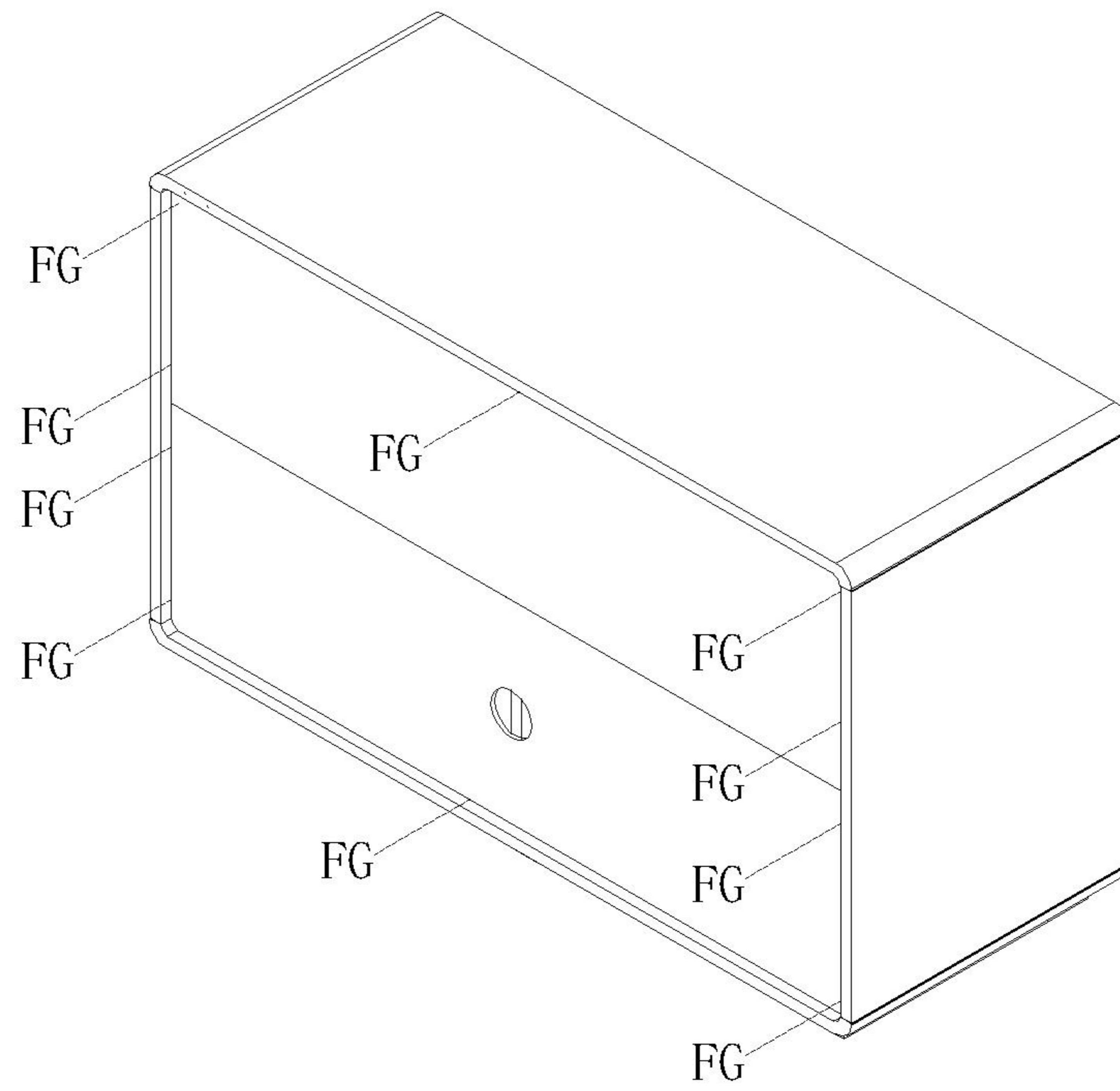


(G)\*10



背板扣

Back Plate Buckle-White



(J)\*1

11

12

实体墙  
Solid wall

J处放大图  
Enlarged view at J

