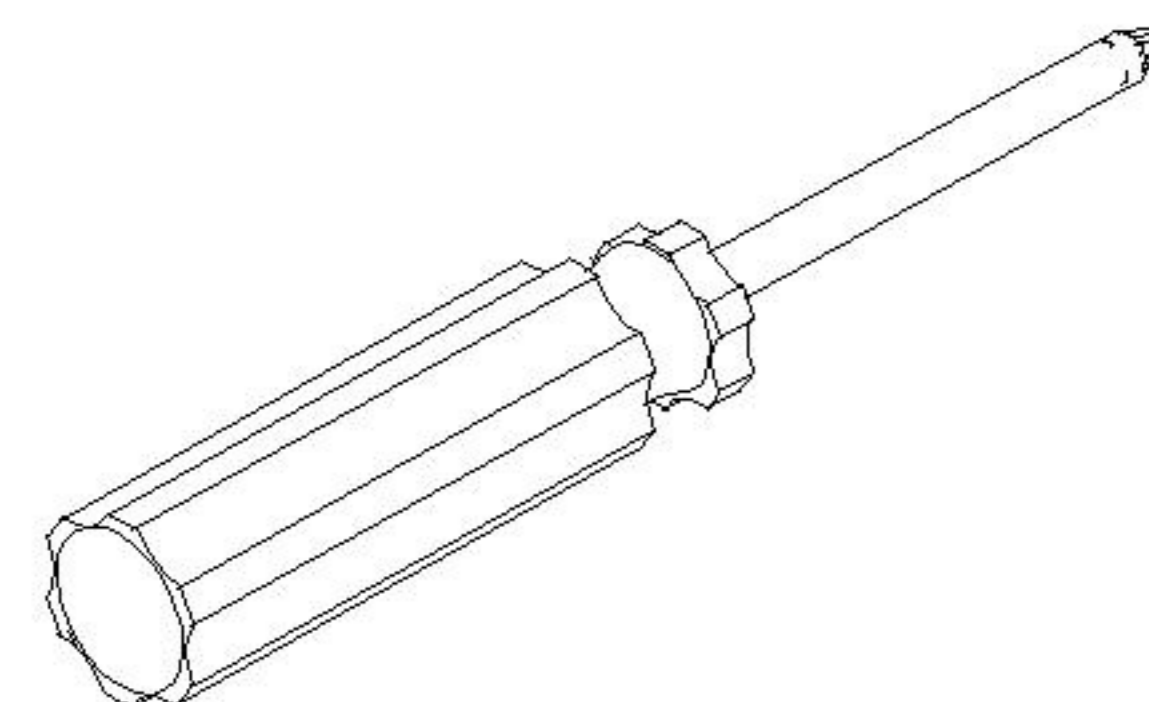
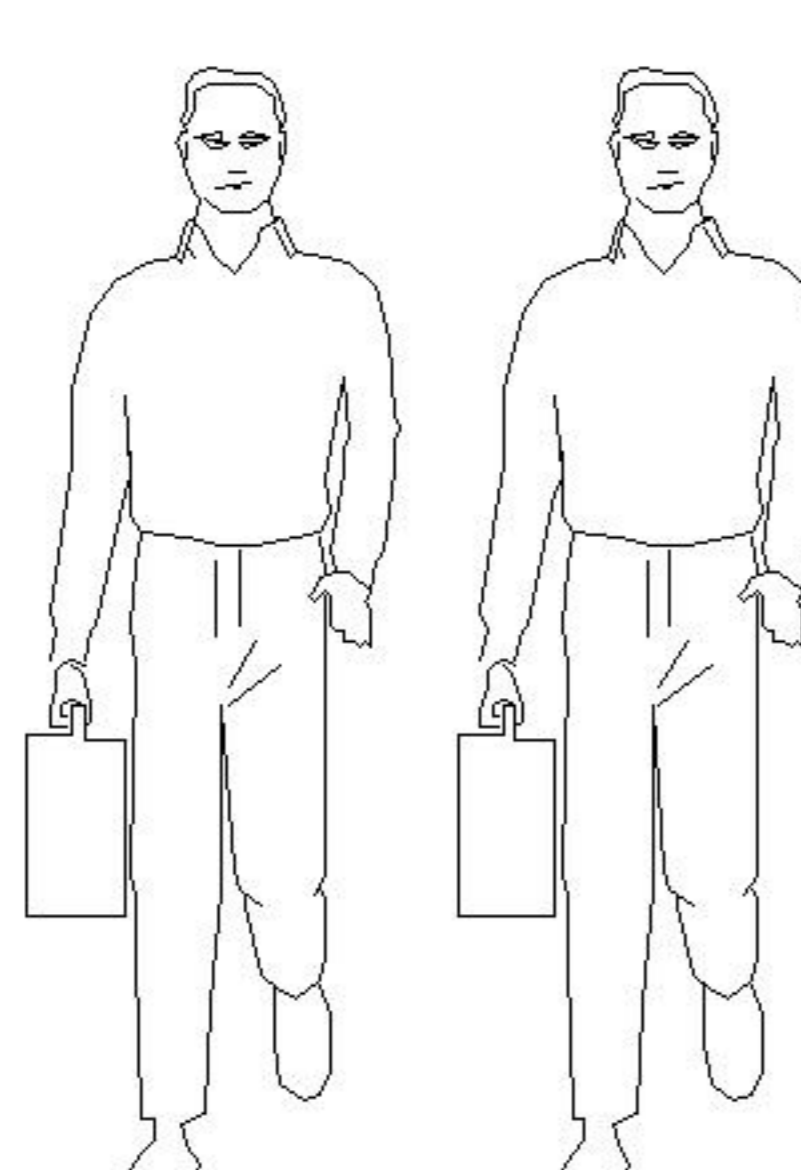


LINSY 林氏家居

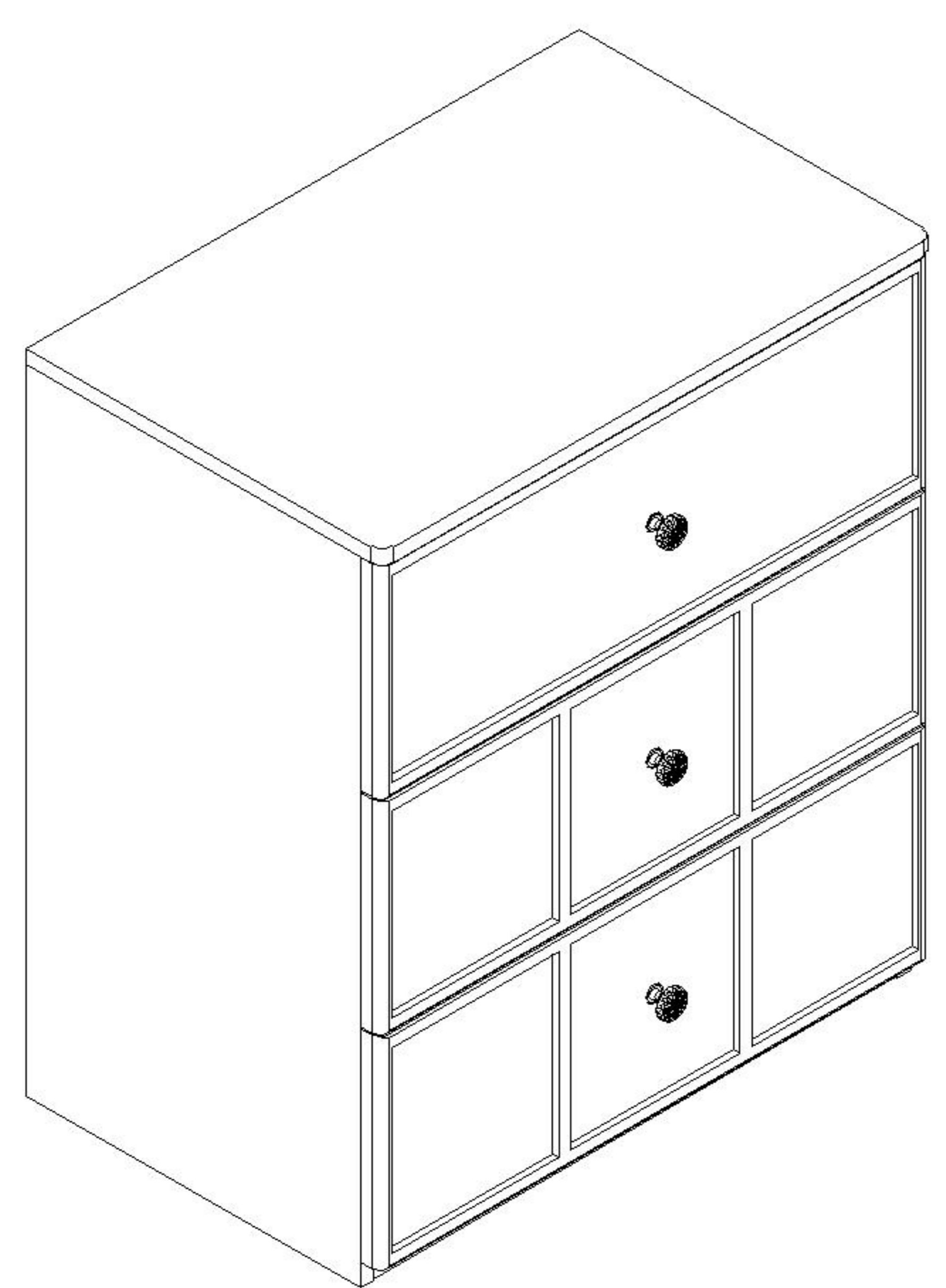
五金表/Hardware list

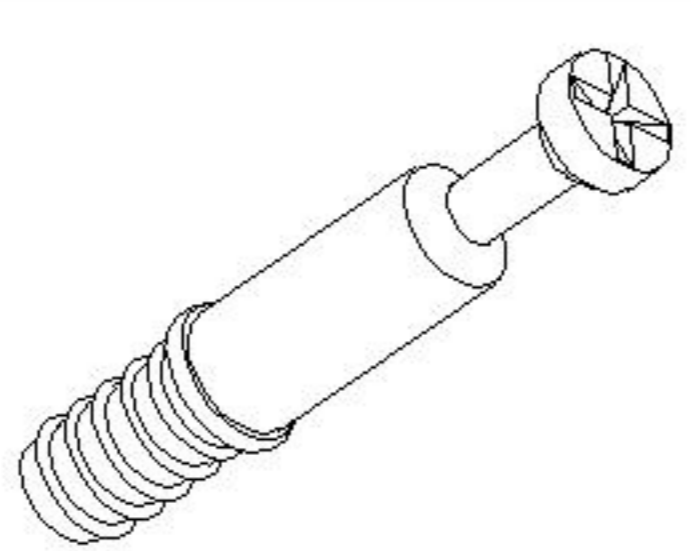
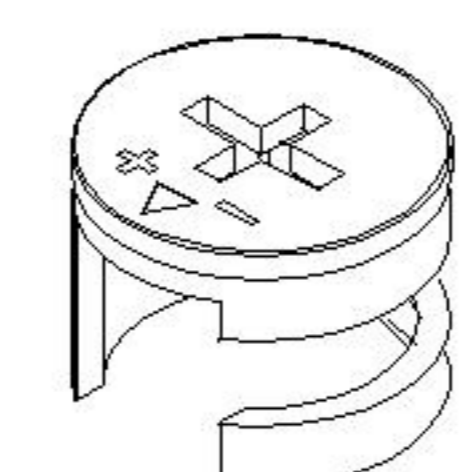
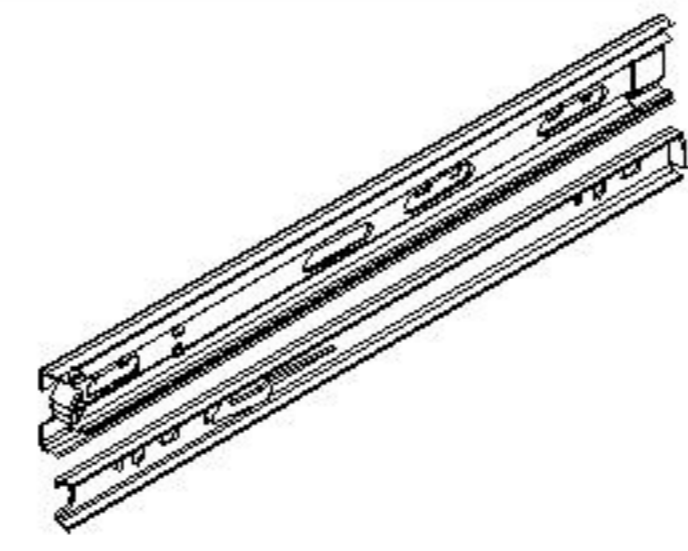
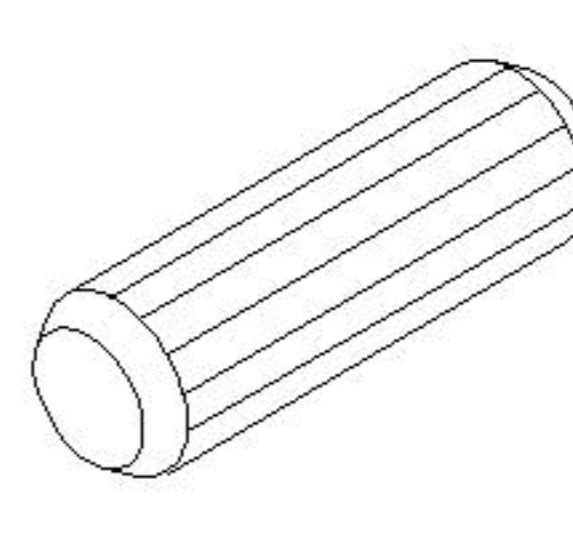
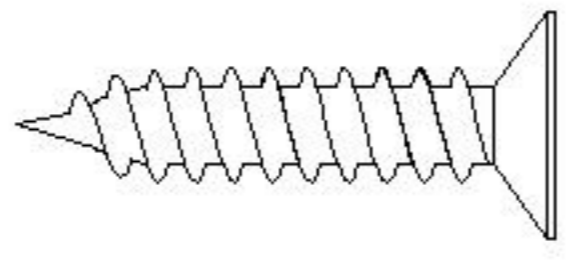
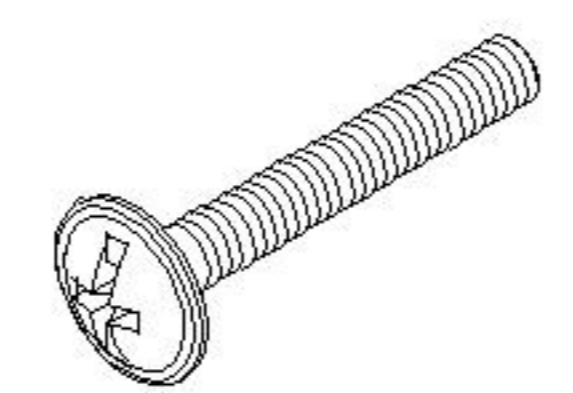
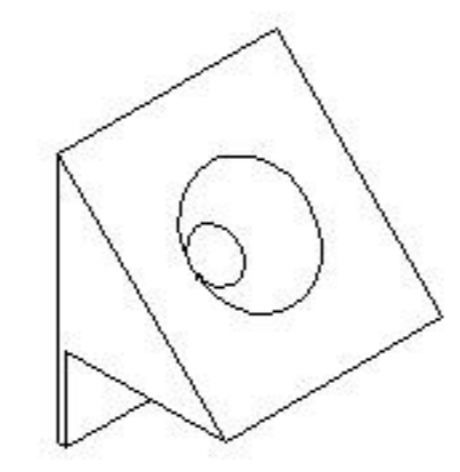
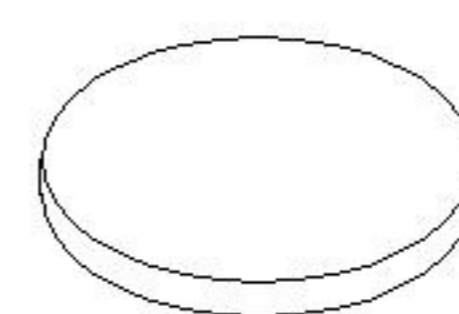
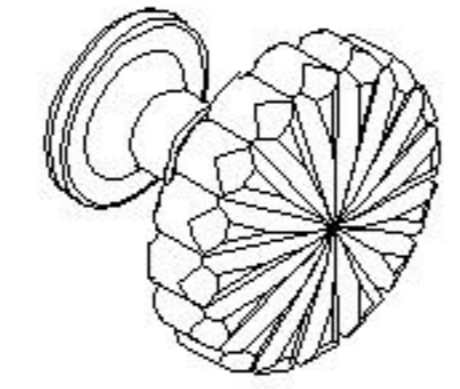
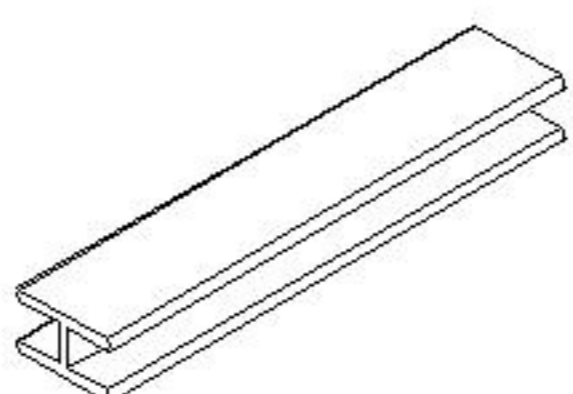
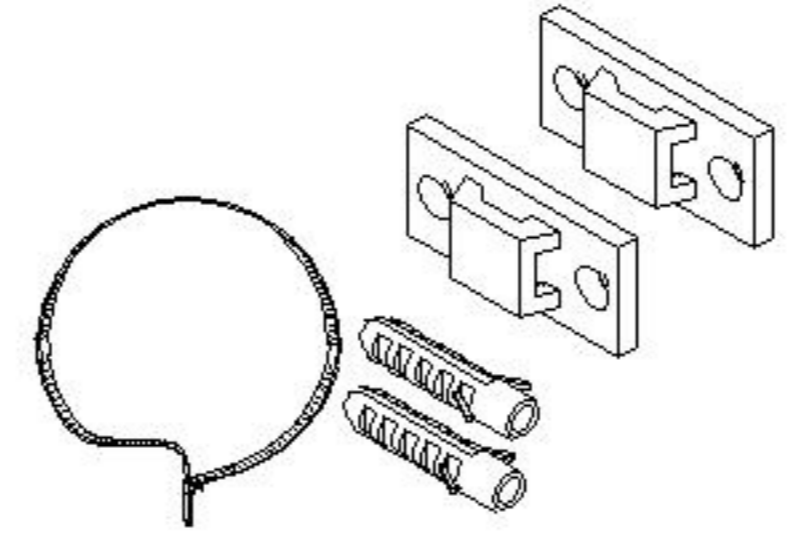
部件表/Parts List

安装示意图/Assembly Instruction

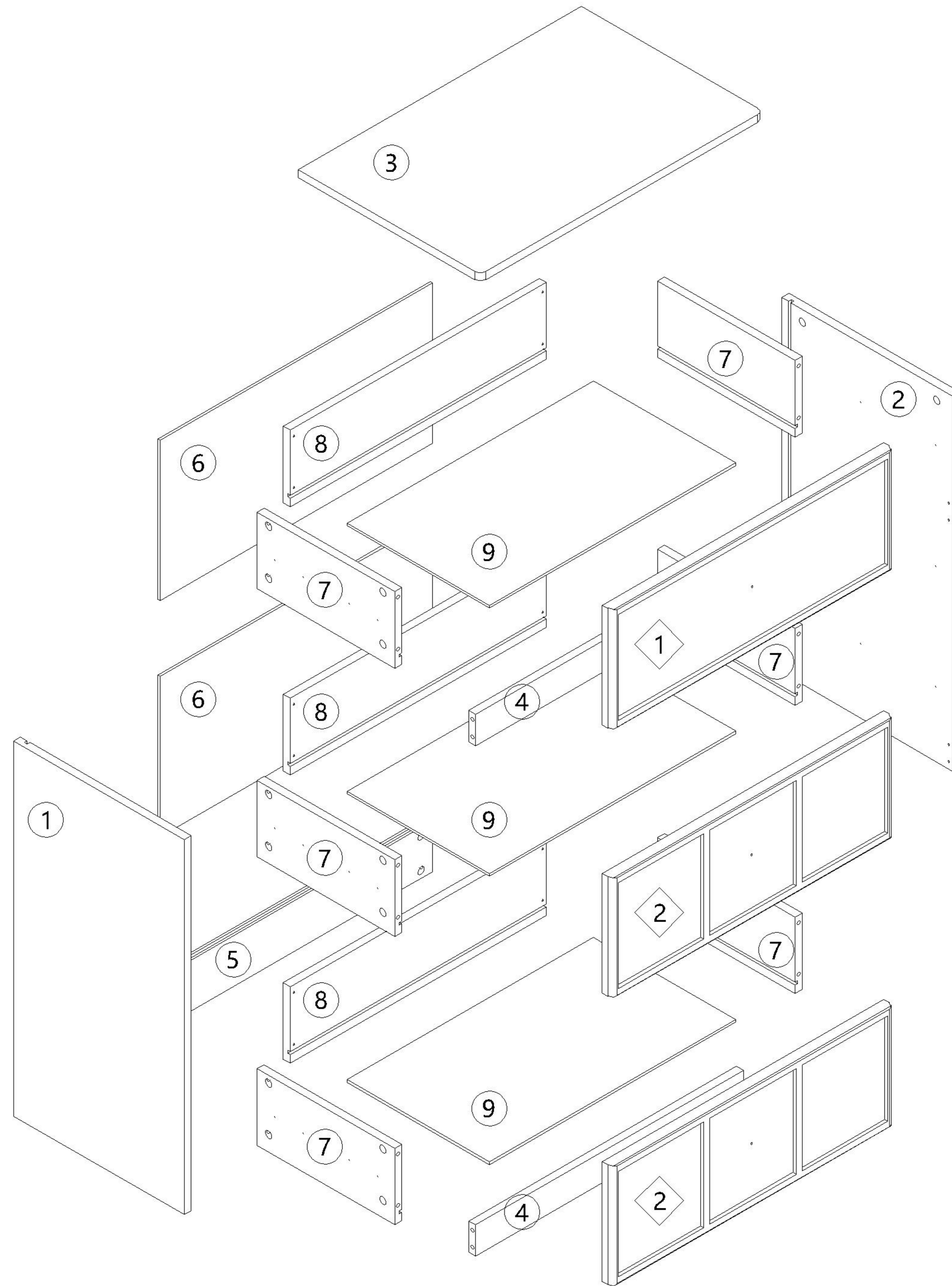
产品名称 Model NO.	RC2E-B 三斗柜
产品规格 Specification	606*410*714mm
安装工具 Tool	安装人数 Installer
	

注：为保证设计效果，部分尺寸为定制尺寸，不影响使用。



 (A)*42 二合一螺杆 2-in-1-screw	 (B)*42 大三合一锁饼 3-in-1 large lock	 (C)*3 三节滚珠导轨10" (SH-ABC) Three-section rail	 (D)*4 木榫Ø8x30mm Wood tenon
 (E)*46 白攻螺丝M3.5*14mm Tapping screw	 (F)*3 拉手螺丝-M4x22mm Pulling screw	 (G)*8 背板扣 White buckle	 (H)*6 灰色毛毡垫 Foot pad
 (I)*3 拉手 shake hands	 (J)*1 夹板条l=573mm Splint strip	 (K)*1 家具防倒器-白色 Anti-fall device	

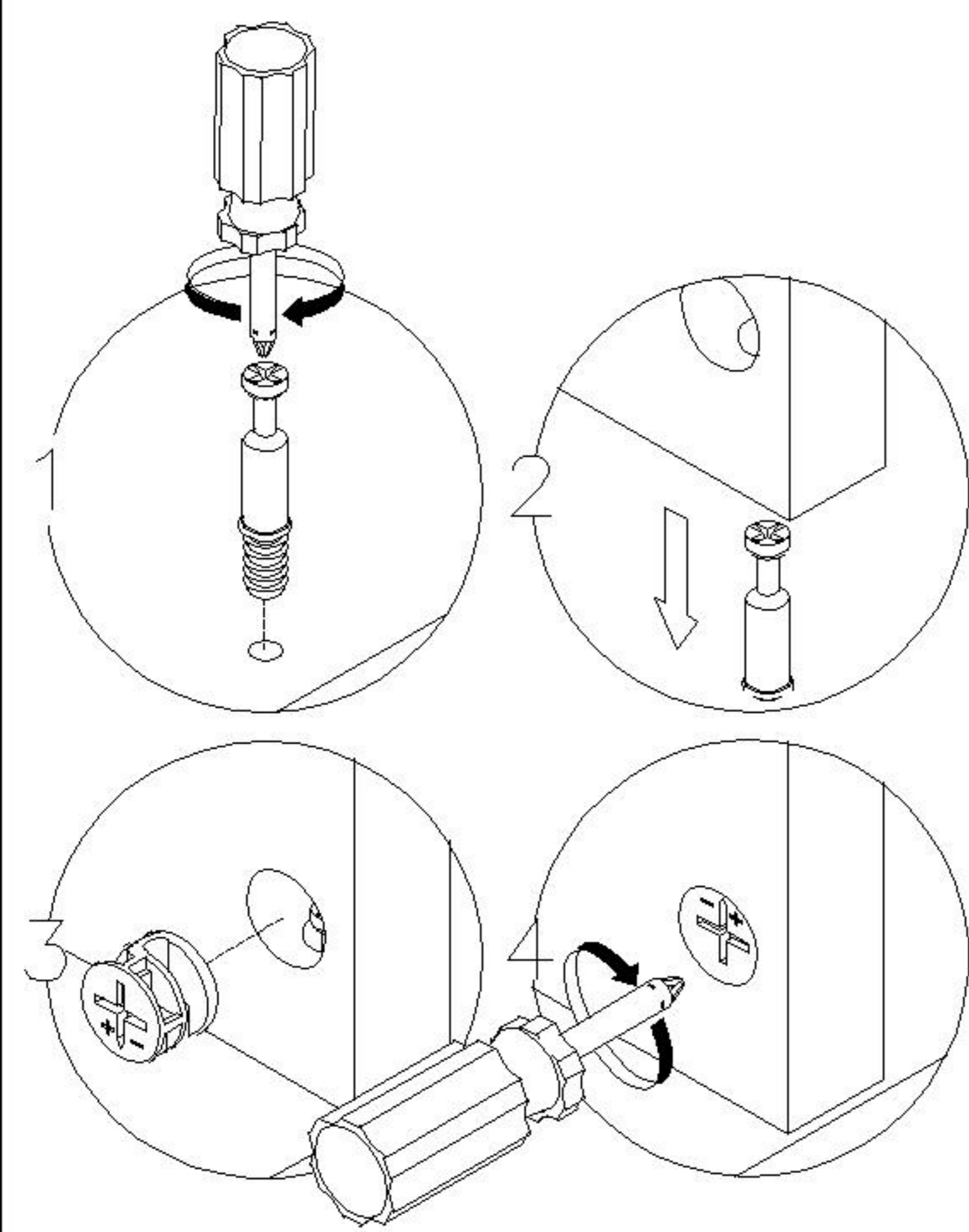
编号NO.	名称Name	规格(mm) Specification	数量QTY	材质Material
RC2E-B 三斗柜主体 RC2E-B Chest of drawers body				
①	左侧板Side board (L)	696*366*15	1	刨花板 Particle board
②	右侧板Side board (R)	696*366*15	1	刨花板 Particle board
③	面板Top panel	606*390*15	1	刨花板 Particle board
④	前拉条Front brace	574*58*15	2	刨花板 Particle board
⑤	后拉条Back brace	574*94*15	1	刨花板 Particle board
⑥	背板Back board	584*298*5	2	刨花板 Particle board
⑦	抽屉侧板Drawer's sideboard	295*142*15	6	刨花板 Particle board
⑧	抽屉后板Drawer's Back board	548*142*15	3	刨花板 Particle board
⑨	抽屉底板Drawer's Bottom board	528*305*5	3	纤维板Fiberboard
RC2E-B 三斗柜抽面 RC2E-B Chest of drawers				
◇1	上抽屉面板Upper drawer's panel	603*222*23	1	纤维板Fiberboard
◇2	下抽屉面板Bottom drawer's panel	603*222*23	2	纤维板Fiberboard



编号NO.	名称Name
RC2E-B 三斗柜主体	
①	左侧板Side board (L)
②	右侧板Side board (R)
③	面板Top panel
④	前拉条Front brace
⑤	后拉条Back brace
⑥	背板Back board
⑦	抽屉侧板Drawer's sideboard
⑧	抽屉后板Drawer's Back board
⑨	抽屉底板Drawer's Bottom board
RC2E-B 三斗柜抽面	
◇1	上抽屉面板Upper drawer's panel
◇2	下抽屉面板Bottom drawer's panel

RC2E-B 三斗柜

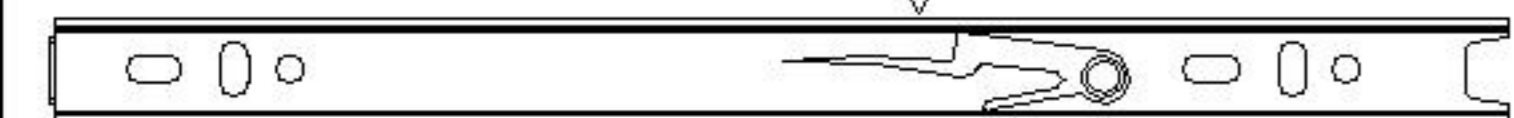
安装方法/
Installation method



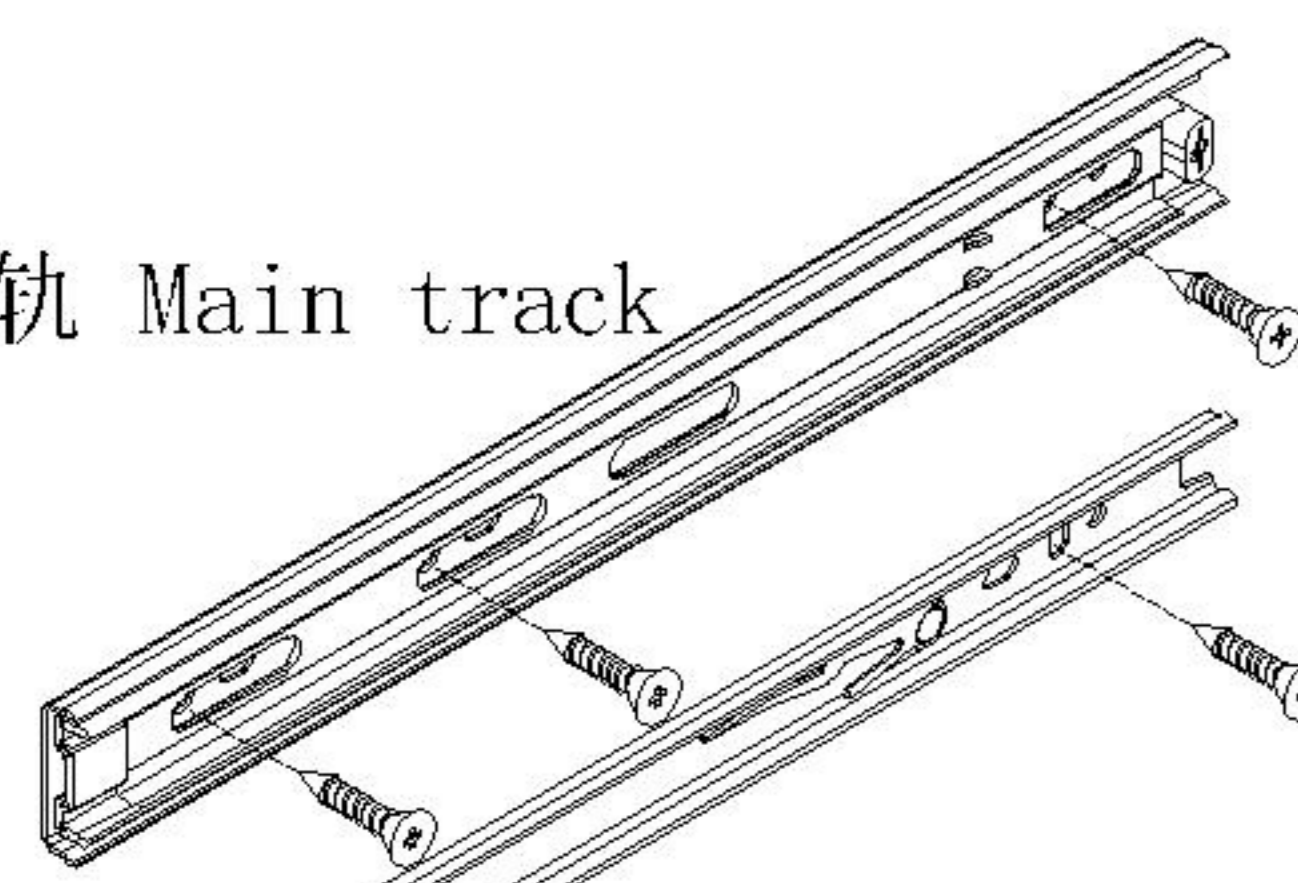
二合一 two-in-one

阀门开关(下压为开)
Valve switch (press down to open)

前 Forward 后 Back

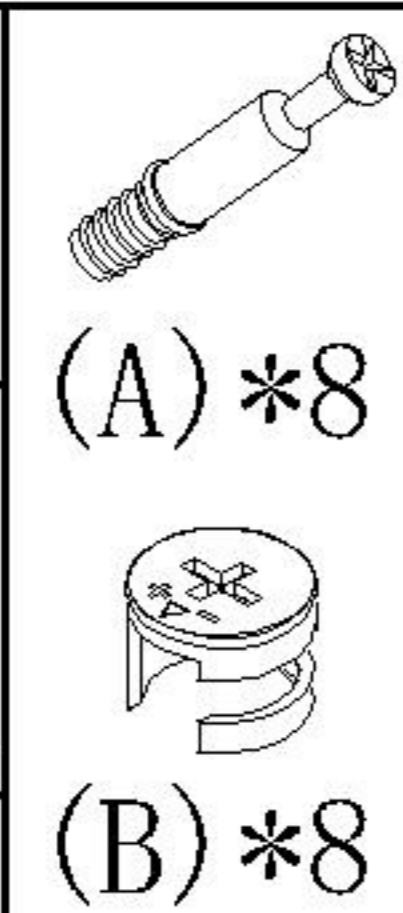


主轨 Main track



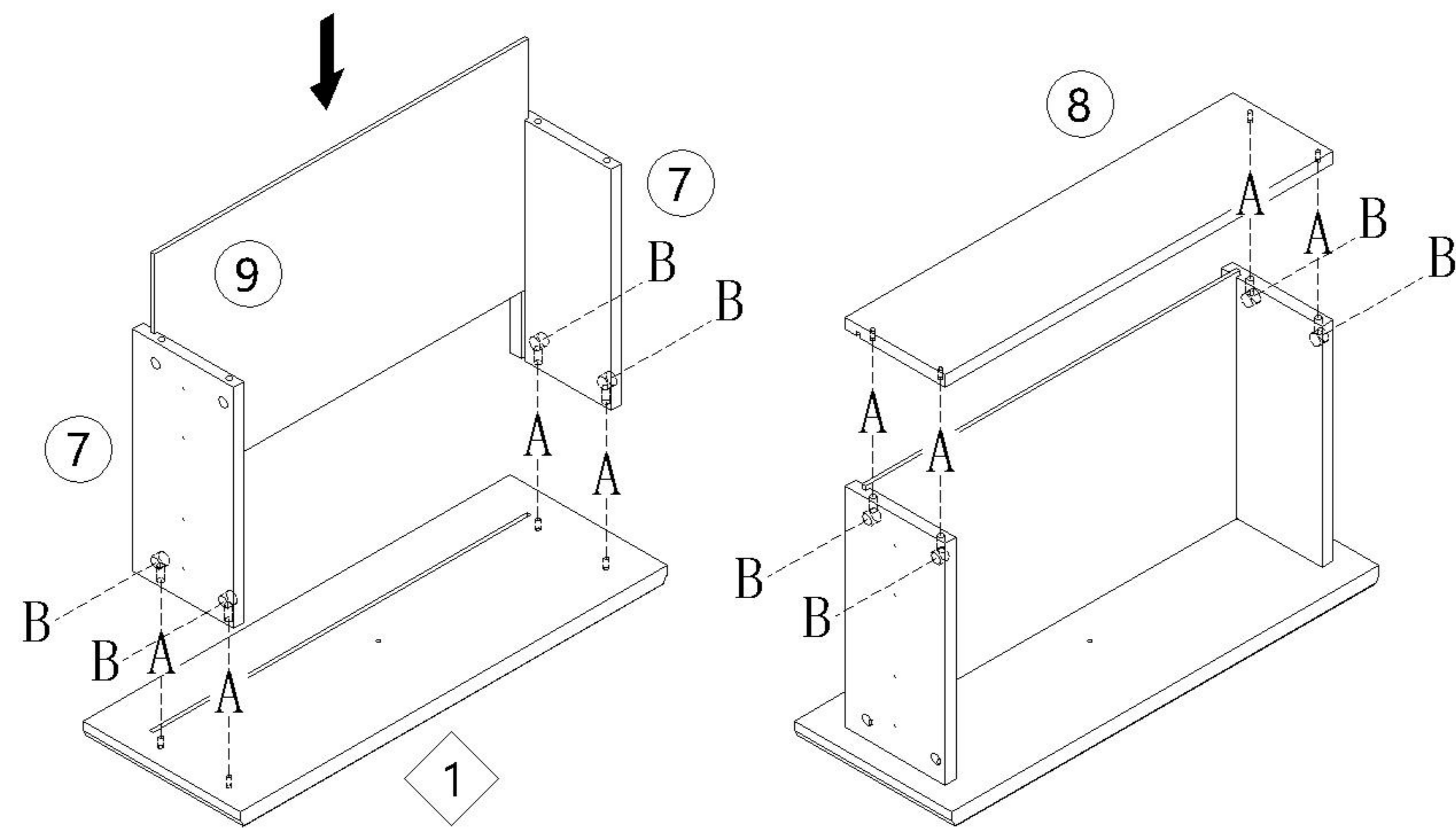
副轨 Sub track

三节滚珠导轨
Three-section rail

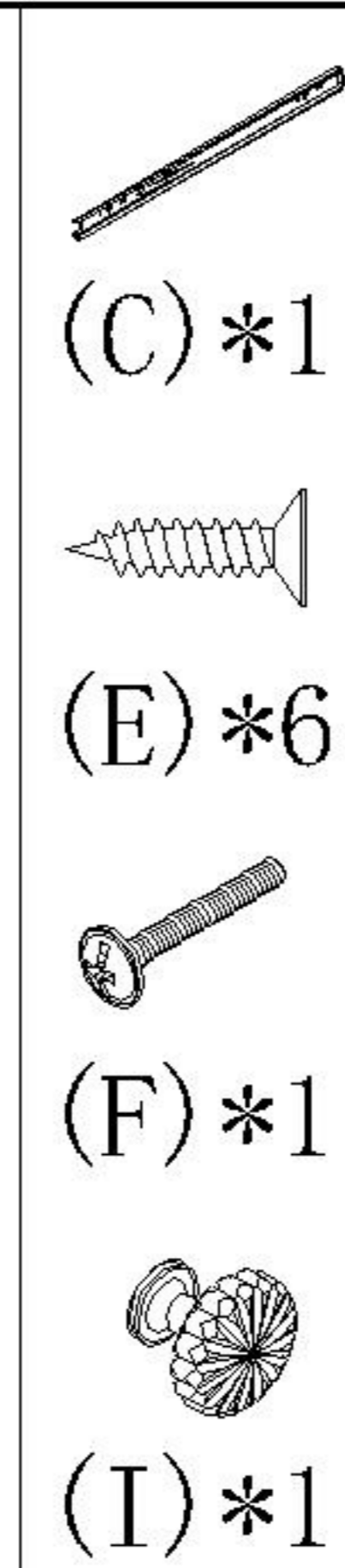


(A)*8

(B)*8



1



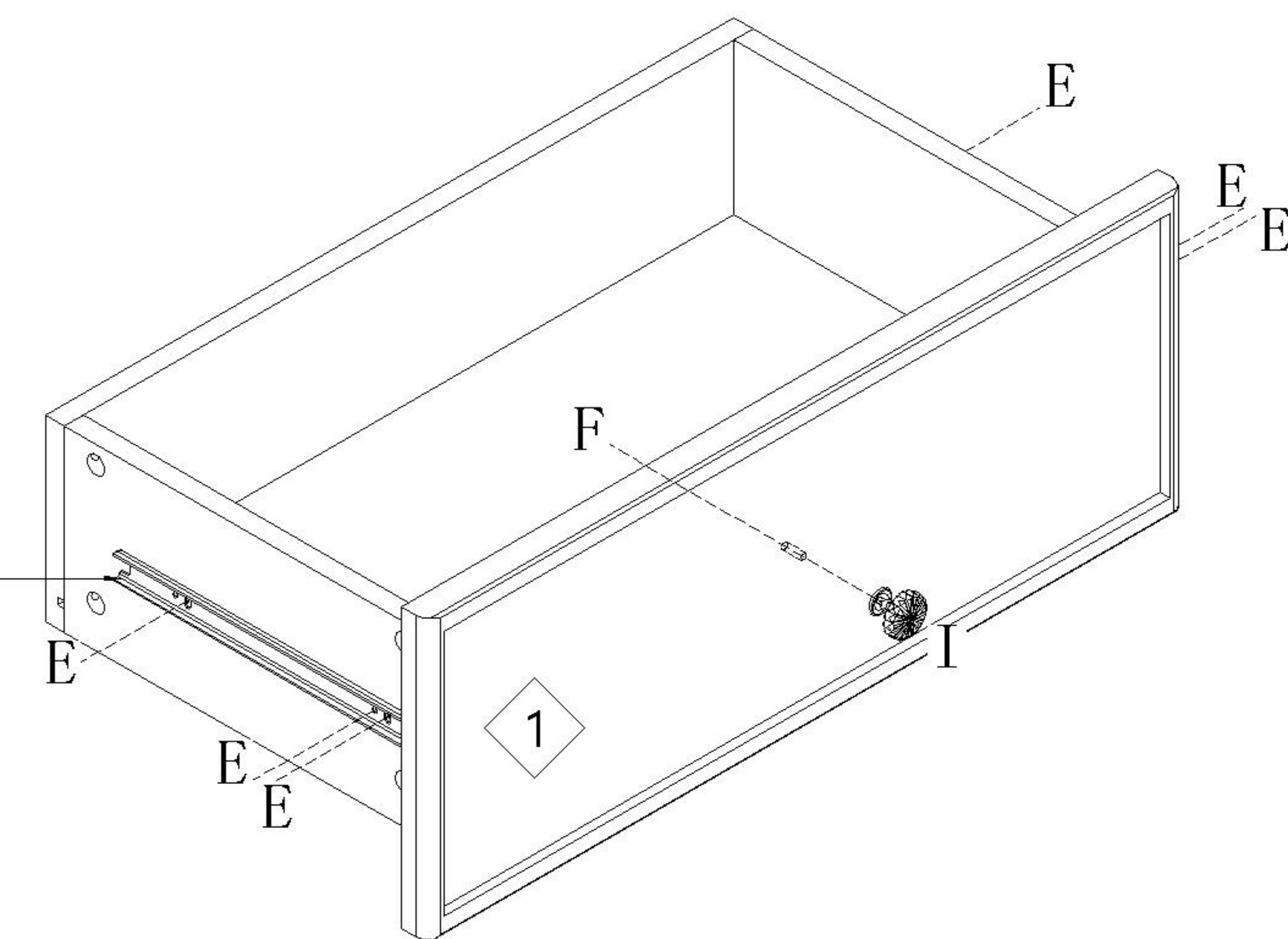
(C)*1

(E)*6

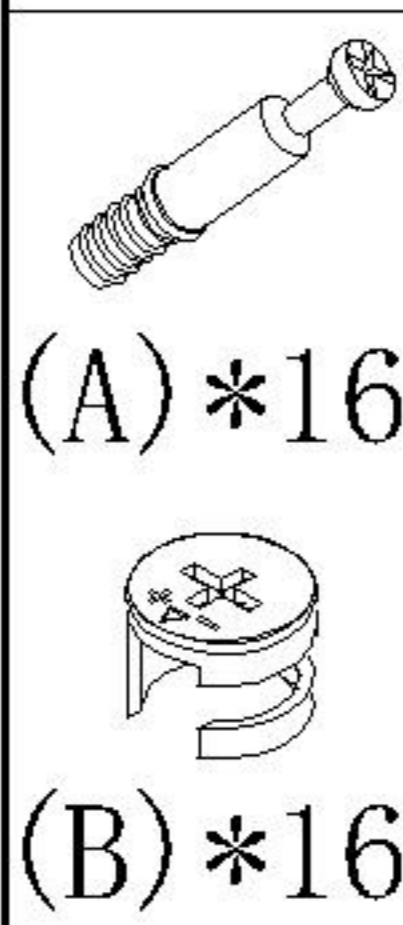
(F)*1

(I)*1

(D) 副轨
Sub track

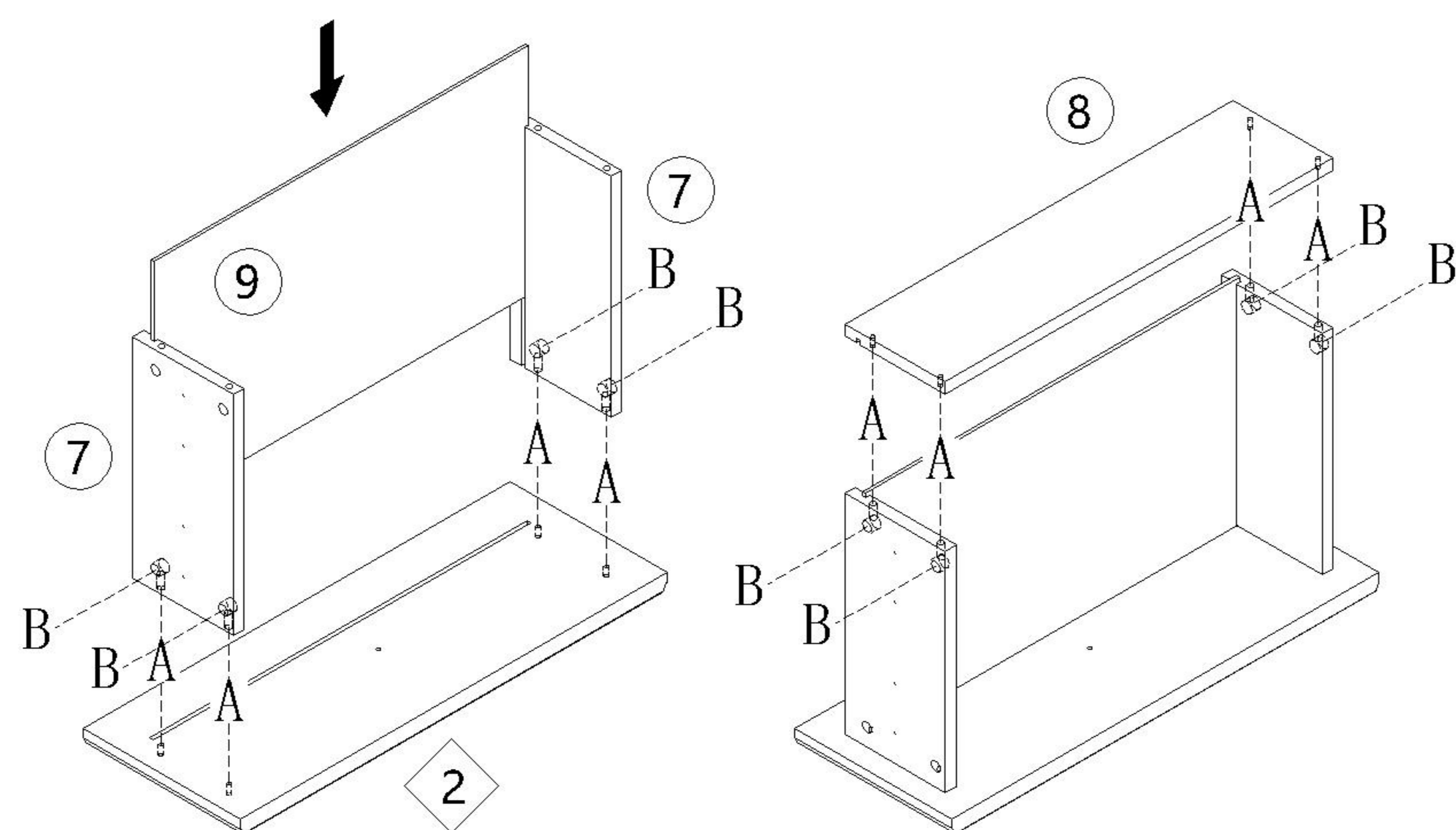


2

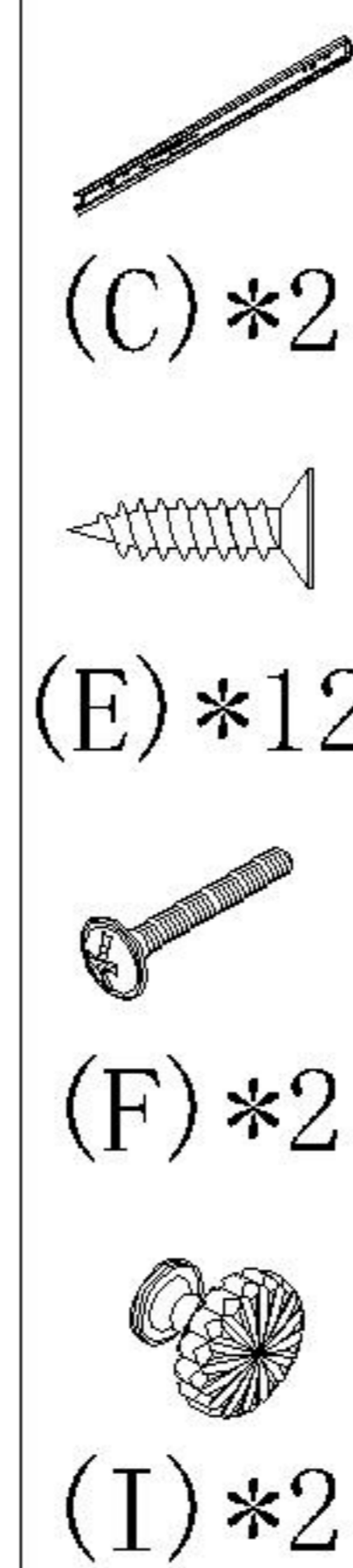


(A)*16

(B)*16



3



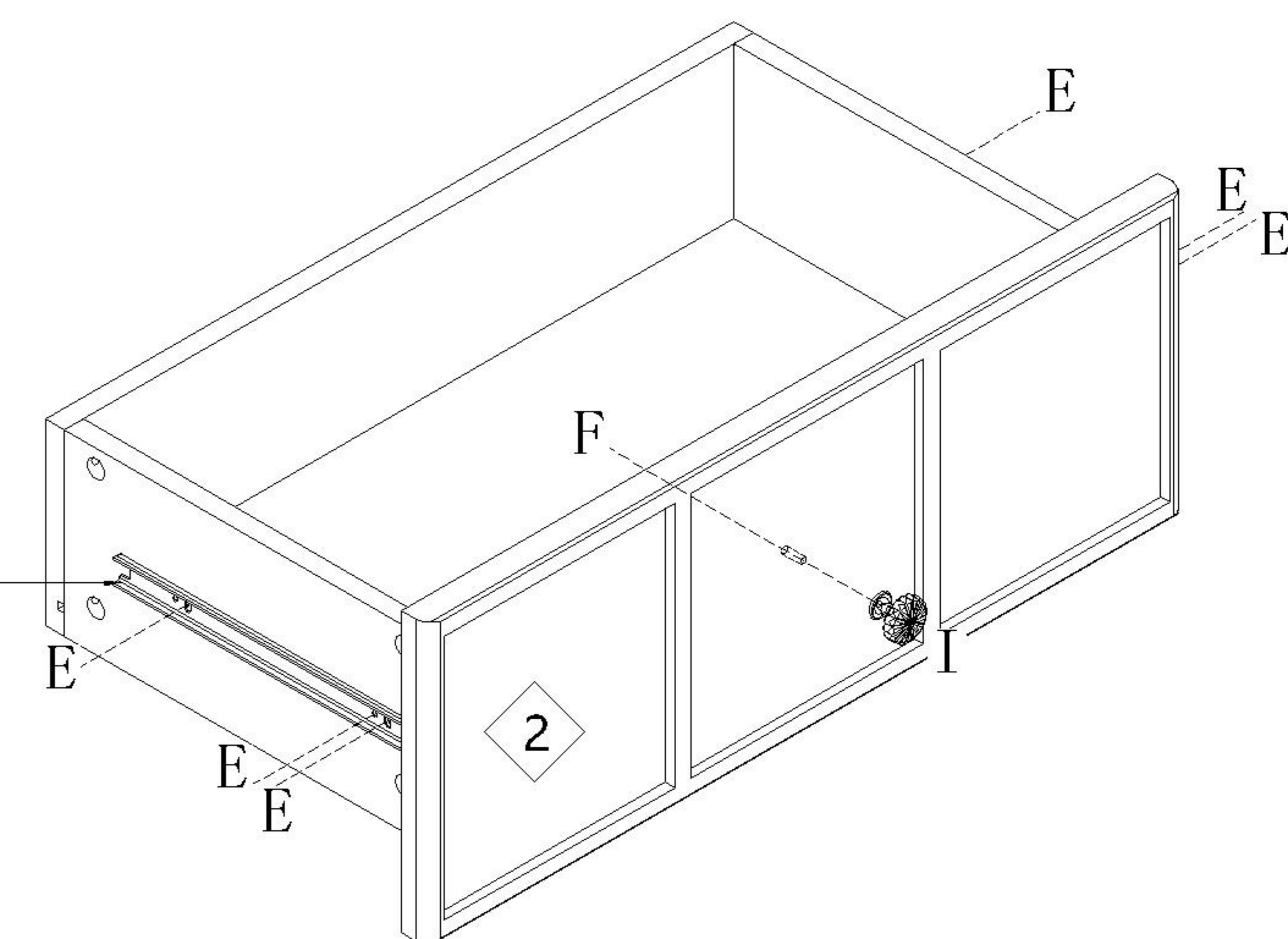
(C)*2

(E)*12

(F)*2

(I)*2

(D) 副轨
Sub track



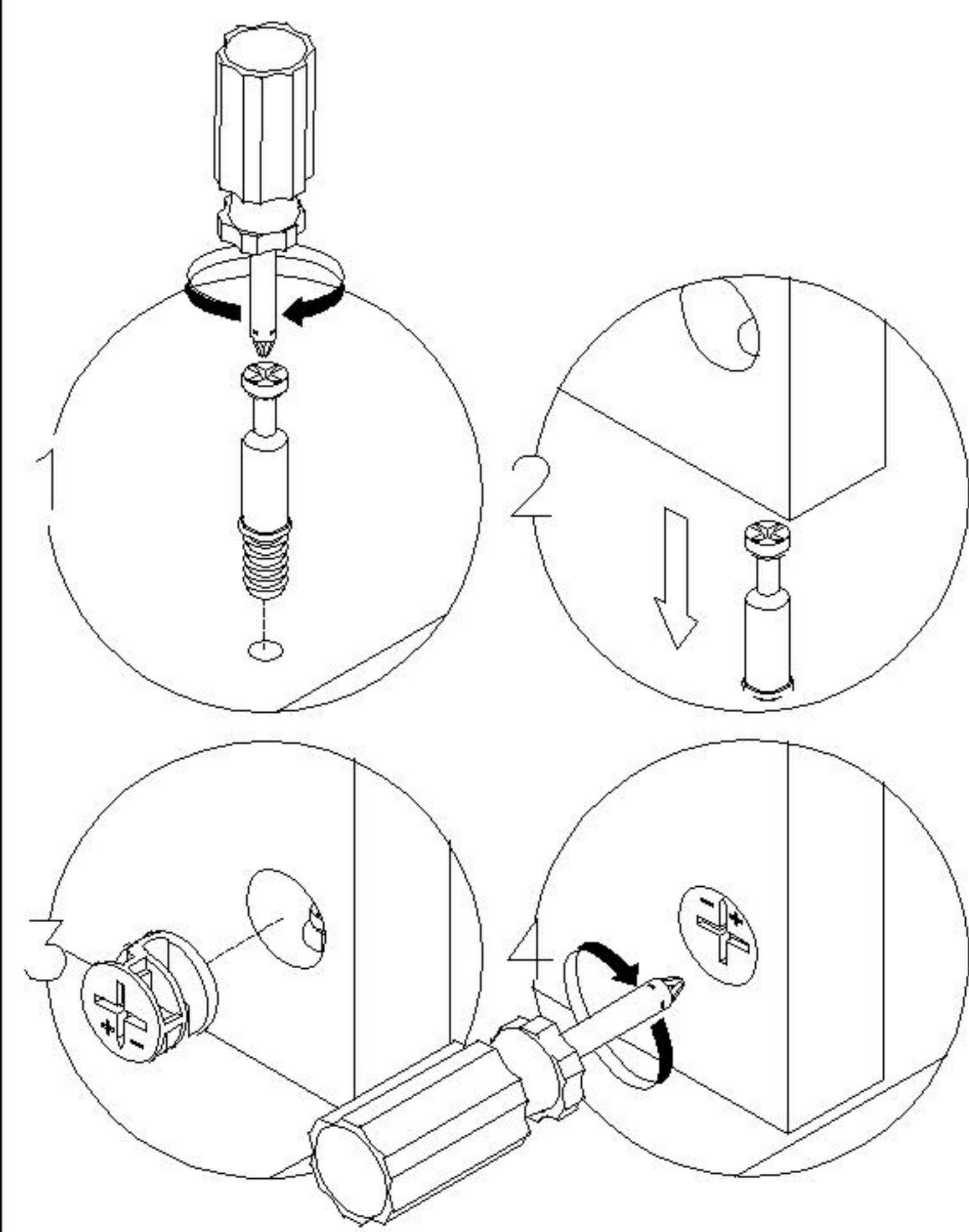
4

× 2

× 2

RC2E-B 三斗柜

安装方法/
Installation method



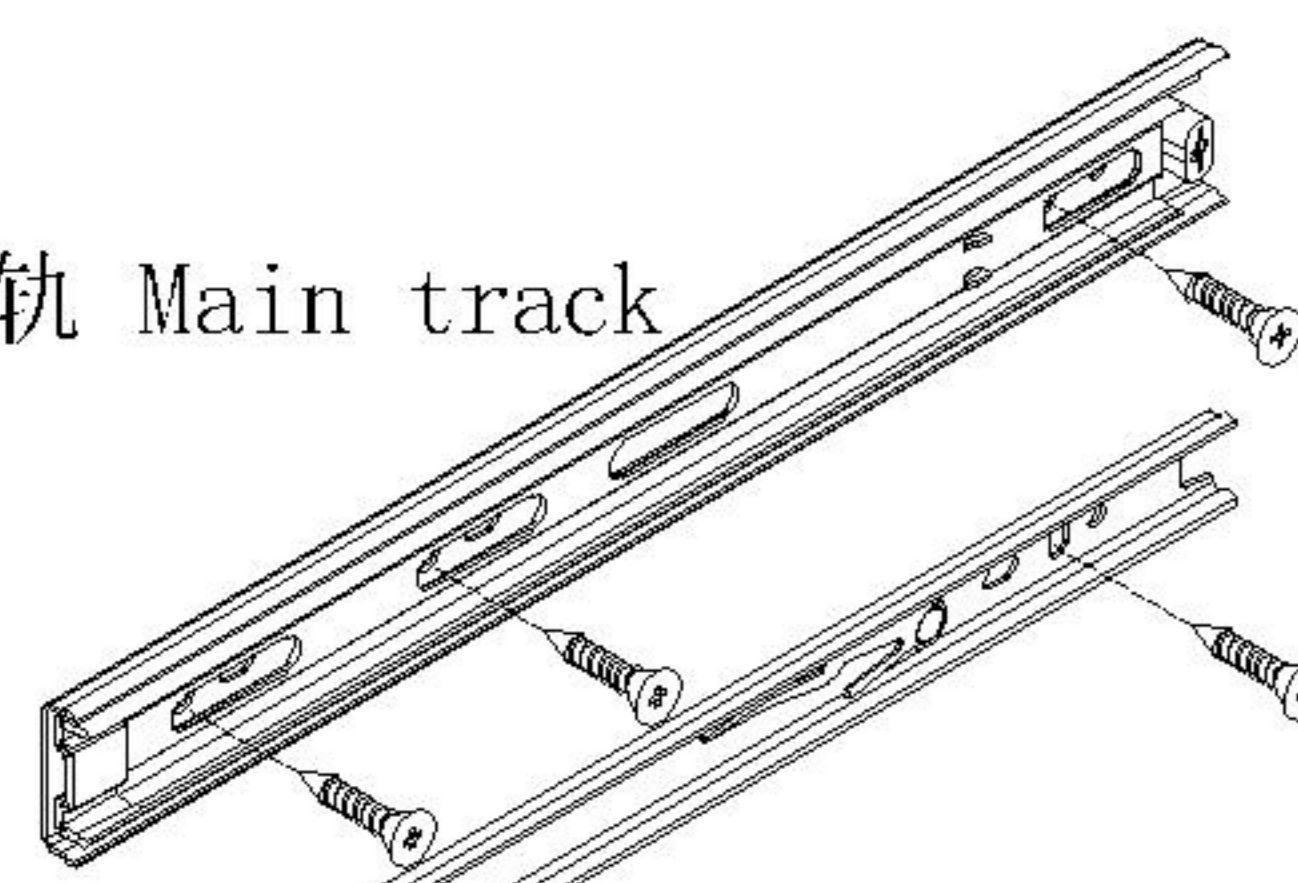
二合一 two-in-one

阀门开关(下压为开)
Valve switch (press down to open)

前 Forward 后 Back



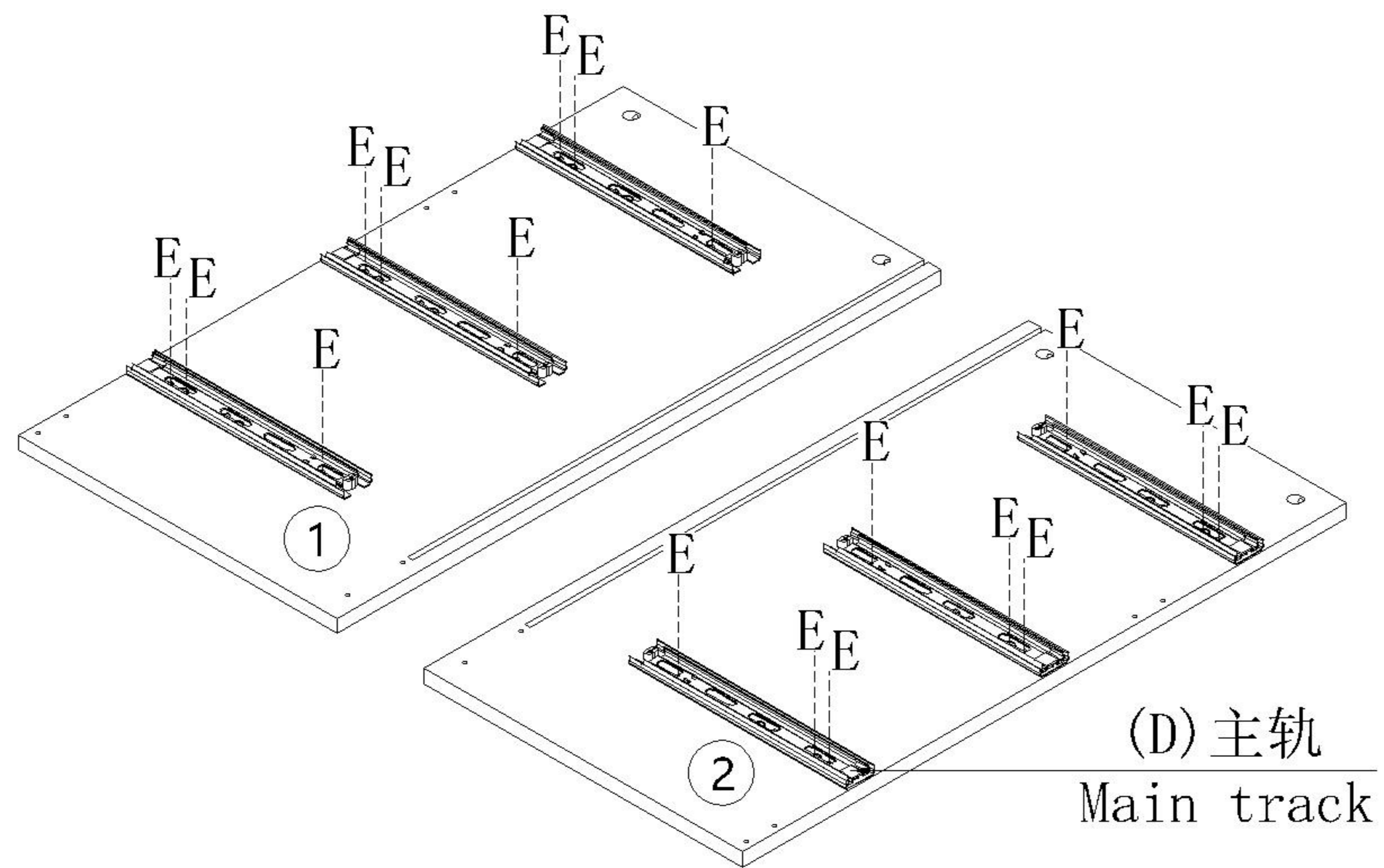
主轨 Main track



副轨 Sub track

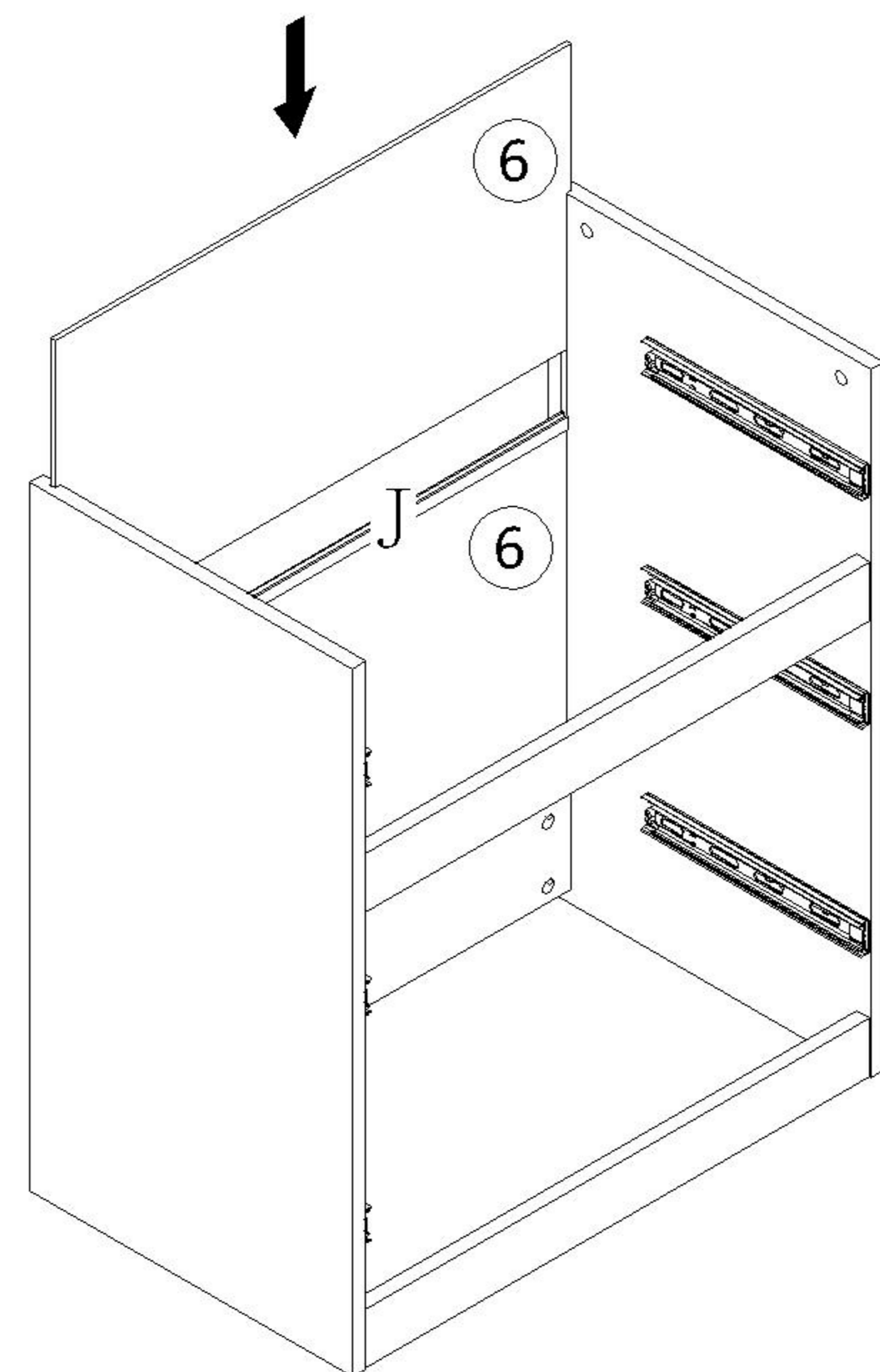
三节滚珠导轨
Three-section rail

(C)*3
(E)*18



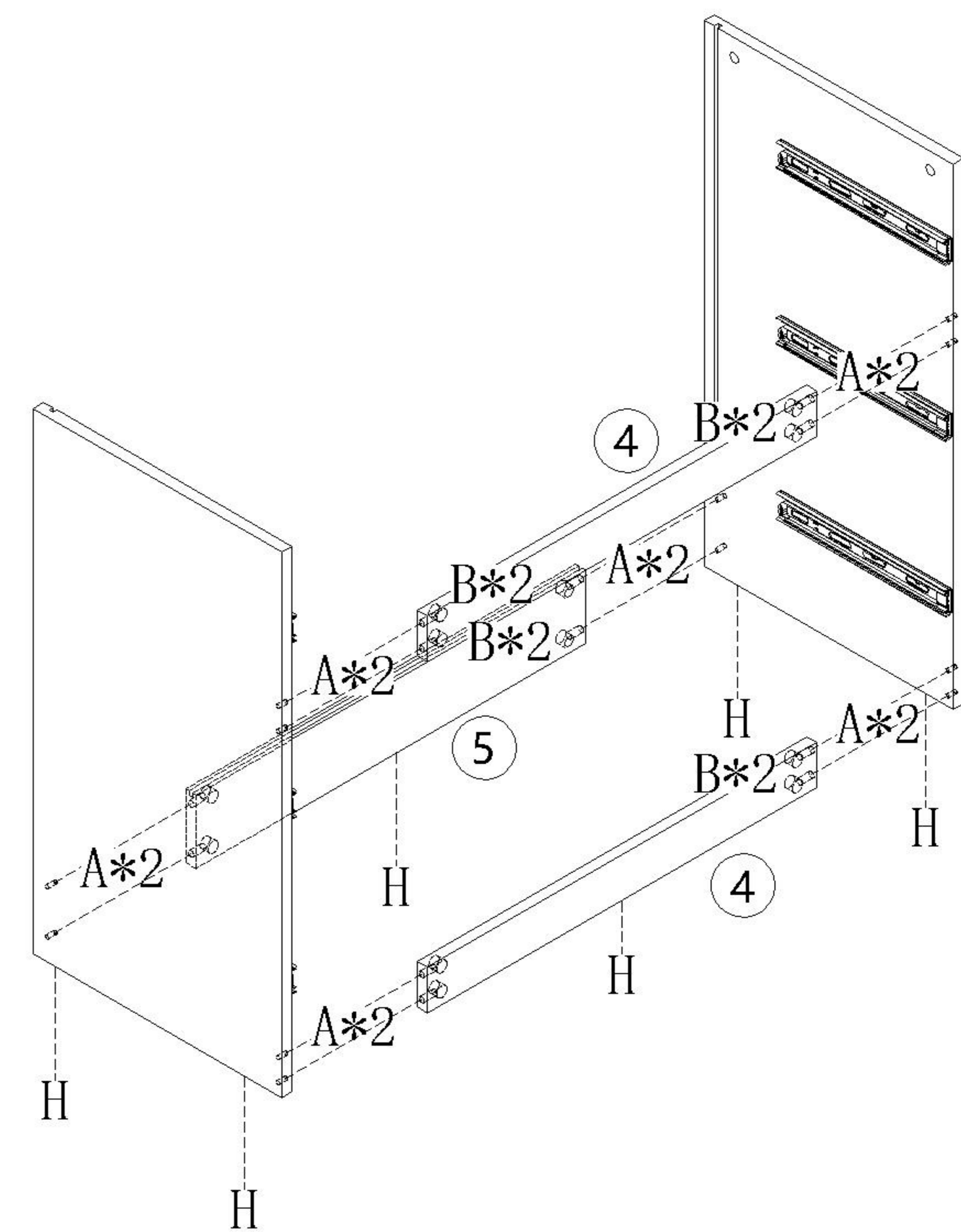
(D) 主轨
Main track

(J)*1



5

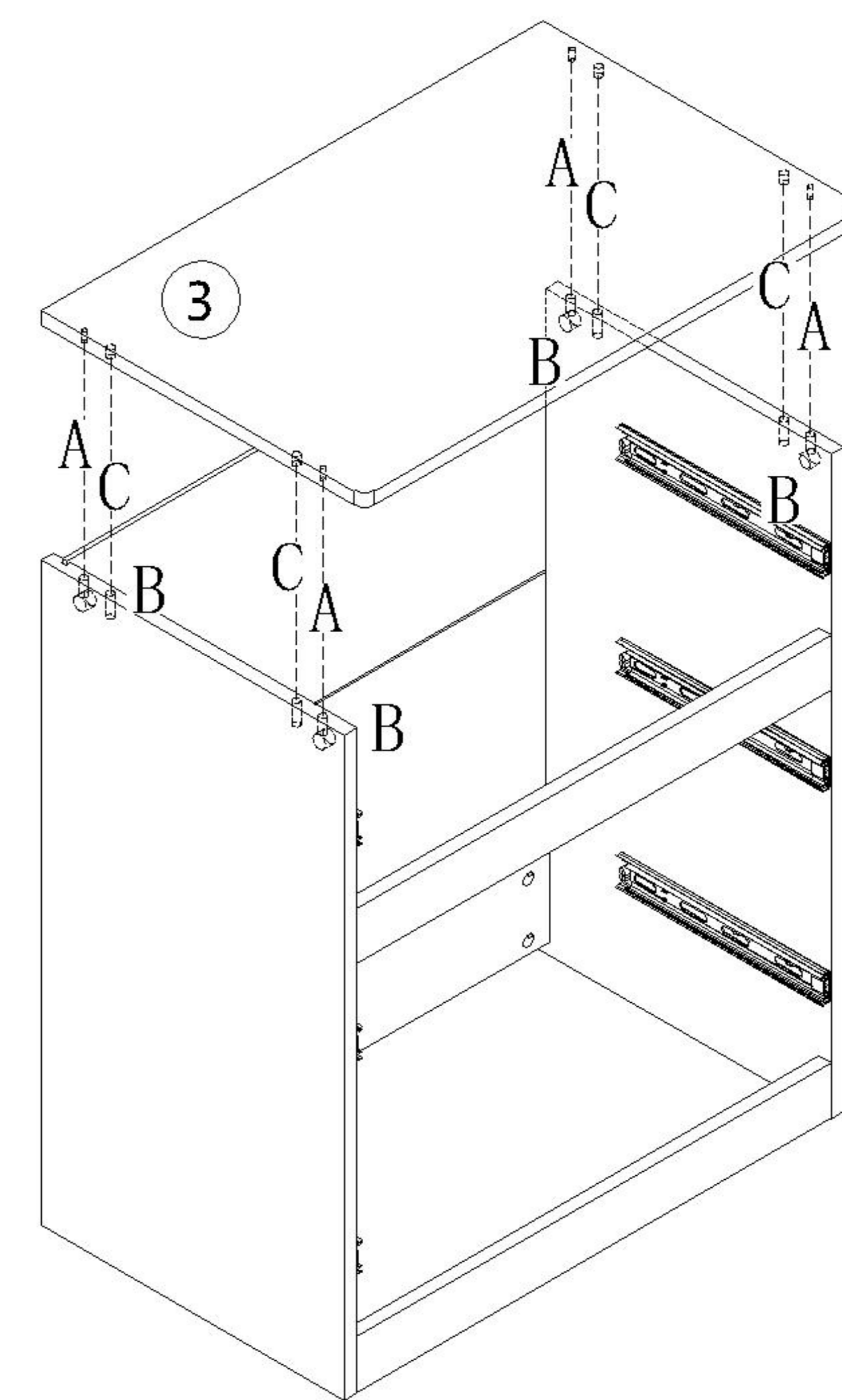
(A)*12
(B)*12
(H)*6



6

7

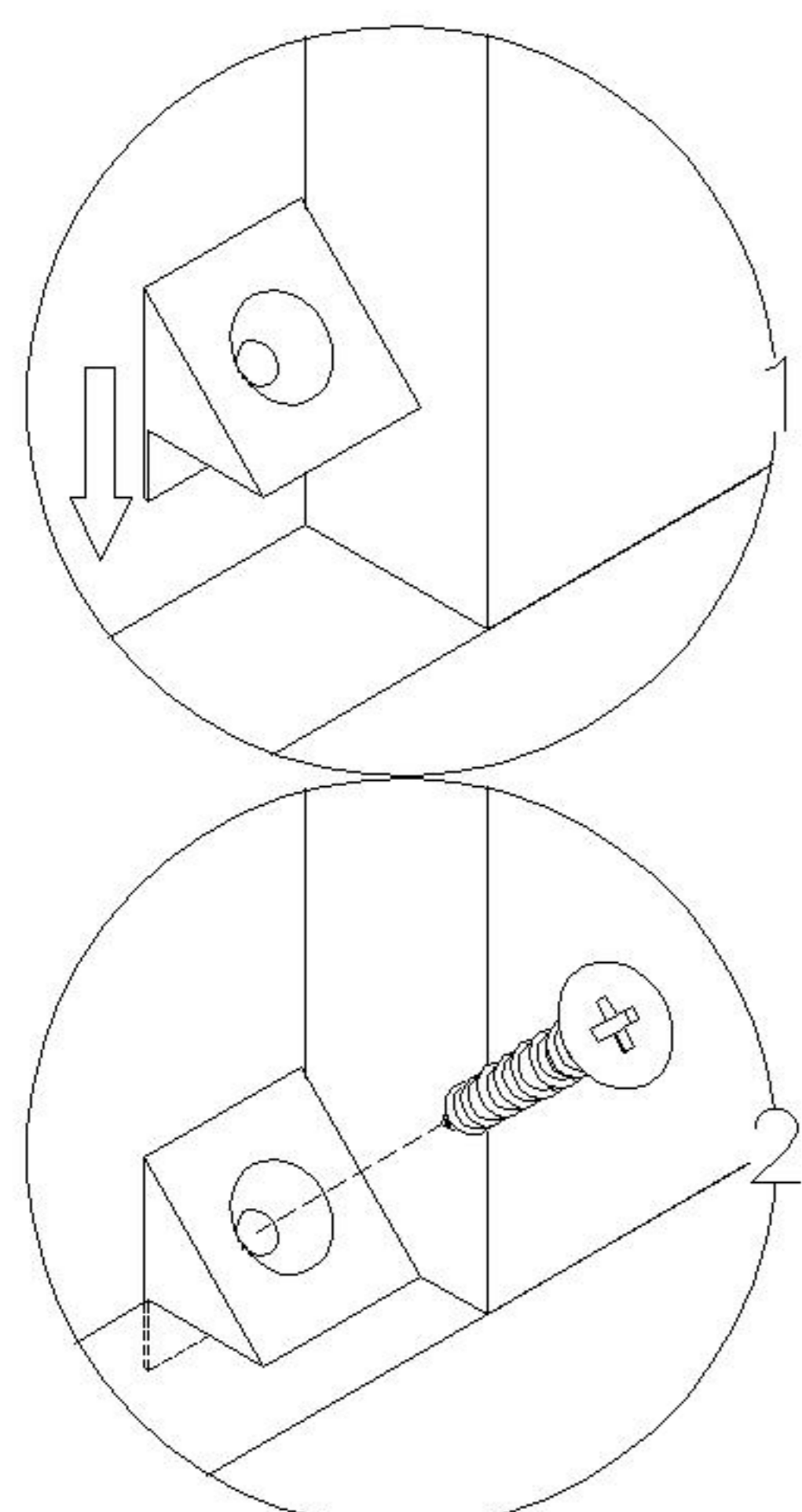
(A)*4
(B)*4
(D)*4



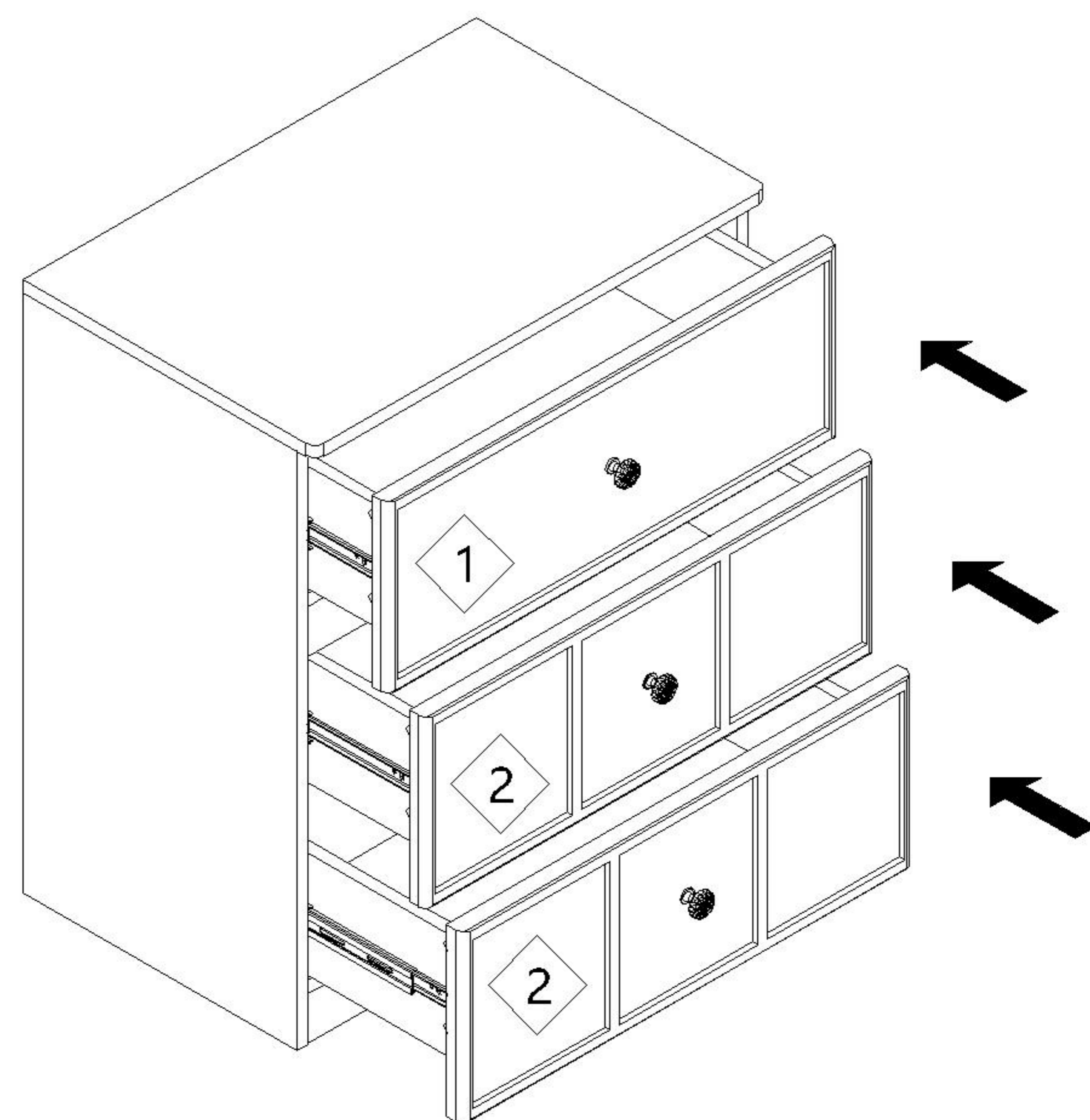
8

RC2E-B 三斗柜

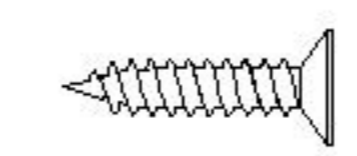
安装方法/
Installation method



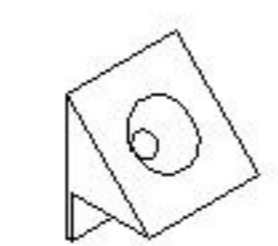
背板扣
Back Plate Buckle



9

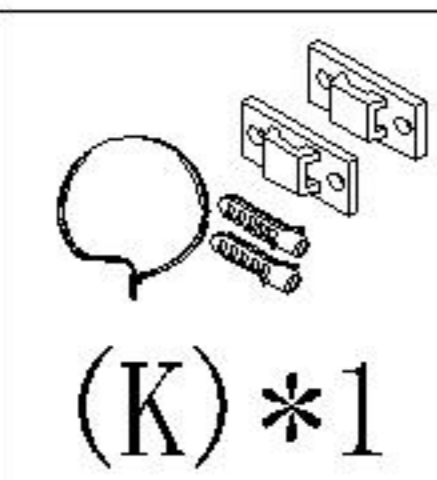
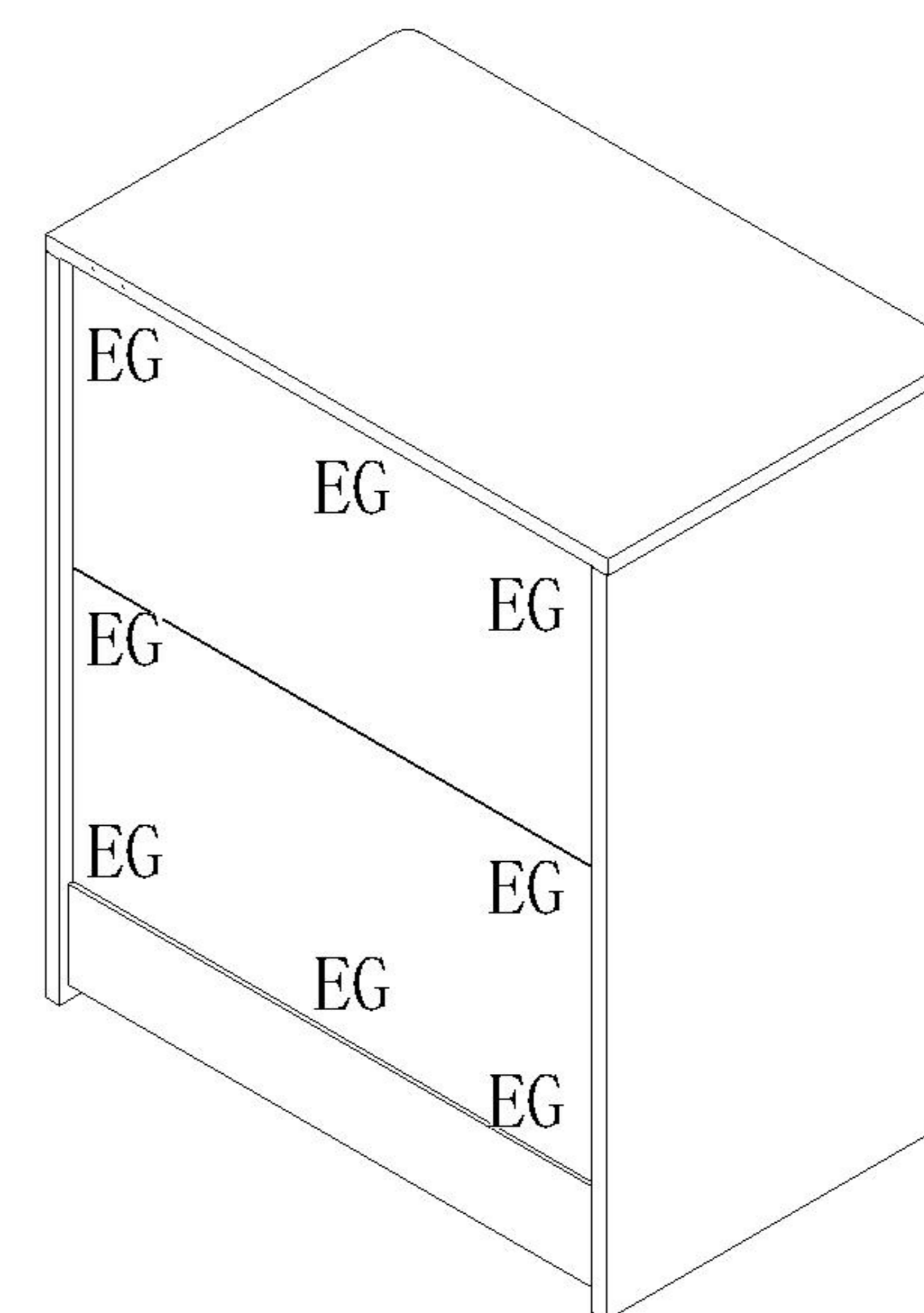


(E)*8



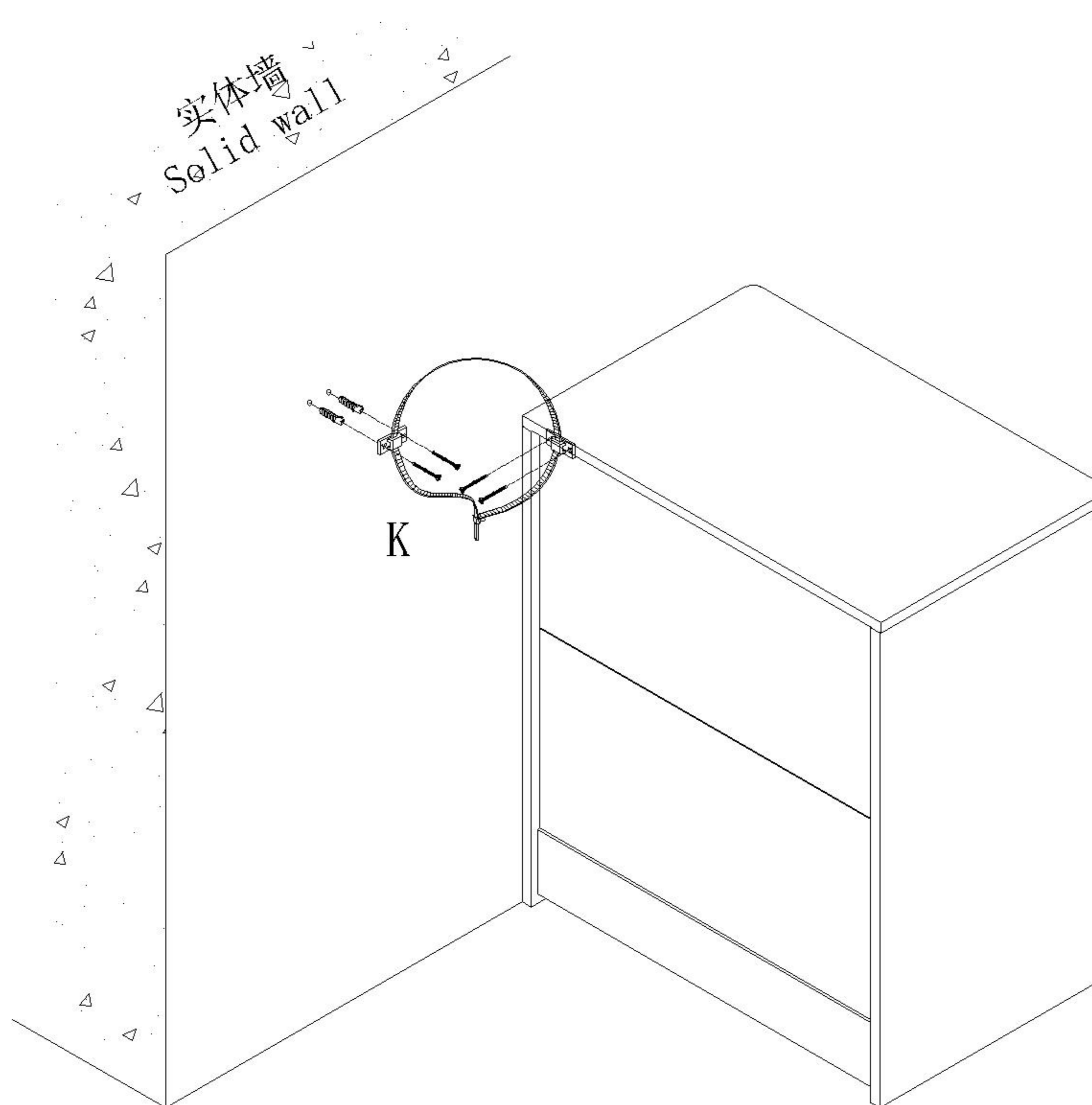
(G)*8

10

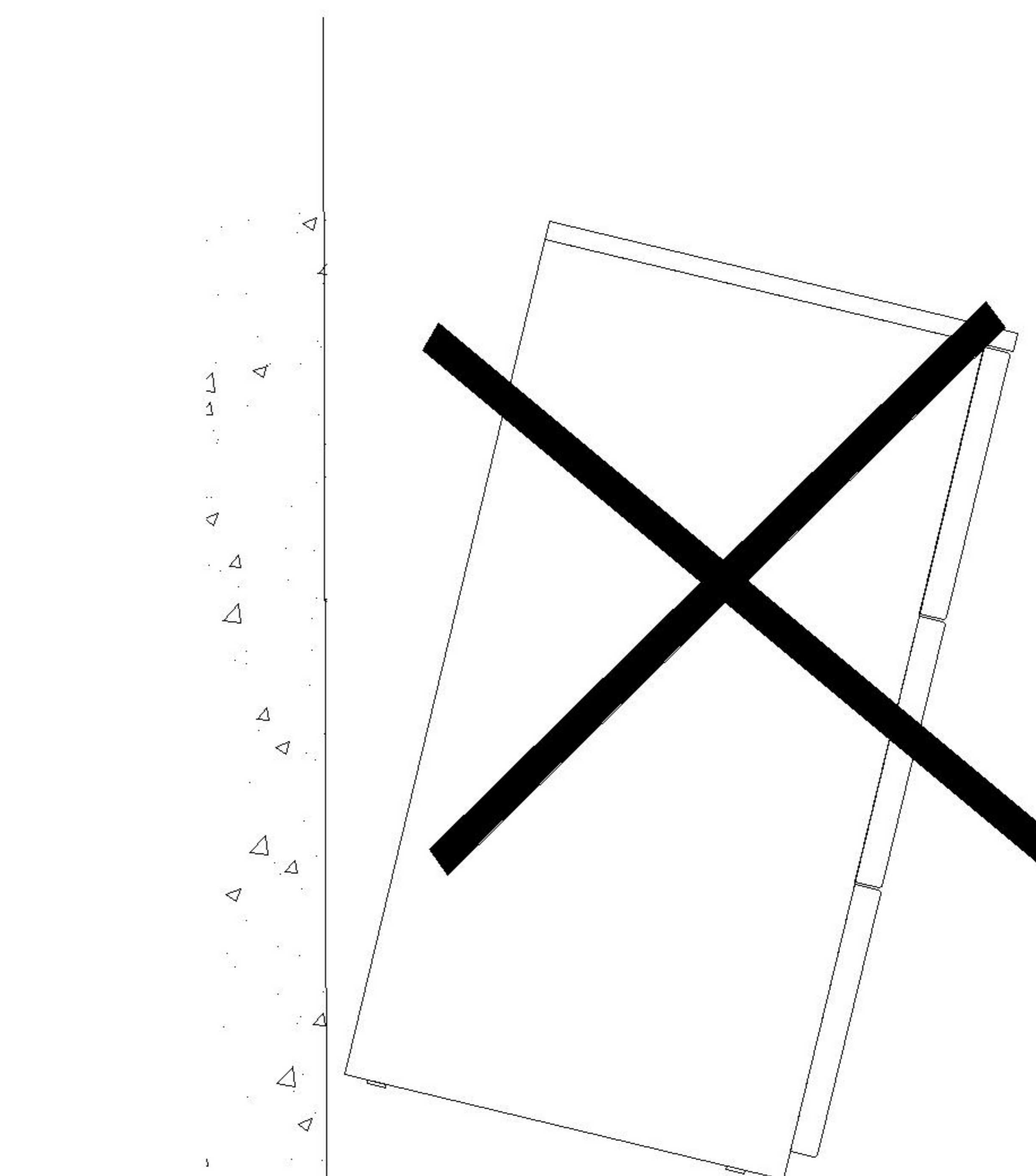


(K)*1

11



12



LINSY 林氏家居

五金表/Hardware list

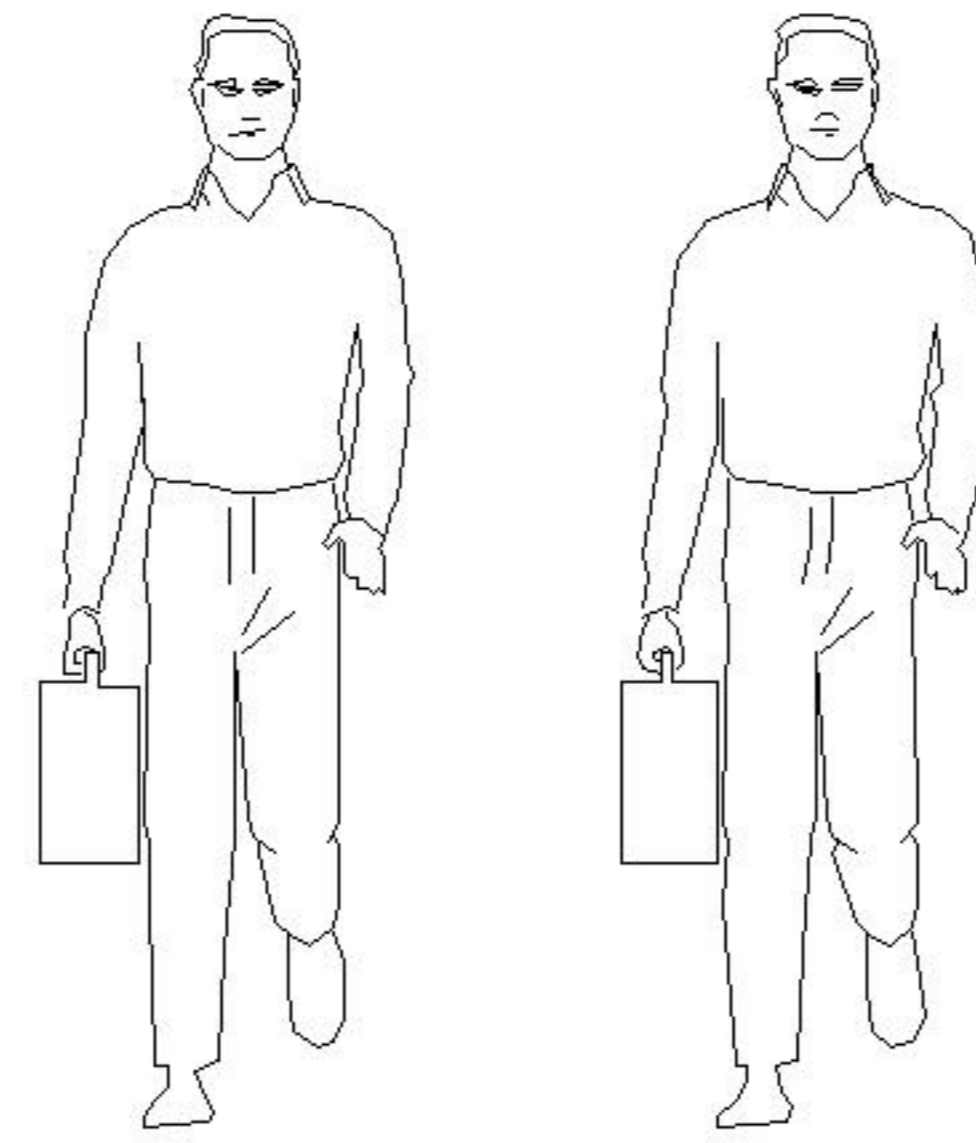
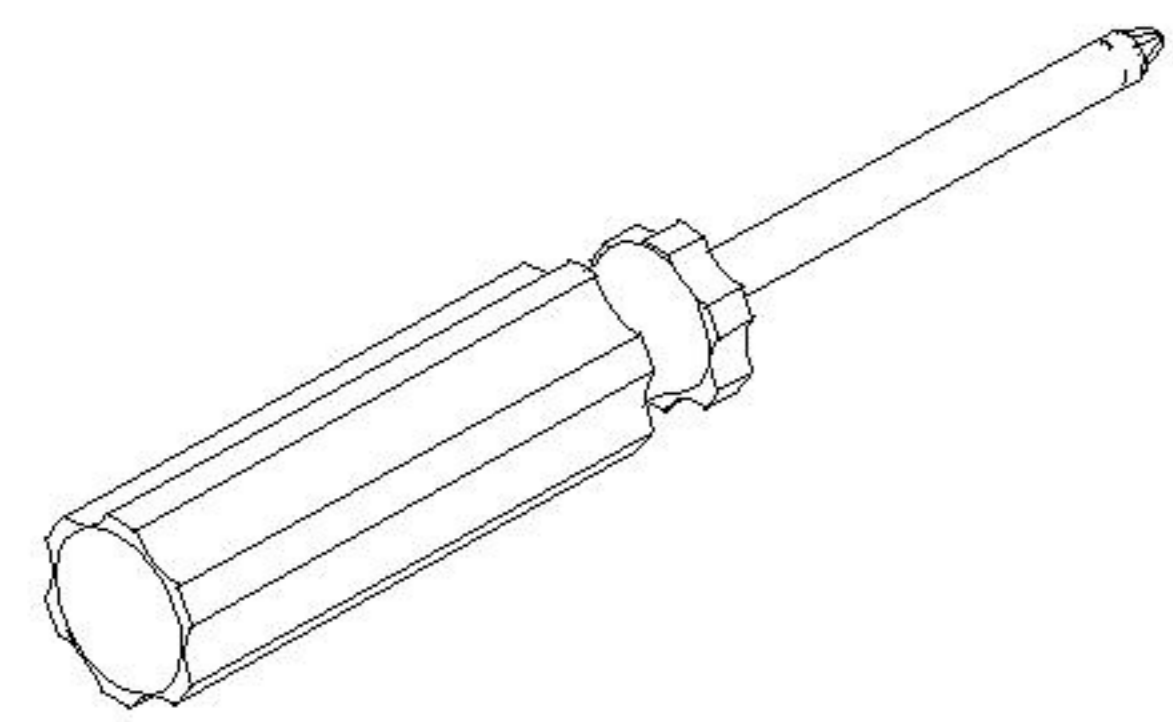
部件表/Parts List

安装示意图/Assembly Instruction

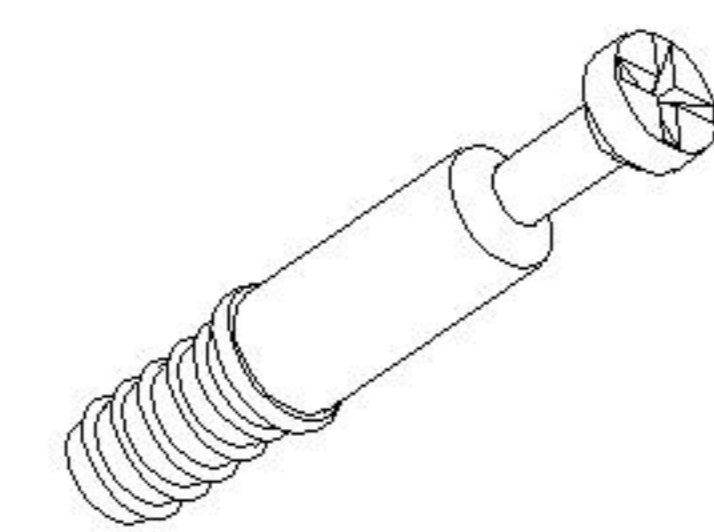
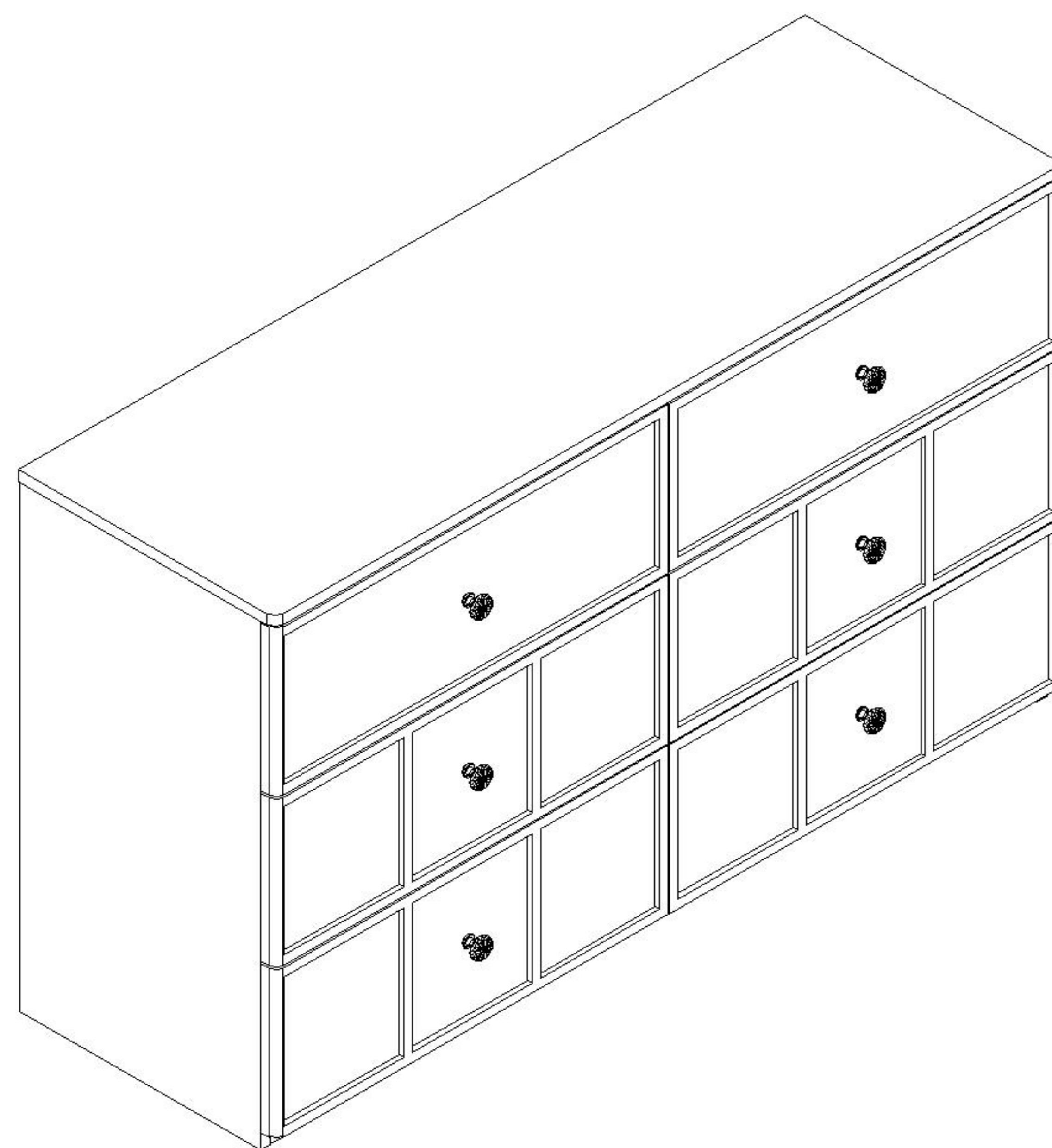
产品名称 Model NO. RC2E-B 六斗柜

产品规格 Specification 1195*410*714mm

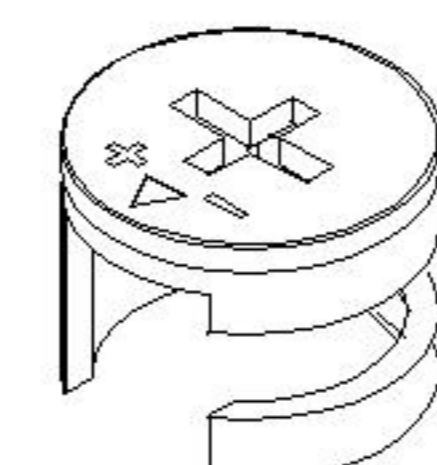
安装工具 Tool 安装人数 Installer



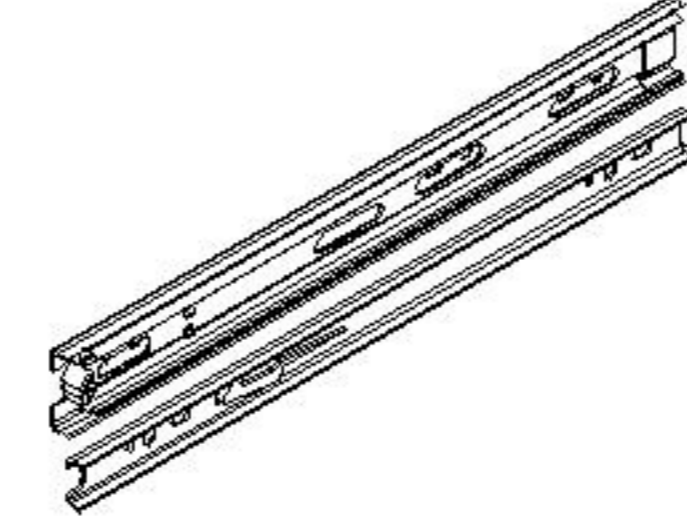
注：为保证设计效果，部分尺寸为定制尺寸，不影响使用。



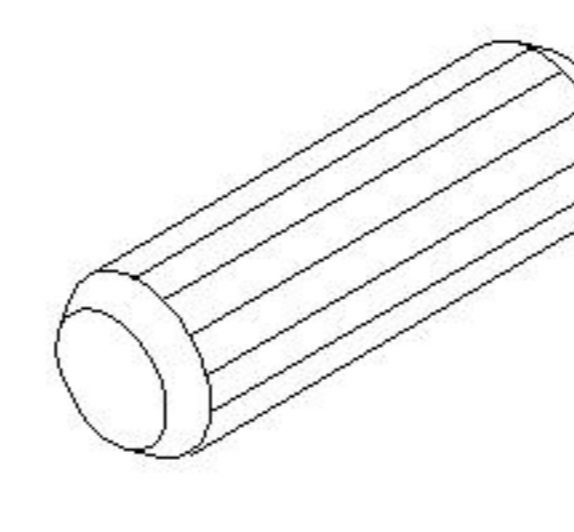
(A)*74
二合一螺杆
2-in-1-screw



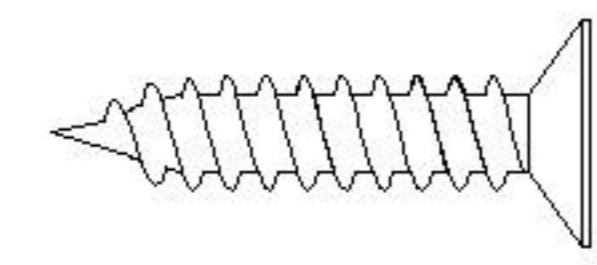
(B)*74
大三合一锁饼
3-in-1 large lock



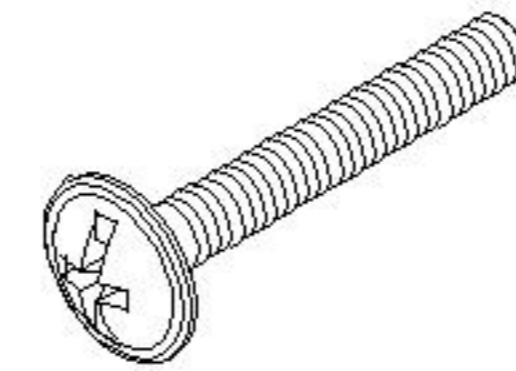
(C)*6
三节滚珠导轨10"
Three-section rail



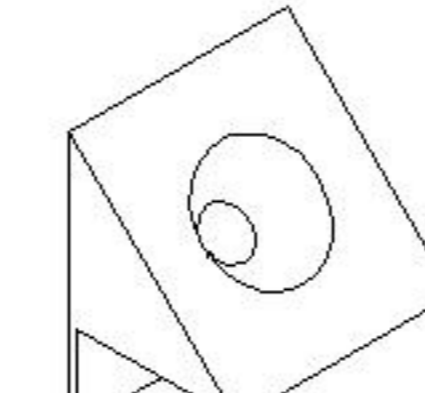
(D)*6
木榫Ø8x30mm
Wood tenon



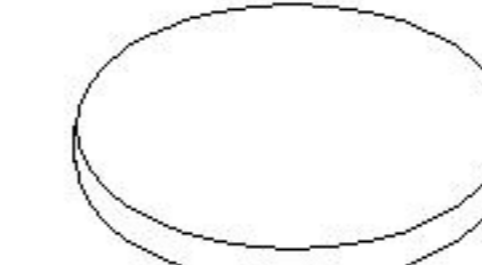
(E)*86
白攻螺丝M3.5*14mm
Tapping screw



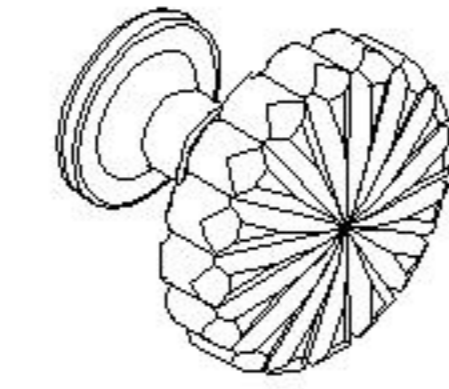
(F)*6
拉手螺丝-M4x22mm
Pulling screw



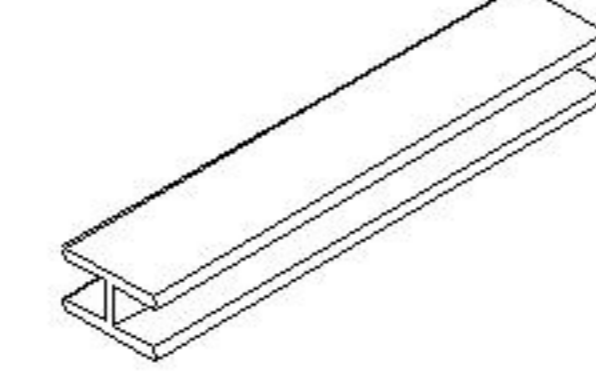
(G)*11
背板扣
White buckle



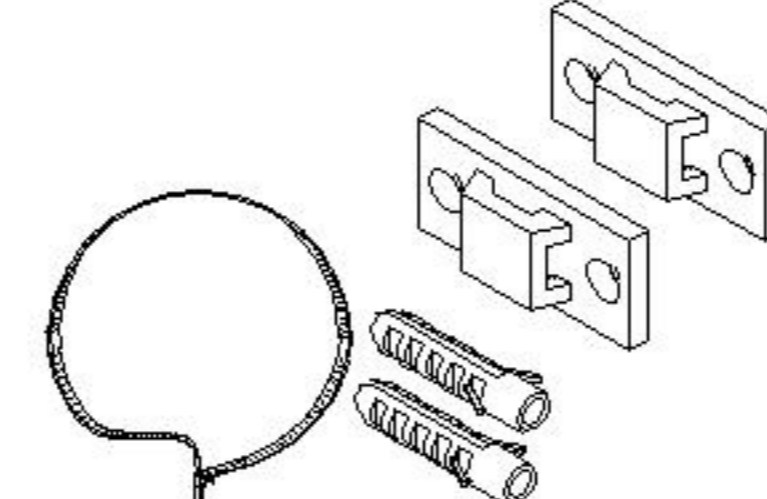
(H)*10
灰色毛毡垫
Foot pad



(I)*6
拉手
shake hands

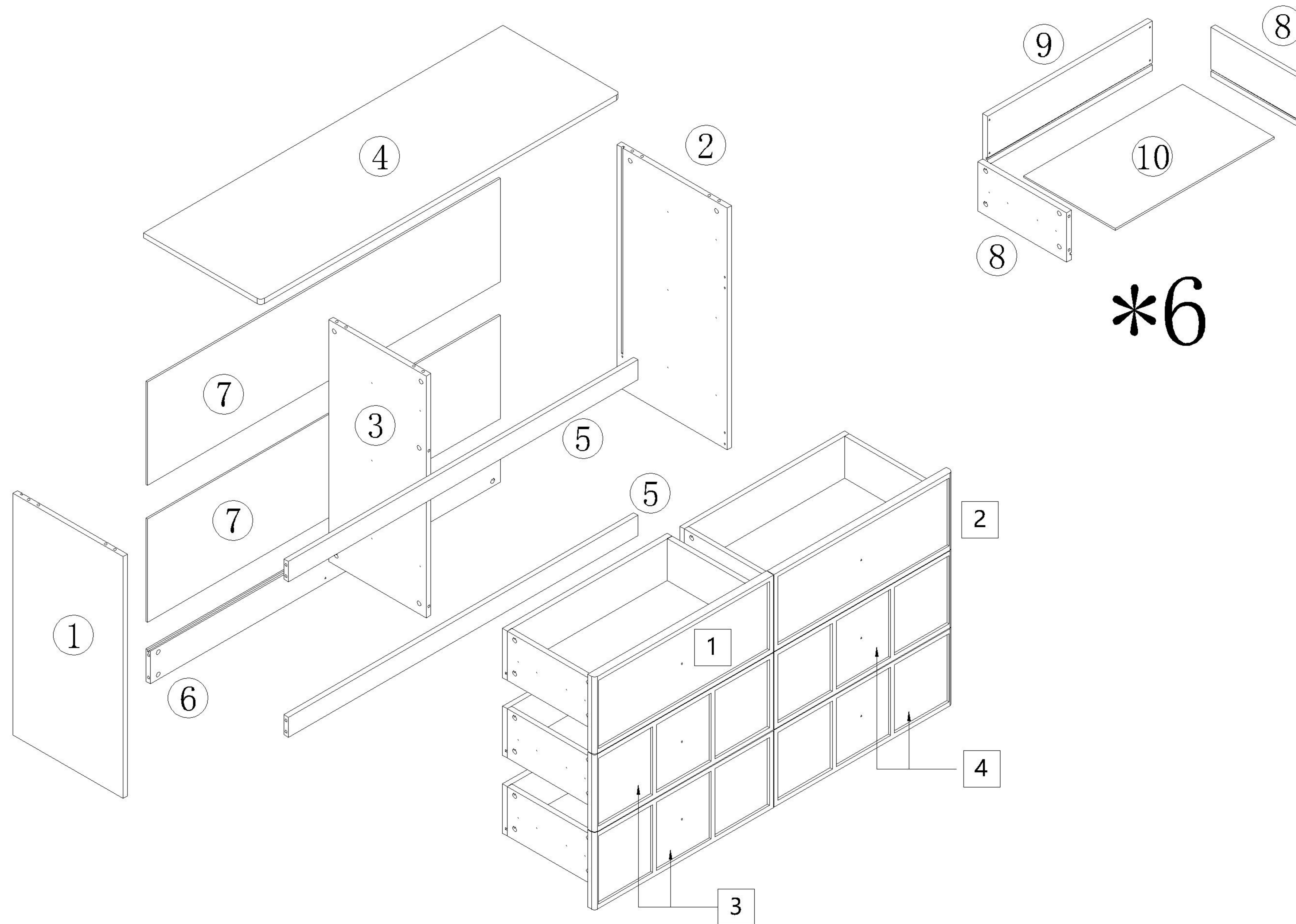


(J)*1
夹板条
Splint strip



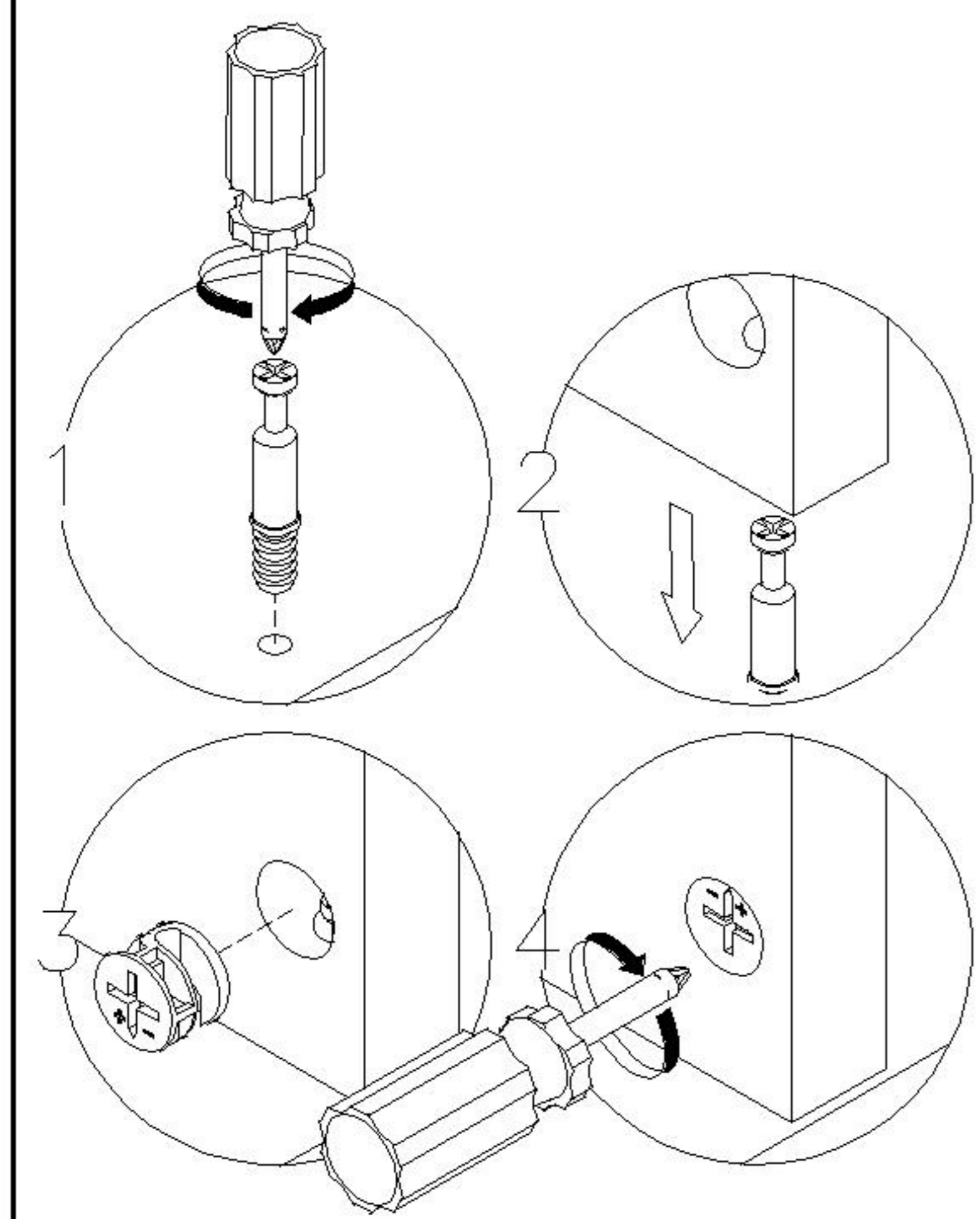
(K)*1
家具防倒器-白色
Anti-fall device

编号NO.	名称Name	规格 (mm) Specification	数量QTY	材质Material
RC2E-B六斗柜柜体 RC2E-B Six bucket cabinet body				
①	左侧板Side board(L)	696*366*15	1	刨花板 Particle board
②	右侧板Side board(R)	696*366*15	1	刨花板 Particle board
③	中侧板Middle side board	696*325*15	1	刨花板 Particle board
④	面板Top panel	1195*390*15	1	刨花板 Particle board
⑤	前拉条Front brace	1163*58*15	2	刨花板 Particle board
⑥	后拉条Back brace	1163*94*15	1	刨花板 Particle board
⑦	背板Back board	1173*298*5	2	纤维板 Fiberboard
⑧	抽屉侧板 Drawer's sideboard	295*142*15	12	刨花板 Particle board
⑨	抽屉后板 Drawer's Back board	548*142*15	6	刨花板 Particle board
⑩	抽屉底板 Drawer's Bottom board	528*305*5	6	纤维板 Fiberboard
RC2E-B六斗柜抽面 RC2E-B Six bucket cabinet for noodle extraction				
1	左上抽屉面板 Upper drawer's panel(L)	595*222*23	1	纤维板 Fiberboard
2	右上抽屉面板 Upper drawer's panel(R)	595*222*23	1	纤维板 Fiberboard
3	左下抽屉面板 Bottom drawer's panel(L)	595*222*23	2	纤维板 Fiberboard
4	右下抽屉面板 Bottom drawer's panel(R)	595*222*23	2	纤维板 Fiberboard



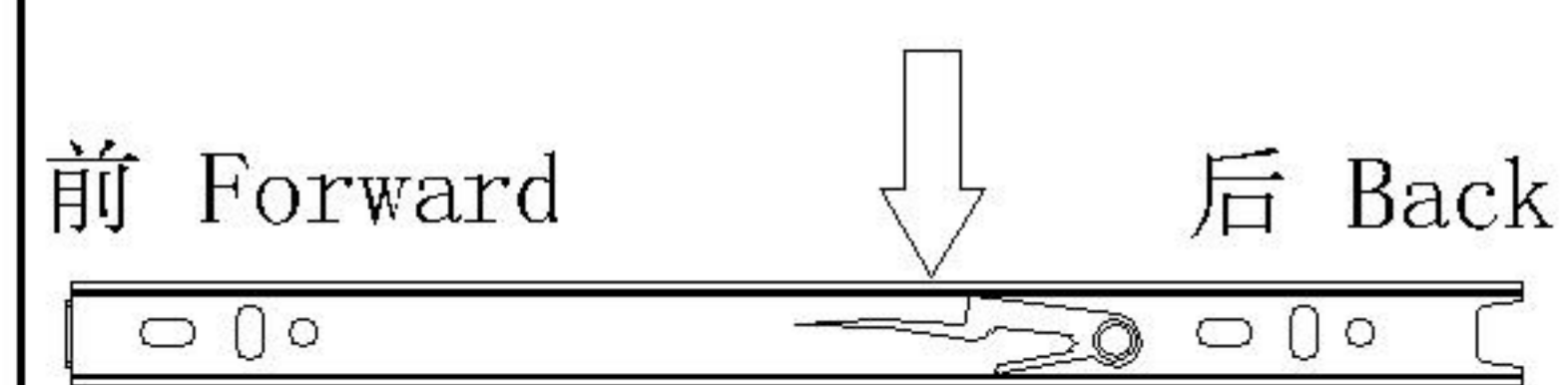
编号NO.	名称Name
RC2E-B六斗柜柜体	
①	左侧板Side board(L)
②	右侧板Side board(R)
③	中侧板Middle side board
④	面板Top panel
⑤	前拉条Front brace
⑥	后拉条Back brace
⑦	背板Back board
⑧	抽屉侧板 Drawer's sideboard
⑨	抽屉后板 Drawer's Back board
⑩	抽屉底板 Drawer's Bottom board
RC2E-B六斗柜抽面	
1	左上抽屉面板 Upper drawer's panel(L)
2	右上抽屉面板 Upper drawer's panel(R)
3	左下抽屉面板 Bottom drawer's panel(L)
4	右下抽屉面板 Bottom drawer's panel(R)

安装方法
Installation method

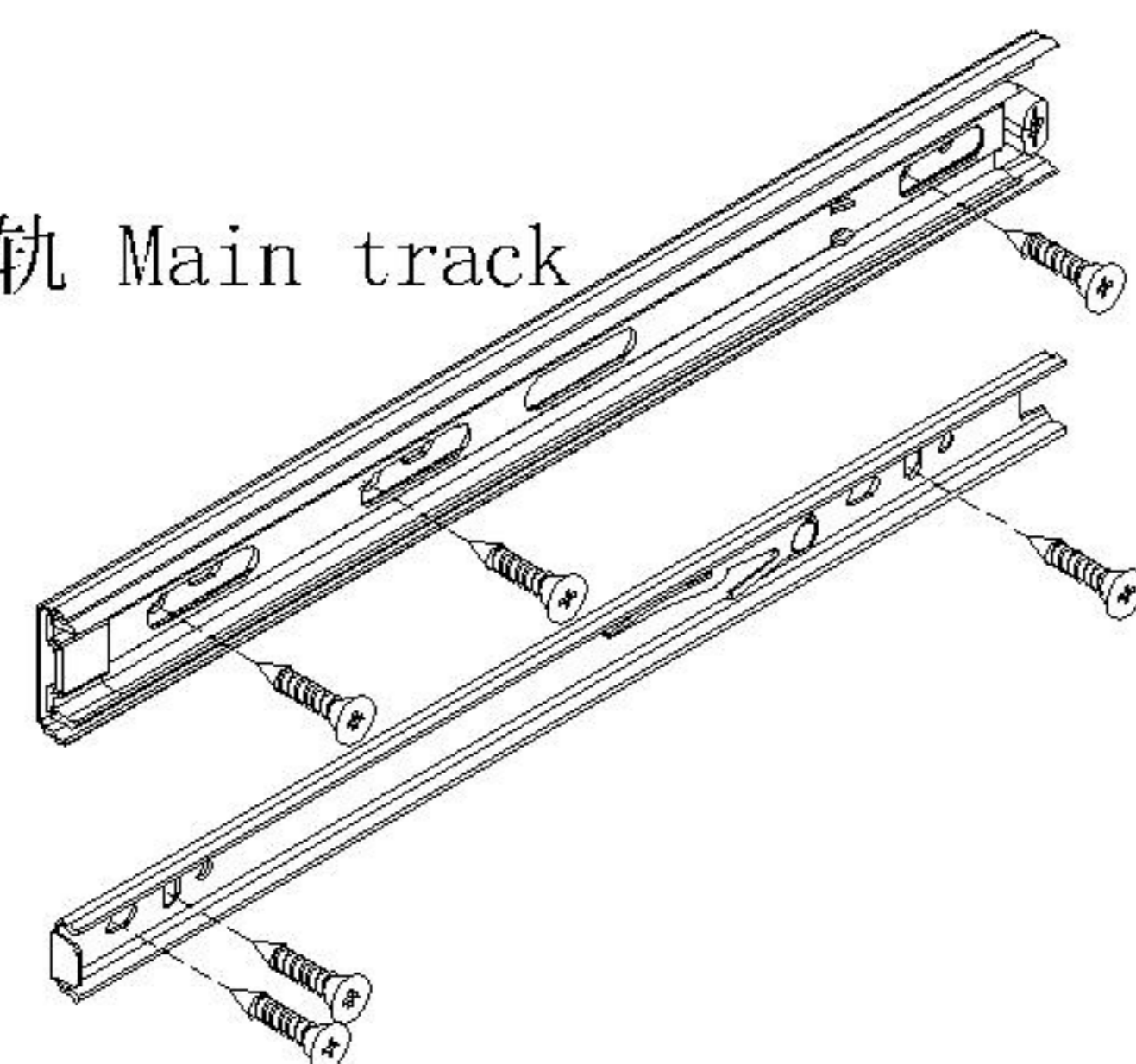


二合一 two-in-one

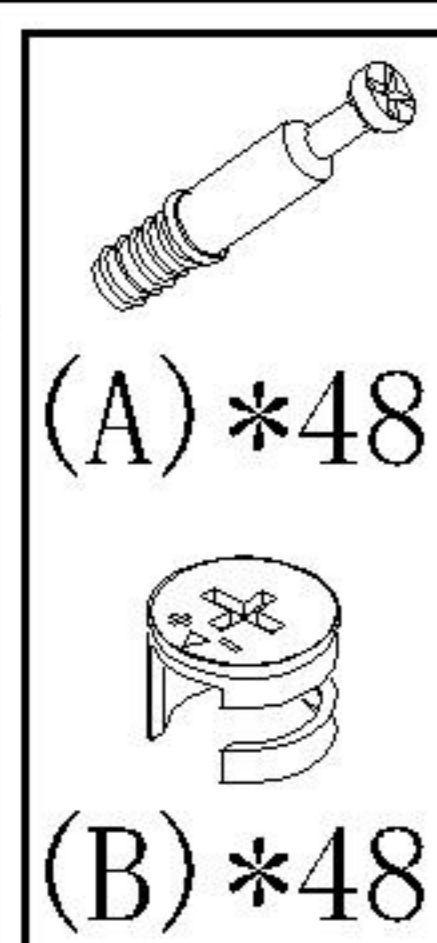
阀门开关(下压为开)
Valve switch (press down to open)



主轨 Main track

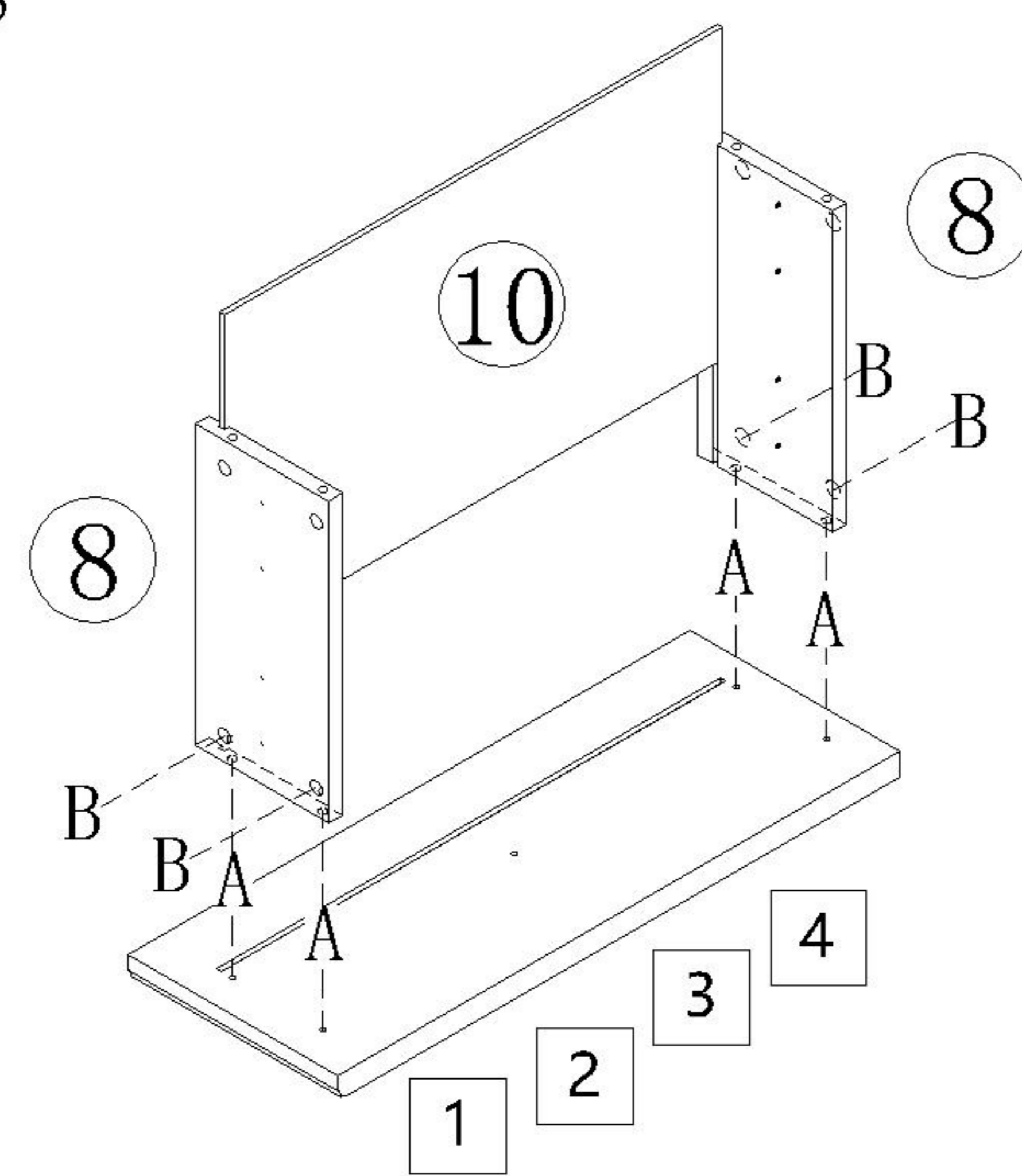


三节滚珠导轨-10"
Three-section rail

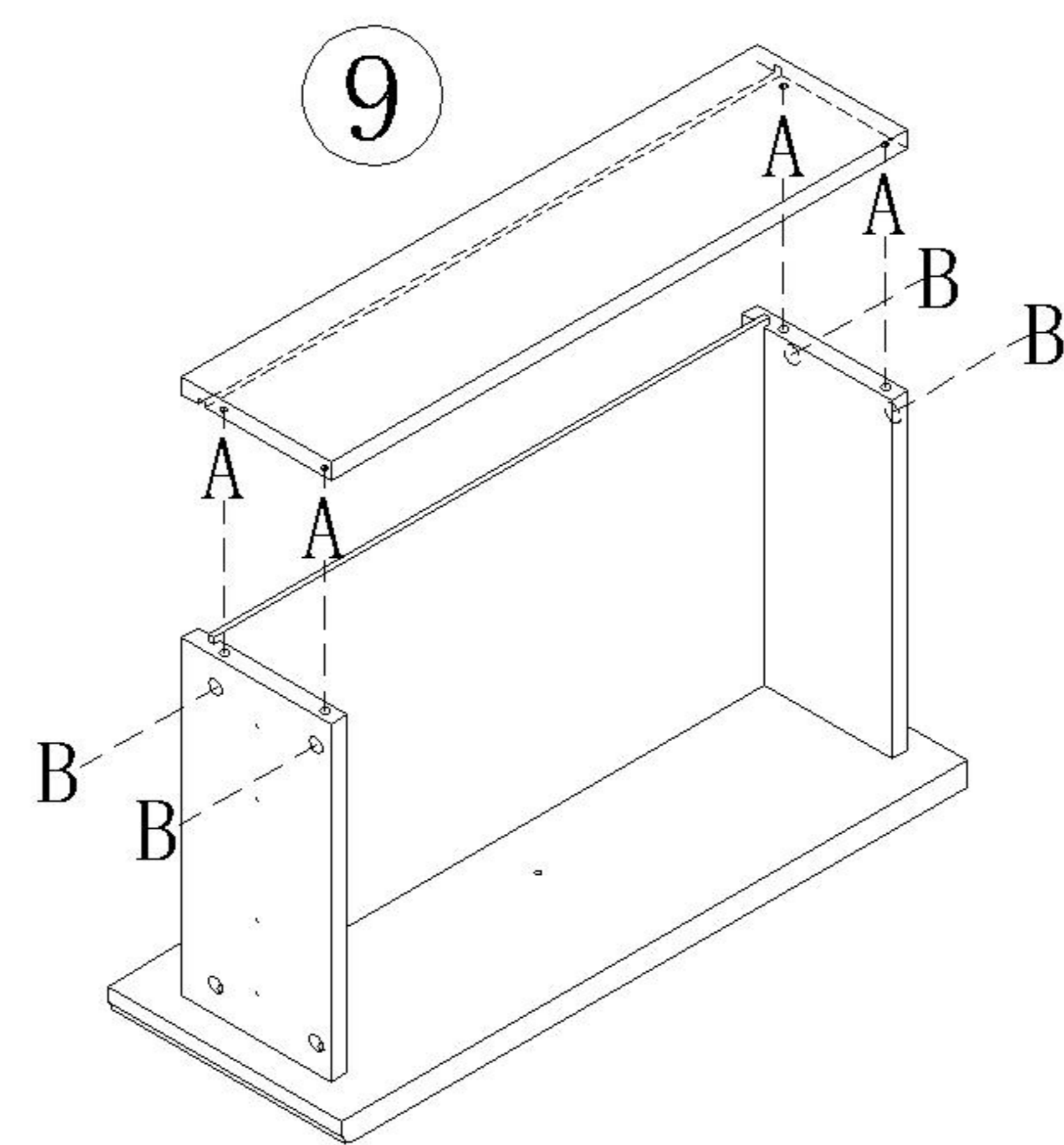


(A)*48

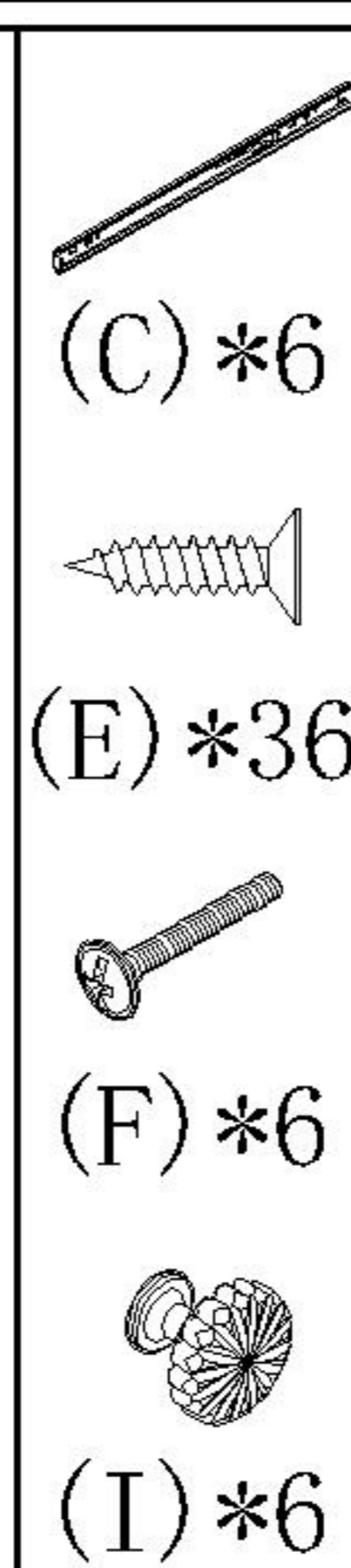
(B)*48



*6



1



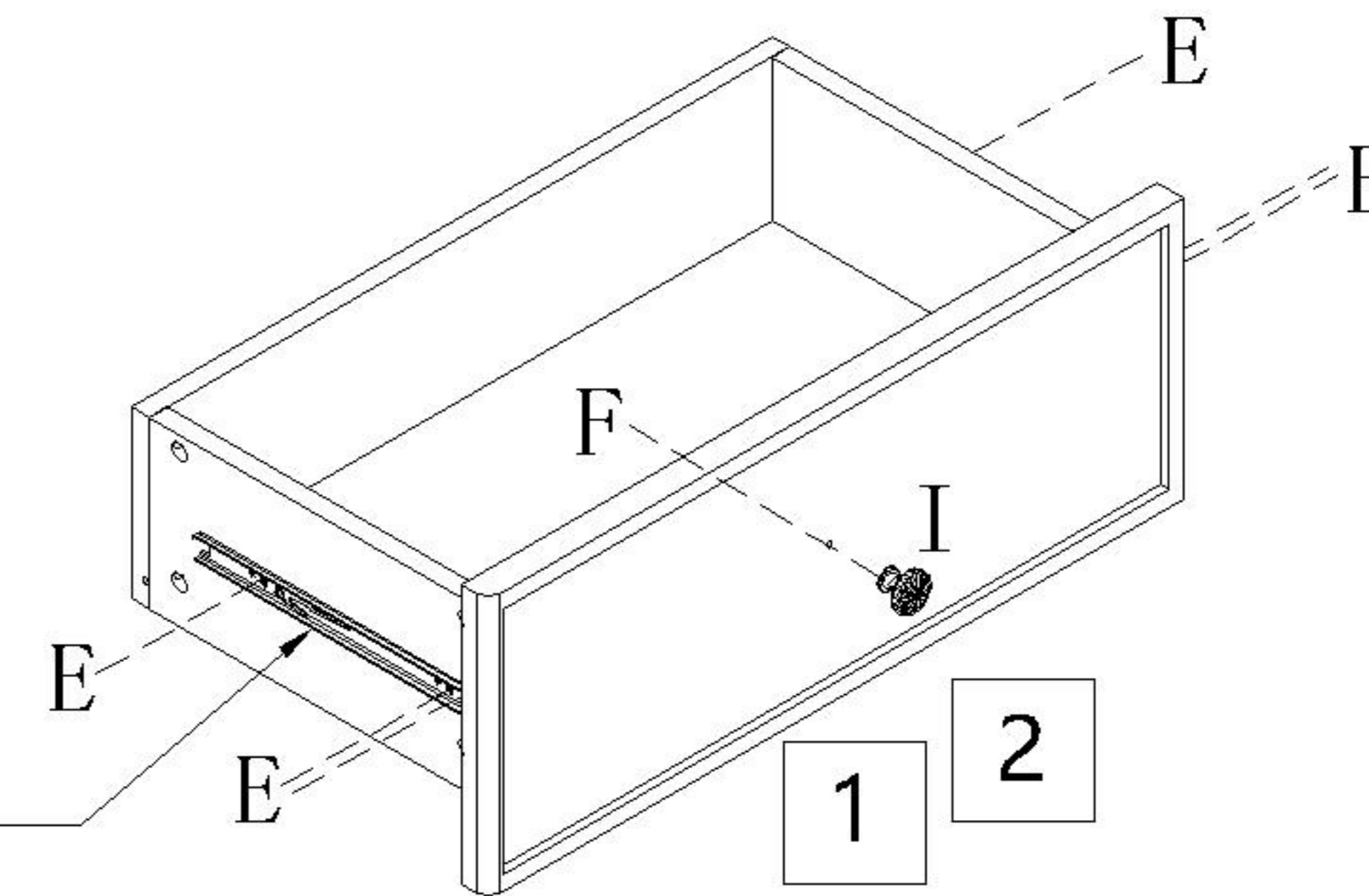
(C)*6

(E)*36

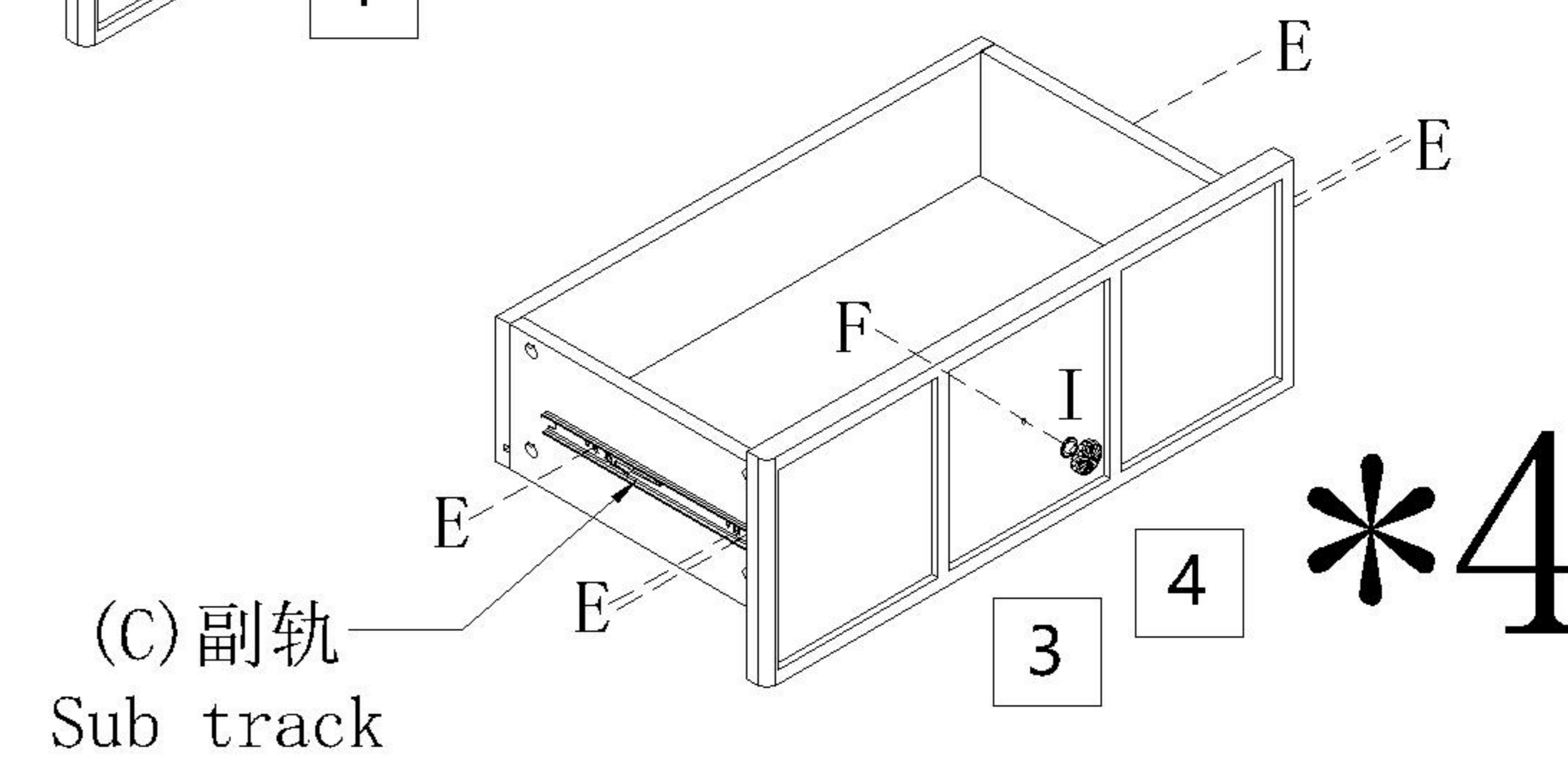
(F)*6

(I)*6

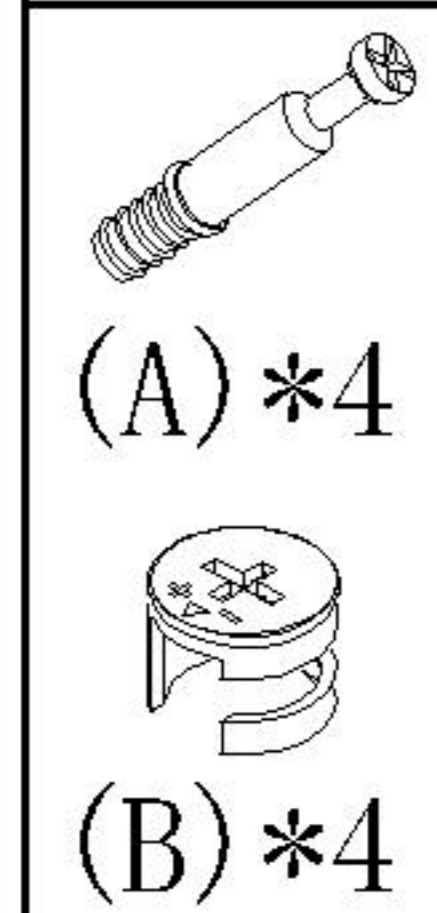
(C) 副轨
Sub track



*2

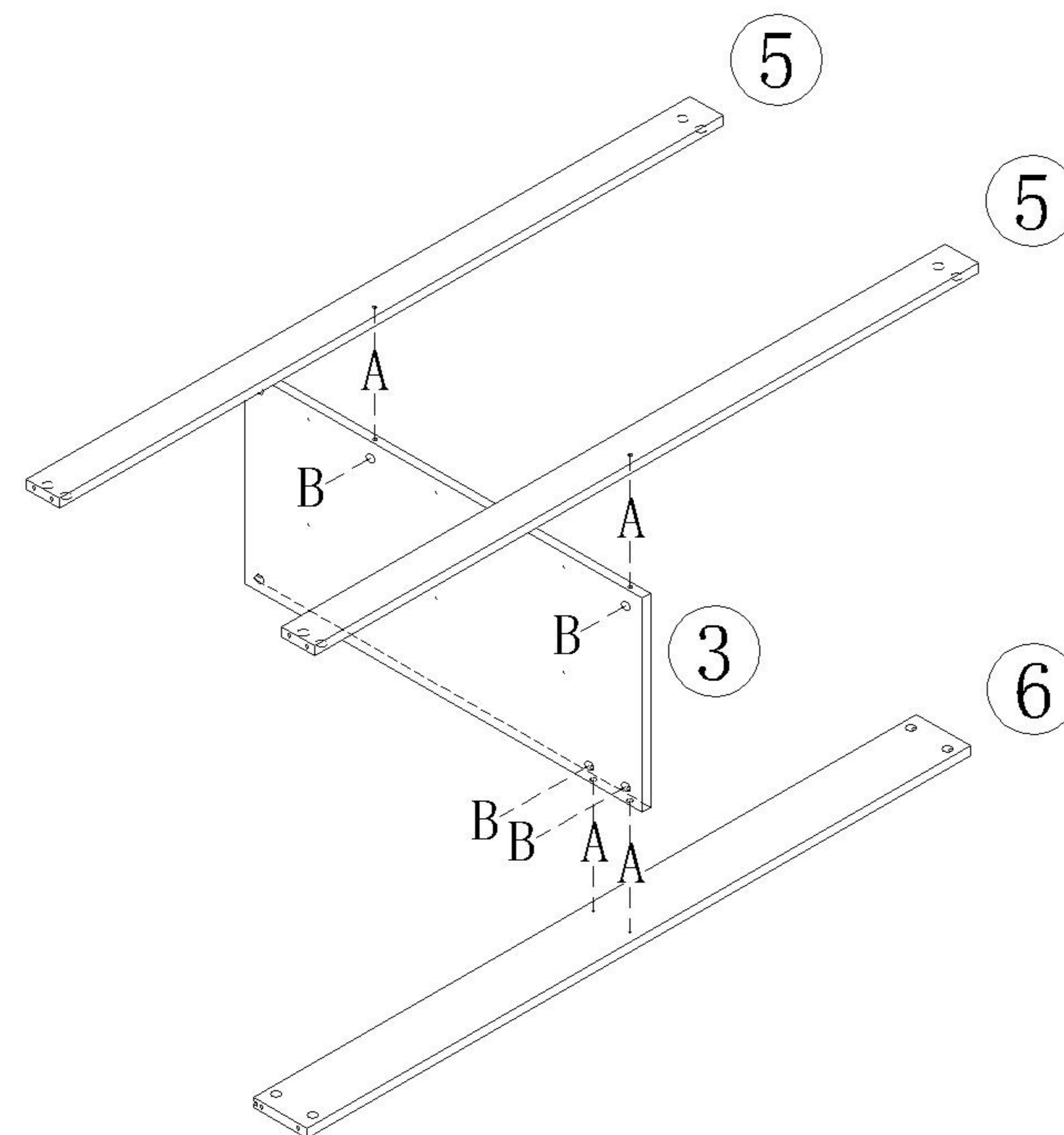


*4

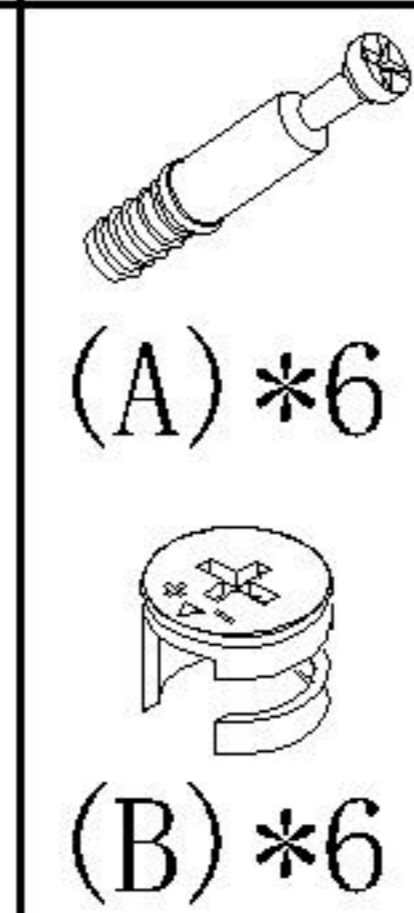


(A)*4

(B)*4

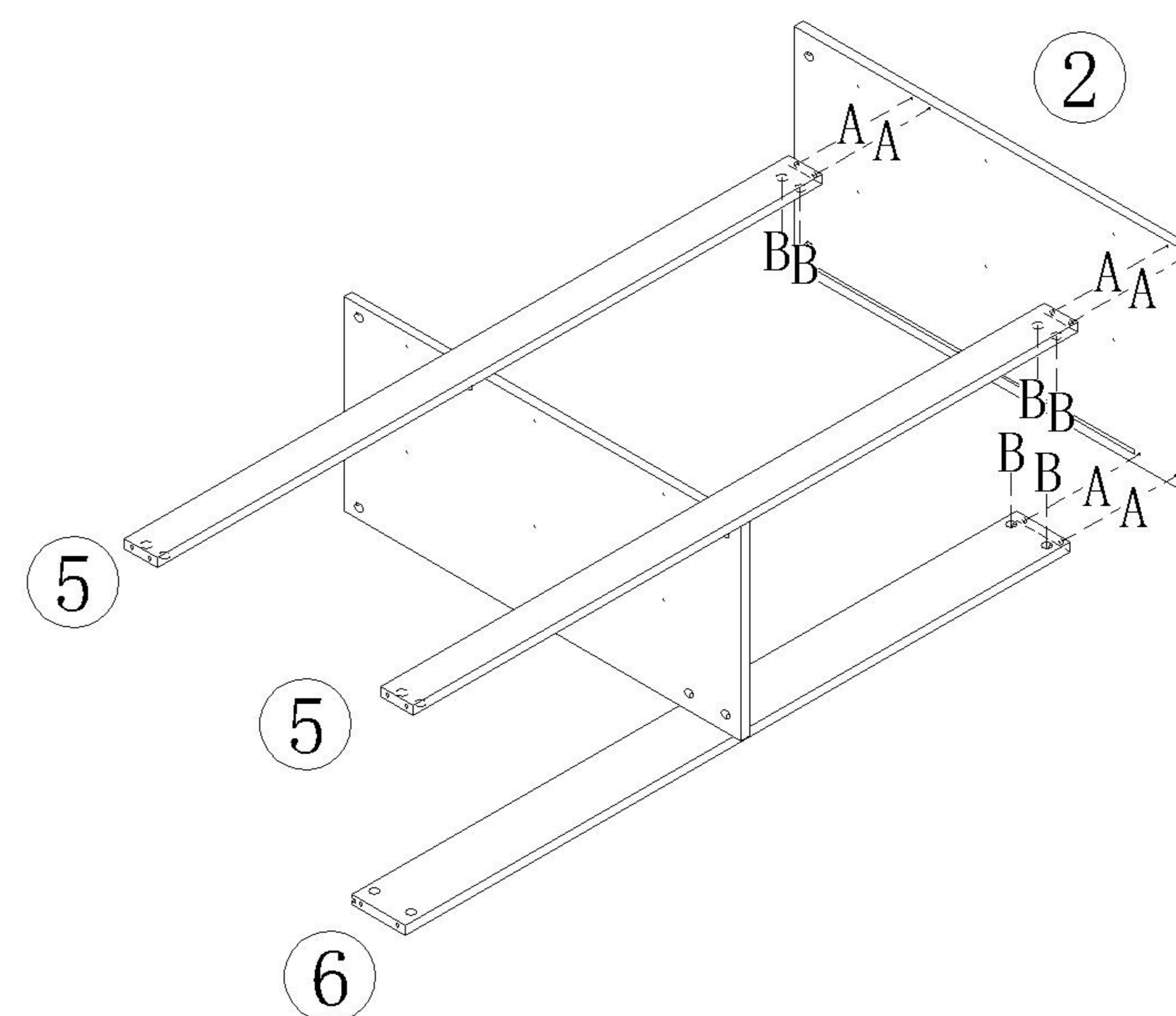


3



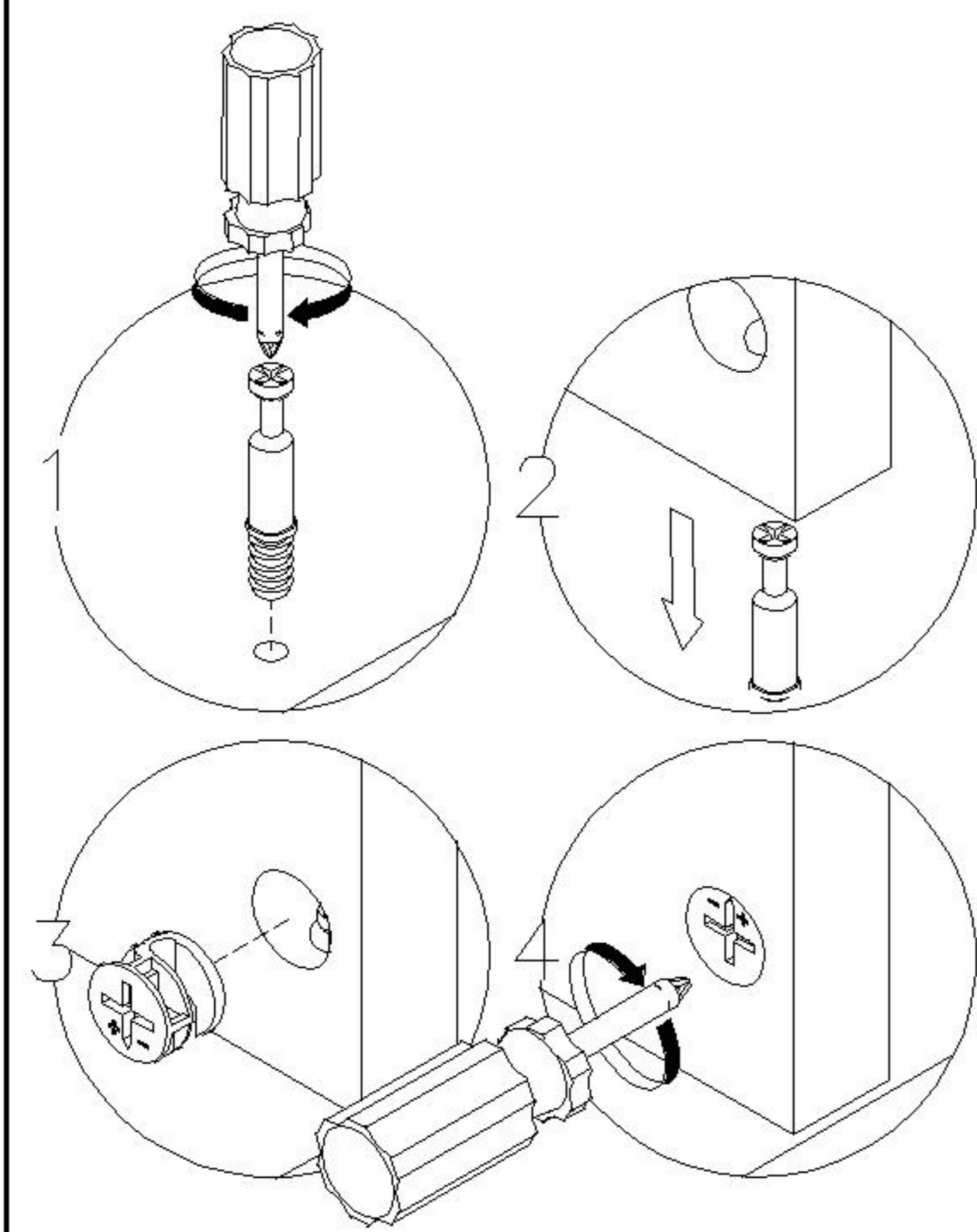
(A)*6

(B)*6



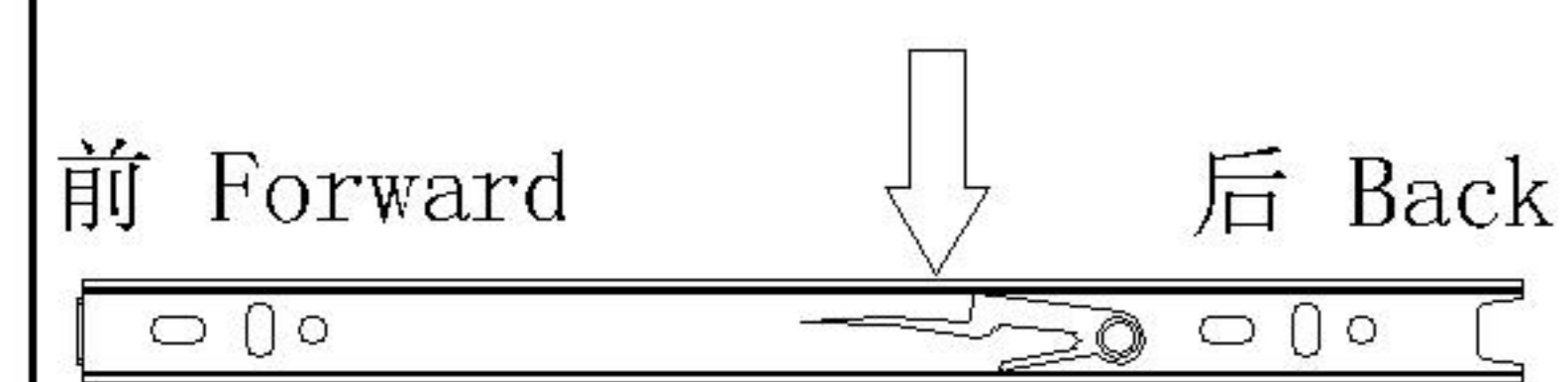
4

安装方法
Installation method

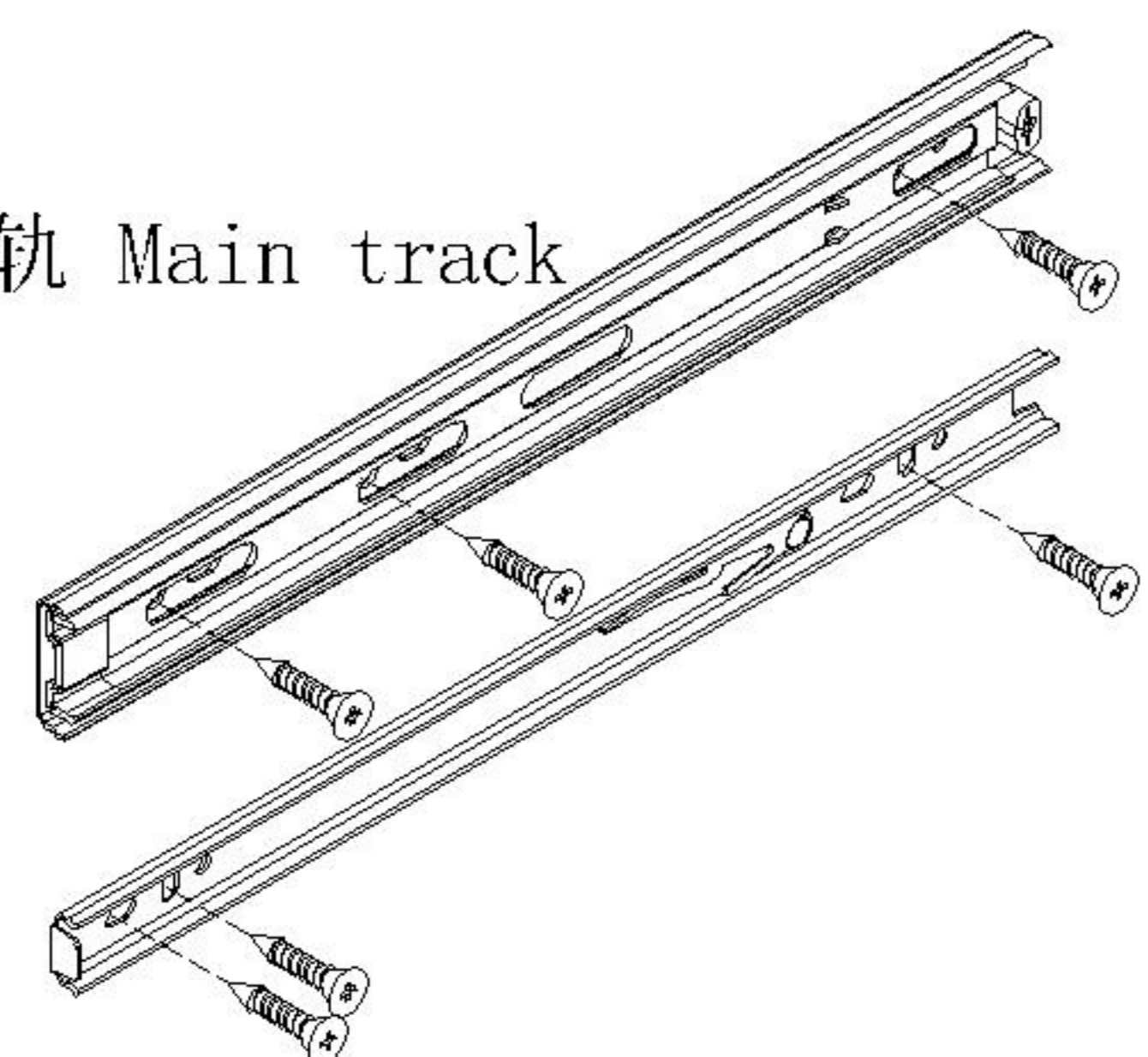


二合一 two-in-one

阀门开关(下压为开)
Valve switch (press down to open)



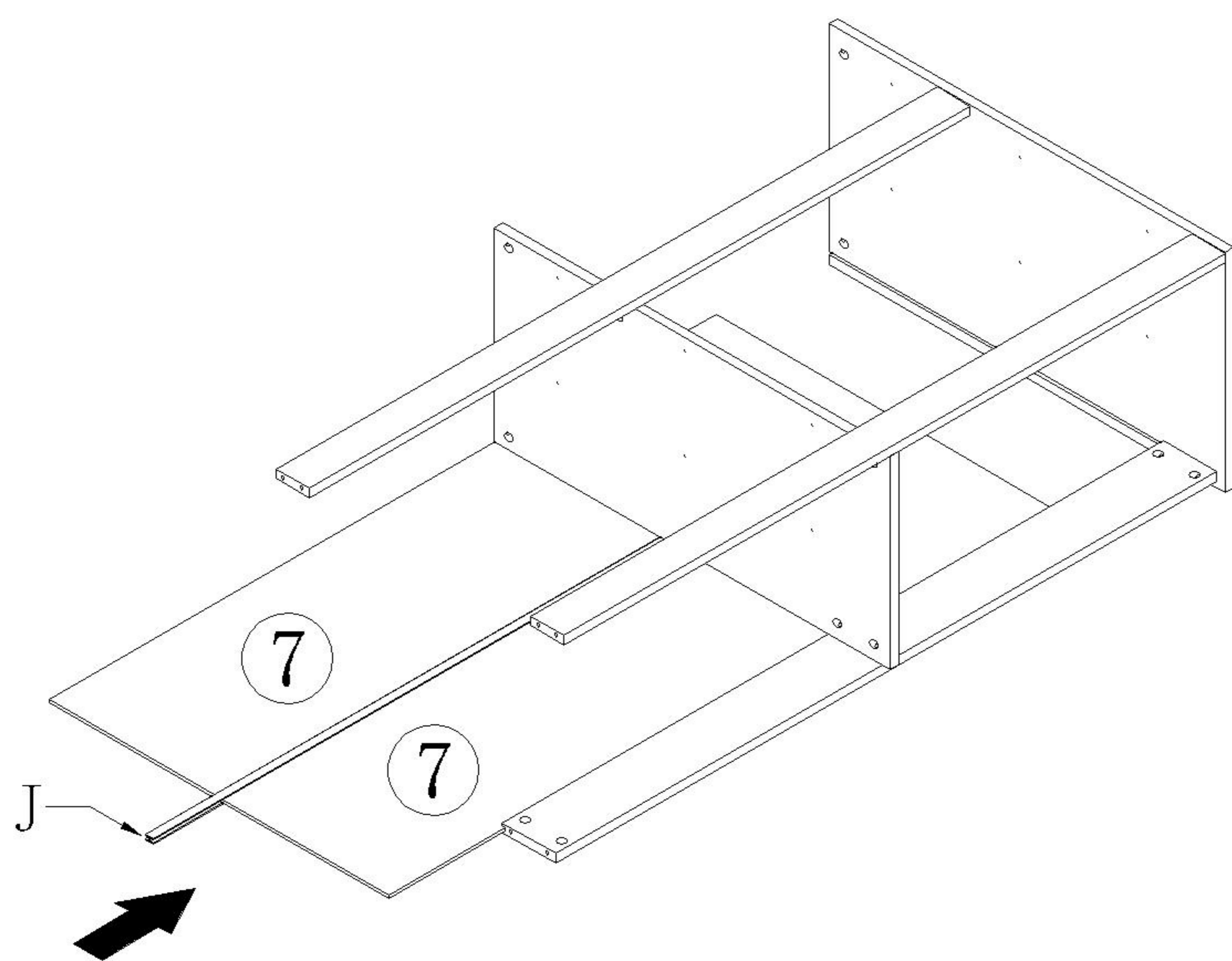
主轨 Main track



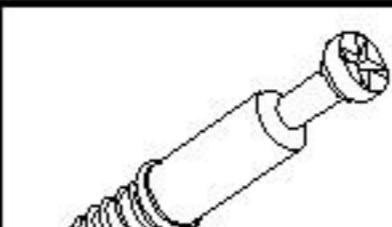
三节滚珠导轨-10"
Three-section rail



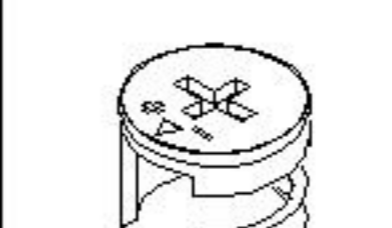
(J)*1



5

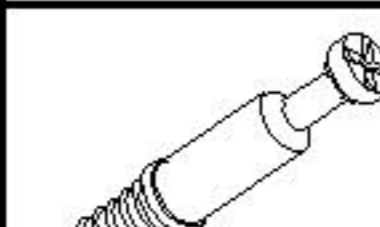
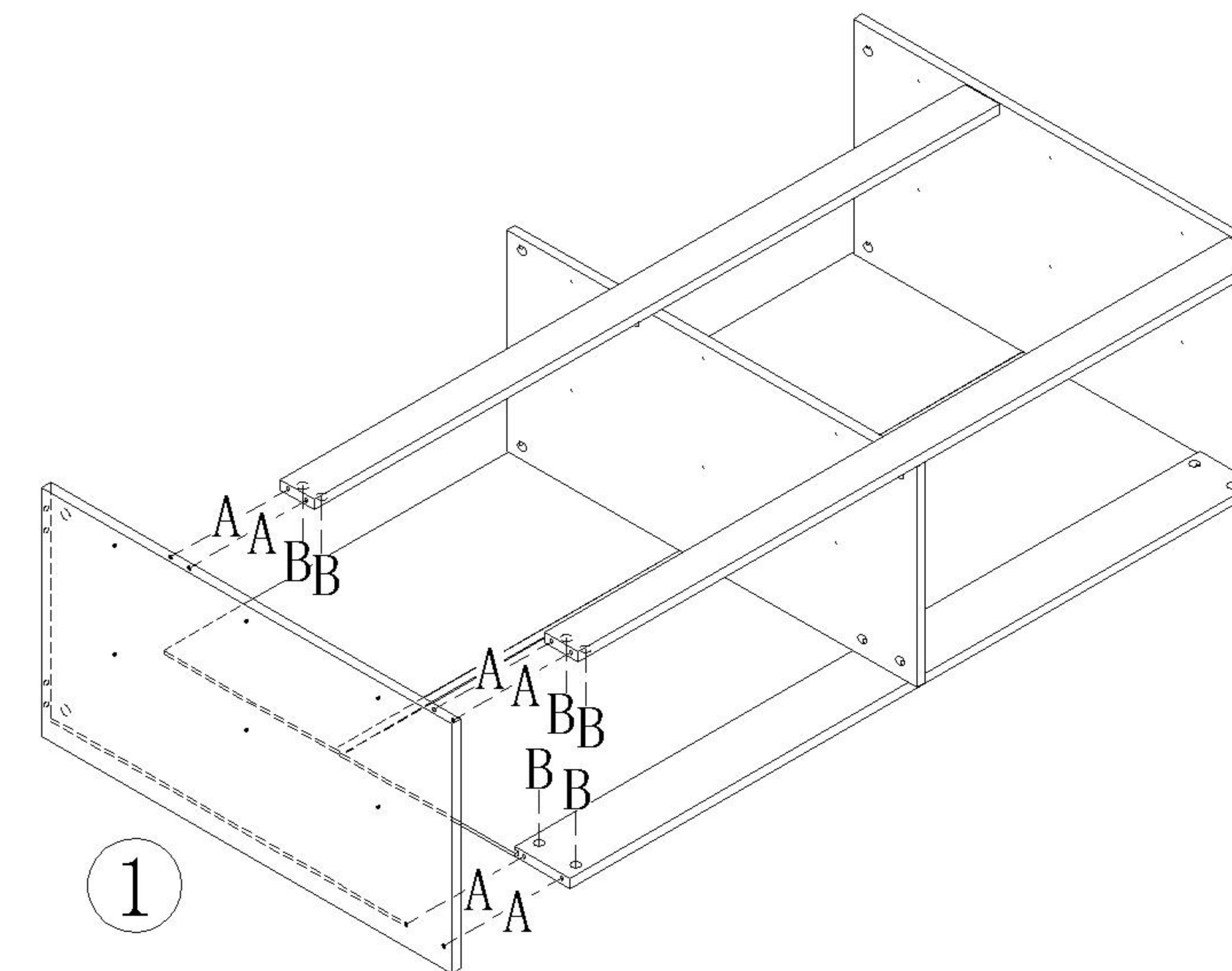


(A)*6

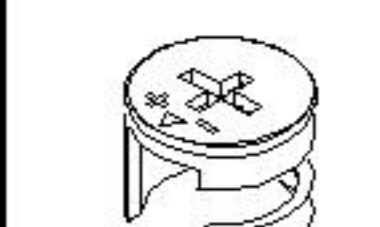


(B)*6

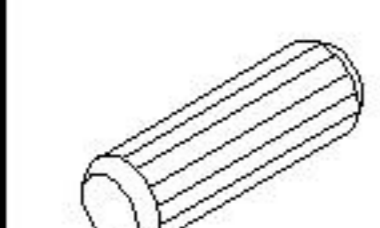
6



(A)*6



(B)*6

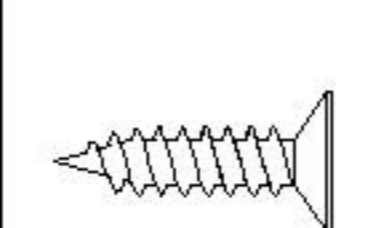


(D)*6

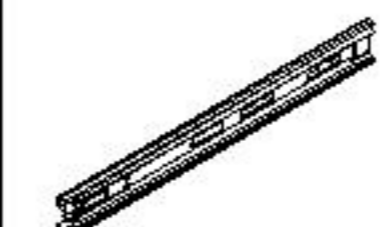


(H)*10

7

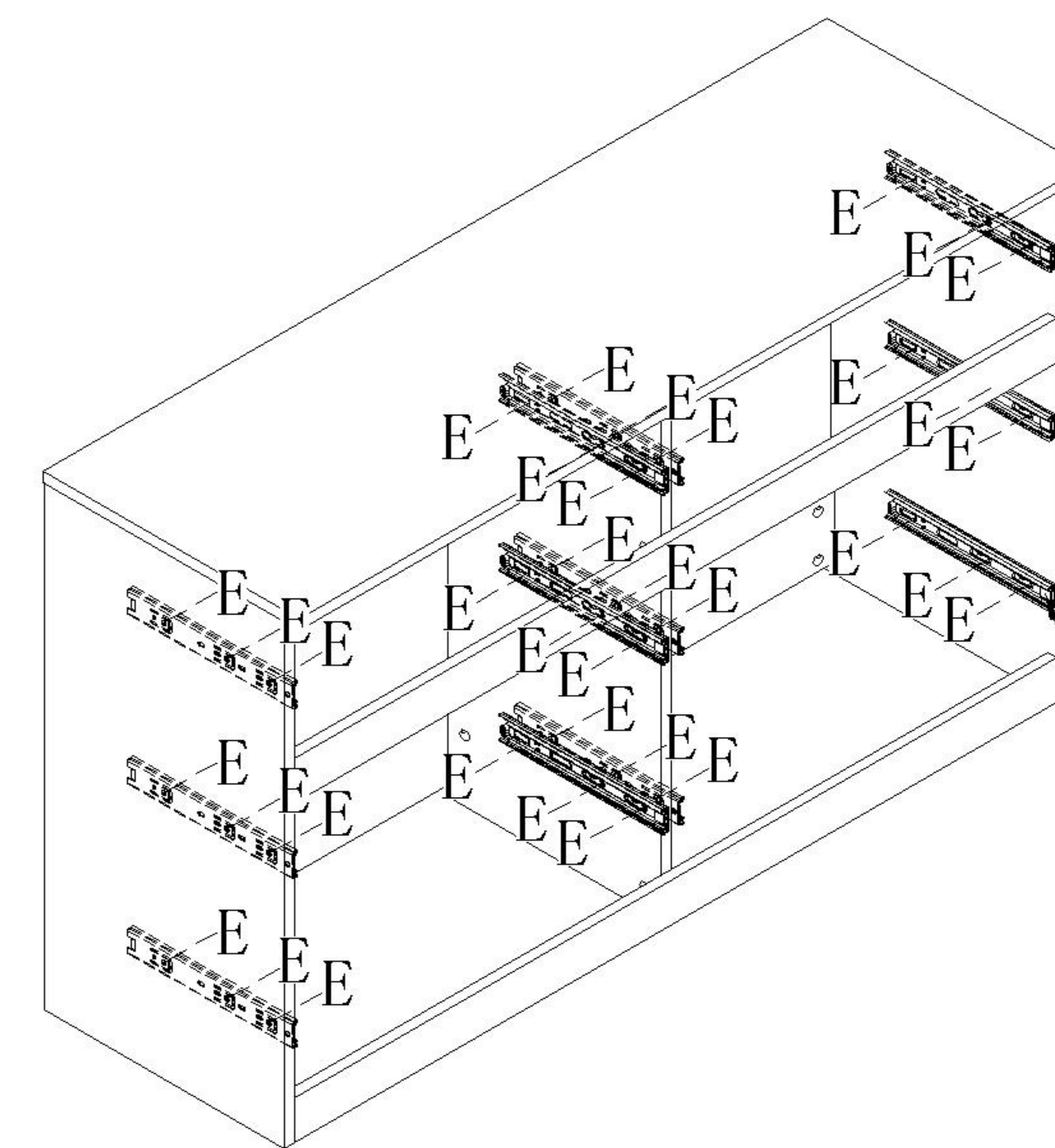
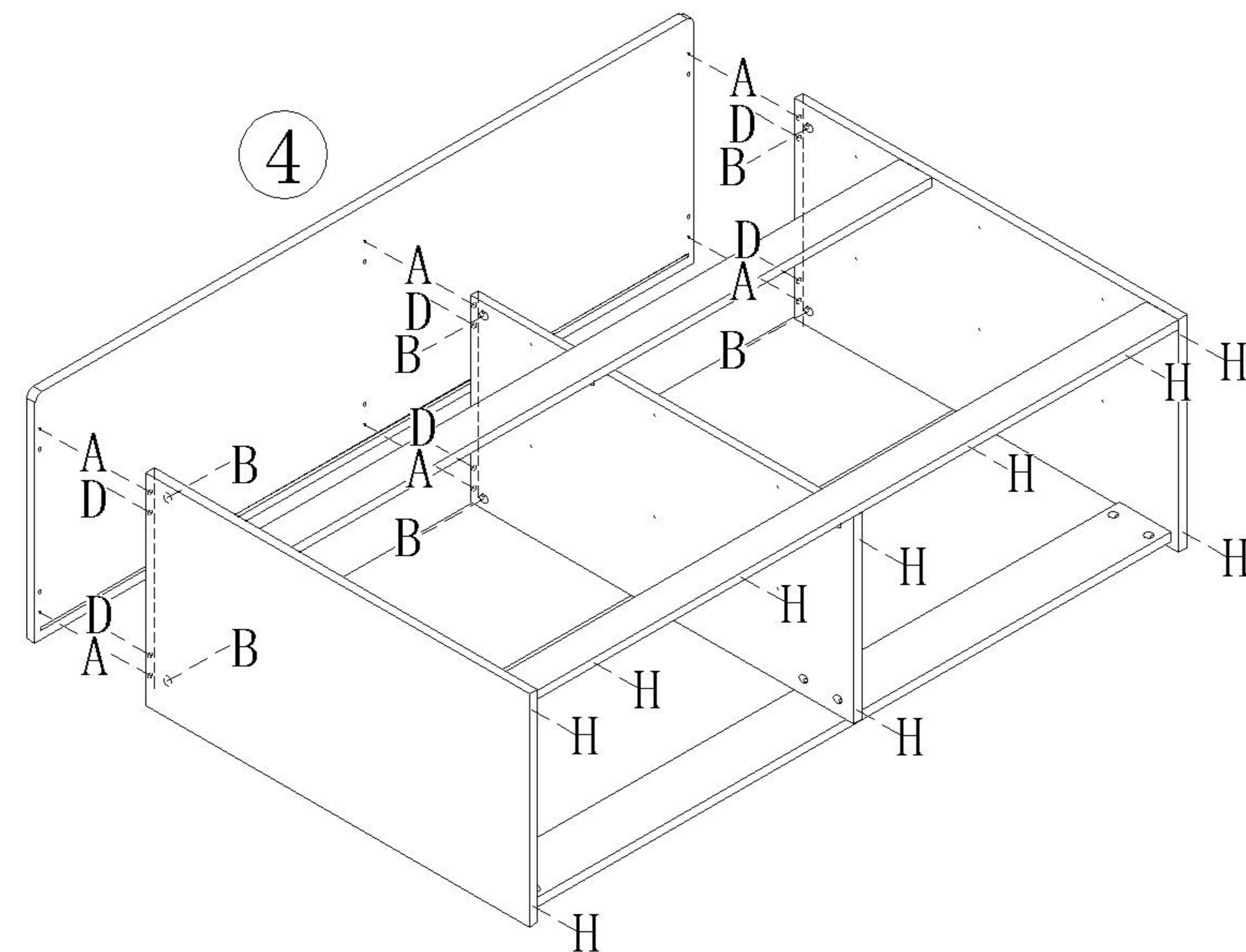


(E)*36



(C)*6

8

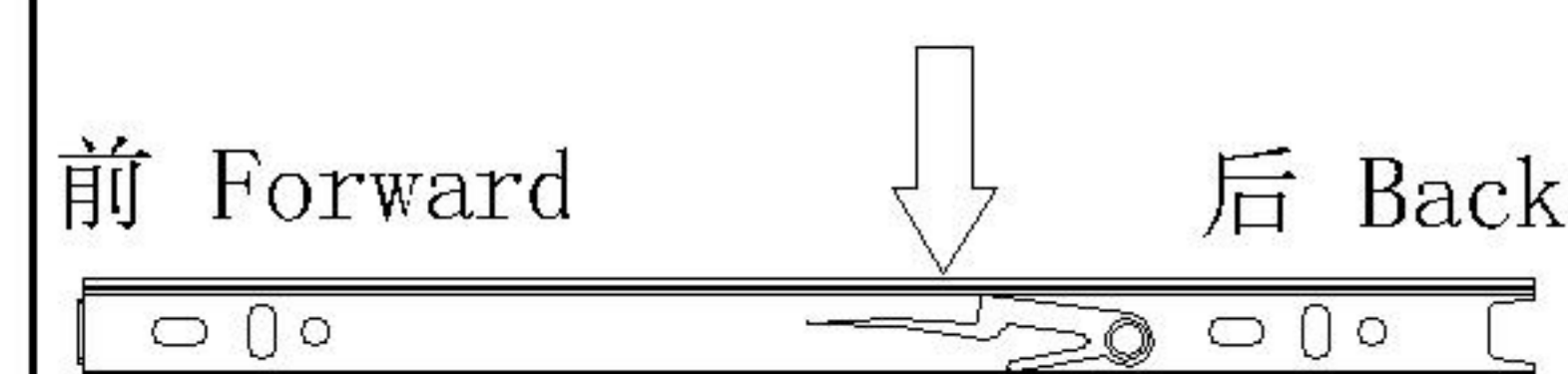


(C) 主轨
Main track

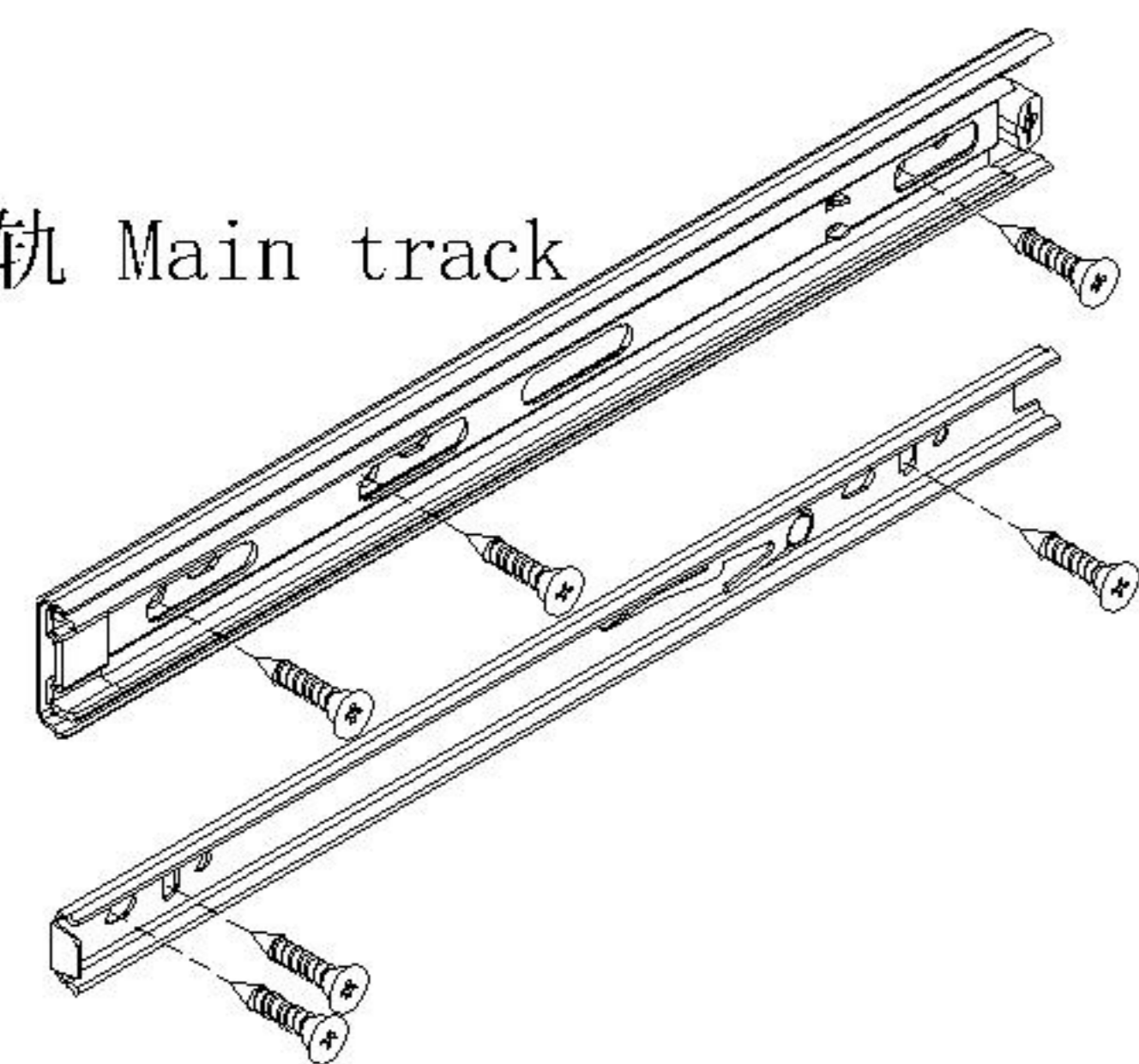
安装方法

Installation method

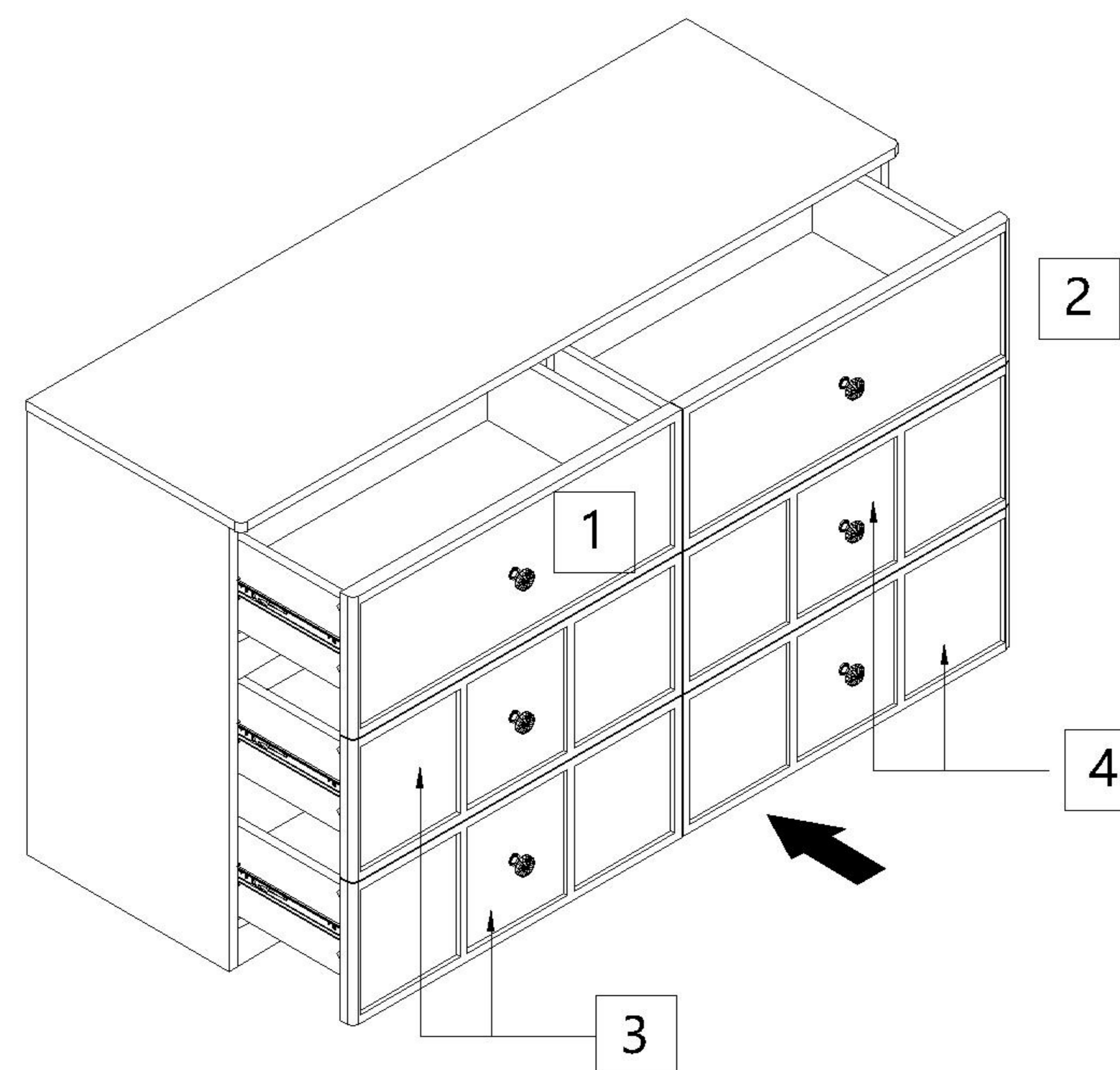
阀门开关(下压为开)
Valve switch (press down to open)



主轨 Main track



三节滚珠导轨-10"
Three-section rail

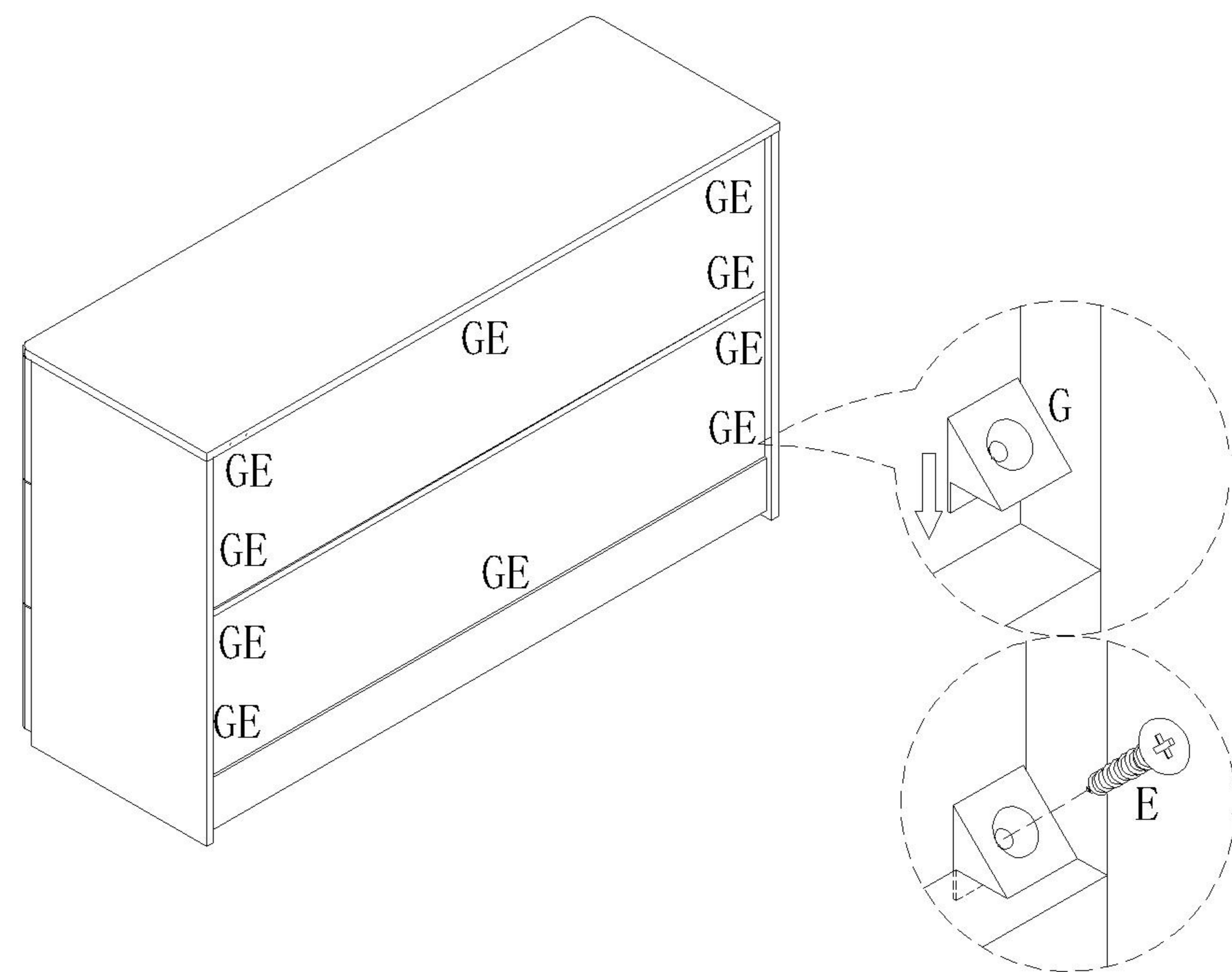


9

(G)*10



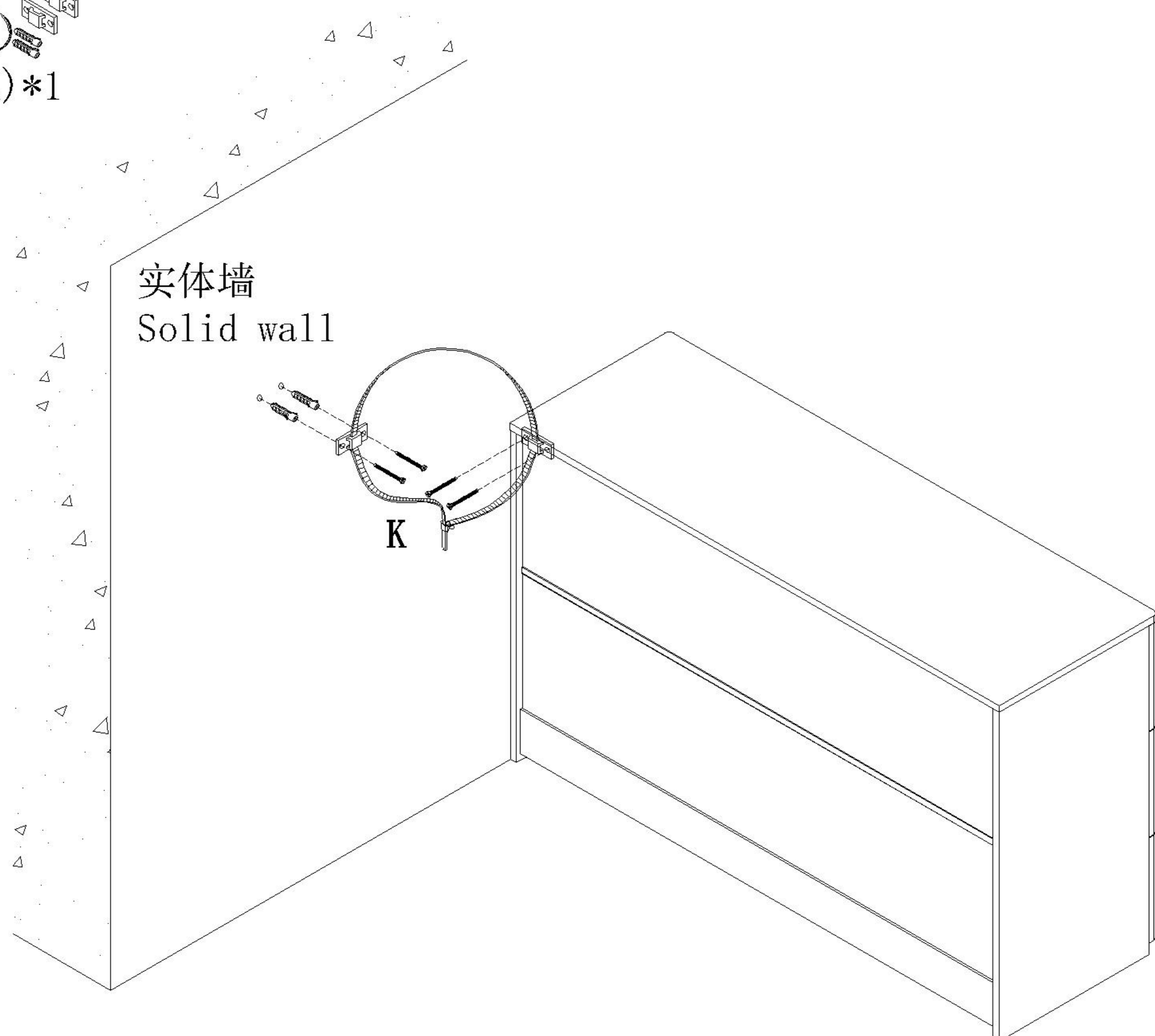
(E)*10



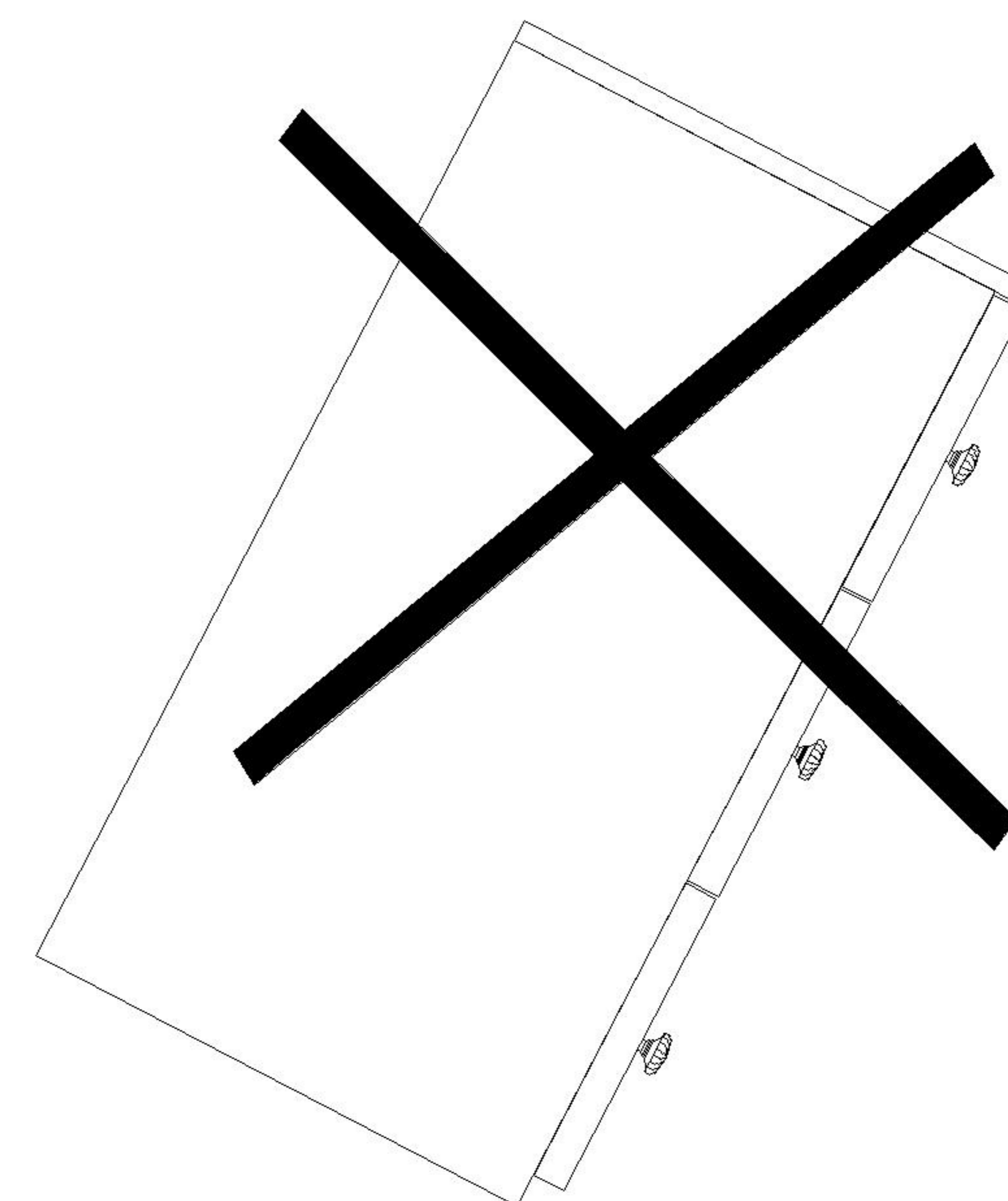
10

(K)*1

实体墙
Solid wall



11



12