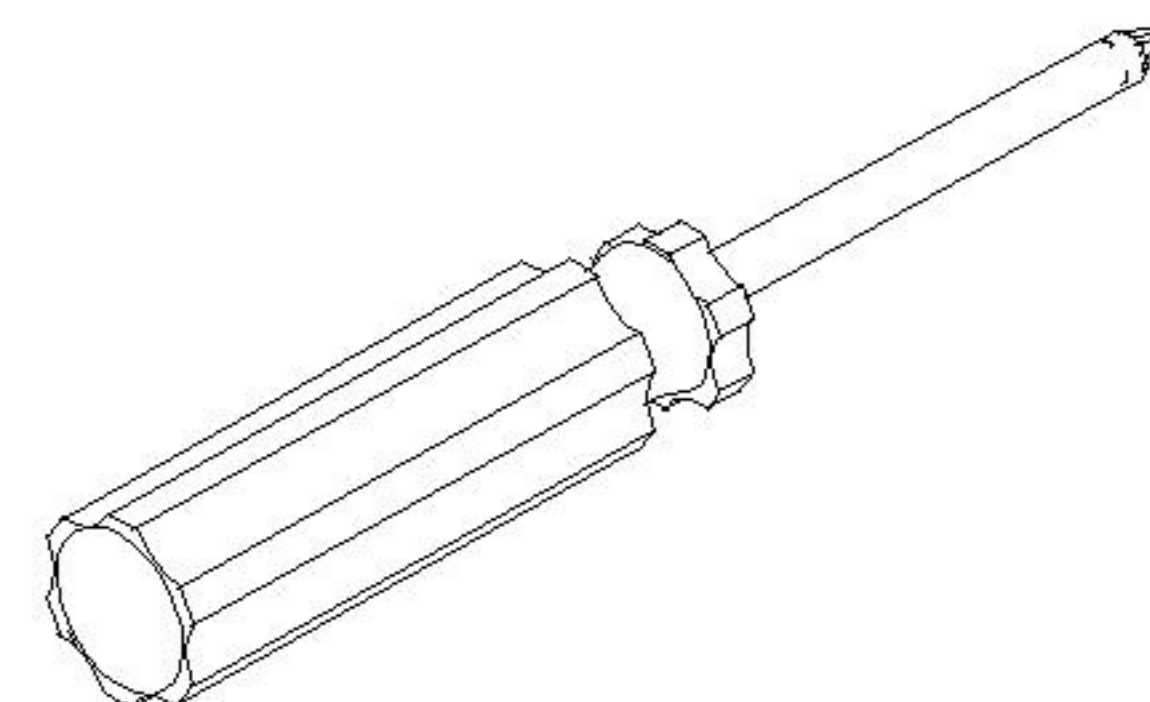
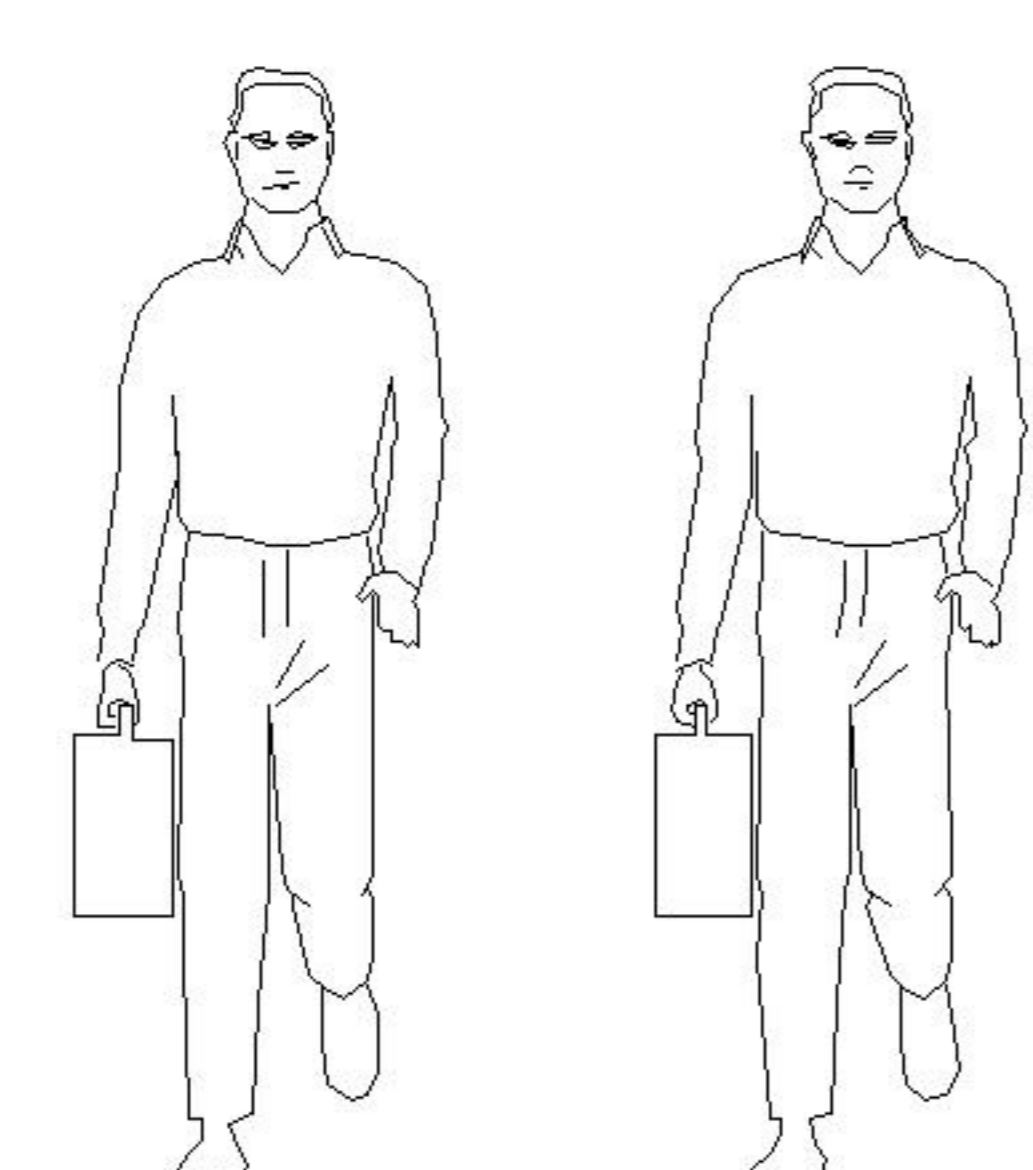


LINSY 林氏家居

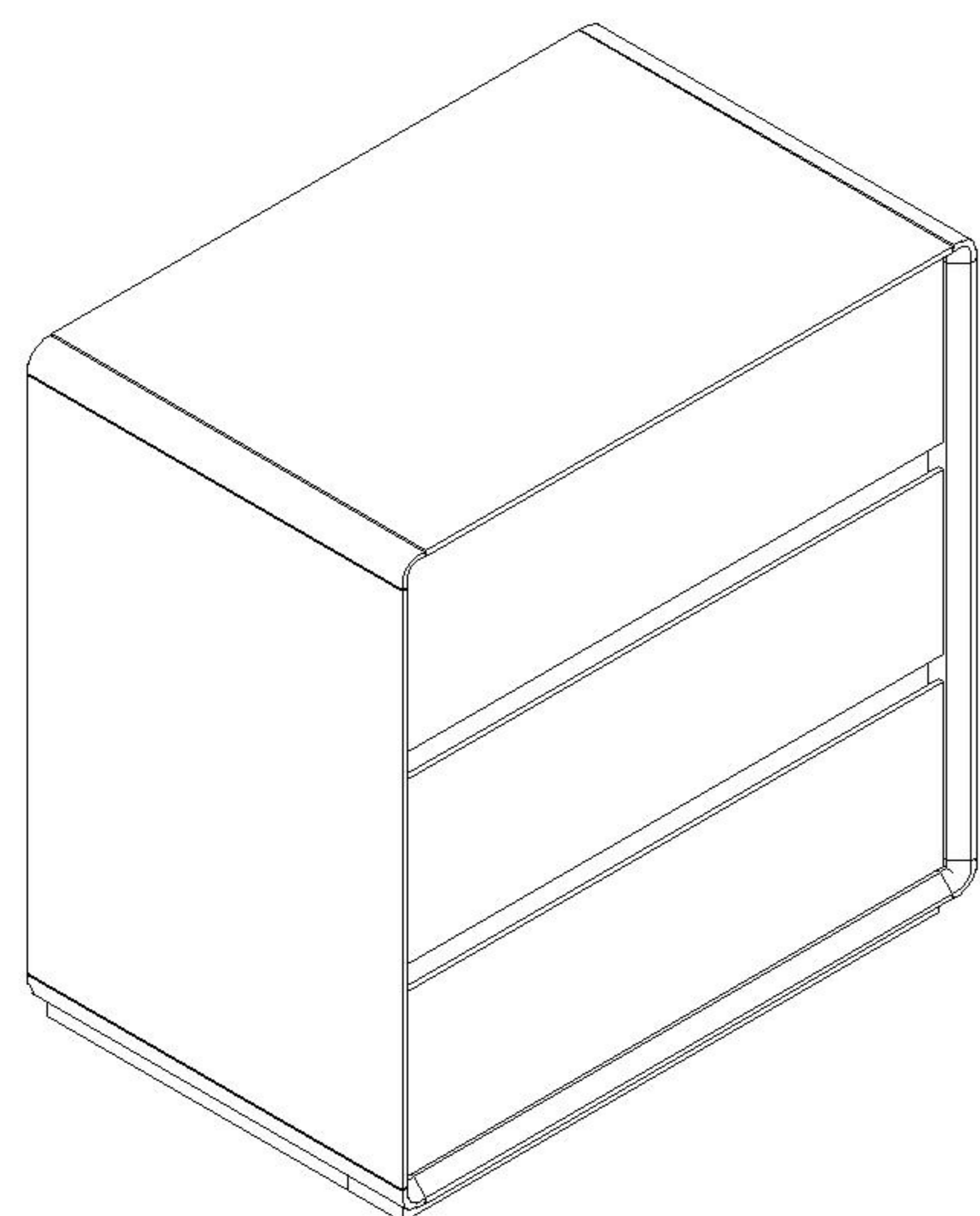
五金表/Hardware list

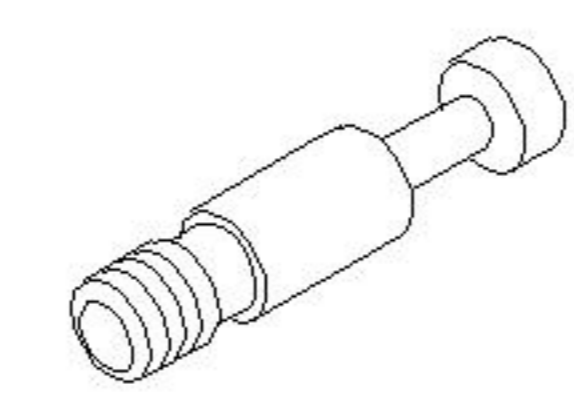
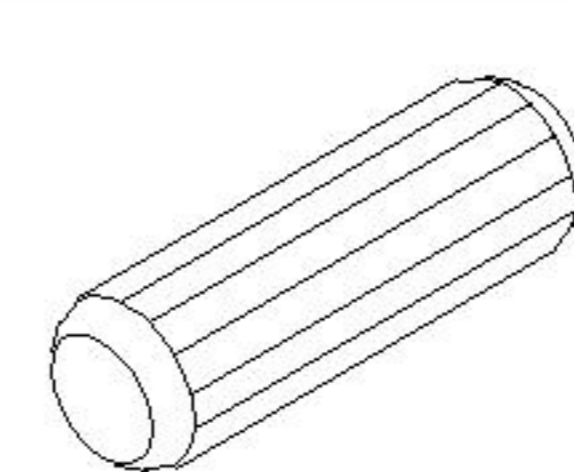
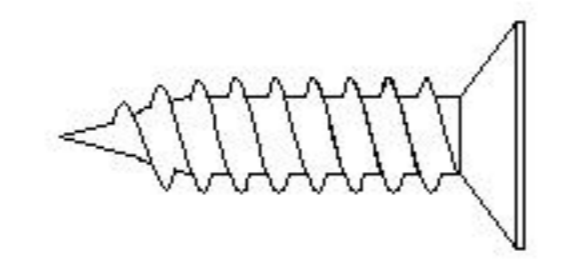
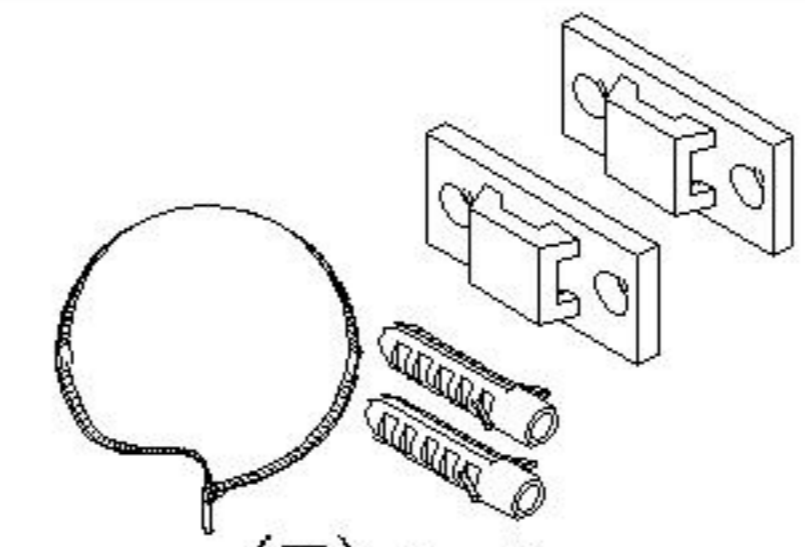
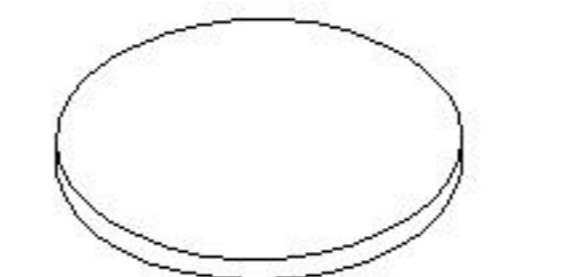
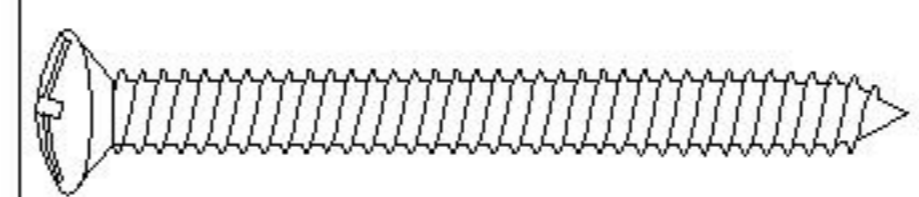
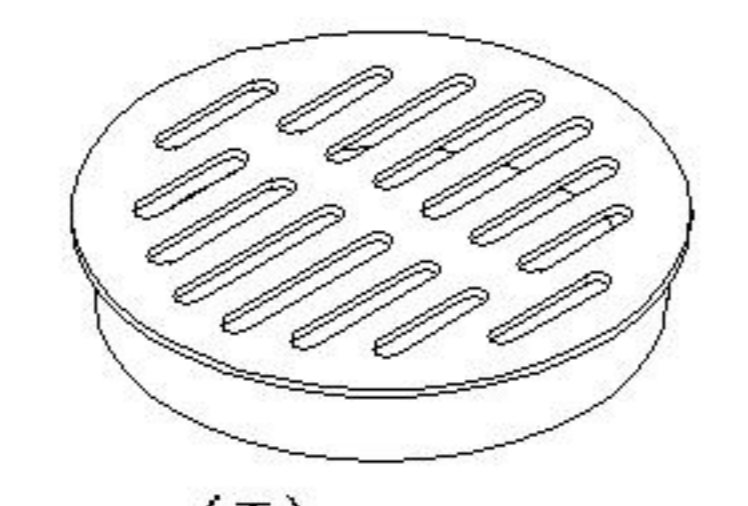
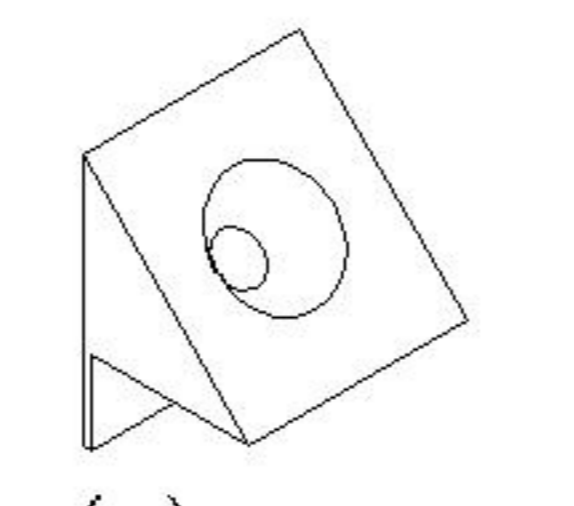
部件表/Parts List

安装示意图/Assembly Instruction

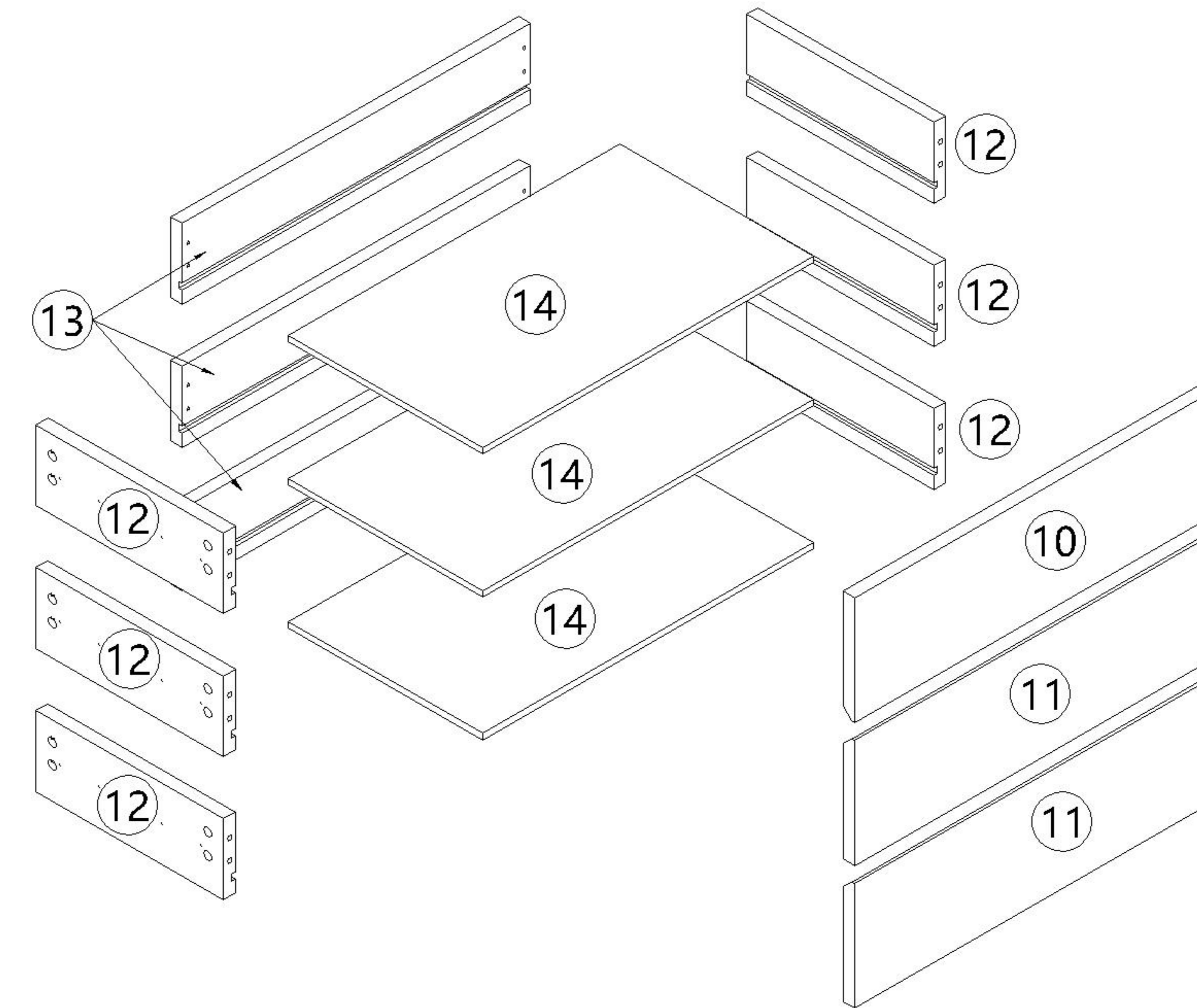
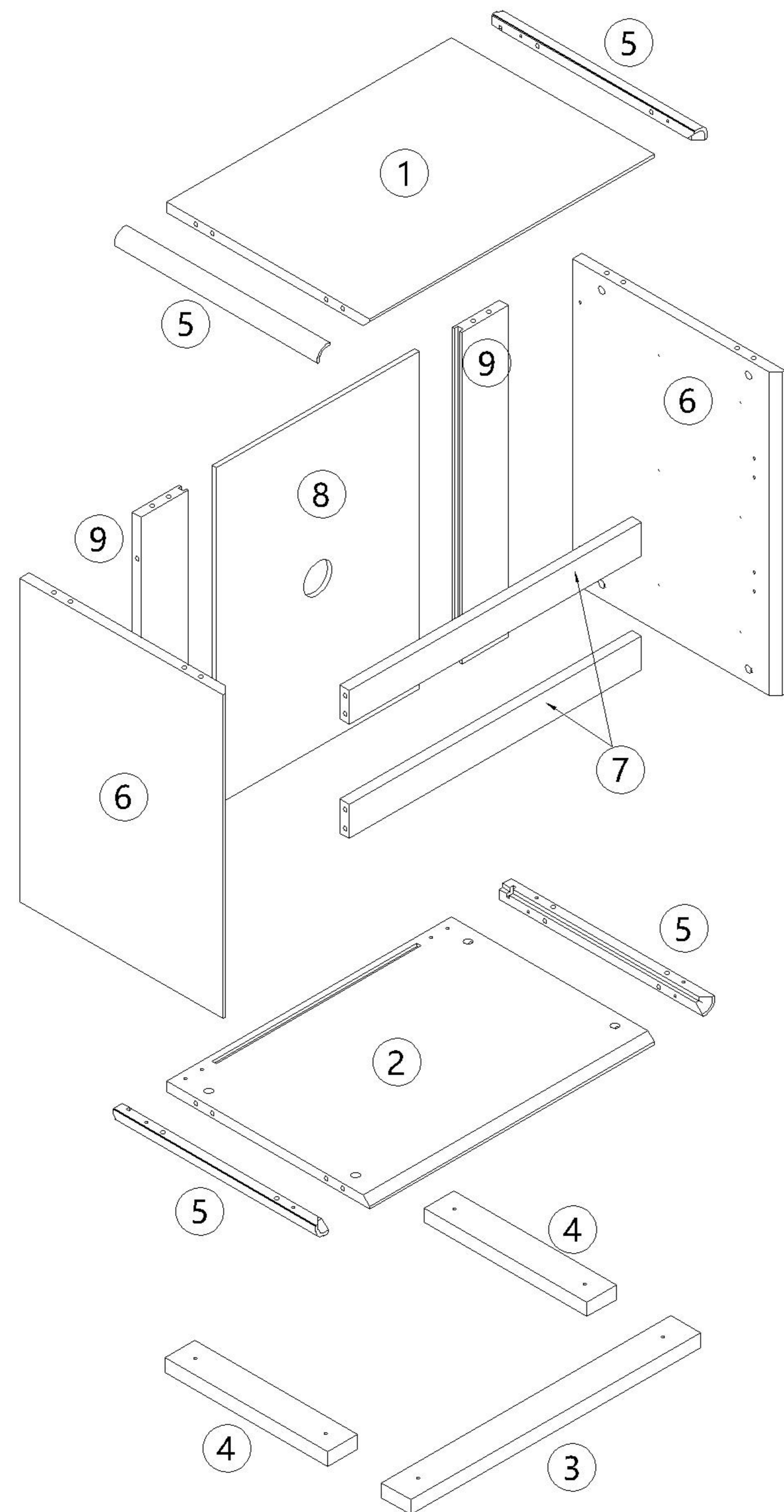
产品名称 Model NO.	UN8C-F三斗柜
产品规格 Specification	609*398*628mm
安装工具 Tool	安装人数 Installer
	

注：为保证设计效果，部分尺寸为定制尺寸，不影响使用。



 (A)* 3 三节滚珠导轨-10" three-section ball rail	 (B)* 63 二合一螺杆 2-in-1-screw	 (C)* 63 大三合一锁饼 Three-in-one large lock	 (D)* 17 木榫Ø8x30mm wood tenon
 (E)* 38 自攻螺丝M3.5x12mm Self-tapping screw	 (F)* 1 家具防倒器-白色 Anti-fall device white	 (G)* 6 灰色毛毡脚垫 Grey felt foot pad	 (H)* 6 自攻大扁M4*35mm Self tapping flat screw
 (I)* 1 透气孔盖 Vent cover	 (J)* 4 背板扣 Back Plate Buckle-White	 (K)* 4 自攻螺丝M3.5x16mm Self-tapping screw	

编号NO.	名称Name	规格(mm) Specification	数量QTY	材质Material
①	面板Top panel	559*398*18	1	胶合板 Plywood
②	底板Bottom board	559*398*18	1	胶合板 Plywood
③	前立水Front apron	569*58*25	1	胶合板 Plywood
④	侧立水Side apron	320*58*25	2	胶合板 Plywood
⑤	转角木Corner connection wood	398*25*25	4	橡胶木 Rubber wood
⑥	侧板Side board	550*398*18	2	胶合板 Plywood
⑦	前拉条Front brace	573*58*18	2	胶合板 Plywood
⑧	背板Back board	574*398*9	1	胶合板 Plywood
⑨	边背拉条Side back brace	564*92*18	2	胶合板 Plywood
⑩	上抽屉面板Upper drawer's panel	569*170*18	1	胶合板 Plywood
⑪	下抽屉面板Bottom drawer's panel	569*170*18	2	胶合板 Plywood
⑫	抽屉侧板Drawer's sideboard	295*110*18	6	胶合板 Plywood
⑬	抽屉后板Drawer's Back board	547*110*18	3	胶合板 Plywood
⑭	抽屉底板Drawer's Bottom board	521*305*9	3	胶合板 Plywood



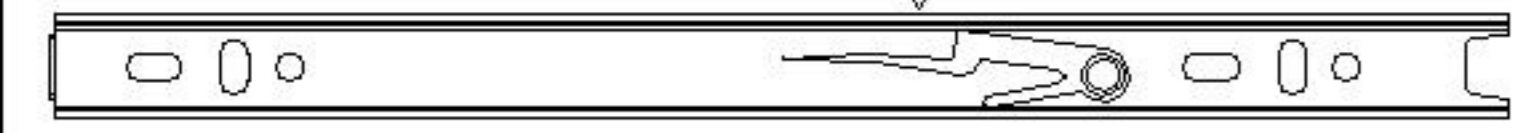
编号NO.	名称Name
①	面板Top panel
②	底板Bottom board
③	前立水Front apron
④	侧立水Side apron
⑤	转角木Corner connection wood
⑥	侧板Side board
⑦	前拉条Front brace
⑧	背板Back board
⑨	边背拉条Side back brace
⑩	上抽屉面板Upper drawer's panel
⑪	下抽屉面板Bottom drawer's panel
⑫	抽屉侧板Drawer's sideboard
⑬	抽屉后板Drawer's Back board
⑭	抽屉底板Drawer's Bottom board

UN8C-F三斗柜

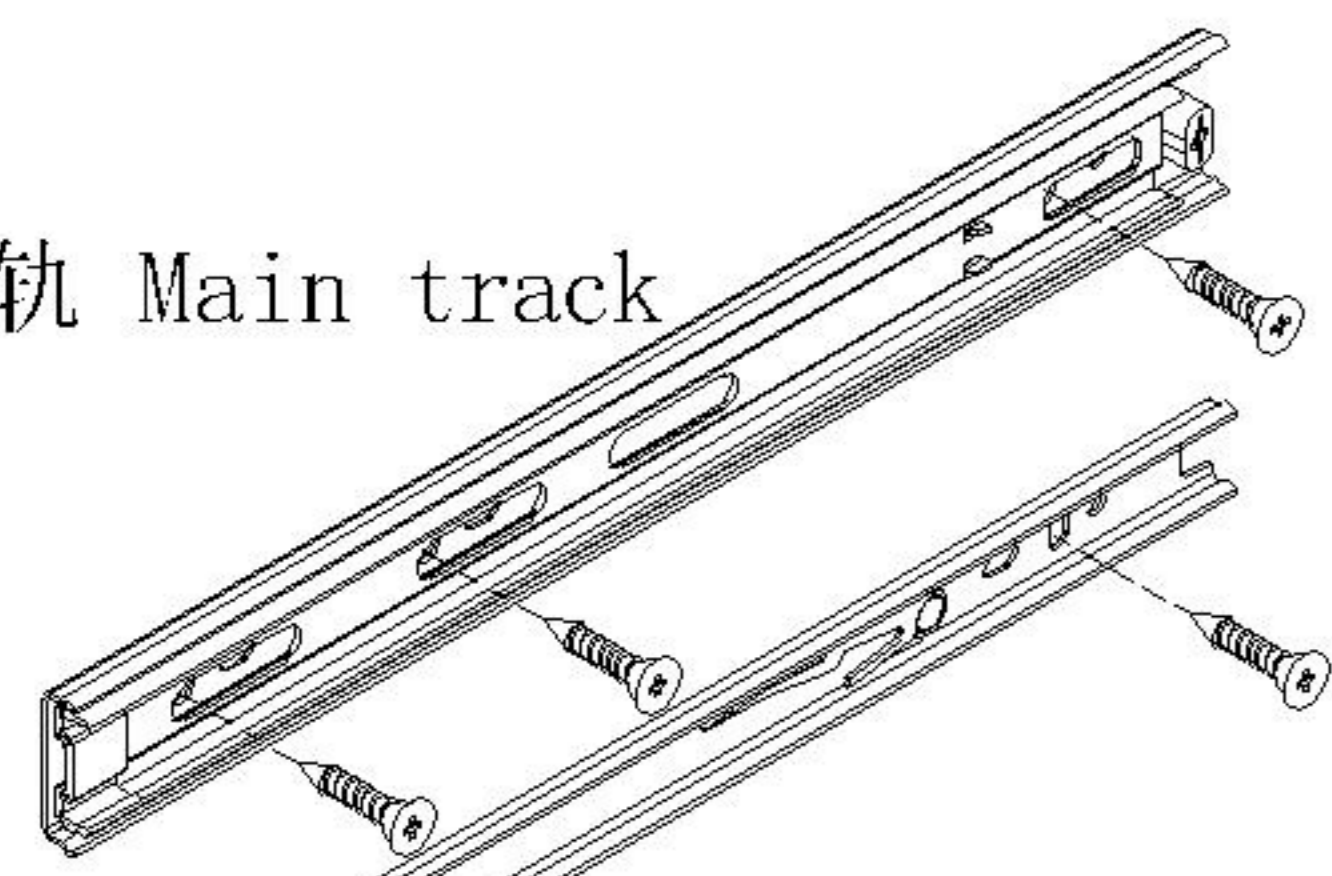
安装方法/
Installation method

阀门开关(下压为开)
Valve switch (press down to open)

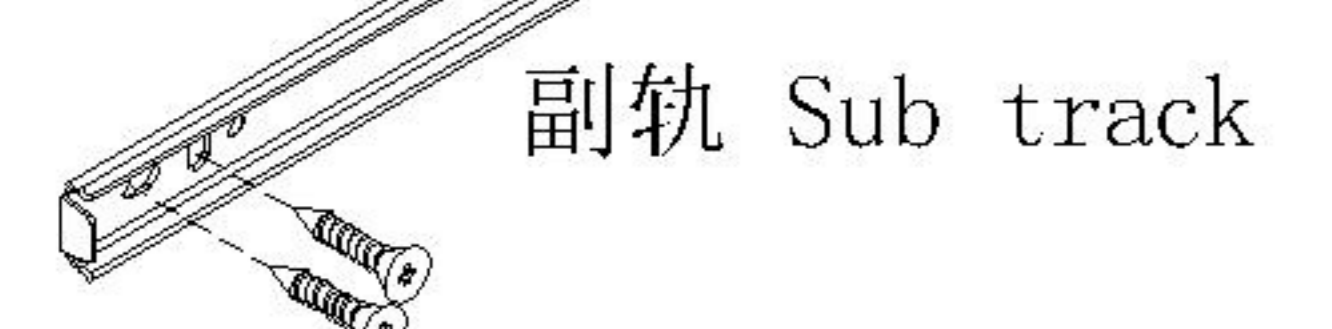
前 Forward 后 Back



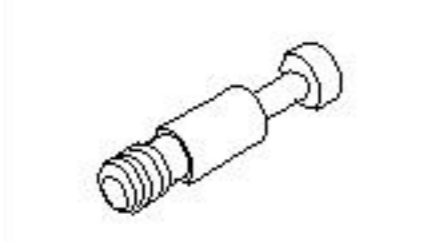
主轨 Main track



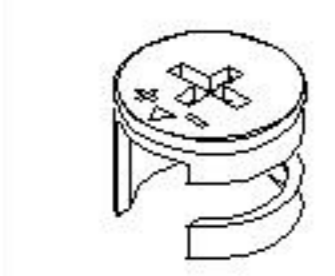
副轨 Sub track



三节滚珠导轨
Three-section rail



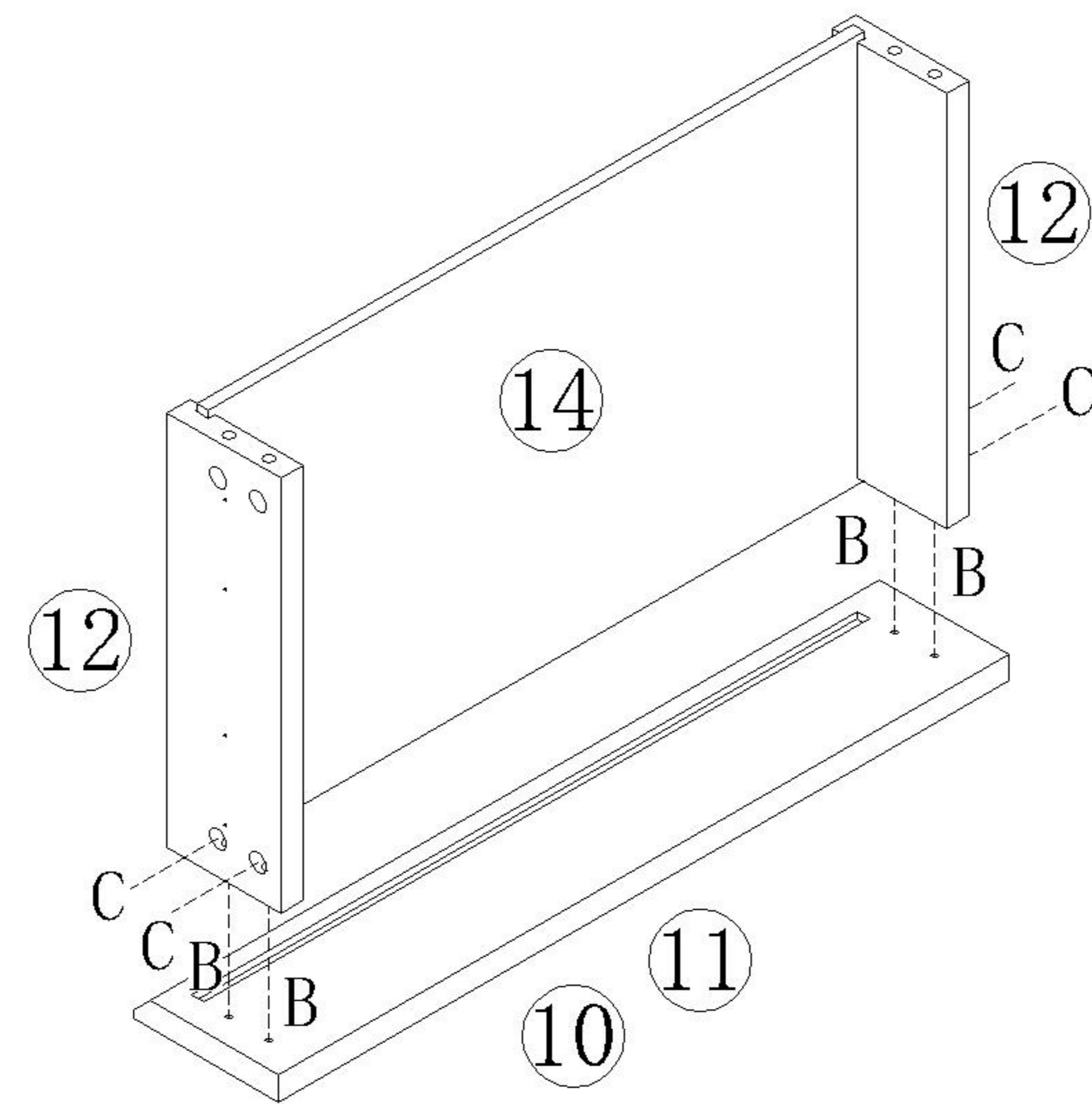
(B)*12



(C)*12

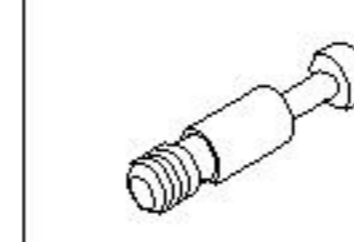
× 3

1

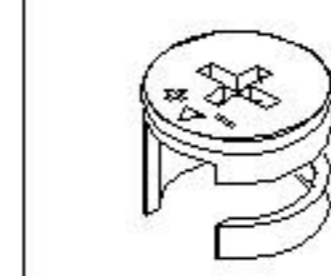


2

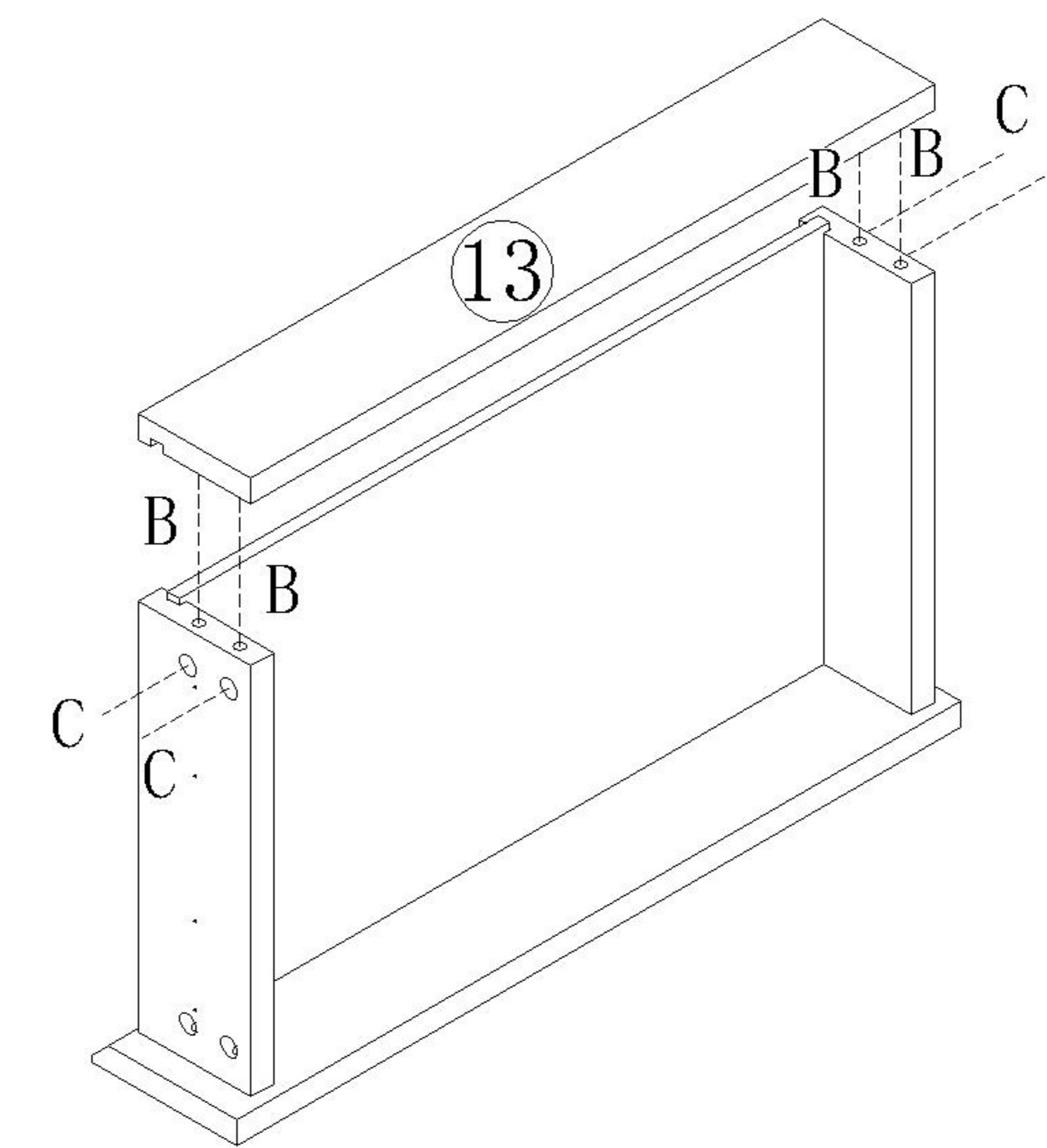
× 3



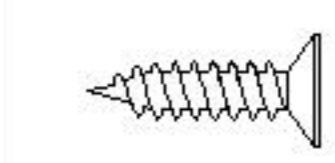
(B)*12



(C)*12



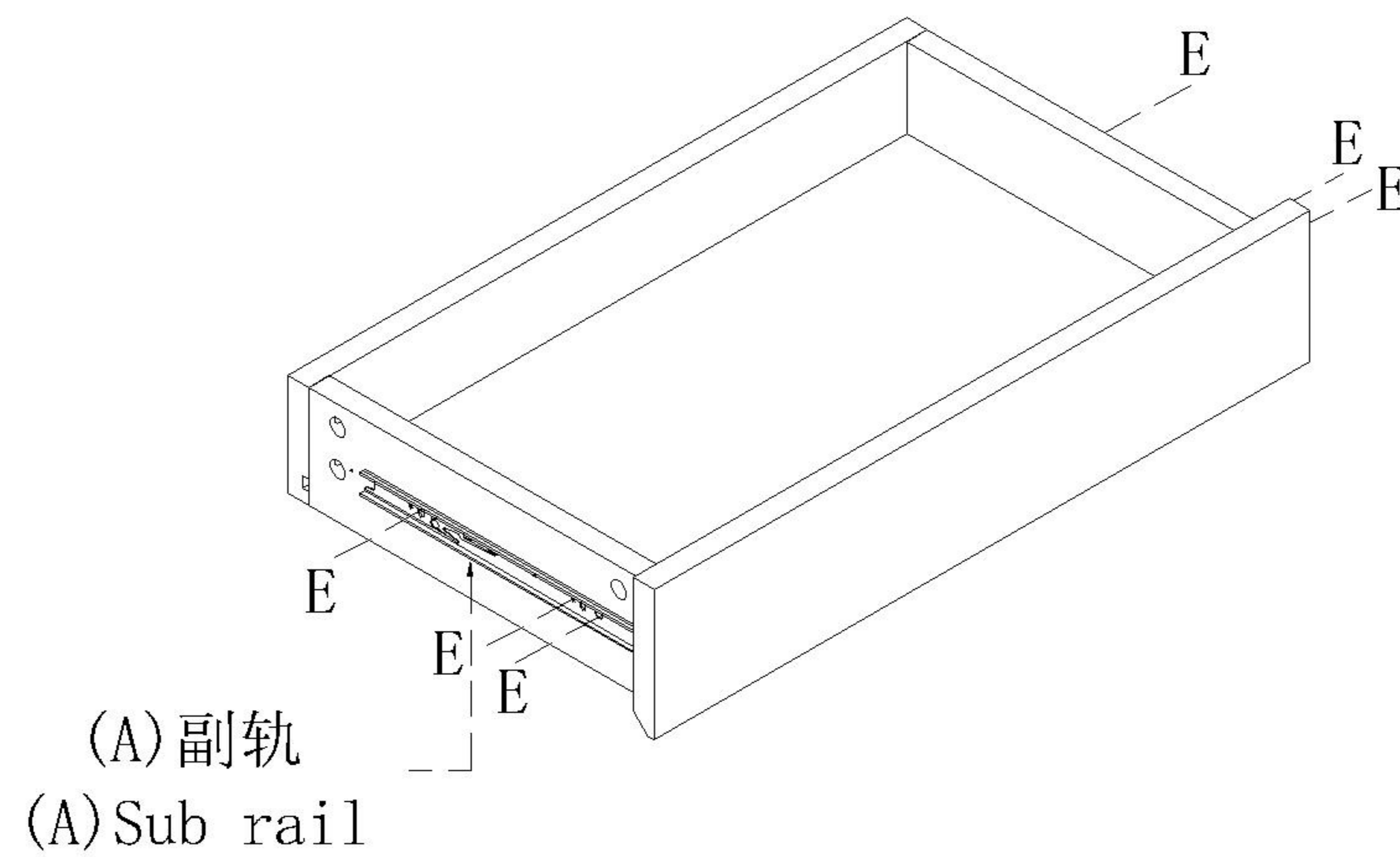
(A)*3



(E)*18

× 3

3



4



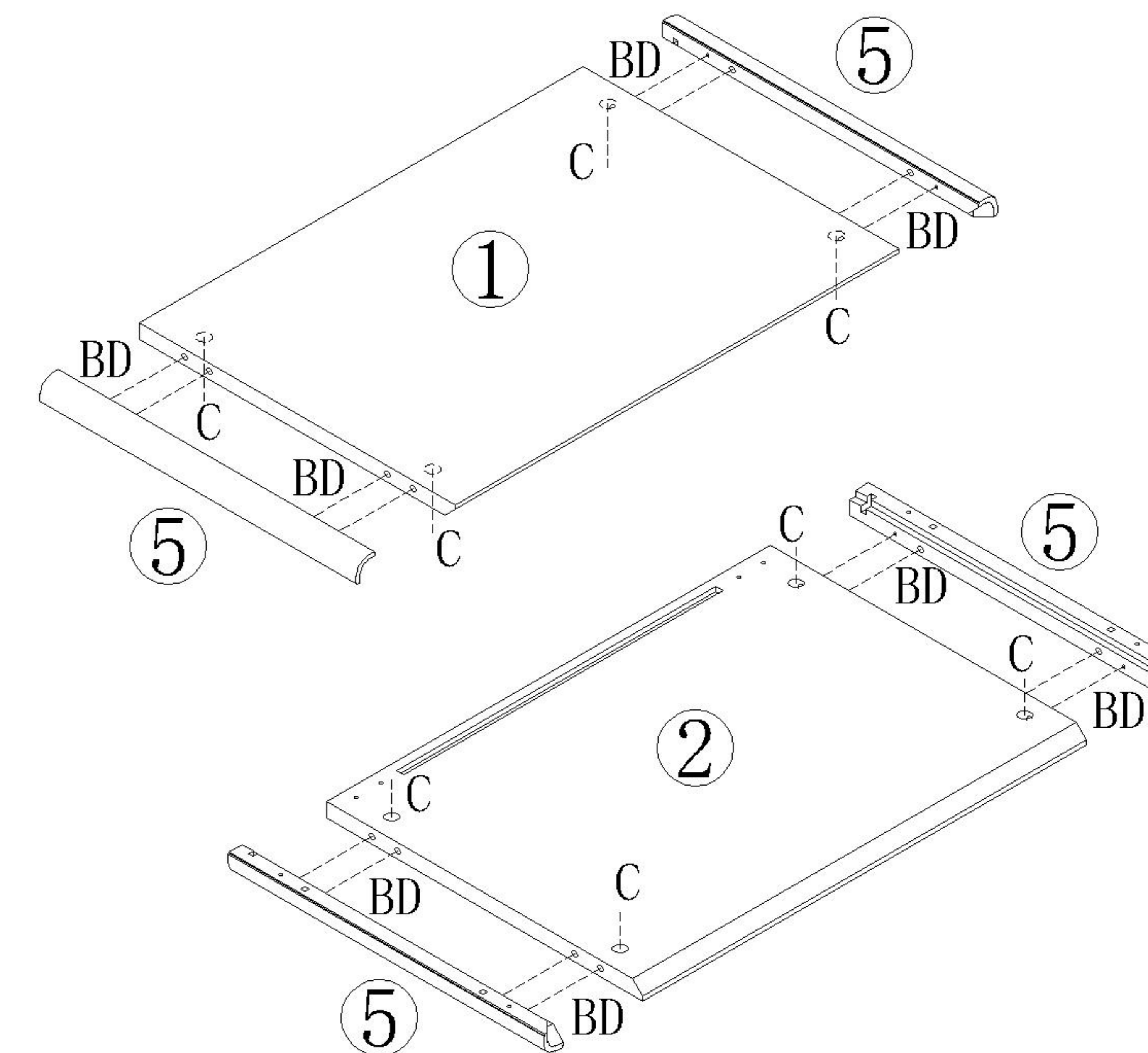
(B)*8



(C)*8

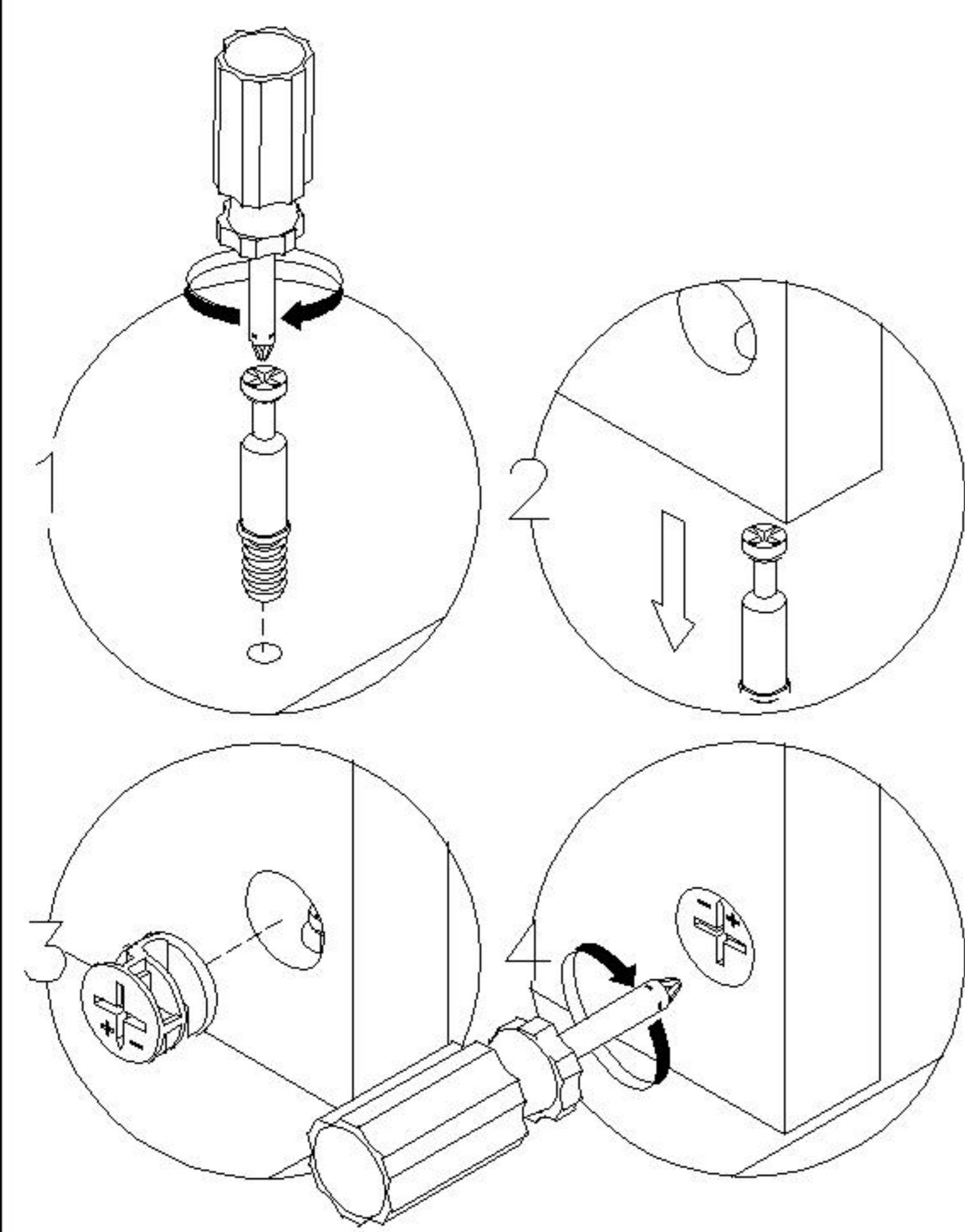


(D)*8



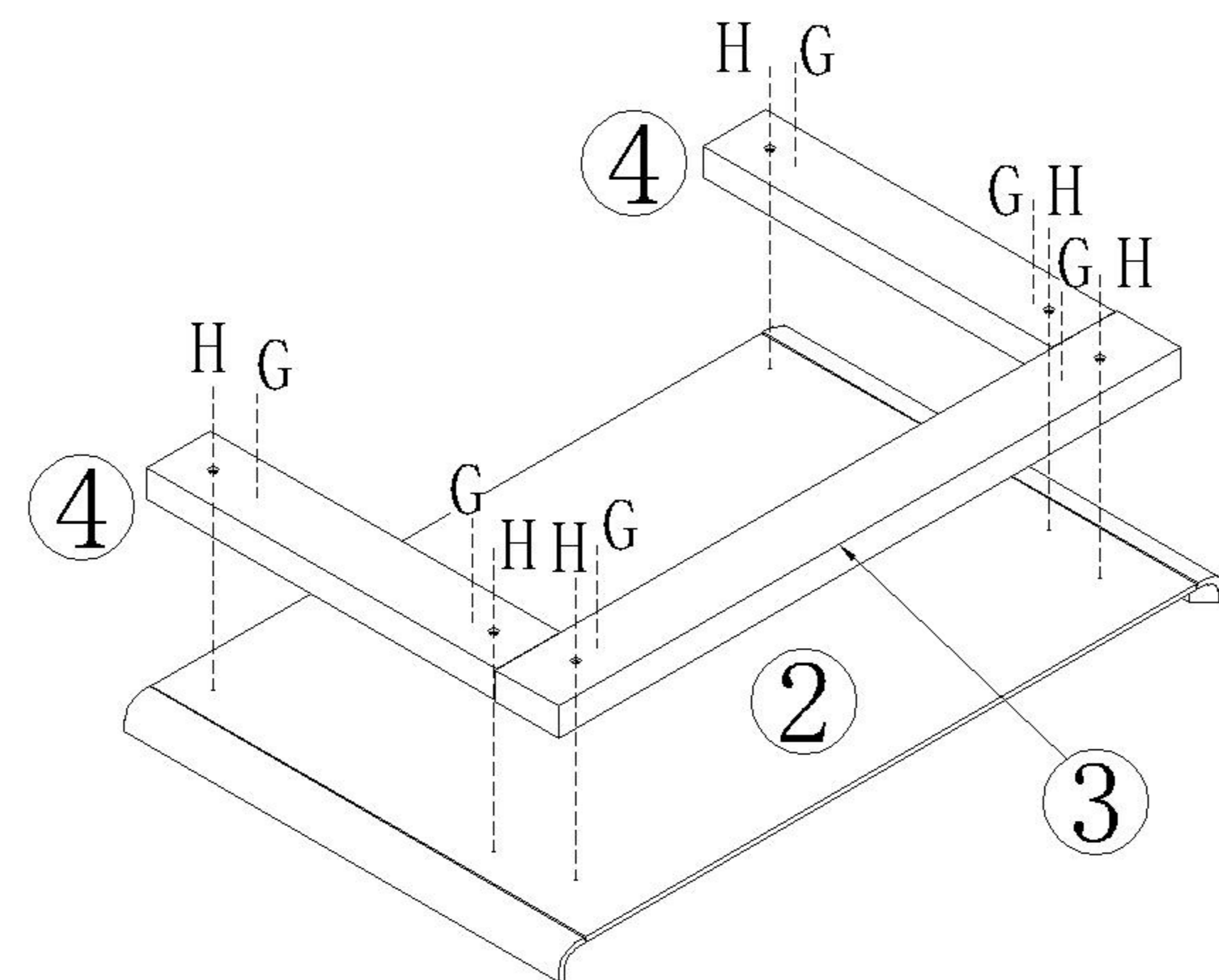
UN8C-F三斗柜

安装方法/
Installation method



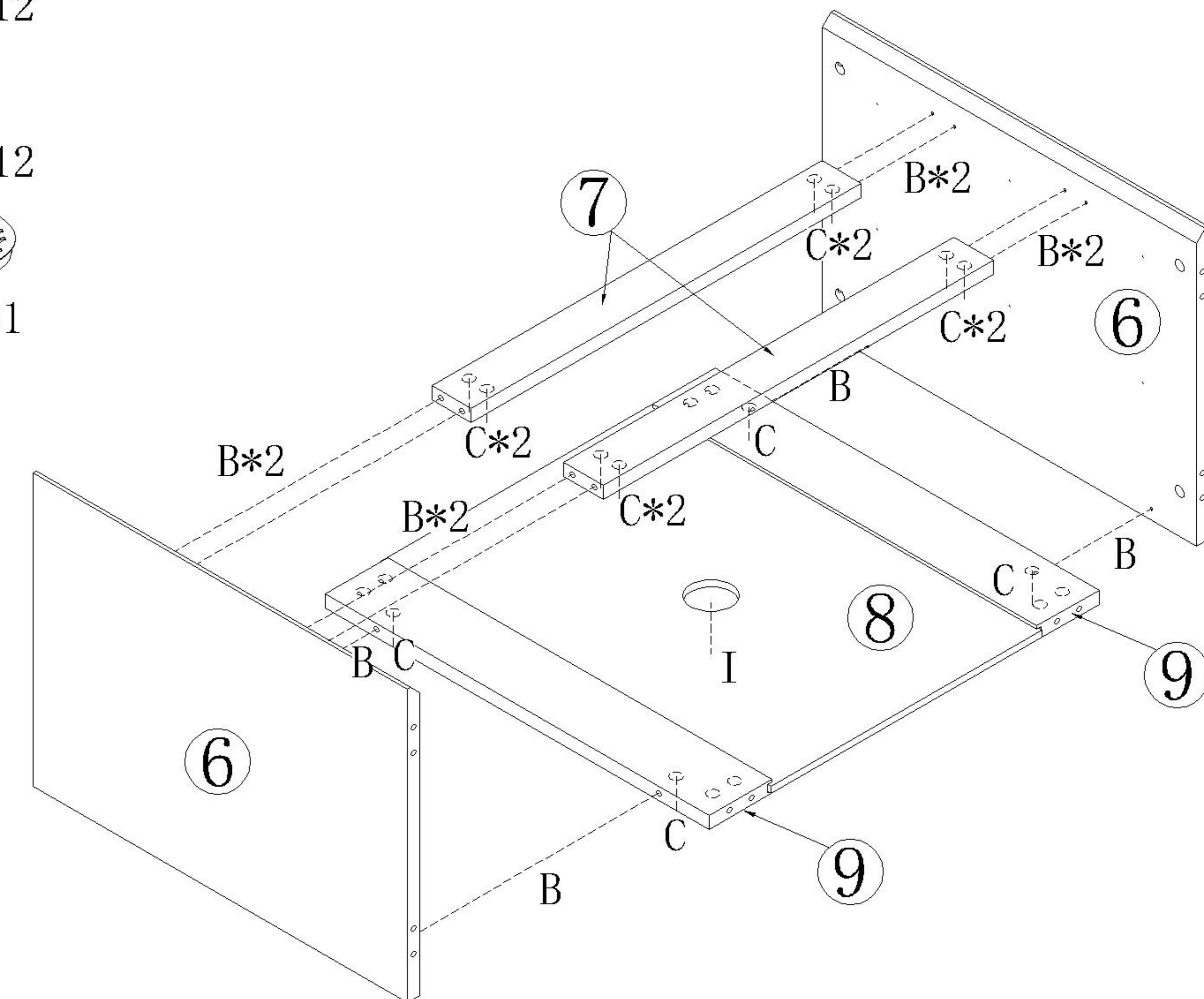
二合一 two-in-one

- (G)*6
- (H)*6



5

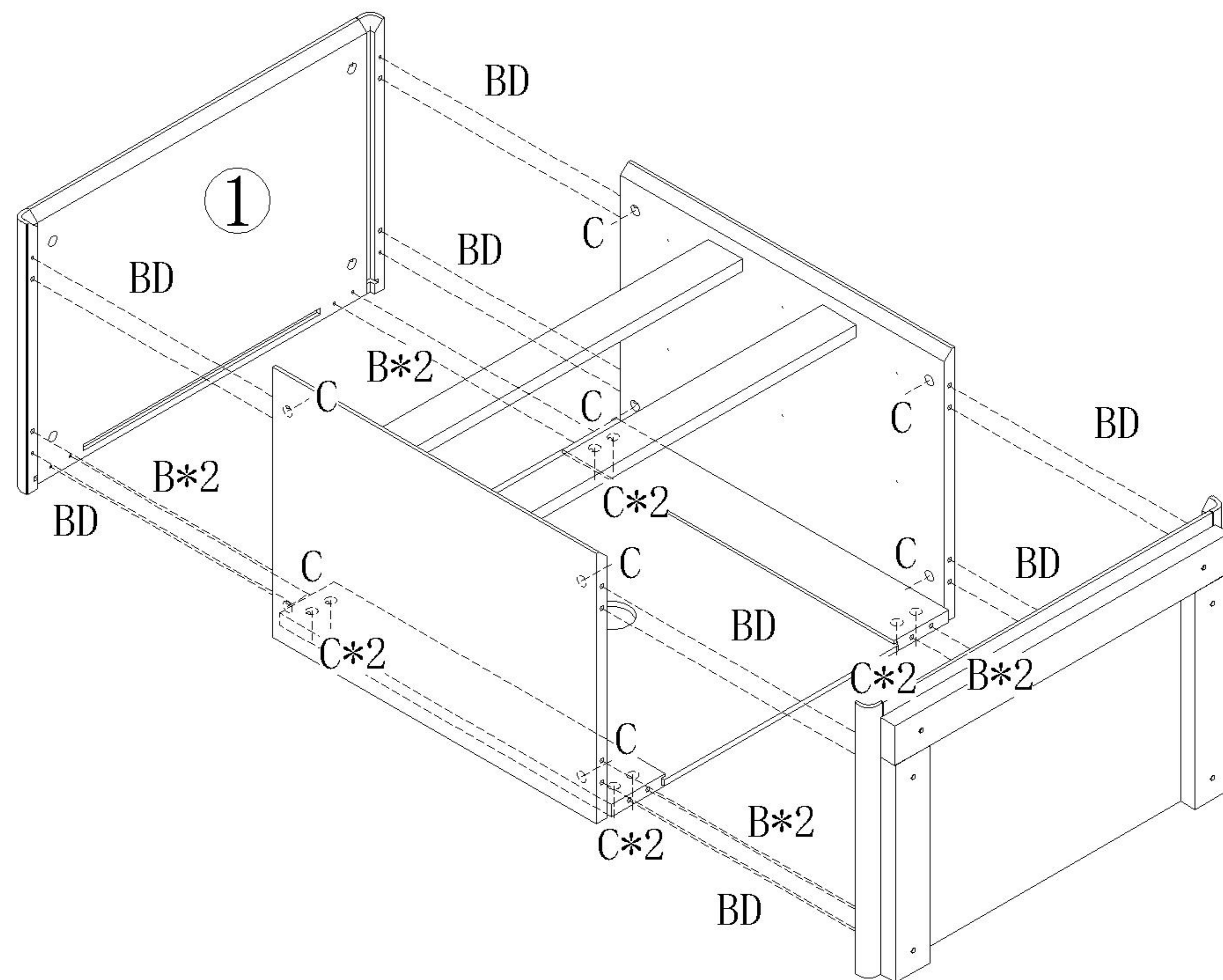
- (B)*12
- (C)*12
- (I)*1



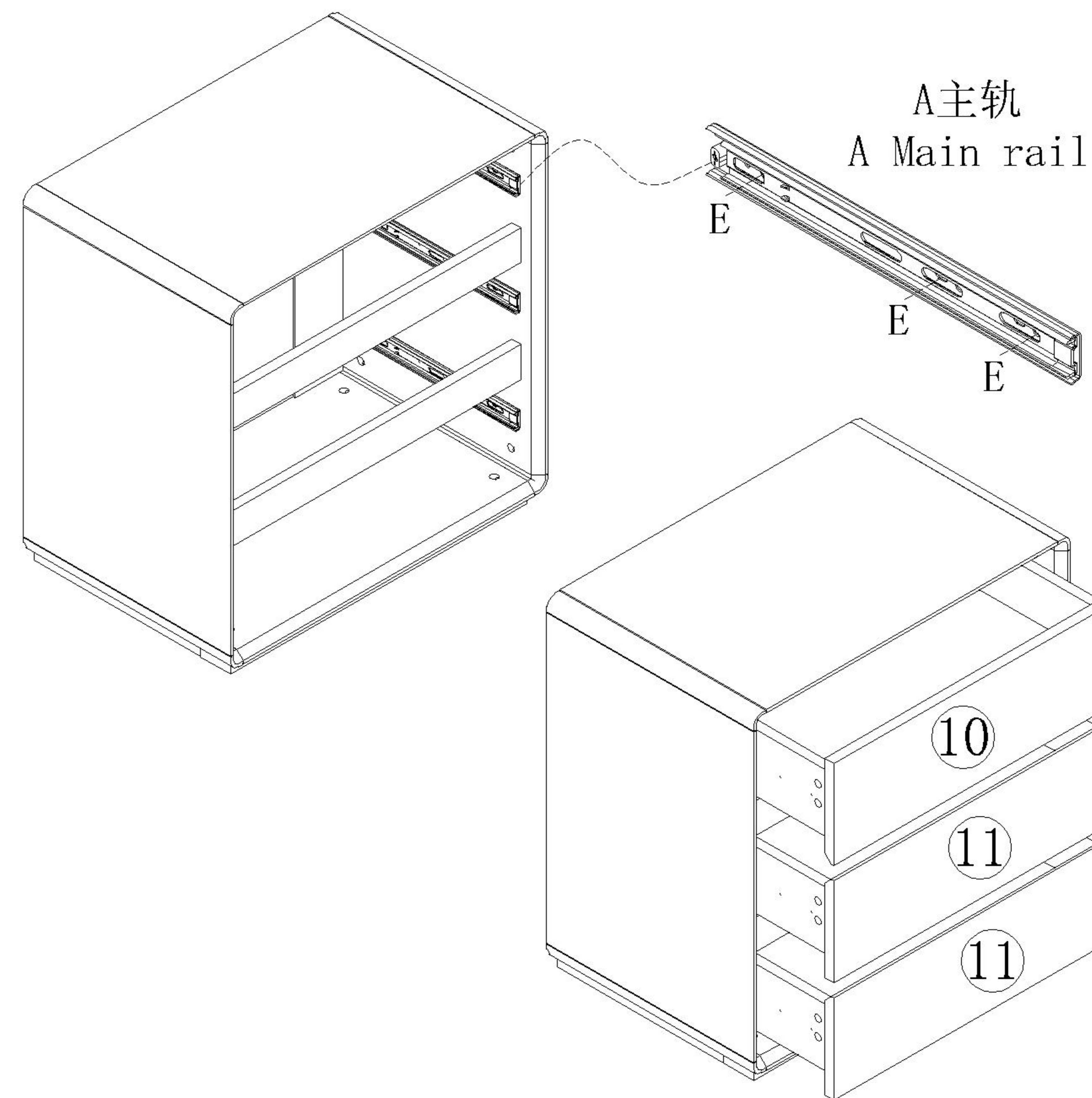
6

7

- (B)*16
- (C)*16
- (D)*8



- (A)*3
- (E)*18



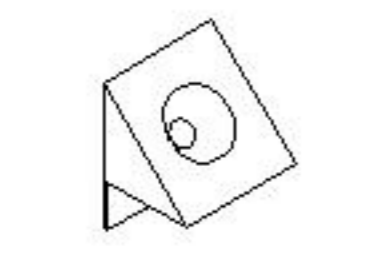
8

UN8C-F三斗柜

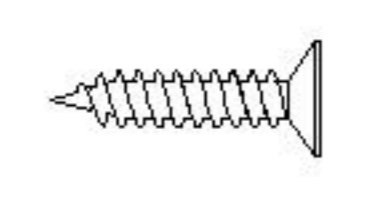
9

11

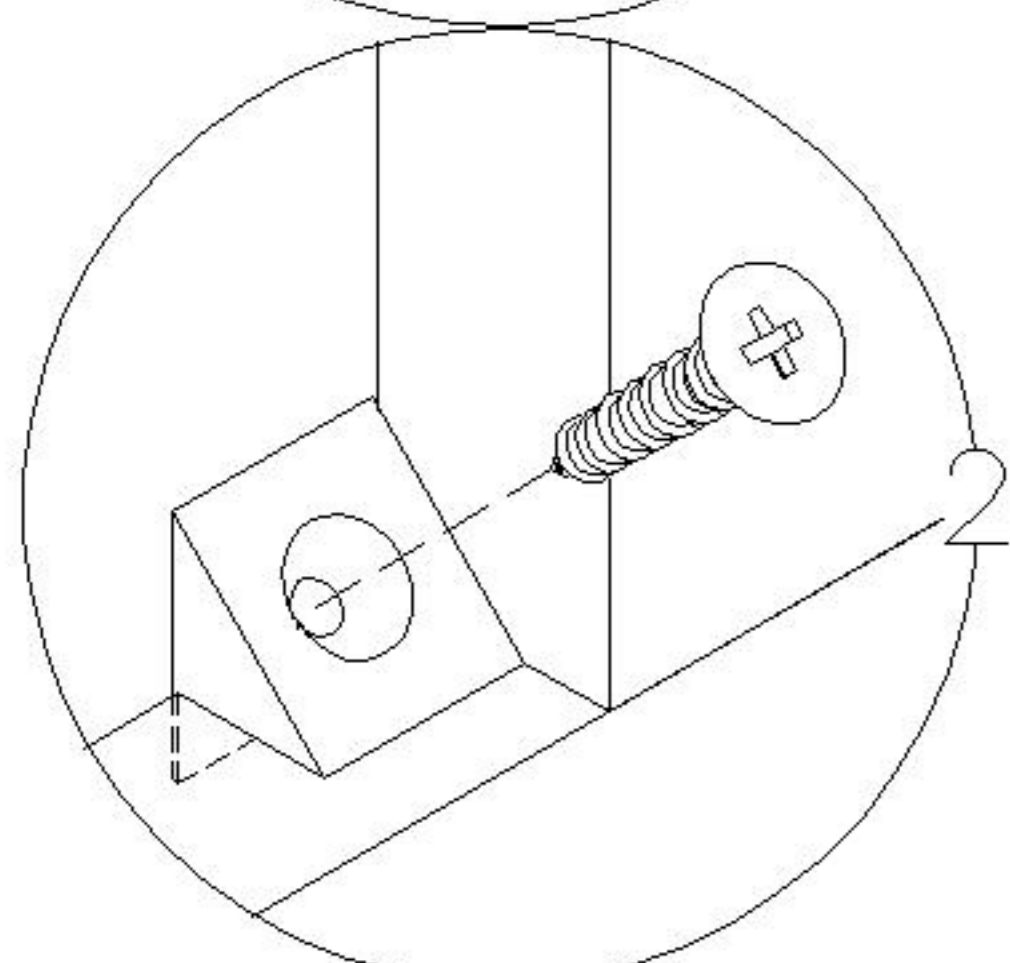
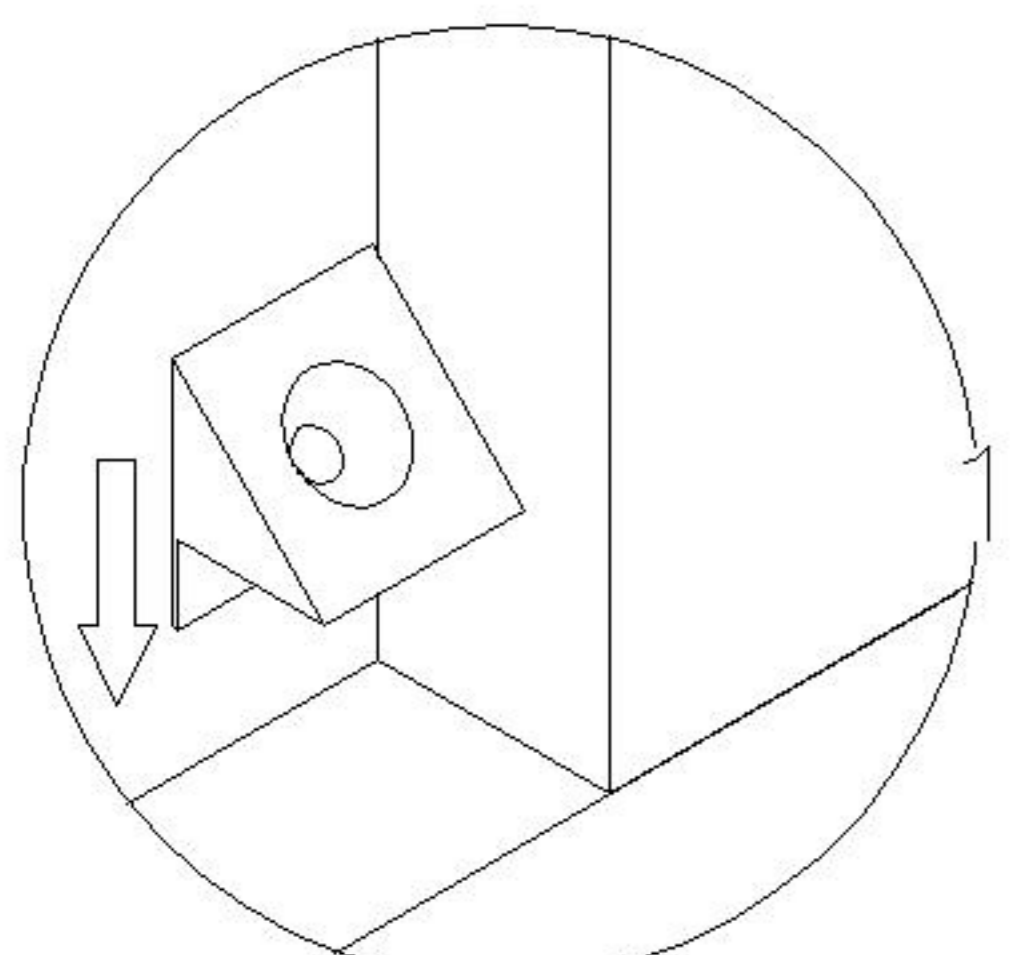
安装方法/
Installation method



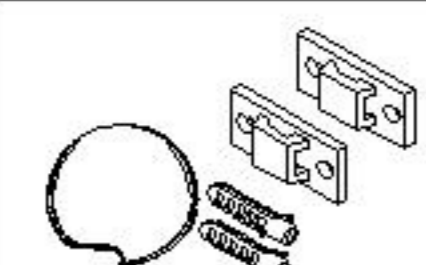
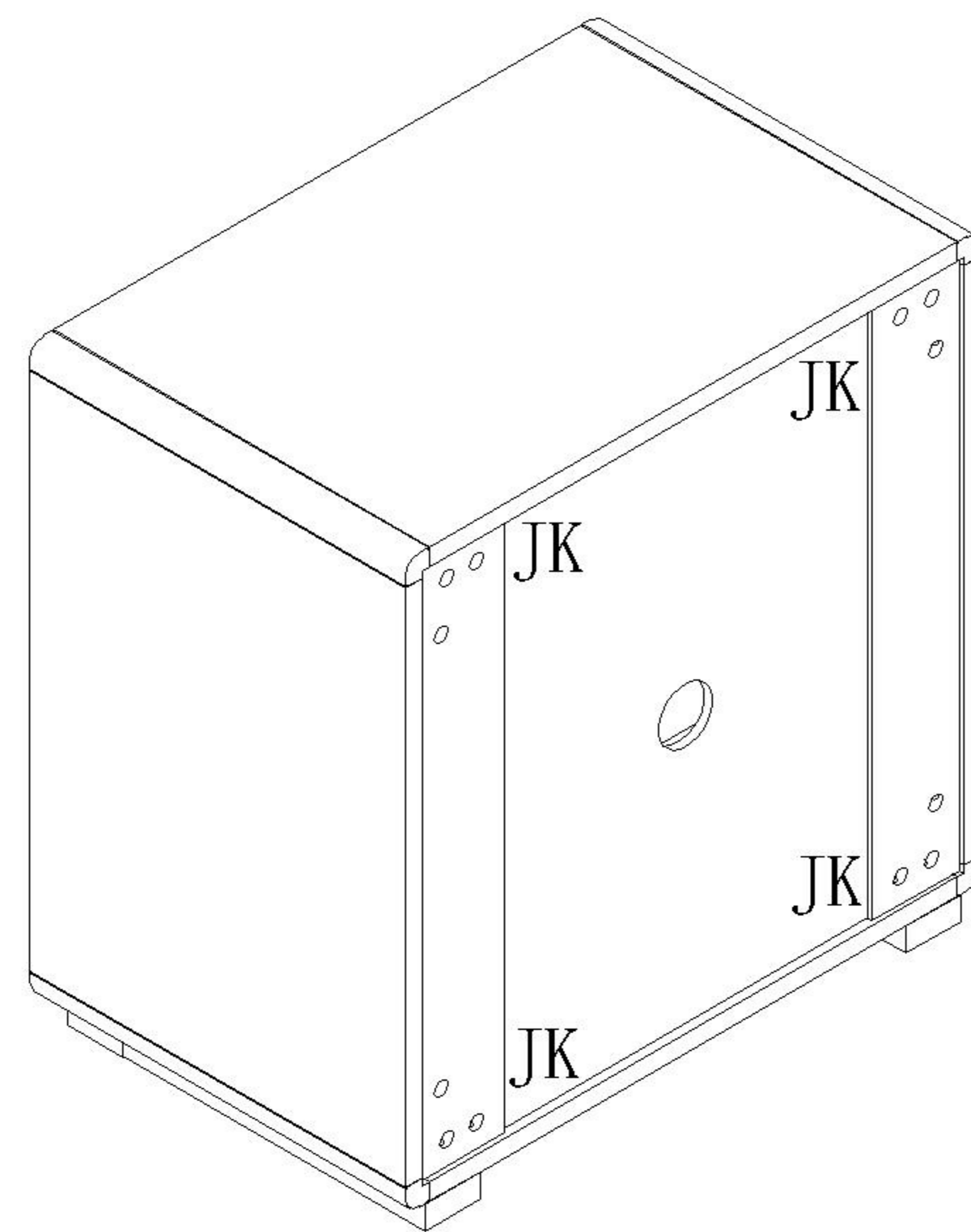
(J)*4



(K)*4

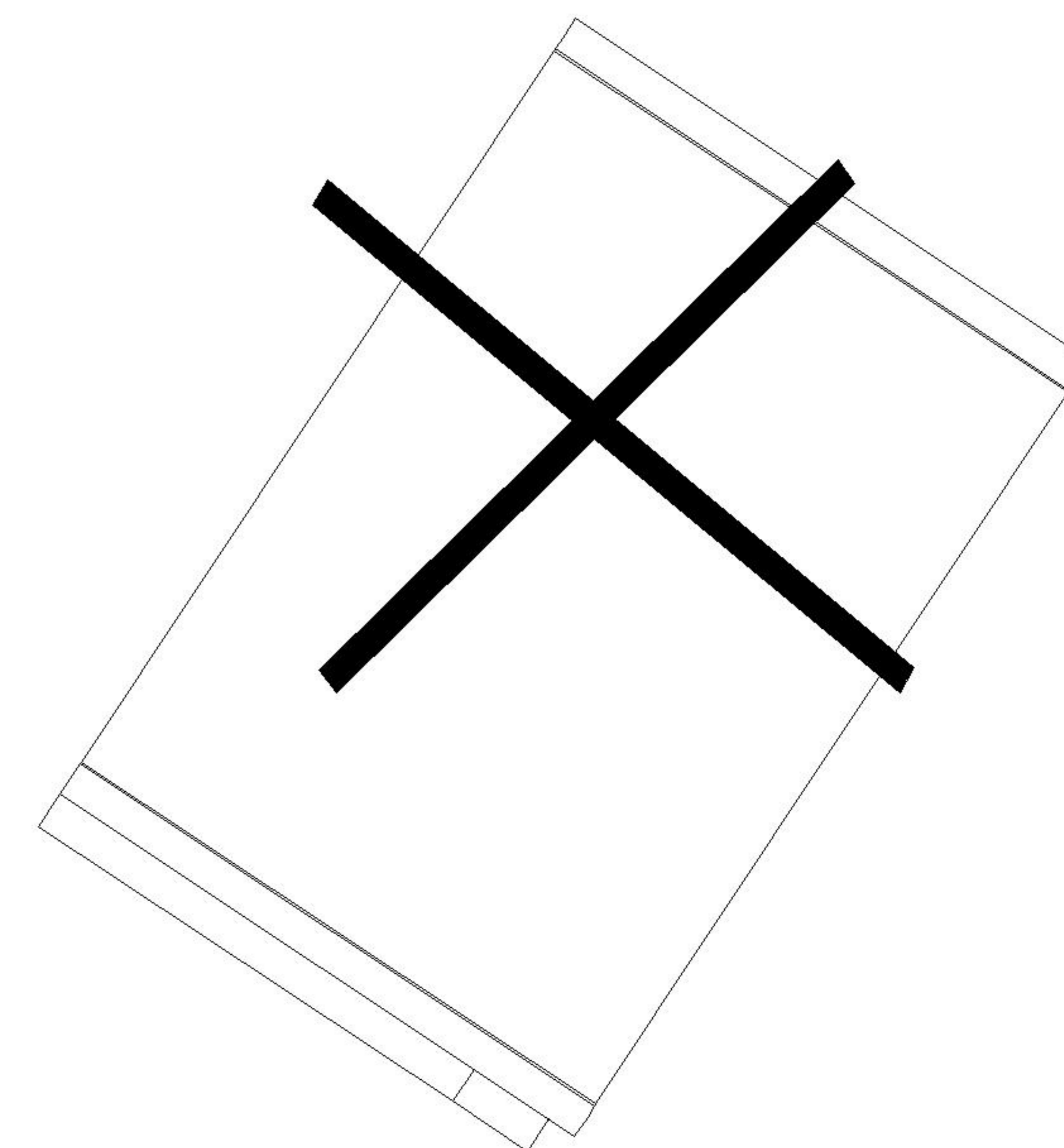
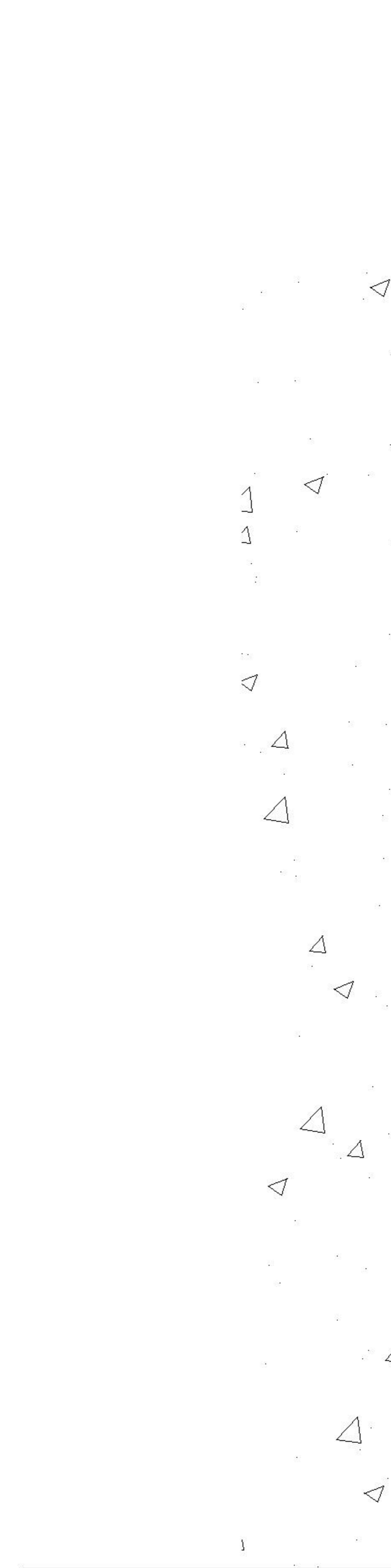
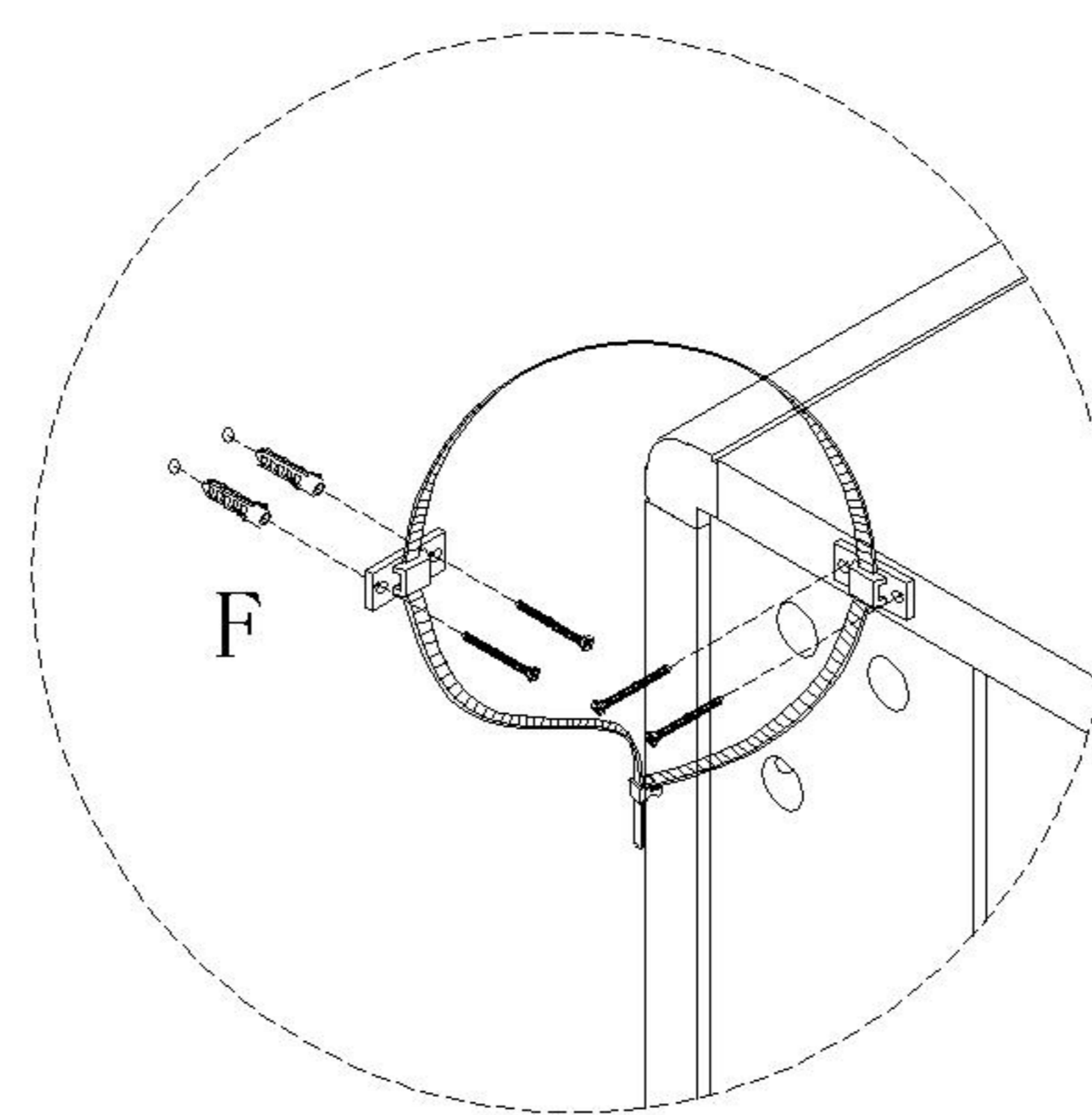
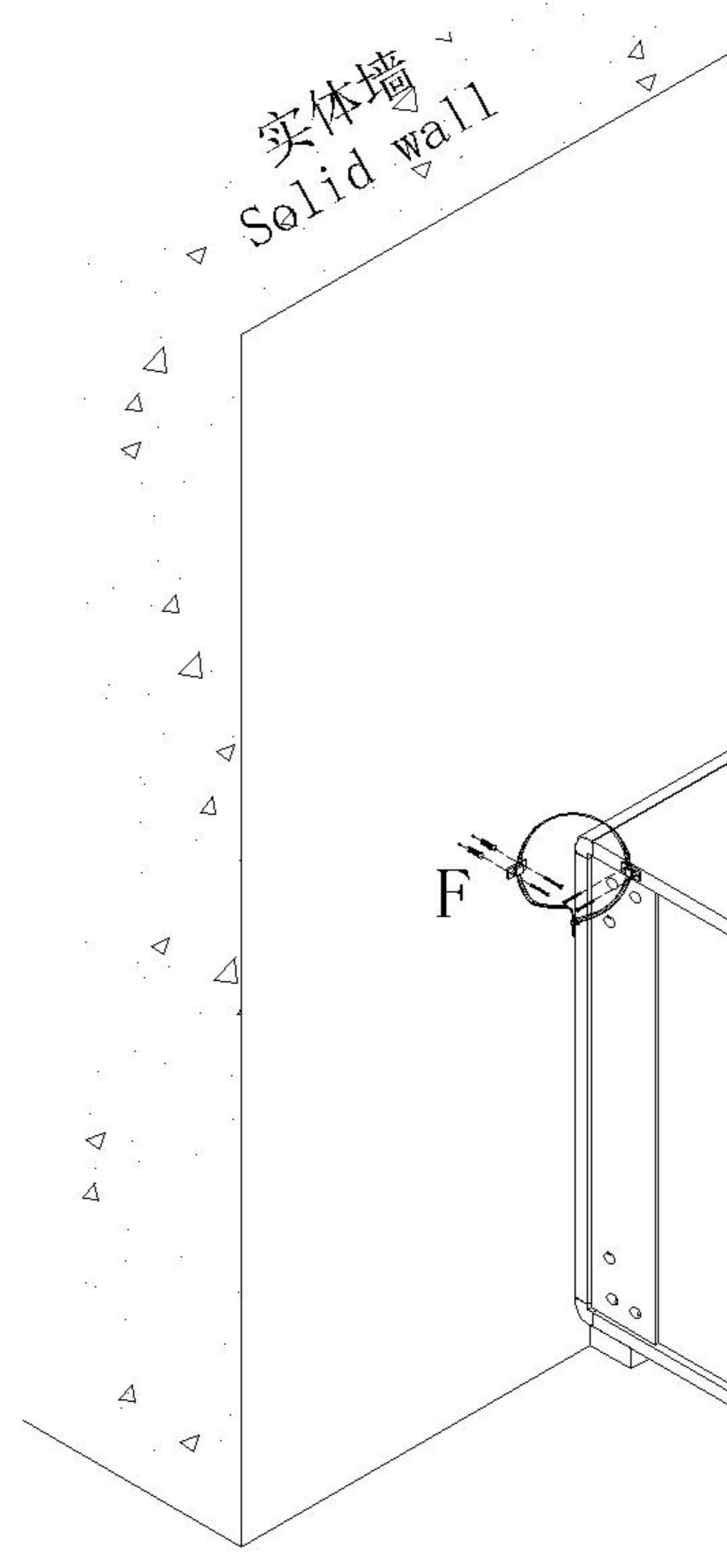


背板扣
Back Plate Buckle



(F)*1

10



LINSY 林氏家居

五金表/Hardware list

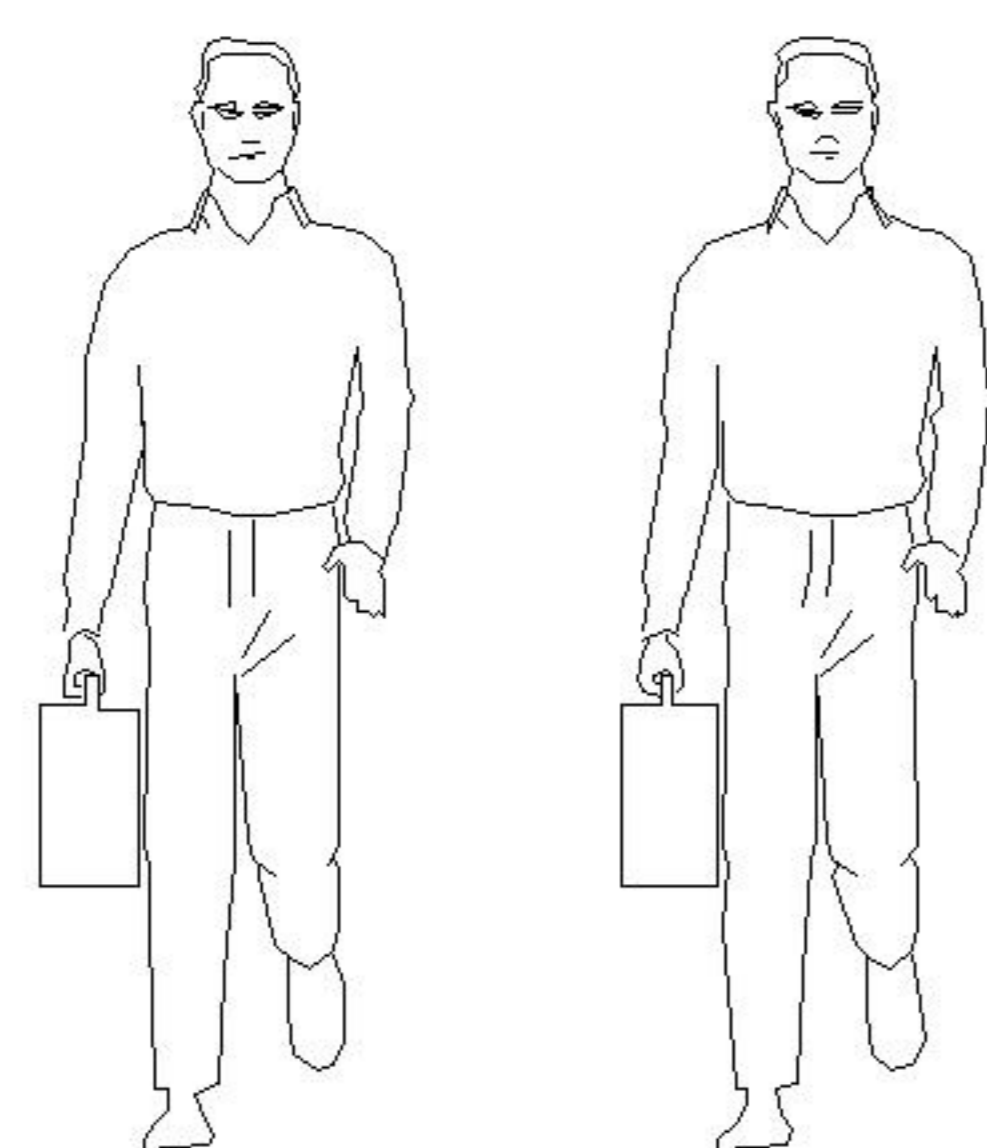
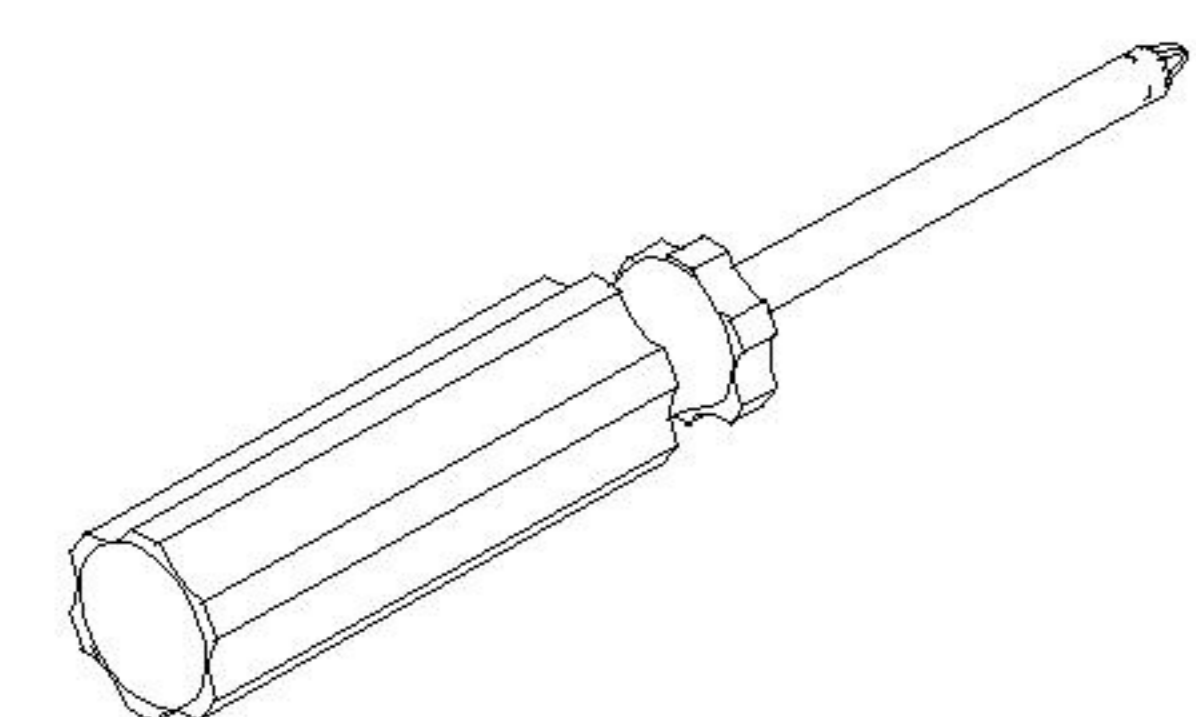
部件表/Parts List

安装示意图/Assembly Instruction

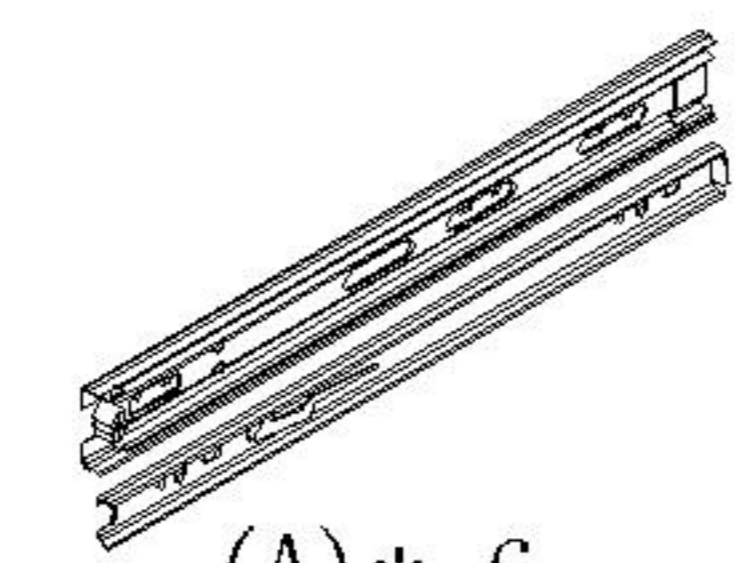
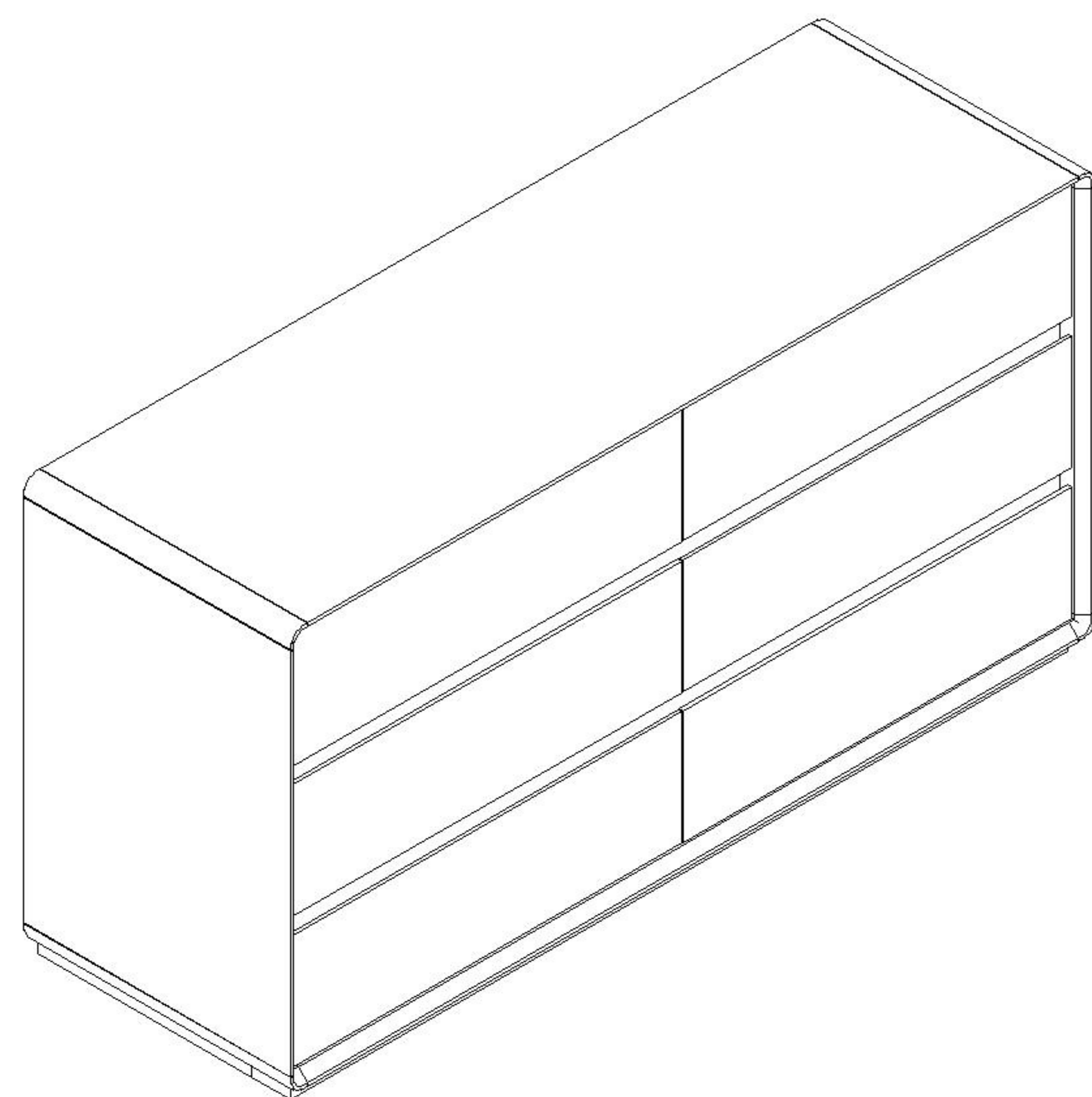
产品名称 Model NO. UN8C-F六斗柜

产品规格 Specification 1200*398*628mm

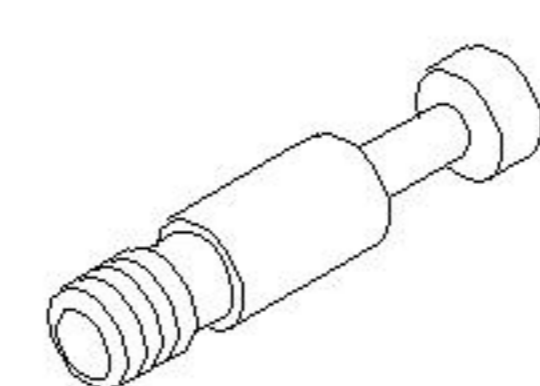
安装工具 Tool 安装人数 Installer



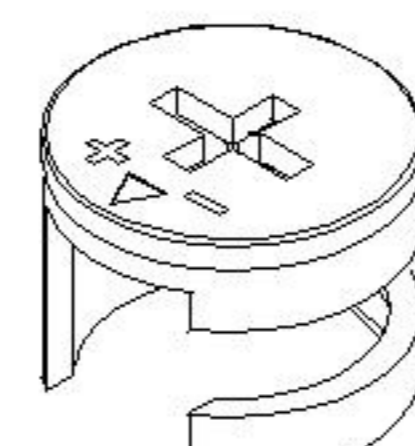
注：为保证设计效果，部分尺寸为定制尺寸，不影响使用。



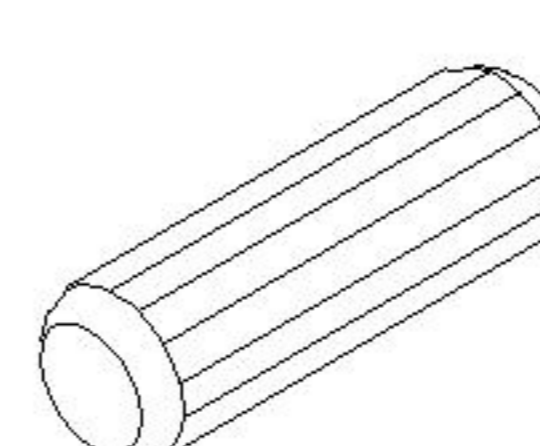
(A)* 6
三节滚珠导轨-10"
three-section ball rail



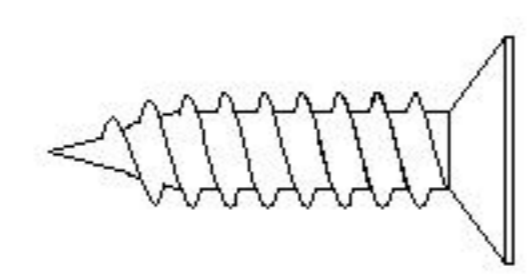
(B)* 99
二合一螺杆
2-in-1-screw



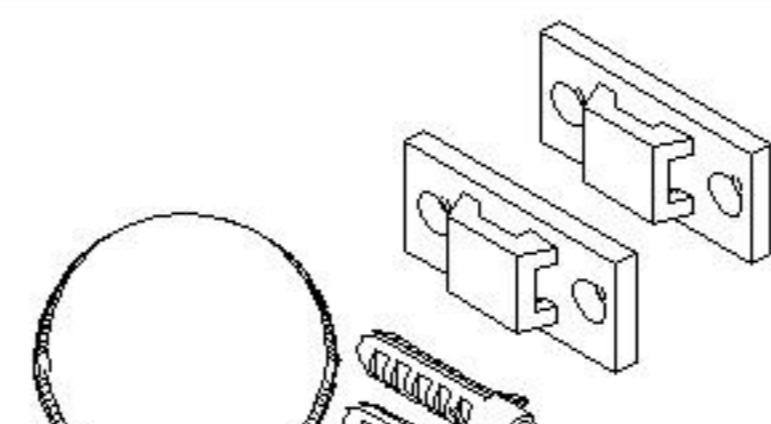
(C)* 99
大三合一锁饼
Three-in-one large lock



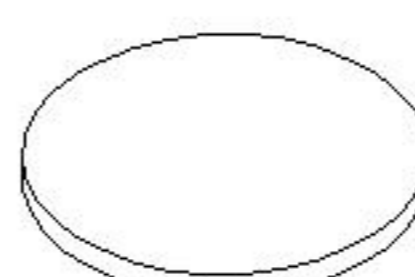
(D)* 21
木榫08x30mm
wood tenon



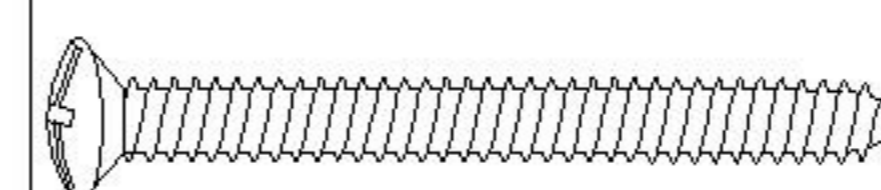
(E)* 76
自攻螺丝M3.5x12mm
Self-tapping screw



(F)* 1
家具防倒器-白色
Anti-fall device white



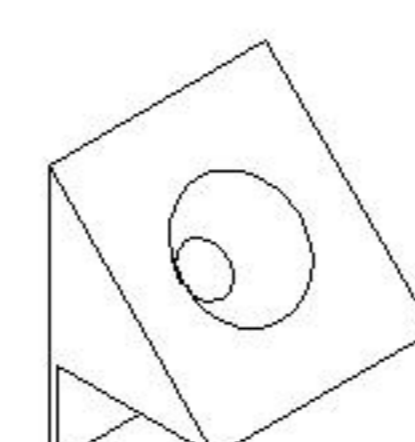
(G)* 10
灰色毛毡脚垫
Grey felt foot pad



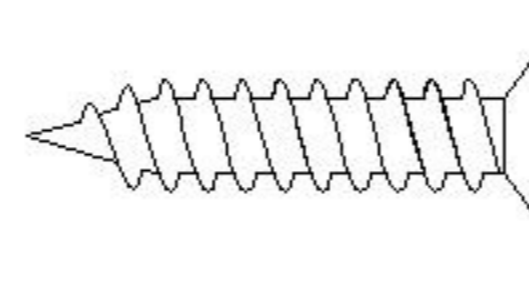
(H)* 11
自攻大扁M4*35mm
Self tapping flat screw



(I)* 2
透气孔盖
Vent cover

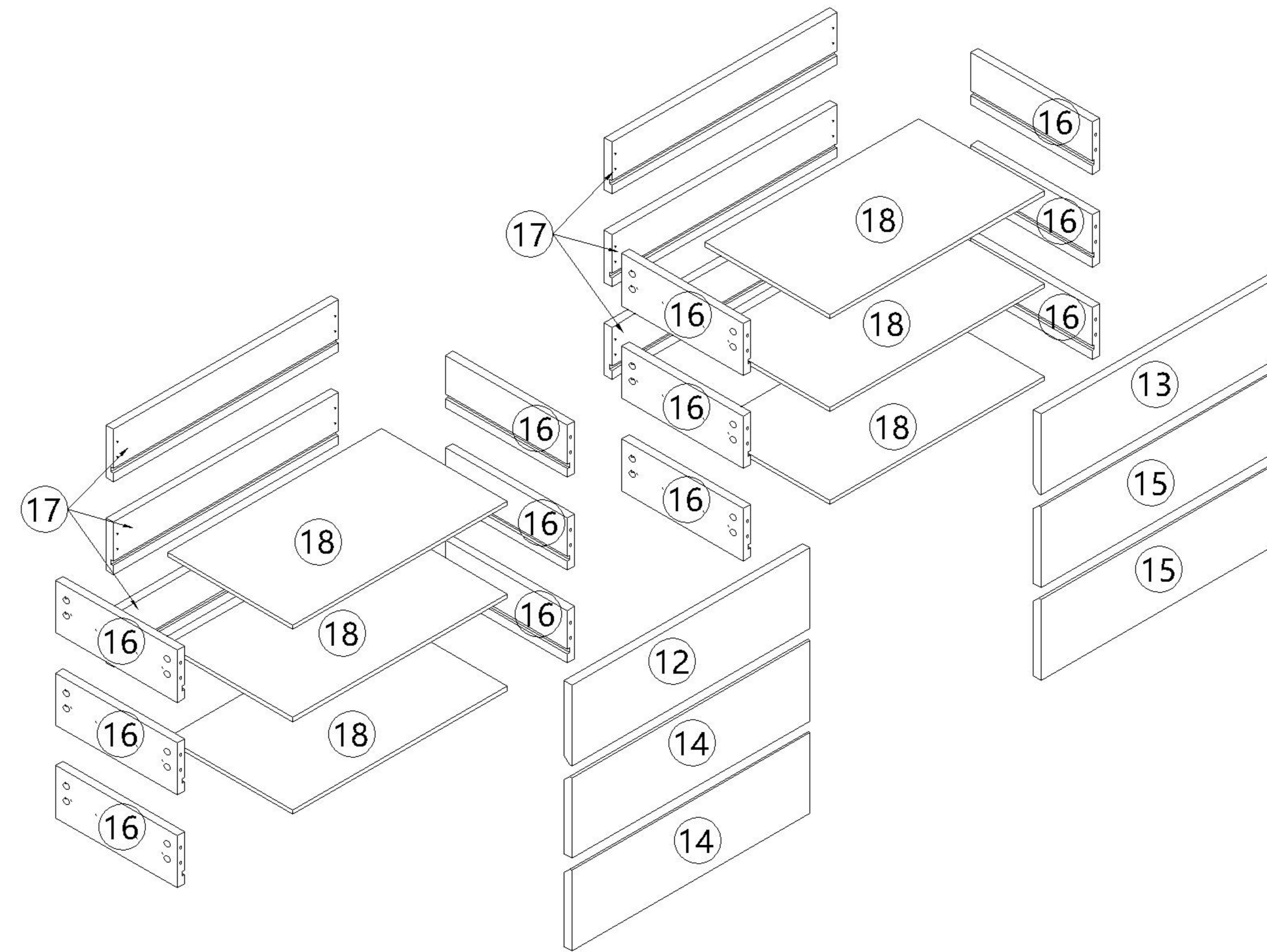
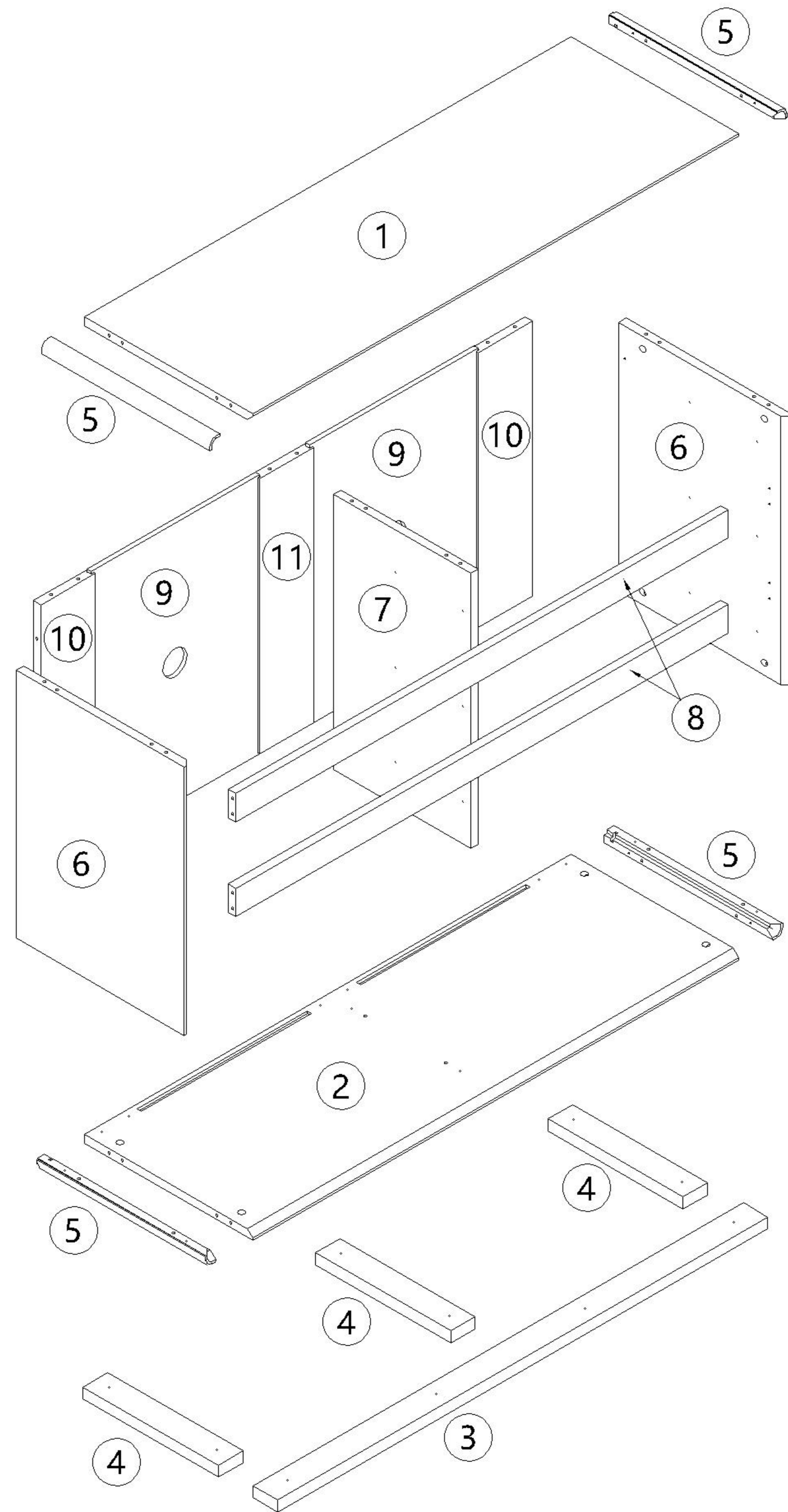


(J)* 8
背板扣
Back Plate Buckle-White



(K)* 8
自攻螺丝M3.5x16mm
Self-tapping screw

编号NO.	名称Name	规格(mm) Specification	数量QTY	材质Material
①	面板Top panel	1150*398*18	1	胶合板 Plywood
②	底板Bottom board	1150*398*18	1	胶合板 Plywood
③	前立水Front apron	1160*58*25	1	胶合板 Plywood
④	侧立水Side apron	320*58*25	3	胶合板 Plywood
⑤	转角木Corner connection wood	398*25*25	4	橡胶木 Rubber wood
⑥	侧板Side board	550*398*18	2	胶合板 Plywood
⑦	中侧板Middle side board	564*324*18	1	胶合板 Plywood
⑧	前拉条Front brace	1164*58*18	2	胶合板 Plywood
⑨	背板Back board	574*398*9	2	胶合板 Plywood
⑩	边背拉条Side back brace	564*129*18	2	胶合板 Plywood
⑪	背拉条Back brace	564*129*18	1	胶合板 Plywood
⑫	左上抽屉面板Upper left drawer panel	579*170*18	1	胶合板 Plywood
⑬	右上抽屉面板Upper right drawer panel	579*170*18	1	胶合板 Plywood
⑭	左下抽屉面板Lower left drawer panel	579*170*18	2	胶合板 Plywood
⑮	右下抽屉面板Lower right drawer panel	579*170*18	2	胶合板 Plywood
⑯	抽屉侧板Drawer's sideboard	295*110*18	12	胶合板 Plywood
⑰	抽屉后板Drawer's Back board	547*110*18	6	胶合板 Plywood
⑱	抽屉底板Drawer's Bottom board	521*305*9	6	胶合板 Plywood



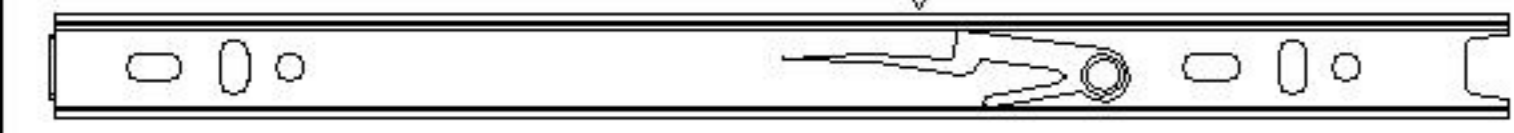
编号NO.	名称Name
①	面板Top panel
②	底板Bottom board
③	前立水Front apron
④	侧立水Side apron
⑤	转角木Corner connection wood
⑥	侧板Side board
⑦	中侧板Middle side board
⑧	前拉条Front brace
⑨	背板Back board
⑩	边背拉条Side back brace
⑪	背拉条Back brace
⑫	左上抽屉面板Upper left drawer panel
⑬	右上抽屉面板Upper right drawer panel
⑭	左下抽屉面板Lower left drawer panel
⑮	右下抽屉面板Lower right drawer panel
⑯	抽屉侧板Drawer's sideboard
⑰	抽屉后板Drawer's Back board
⑱	抽屉底板Drawer's Bottom board

UN8C-F六斗柜

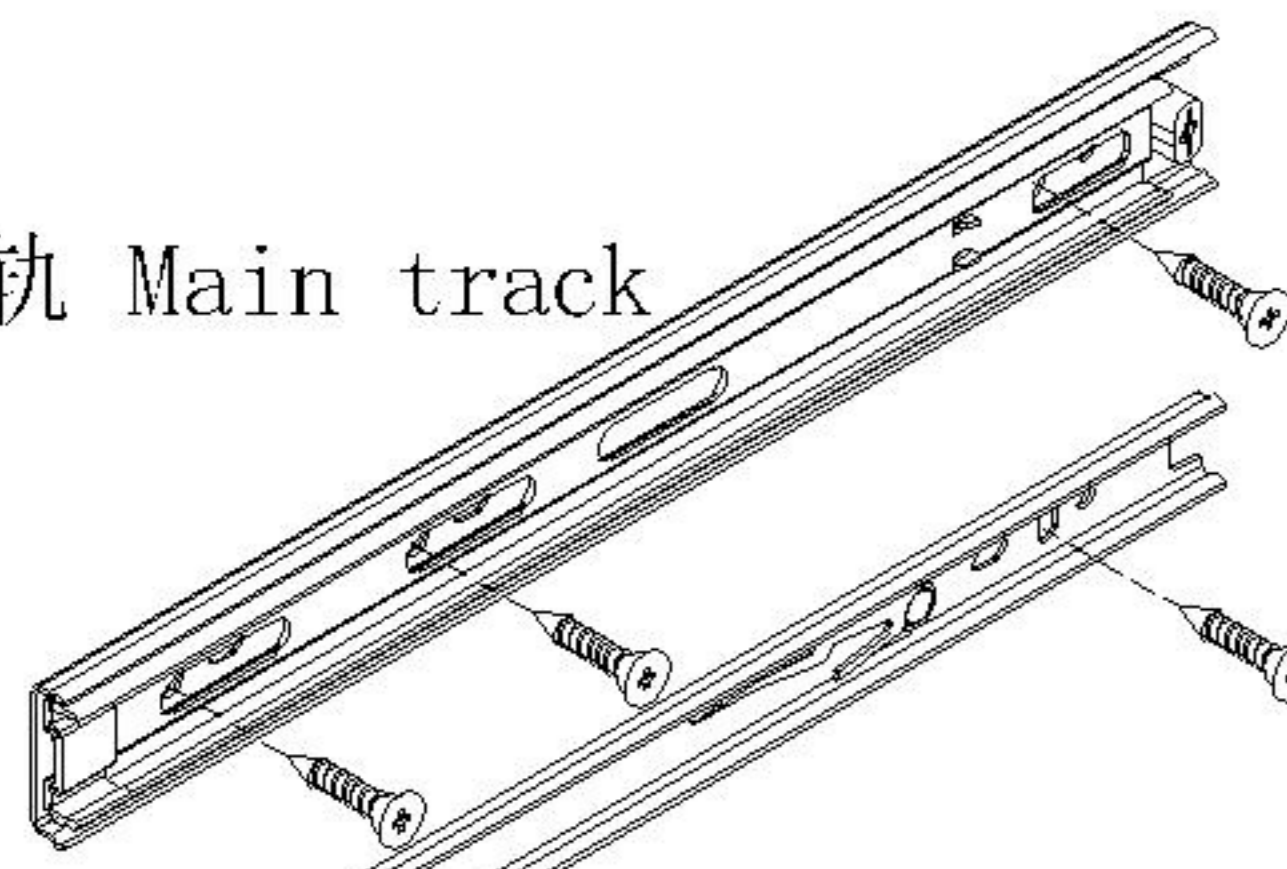
安装方法/
Installation method

阀门开关(下压为开)
Valve switch (press down to open)

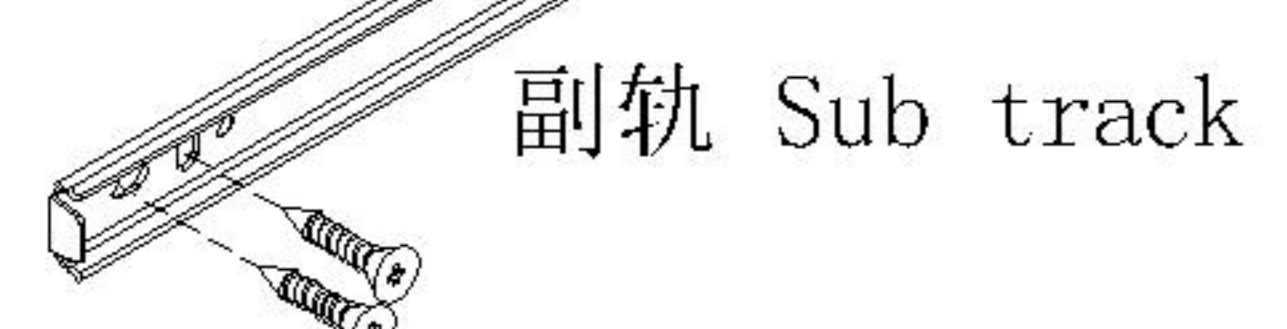
前 Forward 后 Back



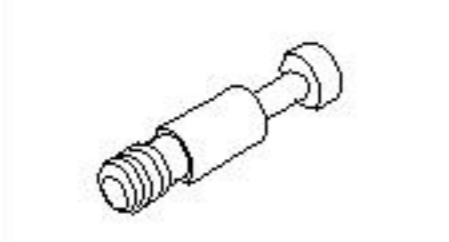
主轨 Main track



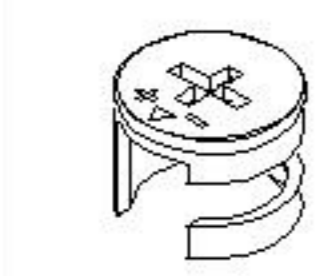
副轨 Sub track



三节滚珠导轨
Three-section rail



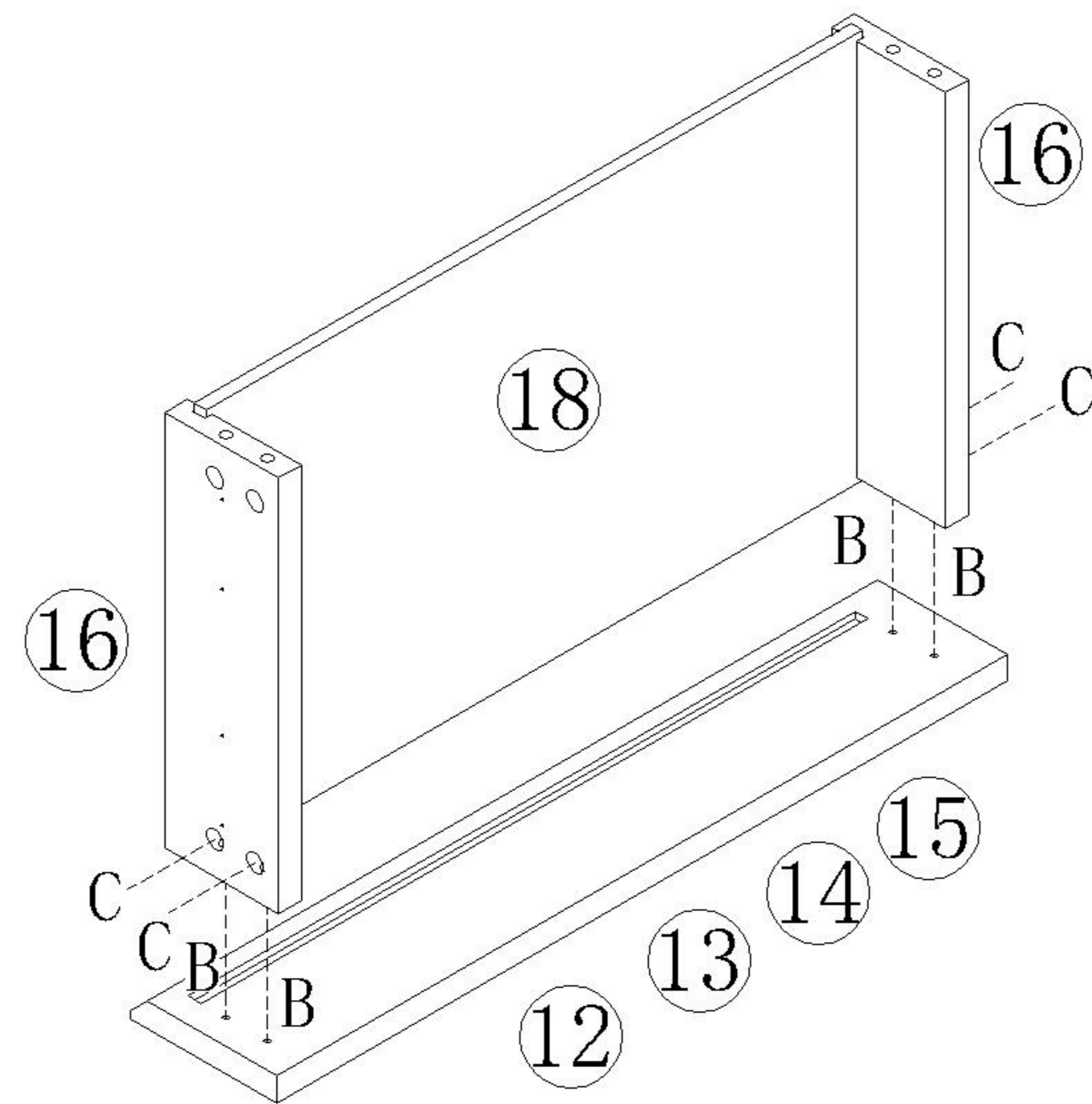
(B)*24



(C)*24

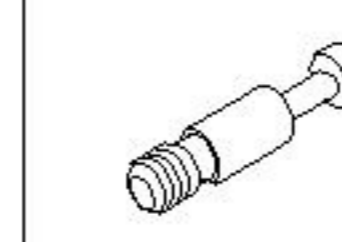
× 6

1

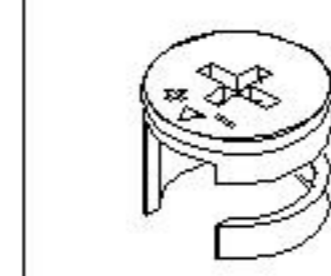


2

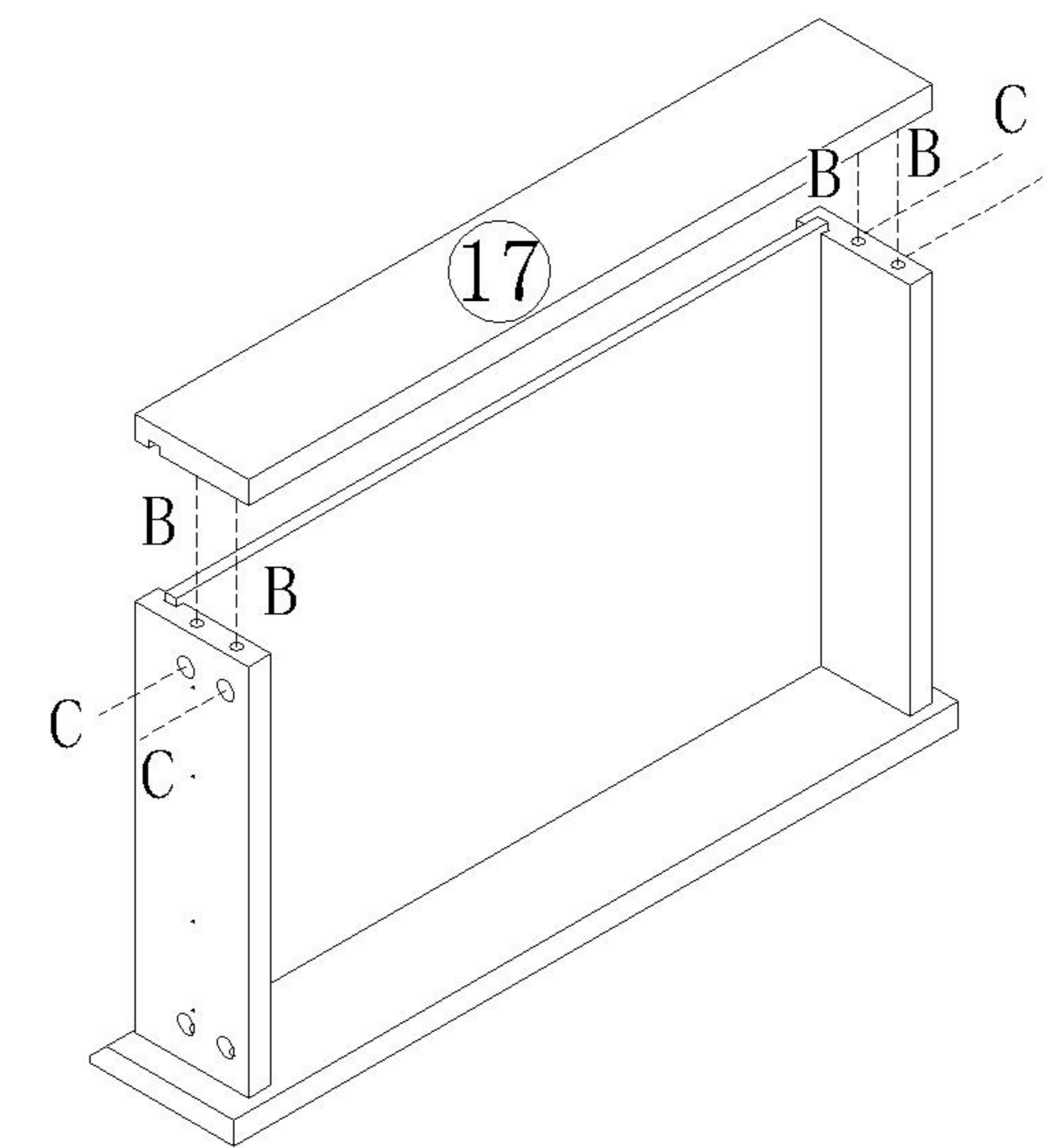
× 6



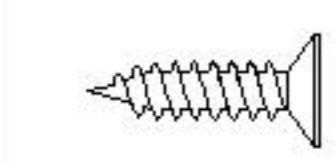
(B)*24



(C)*24



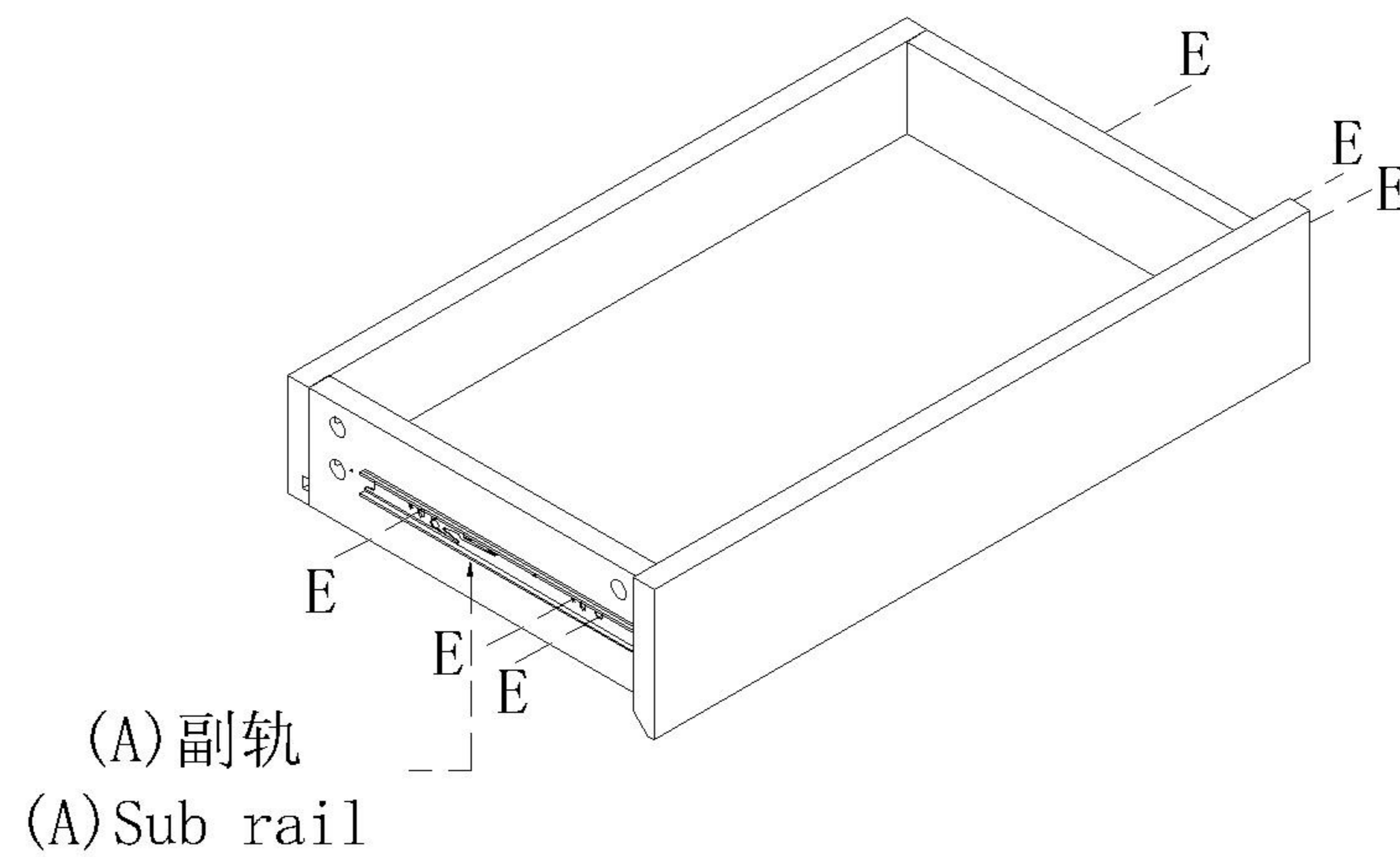
(A)*6



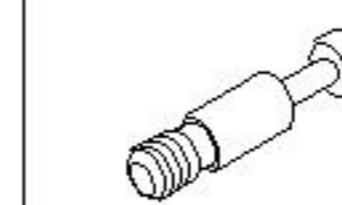
(E)*36

× 6

3



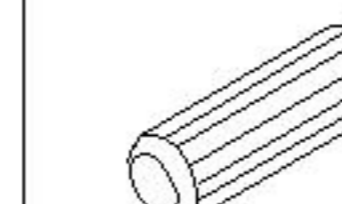
4



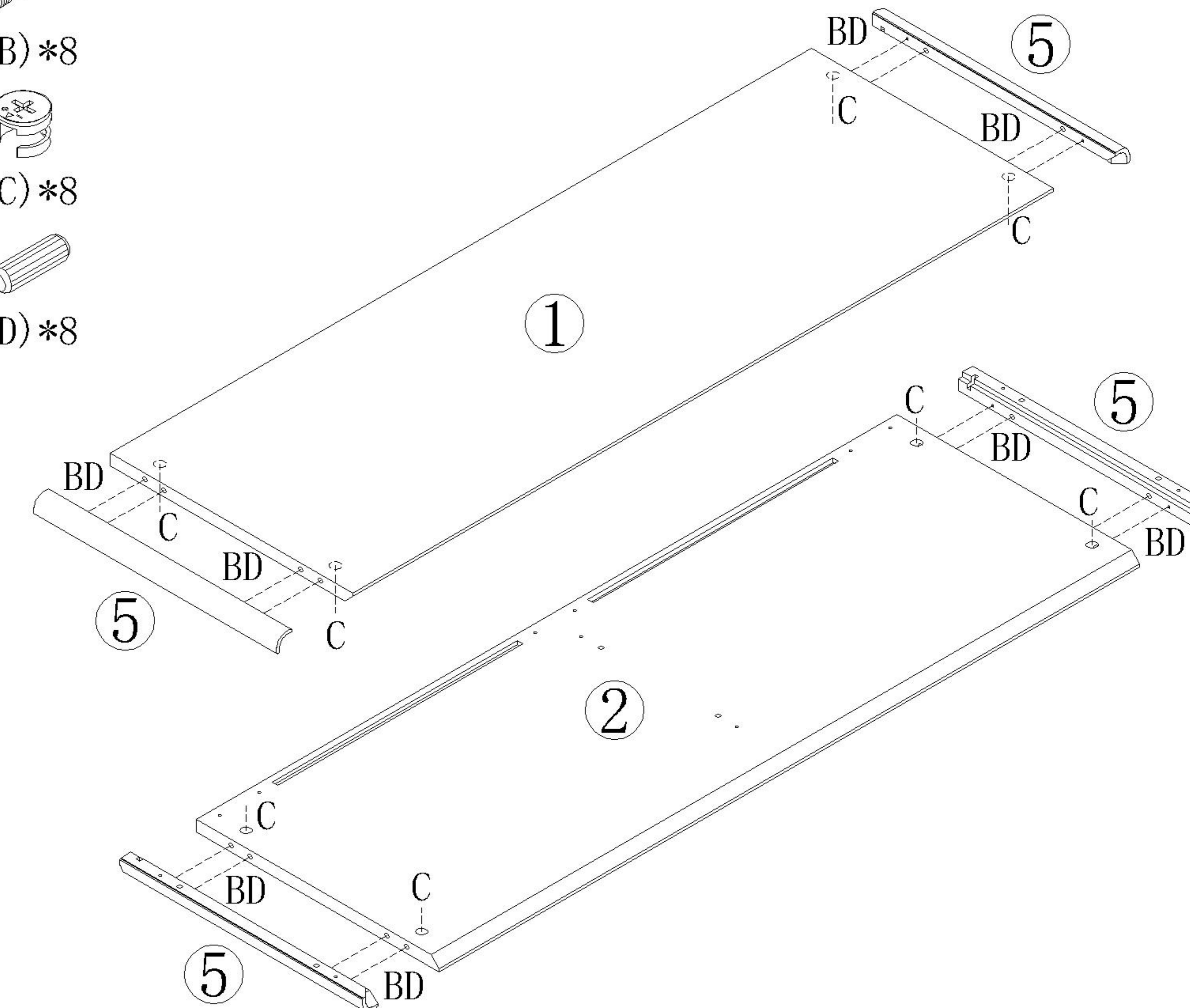
(B)*8



(C)*8

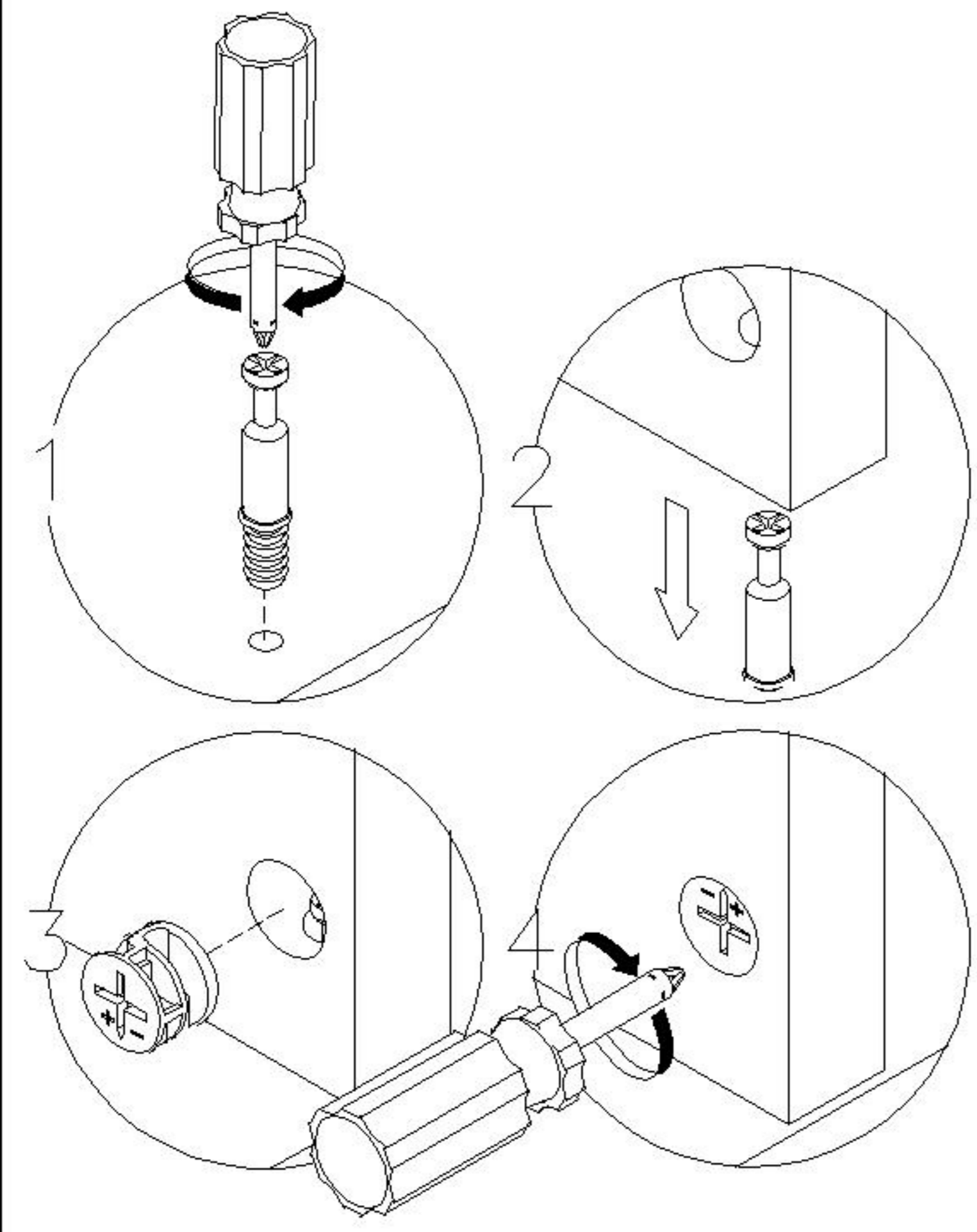


(D)*8



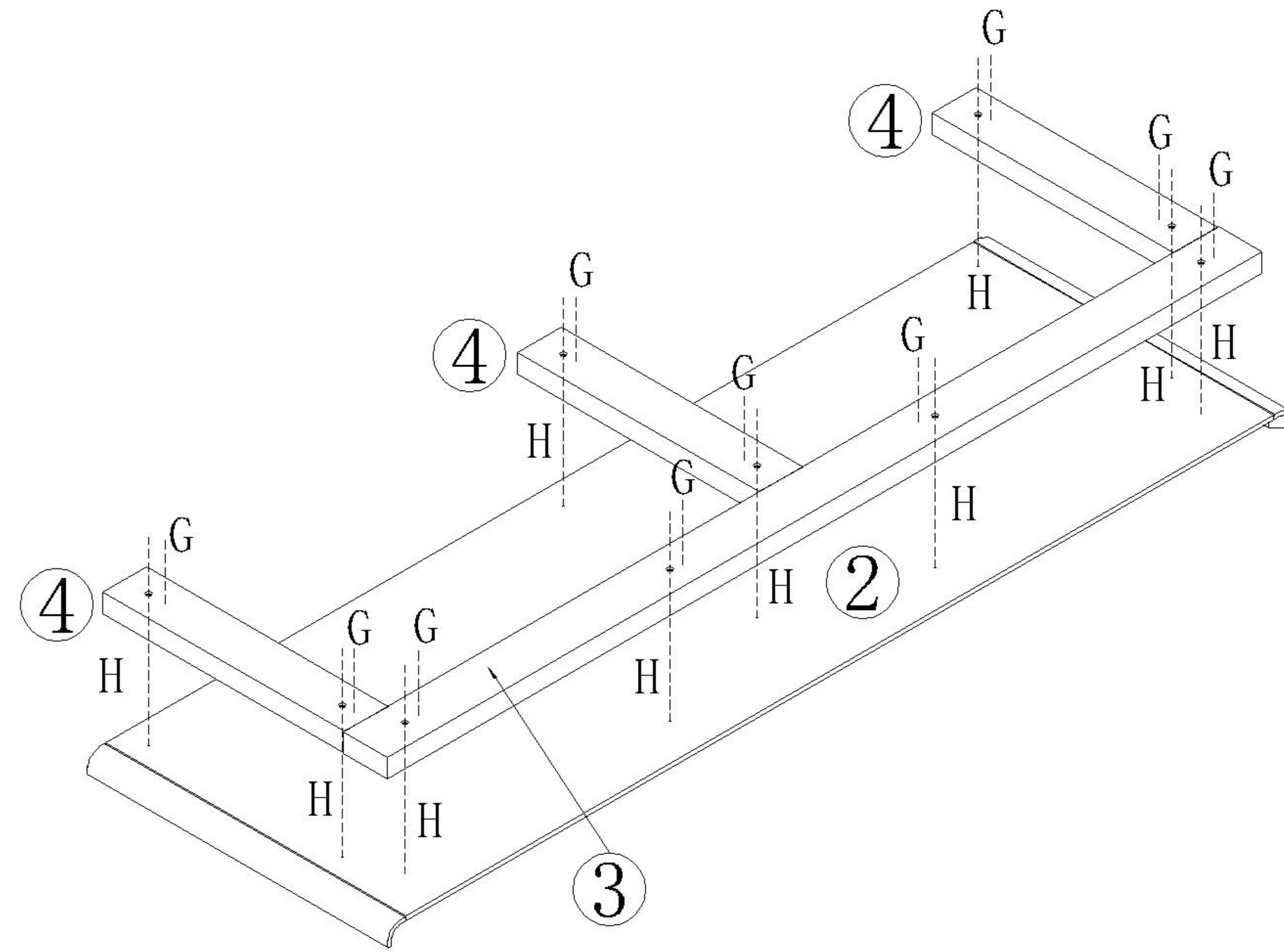
UN8C-F六斗柜

安装方法/
Installation method



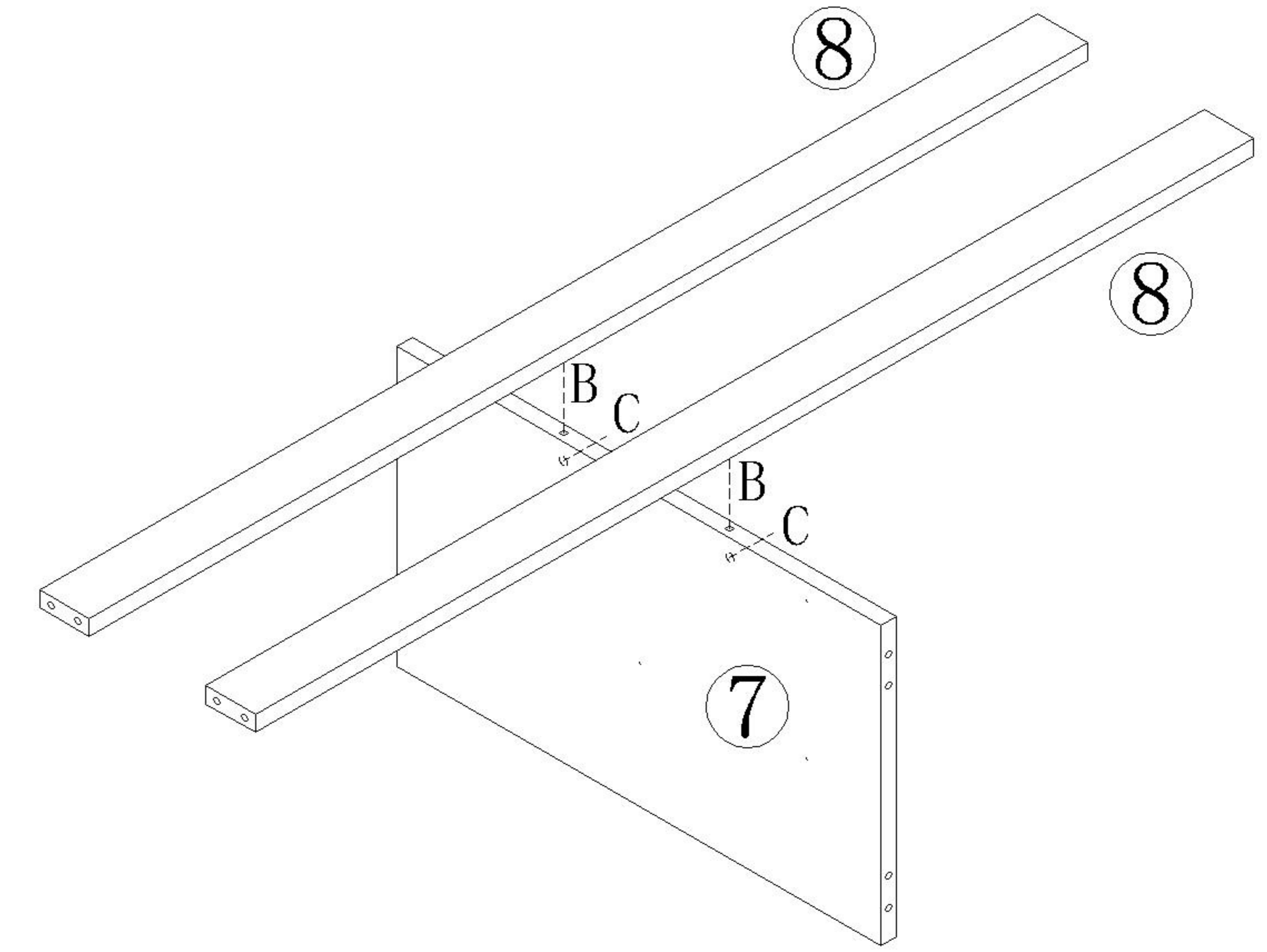
二合一 two-in-one

- (G)*10
- (H)*10



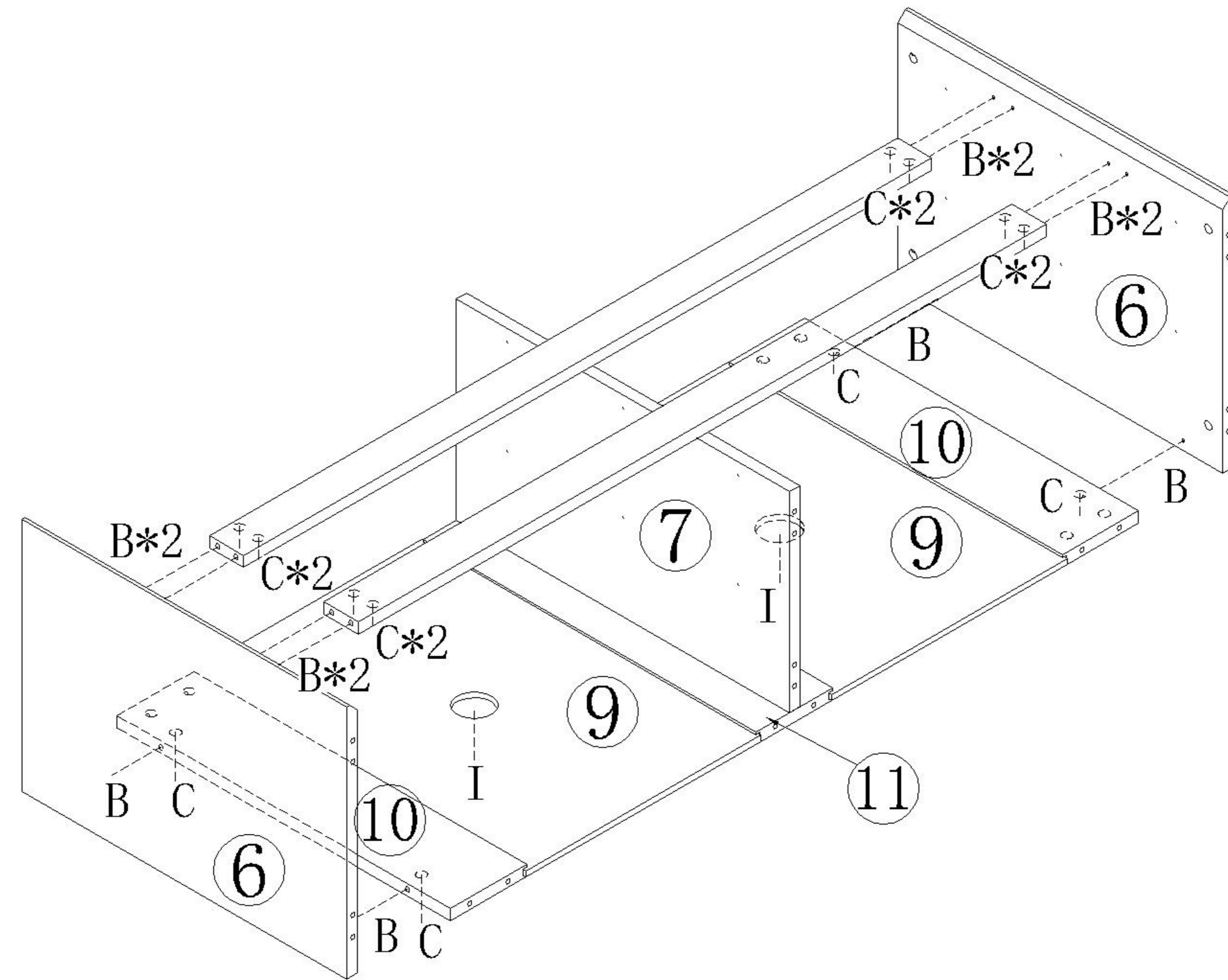
5

- (B)*2
- (C)*2



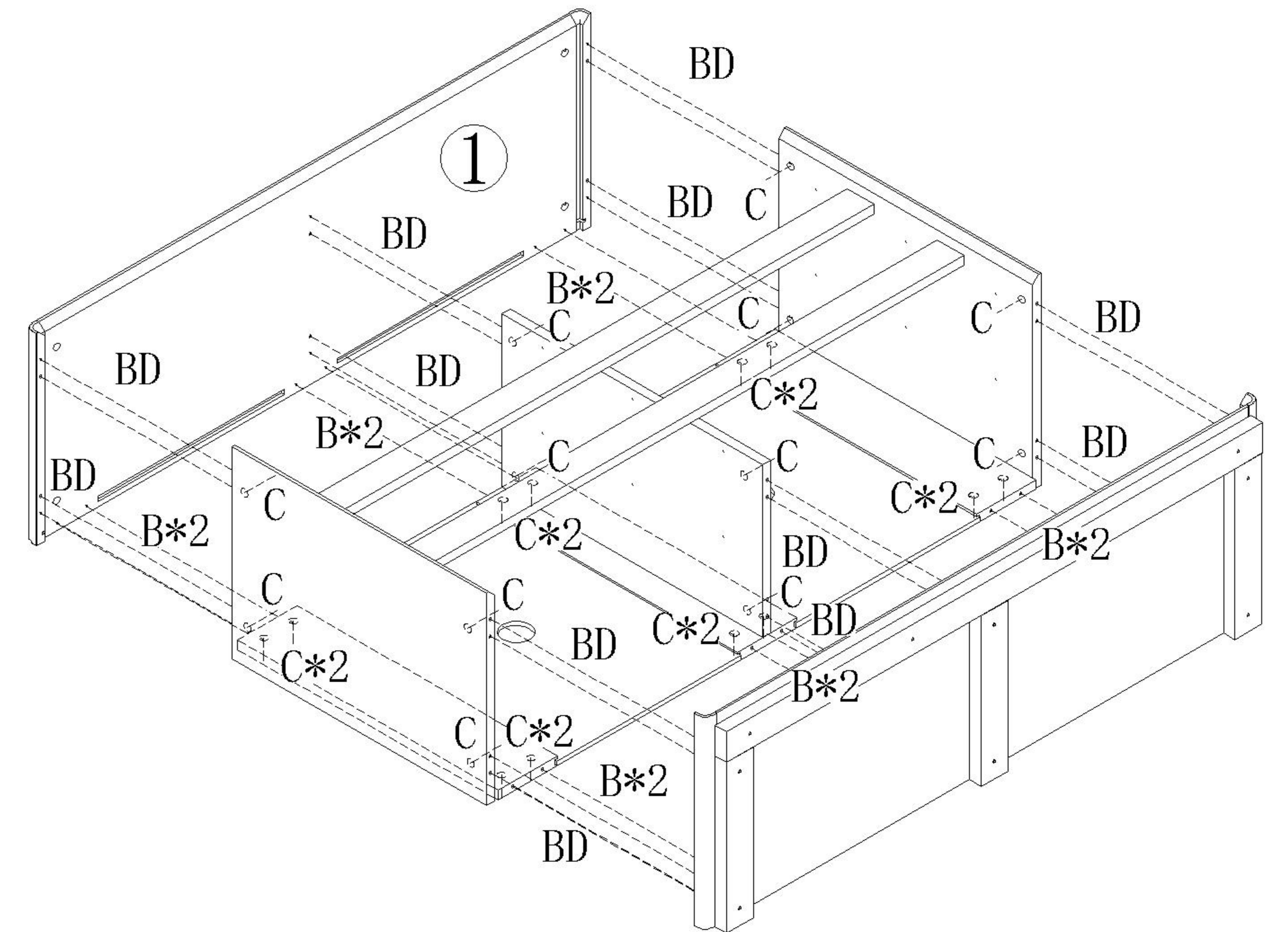
6

- (B)*12
- (C)*12
- (I)*2



7

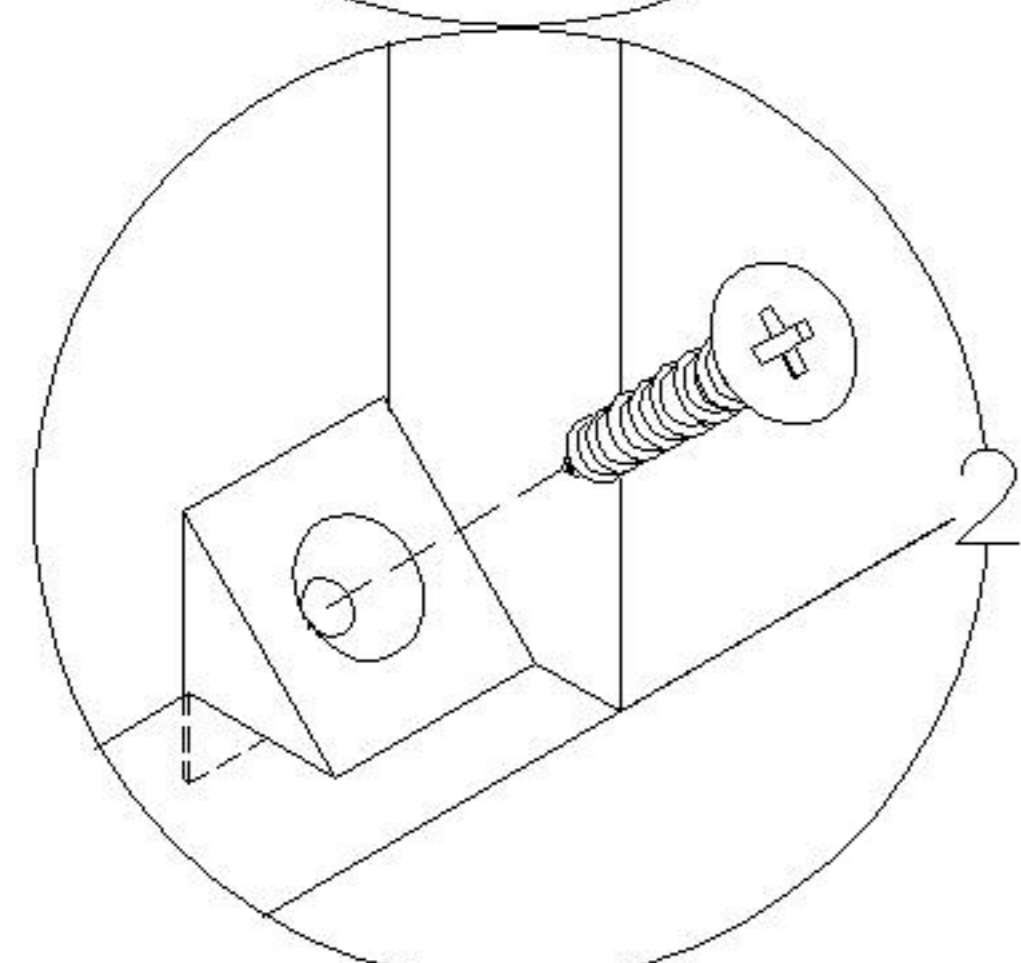
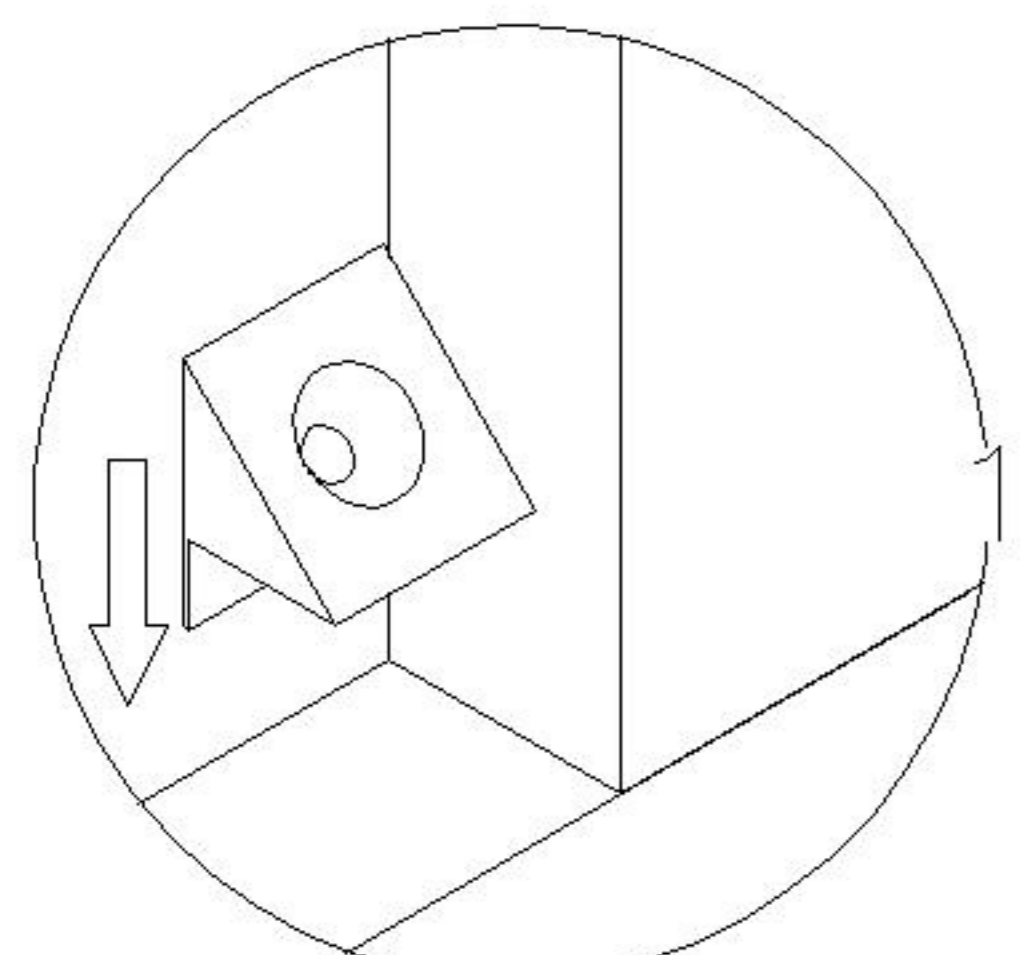
- (B)*24
- (C)*24
- (D)*12



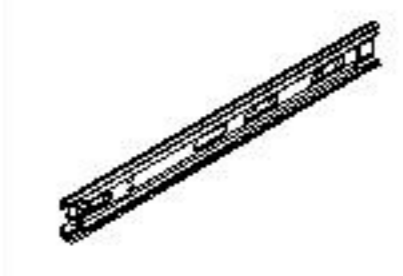
8

UN8C-F六斗柜

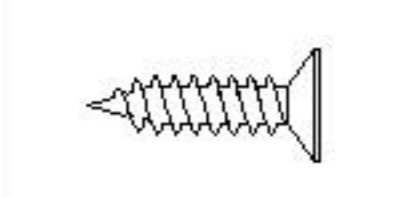
安装方法/
Installation method



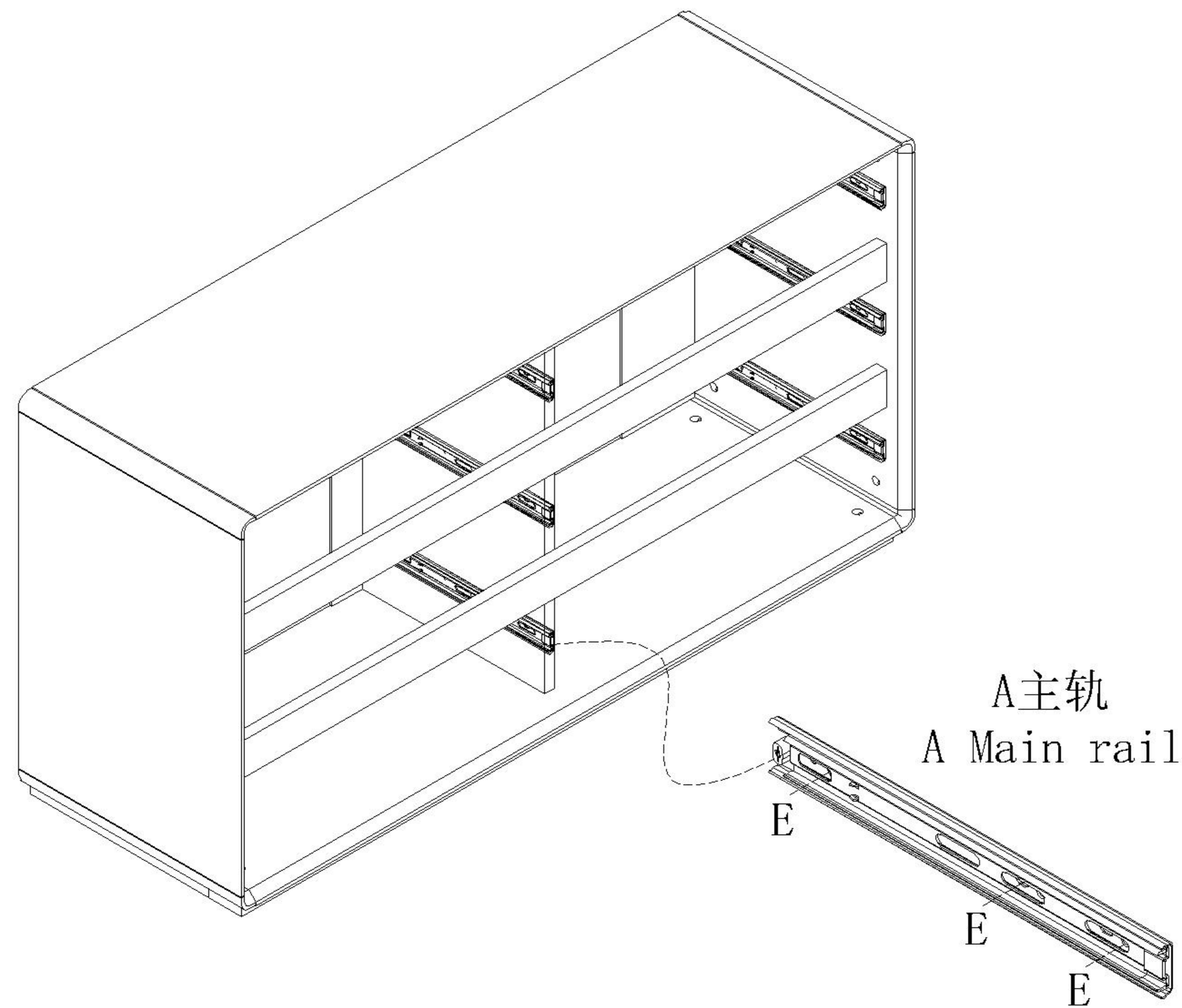
背板扣
Back Plate Buckle



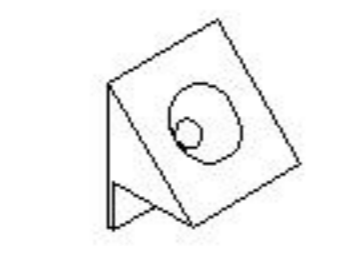
(A)*6



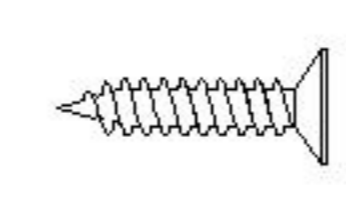
(E)*36



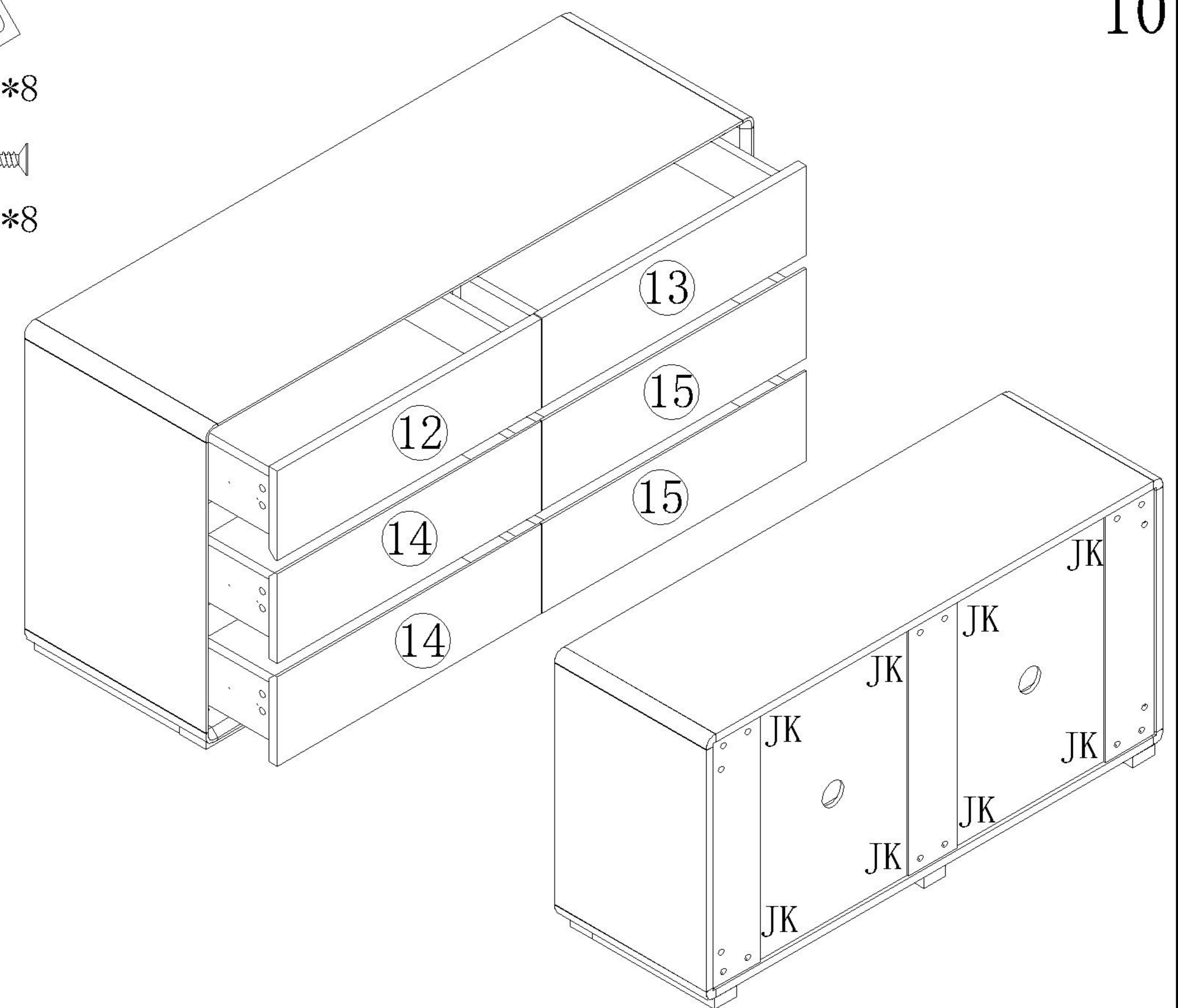
9



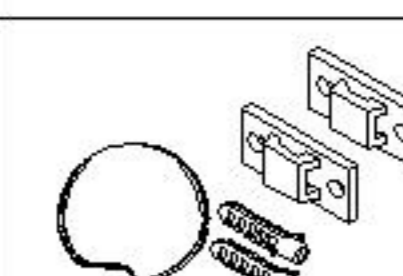
(J)*8



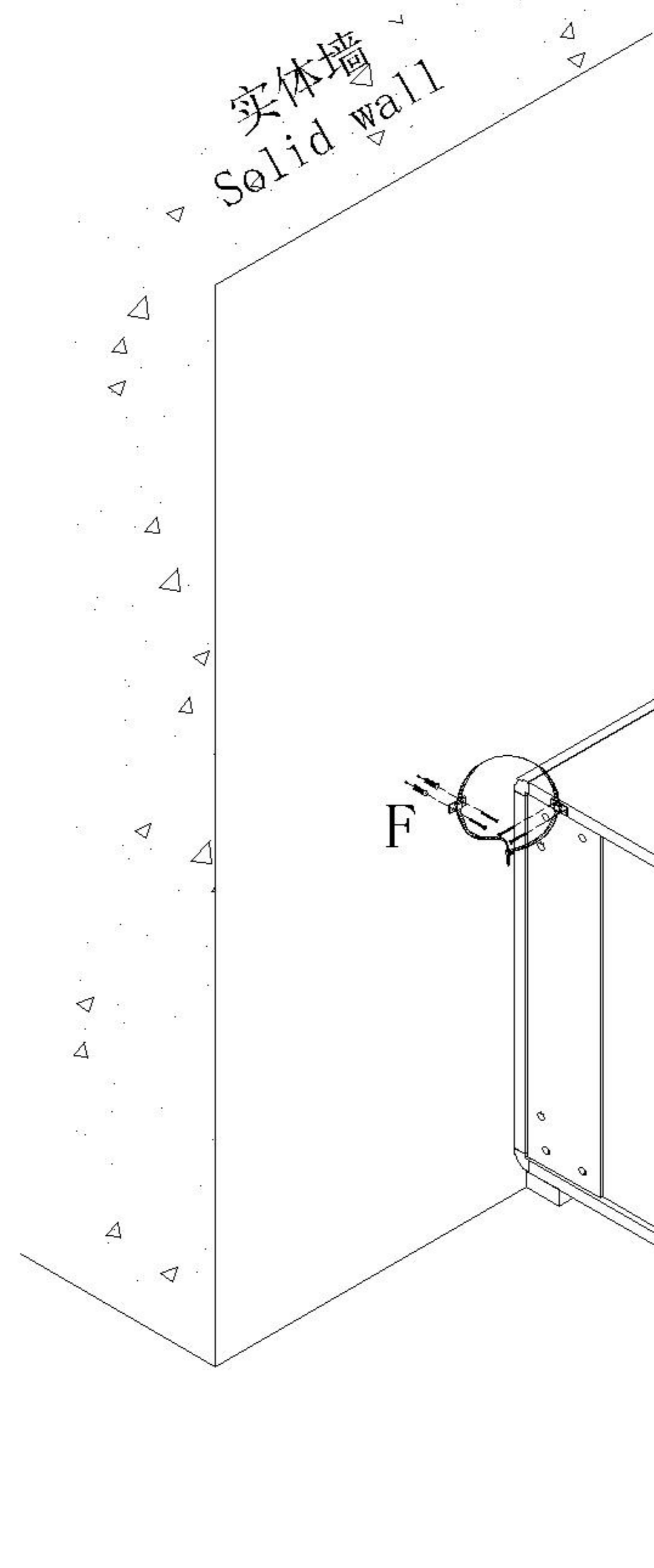
(K)*8



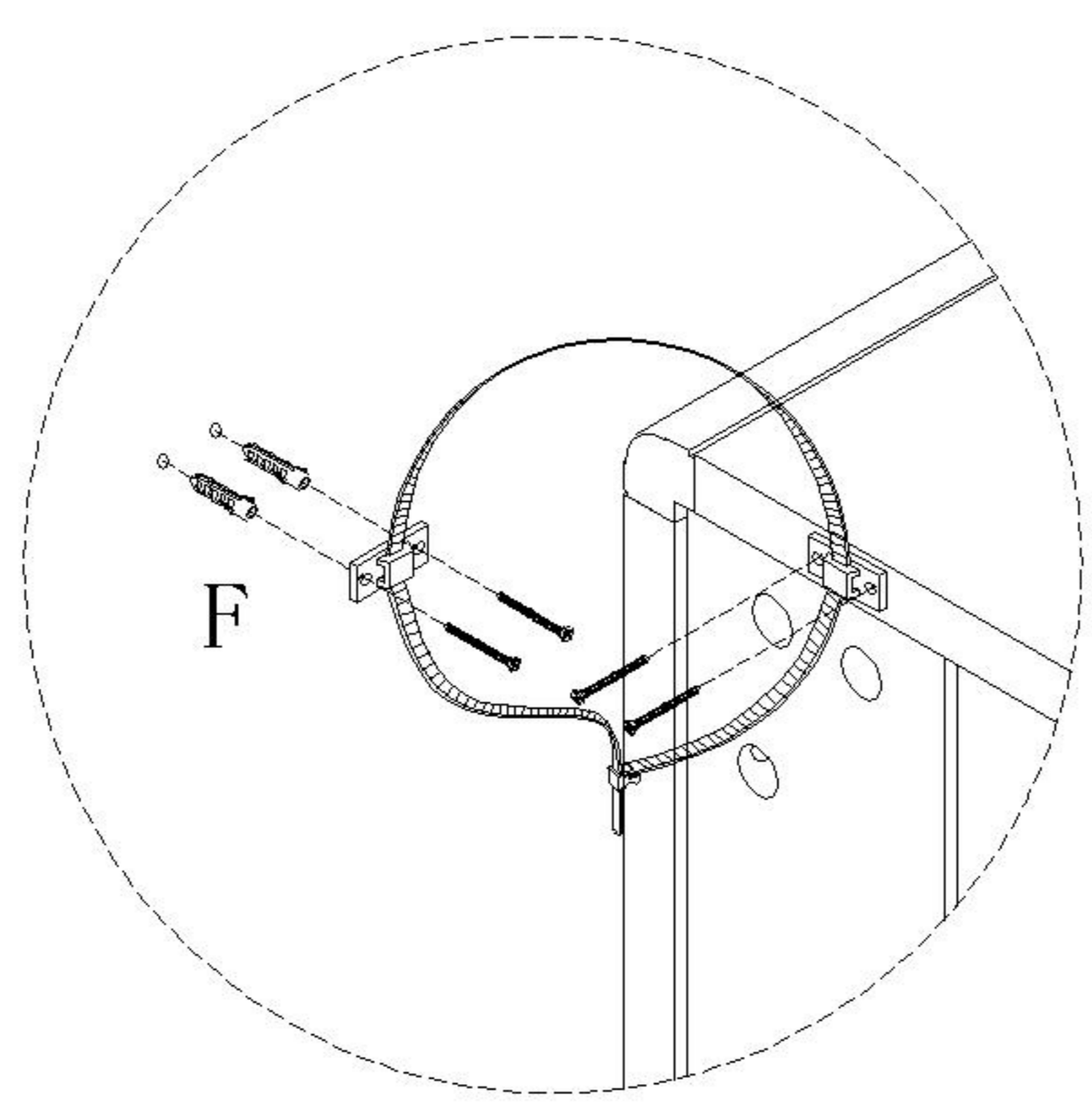
10



(F)*1



11



12

