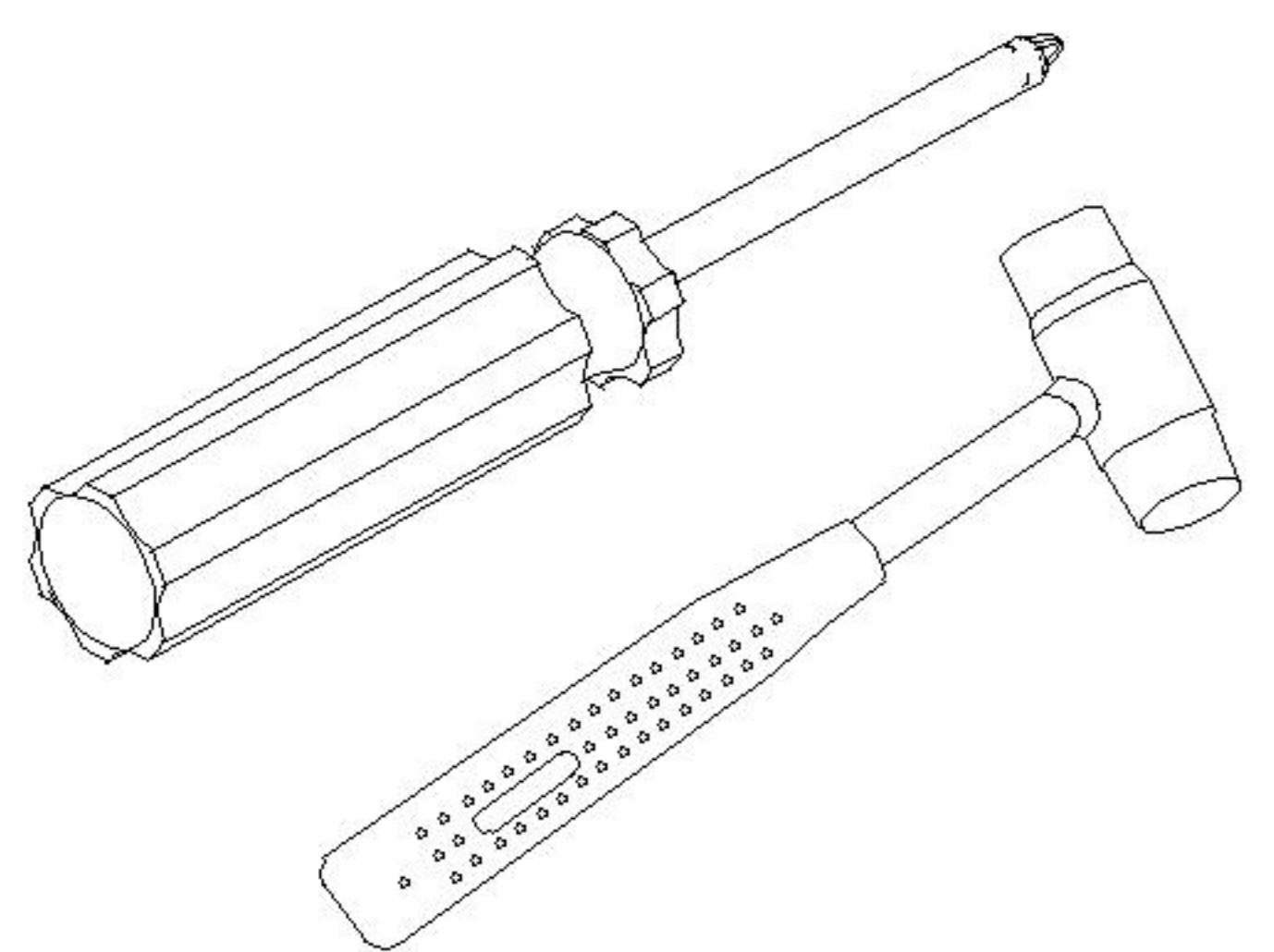
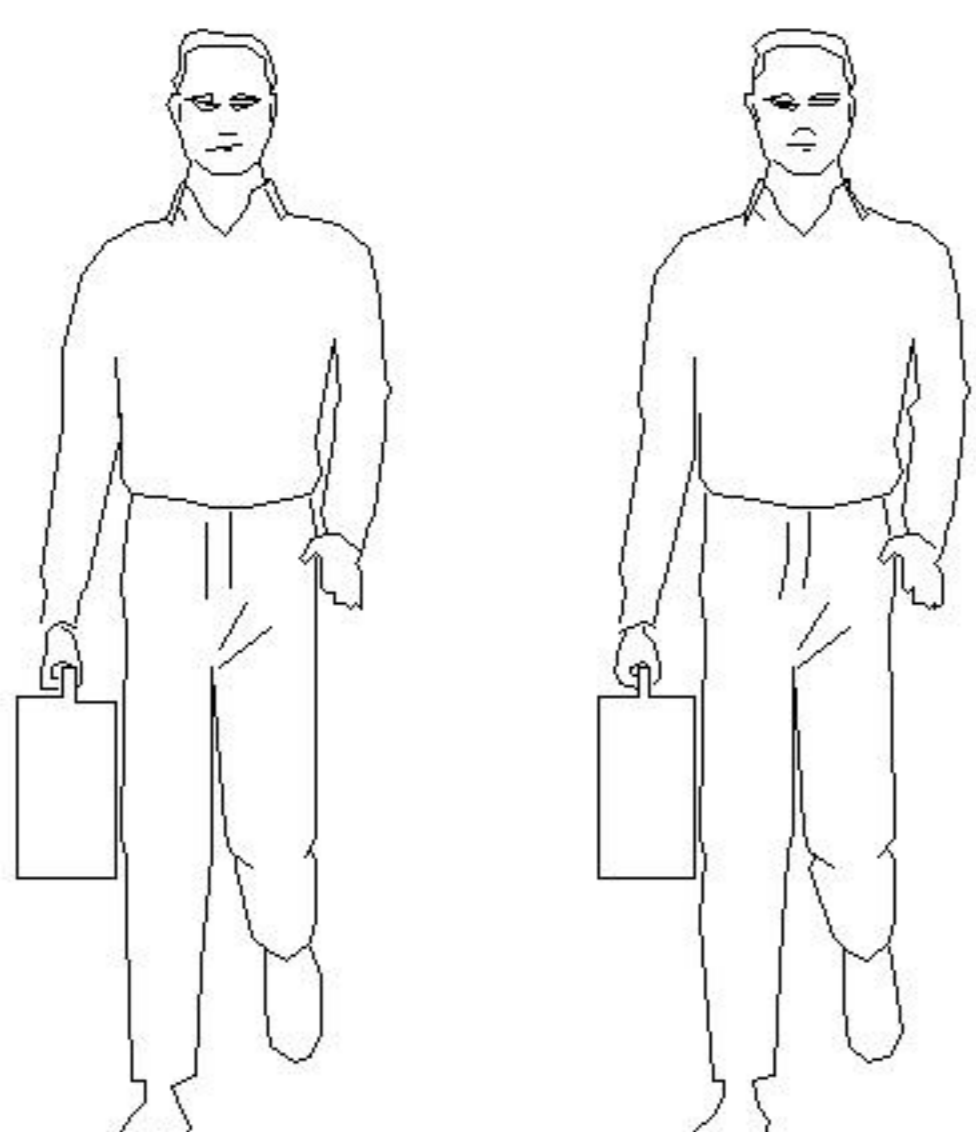


# LINSY 林氏家居

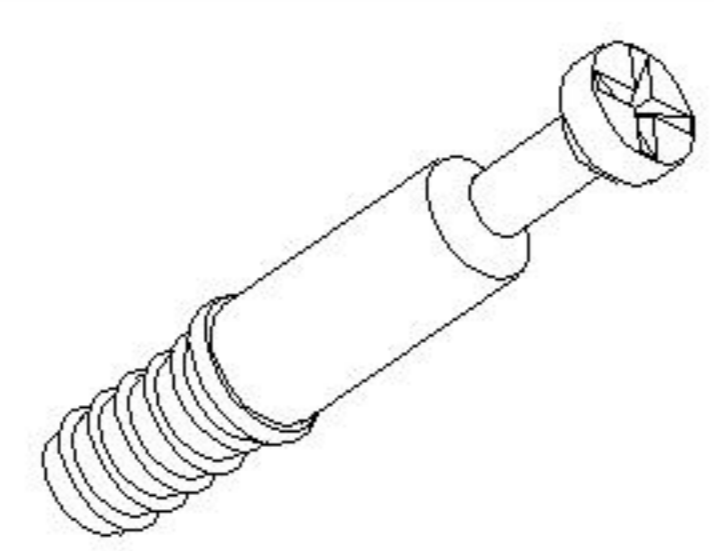
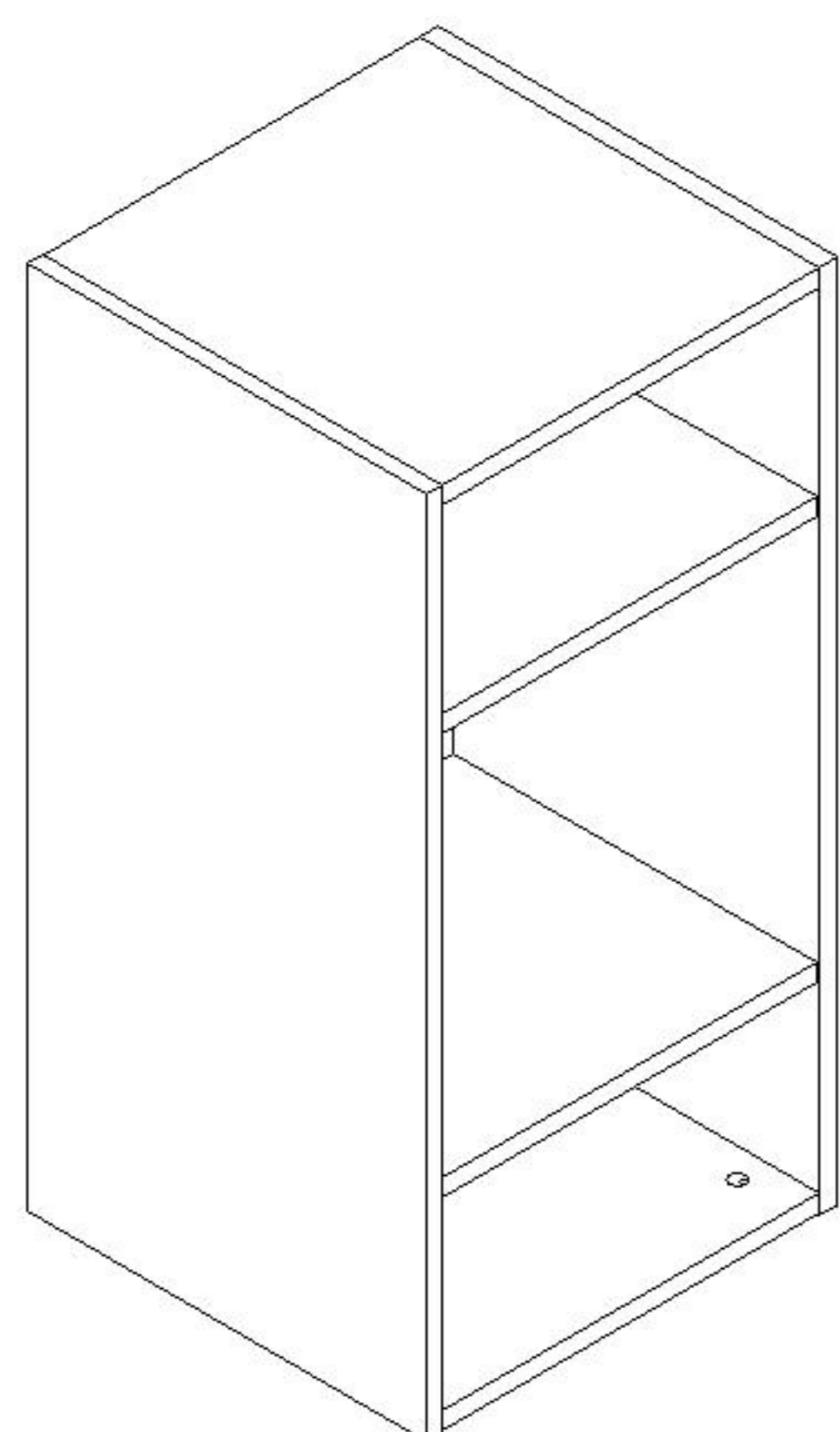
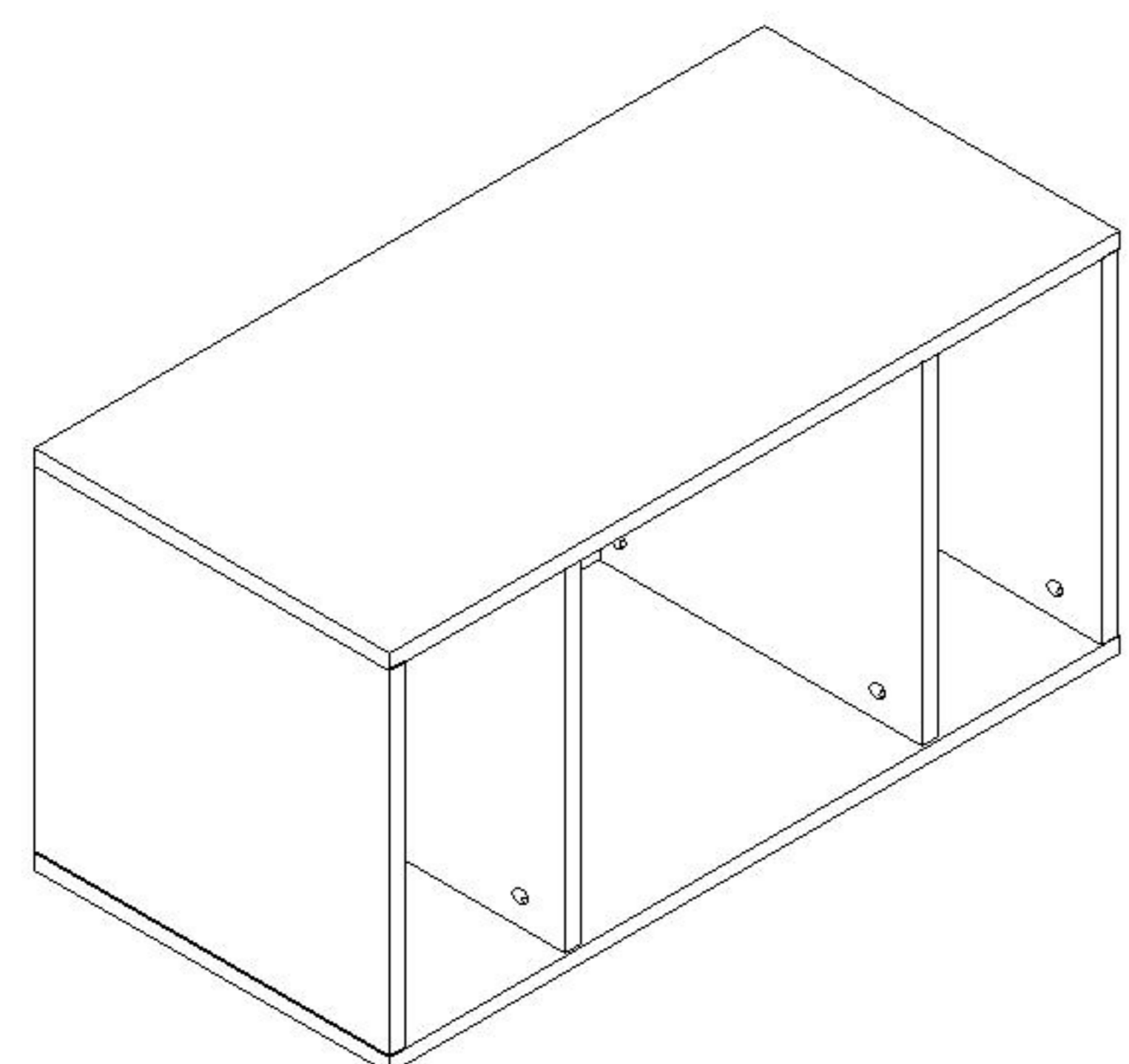
## 五金表/Hardware list

## 部件表/Parts List

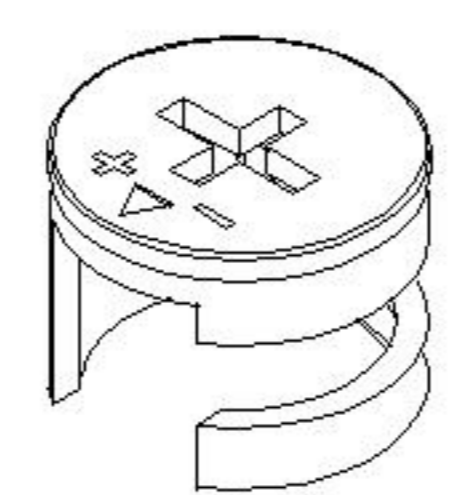
安装示意图/Assembly Instruction

产品名称 Model NO.	KQ4E-C
产品规格 Specification	720*350*363mm
安装工具 Tool	安装人数 Installer
	

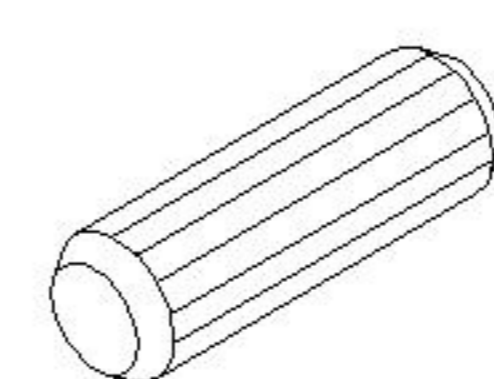
注：为保证设计效果，部分尺寸为定制尺寸，不影响使用。



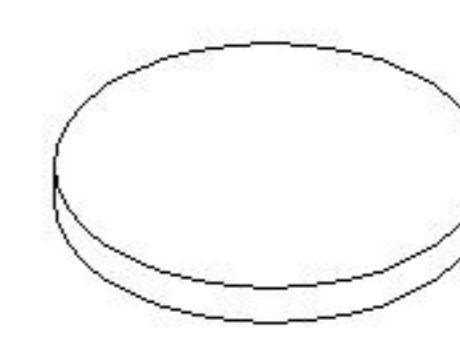
(A)\*17  
二合一螺杆  
2-in-1-screw



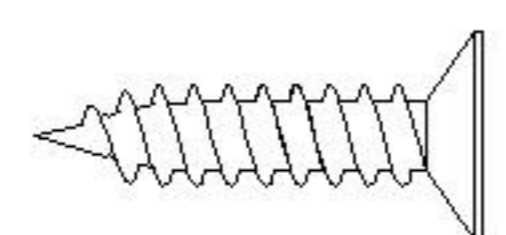
(B)\*17  
大三合一锁饼  
3-in-1 large lock



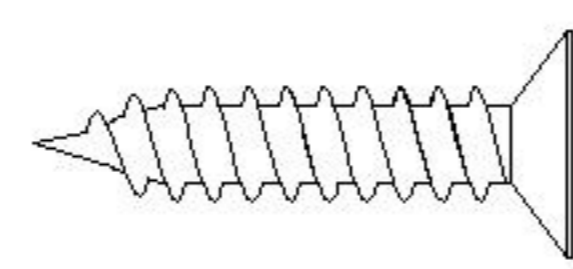
(C)\*17  
木榫Ø8x30mm  
Wood tenon



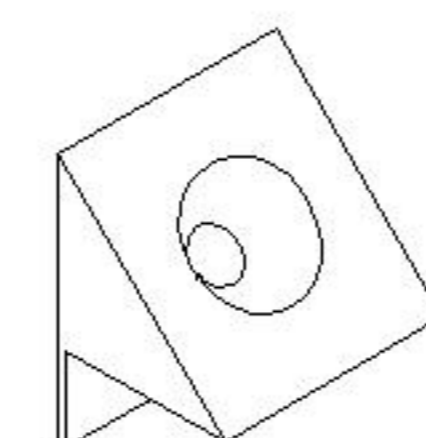
(D)\*4  
灰色毛毡垫  
Foot pad



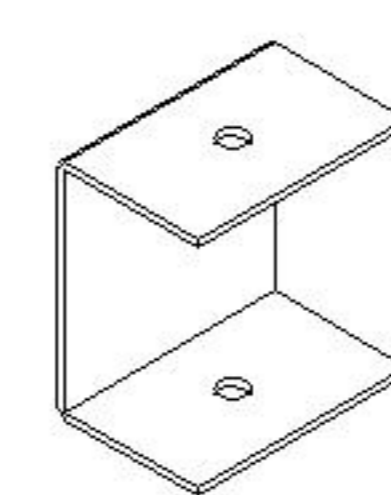
(E)\*4  
白攻螺丝M3.5\*12mm  
Tapping screw



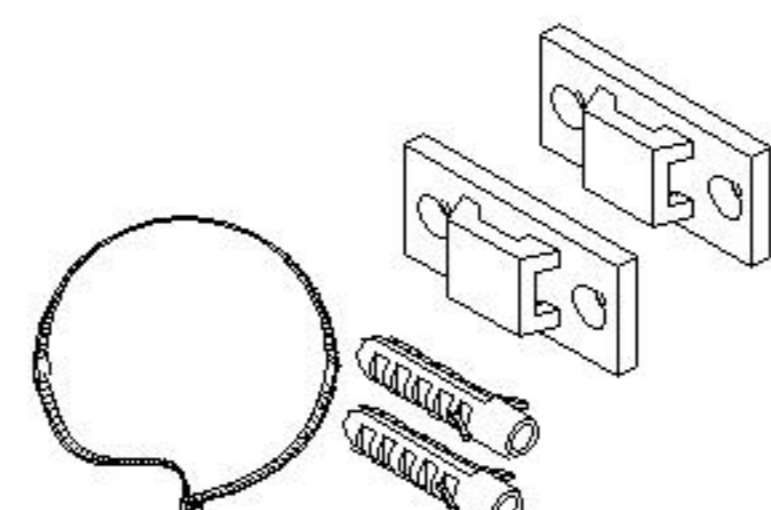
(F)\*6  
白攻螺丝M3.5\*16mm  
Tapping screw



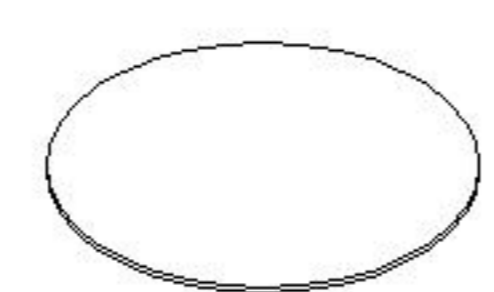
(G)\*6  
背板扣  
White buckle



(H)\*2  
U型卡扣  
U-shaped buckle



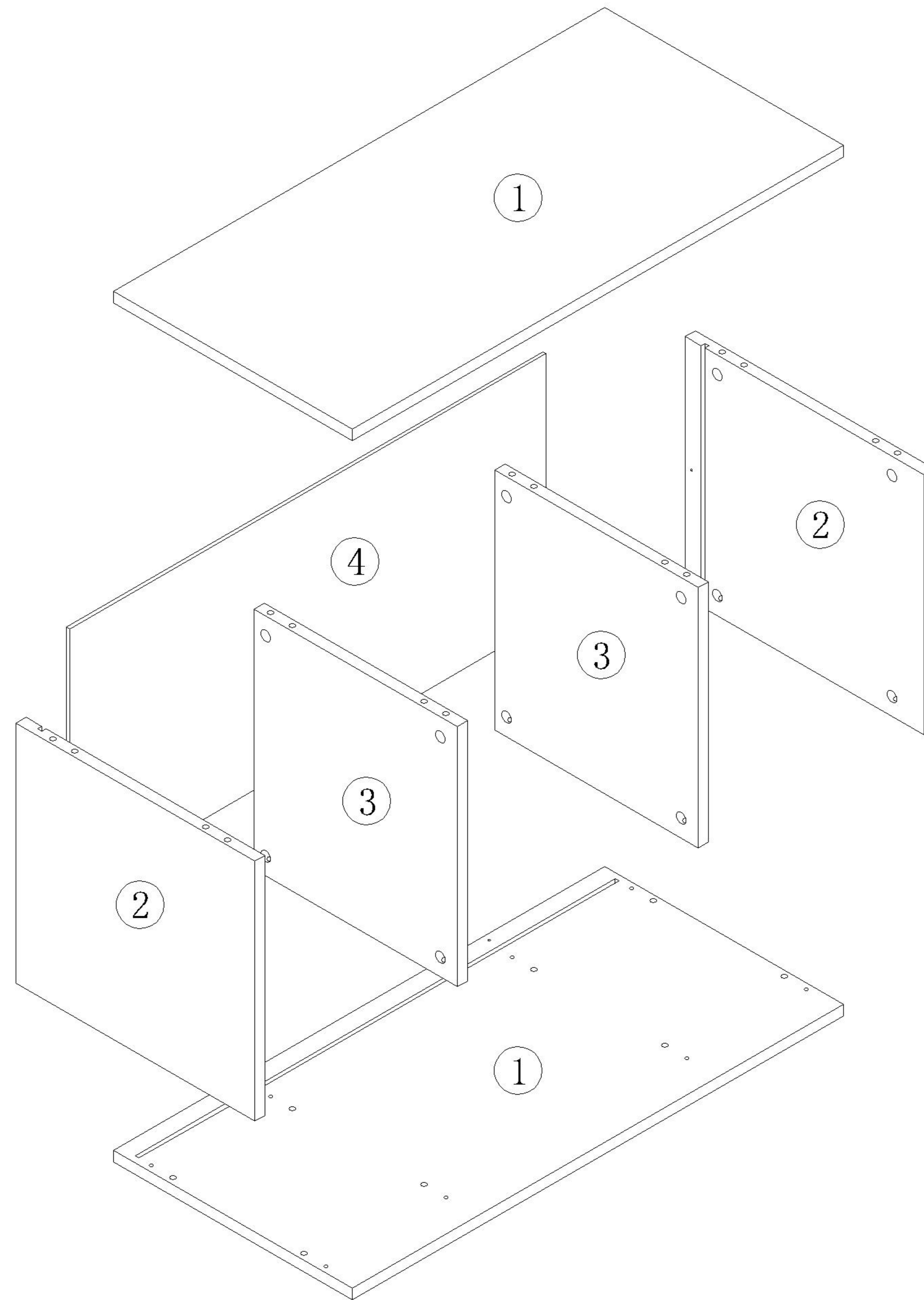
(I)\*1  
家具防倒器-白色  
Anti-fall device



(J)\*17  
PVC孔贴  
PVC hole sticker

编号NO.	名称Name	规格(mm) Specification	数量QTY	材质Material
①	顶底板Top base board	720*350*15	2	刨花板 Particle board
②	侧板Side board	330*350*15	2	刨花板 Particle board
③	中隔板 Middle clapboard	330*318*15	2	刨花板 Particle board
④	背板Back board	698*340*5	1	纤维板 Fiberboard

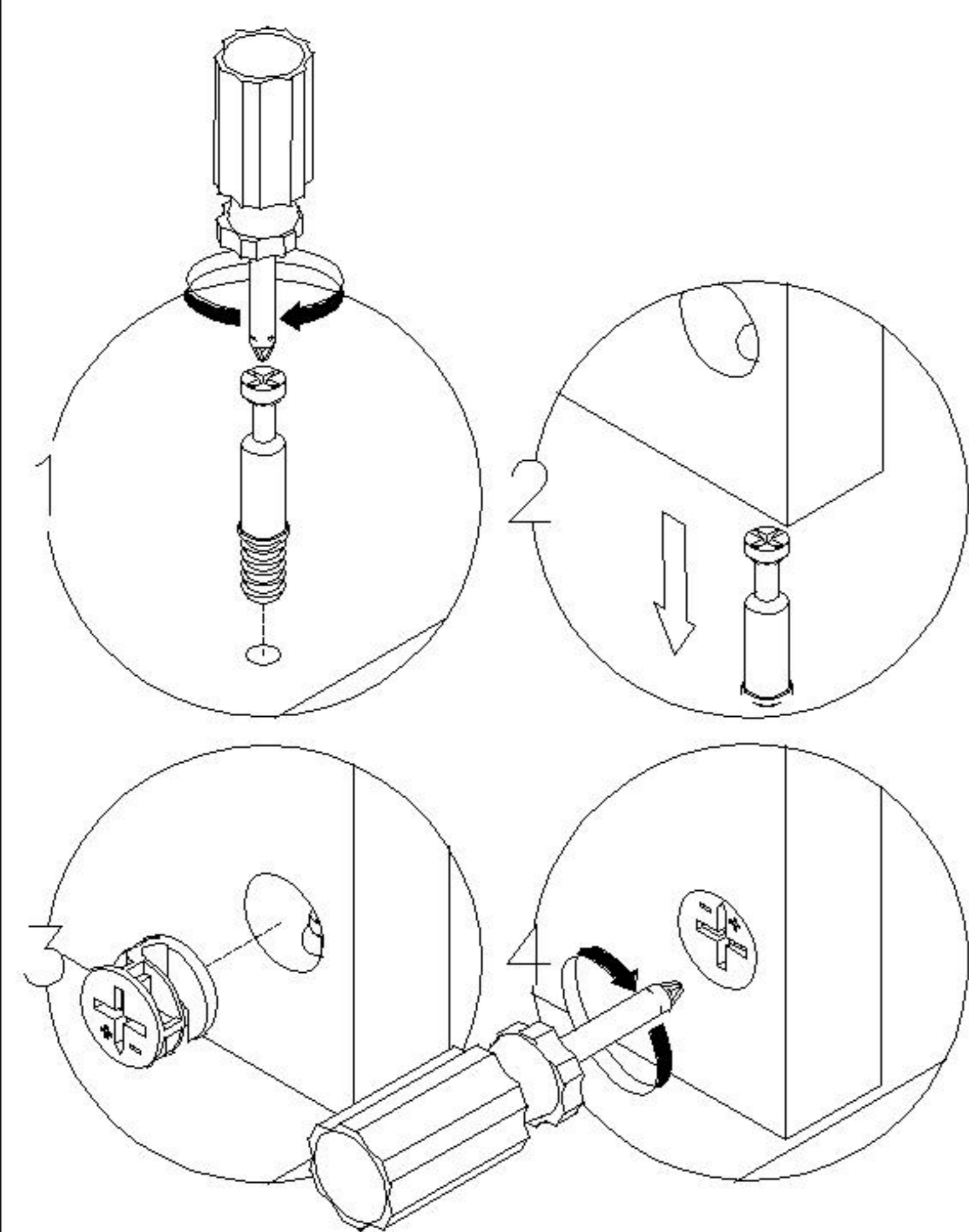
编号NO.	名称Name
①	顶底板Top base board
②	侧板Side board
③	中隔板 Middle clapboard
④	背板Back board



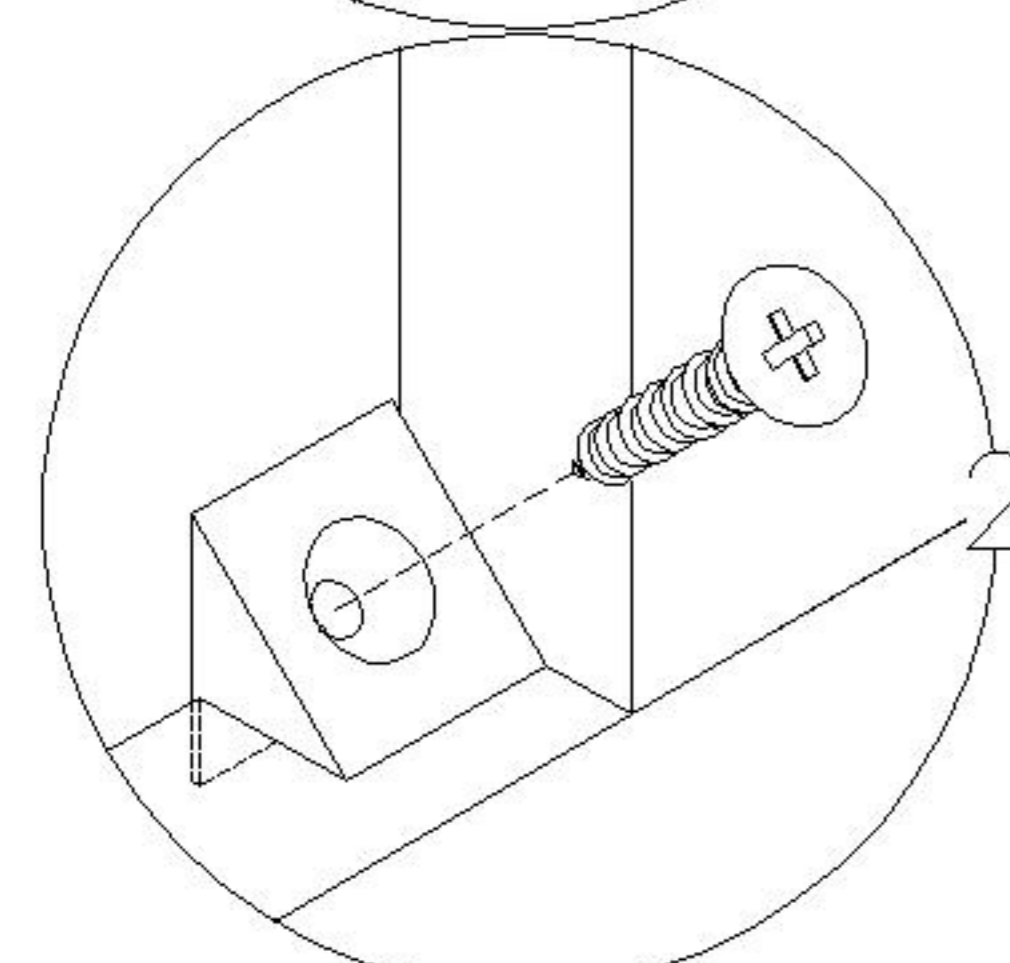
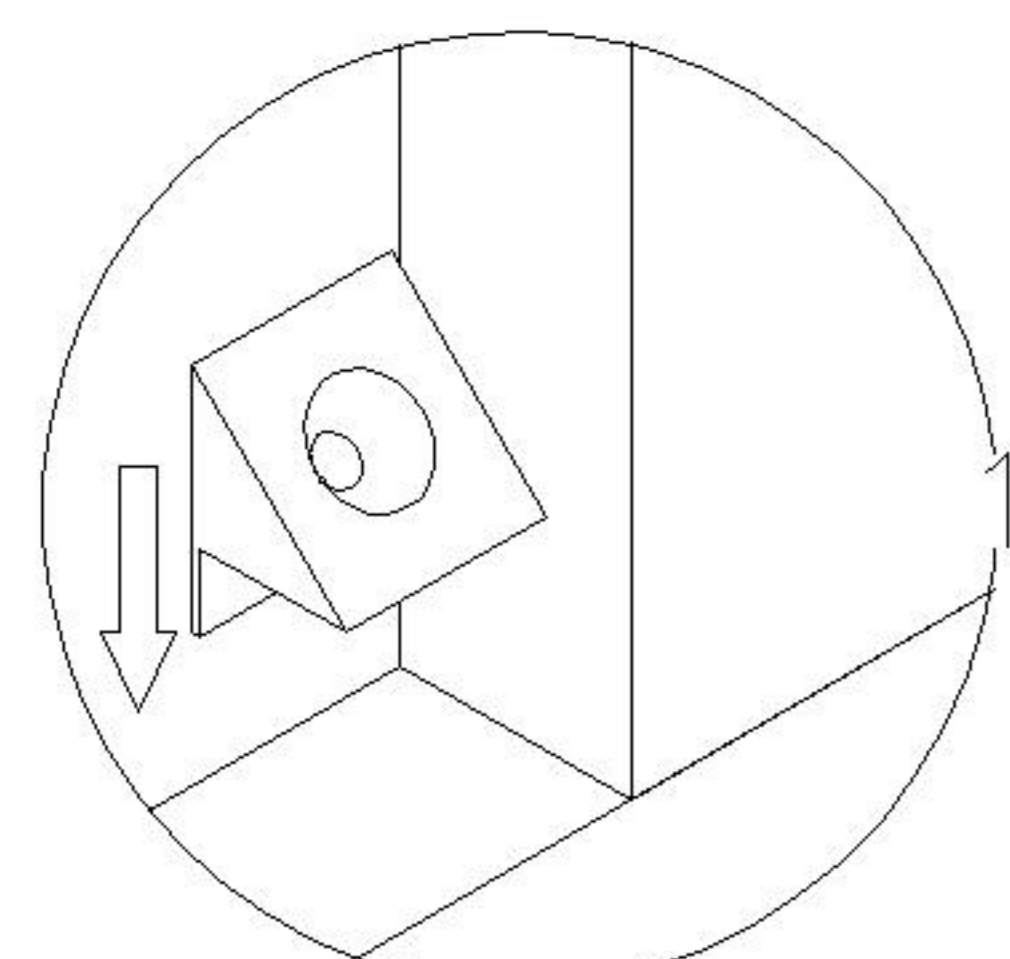
KQ4E-C

# 安装方法

## Installation method

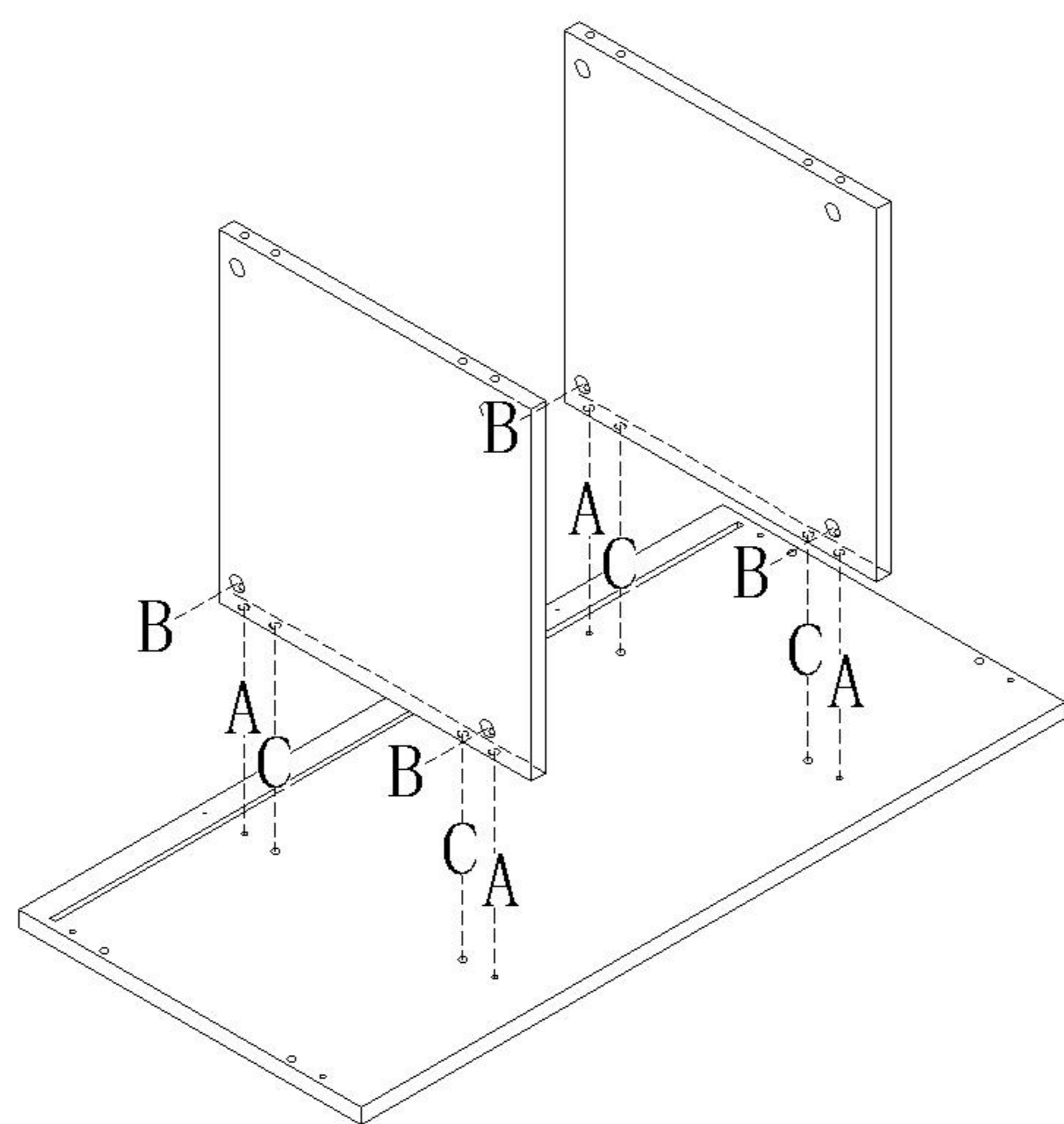


二合一 two-in-one

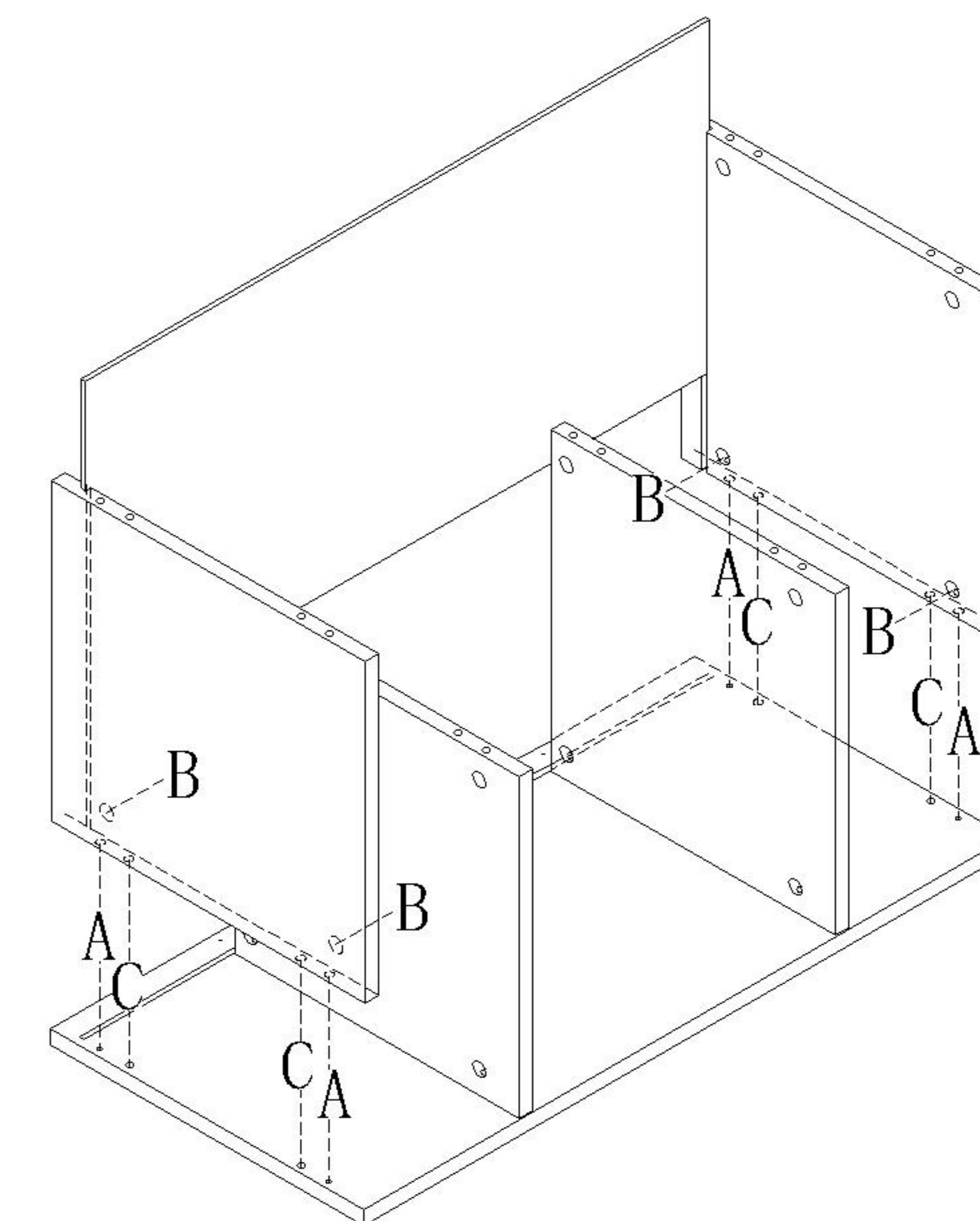


背板扣  
Back Plate Buckle

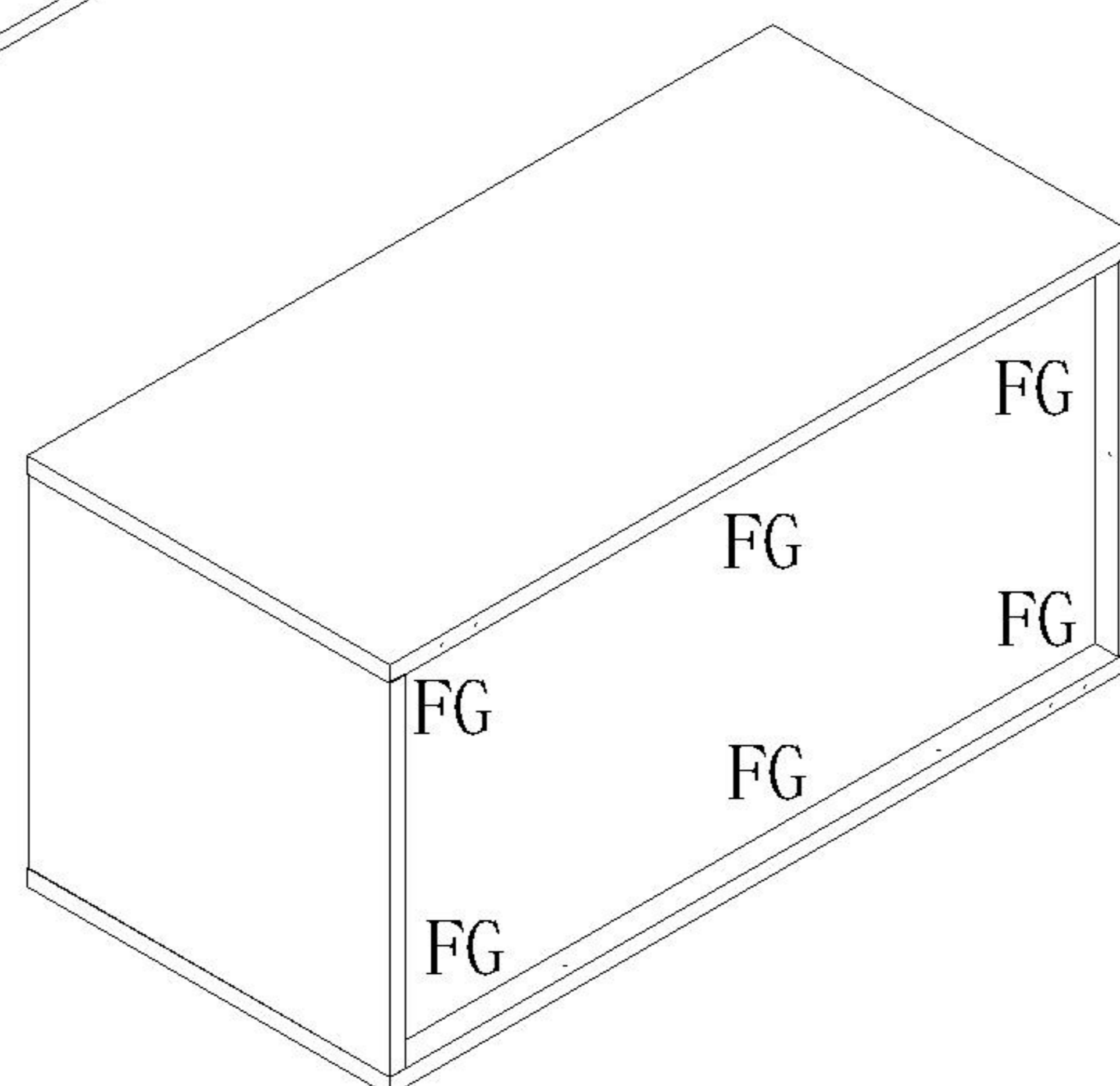
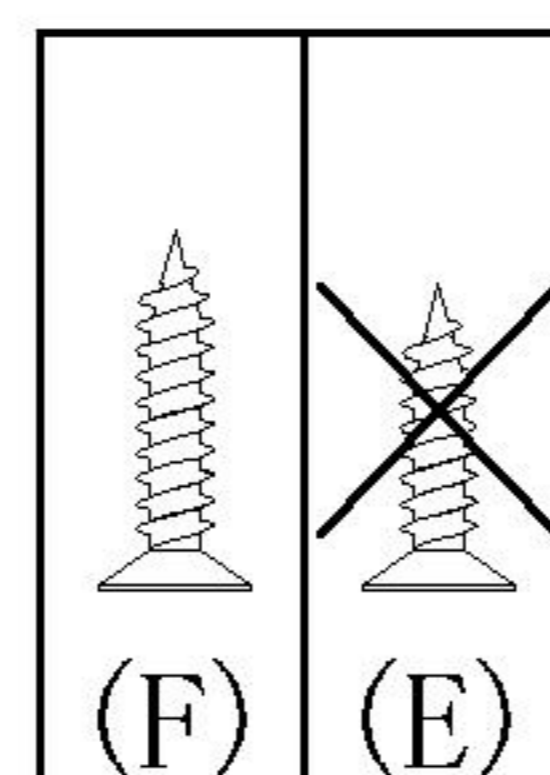
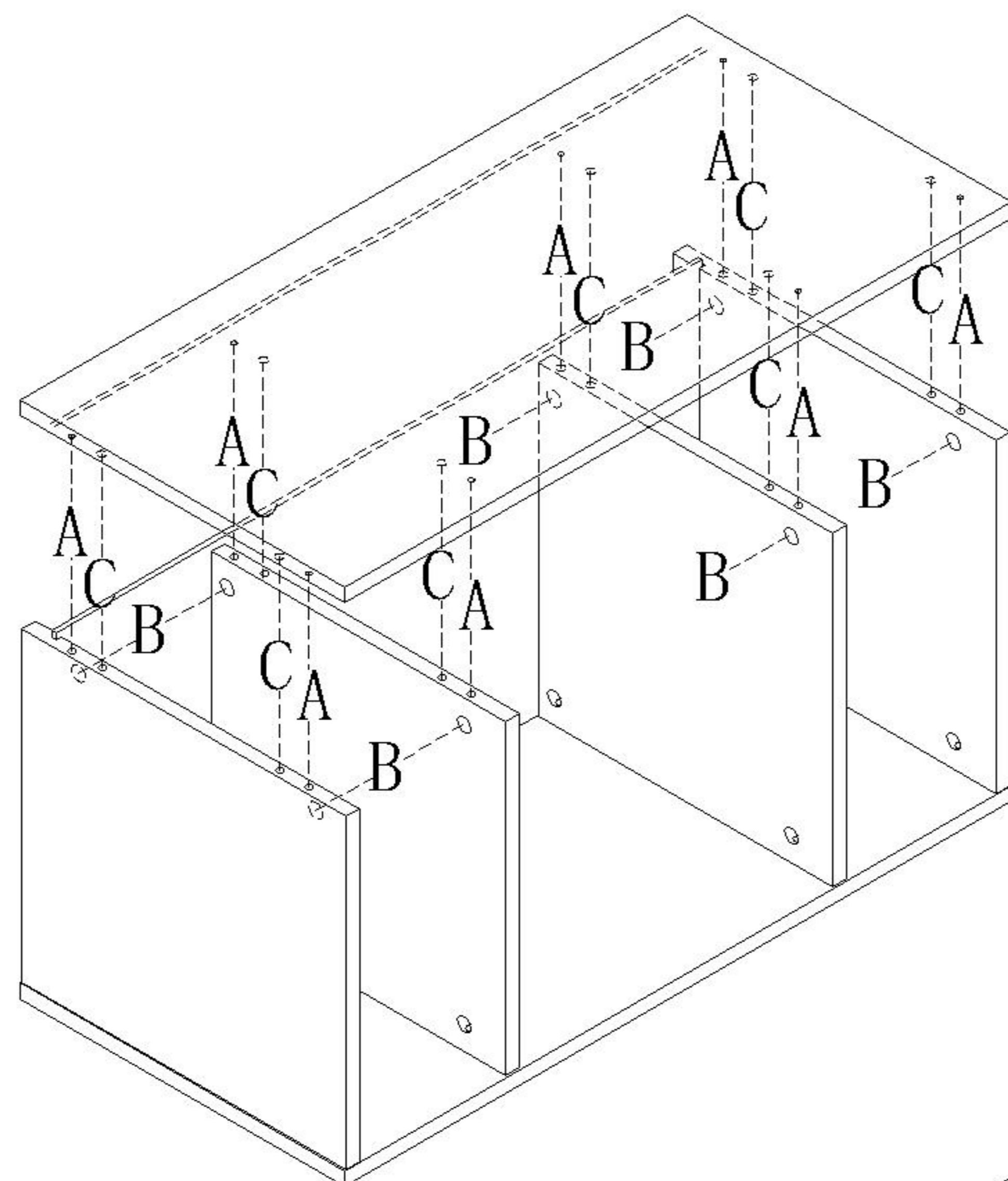
- (A) \*4
- (B) \*4
- (C) \*4



- (A) \*4
- (B) \*4
- (C) \*4



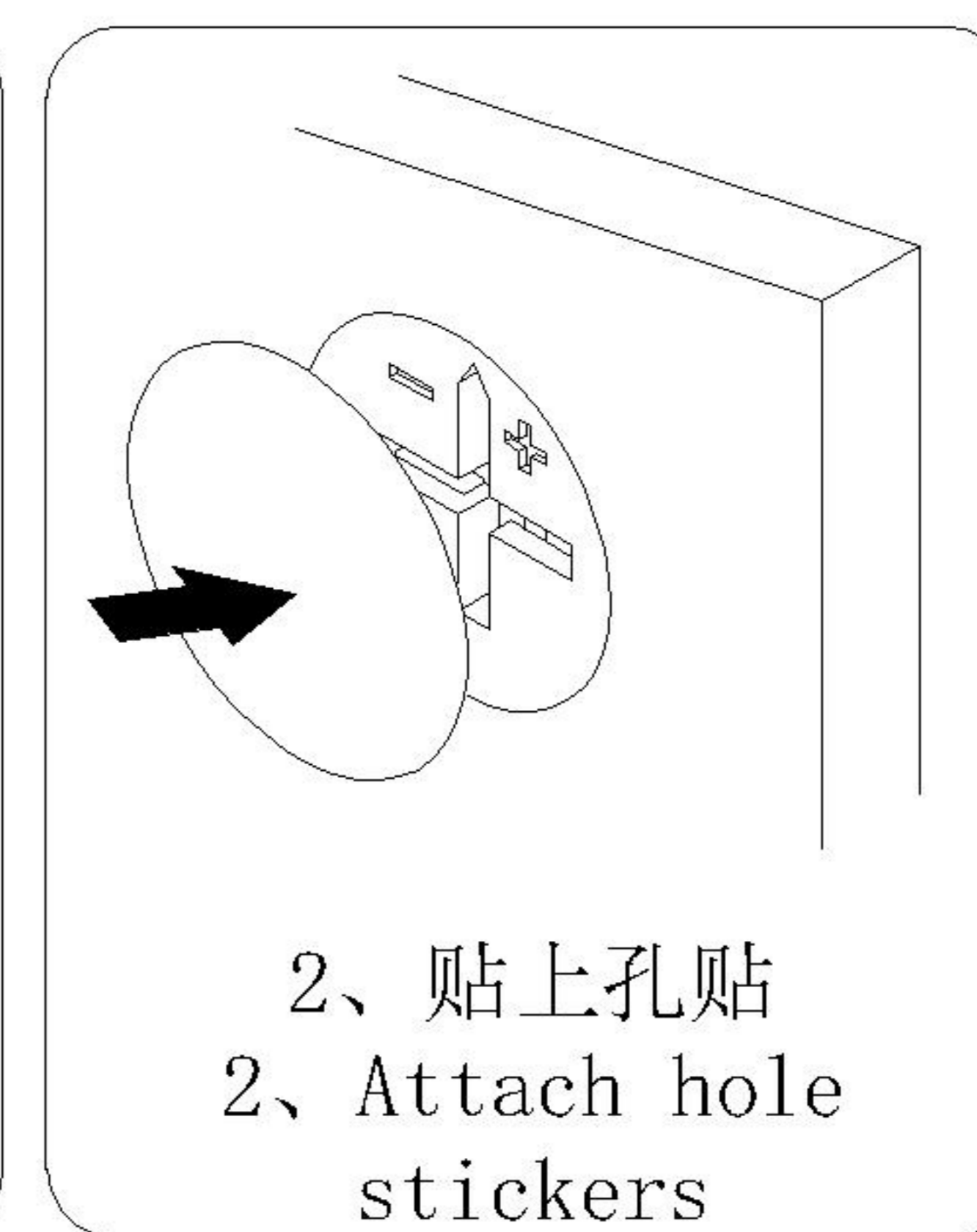
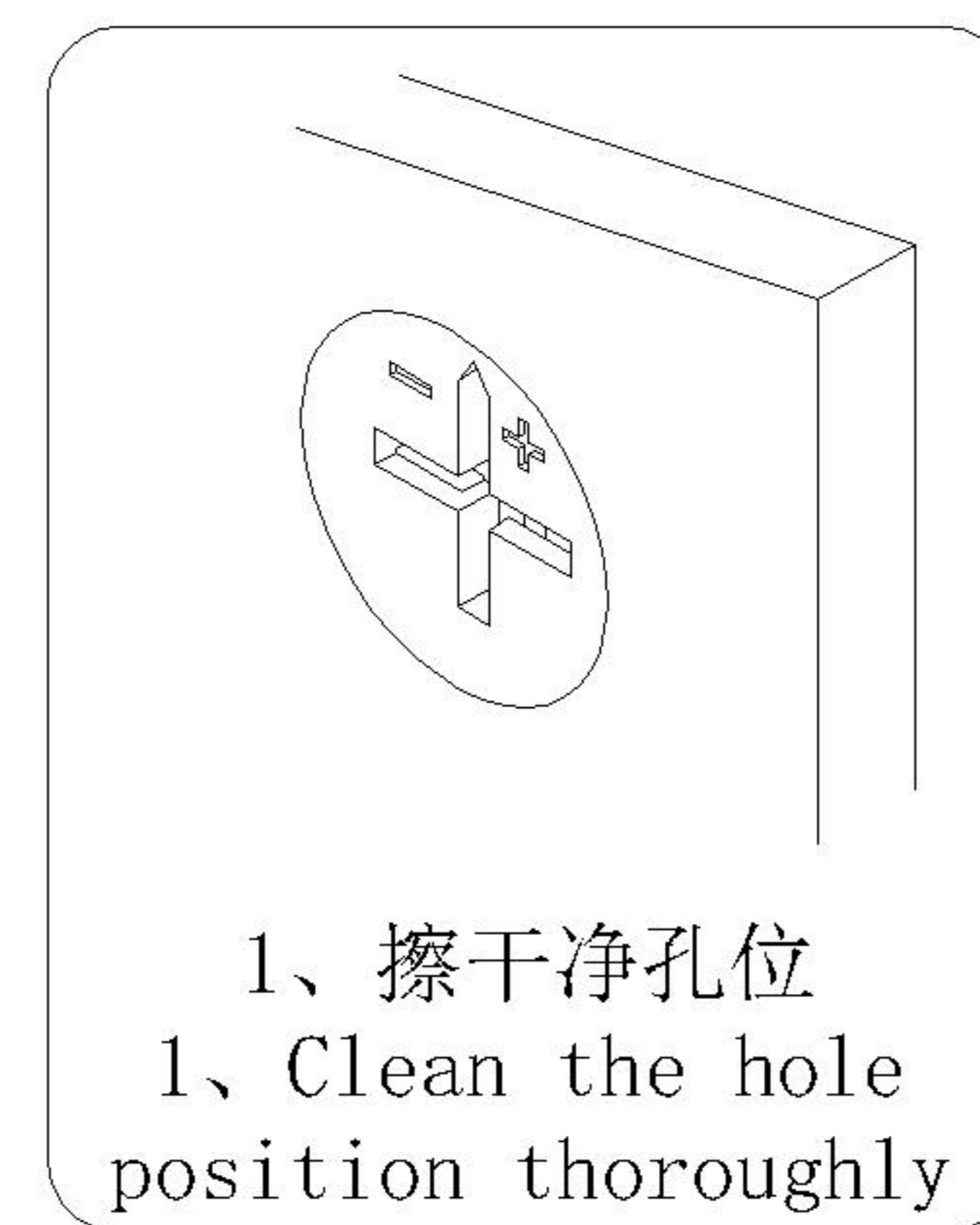
- (A) \*8
- (B) \*8
- (C) \*8
- (F) \*6
- (G) \*6



**孔位贴使用小贴士**  
产品安装完成后请贴上孔贴，多出的孔贴请保管好

**Tips for using hole stickers:**

After the product installation is completed, please attach the hole stickers. Please keep any extra hole stickers safe

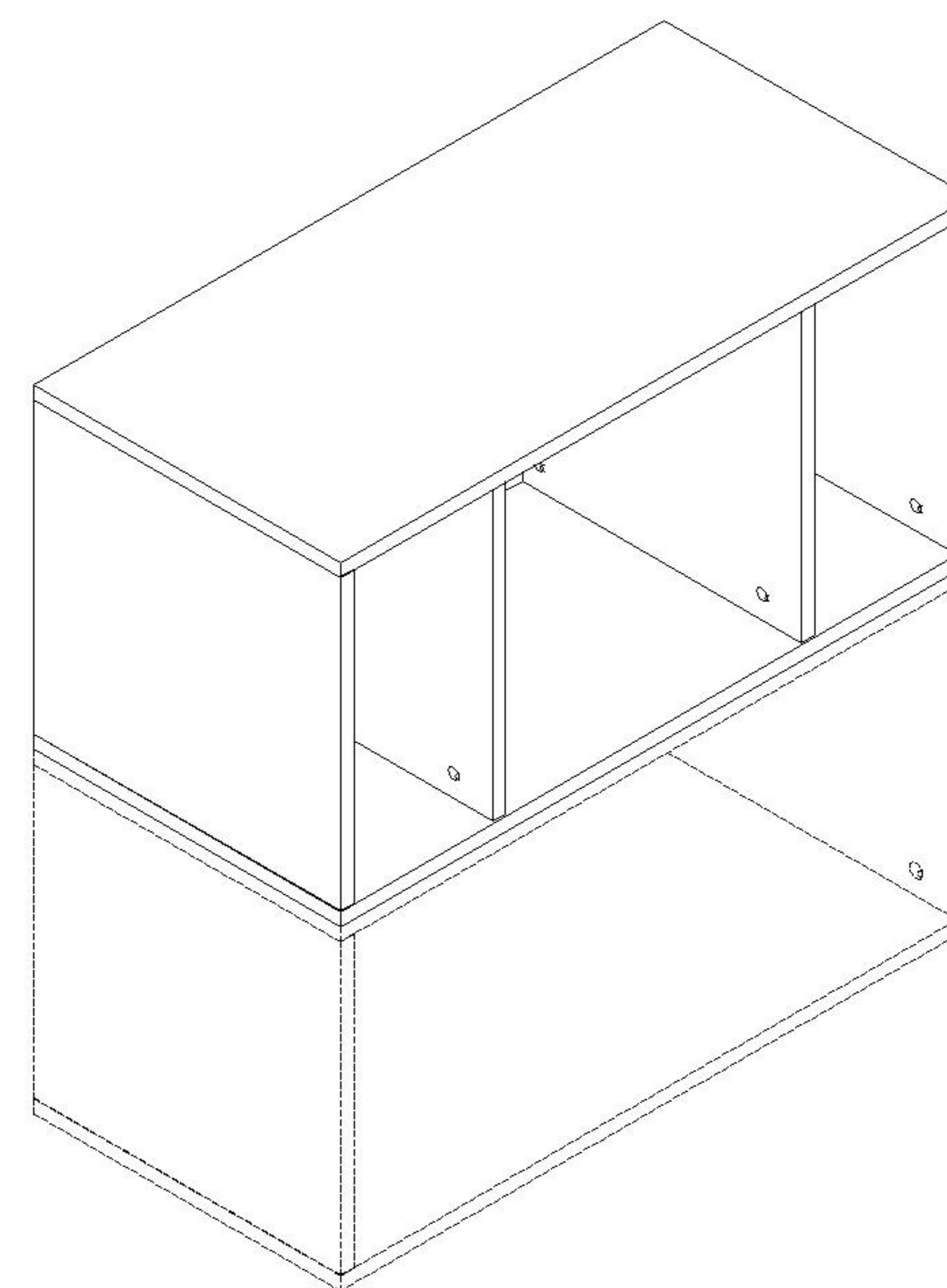
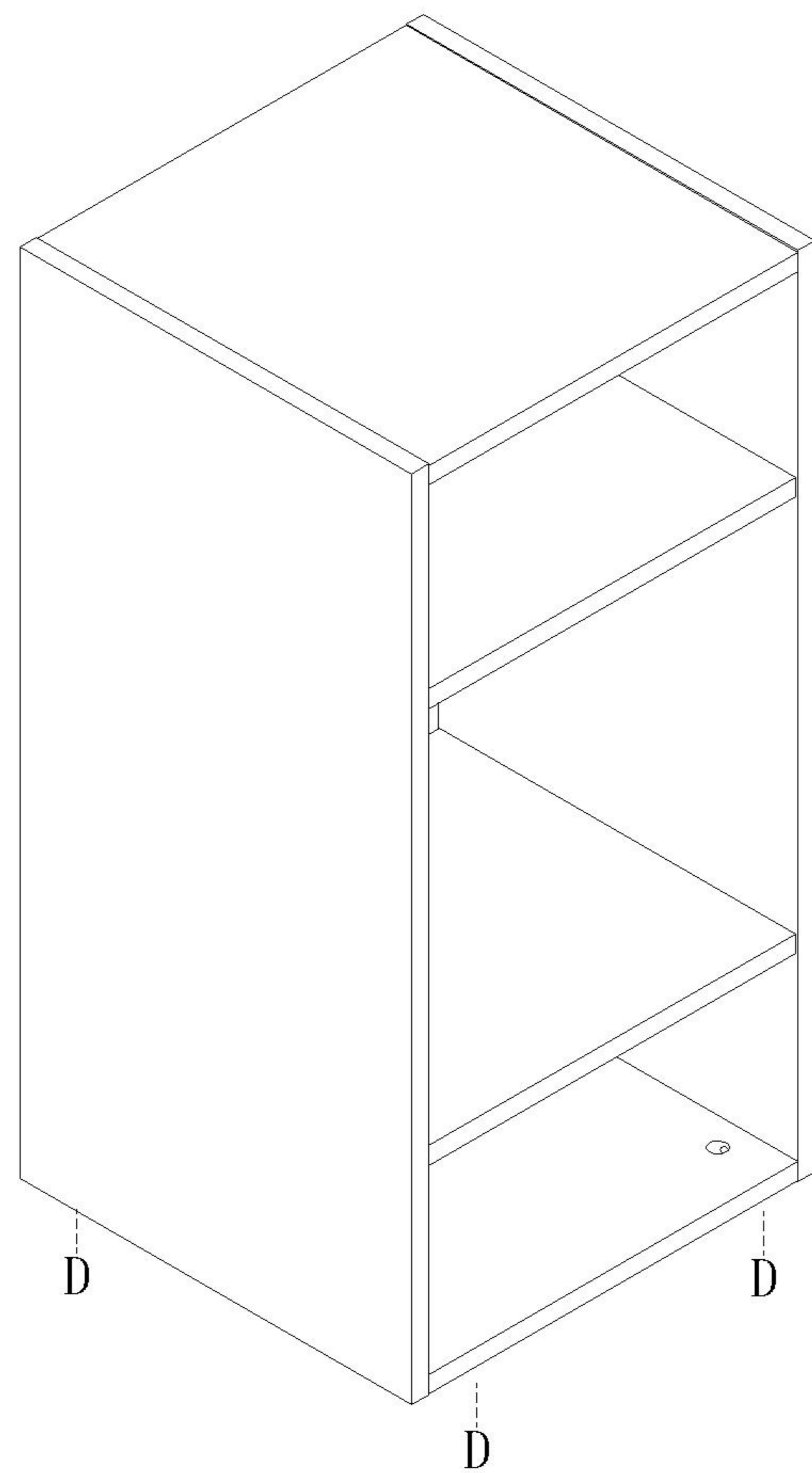


安装方法  
Installation method

(D)\*4

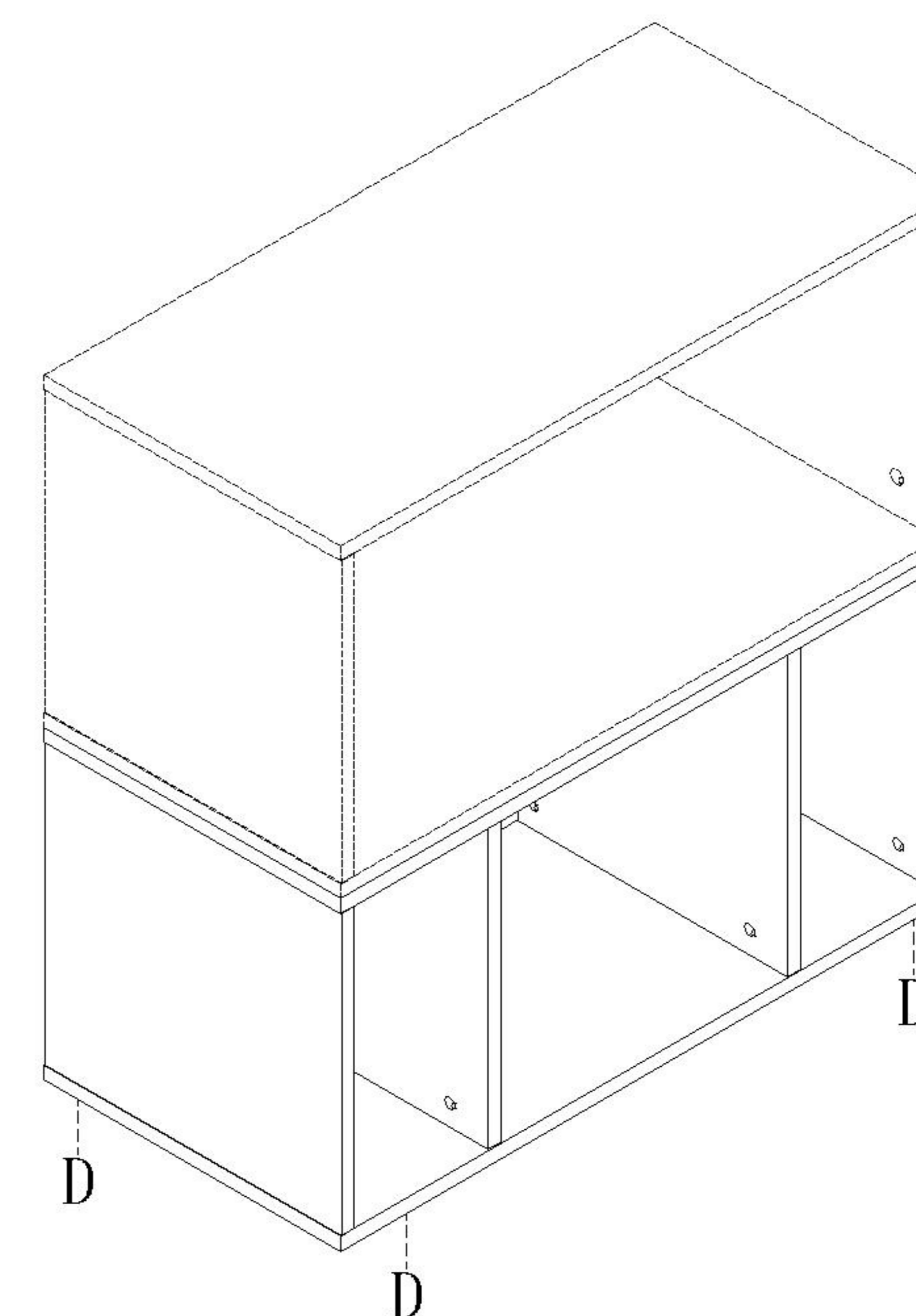
根据自己的摆放方式安装五金(D)

Install hardware according to your own placement method (D)



无接触地面不需安装五金(D)

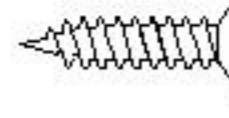
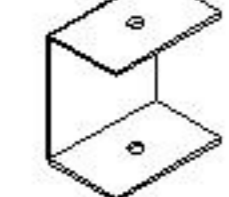
No need to install hardware without touching the ground (D)



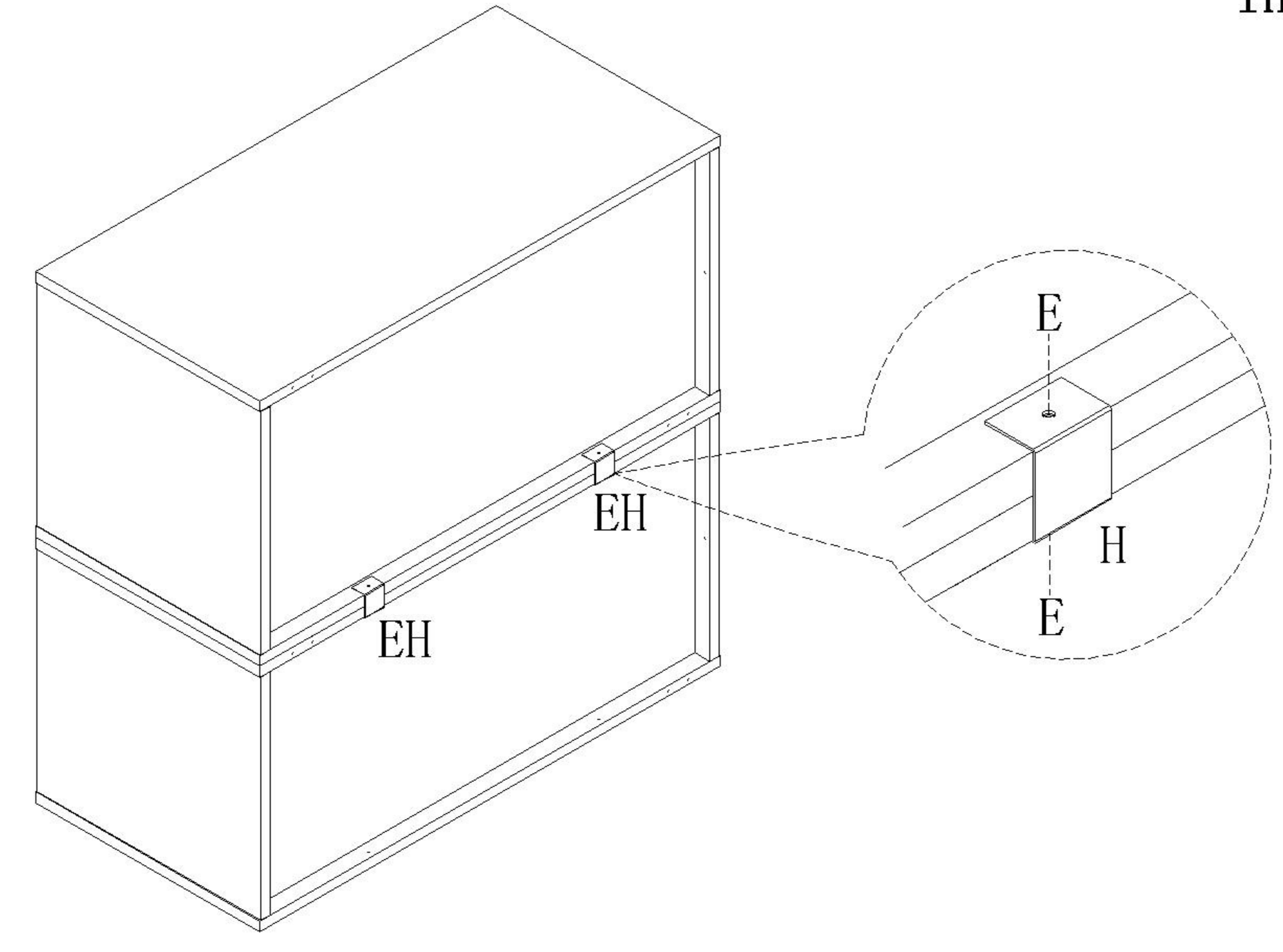
接触地面需安装五金(D)

Hardware installation required for contact with the ground (D)

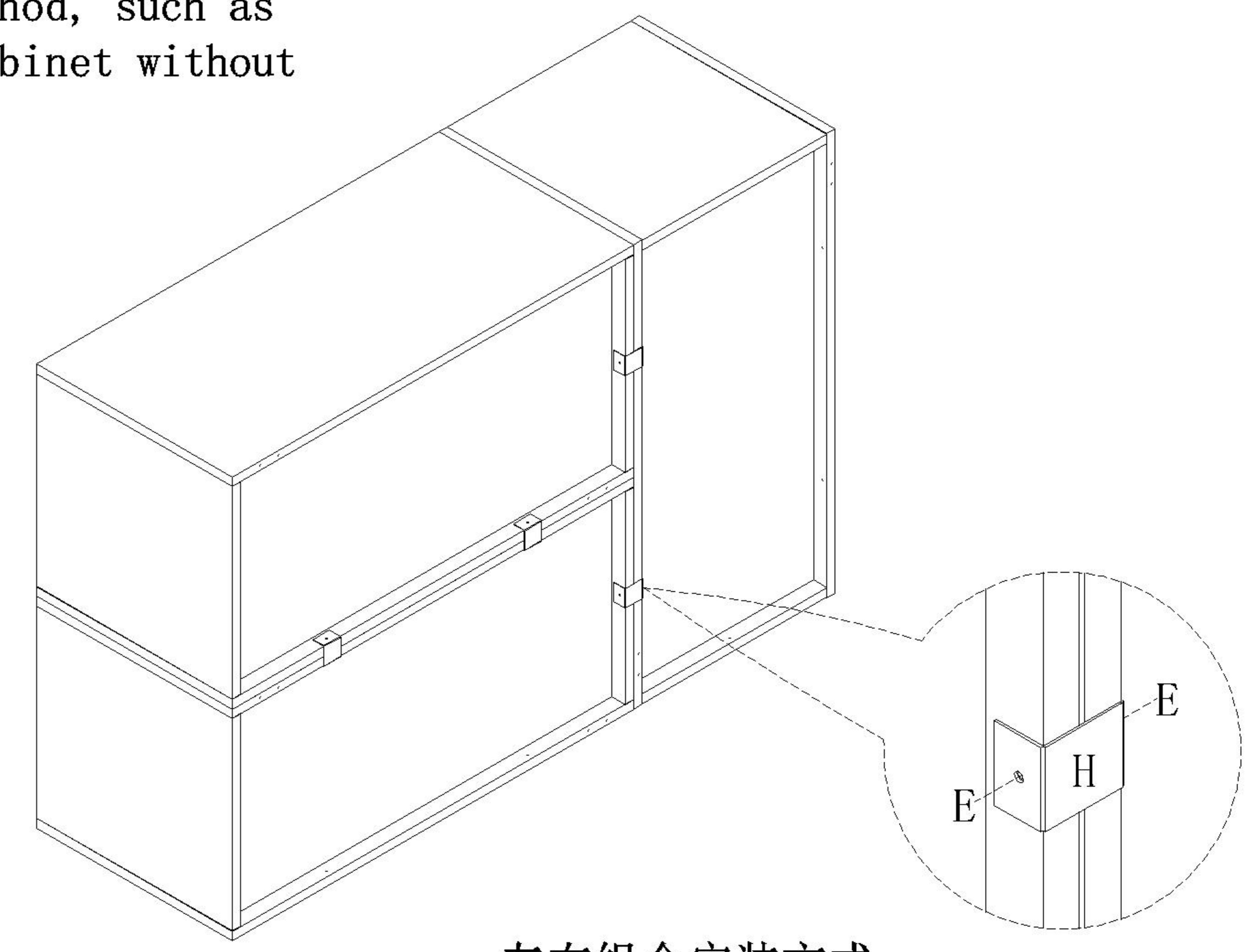
# 安装方法 Installation method

-  (E)\*4
-  (H)\*2

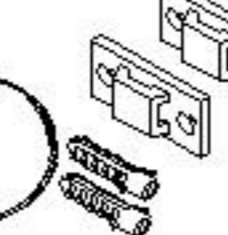
组合连接方式, 如只购买单个柜体无需安装  
Combination connection method, such as purchasing only a single cabinet without installation



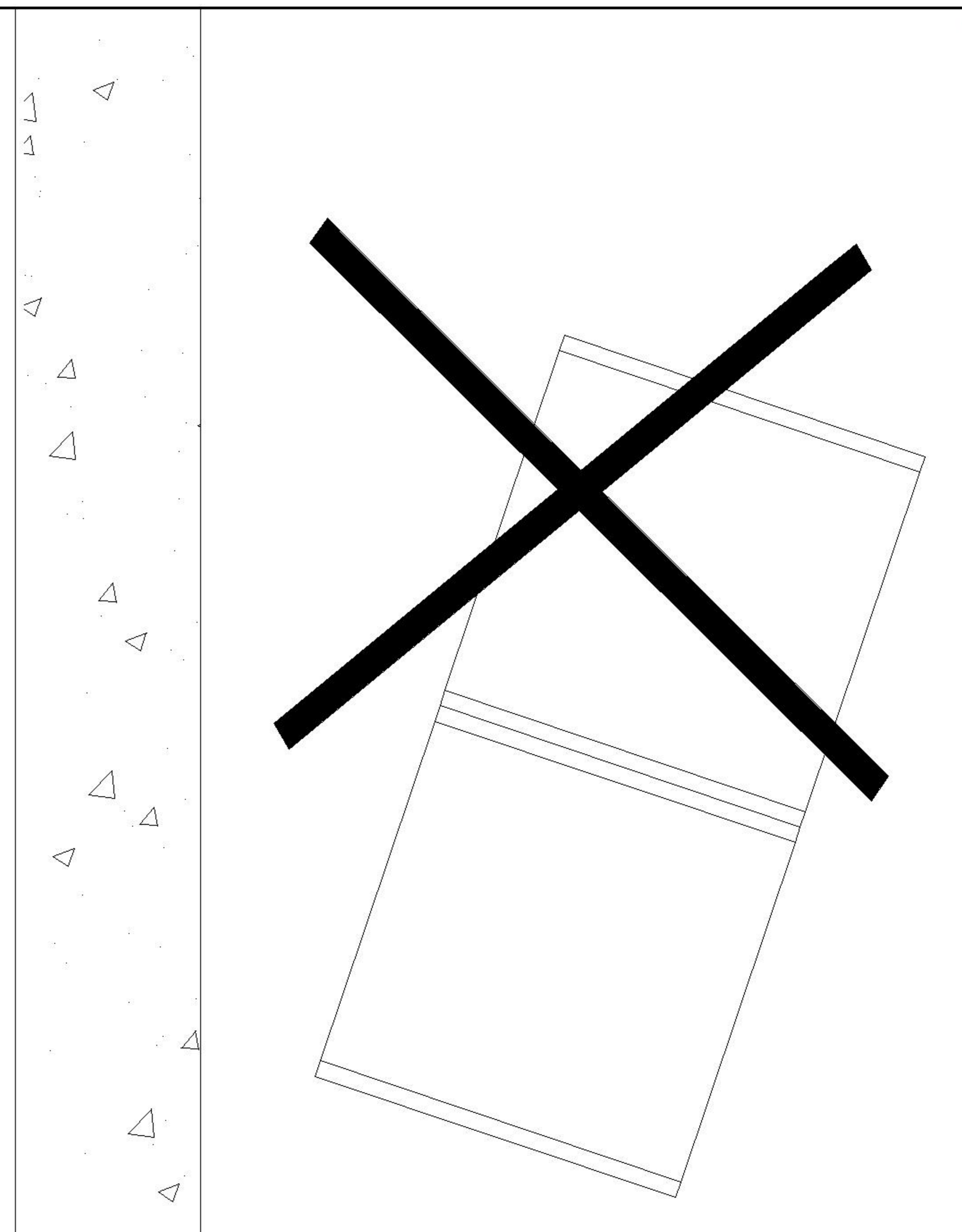
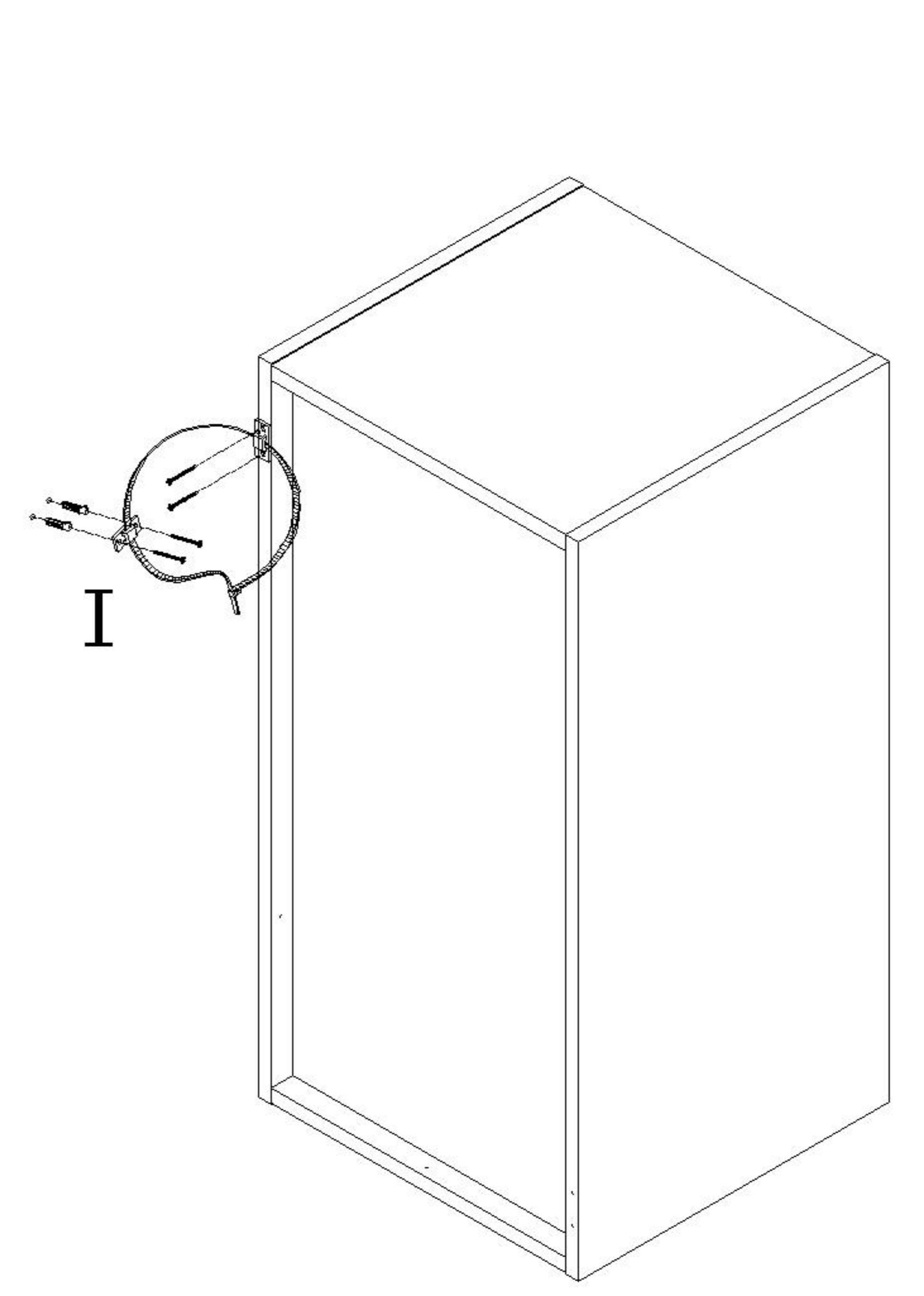
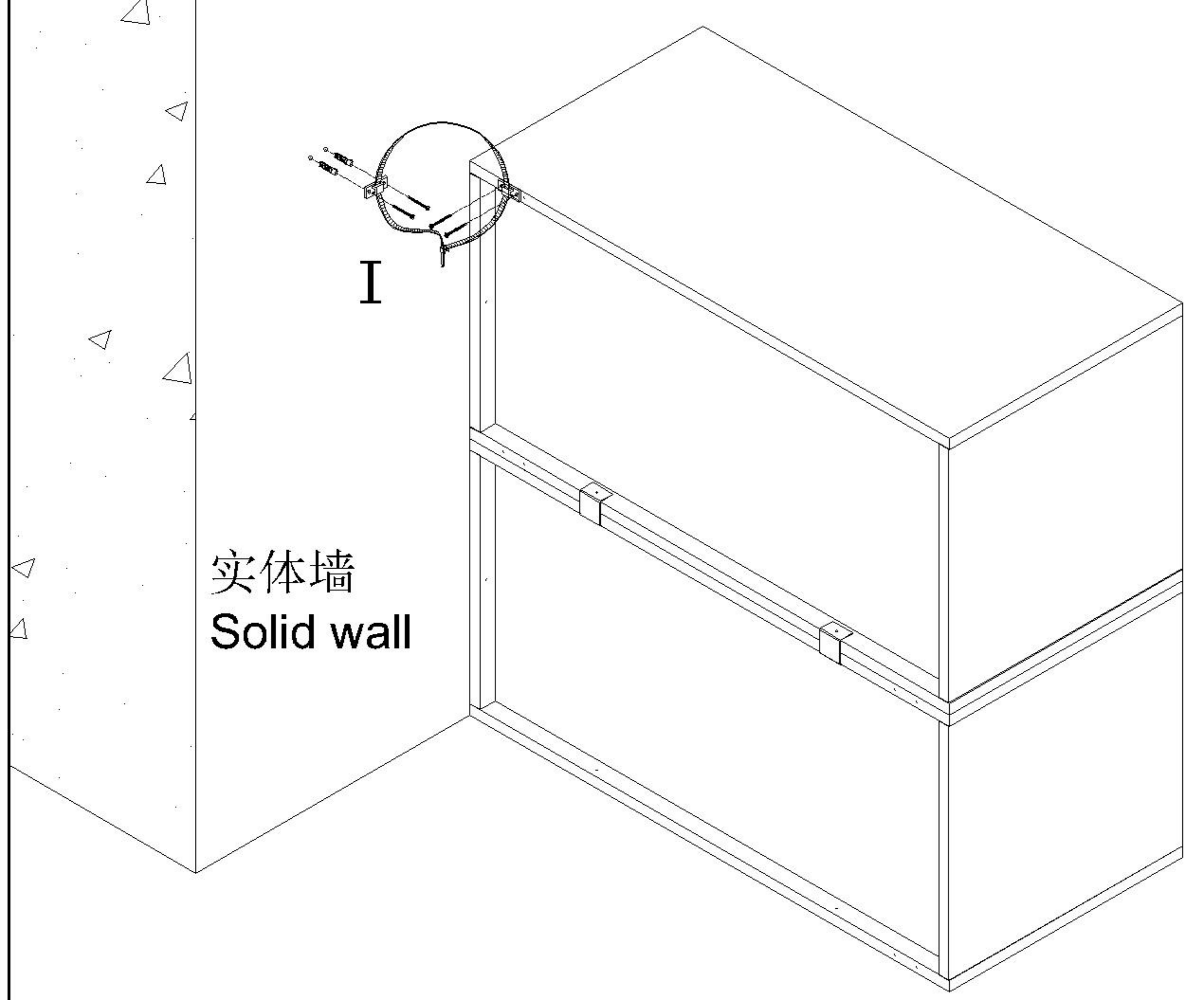
上下组合安装方式  
Upper and lower combination installation method



左右组合安装方式  
Left and right combination installation method

-  (I)\*1

柜子组合高度超600mm需安装上防倒器  
Cabinet combination height exceeding 600mm requires installation of an anti fall device

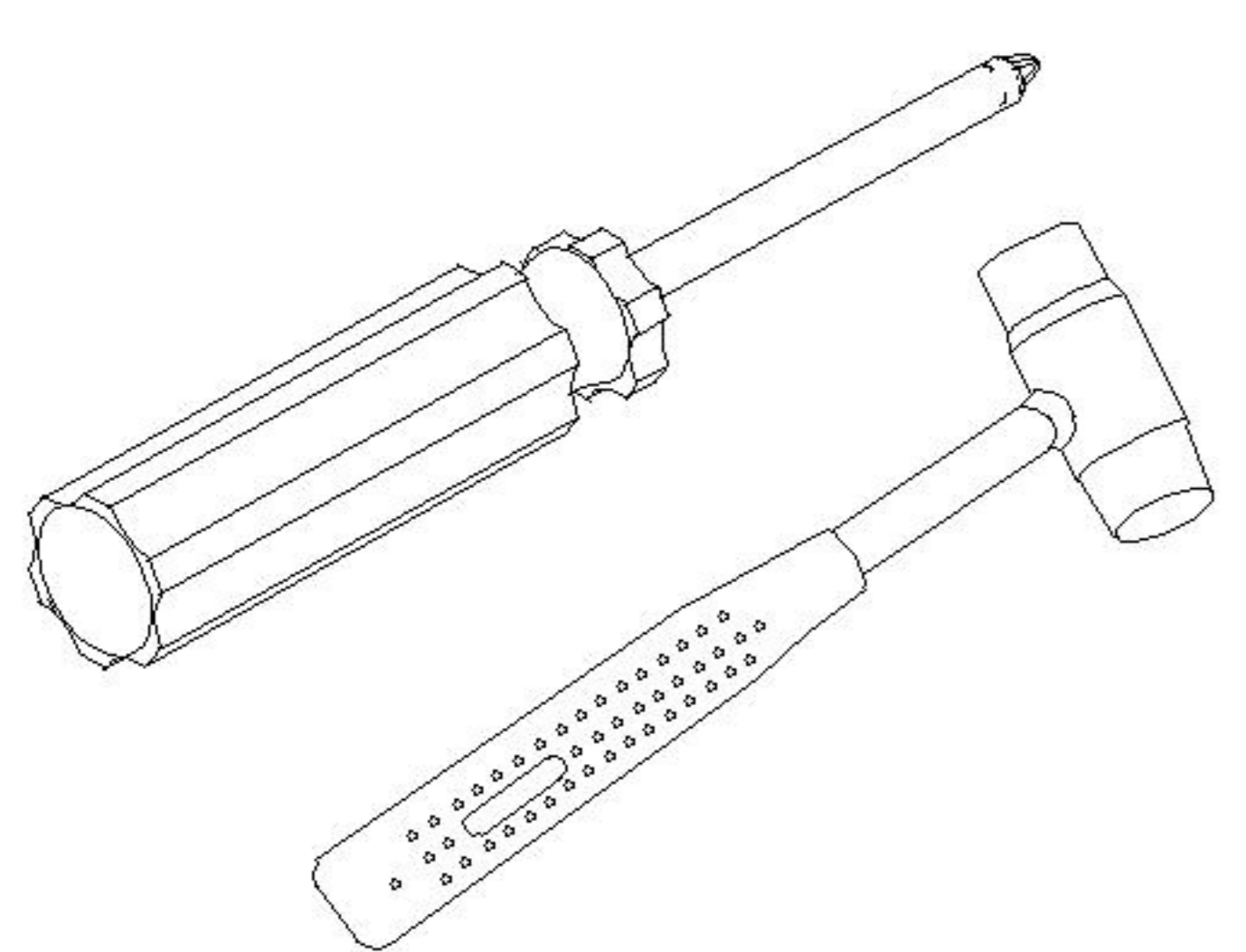
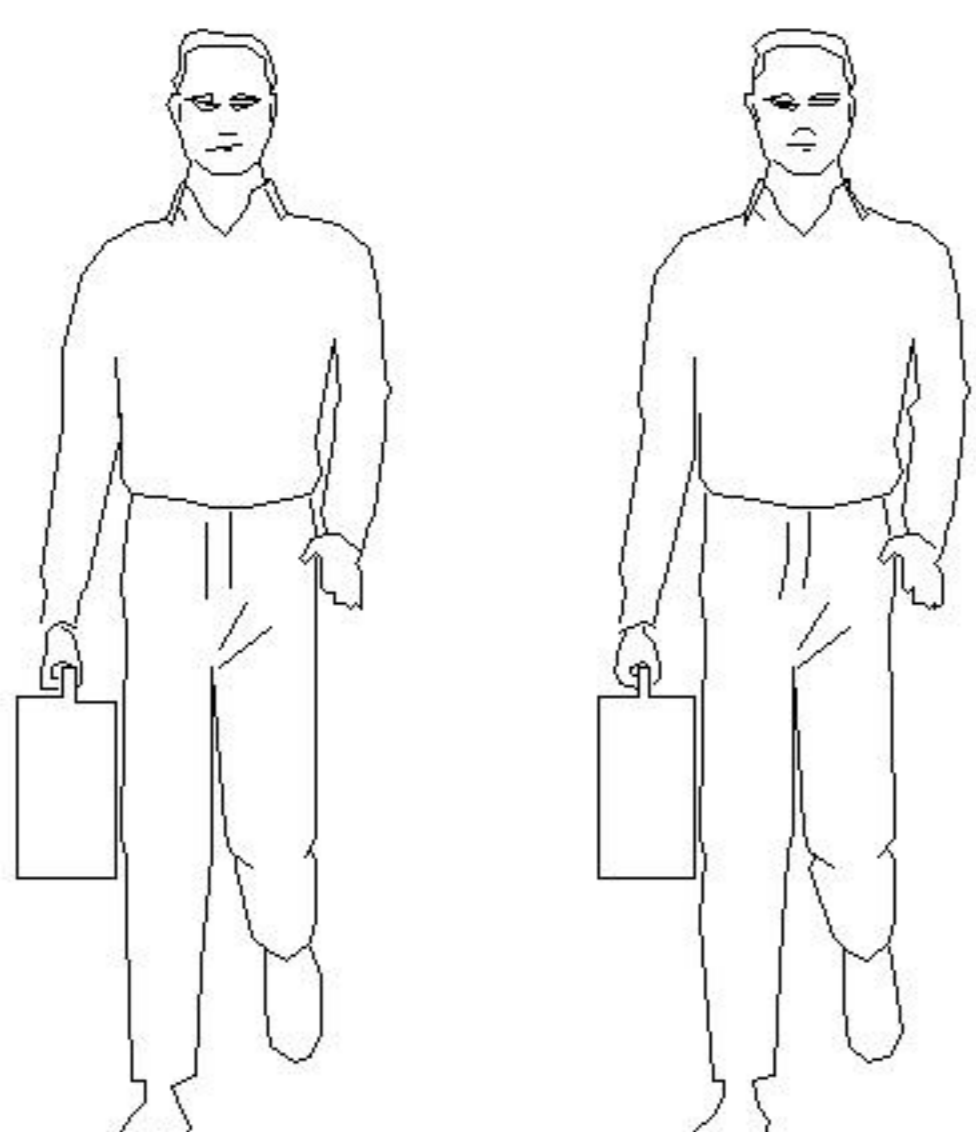


# LINSY 林氏家居

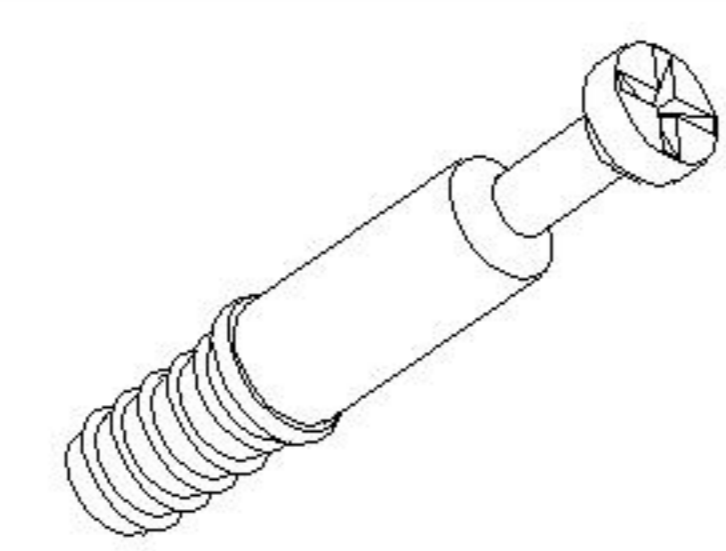
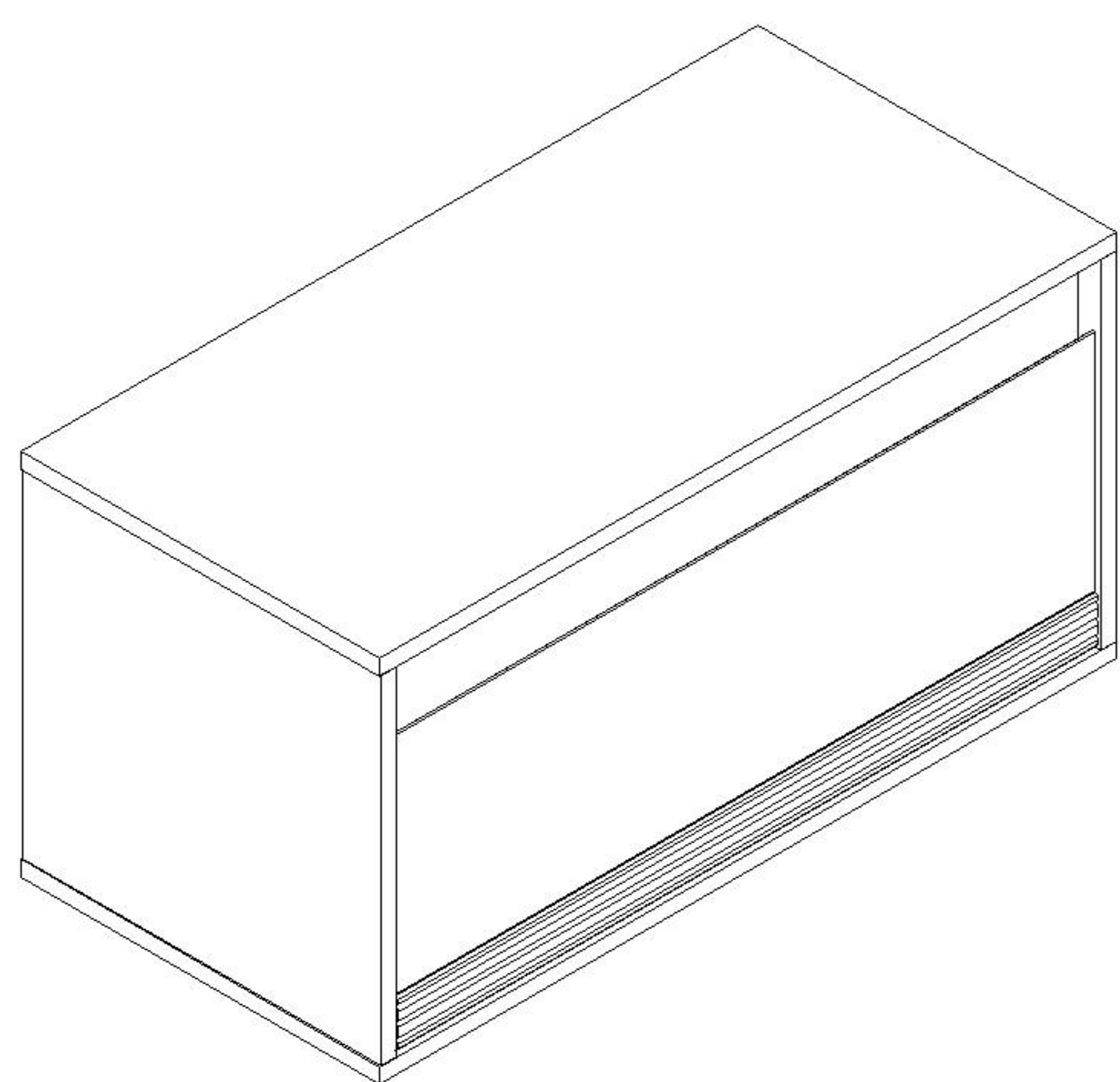
## 五金表/Hardware list

## 部件表/Parts List

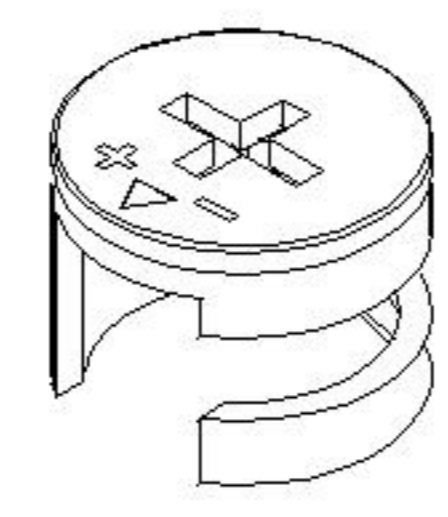
安装示意图/Assembly Instruction

产品名称 Model NO.	KQ7E-C
产品规格 Specification	720*350*363mm
安装工具 Tool	安装人数 Installer
	

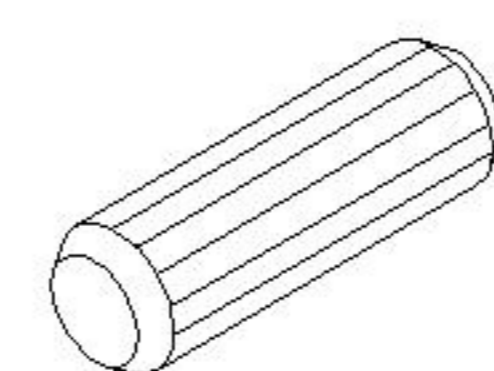
注：为保证设计效果，部分尺寸为定制尺寸，不影响使用。



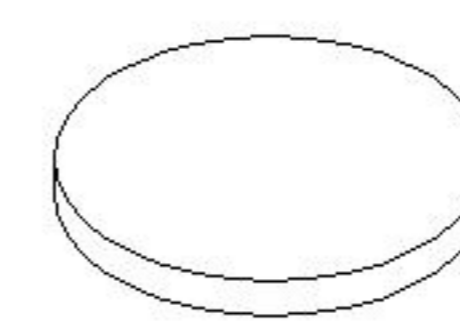
(A)\*21  
二合一螺杆  
2-in-1-screw



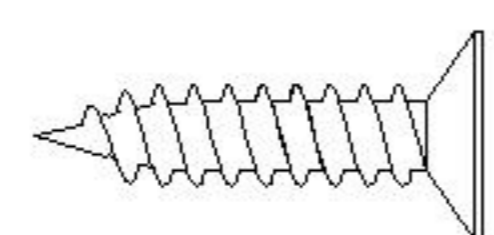
(B)\*21  
大三合一锁饼  
3-in-1 large lock



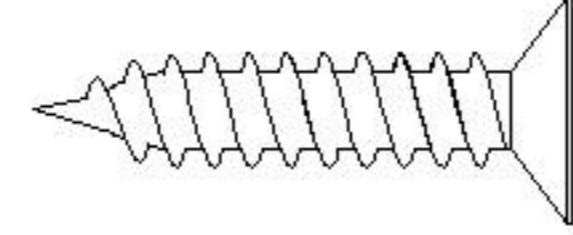
(C)\*8  
木榫Ø8x30mm  
Wood tenon



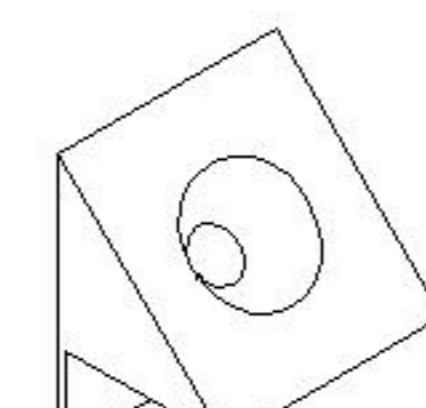
(D)\*4  
灰色毛毡垫  
Foot pad



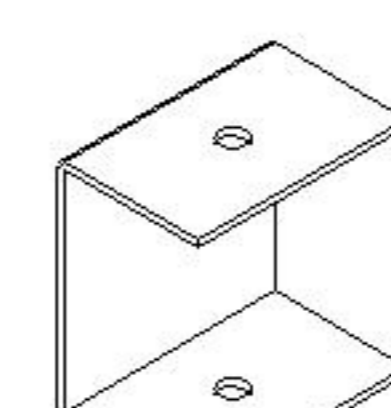
(E)\*17  
白攻螺丝M3.5\*12mm  
Tapping screw



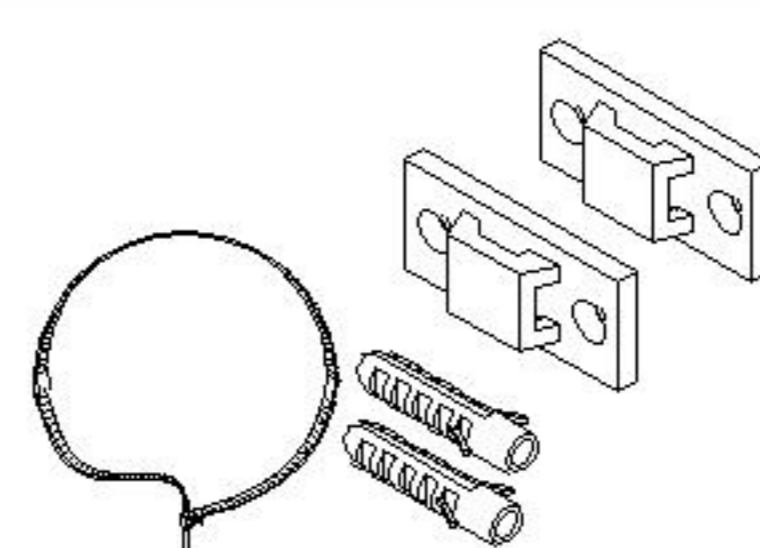
(F)\*9  
白攻螺丝M3.5\*16mm  
Tapping screw



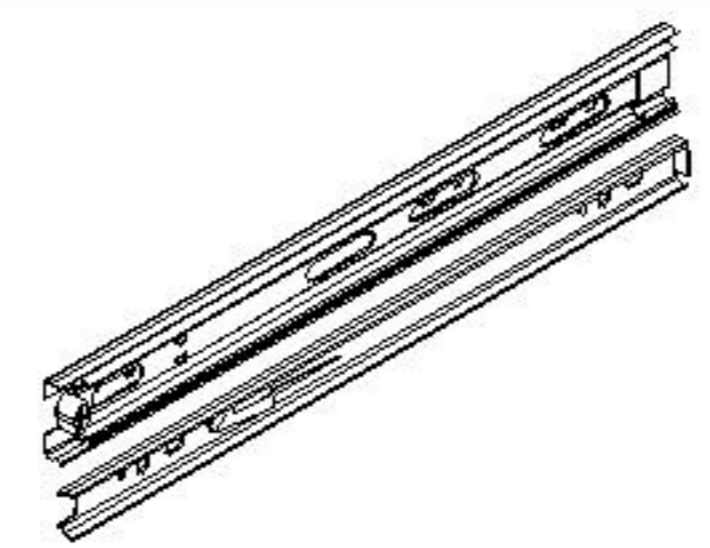
(G)\*6  
背板扣  
White buckle



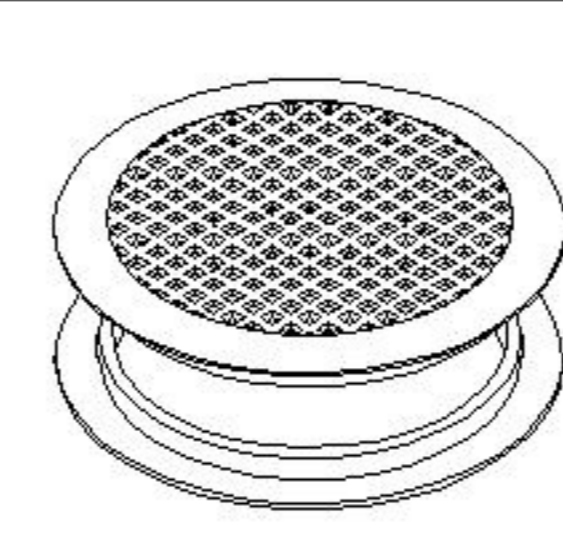
(H)\*2  
U型卡扣  
U-shaped buckle



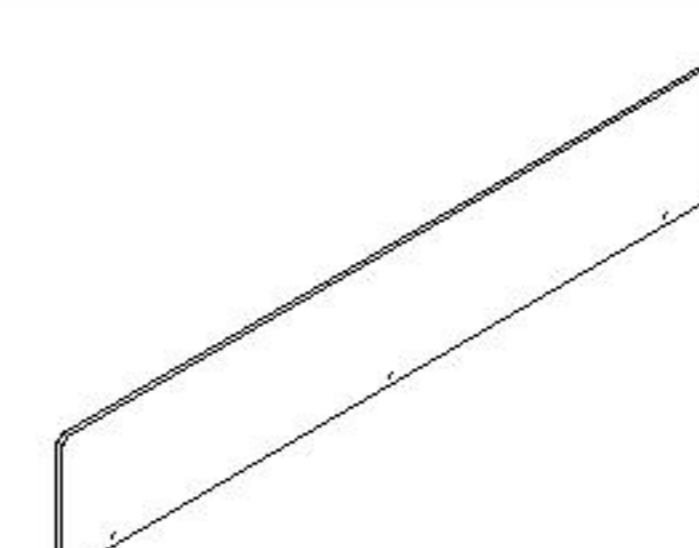
(I)\*1  
家具防倒器-白色  
Anti-fall device



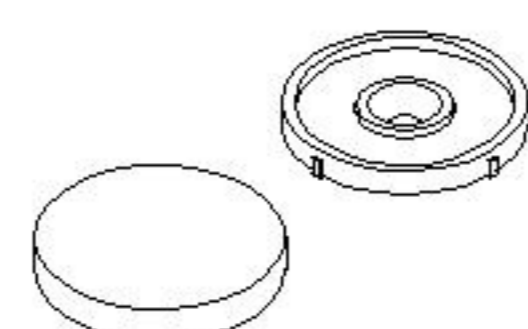
(J)\*1  
三节滚珠导轨10"  
Three-section rail



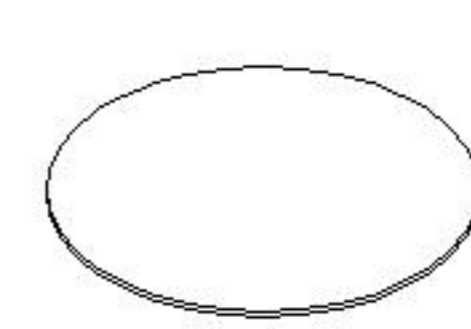
(K)\*1  
透气孔盖-白色  
Breathable cover



(L)\*1  
亚克力  
Acrylic

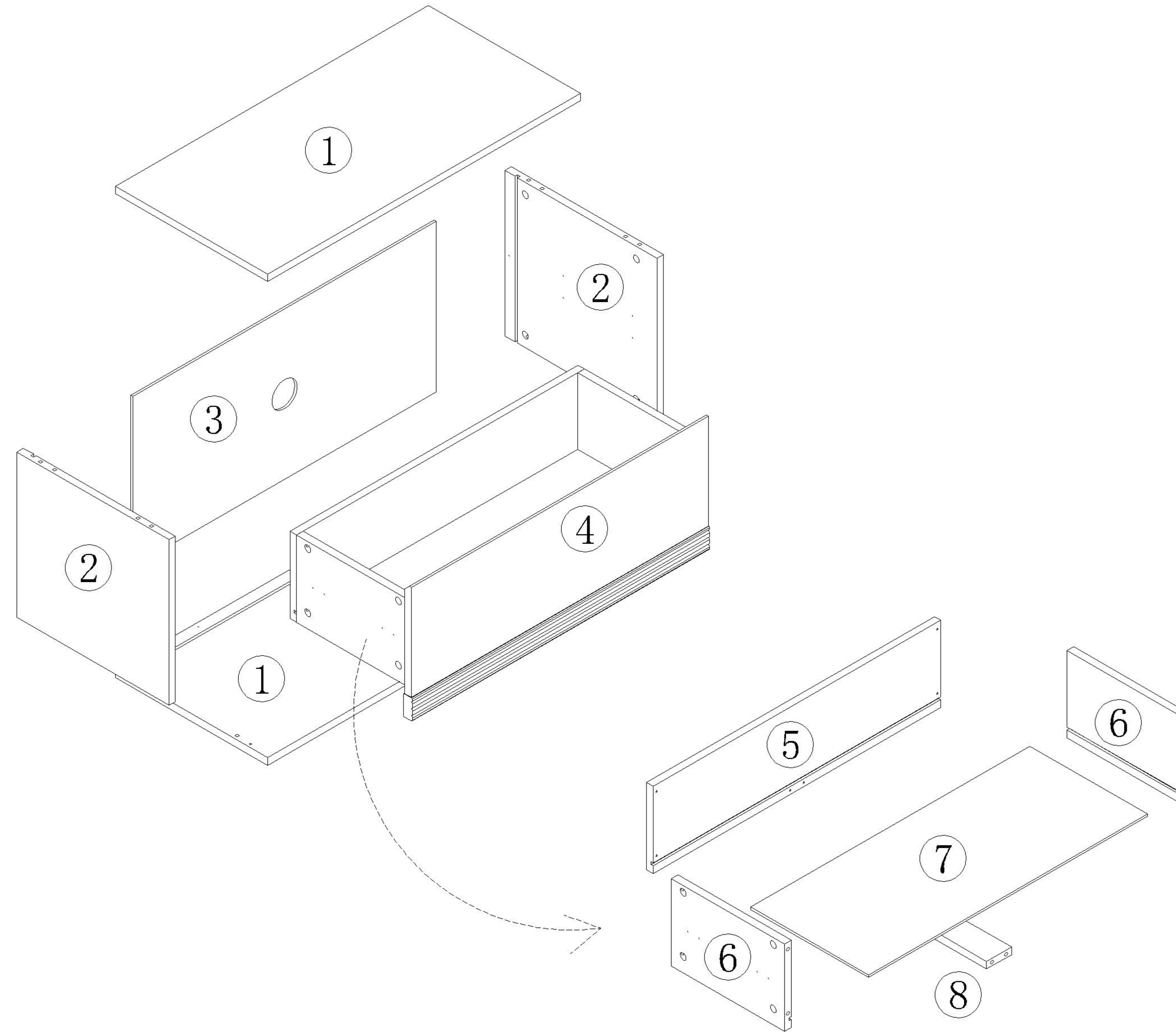


(M)\*3  
镜钉  
Mirror nail



(N)\*21  
PVC孔贴  
PVC hole sticker

编号NO.	名称Name	规格(mm) Specification	数量QTY	材质Material
①	顶底板Top base board	720*350*15	2	刨花板 Particle board
②	侧板Side board	330*350*15	2	刨花板 Particle board
③	背板Back board	698*340*5	1	纤维板 Fiberboard
④	抽屉面板组立 Drawer panels assembly	684*265*20	1	橡胶木+刨花板 Rubber wood+Particle board
⑤	抽屉后板 Drawer's Back board	662*174*15	1	刨花板 Particle board
⑥	抽屉侧板 Drawer's side board	260*174*15	2	刨花板 Particle board
⑦	抽屉底板 Drawer's Bottom board	642*270*5	1	纤维板 Fiberboard
⑧	抽屉底托条 Drawer's bottom bracket	260*58*15	1	刨花板 Particle board

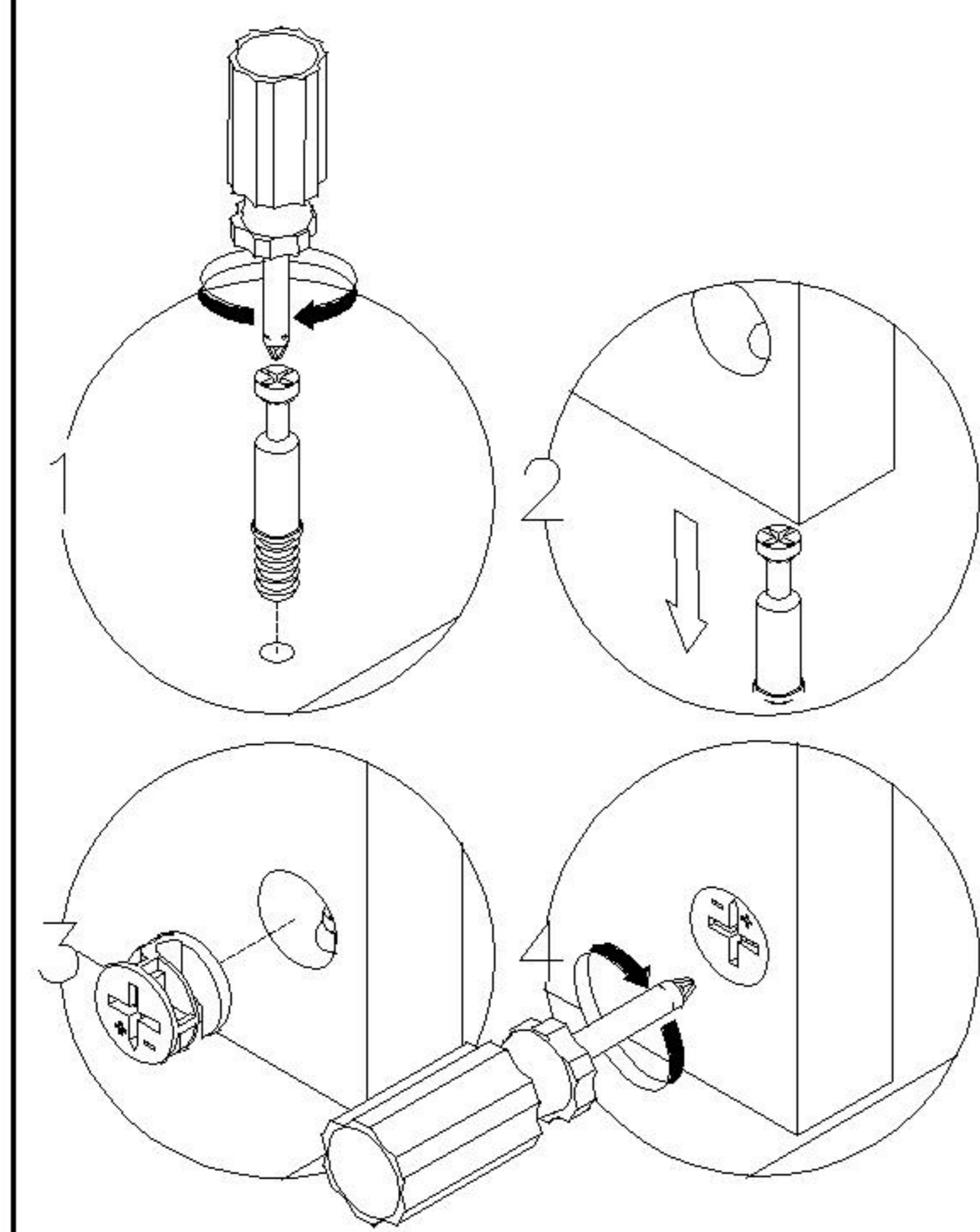


编号NO.	名称Name
①	顶底板Top base board
②	侧板Side board
③	背板Back board
④	抽屉面板组立 Drawer panels assembly
⑤	抽屉后板 Drawer's Back board
⑥	抽屉侧板 Drawer's side board
⑦	抽屉底板 Drawer's Bottom board
⑧	抽屉底托条 Drawer's bottom bracket

KQ7E-C

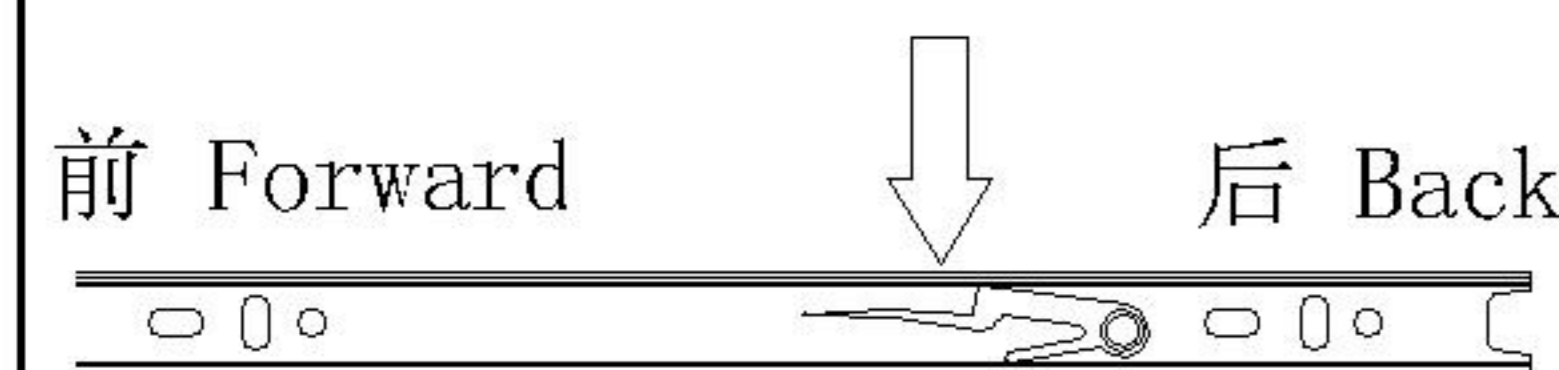
# 安装方法

## Installation method

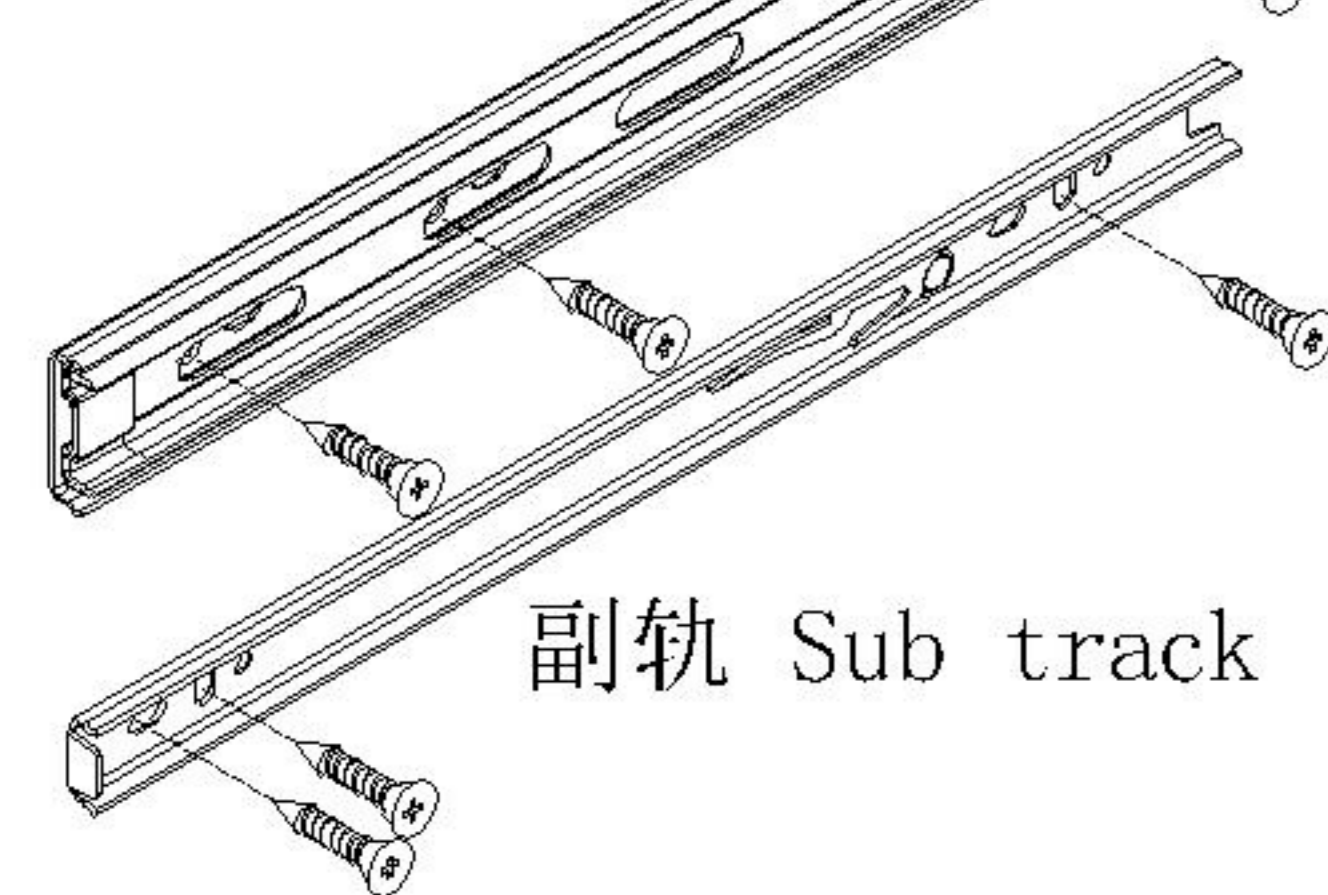


二合一 two-in-one

阀门开关(下压为开)  
Valve switch (press down to open)

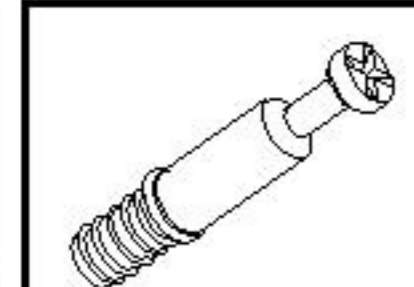


主轨 Main track

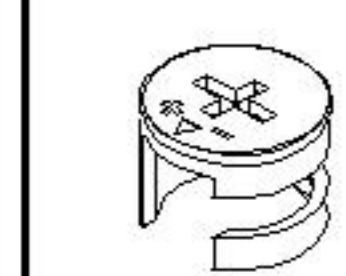


副轨 Sub track

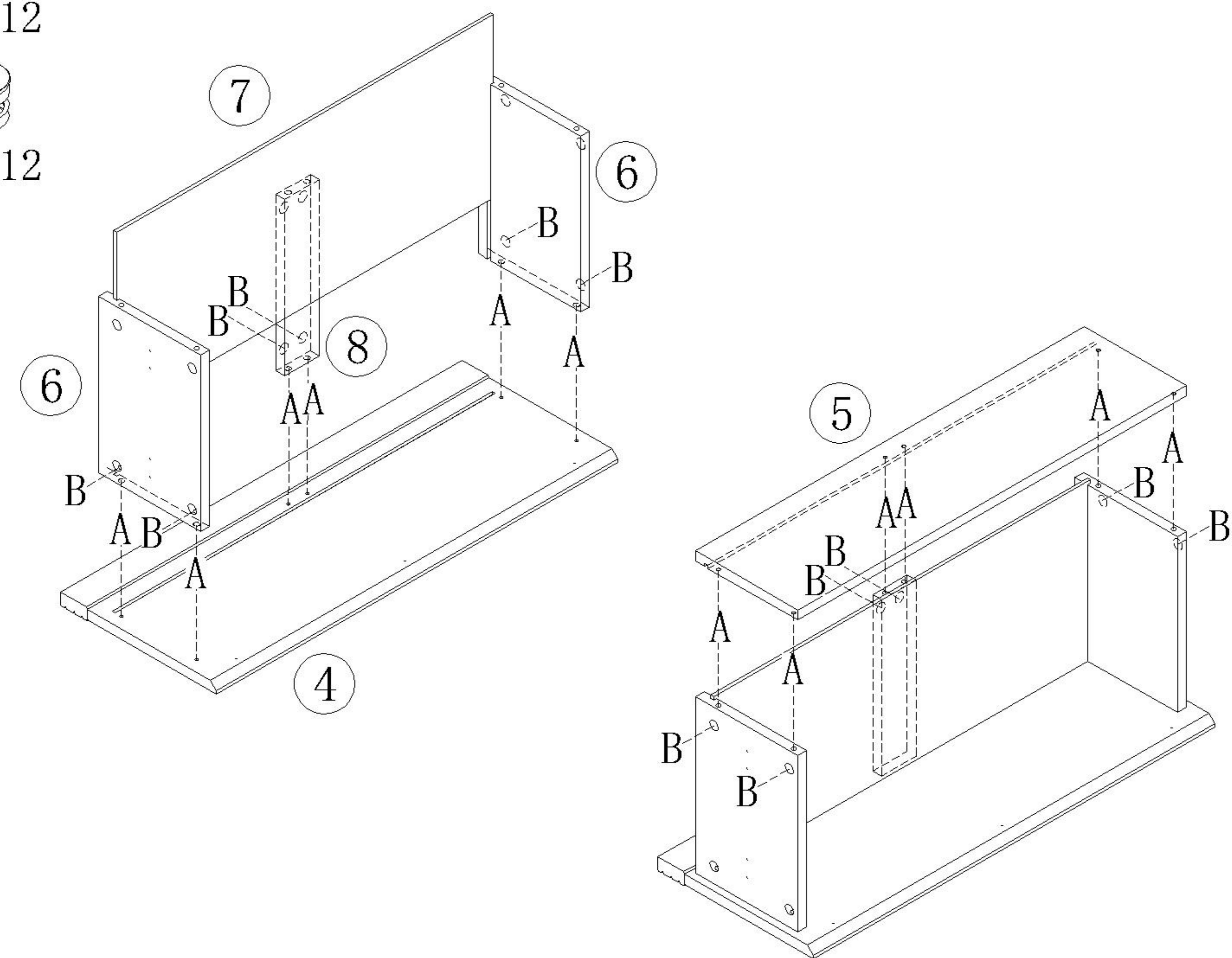
三节滚珠导轨-10"  
Three-section rail



(A)\*12



(B)\*12



1

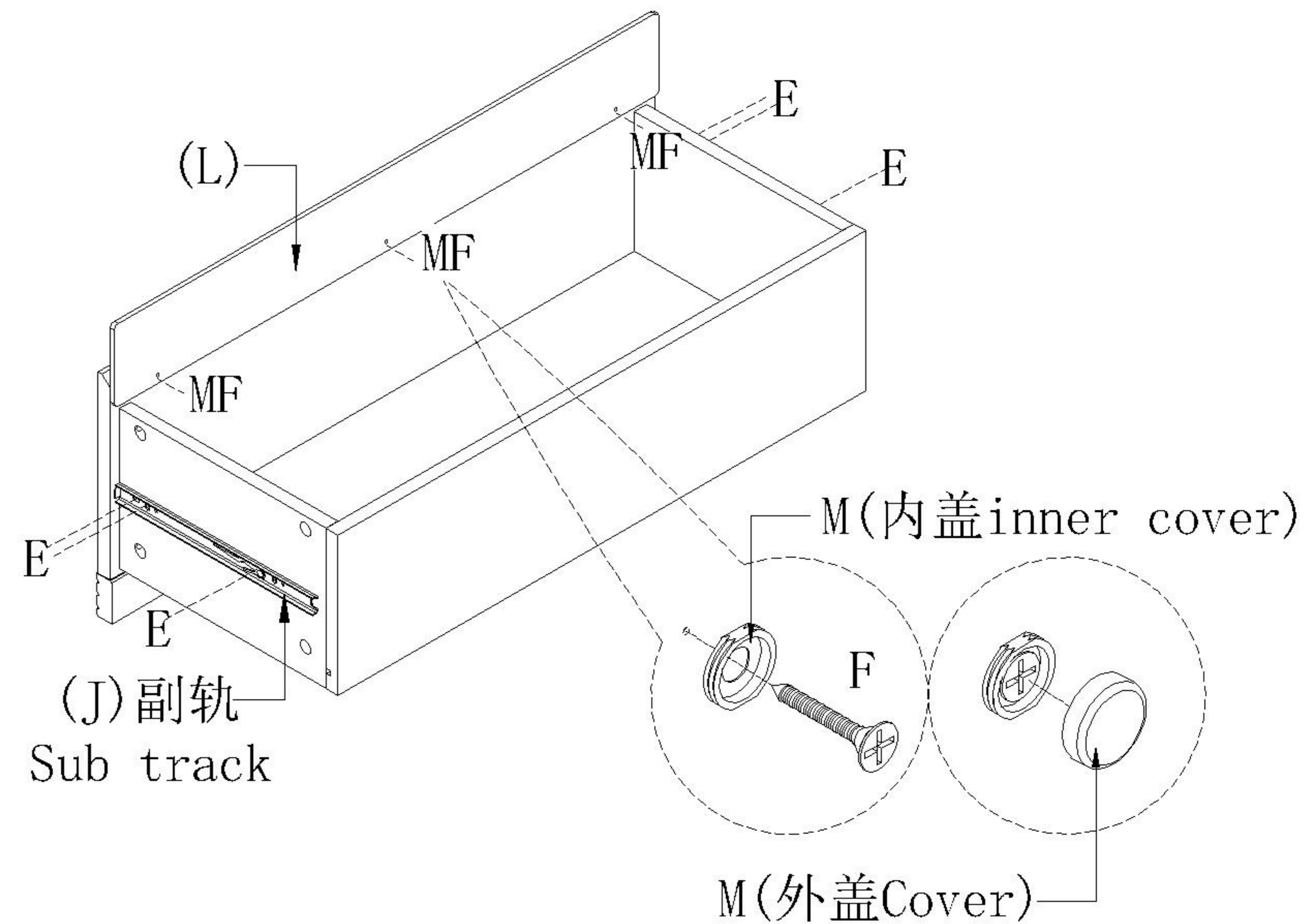
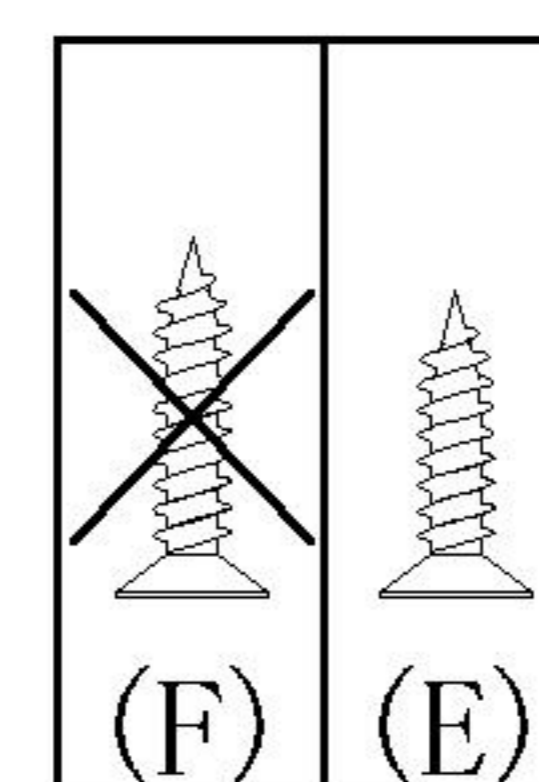
(E)\*6

(F)\*3

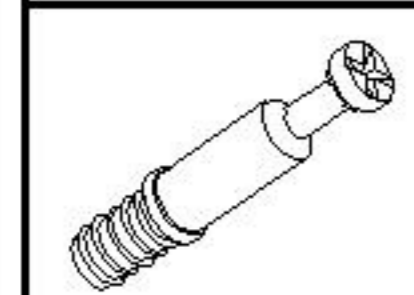
(J)\*1

(L)\*1

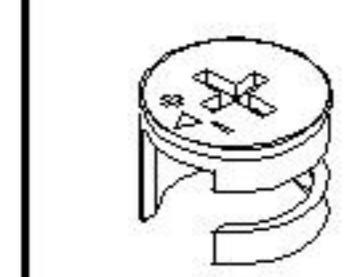
(M)\*3



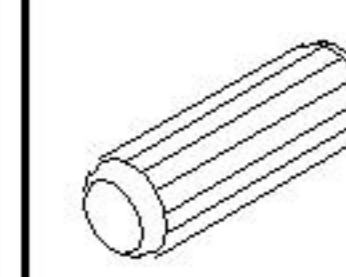
2



(A)\*4



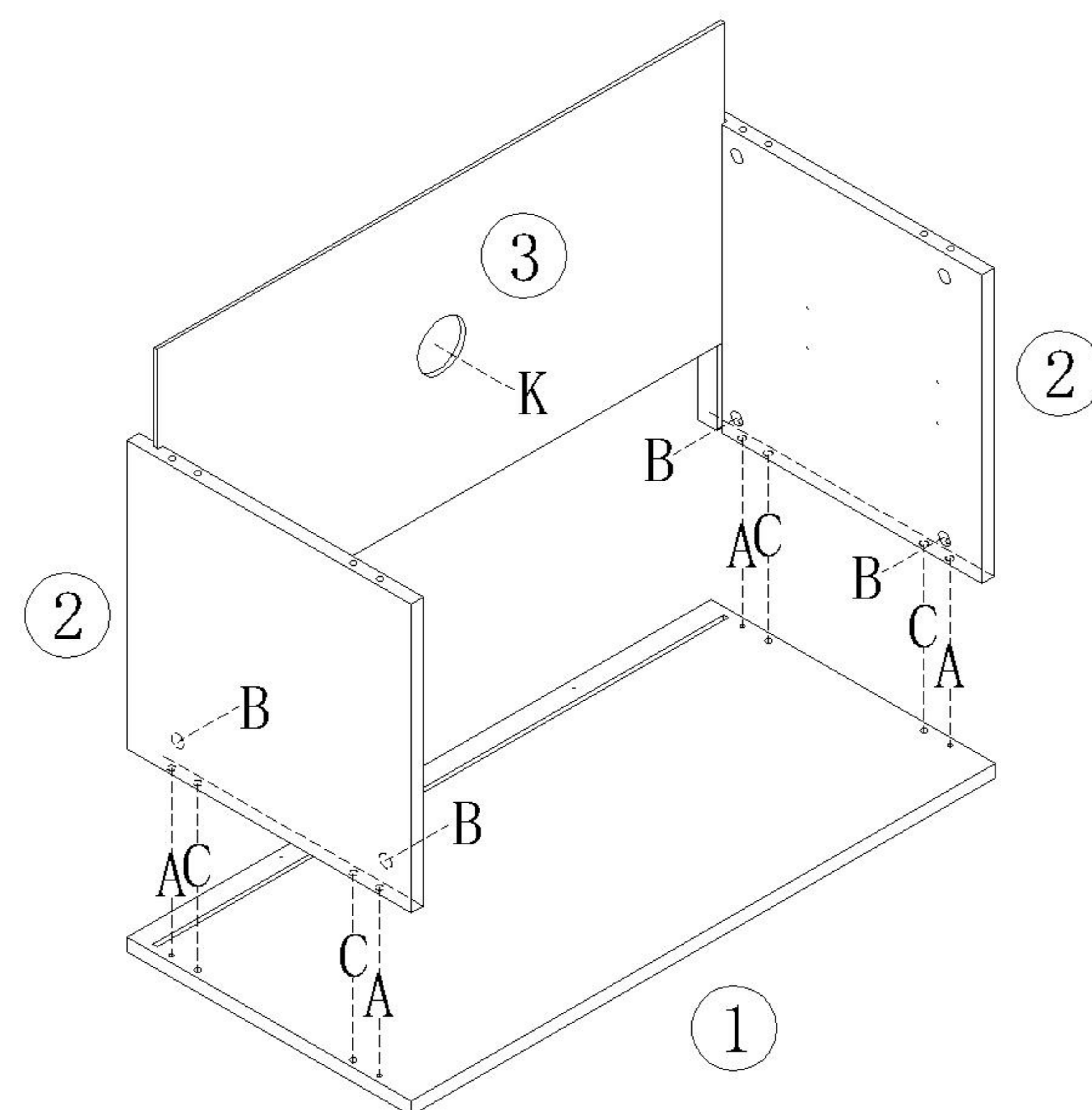
(B)\*4



(C)\*4



(K)\*1

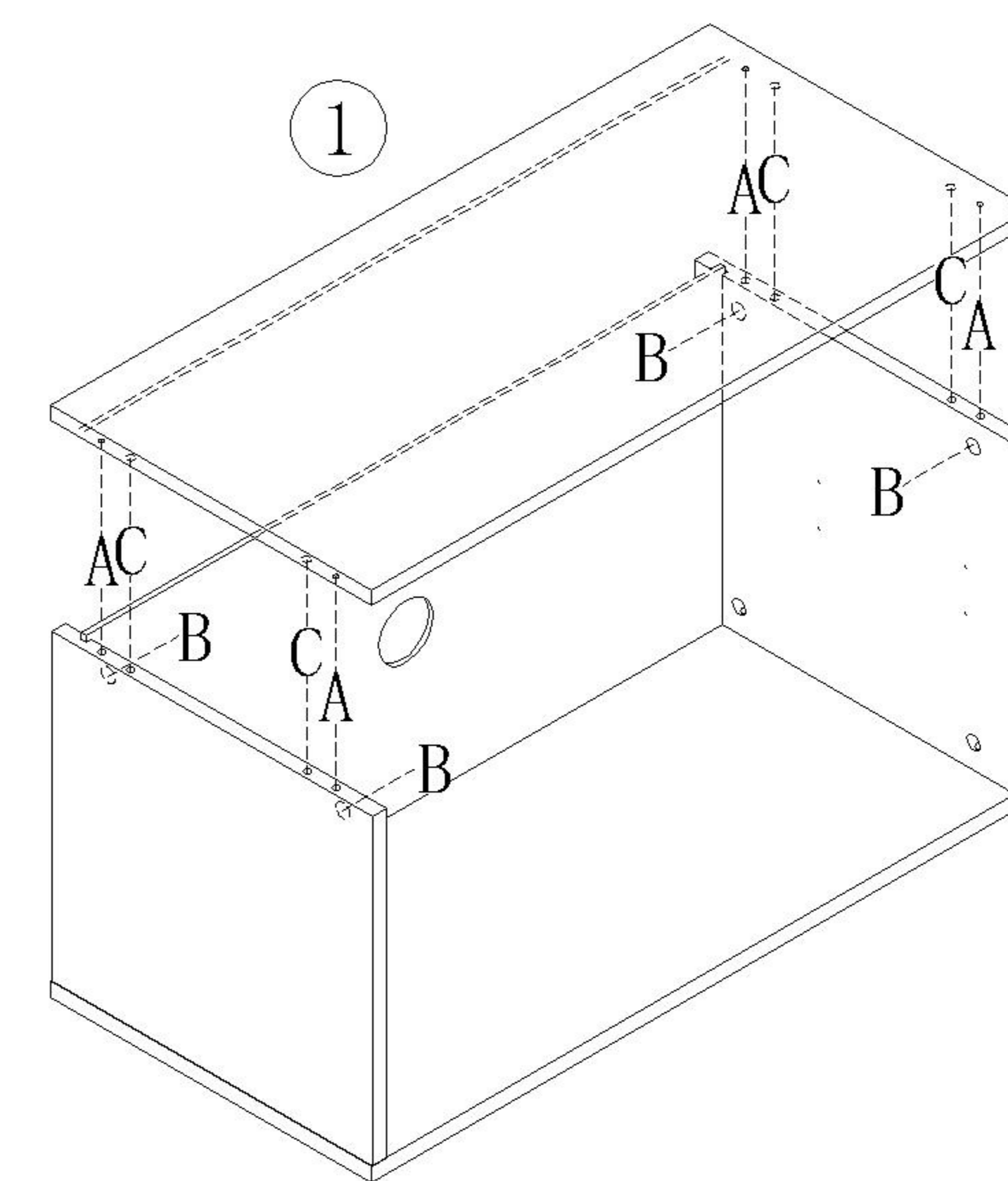


3

(A)\*4

(B)\*4

(C)\*4

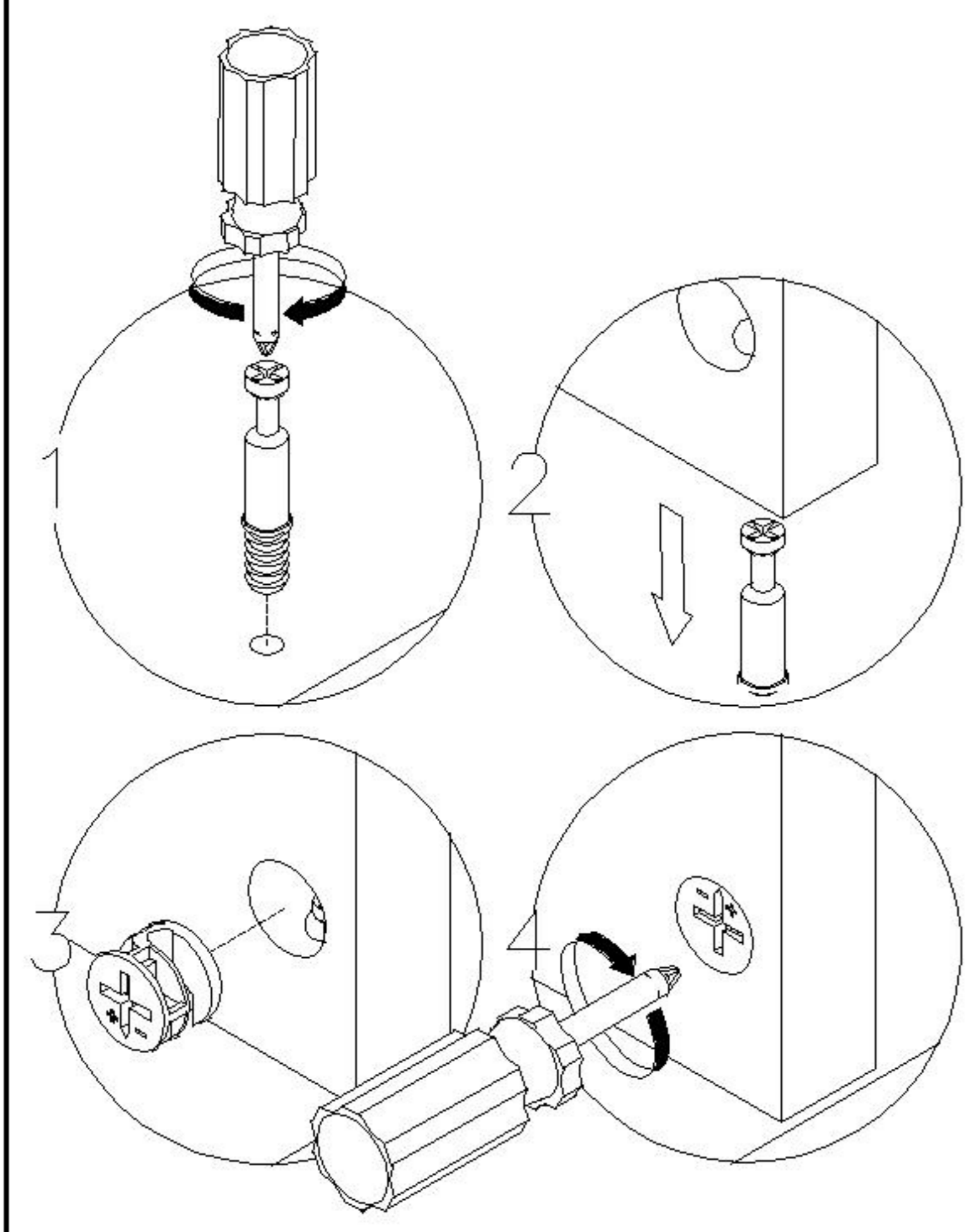


4

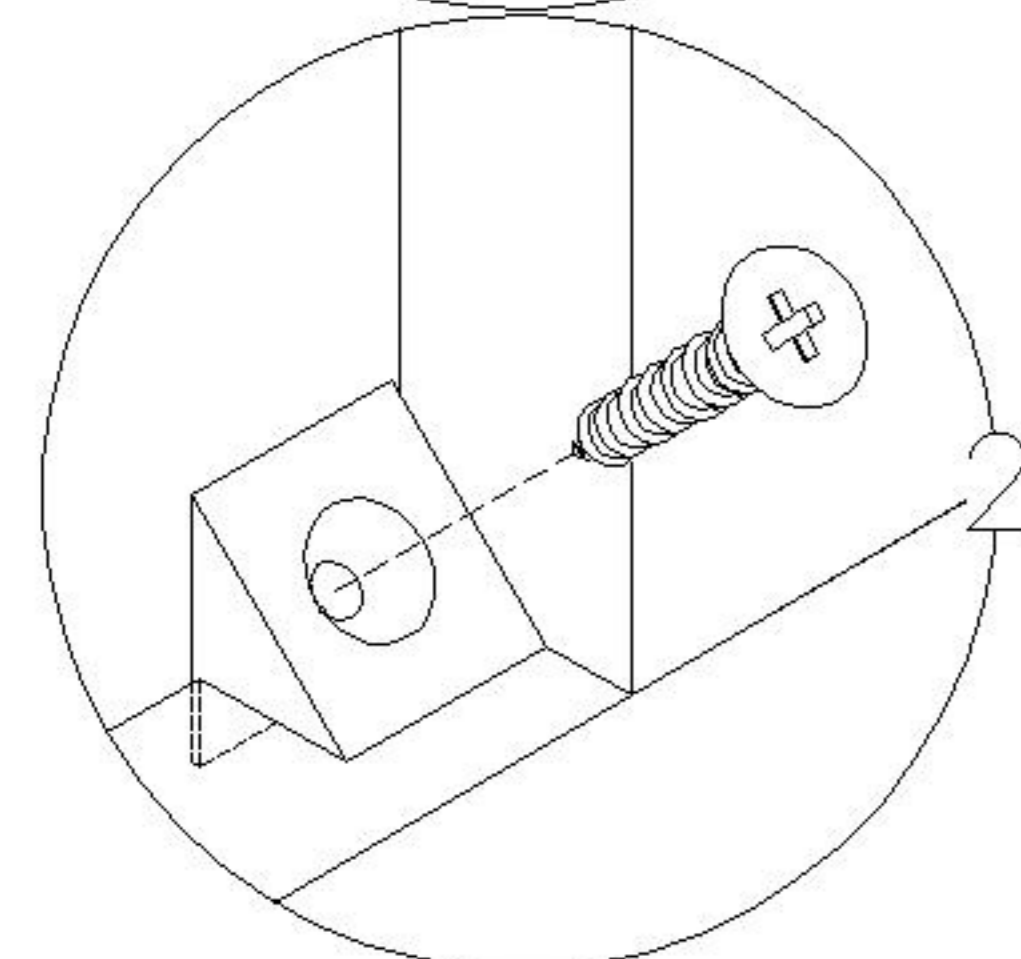
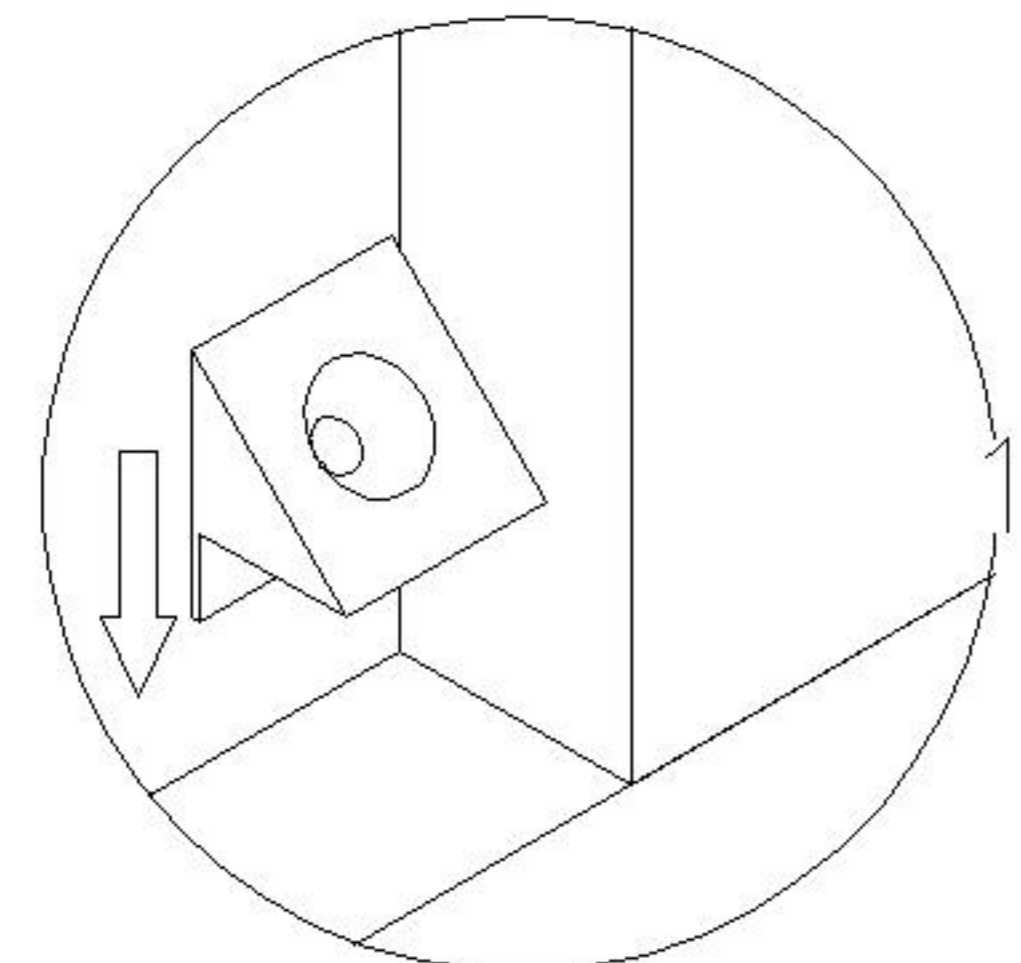
KQ7E-C

# 安装方法

## Installation method



二合一 two-in-one

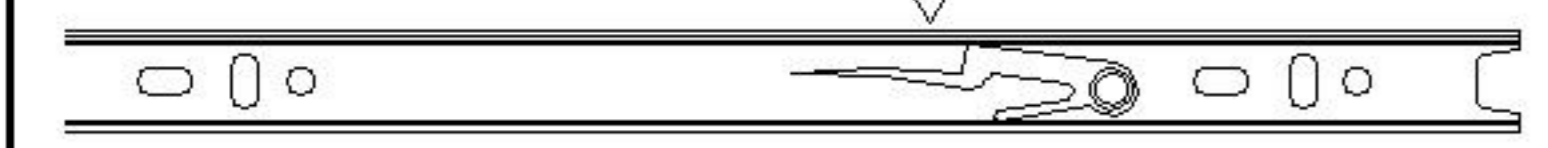


背板扣

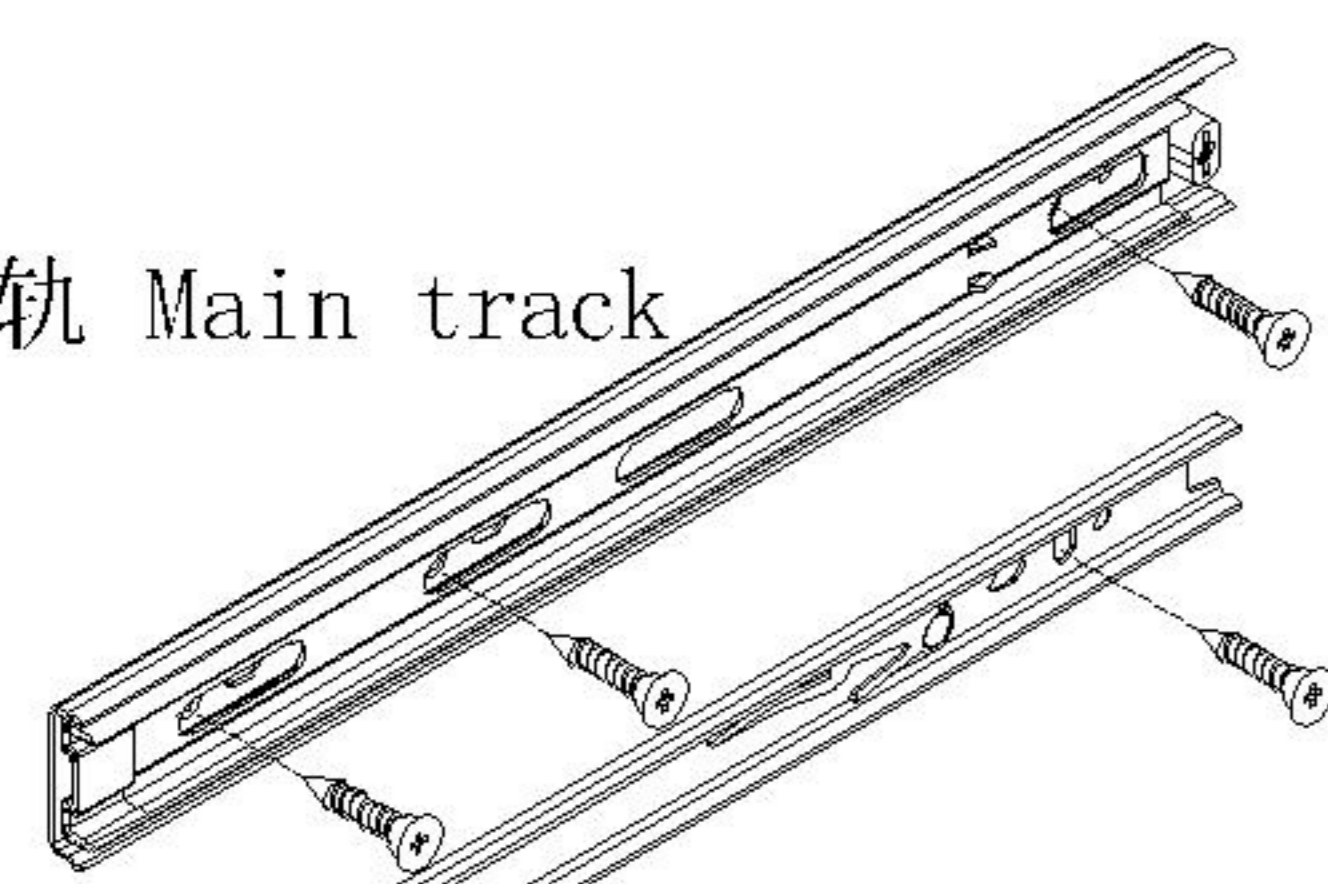
Back Plate Buckle

阀门开关(下压为开)  
Valve switch (press down to open)

前 Forward      后 Back



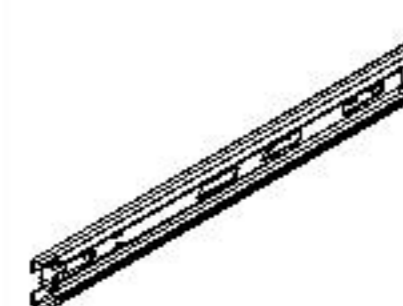
主轨 Main track



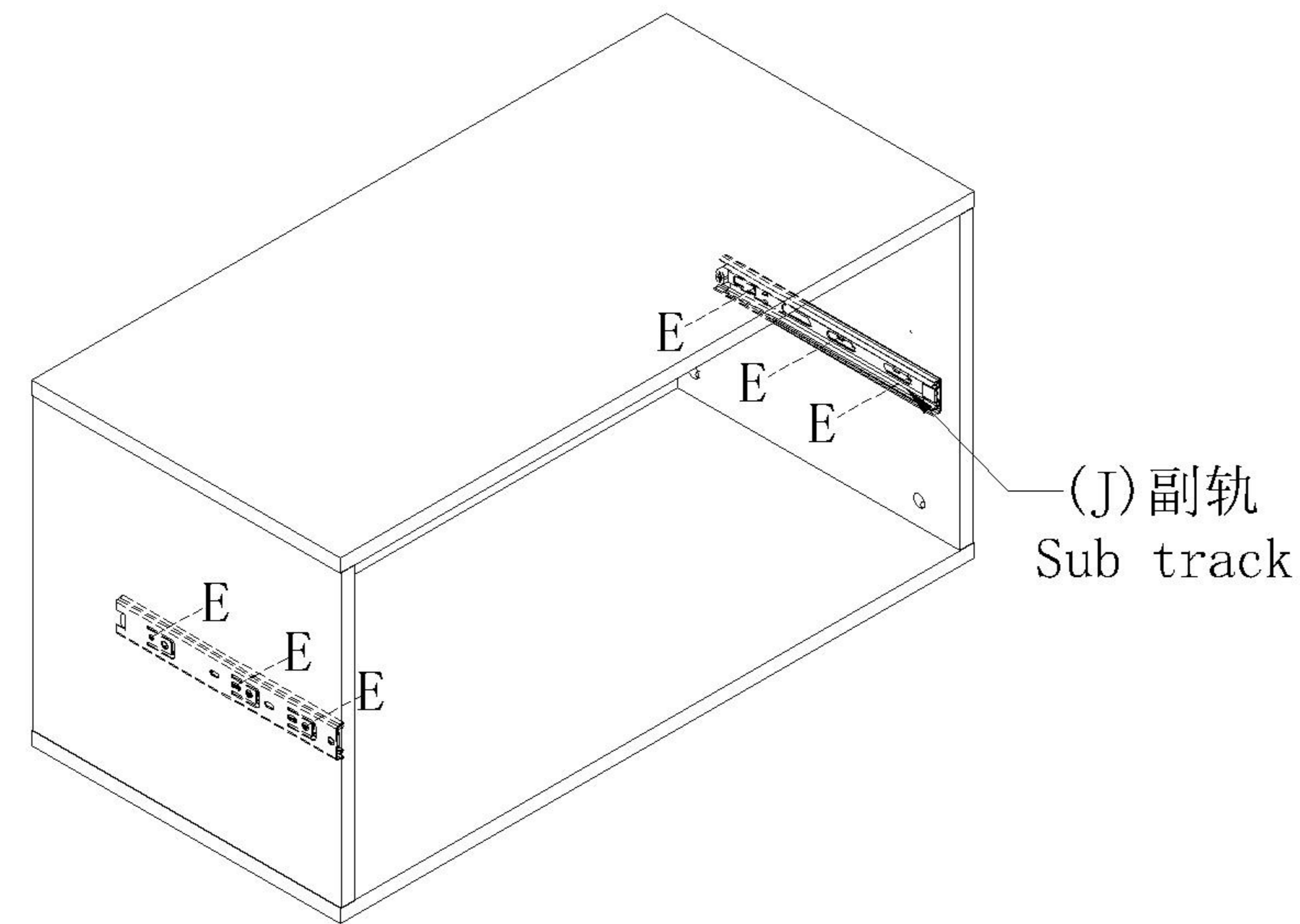
副轨 Sub track

三节滚珠导轨-10"  
Three-section rail

(E)\*6

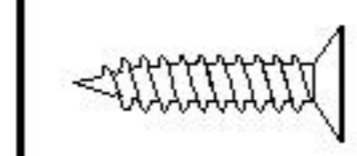


(J)\*1



(J) 副轨  
Sub track

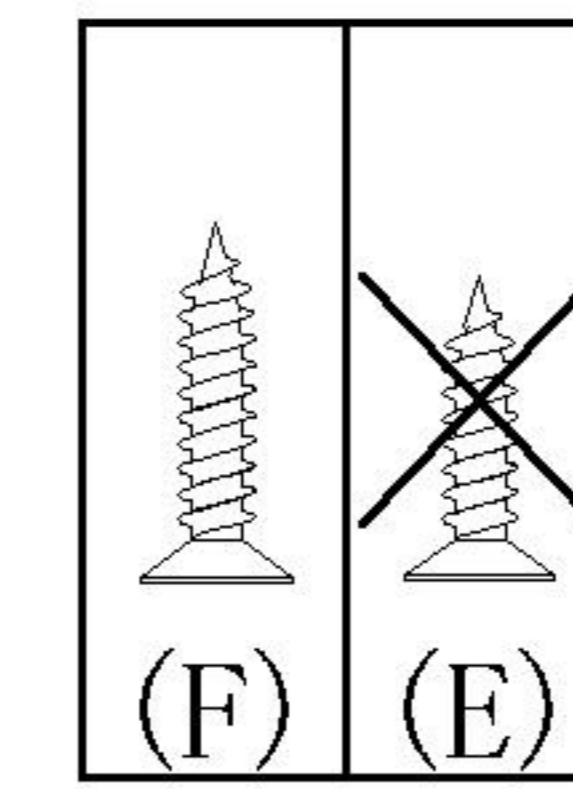
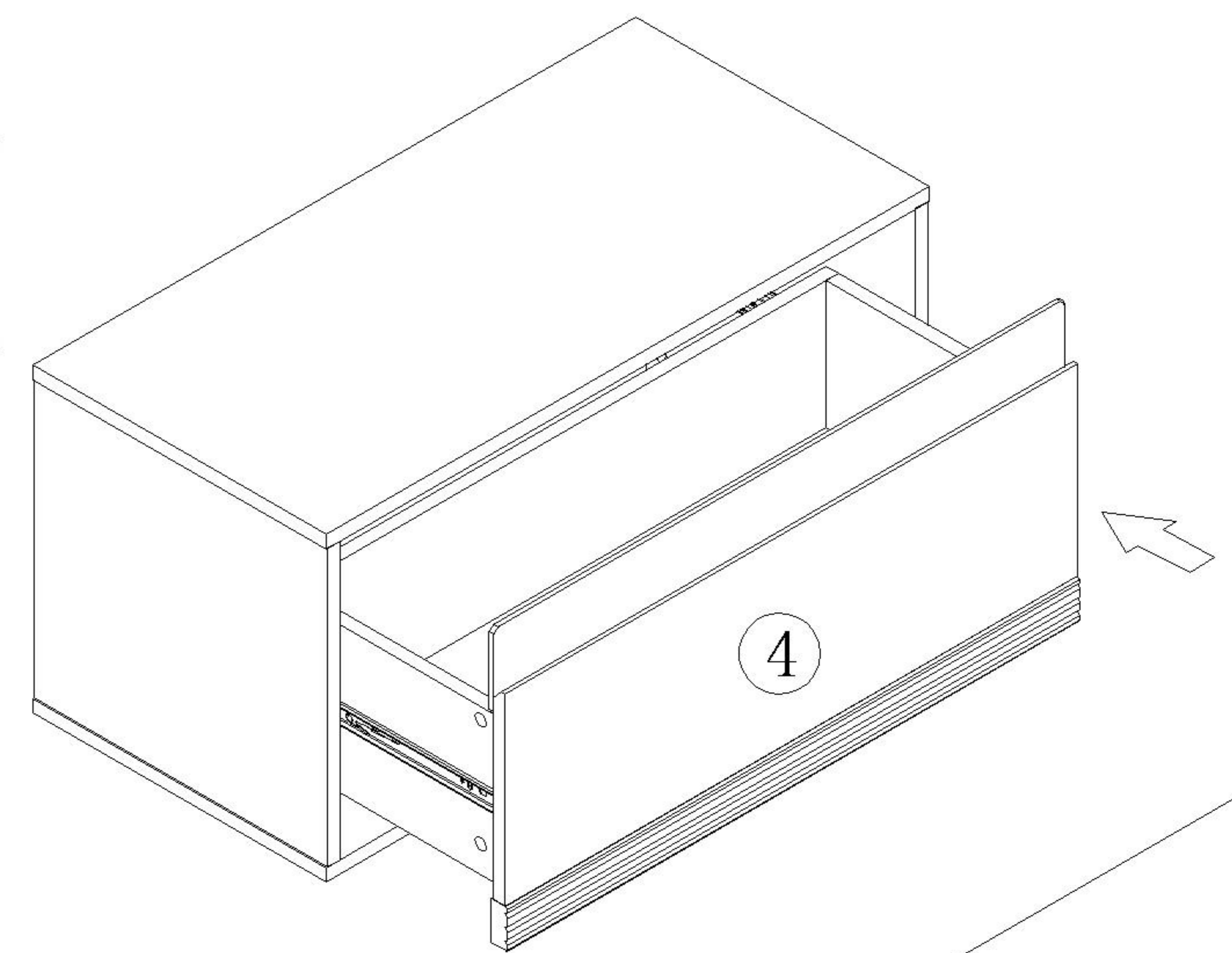
5



(F)\*6

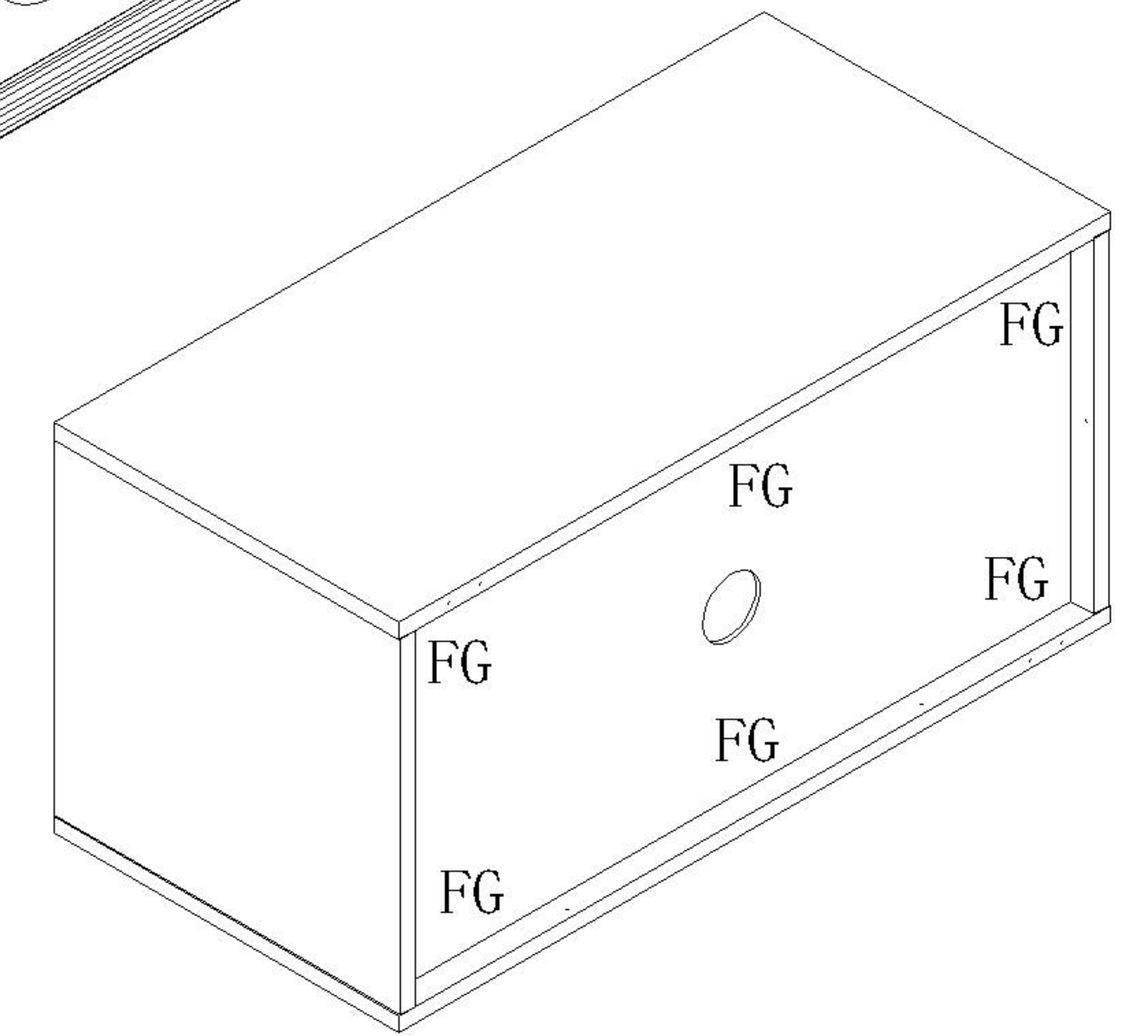


(G)\*6



(F)

(E)



6

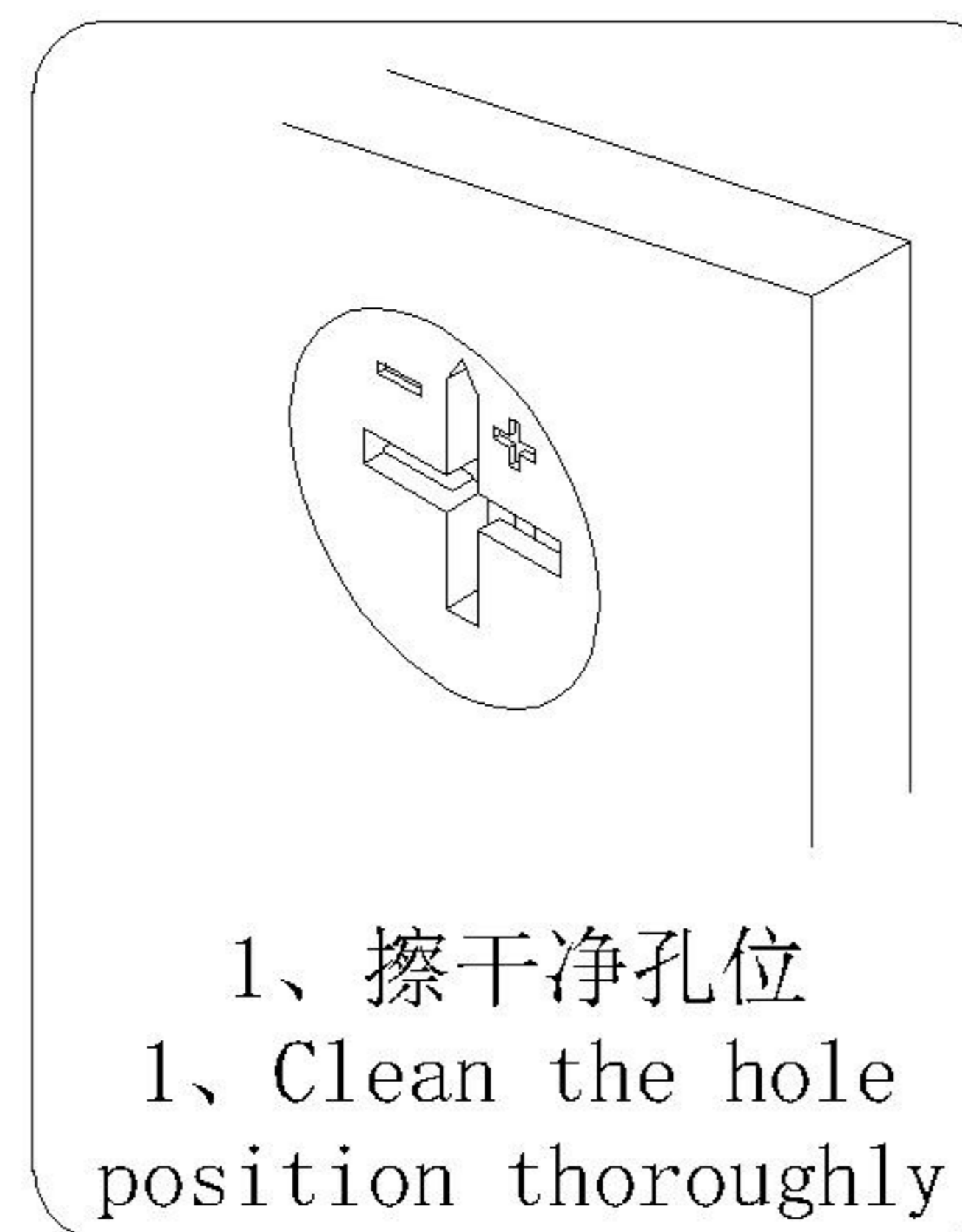
7

### 孔位贴使用小贴士

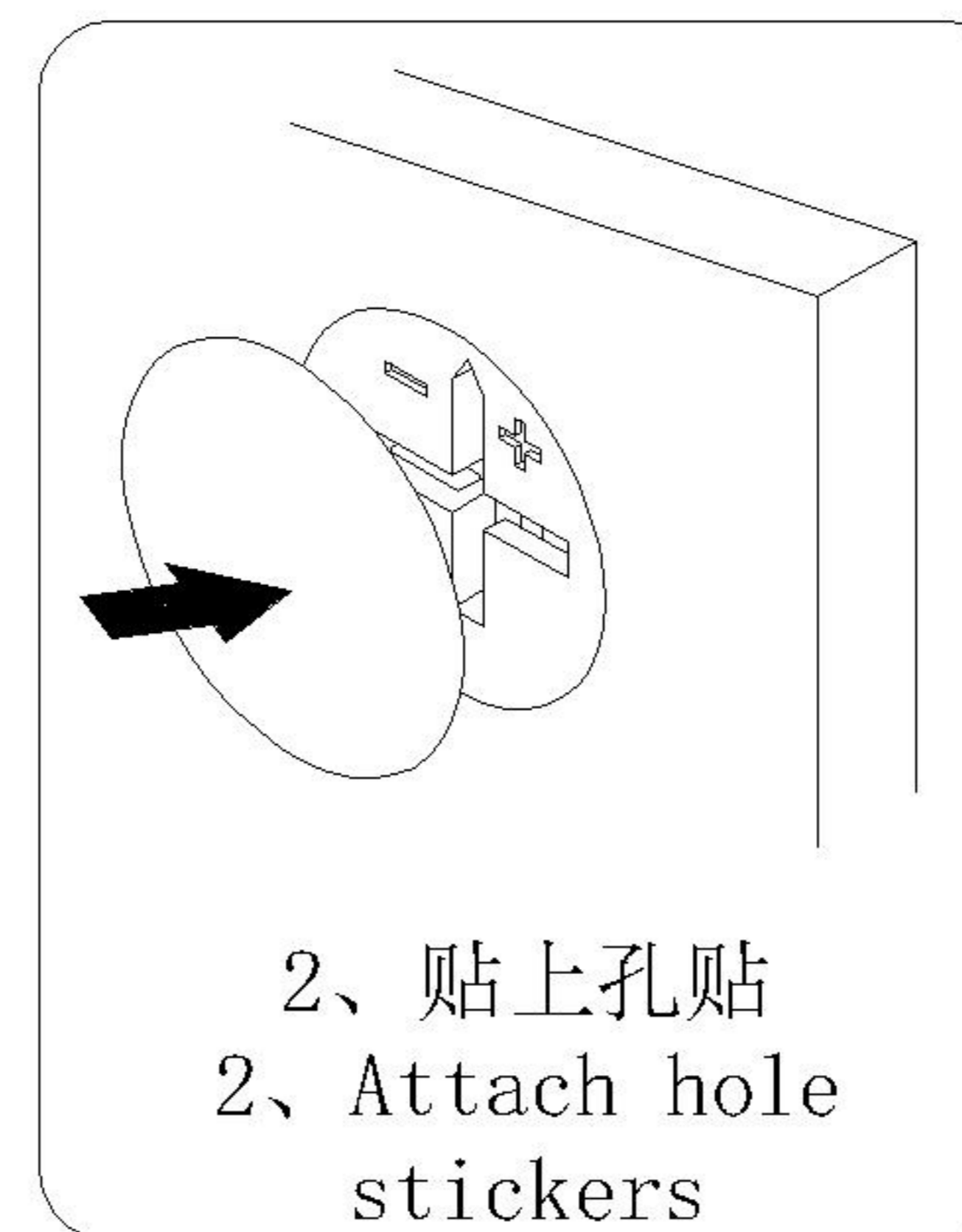
产品安装完成后请贴上孔贴，多出的孔贴请保管好

Tips for using hole stickers:

After the product installation is completed, please attach the hole stickers. Please keep any extra hole stickers safe



1、擦干净孔位  
1、Clean the hole position thoroughly

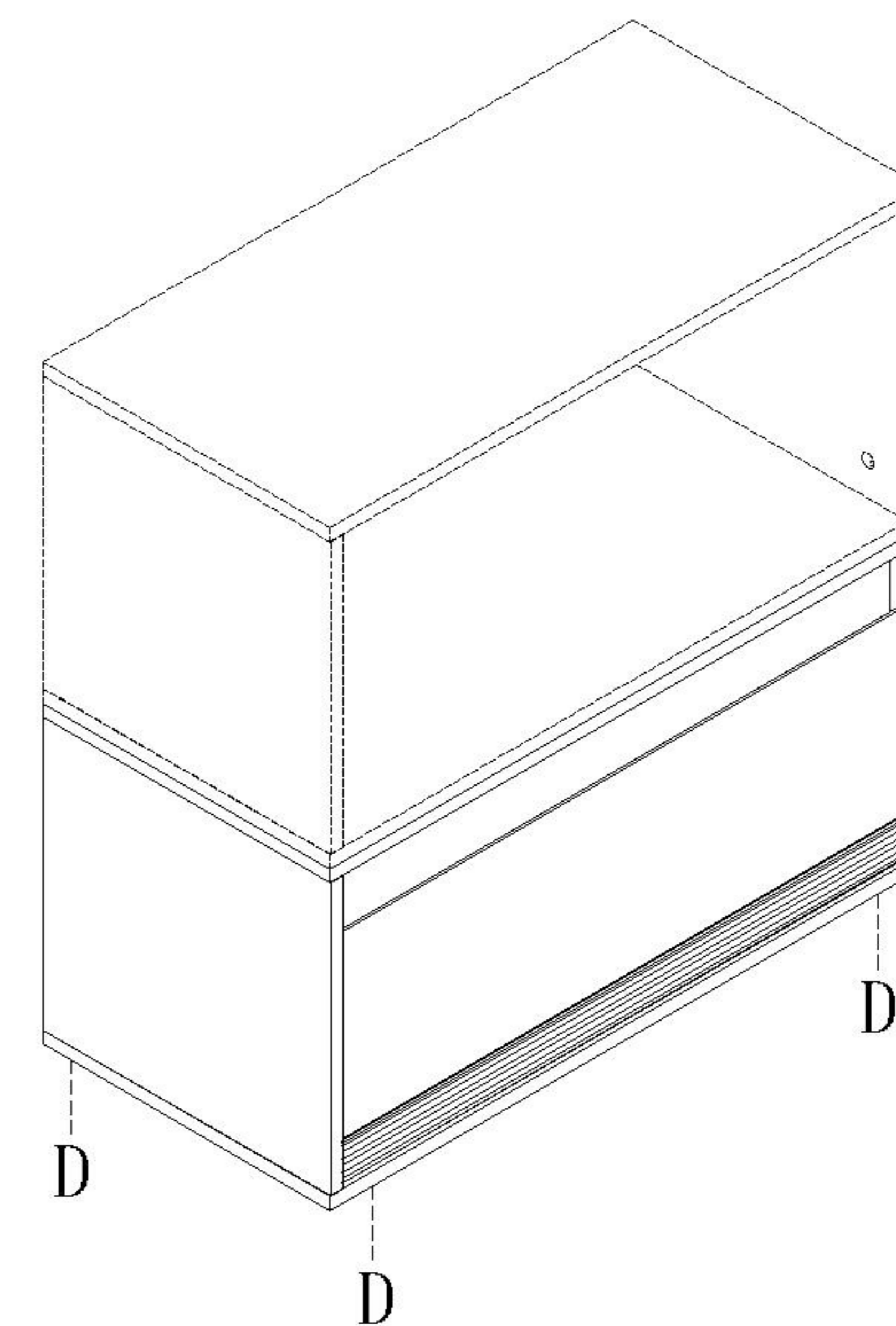


2、贴上孔贴  
2、Attach hole stickers

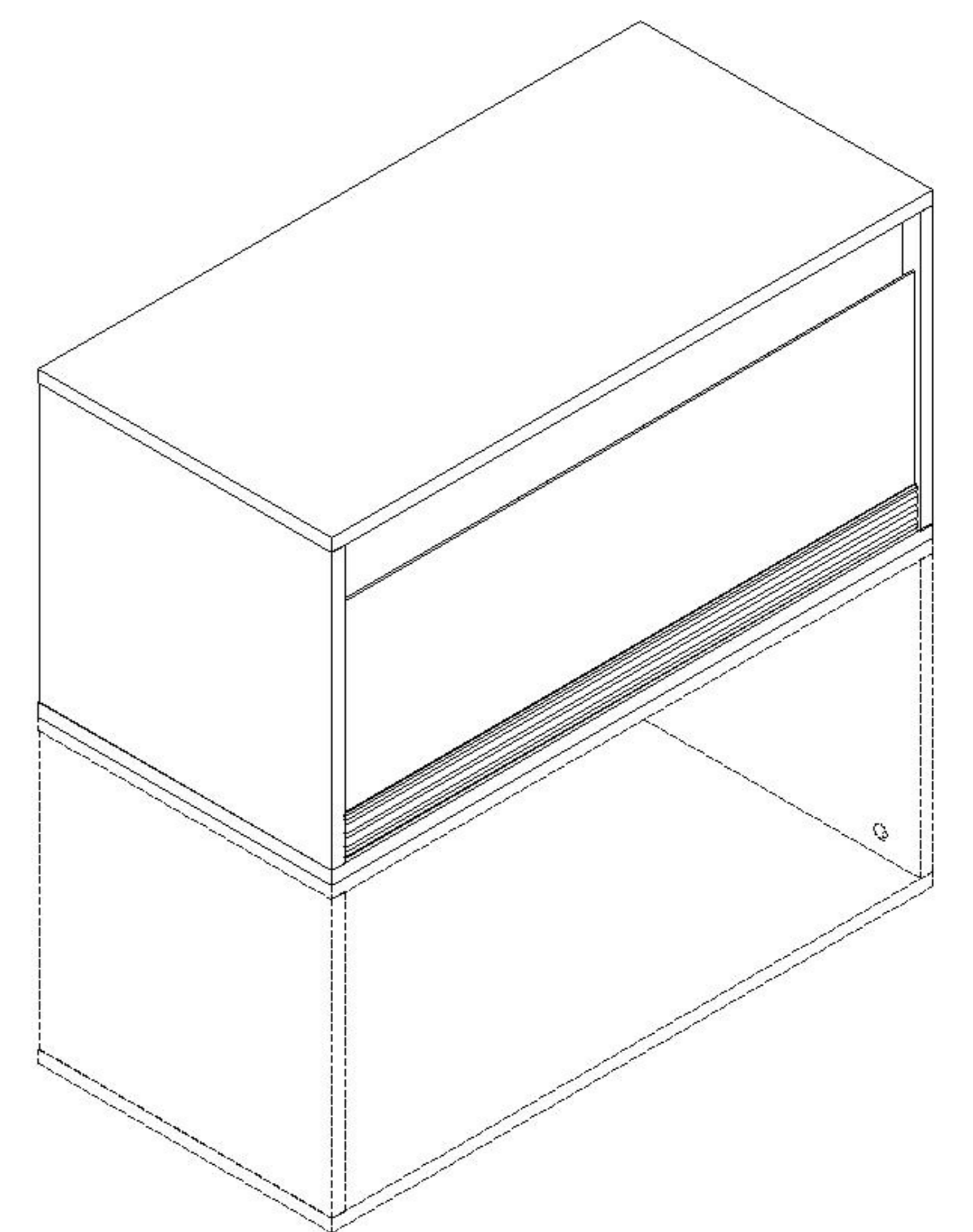


3、24小时内勿碰水  
3、Do not touch water within 24 hours

(D)\*4



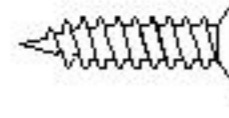
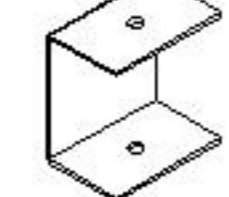
接触地面需安装五金(D)  
Hardware installation required for contact with the ground (D)



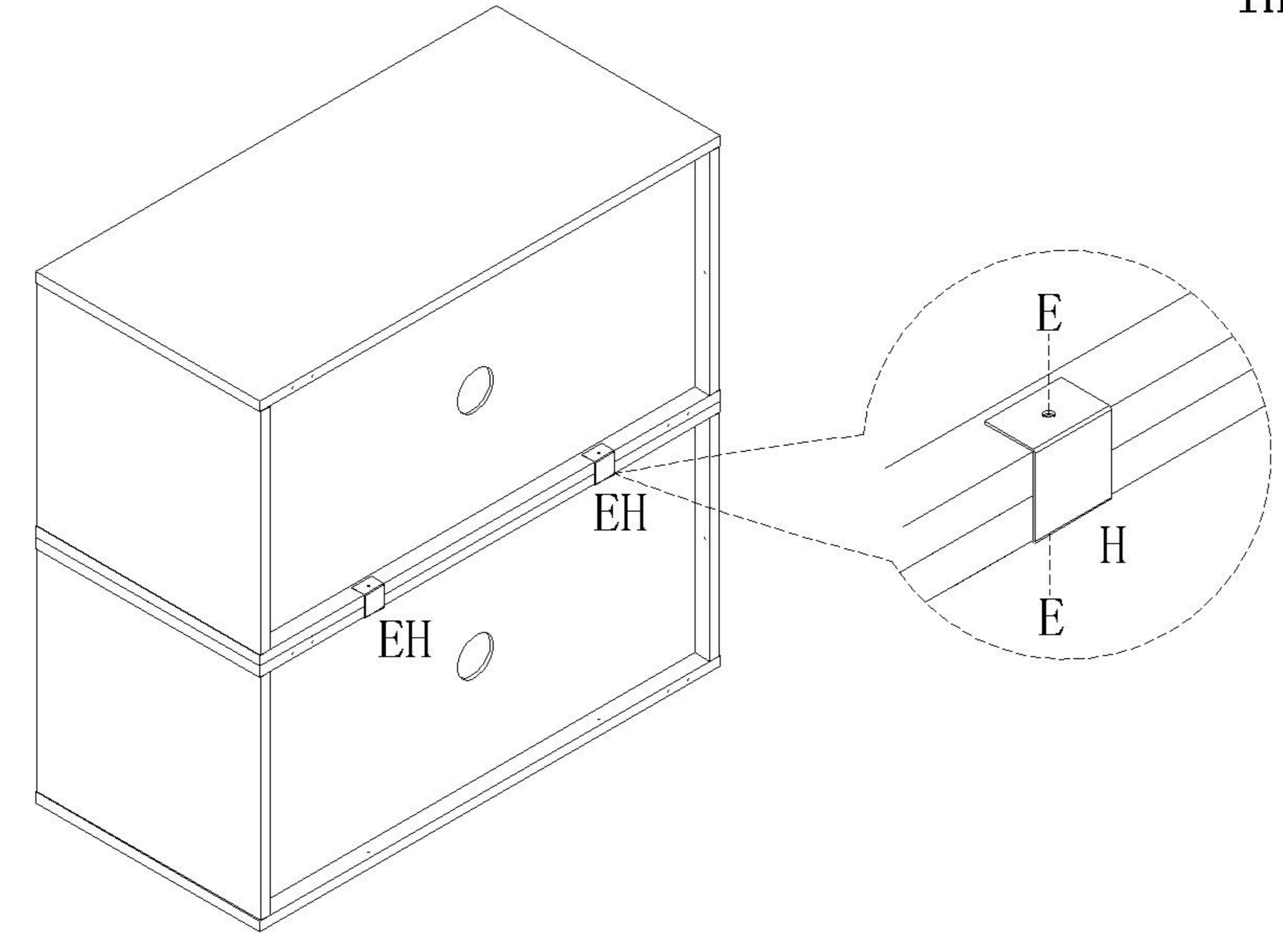
无接触地面不需安装五金(D)  
No need to install hardware without touching the ground (D)

8

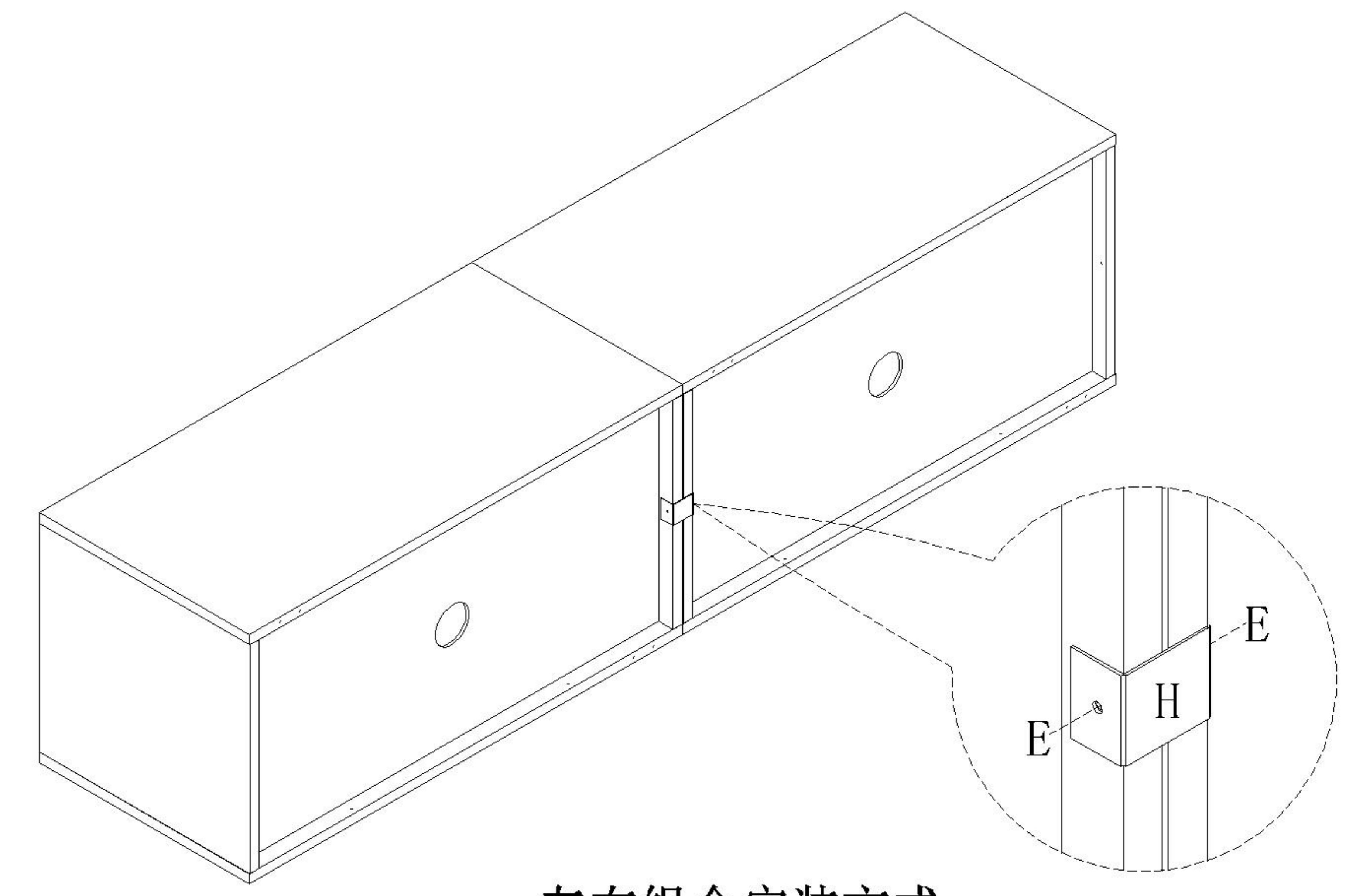
# 安装方法 Installation method

-  (E)\*4
-  (H)\*2

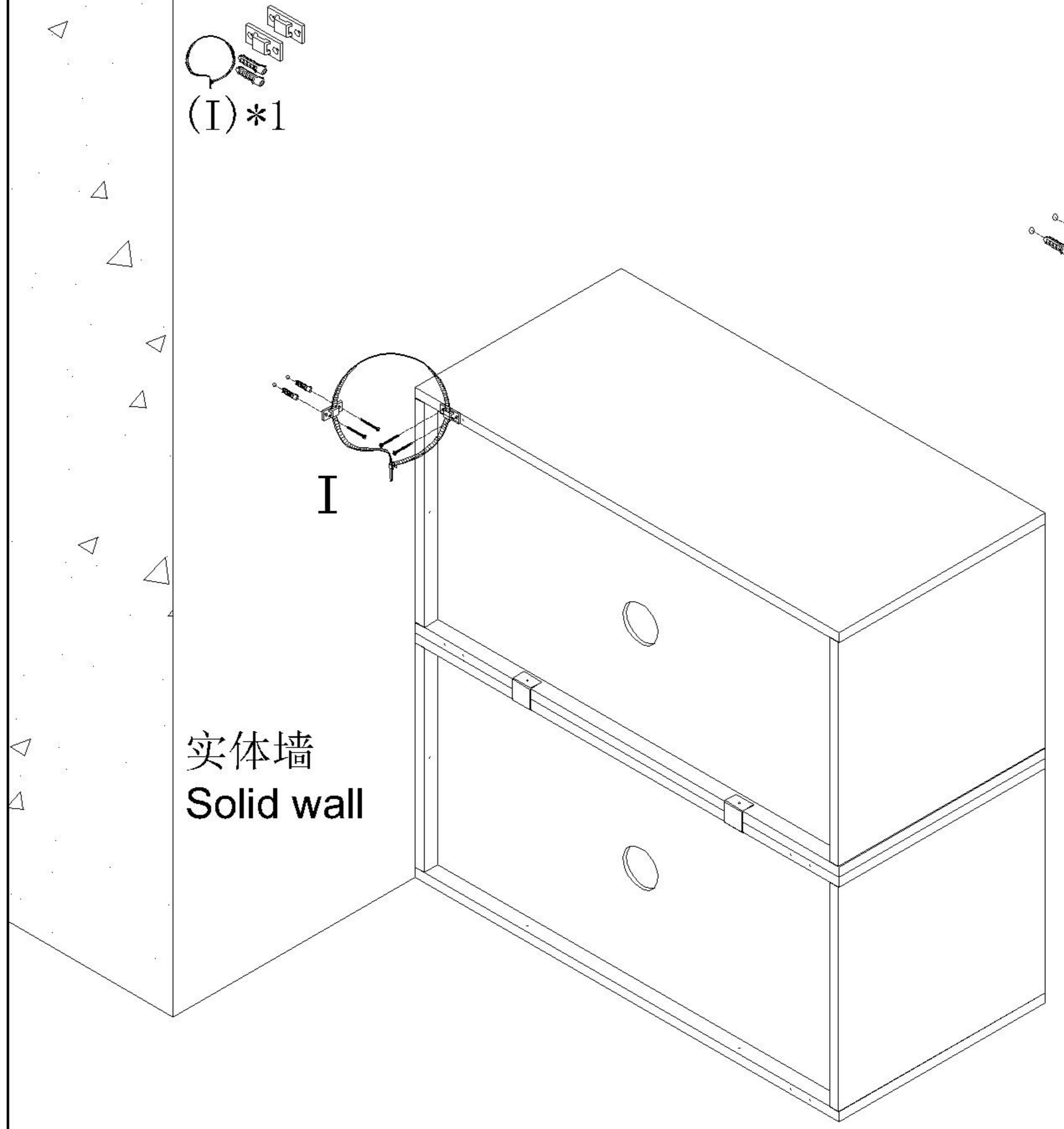
组合连接方式, 如只购买单个柜体无需安装  
Combination connection method, such as purchasing only a single cabinet without installation



上下组合安装方式  
Upper and lower combination installation method

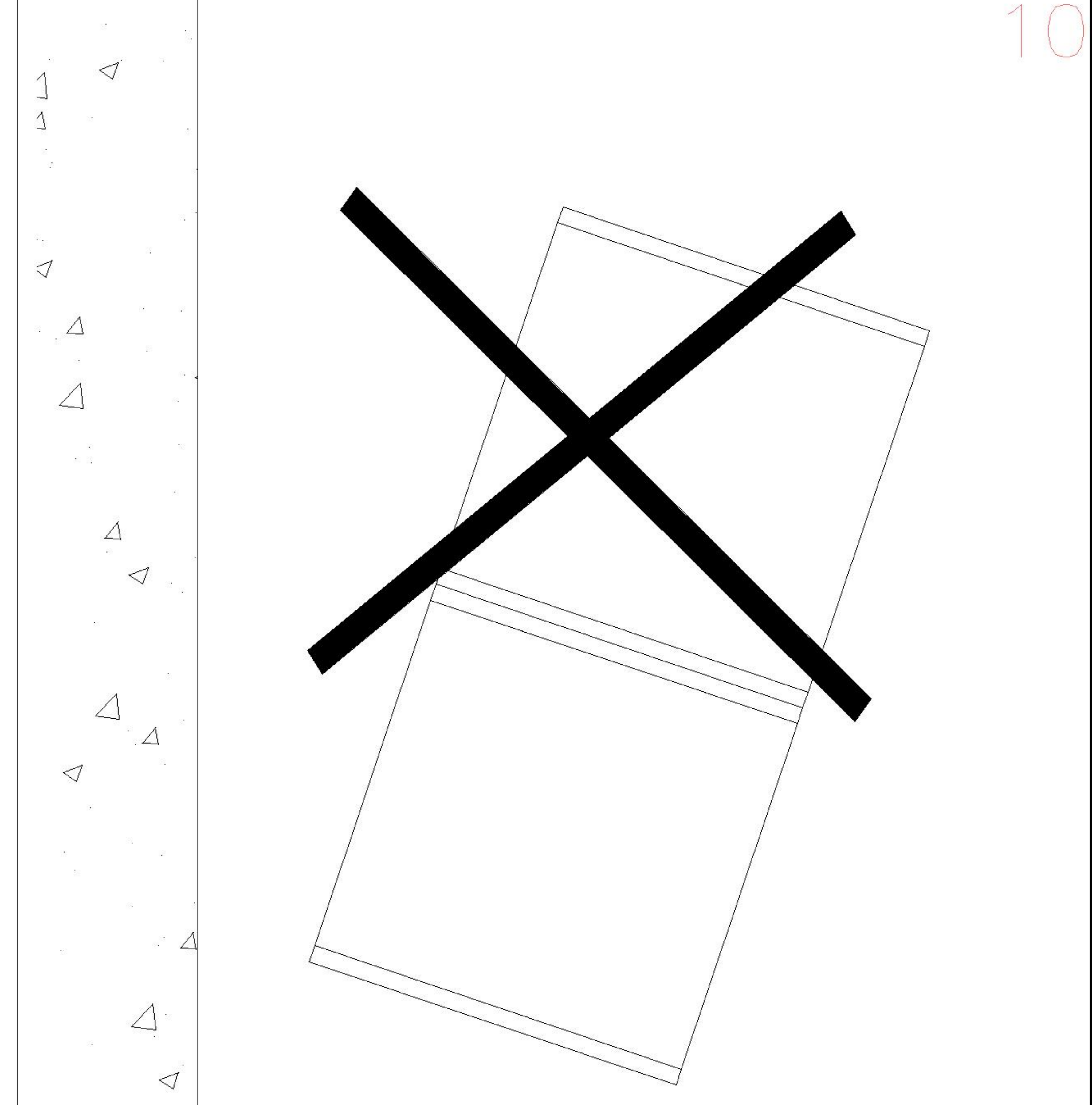


左右组合安装方式  
Left and right combination installation method



实体墙  
Solid wall

柜子组合高度超600mm  
需安装上防倒器  
Cabinet combination height exceeding 600mm requires installation of an anti fall device



# LINSY 林氏家居

## 五金表/Hardware list

## 部件表/Parts List

安装示意图/Assembly Instruction

产品名称 Model NO.

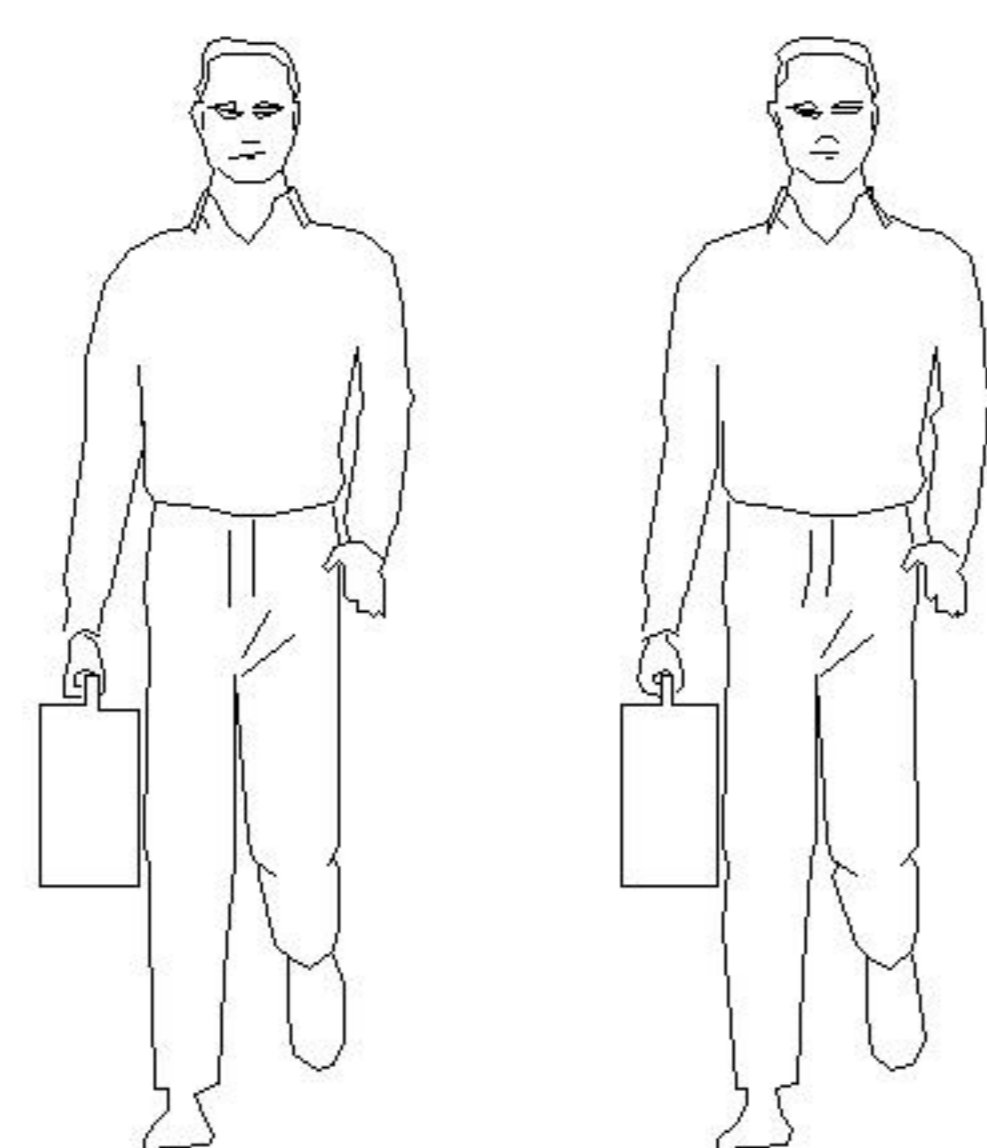
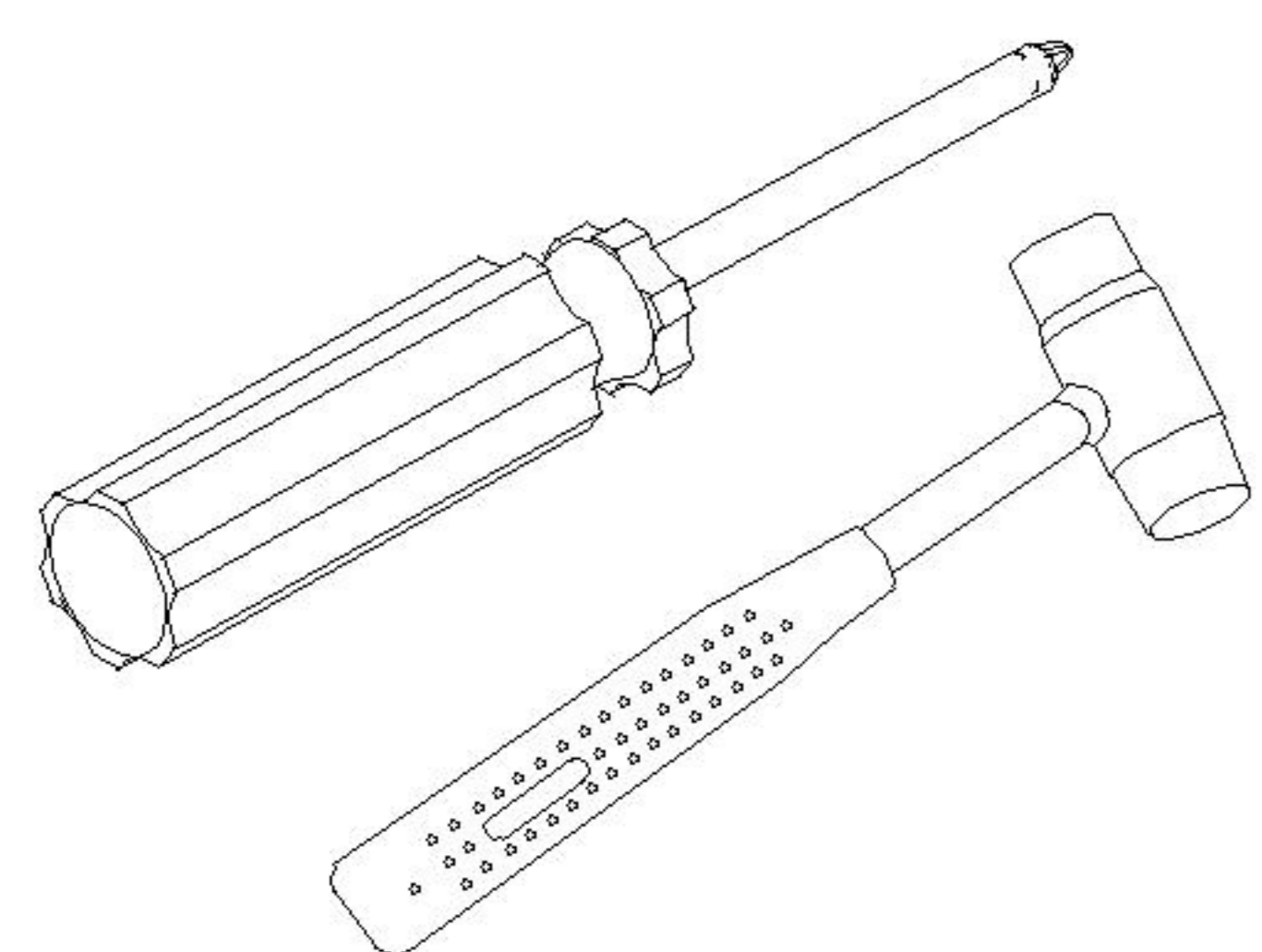
KQ8E-C

产品规格 Specification

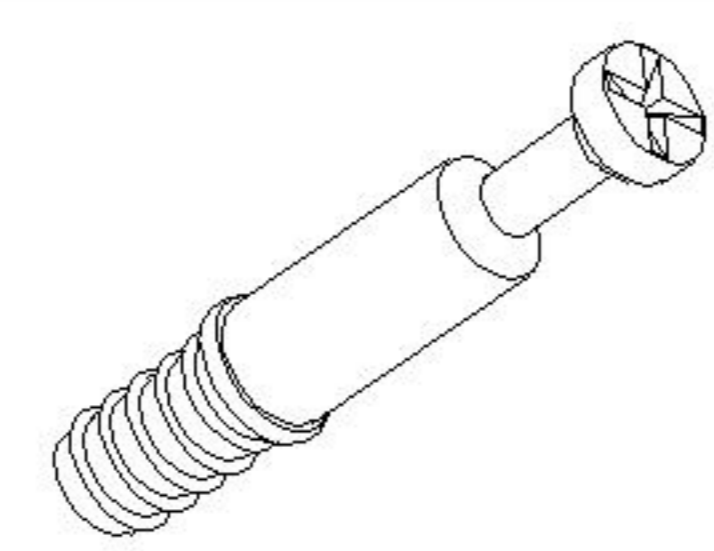
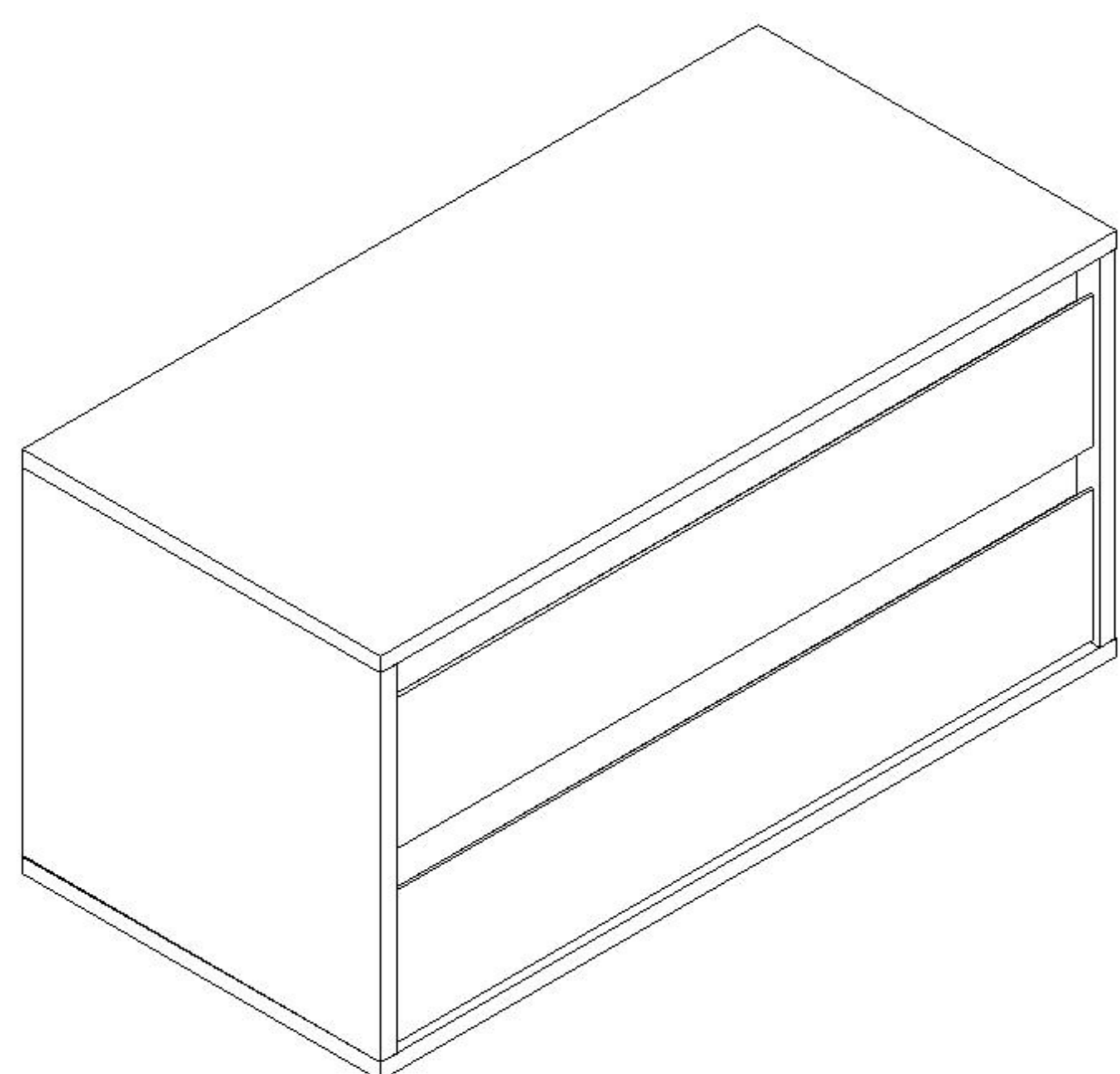
720\*350\*363mm

安装工具 Tool

安装人数 Installer

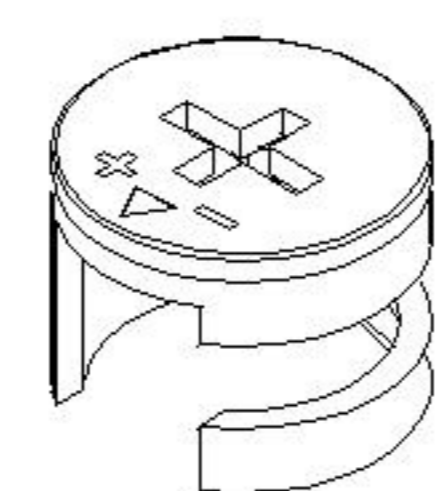


注：为保证设计效果，部分尺寸为定制尺寸，不影响使用。



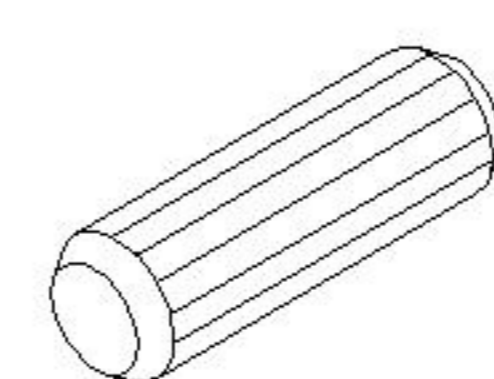
(A)\*34

二合一螺杆  
2-in-1-screw



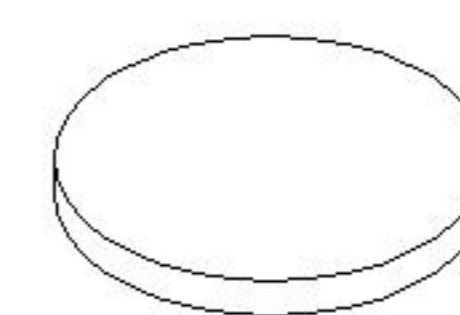
(B)\*34

大三合一锁饼  
3-in-1 large lock



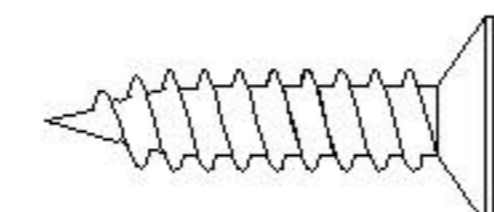
(C)\*8

木榫Ø8x30mm  
Wood tenon



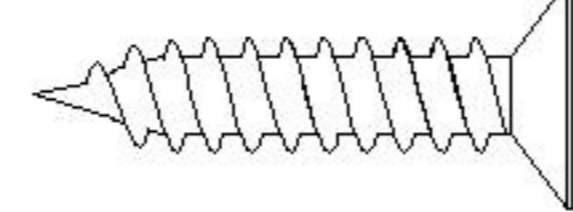
(D)\*4

灰色毛毡垫  
Foot pad



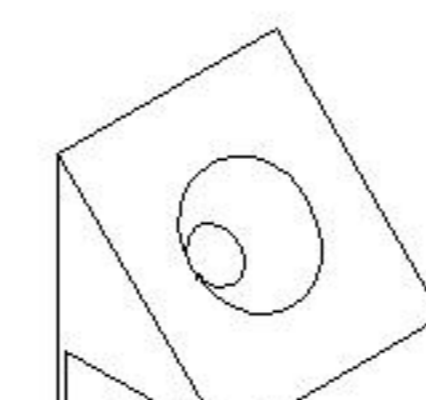
(E)\*29

白攻螺丝M3.5\*12mm  
Tapping screw



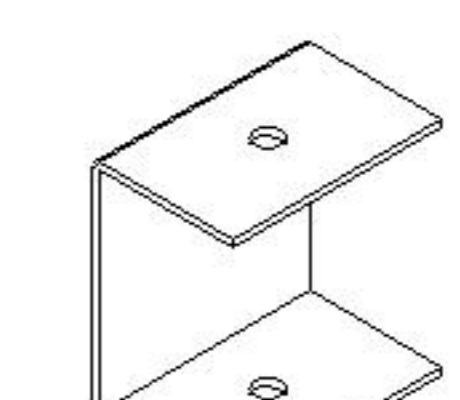
(F)\*13

白攻螺丝M3.5\*16mm  
Tapping screw



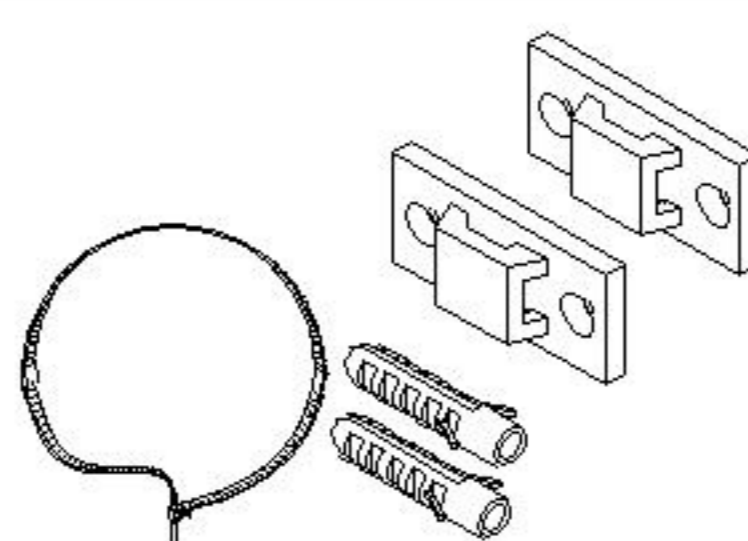
(G)\*6

背板扣  
White buckle



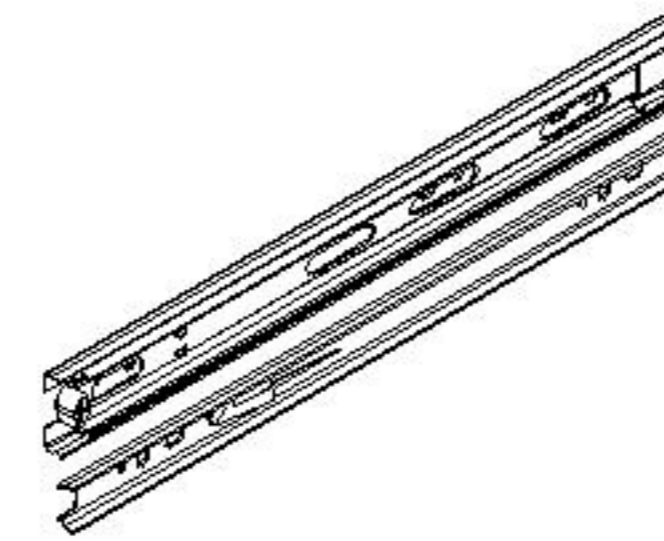
(H)\*2

U型卡扣  
U-shaped buckle



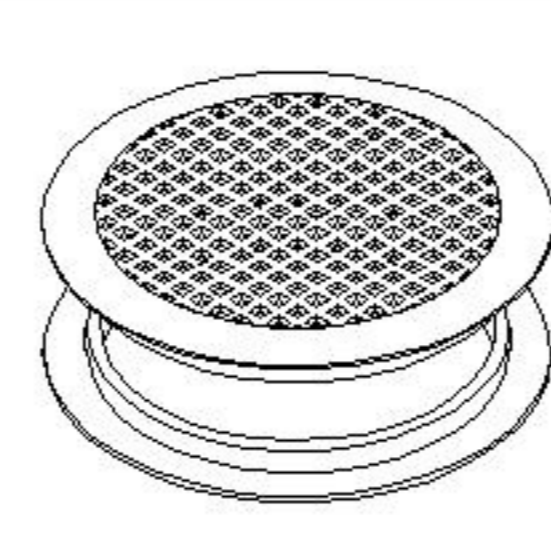
(I)\*1

家具防倒器-白色  
Anti-fall device



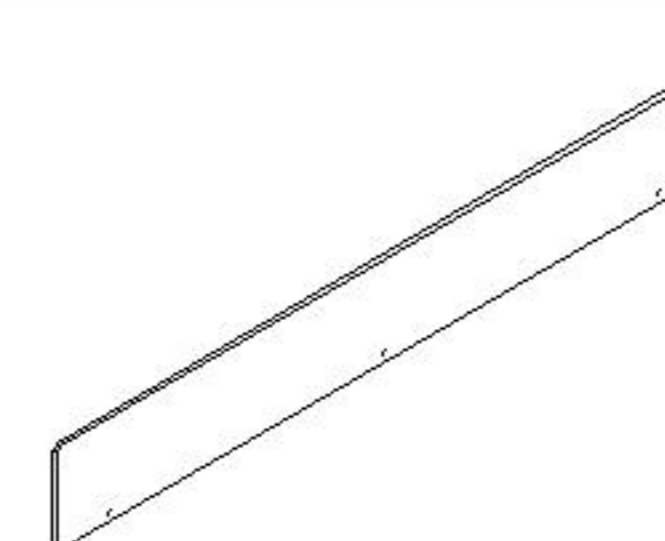
(J)\*2

三节滚珠导轨10"  
Three-section rail



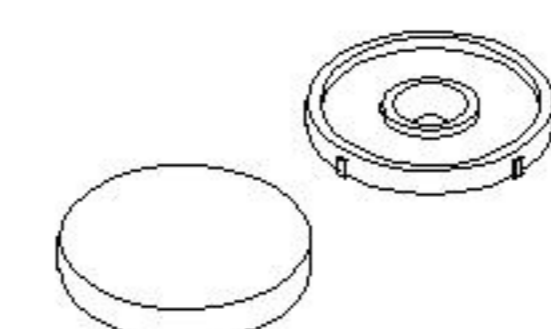
(K)\*1

透气孔盖-白色  
Breathable cover



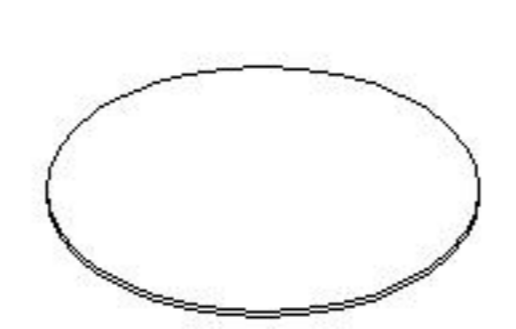
(L)\*2

亚克力  
Acrylic



(M)\*6

镜钉  
Mirror nail



(N)\*34

PVC孔贴  
PVC hole sticker

编号NO.

名称Name

规格(mm)  
Specification

数量QTY

材质Material

①

顶底板Top base board

720\*350\*15

2

刨花板  
Particle board

②

右侧板Side board(R)

330\*350\*15

1

刨花板  
Particle board

③

左侧板Side board(L)

330\*350\*15

1

刨花板  
Particle board

④

背板Back board

698\*340\*5

1

纤维板  
Fiberboard

⑤

抽屉面板  
Drawer's top panel

684\*128\*15

2

刨花板  
Particle board

⑥

抽屉后板  
Drawer's Back board

662\*78\*15

2

刨花板  
Particle board

⑦

抽屉侧板  
Drawer's side board(R)

260\*78\*15

4

刨花板  
Particle board

⑧

抽屉底板  
Drawer's Bottom board

642\*270\*5

2

纤维板  
Fiberboard

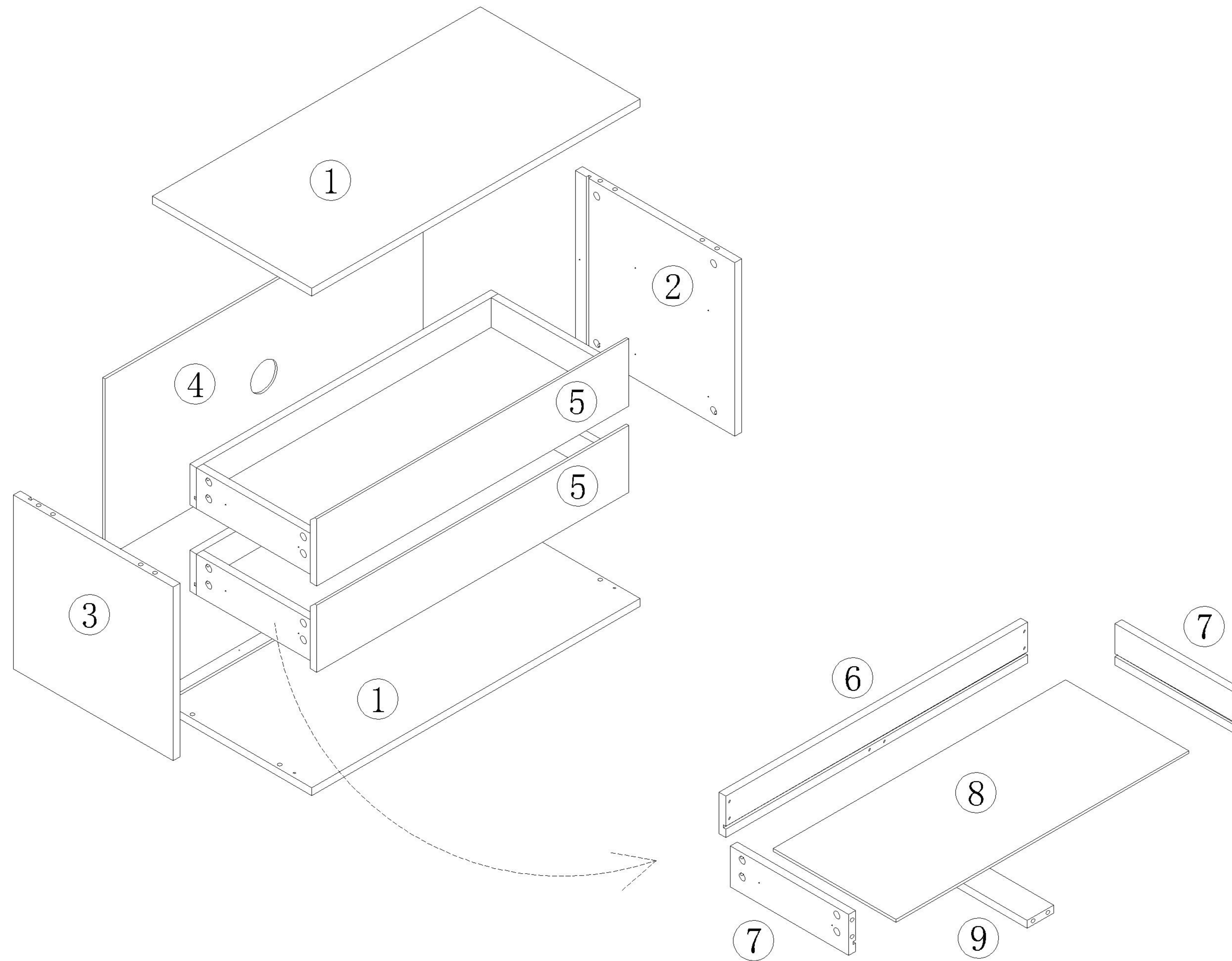
⑨

抽屉底托条  
Drawer's bottom bracket

260\*58\*15

2

刨花板  
Particle board

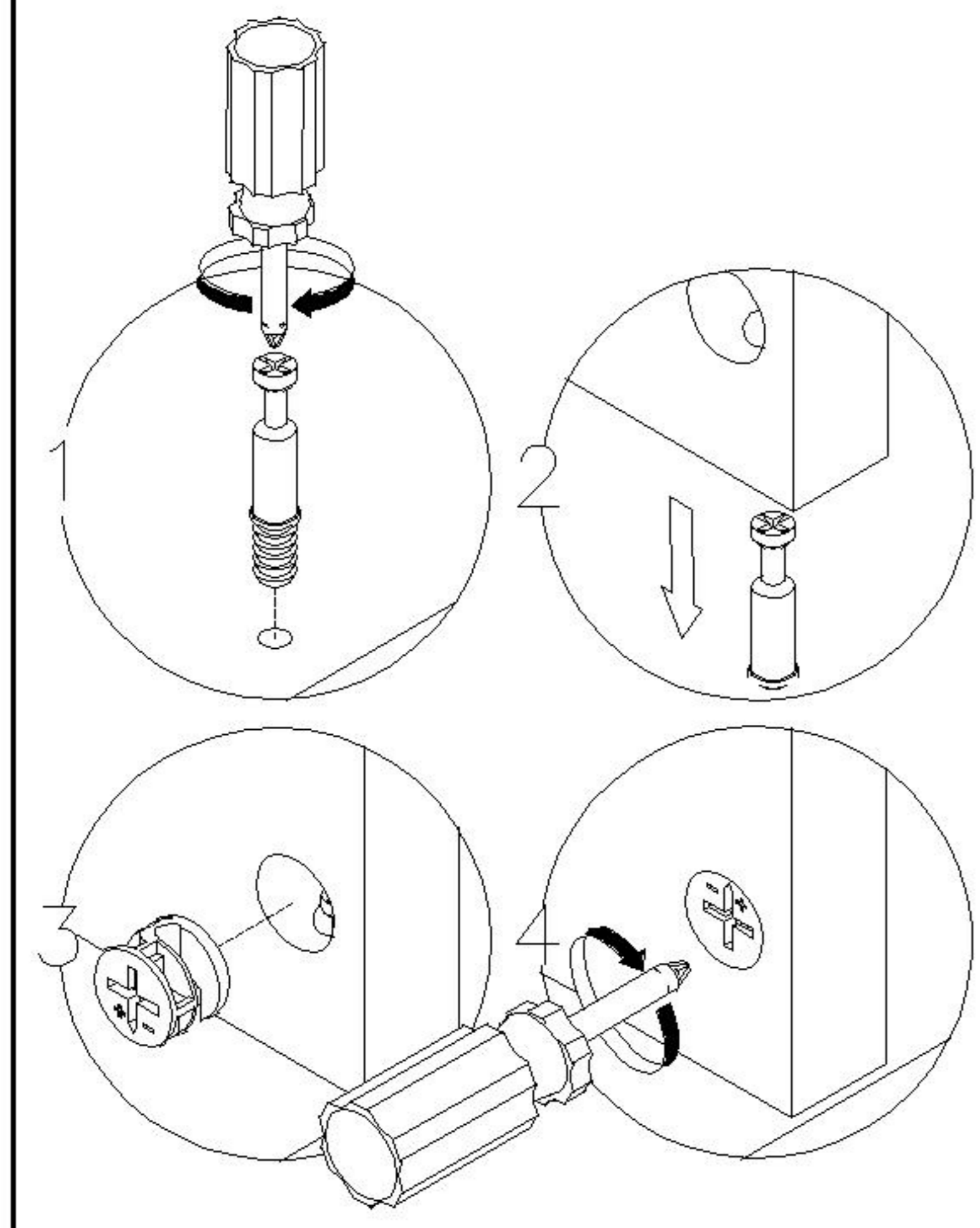


编号NO.	名称Name
①	顶底板Top base board
②	右侧板Side board(R)
③	左侧板Side board(L)
④	背板Back board
⑤	抽屉面板 Drawer's top panel
⑥	抽屉后板 Drawer's Back board
⑦	抽屉侧板 Drawer's side board(R)
⑧	抽屉底板 Drawer's Bottom board
⑨	抽屉底托条 Drawer's bottom bracket

KQ8E-C

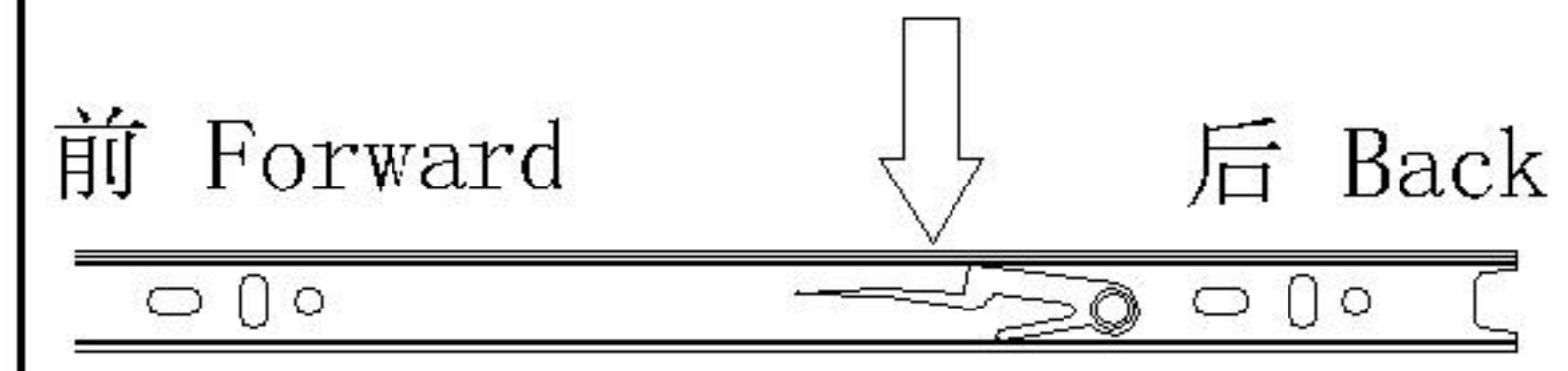
安装方法

Installation method

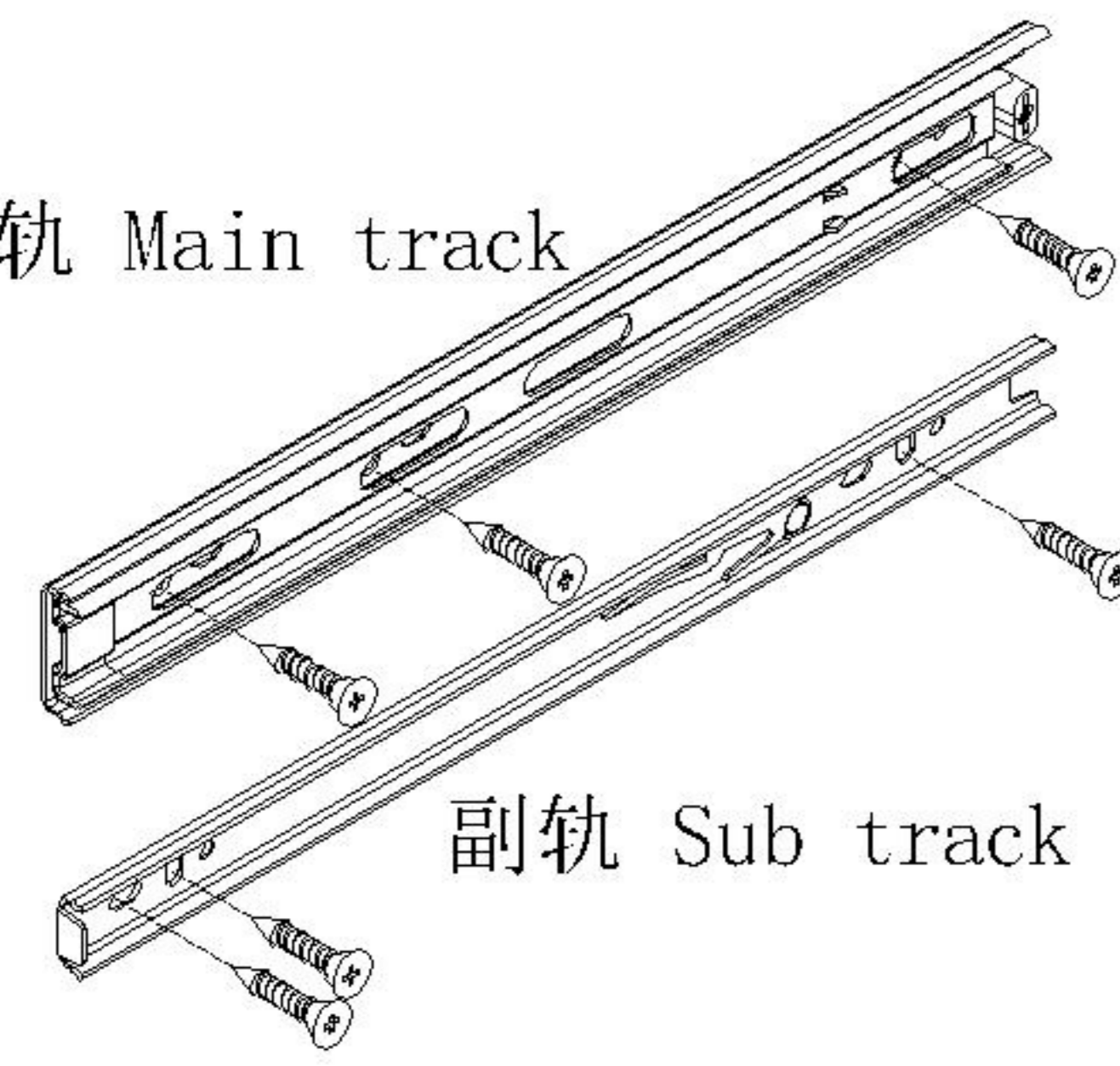


二合一 two-in-one

阀门开关(下压为开)  
Valve switch (press down to open)



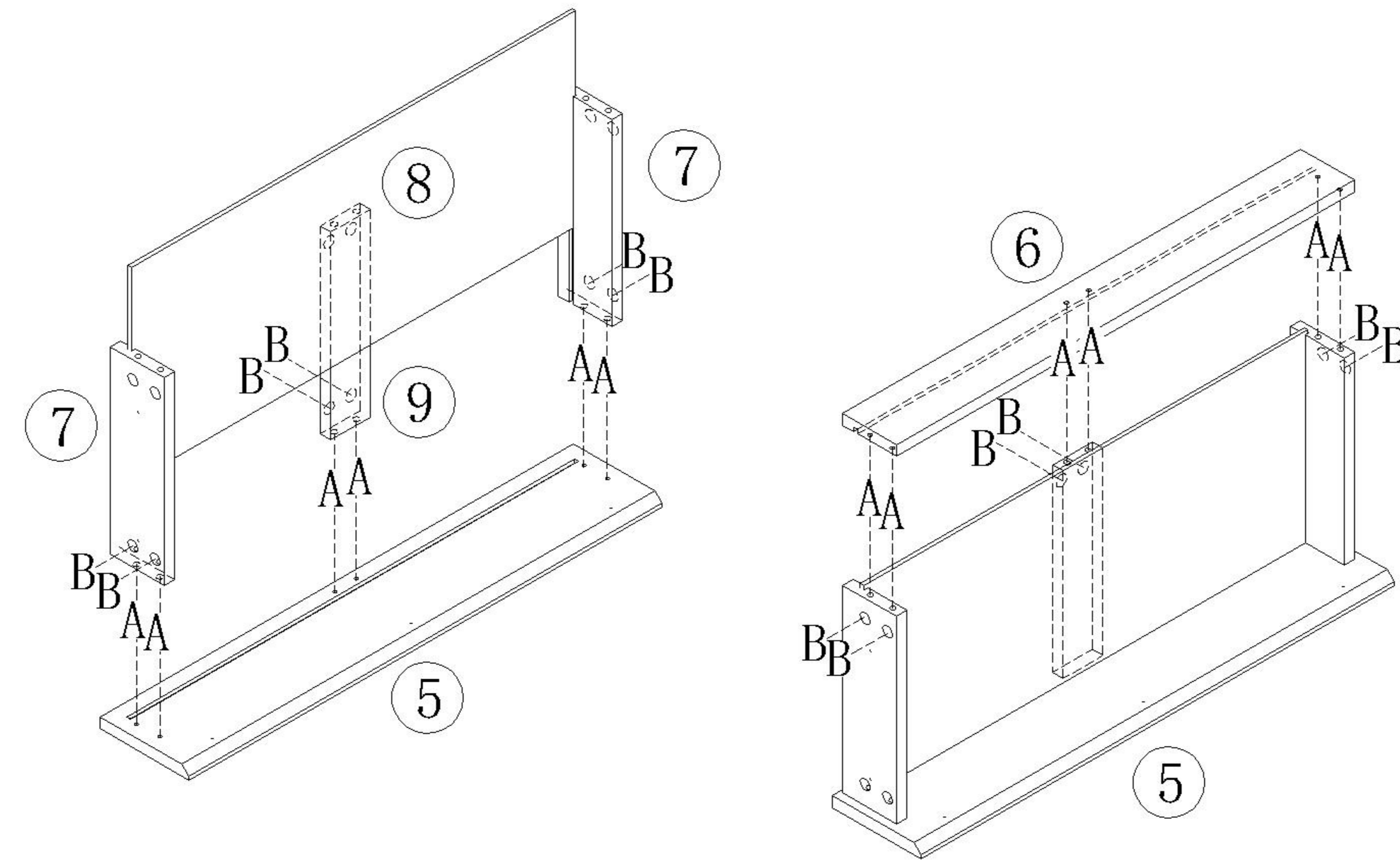
主轨 Main track



副轨 Sub track

三节滚珠导轨-10"  
Three-section rail

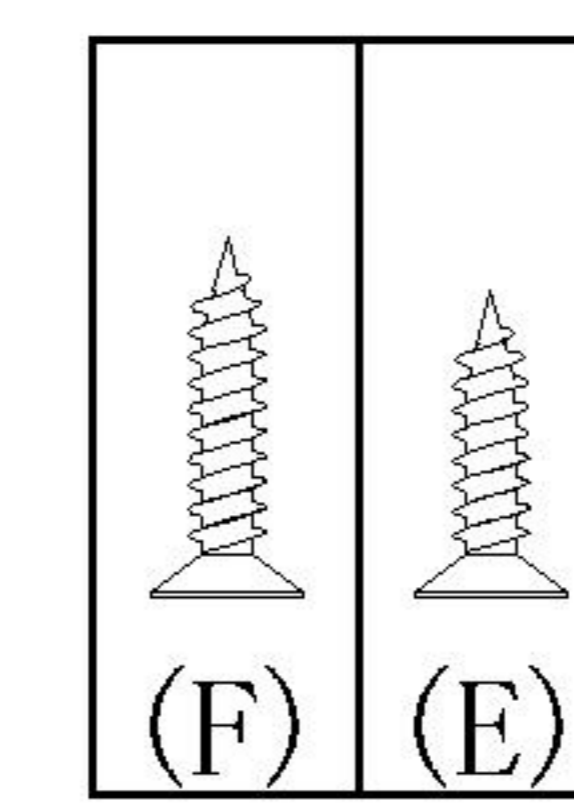
- (A)\*24
- (B)\*24



×2

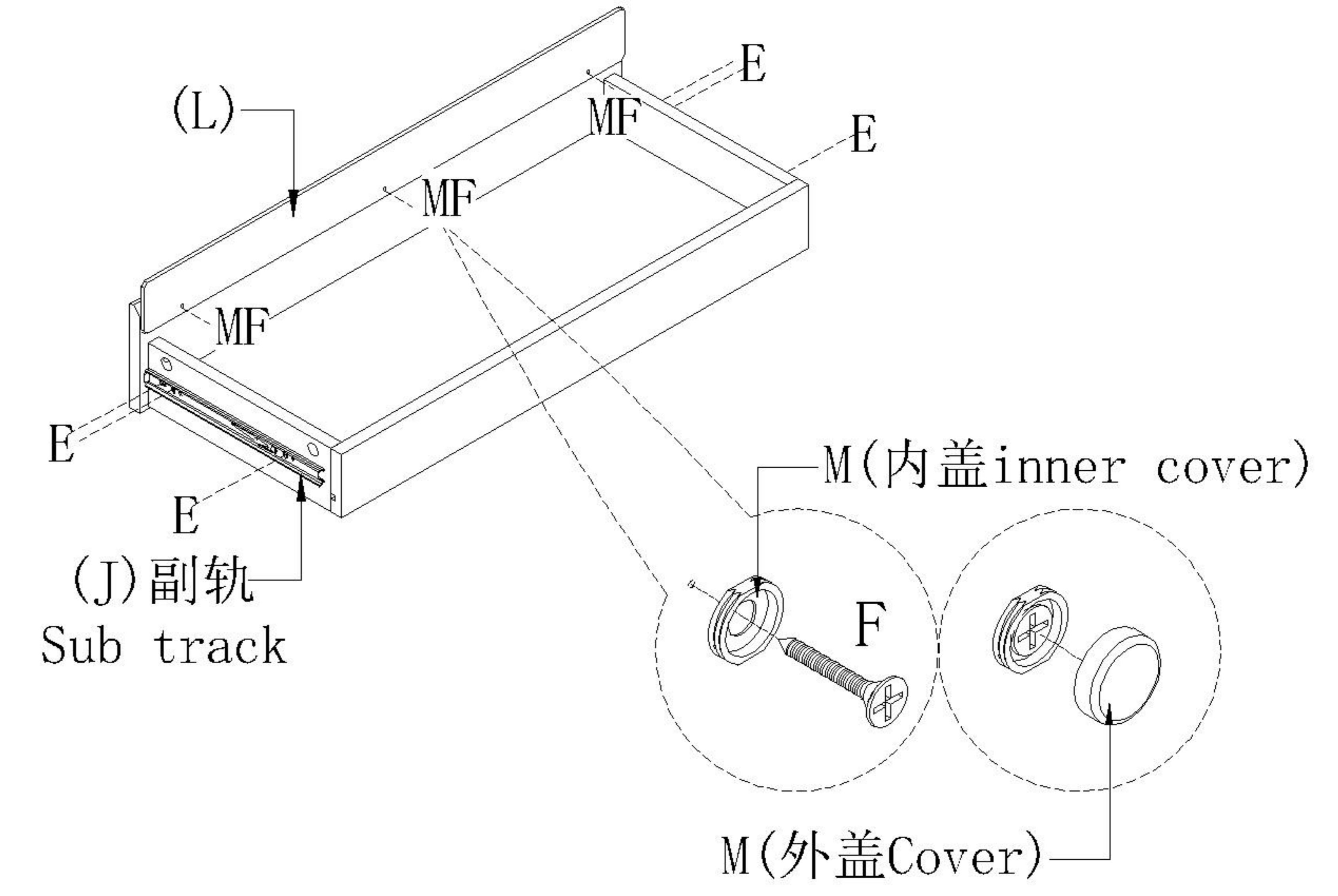
1

- (E)\*12
- (F)\*6
- (J)\*2
- (L)\*2
- (M)\*6

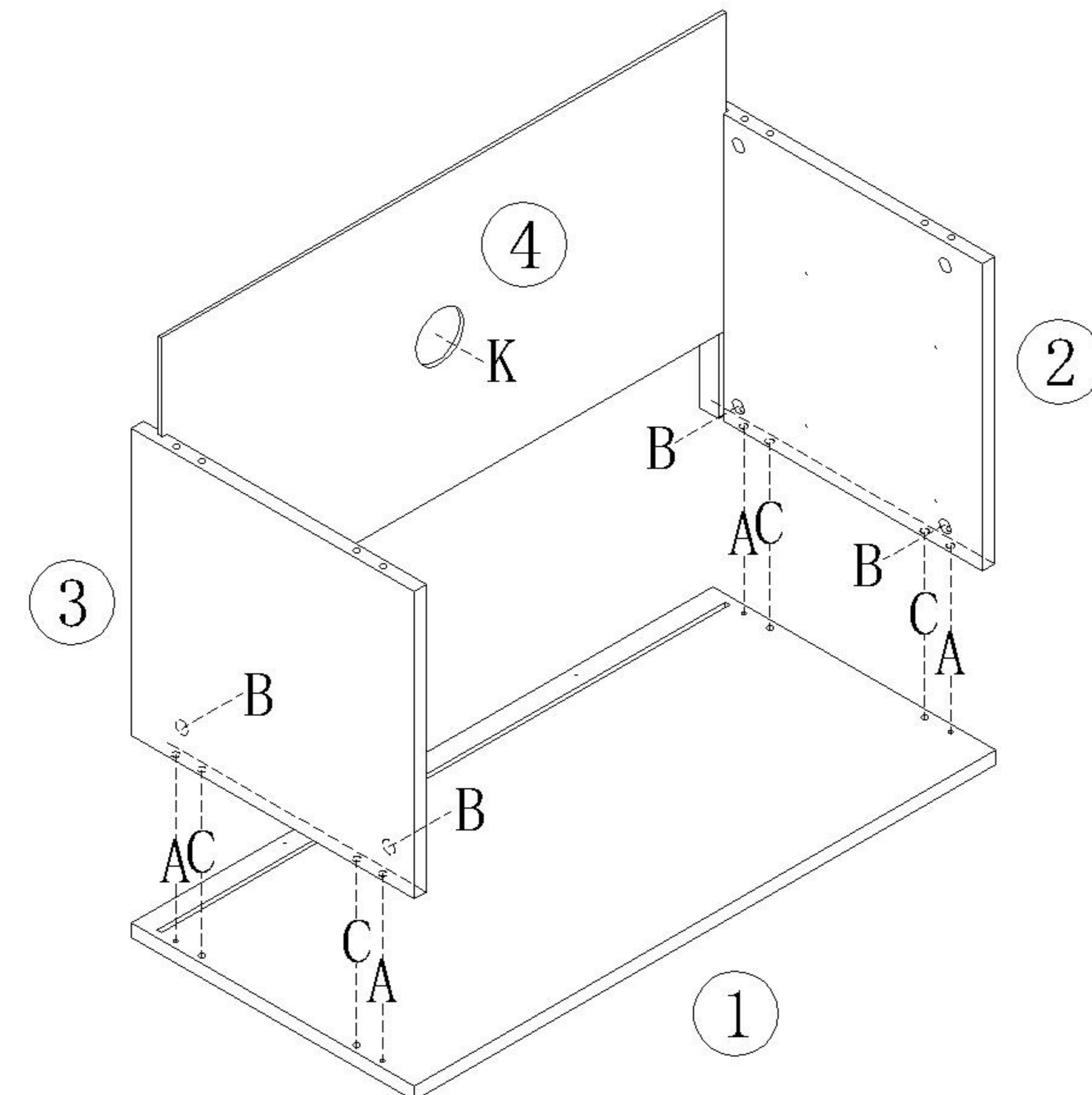


×2

2



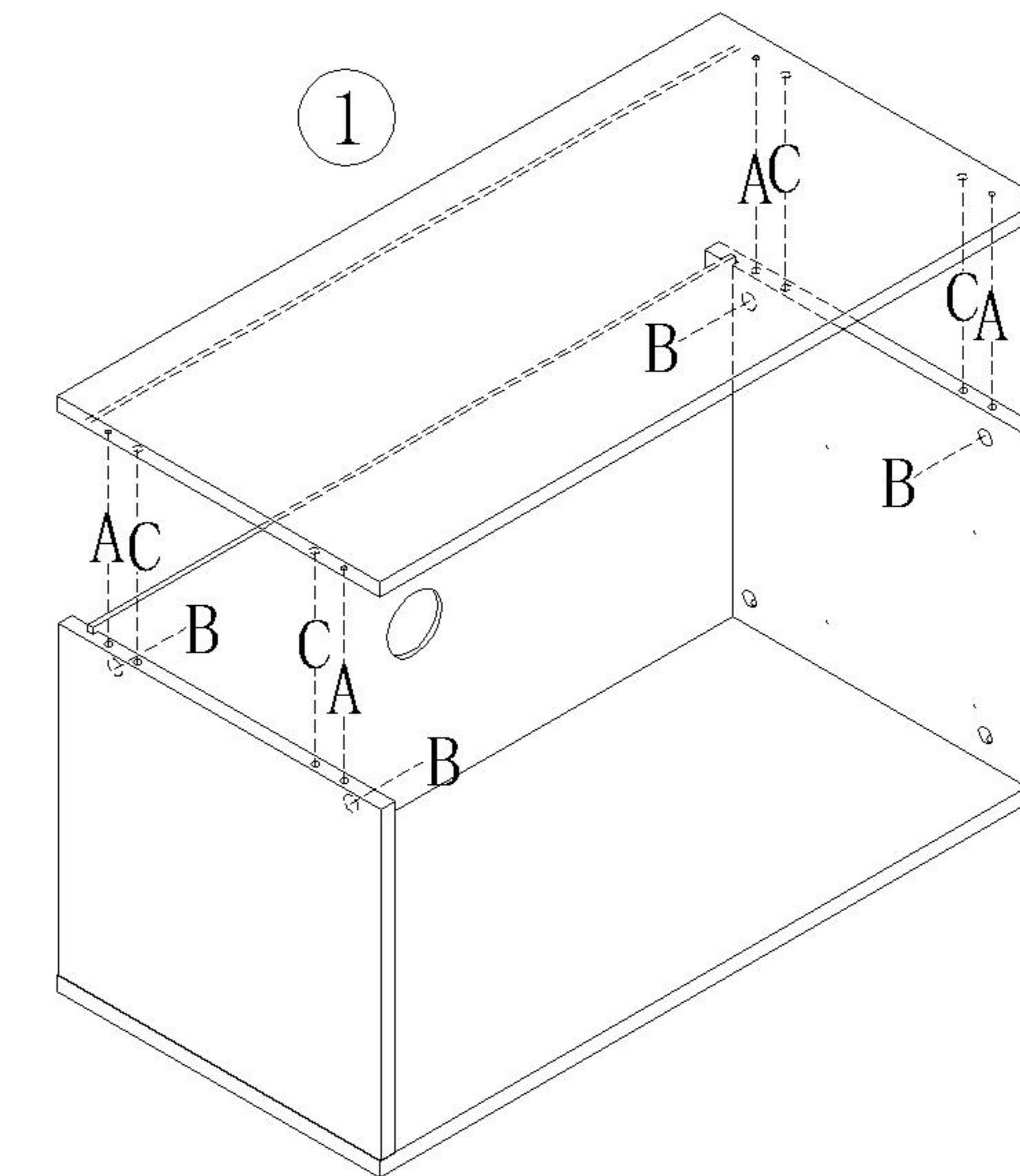
- (A)\*4
- (B)\*4
- (C)\*4
- (K)\*1



3

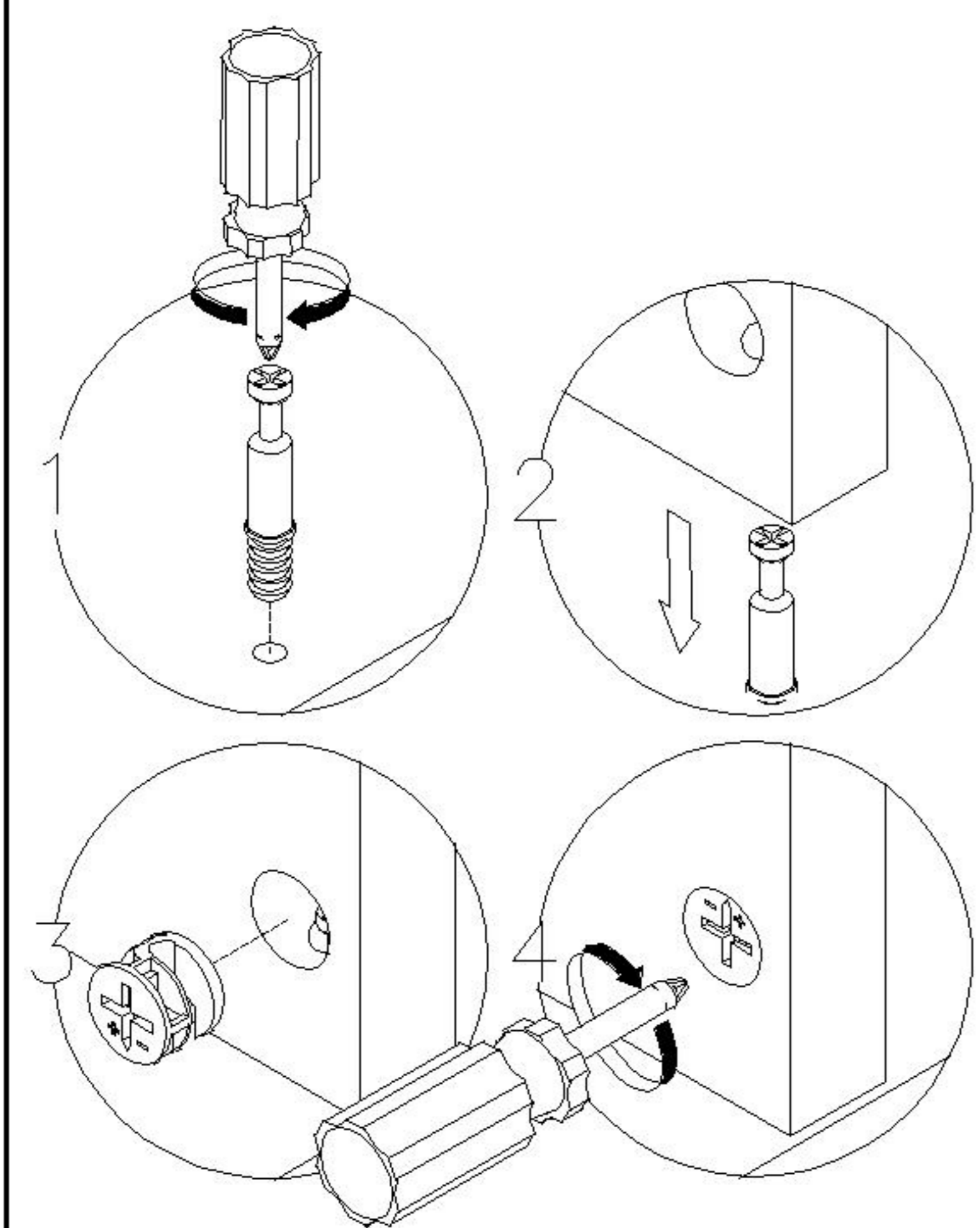
- (A)\*4
- (B)\*4
- (C)\*4

4

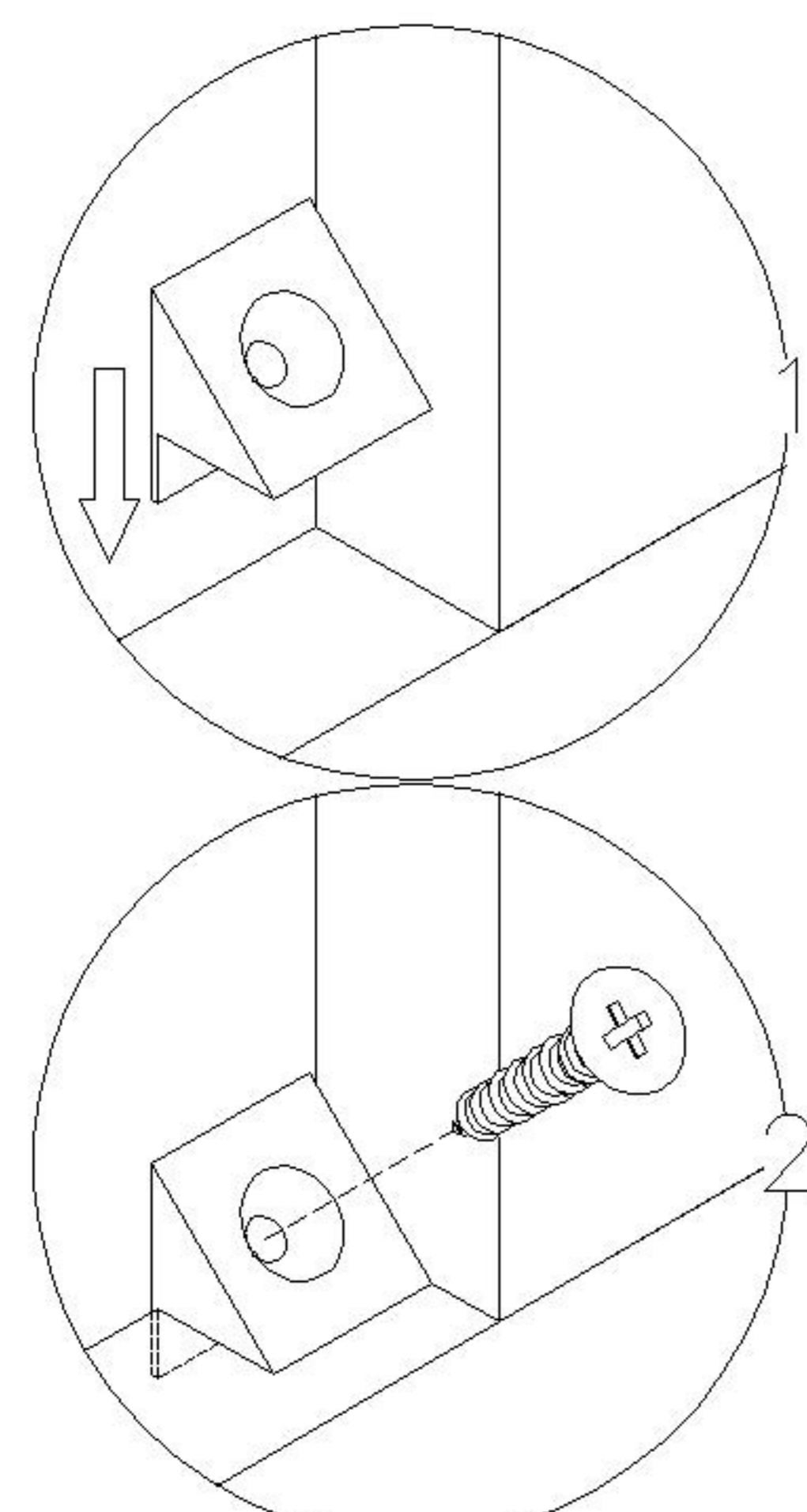


KQ8E-C

# 安装方法 Installation method



二合一 two-in-one

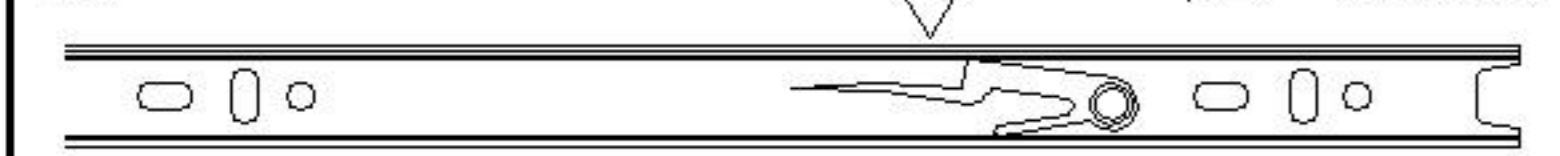


背板扣

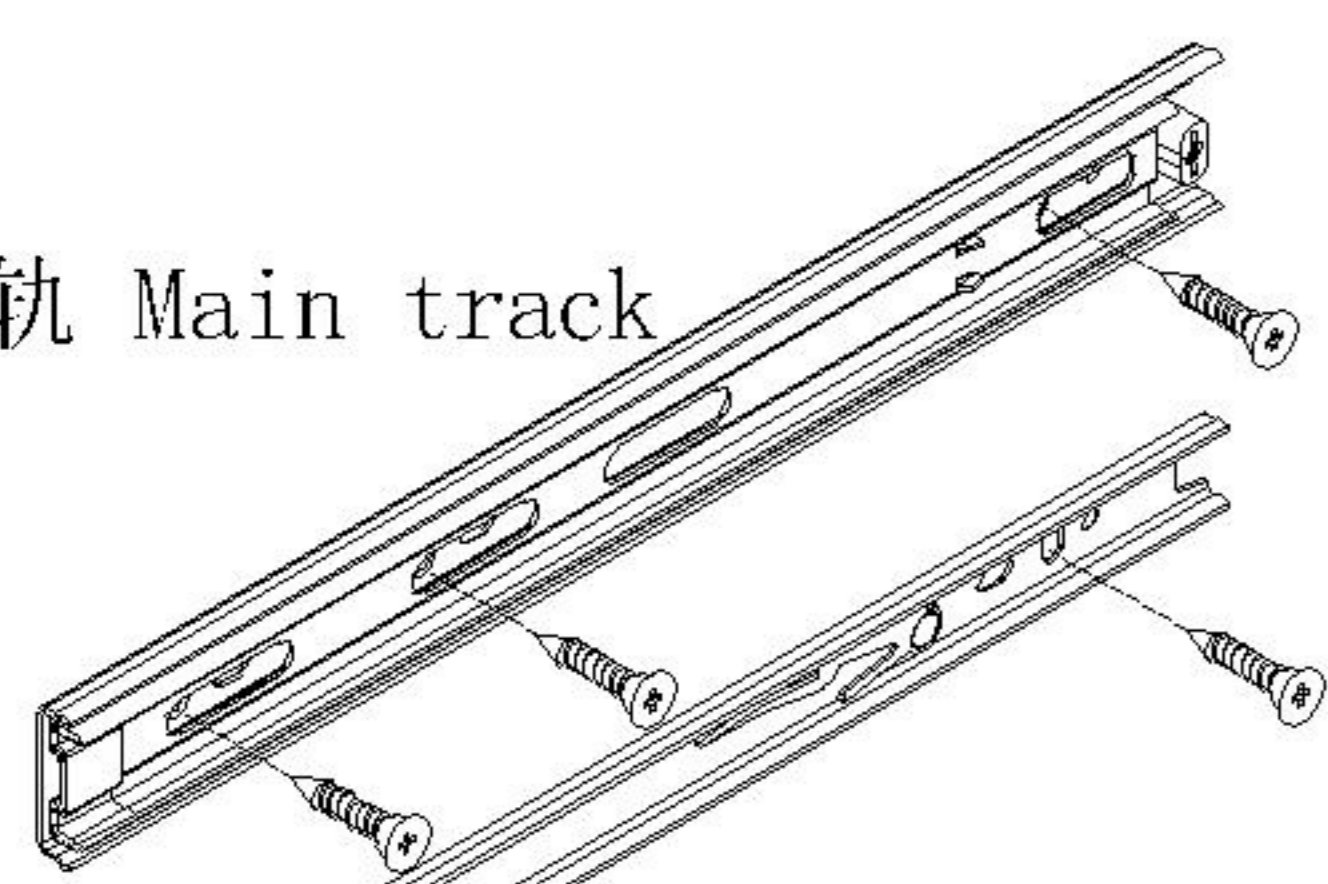
Back Plate Buckle

阀门开关(下压为开)  
Valve switch (press down to open)

前 Forward      后 Back



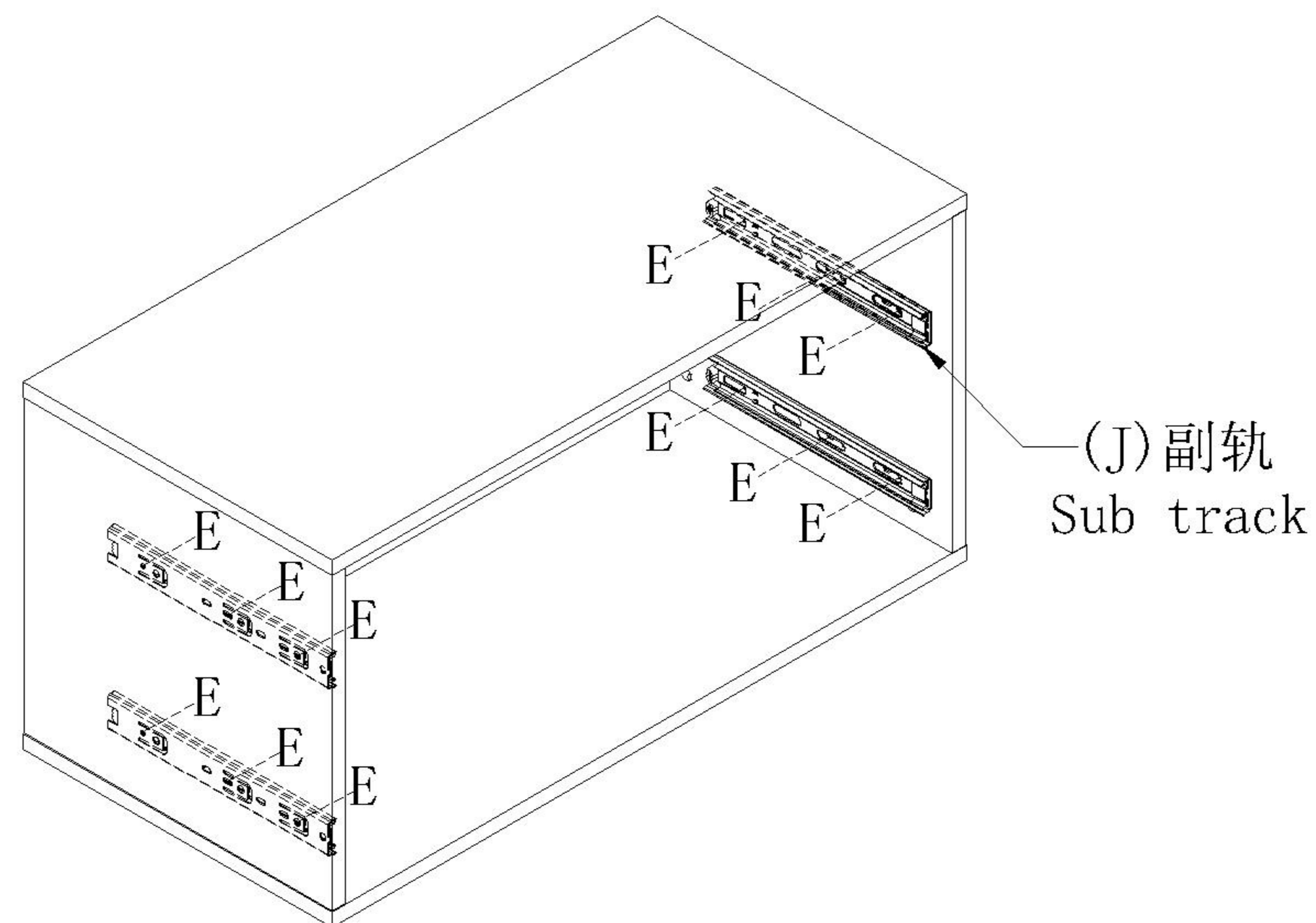
主轨 Main track



副轨 Sub track

三节滚珠导轨-10"  
Three-section rail

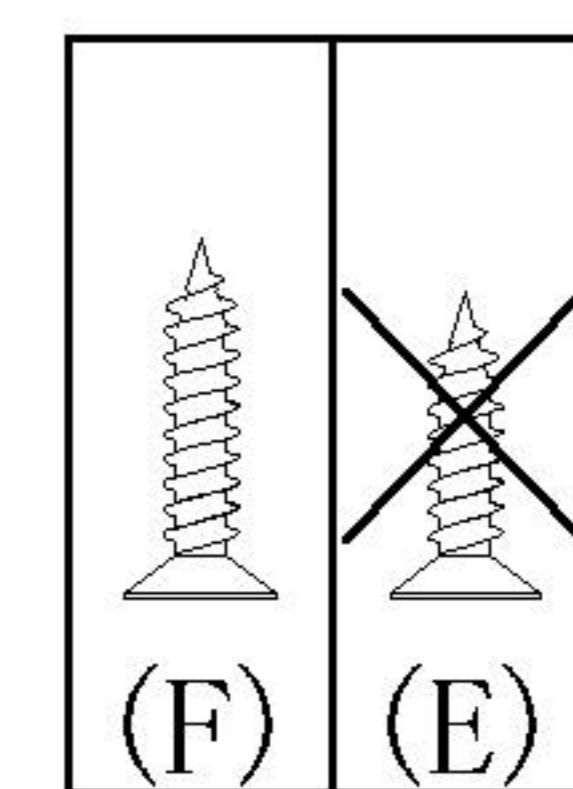
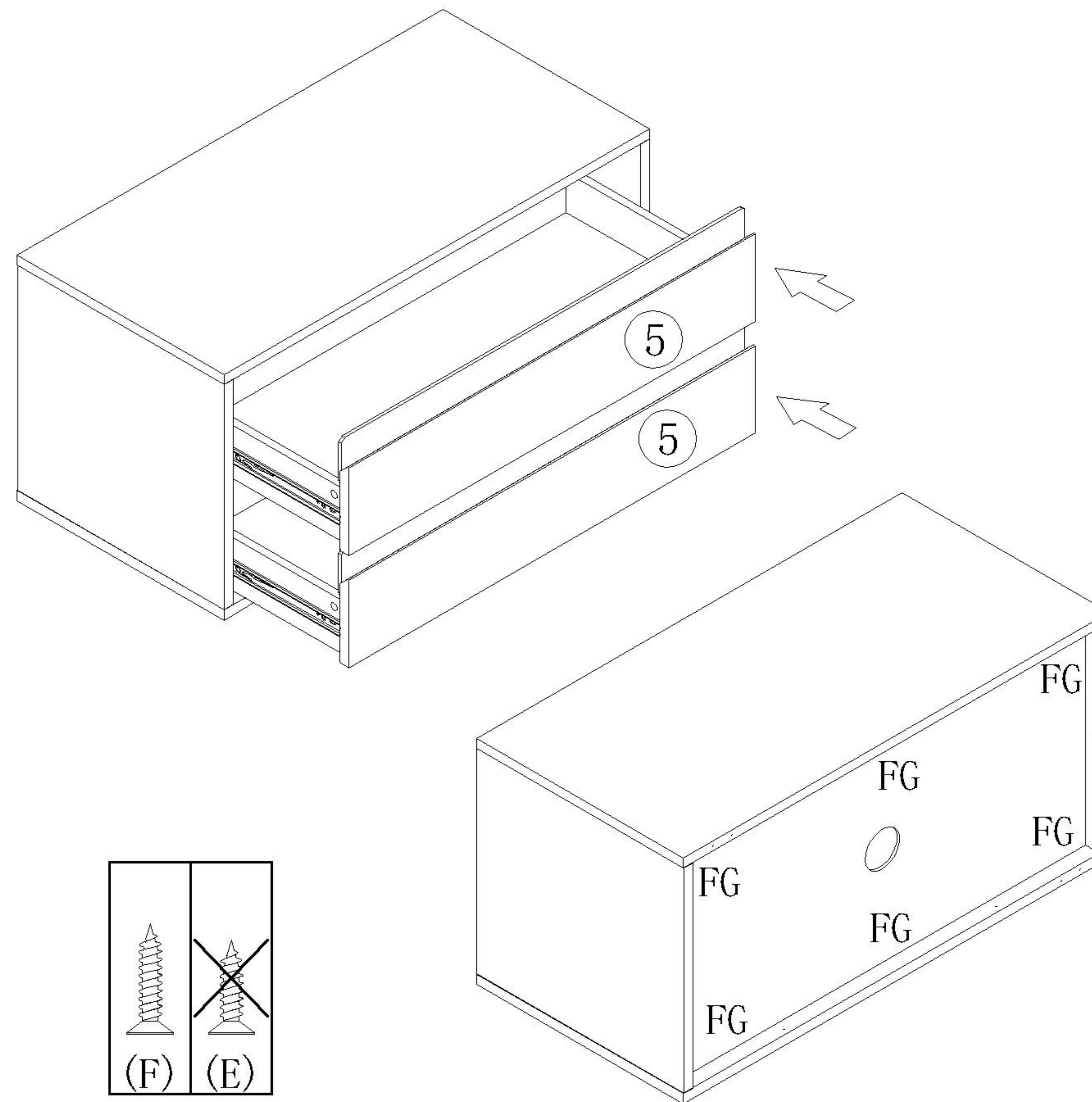
(E)\*12  
(J)\*2



(J) 副轨  
Sub track

5

(F)\*6  
(G)\*6



6

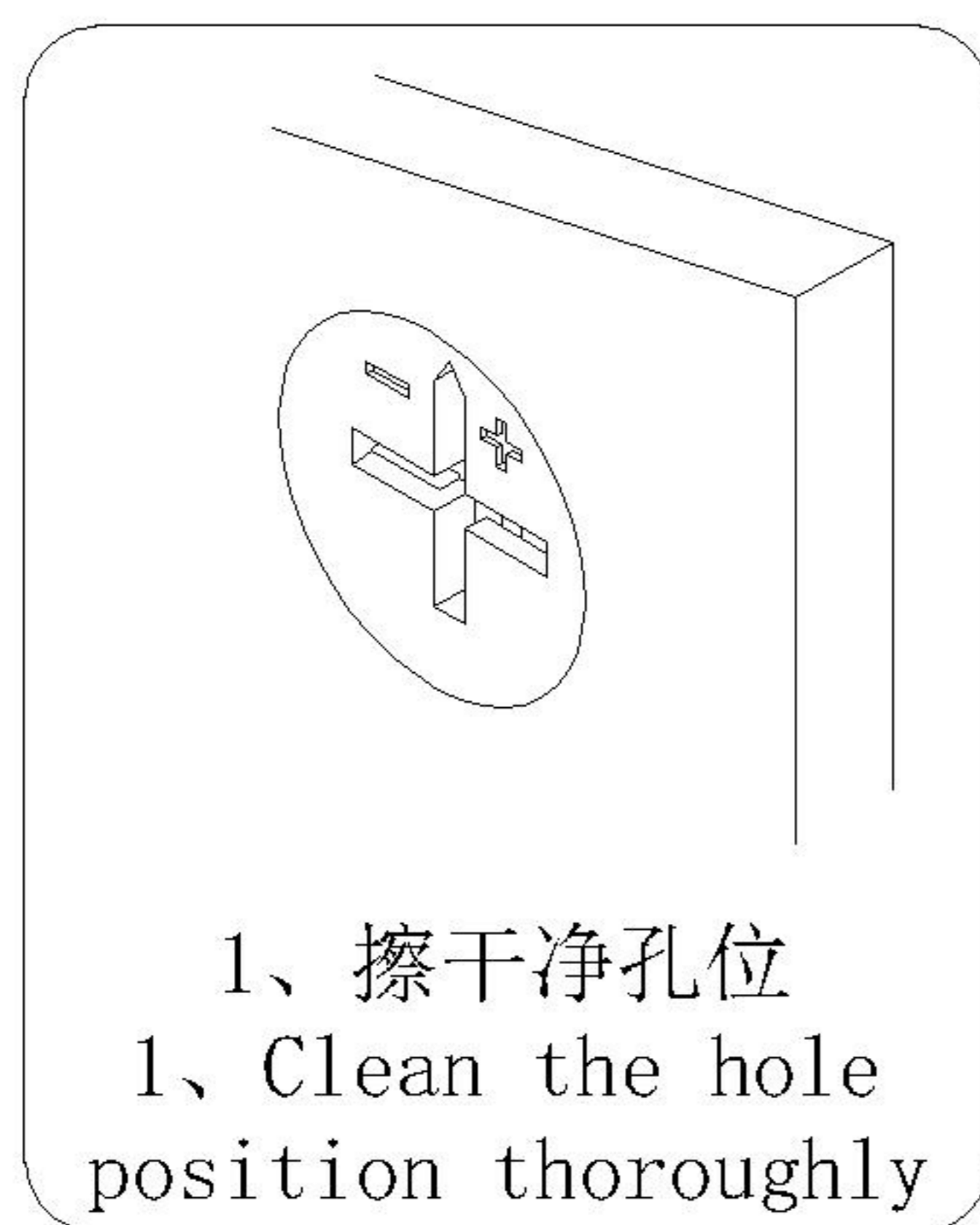
7

## 孔位贴使用小贴士

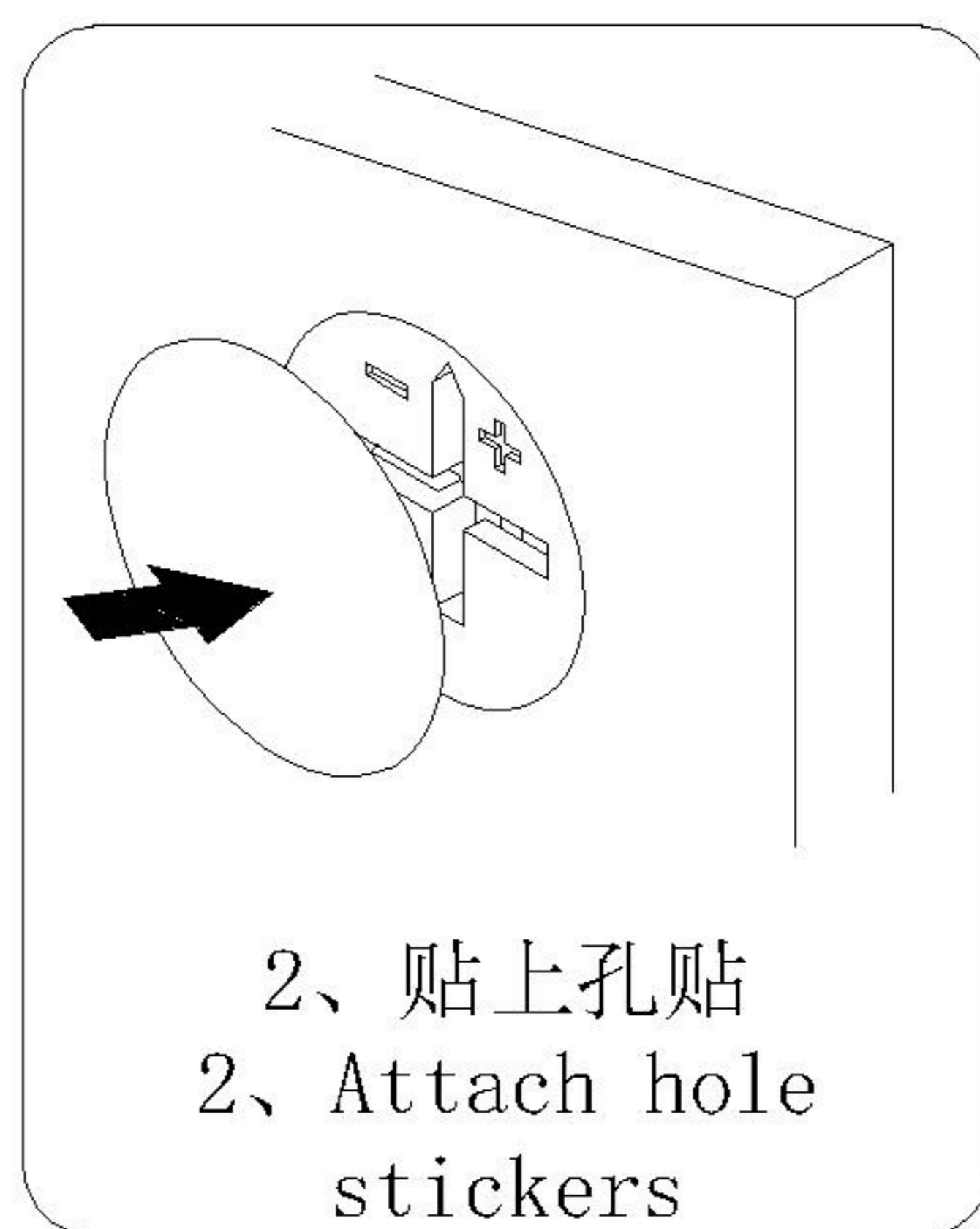
产品安装完成后请贴上孔贴，多出的孔贴请保管好

Tips for using hole stickers:

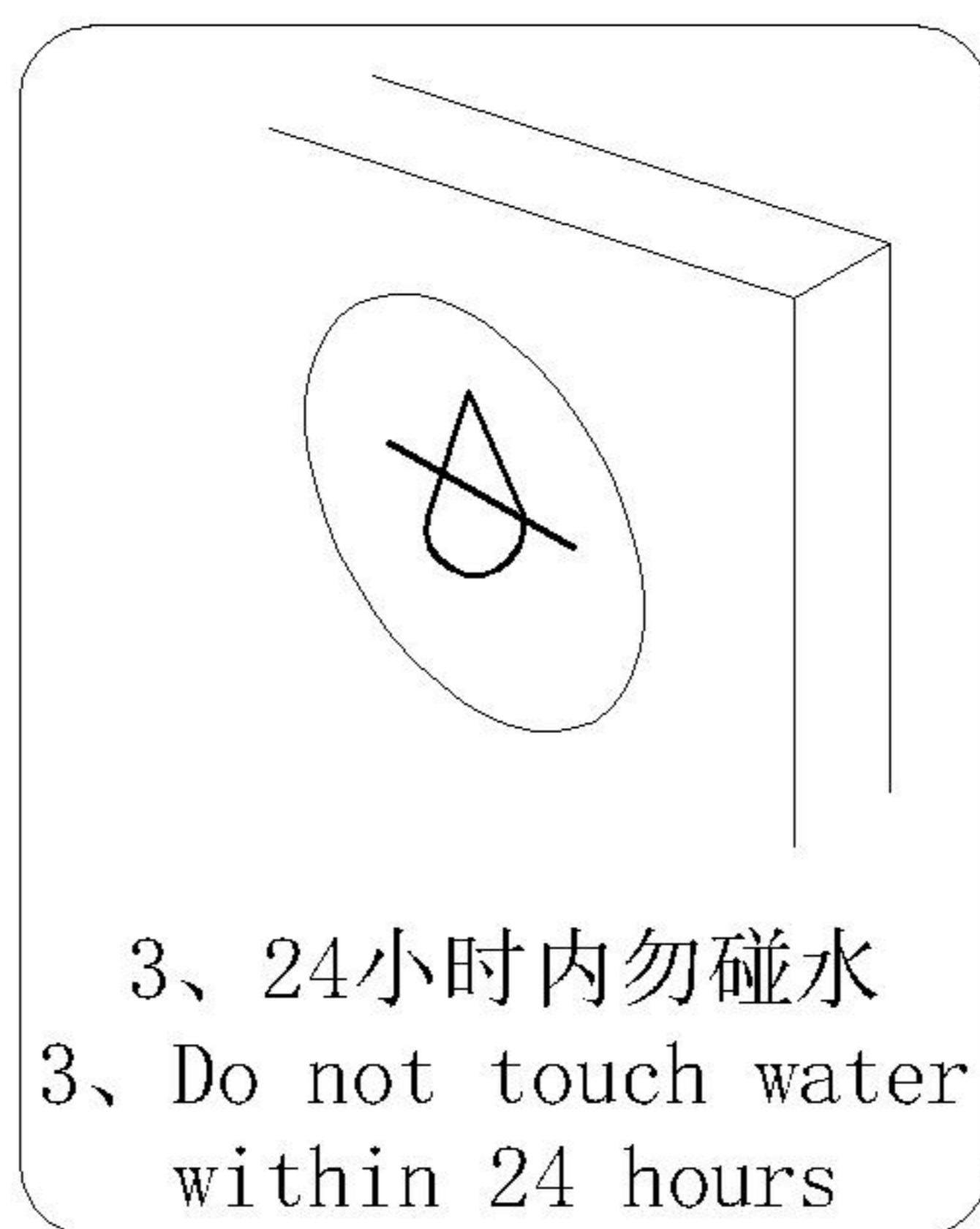
After the product installation is completed, please attach the hole stickers. Please keep any extra hole stickers safe



1、擦干净孔位  
1、Clean the hole position thoroughly

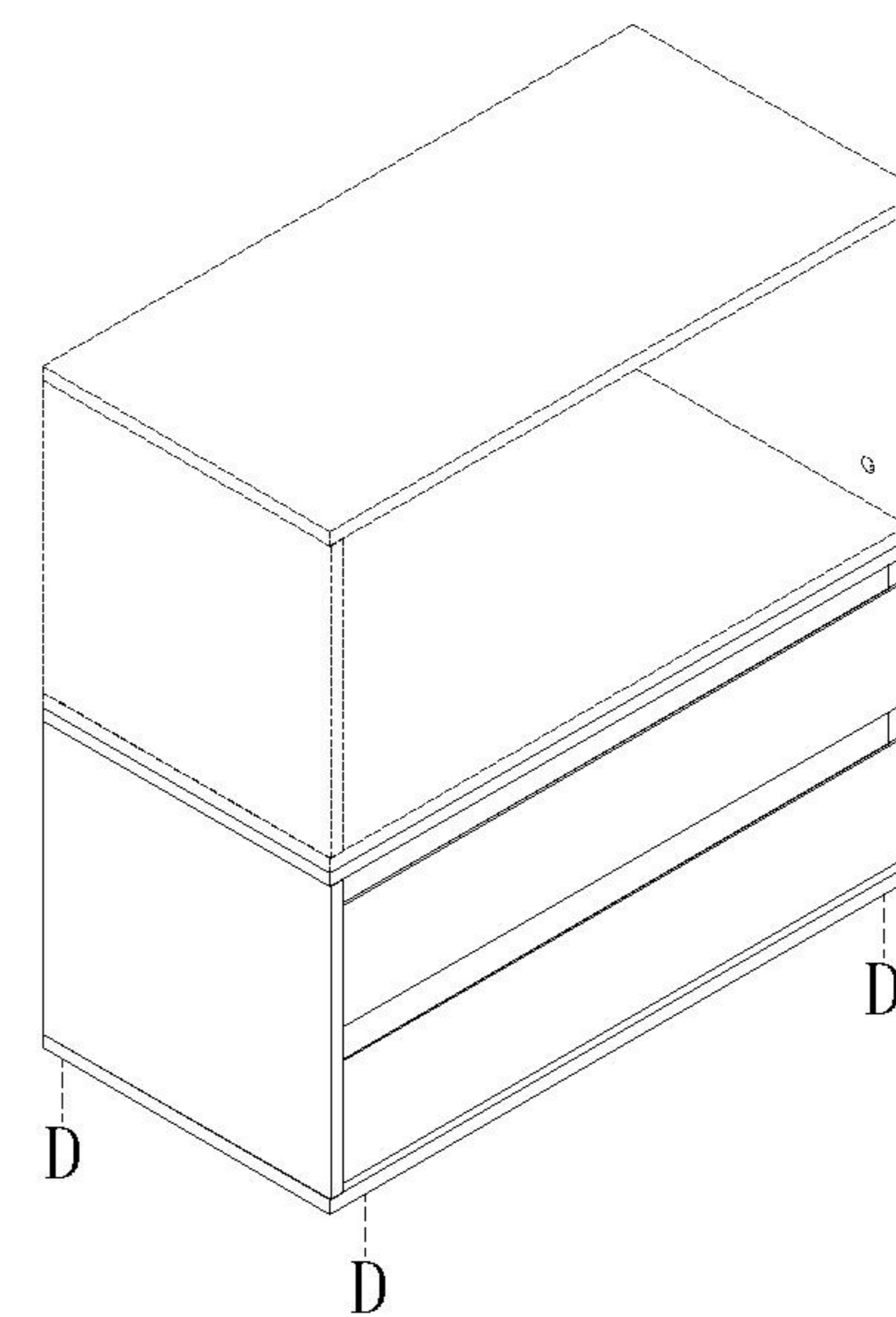


2、贴上孔贴  
2、Attach hole stickers

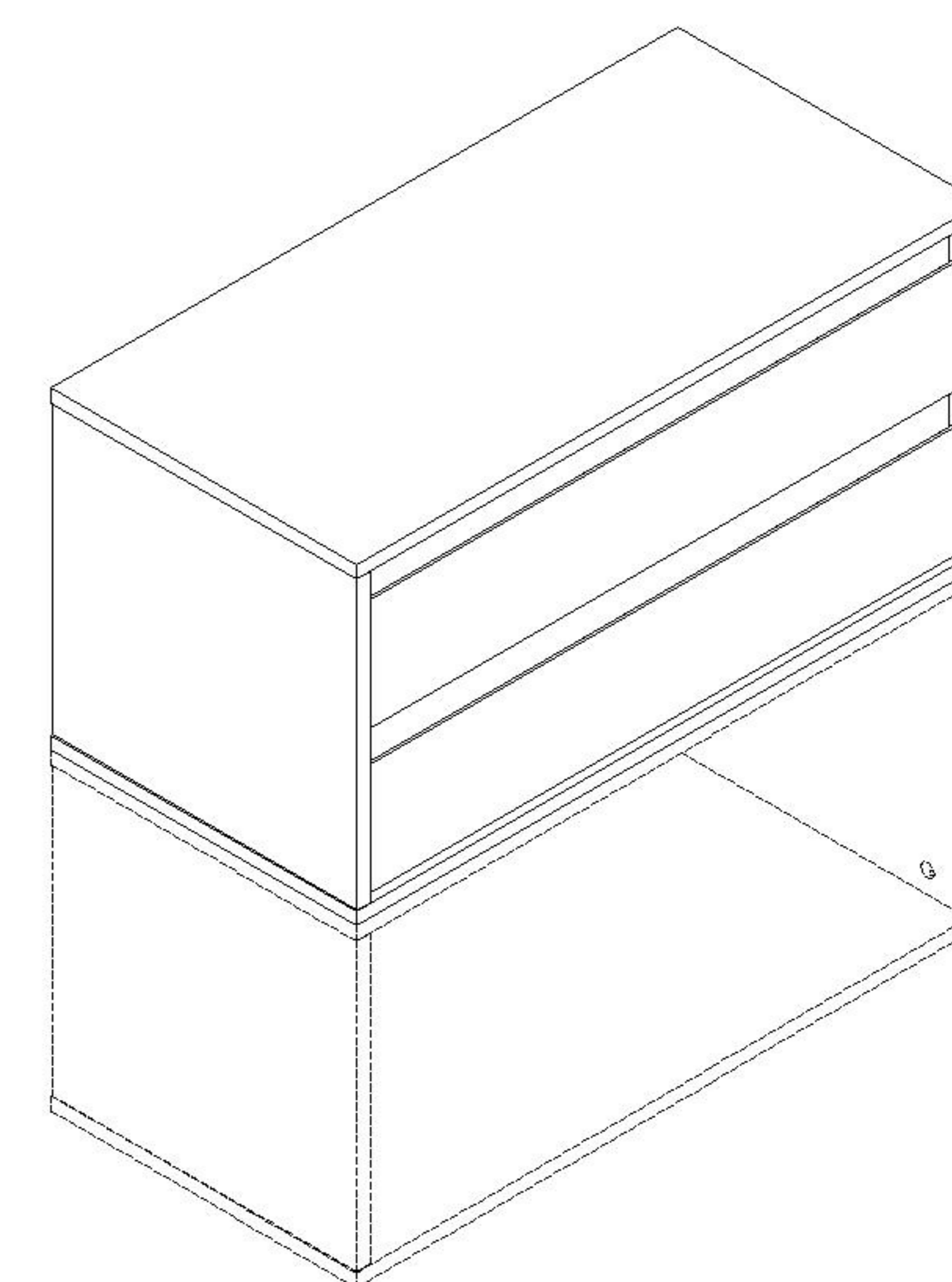


3、24小时内勿碰水  
3、Do not touch water within 24 hours

(D)\*4



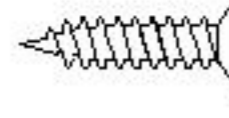
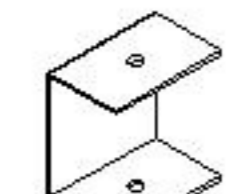
接触地面需安装五金(D)  
Hardware installation required for contact with the ground (D)



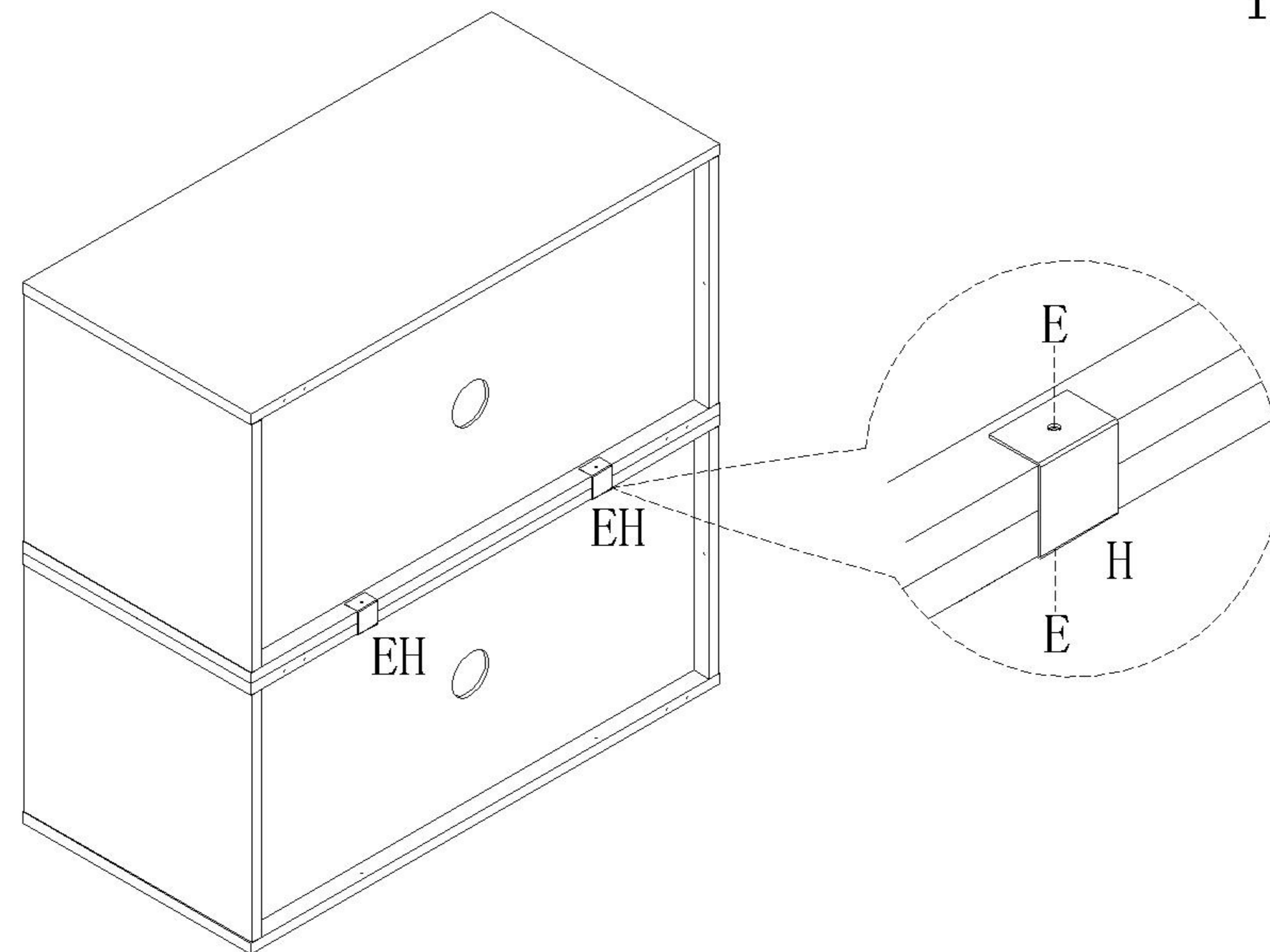
无接触地面不需安装五金(D)  
No need to install hardware without touching the ground (D)

8

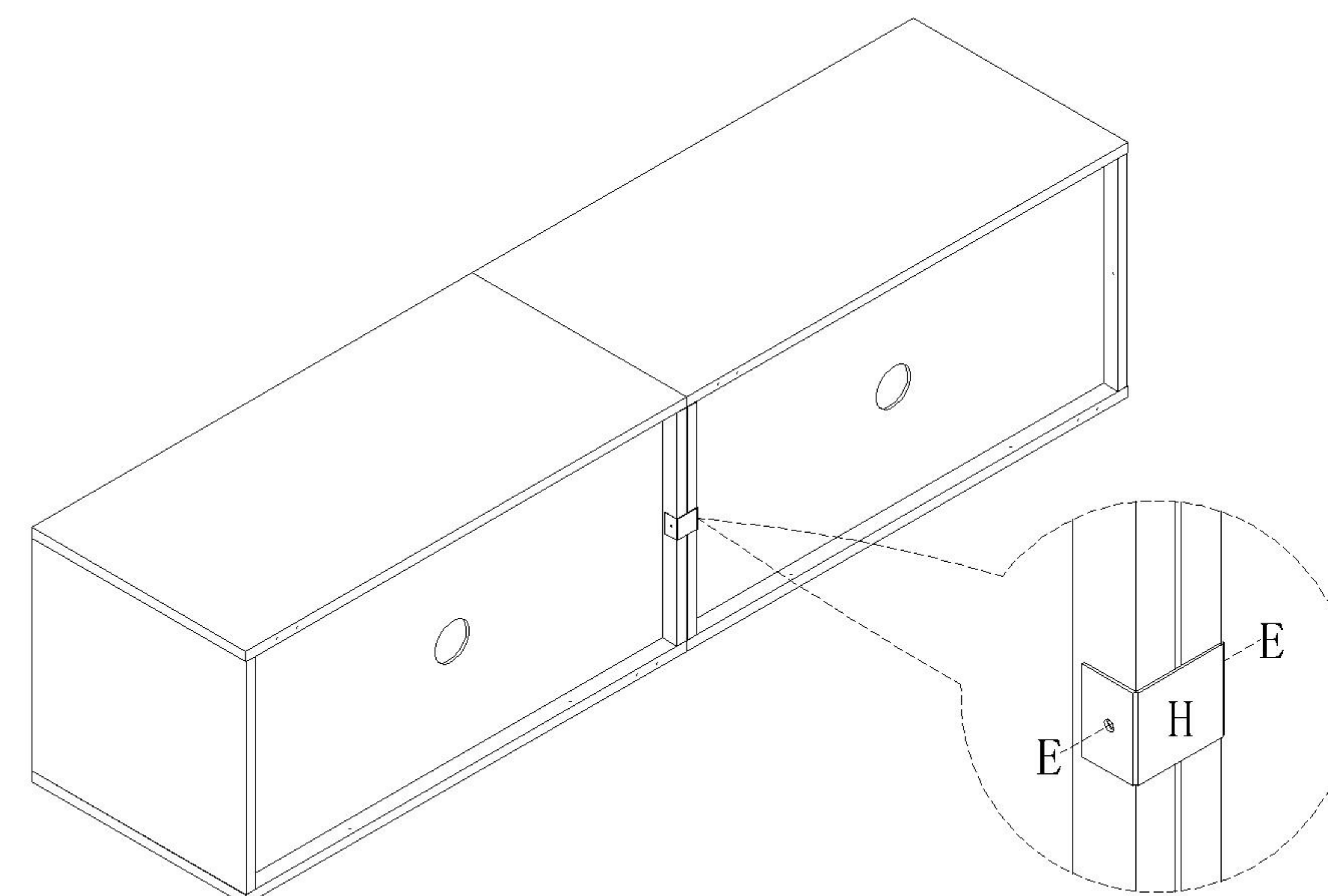
安装方法  
Installation method

-  (E)\*4
-  (H)\*2

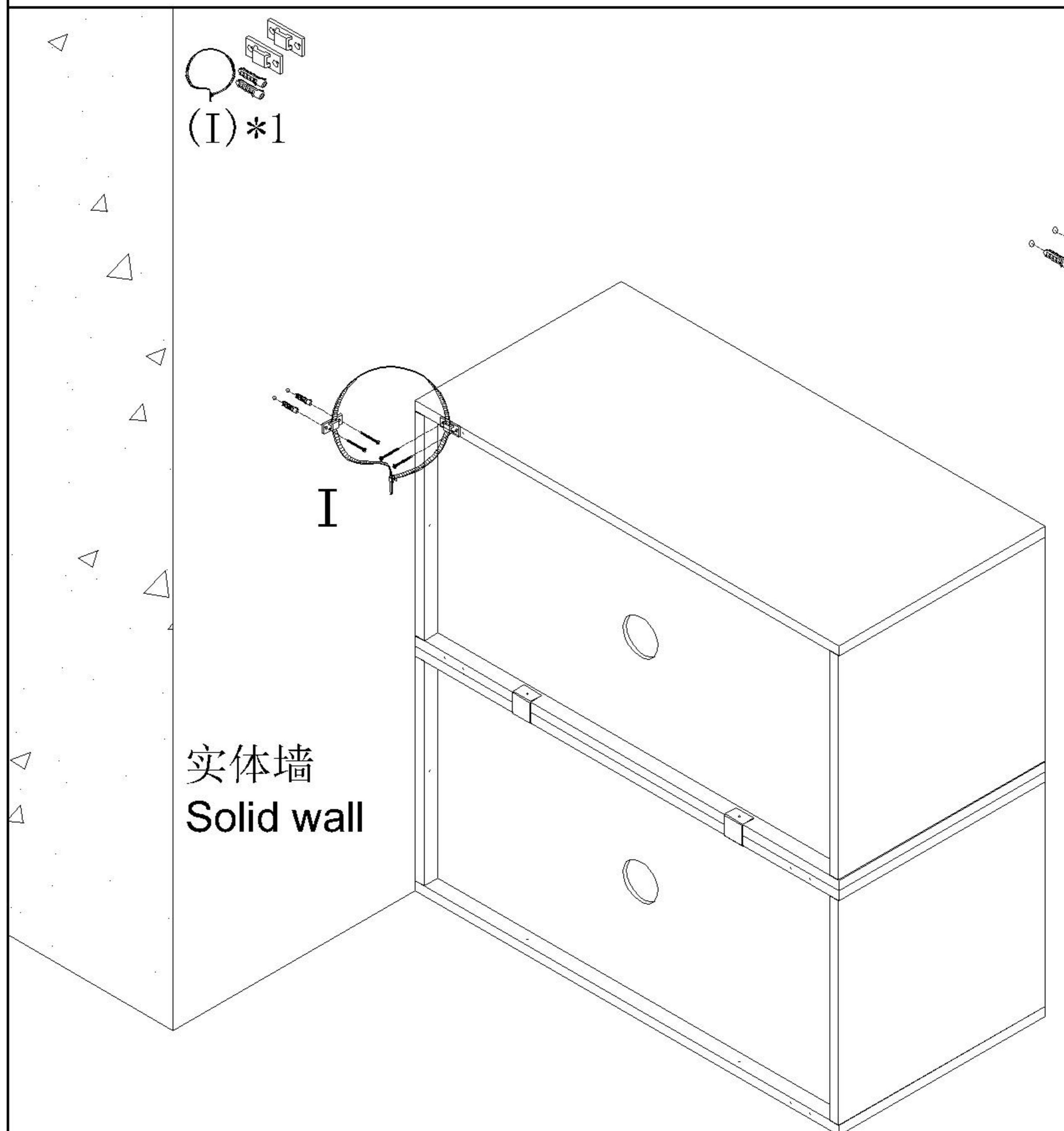
组合连接方式, 如只购买单个柜体无需安装  
Combination connection method, such as purchasing only a single cabinet without installation



上下组合安装方式  
Upper and lower combination installation method

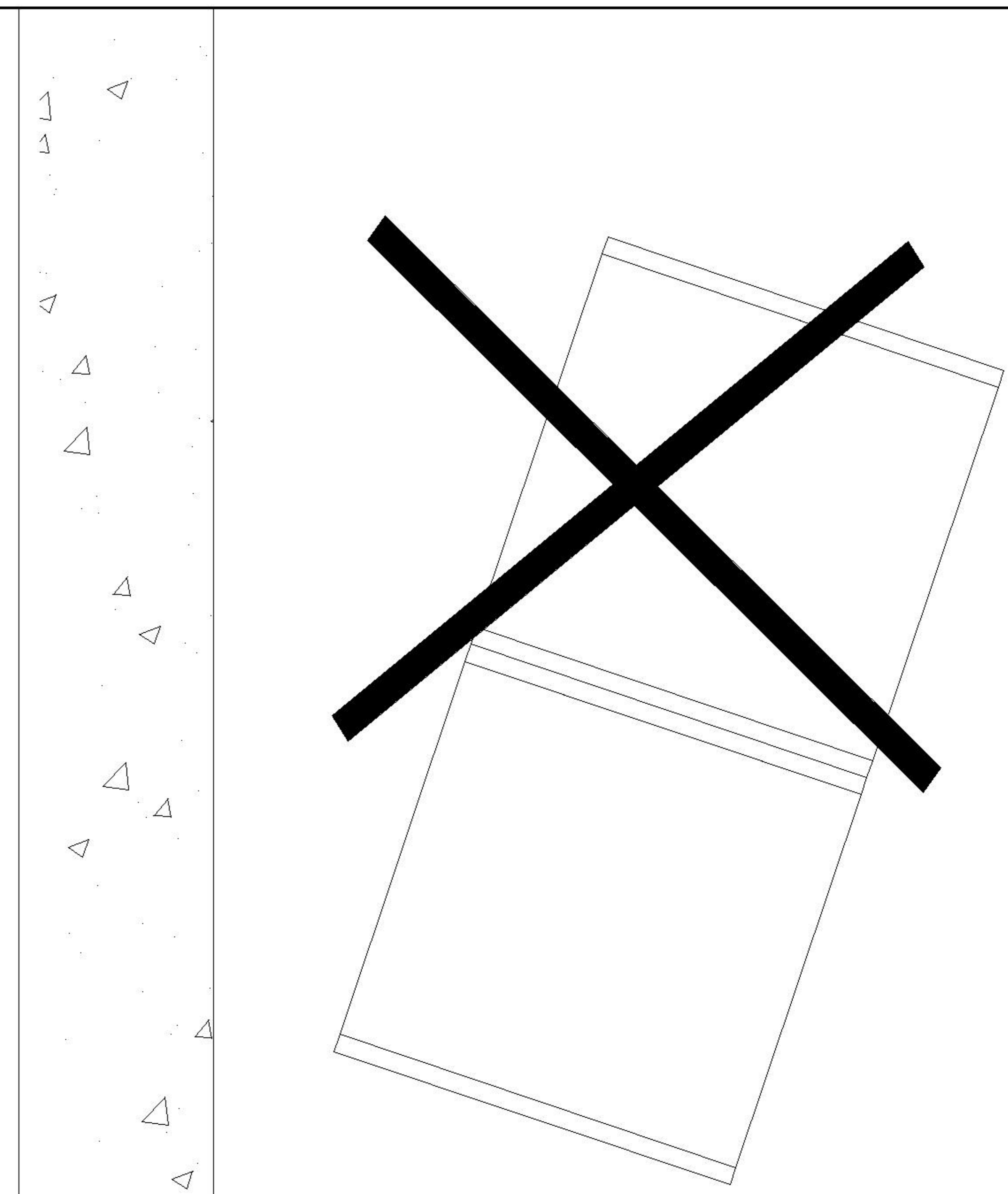


左右组合安装方式  
Left and right combination installation method



实体墙  
Solid wall

柜子组合高度超600mm  
需安装上防倒器  
Cabinet combination height exceeding 600mm requires installation of an anti fall device

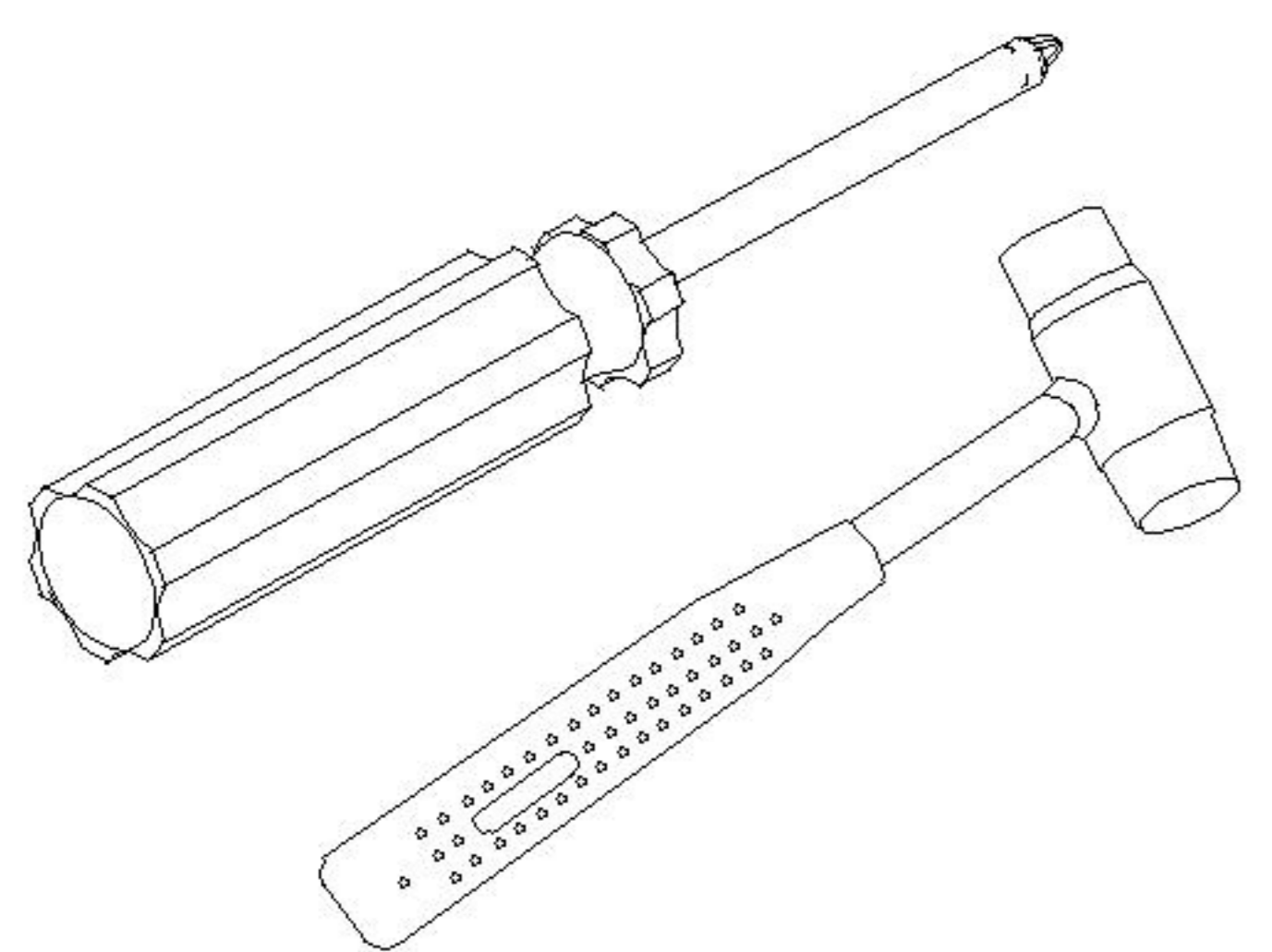
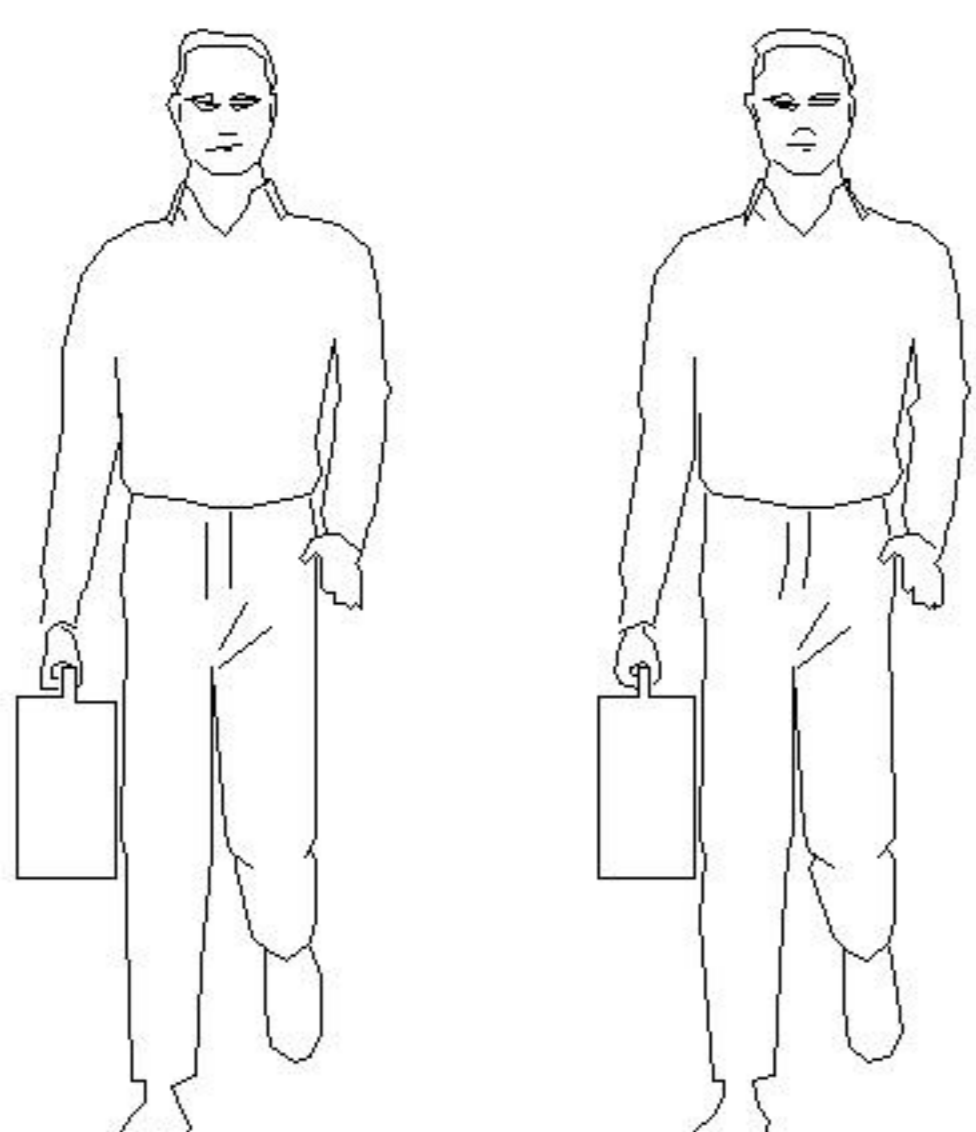


# LINSY 林氏家居

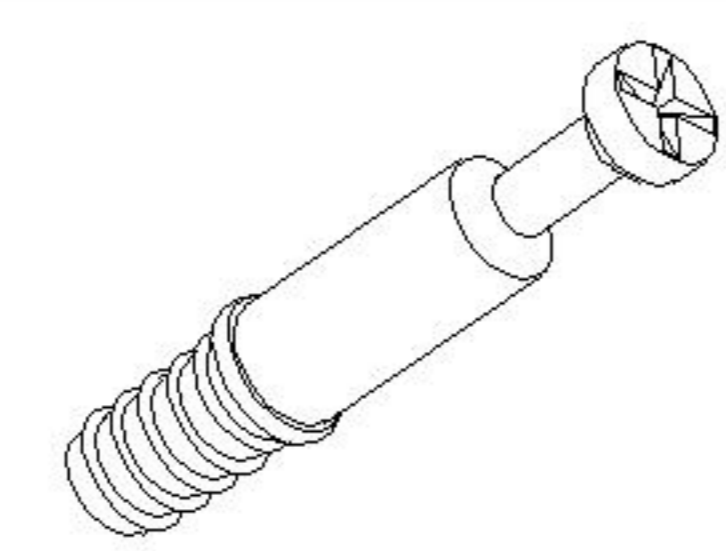
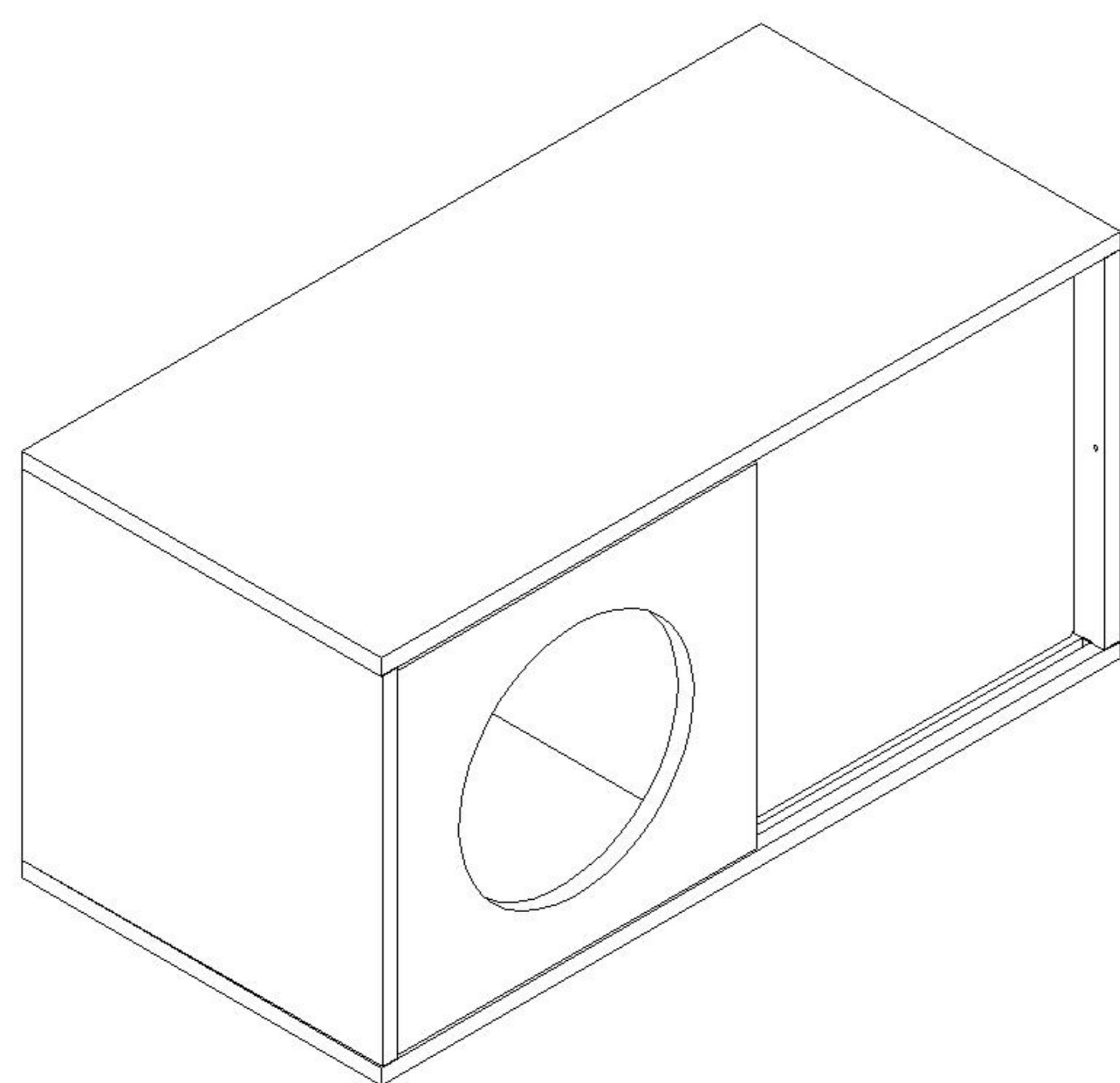
## 五金表/Hardware list

## 部件表/Parts List

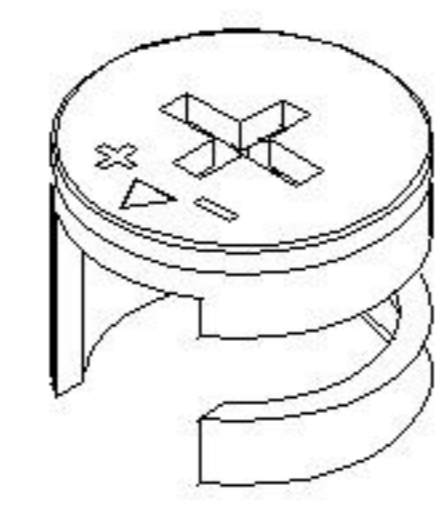
安装示意图/Assembly Instruction

产品名称 Model NO.	KQ9E-C
产品规格 Specification	720*350*363mm
安装工具 Tool	安装人数 Installer
	

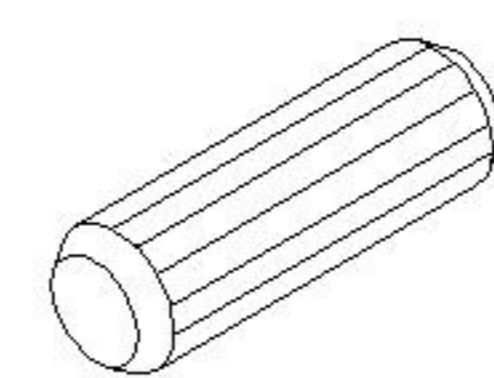
注：为保证设计效果，部分尺寸为定制尺寸，不影响使用。



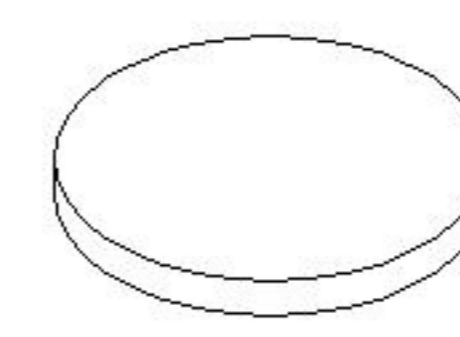
(A)\*13  
二合一螺杆  
2-in-1-screw



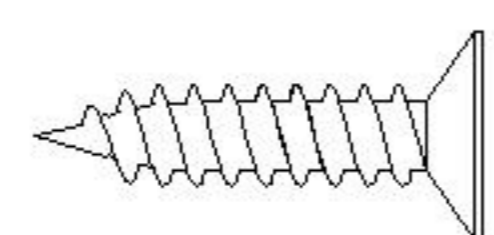
(B)\*13  
大三合一锁饼  
3-in-1 large lock



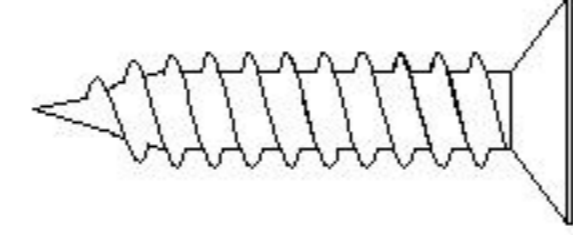
(C)\*13  
木榫Ø8x30mm  
Wood tenon



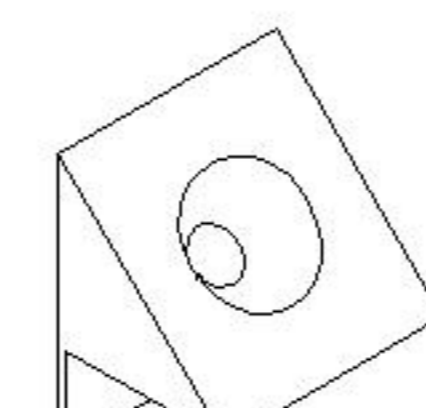
(D)\*4  
灰色毛毡垫  
Foot pad



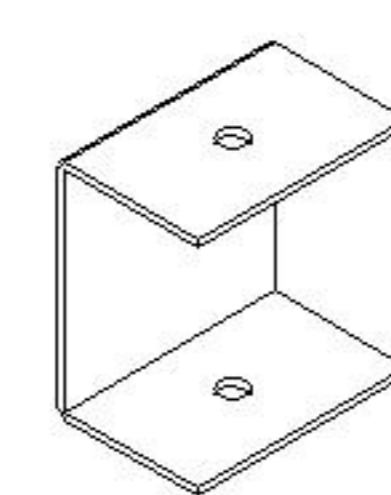
(E)\*23  
白攻螺丝M3.5\*12mm  
Tapping screw



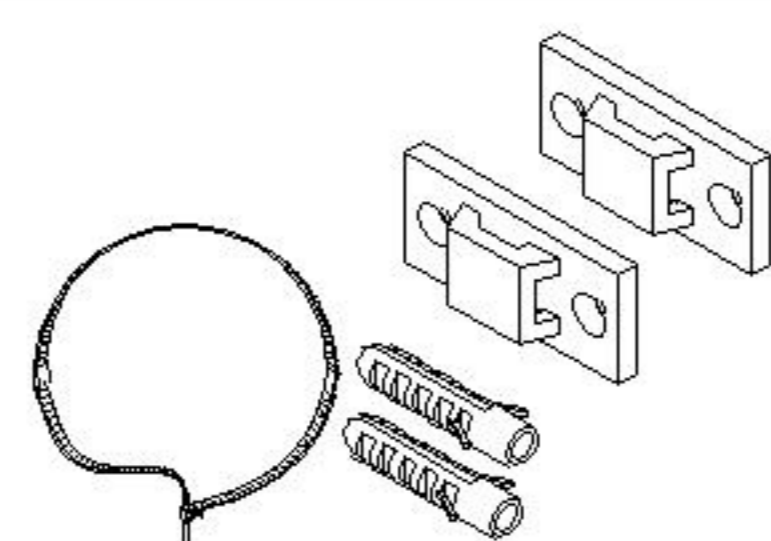
(F)\*6  
白攻螺丝M3.5\*16mm  
Tapping screw



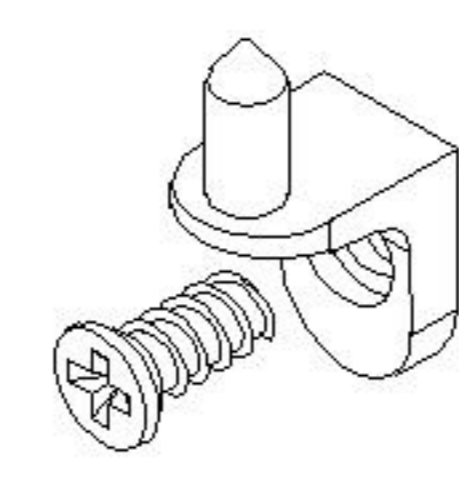
(G)\*6  
背板扣  
White buckle



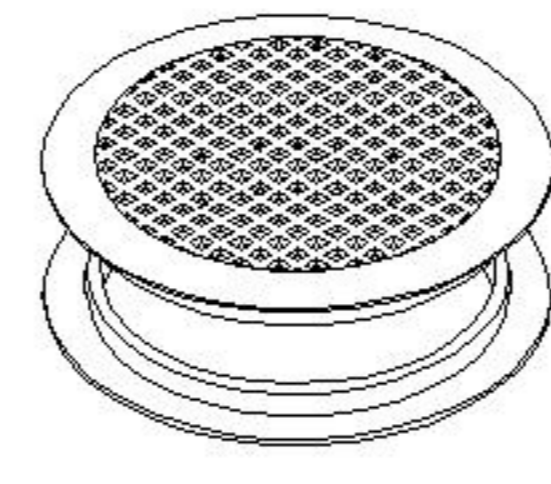
(H)\*2  
U型卡扣  
U-shaped buckle



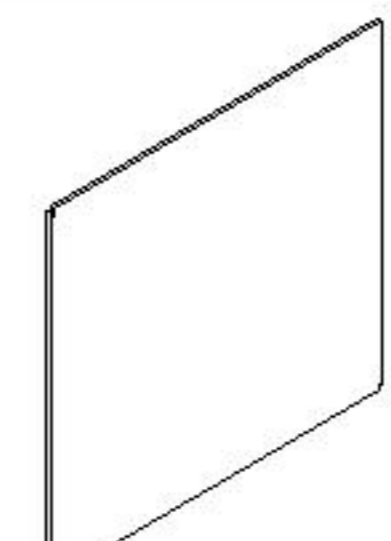
(I)\*1  
家具防倒器-白色  
Anti-fall device



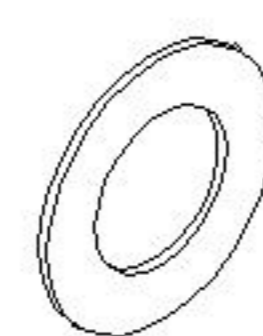
(J)\*4  
层板托5mm  
shelf support



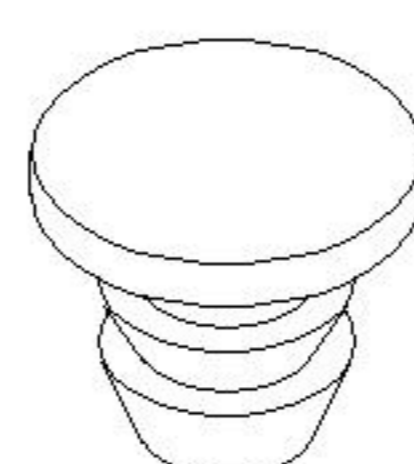
(K)\*1  
透气孔盖-白色  
Breathable cover



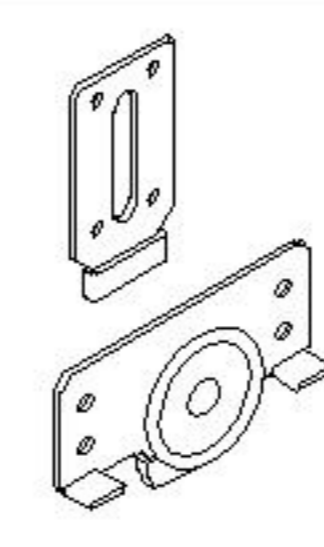
(L)\*1  
趟门玻璃Door glass



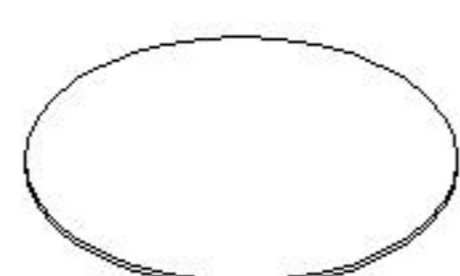
(M)\*2  
垫片M5  
Gasket



(N)\*4  
防撞孔塞  
Anti-collision plug



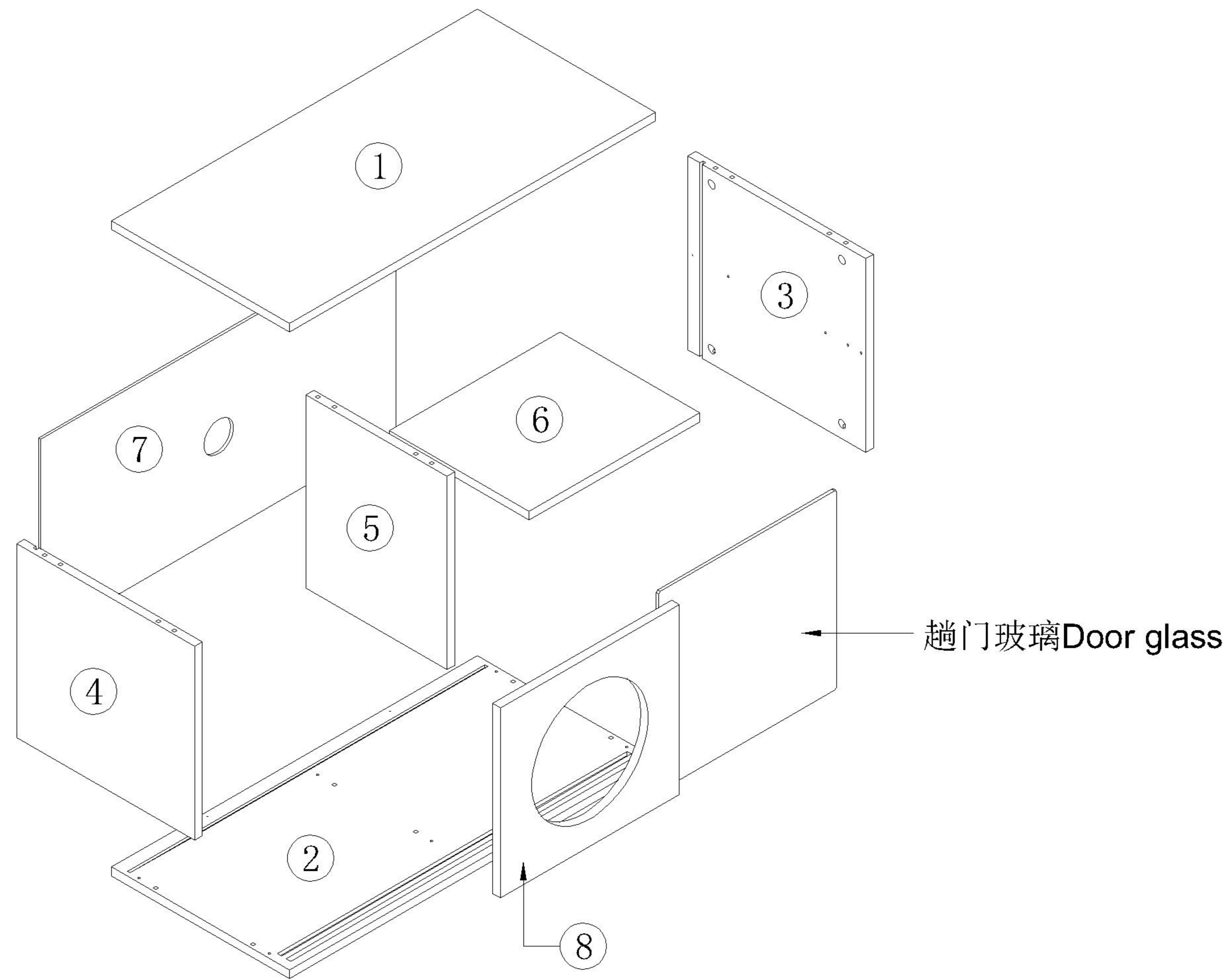
(O)\*2  
趟门轮  
Gate wheel



(P)\*13  
PVC孔贴  
PVC hole sticker

编号NO.	名称Name	规格(mm) Specification	数量QTY	材质Material
①	面板 Top panel	720*350*15	1	刨花板 Particle board
②	底板 Bottom board	720*350*15	1	刨花板 Particle board
③	右侧板 Side board (R)	330*350*15	1	刨花板 Particle board
④	左侧板 Side board (L)	330*350*15	1	刨花板 Particle board
⑤	中侧板 Middle side board	330*277*15	1	刨花板 Particle board
⑥	活动层板 Movable shelf	335.5*275*15	1	刨花板 Particle board
⑦	背板 Back board	698*340*5	1	纤维板 Fiberboard
⑧	趟门板 Door plank	352*324*15	1	纤维板 Fiberboard

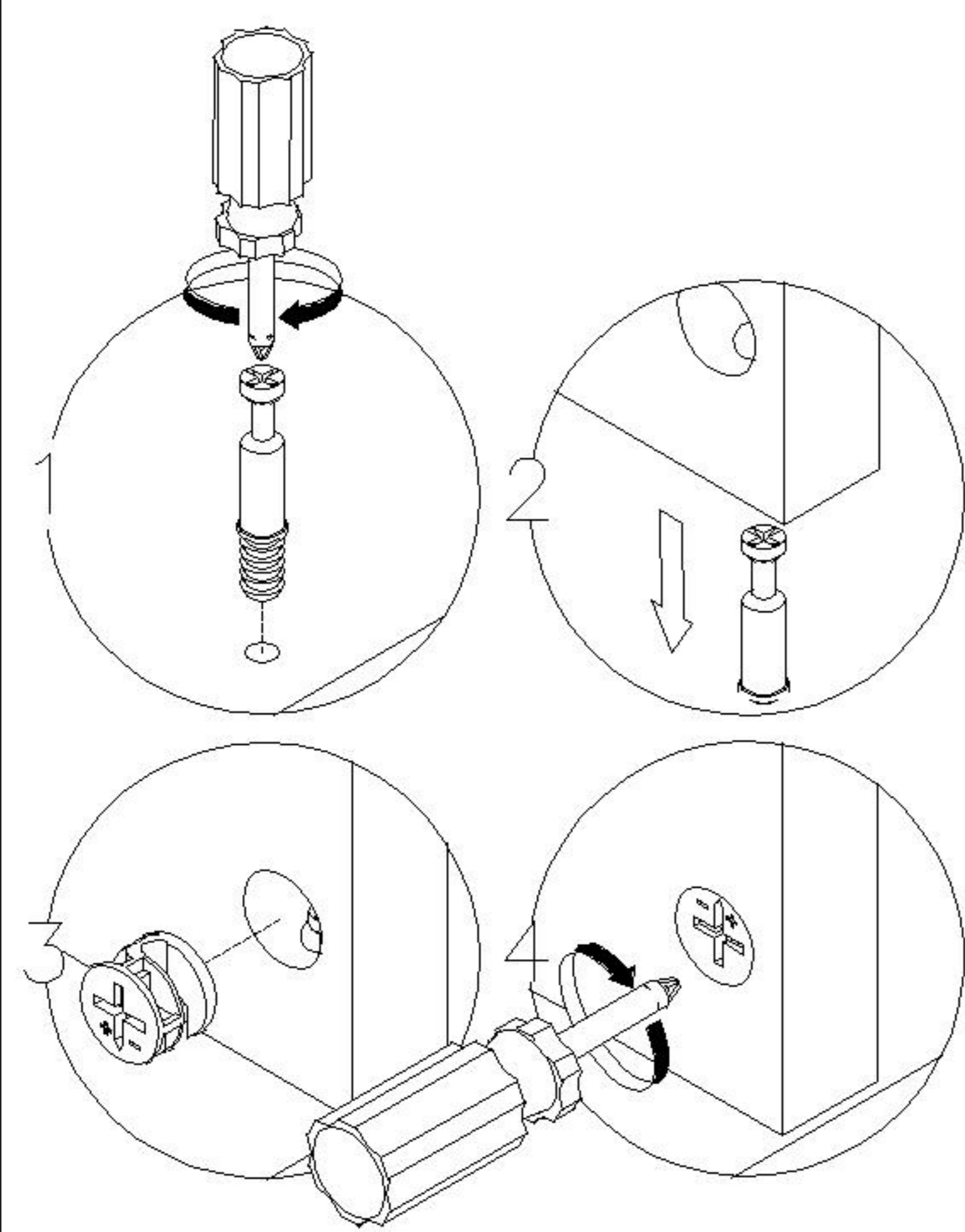
编号NO.	名称Name
①	面板 Top panel
②	底板 Bottom board
③	右侧板 Side board (R)
④	左侧板 Side board (L)
⑤	中侧板 Middle side board
⑥	活动层板 Movable shelf
⑦	背板 Back board
⑧	趟门板 Door plank



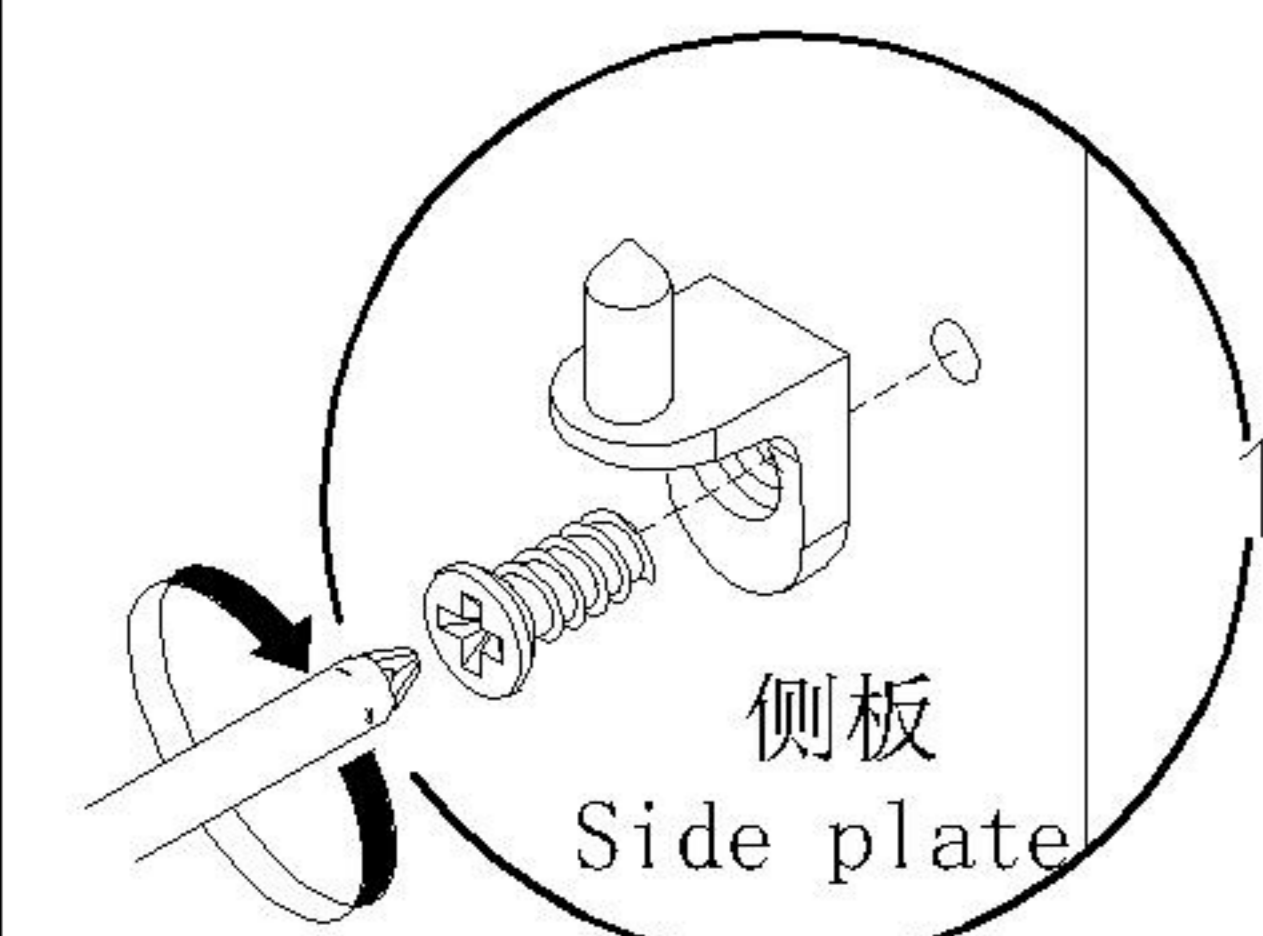
KQ9E-C

# 安装方法

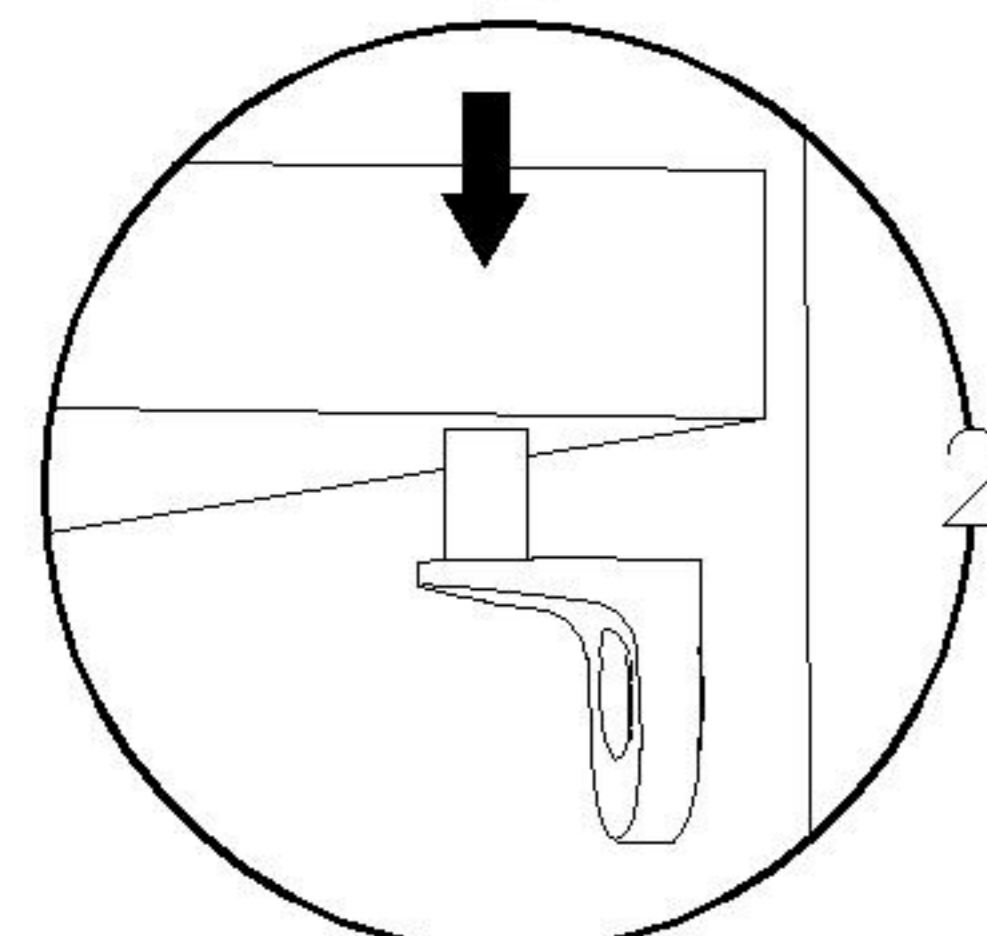
## Installation method



二合一 two-in-one

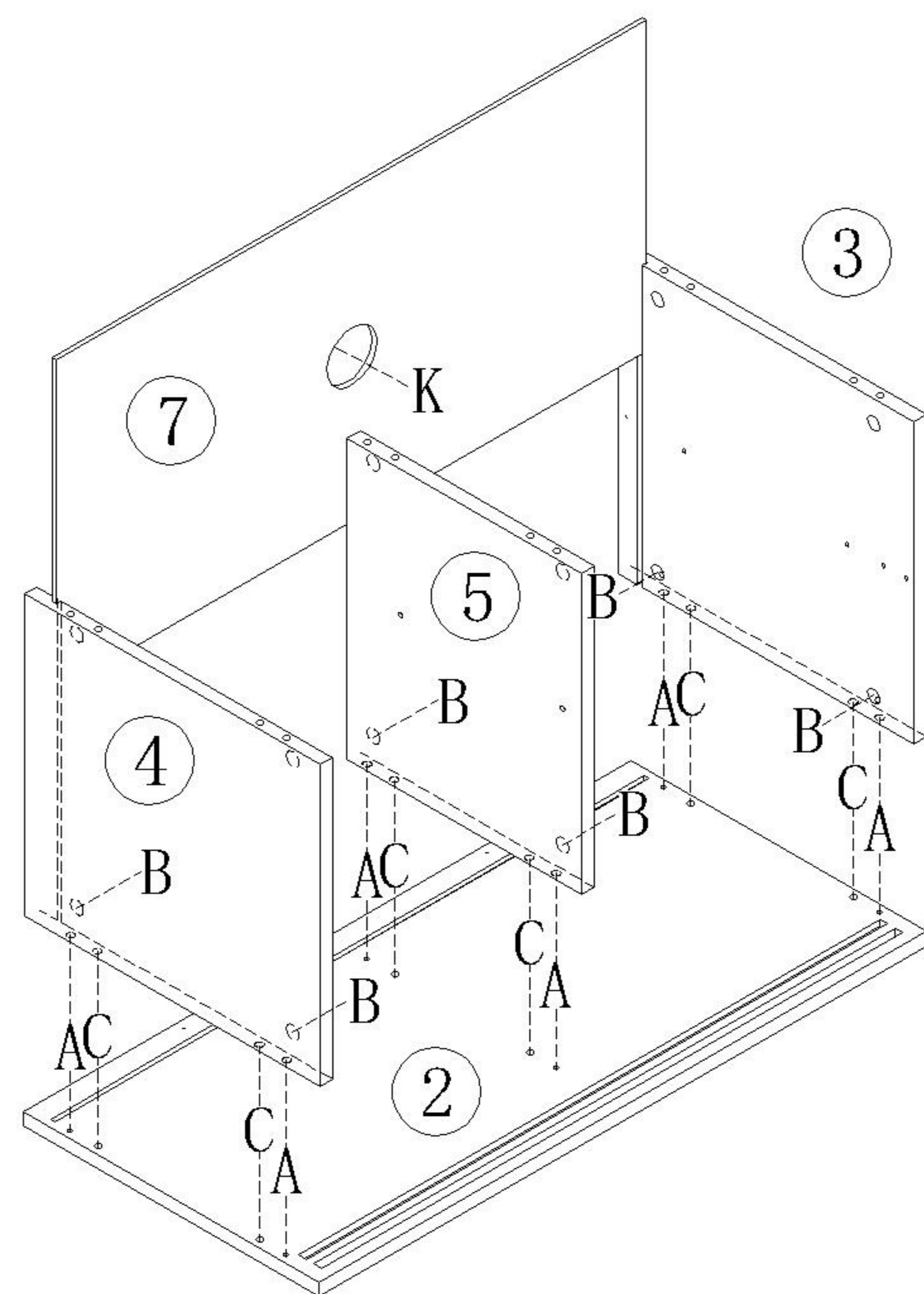


侧板  
Side plate

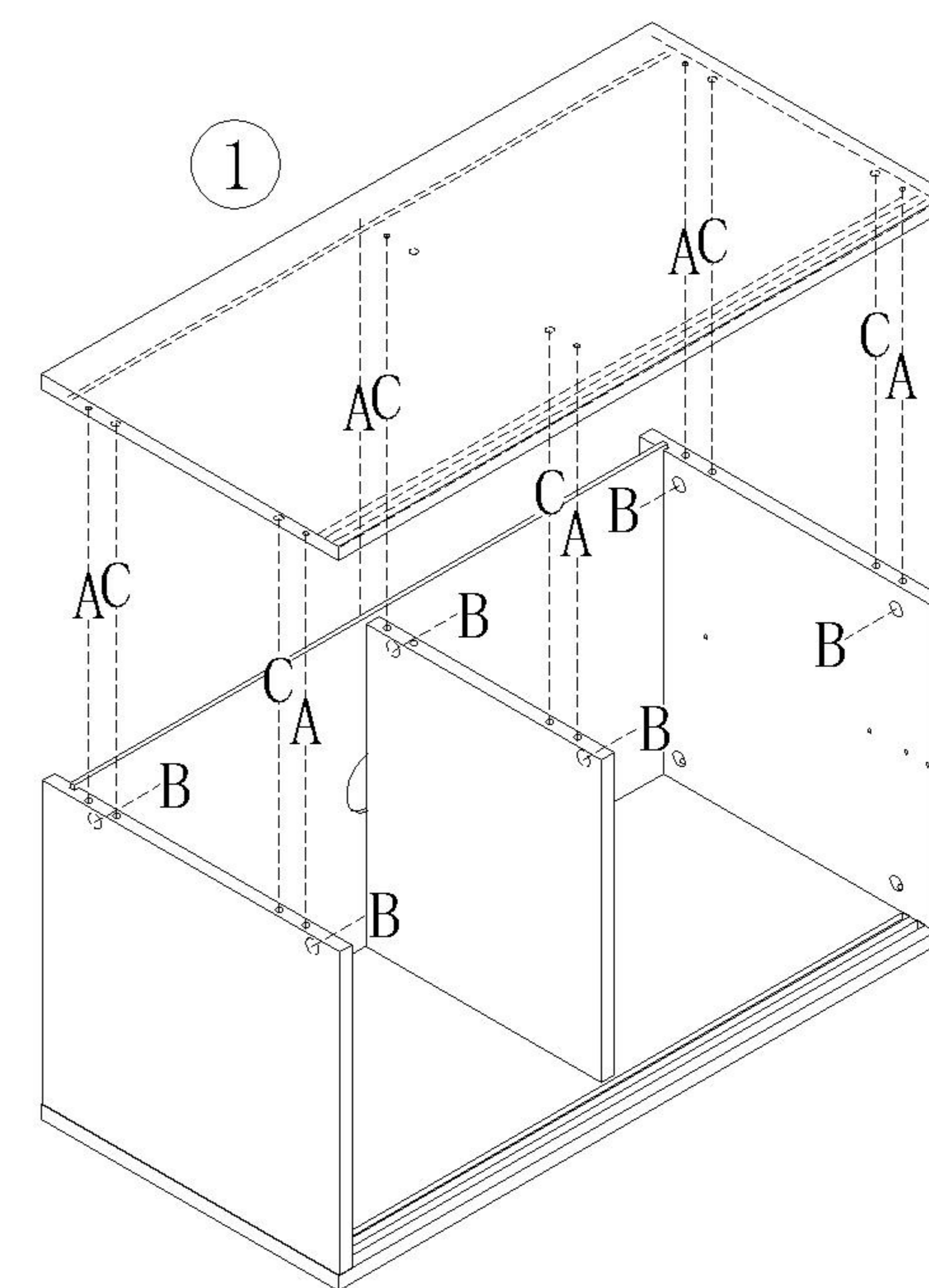


层板托5mm  
shelf support

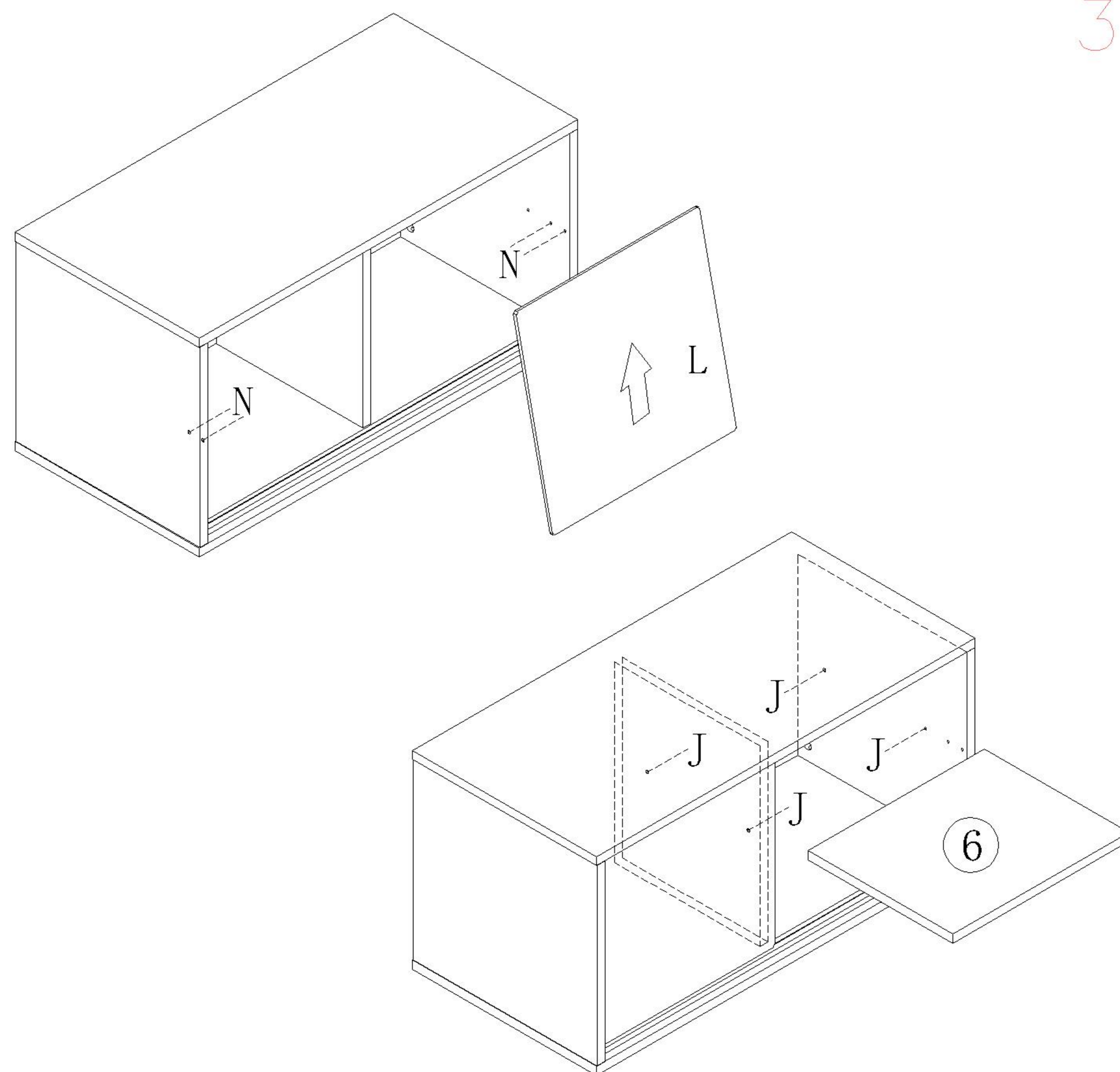
- (A) \*6
- (B) \*6
- (C) \*6
- (K) \*1



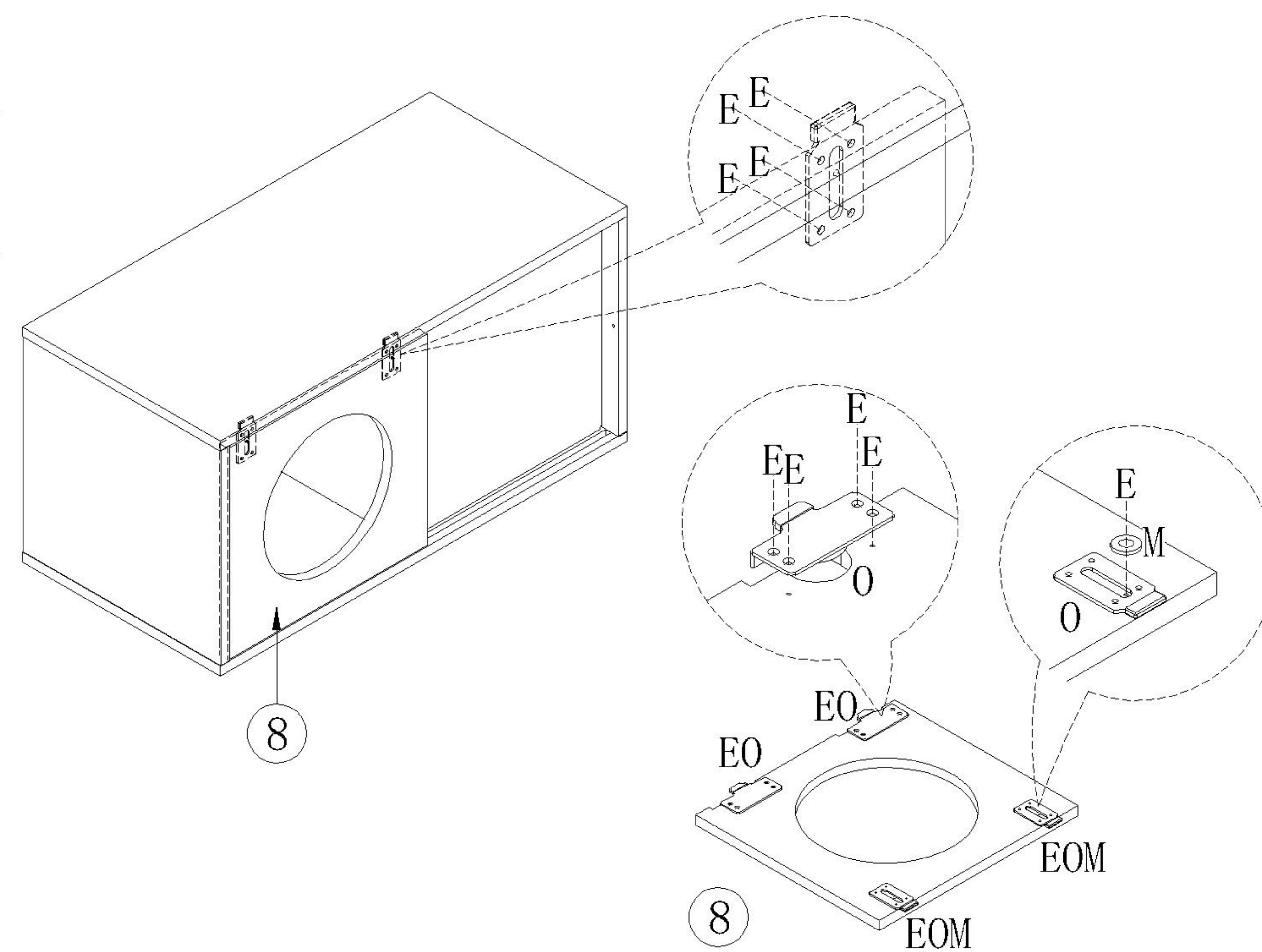
- (A) \*6
- (B) \*6
- (C) \*6



- (L) \*1
- (N) \*4
- (J) \*4

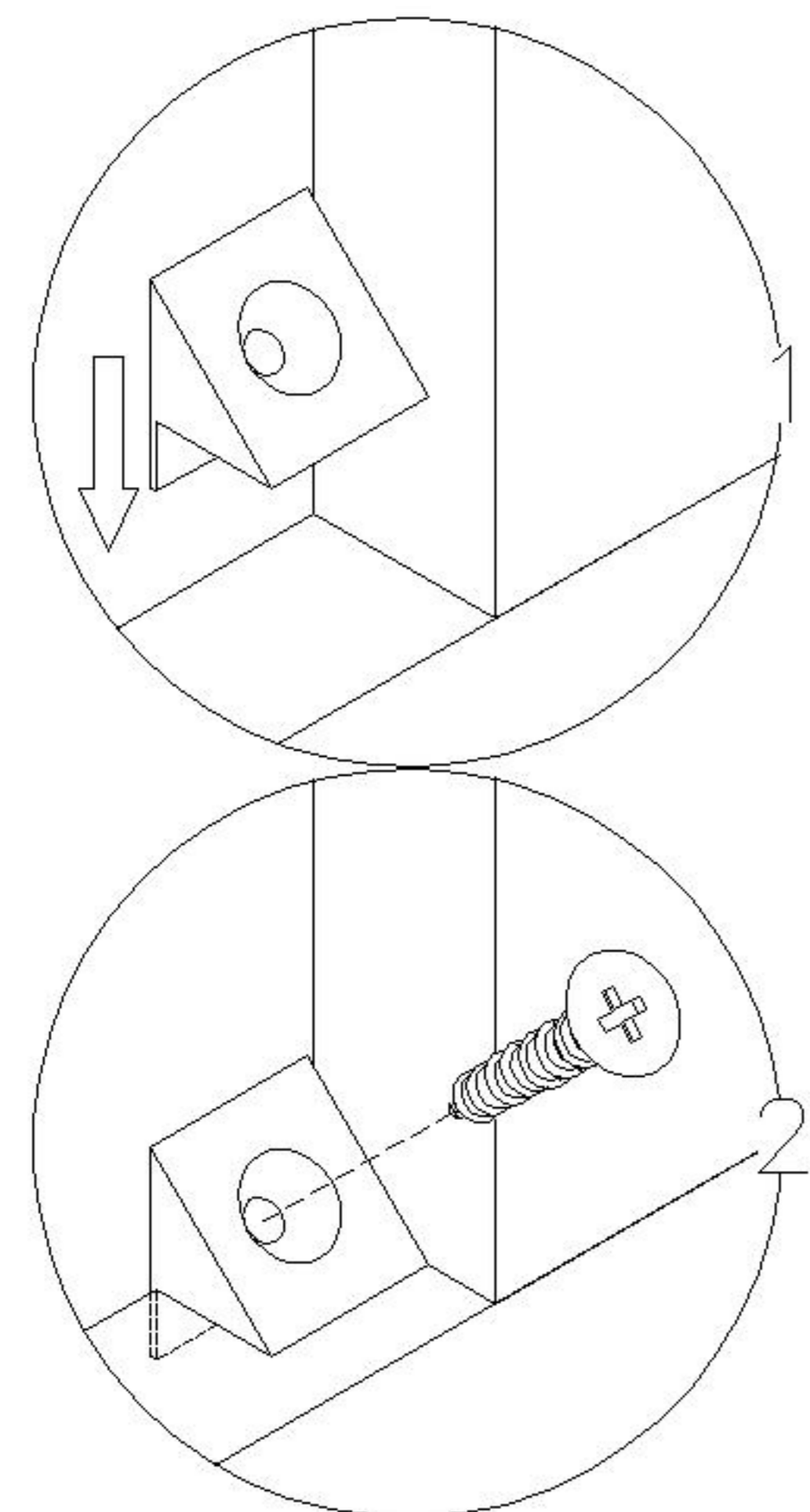


- (E) \*18
- (O) \*2
- (M) \*2

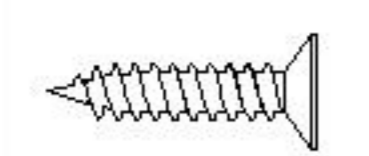


KQ9E-C

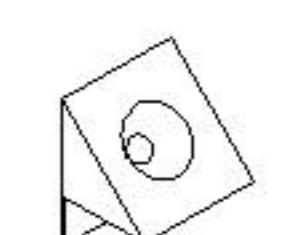
### 安装方法 Installation method



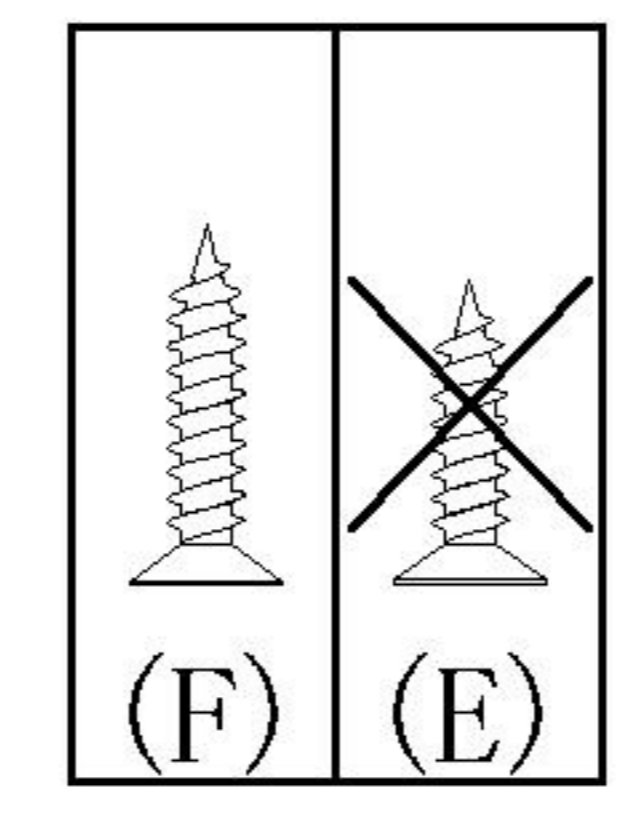
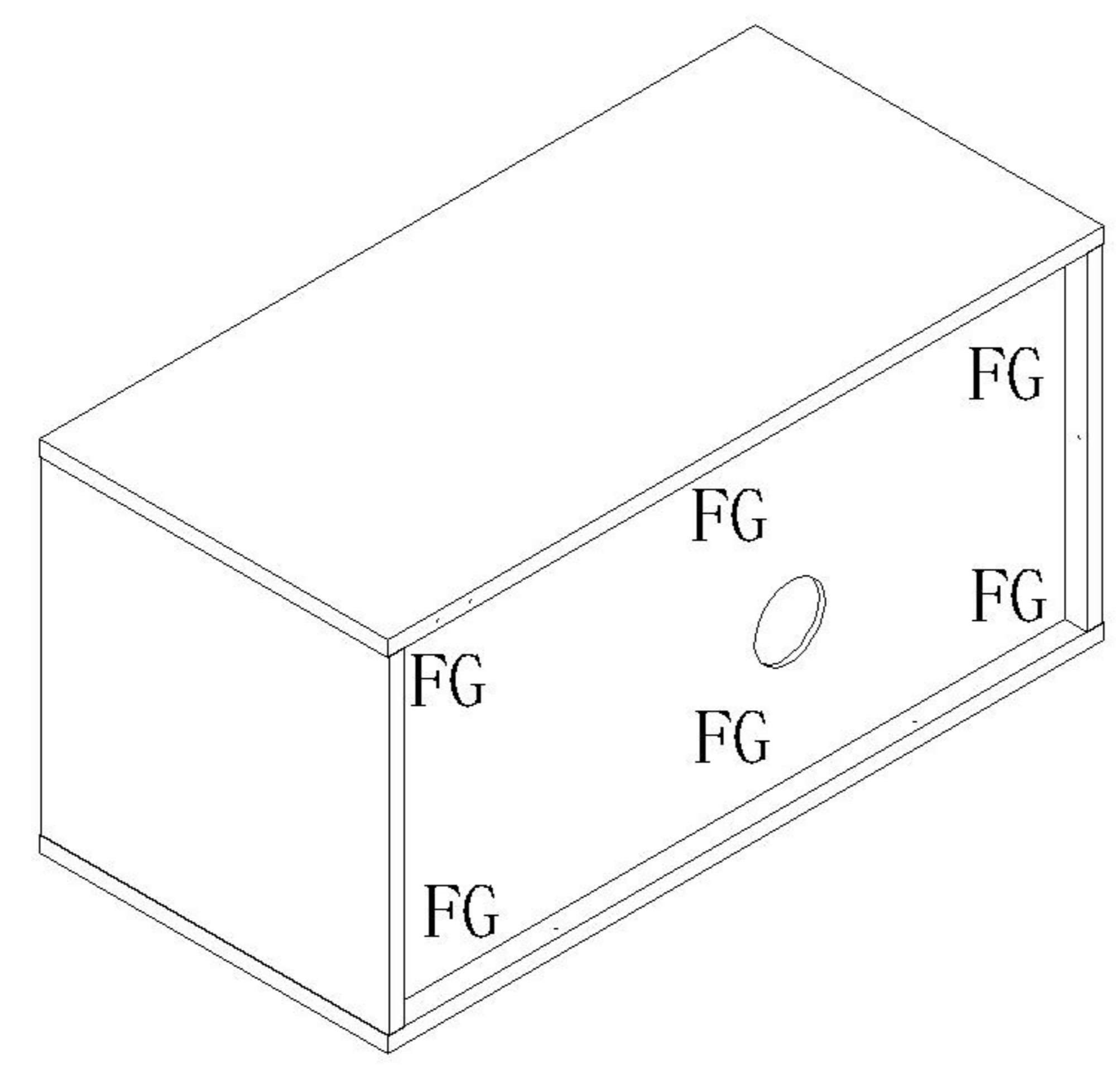
背板扣  
Back Plate Buckle



(F)\*6



(G)\*6



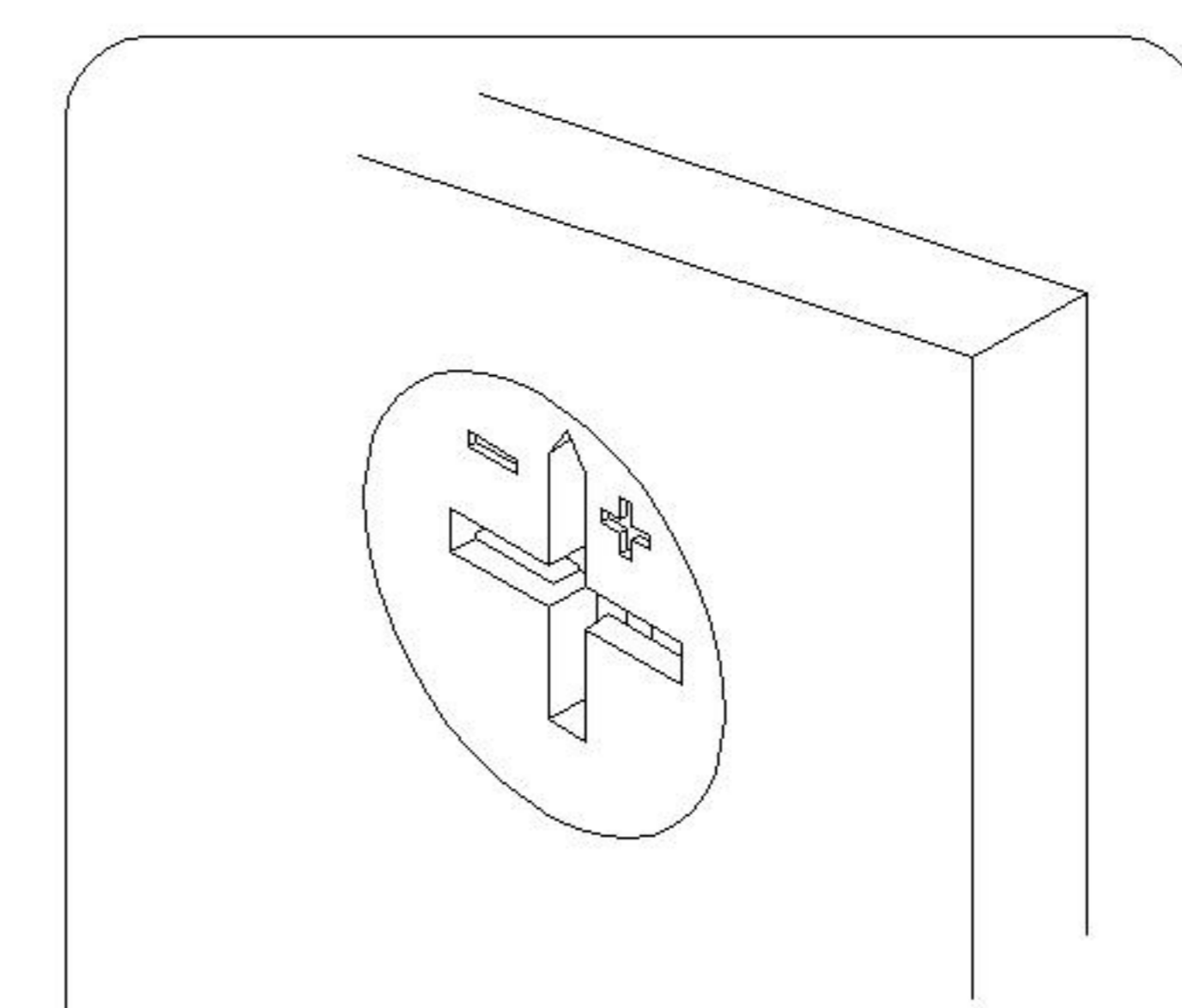
5

### 孔位贴使用小贴士

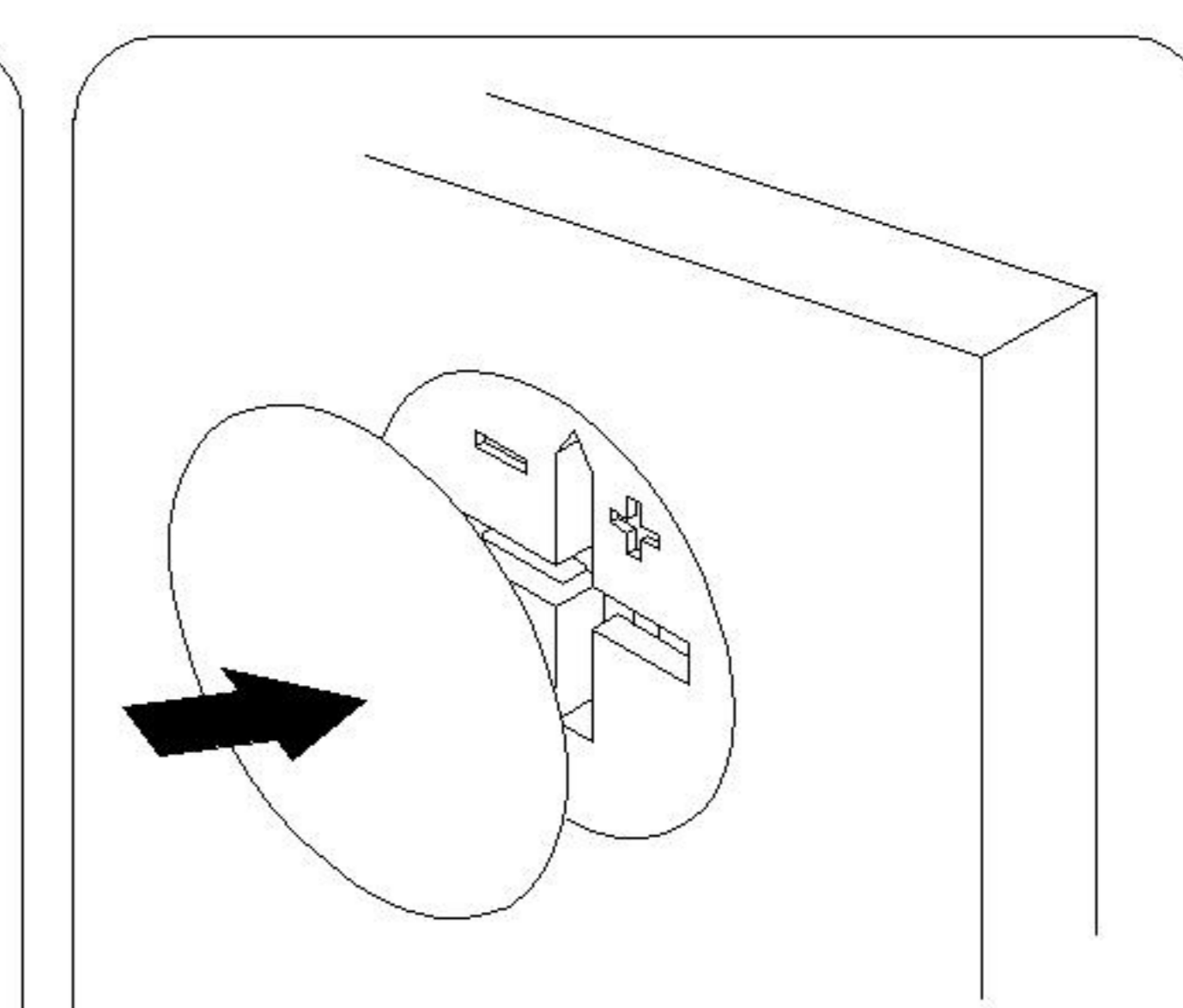
产品安装完成后请贴上孔贴，多出的孔贴请保管好

### Tips for using hole stickers:

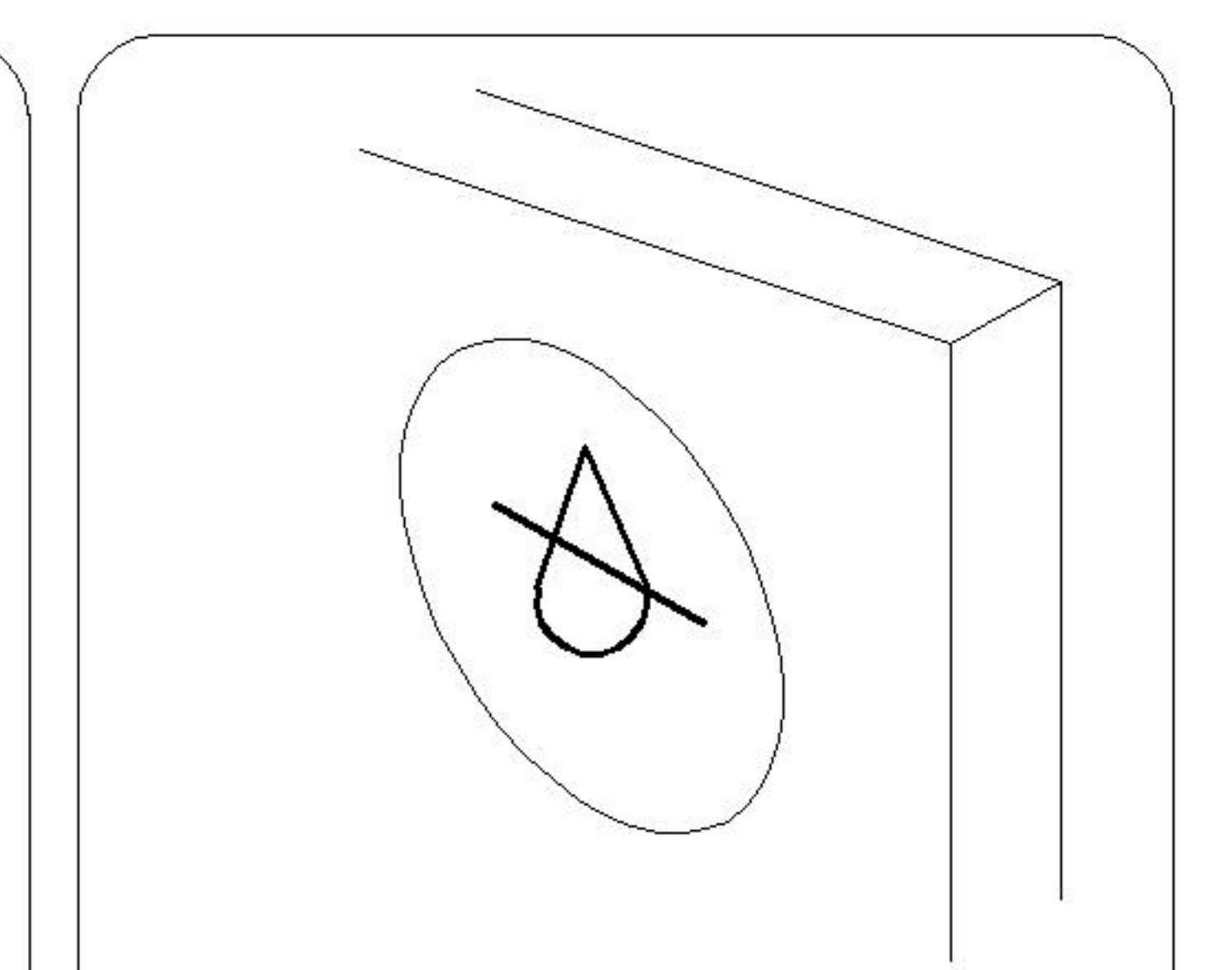
After the product installation is completed, please attach the hole stickers. Please keep any extra hole stickers safe



1、擦干净孔位  
1、Clean the hole position thoroughly

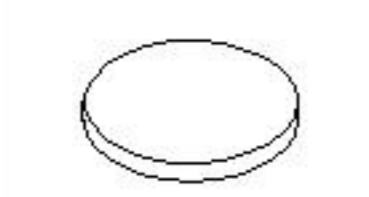


2、贴上孔贴  
2、Attach hole stickers

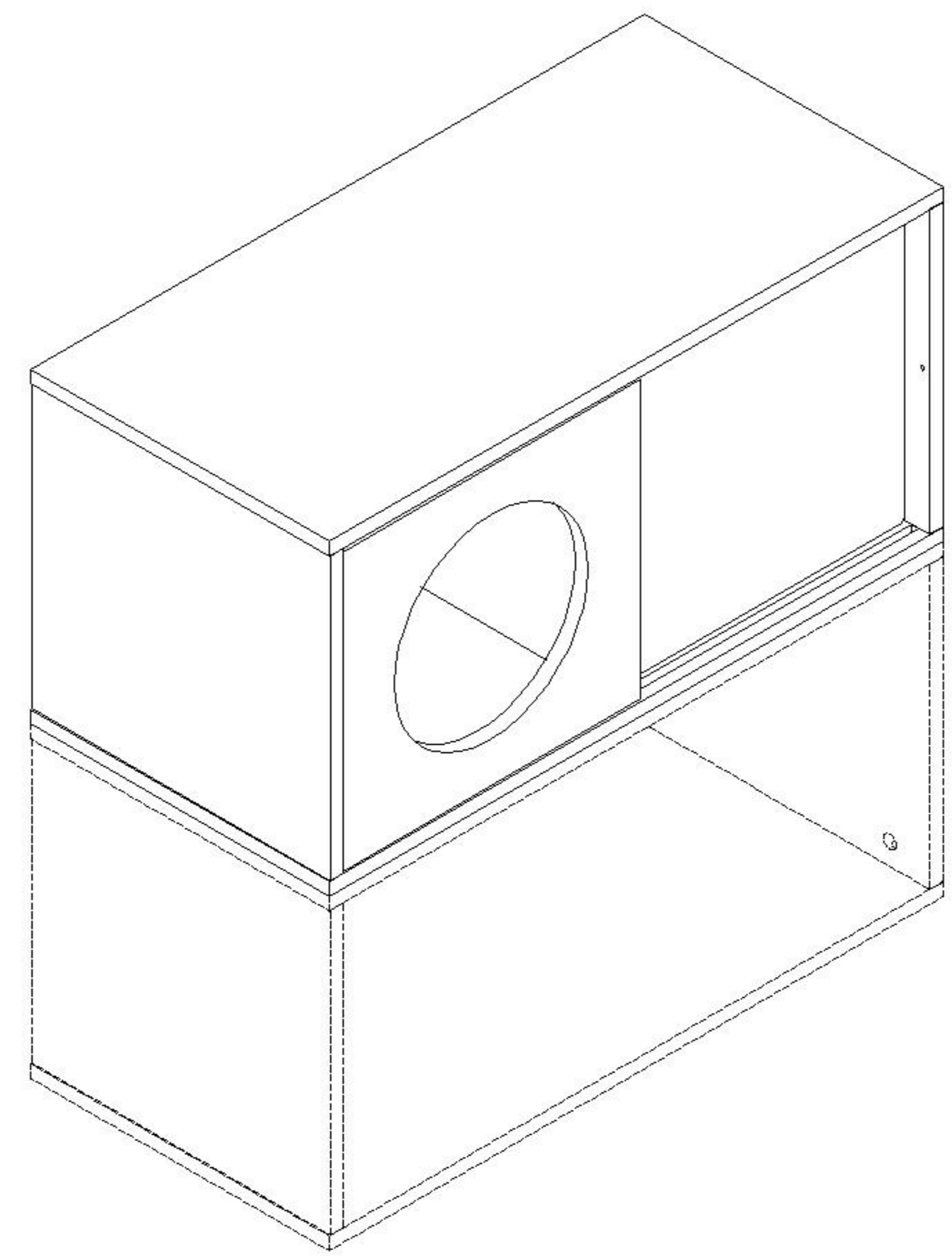


3、24小时内勿碰水  
3、Do not touch water within 24 hours

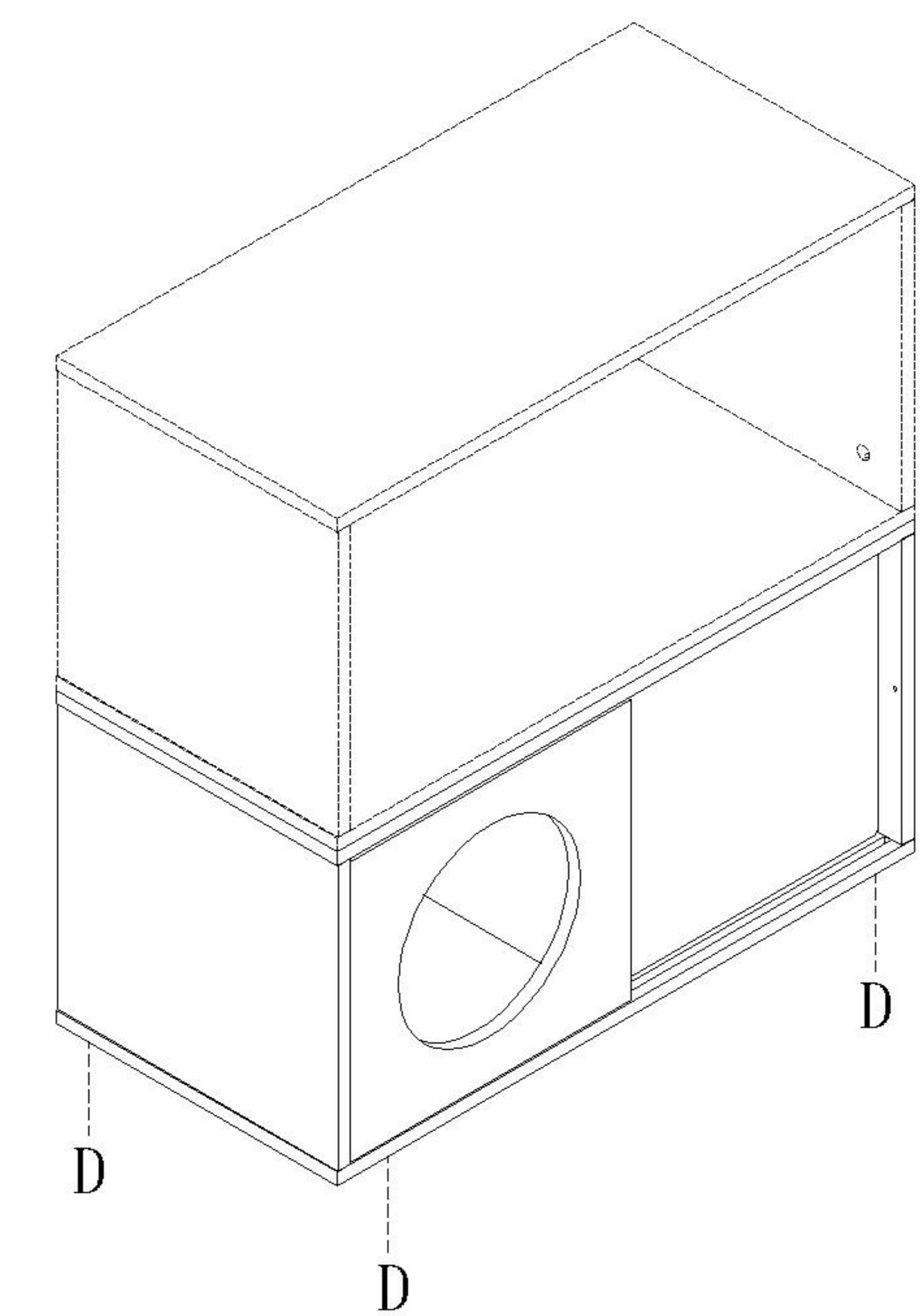
6



(D)\*4



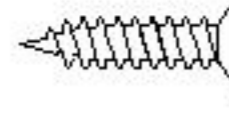
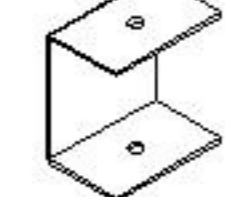
无接触地面不需安装五金(D)  
No need to install hardware without touching the ground (D)



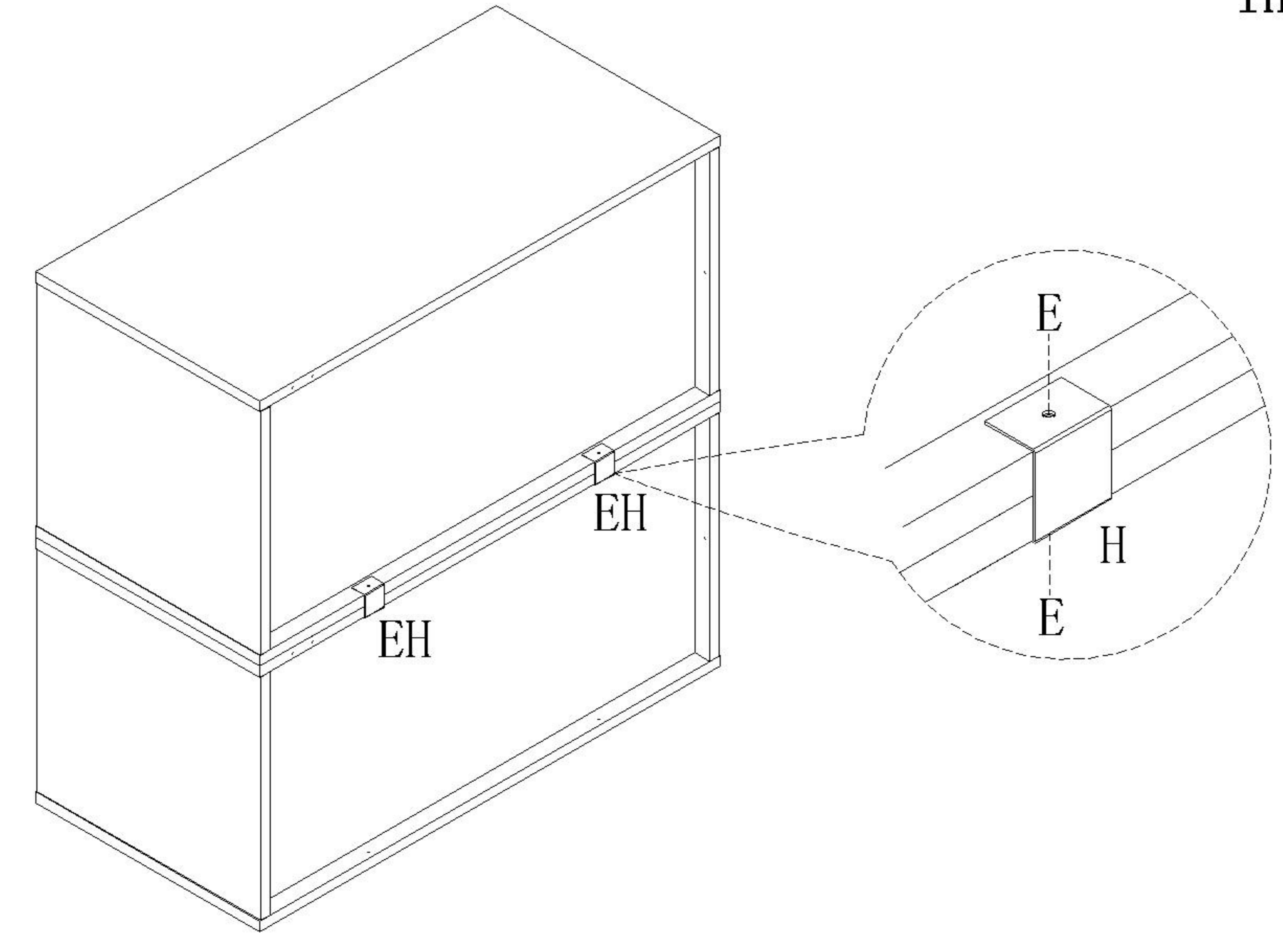
接触地面需安装五金(D)  
Hardware installation required for contact with the ground (D)

7

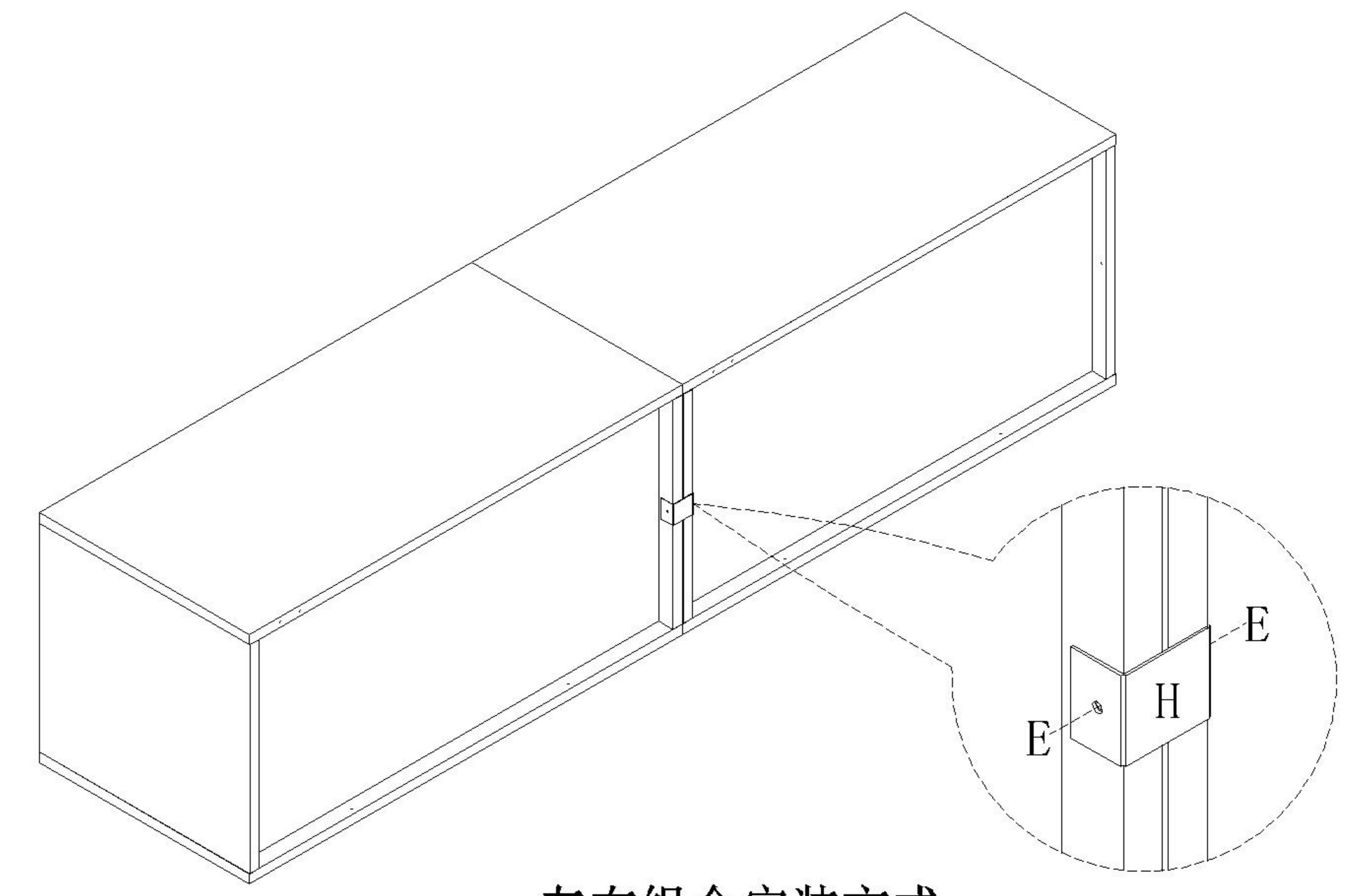
# 安装方法 Installation method

-  (E)\*4
-  (H)\*2

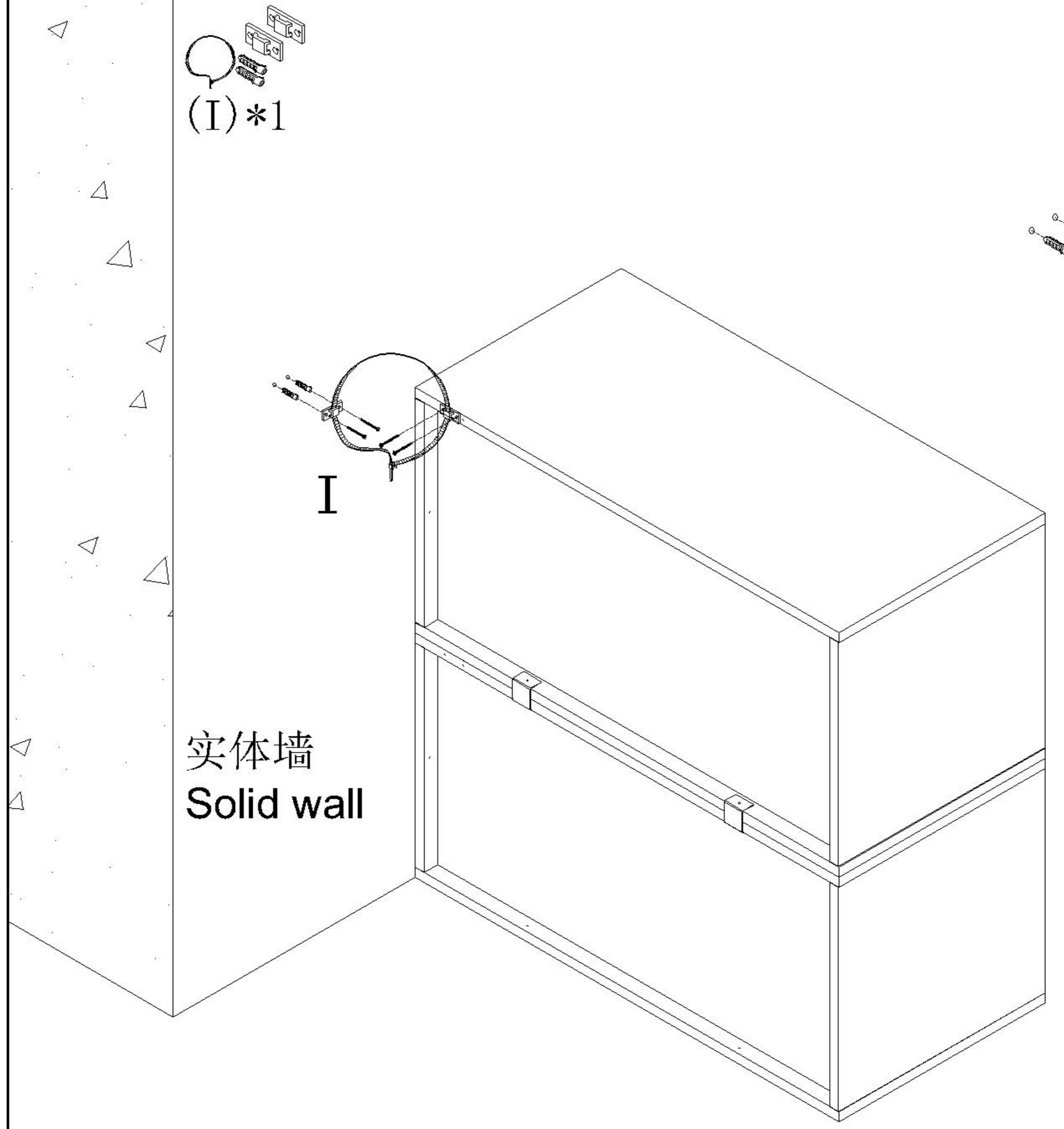
组合连接方式, 如只购买单个柜体无需安装  
Combination connection method, such as purchasing only a single cabinet without installation



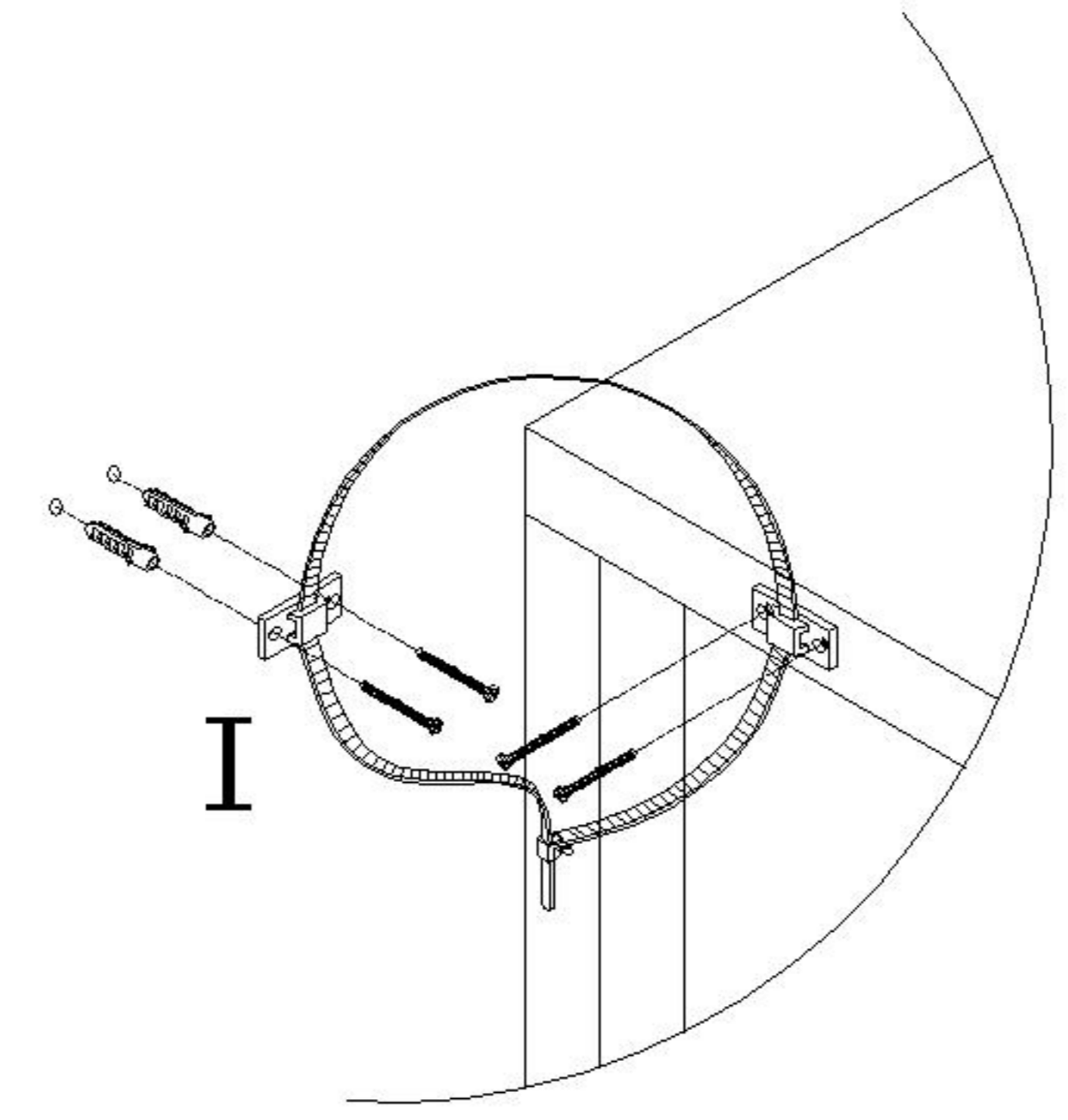
上下组合安装方式  
Upper and lower combination installation method



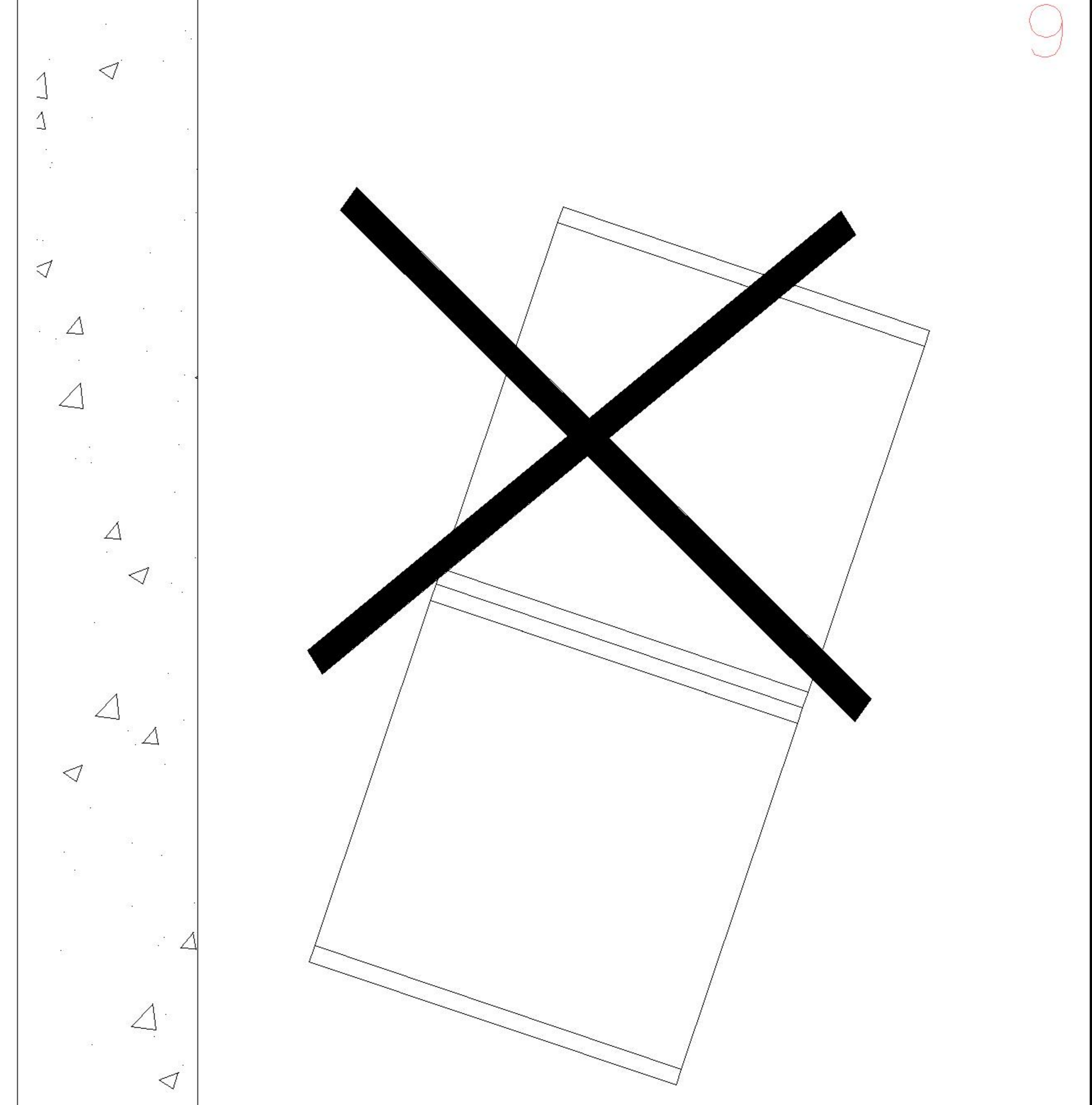
左右组合安装方式  
Left and right combination installation method



实体墙  
Solid wall



柜子组合高度超600mm  
需安装上防倒器  
Cabinet combination height exceeding 600mm requires installation of an anti fall device

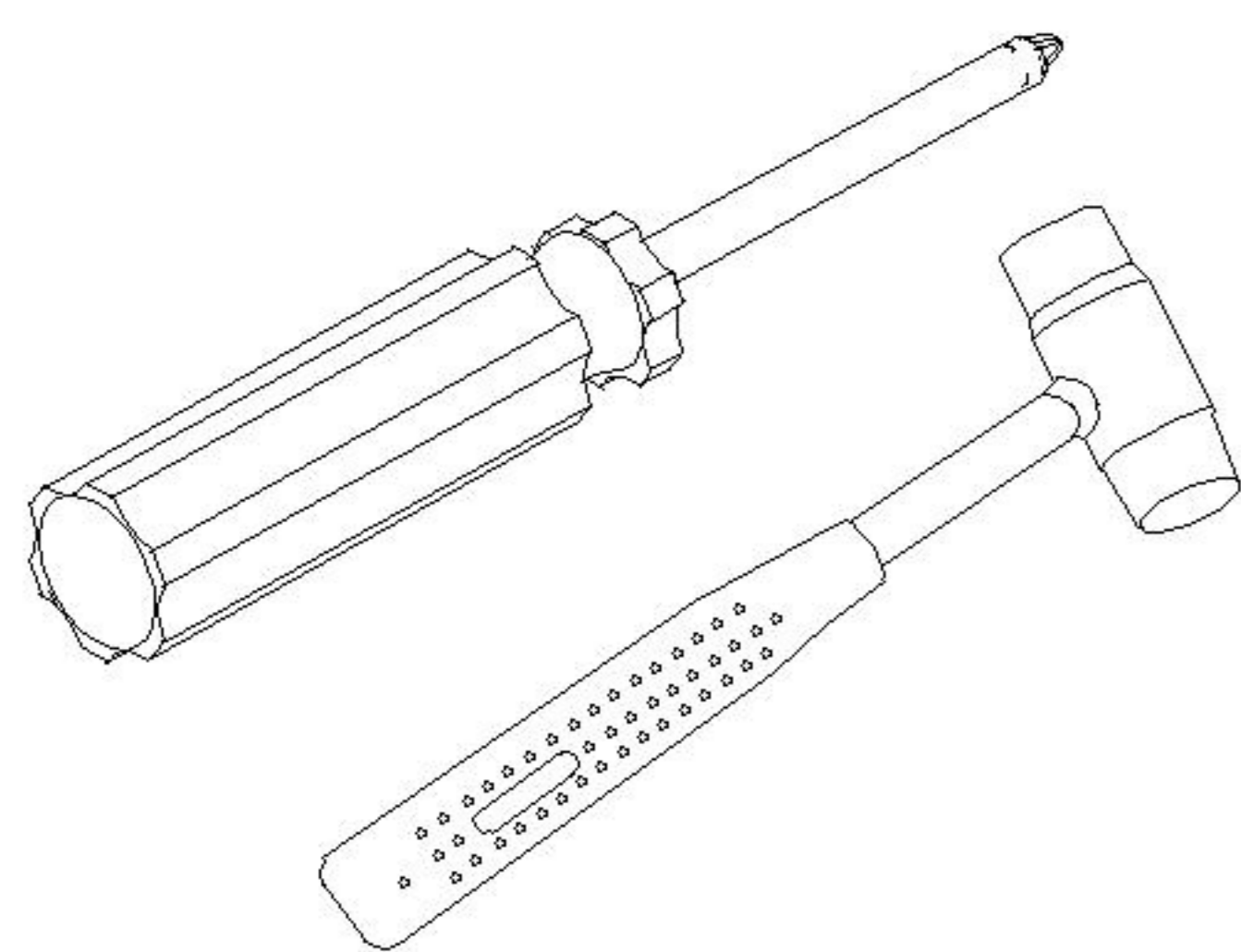
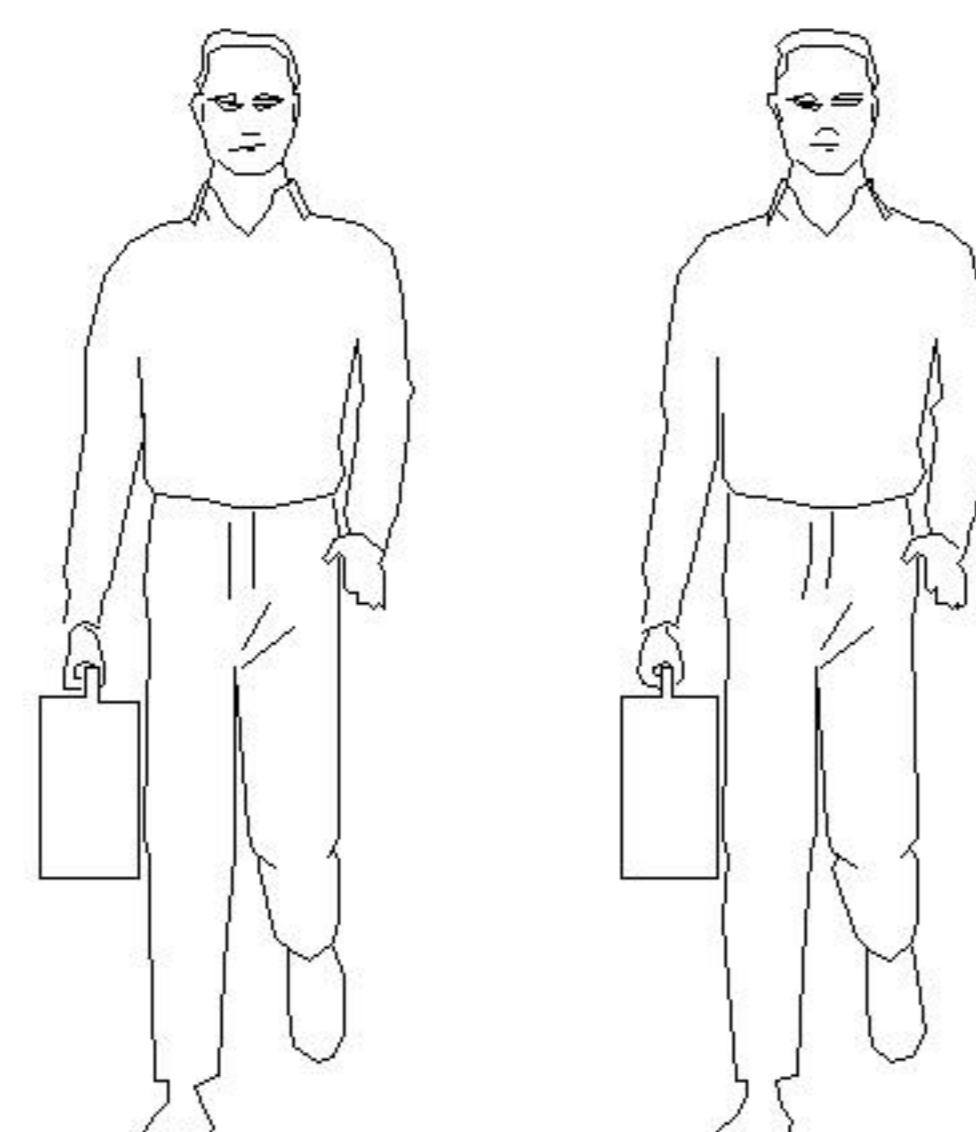


# LINSY 林氏家居

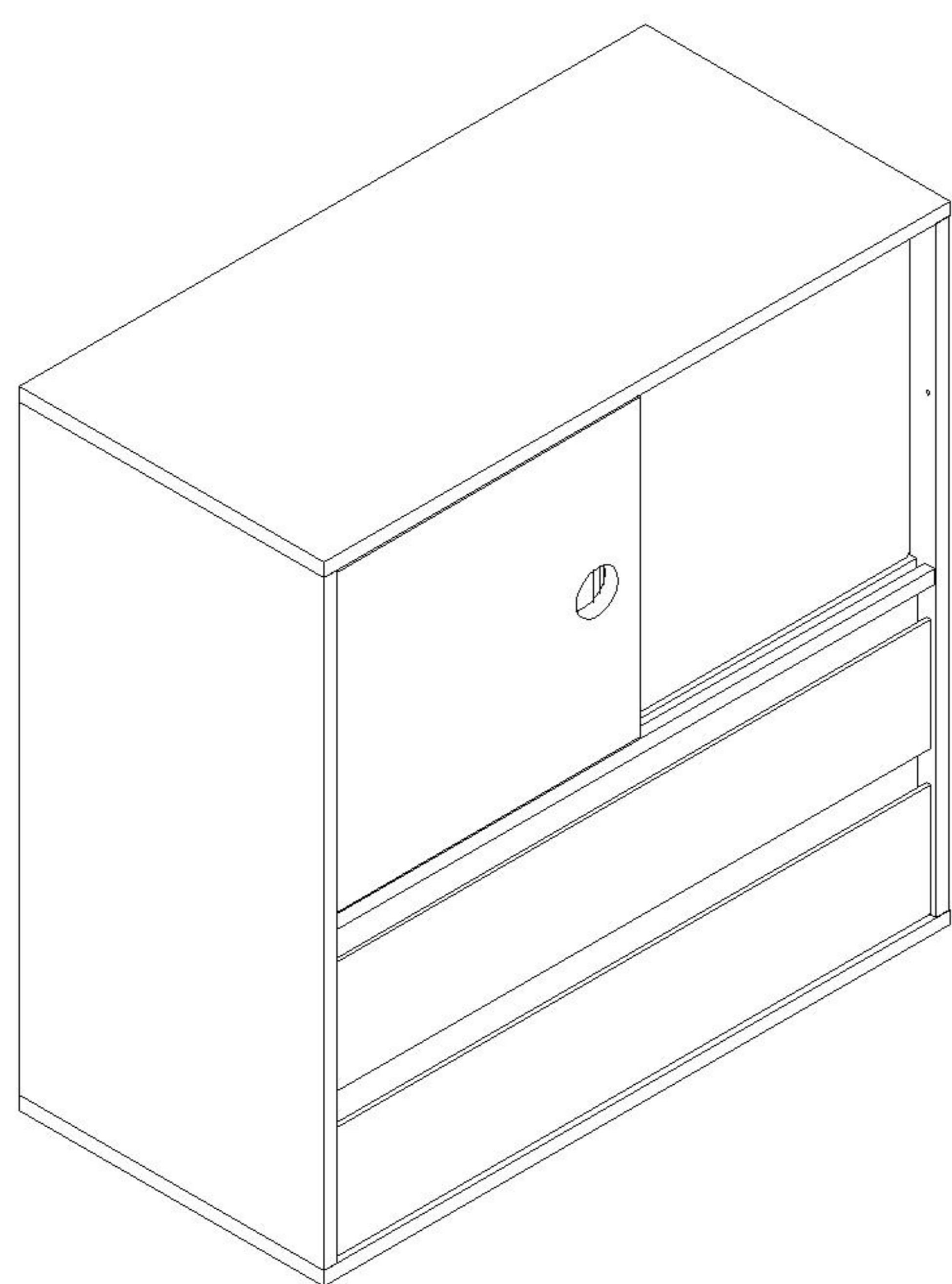
## 五金表/Hardware list

## 部件表/Parts List

安装示意图/Assembly Instruction

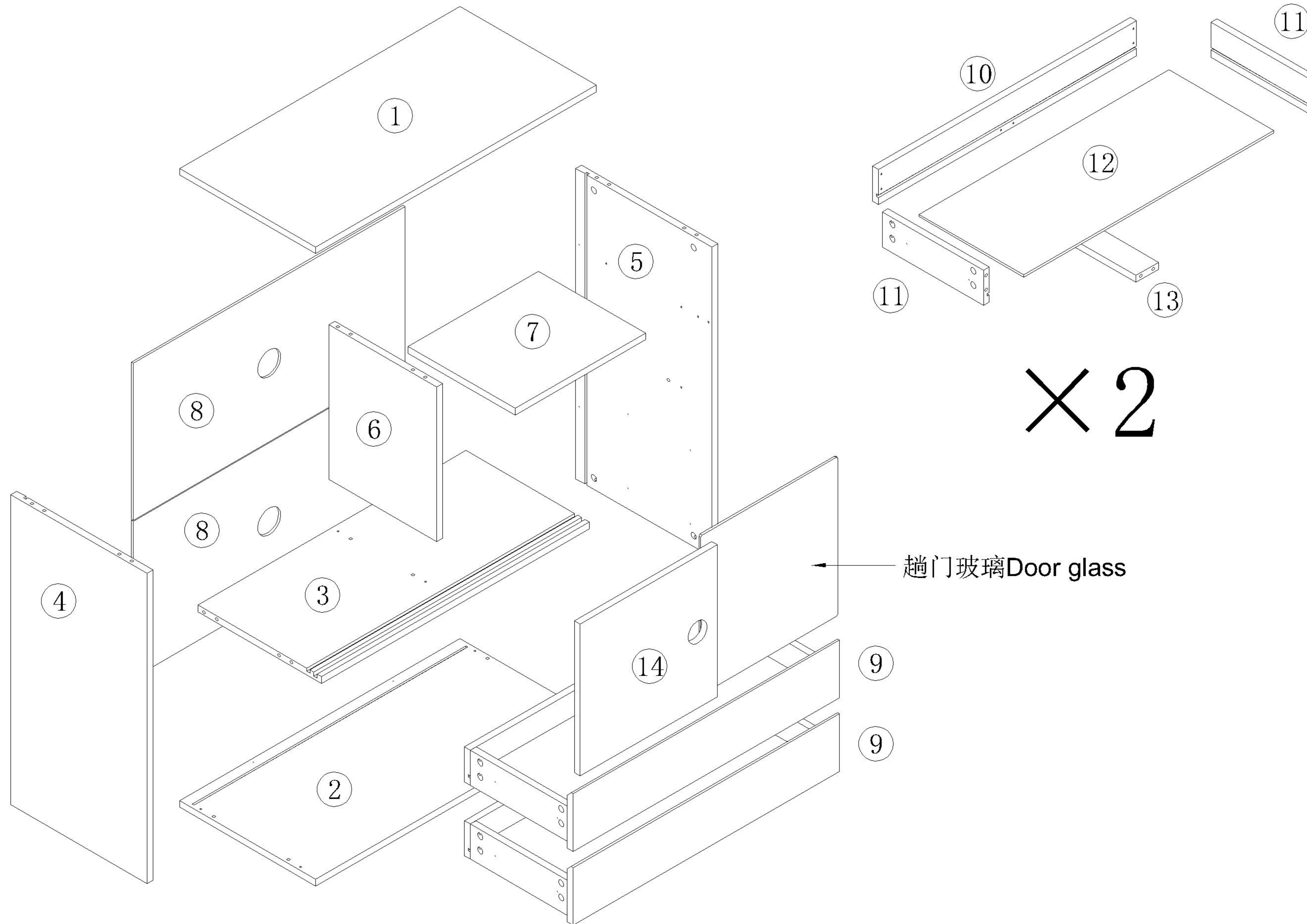
产品名称 Model NO.	KQ10E-C
产品规格 Specification	720*350*723mm
安装工具 Tool	安装人数 Installer
	

注：为保证设计效果，部分尺寸为定制尺寸，不影响使用。



 (A)*42 二合一螺杆 2-in-1-screw	 (B)*42 大三合一锁饼 3-in-1 large lock	 (C)*17 木榫Ø8x30mm Wood tenon	 (D)*4 灰色毛毡垫 Foot pad
 (E)*48 白攻螺丝M3.5*12mm Tapping screw	 (F)*17 白攻螺丝M3.5*16mm Tapping screw	 (G)*11 背板扣 White buckle	 (H)*2 U型卡扣 U-shaped buckle
 (I)*1 家具防倒器-白色 Anti-fall device	 (J)*2 三节滚珠导轨10" Three-section rail	 (K)*2 透气孔盖-白色 Breathable cover	 (L)*2 亚克力 Acrylic
 (M)*6 镜钉 Mirror nail	 (N)*4 防撞孔塞 Anti-collision plug	 (O)*2 趟门轮 Gate wheel	 (P)*2 垫片M5 Gasket
 (Q)*1 夹板条 Splint strip	 (R)*1 趟门玻璃Door glass	 (S)*4 层板托5mm shelf support	 (T)*42 PVC孔贴 PVC hole sticker

编号NO.	名称Name	规格(mm) Specification	数量QTY	材质Material
①	面板Top panel	720*350*15	1	刨花板 Particle board
②	底板Bottom board	720*350*15	1	刨花板 Particle board
③	层板Shelf	688*318*15	1	刨花板 Particle board
④	左侧板Side board(L)	690*350*15	1	刨花板 Particle board
⑤	右侧板Side board(R)	690*350*15	1	刨花板 Particle board
⑥	中侧板Middle side board	344*277*15	1	刨花板 Particle board
⑦	活动层板Movable shelf	335.5*275*15	1	刨花板 Particle board
⑧	背板Back board	698*349*5	2	纤维板 Fiberboard
⑨	抽屉面板 Drawer's top panel	684*128*15	2	刨花板 Particle board
⑩	抽屉后板 Drawer's Back board	662*78*15	2	刨花板 Particle board
⑪	抽屉侧板 Drawer's sideboard	260*78*15	4	刨花板 Particle board
⑫	抽屉底板 Drawer's Bottom board	642*270*5	2	纤维板 Fiberboard
⑬	抽屉底托条 Drawer's bottom bracket	260*58*15	2	刨花板 Particle board
⑭	趟门板Door plank	352*338*15	1	纤维板 Fiberboard

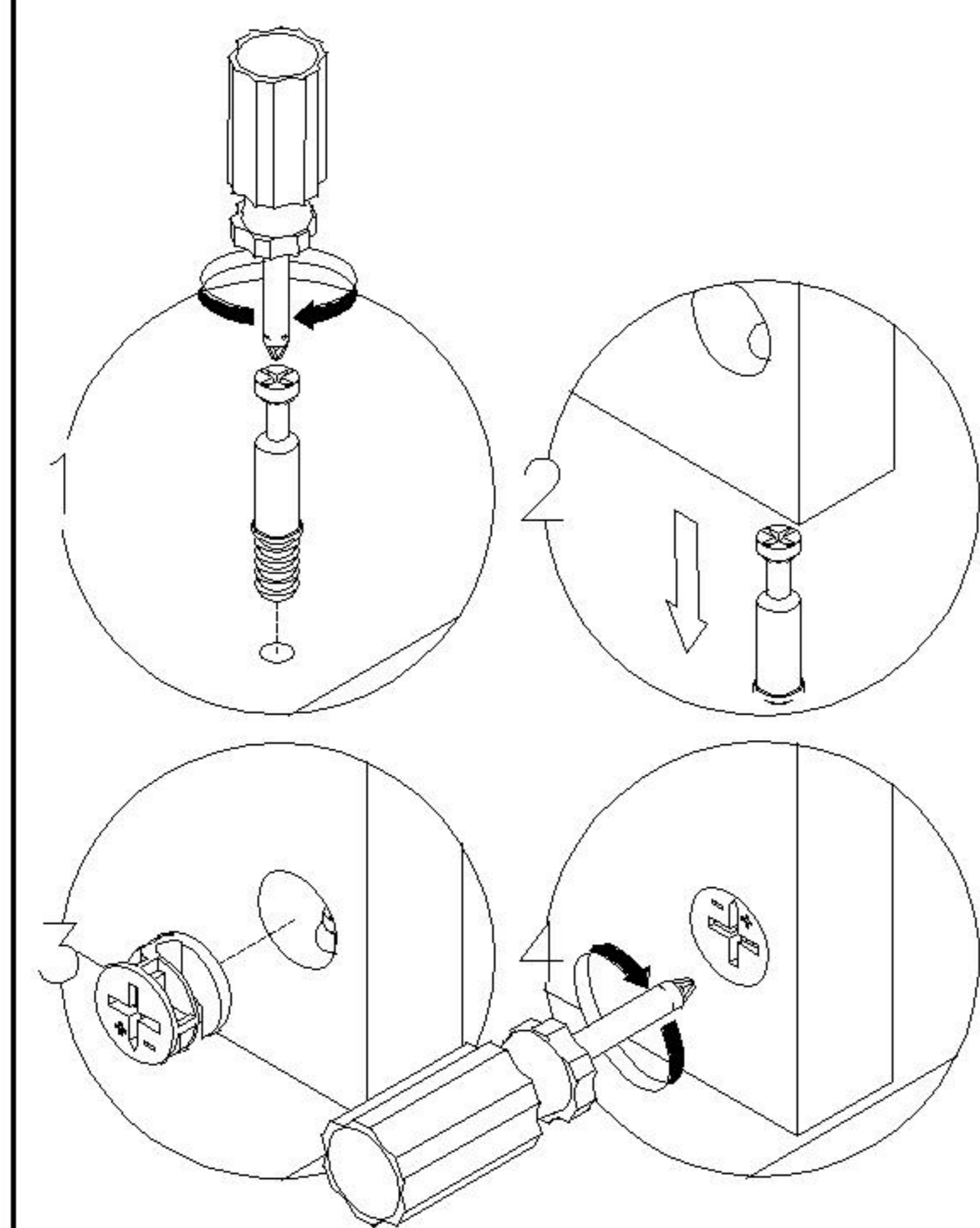


编号NO.	名称Name
①	面板Top panel
②	底板Bottom board
③	层板Shelf
④	左侧板Side board(L)
⑤	右侧板Side board(R)
⑥	中侧板Middle side board
⑦	活动层板Movable shelf
⑧	背板Back board
⑨	抽屉面板 Drawer's top panel
⑩	抽屉后板 Drawer's Back board
⑪	抽屉侧板 Drawer's sideboard
⑫	抽屉底板 Drawer's Bottom board
⑬	抽屉底托条 Drawer's bottom bracket
⑭	趟门板Door plank

KQ10E-C

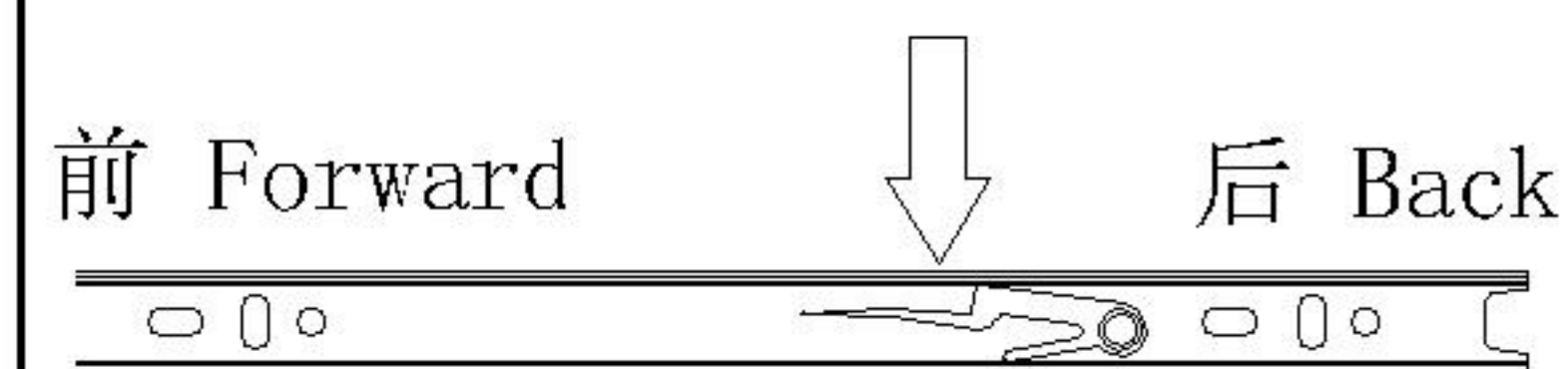
安装方法

Installation method

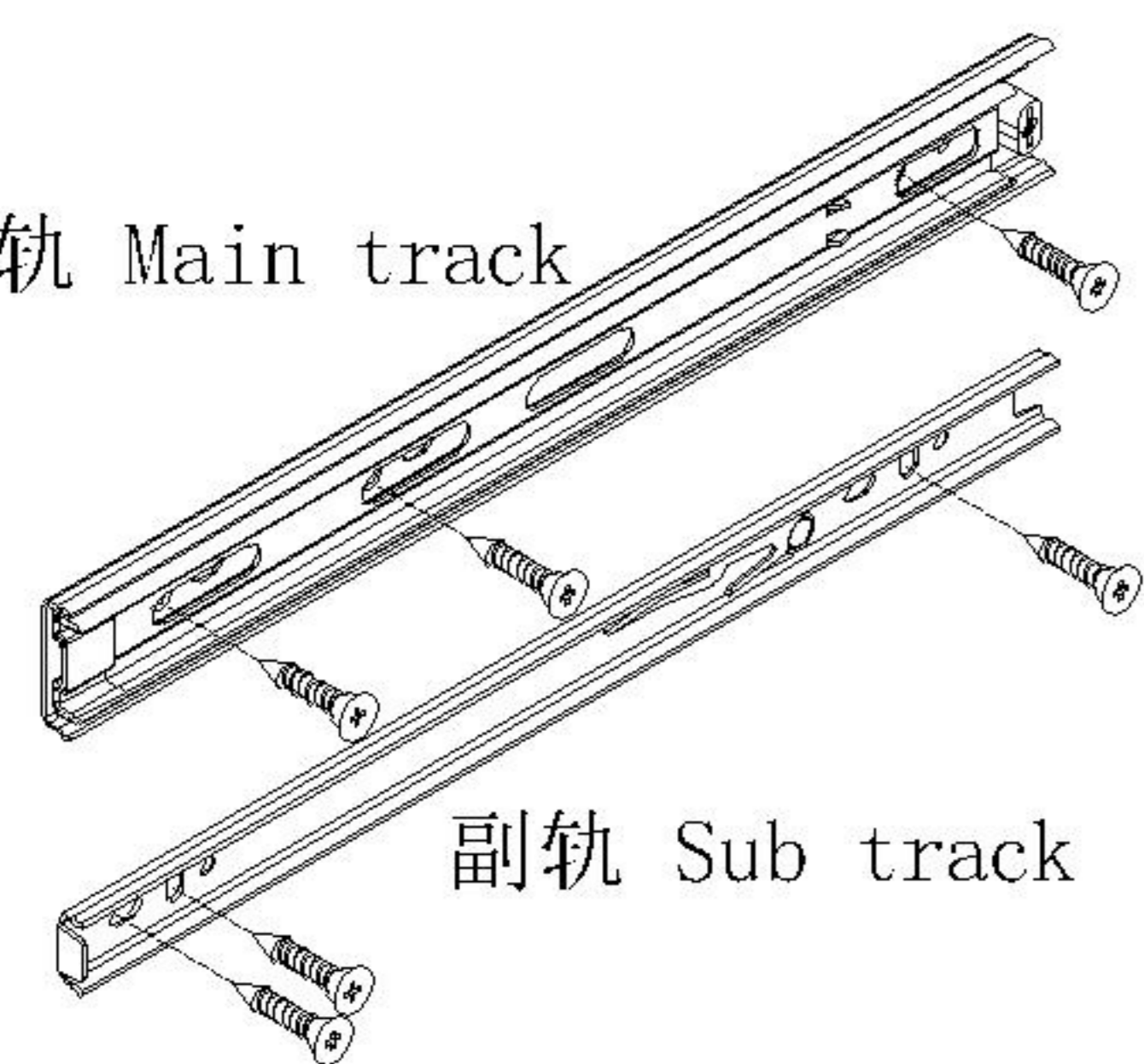


二合一 two-in-one

阀门开关(下压为开)  
Valve switch (press down to open)



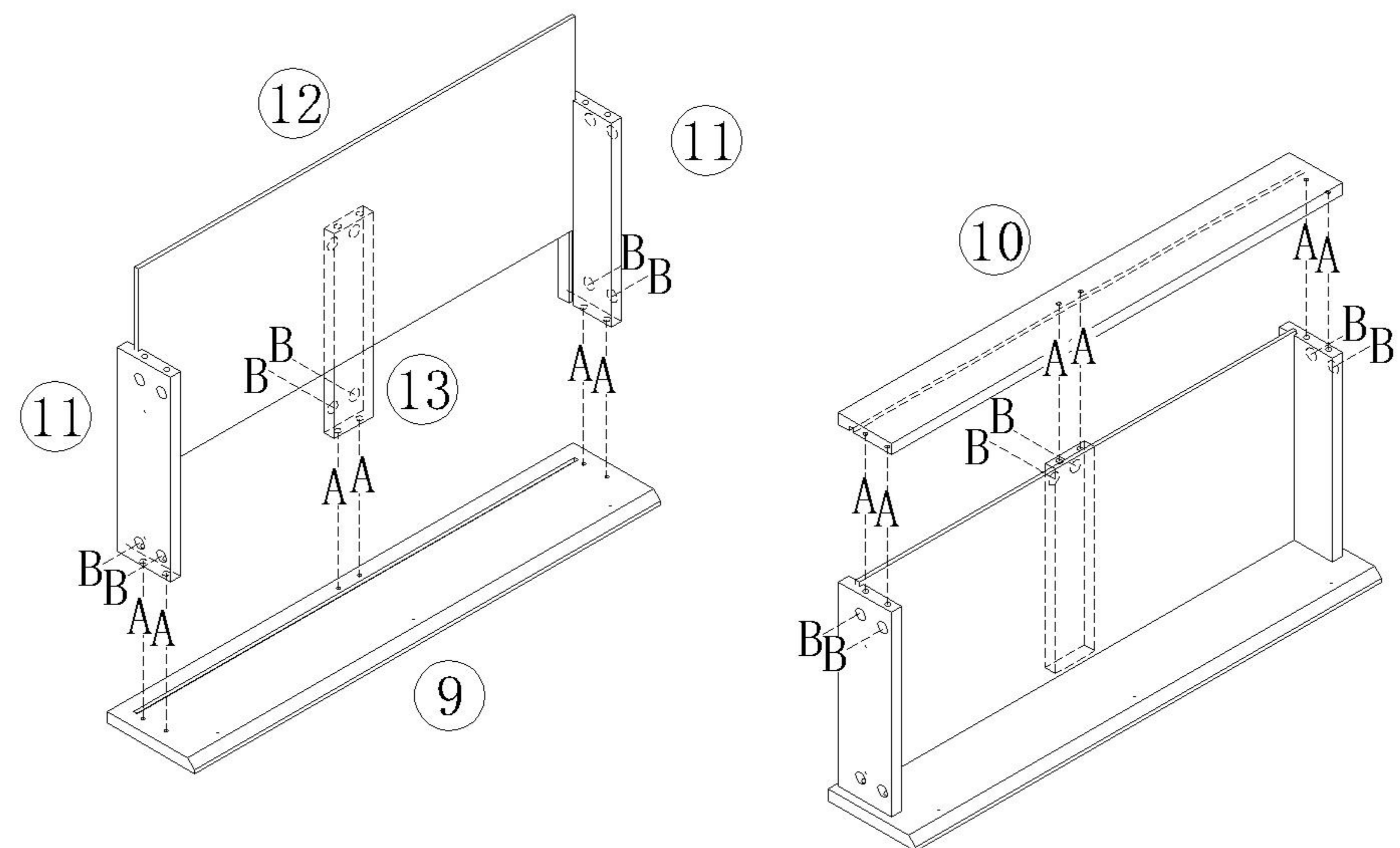
主轨 Main track



副轨 Sub track

三节滚珠导轨-10"  
Three-section rail

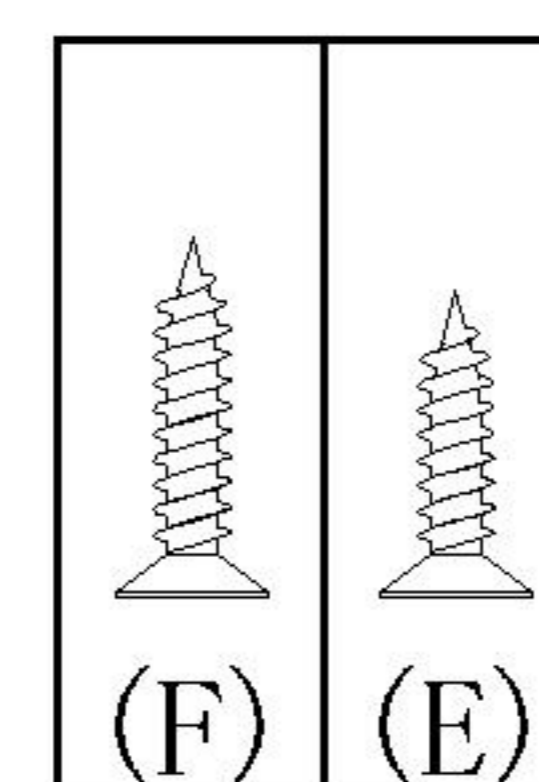
- (A)\*24
- (B)\*24



×2

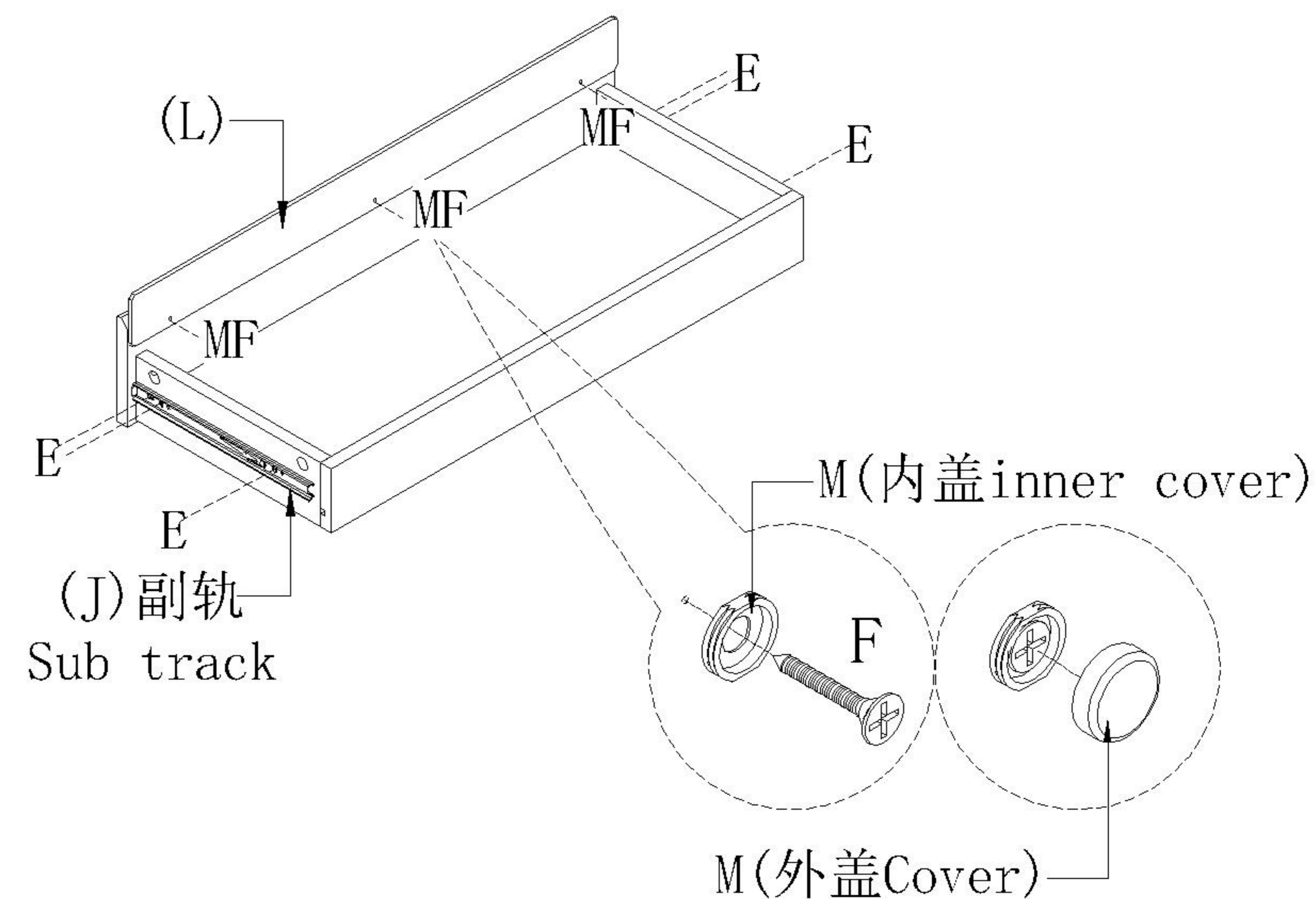
1

- (E)\*12
- (F)\*6
- (J)\*2
- (L)\*2
- (M)\*6

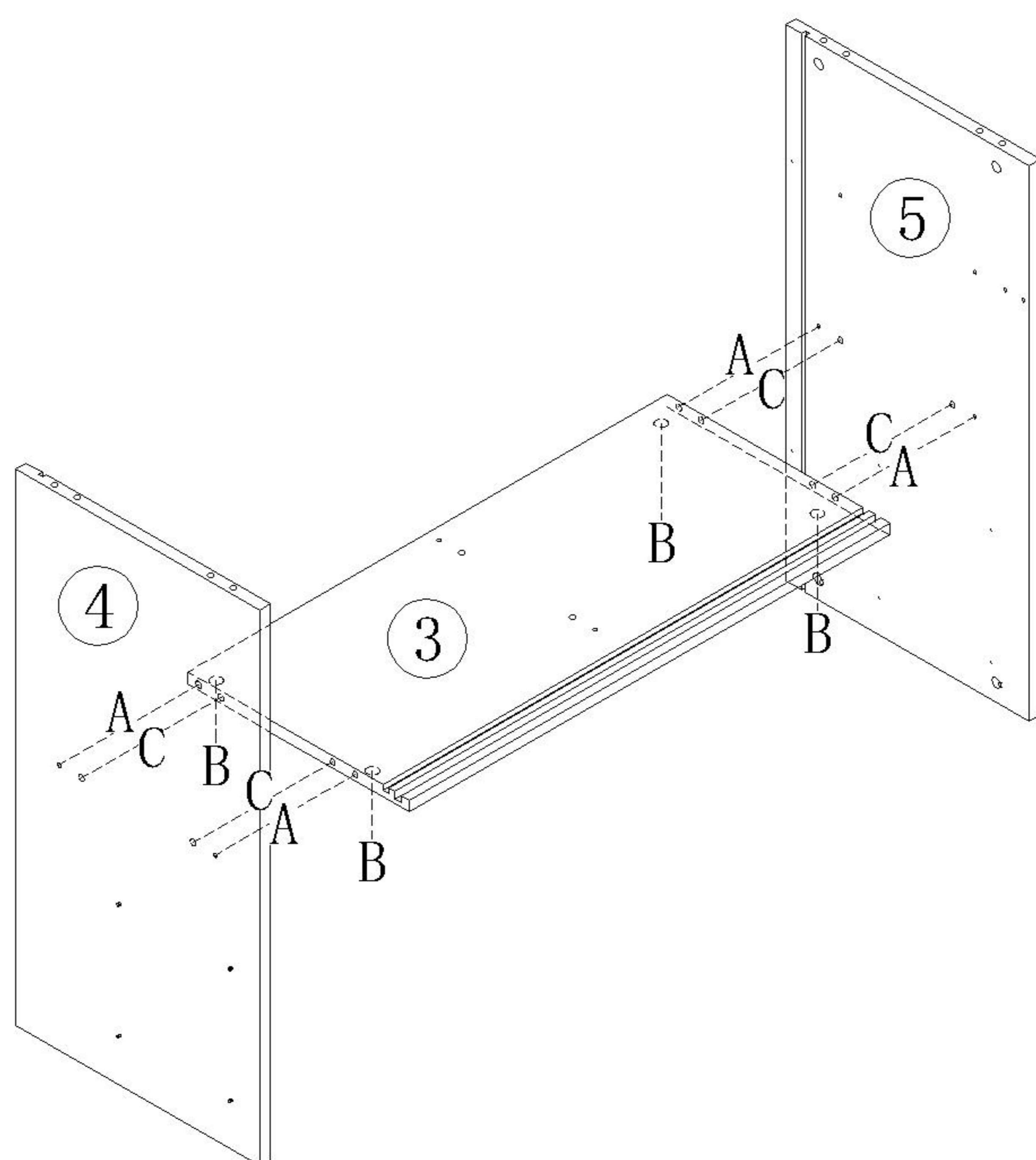


×2

2

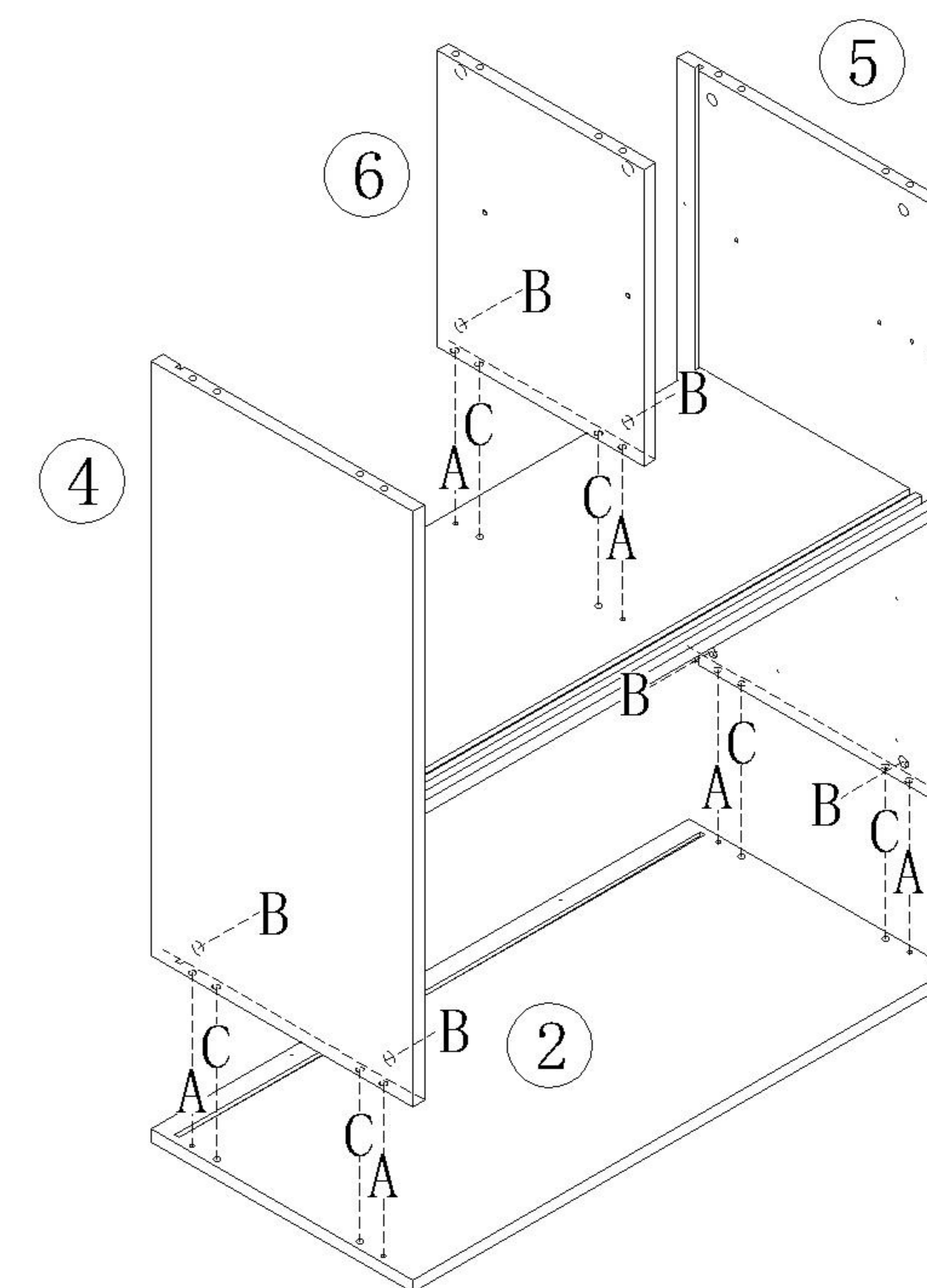


- (A)\*4
- (B)\*4
- (C)\*4



3

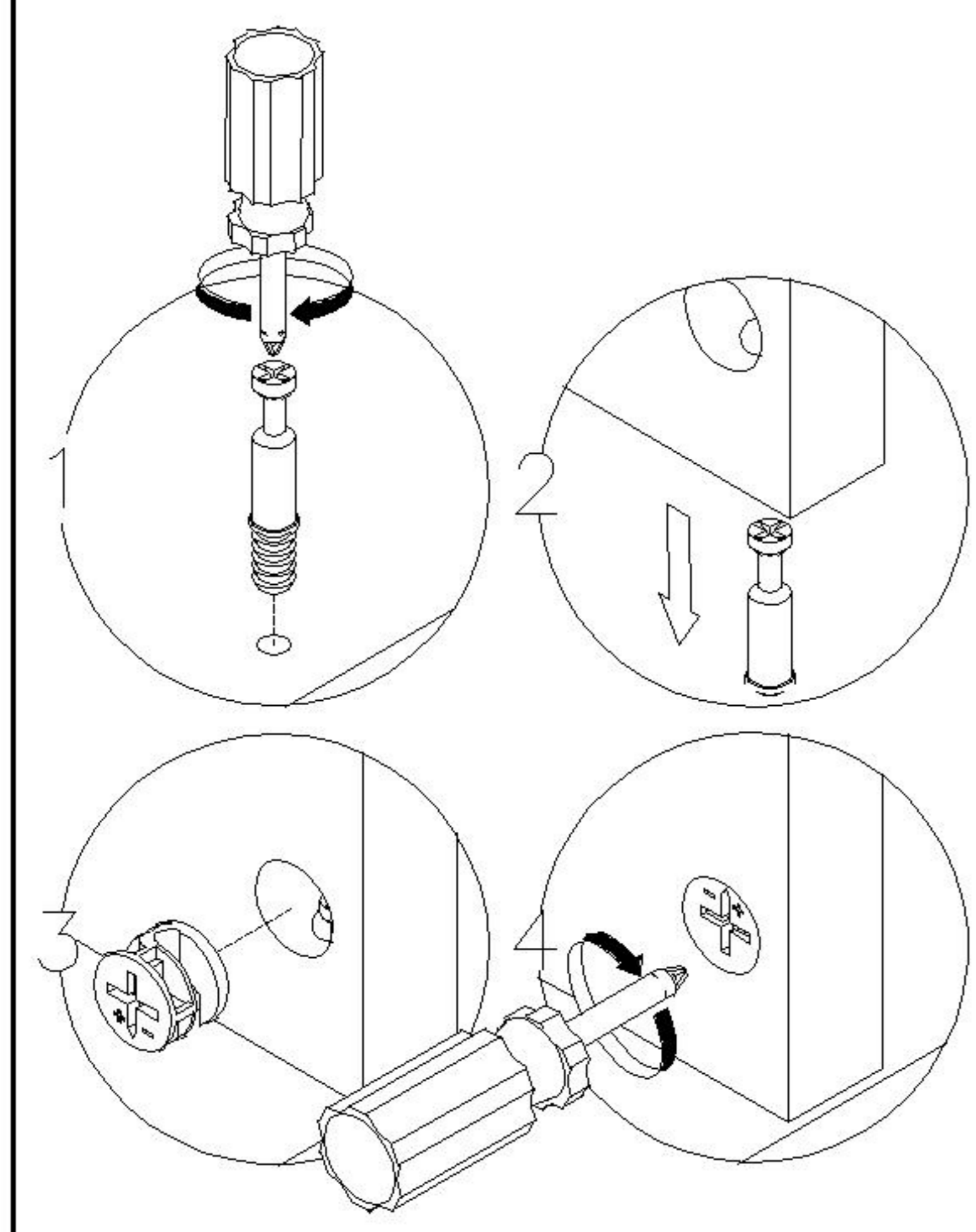
- (A)\*6
- (B)\*6
- (C)\*6



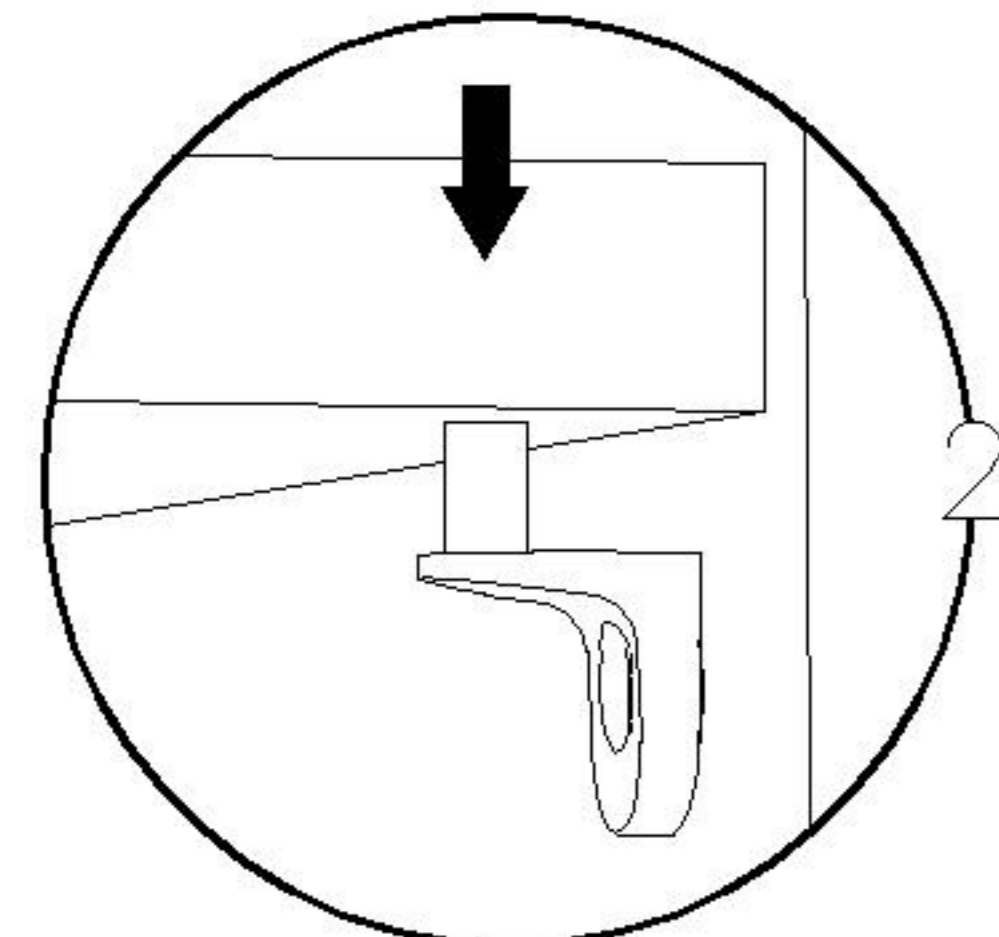
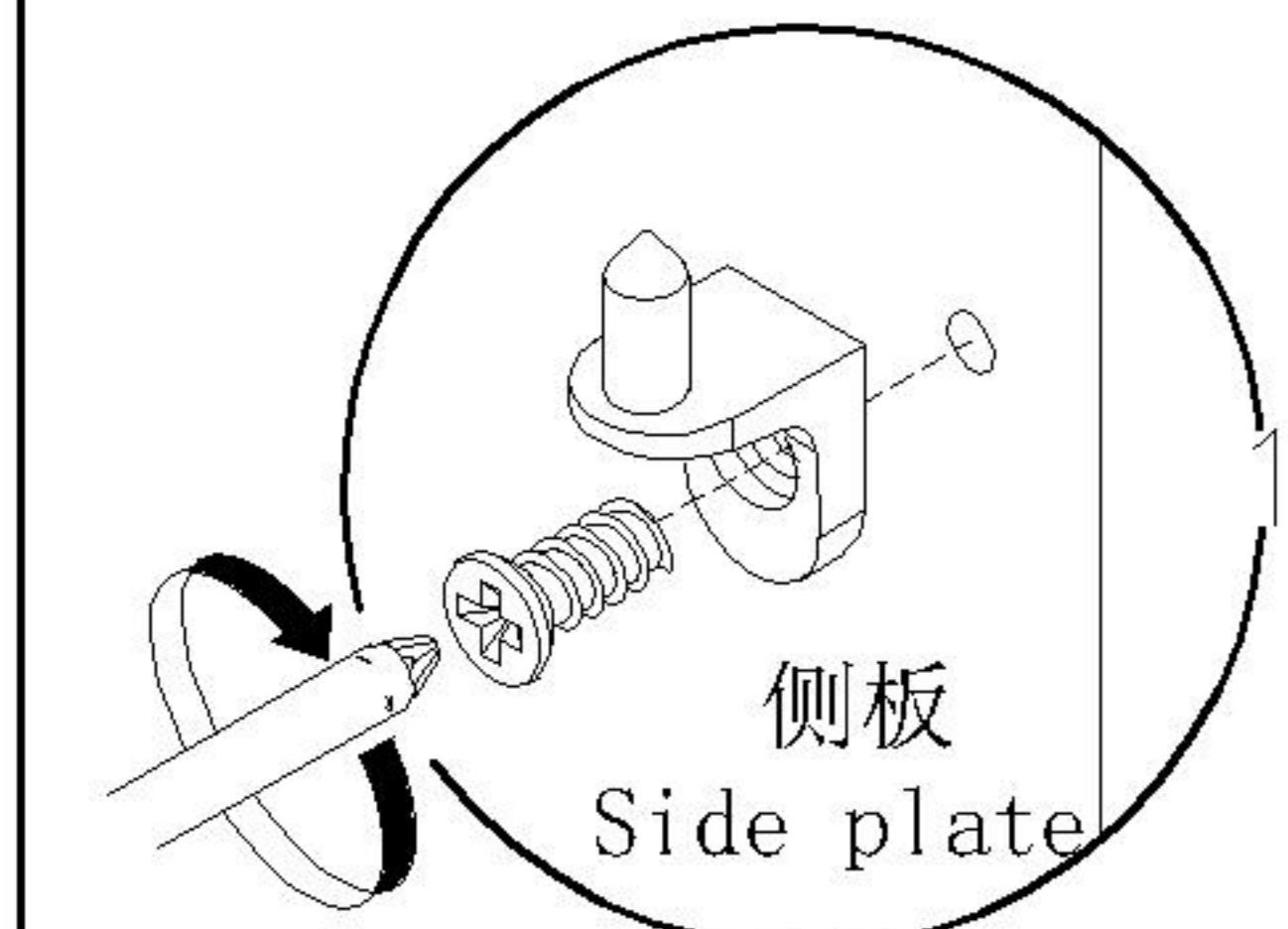
4

KQ10E-C

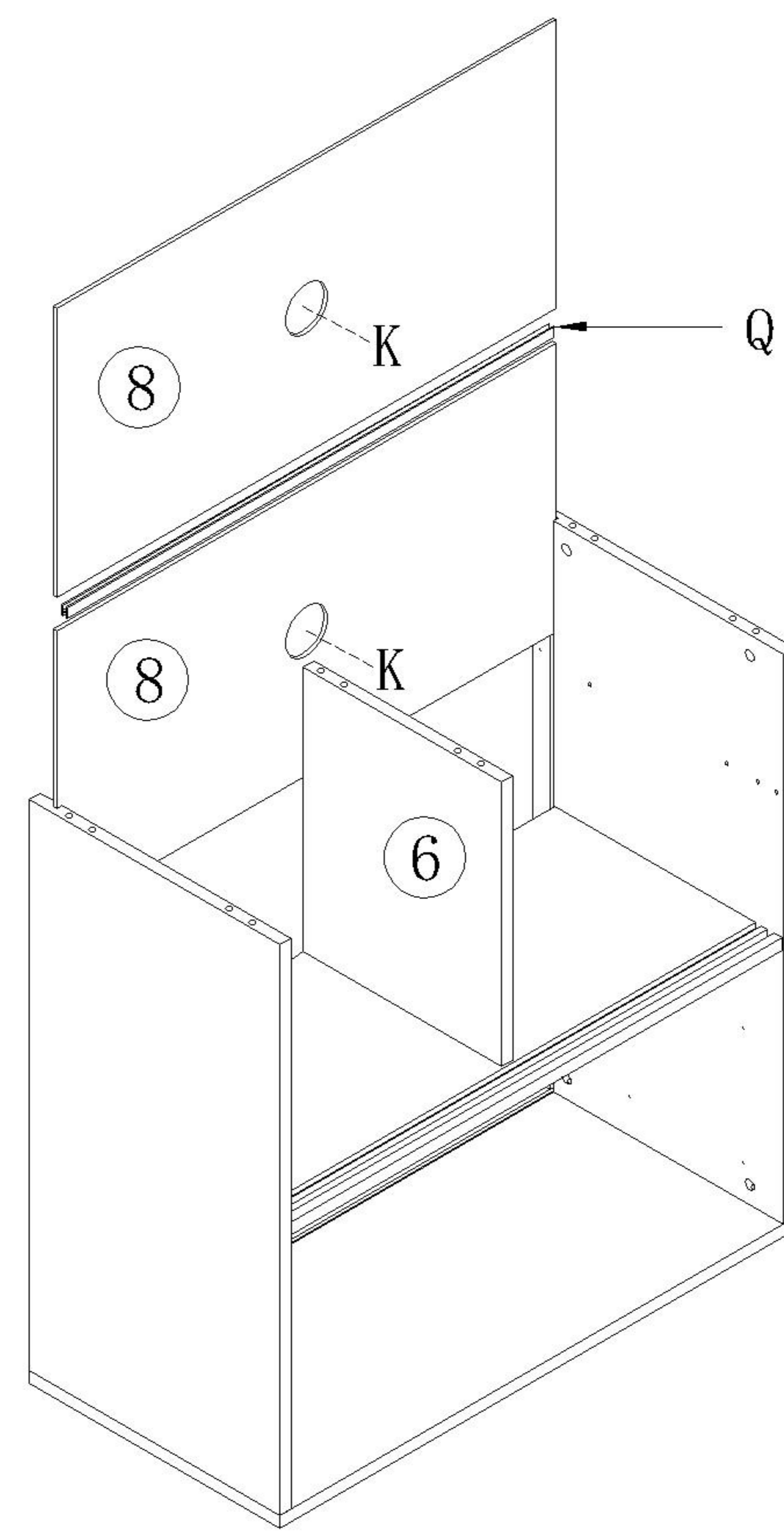
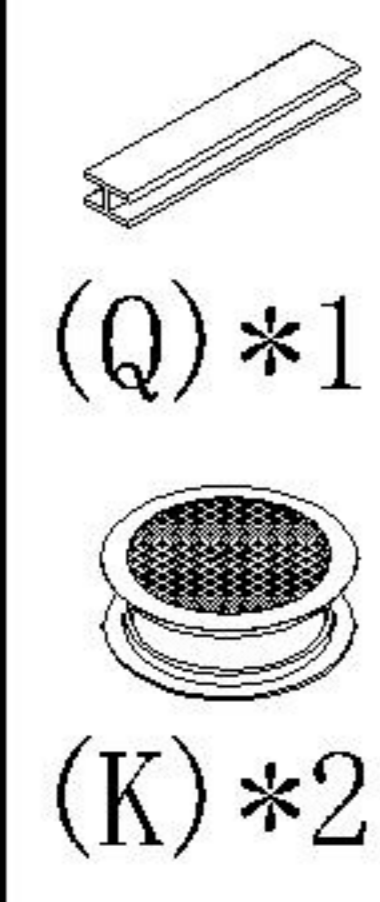
# 安装方法 Installation method



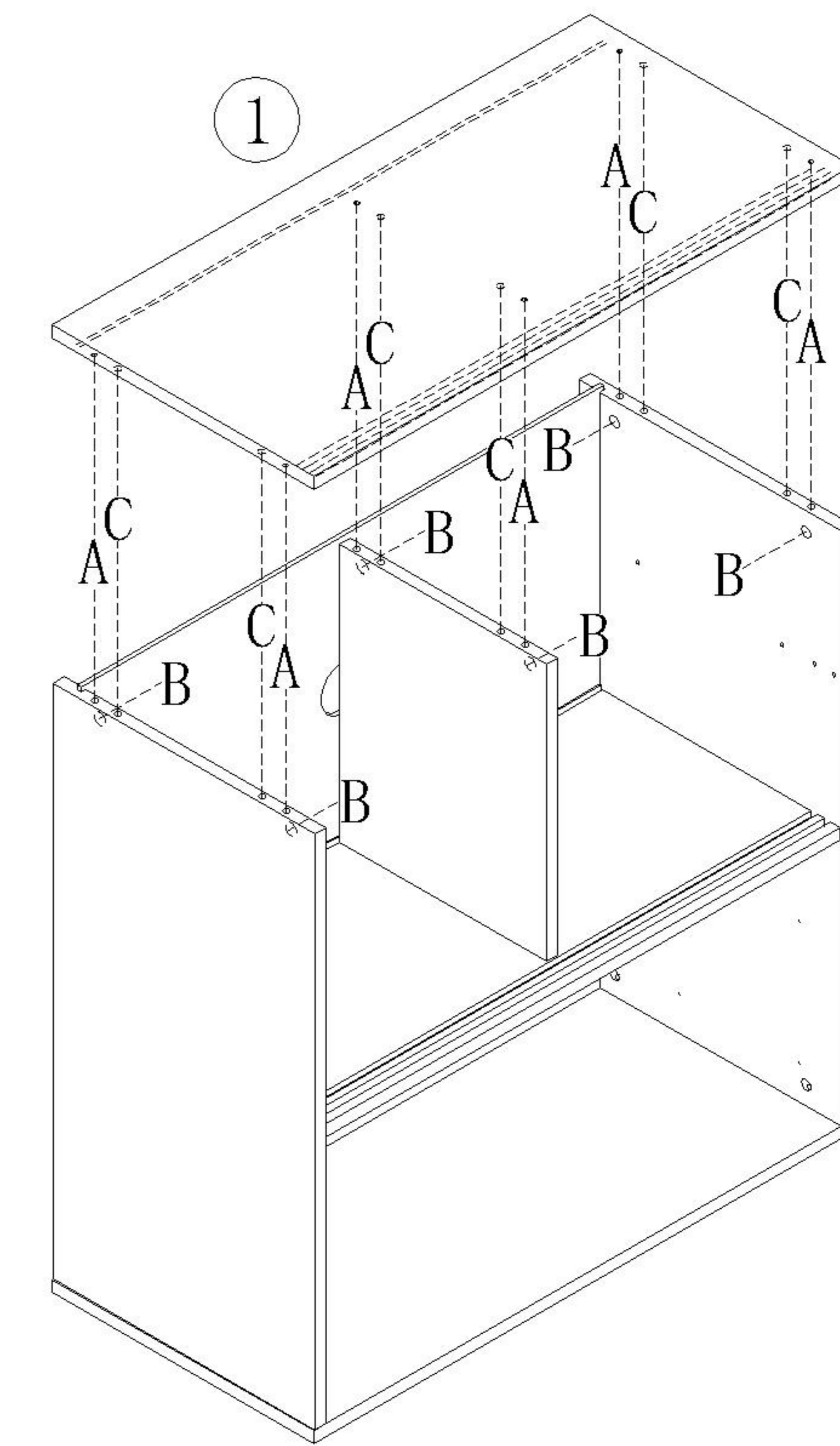
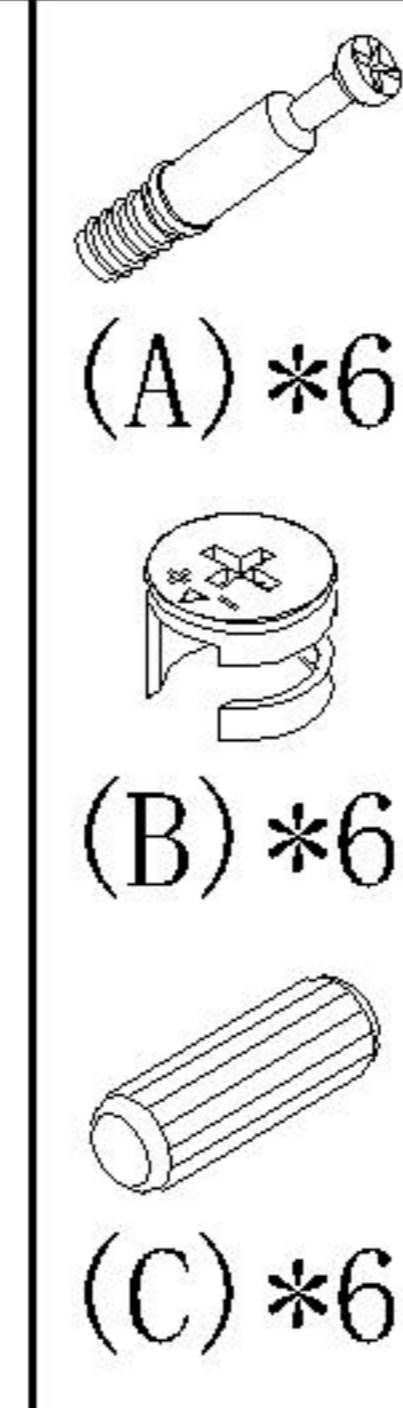
二合一 two-in-one



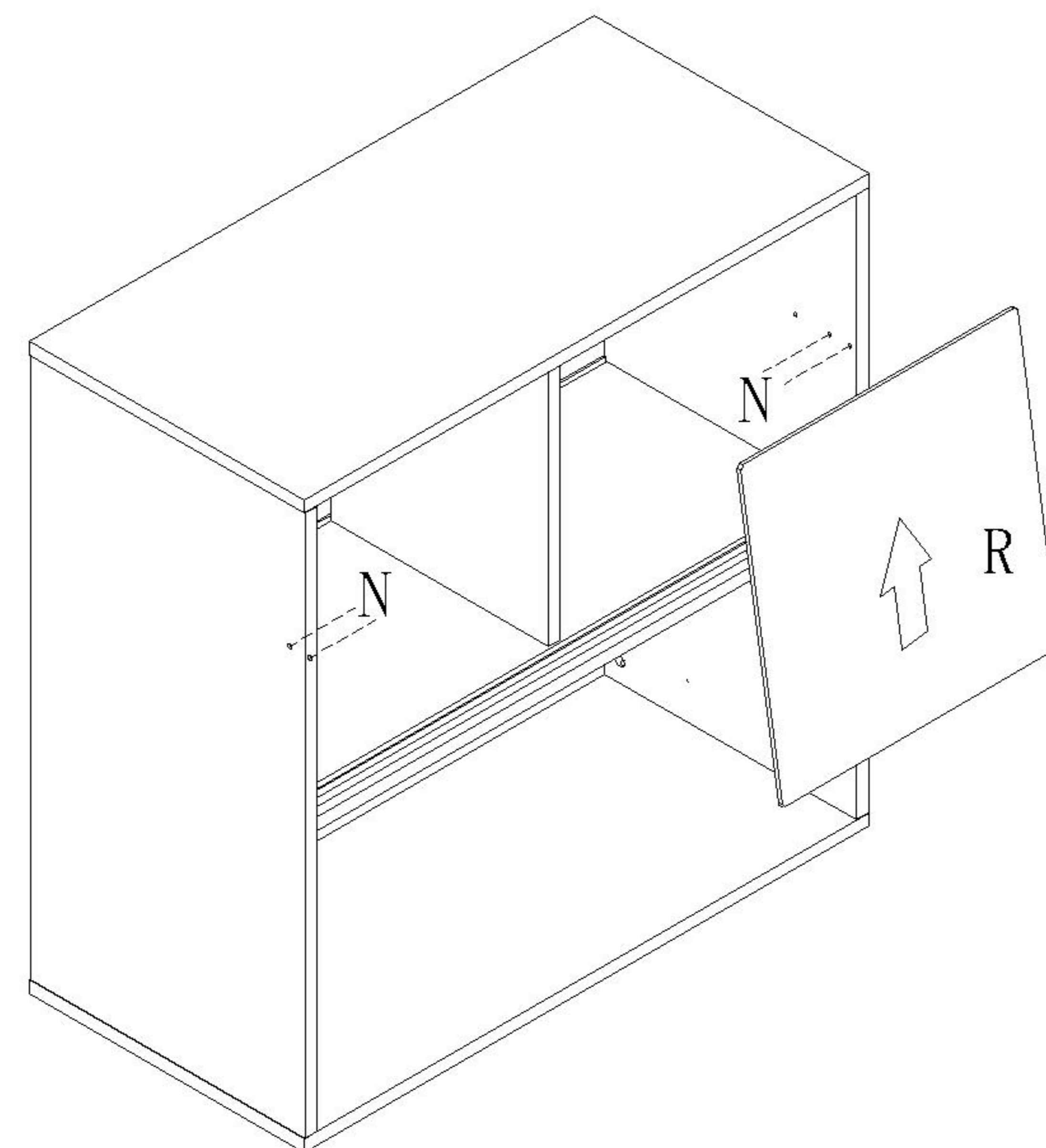
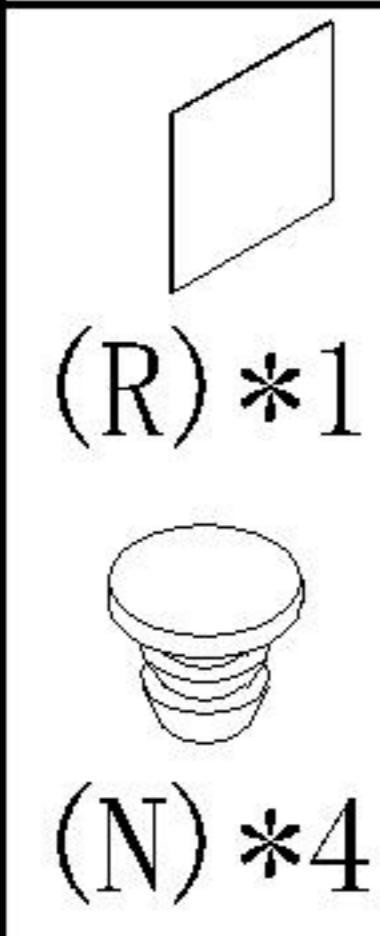
层板托5mm  
shelf support



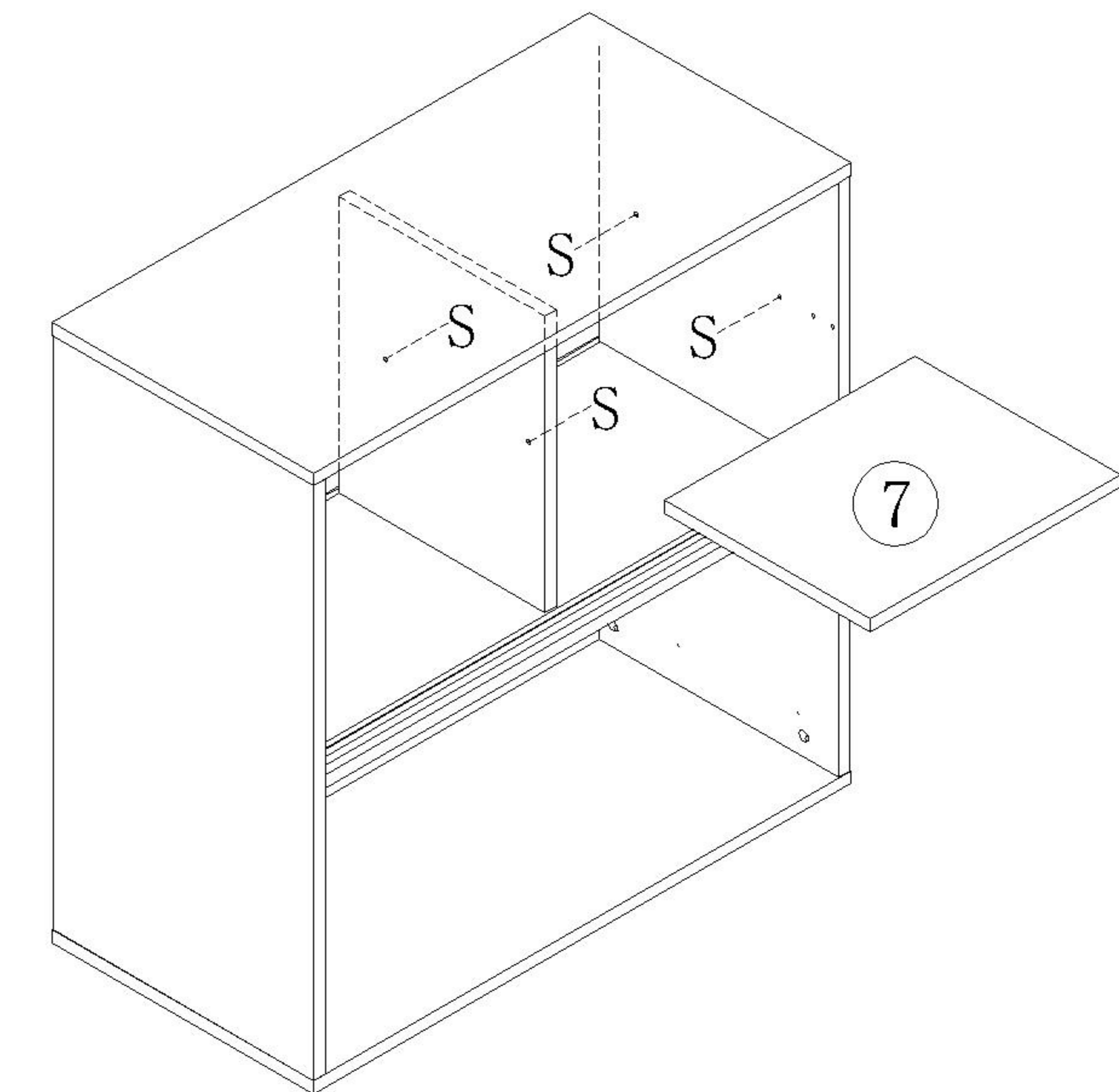
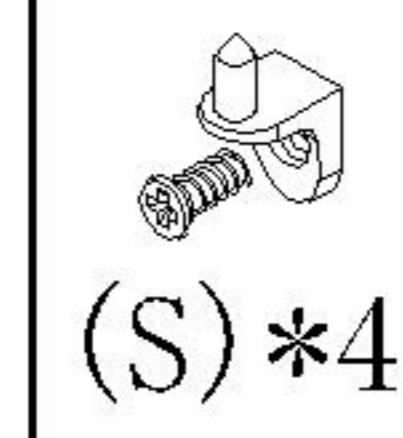
5



6



7

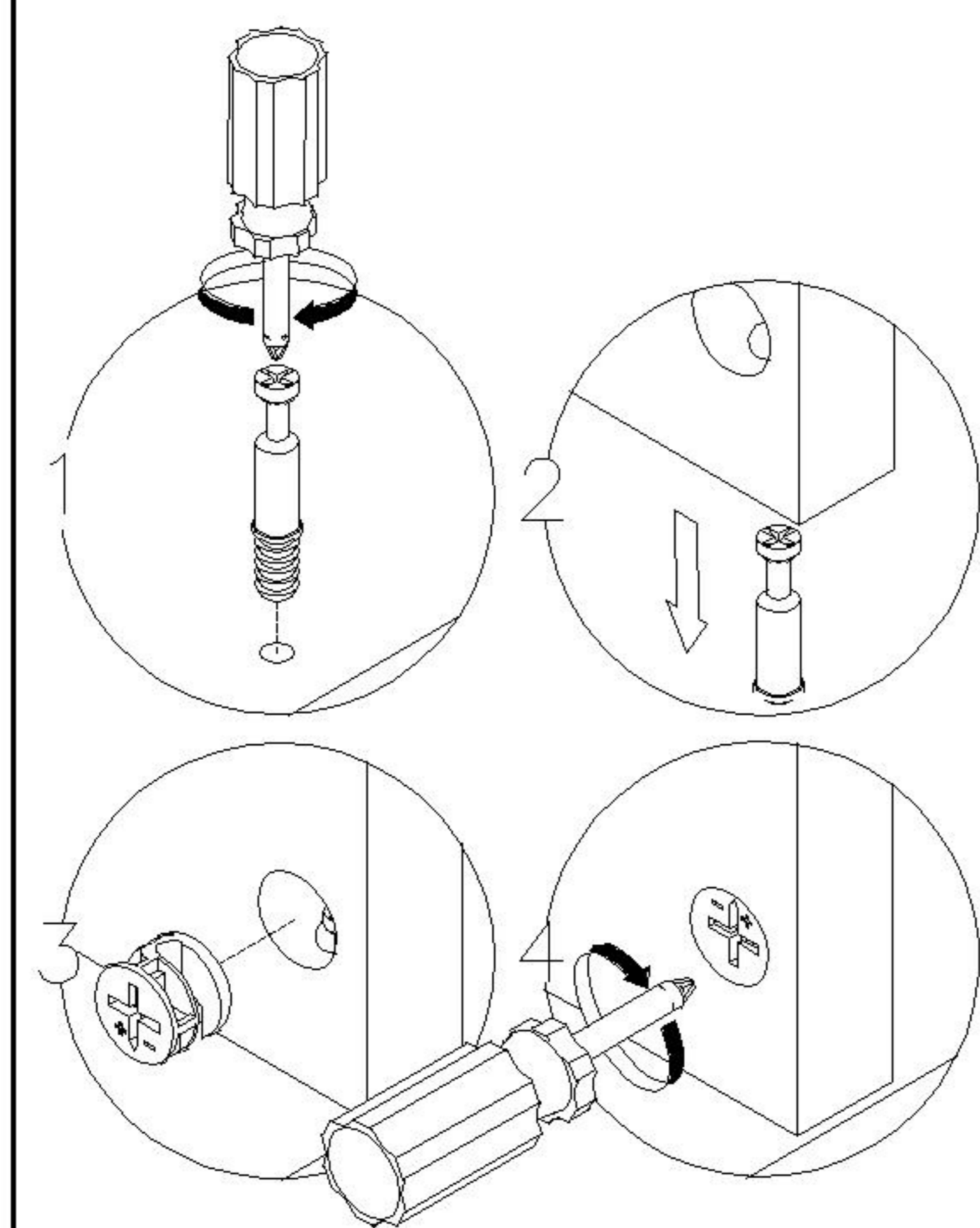


8

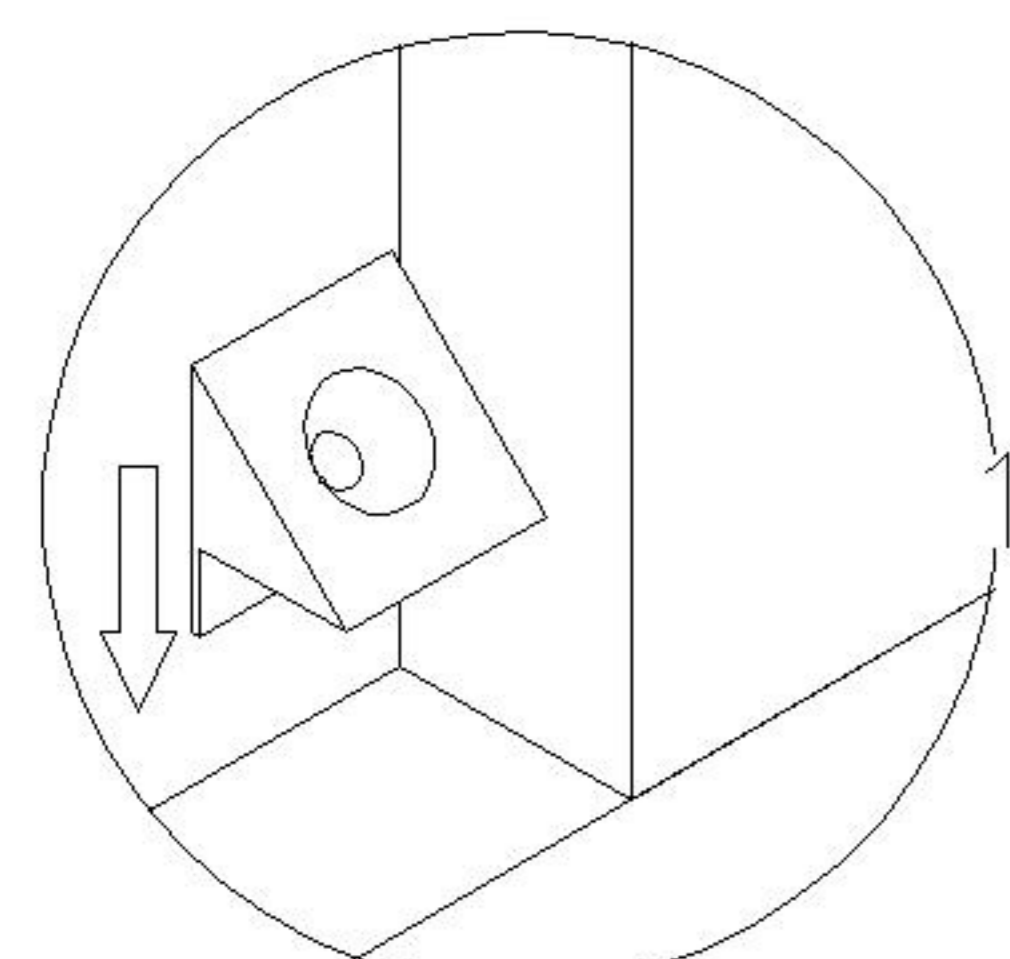
KQ10E-C

安装方法

Installation method



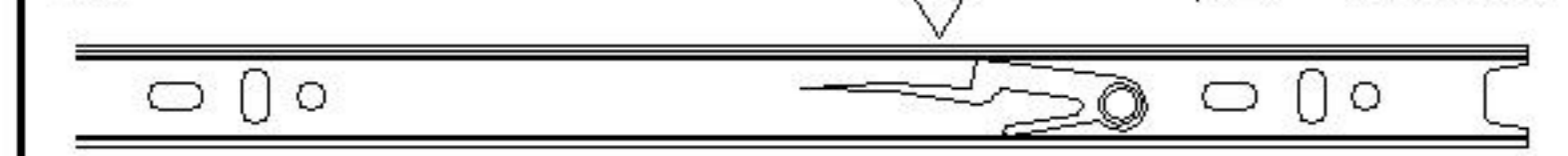
二合一 two-in-one



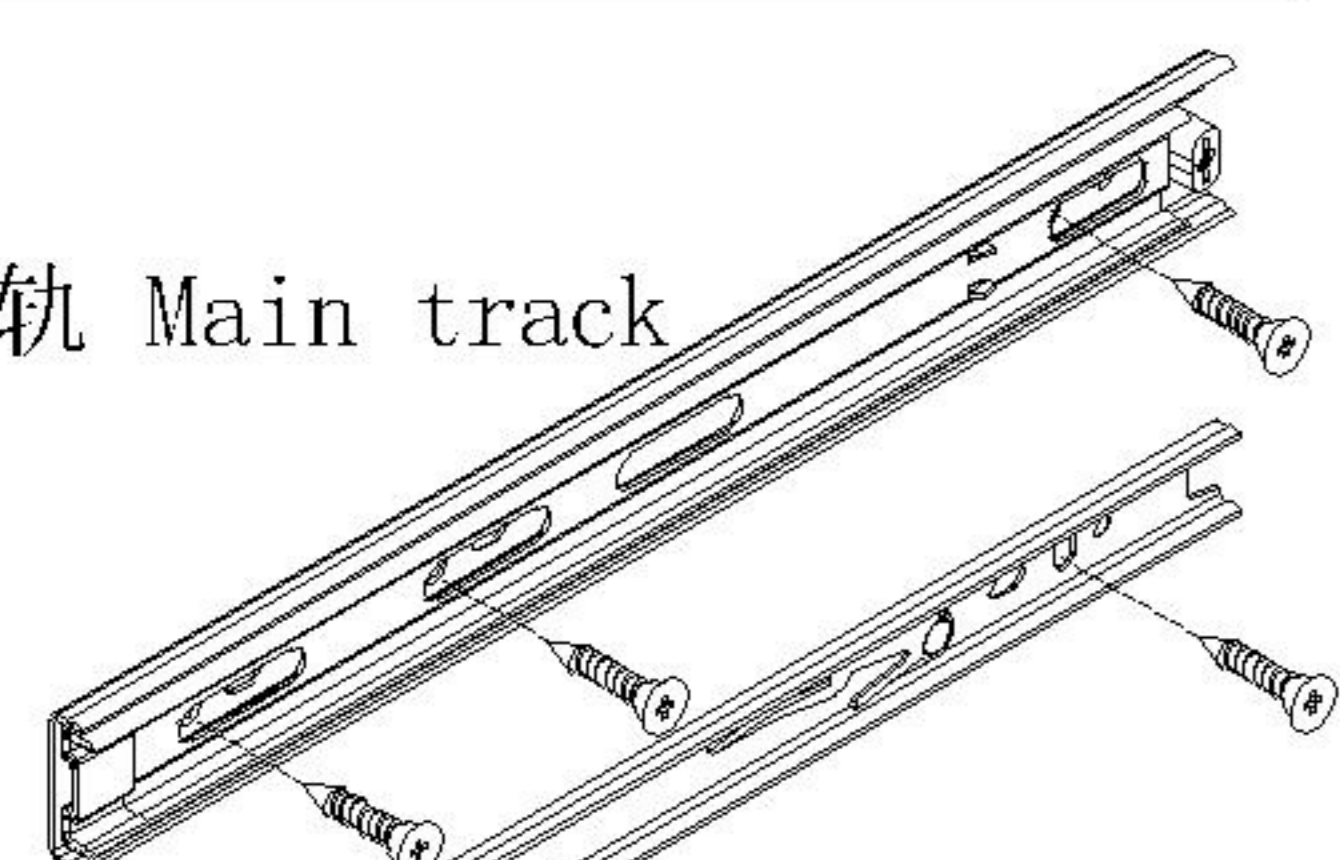
背板扣  
Back Plate Buckle

阀门开关(下压为开)  
Valve switch (press down to open)

前 Forward      后 Back



主轨 Main track

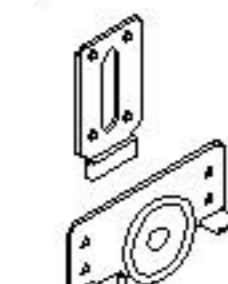


副轨 Sub track

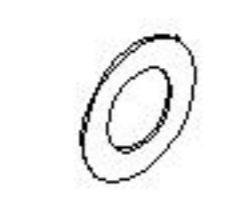
三节滚珠导轨-10"  
Three-section rail



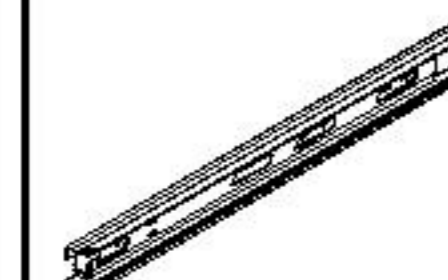
(E)\*30



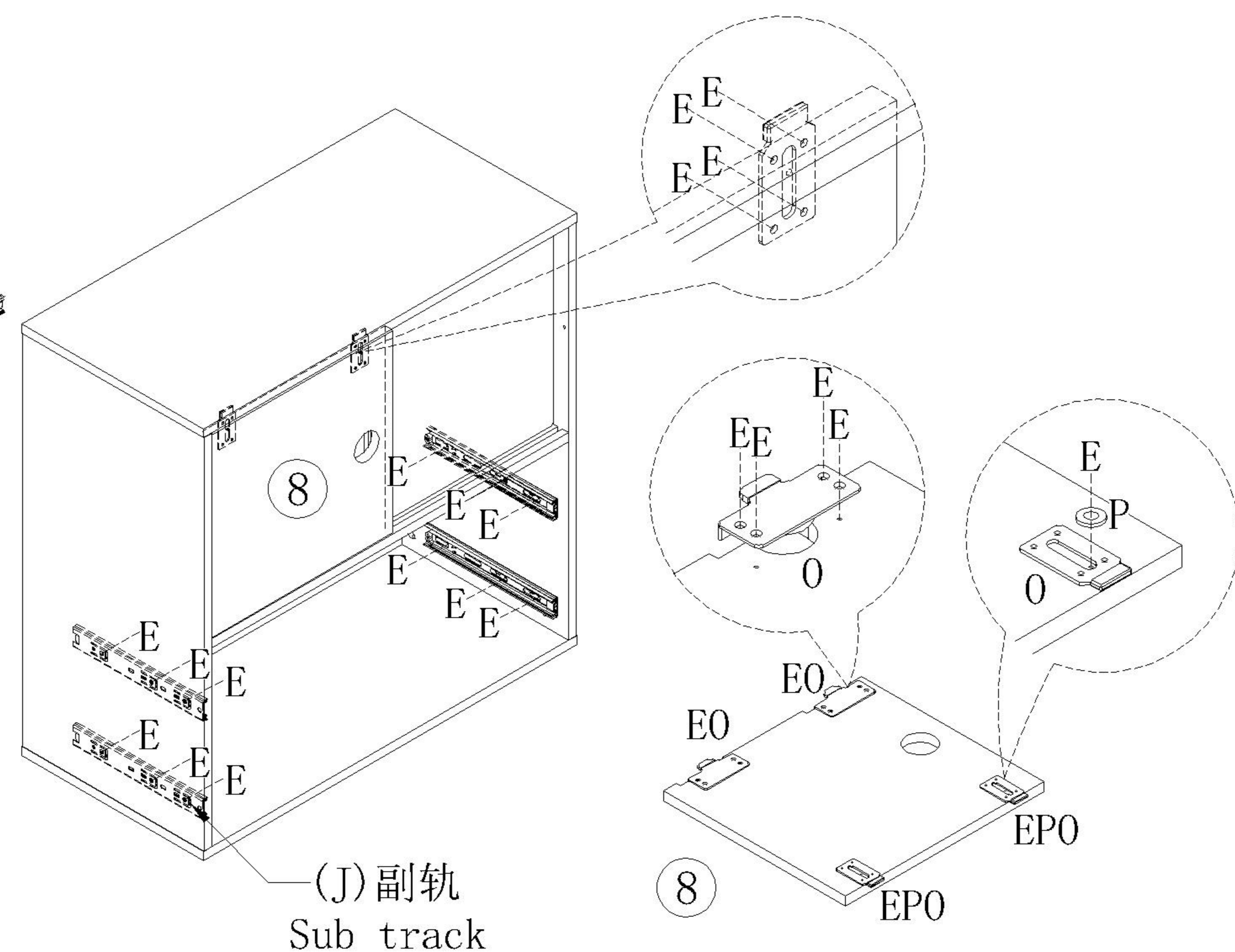
(O)\*2



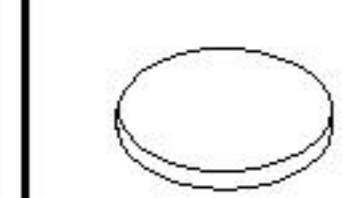
(P)\*2



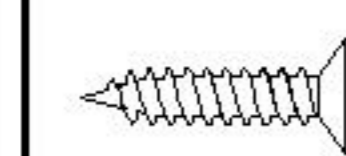
(J)\*2



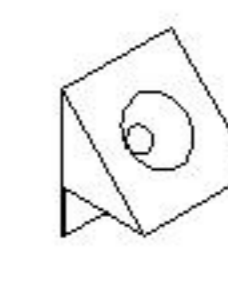
(J)副轨  
Sub track



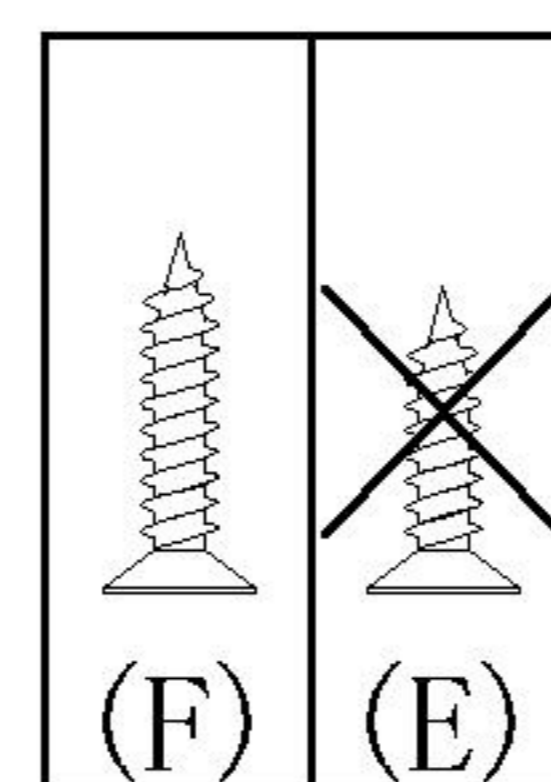
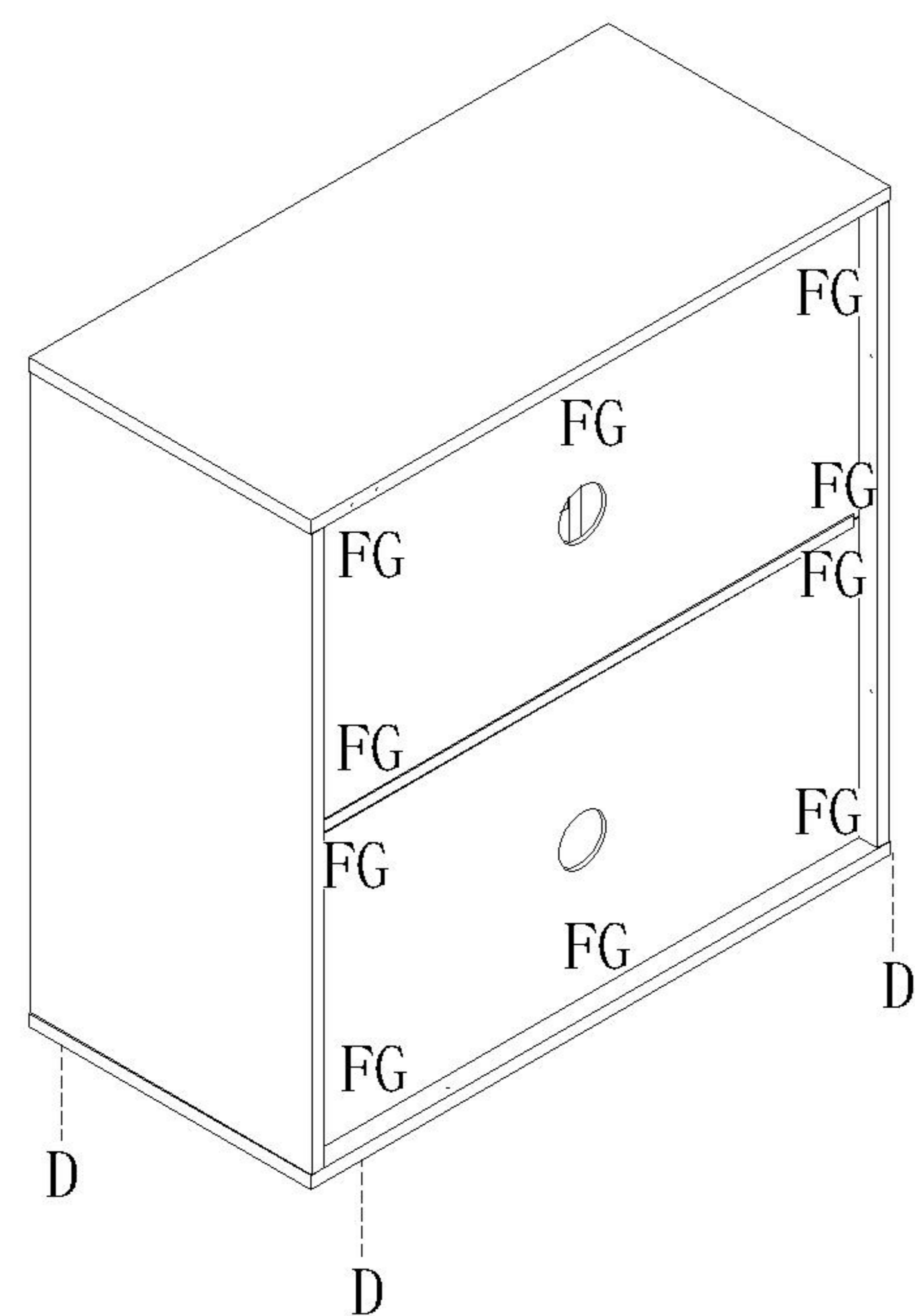
(D)\*4



(F)\*10



(G)\*10



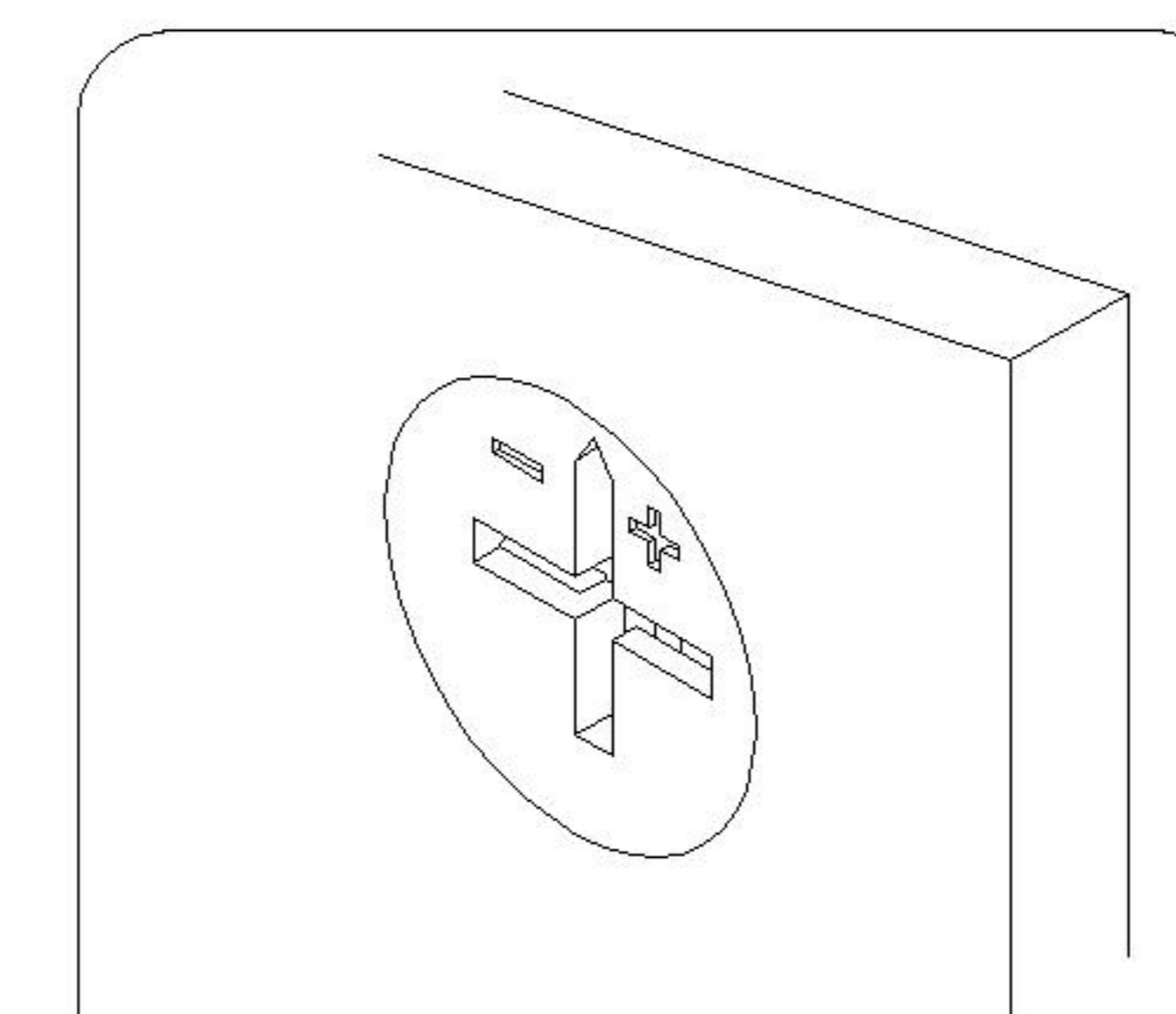
11

孔位贴使用小贴士

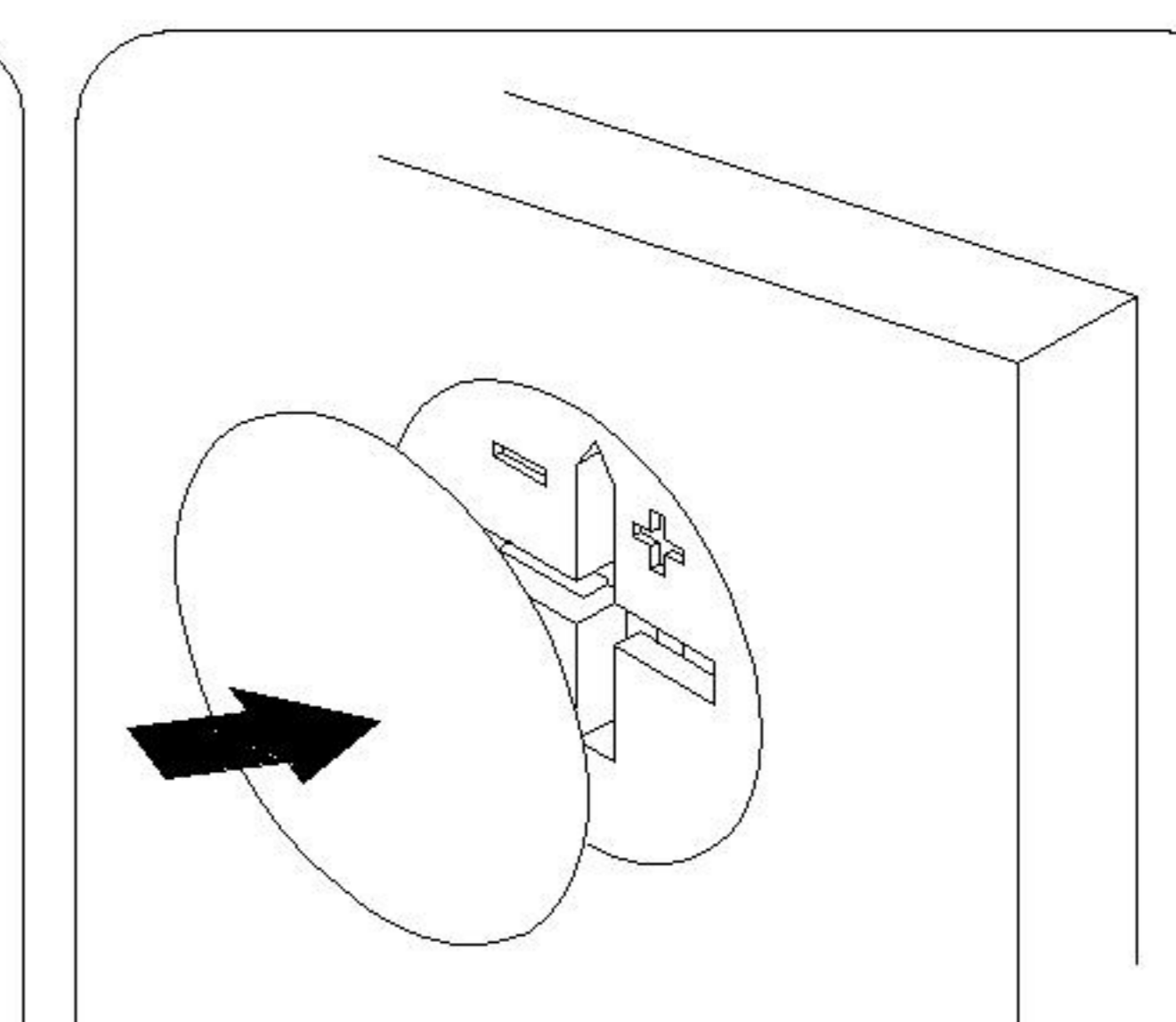
产品安装完成后请贴上孔贴，多出的孔贴请保管好

Tips for using hole stickers:

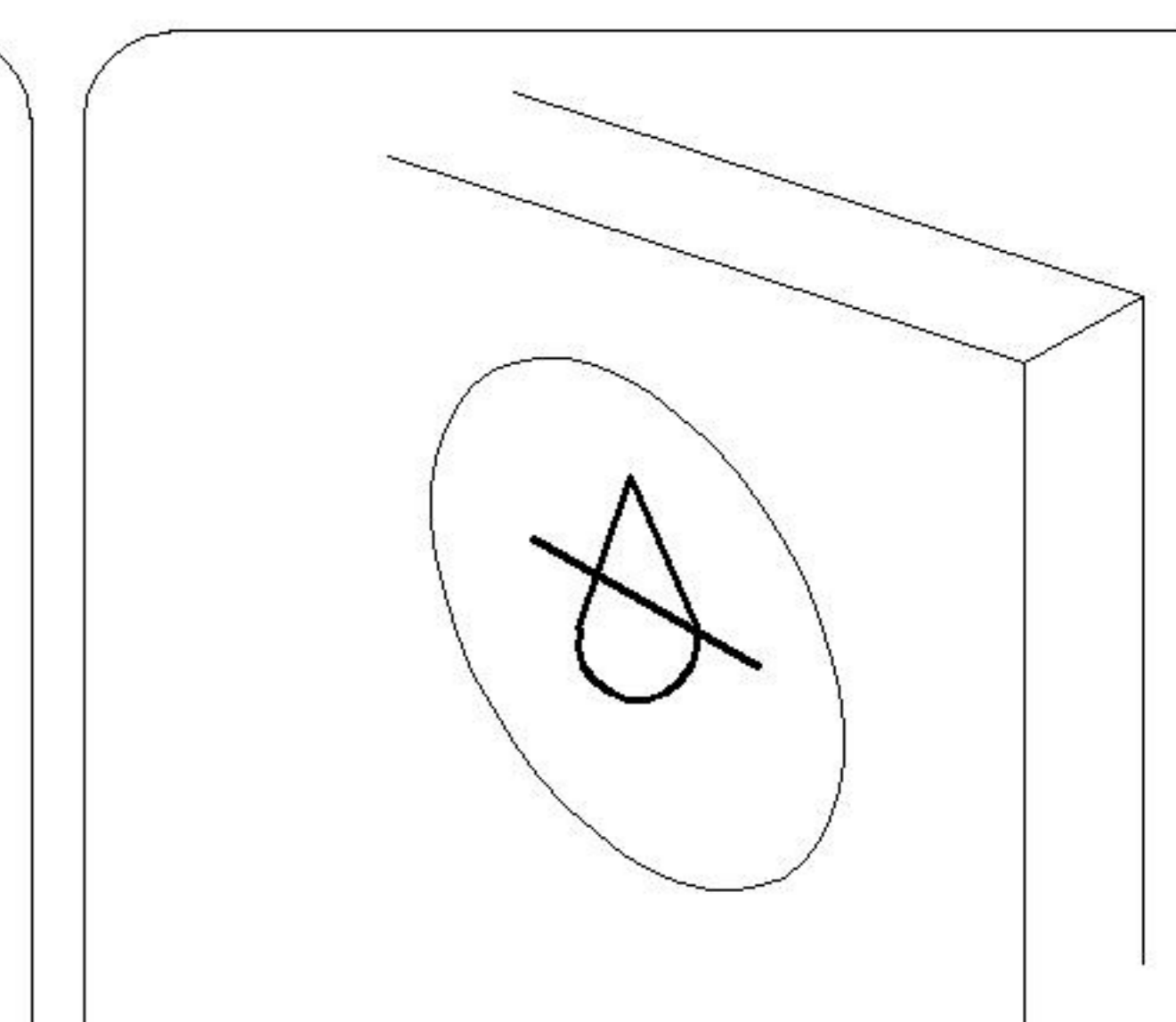
After the product installation is completed, please attach the hole stickers. Please keep any extra hole stickers safe



1、擦干净孔位  
1, Clean the hole position thoroughly



2、贴上孔贴  
2, Attach hole stickers



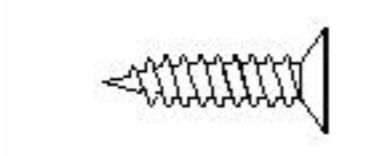
3、24小时内勿碰水  
3, Do not touch water within 24 hours

12

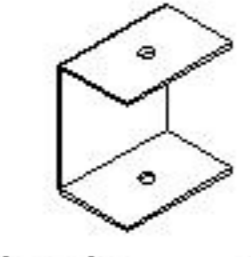
KQ10E-C

# 安装方法

Installation method

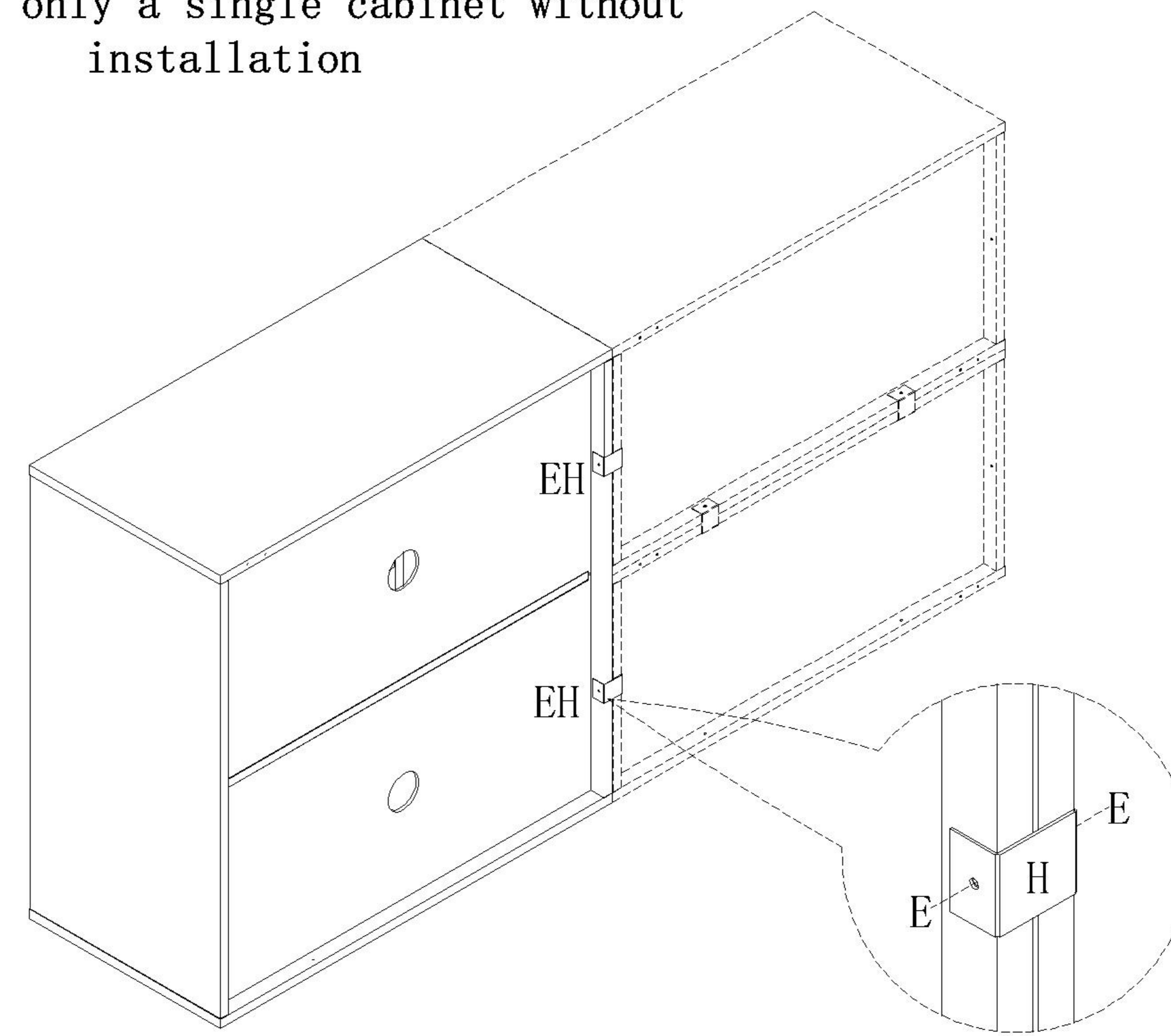


(E)\*4

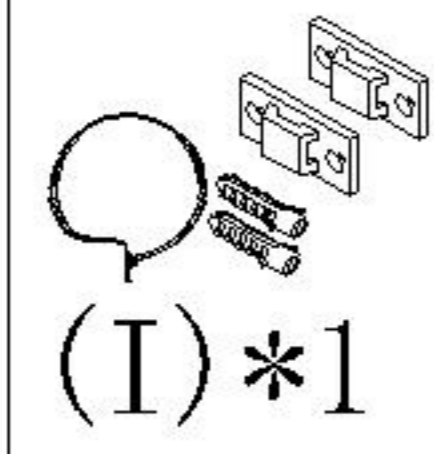


(H)\*2

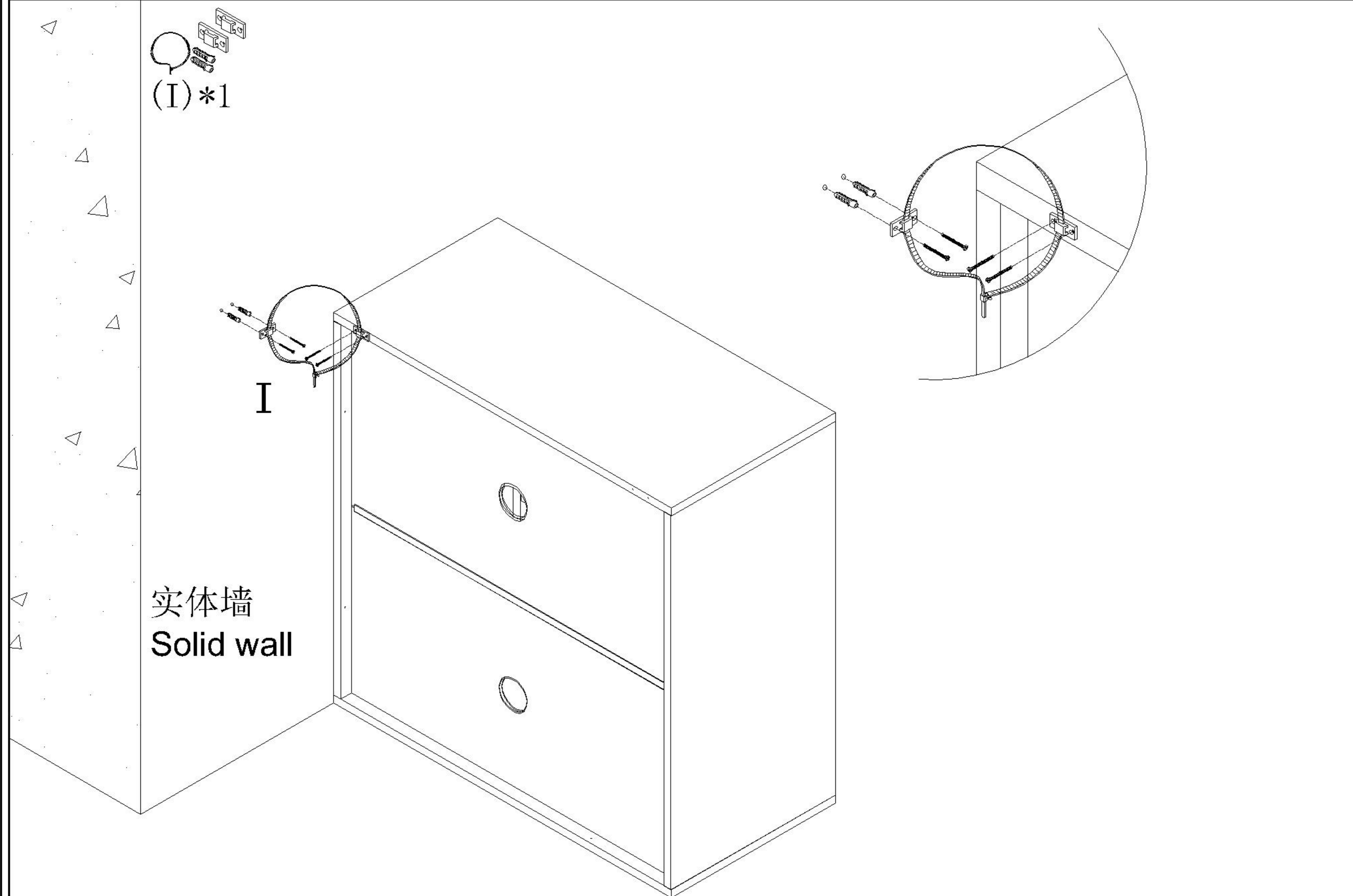
组合连接方式, 如只购买单个柜体无需安装  
Combination connection method, such as purchasing only a single cabinet without installation



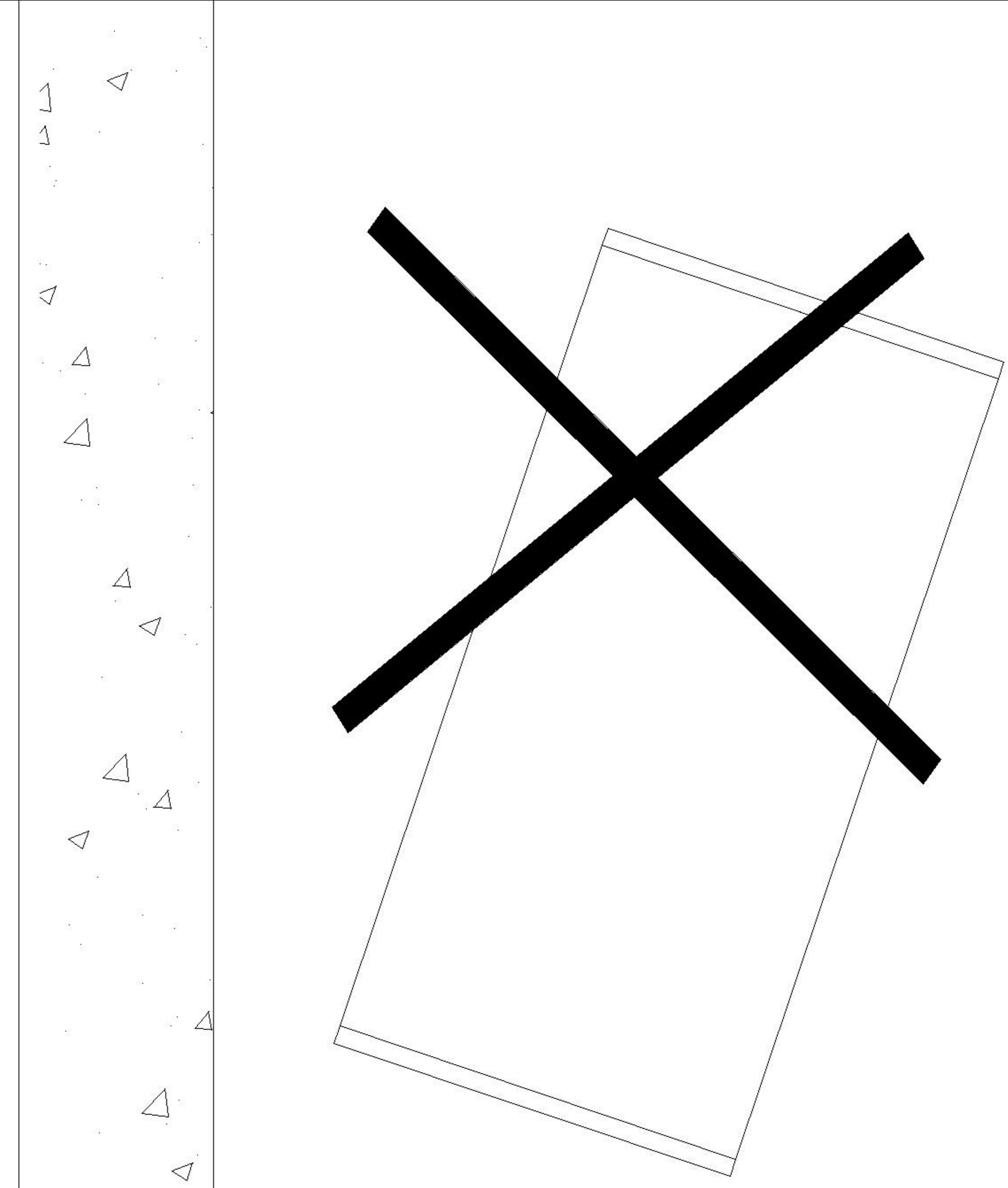
13



(I)\*1



实体墙  
Solid wall



14