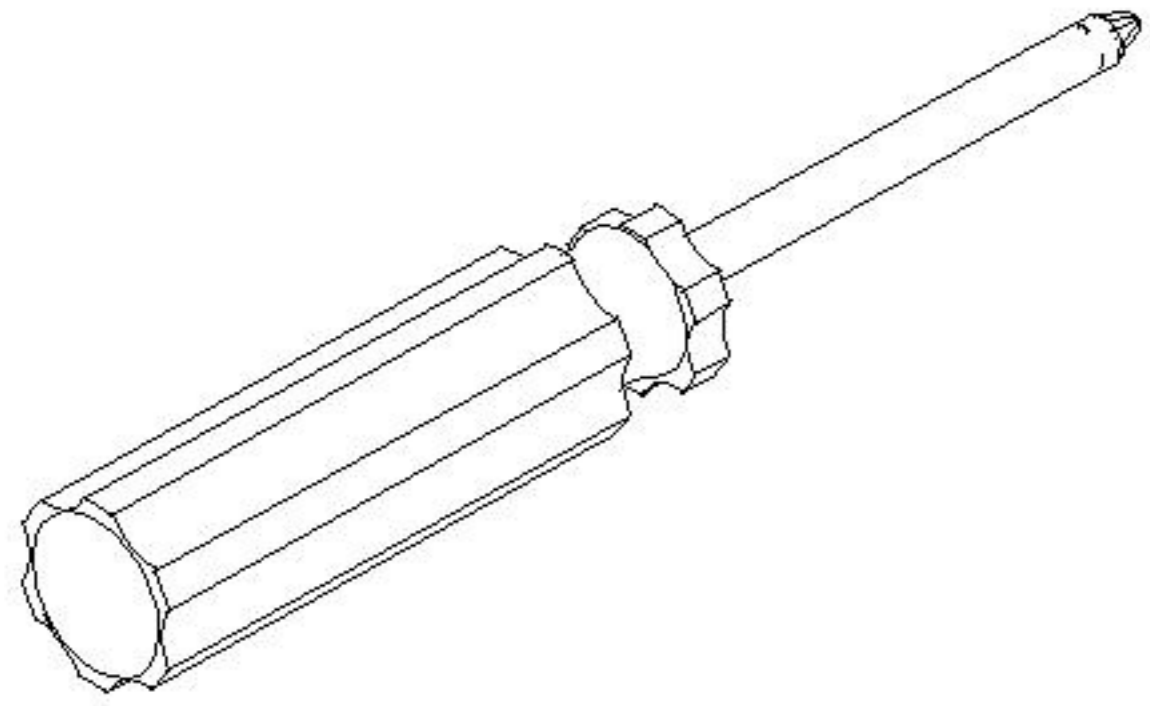
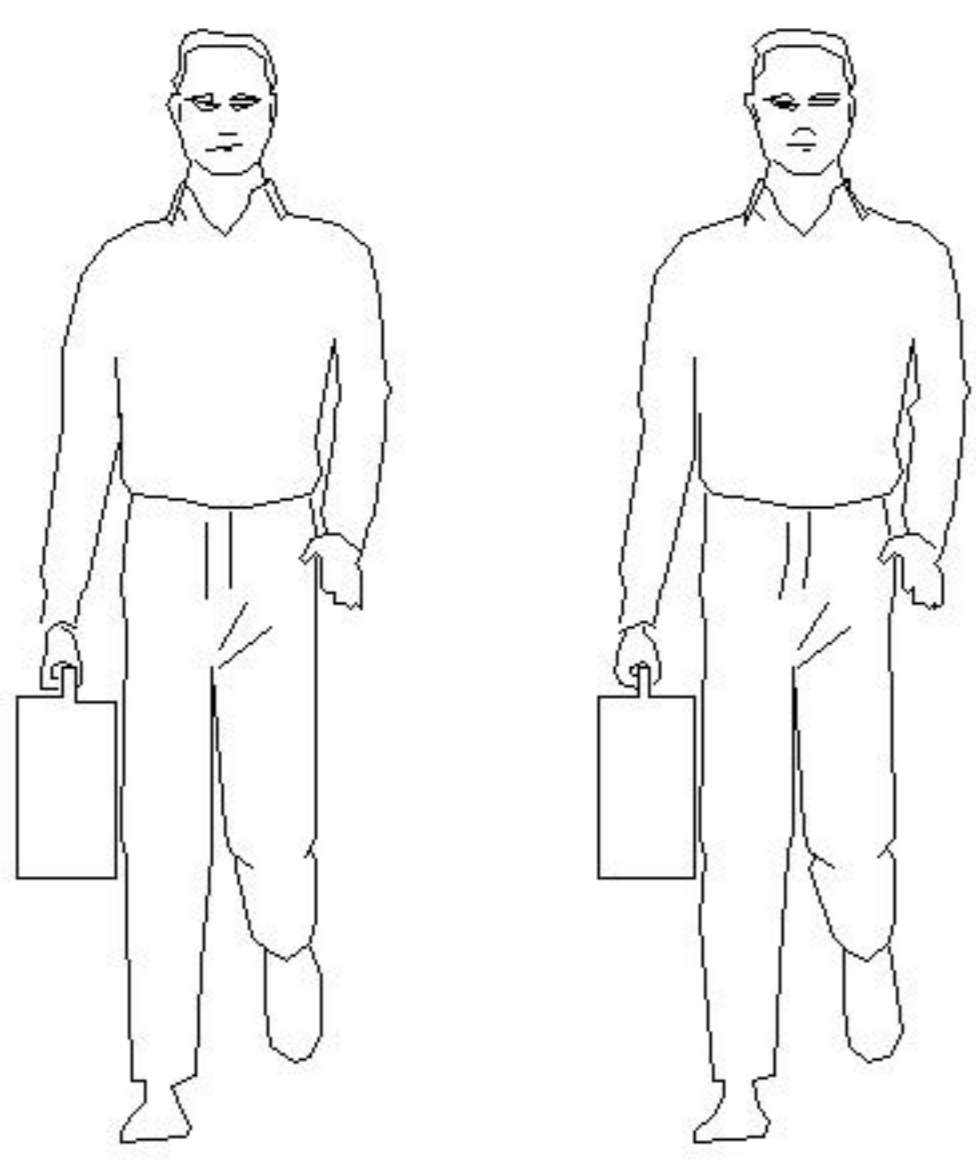


# LINSY 林氏家居

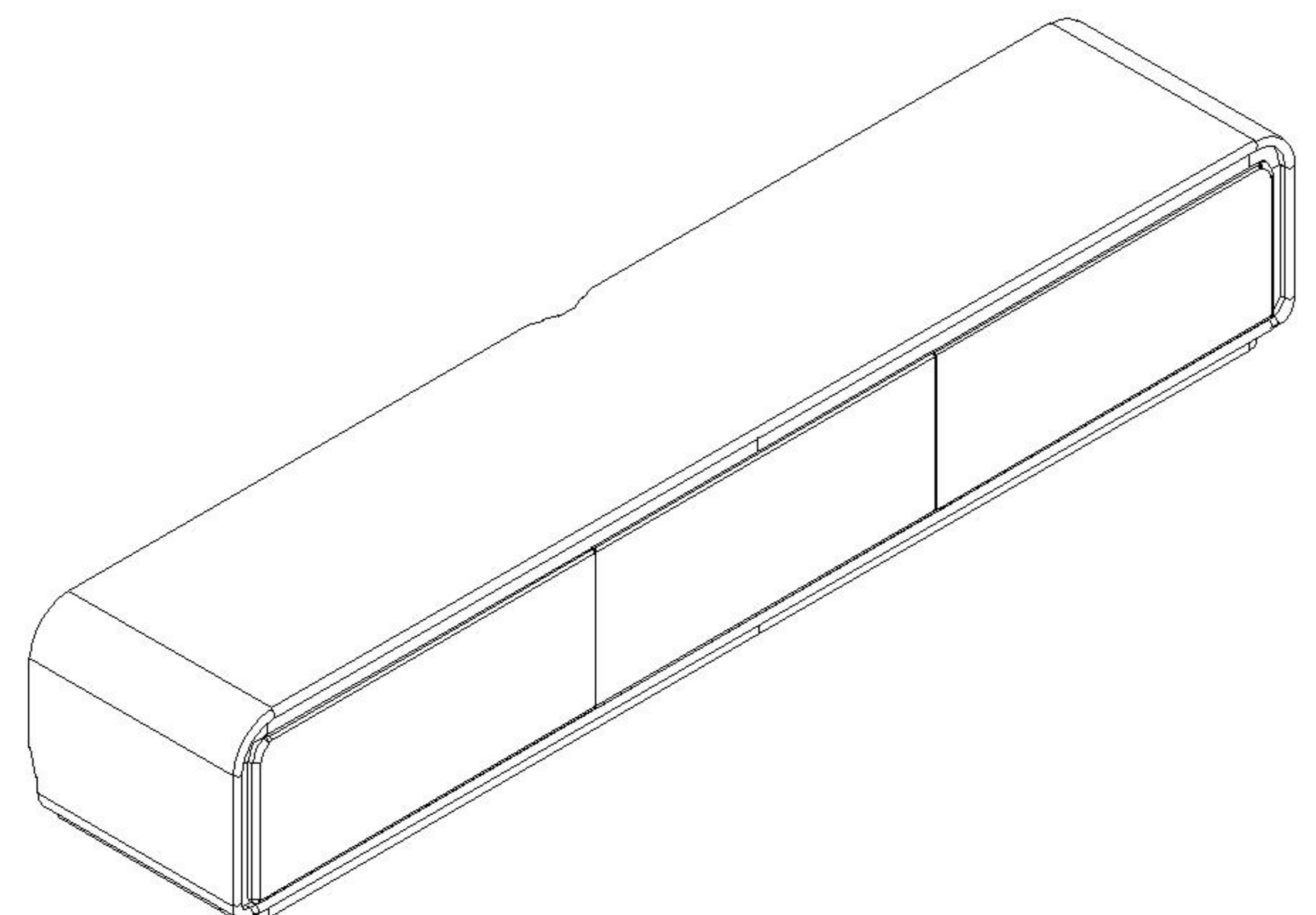
## 五金表/Hardware list

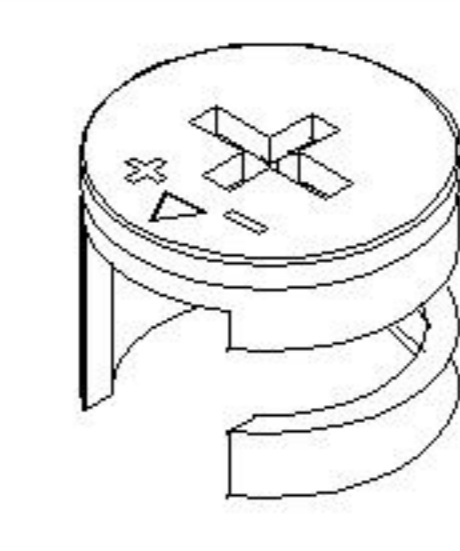
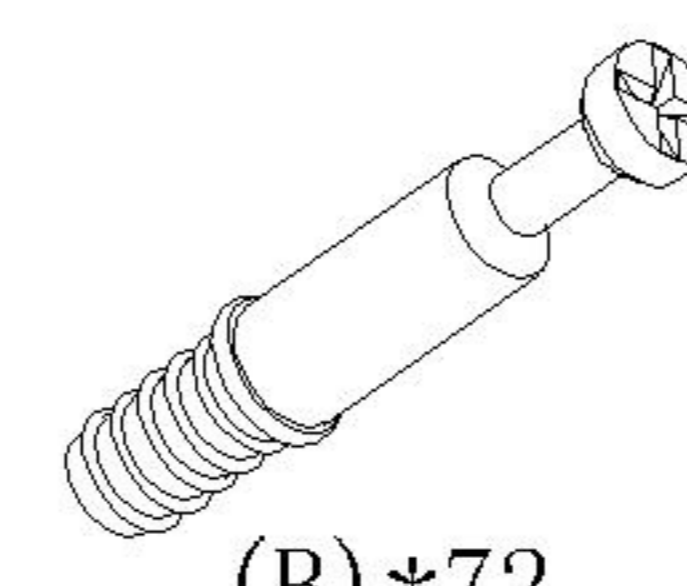
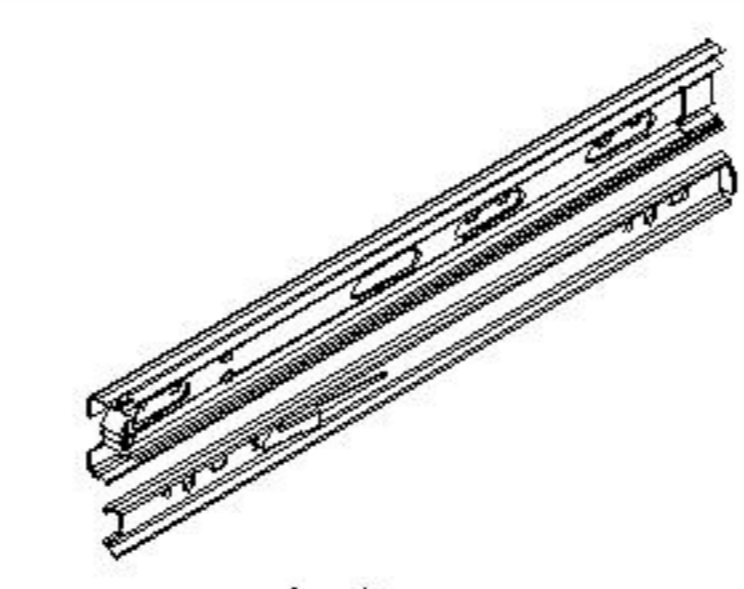
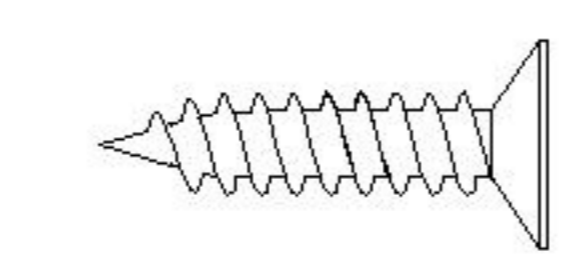
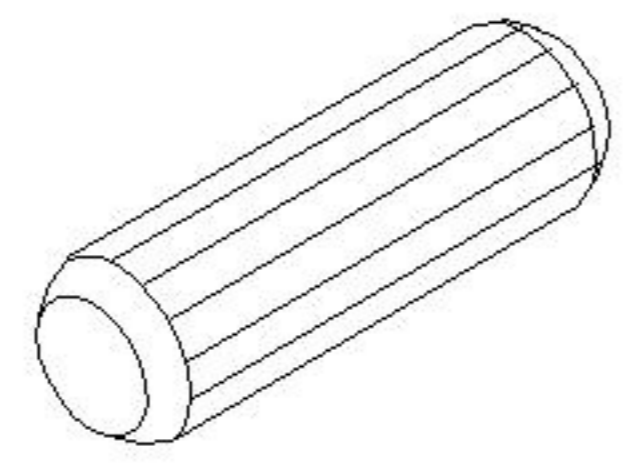

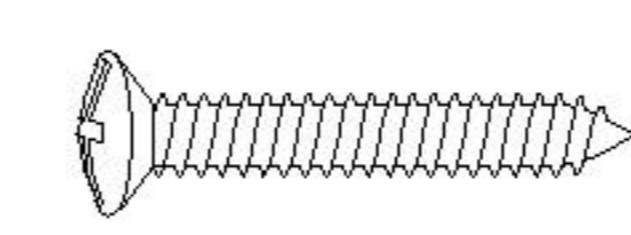
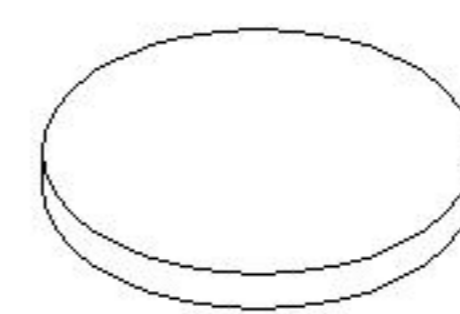
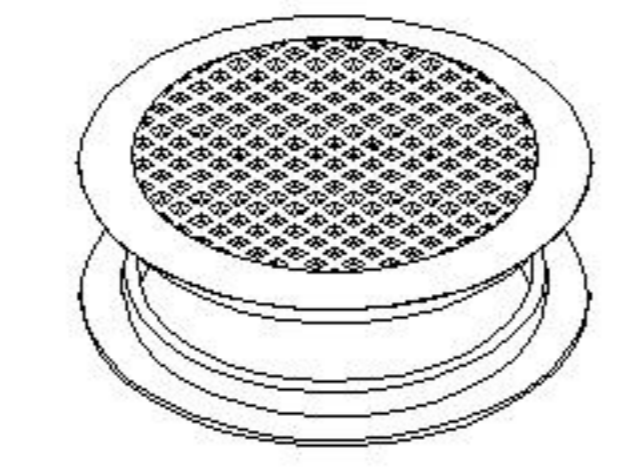
## 部件表/Parts List

### 安装示意图/Assembly Instruction

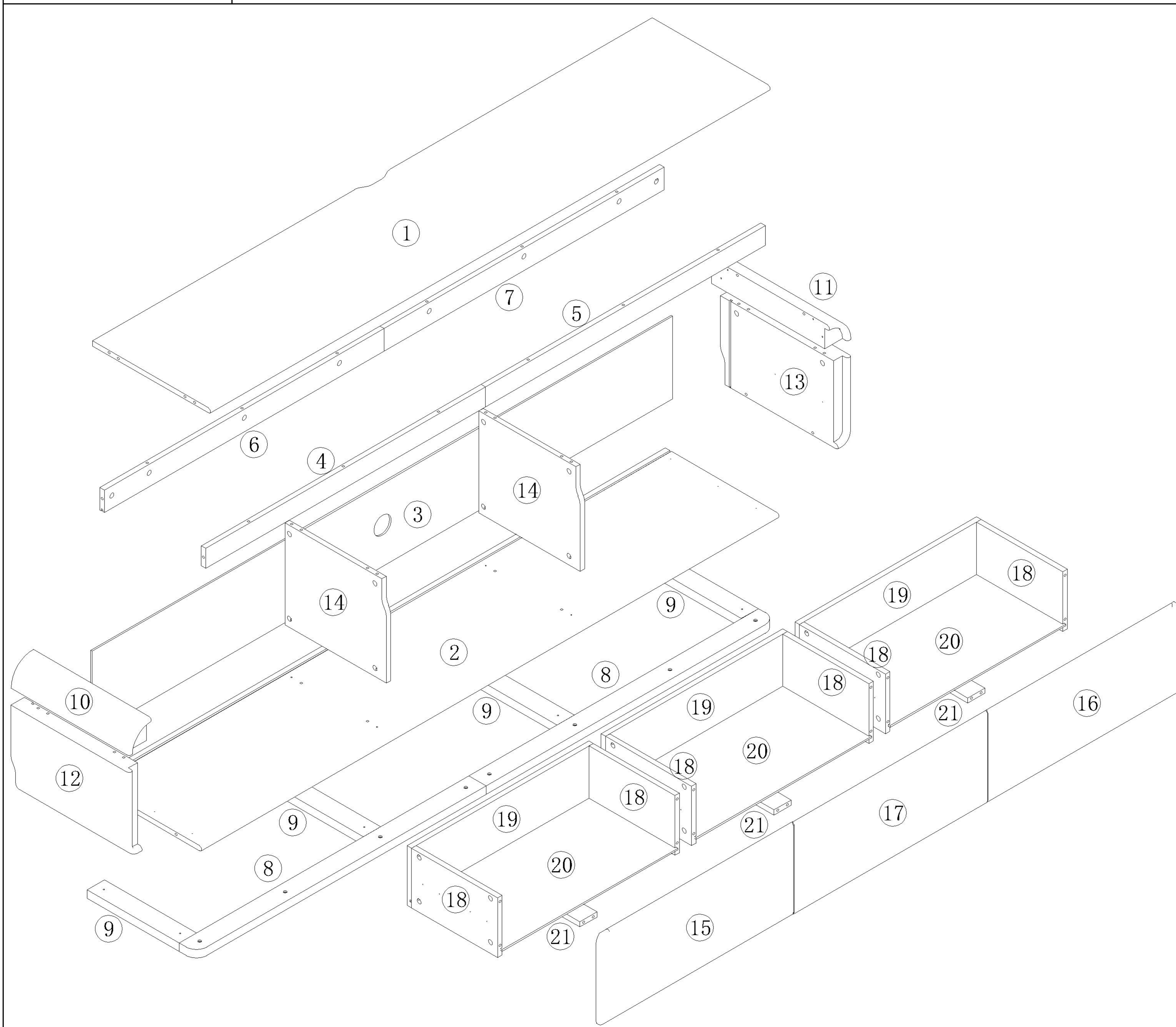
产品名称 Model NO.	RI7M-C 电视柜2米
产品规格 Specification	2034*399*355mm
安装工具 Tool	安装人数 Installer
	

注：为保证设计效果，部分尺寸为定制尺寸，不影响使用。



 (A)*72 大三合一锁饼 3-in-1 large lock	 (B)*72 二合一螺杆 2-in-1-screw	 (C)*3 三节滚珠导轨10" Three-section rail	 (D)*51 白攻螺丝M3.5*14mm Tapping screw
 (E)*23 木榫-φ8*30 Wood tenon	 (F)*6 L型角码 L-shaped corner bracket	 (G)*17 百攻天扁M1*35mm Flat head tapping screw	 (H)*8 灰色毛毡垫 Foot pad
 (I)*1 透气孔盖-白色 Vent cover - white			

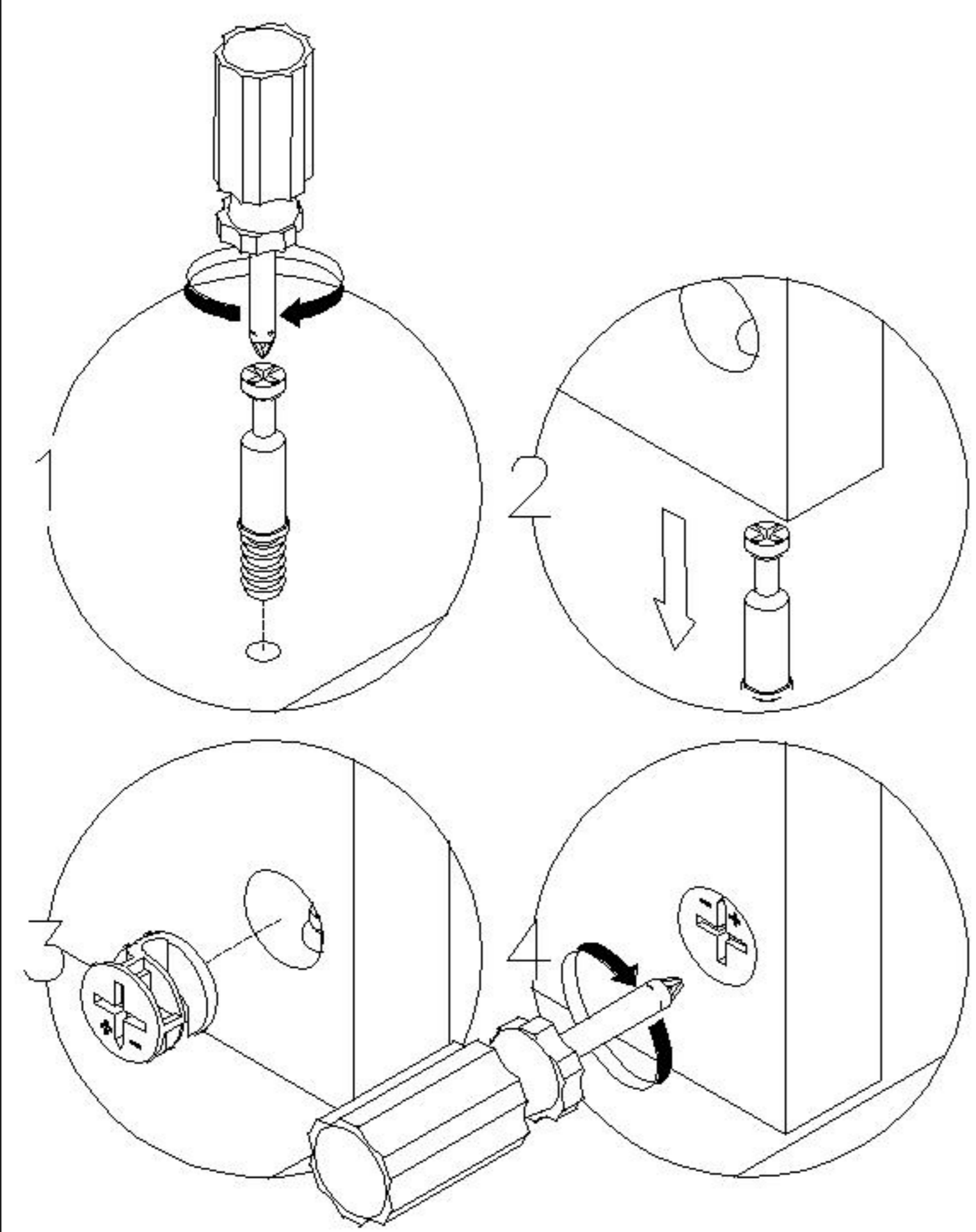
编号 NO.	名称 Name	规格(mm) Specification	数量 QTY	材质 Material
①	面板 Top panel	1884*398*15	1	纤维板 Fiberboard
②	底板 Bottom board	1944*383*15	1	纤维板 Fiberboard
③	背板 Back board	1954*241*5	1	纤维板 Fiberboard
④	左拉条 Brace (L)	942*58*15	1	纤维板 Fiberboard
⑤	右拉条 Brace (R)	942*58*15	1	纤维板 Fiberboard
⑥	背拉条 Back brace	942*66*15	1	欧松板 Oriented Strand Board
⑦	边背拉条 Side back brace	942*66*15	1	欧松板 Oriented Strand Board
⑧	长脚条 Long foot slat	975*58*25	2	欧松板 Oriented Strand Board
⑨	短脚条 Short foot strip	310*58*25	4	欧松板 Oriented Strand Board
⑩	左转角木 Corner wood (L)	399*75*75	1	橡胶木 Rubber wood
⑪	右转角木 Corner wood (R)	399*75*75	1	橡胶木 Rubber wood
⑫	左侧板 Side board (L)	398*252*45	1	纤维板 Fiberboard
⑬	右侧板 Side board (R)	398*252*45	1	纤维板 Fiberboard
⑭	中侧板 Middle side board	341*297*15	2	欧松板 Oriented Strand Board
⑮	左抽屉面板 Drawer's panel (L)	651*270*15	1	纤维板 Fiberboard
⑯	右抽屉面板 Drawer's panel (R)	651*270*15	1	纤维板 Fiberboard
⑰	中抽屉面板 Drawer's middle board	651*270*15	1	纤维板 Fiberboard
⑱	抽屉侧板 Drawer's sideboard	290*174*15	6	欧松板 Oriented Strand Board
⑲	抽屉后板 Drawer's Back board	612*174*15	3	欧松板 Oriented Strand Board
⑳	抽屉底板 Drawer's Bottom board	592*300*5	3	纤维板 Fiberboard
㉑	抽屉底托条 Drawer's bottom bracket	290*58*15	3	欧松板 Oriented Strand Board



编号NO.	名称Name
①	面板Top panel
②	底板Bottom board
③	背板Back board
④	左拉条Brace (L)
⑤	右拉条Brace (R)
⑥	背拉条Back brace
⑦	边背拉条Side back brace
⑧	长脚条Long foot slat
⑨	短脚条Short foot strip
⑩	左转角木Corner wood (L)
⑪	右转角木Corner wood (R)
⑫	左侧板Side board (L)
⑬	右侧板Side board (R)
⑭	中侧板Middle side board
⑮	左抽屉面板Drawer's panel (L)
⑯	右抽屉面板Drawer's panel (R)
⑰	中抽屉面板 Drawer's middle board
⑱	抽屉侧板Drawer's sideboard
⑲	抽屉后板Drawer's Back board
⑳	抽屉底板Drawer's Bottom board
㉑	抽屉底托条 Drawer's bottom bracket

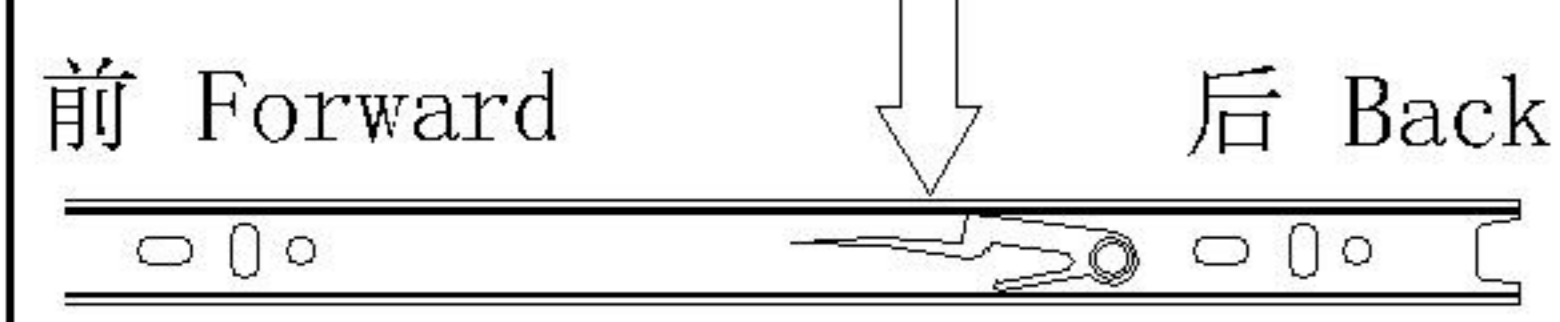
安装方法

Installation method

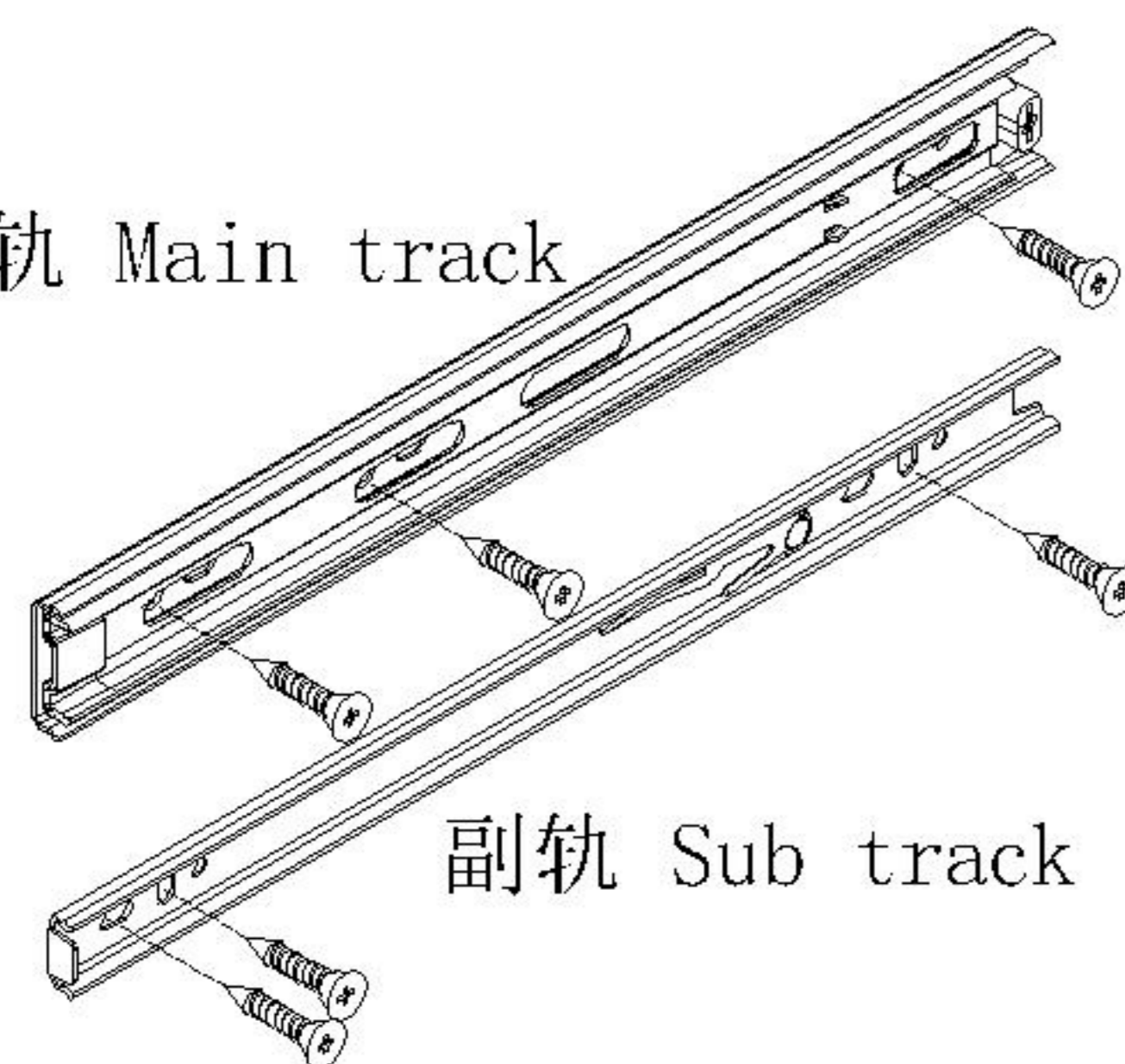


二合一 two-in-one

阀门开关(下压为开)  
Valve switch (press down to open)

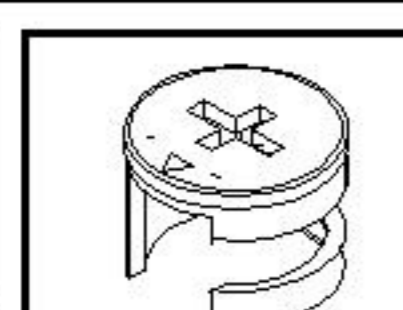


主轨 Main track

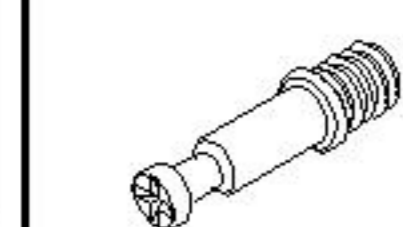


副轨 Sub track

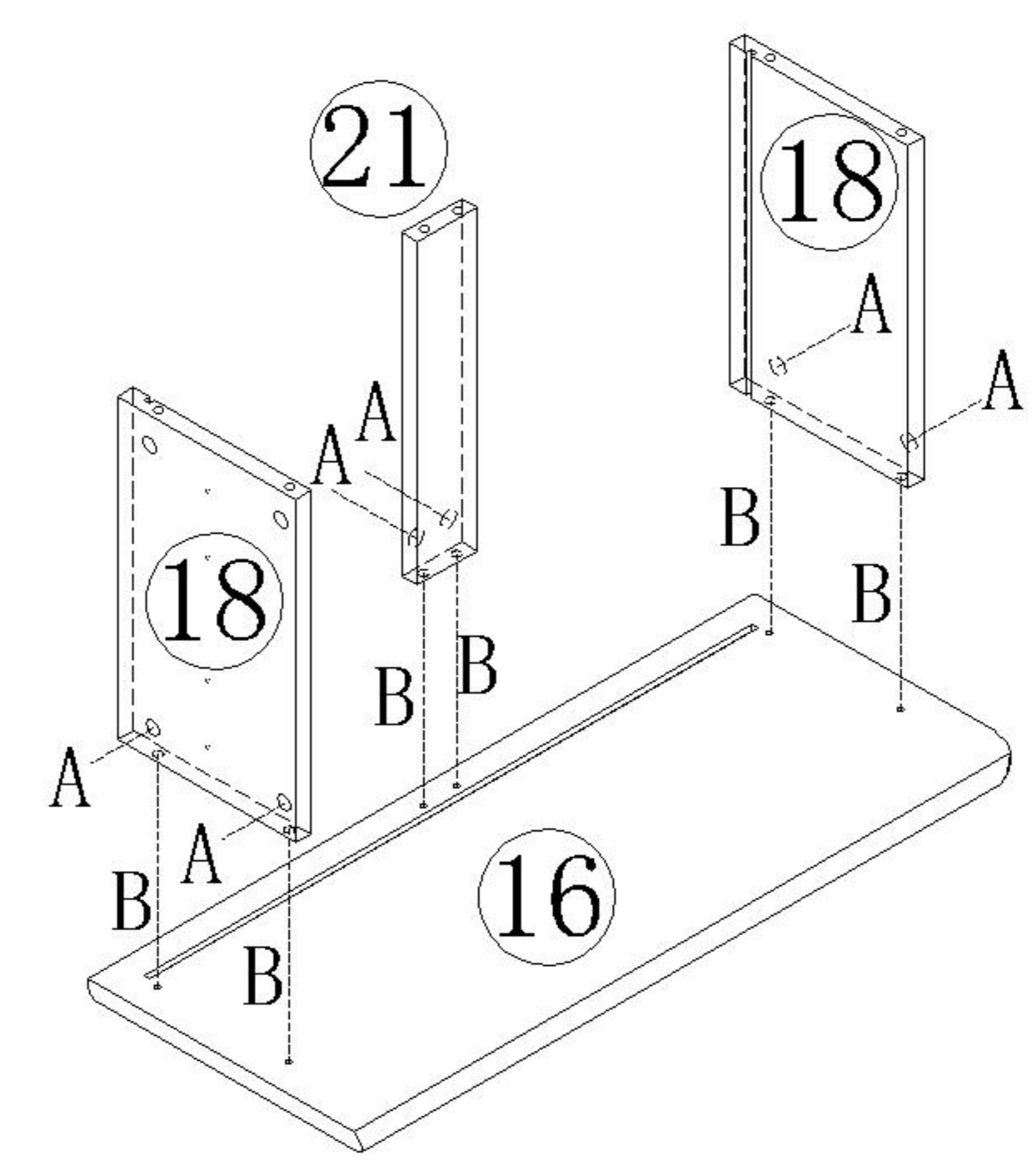
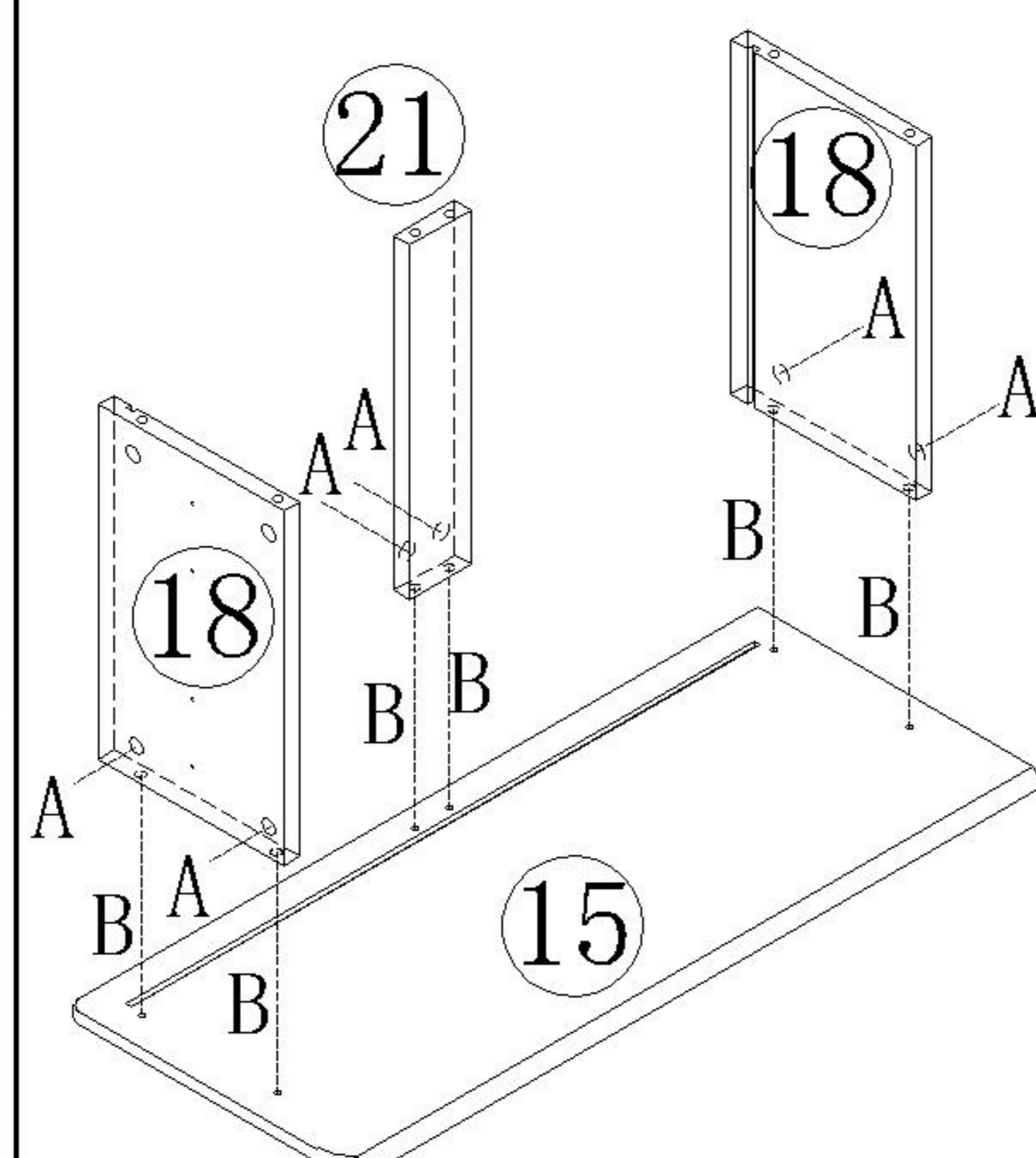
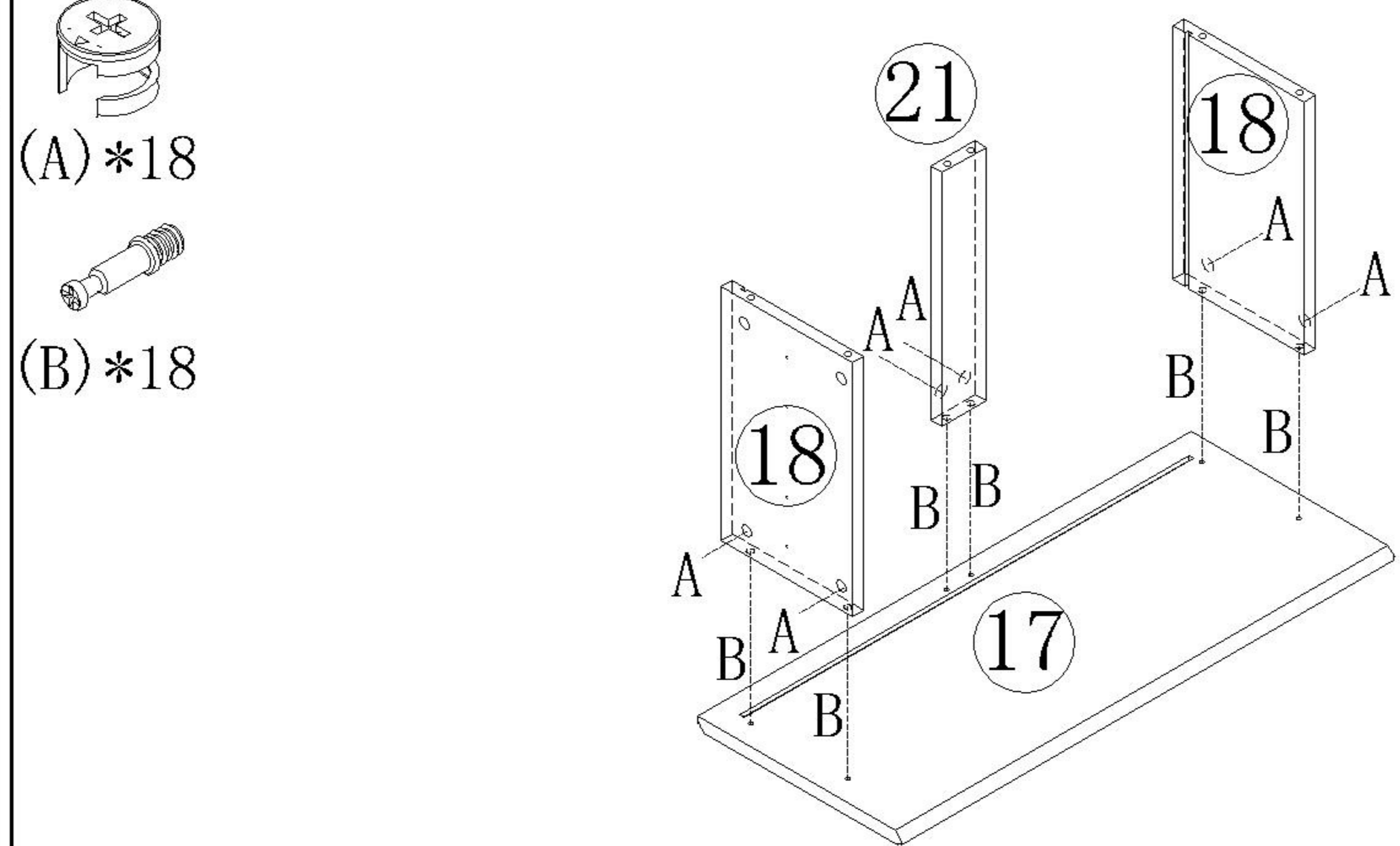
三节滚珠导轨-10"  
Three-section rail



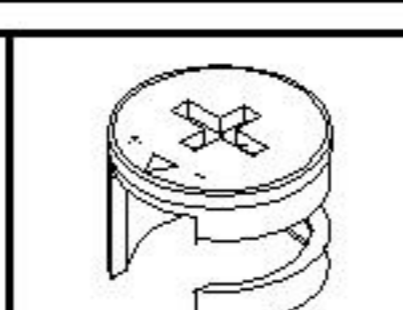
(A)\*18



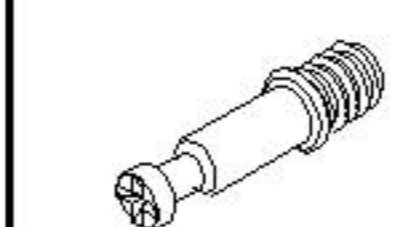
(B)\*18



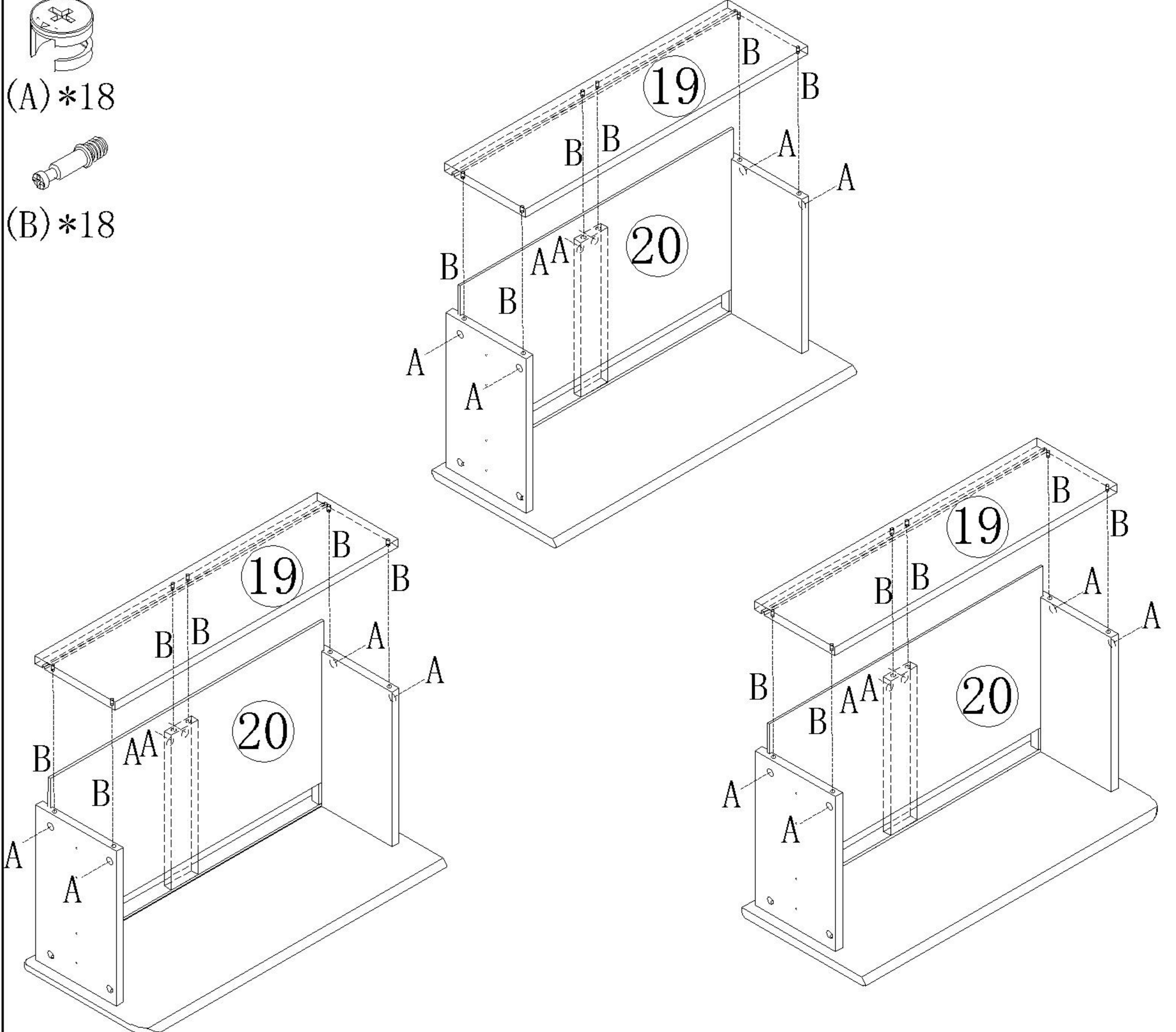
1



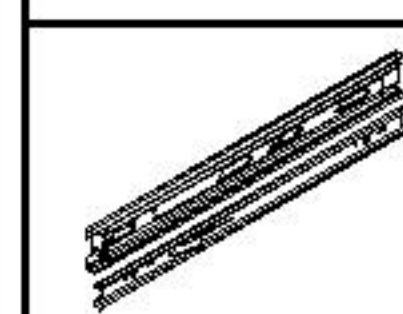
(A)\*18



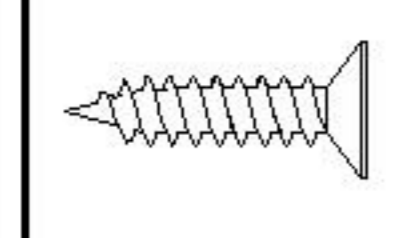
(B)\*18



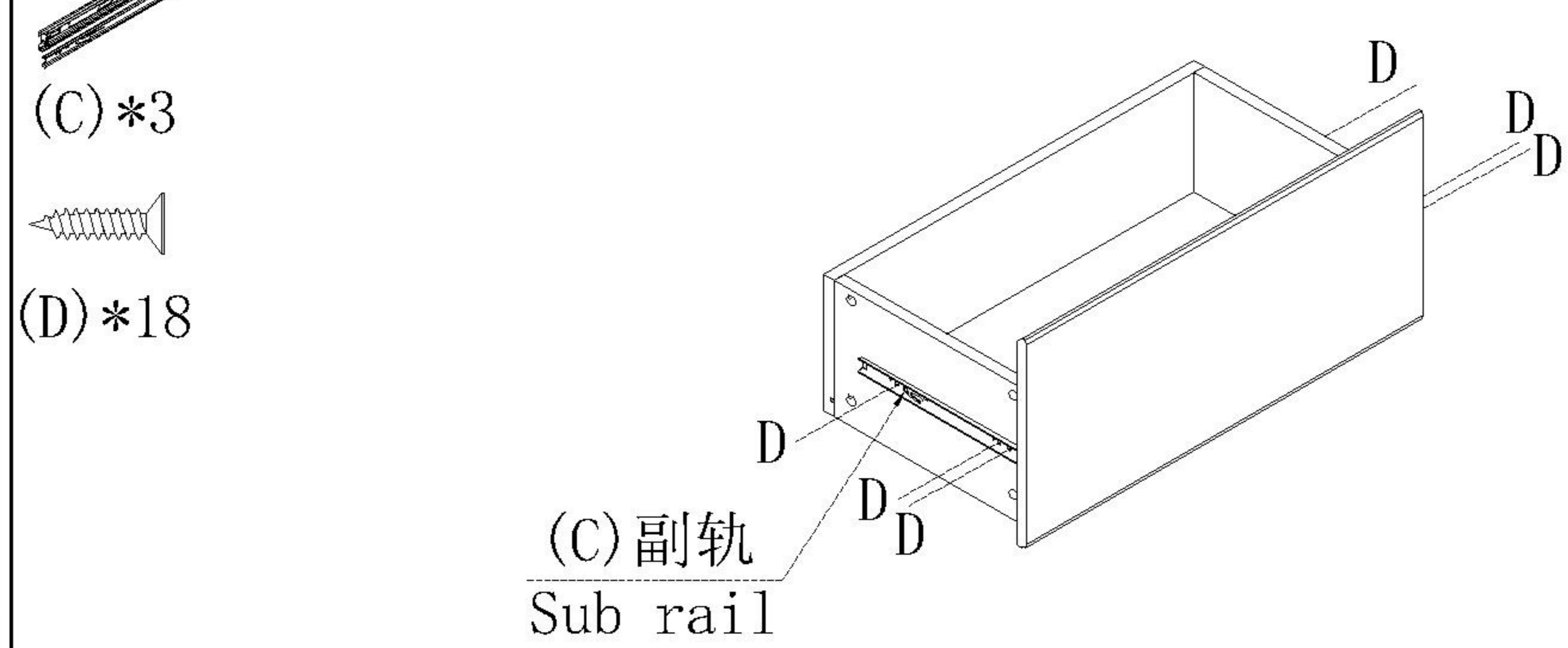
2



(C)\*3

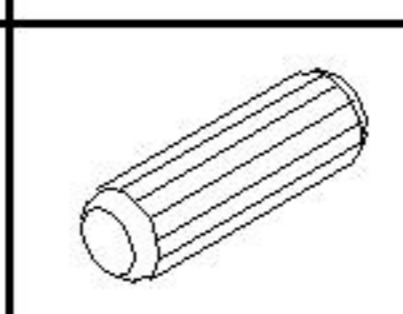


(D)\*18

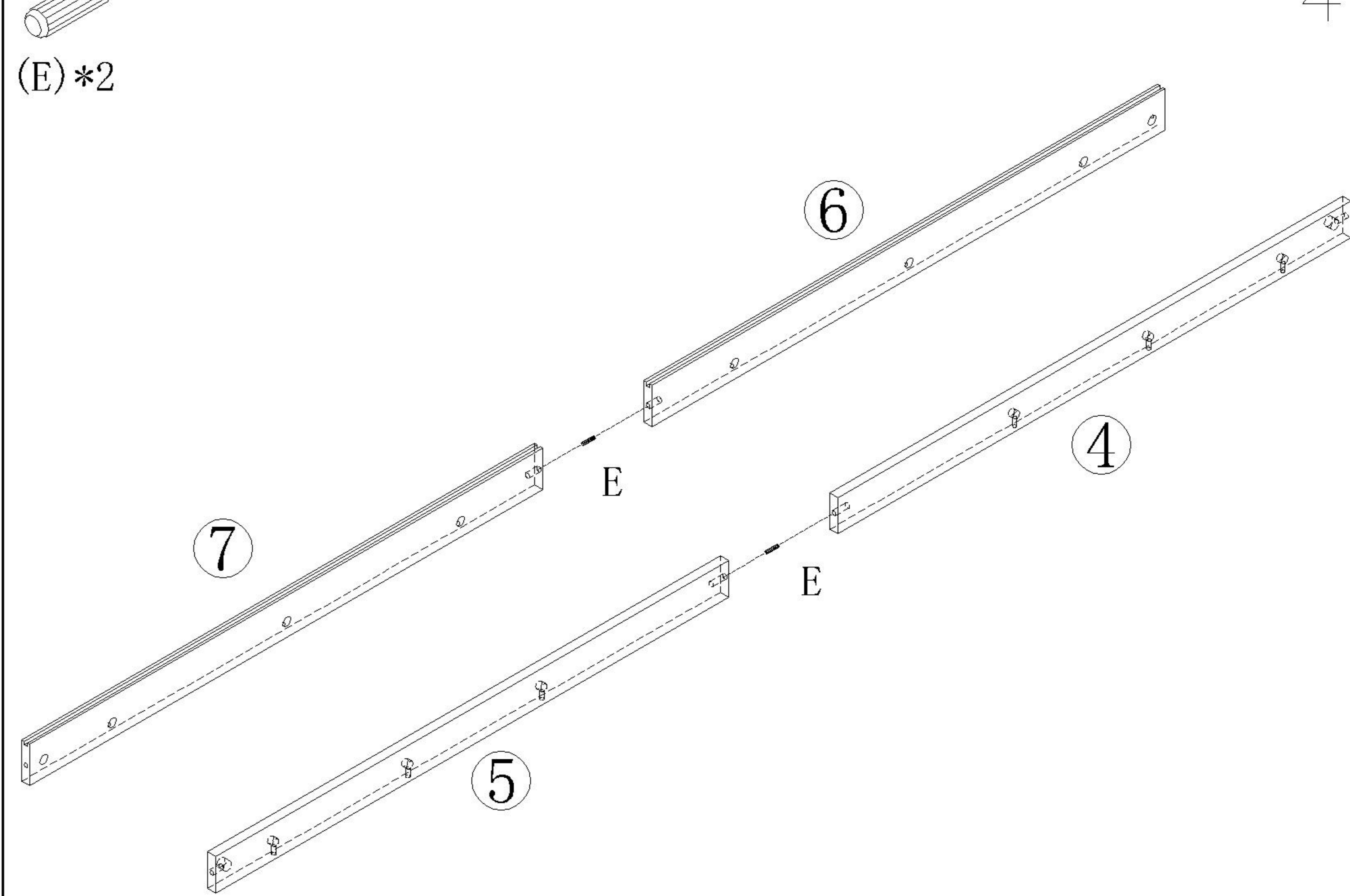


(C) 副轨  
Sub rail

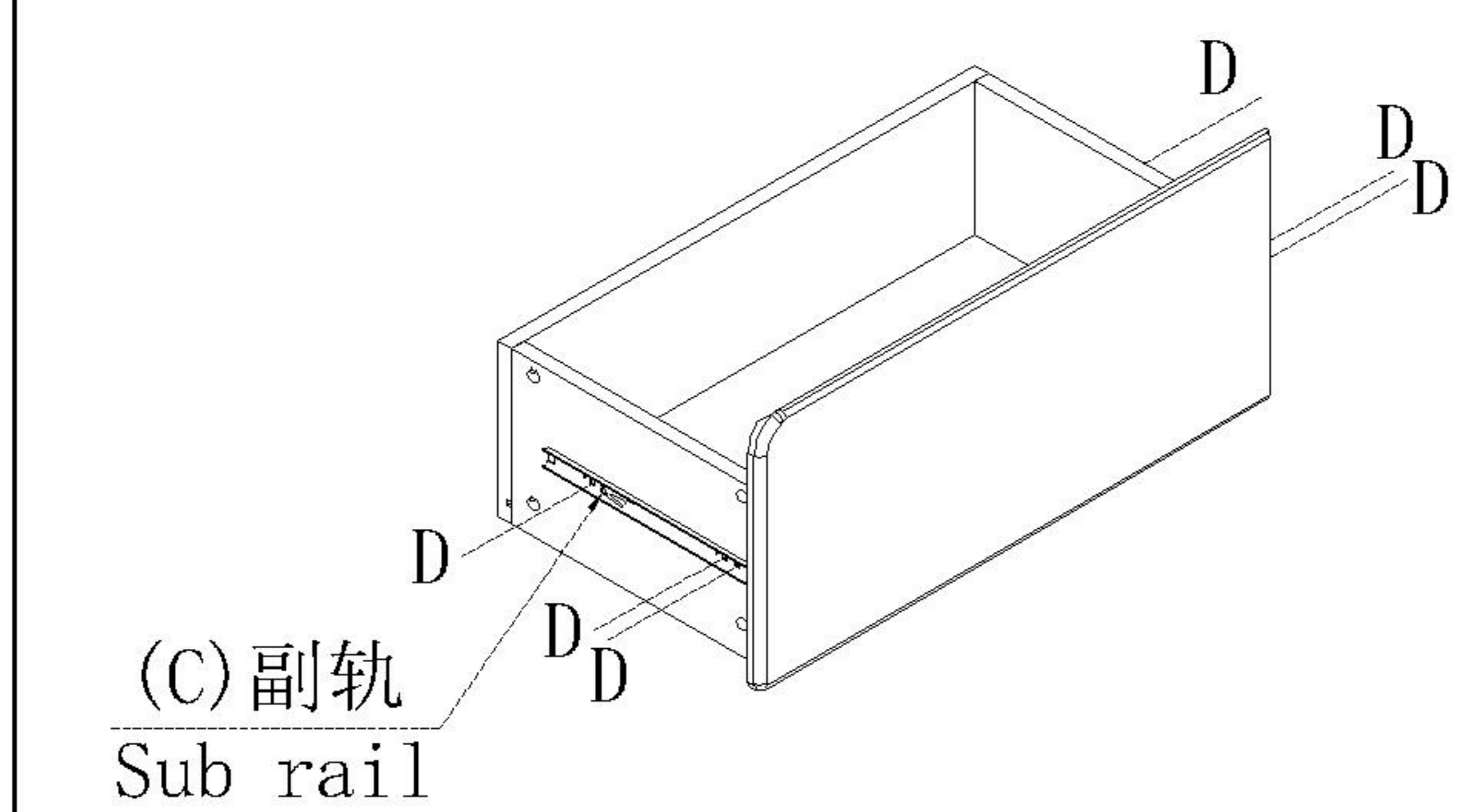
3



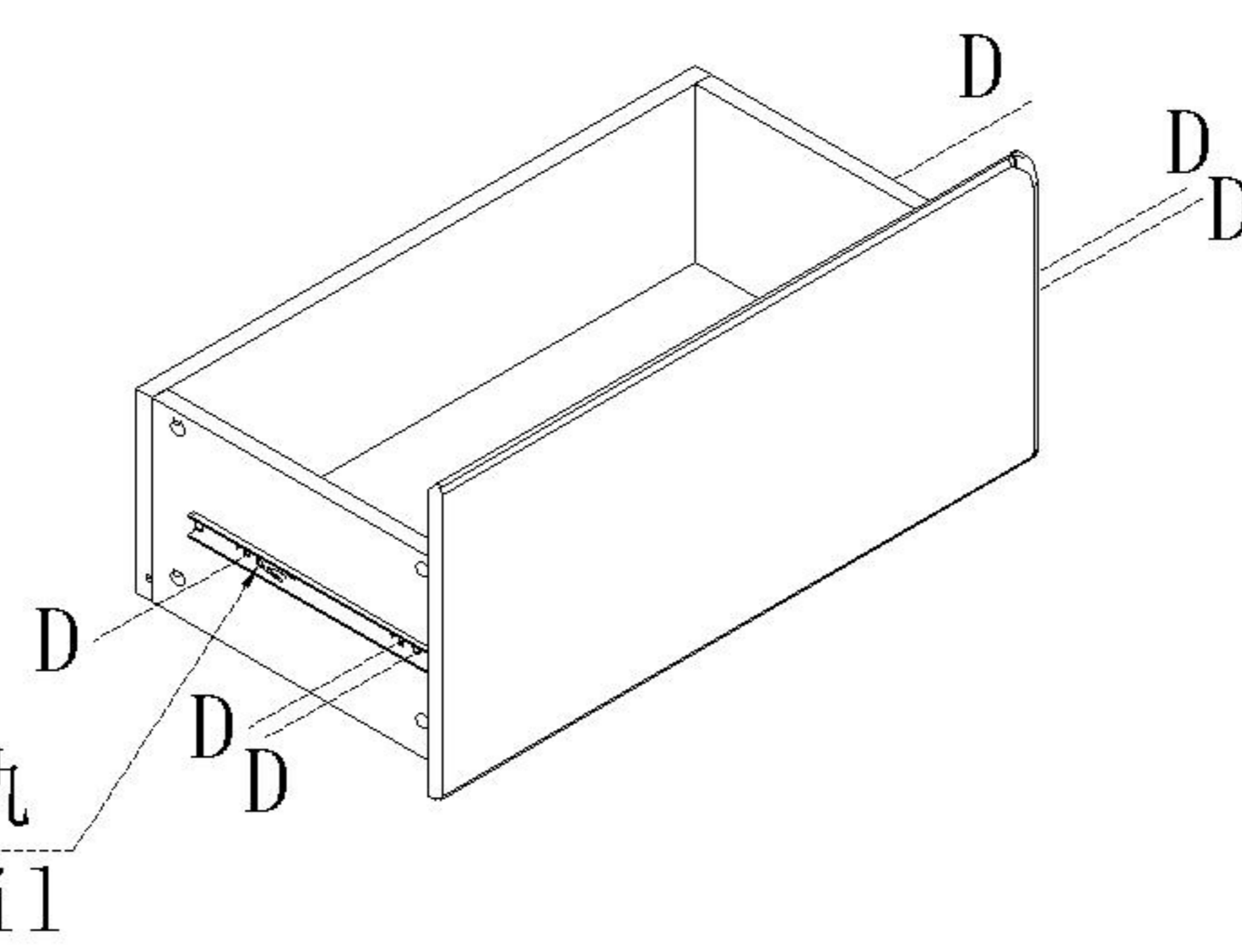
(E)\*2



4

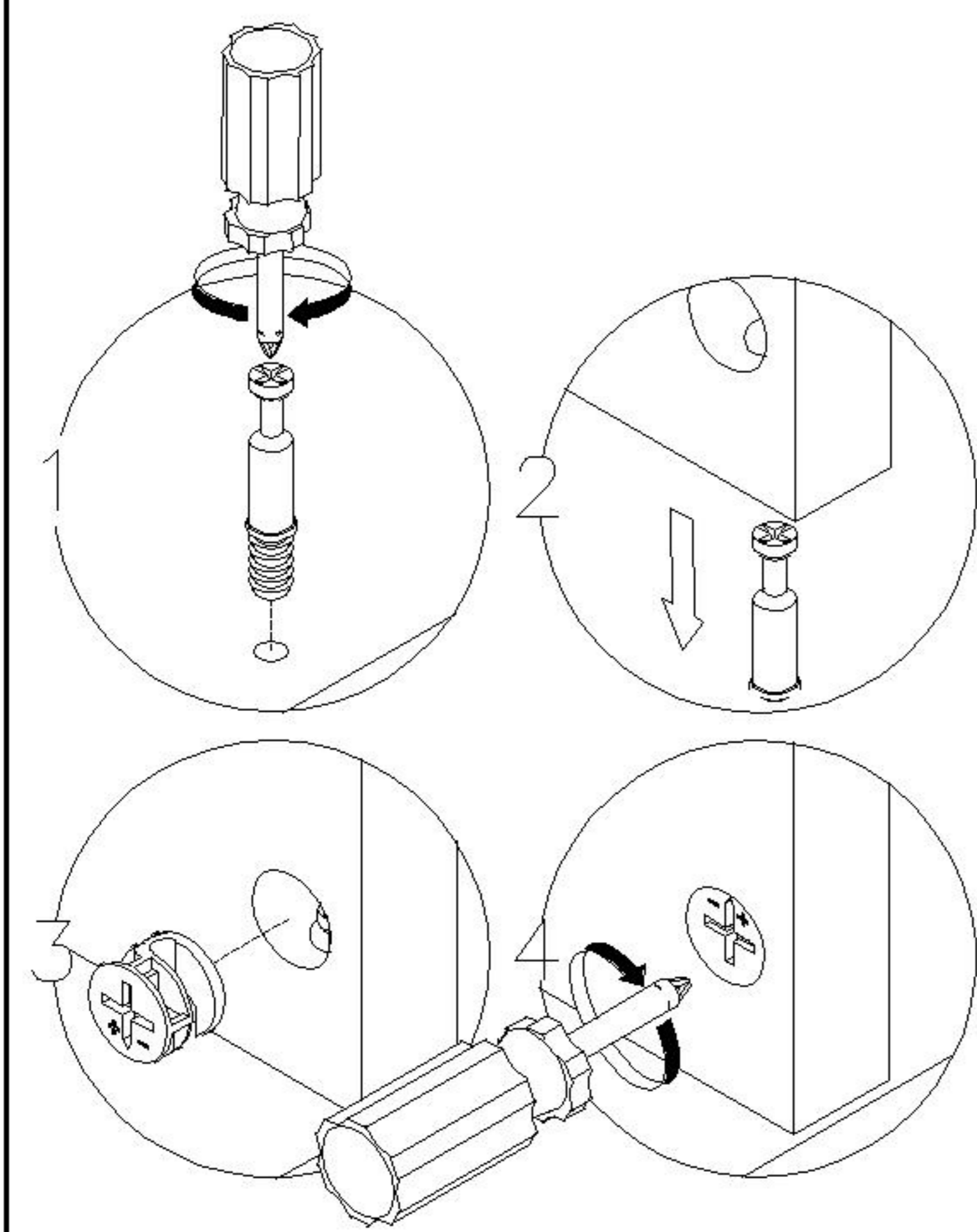


(C) 副轨  
Sub rail

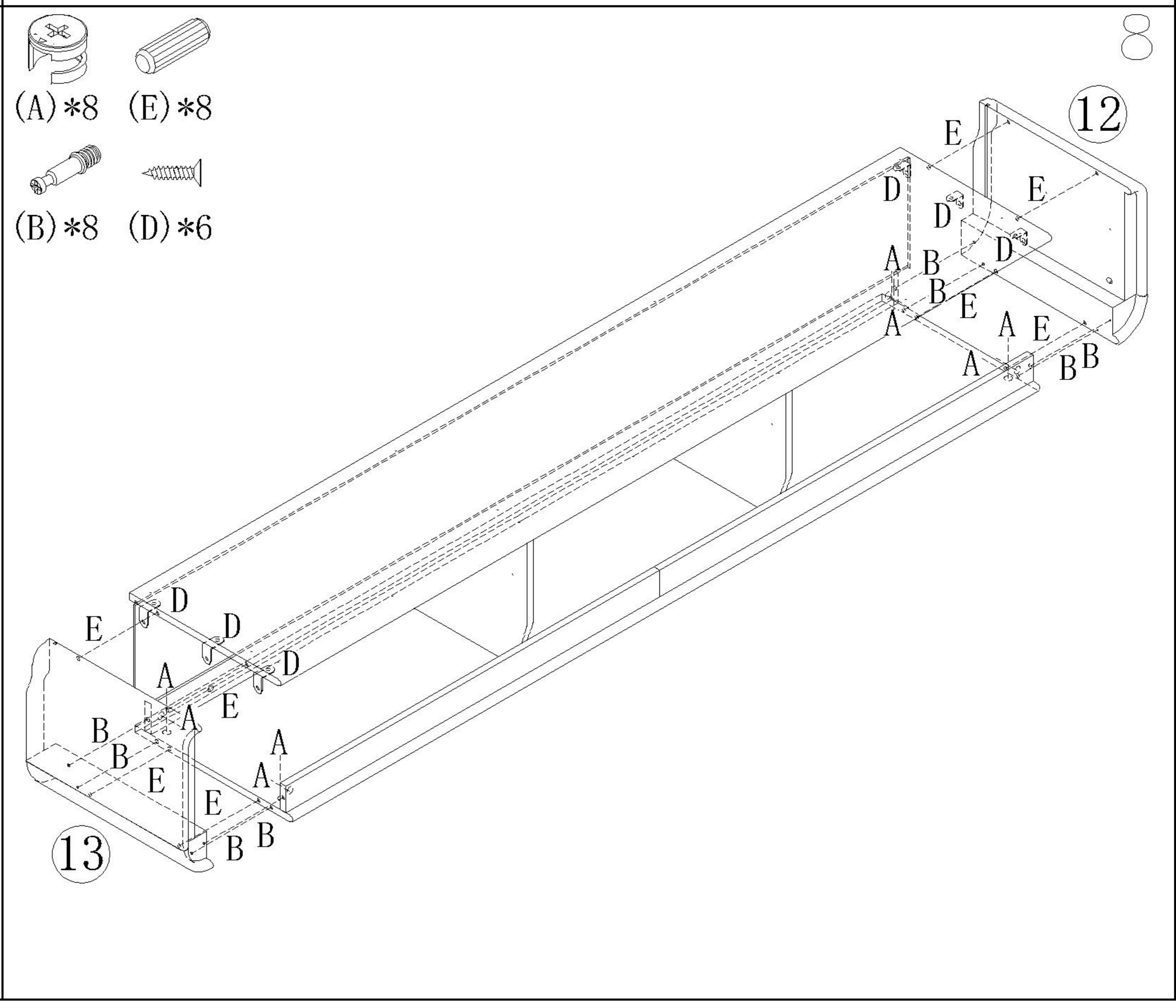
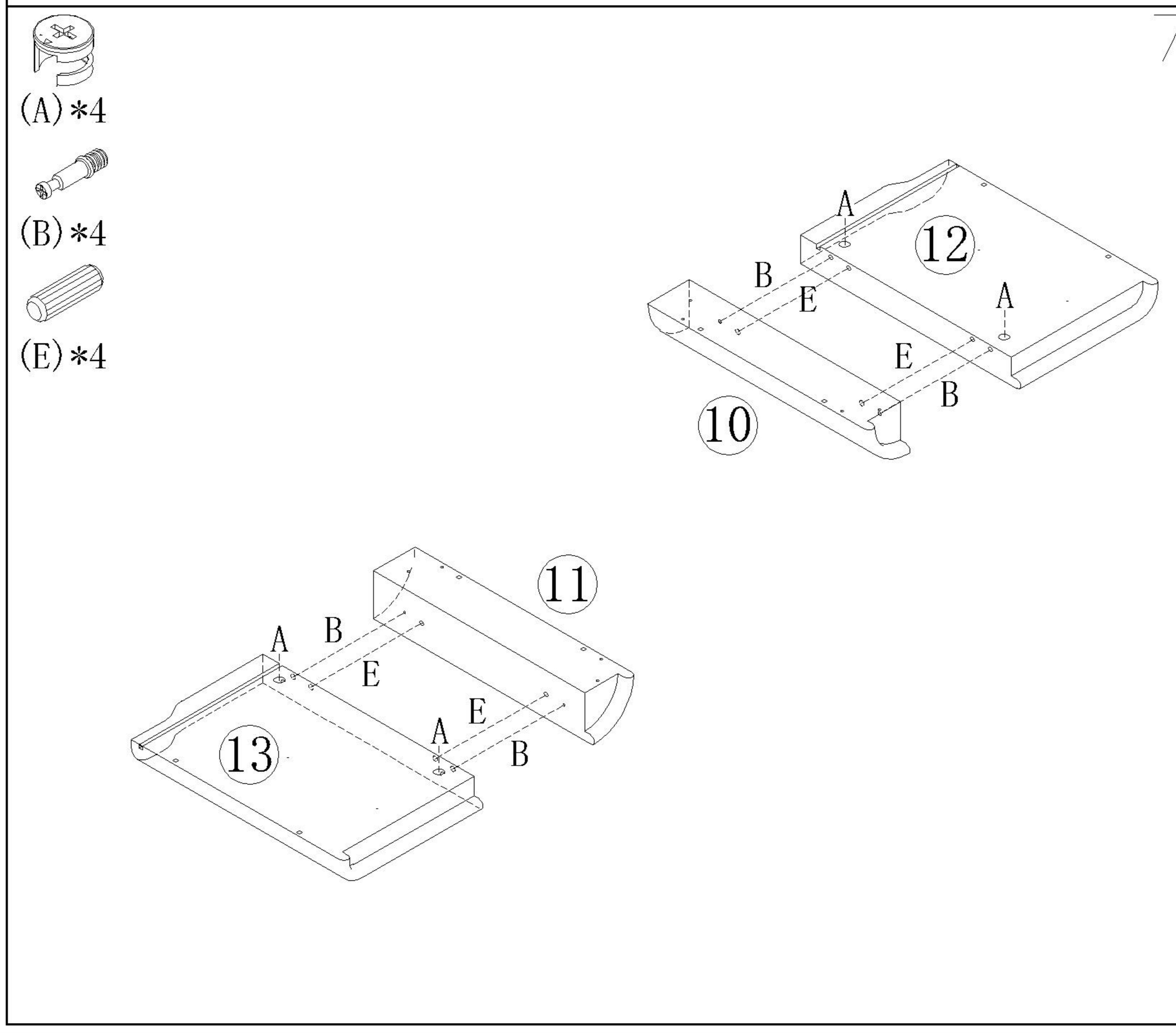
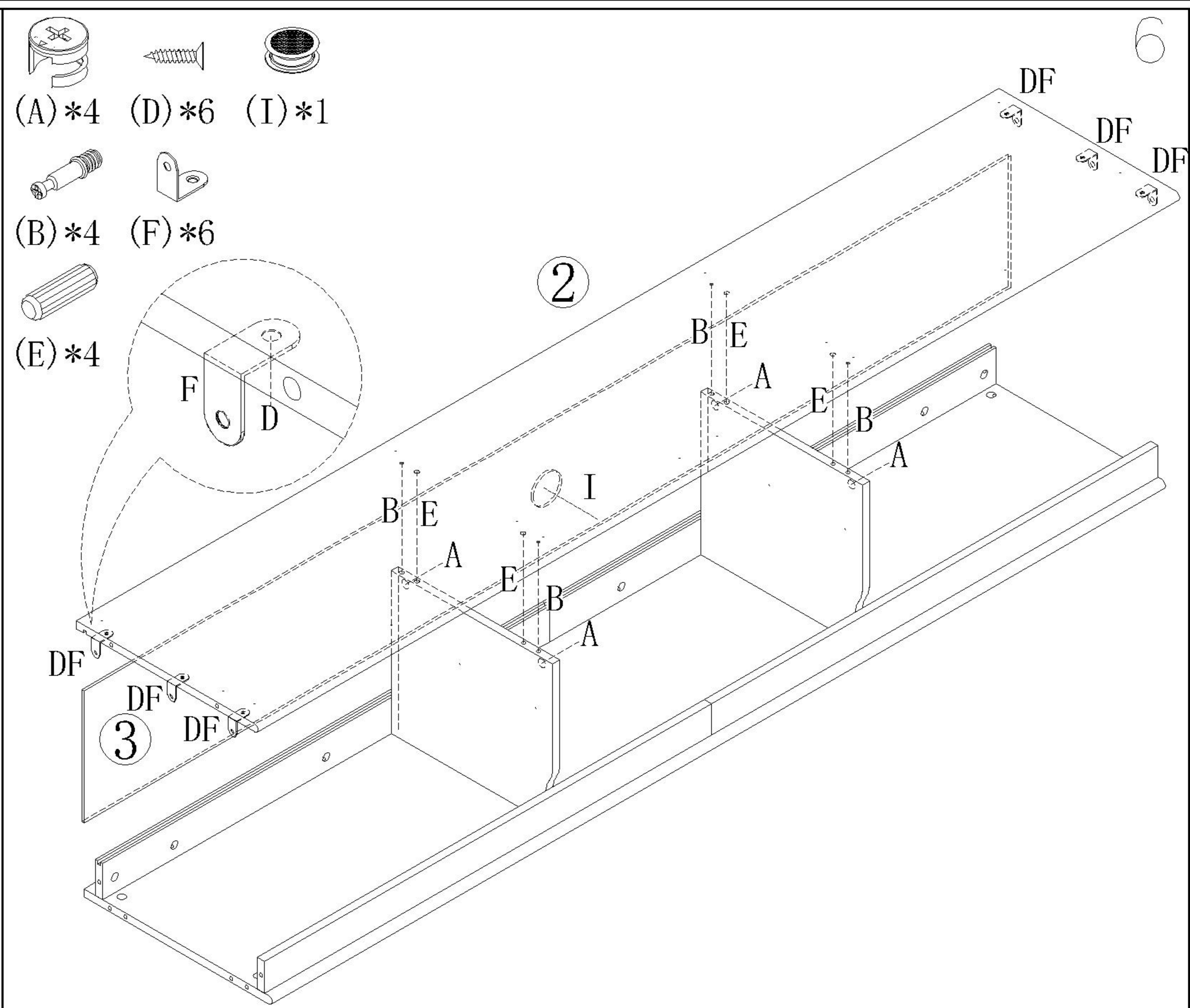
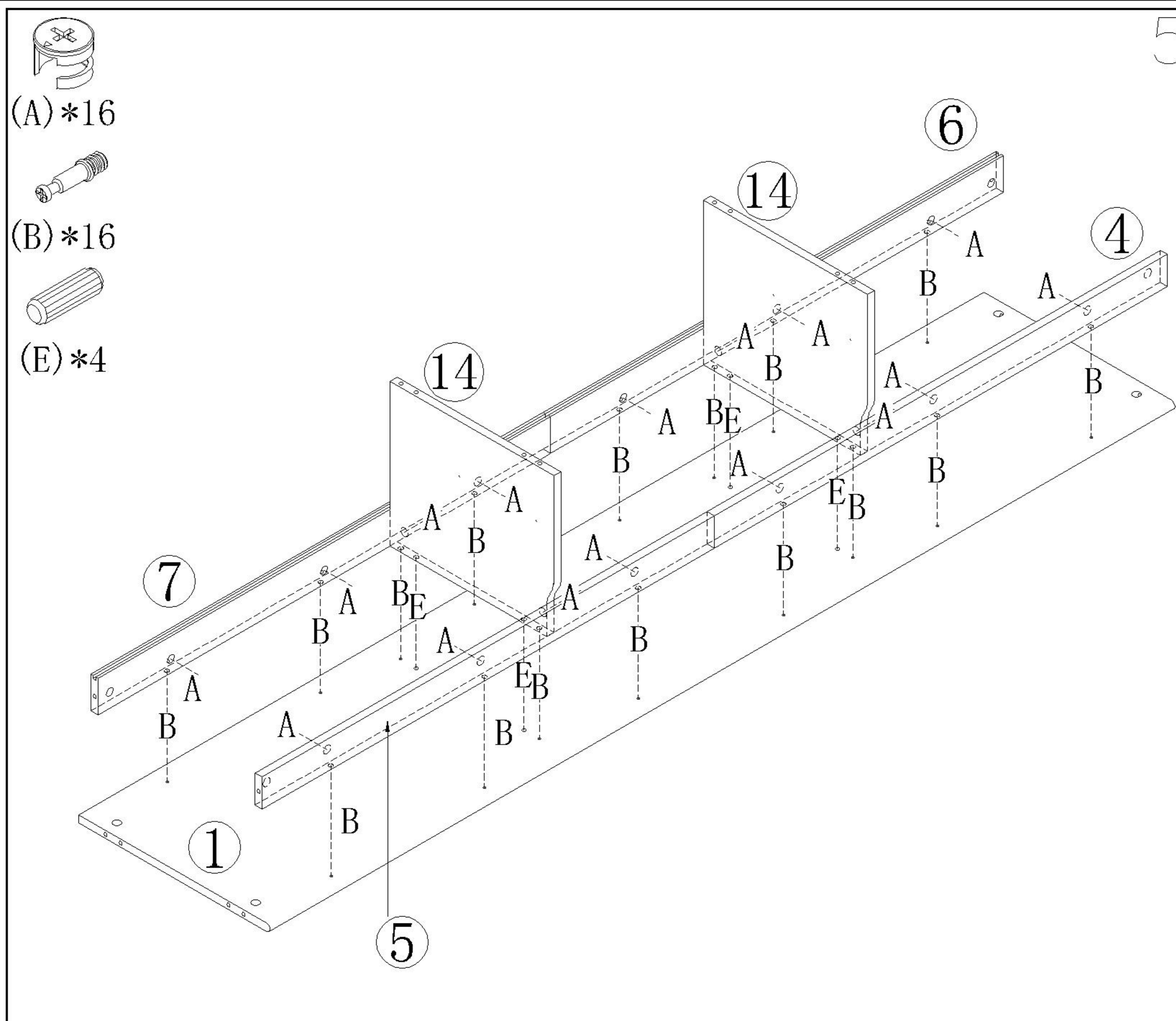


(C) 副轨  
Sub rail

安装方法  
Installation method

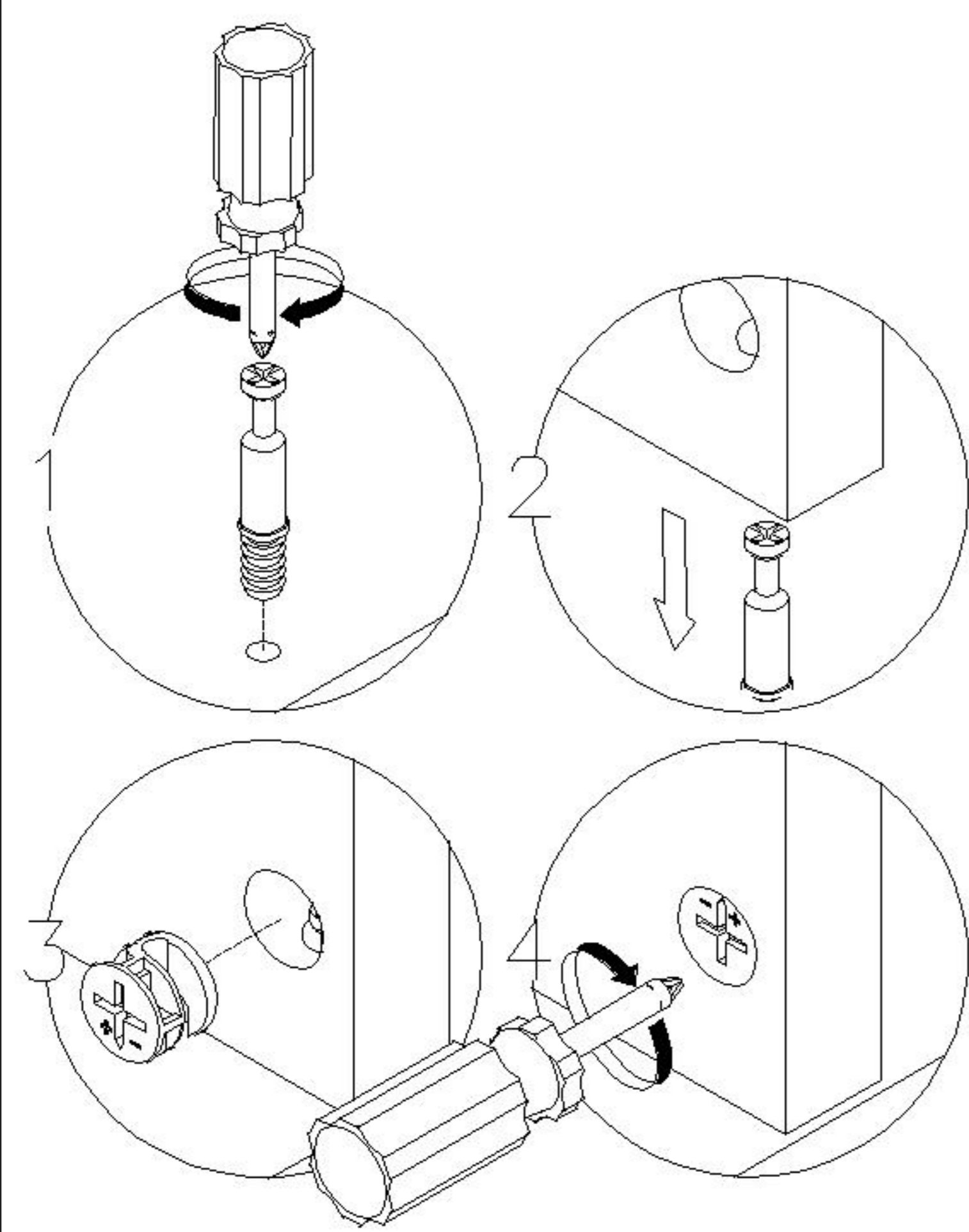


二合一 two-in-one



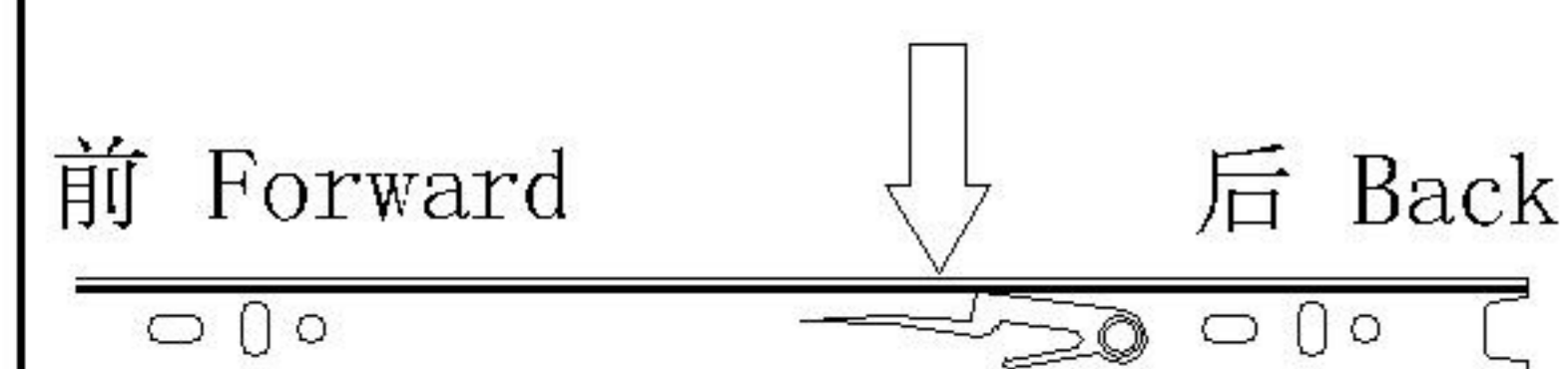
安装方法

Installation method

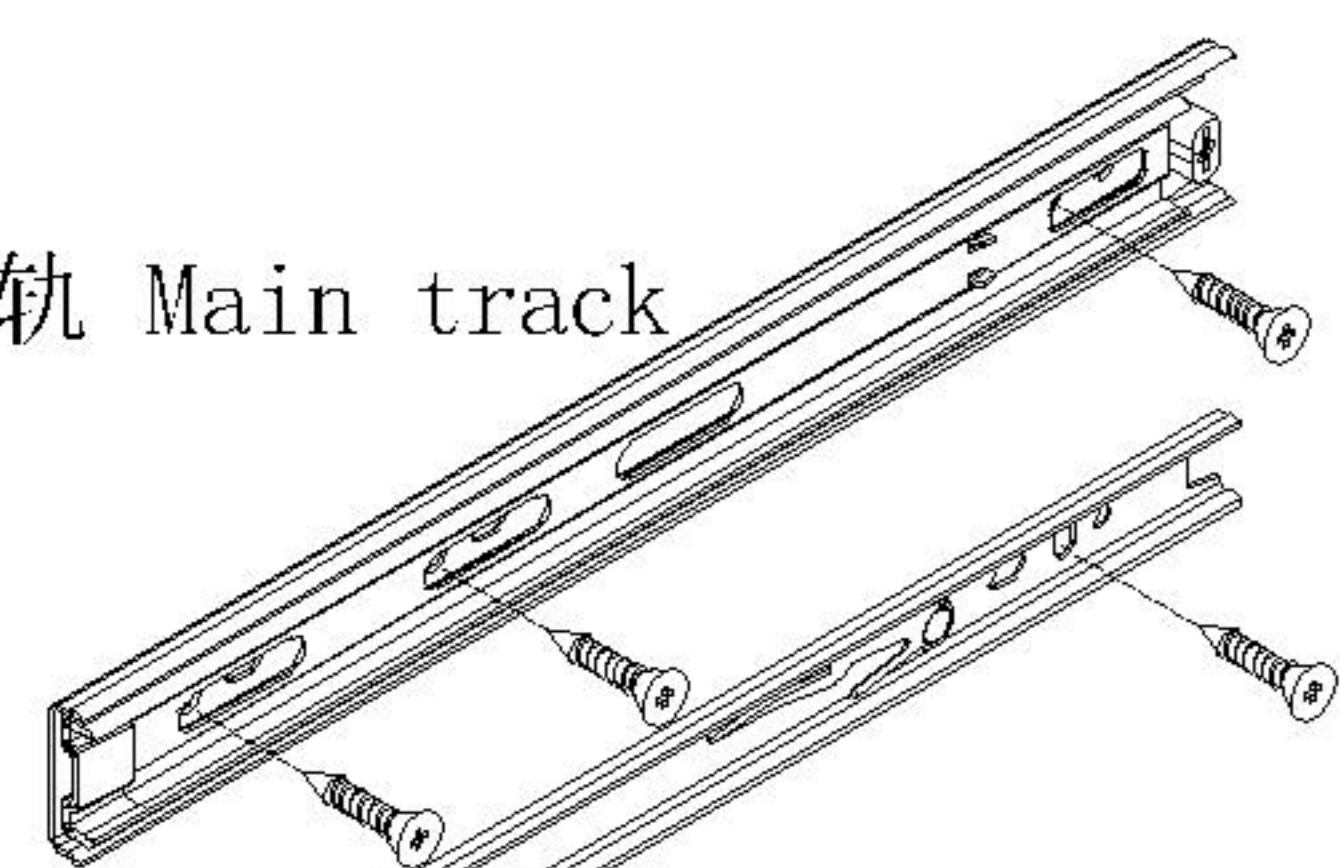


二合一 two-in-one

阀门开关(下压为开)  
Valve switch (press down to open)



主轨 Main track



副轨 Sub track



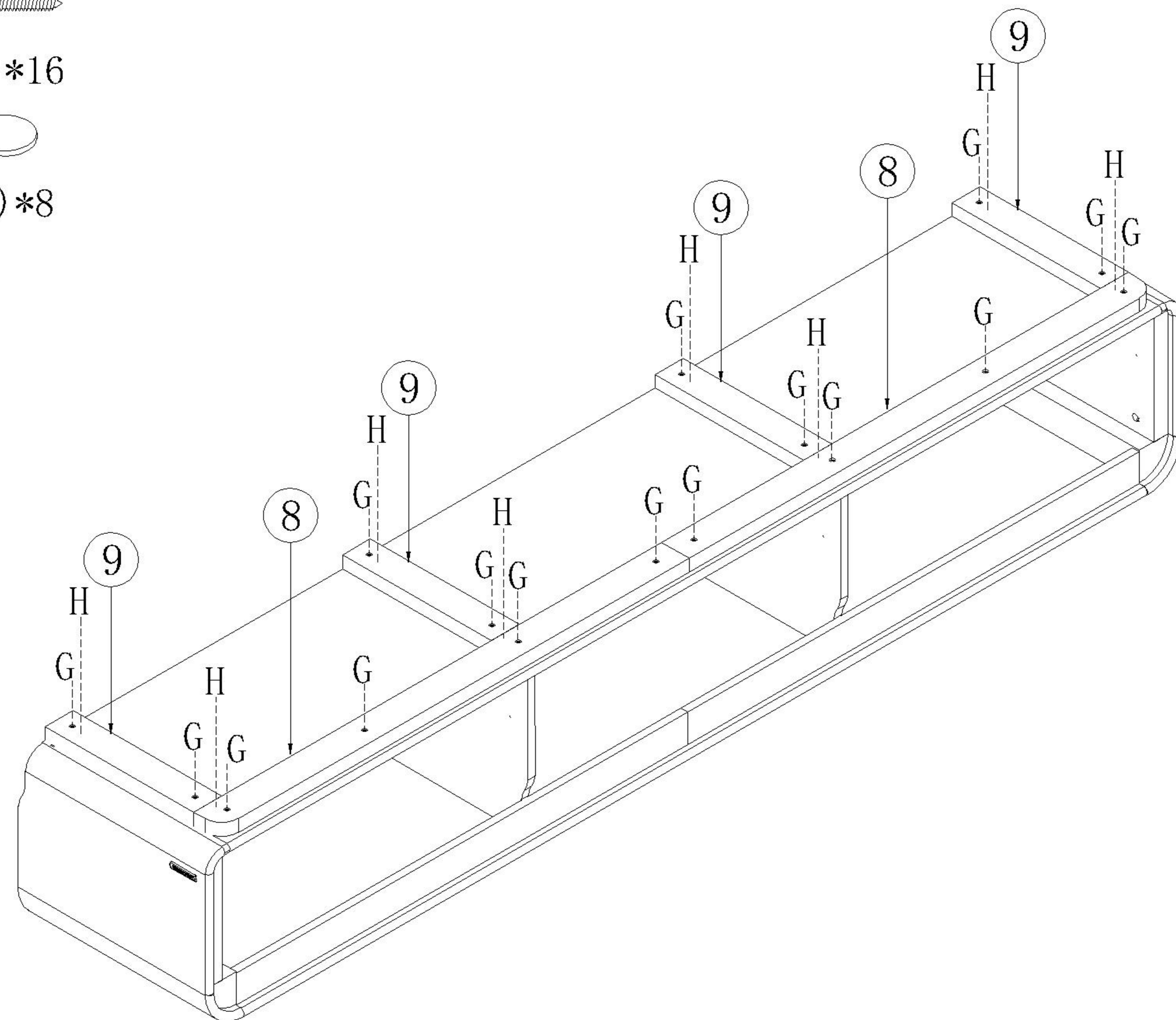
三节滚珠导轨-10"  
Three-section rail



(G)\*16



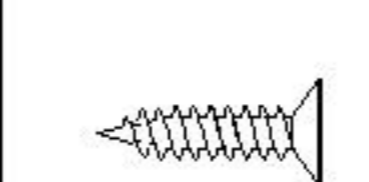
(H)\*8



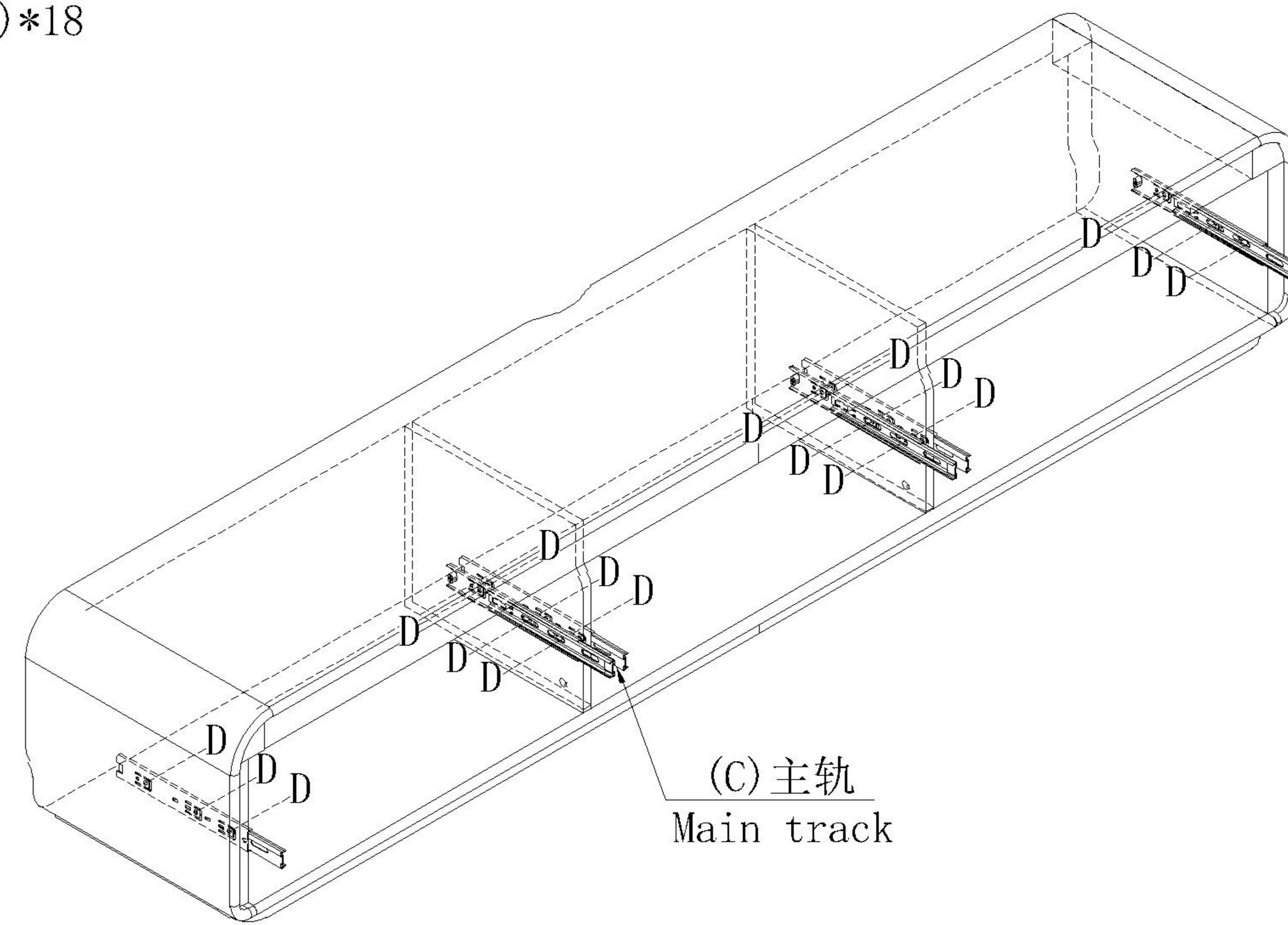
9



(C)\*3

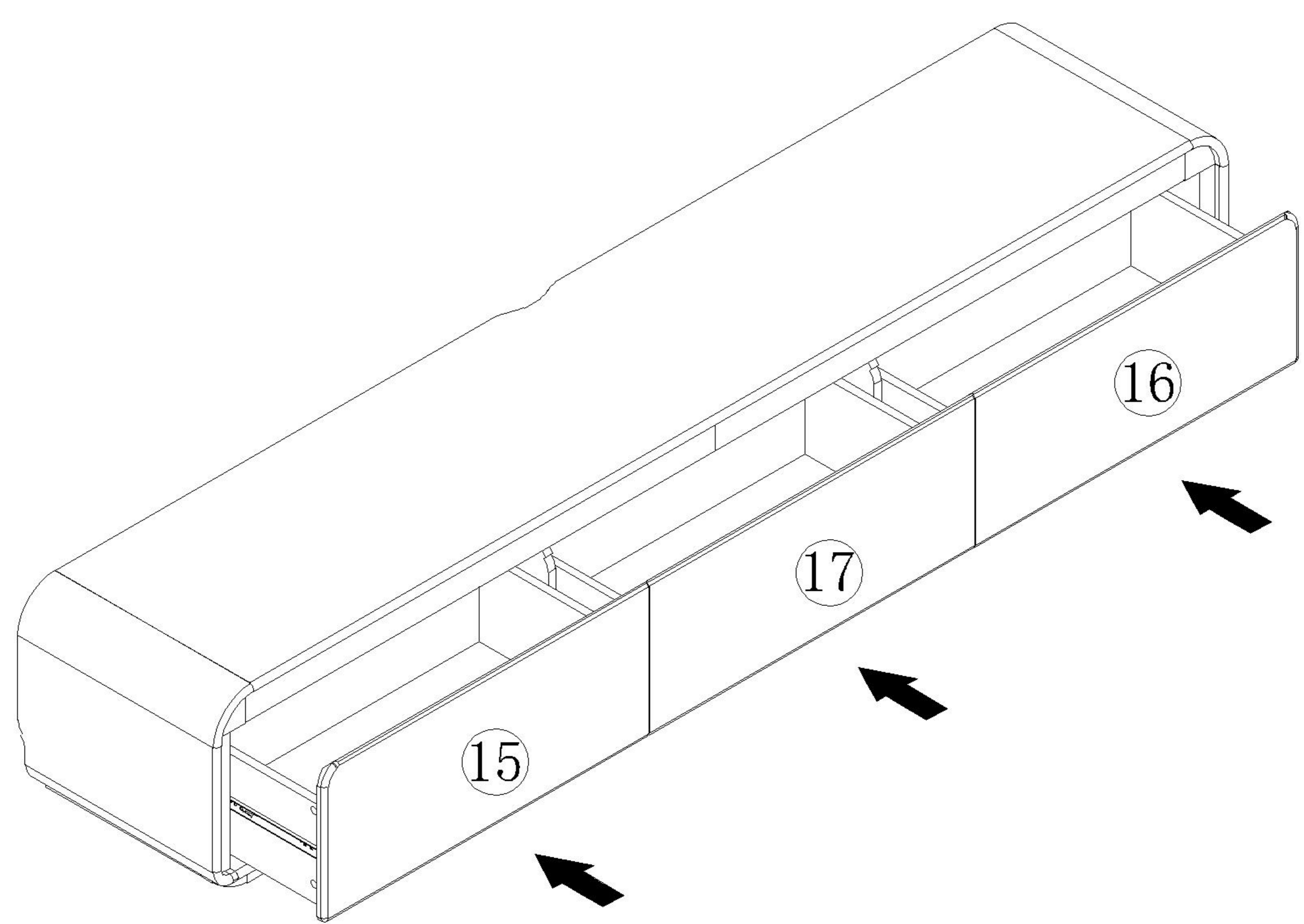


(D)\*18

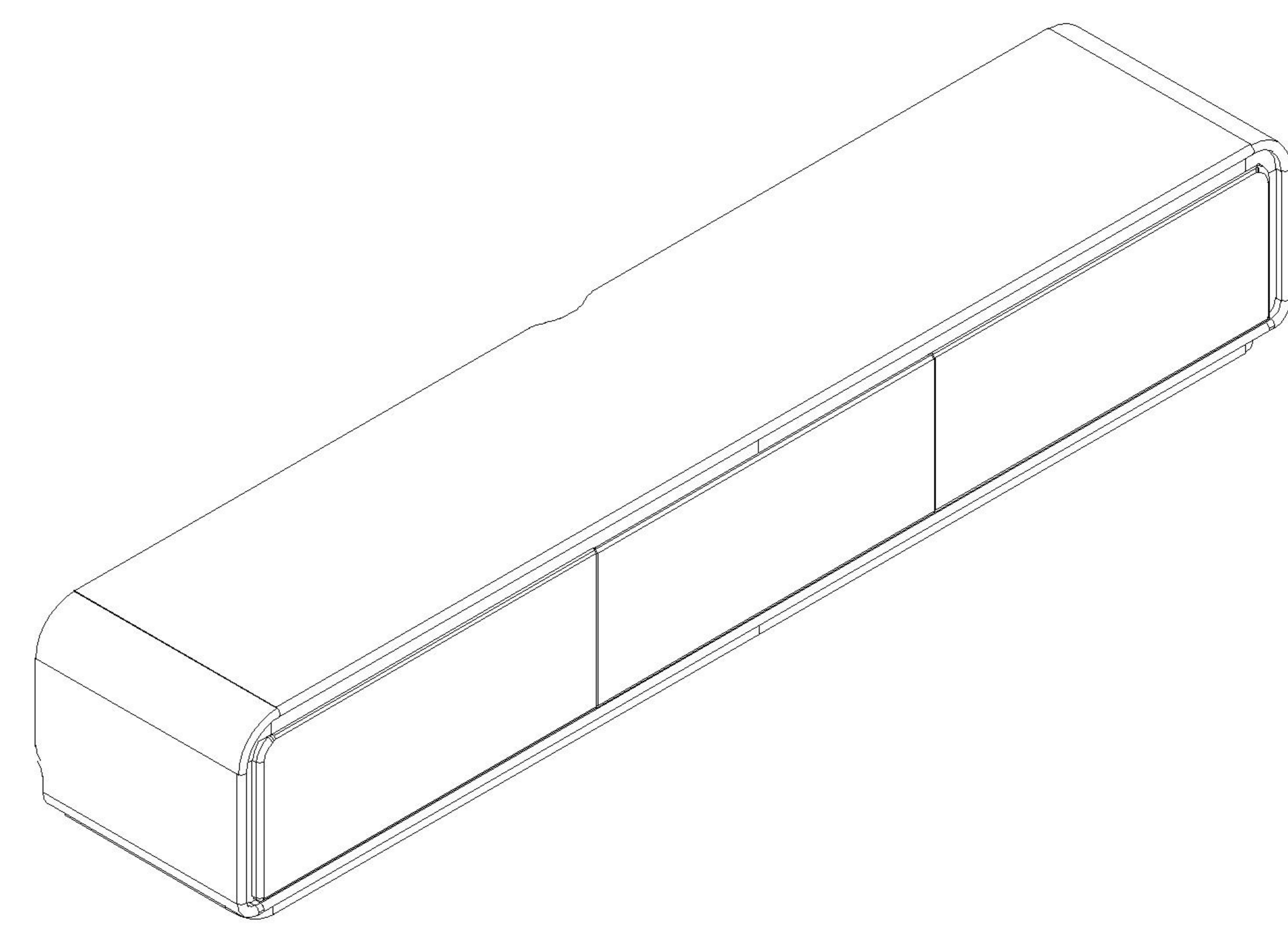


10

11



12

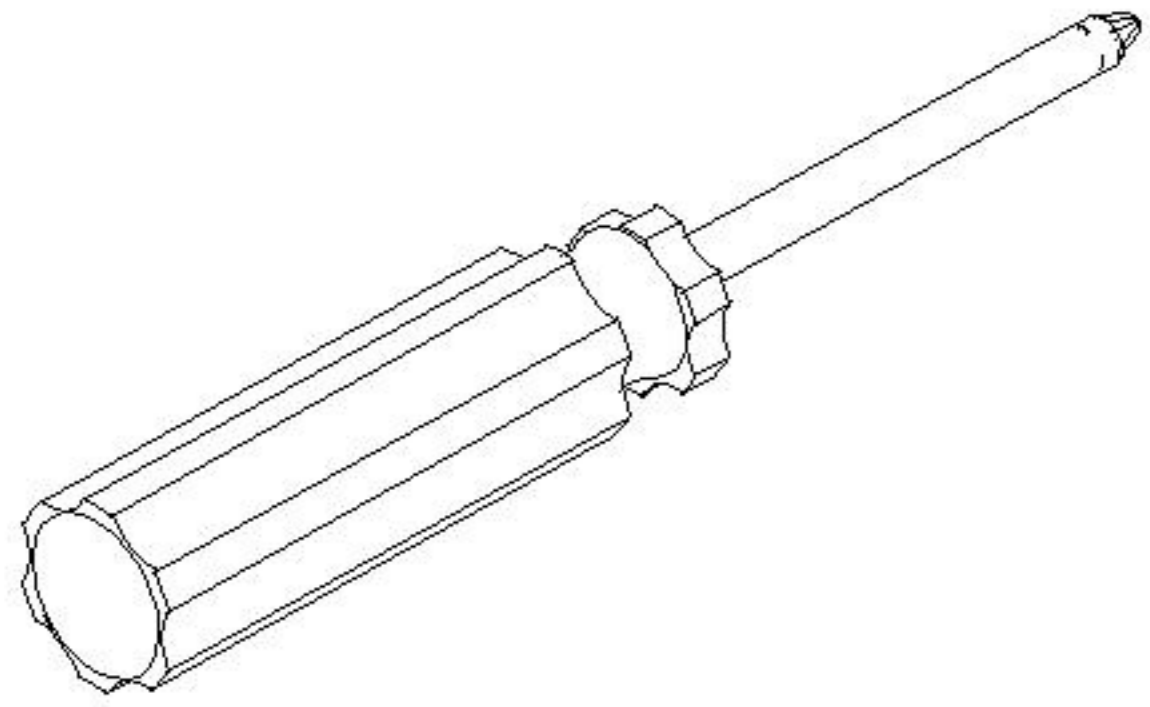
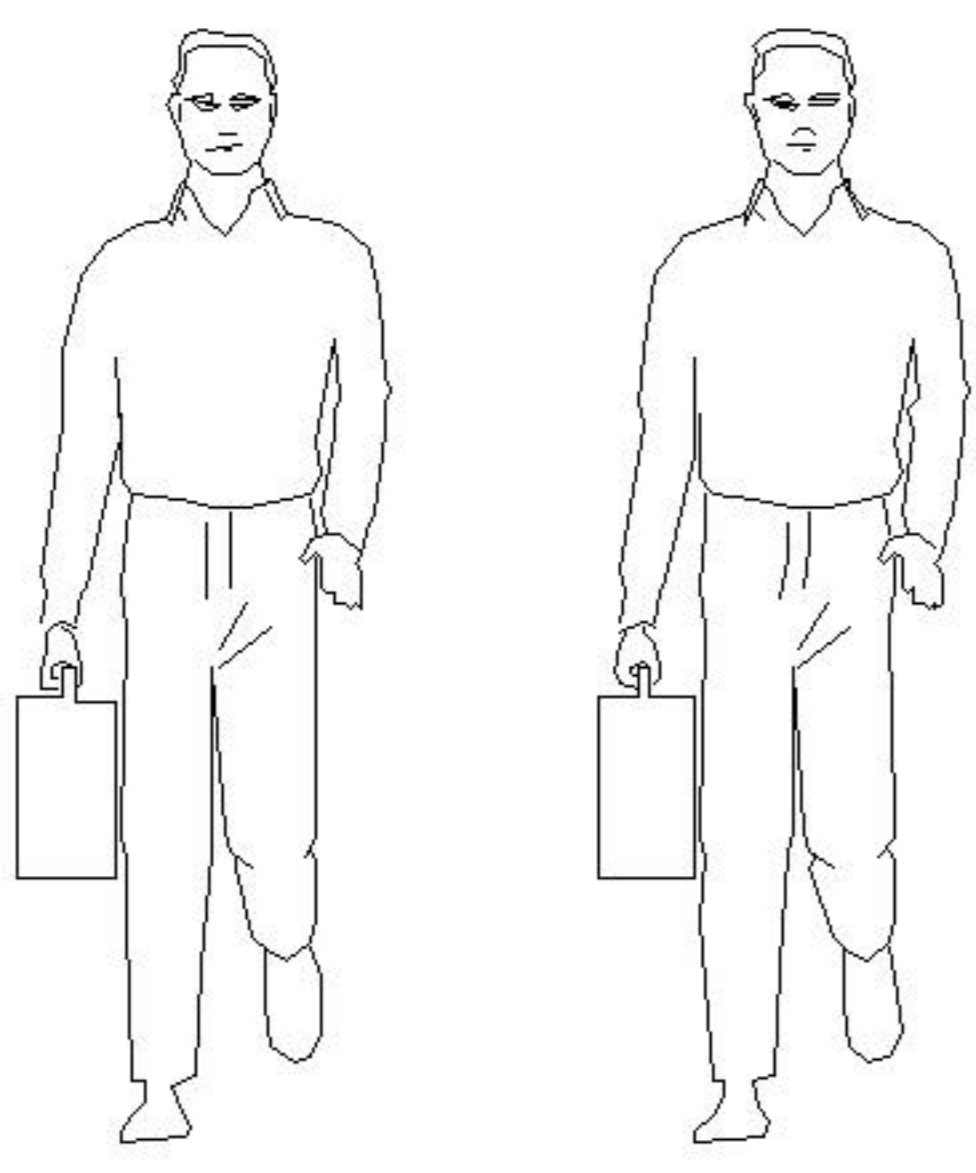


# LINSY 林氏家居

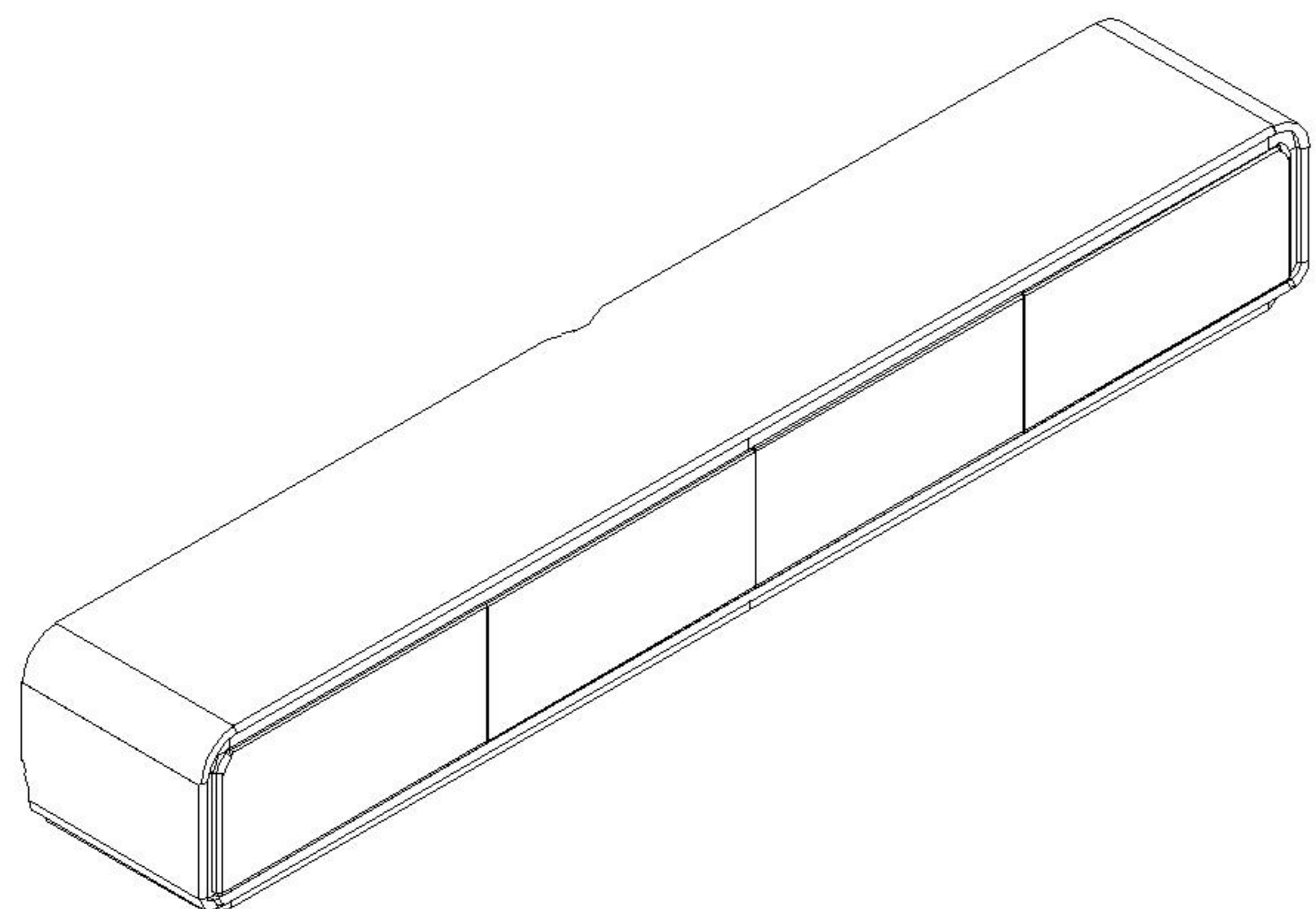
## 五金表/Hardware list

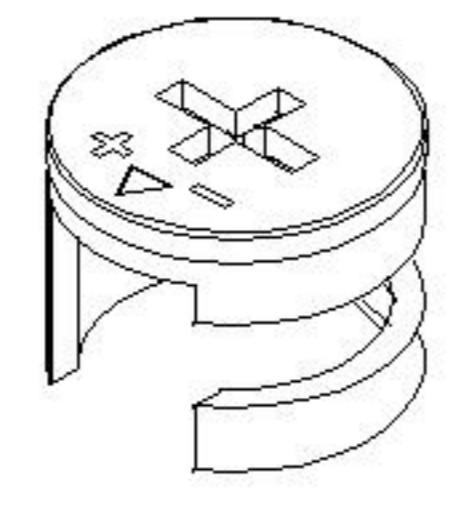
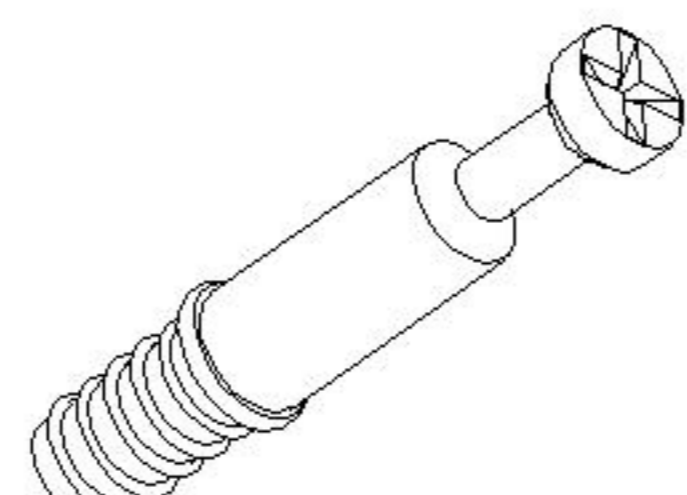
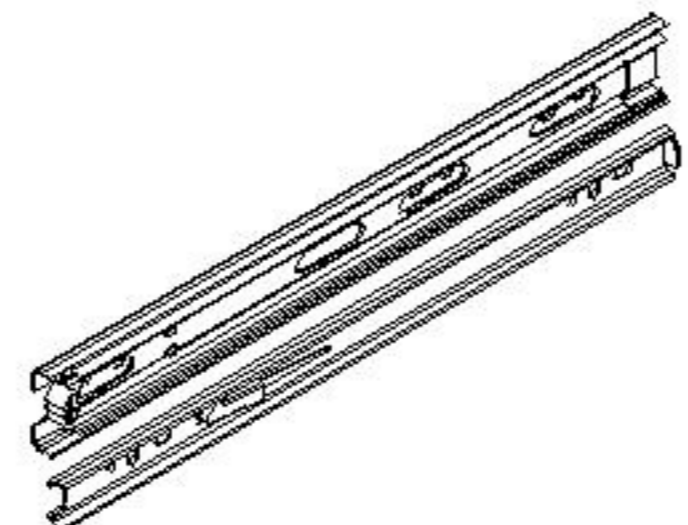
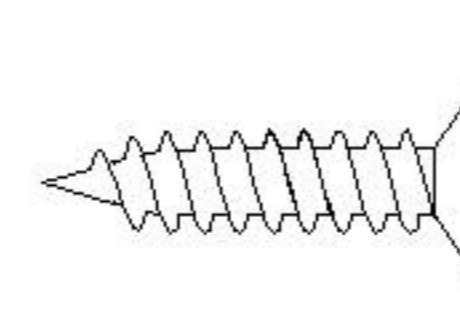
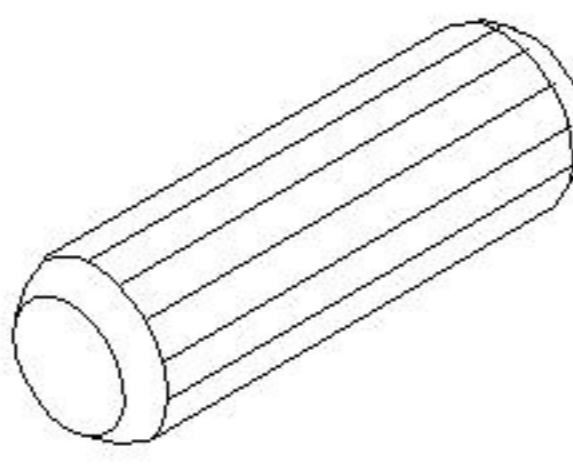
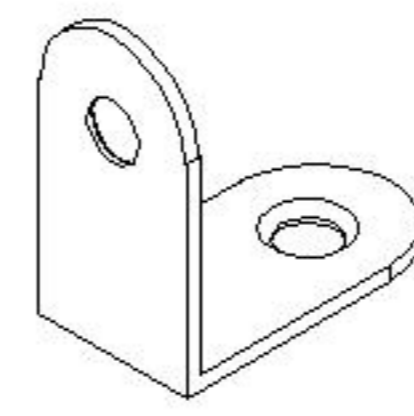
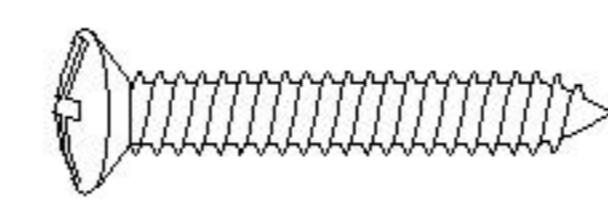
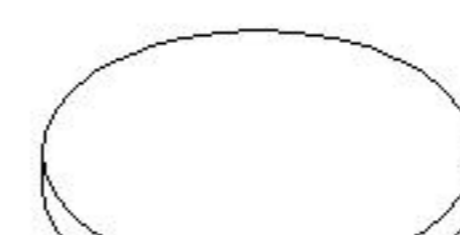
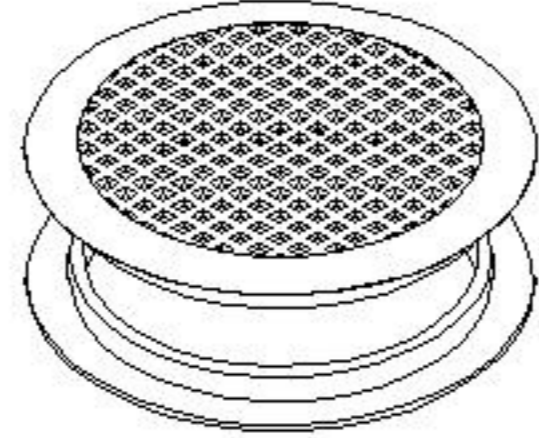
## 部件表/Parts List

### 安装示意图/Assembly Instruction

产品名称 Model NO.	RI7M-C 电视柜2.4米
产品规格 Specification	2432*399*355mm
安装工具 Tool	安装人数 Installer
	

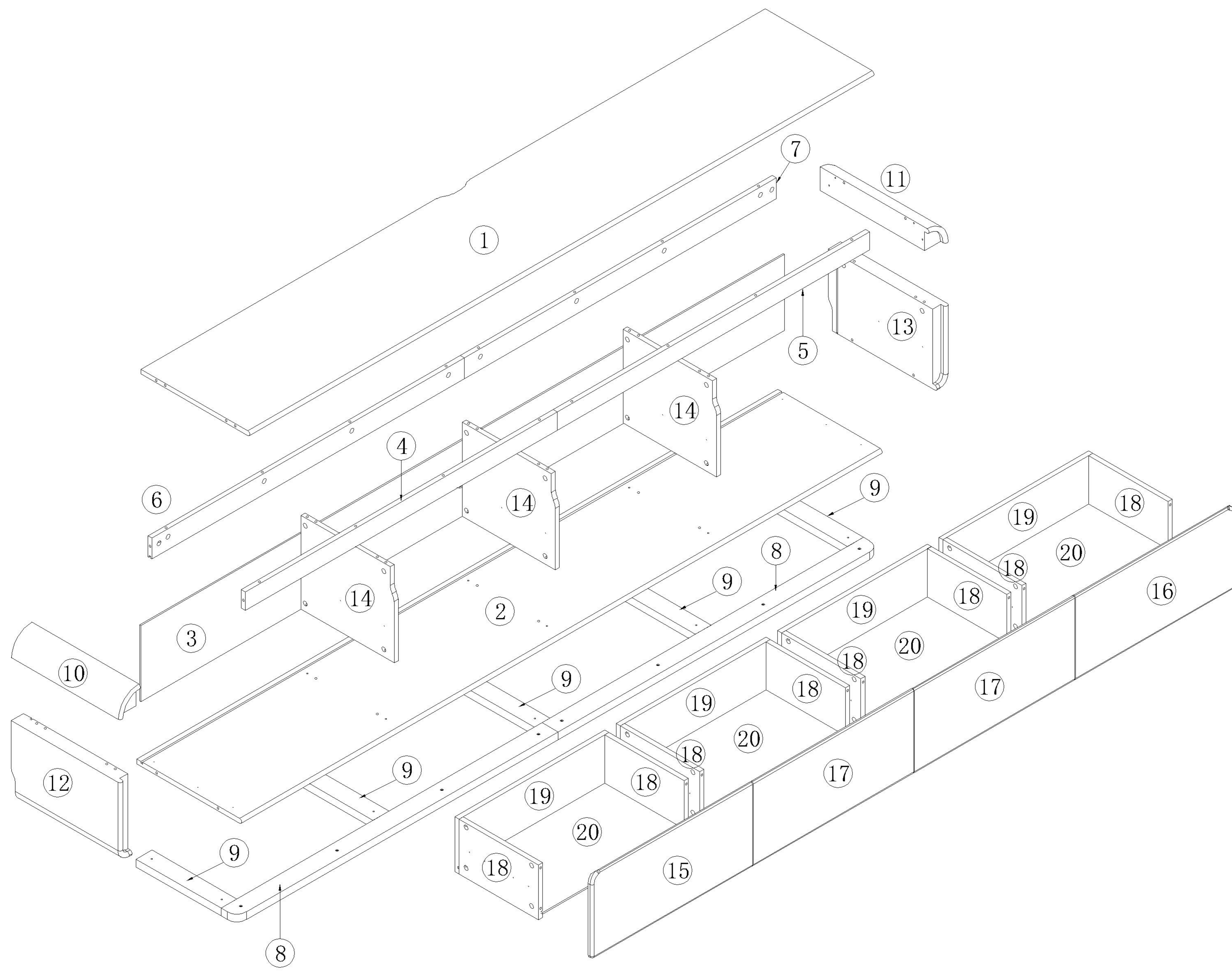
注：为保证设计效果，部分尺寸为定制尺寸，不影响使用。



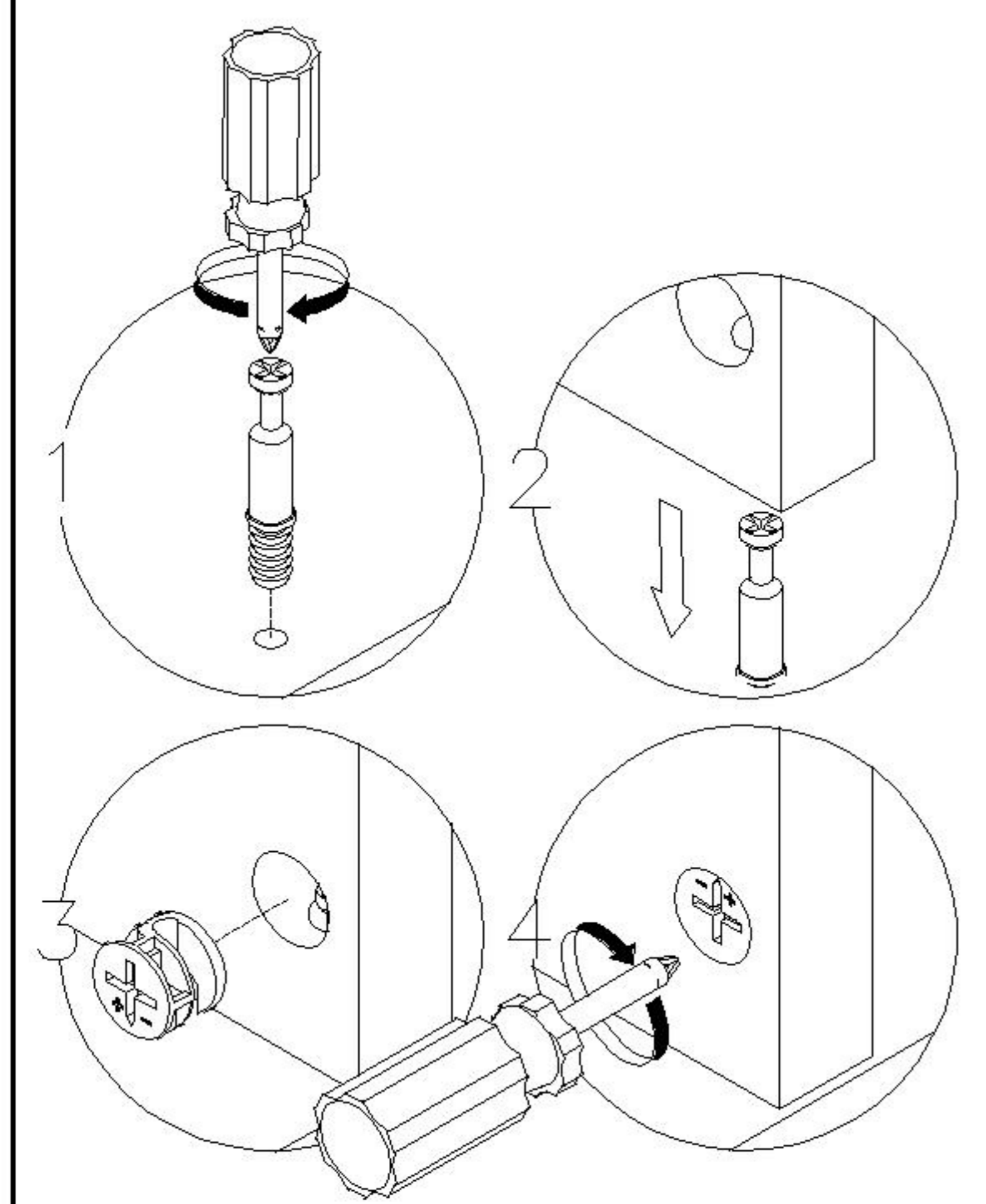
 (A)*76 大三合一锁饼 3-in-1 large lock	 (B)*76 二合一螺杆 2-in-1-screw	 (C)*4 三节滚珠导轨10" Three-section rail	 (D)*63 白攻螺丝M3.5*14mm Tapping screw
 (E)*27 木榫-φ8*30 Wood tenon	 (F)*6 L型角码 L-shaped corner bracket	 (G)*19 百攻天扁M1*35mm Flat head tapping screw	 (H)*10 灰色毛毡垫 Foot pad
 (I)*1 透气孔盖-白色 Vent cover - white			

编号NO.	名称Name	规格(mm) Specification	数量QTY	材质Material
①	面板Top panel	2282*398*15	1	纤维板 Fiberboard
②	底板Bottom board	2342*383*15	1	纤维板 Fiberboard
③	背板Back board	2352*241*5	1	纤维板 Fiberboard
④	左拉条Brace (L)	1141*58*15	1	纤维板 Fiberboard
⑤	右拉条Brace (R)	1141*58*15	1	纤维板 Fiberboard
⑥	背拉条Back brace	1141*66*15	1	欧松板 Oriented Strand Board
⑦	边背拉条Side back brace	1141*66*15	1	欧松板 Oriented Strand Board
⑧	长脚条Long foot slat	1174*58*25	2	欧松板 Oriented Strand Board
⑨	短脚条Short foot strip	310*58*25	5	欧松板 Oriented Strand Board
⑩	左转角木Corner wood (L)	399*75*75	1	橡胶木 Rubber wood
⑪	右转角木Corner wood (R)	399*75*75	1	橡胶木 Rubber wood
⑫	左侧板Side board (L)	398*252*45	1	纤维板 Fiberboard
⑬	右侧板Side board (R)	398*252*45	1	纤维板 Fiberboard
⑭	中侧板Middle side board	341*297*15	3	欧松板 Oriented Strand Board
⑮	左抽屉面板 Drawer's panel (L)	587*270*15	1	纤维板 Fiberboard
⑯	右抽屉面板 Drawer's panel (R)	587*270*15	1	纤维板 Fiberboard
⑰	中抽屉面板 middle board	587*270*15	2	纤维板 Fiberboard
⑱	抽屉侧板 Drawer's sideboard	290*174*15	8	欧松板 Oriented Strand Board
⑲	抽屉后板 Drawer's Back board	548*174*15	4	欧松板 Oriented Strand Board
⑳	抽屉底板 Drawer's Bottom board	528*300*5	4	纤维板 Fiberboard

编号NO.	名称Name
①	面板Top panel
②	底板Bottom board
③	背板Back board
④	左拉条Brace(L)
⑤	右拉条Brace(R)
⑥	背拉条Back brace
⑦	边背拉条Side back brace
⑧	长脚条Long foot slat
⑨	短脚条Short foot strip
⑩	左转角木Corner wood(L)
⑪	右转角木Corner wood(R)
⑫	左侧板Side board(L)
⑬	右侧板Side board(R)
⑭	中侧板Middle side board
⑮	左抽屉面板 Drawer's panel(L)
⑯	右抽屉面板 Drawer's panel(R)
⑰	中抽屉面板 middle board
⑱	抽屉侧板 Drawer's sideboard
⑲	抽屉后板 Drawer's Back board
⑳	抽屉底板 Drawer's Bottom board

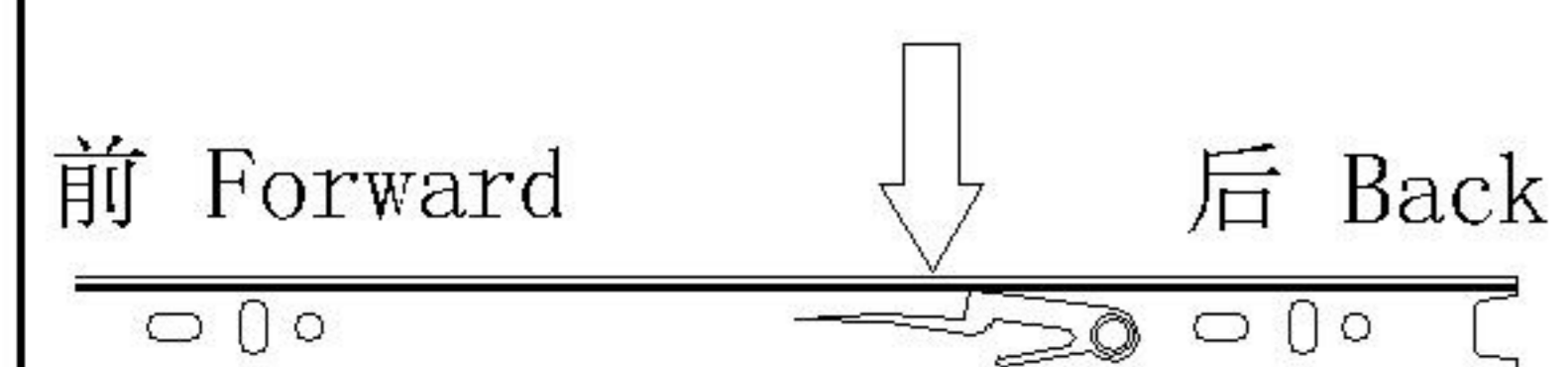


**安装方法**  
Installation method

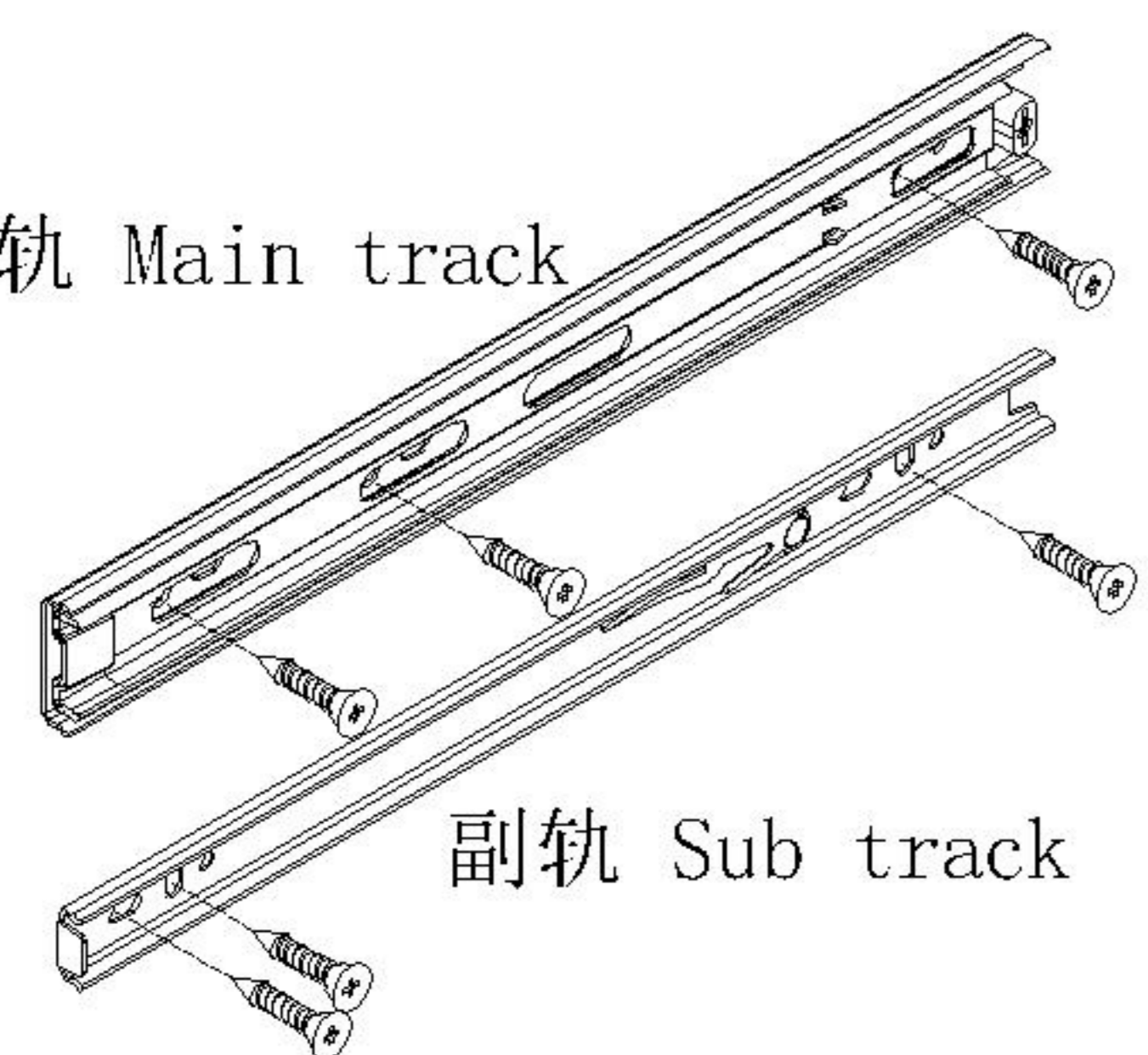


二合一 two-in-one

阀门开关(下压为开)  
Valve switch (press down to open)

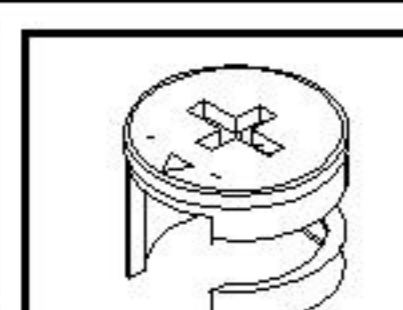


主轨 Main track

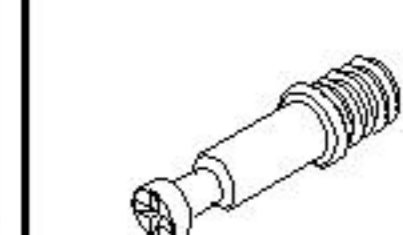


副轨 Sub track

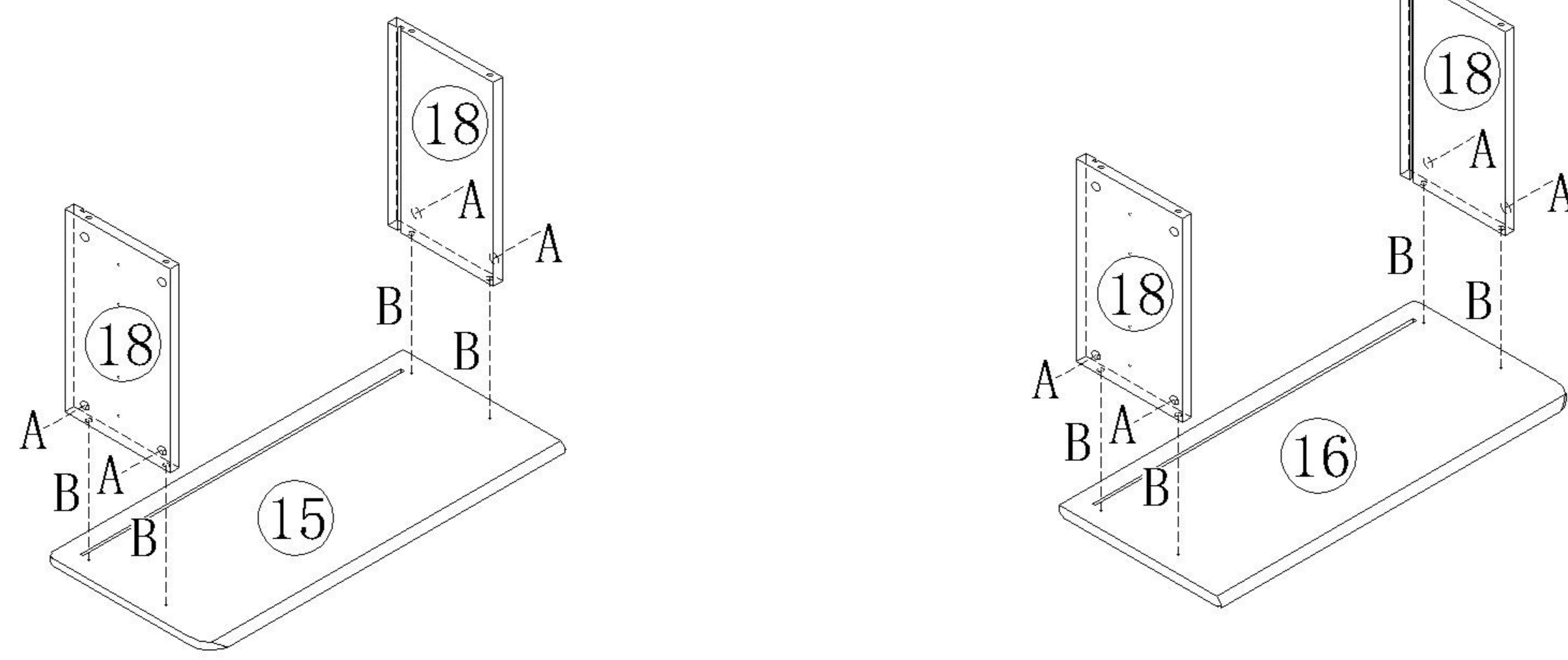
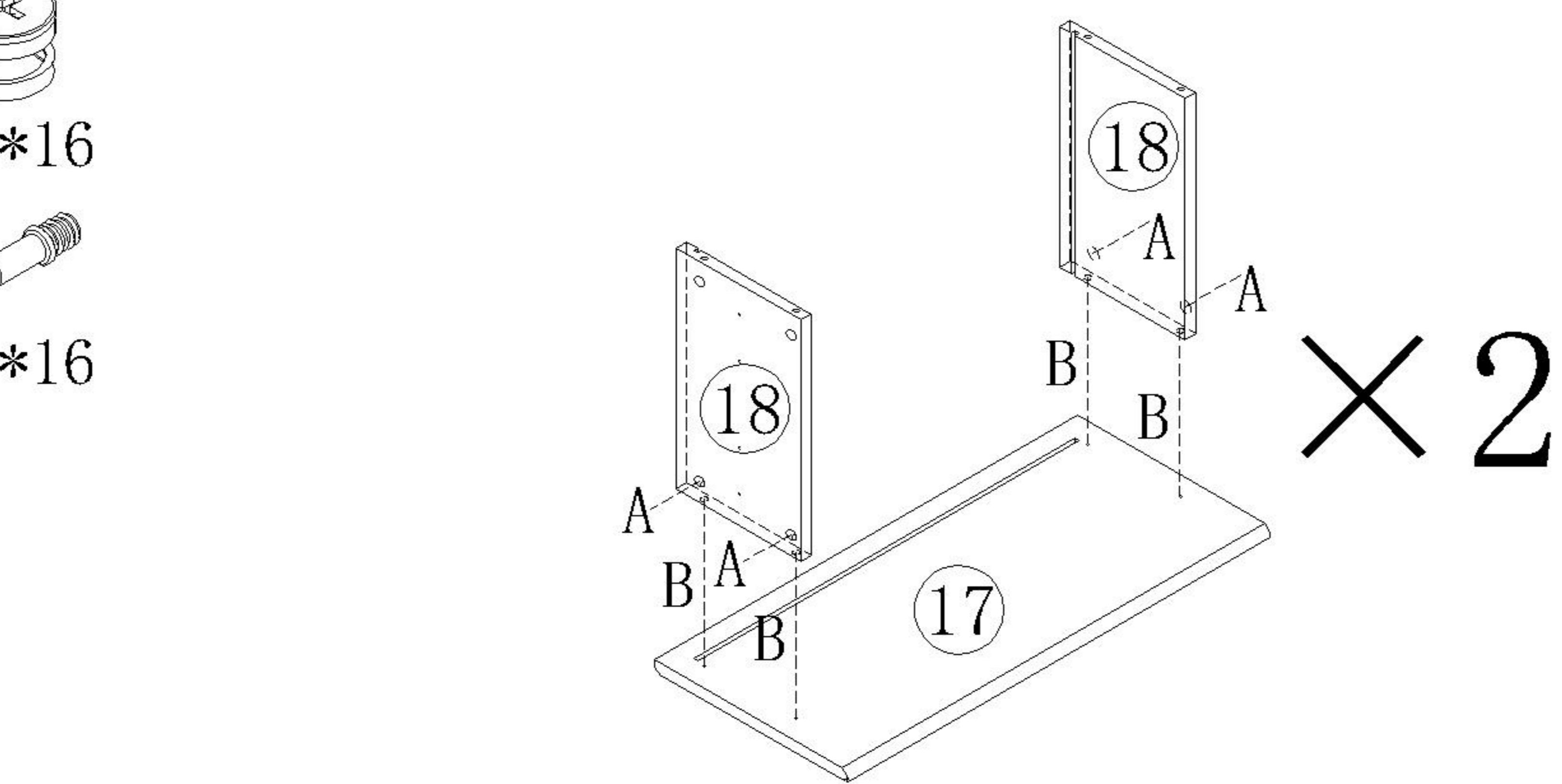
三节滚珠导轨-10"  
Three-section rail



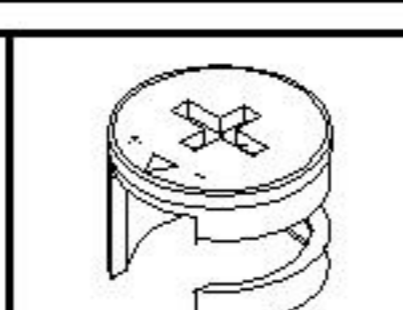
(A)\*16



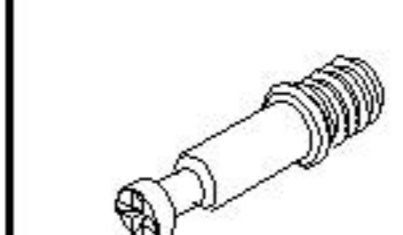
(B)\*16



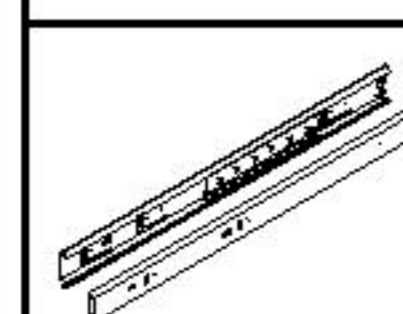
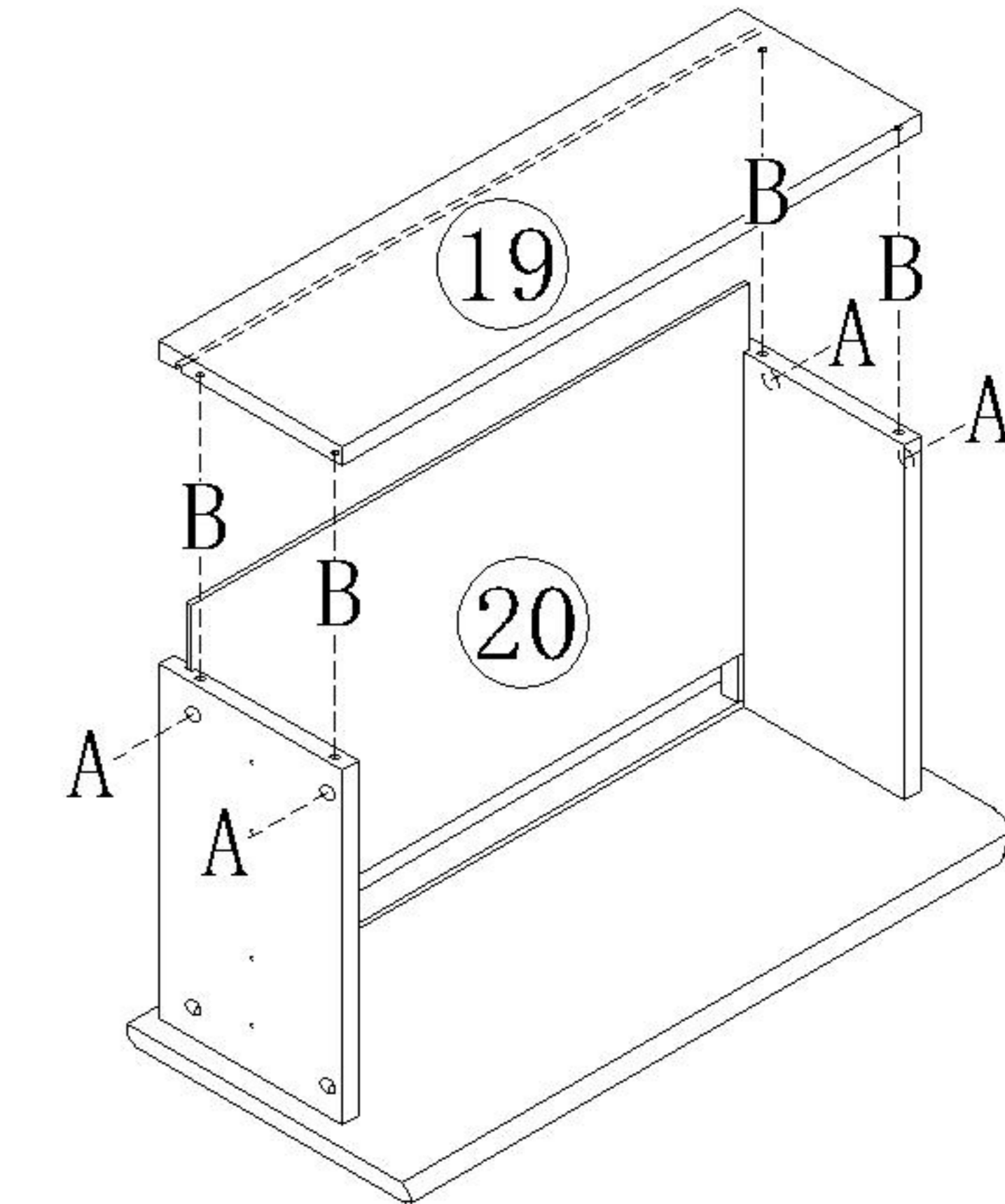
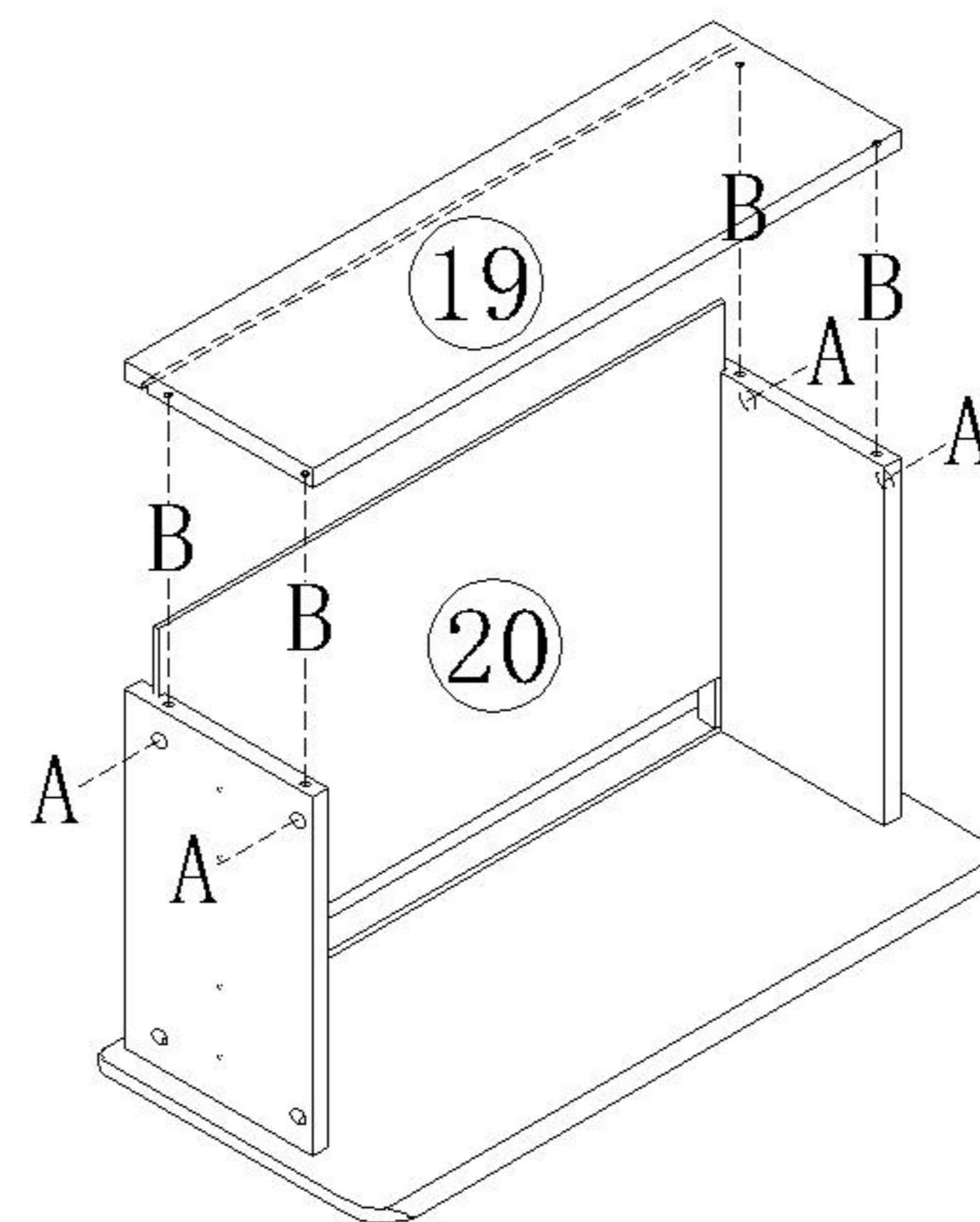
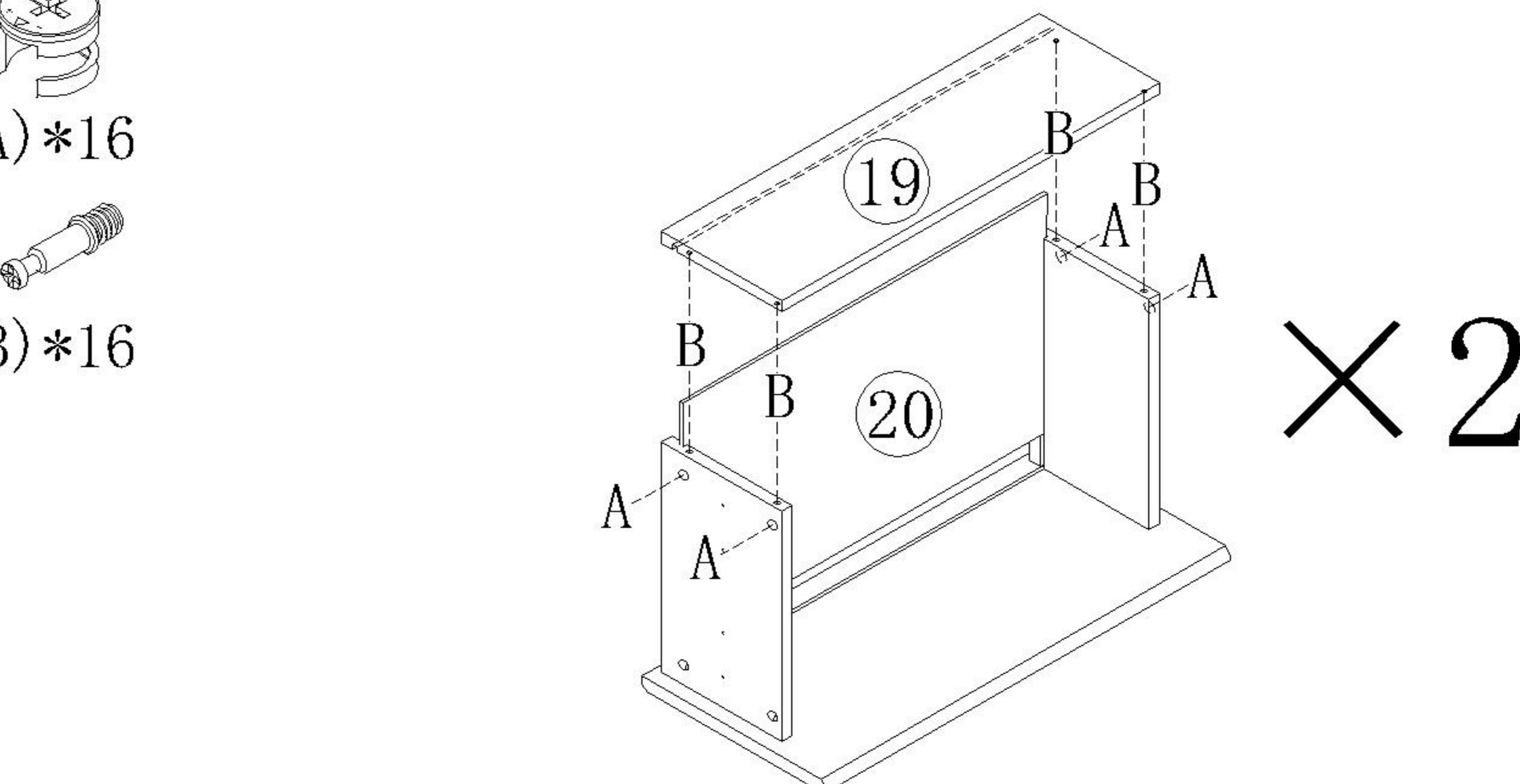
1



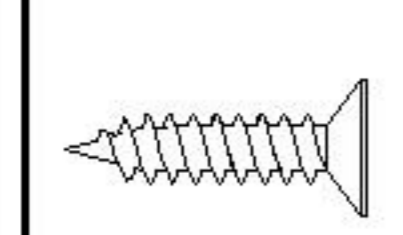
(A)\*16



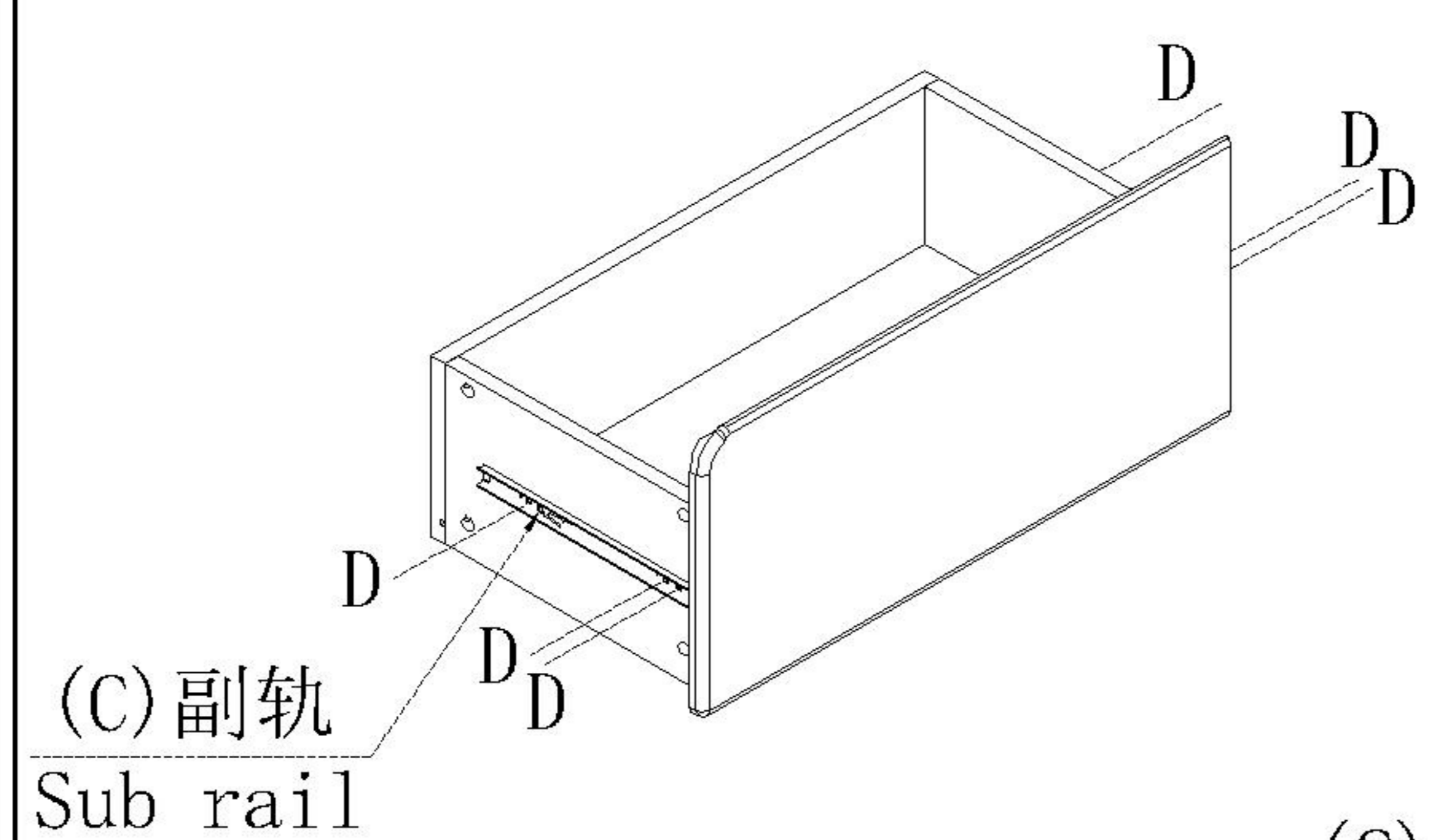
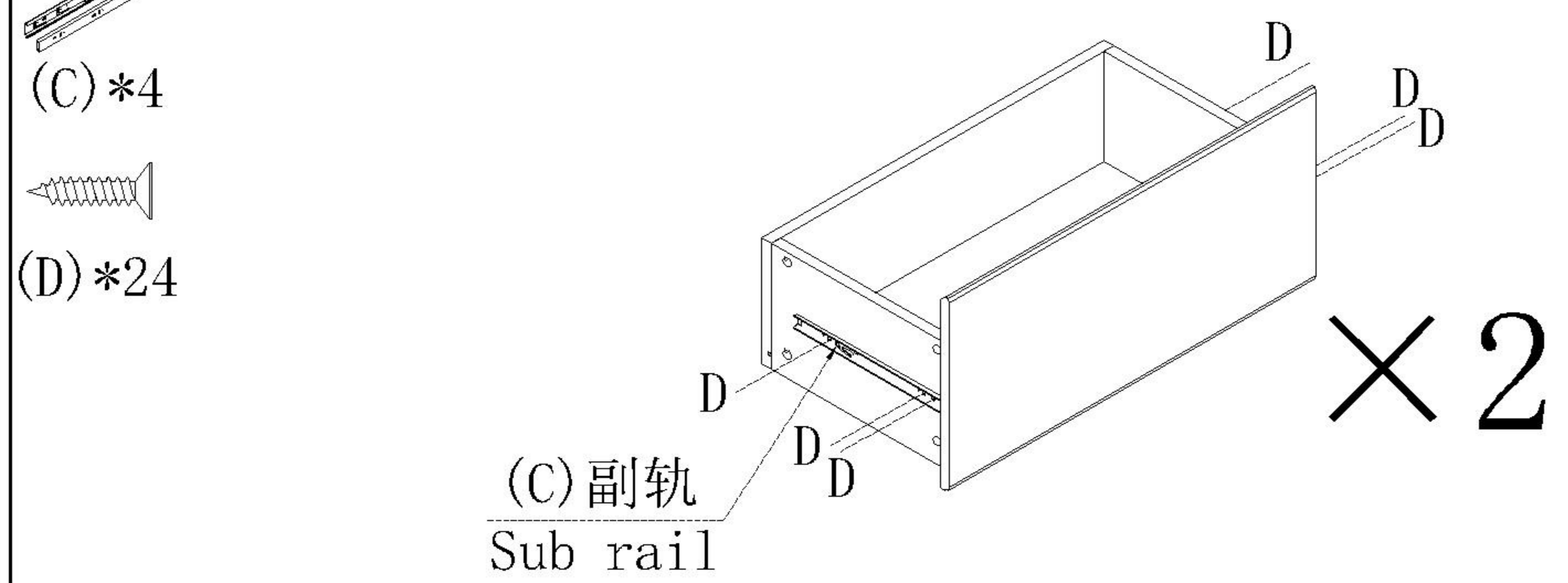
(B)\*16



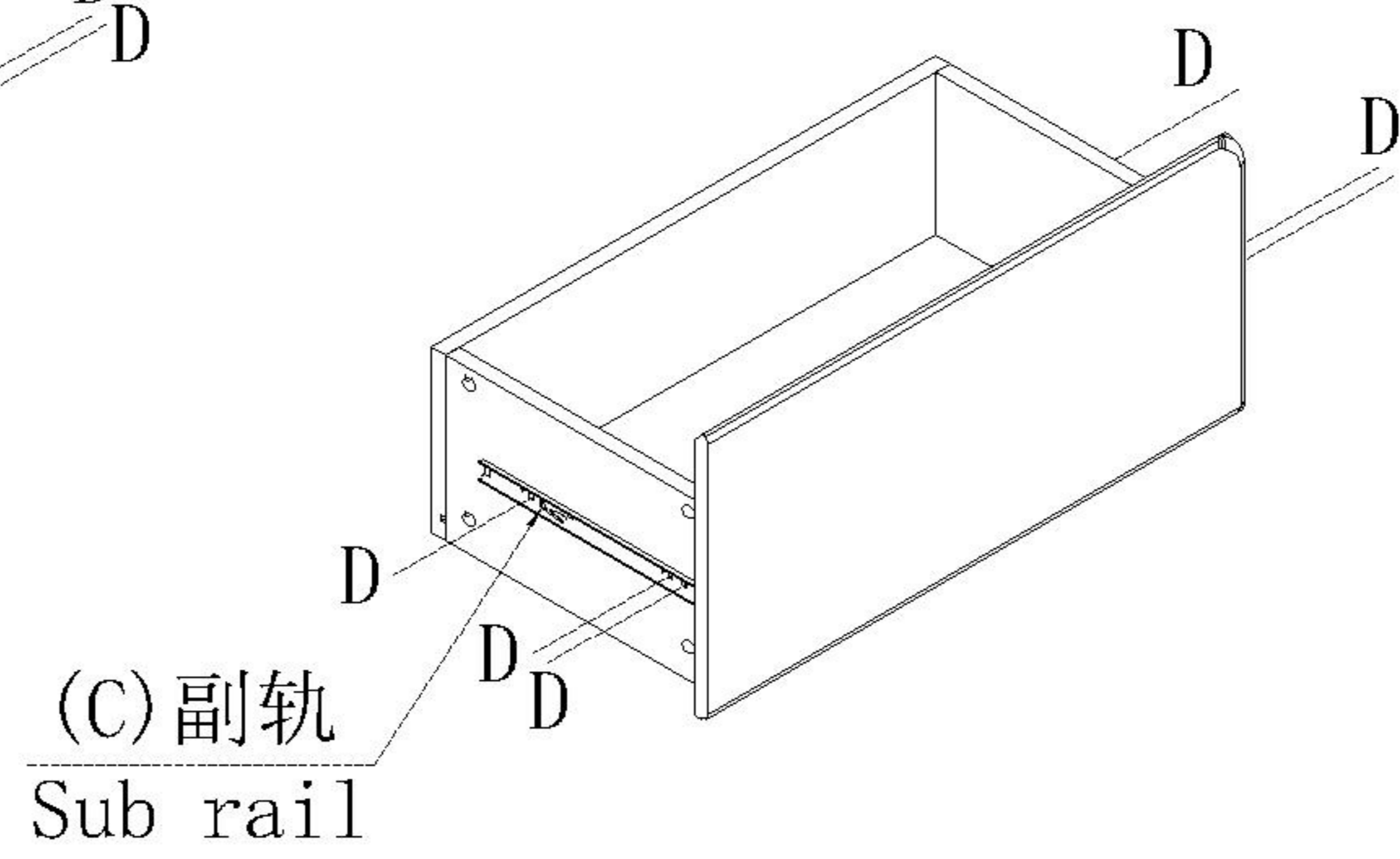
(C)\*4



(D)\*24

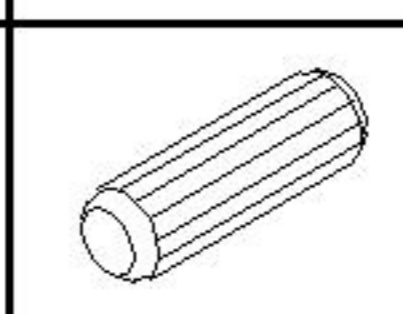


(C)副轨  
Sub rail

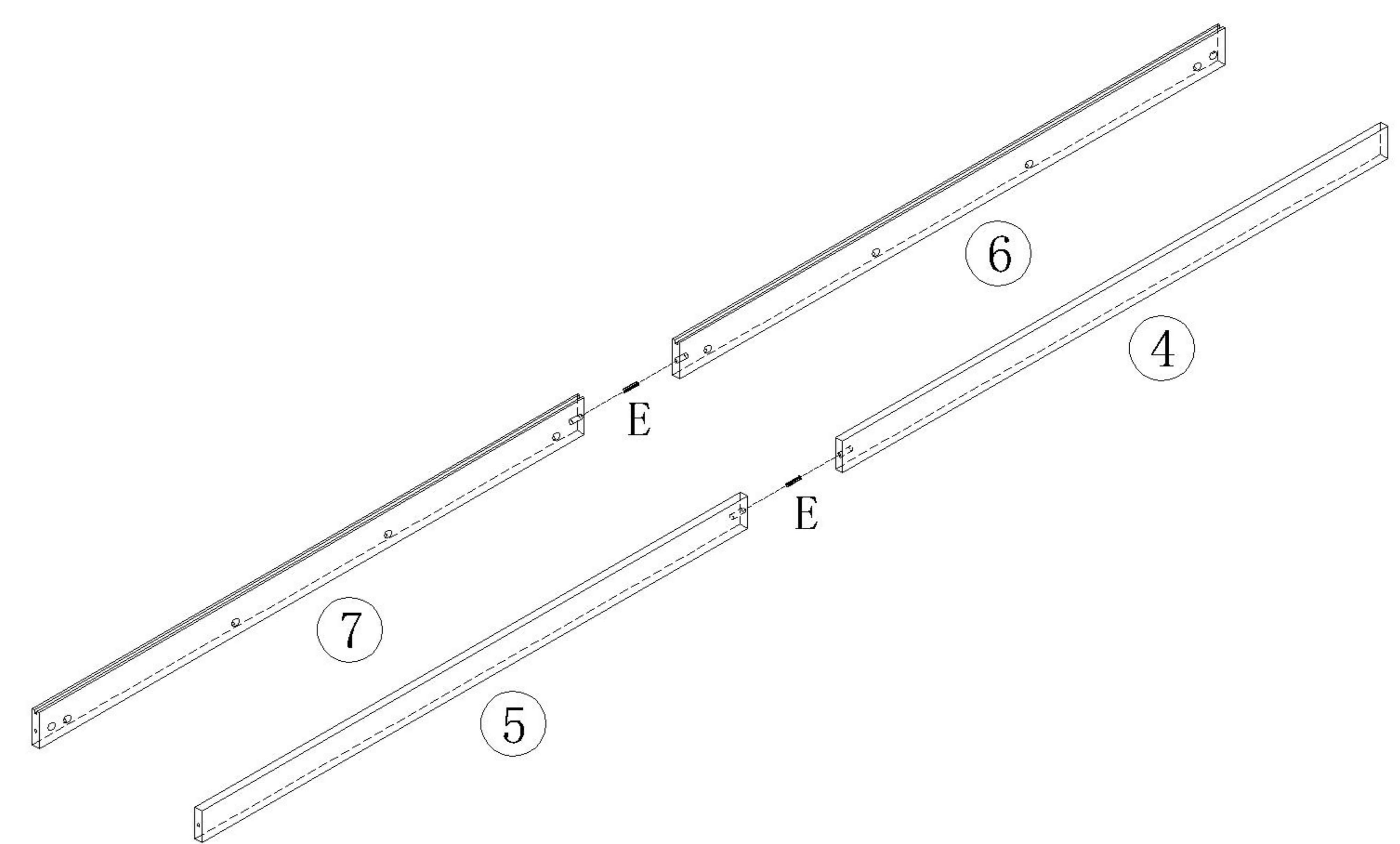


(C)副轨  
Sub rail

3

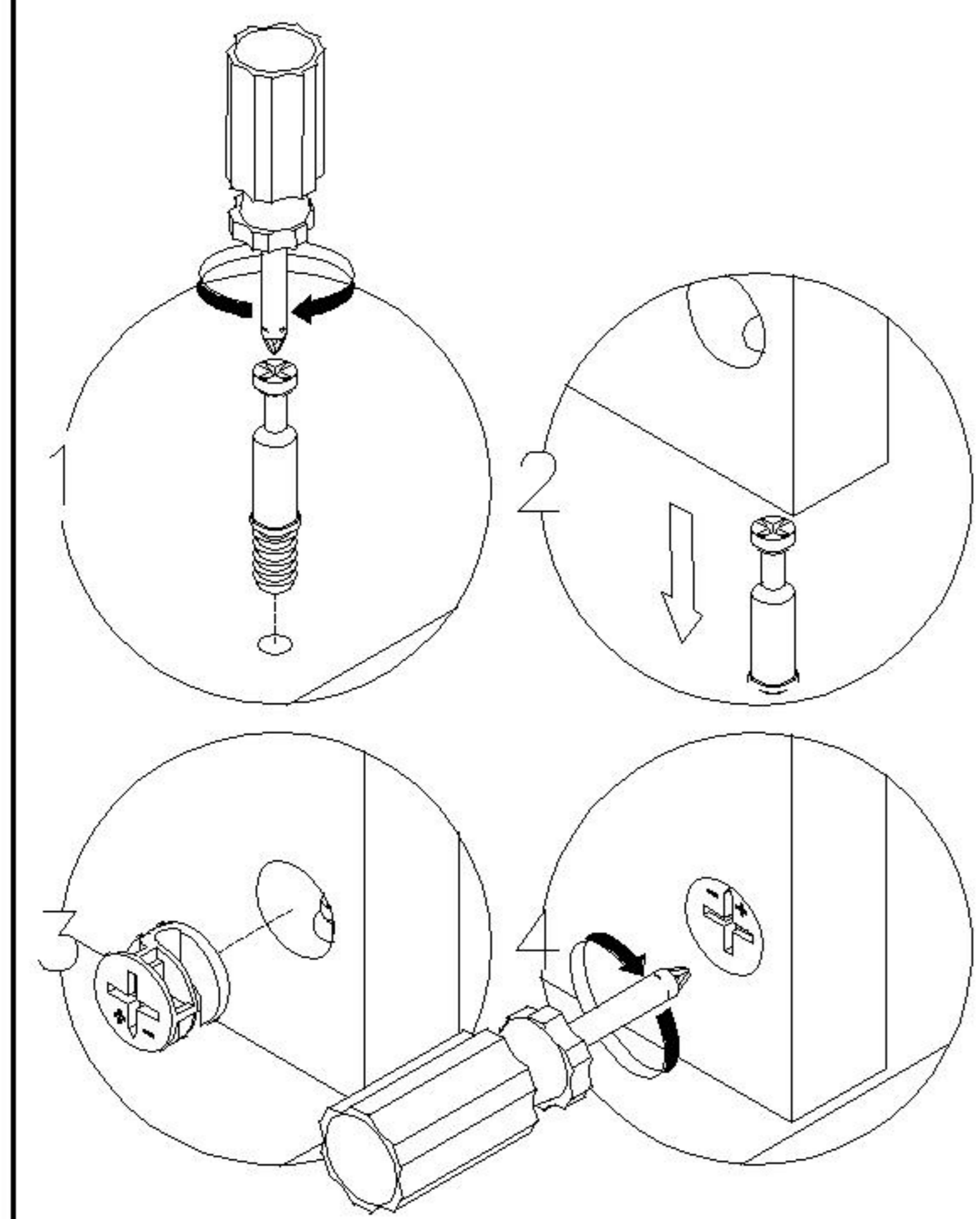


(E)\*2

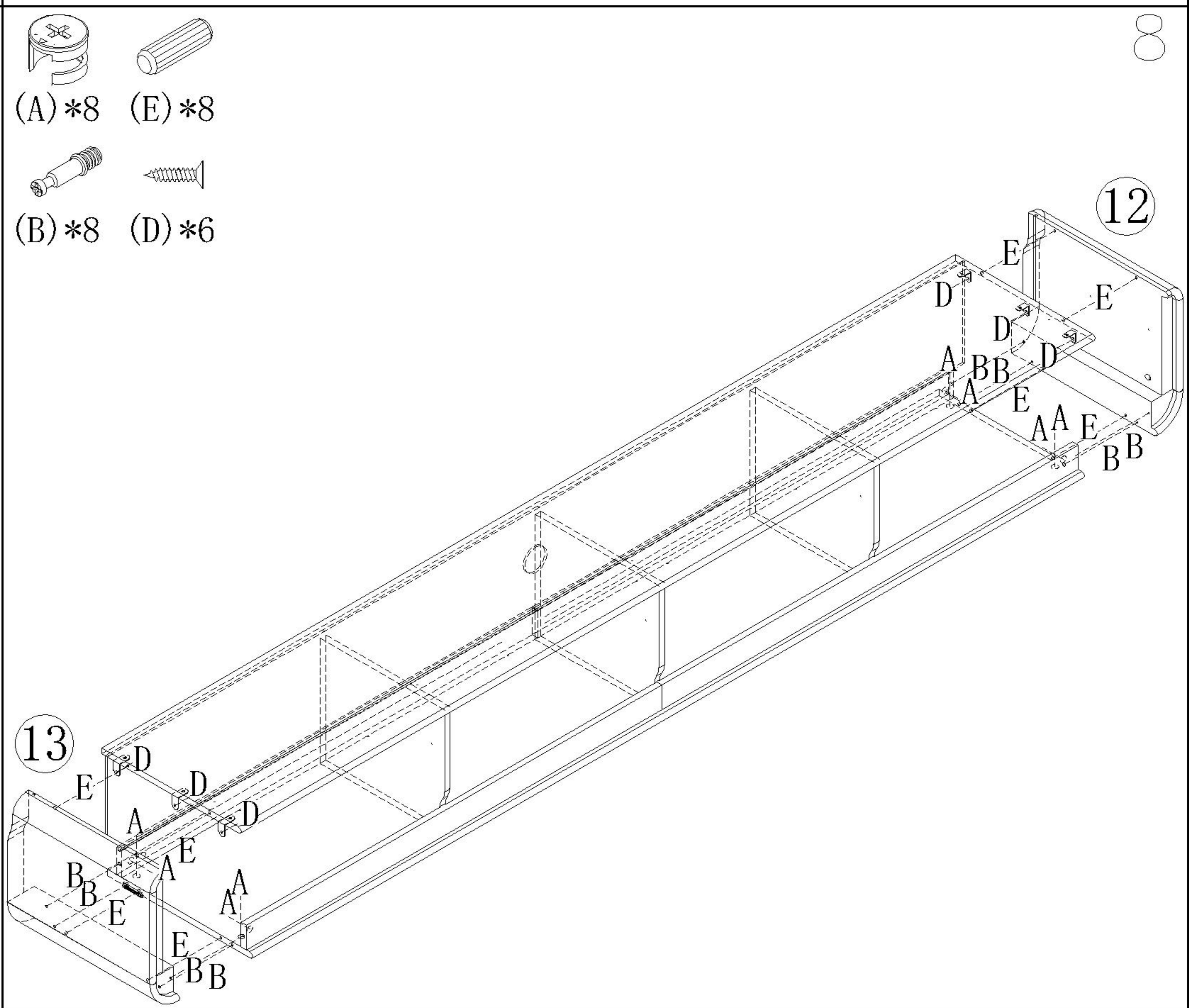
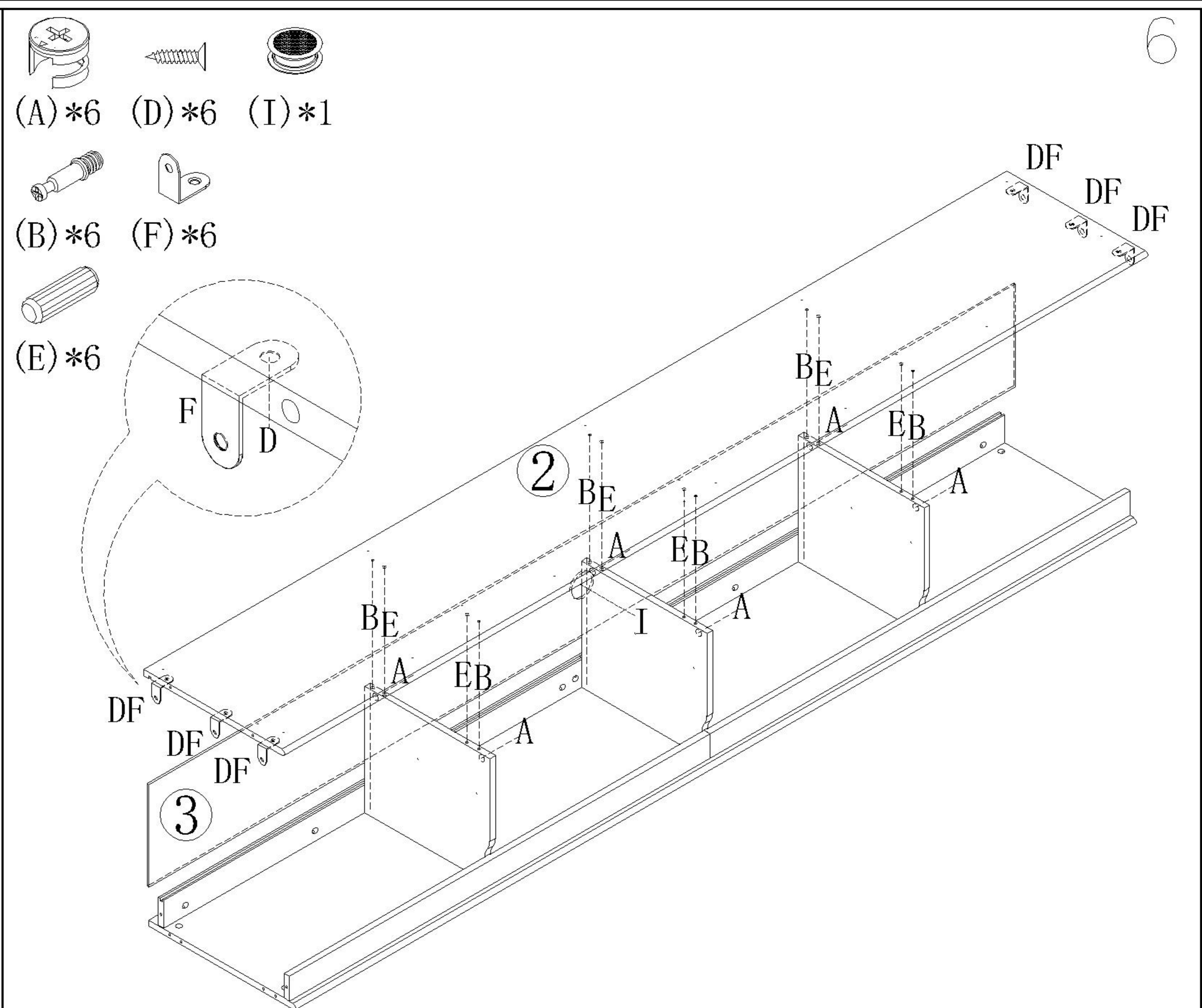
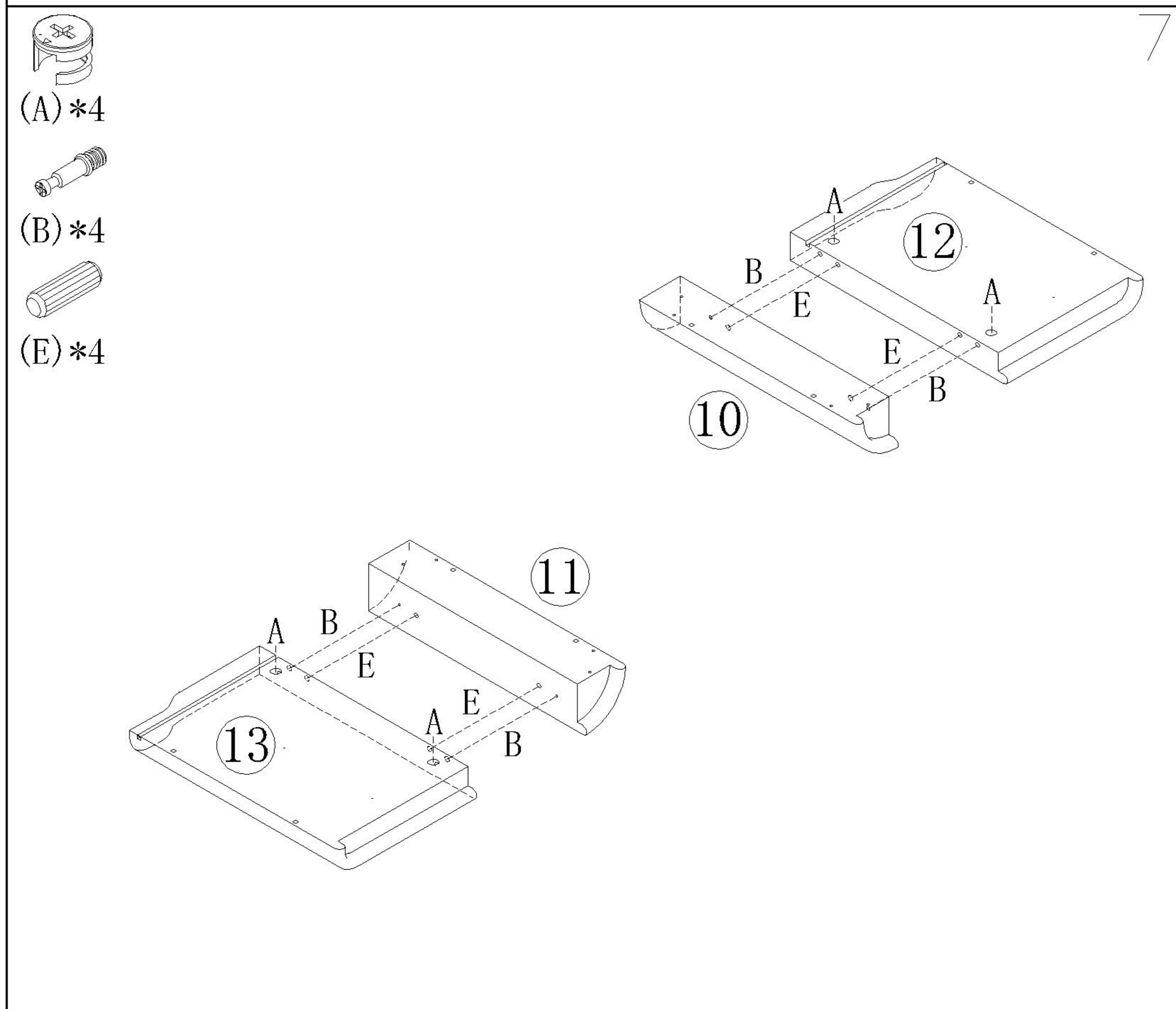
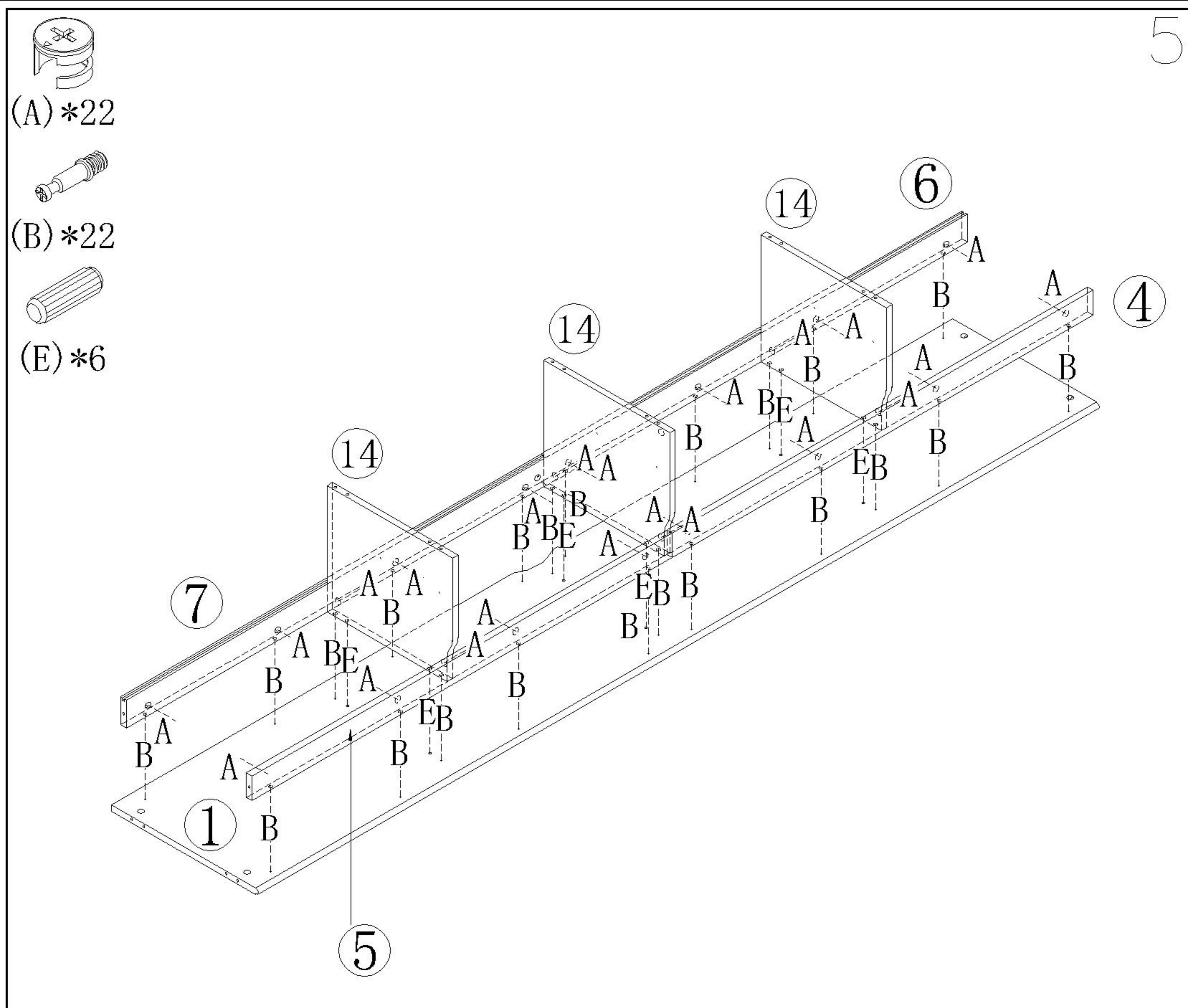


4

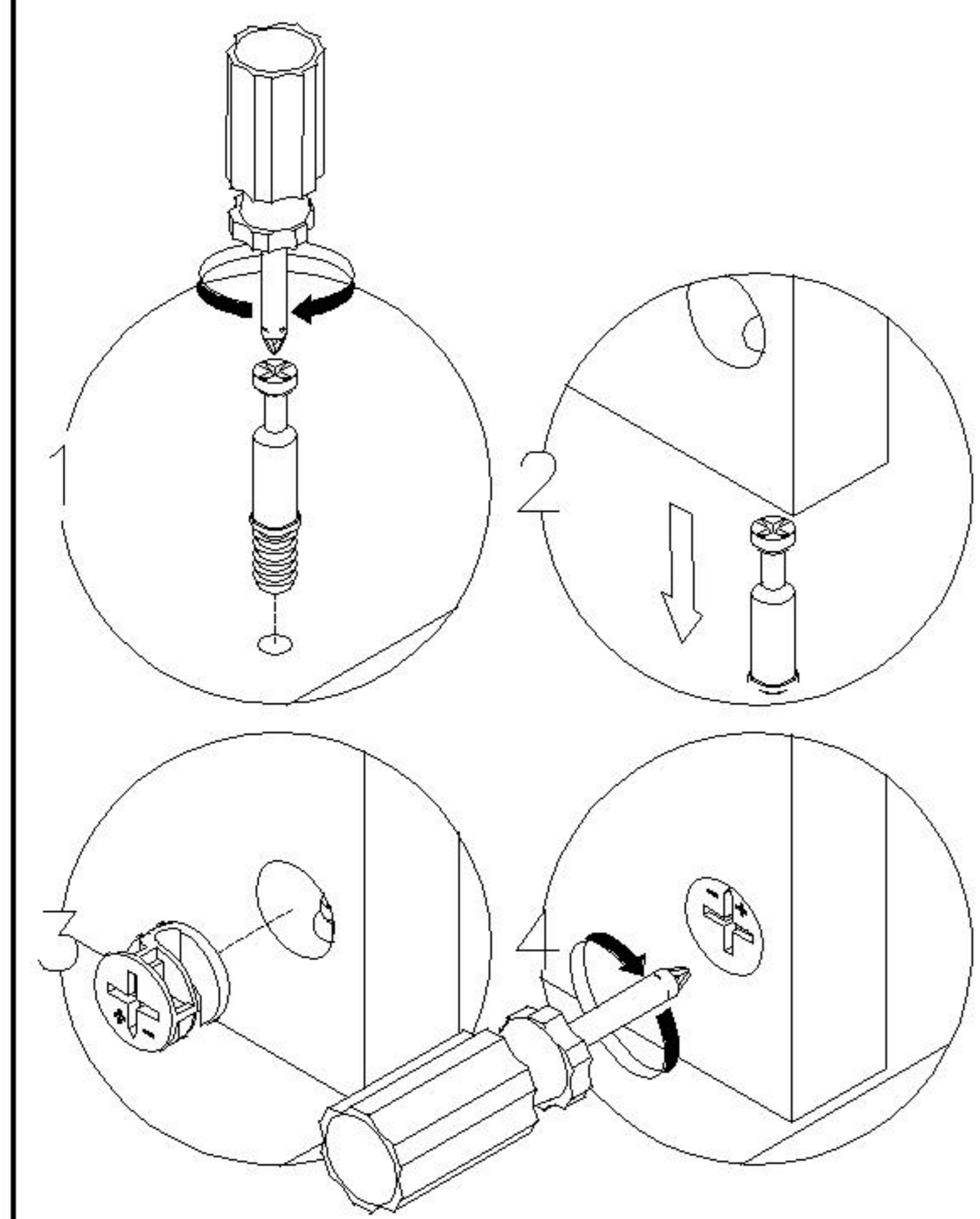
安装方法  
Installation method



二合一 two-in-one

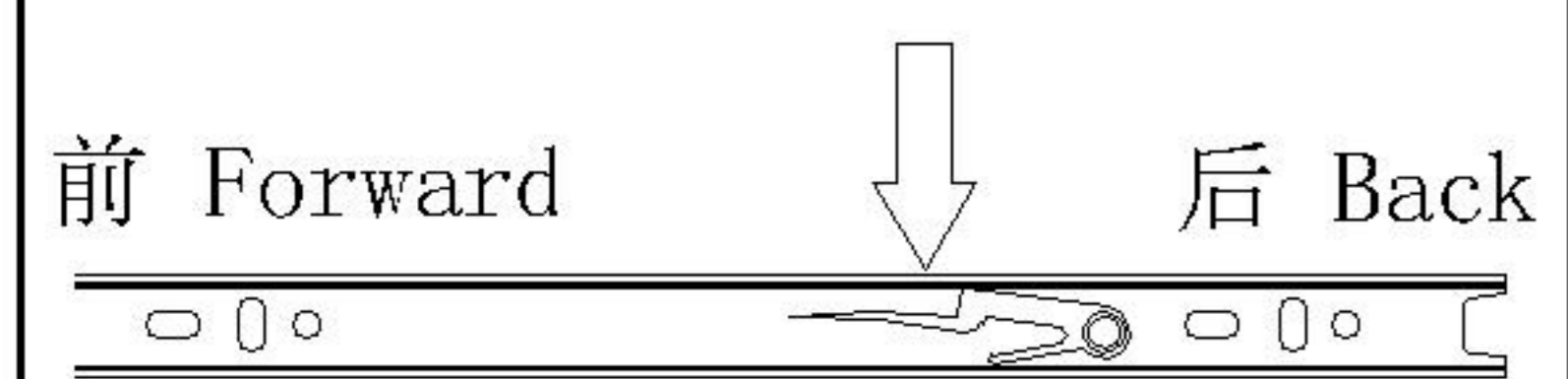


安装方法  
Installation method

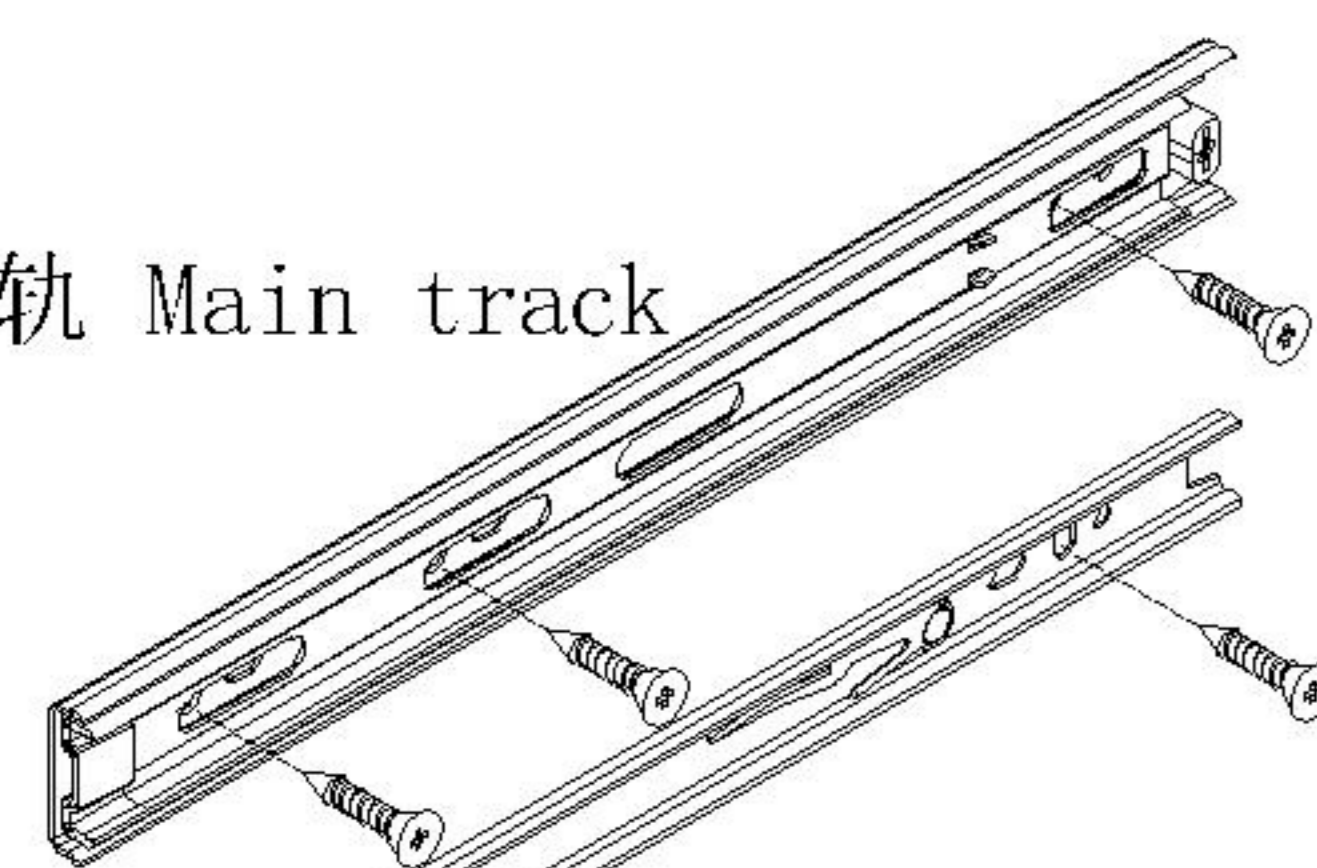


二合一 two-in-one

阀门开关(下压为开)  
Valve switch (press down to open)



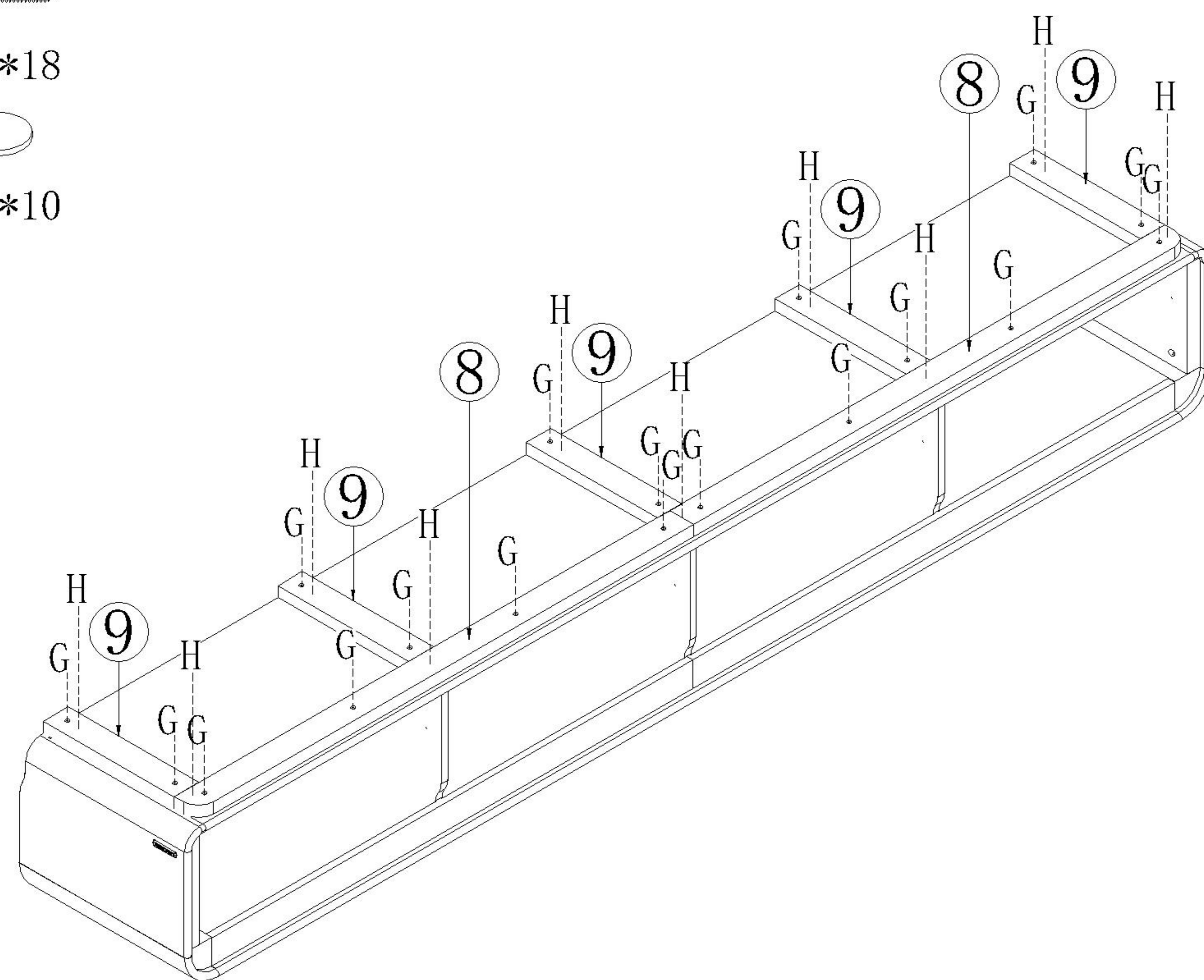
主轨 Main track



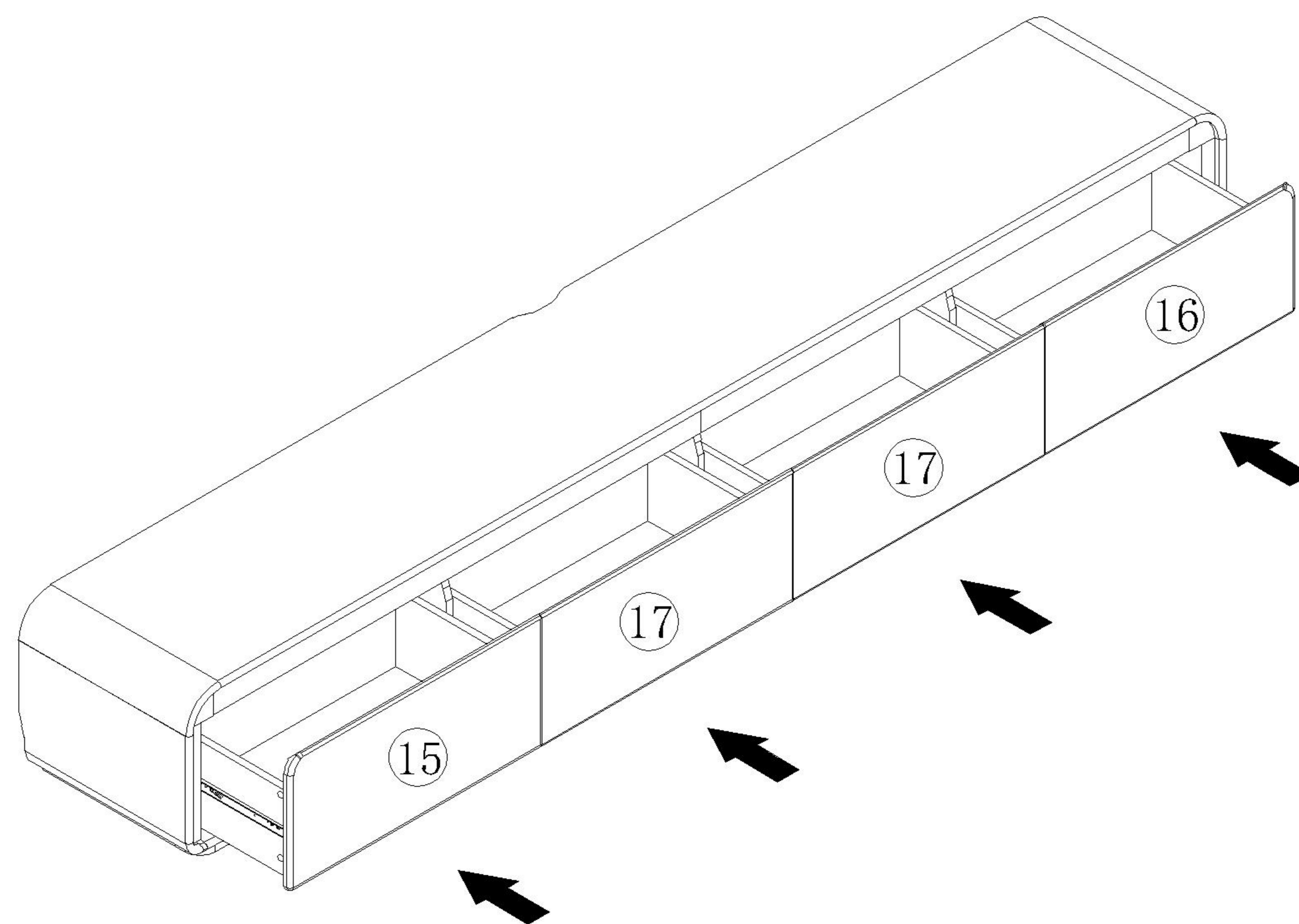
副轨 Sub track

三节滚珠导轨-10"  
Three-section rail

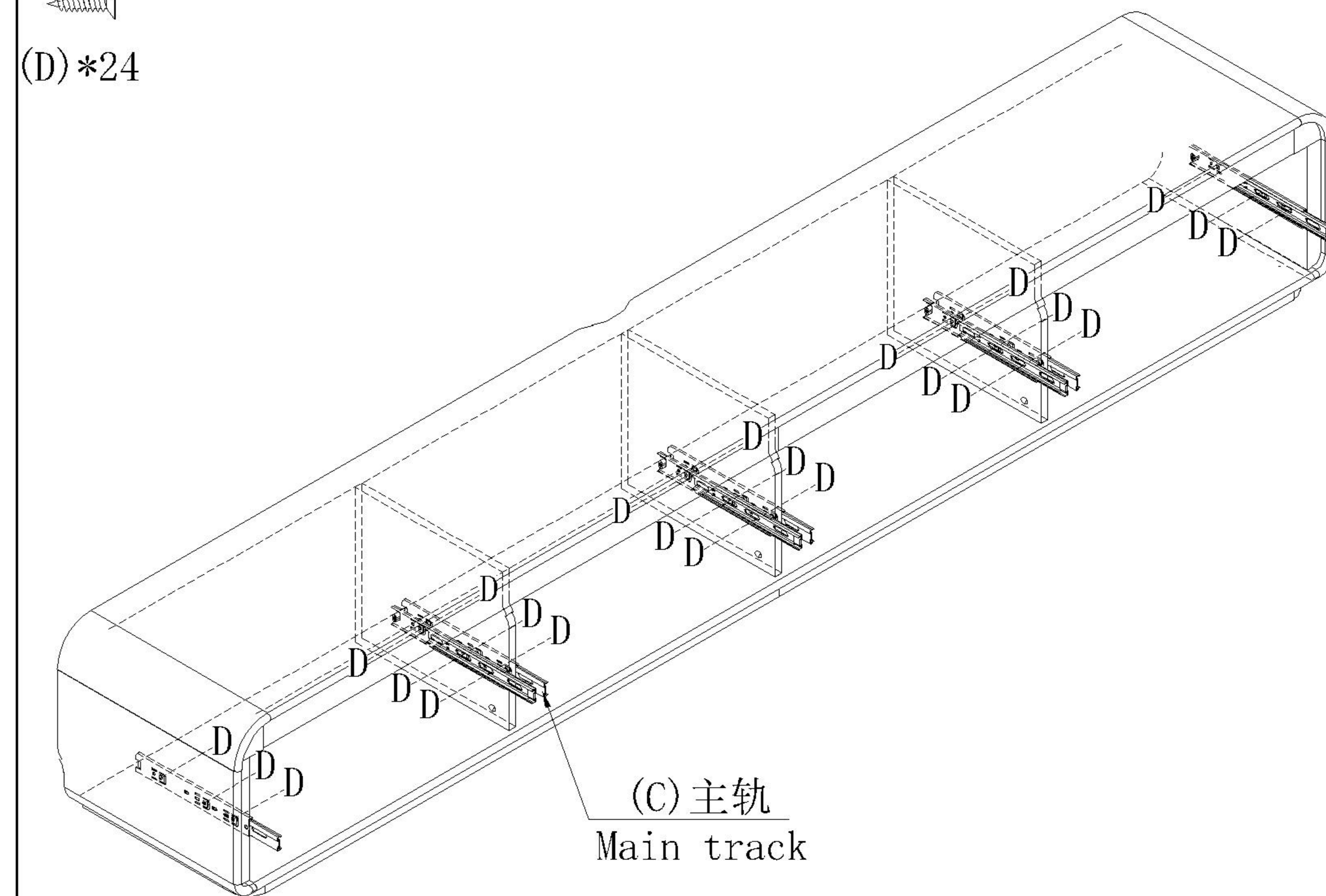
- (G)\*18
- (H)\*10



11



- (C)\*4
- (D)\*24



12

