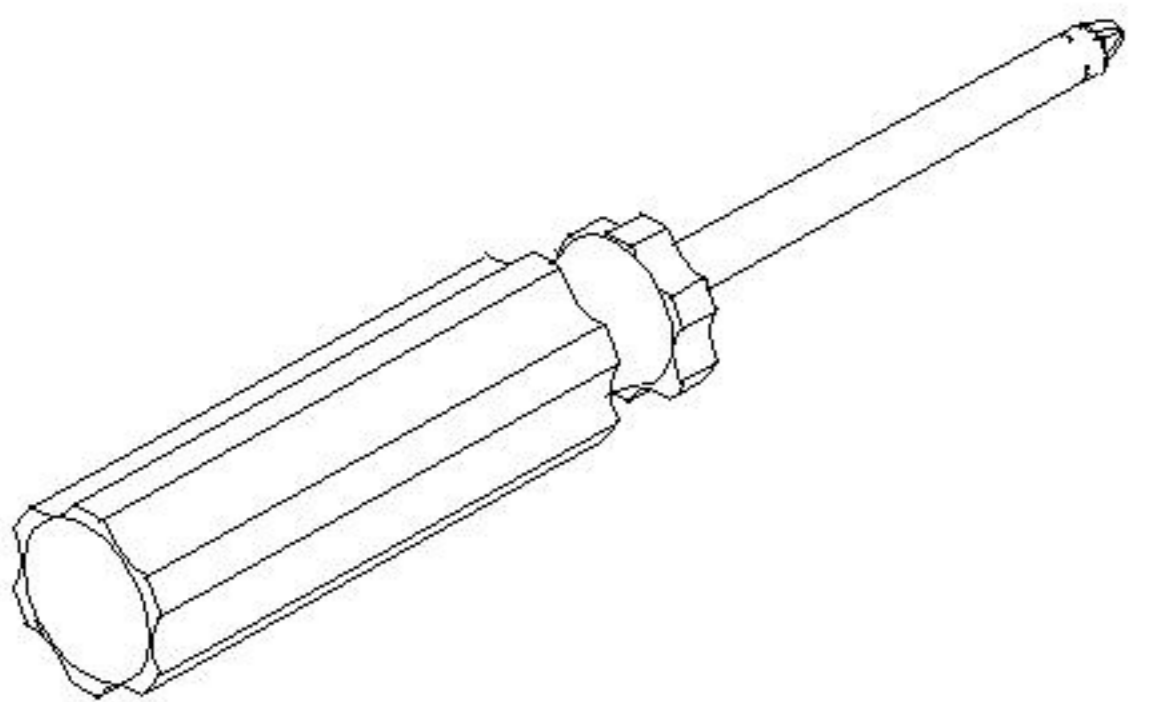
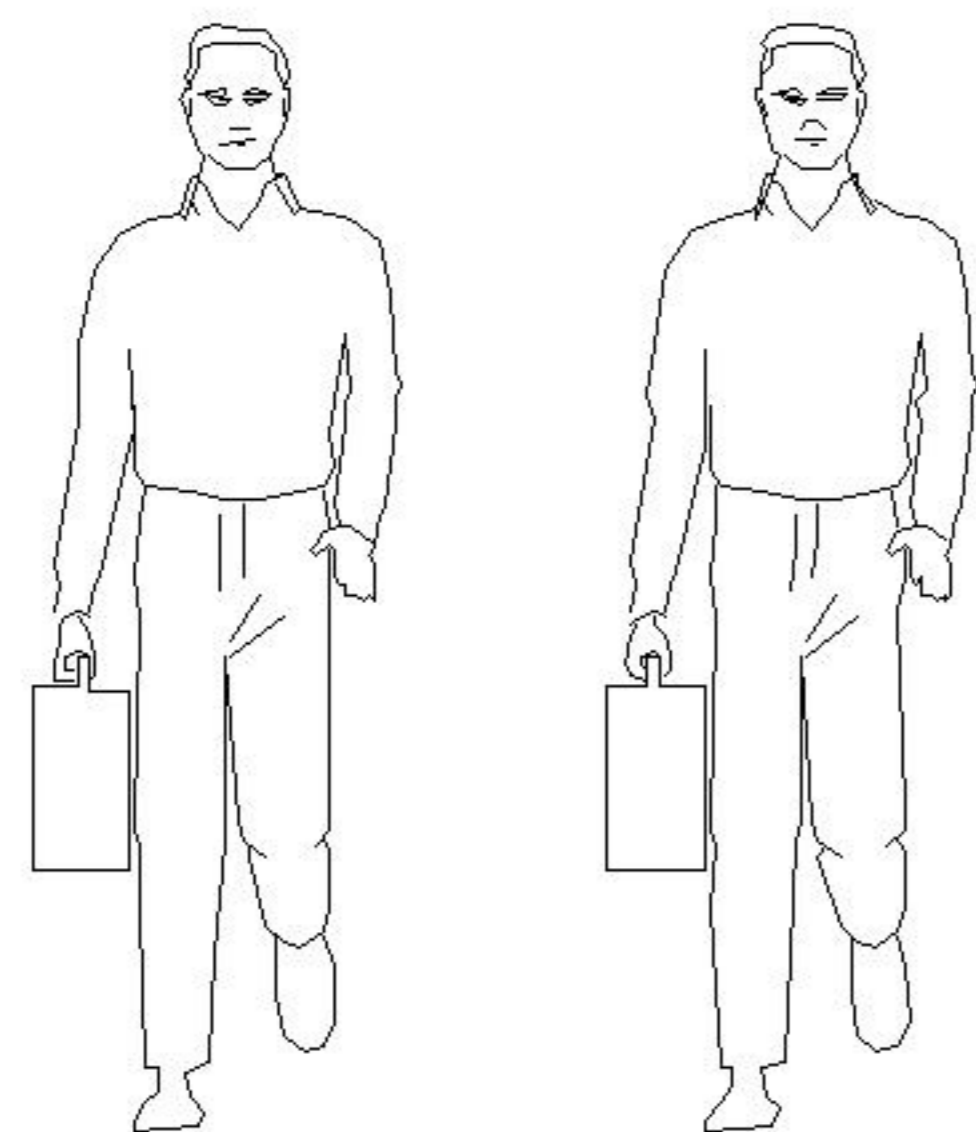
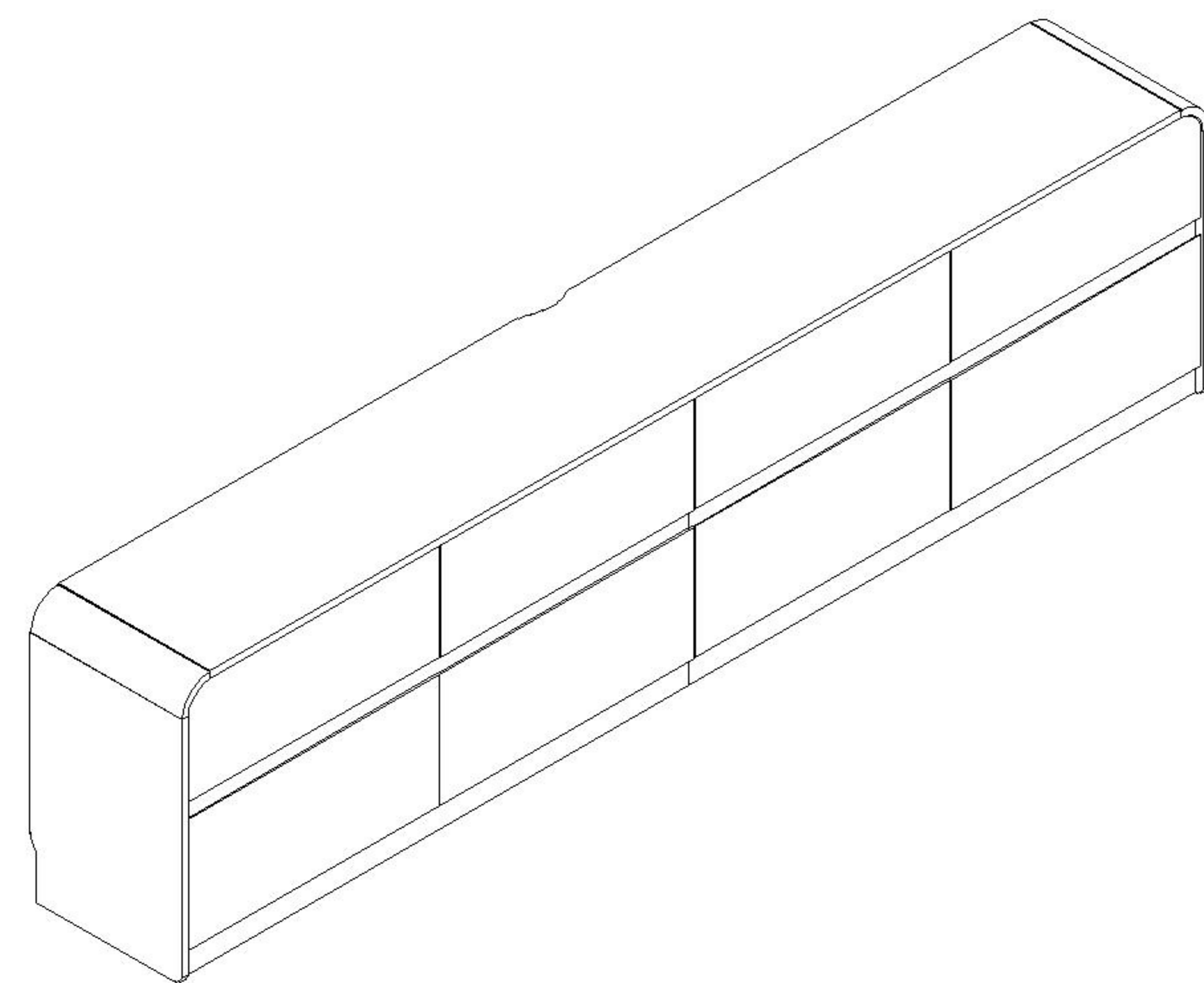
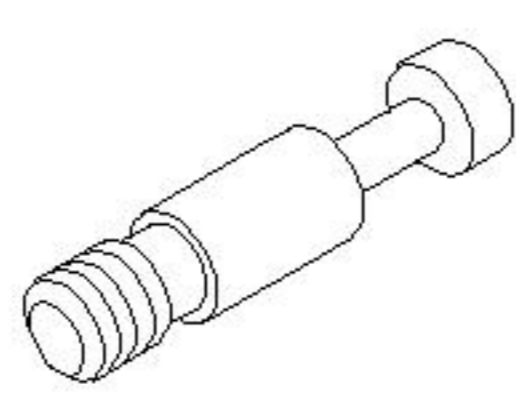
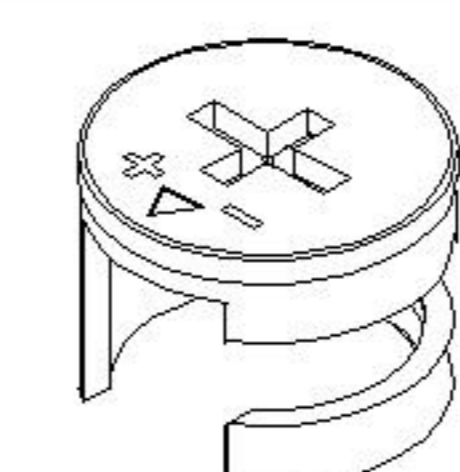
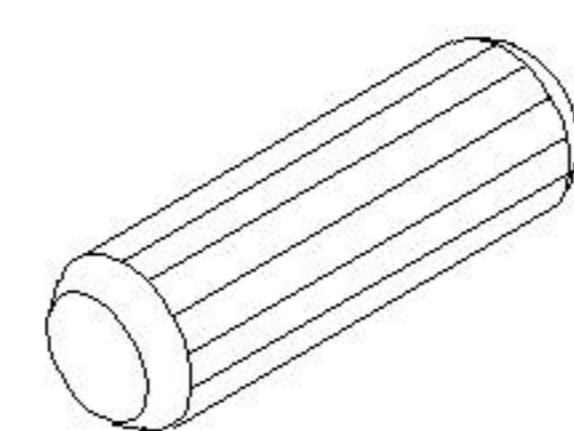
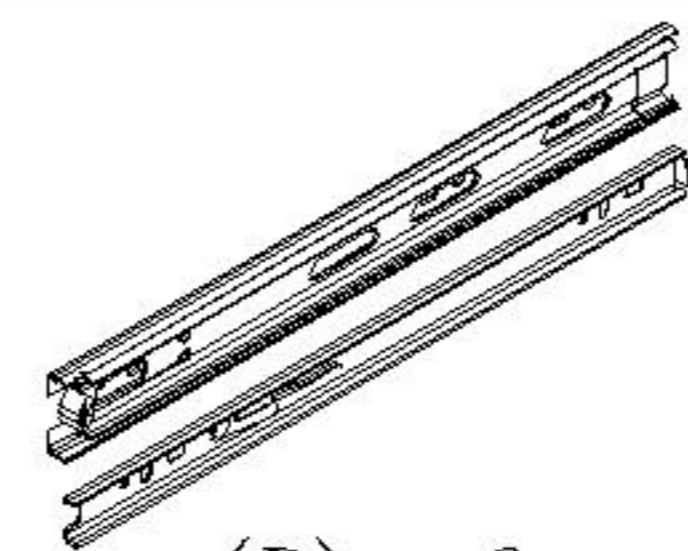
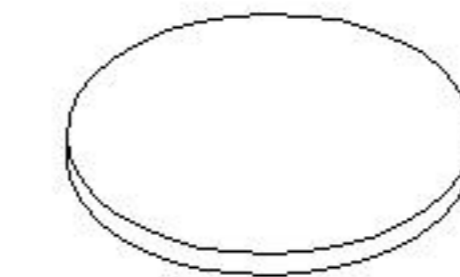
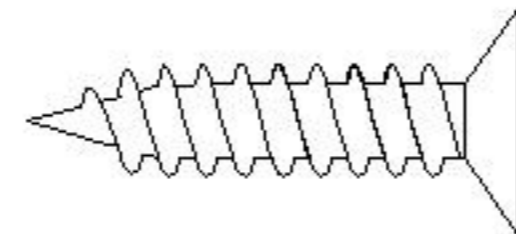
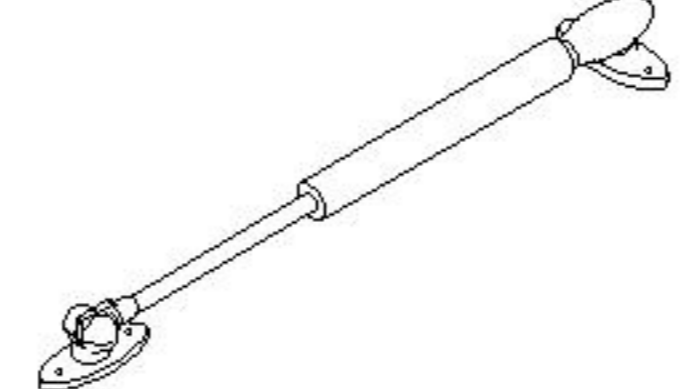
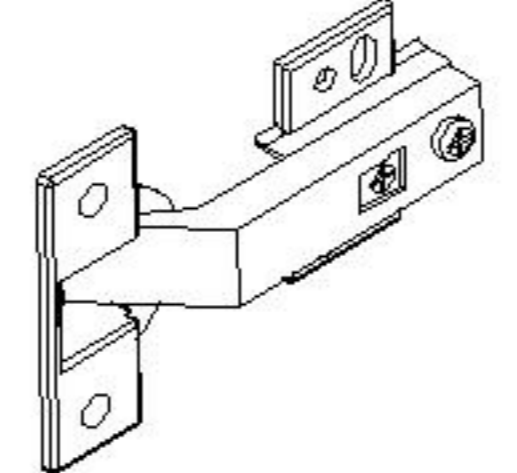


安装示意图/Assembly Instruction

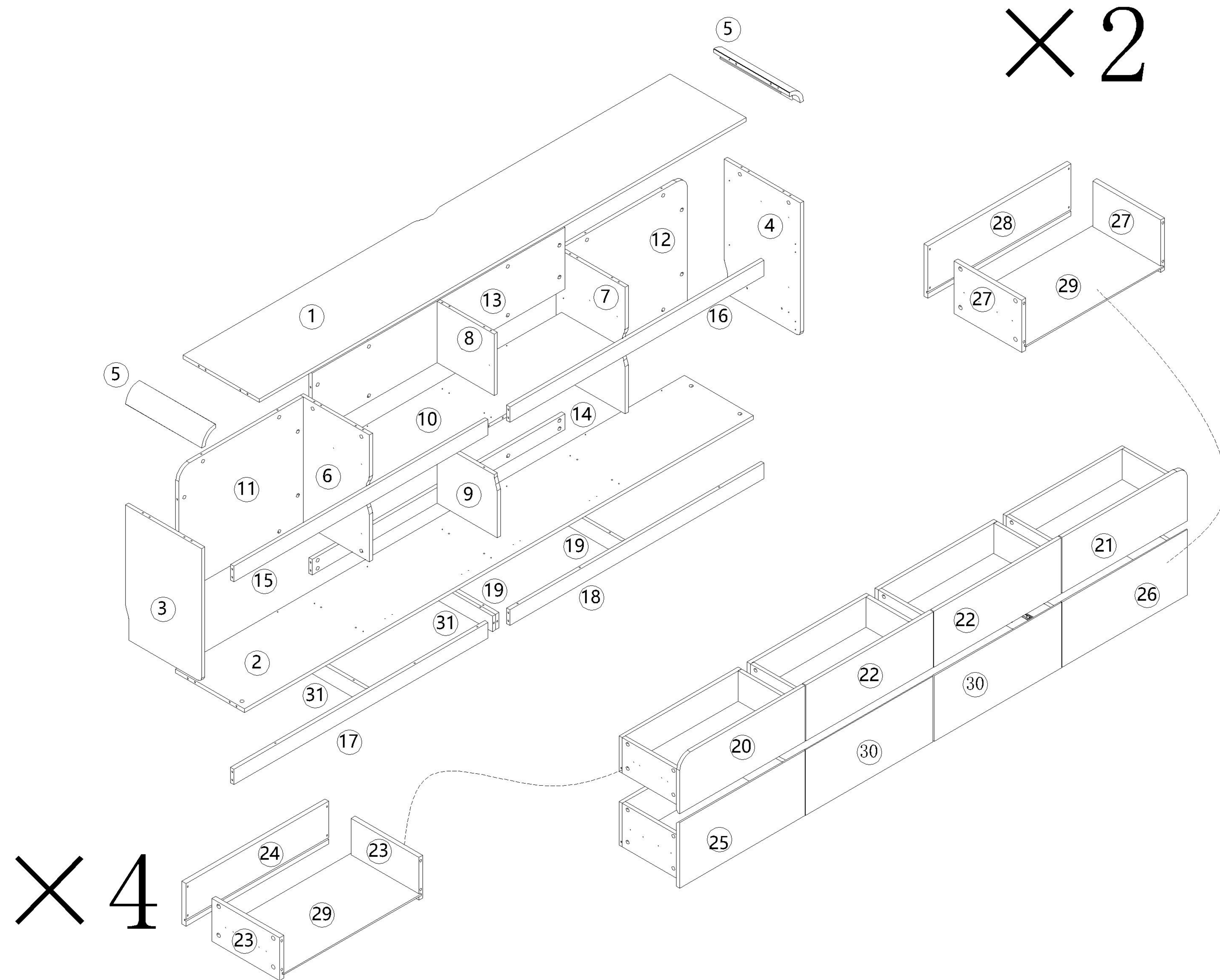
产品名称 Model NO.	YF2M-B 2米电视柜
产品规格 Specification	1987*350*600mm
安装工具 Tool	安装人数 Installer
	

注：为保证设计效果，部分尺寸为定制尺寸，不影响使用。



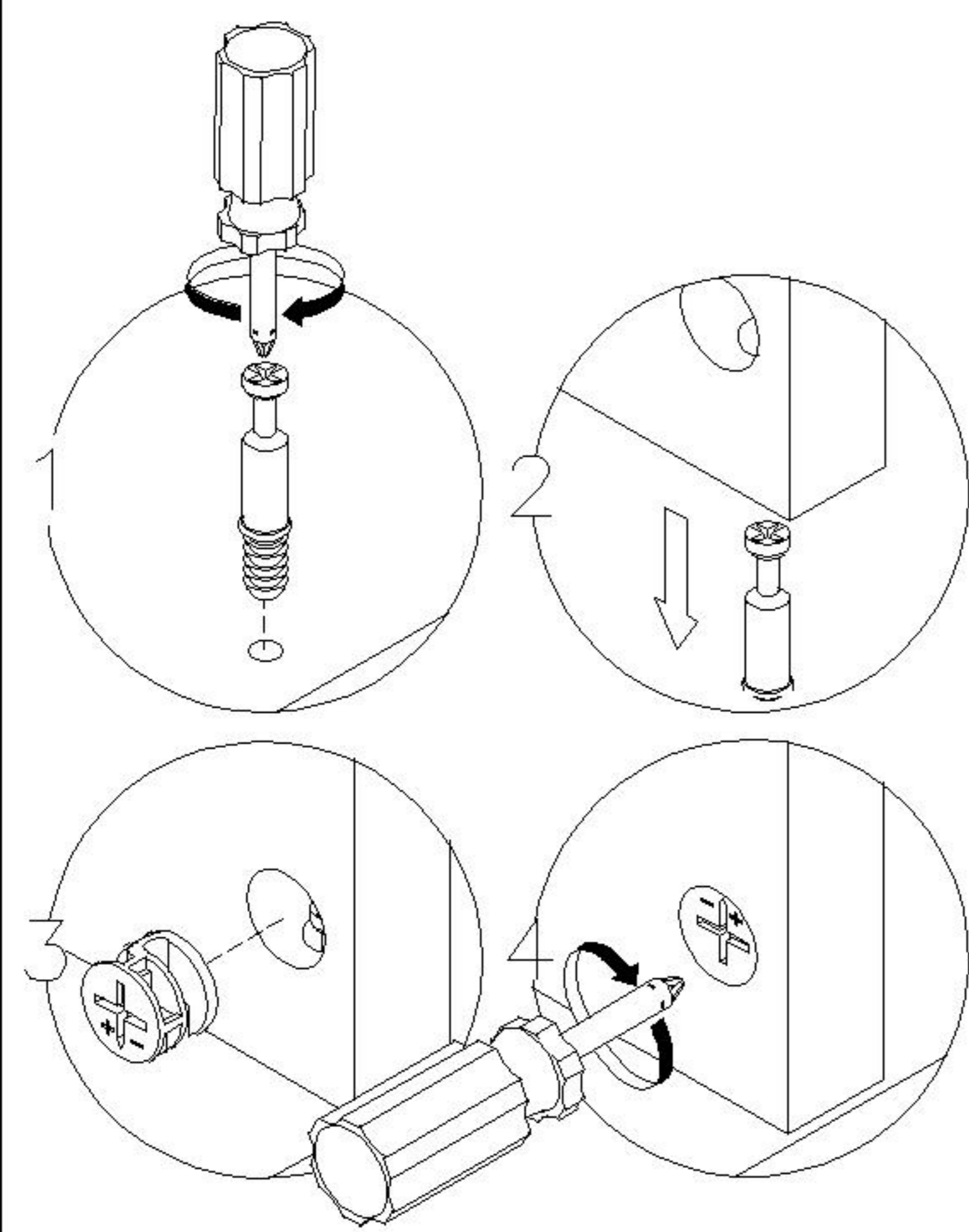
 (A)*145 二合一螺杆 2-in-1-screw	 (B)*145 大三合一锁饼 Three-in-one large lock	 (C)* 34 木榫08x30mm wood tenon	 (D)* 6 三节滚珠导轨 Three-section rail
 (E)* 12 灰色毛毡脚垫 Grey felt foot pad	 (F)*109 自攻螺丝M3.5x14mm Self-tapping screw	 (G)* 2 气动杆-(285*48*23mm) Pneumatic rod	 (H)* 4 缓冲门铰直弯-杯径035 Hinge straight bending diameter 35

YF2M-B 2米电视柜	部件表/Parts List				部件表/Parts List					
		名称Name	规格(mm) Specification	数量QTY	材质Material		名称Name	规格(mm) Specification	数量QTY	材质Material
	①	面板Top panel	1857*350*15	1	欧松板 Oriented Strand	②⑥	右下抽屉面板Lower right drawer panel	482*261*15	1	欧松板 Oriented Strand
	②	底板Bottom board	1957*318*15	1	欧松板 Oriented Strand	②⑦	下抽屉侧板Lower Drawer's sideboard	260*174*15	4	欧松板 Oriented Strand
	③	左侧板Side board(L)	532*350*15	1	欧松板 Oriented Strand	②⑧	下抽屉后板Down drawer's back board	452*174*15	2	欧松板 Oriented Strand
	④	右侧板Side board(R)	532*350*15	1	欧松板 Oriented Strand	②⑨	抽屉底板Drawer's Bottom board	432*270*5	6	纤维板 Fiberboard
	⑤	转角木Corner connection wood	350*92*37	2	橡胶木 Rubber wood	③⑩	翻门Swing door	490*261*15	2	欧松板 Oriented Strand
	⑥	左中侧板Middle side board(L)	505*318*15	1	欧松板 Oriented Strand	③⑪	侧脚条Side foot strip	303*62*15	2	欧松板 Oriented Strand
	⑦	右中侧板Middle side board(R)	505*318*15	1	欧松板 Oriented Strand					
	⑧	上中侧板Upper middle side board	245*263*15	1	欧松板 Oriented Strand					
	⑨	下中侧板Middle-down side panel	245*278*15	1	欧松板 Oriented Strand					
	⑩	中层板Middle shelf	971*278*15	1	欧松板 Oriented Strand					
	⑪	背板1Back board 1	478*505*15	1	欧松板 Oriented Strand					
	⑫	背板2Backplane 2	478*505*15	1	欧松板 Oriented Strand					
	⑬	背板3Backplane 3	971*245*15	1	欧松板 Oriented Strand					
	⑭	后拉条Back brace	971*62*15	1	欧松板 Oriented Strand					
	⑮	拉条1Brace 1	978.5*62*15	1	欧松板 Oriented Strand					
	⑯	拉条2Brace 2	978.5*62*15	1	欧松板 Oriented Strand					
	⑰	拉条3Brace 3	978.5*62*15	1	欧松板 Oriented Strand					
	⑱	拉条4Brace 4	978.5*62*15	1	欧松板 Oriented Strand					
	⑲	短脚条Short foot strip	303*62*15	2	欧松板 Oriented Strand					
	⑳	左上抽屉面板Upper left drawer panel	482*222*15	1	欧松板 Oriented Strand					
	㉑	右上抽屉面板Upper right drawer panel	482*222*15	1	欧松板 Oriented Strand					
	㉒	中抽屉面板Drawer's middle board	490*222*15	2	欧松板 Oriented Strand					
	㉓	上抽屉侧板Upper Drawer's sideboard	260*142*15	8	欧松板 Oriented Strand					
	㉔	上抽屉后板Upper drawer's back board	452*142*15	4	欧松板 Oriented Strand					
	㉕	左下抽屉面板Lower left drawer panel	482*261*15	1	欧松板 Oriented Strand					



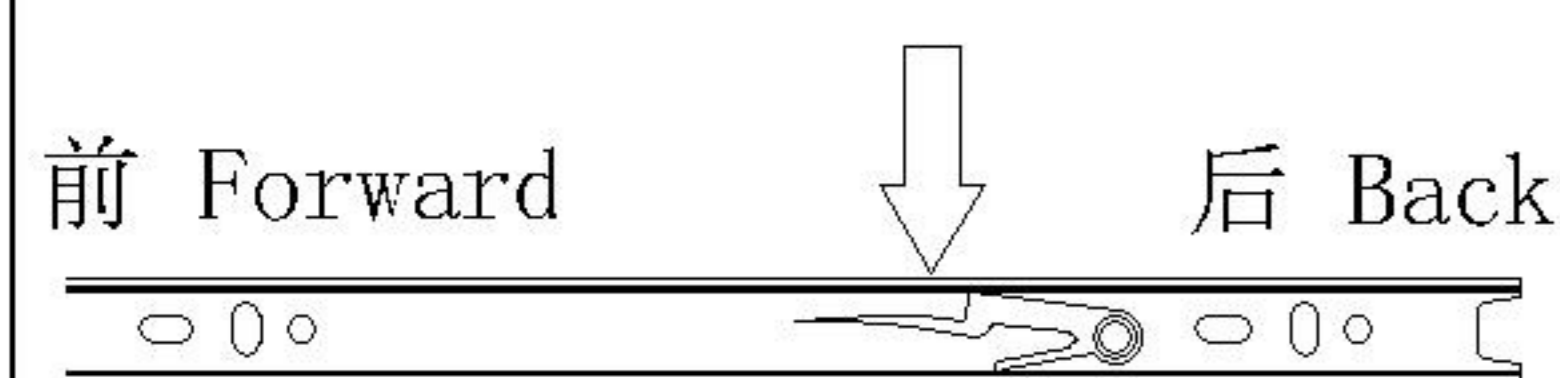
YF2M-B 2米电视柜

安装方法/
Installation method

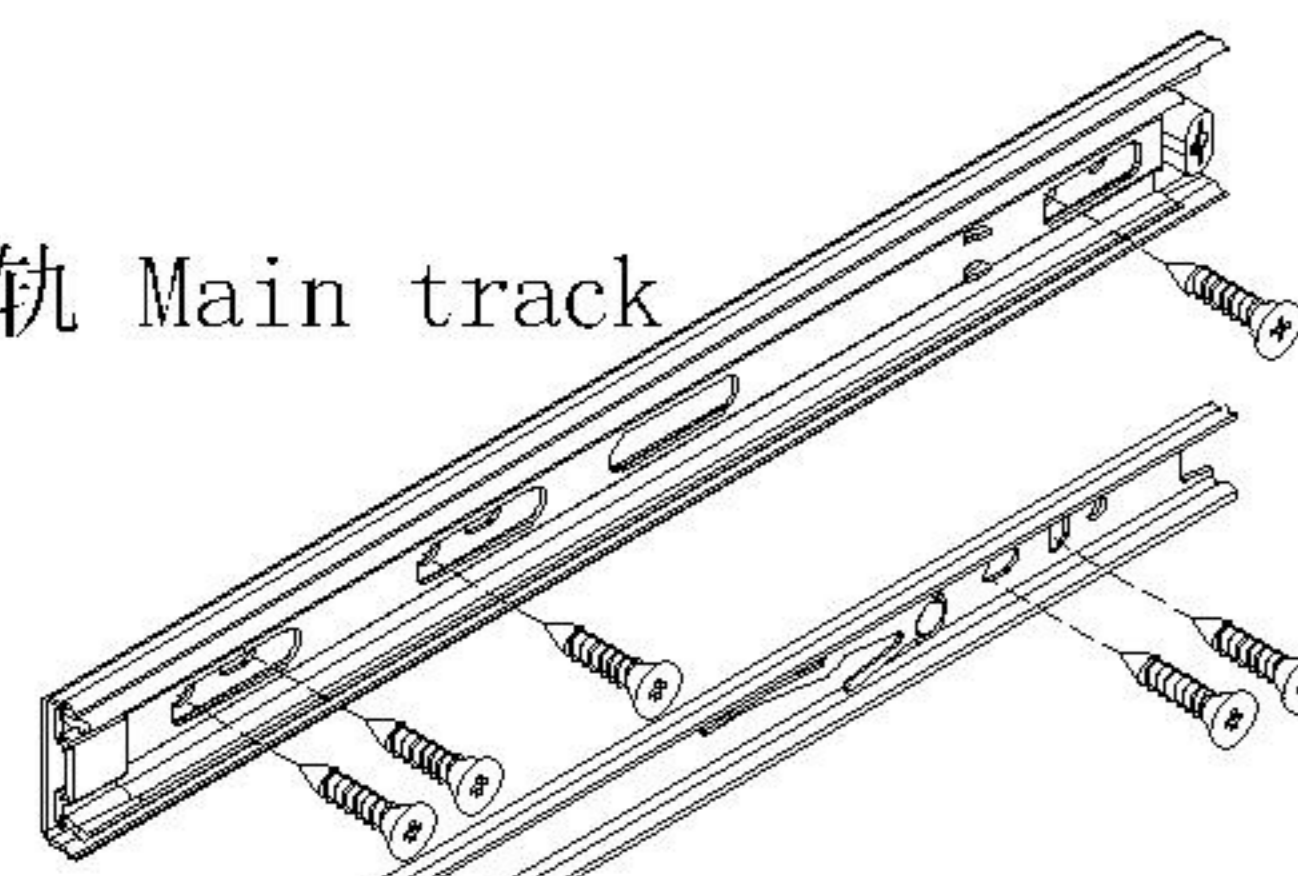


二合一 two-in-one

阀门开关(下压为开)
Valve switch (press down to open)

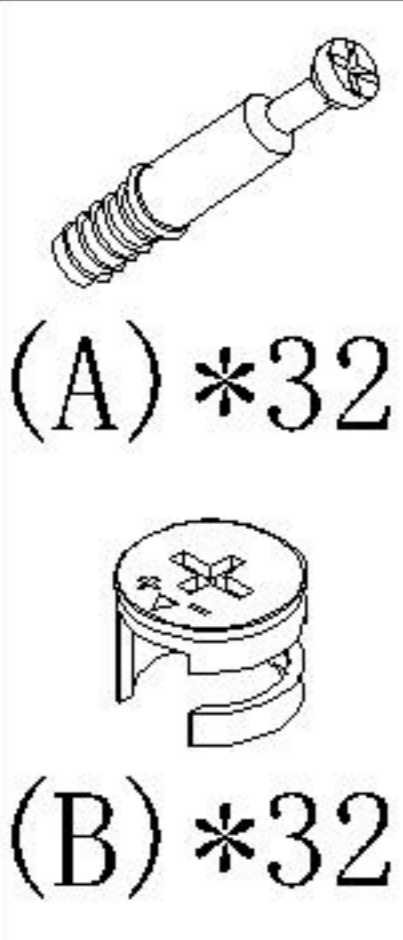


主轨 Main track

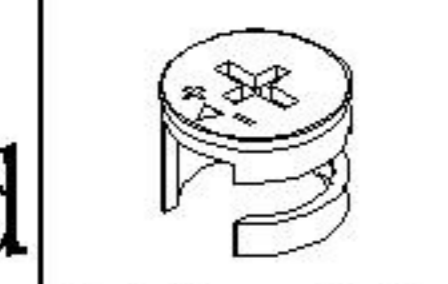


副轨 Sub track

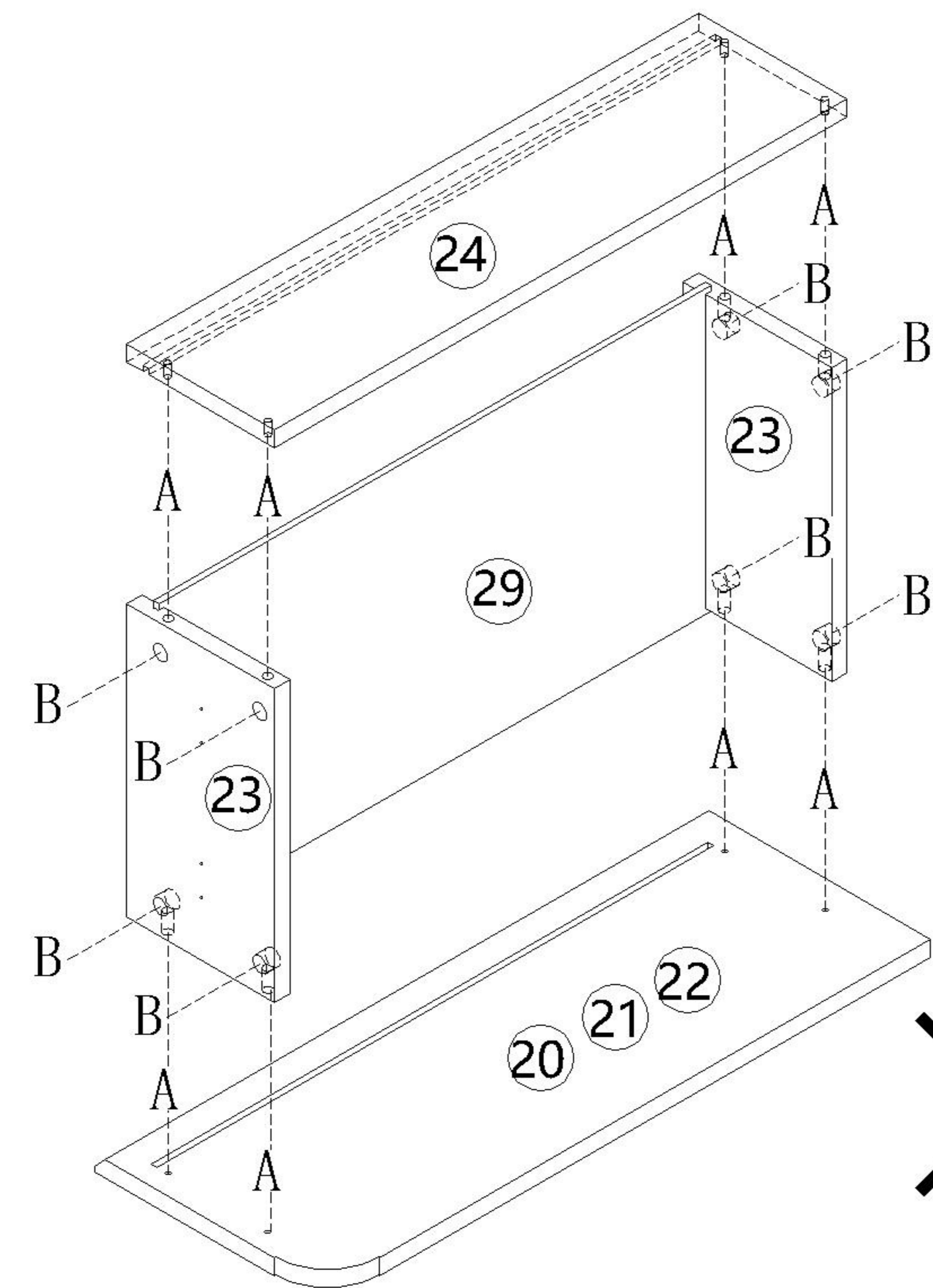
三节滚珠导轨
Three-section rail



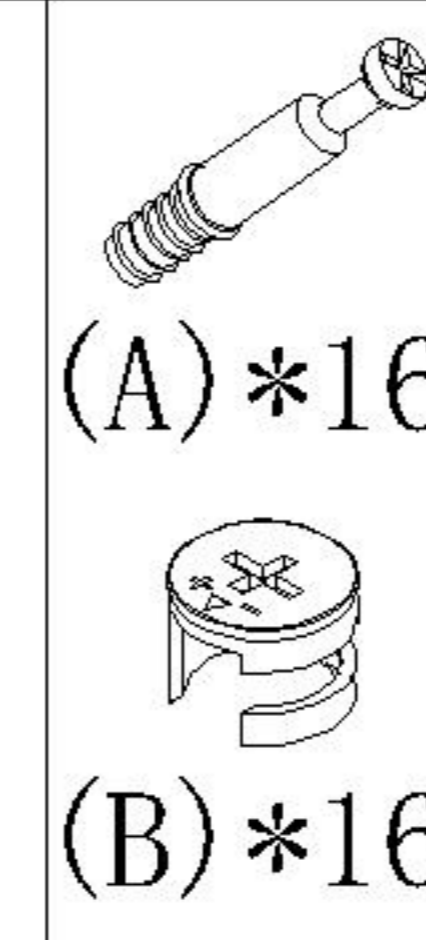
(A)*32



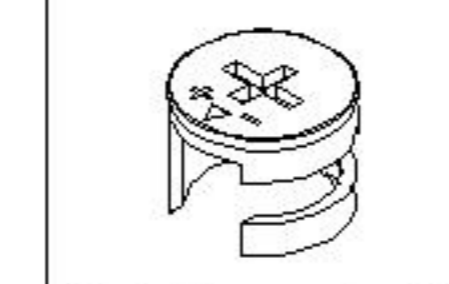
(B)*32



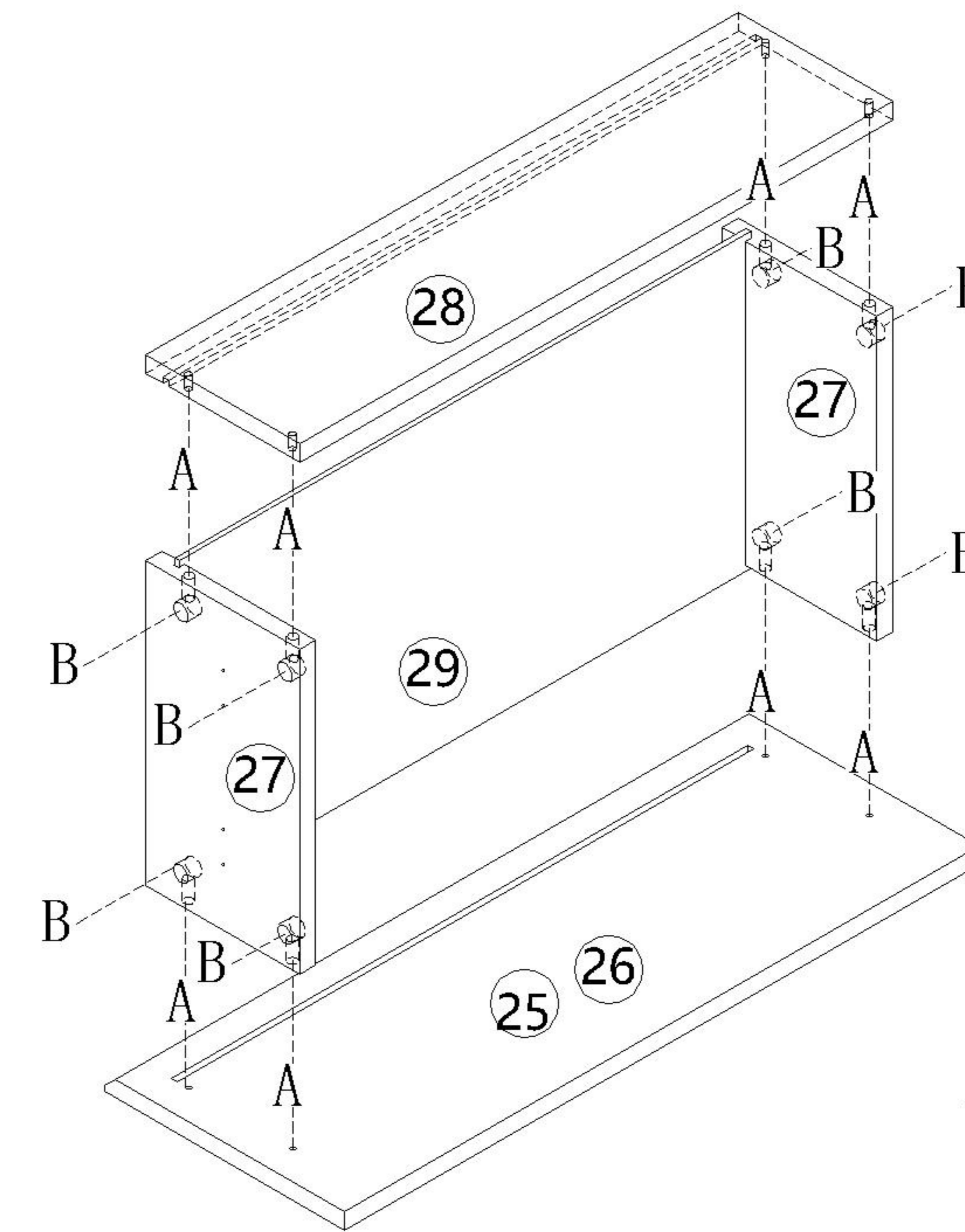
1



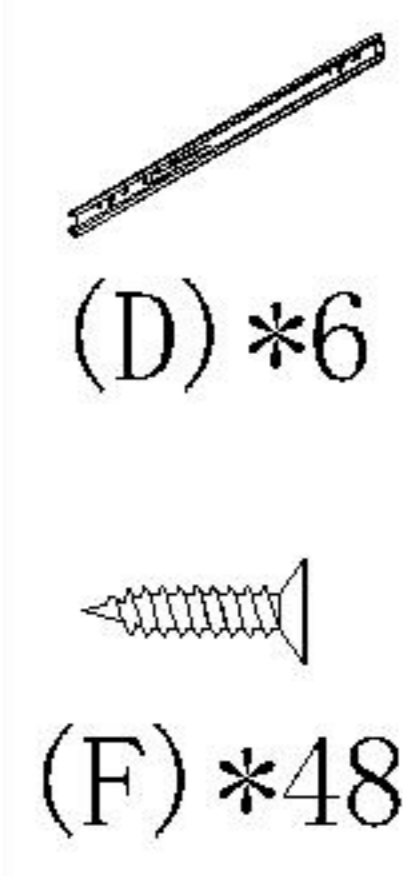
(A)*16



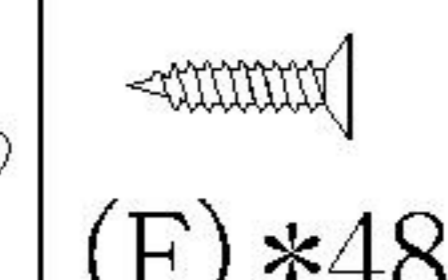
(B)*16



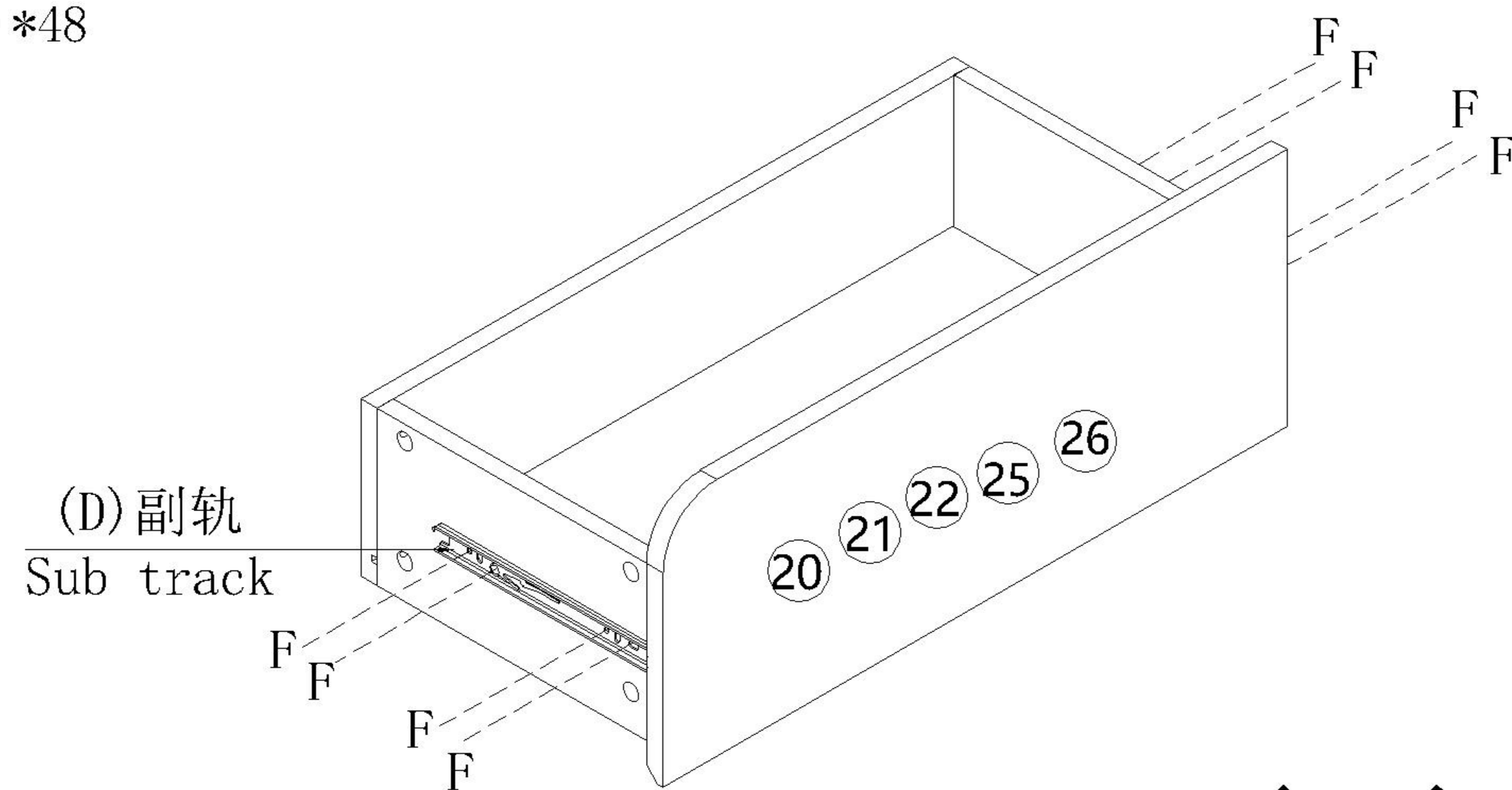
2



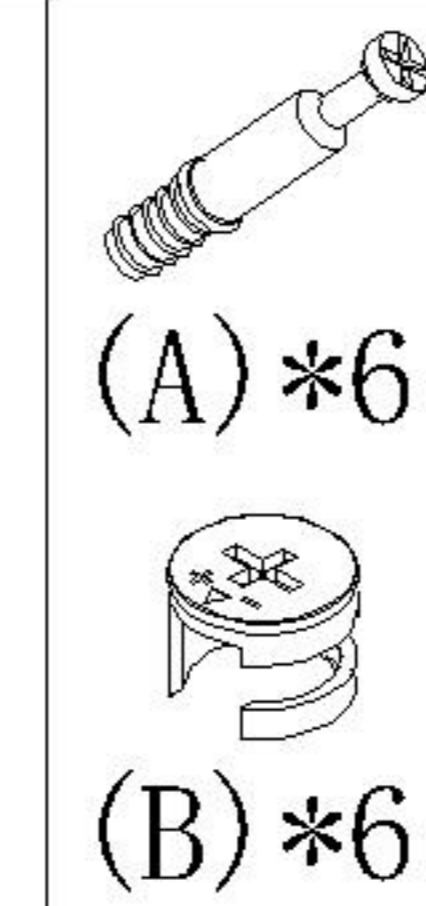
(D)*6



(F)*48



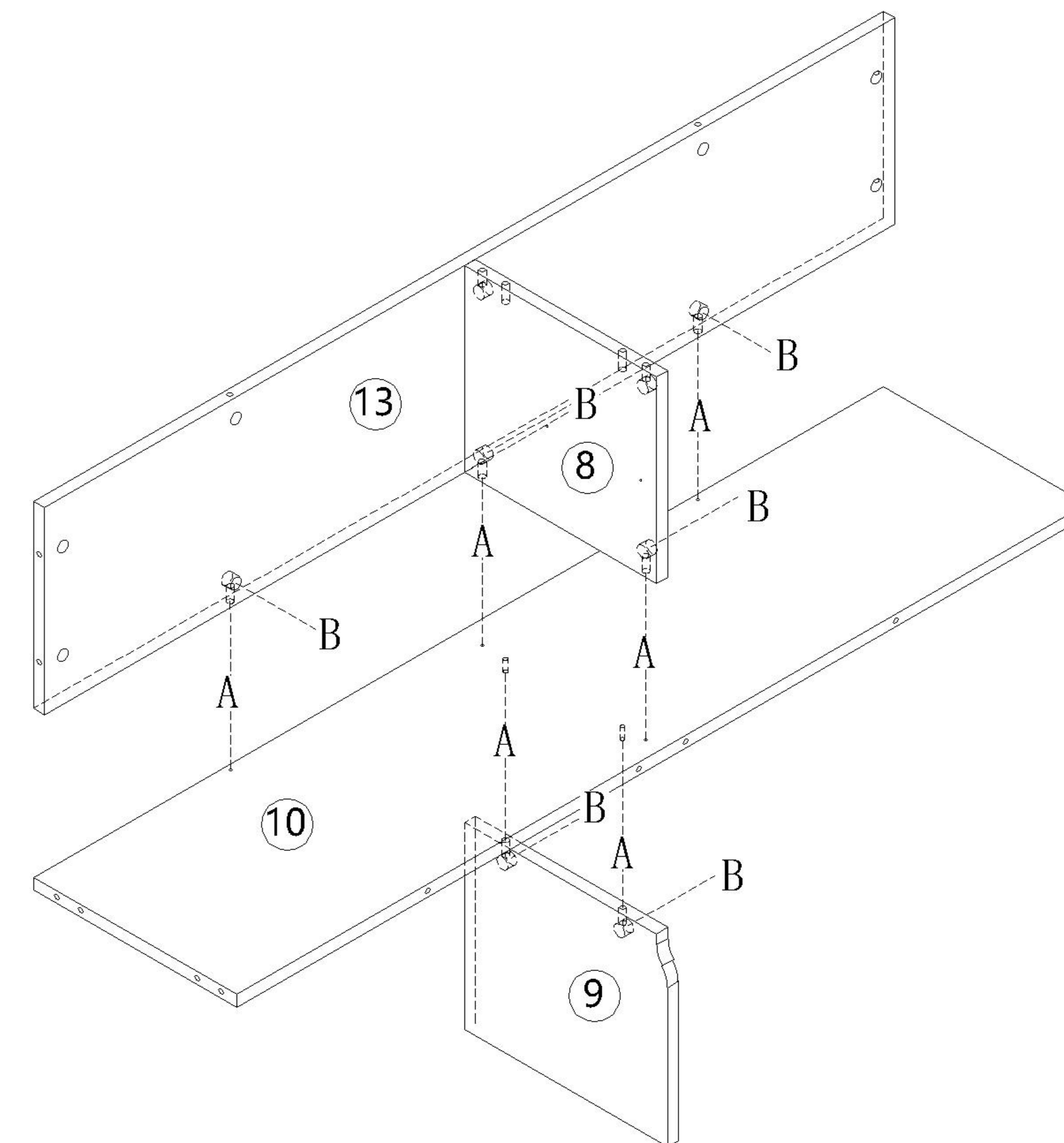
3



(A)*6



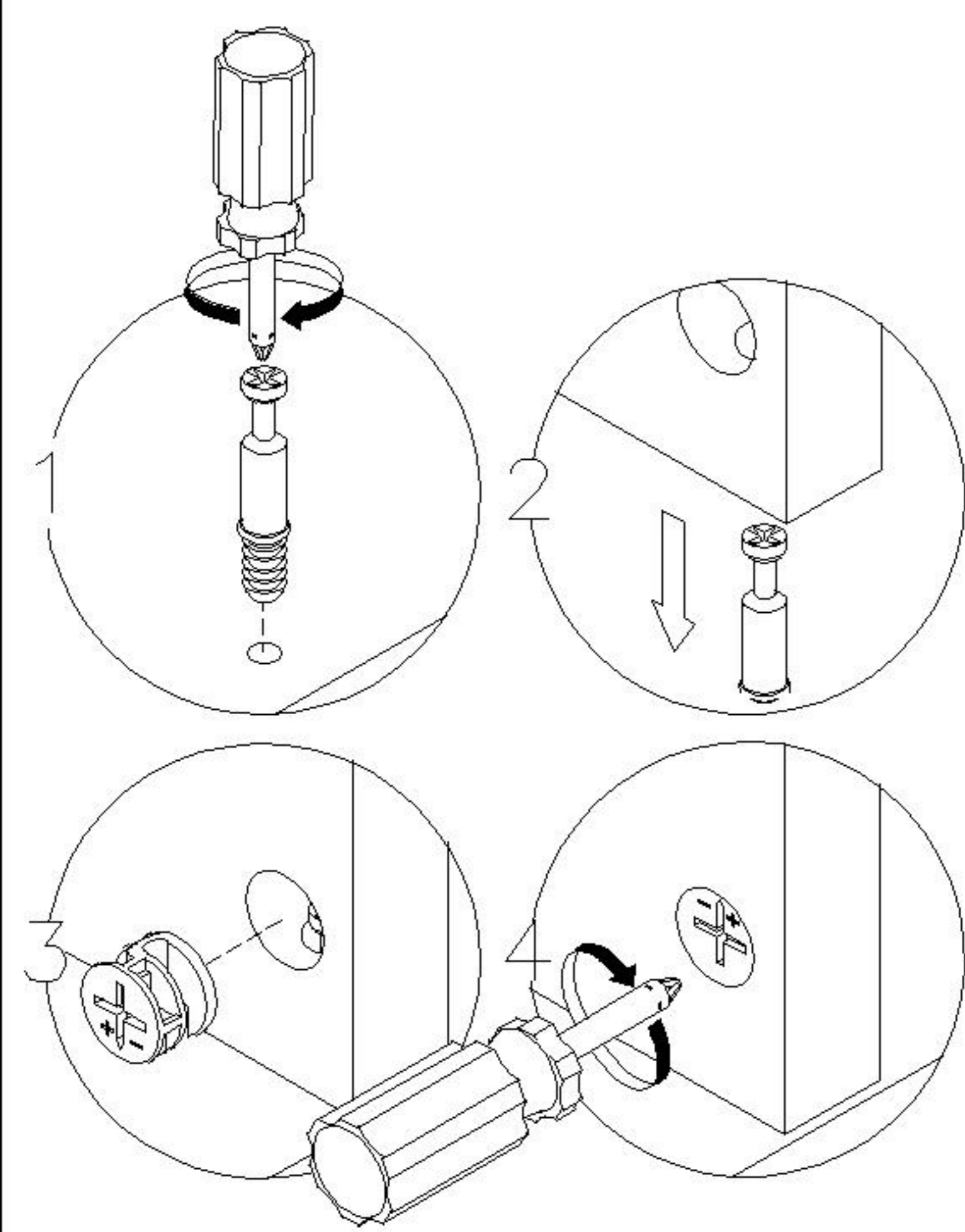
(B)*6



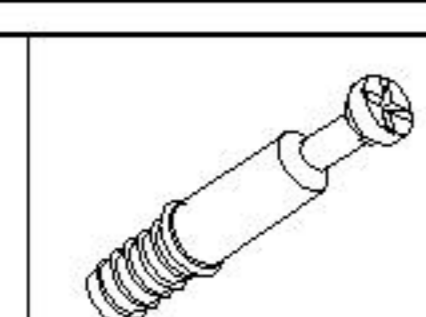
4

YF2M-B 2米电视柜

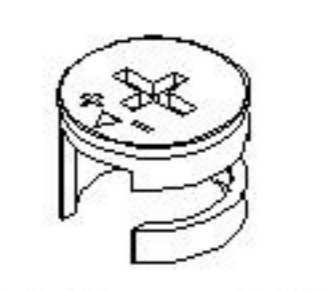
安装方法/
Installation method



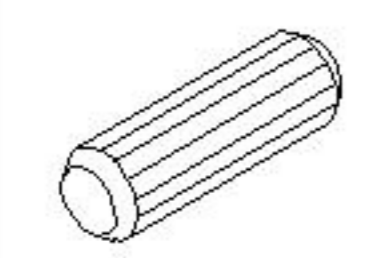
二合一 two-in-one



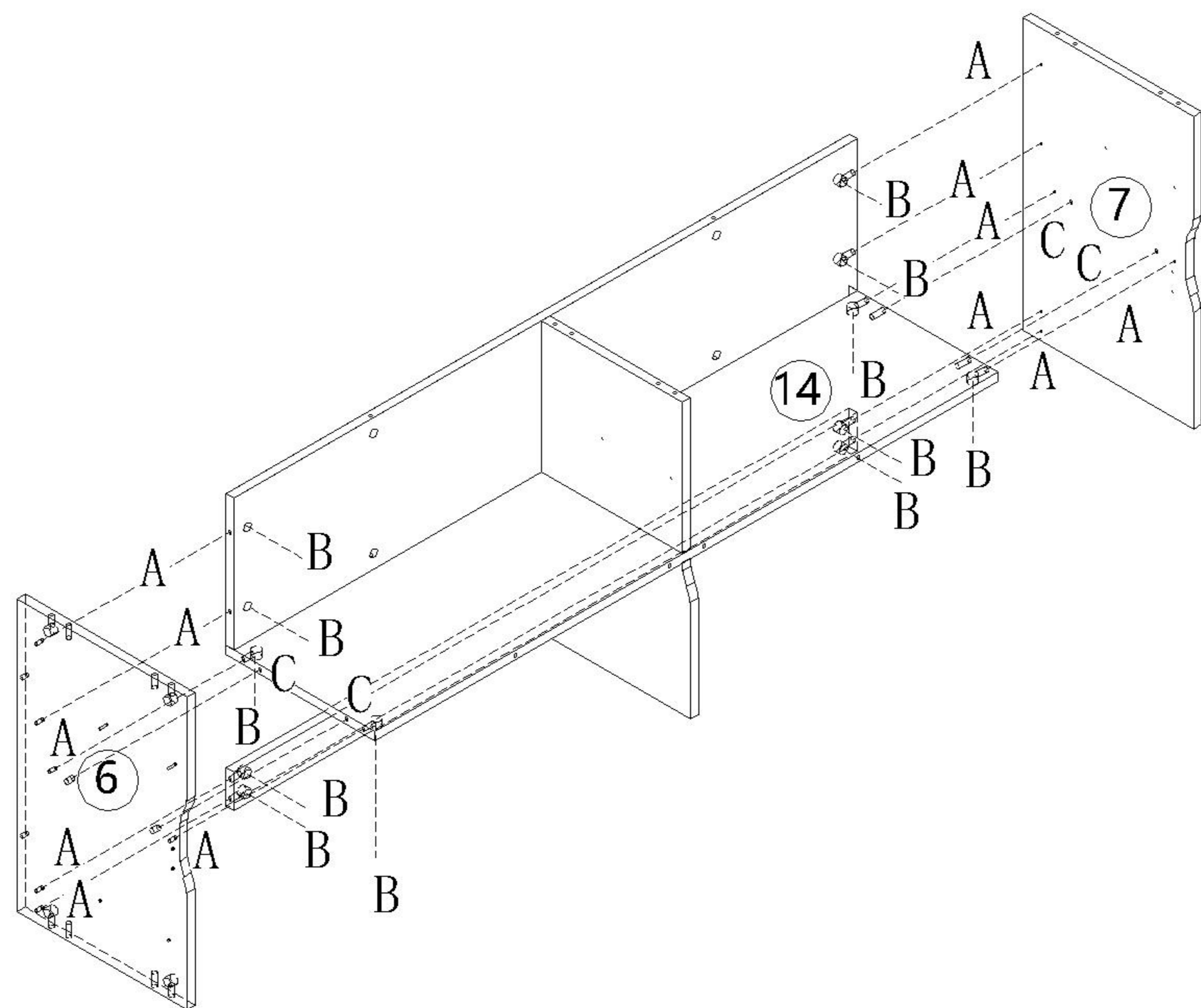
(A)*12



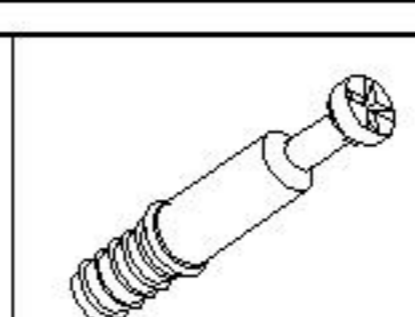
(B)*12



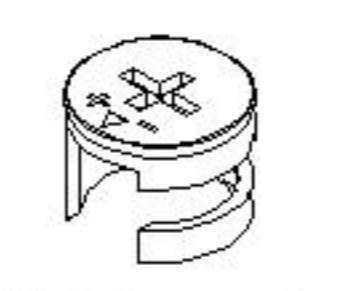
(C)*4



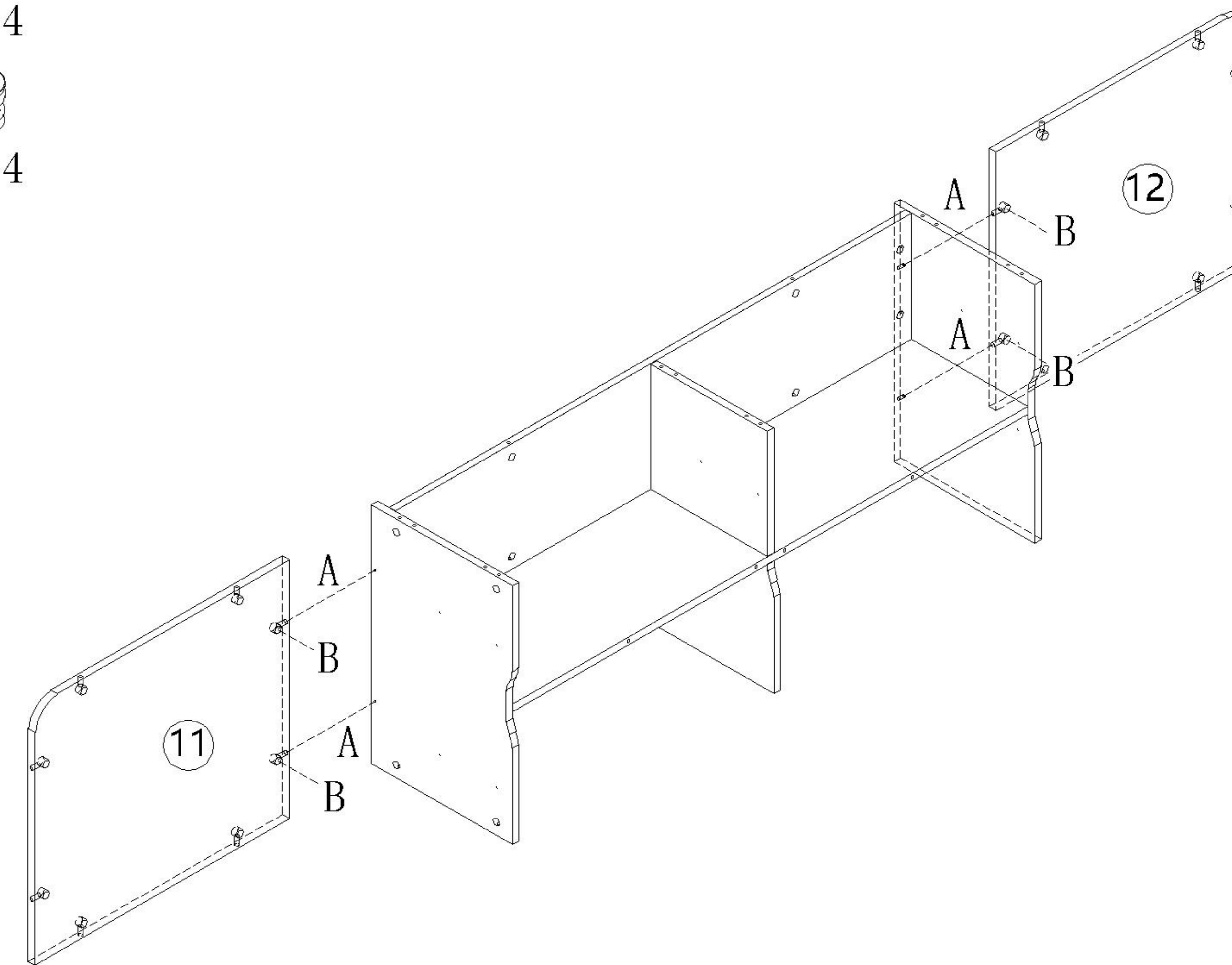
5



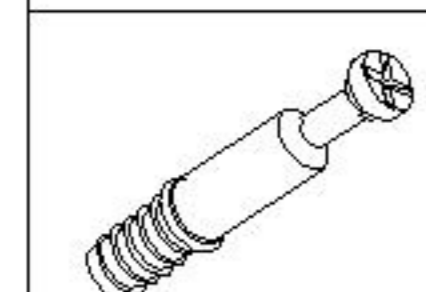
(A)*4



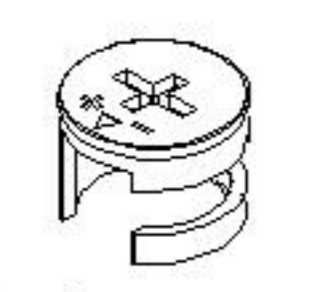
(B)*4



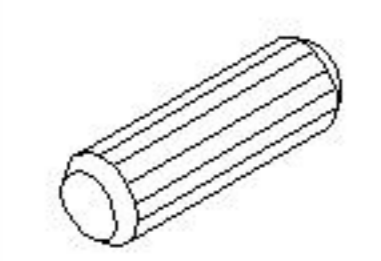
6



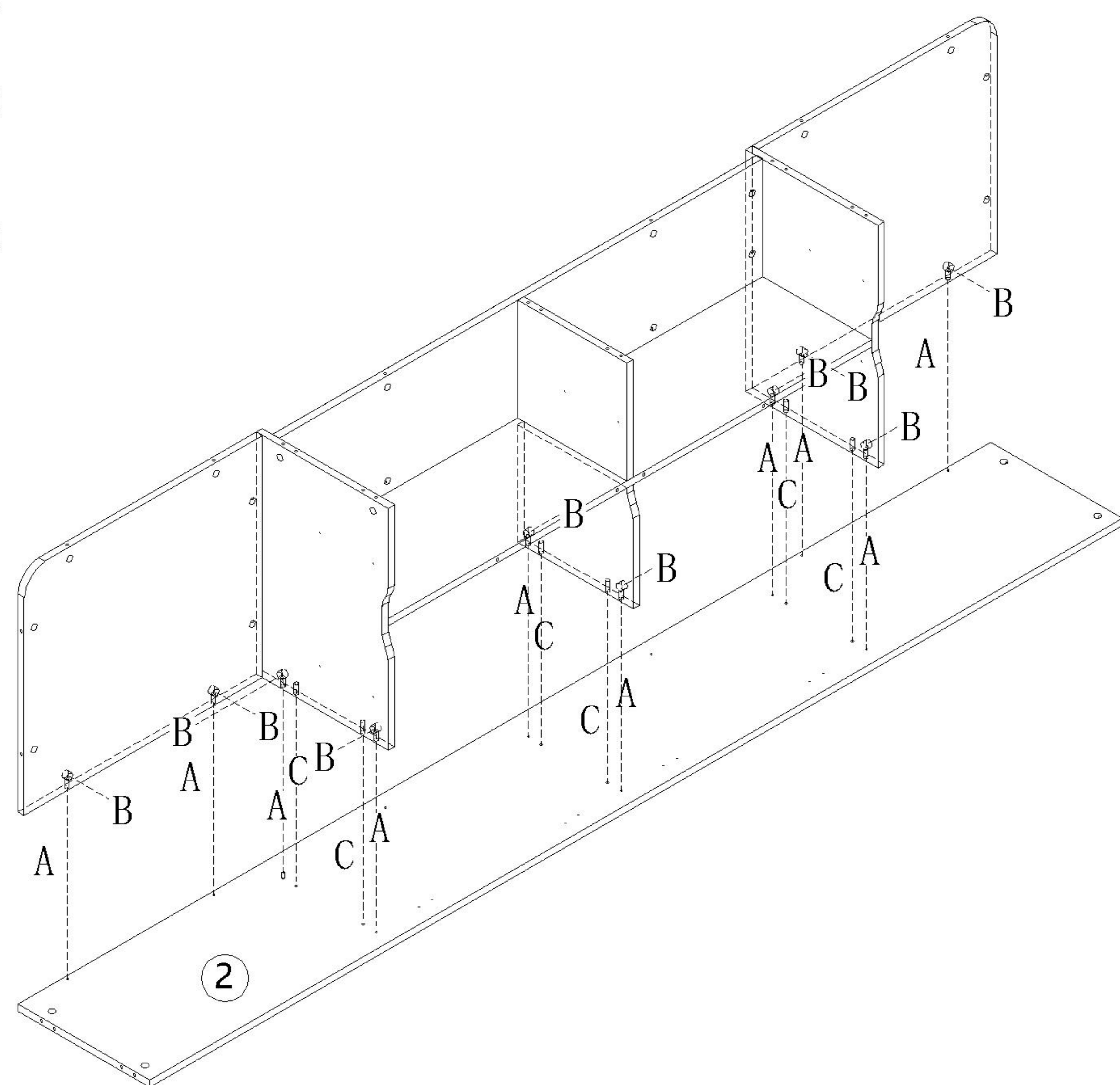
(A)*10



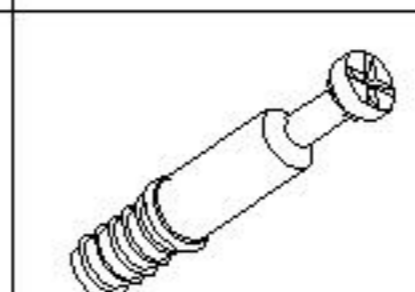
(B)*10



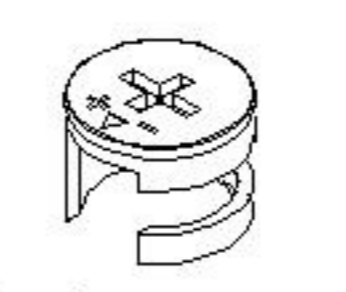
(C)*6



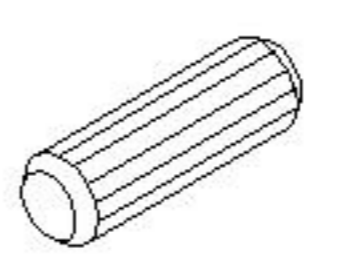
7



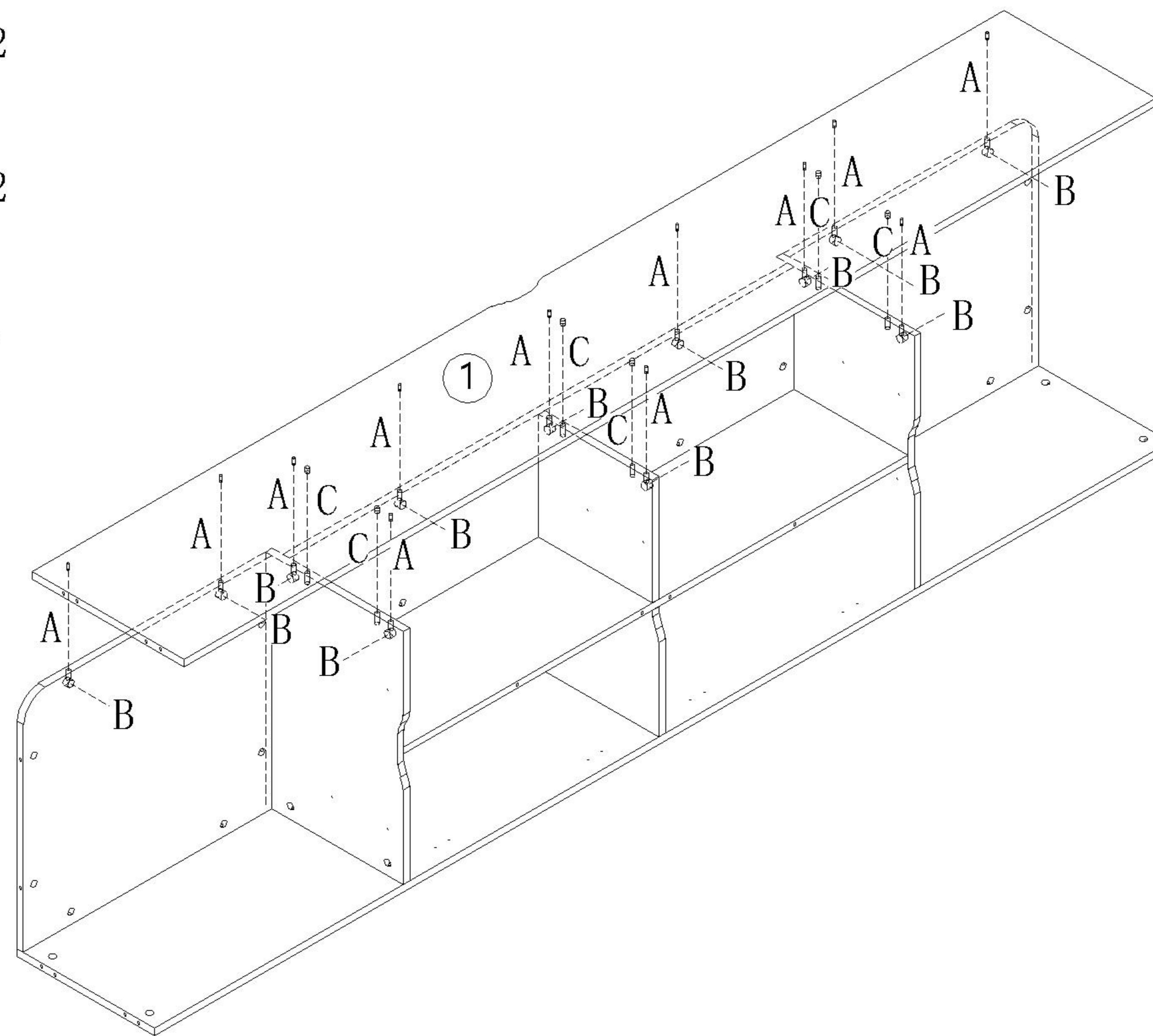
(A)*12



(B)*12

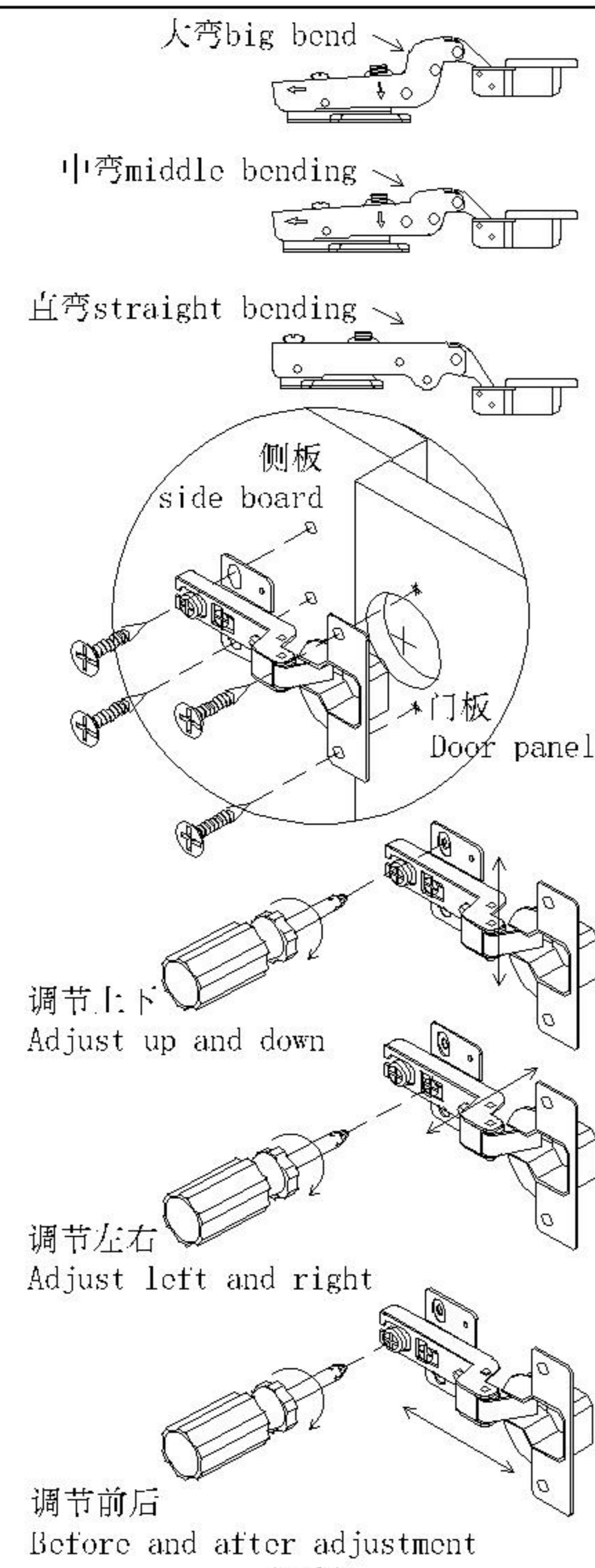


(C)*6

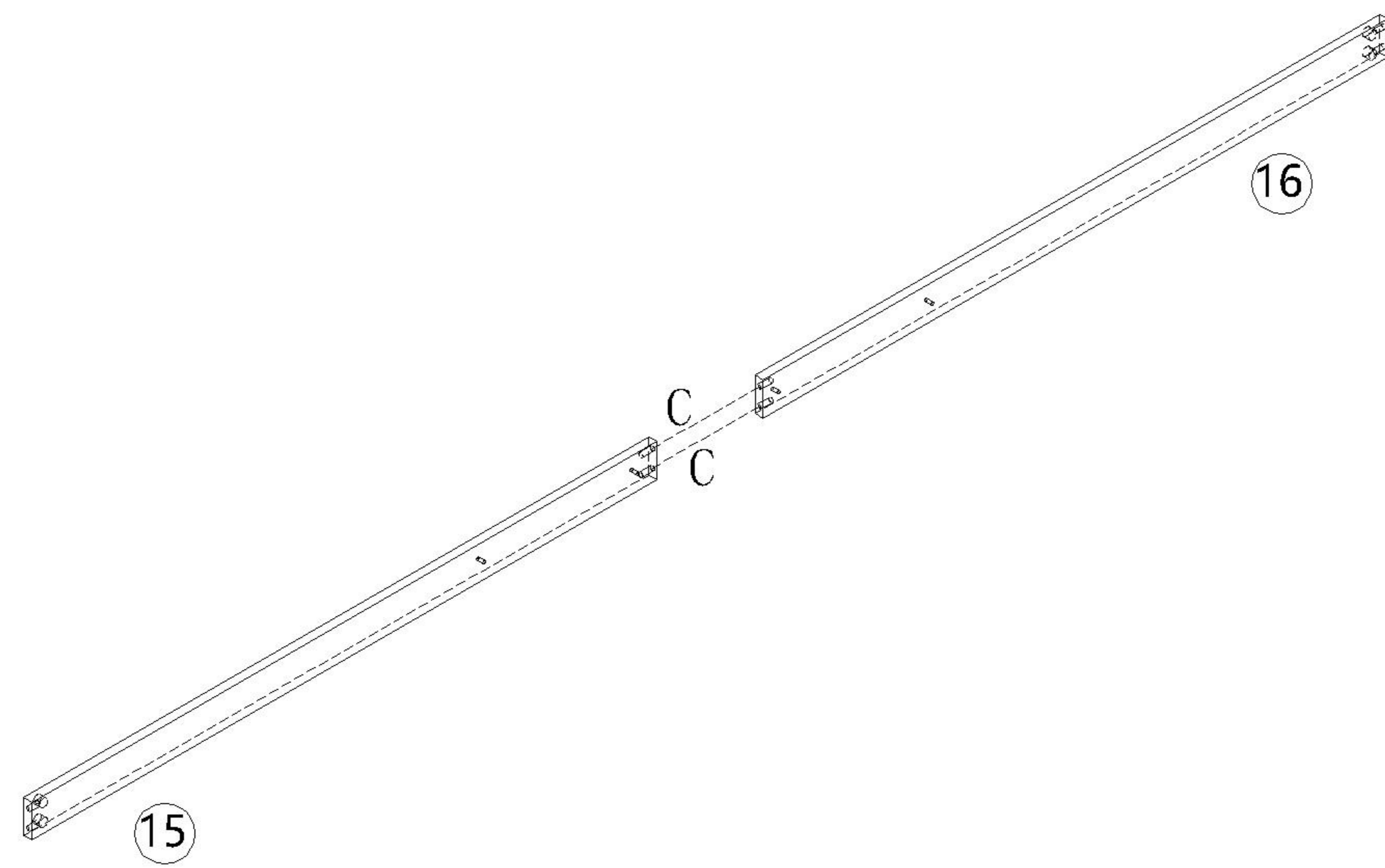


8

安装方法/
Installation method

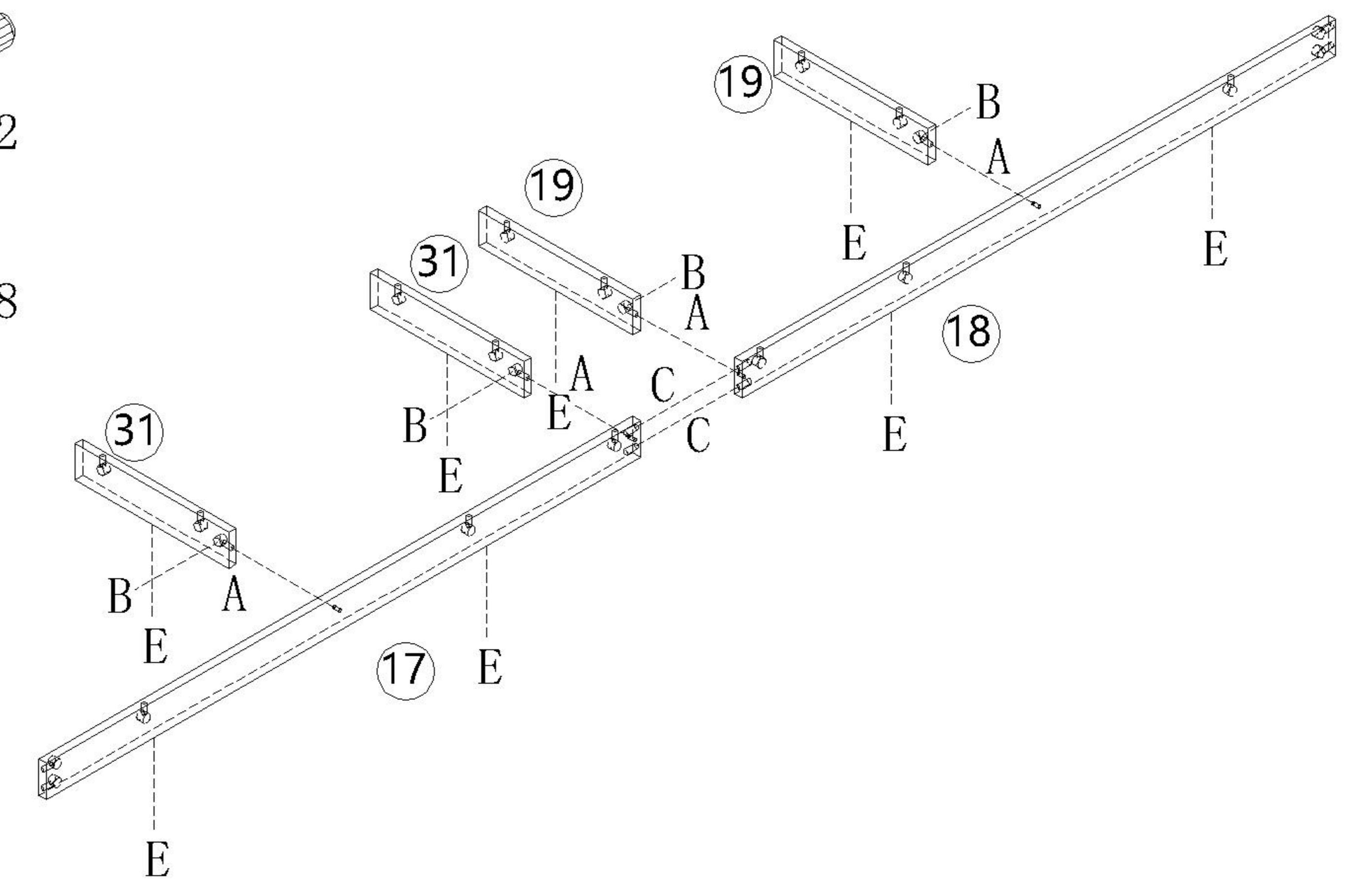


(C)*2



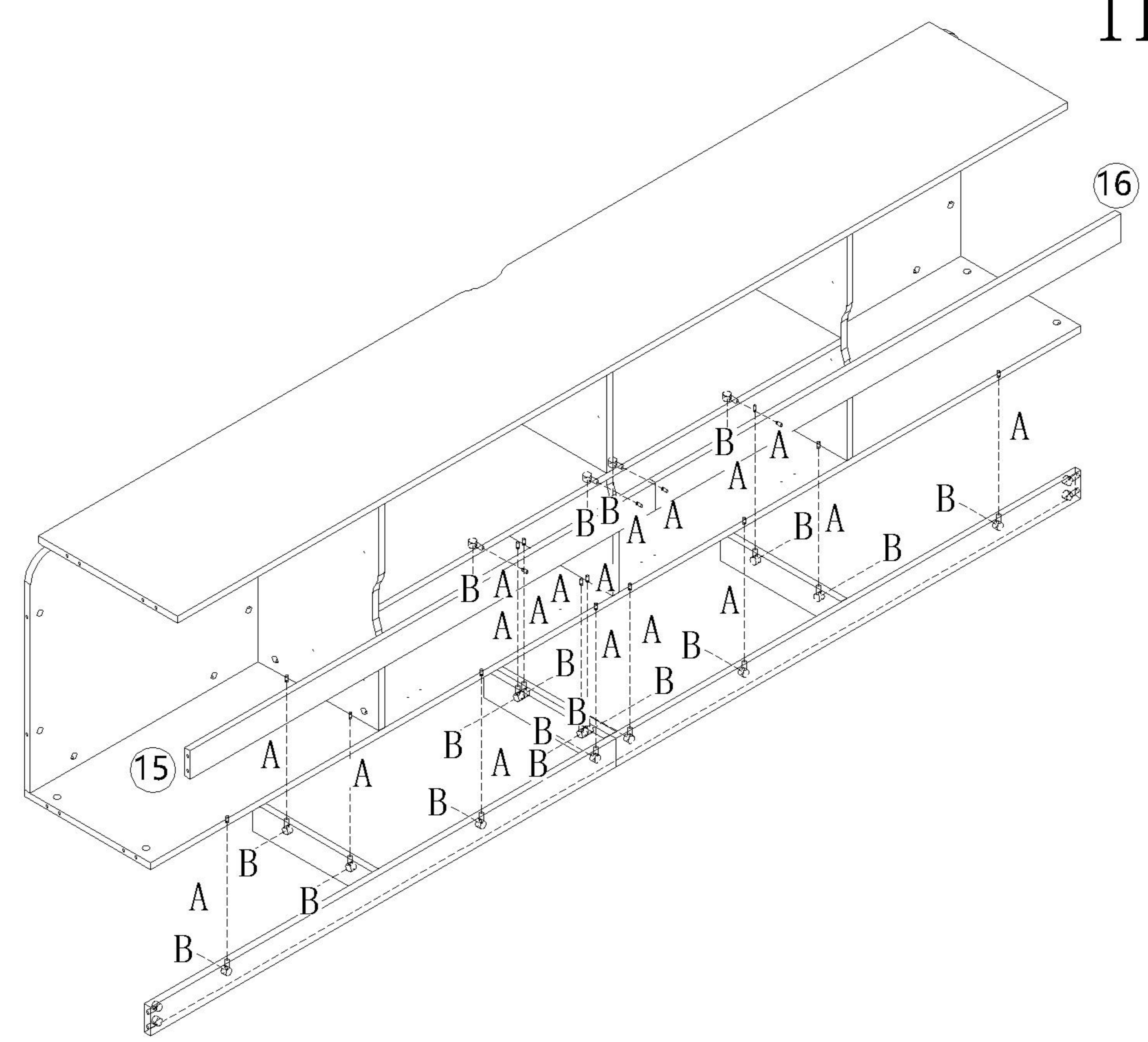
9

- (A)*4
- (B)*4
- (C)*2
- (E)*8



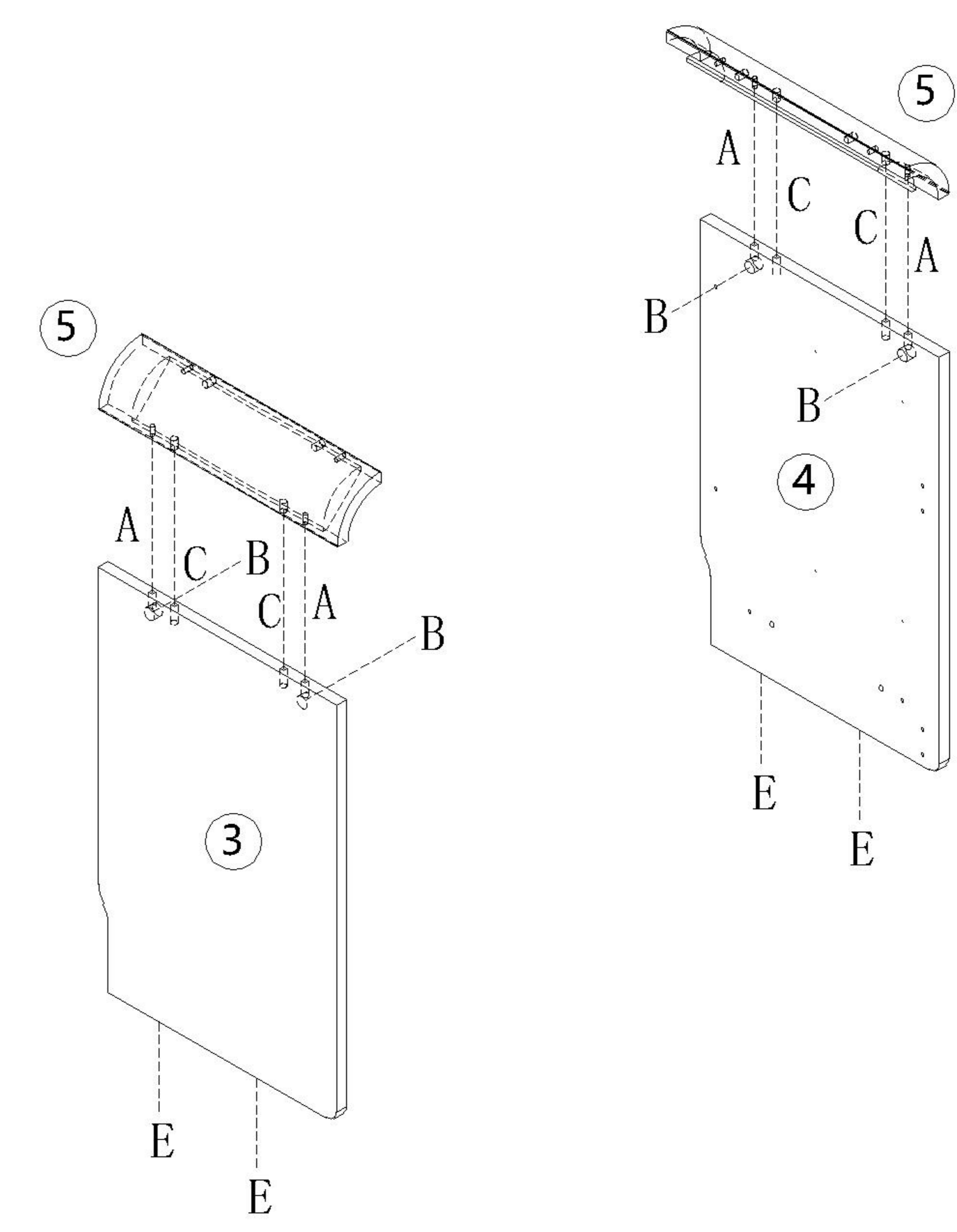
10

(A)*18
(B)*18



11

- (A)*4
- (B)*4
- (C)*4
- (E)*4

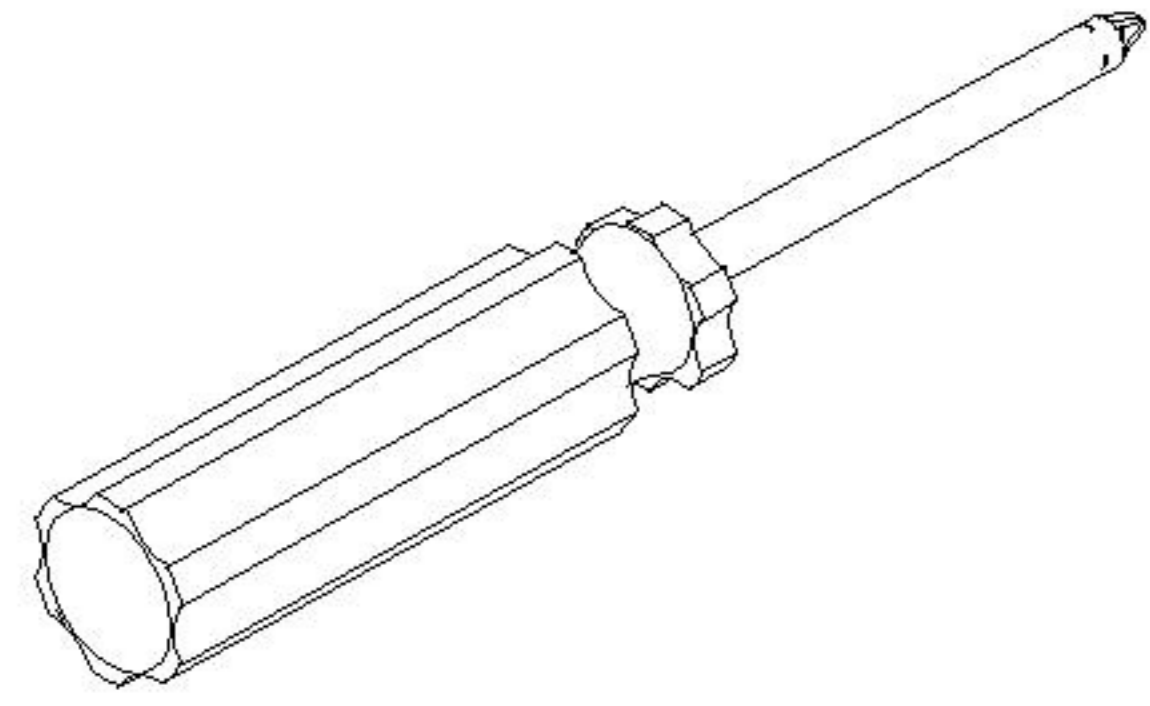
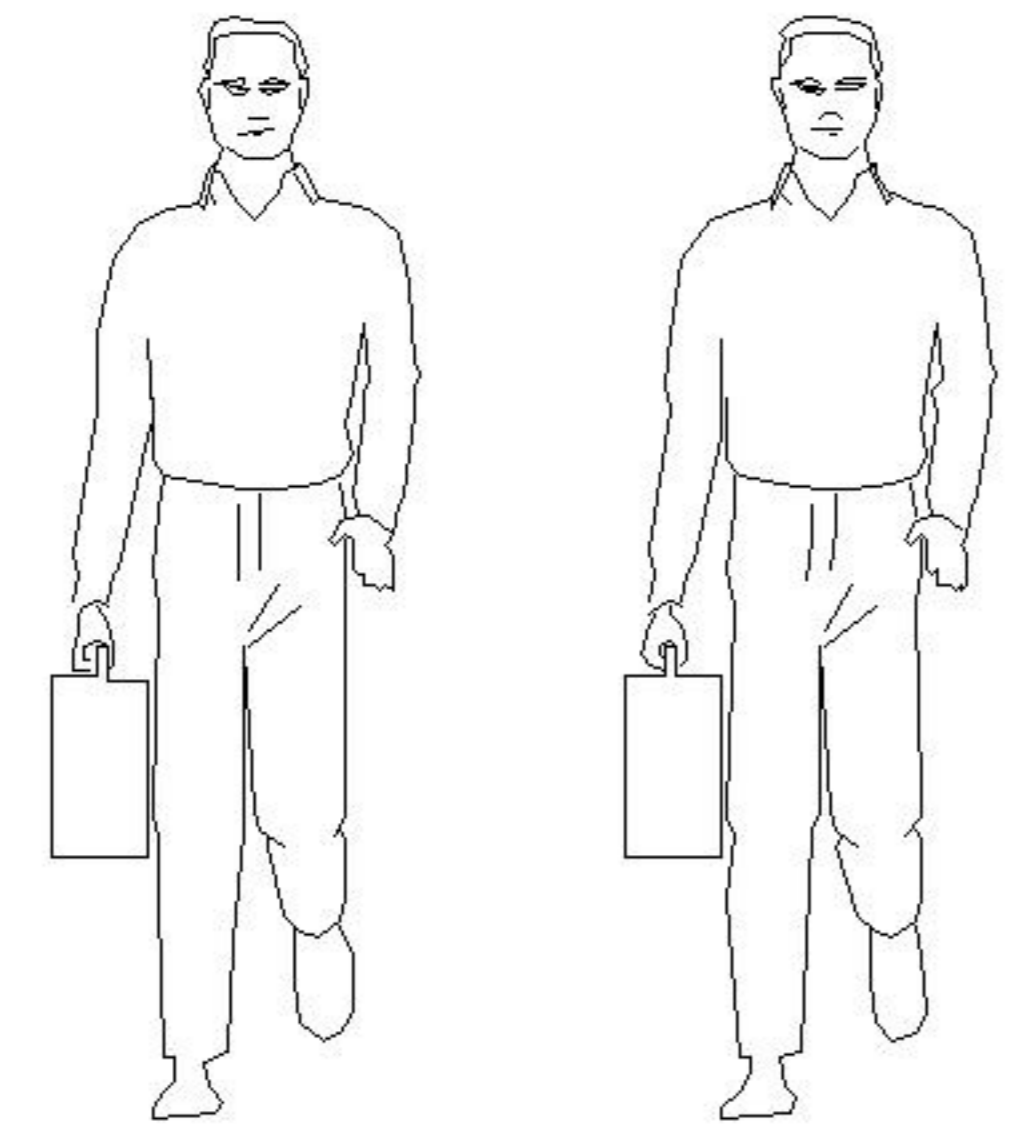


12

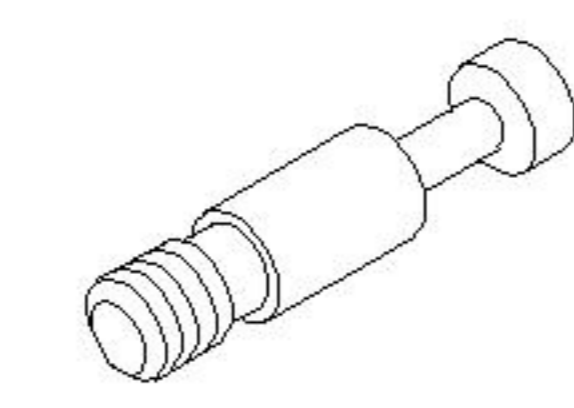
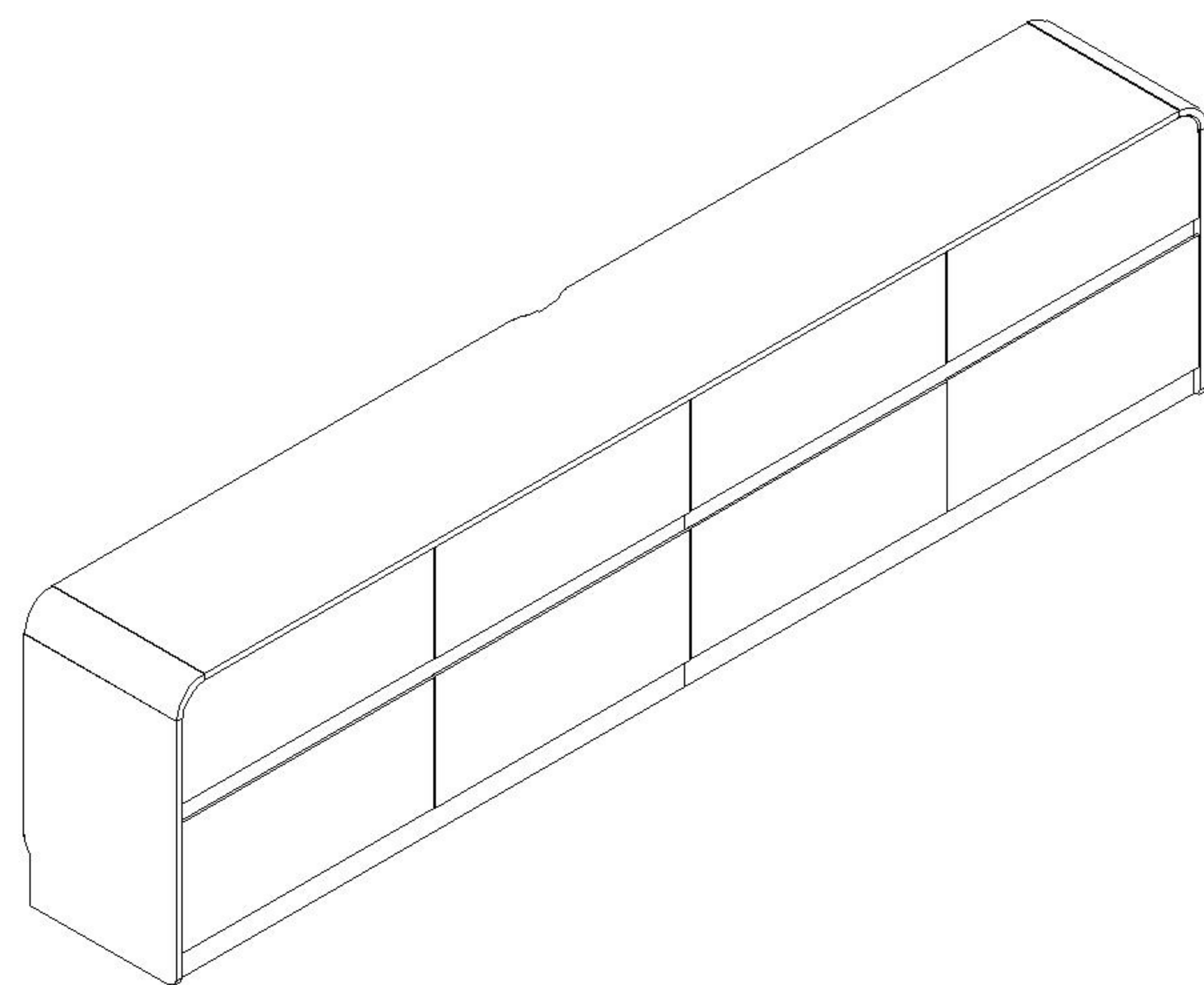
LINSY 林氏家居

五金表/Hardware list

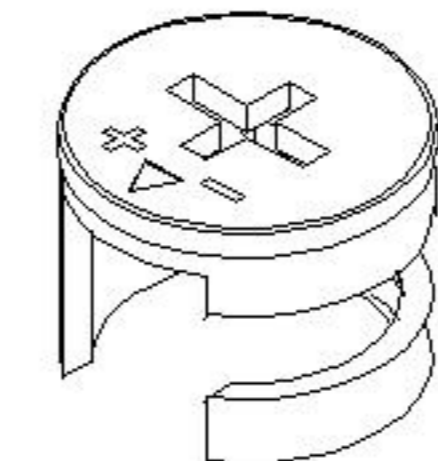
安装示意图/Assembly Instruction

产品名称 Model NO.	YF2M-B 2.4米电视柜
产品规格 Specification	2371*350*600mm
安装工具 Tool	安装人数 Installer
	

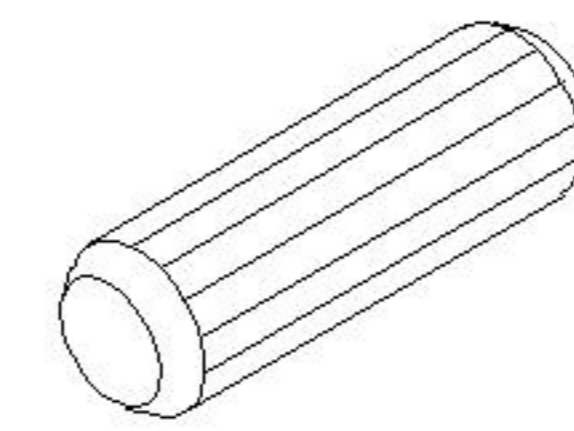
注：为保证设计效果，部分尺寸为定制尺寸，不影响使用。



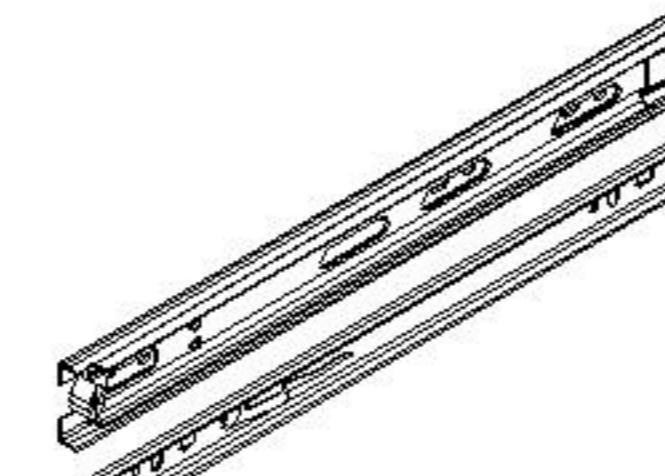
(A)*145
二合一螺杆
2-in-1-screw



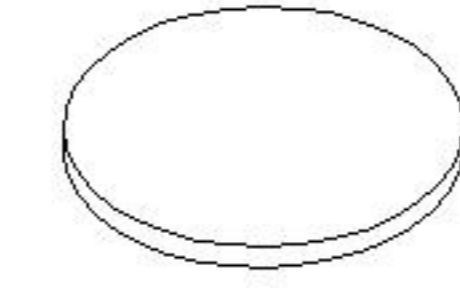
(B)*145
大三合一锁饼
Three-in-one large lock



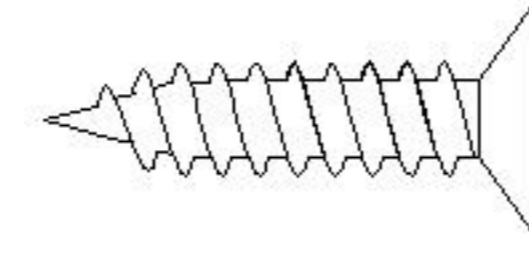
(C)* 34
木榫08x30mm
wood tenon



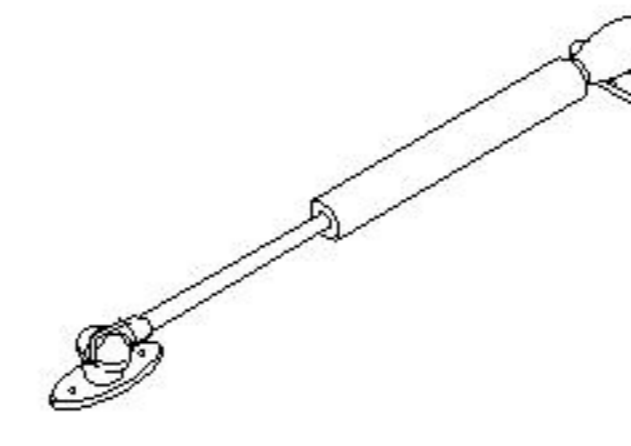
(D)* 6
三节滚珠导轨
Three-section rail



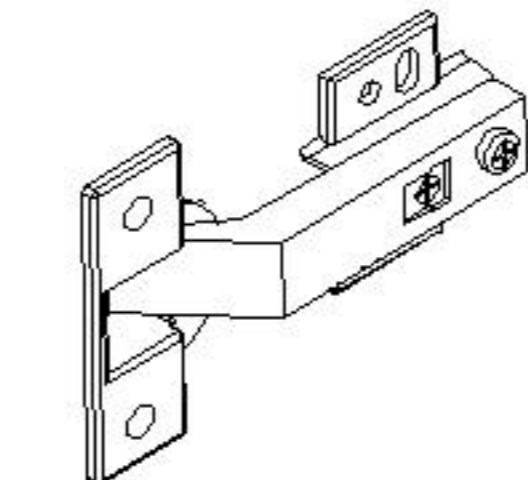
(E)* 12
灰色毛毡脚垫
Grey felt foot pad



(F)*109
自攻螺丝M3.5x14mm
Self-tapping screw

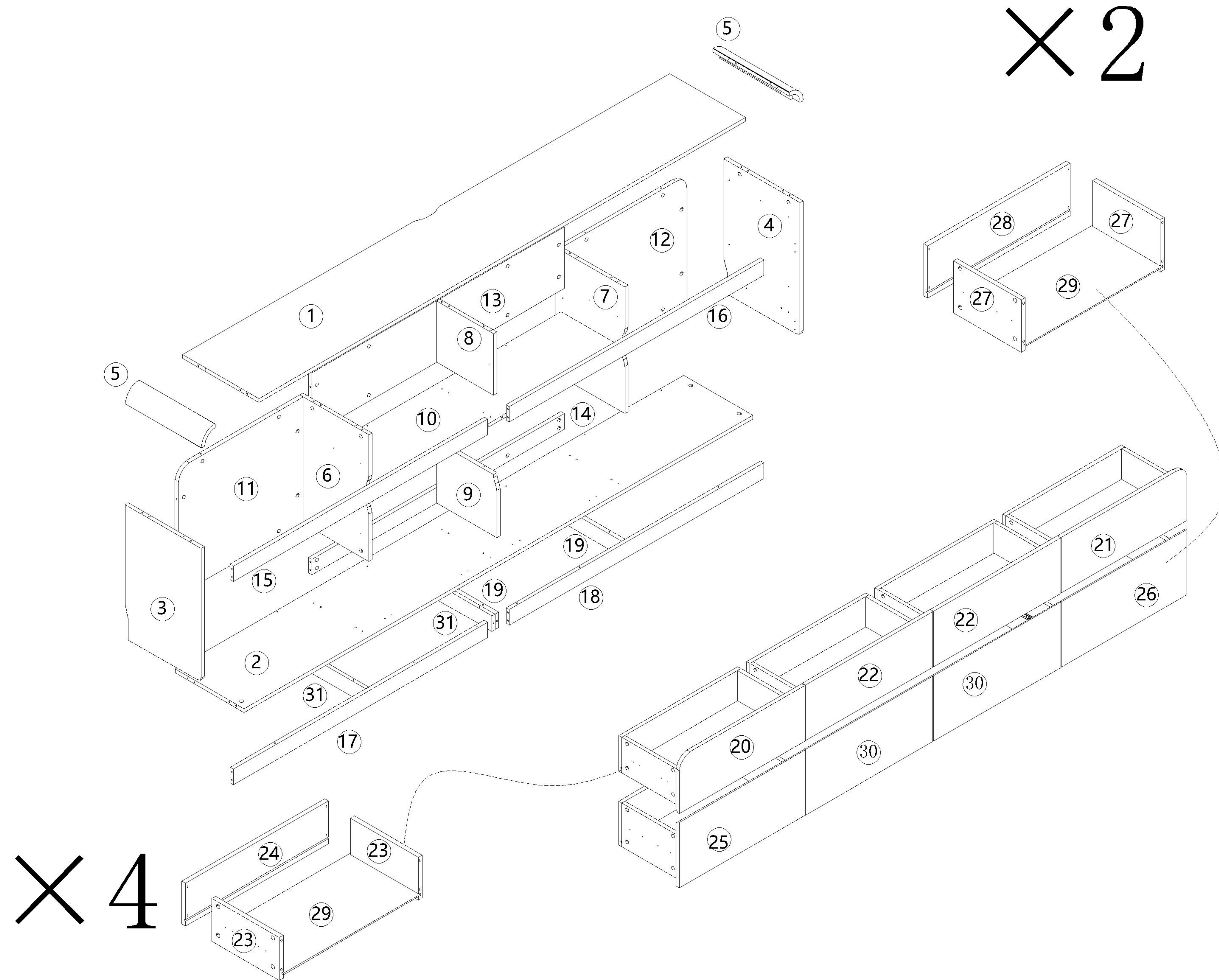


(G)* 2
气动杆-(285*48*23mm)
Pneumatic rod



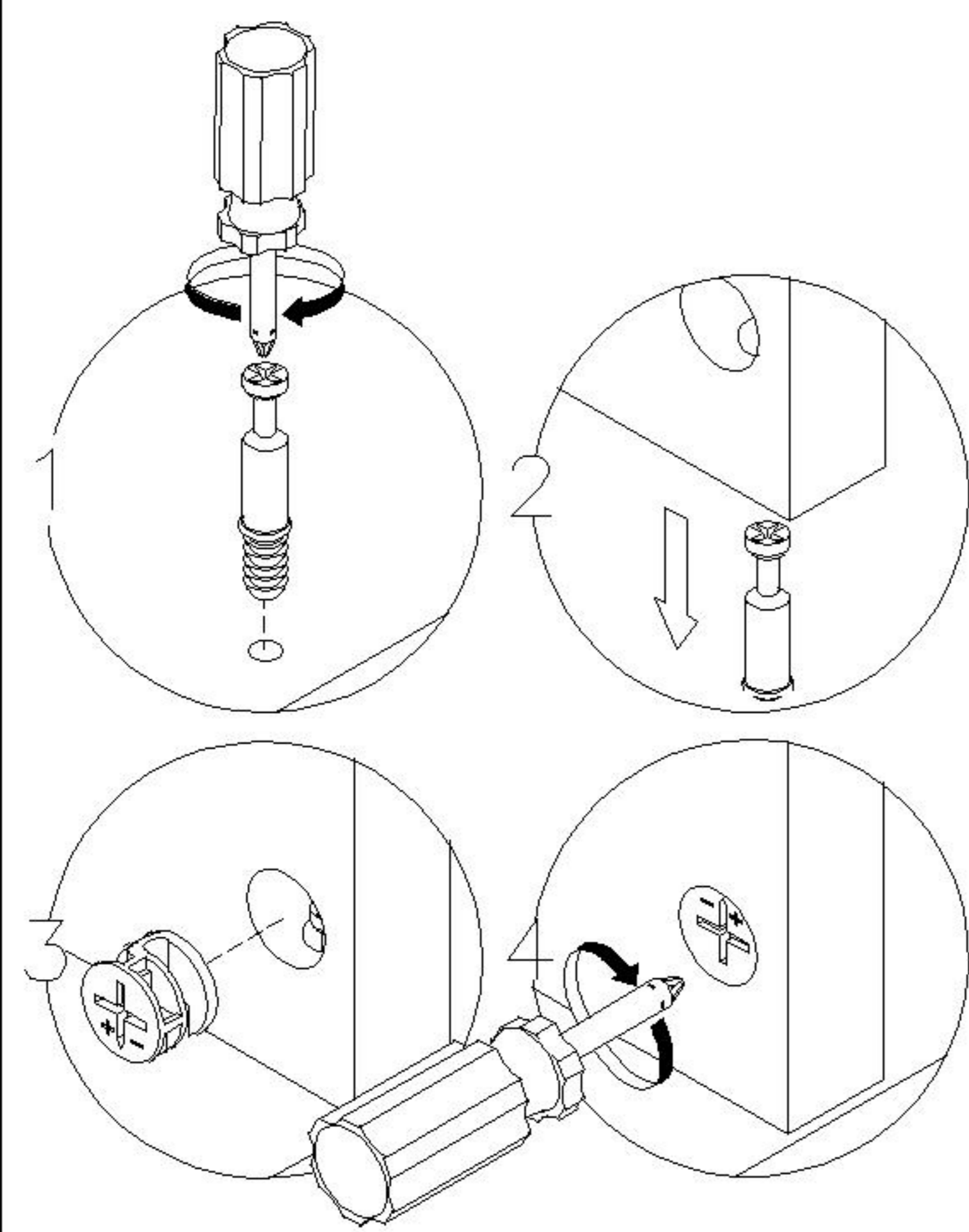
(H)* 4
缓冲门铰直弯-杯径035
Hinge-straight bending-diameter 35

YF2M-B 2.4米电视柜	部件表/Parts List				部件表/Parts List				
	名称Name	规格 (mm) Specification	数量QTY	材质Material		名称Name	规格 (mm) Specification	数量QTY	材质Material
	① 面板Top panel	2241*350*15	1	欧松板 Oriented Strand	②⑥	右下抽屉面板Lower right drawer panel	578*261*15	1	欧松板 Oriented Strand
	② 底板Bottom board	2341*318*15	1	欧松板 Oriented Strand	②⑦	下抽屉侧板Lower Drawer's sideboard	260*174*15	4	欧松板 Oriented Strand
	③ 左侧板Side board(L)	532*350*15	1	欧松板 Oriented Strand	②⑧	下抽屉后板Down drawer's back board	548*174*15	2	欧松板 Oriented Strand
	④ 右侧板Side board(R)	532*350*15	1	欧松板 Oriented Strand	②⑨	抽屉底板Drawer's Bottom board	528*270*5	6	纤维板 Fiberboard
	⑤ 转角木Corner connection wood	350*92*37	2	橡胶木 Rubber wood	③⑩	翻门Swing door	586*261*15	2	欧松板 Oriented Strand
	⑥ 左中侧板Middle side board(L)	505*318*15	1	欧松板 Oriented Strand	③⑪	侧脚条Side foot strip	303*62*15	2	欧松板 Oriented Strand
	⑦ 右中侧板Middle side board(R)	505*318*15	1	欧松板 Oriented Strand					
	⑧ 上中侧板Upper middle side board	245*263*15	1	欧松板 Oriented Strand					
	⑨ 下中侧板Middle-down side panel	245*278*15	1	欧松板 Oriented Strand					
	⑩ 中层板Middle shelf	1163*278*15	1	欧松板 Oriented Strand					
	⑪ 背板1Back board 1	574*505*15	1	欧松板 Oriented Strand					
	⑫ 背板2Backplane 2	574*505*15	1	欧松板 Oriented Strand					
	⑬ 背板3Backplane 3	1163*245*15	1	欧松板 Oriented Strand					
	⑭ 后拉条Back brace	1163*62*15	1	欧松板 Oriented Strand					
	⑮ 拉条1Brace 1	1170.5*62*15	1	欧松板 Oriented Strand					
	⑯ 拉条2Brace 2	1170.5*62*15	1	欧松板 Oriented Strand					
	⑰ 拉条3Brace 3	1170.5*62*15	1	欧松板 Oriented Strand					
	⑱ 拉条4Brace 4	1170.5*62*15	1	欧松板 Oriented Strand					
	⑲ 短脚条Short foot strip	303*62*15	2	欧松板 Oriented Strand					
	⑳ 左上抽屉面板Upper left drawer panel	578*222*15	1	欧松板 Oriented Strand					
	㉑ 右上抽屉面板Upper right drawer panel	578*222*15	1	欧松板 Oriented Strand					
	㉒ 中抽屉面板Drawer's middle board	586*222*15	2	欧松板 Oriented Strand					
	㉓ 上抽屉侧板Upper Drawer's sideboard	260*142*15	8	欧松板 Oriented Strand					
	㉔ 上抽屉后板Upper drawer's back board	548*142*15	4	欧松板 Oriented Strand					
	㉕ 左下抽屉面板Lower left drawer panel	578*261*15	1	欧松板 Oriented Strand					



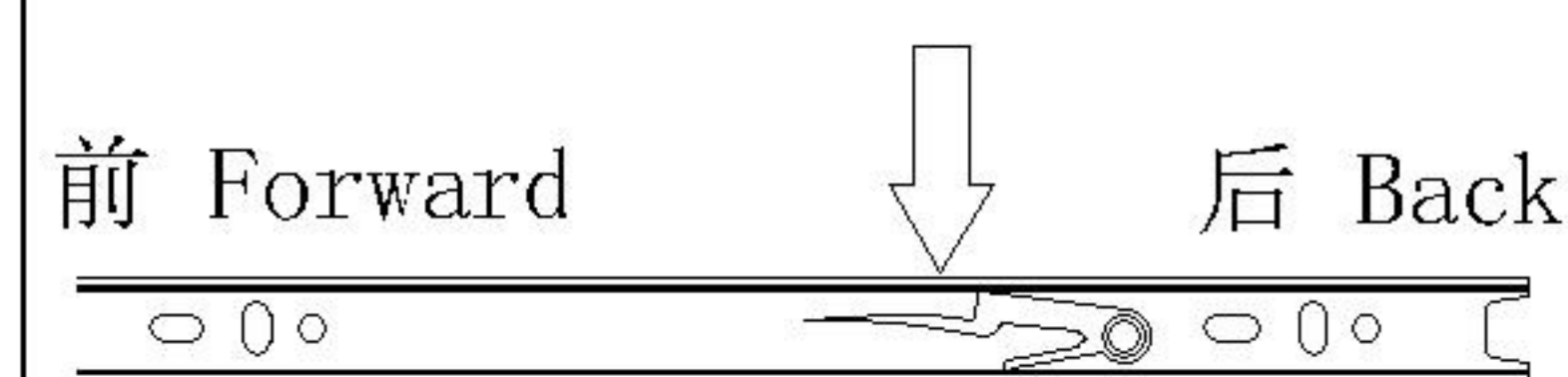
YF2M-B 2.4米电视柜

安装方法/
Installation method

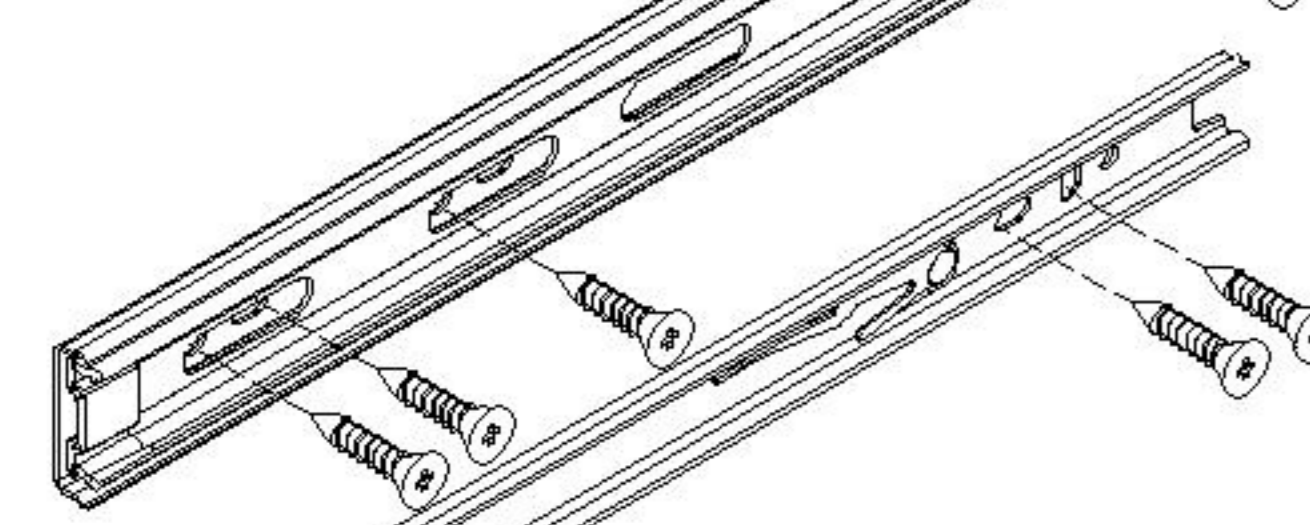


二合一 two-in-one

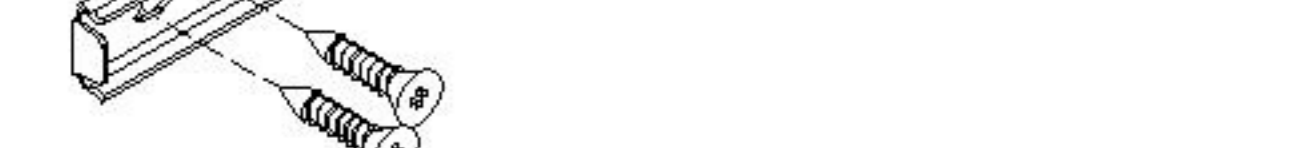
阀门开关(下压为开)
Valve switch (press down to open)



主轨 Main track



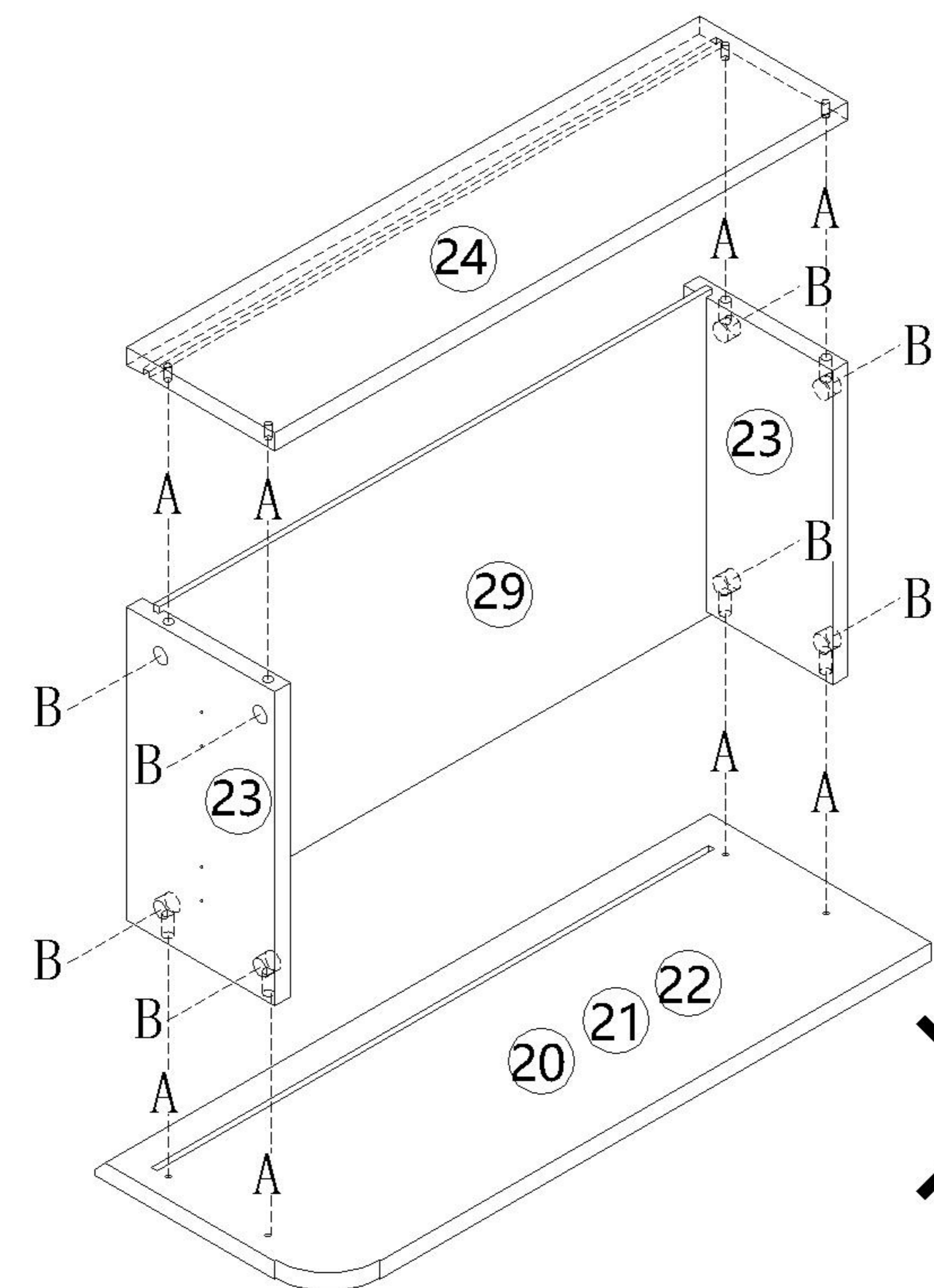
副轨 Sub track



三节滚珠导轨
Three-section rail

(A)*32

(B)*32

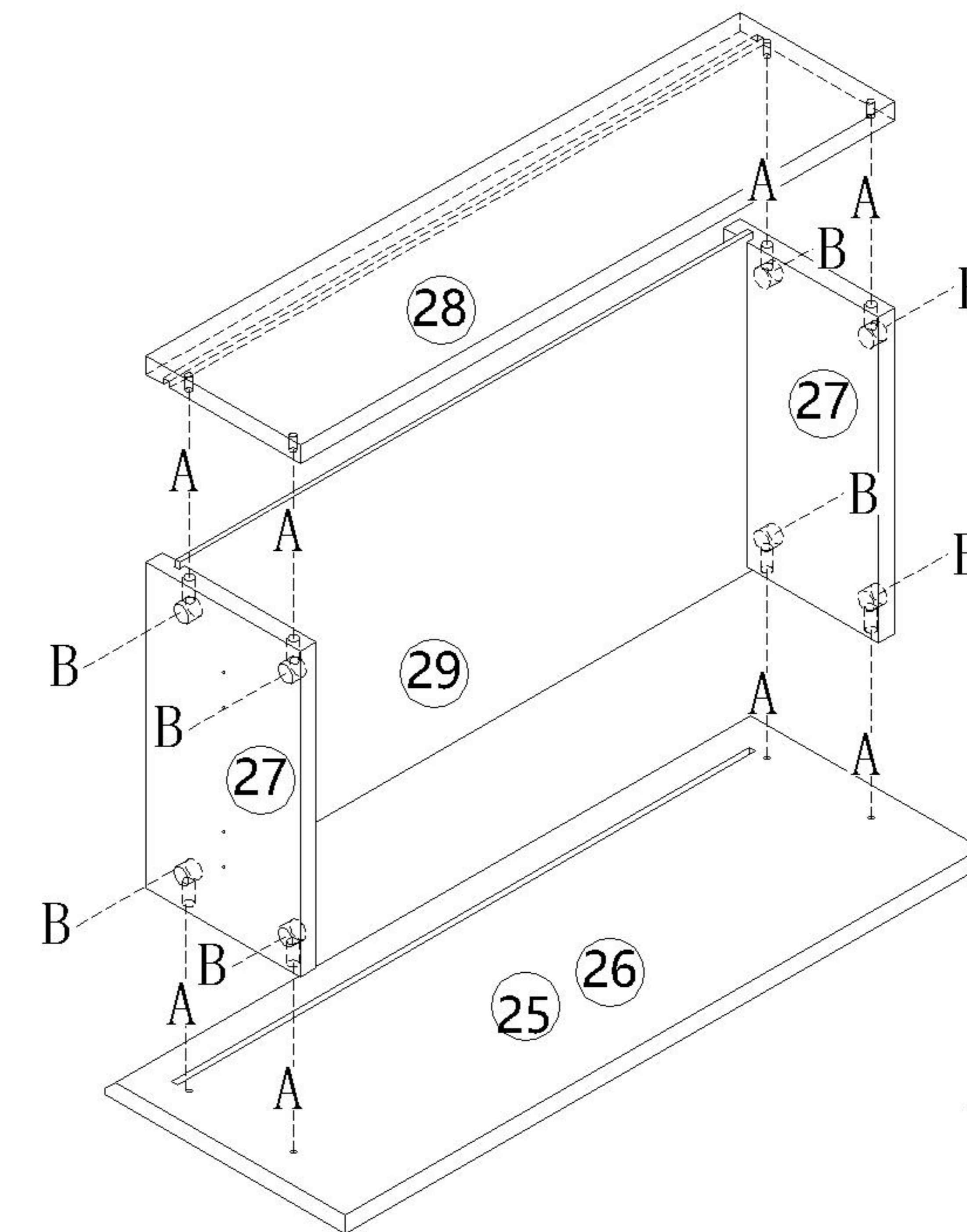


× 4

1

(A)*16

(B)*16

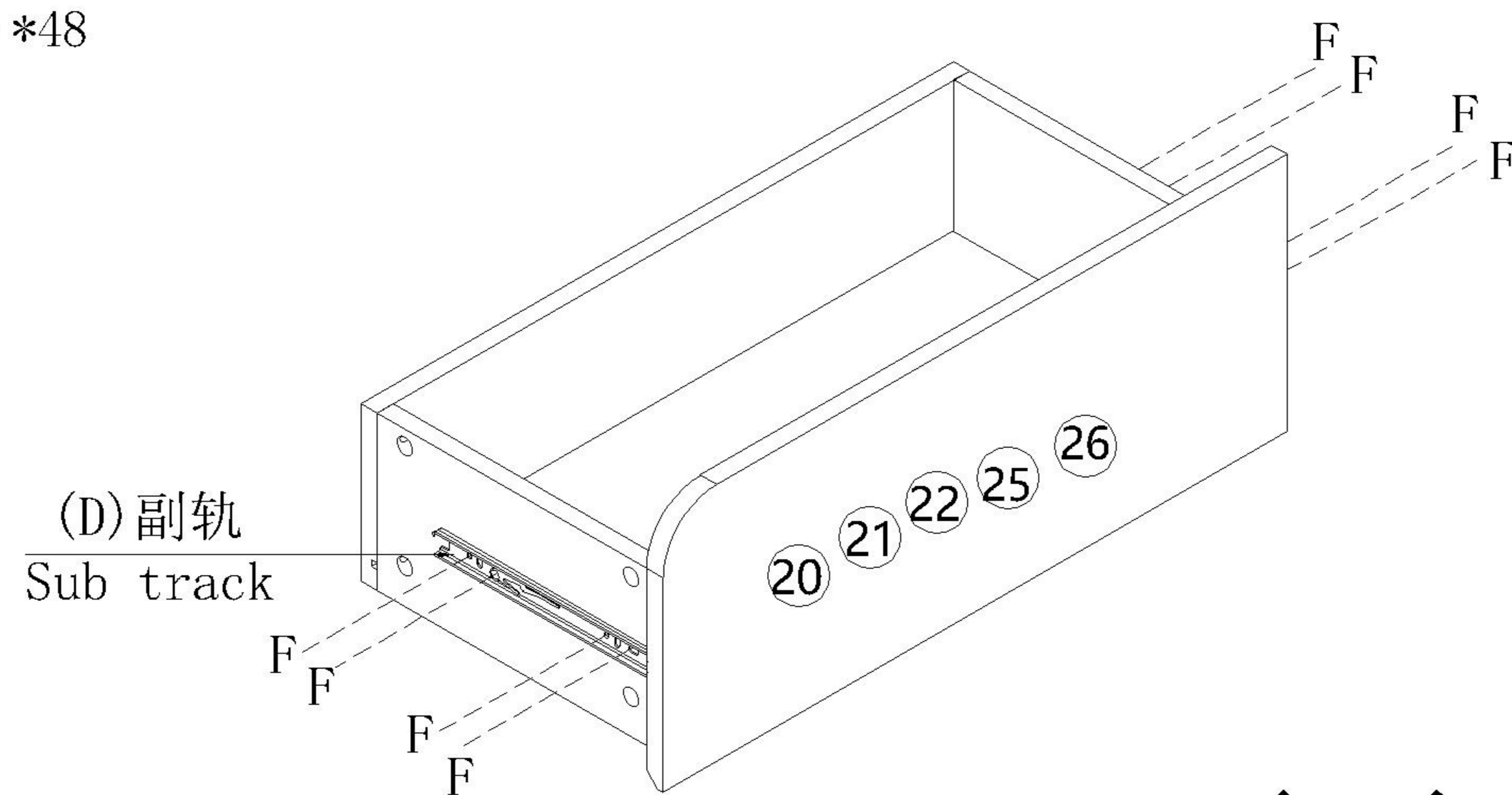


× 2

2

(D)*6

(F)*48

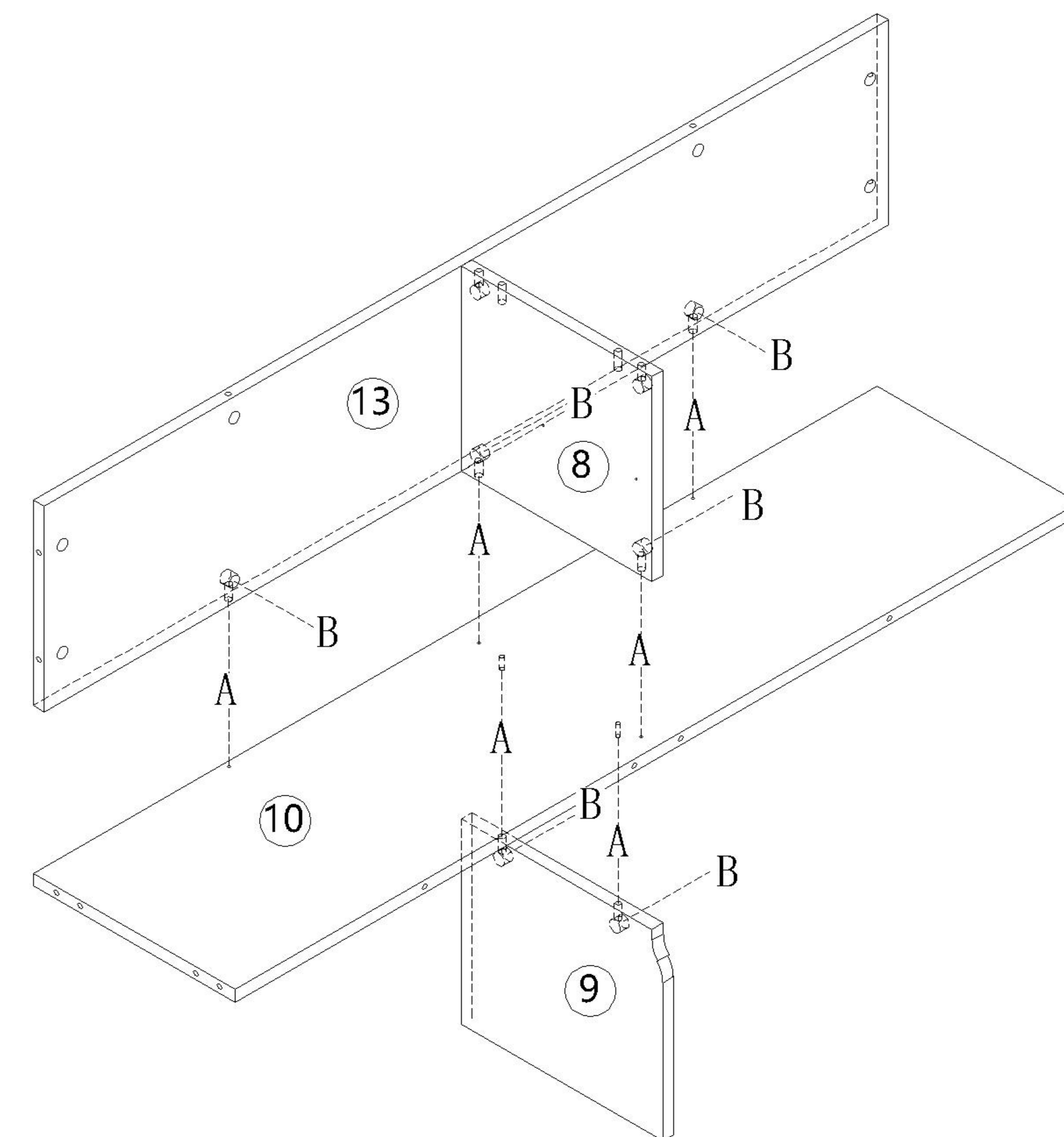


× 6

3

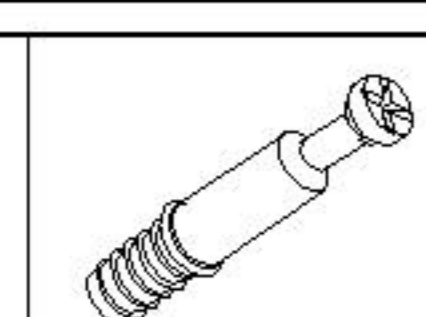
(A)*6

(B)*6

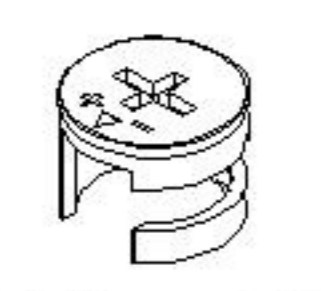


4

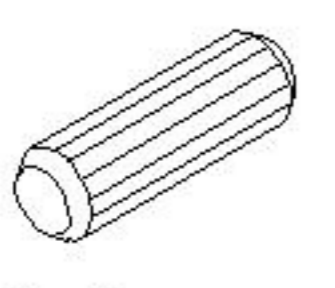
YF2M-B 2.4米电视柜



(A)*12

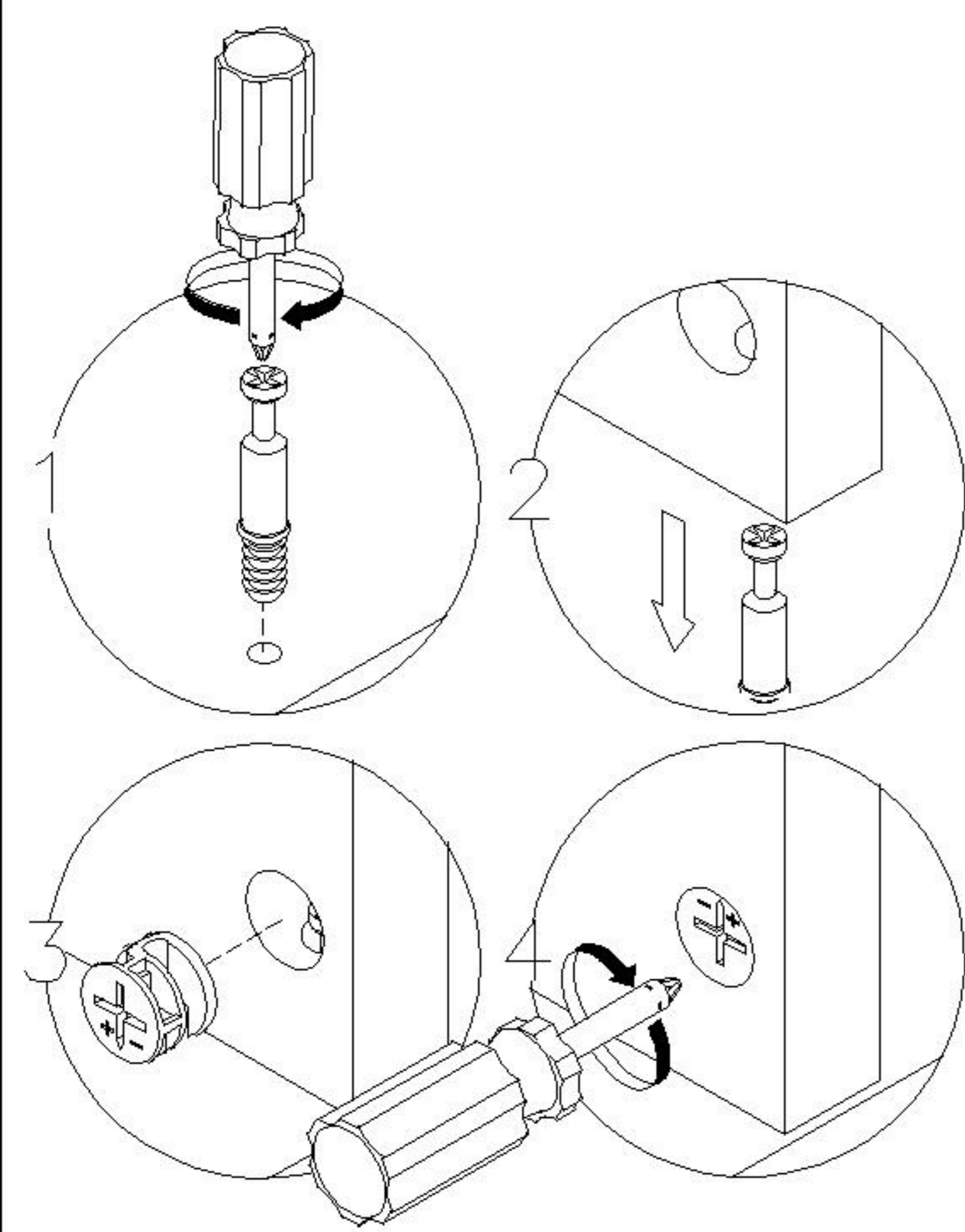


(B)*12

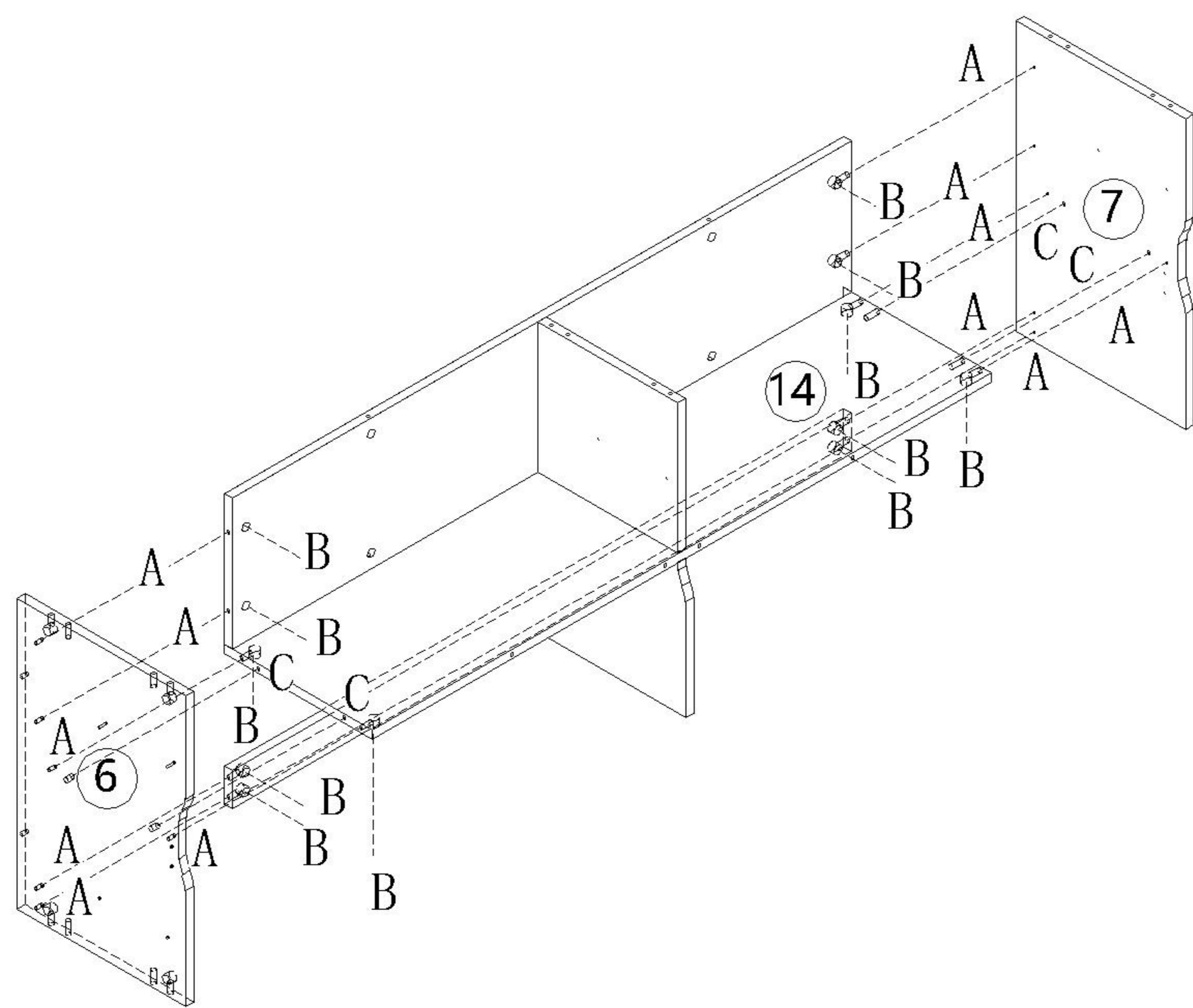


(C)*4

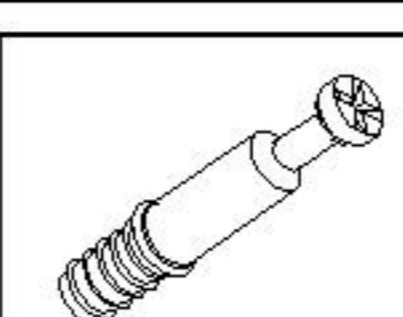
安装方法/
Installation method



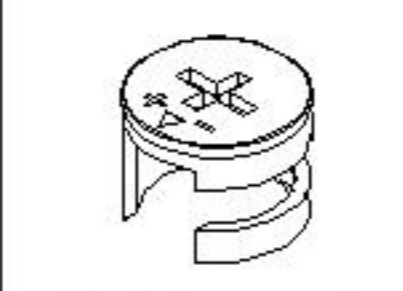
二合一 two-in-one



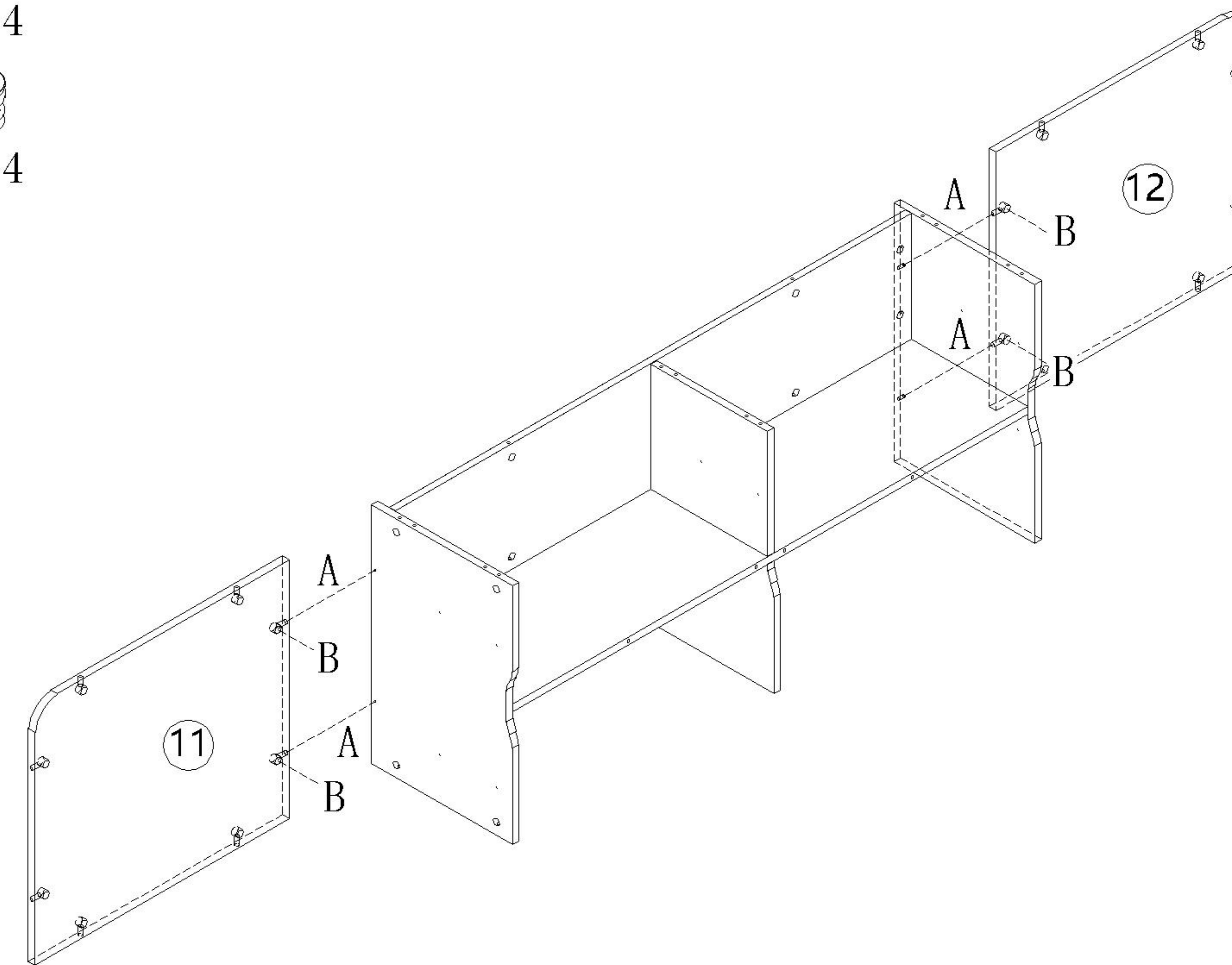
5



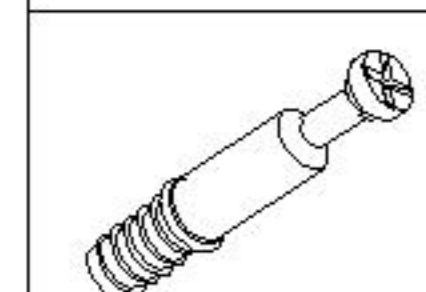
(A)*4



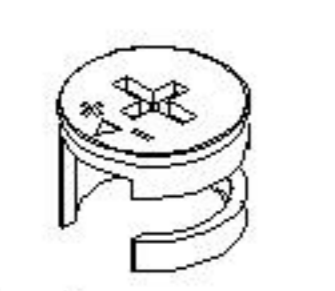
(B)*4



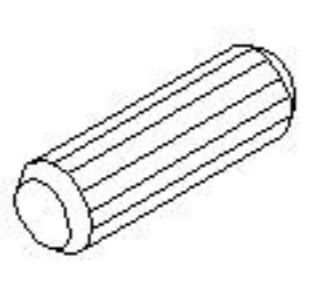
6



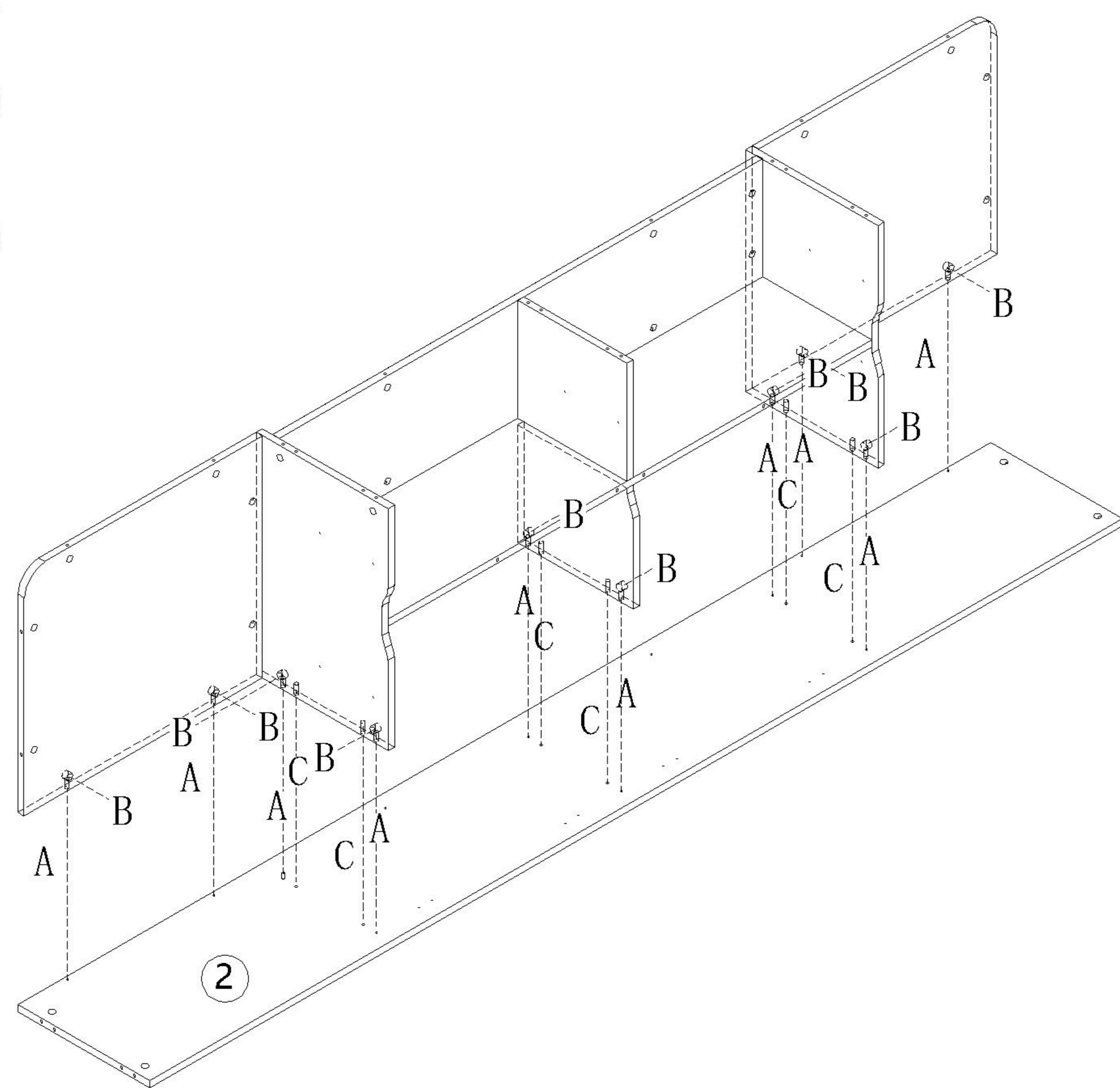
(A)*10



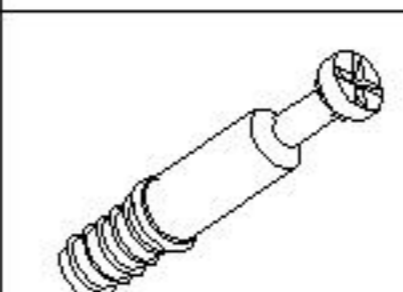
(B)*10



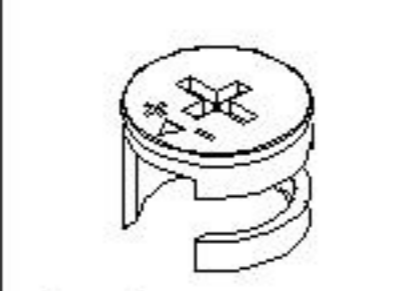
(C)*6



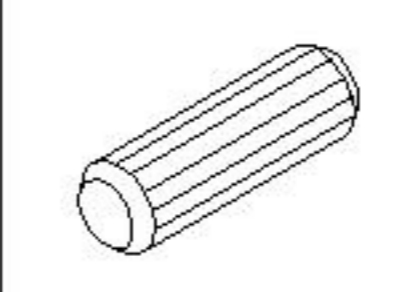
7



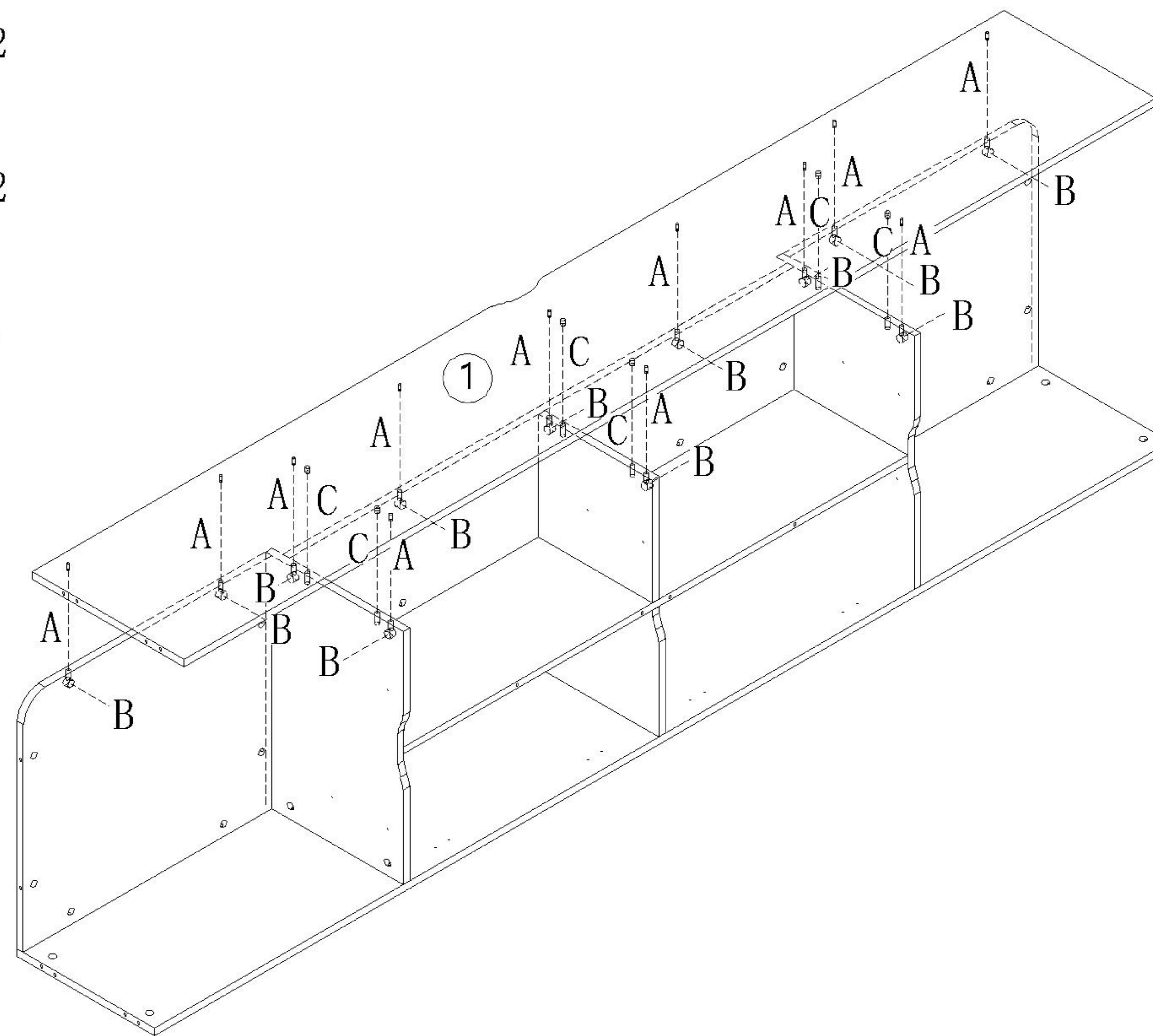
(A)*12



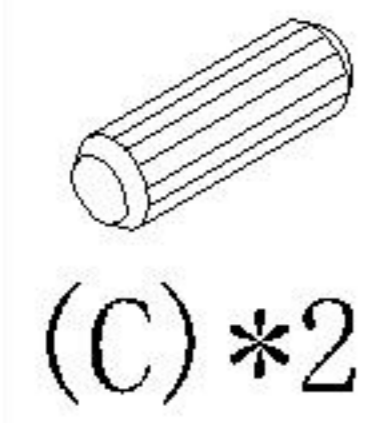
(B)*12



(C)*6

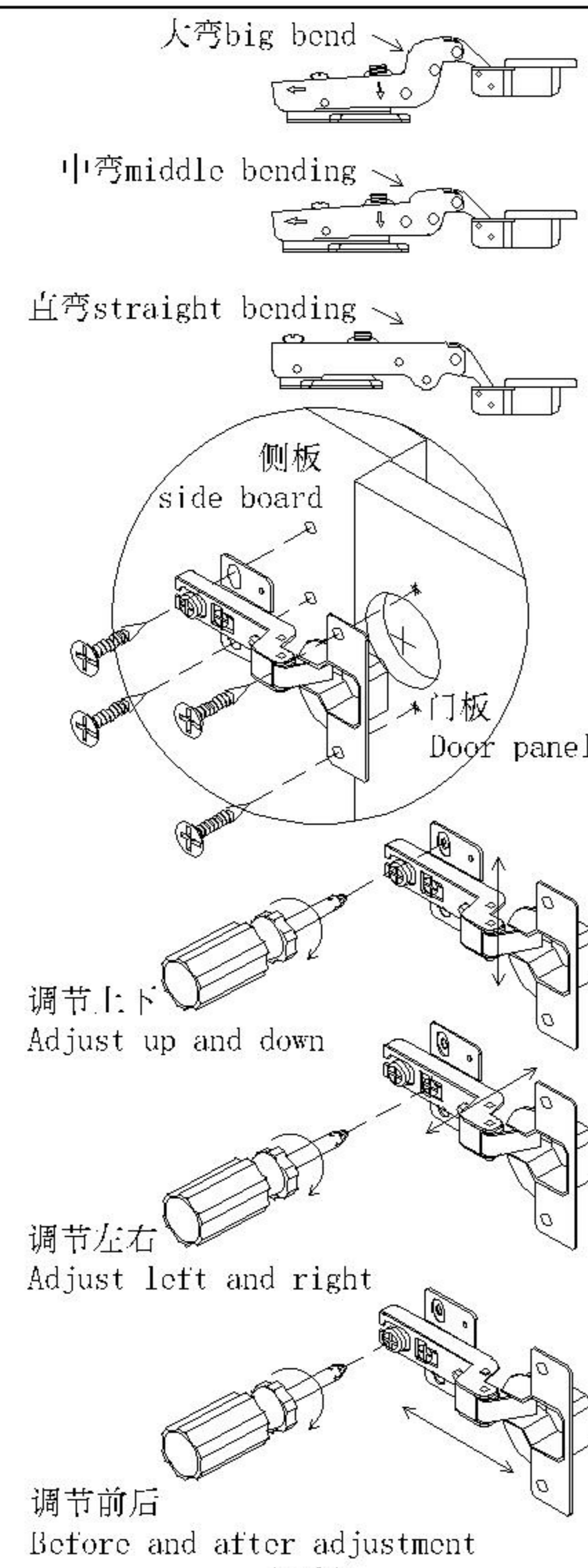


8

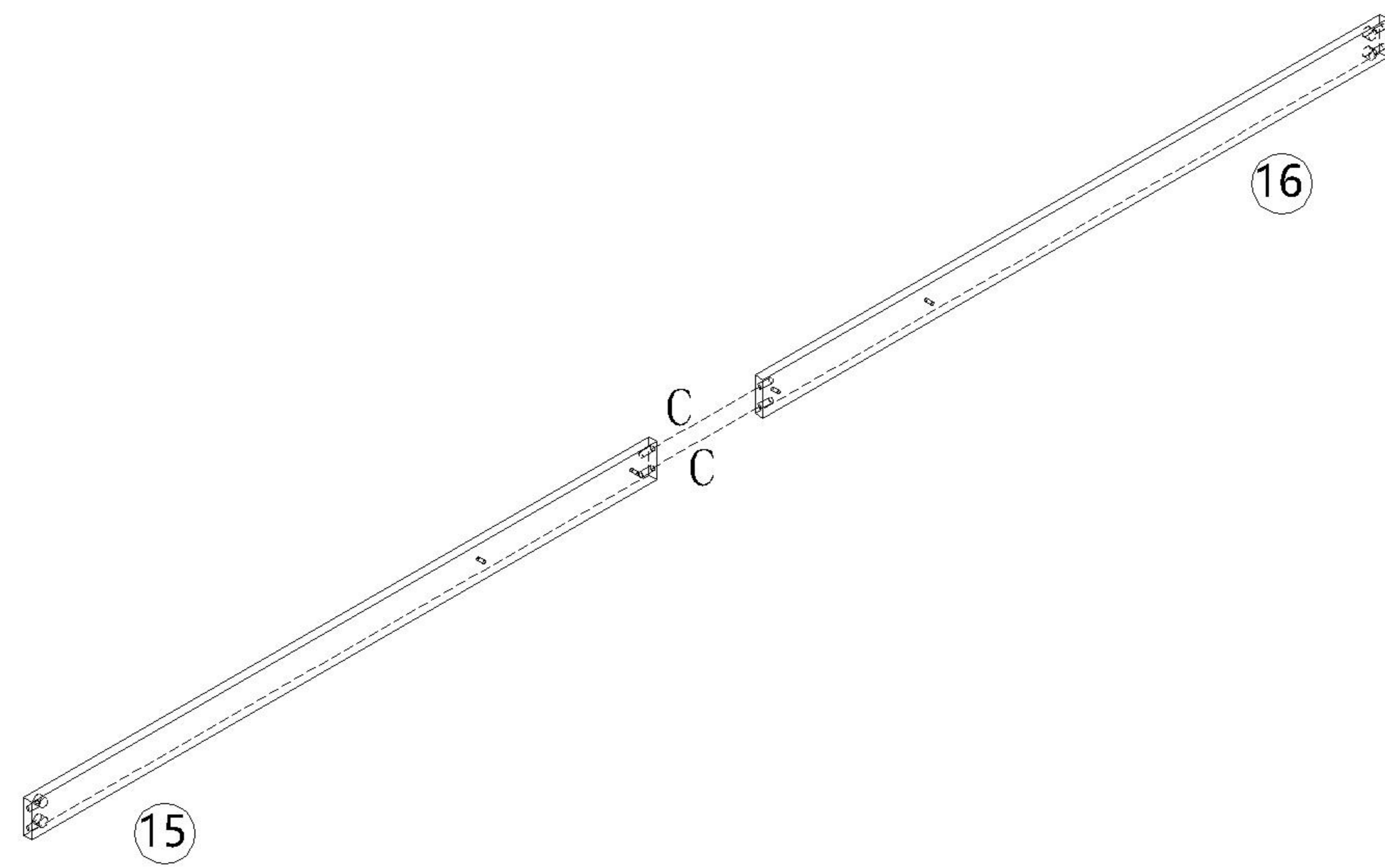


(C)*2

安装方法/
Installation method

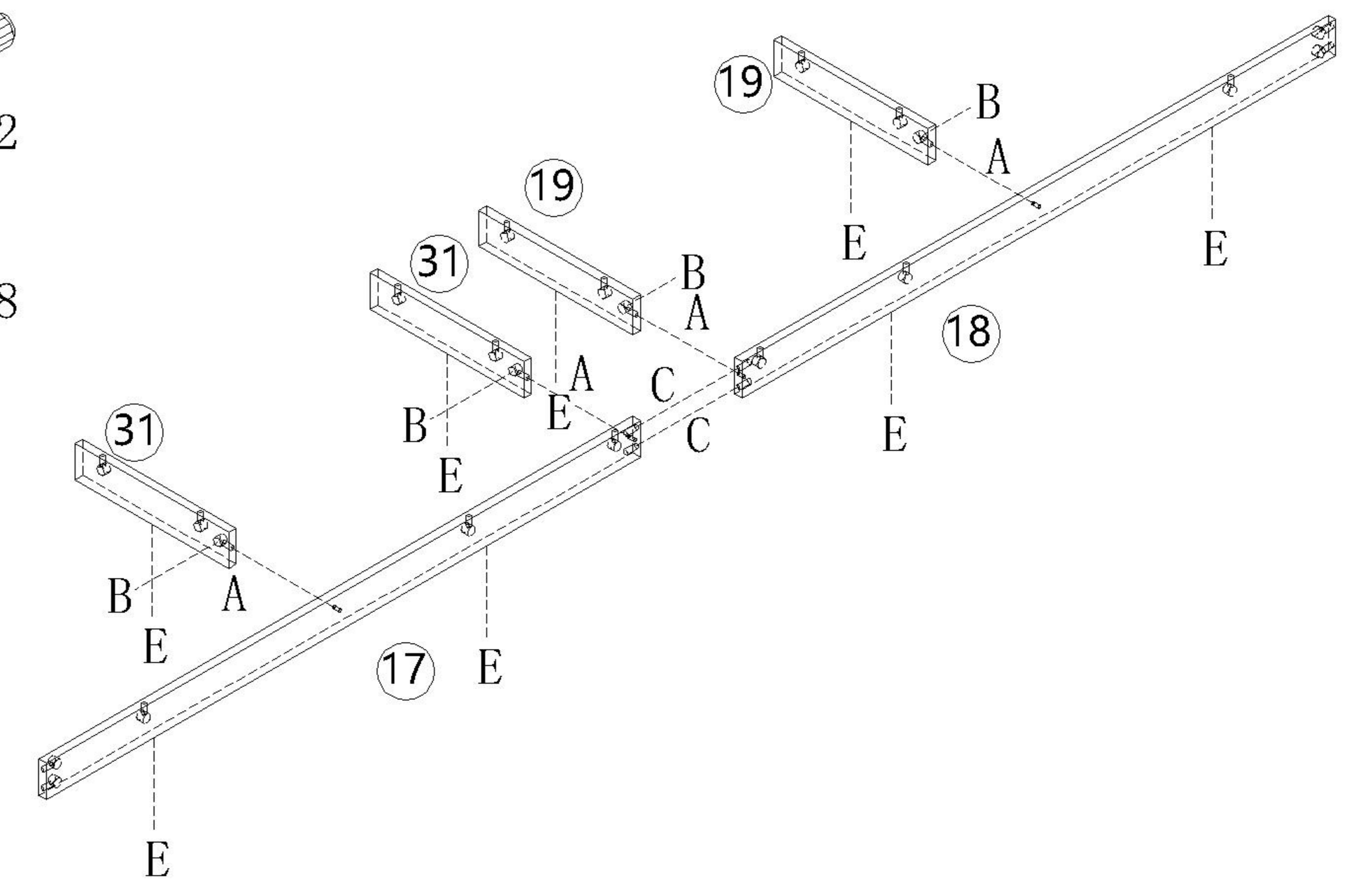


门铰
Hinge



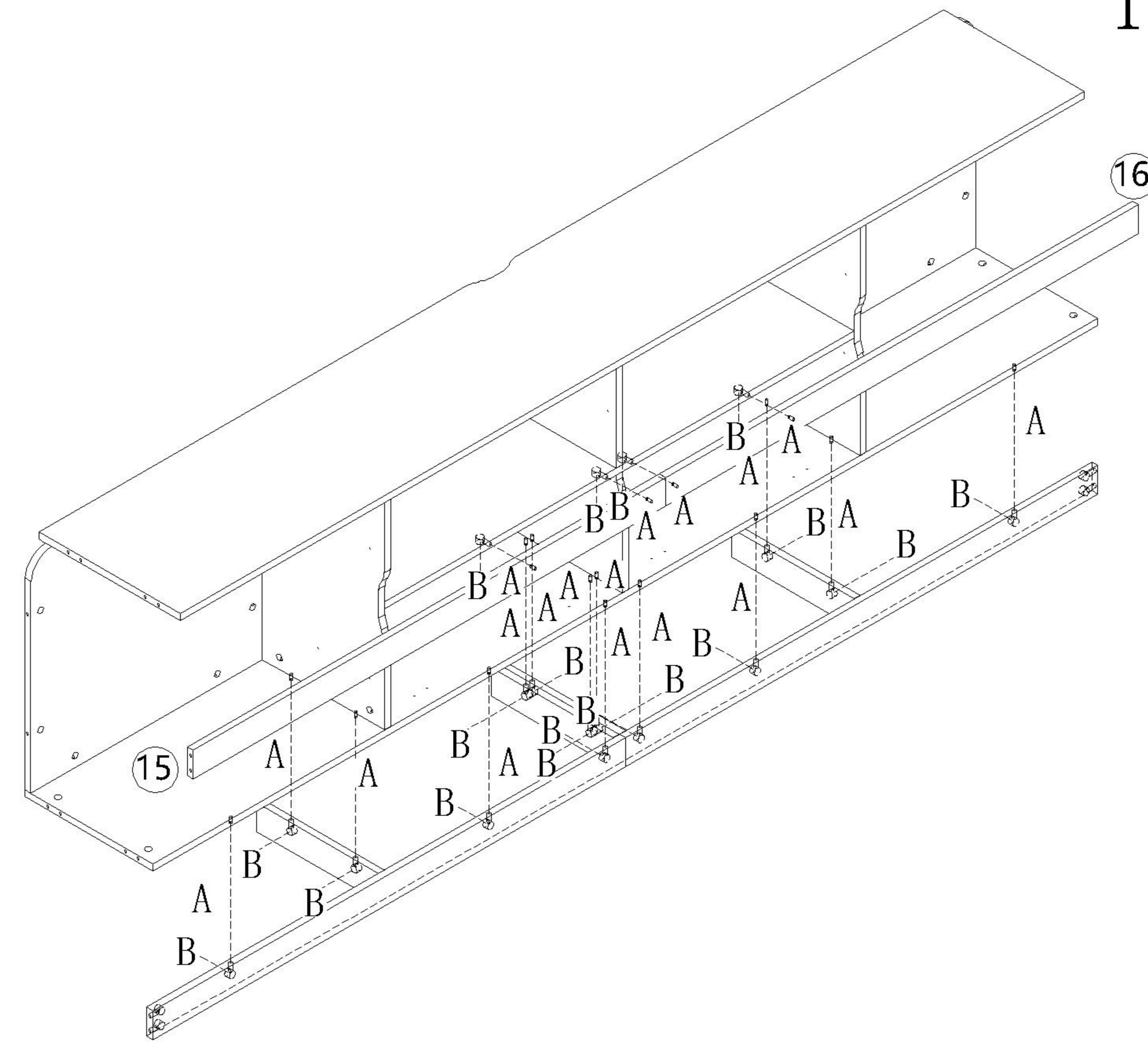
9

- (A)*4
- (B)*4
- (C)*2
- (E)*8



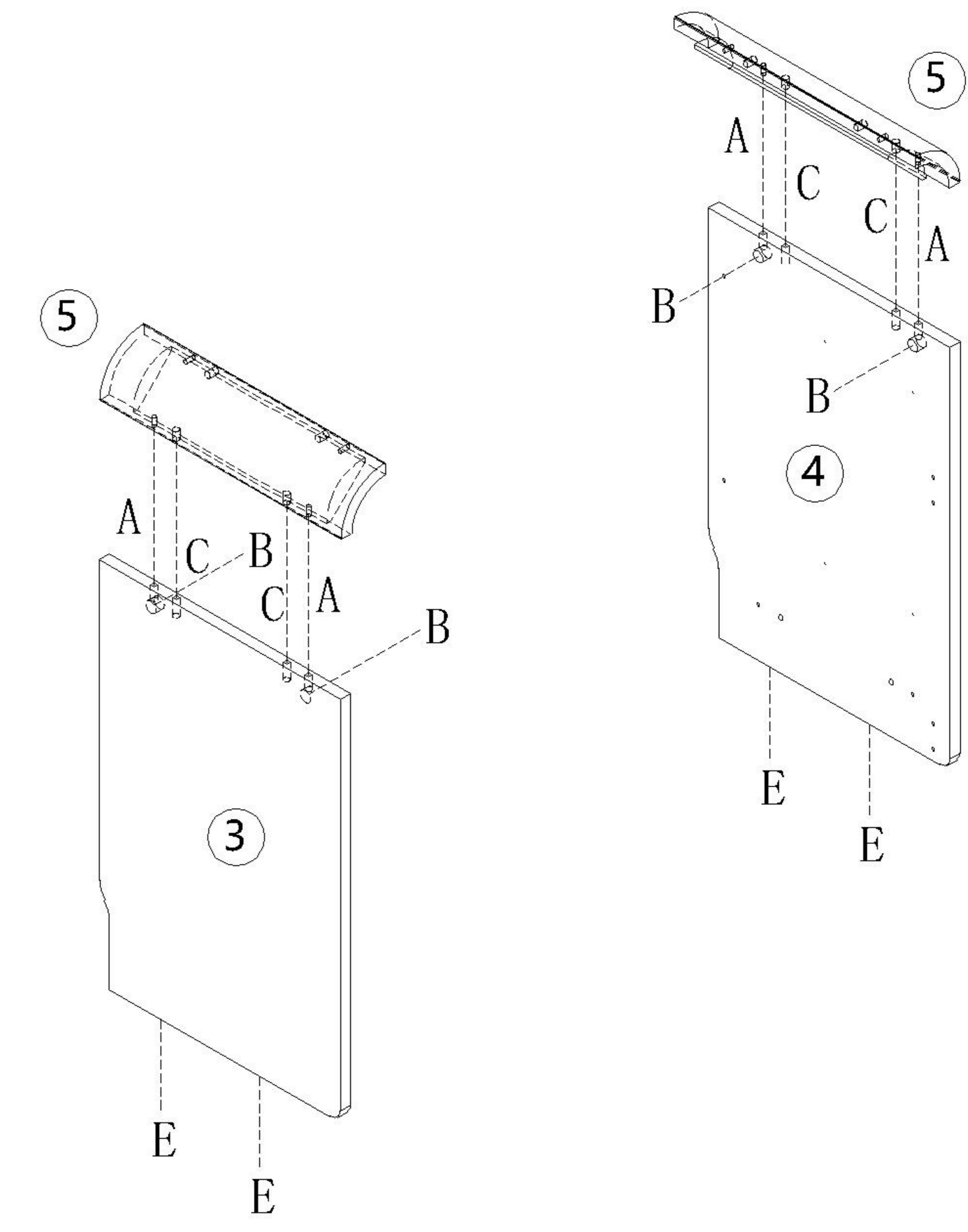
10

- (A)*18
- (B)*18

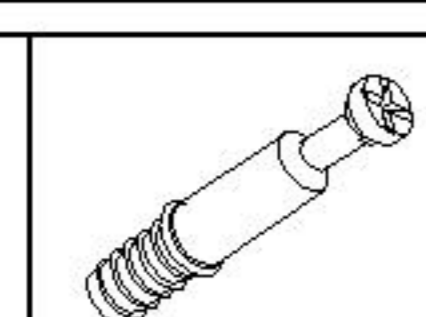


11

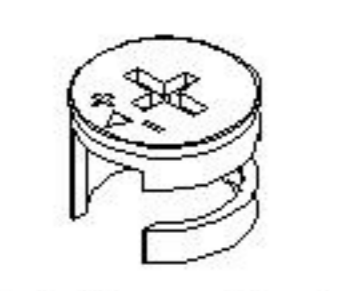
- (A)*4
- (B)*4
- (C)*4
- (E)*4



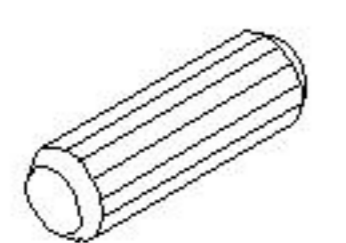
12



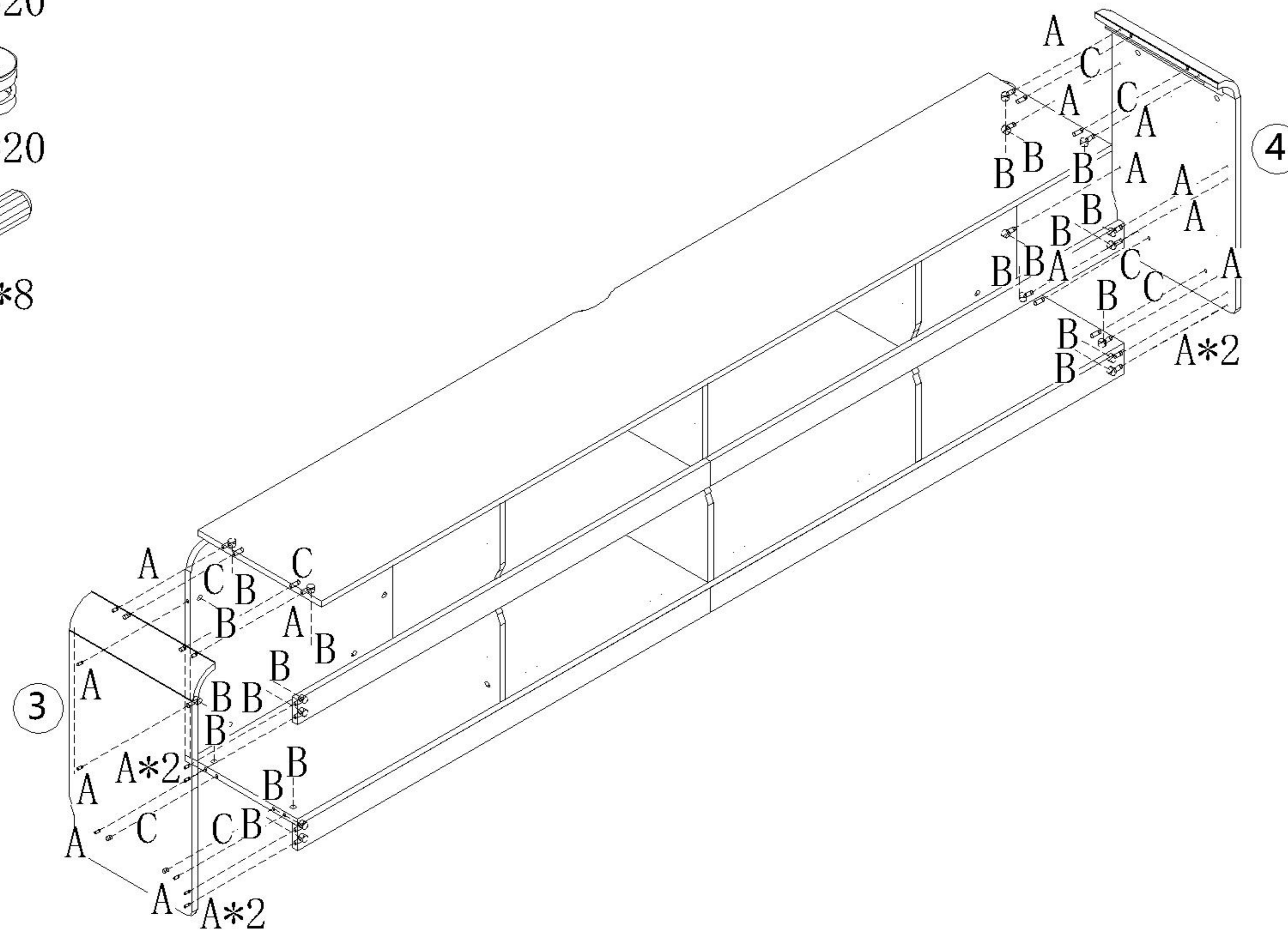
(A)*20



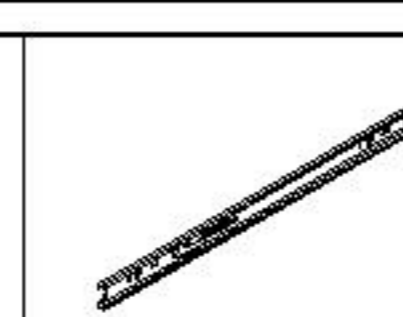
(B)*20



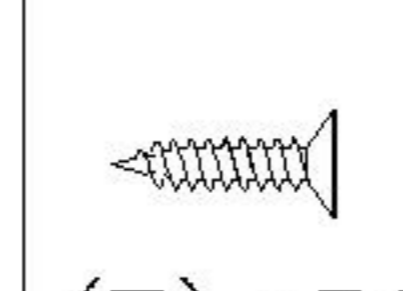
(C)*8



13



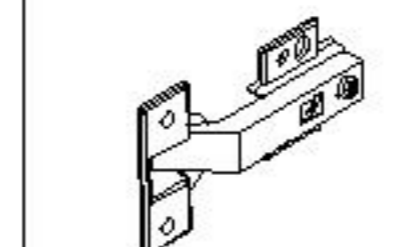
(D)*6



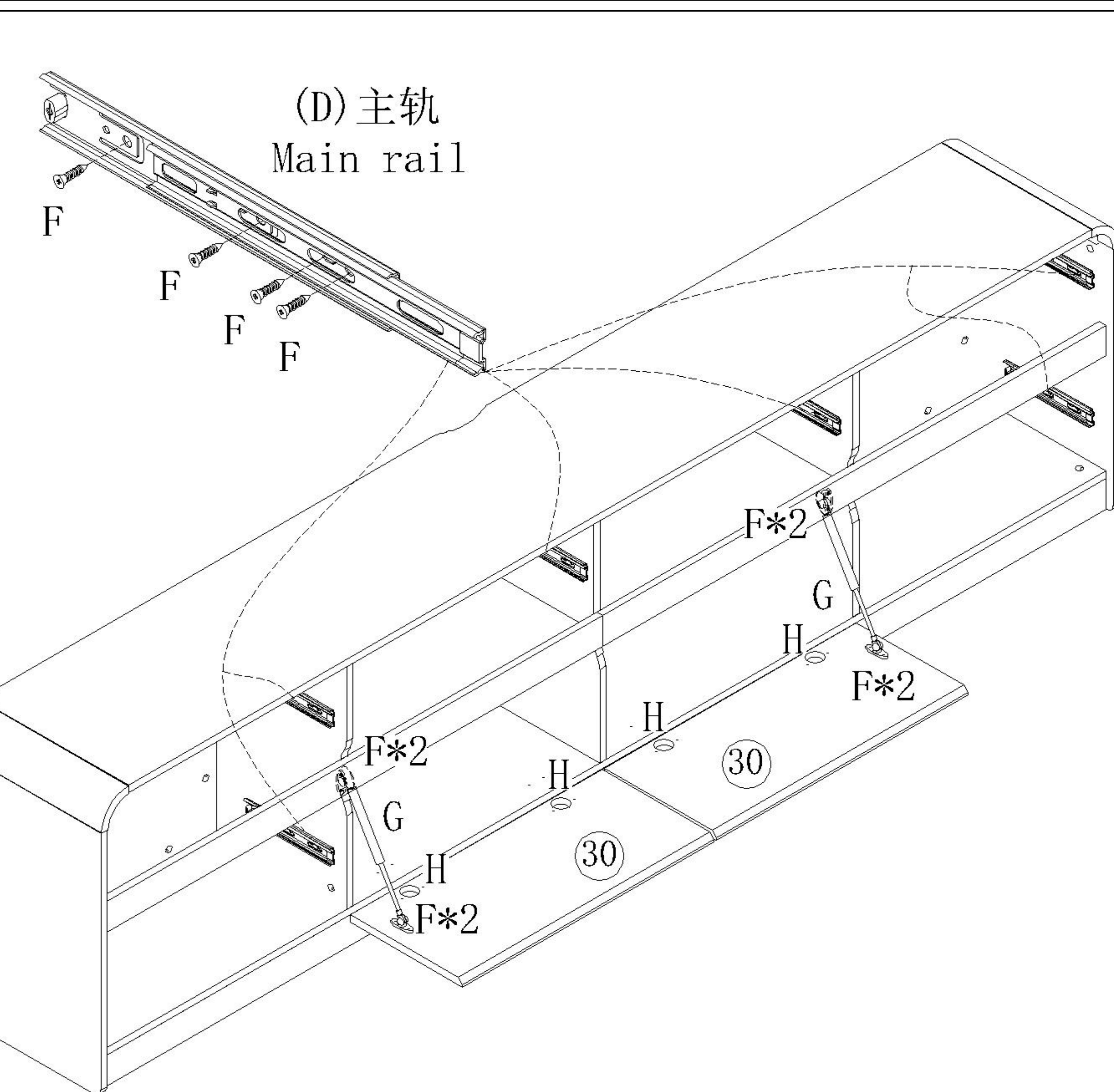
(F)*56



(G)*2



(H)*4



14

15

