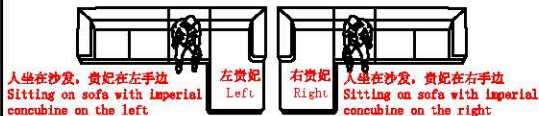


LINSY 林氏家居

安装示意图/Assembly Instruction

如何区分沙发的左右方向?
How to zone the left and right direction of the sofa?

(图示仅供分辨方向用/Picture are for orientation only)



安装人数
Installer



充电手电钻 Cordless hand drill

或者 Or



十字螺丝刀 Phillips screwdriver

客户安装前须知:

Customers need to know before installation:
此安装图为“左双人+右双人”的位置关系。
This installation picture is "Loveseat (L) + Loveseat (R)"

2-1

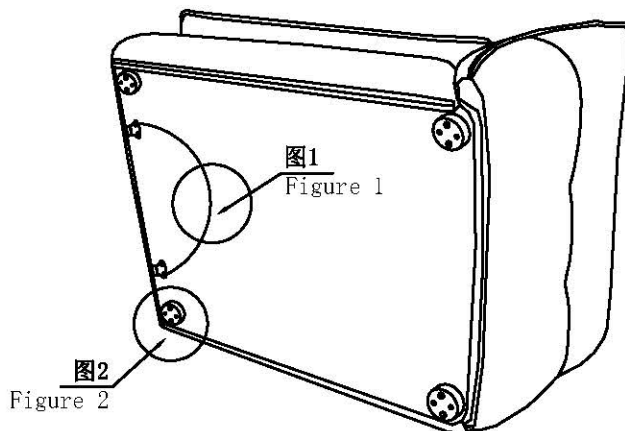
产品名称 Model NO.	沙发				
产品型号 Product Model	BS865-A#				
产品组合 Product portfolio	①左双人+右双人 Loveseat (L) + Loveseat (R)				
尺寸规格 Specification	① (2700*1070*910) mm				

编号 NO.	名称 Name	规格 Specification	数量 QTY	材质 Material
1	左双人 Loveseat (L)	1350*1070*910	1	松木+胶合板+海绵+布料 Pine wood + Plywood + Latex+ Cloth
2	右双人 Loveseat (R)	1350*1070*910	1	松木+胶合板+海绵+布料 Pine wood + Plywood + Latex+ Cloth

制图 Draw 梁美欣

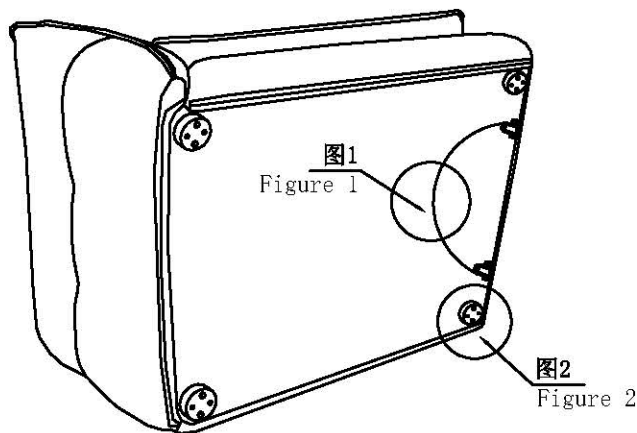
左双人 Loveseat (L)

STEP 1:



右双人 Loveseat (R)

STEP 1:



配件表 Accessories list

编号 NO.	名称 Name	图示 Icon	数量 QTY	左双人 Loveseat (L)	右双人 Loveseat (R)
A	说明书(含安装图) Mounting Instruction (with drawing)		1	1	0
B	φ70*30mm黑色橡胶木脚 φ70*30mm black rubber wood foot		8	4	4
C	M5*40自攻螺丝 M5*40 self tapping screw		16	8	8

注: 么术布条为拆洗布套时使用
Use the fabric strip to remove the cover for washing

编号 NO.	名称 Name	图示 Icon	数量 QTY	左双人 Loveseat (L)	右双人 Loveseat (R)
D	布-3公分白色么术布条 3 cm white magic fabric strip		1	1	0

图1: 拉开拉链, 取出配件
Figure 1: Unzip and remove the fitting

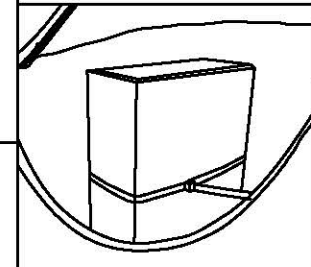
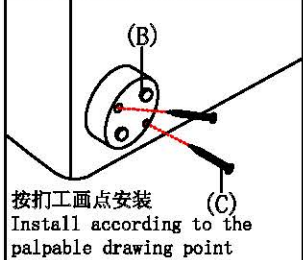


图2: 边脚安装示意图①
Figure 2: Side and foot installation diagram①



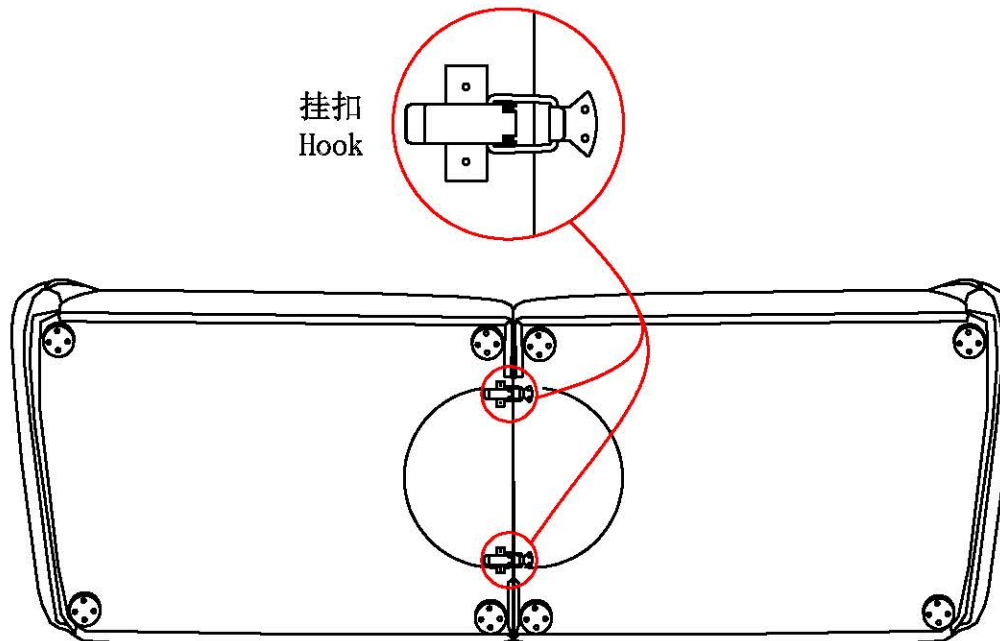
*安装原装脚时, 必须把带钉小胶脚拆除!
* When installing the original feet, the small rubber feet with nails must be removed!

图2: 边脚安装示意图②
Figure 2: Side and foot installation diagram②



按打工画点安装
Install according to the palpable drawing point

挂扣
Hook



把左双人和右双人靠一起，锁上座架底的五金扣。

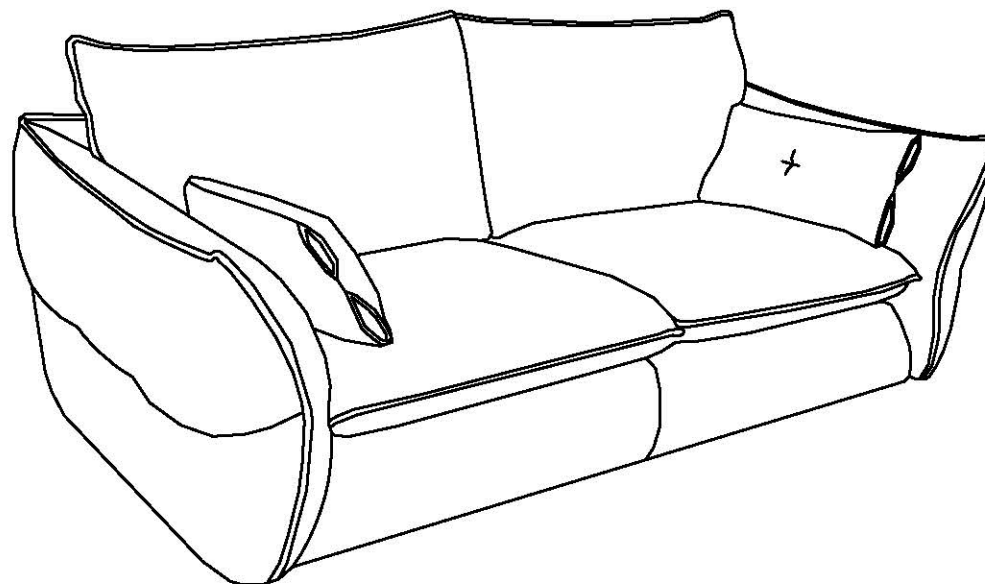
Put the Loveseat(L) and the Loveseat(R) together,
and lock the metal buckle at the bottom of the seat frame.

组合图 Combination

左双人+右双人 Loveseat(L)+ Loveseat(R)

*此为定制沙发无靠包座深为55-65CM, 正常落座需放置靠枕

*This is a customized sofa without a seat depth of 55-65CM,
normal seating needs to be placed pillow



注:

1) 安装图图示方向为指示方向, 具体左右摆放方式以实物为准。

The direction shown in the installation diagram is the indicated direction, and the specific left and right placement method is subject to the actual object.

2) 产品安装图中产品规格涵盖了该款式的完整组合件, 详细配套组合件请参考实物。

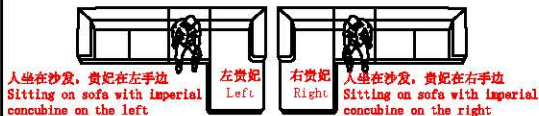
The product specifications in the installation diagram cover the complete assembly of this style. For detailed matching assembly, please refer to the actual product.

LINSY 林氏家居

安装示意图/Assembly Instruction

如何区分沙发的左右方向?
How to zone the left and right direction of the sofa?

(图示仅供分辨方向用/Picture are for orientation only)



安装人数
Installer



充电手电钻 Cordless hand drill

或者 Or



十字螺丝刀 Phillips screwdriver

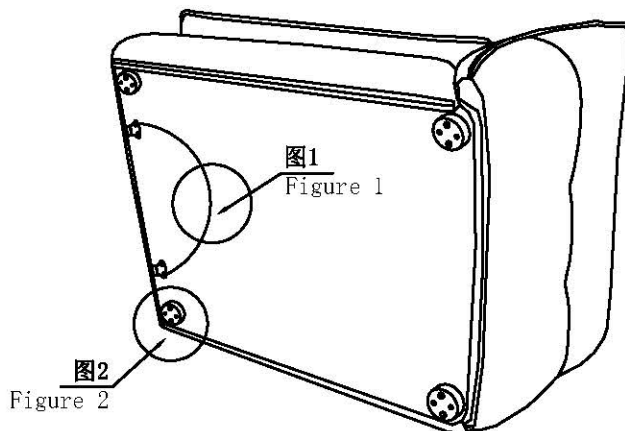
客户安装前须知:

2-1
Customers need to know before installation:
此安装图为“小左双人+小右双人”的位置关系。
This installation picture is "Small Loveseat (L)+ Small Loveseat (R)"

产品名称 Model NO.	沙发
产品型号 Product Model	BS865-A#
产品组合 Product portfolio	①小左双人+小右双人 Small Loveseat (L)+ Small Loveseat (R)
尺寸规格 Specification	①(2300*1070*910)mm

小左双人 Small Loveseat (L)

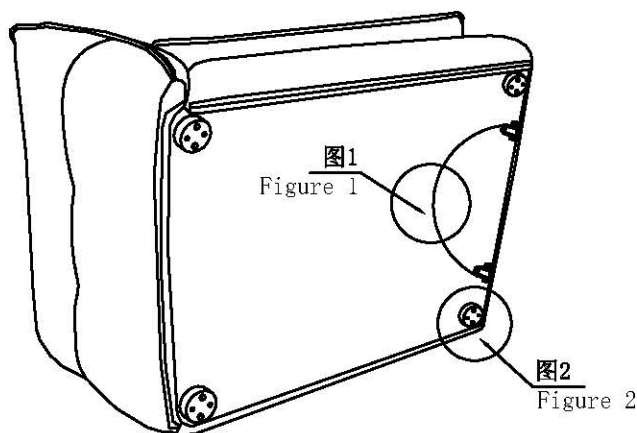
STEP 1:



编号 NO.	名称 Name	规格 Specification	数量 QTY	材质 Material
1	小左双人 Small Loveseat (L)	1150*1070*910	1	松木+胶合板+海绵+布料 Pine wood + Plywood + Latex+ Cloth
2	小右双人 Small Loveseat (R)	1150*1070*910	1	松木+胶合板+海绵+布料 Pine wood + Plywood + Latex+ Cloth

小右双人 Small Loveseat (R)

STEP 1:



配件表 Accessories list

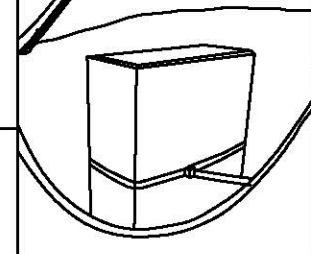
编号 NO.	名称 Name	图示 Icon	数量 QTY	小左双人 Small Loveseat (L)	小右双人 Small Loveseat (R)
A	说明书(含安装图) Mounting Instruction (with drawing)		1	1	0
B	φ70*30mm黑色橡胶木脚 φ70*30mm black rubber wood foot		8	4	4
C	M5*40自攻螺丝 M5*40 self tapping screw		16	8	8

注: 么术布条为拆洗布套时使用
Use the fabric strip to remove the cover for washing

编号 NO.	名称 Name	图示 Icon	数量 QTY	小左双人 Small Loveseat (L)	小右双人 Small Loveseat (R)
D	布-3公分白色么术布条 3 cm white magic fabric strip		1	1	0

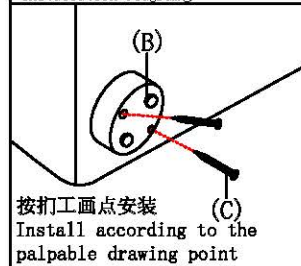
图1: 拉开拉链, 取出配件
Figure 1: Unzip and remove the fitting

图2: 边脚安装示意图①
Figure 2: Side and foot installation diagram①



*安装原装脚时, 必须把带钉小胶脚拆除!
* When installing the original feet, the small rubber feet with nails must be removed!

图2: 边脚安装示意图②
Figure 2: Side and foot installation diagram②



按打工画点安装
Install according to the palpable drawing point

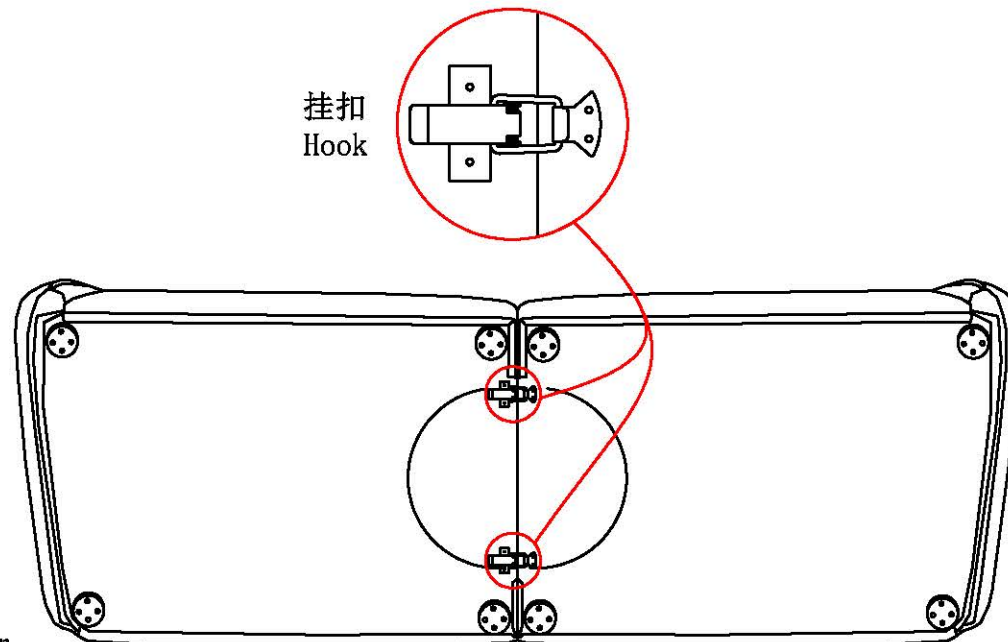
制图 Draw

梁美欣

组合 Combination

2-2

挂扣
Hook



把小左双人和小右双人靠一起，锁上座架底的五金扣。

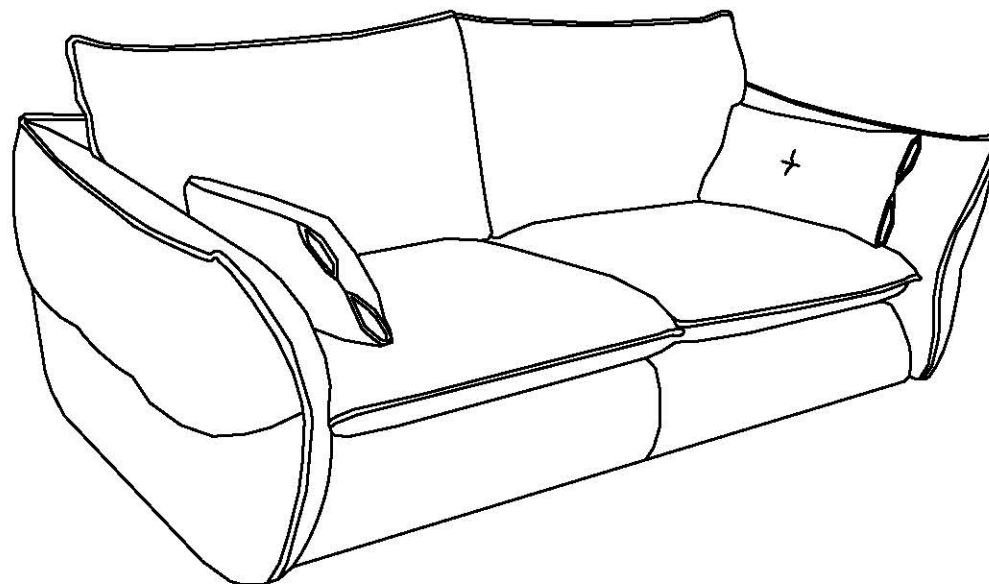
Put the Small Loveseat(L) and the Small Loveseat(R) together, and lock the metal buckle at the bottom of the seat frame.

组合图 Combination

小左双人+小右双人 Small Loveseat(L)+ Small Loveseat(R)

*此为定制沙发无靠包座深为55-65CM, 正常落座需放置靠枕

*This is a customized sofa without a seat depth of 55-65CM, normal seating needs to be placed pillow



注:

1) 安装图图示方向为指示方向, 具体左右摆放方式以实物为准。

The direction shown in the installation diagram is the indicated direction, and the specific left and right placement method is subject to the actual object.

2) 产品安装图中产品规格涵盖了该款式的完整组合件, 详细配套组合件请参考实物。

The product specifications in the installation diagram cover the complete assembly of this style. For detailed matching assembly, please refer to the actual product.