

# LINSY 林氏家居

## 安装示意图/Assembly Instruction

如何区分沙发的左右方向?  
How to zone the left and right direction of the sofa?

(图示仅供分辨方向用/Picture are for orientation only)



安装人数  
Installer



充电式电钻Cordless hand drill

或者Or



十字螺丝刀Phillips screwdriver

客户安装前须知:

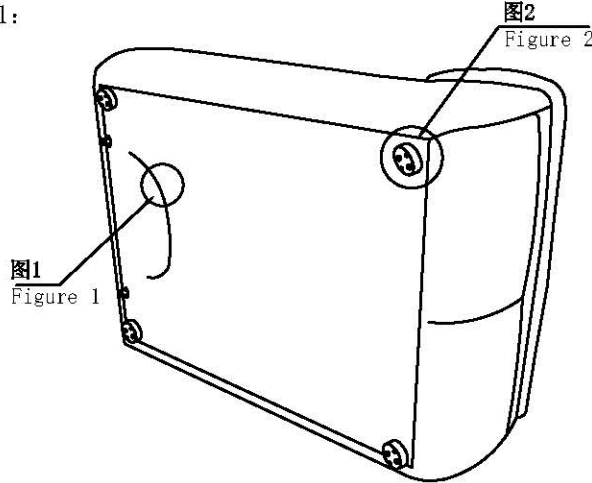
Customers need to know before installation:  
此安装图为“大左单人+大右单人”的位置关系。  
This installation picture is "Big lseat(L)+Big lseat(R)"

2-1

产品名称 Model NO.	沙发
产品型号 Product model	BS506-A
产品组合 Product portfolio	①大左单人+大右单人 Big lseat(L)+ Big lseat(R)
尺寸规格 Specification	①(2530*1075*910)mm

### 大左单人 Big lseat(L)

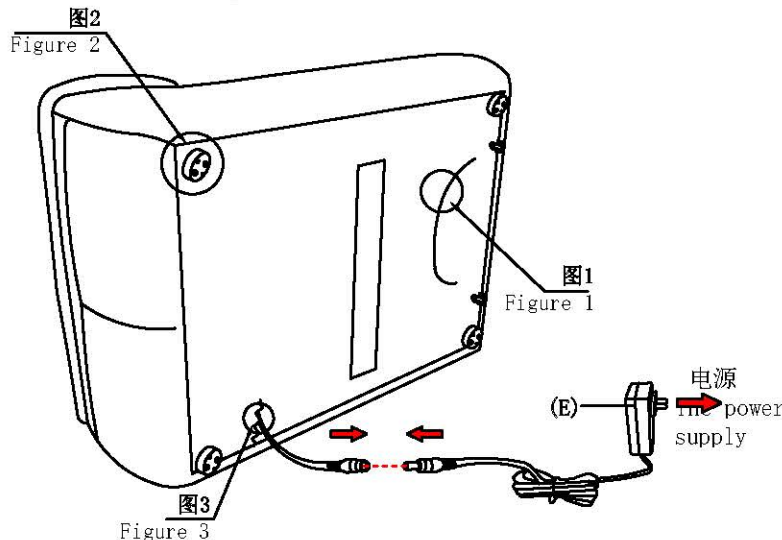
STEP 1:



编号 NO.	名称 Name	规格 Specification	数量 QTY	材质 Material
1	大左单人 Big lseat(L)	1265*1075*910	1	松木+胶合板+海绵+布料 Pine wood + Plywood + Sponge+Cloth
2	大右单人 Big lseat(R)	1265*1075*910	1	松木+胶合板+海绵+布料 Pine wood + Plywood + Sponge+Cloth

### 大右单人 Big lseat(R)

STEP 2:



### 配件表 Accessories list

编号NO.	名称 Name	图示 Icon	数量 QTY	大左单人 Big lseat(L)	大右单人 Big lseat(R)
A	说明书(含安装图) Mounting Instruction (with drawing)		1	1	0
B	φ70*30mm黑色橡胶木脚 φ70*30mm black rubber wood foot		8	4	4
D	M5*40自攻螺丝 M5*40 self tapping screw		16	8	8
E	充电器 charger		1	0	1
注: 么术布条为拆洗布套时使用 Use the fabric strip to remove the cover for washing					
F	布-3公分白色么术布条 3 cm white magic fabric strip		1	1	0

图1: 拉开拉链, 取出配件  
Figure 1: Unzip and remove the fitting

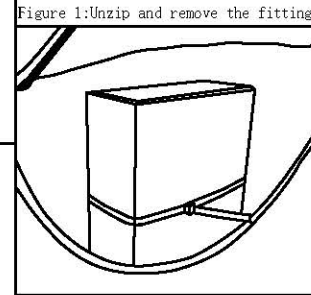


图3: 拉开拉链, 取出插头  
Figure 4: Unzip and remove the plug

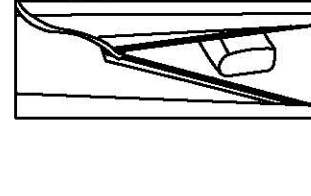
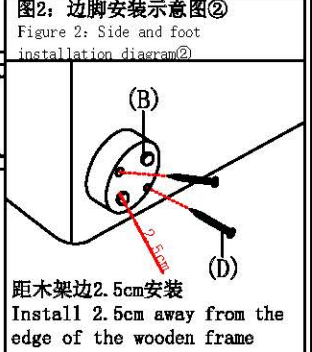


图2: 边脚安装示意图①  
Figure 2: Side and foot installation diagram①



图2: 边脚安装示意图②  
Figure 2: Side and foot installation diagram②

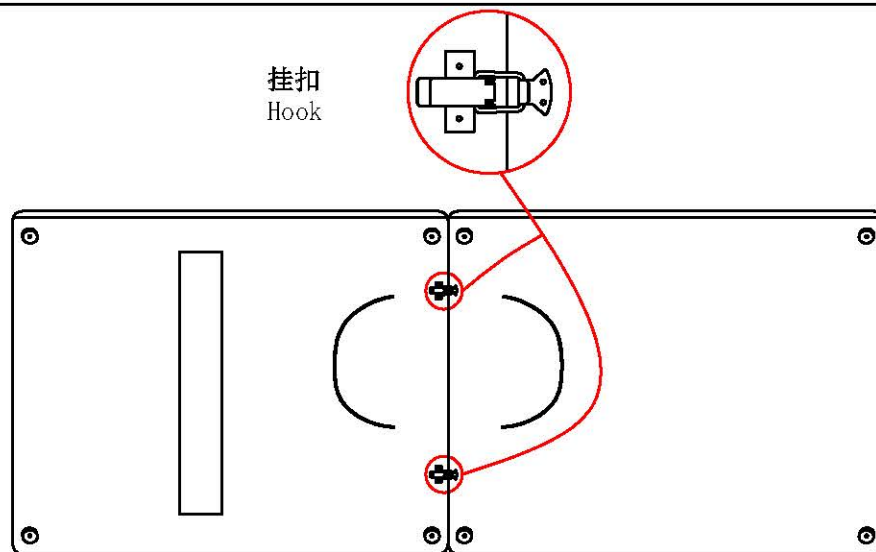


制图 Draw

C30

## 组合 Combination

2-2

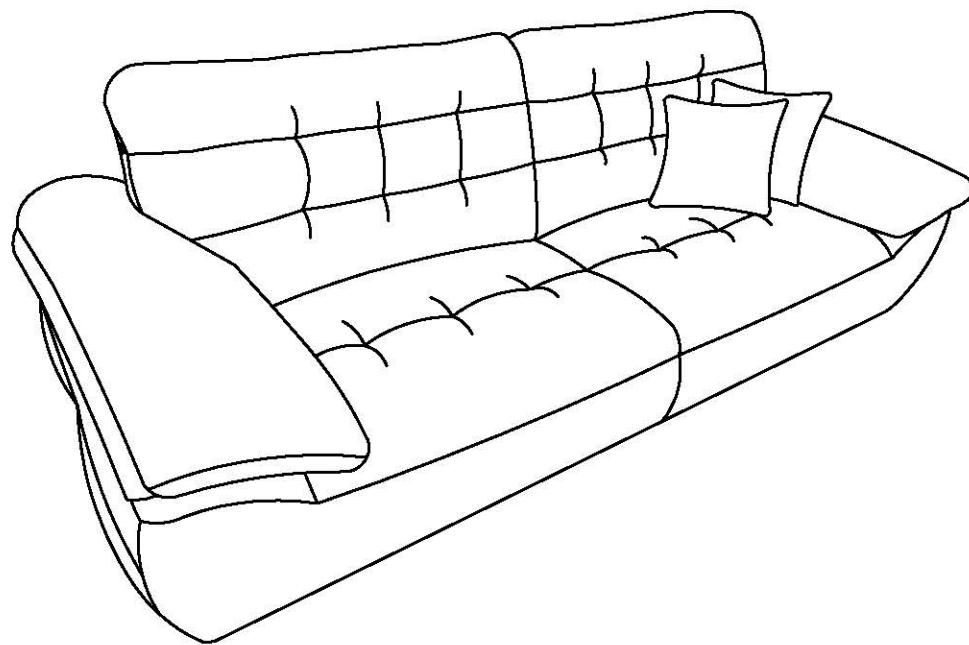


把大左单人、大右单人靠一起，锁上座架底的五金扣。

Put the Big 1seat(L), and the Big 1seat(R) together, and lock the metal buckle at the bottom of the seat frame.

## 组合图 Combination

大左单人+大右单人 Big 1seat(L) +Big 1seat(R)



注:

1) 安装图图示方向为指示方向，具体左右摆放方式以实物为准。

The direction shown in the installation diagram is the indicated direction, and the specific left and right placement method is subject to the actual object.

2) 产品安装图中产品规格涵盖了该款式的完整组合件，详细配套组合件请参考实物。

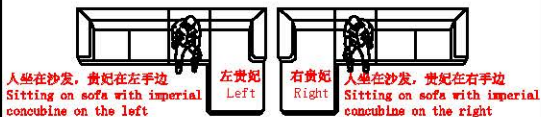
The product specifications in the installation diagram cover the complete assembly of this style. For detailed matching assembly, please refer to the actual product.

# LINSY 林氏家居

## 安装示意图/Assembly Instruction

如何区分沙发的左右方向?  
How to zone the left and right direction of the sofa?

(图示仅供分辨方向用/Picture are for orientation only)



安装人数  
Installer



充电式手电钻 Cordless hand drill

或者 Or



十字螺丝刀 Phillips screwdriver

客户安装前须知:

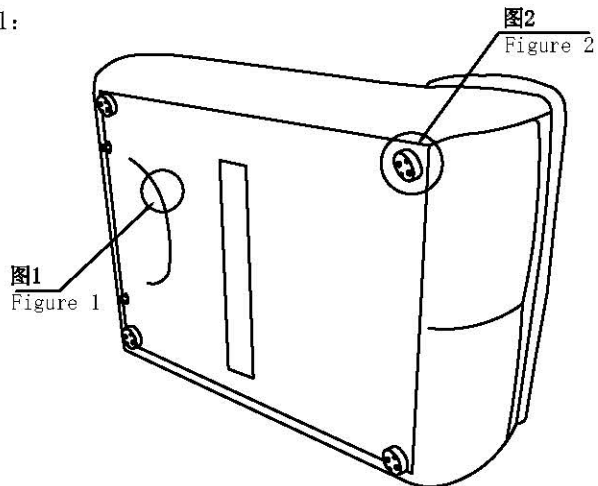
Customers need to know before installation:  
此安装图为“左双人+右双人”的位置关系。  
This installation picture is "Loveseat (L)+Loveseat (R)"

2-1

产品名称 Model NO.	沙发
产品型号 Product model	BS506-A
产品组合 Product portfolio	①左双人+右双人 Loveseat (L)+ Loveseat (R)
尺寸规格 Specification	① (2830*1075*910)mm

### 左双人 Loveseat (L)

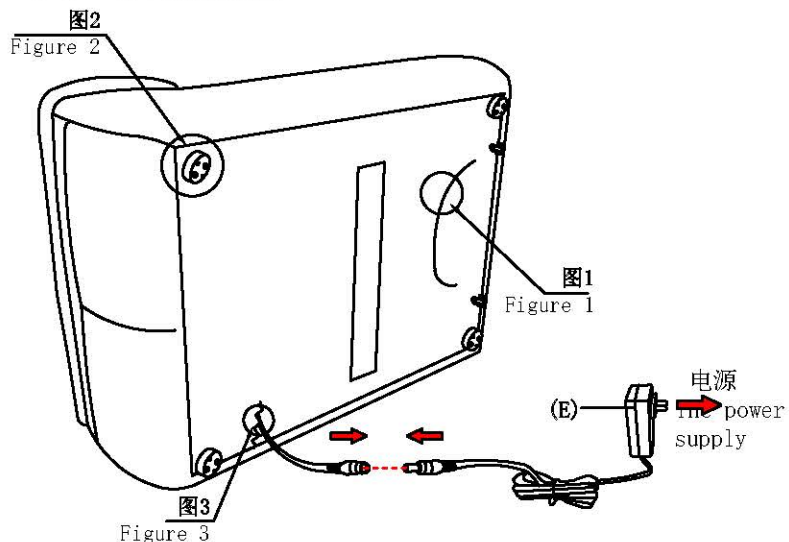
STEP 1:



编号 NO.	名称 Name	规格 Specification	数量 QTY	材质 Material
1	左双人 Loveseat (L)	1415*1075*910	1	松木+胶合板+海绵+布料 Pine wood + Plywood + Sponge+Cloth
2	右双人 Loveseat (R)	1415*1075*910	1	松木+胶合板+海绵+布料 Pine wood + Plywood + Sponge+Cloth

### 右双人 Loveseat (R)

STEP 2:



### 配件表 Accessories list

编号NO.	名称 Name	图示 Icon	数量 QTY	左双人 Loveseat (L)	右双人 Loveseat (R)
A	说明书(含安装图) Mounting Instruction (with drawing)		1	1	0
B	φ70*30mm黑色橡胶木脚 φ70*30mm black rubber wood foot		8	4	4
D	M5*40自攻螺丝 M5*40 self tapping screw		16	8	8
E	充电器 charger		1	0	1
注: 么术布条为拆洗布套时使用 Use the fabric strip to remove the cover for washing					
F	布-3公分白色么术布条 3 cm white magic fabric strip		1	1	0

图1: 拉开拉链, 取出配件  
Figure 1: Unzip and remove the fitting

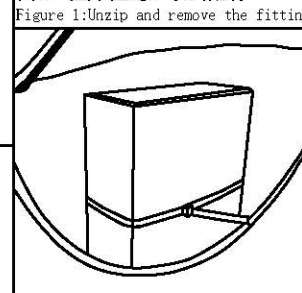


图3: 拉开拉链, 取出插头  
Figure 4: Unzip and remove the plug

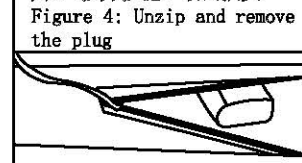
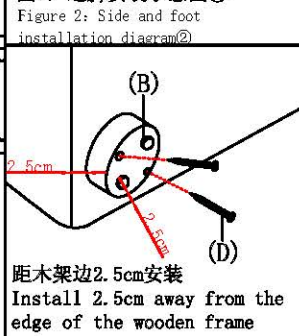


图2: 边脚安装示意图①  
Figure 2: Side and foot installation diagram①



图2: 边脚安装示意图②  
Figure 2: Side and foot installation diagram②

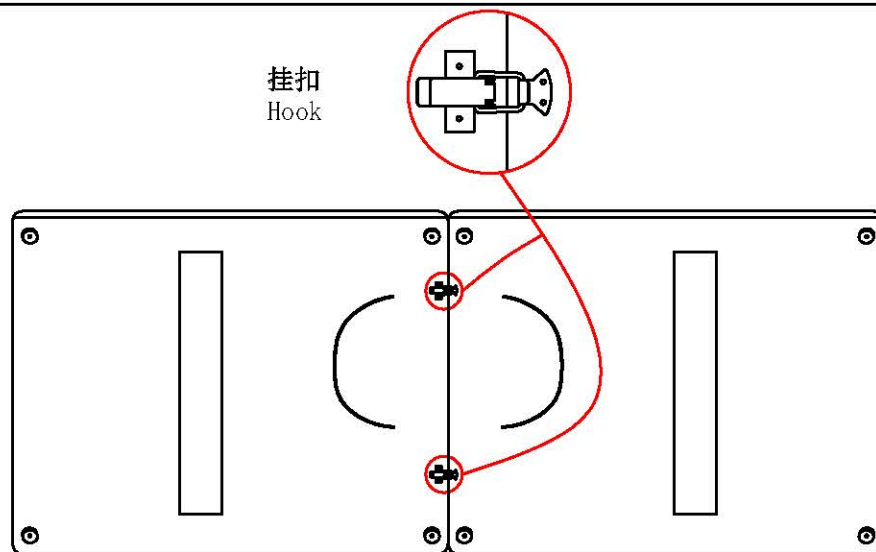


制图 Draw

C30

## 组合 Combination

2-2

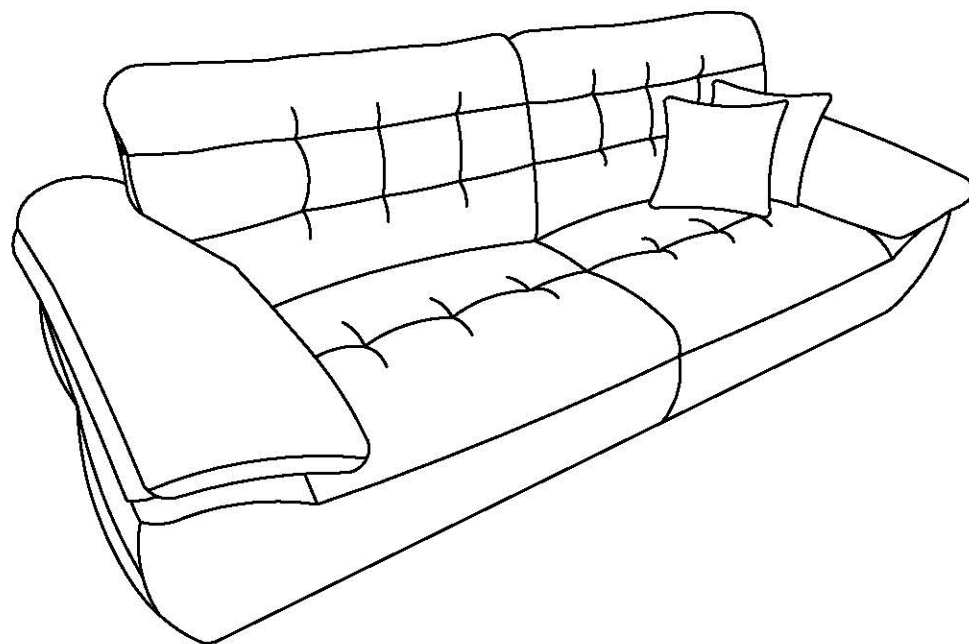


把左双人、右双人靠一起，锁上座架底的五金扣。

Put the Loveseat(L), and the Loveseat(R) together, and lock the metal buckle at the bottom of the seat frame.

## 组合图 Combination

左双人+右双人 Loveseat (L) +Loveseat (R)



注:

1) 安装图图示方向为指示方向，具体左右摆放方式以实物为准。

The direction shown in the installation diagram is the indicated direction, and the specific left and right placement method is subject to the actual object.

2) 产品安装图中产品规格涵盖了该款式的完整组合件，详细配套组合件请参考实物。

The product specifications in the installation diagram cover the complete assembly of this style. For detailed matching assembly, please refer to the actual product.

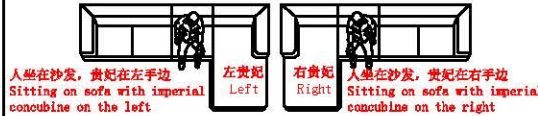
# LINSY 林氏家居

## 安装示意图/Assembly Instruction

如何区分沙发的左右方向?

How to zone the left and right direction of the sofa?

(图示仅供分辨方向用/Picture are for orientation only)



安装人数  
Installer



充电式手电钻 Cordless hand drill

或者 Or



十字螺丝刀 Phillips screwdriver

客户安装前须知:

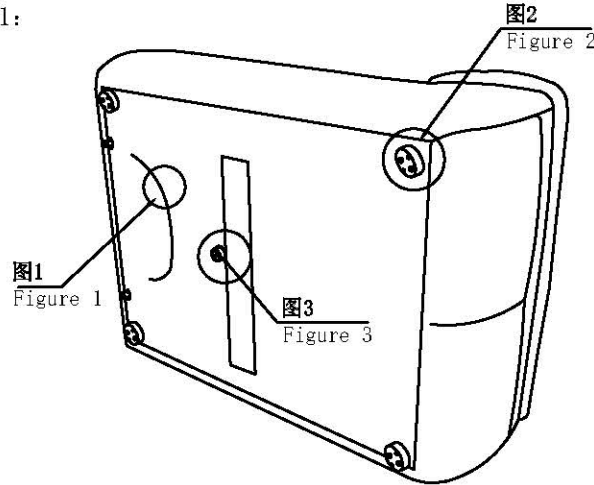
Customers need to know before installation:  
此安装图为“大左双人+大右双人”的位置关系。  
This installation picture is "Big Loveseat (L)+Big Loveseat (R)"

2-1

产品名称 Model NO.	沙发
产品型号 Product model	BS506-A
产品组合 Product portfolio	①大左双人+大右双人 Big Loveseat (L)+ Big Loveseat (R)
尺寸规格 Specification	①(3130*1075*910)mm

### 大左双人 Big Loveseat (L)

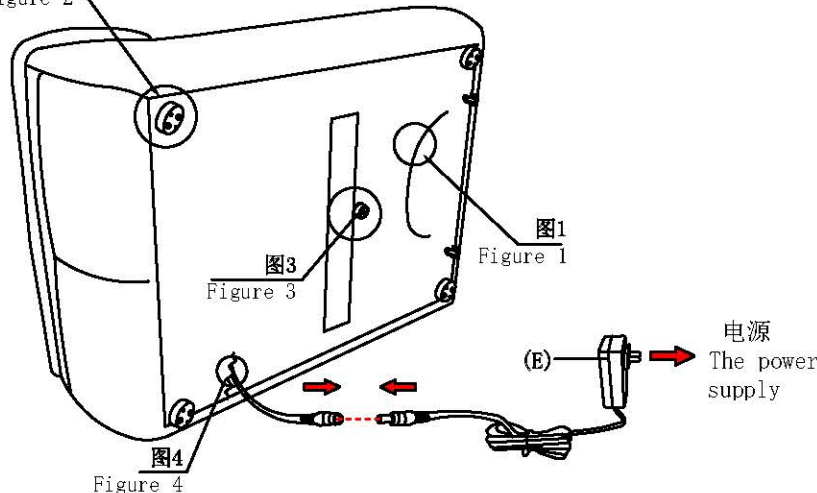
STEP 1:



编号 NO.	名称 Name	规格 Specification	数量 QTY	材质 Material
1	大左双人 Big Loveseat (L)	1565*1075*910	1	松木+胶合板+海绵+布料 Pine wood + Plywood + Sponge+Cloth
2	大右双人 Big Loveseat (R)	1565*1075*910	1	松木+胶合板+海绵+布料 Pine wood + Plywood + Sponge+Cloth

### 大右双人 Big Loveseat (R)

STEP 2



编号 NO.	名称 Name	图示 Icon	数量 QTY	大左双人 Big Loveseat (L)	大右双人 Big Loveseat (R)
A	说明书(含安装图) Mounting Instruction (with drawing)		1	1	0
B	φ70*30mm黑色橡胶木脚 φ70*30mm black rubber wood foot		8	4	4
C	脚-(直径47*28.4mm)不带钉黑胶脚 Feet -(diameter 50*28mm) Vinyl feet without nails		2	1	1
D	M5*40自攻螺丝 M5*40 self tapping screw		18	9	9
E	充电器 charger		1	0	1
注: 么术布条为拆洗布套时使用 Use the fabric strip to remove the cover for washing					
F	布 3公分白色么术布条 3 cm white magic fabric strip		1	1	0

图1: 拉开拉链, 取出配件  
Figure 1: Unzip and remove the fitting

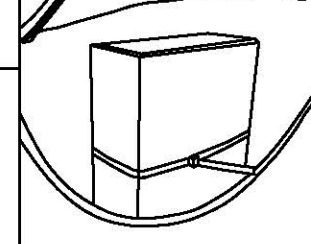


图2: 边脚安装示意图①  
Figure 2: Side and foot installation diagram①



图3: 中脚安装示意图  
Figure 3: Middle foot installation diagram

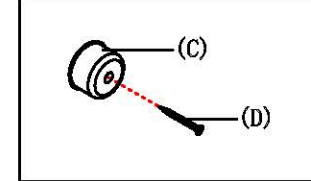


图2: 边脚安装示意图②  
Figure 2: Side and foot installation diagram②

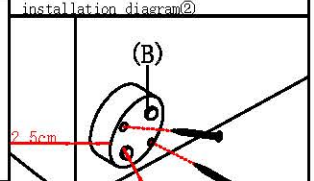
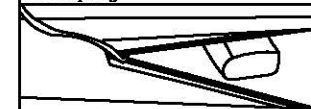


图4: 拉开拉链, 取出插头  
Figure 4: Unzip and remove the plug



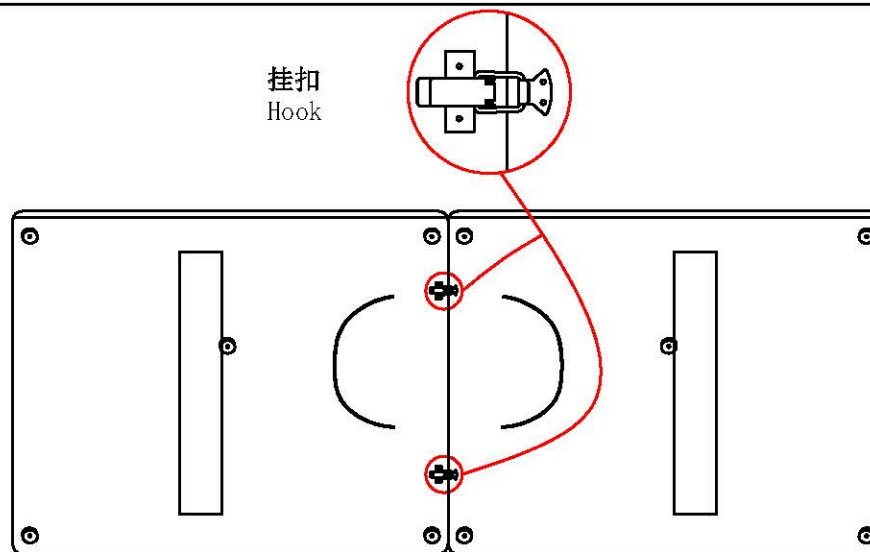
距木架边2.5cm安装  
Install 2.5cm away from the edge of the wooden frame

制图 Draw C30

电源  
The power supply

## 组合 Combination

2-2

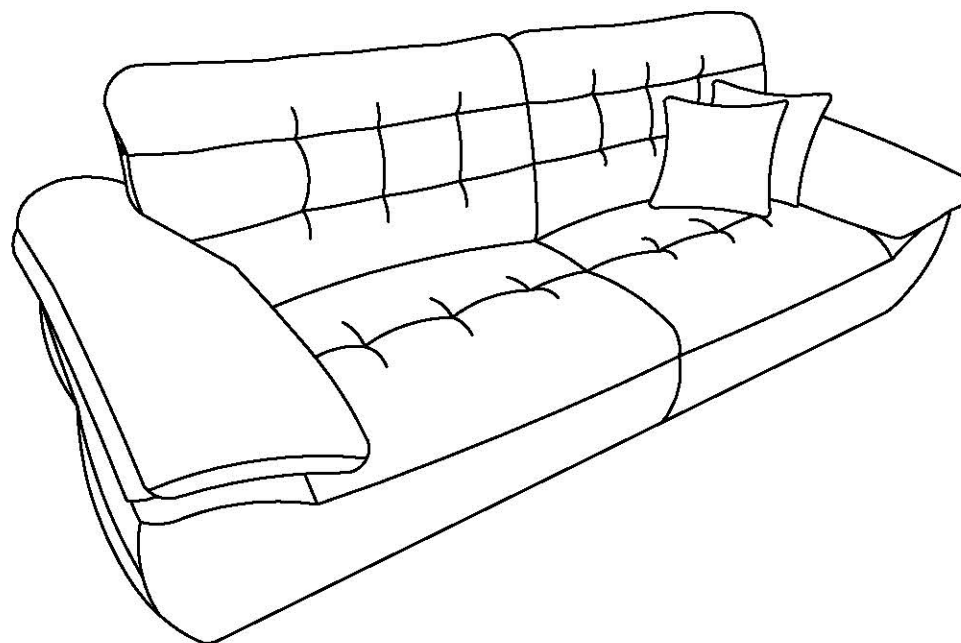


把大左双人、大右双人靠一起，锁上座架底的五金扣。

Put the big Loveseat(L), and the big Loveseat(R) together, and lock the metal buckle at the bottom of the seat frame.

## 组合图 Combination

大左双人+大右双人 Big Loveseat(L) +Big Loveseat(R)



注:

1) 安装图图示方向为指示方向，具体左右摆放方式以实物为准。

The direction shown in the installation diagram is the indicated direction, and the specific left and right placement method is subject to the actual object.

2) 产品安装图中产品规格涵盖了该款式的完整组合件，详细配套组合件请参考实物。

The product specifications in the installation diagram cover the complete assembly of this style. For detailed matching assembly, please refer to the actual product.