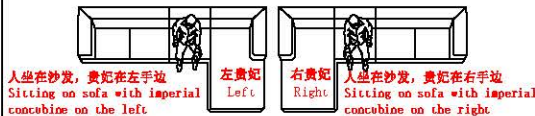


LINSY 林氏家居

安装示意图/Assembly Instruction

如何区分沙发的左右方向?
How to zone the left and right direction of the sofa?

(图示仅供分辨方向用/Picture are for orientation only)



安装人数
Installer



充电式手电钻Cordless hand drill

或者Or



十字螺丝刀Phillips screwdriver

客户安装前须知:

Customers need to know before installation: 此安装图为“左双人+右双人”的位置关系。
This installation picture is "Loveseat(L)+ Loveseat(R)"

3-1

产品名称 Model NO. BS686-A/B

尺寸规格 Specification 左双人+右双人
Loveseat(L)+ Loveseat(R)

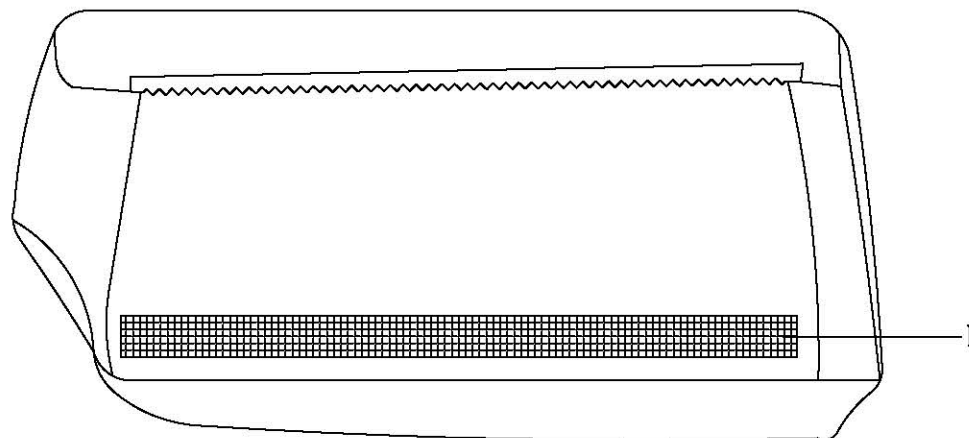
成品部件明细 Product Parts Details	编号 NO.	名称 Name	数量 QTY	材质 Material
	1	左双人 Loveseat(L)	1	松木+ENF胶合板+海绵+布料 Pine wood + ENF Plywood + Sponge+Cloth
	2	右双人 Loveseat(R)	1	松木+ENF胶合板+海绵+布料 Pine wood + ENF Plywood + Sponge+Cloth

制图 Draw C20

靠包 1对 Pack 1 pair

配件表 Accessories list

编号NO.	名称 Name	图示 Icon	数量 QTY	左双人 Loveseat(L)	右双人 Loveseat(R)
A	说明书(含安装图) Mounting Instruction (with drawing)		1	1	0
B	Ø70*30mm黑色橡胶木脚 Ø70*30mm black rubber wood foot		8	4	4
C	M4*40自攻螺丝 M4*40 self tapping screw		16	8	8
D	4分双勾么术布条80cm 4 points double hook cloth 80cm		2	1	1



注: 靠包背面要粘贴上4分双勾么术布条80cm
Note: The back of the bag should be pasted with a 4-cent double hook cloth 80cm

左 双 人 Loveseat (L)

STEP 1: **图2**
Figure 2

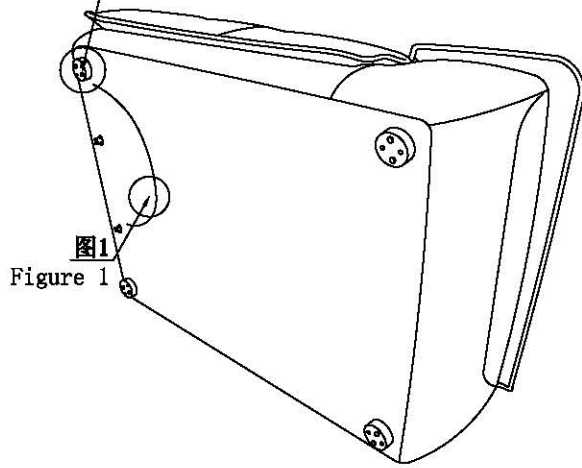


图1: 拉开拉链, 取出配件
Figure 1: Unzip and remove the fitting

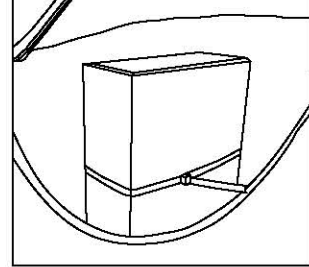
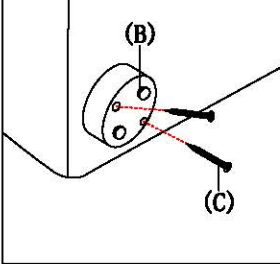


图2: 边脚安装示意图①
Figure 2: Side and foot installation diagram①

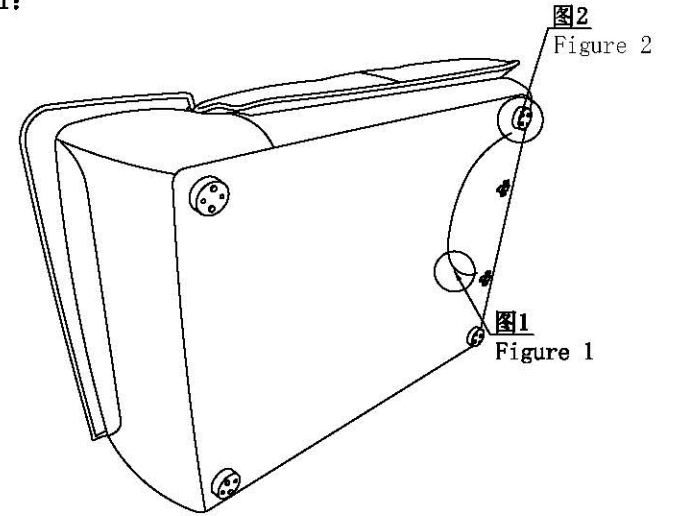
***安装原装脚时, 必须把带钉小胶脚拆除!**
*** When installing the original feet, the small rubber feet with nails must be removed!**

图2: 边脚安装示意图②
Figure 2: Side and foot installation diagram②



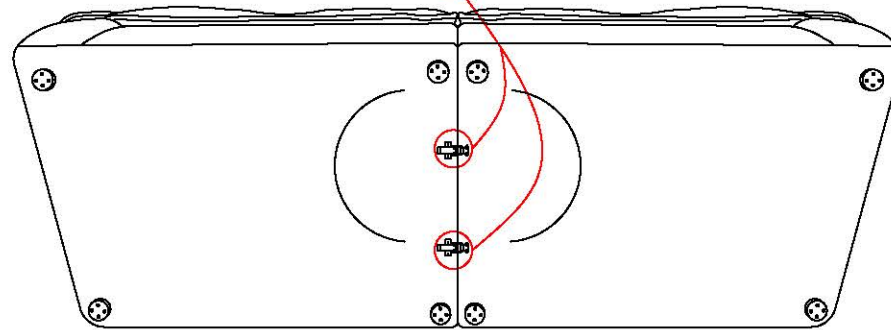
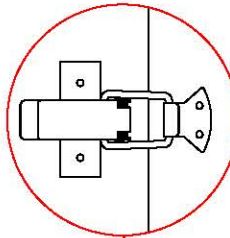
右 双 人 Loveseat (R)

STEP 1:



组 合 Combination

挂扣
Hook

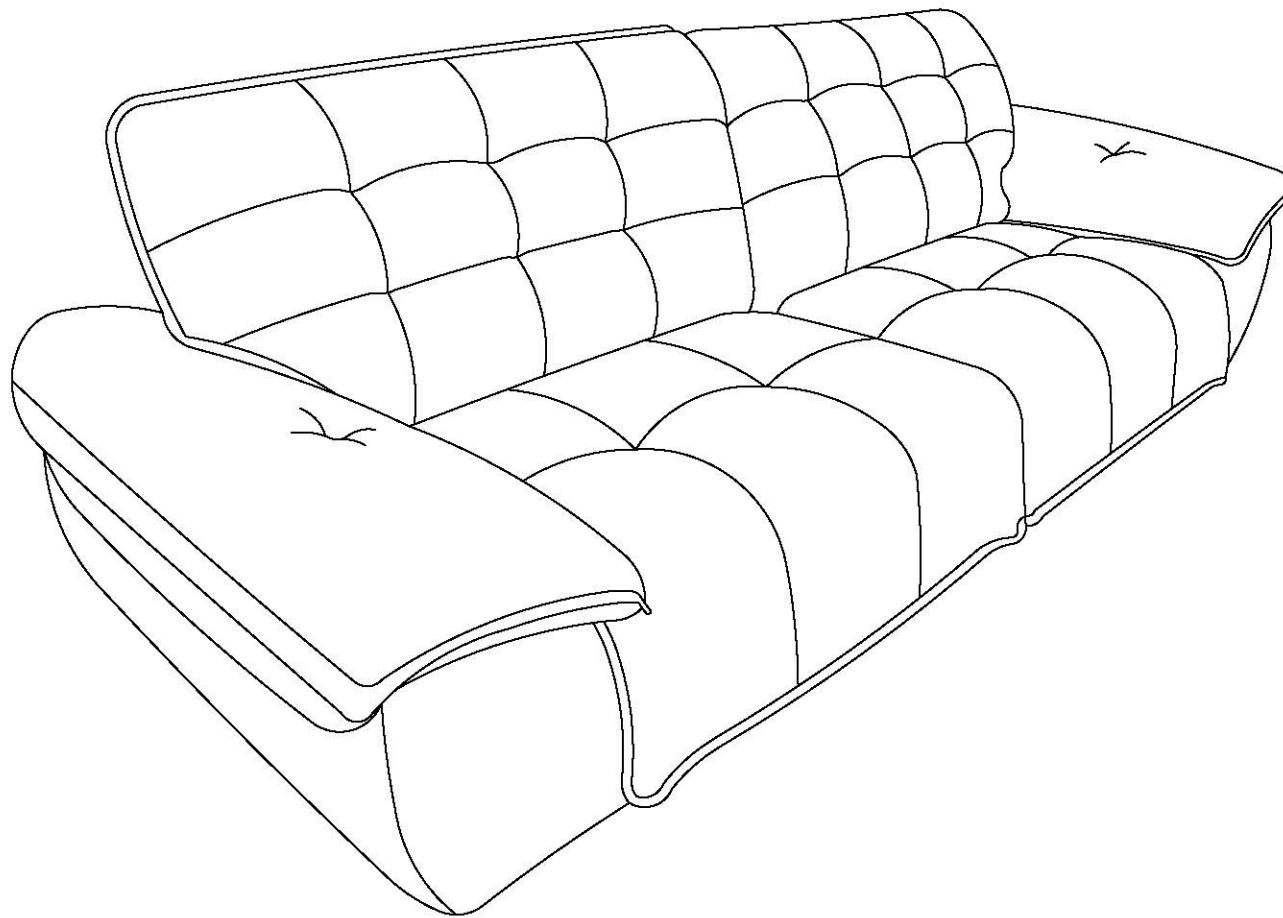


把左双人和右双人靠一起, 锁上座架底的五金扣。
Put the Loveseat (L) and the Loveseat (R) together, and lock the metal buckle at the bottom of the seat frame.

组合图 Combination

3-3

左双人+右双人 Loveseat(L) + Loveseat(R)



注:

1) 安装图图示方向为指示方向, 具体左右摆放方式以实物为准。

The direction shown in the installation diagram is the indicated direction, and the specific left and right placement method is subject to the actual object.

2) 产品安装图中产品规格涵盖了该款式的完整组合件, 详细配套组合件请参考实物。

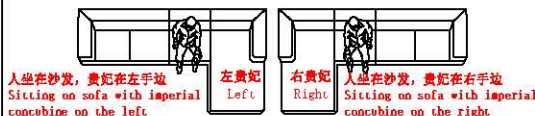
The product specifications in the installation diagram cover the complete assembly of this style. For detailed matching assembly, please refer to the actual product.

LINSY 林氏家居

安装示意图/Assembly Instruction

如何区分沙发的左右方向?
How to zone the left and right direction of the sofa?

(图示仅供分辨方向用/Picture are for orientation only)



安装人数
Installer



充电式手电钻Cordless hand drill

或者Or



十字螺丝刀Phillips screwdriver

客户安装前须知:

Customers need to know before installation:
此安装图为“大左单人+大右单人”的位置关系。
This installation picture is "Big lseat(L)+ Big lseat(R)"

3-1

产品名称 Model NO. BS686-A/B

尺寸规格 Specification 大左单人+大右单人
Big lseat(L)+Big lseat(R)

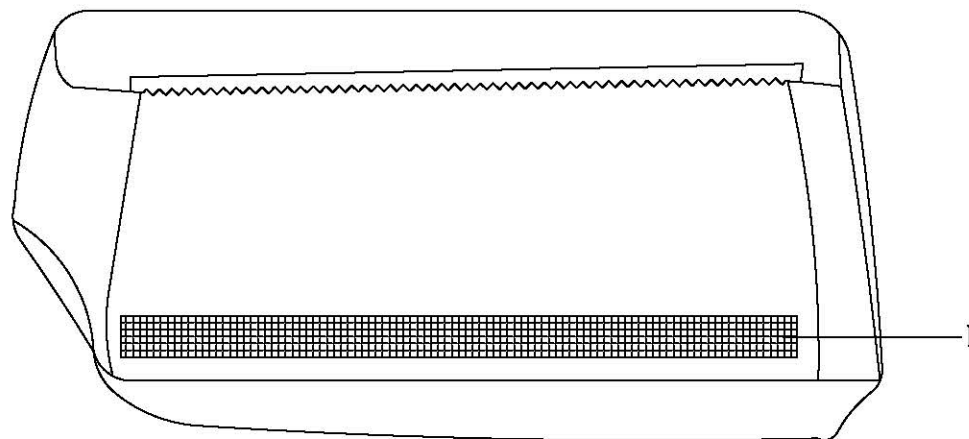
成品部件明细 Product Parts Details	编号 NO.	名称 Name	数量 QTY	材质 Material
	1	大左单人 Big lseat(L)	1	松木+ENF胶合板+海绵+布料 Pine wood + ENF Plywood + Sponge+Cloth
	2	大右单人 Big lseat(R)	1	松木+ENF胶合板+海绵+布料 Pine wood + ENF Plywood + Sponge+Cloth

制图 Draw C20

靠包 1对 Pack 1 pair

配件表 Accessories list

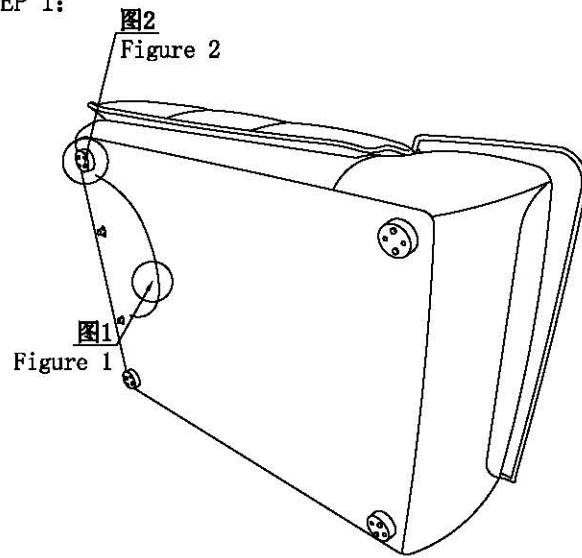
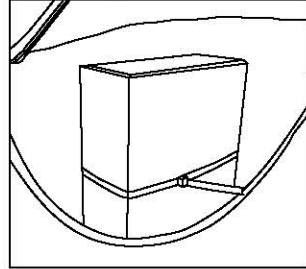
编号NO.	名称 Name	图示 Icon	数量 QTY	大左单人 Big lseat(L)	大右单人 Big lseat(R)
A	说明书(含安装图) Mounting Instruction (with drawing)		1	1	0
B	Ø70*30mm黑色橡胶木脚 Ø70*30mm black rubber wood foot		8	4	4
C	M4*40自攻螺丝 M4*40 self tapping screw		16	8	8
D	4分双勾么术布条60cm 4 points double hook cloth 60cm		2	1	1



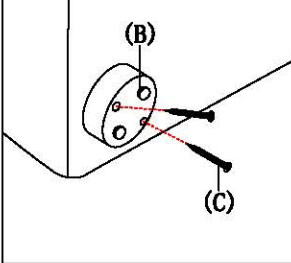
注: 靠包背面要粘贴上4分双勾么术布条60cm
Note: The back of the bag should be pasted with a 4-cent double hook cloth 60cm

大左单人 Big 1seat(L)

STEP 1:

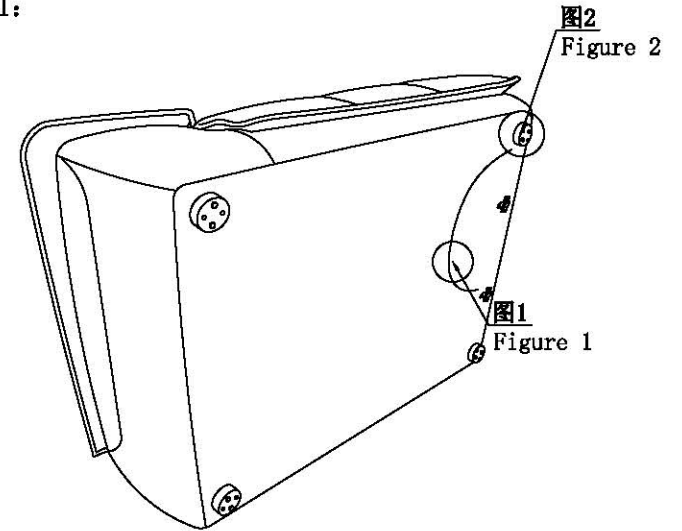
图1: 拉开拉链, 取出配件
Figure 1: Unzip and remove the fitting图2: 边脚安装示意图①
Figure 2: Side and foot installation diagram①

*安装原装脚时, 必须把带钉小胶脚拆除!
* When installing the original feet, the small rubber feet with nails must be removed!

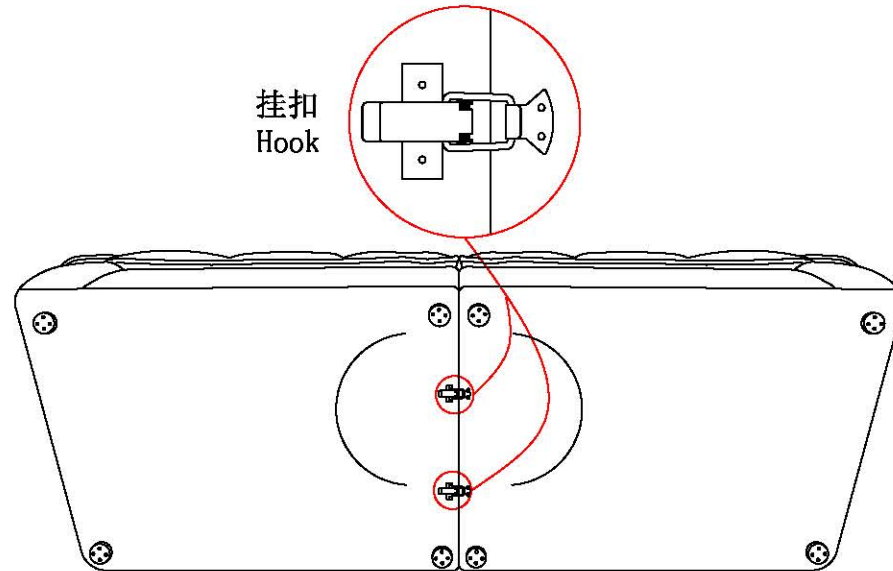
图2: 边脚安装示意图②
Figure 2: Side and foot installation diagram②

大右单人 Big 1seat(R)

STEP 1:



组合 Combination

挂扣
Hook

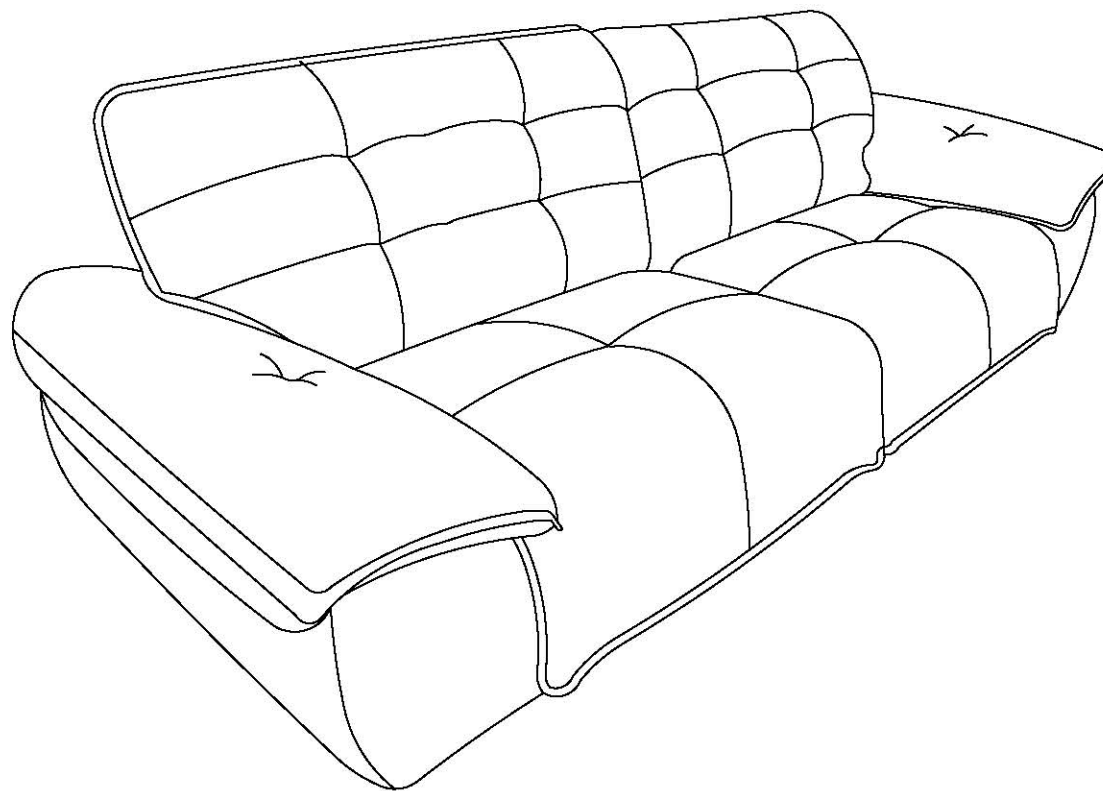
把大左单人和大右单人靠一起, 锁上座架底的五金扣。

Put the Big 1seat(L) and the Big 1seat(R) together, and lock the metal buckle at the bottom of the seat frame.

组合图 Combination

3-3

大左单人+大右单人 Big 1seat(L) + Big 1seat(R)



注:

1) 安装图图示方向为指示方向, 具体左右摆放方式以实物为准。

The direction shown in the installation diagram is the indicated direction, and the specific left and right placement method is subject to the actual object.

2) 产品安装图中产品规格涵盖了该款式的完整组合件, 详细配套组合件请参考实物。

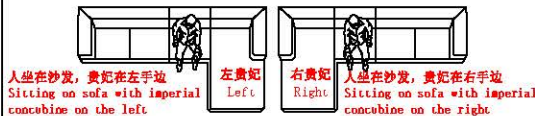
The product specifications in the installation diagram cover the complete assembly of this style. For detailed matching assembly, please refer to the actual product.

LINSY 林氏家居

安装示意图/Assembly Instruction

如何区分沙发的左右方向?
How to zone the left and right direction of the sofa?

(图示仅供分辨方向用/Picture are for orientation only)



安装人数
Installer



充电式手电钻Cordless hand drill

或者Or



十字螺丝刀Phillips screwdriver

客户安装前须知:

3-1
Customers need to know before installation:
此安装图为“大左双人+大右双人”的位置关系。
This installation picture is "Big Loveseat (L)+ Big Loveseat (R)"

产品名称 Model NO. BS686-B

尺寸规格 Specification 大左双人+大右双人
Big Loveseat(L)+ Big Loveseat(R)

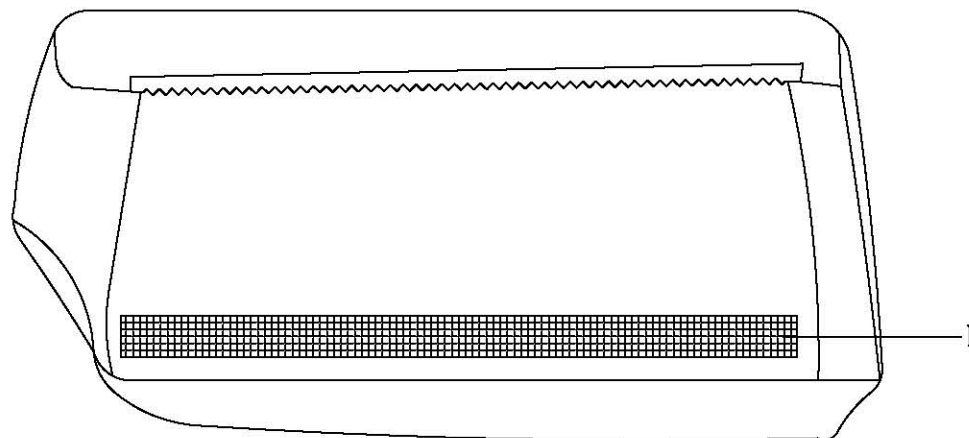
成品部件明细 Product Parts Details	编号 NO.	名称 Name	数量 QTY	材质 Material
	1	大左双人 Big Loveseat(L)	1	松木+ENF胶合板+海绵+布料 Pine wood + ENF Plywood + Sponge+Cloth
	2	大右双人 Big Loveseat(R)	1	松木+ENF胶合板+海绵+布料 Pine wood + ENF Plywood + Sponge+Cloth

制图 Draw C20

靠包 1对 Pack 1 pair

配件表 Accessories list

编号NO.	名称 Name	图示 Icon	数量 QTY	大左双人 Big Loveseat(L)	大右双人 Big Loveseat(R)
A	说明书(含安装图) Mounting Instruction (with drawing)		1	1	0
B	Ø70*30mm黑色橡胶木脚 Ø70*30mm black rubber wood foot		8	4	4
C	M4*40自攻螺丝 M4*40 self tapping screw		16	8	8
D	4分双勾么术布条90cm 4 points double hook cloth 90cm		2	1	1



注: 靠包背面要粘贴上4分双勾么术布条90cm
Note: The back of the bag should be pasted with a 4-cent double hook cloth 90cm

大左双人 Big Loveseat (L)

STEP 1:

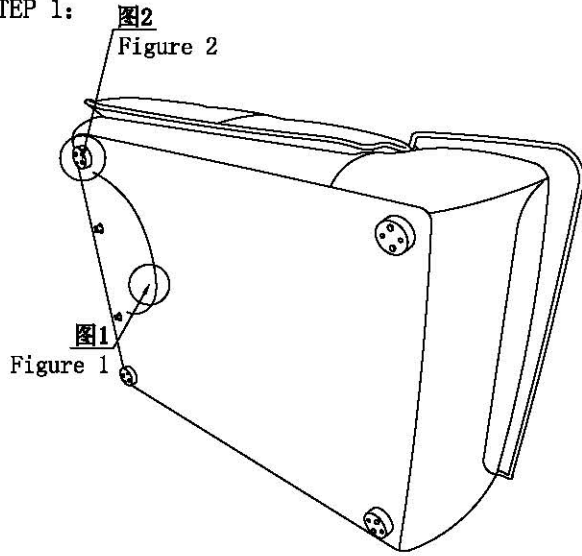


图1: 拉开拉链, 取出配件
Figure 1: Unzip and remove the fitting

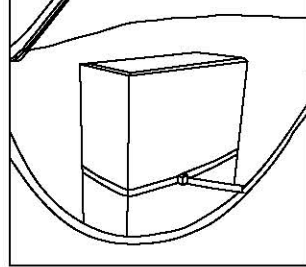
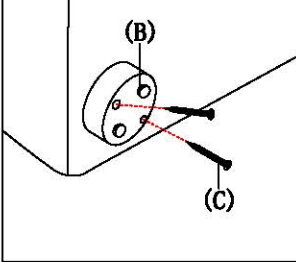


图2: 边脚安装示意图①
Figure 2: Side and foot installation diagram①



图2: 边脚安装示意图②
Figure 2: Side and foot installation diagram②



大右双人 Big Loveseat (R)

STEP 1:

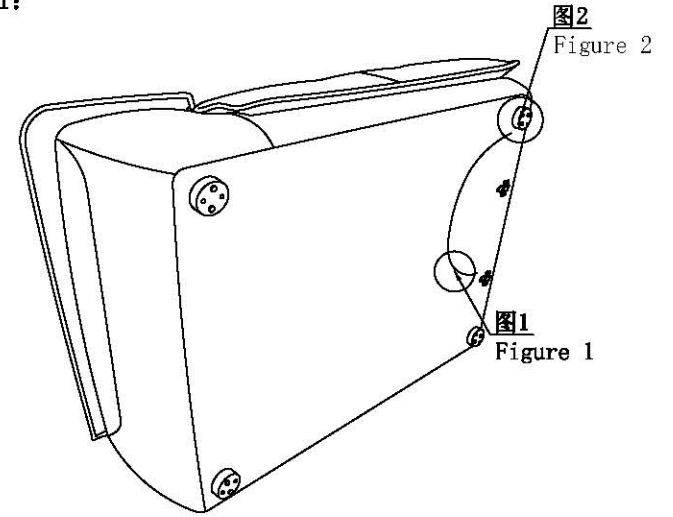
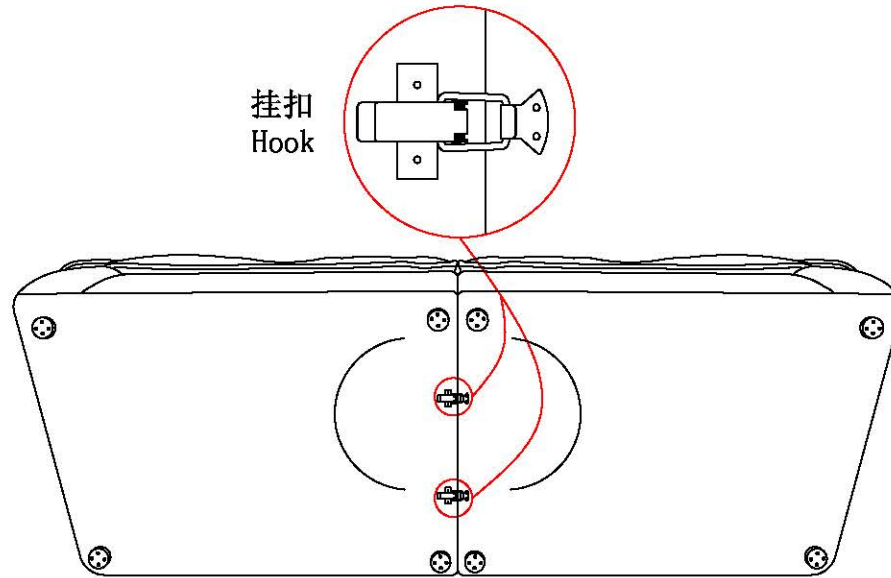


图2
Figure 2

图1
Figure 1

组合 Combination

挂扣
Hook

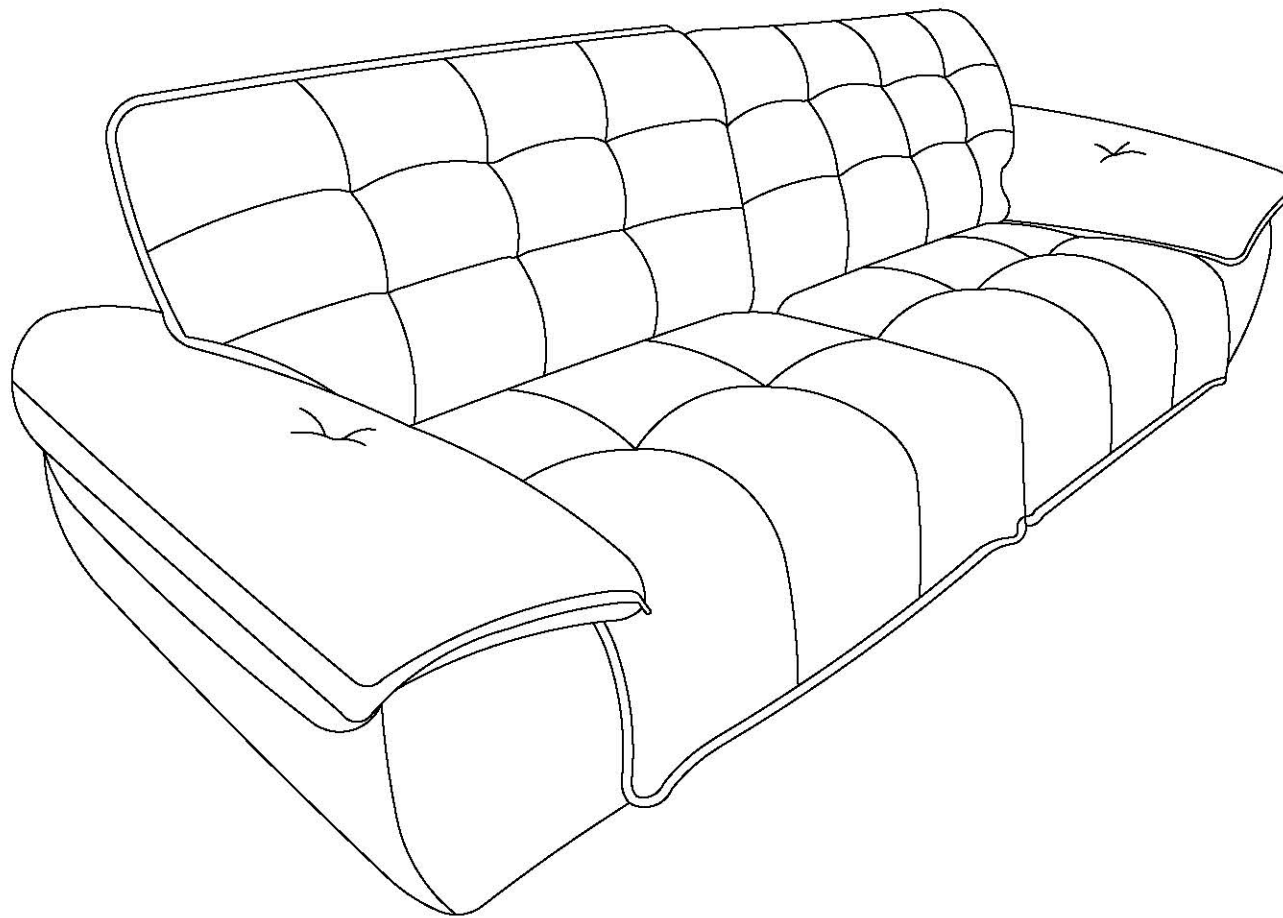


把大左双人和大右双人靠一起, 锁上座架底的五金扣。
Put the Big Loveseat (L) and the Big Loveseat (R) together,
and lock the metal buckle at the bottom of the seat frame.

组合图 Combination

3-3

大左双人+大右双人 Big Loveseat (L) + Big Loveseat (R)



注:

1) 安装图图示方向为指示方向, 具体左右摆放方式以实物为准。

The direction shown in the installation diagram is the indicated direction, and the specific left and right placement method is subject to the actual object.

2) 产品安装图中产品规格涵盖了该款式的完整组合件, 详细配套组合件请参考实物。

The product specifications in the installation diagram cover the complete assembly of this style. For detailed matching assembly, please refer to the actual product.